

RICOH Interactive Whiteboard D7500
(Y307)
Parts Catalog

Parts change information sample

 **Add**

 **Update**

 **Delete**

Model	Product Code	PC Style
RICOH Interactive Whiteboard D7500	Y307	3D
RICOH Interactive Whiteboard Stand Type4 (Box 1/ 2)	Y415	3D
RICOH Interactive Whiteboard Stand Type4 (Box 2/ 2)	Y415	3D
RICOH Interactive Whiteboard Camera Unit Type1	Y414	3D
RICOH Interactive Pen Sensor Kit Type3	Y413	3D
RICOH Interactive Whiteboard Controller Type1	Y406	3D

Unit All



U001
Display



U002
RICOH Interactive Whiteboard Controller Type1



U003
RICOH Interactive Whiteboard Camera Unit Type
1



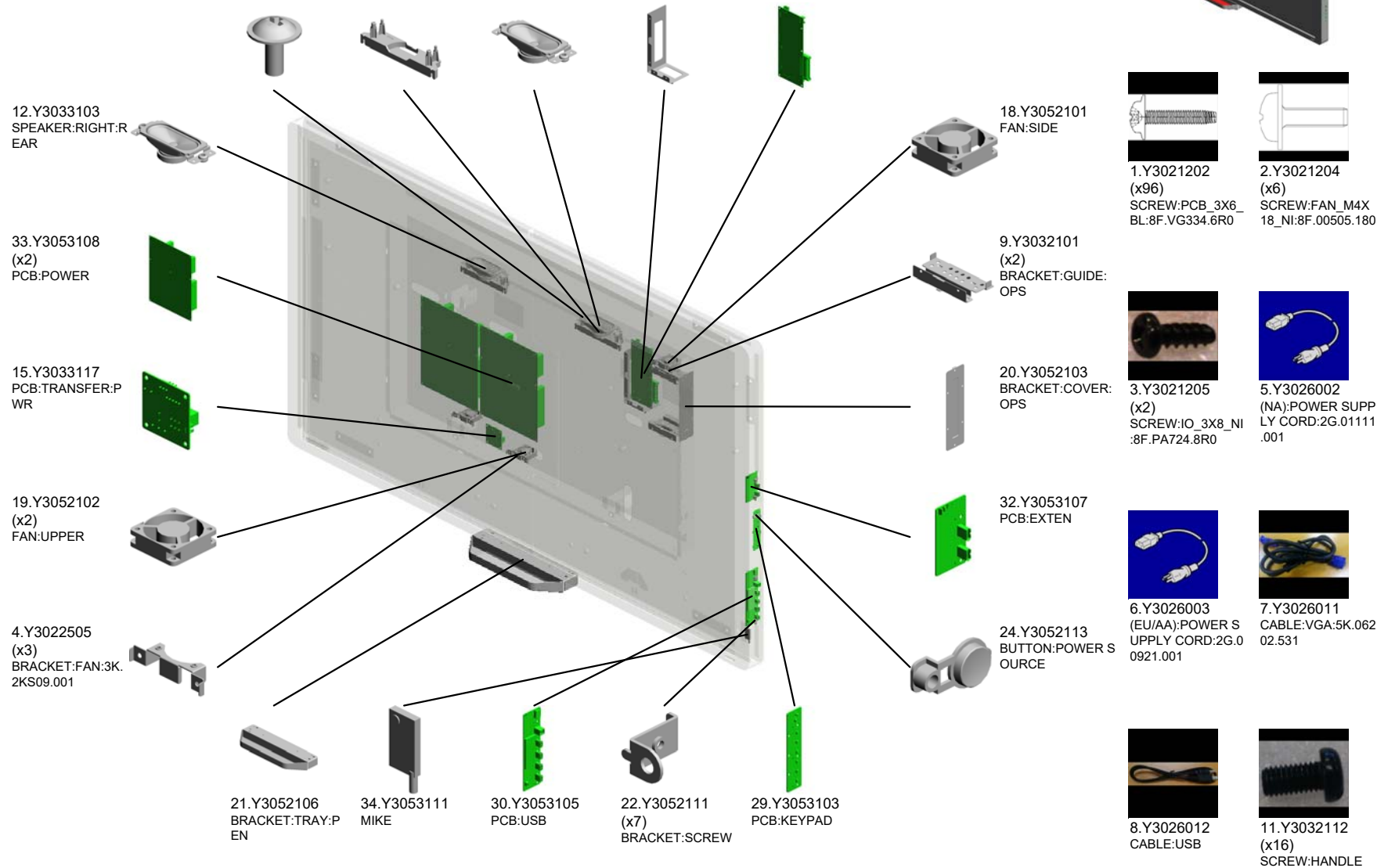
U004
RICOH Interactive Pen Sensor Kit Type3



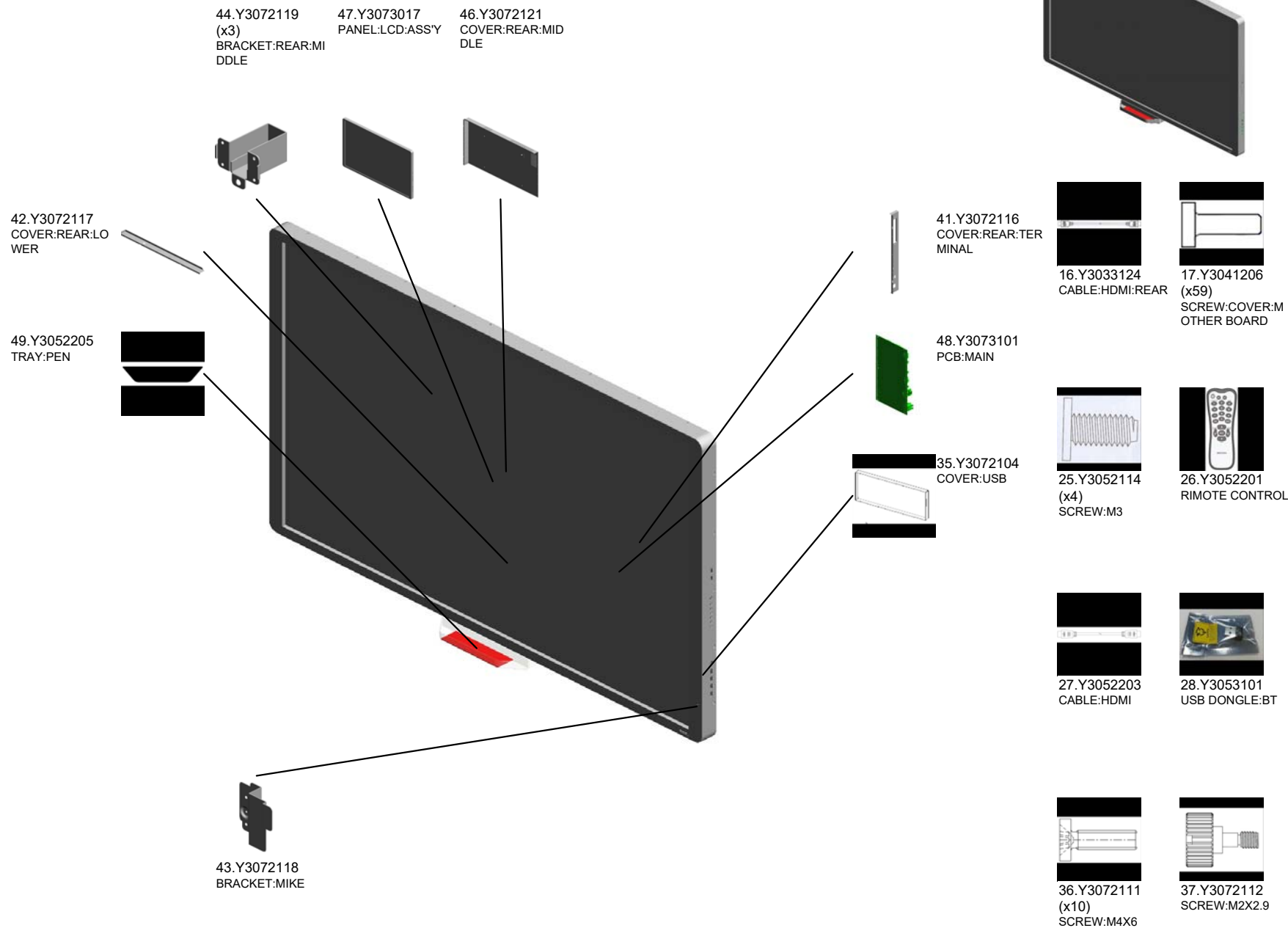
U005
RICOH Interactive Whiteboard Stand Type4

U001 Display

10.Y3032111 (x4) SCREW:SPEAKER
 14.Y3033105 (x2) HOLDER:SPEAKER
 13.Y3033104 SPEAKER:LEFT:RE AR
 23.Y3052112 BRACKET:OPS
 31.Y3053106 PCB:DPS



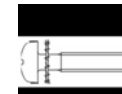
U001 Display



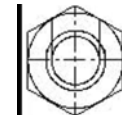
U001
Display



38.Y3072113
(x4)
SCREW:M8X10



39.Y3072114
SCREW:M4X6.NI



40.Y3072115
(x8)
SCREW:4-40



45.Y3072120
PEN:TOUCH:BLAC
K

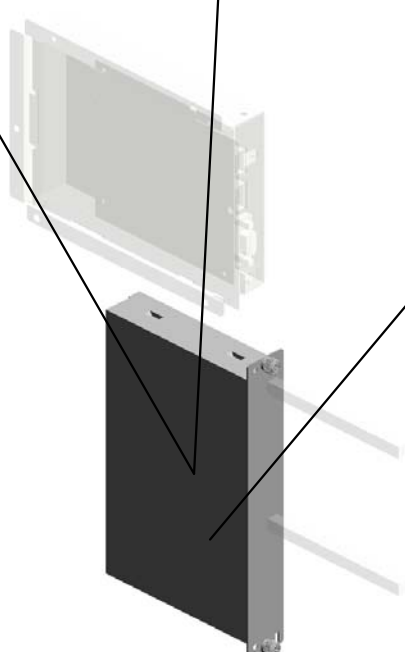
U002.RICOH Interactive Whiteboard Controller Type1

U002_S002
Y4063400
(EU/AA):MODULE:BOX:ASS'Y

U002_S003
Y4063417
(NA):MODULE:BOX:ASS'Y



U002_S001
Y4060100
DRIVE:SSD:OPS:ASS'Y



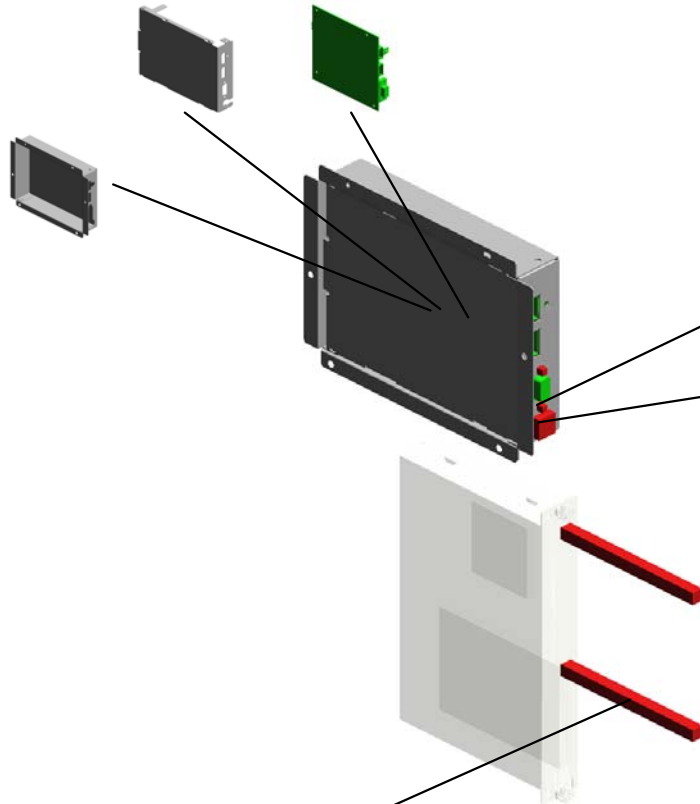
U001	U002	U003	U004	U005
------	------	------	------	------

U002 RICOH Interactive Whiteboard Controller Type1

7.Y4062001
COVER:CAPTURE:
LOWER

4.Y3013600
PCB:CAPTURE2

6.Y4062000
COVER:CAPTURE:
UPPER



3.R0346800
(x2)
STUD:CONNECTO
R:D-SUB:ROHS

12.Y4063700
BUSHING:CABLE:H
EYCO:SR5MN-3

8.Y4063300
CABLE:USB3

9.Y4063305
CABLE:RS232C

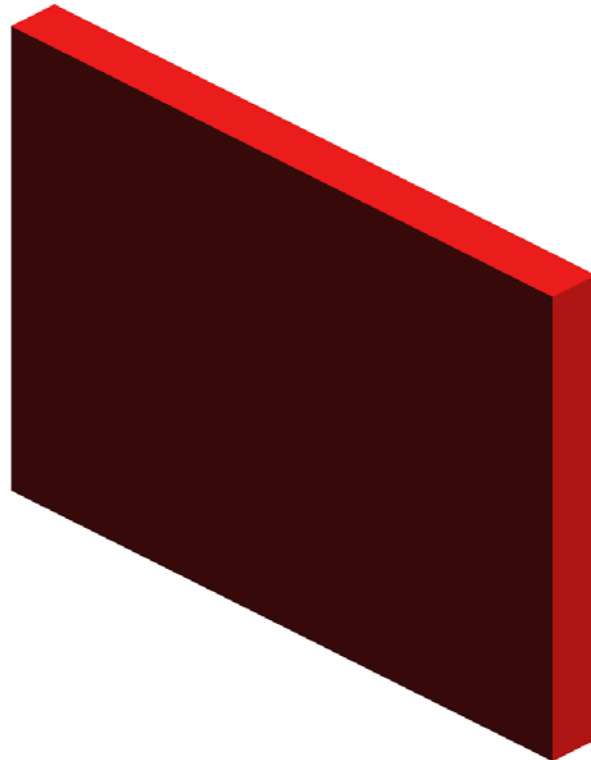
1.03530060P (x 5)
SCREW:M3X6
2.03603006N (x 3)
SCREW - M3X6

13.Y4063950
(x2)
ANTENNA:WIFI:OP
S

U002_S001
DRIVE:SSD:OPS:ASS'Y



5.Y4060100
DRIVE:SSD:OPS:A
SS'Y

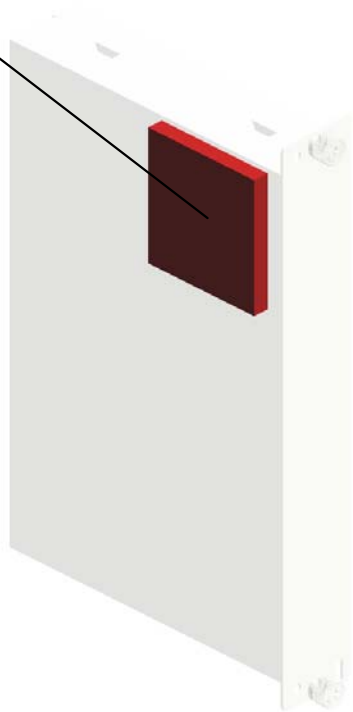


14.Y4063902
(EU:OS FREE/NA:O
S FREE);DRIVE:SS
D:OPS
201710-01

U001	U002	U003	U004	U005
------	------	------	------	------

U002_S002
(EU/AA):MODULE:BOX:ASS'Y

15.Y4063520
FAN:OPS
201801-01

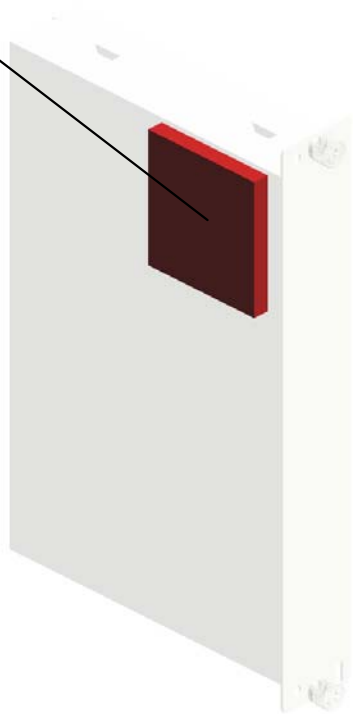


10.Y4063400
(EU/AA):MODULE:B
OX:ASSY

U001	U002	U003	U004	U005
------	------	------	------	------

U002_S003
(NA):MODULE:BOX:ASS'Y

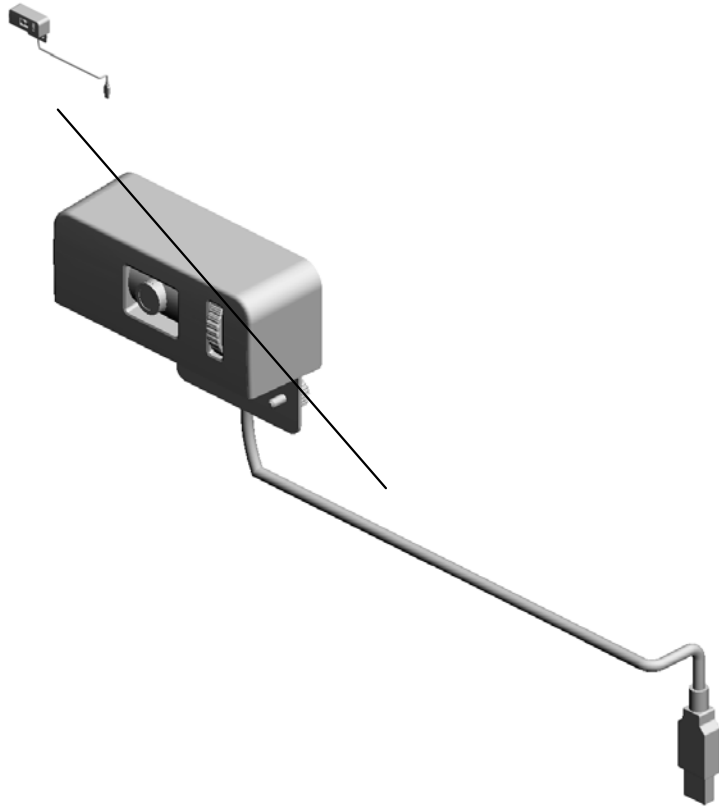
15.Y4063520
FAN:OPS
201801-01



11.Y4063417
(NA):MODULE:BOX
:ASS'Y

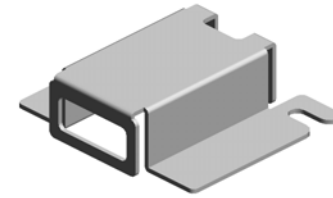
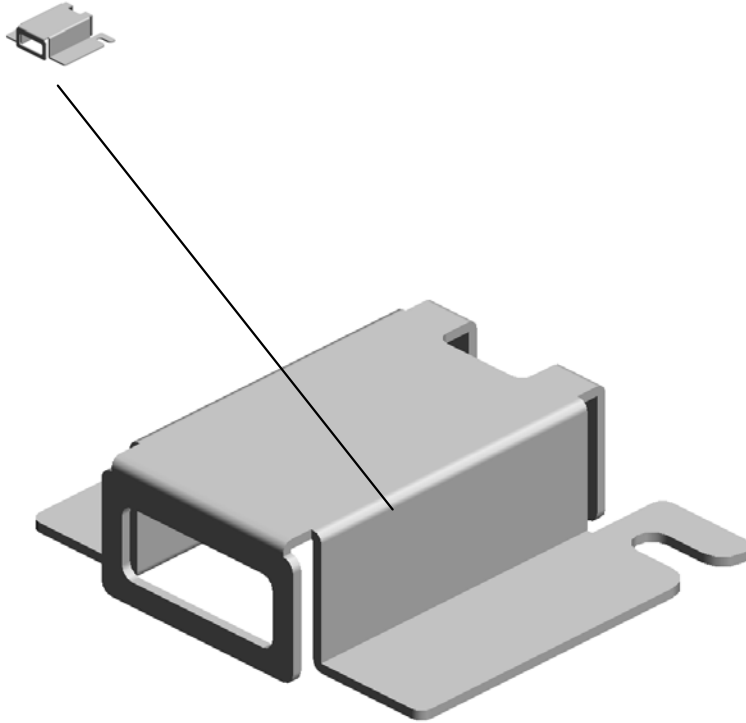
U003
RICOH Interactive Whiteboard Camera Unit Type1

1.Y4143010
CAMERA:OPTION:
ASS'Y

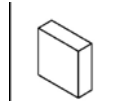


U004 RICOH Interactive Pen Sensor Kit Type3

7.Y4131004
BRACKET:USB DO
NGLE:PEN:TYPE3
201711-01 X/O



2.11050780
(x2)
CLAMP:LWST-1012



3.Y4071501
MAGNETIC:PEN



4.Y4073301
CABLE:USB



6.Y4138517
PEN:ASSY

1.03530060P (x 2)
SCREW:M3X6

U005
RICOH Interactive Whiteboard Stand Type4



1.Y4081270
CASTER:DIA100:S
TOPPER



2.Y4081271
CASTER:DIA100

SPECIAL TOOLS



1.Y3009000
CUSHION:MAINTENANCE

Exclusive Parts

Number	Part Name	Group	ID
R0346800	STUD:CONNECTOR:D-SUB:ROHS	U002	3
Y3009000	CUSHION:MAINTENANCE	SPECIAL TOOLS	1
Y3013600	PCB:CAPTURE2	U002	4
Y3021202	SCREW:PCB_3X6_BL:8F.VG334.6R0	U001	1
Y3021204	SCREW:FAN_M4X18_NI:8F.00505.180	U001	2
Y3021205	SCREW:IO_3X8_NI:8F.PA724.8R0	U001	3
Y3022505	BRACKET:FAN:3K.2KS09.001	U001	4
Y3026002	(NA):POWER SUPPLY CORD:2G.01111.001	U001	5
Y3026003	(EU/AA):POWER SUPPLY CORD:2G.00921.001	U001	6
Y3026011	CABLE:VGA:5K.06202.531	U001	7
Y3026012	CABLE:USB	U001	8
Y3032101	BRACKET:GUIDE:OPS	U001	9
Y3032111	SCREW:SPEAKER	U001	10
Y3032112	SCREW:HANDLE	U001	11
Y3033103	SPEAKER:RIGHT:REAR	U001	12
Y3033104	SPEAKER:LEFT:REAR	U001	13
Y3033105	HOLDER:SPEAKER	U001	14
Y3033117	PCB:TRANSFER:PWR	U001	15
Y3033124	CABLE:HDMI:REAR	U001	16
Y3041206	SCREW:COVER:MOTHER BOARD	U001	17
Y3052101	FAN:SIDE	U001	18
Y3052102	FAN:UPPER	U001	19
Y3052103	BRACKET:COVER:OPS	U001	20
Y3052106	BRACKET:TRAY:PEN	U001	21
Y3052111	BRACKET:SCREW	U001	22
Y3052112	BRACKET:OPS	U001	23
Y3052113	BUTTON:POWER SOURCE	U001	24
Y3052114	SCREW:M3	U001	25
Y3052201	RIMOTE CONTROL	U001	26
Y3052203	CABLE:HDMI	U001	27
Y3052205	TRAY:PEN	U001	49
Y3053101	USB DONGLE:BT	U001	28
Y3053103	PCB:KEYPAD	U001	29
Y3053105	PCB:USB	U001	30

Number	Part Name	Group	ID
Y3053106	PCB:DPS	U001	31
Y3053107	PCB:EXTEN	U001	32
Y3053108	PCB:POWER	U001	33
Y3053111	MIKE	U001	34
Y3072104	COVER:USB	U001	35
Y3072111	SCREW:M4X6	U001	36
Y3072112	SCREW:M2X2.9	U001	37
Y3072113	SCREW:M8X10	U001	38
Y3072114	SCREW:M4X6:NI	U001	39
Y3072115	SCREW:4-40	U001	40
Y3072116	COVER:REAR:TERMINAL	U001	41
Y3072117	COVER:REAR:LOWER	U001	42
Y3072118	BRACKET:MIKE	U001	43
Y3072119	BRACKET:REAR:MIDDLE	U001	44
Y3072120	PEN:TOUCH:BLACK	U001	45
Y3072121	COVER:REAR:MIDDLE	U001	46
Y3073017	PANEL:LCD:ASS'Y	U001	47
Y3073101	PCB:MAIN	U001	48
Y4060100	DRIVE:SSD:OPS:ASS'Y	U002_S001	5
Y4062000	COVER:CAPTURE:UPPER	U002	6
Y4062001	COVER:CAPTURE:LOWER	U002	7
Y4063300	CABLE:USB3	U002	8
Y4063305	CABLE:RS232C	U002	9
Y4063400	(EU/AA):MODULE:BOX:ASS'Y	U002_S002	10
Y4063417	(NA):MODULE:BOX:ASS'Y	U002_S003	11
Y4063520	FAN:OPS	U002_S002	15
		U002_S003	15
Y4063700	BUSHING:CABLE:HEYCO:SR5MN-3	U002	12
Y4063902	(EU:OS FREE/NA:OS FREE):DRIVE:SSD:OPS	U002_S001	14
Y4063950	ANTENNA:WIFI:OPS	U002	13
Y4071501	MAGNETIC:PEN	U004	3
Y4073301	CABLE:USB	U004	4
Y4081270	CASTER:DIA100:STOPPER	U005	1
Y4081271	CASTER:DIA100	U005	2
Y4131004	BRACKET:USB DONGLE:PEN:TYP E3	U004	7

Exclusive Parts

Number	Part Name	Group	ID
Y4138517	PEN:ASS'Y	U004	6
Y4143010	CAMERA:OPTION:ASS'Y	U003	1

Standard Parts



03530060P
SCREW:M3X6



03603006N
SCREW - M3X6



11050780
CLAMP:LWST-1012

Design Change List

Number	Title	Set	Old Part		New Part		Index No.		Q'ty	Interchg		Reason	Cut-in S/N
			P/N	Name	P/N	Name	Group	ID		Indiv.	Set		
201801-01	1801 Modification	-			Y4063520	FAN:OPS	U002_S002	15	1				
					Y4063520	FAN:OPS	U002_S003	15					
201711-01	1711 Modification	-	Y4131003	BRACKET:USB	Y4131004	BRACKET:USB D ONGLE:PEN:TYP E3	U004	7	1	X/O			
201710-01	1710 Modification	-			Y4063902	(EU:OS FREE/NA :OS FREE):DRIV E:SSD:OPS	U002_S001	14	1				

