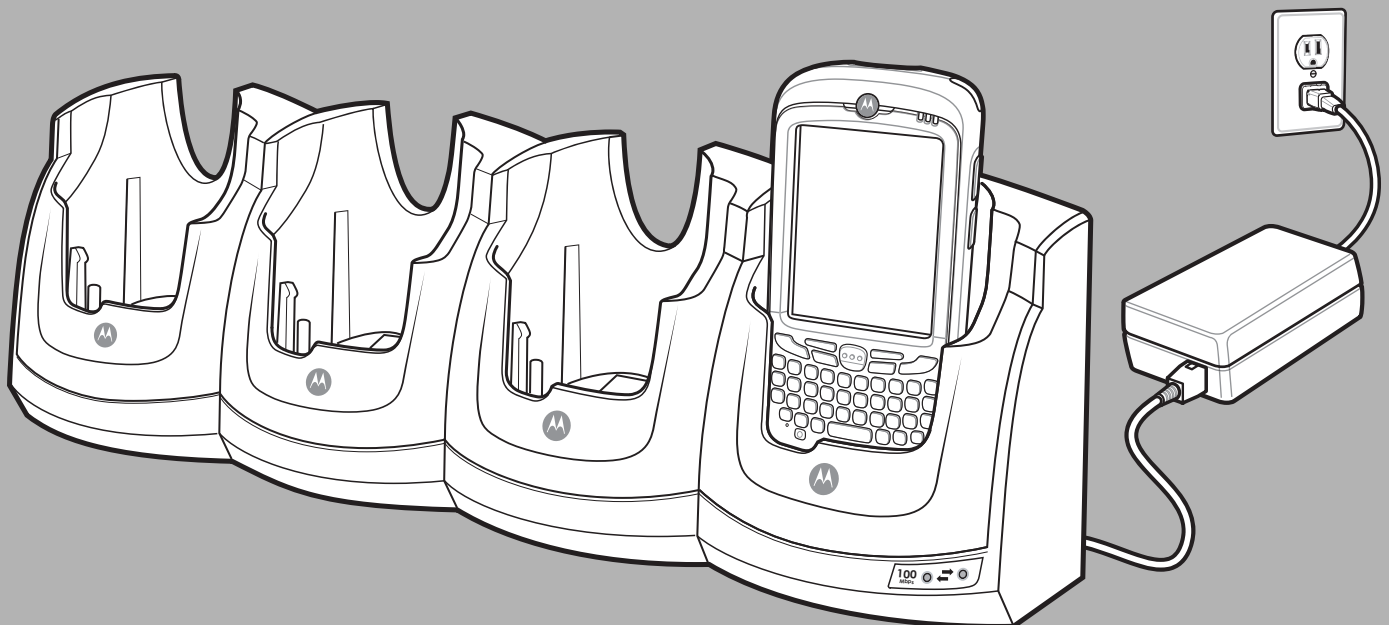


MC55A0 MC55N0 ENTERPRISE DIGITAL ASSISTANT INTEGRATOR GUIDE



MC55A0
MC55N0
ENTERPRISE DIGITAL ASSISTANT
INTEGRATOR GUIDE

72E-148114-01

Rev. A

August 2011

© 2011 by Motorola Solutions, Inc. All rights reserved.

No part of this publication may be reproduced or used in any form, or by any electrical or mechanical means, without permission in writing from Motorola. This includes electronic or mechanical means, such as photocopying, recording, or information storage and retrieval systems. The material in this manual is subject to change without notice.

The software is provided strictly on an “as is” basis. All software, including firmware, furnished to the user is on a licensed basis. Motorola grants to the user a non-transferable and non-exclusive license to use each software or firmware program delivered hereunder (licensed program). Except as noted below, such license may not be assigned, sublicensed, or otherwise transferred by the user without prior written consent of Motorola. No right to copy a licensed program in whole or in part is granted, except as permitted under copyright law. The user shall not modify, merge, or incorporate any form or portion of a licensed program with other program material, create a derivative work from a licensed program, or use a licensed program in a network without written permission from Motorola. The user agrees to maintain Motorola’s copyright notice on the licensed programs delivered hereunder, and to include the same on any authorized copies it makes, in whole or in part. The user agrees not to decompile, disassemble, decode, or reverse engineer any licensed program delivered to the user or any portion thereof.

Motorola reserves the right to make changes to any software or product to improve reliability, function, or design.

Motorola does not assume any product liability arising out of, or in connection with, the application or use of any product, circuit, or application described herein.

No license is granted, either expressly or by implication, estoppel, or otherwise under any Motorola, Inc., intellectual property rights. An implied license only exists for equipment, circuits, and subsystems contained in Motorola products.

Revision History

Changes to the original manual are listed below:

Change	Date	Description
-01 Rev. A	8/2011	Initial release.

TABLE OF CONTENTS

Revision History	iv
------------------------	----

About This Guide

Introduction	xiii
Documentation Set	xiii
Configurations	xiv
Software Versions	xiv
Chapter Descriptions	xv
Notational Conventions	xvi
Related Documents	xvi
Service Information	xvii

Chapter 1: Getting Started

Introduction	1-1
Unpacking the MC55	1-1
Getting Started	1-1
Installing a microSD Card (MC55A0)	1-2
Installing a microSD Card (MC55N0)	1-3
Installing the Battery	1-4
Charging the Battery	1-4
Charging the Main Battery	1-4
Charging Spare Batteries	1-5
Charging Temperature	1-5
Powering On the MC55	1-5
Calibrating the Screen	1-6
Resetting the MC55	1-6
Performing a Warm Boot	1-6
Performing a Cold Boot	1-6
Performing a Clean Boot	1-7
Waking the MC55	1-7

Chapter 2: Accessories

Introduction	2-1
Single Slot USB Cradle	2-3
Setup	2-3
Charging the MC55 Battery	2-3
Charging the Spare Battery	2-4
Battery Charging Indicators	2-5
Charging Temperature	2-5
Single Slot Ethernet/Modem/USB Cradle	2-6
Required Software	2-6
MC55 with OEM Version 01.35.001 and Above	2-6
Country Settings	2-6
Setup	2-7
Indicators	2-7
MC55 Software Setup	2-8
Ethernet Setup	2-8
Modem Setup	2-8
Four Slot Ethernet Cradle	2-10
Setup	2-10
Daisy chaining Ethernet Cradles	2-10
Ethernet Cradle Drivers	2-11
Charging and Communication	2-12
LED Charging Indicators	2-12
Charge LED	2-12
Speed LED	2-13
Link LED	2-13
Charging Temperature	2-13
Four Slot Charge Only Cradle	2-14
Setup	2-14
Charging Temperature	2-14
Wall Mount Bracket	2-15
VCD5500 Vehicle Cradle	2-17
Requirements	2-17
Connector Pin-Outs	2-17
Mounting the Cradle	2-17
Power Connection	2-18
Charging the MC55 Battery	2-20
Removing the MC55	2-20
Battery Charging Indicators	2-21
Charging Temperature	2-21
Four Slot Battery Charger	2-22
Spare Battery Charging	2-22
Battery Charging Indicators	2-22
Charging Temperature	2-22
Cables	2-23
USB Charging Cable	2-23
Charge Only Cable	2-24
Auto Charge Cable	2-24
Connecting to the MC55	2-24
Battery Charging Indicators	2-25
Charging Temperature	2-25

Vehicle Holder	2-26
Installation Reminders	2-26
Device Mounting Precautions	2-26
Installation	2-26
Assembly	2-27
Windshield Installation	2-27
Flat Surface Installation	2-28
Trigger Handle	2-30
Inserting the MC55 into the Trigger Handle	2-30
Removing the MC55	2-30
Scanning	2-30
Charging and Communication	2-31
Using the Serial Charging/Communication Cable	2-31
Using a Cradle	2-32

Chapter 3: Synchronization

Introduction	3-1
Installing the Sync Software	3-1
MC55 Setup	3-1
Setting Up a Sync Connection	3-2
ActiveSync	3-2
Windows Mobile Device Center	3-3
Synchronization With a Windows Mobile 6.5 Device	3-3

Chapter 4: Application Deployment

Introduction	4-1
Security	4-1
Application Security	4-1
Digital Signatures	4-1
Locking Down a Mobile Computer	4-2
Installing Certificates	4-3
Device Management Security	4-3
Remote API Security	4-3
Packaging	4-4
Deployment	4-4
Installation Using ActiveSync	4-4
Installation Using Storage Card	4-4
Installation Using USB Connection	4-5
Installation Using AirBEAM	4-5
Mobility Services Platform	4-6
Update Loader Image	4-6
Download Update Loader Package	4-6
ActiveSync	4-6
microSD Card	4-6
Creating a Splash Screen	4-7
XML Provisioning	4-7
Creating an XML Provisioning File	4-8
XML Provisioning vs. RegMerge and Copy File	4-8
RegMerge	4-8

CopyFiles	4-9
Storage	4-9
Random Access Memory	4-10
Volatile File Storage (Cache Disk)	4-10
Persistent Storage	4-10
Application Folder	4-10
Enterprise Mobility Developer Kits	4-10

Chapter 5: Wireless Applications

Introduction	5-1
Signal Strength Icon	5-2
Turning the WLAN Radio On and Off	5-3

Chapter 6: Maintenance & Troubleshooting

Introduction	6-1
Maintaining the MC55	6-1
Battery Safety Guidelines	6-2
Cleaning	6-3
Approved Cleanser Active Ingredients	6-3
Harmful Ingredients	6-3
Cleaning Instructions	6-3
Special Cleaning Notes	6-3
Materials Required	6-3
Cleaning the MC55	6-4
Housing	6-4
Display	6-4
Scanner Exit Window	6-4
Connector	6-4
Cleaning Cradle Connectors	6-4
Cleaning Frequency	6-5
Troubleshooting	6-5
MC55	6-5
Single Slot USB Cradle	6-8
Four Slot Ethernet Cradle	6-9
Vehicle Cradle	6-10
Four Slot Spare Battery Charger	6-10
Cables	6-11
Trigger Handle	6-11

Appendix A: Technical Specifications

MC55 Technical Specifications	A-1
Decode Zones	A-5
SE960 Standard Range Laser Decode Zones	A-5
SE4500 Standard Range Imager Decode Zones	A-7
SE4500-SR	A-7
SE4500-DL	A-8
SE4500-HD	A-11
MC55 External Connector Pin-Outs	A-13

MC55 Accessory Specifications	A-14
Single Slot USB Cradle	A-14
Four Slot Battery Charger Cradle	A-14
Four Slot Charge Only Cradle	A-15
Four Slot Ethernet Cradle	A-15
Vehicle Cradle	A-16
Magstripe Reader	A-17
Cables	A-17

Appendix B: Special Software Configuration

Battery Usage Threshold Setting	B-1
Registry Setting	B-1
Bluetooth Configuration Setting	B-2

Glossary

Index

ABOUT THIS GUIDE

Introduction

This *Integrator Guide* provides information about setting up and configuring the MC55A0 and the MC55N0 and its accessories.



NOTE Screens and windows pictured in this guide are samples and can differ from actual screens.

Documentation Set

The documentation for the MC55A0/N0 is divided into guides that provide information for specific user needs.

- **MC55A0/N0 Quick Start Guide** - describes how to get the MC55 up and running.
- **MC55A0/N0 User Guide** - describes how to use the MC55.
- **MC55A0/N0 Integrator Guide** - describes how to set up the MC55 and its accessories.
- **Microsoft Applications for Windows Mobile 6 User Guide** - describes how to use Microsoft developed applications.
- **Application Guide for Motorola Enterprise Mobility Devices** - describes how to use Enterprise Mobility developed sample applications.
- **Enterprise Mobility Developer Kit (EMDK) Help File** - provides API information for writing applications.

Configurations

This guide covers the following configurations:

Configuration	Radios	Display	Memory	Data Capture Options	Operating System	Keypads
MC55A0	WLAN: 802.11a/b/g WPAN: Bluetooth v2.0 EDR	3.5" VGA Color	256 MB RAM/ 1 GB Flash	1D laser scanner, 2D imager, 1D laser scanner and camera or 2D imager and camera	Windows Mobile 6.5.X Classic	Numeric, QWERTY, QWERTZ, AZWERTY or PIM
MC55A0-HC	WLAN: 802.11a/b/g WPAN: Bluetooth v2.0 EDR	3.5" VGA Color	256 MB RAM/ 1 GB Flash	2D imager (SE4500-DL only) or 2D imager (SE4500-DL only) and camera	Windows Mobile 6.5.3 Classic	Numeric, QWERTY
MC55N0	WLAN: 802.11a/b/g/n WPAN: Bluetooth v2.0 EDR	3.5" VGA Color	256 MB RAM/ 1 GB Flash	1D laser scanner, 2D imager, 1D laser scanner and camera or 2D imager and camera	Windows Mobile 6.5.3 Classic	Numeric, QWERTY, QWERTZ, AZWERTY or PIM (with future configuratio ns)

Software Versions

This guide covers various software configurations and references are made to operating system or software versions for:

- Adaptation Kit Update (AKU) version
- OEM version
- Phone version
- BTExplorer version
- Fusion version.

AKU Version

To determine the Adaptation Kit Update (AKU) version:

Tap **Start** > **Settings** > **System** tab > **About** icon > **Version** tab.

The second line lists the operating system version and the build number. The last part of the build number represents the AKU number. For example, *Build 20963.1.5.2* indicates that the device is running AKU version 1.5.2.

OEM Version

To determine the OEM software version:

Tap **Start** > **Settings** > **System** tab > **System Info** icon > **System** tab.

BTEplorer Software

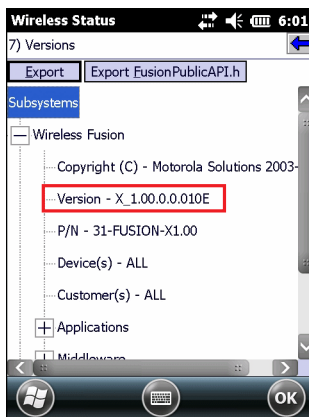
To determine the BTEplorer software version tap **Start** > **BTEplorer** > **Show BTEplorer** > **File** > **About** to view version information.



Fusion Software

To determine the Fusion software version:

Tap **Wireless Strength** icon > **Wireless Status** > **Versions**.



Chapter Descriptions

Topics covered in this guide are as follows:

- *Chapter 1, Getting Started* provides information on MC55 configurations and accessories, charging the battery, and resetting the device.
- *Chapter 2, Accessories* describes the accessories available for the MC55 and how to set up power connections and battery charging capabilities, where applicable.
- *Chapter 3, Synchronization* provides instructions on installing synchronization software and setting up a partnership between the MC55 and a host computer.
- *Chapter 4, Application Deployment* provides information for provisioning and deploying applications to the MC55.
- *Chapter 5, Wireless Applications* describes how to configure the wireless LAN connection.
- *Chapter 6, Maintenance & Troubleshooting* includes instructions on cleaning and storing the MC55, and provides troubleshooting solutions for potential problems during MC55 operation.
- *Appendix A, Technical Specifications* includes tables listing the technical specifications for the MC55 and its accessories.
- *Appendix B, Special Software Configuration* includes registry settings required for configuring the battery threshold and Bluetooth stack.

Notational Conventions

The following conventions are used in this document:

- EDA and MC55 refers to Motorola MC55A0 and MC55N0 hand-held computers.
- *Italics* are used to highlight the following:
 - chapters and sections in this and related documents
 - dialog box, window, and screen names
 - drop-down list and list box names
 - check box and radio button names
 - icons on a screen.
- **Bold** text is used to highlight the following:
 - key names on a keypad
 - button names on a screen.
- Bullets (•) indicate:
 - action items
 - lists of alternatives
 - lists of required steps that are not necessarily sequential.
- Sequential lists (e.g., those that describe step-by-step procedures) appear as numbered lists.

Related Documents

- *MC55A0/MC55N0 Quick Start Guide*, p/n 72-148111-xx.
- *MC55A0/MC55N0 Regulatory Guide*, p/n 72-148112-xx.
- *MC55A0/MC55N0 User Guide*, p/n 72E-148113-xx.

- *Mobility Services Platform 3.2 User Guide*, p/n 72E-100158-xx.
- *AirBEAM Smart Windows CE Client Product Reference Guide*, p/n 72-63060-01.
- *Wireless Fusion Enterprise Mobility Suite User Guide for Version 2.61*, p/n 72E-113153-02.
- *Microsoft® Applications for Windows Mobile 6 User Guide*, p/n 72E-108299-xx.
- *Application Guide for Motorola Enterprise Mobility Devices*, p/n 72E-68901-xx.
- *Enterprise Mobility Developer Kits (EMDKs)*, available at:
- Latest ActiveSync software, available at: <http://www.microsoft.com>.

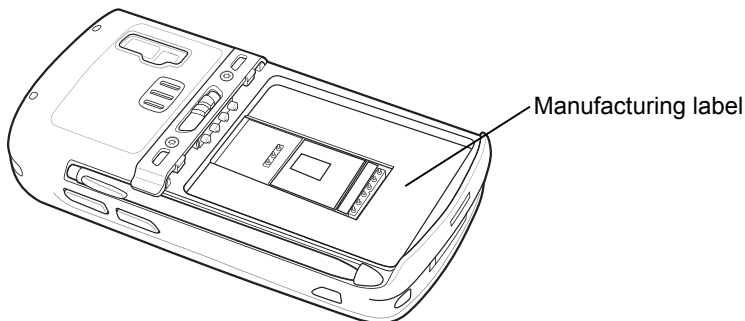
For the latest version of this guide and all guides, go to: <http://supportcentral.motorola.com>.

Service Information

If you have a problem with your equipment, contact Motorola Enterprise Mobility support for your region. Contact information is available at: <http://www.motorola.com/enterprisemobility/contactsupport>.

When contacting Enterprise Mobility support, please have the following information available:

- Serial number of the unit (found on manufacturing label)
- Model number or product name (found on manufacturing label)
- Software type and version number.



Motorola responds to calls by e-mail, telephone or fax within the time limits set forth in support agreements.

If your problem cannot be solved by Motorola Enterprise Mobility Support, you may need to return your equipment for servicing and will be given specific directions. Motorola is not responsible for any damages incurred during shipment if the approved shipping container is not used. Shipping the units improperly can possibly void the warranty.

If you purchased your Enterprise Mobility business product from a Motorola business partner, contact that business partner for support.

CHAPTER 1 GETTING STARTED

Introduction

This chapter provides information about the MC55, charging, and resetting the MC55.

Unpacking the MC55

Carefully remove all protective material from the MC55 and save the shipping container for later storage and shipping. Verify that you received the following equipment:

- MC55
- Lithium-ion battery
- Tethered stylus
- Screen protector, installed on display window
- Regulatory Guide
- Quick Start Guide.

Inspect the equipment. If any equipment is missing or damaged, contact the Motorola Enterprise Mobility support immediately. See *Service Information on page xvii* for contact information.

Prior to using the MC55 for the first time, remove the protective shipping film that covers the scan window, display and camera window.

Getting Started

To start using the MC55 for the first time:

- Install a microSD card (optional)
- Install the main battery.
- Charge the MC55.

- Power on the MC55.

Installing a microSD Card (MC55A0)

The microSD card slot provides secondary non-volatile storage. The slot is located under the battery pack. Refer to the documentation provided with the card for more information, and follow the manufacturer's recommendations for use.

To install the microSD card:

1. Lift rubber access door.
2. Slide the SIM card holder door up to unlock.
3. Lift SIM card holder door.

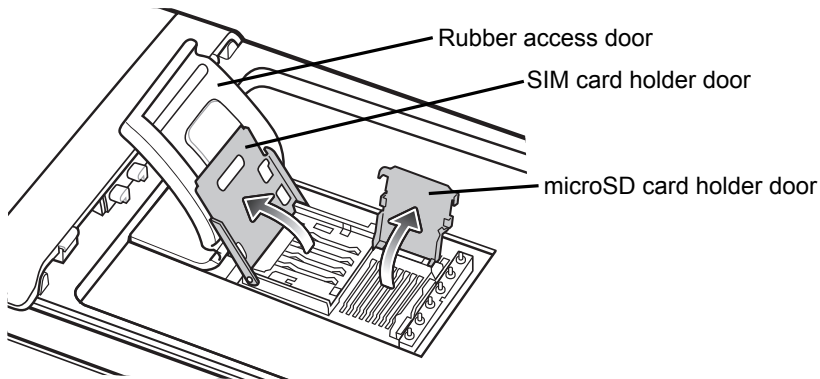


Figure 1-1 Lift SIM Slot Holder Door

4. Lift microSD card holder door.
5. Insert the microSD card into card holder door ensuring that the card slides into the holding tabs on each side of the door.

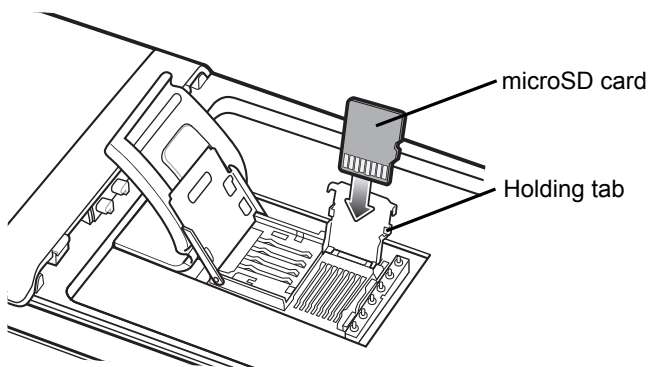


Figure 1-2 Insert microSD Card in Holder

6. Close the card holder door and push down until it is securely in place.
7. Close SIM card holder door and slide down to lock into place.
8. Close rubber access door.

Installing a microSD Card (MC55N0)

The microSD card slot provides secondary non-volatile storage. The slot is located under the battery. Refer to the documentation provided with the card for more information, and follow the manufacturer's recommendations for use.



CAUTION Follow proper ESD precautions to avoid damaging the SD card. Proper ESD precautions include, but are not limited to, working on an ESD mat and ensuring that the operator is properly grounded.

To install the microSD card:

1. Lift rubber access door.

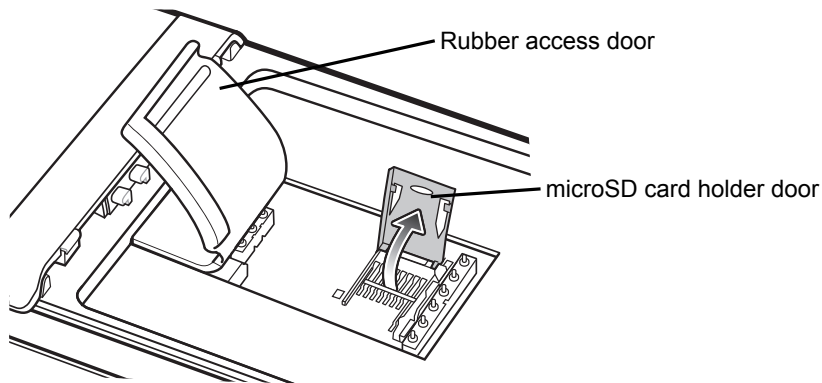


Figure 1-3 Lift SIM Slot Holder Door

2. Slide the microSD card holder door to the right to unlock.
3. Lift microSD card holder door.
4. Insert the microSD card into card holder door ensuring that the card slides into the holding tabs on each side of the door.

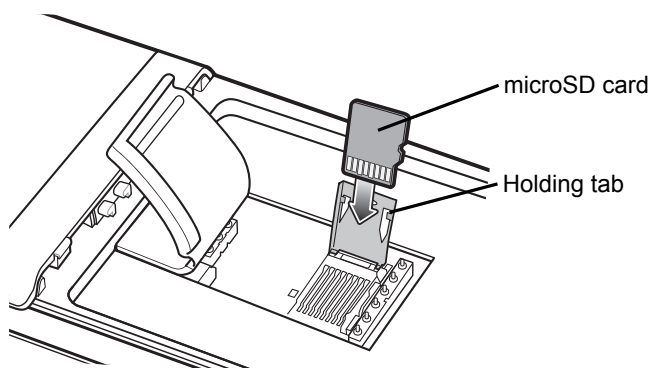


Figure 1-4 Insert microSD Card in Holder

5. Close the card holder door.
6. Slide to the left to lock into place.
7. Close rubber access door.

Installing the Battery

- ✓ **NOTE** The MC55 ships with either a 2400 mAh or 3600 mAh battery. The 2400 mAh battery is shown in this installation procedure.

To install the battery.

1. Insert the battery, bottom first, into the battery compartment in the back of the MC55.
2. Press the battery down into the battery compartment until the battery release latch snaps into place.

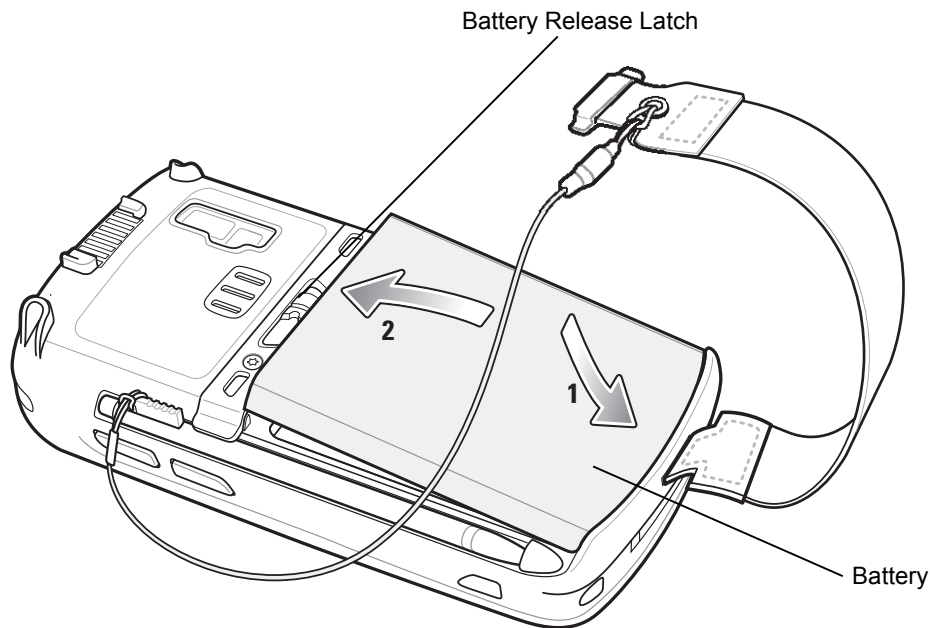


Figure 1-5 Inserting the Battery

The MC55 automatically powers up after inserting the battery if the battery has been previously charged.

Charging the Battery



CAUTION Ensure that you follow the guidelines for battery safety described in [Battery Safety Guidelines on page 6-2](#).

Charging the Main Battery

Before using the MC55 for the first time, charge the main battery until the amber Charging/Battery Status LED remains lit (see [Table 1-1 on page 1-5](#) for charge status indications). To charge the MC55, use a cable or a cradle with the appropriate power supply. For information about the accessories available for the MC55, see [Chapter 2, Accessories](#).

For cable and cradle setup and charging procedures see [Chapter 2, Accessories](#) for more information.

- USB Charging Cable
- Charge Only Cable
- Single Slot USB Cradle
- Four Slot Charge Only Cradle

- Four Slot Ethernet Cradle.

To charge the main battery:

1. Connect the charging accessory to the appropriate power source.
2. Insert the MC55 into a cradle or attach to a cable. The MC55 begins charging. The Charging/Battery Status LED blinks amber while charging, then turns solid amber when fully charged. See [Table 1-1](#) for charging indications.

The 2400 mAh battery fully charges in approximately four hours and the 3600 mAh battery fully charges in approximately six hours.

Table 1-1 LED Charge Indicators

Charging/Battery Status LED	Indication
Off	MC55 is not charging. MC55 is not inserted correctly in the cradle or connected to a power source. Charger/cradle is not powered.
Slow Blinking Amber (1 blink every 2 seconds)	MC55 is charging.
Solid Amber	Charging complete. Note: When the battery is initially inserted in the MC55, the amber LED flashes once if the battery power is low or the battery is not fully inserted.
Fast Blinking Amber (2 blinks/second)	Charging error, e.g.: <ul style="list-style-type: none"> • Temperature is too low or too high. • Charging has gone on too long without completion (typically eight hours).
Single Blink Amber (when Power button pressed)	Battery depleted.
Blinking Amber (when Power button pressed)	Battery over-temperature condition.

Charging Spare Batteries

See [Chapter 2, Accessories](#) for information on using accessories to change spare batteries.

Charging Temperature

Charge batteries in temperatures from 0°C to 40°C (32°F to 104°F). Note that charging is intelligently controlled by the MC55.

To accomplish this, for small periods of time, the MC55 or accessory alternately enables and disables battery charging to keep the battery at acceptable temperatures. The MC55 or accessory indicates when charging is disabled due to abnormal temperatures via its LED. See [Table 1-1](#).

Powering On the MC55

After inserting the battery or when turning the MC55 on for the first time, the splash screen displays for about a minute as the MC55 boots, then the calibration window appears.

Calibrating the Screen

✓ **NOTE** The Calibration screen can be accessed by pressing **Blue** key - **Backspace** key.

To calibrate the screen so the cursor on the touch screen aligns with the tip of the stylus:

1. Remove the stylus from its holder on the side of the MC55.
2. Carefully press and briefly hold the tip of stylus on the center of each target that appears on the screen.
3. Repeat as the target moves around the screen, then tap the screen to continue.

Resetting the MC55

There are three reset functions, warm boot, cold boot and clean boot. A warm boot restarts the MC55 by closing all running programs. A cold boot also restarts the MC55, and also initializes some drivers. Data saved in flash memory or a memory card is not lost.

If the MC55 is not functioning properly, perform a warm boot first. If the MC55 still does not respond, perform a cold boot.

Performing a Warm Boot

Hold down the red **Power** button for approximately five seconds. As soon as the MC55 starts to boot release the **Power** button.

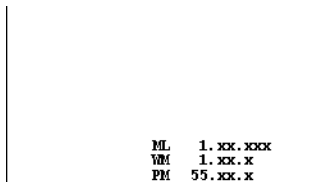








Figure 1-6 *Splash Screen (Warm Boot)*

Performing a Cold Boot

To perform a cold boot:

- On a numeric keypad, simultaneously press the red **Power** button and the  and  keys.
- On an alphanumeric keypad, simultaneously press the red **Power** button and the  and  keys.
- On a PIM keypad, simultaneously press the red **Power** button and the  and  keys.

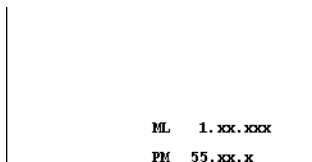


Figure 1-7 *Splash Screen (Cold Boot)*

Performing a Clean Boot



CAUTION A clean boot should only be performed by an authorized system administrator. You must connect the MC55 to AC power during a clean boot.

Removing AC power from the MC55 during a clean boot may render the MC55 inoperable.

A clean boot resets the MC55 to the factory default settings. All data in the Application folder is retained. You must download the Clean Boot Package file from the Support Central web site, <http://www.motorola.com/enterprisemobility/support> and install on the MC55.

To perform a clean boot:

1. Download the Clean Boot Package from the Support Central web site. Follow the instructions included in the package for installing the package onto the MC55.
2. Perform a cold boot.
3. Immediately, as soon as the device starts to boot and before the splash screen is visible, press and hold the left scan button.
4. Insert the MC55 into a powered cradle.
5. The MC55 updates and then re-boots.
6. Calibrate the screen.

Waking the MC55

The wake-up conditions define what actions wake up the mobile computer after it has gone into suspend mode. The mobile computer can go into suspend mode by either pressing the Power button or automatically by Control Panel time-out settings. These settings are configurable and the factory default settings are shown in [Table 1-2](#) are subject to change/update. To access the Wakeup settings, tap **Start > Settings > System > Power** icon > **Wakeup** tab.

Table 1-2 *Wake-up Default Settings*

Condition for Wake-up	Power Button	Automatic Time-out
AC power is applied.	No	Yes
Mobile computer is inserted into a cradle.	No	Yes
Mobile computer is removed from a cradle.	No	Yes
Mobile computer is connected to a USB device.	No	Yes
Mobile computer is disconnected from a USB device.	No	Yes
A key is pressed.	No	Yes
The scan triggered is pressed.	No	Yes
The screen is touched.	No	No
Bluetooth communication	Yes	Yes

CHAPTER 2 ACCESSORIES

Introduction

Table 2-1 lists the accessories available for the MC55.

Table 2-1 MC55 Accessories

Accessory	Part Number	Description
Cradles		
Single Slot USB Cradle	CRD5500-1000UR	Charges the MC55 main battery and a spare battery. Synchronizes the MC55 with a host computer through a USB connection.
Single Slot Ethernet/Modem/USB Cradle	CRD5500-1000XR	Charges the MC55 main battery and a spare battery. Synchronizes the MC55 with a host computer through an Ethernet, Modem or USB connection.
Four Slot Ethernet Cradle	CRD5500-4000ER	Charges up to four MC55 devices and connects the MC55 with an Ethernet network.
Four Slot Charge Only Cradle	CRD5500-4000CR	Charges up to four MC55 devices.
Vehicle Holder	VCH5500-1000R	Provides an alternative mounting solution for the MC55 in a vehicle. Requires the Auto Charge cable for charging the MC55 battery.
Chargers		
Four Slot Spare Battery Charger	SAC5500-4000CR	Charges up to four MC55 batteries.
USB Charging Cable	KT-108022-03R	Provides power to the MC55 and USB communication with a host computer.
Charge Only Cable	25-112560-01R	Connects to a power supply to provide power to the MC55.
Auto Charge Cable	VCA5500-01R	Charges the MC55 using a vehicle's cigarette lighter.
Miscellaneous		
Magnetic Stripe Reader	MSR5500-100R	Snaps on to the MC55 and adds magnetic stripe reading capabilities.

Table 2-1 MC55 Accessories (Continued)

Accessory	Part Number	Description
Trigger Handle	TRG5500-100R	Adds a gun-style handle with a scanning trigger to the MC55.
DEX Cable	25-127558-01R	Connects the MC55 to a vending machine.
Spare 2400 mAh lithium-ion battery	BTRY-MC55EAB00 BTRY-MC55EAB00-10 BTRY-MC55EAB00-50	Replacement 2400 mAh battery (MC55 only). 10-pack. 50-pack.
Spare 3600 mAh lithium-ion battery	BTRY-MC55EAB02 BTRY-MC55EAB02-10 BTRY-MC55EAB02-50	Replacement 3600 mAh battery. 10-pack. 50-pack.
Spare 3600 mAh lithium-ion battery	BTRY-MC55EAB02-H	Replacement 3600 mAh battery (MC55-HC only).
Belt Mounted Rigid Holster	SG-MC5511110-01R	Clips onto belt to hold the MC55 when not in use.
Fabric Holster	SG-MC5521110-01R	Soft holder for added protection.
Stylus	KT-119150-03R KT-119150-50R	Replacement stylus (3-pack). Replacement stylus (50-pack).
Stylus	Stylus-HC005-03R Stylus-HC005-50R	Replacement stylus for MC55-HC (3-pack) Replacement stylus for MC55-HC (50-pack)
Spring Loaded Stylus	STYLUS-00001-03R STYLUS-00001-10R	Optional spring loaded stylus (3-pack). Optional spring loaded stylus (10-pack).
Tether	KT-122621-03R KT-122621-50R	Replacement tether (3-pack) Replacement tether (50-pack)
Anti-bacterial Handstrap	SG-MC5523341-01R	Replacement handstrap for MC55-HC only.
Wall Mounting Kit	8710-050006-01R	Use for wall mounting the four slot cradles.
Screen Protector	KT-67525-01R	Package of 3 screen protectors.
Software	-	Enterprise Mobility Developer Kits (EMDKs), available at: http://supportcentral.motorola.com .

Single Slot USB Cradle

This section describes how to set up and use a Single Slot USB cradle with the MC55. For USB communication setup procedures see [Chapter 3, ActiveSync](#).

The Single Slot USB cradle:

- Provides 5.4 VDC power for operating the MC55.
- Synchronizes information between the MC55 and a host computer. See [Chapter 3, ActiveSync](#) for information on setting up a partnership between the MC55 and a host computer.
- Charges the MC55's battery.
- Charges a spare battery.

Setup

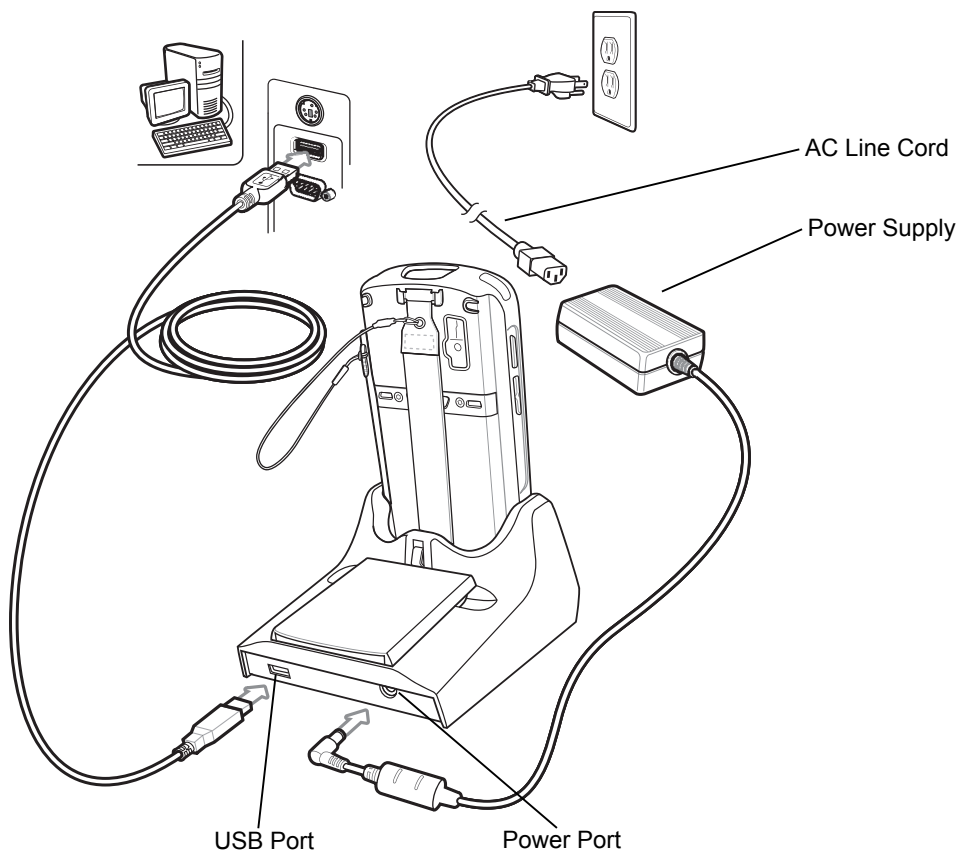


Figure 2-1 Single Slot USB Cradle Power and USB Connections

Charging the MC55 Battery

Connect the cradle to power. Insert the MC55 into the MC55 slot to begin charging.

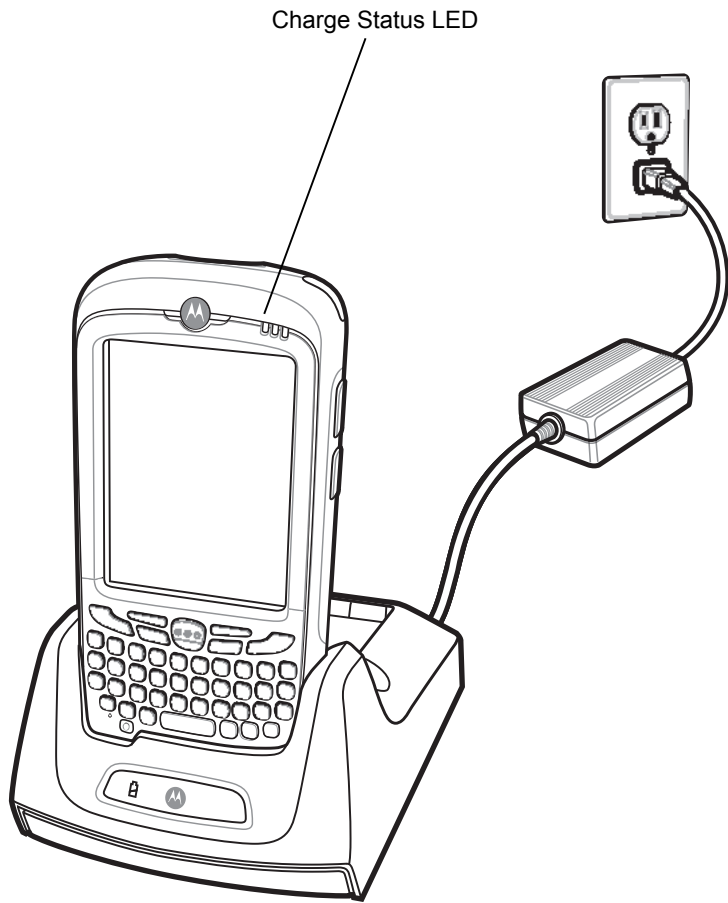


Figure 2-2 MC55 Battery Charging

Charging the Spare Battery

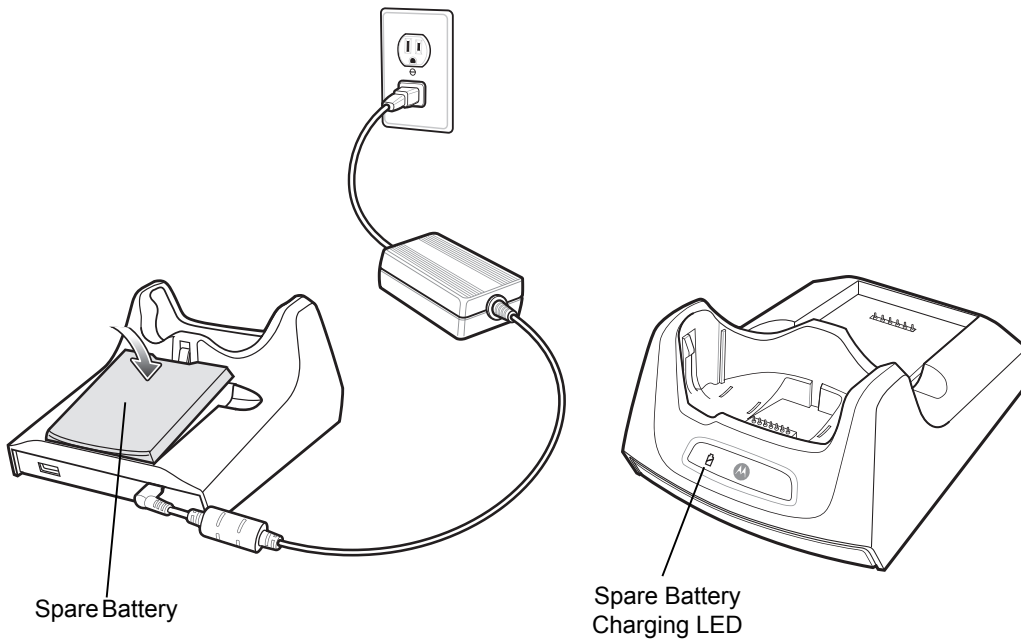


Figure 2-3 Spare Battery Charging

Battery Charging Indicators

The Single Slot USB cradle charges the MC55's main battery and a spare battery simultaneously.

The MC55's Charging/Battery Status LED indicates the status of the battery charging in the MC55. See [Table 1-1 on page 1-5](#) for charging status indications.

The spare battery charging LED on the cradle indicates the status of the spare battery charging in the cradle. See [Table 2-2](#) for charging status indications.

The 2400 mAh battery fully charges in approximately four hours and the 3600 mAh battery fully charges in approximately six hours.

Charging Temperature

Charge batteries in temperatures from 0°C to 40°C (32°F to 104°F). Charging is intelligently controlled by the MC55.

To accomplish this, for small periods of time, the MC55 or accessory alternately enables and disables battery charging to keep the battery at acceptable temperatures. The MC55 or accessory indicates when charging is disabled due to abnormal temperatures via its LED. See [Table 1-1 on page 1-5](#) and [Table 2-2](#).

Table 2-2 Spare Battery LED Charging Indicators

Spare Battery LED (on cradle)	Indication
Slow Blinking Amber	Spare battery is charging.
Solid Amber	Spare battery is fully charged.
Fast Blinking Amber	Charging error.
Off	Not charging.

Single Slot Ethernet/Modem/USB Cradle

This section describes how to set up and use a Single Slot Ethernet/Modem/USB cradle with the MC55. For USB communication setup procedures see [Chapter 3, Synchronization](#).

The Single Slot Ethernet/Modem/USB cradle:

- Provides 5.4 VDC power for operating the MC55.
- Connects the MC55 to a host computer using USB, a dial-up network using the modem or an Ethernet network.
- Charges the MC55's battery.
- Charges a spare battery.

Required Software

Download the *USB Modem Driver and Update Loader Image Keyboard Micro Firmware for MC55xx* package from the Motorola Support Central web site: <http://supportcentral.motorola.com>.

MC55 with OEM Version 01.35.001 and Above

Install the Micro USB Modem Driver software. Following the instructions with the software package to install the software.

Country Settings

The modem defaults to operation with US telephone networks. To operate the modem with other country telephone networks, it must be configured using an application on the MC55. Download the *Cradle Modem Country Configurator Application Software for MC55xx* package from the Motorola Support Central web site: <http://supportcentral.motorola.com>.

Following the instructions with the software package to install the application on the MC55. The application includes country selections for all supported countries and automatically programs the modem and adjust its operating parameters to comply with the telephone network in the selected country.

Setup

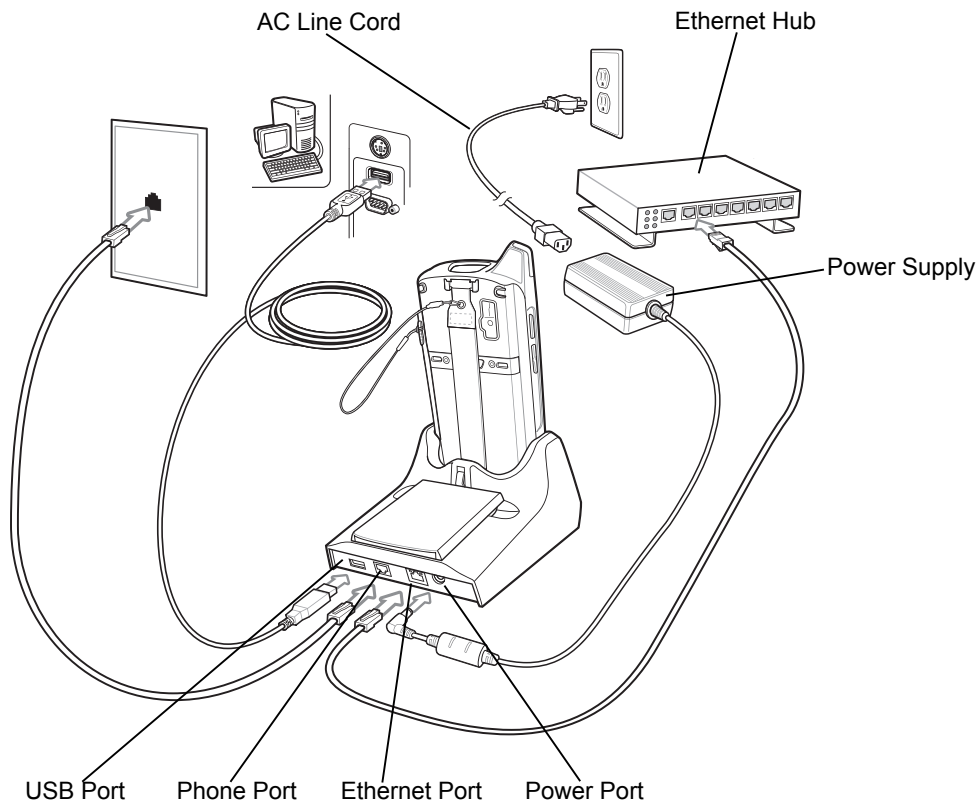


Figure 2-4 Cradle Setup

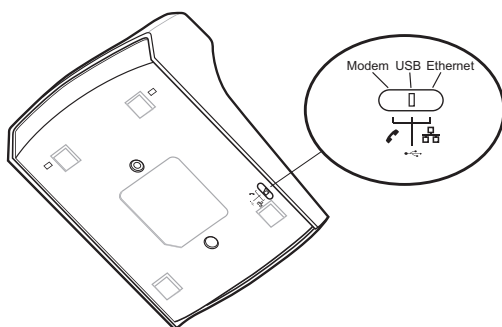


Figure 2-5 Connection Switch

Indicators

- **Spare Battery Charging LED** - Indicates the charging status of the spare battery.
- **Ethernet/Modem LED** - Blinks whenever Ethernet or modem connectivity is established.
- **Speed LED** - Lights green indicating that the transfer rate is 100 Mbps. When it is not lit, indicates that the transfer rate is 10Mbps.
- **Link LED** - Blinks yellow to indicate activity, or stays lit to indicate that a link is established. When it is not lit, indicates there is no link.

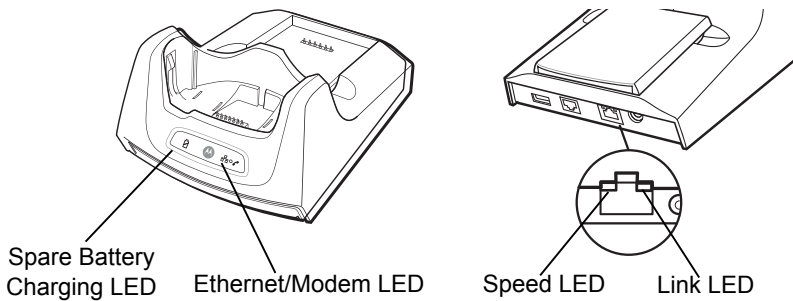


Figure 2-6 Cradle Indicators

MC55 Software Setup

Ethernet Setup

1. Tap **Start** > **Settings** > **Connections** tab > **Wi-Fi** icon.
2. Select **Work** from the drop-down menu.
3. Select **USB/Ethernet Series Adapter** from the list box.
4. Tap **Ok**.
5. Tap **Start** > **Settings** > **Connections** tab > **Connections** icon.
6. Tap **Advanced** tab.
7. Tap **Select Networks** button.
8. Select **My Work Network** from both drop-down menus.
9. Tap **Ok**.
10. Tap the **Tasks** tab.
11. Select **Edit my proxy server**.
12. Enable both checkboxes.
13. Tap **Advanced...** button.
14. Tap **HTTP** type.
15. In the **Server** text box, enter the proxy server name.
16. In the **Port** text box, enter the port number.
17. In the **User name** text box, enter the user name for the proxy server.
18. In the **Password** text box, enter the password for the proxy server.
19. Tap **ok** three times.
20. Perform a warm boot.

Modem Setup

1. Tap **Start** > **Settings** > **Connections** tab > **Connections** icon.
2. Tap **Add a new modem connection**.

3. In the **Enter a name for the connection** text box, enter a name for the connection.
4. In the **Select a modem** drop-down list, select Modem Cradle on USB.
5. Tap **Next**.
6. In the text box, enter the phone number to dial.
7. Tap **Next**.
8. In the **User name** text box, enter the user name, if required.
9. In the **Password** text box, enter the password, if required.
10. Tap **Finish**.
11. To test the connection, tap **Start > Programs > Internet Explorer**. Enter a web address.

Four Slot Ethernet Cradle

This section describes how to set up and use a Four Slot Ethernet cradle with the MC55.

The Four Slot Ethernet cradle:

- Provides 5.4 VDC power for operating the MC55.
- Connects the MC55 (up to four) to an Ethernet network.
- Simultaneously charges up to four MC55s.

You cannot ActiveSync using the Four Slot Ethernet cradle. To ActiveSync with a host computer, use the Single Slot USB/Serial cradle, USB Charging cable or Serial Charging cable.

Setup

Connect the Ethernet cradle to a power source and to an Ethernet switch, router, or hub, or a port on the host device.

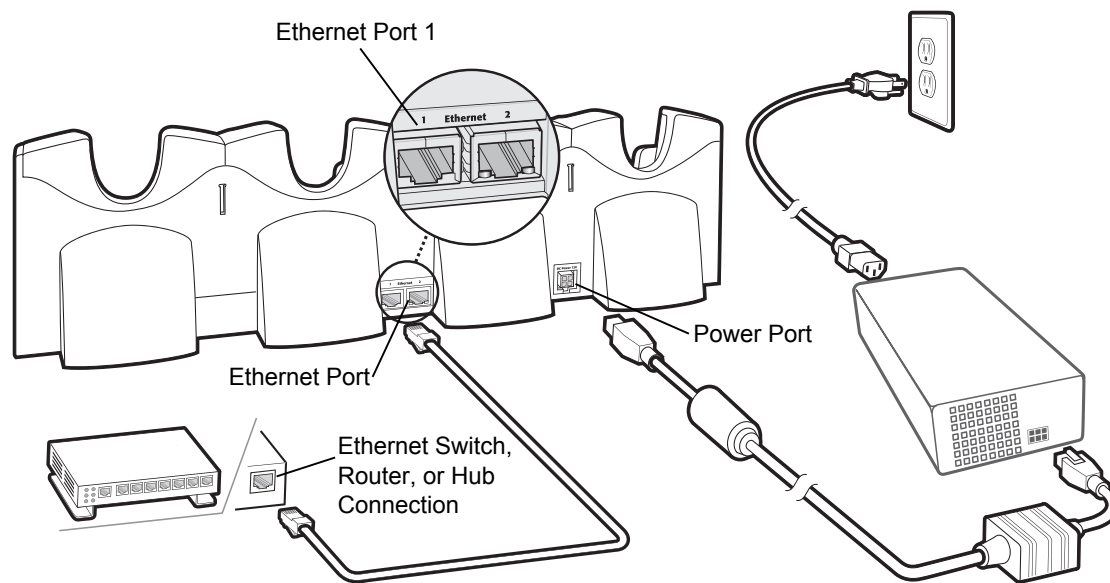


Figure 2-7 Four Slot Ethernet Cradle Connection

Daisy chaining Ethernet Cradles

Daisychain up to four Ethernet cradles to connect several cradles to an Ethernet network. Use either a straight or crossover cable. Daisy-chaining should not be attempted when the main Ethernet connection to the first cradle is 10 Mbps as throughput issues will almost certainly result.

To daisychain more than one Ethernet cradle:

1. Connect power to each Ethernet cradle to daisychain.
2. Connect an Ethernet cable to Port 1 of the first cradle as shown in [Figure 2-7](#).
3. Connect a second Ethernet cable between Port 2 of the first cradle, and Port 1 of the second cradle.
4. Connect additional cradles as described in Step 3.

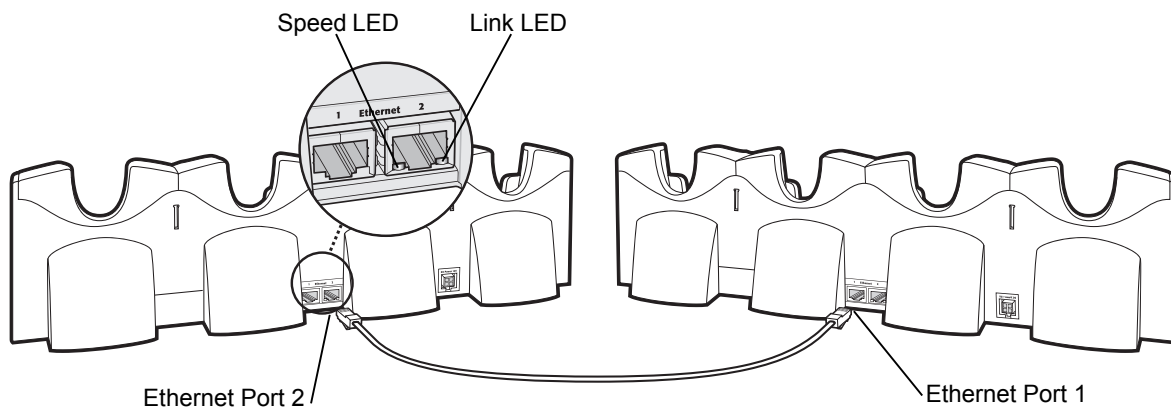


Figure 2-8 *Daisy-chaining Four Slot Ethernet Cradles*

Ethernet Cradle Drivers

The MC55 includes Ethernet cradle drivers that initiate automatically when you place the MC55 in a properly connected Four Slot Ethernet cradle. After inserting the MC55, configure the Ethernet connection:

1. Tap **Start > Settings > Connections tab > WiFi icon**. The **Configure Network Adapters** window appears.

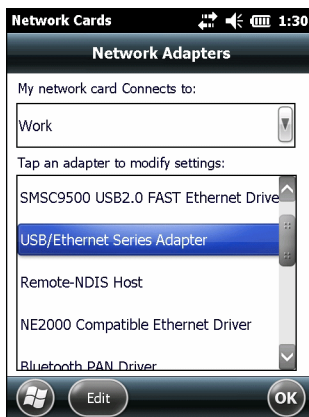


Figure 2-9 *Configure Network Adapters Window*

2. In the **My network card connects to:** drop-down list, select the appropriate connection.
3. In the **Tap an adapter to modify settings:** list, select **USB/Ethernet Series Adapter**.

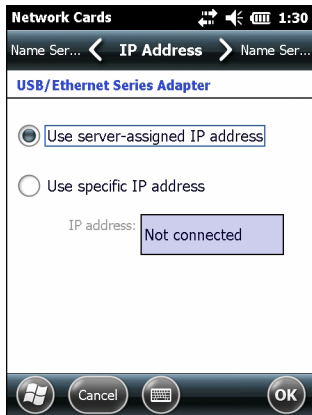


Figure 2-10 IP Address Tab

4. In the IP address window, select the appropriate radio button:
 - **Use server-assigned IP address**
 - or
 - **Use specific IP address.** Enter the IP address, Subnet mask, and Default gateway, as needed.
5. Tap the Name Servers tab.

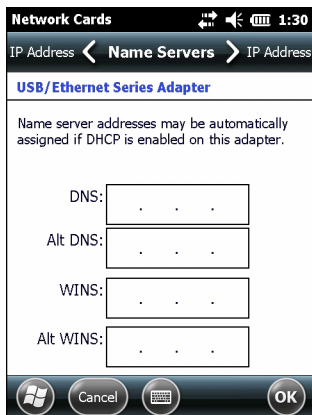


Figure 2-11 Name Servers Tab

6. Enter the appropriate DNS, Alt DNS, WINS, and Alt WINS server addresses.
7. Tap **ok**.
8. Tap **ok** to exit.

Charging and Communication

Insert the MC55 into a slot to begin charging.

LED Charging Indicators

Charge LED

The MC55's charge LED shows the status of the battery charging in the MC55. See [Table 1-1 on page 1-5](#) for charging status indications.

The 2400 mAh battery fully charges in approximately four hours and the 3600 mAh battery fully charges in approximately six hours.

Speed LED

The cradle's green Speed LED lights to indicate that the transfer rate is 100 Mbps. When it is not lit it indicates that the transfer rate is 10Mbps.

Link LED

The cradle's yellow Link LED blinks to indicate activity, or stays lit to indicate that a link is established. When it is not lit it indicates there is no link.

Charging Temperature

Charge batteries in temperatures from 0°C to 40°C (32°F to 104°F). Charging is intelligently controlled by the MC55.

To accomplish this, for small periods of time, the MC55 alternately enables and disables battery charging to keep the battery at acceptable temperatures. The MC55 indicates when charging is disabled due to abnormal temperatures via its LED. See [Table 1-1 on page 1-5](#).

Four Slot Charge Only Cradle

This section describes how to set up and use a Four Slot Charge Only cradle with the MC55.

The Four Slot Charge Only cradle:

- Provides 5.4 VDC power for operating the MC55.
- Simultaneously charges up to four MC55s.

You cannot ActiveSync using the Four Slot Charge Only cradle. To ActiveSync with a host computer, use the Single Slot USB cradle.

Setup

Connect the Four Slot Charge Only cradle to a power source.

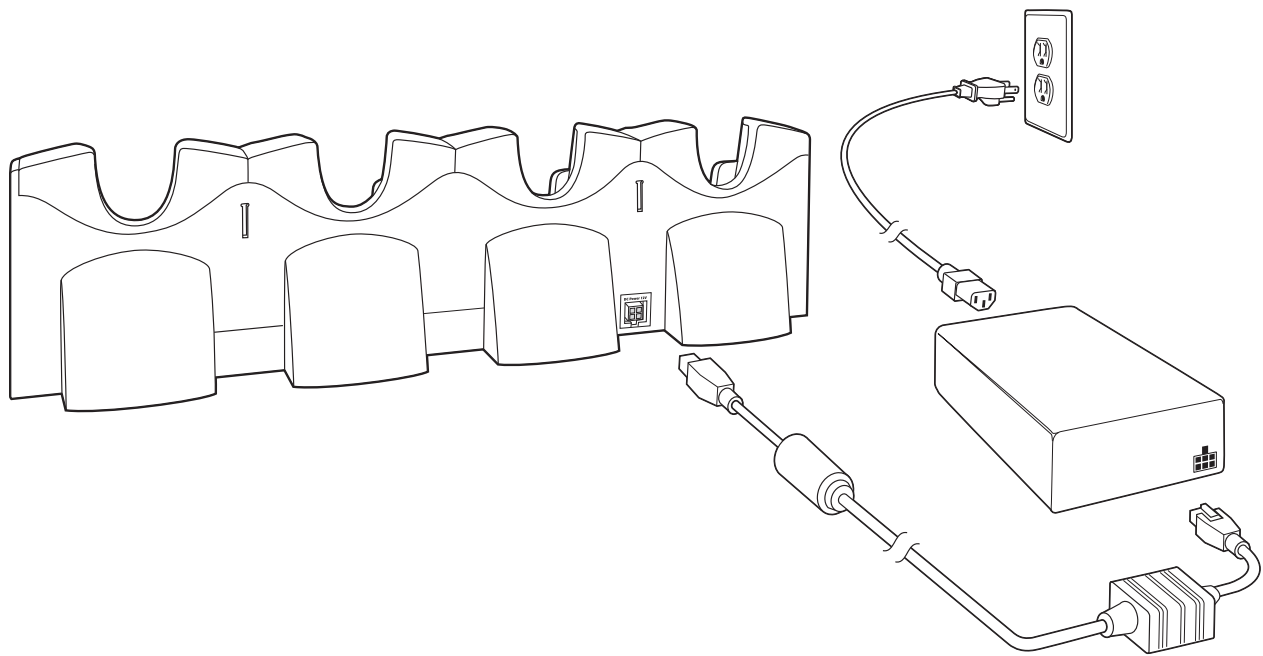


Figure 2-12 Four Slot Charge Only Cradle Connection

Charging Temperature

Charge batteries in temperatures from 0°C to 40°C (32°F to 104°F). Charging is intelligently controlled by the MC55.

To accomplish this, for small periods of time, the MC55 alternately enables and disables battery charging to keep the battery at acceptable temperatures. The MC55 indicates when charging is disabled due to abnormal temperatures via its LED. See [Table 1-1 on page 1-5](#).

Wall Mount Bracket

Use the optional Wall Mount Bracket to mount a four slot cradle to a wall. To attach the Wall Mount Bracket:

1. Use the Wall Mount Bracket as a template and mark the locations of the four mounting screws.

✓ **NOTE** Use fasteners appropriate for the type of wall and the Wall Mount Bracket mounting slots. The Wall Mount Bracket mounting slots are designed for a fastener with a #8 pan head. Fasteners must be able to hold a minimum of 4.9 Kg (10.8 lbs).

2. Mount the fasteners to the wall. The screw heads should protrude about a half of an inch from the wall.
3. Slip the Wall Mount Bracket over the screw heads and slide the bracket down over the screw heads.
4. Tighten the screws to secure the bracket to the wall.

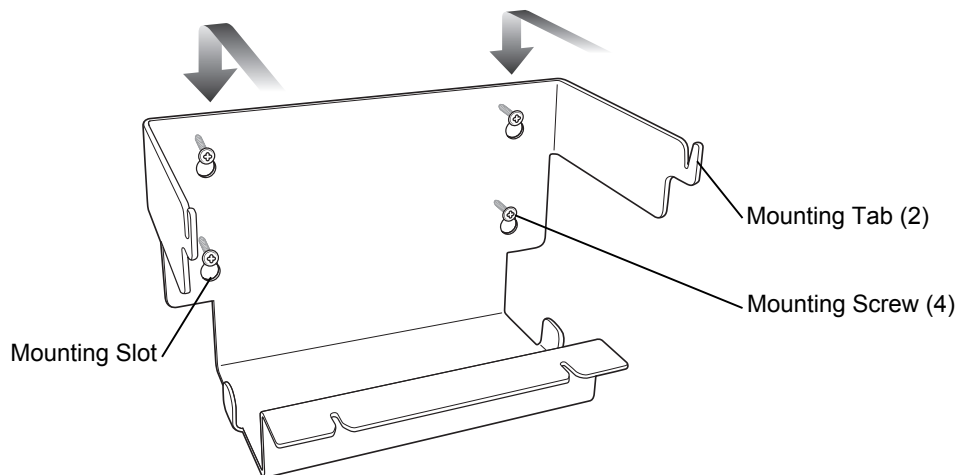


Figure 2-13 Wall Mount Bracket

To mount a four slot cradle:

1. Screw the supplied screws into the bottom of the four slot cradle. The screw heads should protrude about a quarter of an inch from the cradle.

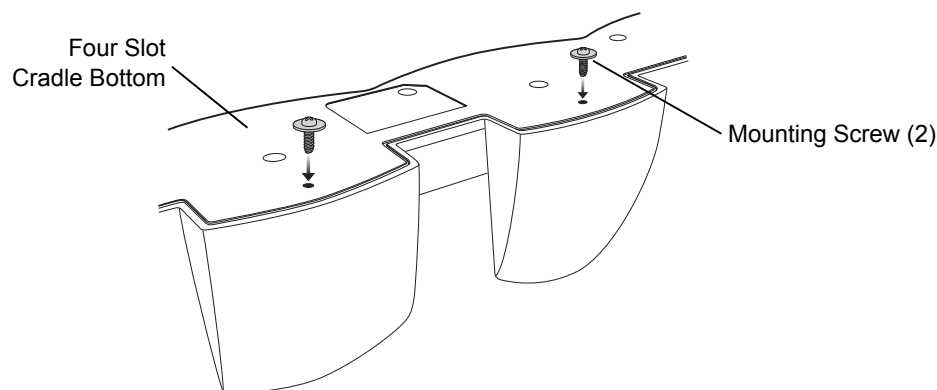


Figure 2-14 Cradle Mounting Screws

2. Align the Wall Mount Bracket mounting tabs with the mounting slots in the back of the four slot cradle. Slip the two mounting tabs into mounting slots.

3. Swing the four slot cradle down onto the mounting bracket and align the mounting screws so that they fit into the screw slots.

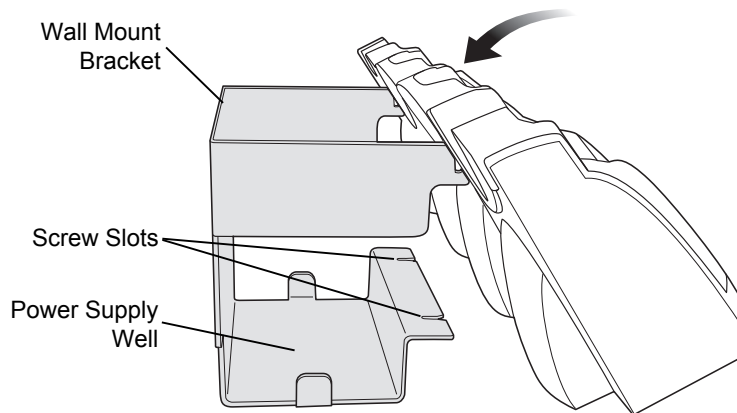


Figure 2-15 Wall Mount Bracket

4. Tighten the mounting screws to secure the four slot cradle to the bracket.

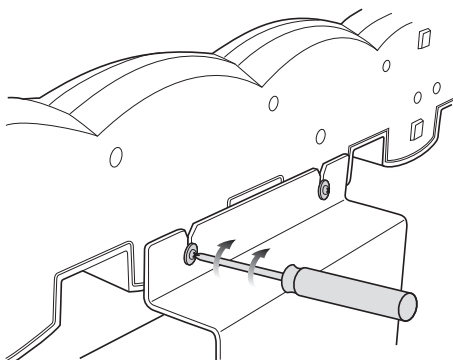


Figure 2-16 Mounting Screws

5. Connect power (see [Figure 2-12 on page 2-14](#)). The power supply should be located in the power supply well.

VCD5500 Vehicle Cradle

This section describes how to set up and use a VCD5500 vehicle cradle with the MC55.

Once installed in a vehicle, the cradle:

- holds the MC55 securely in place
- provides power for operating the MC55
- re-charges the battery in the MC55.

Requirements

For mounting:

- four #8-32 self-locking nuts
- four #8 washers
- a drill with a #6 drill bit (.204”).

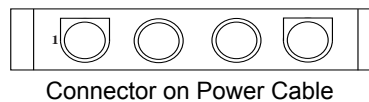
For power connection:

- power input cable (included), p/n 25-61987-01R
- UL Listed in-line fuse rated 250V, 5A (included), must be used if not connecting to vehicle's fuse panel
- in-line fuse holder (included), must be used if not connecting to vehicle's fuse panel.

Connector Pin-Outs

Table 2-3 Power Input Cable

Pin	Signal
1	Chassis ground (Black Wire)
2	Chassis ground (Bare Wire)
3	V+ (Red Wire)
4	V+ (Red Wire)



CAUTION ROAD SAFETY - Do not use the MC55 while driving. Park the vehicle first. Always ensure the MC55 is fully inserted into the cradle. Do not place it on the seat or where it can break loose in a collision or sudden stop. Lack of proper insertion may result in property damage or personal injury. Motorola, Inc. is not responsible for any loss resulting from the use of the products while driving. Remember: Safety comes first.

Mounting the Cradle



CAUTION Only mount the Vehicle Cradle in a vertical position with the release level at the top or in a horizontal position with the MC55 display facing up. Never mount the vehicle cradle on the side or upside down or on a wall that can be subject to impact or collision of greater than 40Gs, in accordance with SAE J1455 Section 4.10.3.5

1. Select a mounting location for the cradle. It should be flat, and must provide adequate support for the cradle.

✓ **NOTE** If using the GPS functionality of the MC55 mobile computer, ensure that the vehicle cradle is positioned so that the MC55 has a clear unobstructed view of the sky.

2. Prepare the mounting surface to accept four #8-32 studs, using the mounting template below. Drill four holes with a #6 drill bit.

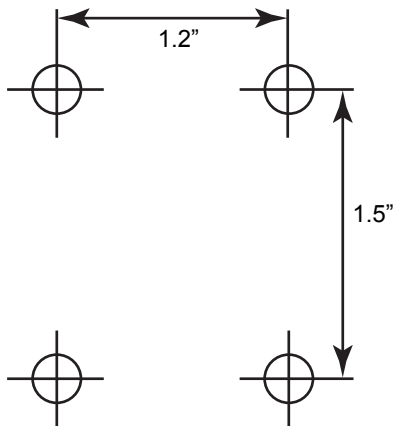


Figure 2-17 Vehicle Cradle Mounting Template

3. Position the cradle on the mounting surface.
4. Fasten it using four #8 washers and four #8-32 self-locking nuts.



CAUTION Do not install a VCD5500 Vehicle Cradle on or near an air bag cover plate or within an aerobic zone. Also, do not install it in a location that affects vehicle safety or driveability.

Power Connection

Please read all of the following instructions before beginning.



WARNING! A properly trained technician must perform the power connection. Improper connection can damage your vehicle, cradle or MC55. Refer to the vehicle's *Owner's Manual* for instructions for removing power.

To connect the cradle to power:



CAUTION When setting up connection for this cradle, only use the power input cable provided with this cradle.

1. Locate the vehicle power source.



NOTE The ideal location for connecting the vehicle cradle power input cable would be an accessory output in your vehicle's fuse panel. The vehicle cradle should be added to a circuit with a maximum load capacity for the cradle and the original circuit. Refer to the vehicle's *Owner's Manual* for identification of the circuit. If a fused output is not available, the vehicle cradle must be installed with the provided in-line fuse holder and UL Listed 5A fuse. The fuse protects the vehicle from an electrical short on the power line to the cradle.

To use the cradle to charge the MC55 and spare battery, when the vehicle's ignition is off, connect the cradle to unswitched power.

2. Route the power input cable from the cradle's power port to the connection point for the vehicle's power source.



CAUTION The means of routing and securing the power input cable from the cradle through to the vehicle power source is extremely important. Hazards associated with improper wiring can be severe. To avoid unintentional contact between the wire and any sharp edges, provide the cable with proper bushings and clamping where it passes through openings. If the wire is subjected to sharp surfaces and excess engine vibration, the wiring harness insulation can wear away, causing a short between the bare wire and chassis. This can start a fire. To avoid any mishaps, all wiring should be routed away from moving parts, high temperature areas and any contaminants.

3. When using the supplied in-line fuse holder (which must be used if not connecting to vehicle's fuse panel):
 - a. Ensure the fuse holder contains a 5A UL Listed slow-blow fuse.
 - b. Splice the fuse holder to the end of the red V+ wire, as shown above. Make the distance from the fuse to the power connection point as short as possible.

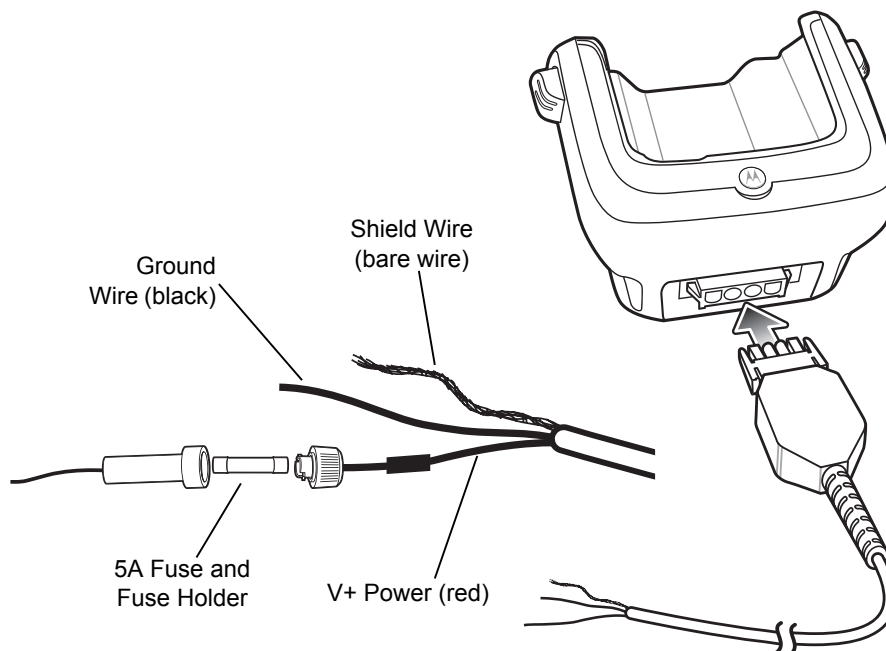


Figure 2-18 Vehicle Cradle Power Connection

4. Prepare the cable termination.
 - a. Red wire: connect to a +12/24 V vehicle power source.
 - b. Black wire and Shield wire: connect to vehicle ground wire or chassis ground.



NOTE How the cable terminates depends on the vehicle. If the vehicle has a power output connector, then you must attach a mating connector to the end of the power cable. You may be able to connect to a fuse panel with a simple blade terminal or commercially available connector. Consult the vehicle *Owner's Manual* for information on how to access the power supply in the vehicle.

5. Connect the power input cable into the power port on the cradle.

To see if the cradle has power, insert the MC55. The Charging LED on the MC55 blinks slowly to indicate charging and turns solid amber when the battery is completely charged. See [Table 1-1 on page 1-5](#) for other indications.

Charging the MC55 Battery

Insert the MC55 into the vehicle cradle to begin charging. A click indicates that the MC55 button release locking mechanism is enabled and the MC55 is locked in place.

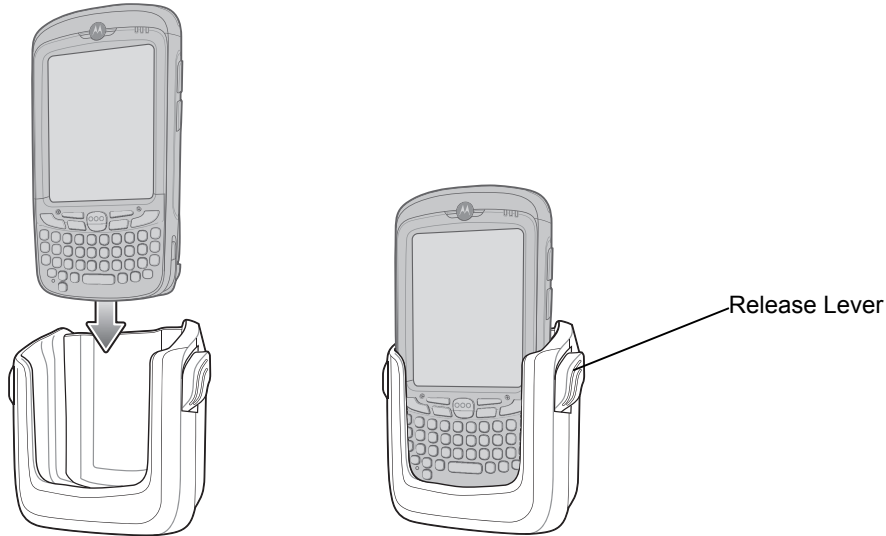


Figure 2-19 MC55 Battery Charging



CAUTION Ensure the MC55 is fully inserted in the cradle. Lack of proper insertion may result in property damage or personal injury. Motorola, Inc. is not responsible for any loss resulting from the use of the products while driving.

Removing the MC55

To remove the MC55, press the release levers on the cradle and pull the MC55 up and out of the cradle.

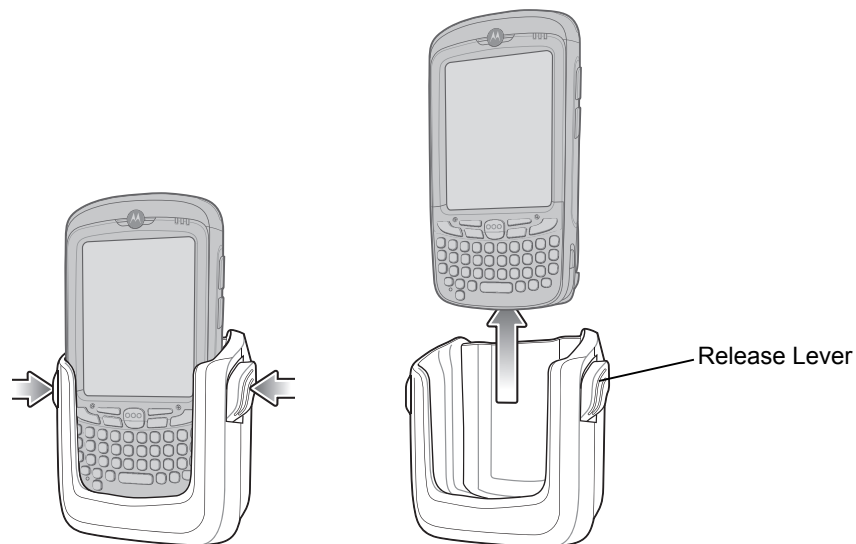


Figure 2-20 Removing the MC55

Battery Charging Indicators

The MC55's charge LED indicates the status of the battery charging in the MC55. See [Table 1-1 on page 1-5](#) for charging status indications.

The 2400 mAh battery fully charges in approximately four hours and the 3600 mAh battery charges in approximately six hours.

Charging Temperature

Charge batteries in temperatures from 0°C to 40°C (32°F to 104°F). Charging is intelligently controlled by the MC55.

To accomplish this, for small periods of time, the MC55 alternately enables and disables battery charging to keep the battery at acceptable temperatures. The MC55 indicates when charging is disabled due to abnormal temperatures via its LED. See [Table 1-1 on page 1-5](#).

Four Slot Battery Charger

This section describes how to use the Four Slot Battery Charger to charge up to four MC55 spare batteries.

Spare Battery Charging

1. Connect the charger to a power source.
2. Insert the spare battery into a spare battery charging well and gently press down on the battery to ensure proper contact.

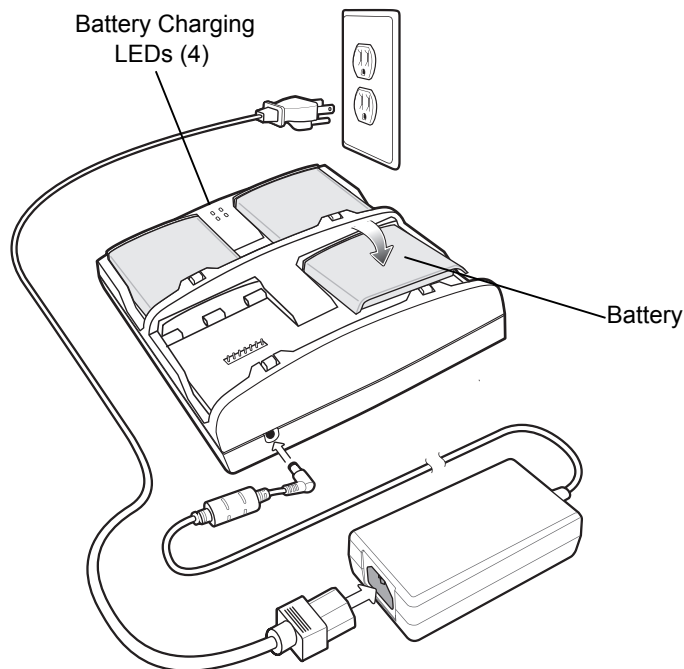


Figure 2-21 Four Slot Spare Battery Charger

Battery Charging Indicators

An amber LED is provided for each battery charging well. See [Table 2-4](#) for charging status indications. The 2400 mAh battery fully charges in approximately four hours and the 3600 mAh battery charges in approximately six hours.

Charging Temperature

Charge batteries in temperatures from 0°C to 40°C (32°F to 104°F). Charging is intelligently controlled by the charger in order to ensure safe operation and optimize long-term battery life.

To accomplish this, for small periods of time, the charger alternately enables and disables battery charging to keep the battery at acceptable temperatures. The charger indicates when charging is disabled due to abnormal temperatures via its LED. See [Table 2-4](#).

Table 2-4 Spare Battery LED Charging Indicators

LED	Indication
Off	No spare battery in slot; spare battery not placed correctly; cradle is not powered.
Fast Blinking Amber	Error in charging; check placement of spare battery.
Slow Blinking Amber	Spare battery is charging.
Solid Amber	Charging complete.

Cables

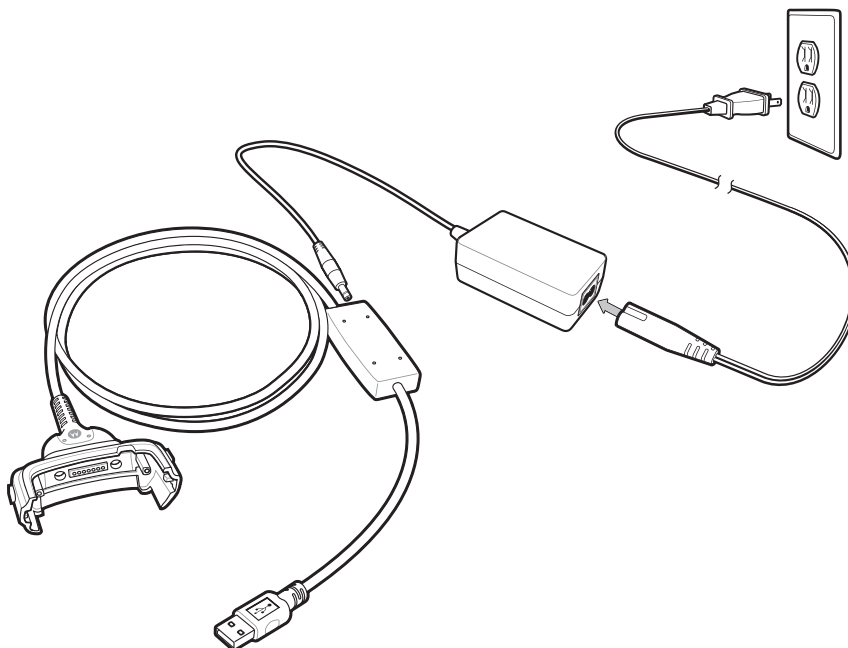
This section describes how to set up and use the cables. The cables are available with a variety of connection capabilities.

The following communication/charge cables are available:

- USB Charging cable
- Charge Only cable
- Auto Charge cable.

USB Charging Cable

The USB Charging cable provides the MC55 with operating and charging power when used with the Motorola approved power supply and AC line cord and synchronize information between the MC55 and a host computer.

**Figure 2-22** USB Charging Cable

Charge Only Cable

The Charge Only cable provide the MC55 with operating and charging power when used with the Motorola approved power supply.

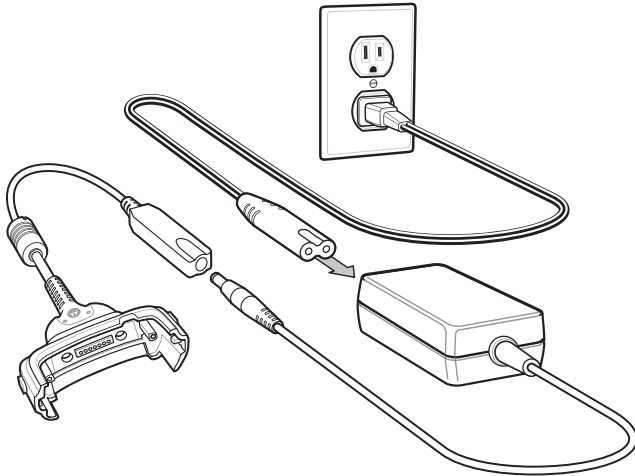


Figure 2-23 Charge Only Cable

Auto Charge Cable

The Auto Charge cable plugs into a vehicle cigarette lighter and provide the MC55 with operating and charging power.

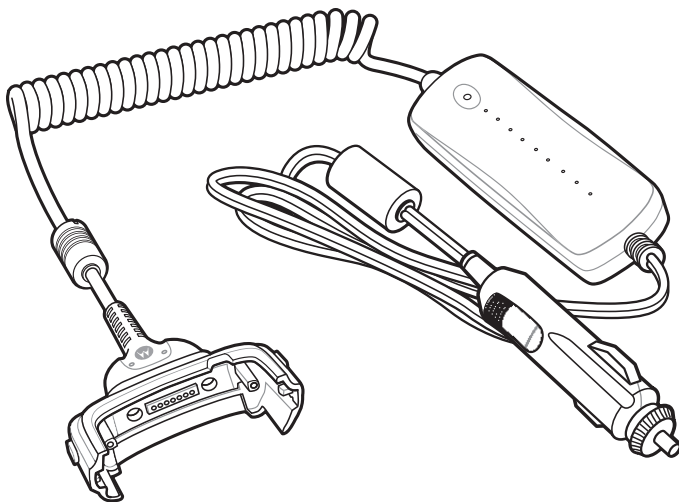


Figure 2-24 Auto Charge Cable

Connecting to the MC55

1. If required, connect the cable power input connector to the Motorola approved power source.
2. Slide the bottom of the MC55 into the connector cup end of the cable until the MC55 is firmly seated in the cup.
3. Slide the two locking tabs up until they both lock into position.

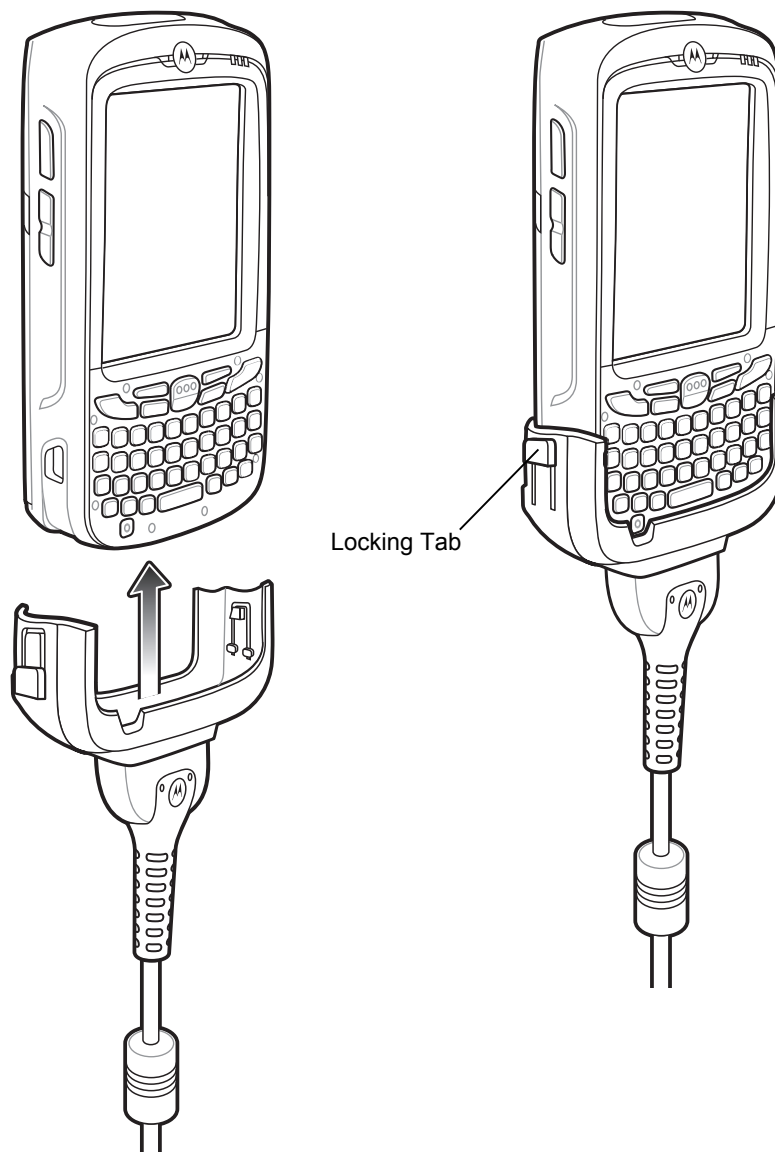


Figure 2-25 Cable Cup Locking Tabs

4. To remove, slide the two locking tab down and remove the cable from the MC55.

Battery Charging Indicators

The MC55 amber Charge LED indicates the MC55 battery charging status. The 2400 mAh battery charges in less than four hours and the 3600 mAh battery charges in less than six hours. See [Table 1-1 on page 1-5](#) for charging status indications.

Charging Temperature

Charge batteries in temperatures from 0°C to 40°C (32°F to 104°F). Charging is intelligently controlled by the MC55.

To accomplish this, for small periods of time, the MC55 alternately enables and disables battery charging to keep the battery at acceptable temperatures. The MC55 indicates when charging is disabled due to abnormal temperatures via its LED. See [Table 1-1 on page 1-5](#).

Vehicle Holder



WARNING! Some countries prohibit the mounting of any electronic device in any location on the vehicle dashboard. Be sure to check your local laws acceptable mounting areas before installing the auto mounting kit.

Installation Reminders

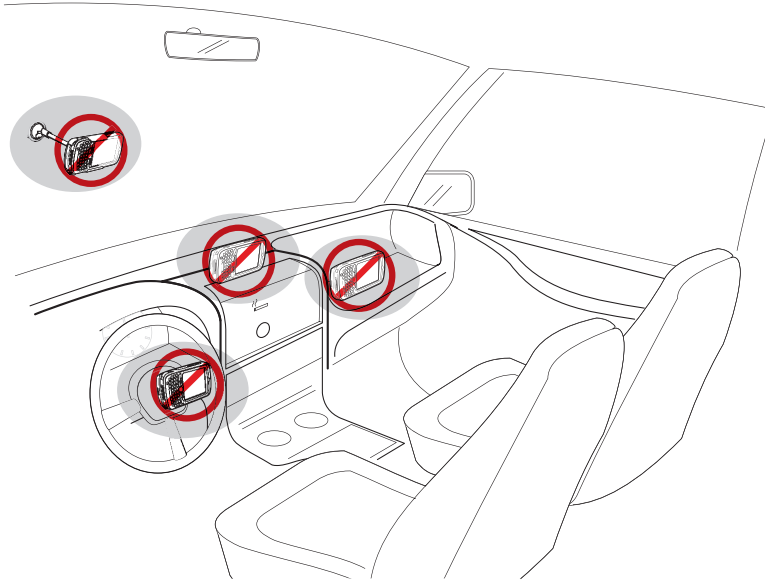


Figure 2-26 Vehicle Holder Mounting

- Do not mount the vehicle holder where it will obscure the driver's view of the road.
- Do not mount the vehicle holder near the driver seat air bag deployment area.
- Do not place the MC55 on top of the dashboard or anywhere without securing it in the vehicle holder.
- Do not mount the vehicle holder near the passenger seat air bag deployment area.
- Install the vehicle holder on the surface of your vehicle that is reasonably flat and free of dirt and oil.

Device Mounting Precautions

- Some countries prohibit the mounting of any electronic device in any location on the vehicle dashboard. Be sure to check your local laws acceptable mounting areas before installing the vehicle holder.
- The heating and cooling cycle of a vehicle's interior will in some cases loosen the adhesion of the suction cup. Check the vacuum seal of the vehicle mount kit for adequate adhesion each time you use the unit, and reinstall if necessary.
- If the vehicle holder has problems staying on, clean the plastic suction cup with alcohol, then reinstall.

Installation

Install the vehicle mount on the surface of your vehicle that is reasonably flat and free of dirt and oil. Clean the mounting surface with a glass cleaner and a clean cotton cloth. Install the vehicle mount on the windshield or other flat car surface using the supplied mounting disc.

Assembly

1. Insert the vehicle holder's cradle plate to the holes on the back of the cradle.
2. Push the cradle down until both parts are engaged.

Windshield Installation

1. Fix the suction cup mount to the selected area with the suction lever facing up.

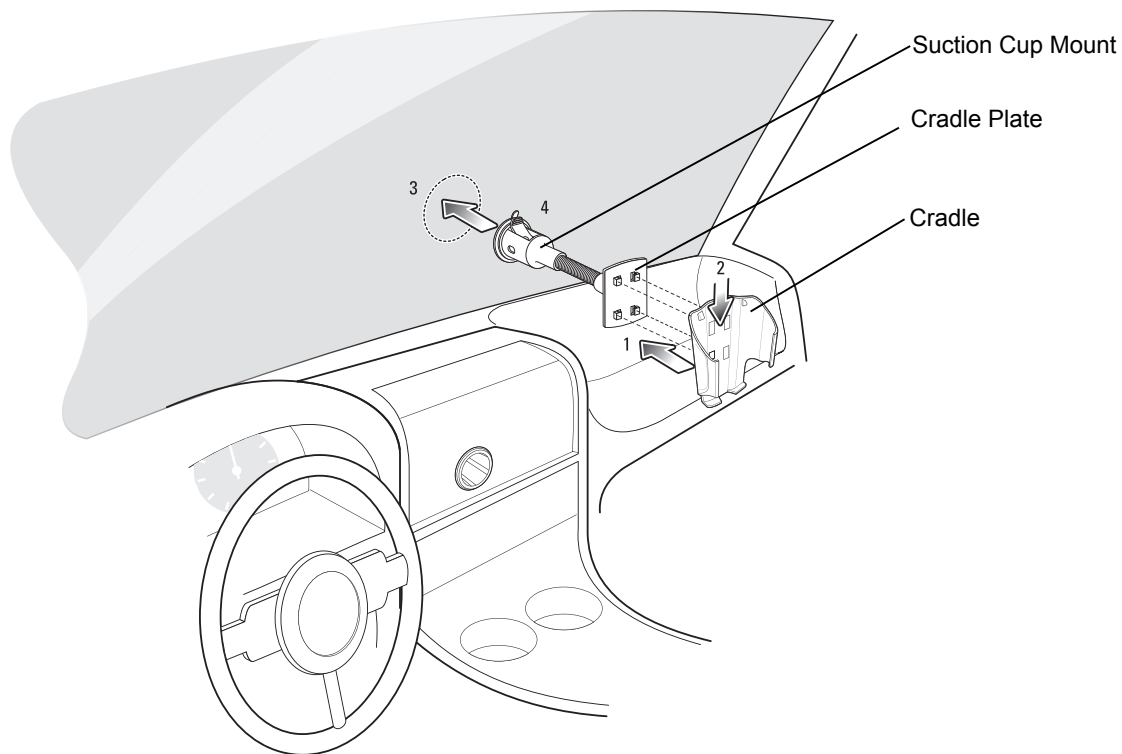


Figure 2-27 *Windshield Installation*

2. Flip the lever down to create a vacuum between the suction cup and the mounting surface.
3. Make sure that the suction bond is strong enough before proceeding to the next step.
4. Slide the MC55 into the cradle.

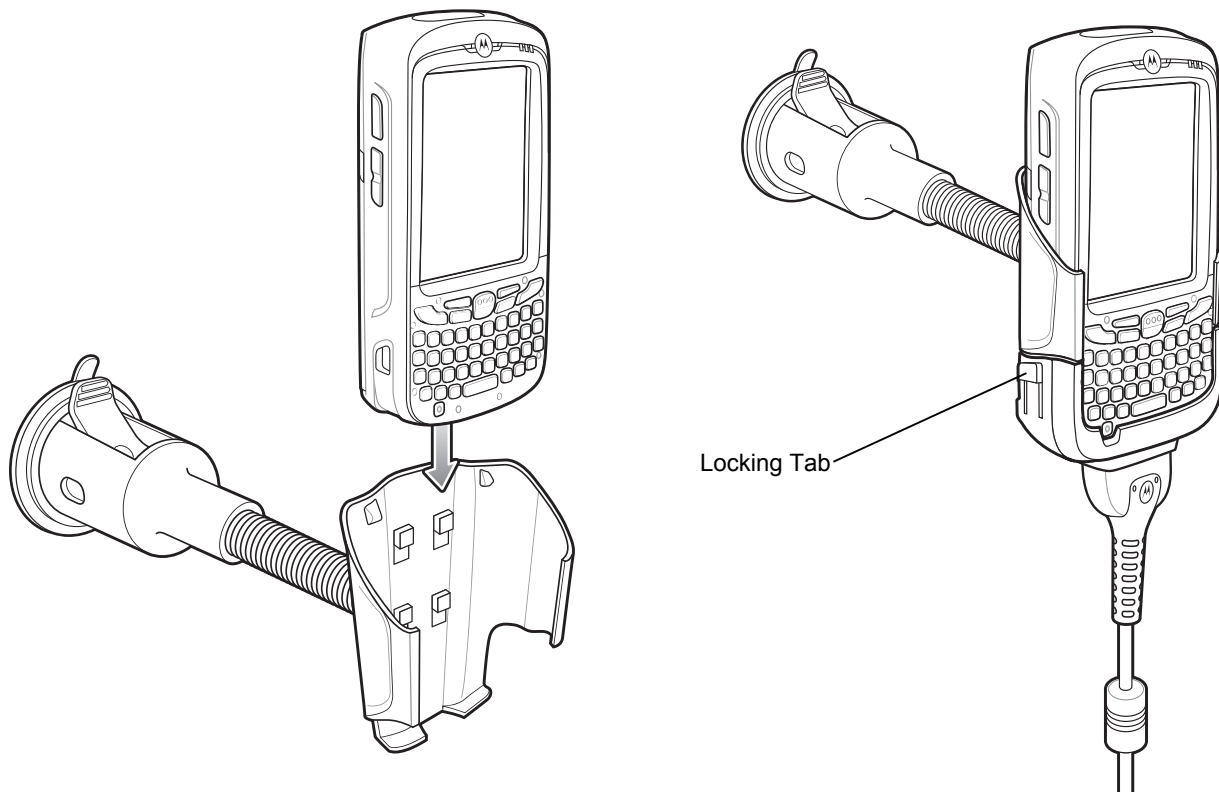


Figure 2-28 Insert MC55 into Vehicle Holder

5. Connect the auto charger cable to the MC55 and slide the two locking tabs up to secure the cable cup to the MC55.
6. Connect the other end to the cigarette lighter socket.

The LED indicator on the right side of the touch screen lights up orange during charging.

✓ **NOTE** Prior to removing the MC55 from the vehicle holder, disconnect the auto-charge cable from the MC55.

Flat Surface Installation

1. Remove the plastic sheet on the bottom of the mounting disc.
2. Place the disc, sticky side down, on a clean flat surface.

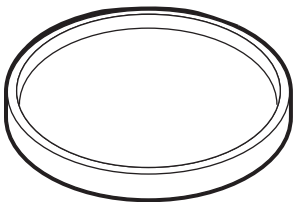


Figure 2-29 Mounting Disc

3. Fix the suction cup mount to the disc with the suction lever facing up.
4. Flip the lever down to create a vacuum between the suction cup and the disc.
5. Make sure that the suction bond is strong enough before proceeding to the next step.

6. Slide the MC55 into the cradle.

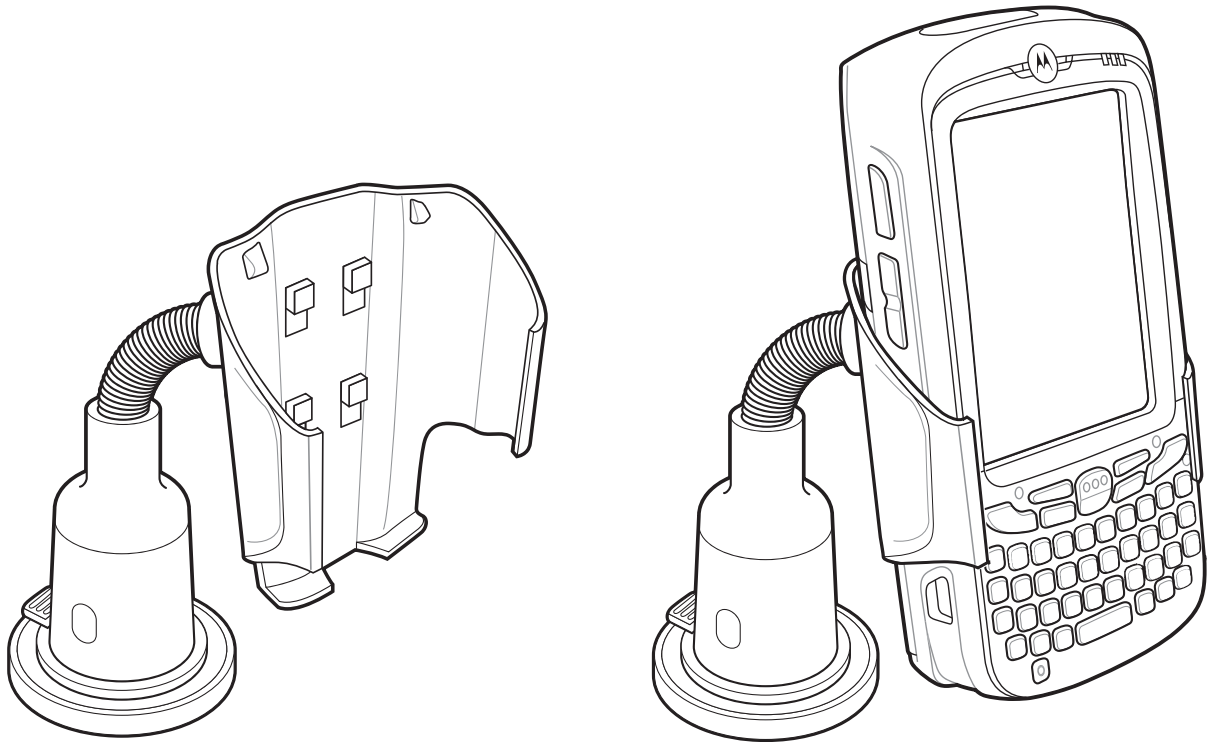


Figure 2-30 *Vehicle Holder Mounted on Flat Surface*

7. Connect the auto charger cable to the MC55 and slide the two locking tabs up to secure the cable cup to the MC55.
8. Connect the other end to the cigarette lighter socket.

The LED indicator on the right side of the touch screen lights up orange during charging.

Trigger Handle

The TRG5500 Trigger Handle adds a gun-style handle with a scanning trigger to the MC55. It increases comfort when using the MC55 in scan-intensive applications for extended periods of time.

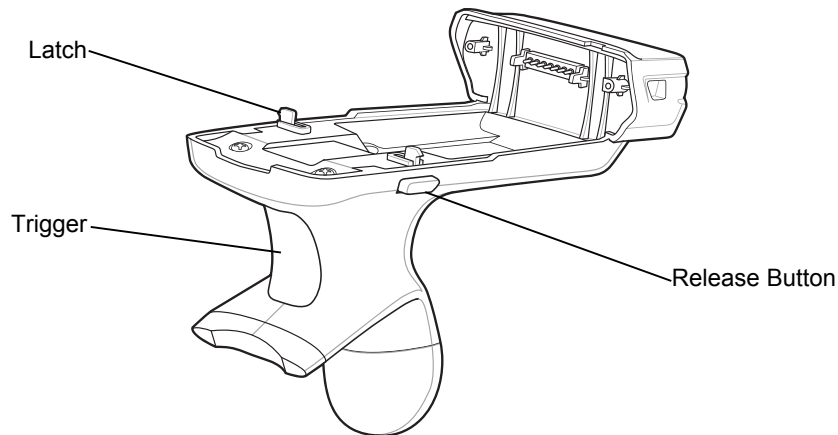


Figure 2-31 Trigger Handle Features

Inserting the MC55 into the Trigger Handle

Slide the MC55 into the Trigger Handle until it locks in place. The latches secure the MC55 to the Trigger Handle.

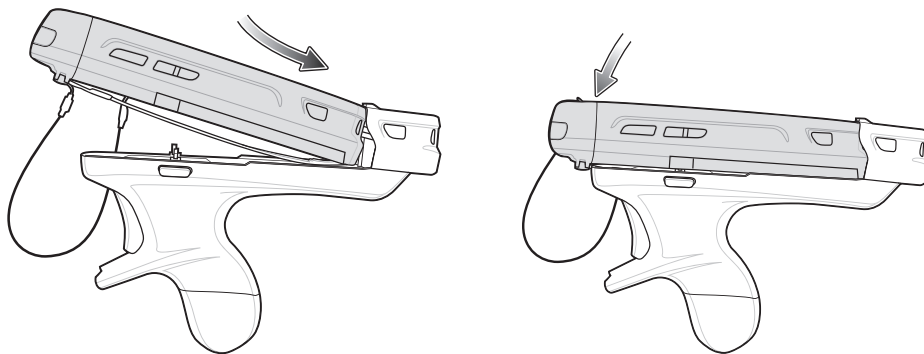


Figure 2-32 Installing the MC55

Removing the MC55

To remove the MC55, press the release buttons and pull the MC55 forward.

Scanning

To scan bar codes:

✓ **NOTE** A scanning application must be installed prior to scanning a bar code.

1. Start the MC55's scanning application.
2. Aim the MC55 at the bar code.

- Press the trigger on the handle. The Scan/Decode LED lights and a beep sounds to indicate a successful decode.

For more information on MC55 scanner functions, refer to the *MC55 User Guide*.

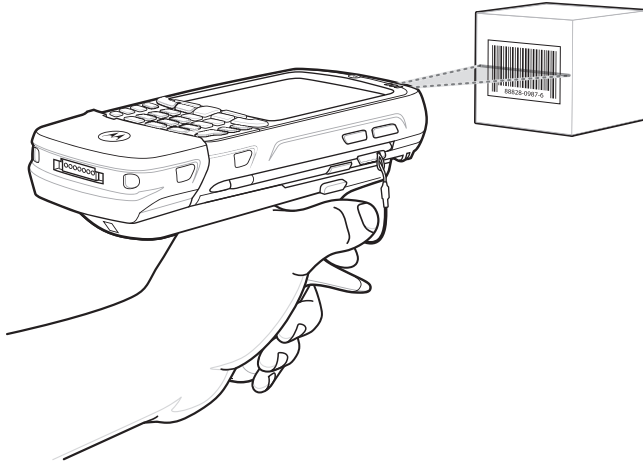


Figure 2-33 Scanning with the Trigger Handle

Charging and Communication

The Trigger Handle can be used to charge the MC55 and communicate with a host computer using either the Serial Charging Cable or a cradle, or connect to a peripheral such as a printer.

Using the Serial Charging/Communication Cable

To charge the MC55's battery or communicate with a host computer while the MC55 is in the Trigger Handle, use the Serial Charging Cable setup below:

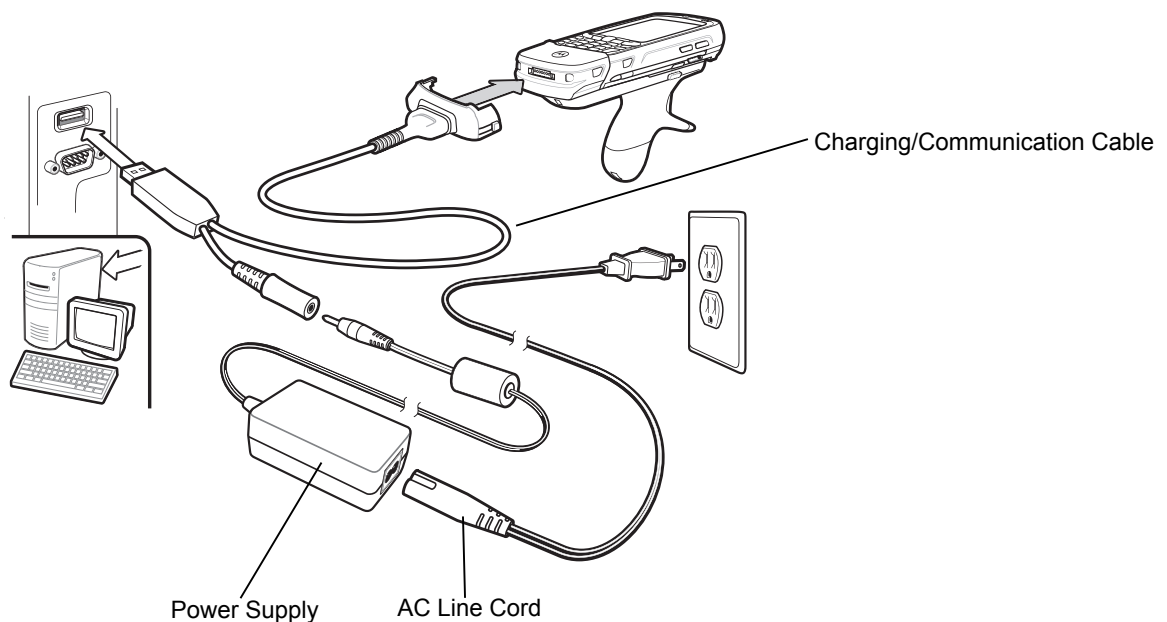


Figure 2-34 Charging/Communication Setup

Using a Cradle



CAUTION Do not place a Trigger Handle with an attachment, such as a Magnetic Stripe Reader (MSR) into a cradle. Remove the attachment before inserting the Trigger Handle into the cradle.

To charge the MC55's battery while the MC55 is in the Trigger Handle, use either a Single-Slot or Four-Slot cradle.

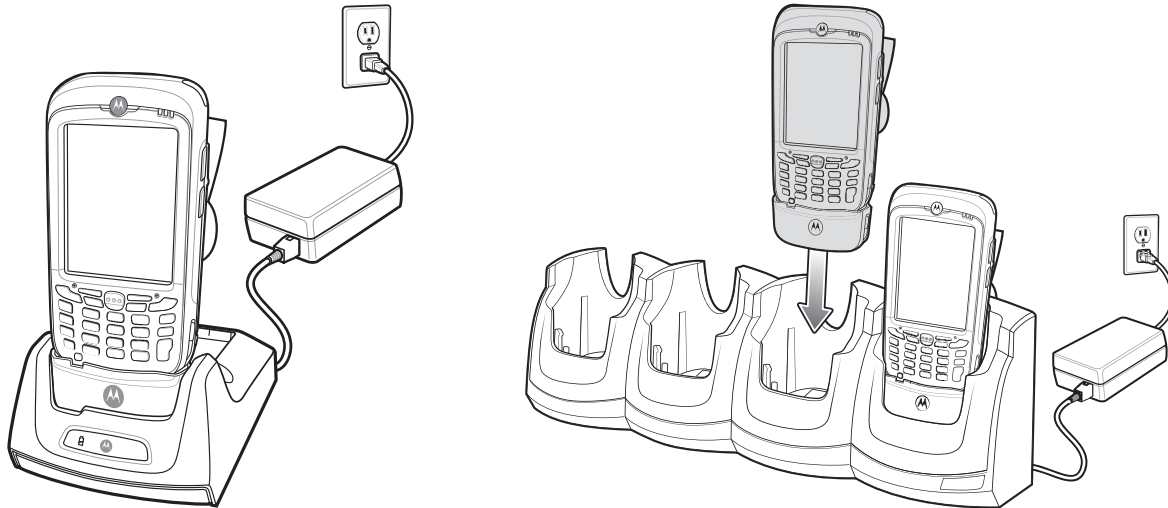


Figure 2-35 *Using with a Cradle*

Chapter 3 Synchronization

Introduction

Synchronization lets the user manage information between an MC55 and a host computer so that changes made either on the MC55 or on the host computer appear in both places. Download and install sync software to the host computer (either Microsoft ActiveSync for Windows XP or Windows Mobile Device Center (WMDC) for Windows Vista and Windows 7) in order to use the sync feature. Visit www.microsoft.com on the host computer for details.

- ✓ **NOTE** When the MC55 is connected to a host computer and a sync connection is made, the Wi-Fi radio is disabled. This is a Microsoft security feature to prevent connection to two networks at the same time.

The sync software:

- Allows working with MC55-compatible applications on the host computer. The sync software replicates data from the MC55 to view, enter, and modify data on the host computer.
- Synchronizes files between the MC55 and the host computer, converting the files to the correct format.
- Backs up the data stored on the MC55. Synchronization is a one-step procedure that ensures the data is always safe and up-to-date.
- Copies (rather than synchronizes) files between the MC55 and the host computer.
- Controls when synchronization occurs by selecting a synchronization mode. For example, synchronize continuously while the MC55 is connected to the host computer, or synchronize only on command.
- Selects the types of information to synchronize and control how much data is synchronized.

Installing the Sync Software

To download and install either Microsoft ActiveSync (for Windows XP) or WMDC (for Windows Vista and Windows 7), visit www.microsoft.com and follow the instructions for the host computer.

MC55 Setup

- ✓ **NOTE** Microsoft recommends installing the sync software on the host computer before connecting the MC55.

The MC55 can be set up to communicate with a USB connection. The MC55 communication settings must be set to match the communication settings used with ActiveSync or WMDC.

1. On the MC55 tap **Start > Programs > ActiveSync** icon. The **ActiveSync** window appears.
2. Tap **Menu > Connections**.
3. Select the connection type from the drop-down list.
4. Tap **OK** to exit the **Connections** window and tap **OK** to exit the **ActiveSync** window.
5. Proceed with installing ActiveSync or WMDC on the host computer and setting up a partnership.

Setting Up a Sync Connection

ActiveSync

1. Select **Start > Programs > Microsoft ActiveSync** on the host computer. The **ActiveSync Window** displays.

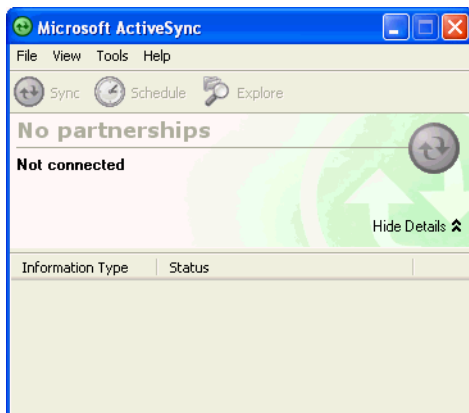


Figure 3-1 ActiveSync Window

✓ **NOTE** Assign each MC55 a unique device name. Do not try to synchronize more than one MC55 to the same name.

2. In the **ActiveSync** window, select **File > Connection Settings**. The **Connection Settings** window appears.



Figure 3-2 Connection Settings Window

3. Select **Allow USB connections** check box.
4. Select the **Show status icon in taskbar** check box.
5. Select **OK** to save any changes made.

Windows Mobile Device Center

1. Select **Start > All Programs > Windows Mobile Device Center** on the host computer.



Figure 3-3 Windows Mobile Device Center Window

2. In the WMDC window, under **Mobile Device Settings**, click **Connection** settings.

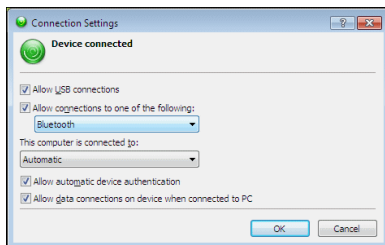


Figure 3-4 Connection Settings Window

3. Select **Allow USB connections and adjust any additional settings as needed**.
4. Click **OK** to save your settings.

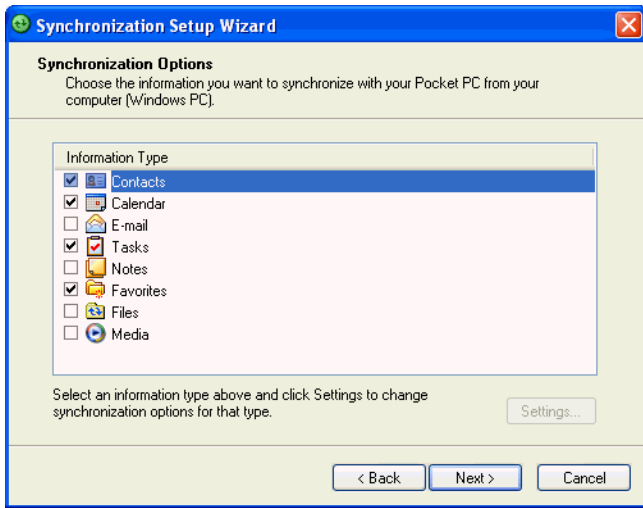
Synchronization With a Windows Mobile 6.5 Device

- ✓ **NOTE** When the MC55 is connected to your computer and a sync connection is made, the Wi-Fi radio (if applicable) is disabled. This is a Microsoft security feature to prevent connection to two networks at the same time.

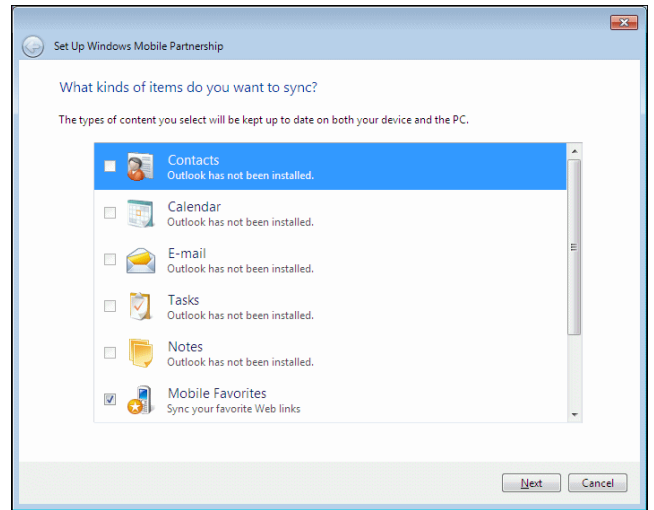
To synchronize with the MC55:

1. Connect the MC55 to your computer using the provided USB cable.
2. If the **Get Connected** window does not appear on your computer, select **Start > All Programs > Microsoft ActiveSync** or **Windows Mobile Device Center**.
3. Click **Next**.
4. Select the check box to synchronize with a server running Microsoft Exchange if applicable.

5. Click **Next**.



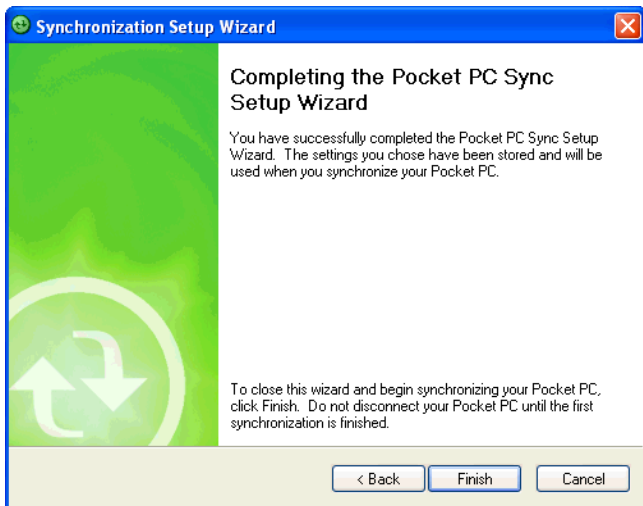
ActiveSync



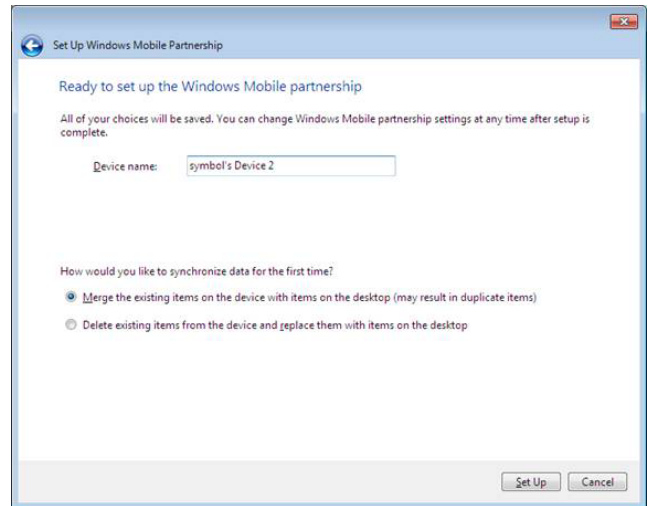
WMDC

Figure 3-5 Select Synchronization Settings

6. Select the appropriate settings and click **Next**.



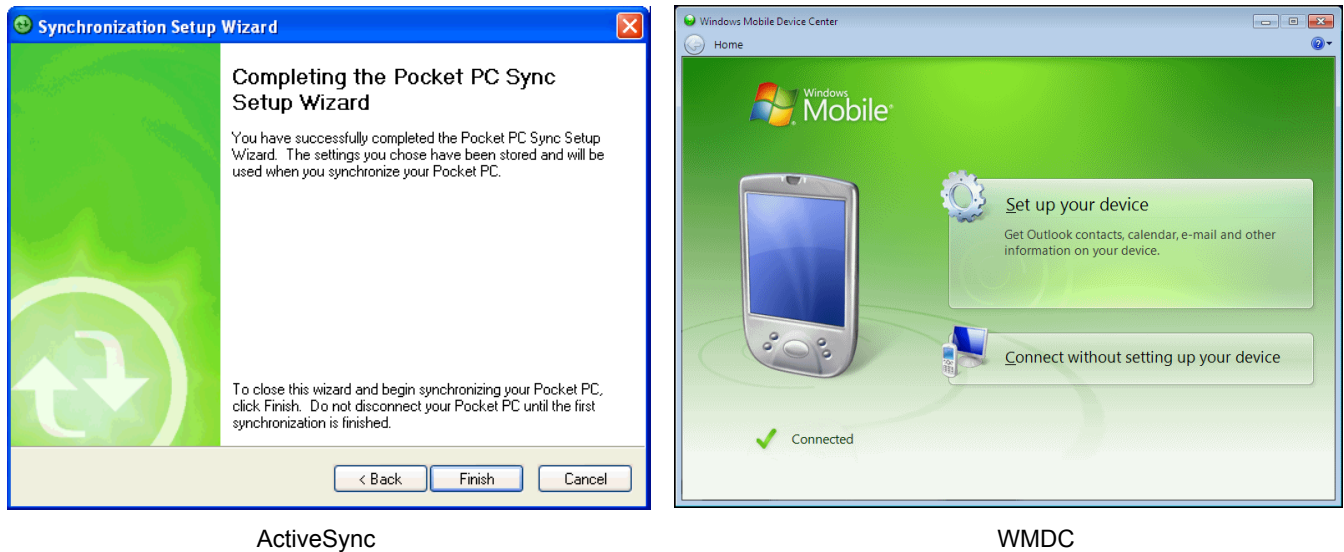
ActiveSync



WMDC

Figure 3-6 Setup Complete Window

7. Click **Finish**.



ActiveSync

WMDC

Figure 3-7 *Connected Window*

During the first synchronization, information stored on the MC55 is copied to the host computer. When the copy is complete and all data is synchronized, the MC55 can be disconnected from the host computer.

- ✓ **NOTE** The first synchronization operation must be performed with a local direct connection. Windows Mobile retains partnerships information after a cold boot.

CHAPTER 4 APPLICATION DEPLOYMENT

Introduction

This chapter describes features in Windows Mobile including new security features, how to package applications, and procedures for deploying applications onto the MC55.

Security

The MC55 implements a set of security policies that determine whether an application is allowed to run and, if allowed, with what level of trust. To develop an application, you must know the security configuration of the device, and how to sign an application with the appropriate certificate to allow the application to run (and to run with the needed level of trust).

Application Security

Application security controls the applications that can run on the MC55.

- Trusted - All applications must be digitally signed by a certificate on the MC55.
- Prompted - User is prompted to allow unsigned applications to run.
- Open - All applications run.

Developers can include their own certificates and provision the device to “trusted.”

Digital Signatures

Digital signatures provide a way to authenticate the author of EXEs, DLLs, and packages. Digitally signed applications give users confidence that an application comes from where they think it comes from. For example, if an end-user downloads an update package from the internet that is digitally signed with Motorola's software certificate, they are assured that the package is authentic and that it was created by Motorola. By enforcing the use of digital signatures, users can also prevent malicious applications from executing on the MC55. For example, users can provision the MC55 to only execute “trusted” applications (digitally signed).

Motorola ships all Windows Mobile 6 based products in an “open” state, which means all signed and unsigned applications should work. However, customers can still reconfigure their MC55 to operate in the “trusted”

mode. This means that only applications signed with a certificate from the Privileged Execution Trust Certificate Store can run.

To support the broadest number of deployments, third-party software developers should perform the following when releasing software for a Windows Mobile 6 devices:

- Sign all their EXEs & DLLs with their private key
- Provide the corresponding public certificate to end-users so that it can be installed into Privileged Execution Trust Certificate Store.

If the software is installed via a .CAB file, developer should also:

- Sign the .CAB file with their private key
- Provide the corresponding public certificate to end-users so that it can be installed into SPC Certificate Store.

Locking Down a Mobile Computer

Like most configuration options in Windows Mobile, security settings are set via XML provisioning. For example, to enforce the “trusted” model and only allow applications signed with a privileged certificate to run, use the following provisioning document:

```
<wap-provisioningdoc>
  <characteristic type="SecurityPolicy">
    <!-- Disallow unsigned apps -->
    <parm name="4102" value="0"/>

    <!-- No Prompt -->
    <parm name="4122" value="1"/>
  </characteristic>
</wap-provisioningdoc>
```

For more information on various security options, refer to the Security Policy Settings topic in the latest Windows Mobile documentation.

Installing Certificates

Use XML provisioning to query and delete certificates from certificate stores. To add a new certificate the Privileged Execution Trust Certificate Store, use the following sample provisioning document:

```
<wap-provisioningdoc>
<characteristic type= "CertificateStore">
<characteristic type= "Privileged Execution Trust Authorities">
<characteristic type= "657141E12FA45786F6A57CA6464032D4B3A55475">
<parm name= "EncodedCertificate" value= "
This is sample text. This is sample text. This is sample text. This is sample text.
This is sample text. This is sample text. This is sample text. This is sample text.
This is sample text. This is sample text. This is sample text. This is sample text. = "/>
</characteristic>
</characteristic>
</characteristic>
</wap-provisioningdoc>
```

To create your own provisioning document with real certificate information:

1. Obtain a certificate from a security provider such as VeriSign.
2. Double-click on the certificate file (.CER) to open it.
3. Click on the *Details* tab and locate the *Thumbprint* field.
4. Copy the contents of the *Thumbprint* field and replace the value in the XML example above.
5. Click the **Copy to File...** button.
6. Click **Next** to start the Certificate Export Wizard.
7. Select *Base-64 encoded X.509 (.CER)* and then click **Next**.
8. Set the File Name to CertOutput.xml and click **Next**.
9. Click **Finish** to export the certificate.
10. Open the exported file, CertOutput.xml, in a text editor (i.e., NotePad).
11. Copy the contents of the file (excluding the first line, last line, and CR/LF) and replace the value of the *"EncodedCertificate"* parameter in the xml example above.

Device Management Security

You can control access to certain device settings and security levels, such as installing applications and changing security settings. Refer to the *Windows Mobile Version 6 Help* file for information on device management security.

Remote API Security

The Remote API (RAPI) enables applications that run on a desktop to perform actions on a remote device. RAPI provides the ability to manipulate the file system on the remote device, including the creation and deletion of files and directories. By default, Motorola ships with RAPI in the restricted mode. Certain tools, such

as RAPIConfig, may not work properly. Refer to the *Windows Mobile Version 6 Help* file for finding information on Remote API security policies.

Packaging

✓ **NOTE** Applications compiled for Windows Mobile 6 are not backward-compatible with previous versions.

Packaging combines an application's executable files into a single file, called a package. This makes it easier to deploy and install an application to the MC55. Package new applications and updates, such as new DLL files, as CAB files, then deploy them to devices. Refer to the *Microsoft Windows Mobile 6 Help* file for information on CAB files.

Deployment

To install applications onto the MC55, developers package the application and all required files into a CAB file, then load the file onto the MC55 using one of the following options:

- Microsoft ActiveSync 4.5 or higher or Windows Mobile Device Center
- Storage Card
- MSP 3.2
- AirBEAM
- Image Loader Image (for updating the operating system).

Refer to the *Microsoft Windows Mobile 6 Help* file for information on CAB files.

Installation Using ActiveSync

To install an application package:

- Connect the MC55 to a host computer using ActiveSync. See [Chapter 3, ActiveSync](#) for more information.
- Locate the package file on the host computer.
- In ActiveSync on the host computer, open *Explorer* for the MC55.
- Copy the CAB file from the host computer to the \temp directory on the MC55.
- On the MC55, navigate to the \temp directory.
- Tap on the application CAB file. The application installs on the MC55.

Installation Using Storage Card

To install an application package:

- Copy the package CAB file to a microSD storage card using an appropriate storage card reader.
- Install the storage card into the MC55. See [Installing a microSD Card \(MC55A0\) on page 1-2](#) for more information.
- On the MC55, open **File Explorer**.

- Open the *Storage Card* directory.
- Tap the package CAB file. The application installs on the MC55.

Installation Using USB Connection

To install an application or copy files to the MC55 using a USB connection:

1. On the MC55, tap **Start > Settings > System > USB Config** icon.

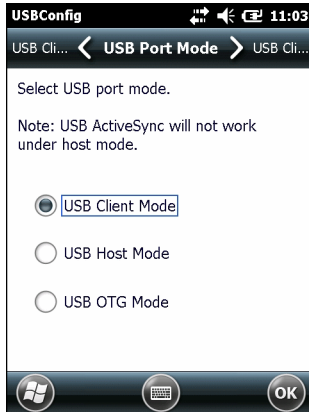


Figure 4-1 *USBConfig Window*

2. Tap **USB Client Mode** tab.
3. Select **Mass Storage**.
4. In the drop-down list, select either **Storage Card**, **Application** or **Cache Disk**.
5. Tap **OK**.
6. Connect the MC55 to a host computer using either a single slot cradle or a USB cable.
7. On the host computer, open **Windows Explorer**. The MC55 appears as a hard disk drive in **Windows Explorer**.
8. Double-click the drive letter to open the folder. Note that if \Application folder is selected the folder **__TFAT_HIDDEN_ROOT_DIR__** appears. Double click to open the folder.
9. On the host computer, open another **Windows Explorer** window and locate the files to copy to the MC55.
10. Drag the files from the new window to the MC55 folder window.
11. When complete, disconnect the MC55 from the host computer.

Installation Using AirBEAM

The AirBEAM Smart Client provides backward-compatible legacy AirBEAM functionality and backward-compatible legacy MSP 2.x Level 2 Agent functionality.

Refer to the AirBEAM Smart Windows CE Client Product Reference Guide, p/n 72-63060-xx, for instructions for AirBEAM Smart client.

Mobility Services Platform

The MSP 3 Client Software is a set of software components that come pre-installed on the MC55. The MSP 3 Client software consists of the following components:

The RD Client provides support for MSP 3 Staging functionality, provides support for the MSP 3 Legacy Staging process, and provides support for backward-compatible legacy MSP 2.x Legacy Staging functionality.

The MSP 3 Agent provides MSP 3 Provisioning functionality and Control functionality when used with MSP 3.2 Control Edition.

Refer to the Mobility Services Platform 3.2 User's Guide, p/n 72E-100158-xx, for instructions for using the Rapid Deployment and MSP3 Agent clients.

Update Loader Image

Windows Mobile contains an Image Update feature that updates all operating system components. All updates are distributed as update packages. Update packages can contain either partial or complete updates for the operating system. Motorola distributes the update packages on the Support Central Web Site, <http://supportcentral.motorola.com>.

To update an operating system component, copy the update package to the MC55 using one of a variety of transports, including ActiveSync, an microSD card, AirBEAM or MSP.

Download Update Loader Package

1. Go to the Motorola Support Central web site, <http://supportcentral.motorola.com>.
2. Download the appropriate update loader package to a host computer.
3. Locate the update loader package file on the host computer and un-compress the file into a separate directory.

ActiveSync

To install an update loader package using ActiveSync:

1. Connect the MC55 to a host computer using ActiveSync. See [Chapter 3, ActiveSync](#) for more information.
2. In ActiveSync on the host computer, open **Explorer** for the MC55.
3. Copy all the update loader package files from the host computer to the \temp directory on the MC55.
4. On the MC55, navigate to the \temp directory.
5. Tap on the update loader file, **STARTUPDLDR.EXE**. The Update Loader application installs the update loader package on the MC55.

A progress bar displays until the update completes.

6. The MC55 re-boots.
7. The calibration screen appears.

microSD Card

To install an update loader package using a microSD card:

1. Copy all the update loader package files to the root directory of a microSD card.

2. Install the microSD card into the MC55. See *Installing a microSD Card (MC55A0)* on page 1-2 for installation instructions.
3. Connect the MC55 to AC power. See *Chapter 2, Accessories*.
4. Perform a cold boot.
5. Immediately, as soon as the device starts to boot and before the splash screen is visible, press and hold the left scan button.
6. The Update Loader application looks for the update loader file in the root directory of the microSD card. When it finds the file, it loads the update loader package onto the MC55. A progress bar displays until the update completes.
7. The MC55 re-boots.
8. The calibration screen appears.

Creating a Splash Screen

Use a bitmap file to create a customized splash screens for the MC55. Use Image Update with a bitmap file, rather than a package file, to update the splash screen.

To create a custom splash screen:

1. Create a .bmp file using a graphic program with the following specifications:
 - Size: 296 x 240.
 - Colors: 16 bits per pixel (65536 colors) for color displays.

2. Modify the bitmap file and save.

To load the splash screen on the MC55:

1. Create a text file named pkgs.lst which contains the name of the bmp file. For example, *mysplash.bmp*.
2. Copy the bmp file and the pkgs.lst file to one of the following:
 - SD card root directory
 - MC55's \temp directory
 - MC55's \Windows directory.
3. If using a microSD card, insert the microSD card into the MC55.
4. Perform a cold boot.
5. Immediately, as soon as the device starts to boot and before the splash screen is visible, press and hold the left scan button.

XML Provisioning

To configure the settings on an MC55, use XML provisioning. To install an XML provisioning file on the MC55, create a Cabinet Provisioning File (CPF). A CPF file is similar to a CAB file and contains just one file: `_setup.xml`. Like a CAB file, the CPF extension is associated with WCELoad.EXE. Opening a CPF extracts the XML code and uses it to provision and configure the MC55. The user receives an e-mail notification indicating success or failure.

XML provisioning provides the ability to configure various features of the MC55 (i.e., registry and file system). However, some settings require security privileges. To change registry settings via a CPF file, you must have certain privileges (roles). Some registry keys require you to simply be an *Authenticated User*, while other registry keys require you to be a *Manager*. Refer to the *Microsoft Windows Mobile 6 Help* file, *Metabase Settings for Registry Configuration Service Provider* section, for the default role settings in Windows Mobile 6.

For those registry settings that require the *Manager* role, the CPF file must be signed with a privileged certificate installed on the device. Refer to the *Microsoft Windows Mobile 6 Help* file and the *Windows Mobile 6 SDK* for instructions and sample test certificates.

Creating an XML Provisioning File

To create a .cpf file:

1. Create a valid provisioning XML file named `_setup.xml` using an XML editor or the tools supplied with Visual Studio 2005. (For example, use the `SampleReg.xml` sample created in the [RegMerge on page 4-8](#) section and rename it `_setup.xml`.) Ensure the file contains the required parameters for the operation. Refer to the *Microsoft Windows Mobile 6 Help* file for information.
2. In the Windows Mobile 6 tools directory on the desktop computer (typically `\Program Files\Windows CE Tools\wce500\Windows Mobile 6 Pocket PC SDK\Tools`), run the `Makecab.exe` utility, using the following syntax to create a .cpf file from the `_setup.xml` file:

```
MakeCab.exe /D COMPRESS=OFF _setup.xml myOutCpf
```

✓ **NOTE** COMPRESS=OFF is required for backward compatibility with Pocket PC.

3. Optionally, use the Authenticode tools to sign the .cpf file.
4. Tap the filename to install.
5. Certain applications and settings require a cold boot to take affect. In these cases, cold boot the MC55. Refer to the *Windows Mobile Version 6 Help* file for more information.

XML Provisioning vs. RegMerge and Copy File

Prior to Windows Mobile 5.0, Motorola used two drivers (RegMerge and CopyFiles) to update the registry and to copy files during a cold boot. With Windows Mobile 6, Motorola recommends using XML provisioning instead. RegMerge and CopyFiles are supported for backward compatibility but Motorola may eliminate support in the future. The following sections provide examples of how RegMerge and CopyFiles were used, and how to perform the same function using XML provisioning.

RegMerge

RegMerge.dll is a built-in driver that allows updating the registry during a clean boot. RegMerge runs very early in the boot process and looks for registry files (.reg files) in certain Flash File System folders (i.e., \Application) during a clean boot. It then merges the registry changes into the system registry located in RAM.

The following example uses RegMerge to set a registry key:

SampleReg.reg

```
[HKEY_LOCAL_MACHINE\Hardware\DeviceMap\Backlight]
"BacklightIntensity"=dword:00000036
```

The following example uses XML provisioning to perform the same task:

SampleReg.xml

```
<wap-provisioningdoc>
  <characteristic type= "Registry">
    <characteristic type= "HKLM\Hardware\DeviceMap\Backlight">
      <parm name= "BacklightIntensity" value= "54" datatype= "integer" />
    </characteristic>
  </characteristic>
</wap-provisioningdoc>
```

CopyFiles

CopyFiles copies files from one folder to another on a clean boot. During a clean boot CopyFiles looks for files with a .CPY extension in the root of the Application FFS partition. These files are text files containing the source and destination for the desired files to copy, separated by ">".

The following example uses CopyFiles to copy a file from the \Application folder to the \Windows folder:

SampleCpy.cpy

```
\Application\example.txt > \Windows\example.txt
```

The following example uses XML provisioning to perform the same task:

SampleCpy.xml

```
<wap-provisioningdoc>
  <characteristic type= "FileOperation">
    <characteristic type= "\Windows" translation= "filesystem">
      <characteristic type= "MakeDir"/>
      <characteristic type= "example.txt" translation= "filesystem">
        <characteristic type= "Copy">
          <parm name= "Source" value= "\Application\example.txt" translation= "filesystem"/>
        </characteristic>
      </characteristic>
    </characteristic>
  </characteristic>
</wap-provisioningdoc>
```

Storage

Mobile 6 contains three types of file storage:

- Random Access Memory (RAM)
- Persistent Storage
- Application folder.

Random Access Memory

Executing programs use RAM to store data. Data stored in RAM is lost upon a warm boot. RAM also included a volatile file storage area called *Cache Disk*.

Volatile File Storage (Cache Disk)

Windows Mobile 6 memory architecture uses persistent storage for all files, registry settings, and database objects to ensure data is retained even after a power failure. Persistent storage is implemented using Flash memory technology which is generally slower than volatile RAM memory. In certain situations the speed of the operation is more important than the integrity of the data. For these situations, Motorola has provided a small volatile File Storage volume, accessed as the *Cache Disk* folder. Disk operations to the *Cache Disk* folder are much faster than to any of the persistent storage volumes, but data is lost across warm boots and power interruptions.

DO NOT use the *Cache Disk* as a method to improve application performance. Analyze applications that perform slower in persistent storage to optimize disk access. Common areas for optimization include minimizing the number of reads and writes to a file, removing unneeded debug logging, and minimizing file flushing or closing files.

Persistent Storage

Windows Mobile 6 protects all data and applications from power-related loss. Because Windows Mobile 6 mounts the entire file system and registry in persistent storage (rather than using RAM), MC55 devices provide a reliable storage platform even in the absence of battery power.

Persistent storage provides application developers with a reliable storage system available through the standard file system and registry APIs. Persistent storage is optimized for large reads and writes; therefore, applications reading and writing data in large chunks tend to outperform those applications reading and writing small blocks of data. Data in persistent storage is lost upon a clean boot.

Persistent storage contains all the directories under the root directory except for Application, Cache Disk, and Storage Card (if a storage card is installed). Persistent storage is approximately 703 MB (formatted).

Application Folder

The Application folder is a super-persistent storage that is persistent even after a clean boot. Accessing data in the Application folder is slower than accessing persistent storage. The Application folder is used for deployment and device-unique data. For example, network profiles can be stored in the Application folder so that connection to the network is available after a cold boot. The Application folder is approximately 118 MB (formatted).

Enterprise Mobility Developer Kits

The Motorola Enterprise Mobility Developer Kit (EMDK) family of products allows you to write applications that take advantage of the capture, move and manage capabilities of the MC55. Go to the Support Central (<http://supportcentral.motorola.com>) to download the appropriate developer kit.

CHAPTER 5 WIRELESS APPLICATIONS

Introduction

Wireless Local Area Networks (WLANs) allow mobile computers to communicate wirelessly and send captured data to a host device in real time. Before using the MC55 on a WLAN, the facility must be set up with the required hardware to run the wireless LAN and the MC55 must be configured. Refer to the documentation provided with the access points (APs) for instructions on setting up the hardware.

802.11d is enabled by default. When enabled, the AP must be configured the same in order to connect.

To configure the MC55, a set of wireless applications provide the tools to configure and test the wireless radio in the MC55. Refer to the *Wireless Fusion Enterprise Mobility Suite User Guide for Version X.XX* for information on configuring wireless profiles; where X.XX is the Fusion version. Goto <http://supportcentral.motorola.com> for the latest version of this guide. See *Fusion Software on page xv* to determine the Fusion version on the MC55.

The **Wireless Application** menu on the task tray provides the following wireless applications:

- **Find WLANs** - Invokes the **Find WLANs** application which displays a list of the WLANs available in your area.
- **Manage Profiles** - Invokes the **Manage Profiles** application (which includes the **Profile Editor Wizard**) to manage and edit your list of WLAN profiles.
- **Manage Certs** - Invokes the **Certificate Manager** application which allows you to manage certificates used for authentication.
- **Manage PACs** - Invokes the **PAC Manager** application which helps you manage the list of Protected Access Credentials used with EAP-FAST authentication.
- **Options** - Invokes the **Options** application which allows you to configure the Fusion option settings.
- **Wireless Status** - Invokes the **Wireless Status** application which allows you to view the status of the current wireless connection.
- **Wireless Diagnostics** - Invokes the **Wireless Diagnostics** application which provides tools with which to diagnose problems with the wireless connection.
- **Log On/Off** - Invokes the **Network Login** dialog which allows you to log on to a particular profile or to log off from the currently active profile.
- **Fusion Help** - Invokes Fusion Help application which provides on-device Fusion Help

On the Home screen select the Fusion plug-in and then tap the **Fusion** button.

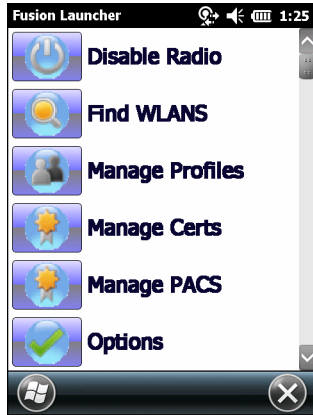


Figure 5-1 Fusion Launcher

Signal Strength Icon

The **Signal Strength** icon in the task tray indicates the MC55's wireless signal strength as follows:

Table 5-1 Signal Strength Icons Descriptions

Icon	Status	Action
	Excellent signal strength	WLAN network is ready to use.
	Very good signal strength	WLAN network is ready to use.
	Good signal strength	WLAN network is ready to use.
	Fair signal strength	WLAN network is ready to use. Notify the network administrator that the signal strength is only "Fair".
	Poor signal strength	WLAN network is ready to use. Performance may not be optimum. Notify the network administrator that the signal strength is "Poor".
	Out-of-network range (not associated)	No WLAN network connection. Notify the network administrator.
	The WLAN radio is disabled.	The WLAN radio is disabled. To enable, choose Enable Radio from the Wireless Applications menu.
None	The Wireless Launcher application was exited.	The Wireless Launcher application has been closed. See the Fusion Functions paragraphs below for how to restart the Wireless Launcher .

Turning the WLAN Radio On and Off

To turn the WLAN radio off, tap **Start > Wireless Companion > Wireless Launcher** icon and select **Disable Radio**.

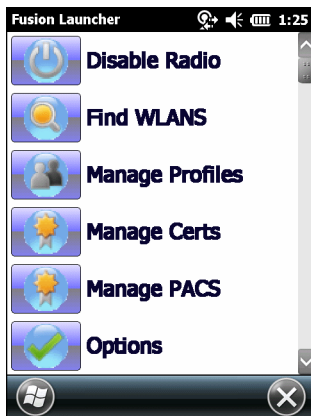


Figure 5-2 *Disable Radio*

To turn the WLAN radio on, tap **Start > Wireless Companion > Wireless Launcher** icon and select **Enable Radio**.

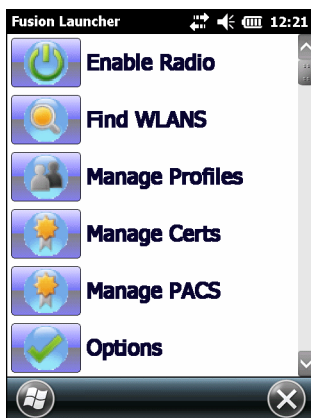


Figure 5-3 *Enable Radio*

Also note that the radio may be enabled or disabled using the **Wireless Manager** screen.

CHAPTER 6 MAINTENANCE & TROUBLESHOOTING

Introduction

This chapter includes instructions on cleaning and storing the MC55, and provides troubleshooting solutions for potential problems during MC55 operation.

Maintaining the MC55

For trouble-free service, observe the following tips when using the MC55:

- Do not scratch the screen of the MC55. When working with the MC55, use the supplied stylus or plastic-tipped pens intended for use with a touch-sensitive screen. Never use an actual pen or pencil or other sharp object on the surface of the MC55 screen.

Motorola recommends using a screen protector, p/n KT-67525-01R.

- The touch-sensitive screen of the MC55 is glass. Do not drop the MC55 or subject it to strong impact.
- Protect the MC55 from temperature extremes. Do not leave it on the dashboard of a car on a hot day, and keep it away from heat sources.
- Do not store or use the MC55 in any location that is dusty, damp, or wet.
- Use a soft lens cloth to clean the MC55. If the surface of the MC55 screen becomes soiled, clean it with a soft cloth moistened with a diluted window-cleaning solution.
- Periodically replace the rechargeable battery to ensure maximum battery life and product performance. Battery life depends on individual usage patterns.

- A screen protector is applied to the MC55. Motorola recommends using this to minimize wear and tear. Screen protectors enhance the usability and durability of touch screen displays. Benefits include:
 - Protection from scratches and gouges
 - Durable writing and touch surface with tactile feel
 - Abrasion and chemical resistance
 - Glare reduction
 - Keeping the device's screen looking new
 - Quick and easy installation.

Battery Safety Guidelines

- The area in which the units are charged should be clear of debris and combustible materials or chemicals. Particular care should be taken where the device is charged in a non commercial environment.
- Follow battery usage, storage, and charging guidelines found in the user's guide.
- Improper battery use may result in a fire, explosion, or other hazard.
- To charge the mobile device battery, the battery and charger temperatures must be between +32 °F and +104 °F (0 °C and +40 °C)
- Do not use incompatible batteries and chargers. Use of an incompatible battery or charger may present a risk of fire, explosion, leakage, or other hazard. If you have any questions about the compatibility of a battery or a charger, contact Motorola Enterprise Mobility support.
- To enable authentication of an approved battery, as required by IEEE1725 clause 10.2.1, all batteries will carry a Motorola hologram. Do not fit any battery without checking it has the Motorola authentication hologram.
- Do not disassemble or open, crush, bend or deform, puncture, or shred.
- Severe impact from dropping any battery-operated device on a hard surface could cause the battery to overheat.
- Do not short circuit a battery or allow metallic or conductive objects to contact the battery terminals.
- Do not modify or remanufacture, attempt to insert foreign objects into the battery, immerse or expose to water or other liquids, or expose to fire, explosion, or other hazard.
- Do not leave or store the equipment in or near areas that might get very hot, such as in a parked vehicle or near a radiator or other heat source. Do not place battery into a microwave oven or dryer.
- Battery usage by children should be supervised.
- Please follow local regulations to properly dispose of used re-chargeable batteries.
- Do not dispose of batteries in fire.
- In the event of a battery leak, do not allow the liquid to come in contact with the skin or eyes. If contact has been made, wash the affected area with large amounts of water and seek medical advice.
- If you suspect damage to your equipment or battery, contact Motorola Enterprise Mobility support to arrange for inspection.

Cleaning



CAUTION Always wear eye protection.

Read warning label on compressed air and alcohol product before using.

If you have to use any other solution for medical reasons please contact Motorola for more information.



WARNING! Avoid exposing this product to contact with hot oil or other flammable liquids. If such exposure occurs, unplug the device and clean the product immediately in accordance with these guidelines.

Approved Cleanser Active Ingredients

100% of the active ingredients in any cleaner must consist of one or some combination of the following: isopropyl alcohol, bleach/sodium hypochlorite, hydrogen peroxide or mild dish soap.

Harmful Ingredients

The following chemicals are known to damage the plastics on the MC55 and should not come in contact with the device: ammonia solutions, compounds of amines or ammonia; acetone; ketones; ethers; aromatic and chlorinated hydrocarbons; aqueous or alcoholic alkaline solutions; ethanolamine; toluene; trichloroethylene; benzene; carbolic acid and TB-lysoform.

Cleaning Instructions

Do not apply liquid directly to the MC55. Dampen a soft cloth or use pre-moistened wipes. Do not wrap the device in the cloth or wipe, but gently wipe the unit. Be careful not to let liquid pool around the display window or other places. Allow the unit to air dry before use.

Special Cleaning Notes

Many vinyl gloves contain phthalate additives, which are often not recommended for medical use and are known to be harmful to the housing of the MC55. The MC55 should not be handled while wearing vinyl gloves containing phthalates, or before hands are washed to remove contaminant residue after gloves are removed. If products containing any of the harmful ingredients listed above are used prior to handling the MC55, such as hand sanitizers that contain ethanolamine, hands must be completely dry before handling the MC55 to prevent damage to the plastics.

Materials Required

- Alcohol wipes
- Lens tissue
- Cotton tipped applicators
- Isopropyl alcohol
- Can of compressed air with a tube.

Cleaning the MC55

Housing

Using the alcohol wipes, wipe the housing including keys and in-between keys.

Display

The display can be wiped down with the alcohol wipes, but care should be taken not to allow any pooling of liquid around the edges of the display. Immediately dry the display with a soft, non-abrasive cloth to prevent streaking.

Scanner Exit Window

Wipe the scanner exit window periodically with a lens tissue or other material suitable for cleaning optical material such as eyeglasses.

Connector

1. Remove the main battery from mobile computer.
2. Dip the cotton portion of the cotton tipped applicator in isopropyl alcohol.
3. Rub the cotton portion of the cotton tipped applicator back-and-forth across the connector on the bottom of the MC55. Do not leave any cotton residue on the connector.
4. Repeat at least three times.
5. Use the cotton tipped applicator dipped in alcohol to remove any grease and dirt near the connector area.
6. Use a dry cotton tipped applicator and repeat steps 4 through 6.



CAUTION Do not point nozzle at yourself and others, ensure the nozzle or tube is away from your face.

7. Spray compressed air on the connector area by pointing the tube/nozzle about ½ inch away from the surface.
8. Inspect the area for any grease or dirt, repeat if required.

Cleaning Cradle Connectors

To clean the connectors on a cradle:

1. Remove the DC power cable from the cradle.
2. Dip the cotton portion of the cotton tipped applicator in isopropyl alcohol.
3. Rub the cotton portion of the cotton tipped applicator along the pins of the connector. Slowly move the applicator back-and-forth from one side of the connector to the other. Do not let any cotton residue on the connector.
4. All sides of the connector should also be rubbed with the cotton tipped applicator.



CAUTION Do not point nozzle at yourself and others, ensure the nozzle or tube is pointed away from your face.

5. Spray compressed air in the connector area by pointing the tube/nozzle about ½ inch away from the surface.
6. Ensure that there is no lint left by the cotton tipped applicator, remove lint if found.
7. If grease and other dirt can be found on other areas of the cradle, use lint free cloth and alcohol to remove.
8. Allow at least 10 to 30 minutes (depending on ambient temperature and humidity) for the alcohol to air dry before applying power to cradle.

If the temperature is low and humidity is high, longer drying time is required. Warm temperature and dry humidity requires less drying time.

Cleaning Frequency

The cleaning frequency is up to the customer's discretion due to the varied environments in which the mobile devices are used. They may be cleaned as frequently as required. However when used in dirty environments it may be advisable to periodically clean the scanner exit window to ensure optimum scanning performance.

Troubleshooting

MC55

Table 6-1 *Troubleshooting the MC55*

Problem	Cause	Solution
MC55 does not turn on.	Lithium-ion battery not charged.	Charge or replace the lithium-ion battery in the MC55.
	Lithium-ion battery not installed properly.	Ensure battery is installed properly. See <i>Installing the Battery on page 1-4</i> .
	System crash.	Perform a warm boot. If the MC55 still does not turn on, perform a cold boot. See <i>Resetting the MC55 on page 1-6</i> .
Rechargeable lithium-ion battery did not charge.	Battery failed.	Replace battery. If the MC55 still does not operate, perform a warm boot, then a cold boot. See <i>Resetting the MC55 on page 1-6</i> .
	MC55 removed from cradle while battery was charging.	Insert MC55 in cradle. The 2400 mAh battery fully charges in approximately four hours and the 3600 mAh battery charges in approximately six hours.
	Extreme battery temperature.	Battery does not charge if ambient temperature is below 0°C (32°F) or above 40°C (104°F).
Cannot see characters on display.	MC55 not powered on.	Press the Power button.

Table 6-1 Troubleshooting the MC55 (Continued)

Problem	Cause	Solution
During data communication, no data transmitted, or transmitted data was incomplete.	MC55 removed from cradle or disconnected from host computer during communication.	Replace the MC55 in the cradle, or reattach the communication cable and re-transmit.
	Incorrect cable configuration.	See the system administrator.
	Communication software was incorrectly installed or configured.	Perform setup. See <i>Chapter 2, Accessories</i> for details.
No sound.	Volume setting is low or turned off.	Adjust the volume. Adjust the volume. Refer to the <i>MC55 User Guide</i> .
MC55 shuts off.	MC55 is inactive.	The MC55 turns off after a period of inactivity. If the MC55 is running on battery power, set this period from 1 to 5 minutes, in one-minute intervals. If the MC55 is running on external power, set this period to 1, 2, 5, 10, 15, or 30 minutes. Check the Power window by selecting Start > Settings > System tab and tapping the Power icon. Select the Advanced tab and change the setting for a longer delay before the automatic shutoff feature activates.
	Battery is not inserted properly.	Insert the battery properly. See <i>Installing the Battery on page 1-4</i> .
	Battery is depleted.	Replace the battery.
Tapping the window buttons or icons does not activate the corresponding feature.	Screen is not calibrated correctly.	Re-calibrate the screen. Press Blue key - Backspace key or tap Start > Settings > System tab > Screen icon > Align Screen button.
	The system is not responding.	Warm boot the system. See <i>Resetting the MC55 on page 1-6</i> .
A message appears stating that the MC55 memory is full.	Too many files stored on the MC55.	Delete unused memos and records. If necessary, save these records on the host computer (or use an SD card for additional memory).
	Too many applications installed on the MC55.	Remove user-installed applications on the MC55 to recover memory. Select Start > Settings > System tab and tap the Remove Programs icon. Select the unused program and tap Remove .
The Charging/Battery Status LED flashes with the Power button is pressed and the MC55 does not turn on.	The MC55's battery is low.	Recharge the battery.

Table 6-1 Troubleshooting the MC55 (Continued)

Problem	Cause	Solution
Camera application does not launch.	DataWedge application running.	Stop DataWedge application. Tap Start > Settings > System > Task Manager . Select DataWedge application and tap End Task .
The MC55 does not decode with reading bar code.	Scanning application is not loaded.	Load a scanning application on the MC55. See the system administrator.
	Unreadable bar code.	Ensure the symbol is not defaced.
	Distance between exit window and bar code is incorrect.	Place the MC55 within proper scanning range.
	MC55 is not programmed for the bar code.	Program the MC55 to accept the type of bar code being scanned. Refer to the EMDK or Control Panel application.
	MC55 is not programmed to generate a beep.	If the MC55 does not beep on a good decode, set the application to generate a beep on good decode.
	Battery is low.	If the scanner stops emitting a laser beam upon a trigger press, check the battery level. When the battery is low, the scanner shuts off before the MC55 low battery condition notification. Note: If the scanner is still not reading symbols, contact the distributor or Motorola.
MC55 cannot find any Bluetooth devices nearby.	Too far from other Bluetooth devices.	Move closer to the other Bluetooth device(s), within a range of 10 meters.
	The Bluetooth device(s) nearby are not turned on.	Turn on the Bluetooth device(s) to find.
	The Bluetooth device(s) are not in discoverable mode.	Set the Bluetooth device(s) to discoverable mode. If needed, refer to the device's user documentation for help.
There is a delay in the Bluetooth stack re-initializing during a resume from suspend.	This is normal behavior.	No solution required.

Single Slot USB Cradle

Table 6-2 Troubleshooting the Single Slot USB Cradle

Symptom	Possible Cause	Action
LEDs do not light when MC55 or spare battery is inserted.	Cradle is not receiving power.	Ensure the power cable is connected securely to both the cradle and to AC power.
	MC55 is not seated firmly in the cradle.	Remove and re-insert the MC55 into the cradle, ensuring it is firmly seated.
	Spare battery is not seated firmly in the cradle.	Remove and re-insert the spare battery into the charging slot, ensuring it is firmly seated.
MC55 battery is not charging.	MC55 was removed from cradle or cradle was unplugged from AC power too soon.	Ensure cradle is receiving power. Ensure MC55 is seated correctly. Confirm main battery is charging under Start > Settings > System > Power . The 2400 mAh battery fully charges in approximately four hours and the 3600 mAh battery charges in approximately six hours.
	Battery is faulty.	Verify that other batteries charge properly. If so, replace the faulty battery.
	The MC55 is not fully seated in the cradle.	Remove and re-insert the MC55 into the cradle, ensuring it is firmly seated.
	Ambient temperature of the cradle is too warm.	Move the cradle to an area where the ambient temperature is between 0°C and 35°C.
Spare battery is not charging.	Battery not fully seated in charging slot.	Remove and re-insert the spare battery in the cradle, ensuring it is firmly seated.
	Battery inserted incorrectly.	Re-insert the battery so the charging contacts on the battery align with the contacts on the cradle.
	Battery is faulty.	Verify that other batteries charge properly. If so, replace the faulty battery.
During data communication, no data transmits, or transmitted data was incomplete.	MC55 removed from cradle during communication.	Replace MC55 in cradle and retransmit.
	Communication software is not installed or configured properly.	Perform setup as described in Chapter 3, ActiveSync .

Four Slot Ethernet Cradle

Table 6-3 Troubleshooting the Four Slot Ethernet Cradle

Symptom	Cause	Solution
Battery is not charging.	Battery was removed from the charger or charger was unplugged from AC power too soon.	Replace the MC55 in the cradle. The 2400 mAh battery fully charges in approximately four hours and the 3600 mAh battery charges in approximately six hours. Tap Start > Settings > System > Power to view battery status.
	Battery is faulty.	Verify that other batteries charge properly. If so, replace the faulty battery.
	MC55 is not inserted correctly in the cradle.	Remove the MC55 and reinsert it correctly. Verify charging is active. Tap Start > Settings > System > Power to view battery status.
	Ambient temperature of the cradle is too warm.	Move the cradle to an area where the ambient temperature is between 0°C and 35°C.
Attempt by the MC55 to ActiveSync failed.	MC55 removed from the cradle while the LED was blinking green.	Wait one minute and reinsert the MC55 in the cradle. This allows the cradle to attempt another synchronization.
	Using an outdated version of ActiveSync.	Visit http://www.microsoft.com for the latest ActiveSync software.
	ActiveSync on the host computer has not yet closed the previous ActiveSync session.	Wait one minute and reinsert the MC55 in the cradle. This allows the cradle to attempt another synchronization.
	Incorrect cable configuration.	Ensure the correct cable (Ethernet) is used with the cradle.
	Communication software improperly configured.	Perform setup as described in <i>Chapter 3, ActiveSync</i> .
	MC55 ActiveSync disabled or not configured to accept network connection.	On the MC55, tap Start > ActiveSync > Tools > Options > Options button. Then, uncheck the Enable PC sync using this connection: check box.
	Host ActiveSync disabled or not configured to accept network connection.	On the host computer, check File > Connection Settings > Allow network (Ethernet) Server Connection with this desktop computer .
During communication, no data was transmitted, or transmitted data was incomplete.	MC55 removed from cradle during communication.	Replace MC55 in cradle and retransmit.
	MC55 has no active connection.	An icon is visible in the status bar if a connection is active.

Vehicle Cradle

Table 6-4 *Troubleshooting the Vehicle Cradle*

Symptom	Possible Cause	Action
MC55 battery charging LED does not light up.	Cradle is not receiving power.	Ensure the power input cable is securely connected to the cradle's power port.
MC55 battery is not recharging.	MC55 was removed from the cradle too soon.	Replace the MC55 in the cradle. The 2400 mAh battery fully charges in approximately four hours and the 3600 mAh battery charges in approximately six hours.
	Battery is faulty.	Replace the battery.
	MC55 is not placed correctly in the cradle.	Remove the MC55 from the cradle, and re-insert correctly. If the battery still does not charge, contact customer support. The MC55 battery charging LED slowly blinks amber when the MC55 is correctly inserted and charging.
	Ambient temperature of the cradle is too warm.	Move to an area where the ambient temperature is between 0°C and 35°C.

Four Slot Spare Battery Charger

Table 6-5 *Troubleshooting the Four Slot Spare Battery Charger*

Symptom	Possible Cause	Action
Battery not charging.	Battery was removed from the charger or charger was unplugged from AC power too soon.	Re-insert the battery in the charger or re-connect the charger's power supply. The 2400 mAh battery fully charges in approximately four hours and the 3600 mAh battery charges in approximately six hours.
	Battery is faulty.	Verify that other batteries charge properly. If so, replace the faulty battery.
	Battery contacts not connected to charger.	Verify that the battery is seated in the battery well correctly with the contacts facing down.

Cables

Table 6-6 *Troubleshooting the Cables*

Symptom	Possible Cause	Action
MC55 battery is not charging.	MC55 was disconnected from AC power too soon.	Connect the power cable correctly. Confirm main battery is charging under Start > Settings > System > Power . The 2400 mAh battery fully charges in approximately four hours and the 3600 mAh battery charges in approximately six hours.
	Battery is faulty.	Verify that other batteries charge properly. If so, replace the faulty battery.
	The MC55 is not fully attached to power.	Detach and re-attach the power cable to the MC55, ensuring it is firmly connected.
During data communication, no data transmits, or transmitted data was incomplete.	Cable was disconnected from MC55 during communications.	Re-attach the cable and retransmit.
	Incorrect cable configuration.	See the system administrator.
	Communication software is not installed or configured properly.	Perform setup as described in <i>the Chapter 3, ActiveSync</i> .

Trigger Handle

Table 6-7 *Trigger Handle*

Problem	Cause	Solution
Scan line does not appear when trigger is pressed.	MC55 is not attached properly to the Trigger Handle and is not making contact with the connector.	Remove the MC55 from the Trigger Handle and reinsert.
	MC55 does not contain a scanning application.	Load a scanning application on the MC55. Refer to the <i>MC55 Integrator Guide</i> .
	Scanning application is not active.	Start the scanning application.
MC55 battery does not charge when Trigger Handle is placed in a cradle.	Trigger Handle is not properly seated in the cradle.	Remove the Trigger Handle from the cradle and reinsert.
	Power is not available to the cradle.	Ensure that power connections to the cradle are connected properly.
Cannot print to printer.	Printer cable not connected properly.	Ensure cable is connected properly to the printer and Trigger Handle.
MC55 does not wake from suspend mode when trigger is pressed.	The trigger only wakes the MC55 from the suspend mode if a scanning application is active.	Press a key on the MC55 to wake from the suspend mode.

APPENDIX A TECHNICAL SPECIFICATIONS

MC55 Technical Specifications

The following table summarizes the MC55's intended operating environment and technical hardware specifications.

Table A-1 MC55 EDA Technical Specifications

Item	Description
Physical Characteristics	
Dimensions	2400 mAh battery: Height: 14.7 cm (5.78 in.) Width: 7.7 cm (3.03 in.) Depth: 2.7 cm (1.06 in.) 3600 mAh battery: Height: 14.7 cm (5.78 in.) Width: 7.7 cm (3.03 in.) Depth: 2.6 cm (1.06 in.)
Weight	315.0 g (11.11 oz.) with 2400 mAh battery 338.2 g (11.93 oz.) with 3600 mAh battery
Display	Pentile 3.5" VGA with backlight, TFT-LCD, 65k colors, 480 W x 640 H, 650+ Nits
Touch Panel	Glass analog resistive touch
Backlight	LED backlight
Battery Pack	Rechargeable Lithium Ion 3.7V, 2400 or 3600 mAh Smart battery
Expansion Slot	User accessible microSD slot. Up to 32 GB.
Network Connections	High-speed USB, host or client, Bluetooth and WiFi. USB host mode available with custom cables only.
Notification	LED and audible alert

Table A-1 MC55 EDA Technical Specifications (Continued)

Item	Description
Keypad Options	26key numeric/44key QWERTY, 44key AZERTY, 44key QWERTZ, PIM (available on the MC55N0 in a future release)
Audio	Speaker, receiver, microphone, software support for full duplex capability, Bluetooth stereo.
Performance Characteristics	
CPU	XScale™ Bulverde PXA270 processor at 520 MHz
Operating System	Microsoft® Windows Mobile™ 6.5.3 Classic
Memory	256 MB RAM/1 GB Flash
Interface/Communications	USB 1.1 Full-speed
Output Power	USB: 5 VDC @ 500 mA max.
User Environment	
Operating Temperature	-10°C to 50°C (14°F to 122°F)
Storage Temperature	-40°C to 70°C (-40°F to 158°F)
Charging Temperature	32°F to 104°F / 0° C to 40° C
Humidity	95% non-condensing
Drop Specification	Multiple 1.8 m (6 ft.) drops per MIL-STD 810G specifications.
Tumble	1000 0.5 m (1.6 ft.) tumbles (2000 drops) per IEC tumble specifications
Electrostatic Discharge (ESD)	+/-15kVdc air discharge, +/-8kVdc direct discharge, +/-8kVdc indirect discharge
Sealing	IP64 per IEC sealing specifications
Wireless LAN Data and Voice Communications	
Wireless Local Area Network (WLAN) radio	MC55A0: Tri-mode IEEE® 802.11a/b/g MC55N0: Quad-mode IEEE® 802.11 a/b/g/n
Data Rates Supported	1, 2, 5.5, 6, 9, 11, 12, 18, 24, 36, 48, and 54 Mbps
Operating Channels	Chan 34-165 (5040 – 5825 MHz), Chan 1-13 (2412-2472 MHz), Chan 14 (2484 MHz) Japan only; actual operating channels/frequencies depend on regulatory rules and certification agency
Security	Security Modes: Legacy, WPA and WPA2 Encryption: WEP (40 or 104 bit), TKIP and AES Authentication: TLS, TTLS (MS-CHAP), TTLS (MS-CHAP v2), TTLS (CHAP), TTLS (MD5), TTLS (PAP), PEAP-TLS, PEAP (MS-CHAP v2), PEAP (EAP-GTC), EAP-FAST-TLS, EAP-FAST (MS-CHAP v2), EAP-FAST (EAP-GTC) and LEAP Certifications: Wi-Fi, CCXv4 and FIPS 140-2 Note: CCXv4 and FIPS 140-2 will be supported on the MC55N0 on a future release.

Table A-1 MC55 EDA Technical Specifications (Continued)

Item	Description
Spreading Technique	Direct Sequence Spread Spectrum (DSSS) and Orthogonal Frequency Division Multiplexing (OFDM)
Antenna	Internal
Voice Communication	Note: Currently supported on the MC55A0. It will be supported on MC55N0 in a future update. Voice-over-IP ready (with P2P, PBX, PTT clients), Wi-Fi™-certified, IEEE 802.11 a/b/g direct sequence wireless LAN
Wireless PAN Data	
Bluetooth	Class II, v 2.0 EDR; on-board antenna.
Data Capture Specifications	
Options	1D laser scanner 2D imager 1D laser scanner and color camera 2D imager and color camera
Linear 1D Scanner (SE960) Specifications	
Optical Resolution	0.005 in. minimum element width
Roll	+/- 35° from vertical
Pitch Angle	+/- 65° from normal
Skew Tolerance	+/- 40° from normal
Ambient Light	Sunlight: 10,000 ft. candles (107640 Lux) Artificial Light: 450 ft. candles (4,844 Lux)
Shock	2,000 +/- 5% G
Scan Rate	104 (+/- 12) scans/sec (bidirectional)
Scan Angle	47° (typical)
Laser Power	1.7 mW nominal
2D Imager Engine (SE4500-SR) Specifications	
Field of View	Horizontal - 39.6° Vertical - 25.7°
Optical Resolution	752 H x 480 V pixels (gray scale)
Roll	360°
Pitch Angle	+/- 60° from normal
Skew Tolerance	+/- 60° from normal
Ambient Light	9,000 ft. candles (96,900 Lux)
Shock	2,000 +/- 5% G

Table A-1 MC55 EDA Technical Specifications (Continued)

Item	Description
Aiming Element (VLD)	655 nm +/- 10 nm
Illumination Element (LED)	625 nm +/- 5 nm LEDs (2x)
2D Imager Engine (SE4500-HD) Specifications (MC55A0 only)	
Field of View	Horizontal - 38.4° Vertical - 24.9°
Optical Resolution	752 H x 480 V pixels (gray scale)
Roll	360°
Pitch Angle	+/- 60° from normal
Skew Tolerance	+/- 60° from normal
Ambient Light	9,000 ft. candles (96,900 Lux)
Shock	2,000 +/- 5% G
Aiming Element (VLD)	655 nm +/- 10 nm
Illumination Element (LED)	625 nm +/- 5 nm LEDs (2x)
2D Imager Engine (SE4500-DL) Specifications	
Field of View	Horizontal - 39.2° Vertical - 25.4°
Optical Resolution	752 H x 480 V pixels (gray scale)
Roll	360°
Pitch Angle	+/- 60° from normal
Skew Tolerance	+/- 60° from normal
Ambient Light	9,000 ft. candles (96,900 Lux)
Shock	2,000 +/- 5% G
Aiming Element (VLD)	655 nm +/- 10 nm
Illumination Element (LED)	625 nm +/- 5 nm LEDs (2x)
Camera Specifications	
Resolution	3 Mega pixel with flash and auto focus.

Decode Zones

SE960 Standard Range Laser Decode Zones

Figure A-1 shows the decode zone for the SE960 scan engine. The figures are typical values. Table A-2 lists the typical distances for selected bar code densities. The minimum element width (or “symbol density”) is the width in mils of the narrowest element (bar or space) in the symbol.

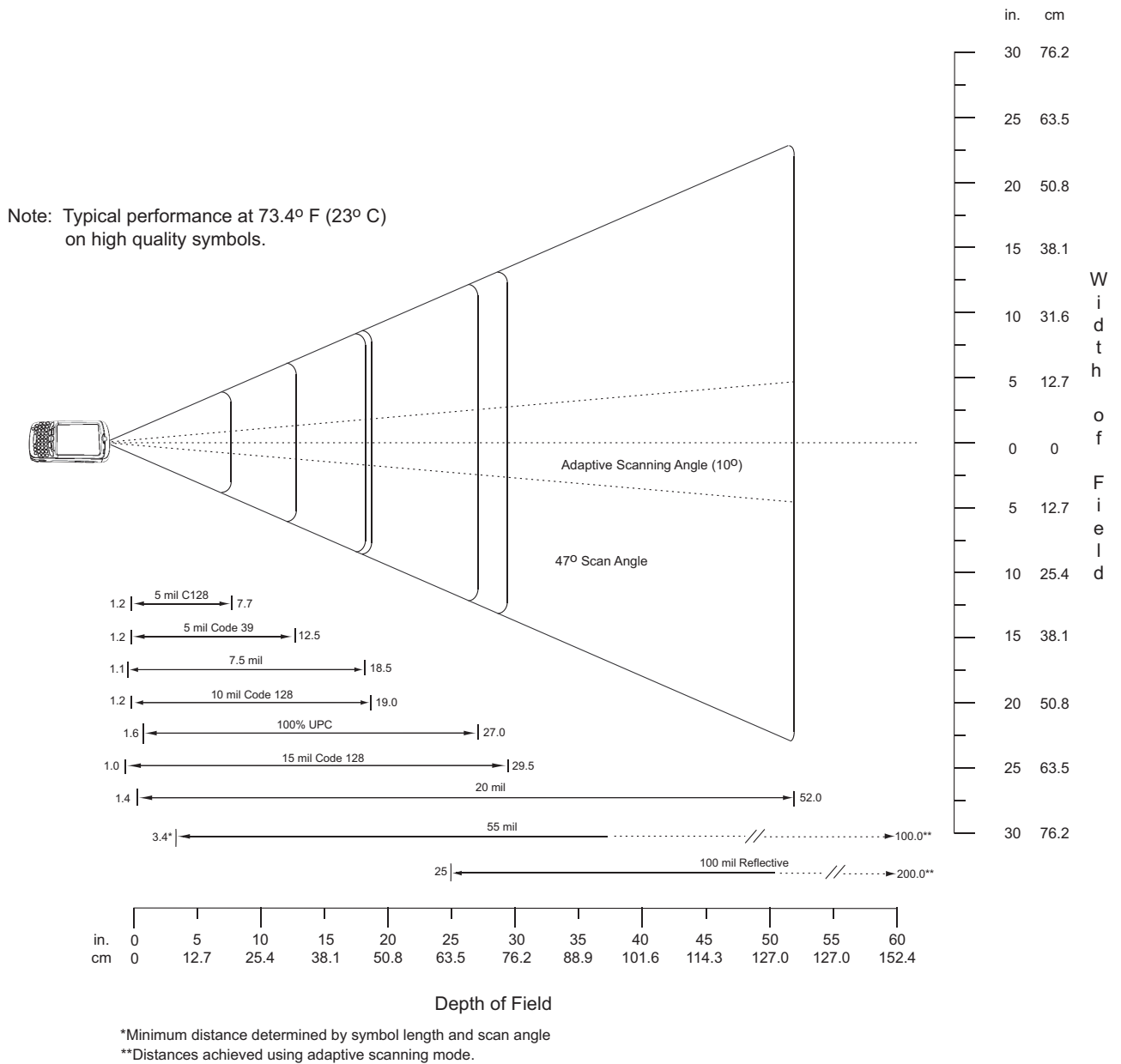


Figure A-1 SE960 Decode Zone

Table A-2 SE960 Decode Distances

Symbol Density/ Bar Code Type/ W-N Ratio	Bar Code Content/ Contrast ^{Note 1}	Typical Working Ranges	
		Near	Far
5.0 mil Code 128	1234 80% MRD	1.2 in 3.05 cm	7.7 in 19.56 cm
5.0 mil Code 39; 2.5:1	ABCDEFGH 80% MRD	1.2 in 3.05 cm	12.5 in 31.75 cm
7.5 mil Code 39; 2.5:1	ABCDEF 80% MRD	1.1 in 2.79 cm	18.5 in 46.99 cm
10 mil Code 128	1234 80% MRD	1.2 in 3.05 cm Note 3	19.0 in 48.26 cm
13 mil 100% UPC	12345678905 80% MRD	1.6 in 4.06 cm	27.0 in 68.58 cm
15 mil Code 128	1234 80% MRD	1.0 in 2.54 cm Note 3	29.5 in 74.93 cm
20 mil Code 39; 2.2:1	123 80% MRD	1.4 in 3.56 cm Note 3	52.0 in 132.08 cm
55 mil Code 39; 2.2:1	CD 80% MRD	3.4 in 8.64 cm Note 3	100.0 in 254.00 cm
100 mil Code 39; 3.0:1 reflective	123456 80% MRD	2 ft 60.96cm Note 3	17 ft 518.16 cm

Notes:

1. Contrast measured as Mean Reflective Difference (MRD) at 650 nm.
2. Working range specifications at ambient temperature (23°C), photographic quality symbols. Pitch=10°, roll=0°, skew=0°, ambient light < 150 ft-candles using Symbol or equivalent decoder.
3. Dependent on width of bar code.
4. Distances measured from front edge of scan engine chassis.

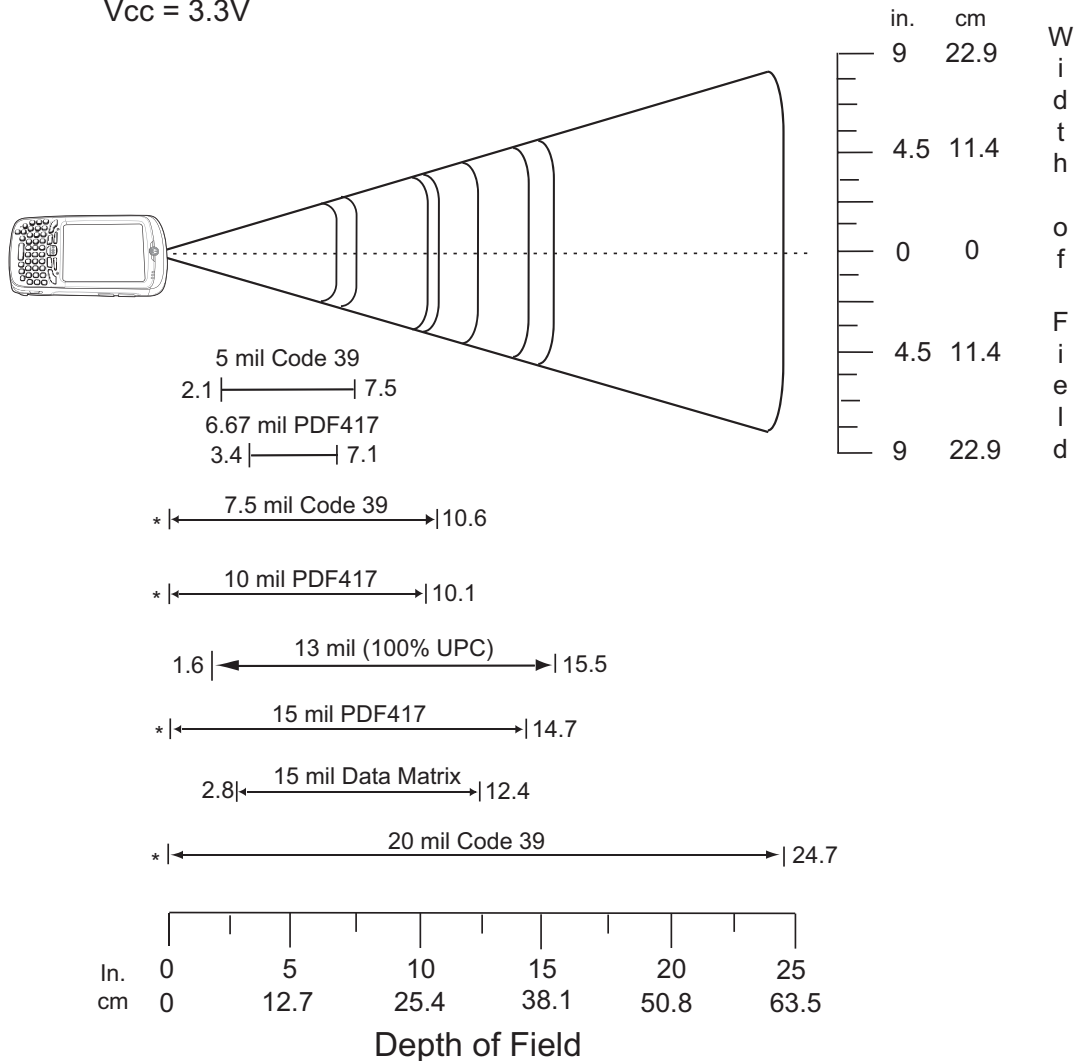
SE4500 Standard Range Imager Decode Zones

SE4500-SR

Figure A-2 shows the decode zone for the SE4500-SR. Typical values appear. Table A-2 lists the typical distances for selected bar code densities. The minimum element width (or “symbol density”) is the width in mils of the narrowest element (bar or space) in the symbol.

Note: Typical performance at 73°F (23°C)
on high quality symbols in normal room light.

Vcc = 3.3V



* Minimum distance determined by symbol length and scan angle.

Figure A-2 SE4500-SR Decode Zone

Table A-3 SE4500-SR Decode Distances

Symbol Density/ Bar Code Type	Bar Code Content/ Contrast ^{Note 2}	Typical Working Ranges	
		Near	Far
5.0 mil Code 39	ABCDEFGH 80% MRD	2.1 in 5.33 cm	7.5 in 19.05 cm
6.67 mil PDF417	4 Col, 20 Rows 80% MRD	3.4 in 8.64 cm	7.1 in 18.03 cm
7.5 mil Code 39	ABCDEF 80% MRD	Note 1	10.6 in 26.92 cm
10 mil PDF417	3 Col, 17 Rows 80% MRD	Note 1	10.1 in 25.65 cm
13 mil UPC-A	012345678905 80% MRD	1.6 in 5.08 cm	15.5 in 39.37 cm
15 mil PDF417	80% MRD	Note 1	14.7 in 37.34 cm
15 mil Data Matrix	18 x 18 Modules 80% MRD	2.8 in 7.11 cm	12.4 in 31.50 cm
20 mil Code 39	123 80% MRD	Note 1	24.7 in 62.74 cm

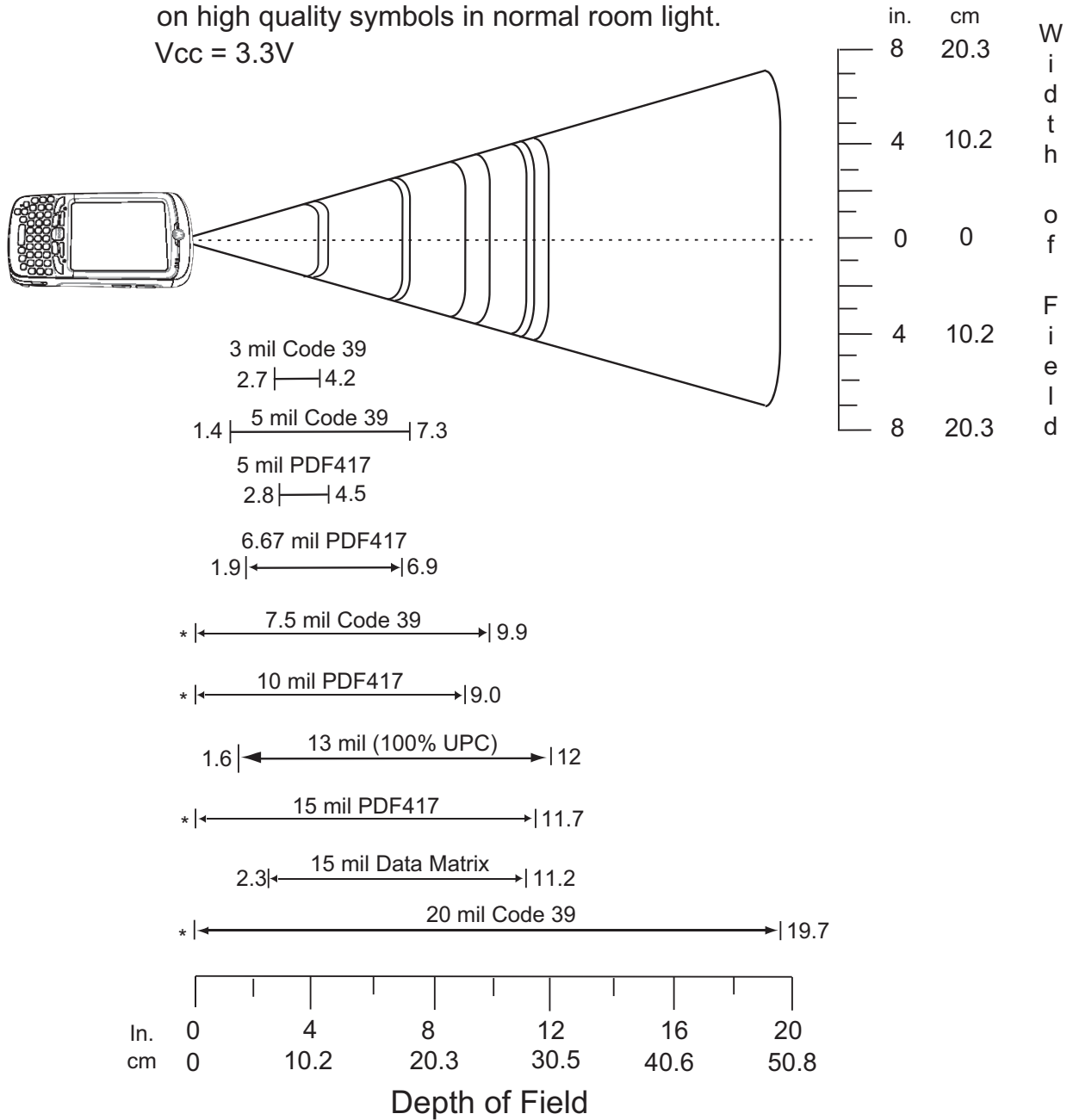
Notes:

1. Near distances are field-of-view (FOV) limited.
2. Contrast is measured as Mean Reflective Difference (MRD) at 670 nm.
3. Working range specifications at temperature = 23°C, pitch=18°, roll=0°, skew=0°, photographic quality, ambient light ~30 ft-c, humidity 45-70% RH.
4. Distances measured from front edge of scan engine chassis.

SE4500-DL

Figure A-3 shows the decode zone for the SE4500-DL. Typical values appear. Table A-4 lists the typical distances for selected bar code densities. The minimum element width (or “symbol density”) is the width in mils of the narrowest element (bar or space) in the symbol.

Note: Typical performance at 73°F (23°C)
on high quality symbols in normal room light.
Vcc = 3.3V



* Minimum distance determined by symbol length and scan angle.

Figure A-3 SE4500-DL Decode Zone

Table A-4 SE4500-DL Decode Distances

Symbol Density/ Bar Code Type	Bar Code Content/ Contrast ^{Note 2}	Typical Working Ranges	
		Near	Far
3.0 mil Code 39	80% MRD	2.7 in 6.86 cm	4.2 in 10.67 cm
5.0 mil Code 39	ABCDEFGH 80% MRD	1.4 in 3.56 cm	7.3 in 18.54 cm
5.0 mil PDF417	80% MRD	2.8 in 7.11 cm	4.5 in 11.43 cm
6.67 mil PDF417	4 Col, 20 Rows 80% MRD	1.9 in 4.83 cm	6.9 in 17.53 cm
7.5 mil Code 39	ABCDEF 80% MRD	Note 1	9.9 in 25.15 cm
10 mil PDF417	3 Col, 17 Rows 80% MRD	Note 1	9.0 in 22.86 cm
13 mil UPC-A	012345678905 80% MRD	1.6 in 5.08 cm	12.0 in 30.48 cm
15 mil PDF417	80% MRD	Note 1	11.7 in 29.72 cm
15 mil Data Matrix	18 x 18 Modules 80% MRD	2.3 in 5.84 cm	11.2 in 28.45 cm
20 mil Code 39	123 80% MRD	Note 1	19.7 in 50.04 cm

Notes:

1. Near distances are FOV limited.
2. Contrast is measured as Mean Reflective Difference (MRD) at 670 nm.
3. Working range specifications at temperature = 23°C, pitch=18°, roll=0°, skew=0°, photographic quality, ambient light ~30 ft-c, humidity 45-70%RH.
4. Distances measured from front edge of scan engine chassis.

SE4500-HD

Figure A-4 shows the decode zone for the SE4500-HD. Typical values appear. Table A-5 lists the typical distances for selected bar code densities. The minimum element width (or “symbol density”) is the width in mils of the narrowest element (bar or space) in the symbol.

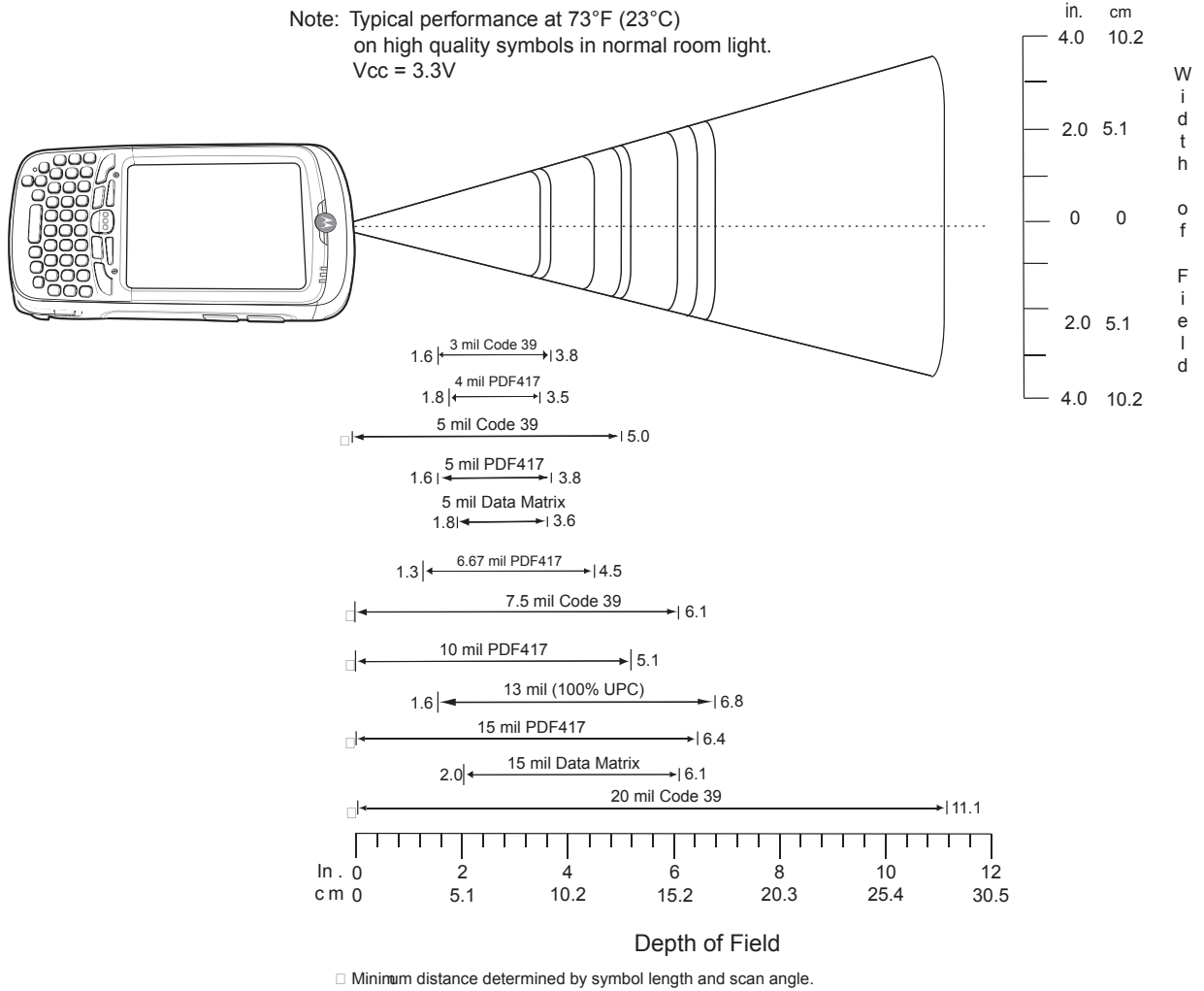


Figure A-4 SE4500-HD Decode Zone

Table A-5 SE4500-HD Decode Distances

Symbol Density/ Bar Code Type	Bar Code Content/ Contrast ^{Note 2}	Typical Working Ranges	
		Near	Far
3.0 mil Code 39	80% MRD	1.6 in 4.06 cm	3.8 in 9.65 cm
4.0 mil PDF417	80% MRD	1.8 in 4.57 cm	3.5 in 8.89 cm
5.0 mil Code 39	ABCDEFGH 80% MRD	Note 1	5.0 in 12.70 cm
5.0 mil PDF417	80% MRD	1.6 in 4.06 cm	3.8 in 9.65 cm
5 mil Data Matrix	18 x 18 Modules 80% MRD	1.8 in 4.57 cm	3.6 in 9.15 cm
6.67 mil PDF417	4 Col, 20 Rows 80% MRD	1.3 in 3.30 cm	4.5 in 11.43 cm
7.5 mil Code 39	ABCDEF 80% MRD	Note 1	6.1 in 15.49 cm
10 mil PDF417	3 Col, 17 Rows 80% MRD	Note 1	5.1 in 12.95 cm
13 mil UPC-A	012345678905 80% MRD	1.6 in 4.06 cm	6.8 in 17.27 cm
15 mil PDF417	80% MRD	Note 1	6.4 in 16.26 cm
15 mil Data Matrix	18 x 18 Modules 80% MRD	2.0 in 5.08 cm	6.1 in 15.49 cm
20.0 mil Code 39	123 80% MRD	Note 1	11.1 in 28.19 cm

Notes:

1. Near distances are FOV limited.
2. Contrast is measured as Mean Reflective Difference (MRD) at 670 nm.
3. Working range specifications at temperature = 23°C, pitch=18°, roll=0°, skew=0°, photographic quality, ambient light ~30 ft-c, humidity 45-70% RH.
4. Distances measured from front edge of scan engine chassis.

MC55 External Connector Pin-Outs

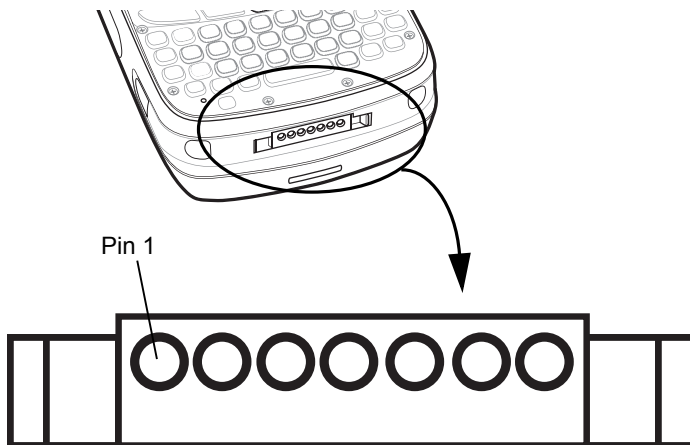


Figure A-5 External Connector

Table A-6 External Connector Pin-Outs

Pin	Description
1	External Trigger/Cradle Detect
2	USB_ID
3	5.4 VDC
4	USB_VCC
5	USB_D-
6	USB_D+
7	Ground

MC55 Accessory Specifications

Single Slot USB Cradle

Table A-7 *Single Slot USB Cradle Technical Specifications*

Feature	Description
Dimensions	Height: 7.1 cm (2.80 in.) Width: 11.0 cm (4.33 in.) Depth: 15.0 cm (5.91 in.)
Weight	210 g (7.41 oz)
Input Voltage	12 VDC
Power Consumption	30 watts
Interface	USB
Operating Temperature	0°C to 50°C (32°F to 122°F)
Storage Temperature	-40°C to 70°C (-40°F to 158°F)
Charging Temperature	0°C to 40°C (32°F to 104°F)
Humidity	5% to 95% non-condensing
Drop	76.2 cm (30.0 in.) drops to vinyl tiled concrete at room temperature
Electrostatic Discharge (ESD)	+/- 15 kV air +/- 8 kV contact

Four Slot Battery Charger Cradle

Table A-8 *Four Slot Battery Charger Technical Specifications*

Feature	Description
Dimensions	Height: 4.7 cm (1.85 in.) Width: 15.5 cm (6.10 in.) Depth: 21.0 cm (8.27 in.)
Weight	384 g (13.55 oz)
Input Voltage	12 VDC
Power Consumption	30 watts
Operating Temperature	0°C to 40°C (32°F to 104°F)
Storage Temperature	-40°C to 70°C (-40°F to 158°F)
Charging Temperature	0°C to 40°C (32°F to 104°F)

Table A-8 *Four Slot Battery Charger Technical Specifications (Continued)*

Feature	Description
Humidity	5% to 95% non-condensing
Drop	76.2 cm (30.0 in.) drops to vinyl tiled concrete at room temperature
Electrostatic Discharge (ESD)	+/- 15 kV air +/- 8 kV contact

Four Slot Charge Only Cradle

Table A-9 *Four Slot Charge Only Cradle Technical Specifications*

Feature	Description
Dimensions	Height: 13.7 cm (5.39 in.) Width: 46.8 cm (18.43 in.) Depth: 9.9 cm (3.90 in.)
Weight	1115 g (39.33 oz)
Input Voltage	12 VDC
Power Consumption	100 watts
Operating Temperature	0°C to 50°C (32°F to 122°F)
Storage Temperature	-40°C to 70°C (-40°F to 158°F)
Charging Temperature	0°C to 40°C (32°F to 104°F)
Humidity	5% to 95% non-condensing
Drop	76.2 cm (30.0 in.) drops to vinyl tiled concrete at room temperature
Electrostatic Discharge (ESD)	+/- 15 kV air +/- 8 kV contact

Four Slot Ethernet Cradle

Table A-10 *Four Slot Ethernet Cradle Technical Specifications*

Feature	Description
Dimensions	Height: 13.7 cm (5.39 in.) Width: 46.8 cm (18.43 in.) Depth: 9.9 cm (3.90 in.)
Weight	1115 g (39.33 oz)
Input Voltage	12 VDC
Power Consumption	100 watts
Operating Temperature	0°C to 50°C (32°F to 122°F)

Table A-10 *Four Slot Ethernet Cradle Technical Specifications (Continued)*

Feature	Description
Storage Temperature	-40°C to 70°C (-40°F to 158°F)
Charging Temperature	0°C to 40°C (32°F to 104°F)
Humidity	5% to 95% non-condensing
Drop	76.2 cm (30.0 in.) drops to vinyl tiled concrete at room temperature
Electrostatic Discharge (ESD)	+/- 15 kV air +/- 8 kV contact

Vehicle Cradle

Table A-11 *Vehicle Cradle Technical Specifications*

Feature	Description
Dimensions	Height: 10.4 cm (4.09 in.) Width: 11.1 cm (4.37 in.) Depth: 6.9 cm (2.72 in.)
Weight	240 g (8.47 oz)
Input Power	9 - 32 VDC
Operating Temperature	-20°C to 50°C (-4°F to 122°F)
Storage Temperature	-40°C to 70°C (-40°F to 158°F)
Charging Temperature	0°C to 40°C (32°C to 104°F)
Humidity	10% to 95% non-condensing
Drop	76.2 cm (30.0 in.) drops to vinyl tiled concrete at room temperature
Electrostatic Discharge (ESD)	+/- 15 kV air +/- 8 kV contact

Magstripe Reader

Table A-12 *Magstripe Reader (MSR) Technical Specifications*

Feature	Description
Dimensions	8.4 cm x 9.4 cm (3.3 inches x 3.7 inches)
Weight	79.4 g (2.8 oz.)
Interface	Serial with baud rate up to 19,200
Format	ANSI, ISO, AAMVA, CA DMV, user-configurable generic format
Swipe Speed	5 to 50 in. (127 to 1270 mm) /sec, bi-directional
Decoders	Generic, Raw Data
Mode	Buffered, unbuffered
Track Reading Capabilities	Tracks 1 and 3: 210 bpi Track 2: 75 and 210 bpi, autodetect
Operating Temperature	32° to 122° F (-10° to 50° C)
Storage Temperature	-40° to 158° F (-40° to 70° C)
Humidity	5% to 95% non-condensing
Drop	4 ft. (1.22 m) drops to concrete
Electrostatic Discharge (ESD)	+/- 15 kV air +/- 8 kV contact

Cables

Table A-13 *USB Charging Cable Technical Specifications*

Feature	Description
Length	161.9 cm (63.74 in.)
Input Voltage	5.4 VDC
Operating Temperature	-10°C to 50°C (14°F to 122°F)
Storage Temperature	-40°C to 70°C (-40°F to 158°F)
Humidity	10% to 95% non-condensing
Electrostatic Discharge (ESD)	+/- 15 kV air +/- 8 kV contact

Table A-14 Charge Only Cable Technical Specifications

Feature	Description
Length	28.0 cm (11.0 in.)
Input Voltage	5.4 VDC
Operating Temperature	-10°C to 50°C (14°F to 122°F)
Storage Temperature	-40°C to 70°C (-40°F to 158°F)
Humidity	10% to 95% non-condensing
Electrostatic Discharge (ESD)	+/- 15 kV air +/- 8 kV contact

Table A-15 Auto Charge Cable Technical Specifications

Feature	Description
Length	169 cm (66.5 in.)
Input Voltage	12 - 24 VDC
Operating Temperature	-10°C to 50°C (14°F to 122°F)
Storage Temperature	-40°C to 70°C (-40°F to 158°F)
Humidity	10% to 95% non-condensing
Electrostatic Discharge (ESD)	+/- 15 kV air +/- 8 kV contact

Table A-16 DEX Cable Technical Specifications

Feature	Description
Length	111.76 cm (44.0 in.)
Operating Temperature	-10°C to 50°C (14°F to 122°F)
Storage Temperature	-40°C to 70°C (-40°F to 158°F)
Humidity	10% to 95% non-condensing
Electrostatic Discharge (ESD)	+/- 15 kV air +/- 8 kV contact

APPENDIX B SPECIAL SOFTWARE CONFIGURATION

Battery Usage Threshold Setting

By default the Battery Usage Threshold value is set to a pre-defined value (400). To change the threshold value, a registry key must be created to allow changing this value.

A battery becomes unhealthy when the **Battery Usage Indication** reaches a predefined threshold (end of usage life).

✓ **NOTE** The point at which a battery becomes unhealthy may vary depending upon the environment and charging conditions.

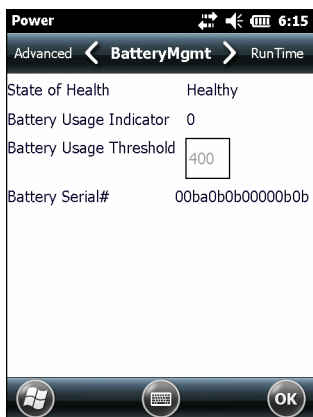


Figure B-1 Figure Power BatteryMgmt Tab

Registry Setting

Create the following registry key:

[HKEY_LOCAL_MACHINE\ControlPanel\Power]

“EnableCycleCntThresholdEdit” = DWORD:0

where:

dword:0 = Enable threshold change

Warm boot the MC55 to have the registry setting take effect.

1. Tap **Start > Settings > Power > BatteryMgmt** tab.

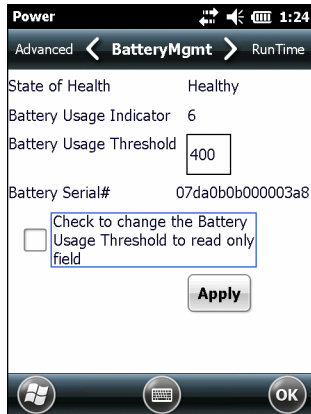


Figure B-2 BatteryMgmt Tab with Threshold Change Checkbox

2. In the **Battery Usage Threshold** text box, enter a new value.
3. Select the **Check to change the Battery Age Threshold to read only field** checkbox.
4. Tap **Apply**.
5. Tap **ok**. The new value is set and then the registry key is deleted.

Bluetooth Configuration Setting

The MC55 supports both the Microsoft Bluetooth stack and the StoneStreet One Bluetooth stack. Only one Bluetooth stack can be used at a time. By default, the StoneStreet One Bluetooth stack is enabled. A registry key on the MC55 can be modified to disable the StoneStreet One stack and enable the Microsoft stack.

Using a registry editor, navigate to the following:

[HKEY_LOCAL_MACHINE\Software\SymbolBluetooth

Edit the following key:

“SSStack”=dword:1

where:

- 0 = disable StoneStreet One stack and enable Microsoft stack
- 1 = enable StoneStreet One stack and disable Microsoft stack (default)

After setting the registry key, warm boot the MC55.

GLOSSARY

A

ActiveSync. ActiveSync is a data synchronization program developed by Microsoft for use with Windows Mobile operating systems.

AFH. Adaptive Frequency Hopping

AKU. (Adaptation Kit Update) Updates to the Windows Mobile operating system.

API. (Application Programming Interface) An interface by means of which one software component communicates with or controls another. Usually used to refer to services provided by one software component to another, usually via software interrupts or function calls

AZERTY. A standard keyboard commonly used on French keyboards. “AZERTY” refers to the arrangement of keys on the top row of keys.

B

Bar Code. A pattern of variable-width bars and spaces which represents numeric or alphanumeric data in machine-readable form. The general format of a bar code symbol consists of a leading margin, start character, data or message character, check character (if any), stop character, and trailing margin. Within this framework, each recognizable symbology uses its own unique format. See **Symbology**.

Bit. Binary digit. One bit is the basic unit of binary information. Generally, eight consecutive bits compose one byte of data. The pattern of 0 and 1 values within the byte determines its meaning.

Bits per Second (bps). Bits transmitted or received.

Bluetooth. A wireless protocol utilizing short-range communications technology facilitating data transmission over short distances.

boot or boot-up. The process a computer goes through when it starts. During boot-up, the computer can run self-diagnostic tests and configure hardware and software.

bps. See **Bits Per Second**.

Byte. On an addressable boundary, eight adjacent binary digits (0 and 1) combined in a pattern to represent a specific character or numeric value. Bits are numbered from the right, 0 through 7, with bit 0 the low-order bit. One byte in memory is used to store one ASCII character.

C

CDRH. Center for Devices and Radiological Health. A federal agency responsible for regulating laser product safety. This agency specifies various laser operation classes based on power output during operation.

CDRH Class 1. This is the lowest power CDRH laser classification. This class is considered intrinsically safe, even if all laser output were directed into the eye's pupil. There are no special operating procedures for this class.

CDRH Class 2. No additional software mechanisms are needed to conform to this limit. Laser operation in this class poses no danger for unintentional direct human exposure.

Character. A pattern of bars and spaces which either directly represents data or indicates a control function, such as a number, letter, punctuation mark, or communications control contained in a message.

Codabar. A discrete self-checking code with a character set consisting of digits 0 to 9 and six additional characters: (“-”, “\$”, “.”, “/”, “,” and “+”).

Code 128. A high density symbology which allows the controller to encode all 128 ASCII characters without adding extra symbol elements.

Code 3 of 9 (Code 39). A versatile and widely used alphanumeric bar code symbology with a set of 43 character types, including all uppercase letters, numerals from 0 to 9 and 7 special characters (“-”, “.”, “/”, “+”, “%”, “\$” and space). The code name is derived from the fact that 3 of 9 elements representing a character are wide, while the remaining 6 are narrow.

Code 93. An industrial symbology compatible with Code 39 but offering a full character ASCII set and a higher coding density than Code 39.

Cold Boot. A cold boot restarts the mobile computer and initializes some drivers.

COM port. Communication port; ports are identified by number, e.g., COM1, COM2.

Cradle. A cradle is used for charging the terminal battery and for communicating with a host computer, and provides a storage place for the terminal when not in use.

D

DCP. See **Device Configuration Package**.

Decode. To recognize a bar code symbology (e.g., UPC/EAN) and then analyze the content of the specific bar code scanned.

Decode Algorithm. A decoding scheme that converts pulse widths into data representation of the letters or numbers encoded within a bar code symbol.

Decryption. Decryption is the decoding and unscrambling of received encrypted data. Also see, **Encryption** and **Key**.

Depth of Field. The range between minimum and maximum distances at which a scanner can read a symbol with a certain minimum element width.

Device Configuration Package. The Motorola Device Configuration Package provides the Product Reference Guide (PRG), flash partitions, Terminal Configuration Manager (TCM) and the associated TCM scripts. With this package hex images that represent flash partitions can be created and downloaded to the mobile computer.

Discrete 2 of 5. A binary bar code symbology representing each character by a group of five bars, two of which are wide. The location of wide bars in the group determines which character is encoded; spaces are insignificant. Only numeric characters (0 to 9) and START/STOP characters may be encoded.

E

EAN. European Article Number. This European/International version of the UPC provides its own coding format and symbology standards. Element dimensions are specified metrically. EAN is used primarily in retail.

EMDK. Enterprise Mobility Developer's Kit.

ESD. Electro-Static Discharge

F

File Transfer Protocol (FTP). A TCP/IP application protocol governing file transfer via network or telephone lines. See **TCP/IP**.

Flash Memory. Flash memory is nonvolatile, semi-permanent storage that can be electronically erased in the circuit and reprogrammed.

FHSS (Frequency Hopping Spread Spectrum). A method of transmitting radio signals by rapidly switching a carrier among many frequency channels, using a pseudorandom sequence known to both transmitter and receiver.

G

GPS (Global Positioning System). A satellite-based navigation system made up of a network of 24 satellites. GPS satellites circle the earth and transmit signal information to earth. GPS receivers take this information and use triangulation to calculate the user's exact location.

H

Hard Reset. See **Cold Boot**.

Hz. Hertz; A unit of frequency equal to one cycle per second.

Host Computer. A computer that serves other terminals in a network, providing such services as computation, database access, supervisory programs and network control.

I

IEC. International Electrotechnical Commission. This international agency regulates laser safety by specifying various laser operation classes based on power output during operation.

IEC (825) Class 1. This is the lowest power IEC laser classification. Conformity is ensured through a software restriction of 120 seconds of laser operation within any 1000 second window and an automatic laser shutdown if the scanner's oscillating mirror fails.

IEEE Address. See **MAC Address**.

Input/Output Ports. I/O ports are primarily dedicated to passing information into or out of the terminal's memory. MC55 mobile computers include USB ports.

Interleaved 2 of 5. A binary bar code symbology representing character pairs in groups of five bars and five interleaved spaces. Interleaving provides for greater information density. The location of wide elements (bar/spaces) within each group determines which characters are encoded. This continuous code type uses no intercharacter spaces. Only numeric (0 to 9) and START/STOP characters may be encoded.

Internet Protocol Address. See **IP**.

I/O Ports. The connection between two devices, defined by common physical characteristics, signal characteristics, and signal meanings. Types of interfaces include RS-232 and USB.

IP. Internet Protocol. The IP part of the TCP/IP communications protocol. IP implements the network layer (layer 3) of the protocol, which contains a network address and is used to route a message to a different network or subnetwork. IP accepts "packets" from the layer 4 transport protocol (TCP or UDP), adds its own header to it and delivers a "datagram" to the layer 2 data link protocol. It may also break the packet into fragments to support the maximum transmission unit (MTU) of the network.

IP Address. (Internet Protocol address) The address of a computer attached to an IP network. Every client and server station must have a unique IP address. A 32-bit address used by a computer on a IP network. Client workstations have either a permanent address or one that is dynamically assigned to them each session. IP addresses are written as four sets of numbers separated by periods; for example, 204.171.64.2.

IPX/SPX. Internet Package Exchange/Sequential Packet Exchange. A communications protocol for Novell. IPX is Novell's Layer 3 protocol, similar to XNS and IP, and used in NetWare networks. SPX is Novell's version of the Xerox SPP protocol.

ISM. Industry Scientific and Medical

K

Key. A key is the specific code used by the algorithm to encrypt or decrypt the data. Also see, **Encryption** and **Decrypting**.

L

LASER. Light Amplification by Stimulated Emission of Radiation. The laser is an intense light source. Light from a laser is all the same frequency, unlike the output of an incandescent bulb. Laser light is typically coherent and has a high energy density.

laser scanner. A type of bar code reader that uses a beam of laser light.

LCD. See **Liquid Crystal Display**.

LED Indicator. A semiconductor diode (LED - Light Emitting Diode) used as an indicator, often in digital displays. The semiconductor uses applied voltage to produce light of a certain frequency determined by the semiconductor's particular chemical composition.

Light Emitting Diode. See **LED**.

Liquid Crystal Display (LCD). A display that uses liquid crystal sealed between two glass plates. The crystals are excited by precise electrical charges, causing them to reflect light outside according to their bias. They use little electricity and react relatively quickly. They require external light to reflect their information to the user.

M

MC. Mobile Computer.

MDN. Mobile Directory Number. The directory listing telephone number that is dialed (generally using POTS) to reach a mobile unit. The MDN is usually associated with a MIN in a cellular telephone -- in the US and Canada, the MDN and MIN are the same value for voice cellular users. International roaming considerations often result in the MDN being different from the MIN.

MIN. Mobile Identification Number. The unique account number associated with a cellular device. It is broadcast by the cellular device when accessing the cellular system.

Mobile Computer. In this text, *mobile computer* refers to the MC55. It can be set up to run as a stand-alone device, or it can be set up to communicate with a network, using wireless radio technology.

N

Nominal. The exact (or ideal) intended value for a specified parameter. Tolerances are specified as positive and negative deviations from this value.

NVM. Non-Volatile Memory.

O

Open System Authentication. Open System authentication is a null authentication algorithm.

P

PAN . Personal Area Network. Using Bluetooth wireless technology, PANs enable devices to communicate wirelessly. Generally, a wireless PAN consists of a dynamic group of less than 255 devices that communicate within about a 33-foot range. Only devices within this limited area typically participate in the network.

PING. (Packet Internet Groper) An Internet utility used to determine whether a particular IP address is online. It is used to test and debug a network by sending out a packet and waiting for a response.

Q

QWERTY. A standard keyboard commonly used on North American and some European keyboards. "QWERTY" refers to the arrangement of keys on the top row of keys.

QWERTZ. A standard keyboard commonly used on German keyboards. "QWERTZ" refers to the arrangement of keys on the top row of keys.

R

RAM. Random Access Memory. Data in RAM can be accessed in random order, and quickly written and read.

RF. Radio Frequency.

ROM. Read-Only Memory. Data stored in ROM cannot be changed or removed.

Router. A device that connects networks and supports the required protocols for packet filtering. Routers are typically used to extend the range of cabling and to organize the topology of a network into subnets. See **Subnet**.

S

Scanner. An electronic device used to scan bar code symbols and produce a digitized pattern that corresponds to the bars and spaces of the symbol. Its three main components are: 1) Light source (laser or photoelectric cell) - illuminates a bar code.; 2) Photodetector - registers the difference in reflected light (more light reflected from spaces); 3) Signal conditioning circuit - transforms optical detector output into a digitized bar pattern.

SDK. Software Development Kit

Shared Key. Shared Key authentication is an algorithm where both the AP and the MU share an authentication key.

SID. System Identification code. An identifier issued by the FCC for each market. It is also broadcast by the cellular carriers to allow cellular devices to distinguish between the home and roaming service.

Soft Reset. See **Warm Boot**.

Space. The lighter element of a bar code formed by the background between bars.

Specular Reflection. The mirror-like direct reflection of light from a surface, which can cause difficulty decoding a bar code.

Start/Stop Character. A pattern of bars and spaces that provides the scanner with start and stop reading instructions and scanning direction. The start and stop characters are normally to the left and right margins of a horizontal code.

Subnet. A subset of nodes on a network that are serviced by the same router. See **Router**.

Subnet Mask. A 32-bit number used to separate the network and host sections of an IP address. A custom subnet mask subdivides an IP network into smaller subsections. The mask is a binary pattern that is matched up with the IP address to turn part of the host ID address field into a field for subnets. Default is often 255.255.255.0.

Substrate. A foundation material on which a substance or image is placed.

Symbol. A scannable unit that encodes data within the conventions of a certain symbology, usually including start/stop characters, quiet zones, data characters and check characters.

Symbol Aspect Ratio. The ratio of symbol height to symbol width.

Symbol Height. The distance between the outside edges of the quiet zones of the first row and the last row.

Symbol Length. Length of symbol measured from the beginning of the quiet zone (margin) adjacent to the start character to the end of the quiet zone (margin) adjacent to a stop character.

Symbology. The structural rules and conventions for representing data within a particular bar code type (e.g. UPC/EAN, Code 39, PDF417, etc.).

T

TCP/IP. (Transmission Control Protocol/Internet Protocol) A communications protocol used to interconnect dissimilar systems. This standard is the protocol of the Internet and has become the global standard for communications. TCP provides transport functions, which ensures that the total amount of bytes sent is received correctly at the other end. UDP is an alternate transport that does not guarantee delivery. It is widely used for real-time voice and video transmissions where erroneous packets are not retransmitted. IP provides the routing mechanism. TCP/IP is a routable protocol, which means that all messages contain not only the address of the destination station, but the address of a destination network. This allows TCP/IP messages to be sent to multiple networks within an organization or around the world, hence its use in the worldwide Internet. Every client and server in a TCP/IP network requires an IP address, which is either permanently assigned or dynamically assigned at startup.

Telnet. A terminal emulation protocol commonly used on the Internet and TCP/IP-based networks. It allows a user at a terminal or computer to log onto a remote device and run a program.

Terminal. See **Mobile Computer**.

Terminal Emulation. A "terminal emulation" emulates a character-based mainframe session on a remote non-mainframe terminal, including all display features, commands and function keys. The VC5000 Series supports Terminal Emulations in 3270, 5250 and VT220.

TFTP. (Trivial File Transfer Protocol) A version of the TCP/IP FTP (File Transfer Protocol) protocol that has no directory or password capability. It is the protocol used for upgrading firmware, downloading software and remote booting of diskless devices.

Tolerance. Allowable deviation from the nominal bar or space width.

Transmission Control Protocol/Internet Protocol. See **TCP/IP**.

Trivial File Transfer Protocol. See **TFTP**.

U

UDP. User Datagram Protocol. A protocol within the IP protocol suite that is used in place of TCP when a reliable delivery is not required. For example, UDP is used for real-time audio and video traffic where lost packets are simply ignored, because there is no time to retransmit. If UDP is used and a reliable delivery is required, packet sequence checking and error notification must be written into the applications.

UPC. Universal Product Code. A relatively complex numeric symbology. Each character consists of two bars and two spaces, each of which is any of four widths. The standard symbology for retail food packages in the United States.

V

Visible Laser Diode (VLD). A solid state device which produces visible laser light.

W

Warm Boot. A warm boot restarts the mobile computer by closing all running programs. All data that is not saved to flash memory is lost.

INDEX

A

accessories	
auto charge cable	2-1
cables	2-23
charge only cable	2-1
EMDK	2-2
fabric holster	2-2
four slot charge only cradle	2-1
four slot Ethernet cradle	2-10
four slot spare battery charger	2-1, 2-3, 2-22
holster	2-2
microSD	1-3
MMC	1-2
mounting bracket	2-15
screen protector	2-2
single slot USB cradle	2-3
spare battery	2-2
specifications	A-14
spring loaded stylus	2-2
stylus	2-2
USB charging cable	2-1
USB cradle	2-1
vehicle cradle	2-17
vehicle holder	2-1
wall mounting kit, cradle	2-2
ActiveSync	3-2, 3-3
deploying CAB files	4-4
AirBEAM	
deploying CAB files	4-5
application deployment	4-1, 4-4
CAB files	4-4
application folder	4-10
application packaging	4-4
application security	4-1
auto charge cable	2-1, 2-23, 2-24

B

battery	
charging	1-4
installing	1-4
battery chargers	
four slot	2-22
battery charging	1-4
four slot Ethernet cradle	2-12
single slot cradle	2-3
spare	2-22
vehicle cradle	2-20
boot	
clean	1-7
cold	1-6
warm	1-6
bullets	xvi
buttons	
power	1-6

C

CAB files	4-4, 4-8
deployment via ActiveSync	4-4
deployment via AirBEAM	4-5
deployment via image update	4-6
deployment via storage card	4-4
cables	2-23
auto charge cable	2-1
pinouts	A-13
troubleshooting	6-11
cache disk	4-10
calibrating the screen	1-6
certificates	4-3
charge only cable	2-1, 2-23
charge only cradle	2-1
charging	

- four slot Ethernet cradle 2-12
- single slot cradle 2-3
- spare batteries 1-5, 2-22
- vehicle cradle 2-20
- charging temperature 1-5
- clean boot 1-7
- cleaning 6-1
- cold boot 1-6
- communication 2-23
- communication/charge cables 2-23
- configuration xiv
- conventions
 - notational xvi
- copyfile 4-9
- cpf file 4-8
- cradles
 - daisy chaining 2-10
 - Ethernet drivers 2-11
 - four slot charge only 2-1
 - four slot Ethernet 2-10
 - charging 2-12
 - charging indicators 2-12
 - setup 2-10, 2-14
 - four slot spare battery charger 2-3, 2-22
 - charging 2-22
 - charging indicators 2-22
 - setup 2-22
 - mounting bracket 2-15
 - single slot USB 2-3
 - charging indicators 2-5
 - setup 2-3
 - troubleshooting 6-8, 6-9, 6-10
 - vehicle 2-17
 - charging 2-20
 - charging indicators 2-21
 - setup 2-17
- creating cpf file 4-8
- creating splash screen 4-7

D

- data capture xiv
- decode distances A-6
 - DL focus A-10
 - HD focus A-12
 - SR focus A-8
- decode zone A-5
- decode zones A-7
 - DL focus A-8
 - HD focus A-11
- deployment 4-1, 4-4
 - CAB files 4-4
- digital signatures 4-1
- display xiv

E

- EMDK 4-10
- Enterprise Mobility Developer Kit 4-10
- enterprise mobility developer kit 2-2
- ESD 1-3

F

- fabric holster 2-2
- flash file system
 - copyfile 4-9
 - regmerge 4-8
- four slot Ethernet cradle 2-10
 - charging 2-12
 - charging indicators 2-12
 - daisy chaining 2-10
 - drivers 2-11
 - link indicator 2-13
 - setup 2-10, 2-14
 - speed indicator 2-13
 - troubleshooting 6-9
- four slot spare battery charger 2-1, 2-3, 2-22
 - charging 2-22
 - charging indicators 2-22
 - setup 2-22
 - troubleshooting 6-10

H

- hard reset 1-6, 1-7
- HD focus decode distances A-12
- holster 2-2

I

- image update
 - deploying CAB files 4-6
- information, service xvii
- installing battery 1-4
- Installing Window Mobile Device Center 3-1

K

- keypads xiv

L

- lithium-ion battery 1-1
- locking EDA 4-2

M

- main battery

- charging 1-1, 1-4
- installing 1-1
- maintenance 6-1
- memory xiv
- microSD card 1-3
- MMC 1-2
- mounting bracket 2-15
- multi media card 1-2

O

- operating environment A-1
- operating system xiv

P

- packaging 4-4
- persistent storage 4-10
- pinouts A-13
- power button 1-6
- powering on EDA 1-5

R

- radios xiv
- RAM 4-10
- random access memory 4-10
- RAPI 4-3
- regmerge 4-8
- remote API 4-3
- reset 1-6
 - hard 1-6, 1-7
 - soft 1-6
- rigid holster 2-2

S

- screen
 - calibration 1-6
- screen protector 2-2
- SDK
 - See EMDK 2-2
- security 4-1
 - application 4-1
 - certificates 4-3
 - device management 4-3
 - digital signatures 4-1
 - locking device 4-2
 - remote API 4-3
- service information xvii
- single slot USB cradle 2-3
 - charging 2-3
 - charging indicators 2-5
 - troubleshooting 6-8

- soft reset 1-6
- spare battery
 - 2400 mAh 2-2
 - 3600 mAh 2-2
 - charging 1-5
- spare battery charger 2-3
 - charging 2-22
 - charging indicators 2-22
 - setup 2-22
- splash screen
 - creating 4-7
- spring loaded stylus 2-2
- SR focus decode distances A-8
- starting EDA 1-5
- starting the EDA 1-2
- storage 4-9
 - application folder 4-10
 - cache disk 4-10
 - persistent 4-10
 - volatile 4-10
- storage card
 - deploying CAB files 4-4
- strap 1-1
- stylus 1-1, 2-2
- Syncing
 - Installing ActiveSync 3-1
 - Windows Mobile Device Center 3-3

T

- technical specifications A-1
 - accessories A-14
- temperature A-2
 - charging 1-5
- troubleshooting 6-5
 - cables 6-11
 - EDA 6-5
 - four slot Ethernet cradle 6-9
 - four slot spare battery charger 6-10
 - single slot USB cradle 6-8
 - vehicle cradle 6-10

U

- unpacking 1-1
- USB charge cable 2-23
- USB charging cable 2-1, 2-23
- USB client charge cable 2-23
- USB cradle 2-1

V

- vehicle cradle 2-17
 - charging indicators 2-21

troubleshooting	6-10
vehicle holder	2-1
volatile storage	4-10

W

wakeup conditions	1-7
waking EDA	1-7
wall mount bracket	2-15
wall mounting kit, cradle	2-2
warm boot	1-6
Windows Mobile Device Center	3-3
WLAN 802.11a/b/g	xiv
WLAN 802.11a/b/g/n	xiv
WPAN Bluetooth	xiv

X

XML provisioning	4-7, 4-8
certificates	4-3



Motorola Solutions, Inc.
1301 E. Algonquin Rd.
Schaumburg, IL 60196-1078, U.S.A.
<http://www.motorolasolutions.com>

MOTOROLA, MOTO, MOTOROLA SOLUTIONS and the Stylized M Logo are trademarks or registered trademarks of Motorola Trademark Holdings, LLC and are used under license. All other trademarks are the property of their respective owners.
© 2011 Motorola Solutions, Inc. All Rights Reserved.

