

Bowers & Wilkins

Custom Theatre



The language of dreams

There's a reason why they call it the movies. And it's not just to do with what's happening on screen. Cinema moves you. It transports you to other places: different times, faraway lands, alien worlds. It's the language of emotions, of dreams.

Bowers & Wilkins knows a thing or two about dreams. After all, our company was founded on one. John Bowers always dreamed of building the perfect loudspeaker – one that brings the listener as close as possible to sound as it was recorded. That was our goal more than 40 years ago, and it remains so this day.

Cinema speaks in transformative experiences. It brings its audience so close to a dream of reality that, just for a moment, they feel as though they can reach out and touch it. At B&W, that's a language we understand very well.



Where cinema sound is born

You're looking at the place where Hollywood puts music to movies. This is the control room of Skywalker Sound in Marin County California. It's one of the most advanced audio production facilities in the world, and probably the ultimate multi-channel listening environment. Naturally, it uses the world's ultimate reference speaker system, featuring B&W 800 Series speakers. For speakers capable of revealing cinema sound as it was meant to be heard, you can trust B&W. The people who make movies already do.





EXIT



Custom Theatre 800



Imagine blasting into the Death Star with Luke Skywalker. Riding shotgun through the streets of San Francisco with Steve McQueen. Feeling Lauren Bacall's breath on your cheek. The most thrilling cinema experiences do more than create an impression of reality – they make you feel like you're there, right in the heart of the action. That's exactly what happens with B&W Custom Theatre 800 speakers.

Our flagship CT800 range combines reference-standard power, clarity and control with a design that allows each speaker to be concealed in home theatre cabinetry. Once installed, the speakers are virtually invisible. What's impossible to ignore is the sound. You'll be experiencing everything from the roar of a jet engine to the subtlest creak of a staircase in breath-taking, three-dimensional detail. Welcome to the best home theatre system in town.



CT8 LR

At the heart of this front channel speaker is technology borrowed directly from our flagship 800 Series: twin Rohacell® bass drivers, a woven Aramid Fibre FST™ midrange driver and a metal dome high frequency driver. The spherical midrange/tweeter head can be angled for perfect alignment with the listening area.

CT8 SW

Used with each CT8 LR, this passive subwoofer is designed to extend the front channel speaker's bandwidth down to 13Hz, perfectly reproducing low frequency signals without compromising dynamics and imaging. Closed box loading, a 15" Rohacell® driver and a 70-litre Matrix™-braced enclosure mean home theatre bass will never be quite the same again.



CT8 CC

The CT8 CC centre speaker borrows its Nautilus™-inspired driver line-up from the CT8 LR front speaker. The same Rohacell® bass drivers, woven Aramid Fibre FST™ midrange driver and metal dome high frequency driver are employed, but arranged with the twin bass drivers positioned either side of the combined midrange and high-frequency adjustable pod.



CT8 DS

To generate an authentically three-dimensional listening experience, the CT8 DS surround speaker handles both dipole and monopole surround dispersion. Along with a forward-facing Aramid Fibre FST™ midrange and metal-dome high-frequency drivers, the CT8 DS also carries side-facing Aramid Fibre midrange/high frequency drivers.

CT8 XO Mk2

The CT8 XO Mk2 is the conductor for the CT800 home theatre orchestra: an active crossover/equaliser providing all the necessary filtering and control functions to make sure that your system sings in perfect harmony.



Custom Theatre 8.4 and 8.2



Range and versatility. Qualities that all great screen performers have in common. The latest additions to the CT800 range are no exception. The CT8.4 LCRS packs advanced CT800 Series technology into a compact design that performs brilliantly in a variety of different configurations. When space is at a premium, it's happy to stand in for its larger sibling, the CT8 DS side/rear channel speaker, within a CT800 set-up. It's equally comfortable taking on more of a leading role, performing front, side and rear-channel duties in its own home theatre system.

The CT8.2 LCR takes the concept of flexibility even further, while maintaining Bowers & Wilkins' un-compromising approach to sound quality. Its unique modular baffle design allows for it to be used as a LCR speaker in either vertical or horizontal positions. Both of these recent additions deliver the same three-dimensional listening experience as the rest of the CT800 range.



CT8.4 LCRS

The CT8.4 LCRS is designed as an alternative to the CT8 DS when space is at a premium: it's a smaller, more compact vertical surround sound speaker that generates a similarly 3D experience. It also packs enough power to act as a stand-alone loudspeaker when positioned front, side or rear.



CT8.2 LCR

The CT8.2 LCR marries high efficiency and SPL capability to outstanding fidelity for cinema and music playback. Its unique modular baffle design allows for it to be used as a LCR speaker in either vertical or horizontal positions.

Perfect partner: for a home theatre system made up of CT8.4 LCRS and/or CT8.2 LCR speakers, the bass channel should be provided by one of our CT SW subwoofer models, such as the CT SW15 (shown right, not to scale).



Custom Theatre 700



"It can't be done." That was most people's reaction when we said we wanted to bring a premium Custom Theatre sound system to market at an affordable price. At B&W, that's exactly the sort of challenge we like.

Our CT700 range represents nothing less than a revolution in what's possible in home theatre sound when space and budget are limited. The range incorporates pioneering technologies found in our most advanced speakers – innovations such as Aramid Fibre drive unit cones and Nautilus™ tube-loaded

tweeters. It creates cinema sound more lifelike, more immersive, and more powerful than you would ever have imagined possible. And it brings you all this in compact design that can be adapted for many different home theatre environments, large or small.

With CT700 system, what you get is nothing less than the true cinema experience at home. Popcorn not included.



CT7.3 LCRS

The top of the range speaker offers unparalleled clarity combined with powerful low frequency effects thanks to a pair of whopping 8" paper/Aramid Fibre bass units and a dedicated Aramid Fibre FST™ midrange.



CT7.5 LCRS

The entry-level speaker delivers outstanding spaciousness, imaging and definition through its single 7" Aramid Fibre bass/midrange unit.



CT7.4 LCRS

The mid-point speaker in the range offers superior performance at lower frequencies through its two 6" Aramid Fibre bass/midrange drivers.



A CT700 home theatre system should be coupled with one of our CT SW subwoofers. Choose the size to fit your needs. (Not shown to scale)

Custom Theatre Subwoofer

Great bass can be the difference between hearing a film and really feeling it. For the kind of thrilling, physical impact that sets the adrenalin pumping and the blood racing, there's no substitute for a good subwoofer. So however big or small your custom theatre set-up, you'll be glad to know we've got the sub to match.

At the top end of the range, the CT8 SW is a dedicated sub designed specifically for the CT800 Series. For a CT700 system or a set-up featuring the CT8.4 LCRS or CT8.2 LCR in front, side and

rear channels, you have the choice of one of our three CT SW subwoofer models. The CT SW subs boast an ultra-robust paper/Aramid Fibre cone, and come in either a 10, 12 or 15-inch size.

Used on their own within a multi-channel system, or daisy-chained together for maximum impact, each model provides the dynamics and control needed to handle the most powerful movie effects. All that's left for you to do is hang on to your seat.



CT SW10



CT SW12



CT SW15



Breaking the rules: B&W's extraordinary Nautilus™ redefined how speakers could be designed and built.

We believe our Custom Theatre speaker ranges are the best cinema sound systems you'll ever hear. That's thanks to B&W technology and craftsmanship – innovations and techniques that have taken more than 40 years to develop, and that have come to influence how all speakers are designed.

Take apart our Custom Theatre speakers and you'll find technology derived directly from reference speakers like the B&W 800 Series: speakers that are used as standard by the world's most demanding recording studios. Because of these highly refined technologies, our speakers are equipped for subtlety as well as power: for capturing the emotional nuance in a voice as well as the impact of a car crash or an explosion.

We've put a lot into our Custom Theatre speakers. They may be the most sophisticated pieces of kit you'll ever keep in a cupboard. And you won't ever want to take them out.

The speakers in the CT800 range are a direct descendant of the 800 Series, shown here on the left. A combination of technological innovation and supreme craftsmanship, the 800 Series has become the reference speaker of choice for recording studios from Skywalker Sound in California to Abbey Road in London. Now, thanks to CT800, you can bring these same world-leading technologies to your home theatre set-up.



Head

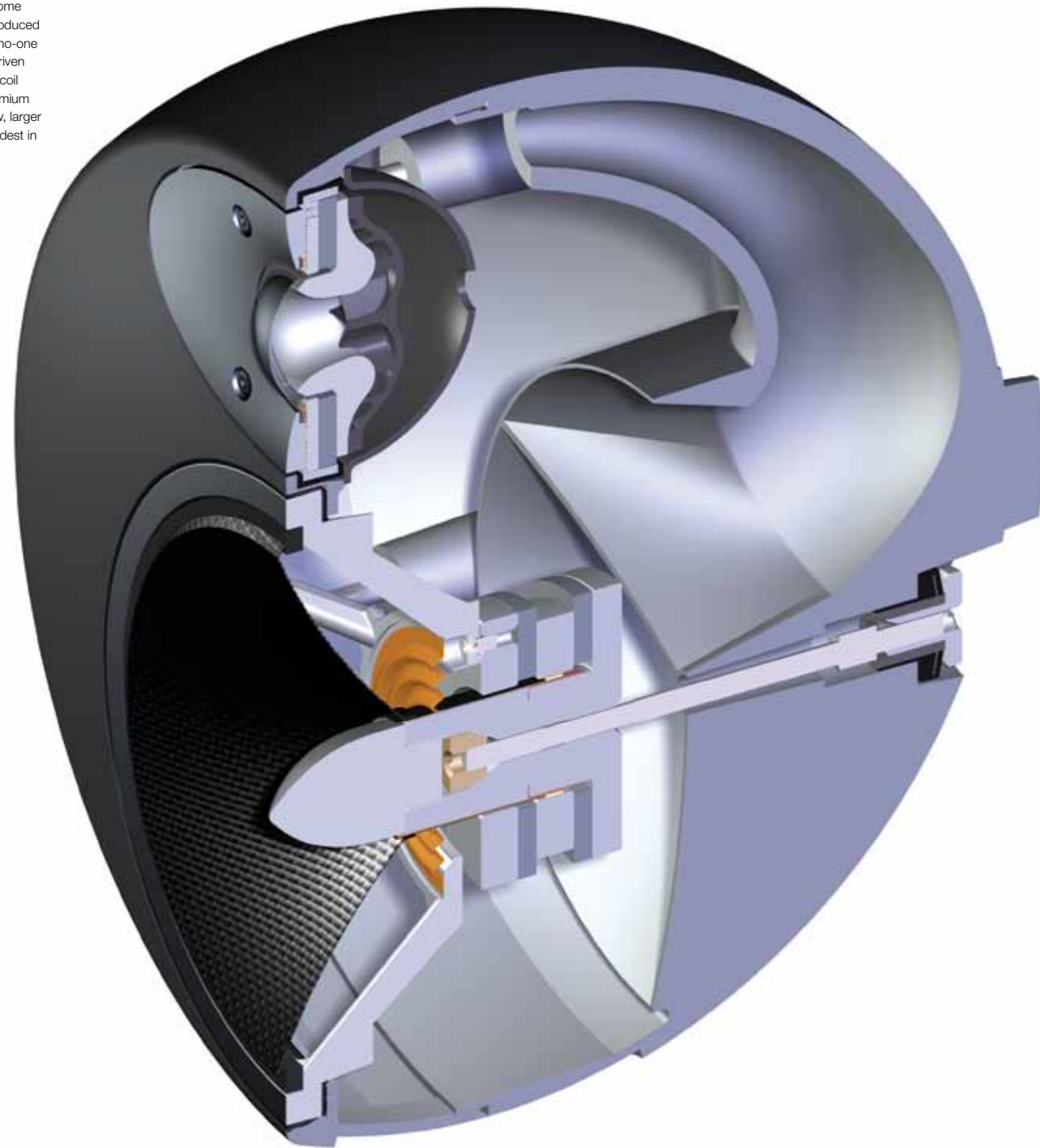
With stand-alone hi fi speakers, it's simple to position them so that the sound travels in the direction you want it to. But what about in a Custom Theatre set-up, where your speakers are flat against a wall inside a cabinet with no space to manoeuvre? Not a problem, thanks to our ingenious adjustable head units.



The midrange and tweeter of the CT8 LR and CT8 CC speakers are contained within a single head unit, decoupled from the rest of the cabinet so that it can swivel in different directions. That means you can make sure that detailed treble effects are pointed directly towards your seating area, no matter how wide your screen or where your cabinets are positioned. The grilles on either side of the swivelhead help to remove any unwanted sound reflections from the edges of the recess in which the head is housed.

Tweeter

To get round high-frequency distortion and directivity problems common to home theatre speakers, we produced a tweeter of a kind that no-one has ever seen before. Driven by an aluminium ribbon coil and an oversized neodymium motor structure, the new, larger tweeter is one of the loudest in existence.



You'll rarely hear high frequencies captured with such startling precision as you will with our Custom Theatre speakers. That's down to a radical rethink in tweeter design, combined with the clever adaptation of technologies first introduced in our most legendary hi fi speaker to date: the trailblazing, convention-defying Nautilus™.



Some of our most innovative technologies take their inspiration from nature. For the body of our Nautilus™ speaker, for example, we created a spiraling, conch-like form that drains away all unwanted excess sound from the rear of the driver, rather than letting it bounce noisily around inside the cabinet. The result? Almost zero coloration from the back of the speaker, and a much purer sound from the front.

For the Custom Theatre range we've taken this concept one step further. We replaced the single, long tube with a whirl of tightly-packed, smaller channels contained in a shallow cup, each of which absorbs a portion of unwanted sound energy from the back of the diaphragm. Even at frequencies well beyond human hearing, this tweeter sings like a bird.

Midrange

Some things don't change. It's been 30 years since B&W first discovered that Aramid Fibre makes for ideal midrange cone material, snuffing out the concentric standing waves that blur the sound in conventional cones. Lending support is our fixed suspension transducer (FST™ for short), a ring of foam around the cone's edge that soaks up bending waves and allows the cone to move even more freely and responsively.

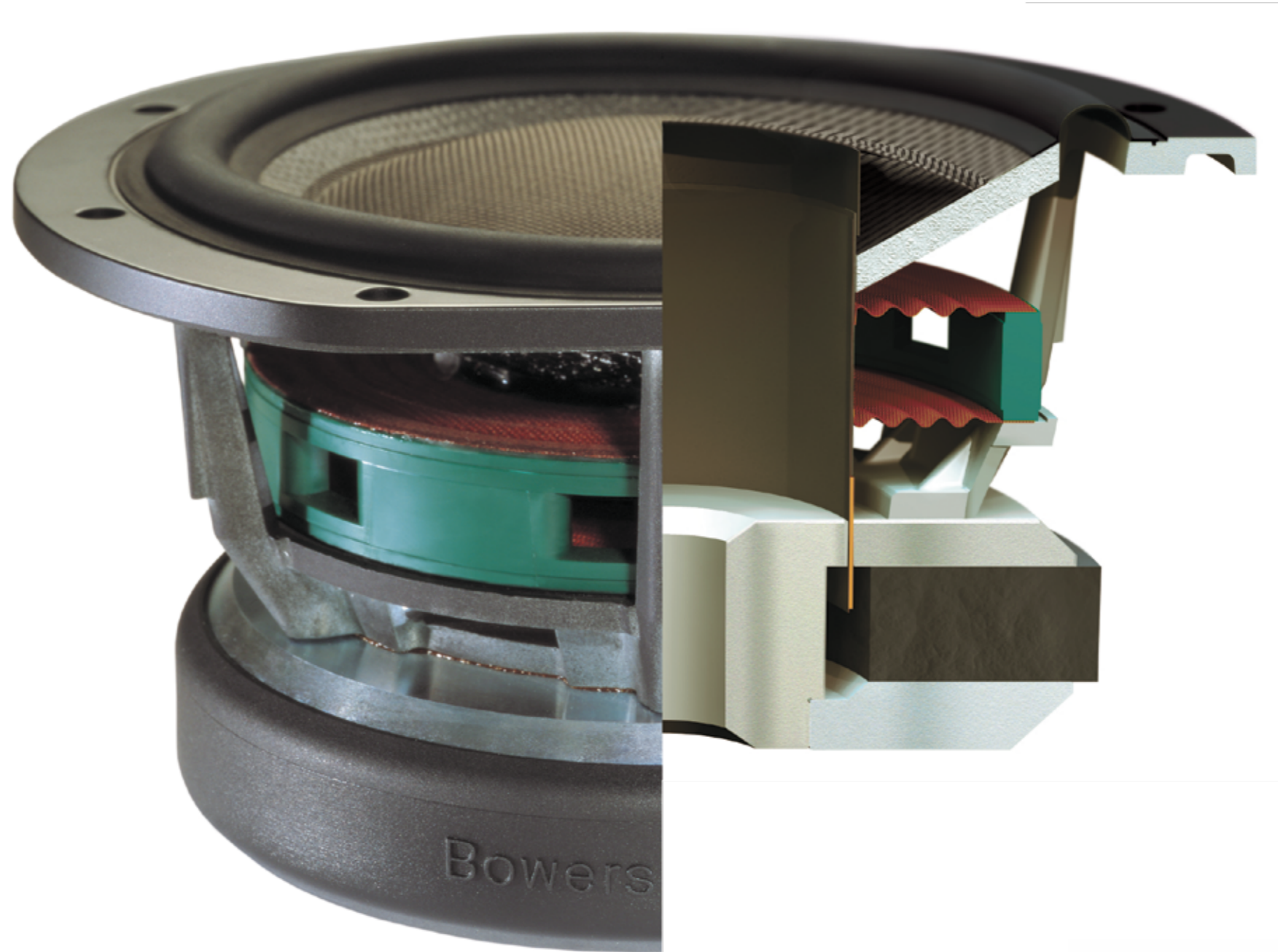
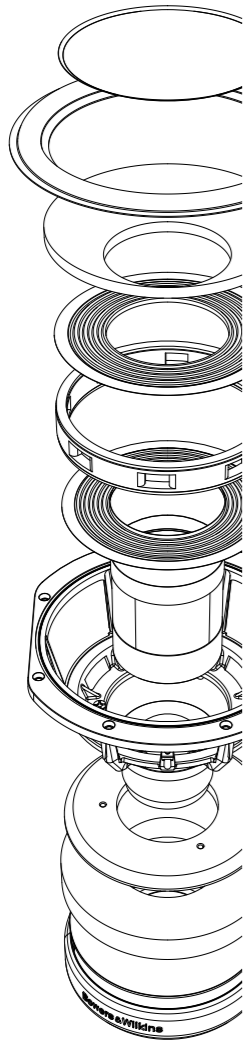
There's nothing middling about this midrange. Whether it's the use of Aramid Fibre in the cone, advanced FST™ technology, or a new and improved motor system, we've stopped at nothing to make sure this drive unit delivers unrivalled power, depth and clarity.



The ideal drive unit is one that works like a perfect piston: moving back and forth on a fixed axis with as little distortion as possible. That's exactly what we've achieved with the Custom Theatre midrange. The unit is driven by an ultra high-strength twin magnet motor system, which gives the driver twice the power of the standard version while dramatically improving its linearity.

Bass

Only a truly rigid driver will deliver the sheer, visceral impact that cinema bass effects demand. Custom Theatre bass drivers use a mushroom diaphragm construction that bonds the cone, dust cap and huge voice coil together in a single girder-like unit.

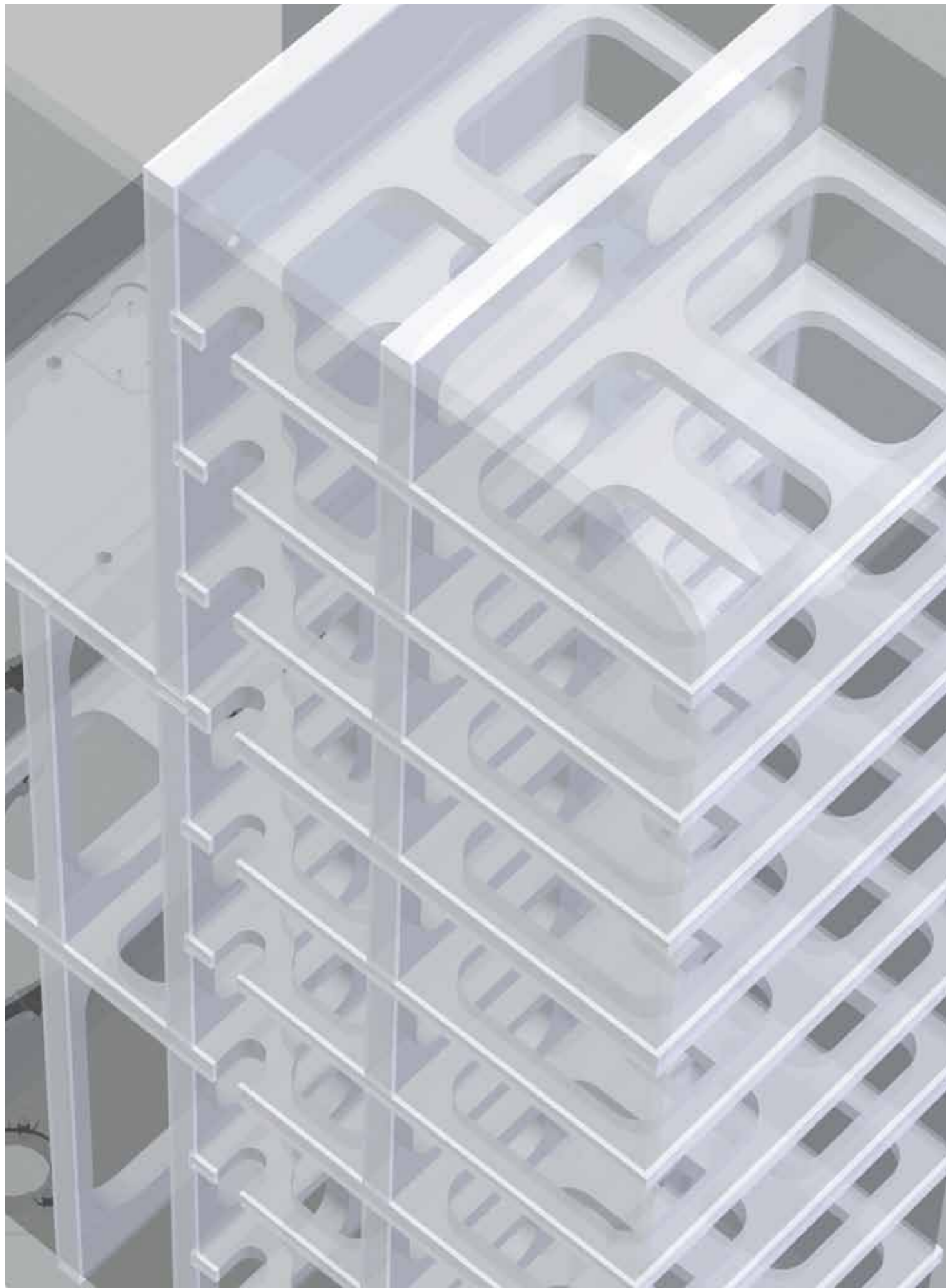


It's a formidable-looking set-up by anyone's standards. And it has to be. The bass drivers in our Custom Theatre range are capable of generating physical forces so powerful that only the most solid construction and materials can withstand them. Combined with advanced technologies such as a Rohacell® cone and a four-inch carbon fibre voice coil, and you've got a driver capable of handling all the stress and pressure that movie sound can throw at it.



Bass cones must be as light as possible for maximum agility, but absolutely rigid in order to retain their shape as they pump in and out. Rohacell® is a sophisticated composite construction made of a hard foam core sandwiched between carbon fibre skins. It's the kind of material normally used for aircraft, rockets and the bodies of racing cars. For speed, stiffness and unshakable bass, it's the bottom line.

Cabinet bracing

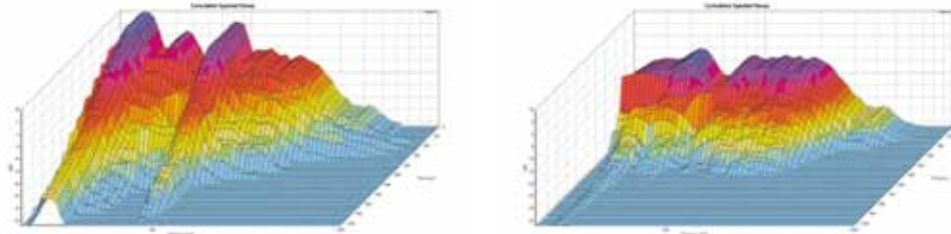


Sound with backbone demands a speaker with backbone. With speakers as powerful as these confined in walls and cupboards, it's essential that each speaker is as rigid as possible to avoid any unwanted vibrations and resonances colouring the sound. Custom Theatre speakers are given the strength they need by B&W's Matrix bracing system – an internal grid of interlocking cells. This indomitable skeleton – like that of a building – dissipates forces around the cabinet and creates a single rock-solid unit.



Customisation

Two computer readouts show the results of test signals passed through a Custom Theatre set-up. Adjusting the frequency response helps remove unwanted resonance, demonstrated by the flatter peaks in the second readout.



Sound is affected by environment. This is particularly true of home theatre system, where multiple speakers are used in different positions throughout a room. With so many variables affecting the detail of sound at bass frequencies, how can you be sure you're always getting the most from your system? It's simple, thanks to the CT8 XO Mk2 active bass management controller.

The crossover features three independent parametric equalisers, giving engineers and installers complete control over every aspect of the system's bass output. By running a test signal through the system after installation and adjusting the frequency response, any resonances can be ironed out. You're left with a system that sounds smooth and perfectly formed, even if your theatre environment isn't.



CT8 LR

Technical features	Adjustable midrange/tweeter head Nautilus™ tweeter Aramid Fibre cone FST™ midrange Rohacell® cone bass units Matrix cabinet Active bass crossover
Description	3-way closed-box system
Drive units	1x ø32mm (1¼ in) aluminium dome high-frequency 1x ø150mm (6 in) woven Aramid Fibre cone FST™ midrange 2x ø250mm (10 in) carbon fibre/Rohacell® sandwich cone bass
Frequency range	-6dB at 23Hz and 40kHz
Frequency response	29Hz – 24kHz ±3dB on reference axis
Dispersion	Within 2dB of reference response Horizontal: over 60° arc Vertical: over 10° arc
Sensitivity	93dB spl (2.83V, 1m) (mf/hf)
Harmonic distortion	2nd and 3rd harmonics (90dB, 1m) <1% 45Hz – 20kHz <0.5% 55Hz – 20kHz
Nominal impedance	8Ω (minimum 4Ω)
Crossover frequencies	300Hz, 4kHz
Recommended amplifier power	50W – 1000W into 8Ω on unclipped programme
Max. recommended cable impedance	0.1Ω
Dimensions	Height: 1100mm (43.3in) (without spike feet) Width: 325mm (12.8in) Depth: 550mm (21.65in)
Net weight	85kg (187 lb)
Finishes	Cabinet: Black



CT8 CC

Technical features	Adjustable midrange/tweeter head Nautilus™ tweeter Aramid Fibre cone FST™ midrange Rohacell® cone bass units Matrix cabinet Active bass crossover
Description	3-way closed-box system
Drive units	1x ø32mm (1¼ in) aluminium dome high-frequency 1x ø150mm (6 in) woven Aramid Fibre cone FST™ midrange 2x ø250mm (10 in) carbon fibre/Rohacell® sandwich cone bass
Frequency range	-6dB at 23Hz and 40kHz
Frequency response	29Hz – 24kHz ±3dB on reference axis
Dispersion	Within 2dB of reference response Horizontal: over 60° arc Vertical: over 10° arc
Sensitivity	93dB spl (2.83V, 1m) (mf/hf)
Harmonic distortion	2nd and 3rd harmonics (90dB, 1m) <1% 45Hz – 20kHz <0.5% 55Hz – 20kHz
Nominal impedance	8Ω (minimum 4Ω)
Crossover frequencies	300Hz, 4kHz
Recommended amplifier power	50W – 1000W into 8Ω on unclipped programme
Max. recommended cable impedance	0.1Ω
Dimensions	Height: 325mm (12.8in) (without spike feet) Width: 1100mm (43.3in) Depth: 550mm (21.65in)
Net weight	85kg (187 lb)
Finishes	Cabinet: Black



CT8 DS

Technical features	Dipole/monopole option with 12V trigger switching Nautilus™ tweeter Aramid Fibre cone FST™ midrange Rohacell® cone bass units Matrix cabinet Active bass crossover
Description	3-way monopole/2-way dipole selectable closed-box surround system
Drive units	1x ø32mm (1¼ in) aluminium dome high-frequency 6x ø100mm (4 in) midrange/high-frequency 1x ø150mm (6 in) woven Aramid Fibre cone FST™ midrange 2x ø250mm (10 in) carbon fibre/Rohacell® sandwich cone bass
Frequency range	-6dB at 26Hz and 40kHz (monopole mode) -6dB at 26Hz and 22kHz (dipole mode)
Frequency response	31Hz – 22kHz ±3dB on reference axis (monopole mode) 31Hz – 18kHz ±3dB power averaged over front hemisphere (dipole mode)
Dispersion	Monopole mode: within 2dB of reference response Horizontal: over 60° arc Vertical: over 10° arc Dipole mode: horizontal figure of eight Effective null zone ±30° (250Hz – 18kHz)
Sensitivity	93dB spl (2.83V, 1m)
Harmonic distortion	2nd and 3rd harmonics (90dB, 1m) <1% 45Hz – 20kHz
Nominal impedance	8Ω (minimum 4Ω)
Crossover frequency	300Hz and 4kHz (monopole mode) 300Hz (dipole mode)
Recommended amplifier power	50W – 1000W into 8Ω on unclipped programme
Max. recommended cable impedance	0.1Ω
Dimensions	Height: 1100mm (43.3 in) (without spike feet) Width: 325mm (12.8 in) Depth: 250mm (9.85 in)
Net Weight	75kg (165lb)
Finishes	Cabinet: Black Grille: Black cloth



CT8 SW

Technical features	Rohacell® cone bass Matrix cabinet Active crossover
Description	Closed-box subwoofer
Drive units	1x ø380mm (15 in) carbon fibre/Rohacell® sandwich cone bass
Frequency range	-6dB at 13Hz and 40Hz (using active crossover/equaliser)
Frequency response	18Hz – 35Hz ±3dB on reference axis (using active crossover/equaliser)
Dispersion	Within 2dB of reference response Horizontal: over 90° arc Vertical: over 90° arc
Sensitivity	90dB spl (2.83V, 1m)
Harmonic distortion	2nd and 3rd harmonics (90dB, 1m) <1% 30Hz – 500Hz <0.5% 45Hz – 300Hz
Nominal impedance	8Ω (minimum 4Ω)
Crossover frequency	40Hz
Recommended amplifier power	50W – 1000W into 8Ω on unclipped programme
Max. recommended cable impedance	0.1Ω
Dimensions	Height: 475mm (18.7 in) (without spike feet) Width: 475mm (18.7 in) Depth: 475mm (18.7 in)
Net weight	35kg (77 lb)
Finishes	Cabinet: Black



CT8 XO Mk2

Description	CT800 system active bass management controller
Functions	Bass/midrange crossover Subwoofer/bass crossover Low-frequency roll-off alignment High frequency roll-off alignment 3 adjustable low frequency parametric equalisers Subwoofer in/out Level adjustment for number of subwoofers 12V trigger switching for surround mode
Inputs	Line In (XLR) 12V trigger (3.5mm jack)
Outputs	MF/HF Line Out (XLR) LF Line Out (XLR) Subwoofer Line Out (2 x XLR) 12V trigger (3.5mm jack)
Rated power consumption	20W
Dimensions	Height: 44.5mm (1.75 in) 1U Width: 483 mm (19 in) Depth: 155 mm (6.1 in)
Net weight	3kg (6.6 lb)
Finishes	Front panel: Anodised Aluminium Chassis: Black



CT8.4 LCRS

Technical features	Carbon fibre/Rohacell® bass unit cone Aramid Fibre FST™ midrange cone Speakon® and binding post connectors
Description	3-way closed-box system
Drive units	1 x ø32mm (1¼ in) tube loaded aluminium dome high-frequency 1 x ø150mm (6 in) woven Aramid Fibre FST™ mid-range 1 x ø200mm (8 in) carbon fibre/Rohacell® sandwich cone bass
Frequency range	-6dB at 39Hz and 40kHz
Frequency response	49Hz – 24kHz ±3dB on reference axis
Dispersion	Within 2dB of reference response Horizontal: over 60° arc Vertical: over 10° arc
Sensitivity	88dB spl (2.83V, 1m)
Harmonic distortion	2nd and 3rd harmonics (90dB, 1m) <1% 80Hz – 20kHz <0.5% 200Hz – 20kHz
Nominal impedance	8Ω (minimum 3Ω)
Crossover frequency	380Hz, 4kHz
Recommended amplifier power	50W – 200W into 8Ω on unclipped programme
Max. recommended cable impedance	0.1Ω
Dimensions	Height: 630mm (24.8 in) Width: 325mm (12.8 in) Depth: 185mm (7.3 in) Depth with grille: 227mm (9 in)
Net Weight	21.0kg (46.3 lb)
Finishes	Cabinet: Black painted Grille: Black cloth



CT8.2 LCR

Technical features	Paper/Aramid Fibre bass unit cone Aramid Fibre FST™ midrange cone Speakon® and binding post connectors
Description	3-way open-box system
Drive units	1 x ø32mm (1.25 in) tube loaded aluminium dome high-frequency tweeter 1 x ø150mm (6 in) woven Aramid Fibre FST™ midrange 2 x ø200mm (8 in) Paper/Aramid Fibre cone bass
Frequency range	-6dB at 31Hz and 45kHz
Frequency response	39Hz - 24kHz ±3dB on reference axis
Dispersion	Within 2dB of reference response Horizontal: over 60° arc Vertical: over 10° arc
Sensitivity	91dB spl (2.83V, 1m)
Harmonic distortion	2nd and 3rd harmonics (90dB, 1m) <1% 80Hz – 20kHz <0.5% 200Hz – 15kHz
Nominal impedance	8Ω (minimum 3Ω)
Crossover frequency	400Hz, 4.5kHz
Recommended amplifier power	50W – 500W into 8Ω on unclipped programme
Max. recommended cable impedance	0.1Ω
Dimensions	Height: 1000mm (24.8 in) Width: 325mm (12.8 in) Depth: 300mm (7.3 in)
Net Weight	36.3kg (80 lb)
Finishes	Black



CT7.5 LCRS

Technical features	Nautilus™ tube loaded tweeter Aramid Fibre bass/midrange cone Flowport™ Magnetically attached grille
Description	2-way vented-box system
Drive units	1x ø25mm (1 in) cloth dome high-frequency 1x ø180mm (7 in) woven Aramid Fibre cone bass/midrange
Frequency range	-6dB at 48Hz and 28kHz
Frequency response	55Hz – 22kHz ±3dB on reference axis
Dispersion	Within 2dB of reference response Horizontal: over 60° arc Vertical: over 10° arc
Sensitivity	92dB spl (2.83V, 1m)
Harmonic distortion	2nd and 3rd harmonics (90dB, 1m) <1% 100Hz – 20kHz
Nominal impedance	8Ω (minimum 4.6Ω)
Crossover frequency	4kHz
Recommended amplifier power	50W – 120W into 8Ω on unclipped programme
Max. recommended cable impedance	0.1Ω
Dimensions	Height: 305mm (12 in) Width: 444mm (17.5 in) Depth: 265mm (10.5 in) Depth including grille: 288mm (11.3 in)
Net weight	11.5kg (25.4lb)
Finishes	Cabinet Black painted Grille Black cloth



CT7.4 LCRS

Technical features	Nautilus™ tube loaded tweeter Aramid Fibre bass/midrange cone Flowport™ Magnetically attached grille
Description	2-way vented-box system
Drive units	1x ø25mm (1 in) cloth dome high-frequency 2x ø165m (6.5 in) woven Aramid Fibre cone bass/midrange
Frequency range	-6dB at 43Hz and 28kHz
Frequency response	49Hz – 22kHz ±3dB on reference axis Within 2dB of reference response
Dispersion	Horizontal: over 60° arc Vertical: over 10° arc
Sensitivity	94dB spl (2.83V, 1m)
Harmonic distortion	2nd and 3rd harmonics (90dB, 1m) <1% 90Hz – 20kHz
Nominal impedance	8Ω (minimum 4.0Ω)
Crossover frequency	4kHz
Recommended amplifier power	50W – 150W into 8Ω on unclipped programme
Max. recommended cable impedance	0.1Ω
Dimensions	Height: 343mm (13.5 in) Width: 444mm (17.5 in) Depth: 265mm (10.5 in) Depth with grille: 288mm (11.3 in)
Net weight	16.5kg (36.4lb)
Finishes	Cabinet Black painted Grille Black cloth



CT7.3 LCRS

Technical features	Nautilus™ tube loaded tweeter Aramid Fibre cone FST™ midrange Paper/Aramid Fibre cone bass driver Flowport™ Magnetically attached grille
Description	3-way vented-box system
Drive units	1 x ø25mm (1 in) cloth dome high-frequency 1 x ø150mm (6 in) woven Aramid Fibre FST™ mid-range 2 x ø200mm (8 in) Paper/Aramid Fibre bass units
Frequency range	-6dB at 36Hz and 28kHz
Frequency response	42Hz – 22kHz ±3dB on reference axis
Dispersion	Within 2dB of reference response Horizontal: over 60° arc Vertical: over 10° arc
Sensitivity	92dB spl (2.83V, 1m)
Harmonic distortion	2nd and 3rd harmonics (90dB, 1m) <1% 50Hz – 20kHz
Nominal impedance	8Ω (minimum 3.0Ω)
Crossover frequencies	350Hz, 4kHz
Recommended amplifier power	50W – 200W into 8Ω on unclipped programme
Max. recommended cable impedance	0.1Ω
Dimensions	Height: 360mm (14.2 in) Width: 606mm (23.9 in) Depth: 265mm (10.5 in) Depth with grille: 288mm (11.3 in)
Net weight	22.5kg (49.6lb)
Finishes	Cabinet Black painted Grille Black cloth



CT SW10

Technical features	Long throw paper/Aramid Fibre cone bass driver Magnetically attached grille
Description	Closed-box subwoofer system with external rackmount amplifier
Drive units	ø250mm (10 in) Paper/Aramid Fibre cone long-throw
Frequency range	-6dB at 18Hz and 25/140Hz adjustable (EQ at A)
Frequency response	±3dB 26Hz - 40/140Hz adjustable (EQ at A)
Bass extension	-6dB at 18Hz (position A) -6dB at 23Hz (position B) -6dB at 29Hz (position C)
Power handling	1000W
Dimensions	Height: 360mm (14.2 in) Width: 340mm (13.4 in) Depth: 260mm (10.3 in) Depth with grille: 290mm (11.4 in)
Net Weight	14.85kg (32.7 lb)
Finish	Cabinet Black painted Grille Black cloth



CT SW12

Technical features	Long throw Paper/Aramid Fibre cone bass driver Magnetically attached grille
Description	Closed-box subwoofer system with external rackmount amplifier
Drive units	ø300mm (12 in) paper/Aramid Fibre cone long-throw
Frequency range	-6dB at 17Hz and 25/140Hz adjustable (EQ at A)
Frequency response	±3dB 24Hz - 40/140Hz adjustable (EQ at A)
Bass extension	-6dB at 17Hz (position A) -6dB at 22Hz (position B) -6dB at 26Hz (position C)
Power handling	1000W
Dimensions	Height: 465mm (18.3 in) Width: 396mm (15.6 in) Depth: 260mm (10.3 in) Depth with grille: 290mm (11.4 in)
Net Weight	25kg (55.1 lb)
Finish	Cabinet Black painted Grille Black cloth



CT SW15

Technical features	Long throw Paper/Aramid Fibre cone bass driver Magnetically attached grille
Description	Closed-box subwoofer system with external rackmount amplifier
Drive units	ø380mm (15 in) paper/Aramid Fibre cone long-throw
Frequency range	-6dB at 16Hz and 25/140Hz adjustable (EQ at A)
Frequency response	±3dB 23Hz - 40/140Hz adjustable (EQ at A)
Bass extension	-6dB at 16Hz (position A) -6dB at 20Hz (position B) -6dB at 25Hz (position C)
Power handling	1000W
Dimensions	Height: 550mm (21.7 in) Width: 550mm (21.7 in) Depth: 260mm (10.3 in) Depth with grille: 290mm (11.4 in)
Net Weight	30kg (66.1lb)
Finishes	Cabinet Black painted Grille Black cloth



Subwoofer Amplifier SA1000

Description	Dedicated CTSW rackmount single channel 1000W amplifier
Functions	Front panel controls: Rotary volume (line in) Rotary low-pass filter frequency (4th-order Linkwitz, 40Hz - 140Hz) Low-pass filter defeat 2-posn switch Phase 0/180 2-posn switch Bass extension 3-posn switch Movie/music EQ 2 posn switch On/auto/standby 3-posn switch Status LED Fault LED
Inputs	Line In (XLR & RCA Phono) 1x RCA phono socket, line in 1x RCA phono socket, link out 1x XLR socket, line in 1x XLR socket, link out 3.5mm jack – 12V trigger on/standby (overrides manual standby setting) 12V trigger (3.5mm jack)
Outputs:	1x Speakon® 4-pole speaker socket 2x pair of Binding Posts 3.5mm jack – 12V trigger movie/music
Rated power consumption	300W 34 Watt – Idling 3 Watt – Standby
Dimensions	Height: 100mm (3.9 in) [88.5mm (3.5 in) plus feet] Width: 430mm (16.9 in) Depth: 322mm (12.7 in) Front panel height: 2U 88.1mm (3.5 in)
Weight	6.45kg (14.3 lb)
Finish	Black





Bowers & Wilkins

B&W Group Ltd
Dale Road
Worthing West Sussex
BN11 2BH England

T +44 (0) 1903 221800
F +44 (0) 1903 221801
info@bwgroup.com
www.bowers-wilkins.com

B&W Group (UK Sales)
T +44 (0) 1903 221 500
E uksales@bwgroup.com

B&W Group North America
T +1 978 664 2870
E marketing@bwgroupusa.com

B&W Group Asia
T +852 2 790 8903
E info@bwgroup.hk

Nautilus and Flowport are trademarks of B&W Group Ltd.
Speakon is a registered trademark of Neutrik.
ICEpower is a registered trademark of B&O ICEpower A/S.
Copyright © B&W Group Ltd. Floor stands featured within this brochure are not supplied with the speakers. E&OE.
Design Thomas Manss & Company, Printed in UK.
B&W Group Ltd reserves the right to amend details of the specification without notice in line with technical developments.