



Checchi & Magli

I T A L I A
VEGETABLE GROWING TECHNOLOGY



*Made in Italy
with Passion*

Spare parts Catalogue

TRIUM 45 TRIUM 12 CUPS



Cod. 998578/3

02/2019



www.checchiemagli.com

info@checchiemagli.com



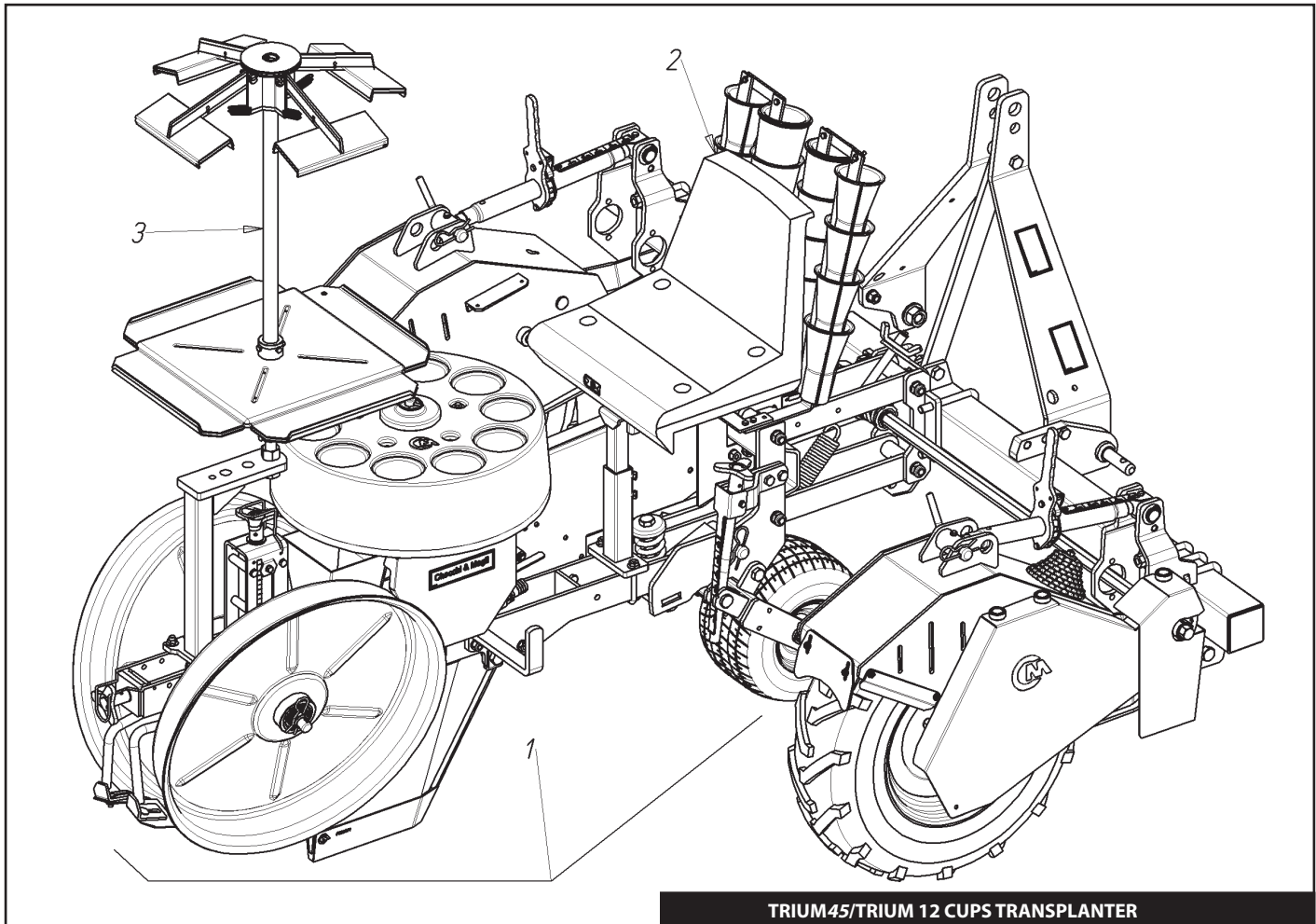
ORDERING INSTRUCTIONS

Parts orders must be placed through the dealer with the following information provided:

- 1) type, model and serial number stated on the ID plate affixed to the machine
- 2) code number and description from parts catalogue
- 3) quantity required.

The parts will be shipped as specified by the customer, or with the most appropriate means if no specifications are made.

The terms 'right' or 'left' are intended as from behind the machine.

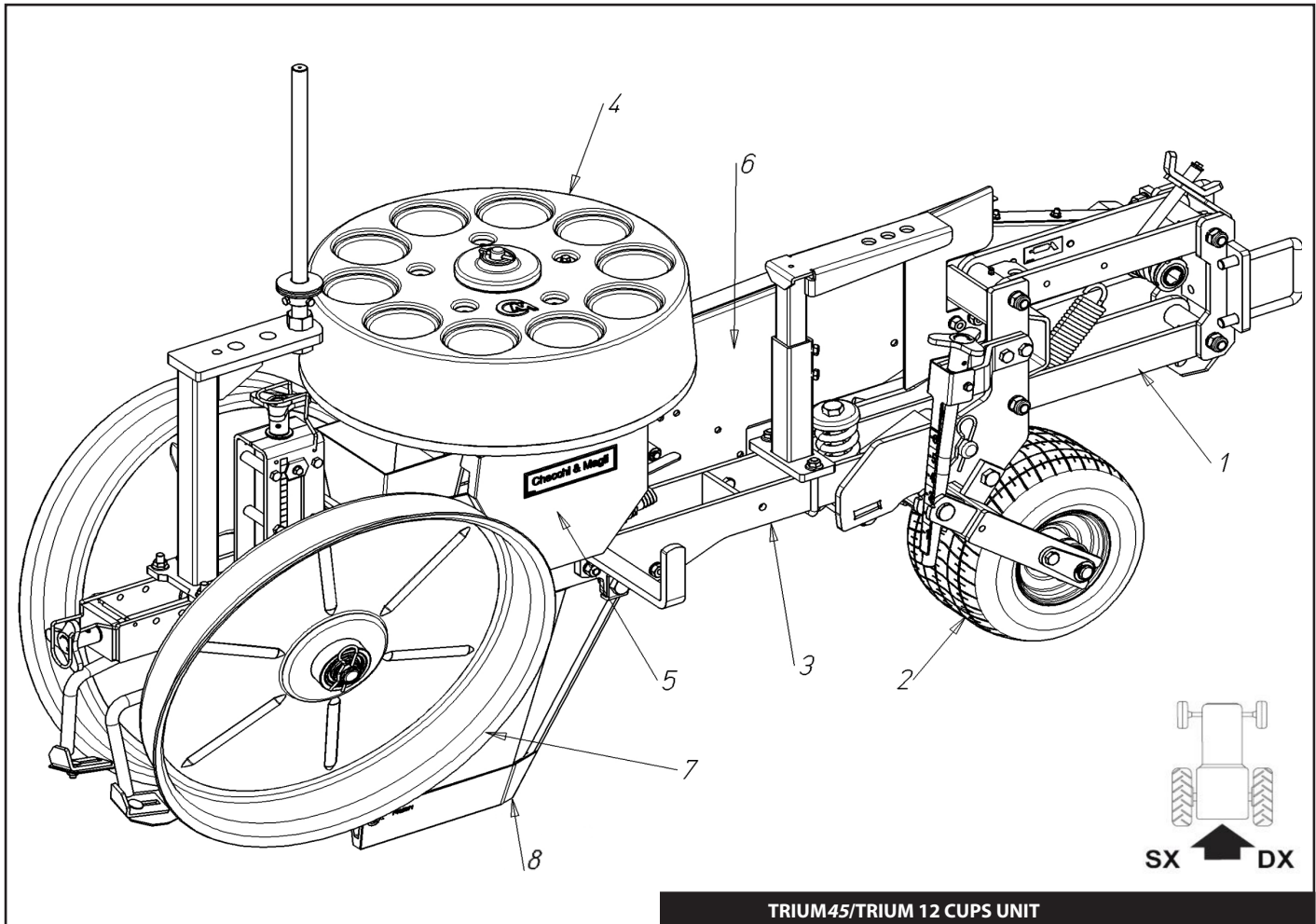


TRIUM45/TRIUM 12 CUPS TRANSPLANTER

Pos.	Code	Description	
1		TRIUM 45/TRIUM 12 CUPS UNIT	page 2
2		SEAT	page 15
3		ROTARY TRAY HOLDER	page 16



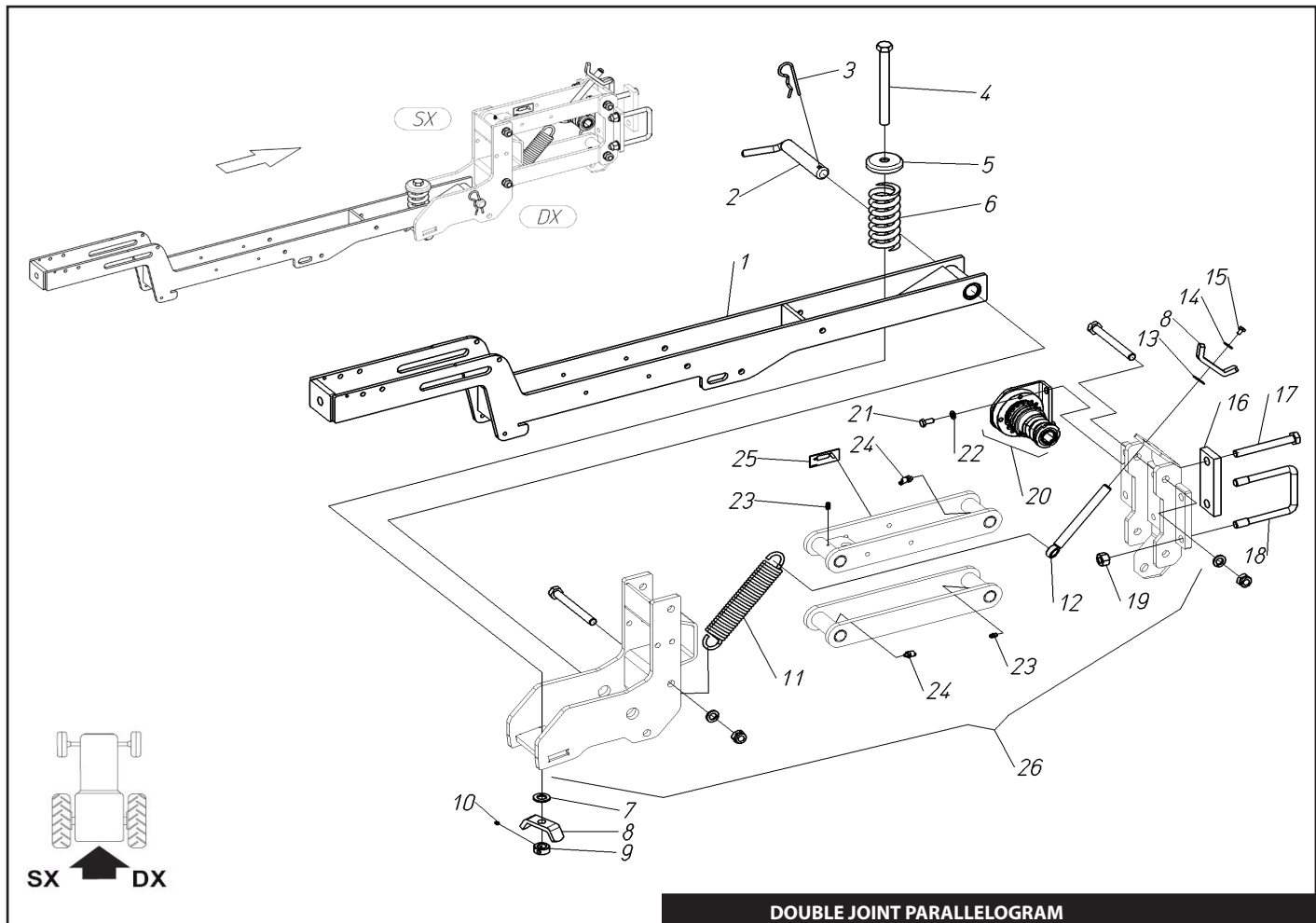
TRIUM45/TRIUM 12 CUPS TRANSPLANTER



TRIUM45/TRIUM 12 CUPS UNIT

Pos.	Code	Description	
1	SEE TAB.	DOUBLE JOINT PARALLELOGRAM TRIUM	page 3
2	SEE TAB.	FLOATATION WHEEL WITH ADJUSTMENT SCREW	page 5
3	SEE TAB.	TRIUM MAIN FRAME	page 7
4	SEE TAB.	TRIUM DISTRIBUTOR 10-12 CUPS	page 8
5	SEE TAB.	TRIUM REDUCER 10-12 CUPS	page 10
6	SEE TAB.	TRANSMISSION COVER AND CHAIN	page 13
7	SEE TAB.	PACKING WHEELS	page 14
8	SEE TAB.	PLOUGHSHARE KIT	page 12

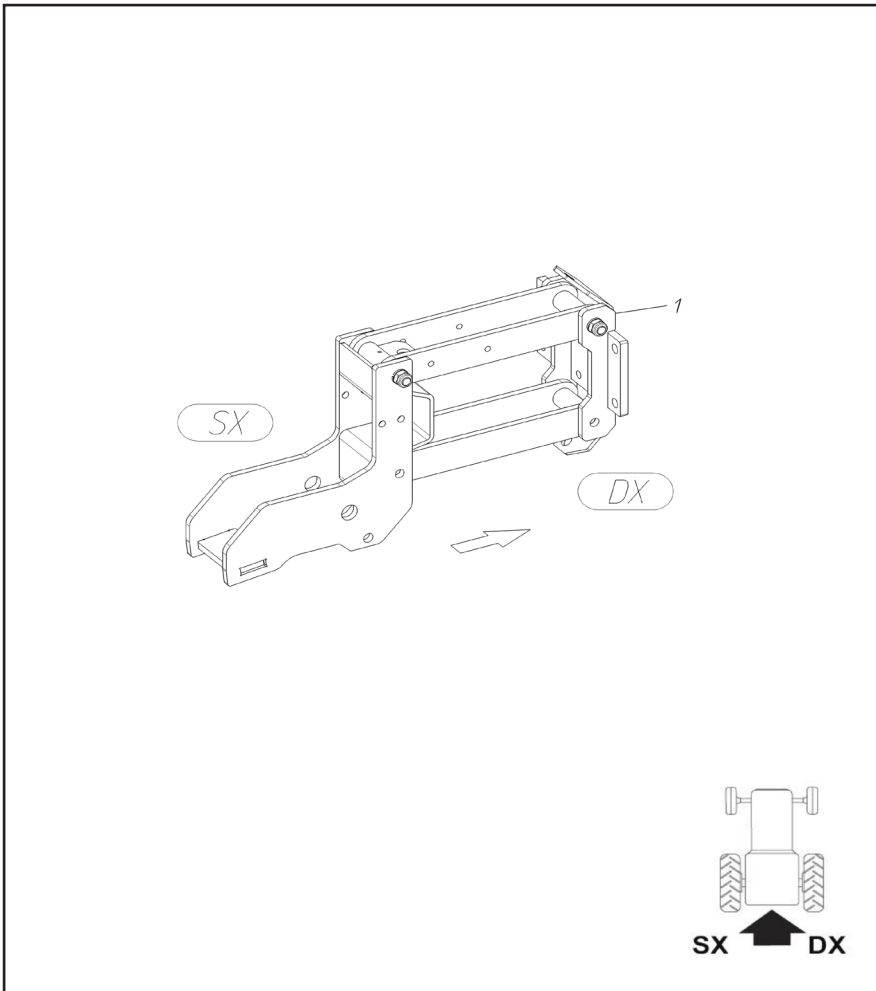
TRIUM45/TRIUM 12 CUPS UNIT



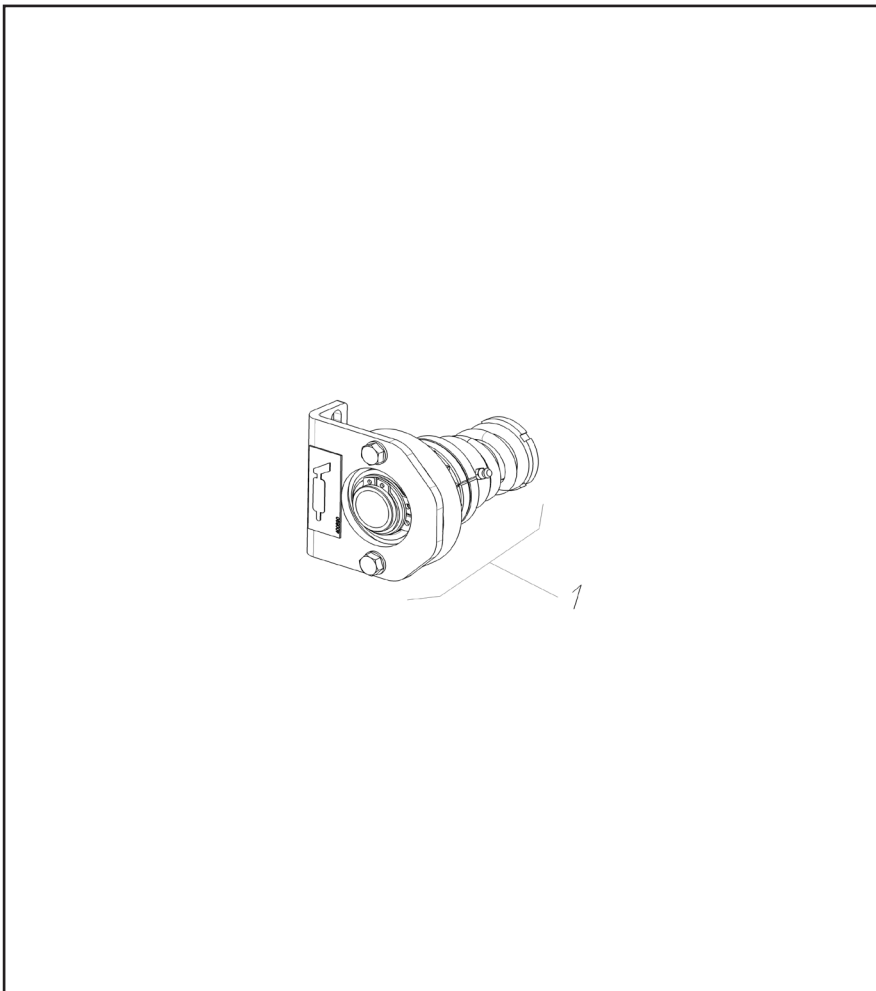
Pos.	Code	Description
1	420815	MAIN FRAME TRIUM-TOP-BEST UNIT
2	420066	PIN D.25X130 WITH LEVER
3	941202	SPRING COTTER PIN
4	902264	SCREW TE M 16x170 - 8.8
5	400171	SPRING CUP
6	800006	SPRING 56 x 125
7	907109	FLAT WASHER 16 - R40
8	400255	SPRING REGULATOR
9	942007	LOCKING BAGUE 16-28-12
10	904003	GRUB-SCREW M 6x6 - 12.9
11	800026	PULL SPRING 222x40x 6
12	420350	SPRING ADJUSTING SCREW
13	400103	STEEL WASHER 17,1x25x1 - C70
14	907204	FLAT WASHER 6x18x2 ISO 4759
15	902443	SCREW TE M 6x10 - 8.8
16	401006	PLATE 50x15x130 (2 HOLES d17)
17	900225	SCREW TE M 14x120 - 8.8
18	400041	"U" BOLT M 14 (Q.80)
19	905008	NUT M 14 (HIGH) 6S
20	500431	AUTOMATIC DISENG.DEVICE DUAL/TRIUM/TXDR
21	902103	SCREW TE M 8x8 - 8.8
22	907105	FLAT WASHER 8 - R40
23	923001	NIPPLE M6
24	923003	NIPPLE M6 - 45°
25	400690	STICKER - GREASE
26	SEE TAB.	DOUBLE JOINT PARALLELOGRAM ASSEMBLY

DOUBLE JOINT PARALLELOGRAM

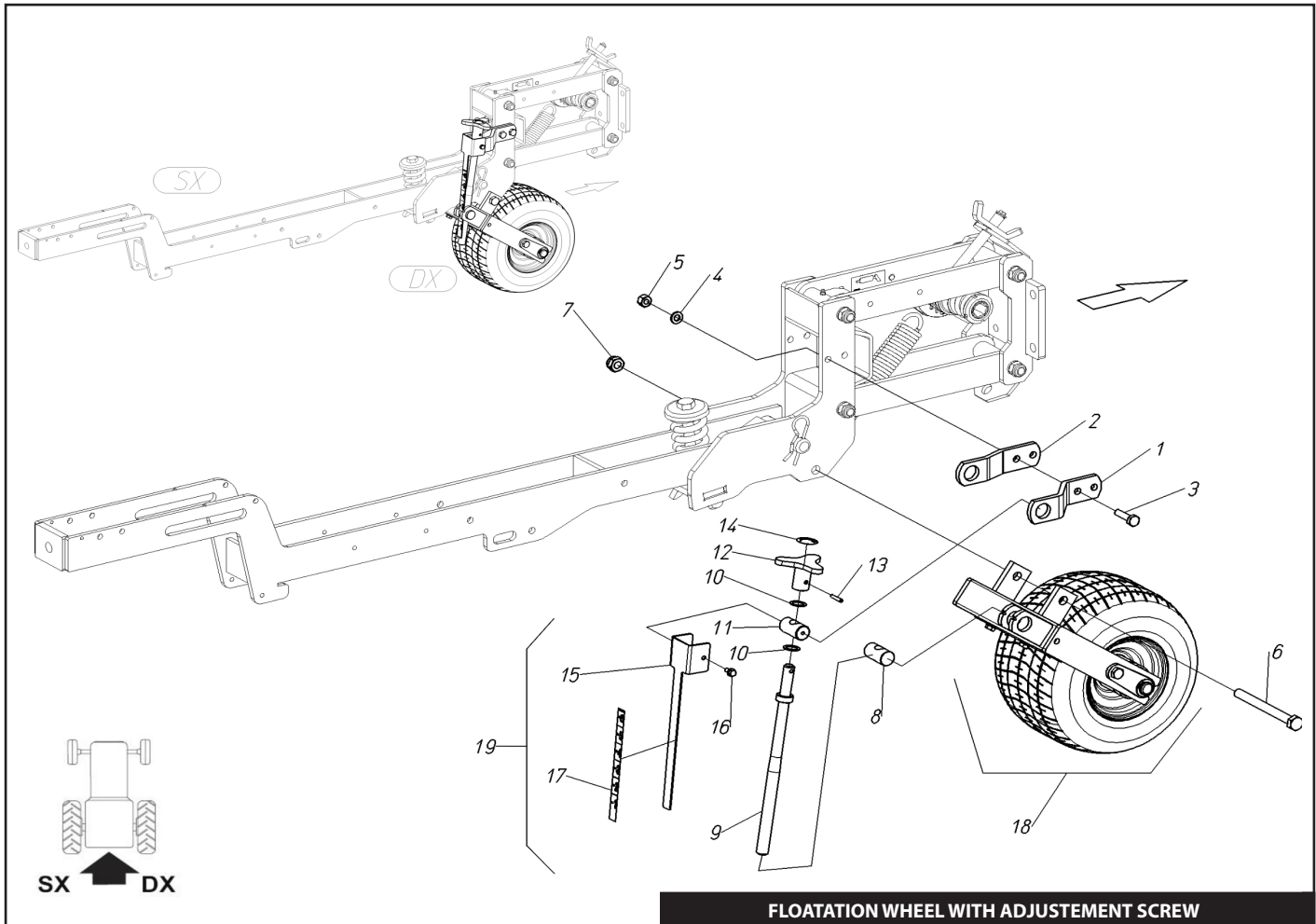
DOUBLE JOINT PARALLELOGRAM



Pos.	Code	Description	Checcchi & Magli
1	60206001	PARALLELOGRAM.	
DOUBLE JOINT PARALLELOGRAM ASSEMBLY			



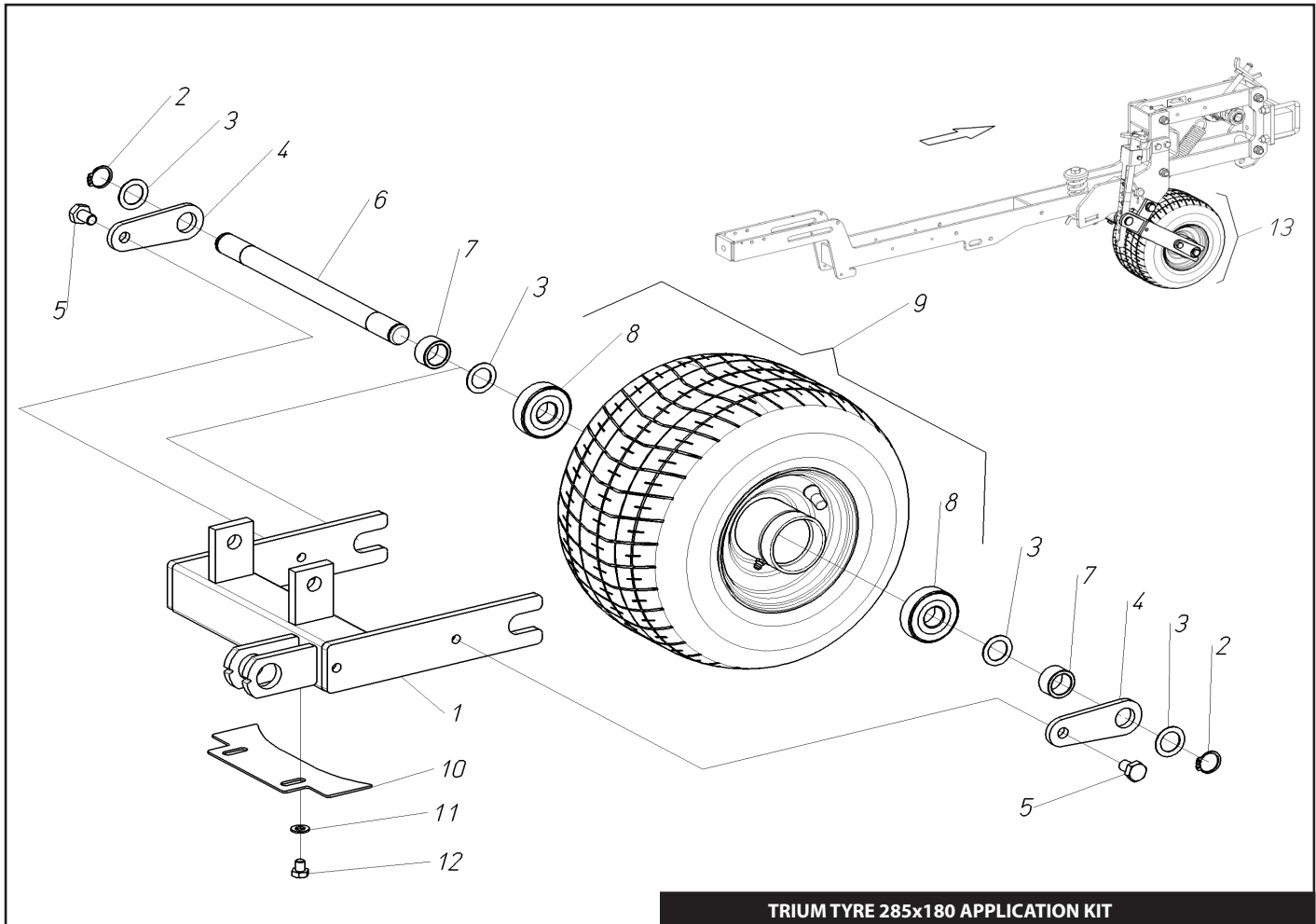
Pos.	Code	Description	Checcchi & Magli
1	500431	AUTOMATIC DISENG.DEVICE	
AUTOMATIC DISENGAGEMENT DEVICE			



FLOATATION WHEEL WITH ADJUSTEMENT SCREW

Pos.	Code	Description
1	401062	OUTSIDE SUPPORT - WHEEL ADJUSTMENT
2	401061	INSIDE SUPPORT - WHEEL ADJUSTMENT
3	900143	SCREW TE M 10x40 - 8.8
4	907106	FLAT WASHER 10 - R40
5	905006	NUT M 10 (HIGH) 6S
6	900228	SCREW TE M 14x150 - 8.8
7	906108	NUT ATB M 14 (LOW) 6.8
8	400220	PIN M18 - SUPPORT REGULATION
9	420726	SCREW ADJUSTMENT M18x145 L=330
10	400103	STEEL WASHER 17,1x25x1 - C70
11	400568	PIN 17 ADJ. SUPPORT WHEEL IN RUBBER M6
12	420836	ADJUSTMENT KNOB
13	941052	ELASTIC THORN 5X26
14	401265	ADHESIVE "+ E -"
15	401084	STICKER PLATE - WHEEL ADJUSTMENT
16	904697	SCREW TE M6x12 FLANGE 8.8
17	400942	STICKER - DEPTH 1-6
18	500771	TRIUM TYRE 285x180 APPLICATION KIT
19	60206016	SCREW FLAOTING WHEEL

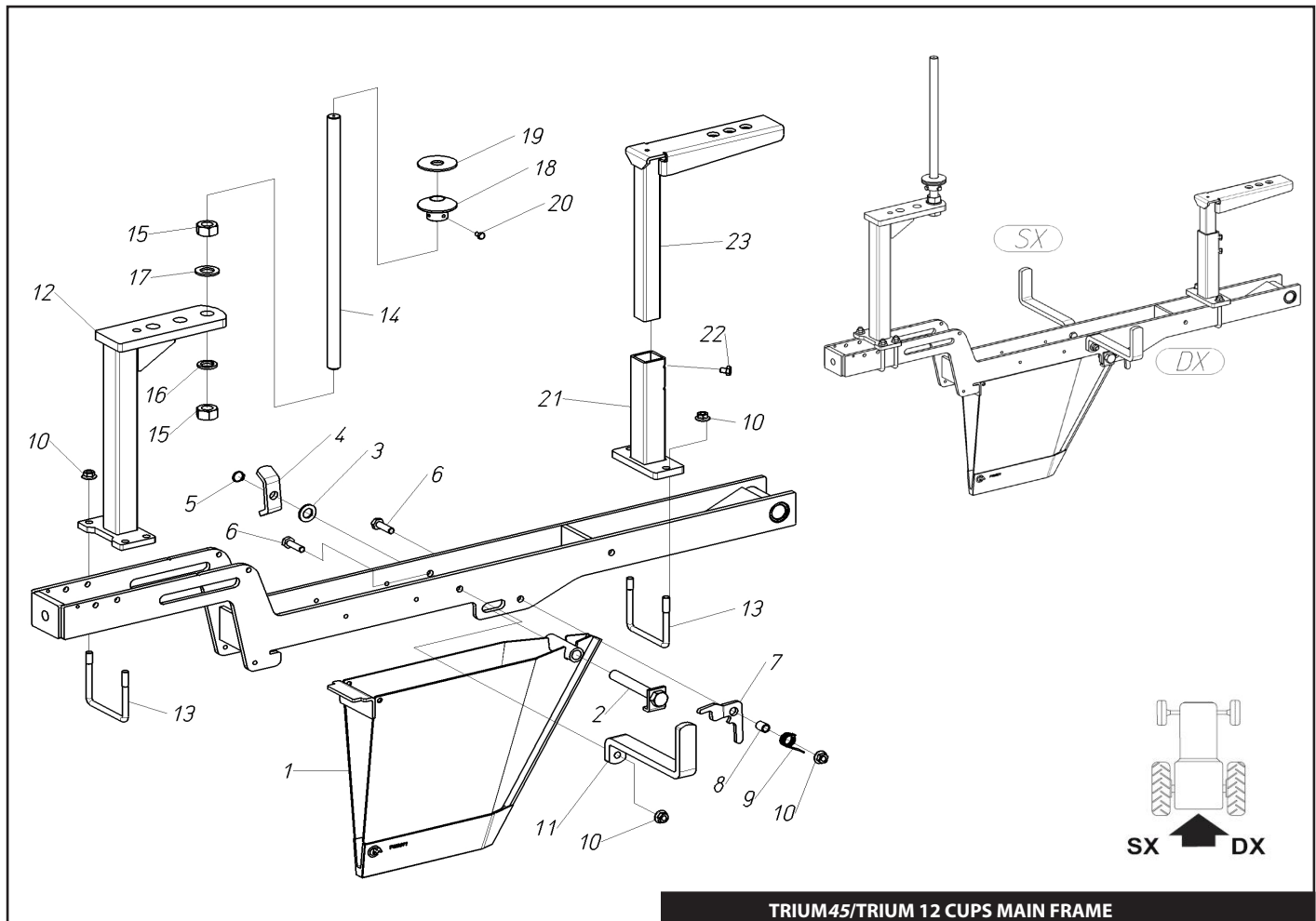
FLOATATION WHEEL WITH ADJUSTEMENT SCREW



TRIUM TYRE 285x180 APPLICATION KIT

Pos.	Code	Description
1	421955	PARALLELOGRAM WHEEL FORK 285X180 TRIUM
2	940506	SEEGER E 20
3	907323	FLAT WASHER 20 x30x1 - R40
4	402355	PLATELET SPINDLE STOP
5	902488	SCREW TE M 10x16 - 8.8
6	400924	PIN FLEX WHEEL (20x275)
7	402340	SPACER 20,5 X 28 X 15
8	910107	BEARING 2RS 6304 (20- 52-15)
9	914079	COMPL. WHEEL11/7.10-5 KT737 RAIN 4PR
10	402386	WHEEL SCRAPER 285X180 TRIUM
11	907105	FLAT WASHER 8 - R40
12	902475	SCREW TE M8x10 - 8.8
13	500771	TRIUM TYRE 285x180 APPLICATION KIT

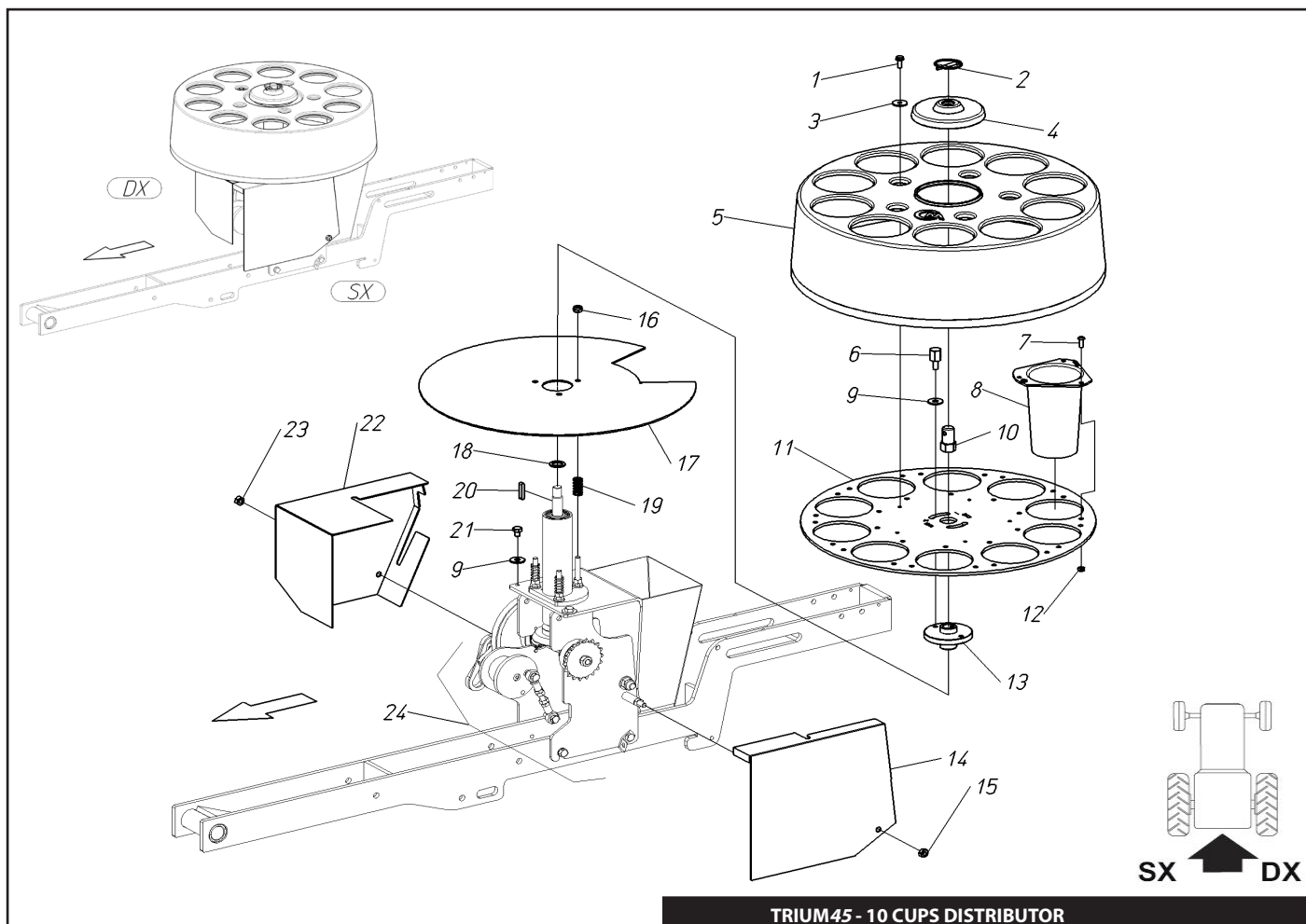
TRIUM TYRE 285x180 APPLICATION KIT



TRIUM45/TRIUM 12 CUPS MAIN FRAME

Pos.	Code	Description
1	SEE TAB.	RESUME SHARE-FLEXIBLEPLATE-INSERT
2	420829	SCREW FIXING TRIUM SHARE
3	907109	FLAT WASHER 16 - R40
4	400255	SPRING REGULATOR
5	940511	SEEGER E 16
6	902142	SCREW TE M 10x35 - 8.8
7	401243	SHARE BLOCKING LEVER - TRIUM
8	401270	SPACER 10,5 x 14 x 17
9	800002	LEFT SPRING FOR STOPPING
10	904965	NUT M 10 (FL/ZIG) 6.8
11	403102	FOOTREST TRIUM
12	421667	REINFORCED SUPPORT FOR ROTARY TRAY HOLDER
13	400164	U BOLT M 10 I= 99 (RETT.)
14	401487	TRAY HOLDER SUPPORT POLE
15	905111	NUT M 20 (MEDIUM) 6S
16	907011	GROWER WASHER REINFORCED 20
17	907111	FLAT WASHER 20 - R40
18	421138	BUSH FOR TRAY HOLDER SUPPORT
19	401600	RUBBER WASHER
20	902443	SCREW TE M 6x10 - 8.8
21	421856	LOWER SUPPORT - REINF. SEAT
22	902475	SCREW TE M8x10 - 8.8
23	422187	SUPER SUPPORT. SEAT DUAL-TRIUM

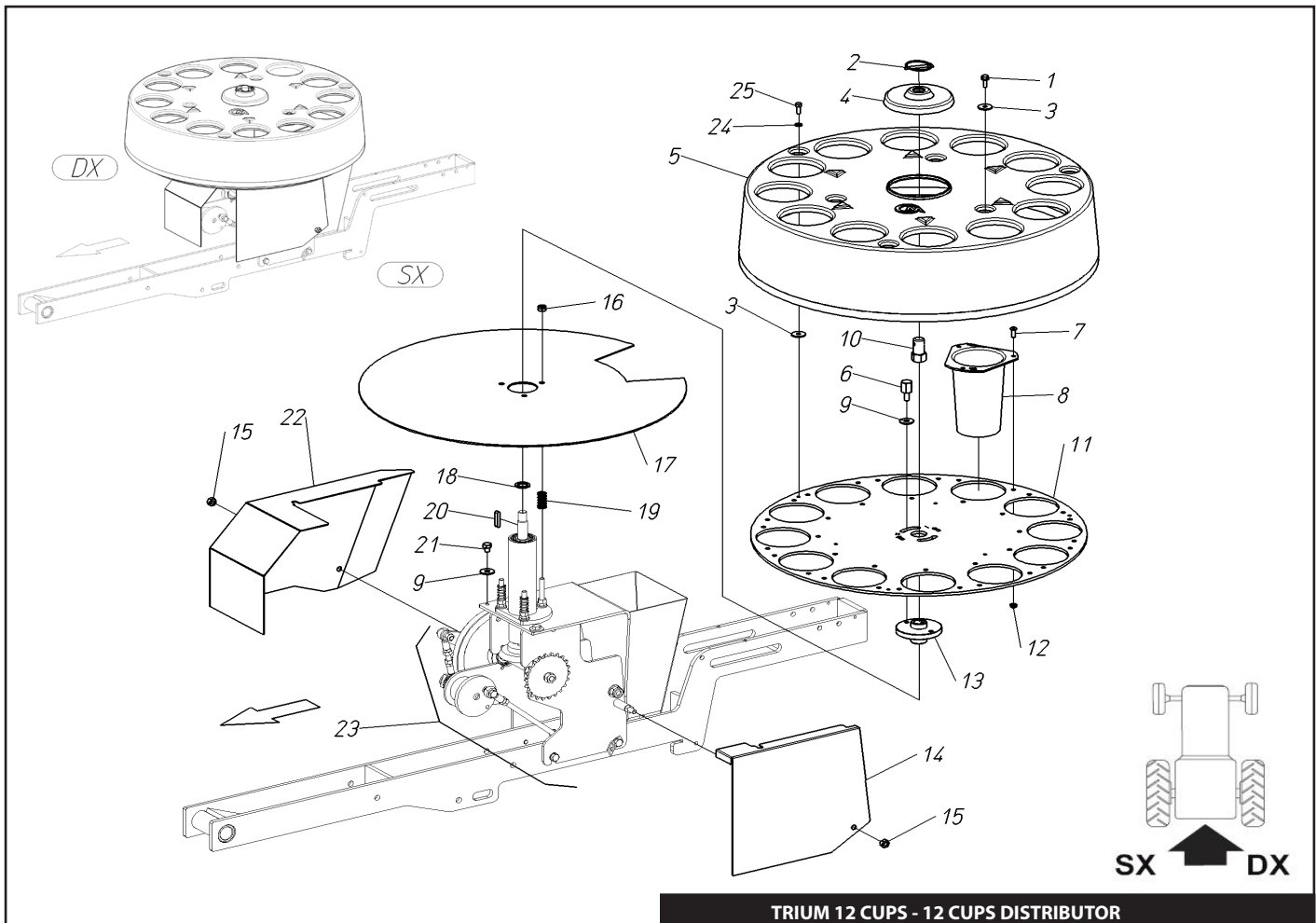
TRIUM45/TRIUM 12 CUPS MAIN FRAME



TRIUM45 - 10 CUPS DISTRIBUTOR

Pos.	Code	Description
1	904699	SCREW TE M 6x16 FLANGIAT 8.8
2	983117	RELEASE THORN Ø 5
3	907304	FLAT WASHER 6x24x2 - R40
4	402217	CENTRAL DISC PROTECTION BABY TRIUM
5	402751	TRIUM - COVER ABS 10 HOLES
6	401917	BOLT, TALL HEAD
7	904132	SCREW TBEI M 6x16 - 10.9
8	402769	TRIUM CUP - WHITE
9	907305	FLAT WASHER 8x24x2 - R40
10	402216	FIXING SCREW DISC HOLDER FLANGE BABY TRIUM
11	402752	CUP HOLDER PLATE TRIUM 10 HOLES
12	906104	NUT ATB M 6 (LOW) 6.8
13	400994	12 HOLES DISTRIBUTOR PHASING BUSH
14	401242	LEFT COVER REDUCER TRIUM
15	905105	NUT M 8 (MEDIUM) 6S
16	906105	NUT ATB M 8 (LOW) 6.8
17	402753	BOTTOM PLATE - TRIUM 10 CUPS DISTRIBUTOR
18	400289	WASHER 17 X25X2
19	800005	SPRING De.14,5 FILO d.1,5 L=30
20	931024	KEY 6x6x32
21	902475	SCREW TE M8x10 - 8.8
22	401241	RIGHT REDUCTION COVER TRIUM
23	905005	NUT M 8 (HIGH) 6S
24	SEE TAB.	REDUCER FOR 10 CUPS DISTRIBUTOR

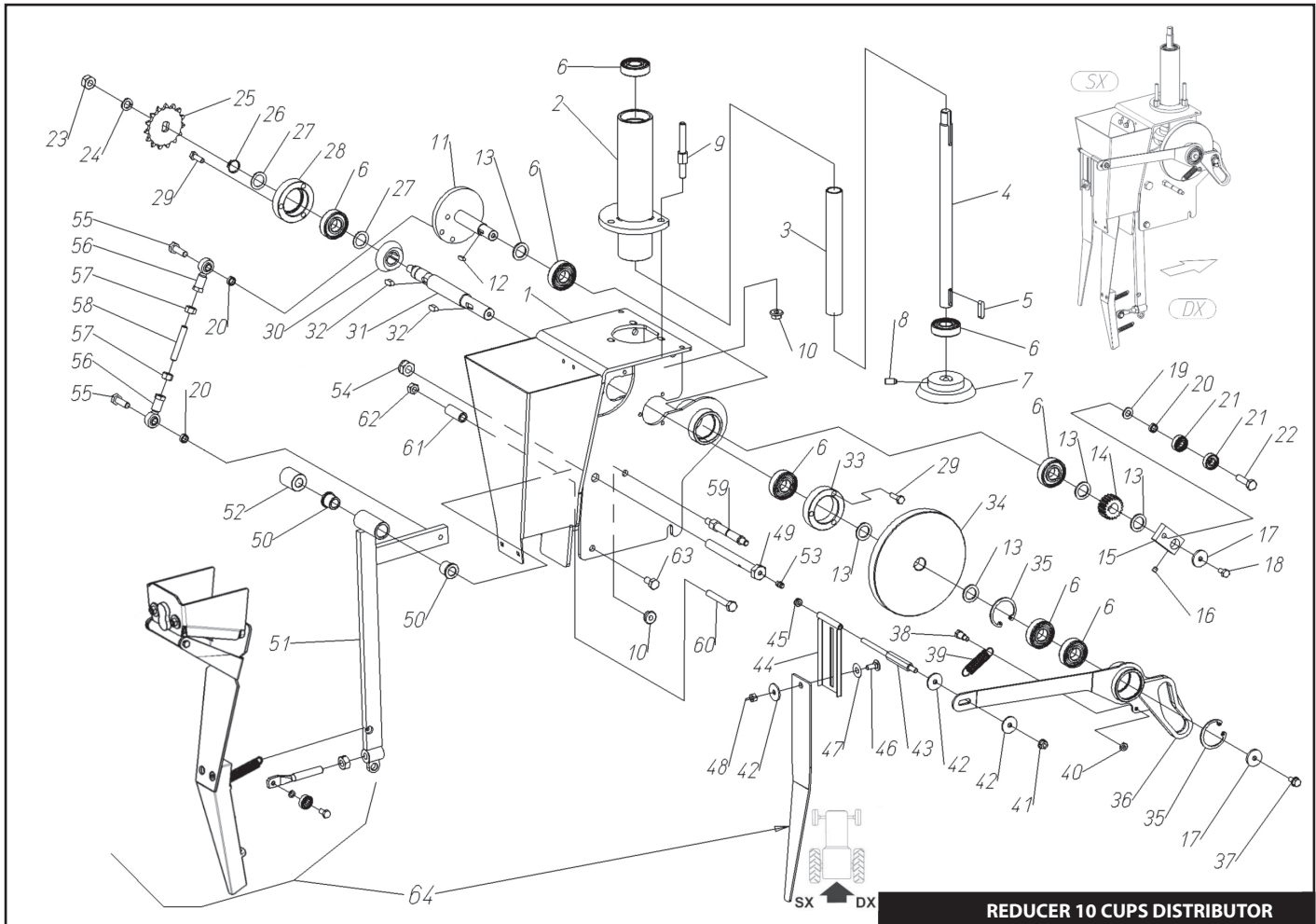
TRIUM45 - 10 CUPS DISTRIBUTOR



TRIUM 12 CUPS - 12 CUPS DISTRIBUTOR

Pos.	Code	Description
1	904699	SCREW TE M 6x16 FLANGIAT 8.8
2	983117	RELEASE THORN Ø 5
3	907304	FLAT WASHER 6x24x2 - R40
4	402217	CENTRAL DISC PROTECTION BABY TRIUM
5	400979	DISTRIBUTION PROTECTION 12 HOLES
6	401917	BOLT, TALL HEAD
7	904132	SCREW TBEI M 6x16 - 10.9
8	402769	TRIUM CUP - WHITE
9	907305	FLAT WASHER 8x24x2 - R40
10	402216	FIXING SCREW DISC HOLDER FLANGE BABY TRIUM
11	401537	DISC FOR 12 CUP HOLDERS
12	906104	NUT ATB M 6 (LOW) 6.8
13	400994	12 HOLES DISTRIBUTOR PHASING BUSH
14	401564	LEFT COVER FOR 12 CUPS REDUCER
15	905005	NUT M 8 (HIGH) 6S
16	906105	NUT ATB M 8 (LOW) 6.8
17	401540	SLIDING DISC FOR TRIUM 12 HOLES
18	400289	WASHER 17 X25X2
19	800005	SPRING De.14,5 FILO d.1,5 L=30
20	931024	KEY 6x6x32
21	902475	SCREW TE M8x10 - 8.8
22	401563	RIGHT COVER FOR 12 CUPS REDUCER
23	SEE TAB.	REDUCER FOR 12 CUPS DISTRIBUTOR
24	907104	FLAT WASHER 6 - R40
25	902468	SCREW TE M 6x16 - 8.8

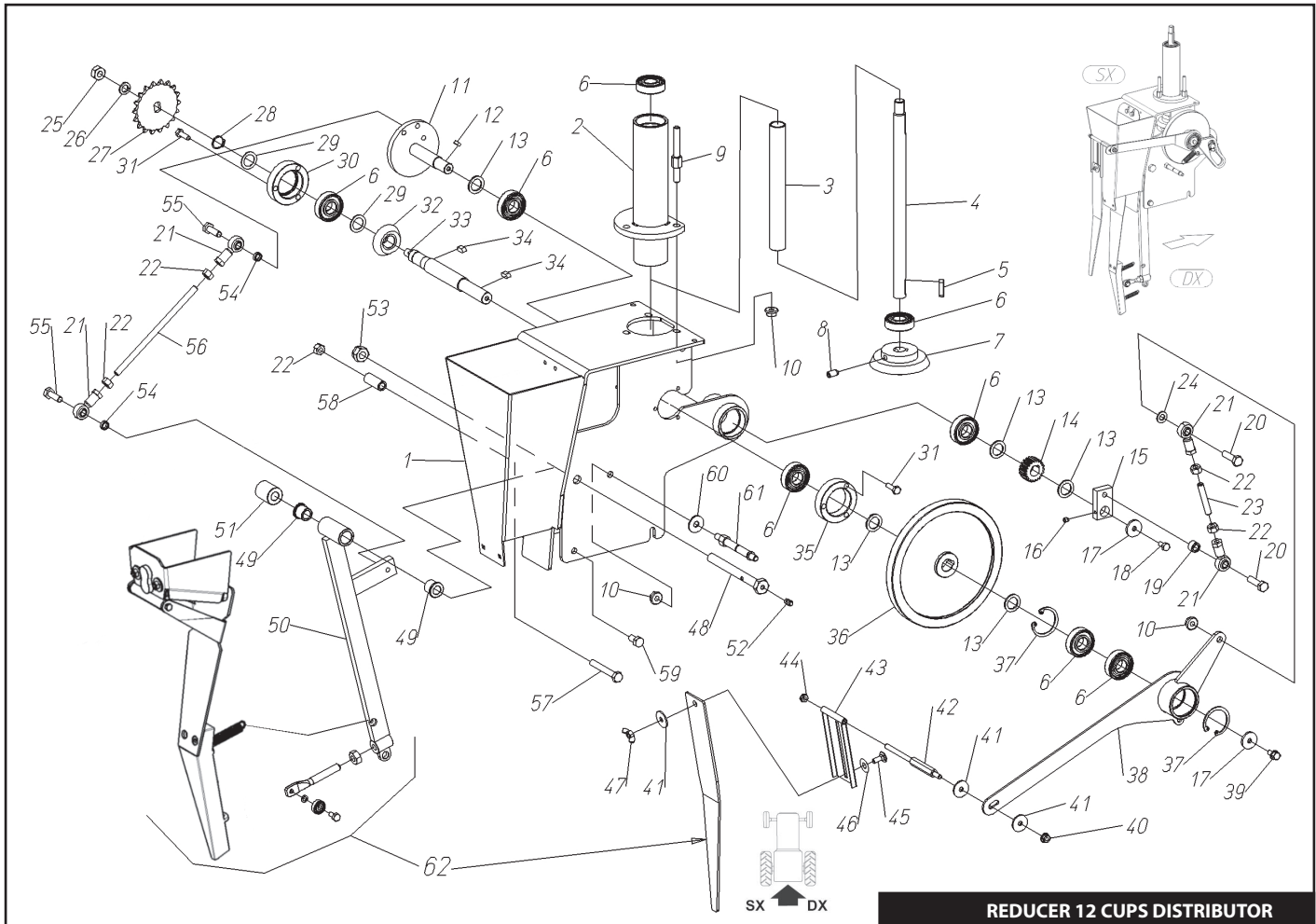
TRIUM 12 CUPS - 12 CUPS DISTRIBUTOR



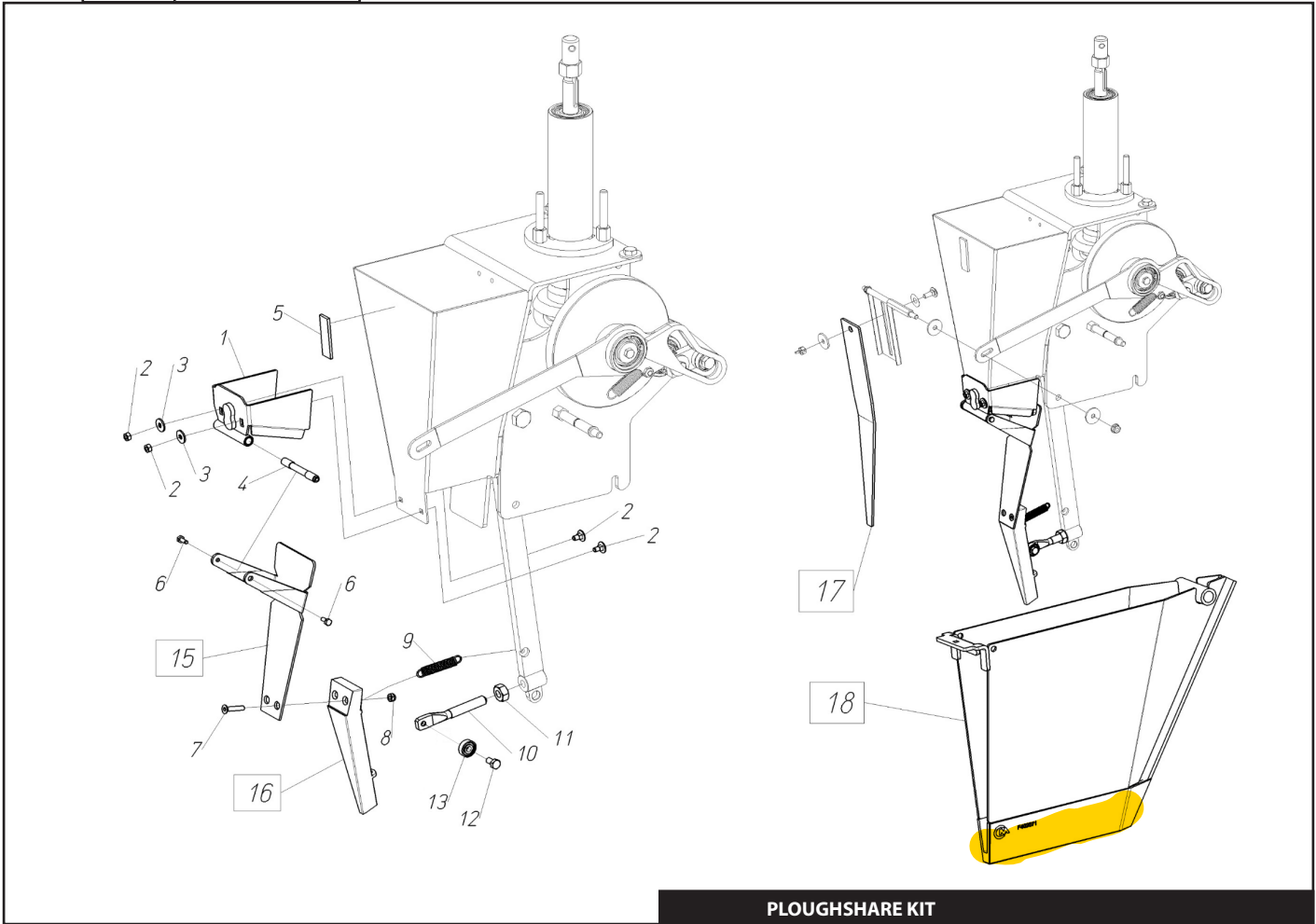
REDUCER 10 CUPS DISTRIBUTOR

Pos.	Code	Description	Pos.	Code	Description	Pos.	Code	Description	Checchi & Magli
1	420816	REDUCER TRIUM	30	401226	CONIC WHEEL Z.16 M.2,5	60	900112	SCREW TE M 8x55 - 8.8	
2	421134	VERTICAL PIPE - REDUCER	31	401224	TRIUM- HORIZ. REDUCER SHAFT	61	400097	SPACER 8,5 x 14 x 35	
3	400184	SPACER 18 x 22 x 185	32	931028	KEY 6x6x14	62	905105	NUT M 8 (MEDIUM) 6S	
4	400153	CONTROL DISTRIBUTOR SHAFT	33	401235	BEARING SUPPORT TRIUM	63	401414	SPRING FIXING PLATE DUAL	
5	931023	KEY 6x6x25	34	401228	CYLINDRICAL PINION Z=100 M.1,5	64	SEE TAB.	SUM-UP FLEX PLATE	
6	910108	BEARING 2RS 6203 (17- 40-12)	35	940015	SEEGER I 40				
7	401227	CONIC WHEEL Z.32 M.2,5	36	420819	OPENING LEVER PLANTCONTROL				
8	904009	GRUB-SCREW M8x16 - 12.9	38	400175	SCREW FOR CUP				
9	402435	PIN M8 Ch.13x15 LOWER DISC	39	800045	TRACTION SPRING				
10	904964	NUT M 8 (FL/ZIG) 6.8	40	905204	NUT M 6 (LOW) 6S				
11	420818	ECCENTRIC REDUCER TRIUM	41	904963	NUT M 6 (FL/ZIG) 6.8				
12	931026	KEY 4x4x12	42	907304	FLAT WASHER 6x24x2 - R40				
13	400289	WASHER 17 X25X2	43	401368	FASTENING PIN PLANT CONTROL				
14	400155	CONTROL GEAR Z 20	44	421003	PLANT CONTROL_UPPER PART				
15	401229	CAM PLANT CONTROL TRIUM	45	906104	NUT ATB M 6 (LOW) 6.8				
16	904003	GRUB-SCREW M 6x6 - 12.9	46	903006	SCREW TTQS M6x16 - 4.6				
17	907311	FLAT WASHER 6x24x3 - R40	47	400536	SMOOTHING 8,2X20X0,2				
18	902466	SCREW TE M 6x12 - 8.8	48	904127	NUT ALET M 6 6S				
19	907105	FLAT WASHER 8 - R40	49	402840	SCREW M12x120 WITH M6 HOLE				
20	400535	SPACER 8,2 x 12 x 4,5	50	985002	BUSH 12-18x18-22x3				
21	910110	BEARING 2RS 608 (8-22-7)	51	420820	EJECTION LEVER TRIUM				
22	902107	SCREW TE M 8x30 - 8.8	52	401271	SPACER 12,5 x 25 x 30				
23	905106	NUT M 10 (MEDIUM) 6S	53	923001	NIPPLE M6				
24	907006	GROWER WASH. REINF 10	54	906107	NUT ATB M12 (LOW) 6.8				
25	400786	PINION WITH HOLE Z 15 1/2x3/16	55	902106	SCREW TE M8x25 - 8.8				
26	940507	SEEGER E 17	56	913101	RIGHT ROUND HEAD M8				
27	400103	STEEL WASHER 17,1x25x1 - C70	57	905005	NUT M 8 (HIGH) 6S				
28	401225	BEARING SUPPORT	58	401236	TIE ROD M8 x 50				
29	902070	SCREW TE M 6x20 - 8.8	59	401546	PIN - TRIUM COVER AND SPRING				

REDUCER 10 CUPS DISTRIBUTOR



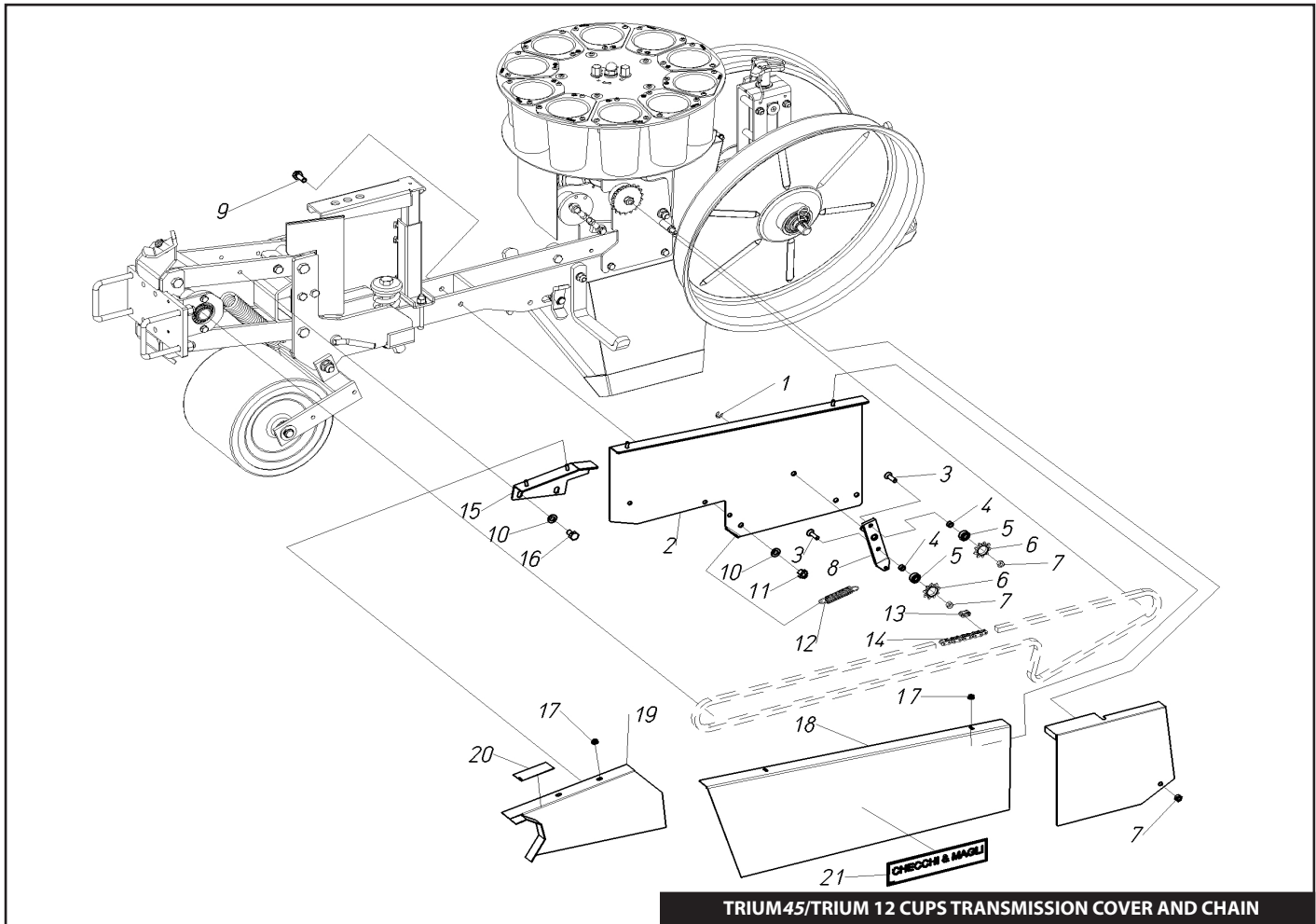
Pos.	Code	Description	Pos.	Code	Description	Pos.	Code	Description	Checchi & Magli
1	421099	12 CUPS REDUCER	30	401225	BEARING SUPPORT	60	907305	FLAT WASHER 8x24x2 - R40	
2	421134	VERTICAL PIPE - REDUCER	31	902070	SCREW TE M 6x20 - 8.8	61	401546	PIN - TRIUM COVER AND SPRING	
3	400184	SPACER 18 x 22 x 185	32	401226	CONIC WHEEL Z.16 M.2,5	62	SEE TAB.	SUM-UP FLEX PLATE	
4	400153	CONTROL DISTRIBUTOR SHAFT	33	401224	TRIUM- HORIZ. REDUCER SHAFT				
5	931023	KEY 6x6x25	34	931028	KEY 6x6x14				
6	910108	BEARING 2RS 6203 (17- 40-12)	35	401235	BEARING SUPPORT TRIUM				
7	401227	CONIC WHEEL Z.32 M.2,5	36	400151	REDUCER GEAR Z 120				
8	904009	GRUB-SCREW M8x16 - 12.9	37	940015	SEEGER I 40				
9	402435	PIN M8 Ch.13x15 LOWER DISC	38	421101	12 CUPS PLANTCONTROL LEVER				
10	904964	NUT M 8 (FL/ZIG) 6.8	40	904963	NUT M 6 (FL/ZIG) 6.8				
11	420818	ECCENTRIC REDUCER TRIUM	41	907304	FLAT WASHER 6x24x2 - R40				
12	931026	KEY 4x4x12	42	401368	FASTENING PIN PLANT CONTROL				
13	400289	WASHER 17 X25X2	43	421003	PLANT CONTROL_UPPER PART				
14	400155	CONTROL GEAR Z 20	44	906104	NUT ATB M 6 (LOW) 6.8				
15	401229	CAM PLANT CONTROL TRIUM	45	903006	SCREW TTQS M6x16 - 4.6				
16	904003	GRUB-SCREW M 6x6 - 12.9	46	400536	SMOOTHING 8,2X20X0,2				
17	907311	FLAT WASHER 6x24x3 - R40	47	904127	NUT ALET M 6 6S				
18	902466	SCREW TE M 6x12 - 8.8	48	402840	SCREW M12x120 WITH M6 HOLE				
19	401182	SPACER 8,5 x 14 x 9,5	49	985002	BUSH 12-18x18-22x3				
20	902107	SCREW TE M 8x30 - 8.8	50	421129	LEVER FOR KICKER - 12 CUPS				
21	913101	RIGHT ROUND HEAD M8	51	401271	SPACER 12,5 x 25 x 30				
22	905005	NUT M 8 (HIGH) 6S	52	923001	NIPPLE M6				
23	401236	TIE ROD M8 x 50	53	906107	NUT ATB M12 (LOW) 6.8				
24	907105	FLAT WASHER 8 - R40	54	400535	SPACER 8,2 x 12 x 4,5				
25	905106	NUT M 10 (MEDIUM) 6S	55	902106	SCREW TE M8x25 - 8.8				
26	907006	GROWER WASH. REINF 10	56	400178	SCREW M8				
27	400109	PINION WITH HOLE Z 18 1/2x3/16	57	900113	SCREW TE M 8x60 - 8.8				
28	940507	SEEGER E 17	58	400097	SPACER 8,5 x 14 x 35				
29	400103	STEEL WASHER 17,1x25x1 - C70	59	902479	SCREW TE M8x16 - 8.8				



PLOUGHSHARE KIT

Pos.	Code	Description	Pos.	Code	Description
1	421793	PLATE SUPPORT TRIUM	500832		NARROW SHARE
2	902530	BOLT TTQS M 5X 10 UNI5732 4.8 ZG	15	403034	FLEXIBLE PLATE CAST IRON SHARE L=6
3	907303	FLAT WASHER 5x15x1,5 UNI6593 R40 ZG	16	403038	INSERT L=6 FLEXIBLE PLATE TRIUM
4	402411	PIVOT D. 8X63.5 TRIUM	17	402987	PLANT CONTROL TRIUM_LOWER PART
5	983120	ADHESIVE STRIP 15x3 RUBBER PROFILE	18	422280	NARROW SHARE TRIUM-BEST-TOP INS.L=8
6	902445	SCREW TE M 4x 10 UNI5739 8.8 ZG	500833		STANDARD SHARE
7	904208	SCREW TSEI M 5x 25 UNI5933 10.9 ZG	15	403035	FLEXIBLE PLATE CAST IRON SHARE L=9
8	906103	NUT ATB M 5 (LOW) UNI7474 6.8 ZG	16	403039	INSERT L=9 FLEXIBLE PLATE TRIUM
9	800042	TRACTION SPRING de 10 THREAD 1.3 L=40	17	402987	PLANT CONTROL TRIUM_LOWER PART
10	421765	SCREW FLEXIBLE PLATE WITH BEARING	18	422281	STD SHARE TRIUM-BEST-TOP INS.L=14
11	905106	NUT M 10 (MEDIUM) 6S	500834		MIDDLE SHARE
12	403200	SCREW TE M 6x12 - 8.8	15	403036	FLEXIBLE PLATE CAST IRON SHARE L=20
13	910212	BEARING 2RS 626 (6-19-6)	16	403040	INSERT L=20 FLEXIBLE PLATE TRIUM
402071		CASTING NARROW RUNNER	17	402987	PLANT CONTROL TRIUM_LOWER PART
402094		CASTING STD. RUNNER	18	422282	SHARE TRIUM-BEST-TOP INS.L=24
402263		CASTING MID RUNNER	500835		MEDIUM SHARE
402263		CASTING MED. RUNNER	15	403037	FLEXIBLE PLATE CAST IRON SHARE L=24
			16	403041	INSERT L=24 FLEXIBLE PLATE TRIUM
			17	402987	PLANT CONTROL TRIUM_LOWER PART
			18	422283	MEDIUM SHARE TRIUM-BEST-TOP INS.L=33
			500836		LARGE SHARE
			15	403037	FLEXIBLE PLATE CAST IRON SHARE L=24
			16	403041	INSERT L=24 FLEXIBLE PLATE TRIUM
			17	402988	PLANT CONTROL TRIUM_LOWER PART
			18	422284	LARGE SHARE TRIUM-BEST-TOP INS.L=43

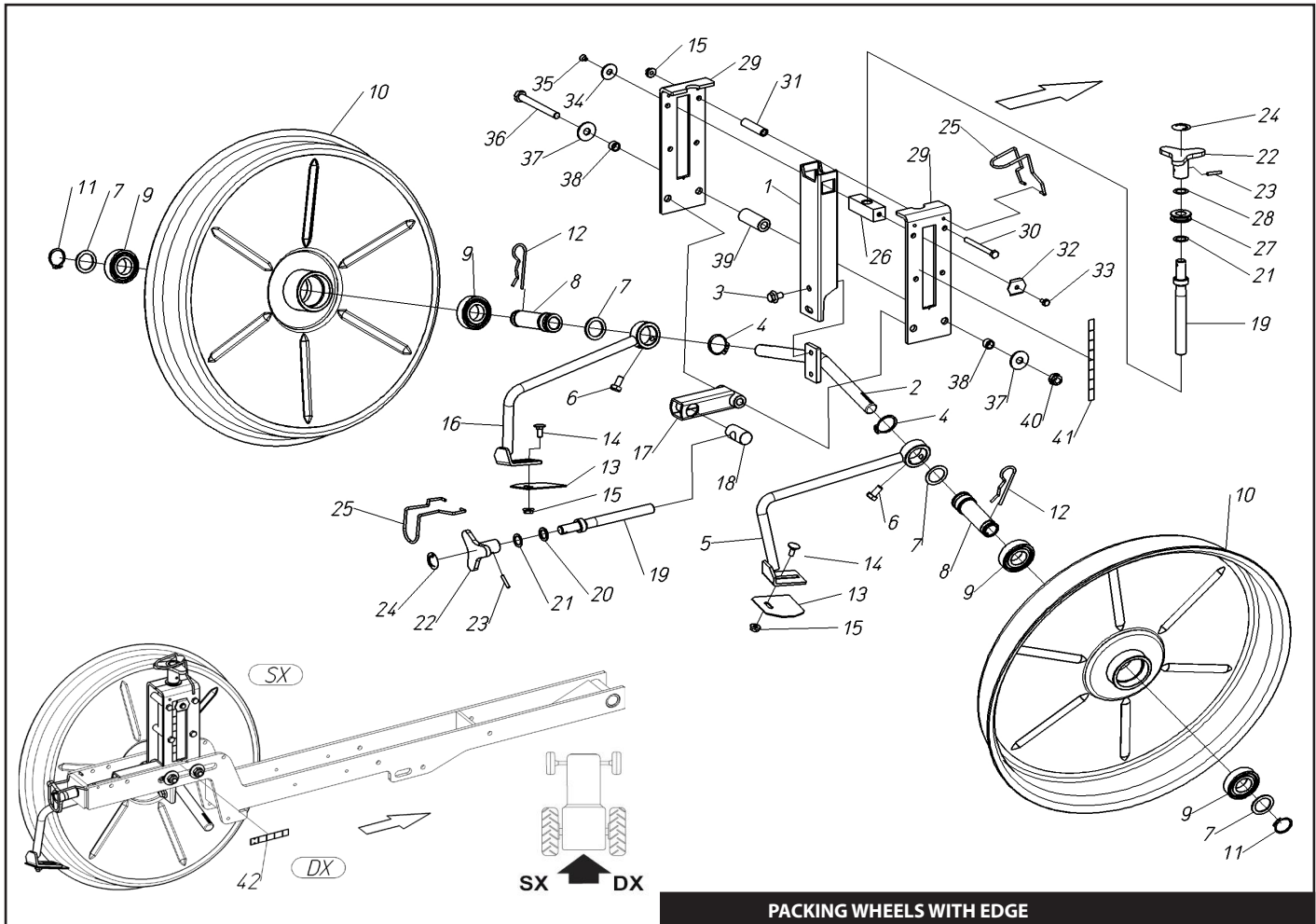
PLOUGHSHARE KIT



TRIUM45/TRIUM 12 CUPS TRANSMISSION COVER AND CHAIN

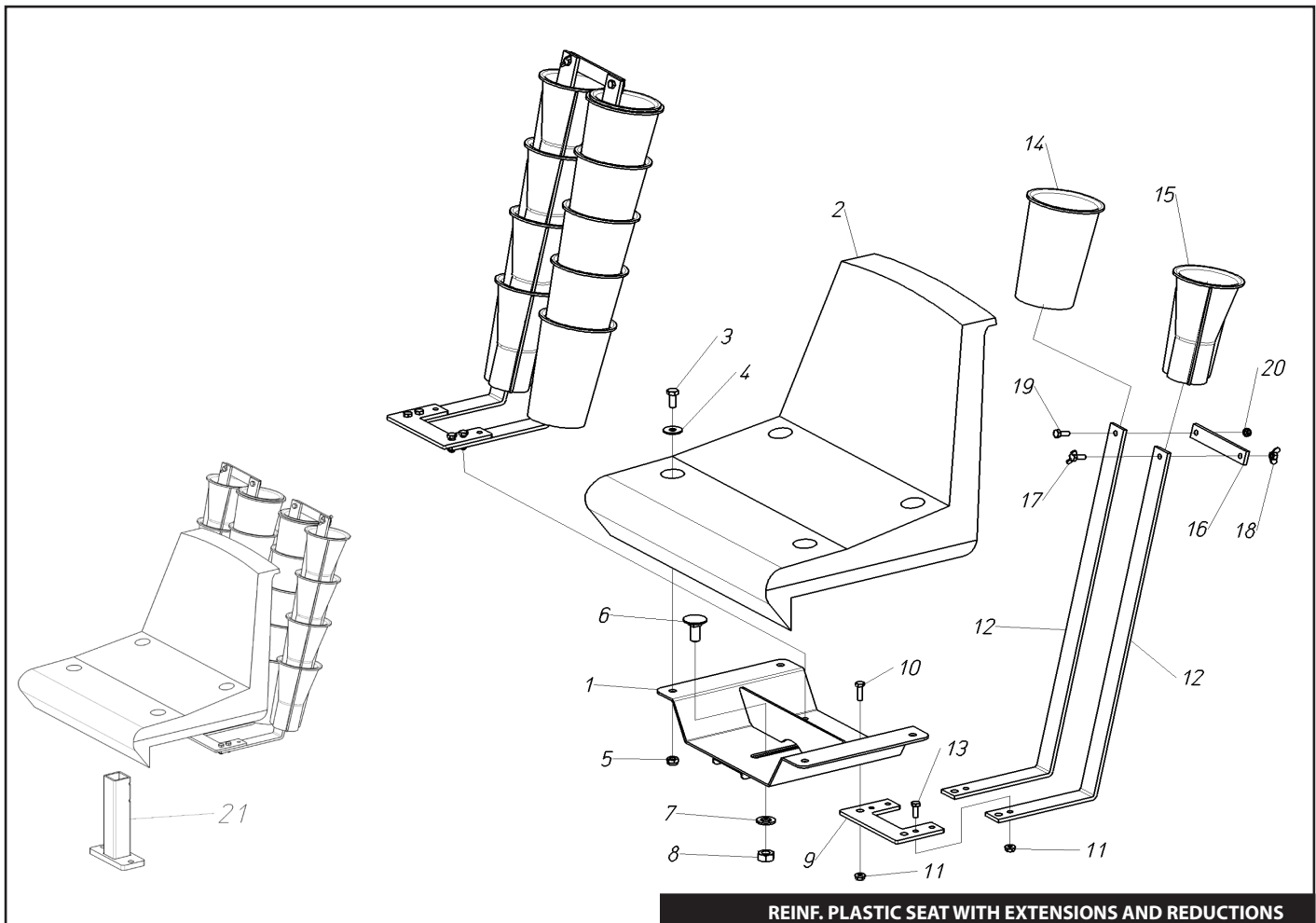
Pos.	Code	Description
1	940527	ELASTIC RING D.8 BENZING
2	420649	PARALLELOGRAM REAR COVER SUPPORT
3	904116	SCREW TSEI M 8x30 - 10.9
4	400263	SPACER 8,5 x 12 x 7,5
5	910110	BEARING 2RS 608 (8-22-7)
6	400239	PINION Z 9 1/2x3/16 F.22
7	905105	NUT M 8 (MEDIUM) 6S
8	420211	DISTRIBUTOR CHAIN TENSIONER
9	902140	SCREW TE M 10x 25 UNI5739 8.8 ZG
10	907106	FLAT WASHER 10 - R40
11	905006	NUT M 10 (HIGH) 6S
12	800003	DRIVE-CHAIN TENSIONER SPRING
13	930502	JUNCTION LINK 1/2x3/16 (CZ)
14	930031	CHAIN 1/2X3/16 STEPS 193 (CZ)
15	420691	FRONT COVER SUPPORT
16	902137	SCREW TE M 10x18 - 8.8
17	904963	NUT M 6 (FL/ZIG) 6.8
18	401096	REAR CHAIN COVER
19	420641	FRONT COVER CHAIN TEXDRIVE PRLG
20	400650	STICKER "OIL" (CHAIN)
21	400404	STICKER C & M 245X60

TRIUM45/TRIUM 12 CUPS TRANSMISSION COVER AND CHAIN



Pos.	Code	Description	Pos.	Code	Description
1	402391	COLUMN SUPPORT PACKING WHEELS TRIUM ADJUSTABLE	30	900118	SCREW TE M 8x85 - 8.8
2	421786	ADJUSTABLE TRIUM PACKING WHEELS SUPPORT	31	401376	SPACER 9 x 15 x 60,5
3	904704	SCREW TE M 10x16 FLANGIAT 8.8	32	401438	INDEX - PACKING WHEELS DEPTH
4	940514	SEEGER E 35	33	904697	SCREW TE M6x12 FLANGE 8.8
5	420887	RIGHT SCRAPER SUPPORTING ARM TRIUM	34	907306	FLAT WASHER 10x30x2,5 - R40
6	902138	SCREW TE M 10x20 - 8.8	35	904144	SCREW TSEI M 6x10 - 10.9
7	907317	FLAT WASHER 30x42x1 - R40	36	900193	SCREW TE M 12x110 - 8.8
8	401231	BUSHING TRIUM WHEELS	37	907309	FLAT WASHER 12x36x2,5 - R40
9	910109	BEARING 2RS 6206 (30- 62-16)	38	401252	SPACER 13 x 17 x 9
10	420894	PACKING WHEEL D. 557 WITH HUB WITH OUTSIDE EDGE	39	401254	SPACER 13 x 25 x 60,5
11	940504	SEEGER RETAINING RING e 30	40	906107	NUT ATB M12 (LOW) 6.8
12	941202	SPRING COTTER PIN	41	401439	WHEEL ADJUSTMENT STICKER
13	401346	PACKING WHEEL SCRAPER (WITH EDGE)	42	402176	ADJUSTMENT SCALE STICKER
14	902581	BOLT TTQS M 8x20 - 4.6			
15	904964	NUT M 8 (FL/ZIG) 6.8			
16	420888	LEFT SCRAPER SUPPORTING ARM TRIUM			
17	420828	TRIUM REGULATION TIE ROD			
18	400220	PIN M18 - SUPPORT REGULATION			
19	420956	ADJUSTMENT SCREW M18x120 L=191			
20	400289	WASHER 17 X25X2			
21	400103	STEEL WASHER 17,1x25x1 - C70			
22	420836	ADJUSTMENT KNOB			
23	941052	ELASTIC THORN 5X26			
24	401265	ADHESIVE "+ E -"			
25	401375	BLOCKING SPRING FOR WHEEL ADJUSTMENT			
26	401350	PIN M18 - WHEEL ADJUSTMENT DUAL GOLD			
27	401349	CONTROL BUSH FOR WHEELS-ADJUSTING SCREW			
28	400344	STEEL WASHER 17,1X25 X0,5			
29	401348	SUPPORT GUIDE WHEEL REGULATION			

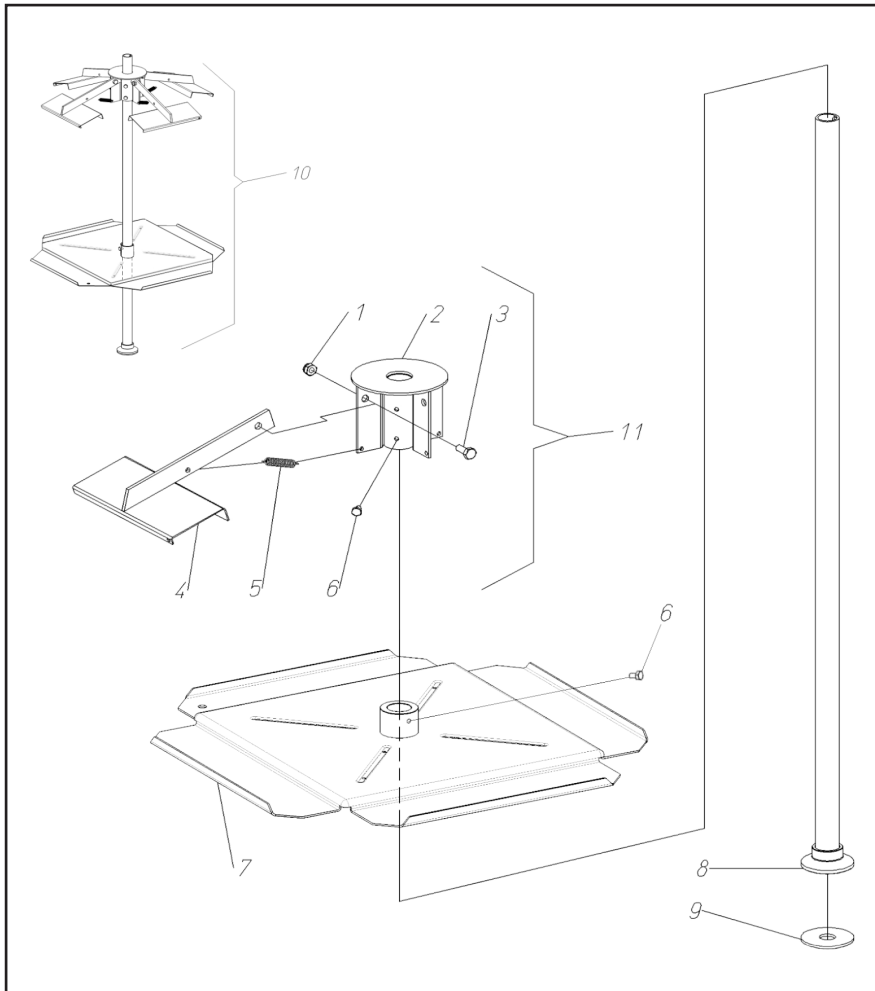
PACKING WHEELS WITH EDGE



REINF. PLASTIC SEAT WITH EXTENSIONS AND REDUCTIONS

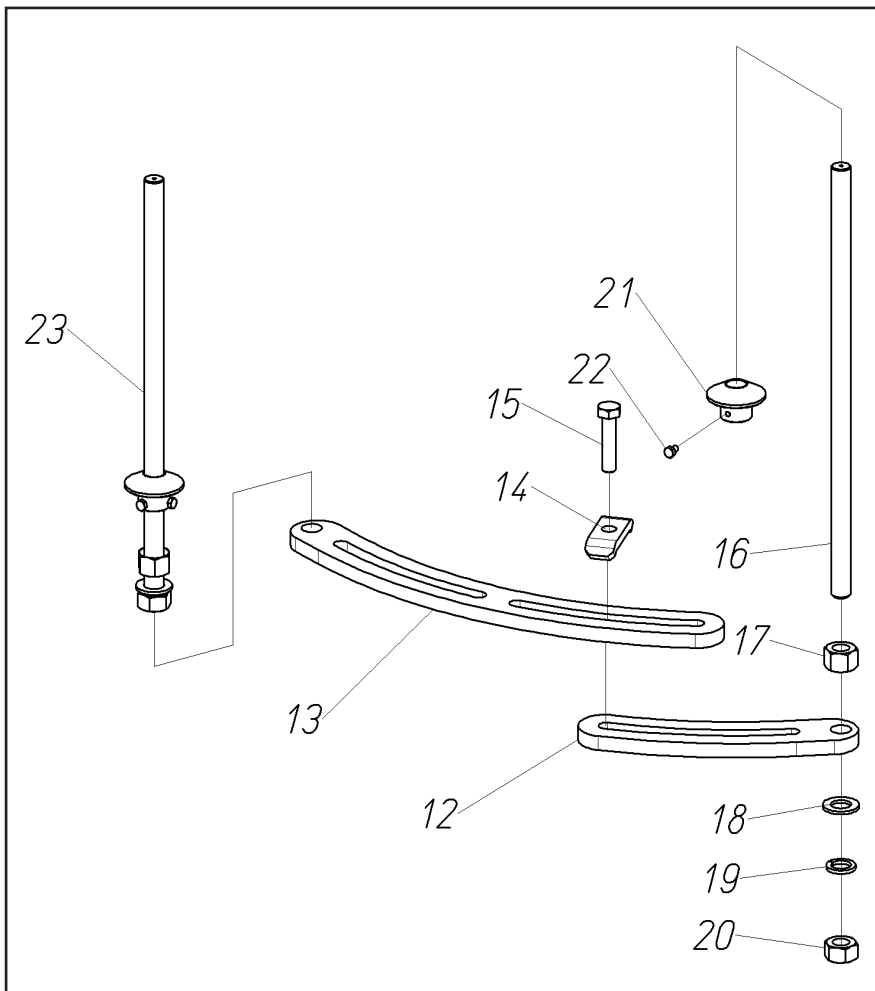
Pos.	Code	Description	Checchi & Magli
1	421857	REINF. SEAT SUPPORT PLATE	
2	983007	PLASTIC SEAT M2010 BLACK UV F0009	
3	902104	SCREW TE M 8x20 - 8.8	
4	907305	FLAT WASHER 8x24x2 - R40	
5	906105	NUT ATB M 8 (LOW) 6.8	
6	902549	BOLT TTQS M 12x30 - 4.6	
7	907107	FLAT WASHER 12 R40	
8	905107	NUT M 12 (MEDIUM) 6S	
9	401459	BINDING PLATE FOR TRIUM REDUCTIONS	
10	902071	SCREW TE M 6x22 - 8.8	
11	904963	NUT M 6 (FL/ZIG) 6.8	
12	401863	SEAT SUPPORT FOR 12 EXTENSION	
13	902069	SCREW TE M 6x18 - 8.8	
14	401260	DISTRIBUTOR EXTENSION TRIUM	
15	401309	CUP REDUCER	
16	401935	FIXING PLATE-TRIUM DISTRIBUTOR EXTENSION SUPPORT	
17	904126	SCREW ALET M 6x15 - 4.8	
18	904127	NUT ALET M 6 6S	
19	902468	SCREW TE M 6x16 - 8.8	
20	906104	NUT ATB M 6 (LOW) 6.8	
21	421856	LOWER SUPPORT - REINF. SEAT	

REINF. PLASTIC SEAT WITH EXTENSIONS AND REDUCTIONS



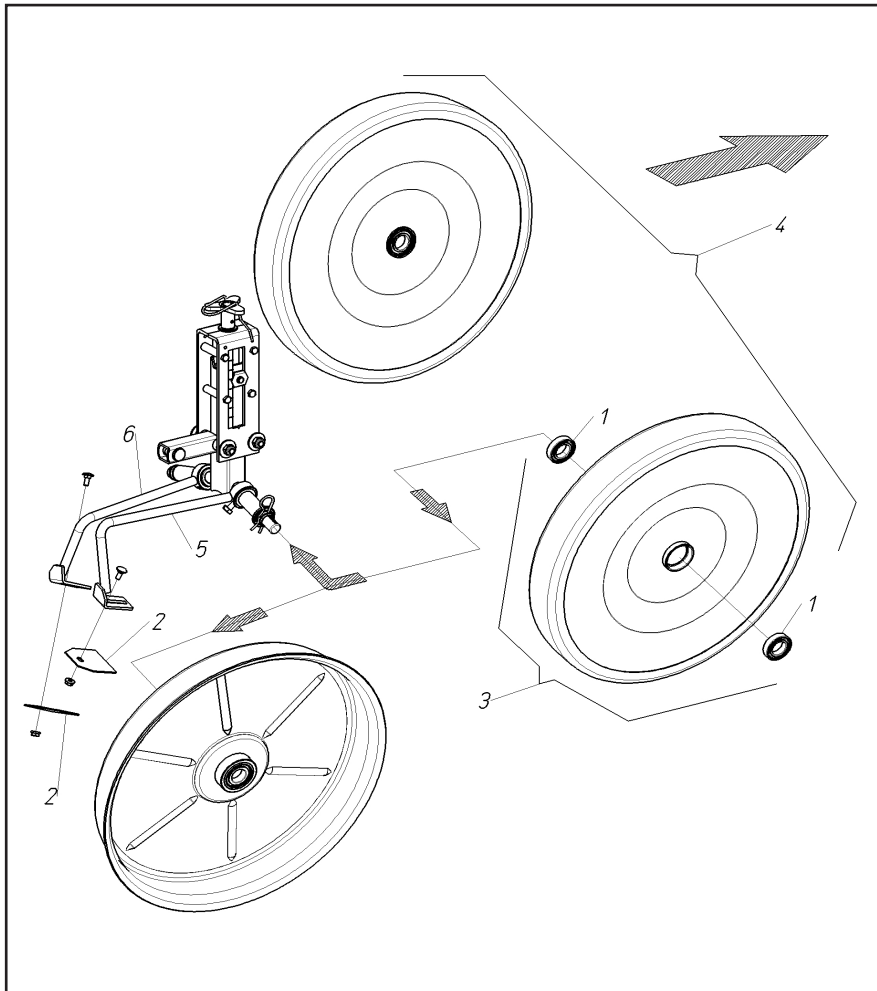
Pos.	Code	Description	Checcchi & Magli
1	906105	NUT ATB M 8 (LOW) 6.8	
2	420143	CLOSING ARM SUPPORT	
3	902104	SCREW TE M 8x20 - 8.8	
4	420142	CLOSING ARM ROTARY TRAY HOLDER	
5	800049	SPRING ROTARY TRAY HOLDER	
6	902443	SCREW TE M 6x10 - 8.8	
7	422662	TRAY HOLDER LOWER SHELF	
8	421489	ROTARY-TRAY ATTRITION PIPE L=750	
8	421737	ROTARY-TRAY ATTRITION PIPE L=1000	
8	421132	ROTARY-TRAY ATTRITION PIPE L=1500	
9	401600	RUBBER WASHER	
10	500032	ROTARY TRAY HOLDER	
11	500436	UPPER TRAY HOLDER ASSEMBLY	

ROTARY TRAY HOLDER



Pos.	Code	Description	Checcchi & Magli
12	401901	ADJUSTABLE BRACKET - SMALL	
13	401256	ADJUSTABLE BRACKET - LARGE	
14	401312	BLOCKING PLATE D. 15	
15	902211	SCREW TE M 14x40 - 8.8	
16	401487	TRAY HOLDER SUPPORT ROD	
17	905011	NUT M 20 (HIGH)	
18	907111	FLAT WASHER 20 - R40	
19	907011	GROWER WASHER REINFORCED 20	
20	905111	NUT M 20 (MEDIUM)	
21	421138	BUSH FOR TRAY HOLDER SUPPORT	
22	902443	SCREW TE M 6x10 - 8.8	
23	60220012	TRAY HOLDER SUPPORT ROD ASSEMBLY	

ADJUSTABLE TRAY HOLDER BRACKET



Pos.	Code	Description	Checcchi & Magli
1	910122	BEARING 2RS 6006 (30- 55-13)	
2	401310	PACKING WHEEL SCRAPER (NO EDGE)	
3	914049	FLEX PACKING WHEEL 580x80	
4	510070	KIT FLEX PACKING WHEEL 580x80	
5	421735	SCRAPER SUPPORT FLEX WHEEL TRIUM RIGHT 595X85	
6	421736	SCRAPER SUPPORT FLEX WHEEL TRIUM LEFT 595X85	

KIT FLEX PACKING WHEEL 580x80 1 ROW



Checchi & Magli
I T A L I A

VIA GUIZZARDI, 38
40054 BUDRIO (BO) - ITALY
TEL. +39 051 80 02 53 - FAX +39 051 69 20 611

Made in Italy with Passion



www.checchiemagli.com

info@checchiemagli.com

