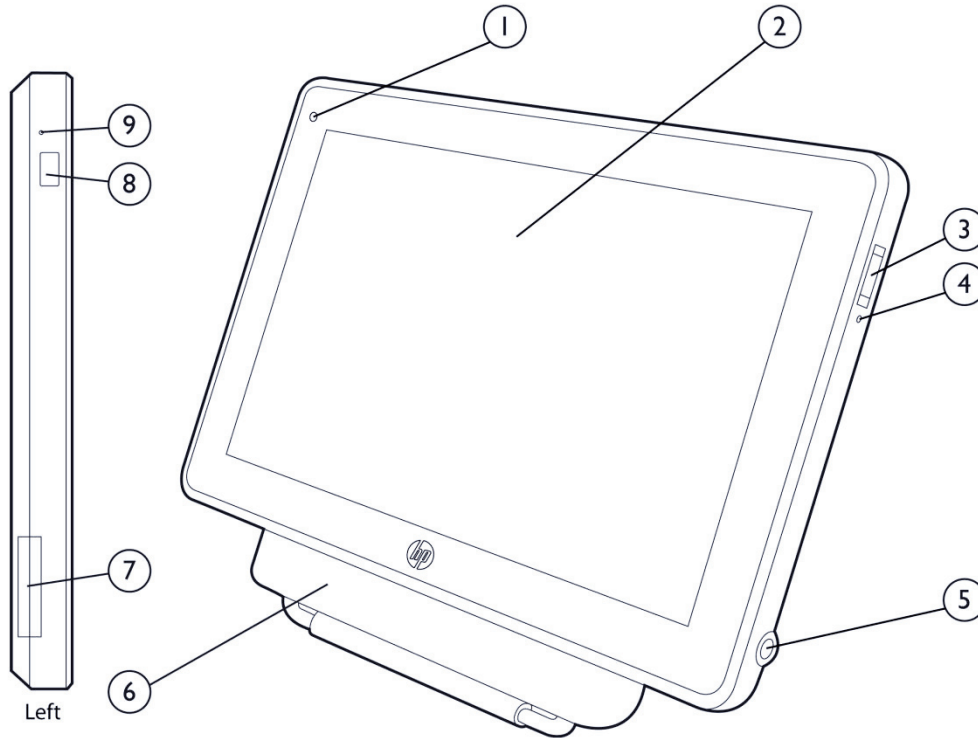
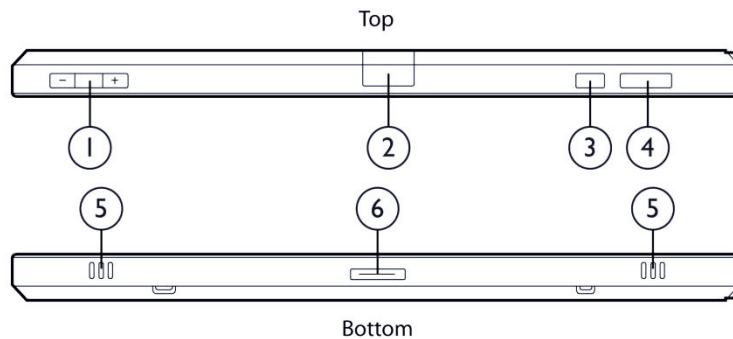


Overview

HP Slate 2 Tablet PC



- 1. VGA webcam
- 2. Capacitive multi-touch screen with pen digitizer
- 3. Power button (also controls display auto rotate)
- 4. Power LED indicator
- 5. Combo stereo headphone/mic jack
- 6. Optional HP Slate Dock
- 7. Secure Digital slot (SD/SDHC/SDXC) and SIM card slot (select models only)
- 8. Onscreen keyboard button
- 9. Integrated microphone

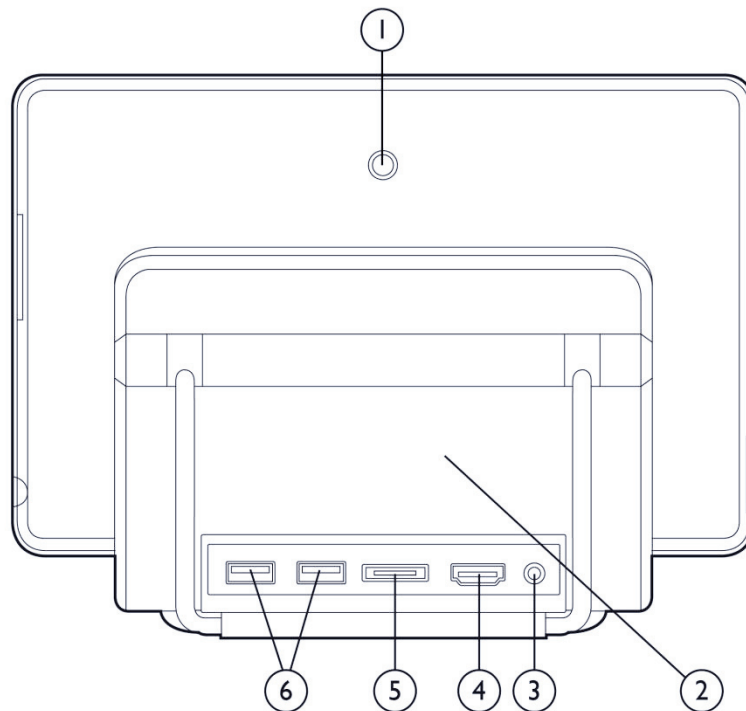


- 1. Volume control
- 2. USB 2.0 port
- 3. Ctrl-Alt-Del button
- 4. Windows® Desktop button
- 5. Stereo speakers
- 6. Power connector/HP Slate Dock connector



Overview

Rear View with Optional HP Slate Dock



- | | |
|------------------------------------|----------------------|
| 1. 3 MP camera (outward facing) | 4. HDMI port |
| 2. Optional HP Slate Dock | 5. Power connector |
| 3. Combo stereo headphone/mic jack | 6. (2) USB 2.0 ports |

Overview

At A Glance

- Genuine Windows® 7 Professional 32, Genuine Windows® 7 Home Premium 32, Windows Embedded Standard 7
- Slate tablet design starting at 1.52 lb (0.69 kg)
- 8.9-inch diagonal LED-backlit WSVGA wide-viewing angle display (1024 x 600)
- Capacitive multi-touch screen with pen digitizer
- Flexible wireless connectivity options:
 - Integrated 802.11 a/b/g/n + Bluetooth® 4.0 +HS
 - HP un2430 EV-DO/HSDPA Mobile Broadband Module (Gobi™ 3000)
- Intel® System Controller Hub (SCH) SM35 chipset and Intel Atom™ Processor Z670
- Secure Digital (SD) slot
- Two integrated webcams (VGA inward facing; 3MP outward facing)
- HP Slate Dock and HP Slate Digital Pen are optional accessories that may be included on select configurations; HP Slate Bluetooth® Keyboard and Case.



Standard Features (availability may vary by country)

Processors*		Intel Atom Processor Z670 (1.5 GHz, 512 KB L2 cache, 667 MHz FSB) *Intel's numbering is not a measurement of higher performance. Processor speed denotes maximum performance mode; processor will run at lower speeds in battery optimization mode.
Operating System*	Preinstalled	Genuine Windows 7 Professional 32* Genuine Windows 7 Home Premium 32* Windows Embedded Standard 7** * System may require upgraded and/or separately purchased hardware and/or a DVD drive to install the Windows 7 software and take full advantage of Windows 7 functionality. See http://www.microsoft.com/windows/windows-7/ for details. **Operating system only available to customers with qualified usage models.
Chipset		Intel System Controller Hub (SCH) SM35
Graphics		Intel Graphics Media Accelerator 600
Display	Internal	8.9-inch diagonal WSVGA touchscreen (1024 x 600) <ul style="list-style-type: none">• Wide-viewing angle• Capacitive multi-touch screen with digitizer• Auto rotate (selectable)• Anti-glare flushed glass display• Anti-fingerprint coating• Accelerometer (ST Micro)
	External	Up to 32-bit per pixel color depth HDMI port in optional HP Slate Dock supports resolutions up to 1600 x 1200 non-interlaced NOTE: Resolutions are dependent upon monitor capability, and resolution and color depth settings.
Memory	Standard	2 GB DDR2* on-board memory Not customer accessible or upgradeable * Memory operates at the maximum system supported speed of 800 MHz.
Wireless Support	Integrated wireless LAN + Bluetooth	Wi-Fi certified Integrated support for 802.11 a/b/g/n* + Bluetooth® 4.0 +HS WLAN antenna integrated in the display enclosure
	HP un2430 EV-DO/HSDPA Mobile Broadband Module (Gobi™ 3000)**	Integrated mobile broadband module that provides connectivity to both EVDO and HSPA networks. It also provides standalone, Internet, and network assisted GPS functionality for various mapping applications



Standard Features (availability may vary by country)

and security applications such as Computrace Pro for HP ProtectTools.

* Wireless access point and Internet service is required and is not included. Availability of public wireless access points limited.

** For optimized WWAN performance, it is highly recommended that the case that came with this device is used when the WWAN is turned on. WWAN use requires a separately purchased wireless service contract. Check with your local vendor for coverage area and availability in your area. Connection and speeds will vary due to location, environment, network conditions, and other factors.

Input Devices

Optional HP Slate Digital Pen*
 Optional HP Wireless Mini Keyboard*
 Optional HP Slate Bluetooth® Keyboard and Case*
 Optional HP 2.4 GHz Wireless Optical Mobile Mouse*

* Sold separately or purchased as an optional feature.

Expansion Card Slots

Secure Digital slot SIM card slot

Supports SD, SDHC, and SDXC
 Select models only

Internal Storage*

mSATA SSM

Up to 64 GB

* For hard drives, GB = 1 billion bytes. Actual formatted capacity is less. Up to 15 GB (for Windows 7) of system disk is reserved for the system recovery software.

Removable Storage

Optional HP External USB 2.0 CD/DVD R/RW Drive*

* Sold separately or purchased as an optional feature.

Interfaces

Combo stereo headphone/mic jack

One (also available in optional HP Slate Dock)

Integrated microphone

One

Power Connector/ HP Slate Dock connector

One (power connector also available in optional HP Slate Dock)

USB 2.0

One (two additional with optional HP Slate Dock)



Standard Features (availability may vary by country)

Audio/Visual HD Audio SRS Premium Sound
Integrated stereo speakers
Integrated microphone
Combo stereo headphone/microphone jack

Two integrated cameras

- VGA Webcam* (inward facing)
- 3MP Camera (outward facing)

* Internet access required. Playback may vary due to connection speeds, location, environment, network conditions and other factors. Video-enhanced IM software may be required.

Software	Preinstalled (Windows OS only)	HP Slate Camera EVERNOTE HP Support Assistant Swype virtual keyboard
-----------------	---------------------------------------	---

Security	Standard	TPM Embedded Security Chip 1.2
-----------------	-----------------	--------------------------------

HP ProtectTools Security Manager
Embedded Security for HP ProtectTools
Computrace for HP ProtectTools*

* The Computrace Agent is shipped turned off and must be activated by customer when they purchase a subscription. Subscriptions can be purchased for terms ranging from one to five years. Service is limited; check with Absolute Software for service availability outside of North America. For more information, visit www.absolute.com.

Power Supply	30-watt AC adapter
---------------------	--------------------

Battery	2-cell, 30 WHr polymer Not customer replaceable.
----------------	---

Battery Life	Up to 6 hours*
---------------------	----------------

* Battery life will vary depending on the product model, configuration, loaded applications, features, use, wireless functionality, and power management settings. The maximum capacity of the battery will naturally decrease with time and usage. See MobileMark07 battery benchmark <http://www.bapco.com/products/mobilemark2007> for additional details.



Standard Features (availability may vary by country)

Power Conservation	Standby, hibernation ACPI compliance
---------------------------	---

Docking (optional)	1. HP Slate Dock* This dock has connectors for (2) USB 2.0 ports, (1) HDMI connector,** (1) combo stereo headphone out/microphone in, and (1) power connector
---------------------------	--

* Sold separately or purchased as an optional feature.

** The HP Slate Dock with HDMI port is required for the monitor connectivity.

Service and Support	HP Services includes a one-year standard parts and labor warranty, pick-up or carry-in, and toll-free 7 x 24 hardware technical phone support (depending on model). On-site service and warranty upgrades are also available (depending on model).
----------------------------	--

NOTE: Certain restrictions and exclusions apply. Consult the HP Customer Support Center for details.
<http://h20000.www2.hp.com/bizsupport/TechSupport/ProductRoot.jsp>.



Options (availability may vary by country)

Carrying Cases	HP Slate Bluetooth Keyboard and Folio	A1C64AA
Docking	HP Slate Dock with AC Adapter HP USB Docking Station 2.0 HP LAN and USB Travel Hub	QQ676AA AY052AA BM868AA
Input/Output	HP Wireless Mini Keyboard HP 2.4 GHz Wireless Optical Mobile Mouse HP Optical USB Travel Mouse HP Slate Digital Pen HP Mobile USB DVD/RW HP Slate Bluetooth® Keyboard and Folio	XB387AA LX732AA RH304AA QQ677AA BU516UT A1C64AA
Point of Sales	HP Retail Mobile POS Case	QY459AA
Power	HP Slate 30-Watt Power Adapter HP Smart AC-to-Slate Power Cable	QC252AA HOR85AA
Video	HP USB Graphic Adapter	NL571AA
Networking	HP USB Ethernet Adapter	XZ613AA



Technical Specifications

System Unit	Dimensions (HxWxD)	5.9 x 9.21 x 0.61 in 15.0 x 23.4 x 1.5 cm
	Weight	Starting at 1.52 lb (0.69 kg)
Standalone Power Requirements	Normal Operating Voltage	19.0 V
	Average Operating Power	9.75 W
	Max Operating Power	< 25 W
Temperature	Operating	50° to 95° F (10° to 35° C)
	Non-operating	-4° to 140° F (-20° to 60° C)
Relative Humidity	Operating	10% to 90%, noncondensing
	Non-operating	5% to 95%, 101.6° F (38.7° C) maximum wet bulb temperature
Altitude (unpressurized)	Operating	-50 to 10,000 ft (-15 to 3,048 m)
	Non-operating	-50 to 40,000 ft (-15 to 12,192 m)
Shock	Operating	25G, 2 ms, half-sine
	Non-operating	200 G, 2 ms, half-sine
Random Vibration	Operating	0.75 grms
	Non-operating	1.50 grms
Altitude (unpressurized)	Operating	-50 to 10,000 ft (-15.24 to 3,048 m)
	Non-operating	-50 to 40,000 ft (-15.24 to 12,192 m)
Planned Industry Standard Certifications	UL	Yes
	CSA	Yes
	FCC Compliance	Yes
	ICES	Yes
	Australia/NZ A-Tick Compliance	Yes
	CCC	Yes
	Japan VCCI Compliance	Yes
	KCC	Yes
	BSMI	Yes
	CE Marking Compliance	Yes



Technical Specifications

Audio Output Quality	Frequency Response	20 Hz–20 kHz	
	Signal to Noise Ratio	>85 dB	
	Total Harmonic Distortion	0.01%	
	Noise Floor	–110 dB	
	Play/Record Sampling Rate(s)	8 kHz–48 kHz	
	DAC	16, 20, or 24-bit	
	ADC	16 or 20-bit	
HP 30W Smart AC Adapter	Dimensions	5.00 x 1.97 x 1.1 in (9.3 x 4.0 x 2.8 cm)	
	Weight	0.82 lb (370 g)	
	Input	Input	100 to 240 VAC
		Input efficiency	Avg 87% min at 115 VAC (Level V)
		Input frequency range	50 to 60 Hz
	Output	Input AC current	2.4 A at 90 VAC, 1.2 A at 180 VAC
		Output power	30 W
		DC output	19.0 V
		Hold-up time	5 msec at 115 VAC input
		Output current limit	<11 A, Overvoltage protection, 29 V max automatic shutdown
	Connector	3 pin/grounded, mates with interchangeable cords	
	Environmental Design	Operating temperature	32° to 104° F (0° to 40° C)
		Non-operating (storage) temperature	–4° to 149° F (–20° to 65° C)
Altitude		0 to 10,000 ft (0 to 3,048 m)	
Humidity		20% to 80%	
Storage Humidity		10% to 90%	
EMI and Safety Certifications	CE Mark—full compliance with LVD and EMC directives; Worldwide safety standards—IEC60950, EN60950, UL60950, Class1, SELV; Agency approvals—C-UL-US, NORDICS, DENAN, EN55022 Class B, FCC Class B, CISPR22 Class B, CCC, NOM-1 NYCE		
2-Cell (30 WHr) polymer battery	Dimensions (H x W x L)	0.25 x 3.25 x 8.75 in. (0.7 x 8.3 x 22.5 cm)	
	Cells/Type	2-cell Lithium Ion Polymer	
	Energy	Watt-hour Capacity 30 WHr	
	Temperature	Operating (charging)	32° to 113° F (0° to 45° C)
		Operating (discharging)	14° to 140° F (–10° to 60° C)



Technical Specifications

Battery Re-Charge Time	Non-operating	-4° to 140° F (-20° to 60° C)
	System in OFF mode or Standby	2.5 hours
	System ON	3 to 5 hours (depending on system power consumption)

Display

8.9-inch diagonal, WSVGA capacitive multi-touch panel with digitizer

Active Area (W x H)	7.68 x 4.46 in. (19.5072 x 11.34 cm)	
Diagonal Size	8.9 in. (39.6 cm)	
Surface Treatment	Anti-glare	
Contrast Ratio	500:1 (typical)	
Refresh Rate	60 Hz	
Brightness	200 nit (typical)	
Pixel Resolution	Pitch	0.1905 (H) x 0.189 (V) mm
	Format	1024*600
	Configuration	RGB Stripe
Backlight	LED	
PPI	133 ppi	
Viewing Angle	±60° Horizontal, ±40° Vertical (minimum) – 50 Vertical down (minimum) 30/30/20/10 (left/right/down/up) (minimum) or 45/45/35/25 (left/right/down/up) (typical)	

Internal Storage

Up to 64 GB mSATA SSM	Drive Weight	0.0022 lbs (10g)		
	Capacity	32 or 64 GB		
	Height	4.85 mm		
	Width	29.85 mm		
	Interface	ATA-8, SATA 2.6, 3.0 Gb/s, NCQ		
	Transfer Rate	Synchronous	300 MB/s (drive capability) (maximum)	
	Performance	Maximum Sequential Read	230 MB/s	
		Maximum Sequential Write	90 MB/s (32 GB) and 180 MB/s (64 GB)	
	Logical Blocks	32 GB for 62,533,296 and 64 GB for 125,045,424		
	Operating Temperature	32° to 158° F (0° to 60° C) [case temp]		
	Features	ATA Security ATA-7; SATA 2.6; DIPM, TRIM		



Technical Specifications

Communications

802.11 a/b/g/n* + Bluetooth Wireless LAN 4.0 +HS	
Standards	IEEE802.11a IEEE 802.11b IEEE 802.11g IEEE 802.11n
Interoperability	Wi-Fi certified
Frequency Band	2.4 GHz and 5 GHz
Data Rates	802.11a: 6, 9, 12, 18, 24, 36, 48, 54 Mbps 802.11b: 1, 2, 5.5, 11 Mbps 802.11g: 6, 9, 12, 18, 24, 36, 48, 54 Mbps 802.11n: 2.4 G support only 20 MHz BW MCS0~7 5G support 20 & 40 MHz BW MCS0~7 many possible data rates, ranging from 6.5 Mbps to 150 Mbps, depending on the combination of Bandwidth, Modulation Coding Scheme, and Guard Interval used, as defined in IEEE 802.11n specification
Modulation	Direct Sequence Spread Spectrum DBPSK, DQPSK, CCK, OFDM, BPSK, QPSK, 16-QAM, 64-QAM.
Security¹	Supports 64-bit and 128-bit WEP, WPA, WPA2, AES-CCMP 128-bit, 802.1x authentication, EAPtypes EAP-TLS, EAP-PEAPv0, EAP-PEAPv1, EAP-PEAPv2, EAP-FAST, EAP-SIM.
Sub-channels	Multinational support with frequency bands and channels compliant to local regulations.
Media Access Protocol	CSMA/CA (collision avoidance) with ACK
Network Architecture Models	Ad-hoc (peer to peer) Infrastructure (access point required)
Roaming	IEEE 802.11 compliant roaming between access points
Output Power (for CCK)²	15 dBm, nominal
Output Power (for OFDM; power varies by data rate)²	2.4G-> Legacy OFDM 20 MHz 6–36 Mbps: 15 dBm nominal Legacy OFDM 20 MHz 48 Mbps: 14 dBm nominal



Technical Specifications

Legacy OFDM 20 MHz 48 Mbps: 13 dBm nominal
OFDM MCS 0~3 20 MHz: 14 dBm nominal
OFDM MCS 4 20 MHz: 13 dBm nominal
OFDM MCS 5 20 MHz: 12 dBm nominal
OFDM MCS 6 20 MHz: 11 dBm nominal
OFDM MCS 7 20 MHz: 10 dBm nominal

5Gz->

Legacy OFDM 20 MHz 6-24 Mbps: 17 dBm nominal
Legacy OFDM 20 MHz 36 Mbps: 15 dBm nominal
Legacy OFDM 20 MHz 48 Mbps: 14 dBm nominal
Legacy OFDM 20 MHz 54 Mbps: 11 dBm nominal
OFDM MCS 0~3 20 MHz: 14 dBm nominal
OFDM MCS 4 20 MHz: 13 dBm nominal
OFDM MCS 5 20 MHz: 12 dBm nominal
OFDM MCS 6 20 MHz: 11 dBm nominal
OFDM MCS 7 20 MHz: 10 dBm nominal

Power Consumption	Transmit: 1.0 W (max) (3.3 V, 300 mA) Receive: 0.4 W (max) (3.3 V, 120 mA) Associated to Access Point, Idle: 250 mW nominal
Power Management	ACPI compliant power management 802.11 compliant power saving mode
Receiver Sensitivity³	2.4 Gz-> CCK, 1 Mbps: -94 dBm; CCK, 11 Mbps: -86 dBm; OFDM, 6 Mbps: -90 dBm; OFDM, 54 Mbps: -73 dBm; HT20, MCS0: -91 dBm; HT20, MCS7: -70 dBm; 5Gz-> OFDM, 6 Mbps : -88 dBm; OFDM, 54 Mbps: -72 dBm; HT20, MCS0 : -88 dBm; HT20, MCS7: -69 dBm; HT40, MCS0 : -84 dBm; HT40, MCS7: -65 dBm;
Antenna type	High-efficiency antenna with spatial diversity, mounted in the display enclosure.
Form Factor	PCI-Express Half-MiniCard
Weight	3.7 g
Dimensions	(4.5 x 26.8 x 30 mm)
Operating Voltage	3.3 V +/- 9%



Technical Specifications

Temperature	Operating (0° to 70° C) Non-operating (-35° to 125° C)
Humidity	Operating 0% to 90% (noncondensing) Non-operating 0% to 95% (noncondensing)
Altitude	Operating 0 to 10,000 ft (3,048 m) Non-operating 0 to 50,000 ft (15,240 m)
LED Activity	LED Off—Radio OFF; Solid LED On—Radio ON

1. Check latest software/driver release for updates on supported security features.
2. Maximum output power may vary by country according to local regulations.
3. Receiver sensitivity is measured at a packet error rate of 8% for 802.11b (CKK modulation) and a packet error rate of 10% for 802.11a/g (OFDM modulation).

HP un2430 EV-DO/HSDPA Mobile Broadband Module (Gobi™ 3000)

Technology/ Operating Bands	GSM/GPRS/EDGE: 850 MHz (Cell), 900 MHz (EGSM), 1800 MHz (DCS), 1900 MHz (PCS) UMTS/WCDMA with receive diversity: 2100 MHz (UTRA FDD Band I), 1900 MHz (UTRA FDD Band II), AWS (UTRA FDD Band IV), 900 MHz (UTRA FDD Band VIII), 850 MHz (UTRA FDD Band V) 1xEVDO/1xRTT with receive diversity: 850 MHz (Band Class 0-Cell), 1900 MHz (Band Class 1-PCS)
Wireless Protocol Standards	GSM/GPRS/EDGE: Class A, Multi-slot class 10 operation, coding schemes CS1–CS4 and MSC1–MSC9. UMTS/WCDMA: Release 99 and Release 6 CDMA: 1xEVDO Release 0 and Release A, IS-95A, IS-95B, IS-856, IS-2000
Wireless Parametric Standards	Meets or exceeds TIA/EIA IS-98-D
Maximum Data Rates	UMTS (HSPA)—14.4 Mbps (download), 5.76 Mbps (upload) CDMA (EVDO Release A)—3.1 Mbps (Download), 1.8 Mbps (upload)
GPS	Standalone GPS enabled gpsOneXTRATM™
GPS Bands	L1—1575.42 MHz
Maximum Output Power	GSM/GPRS/EDGE: 32 dBm (+/-1) WCDMA: 24 dBm (+0.7/-2.3) CDMA: 24 dBm (+0.7/-2)
Maximum Power Consumption	2750 mA (peak); 1100 mA (average)
Power Consumption, Idle Not Connected	20 mA



Technical Specifications

Power Management	USB selective suspend Integrated notebook wireless button
Antenna Type	Dual high-efficiency 5-band antennae with spatial diversity, mounted in the display enclosure
Form Factor	PCI-Express MiniCard, USB 2.0 interface
Weight	11.5 g
Dimensions (Length x Width x Thickness)	2.01 x 1.18 x 0.18 in (51 x 30 x 5 mm)
Voltage, Operating	3.3v +/- 10%
Temperature, Operating (from TIA/EIA/IS-98-D)	-22° to 158° F (-30° to 70° C) (full RF performance) -22° to 167° F (-30° to 75° C) (reduced RF performance)
Temperature, Non-operating, 96 hours (from MIL-STD 202, Method 108)	-40° to 185° F (-40° to 85° C)
Humidity, Non-operating	95% relative humidity for 48 hours @ 185° F (85° C) (noncondensing)
Configuration Utilities	HP Connection Manager

Environmental Data	Eco-Label Certifications	This product has received or is in the process of being certified to the following approvals and may be labeled with one or more of these marks: <ul style="list-style-type: none"> IT ECO declaration
---------------------------	---------------------------------	---

System Configuration	The configuration used for the Energy Consumption and Declared Noise Emissions data for the Convertible Mini tower Desktop model is based on a "Typically Configured Notebook"
-----------------------------	--

Energy Consumption	115 VAC	230 VAC	100 VAC
Normal Operation	9.75W	10.19 W	10.32 W
Sleep	0.25W	0.25 W	0.25 W
Off	0.01 W	0.01 W	0.01 W
Heat Dissipation*	115 VAC	230 VAC	100 VAC
Normal Operation	33 BTU/hr	35 BTU/hr	35 BTU/hr
Sleep	0.85 BTU/hr	0.85 BTU/hr	0.85 BTU/hr
Off	0.03 BTU/hr	0.03 BTU/hr	0.03 BTU/hr

* Heat dissipation is calculated based on the measured watts,



assuming the service level is attained for one hour.

Batteries

The battery in this product complies with EU Directive 2006/66/EC

Batteries used in the product do not contain:

- Mercury greater than 5 ppm by weight
- Cadmium greater than 10 ppm by weight

The battery type and chemistry used in the product is 2-cell high-capacity Lithium-Ion polymer

Additional information

This product is in compliance with the Restrictions of Hazardous Substances (RoHS) directive—2002/95/EC.

This HP product is designed to comply with the Waste Electrical and Electronic Equipment (WEEE) Directive—2002/96/EC.

This product is in compliance with California Proposition 65 (State of California; Safe Drinking Water and Toxic Enforcement Act of 1986).

Plastics parts weighing over 25 grams used in the product are marked per ISO 11469 and ISO1043.

This product contains 0% post consumer recycled plastic (by weight)

This product is greater than 93.9% recycle-able when properly disposed of at end of life.

Packaging Materials

- External:
 - Corrugated carton 385 g
 - Corrugated 115 g
 - CANON bags—Several layers 5 g
- Internal:
 - Polyethylene low density 15 g
 - Molded Pulp 180 g
- The corrugated carton packaging material is made from 80% recycled content.
- The corrugated packaging material is made from 80% recycled content.
- The CANON bags—Several layers packaging material is made from 80% recycled content.
- The polyethylene low-density packaging material is made from 60% molded pulp packaging material, made from 60% recycled content.



Technical Specifications

HP follows these guidelines to decrease the environmental impact of product packaging:

- Eliminate the use of heavy metals such as lead, chromium, mercury and cadmium in packaging materials.
- Eliminate the use of ozone-depleting substances (ODS) in packaging materials.
- Design packaging materials for ease of disassembly.
- Maximize the use of post-consumer recycled content materials in packaging materials.
- Use readily recyclable packaging materials such as paper and corrugated materials.
- Reduce size and weight of packages to improve transportation fuel efficiency.
- Plastic packaging materials are marked according to ISO 11469 and DIN 6120 standards.

Material Usage

This product does not contain any of the following substances in excess of regulatory limits (for reference of these limits please refer to the HP General Specification of the Environment:

http://www.hp.com/hpinfo/globalcitizenship/environment/supplychain/gen_specifications.html:

- Asbestos
- Certain Azo Colorants
- Certain Brominated Flame Retardants—may not be used as flame retardants in plastics
- Cadmium
- Chlorinated Hydrocarbons
- Chlorinated Paraffins
- Formaldehyde
- Halogenated Diphenyl Methanes
- Lead carbonates and sulfates
- Lead and Lead compounds
- Mercuric Oxide batteries
- Ozone-depleting substances
- Polybrominated Biphenyls (PBBs)
- Polybrominated Biphenyl Ethers (PBBEs)
- Polybrominated Biphenyl Oxides (PBBOs)
- Polychlorinated Biphenyl (PCB)
- Polychlorinated Terphenyls (PCT)
- Polyvinyl Chloride (PVC)—except for wires and cables, and certain retail packaging has been voluntarily removed from most applications.
- Radioactive substances
- Tributyl Tin (TBT), Triphenyl Tin (TPT), Tributyl Tin Oxide (TBTO)



Technical Specifications

Nickel finishes that release greater than 0.5 $\mu\text{grams}/\text{cm}^2/\text{week}$, measured according to EN 1811:1998, are not used on any product surface designed to be frequently handled or touched by users.

End-of-life Management and Recycling

Hewlett-Packard offers end-of-life HP product return and recycling programs in many geographic areas. To recycle your product, please go to: <http://www.hp.com/go/reuse-recycle> or contact your nearest HP sales office. Products returned to HP will be recycled, recovered, or disposed of in a responsible manner.

The EU WEEE directive (2002/95/EC) requires manufacturers to provide treatment information for each product type for use by treatment facilities. This information (product disassembly instructions) is posted on the Hewlett Packard web site at: <http://www.hp.com/go/recyclers>. These instructions may be used by recyclers and other WEEE treatment facilities as well as HP OEM customers who integrate and re-sell HP equipment.

Hewlett-Packard Corporate Environmental Information

For more information about HP's commitment to the environment:
Global Citizenship Report

<http://www.hp.com/hpinfo/globalcitizenship/gcreport/index.html>

Environment website

<http://www.hp.com/environment>

Eco-label certifications

<http://www.hp.com/hpinfo/globalcitizenship/environment/productdesign/ecolabels.html>

ISO 14001 certificates

<http://www.hp.com/hpinfo/globalcitizenship/environment/operations/envmanagement.html>

Copyright © 2011 Hewlett-Packard Development Company, L.P.

All rights reserved. Microsoft, Windows, and Windows 7 are registered trademarks or trademarks of Microsoft Corporation in the U.S. and/or other countries. Intel is a registered trademark of Intel Corporation in the U.S. and/or other countries. Bluetooth is a trademark owned by its proprietor and used by Hewlett-Packard Company under license. All other product names mentioned herein may be trademarks of their respective companies.

The information contained herein is subject to change without notice and is provided "as is" without warranty of any kind. The warranties for HP products are set forth in the express limited warranty statements accompanying such products. Nothing herein should be construed as constituting an additional warranty. HP shall not be liable for technical or editorial errors or omissions contained herein.

