

A3 MONOCHROME PRINTER FOR BUSY COMPANIES

EPSON ACULASER M8000N SERIES



All the interfaces you need: Ethernet 10/100 Base Tx, high-speed USB, Parallel ports as standard

Great flexibility in large print runs: supports alternative paper orientation as standard, while options include a stacker, duplex printing, 3 extra A3/A4 paper cassettes.

Fast handling of complex print jobs: thanks to standard 128Mb memory, expandable to 578 Mb.

Switch between media: increase your print capabilities in seconds by adding an additional paper cassette, that accepts A3 paper.

Our top-performing mono laser

The Epson AcuLaser M8000N Series is Epson's fastest laser printer, producing an incredible 44 ppm in A4 and up to 25 ppm in A3. It features a high resolution of 1200x1200 dpi with genuine Adobe® PostScript® 3™ and PDF direct print for faster, more accurate processing. This is ideal for services and workgroups that need very high-volume, high quality output.

High productivity, low total cost of ownership

Built for durability, this affordable printer incorporates many long-life components so that you can print thousands of pages without any problem. The Return Imaging Cartridge Programme further contributes to the low running costs and makes this printer an extremely cost-effective solution.

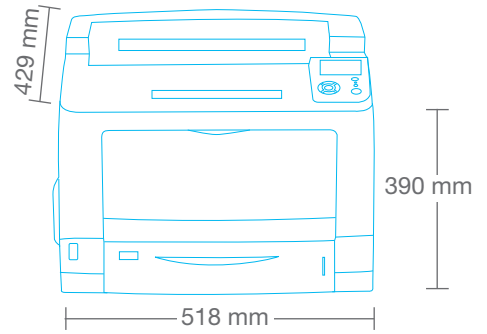
Advanced security

With built-in SSL data encryption for network use, the Epson AcuLaser M8000N goes even further to protect your work. It also provides an anti-copy function to distinguish copies from an original, and an optional CF card for setting up confidential jobs. The optional EpsonNet Authentication print solution can be installed to ensure that printouts go only to their intended audience.

PRODUCT DIMENSIONS AND SPECIFICATIONS

PRINT FEATURES	Laser Resolution: True 1200dpi Print Speed: A4: 44 ppm, A3: 25 ppm First Page Out: 7.8 sec Warm Up Time: 18 sec Maximum Monthly Volume: 200,000 pages
CONTROLLER SPECIFICATIONS	Processor: 500 Mhz Memory: Standard: 128MB, Max: 576MB Printer Control Language Emulations: Genuine Adobe® PostScript® 3™, PCL6, PCL5e, PDF1.3, ESC/Page, FX, ESCP2, I239X Scalable: 84 ESC/Page, 95 PCL5c, 80 PCL6, 17 PS3 Bitmap: 7 ESC/Page, 5 PCL5c, 1 PCL6 Typeface: 10 ESC/P2, 8 FX, 8 I239X
INTERFACES AND CONNECTIVITY	Standard Interfaces: Ethernet (100Base-TX/10Base-T), USB 2.0HS, Parallel (IEEE 1284), TypeB and CompactFlash Optional Interfaces: TCP/IP: LPR, FTP, IPP, PORT2501, PORT9100, WSD Microsoft Network: Net BIOS over TCP/IP, Net BIOS over NetBEUI NetWare: Operation mode, Standby, NDS Print Server, Bindery Print Server, Remote Printer AppleTalk Network Management Protocols: TCP/IP: SNMP, HTTP, TELNET, DHCP, BOOTP, APIPA, PING, DDNS, mDNS, SNT, SSSP, SLP, WSD, LLTD Pannel: 132x65 dots bitmap LCD, 3LEDs, 7 buttons
MEDIA HANDLING	Standard Paper Input: 650 sheets (150 Multi-Purpose tray + 500-Sheet Paper Cassette) Maximum Paper Input: 2150 sheets (150 Multi-Purpose tray + 500-Sheet Paper + 3x Optional 500-Sheet Paper) Paper Size: A3, A4, A5, A6, B4, B5, LT, HLT, LGL, GLG, GLT, EXE, B, F4, Transparency, labels, C5, C6, Com10, DL, Mon, ISO-B5, custom: 98.4-508 mm to 75-297 mm Paper Weight: 64 - 216 g / m ² Optional Paper Handling: 500-Sheet Universal Paper Cassette Unit (C12C802542) - Max: 3 Duplex Unit (C12C802552) Paper Output Standard/Maximum: 500-Sheet A4 Stacker (C12C802562) 450 sheets / 900 sheets (with optional Stacker - C12C802562)
POWER REQUIREMENTS	Norms: International Energy Star® Rated Voltage/Frequency/Current: 220V to 240V / 50Hz or 60Hz / 3.5A Power Consumption: 703 W (Printing), 88 W (Ready), 4 W (Sleep)
SYSTEM REQUIREMENT & OS SUPPORT	System Requirement: PC: Ethernet (100BaseTX/10BaseT), USB (1.1 or higher) or Parallel Port MAC: EtherTalk, USB 1.1 or higher, if available Windows Support: Microsoft Windows 2000 / XP / Server 2003 / Microsoft Windows Vista / Server 2008 / XP x64 Edition / Server 2003 x64 Edition / Vista x64 / 2008 x64 Edition Mac Support: Mac OS 10.3.9 and up Linux/Unix/Citrix/SAP/Novel Support: For compatibility details relating to Linux, Unix, Novell, SAP, etc. please refer to http://www.business-solutions.epson.co.uk/Compatible.htm
ADDITIONAL SOFTWARE	Drivers: Printer Driver, Epson Status Monitor 3, Reference Guide, Paper Jam Guide Software: Network Utilities, Network Guide
DIMENSIONS AND WEIGHT (W x D x H mm, Kg)	AL-M8000N: Main unit: 518x429x390 mm, 22.5Kg 500-Sheet Unit: 505x373x143 mm, 6.3 Kg Duplex Unit: 435x147x233 mm, 2.3 Kg A4 Stacker: 501x312x212 mm, 3.0 Kg
ENVIRONMENTAL CONDITIONS	Temperature: Operation: 5 to 35°C / Storage: 0 to 35 °C Humidity: Operation: 15 to 85% RH / Storage: 15 to 80% RH Sound Power: Operating: 7.44B (A); Standby: 5.3 B (A) Sound Pressure: Operating: 58 dB (A); Standby: 38 dB (A)
SAFETY AND REGULATIONS	Safety Standards: Dust: 4.00 mg/h or less, Ozone: 1.50 mg/h or less, Styrene: 1.00 mg/h or less, Benzene: 0.05 mg/h, TVOC: 10.00 mg/h or less, no PVC in Plastics, compliant with EN60825-1, Compliant with EN60950-1 EMC/EMI: EN55022 (CIRSPR Publication 22), Class B, EN61000-3-2, EN61000-3-3, EN55024 Ozone Generation: Compliant with UL 478, 5th edition
WARRANTY	Standard: 1 year onsite Optional: CoverPlus 3 years on-site: ECPGRP55

EPSON ACULASER M8000N SERIES



MODEL CONFIGURATION

- AcuLaser M8000N main model C11CA38011BZ
- AcuLaser M8000TN AL-M8000N plus optional 500 sheet paper cassette C11CA38011BY
- AcuLaser M8000DN AL-M8000N plus optional Duplex Unit C11CA38011BX
- AcuLaser M8000DTN AL-M8000DN plus optional 500 sheet paper cassette 11CA38011BV
- AcuLaser M8000D3TN AL-M8000DN plus 3 optional 550 sheet paper cassette C11CA38011BW

SUPPLIES

- Imaging Cartridge: Standard: 15,000 pages (ISO 19752) 470x242x237 (WxDxH) - 2.7Kg C13S051188
- Imaging Cartridge: Return*: 30,000 pages (ISO 19752) 470x242x237 (WxDxH) - 2.7Kg C13S051189
- Double Box Imaging Cartridge: Return*: 30,000 pages (ISO 19752) 470x252x474 (WxDxH) - 6.4kg C13S051189DB
- Initial Toner: 6,000 pages (ISO 19752)

OPTIONS

- Duplex Unit: C12C802552
- 500-Sheet Universal Paper Cassette Unit: C12C802542
- A4 Stacker: C12C802562
- Extra memory: 64MB RAM: 7000275
128MB RAM: 7000276
256MB RAM: 7000277

*Return toner cartridges provide customers with a lower priced toner cartridge on the agreement that the empty cartridge will be returned via Epson's free toner collection programme. Toner cartridge return is available only in countries where Epson collection is available. For more information, please visit <http://www.epson.com/recycle/>



For more information please contact

Telephone: 0871 222 6702 (UK)
01 436 7742 (Republic of Ireland)
E-mail: enquiries@epson.co.uk
Chat: etalk.epson-europe.com
Fax: 0871 222 6740

Web: www.epson.co.uk
www.epson.ie

Better Products for a Better Future™

At Epson, we know that planning for the future requires a strong commitment to the environment. That is why we strive to create innovative products that are reliable, recyclable, and energy efficient. Better products that use fewer resources help ensure a better future for us all.

EPSON®