

Overview

Introduction

Designed for use in smaller settings where a handful of people are present, the HP Notebook Projection Companion is ideal for highly mobile users. Compatible with HP Business and Consumer Notebook PCs and other notebooks with a VGA connection, this ultra-portable accessory is powerful and durable enough to serve as your primary projector or as a backup while on the road. DLP technology gives your presentations sharp images, crisp text and vibrant colors. Weighing less than a pound (0.9 lb/0.42 kg) and measuring just 3.6 x 1.6 x 4.4 inches (9.3 x 4.0 x 11.1 cm), this remarkably compact projector fits easily inside your notebook carrying case.

The HP Notebook Projection Companion is also well-suited for use in other areas such as education, especially in situations where a group of graduate students want to share their research and collaborate on projects, or where educators in the classroom want to use it in conjunction with a digital whiteboard.

With 858 x 600 SVGA native resolution and a maximum brightness of 100 lumens this handy notebook accessory projects bold and bright images, even in moderate ambient light. The DLP technology found inside utilizes light more accurately and efficiently to deliver ultra-precise details, bright saturated colors and extraordinarily true-to-life images. This small but powerful projector can project an image up to 60 inches (152 cm) from a distance of 8.5 feet.

Two convenient features let you position the projector to optimize viewing. An adjustable foot lets you make small adjustments in the position of your presentation, or the expandable tripod included with the projector fits into the threaded hole on the bottom for even greater adjustment.

The HP Notebook Projection Companion offers a lower total cost of ownership (TCO) than competing solutions. The projector features an LED light source with up to 10,000 hours of usage life (up to five years of typical use), so there are no bulbs to buy or parts to replace—the initial purchase price of the projector is your only cost. Compare this to bulb-based projection solutions, which typically need bulbs replaced every year. Not only are you saving money on replacement bulbs, but you're also helping to reduce landfill waste and protect the environment. For even greater convenience, the AC adapter for the projector is the same as the one for your HP notebook, so you can travel with only one adapter—or if it gets lost, you can simply replace it by purchasing a standard HP 65W Smart AC Adapter.

The sturdy metal cover helps reduce the potential for damage over the life of the product. A sturdy grill on the front and back helps increase the life of the projector by allowing better airflow and preventing unwanted items from damaging the projector. The included carrying case provides protection for the projector and keeps everything together for convenient portability.

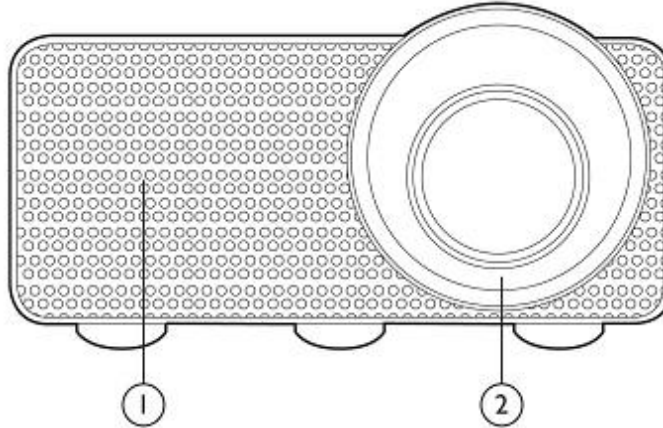
Models

HP Notebook Projection Companion

AX325AA

Overview

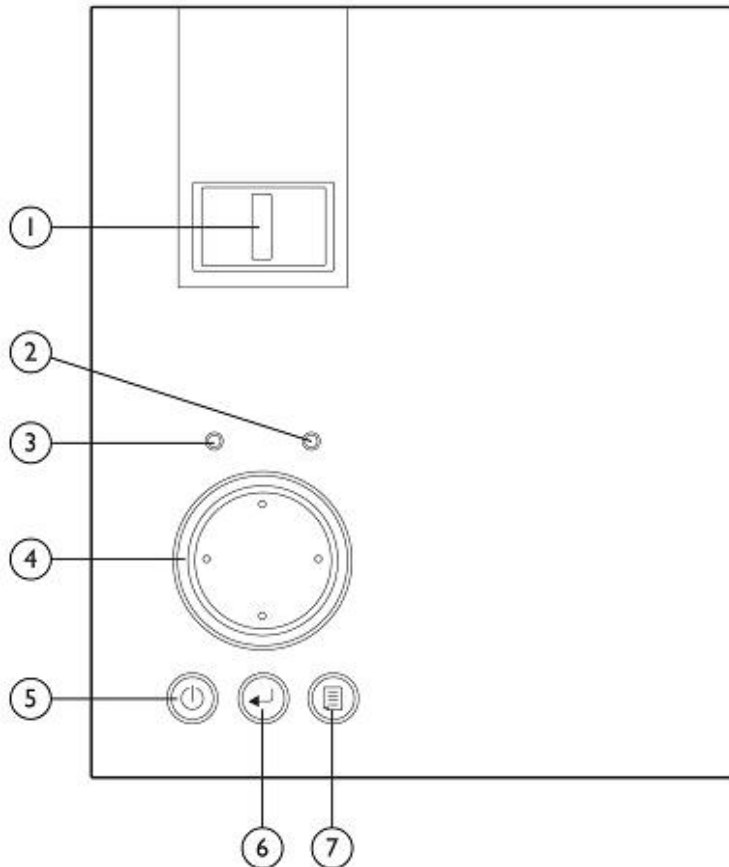
HP Notebook Projection Companion Front Components



1. Grill

2. Lens

HP Notebook Projection Companion Top Components

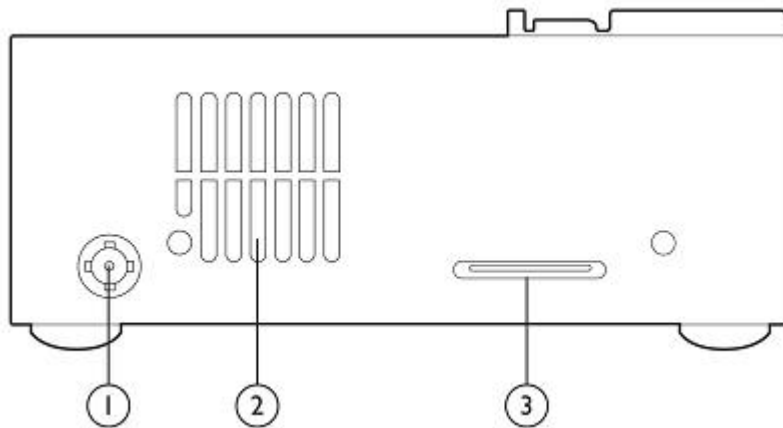


- 1. Zoom ring
- 2. Temperature indicator light
- 3. Error indicator light
- 4. 4-way menu input key

- 5. Power button
- 6. Enter button
- 7. Menu button

Overview

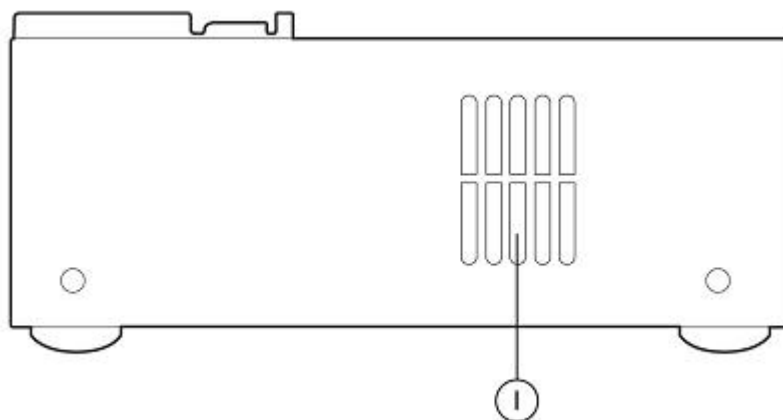
HP Notebook Projection Companion Left-Side Components



- 1. Power connector
- 2. Vent

- 3. Video cable connector
-

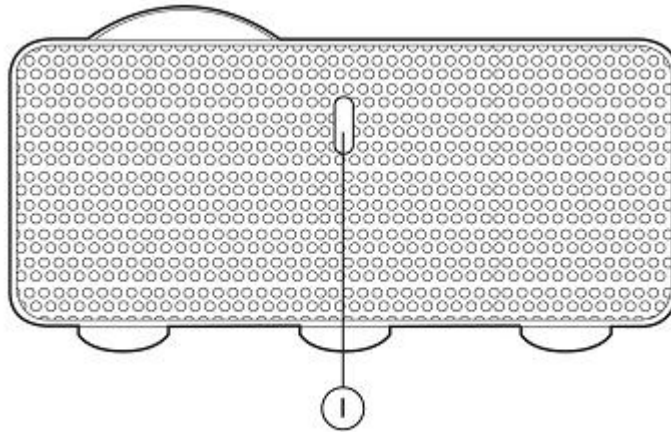
HP Notebook Projection Companion Right-Side Components



- 1. Vent
-

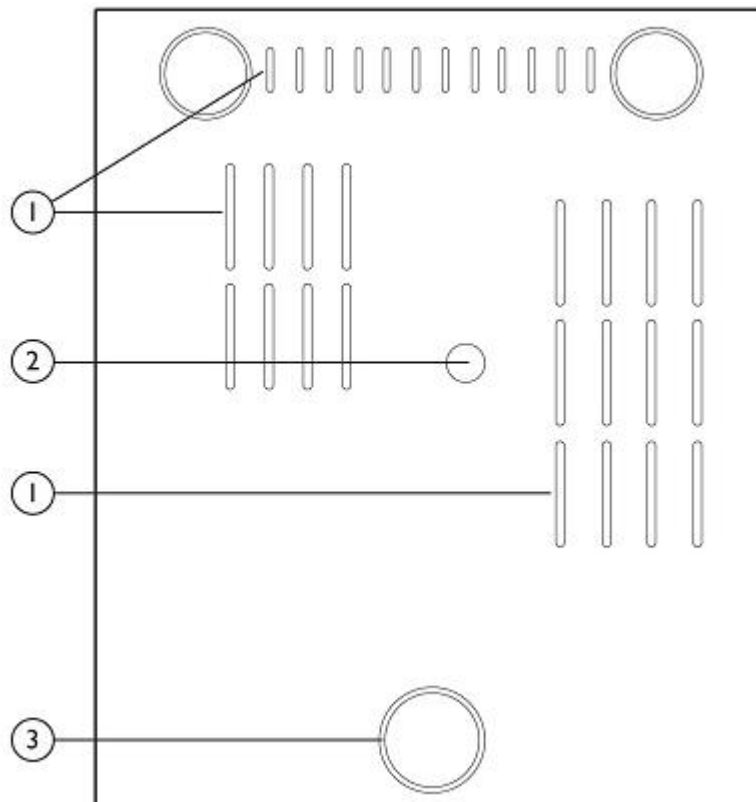
Overview

HP Notebook Projection Companion Back Components



1. Notebook lock slot
-

HP Notebook Projection Companion Bottom Components



1. Vent
2. Tripod connector

3. Adjustable foot
-

Overview

Key Benefits

This ultra-portable projection accessory for your notebook PC uses DLP technology for presentations with sharp images, crisp text and vibrant colors.

- Maximum brightness of 100 lumens
- 858 x 600 SVGA native resolution
- Projection screen size of 15-60 in (38-152 cm)
- Projection distance of 8.5 ft (2.6 m)
- Lower total cost of ownership (TCO) than competing solutions
- Measures 3.6 x 1.6 x 4.4 in (9.3 x 4.0 x 11.1 cm)
- Weighs less than a pound (0.9 lb./0.42 kg)

Standard Features

Power button	Powers the projector on or off. Press the button to power down the machine before you unplug it.
Enter button	Input your menu selection.
Menu button	Select from input source, display settings, color settings, VGA settings, setup, language, advanced setup, and help menus.
4-way menu input key	Lets you toggle through the menu. The tactile input makes it easy to feel when you have made your selection.
Polished zoom ring	Manually focus the image for maximum clarity.
Temperature indicator light	Indicates air vents may be blocked or temperature over 47.5°C. NOTE: The projector automatically shuts down. Be sure the air vents are not blocked, and the temperature is within optimal range.
Error indicator light	Blinks if one of the projector's fans has failed.
Lens	Maximum brightness of 100 lumens and 858 x 600 SVGA native resolution, 15-60 in (38-152 cm) projection screen size and projection distance of 8.5 ft (2.6 m).
Notebook lock slot	Supports an industry standard notebook cable lock.
Video input connector	A proprietary 30-pin video cable connector connects the projector to your notebook VGA output or composite video connector.
Power connector	The AC adapter uses the same Smart technology used by your HP notebook so you can share adapters and travel light. (The AC adapter must be 65W or greater. You can replace the adapter with an HP 65W Smart Notebook Adapter.)
Adjustable foot	The adjustable foot lets you make subtle adjustments to position the projector for optimized viewing.
Tripod connector	A convenient threaded hole on the bottom and included expandable tripod lets you position the projector to optimize viewing.
Sturdy grill	A sturdy grill in the front and the back helps increase the life of the projector by allowing better airflow and preventing unwanted items from damaging the internal components.
Metal cover	The sturdy metal cover reduces the potential for damage over the life of the product.

Service and Support	One-year limited warranty. Additional support is available 24 hours a day, seven days a week by phone as well as online support forms. NOTE: Certain restrictions and exclusions apply. Consult the HP Customer Support Center for details.
----------------------------	---

Compatibility	The HP Notebook Projection Companion is compatible with all HP Business Notebook PCs with a VGA or composite video connector. NOTE: Not all models are available in all regions.
----------------------	--

Technical Specifications

Specifications

Dimensions (H x W x D)	1.6 x 3.6 x 4.4 in (4.0 x 9.3 x 11.1 cm)	
Weight	0.9 lb (0.42 kg)	
Display technology	0.45-in DLP	
Brightness	100 lumens (maximum)	
Contrast ratio	800:1	
Light source	Red/green/blue LED module	
Resolution	SVGA (858 x 600)	
Zoom/focus	Fixed zoom/manual focus	
Projection screen size	15-60 in (38-152 cm)	
Projection distance	8.5 ft (2.6 m)	
Power supply	HP 65W Smart AC Adapter	
Power consumption	58W	
Noise	32dB	
I/O connectors	30-pin Video Cable In VGA Out Composite Video Out	
Power Supply (input)	Rated Voltage	100 to 240 V
	Rated Current	3.5A rms
	Line Frequency	50 - 60 Hz
Temperature	Operating	50° to 95° F (10° to 35° C)
	Non-operating	14° to 140° F (-10° to 60° C)
Relative Humidity	Operating/Non-condensing	10% to 85% relative humidity
	Non-operating	5% to 80% relative humidity, 101.6° F (38.7° C) maximum wet bulb temperature
Maximum Altitude	Operating	0 to 10,000 ft (0 to 3,048 m)
	Non-operating	0 to 40,000 ft (0 to 9,144 m)
Shock	Operating	10 G, 11 ms, half-sine
	Non-operating	100 G, 4 ms, half-sine
Vibration	Operating	0.5 G zero-to-peak, 10 to 300 Hz, 0.25 oct/min sweep rate
	Non-operating	1 G, zero-to-peak, 5 to 200 Hz, 0.5 oct/min sweep rate
Option Kit Contents	HP 65W Smart AC Adapter 30-pin video cable Carrying case Expandable tripod Quick start guide Documentation CD	

Related Options

HP Mobile Audio Speakers	FS944AA
HP Compaq Notebook Combo Lock	AY475AA
HP Optical USB Travel Mouse	RH304AA

**Availability may vary by region.*

© Copyright 2010 Hewlett-Packard Development Company, L.P.

The information contained herein is subject to change without notice.

The only warranties for HP products and services are set forth in the express warranty statements accompanying such products and services. Nothing herein should be construed as constituting an additional warranty. HP shall not be liable for technical or editorial errors or omissions contained herein.