

A776 Two-Color Hybrid Receipt/Slip Printer



POS Hybrid Printers

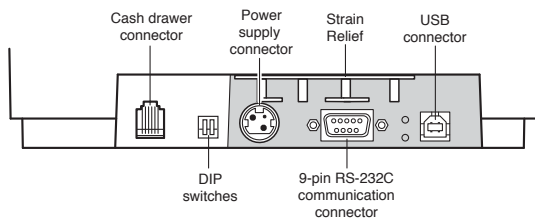
A776

Fast and reliable multifunction POS printer with MICR reader

Designed with over thirty years of retail POS experience, the A776 printer provides fast printing, quiet operation and outstanding reliability within a smaller footprint than any other printer in its class. It features CognitiveTPG's exclusive intelligent power management system to minimize electricity consumption and extend print head life. The A776 meets every retailer's needs to print receipts, validate checks, and print on single or multi-ply forms such as coupons, returns, credits, and service tickets.

- Fast (250 mm/sec) thermal receipt printing on monochrome or two-color paper
- Easy to read text and sharp graphics with 203 dpi thermal printing

- Impact print station supports front insertion slip printing and drop-in slip validation
- Multiple communication interfaces available, including Powered USB
- Quality guaranteed with a two-year factory warranty
- Check 21 Compliant
- Use receipts as a marketing tool with CognitiveTPG's ReceiptWare™
- Built-in MICR reader is standard (Models available without MICR)
- The only POS printer offered with a check & ID imager factory installed or as a field upgrade



RS232 Serial and USB Interface Shown Above

A776

Fast and Reliable Multifunction POS Printer with MICR Reader

Develop Marketing and Security for Added Revenue

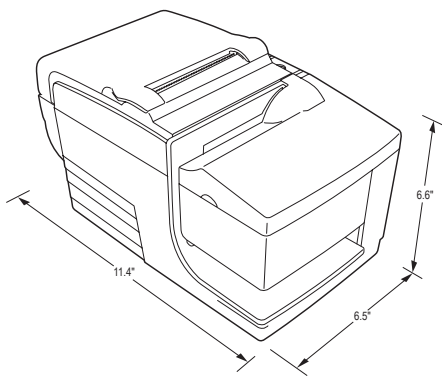
For product promotions and holiday specials, the A776 printer with ReceiptWare can print logos, coupons, and other "attention grabbing" features on monochrome or two-color thermal paper. For security against fraud, the A776 can also print receipts with watermarks.

Multifunctional Printer

The A776 Hybrid printer delivers fast and reliable receipt printing for reduced transaction time and superior customer service. The paper low indicator alerts operators to replace the receipt roll before it interrupts a transaction. The ergonomic impact print station utilizes form-in and alignment sensors to quickly locate checks and slips for printing. The operator only needs to insert a check once to read MICR (with over 99% accuracy) and endorse the check.

Maintenance-Free

The A776 requires no scheduled maintenance for years of trouble-free service. The receipt printer uses commonly available thermal paper rolls and features easy drop-in paper replacement. In the slip printer, changing printer ribbons is a snap with our "clean fingers" ribbon cassette.



Technical Specifications

	Receipt Station	Slip Station
Print Method	Direct Thermal, 203 DPI	9-Pin Impact
Character Cell Size	13 X 24, 10 X 24	7 X 7, 12 X 7, 5 X 9
CPI	15, 6, 20.3	13.9 & 16.8
Print Columns	44 & 56	42 & 51
Print Line Width	2.8 in. (72 mm)	3.02 in. (76.8 mm)
Character Sets	Page 437, 737, 850, 852, 857, 858 (with Eurosymbol), 860, 862, 863, 865, 866, 1252. Contact your rep for expanded character sets.	
Bar Codes	UPC-A, UPC-E, Code 39, Code 93, Code 128, JAN8 and JAN13 (EAN), Interleaved 2 of 5, Codabar, PDF 417 (receipt station only), GS1	
Printing Speed	Monochrome 70.4 LPS (250 mm/sec) 4.8 LPS (16 mm/sec) Two-color 27 LPS (100 mm/sec)	
Auto Cutter	Partial Cut	
Emulations Available	Application compatible escape commands, TPG A756/A758, ColorPOS	
Data Buffer	8K	
User Memory	Up to 2 MB: shared for graphics, logos, user defined characters and user data storage	
Communication	Dual 9-pin RS-232/USB, 25-pin RS-232, Ethernet, and Powered USB	
MICR Reader:		
Character sets/fonts	E-13B and CMC-7, auto discriminate (Integrated in slip station)	
Check Read Rate	99% minimum	
Parsing Formats	E-13B only. Programmable to any format	
Thermal Paper Requirements:		
Paper Type	Direct Thermal, POS Grade(s), Kanzaki P320 color paper	
Paper Roll (W X Dia.)	3.15 in. X 3.27 in. (80 mm X 83 mm)	
Impact Slip Forms:		
Size	2.75 in. X 5.00 in. (69.85 mm x 127.00 mm) minimum front & side	
Max. Form Length	11.00 in. (279.4 mm)	
Number of Plies	1 - 4 ply multipart	
Paper Thickness	0.014 in. maximum (0.35 mm)	
Power	24 VDC	
Certifications	EMC emissions: EN55022:1998 Class B ITE emission requirements (EU); FCC 47 CFR Part 15, Class B emissions requirements (USA), VCCI Class B ITE emissions requirements (Japan); AS/NZS 3548:2002/CISPR22 Class B ITE emission requirements (Australia); EMC Immunity: EN55024:1998/A1:2001 Information technology equipment (EU)	
Reliability	Thermal Print Mechanism - 200 KM paper (59 M lines) monochrome, 200 KM two-color (53 M lines), Auto Knife Cutter - 1.5 M cuts, Impact Print Mechanism - 15 M lines, Impact Printhead - 200 M characters, MICR reader - 200,000 Reads	
Dimensions (W X D X H)	6.5 in. X 11.4 in. X 6.6 in. (165.10 mm X 289.56 mm X 167.64 mm)	
Weight	8 lbs. printer only. 13 lbs. w/carton, pads, and included accessories	
Options	No MICR Reader, Imager	
Printer Drivers	OPOS for Windows XP, & Vista, JPOS for Linux & Windows, Windows Mini Drivers for XP, Vista, & 7, Native USB Driver, RS-232 Emulation Driver for USB	

CognitiveTPG Headquarters

25 Tri-State International, Suite 200, Lincolnshire, IL 60069
Toll Free: 800-732-8950 Phone: 847-383-7900 Fax: 847-383-7949
www.CognitiveTPG.com
Copyright 2008 CognitiveTPG. All Rights Reserved.