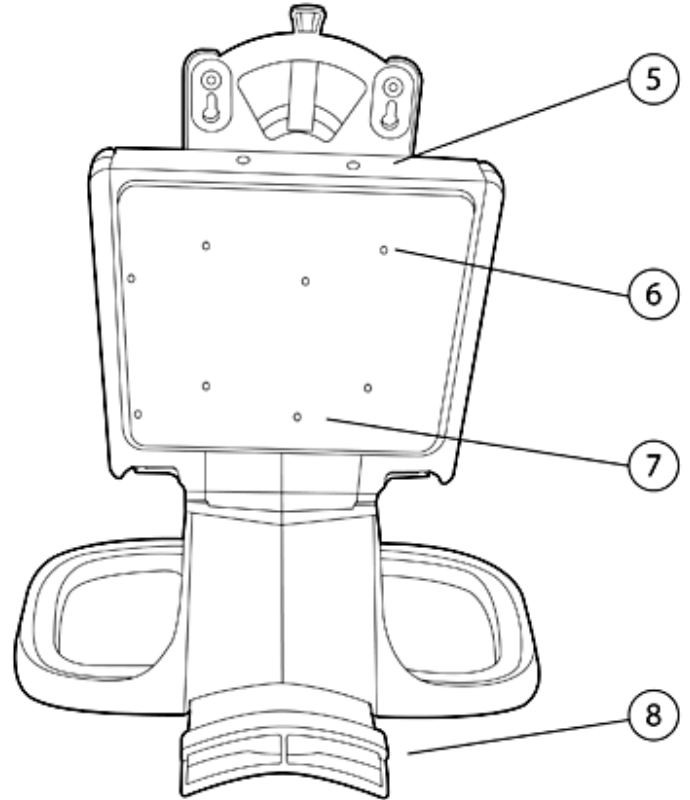
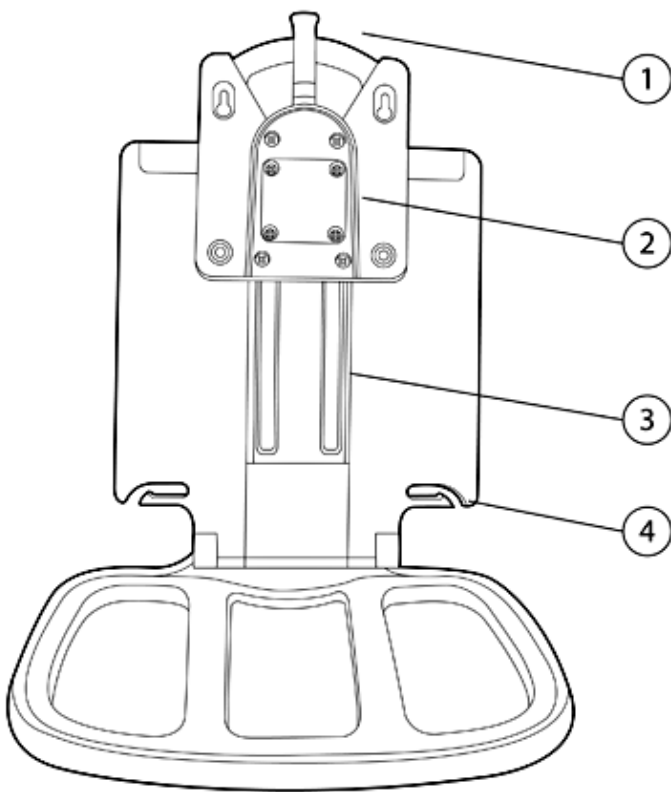


Overview



1. HP Quick Release security screw
2. Integrated HP Quick Release
3. Height-adjustable monitor mount
4. Integrated cable management slots

5. Mounting bracket security screw installation points
6. PC and thin client mounting bracket (unique four-hole pattern for thin clients)
7. PC and thin client mounting bracket (unique four-hole pattern for PCs)
8. Power supply support and rear cable management loops

Models

Part Number: GN783AA#ABA

Introduction

The HP Integrated Work Center Stand allows you to easily attach a 17- to 22-inch HP LCD monitor and an HP Compaq 8000, 8000f Elite or 6005 Pro Ultra-slim Desktop (USDT) PC or select* HP Thin Client on a single stand for the convenience of an "all-in-one" form factor.



Overview

Key features and benefits

- Integrates your HP Compaq 8000, 8000f Elite or 6005 Pro Ultra-slim Desktop PC or select* HP Thin Client and a 17- to 22-inch diagonal HP LCD monitor, allowing you to conveniently put the entire compact system configuration at your fingertips, saving valuable desktop space and making the most efficient use of space-constrained office environments
- Cable management solution keeps the PC and monitor cables together and hidden from view
- Industry-standard VESA mounting bracket accommodates most LCD monitors
- Vertical height adjustment allows the monitor to be adjusted for maximum user comfort
- Built-in HP Quick Release enables easy installation and removal of monitor

Compatibility

The Integrated Work Center Stand is designed to exclusively accommodate the HP Compaq dc7800 or 8000 Elite Ultra-slim Desktop PC or an HP Thin Client and the HP LCD monitors shown below.

Monitor	Monitor Part Number(s)
L1710	GS917AA
LE1711	EM886AA
L1910	GS918AA
LE1911	EM887AA
LE1851w	NK033AA
LE1901w	NK570AA
LE1901wm	NP446A
LE2001w	NK128AA
LE2001wm	VN692AA (available in select regions)
LE2201w	NK571AA
L1745	GE178AA
L1750	GF904AA, GF904A2 (TAA compliant/US only)
LA1751g	EM889AA (available in select regions)
L1950g	KR145AA, KR145A2 (TAA compliant/US only)
LA1951g	EM890AA, EM890A2 (TAA compliant/US only)
L1945w	KD286AA
L1945ww	KH128AA
LA1905wg	NM360AA, NM360A2 (TAA compliant/US only)
LE19f	VV081AA
L2245wg	FL472AA
LA2205wg	NM274AA, NM274A2 (TAA compliant/US only)
LA22f	VU893AA
L2105tm	EM891AA
LP1965	RA373AA, RA374AA
ZR22w	VM626A4

Service and support

The Integrated Work Center Stand carries a one-year limited warranty. Technical support is available seven days a week, 24 hours a day, by phone, as well as online support forums. Certain restrictions and exclusions apply.



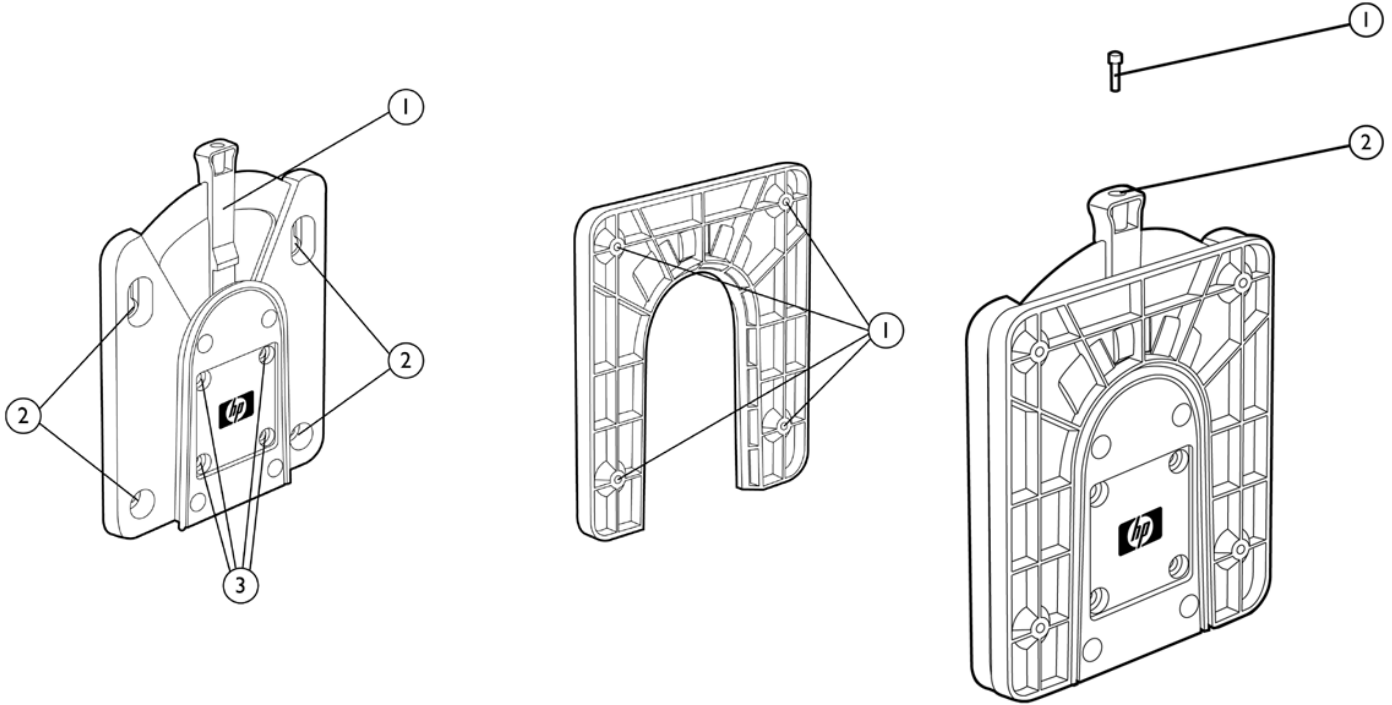
Technical Specifications

Mechanical	Tilt range	-3 to +20 degrees vertical tilt	
	Swivel range	-180° to + 180°	
	Height adjustable	Yes, range:5.3 in (13.5 cm)	
	Pivot rotation	No	
	Dimensions (Unpackaged)	Cable management slot in:	16.5 x 14.5 x 10.25 in (41.91 x 36.83 x 26.06 cm)
		Cable management slot out:	16.5 x 14.5 x 12.25 in (41.91 x 36.83 x 31.12 cm)
	Weight	Unpackaged 6.12 lbs (2.78 kg)	
Other	Accessories included	Exclusive Integrated Work Center VGA video cable, HP Compaq Ultra-slim Desktop cable cover (rear port cover), PC mounting bracket, HP Quick Release, documentation kit, and User CD	
	User guide languages	English, French, German, Spanish, Italian, Dutch, Brazilian Portuguese, Danish, Finnish, Greek, Japanese, Korean, Latin American Spanish, Norwegian, Polish, Russian, Slovenian, Turkish, Swedish, Traditional Chinese, Simplified Chinese	
	Warranty languages	English, German, French, Italian, Spanish and Japanese	
	Color	Carbonite	
	VESA external mounting	Yes (Standard 4 hole pattern, two separate 100 mm patterns on the mounting bracket)	
	Option kit contents	Integrated Work Center Stand and PC mounting bracket, Integrated Work Center VGA video cable, HP Compaq Ultra-slim Desktop cable cover (rear port cover), Quick Release bracket (to attach to back of monitor)	
Supported weight capacity	The Integrated Work Center Stand has been designed to support the weight of a 17-, 19-, or 22-inch diagonal HP LCD monitor only.		



Overview - HP LCD Monitor Quick Release

HP LCD Monitor Quick Release (included)



1. Release/locking
2. Four 100 mm VESA mount screw holes
3. Mounting holes for attachment to back of monitor stands

1. Four 100 mm VESA mount screw holes

1. Locking pin screw
2. Locking pin hole on release/locking arm

Introduction

The HP Quick Release, which ships standard with the HP Integrated Work Center Stand, is an easy to use, 100 mm VESA-compliant, LCD monitor mounting solution that allows you to quickly and securely attach an LCD monitor to a variety of stands, brackets, arms, wall mounts or to an HP Ultra-slim Desktop PC or Thin Client. The failsafe "Sure-Lock" mechanism snaps the monitor (or mounted device) securely in place, and can be further secured with a theft-deterrent security screw.

Technical Specifications - HP LCD Monitor Quick Release

Mechanical	Dimensions (H x W x D)	Packaged:	7.8 x 6.25 x 1.5 in (19.8 x 15.9 x 3.8 cm)
		Unpackaged:	6.3 x 5.2 x 0.65 in (16 x 13.2 x 1.65 cm)
	Weight	Packaged:	1.1 lb (0.49 kg)
		Unpackaged:	0.82 lb (0.37 kg)
Additional components	<ul style="list-style-type: none">• Eight 10 mm mounting screws (for attachment to VESA compliant monitor mounts)• Eight 15.5 mm mounting screws (for attachment to HP Compaq t5000 Thin Client products)• Four 20 mm mounting screws (for attachment to back of select HP LCD monitor stands)• One Quick Release "locking" screw		
Color	Carbonite		
Notes	<ol style="list-style-type: none">1. No HP monitors allow positioning of a thin client product between a monitor screen and its stand.2. The Quick Release device is not to be used between a monitor screen and its stand unless provided that way from the factory.3. Under no circumstances is the Quick Release device intended to be used in an orientation where the Release/Lock lever is oriented downward.		
Supported weight capacity	The HP Quick Release has been designed to support a maximum of up to 24 lbs (10.9 kg) depending upon the mounting configuration used. Please note this is a total weight limit for all devices mounted, i.e. the combined weight of the monitor and a second device such as an HP Thin Client cannot exceed 24 pounds. Because mounting surfaces vary widely and the final mounting method and configuration may vary, mounting fasteners are not supplied (other than the VESA-compliant screws). HP recommends that you consult with a qualified engineering, architectural or construction professional to determine the appropriate type and quantity of mounting fasteners required for your application and to ensure that your mounting solution is properly installed to support applied loads.		

© 2009, 2010, 2011 Hewlett-Packard Development Company, L.P.

The information contained herein is subject to change without notice. The only warranties for HP products and services are set forth in the express warranty statements accompanying such products and services. Nothing herein should be construed as constituting an additional warranty. HP shall not be liable for technical or editorial errors or omissions contained herein.

