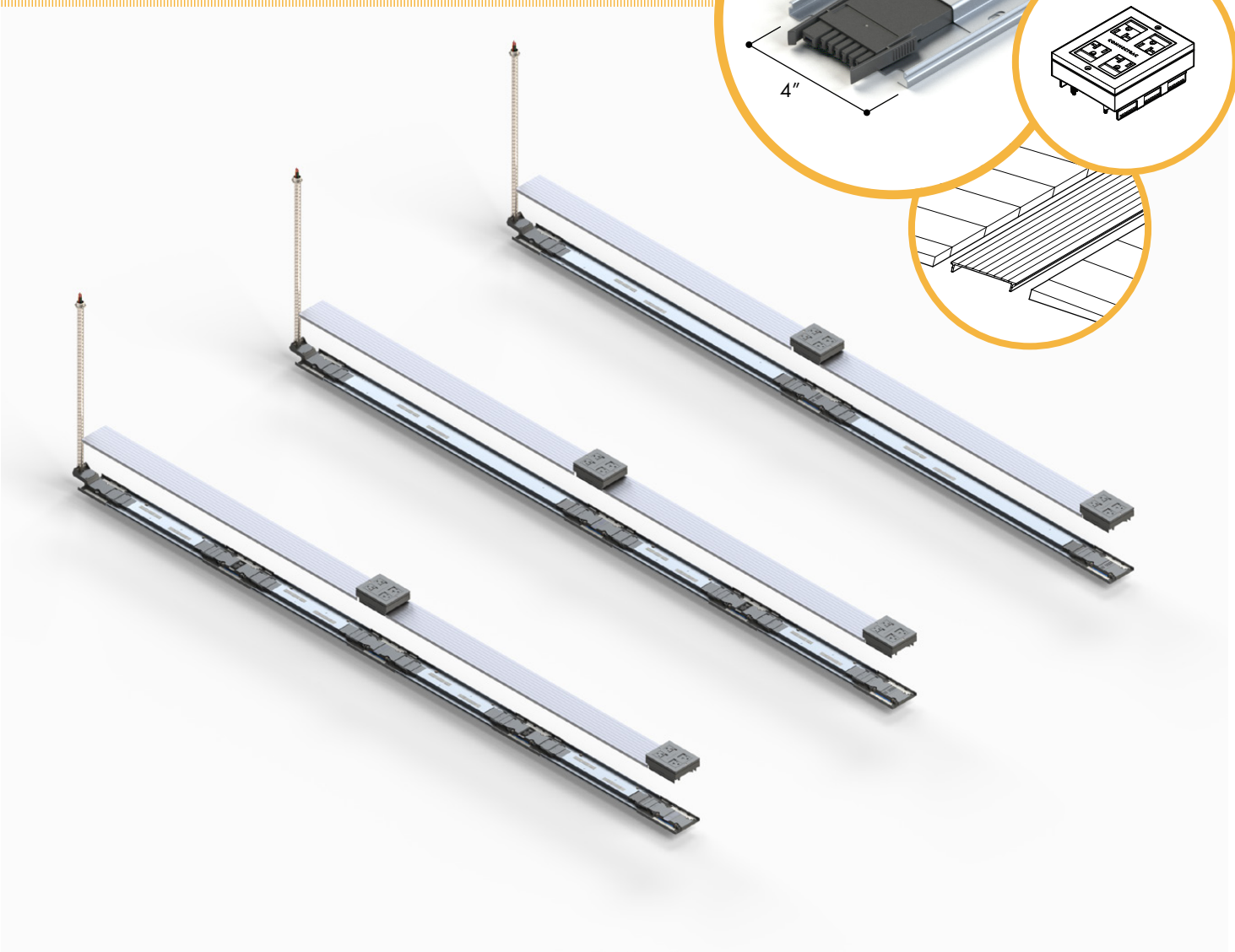
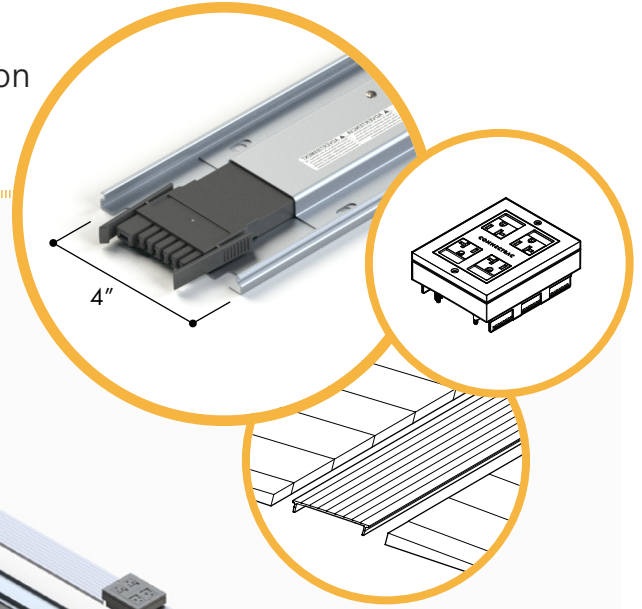


# TECHNICAL GUIDE

A complete handbook of Flex™ technical information



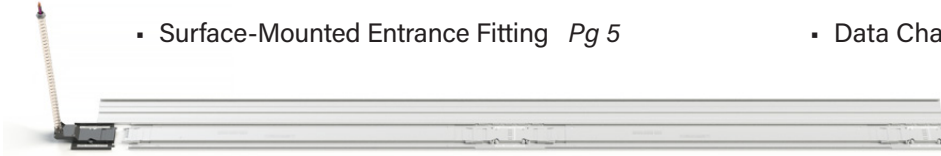
## General Info & Questions

Contact us any time! |  877.480.5637 |  info@connectrac.com |  connectrac.com

# TABLE OF CONTENTS

## **A** ENTRANCE FITTING

- In-Wall Entrance Fitting *Pg 4*
- Surface-Mounted Entrance Fitting *Pg 5*
- Base Trim *Pg 6*
- Data Channel Walltrac *Pg 7*



## **B** RACEWAY

- Powertracs *Pg 8*
- Power Hub *Pg 9*
- Power End Hub *Pg 10*
- Powertrac Extender *Pg 11*
- Powertrac Corner *Pg 12*
- Top Cover - FX *Pg 13*
- Top Cover - ON *Pg 14*
- Ramps - FX *Pg 15-17*  
Transition, Corner, End
- Ramps - ON *Pg 18-20*  
Transition, Corner, End
- Data Channel *Pg 21*
- Data Corner *Pg 22*



## **C** POWER DEVICE

- Hubcap *Pg 23*
- Receptacle Device *Pg 24*
- Hardwire Device *Pg 25*

## **C** DATA DEVICE

- Grommet *Pg 26*
- Data Device *Pg 27*
- A/V Device *Pg 28*



## **i** ACCESSORIES

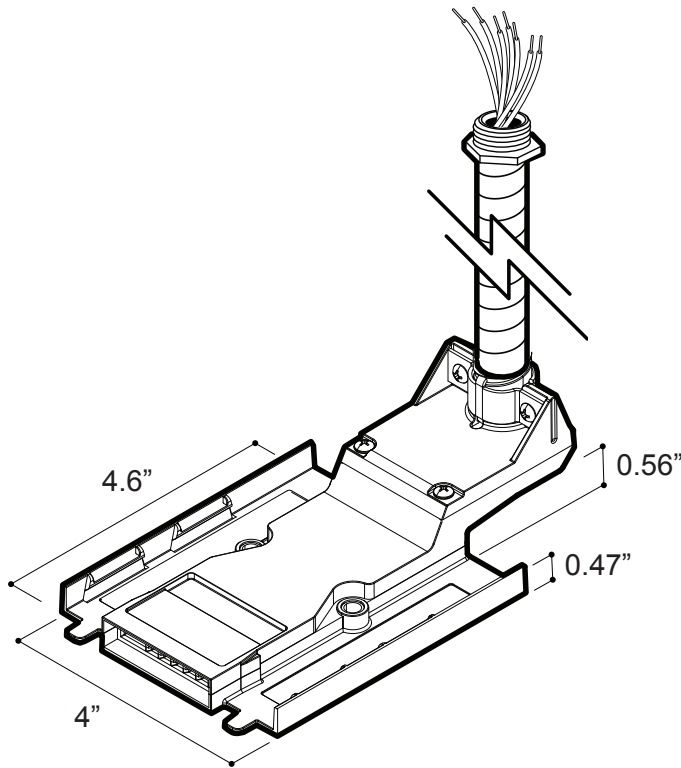
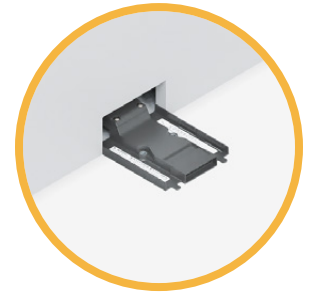
- Vertical Wire Manager *Pg 29*
- Rough-In Frame *Pg 30*
- Clips, Screws *Pg 31, 32*

# TABLE OF CONTENTS

## **ADDITIONAL INFORMATION**

- Electrical Wiring Diagram *Pg 33*
  - Wireway Capacity & Dimensions *Pg 34*
  - Flex Bend Radius Info *Pg 35*
  - UL Part Numbers List *Pg 36-37*
  - Colors + Finishes *Pg 38*
-

# IN-WALL ENTRANCE FITTING



## Specifications

**Material**  
PC Plastic  
Galvanized Steel

**Country of Origin**  
Taiwan

**Compliance**  
Listed to UL 111 standards in the US, and CSA 22.2 No. 62 standards in Canada

## Description

Entrance Fittings are quick connectors that power the entire Flex raceway by converting the building mains power to the Flex 4-circuit power system. The In-Wall Entrance Fitting starts at the wall and is used when power/data cabling is running INSIDE the wall. It is attached to a flexible steel conduit that is pre-wired and available in two lengths (15', 30'). The flexible conduit includes a 1/2" knockout fitting and typically connects to a junction box in the wall or ceiling.

## Ordering Information

Simply order the Flex Codes you need for your raceway, and we'll provide your system's detailed part numbers on your bill of materials (BOM) and packing list.

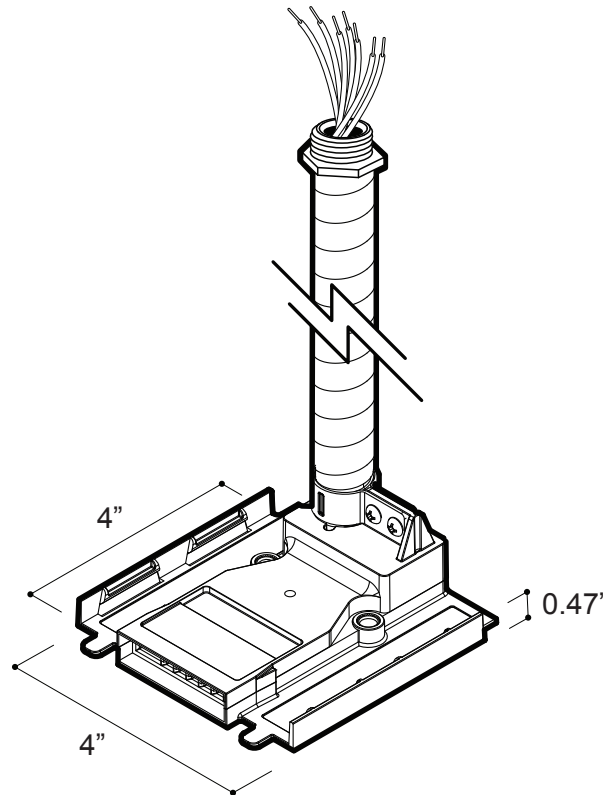
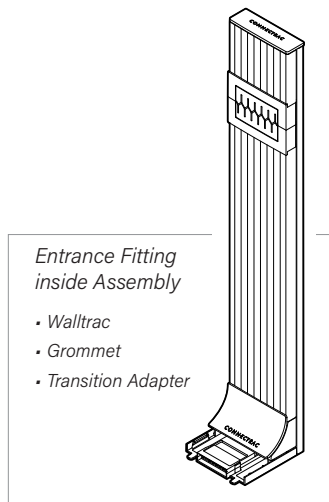
### Flex Codes\*

A1.15, A1.30

Associated Part Number	Description
CT.A1.1-15.4c	ENTRANCE FITTING 1. IN-WALL w/ 15' pre-wired conduit. 4-circuit.
CT.A1.1-30.4c	ENTRANCE FITTING 1. IN-WALL w/ 30' pre-wired conduit. 4-circuit.

\*See Flex Spec Guides for Flex Code specification instructions.

# SURFACE-MOUNTED ENTRANCE FITTING



## Specifications

**Material**  
PC Plastic  
Galvanized Steel

**Color**  
Silver

**Country of Origin**  
Taiwan

**Compliance**  
Listed to UL 111 standards in the US, and CSA 22.2 No. 62 standards in Canada

## Description

Entrance Fittings are quick connectors that power the entire Flex raceway by converting the building mains power to the Flex 4-circuit power system. The Surface-Mounted Entrance Fitting starts at the wall and is used when power/data cabling is running OUTSIDE the wall. It is attached to a flexible steel conduit that is pre-wired and available in three lengths (3', 15', 30'). The flexible conduit includes a 1/2" knockout fitting and typically connects to a junction box in the wall or ceiling. All surface mounted Entrance fittings come with a wall channel kit that encases the conduit in an aluminum extrusion.

## Ordering Information

Simply order the Flex Codes you need for your raceway, and we'll provide your system's detailed part numbers on your bill of materials (BOM) and packing list.

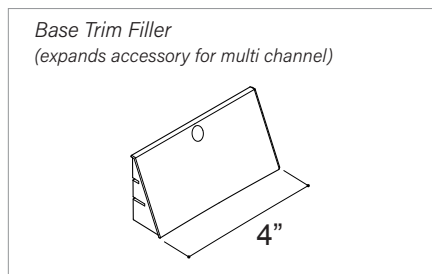
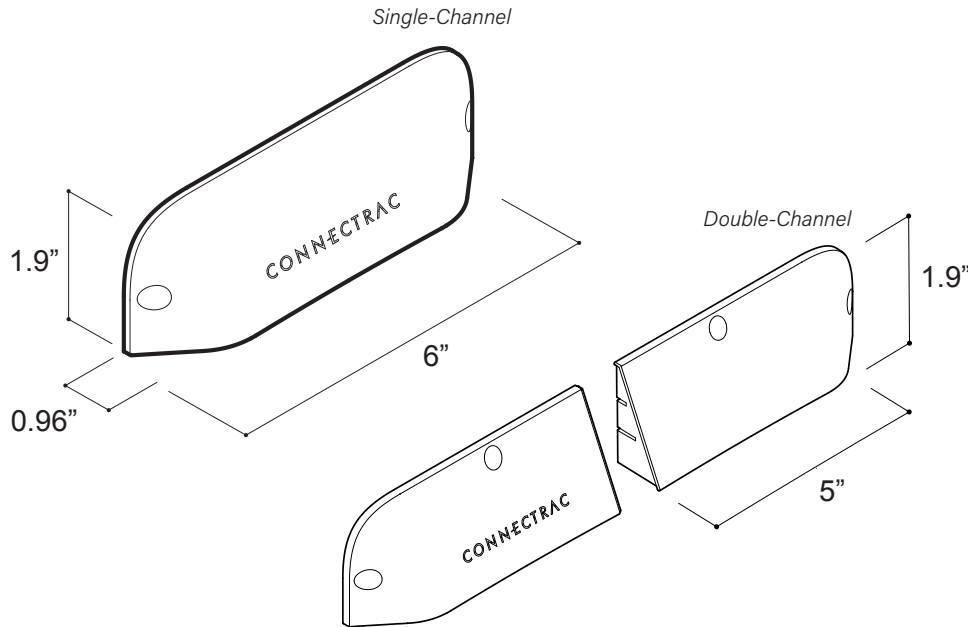
### Flex Codes\*

A2.3, A2.15, A2.30

Associated Part Number	Description
CT.A2.1-02-03.4c	ENTRANCE FITTING 2. SURFACE-MOUNTED w/ 2' Walltrac & 3' pre-wired conduit. 4-circuit.
CT.A2.1-12-15.4c	ENTRANCE FITTING 2. SURFACE-MOUNTED w/ 12' Walltrac & 15' pre-wired conduit. 4-circuit.
CT.A2.1-12-30.4c	ENTRANCE FITTING 2. SURFACE-MOUNTED w/ 12' Walltrac & 30' pre-wired conduit. 4-circuit.

\*See Flex Spec Guides for Flex Code specification instructions.

# BASE TRIM



## Specifications

**Material**  
PC Plastic

**Color**  
Dark Gray

**Country of Origin**  
Taiwan

**Compliance**  
Listed to UL 111 standards in the US, and CSA 22.2 No. 62 standards in Canada

## Description

Base Trim covers the hole in the wall and is placed at the entrance of the raceway.

## Ordering Information

Simply order the Flex Codes you need for your raceway, and we'll provide your system's detailed part numbers on your bill of materials (BOM) and packing list.

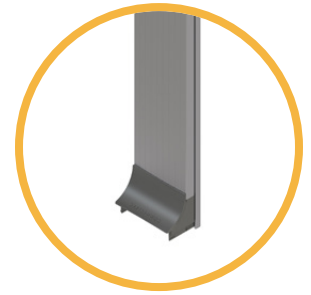
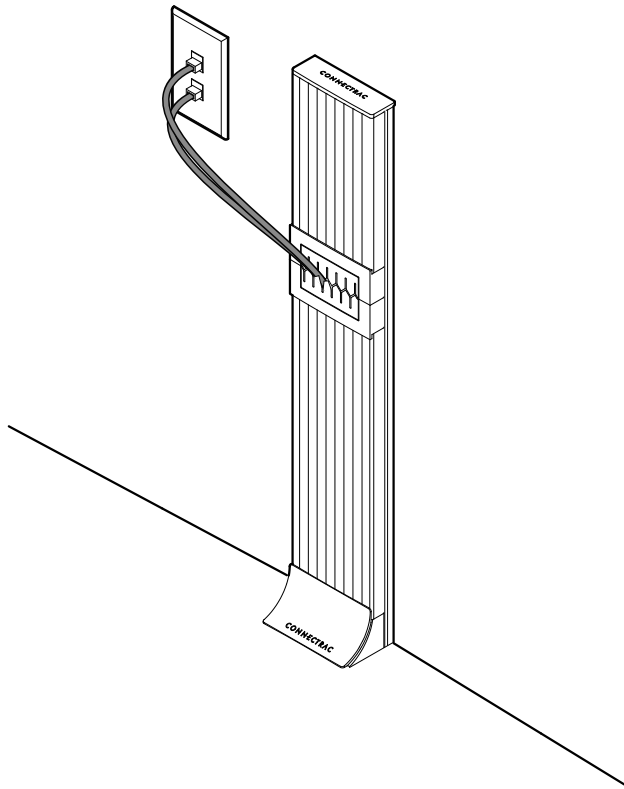
### Flex Codes\*

N/A - Comes with A series Flex Codes

Associated Part Number	Description
CT.AC-BTR11-DG	BASE TRIM 1 accessory for single-channel raceway. Hides openings in walls or furniture. DARK GRAY.
CT.AC-BTR21-DG	BASE TRIM 2 accessory for double-channel raceway. Hides openings in walls or furniture. DARK GRAY.
CT.AC-BTR2F1-DG	BASE TRIM FILLER accessory. Expands Base Trim 2 to accommodate 3 or more channels. DARK GRAY.

\*See Flex Spec Guides for Flex Code specification instructions.

# DATA CHANNEL WALLTRAC



## Specifications

**Material**  
PC Plastic  
Galvanized Steel

**Color**  
Silver

**Country of Origin**  
US & China

**Compliance**  
Listed to UL 111 standards in the US, and CSA 22.2 No. 62 standards in Canada

## Description

A Data Channel Walltrac is an extruded aluminum encasement that sits on the outside of a wall, and connects to a Datatrac. This is used to cover the data cables that come from the building.

## Ordering Information

*Simply order the Flex Codes you need for your raceway, and we'll provide your system's detailed part numbers on your bill of materials (BOM) and packing list.*

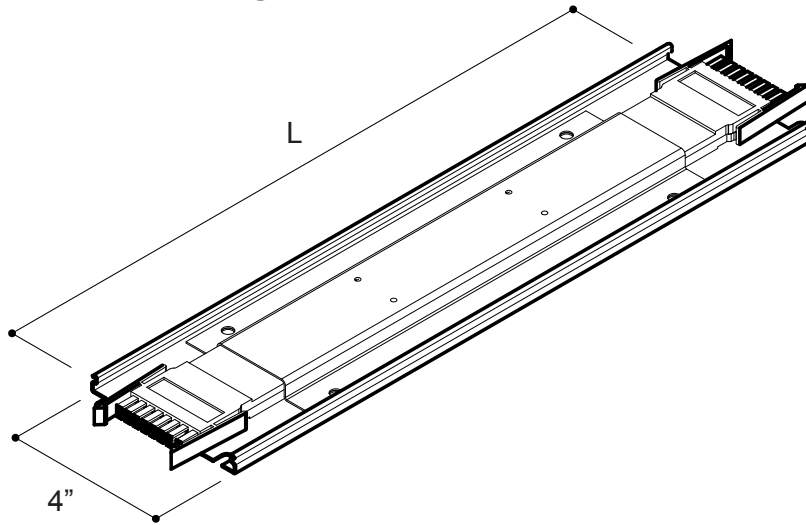
### Flex Codes\*

N/A - Contact us to order

Associated Part Number	Description
CT.B.WT.1-02-SV	2' RACEWAY WALLTRAC surface-mounted top cover & datatrac. SILVER.
CT.B.WT.1-12-SV	12' RACEWAY WALLTRAC surface-mounted top cover & datatrac. SILVER.

\*See Flex Spec Guides for Flex Code specification instructions.

# POWERTRAC



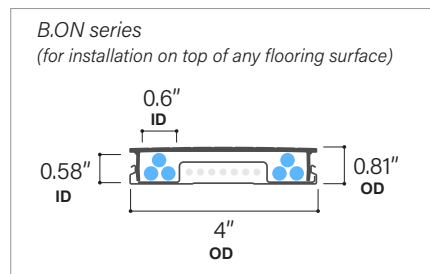
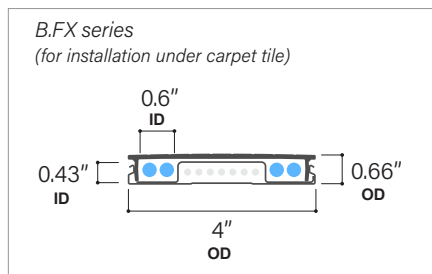
## Specifications

**Material**  
PC Plastic  
Galvanized Steel

**Country of Origin**  
Taiwan

**Compliance**  
Listed to UL 111 standards in the US, and CSA 22.2 No. 62 standards in Canada

Measurements with Top Covers installed and typical data capacity shown:



## Description

Powertracs are pre-wired raceway segments available in five nominal lengths (2', 3', 4', 5', 6') that come complete with Top Covers and Transition Ramps. Each Powertrac has modular connectors on each end that easily snap into an Entrance Fitting, Powertrac Extender, Powertrac Corner, Power Hub, or Power End Hub to build your Flex raceway.

## Ordering Information

Simply order the Flex Codes you need for your raceway, and we'll provide your system's detailed part numbers on your bill of materials (BOM) and packing list.

### Flex Codes\*

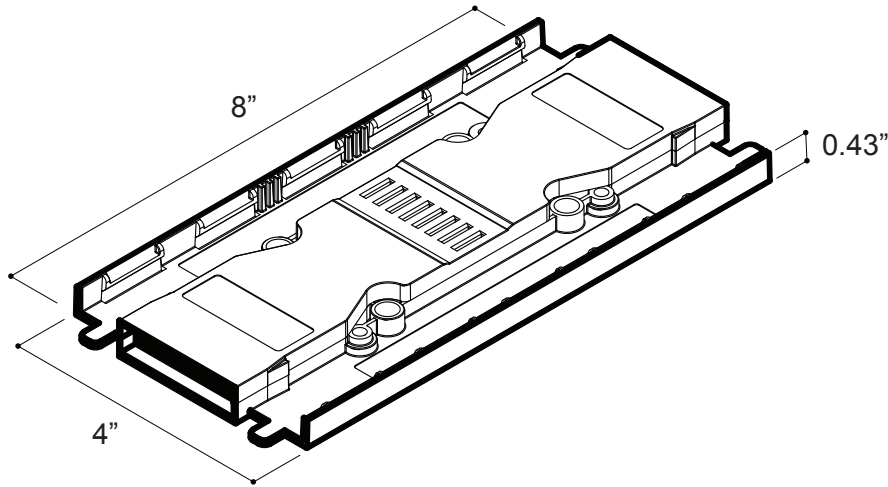
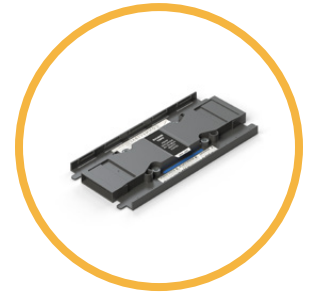
#### B.FX series, B.ON series

Associated Part Number	Description
CT.B.PT.4c.1-02	2' RACEWAY POWERTRAC pre-wired straight segment. 4-circuit.
CT.B.PT.4c.1-03	3' RACEWAY POWERTRAC pre-wired straight segment. 4-circuit.
CT.B.PT.4c.1-04	4' RACEWAY POWERTRAC pre-wired straight segment. 4-circuit.
CT.B.PT.4c.1-05s	5' RACEWAY POWERTRAC pre-wired straight segment. 4-circuit.
CT.B.PT.4c.1-06s	6' RACEWAY POWERTRAC pre-wired straight segment. 4-circuit.

\*See Flex Spec Guides for Flex Code specification instructions.



# POWER HUB



## Specifications

**Material**  
PC Plastic

**Country of Origin**  
Taiwan

**Compliance**  
Listed to UL 111 standards in the US, and CSA 22.2 No. 62 standards in Canada

## Description

A Power Hub provides access to power devices, such as a Receptacle Device. It also has modular connectors on each end that easily snap into a Powertrac or Powertrac Extender to build your Flex raceway.

## Ordering Information

*Simply order the Flex Codes you need for your raceway, and we'll provide your system's detailed part numbers on your bill of materials (BOM) and packing list.*

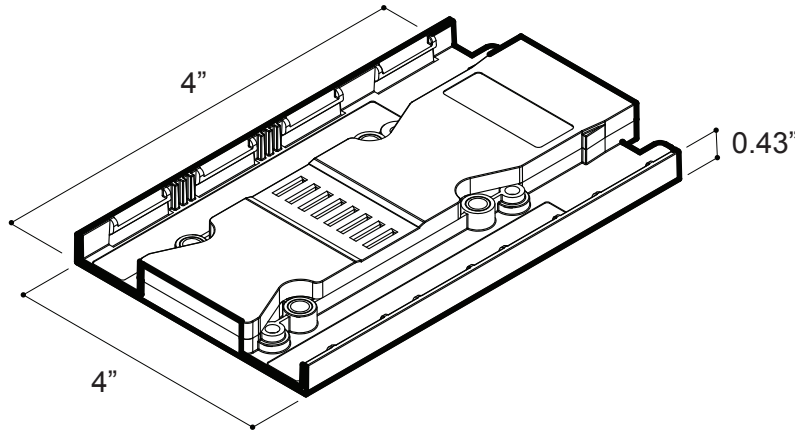
### Flex Codes\*

#### B.HUB

Associated Part Number	Description
CT.B.PH.4c.1	RACEWAY POWER HUB. Device connection point & Powertrac coupler. 4-circuit.

\*See Flex Spec Guides for Flex Code specification instructions.

# POWER END HUB



## Specifications

**Material**  
PC Plastic

**Country of Origin**  
Taiwan

**Compliance**  
Listed to UL 111 standards in the US, and CSA 22.2 No. 62 standards in Canada

## Description

A Power End Hub **MUST** be used to end every Flex raceway. It provides access to power devices, such as a Receptacle Device, and has a modular connector on one end that easily snaps into a Powertrac or Powertrac Extender.

## Ordering Information

*Simply order the Flex Codes you need for your raceway, and we'll provide your system's detailed part numbers on your bill of materials (BOM) and packing list.*

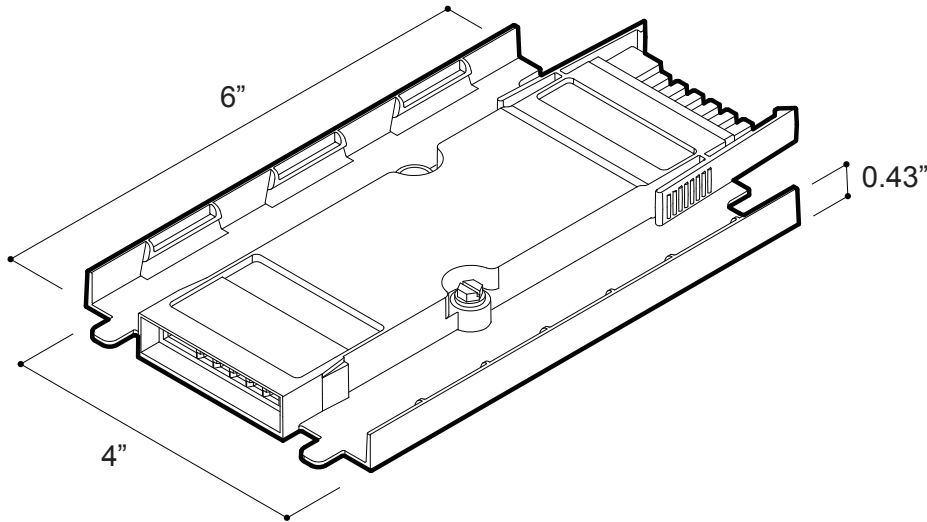
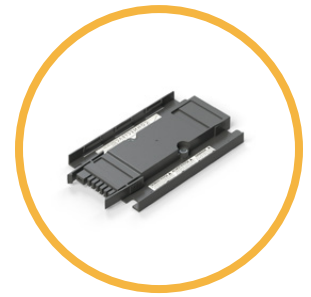
### Flex Codes\*

#### B.HUB

Associated Part Number	Description
CT.B.PHE.4c.1	RACEWAY POWER END HUB. Required to finish any powered run. 4-circuit.

\*See Flex Spec Guides for Flex Code specification instructions.

# POWERTRAC EXTENDER



## Specifications

**Material**  
PC Plastic

**Color**  
Dark Gray

**Country of Origin**  
Taiwan

**Compliance**  
Listed to UL 111 standards in the US, and CSA 22.2 No. 62 standards in Canada

## Description

A Powertrac Extender adds 6" to any standard Powertrac length. On one end it has modular connectors that easily snap into a Powertrac or Powertrac Extender, and the other end has modular connectors that connect to an Entrance Fitting, Hub, or End Hub.

## Ordering Information

*Simply order the Flex Codes you need for your raceway, and we'll provide your system's detailed part numbers on your bill of materials (BOM) and packing list.*

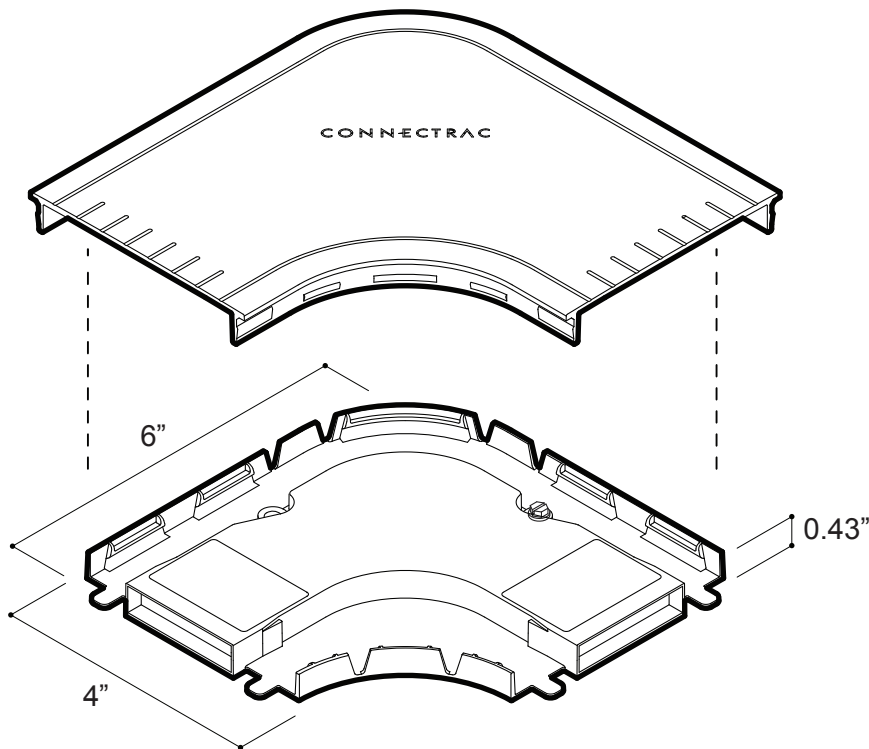
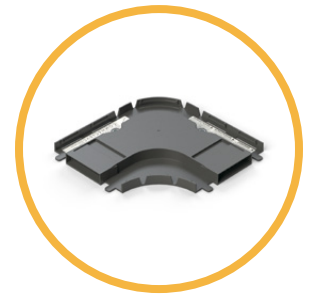
### Flex Codes\*

B.FX series, B.ON series

Associated Part Number	Description
CT.B.PT.4c-EXT.1-0.5	0.5' RACEWAY POWERTRAC EXTENDER. 6" Powertrac raceway extension. 4-circuit.

\*See Flex Spec Guides for Flex Code specification instructions.

# POWERTRAC CORNER



## Specifications

**Material**  
PC Plastic

**Color**  
Dark Gray

**Country of Origin**  
Taiwan & China

**Compliance**  
Listed to UL 111 standards in the US, and CSA 22.2 No. 62 standards in Canada

## Description

A Powertrac Corner connects Powertracs at a 90° angle. It also has modular connectors on each end that easily snap into a Powertrac or Powertrac Extender to build your Flex raceway.

## Ordering Information

*Simply order the Flex Codes you need for your raceway, and we'll provide your system's detailed part numbers on your bill of materials (BOM) and packing list.*

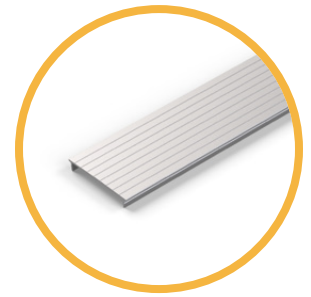
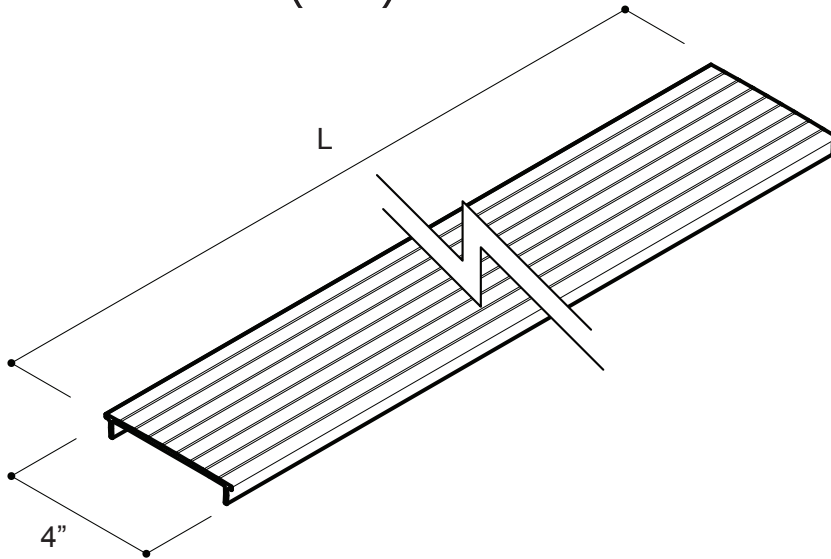
### Flex Codes\*

B.FX series, B.ON series

Associated Part Number	Description
CT.B.PT.4c-C90.1-FX	RACEWAY POWERTRAC CORNER: FLEX. 90 degree corner top cover & bottom. 4-circuit.
CT.B.PT.4c-C90.1-OM-DG	RACEWAY POWERTRAC CORNER: FLEX-ON/FLEX-MAX. 90 degree corner top cover & bottom. 4-ckt. DARK GRAY.

\*See Flex Spec Guides for Flex Code specification instructions.

# TOP COVER (FX)

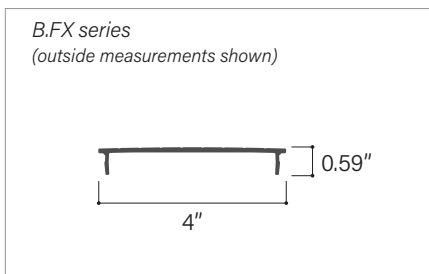


## Specifications

**Material**  
Aluminum

**Color**  
Silver

**Country of Origin**  
United States



## Description

Top Covers are included with every Flex raceway order. They conceal and protect Powertracs, Powertrac Extenders, and Datatracs. Top Covers for the Flex under-carpet system are hidden under the carpet tile.

## Ordering Information

Simply order the Flex Codes you need for your raceway, and we'll provide your system's detailed part numbers on your bill of materials (BOM) and packing list.

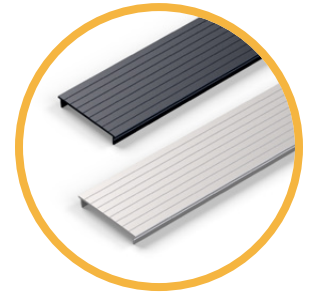
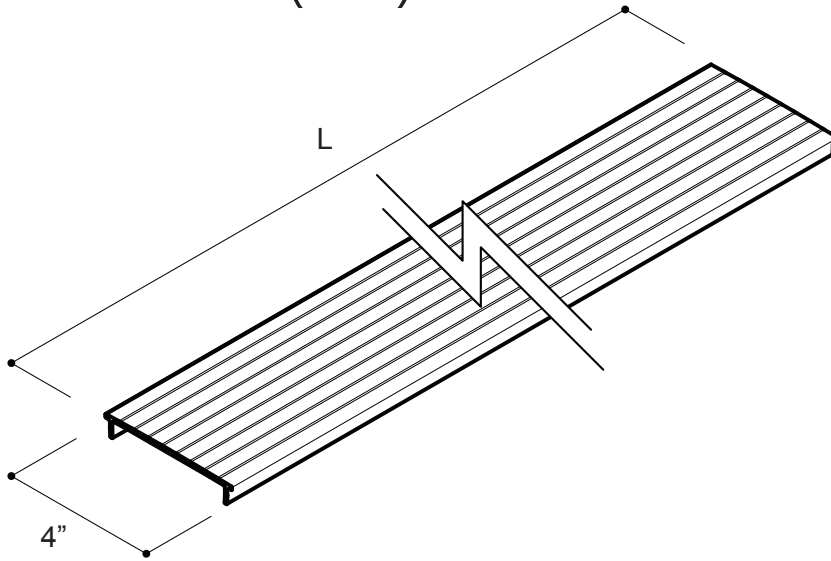
### Flex Codes\*

N/A - included with B.FX series Flex Codes

Associated Part Number	Description
CT.01-TC-FX.1-03	3' TOP COVER: FLEX/EXPRESS.

\*See Flex Spec Guides for Flex Code specification instructions.

# TOP COVER (ON)

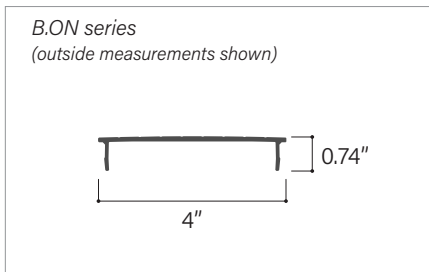


## Specifications

**Material**  
Aluminum

**Color Options**  
Dark Gray  
Silver

**Country of Origin**  
United States



## Description

Top Covers are included with every Flex raceway order. They conceal and protect Powertracs, Powertrac Extenders, and Datatracs. Top Covers for the Flex on-floor system are visible on top of the flooring surface and are available in a standard Silver finish or an optional Dark Gray finish for an extra charge.

## Ordering Information

*Simply order the Flex Codes you need for your raceway, and we'll provide your system's detailed part numbers on your bill of materials (BOM) and packing list.*

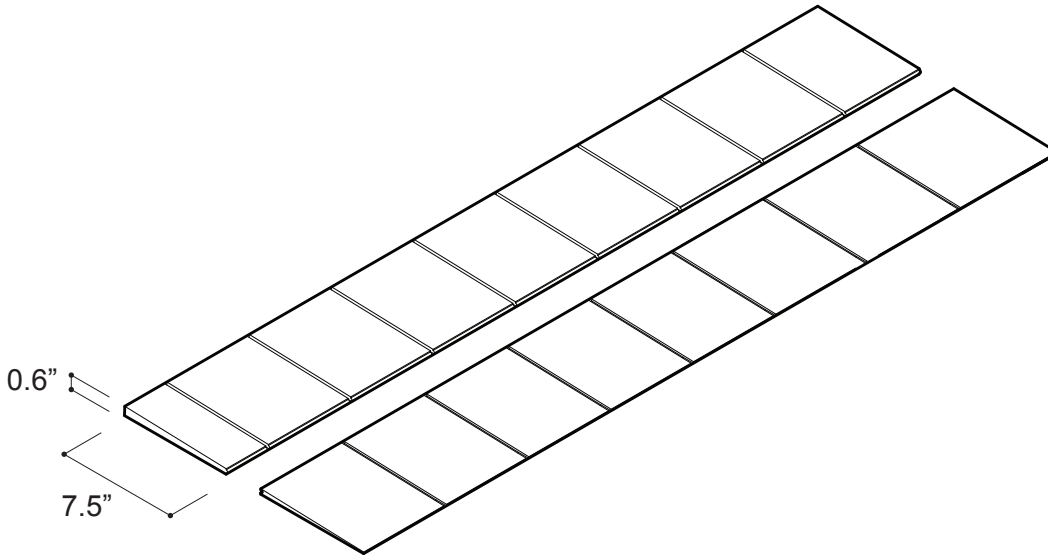
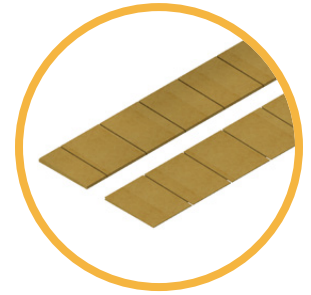
### Flex Codes\*

N/A - included with B.ON Flex Codes

Associated Part Number	Description
CT.01-TC-OM.1-03-DG	3' TOP COVER: FLEX-ON/FLEX-MAX. DARK GRAY.
CT.01-TC-OM.1-03-SV	3' TOP COVER: FLEX-ON/FLEX-MAX. SILVER.
CT.01-TC-OM.1-06-DG	6' TOP COVER: FLEX-ON/FLEX-MAX. DARK GRAY.
CT.01-TC-OM.1-06-SV	6' TOP COVER: FLEX-ON/FLEX-MAX. SILVER.

*\*See Flex Spec Guides for Flex Code specification instructions.*

# TRANSITION RAMPS (FX)



## Specifications

**Material**  
Moisture-resistant MDF

**Country of Origin**  
United States

## Description

Transition Ramps sit adjacent to a Powertrac or Datatrac, and provide an ADA compliant transition from the raceway to the surrounding flooring.

## Ordering Information

*Simply order the Flex Codes you need for your raceway, and we'll provide your system's detailed part numbers on your bill of materials (BOM) and packing list.*

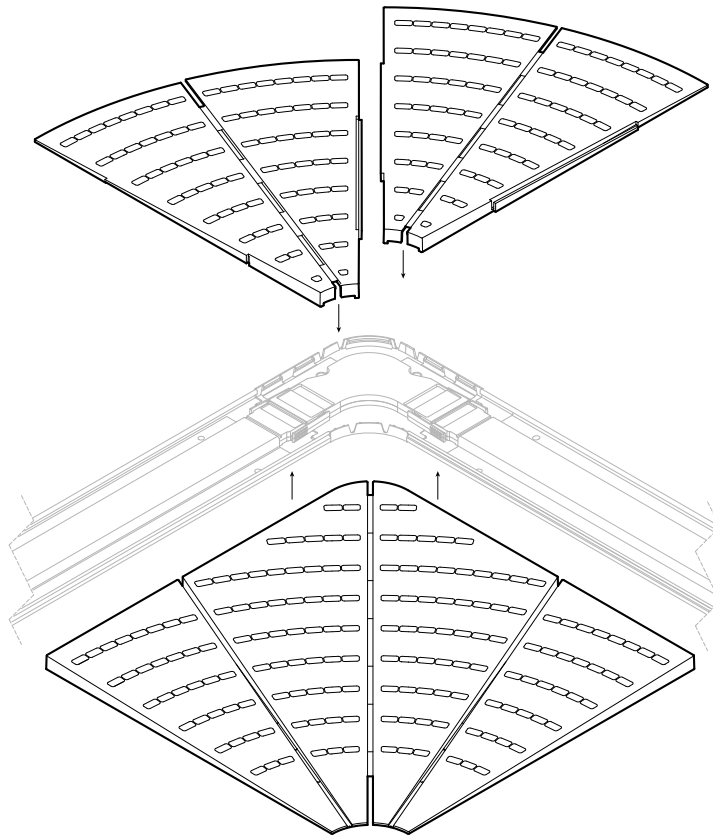
### Flex Codes\*

N/A - included with B.FX series Flex Codes

Associated Part Number	Description
CT.02-FM-SRS.1-01	1' SIDE RAMP SET: FLEX/FLEX-MAX (2) 1' sets. [2 linear feet/1' per side].
CT.02-FM-SRS.1-03	3' SIDE RAMP SET: FLEX/FLEX-MAX. (2) 3' sets. [6 linear feet/3' per side].
CT.02-FM-SRS.1-06	6' SIDE RAMP SET: FLEX/FLEX-MAX. (2) 6' sets. [12 linear feet/6' per side].

*\*See Flex Spec Guides for Flex Code specification instructions.*

# CORNER RAMPS (FX)



## Specifications

**Material**  
PC Plastic

**Color**  
Dark Gray

**Country of Origin**  
China

## Description

Corner Ramps sit adjacent to Power and Data Corners, and help to transition the flooring material from the raceway to the surrounding flooring.

## Ordering Information

*Simply order the Flex Codes you need for your raceway, and we'll provide your system's detailed part numbers on your bill of materials (BOM) and packing list.*

### Flex Codes\*

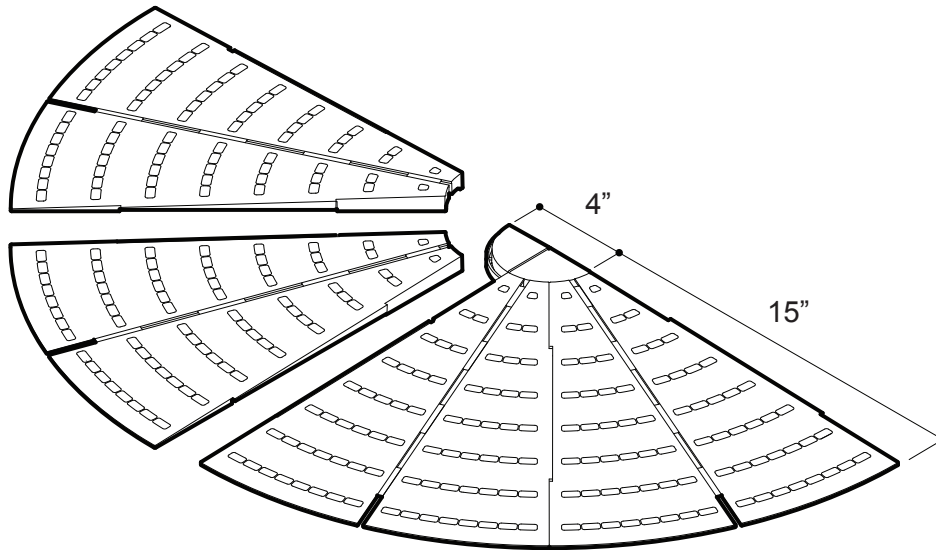
N/A - included with B.FX series Flex Codes

Associated Part Number	Description
CT.02-FM-C90.1	CORNER RAMPS: FLEX/FLEX-MAX/EXPRESS 90 degree corner ramps.

*\*See Flex Spec Guides for Flex Code specification instructions.*



# END RAMP (FX)

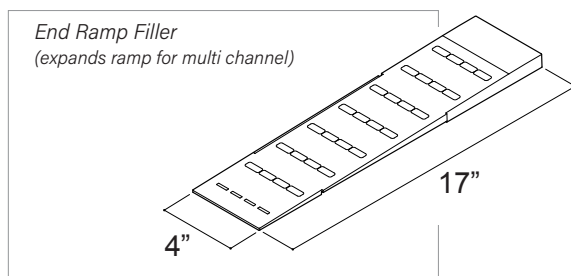


## Specifications

**Material**  
PC Plastic

**Color**  
Dark Gray

**Country of Origin**  
China



## Description

End Ramps sit at the end of a Powertrac or Datatrak, and help to transition the flooring material from the raceway to the surrounding flooring.

## Ordering Information

*Simply order the Flex Codes you need for your raceway, and we'll provide your system's detailed part numbers on your bill of materials (BOM) and packing list.*

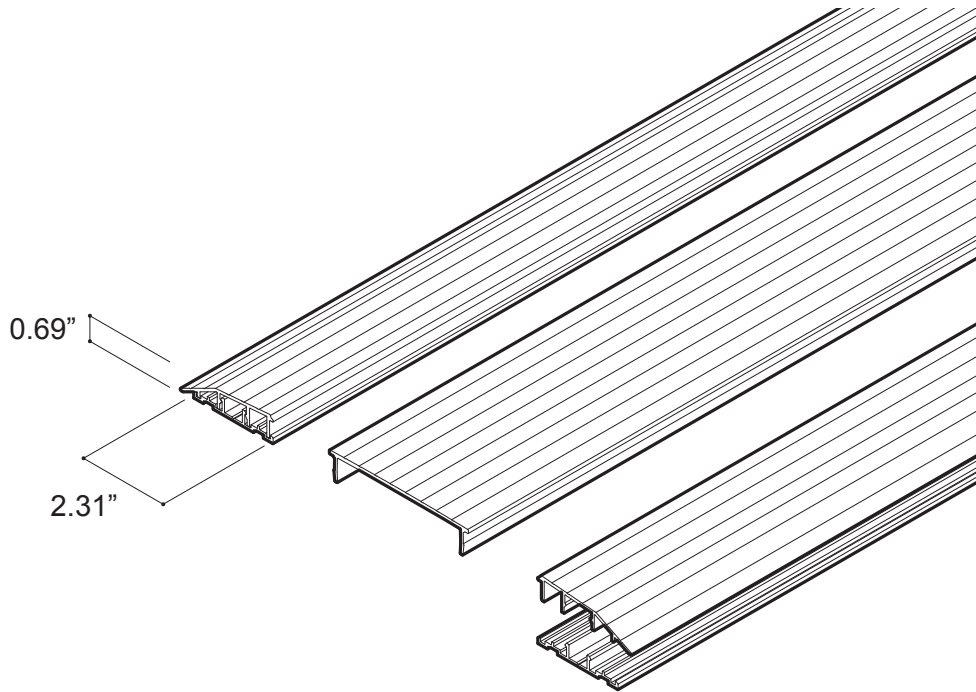
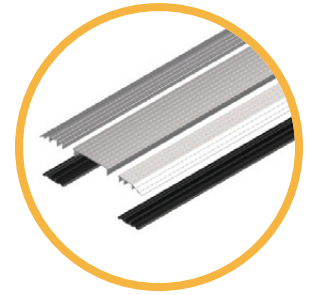
### Flex Codes\*

N/A - included with B.FX series Flex Codes

Associated Part Number	Description
CT.02-FM-ER.1	END RAMP: FLEX/FLEX-MAX end-of-raceway transition ramps.
CT.02-FM-ERF.1	END RAMP FILLER: FLEX/FLEX-MAX raceway filler piece for ganging raceways.

\*See Flex Spec Guides for Flex Code specification instructions.

# TRANSITION RAMPS (ON)



## Specifications

**Material**  
Aluminum

**Color Options**  
Dark Gray  
Silver

**Country of Origin**  
United States

## Description

On Floor Transition Ramps sit adjacent to the Powertrac and Datatrac, and provide an ADA compliant transition over the Connectrac Flex Raceway. Paired with On Floor Top Covers.

## Ordering Information

*Simply order the Flex Codes you need for your raceway, and we'll provide your system's detailed part numbers on your bill of materials (BOM) and packing list.*

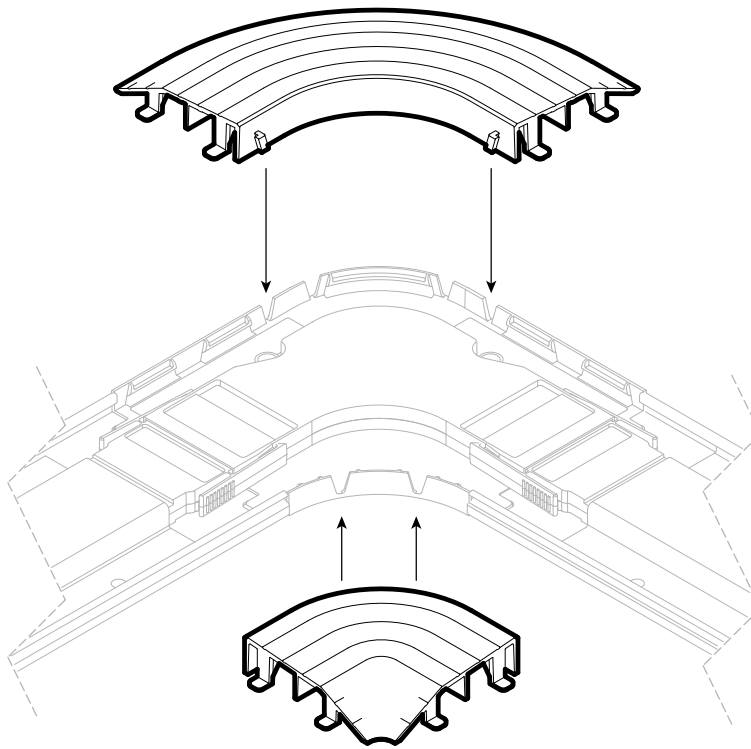
### Flex Codes\*

N/A - included with B.ON series Flex Codes

Associated Part Number	Description
CT.B.RCR.1-ON-03-DG	3' RACEWAY TOP COVER & (2) 3' SIDE RAMPS: FLEX-ON. DARK GRAY.
CT.B.RCR.1-ON-06-DG	6' RACEWAY TOP COVER & (2) 6' SIDE RAMPS: FLEX-ON. DARK GRAY.
CT.B.RCR.1-ON-03-SV	3' RACEWAY TOP COVER & (2) 3' SIDE RAMPS: FLEX-ON. SILVER.
CT.B.RCR.1-ON-06-SV	6' RACEWAY TOP COVER & (2) 6' SIDE RAMPS: FLEX-ON. SILVER.

\*See Flex Spec Guides for Flex Code specification instructions.

# CORNER RAMPS (ON)



## Specifications

**Material**  
PC Plastic

**Color**  
Dark Gray

**Country of Origin**  
China

## Description

On Corner Ramps sit adjacent to the Power and Data corner, and provide an ADA compliant transition over the Connectrac Flex Raceway.

## Ordering Information

*Simply order the Flex Codes you need for your raceway, and we'll provide your system's detailed part numbers on your bill of materials (BOM) and packing list.*

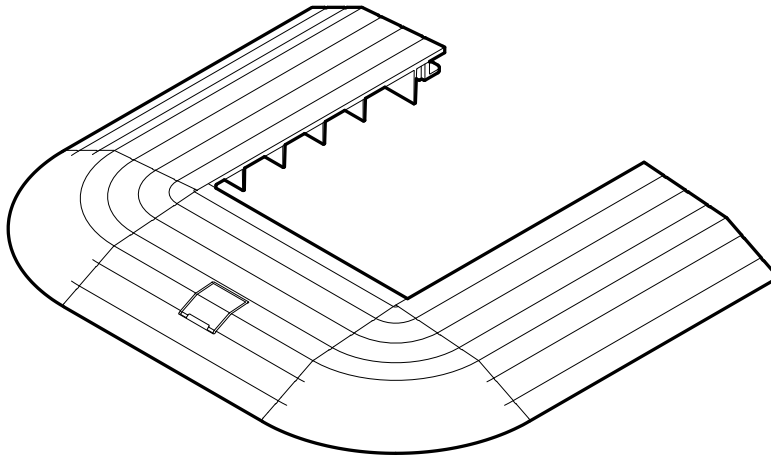
### Flex Codes\*

N/A - included with B.ON series Flex Codes

Associated Part Number	Description
CT.02-ON-C901-DG	CORNER RAMPS: FLEX-ON/EXPRESS-ON 90 degree corner ramps. DARK GRAY.

*\*See Flex Spec Guides for Flex Code specification instructions.*

# END RAMP (ON)

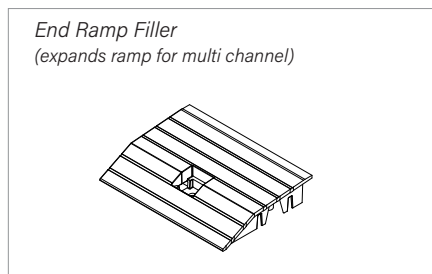


## Specifications

**Material**  
PC Plastic

**Color**  
Dark Gray

**Country of Origin**  
China



## Description

End Ramps sit at the end of a Powertrac or Datatrac, and help to transition the flooring material from the raceway to the surrounding flooring.

## Ordering Information

*Simply order the Flex Codes you need for your raceway, and we'll provide your system's detailed part numbers on your bill of materials (BOM) and packing list.*

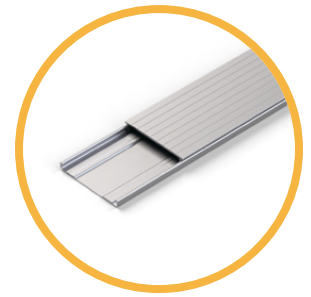
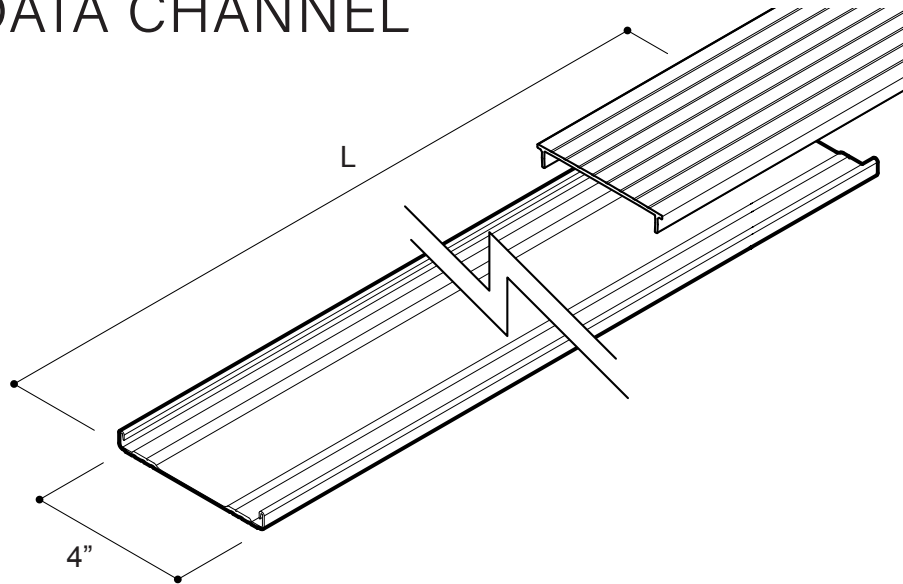
### Flex Codes\*

N/A - included with B.ON series Flex Codes

Associated Part Number	Description
CT.02-ON-ER.1-DG	END RAMP: FLEX-ON/EXPRESS-ON end-of-raceway transition ramp. DARK GRAY.
CT.02-ON-ERF.1-DG	END RAMP FILLER: FLEX-ON raceway filler piece for ganging raceways. DARK GRAY.

\*See Flex Spec Guides for Flex Code specification instructions.

# DATA CHANNEL



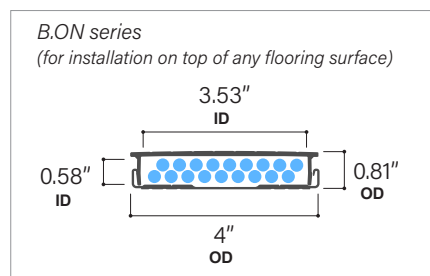
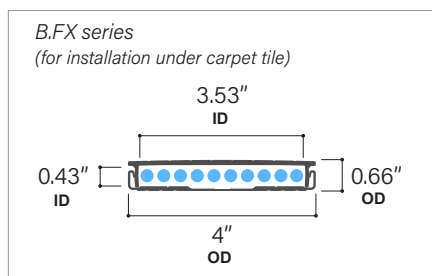
## Specifications

**Material**  
Aluminum

**Color - Top Cover**  
(B.ON series only)  
Dark Gray  
Silver

**Country of Origin**  
United States

Measurements with typical data capacity shown:



## Description

Data channels can be ganged alongside the main Flex raceway to provide additional data capacity. Data channels include both a bottom Datatrac and a Top Cover. Each data channel typically holds up to 10 cables for our system installed under carpet tile and up to 18 cables for our system installed on top of flooring.

## Ordering Information

Simply order the Flex Codes you need for your raceway, and we'll provide your system's detailed part numbers on your bill of materials (BOM) and packing list.

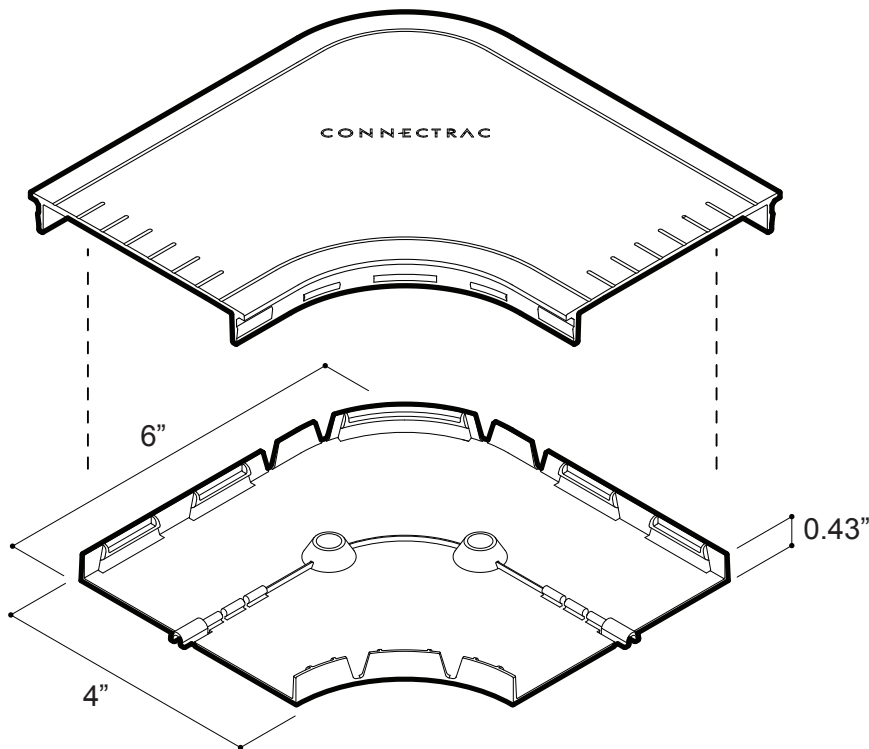
### Flex Codes\*

N/A - Contact us to order

Associated Part Number	Description
CT.B.RCD.1-FX-03	3' DATATRAC & RACEWAY TOP COVER: FLEX.
CT.B.RCD.1-FX-06	6' DATATRAC & RACEWAY TOP COVER: FLEX.
CT.B.RCD.1-OM-03-DG	3' DATATRAC & RACEWAY TOP COVER: FLEX-ON/FLEX-MAX. DARK GRAY.
CT.B.RCD.1-OM-06-DG	6' DATATRAC & RACEWAY TOP COVER: FLEX-ON/FLEX-MAX. DARK GRAY.
CT.B.RCD.1-OM-03-SV	3' DATATRAC & RACEWAY TOP COVER: FLEX-ON/FLEX-MAX.SILVER.
CT.B.RCD.1-OM-06-SV	6' DATATRAC & RACEWAY TOP COVER: FLEX-ON/FLEX-MAX. SILVER.

\*See Flex Spec Guides for Flex Code specification instructions.

# DATATRAC CORNER



## Specifications

**Material**  
PC Plastic

**Color**  
Dark Gray

**Country of Origin**  
China

## Description

A Datatrak Corner connects Datatracs at a 90° angle. This sits next to a Powertrac, either on the inside or outside.

## Ordering Information

*Simply order the Flex Codes you need for your raceway, and we'll provide your system's detailed part numbers on your bill of materials (BOM) and packing list.*

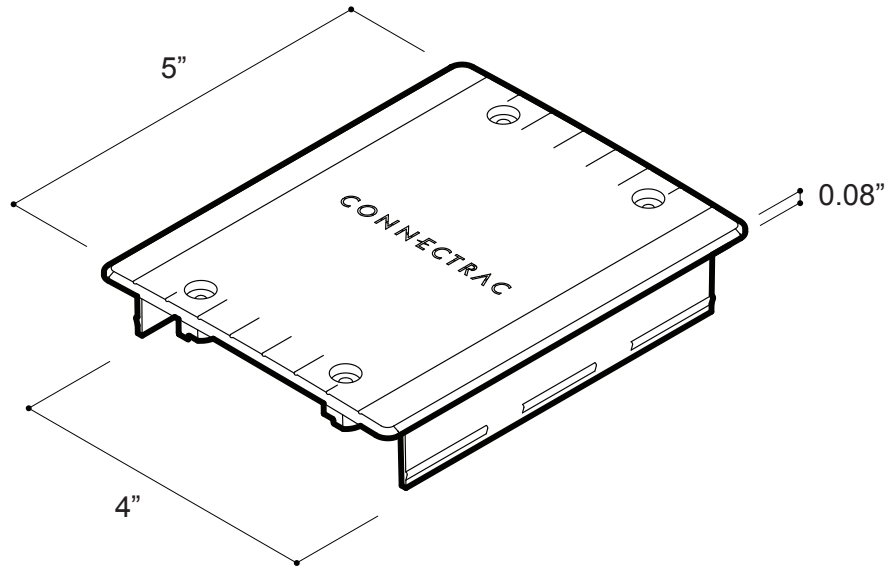
### Flex Codes\*

N/A - included with B.FX and B.ON series Flex Codes

Associated Part Number	Description
CT.B.DT1-C90-FX	RACEWAY DATATRAC CORNER: FLEX/EXPRESS 90 degree corner top cover & bottom.
CT.B.DT1-C90-OM-DG	RACEWAY DATATRAC CORNER: FLEX-ON/MAX/EXPRESS-ON 90 degree corner kit. DARK GRAY.

\*See Flex Spec Guides for Flex Code specification instructions.

# HUBCAP



## Specifications

**Material**  
Powder Coated Cast Aluminum

**Color**  
Dark Gray

**Country of Origin**  
China

**Compliance**  
Listed to UL 111 standards in the US, and CSA 22.2 No. 62 standards in Canada

## Description

Power devices quickly snap into any Power Hub or Power End Hub. They are all interchangeable and can be hot-swapped when desired. A Hubcap is a power device that creates a walkable surface and makes power easily accessible for future needs.

## Ordering Information

*Simply order the Flex Codes you need for your raceway, and we'll provide your system's detailed part numbers on your bill of materials (BOM) and packing list.*

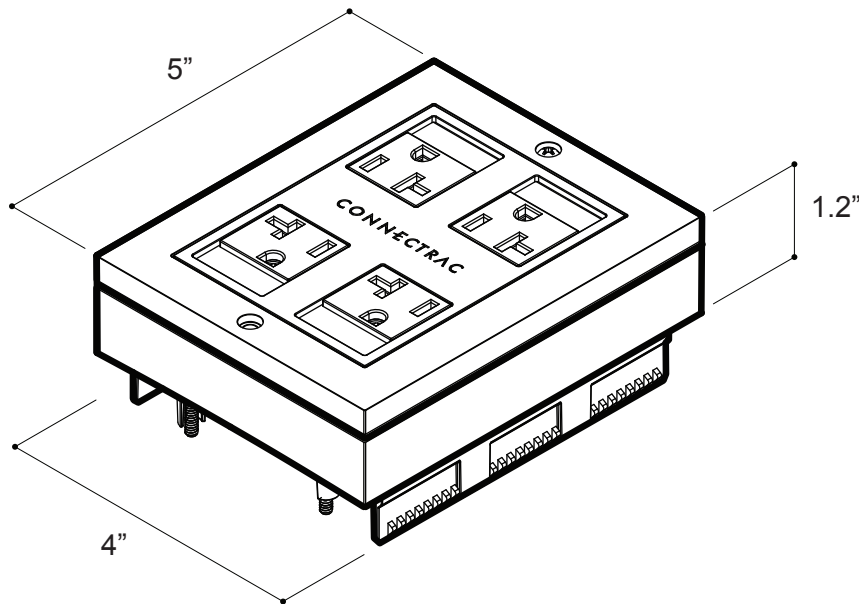
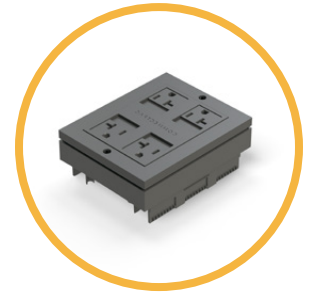
### Flex Codes\*

#### C.HUBCAP

Associated Part Number	Description
CT.C.DHC.1-FX-DG	DEVICE HUBCAP: FLEX. Covers raceway in lieu of device. DARK GRAY.
CT.C.DHC.1-OM-DG	DEVICE HUBCAP: FLEX-ON/FLEX-MAX. Covers raceway in lieu of device. DARK GRAY.

\*See Flex Spec Guides for Flex Code specification instructions.

# RECEPTACLE DEVICE



## Specifications

**Material**  
PC Plastic

**Color**  
Dark Gray

**Country of Origin**  
Taiwan

**Compliance**  
Listed to UL 111 and 498 standards in the US, and CSA 22.2 No. 62 standards in Canada

## Description

Power devices quickly snap into any Power Hub or Power End Hub. They are all interchangeable and can be hot-swapped when desired. A Receptacle Device is a NEMA 5-20R quad power device available in a single/split circuit with 4 circuit options.

## Ordering Information

Simply order the Flex Codes you need for your raceway, and we'll provide your system's detailed part numbers on your bill of materials (BOM) and packing list.

### Flex Codes\*

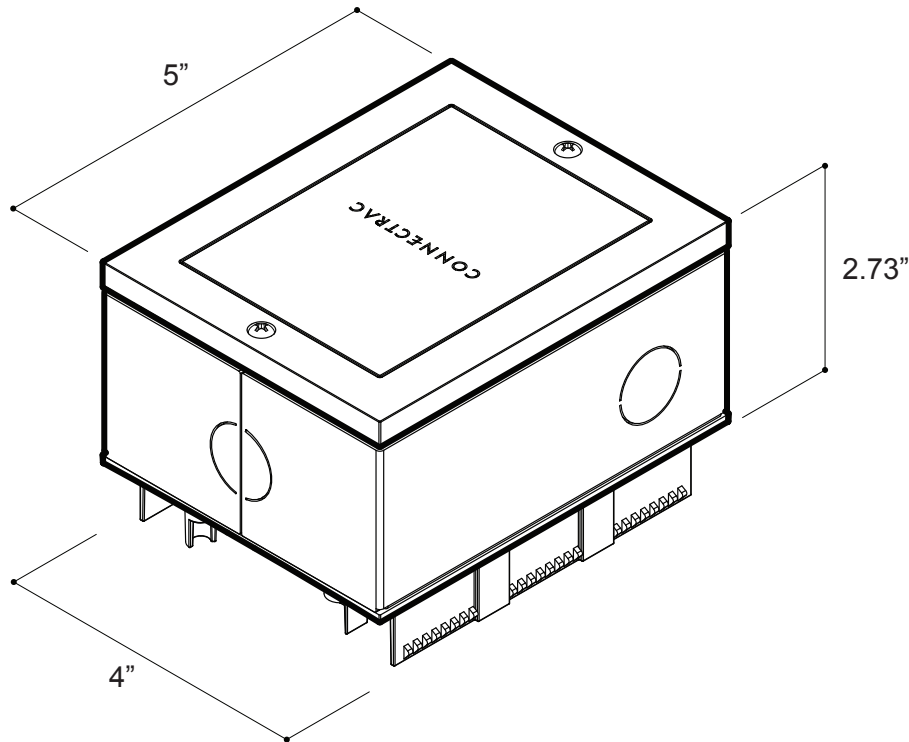
C.PW1.11, C.PW1.22, C.PW1.33, C.PW1.44, C.PW1.12, C.PW1.34, C.PW1.14

Associated Part Number	Description
CT.C.PW1.1-Q11-DG	POWER DEVICE 1. RECEPTACLE. 20A quad outlet. All circuit 1. DARK GRAY.
CT.C.PW1.1-Q12-DG	POWER DEVICE 1. RECEPTACLE. 20A quad outlet. (2) circuit 1, (2) circuit 2. DARK GRAY.
CT.C.PW1.1-Q14-DG	POWER DEVICE 1. RECEPTACLE. 20A quad outlet. (2) circuit 1, (2) circuit 4. DARK GRAY.
CT.C.PW1.1-Q22-DG	POWER DEVICE 1. RECEPTACLE. 20A quad outlet. All circuit 2. DARK GRAY.
CT.C.PW1.1-Q33-DG	POWER DEVICE 1. RECEPTACLE. 20A quad outlet. All circuit 3. DARK GRAY.
CT.C.PW1.1-Q34-DG	POWER DEVICE 1. RECEPTACLE. 20A quad outlet. (2) circuit 3, (2) circuit 4. DARK GRAY.
CT.C.PW1.1-Q44-DG	POWER DEVICE 1. RECEPTACLE. 20A quad outlet. All circuit 4. DARK GRAY.
CT.C.PW1cc.1-Q12-DG	POWER DEVICE 1: TITLE 24 RECEPTACLE. 20A quad outlet. (2) circuit 1, (2) control ckt 2. DARK GRAY.
CT.C.PW1cc.1-Q14-DG	POWER DEVICE 1: TITLE 24 RECEPTACLE. 20A quad outlet. (2) circuit 1, (2) control ckt 4. DARK GRAY.
CT.C.PW1cc.1-Q34-DG	POWER DEVICE 1: TITLE 24 RECEPTACLE. 20A quad outlet. (2) circuit 3, (2) control ckt 4. DARK GRAY.

\*See Flex Spec Guides for Flex Code specification instructions.



# HARDWIRE DEVICE



## Specifications

**Material**  
PC Plastic  
Powder Coated Steel

**Color**  
Dark Gray

**Country of Origin**  
Taiwan

## Description

Power devices quickly snap into any Power Hub or Power End Hub. They are all interchangeable and can be hot-swapped when desired. A Hardwire Device is a 4-circuit monument that can be wired to connect to most furniture base feeds or other similar applications. This power device is NOT intended to have electrical components such as power outlets/faceplates/switches, mounted directly to it.

## Ordering Information

*Simply order the Flex Codes you need for your raceway, and we'll provide your system's detailed part numbers on your bill of materials (BOM) and packing list.*

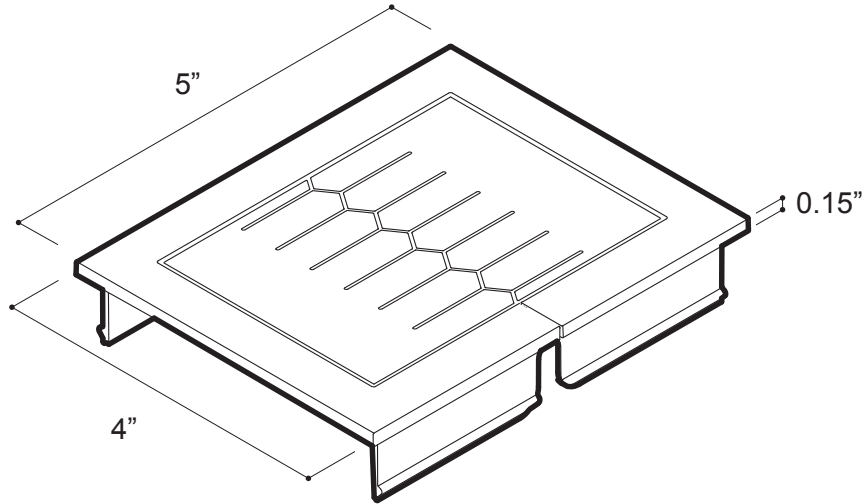
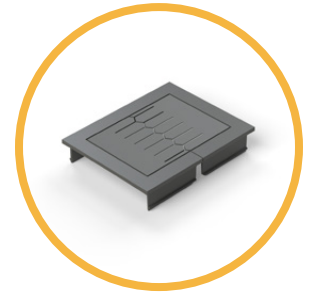
### Flex Codes\*

C.PW2.4

Associated Part Number	Description
CT.C.PW2.4c.1-DG	POWER DEVICE 2. HARDWIRE MONUMENT. Connects to furniture base feed. 4-circuit. DARK GRAY.

\*See Flex Spec Guides for Flex Code specification instructions.

# GROMMET



## Specifications

**Material**  
PC Plastic  
TPE Plastic

**Color**  
Dark Gray

**Country of Origin**  
China

## Description

Data devices easily snap into a Powertrac or Datatrac. They can be installed anywhere on the raceway but look best when positioned next to power devices. The Grommet allows cables to enter/exit the raceway.

## Ordering Information

*Simply order the Flex Codes you need for your raceway, and we'll provide your system's detailed part numbers on your bill of materials (BOM) and packing list.*

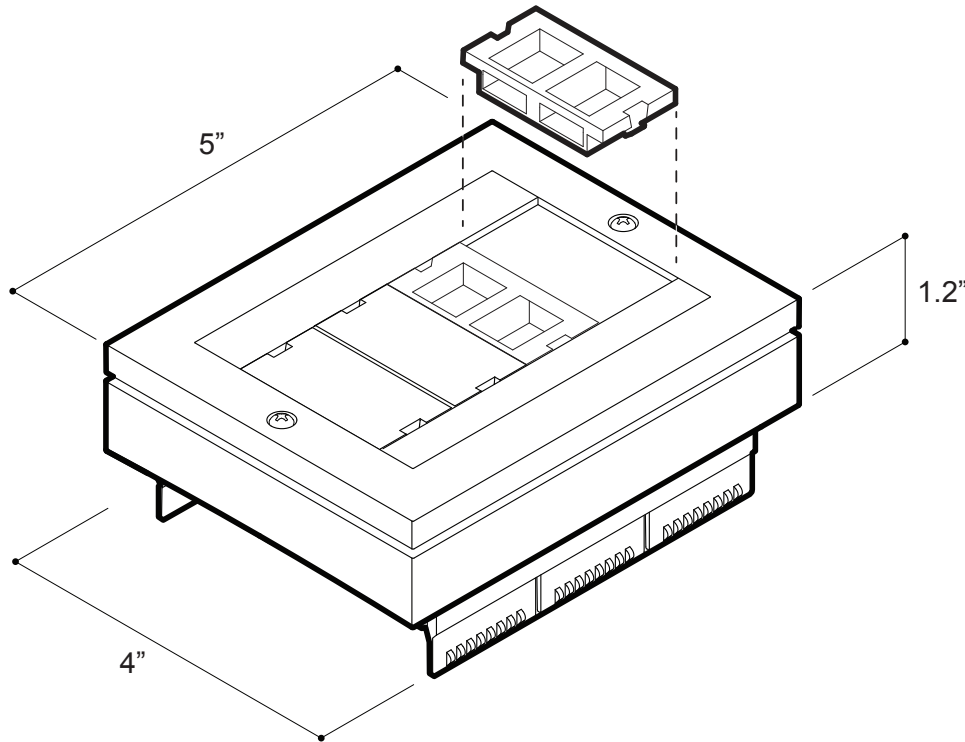
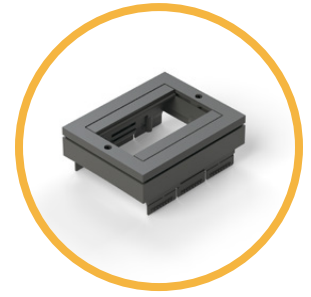
### Flex Codes\*

C.DT1

Associated Part Number	Description
CT.C.DT1F1-DG	DATA DEVICE 1. GROMMET: POWERTRAC & DATATRAC. Floor raceway cable pass-thru. DARK GRAY.

\*See Flex Spec Guides for Flex Code specification instructions.

# DATA DEVICE



## Specifications

**Material**  
PC Plastic

**Color**  
Dark Gray

**Country of Origin**  
China

## Description

Data devices easily snap into a Powertrac or Datatrak. They can be installed anywhere on the raceway but look best when positioned next to power devices. The Flex system's main Data Device is customizable and fits up to 8 low-voltage keystone modules.

## Ordering Information

*Simply order the Flex Codes you need for your raceway, and we'll provide your system's detailed part numbers on your bill of materials (BOM) and packing list.*

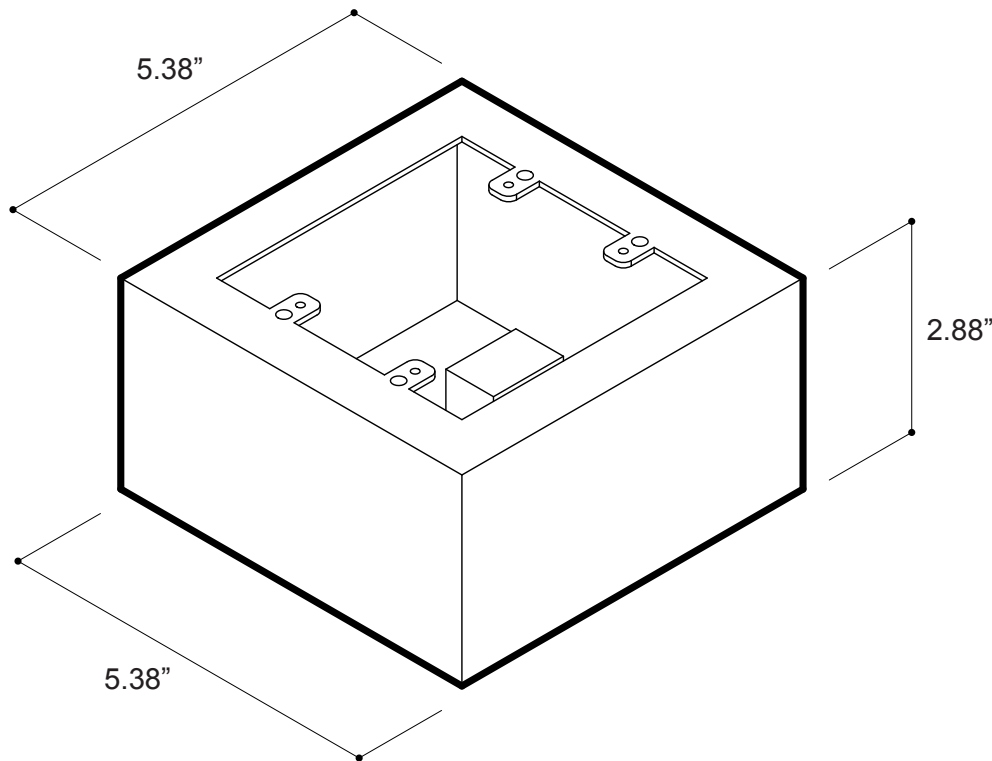
### Flex Codes\*

C.DT2

Associated Part Number	Description
CT.C.DT2.1-DG	DATA DEVICE 2. DATA DEVICE. Fits up to (8) keystone modules. DARK GRAY.

\*See Flex Spec Guides for Flex Code specification instructions.

# A/V DEVICE



## Specifications

- Material**  
Powder Coated Steel
- Color**  
Dark Gray
- Country of Origin**  
United States

## Description

Data devices easily snap into a Powertrac or Datatrac. They can be installed anywhere on the raceway but look best when positioned next to power devices. An A/V Device is a customizable data device that holds any standard double-gang faceplate.

## Ordering Information

*Simply order the Flex Codes you need for your raceway, and we'll provide your system's detailed part numbers on your bill of materials (BOM) and packing list.*

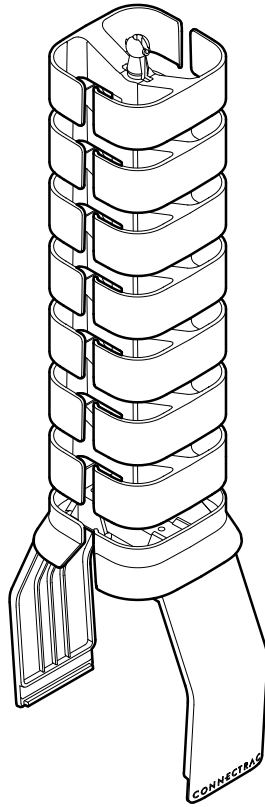
### Flex Codes\*

C.DT3

Associated Part Number	Description
CT.C.DT3.1-DG	DATA DEVICE 3. AV DEVICE. Holds any standard double-gang faceplate. DARK GRAY.

\*See Flex Spec Guides for Flex Code specification instructions.

# VERTICAL WIRE MANAGER



## Specifications

**Material**  
PC Plastic

**Color**  
Dark Gray

**Country of Origin**  
Taiwan

## Description

The Vertical Wire Manager seamlessly snaps to the Receptacle and Data devices for easy cable management. It can be adjusted to fit either the long or short way on a device, and can slide to cover the area desired.

## Ordering Information

*Simply order the Flex Codes you need for your raceway, and we'll provide your system's detailed part numbers on your bill of materials (BOM) and packing list.*

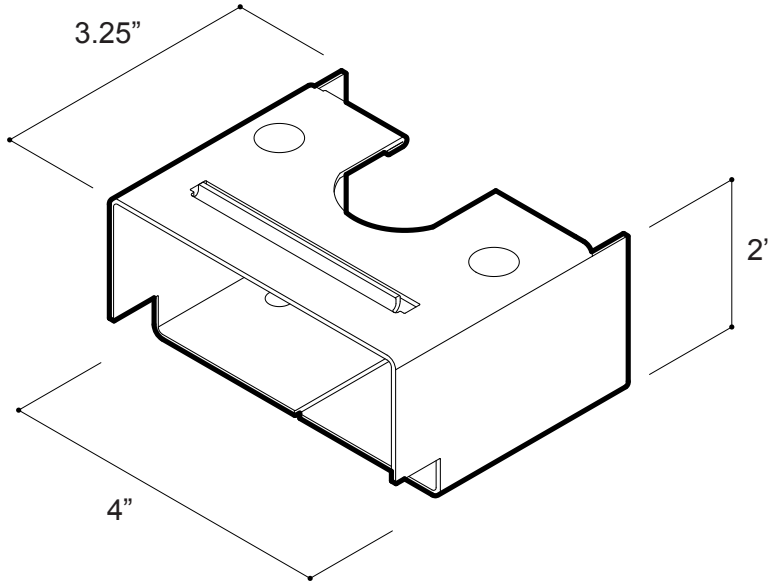
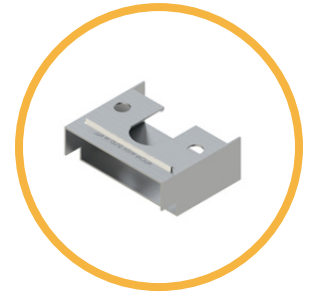
### Flex Codes\*

VWM

Associated Part Number	Description
CT.AC-WMV.1-DG	VERTICAL WIRE MANAGEMENT accessory. Flexible pathway from raceway device to furniture. DARK GRAY.

*\*See Flex Spec Guides for Flex Code specification instructions.*

# ROUGH-IN FRAME



## Specifications

**Material**  
Galvanized Steel

**Color**  
Silver

**Country of Origin**  
United States

## Description

The Rough in Frame is used in a building during new construction. It is put in place prior to the wall being put up, marking the placement of the Flex system.

## Ordering Information

*Simply order the Flex Codes you need for your raceway, and we'll provide your system's detailed part numbers on your bill of materials (BOM) and packing list.*

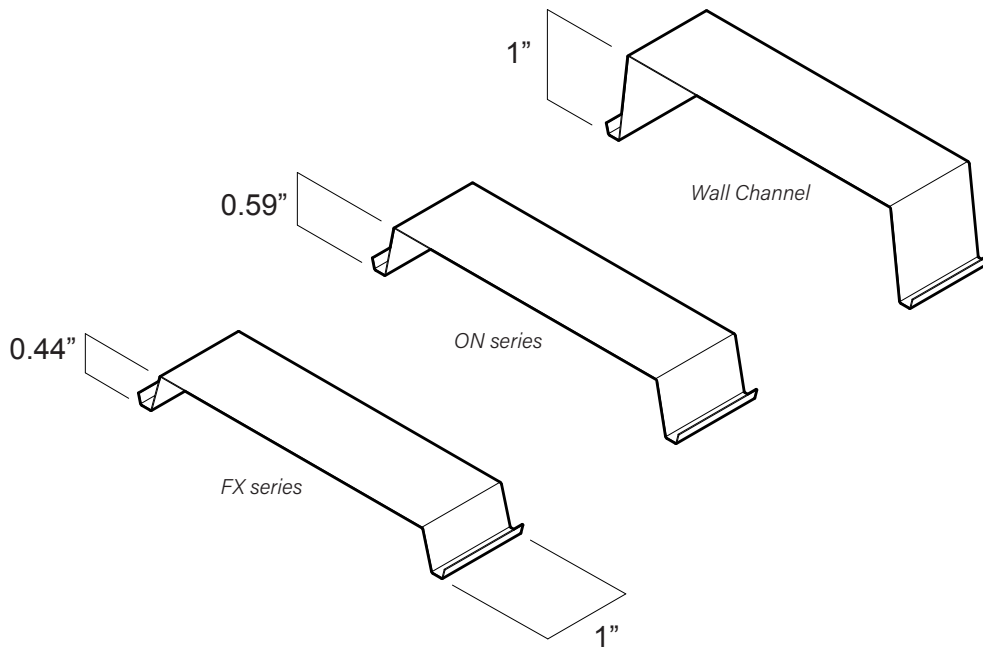
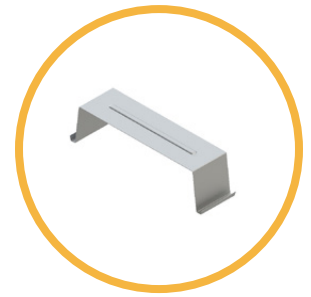
### Flex Codes\*

RIF

Associated Part Number	Description
CT.AC-RIF.1	ROUGH-IN FRAME accessory. Optional wall entry opening scaffold for new construction installations.

\*See Flex Spec Guides for Flex Code specification instructions.

# WIRE MANAGEMENT CLIPS



## Specifications

**Material**  
Galvanized Steel

**Color**  
Silver

**Country of Origin**  
Taiwan

## Description

Data clips snap into the Powertrac and Datatrac, and are used to hold data cables in place.

## Ordering Information

Simply order the Flex Codes you need for your raceway, and we'll provide your system's detailed part numbers on your bill of materials (BOM) and packing list.

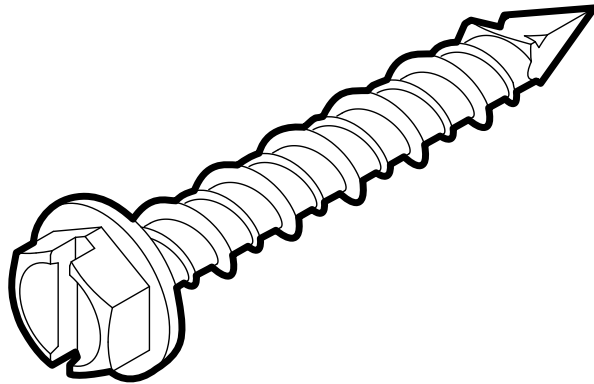
### Flex Codes\*

N/A

Associated Part Number	Description
CT.01-CL-FX.1-10	CLIPS: FLEX/EXPRESS raceway wire management clips. Qty: 10.
CT.01-CL-OM.1-10	CLIPS: FLEX-ON, FLEX-MAX & EXPRESS-ON raceway wire management clips. Qty: 10.
CT.01-CL-WT.1-10	CLIPS: WALLTRAC raceway wire management clips. Qty: 10.

\*See Flex Spec Guides for Flex Code specification instructions.

# SCREWS



## Specifications

**Material**  
Galvanized Steel

**Color**  
Silver

**Country of Origin**  
United States

## Description

These are used to fasten Powertracs and Datatracs to the floor.

## Ordering Information

*Simply order the Flex Codes you need for your raceway, and we'll provide your system's detailed part numbers on your bill of materials (BOM) and packing list.*

### Flex Codes\*

N/A

Associated Part Number	Description
CT.05-SC1-10	SCREWS: (10) 3/16"x1 1/4" hex concrete screws & (1) 5/32"x3.5" drill bit.

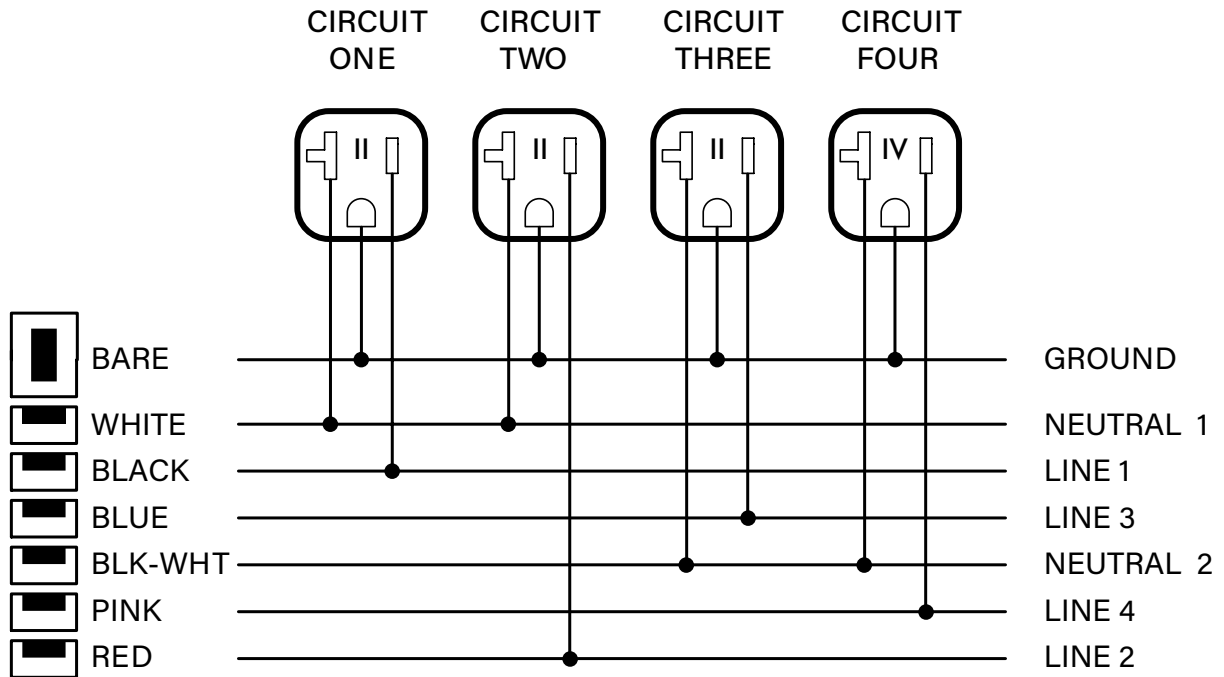
*\*See Flex Spec Guides for Flex Code specification instructions.*



# ELECTRICAL INFO

## Wiring Diagram

The Flex raceway is a 4-circuit system. Please reference the wiring diagram below.



## Compliance



### Electrical Listing

**US:** These devices have been tested to UL 111 standards and are listed by UL. Receptacle Device is further tested to UL 498. Devices are identified with the UL Listed Mark.

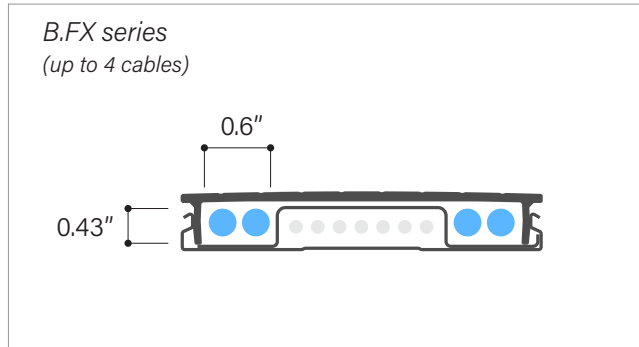
**Canada:** These devices have been tested to CAN/CSA 22.2 No. 62 Standards for Surface Raceway Systems and are listed by UL. Devices are identified with the UL Listed Mark.

# WIREWAY CAPACITY & DIMENSIONS

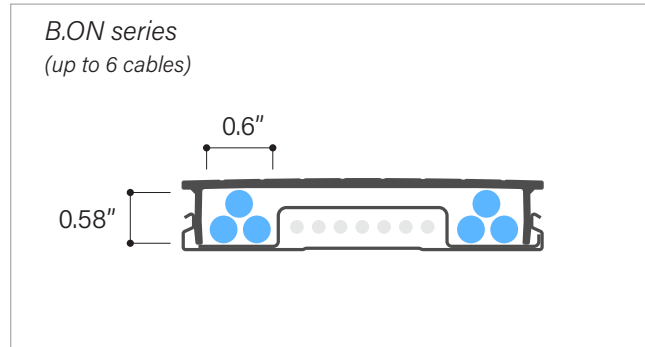
## Powertrac

Powertracs are pre-wired raceway segments available in five nominal lengths (2', 3', 4', 5', 6') that come complete with Top Covers and Transition Ramps. Each Powertrac has modular connectors on each end that easily snap into an Entrance Fitting, Powertrac Extender, Powertrac Corner, Power Hub, or Power End Hub to build your Flex raceway.

FOR INSTALLATION UNDER CARPET TILE



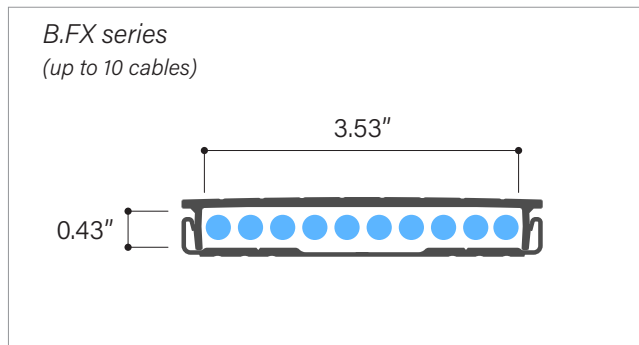
FOR INSTALLATION ON TOP OF ANY FLOORING SURFACE



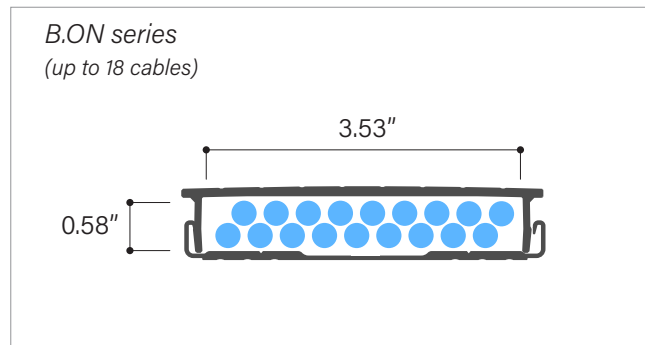
## Data Channel

Data channels can be ganged alongside the main Flex raceway to provide additional data capacity. Data channels include both a bottom Datatrac and a Top Cover. Each data channel typically holds up to 10 cables for our system installed under carpet tile and up to 18 cables for our system installed on top of flooring.

FOR INSTALLATION UNDER CARPET TILE



FOR INSTALLATION ON TOP OF ANY FLOORING SURFACE

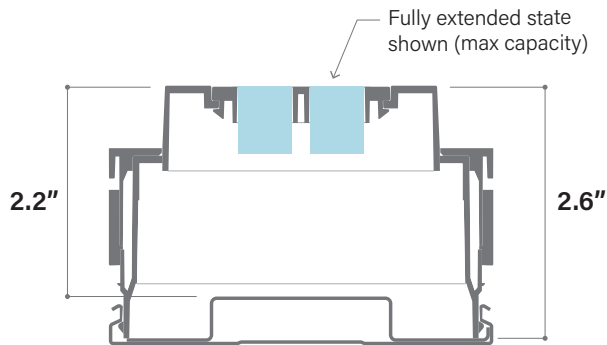


(Measurements with Top Covers installed and typical data capacity shown.)

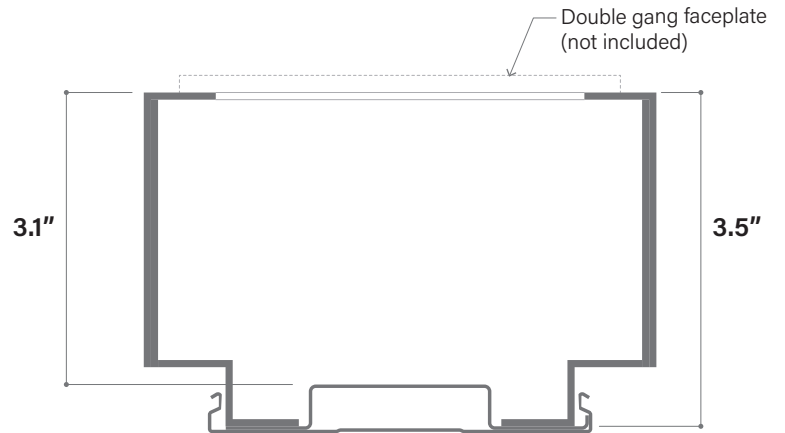
# FLEX BEND RADIUS INFO

In a Powertrac, note (2) key dimensions

Data Device

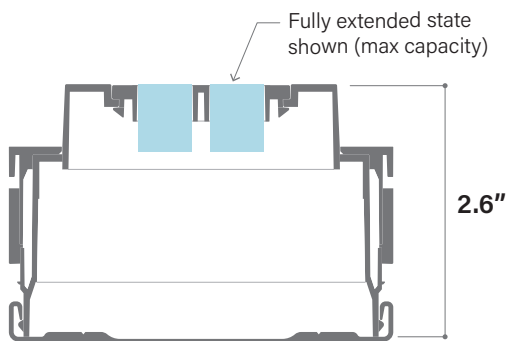


A/V Device

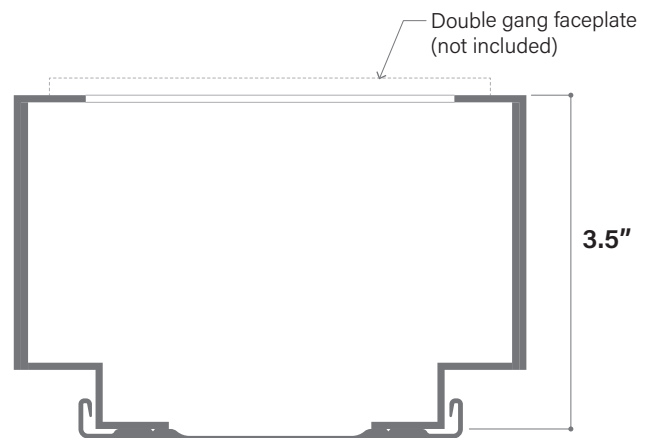


In a Datatrak or Express under carpet kit, note (1) key dimension

Data Device



A/V Device



# UL 111 - Listed Flex™ Components

## ENTRANCE FITTINGS

<u>Part Number</u>	<u>Description</u>
CT.A1.1-15.4c	ENTRANCE FITTING 1. IN-WALL w/ 15' pre-wired conduit. 4-circuit.
CT.A1.1-30.4c	ENTRANCE FITTING 1. IN-WALL w/ 30' pre-wired conduit. 4-circuit.
CT.A2.1-02-03.4c	ENTRANCE FITTING 2. SURFACE-MOUNTED w/ 2' Walltrac & 3' pre-wired conduit. 4-circuit.
CT.A2.1-12-15.4c	ENTRANCE FITTING 2. SURFACE-MOUNTED w/ 12' Walltrac & 15' pre-wired conduit. 4-circuit.
CT.A2.1-12-30.4c	ENTRANCE FITTING 2. SURFACE-MOUNTED w/ 12' Walltrac & 30' pre-wired conduit. 4-circuit.

## POWERTRACS

CT.B.PT.4c.1-02	2' RACEWAY POWERTRAC pre-wired straight segment. 4-circuit.
CT.B.PT.4c.1-03	3' RACEWAY POWERTRAC pre-wired straight segment. 4-circuit.
CT.B.PT.4c.1-04	4' RACEWAY POWERTRAC pre-wired straight segment. 4-circuit.
CT.B.PT.4c.1-05s	5' RACEWAY POWERTRAC pre-wired straight segment. 4-circuit.
CT.B.PT.4c.1-06s	6' RACEWAY POWERTRAC pre-wired straight segment. 4-circuit.

## HUBS

CT.B.PH.4c1	RACEWAY POWER HUB. Device connection point & Powertrac coupler. 4-circuit.
CT.B.PHE.4c.1	RACEWAY POWER END HUB. Required to finish any powered run. 4-circuit.

## EXTENDER

CT.B.PT.4c-EXT.1-0.5	0.5' RACEWAY POWERTRAC EXTENDER. 6" Powertrac raceway extension. 4-circuit.
----------------------	---

## CORNER

CT.B.PT.4c-C90.1-FX	RACEWAY POWERTRAC CORNER: FLEX. 90 degree corner top cover & bottom. 4-circuit.
CT.B.PT.4c-C90.1-OM-DG	RACEWAY POWERTRAC CORNER: FLEX-ON/FLEX-MAX. 90 degree corner top cover & bottom. 4-ckt. DARK GRAY.

## HUBCAPS

CT.C.DHC.1-FX-DG	DEVICE HUBCAP: FLEX. Covers raceway in lieu of device. DARK GRAY.
CT.C.DHC.1-OM-DG	DEVICE HUBCAP: FLEX-ON/FLEX-MAX. Covers raceway in lieu of device. DARK GRAY.

## RECEPTACLE DEVICES - (further listed to UL 498)

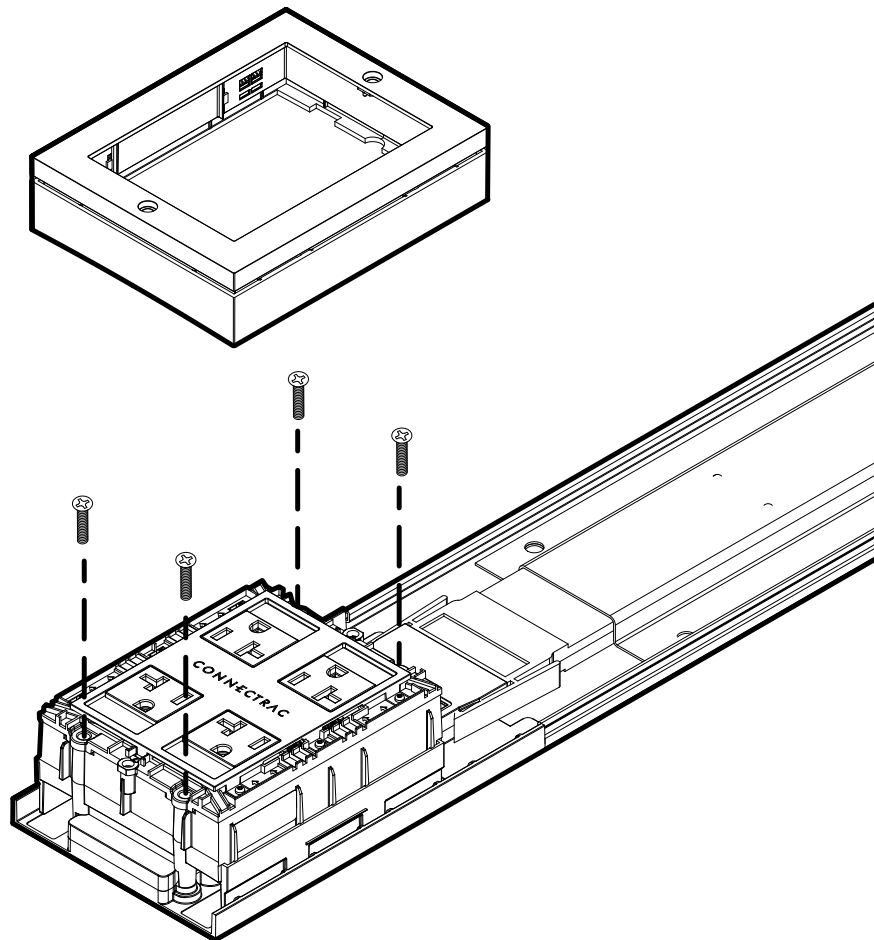
CT.C.PW1.1-Q11-DG	POWER DEVICE 1. RECEPTACLE. 20A quad outlet. All circuit 1. DARK GRAY.
CT.C.PW1.1-Q12-DG	POWER DEVICE 1. RECEPTACLE. 20A quad outlet. (2) circuit 1, (2) circuit 2. DARK GRAY.
CT.C.PW1.1-Q14-DG	POWER DEVICE 1. RECEPTACLE. 20A quad outlet. (2) circuit 1, (2) circuit 4. DARK GRAY.
CT.C.PW1.1-Q22-DG	POWER DEVICE 1. RECEPTACLE. 20A quad outlet. All circuit 2. DARK GRAY.
CT.C.PW1.1-Q33-DG	POWER DEVICE 1. RECEPTACLE. 20A quad outlet. All circuit 3. DARK GRAY.
CT.C.PW1.1-Q34-DG	POWER DEVICE 1. RECEPTACLE. 20A quad outlet. (2) circuit 3, (2) circuit 4. DARK GRAY.
CT.C.PW1.1-Q44-DG	POWER DEVICE 1. RECEPTACLE. 20A quad outlet. All circuit 4. DARK GRAY.
CT.C.PW1cc.1-Q12-DG	POWER DEVICE 1: TITLE 24 RECEPTACLE. 20A quad outlet. (2) circuit 1, (2) control ckt 2. DARK GRAY.
CT.C.PW1cc.1-Q14-DG	POWER DEVICE 1: TITLE 24 RECEPTACLE. 20A quad outlet. (2) circuit 1, (2) control ckt 4. DARK GRAY.
CT.C.PW1cc.1-Q34-DG	POWER DEVICE 1: TITLE 24 RECEPTACLE. 20A quad outlet. (2) circuit 3, (2) control ckt 4. DARK GRAY.

# UL 498 - Listed Flex™ Components

## RECEPTACLE DEVICES

<u>Part Number</u>	<u>Description</u>
CT.C.PW1.1-Q11-DG	POWER DEVICE 1. RECEPTACLE. 20A quad outlet. All circuit 1. DARK GRAY.
CT.C.PW1.1-Q12-DG	POWER DEVICE 1. RECEPTACLE. 20A quad outlet. (2) circuit 1, (2) circuit 2. DARK GRAY.
CT.C.PW1.1-Q14-DG	POWER DEVICE 1. RECEPTACLE. 20A quad outlet. (2) circuit 1, (2) circuit 4. DARK GRAY.
CT.C.PW1.1-Q22-DG	POWER DEVICE 1. RECEPTACLE. 20A quad outlet. All circuit 2. DARK GRAY.
CT.C.PW1.1-Q33-DG	POWER DEVICE 1. RECEPTACLE. 20A quad outlet. All circuit 3. DARK GRAY.
CT.C.PW1.1-Q34-DG	POWER DEVICE 1. RECEPTACLE. 20A quad outlet. (2) circuit 3, (2) circuit 4. DARK GRAY.
CT.C.PW1.1-Q44-DG	POWER DEVICE 1. RECEPTACLE. 20A quad outlet. All circuit 4. DARK GRAY.
CT.C.PW1cc.1-Q12-DG	POWER DEVICE 1: TITLE 24 RECEPTACLE. 20A quad outlet. (2) circuit 1, (2) control ckt 2. DARK GRAY.
CT.C.PW1cc.1-Q14-DG	POWER DEVICE 1: TITLE 24 RECEPTACLE. 20A quad outlet. (2) circuit 1, (2) control ckt 4. DARK GRAY.
CT.C.PW1cc.1-Q34-DG	POWER DEVICE 1: TITLE 24 RECEPTACLE. 20A quad outlet. (2) circuit 3, (2) control ckt 4. DARK GRAY.

A Receptacle Device is a NEMA 5-20R quad power device available in a single/split circuit with 4 circuit options.



# COLORS + FINISHES

## Visible Flex™ Components

Top Covers and Transition Ramps for the Flex on-floor system are visible on top of the flooring surface and are available in a standard Silver finish or an optional Dark Gray finish for an extra charge.



**Silver (SV)**  
*Standard finish*

**Dark Gray (DG)**  
*Optional finish*

