

# CITIZEN

Micro HumanTech

## Compact, robust and powerful: Portable printers for all your receipt and labelling needs



## CMP-20, CMP-30 PORTABLE PRINTING

### Typical Applications

- Mobile receipts
- Queue busting
- Delivery slips
- Price markdown
- Labelling
- Ticketing
- Payments
- Taxi receipts



### Simple design, intuitive operation

The CMP-20 and CMP-30 printers are designed like all Citizen printers to be simple to use and easy to operate.

This, combined with the durable, strong plastic case which is designed to take the occasional knock, means our printers keep running and running.

# CITIZEN

Micro HumanTech

## High capacity media rolls

The CMP printers can accept media rolls with a diameter of approximately two inches. In addition, the CMP-30L model supports label printing as well as receipts via the integral label-gap sensor.



## Printer Specifications

Printer Model		Citizen CMP-20	Citizen CMP-30	Citizen CMP-30L
Printer Class Size		2-inch Receipt	3-inch Receipt	3-inch Label+Receipt
Printing method		Line thermal dot printing		
Printing speed		Up to 80 mm per second, 3.1 ips	Up to 100 mm per second, 4 inches per second	
Printing width		48 mm, 1.88 inches	72 mm, 2.83 inches	
Media width		58 mm, 2.28 inches	From 25 - 80 mm, From 1.00 - 3.15 inches	
Media roll size		Diameter up to 48 mm	Diameter up to 56 mm	
Characters per full line (Font A, Font B)		32 characters, 42 characters	48 characters, 64 characters	
Media type		Thermal receipt paper	Thermal receipt paper	Thermal labels and receipts
Media sensors		Paper end sensor	Paper end, black mark	Label gap, paper end, black mk
Resolution, Dots per line		203 dpi, 384 dots per line	203 dpi, 576 dots per line	
Interface versions		RS232C Serial	Standard. Up to 115,000 bps, 7 or 8 bit, 8-pin mini-DIN connector	
		USB	Standard. USB 2.0 full speed, mini connector, type B	
		Bluetooth	Factory Option* Class 2, v2.0, 2.4Ghz FH, 10 metres, up to 115Kbps, SPP profile	
		Wireless LAN	Factory Option* 802.11b and 802.11g standards, 100 metres, 64/128 bit WEP, WPA, up to 54Mbps	
Magntic Stripe Reader		Factory Option. ISO 7811/2, JIS standards. Dual track (1+2, 2+3), 10-15 cm/s swipe speed		
IC-Card Reader		Factory Option. 9,600 bps read speed, internal 1-channel.		
Case design		Heavy duty plastic with impact resistance edge mouldings		
Environmental rating, drop test		Exceeds IP42. Survives multiple drops of 1.2 metres.		
Physical dimensions (W x D x H)		96 x 136 x 58 mm	120 x 152 x 70 mm	
Printer weight (inc. battery, excl. paper)		442 grams (approx. 1.0 lb)	630 grams (approx. 1.4 lbs)	
Battery type and capacity		Li-Ion, 7.4 volt, 1800 mAh	Li-Ion, 7.4 volt, 2200 mAh	
Charger specification		Input: 100V-240V AC, 50/60Hz. Output: 8.4 volts, 1200 mA		
Emulations		ESC/POS™	ESC/POS™ + CPCL™ compatibility	
Drivers		Windows compatible drivers for desktop and mobile operating systems		

## CMP-20, CMP-30

### PORTABLE PRINTING

## Features

- Easy media loading with drop-in paper loading and paper out indicators.
- Integral tear bar to cut paper to length.
- Lithium Ion power technology and easy-change battery packs.
- AC adapter as standard designed to recharge batteries on-board the printer or via an external optional charging station.
- Range of interfacing options including USB, industry standard serial plus Bluetooth® and Wireless LAN networking options.
- Magnetic stripe reader and IC card ("chip card") reader options.
- Windows drivers and software development toolkits for a range of application platforms.

Dealer Stamp

120000



## CT-S281 Thermal Printer

**CITIZEN**  
Micro HumanTech

Leading Technology for Humanity

The CT-S281 is the industry's most advanced two-inch thermal printer. Featuring a powerful one-million cut rated auto-cutter that supports both full and partial cuts, hi-speed text and graphics, and two-dimensional barcode printing the CT-S281 packs a lot into small footprint package. Additional features include drop-in paper loading, expanded paper thickness range (0.06 to 0.1mm), and a paper out/near-end sensor.

The CT-S281 can be desktop or wall-mounted and comes with either a serial or USB interface, plus a complete drivers CD and downloadable customization utility to customize print speed, darkness, and default font.

The CT-S281 is covered by Citizen's full three year warranty and is also available in a label version for added flexibility.



## CT-S281 Thermal Printer

### Features

- Compact design
- Auto-Cutter
- Drop-in paper loading
- Two-color printing
- 80 mm/sec print speed
- Low-noise printing
- Built-in input buffer
- Barcode printing
- Page mode
- Horizontal or wall-mount installation
- Customization Utility
- Label version available

### Applications

- Retail/Small Footprint Applications
- Diagnostic/Testing equipment
- Coin-counting
- Data-logging
- Delivery Slip
- Coupon
- Ticketing

### Specifications

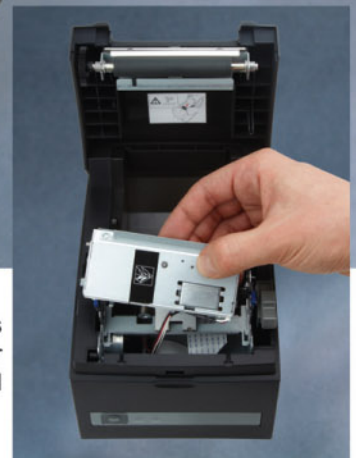
Printing Method	Line thermal dot print method
Print Width	48mm/384 dots
Dot Density	8 (horizontal) X 8 (vertical) dots/mm (203 dpi)
Print Speed	80mm/sec.
Number of Columns	Font A: 32 columns; 12 x 24 dots Font B: 42 columns; 9 x 24 dots Font C: 48 columns; 8 x 16 dots
Character Size	Font A: 1.50 x 3.00mm, Font B: 1.13 x 3.00mm, Font C: 1.00 x 2.00mm
Character type	Alphanumeric, International, PC437, 850, 852, 857, 858, 860, 863, 864, 865, 866, WPC1252, Katakana, Thai code 18
User-defined Logo/Characters	User-defined characters and logos can be registered in flash memory.
Barcode Types	UPC-A/E, JAN (EAN) 13/8 columns, ITF, CODE 39, CODE 128, CODABAR, CODE 93, PDF417, QR CODE
Line Feed Pitch	4.23 mm (1/16 inch) User selectable
Paper Roll	Thermal paper roll: 58mm x 83mm OD Paper thickness: 0.06 - 0.1mm
Auto paper cutter	Method: Guillotine, full or partial cut
Interface	Serial (RS-232C compliant) or USB
Input Buffer	4k bytes/45 bytes
Supply Voltage	DC 8.5V±5%
Power Consumption	Standby: Approx. 2W, Printing: Approx. 18W (Approx. 26W max.)
AC Adapter Specifications	Rated input: AC 100-240V, 50/60Hz Rated output: DC 8.5V, 3A
Weight	Approx. 630g
Outside Dimensions (W x D x H)	106 x 180 x 105mm
Environment	Operation Temperature 5-40 C°, Humidity 10-85 RH% (no condensation) Storage Temperature -20 to 60 C°, Humidity 10-90 RH% (no condensation)
Reliability	Pulse Resistance: 1 x 10 <sup>8</sup> pulses (printing rate 12.5%) Wear Resistance: 50km (normal temperature/humidity with recommended paper used) Auto Cutter: 1 million cuts
Safety Standards	UL, C-UL, FCC Class B, TUV, GS, CE marking

# CITIZEN

Micro HumanTech

363 Van Ness Way, Suite 404 • Torrance, CA 90501 • (310) 781-1460 • Fax: (310) 781-9152 • (800) 421-6516

[www.citizen-systems.com](http://www.citizen-systems.com)



## Great Performance, Great Price, Naturally CITIZEN



The CT-S310 II features easy maintenance for Cutter and Print Head

### Environmentally Friendly

The new CITIZEN CT-S310 II receipt printer is a green step forward towards reducing negative impact on the environment and it is Energy Star® compliant. We invite you to take advantage of its benefits including lower cost with more features, lower power consumption and excellent paper savings.

### Dual Interface

With a USB and serial interface on board, the CT-S310 II is a future-proof investment.

### Tool-free Maintenance

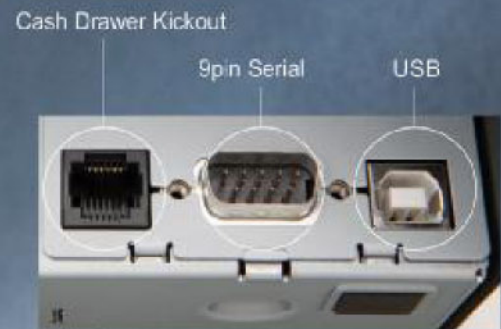
Paper jam? No problem. The CT-S310 II comes with the same intelligent service features as CITIZEN's high-end printers. The easily removable auto cutter and printer head make for quick and easy maintenance.

### Long Life Print

The new LLP functions can extend the print head life up to 200km.

**CITIZEN**  
Micro HumanTech





## CT-S310 II Two-Color, POS Thermal Printer

### Features/Advantages:

- Low Power consumption
  - Standby mode (lowest in its class)
  - Energy Star compliant
- Save paper function
- Halogen free housing
- Long life head mode (up to 200km)
- Cutter jam release function
- Longer cutter life delivers lower maintenance costs
- Greater reliability delivers longer life & lower maintenance costs
- Easy maintenance
- Packaging is made from recycled materials and is recyclable
- USB standard meets market standardization requirements
- 2D bar code support allows wider applications
- Built in buzzer provides audible alert without adding extra cost devices
- Printer drivers included are: Windows XP and 7 (32 and 64 bit), Java POS, OPOS and CUPS.
- Built in power supply eliminates unsightly brick and frees up space

### Applications

- Receipt
- Kitchen
- Coupon
- Delivery Slip
- Ticketing
- Weigh Scales
- Daily Report
- Kiosks

### Specifications

Printing Method	Line thermal dot printing
Paper Width	80 mm and 58 mm
Printing Width	72 mm, 64 mm, 52.5 mm, 48 mm, 45 mm, 48.75 mm, 68.25 mm
Dot Density	8 dots / mm (203 dpi)
Print Speed	Max 160 mm / sec
Number of Columns	80 mm Font A: 48, Font B: 64, Font C 72 58 mm Font A: 35, Font B: 46, Font C 52
Character Size (W x H)	Font A: 1.50 x 3.00 mm, Font B: 1.13 x 2.13 mm, Font C: 1.00 x 2.00 mm
Character Type	Alphanumeric, international, PC437/850/852/857/858/860/863/864/ 865/866, WPC1252/katakana/Thai code 18
Barcode Type	UPC-A/E, JAN (EAN) 13/8 columns, ITF, CODE39, CODE128, CODABAR (NW-7), CODE93, PDF417, QR Code, GS1-DataBar
Line Spacing	4.25mm (1/6 inch): adjustable by user command
Paper	Thermal Roll Paper, 80/58 mm x 83 mm diameter
Interface	Serial (RS-232C) (Connector: 9pin D-sub) + USB
Auto-cutter	Method Guillotine cutter Partial / Full cut available by software setting
Input Buffer	4K byte / 45 bytes
NV user Memory	Max 384K bytes User selectable
Drawer Kick-out	2 drawers
Built-in Buzzer	Yes
Power	Input: AC100-240V, 47/63 Hz, Energy Star Approved
Power Consumption	Printing: 32 W, Sleep: 0.6 W, 0.18 W (USB power save mode)
Weight	Approx. 1.8 kg
Operating Environment	5-45 C, 10-90% RH
Storage Environment	-20-60 C, 10-90% RH
Dimensions (W x D x H)	140 x 195 x 132 mm
Reliability	Thermal Head: 300 Million pulse or 150 km (up to 200km with LLP [Long Life Print] Function) Auto Cutter: 2 Million cuts
Safety standard	UL, C-UL, FCC Class A, TUV-Bauart, CE Marking

## CITIZEN SYSTEMS JAPAN CO., LTD.

OVERSEAS SALES DEPT., INFORMATION PRODUCTS SALES DIVISION :  
6-1-12, TANASHI-CHO, NISHI-TOKYO-SHI, TOKYO 188-8511, JAPAN  
Tel.(81)-124-68-1608 Fax.(81)-124-68-1637  
http://www.citizen-systems.co.jp  
e-mail : sales-op@systems.citizen.co.jp

CITIZEN is a registered trade mark of CITIZEN Holdings CO., LTD., Japan.  
CITIZEN es una marca registrada de CITIZEN Holdings CO., LTD., Japan.  
All specifications are subject to change without prior notice.  
All trademarks or registered trademarks are the property of their respective owners.



## CT-S4000 Hi-Speed Thermal Printer

**CITIZEN**  
Micro HumanTech

Leading Technology for Humanity

Need to print more information? The CT-S4000 thermal printer offers high-speed printing with selectable paper widths up to **112 mm**. This printer is ideal for printing applications that require larger amounts of data or information, including secure prescription printing. This durable two-color thermal printer features a drop-in design for easy paper loading, expanded 102 mm paper roll capacity for fewer roll changes, built-in power supply, and dual interface standard on all units (USB + serial, parallel or Ethernet). With its unique DMA (Direct Memory Access) text and graphics can download faster to increase productivity. This versatile printer can be positioned horizontally, vertically, or wall mounted. Whether you are printing daily reports, delivery slips, or prescriptions the CT-S4000 can handle the job.



## CT-S4000 Hi-Speed, Thermal Printer

### Features

- Direct Memory Access (DMA)
- Two-color capable
- Large capacity (102mm) drop-in paper loading
- Can accommodate three different paper widths (112, 82.5, 80 mm)
- Dual cash drawer kick-out
- Internal power supply
- Internal buzzer
- Available in Black or White
- Dual interface standard on ALL units (USB + serial, parallel or Ethernet)
- ESC/POS Emulation
- Ships with Windows™ 2000, XP, Linux, and OPOS™ drivers and Customization utility
- **Industry's Best - Three-Year Warranty**

### Applications

- Secure Prescription Printing
- Hospitality
- Delivery
- Banking
- Ticketing
- Hotel
- Coupons

### Specifications

Printing Method	Line thermal dot printing
Printing Width	112/82.5/80 mm
Dot Pitch	8 (horizontal) X 8 (vertical) dots/mm (203 dpi x 203 dpi)
Printing Speed	<b>Max. 150 mm/sec (35.4 lines/sec)</b>
Number of Columns	112 mm paper: Font A - 69 columns, Font B - 92 columns, Font C - 104 columns 82.5 mm paper: Font A - 55 columns, Font B - 73 columns, Font C - 82 columns 80 mm paper: Font A - 48 columns, Font B - 64 columns, Font C - 72 columns
Character Size	Font A: 1.25 x 3.0 mm (12 x 24 dots), Font B: 0.88 x 2.13mm (9 x 17 dots), Font C: 0.88 x 2.00 (8 x 16 dots)
Character Table	Code page 437, 850, 852, 857, 858, 860, 863, 864, 865, 866, Katakana, WPC1252, Thai code 18
Barcode Types	UPC-A/E, JAN/EAN-8, JAN/EAN-13, ITF, Code 39, Code 93, Code 128, CODABAR, PDF417 (Label type only)
Line Spacing	4.23 mm (1/16 inch) can be set by command
Paper	112, 82.5, 80 x 102 mm diameter
Interface	Parallel IEEE1284 compliant + USB, Serial (RS-232C) + USB, Ethernet + USB
Input Buffer	4k bytes, 45 bytes
NV User Memory	384K bytes
Drawer Kick-Out	Two drawers
Power Supply	DC 24V ±7%
AC Adapter	Input: AC100-240V, 50/60Hz, 150VA / Output: DC24V, 2A
Weight:	AC power type: 2.1kg
Dimensions (W x D x H)	177 x 213 x 147 mm
Environment	Operation 5-45 C°, 10-90 RH (no condensation) Storage -20 to 60 C°, 10-90 RH (no condensation)
Reliability	Main Unit 20 Million lines Thermal Head 100 Million pulses or 100km Auto Cutter 1 Million cuts
EMC and Safety Standard	UL, C-UL, FCC class A, TUV-GS, CE marking

# CITIZEN

Micro HumanTech

363 Van Ness Way, Suite 404 • Torrance, CA 90501 • (310) 781-1460 • Fax: (310) 781-9152 • (800) 421-6516

[www.citizen-systems.com](http://www.citizen-systems.com)





*CT-S601 shown above, CT-S 651 with cover open shown right*

## CT-S601/CT-S651 POS Printer

Taking you straight to the cutting edge of technology, the CT-S601 and CT-S651 with front exit printer move at a velocity of 200mm per second, providing fast printing results for customers. In addition, the CT-S601 and CT-S651 can send the printer status back; have three LED's and a buzzer to indicate printer status and errors. The versatile design supports three-inch (83 and 80 mm) and two-inch (60 and 58 mm) paper widths. Built-in power supply comes standard. The unit has memory switches making customization possible. Need to print barcodes? The printer supports barcode and 2D barcode symbologies.

With an internal memory large enough to store logos, footers, custom fonts, keywords and downloading custom applications, this unit has it all. The CT-S601 can be desktop or wall-mounted and comes standard with USB interface, RS-232 serial or Centronics parallel interfaces. Printer drivers included are: Windows XP (32 and 64 bit), Windows Vista (32 and 64 bit), Java POS, OPOS and CUPS.

**CITIZEN**  
Micro HumanTech

Leading Technology for Humanity



CT-S651 shown above left, CT-S601 shown above right

## CT-S601/CT-S651 POS Printer

### Features

- High-speed (200 mm/s) printing.
- Compact design can be installed anywhere
- Versatile design supports 3-inch (83/80 mm) and 2-inch (60/58 mm) wide paper rolls
- Built-in power supply or AC adaptor types available
- Printer status and errors indicated by 3 LEDs and a buzzer.
- Equipped with a fast and quiet cutter
- Easy to clear cutter jams
- Interchangeable interfaces
- Built-in cash drawer kick-out interface
- Memory switches make customization possible
- Store user-defined characters and logos in user memory
- Barcode and 2D barcode printing supported.
- 2-color printing supported (when specified paper used)
- Driver and utility software included

### Applications

- Hospitality
- Ticketing
- Coupons
- Retail
- Kitchen Receipt

### Specifications

Printing Method	Line thermal dot print (direct thermal)																								
Paper Width / Print Width	80mm/640 dots, 72mm/576 dots, 64mm/512 dots, 54.5mm/436 dots, 54mm/432 dots, 52.5mm/420 dots, 48mm/384 dots, 45mm/360 dots, 48.75mm/390 dots, 68.25mm/546 dots																								
Dot Density	8 x 8 dots/mm (203 dpi)																								
Printing Speed	<b>200 mm/s (fastest, print density 100%), 1600 dot-lines/s</b>																								
Number of print columns *2	Max no. of characters																								
	<table border="1"> <thead> <tr> <th></th> <th>83mm</th> <th>80mm</th> <th>60mm</th> <th>58mm</th> <th>Dots</th> </tr> </thead> <tbody> <tr> <td>Font A</td> <td>53</td> <td>48</td> <td>36</td> <td>35</td> <td>12 x 24</td> </tr> <tr> <td>Font B</td> <td>71</td> <td>64</td> <td>48</td> <td>46</td> <td>9 x 17</td> </tr> <tr> <td>Font C</td> <td>80</td> <td>72</td> <td>54</td> <td>52</td> <td>8 x 16</td> </tr> </tbody> </table>		83mm	80mm	60mm	58mm	Dots	Font A	53	48	36	35	12 x 24	Font B	71	64	48	46	9 x 17	Font C	80	72	54	52	8 x 16
	83mm	80mm	60mm	58mm	Dots																				
Font A	53	48	36	35	12 x 24																				
Font B	71	64	48	46	9 x 17																				
Font C	80	72	54	52	8 x 16																				
Character Size *3	Font A: 1.5 x 3.0 mm, Font B: 1.13 x 2.13 mm, Font C 1.0 x 2.0 mm																								
Character Type	Alphanumeric, international, PC437/ 850/ 852/ 857/ 858/ 860/ 863/ 864/ 865/ 866/ WPC1252/katakana/Thai code 18																								
User Memory	384 K bytes (capable of storing user-defined characters & logos)																								
Bar Code Types	UPC-A/E, JAN (EAN) 13/8 columns, ITF, CODE 39, CODE 128, CODABAR (NW-7), CODE 93, PDF417, QR Code																								
Line Spacing	4.25 mm (1/6 inch) (changeable using commands)																								
Paper Roll	Paper roll: 83 <sup>+0, -1</sup> mm/80 <sup>+0, -1</sup> mm/60 <sup>+0, -1</sup> mm/58 <sup>+0, -1</sup> mm * max Ø83 mm Paper thickness: 65-75 µm (core tube diameter: in 12mm/ out 18mm) 75-150 µm (core tube diameter: in 25.4mm/ out 32 mm)																								
Interface	Detachable for Serial (RS-232C compliant), parallel (IEEE 1284 compliant), USB, USB with hub, Ethernet, powered USB																								
Cash Drawer Kick-out External Device Port	Supports 2 cash drawers <b>Not equipped</b>																								
Buffer Size	4 k bytes / 45 bytes																								
Supply Voltage	DC 24 V +/- 5%																								
Power Consumption	Approximately 45 W (normal printing), 3 W (standby)																								
Weight	CT-S601S: Approx. 2 kg, CT-S601A: Approx. 1.6 kg																								
Outer Dimensions	CT-S601S: 145(W) x 192(D) x 148(H) mm, CT-S601A: 145(W) x 192(D) x 120(H) mm																								
Operating Temp & Humidity	5 to 45°C, 10 to 90% RH (no condensation)																								
Storage Temp & Humidity	-20 to 60°C, 10 to 90% RH (no condensation)																								
Reliability	Print head life: 150km, 200 million pulses (at normal temp and humidity using recommended paper). Auto cutter life: 2 million cuts (at normal temp and humidity using recommended paper and paper thickness)																								
Safety standard *4	UL, C-UL, FCC Class A, TUV-Bauart, CE Marking																								

Notes: \*1: When paper width is 83, 80, 60, or 58 mm.

\*2: The number of printable columns is selected using a memory switch

\*3: Characters appear small because the dimensions include a blank area surrounding each character.

\*4: Compliant if the Citizen Systems AC adaptor (36AD2/36AD3) is used.

**CITIZEN**

Micro HumanTech

363 Van Ness Way, Suite 404 • Torrance, CA 90501 • (310) 781-1460 • Fax: (310) 781-9152 • (800) 421-6516

www.citizen-systems.com



**Metrologic®**  
We really work for you.™

## MS3580 Quantum7™

---

**Quantum7™ is the smallest and fastest scanner in a successful line of Metrologic multi-mode countertop scanners.**

---

Ideal for presentation scanning in moderate-volume retail environments such as convenience stores, liquor stores and pharmacies, end users can individually customize the scan pattern and operate the scanner in either a hand-held or hands-free fashion. In addition, its rugged, rubber housing provides the necessary protection against daily operational use.

Quantum7, with an industry-leading 1,650 scans/second, provides aggressive first-pass scanning, reducing the time it takes to scan products, increasing customer satisfaction and employee efficiency. The single-line scan feature, enabled by the push of a button, saves time and reduces unwanted scans on menu-style codes by providing targeted

scanning through Metrologic's patented Codegate® technology. Hand-held operation ensures easy scanning of larger, bulkier products that cannot be easily presented to stationary scanners.

Quantum7 can be positioned at the user's convenience; mounted to a wall or countertop, atop one of four optional stands, or free standing for easy hand-held use. Other key features include Metrologic's patented IR activation mode, user-replaceable Powerlink cables and Flash memory. Quantum7 is an integral part of Metrologic's new line of omnidirectional bar code scanners that are "Powered by Metrologic's QuantumE™ Scan Engine."

---

[www.metrologic.com](http://www.metrologic.com)

---

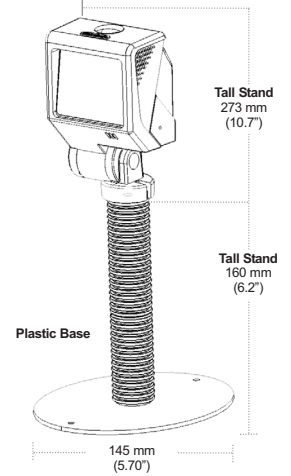
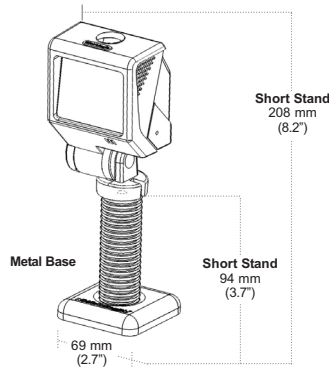
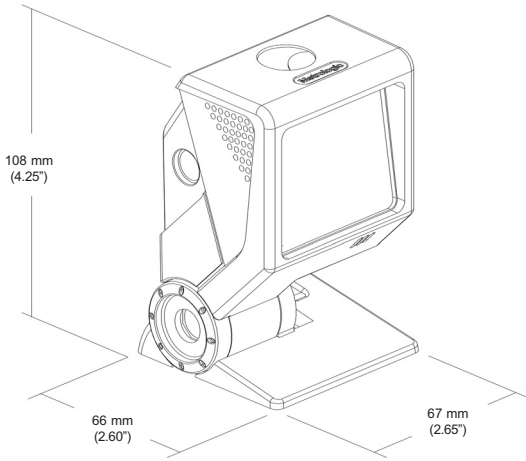


### FEATURES

- Omnidirectional/Single-line mode
- Sleep Mode with IR wake-up
- Small footprint
- Programmable Depth of Field
- OPOS and JPOS system compatible

### BENEFITS

- Alternate between 20 scan lines for omnidirectional scanning and a single scan line for menu scanning
- Multiple sleep modes reduce power consumption, extending life and lowering cost of operation
- Keeps valuable counter space clear
- Customize the scan field to eliminate inadvertent scans of nearby items
- Quantum7 is compatible with systems running the popular industry standards



Available in metal or plastic base

**OPERATIONAL**

Light Source	Visible Laser Diode 650 nm
Laser Power	1.1 mW (peak)
Decode Capability	Autodiscriminates all standard 1D bar codes, including RSS Expanded, RSS-14 and RSS-14 Limited; for other symbologies call Metrologic
System Interfaces	RS232, Light Pen Emulation, Keyboard Wedge, Stand Alone Keyboard, IBM 468x/469x, USB, Laser Emulation, OCIA
Number Characters Read	Up to 80 data characters
Beeper Operation	7 tones or no beep
Indicators	Blue = laser on, ready to scan White = good read

**MECHANICAL**

Length	66 mm (2.60")
Width	67 mm (2.65")
Height	108 mm (4.25")
Weight	170 g (6.0 oz)
Termination	10 position modular RJ45 connector
Cable	Standard 2.1 m (7') straight; optional 2.7 m (9') coiled for other cables call Metrologic

**ELECTRICAL**

Input Voltage	5 VDC ± 0.25 V
Power	1.375 W
Operating Current	275 mA typical @ 5 VDC
DC Transformers	Class 2; 5.2 VDC @ 650 mA
Laser Class	Class 1; IEC60825-1:1993/A1:1997 + A2:2001 Class 1; EN60825-1:1994/A1:1996 + A2:2001
EMC	FCC, ICES-003 & EN55022 Class A

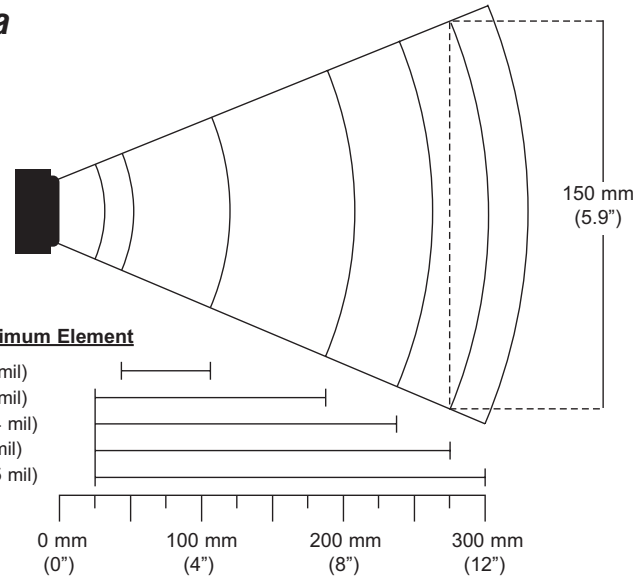
**ENVIRONMENTAL**

Operating	-20°C to 40°C (-4°F to 104°F)
Storage Temperature	-40°C to 60°C (-40°F to 140°F)
Humidity	5% to 95% relative humidity, non-condensing
Light Levels	Up to 4842 Lux (450 footcandles)
Contaminants	Sealed to resist airborne particulate contaminants
Ventilation	None required

**SCAN PERFORMANCE**

Depth of Scan Field (programmable)	19 mm - 273 mm (.75" - 10.75") for 0.33 mm (13 mil) bar code at default setting
Width of Scan Field	30 mm (1.2") @ 25 mm (1.0"); 150 mm (5.9") @ 280 mm (11.0")
Scan Speed	Omnidirectional - 1650 scan lines per second Raster - 320 scan lines per second Single-line - 80 scan lines per second
Scan Pattern (programmable primary and secondary scan modes)	Omnidirectional - 5 fields of 4 parallel lines Raster - 4 lines Single-line - 1 line
Minimum Bar Width	0.127 mm (5.0 mil)
Print Contrast	35% minimum reflectance difference
Roll, Pitch, Yaw	360°, 60°, 60°

**Scan Area**



Product Colors Available



MS3580 is available in a variety of other colors with minimum quantity purchase



Sunrise 2005 Compliant



www.metrologic.com  
**ISO 9001:2000**

Metrologic Instruments, Inc. | **Worldwide Headquarters**  
90 Coles Road | Blackwood, NJ 08012-4683 | info@metrologic.com  
Telephone 856-228-8100 | Fax 856-228-6673

<b>Asian Headquarters</b> Tel. 65.6842.7155 info@sg.metrologic.com	<b>European Headquarters</b> Tel. 49.89.89019.0 info@eu.metrologic.com	<b>The Americas Headquarters</b> Tel. 1.800.ID.METRO info@us.metrologic.com
--	--	---

Specifications subject to change without notice.  
Printed U.S.A., Copyright August 2005  
Metrologic, All rights reserved.



DS3580



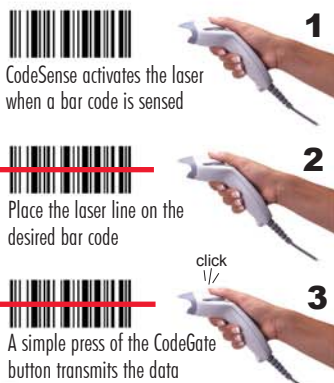
**MS5145 Eclipse™** is a single-line, hand-held laser scanner. Equipped with CodeGate® technology, Eclipse can easily target the desired bar code and complete the data transmission with a simple press of a button.

# MS5145 Eclipse™

## Features

- **CodeGate® data transmission technology ideal for menu-scanning**
- **Decodes RSS-14, RSS Limited and RSS Expanded bar codes**
- **Popular USB and Keyboard Wedge interfaces built into one unit**
- **User-replaceable, single cable interface to host**
- **Remote-control style button reduces fatigue**
- **Custom edit the bar code data**
- **OPOS and JPOS system compatible**
- **Easy to program using bar codes**

### CodeGate Gives You Total Control Over What You Scan!



**Metrologic's MS5145 Eclipse** is a single-line, hand-held laser scanner. Equipped with Metrologic's patented CodeGate technology, Eclipse can be used in a wide variety of applications. CodeGate technology allows the user to easily target the desired bar code and complete the data transmission with a simple press of a button. This combination makes Eclipse a perfect selection for menu scanning, point-of-sale, document processing and inventory control.

With Metrologic's state-of-the-art scanning technology embedded inside, the MS5145 Eclipse has

a longer working range and a wider scan field than a typical CCD. The width of the scan line grows as the scanner moves further away from bar codes. In addition, the laser beam pulses which make lining up bar codes easy, and when the scanner senses a bar code (CodeSense™ Mode), the laser beam automatically switches to scan mode and activates CodeGate to ensure high-speed scanning and accuracy.

Standard features include PowerLink user-replaceable cables, and user friendly programming using MetroSelect® bar codes.



shown with optional stand



# MS5145 Eclipse™

## OPERATIONAL

Light Source	Visible Laser Diode 650 nm ± 10 nm
Laser Power	< 1.0 mW @ peak power
Depth of Scan Field	0 mm - 140 mm (0" - 5.5") for 0.33 mm (13 mil) bar codes
Width of Scan Field	49 mm (1.9") @ face; 195 mm (7.7") @ 140 mm (5.5")
Scan Speed	72 scan lines per second
Scan Pattern	Single scan line
Minimum Bar Width	0.102 mm (4.0 mil)
Decode Capability	Autodiscriminates all standard bar codes, including RSS; for other symbologies call Metrologic
System Interfaces	PC Keyboard Wedge, RS232, IBM 468x/469x, Stand Alone Keyboard, USB (low speed and full speed)
Print Contrast	35% minimum reflectance difference
Number Characters Read	Up to 80 data characters
Roll, Pitch, Yaw	42°, 68°, 52°
Beeper Operation	7 tones or no beep
Indicators (LED)	Green = laser on, ready to scan; Red = good read

## MECHANICAL

Length	169 mm (6.7")
Width	Head: 63 mm (2.5") Handle: 40 mm (1.6")
Height	Head: 35 mm (1.4") Handle: 31 mm (1.2")
Weight (w/o cable)	97 g (3.41 oz)
Termination	10 pin modular RJ45
Cable	Standard 1.5 m (5') straight; optional 2.7 m (9') coiled

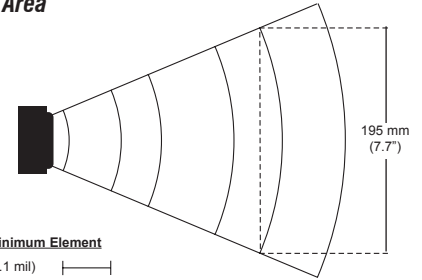
## ELECTRICAL

Input Voltage	5 VDC ± 0.25 V
Power	675 mW
Operating Current	135 mA @ 5 VDC
DC Transformers	Class 2; 5.2 VDC @ 200 mA; or Class 2, 5.2 VDC @ 650 mA
Laser Class	IEC 60825-1:1993+A1:1997+A2:2001 Class 1
EMC	FCC, ICES-003 & EN55022 Class B

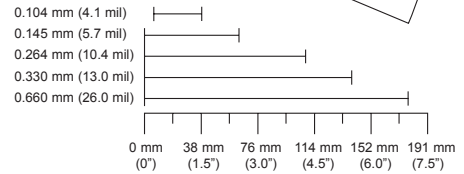
## ENVIRONMENTAL

Operating Temperature	0°C to 40°C (32°F to 104°F)
Storage Temperature	-40°C to 60°C (-40°F to 140°F)
Humidity	5% to 95% relative humidity, non-condensing
Shock	Designed to withstand 1.5 m (5') drops
Light Levels	Up to 4842 Lux (450 footcandles)
Contaminants	Sealed to resist airborne particulate contaminants
Ventilation	None required

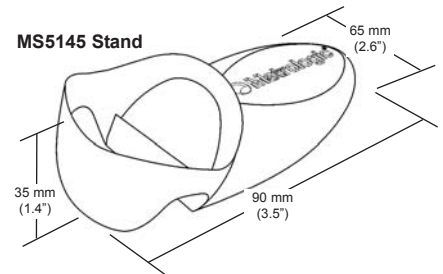
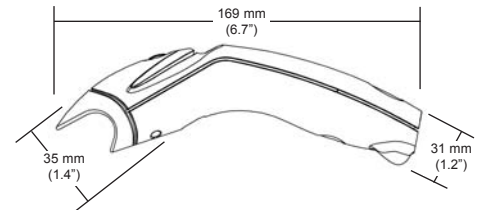
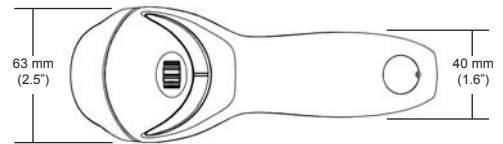
## Scan Area



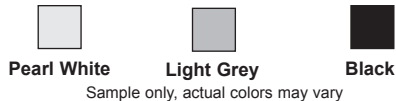
## Bar Code Minimum Element



## Dimensions



Eclipse is available in the following colors



www.metrologic.com

**USA**  
Tel. 1.800.ID.METRO  
info@metrologic.com

**Asia**  
Tel. 65.6842.7155  
info@sg.metrologic.com

**AOA (only)**  
Tel. 1.617.806.1400  
info@aaa.metrologic.com

**China (only)**  
Tel. 86.512.62572511  
info@cn.metrologic.com

**South America**  
Tel. 55.11.5182.7273  
info@sa.metrologic.com

**Japan (only)**  
Tel. 81.03.3839.8511  
info@jp.metrologic.com

**Brazil (only)**  
Tel. 55.11.5182.8226  
info@br.metrologic.com

**Europe**  
Tel. 49.89.89019.0  
info@europe.metrologic.com

Specifications subject to change without notice.  
Printed U.S.A., Copyright March 2003  
Metrologic, All rights reserved.



DS5145



**Orbit**® is an aggressive, omnidirectional presentation/handheld laser bar code scanner. Orbit is lightweight, rugged, small in size and BIG in performance.

Sunrise 2005 Compliant

## MS7120 Orbit®

### Features

- Fully automatic scan operation
- Decodes RSS-14, RSS Limited and RSS Expanded bar codes
- User-replaceable, single cable interface to host
- Mountable to a wall or under check-writing stands
- Customize the depth-of-field for tight scanning environments
- Custom edit the bar code data to meet the requirements of the application
- Multiple beeper tones
- OPOS and JPOS system compatible



**Metrologic's Orbit** is an aggressive, omnidirectional presentation laser bar code scanner. Designed for applications where counter space is at a premium, Orbit is the ideal presentation scanner for retail, convenience, liquor and specialty stores. In addition, Orbit's unique, contoured shape allows it to be picked up and used as a hand-held when scanning large or bulky items. Lightweight and rugged, Orbit is small in size but BIG in performance.

Engineered with a large, easy-to-find sweet spot, Orbit increases first pass read rate for maximum productivity. The scanning head can be tilted ver-



tically a full 30° for added flexibility when scanning various sized objects. Orbit has a patented 20-line omnidirectional scan pattern that produces 1,200 scan lines per second. These features increase the scanning throughput, without increasing Orbit's size.

Orbit is engineered for easy configuration and utilizes user-replaceable cables, in order to meet the multiple application needs across the many markets it serves. Data editing or "parsing" is also a standard feature. Parsing enables the encoded information to be manipulated to meet the host system's requirements.



# MS7120 Orbit®

## OPERATIONAL

Light Source	Visible Laser Diode 650 nm $\pm$ 10 nm	
Laser Power	0.663 mW (peak)	
Depth of Scan Field (programmable)	0 mm - 215 mm (0" - 8.5") for 0.33 mm (13 mil) bar codes	
Width of Scan Field	60 mm (2.4") @ face; 105 mm (4.1") @ 216 mm (8.5")	
Scan Speed	1200 scan lines per second	
Scan Pattern	5 fields of 4 parallel lines (omnidirectional)	
Number of Scan Lines	20	
Minimum Bar Width	0.13 mm (5.2 mil)	
Decode Capability	Autodiscriminates all standard 1-D and RSS-14 bar codes; for other symbologies call Metrologic	
System Interfaces	PC Keyboard Wedge, RS232, OCIA, Light Pen Emulation, IBM 468X/469X, Stand Alone Keyboard, USB (low speed and full speed)	
Print Contrast	35% minimum reflectance difference	
Number Characters Read	Up to 80 data characters	
Roll, Pitch, Yaw	360°, 60°, 60°	
Beeper Operation	7 tones or no beep	
Indicators (LED)	Green* = laser on, ready to scan Red* = good read	* Indicator colors can be reversed

## MECHANICAL

Height	150 mm (5.9")
Depth	105 mm (4.1")
Width - Orb	80 mm (3.1")
Width - Base	102 mm (4.0")
Weight	410 g (14.5 oz)
Termination	10 pin modular RJ45
Cable	Standard 2.1 m (7') straight; optional 2.7 m (9') coiled; for other cables call Metrologic
Tilt - Orb	30° vertical

## ELECTRICAL

Input Voltage	5 VDC $\pm$ 0.25 V
Power	1.1 W typical @ 5 VDC
Operating Current	220 mA
DC Transformers	Class 2; 5.2 V @ 650 mA
Laser Class	CDRH: Class IIa; EN60825-1:1994/A11:1996 Class 1
EMC	Class B; FCC Part 15, ICES-003, European Union EMC Directive

Operating Temperature	0°C to 40°C (32°F to 104°F)
Storage Temperature	-40°C to 60°C (-40°F to 140°F)
Humidity	5% to 95% relative humidity, non-condensing
Light Levels	Up to 4842 Lux (450 footcandles)
Shock	Designed to withstand 1.2 m (4.0') drops
Contaminants	Sealed to resist airborne particulate contaminants
Ventilation	None required

Orbit is available in the following colors



ISO 9001:2000



www.metrologic.com

**USA**  
Tel. 1.800.ID.METRO  
info@metrologic.com

**Asia**  
Tel. 65.6842.7155  
info@sg.metrologic.com

**AOA (only)**  
Tel. 1.617.806.1400  
info@aoa.metrologic.com

**China (only)**  
Tel. 86.512.62572511  
info@cn.metrologic.com

**South America**  
Tel. 5511.5182.7273  
info@sa.metrologic.com

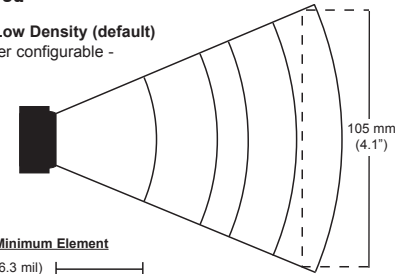
**Japan (only)**  
Tel. 81.03.3839.8511  
info@jp.metrologic.com

**Brazil (only)**  
Tel. 5511.5182.8226  
info@br.metrologic.com

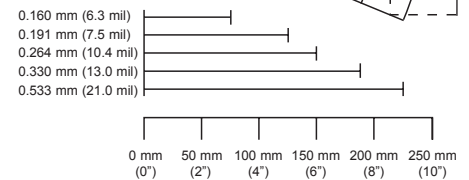
**Europe**  
Tel. 49.89.89019.0  
info@europe.metrologic.com

## Scan Area

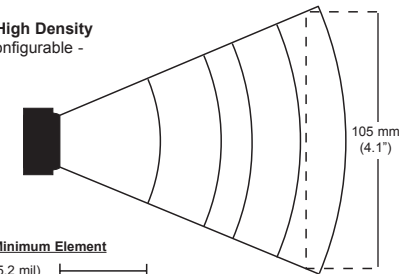
Optimal Low Density (default)  
- user configurable -



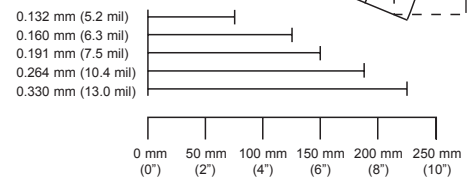
### Bar Code Minimum Element



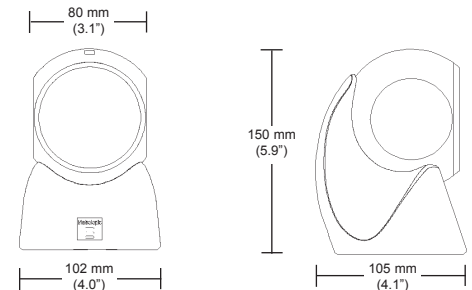
Optimal High Density  
- user configurable -



### Bar Code Minimum Element



## Dimensions



Specifications subject to change without notice.  
Printed U.S.A., Copyright December 2003  
Metrologic, All rights reserved.



DS7120





## MS7580 Genesis™

**Metrologic's MS7580 Genesis™, the world's first presentation area imager engineered to decode all standard 1D, PDF and 2D codes, provides enhanced productivity and revolutionary imaging technology in an elegant, yet durable design.**

Metrologic's MS7580 Genesis is destined to redefine industry standards for imaging solutions. Breakthrough performance and a versatile form factor make this product suitable for environments ranging from manufacturing to healthcare to retail POS.

Patented CodeGate® technology along with a centrally-located activation button support menu-scanning and other targeted-scanning applications.

Unlike other scanners with multiple on-board interfaces, the MS7580 has four dedicated memory banks - each one capable of storing

full configuration settings for RS232, keyboard wedge, USB and 46xx RS485 interfaces.

Automatic cable detection and configuration simplifies migration to a new interface by eliminating the need to scan programming bar codes. Three additional patented technologies augment the MS7580's unmatched feature set:

FirstFlash™ technology along with shielded LEDs minimize the intense flashing common among other area imagers.

Code Select® allows the MS7580 to capture up to seven bar codes in a single flash and outputs data in any predetermined order.

TotalFreedom™ offers unlimited possibilities for developing value-added custom application modules embedded directly into the MS7580 instead of the host system.

[www.metrologic.com/MS7580](http://www.metrologic.com/MS7580)

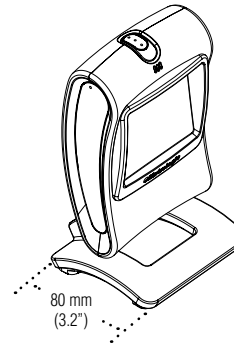
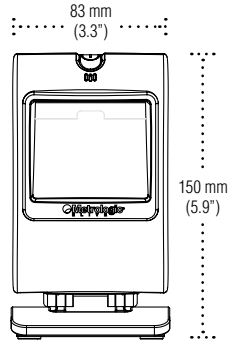


### Features

- Motion Tolerance
- Multiple On-Board Interfaces
- TotalFreedom™ Open-System Architecture
- FirstFlash®
- CodeSelect™

### Benefits

- Aggressively reads bar codes passing by the scan window
- Reduces overall system cost
- Simplifies installation by loading custom application modules directly to imager instead of host
- Increases productivity by scanning virtually all standard bar codes on first LED flash
- Scans up to 7 bar codes in one scan and outputs data in any pre-determined order



## OPERATIONAL

Light Source	LED 645 nm + 7.5 nm
Decode Capability	Autodiscriminates all standard 1-D, GS1, PDF417, microPDF, MaxiCode, Data Matrix, QR Code, UCC, EAN Composites, Postals, Aztec
System Interfaces	PC Keyboard Wedge, RS232, 46xx RS485, USB
Beeper Operation	7 tones or no beep
Indicators (LED)	Blue unit powered, ready to scan; White = good read

## MECHANICAL

Height	150 mm (5.9")
Depth	80 mm (3.2")
Width	83 mm (3.3")
Weight	340 g (12 oz)
Termination	10 pin modular RJ45
Cable	Standard 2.9 m (9.5') straight

## ELECTRICAL

Input Voltage	12 V
Power	Operating: 2.3 W Standby: 1.7 W
Current	Operating: 192 mA Standby: 142 mA
DC Transformers	12 V @ 1.25A
EMC	FCC Class B
LED Class	Class 1; IEC 60825-1:1993+A1:1997+A2:2001 Class 1; EN60825-1:1994+A1:2002+A2:2001

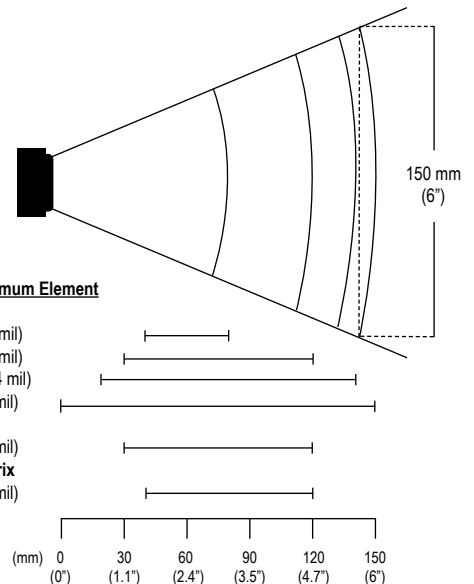
## ENVIRONMENTAL

Operating Temperature	0°C to 40°C (32°F to 104°F)
Storage Temperature	-40°C to 60°C (-40°F to 140°F)
Humidity	0% to 95% relative humidity, non-condensing
Light Levels	Up to 100,000 Lux (9,290 footcandles)
Shock	Designed to withstand 1.5 m (5') drops

## SCAN PERFORMANCE

Depth of Scan Field	0 mm - 152 mm (0" - 6") for 0.33 mm (13 mil)
Field of View	55 mm x 35 mm (2.2" x 1.4") @ face; 185 mm x 110 mm (7.3" x 4.3") @ 152 mm (6")
Minimum element width	1D: 0.1 mm (4 mil) PDF: 0.127 mm (5 mil) 2D: 0.254 mm (10 mil)
Motion Tolerance	200 cm/sec (78"/sec) for 0.33 mm (13 mil) @ 10 cm (4")
Resolution	1280 x 768
Print Contrast	20% minimum reflectance difference
Roll, Pitch, Skew	360°, 70°, 75°

## Scan Area



Product Colors Available



MS7580 is available in a variety of other colors with minimum quantity purchase.

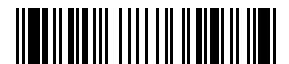


Metrologic Instruments, Inc. | Worldwide Headquarters  
90 Coles Road | Blackwood, NJ 08012-4683 | info@metrologic.com  
Telephone 856-228-8100 | Fax 856-228-6673 | www.metrologic.com

**Asian Headquarters** Tel. 65.6842.7155 info@sg.metrologic.com  
**European Headquarters** Tel. 49.89.89019.0 info@eu.metrologic.com  
**The Americas Headquarters** Tel. 1.800.ID.METRO info@us.metrologic.com



Specifications subject to change without notice. Printed U.S.A., Copyright January 2008 Metrologic, all rights reserved.



DS7580

# Voyager 1250g

---

## Single-Line Laser Scanner

Building on the legacy of the world-renowned Voyager™ series of scanners, Honeywell's Voyager 1250g single-line laser scanner provides a superior out-of-box experience and aggressive reading of linear bar codes, including larger bar codes up to 23 inches away.

Optimized for fast scanning of linear bar codes, including poorly printed and damaged codes, the Voyager 1250g allows enterprises to minimize manual data entry, leading to increased productivity and reduction in errors. The ability to read distant bar codes improves worker comfort as cashiers reach to scan items in the bottom of carts, and inventory takers scan out-of-reach products on shelves.

This plug and play scanner incorporates a multi-interface design with automatic interface detection. Simply plug the cable into the host system and the Voyager 1250g will automatically configure itself to the appropriate interface, shortening the installation process. For users who require hands-free scanning, the stand can be assembled quickly and easily.

Honeywell offers Service Made Simple™ service plans and Remote MasterMind™ for Scanning software to help lower the total cost of ownership for Voyager 1250g users. Service Made Simple is Honeywell's affordable solution for customers who require easy, hassle-free repair service for their scanners, and Remote MasterMind for Scanning provides turnkey remote device management to easily manage and track usage of installed devices.

Voyager 1250g provides superior scan performance and extended depth of field, which combine to deliver an ergonomic solution for scan-intensive applications.



## Features

---

- **Extended Depth of Field:** Scans out-of-reach items with ease and allows users to scan 13 mil bar codes from as far away as 17.6 inches (447 mm)
- **Automatic Interface Detection:** Supports all popular interfaces in one device, replacing the time consuming process of scanning programming bar codes with automatic interface detection and configuration
- **CodeGate® Technology:** Enables users to ensure that the desired bar code is scanned before transmitting data, making the scanner ideal for use in menu scanning applications
- **Superior Out-of-Box Experience:** Simplifies set up with quick and easy stand assembly; automatic in-stand detection and configuration; increases throughput with true object detection
- **Ergonomic Design:** Fits comfortably in most hands, reducing user fatigue in scan-intensive applications
- **Remote MasterMind™ Ready:** Reduces total cost of ownership by providing a turnkey remote device management solution that easily manages and tracks usage of installed devices

# Voyager 1250g Technical Specifications

## Mechanical

Dimensions (LxWxH)	60 mm x 168 mm x 74 mm (2.3" x 6.6" x 2.9")
Weight	133 g (4.7 oz)

## Electrical

Input Voltage	5 V ± 5%
Operating Power	700 mW; 140 mA (typical) @5V
Standby Power	425 mW; 85 mA (typical) @ 5V
Host System Interfaces	Multi-interface; includes USB (HID Keyboard, Serial, IBM OEM), RS232 (TTL + 5V, 4 signals), Keyboard Wedge, RS-232C (± 12V), IBM RS485 supported via adapter cable

## Environmental

Operating Temperature	0°C to 40°C (32°F to 104°F)
Storage Temperature	-20°C to 60°C (-4°F to 140°F)
Humidity	5% to 95% relative humidity, non-condensing
Drop	Designed to withstand 30 drops on concrete from 1.5 m (5')
Environmental Sealing	IP41
Light Levels	0-75,000 Lux (direct sunlight)

## Scan Performance

Scan Pattern	Single scan line
Scan Angle	Horizontal: 30°
Print Contrast	20% minimum reflectance difference
Pitch, Skew	60°, 60°
Decode Capabilities	Reads standard 1D and GS1 DataBar symbologies
Warranty	5 year factory warranty

For a complete listing of all compliance approvals and certifications, please visit [www.honeywellaidc.com/compliance](http://www.honeywellaidc.com/compliance)  
 For a complete listing of all supported bar code symbologies, please visit [www.honeywellaidc.com/symbologies](http://www.honeywellaidc.com/symbologies)



**For more information:**  
[www.honeywellaidc.com](http://www.honeywellaidc.com)

Voyager 1250g Typical Performance*	
Narrow Width	Depth of Field
5.0 mil	57 mm - 139 mm (2.2" - 5.5")
7.5 mil	28 mm - 245 mm (1.1" - 9.7")
10.4 mil	9 mm - 369 mm (0.4" - 14.5")
13 mil	0 mm - 446 mm (0" - 17.6")

\*Resolution: 4 mil (0.127 mm)  
 \*Performance may be impacted by bar code quality and environmental conditions

## Honeywell Scanning & Mobility

9680 Old Bailes Road  
 Fort Mill, SC 29707  
 800.582.4263  
[www.honeywell.com](http://www.honeywell.com)



# Vuquest 3310g

## Area-Imaging Scanner

Honeywell's Vuquest 3310g compact area-imaging scanner offers aggressive scanning of all 1D, PDF and 2D bar codes in a lightweight, durable and portable form factor. The scanner's sleek and elegant design also blends seamlessly in retail environments.

Powered by Adaptus® Imaging Technology 6.0, the Vuquest 3310g delivers superior bar code scanning and digital image capture. Aggressive reading of bar codes on highly reflective surfaces, such as mobile phone screens, eliminates the need to purchase additional specialty hardware.

Designed with the customer in mind, the unobtrusive illumination contained within the 3310g reduces the annoying after-effects commonly associated with the illumination used in imaging-based scanners.

TotalFreedom® expands scanner functionality by allowing decoding and formatting plug-ins to be loaded directly onto the Vuquest, enabling enterprises to rapidly support proprietary or newly-developed symbologies.

The ability to control the triggering of an external device such as a beeper, photo eye or illumination via external I/O capabilities allows the Vuquest to enter new markets once reserved for expensive industrial products.

With its small size, ergonomically-friendly thumb-activated button and clearly visible indicator LEDs, the 3310g offers a dependable hand-held or wearable scanning solution. The 3310g also offers universal mounting and robust presentation mode scan performance, making the device an ideal fixed-mount scanning solution for use in light industrial applications and in kiosks.



## Features

- **Flexible Licensing Solution:** Allows current scanning needs to be met while protecting the option to upgrade scanning capabilities in the future by simply purchasing a license for the appropriate feature
- **Intelligent Multi-Interface Design:** Supports all popular interfaces in one device, replacing the time consuming process of scanning programming bar codes with automatic interface detection
- **TotalFreedom 2.0:** Second-generation plug-in development platform enables the loading and linking of multiple applications directly onto the scanner, eliminating the need for host system modifications while offering expanded decoding and data formatting functionality
- **Mobile Phone Reading:** Easily scans bar codes directly from mobile device or computer screens, almost as if they were printed on paper
- **High Visibility LED Aimer:** Laser-free aiming provides an accurate scan indication, creating a customer-friendly operating environment while removing the risk of eye injury
- **Remote MasterMind™ Ready:** Reduces total cost of ownership by providing a turnkey remote device management solution that easily manages and tracks usage of installed devices

# Vuquest 3310g Technical Specifications

## Mechanical

Dimensions (LxWxH)	74 mm x 50 mm x 26 mm (2.9" x 1.9" x 1.0")
Weight	75g (2.7 oz)
Termination	15-POS D-Sub connector

## Electrical

Input Voltage	5 VDC $\pm$ 0.25 V
Operating Power	2.3 W (450 mA @ 5 V)
Standby Power	0.45 W (90 mA @ 5 V)
Host System Interfaces	USB, RS232, and Keyboard Wedge

## Environmental

Operating Temperature	0°C to 40°C (32°F to 104°F)
Storage Temperature	-20°C to 70°C (-4°F to 158°F)
Humidity	5% to 95% relative humidity, non-condensing
Drop	Designed to withstand 1.5 m (5') drops
Environmental Sealing	IP53
Light Levels	0 to 100,000 lux (9,290 foot-candles)

## Scan Performance

Scan Pattern	Area Image (838 x 640 pixel array)
Motion Tolerance	>270 cm/s (106 in/s) at focal point
Scan Angle	Horizontal: 42.4°, Vertical: 33°
Focal Point	127mm (5")
Print Contrast	20% minimum reflectance difference
Pitch, Skew	$\pm$ 45°, $\pm$ 65°
Decode Capability	Reads standard 1D, PDF, 2D, Postal and OCR symbologies. *Note: Decode capabilities dependent on kit configuration
Warranty	2 year factory warranty

For a complete listing of all compliance approvals and certifications, please visit [www.honeywellaidc.com/compliance](http://www.honeywellaidc.com/compliance)  
For a complete listing of all supported bar code technologies, please visit [www.honeywellaidc.com/symbologies](http://www.honeywellaidc.com/symbologies)



**For more information:**  
[www.honeywellaidc.com](http://www.honeywellaidc.com)

### Honeywell Scanning & Mobility

9680 Old Bailes Road  
Fort Mill, SC 29707  
800.582.4263  
[www.honeywell.com](http://www.honeywell.com)

Typical Performance*	
Narrow Width	Depth of Field
5 mil (Code 39)	55 mm – 159 mm (2.2" – 6.3")
7.5 mil (Code 39)	35 mm – 239 mm (1.4" – 9.4")
10 mil (Code 39)	26 mm – 330 mm (1.0" – 13.0")
13 mil (UPC-A)	39 mm – 435 mm (1.5" – 17.1")
6.7 mil (PDF417)	36 mm – 178 mm (1.4" – 7.0")
10 mil (DM*)	47 mm – 216 mm (1.9" – 8.5")
*Resolution: 1D (Code 39): 5 mil (0.125 mm) 2D (*Data Matrix): 6.7 mil (0.170)	
*Performance may be impacted by bar code quality and environmental conditions	

# Honeywell

# Xenon 1900

## Area-Imaging Scanner

Xenon 1900, Honeywell's sixth-generation of area-imaging technology, is redefining the standard for hand-held scanners. Featuring a custom sensor that is optimized for bar code scanning, Xenon 1900 offers industry-leading performance and reliability for a wide variety of applications that require the versatility of area-imaging technology.

Powered by Adaptus® Imaging Technology 6.0, Xenon 1900 delivers superior bar code scanning and digital image capture. Xenon 1900 incorporates a revolutionary decoding architecture that combines Adaptus Imaging Technology 5.5 and Omniplanar's SwiftDecoder™ software along with a custom sensor, enabling extended depth of field, faster reading, and improved scanning performance on poor quality bar codes. From high density linear to 2D bar codes found directly on the screen of a mobile device, Xenon 1900 decodes virtually all bar codes with ease.

A new space-saving design that mounts critical components on a single board eliminates the need for connectors. A more reliable design with fewer components minimizes downtime and improves serviceability, resulting in increased productivity. Its small form factor ensures that the Xenon 1900 fits well in virtually any sized hand, reducing operator fatigue.

Built with durability in mind, Xenon 1900 can withstand up to 50 drops to concrete from distances as high as 6 feet. An IP41-rating provides added protection. With a solid-state design backed by a five-year warranty, Xenon 1900 is constructed to deliver years of uninterrupted performance.



## Features

- **Custom Sensor Optimized for Bar Code Scanning:** Improves scanning aggressiveness and protects investment by providing supply chain stability
- **Multiple Focal Options:** Three focal options (high density, standard range and extended range) provide application-specific scanning, leading to improved productivity
- **Optional Disinfectant-Ready Housing:** Protects investment with durable construction that is better able to resist the harmful effects of harsh chemicals
- **Image Processing Software:** Offers advanced editing functionality—cropping, brightening, rotating, sharpening and more—to produce high-quality digital images
- **TotalFreedom™ 2.0:** Second-generation development platform enables the loading and linking of multiple applications on the scanner to enhance image processing, decoding or data formatting functionality, eliminating the need for host system modifications
- **Remote MasterMind™ Scanner Management Software:** Provides a quick and convenient solution for IT administrators seeking to manage all scanners within their network from a single remote location

# Xenon 1900 Technical Specifications

## Mechanical

Dimensions (LxWxH)	104 mm x 71 mm x 160 mm (4.1" x 2.8" x 6.3")
Weight	147 g (5.2 oz)

## Electrical

Input Voltage	4 VDC to 5.5 VDC
Operating Power	2.3 W (450mA @ 5 VDC)
Standby Power	0.45 W (90mA @ 5 VDC)
Host System Interfaces	USB, Keyboard Wedge, RS232, IBM 46xx (RS485)

## Environmental

Operating Temperature	0°C to 50°C (32°F to 122°F)
Storage Temperature	-40°C to 70°C (-40°F to 158°F)
Humidity	0% to 95% relative humidity, non-condensing
Drop	Designed to withstand 50 1.8 m (6") drops to concrete Ratchet stand: Designed to withstand 50 1.2 m (4") drops to concrete on each of the faces
Environmental Sealing	IP41
Light Levels	0 to 100,000 lux (9,290 foot-candles)
Ratchet Cycles	The ratchet stand shall support 10,000 cycles (each cycle is one full movement of the scanner either up or down) without losing its ability to keep the scanner in any ratchet position

## Scan Performance

Scan Pattern	Area Image (838 x 640 pixel array)
Motion Tolerance	Up to 610 cm/s (240 in/s) for 13 mil UPC at optimal focus
Scan Angle	HD Focus: Horizontal 41.4°; Vertical: 32.2° SR Focus: Horizontal: 42.4°; Vertical: 33° ER Focus: Horizontal: 31.6°; Vertical: 24.4°
Symbol Contrast	20% minimum reflectance difference
Pitch, Skew	45°, 65°
Decode Capability	Reads standard 1D, PDF, 2D, Postal and OCR symbologies *Note: Decode capabilities dependent on kit configuration
Warranty	5 year factory warranty

For a complete listing of all compliance approvals and certifications, please visit [www.honeywellaidc.com/compliance](http://www.honeywellaidc.com/compliance)  
For a complete listing of all supported bar code symbologies, please visit [www.honeywellaidc.com/symbologies](http://www.honeywellaidc.com/symbologies)

Typical Performance*	High Density (HD)	Standard Range (SR)	Extended Range (ER)
Narrow Width			
5 mil Code 39	0 mm - 91 mm (0" - 3.6")	36 mm - 127 mm (1.4" - 5")	114 mm - 198 mm (4.5" - 7.8")
13 mil UPC	15 mm - 150 mm (0.6" - 5.9")	13 mm - 401 mm (0.5" - 15.8")	36 mm - 500 mm (1.4" - 19.7")
20 mil Code 39	20 mm - 208 mm (0.8" - 8.2")	18 mm - 480 mm (0.7" - 18.9")	38 mm - 643 mm (1.5" - 25.3")
6.7 mil PDF417	0 mm - 94 mm (0" - 3.7")	15 mm - 137 mm (0.6" - 5.4")	84 mm - 221 mm (3.3" - 8.7")
10 mil DM**	0 mm - 104 mm (0" - 4.1")	15 mm - 178 mm (0.6" - 7")	104 mm - 256 mm (4.1" - 10.1")
20 mil QR	18 mm - 173 mm (0.7" - 6.8")	15 mm - 371 mm (0.6" - 14.6")	18 mm - 467 mm (0.7" - 18.4")
Resolution 1D Code 39	3 mil (0.076 mm)	5 mil (0.127 mm)	5 mil (0.127 mm)
Resolution 2D DM**	5 mil (0.127 mm)	6.7 mil (0.170 mm)	7.5 mil (0.191 mm)

\*Performance may be impacted by bar code quality and environmental conditions  
\*\*Data Matrix (DM)



For more information:  
[www.honeywellaidc.com](http://www.honeywellaidc.com)

## Honeywell Scanning & Mobility

9680 Old Bailes Road  
Fort Mill, SC 29707  
800.582.4263  
[www.honeywell.com](http://www.honeywell.com)

# Honeywell