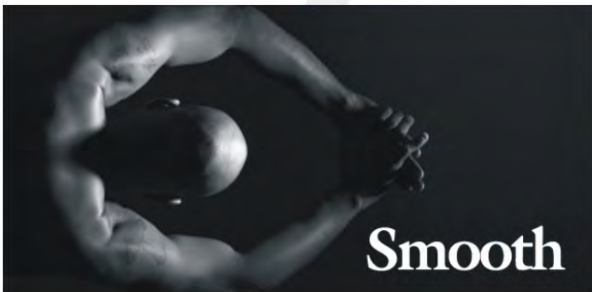




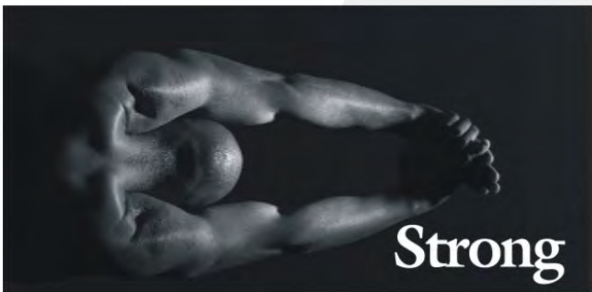
Discreet



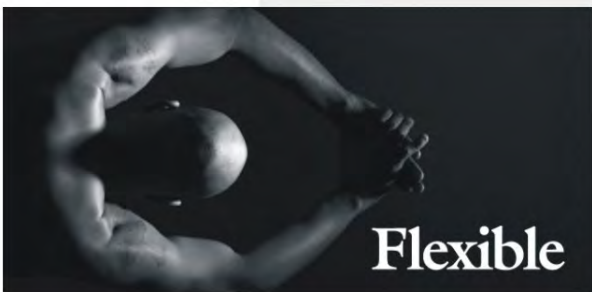
Reactive



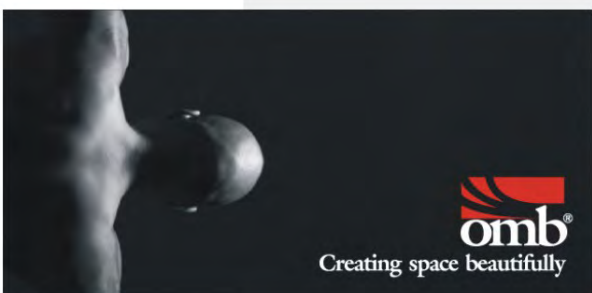
Smooth



Strong



Flexible



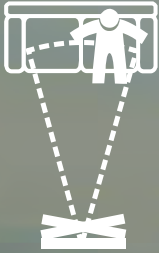

Creating space beautifully



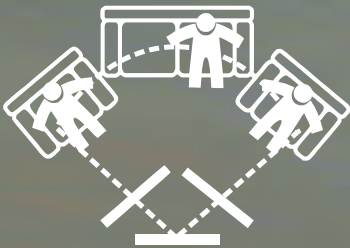
omb



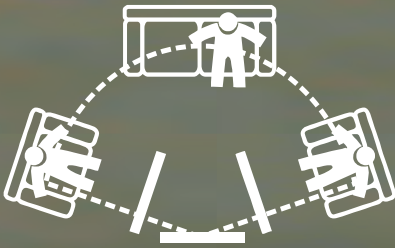
Fisso
Fixed



Con 1 snodo
With 1 articulation



Con 2 snodi
With 2 articulations



Con 3 snodi
With 3 articulations



The O.M.B's objective has always been to improve the quality of people's lives through the latest technologies, together with the goal to satisfy the needs of those who want to experience the best visual and auditory sensations. The company, situated in the Trentino region, Italy, was created in the sixties OMB now manufactures superior technologic supports with an original design suitable for every type of video and auditory appliance: a range of products able to meet the expectations of the most demanding customers and the most refined tastes.

It's easy to live an emotion.

OMB is a leading provider of Tv supports and boasts 40 years of experience: a guarantee of expertise and knowledge. It strives to be honest and attuned to the needs and dreams of its customers.





→ Mounting Brackets

↓ OMB TV Support

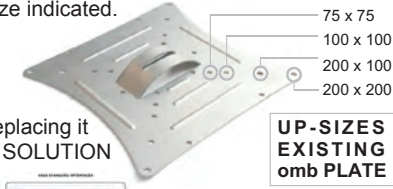
VESA FLAT DISPLAY MOUNTING INTERFACE

All LCD & Plasma TV Monitors have a standard mounting size shown as "VESA". Due to space constraints, each & every VESA size is not shown on each item. It can be assumed that ALL VESA sizes up-to & including the size indicated.

ADAPTOR PLATES

Up-Sizes OMB tilt-head by replacing it
 Suits OMB LUNAR, EASY & SOLUTION

VESA 200x200 100x200



10Kg SINGLE JOINT WALL MOUNT

Universal Inclined wall bracket with one articulation.
 Suits to 10"- 22". ±15° tilt & 80° swivel. 80mm off the wall.
 Supports up to 10kg.

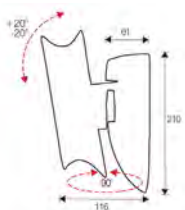
VESA 100x100
 Colour Black
 Code OMB06098



30Kg OPERA-1 TILT & SWING DELUXE

Evolutionary fashion house partnered with OMB for an a new style support Premium grade professional installation. Suits to 10"-37". ±20° tilt. 90° swivel. Cast iron joint. Made in Italy.

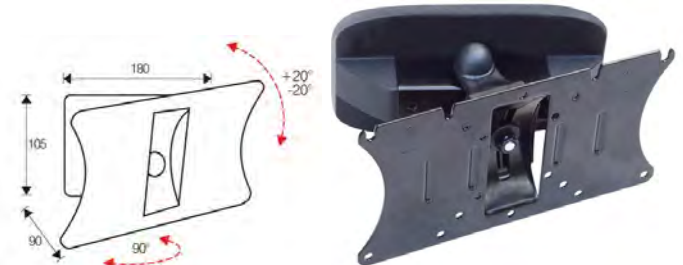
VESA 200x200 200x100
 Colour Black Black
 Code OMB06131 OMB06130



20Kg MONO-SOLUTION TILT AND SWING

MONO-SOLUTION full motion wall mount with one articulation suits to 10"-30". ±20° tilt. 90° swivel. 90mm off the wall. Supports flat screen TV up to 20kg.

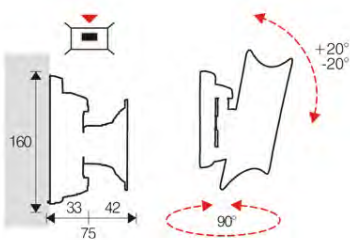
VESA 200x200 200x200 100x200 100x200
 Colour Silver Black Silver Black
 Code OMB26100 OMB36070 OMB26070 OMB06070



30Kg LUNAR-1 TILT AND SWING

LUNAR-1 full motion wall mount suits to 10"-37". ±20° tilt. 90° swivel. 75mm off the wall. Supports flat screen TV up to 30kg.

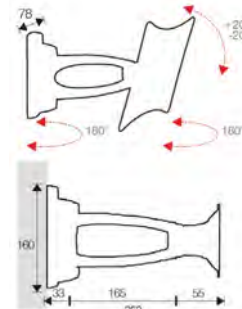
VESA 200x200 200x200 100x200 100x200
 Colour Silver Black Silver Black
 Code OMB26105 OMB06105 OMB26094 OMB06094



30Kg LUNAR-2 TILT AND SWING - SINGLE ARM

Full motion inclinable wall bracket with two articulations. Suits 10"-37". ±20° tilt. 180° swivel. Arm extension 55 - 253mm. Cast Aluminium. Support flat panel tv up to 30kgs.

VESA 200x200 200x200 100x200 100x200
 Colour Silver Black Silver Black
 Code OMB26107 OMB06107 OMB26091 OMB06091



ADD ON ACCESSORIES

Optional Padlock & key to suit LUNAR-1 series.

Description	Padlock	Key
Suit	Lunar 1	Lunar 1
Code	OMB06095	OMB06097



Padlock Kit



Key



Padlock Installation Example

ADD ON ACCESSORIES

Optional Padlock & key to suit LUNAR-2 series.

Description	Padlock	Key
Suit	Lunar 2	Lunar 2
Code	OMB06096	OMB06097



Padlock Kit



Key



Padlock Installation Example

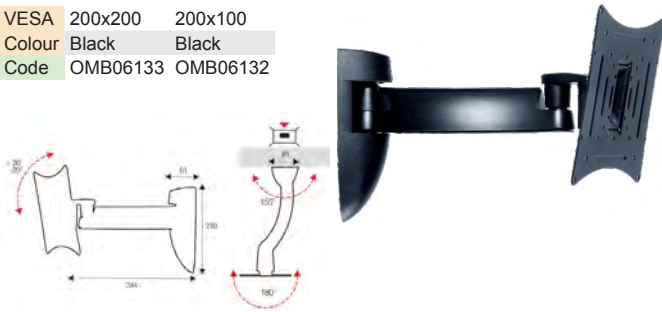




30Kg OPERA-2 TILT AND SWING - SINGLE ARM

Full motion wall mount suits to 10"-37". ±20° tilt. 180° swivel. Arm extension 117-344mm. Supports flat screen TV up to 30kg. Elegance in a curved aluminium arm with cable cavity and articulated joints.

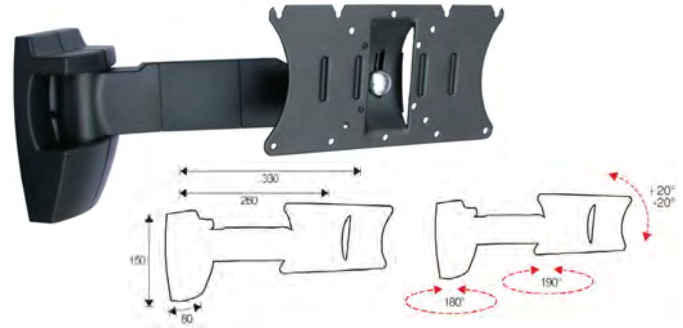
VESA	200x200	200x100
Colour	Black	Black
Code	OMB06133	OMB06132



20Kg BI-SOLUTION TILT AND SWING STEEL

Full motion inclinable two articulation wall mount with plastic shroud. Suits to 10" - 30". ±20° tilt. 190° swivel. Arm extension 80-330mm. Supports flat screen TV up to 20kg

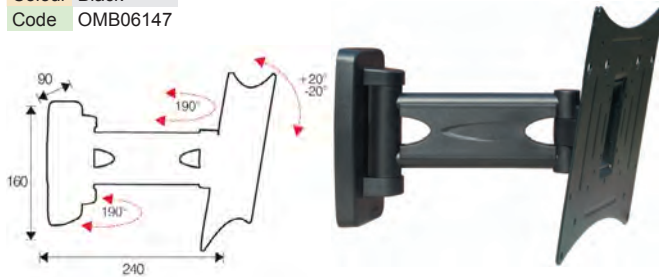
VESA	200x200	200x200	100x200	100x200
Colour	Silver	Black	Silver	Black
Code	OMB26101	OMB06101	OMB26071	OMB06071



30Kg SLIM-2 TILT AND SWING DELUXE

Full motion Inclinable wall bracket with two articulations and tilt. Suits 10" - 37". ±20° tilt. 190° swivel. Arm extension 55 - 240mm. Metal arm is hollow for holding AV & power cables. Support flat panel tv up to 30kgs.

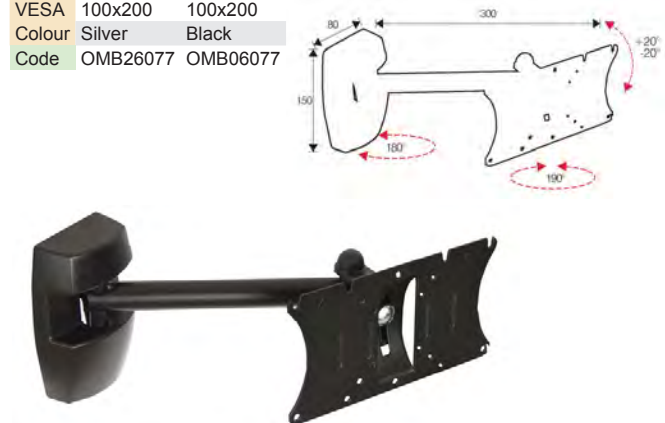
VESA	200x200
Colour	Black
Code	OMB06147



20Kg EASY-TWO TILT AND SWING STEEL

Wall mounted articulated flat screen TV support with style & assurance. Suits to 10" - 30". ±20° tilt. 190° swivel. Arm extension 80-300mm. Supports flat screen TV up to 20kg Easy range offers quality and safety at an excellent value for money

VESA	100x200	100x200
Colour	Silver	Black
Code	OMB26077	OMB06077



30Kg EASY-TWO EXTRA TILT AND SWING STEEL

Full motion heavy duty wall bracket, Step up to the next level in beautiful European interior design style. Suits to 10" - 37". ±20° tilt. 190° swivel. Arm extension 70-290mm. Supports flat screen TV up to 30kg

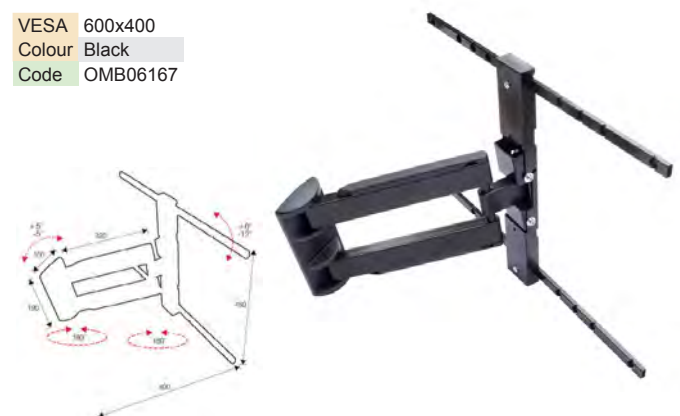
VESA	200X200	200X200	100x200	100x200
Colour	Silver	Black	Silver	Black
Code	OMB26115	OMB06115	OMB26114	OMB06114



25Kg LED TWO WALL MOUNT

Universal mobile TV wall mount with an elegant and super slim design with two rotating & inclining joints. Easy installation with concealed cabling. Suits to 32" - 55". +0°/-12° tilt. 180° swivel. Arm extension 35-400mm. Supports flat screen TV up to 25kg

VESA	600x400
Colour	Black
Code	OMB06167

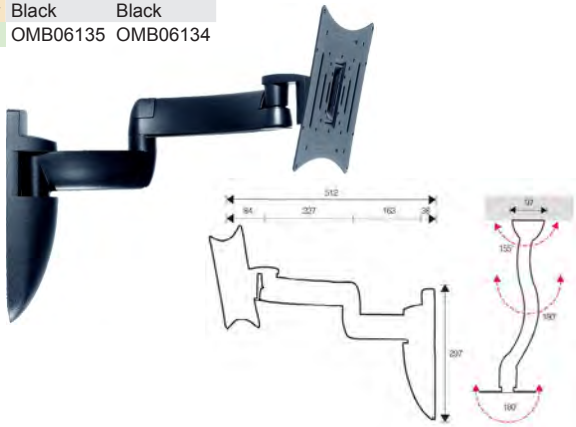




30Kg OPERA-3 TILT & SWING PININFARINA DESIGN

Combination of beautiful European design with premium build quality safety. This range uses cast-metal joints and curved arms with concealed cabling. Suits to 10" - 37". ±20° tilt. 180° swivel. Arm extension 117-512mm. Supports flat screen TV up to 30kg

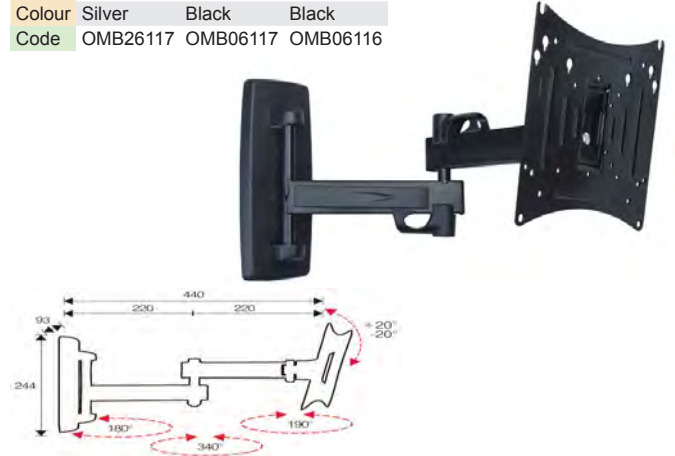
VESA	200x200	200x100
Colour	Black	Black
Code	OMB06135	OMB06134



30Kg EASY THREE EXTRA LONG REACH

Full motion inclinable three articulation wall bracket. Suits to 10" - 37". ±20° tilt. 190° swivel. Arm extension 70-430mm. Supports flat screen TV up to 30kg

VESA	200X200	200X200	100X200
Colour	Silver	Black	Black
Code	OMB26117	OMB06117	OMB06116



30Kg LUNAR-3 DUAL ARM LONG REACH

Full motion three articulations inclinable wall bracket. Suits to 10" - 37". ±20° tilt. 180° swivel. Arm extension 55-448mm. Supports flat screen TV up to 30kg

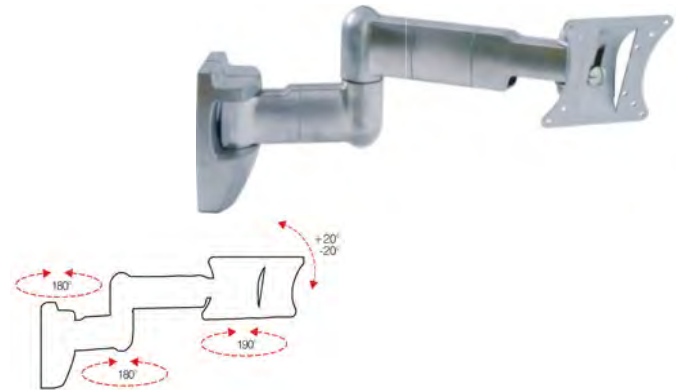
VESA	200x200	200x200	100x200	100x200
Colour	Silver	Black	Silver	Black
Code	OMB26108	OMB06108	OMB26092	OMB06092



20Kg TRI-SOLUTION LONG REACH

Full motion three articulated wall mount bracket. Suits to 10" - 30". ±20° tilt. 190° swivel. Arm extension 80-450mm. Supports flat screen TV up to 20kg

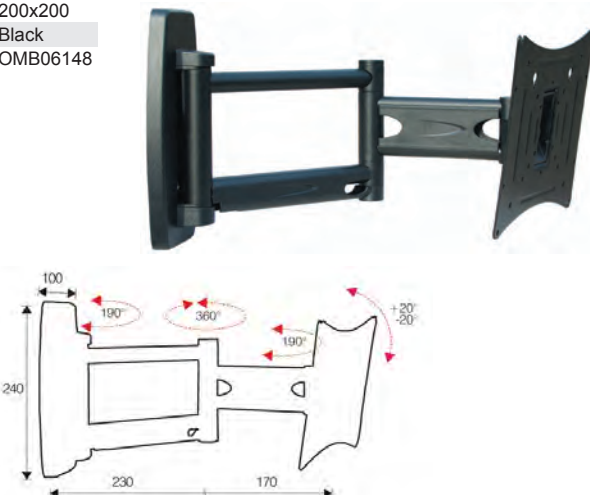
VESA	200x200	200x200	100x200	100x200
Colour	Silver	Black	Silver	Black
Code	OMB26102	OMB06102	OMB26072	OMB36072



30Kg SLIM-3 TILT AND SWING ELBOW ARM

Inclinable wall bracket with Three articulations and tilt. Metal arm is hollow for holding AV & power cables. Suits to 10" - 37". ±20° tilt. 190° swivel. Arm extension 55-400mm. Supports flat screen TV up to 30kg

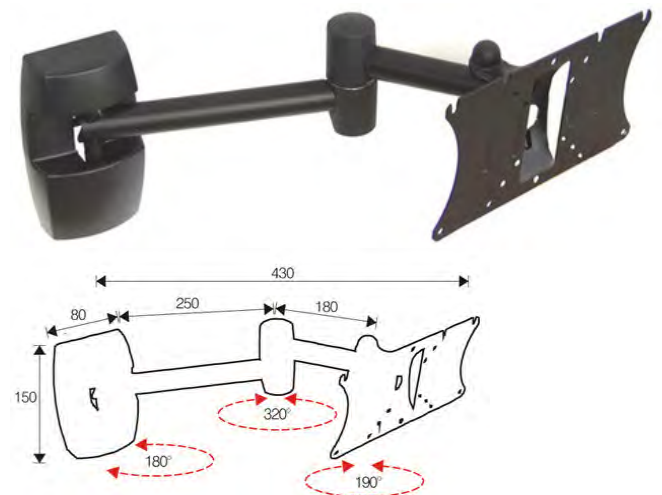
VESA	200x200
Colour	Black
Code	OMB06148



20Kg EASY THREE TRIPLE JOINT

Wall mounted articulated flat screen TV support with style & assurance. Suits to 10" - 30". 190° swivel. Arm extension 80-430mm. Supports flat screen TV up to 20kg. Easy range offers quality and safety at an excellent value for money

VESA	100x200	100x200
Colour	Silver	Black
Code	OMB26078	OMB06078

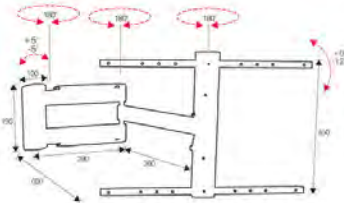




25Kg LED THREE WALL MOUNT

Universal mobile TV wall mount with an elegant and super slim design with three rotating & inclining joints. Easy installation with concealed cabling. Suits to 35" - 55". +0°/-12° tilt. 180° swivel. Arm extension 35-650mm. Supports flat screen TV up to 25kg

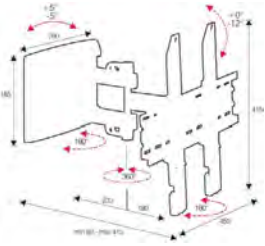
VESA 600x400
Colour Black
Code OMB06166



35KG EASY THREE TILT & SWING DELUXE 400

Full motion wall mounted articulated flat screen TV support with style & assurance. Suits to 20" - 40". +0°/-12°. 180° swivel. Arm extension 80-410mm. Supports flat screen TV up to 35kg.

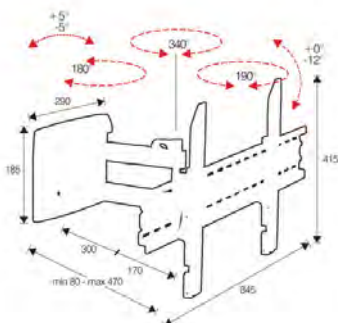
VESA 400x400
Colour Black
Code OMB06118



45Kg EASY THREE TILT & SWING DELUXE 800

Full Motion universal mounting bracket. Suits to 37" - 63". +0°/-12°. 190° swivel. Arm extension 80-410mm. Supports flat screen TV up to 45kg. Suitable for corner mounting and offers maneuverability and versatility for positioning.

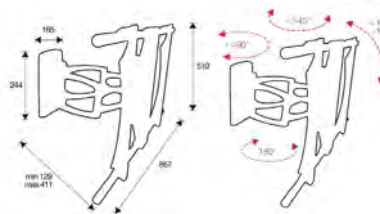
VESA 800x400
Colour Black
Code OMB06149



50Kg LUNAR REACH TILT & SWING LARGE

VESA FDMI fully adjustable mounting system. Suits to 30" - 50". +15°/-15° tilt. 45° swivel. Arm extension 129-411mm. Supports flat screen TV up to 75kg. Included Two x Double arms for secure stable support of larger LCD Plasma TVs

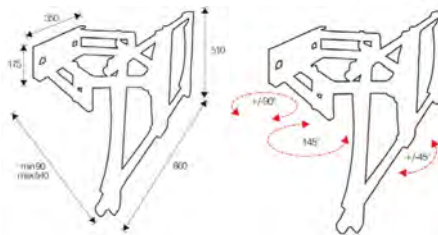
VESA 800x400 800x400
Colour Silver Black
Code OMB26093 OMB06093



75Kg REACH STOP SWING DUAL ARM LARGE

Full motion dual double arm extension support triple articulation. Suits to 30" - 63". 45° swivel. Arm extension 90-540mm. Supports flat screen TV up to 75kg

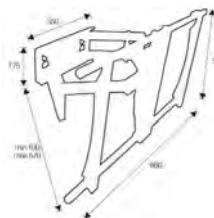
VESA 800x400
Colour Black
Code OMB06123



75Kg REACH GO TILT & SWING LARGE

Dual double arm extension support triple articulation. Suits to 30" - 63". +15°/-15° tilt. 45° swivel. Arm extension 100-570mm. Supports flat screen TV up to 75kg.

VESA 800x400
Colour Black
Code OMB06124



VESA 400x400 KIT FOR REACH SERIES

This is to be used in place of the standard one supplied. Changes to 600x400 (vertical) or 400x400

VESA 400x600
Code OMB06159





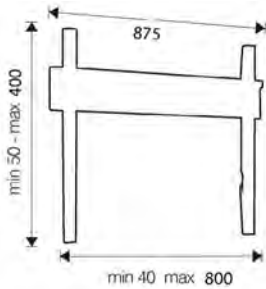
50Kg EASY TILT WALL HANGER

Universal fixed wall mount tiltable. Suits to 30" - 50".
 50mm off the wall. Supports flat screen TV up to 60kg

VESA 800x400
 Colour Black
 Code OMB06087



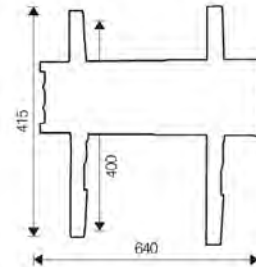
EASY-TILT



50Kg SLIM 600 FIXED WALL BRACKET

Universal low profile fixed wall mount. Suits to 26" - 52".
 22mm off the wall. Supports flat screen TV up to 50kg.

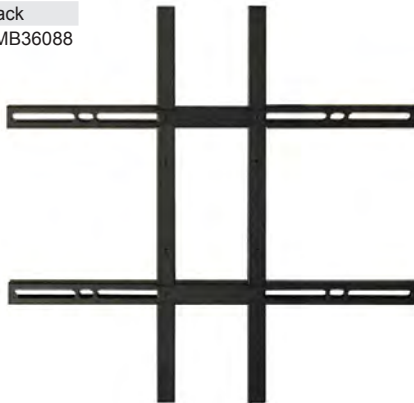
VESA 600x400
 Colour Black
 Code OMB06144



30Kg UNIVERSAL VESA ADAPTOR

Universal Adaptor is ideal for increasing the capacity of Vesa mounts. It is also suitable for non VESA mounts. This Universal Adaptor can be mounted onto a TV mount with VESA 100x100 - 400x400 plate. Supports flat screen TV up to 30kg

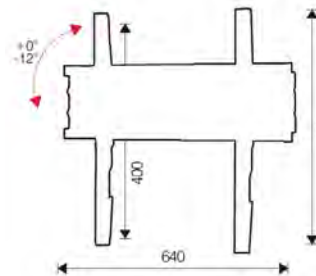
VESA 400x400 400x400
 Colour Silver Black
 Code OMB26088 OMB36088



50Kg SLIM TILT 600 WALL BRACKET

Universal wall mount. Suits to 26" - 52". -12°/+0° up and down tilt.
 35mm off the wall. Supports flat screen TV up to 50kg.

VESA 600x400
 Colour Black
 Code OMB06145

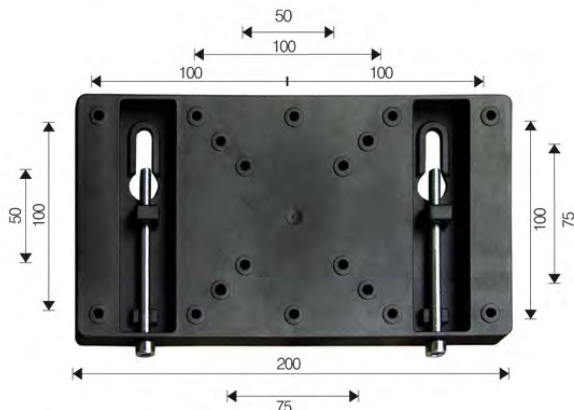


20Kg EASY SMALL WALL BRACKET

Universal bracket to suit all small & medium sized flat screen.
 14mm off the wall. Supports flat screen TV up to 20kg.

VESA 200x200 200x200
 Colour Silver Black
 Code OMB26076 OMB06076

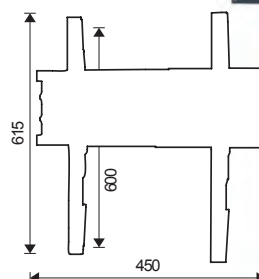
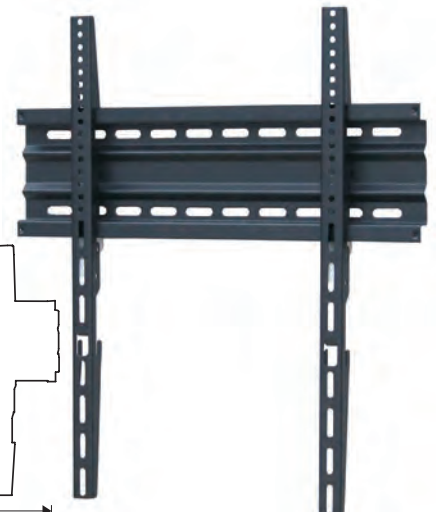
EASY-SMALL



50Kg SLIM 400x600 FIXED WALL MOUNT

Universal low profile fixed wall mount. Suits to 26" - 52".
 22mm off the wall. Supports flat screen TV up to 50kg.

VESA 400x600
 Colour Black
 Code OMB06165

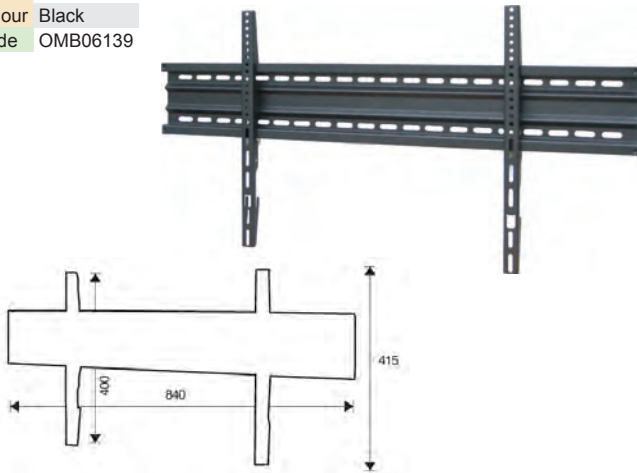




60Kg SLIM 800 FIXED LARGE

Universal low profile fixed wall mount. Suits to 30" - 63".
22mm off the wall. Supports flat screen TV up to 60kg.

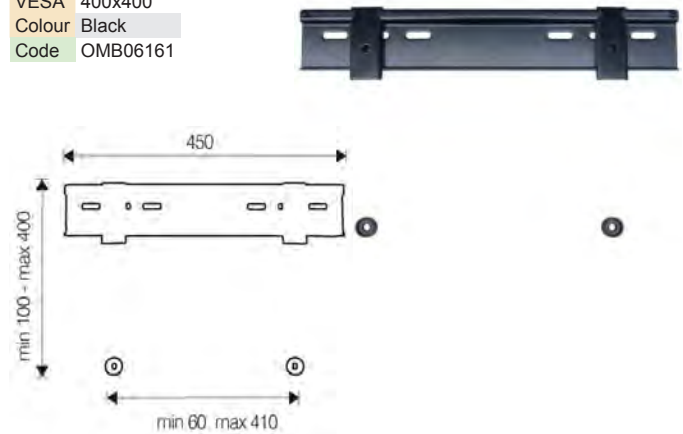
VESA 800x400
Colour Black
Code OMB06139



40Kg EASY LED WALL MOUNT

Universal fixed wall mount gives maximum results in minimum space.
Suits to 19"-47". 15mm off the wall. Supports flat screen TV up to 40kg.

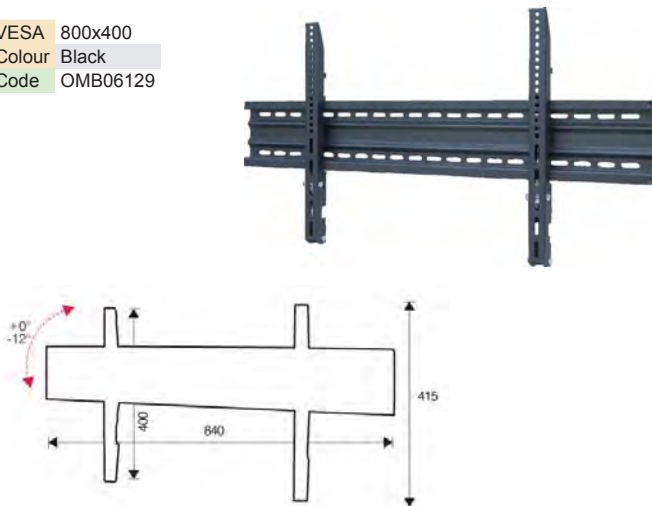
VESA 400x400
Colour Black
Code OMB06161



60Kg SLIM 800 BRACKET WITH TILT

Universal wall mount. Suits to 30" - 63". -12°/+0° up and down tilt.
35mm off the wall. Supports flat screen TV up to 60kg.

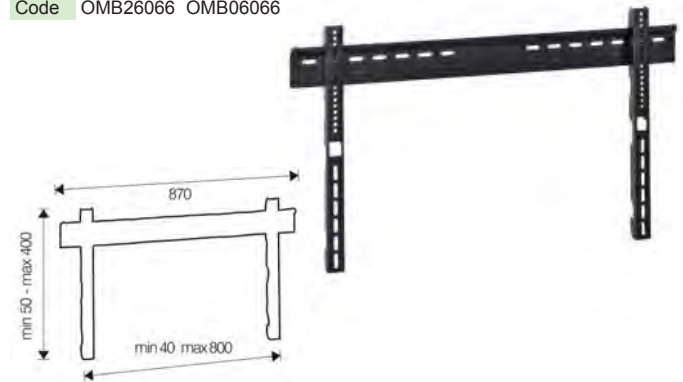
VESA 800x400
Colour Black
Code OMB06129



60Kg EASY BIG FIXED WALL HANGER

Universal fixed wall mount. Suits to 30" - 50". 22mm off the wall.
Supports flat screen TV up to 60kg.

VESA 800x400 800x400
Colour Silver Black
Code OMB26066 OMB06066



75Kg LIFT TO SUIT SLIM SERIES

Rotatable and extendable ceiling arm to apply
to one or even two (one on each side)
REQUIRES: SLIM 600/800 - SLIMTILT 600/800

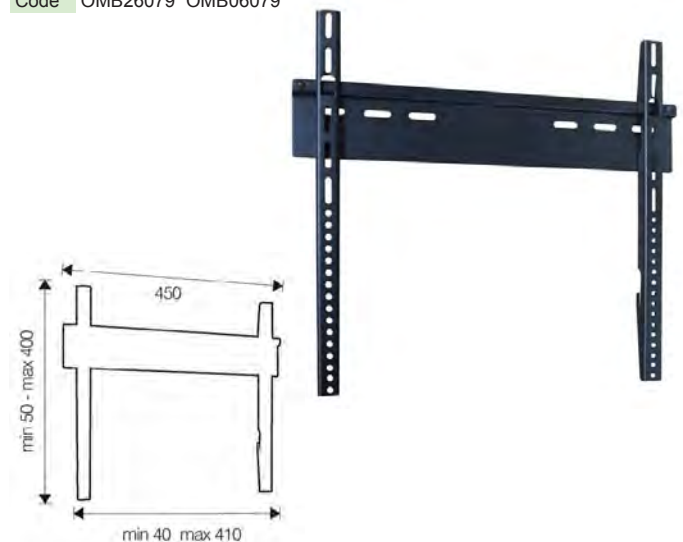
Colour Black
Suit Slim/Tilt 600/800
Code OMB06055



40Kg EASY FOUR FIXED WALL HANGER

Universal fixed wall mount. Suits to 20" - 37". 22mm off the wall.
Supports flat screen TV up to 40kg

VESA 400x400 400x400
Colour Silver Black
Code OMB26079 OMB06079



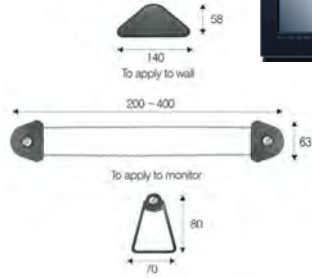


25Kg LED FIX WALL HANGER

Universal fixed wall mount. Suits to 10"-65". 12mm off the wall. Supports flat screen TV up to 25kg.

LED FIX

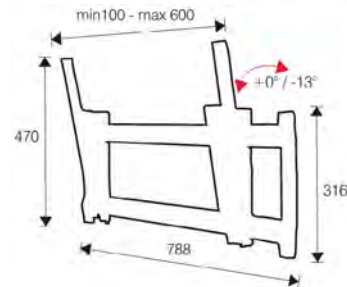
VESA 400x400
 Colour Black
 Code OMB06128



50Kg MOTORISED TILT

Reacts to your TV remote control. Tilts down when the TV is on, returns flat when TV is off. Suits to 37"-52". +0°/-13° tilt. 83mm off the wall. Supports flat screen TV up to 50kg.

VESA 600x400
 Colour Black
 Code OMB06150

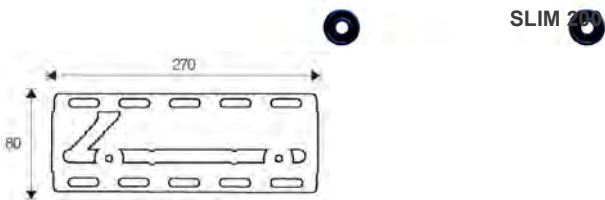


REMOTE TILT

20Kg SLIM200 WALL HANGER

Ultra slim, low profile, easy & quick to install. Suits to 10"-32". 12mm off the wall. Supports flat screen TV up to 20kg.

VESA 200x200
 Colour Black
 Code OMB06154



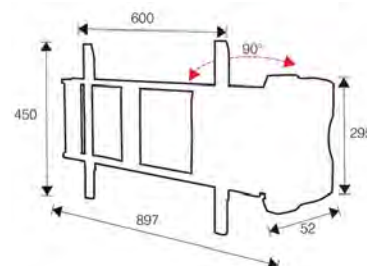
40Kg REMOTE MOTORISED SWING

Remote controlled swing angle of 0° - 90°. Suits to 32"-42". 50mm off the wall. Supports flat screen TV up to 40kg.

VESA 600x400
 Colour Black
 Code OMB06151



REMOTE SWING

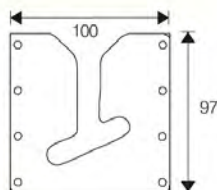


80Kg WALL HANGER BRACKET PAIR

Quick Level fixed TV mount is suitable for small, medium and large sized flat screen TVs. Suits to 10"-65". 10mm off the wall. Supports flat screen TV up to 80kg.

QUICK LEVEL

VESA All
 Colour Black
 Code OMB06127





75Kg TWIST-PLASMA MOUNT

Universal mounting arm. Suits to FIX/TOUCH plasma. 30-300mm arm extension. Supports up to 75kg.

Colour Silver
Code OMB26063



40Kg FIX-PLASMA WALL MOUNT

Mount the following brackets either directly to a wall or to arm extension Below the brackets are solutions for ceiling hangers or wall arm add-ons. Suits to 20"-32". Supports up to 40kg.

VESA 400x400 400x400
Colour Silver Black
Code OMB26085 OMB06085



40Kg TOUCH-PLASMA MOUNT

Mount the following brackets either directly to a wall or to arm extension Below the brackets are solutions for ceiling hangers or wall arm add-ons. Suits plasma 20"-32". Supports up to 40kg.

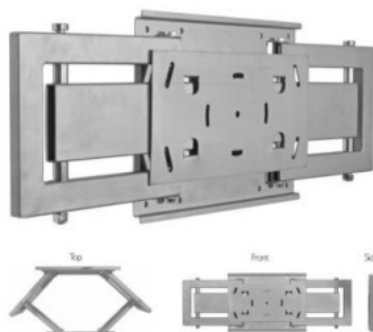
VESA 400x200
Colour Silver
Code OMB26086



75Kg REACH-PLASMA MOUNT

Mount the following brackets either directly to a wall or to arm extension Below the brackets are solutions for ceiling hangers or wall arm add-ons. Suits to FIX/TOUCH. 30-480mm arm extension. Supports up to 75kg.

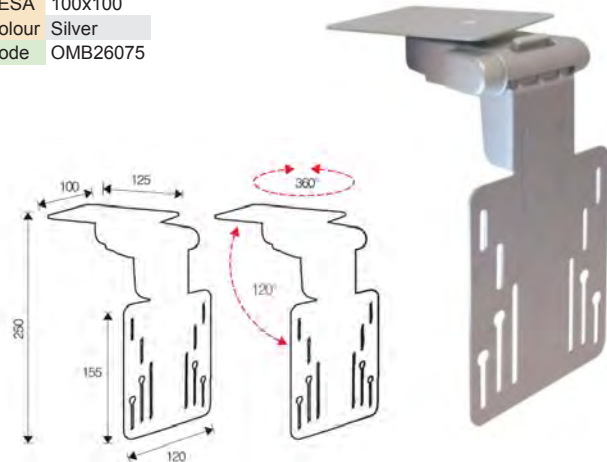
Colour Silver Black
Code OMB26069 OMB06069



5Kg DROP-DOWN SCREEN HANGER

Swings down 120° and Rotates 360°. Suits to 10" - 20". Supports flat screen TV up to 5kg.

VESA 100x100
Colour Silver
Code OMB26075

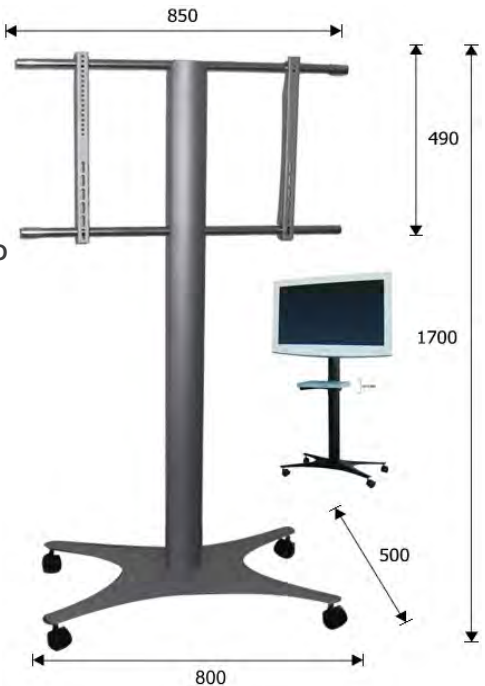


OYSTER DROP-DOWN

50Kg FREE STANDING TROLLEY - MAGELLANO

Professional trolley for LCD, LED and plasma monitors. Complete with 4 wheels. Can accommodate 2 Lunar DVD supports. Suits to 10"-50". 1700mm height. Supports flat screen TV up to 50kg.

VESA 800x400
Colour Black
Code OMB06104



NEW MAGELLANO

CONFERENCE ADD-ON

NEW MAGELLANO - TOP SHELF FOR ADDING AN OPTIONAL CAMERA

max 3Kg
Colour Black
Code OMB06153



VESA 400x400 KIT

This is to be used in place of the standard one supplied. Changes to 600x400 vertical or 400x400

VESA 400x600
Code OMB06159

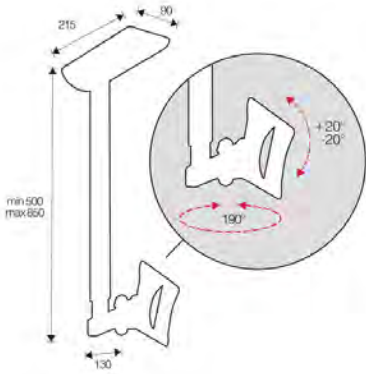




20Kg HI-SOLUTION ROOF MOUNT EXTENDABLE

Full motion universal ceiling mount suitable for all small/medium flat screen TVs and monitors. Suits to 10" - 30". ±20° tilt. 190° swivel. Arm extension 500-850mm. Supports flat screen TV up to 20kg

VESA	200x200	200x200	100x200	100x200
Colour	Silver	Black	Silver	Black
Code	OMB26103	OMB06103	OMB26073	OMB06073

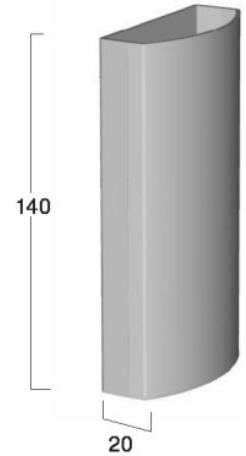


CABLE STASH 6" LONG TUBE

MAJIX/EASY TUNNEL

Connects vertically between MAJIX SUPPORTS matching Italian style Hides interconnecting cables & power leads between TV & DVD units. Size 140x100x20mm.

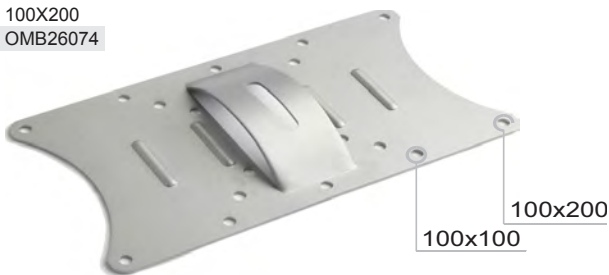
Colour	Black	Silver
Code	OMB06008	OMB26008



ADAPTOR PLATE RECTANGULAR

Up-Sizes only OMB tilt-head by replacing Suits OMB LUNAR, EASY & SOLUTION

VESA	100X200
Code	OMB26074



ALUMINIUM TUNNEL

This personalized modular system is a stylish solution in aluminium designed to hide unsightly wires. Size 500x60x15mm.

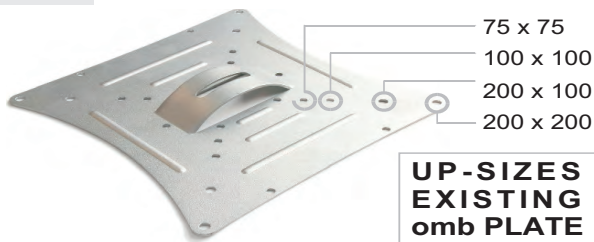
Colour	Black	Silver
Code	OMB06138	OMB26104



ADAPTOR PLATE SQUARE LARGE

Up-Sizes only OMB tilt-head by replacing Suits OMB LUNAR, EASY & SOLUTION

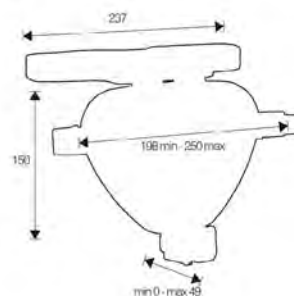
VESA	200x200
Code	OMB26089



1.5Kg DVD TRAVEL MOUNT

Universal DVD Travel mount is a plastic mount for portable DVDs. Designed to be positioned to the back of the front seats of your car. Adjustable arms.

Colour	Black
Code	OMB06200



SUITS LINEAR EASY & SOLUTION

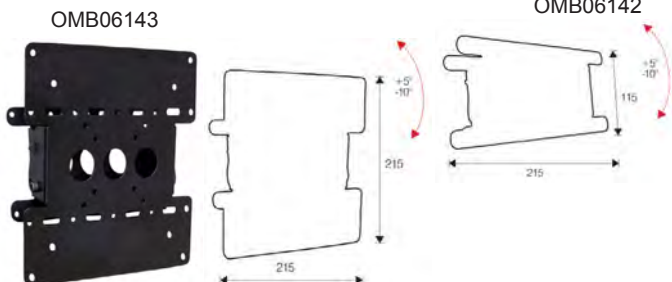




EASY GO TILTABLE WALL BRACKET

Universal bracket to suit all small & medium sized flat screen.
+5°/-10° tilt. 50mm off the wall.

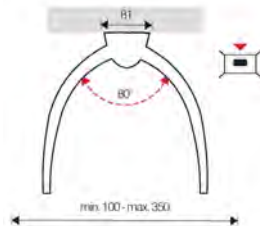
max	20Kg	25Kg
VESA	100x100	200x200
Colour	Black	Black
Suit	32" 82cm	40" 100cm
Code	OMB06142	OMB06143



30Kg DVD/DECODING OPERA MOUNT

Premium grade professional installation. Cast iron joint. Made in Italy. Suits to OPERA series. 2x 290mm arms. 100-350mm adjustable width 80° swivel for holding DVD and decoders, etc. Supports up to 30Kg.

Colour	Black
Code	OMB06136



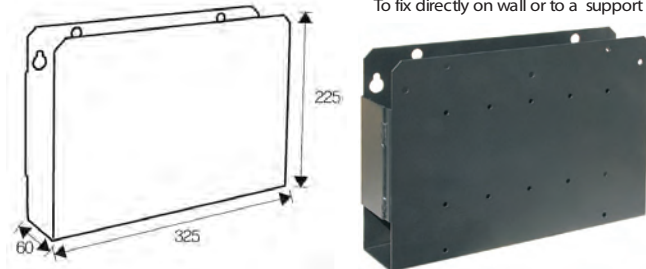
30Kg WALL BRACKET WITH A/V CAVITY

Decoder support to place directly behind the television or on to the wall. 60mm wide pocket. Suits to touch plasma. supports up to 30kg.

VESA	200x200
Colour	Black
Code	OMB06120



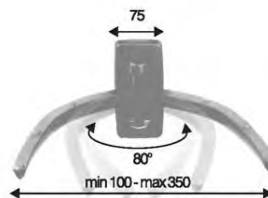
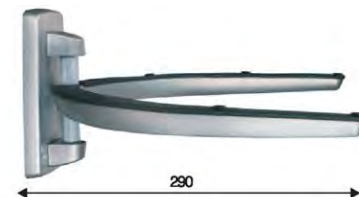
To fix directly on wall or to a support



30Kg DVD/DECODING LUNAR MOUNT

Adjustable arms swing to change width depending on equipment 100-350mm Same attractive Italian styling as the LUNAR TV Supports. 2x 290mm arms. 80° swivel. Supports up to 30kg.

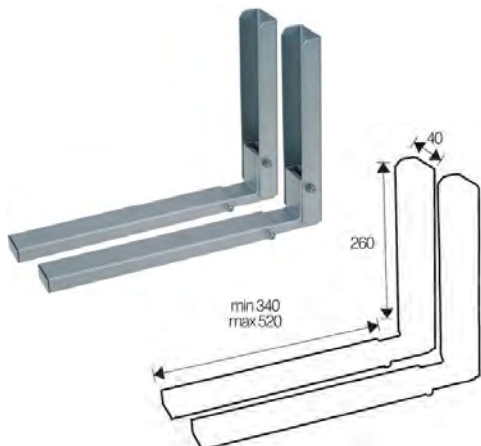
Colour	Silver	Black
Code	OMB26121	OMB06121



60Kg MICRO WALL MOUNT

Retractable universal equipment stand. 340-520mm arm extension. Supports up to 60kg.

Colour	Black	White	Silver
Code	OMB07060	OMB17060	OMB27060



30Kg DVD/DECODING MAGIX MOUNT

Non-adjustable version to suit the "Easy" and other styles Two fixed arms for holding electronic equipment like DVDs etc. 2x360mm arms with 80° swivel. Supports up to 30kg.

VESA	360mm+
Colour	Black
Code	OMB06007

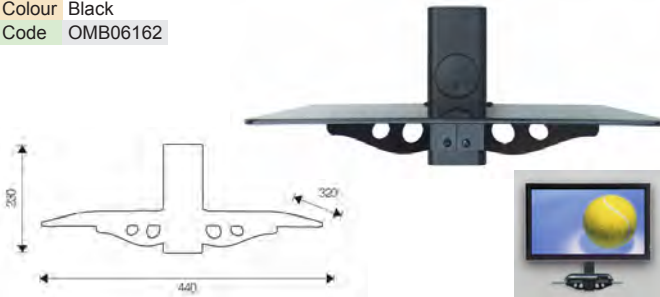




15Kg GLASS 1 FIXED WALL MOUNT

Single column universal wall mount with a glass shelf. Innovative storage system provides a sturdy bases for audio/video components and at the same time conceals all untidy cables under the TV. 350mm distance from the wall. Supports up to 15kg. Size 440x320x230

Colour Black
 Code OMB06162



15Kg GLASS 2 FIXED WALL MOUNT

Single column universal wall mount with 2 glass shelves. This innovative storage system provides a sturdy bases for audio/video components and at the same time conceals all untidy cables under the TV. 350mm distance from the wall. 2 glass shelves can support up to 15 kg each. Size 460x440x320mm.

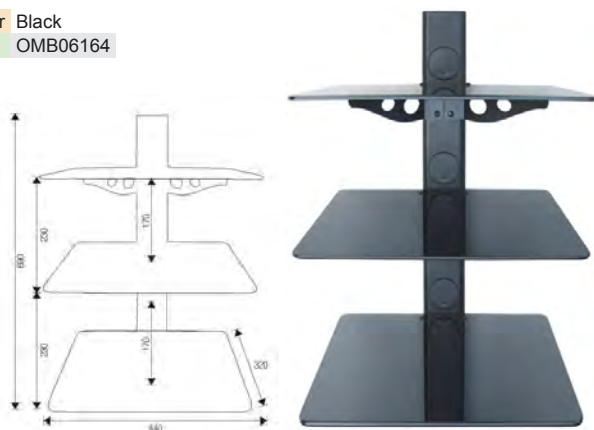
Colour Black
 Code OMB06163



15Kg GLASS 3 FIXED WALL MOUNT

Single column universal wall mount with 3 glass shelves. This innovative storage system provides a sturdy bases for audio/video components and at the same time conceals all untidy cables under the TV. 350mm distance from the wall. 3 glass shelves can support up to 15 kg each. Size 690x440x320mm

Colour Black
 Code OMB06164



CONNEXION PLASTIC CABLE TUNNEL

Conceals all those messy TV, audio and video cables (can hold up to 3 cables). It's easy to install: just fix the back part to the wall. Size 420x65x30mm

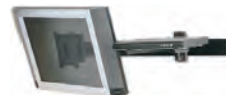
Colour Black
 Code OMB06169



30Kg DVD & TV SUPPORT COMBO' KIT

Wall mounted 10"-37" flat screen TV support with DVD/Foxtel support arm. Combining the two Lunar supports in one unit gives added strength & style. Also offering cable concealment and quick install easy solution from OMB. Bar mounted vertically or horizontally with adjustable unit positioning. Kit includes LUNAR-1 & LUNAR-DVD plus a 1100mm metal wall bracket.

Colour Black
 Code OMB06106



CABLE STASH 12" LONG TUBE

Connects vertically between LUNAR SUPPORTS matching Italian style Hides interconnecting cables & power leads between TV & DVD units. Size 293x35x14mm.

Colour Silver Black
 Code OMB26122 OMB06122



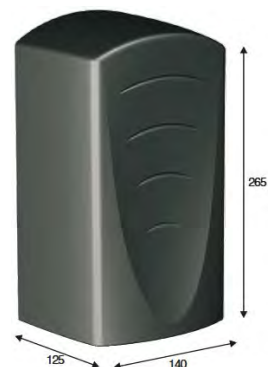
LUNAR TUNNEL



LUNAR POWER AESTHETICS - BOX

Hide power boards and cords at the base of a Tunnel. Suits to LUNAR GENIO. Size 265x125x140mm.

Colour Black
 Code OMB06109





25Kg TUTOR MOBILE MOUNTING BRACKET

INTERACTIVE BOARDS AND PROJECTORS SUPPORT

Universal metal tongues Locking device. 400mm gas springs height adjustment. Universal projector mounting that consents the bundling of the wires between the video projector and the computer. 2080-2480mm adjustable height. 360 degree rotation of the support and the bracket with locking device to facilitate transport. Structure weight 30kg. Supports up to 25kg. Metal storage box not included.

max 25Kg
Colour Black
Code OMB36155



25Kg TUTOR GAS WALL MOUNT

Tutor Gas wall mount is an elegant, sturdy mount for multi-media white-boards with projectors. This wall mount has a gas spring system which enables you to easily adjust the height of the board up to 400mm and the height of the projector up to 300mm. The projector support offers 360° rotation and cable concealment. Adjustable board height 2080mm-2480mm. Size 2480x1000x550mm. Structure weight 25kg.

max 25Kg
Colour Black
Code OMB36156

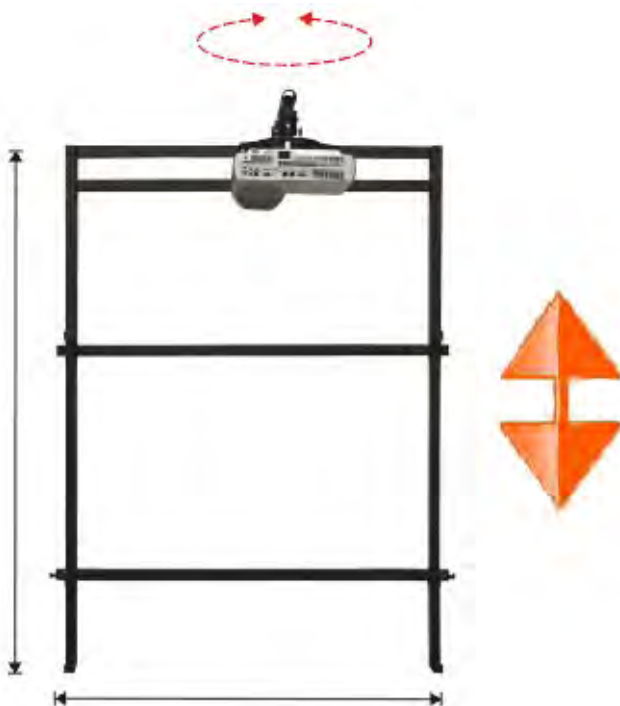


25Kg TUTOR WALL MOUNTING BRACKET

INTERACTIVE BOARDS AND PROJECTORS SUPPORT

Universal metal tongues Locking device. Height adjustment spring check pins located in 6 set positions every 10 cm for a maximum drop of 500mm. Universal projector mounting that consents the bundling of the wires between the video projector and the computer. 360 degree rotation of the support. Structure weight 17kg.

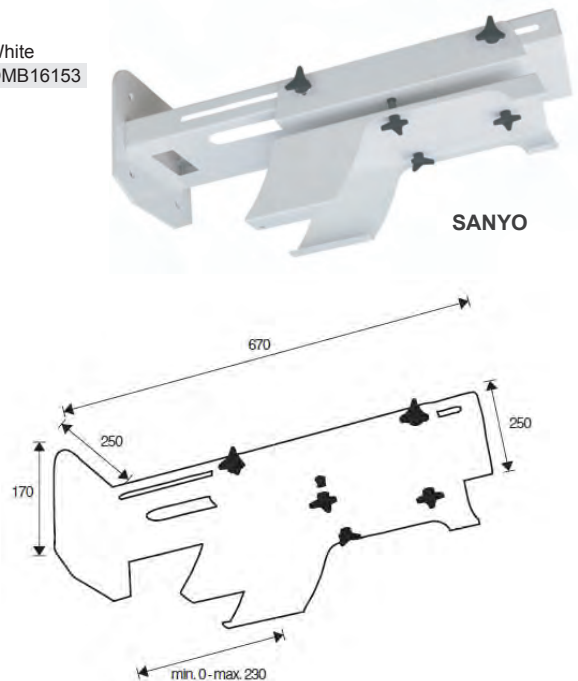
max 25Kg
Colour Black
Code OMB36153



20Kg SANYO PROJECTOR MOUNT

A wall mount suitable for video projectors such as Sanyo XL 50A and XL51A (may suit other models). The wall distance can be adjusted manually and its distinctive mechanism permits even the slightest tilt accuracy. Supports up to 20Kg.

Colour White
Code OMB16153

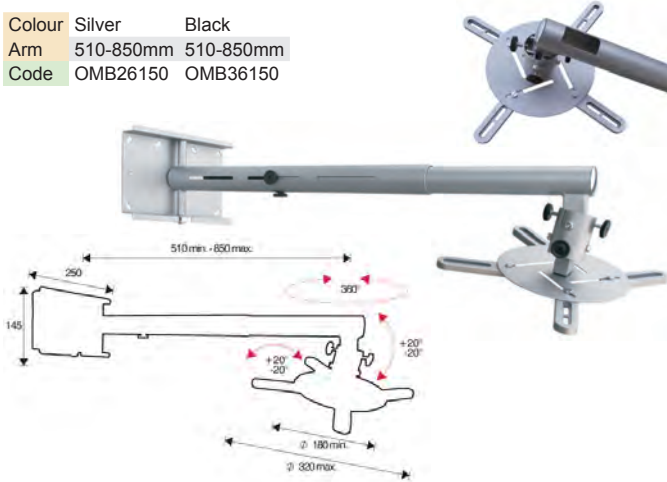




15Kg PROJECTOR ARM WALL MOUNT

The intuitive micrometric adjustment system provides 4 practical knobs to block the projector in the desired position. Lateral distance can be regulated. Universal mount with 510-850mm extension arm. Supports up to 15Kg.

Colour	Silver	Black
Arm	510-850mm	510-850mm
Code	OMB26150	OMB36150

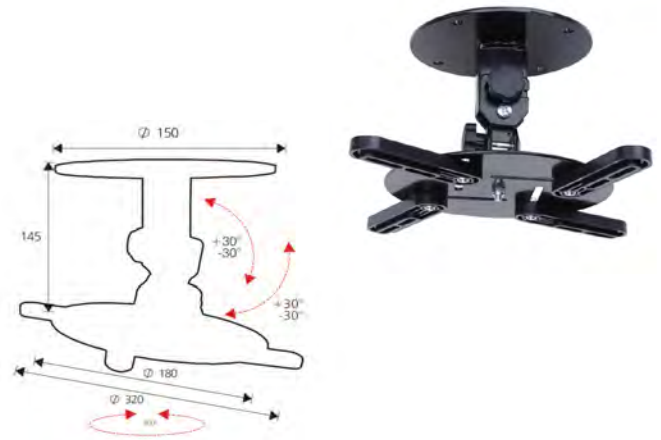


15Kg PROJECTOR CEILING

Adjustable ceiling hang bracket for projectors. Universal mounting system. Firm locking system. 145mm arm length. Supports up to 15kg.

Colour	Silver	Black
Code	OMB26080	OMB06080

MONO PROJECTOR



15KG PROJECTOR MAST WALL MOUNT

The intuitive micrometric adjustment system provides 4 practical knobs to block the projector in the desired position. Lateral distance can be regulated. Universal mount with 520mm arm. Supports up to 15Kg.

Colour	Silver
Code	OMB26084



10Kg PROJECTOR EXTENSION ARMS

PRECISION EXTENSION

Replaces existing arm in OMB26150

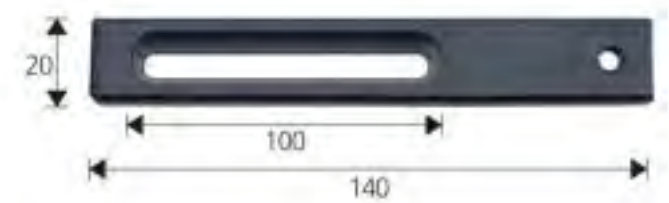
Arm	800-1200mm	800-1200mm	1200-1600mm	1200-1600mm
Colour	Silver	Black	Silver	Black
Code	OMB26151	OMB06157	OMB26152	OMB06152



MONOPROJECTOR METAL EXTENSION

Supports bigger beamer and increase the diameter for the mounting up to a maximum of 370mm. Size 140x20mm. Adjustable 100mm groove.

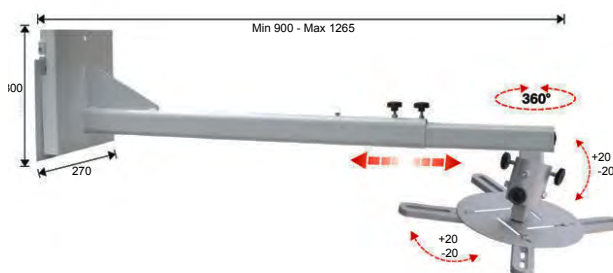
Colour	Black
Code	OMB36084



15Kg UNIVERSAL WALL PROJECTOR MOUNT

Universal wall mount suitable for video projectors short view. The distance to the wall can be adjusted manually and its distinctive mechanism permits even the slightest tilt. Easy installation. 900-1265 extension arm with 360 rotation & ±20° tilt. Supports up to 15kg.

Arm	900-1265
Colour	White
Code	OMB16159



15Kg CEILING EXTENSION ARMS

Easily extends the drop of the MONO PROJECTOR OMB26080/ OMB06082 Ceiling mounting bracket assembly.

Arm	Colour	Suit	Code
900-1700mm	Silver	26080/06080	OMB26083
900-1700mm	Black	26080/06080	OMB06083
500-900mm	Silver	26080/06080	OMB26082
500-900mm	Black	26080/06080	OMB06082
300-500mm	Silver	26080/06080	OMB26081
300-500mm	Black	26080/06080	OMB06081





30Kg MONO-MAGIX WALL MOUNT

Attractive plastic covering conceals TV wire connects and adds interior decorator styling. Suits 14"-19". 470mm arm length. Supports CRT-TV up to 30kg.

VESA	CRT-TV	
Colour	Silver	
Code	OMB26000	



30Kg BI-SFERO WALL MOUNT

Aluminium CRT-TV Heavy duty strength Wall supports Painted coating. Suits 19"-21". 330mm - 465mm arm extension. Supports CRT-TV up to 30kg.

VESA	CRT-TV	CRT-TV
Colour	Black	Silver
Code	OMB06031	OMB26031



30Kg BI-MAGIX WALL MOUNT

Interior decorator styling. Suits 19"-21". 475mm arm length. Supports CRT-TV up to 30kg.

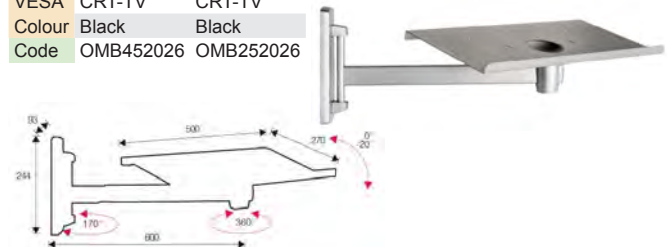
VESA	CRT-TV	CRT-TV
Colour	Black	Silver
Code	OMB06001	OMB26001



50Kg BI-SFERO WALL MOUNT

Aluminium CRT-TV Heavy duty strength Wall supports Painted coating Professional grade. Suits 21"-25". 600mm arm length. Supports CRT-TV up to 50kg.

VESA	CRT-TV	CRT-TV
Colour	Black	Black
Code	OMB452026	OMB252026



60Kg BI-MAGIX WALL MOUNT

Premium grade wall support with the addition of attractive plastic covering conceals TV wire connects and adds interior decorator styling. Suits 25"-32". 625mm arm length. Supports CRT-TV up to 60kg.

VESA	CRT-TV	CRT-TV
Colour	Black	Silver
Code	OMB06003	OMB26003



30Kg TRI-MAGIX WALL MOUNT

Full 3 point articulation. Suits 14"-21". 715mm arm length. Supports CRT-TV up to 30kg.

VESA	CRT-TV	
Colour	Black	
Code	OMB06004	



30Kg MONO-SFERO WALL MOUNT

Aluminium CRT-TV Heavy duty strength Wall supports Painted coating Professional grade. Suits 14"-19". 330mm arm length. Supports CRT-TV up to 30kg.

VESA	CRT-TV	CRT-TV
Colour	Black	Silver
Code	OMB06024	OMB26024



60Kg TRI-MAGIX WALL MOUNT

Premium grade wall support with the addition of attractive plastic covering conceals TV wire connects and adds interior decorator styling. Suits 29"-32". 725mm arm length. Supports CRT-TV up to 60kg.

VESA	CRT-TV	CRT-TV
Colour	Black	Silver
Code	OMB06006	OMB26006



50Kg MONO-SFERO WALL MOUNT

Aluminium CRT-TV Heavy duty strength Wall supports Painted coating Professional grade. Suits 19"-25". 400mm arm length. Supports CRT-TV up to 50kg.

VESA	CRT-TV	
Colour	Black	
Code	OMB06025	



50Kg TRI-SFERO WALL MOUNT

Aluminium CRT-TV Heavy duty strength Wall supports Painted coating. Suits 25"-29". 490 arm length. Supports CRT-TV up to 50kg.

VESA	CRT-TV	CRT-TV
Colour	Black	Silver
Code	OMB06041	OMB26041





8Kg SFERO SYSTEM PLUS WALL MOUNT

Suits VCR/DVD H60/105mm. 290-510mm arm length. Supports up to 8kg. Unit bracket ONLY. Suits Sfero. Two extension arms supplied.

VESA	Arms Only	Arms Only
Colour	Black	Silver
Code	OMB05042	OMB25042



ARM PAIR ONLY. Dos NOT include TV stand (extra)

60Kg CIRCLE TURNTABLE

360° rotation. Supports TV up to 60kg. Size Ø300x10mm.

Colour	Black
Code	OMB05031



60Kg SLIMLINE TURNTABLE

Suits 10"-29". 360° rotation. Supports TV up to 60kg. Size 580x350x23mm

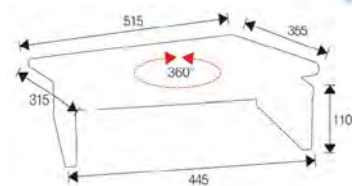
Colour	Black	Silver
Code	OMB05030	OMB25030



60Kg LIBERTY SWIVEL

Suits 10"-29". 360° rotation. Supports TV up to 60kg. Size 515x355mm. 110mm height. Offers a storage solution for your DVD player or VCR.

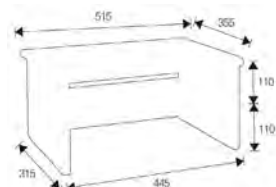
Colour	Black	Silver
Code	OMB05010	OMB25010



60Kg DOUBLE STAND

Suits 10"-29". Supports TV up to 60kg. Size 515x355mm. Two tier 110mm each. Two tier stand offers a storage solution for your DVD player or VCR.

Colour	Black	Silver
Code	OMB05011	OMB25011



15Kg LCD MONITOR ARM

Double arm for large range of motion. Heavy duty built cast aluminium. Desk edge clamp height adjustable. Suits to 13"-23". Full arm extension up to 440mm. 60° up and down tilt, 180° swivel, 360° landscape to portrait rotate. 440mm arm length.

VESA	75x100
Code	LCD-T6



* Not OMB

15Kg DUAL LCD MOUNTING BRACKET

Heavy duty built cast aluminium. Desk edge clamp height adjustable. Suitable for the size 13" to 23". Full arm extension up to 440mm. 60° up and down tilt, 360° swivel, 360° landscape to portrait rotate. VESA mount 75x75x100x100mm.

VESA	75x100
Code	CMS1004



* Not OMB

30Kg MULTIPLE SCREEN MOUNTING

Aluminium alloy finish. Holds 3 LCD Monitors/TVs up to 24" (Maximum monitor width 57cm). 360° rotation at 2 points. Swivel left or right up to 180°. Tilt 45 to 60° up or downwards. VESA mounting 75x75x100x100mm. Clamp to the Desk Edge.

Holds	30Kg(10x3)
VESA	75x100
Code	CMS1005



* Not OMB



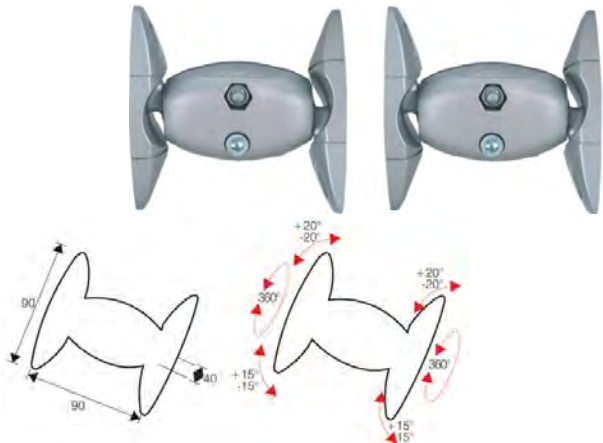


↓ Speaker Stands

5Kg NEW-FLEX SPEAKER MOUNT

Sturdy plastic construction with 90mm arm. Quick and easy to install and feature a $\pm 15^\circ$ tilt and 360° turn function to guarantee an optimal listening position. Supports speaker mount up to 5Kg.

Colour White Silver Black
Code OMB14041 OMB24041 OMB4041



5Kg NEW-FLEX +ADAPTOR MOUNT

Sturdy plastic construction with 90mm arm. Quick and easy to install and feature a $\pm 15^\circ$ tilt and 360° turn function to guarantee an optimal listening position. Supports speaker mount up to 5Kg.

Colour White Silver Black
Code OMB14042 OMB24042 OMB4042



25Kg PUNTO SPEAKER MOUNT

Sturdy steel construction with 90mm arm. Quick and easy to install and feature a $\pm 20^\circ$ tilt and 180° swivel function to guarantee an optimal listening position. Supports speaker mount up to 25Kg.

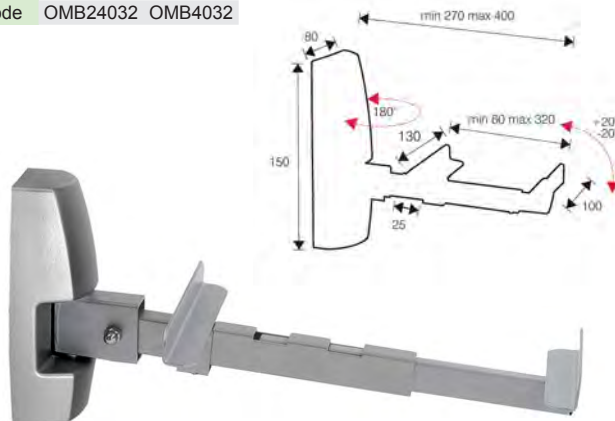
Colour Silver Black
Code OMB24040 OMB4040



20Kg ULYSSES SPEAKER MOUNT

Sturdy steel construction with 270-400mm extension arm. Quick and easy to install and feature a $\pm 20^\circ$ tilt and 180° swivel function to guarantee an optimal listening position. Supports speaker mount up to 20Kg. Sold in pairs

Colour Silver Black
Code OMB24032 OMB4032



2.5Kg APOLLO SPEAKER STAND

Sturdy steel construction with 650-1150mm extension arm. Quick and easy to install. Supports speaker mount up to 2.5Kg.

Colour Silver
Code OMB24013



20Kg SOUNDBAR MOUNT

Universal mount for home theatres that enables you to perfectly integrate the audio system with your TV. This mount for speakers is compatible with all types of TVs with VESA mounting pattern and has a max weight capacity of 20 kg. Permits mounting under or on top of the TV.

Colour Black
Code OMB06168





BALL-SOCKET WALL BRACKET

METAL HEAVY-DUTY

Swivel ball joint multiple angles.
Double Locking nut. Weight bearing 15Kgs. Seismic cable. Sold in pairs.

Colour	Code
White	SA32W

* Not OMB



SPEAKER STANDS TRIPOD

HEAVY DUTY 1.5" POLE

Industry Standard 1½" post. Suitable for the Impulse 10 Height adjustable with lock Height is 100cm → 180cm. Sturdy and stable support base, three 80cm legs. Heavy duty construction Includes a 1½" base plate for adding onto equipment that does not have the suitable insertion hole. Folds up neatly for easy transportation. Black.

Code
STAND10

* Not OMB



SPEAKER WALL BRACKET DOUBLE-ELBOW

SPEAKER HOLDER

Multiple angle options
Double joints plus bases rotate for a variety of angles Weight bearing 5Kgs Sold in pairs

Colour	Code
Black	SA26BL
Silver	SA26SV

* Not OMB



SPEAKER STANDS PAIR DELUXE

Tempered glass plinth and base. Black metal tube/s. Cable hide and adjustable spike feet. Attractive, modern stands, high performance.

Size	Code
570mm	STAND570
460mm	STAND460

* Not OMB



BALL-SOCKET WALL BRACKET

HEAVY-DUTY

Swivel ball joint multiple angles.
Locking nut. Weight bearing 10Kgs. Sold in pairs.

Colour	White
Code	SA30W

* Not OMB



SPEAKER STANDS PAIR

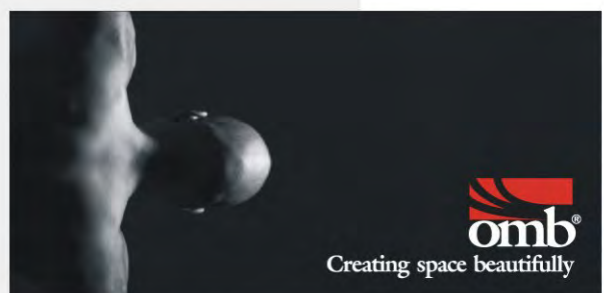
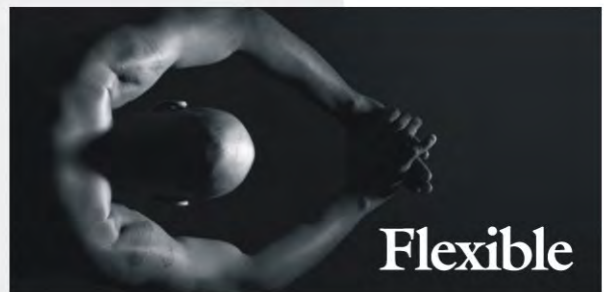
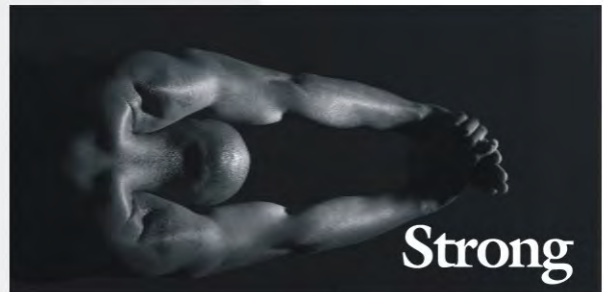
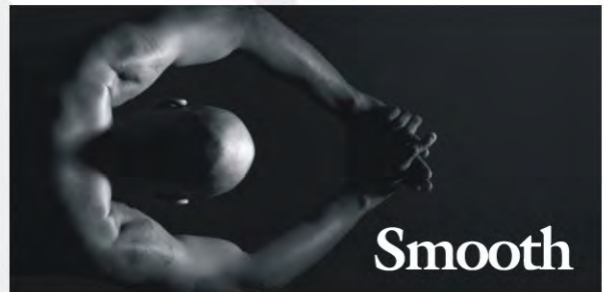
HEIGHT 600mm HEIGHT 900mm

Black 1" Steel tubes x3
All metal construction
10AWG Steel plate base
4x Steel spike feet are
Each Height adjustable
Black painted finish
Base 210x250mm
Plate 210x170mm

Size	Code
600mm	STAND600
900mm	STAND900

* Not OMB





omb