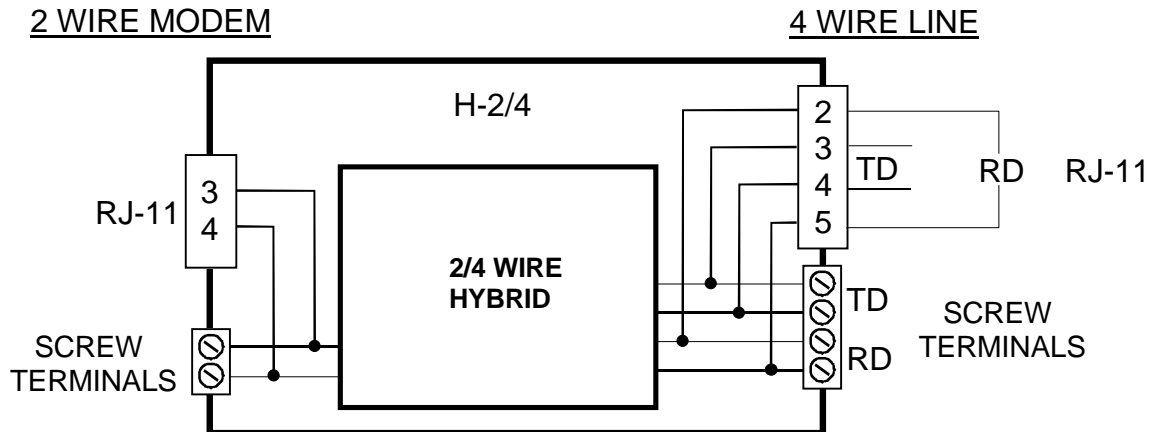


Allows a 2 wire private line modem to use a 4 wire leased line



GENERAL DESCRIPTION

The Model H-2/4 Hybrid Converter is a passive device that allows conversion of two wire analog modems for use on four wire private 600 ohm lines. The Hybrid Converter is a passive device requiring no external power. Connection to the modem and line are made using either RJ-11 modular jacks and/or screw terminals.

The H-2/4 is available as a standalone unit or as a dual hybrid rack mounted card. The card, model HR-2/4, mounts in a 12 position card nest, model HR-2/4-12R. The H-2/4 Converter is intended to operate with 600 ohm voice frequency leased lines only. It is not intended for use on dial-up lines.

INSTALLATION

Connect the two wire modem to the 2 wire terminals or RJ-11 modular jack. Connect the four wire line transmit and receive pairs to the four wire terminals marked "TD" and "RD", or connect the line to the RJ-11 modular jack marked "4W". Terminal and jack connections can be mixed if required. Both the two wire and four wire connections are polarity insensitive. Connect either terminal to tip or ring.

MODEM LEVELS

This unit is designed to operate on 2 wire leased line modems with a transmit level of 0dBm. Please make sure that your modem is set at this level prior to installation of the hybrid converter. Please consult your modem manufacturer regarding level settings.

SPECIFICATIONS

Impedance:	600 ohms
Through Signal Loss:	Less than 6 dBm
Hybrid Rejection:	Greater than 30 dBm
Standalone case:	High impact ABS (3.5" x 2.25" x 1.5")
Rack Nest:	Standard 19" x 3.5", 12 position, 24 circuit. (3) 50 pin Telco female.

ORDERING INFORMATION

<u>Model</u>	<u>Description</u>	<u>Price</u>
H-2/4	2/4 wire Hybrid Converter	Call
HR-2/4	Dual Hybrid Card	Call
HR-2/4-12R	12 Position Card Nest	Call

12 POSITION CHASSIS REAR PANEL PIN OUT ASSIGNMENTS

2 WIRE

CKTS 1-24	Pin No	Rack Card
1	1	1A
	26	
2	2	1B
	27	
3	3	2A
	28	
4	4	2B
	29	
5	5	3A
	30	
6	6	3B
	31	
7	7	4A
	32	
8	8	4B
	33	
9	9	5A
	34	
10	10	5B
	35	
11	11	6A
	36	
12	12	6B
	37	
13	13	7A
	38	
14	14	7B
	39	
15	15	8A
	40	
16	16	8B
	41	
17	17	9A
	42	
18	18	9B
	43	
19	19	10A
	44	
20	20	10B
	45	
21	21	11A
	46	
22	22	11B
	47	
23	23	12A
	48	
24	24	12B
	49	

4 WIRE

CKTS 1-12		Pin No	Rack Card
1	RD	1	1A
	RD	26	
	TD	2	
	TD	27	
2	RD	3	1B
	RD	28	
	TD	4	
	TD	29	
3	RD	5	2A
	RD	30	
	TD	6	
	TD	31	
4	RD	7	2B
	RD	32	
	TD	8	
	TD	33	
5	RD	9	3A
	RD	34	
	TD	10	
	TD	35	
6	RD	11	3B
	RD	36	
	TD	12	
	TD	37	
7	RD	13	4A
	RD	38	
	TD	14	
	TD	39	
8	RD	15	4B
	RD	40	
	TD	16	
	TD	41	
9	RD	17	5A
	RD	42	
	TD	18	
	TD	43	
10	RD	19	5B
	RD	44	
	TD	20	
	TD	45	
11	RD	21	6A
	RD	46	
	TD	22	
	TD	47	
12	RD	23	6B
	RD	48	
	TD	24	
	TD	49	

4 WIRE

CKTS 13-14		Pin No	Rack Card
13	RD	1	7A
	RD	26	
	TD	2	
	TD	27	
14	RD	3	7B
	RD	28	
	TD	4	
	TD	29	
15	RD	5	8A
	RD	30	
	TD	6	
	TD	31	
16	RD	7	8B
	RD	32	
	TD	8	
	TD	33	
17	RD	9	9A
	RD	34	
	TD	10	
	TD	35	
18	RD	11	9B
	RD	36	
	TD	12	
	TD	37	
19	RD	13	10A
	RD	38	
	TD	14	
	TD	39	
20	RD	15	10B
	RD	40	
	TD	16	
	TD	41	
21	RD	17	11A
	RD	42	
	TD	18	
	TD	43	
22	RD	19	11B
	RD	44	
	TD	20	
	TD	45	
23	RD	21	12A
	RD	46	
	TD	22	
	TD	47	
24	RD	23	12B
	RD	48	
	TD	24	
	TD	49	