

# FREE STANDING & BUILT IN APPLIANCES COLLECTION 2011/12





## WASHING

### FRONT LOADER

STANDARD DIMENSION

pag. 10



## WASHING

### FRONT LOADER

SLIMMY - 40 cm

HOLIDAY - 33 cm

pag. 30

pag. 36



## WASHING

### FRONT LOADER

AQUAMATIC

pag. 38



## WASHING

### WASHER AND DRYER MACHINE

ALISÈ

pag. 42



## WASHING

### TOP LOADER

EUROPEAN TOP LOADER

pag. 50

FULLY AUTOMATIC TOP

pag. 60



## WASHING

### DRYER

pag. 68



## WASHING

### FREESTANDING DISHWASHER

pag. 76



## WASHING

### DISHWASHER

FULLY INTEGRATED

pag. 92

SEMI INTEGRATED

pag. 95



**COOKING**  
**FREE STANDING COOKER**

90cm

pag. 100

60cm

pag. 103

50cm

pag. 107



**COOKING**  
**SPECIALTIES - TRIO**  
**SPECIALTIES - DUO**

pag. 113

pag. 115



**COOKING**  
**FREESTANDING MICROWAVE OVEN** pag. 120



**COOKING**  
**BUILT IN MICROWAVE OVEN** pag. 128



COOLING  
REFRIGERATOR

SIDE BY SIDE  
DOUBLE DOOR  
COMBI

pag. 140  
pag. 141  
pag. 145



COOLING  
REFRIGERATOR  
SINGLE DOOR

pag. 150



COOLING  
REFRIGERATOR  
BUILT IN

pag. 154



COOLING  
WINE COOLER

pag. 160



COOLING  
FREEZER

pag. 162



BUILT IN  
OVEN  
ELECTRIC  
GAS  
SPECIAL

pag. 176  
pag. 186  
pag. 187



BUILT IN  
HOB  
INDUCTION  
VITROCERAMIC  
FULL GAS  
GAS - HOTPLATE  
DOMINO

pag. 194  
pag. 196  
pag. 198  
pag. 201  
pag. 204



BUILT IN  
HOOD  
DECOR  
CHIMNEY  
STANDARD

pag. 210  
pag. 212  
pag. 213

ENTER  
OUR WORLD.  
DISCOVER YOURS.









Grand 



Front Loader Washing Machine



## DISPLAY KG DETECTOR

AN INNOVATIVE TECHNOLOGY THAT IS CLOSER TO USERS. A NEW DISPLAY THAT IMMEDIATELY PROVIDES COMPLETE INFORMATION ON THE SELECTED WASHING PROGRAM.

PLACE THE LAUNDRY IN THE WASHING MACHINE, SELECT THE LEVEL OF SOILING AND CHOOSE THE PROGRAM.

DISPLAY KG DETECTOR WILL WEIGH YOUR LAUNDRY AND PROVIDE INFORMATION ON THE LENGTH OF THE WASHING CYCLE, THE WASHING TEMPERATURE AND THE SETTING OF THE SPINNING CYCLE.

## FRONT FILTER WITH DRAINING PIPE

SIMPLIFIES THE REMOVAL AND CLEANING OF THE FILTER. THE DRAINING PIPE ALSO PREVENTS THE RISK OF FLOODING WHEN THE FILTER IS OPENED.

## LAUNDRY HOLDER DRAWER

A PRACTICAL AND EASY TO USE LAUNDRY BASKET AVAILABLE ON REQUEST.



# LARGER AND HIGHER DOOR

## FOR MAXIMUM ERGONOMICS

GRANDÓ REVOLUTIONIZES LOADING AND UNLOADING OPERATIONS THANKS TO A SIGNIFICANTLY LARGER DOOR WITH A USEFUL OPENING OF 350 MM, PLACED IN A HIGHER POSITION TO ENHANCE ERGONOMICS. THE ADVANTAGES ARE EVIDENT: NO NEED TO BEND DOWN TO LOAD/UNLOAD THE WASHING MACHINE AND THE POSSIBILITY OF WASHING BULKIER GARMENTS. LAUNDRY CAN BE CONTINUOUSLY MONITORED THROUGHOUT THE SINGLE WASHING CYCLES THANKS TO THE SIZE OF THE DOOR WHICH FURTHER ENHANCES THE EXTRAORDINARY WASHING, RINSING AND CENTRIFUGING PERFORMANCES OF THE NEW CANDY GRANDÓ WASHING MACHINES.



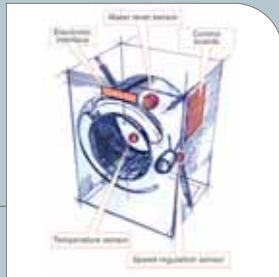
### NEW DRUM Shiatsu

THE HEART OF CANDY GRANDÓ IS REPRESENTED BY THE EXCLUSIVE, LARGE AND SOLID SHIATSU DRUM, DESIGNED WITH A LARGER DIAMETER FOR HEAVIER LOADS, THIS DRUM ENABLES TO THOROUGHLY WASH UP TO 7 KG OF LAUNDRY IN A COMPACT SPACE OF 40 CM OF DEPTH.



### NEW EXTRAL TUB

THE NEW CANDY WASHING MACHINES HIDE AN EXTRAORDINARY INNOVATIVE FEATURE IN THEIR INTERIOR: THE NEW EXTRAL TUB IS IN FACT A UNIQUE ITEM THAT FURTHER ENHANCES THE ROBUSTNESS AND SOLIDITY OF THESE WASHING MACHINES. THIS TUB IS LARGER TO ENABLE YOU TO WASH LARGER LOADS AS COMPARED TO THOSE WITH EQUIVALENT DIMENSIONS.



### SENSOR ACTIVA SYSTEM

DEDICATED SENSOR CONTINUOUSLY AND ACCURATELY CONTROL PARAMETERS LIKE TEMPERATURE, DRUM SPEED AND DETERGENT DILUTION.

THE NEW CANDY ACTIVE WASHING MACHINES GUARANTEE A PERFECT WASHING CYCLE BECAUSE THEY ARE BASED ON THE SAS (SENSOR ACTIVA SYSTEM) TECHNOLOGY THAT CONTINUOUSLY AND ACCURATELY MONITORS PARAMETERS LIKE TEMPERATURE, BASKET REVOLUTION AND DETERGENT DILUTION.

IN ADDITION TO THE FACT THAT IT IS POSSIBLE TO WASH EVERYTHING IN ONE GO AND WITHOUT MISTAKES!



### VIBRATION-FREE

THE NEW CANDY WASHING MACHINES CAN SPIN AT A MAXIMUM SPEED OF 1600 RPM WITHOUT PRODUCING ANNOYING AND NOISY VIBRATIONS, THANKS ALSO TO THE NEW AND ENHANCE PNEUMATIC DAMPENERS.

CANDY GRANDÓ IS A COMPACT WASHING MACHINE BASED ON AN EXTRAORDINARY TECHNOLOGY. NEW AND STATE-OF-THE-ART DAMPENERS TO ELIMINATE VIBRATIONS AND NOISE, BUT ALSO A HIGH PERFORMING MOTOR FOR GRATER ENERGY AND WATER SAVINGS.

A completely new washing machine for your world

## Front Loader



PRACTICALNESS  
AS STANDARD ]

Designed by Studio Idea, the new Candy GrandÓ line has successfully passed the consumers' tests carried out in several European countries. Customers have praised in particular its innovative design and the advanced loading and management features.

Yet Candy never settles for less. GrandÓ offers a range based on results: its excellent washing results with maximum savings have deserved a Class A+++ rating, the best of all.



MAXIMUM  
LOAD ]

Candy places a strong emphasis on the optimization of structures, in order to minimize sizes and maximize load. The state-of-the-art of electronic devices significantly enhance the quality, control and stability for loads up to a maximum of 10,5 kg.



Shiatsu  
DRUM ]

The hemispheres harmonize and balance the load, releasing the fibres during the washing cycles. A true Shiatsu massage that enables the detergent and water to quickly penetrate into the fibres and guarantee more effective results. The blades, designed to move the load more evenly, combine power with the delicateness needed to fully protect the items you care for.

Over 2,500 holes with a small diameter ensure a fast replacement of water, thus significantly improving the washing and rinsing cycles.

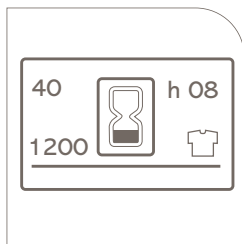


## Front Loader



DISPLAY  
KG DETECTOR

During the first 4 minutes, the washing machine calculates the actual load contained in the drum in order to reduce the length of the washing cycle, while guaranteeing excellent washing results along with water and energy savings.



NEW  
DISPLAY LCD

Candy GrandÓ Plus has the new LCD display that lets you keep under control the operations of the machine. Extremely readable and bright, the display allows to delay the start of washing up to 24 hours, to select the spin according to the laundry, to see the temperature and to select special functions, such as "Stain Buster", "Easy Iron", "AquaPlus".



SOIL  
LEVEL

Why waste time, water and energy for washing? The innovative display Kg Detector enables you to easily select the level of soiling of your laundry and thus optimize washing times along with energy and water consumption.

## Winning Features

## Front Loader



FROM 33  
TO 60 CM  
ALWAYS  
AT MAXIMUM

Candy offers a truly complete range of washing machines: the depth varies from 33 to 60cm, through the 52 and 40cm, so you always get the maximum in a small space.



FUZZY LOGIC

Candy places a strong emphasis on the optimization of structures, in order to minimize sizes and maximize load. The state-of-the-art electronic devices significantly enhance the quality, control and stability for loads up to a maximum of 10,5 kg. These new washing machines offer Class A+++ energy, washing and spinning efficiency.



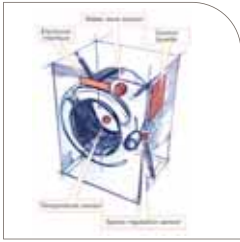
FRONT  
FILTER

The extraction and cleaning of the filter are easier to maintain. The drainage tube avoids the risk of flooding during the opening of the filter.





## Front Loader



### SENSOR ACTIVA SYSTEM ]

Inverter Technology by Candy is a special system that combines the SAS electronic system with an advanced three-phase motor, which controls the rotation of the drum even when running at low speed. This innovative pulsed washing cycle simulates the same movements that are performed during hand-washing, handling delicate garments with the utmost care.



### AQUASTOP ]

An additional safety device, consisting in a jacket that covers the loading pipe. In the event of leaks, the water flows through the jacket enabling a valve that prevents all possible leaks.



### START DELAY ]

Candy washing machines enable you to delay the start of the washing cycle up to a maximum of 24 hours, so that you can decide in advance when you want your laundry to be ready for hanging or drying and avoid leaving it around inside the washing machine. Schedule your work and leave the rest to Candy!

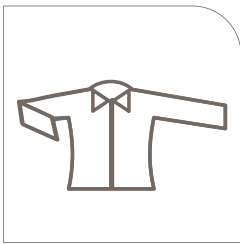
Winning Features

## Front Loader



### RAPID PROGRAMS

How to achieve the best results in next to no time? With GrandO! This washing machine enables you to wash small and large amounts of laundry in no time, in 14, 30 and 44 minutes. Master your time!



### SPECIAL PROGRAM FOR SHIRTS

A program for sports and office shirts specifically designed to enhance the protection of garments and minimize the formation of creases.

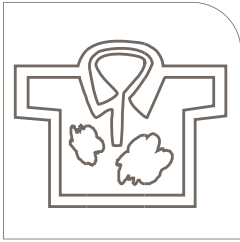


### MIX & WASH PROGRAM

This feature eliminates the need of separating white from coloured garments or different fabrics. The exclusive MIX & WASH PROGRAM, which is present on all Candy washing machines, enables you to simultaneously and safely wash garments in different colours and fabrics, without the risk of damaging the most delicate laundry. Simply turn the knob, to obtain perfectly cleaned laundry.

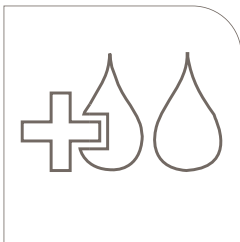


## Front Loader



### INTENSIVE WASHING BUTTON FOR STUBBORN STAINS

This button increases the washing and detergent strength, thus guaranteeing maximum efficiency against stubborn stains. In this mode, water and detergent penetrate the fibres in depth, controlling and adjusting the temperature for 210,000 times during washing, with a tolerance of 1°C. This amplifies the action of active oxygen contained in additives and detergents, thus guaranteeing maximum efficiency during washing.



### AQUAPLUS BUTTON FOR SENSITIVE SKINS

Aquaplus, introduced by Candy to enhance the protection of delicate garments and skins, introduces a larger amount of water during the washing phase. The 5 specific rinsing operations, combined with a special spinning cycle, enable a thorough removal of detergent residuals and therefore also of phosphates, which are the main cause of skin irritation. The new Candy washing machines have been certified by the Italian institute Biolab. The program Aquaplus is particularly suitable to wash intimate and children garments.



### ANTI CREASING SYSTEM

This feature effectively reduces the formation of creases by adopting the smartest approach, depending on the type of fabric being handled. If the Mixed Wool and Hand Washing programs are selected, the system automatically selects the spinning speed, temperature and water level best suited to guarantee excellent results.

## Winning Features

# Front Loader

# GrandÓ



- LCD Display
- Large Door - GrandÓ design
- Electronic balance control
- Soft bi-directional knob
- Delay Start
- Rapid wash 14' - 30' - 44'
- Mix & wash
- Hand washing
- Wool wash program
- Foam control
- Special programs
- Anti overflow protection

3rd Generation FUZZY LOGIC

Automatically optimises washing time, water and energy consumption

**GO 121054 L**

**GO 12102 D**

**GO 12102 D-OS**



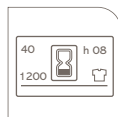
ENERGY CONSUMPTION



LOAD CAPACITY



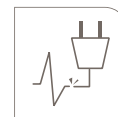
RPM



MULTIFUNCTIONAL LCD DISPLAY  
KG DETECTOR



LOAD CAPACITY



220V-60HZ



RAPID PROGRAMS  
14' - 30' - 44'



SOIL LEVEL



START DELAY  
24H



MIX & WASH PROGRAM



MULTIFUNCTIONAL DIGIT DISPLAY  
KG DETECTOR

# Front Loader



- Digit Display
- Large Door - GrandÓ design
- Electronic balance control
- Soft bi-directional knob
- Delay Start
- Rapid wash 14' - 30' - 44'
- Night & Day program
- Mix & wash
- Hand washing
- Wool wash program
- Foam control
- Special programs
- Anti overflow protection
- Inverter Motor

3rd Generation FUZZY LOGIC  
Automatically optimises washing time, water and energy consumption

## GO 1492 DH

ENERGY CONSUMPTION

LOAD CAPACITY

RPM

MULTIFUNCTIONAL DIGIT DISPLAY  
KG DETECTOR

SENSOR ACTIVA SYSTEM

SOIL LEVEL

RAPID PROGRAMS  
14' - 30' - 44'

MIX & WASH PROGRAM

FOCUS ON  
INVERTER MOTOR

# Front Loader

GrandÓ



- Digit Display
- Large Door - GrandÓ design
- Electronic balance control
- Soft bi-directional knob
- Delay Start
- Rapid wash 14' - 30' - 44'
- Mix & wash
- Hand washing
- Wool wash program
- Foam control
- Special programs
- Anti overflow protection

3rd Generation FUZZY LOGIC

Automatically optimises washing time, water and energy consumption

## GO 1292 DE



ENERGY  
CONSUMPTION



LOAD  
CAPACITY



RPM



MULTIFUNCTIONAL  
DIGIT DISPLAY  
KG DETECTOR



START DELAY  
24H



SOIL LEVEL



RAPID  
PROGRAMS  
14' - 30' - 44'



MIX & WASH  
PROGRAM

# Front Loader



- Digit Display
- Large Door - GrandÓ design
- Electronic balance control
- Soft bi-directional knob
- Delay Start
- Rapid wash 14' - 30' - 44'
- Mix & wash
- Hand washing
- Wool wash program
- Foam control
- Special programs
- Anti overflow protection

3rd Generation FUZZY LOGIC  
Automatically optimises washing time, water and energy consumption

## GO 1282 DS

## GO 1282 D

## GO 1182 D



ENERGY CONSUMPTION



LOAD CAPACITY



RPM



MULTIFUNCTIONAL DIGIT DISPLAY KG DETECTOR



COLOR



RPM



COLOR



START DELAY 24H



MOONLIGHT COLOR



RAPID PROGRAMS 14' - 30' - 44'



MIX & WASH PROGRAM



110V-60HZ

# Front Loader

# Grand



- D-Fuzzy Interface
- Large Door - GrandÓ design
- Electronic balance control
- Soft bi-directional knob
- Delay Start
- Rapid wash 32' - 44'
- Mix & wash
- Hand washing
- Wool wash program
- Cold wash
- Foam control
- Special programs
- Anti overflow protection

3rd Generation FUZZY LOGIC

Automatically optimises washing time, water and energy consumption

## GO 108 DF



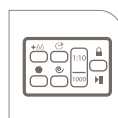
ENERGY  
CONSUMPTION



LOAD  
CAPACITY



RPM



MULTIFUNCTIONAL  
DISPLAY



AQUA PLUS



RAPID  
PROGRAMS  
32' - 44'



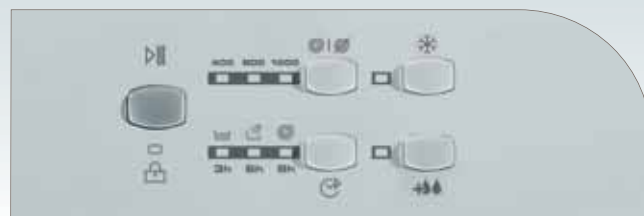
START DELAY  
24H



MIX & WASH  
PROGRAM






# Front Loader






- Fuzzy Interface
- Large Door - GrandÓ design
- Electronic balance control
- Soft bi-directional knob
- Delay Start
- Rapid wash 32' - 44'
- Mix & wash
- Hand washing
- Wool wash program
- Cold wash
- Foam control
- Special programs
- Anti overflow protection

3rd Generation FUZZY LOGIC  
Automatically optimises washing time, water and energy consumption

## GO F 108

 ENERGY CONSUMPTION	 LOAD CAPACITY	 RPM	 RAPID PROGRAMS 32' - 44'
---	--	--	--

 START DELAY 24H	 FUZZY LOGIC	 MIX & WASH PROGRAM
---	--	--

**FOCUS ON**  
SHIATSU DRUM



## Front Loader



- Digit Display
- Large Door - GrandÓ design
- Electronic balance control
- Soft bi-directional knob
- Delay Start
- Rapid wash 14' - 30' - 44'
- Mix & wash
- Hand washing
- Wool wash program
- Cold wash
- Foam control
- Special programs
- Anti overflow protection
- Hot & Cold water inlet

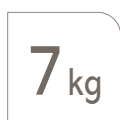
3rd Generation FUZZY LOGIC  
Automatically optimises washing time, water and energy consumption

**GO 1472 DEHC**

**GO 1272 D/1**



ENERGY  
CONSUMPTION



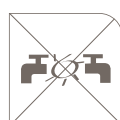
LOAD  
CAPACITY



RPM



MULTIFUNCTIONAL  
DIGIT DISPLAY  
KG DETECTOR



WITHOUT  
HOT & COLD



START DELAY  
24H



SOIL LEVEL



HOT & COLD



MIX & WASH  
PROGRAM



DOOR

# Front Loader



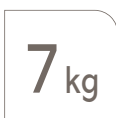
- D-Fuzzy Interface
- Large Door - GrandÓ design
- Electronic balance control
- Soft bi-directional knob
- Delay Start
- Rapid wash 32' - 44'
- Mix & wash
- Hand washing
- Wool wash program
- Foam control
- Special programs
- Anti overflow protection

3rd Generation FUZZY LOGIC  
Automatically optimises washing time, water and energy consumption

## GO 127 DF



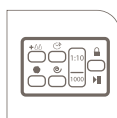
ENERGY CONSUMPTION



LOAD CAPACITY



RPM



MULTIFUNCTIONAL DISPLAY



START DELAY 24H



RAPID PROGRAMS 32'- 44'



MIX & WASH PROGRAM



SHIATSU DRUM

## GO 107 DF



RPM



RPM



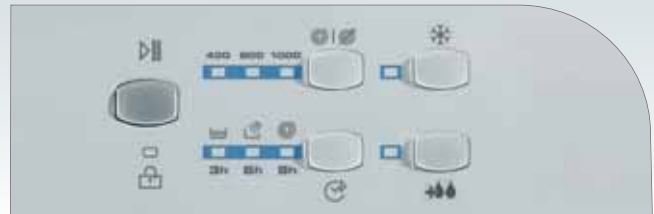
LOGIC DISPLAY



110V-60HZ

# Front Loader

# GrandÓ



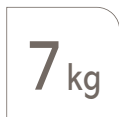
- Fuzzy Interface
- Large Door - GrandÓ design
- Electronic balance control
- Soft bi-directional knob
- Delay Start
- Rapid wash 32' - 44'
- Mix & wash
- Hand washing
- Wool wash program
- Foam control
- Special programs
- Anti overflow protection

3rd Generation FUZZY LOGIC  
Automatically optimises washing time, water and energy consumption

## GO F 107



ENERGY  
CONSUMPTION



LOAD  
CAPACITY



RPM



RAPID  
PROGRAMS  
32' - 44'



START DELAY  
3-6-9H

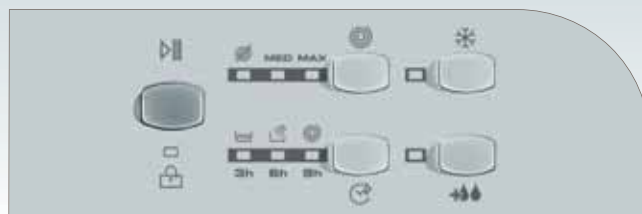


MIX & WASH  
PROGRAM



SHIATSU DRUM

# Front Loader



- Fuzzy Interface
- Large Door - GrandÓ design
- Electronic balance control
- Soft bi-directional knob
- Delay Start
- Rapid wash 32' - 44'
- Mix & wash
- Hand washing
- Wool wash program
- Foam control
- Special programs
- Anti overflow protection

3rd Generation FUZZY LOGIC  
Automatically optimises washing time, water and energy consumption

## GO F 106



ENERGY CONSUMPTION



LOAD CAPACITY



RPM



RAPID PROGRAMS 32' - 44'



START DELAY 3-6-9H



MIX & WASH PROGRAM



SHIATSU DRUM



40cm

60cm

60cm

Front Loader Washing Machine\_Slimmy

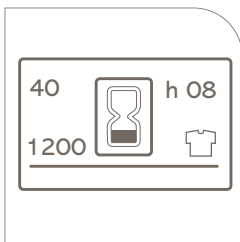
## Front Loader\_Slimmy



7 KG IN 40 CM  
AND  
5 KG IN 33 CM

The new GrandÓ is the only washing machine with a depth of 40 cm that is able to wash 7 kg of laundry. Another extraordinary milestone achieved thanks to Candy's technology. Today, trying to fit in the washing machine is no longer a problem. At least not with Candy GrandÓ!

The Door of Candy GrandÓ has a diameter of 35 cm that easily enables the loading of 7 kg of laundry into an even larger tub. Thanks to its larger size, the tub also enables to easily load bulky items like duvets and quilts. And once loaded, the new GrandÓ is immediately ready to start a new perfect washing cycle! Unique in the market!



NEW LCD  
DISPLAY KG  
DETECTOR

An innovative yet intuitive technology that is closer to consumers. A new display that is able to provide complete information on the selected washing programme at a glance. Place the laundry in the washing machine, select the level of soiling and choose the program. Kg Detector will weigh your laundry and provide information on the length of the washing cycle, the washing temperature and the settings of the spinning cycle.



Shatsu  
DRUM

The heart of Candy GrandÓ is represented by the exclusive, large and solid Shatsu drum, designed with a large diameter for heavier loads.

This drum enables to thoroughly wash up to 7 kg of laundry in a compact space of 40 cm of depth.



## Winning Features

# Front Loader\_Slimmy

# GrandÓ



- LCD Display
- Large Door - GrandÓ design
- Electronic balance control
- Soft bi-directional knob
- Delay Start
- Rapid wash 14' - 30' - 44'
- Mix & wash
- Hand washing
- Wool wash program
- Foam control
- Special programs
- Anti overflow protection

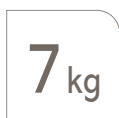
3rd Generation FUZZY LOGIC

Automatically optimises washing time, water and energy consumption

## GO4 1274 L



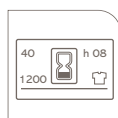
ENERGY CONSUMPTION



LOAD CAPACITY



RPM



MULTIFUNCTIONAL LCD DISPLAY  
KG DETECTOR



RAPID PROGRAMS  
14' - 30' - 44'



START DELAY  
24H



MIX & WASH  
PROGRAM



DEPTH

FOCUS ON  
40 CM DEPTH





# Front Loader\_Slimmy



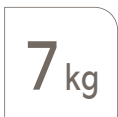
- Digit Display
- Large Door - GrandÓ design
- Electronic balance control
- Soft bi-directional knob
- Delay Start
- Rapid wash 14' - 30' - 44'
- Mix & wash
- Hand washing
- Wool wash program
- Foam control
- Special programs
- Anti overflow protection

3rd Generation FUZZY LOGIC  
Automatically optimises washing time, water and energy consumption

## GO4 1272 D



ENERGY CONSUMPTION



LOAD CAPACITY



RPM



MULTIFUNCTIONAL DIGIT DISPLAY  
KG DETECTOR



SOIL LEVEL



RAPID PROGRAMS  
14' - 30' - 44'



MIX & WASH PROGRAM



DEPTH

### FOCUS ON FUZZY LOGIC SYSTEM



# Front Loader\_Slimmy

# GrandÓ



- D-Fuzzy Display
- Large Door - GrandÓ design
- Electronic balance control
- Soft bi-directional knob
- Delay Start
- Rapid wash 32' - 44'
- Mix & wash
- Hand washing
- Wool wash program
- Foam control
- Special programs
- Anti overflow protection

3rd Generation FUZZY LOGIC

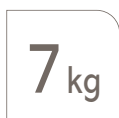
Automatically optimises washing time, water and energy consumption

**GO4 127 DF**

**GO4 107 DF**



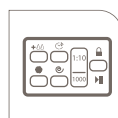
ENERGY  
CONSUMPTION



LOAD  
CAPACITY



RPM



MULTIFUNCTIONAL  
DISPLAY



RPM



START DELAY  
24H



MIX & WASH  
PROGRAM

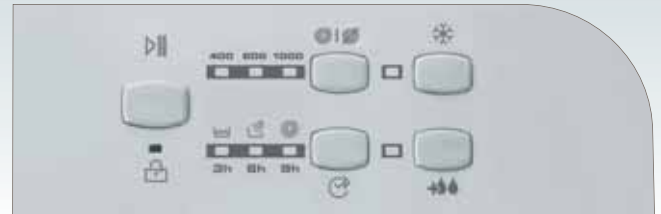


DEPTH



RAPID  
PROGRAMS  
32' - 44'

# Front Loader\_Slimmy



- Fuzzy Interface
- Large Door - GrandÓ design
- Electronic balance control
- Soft bi-directional knob
- Delay Start
- Rapid wash 32' - 44'
- Mix & wash
- Hand washing
- Wool wash program
- Cold Wash
- Foam control
- Special programs
- Anti overflow protection

3rd Generation FUZZY LOGIC  
Automatically optimises washing time, water and energy consumption

## GO F 106



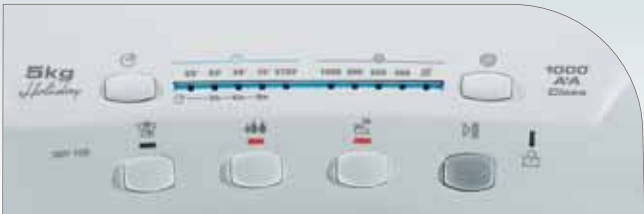
### FOCUS ON SHIATSU DRUM





Front Loader Washing Machine\_Holiday

# Front Loader\_Holiday



- Logic Interface
- Large Door - GrandÓ design
- Electronic balance control
- Soft bi-directional knob
- Delay Start
- Mix & wash
- Hand washing
- Wool wash program
- Foam control
- Special programs
- Anti overflow protection

3rd Generation FUZZY LOGIC  
Automatically optimises washing time, water and energy consumption

## GOY 105



ENERGY CONSUMPTION



LOAD CAPACITY



RPM



ANTI CREASE SYSTEM



SHIATSU DRUM



DEPTH



Front Loader Washing Machine\_Aquamatic

## Front Loader\_Aquamatic



THE SMALLEST  
WASHING  
MACHINE  
AVAILABLE ON  
THE MARKET

No other washing machine with front load is able to wash 3.5 kg of laundry while providing ultra-compact dimensions and double class A performances. Aquamatic can do so because it is packed with high tech features and is the result of Candy's consolidated experience in the design of compact washing machines. If finding space is a problem, leave it to Candy Aquamatic! Unique in the market!

3,5kg

A SMALL SIZE  
COMBINED WITH  
A LARGE  
CAPACITY

Aquamatic is fitted with a new and larger basket designed to wash a maximum load of 3.5 kg. A record-breaking result: the largest load capacity of this class.

AA

GUARANTEED  
SAVINGS

Thanks to its new generation electronics, Aquamatic guarantees perfect results with certified class A washing and energy efficiency ratings, along with energy savings and respect for the environment.



## Winning Features

# Front Loader

## AQUAMATIC



- D-Fuzzy Interface
- Large Door - GrandÓ design
- Electronic balance control
- Soft bi-directional knob
- Delay Start
- Rapid wash 32' - 44'
- Mix & wash
- Hand washing
- Wool wash program
- Cold Wash
- Foam control
- Special programs
- Anti overflow protection

3rd Generation FUZZY LOGIC

Automatically optimises washing time, water and energy consumption

### AQUA 1100 DFS

### AQUA 1000 DF



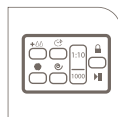
ENERGY  
CONSUMPTION



LOAD  
CAPACITY



RPM



MULTIFUNCTIONAL  
DISPLAY



RPM



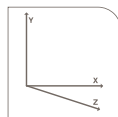
AQUA PLUS



FUZZY LOGIC



MOONLIGHT  
COLOR



SPECIAL SIZE



COLOR



# Front Loader

# AQUAMATIC



- Fuzzy Interface
- Large Door - GrandÓ design
- Electronic balance control
- Soft bi-directional knob
- Delay Start
- Rapid wash 32' - 44'
- Mix & wash
- Hand washing
- Wool wash program
- Cold Wash
- Foam control
- Special programs
- Anti overflow protection

3rd Generation FUZZY LOGIC  
Automatically optimises washing time, water and energy consumption

## AQUA 80 F



ENERGY CONSUMPTION



LOAD CAPACITY



RPM



SPORT PROGRAM



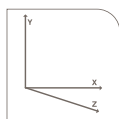
AQUA PLUS



FUZZY LOGIC



RAPID PROGRAMS  
32' - 44'



SPECIAL SIZE

FOCUS ON  
SPECIAL SIZES

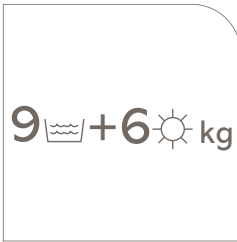






Washer and Dryer Machine\_Alisè

## Washing and Drying Machine *Alisè*



WASHES 9 KG  
AND  
DRIES 6 KG ]

New washing machine with dryer. Bid goodbye to lines, clothespins and bulky airers. Leave it to the new Candy Alisè, a washing machine with dryer designed to provide optimum capacity, functionality and design. Now you can wash up to 9 kg and dry up to 6 kg of laundry with an ordinary and standard sized washing machine. Unique in the market!



ENVIRONMENTALLY  
FRIENDLY AND  
ENERGY SAVING ]

The new washing machine with dryer also stands out for its extraordinary AAA class energy efficiency. Not only does it provide extraordinary savings in terms of time and space, while protecting your precious garments over time, but it also consumes minimum energy and natural resources.

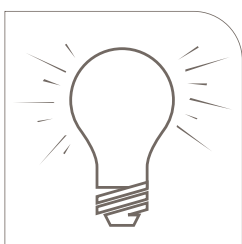


ALL IN ONE GO ]

Now you can completely forget about your laundry, from washing to drying. The new Alisè washing machine with dryer enables you to simultaneously select a washing and drying program in order to automatically "WASH & DRY" your garments without interruptions. The special "Ready for ironing" program is instead ideal to simplify ironing and minimize creases. And finally: the fastest "WASH & DRY" program in the market only 59'!



# Washing and Drying Machine *Alisè*



A FRIEND  
INTELLIGENT ]

The new Candy Alisè is a valuable ally for you: it uses smart sensors that constantly monitor the moisture in the laundry drying temperature and adjust the type of fabric selected (cotton, synthetic or acrylic).

A leading technology, which eliminates the risk of damaging even the most delicate items, ensuring the best result with the greatest respect for the laundry.



READY  
TO WEAR  
IN ONLY  
59 MINUTES ]

With the program "Quick wash & dry in 59 minutes" you can wash quickly and in the best way up to 1.5 kg of your favorite gear, that will be ready to wear in less than an hour. If this is not a very convenient! The rapid cycle also allows you to save 33% energy. Ideal for shirts, this is an option especially designed for the handling of delicate textiles, guaranteeing an optimal cleaning and drying.



MINI SPACE,  
BIG COMFORT ]

Yes, sit back and forget it: with only 44 inches deep, the new Candy Alisè is the smaller sized washer / dryer that we could find.

Finally solved the problem of where to put in the house in such a useful appliance, which is characterized by advanced technology that guarantees maximum results, combined with the absolute comfort of its performance: up to 6 kg washes and dries up to 4 kg laundry in an optimal way, timing and manner that you choose.

Winning Features

# Washer and Dryer Machine

*Alise*



- Digit Display
- Large Door - GrandÓ design
- Electronic balance control
- Soft bi-directional knob
- Delay Start
- Rapid wash & dry 59'
- Hand washing
- Wool wash program
- Foam control
- Special programs
- Anti overflow protection
- Mix & wash

3rd Generation FUZZY LOGIC

Automatically optimises washing time, water and energy consumption

## GOW 496 D

**AAA**

ENERGY  
CONSUMPTION

**9 +6**  
kg

LOAD  
CAPACITY

**1400**

RPM

**6 +6**  
AUTO

AUTOMATIC  
WASH & DRY



MULTIFUNCTIONAL  
DIGIT DISPLAY  
KG DETECTOR



AUTOMATIC  
SENSOR DRY



WASH & DRY  
RAPID 59'



RAPID  
PROGRAMS  
14'- 30'- 44'

**FOCUS ON**  
WASHES AND DRIES  
IN 59'



# Washer and Dryer Machine



- Digit Display
- Large Door - GrandÓ design
- Electronic balance control
- Soft bi-directional knob
- Delay Start
- Rapid wash & dry 59'
- Hand washing
- Wool wash program
- Foam control
- Special programs
- Anti overflow protection
- Mix & wash

3rd Generation FUZZY LOGIC  
Automatically optimises washing time, water and energy consumption

**GOW 485 DS**

**BAA**  
ENERGY CONSUMPTION

8 + 5   
kg  
LOAD CAPACITY

**1400**  
RPM

5 + 5   
AUTO  
AUTOMATIC WASH & DRY

MULTIFUNCTIONAL DIGIT DISPLAY  
KG DETECTOR

WASH & DRY RAPID 59'

MOONLIGHT COLOR

**FOCUS ON**  
WASHES AND DRIES IN 59'



# Washer and Dryer Machine

*Alise*



- Digit Display
- Large Door - GrandÓ design
- Electronic balance control
- Soft bi-directional knob
- Delay Start
- Rapid wash & dry 59'
- Hand washing
- Wool wash program
- Foam control
- Special programs
- Anti overflow protection
- Mix & wash

3rd Generation FUZZY LOGIC

Automatically optimises washing time, water and energy consumption

**GOW 485 D**

**GOW 465 D**

**GOW 465 D-OS**

**GO4W 264D/1**

**AAA**

ENERGY CONSUMPTION

**8** **+5**   
**kg**

LOAD CAPACITY

**1400**

RPM

**5** **+5**   
**AUTO**

AUTOMATIC WASH & DRY

**6** **+5**   
**kg**

LOAD CAPACITY



220V-60HZ

**6** **+4**   
**kg**

LOAD CAPACITY

**1200**

RPM



KG DETECTOR  
MULTIFUNCTIONAL DIGIT DISPLAY  
KG DETECTOR



WASH & DRY  
RAPID 59'



START DELAY  
24H



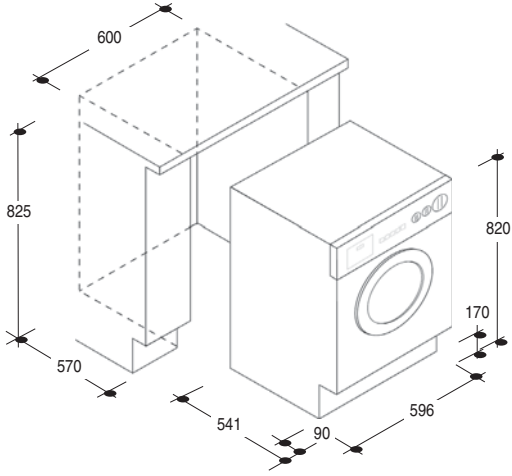
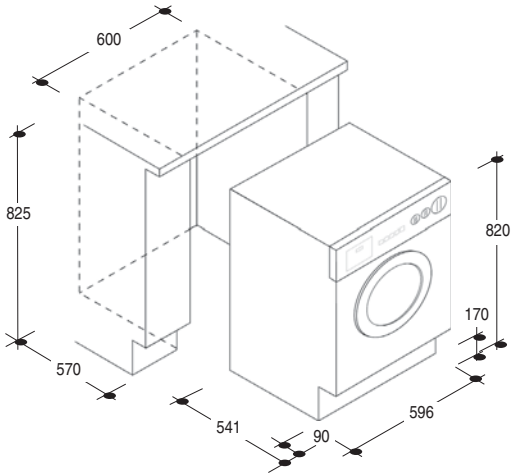
RAPID PROGRAMS  
14'- 30'- 44'

**44**  
**cm**

DEPTH



# Front Loader\_Full Integrated



**CDB 485 D**

**CWB 1308**

ENERGY CONSUMPTION

LOAD CAPACITY

RPM

ENERGY CONSUMPTION

LOAD CAPACITY

RPM

MULTIFUNCTIONAL DIGIT DISPLAY

RAPID PROGRAMS  
14' - 30' - 44'

WASH & DRY RAPID 59'

RAPID PROGRAMS 32'

START DELAY 3-6-9H

MIX & WASH PROGRAM





Top Loader Washing Machine

## Top Loader



TOP 8 KG

Thanks to its large 56 litres drum, the new Candy Top is able to wash 8 kg of laundry in only 40 cm.



NEW LCD  
DISPLAY

This new washing machine comes with intuitive and easy to use controls that immediately provide all the required information, avoiding mistakes and waste of time. These are the characteristics of the new LCD display.

A knob and button: that's all you need to select the type of fabric, temperature and type of washing.

Candy is now able to offer customers a top-loading washing machine, LCD, with a Class A+ rating and 1,200 rpm motor, which are the result of its continuous commitment and focus on innovation.



FRONT  
FILTER

The extraction and cleaning of the filter are easier to maintain.

The drainage tube avoids the risk of flooding during the opening of the filter.

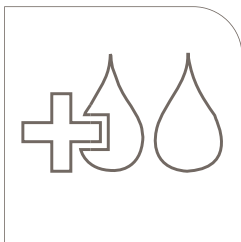


## Top Loader



STOP & LOAD ]

Stop & load system: repositions the drum in vertical position to allow users to easily unload it and minimize work at the end of washing and spinning cycles.



WATER PLUS  
OPTION FOR  
SENSITIVE  
SKINS ]

+Water, introduced by Candy to enhance the protection of delicate garments and skins, introduces a larger amount of water during the washing phase. The 5 specific rinsing operations, combined with a special spinning cycle, enable a thorough removal of detergent residuals and therefore also of phosphates, which are the main cause of skin irritation. The new Candy washing machines have been certified by the Italian institute Biolab. Program + Water is particularly suitable to wash intimate and children garments.



RAPID  
PROGRAMS ]

How to achieve the best results in next to no time? With GrandO! This washing machine enables you to wash small and large amounts of laundry in no time, in 14, 30 and 44 minutes. Master your time!

## Winning Features

## Top Loader



- LCD Display
- Soft bi-directional knob
- Electronic balance control
- Delay Start
- Rapid Wash 14' - 30' - 44'
- Prewash
- Mix & wash
- Hand washing
- Wool wash program
- Foam control
- Special programs
- Anti overflow protection
- Stop & Load
- Wheels

3rd Generation FUZZY LOGIC

Automatically optimises washing time, water and energy consumption

**CTL 1208**



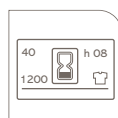
ENERGY CONSUMPTION



LOAD CAPACITY



RPM



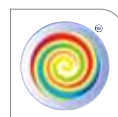
MULTIFUNCTIONAL LCD DISPLAY  
KG DETECTOR



START DELAY  
24H



RAPID PROGRAMS  
14'- 30'- 44'



MIX & WASH PROGRAM



STOP & LOAD

## Top Loader



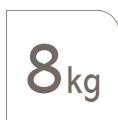
- Digit Display
- Soft bi-directional knob
- Electronic balance control
- Delay Start
- Rapid Wash 14' - 30' - 44'
- Prewash
- Mix & wash
- Hand washing
- Wool wash program
- Foam control
- Special programs
- Anti overflow protection
- Stop & Load
- Wheels

3rd Generation FUZZY LOGIC  
Automatically optimises washing time, water and energy consumption

CTD 1208



ENERGY  
CONSUMPTION



LOAD  
CAPACITY



RPM



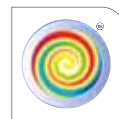
MULTIFUNCTIONAL  
DIGIT DISPLAY  
KG DETECTOR



SOIL LEVEL



RAPID  
PROGRAMS  
14'- 30'- 44'



MIX & WASH  
PROGRAM



STOP & LOAD

## Top Loader



- D-Fuzzy Interface
- Soft bi-directional knob
- Electronic balance control
- Delay Start
- Little Digital Display
- Rapid Wash 32' - 44'
- Prewash
- Mix & wash
- Hand washing
- Wool wash program
- Foam control
- Special programs
- Anti overflow protection
- Wheels

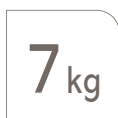
3rd Generation FUZZY LOGIC

Automatically optimises washing time, water and energy consumption

**CTDF 1007**



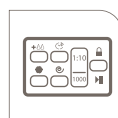
ENERGY  
CONSUMPTION



LOAD  
CAPACITY



RPM



MULTIFUNCTIONAL  
DISPLAY



AQUA PLUS



START DELAY  
24H



RAPID  
PROGRAMS  
32' - 44'



MIX & WASH  
PROGRAM



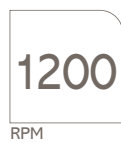
# Top Loader



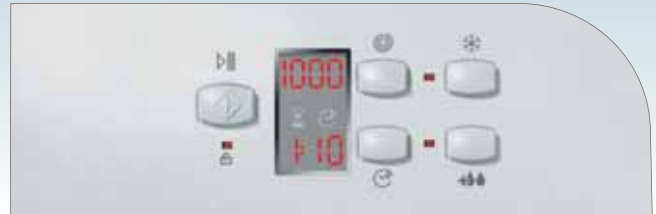
- D-Fuzzy Interface
- Soft bi-directional knob
- Electronic balance control
- Delay Start
- Little Digital Display
- Rapid Wash 32' - 44'
- Prewash
- Mix & wash
- Hand washing
- Wool wash program
- Foam control
- Special programs
- Anti overflow protection

3rd Generation FUZZY LOGIC  
Automatically optimises washing time, water and energy consumption

## CTFD 1206 S



# Top Loader



- D-Fuzzy Interface
- Soft bi-directional knob
- Electronic balance control
- Delay Start
- Little Digital Display
- Rapid Wash 32' - 44'
- Prewash
- Mix & wash
- Hand washing
- Wool wash program
- Foam control
- Special programs
- Anti overflow protection

3rd Generation FUZZY LOGIC

Automatically optimises washing time, water and energy consumption

**CTDf 1206**



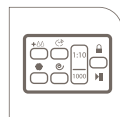
ENERGY CONSUMPTION



LOAD CAPACITY



RPM



MULTIFUNCTIONAL DISPLAY



AQUA PLUS



START DELAY 24H



MIX & WASH PROGRAM

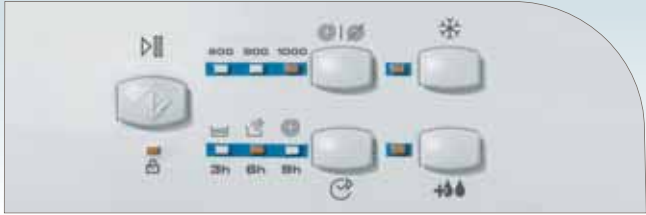


RAPID PROGRAMS 32' - 44'

**FOCUS ON**  
MIX & WASH



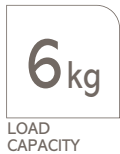
# Top Loader

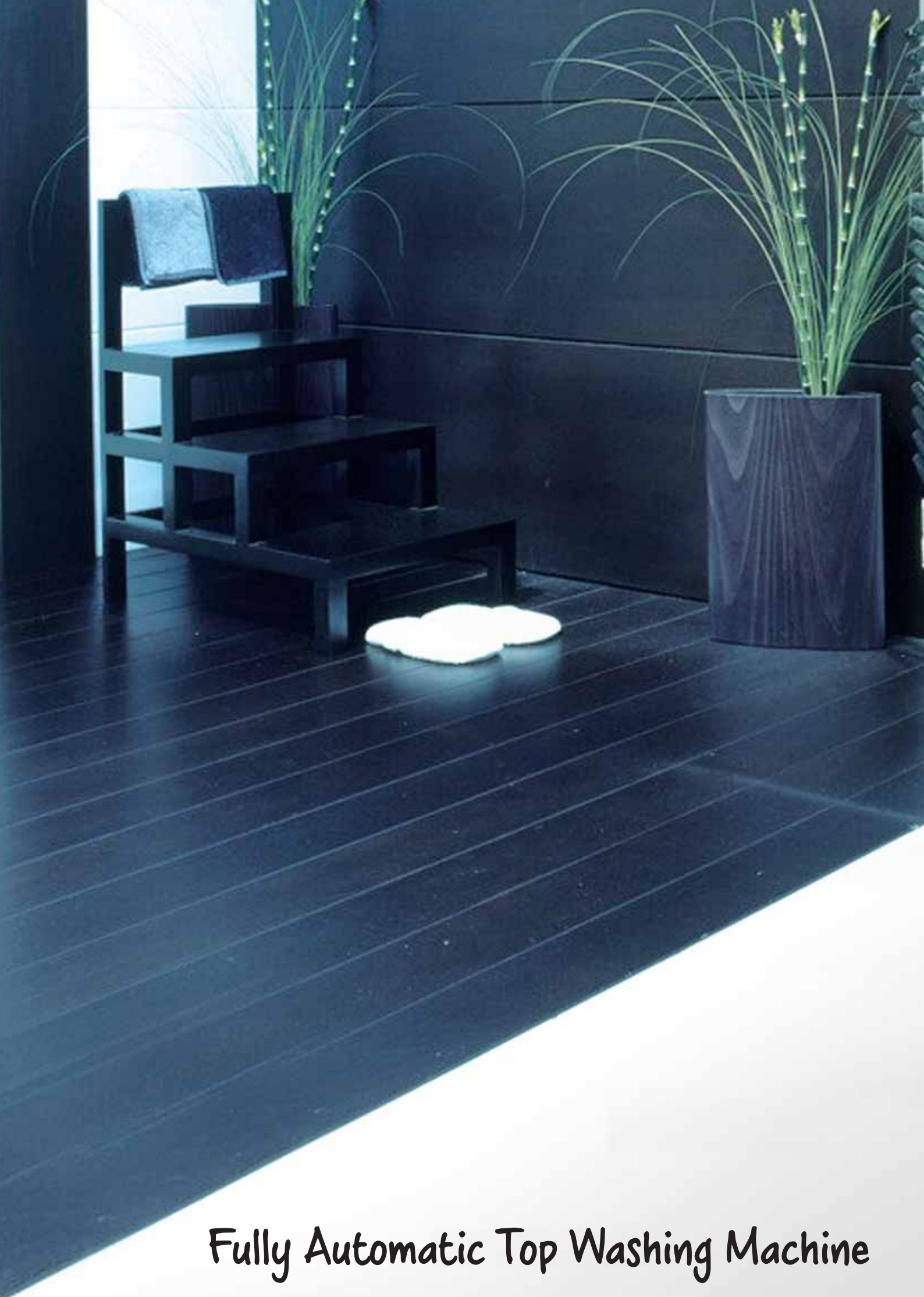


- Fuzzy Interface
- Soft bi-directional knob
- Electronic balance control
- Delay Start
- Rapid Wash 32' - 44'
- Prewash
- Mix & wash
- Hand washing
- Wool wash program
- Foam control
- Special programs
- Anti overflow protection

3rd Generation FUZZY LOGIC  
Automatically optimises washing time, water and energy consumption

**CTF 1006**





Fully Automatic Top Washing Machine



## Fully Automatic Top



STERILIZATION  
BY AG+

Thanks to this special sterilization process, you will always keep your clothes fresh and clean. Candy always takes care about your family's health.



IMD  
DISPLAY

Candy FAT Washing Machine are equipped with the new IMD DISPLAY (In Moulded Display).

Easy to clean, fully integrated and with excellent performance for waterproof. Moreover, a user-friendly display shows useful and clear information to make the final Consumer's life easier.



CAPACITY

Candy places a strong emphasis on the optimization of structures, in order to minimize sizes and maximize the load.

The state of the art of the electronic devices significantly enhance the quality, control and stability for loads up to a maximum of 8kg.

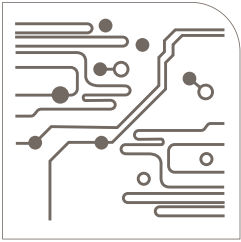


# Fully Automatic Top



## MULTI COLOR METAL SHEET

Multi Color Sheet is obtained thanks to a special printing process. The result is a fantastic 3Dimensional effect on the body of your washing machine. And furthermore, this special treatment allow to obtain excellent 4 waterproof, anti- rust and anti corrosion performances.



## INTELLIGENT WASH

Why waste time, water and energy for washing? The innovative Display of these Washing Machine enables you to select easily the operations you need for your washing, optimizing washing times along with energy and water consumption.



## RAPID PROGRAMS

How to achieve the best result in few time? With Candy Rapid Programs! These washing machine enables you to wash small and large amount of laundry in a very short time. Master your time!

## Fully Automatic Top



**CXQB80-A25B**



LOAD  
CAPACITY



MULTIFUNCTIONAL  
DIGIT DISPLAY



PROGRAMS



START DELAY  
24H



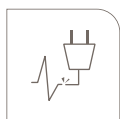
AG+  
STERILIZATION



CHILD  
PROTECTION



SHUKO PLUG



220V-50HZ



# Fully Automatic Top



**CXQB80-A25WH**



LOAD CAPACITY



MULTIFUNCTIONAL DIGIT DISPLAY



PROGRAMS



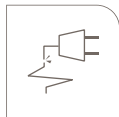
DOUBLE WATER INLET HOT&COLD



START DELAY 24H



AG+ STERILIZATION



SHUKO PLUG



220V-50HZ

## Fully Automatic Top



**CXQB80-A16W**



LOAD  
CAPACITY



MULTIFUNCTIONAL  
DIGIT DISPLAY



PROGRAMS



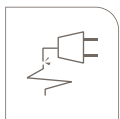
START DELAY  
24H



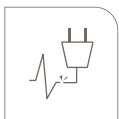
AG+  
STERILIZATION



CHILD  
PROTECTION



US PLUG



110V-60HZ

# Fully Automatic Top



**CXQB65-725W**

**CXQB65-716W**



WASHING CAPACITY



PROGRAMS



QUICK WASH 15MIN



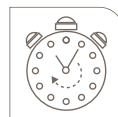
START DELAY 24H



WASHING CAPACITY



PROGRAMS



QUICK WASH 15MIN



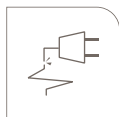
START DELAY 24H



ANTI-CREASES



CHILD PROTECTION



SHUCKO PLUG



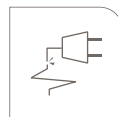
220V-50HZ



ANTI-CREASES



CHILD PROTECTION



US PLUG



110V-60HZ



Dryer



# Dryer



9 KG CAPACITY:  
LARGER LOADS  
AND QUICKER  
DRYING

Candy has developed a new technology that enables to transfer a complete load of 9 kg of laundry from the electronic washing machine to the dryer. This unique feature guarantees high performances by combining greater energy efficiency with a more consistent and faster drying speeds. The design of the drum is in fact specifically designed to reduce the formation of creases and simplify ironing.



RELAX

This program/cycle prevents the laundry from creasing and softens it. It is particularly useful when the laundry is ironed after sometime, like when it has been stored in the laundry basket. Laundry can become too dry even when it is air-dried or placed on radiators. This special cycle minimizes creases so that the laundry is easier and quicker to iron.



READY FOR  
IRONING

By selecting the correct level of dryness depending on the characteristics of your laundry, you can optimize ironing by minimizing the number of creases on garments so that they can be ironed in less time. This electronic control based on sensors enables you to half the ironing time and also save energy. If you select the "Ready for ironing" feature for a load of 5 shirts, you can practically half the ironing time and save energy as well. Less fatigue and expenses, optimum results and more free time.



# Dryer



RAPID  
PROGRAM 40'

The program quickly drying in 40 minutes is suitable for all types of fabrics and is ideal for sportswear, underwear for babies and those with limited time available.



SPECIAL  
PROGRAMS

Candy Laboratories have developed for some new dryer special programs such as: wool program, shirts and Mix&Dry.  
Program wool and gently dries in 12 minutes all the woolen garments.  
Program shirts: ideal for drying shirts a week at once.  
Mix&Dry program: drying at the same time all types of tissue from the cotton to synthetic.



STACKING  
KIT

A true space saving solution. The stacking kit enables to stack the washing machine and dryer in order to be able to wash and dry a maximum load of 9 kg in a space of only 60 x 60 cm.  
The kit also includes an extractable shelf where you rest laundry or detergent bottles.

# Dryer



**GOC 791 BT**



- 3 Digit Interface
- Large Door - GrandÓ design
- Soft bi-directional knob
- Delay Start 24H
- Rapid Dry 40'
- Galvanized Drum
- Drying time option
- Memo option
- Delicates option
- Anti-Crease function
- End of cycle indicator
- Full tank indicator
- Blocked filter indicator
- Top drawer



ENERGY  
CONSUMPTION



LOAD  
CAPACITY



DOOR AND RING  
GRANDÓ  
TITANSILVER



START DELAY  
24H



ANTI CREASE  
OPTION FOR  
EASY IRONING



RAPID  
PROGRAM  
40'

**FOCUS ON**  
ANTI CREASE  
OPTION FOR  
EASY IRONING





# Dryer



- Fuzzy Interface
- Electronic balance control
- Soft bi-directional knob
- Delay Start 3-6-9H
- Rapid Dry 40'
- Galvanized Drum
- Drying time selector
- Delicates option
- Full tank indicator
- Blocked filter indicator

## GOC 581 B

**B**  
ENERGY CONSUMPTION

**8kg**  
LOAD CAPACITY

**15**  
PROGRAMS

**40 cm**  
XXL DOOR 40CM

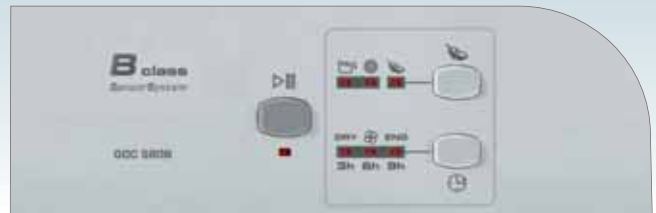
**START DELAY**  
3-6-9H

**RAPID PROGRAM**  
40'

# Dryer



**GOC 580 B**



- Fuzzy Interface
- Soft bi-directional knob
- Delay Start 3-6-9H
- Rapid Dry 40'
- Galvanized Drum
- Drying time selector
- Delicates option
- Full tank indicator
- Blocked filter indicator
- End of cycle indicator

**GO C 580 C**



ENERGY CONSUMPTION



LOAD CAPACITY



PROGRAMS



XXL DOOR  
40CM



START DELAY  
3-6-9H



RAPID  
PROGRAM  
40'



ENERGY CONSUMPTION

**FOCUS ON**  
XXL DOOR 40CM



# Dryer



- 3 Digit Interface
- Soft bi-directional knob
- Delay Start 24H
- Rapid Dry 40'
- Galvanized Drum
- Drying time option
- Memo option
- Delicates option
- Anti-Crease function
- End of cycle indicator
- Blocked filter indicator

**GOV 780 C**

**GOV 580 C**

**GO DV58 F-OS**



ENERGY CONSUMPTION



LOAD CAPACITY



DRYING SYSTEM



FUZZY INTERFACE



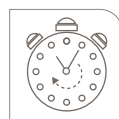
FUZZY INTERFACE



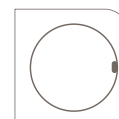
XXL DOOR 40CM



START DELAY 3-6-9H



RAPID PROGRAM 40'



SQUARE DOOR





Dishwasher

# Dishwasher



15 PLACE  
SETTINGS  
WITH NEW  
3<sup>rd</sup> LEVEL



The dishwashers produced by Candy revolutionize the management of space available for the load. The new 3rd level creates a new space in the dishwashers, offering increased flexibility and maximising loading capacity. The innovative extra-large baskets have been designed to offer maximum flexibility, practicalness and speed of use: they can in fact hold up to 190 items (that is 50 more as compared to standard models). This equates to 35% more space available daily and eliminates the need of washing dishes by hand. The certainty of always having enough space is guaranteed by the extraordinary characteristics of these washing machines that come with the maximum loading capacity currently available: the premium version of 15 place settings, to allow you to always find space to wash all you need, including large pans and bulky items.



3<sup>rd</sup> LEVEL

Thanks to this new improvement, more space is available today in your Candy Dishwasher. Infact, all the small objects you use in your kitchen, now have their proper space. A new way of managing the space. A new way to think the Dishwasher.



MAXI  
UPPER  
BASKET

It is 10% larger as compared to standard baskets and can therefore hold a larger number of items, in addition to the fact that it can be easily adjusted in height and is easy to load. The new cutlery accessory, placed across the upper basket, is an ultra-robust option that further increases loading flexibility. Suitable for serving cutlery, such as large forks, ladles and long knives.



# Dishwasher



LOWER  
BASKET XXL

The result of advanced technology and of a revolutionary conceptual design. The shape and height of the walls (that are 90% higher as compared to those of a standard dishwasher) add robustness to the lower basket that can hold weights up to 25 kg. The extra-large dimensions of the basket and the lack of internal fixed grilles increases the capacity by 90% as compared to standard dishwashers.

This gives you the freedom and flexibility of loading even the bulkiest crockery like pans and salad bowls, thus maximizing the use of space.



ENERGY  
CONSUMPTION

Save 20% of Energy, Compared With A Class.



0.88 kWh on the regulatory cycle (drying Turbo Dry) -20% energy compared to Class A



0.99 kWh on the regulatory cycle (drying by condensation) -10% of energy compared to Class A



ECO 10

Perfect cleanliness and hygiene with 10 liters of water per complete cycle only and minimum energy consumption.

This extraordinary result is possible thanks to the innovative technology developed by Candy that performs a continuous and accelerated micro-filtration of water. Crockery is wet 7,800 times during the washing cycle, as compared to the 6,000 times of standard dishwashers that consume in whole 13 liters of water.

Savings and environmental protection: as compared to hand-washing you save approximately 14,600 liters of water, that is the equivalent of free showers for one year.

As compared to conventional dishwashers, you save approximately 2,000 liters of water, that is the equivalent of free showers for over one month.

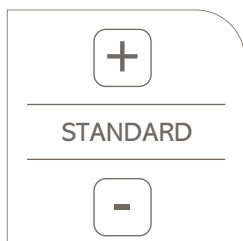
## Winning Features

## Dishwasher



### MAXIMUM SILENCE ]

The new generation of Candy dishwashers is designed to minimize noise during operation, thus guaranteeing maximum well-being without compromises between effectiveness, noise and comfort. 45 dB only, almost a whisper! Maximum silence combined with extraordinary Class AAA performances. Only 42 dB with the new night cycle.



### SIMPLE AND INTUITIVE PROGRAMS ]

The dishwasher comes with 4 base programs that are those most frequently used. EVO SPACE<sup>3</sup> offers you also the possibility of customising each program depending on the level of dirt of crockery. The procedure is simply and intuitive: all you need to do to change the length of the cycle, washing temperature and pressure of the water jets is choosing "+" or "-" along with one of the base programs.

The 4 base programs (available as standard) thus become 12 alternative washing options that always guarantee maximum performances.

By selecting "+", you can increase the intensity of the program and obtain excellent performances even with stubborn dirt (especially on pans and frying pans). By selecting "-" you can optimize the washing time if the crockery has been used recently or the load is small. The result is a saving of approximately 30' with the main washing cycles and excellent results guaranteed.



### SPECIAL HYGIENIC PLUS ]

Wash at 75 ° C with sanitizer and antibacterial action. Tested in the laboratory (from BioLab), eliminates 99.9% of bacteria. Ideal for washing and sanitizing dishes of children (baby bottles, cutlery, etc.) and for the safety of the whole family. Also suitable to wash common dishes.





# Dishwasher



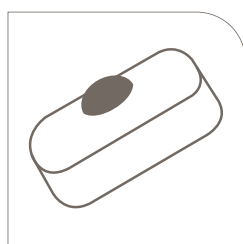
*PROGRAM  
CLASS A 1H* ]

A perfect A class wash for a 8 sets load more 8 pots in just 1 hour. Ideal for those who often use the dishwasher, even several times a day.



*ULTRA RAPID  
PROGRAM 24'* ]

A quick wash in just 24 minutes for small loads and lightly soiled dishes.



*OPTION  
ALL IN ONE* ]

New Candy dishwashers allow you to get great washing and drying results using any type of detergent, even the pads 3 in 1, 4 in 1 and 5 in 1. For detergents combined with salt and rinse aid simply select the specific option to change the parameters and optimize performance. You can choose to keep this option always on, maximizing comfort.

## Dishwasher



### AQUASTOP

A system of safety: a protective sheath that covers the inlet pipe. In case of leakage, the water flows into the sheath by activating a solenoid valve that blocks the entry of water, avoiding the danger of leakage.



### FILTER

The triple self-cleaning stainless steel filter has an internal microfilter that traps even the smallest dirt particles, leaving clean water constantly.



Dishwasher

Evo space<sup>3</sup>



- Delay start 3-6-9 h
- Hygienic plus 75'
- Class A 1h
- Ultra Rapid 24'
- Easy lift for upper Basket
- Metal grey Basket
- Safety Stop on Lower Basket
- Salt refill indicator
- Aquastop

CDP 6753 X

CDP 6753



ENERGY CONSUMPTION



LOAD CAPACITY



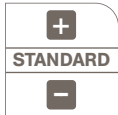
PROGRAMS



COLOR



ULTRA RAPID PROGRAM 24'



SIMPLE AND INTUITIVE PROGRAMS



THIRD LEVEL

## Dishwasher

Evo<sub>space</sub><sup>3</sup>

- Impulse wash
- Delay start 3-6-9 h
- Night cycle 55°
- Hygienic plus 75°
- Ultra Rapid 24'
- 3<sup>rd</sup> level
- XXL Lower Basket
- Metal grey Basket
- Easy lift for upper Basket
- Safety Stop on Lower Basket
- Aquastop

## CDP 6653 X

## CDP 6653

ENERGY  
CONSUMPTIONLOAD  
CAPACITY

PROGRAMS



THIRD LEVEL

XXL LOWER  
BASKETHYGIENIC  
PROGRAM

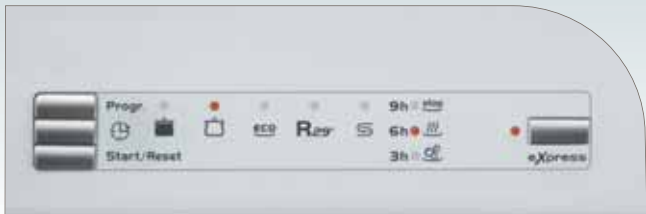
COLOR

FOCUS ON  
HYGIENIC  
PROGRAM



Dishwasher

Evo space



- LED program status
- Intensive 75°
- Ultra Rapid 29'
- XL Upper Basket
- Salt refill indicator
- Aquastop

CDP 6322



ENERGY CONSUMPTION



LOAD CAPACITY



PROGRAMS



START DELAY 3-6-9H



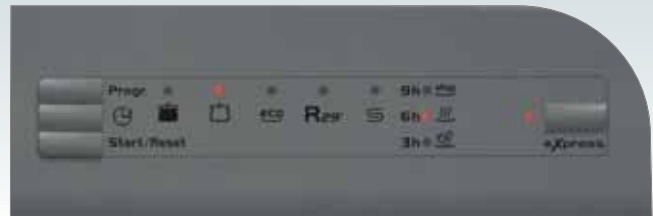
ULTRA RAPID PROGRAM 29'



COLOR

## Dishwasher

Evo space



- LED program status
- Intensive 75°
- Rapid 29'
- XL Upper Basket
- Salt refill indicator
- Aquastop

CDPE 6320 X

CDPE 6320

ENERGY  
CONSUMPTIONLOAD  
CAPACITY

PROGRAMS



COLOR

START DELAY  
3-6-9HULTRA RAPID  
PROGRAM 29'

COLOR

# Dishwasher

# Evo space



- LED program status
- Intensive 75°
- Ultra Rapid 24'
- XL Upper Baskets
- Salt refill indicator
- Safety stop on Lower Basket

## CDP 4710

ENERGY CONSUMPTION

LOAD CAPACITY

PROGRAMS

MULTIFUNCTIONAL DIGIT DISPLAY

START DELAY 24H

WIDTH

## Dishwasher

Evo space



- Start Delay 3-6-9 h
- Digital countdown
- Ultra Rapid 24'
- Metal Grey Basket
- Salt refill indicator
- Aquastop

CDP 4609 X

CDP 4609

ENERGY  
CONSUMPTIONLOAD  
CAPACITY

PROGRAMS



COLOR

START DELAY  
3-6-9HULTRA RAPID  
PROGRAM 24'

WIDTH



# Dishwasher



- Start Delay 2-4-6-8 h
- LED program status

- Intensive wash 70°
- Salt refill indicator

CDCF 6 S

CDCF 6

ENERGY CONSUMPTION

LOAD CAPACITY

PROGRAMS

COLOR

START DELAY 2-4-6-8H

FOLDING CUP RACKS

COLOR



CDI 5153 E10



P3

PROGR. 1-23h



Dishwasher\_Full Integrated & Semi Integrated

# Dishwasher



**CDI 5653 E 10/3**

Available on request cladding panel steel Kit Plan 8016361689718



ENERGY  
CONSUMPTION



LOAD  
CAPACITY



PROGRAMS



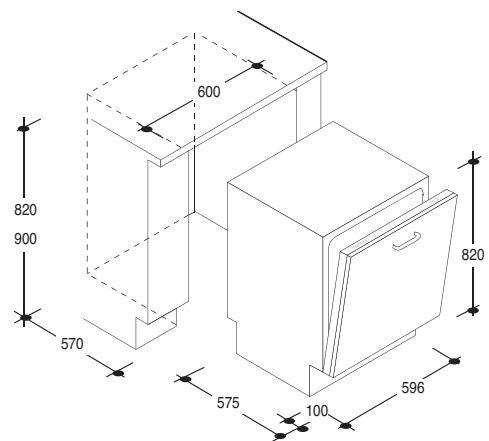
MULTIFUNCTIONAL  
DIGIT DISPLAY



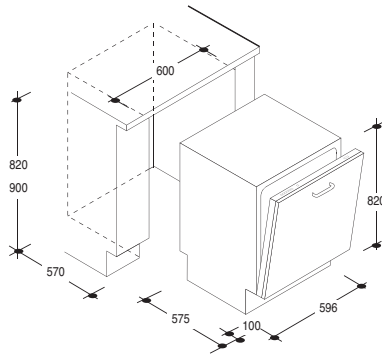
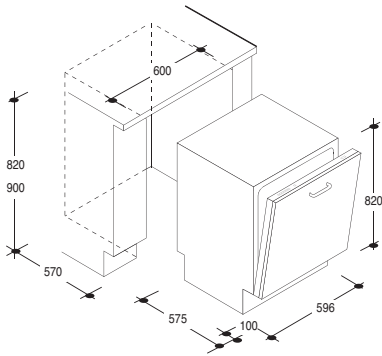
WATER  
CONSUMPTION



THIRD LEVEL



# Dishwasher



**CDI 3515/1**

**CDI 1010/2**

ENERGY CONSUMPTION

LOAD CAPACITY

PROGRAMS

ENERGY CONSUMPTION

LOAD CAPACITY

PROGRAMS

START DELAY 3-6-9H

OPTION HALF LOAD

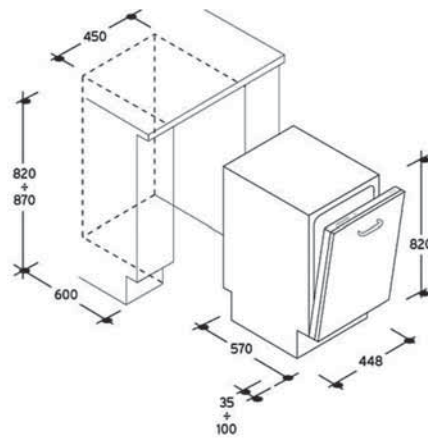
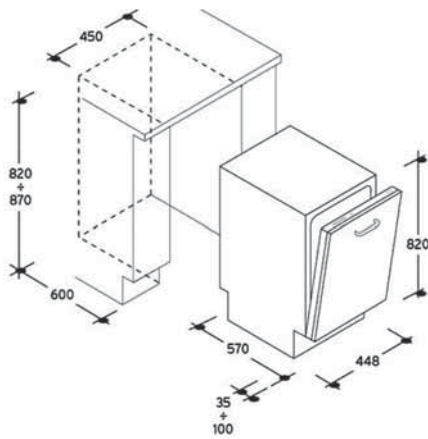
BASKET XXL LESS

RAPID PROGRAM 32'

FOLDING CUP RACKS

BASKET XXL LESS

# Dishwasher



**CDI 10P57 X**

**CDI 9P45**



ENERGY CONSUMPTION



LOAD CAPACITY



PROGRAMS



ENERGY CONSUMPTION



LOAD CAPACITY



PROGRAMS



4 MULTIFUNCTIONAL DIGIT DISPLAY



WATER CONSUMPTION



WIDTH

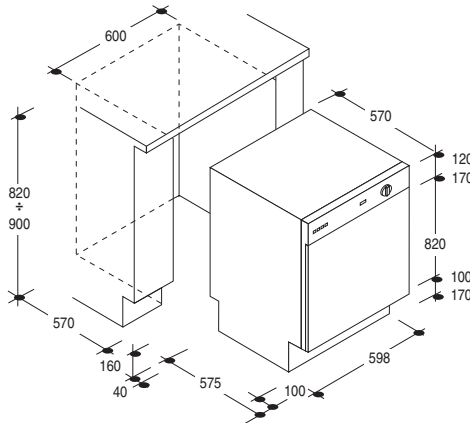
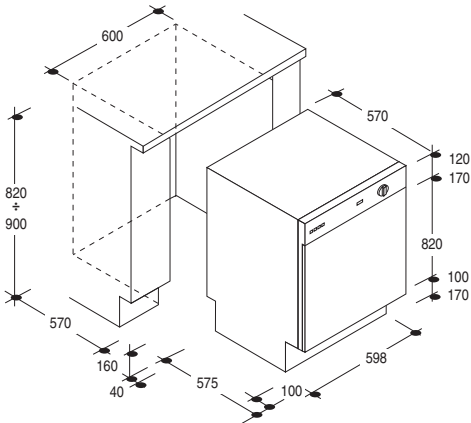


4 MULTIFUNCTIONAL DIGIT DISPLAY



START DELAY 23H

# Dishwasher



**CDS 155 X/1**

**CDS 220 N/1**

**CDS 220 X/1**

ENERGY CONSUMPTION

LOAD CAPACITY

PROGRAMS

ENERGY CONSUMPTION

LOAD CAPACITY

PROGRAMS

COLOR

RAPID PROGRAM 32'

INTENSIVE WASH

SUPERSILENT 49DB(A)

RAPID PROGRAM 32'

INTENSIVE WASH

COLOR







Free Standing Cooker

## Cooker



*GAS CONTROL  
EVEN ON THE  
COOKING TOP* ]

Sicurflame is a proprietary system developed by Candy to guarantee an ultra-safe use of the cooking top.

The safety thermocouples constantly control the burners of the cooking top. If the flame accidentally burns out, Sicurflame immediately cuts off the flow of gas.



*CLASS A* ]

Candy is truly committed to protect the natural environment. To stand up to this promise, guarantee maximum performances and energy savings, and protect precious natural resources, it presents customers with electric ovens with a Class A rating only.



*MULTIFUNCTIONAL* ]

Multifunctional ovens enable you to customize your cooking programs with maximum flexibility. The options available allow you to choose whether to irradiate the heat from the top or bottom of the oven, or from both directions, or use the fan or even the grill. Thanks to this variety of options you can cook meat, fish, sweets, pizzas and other specialties according to your own personal preferences.



## Cooker



### INTEGRATED IGNITION CONTROL ]

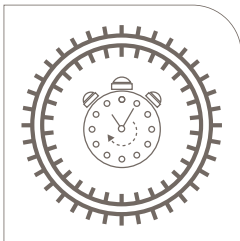
On some models the ignition control for the cooking top burners is integrated in the knob. It is therefore enough to turn and slightly press the knob to ignite the burners: it couldn't be easier!



### FULL GLASS DOOR ]

Elegant design. Easy to clean with no visible screws. Reduced temperature on the surface, thanks to air circulation inside the door between the glasses. Inner glass is reflective, to ensure A Class in the oven. A brand new generation of cookers, with new full glass door.

New Candy Cookers: Style, Comfort, Safety, Efficiency.



### RAPID BURNER ]

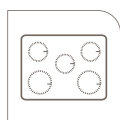
The rapid provides highly effective in heating times. Cooking is much more rapid and uniform, while also reducing the consumption.

Winning Features

# Cooker\_90cm



**CVE 9522 TX**



5 HIGHLIGHT  
ZONES



WIDTH



MINUTE  
MINDER



OVEN CAPACITY



OVEN TYPE



COLOR

FOCUS ON  
VITROCERAMIC  
HOB



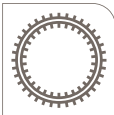
Cooker\_90cm



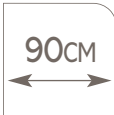
CGG 9012 STX



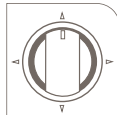
CGG 9012 TX



5 GAS BURNERS



WIDTH



INTEGRATED IGNITION CONTROL



NO SECURITY SICURFLAME



OVEN TYPE



OVEN CAPACITY



SECURITY GAS OVEN

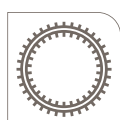
# Cooker\_90cm



**CGG 9112 STX**



**CME 9022 TX**



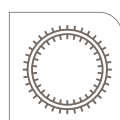
5 GAS  
BURNERS



90CM  
WIDTH



Sicurflame  
GAS SECURITY



4 GAS  
BURNERS



1 HOTPLATE



90CM  
WIDTH



109  
LITERS  
OVEN  
CAPACITY



SECURITY  
GAS OVEN



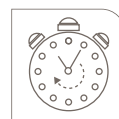
GAS  
STATIC  
OVEN TYPE



ELECTRIC  
STATIC  
OVEN TYPE



109  
LITERS  
OVEN  
CAPACITY



MINUTE  
MINDER

# Cooker\_60cm

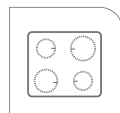


CIM 6724 PW



CVM 6524 PX

CVM 6524 PW



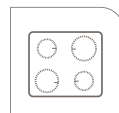
4 INDUCTION ZONE WITH BOOSTER



ENERGY CONSUMPTION



TOUCH CONTROL



4 HIGHLIGHT ZONES



ENERGY CONSUMPTION



DIGITAL TIMER



COLOR



DIGITAL TIMER



FUNCTIONS OVEN



FULL GLASS DOOR



OVEN CAPACITY



FUNCTIONS OVEN



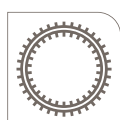
FULL GLASS DOOR

# Cooker\_60cm

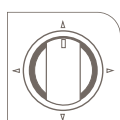


**CGM 6522 SHS**

**CGM 6522 SHW**



4 GAS  
BURNERS



INTEGRATED  
IGNITION  
CONTROL



Sicurflame  
GAS SECURITY



WHITE  
COLOR



52  
LITERS  
OVEN  
CAPACITY



A  
ENERGY  
CONSUMPTION  
OVEN



MINUTE  
MINDER

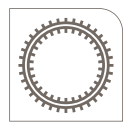


# Cooker\_60cm

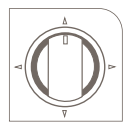


**CGG 6521 HW**

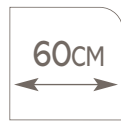
**CGG 6521 HX**



4 GAS BURNERS



INTEGRATED IGNITION CONTROL



WIDTH



COLOR



OVEN CAPACITY



SECURITY GAS OVEN

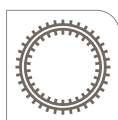


COLOR

# Cooker\_60cm



**CGG 66 TBT**



4 GAS  
BURNERS



RAPID  
BURNER



OVEN TYPE



OVEN  
CAPACITY



SECURITY  
GAS OVEN



MINUTE  
MINDER

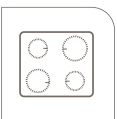
# Cooker\_50cm



**CVM 5622 CKM**



**CVM 5621 KW**



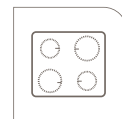
4 HIGHLIGHT ZONES



WIDTH



MULTIFUNCTION OVEN



4 HIGHLIGHT ZONES



ENERGY CONSUMPTION OVEN



MULTIFUNCTION OVEN



OVEN CAPACITY



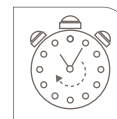
ENERGY CONSUMPTION OVEN



END OF COOKING TIMER



OVEN CAPACITY



END OF COOKING TIMER



FULL GLASS DOOR

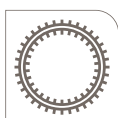
# Cooker\_50cm



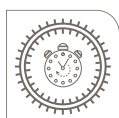
**CGG 5611 SBW**



**CGG 5621 SW**



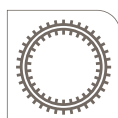
4 GAS BURNERS



RAPID BURNER



GAS SECURITY



4 GAS BURNERS



GAS SECURITY



WIDTH



OVEN CAPACITY



MINUTE MINDER



OVEN TYPE



OVEN CONVECTION GAS



SECURITY GAS OVEN



USEFUL VOLUME OVEN

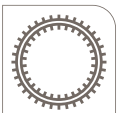
# Cooker\_50cm



**CGG 56 TB**



**CEE 5620 W**



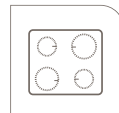
4 GAS BURNERS



RAPID BURNER



MINUTE MINDER



4 HOTPLATE



METAL

LID



42 LITERS

OVEN CAPACITY



42 LITERS

OVEN CAPACITY



SECURITY GAS OVEN



FULL GLASS DOOR



A

ENERGY CONSUMPTION OVEN



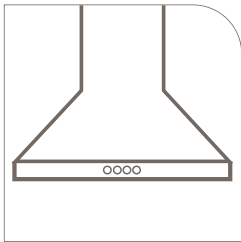
ELECTRIC STATIC

OVEN TYPE



Specialties\_Trio

## Specialties



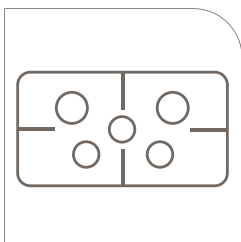
HOOD CCT 61X

A high performance hood with a powerful and reliable motor for a perfect absorption of smells and cooking steam.



SPLASHBACK  
60 PM

The splash back adds a touch of elegance and practicalness to the new trio: its crushproof surface in stainless steel 304 simplifies cleaning and protects walls and tiles from splashes during cooking.



HOB SAFE  
AND  
VERSATILE

All burners have a SICURFLAME device that stops the supply of gas if the flame accidentally burns out. The versatility of the set of burners, with power ranging from 1 kW to the ultrafast 3,5 kW one, enable you to use any cooking program. All 4 burners have electronic ignition integrated in the knob.

## Winning Features



## Specialties



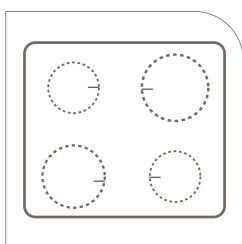
### OVEN CLASS A

The oven of Trio is designed to meet the most diverse requirements with maximum energy savings thanks to the class A energy efficiency rating. A practic timer allows to set cooking time up to 90 min., with automatic shut-off.



### 6 SETS ELECTRONIC DISHWASHER

The new electronic dishwasher is able to wash up to 6 place settings with a minimum amount of energy (0,75 kWh) and water (9 liters). The led display simplifies and enhances the use of programs. Rating AAA. You can select among 1 of 6 programs, with a rapid program 32 minutes and a special hygiene + certified by biolab.



### VERSION HOBB CERAMIC

Trio is also available with ceramic hob with 4 Hi-light zones: two of 1.2 kW, from 140 to 165mm in diameter, one of 1.8 kW 200mm in diameter and one of 2.1 kW 220mm in diameter.

## Winning Features





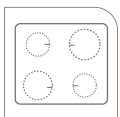
# Specialties



**TRIO 9503 X**



**TRIO 9501 X**



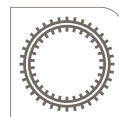
4 HIGHLIGHT ZONES



ELECTRIC VENTED OVEN



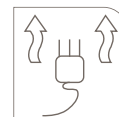
ENERGY CONSUMPTION OVEN



4 GAS BURNERS



GAS SECURITY



OVEN ELECTRIC CONVECTION



OVEN CAPACITY



DISHWASHER PERFORMANCE RATING



DISHWASHER SETS



ENERGY CONSUMPTION OVEN



DISHWASHER PERFORMANCE RATING

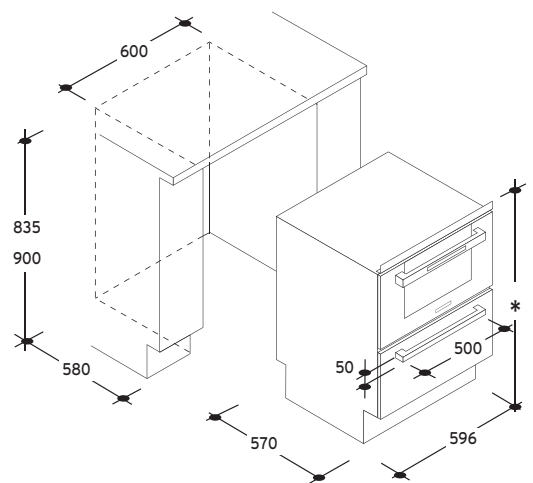


DISHWASHER SETS



Specialties\_Duo

# Specialties



**DUO 609 X**



MULTIFUNCTION OVEN



ENERGY CONSUMPTION OVEN



TOUCH CONTROL



OVEN CAPACITY



DISHWASHER PERFORMANCE RATING



DISHWASHER SETS

FOCUS ON TOUCH CONTROL





Microwave Oven



## Microwave Oven



### AUTOMATIC COOKING MENUS ]

The new Futura microwave ovens give free space to your imagination, allowing you to choose from a maximum of 10 different automatic cooking programs. Select the type of food you wish to cook and specify its weight...the oven will automatically select the most appropriate cooking time and heat.



### JOGGLE HI-FI KNOB AND EASY TOUCH KEYS ]

Maximum simplicity for extraordinary results. The Joggle HI-FI knob and Easy Touch electronic controls enable you to specify the weight of the food that needs to be cooked and let the microwave oven automatically select the cooking time and heat.



### AUTOMATIC DEFROST ]

A really simple operation! Simply set the weight of the food you wish to defrost and allow the microwave oven to automatically select the most appropriate defrost time and power. The result will obviously be perfect!



## Microwave Oven



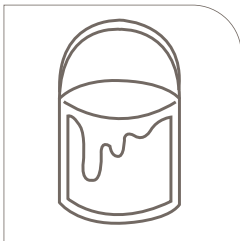
### START EXPRESS ]

At the simple press of a button, Start Express sets the oven off on maximum power for 30 seconds. Each time the button is pressed a further 30 seconds are added to the cooking time. A simple, intuitive and useful feature.



### CHILD PROTECTION ]

This electronic key prevents the oven from being used unintentionally, especially by children. When switched on, it can only be switched off by an adult, guaranteeing absolute safety in the kitchen.



### COLORS ]

A unique and innovative design, a perfect blend of beauty and ergonomics. The clean lines make them suitable for any kitchen, which are enhanced. The four new colors in the range are: chocolate, black, silver and white.

Winning Features





# Microwave Oven



CMCB 30 DS



COMBI VENTED



BREAD MAKER



DISPLAY AND INFOTEXT



MICROWAVE CAPACITY



AUTOMATIC COOKING PROGRAMS



CHILD SAFETY LOCK

FOCUS ON BREAD MAKER





# Microwave Oven



**CMC 30D CS**

**CMG 30 DS**



COMBI VENTED



DISPLAY AND INFOTEXT



AUTOMATIC COOKING PROGRAMS



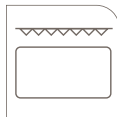
MICROWAVE CAPACITY



AUTOMATIC DEFROST



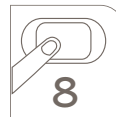
CHILD SAFETY LOCK



DOUBLE GRILL



DISPLAY AND INFOTEXT



AUTOMATIC COOKING PROGRAMS



MICROWAVE CAPACITY



AUTOMATIC DEFROST



CHILD SAFETY LOCK

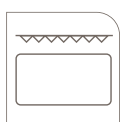


# Microwave Oven



**CMG 25D CB**

**CMG 25D CS**



GRILL



DISPLAY  
AND  
INFOTEXT



AUTOMATIC  
COOKING  
PROGRAMS



COLOR



MICROWAVE  
CAPACITY



AUTOMATIC  
DEFROST

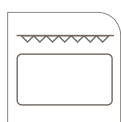


CHILD  
SAFETY LOCK

## Microwave Oven



### CMG 20 DVG



GRILL



DISPLAY  
AND  
INFOTEXT



AUTOMATIC  
COOKING  
PROGRAMS



MICROWAVE  
CAPACITY



3 MODES  
COOKING



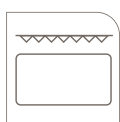
COLOR

# Microwave Oven



**CMG 20/1 M**

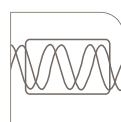
**CMW 20/1 M**



GRILL



CONTROL  
KNOB



MICROWAVE



CONTROL  
KNOB



TIMER 30'



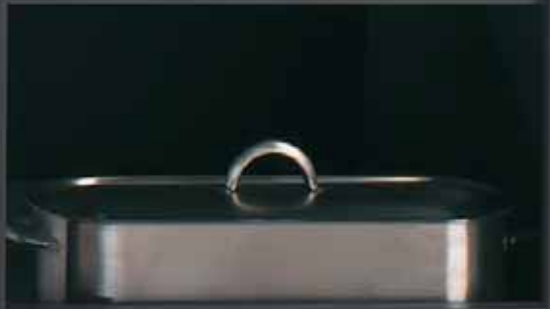
MICROWAVE  
CAPACITY



TIMER 30'



MICROWAVE  
CAPACITY





# Microwave Oven



MIC 440 TX



HEIGHT



TOUCH CONTROL



PROGRAMS COOKING AUTOMATIC



COMBI VENTED



AUTOMATIC DEFROST



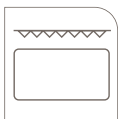
OVEN CAPACITY

# Microwave Oven



**MIC 25 GDFX**

**MIC 20 GDFX**



GRILL



DISPLAY  
AND  
INFOTEXT



10  
PROGRAMS  
COOKING  
AUTOMATIC



8 MODES  
COOKING



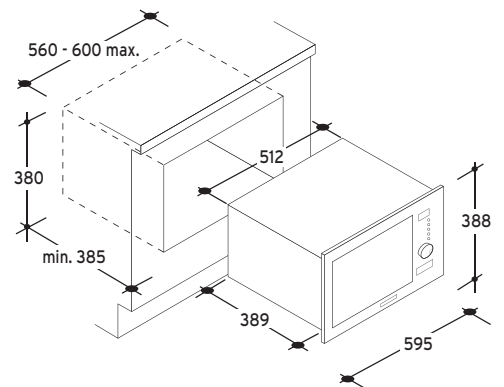
25  
LITERS  
MICROWAVE  
CAPACITY



CHILD  
SAFETY LOCK



20  
LITERS  
MICROWAVE  
CAPACITY



# Microwave Oven



**MIC 256 EX**



COMBI



DISPLAY AND INFOTEXT



10 PROGRAMS COOKING AUTOMATIC



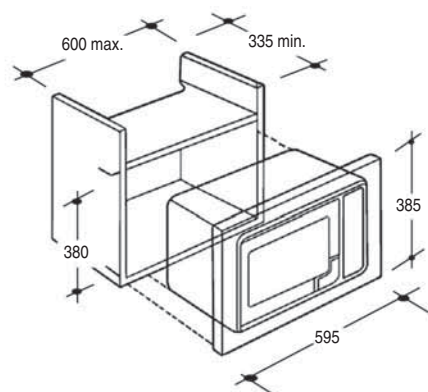
10 MODES COOKING



25 LITERS MICROWAVE CAPACITY



CHILD SAFETY LOCK

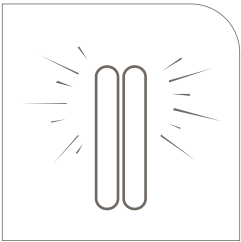




# Refrigerator



# Refrigerator



LED  
LIGHTING

The light inside the No Frost column is provided by LED lights with low energy consumption. The life of LED lamps is much longer than the traditional ones, with an energy consumption of almost 50% less than incandescent bulbs; more over there are no disposal problems because it does not contain materials such as mercury.

Finally, LEDs do not heat, so they do not affect the temperature of the refrigerator, keeping food for longer.



TECHNOLOGY

**COOLING THERAPY** Candy is an automatic defrost system which, thanks to the central system that coordinates the adaptive sensors, it makes possible to control the temperature in the refrigerator and freezer, detects the formation of ice in the freezer, and keeps in balance the moisture in the refrigerator.



NEVER  
AGAIN ICE

The No Frost system uses forced air circulation within the refrigerator and freezer to control humidity and guarantee a uniform temperature within the various compartments, with considerable advantages in terms of preservations times.

The No Frost system prevents the ice formation on the walls of the compartments, thus making troublesome defrosting operations a thing of the past.



# Refrigerator



## ENERGY CLASS

Traditional refrigerators are the domestic appliances that weigh most on the economy of the families as they account for approximately 25% of the total amount of the electricity bill. This is why it is important to choose an efficient model. The Candy A+ range, which is specifically designed to reduce energy consumption by 25 % as compared to class A refrigerators, comprises several models, from traditional ones with one door to those with two doors and combined models. A lower consumption of energy also reduces the amount of CO2 emissions produced.

That means that now consumers can truly rely on a perfect combinations of state-of-the-art technology and extraordinary quality.

Smart, energy-efficient and environmentally-friendly features are the key characteristics of the new range of Candy A+ refrigerators, which reflect Candy's commitment to provide its customers with solutions that interpret and satisfy their needs at all times and costs.



## LIGHTNESS LINES

Discover the Candy Krio light design, the new refrigerator Candy. A new door with light and clean lines, modern and attractive design.

New Candy Krio is pure elegance, with its essentiality able to match perfectly with any style of kitchen, from classic to contemporary.



## DELICACY FORMS

Welcome simplicity. The new Candy Krio match the trend of home furnishings by applying its unique light design. The shapes become delicate, pleasant continuous lines.

## Winning Features

# Refrigerator



## DISPLAY

A new interface, technological but easy to use, enriches the NoFrost Candy refrigerators. A digital display, clear and legible, visible even with the door closed, intuitive in the regulations.

It allows to set the temperature of the refrigerator and freezer, displaying your choice.



## EXTRACTABLE SHELVES

The new glass shelves, sturdy and handy, are equipped with a rail that slides till the end, in order to have easier access to food stored in the back of the shelf itself.



## CRISPER 45 LITERS

The new Candy refrigerators are twice more spacious to allow consumers to optimally preserve fruit and vegetable.

These practical and large drawers, can hold the amount of fruit and vegetable consumed by a family of four in a week! The new drawers are simple to use: they slide easily, making them handy to pull out, fill and wash.





# Refrigerator



## REMOVABLE GASKET

The new refrigerators are equipped with innovative push-pull removable gasket for easy cleaning.



## BIG BOX FREEZER

Drawers with increased depth as compared to standard models, designed for the storage of large items like bulky food and vertical bottles.

The practical sliding system on wheels and the limit switch guarantee maximum ergonomics even when the refrigerator is used at maximum load.



## TASTE COLOR

The light design of Krio leaves nothing to chance, even the choice of colors. Absolutely unbeatable. In addition to traditional steel and white, Candy introduces light wood and dark wood.

Two colors that recall the work of the latest and most sophisticated kitchens.

## Winning Features

AN EXCLUSIVE COLLECTION, MASTERPIECES OF LIGHT DESIGN.  
KRIO LINE SHOWS A UNIFORM AND AMAZING LOOK UNIQUE  
FROM THE SMALLER VERSION OF THE LARGE COMBI.





# Refrigerator



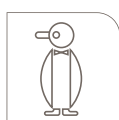
**CXS 7204 A**



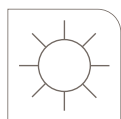
ENERGY  
CONSUMPTION



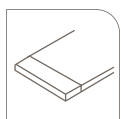
TOTAL GROSS  
CAPACITY



NO FROST  
TECHNOLOGY



TROPICALIZED



4 GLASS  
SHELVES



COLOR

# Refrigerator



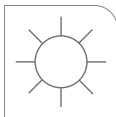
**CRDN 7172 X**



**CRDN 7172 W**



ENERGY CONSUMPTION



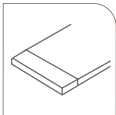
TROPICALIZED



NO FROST TECHNOLOGY



DIMENSION



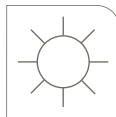
3 GLASS SHELVES



COLOR



ENERGY CONSUMPTION



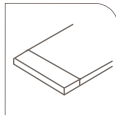
TROPICALIZED



NO FROST TECHNOLOGY



DIMENSION



3 GLASS SHELVES



COLOR

# Refrigerator



**CDNF 3805 A**



**CDNF 3800 A**



ENERGY CONSUMPTION



TOTAL GROSS CAPACITY



NO FROST TECHNOLOGY



COLOR



SUB TROPICAL



COLOR



XL FRUIT AND VEGETABLES CRISPERS

# Refrigerator



**CRDS 6172 W**



**CRDS 6172 X**



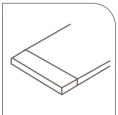
ENERGY CONSUMPTION



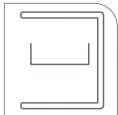
STATIC



EXTRACTABLE GASKET



4 GLASS SHELVES



4 INNER DOOR SHELVES



COLOR



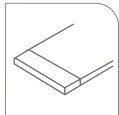
ENERGY CONSUMPTION



STATIC



EXTRACTABLE GASKET



4 GLASS SHELVES



4 INNER DOOR SHELVES



COLOR

# Refrigerator



**CFD 2760 E**



**CFD 2765 E**



**CFD 2450 E**



ENERGY CONSUMPTION



TOTAL GROSS CAPACITY



STATIC



ENERGY CONSUMPTION



STATIC



TOTAL GROSS CAPACITY



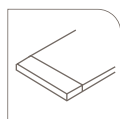
ENERGY CONSUMPTION



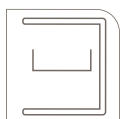
TOTAL GROSS CAPACITY



STATIC



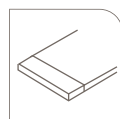
3 GLASS SHELVES



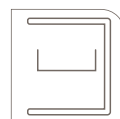
4 INNER DOOR SHELVES



SHELF FREEZER



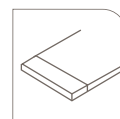
3 GLASS SHELVES



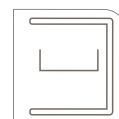
4 INNER DOOR SHELVES



SHELF FREEZER



3 GLASS SHELVES



4 INNER DOOR SHELVES



SHELF FREEZER



# Refrigerator



**CRCN 6202 WE**

**CRCN 6202 XE**



# Refrigerator



**CRCN 6182 WE**



**CRCN 6182 LW**



**CRCN 6182 DW**



# Refrigerator



**CRCS 6182 W**



**CRCS 6182 X**



ENERGY CONSUMPTION



TOTAL GROSS CAPACITY



STATIC



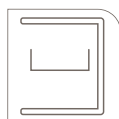
ENERGY CONSUMPTION



TOTAL GROSS CAPACITY



STATIC



3 BALCONIES, INNER DOOR



XL FRUIT AND VEGETABLES CRISPERS



3 TRANSPARENT FREEZER DRAWNER



3 BALCONIES, INNER DOOR



XL FRUIT AND VEGETABLES CRISPERS



3 TRANSPARENT FREEZER DRAWNER

# Refrigerator



**CRCS 5172 W**



**CRCS 5172 X**

ENERGY CONSUMPTION

**270**  
LITERS

TOTAL GROSS CAPACITY

LED LIGHTING

ENERGY CONSUMPTION

SUB TROPICAL

LED LIGHTING

**55CM**

WIDTH

XL FRUIT AND VEGETABLES CRISPERS

3 FREEZING DRAWERS

**55CM**

WIDTH

XL FRUIT AND VEGETABLES CRISPERS

3 FREEZING DRAWERS

# Refrigerator



**CRCS 5162 W**



**CRCS 5162 X**



ENERGY CONSUMPTION



TOTAL GROSS CAPACITY



EXTRACTABLE GASKET



LED LIGHTING



XL FRUIT AND VEGETABLES CRISPERS



3 FREEZING DRAWERS



ENERGY CONSUMPTION



TOTAL GROSS CAPACITY



EXTRACTABLE GASKET



LED LIGHTING



XL FRUIT AND VEGETABLES CRISPERS



3 FREEZING DRAWERS

# Refrigerator\_One door



# Refrigerator



**CFL 3760**




**CFL 3655/1 E**

**CFL 3650/1 E**



ENERGY CONSUMPTION




STATIC



TROPICALIZED



ENERGY CONSUMPTION



STATIC



SUB TROPICALIZED



WHITE  
COLOR



5 GLASS SHELVES



5 INNER DOOR SHELVES



WHITE  
COLOR



5 GLASS SHELVES



4 INNER DOOR SHELVES



XL FRUIT AND VEGETABLES CRISPERS

# Refrigerator



**CFO 196 EX**



**CFO 195 E**



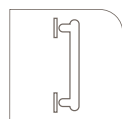
ENERGY CONSUMPTION



TOTAL GROSS CAPACITY



STATIC



METAL HANDLE



3 INNER DOOR SHELVES



COLOR



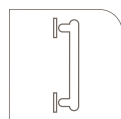
ENERGY CONSUMPTION



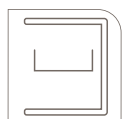
TOTAL GROSS CAPACITY



STATIC



METAL HANDLE



3 INNER DOOR SHELVES



COLOR



# Refrigerator



**CFO 154 E**



**CFO 140**

ENERGY CONSUMPTION

115 LITERS

TOTAL GROSS CAPACITY

STATIC

METAL HANDLE

3 BALCONIES, INNER DOOR

MOON LIGHT

COLOR

ENERGY CONSUMPTION

115 LITERS

TOTAL GROSS CAPACITY

STATIC

METAL HANDLE

3 BALCONIES, INNER DOOR

WHITE

COLOR



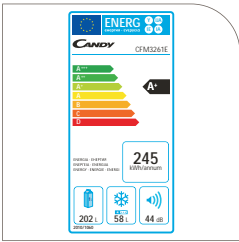
+3°C

CANDY

+3°C

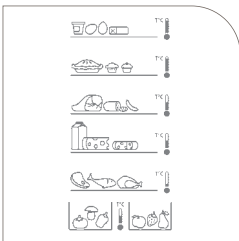
Refrigerator\_Built In

# Refrigerator



ENERGY  
EFFICIENCY  
CLASS A

Candy's technological commitment offers more effective performances that are more respectful of nature. Thanks to the Class A energy efficiency of Candy Biocold refrigerators, consumptions are reduced to the minimum, with big advantages for the environment.



**BioSafe 0°-3°**  
FOOD STAYS  
FRESH THREE  
TIMES LONGER

Biosafe 0°- 3° is the core of Biocold technology. It is a dedicated food preservation area, made up by a covered sliding compartment located above the fruit and vegetables sections where the temperature level is constantly kept between 0°- 3°. This highly efficient compartment is specifically designed for the perfect preservation of fish, meat, poultry, fresh pasta and cheese, keeping their nutritional properties unaltered up to three times longer. Good-looking, healthy food with guaranteed taste: only Candy Biosafe 0°-3° provides such a high level of well-being.



TURBO COLD  
SYSTEM:  
THE BEST  
GUARANTEE FOR  
CONSTANT COLD

Cold is the active principle of preservation, but it must be kept constant. To ensure this, Candy has come up with the ideal solution: the Turbo Cold system. A fan integrated in the top of the refrigerator directly activated by the compressor ensures even circulation of cool air. This ensures even temperature distribution in the various compartments, quick temperature restoration after door opening, and a significant improvement in cooling performances.



TASTE  
COLOR

Maximum cleanliness is also reflected inside Biocold refrigerators. The shelves are made of transparent tempered glass or, in some models, of the new Crystal Clear polycarbonate. Besides their exceptional brightness and practicality, they are unbeatable from the standpoint of hygiene as well.

Winning Features

# Refrigerator



**CFBC 3180 A**



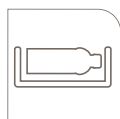
ENERGY  
CONSUMPTION



SUB  
TROPICALIZED



281  
LITERS  
TOTAL GROSS  
CAPACITY



METAL BOTTLE  
HOLDER



TURBO COLD



BIO SAFE

# Refrigerator



**CFBC 3160 A**



**CFBC 3130 A**

		<b>281</b> LITERS
ENERGY CONSUMPTION	SUB TROPICALIZED	TOTAL GROSS CAPACITY

		<b>281</b> LITERS
ENERGY CONSUMPTION	SUB TROPICALIZED	TOTAL GROSS CAPACITY

3 FREEZING DRAWERS	3 GLASS SHELVES	TURBO COLD

3 FREEZING DRAWERS	3 GLASS SHELVES	4 INNER DOOR SHELVES

# Refrigerator



**CFBD 2650 A**



**CFBD 2350 A**



ENERGY CONSUMPTION



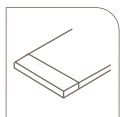
SUB TROPICALIZED



TOTAL GROSS CAPACITY



STATIC



3 GLASS SHELVES



XL FRUIT AND VEGETABLES CRISPERS



ENERGY CONSUMPTION



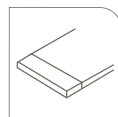
SUB TROPICALIZED



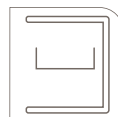
TOTAL GROSS CAPACITY



STATIC



3 GLASS SHELVES



4 INNER DOOR SHELVES

# Refrigerators



**CFBO 3550 A**



**CRU 164/1**



ENERGY CONSUMPTION



SUB TROPICALIZED



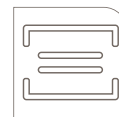
TOTAL GROSS CAPACITY



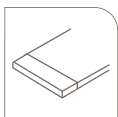
ENERGY CONSUMPTION



TOTAL GROSS CAPACITY



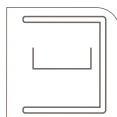
STATIC



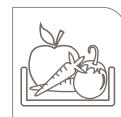
4 GLASS SHELVES



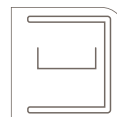
STATIC



6 INNER DOOR SHELVES



1 VEGETABLES AND FRUIT CRISPERS



2 INNER DOOR SHELVES



COLOR



Wine Cooler



# Wine Cooler



CCV 200 GL



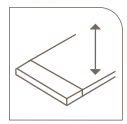
CCV 155 GL



CCV 150 EU



40 BOTTLES CAPACITY



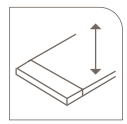
4 ADJUSTABLE WOOD SHELVES



ADJUSTABLE DISPLAY TEMPERATURE



40 BOTTLES CAPACITY



6 ADJUSTABLE WOOD SHELVES



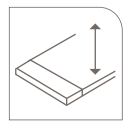
ADJUSTABLE DISPLAY TEMPERATURE



40 BOTTLES CAPACITY



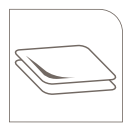
CHROME HANDLE



6 ADJUSTABLE METAL SHELVES



INTERNAL LIGHT



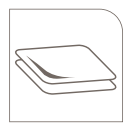
2 DOOR GLASSES



SAVING SPACE SHELF



INTERNAL LIGHT



2 DOOR GLASSES



SAVING SPACE SHELF



ADJUSTABLE TEMPERATURE BY KNOB



2 DOOR GLASSES



SAVING SPACE SHELF

# Freezer\_One door



# Freezer



## CLASS ENERGY ]

Traditional refrigerators are the domestic appliances that weigh most on the economy of the families as they account for approximately 25% of the total amount of the electricity bill. This is why it is important to choose an efficient model. The Candy A+ range, which is specifically designed to reduce energy consumption by 25 % as compared to class A refrigerators, comprises several models, from traditional ones with one door to those with two doors and combined models.

A lower consumption of energy also reduces the amount of CO2 emissions produced. That means that now consumers can truly rely on a perfect combinations of state-of-the-art technology and extraordinary quality. Smart, energy-efficient and environmentally-friendly features are the key characteristics of the new range of Candy A+ refrigerators, which reflect Candy's commitment to provide its customers with solutions that interpret and satisfy their needs at all times and costs.



## TWO REAR WHEELS ]

These wheels will make life easier as the freezer can be moved very easily and can be placed anywhere in the house.

In addition, the freezer can be removed from his position for a daily cleaning of the space under and behind it and to clean the floors.



## REMOVABLE GASKET ]

The new freezers are equipped with innovative push-pull removable gasket for a better door closure and easier cleaning.

Winning Features

# Freezer



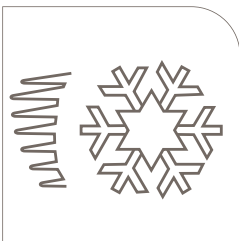
BIG BOX

Drawers with increased depth as compared to standard models, designed for the storage of large items like bulky food and vertical bottles. The practical sliding system on wheels and the limit switch guarantee maximum ergonomics even when the refrigerator is used at maximum load.



PIZZA  
COMPARTMENT

A truly smart invention! This is the first freezer with a special compartment for pizzas and bulky frozen foods built into the door. The transparent drawers enable users to immediately view the location of food, thus reducing the opening time of the door and consequently increasing energy savings. An elegant design combined with maximum functionality.



FAST  
FREEZING

This button enables food to be frozen more rapidly, which is an essential requirement to maintain its nutritional properties. The freezer is also able to quickly restore the ideal temperature, thus avoiding the excessive heating of food inside the freezer. This feature has a special luminous indicator.



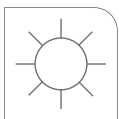
# Freezer



**CFUN 3050**



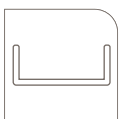
ENERGY CONSUMPTION



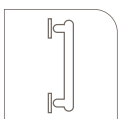
TROPICALIZED

**234**  
LITERS

TOTAL GROSS CAPACITY



7 TRANSPARENT DRAWERS



METAL HANDLE

**WHITE**

COLOR

# Freezer



**CFU 2850 E**



**CFU 2855 E**



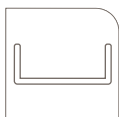
ENERGY CONSUMPTION



SUB TROPICALIZED



TOTAL GROSS CAPACITY



7 TRANSPARENT DRAWERS



MANUAL DEFROST SYSTEM



COLOR



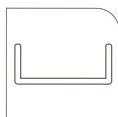
ENERGY CONSUMPTION



SUB TROPICALIZED



TOTAL GROSS CAPACITY



7 TRANSPARENT DRAWERS



MANUAL DEFROST SYSTEM



COLOR

# Freezer



**CFU 1950 E**



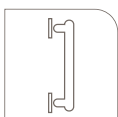
ENERGY CONSUMPTION



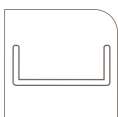
TOTAL GROSS CAPACITY



MANUAL DEFROST SYSTEM



METAL HANDLE



6 TRANSPARENT DRAWERS



COLOR

# Freezer



**CCHE 500**

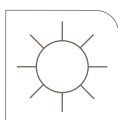
**CCHE 400**



ENERGY CONSUMPTION



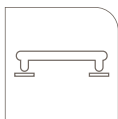
GROSS CAPACITY



TROPICALIZED



STATIC



INTEGRATED HANDLE



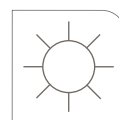
COLOR



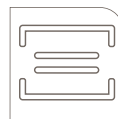
ENERGY CONSUMPTION



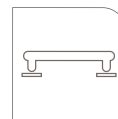
GROSS CAPACITY



TROPICALIZED



STATIC



EXTERNAL HANDLE



COLOR



# Freezer



CCHE 300



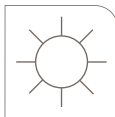
CCHE 210



ENERGY CONSUMPTION



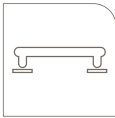
GROSS CAPACITY



TROPICALIZED



STATIC



EXTERNAL HANDLE



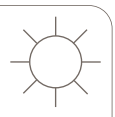
COLOR



ENERGY CONSUMPTION



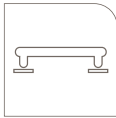
GROSS CAPACITY



TROPICALIZED



STATIC



EXTERNAL HANDLE



COLOR



Oven



# Oven



## THE CHARACTERISTIC OF MULTIFUNCTION OVENS

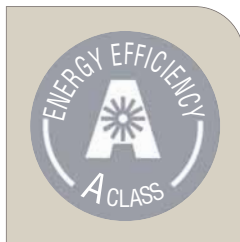
Multifunction ovens are very versatile. A fan distributes the hot air, for a quick and uniform cooking.

It's possible to cook two dishes at the same time, on two levels, without mixing the flavours.

With the upper and lower heating elements without the fan, the oven cooks in the traditional way.

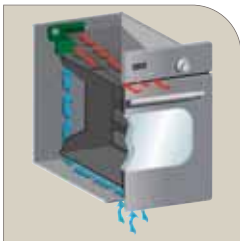
The lower heating element is suitable for cakes, soufflé, bigné and biscuits; the upper heating element roasts and crisps.

To defrost foods quickly it's possible to use the fan without heat.



## ENERGY EFFICIENCY CLASS

Candy, which is renowned for the focus on technological innovation, offers a wide range of ovens with Class A energy efficiency: the best solutions available to reduce consumption and protect the environment.



## FAN COOLING

The by-pass ventilation system has a fan located between the oven cavity and the outer casing which creates a continuous flow of air to reduce the temperature of side kitchen furniture and of those parts of the oven exposed to user contact.

The continuous flow of air is also useful to avoid condensation inside the oven ensuring perfect visibility during cooking.



## Oven



### AN OVEN THAT DOES NOT BURN

Candy has designed a line of ovens with a glass door that has an exceptionally low average external temperature of 45°C.



### NO-PRINTS STAINLESS STEEL

The external surfaces in stainless steel of the Candy ovens are protected with a special treatment against prints or marks.



### A CLASS CLEAN SYSTEM

The new A CLASS ENAMEL, smooth as glass, is completely water and dirt repellent. Its ultra smooth surface and absence of pores in the enamel prevents dirt from adhering to the surface.

Internationally recognised tests prove that A CLASS ENAMEL will withstand corrosion from acid generated when cooking fruit and foodstuffs with a high sugary content.

The oven walls feature specially designed grooves that allow the shelves to slide more easily. The grooves also provide a secure stop which prevents the shelves from being completely pulled out.

Winning Features

# Oven



## COOKING PROGRAMMING

A high-performance hood with a powerful and reliable for a perfect absorption of odors and cooking vapors.



## COVER GRILL

With the new structure of the cavity housing the furnaces Candy serpentine top of the grill will be better protected, which prevents accidental touches.



## SMART CLEAN

Candy's range of ovens includes pyrolytic ovens, specifically designed to simplify and accelerate cleaning operations. Thanks to a special feature, these ovens reach the internal temperature of 480°C for the time strictly required to burn food residuals. Some Candy ovens also have catalytic panels that are coated with a special microporous glazing designed to absorb fats during cooking.





## U·SEE IS A NEW SYSTEM PATENTED BY CANDY

**U·SEE** is a new system patented by Candy that makes away with the need for traditional incandescent light bulbs.

14 top quality white light LEDs have been inserted on the interior of the oven door, made of tempered glass. These provide diffuse lighting, enabling the food to be seen on various levels, with no shadows.

This form of lighting allows the entire oven to be lit up, without altering the visual perception of the point of cooking. Through the use of LED technology, the U·SEE system ensures long-lasting performance and extremely low energy consumption (95% less than traditional oven lighting systems).

## COOKING WITH U·COOK



**U·COOK** ovens come with electronic ventilation control, patented VarioFan.



### VARIOFAN

This system automatically changes the speed of ventilation in order to optimise the temperature and flow of air within the oven while operational.

This innovative multifunctional cooking method preserves the taste and nutritional qualities of food. Thus, it helps with the preparation of healthier, better quality food.

## SOFTCOOK

**SoftCook** controls the distribution of humidity and temperature, optimising cooking both in terms of energy and taste. The system reduces the loss of food humidity by up to 50%, adding softness and aroma to it. This delicate type of cooking is particularly recommended for bread and pastry.



CANDY



# Oven



FVH 929 XL



ENERGY CONSUMPTION



14 LEDS ILLUMINATION



U·COOK



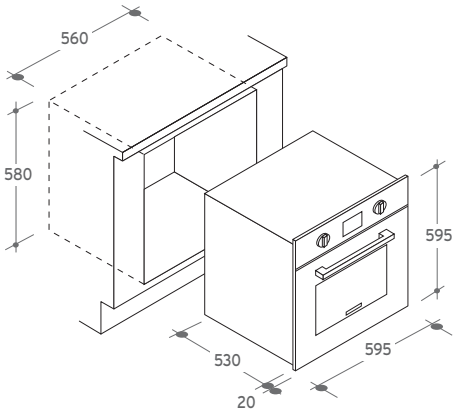
FUNCTIONS



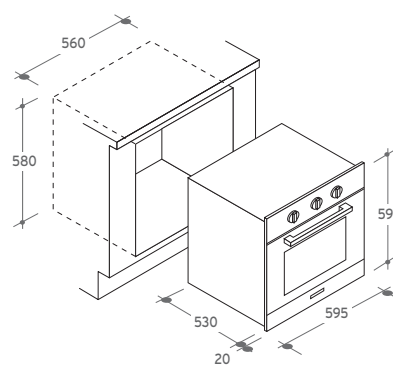
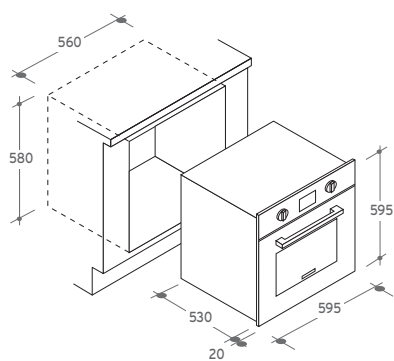
DOOR LINER GLASS



PRACTICALNESS AS STANDARD



# Oven



**FVP 729 X**

**FHP 603/1 X**



ENERGY CONSUMPTION



U-SEE



TOUCH DISPLAY



ENERGY CONSUMPTION



DOOR LINER GLASS



FAN ASSISTED



FAN ASSISTED



FUNCTIONS



PRACTICALNESS AS STANDARD



ANTI-FINGERPRINT STAINLESS

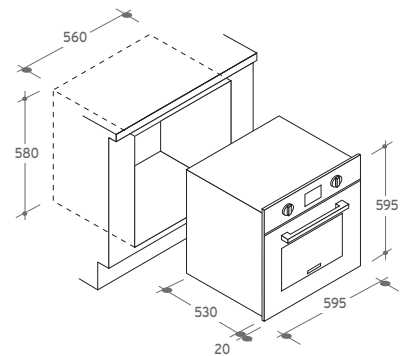
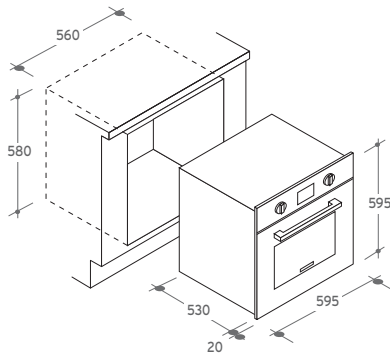


FUNCTIONS



PRACTICALNESS AS STANDARD

# Oven



**FPP 698/1 X**

**FPP 649 X**

ENERGY CONSUMPTION

OVEN CAPACITY

ANTI FINGERPRINT STAINLESS

ENERGY CONSUMPTION

DOOR LINER GLASS

TOUCH DISPLAY

DOOR LINER GLASS

FUNCTIONS

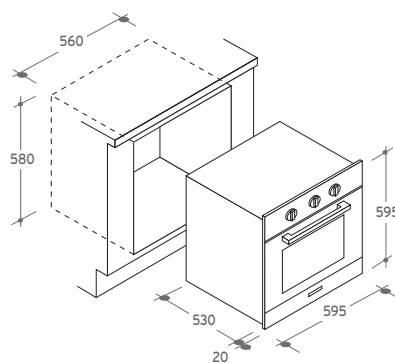
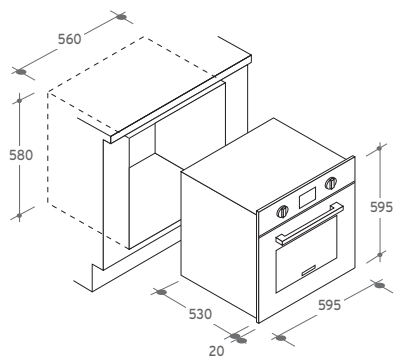
PIROLYTIC

FAN ASSISTED

FUNCTIONS

PRACTICALNESS AS STANDARD

# Oven



**FPP 609 X**

**FPP 602/1 X**



ENERGY CONSUMPTION



DOOR LINER GLASS



PIZZA PROGRAM



ANTI-FINGERPRINT STAINLESS



FUNCTIONS



PRACTICALNESS AS STANDARD



ENERGY CONSUMPTION



DOOR LINER GLASS



FAN ASSISTED



ANTI-FINGERPRINT STAINLESS

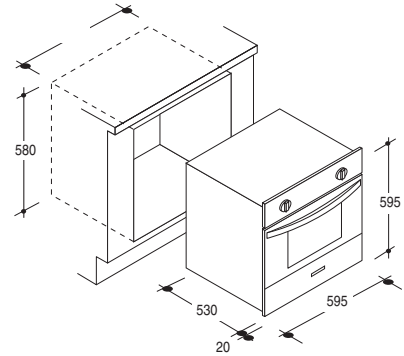
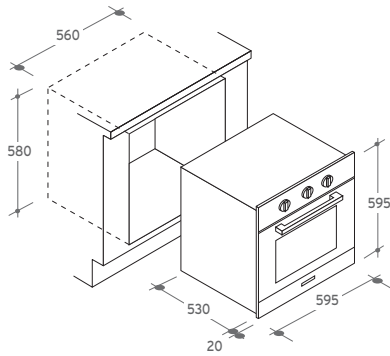


FUNCTIONS



PRACTICALNESS AS STANDARD

# Oven



**FPP 502/1 X**

**FST 247/1 X**



ENERGY CONSUMPTION



DOOR LINER GLASS



PRACTICALNESS AS STANDARD



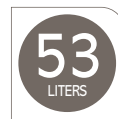
INOX HANDLE



FUNCTIONS



ENERGY CONSUMPTION



OVEN CAPACITY



PRACTICALNESS AS STANDARD

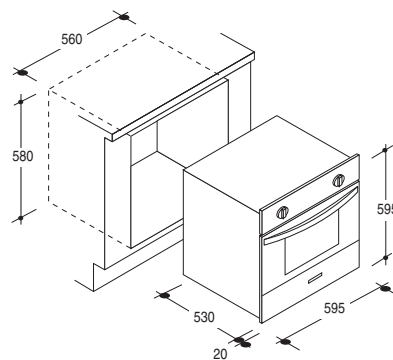
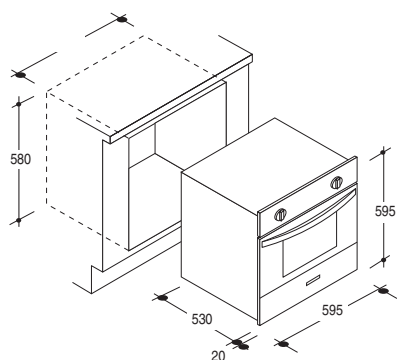


TYPE



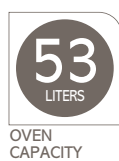
FUNCTIONS

# Oven

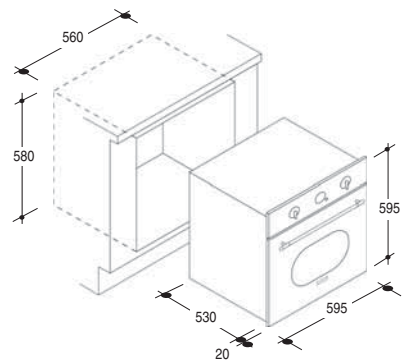
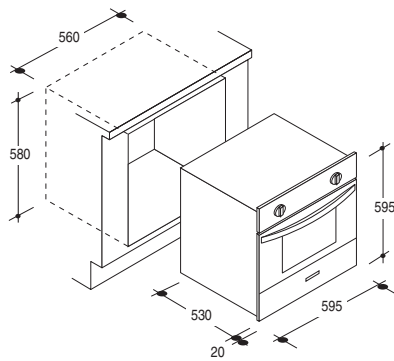


**FST 201/1X**

**FST 100/1 X**



# Oven



**FST 100/1 W**

**FST 100/1 N**

**FCL 614/1 GH**

**FCL 614/1 AV**



ENERGY CONSUMPTION



OVEN CAPACITY



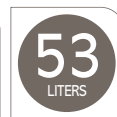
TYPE



COLOR



ENERGY CONSUMPTION



OVEN CAPACITY



COLOR



COLOR



ANTI FINGERPRINT STAINLESS



FUNCTIONS



COLOR



CLOCK PROGRAM

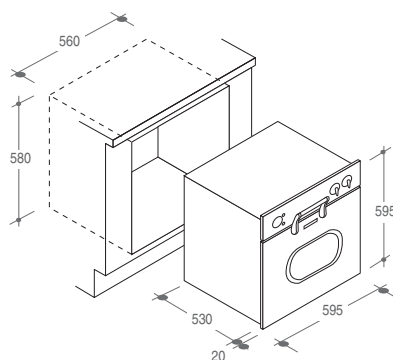


FUNCTIONS



PRACTICALNESS AS STANDARD

# Oven



**R 43/3 GH**

**R 43/3 X**



ENERGY CONSUMPTION



FUNCTIONS



EDITION



COLOR



MINUTE MINDER



GRIDS

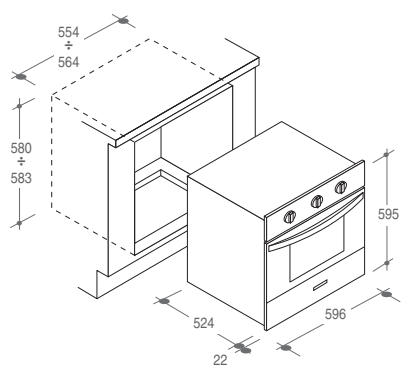
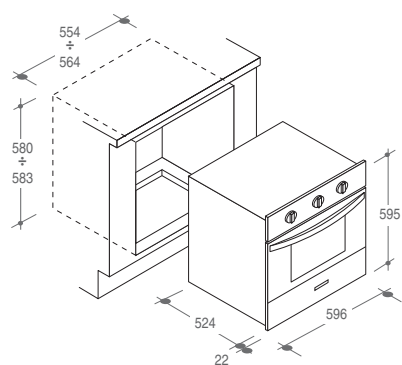


PRACTICALNESS AS STANDARD





# Oven



**FLG 203 X**

**FLG 202 X**



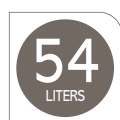
OVEN CAPACITY



OVEN TYPE



NUMBERS OF GLASSES



OVEN CAPACITY



OVEN TYPE



END OF COOKING TMR



CONVECTION GAS OVEN



COLOR



COOLING FAN



CONVECTION GAS OVEN

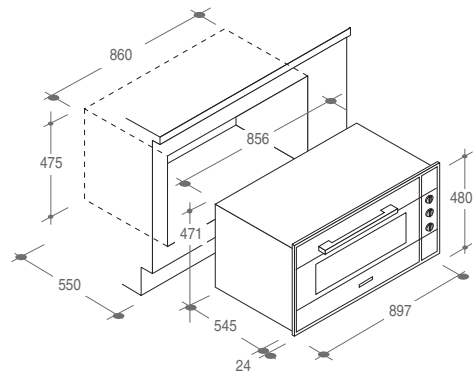
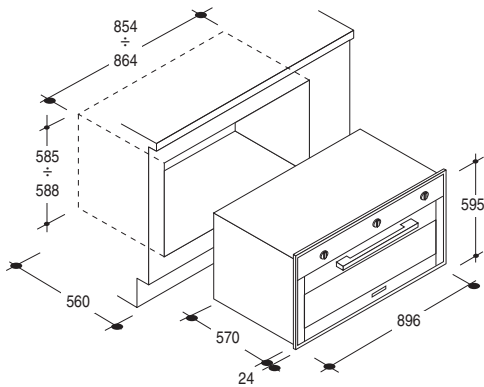


COLOR



COOLING FAN

# Oven



**FPG 390 X**

**FNP 319 X**



OVEN WIDTH



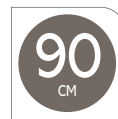
OVEN CAPACITY



COLOR



ENERGY CONSUMPTION



OVEN WIDTH



OVEN CAPACITY



CONVECTION GAS OVEN



END OF COOKING TIMER



COOLING FAN



COLOR



FUNCTIONS



COOLING FAN



Hob



# Hob



## SAFETY SYSTEM Sicurflame

Candy hobs offer total safety thanks to the Sicurflame safety valve that automatically shuts off the gas valve in case of accidental flame failure.

The safety valve is integrated in the burner head to protect it from spillages.



## A WIDE CHOICE OF BURNERS

Candy hobs offers a wide choice of burner models, for any type of cooking and power needed, with an uniform heat distribution and high precision controls.

- Quadruple ring burner: for quick cooking, thanks to its wide flame distribution.
- Ultrarapid burner: remarkable efficacy in heating time. Quick and uniform cooking, with reduced consumptions.
- Rapid burner: high power.
- Semirapid burner: mid-range power level.
- Auxiliary burner: small, low level.

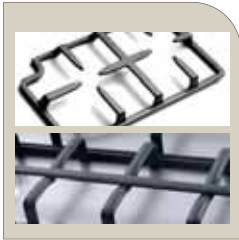


## ELECTRIC IGNITION

The electronic ignition control is integrated in the flame adjustment knob to facilitate use and enhance the use of burners. The ignition plug that produces the spark and the related flame is placed in a protected position inside the burner so that it cannot be damaged by accidental impacts and soiling.



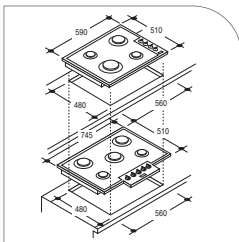
# Hob



## PAN SUPPORT

Candy adopts pan supports designed to guarantee maximum stability. Cast-iron pan supports, available on some models, are the choice for professional cooks because this material is long lasting, offers optimal strength at high temperatures, high heat transmission and full use of the heat, without waste or loss.

The new "full space" flat supports for 60 or 75 cm hobs have a wide bearing surface for the best pan stability.



## BUILDING-IN

Bigger than regular hobs, the new Plan hob 75 cm wide, can be perfectly built-in in the regular cut-out for a 60 cm hob, simplifying the work of architects and interior decorators. Also the 75 cm ceramic and gas on glass hobs can be perfectly built-in in the regular cut-out.



## METHANE OR GPL

All gas cooking tops are preset to be used with methane gas. However, cooking tops are also supplied with a set of nozzles for the use with GPL, which must be installed by a qualified technician.

Winning Features

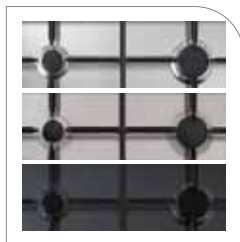
# Hob



## THE MONOCOQUE PLAN

The particular shape of the cooking plan is today much easier to clean thanks to the absence of sharp edges. It is in fact, printed from a single block sheet without junctions.

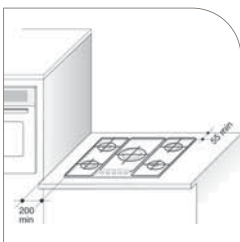
It is a material that has several advantages: it is very resistant to all external agents such as acids and chemical agents. It is extremely easy to clean thanks to its aesthetic qualities, enhances the design of equipment and integrates seamlessly into any environment.



## SURFACE HOBS

The cooktops are available in stainless steel, enamelled steel or tempered glass.

The choice of a material rather than another is now a purely aesthetic, since from the point of view of functionality, performance, robustness and durability, and ease of maintenance, all the materials used offer guarantees more than enough.



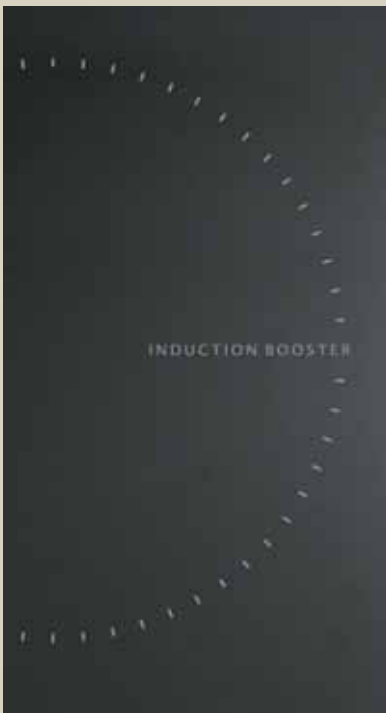
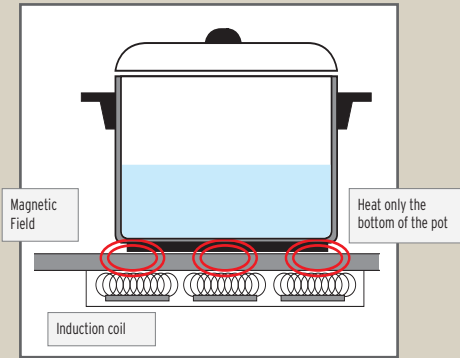
## THERMO INSULATED

The cooktops are designed for installation in tops made of any material, as long as they resist to a temperature of 100 ° C and a with thickness between 25 and 40 mm using the hooks provided.

If the plan is Built-In so that on the left or right side there is the wall of the furniture, the distance between the vertical wall and the edge of the plan must be at least 200 mm, while the distance between the back wall and the edge of the plan must be at least 55 mm.







## OPERATION

The induction cooktops are equipped with special induction coils that generate a magnetic field.

When a pot of ferrous material is placed on the cooking zone, a reaction occurs that transforms the energy of the magnetic field into heat. This heat warms the bottom of the pan directly.

The induction technology therefore offers the advantage that the heat generated is transferred directly to the bottom of the pot without dissipation.

In traditional vitroceramic hob, however, the heat generated by heaters located below the surface, at first heat then transfer to heat the pot, with considerable waste and inefficiency

## POTS

With induction cooktops can be used all the pots with the bottom made of ferrous material, such as common steel cookware, stainless steel or enameled cast iron.



To verify the compatibility of the pot is enough to make sure that this symbol is present.

The induction hob CANDY is equipped with sensors that immediately report the use of incompatible materials and the presence or absence of the pot resting on the surface.

## THE ADVANTAGES OF INDUCTION

### Maximum efficiency

With an index of efficiency of 90% induction cooking technology is today more efficient. Heat is generated directly on the bottom of the pan, without any dispersion. It optimizes the energy consumption and avoids any waste.

### Fast cooking

Since the heat is not dispersed, the cooking time is greatly reduced. It takes just a little bit more than 3 minutes to boil one liter of water, compared with more than 7 minutes for vitroceramic and 5 minutes for gas hob.

### Absolute safety

The induction hob is characterized by the absolute safety. The cooking zone is activated only when in contact with the pot to avoid accidental starting. Since the heat is generated directly on the bottom of the pan, the surface of the hob is cold, without the risk of burns.

### Cleaning

The top surface is smooth, without any obstruction and this makes cleaning easier. Thanks to the low temperature that reaches the surface of the induction during the operation even if accidentally leaks liquid from the pot, there is no risk of burn or crystallize.

### Extreme precision

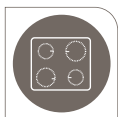
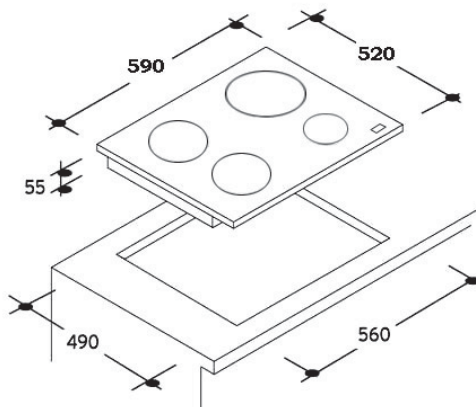
The adjustment is very precise and ensures the perfect temperature for cooking that requires high power (to boil water for pasta) or for very sensitive (mousse, sauces, keeping warm, ..).

Winning Features

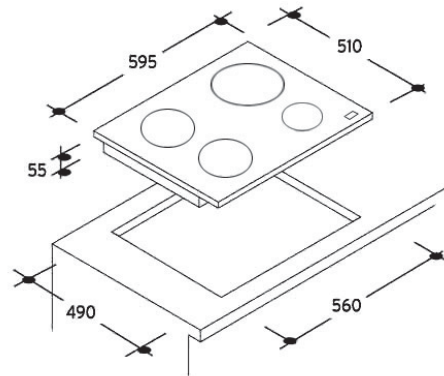
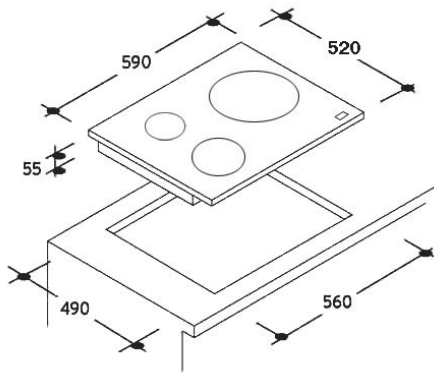
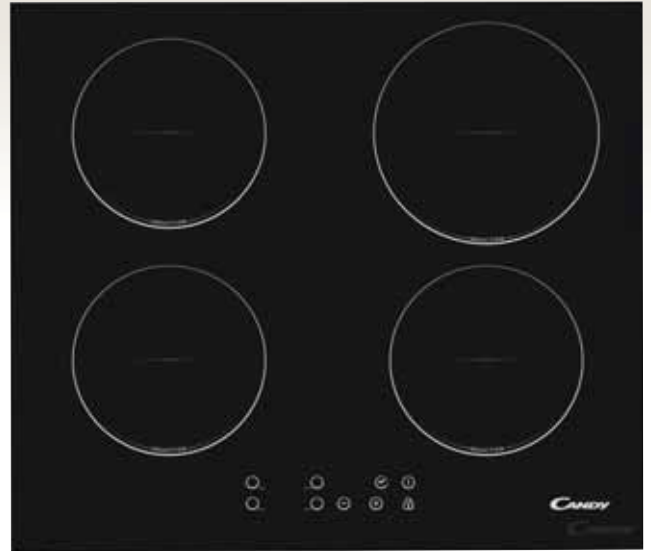
## Hob



## CIE 644 B3

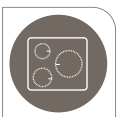
4 INDUCTIONS  
ZONESHOB WIDTH  
60  
CMTOUCH  
CONTROLELECTRONIC  
TIMERSAFETY  
CHILDREN  
LOCKCOLOR  
BLACK

# Hob



**CIE 633 B3**

**CI 640 C**



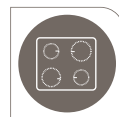
3 INDUCTIONS ZONES



HOB WIDTH



TOUCH CONTROL



4 INDUCTIONS ZONES



HOB WIDTH



TOUCH CONTROL



ELECTRONIC TIMER



SAFETY CHILDREN LOCK



COLOR



ELECTRONIC TIMER

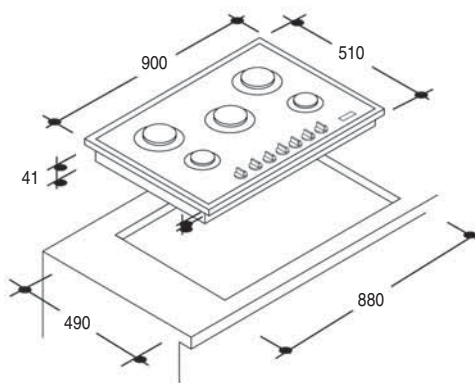
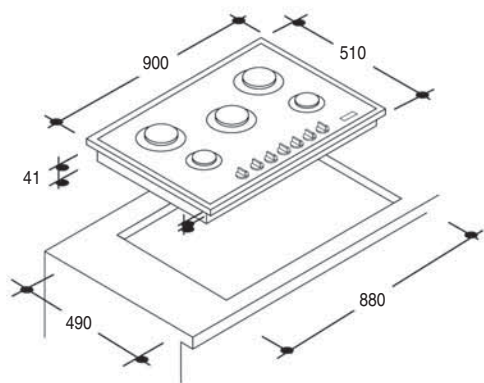


SAFETY CHILDREN LOCK



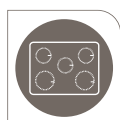
COLOR

# Hob



**PVD 950 X**

**PVD 950 XAR**



5 HIGHLIGHTS ZONES



HOB WIDTH



TOUCH CONTROL



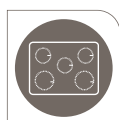
DIGITAL CLOCK



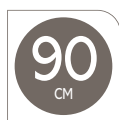
SAFETY CHILDREN LOCK



FRAME



5 HIGHLIGHTS ZONES



HOB WIDTH



TOUCH CONTROL



DIGITAL CLOCK

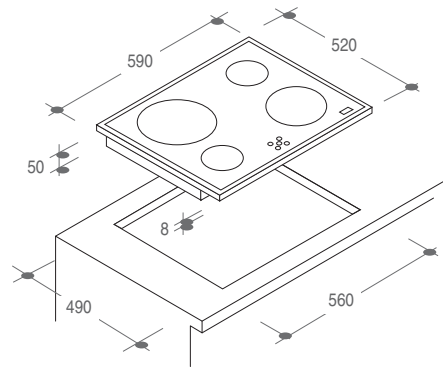
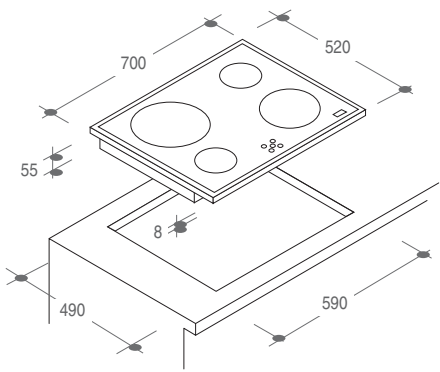


SAFETY CHILDREN LOCK



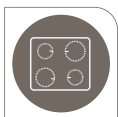
220V/60HZ

# Hob



**CH 742 B**

**CH 64 C**



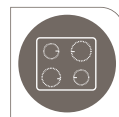
4 HIGHLIGHTS ZONE



HOB WIDTH 75 CM



TOUCH CONTROL



4 HIGHLIGHTS ZONE



HOB WIDTH 60 CM



TOUCH CONTROL



POWER ON INDICATOR



SAFETY CHILDREN LOCK



COLOR BLACK



POWER ON INDICATOR

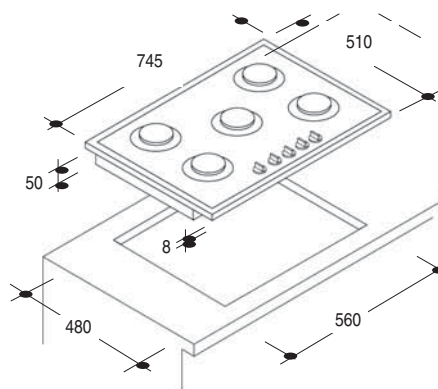
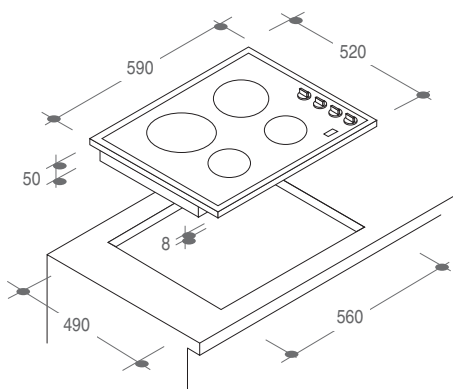


SAFETY CHILDREN LOCK



COLOR BLACK

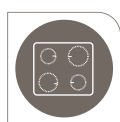
# Hob



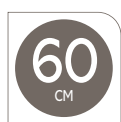
**CH 64 MX**

**PV 75 SX**

**PV 75 SN**



4 HIGHLIGHTS ZONES



HOB WIDTH



TYPE OF CONTROL



5 GAS BURNERS



HOB WIDTH



COLOR



POWER ON INDICATOR



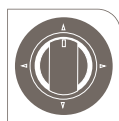
FRAME



COLOR

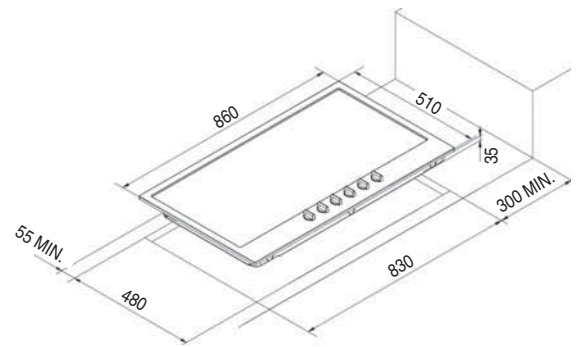
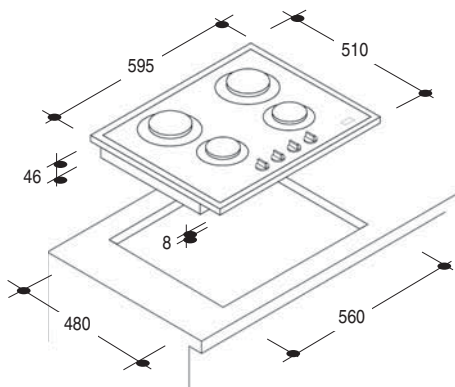


GAS SECURITY



ONE TOUCH IGNITION

# Hob

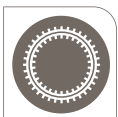


**PV 640 SX**

**PV 640 SN**

**PG 953 SX**

**PG 953 X**



4 GAS BURNERS



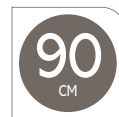
60 CM HOB WIDTH



COLOR



5 GAS BURNERS



90 CM HOB WIDTH



NO GAS SECURITY



GAS SECURITY



ONE TOUCH IGNITION

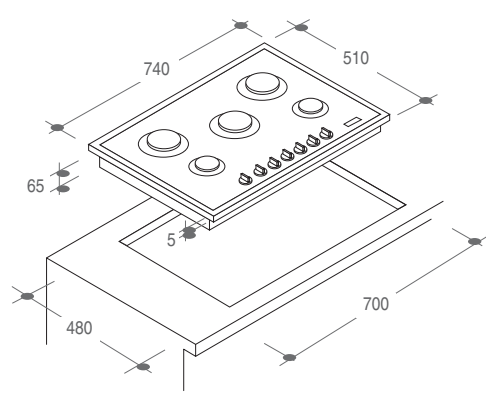
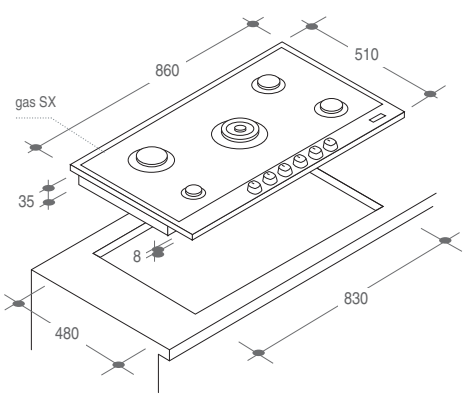


GAS SECURITY



ONE TOUCH IGNITION

# Hob



**PG 952 SXGH**

**PSL 750 SX**



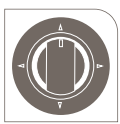
5 GAS BURNERS



HOB WIDTH



GAS SECURITY



ONE TOUCH IGNITION



SUPPORT



COLOR



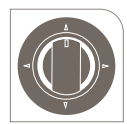
5 GAS BURNERS



HOB WIDTH



GAS SECURITY



ONE TOUCH IGNITION



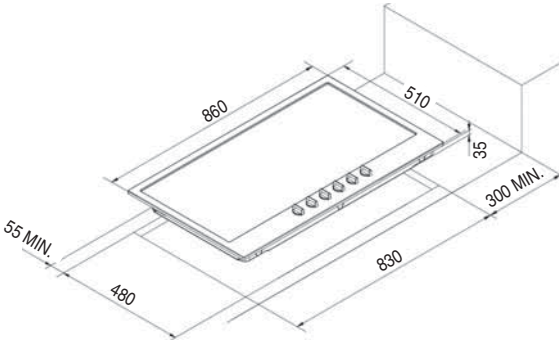
STRUCTURE



COLOR



# Hob



## PM 942 SXAR



4 GAS BURNERS



HOB WIDTH



GAS SECURITY



2 HOTPLATES

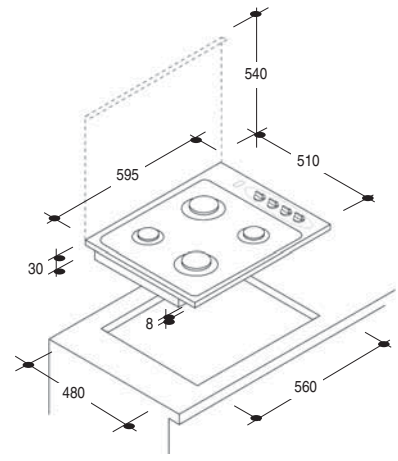
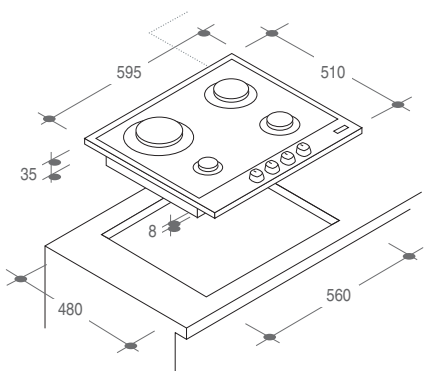


ONE TOUCH IGNITION



COLOR

# Hob



**CPG 64 SQPX**

**CPG 64 SPX**

**CLG 64 SPX**

**CLG 64 PX**



4 GAS BURNERS



HOB WIDTH



NO QUADRUPLE BURNER



4 GAS BURNERS



HOB WIDTH



NO GAS SECURITY



GAS SECURITY



COLOR

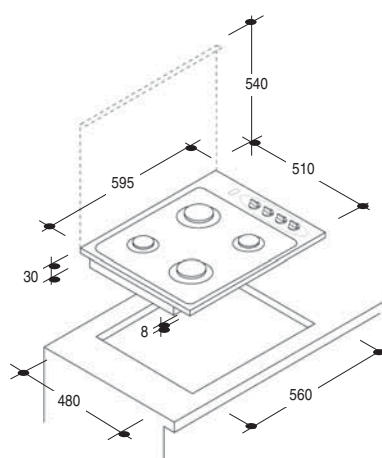
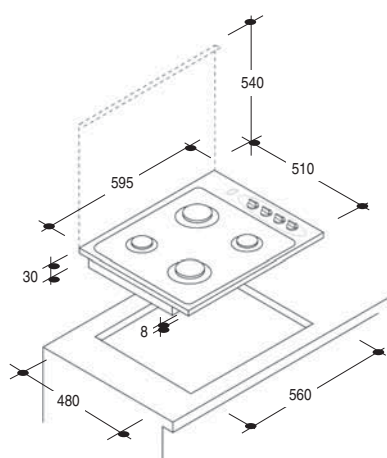


GAS SECURITY



COLOR

# Hob



**PLE 64 X**

**PL 40 ASXGH**



4 HOTPLATES



HOB WIDTH



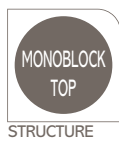
4 GAS BURNERS



HOB WIDTH



GAS SECURITY



STRUCTURE



COLOR



SUPPORT

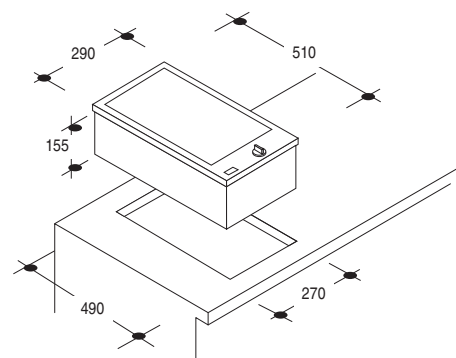
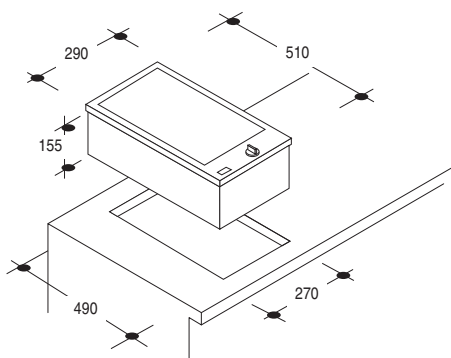
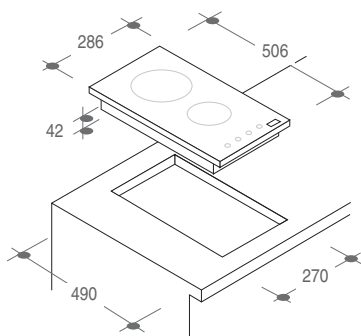


ONE TOUCH IGNITION



COLOR

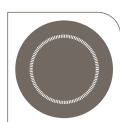
# Hob



**CDH 32 X**

**CDF 30 X**

**CDB 30 X**



2 HALIGHTS ZONES



HOB TYPE



HOB TYPE



COLOR

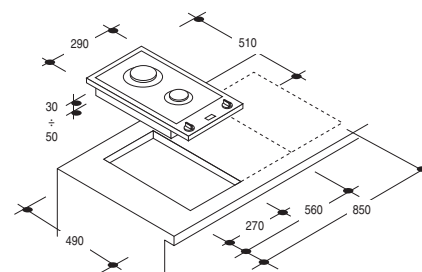
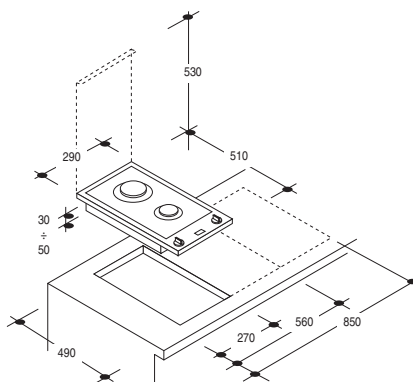
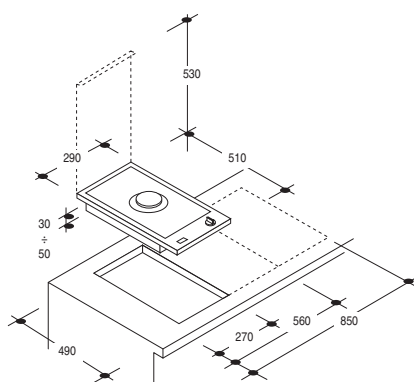


COLOR



COLOR

# Hob



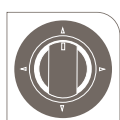
**CDG 31 SPX**

**CDG 32 SPX**

**CDE 32 X**



1 GAS BURNERS  
HOB TYPE



ONE TOUCH  
IGNITION



1 GAS BURNERS  
HOB TYPE



GAS SECURITY



2 ELECTRIC PLATES  
HOB TYPE



COLOR



GAS SECURITY



COLOR



HOB TYPE



Hood



°C  
1000  
900  
800  
700  
600  
500  
400  
300  
200  
100  
OFF

12:16

PREP  
DEF  
C  
T  
A

1  
2  
3  
4  
5  
6  
7  
8  
9  
0  
OFF

CANDY

# Hood



ELECTRONIC TOUCH CONTROLS

At the touch of a finger tip on a LED you can activate the completely electronic 4 power settings control operated by diodes. Clear and self explanatory symbols, reliability, efficiency and elegance let the control panel become an essential feature of these hoods. The delayed switch-off allows the motor fan to keep on running for 5 minutes after the end of cooking process to ensure that all lingering vapours and smells are removed to make your kitchen more comfortable.

The indicators of saturation of the metal grease and charcoal filters let you know exactly when to wash the aluminium grease filters and replace the charcoal filters.

The LED starts flickering after several working hours and is resectable. Performances are guaranteed to be always at the same standard keeping clear and efficient the extractor.



SENSOR PLANS HOOD

A new Sensor Plan hood completes the Plan range. An extremely easy to use and efficient sensor device has been integrated in the electronic controls. Every 10 seconds Plan Sensor analyses the presence of smoke in the air and sets the speed in order to clean up the kitchen. Higher the fume and smoke levels, higher the speed set.

With plan Sensor you can feel free to cook and leave the kitchen, while the hood keeps on cleaning the air. Sensitivity of the sensor can be modified according to your cooking habits.



DECOR HOODS

Brushed steel chimney extractors enhance your kitchen considerably, with reliability, high performances and ease of maintenance. Provided with dishwasher-proof metal filters easy to remove and ready for use time after time.





# Hood



## CHARCOAL FILTERS ]

In situations where the external wall is nearby, it is usually preferable to expel the exhaust vapours directly outdoor via a ducting system keeping the kitchen cool and comfortable.

If external ducting is not practicable, Candy hoods can alternatively recirculate the air, as they are adapted to operate either way and able to cope with even the highest levels of smoke, steam and heat, thanks to their active charcoal filters.



## PERFECT LIGHTING ]

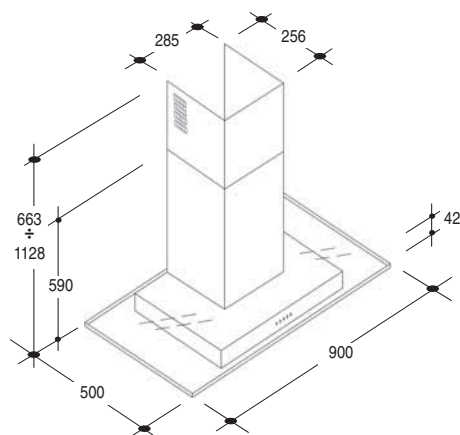
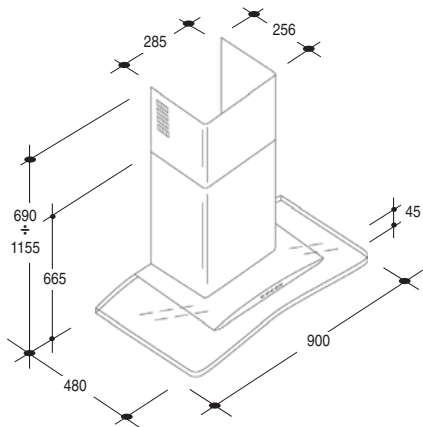
Perfect lighting in the cooking area is provided by halogen spotlights fitted in the Decor models.



## NO RETURN VALVE ]

No return flaps prevents cold air and grease vapours from sinking back down through the extractor.

# Hood



**CGM 91 X**

**CGM 61 X**

**CVM 95 X**

**CVM 65 X**



MAX SUCTION POWER



HALOGEN LAMPS 20W



MAX SUCTION POWER



MAX SUCTION POWER



HALOGEN LAMPS 20W



MAX SUCTION POWER



NOISE LEVEL



POWER LEVELS



HOOD WIDTH



NOISE LEVEL

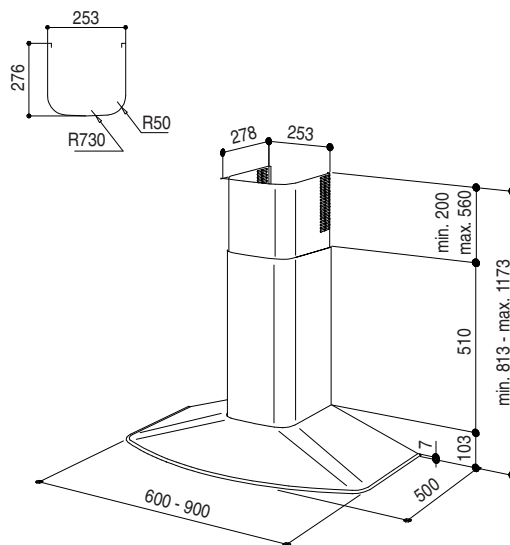
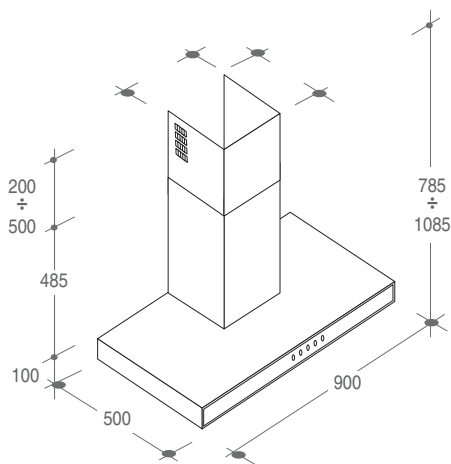


POWER LEVELS



HOOD WIDTH

# Hood



**CMD 94 X**

**CDH 90 X**



MAX SUCTION POWER



HALOGEN LAMPS 20W



MAX SUCTION POWER



HALOGEN LAMPS 20W



NOISE LEVEL



COLOR

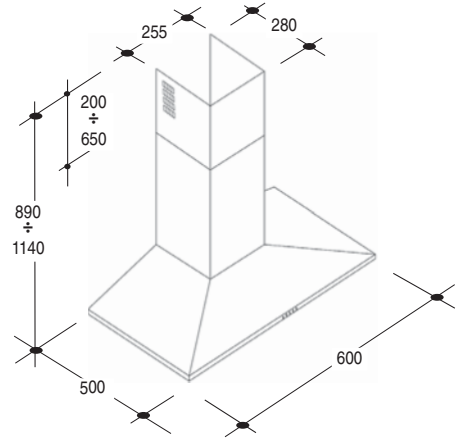
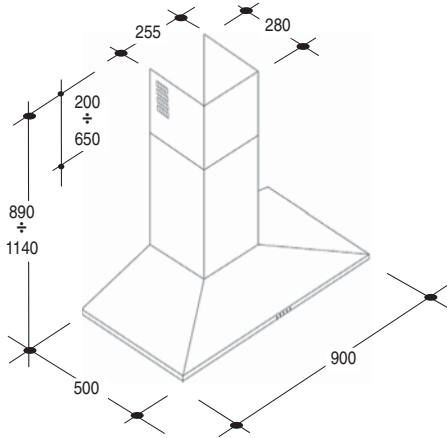


NOISE LEVEL



COLOR

# Hood



**CCE 19 X**

**CCE 16 X**

**550**  
m<sup>3</sup>/h

MAX SUCTION  
POWER

**2**

BULB LAMPS  
40W

**450**  
m<sup>3</sup>/h

MAX SUCTION  
POWER

**2**

BULB LAMPS  
40W

**3**

POWER LEVELS

**INOX**

COLOR

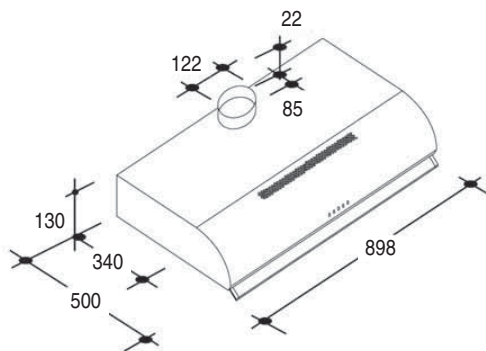
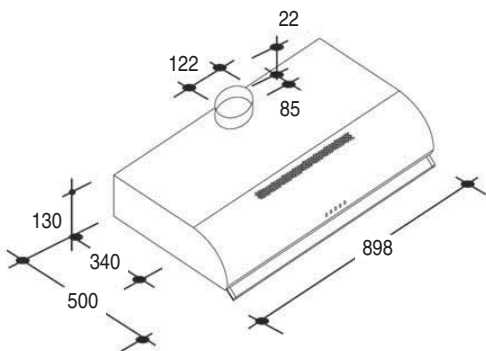
**3**

POWER LEVELS

**60**  
CM

HOOD WIDTH

# Hood



CFT 92 X

CFT 62 X

CFT 910 S

CFT 610 S

**400**  
m<sup>3</sup>/h

MAX SUCTION  
POWER

**2**

BULB LAMPS  
40W

**60**  
CM

HOOD WIDTH

**240**  
m<sup>3</sup>/h

MAX SUCTION  
POWER

**2**

BULB LAMPS  
40W

**60**  
CM

HOOD WIDTH

**37**  
dB(A)

NOISE LEVEL

**3**

POWER LEVELS

**37**  
dB(A)

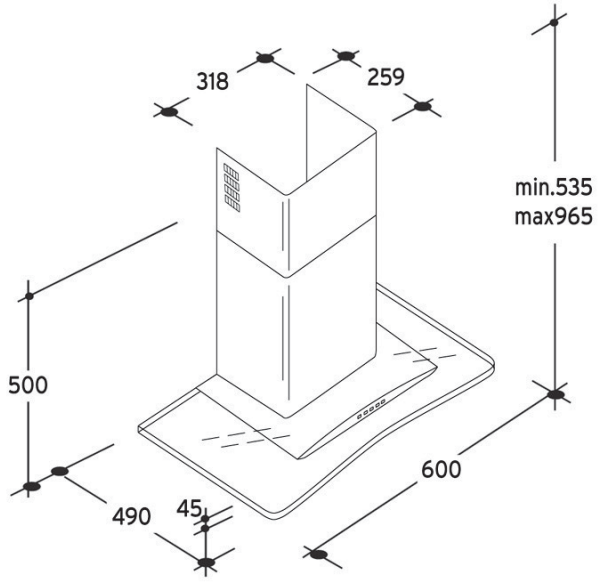
NOISE LEVEL

**3**

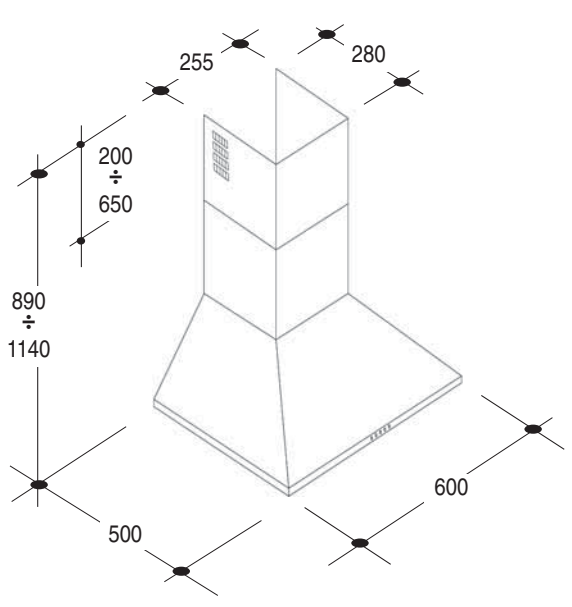
POWER LEVELS

# Hood

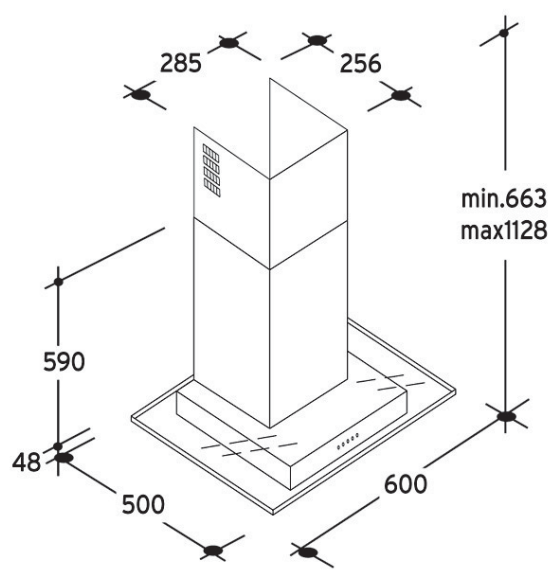
**CGM 61 X**



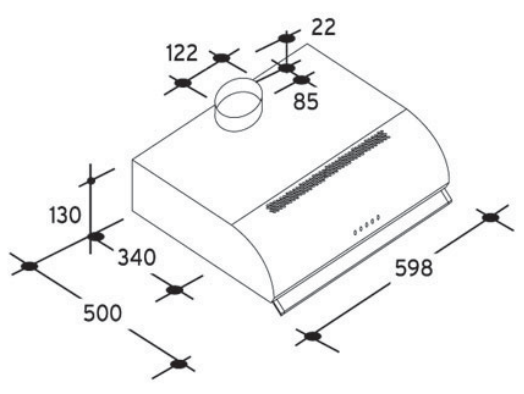
**CCE 16 X**



**CVM 65 X**



**CFT 62 X**



---

# TECHNICAL SPECIFICATIONS

---





## Front Loaders

PRODUCT DESCRIPTION	GO 1282 D-05	GO 1182 D	GO 108 DF	GO F108	GO 1472 DEHC	GO 1272 D/1
Load Capacity	8	8	8	8	7	7
Spin Speed RPM	1200	1100	1000	1000	1400	1200
<b>END USER COMFORT</b>						
Multifunctional Display	Kg Detector	Kg Detector	Multifunct. Display	-	Kg Detector	Kg Detector
LED DISPLAY	-	-	-	•	-	-
Soft Bi Directional Knob	12 positions	12 positions	18 positions	18 positions	12 positions	12 positions
Cabinet Colour	White	White	White	White	White	White
Door Colour	White	White	White	White	Moonlight	White
Spin Speed Option	•	•	•	•	•	•
Start Delay Option	•	•	•	•	•	•
Soft Touch Buttons	•	•	•	•	•	•
Silitech Tub	•	•	•	•	•	•
Inox Drum	•	•	•	•	•	•
Inverter Motor	-	-	-	-	-	-
Door width (cm)	35	35	35	35	35	35
Door opening (°)	180	180	180	180	180	180
Telescopic shock absorber	•	•	•	•	•	•
Draining Tube	•	•	•	•	•	•
Paddle (Ag+) with silver ion	•	•	•	•	•	•
Hot&Cold	-	-	-	-	•	-
Motor	Collector	Collector	Collector	Collector	Collector	Collector
4 Adjustable Feet	•	•	•	•	•	•
<b>SAFETIES</b>						
Door Lock	•	•	•	•	•	•
Self adjusting water level to load	•	•	•	•	•	•
Aquastop	-	-	-	-	-	-
Anti Foam Sensor	•	•	•	•	•	•
Electronic Spin Speed Management	•	•	•	•	•	•
Electronic Balance control	•	•	•	•	•	•
<b>SENSORS</b>						
Sensor Activa System (SAS)	•	•	•	•	•	•
3rd Generation Fuzzy Logic (Wash Optimization)	•	•	•	•	•	•
<b>SPECIAL PROGRAM</b>						
Mix & Wash	•	•	•	•	•	•
Wool Program	•	•	•	•	•	•
Hand Wash	Delicates Garments	Delicates Garments	Delicates Garments	Delicates Garments	Delicates Garments	Delicates Garments
Rapid Programs	14'-30'-44'	14'-30'-44'	32'-44'	32'-44'	14'-30'-44'	14'-30'-44'
<b>BUTTONS</b>						
Start/Pause	•	•	•	•	•	•
Easy Iron	•	•	•	•	•	•
Stain Buster	-	-	-	-	•	•
Soil Level	•	•	-	-	•	•
AquaPlus	•	•	•	•	•	•
Night & Day	-	-	-	-	-	-
Spin Speed Selection	•	•	•	•	•	•
Start Delay	Up to 24h	Up to 24h	3h-6h-9h	3h-6h-9h	Up to 24h	Up to 24h
Temperature Selection	•	•	Integrated in the Program	Integrated in the Program	•	•
Prewash	•	•	By Program	By Program	•	•
Cold Wash	-	-	•	•	-	-
Rinse Hold	-	-	-	-	-	-
<b>ENERGY LABEL (NORMATIVE CYCLE 60° COTTON)</b>						
Energy Efficiency Class	A+	A+	A+	A+	A++	A+
Washing Efficiency Class	A	A	A	A	A	A
Spin Efficiency Class	B	B	C	C	B	B
Energy Consumption (kWh/cycle)	1,36	1,36	1,36	1,36	0,91	1,19
Water Consumption (l/cycle)	60	60	60	60	55	55
<b>STRUCTURE</b>						
Dimensions in mm (h x w x d)	850 x 600 x 540	850 x 600 x 520	850 x 600 x 520	850 x 600 x 520	850 x 600 x 520	850 x 600 x 520
Packed Dimensions mm (h x w x d)	890 x 650 x 600	890 x 650 x 560	890 x 650 x 560	890 x 650 x 560	890 x 650 x 560	890 x 650 x 560
Gross Weight kg	71,5	70,5	70,5	70,5	70,5	70,5
Net Weight kg	69,5	68,5	68,5	68,5	68,5	68,5
Voltage V	220 - 240	110	220 - 240	220 - 240	220 - 240	220 - 240
Frequency (Hz)	50	60	50	50	50	50
Current A	10	10	10	10	10	10
Plug Type	UK	Schuko	Schuko	Schuko	Schuko	Schuko
Length electrical supply cord (cm)	160	160	160	160	160	160
Approval certificates	CE-IMQ / SASO	CE-IMQ	CE-IMQ	CE-IMQ	CE-IMQ	CE-IMQ

## Front Loaders

PRODUCT DESCRIPTION	GO 127 DF	GO 107 DF	GO 097	GO F 107	GO F 106
Load Capacity	7	7	7	7	6
Spin Speed RPM	1200	1000	900	1000	1000
<b>END USER COMFORT</b>					
Multifunctional Display	Multifunct. Display	Multifunct. Display	Multifunct. Display	-	-
LED DISPLAY	-	-	•	•	•
Soft Bi Directional Knob	18 positions	18 positions	21	18 positions	18 positions
Cabinet Colour	White	White	White	White	White
Door Colour	White	White	White	White	White
Spin Speed Option	•	•	•	•	•
Start Delay Option	•	•	•	•	•
Soft Touch Buttons	•	•	•	•	•
Silitech Tub	•	•	•	•	•
Inox Drum	•	•	•	•	•
Inverter Motor	-	-	-	-	-
Door width (cm)	35	35	35	35	35
Door opening (°)	180	180	180	180	180
Telescopic shock absorber	•	•	•	•	•
Draining Tube	•	•	•	•	•
Paddle (Ag+) with silver ion	•	•	•	•	•
Hot&Cold	-	-	-	-	-
Motor	Collector	Collector	Collector	Collector	Collector
4 Adjustable Feet	•	•	•	•	•
<b>SAFETIES</b>					
Door Lock	•	•	•	•	•
Self adjusting water level to load	•	•	•	•	•
Aquastop	-	-	-	-	-
Anti Foam Sensor	•	•	•	•	•
Electronic Spin Speed Management	•	•	•	•	•
Electronic Balance control	•	•	•	•	•
<b>SENSORS</b>					
Sensor Activa System (SAS)	•	•	•	•	•
3rd Generation Fuzzy Logic (Wash Optimization)	•	•	•	•	•
<b>SPECIAL PROGRAM</b>					
Mix & Wash	•	•	•	•	•
Wool Program	•	•	•	•	•
Hand Wash	Delicates Garments	Delicates Garments	Delicates Garments	Delicates Garments	Delicates Garments
Rapid Programs	32'-44'	32'-44'	32'-44'	32'-44'	32'-44'
<b>BUTTONS</b>					
Start/Pause	•	•	•	•	•
Easy Iron	•	•	•	•	•
Stain Buster	-	-	•	-	-
Soil Level	-	-	-	-	-
AquaPlus	•	•	•	•	•
Night & Day	-	-	-	-	-
Spin Speed Selection	•	•	•	•	•
Start Delay	3h-6h-9h	3h-6h-9h	3h-6h-9h	3h-6h-9h	3h-6h-9h
Temperature Selection	Integrated in the Program	Integrated in the Program	Integrated in the Program	Integrated in the Program	Integrated in the Program
Prewash	By Program	By Program	By Program	By Program	By Program
Cold Wash	•	•	By Program	•	•
Rinse Hold	-	-	-	-	-
<b>ENERGY LABEL (NORMATIVE CYCLE 60° COTTON)</b>					
Energy Efficiency Class	A+	A+	A+	A+	A+
Washing Efficiency Class	A	A	A	A	A
Spin Efficiency Class	B	C	C	C	C
Energy Consumption (kWh/cycle)	1,19	1,19	1,19	1,19	1,02
Water Consumption (l/cycle)	55	55	55	55	49
<b>STRUCTURE</b>					
Dimensions in mm (h x w x d)	850 x 600 x 520	850 x 600 x 520	850 x 600 x 520	850 x 600 x 520	850 x 600 x 520
Packed Dimensions mm (h x w x d)	890 x 650 x 560	890 x 650 x 560	890 x 650 x 560	890 x 650 x 560	890 x 650 x 560
Gross Weight kg	70,5	70,5	70,5	70,5	65,5
Net Weight kg	68,5	68,5	68,5	68,5	63,5
Voltage V	220 - 240	220 - 240	110	220 - 240	220 - 240
Frequency (Hz)	50	50	60	50	50
Current A	10	10	10	10	10
Plug Type	Schuko	Schuko	Schuko	Schuko	Schuko
Length electrical supply cord (cm)	160	160	160	160	160
Approval certificates	CE-IMQ	CE-IMQ	CE-IMQ	CE-IMQ	CE-IMQ



## Front Loaders\_Aquamatic

PRODUCT DESCRIPTION	AQUA 1100 DFS	AQUA 1000 DF	AQUA 80 F
Load Capacity	3,5	3,5	3,5
Spin Speed RPM	1100	1000	800
<b>END USER COMFORT</b>			
Multifunctional Display	•	•	-
LED DISPLAY	-	-	•
Soft Bi Directional Knob	18 positions	18 positions	18 positions
Cabinet Colour	Moonlight	White	White
Door Colour	Moonlight	White	White
Spin Speed Option	•	•	•
Start Delay Option	•	•	•
Soft Touch Buttons	•	•	•
Silitech Tub	•	•	•
Inox Drum	•	•	•
Inverter Motor	-	•	-
Door width (cm)	25	25	25
Door opening (°)	150	150	150
Telescopic shock absorber	-	-	-
Draining Tube	-	-	-
Hot&Cold	-	-	-
<b>SAFETIES</b>			
Door Lock	•	•	•
Self adjusting water level to load	•	•	•
Aquastop	-	-	-
Anti Foam Sensor	•	•	•
Electronic Spin Speed Management	•	•	•
Electronic Balance control	•	•	•
<b>SENSORS</b>			
Sensor Activa System (SAS)	•	•	•
3rd Generation Fuzzy Logic (Wash Optimization)	•	•	•
<b>SPECIAL PROGRAMS</b>			
Sport	•	•	•
Wool Pogram	•	•	•
Hand Wash	Delicates Garments	Delicates Garments	Delicates Garments
Rapid Programs	32'-44'	32'-44'	32'-44'
<b>BUTTONS</b>			
Start/Pause	•	•	•
AquaPlus	•	•	•
Spin Speed Selection	•	•	•
Start Delay	Up to 24h	3h-6h-9h	3h-6h-9h
Cold Wash	•	•	•
Prewash	By Program	By Program	By Program
<b>ENERGY LABEL (NORMATIVE CYCLE 60° COTTON)</b>			
Energy Efficiency Class	A	A	A
Washing Efficiency Class	A	A	A
Spin Efficiency Class	C	C	D
Energy Consumption (kWh/cycle)	0,66	0,66	0,66
Water Consumption (l/cycle)	42	42	42
<b>STRUCTURE</b>			
Dimensions in mm (h x w x d)	695 x 510 x 440	695 x 510 x 440	695 x 510 x 440
Packed Dimensions mm (h x w x d)	745 x 560 x 530	745 x 560 x 530	745 x 560 x 530
Gross Weight kg	49	49	49
Net Weight kg	47	47	47
Voltage V	220 - 240	220 - 240	220 - 240
Frequency (Hz)	50	50	50
Current A	10	10	10
Plug Type	Schuko	Schuko	Schuko
Length electrical supply cord (cm)	160	160	160
Approval certificates	CE+IMQ	CE+IMQ	CE+IMQ
Internal Code	31003288	31002975	31002779
EAN Code	8016361805170	8016361797468	8016361793279

## Washer and Dryer & Front Loaders\_ Full Integrated

PRODUCT DESCRIPTION	GO W496 D	GO W485 DS	GO W485 D	GOW 465 D-OS	GO4 W485 D	CDB 485 D	CWB 130S
Load / Dry Capacity	9 / 6	8 / 5	8 / 5	5	6	8 / 5	8
Spin Speed RPM	1400	1400	1400	1400	1400	-	-
Type	-	-	-	-	-	Washer Dryer	Washing Machine
Integration	-	-	-	-	-	Fully Integrated	Fully Integrated
<b>END USER COMFORT</b>							
Multifunctional Display	•	•	-	-	-	-	-
LED DISPLAY	•	•	•	•	•	-	-
Soft Bi Directional Knob	•	•	•	•	•	-	-
Cabinet Colour	White	Moonlight	White	White	White	-	-
Door Colour	White	Moonlight	White	Moonlight	White	-	-
Spin Speed Option	•	•	•	•	•	-	-
Start Delay Option	•	•	•	•	•	-	-
Soft Touch Buttons	•	•	•	•	•	-	-
Silitech Tub	•	•	•	•	•	•	•
Inox Drum	•	•	•	•	•	•	•
Inverter Motor	-	-	-	-	-	-	-
Door width (cm)	30	30	30	30	30	30	30
Door opening (°)	180	180	180	180	180	-	-
Telescopic shock absorber	•	•	•	•	•	-	-
Temperature Selection	•	•	•	•	•	-	•
Hot&Cold	-	-	-	-	-	-	-
Reversibility door hinge	-	-	-	-	-	•	•
Adjustable Feet	-	-	-	-	-	•	•
<b>SAFETIES</b>							
Door Lock	•	•	•	•	•	•	•
Self adjusting water level to load	•	•	•	•	•	-	-
Anti Foam Sensor	•	•	•	•	•	•	•
Electronic Spin Speed Management	•	•	•	•	•	-	-
Electronic Balance control	•	•	•	•	•	-	-
Anti Over- Flow System	-	-	-	-	-	•	•
<b>SENSORS</b>							
Sensor Activa System (SAS)	•	•	•	•	•	-	-
3rd Generation Fuzzy Logic (Wash Optim.)	•	•	•	•	•	-	-
<b>SPECIAL PROGRAM</b>							
Rapid Wash&Dry 59'	•	•	•	•	•	•	-
Hand Wash	Delicates Garments	Delicates Garments	Delicates Garments	Delicates Garments	Delicates Garments	•	•
Cotton Dry / Delicates Dry by Sensor	•	•	•	•	•	-	-
Rapid Programs	14'-30'-44'	14'-30'-44'	14'-30'-44'	14'-30'-44'	14'-30'-44'	-	-
Mix&Wash	•	•	•	•	•	•	•
Wool Program	•	•	•	•	•	•	•
Skirt Programs	-	-	-	-	-	-	-
Rapid 29'-44'	•	•	•	•	•	•	•
Sport Program	-	-	-	-	-	-	•
Number Of Program	-	-	-	-	-	21	16
<b>BUTTONS</b>							
Start/Pause	•	•	•	•	•	-	-
Start Delay	Up to 24h	Up to 24h	Up to 24h	Up to 24h	Up to 24h	Up to 24h	3h-6h-9h
Cold Wash	-	-	-	-	-	•	•
Stain Buster!	•	•	•	•	•	•	•
AquaPlus	•	•	•	•	•	•	•
Easy Iron	-	-	-	-	-	•	•
Soil Level	•	•	•	•	•	-	-
Temperature Selection	•	•	•	•	•	-	-
Spin Speed Selection	•	•	•	•	•	-	-
Drying Selection	•	•	•	•	•	-	-
Extra Rinse	-	-	-	-	-	•	•
High Dry - Rapid dry	-	-	-	-	-	•	•
<b>ENERGY LABEL</b>							
Energy Efficiency Class	A	B	B	B	B	A	A+
Washing Efficiency Class	A	A	A	A	A	A	A
Spin Efficiency Class	A	C	C	B	B	A	B
Energy Consumption (kWh/cycle)	6,12	5,44	5,44	4,85	4,85	-	-
Water Consumption (l/cycle - Washing Dry)	130	115	115	110	110	-	-
Spin Speed	-	-	-	-	-	1400	1300
Self adjusting water level to load	-	-	-	-	-	•	•
Energy Consumption (kWh/cycle) - Wash Only	-	-	-	-	-	01:20	01:36
Energy Consumption (kWh/cycle) - Wash&Dr	-	-	-	-	-	05:44	-
Water Consumption (l/cycle)	-	-	-	-	-	115	60
<b>STRUCTURE</b>							
Dimensions in mm (h x w x d)	850 x 600 x 600	850 x 600 x 540	850 x 600 x 540	850 x 600 x 440	850 x 600 x 440	850 x 600 x 541	850 x 600 x 540
Packed Dimensions mm (h x w x d)	890 x 650 x 650	890 x 650 x 600	890 x 650 x 600	890 x 650 x 520	890 x 650 x 520	-	-
Cavity Dimensions mm (h x w x d)	-	-	-	-	-	890 x 650 x 600	890 x 650 x 600
Gross Weight kg	75	72,5	72,5	67	67	70	72
Net Weight kg	73	70,5	70,5	65	65	68	70
Voltage V	220 - 240	220 - 240	220 - 240	220 - 240	220 - 240	220 - 240	220 - 240
Frequency (Hz)10	50	50	50	60	50	50	50
Current A	10	10	10	10	10	10	10
Plug Type	Schuko	Schuko	Schuko	UK	Schuko	Schuko	Schuko
Length electrical supply cord (cm)	160	160	160	160	160	-	-
Approval certificates	CE+IMQ	CE+IMQ	CE+IMQ	SASO	CE+IMQ	-	-
Internal Code	31002934	31003588	31002930	310036868	31003512	31800109	31800079
EAN Code	8016361795723	8016361814462	8016361795679	8016361817388	8016361812109	8016361796812	8016361794368

## Top Loaders

PRODUCT DESCRIPTION	CTL 1208	CTD 1208	CTDF 1007	CTDF 1206 S	CTDF 1206	CTF 1006
Load Capacity	8	8	7	6	6	6
Spin Speed RPM	1200	1200	1000	1200	1200	1000
<b>END USER COMFORT</b>						
Multifunctional Display	LCD Kg Detector	DIGIT Kg Detector	Multifunct. Display	Multifunct. Display	Multifunct. Display	LED
Soft Bi Directional Knob	12 positions	12 positions	12 positions	18 positions	18 positions	18 positions
Cabinet Colour	White	White	White	Silver Grey	White	White
Door Colour	White	White	White	Silver Grey	White	White
Handle	New design with brand logo	New design with brand logo	New design with brand logo	Classic Design	Classic Design	Classic Design
Handle Colour	Silver Grey	Silver Grey	Silver Grey	Silver Grey	Silver Grey	White
Spin Speed Option	•	•	•	•	•	•
Start Delay Option	•	•	•	•	•	•
Soft Touch Buttons	•	•	•	•	•	•
Silitech Tub	•	•	•	•	•	•
Inox Drum	•	•	-	-	-	-
Stop&Load	•	•	•	•	•	•
Extractable Detergent Tank	•	•	•	-	-	-
Wheels						
<b>SAFETIES</b>						
Door Lock	•	•	•	•	•	•
Self adjusting water level to load	•	•	•	•	•	•
Aquastop	-	-	-	-	-	-
Anti Foam Sensor	•	•	•	•	•	•
Electronic Spin Speed Management	•	•	•	•	•	-
Electronic Balance control	•	•	•	•	•	•
<b>SENSORS</b>						
Sensor Activa System (SAS)	•	•	•	•	•	•
3rd Generation Fuzzy Logic (Wash Optim.)	•	•	•	•	•	•
<b>SPECIAL PROGRAMS</b>						
Mix & Wash	•	•	•	•	•	•
Wool Pogram	•	•	•	•	•	•
Hand Wash	Delicates Garments	Delicates Garments	Delicates Garments	Delicates Garments	Delicates Garments	Delicates Garments
Rapid Programs	14'-30'-44'	14'-30'-44'	32'-44'	32'-44'	32'-44'	32'-44'
<b>BUTTONS</b>						
Start/Pause	•	•	•	•	•	•
Cold Wash	•	•	By Button	By Button	By Button	By Button
Easy Iron	•	•	-	-	-	-
Stain Buster	•	•	-	-	-	-
AquaPlus	•	•	•	•	•	•
Temperature Selection	By Button	By Button	Integrated in the Program	Integrated in the Program	Integrated in the Program	Integrated in the Program
Spin Speed Selection	•	•	•	•	•	•
Soil Level	•	•	-	-	-	-
Start Delay	Up to 24h	Up to 24h	Up to 24h	Up to 24h	Up to 24h	3h-6h-9h
Prewash	By Button	By Program	By Program	By Program	By Program	By Program
Rinse Hold	•	-	-	-	-	-
Child Lock	•	-	-	-	-	-
<b>ENERGY LABEL (NORMATIVE CYCLE 60° COTTON)</b>						
ENERGY EFFICIENCY CLASS	A+	A+	A+	A+	A+	A+
WASHING EFFICIENCY CLASS	A	A	A	A	A	A
SPIN EFFICIENCY CLASS	B	B	C	B	B	C
Energy Consumption (kWh/cycle)	1,36	1,36	1,19	1,02	1,02	1,02
Water Consumption (l/cycle)	56	56	53	49	49	49
<b>STRUCTURE</b>						
Dimensions in mm (h x w x d)	850 x 400 x 600	850 x 400 x 600	850 x 400 x 600	850 x 400 x 600	850 x 400 x 600	850 x 400 x 600
Packed Dimensions mm (h x w x d)	980 x 480 x 650	980 x 480 x 650	980 x 480 x 650	980 x 480 x 650	980 x 480 x 650	980 x 480 x 650
Gross Weight kg	62,5	62,5	61,5	59	59	58
Net Weight kg	60	60	59	56,5	56,5	55,5
Voltage V	220 - 230	220 - 230	220 - 230	220 - 230	220 - 230	220 - 230
Frequency (Hz)	50	50	50	50	50	50
Current A	10	10	10	10	10	10
Plug Type	Schuko	Schuko	Schuko	Schuko	Schuko	Schuko
Length electrical supply cord (cm)	160	160	160	160	160	160
Approval certificates	CE+IMQ	CE+IMQ; ROSTEST	CE+IMQ; ROSTEST	CE+IMQ	CE+IMQ	CE+IMQ
Internal Code	31003555	31003361	31002964	31003107	31003174	31002843
EAN Code	8016361813038	8016361807594	8016361797222	8016361800786	8016361802230	8016361794221

## Fully Automatic Top

PRODUCT DESCRIPTION	CXQB80-A25B	CXQB80-A25WH	CXQB80-A16W	CXQB65-725W	CXQB65-716W
Load Capacity	8	8	8	6,5	6,5
Spin Speed RPM	Fix	Fix	Fix	Fix	Fix
<b>END USER COMFORT</b>					
Multifunctional Display	Multifunct. Display	Multifunct. Display	Multifunct. Display	Led	Led
Cabinet Colour	Black	White	White	White	White
Handle	•	•	•	-	-
Handle Colour	Silver Grey	Silver Grey	Silver Grey	No	No
Spin Speed Option	Fix	Fix	Fix	Fix	Fix
Soft Touch Buttons	•	•	•	•	•
Inox Drum	•	•	•	•	•
Start Delay Option	Up to 24h	Up to 24h	Up to 24h	Up to 24h	Up to 24h
Time To End	•	•	•	•	•
Auto Power-Off	•	•	•	•	•
<b>SAFETIES</b>					
Door Lock - Child Protection	•	•	•	•	•
<b>SPECIAL PROGRAMS</b>					
Standard	•	•	•	•	•
Quick	•	•	•	•	•
Jeans	•	•	•	-	-
Gentle	•	•	•	-	-
Soak	•	•	•	•	•
Blanket	•	•	•	-	-
Mini	•	•	•	-	-
Drum Clean	•	•	•	-	-
Anti - Crease	•	•	•	•	•
Intelligent	-	-	-	•	•
Strong	-	-	-	•	•
Soft	•	•	•	•	•
Rinse + Spin	-	-	-	•	•
Single Wash	-	-	-	•	•
Single Spin	-	-	-	•	•
<b>BUTTONS</b>					
On / Off	•	•	•	•	•
Start / Pause	•	•	•	•	•
Intelligent Full Process	•	•	•	-	-
Programm Selection	•	•	•	•	•
Spin	•	•	•	-	-
Rinse	•	•	•	-	-
Wash	•	•	•	•	•
Water Level	•	•	•	•	•
Start Delay	Up to 24h	Up to 24h	Up to 24h	-	-
Child Protection	•	•	•	By Program	By Program
Clothes Air-Dry	•	-	•	-	-
Water Suppl	-	-	-	-	-
Ag+	•	•	•	•	•
<b>STRUCTURE</b>					
Dimensions in mm (h x w x d)	567 x 583 x 960	567 x 583 x 960	567 x 583 x 960	538 x 544 x 950	538 x 544 x 950
Gross Weight kg	43	43	43	40	40
Net Weight kg	38	38	38	35,5	35,5
Voltage V	220	220	110	220	110
Frequency (Hz)	50	50	60	50	60
Plug Type	Schuko	Schuko	Schuko	Schuko	Schuko
Internal Code	31003929	31003928	31003927	31003926	31003925
EAN Code	8016361826922	8016361826915	8016361826908	8016361826892	8016361826885

## Dryers

PRODUCT DESCRIPTION	GOC 791 BT	GOC 581 B	GOC 580 B	GOC 580 C	GOV 780 C	GOV 580 C	GO DV58 F-OS
<b>PERFORMANCE</b>							
Loading Capacity (Kg)	9	8	8	8	8	8	8
Energy Efficiency Clas	B	B	B	C	C	C	C
<b>STRUCTURAL CHARACTERISTICS</b>							
Condensed Drying System	•	•	•	•	-	-	•
Vented Drying System	-	-	-	-	•	•	-
Soft Bi Directional Knob	•	•	•	•	•	•	•
Timed Drying - Special Small Loads	•	•	•	•	•	•	•
XXL Door	Glass Door - Moonlight	Glass Door	•	•	•	•	Square Door
Door opening (°)	150°	150°	150°	150°	150°	150°	150°
Drum Volume	115		115	115	115	115	115
Drum Material	Galvanized	Galvanized	Galvanized	Galvanized	Galvanized	Galvanized	Galvanized
Water Container Position	Top	Bottom	Bottom	Bottom	-	-	-
<b>END USER COMFORT</b>							
Multifunctional Display	•	•	•	•	•	-	-
LED Display	-	-	-	-	-	•	•
Water Container Capacity (Litres)	4	5	5	5	-	-	-
Temperature Numbers	2+1	2+1	2+1	2+1	2+1	2+1	2+1
4 Automatic Drying Programs	•	•	•	•	•	•	•
Cool Down Phase	•	•	•	•	•	•	•
Automatic Anti Crease	•	•	•	•	•	•	•
Soft Touch Buttons	•	•	•	•	•	•	•
Easy Clean Filter	•	•	•	•	•	•	•
<b>SPECIAL PROGRAMS</b>							
Shirts	•	-	-	-	•	-	-
Special Wool Program	•	•	•	•	•	•	•
Mix and Dry	•	-	-	-	•	-	-
Rapid 40'	•	•	•	•	•	•	•
Relax	•	•	•	•	•	•	•
<b>BUTTONS</b>							
Start/Pause	•	•	•	•	•	•	•
Anti Crease	•	-	-	-	•	-	-
Start Delay	Up to 24h	3h - 6h - 9h	3h - 6h - 9h	3h - 6h - 9h	Up to 24h	3h - 6h - 9h	3h - 6h - 9h
Delicates	•	•	•	•	•	•	•
Timed Drying	•	-	-	-	•	-	-
<b>LEDS</b>							
Cycle progress (Drying,Cool down,End)	•	•	•	•	•	•	•
Blocked Filter Indicator	•	•	•	•	•	•	•
Full Tank Indicator	•	•	•	•	-	-	-
<b>SAFETY</b>							
Door Security	•	•	•	•	•	•	•
<b>TECHNICAL FEATURES</b>							
Energy consumption (kWh/cycle)	5,05	04:49:00	4.49 / 5.1	4.49 / 5.1	4,5	4,5	4,5
Electrical supply (v)	230	230	230	230	230	230	220
Frequency (Hz)	50	50	50	50	50	50	60
Max Absorbed power (KW)	2,3	2,3	2,3	2,3	2,3	2,3	2,3
Fuse Rating (A)	10	16	16	16	10	10	10
Dimensions H*W*D (cm)	85 x 60 x 60	85 x 60 x 60	85 x 60 x 60	85 x 60 x 60	85 x 60 x 60	85 x 60 x 60	85 x 60 x 60
Gross Weight kg	37	36	36	36	31	31	31
Net Weight kg	35	34	34	34	29	29	29
Electrical Cable lenght (cm)	150	150	150	150	150	150	150
Approvals CE/Nemko	•	•	•	•	•	•	•
Reference code	31100417	31100413	31100421	31100412	31100420	31100419	31100388
EAN Code	8016361819641	8016361819603	8016361819726	8016361819762	8016361819672	8016361819665	8016361815445



## Dishwashers

PRODUCT DESCRIPTION	CDP 6753 X	CDP 6753	CDP 6653 X	CDP 6653	CDP 6322	CDPE 6320 X	CDPE 6320
Colour	Inox Ice	White	White	White	White	Inox Ice	White
Place Settings (n°)	15 Premium	15 Premium	15 Premium	15 Premium	12	12	12
<b>WASHING PROGRAMMES &amp; OPTIONS</b>							
Number of Wash Programmes	12 (4x3)	12 (4x3)	12 (4x3)	12 (4x3)	8 (4x2)	8 (4x2)	8 (4x2)
Impulse wash	•	•	-	-	-	-	-
Smart Sensor System	-	-	-	-	-	-	-
Automatic Programs 45-75°C	-	-	-	-	-	-	-
<b>PROGRAMS</b>							
Hygienic Plus 75°C	•	•	•	•	-	-	-
Intensive 75°C	•	•	•	•	•	•	•
Strong & Fast 65°C	•	•	•	•	•	•	•
Universal + 70°C	•	•	•	-	-	-	-
Universal 60°C	•	•	•	•	•	•	•
Daily 55°C	•	•	•	•	•	•	•
UltraSilent 55°C - Sound power dB(A)	• (43 dB)	• (43 dB)	-	-	-	-	-
Eco Plus 55°C	-	•	•	•	-	-	-
Eco 45°C	•	•	•	•	•	•	•
Delicate 45°C	•	•	•	•	•	•	•
UltraRapid 60min 65°C	•	•	•	-	-	-	-
UltraRapid 24min 50°C	•	•	•	-	Rapid 29'	Rapid 29'	Rapid 29'
Refresh	•	•	•	•	•	•	•
<b>OPTIONS</b>							
U-Wash Button (+/-)	•	•	•	•	-	-	-
Express Button (time reduction -30%, -50%)	-	-	-	-	•	•	•
Super Eco (-25% energy)	•	•	•	•	-	-	-
Tabs (all in 1)	•	•	•	•	-	-	-
<b>ELECTRONIC INTERFACE &amp; FEATURES</b>							
Start delay	3-6-9h	3-6-9h	3-6-9h	3-6-9h	3-6-9h	3-6-9h	3-6-9h
Salt Refill Indicator	•	•	•	•	•	•	•
Rinse Aid Refill Indicator	-	-	-	-	-	-	-
Digital Countdown	-	-	-	-	-	-	-
<b>INTERNAL EQUIPMENT</b>							
3rd level (Evospace 3)	•	•	•	•	-	-	-
XL Upper Basket	•	•	•	•	•	•	•
Adjustable Upper Basket	Click-Clack	Click-Clack	Click-Clack	Click-Clack	Click-Clack	•	•
Folding Cup Racks	• (4)	• (4)	• (4)	• (4)	• (2)	• (2)	• (2)
XXL Lower Basket	•	•	•	•	Modulo Flex	-	-
Folding rack in Lower Basket (for big items)	•	•	•	•	•	-	-
Baskets Colour	Metal Grey	Metal Grey	Metal Grey	Metal Grey	Light Grey	Light Grey	Light Grey
Plastics & Accessories Colour	Metal Grey	Metal Grey	Metal Grey	Metal Grey	Metal Grey	Metal Grey	Metal Grey
<b>SAFETIES</b>							
Total waterblock	-	-	-	-	-	-	-
Aquastop	•	-	-	-	•	-	-
Aquaprotect	-	-	-	-	-	-	-
Safety-Stop on Lower Basket	•	•	•	•	•	•	•
<b>TECHNICAL FEATURES</b>							
Counterdoor Stainless Steel AISI 304	•	•	•	•	•	•	•
Drying System	Condensing	Condensing	Condensing	Condensing	Condensing	Condensing	Condensing
<b>ENERGY LABEL (NORMATIVE CYCLE ECO 45°C)</b>							
Noise Power dB(A) re 1 pw - normative cycle	46	46	52	52	54	54	54
Energy Efficiency Class	A+	A+	A+	A+	A	A	A
Drying Efficiency Class	A	A	A	A	A	A	A
Yearly Energy Consumption (kw/h)*	299	299	304	304	291	300	300
Yearly Water Consumption (l)*	2800	2800	3350	3350	3350	3350	3350
Energy Consumption per cycle (kw/h)	1,04	1,01	1,10	1,10	1,01	1,04	1,04
Water consumption per cycle (l)	10	10	12	12	12	12	12
<b>DIMENSIONS</b>							
Width of Cabinet (mm)	600	600	600	600	600	600	600
Depth of Cabinet (mm)	600	600	600	600	600	600	600
Height of Cabinet (mm)	850	850	850	850	850	850	850
Height of Cabinet - without Top (mm)	820	820	820	820	820	820	820
Code	32000657	32000644	32000648	32000637	32000655	32000652	32000632
EAN Code	8016361830509	8016361829572	8016361830417	80163618288957	8016361830486	8016361830455	8016361828902

## Dishwashers

PRODUCT DESCRIPTION	CDP 4710	CDP 4609 X	CDP 4609
Colour	White	Inox Ice	White
Place Settings (n°)	10	9	9
<b>WASHING PROGRAMMES &amp; OPTIONS</b>			
Number of Wash Programmes	7	5	5
Number of Temperatures (washing phase)	4	4	4
<b>PROGRAMS</b>			
Intensive 70°C	.	.	.
Normal 50°C	Normal 55°	.	.
Economy 45°C	.	.	.
UltraRapid 60min 70°C	.	-	-
UltraRapid 24min 50°C	.	.	.
Glassware 45°C	.	-	-
Refresh	.	.	.
<b>OPTIONS</b>			
Super Eco (-25% energy)	.	.	.
Tabs (all in 1)	.	.	.
Child Lock	.	.	.
<b>ELECTRONIC INTERFACE &amp; FEATURES</b>			
Multifunction Digit Display	.	-	-
Program Selection Button	.	.	.
Start delay	1-24h	3-6-9h	3-6-9h
Salt Refill Indicator	.	.	.
Rinse Aid Refill Indicator	.	-	-
Digital Countdown	.	-	-
LED Program Status	-	.	.
<b>INTERNAL EQUIPMENT</b>			
Adjustable Upper Basket	.	.	.
Folding Cup Racks	• (4)	• (4)	• (4)
Folding rack in Lower Basket (for big items)	• (2)	• (2)	• (2)
Baskets Colour	Metal Grey	Metal Grey	Metal Grey
Plastics & Accessories Colour	Metal Grey	Metal Grey	Metal Grey
Cutlery Baskets spittable in 3 parts	.	.	.
<b>SAFETIES</b>			
Aquastop	.	-	-
Total overflow protection system	.	.	.
<b>TECHNICAL FEATURES</b>			
Concealed Heating Element	.	.	.
Drying System	Condensing	Condensing	Condensing
<b>ENERGY LABEL (NORMATIVE CYCLE ECO 45°C)</b>			
Noise Power dB(A) re 1 pw - normative cycle	49	54	54
Energy Efficiency Class	A	A+	A+
Drying Efficiency Class	A	A	A
Yearly Energy Consumption (kw/h)*	255	222	222
Yearly Water Consumption (l)*	3850	3400	3400
Normative Cycle Length - Eco 45°C (mins)	170	155	155
<b>DIMENSIONS</b>			
Width of Cabinet (mm)	450	450	450
Depth of Cabinet (mm)	600	600	600
Height of Cabinet (mm)	850	850	850
Height of Cabinet - without Top (mm)	820	820	820
Code	32000693	32000669	3200063
EAN Code	8016361834248	8016361831179	8016361828933

## Dishwashers

PRODUCT DESCRIPTION	CDCF 6s	CDCF 6
Colour	Moonlight Silver	White
Place Settings (n°)	6	6
<b>WASHING PROGRAMMES &amp; OPTIONS</b>		
Number of Wash Programmes	6	6
Number of Temperatures (washing phase)	5	5
<b>PROGRAMS</b>		
Intensive 70°C	•	•
Normal 60°C	•	•
Economy 55°C	•	•
Delicate 45°C	•	•
Rapid 40°C	•	•
3 in 1 60°C	•	•
<b>OPTIONS</b>		
Tabs (All in one)	3 in 1 program	3 in 1 program
<b>ELECTRONIC INTERFACE &amp; FEATURES</b>		
Multifunction Digit Display	-	-
Program Selection Button	•	•
Start delay	3-6-9-12h	3-6-9-12h
Salt Refill Indicator	•	•
Rinse Aid Refill Indicator	•	•
Digital Countdown	-	-
LED Program Status	•	•
<b>INTERNAL EQUIPMENT</b>		
Folding Cup Racks	• (2)	• (2)
Folding rack (for big items)	• (2)	• (2)
Baskets Colour	Metal Grey	Metal Grey
Plastics & Accessories Colour	Metal Grey	Metal Grey
<b>TECHNICAL FEATURES</b>		
Concealed Heating Element	•	•
Drying System	Condensing	Condensing
<b>ENERGY LABEL (NORMATIVE CYCLE ECO 45°C)</b>		
Noise Power dB(A) re 1 pw - normative cycle	53	53
Energy Efficiency Class	A	A
Drying Efficiency Class	A	A
Drying Efficiency	A	A
Energy Consumption per cycle (kw/h)*	0,63	0,63
Water Consumption per cycle (l)*	9	9
Yearly Energy Consumption (kw/h)*	139	139
Yearly Water Consumption (l)*	1980	1980
Normative Cycle Length - Economy 55°C (mins)	160	160
<b>DIMENSIONS</b>		
Width of Cabinet (mm)	550	550
Depth of Cabinet (mm)	500	500
Height of Cabinet (mm)	440	440
Code	32000583	32000582
EAN Code	8016361816985	8016361816978

## Dishwashers

PRODUCT DESCRIPTION	CDI 5653 E 10/3	CDI 3515/1	CDI 1010/2	CDS 155 X/1	CDS 220N/1	CDS 220X/1
Integration	Full Integrated	Full Integrated	Full Integrated	Semi Integrated	Semi Integrated	Semi Integrated
Control panel colour	Inox+Mirror	Grey	Black	Inox Frame	Inox Frame	Inox Frame
Place Settings (n°)	15 Premium (3 drawers)	15	12	15	12	12
Drying system	Turbo Dry (Fan)	Condensing	Condensing	Condensing	Condensing	Condensing
<b>WASH PROGRAMMES</b>						
Impulse Wash	•	-	-	-	-	-
Smart Sensor System	•	-	-	-	-	-
Number of Wash Programmes	12 (4x3)	5	5	7	7	7
Automatic Programs 45-75°C	•	-	-	-	-	-
Hygienic Plus 75°C	•	-	-	-	-	-
Intensive 75°C	•	•	•	•	•	•
Strong & Fast 65°C	•	-	-	-	-	-
Universal Plus 70°C	Auto	-	-	-	-	-
Universal 60°C	Auto	•	•	•	•	•
Daily 55°C	Auto	-	-	-	-	-
Night Cycle 55°C - Sound power dB(A)	42 dB(A)	-	-	-	-	-
Eco 45°C	•	•	•	•	•	•
Delicate 45°C	•	-	-	-	-	-
Class A 1h 65°C	•	-	-	•	•	•
Rapid 32' 50°C	•	•	•	•	•	•
Prewash	•	•	•	•	•	•
<b>END USER COMFORT</b>						
Multifunction Digit Display	•	-	-	-	-	-
Program Selection Button	•	•	•	Knob	Knob	Knob
Washing Intensity Button (Pro + / Pro -)	•	-	-	-	-	-
Tabs (all in 1)	•	-	-	-	-	-
Half Load	-	•	-	-	•	•
Start Delay	1-23h	3-6-9h	-	1-12h	-	-
Salt Refill Indicator	•	•	-	•	•	•
Rinse Aid Refill Indicator	•	-	-	-	-	-
LED Program Status	-	•	-	-	-	-
Digital Countdown	•	-	-	-	-	-
<b>INTERNAL EQUIPMENT</b>						
3rd level (Dynamic 3D)	•	-	-	-	-	-
XL Upper Basket	•	•	•	•	•	•
Adjustable Upper Basket	Click-Clack	Click-Clack	•	•	•	•
Folding Cup Racks (n°)	4	4	2	4	2	2
XXL Lower Basket	•	•	-	•	-	-
Fold down rack for big items	•	•	-	•	-	-
Baskets Colour	Metal Grey	Light Grey	Light Grey	Light Grey	Light Grey	Light Grey
Plastics & Accessories Colour	Metal Grey	Metal Grey	Metal Grey	Metal Grey	Metal Grey	Metal Grey
Comfort Handles	•	•	-	•	-	-
<b>SAFETIES</b>						
Total waterblock	•	•	-	-	-	-
Aquastop	•	•	-	•	-	-
Safety-Stop on Lower Basket	•	•	•	•	•	•
<b>TECHNICAL FEATURES</b>						
Double movement hinges	•	•	-	-	-	-
Rear foot adjustable from front	•	•	-	-	-	-
Counterdoor Stainless Steel AISI 304	•	•	•	•	•	•
Concealed Heating Element	•	•	•	•	•	•
Water Softener (n° of settings)	5	5	5	5	5	5
<b>ENERGY LABEL (NORMATIVE CYCLE ECO 45°C)</b>						
Noise Power dB(A) re 1 pw - normative cycle	45	47	51	49	51	51
Energy Class	A++	A	A	A	A	A
Washing Class	A	A	A	A	A	A
Drying Efficiency	A	A	A	A	A	A
Normative Cycle Length - Eco 45°C (mins)	175	175	175	175	175	175
Yearly Energy Consumption (kw/h)*	193,6	242	231	242	231	231
Yearly Water Consumption (l)*	2200	2860	2860	2860	2860	2860
<b>DIMENSIONS</b>						
Width of Cabinet (mm)	596	596	596	596	596	596
Depth of Cabinet (mm)	550	550	550	550	550	550
Height adjustability range (mm)	820-900	820-900	820-900	820-900	820-900	820-900
Internal Code	32900302	32900191	32900168	32900188	32900186	32900187
EAN Code	8016361812574	8016361740730	8016361791145	8016361740693	8016361740679	8016361740662

## Dishwashers

PRODUCT DESCRIPTION	CDI 10P57 X	CDI 9P45
Type	Full Integrated	Full Integrated
Colour	Inox	Inox
<b>END USER COMFORT</b>		
N. plate setting	10	9
Programs	7	7
Electronic control	•	•
Multifunction digit display	•	•
Selection by button	•	•
Start delay	24h	24h
Time remaining	•	•
Program status	-	-
Noise level dB (sound power)	47	52
<b>WASH PROGRAMMES</b>		
Intensive 70°C	•	•
Normal 55	•	•
Eco 45°	•	•
60 minutes wash 70°C	•	•
Delicate 45°C	•	•
Rapid 50°C	•	•
Cold rinse	•	•
TEMPERATURES (washing phase)	4	4
<b>EQUIPEMENT</b>		
Hidden heating element	•	•
Condensing drying system	•	•
Four adjustable feet	•	•
<b>BUTTONS</b>		
ON/OFF	•	•
Start delay	•	•
Start	-	-
Program selection	•	•
<b>LIGHTS</b>		
ON/OFF	•	•
Program status / Start delay	•	•
Salt	-	-
Rinse aid	•	•
<b>BASKETS</b>		
Adjustable upper basket	•	•
Metal grey baskets	•	•
Folding racks on lower basket	•	•
Folding cup racks	•	•
Cutlery basket splittable in 3 parts	2	2
<b>SAFETY</b>		
Total overflow protection system	•	•
Aquastop	•	•
<b>PERFORMANCE (ECO 45°)</b>		
Energy efficiency	A	A
Washing efficacy	A	A
Drying efficacy	A	A
Water consumption (L)	13	13
Energy consumption (Kw/h)	0,8	0,8
Year water consumption *	2860	2860
Year energy consumption *	176	176
Length of normative cycle (min)	165	165
Internal code	32900264	32900239
EAN code	8016361822429	8016361805774

## Cookers 90x60 cm

PRODUCT DESCRIPTION	CVE 9522 TX	CGG 9012 STX	CGG 9012 TX	CGG 9112 STX	CME 9022 TX
Colour	Inox	Inox	Inox	Inox	Inox
Installation Class 2.1 (EN 30-1-1998)	•	•	•	•	•
<b>DESIGN</b>					
Aesthetics	Candy	Candy	Candy	Candy	Candy
Lid Type	-	Grey glass lid with satin profile	Grey glass lid with satin profile	Splash Back	Grey glass lid with satin profile
Door type	Metal/glass	Metal/glass	Metal/glass	Metal/glass	Metal/glass
<b>HOB</b>					
Type	5 Vitroceramic	5 Gas	5 Gas	4 Gas+ 2 Hotplate	4 Gas+ 1 Hotplate
Front left	High light 180 mm/ 1800 W	Semi Rapid	Semi Rapid	Semi Rapid	Semi Rapid
Rear left	Radiant 145 mm/1200 W	Rapid	Rapid	Rapid	Rapid
Rear right	Radiant 145 mm/1200 W	Auxiliary	Auxiliary	Auxiliary	Auxiliary
Front right	Radiant 180 mm./ 1700 W	Rapid	Rapid	Rapid	Rapid
Central	High light circular double circuit 210-144 mm. 1x2,2/1,0 KW	Triple Crowne 4000 W	Triple Crowne 4000 W	Triple Crowne 4000 W	1 rapid hotplate 180mm 2000 W
Safety on burners	-	-	-	•	-
One hand ignition	-	-	-	-	-
Ignition by button	-	•	•	•	•
<b>OVEN SECTION</b>					
Type	Electric	Gas	Gas	Gas	Electric
Type of cavity	Embossed	Embossed	Embossed	Embossed	Embossed
Safety on oven burner	-	•	-	•	-
Oven capacity	109	109	109	109	109
Energy efficiency class	C	-	-	-	C
Gas grill	-	•	•	•	-
Electric grill	•	-	-	-	•
Thermostat	•	•	•	•	•
Oven light	•	•	•	•	•
<b>USER INTERFACE</b>					
Electronic programmer	-	-	-	-	-
End of cooking timer	-	-	-	-	-
Minute minder	•	•	•	•	•
<b>ACCESSORIES</b>					
Turnspit	•	•	•	•	•
Grids	1	1	1	1	1
Trays	1	1	1	1	1
<b>STRUCTURE</b>					
Feet type	4 Metal Feet	4 Metal Feet	4 Metal Feet	4 Metal Feet	4 Metal Feet
Adjustabel height	•	•	•	•	•
Drawer Type	-	-	-	-	-
Size (HxWxD)	85x90x60	85x90x60	85x90x60	85x90x60	85x90x60
Code	33001131	33001128	33001132	33001129	33001130
EAN code	8016361830141	8016361830110	8016361830158	8016361830127	8016361830134

## Cookers 60x60 cm

PRODUCT DESCRIPTION	CIM 6724 PW	CVM 6524 PX	CVM 6524 PW	CGM 6522 SHS	CGM 6522 SHW	CGG 6521 HW	CGG 6521 HX	CGG 66 TBT
Colour	White	Inox	White	Silver	White	Inox	White	White
Installation Class 2.1 (EN 30-1-1998)	•	•	•	•	•	•	•	•
<b>DESIGN</b>								
Aesthetics	Fjord	Fjord	Fjord	Fjord	Fjord	Fjord	Fjord	Light
Lid Type	-	-	-	Glass, bowed	Glass, bowed	Glass, no edge	Glass, no edge	Metal
Door type	Full Glass	Full Glass	Full Glass	Full Glass	Full Glass	Full Glass	Full Glass	Metal/Glass
<b>HOB</b>								
Type	4 Induction	4 Vitroceramic	4 Vitroceramic	4 Gas	4 Gas	4 Gas	4 Gas	4 Gas
Front left	180mm booster 2100-3000W	Hilight 210mm / 2300W	Hilight 210mm / 2300W	Rapid	Rapid	Rapid	Rapid	Semi Rapid
Rear left	180mm booster 1500-2000W	Hilight 140mm / 1200W	Hilight 140mm / 1200W	Semi Rapid	Semi Rapid	Semi Rapid	Semi Rapid	Semi Rapid
Rear right	210mm booster 2100-3000W	Hilight 180mm dual zone 700-1700W	Hilight 180mm dual zone 700-1700W	Ultra Rapid	Ultra Rapid	Rapid	Rapid	Rapid
Front right	140mm booster 1500-2000W	Hilight 140mm / 1200W	Hilight 140mm / 1200W	Auxiliary	Auxiliary	Auxiliary	Auxiliary	Auxiliary
Central	-	-	-	-	-	-	-	-
Safety on burners	-	-	-	•	•	-	-	-
One hand ignition	-	-	-	•	•	•	•	-
Ignition by button	-	-	-	-	-	-	-	•
<b>OVEN SECTION</b>								
Type	Multifunction Electric	Multifunction Electric	Multifunction Electric	Multifunction Electric	Multifunction Electric	Gas	Gas	Gas
Type of cavity	Embossed	Embossed	Embossed	Embossed	Embossed	Embossed	Embossed	Embossed
Safety on oven burner	-	-	-	-	-	•	•	•
Oven capacity	52	52	52	54	54	54	54	56
Energy efficiency class	A	A	A	A	A	A	A	A
Gas grill	-	-	-	-	-	•	•	•
Electric grill	•	•	•	•	•	-	-	-
Thermostat	•	•	•	•	•	•	•	•
Oven light	•	•	•	•	•	•	•	•
<b>USER INTERFACE</b>								
Electronic programmer	•	•	•	-	-	-	-	-
End of cooking timer	-	-	-	•	•	-	-	-
Minute minder	-	-	-	-	-	•	•	•
<b>ACCESSORIES</b>								
Turnspit	-	•	•	-	-	•	•	•
Grids	1	1	1	1	1	1	1	1
Trays	2	1 (35mm)	1 (35mm)	2	2	1	1	2
<b>STRUCTURE</b>								
Feet type	2 feet + 2 wheels	4 metal feet	4 metal feet	4 metal feet	4 metal feet	4 plastic feet	4 plastic feet	4 plastic feet
Adjustabel height	•	•	•	•	•	•	•	•
Drawer Type	Extractable	Flip-down	Flip-down	Flap	Flap	Flip-down	Flip-down	Flap
Size (HxWxD)	85x60x60	85x60x60	85x60x60	85x60x60	85x60x60	85x60x60	85x60x60	85x60x60
Code	33001031	33001084	33001083	33001078	33001077	33001082	33001081	33000632
EAN code	8016361800625	8016361814127	8016361814110	8016361813953	8016361813946	8016361814103	8016361814097	8016361761117

## Cookers 50x60 cm

PRODUCT DESCRIPTION	CVM 5622 CKM	CVM 5621 KW	CGG 5611 SBW	CGG 5621 SW	CGG 56 TB	CEE 5620 W
Colour	Silver	White	White	White	White	White
Installation Class 2.1 (EN 30-1-1998)	•	•	•	•	•	•
<b>DESIGN</b>						
Aesthetics	Candy	Candy	Candy	Candy	Light	Candy
Lid Type	-	-	Glass	Glass	Metal	Metal
Door type	Metal/Glass	Metal/Glass	Metal/Glass	Metal/Glass	Metal/Glass	Metal/Glass
<b>HOB</b>						
Type	4 Vitroceramic	4 Vitroceramic	4 Gas	4 Gas	4 Gas	4 Electric Hotplates
Front left	Ø 180mm / 1800 W	Ø 180mm / 1800 W	Semi Rapid Burner	Semi Rapid Burner	Semi Rapid Burner	Ø 180mm 1500W
Rear left	Ø 140mm / 1200 W	Ø 140mm / 1200 W	Semi Rapid Burner	Semi Rapid Burner	Semi Rapid Burner	Ø 145mm 1500W
Rear right	Ø 180mm / 1800 W	Ø 180mm / 1800 W	Rapid Burner	Rapid Burner	Rapid Burner	Ø 180mm 1500W
Front right	Ø 140mm / 1200 W	Ø 140mm / 1200 W	Auxiliary Burner	Auxiliary Burner	Auxiliary Burner	Ø 145mm 1500W
Central	-	-	-	-	-	-
Safety on burners	-	-	•	•	-	-
One hand ignition	-	-	-	-	-	-
Ignition by button	-	-	•	•	•	-
<b>OVEN SECTION</b>						
Type	Multifunction Electric	Multifunction Electric	Gas	Gas	Gas	Electric Static
Type of cavity	Enameled	Enameled	Enameled	Enameled	Enameled	Enameled
Safety on oven burner	-	-	•	•	•	-
Oven capacity	42	42	42	42	42	42
Energy efficiency class	A	A	-	-	-	A
Catalytic Cleaning	-	-	-	-	-	•
Gas grill	-	-	•	-	•	-
Electric grill	•	•	-	•	-	•
Thermostat	•	•	•	•	•	•
Oven light	•	•	•	•	•	•
<b>USER INTERFACE</b>						
Electronic programmer	-	-	-	-	-	-
End of cooking timer	•	•	-	-	-	-
Minute minder	-	-	•	-	•	-
<b>ACCESSORIES</b>						
Turnspit	-	-	•	-	•	-
Grids	1	1	1	1	1	1
Trays	1	2	2	2	2	2
<b>STRUCTURE</b>						
Feet type	•	•	•	•	•	•
Adjustabel height	-	-	-	-	-	-
Drawer Type	Flip-down	Flip-down	Flip-down	Flip-down	Flip-down	Flip-down
Size (HxWxD)	85x50x55	85x50x55	85x50x55	85x50x55	85x50x55	85x50x55
Code	33001112	33000878	33000696	33000691	33000631	33000698
EAN code	8016361825499	8016361787261	8016361770829	8016361768543	8016361761100	8016361770843



## Specialties

PRODUCT DESCRIPTION	TRIO 9503 X	TRIO 9501 X	DUO 609 X
Main color	Inox	Inox	Inox
<b>HOB SECTION</b>			
N° and type of burners	4 gas	4 hiLight	-
Location of control panel	Cooker Front	Cooker Front	-
Type of control setting	Knob	Knob	-
Location of 1st heating element	Front left	Front left	-
Type of 1st heating element	Rapid burner	HiLight single zone heater	-
Dimension of 1st heating element (mm)	101	200	-
Power of 1st heating element (W)	2500	1800	-
Location of 2nd heating element	Rear left	Rear left	-
Type of 2nd heating element	Semi rapid burner	HiLight single zone heater	-
Dimension of 2nd heating element (mm)	75	140	-
Power of 2nd heating element (W)	1750	1200	-
Location of 3rd heating element	Front right	Front right	-
Type of 3rd heating element	Ultra rapid	HiLight single zone heater	-
Dimension of 3rd heating element (mm)	112	165	-
Power of 3rd heating element (W)	3500	1200	-
Location of 4th heating element	Rear right	Rear right	-
Type of 4th heating element	Auxiliary burner	HiLight single zone heater	-
Dimension of 4th heating element (mm)	51	220	-
Power of 4th heating element (W)	1000	2100	-
Flame safety device	•	-	-
Electronic ignition on the knob	•	-	-
Type of regulation	min/max	Step energy regulated	-
Residual heat indicator	-	Without	-
<b>OVEN SECTION</b>			
Type of energy	Electricity	Electricity	Electricity
Cooking method	Static	Multifunction	Multifunction
N° of functions	5 positions (light only, natural, convection, grill only, grill and turnspit, turnspit and natural convection)	5 positions (light only, natural convection, grill only, grill and fan multifunction)	5 positions (light only, bottom + fan, bottom + top, bottom + top + fan, grill, grill and fan)
Energy efficiency class	A	A	A
Energy consumption (conventional)	0,75 kWh	0,78 kWh	0,78 kWh
Energy consumption (ventilated)	-	-	-
Cavity dimension	39 ltr	39 ltr	39 ltr
Power on indicator	•	•	•
Cavity material	Enamelled steel	Enamelled steel	Enamelled steel
Turnspit	•	-	-
N° of trays	1	1	1 + 1 Pastry Tray
N° of grids	1	1	1
Temperature control	Electronic	Electronic	Electronic
Time control	End of cooking timer 120min	End of cooking timer 120min	End of cooking timer 120min
Integrated cleaning system	-	-	-
Interior lights	•	•	•
Motorized turn spit	-	-	-
Door material	Glass	Glass	Glass
<b>DISHWASHER SECTION</b>			
Place Setting	6	6	6
Energy Efficiency Class	A	A	A
Wash Efficiency Class	A	A	A
Drying Efficiency Class	A	A	A
N of Programmes	5	5	5
32 Minute Rapid Wash	•	•	•
Hygiene+ program	•	•	•
Anti-overflow Device	•	•	•
Water Consumption	9 Litres	9 Litres	9 Litres
Noise Level db(A) re 1pw	52 dB	52 dB	52 dB
Cold Fill Only	•	•	•
<b>OTHER TECHNICAL FEATURES</b>			
Product dimensions HxWxD (mm)	865x596x600	865x596x600	-
Packaged dimensions HxWxD (mm)	960x660x700	960x660x700	960x660x700
Net weight (kg)	65,2	65,2	47,5
Gross weight (kg)	68	68	50
Frequency (Hz)	50	50	50
Adjustable feet	Yes, 2 in the front	Yes, 2 in the front	-
Variable cooker height	-	-	-
Internal article number	33001038	33001035	33700694
EAN code	8016361810921	8016361810891	8016361793170

## Microwave Ovens

PRODUCT DESCRIPTION	CMCB 30 DS	CMC 30D CS	CMC 30 DS	CMG 25D CB	CMG 25D CS	CMG 20 DVG	CMG 20/1 M	CMW 20/1 M
<b>CAPACITY</b>								
Oven Capacity (lt)	30	30	30	25	25	20	20	20
<b>FEATURES</b>								
Microwave Output Power (W)	900	900	900	900	900	800	700	700
Grill power (W)	1100	1100	1000	1000	1000	1000	800	No
Convection power (W)	2500	2500	No	No	No	No	No	No
Power Levels	5	5	5	5	5	5	5	5
Auto menus	10	10	8	8	8	8	No	No
Electronic / mechanical	Electronic	Electronic	Electronic	Electronic	Electronic	Electronic with 2 knobs	Mechanical with 2 knobs	Mechanical
Grill Function	•	•	•	•	•	•	•	-
Combination Grill Function	•	•	•	•	•	•	-	-
Digital Clock	•	•	•	•	•	•	-	-
Digital Timer	0-95'	0-95'	0-95'	0-95'	0-95'	0-95'	-	-
Defrost	•	•	•	•	•	•	•	•
Express Cooking	•	•	•	•	•	•	-	-
Preset Function	•	•	•	•	•	•	-	-
Glass/enamelled turntable	Glass	Glass	Glass	Glass	Glass	Glass	Glass	Glass
Diameter (mm)	315	315	315	315	315	245	245	245
End Cooking Signal	•	•	•	•	•	•	Glass	Glass
Child Safety Lock	•	•	•	•	•	•	-	-
<b>APPEARANCE</b>								
Interior Cavity	Stainless Steel	Stainless Steel	White Painted	White Painted	White Painted	White Painted	White Painted	White Painted
Handle	Silver Painting	Silver Painting	Silver Painting	Silver Painting	Silver Painting	Silver Painting	White	White
Buttons	Silver Painting	Silver Painting	Silver Painting	Silver Painting	Silver Painting	Silver Painting	Transparent	Transparent
Knob	Aluminium	Aluminium	Aluminium	Aluminium	Aluminium	Aluminium	Plastic	Plastic
Out casing	Silver	Silver	Silver	Black	Silver	Chocolate	White	White
Door & control panel	Mirror	Mirror	Mirror	Mirror	Mirror	Mirror	Glass	Glass
<b>ACCESSORY</b>								
Grill rack	•	•	•	•	•	•	-	-
Crisp plate	-	•	-	•	•	-	-	-
Steam pot (Metal)	-	-	-	-	-	-	-	-
Bread maker accessory	•	-	-	-	-	-	-	-
<b>WEIGHTS AND DIMENSIONS</b>								
Net Weight (kg)	22,6	19,5	16,1	16,1	16,1	12,6	Approx. 10.5	Approx. 10.5
Gross Weight (kg)	25,7	22,0	18	18	18	13,8	Approx. 11.5	Approx. 11.5
Product (in mm) WxDxH	520*510*335	520*510*335	520*444*335	511*395*284	511*395*284	461*375*280	454*262*330	454*262*330
Carton Box (in mm) WxDxH	591*554*417	583*543*381	583*473*383	581*442*340	581*442*340	516*395*329	496*295*362	496*295*362
Code	38000150	38000140	38000144	38000142	38000143	38000146	38000168	38000169
EAN	8016361823372	8016361823280	8016361823327	8016361823303	8016361823310	8016361823341	8016361836983	8016361836990

## Microwave Ovens

PRODUCT DESCRIPTION	MIC 440 TX	MIC 25 GDFX	MIC 20 GDFX	MIC 256 EX
<b>MAIN CHARACTERISTICS</b>				
Color	Inox	Inox	Inox	Inox
Cavity capacity (l)	44	25	20	25
Maximum micro-wave power (W)	900	1450	1250	1450
Grill power (W)	1750	1000	1000	1100
Number of power levels	5	-	•	-
Soft Touch Buttons	Touch Control	•	•	•
Auto Deforst	•	•	•	•
Start Delay	•	•	•	•
Door opening	Pull Down	Push Button	Push Button	Push Button
Type of control	Knobs & Touch	Buttons & Knob	Buttons & Knob	Buttons & 2 Knob
Clock	•	•	•	-
Turntable	360	315	245	315
Turntable diameter (mm)	-	-	-	-
Optional accessories	•	•	•	-
Additional cooking method Grill	•	•	•	-
Additional cooking method Fan cooking	-	-	-	-
Additional cooking method Conventional	•	-	-	-
Cavity material	-	-	-	Stainless Steel
Connection rating (W)	3350	-	-	-
Voltage (V)	230	220	220	230
Frequency (Hz)	50	50	50	50
Net weight (kg)	41	17	15	21,5
Gross weight (kg)	44	21	18	24
Internal article number	38000152	38900033	38900035	38900023
EAN code	8016361823485	8016361823440	8016361823464	8016361767669

## Refrigerators

PRODUCT DESCRIPTION	CXS 7204 A	CRDN 7172 X	CRDN 7172 W	CDNF 3805 A	CDNF 3800 A	CRDS 6172 X	CRDS 6172 W
<b>MAIN FEATURES</b>							
Total Unit Gross Capacity (l)	558	382	382	382	382	327	327
Refrigerator Net Capacity (l)	348	280	280	280	280	235	235
Freezer Net Capacity (l)	192	95	95	95	95	74	74
Cooling Technology	No Frost	No Frost	No Frost	No Frost	No Frost	Traditional	Traditional
Defrost Process Fridge Section	Auto No Frost	Automatic	Automatic	Automatic	Automatic	Automatic	Automatic
Defrost Process Freezer Section	Auto No Frost	Automatic	Automatic	Automatic	Automatic	Automatic	Automatic
<b>EXTERNAL DESIGN</b>							
Colour/ Material Door	Silver	Inox Like	White	Inox Like	Inox Like	Stainless Steel	White
Colour/ Material Body	Silver	Silver	White	Silver	White	Inox Like	White
Handles	External	Integrated	Integrated	Integrated	Integrated	Lateral Integrated	Lateral Integrated
<b>USER COMFORT</b>							
Control	External Electronic Control	2 Internal Knobs	2 Internal Knobs	2 Internal Knobs	2 Internal Knobs	1 Knob	1 Knob
<b>FRIDGE EQUIPMENT</b>							
Cooling No Frost Column	Yes	Yes	Yes	-	-	-	-
Internal LED Lighting	-	-	-	-	-	-	-
Controlled Temperature Zone (0-3°)	-	-	-	-	-	-	-
Number Of Adjustable Shelves In Fridge Compartment	4	3	3	3	3	4	4
Material Of The Shelves	Glass	Glass	Glass	Glass	Glass	Glass	Glass
Total Number Of Door Shelves	5	3 (incls crisper cover)	3 (incls crisper cover)	3 (incls crisper cover)	3 (incls crisper cover)	3	3
XL Storage Vegetable & Fruits Easy Slide Out With 6 Weels And Moisture Control	2	1	1	1	1	1	1
<b>FREEZER EQUIPMENT</b>							
Number Of Trasparents Freezing Drawers	3	1 wire shelf	1 wire shelf	wire shelf	wire shelf	1 wire shelf	1 wire shelf
Big Box	-	-	-	-	-	-	-
<b>PERFORMANCES</b>							
Energy Efficiency Class	A	A+	A+	A	A	A+	A+
Energy Consumption (Kwh/day)	1,51	0,951	0,951	1,13	1,13	0,733	0,733
Total Annual Energy Consumption (Kwh/year)	551	347	347	412	412	268	268
Freezing Capacity (Kg)	10	4	4	5	5	3,5	3,5
Rising Time-Storage Period In Event Of Power Failure(h)	10	21	20	5	5	8	8
Climatic Class	N/ST	T	T	N/ST	N/ST	N	N
Noise (db)	48	47	47	47	47	TBC	TBC
Refrigerant Gas	R600	R600	R600	R600	R600	R600	R600
Plug	Shuko	Shuko	Shuko	Shuko	Shuko	Shuko	Shuko
Star Rating	4	4	4	4	4	4	4
Cat. Dir. 94/2/CE	7	7	7	7	7	7	7
<b>TECHNICAL FEATURES</b>							
Number Of Adjustable Feet / Wheels	-	2/2	2/2	No	No	Yes	Yes
Reversibility door hinge	-	Yes	Yes	No	No	Yes	Yes
<b>DIMENSIONS</b>							
Height (Cm)	1757	170	170	170	170	170	170
Width (Cm)	892	70	70	70	70	60	60
Depth (Cm)	736	69	69	65	65	60	60
Dimensions Of The Packed Product (mm)	1860x963x778	1792X759X736	1792X759X736	1792X759X736	1792X759X736	1789x650x635	1789x650x635
Gross Weight (kg)	125	80	80	80	80	72	72
Net Weight (Kg)	115	75	75	75	75	65	65
Code	34001224	34001421	34001420	34001281	34001280	34001332	34001333
EAN Code	8016361798410	8016361833043	8016361833036	8016361809727	8016361809710	8016361816657	8016361816664

## Refrigerators

PRODUCT DESCRIPTION	CFD 2760 E	CFD 2765 E	CFD 2450 E	CRCN 6202 WE	CRCN 6202 XE	CRCN 6182 WE	CRCN 6182 LW
<b>MAIN FEATURES</b>							
Total Unit Gross Capacity (l)	259	259	218	309	309	292	292
Refrigerator Net Capacity (l)	200	200	171	208	208	208	208
Freezer Net Capacity (l)	51	51	41	89	89	81	81
Cooling Tecnology	Traditional	Traditional	Traditional	No Frost Total Pulse Air System	No Frost Total Pulse Air System	No Frost Total Pulse Air System	No Frost Total Pulse Air System
Defrost Process Fridge Section	Automatic	Automatic	Automatic	Automatic	Automatic	Automatic	Automatic
Defrost Process Freezer Section	Automatic	Automatic	Automatic	Automatic	Automatic	Automatic	Automatic
<b>EXTERNAL DESIGN</b>							
Colour/ Material Door	White	Stainless Steel	White	White	Stainless Steel Finger Print Resistant	White	Wood Clear
Colour/ Material Body	White	Stainless Steel	White	White	Inox Like	White	Inox Like
Handles	Integrated	Integrated	Integrated	Lateral Integrated	Lateral Integrated	Lateral Integrated	Lateral Integrated
<b>USER COMFORT</b>							
Control	1 Internal Knob	1 Internal Knob	1 Internal Knob	Display Electronic Controls	Display Electronic Controls	Display Electronic Controls	1 Knob
<b>FRIDGE EQUIPMENT</b>							
Cooling No Frost Column	-	-	-	Yes	Yes	Yes	Yes
Internal LED Lighting	-	-	-	Yes	Yes	Yes	-
Controlled Temperature Zone (0-3°)	-	-	-	-	-	-	-
Number Of Adjustable Shelves In Fridge Compartment	3	3	3	3	3	3	3
Material Of The Shelves	Glass	Glass	Glass	Glass	Glass	Glass	Glass
Total Number Of Door Shelves	4	4	4	3	3	3	3
XL Storage Vegetable & Fruits Easy Slide Out With 6 Weels And Moisture Control	1	1	1	1	1	1	1
<b>FREEZER EQUIPMENT</b>							
Number Of Trasparents Freezing Drawers	-	-	wire shelf	2	2	3	3
Big Box	-	-	-	1	1	-	-
<b>PERFORMANCES</b>							
Energy Efficiency Class	A+	A+	A	A+	A+	A+	A+
Energy Consumption (Kwh/day)	0,654	0,654	0,759	0,927	0,927	0,903	0,903
Total Annual Energy Consumption (Kwh/year)	239	239	277	338	338	330	330
Freezing Capacity (Kg)	3	3	2,5	9	9	9	4
Rising Time-Storage Period In Event Of Power Failure(h)	15	15	13	20	20	20	20
Climatic Class	N	N	N	T	T	T	T
Noise (db)	TBC	TBC	44	47	47	47	47
Refigerant Gas	R600	R600	R600	R600	R600	R600	R600
Plug	Shuko	Shuko	Shuko	Shuko	Shuko	Shuko	Shuko
Star Rating	4	4	4	4	4	4	4
Cat. Dir. 94/2/CE	7	7	7	7	7	7	7
<b>TECHNICAL FEATURES</b>							
Number Of Adjustable Feet / Wheels	2/2	2/2	2/2	2	2	2	2
Reversibility door hinge	Yes	Yes	Yes	Yes	Yes	Yes	Yes
<b>DIMENSIONS</b>							
Height (Cm)	165	165	143	200	200	185	185
Width (Cm)	55	55	55	60	60	60	60
Depth (Cm)	58	58	58	60	60	60	60
Dimensions Of The Packed Product (mm)	1750x575x605	1750x575x605	1480x575x605	2053x640x645	2053x640x645	1910X640X645	1910X640X645
Gross Weight (kg)	65	65	52	72	72	66	66
Net Weight (Kg)	58	58	48	70	70	64	64
Code	34001219	34001287	34000940	34001305	34001304	34001307	34001373
EAN Code	8016361795648	8016361811690	8016361765191	8016361816381	8016361816374	8016361816404	8016361819993

## Refrigerators

PRODUCT DESCRIPTION	CRCN 6182 DW	CRC5 6182 W	CRC5 6182 X	CRC5 5172 W	CRC5 5172 X	CRC5 5261 W	CRC5 5261 X
<b>MAIN FEATURES</b>							
Total Unit Gross Capacity (l)	292	303	303	270	270	232	232
Refrigerator Net Capacity (l)	208	207	207	202	202	179	179
Freezer Net Capacity (l)	81	88	88	58	58	53	53
Number of compressors	-	-	-	-	-	1	1
Number of independent cooling systems	-	-	-	-	-	1	1
Cooling Technology	No Frost Total Pulse Air System	Traditional	Traditional	Traditional	Traditional	Traditional	Traditional
Defrost Process Fridge Section	Automatic No Frost With	Automatic	Automatic	Automatic	Automatic	Automatic	Automatic
Defrost Process Freezer Section	Automatic No Frost With	Automatic	Automatic	Automatic	Automatic	Manual	Manual
<b>EXTERNAL DESIGN</b>							
Colour/ Material Door	Wood Brown	White	Stainless Steel Finger Print Resistant	White	Stainless Steel	White	Stainless Steel
Colour/ Material Body	Inox Like	White	Inox Like	White	Inox Like	White	Inox Like
Handles	Lateral Integrated	Lateral Integrated	Lateral Integrated	Lateral Integrated	Lateral Integrated	Lateral Integrated	Lateral Integrated
<b>USER COMFORT</b>							
Control	1 Knob	1 Knob	1 Knob	1 Knob	1 Knob	1 Knob	1 Knob
<b>FRIDGE EQUIPMENT</b>							
Cooling No Frost Column	•	-	-	-	-	-	-
Internal LED Lighting	-	-	-	•	•	•	•
Controlled Temperature Zone (0-3°)	-	-	-	-	-	-	-
Number Of Adjustable Shelves In Fridge Compartment	3	3	3	3	3	2	2
Material Of The Shelves	Glass	Glass	Glass	Glass	Glass	Glass	Glass
Total Number Of Door Shelves	3	3	3	4	4	4	4
XL Storage							
Vegetable & Fruits Easy Slide Out With 6 Weels And Moisture Control Kit Lysteria	1	1	1	1	1	1	1
	-	-	-	-	-	•	•
<b>FREEZER EQUIPMENT</b>							
Number Of Trasparents Freezing Drawers	3	3	3	3	3	3	3
<b>PERFORMANCES</b>							
Energy Efficiency Class	A+	A+	A+	A+	A+	A+	A+
Energy Consumption (Kwh/day)	0,903	0,805	0,805	0,67	0,67	0,63	0,63
Energy Consumption (Kwh/day) new energy label	-	-	-	-	-	0,638	0,638
Total Annual Energy Consumption (Kwh/year)	330	294	294	245	245	230	230
Total annual energy consumption (Kwh/year) - new energy label	-	-	-	-	-	233	233
Freezing Capacity (Kg)	4	3,5	3,5	4	4	3	3
Rising Time-Storage Period In Event Of Power Failure(h)	20	23	23	17	17	8	8
Climatic Class	T	T	T	N	N	N	N
Noise (db)	47	41	41	44	44	Tbc	Tbc
Refrigerant Gas	R600	R600	R600	R600	R600	R600	R600
Plug	Shuko	Shuko	Shuko	Shuko	Shuko	-	-
Star Rating	4	4	4	4	4	4	4
Cat. Dir. 94/2/CE	7	7	7	7	7		
<b>TECHNICAL FEATURES</b>							
Number Of Adjustable Feet / Wheels	2	2	2	2	2		
Reversibility door hinge	•	•	•	•	•	•	•
<b>DIMENSIONS</b>							
Height (Cm)	185	185	185	177	177	166	166
Width (Cm)	60	60	60	55	55	55	55
Depth (Cm)	60	60	60	58	58	58	58
Dimensions Of The Packed Product (mm)	1910X640X645	1910X640X645	1910X640X645	1480x575x605	1480x575x605	1715x575x605	1715x575x605
Gross Weight (kg)	66	66	66	78	78	58	58
Net Weight (Kg)	64	64	64	71	71	53	53
Loading (40'HC)	-	-	-	-	-	106	106
Code	34001372	34001317	34001316	34001321	34001320	34001325	34001324
EAN Code	8016361819986	8016361816503	8016361816497	8016361816541	8016361816534	8016361816589	8016361816572

## Refrigerators

PRODUCT DESCRIPTION	CFL 3760	CFL 3650/1 E	CFL 3655/1 E	CFO 196 EX	CFO 195 E	CFO 154E	CFO 140
<b>MAIN FEATURES</b>							
Total Unit Gross Capacity (l)	450	335	335	153	153	115	120
Refrigerator Net Capacity (l)	348	321	321	103	103	84	78
Freezer Net Capacity (l)	-	-	-	15	15	13	11
Cooling Technology	Traditional	Traditional	Traditional	Traditional	Traditional	Traditional	Traditional
Defrost Process Fridge Section	Automatic	Automatic	Automatic	Automatic	Automatic	Automatic	Automatic
Defrost Process Freezer Section	Automatic	Automatic	Automatic	Automatic	Automatic	Automatic	Automatic
<b>EXTERNAL DESIGN</b>							
Colour/ Material Door	White	White	Inox	Stainless Steel	White	Alu	White
Colour/ Material Body	White	White	Inox	Stainless Ste	White	Alu	White
Handles	External In Metal	External	External	External	External	External	External
<b>USER COMFORT</b>							
Control	Electronic	1 Internal Knob	1 Internal Knob	1 Internal Knob	1 Internal Knob	1 Internal Knob	1 Internal Knob
<b>FRIDGE EQUIPMENT</b>							
Cooling No Frost Column	-	-	-	-	-	-	-
Internal LED Lighting	-	-	-	-	-	-	-
Controlled Temperature Zone (0-3°)	-	-	-	-	-	-	-
Number Of Adjustable Shelves In Fridge Compartment	5	5	5	2	2	2	2
Material Of The Shelves	Glass	Glass	Glass	Glass	Glass	Glass	Glass
Total Number Of Door Shelves	5	4	4	3	3	3	3
XL Storage Vegetable & Fruits Easy Slide Out With 6 Weels And Moisture Control	1	1	1	1	1	1	1
<b>FREEZER EQUIPMENT</b>							
Number Of Trasparents Freezing Drawers	-	-	-	-	-	-	-
Big Box	-	-	-	-	-	-	-
<b>PERFORMANCES</b>							
Energy Efficiency Class	A	A+	A+	A+	A+	A+	A
Energy Consumption (Kwh/day)	0,516	0,34	0,34	0,486	0,486	0,469	0,401
Total Annual Energy Consumption (Kwh/year)	188	124	124	177	177	171	146
Freezing Capacity (Kg)	-	-	-	2	2	2	-
Rising Time-Storage Period In Event Of Power Failure(h)	-	-	-	-	-	-	-
Climatic Class	T	N/ST	N/ST	N	N	N	N
Noise (db)	43	42	42	45	45	47	43
Refrigerant Gas	R600	R600	R600	R600	R600	R600	R600
Plug	Shuko	Shuko/Nordics	Shuko/Nordics	Shuko	Shuko	Shuko	Shuko
Star Rating	-	-	-	4	4	4	Ice Box
Cat. Dir. 94/2/CE	1	1	1	TBC	TBC	TBC	TBC
<b>TECHNICAL FEATURES</b>							
Number Of Adjustable Feet / Wheels	2/2	2/-	2/-	Yes	Yes	Yes	Yes
Reversibility door hinge	Yes	Yes	Yes	Yes	Yes	Yes	Yes
<b>DIMENSIONS</b>							
Height (Cm)	1752	170	170	83	83	84	84
Width (Cm)	594	59,5	59,5	55	55	50	48
Depth (Cm)	634	60	60	58	58	56	50
Dimensions Of The Packed Product (mm)	1820x630x695	1773x654x670	1773x654x670	885x570x600	885x570x600	525x600x885	525x600x885
Gross Weight (kg)	69	68	68	35	35	32	26
Net Weight (Kg)	59	63	63	32	32	30	24
Code	34000883	34001342	34001343	34001087	34001086	34001223	34001237
EAN Code	8016361757936	8016361816756	8016361816763	8016361780774	8016361780767	8016361798076	8016361802186

## Refrigerators

PRODUCT DESCRIPTION	CFBC 3180 A	CFBC 3160 A	CFBC 3130 A	CFBD 2650 A	CFBD 2350 A	CFBO 3550 A	CRU 164/1
<b>MAIN FEATURES</b>							
Total Unit Gross Capacity (l)	281	281	281	263	208	306	-
Refrigerator Net Capacity (l)	203	203	203	204	164	254	111
Freezer Net Capacity (l)	60	60	60	56	37	40	17
Number of compressors	1	1	1	1	1	1	1
Number of independent cooling systems	1	1	1	1	1	1	1
Cooling Tecnology	Traditional	Traditional	Traditional	Traditional	Traditional	Traditional	Traditional
Defrost Process Fridge Section	Automatic	Automatic	Automatic	Automatic	Automatic	Automatic	Automatic
Defrost Process Freezer Section	Manual	Manual	Manual	Manual	Manual	Manual	Manual
<b>USER COMFORT</b>							
Control	Mechanical knob thermostat	Mechanical knob thermostat	Mechanical knob thermostat	Mechanical knob thermostat	Mechanical knob thermostat	Mechanical knob thermostat	Mechanical knob thermostat
<b>FRIDGE EQUIPMENT</b>							
Controlled Temperature Zone (0-3°)	•	•		-	-	-	-
TURBOCOLD Interior ventilator fridge section-Uniform temperature distribution & Quick temperature restoration	•	•		-	-	-	-
Number of adjustable shelves in fridge compartment	3	3	3	3	3	3	3
Material of the shelves	Glass	Glass	Glass	Wire	Glass	Glass	Glass
Number of egg racks	1 Transparent	1 Transparent	1 Transparent	1 Transparent	1 Transparent	1 Transparent	-
Metal Bottle holders	•	-	-	-	-	-	-
Number of crispers	1	1	1	1 XL Salad Bin	2	1	1
Total number of door shelves	4	4	4	3	4	6	-
Bottle shelf	1	1	1	Standard	Standard	1	-
<b>FREEZER EQUIPMENT</b>							
Number of freezing drawers	3	3	3	-	1 Wire	-	-
Number of freezing flaps	-	-	-	-	-	-	-
Number of iceholder trays	-	-	1	-	•	-	-
<b>PERFORMANCES</b>							
Energy Efficiency Class	A	A	A	A	A	A	A
Energy Consumption (Kwh/day)	0,84	0,84	0,84	0,83	0,76	0,85	0,63
Total Annual Energy Consumption (Kwh/year)	307	307	307	303	277,4	310	230
Noise level dB(A)	42	42	42	42	40	42	42
Freezing capacity (Kg)	3	3	3	4	2	2	2
Rising time-Storage period in event of power failure(h)	16	16	16	14	13	20	10
Climatic class	N/ST	N/ST	N/ST	N/ST	N/ST	N/ST	N
Refrigerant gas	R600	R600	R600	R600	R600	R600	R600
Star rating	4	4	4	4	4	4	4
Cat. Dir. 94/2/CE	7	7	7	7	7	7	7
<b>TECHNICAL FEATURES</b>							
Number of adjustable feet	2	2	2	2	2	2	4
Number of wheels	-	-	-	-	-	-	-
Reversibility door hinge	•	•	•	•	•	•	•
<b>DIMENSIONS</b>							
Height (Cm)	1770	1770	1770	1580	1444	1772	820
Width (Cm)	540	540	540	540	540	540	590
Depth (Cm)	535	535	535	540	540	535	543
Package Dimensions (mm)	1820x590x600	1820x590x600	1820x590x600	1630x600x600	1480x575x575	1820x590x600	890x630x575
Height (mm) of niche	1772-1776	1772-1776	1772-1776	1580-1584	1444-1448	1772-1776	820-870
Width (mm) of nich	560	560	560	560	560	560	600
Depth (mm) of niche	550	550	550	550	5450	550	550
Gross weight (kg)	62	62	62	52	47	64	35
Net Weight (Kg)	58	58	58	50	44	58	39
Code	34900104	34900103	34900113	34900109	34900167	34900092	34900175
EAN Code	8016361741959	8016361741942	8016361743243	8016361742833	8016361794658	8016361741836	8016361796188



## Wine Cooler

PRODUCT DESCRIPTION	CCV 200 GL	CCV 155 GL	CCV 150 EU
<b>MAIN FEATURES</b>			
Total Unit Gross Capacity (l)	117	117	117
Refrigerator Net Capacity (l)	115	115	115
Temperature regulation	Electronic	Mechanical	Mechanical
Number of compressors	1	1	1
<b>EXTERNAL DESIGN</b>			
Colour/ Material Door	Black Glass	Black Glass	Black
Colour/ Material Body	Black + 2 Glasses	Black + 2 Glasses	Black + 2 Glasses
Handles	External	External	Recessed
<b>USER COMFORT</b>			
Control	Display	1 Mechanical Knob	1 Mechanical Knob
<b>FRIDGE EQUIPMENT</b>			
Number of bottles	40	40	40
Number of waved shelves	3	6	6
Number of wine rack	1	1	1
Material of the shelves	Wooden	Chromed Wire	Chromed Wire
Light	•	-	-
<b>PERFORMANCES</b>			
Energy Efficiency Class	N.D.	N.D.	N.D.
Energy Consumption (Kwh/day)	N.D.	N.D.	N.D.
Total Annual Energy Consumption (Kwh/year)	-	-	-
Climatic Class	N	N	N
Refrigerant Gas	R600A	R600A	R600A
Temperature range	From 7° to 18°	From 7° to 18°	From 7° to 18°
<b>TECHNICAL FEATURES</b>			
Number Of Adjustable Feet	-	-	-
Reversibility door hinge	•	•	•
Height (Cm)	840	840	840
Width (Cm)	500	500	500
Depth (Cm)	590	560	560
Code	34001363	34001364	34900073
EAN Code	8016361817654	8016361817661	8016361732186

## Freezer

PRODUCT DESCRIPTION	CFUN 3050	CFU 2850 E	CFU 2855 E	CFU 1950 E
<b>MAIN FEATURES</b>				
Total Unit Gross Capacity (l)	300	245	245	195
Refrigerator Net Capacity (l)	-	-	-	-
Freezer Net Capacity (l)	240	235	235	160
Number of compressors	1	1	1	1
Cooling Tecnology	Frost Free	Traditional	Traditional	Traditional
Defrost Process Fridge Section	-	-	-	-
Defrost Process Freezer Section	Automatic	Manual	Manual	Manual
<b>EXTERNAL DESIGN</b>				
Colour/ Material Door	White	White	Inox	White
Colour/ Material Body	White	White	Inox	White
Handles	External Metal	External	External	External
<b>USER COMFORT</b>				
Control	Electronic	1 Knob	1 Knob	1 External Knob
SUPER Freezing switch	•	•	•	-
On - green light	•	•	•	•
Super - yellow light	•	•	•	•
<b>FRIDGE EQUIPMENT</b>				
Number of trasparents freezing drawers	7+1 Ice Bank	7	7	6
<b>PERFORMANCES</b>				
Energy Efficiency Class	A	A+	A+	A+
Energy Consumption (Kwh/day)	0,871	0,70	0,70	0,52
Total Annual Energy Consumption (Kwh/year)	318	256	256	190
Freezing Capacity (Kg)	10	20	20	13
Noise Level	44	42	42	39
Rising time-Storage period in event of power failure(h)	12	17	17	14
Climatic class	N/T From 16° To 43° Tropicalised	N/T From 16° To 43° Tropicalised	N/T From 16° To 43° Tropicalised	N/T From 16° To 43° Tropicalised
Refrigerant gas	R600	R600	R600	R600
Star rating	4	-	-	4
Cat. Dir. 94/2/CE	8	8	8	8
<b>TECHNICAL FEATURES</b>				
Number Of Adjustable Feet	1	2/-	2/-	2/-
Reversibility door hinge	2	•	•	•
<b>DIMENSIONS</b>				
Height (Cm)	1752	170	170	143
Width (Cm)	594	59,5	59,5	55
Depth (Cm)	634	60	60	58
Dimensions Of The Packed Product (mm)	1820x630x695	1773x654x670	1773x654x670	1480x575x605
Gross Weight (kg)	69	68	68	60
Net Weight (Kg)	59	63	63	55
Loading capacity (40 Ft./40 H.C.)	54/73	73	73	140
Code	37000197	37000288	37000289	37000290
EAN Code	8016361757929	8016361816787	8016361816794	8016361816800

## Freezer

PRODUCT DESCRIPTION	CCHE 500	CCHE 400	CCHE 300	CCHE 210
<b>PRODUCT IDENTIFICATION</b>				
Cooling system (Static / No Frost)	Static	Static	Static	Static
Climate class (N= + 18-32°C T=+ 18-43°C)	T	T	T	T
Freezer star rating	4	4	4	4
Certifications (CE / ISO 9001/2 / LGA etc.)	CE	CE	CE	CE
<b>KEY FEATURES</b>				
Gross capacity (l)	500	400	307	205
Total net capacity (l)	490	390	305	203
Freezing capacity (kg/24h)	-	-	14	-
Energy consumption (kWh/year)	-	-	289	234
Max storage time at breakdown (h)	-	-	43	29
Defrosting (Manual-Automatic)	Manual	Manual	Manual	Manual
Kind of coolant (R134a/R600a)	R600A	R600A	R600A	R600A
<b>TECHNICAL DATA</b>				
Voltage / frequency (V/Hz)	220~240/50	220~240/50	220~240/50	220~240/50
Energy Consumption Class	A+	A+	A+	A+
Cooling system: (K=Compressor / A=Absorbtion)	K	K	K	K
Maximum noise level (dB(A))	50	50	50	50
<b>AESTHETICS</b>				
Door (lid) Number	1	1	1	1
Colours external (door and cabinet):	White	White	White	White
<b>EQUIPMENT &amp; ACCESSORIES</b>				
Type of lid	Counter balanced hinges	Counter balanced hinges	Counter balanced hinges	Counter balanced hinges
Insulation Lid thickness (mm)	70	70	70	70
Walls thickness (mm)	70	70	70	65
Handle	External	External	External	External
Lock (Front/Lateral/Integrated with handle)***	•	•	•	•
Number of shelves	1	1	1	1
Open	90	90	90	90
Basket (No./metal/Transparent or White)	Wire/2	Wire/2	Wire/1	Wire/1
Defrost drain	With	With	With	With
Interior light	•	•	•	•
Calendar	•	•	•	•
Adjustable thermostat	•	•	•	•
Fast freeze lamp (yellow/orange)*	•	•	•	•
On light (green)	•	•	•	•
Breakdown light (red)	•	•	•	•
Fast freeze switch*	•	•	•	•
Freezer temperature warning indicator	•	•	•	•
Flushback skin evaporator	-	-	-	•
Plug (Shuko / UK / IT / CH)	Shuko/UK/IT/CH	Shuko/UK/IT/CH	Shuko/UK/IT/CH	Shuko/UK/IT/CH
Number of adjustable feet (front / rear)	4	4	4	4
Number of mobility wheels (front / rear)	-	-	-	-
<b>PRODUCT NET DIMENSIONS</b>				
Unit dimensions (cm) - (H / W / D)	84 x 153 x 75	84 x 153 x 75	84 x 153 x 75	84 x 153 x 75
Net weight (kg)	74	61	54	42
<b>PACKING DIMENSIONS &amp; LOADABILITY</b>				
Packing dimensions (cm) - (H / W / D)	89 x 158 x 78	89 x 158 x 78	89 x 158 x 78	89 x 158 x 78
Gross weight (kg)	84	69	62	47
40 ' HC Container load (pcs)	65	80	98	131
<b>WEIGHT OF PACKAGING MATERIALS</b>				
Carton (Kg)	5	4,5	3,1	2,1
Polystirene (Kg)	2,1	1,9	3,5	1,65
Poliprop foil (Kg)	0,6	0,43	0,4	0,25
Code	37000327	37000328	37000275	37000330
EAN Code	8016361835207	8016361835214	8016361793057	8016361835238

## Ovens

PRODUCT DESCRIPTION	FVH 929 XL	FVP 729 X	FHP 603/1	FPP 698/1 X	FPP 649 X
Typology	Multifunction 12 Functions	Fan Assisted 8 Functions	Fan Assisted 8 Functions	Fan Assisted 9 Functions	Fan Assisted 8 Functions
Finish	Inox	Inox	Inox	Inox	Inox
<b>MAIN CHARACTERISTICS</b>					
Programme Selector	Touch Display	Touch Display	Electronic Display	End of Cooking Clock Soft Touch Buttons	Touch Display
Led Illumination U.SEE	•	•	-	-	-
Number of Glass Panel	2	2	2	Pyro Glass	2
Grill	•	•	•	•	•
Rotisserie & Spit	-	-	-	•	-
Grids	1	2	2	2	2
Tray	2	1	1	1	1
Self - Cleaning panels	-	-	Optional	Pyrolytic	•
Cooling Fan	•	•	•	•	•
<b>TECHNICAL FEATURES</b>					
Usable Volume (Liters)	53	53	53	53	53
Maximum Temperature C°	245	240	240	240	240
Energy Consumption Convectional (kWh)	0,79	0,79	0,79	0,79	0,79
Energy Consumption forced air convection (kWh)	0,77	0,78	0,78	0,78	0,78
Energy Efficiency Class (EN 50304)	A -10%	A	A	A	A
Maximum absorbed power (kW)	2,1	2,1	2,1	2,1	2,1
Width of cavity (mm)	560	560	560	560	560
Height of cavity (mm)	580	580	580	580	580
Internal Code	33700859	33700903	33700850	33700895	33700882
EAN Code	8016361821675	8016361822276	8016361786561	8016361786974	8016361822016

## Ovens

PRODUCT DESCRIPTION	FPP 609 X	FPP 602/1 X	FPP 502/1 X	FST 247/1 X	FST 201/1 X
Typology	Fan Assisted 8 Functions	Fan Assisted 8 Functions	Fan Assisted 5 Functions	Static 5 Functions	Static 4 Functions
Finish	Inox	Inox	Inox	Inox	Inox
<b>MAIN CHARACTERISTICS</b>					
Programme Selector	Touch Display	3 Knobs Minute Minder	3 Knobs Minute Minder	Electronic Display	2 Knobs
Led Illumination U.SEE	-	-	-	-	-
Number of Glass Panel	2	2	2	2	2
Grill	•	•	•	•	•
Rotisserie & Spit	-	-	-	•	-
Grids	2	1	2	2	2
Tray	1	2	1	2	2
Self - Cleaning panels	Optional	Optional	Optional	Optional	Optional
Cooling Fan	•	•	•	•	•
<b>TECHNICAL FEATURES</b>					
Usable Volume (Liters)	53	53	53	53	53
Maximum Temperature C°	245	245	245	240	240
Energy Consumption Convectional (kWh)	0,79	0,79	0,79	0,79	0,79
Energy Consumption forced air convection (kWh)	0,78	0,78	0,78	-	-
Energy Efficiency Class (EN 50304)	A	A	A	A	A
Maximum absorbed power (kW)	2,1	2,1	2,1	2,1	2,1
Width of cavity (mm)	560	560	560	560	560
Height of cavity (mm)	580	580	580	580	580
Internal Code	33700877	33700876	33700883	33700836	33700834
EAN Code	8016361821965	8016361821958	8016361822023	8016361786493	8016361786523

## Ovens

PRODUCT DESCRIPTION	FST 100/1 X	FST 100/1 W	FCL 614/1 GH	FCL 614/1 AV	FST 100/1 N	R 43/3 GH	R 43/3 X
Typology	Static 4 Functions	Static 4 Functions	Fan Assisted 8 Functions	Fan Assisted 8 Functions	Static 4 Functions	Fan Assisted 8 Functions	Fan Assisted 8 Functions
Finish	Inox	White	Cast Iron	Sand	Black	Cast Iron	Inox
<b>MAIN CHARACTERISTICS</b>							
Programme Selector	2 Knobs	2 Knobs	End of Cooking Clock	End of Cooking Clock	2 Knobs	2 Knobs	2 Knobs
Led Illumination U.SEE	-	-	-	-	-	-	-
Number of Glass Panel	2	2	2	2	2	2	2
Grill	•	•	•	•	•	•	•
Rotisserie & Spit	-	-	-	-	-	-	-
Grids	1	1	2	2	1	2	2
Tray	1	1	1	1	1	1	1
Self - Cleaning panels	Optional	Optional	Optional	Optional	Optional	Optional	Optional
Cooling Fan	-	•	•	•	•	•	•
<b>TECHNICAL FEATURES</b>							
Usable Volume (Liters)	53	53	53	53	53	53	53
Maximum Temperature C°	240	240	240	240	240	245	240
Energy Consumption Convectional (kWh)	0,74	0,74	0,79	0,79	0,74	0,79	0,79
Energy Consumption forced air convection (kWh)	-	-	0,78	0,78	-	0,78	0,78
Energy Efficiency Class (EN 50304)	A	A	A	A	A	A	A
Maximum absorbed power (kW)	2,1	2,1	2,1	2,1	2,1	2,2	2,2
Width of cavity (mm)	560	560	560	560	560	560	560
Height of cavity (mm)	580	580	580	580	580	580	580
Internal Code	33700829	33700830	33700760	33700761	33700831	33700472	33700471
EAN Code	8016361786462	8016361786486	8016361799769	8016361799776	8016361786479	8016361786523	8016361049918

## Ovens

PRODUCT DESCRIPTION	FLG 203 X	FLG 202 X	FLG 202 W	FLG 202 N	FPG 390 X	FNP 319 X
Tipology	Gas	Gas	Gas	Gas	Gas	With STEAM
Finish	Inox	Inox	White	Black	Inox	Inox
<b>MAIN CHARACTERISTICS</b>						
Programme Selector	End of Cooking Clock	End of Cooking Clock	End of Cooking Clock	End of Cooking Clock	End of Cooking Clock	Touch Control
Led Illumination U.SEE	-	-	-	-	-	-
Number of Glass Panel	2	2	2	2	2	3
Grill	•	•	•	•	•	•
Rotisserie & Spit	•	-	-	-	•	-
Grids	-	1	1	1	2	1
Tray	1	1	1	1	1	1
Self - Cleaning panels	-	-	-	-	-	-
Cooling Fan	•	•	•	•	•	•
<b>TECHNICAL FEATURES</b>						
Usable Volume (Liters)	54	54	54	54	73	43
Maximum Temperature C°	245	240	240	240	270	250
Energy Consumption Convectional (kWh)	-	-	-	-	-	-
Energy Consumption forced air convection (kWh)	-	-	-	-	-	0,59
Energy Efficiency Class (EN 50304)	-	-	-	-	-	A
Maximum absorbed power (kW)	2,4	2,4	2,4	2,4	4	2,2
Width of cavity (mm)	564	564	564	564	854 ÷ 846	560
Height of cavity (mm)	583	583	583	583	585 ÷ 588	445
Internal Code	33700281	33700282	33700284	33700283	33700052	33700325
EAN Code	8016361728370	8016361728387	8016361728387	8016361728394	8016361692473	8016361743052

## Hobs

PRODUCT DESCRIPTION	CIE 644 B3	CIE 633 B3	CI 640 C	PVD 950 X	PVD 950 XAR
Typology	Induction	Induction	Induction	High Light	High Light
Finish	Black	Black	Black	Inox	Inox
<b>MAIN CHARACTERISTICS</b>					
Cooking Zones	4	3	4	5	5
Gas Burners	-	-	-	-	-
Quadruple ring burners	-	-	-	-	-
Triple ring burners	-	-	-	-	-
Ultra rapid burners	-	-	-	-	-
Rapid burners	-	-	-	-	-
Semi rapid burners	-	-	-	-	-
Auxiliary burner	-	-	-	-	-
Electric hotplates	-	-	-	-	-
Integrated ignition	-	-	-	-	-
Gas safety control	-	-	-	-	-
Knob Control	-	-	-	-	-
Digital Controls	•	•	•	•	•
End of Cooking Timer	•	•	•	•	•
Hot Hob Warning Lights	•	•	•	•	•
<b>TECHNICAL DATA</b>					
Power developed burners (kW)	-	-	-	-	-
Quadruple ring burners (kW)	-	-	-	-	-
Triple ring burners (kW)	-	-	-	-	-
Ultra rapid burners (kW)	-	-	-	-	-
Rapid burners (kW)	-	-	-	-	-
Semi rapid burners (kW)	-	-	-	-	-
Auxiliary burner (kW)	-	-	-	-	-
Electric hotplates (mm / kW)	-	-	-	-	-
Electric hotplates (mm / kW)	-	-	-	-	-
Total Consumption (kW)	7200	7000	7000	7700	7700
Datas of Bottom Left Heating Element (mm / kW)	180 / 2100-3000	180 / 2100-3000	180 / 1500	140 / 1200	140 / 1200
Datas of Top Left Heating Element (mm / kW)	180 / 1500-2000	140 / 1500-2000	180 / 2000	170-265 / 1500-2400	170-265 / 1500-2400
Datas of Top Right Heating Element (mm / kW)	210 / 2100-3000	-	210 / 2000	140 / 1200	140 / 1200
Datas of Bottom Right Heating Element (mm / kW)	140 / 1500-2000	-	180 / 1500	120-180 / 700-1700	120-180 / 700-1700
Datas of Middle Heating Element (mm / kW)	-	280 / 2600-3700	-	140 / 1200	140 / 1200
Voltage (V)	220	220	220	220	220
Frequency (Hz)	50	50	50	50 / 60	50 / 60
Width of cavity (mm)	560	560	560	880	880
Depth of cavity (mm)	480	480	480	490	490
Height of cavity (mm)	60	60	60	41	41
Width of product (mm)	590	590	590	900	900
Depth of product (mm)	520	520	520	510	510
Height of product (mm)	55	55	55	51	51
Internal Code	33800869	33801037	33800842	33800830	33800824
EAN Code	8016361803930	8016361803947	8016361803978	8016361799264	8016361799158



## Hobs

PRODUCT DESCRIPTION	CH 742 B	CH 64 C	CH 64 MX	PV 750 SX	PV 750 SN	PV 640 SX	PV 640 SN
Typology	High Light	High Light	High Light	5 Gas	5 Gas	4 Gas	4 Gas
Finish	-	-	Inox	Inox	Black	Inox	Black
<b>MAIN CHARACTERISTICS</b>							
Cooking Zones	4	4	4	5	5	4	4
Gas Burners	-	-	-	5	5	4	4
Quadruple ring burners	-	-	-	1	1	-	-
Triple ring burners	-	-	-	-	-	-	-
Ultra rapid burners	-	-	-	-	-	-	-
Rapid burners	-	-	-	2	2	2	2
Semi rapid burners	-	-	-	2	2	2	2
Auxiliary burner	-	-	-	-	-	-	-
Electric hotplates	-	-	-	-	-	-	-
Integrated ignition	-	-	-	•	•	•	•
Gas safety control	-	-	-	•	•	•	•
Knob Control	-	-	•	•	•	•	•
Digital Controls	•	-	-	-	-	-	-
End of Cooking Timer	-	-	-	-	-	-	-
Hot Hob Warning Lights	•	•	•	-	-	-	-
<b>TECHNICAL DATA</b>							
Power developed burners (kW)	-	-	-	12000	12000	8500	8500
Quadruple ring burners (kW)	-	-	-	3500	3500	-	-
Triple ring burners (kW)	-	-	-	-	-	-	-
Ultra rapid burners (kW)	-	-	-	-	-	-	-
Rapid burners (kW)	-	-	-	2500	2500	2500	2500
Semi rapid burners (kW)	-	-	-	1750	1750	1750	1750
Auxiliary burner (kW)	-	-	-	-	-	-	-
Electric hotplates (mm / kW)	-	-	-	-	-	-	-
Electric hotplates (mm / kW)	-	-	-	-	-	-	-
Total Consumption (kW)	7600	6500	6500	-	-	-	-
Datas of Bottom Left Heating Element (mm / kW)	130-220/750+1450	155 / 1200	155 / 1200	-	-	-	-
Datas of Top Left Heating Element (mm / kW)	190 / 1800	220 / 2300	220 / 2300	-	-	-	-
Datas of Top Right Heating Element (mm / kW)	155 / 1200	190 / 1800	190 / 1800	-	-	-	-
Datas of Bottom Right Heating Element (mm / kW)	180-275/900+1500	155 / 1200	155 / 1200	-	-	-	-
Datas of Middle Heating Element (mm / kW)	-	-	-	-	-	-	-
Voltage (V)	220	220	220	-	-	-	-
Frequency (Hz)	50	50	50	-	-	-	-
Width of cavity (mm)	560	560	560	745	745	597	597
Depth of cavity (mm)	490	490	490	560	560	560	560
Height of cavity (mm)	60	60	60	480	480	480	480
Width of product (mm)	770	590	590	745	745	597	597
Depth of product (mm)	520	520	520	510	510	512	512
Height of product (mm)	55	55	55	46	46	46	46
Internal Code	33801017	33801009	33801007	33800206	33800207	33800201	33800200
EAN Code	8016361827974	8016361827899	8016361827875	8016361722935	8016361712942	8016361712881	8016361712874

## Hobs

PRODUCT DESCRIPTION	PG 953 SX	PG 953 X	PG 952 SXGH	PSL 750 SX	PM 942 SXAR
Typology	5 Gas	5 Gas	5 Gas	5 Gas	4 Gas + 2 Hotplate
Finish	Stainless Steel	Stainless Steel	Stainless Steel	Stainless Steel	Aluminium
<b>MAIN CHARACTERISTICS</b>					
Cooking Zones	5	5	5	5	6
Gas Burners	5	5	5	5	4
Quadruple ring burners	-	-	-	-	-
Triple ring burners	1	1	1 Dual	1 Dual	-
Ultra rapid burners	-	-	-	-	-
Rapid burners	1	1	1	-	1
Semi rapid burners	2	2	2	2	2
Auxiliary burner	1	1	1	2	1
Electric hotplates	-	-	-	-	2
Integrated ignition	•	•	•	•	•
Gas safety control	•	-	•	•	•
Knob Control	•	•	•	•	•
Digital Controls	-	-	-	-	-
End of Cooking Timer	-	-	-	-	-
Hot Hob Warning Lights	-	-	-	-	-
<b>TECHNICAL DATA</b>					
Power developed burners (kW)	11300	11300	11700	9700	7500
Quadruple ring burners (kW)	-	-	-	-	-
Triple ring burners (kW)	3800	3800	4200	4200	-
Ultra rapid burners (kW)	-	-	-	-	-
Rapid burners (kW)	3000	3000	3000	3000	3000
Semi rapid burners (kW)	1750	1750	1750	1750	1750
Auxiliary burner (kW)	1000	1000	1000	1000	1000
Electric hotplates (mm / kW)	-	-	-	-	180 / 1500
Electric hotplates (mm / kW)	-	-	-	-	185 / 2000
Total Consumption (kW)	-	-	-	-	-
Datas of Bottom Left Heating Element (mm / kW)	-	-	-	-	-
Datas of Top Left Heating Element (mm / kW)	-	-	-	-	-
Datas of Top Right Heating Element (mm / kW)	-	-	-	-	-
Datas of Bottom Right Heating Element (mm / kW)	-	-	-	-	-
Datas of Middle Heating Element (mm / kW)	-	-	-	-	200
Voltage (V)	-	-	-	-	60
Frequency (Hz)	830	830	830	700	830
Width of cavity (mm)	480	480	480	480	480
Depth of cavity (mm)	40	40	40	70	53
Height of cavity (mm)	860	860	860	740	860
Width of product (mm)	510	510	510	510	510
Depth of product (mm)	35	35	35	65	45
Height of product (mm)	55	55	55		
Internal Code	33800859	33800826	33800825	33800329	33800833
EAN Code	8016361810600	8016361799172	8016361799165	8016361724242	8016361799295

# Hobs

PRODUCT DESCRIPTION	CPG 64 SQPX	CPG 64 SPX
Typology	4 Gas	4 Gas
Finish	Stainless Steel	Stainless Steel
<b>MAIN CHARACTERISTICS</b>		
Cooking Zones	4	4
Gas Burners	4	4
Quadruple ring burners	1	-
Triple ring burners	-	-
Ultra rapid burners	-	1
Rapid burners	1	1
Semi rapid burners	1	1
Auxiliary burner	1	1
Electric hotplates	-	-
Integrated ignition	•	•
Gas safety control	•	•
Knob Control	•	•
Digital Controls	-	-
End of Cooking Timer	-	-
Hot Hob Warning Lights	-	-
<b>TECHNICAL DATA</b>		
Power developed burners (kW)	9250	8750
Quadruple ring burners (kW)	4000	-
Triple ring burners (kW)	-	-
Ultra rapid burners (kW)	-	3500
Rapid burners (kW)	2500	2500
Semi rapid burners (kW)	1750	1750
Auxiliary burner (kW)	1000	1000
Electric hotplates (mm / kW)	-	-
Electric hotplates (mm / kW)	-	-
Total Consumption (kW)	-	-
Datas of Bottom Left Heating Element (mm / kW)	-	-
Datas of Top Left Heating Element (mm / kW)	-	-
Datas of Top Right Heating Element (mm / kW)	-	-
Datas of Bottom Right Heating Element (mm / kW)	-	-
Datas of Middle Heating Element (mm / kW)	-	-
Voltage (V)	-	-
Frequency (Hz)	-	-
Widht of cavity (mm)	560	560
Depth of cavity (mm)	480	480
Heigth of cavity (mm)	60	60
Width of product (mm)	595	595
Depth of product (mm)	510	510
Heigth of product (mm)	35	35
Internal Code	33800957	33800956
EAN Code	8016361824546	8016361824539

## Hobs

PRODUCT DESCRIPTION	CLG 64 SPX	CLG 64 PX	PLE 64 X	PL 40 ASXGH
Typology	4 Gas	4 Gas	4 Hotplates	4 Gas
Finish	Stainless Steel	Stainless Steel	Stainless Steel	Stainless Steel
<b>MAIN CHARACTERISTICS</b>				
Cooking Zones	4	4	4	4
Gas Burners	4	4	-	4
Quadruple ring burners	-	-	-	-
Triple ring burners	-	-	-	-
Ultra rapid burners	1	1	-	-
Rapid burners	1	1	-	1
Semi rapid burners	2	2	-	2
Auxiliary burner	1	1	-	1
Electric hotplates	-	-	4	-
Integrated ignition	•	•	-	•
Gas safety control	•	-	-	•
Knob Control	•	•	•	•
Digital Controls	-	-	-	-
End of Cooking Timer	-	-	-	-
Hot Hob Warning Lights	-	-	-	-
<b>TECHNICAL DATA</b>				
Power developed burners (kW)	7100	7100	7000	7500
Quadruple ring burners (kW)	-	-	-	-
Triple ring burners (kW)	-	-	-	-
Ultra rapid burners (kW)	-	-	-	-
Rapid burners (kW)	2700	2700	-	3000
Semi rapid burners (kW)	1700	1700	-	1700
Auxiliary burner (kW)	1000	1000	-	1000
Electric hotplates (mm / kW)	-	-	145 / 1500 (x2)	-
Electric hotplates (mm / kW)	-	-	180 / 2000 (x2)	-
Total Consumption (kW)	-	-	-	-
Datas of Bottom Left Heating Element (mm / kW)	-	-	-	-
Datas of Top Left Heating Element (mm / kW)	-	-	-	-
Datas of Top Right Heating Element (mm / kW)	-	-	-	-
Datas of Bottom Right Heating Element (mm / kW)	-	-	-	-
Datas of Middle Heating Element (mm / kW)	-	-	-	-
Voltage (V)	-	-	-	-
Frequency (Hz)	-	-	-	-
Width of cavity (mm)	560	560	560	560
Depth of cavity (mm)	480	480	480	480
Height of cavity (mm)	60	60	40	40
Width of product (mm)	585	585	585	585
Depth of product (mm)	510	510	510	510
Height of product (mm)	82	82	37	33
Internal Code	33800970	33800967	33800724	33800619
EAN Code	8016361824898	8016361824867	8016361785359	8016361768833

## Hobs

PRODUCT DESCRIPTION	CDH 32 X	CDB 30 X	CDF 30 X	CDG 31 SPX	CDG 32 SPX	CDE 32 X
Typology	Vitroceraamic w/knobs	BBQ	Fryer	1 gas burner	2 gas burner	2 electric plates
Finish	Glass/Inox	Inox	Inox	Inox	Inox	Inox
<b>MAIN CHARACTERISTICS</b>						
Energy input	Electric	Electric	Electric	Gas + Electric	Gas + Electric	Electric
Knobs colour	Inox	Inox	Inox	Inox	Inox	Inox
Hob color	Glass/Inox	Inox	Inox	Inox	Inox	Inox
Flame failure safety device	-	-	-	•	•	-
Burners ignition	-	-	-	Under-knob	Under-knob	-
Residual heat light	•	-	-	-	-	-
No. of cooking zones	2	1	1	1	2	2
1st cooking zone location	Front	Central	Central	Central	Front	Front
<b>TECHNICAL DATA</b>						
1st cooking zone specification	Mono circuit vitroc. plate	Barbecue	Fryer	Wok burner	Auxiliary burner	Rapid electric plate
1st cooking zone dimensions	Ø140 mm	220x320 mm	300x150 mm	Ø130 mm	Ø55 mm	Ø145 mm
1st cooking zone power	1.2 kW	2.4kW	2.3kW	3.8kW	1.0kW	1.5kW
2nd cooking zone location	Rear	-	-	-	Rear	Rear
2nd cooking zone specification	Mono circuit vitroc. plate	-	-	-	Rapid burner	Normal electric plate
2nd cooking zone dimensions	Ø180 mm	-	-	-	Ø100 mm	Ø180 mm
2nd cooking zone power	1.8 kW	-	-	-	3.0kW	1.5kW
Total power of cooking zones	3.0 kW	2.4kW	2.3 kW	3.8kW	4.0kW	3.0 kW
Electrical connection rating (kW)	3.0 kW	2.4kW	2.3 kW	0.6W	0.6W	3.0 kW
Isolation bottom case	-	-	-	-	-	-
Isolation rock whool	-	-	-	-	-	•
Widht of cavity (mm)	490	490	490	490	490	490
Depth of cavity (mm)	45	45	45	45	45	45
Heigth of cavity (mm)	270	270	270	270	270	270
Width of product (mm)	510	510	510	510	510	510
Depth of product (mm)	40	40	40	40	40	40
Heigth of product (mm)	290	290	290	290	290	290
Customer Code	33800980	33800975	33800974	33800976	33800977	33800978
EAN Code	8016361825284	8016361825239	8016361825222	8016361825246	8016361825253	8016361825260

## Hoods

PRODUCT DESCRIPTION	CGM 91 X	CGM 61 X	CVM 95 X	CVM 65 X	CMD 94 X	CDH 90 X	CCE 19 X	CCE16 X
Type	Decor	Decor	Decor	Decor	Decor	Chimney Round	Chimney	Chimney
Colour	Inox	Inox	Inox	Inox	Inox	Inox	Inox	Inox
<b>END USER COMFORT</b>								
Lights	2x20 W Halogen	2x20 W Halogen	2x20 W Halogen	2x20 W Halogen	2x20 W Halogen	2x40 W Standard	2x20 W Standard	2x40 W Standard
Controls	Push Button	Push Button	Push Button	Push Button	Electronic	Slider	Slider	Push Button
Filters	1 Aluminium Panel	1 Aluminium Panel	2 Aluminium Panel	2 Aluminium Panel	3 Aluminium Panel	1 Aluminium Panel	3 Aluminium Panel	2 Aluminium Panel
Plug	-	-	-	-	-	-	-	-
No return valve	-	-	-	-	•	•	•	•
Speeds	3	3	3	3	4	4	3	3
<b>TECHNICAL FEATURES</b>								
Extraction Flow Rate (EN 61591) m3/h	700	450	700	550	800	800	550	450
Noise Level dB(A)	37	37	40	40	45	46	37	37
Air outlet diameter (mm)	Ø 150	Ø 150	Ø 150	Ø 150	Ø 150	Ø 150	Ø 150	Ø 150
Motor (W)	150	150	160	160	135	135	135	150
Width (cm)	90	60	90	60	90	90	90	60
Product Code	36900190	36900211	36900210	36900218	38006359	36900057	36900134	36900135
EAN Code	8016361781900	8016361794078	8016361782181	8016361803053	8016361057234	8016361724167	8016361724167	8016361764149

# Hoods

PRODUCT DESCRIPTION	CFT 92 X	CFT 62 X	CFT 910 S	CFT 610 N	CFT 610 S
Type	Standard	Standard	Standard	Standard	Standard
Colour	Inox	Inox	Inox	Black	Inox
<b>END USER COMFORT</b>					
Lights	2x40 W Standard	2x40 W Standard	2x40 W Standard	2x20 W Standard	2x20 W Standard
Controls	Push Button	Push Button	Slider	Slider	Slider
Filters	1 Aluminium Panel	1 Aluminium Panel	1 Aluminium Panel	1 Aluminium Panel	1 Aluminium Panel
Plug	-	-	-	-	-
No return valve	•	•	•	•	•
Speeds	3	3	3	3	3
<b>TECHNICAL FEATURES</b>					
Extraction Flow Rate (EN 61591) m3/h	400	400	240	240	240
Noise Level dB(A)	44	44	37	37	37
Air outlet diameter (mm)	Ø 123	Ø 123	Ø 123	Ø 123	Ø 123
Motor (W)	300	200	120	120	120
Width (cm)	90	60	90	60	60
Product Code	36900087	38006193	36900242	36900216	36900214
EAN Code	8016361741386	8016361057074	8016361814752	8016361802384	8016361802360

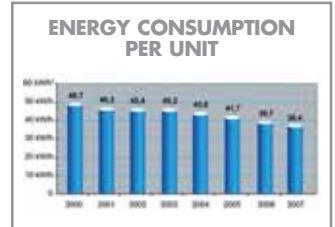
# ENVIRONMENTAL PROTECTION

## CANDY IS ACTIVE ON TWO FRONTS

IN LABORATORIES AND MANUFACTURING PLANTS, WHERE IT SPECIFICALLY DESIGNS AND MANUFACTURES WASHING MACHINES THAT SAVE ENERGY, WATER AND DETERGENT, AND REQUIRE LESS ENERGY DURING PRODUCTION. THE ENERGY CONSUMED IN THE MANUFACTURING PLANTS OF THE GROUP FOR THE MANUFACTURING OF A SINGLE DOMESTIC APPLIANCE HAS DECREASED 21% COMPARED WITH THE YEAR 2000. THE EMISSIONS OF CO<sub>2</sub> (THE GAS THAT CAUSES THE GREENHOUSE EFFECT AND ACCOUNTS FOR GLOBAL WARMING) HAVE BEEN REDUCED BY 29% (1).

BUT ALSO IN THE HOMES OF CUSTOMERS, WHO ARE NOW ABLE TO CUT THEIR ENERGY EXPENSES BECAUSE OF THE GREATER ENERGY EFFICIENCY OF THE NEW MODELS OF CANDY'S APPLIANCES FOR EXAMPLE COMPARED TO THE 1995 MODELS, CANDY WASHING MACHINES WITH A+ CLASS ENERGY EFFICIENCY, CONSUME ON AVERAGE 33% LESS POWER (2).

CANDY'S APPLIANCES ARE DESIGNED TO MEET THE MOST DEMANDING REQUIREMENTS FOR TO USERS, BESIDES BEING «ENVIRONMENTALLY FRIENDLY» AND COMPLIANT WITH THE MOST STRINGENT REQUIREMENTS. GRANDÓ, FOR EXAMPLE, HAS BEEN AWARDED IN 2006, IN GERMANY FOR BEING THE MOST ENVIRONMENTALLY FRIENDLY DOMESTIC APPLIANCE. THIS LEVEL OF EXCELLENCE HAS BEEN AGAIN CONFIRMED IN 2007 WITH THE AWARDING OF THE FIRST PRIZE OF ECO TOP-TEN (3) CLASSIFICATION.



GRANDÓ WASHING MACHINES WITH CAPACITIES OF 6 AND 5 KG ARE MORE ECONOMIC BECAUSE THEY CONSUME A MINIMUM AMOUNT OF ENERGY AS COMPARED TO 200 MODELS OF 23 MANUFACTURERS. DISWASHERS MACHINES FOR 15 PLACE SETTINGS CONSUME THE LOWEST AMOUNT OF ENERGY AND ARE SECOND IN TERMS OF WATER SAVINGS. THESE RESULTS ARE BASED ON TESTS CARRIED OUT BY WATERWISE, A PRIVATE AGENCY THAT OPERATES IN THE UK.

COMMITMENT TOWARDS THE ENVIRONMENT GOES BEYOND PRODUCTS: CANDY GROUP HAS IN FACT SUBSCRIBED THE CONDUCT CODE ISSUED IN 2005 BY CECE, THE ASSOCIATION THAT GROUPS ALL EUROPEAN MANUFACTURERS OF DOMESTIC APPLIANCES. CANDY GROUP GUARANTEES EQUAL OPPORTUNITIES AND FAIR WORKING CONDITIONS, WHICH ARE REQUIREMENTS THAT MUST BE MET ALSO BY SUPPLIERS, AND UNDERTAKES ALSO POSSIBLE INITIATIVES TO PROTECT THE ENVIRONMENT. RESULTS ARE SUMMARIZED IN THE ANNUAL SOCIAL SUSTAINABILITY REPORT THAT IS PUBLISHED ON THE WEB SITE AT WWW.CANDY-GROUP.COM



THERE IS ALSO ANOTHER ENVIRONMENTAL INDEX THAT APPLIES TO COMPANIES AND USERS MANUFACTURING OR USING APPLIANCES, WHICH SPECIFIES MANAGEMENT, OPERATING AND LIFESTYLE CRITERIA: THE SO-CALLED "CARBON FOOTPRINT", THAT IS THE AMOUNT OF CO<sub>2</sub> RELEASED INTO THE ATMOSPHERE BY THE POWER STATIONS THAT PRODUCE THE ENERGY REQUIRED FOR MANUFACTURING, ACTIONS, BUT ALSO THE AMOUNT RELEASED BY CARS, TRAINS, SHIPS AND AIRCRAFT USED FOR TRANSPORTATION PURPOSES.

REDUCING THE CARBON FOOTPRINT IS A MORAL AND SOCIAL DUTY TO WHICH CANDY GROUP HAS ALREADY SUBSCRIBED. THE REDUCTION OF CONSUMPTION DURING PRODUCTION AND USAGE OF CANDY'S APPLIANCES HAS ALREADY CONTRIBUTED TO THE REDUCTION OF AT LEAST ONE THIRD OF THE CARBON FOOTPRINT (4)

