



12-Slot Media Converter Chassis

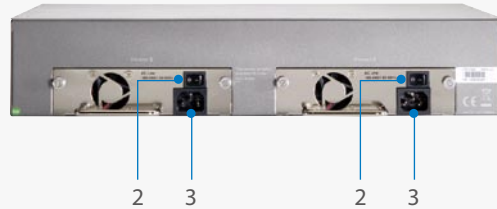
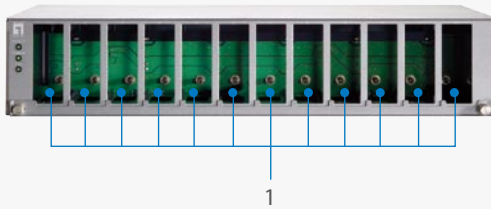


CVH-3000

H/W Version: 1

The 19-inch Media Converter Rack, CVH-3000 is designed to accommodate 12 units of Web Smart Series media converters at a central location for multiple segments cross connection.

The Rack provides solutions for users to best manage media converters. Since converter is connected directly to the chassis main-board, no power cable or wire is required for connection. Moreover, a redundant power supply is offered in the power supply set to cope with any accidental breakdown of power supply.



1. Smart Converter Slots
2. Power Switch
3. AC power jack

Key Features

- 19inch Rack mount size
- Support 12units of various type Web Smart Media Converters
- 2 x Redundant Power Units supported

Works Well With



FVS-3800
10/100BASE-TX to 100BASE-X
SFP Converter



GVS-3800
10/100/1000BASE-T to
1000BASE-X SFP Converter



Technical Specifications

Interface

Slot Capacity: 12 Slide-in units
LED Indicators

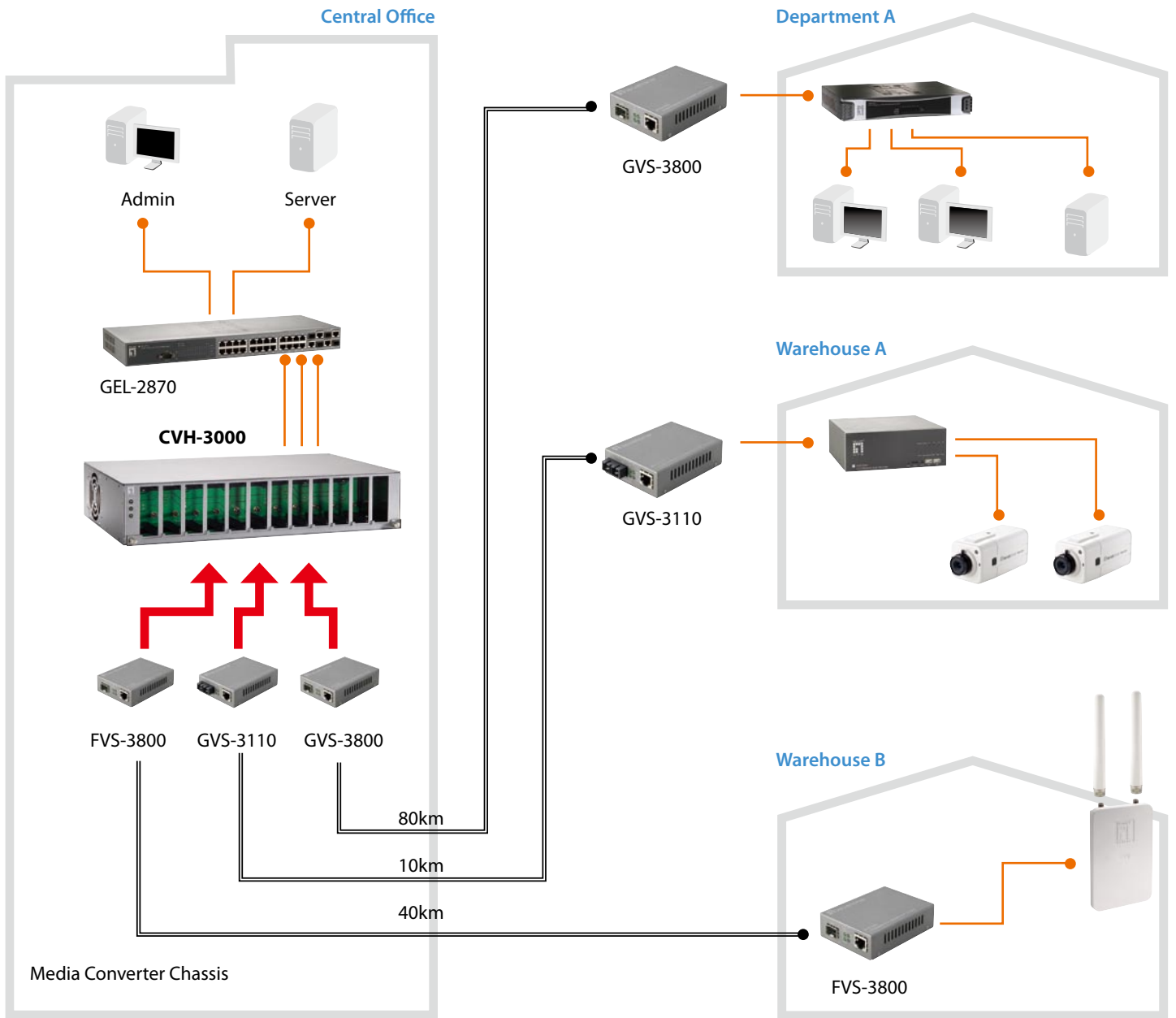
Power Specification

Power: Redundant Power
AC Power Input: 100~240VAC, 50~60Hz
Power Consumption: 60W

Hardware

Ambient Temperature: 0~50°C
Storage Temperature: -10~70°C
Humidity: 5~90%
Dimensions (W*D*H): 440 x 258.6 x 89 mm
Chassis Weight: 4.25kg
Certification: FCC Part 15 Class A & CE Mark

Dimension Diagram



— Cat.5 UTP
— Fiber

Order Information

Package Contents

CVH-3000 : 12-Slot Media Converter Chassis

Smart Converter Chassis with 2 x AC PSU

Power Cord

CD Manual

Optional Accessories



FVS-3800
10/100BASE-TX to
100BASE-X SFP Converter



FVS-3200
10/100BASE-TX to 100BASE-
FX MMF SC Converter



FVS-3120
10/100BASE-TX to 100BASE-
LX SMF SC Converter



GVS-3800
10/100/1000BASE-T to
1000BASE-X SFP Converter



GVS-3200
10/100/1000BASE-T to
1000BASE-SX MMF SC
Converter



GVS-3110
10/100/1000BASE-T to
1000BASE-LX10 SMF SC
Converter

All mentioned brand names are registered trademarks and property of their owners. Technical specifications are subject to change without notice.

© Copyright Digital Data Communications GmbH. All Rights Reserved.