



Setup Guide



Copyright © 2002, Xerox Corporation. All Rights Reserved. Unpublished rights reserved under the copyright laws of the United States. Contents of this publication may not be reproduced in any form without permission of Xerox Corporation.

Copyright protection claimed includes all forms of matters of copyrightable materials and information now allowed by statutory or judicial law or hereinafter granted, including without limitation, material generated from the software programs which are displayed on the screen such as styles, templates, icons, screen displays, looks, etc.

XEROX®, The Document Company®, the stylized X, CentreWare®, DocuPrint®, Made For Each Other®, Phaser®, PhaserShare®, the TekColor® icon, and WorkSet® are registered trademarks of Xerox Corporation. infoSMART™, PhaserPort™, PhaserPrint™, PhaserSMART™, PhaserSym™, PhaserTools™, and the TekColor™ name are trademarks of Xerox Corporation.

Adobe®, Acrobat®, Acrobat® Reader®, Illustrator®, PageMaker®, Photoshop®, PostScript®, ATM®, Adobe Garamond®, Birch®, Carta®, Mythos®, Quake®, and Tekton® are registered trademarks and Adobe Jenson™, Adobe Brilliant Screens™ technology, and IntelliSelect™ are trademarks of Adobe Systems Incorporated or its subsidiaries which may be registered in certain jurisdictions.

Apple®, LaserWriter®, LocalTalk®, Macintosh®, Mac® OS, AppleTalk®, TrueType2®, Apple Chancery®, Chicago®, Geneva®, Monaco®, and New York® are registered trademarks, and QuickDraw™ is a trademark of Apple Computer Incorporated.

Marigold™ and Oxford™ are trademarks of AlphaOmega Typography.

Avery™ is a trademark of Avery Dennison Corporation.

PCL® and HP-GL® are registered trademarks of Hewlett-Packard Corporation.

Hoefler Text was designed by the Hoefler Type Foundry.

ITC Avant Guard Gothic®, ITC Bookman®, ITC Lubalin Graph®, ITC Mona Lisa®, ITC Symbol®, ITC Zapf Chancery®, and ITC Zapf Dingbats® are registered trademarks of International Typeface Corporation.

Bernhard Modern™, Clarendon™, Coronet™, Helvetica™, New Century Schoolbook™, Optima™, Palatino™, Stempel Garamond™, Times™, and Univers™ are trademarks of Linotype-Hell AG and/or its subsidiaries.

MS-DOS® and Windows® are registered trademarks of Microsoft Corporation.

Wingdings™ in TrueType® format is a product of Microsoft Corporation. WingDings is a trademark of Microsoft Corporation and TrueType is a registered trademark of Apple Computer, Inc.

Albertus™, Arial™, Gill Sans™, Joanna™, and Times New Roman™ are trademarks of Monotype Corporation.

Antique Olive® is a registered trademark of M. Olive.

Eurostile™ is a trademark of Nebiolo.

Novell® and NetWare® are registered trademarks of Novell, Incorporated.

Sun® and Sun Microsystems® are registered trademarks of Sun Microsystems, Incorporated. SPARC® is a registered trademark of SPARC International, Incorporated. SPARCstation™ is a trademark of SPARC International, Incorporated, licensed exclusively to Sun Microsystems, Incorporated.

UNIX® is a registered trademark in the US and other countries, licensed exclusively through X/Open Company Limited.

As an ENERGY STAR® partner, Xerox Corporation has determined that this product meets the ENERGY STAR guidelines for energy efficiency. The ENERGY STAR name and logo are registered U.S. marks.



This product uses code for SHA-1 written by John Halleck, which is being used with his permission.

This product includes an implementation of LZW licensed under U.S. Patent 4,558,302.

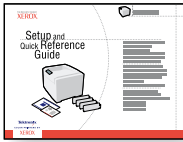
Other marks are trademarks or registered trademarks of the companies with which they are associated.

PANTONE® Colors generated by the Phaser 7300 Color Printer are four- and/or three-color process simulations and may not match PANTONE-identified solid color standards. Use current PANTONE Color Reference Manuals for accurate colors.

PANTONE Color simulations are only obtainable on this product when driven by qualified Pantone-licensed software packages. Contact Pantone, Inc. for a current list of qualified licensees.

Contents

Setup and Quick Reference Guide



7300-89

For instructions on how to unpack and set up your printer, see the *Setup and Quick Reference Guide* that ships with your printer. You can find a PDF file of the *Setup and Quick Reference Guide* on the **Interactive Documentation CD-ROM**.

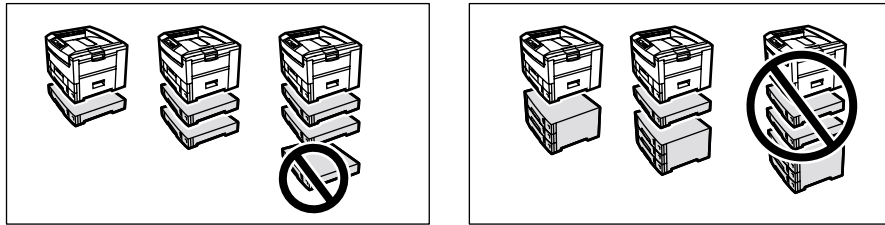
Lower Tray Configurations	1
Labeling the trays	2
Adding Memory	3
Installing a Hard Drive	5
Installing a Duplex Unit	7
Installing a 7300B to 7300N Upgrade Kit	8
Connection Setup	10
Moving	11

Supplies

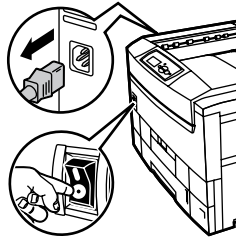
For a complete list of supplies and accessories for your Phaser® 7300 Color Printer, print the *Support Guide* on the **Interactive Documentation CD-ROM**.

Lower Tray Configurations

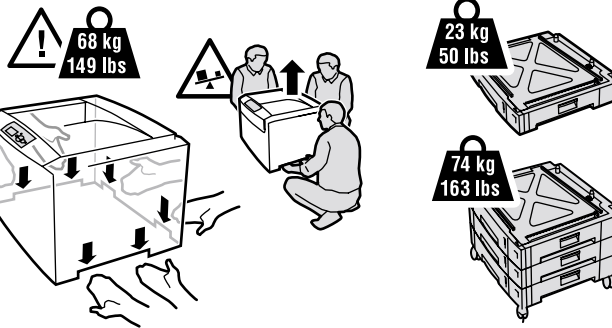
1



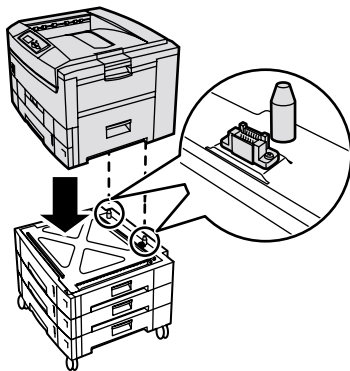
2



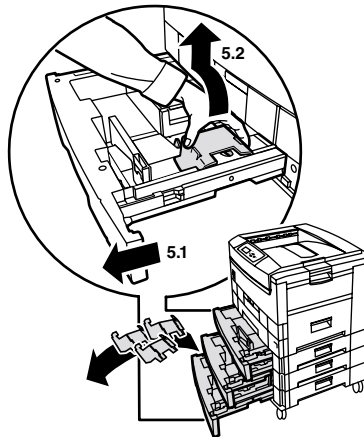
3



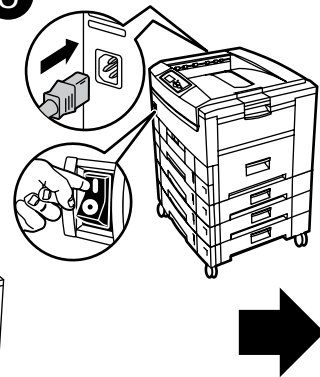
4



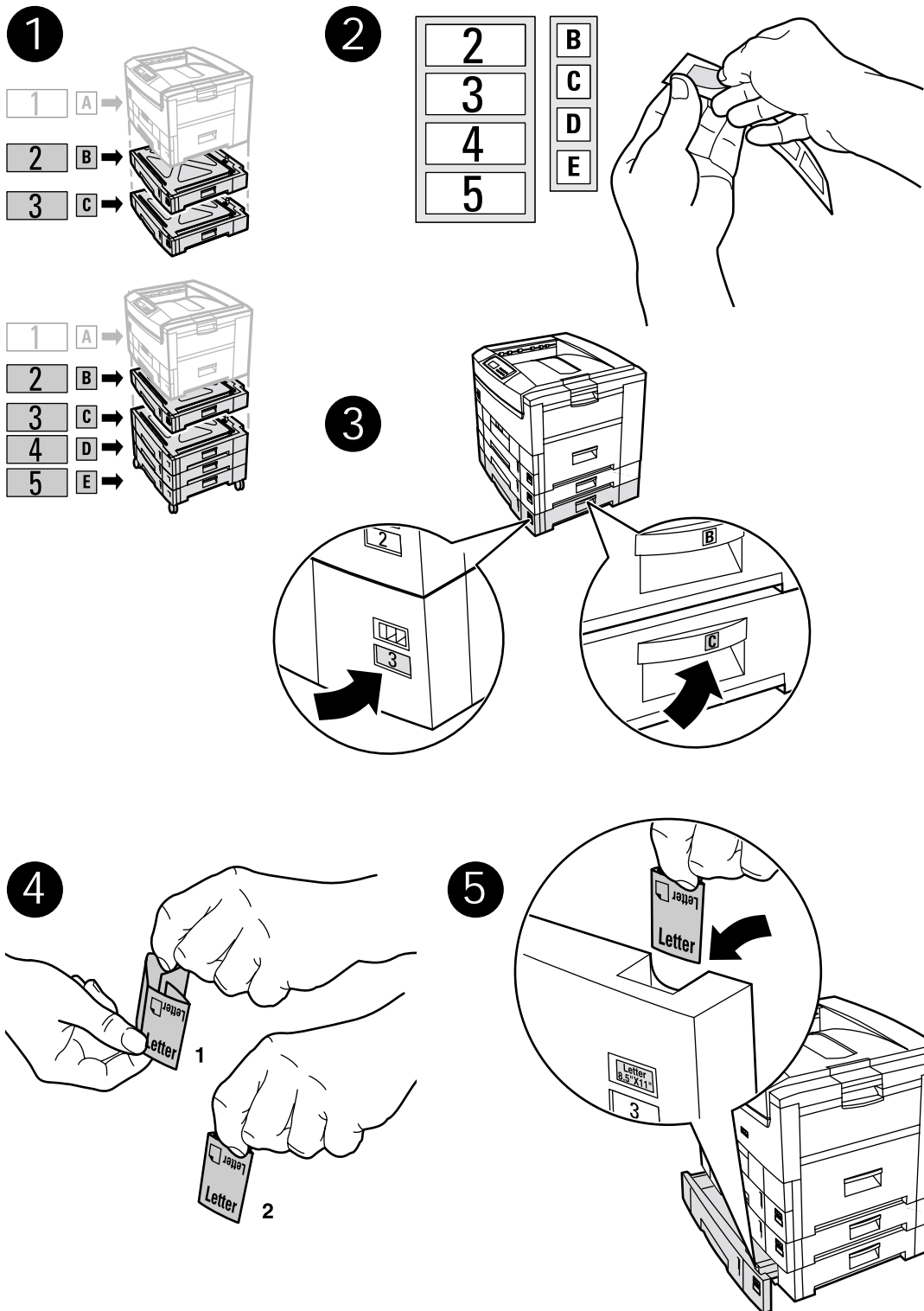
5



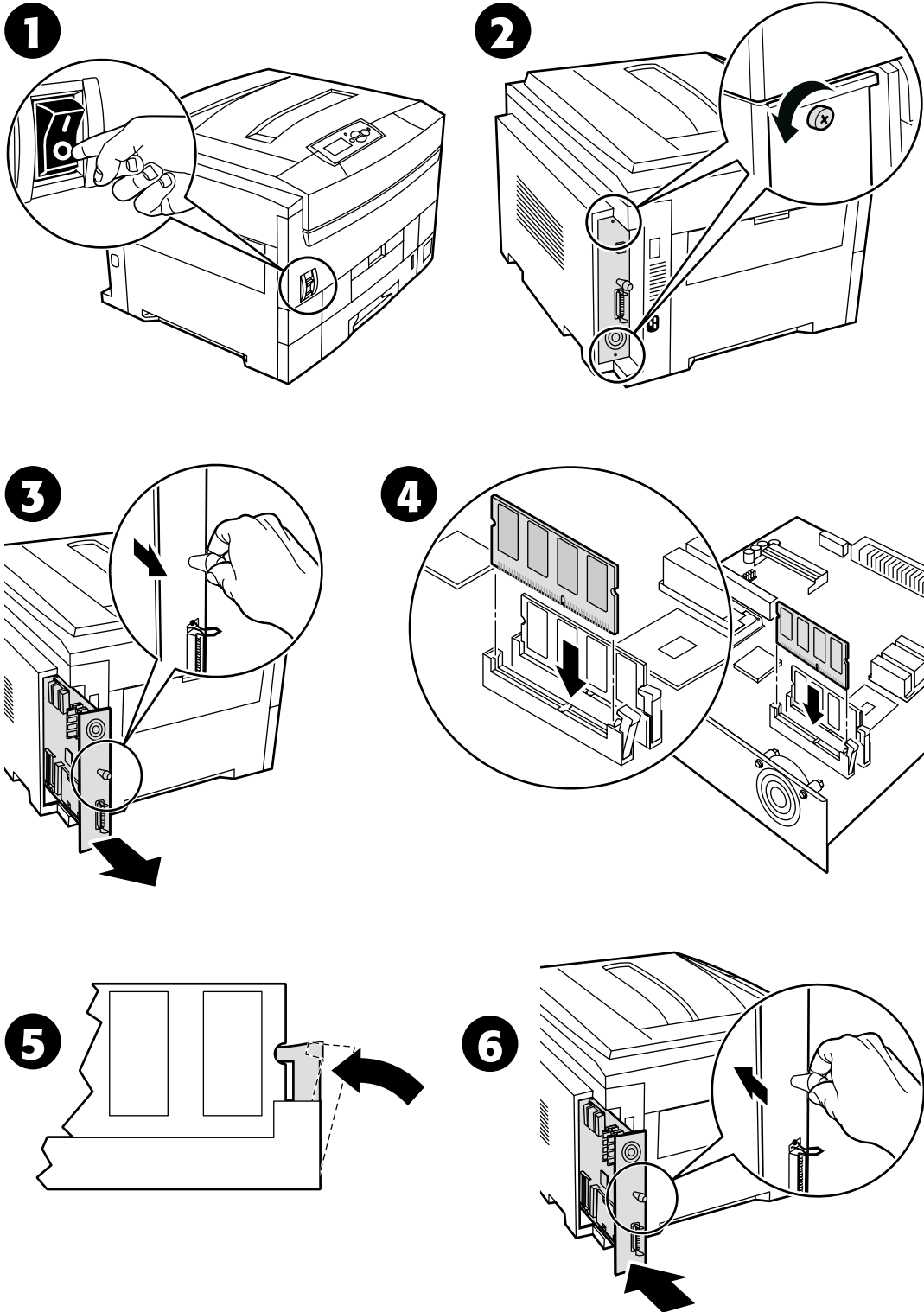
6

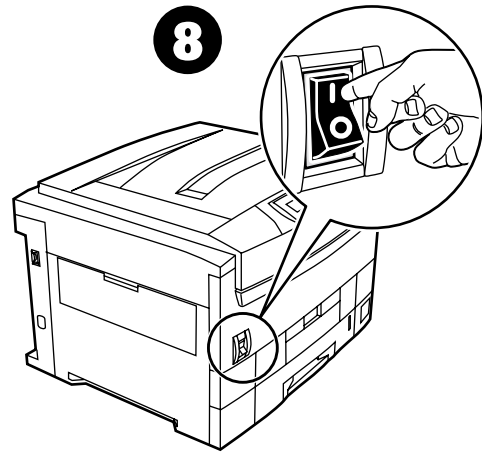
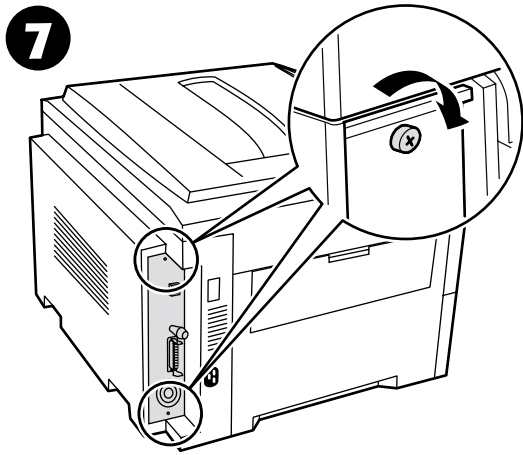


Labeling the trays

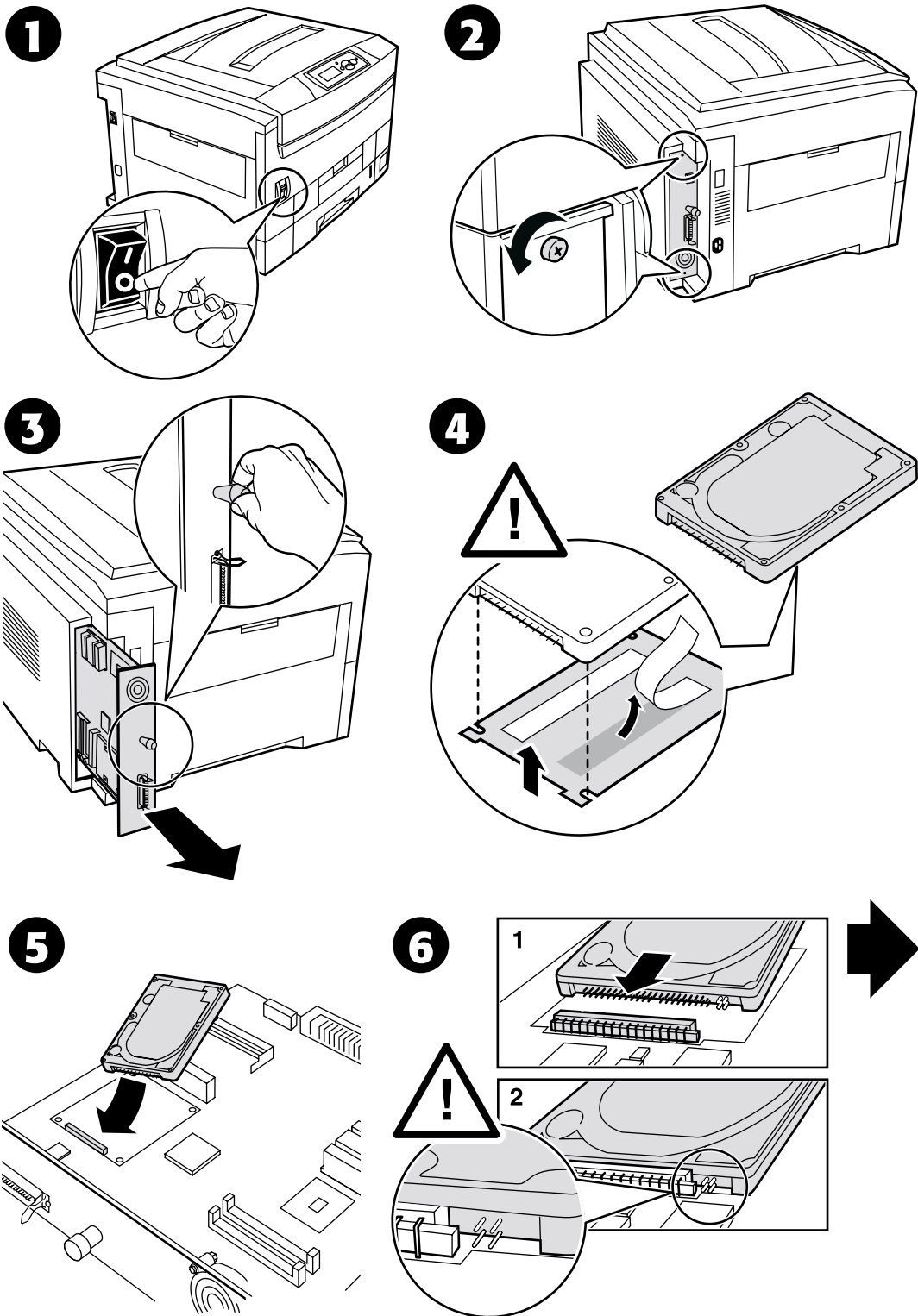


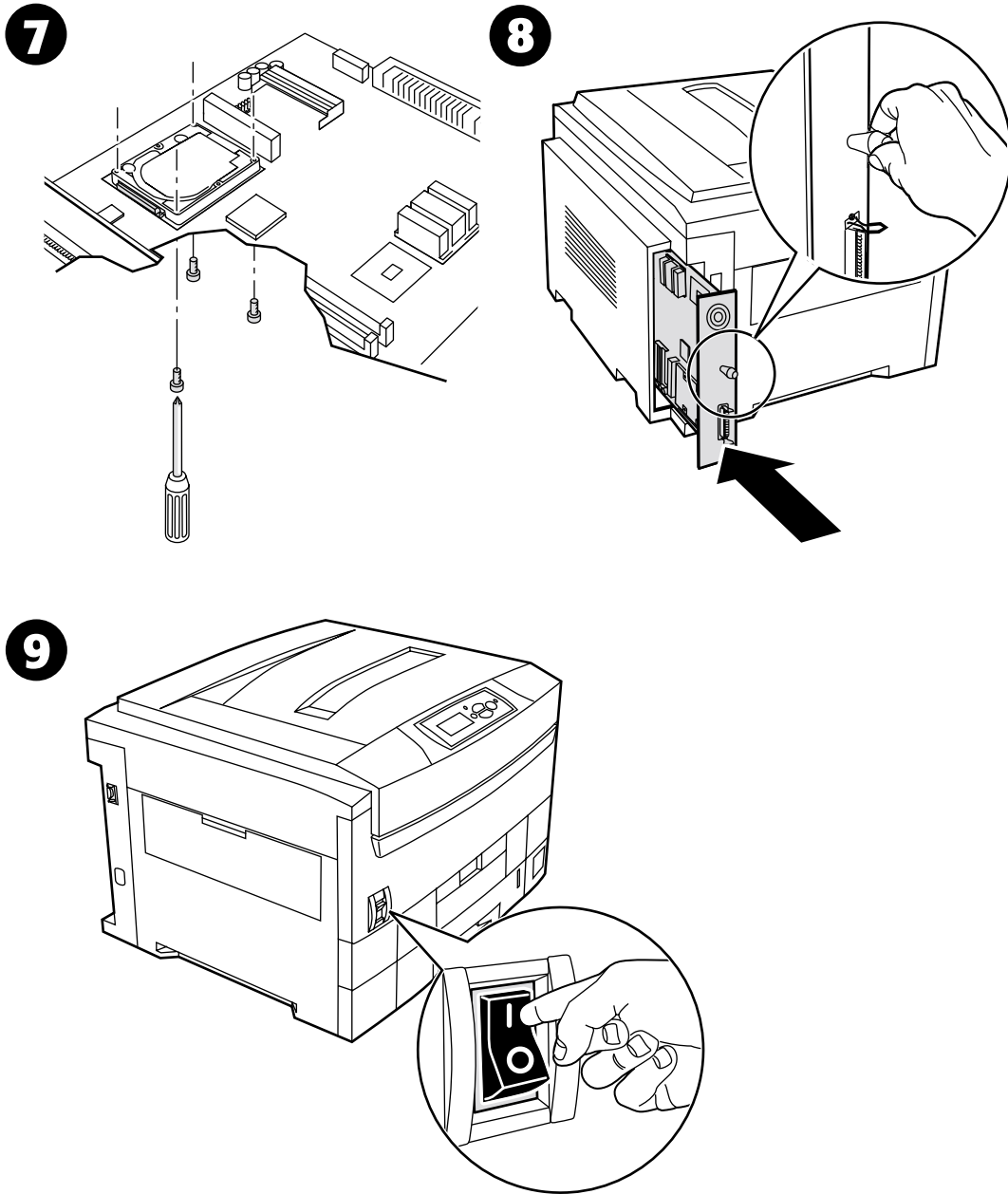
Adding Memory



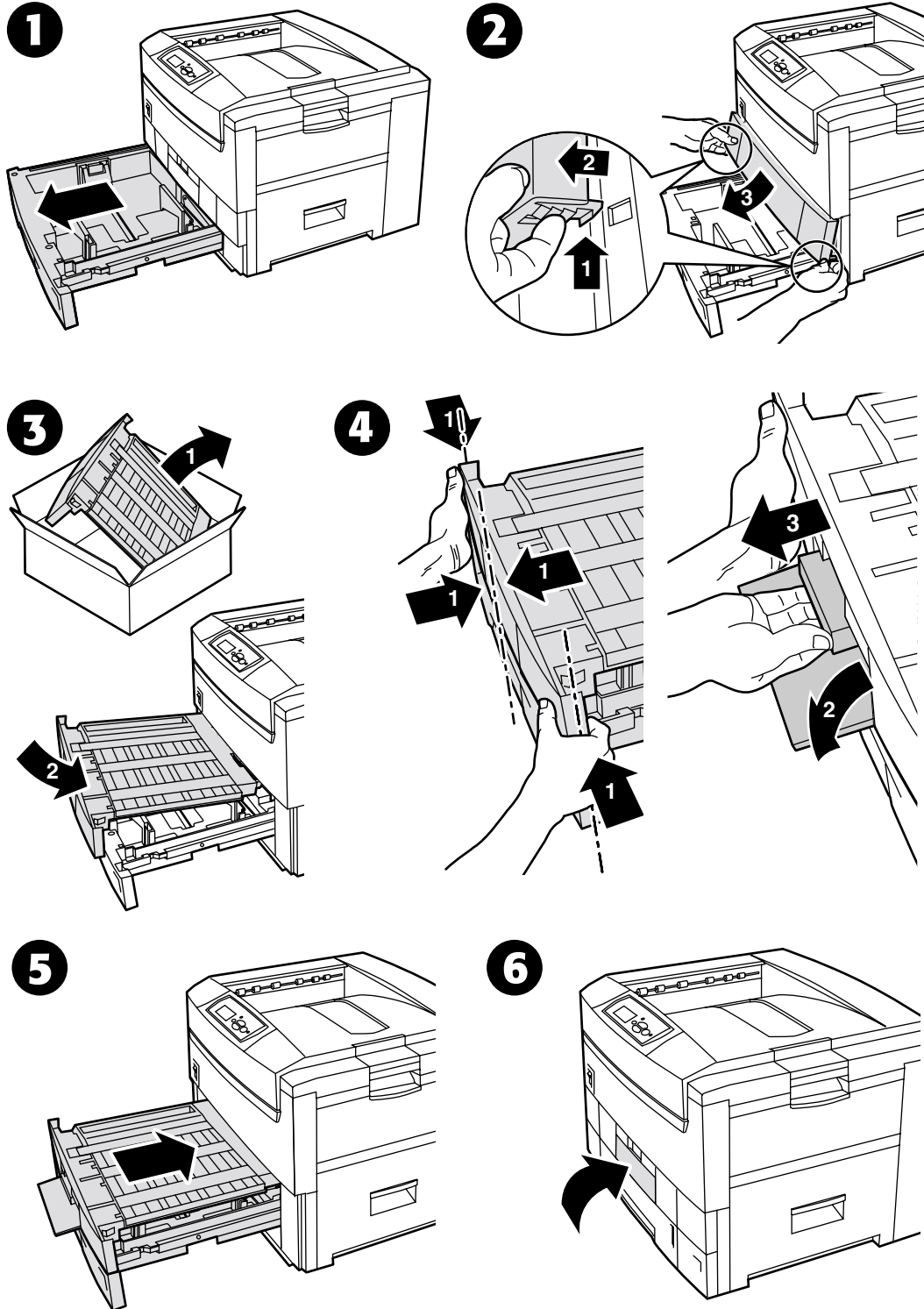


Installing a Hard Drive

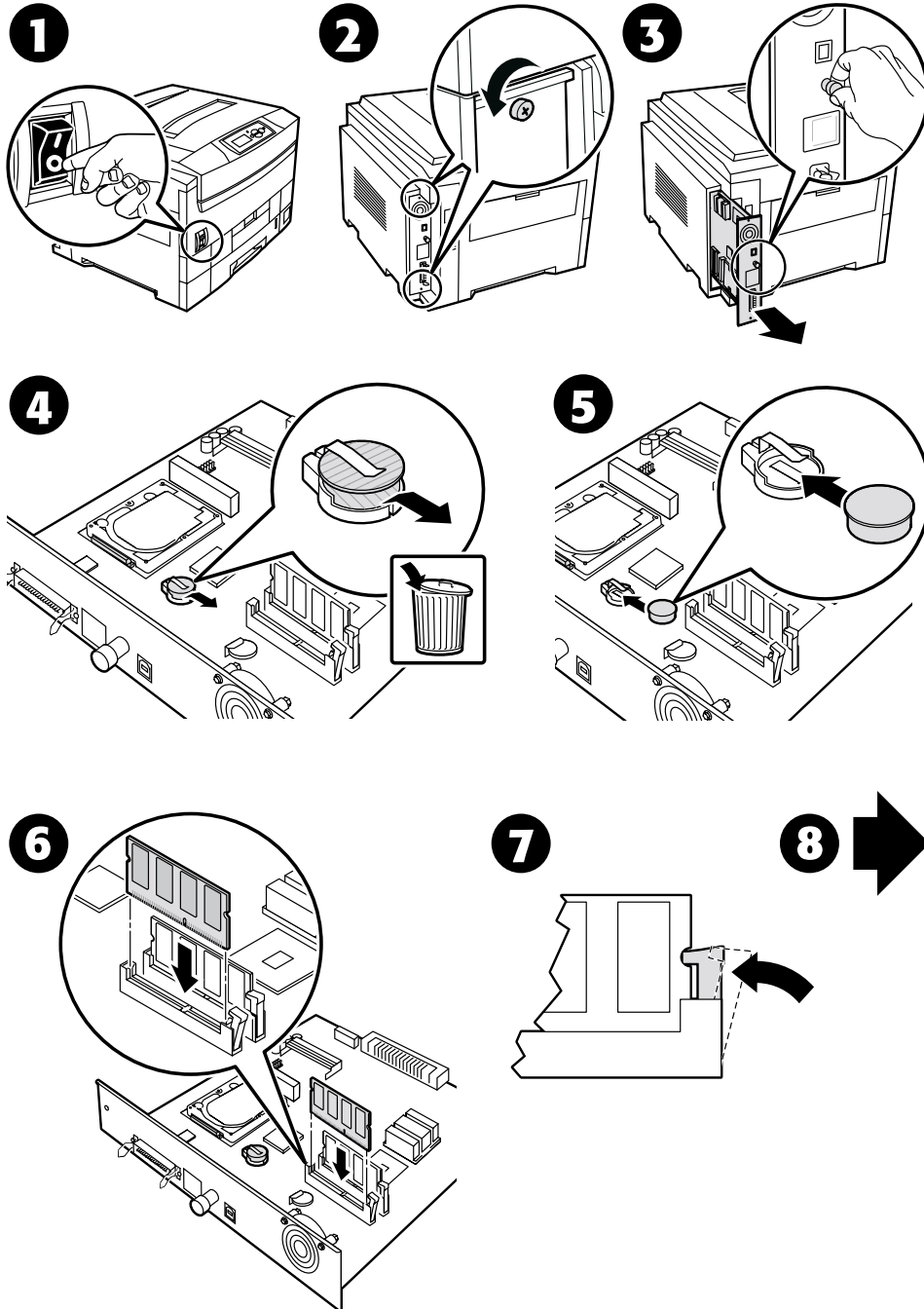




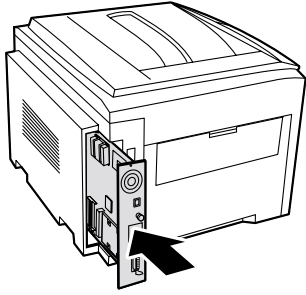
Installing a Duplex Unit



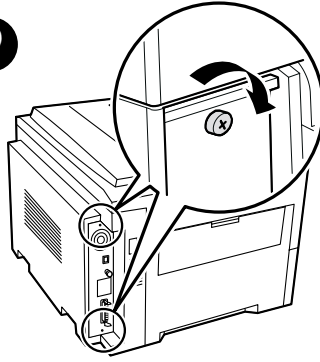
Installing a 7300B to 7300N Upgrade Kit



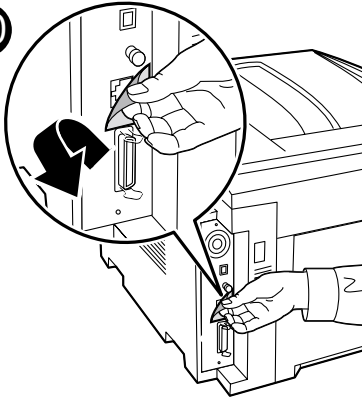
8



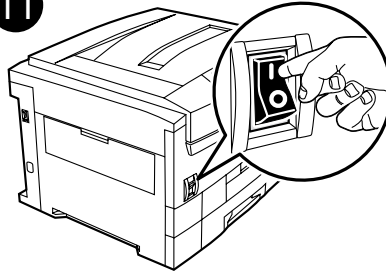
9



10

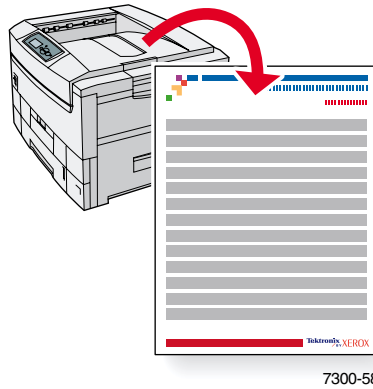


11



Connection Setup

A large amount of information is stored in your printer as printable pages. The following pages are samples of the printable page for this topic.



All the printable pages have this format, with color bars at the top and at the bottom of the page. Print these pages at the printer's front panel.

Accessing printable pages

Access these pages from the **Printable Pages Menu**:

1. At the front panel, scroll to the **Printable Pages Menu** using the **Down Arrow** or **Up Arrow** key and press the **OK** key.
2. Scroll to the desired printable page (such as **Connection Setup**) using the **Down Arrow** or **Up Arrow** key and press the **OK** key.

Menu Map

For a complete list of printable pages, print the Menu Map:

1. Select **Menus** on the front panel and press the **OK** key.
2. Select **Print Menu Map** and press the **OK** key.



PHASER® 7300 COLOR PRINTER

Connection Setup

USB Connection

The USB connection requires a standard A/B USB cable. The "A" end of the cable connects to the computer's USB port; the "B" end connects to the printer's USB port.

Windows 98 or later

Connect the USB cable to the PC and follow the Add New Hardware Wizard to create the USB port. Follow the Add Printer Wizard to install the printer driver from your printer's software CD-ROM. For more details, refer to the infoSMART Knowledge Base at www.xerox.com/officeprinting/infoSMART, Document # 18215.

Macintosh (requires OS 9.0.4 or later)

A USB-connected printer will not show in the Chooser. Install the printer driver from your printer's software CD-ROM. Use the Desktop Printer Utility (version 1.2 or later) to create a desktop USB printer. The utility is located in the PhaserTools folder created during the software install. For more details, refer to the infoSMART Knowledge Base at www.xerox.com/officeprinting/infoSMART, Document # 33225.

Parallel Connection

The printer's parallel connection uses a parallel cable to connect your computer's parallel port to the printer's parallel port. Install the printer driver from your printer's software CD-ROM. Select the appropriate LPT parallel port.

Ethernet Connection (recommended)

Network

Use an Ethernet connection with two twisted-pair (Category 5/RJ-45) cables and an Ethernet hub. Connect the computer to the hub with one cable and connect the printer to the hub with the second cable. Use any port on the hub except the uplink port. TCP/IP and EtherTalk are the most common protocols used with Ethernet cables. To print using TCP/IP, each computer and the printer requires a unique IP address. See Setting IP Addresses.

Standalone Use

Use a crossover cable to connect the printer directly to the computer via the Ethernet port.

Setting an IP address

If your computer is on a large network, contact your network administrator for the appropriate TCP/IP addresses and additional configurations.

If you are creating your own small Local Area Network, or connecting the printer directly to your computer over Ethernet, use this basic procedure. The printer and computer(s) should have unique IP addresses. It is important that the addresses are similar, but not the same. For example, your printer can have the address 192.168.1.2 while your computer has the address 192.168.1.3. Another device can have the address 192.168.1.4, and so on.

For more details, refer to the infoSMART Knowledge Base at www.xerox.com/officeprinting/infoSMART, Document # 18545.

Note: If you use the installer from your printer's software CD-ROM, the IP Address is set automatically.

To manually set the printer's IP address:

1. At the printer's front panel, select **Menus** and press **OK**.
2. Scroll to the **Connection Setup Menu** and press **OK**.
3. Scroll to **TCP/IP Address Menu** and press **OK**.
4. Scroll to **DHCP/BootP** and press **OK** until it displays **OFF**.
5. Scroll to **TCP/IP Address** and press **OK**.
6. Enter an IP address like the example above.
7. Scroll to **TCP/IP Network Mask** and press **OK**.
8. Enter a network (subnet) address. (If you use the IP address in the above example, set a Subnet Mask of 255.255.255.0)
9. Scroll to **TCP/IP Gateway** and press **OK**.
10. Enter a Gateway (router) address. (If you use the IP address in the above example, set a Gateway address of 192.168.1.1)
11. Scroll to **Exit** and press **OK**.

To set a static IP address on your computer:

Windows 95/98/Me

1. From the Start menu, right-click **Network Neighborhood** and select **Properties**.
2. On the **Configuration** tab, select the TCP/IP protocol for your network card, then select **Properties**.
3. On the **IP Address** tab, select **Specify an IP address**. Enter an IP address and Subnet Mask, and click **OK**. (If you use the IP address noted above, set a Subnet Mask of 255.255.255.0).
4. Click **OK** and restart Windows.

Windows 2000/XP

1. From the Start menu, right-click **My Network Places** and select **Properties**.
2. Right-click **Local Area Connection** and select **Properties**.
3. If you do not have TCP/IP available, you should first click **Add** and select **Protocol**. Click **Add** and select **Internet Protocol TCP/IP**.
4. On the **General** tab, select the TCP/IP protocol for your network card. Click **Properties**.
5. On the **General** tab, select **Use the following IP address**. Enter an IP address and Subnet Mask, and then click **OK**. (If you use the IP address in the above example, set a Subnet Mask of 255.255.255.0).
6. Click **OK** and restart Windows, if prompted.

Windows NT 4.x

1. From the start menu, right-click **Network Neighborhood** and select **Properties**.
2. On the **Protocols** tab, select **TCP/IP Protocol** and click **Properties**.
3. On the **IP Address** tab, select **Specify an IP Address**. Enter an IP Address and Subnet Mask in the field and click **OK**. (If you use the IP address noted above, set a Subnet Mask to 255.255.255.0)
4. Click **OK** and restart Windows.

Installing the Printer Driver

To download the latest printer drivers, access the Xerox web site at: www.xerox.com/officeprinting/support.

Windows 95/98/Me, Windows 2000/XP, and Windows NT 4.x

Install the printer driver from your printer's software CD-ROM. The software CD-ROM installer automatically installs and identifies the printer during the installation process.

For more details, refer to the infoSMART Knowledge Base at www.xerox.com/officeprinting/infoSMART, Document # 9178 for Windows 95/98/Me, Document # 36894 for Windows 2000, and Document # 11338 for Windows NT.

Macintosh

EtherTalk

If you use EtherTalk, Macintosh computers do not require IP addresses.

1. Open the **AppleTalk** Control Panel.
2. Verify that the **Ethernet** port is the selected network port.
3. To install the printer driver, double-click the installer on your printer's software CD-ROM.
4. Open the **Chooser**, select the **LaserWriter** driver.
5. From the right column of the **Chooser**, select the printer. Click **Create** to create the desktop printer.

For more details, refer to the infoSMART Knowledge Base at www.xerox.com/officeprinting/infoSMART, Document # 2562.

Macintosh OS X

Macintosh OS X supports TCP/IP as the default protocol, as well as AppleTalk. For a TCP/IP installation, follow the instructions provided to set an IP address in the printer.

1. Open the **Print Center Utility**.
2. Select the **Add Printer...** button.
3. Choose the connection type you desire.

For LPR, enter the IP address of the printer that you set previously. The **Queue Name** field can remain blank if the **Use default queue on server** box is checked (by default). Other options are **PS**, or **AUTO**. Select the appropriate PPD for the printer model under the **Printer Model** pull-down menu.

For AppleTalk, select the appropriate printer from the list that is displayed. The printer should autoconfigure at this point.

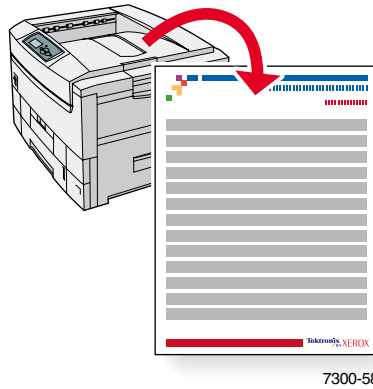
Note: You may need to enable AppleTalk via the Network Control Panel. Follow the onscreen instructions provided.

Other Resources

For more information on network setup and troubleshooting, refer to the **Networking** section of the Interactive Documentation CD-ROM.

Moving

A large amount of information is stored in your printer as printable pages. The following pages are samples of the printable page for this topic.



All the printable pages have this format, with color bars at the top and at the bottom of the page. Print these pages at the printer's front panel.

Accessing printable pages

Access these pages from the **Printable Pages Menu**:

1. At the front panel, scroll to the **Printable Pages Menu** using the **Down Arrow** or **Up Arrow** key and press the **OK** key.
2. Scroll to the desired printable page (such as **Moving Guide**) using the **Down Arrow** or **Up Arrow** key and press the **OK** key.

Menu Map

For a complete list of printable pages, print the Menu Map:

1. Select **Menus** on the front panel and press the **OK** key.
2. Select **Print Menu Map** and press the **OK** key.

PHASER® 7300 COLOR PRINTER

Moving Guide

Follow these guidelines to move the printer within the office or to prepare the printer for shipment.

Precautions regarding moving the printer



WARNING: Follow these guidelines to avoid injuring yourself or damaging the printer.

- Always use at least three people to lift the printer.
- Always turn off the printer using the power switch.
- Failure to repackage the printer properly for shipment can result in damage to the printer not covered by the printer's warranty.
- Damage to the printer caused by improper moving is not covered by the printer's warranty.

Moving the printer within the office

The printer can be safely moved from one location within an office to another as long as it travels gently over smooth surfaces. Any jarring movement, such as pushing the printer over a raised door threshold or across a parking lot, can damage the printer.

Preparing the printer for shipment

To transport the printer by vehicle, the printer must be prepared according to a specific procedure. Special hardware inserts (removed during the installation procedure) must be installed in the printer so that it can be shipped safely. Additionally, the printer must be repackaged in an appropriate shipping carton.

If you do not have all of the original packaging, order the repackaging kit from www.xerox.com/officeprinting/7300supplies or contact your local Xerox service representative. Instructions for repackaging the printer are provided in the repackaging kit. If you are unable to repackage the printer, contact your local Xerox service representative regarding our repacking services.