

Product Highlights

IEEE 802.3at/af Compliant, Up to 30W Power

Offers a compact, powerful, and cost-effective solution for PoE/PoE+ devices, giving you maximum deployment flexibility

Extend Your Network

Wireless products requiring a Gigabit connection can be placed on walls or ceilings where power outlets are not available

Quick and Easy Installation

No software requirements, plug-and-play installation, and auto-negotiation per port allows you to get up and running with no hassles



DPE-301GI

1 Port Gigabit PoE Injector

Features

Simplicity

- Plug-and-Play with no software required
- Easy installation of PoE devices where a power outlet is not available
- Reduces installation and network equipment costs by removing the need for electrical wiring
- Provides power over existing network cabling to PoE/PoE+ devices such as access points, IP cameras, and IP phones
- Lightweight and compact
- Output: 0.6 A at 54 V

Gigabit Connectivity

- Power Over Ethernet Plus (PoE+) Injector for 10/100/1000 connections delivers power up to 100 meters (328 ft)¹
- Connect your devices at Gigabit speeds, all from a compact device
- Auto-negotiation on Ethernet ports

Reliability

- Overcurrent protection
- IEEE 802.3at (PoE+) and IEEE 802.3af (PoE) compliant
- Compatible with all standard PoE devices and restricts power input to avoid damaging Power Sourcing Equipment

The IEEE 802.3at (PoE+)/802.3af (PoE) DPE-301GI 1 Port Gigabit PoE Injector is designed to supply data and up to 30 watts of power to Power over Ethernet Plus devices such as PTZ IP cameras or 802.11ac wireless access points. The DPE-301GI gives you the ability to mount your PoE device anywhere in a building, such as on ceilings or near entryways, by eliminating the need for a nearby power outlet and attached power supply. D-Link's DPE-301GI combines electrical power with a Gigabit network connection to produce a Gigabit Power over Ethernet signal for transmission over a single Ethernet cable.

Powers More Devices

The DPE-301GI, offers a ready-to-use PoE solution by offering up to 30 watts of output power. It is compliant with the IEEE 802.3at/af standard, and is designed to be deployed in situations where high bandwidth is demanded. Adding more power-hungry PoE devices or access points is now easier than ever.

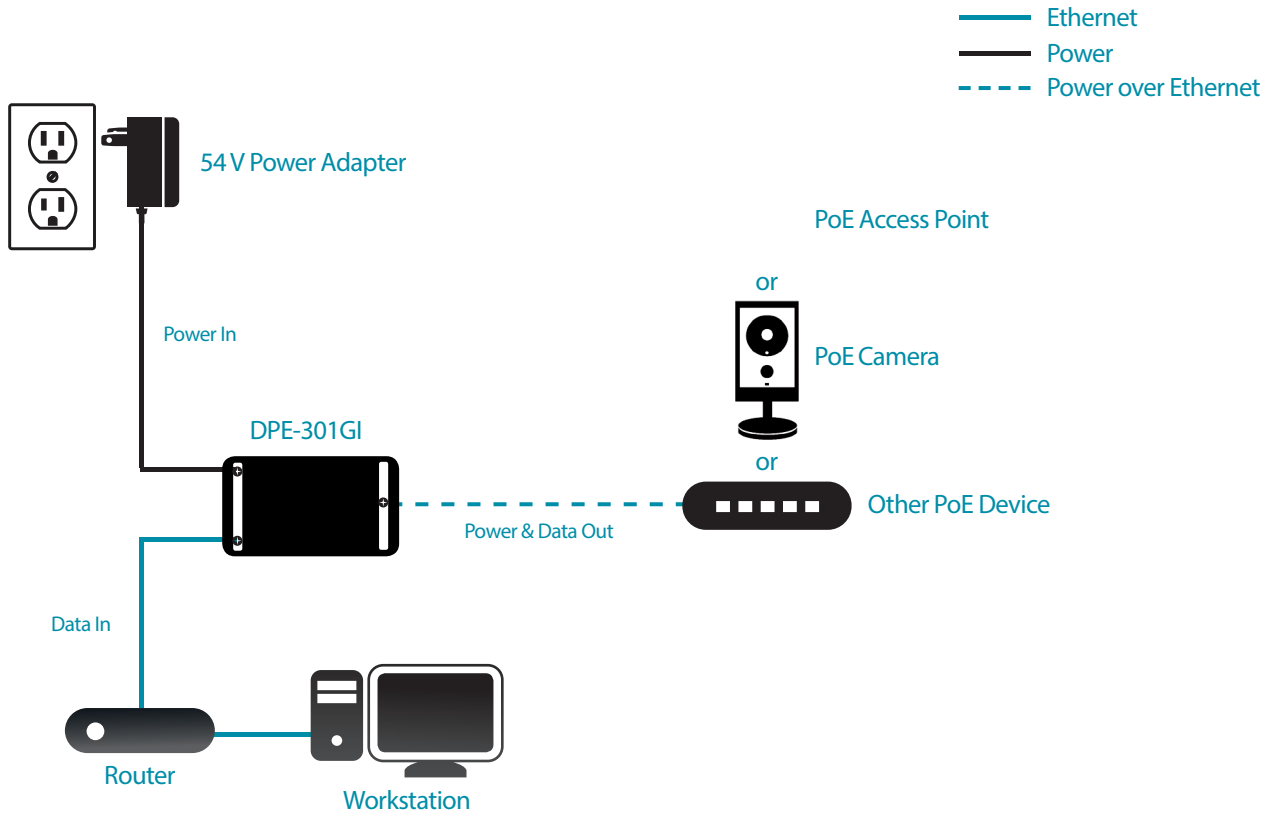
Cost Efficient Flexibility

Deploying the DPE-301GI saves both installation costs and equipment costs, allowing a single RJ-45 Ethernet cable to carry both power and data to each device. This PoE solution frees network devices from the restrictions of power availability by removing the need for a local power source. This reduces cable clutter, eliminates the need for dedicated electrical outlets in inconvenient places, and cuts down the time required for deployment.

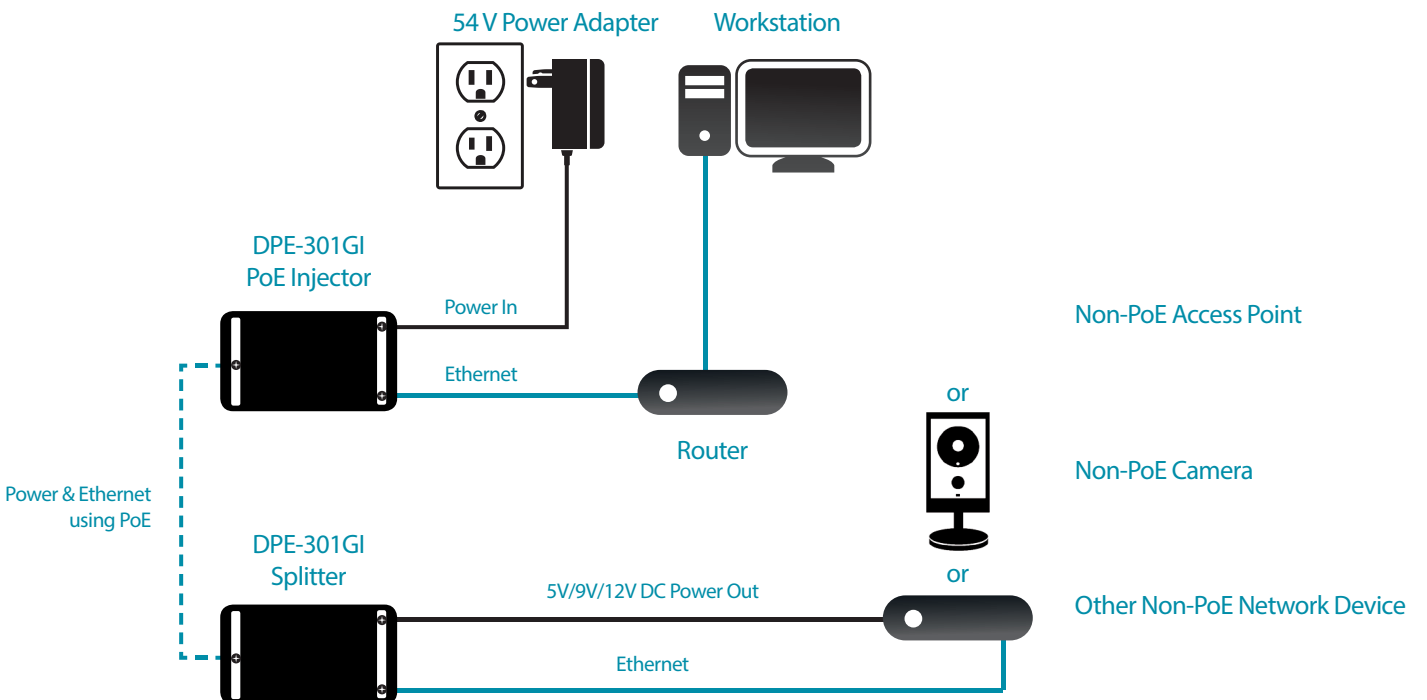
Reliable Connectivity

The DPE-301GI 1 Port Gigabit PoE Injector intelligently communicates with a Powered Device (PD) about the maximum current that is available. This protection feature keeps the device safe from damage by preventing it from powering on in case there is not enough current. This safety feature can also automatically disable the port in the event of an electrical short, or if the current is over 350 mA for IEEE802.3af or 600 mA for IEEE802.3at.

Setup Example - Powered by PoE Switch



Setup Example - Powered by PoE Injector²



DPE-301GI 1 Port Gigabit PoE Injector

Technical Specifications

Ports

PoE + Data Port (out)	<ul style="list-style-type: none">• Supports half/full-duplex operation• 10/100/1000BASE-T port• IEEE 802.3 compliant• IEEE 802.3u compliant	<ul style="list-style-type: none">• IEEE 802.3at compliant• IEEE 802.3af compliant• IEEE 802.3ab compliant
Data Port (in)	<ul style="list-style-type: none">• Supports half/full-duplex operation• IEEE 802.3 compliant• IEEE 802.3u compliant	<ul style="list-style-type: none">• IEEE 802.3ab compliant• 10/100/1000BASE-T port
LED Indicators	<ul style="list-style-type: none">• Blue: Power On	<ul style="list-style-type: none">• Green: Link On

Physical

Dimensions (L x W x H)	• 109.8 x 62.2 x 24.5 mm (4.32 x 2.45 x 0.96 inches)	
Weight	• 70 grams (2.47 ounces)	
Power	<ul style="list-style-type: none">• Power Adapter: 54 V / 0.6 A (replaceable AC plug)• Max Consumption: 32.4 watts	<ul style="list-style-type: none">• Output: 0.6 A at 54 V
Temperature	<ul style="list-style-type: none">• Operating: 0 to 50 °C (32 to 122 °F)	<ul style="list-style-type: none">• Storage: -30 to 70 °C (-4 to 158 °F)
Humidity	<ul style="list-style-type: none">• Operating: 5% to 95% non-condensing	<ul style="list-style-type: none">• Storage: 5% to 95% non-condensing
Certifications	<ul style="list-style-type: none">• CE• FCC• VCCI	<ul style="list-style-type: none">• RCM• RoHS• BSMI

Order Information

<i>Part Number</i>	<i>Description</i>
DPE-301GI	1 Port Gigabit PoE Injector

¹ Maximum distance per 802.3u specifications.

² DPE-301GI (PoE Injector) sold separately.

Note: If the DPE-301GI is connected to outdoor devices, it is recommended to install a surge protector such as the DPE-SP110.

Updated 2015/11/05