

**VOLVO 940/960/S90/V90 1991-98**

**SECTION INDEX**

A/C Refrigerant Capacities	1293
ABS/Brakes	1297
Air Bag System	1297
Air Cleaner	1301
Air Conditioning/Heater	1293
Back Window	1314
Center Console	1305
Clear Coat Identification	1289
Cooling	1292
Cowl & Dash	1304
Cruise Control System	1297
Electrical	1303
Emission System	1302
Engine Oil Cooler	1293
Engine/Trans	1300
Engine/Trans Mounts	1301
Exhaust	1302
Front Bumper	1289
Front Door	1308
Front Fender	1295
Front Inner Structure	1295
Front Lamps	1290
Front Seat	1307
Front Steering Linkage/Gear	1299
Front Suspension	1298
Fuel Tank	1319
Grille	1290
Hood	1291
Information Labels	1289
Instrument Panel	1305
Intercooler	1293
Liftgate	1316
Luggage Lid	1316
Paint Code Location	1289
Quarter Glass	1315
Quarter Panel	1314
Rear Body	1320
Rear Bumper	1321
Rear Door	1310
Rear Drive Axle	1319
Rear Lamps	1321
Rear Seat	1307
Rear Suspension	1317
Rocker/Pillars/Floor	1306
Roof	1312
Seat Belts	1308
Special Cautions	1289
Steering Pump	1299
Steering Wheel/Column	1300
Sunroof	1313
Trans Oil Cooler	1293
Turbocharger	1302
Underhood Dimensions	1295
Wheel	1298
Windshield	1303

**CLEAR COAT IDENTIFICATION**

All metallic colors are clear coat.

**INFORMATION LABELS**

NOTE: All labels not listed must be special ordered from dealer by description and VIN.

<b>SRS (Airbag)</b>	9430213-0	1.80
<b>SRS Component Replacement</b>		
English	3501685-6	4.52
French	3517045-5	4.52
<b>Jack Caution</b>	9430477-1	1.80
<b>Coolant Warning</b>	1331473-7	1.14
<b>Fuse Identification</b>		
940		
English	9430133-0	4.71
French	9430134-8	3.74
960		
English	92-94 9430135-5	3.16
	95 9430471-4	3.71
	96-98 9430391-4	4.69
French	92-94 9430136-3	3.16
	95 9430472-2	3.78
	96-98 9430392-2	4.69
<b>Unleaded Fuel</b>		
Outside Flap	1189849-1	d.36
Inside Flap	9430325-2	4.05
<b>Refrigerant Type</b>	91-96 9430302-1	1.74
	97-98 9454023-4	3.33
<b>Coolant Type</b>	1331473-7	1.14
<b>Air Bag Warning</b>		
Child Seat	9454148-9	1.93
<b>SRS Replacement</b>	9430002-7	1.80
<b>Vehicle Data Plate</b>	9454133-1	4.18
<b>Belt Tensioner Caution</b>	3536416-5	3.97
<b>Vehicle Load Capacity</b>	3514949-1	2.02
<b>Vacuum Routing</b>		
w/Turbo	9430333-6	1.80
w/o Turbo	91-95 9430259-3	1.74
	96-98 9430374-0	1.74
<b>SRS/SIPS Notice</b>	91-95 9430213-0	1.80
	96 9430213-0	1.80
<b>SRS/SIPS Notice</b>	91-97 9430213-0	1.80
	98 9454099-4	1.30
<b>SIPS Warning (Glove Box)</b>	9430435-9	1.93
<b>OBD II Connector</b>	9430439-1	2.02
<b>Child Locks</b>		
On Rear Door	R 9430414-4	1.75
	L 9430406-0	1.75
On Liftgate	9430406-0	1.75
<b>Emission Control</b>	96 9430226-2	3.47
	97 9430380-7	3.25
	98 9430494-6	4.16

**FRONT BUMPER**

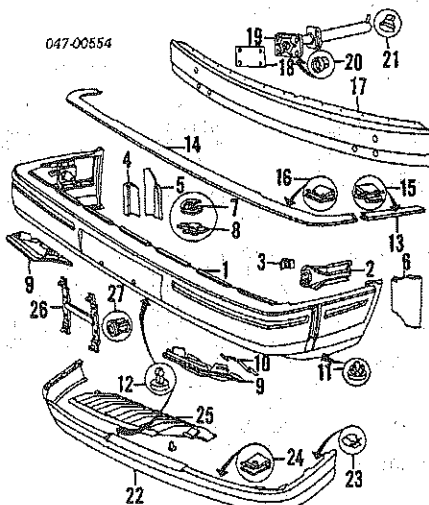
Use Procedure Explanations 1 and 28 with the following text.

**940 1991-95  
960 1992-94**

Refinish Front Cover	1.5
Refinish Cover Molds Complete	1.0
R&I Bumper Assy	.6
O/H Bumper Assy (Includes R&I)	#1.8

*#Includes R&R Spoiler & Mouldings*

NOTE: All Parts in this section are included in overhaul unless noted otherwise.



<b>1 Cover, Front</b>			
1 Piece H/Lamp			
Body Color	N.A.	#1.8	0.00
Paint to Match	3536800-0	#1.8	197.53

<b>2 Piece H/Lamp</b>			
940			
Sedan			
To VIN 112790			
Body Color	6846479-1	#1.8	458.24
Paint to Match	1358600-3	#1.8	270.41
From VIN 112791			
Body Color	9438495-5	#1.8	458.24
Paint to Match	6846080-7	#1.8	188.69
Wagon			
To VIN 65181			
Body Color	6846479-1	#1.8	458.24
Paint to Match	1358600-3	#1.8	270.41
From VIN 65182			
Body Color	9438495-5	#1.8	458.24
Paint to Match	6846080-7	#1.8	188.69
940SE, 960			
Body Color	6846479-1	#1.8	458.24
Paint to Match	1358600-3	#1.8	270.41
<i>Red listed, Order by Application</i>			
<i>#Includes R&amp;R Spoiler &amp; Mouldings</i>			
Support, Cover	R 6846019-5		21.69
	L 6846018-7		21.69
2 Guide, Outer	R 3518075-1	IOH	11.96
	L 1392927-8	IOH	11.96
3 Spring, Nut (3/Side)	R/L 3503133-5		.58
4 Mldg, Seal	R 3518398-7	IOH	17.03
5 Strip, Sealing	R 3518331-8	IOH	12.68
6 Seal	R/L 1392064-0	IOH	7.47
7 Clip, Cover Upper (6)	3536522-0		.73
8 Clip, Cover Lower (6)	3534168-4		1.79
9 Lid, Cover			
1 Piece H/Lamp	R 3536803-4		.1
	L 3536834-9		.1
2 Piece H/Lamp	R 3518079-3		.1
	L 1392070-7		.1
10 Retainer, Lid (2/Side)	R/L 9190806-1		1.11
11 Plug	1392521-9		.53
12 Clip (11)	1268176-3		.84
<i>#3 Required for Spoiler Grille</i>			
13 Moulding, Cover Outer			
2 Piece H/Lamp			
940, GL, GLE, Turbo (P)	R 3518824-2	#1.2	25.38
	L 3518818-4	#1.2	25.38
940 SE, 960	R 1358573-2	#1.2	25.46
	L 1358572-4	#1.2	25.46
14 Moulding, Cover Center			
2 Piece H/Lamp			
940, GL, GLE, Turbo (P)	3518816-8	#1.2	176.94
940 SE, 960	3518262-5	#1.2	186.85
(P) Paint to Match			
<i>#R&amp;R Complete</i>			
Clip, Cover Upper Mldg	R/L 1369266-0		.59
16 Center (2)	3536522-0		.73
17 Bar, Reinforcement			
1 Piece H/Lamp	1389623-2	IOH	593.13
2 Piece H/Lamp	1358566-6	IOH	612.03
18 Shim	3518123-9		3.29
<i>#As Required</i>			
19 Absorber, Impact			
1 Piece H/Lamp	R 1369837-2	#3	196.77
	L 1369635-6	#3	196.77
2 Piece H/Lamp	R 1369144-9	#3	196.77
	L 1369142-3	#3	196.77
<i>#w/Bumper Assy Removed, Not Included in O/H</i>			
20 Nut, Attaching (4/Side)	R/L 980873-4		1.19
21 Nut, Absorber	R/L 980870-0		.50
22 Spoiler	1358507-0	.5	209.01
23 Clip, Spoiler Side			
2/Side	R/L 1391884-2		.85
24 Clip, Spoiler Ctr (6)	1369264-5		.96
25 Grille, Spoiler			
1 Piece H/Lamp	6846094-8	.3	31.96
2 Piece H/Lamp	6846093-0	.3	33.32
26 Holder, License Plate	9154456-9	.2	14.35
27 Wellnut, Holder (2)	949125-9		.71

**960 1995-97  
S90, V90 1998**

Refinish Front Cover	2.4
R&I Bumper Assy	1.0
O/H Bumper Assy (Includes R&I)	#2.5

*#Includes R&I/R&R Fog Lamps & H/Lamp Wiper Arms*

NOTE: All Parts in this section are included in overhaul unless noted otherwise.

Illustration Located in Next Column

<b>1 Cover, Front (P)</b>	9126822-7	#2.5	270.41
(P) Paint to Match			
<i>#Includes R&amp;I/R&amp;R Fog Lamps &amp; H/Lamp Wiper Arms</i>			
2 Guide, Outer	R 9154993-1	IOH	14.55
	L 9154992-3	IOH	14.55
Clip, Cover Upper			
3 Inner (8)	9154412-2		.48
4 Outer	R 9126833-4		6.95
	L 9126832-6		6.95
5 Cover, Outer	R 9126829-2	.2	16.18
	L 9126828-4	.2	16.18

**SPECIAL CAUTIONS**

**AIR BAG**

Refer to Procedure Explanation 29 for Supplemental Restraint/Air Bag Special Cautions.

**ELECTRICAL**

Ignition must be in off position before any electrical repair is performed.

**SEAT BELTS**

Manufacturer states that entire front seat belt must be replaced after a collision that deploys SRS system.

**SUSPENSION**

Manufacturer advises that new fasteners must be used whenever old fasteners are loosened or removed.

**WELDING**

Before initiating any repair involving the use of an electric welder, the ignition must be in the off position and both battery terminals disconnected.

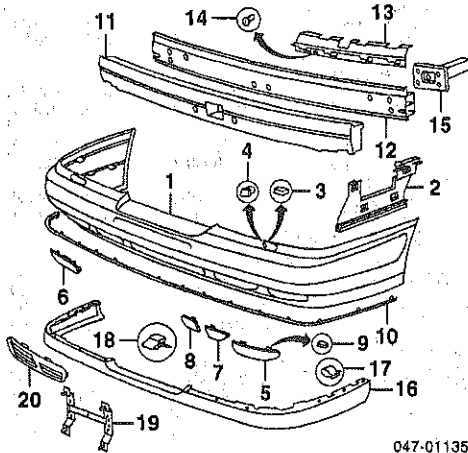
**PAINT CODE LOCATION**

Paint code located on right side radiator support.

# VOLVO 940/960/S90/V90 1991-98

## FRONT BUMPER Cont'd

960 1995-97  
S90, V90 1998 Cont'd

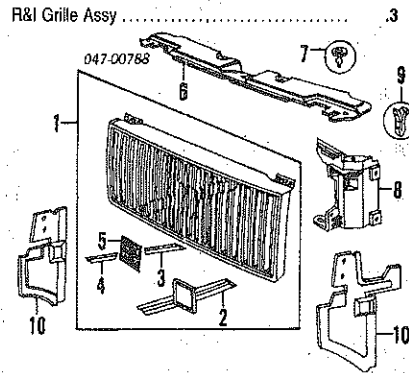


047-01135

6 Cover, Inner Right	9126831-8	.2	16.18
7 Cover, Center Left	9126256-8	.2	10.76
8 Cover, Inner Left	9126830-0	.2	10.76
9 Clip, Lower (10)	1369266-0		.59
10 Moulding, Cover	9126751-8	IOH	55.87
11 Absorber, Impact	9126827-6	IOH	181.07
12 Bar, Reinf	9126826-8	IOH	402.66
13 Support, Cover	R 9126257-6	IOH	17.92
	L 9126987-8	IOH	17.92
14 Clip, Support (3/Side)	R/L 1268176-3		.84
15 Brkt, Reinf Bar	R 9126515-7	#2.0	27.50
	L 9126514-0	#2.0	27.50
#w/Bumper Assy Removed, Not Included in O/H, R&R Both 3.8			
16 Spoiler	9126175-0	#.6	222.92
#Included in R&R or O/H Front Bumper Cover Assy			
17 Clip, Spoiler Side/Front	8/Side 1391884-2		.85
	1202841-1		.66
18 Clip, Spoiler Ctr (3)	9154456-9	.2	14.35
19 Holder, License Plate			
20 Grille-See Trans Oil Cooler Section			

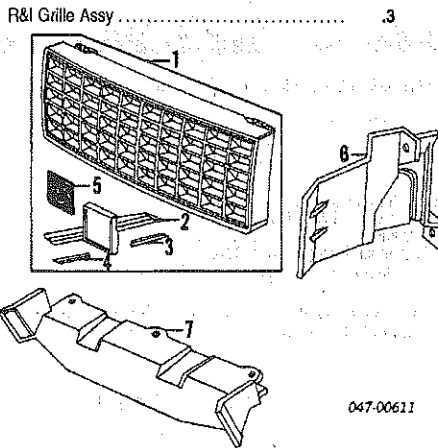
10 Retainer, Bracket	R/L 1358491-7	#.2	2.72
11 Guide, Air Side	91 R 1358537-7	#.2	17.22
	L 1358536-9	#.2	17.22
	92-95 R 3538918-8	#.2	22.69
	L 3538920-4	#.2	22.69
12 Guide, Air Lower	940 3536684-8	#.2	30.40
	960 1358535-1	#.2	32.60
#w/Grille Assy Removed			

## W/O FOG LAMP 940 1991-95



R&I Grille Assy		.3	
1 Grille Assy	91-94 3518884-6	.4	234.04
	95 9152527-9	.4	234.04
2 Base, Moulding	91 3518887-9	#.3	66.68
3 Moulding, Upper	3518888-7	#.3	16.27
4 Moulding, Lower	3518889-5	#.3	16.27
5 Emblem, Volvo	1342673-9	#.3	13.67
#Included w/Grille Assy			
#R&R Complete			
6 Cover, Upper	3538306-6	.2	24.07
7 Clip, Cover	R/L 1392842-9		1.17
8 Bracket, Side	R 3536526-1	#.2	18.49
	L 3536524-6	#.2	18.49
#w/Grille Assy Removed			
9 Retainer, Bracket	R/L 1358491-7	#.2	2.72
10 Guide, Air	R 3538918-8	#.2	22.69
	L 3538919-6	#.2	22.77
#w/Grille Assy Removed			

## 940 TURBO 1991-95



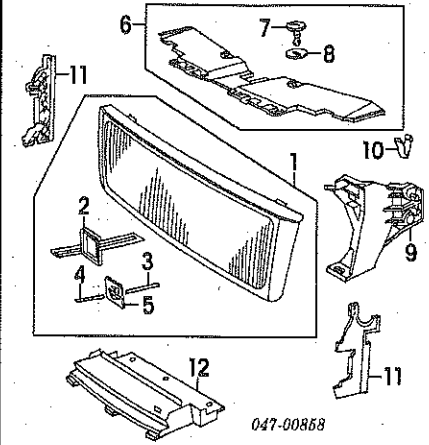
047-00611

R&I Grille Assy		.3	
1 Grille Assy (Eggerate)	3518656-8	.4	234.04
2 Base, Moulding	3518659-2	#.3	67.61
3 Moulding, Upper	3518660-0	#.3	15.54
4 Moulding, Lower	3518661-8	#.3	15.54
5 Emblem, Volvo	1342673-9	#.3	13.67
#Included w/Grille Assy			
#R&R Complete			
6 Guide, Air Side	91 R 1358537-7	#.2	17.22
	L 1358536-9	#.2	17.22
	92-93 R 3538918-8	#.2	22.69
	L 3538919-6	#.2	22.77
7 Guide, Air Lower	91 3536684-8	#.2	30.40
	92-93 1358535-1	#.2	32.60
#w/Grille Assy Removed			

## 960 1995-97 S90, V90 1998

R&I Grille Assy ..... .3

Illustration Located in Next Column



047-00868

1 Grille Assy	9126997-7	.4	245.16
2 Base, Moulding	9126764-1	#.3	55.04
3 Moulding, Upper	9126763-3	#.3	13.86
4 Moulding, Lower	9126361-6	#.3	13.86
5 Emblem, Volvo	3512652-3	#.3	11.95
#Included w/Grille Assy			
#R&R Complete			
6 Cover Assy, Upper	1392930-2	.2	25.93
7 Retainer, Cover (2)	1392842-9		1.17
8 Lock, Retainer (2)	6812571-5		.52
#Included w/Upper Cover Assy			
9 Bracket, Side	R 9126732-8	#.2	17.62
	L 9126731-0	#.2	17.62
#w/Grille Assy Removed			
10 Retainer, Bracket	R/L 1358491-7	#.2	2.72
11 Guide, Air Side	R 9126607-2	#.2	20.84
	L 9126606-4	#.2	20.84
12 Guide, Air Lower	9178162-5	#.2	30.32
#w/Grille Assy Removed			

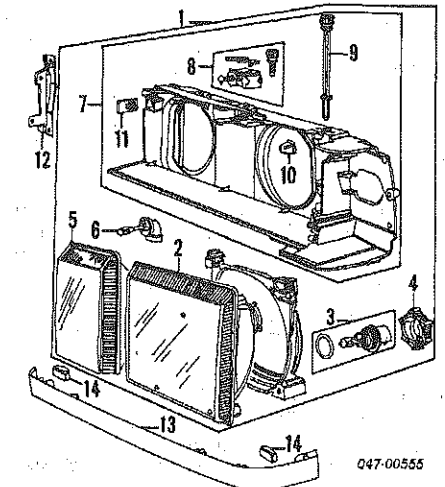
## FRONT LAMPS

### HEADLAMP W/FOG LAMP

940GL, 940GLE, 940SE, 940 TURBO 1991-95  
960 1992-94

Refinish Lower Moulding	R/L	.3	
R&R or O/H Does Not include Aim Lamps		.4	
R&I Headlamp Assy	R/L	.4	
O/H Headlamp Assy (Includes R&I)			
One Side	R/L	.6	

NOTE: All Parts in this section are included in overhaul unless noted otherwise.

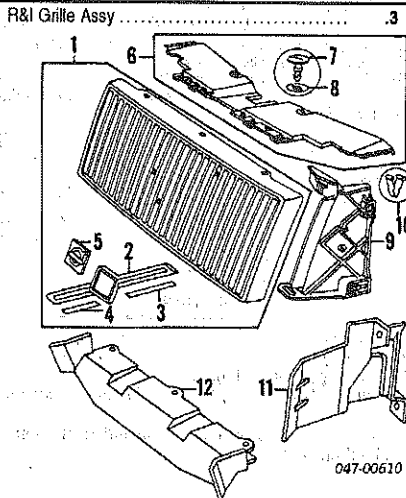


047-00555

1 Headlamp Assy	R 1358541-9	#.5	355.29
	L 1358540-1	#.5	355.29
#Includes R&R Park/Signal Lamp			
2 Lens & Reflector	R 1392711-6	.3	191.86
	L 1392710-8	.3	191.86
3 Bulb & Seal, H/Lamp	R/L 1312618-0		11.19
4 Holder, Bulb	R/L 1392709-0		2.89
5 Lens & Reflector			
Fog Lamp	R 1392713-2	.2	113.70
	L 1392712-4	.2	113.70
6 Bulb, Fog Lamp	R/L 6846118-5		11.19
7 Frame Assy, Mtg	R 1392715-7	#.6	85.28
	L 1392714-0	#.6	85.28
#Includes R&R Park/Signal Lamp Adjuster, Lamp (a)			
8 Vertical	R 1392730-6		17.36
	L 1392716-5		17.36

## GRILLE

W/FOG LAMP  
940 W/O TURBO 1991-93  
940 1994-95  
960 1992-94



047-00610

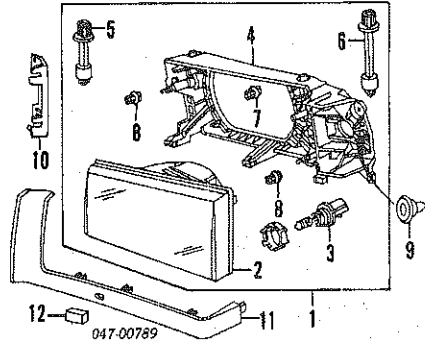
R&I Grille Assy		.3	
1 Grille Assy	1358485-9	.4	356.68
2 Base, Moulding	1358488-3	#.3	55.07
3 Moulding, Upper	1358489-1	#.3	17.60
4 Moulding, Lower	1358490-9	#.3	16.54
5 Emblem, Volvo	1342673-9	#.3	13.67
#Included w/Grille Assy			
#R&R Complete			
6 Cover Assy, Upper	1392930-2	.2	25.93
7 Retainer, Cover (2)	1392842-9		1.17
8 Lock, Retainer (2)	6812571-5		.52
#Included w/Upper Cover Assy			
9 Bracket, Side	R 3538988-1	#.2	22.75
	L 3538987-3	#.2	20.62
#w/Grille Assy Removed			

9	Horizontal	R	1392731-4	16.93
		L	1392717-3	17.36
10	Cage, Adjust (6/Side)] (a)	R/L	1392718-1	2.97
11	Plate, Attaching]] (n)			
	2/Side	R/L	1392719-9	3.09
	]Included w/Headlamp Assy			
	(a) Included w/Mounting Frame Assy			
12	Bracket, Lamp	R	3528981-8	10.19
		L	1392128-3	8.23
13	Moulding, Lamp (P)	R	1358549-2	.2 48.26
		L	1358548-4	.2 48.61
	(P) Paint to Match			
14	Spacer, Midg (2/Side)	R/L	3518226-0	3.10

**HEADLAMP W/O FOG LAMP**  
940 1991-95

R&R or O/H Does Not include Aim Lamps	.....	4
Refinish Lower Moulding	R/L	.3
R&I Headlamp Assy	R/L	.4
O/H Headlamp Assy (Includes R&I)	R/L	#.6
#Includes R&R Park/Signal Lamp		

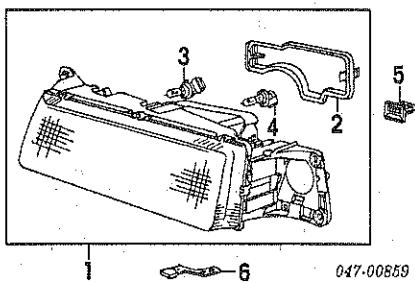
NOTE: All Parts in this section are included in overhaul unless noted otherwise.



1	Headlamp Assy	R	1369604-2	#.5 277.14
		L	1369603-4	#.5 277.14
	#Includes R&R Park/Signal Lamp			
2	Lens & Reflector]]	R	3534194-0	.3 191.86
		L	3534193-2	.3 191.86
3	Bulb, Lamp]]	R/L	1312618-0	11.19
4	Frame Assy, Mounting]]	R	3534200-5	#.6 85.28
		L	3534199-9	#.6 85.28
	#Includes R&R Park/Signal Lamp			
	Adjuster, Lamp]] (a)			
5	Vertical	R/L	3534202-1	17.96
6	Horizontal	R/L	3534201-3	19.18
	(a) Included w/Mounting Frame Assy			
	Nut, Cage Adjust]]			
7	Fixed	R/L	3534198-1	1.79
8	Movable (2/Side)	R/L	3534197-3	1.76
	]Included w/Headlamp Assy			
9	Sleeve, Frame	R/L	1334578-0	.85
10	Bracket, Mount	R	3528980-0	10.47
		L	3518869-7	10.40
11	Moulding, Lower (P)	R	3536531-1	.2 52.38
		L	3536530-3	.2 52.38
	(P) Paint to Match			
12	Spacer, Midg (2/Side)	R/L	3518226-0	3.10

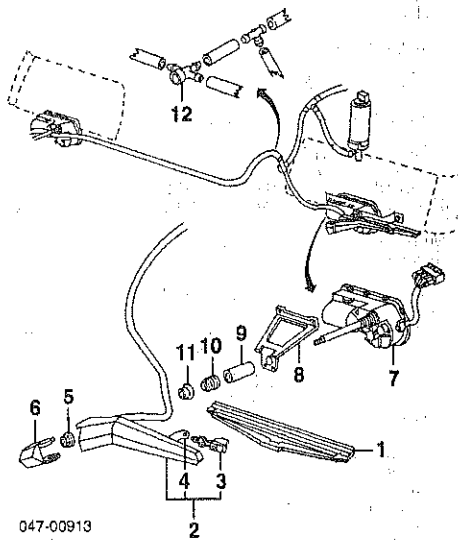
**HEADLAMP**  
960 1995-97  
S90, V90 1998

R&R Does Not include Aim Lamps	.....	4
R&I Headlamp Assy	R/L	#.7
#Includes R&I Grille Assy & Park/Signal Lamp, R&I Both Sides 1.1		



1	Headlamp Assy	R	9126611-4	#.8 342.29
		L	9126610-6	#.8 342.29
	#Includes R&I Grille Assy & Park/Signal Lamps, R&R Both Sides 1.3			
2	Cover, Bulb]]	R	9126536-3	#.3 10.67
		L	9126535-5	#.3 10.67
3	Bulb, High Beam]]	R/L	978278-0	#.3 12.21
4	Bulb, Low Beam]]	R/L	978279-8	#.3 12.21
	]Included w/Headlamp Assy			
	#R&R One Side Complete			
5	Connector, Bulb	R/L	978149-3	6.16
6	Bracket, Guide (2/Side)			
	w/Headlamp Washers	R/L	9126533-0	3.15

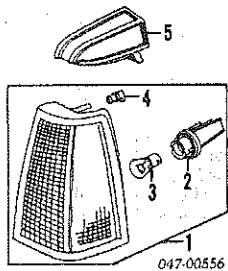
**HEADLAMP WIPER/WASHER**  
960 1995-97  
S90, V90 1998



1	Blade, Wiper	R/L	272411-0	.1 13.15
2	Arm Assy, Wiper	R	9171120-0	.2 39.95
		L	9171119-2	.2 39.95
3	Jet, Washer]]	R	1392113-5	.2 11.07
		L	1392112-7	.2 11.07
4	Hose, Washer Jet]] (a)	R/L	943722-9	1.77
	]Included w/Wiper Arm Assy			
	(a) Sold/Priced per meter. 470mm required.			
5	Nut, Wiper Arm	R/L	965483-1	1.06
6	Cover, Arm Lower	R/L	9126271-7	2.95
7	Motor Assy, Wiper	R	9151177-4	.9 163.52
		L	9151176-6	.9 168.43
8	Bracket, Motor Mount]]	R/L	9126394-7	18.11
9	Sleeve, Sealing]]	R/L	1392109-3	1.74
10	Sleeve, Extension]]	R	1255439-0	3.99
		L	6846095-5	5.16
11	Seal, Outer Shaft]]	R/L	1246342-8	1.24
	]Included w/Wiper Motor Assy			
12	Valve, One-Way "T"		9178896-8	7.41

**PARK/SIGNAL LAMP**  
940 1991-95  
960 1992-94

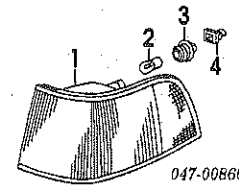
R&I Park/Signal Lamp Assy	.....	R/L	#.3
#Included in R&I/R&R Fender & Headlamp Assy			



1	Lamp Assy, Park/Signal			
	w/Fog Lamp (a)	R	3518623-8	#.3 156.50
		L	3518622-0	#.3 156.50
	w/o Fog Lamp	R	1369610-9	#.3 134.82
		L	1369609-1	#.3 134.82
	(a) Fog Lamp Integral w/Headlamp			
	#Included in R&I/R&R Fender & Headlamp Assy			
2	Socket & Seal, Bulb]]			
	w/Fog Lamp	R/L	3518271-6	18.99
	w/o Fog Lamp	R/L	3518998-4	17.96
3	Bulb]]	R/L	949281-0	4.28
4	Ventilator, Housing]]			
	w/Fog Lamp	R/L	3518614-7	3.77
	w/o Fog Lamp	R/L	3538331-4	1.25
	]Included w/Lamp Assy			
5	Seal, Lamp	R	1392608-4	10.86
		L	1392607-6	10.86

**PARK/SIGNAL LAMP**  
960 1995-97  
S90, V90 1998

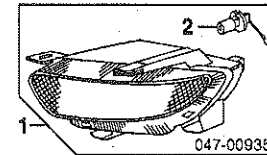
R&I Park/Signal Lamp	.....	R/L	#.3
#Included in R&I/R&R Fender & Headlamp Assy			



1	Lamp, Park/Signal	R	9178230-0	#.3 89.06
		L	9178229-2	#.3 89.06
2	Bulb	R/L	949281-0	#.3 4.28
	#R&R One Side Complete, Included in R&I/R&R Fender & Headlamp Assy			
3	Socket	R/L	9126585-0	13.45
4	Connector	R/L	978139-4	5.72

**FOG LAMP**  
960 1995-97  
S90, V90 1998

R&I Fog Lamp Assy	.....	R/L	.3
-------------------	-------	-----	----

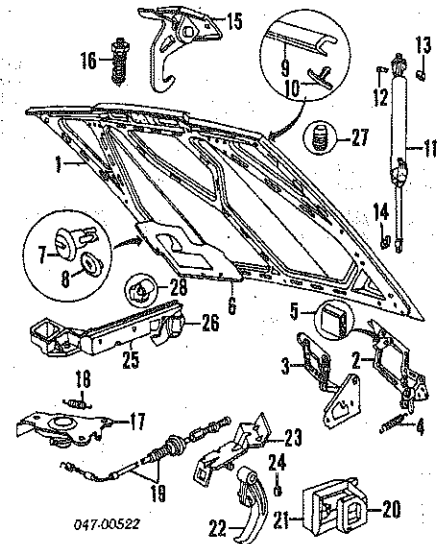


Fog Lamp Assy]]	9134025-7	280.53		
]Complete Installation Kit				
1	Lens & Hsg Assy, Fog]]	R	9171064-0	#.3 105.13
		L	9171063-2	#.3 105.13
	#Included in R&R or O/H Front Bumper Cover Assy			
2	Bulb, Lamp]] (a)	R	944265-8	.2 9.54
		L	944265-8	.2 9.54
	]Included w/Fog Lamp Assy			
	(a) Included w/Fog Lens & Hsg Assy			

**HOOD**

Use Procedure Explanations 4 and 28 with the following text.

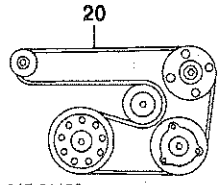
Refinish Hood Outside	.....	3.0
Add for Underside	.....	1.5
Refinish Hinge	R/L	.2
R&I Hood Assy	.....	.6



1	Panel, Hood			
	940, GL, GLE, Turbo	91-95	3526343-3	1.0 714.88
	940 SE	91	1355339-1	1.0 949.44
	960	92-97	1355339-1	1.0 949.44
	S90, V90	98	1355339-1	1.0 949.44
	Hinge, Hood			
2	940, GL, GLE, Turbo	91-95	R 3528678-0	#.3 68.78
			L 3528677-2	#.3 72.68
	940 SE	91	R 1334926-1	#.3 86.97
			L 1334925-3	#.3 86.97
	960	92-97	R 1334926-1	#.3 86.97
			L 1334925-3	#.3 86.97
	S90, V90	98	R 1334926-1	#.3 86.97
			L 1334925-3	#.3 86.97
	#w/Hood Removed, R&R Both .5			
4	Spring, Hinge			
	940, GL, GLE, Turbo	91-95	R/L 1267382-8	23.52
5	Bumper, Hood			
	940, GL, GLE, Turbo	91-95	R/L 1316920-6	1.13



11 Housing, Outlet	3531391-5		23.67
12 Housing, Thermostat	1397909-1		74.33
13 Tank, Expansion	9122997-1	.5	38.89
14 Cap, Filler	9445462-6		15.03
15 Sensor, Level	3547710-8		20.46
16 Hose, Overflow	942700-6	.3	5.97
17 Hose, Tank	9142056-2		16.72
18 Manifold, Water	92-93 1236113-5		137.99
	94-98 9142746-8		137.99
19 Pump, Water	92-93 272481-3	m 2.3	145.24
	94 272476-3	m 2.3	151.95
	95-98 272482-1	m 2.3	141.65



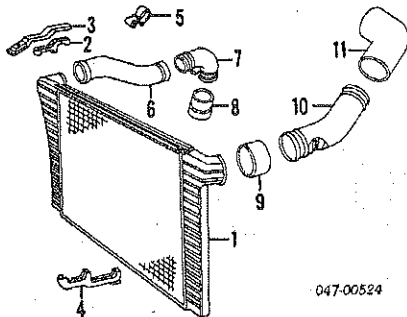
047-01126

20 Belt, Drive	92-94 9146557-5	#.5	49.88
	95-98 9146160-8	#.5	39.01

#w/ A/C Add .3

**INTERCOOLER**

1991

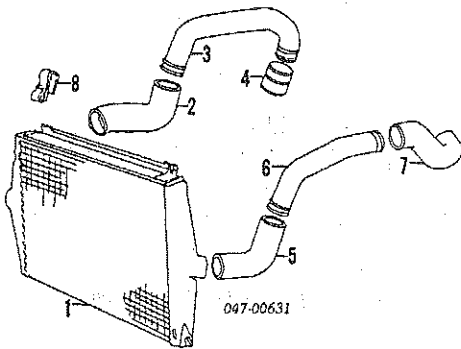


047-00524

1 Intercooler	1317319-0	m 1.3	766.18
2 Mount, Upper	R/L 1317330-7	m	5.25
3 Bracket, Upper Mount	R/L 3514743-8	m	5.46
Order by Application			
4 Mount, Lower	R/L 1317331-5	m	12.13
5 Clip, Attaching (16)	1357202-9		1.10
6 Hose	1336815-4	m #.2	50.80
7 Hose, Elbow	3517872-2	m #.2	23.37
8 Hose	3517871-4	m #.2	129.77
9 Hose, Connector	1336814-7	m #.2	10.80
10 Pipe, Connecting	1357380-3	m #.2	94.37
11 Hose, Elbow	1357550-1	m #.2	77.51

#Each Additional .1

1992-95

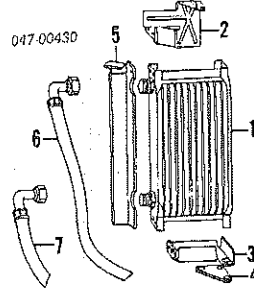


047-00631

1 Intercooler	3507229-7	m 1.3	841.80
2 Hose	3547356-0	m #.2	68.81
3 Pipe	3547997-1	m #.2	74.33
4 Hose, Turbo	3547998-9	m #.2	31.61
5 Hose	3547802-3	m #.2	59.48
6 Pipe	3547917-9	m #.2	105.95
7 Hose, Manifold	3547919-5	m #.2	83.69
#Each Additional .1			
8 Clip, Cooler (16)	1357202-9		1.10

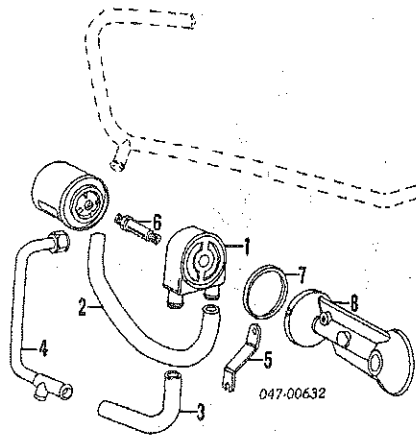
**ENGINE OIL COOLER**

4 CYL 1991



1 Cooler, Oil	1276676-2	m .6	423.40
2 Bracket, Mtg Upper	3514143-1	m	7.50
3 Bracket, Mtg Lower	1378430-1	m	7.33
4 Cushion, Rubber	3514215-7	m	8.06
5 Plate, Cover	1378432-7	m	10.51
6 Hose, Cooler Upper	1336836-0	m #.6	165.02
7 Hose, Cooler Lower	1336835-2	m #.6	167.56
#R&R Both .8			
Pipe, Cooler Upper	1346509-1	m #.4	37.47
Pipe, Cooler Lower	1346511-7	m #.4	35.17
#R&R Both .6			

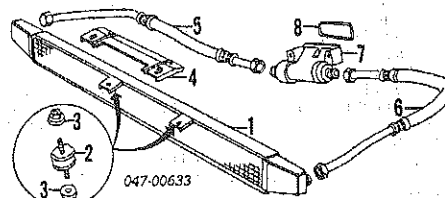
4 CYL 1992-95



047-00632

1 Cooler, Oil	3507371-7	m .6	304.38
2 Hose, Cooler	9161384-4	m #.4	11.77
3 Hose, Connecting	9161383-6	m #.4	7.85
#R&R Both .6			
4 Pipe, Connecting	3507368-3	m	33.45
5 Bracket	1346994-6	m	3.09
6 Nipple, Filter	3507374-1	m	12.61
7 Seal, Cooler	3547188-7	m	5.43
8 Housing, Filter	1346618-0	m	34.96

6 CYL 1992-93



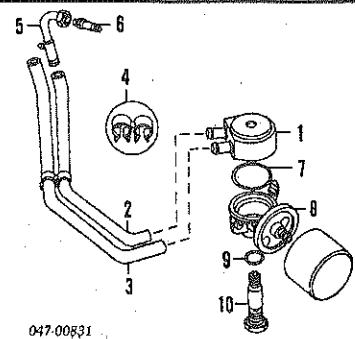
047-00633

1 Cooler, Oil	3529188-0	m .6	372.39
2 Mount, Cooler	R/L 3531369-1	m	5.37
3 Nut, Flange Lock (4)	949278-6	m	.37
4 Bracket, Cooler	3528407-4	m	8.67
5 Hose, Oil	3547668-8	m #.6	90.66
6 Hose, Oil	3547669-6	m #.6	90.66
#R&R Both .8			
7 Housing, Thermostat	3507478-0	m	74.33
8 Seal, Housing	1366791-0	m	4.83

6 CYL 1994-98

Illustration Located in Next Column

1 Cooler, Oil	3507371-7	m .6	304.38
2 Hose, Inlet	1236178-8	m #.8	10.66
3 Hose, Return	1236179-6	m #.6	15.13
#R&R Both .8			

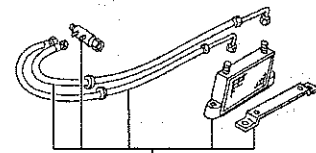


047-00831

4 Retainer, Hose	9135594-1		1.15
5 Pipe, Connecting	1236101-0	m	33.45
6 Nipple, Pipe	1236102-9	m	8.18
7 Seal, Cooler	967343-5	m	2.85
8 Housing, Filter	1994-95		
To Eng 218548			
9 Seal, Housing	9142900-1	m	33.00
From Eng 218549			
9 Seal, Housing	9142900-1	m	33.00
9 Seal, Housing	975309-6	m	2.89
10 Nipple, Housing	9142518-1	m	15.44

**TRANS OIL COOLER**

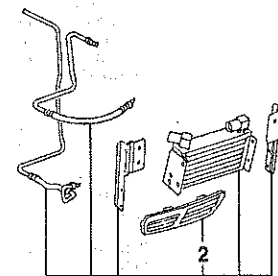
4 CYLINDER



047-01136

1 Cooler Kit, Aux Oil	1333839-7	m 1.2	387.43
-----------------------	-----------	-------	--------

6 CYLINDER



047-01137

1 Cooler Assy, Aux Oil	9447817-9	m 1.4	426.17
2 Grille	9447782-5		7.52
Included w/Aux Oil Cooler Assy			

**A/C REFRIGERANT CAPACITIES**

A/C R-12 Refrigerant Capacity  
1991-92: 43 Ozs (2.68 Lbs)  
A/C R-134a Refrigerant Capacity  
1993-98: 32-34 Ozs (2.0-2.12 Lbs)

**AIR CONDITIONING/HEATER**

Use Procedure Explanation 6 with the following text.

Evacuate & Recharge System	m 1.4
Refrigerant Recovery	m .3

NOTE: R&R/ R&R Does Not include recover, evacuate and recharge system.

**AIR CONDITIONING**  
1991

Illustration Located in Next Column

1 Condenser	1388737-7	m #.8	321.50
#w/Radiator Removed Deduct .4			
Bracket, Condenser			
2 Right	1370478-8		4.08
3 Left	1370479-6		4.08



047-00527

15 Bellows, Connecting	1388920-9	m	41.14
16 Control Unit	9134771-6	m	229.99

R&L Fender Side Mldg ..... R/L .2  
 Add to R&R Fender  
 To Drill Holes for Installation  
 One Moulding ..... R/L .3  
 Each Additional Moulding ..... R/L .2

047-00528

<b>1 Fender</b>					
940, GL, GLE, Turbo	R	3503184-8	#2.6	336.24	
	L	3503183-0	#2.6	336.24	
940 SE	91 R	1355412-6	#2.6	356.68	
	L	1355411-8	#2.6	356.68	
960	92-94 R	1355412-6	#2.6	356.68	
	L	1355411-8	#2.6	356.68	
<b>#w/Cowl Top Panel Removed</b>					
<b>2 Liner, Wheelarch</b>	R	1380401-8	.4	63.92	
	L	1380400-0	.4	63.92	
<b>Nut, Liner Plastic</b>					
2/Side	R/L	980367-7		.44	
<b>3 Moulding, Side</b>					
940, GL, GLE, Turbo	R	3534215-3	.2	31.93	
	L	3534214-6	.2	31.93	
940 SE	91 R	1358855-3	.2	32.53	
	L	1358854-6	.2	32.53	
960	92-94 R	1358855-3	.2	32.53	
	L	1358854-6	.2	32.53	
<b>4 Clip, Mldg (2/Side)</b>	R/L	3518274-0		1.42	
<b>5 Nameplate, Fender "VOLVO"</b>	R/L	6846397-5	.2	19.22	

**EVAPORATOR/HEATER**  
**960 1995-97**  
**S90, V90 1998**

R&L Heater Housing Assy	m	4.5
Add to R&L Heater Housing Assy w/Electronic Climate Control	m	3.0
O/H Heater Housing Assy (Includes R&L)	m	6.2
Add to O/H Heater Housing Assy w/Electronic Climate Control	m	1.8

NOTE: All Parts in this section are included in overhaul unless noted otherwise.

047-00914

<b>1 Housing, Upper &amp; Lower</b>	3524958-0	m	4.0	473.71
<b>2 Core, Heater</b>	1307236-8	m	#4.7	301.49
<b>#w/Electronic Climate Control Add 3.3</b>				
3 Core, Evaporator	9470143-0	m	1.2	378.02
4 Housing, Distribution	9171453-5	m		367.03
5 Fan & Motor	3537857-9	m	.7	156.72
6 Cover, Fan	3537984-1	m		7.87
7 Cover/Vacuum Tank	6847580-5	m		34.84
8 Shutter, Recirculation	3529903-1	m		16.02
9 Servo, Recirculation	9463040-7	m		57.88
10 Servo, Air Flow (2)	9463041-5	m		57.88
11 Servo, Air Flow	9463042-3	m		57.88
12 Motor, Servo	3522797-4	m		180.85
13 Valve, Solenoid	1388199-0	m		143.52
14 Unit, Control				
w/Electronic Climate Control	9134772-4	m	.9	202.82
w/o Electronic Climate Control	9137027-0	m	.9	174.17
15 Bellows, Connecting	1388920-9	m		41.14
16 Grille, Recirculation	1395333-6	m		11.11
17 Hose, Drain	1370937-3	m		7.49
18 Sensor, Temperature				
w/Electronic Climate Control	9145736-6	m	.3	30.44

**960 1995-97**  
**S90, V90 1998**

Refinish Fender Outside	R/L	2.5
Add to Edge Fender	R/L	.5
R&L Fender	R/L	#1.8
<b>#w/Cowl Top Panel Removed</b>		
R&L Side Moulding	R/L	.2
Add to R&R Fender To Drill Holes for Installation One Moulding	R/L	.3
Each Additional Mldg	R/L	.2

047-00862

<b>1 Fender</b>	R	9126684-1	#2.6	356.68
	L	9126683-3	#2.6	356.68
<b>2 Liner, Wheelarch</b>	R	9126621-3	.4	63.92
	L	9126620-5	.4	63.92
<b>3 Moulding Assy, Side</b>	R	9126640-3	.2	32.78
	L	9126639-5	.2	32.78
<b>4 Insert, Moulding</b>	R/L	9126306-1		8.04
<b>5 Clip, Moulding</b>	R/L	9126305-3		1.08
<b>6 Clip, Insert</b>	R/L	9126289-9		.41
<b>*Included w/Side Moulding Assy</b>				
<b>7 Nameplate, Fender "VOLVO"</b>				
Sedan				
To VIN 122684	R/L	6846397-5	.2	19.22
From VIN 122685	R/L	9178471-0	.2	22.72
Wagon				
To VIN 44804	R/L	6846397-5	.2	19.22
From VIN 44805	R/L	9178471-0	.2	22.72

**FRONT FENDER**

Use Procedure Explanations 7 and 28 with the following text.

<b>940 1991-95</b>			
<b>960 1992-94</b>			
Refinish Fender Outside	R/L	2.5	
Add to Edge Fender	R/L	.5	
R&L Fender	R/L	#1.8	
<b>#w/Cowl Top Panel Removed</b>			

**UNDERHOOD DIMENSIONS**

1991-98

Illustration Located in Next Column

061-50013

1999

Information not Available at time of Publication

**FRONT INNER STRUCTURE**

Use Procedure Explanations 8 and 28 with the following text.

**FRONT**  
**940 1991-95**  
**960 1992-94**

Refinish Radiator Support Complete		1.5
Refinish Side Panel	R/L	.5
Refinish Front Crossmember		.5
R&R Radiator Support Complete		#7.8
<b>#Includes R&amp;L H/Lamp Assemblies &amp; Grille, R&amp;L/R&amp;R Baffles, Brackets, Radiator/Fan &amp; Shroud, Parklamps, Horns, Hood Latch, Air Cleaner &amp; Duct, Battery, Washer Bottle, Misc Clips &amp; Stops, Bumper Absorbers, Disconnect &amp; Connect Wiring &amp; Release Cable as Necessary</b>		
Add to R&R Radiator Support To R&R Base Model Mechanical Components	m	#.9
<b>#Includes R&amp;R Vapor Canister, A/C Condenser &amp; Vacuum Tank &amp; D&amp;C A/C Lines</b>		
To Aim Lamps		.4
w/Oil Cooler	m	.2
w/Pwr Strg Cooler		
6 Cyl	m	.2
w/Turbo	m	.2
Evacuate & Recharge System	m	1.4
Refrigerant Recovery	m	.3

047-00529

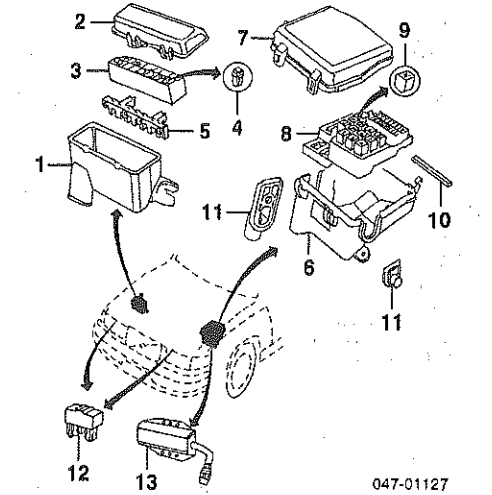
<b>1 Panel, Upper</b>		3526754-1	.5	80.56
<b>2 Panel, Side Upper</b>	R	3526700-4	s #3.0	68.85
	L	9447240-4	s #3.0	68.85
<b>3 Panel, Side Lwr</b>	R	3536655-8	s #3.0	37.00
	L	3536654-1	s #3.0	31.70
<b>#R&amp;R One Side Complete, w/Radiator &amp; Necessary Bolted Parts &amp; Assemblies Removed</b>				
<b>4 Brace, Center</b>		3526755-8		17.80
<b>5 Clip, Upper Panel</b>	R/L	1225772-1		50.69
<b>6 Crossmember, Front</b>		9447657-9	s #2.5	87.36
<b>#w/Necessary Bolted Parts &amp; Assemblies Removed</b>				

**FRONT**  
**960 1995-97**  
**S90, V90 1998**

Refinish Radiator Support Complete		1.5
Refinish Upper Panel		.5
Refinish Side Panel	R/L	.5
Refinish Front Crossmember		.5
R&R Radiator Support Complete		#8.9
<b>#Includes R&amp;L H/Lamp &amp; Grille Assemblies, R&amp;L/R&amp;R Radiator, Fan Assy, Shroud, Parklamps, Horns, Hood Latches, Air Cleaner &amp; Duct, Battery, W/S Washer Reservoir, Misc Clips &amp; Stops &amp; Disconnect &amp;</b>		





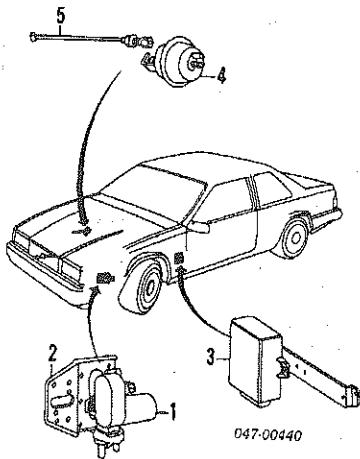


047-01127

12 Relay, Cooling Fan	9442933-9	m .4	56.69
13 Relay, Radio Suppression	1323592-4	m .3	45.11

**CRUISE CONTROL SYSTEM**

940 SE, 940 TURBO, 960



047-00440

1 Pump, Cruise	1273226-9	m .5	300.22
2 Bracket, Cruise Pump			
4 Cyl	9146801-7		9.37
6 Cyl	9146800-9		9.44
3 Control Unit			
1991-94	9130081-4	m .4	248.65
1995-97			
4 Cyl	95 9130081-4	m .4	248.65
6 Cyl	1378076-2	m .4	262.08
1998	1378076-2	m .4	262.08
1273227-2		m .5	59.94
4 Servo, Cruise			
4 Cyl	91-95 1329609-0	m .3	11.58
6 Cyl	3531112-5	m .3	12.03

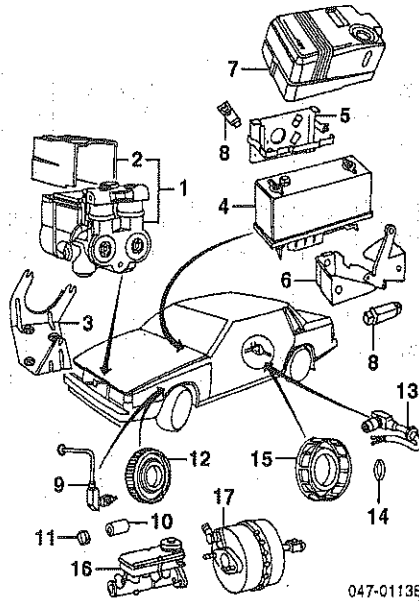
**ABS/BRAKES**

Bleed System..... m .4

NOTE: R&R Does Not include bleed system.

Illustration Located in Next Column

1 Hydro Unit Assy, ABS	91 6819092-5	m 1.4	2438.10
	92-98 9169163-4	m 1.4	2348.87
2 Cover, Hydro Unit	91 1330994-3		34.75
	92-98 6819552-7		0.00
†Included w/ABS Hydro Unit Assy			
3 Bracket, Hydraulic Unit			
1991			
940 GLE	1387612-3		23.67
940 SE, 940 Turbo	1387611-5		23.67
1992-95			
940			
w/Turbo	3530872-5		23.67
w/o Turbo	3530873-3		23.67
960	3530873-3		23.67
1996-98	9173151-3		12.26



047-01138

4 Control Unit, ABS			
1991-93			
940			
Sedan			
To VIN 124125	3523142-2	m .3	970.90
From VIN 124126	9463077-9	m .3	970.90
Wagon			
To VIN 73705	3523142-2	m .3	970.90
From VIN 73706	9463077-9	m .3	970.90
960			
Sedan			
To VIN 32218	3523142-2	m .3	970.90
From VIN 32219	9463077-9	m .3	970.90
Wagon			
To VIN 126664	3523142-2	m .3	970.90
From VIN 126665	9463077-9	m .3	970.90
1994-98	9463077-9	m .3	970.90
5 Bracket, Control Unit			
940	91-95 3540101-7		18.18
960	3523541-5		29.76
6 Cover, ABS Unit			
960	91-93 3530902-0	m	14.92
7 Protector, Overvoltage			
960	1363569-3	m .3	81.71
8 Sensor, ABS Speed			
4 Cyl	91-95 R/L 3515092-9	m .5	126.73
6 Cyl	92-94 R/L 3515092-9	m .5	126.73
	95-98 R/L 9127410-0	m .5	126.73
R/L	955992-3	m	.77
R/L	1387273-4	m	4.85
9 O-Ring, Sensor			
10 Cap, Sensor Dust			
11 Wheel, ABS Sensor-See Front Susp Section			
12 Sensor, ABS Speed			
1398321-8		m .5	96.64
13 Seal, Sensor			
974673-6		m	2.59
14 Wheel, ABS Sensor			
940 GL, GLE, Turbo-See Rear Susp Section			
940 SE/960 Sedan-See Rear Drive Axle Section			
15 Cylinder, Brake Master			
1991			
w/ABS	8602017-9	m .5	R253.96
w/o ABS	8602016-1	m .5	R253.96
1992-98	6819771-4	m .5	251.17
3516094-4		m #1.2	612.18
16 Booster, Brake			
†Order by Application			
‡Includes R&R Master Cylinder			

**AIR BAG SYSTEM**

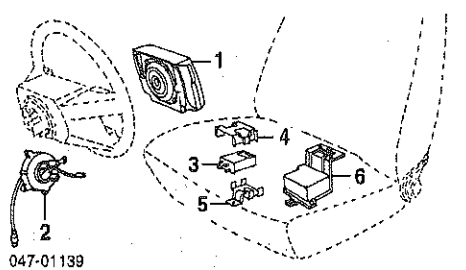
**FRONT**  
1991-92

Disable & Enable Air Bag System..... m .5  
Diagnose Air Bag System (If Required)..... m .7  
NOTE 1: R&R Does Not include disable & enable or diagnose Air Bag System.

NOTE 2: Refer to Procedure Explanation 30 for Supplemental Restraint/Air Bag Systems Component Inspection and Replacement information.

Illustration Located in Next Column

1 Module, Driver Air Bag	3543982-7	m .5	634.36
2 Reel, Contact			
940 GL, GLE, Turbo	91-92 9140587-8	m 1.2	187.84
940 SE	91 1359731-5	m 1.2	286.47
960	92 1359731-5	m 1.2	286.47
3 Power Unit, Stand-by	1363392-0	m #3	417.01
4 Plate, Upper Protect	1398112-1	m #3	11.06
‡R&R Complete			



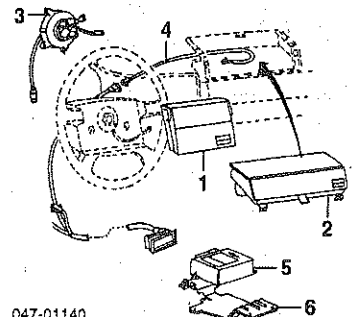
047-01139

5 Bracket, Stand-by Unit	3515908-6	m	29.49
6 Module, Sensor	9148417-0	m .6	1405.45

**FRONT**  
1993-98

Disable & Enable Air Bag System..... m .5  
Diagnose Air Bag System (If Required)..... m .7  
NOTE 1: R&R Does Not include disable and enable or diagnose air bag system.

NOTE 2: Refer to Procedure Explanation 30 for Supplemental Restraint/Air Bag Systems Component Inspection and Replacement information.



047-01140

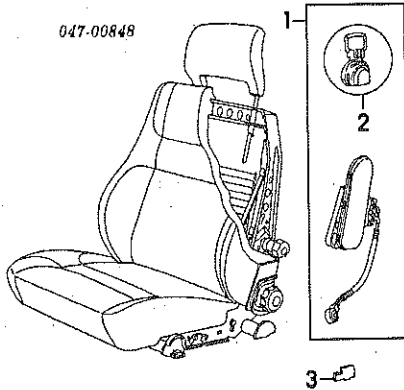
1 Module, Driver Air Bag			
940 GL, GLE, Turbo	93-95 3543982-7	m .5	634.36
960			
1993-94			
Sedan			
To VIN 38121	6811359-6	m .5	926.87
From VIN 38122	9138277-0	m .5	926.87
Wagon			
To VIN 15179	6811359-6	m .5	926.87
From VIN 15180	9138277-0	m .5	926.87
1995-97			
Beige	9138040-2	m .5	1167.35
Black	9138871-0	m .5	1167.35
S90, V90			
1998			
Beige	9138040-2	m .5	1167.35
Black	9138871-0	m .5	1167.35
Oak	9160851-3	m .5	1194.18
2 Module, Pass Air Bag			
940 GL, GLE, Turbo	93-95 6812089-8	m .5	1231.31
960			
1993-94			
9156045-8		m .5	1170.66
1995-97			
Beige	9138001-4	m .5	1318.08
Black	9156289-2	m .5	1318.08
Gray	9138002-2	m .5	1269.82
S90, V90			
1998			
Beige	9447800-5	m .5	1048.04
Black	9447801-3	m .5	1048.04
Gray	9447802-1	m .5	1048.04
Oak	9160852-1	m .5	983.80
3 Reel, Contact			
93-95	6819560-1	m 1.2	163.34
96-98	9191452-3	m 1.2	153.43
4 Wiring, Initiation			
Pass Air Bag Module			
1993			
1994-97			
940	94-95 9130165-5	m	42.62
960	9130373-5	m	42.62
1998	9130373-5	m	42.62
5 Module, Sensor			
1993-94			
1995	9148793-4	m .6	1349.63
940			
960	9148793-4	m .6	1349.63
1996-97			
1998	9459190-6	m .6	350.24
6 Bracket, Module	9154379-3		28.49

# VOLVO 940/960/S90/V90 1991-98

## AIR BAG SYSTEM Cont'd

**SIDE**  
960 1996-97  
S90, V90 1998

047-00848



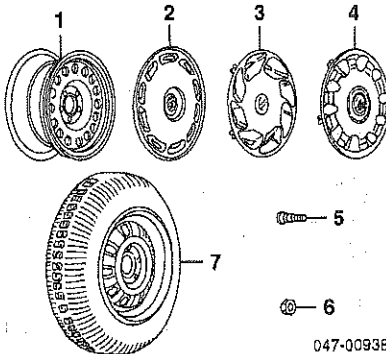
1 Module Assy, SIPS	R 9138720-9	m 1.6	469.81
	L 9138719-1	m 1.6	469.81
2 Sleeve, Retaining <sup>†</sup>	R/L 9156562-2	m	.89
<sup>†</sup> Included w/SIPS Module Assy			
3 Clip, Holder	R/L 9156803-0	m	9.65

## WHEEL

Use Procedure Explanation 10 with the following text.

### STEEL WHEEL

Refinish Wheel	.5
Add to R&I Spare Wheel & Tire Assy	.2



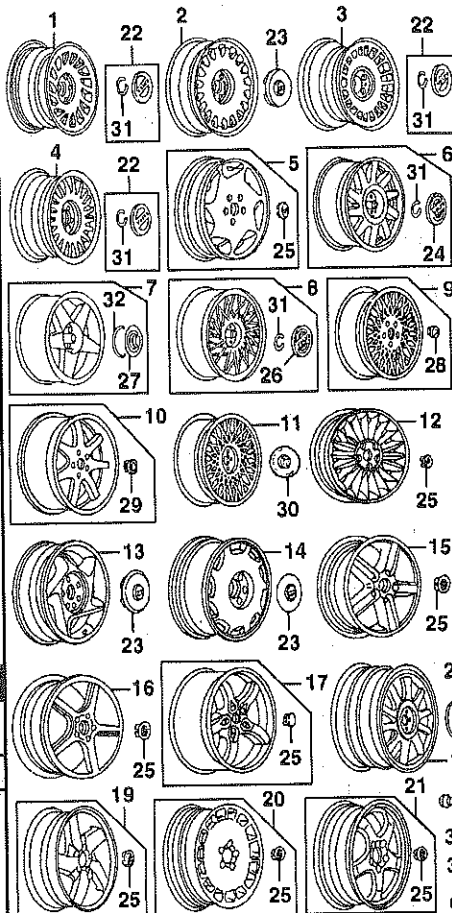
1 Wheel, Steel 15x6"			
940	91-95 1387534-9	.3	164.64
960	91-94 1387534-9	.3	164.64
	95-97 6819704-5	.3	117.25
S90, V90	98 6819704-5	.3	117.25
16x6"	9173248-7	.3	117.25
2 Cover Kit, Wheel			
1991-94	9140548-0	90.96	
1995	271995-3	90.96	
1996-98	272196-7	91.98	
3 Cover, Wheel <sup>†</sup>			
1991-94	9127311-0	25.50	
1995	6819707-8	25.50	
1996-98	9157418-6	25.50	
<sup>†</sup> Included w/Wheel Cover Kit (4 Wheel Covers)			
4 Extension, Valve	1359216-7	4.12	
5 Nut, Lug			
Chrome	1273068-5	1.36	
Standard	3529669-8	5.18	
6 Wheel & Tire, Spare			
940	9434374-6	299.91	
960	92-94 9434374-6	299.91	
	95-97 9140889-8	299.56	
S90, V90	98 9140889-8	299.56	

### ALLOY WHEEL

Add to R&I Spare Wheel & Tire Assy	.2
------------------------------------	----

Illustration Located in Next Column

1 Wheel, Alloy 15 Spoke (15x6")	3516961-4	.3	566.83
2 18 Spoke (15x6")			
960	95-97 6819705-2	.3	426.75
V90	98 6819705-2	.3	426.75



047-00939

3 20 Short Spoke (15x6")	1359180-5	.3	541.44
4 20 Long Spoke (15x6")	6819316-8	.3	417.32
5 Wheel Assy, Alloy			
7 Spoke (15x6-1/2")			
960	95-97 9134363-2	.3	477.19
S90	98 9134363-2	.3	477.19
6 10 Spoke (15x7")	3524845-9	.3	351.28
7 5 Spoke (16x7")	1394823-1	.3	429.56
8 Lace (16x7")	1394593-6	.3	367.36
9 Lace (14x6")	3529180-6	.3	367.36
10 7 Spoke (16x7")	6820001-3	.3	408.46
11 Wheel, Alloy			
12 Lace (15x6.5")	9134007-5	.3	392.20
13 Turbine (16x6-1/2")			
960	95-97 9134364-0	.3	477.19
14 Bent Star (15x6")			
960	95-97 9140418-6	.3	426.75
15 10 Small Spoke (15x6")			
960	96-97 9157412-9	.3	367.90
16 5 Grooved Spoke			
15x6-1/2"	96-97 1394935-9	.3	367.90
17 5 Narrow Spoke			
15x6-1/2"	96-97 9166445-8	.3	392.20
18 Wheel Assy, Alloy			
5 Bent Spoke			
15x6-1/2"	96-97 9166378-1	.3	386.66
19 Wheel, Alloy			
10 Spoke (15x6")	6819680-7	.3	414.28
20 Wheel Assy, Alloy			
5 Spoke (15x6-1/2")	Not Applicable		
960	97 9184863-0	.3	412.10
21 5 Spoke (15x6-1/2")			
960	95-97 9166447-4	.3	448.16
22 Cap Assy, Center	6819619-5	25.50	
23 Cap, Center			
Type 1	6819708-6	25.50	
Type 2	1343663-9	25.50	
Type 3	3546923-8	25.50	
Type 4			
Metal	1272666-7	20.03	
Plastic	1325475-0	36.60	
27 Type 5	3529037-8	46.90	
28 Type 6	3529933-8	7.43	
29 Type 7	3529609-4	46.90	
Type 8	9134011-7	41.54	
30 Clip, Cap Spring <sup>†</sup> (a)	1325483-4	.51	
<sup>†</sup> Included w/Center Cap Assy			
31 O-Ring, Cap <sup>†</sup>	925092-9	2.76	
<sup>†</sup> Included w/Alloy Wheel Assy			

33 Extension, Valve	1359216-7	4.12
34 Nut, Lug		
Chrome	3529669-8	5.18
Standard	1273068-5	1.36

## FRONT SUSPENSION

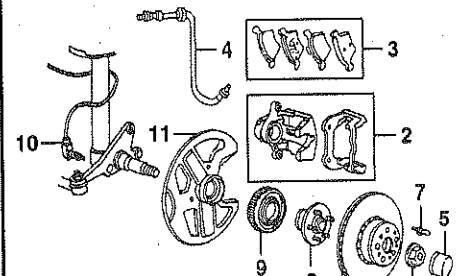
Use Procedure Explanation 11 with the following text.

940 1991-95  
960 1992-94

R&I Suspension (One Side)	R/Lm 2.0
O/H Suspension (Includes R&I)	
One Side	R/Lm 3.0
Both Sides	m 5.8
Adjust Four Wheel Alignment	
940 SE Model Sedan, 960 Model Sedan	m 1.9
Adjust Front Alignment	m 1.3
Bleed Brake System	m .4
<b>NOTE 1: R&amp;I/R&amp;R or O/H Does Not include alignment or bleed brake system.</b>	

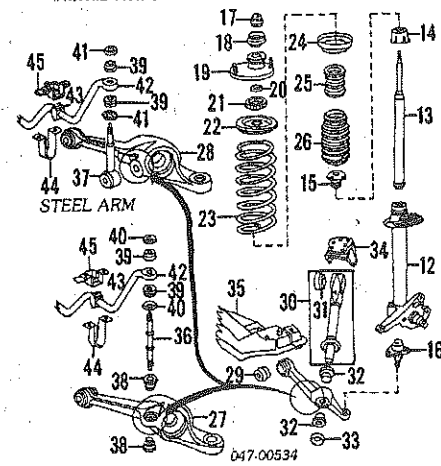
**NOTE 2: Refer to Special Cautions Section at the beginning of this vehicle text.**

**NOTE 3: All Parts in this section are included in overhaul unless noted otherwise.**



047-01128

1 Rotor, Brake	R/L 6848902-0	m #9	99.11
2 Caliper, Brake <sup>†</sup>			
#R&R Both 1.6	R 5003745-6	m #5	R163.00
	L 5003744-9	m #5	R163.00
<sup>†</sup> Remanufactured Part, Contact Dealer for Core Charge & Exchange Information			
3 Pad Set, Brake	271979	m #1.0	0.00
#Deduct .5 for Each Caliper Removed			
4 Hose, Brake			
4 Cyl	R/L 3546813-1	m #3	52.41
6 Cyl	R/L 9157356-5	m #3	0.00
#w/Caliper Removed Deduct 2			
5 Cap, Grease	R/L 1359819-8	m	7.5
6 Nut, Axle Flange	R/L 1387624-8	m	2.19
7 Pin, Wheel Locating	R/L 1330273-2	m	1.11
8 Hub, Wheel	271644-7	m #1.0	265.5
#Includes R&R Rotor, R&R Both 1.8			
9 Wheel, ABS Sensor	91-93 R/L 3530983-0	m #1.0	38.8
	94-95 R/L 3530983-0	m #1.0	38.8
#R&R Both 1.8, Includes R&R Hub & Rotor			
10 Sensor, ABS Speed-Sec	ABS/Brake Section		
11 Plate, Backing	R/L 9140670-2	m #2	42.9
#w/Hub Removed			



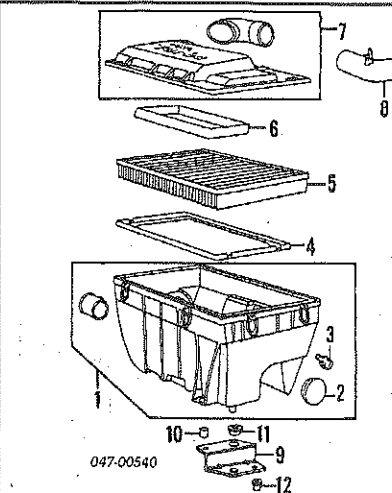
12 Housing, Strut	R 1359842-0	m #1.9	511.1
	L 1359841-2	m #1.9	511.1
13 Insert, Strut	91-93 R/L 3530274-4	m #1.9	71.8
	94-95 R/L 271620-7	m #1.9	71.8
14 Cap, Strut Protect	R/L 1387734-5	m #1.9	5.8
15 Cap, Strut	R/L 1273775-5	m #1.9	23.1
#R&R One Side Complete, Both Sides 3.5, Includes R&R Hub & Rotor			
16 Ball Joint	R/L 270477-3	m #5	62.1





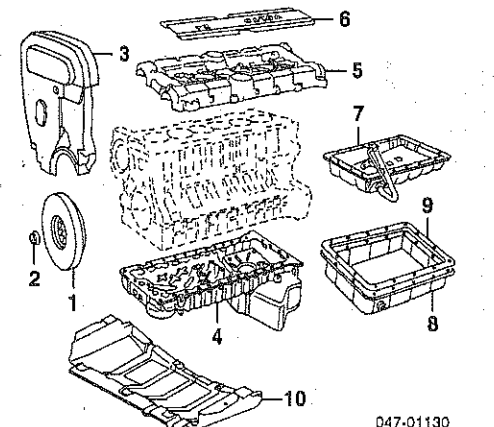
<b>4 Cover, Timing Lower</b> 8 Valve Eng 16 Valve Eng	R L	1378611-6 1378654-6 3531270-1	m m m	2.0 2.0 2.0	30.50 27.44 72.45
<b>Housing, Balance Shaft</b> 16 Valve Eng	R L	1326325-6 1326243-1	m m	214.41 214.41	
<b>5 Pan, Eng Oil</b> 8 Valve Eng 16 Valve Eng		1276121-9 1378746-0 1378864-1	m m m	#1.6 #1.6 #1.6	251.60 278.70 12.98
<b>#R&amp;R Complete</b>					
<b>7 Cover, Valve</b> 8 Gskt, Valve Cover		3514361-9 1378870-8	m m	.6 16.32	117.01 16.32
<b>9 AW30-40, AW43 Trans</b> 10 AW70-72 Trans		9143874-7 1233415-7	m m	1.1 1.1	110.53 93.96
<b>11 Gasket, Trans Oil Pan</b> AW70-72 Trans <b>Sealant, Trans Oil Pan</b> AW30-40, AW43 Trans		1239683-4 1161409-6 9447727-0	m . .	9.25 80.29 87.93	
<b>12 Cover, Eng Under</b>		9447727-0	.3		87.93

<b>#R&amp;R One Side Complete, w/Mount Removed</b>					
<b>6 Bracket, Eng Side</b>	R L	8250083-6 8250089-3	#.2 #.2		33.73 27.41
<b>#w/Mount Removed</b>					
<b>7 Insulator, Trans Mount</b> AW70, AW71 Trans AW72 Trans		1328900-4 1221967-1	#.7 #.7		69.36 23.87
<b>8 Crossmember, Trans Mount</b> AW70, AW71 Trans AW72 Trans		1378417-8 1273941-3	#.7 #.7		64.63 50.10
<b>9 Bracket, Trans Mount</b> AW70, AW71 Trans AW72 Trans		1357818-2 1272319-3	#.7 #.7		27.82 16.12
<b>#R&amp;R Complete</b>					



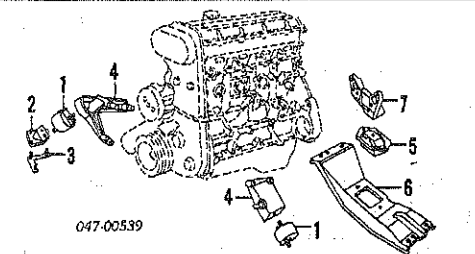
**6 CYLINDER 1992-98**

R&I Engine Assy. .... m 7.3



<b>1 Pulley/Damper, Crankshaft</b> 1992-94 1995-98		3528444-7 9135514-9 3531111-7	m m	1.1 1.1	286.78 209.00 7.84
<b>2 Nut, Pulley/Damper Belt, Drive-See Cooling Section</b>					
<b>3 Cover, Timing</b> 92-94 95-98		9458049-5 9135778-0	m m	.3 .3	27.44 47.37
<b>4 Pan, Eng Oil</b> To Eng 386734 From Eng 386735 <b>Sealant, Eng Oil Pan</b>		9146005-5 1271737-7 1161059-9	m m m	1.9 1.9 1.9	631.87 576.39 19.24
<b>5 Cover, Valve-Serviced w/Cyl Head</b> 6 <b>Cover, Top</b> Pan, Trans Oil		1397808-5	m		65.05
<b>7 AW30-40, AW43 Trans</b> 8 AW70-72 Trans		9143874-7 1233415-7	m m	1.1 1.1	110.53 93.96
<b>9 Gasket, Trans Oil Pan</b> AW70-72 Trans <b>Sealant, Trans Oil Pan</b> AW30-40, AW43 Trans		1239683-4 1161409-6 9447727-0	m . .	9.25 80.29 87.93	

**4 CYL 16 VALVE ENG 1991**

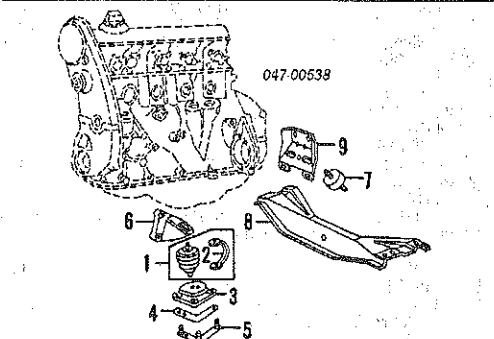


<b>1 Insulator, Mount</b>	R L	3514298-3 3514297-5	#.8 #.8		36.79 36.79
<b>#R&amp;R Both 1.3</b>					
<b>2 Bracket, Body Side</b> 3 <b>Plate, Bracket Stud</b> 4 <b>Bracket, Eng Side</b>	R R L	1273800-1 1272511-5 3514234-8 3514235-5	#.2 #.2 #.2 #.2		26.97 8.08 49.42 38.20
<b>#w/Mount Removed</b>					
<b>5 Insulator, Trans Mount</b> 6 <b>Crossmember, Trans Mount</b> 7 <b>Bracket, Trans Mount</b>		1328900-4 1378417-8 1357818-2	#.7 #.7 #.7		69.36 64.63 27.82
<b>#R&amp;R Complete</b>					

<b>4 Frame, Inner</b>		3514759-4			14.68
<b>5 Element, Cleaner</b>		1257546-0	#.2		27.31
<b>6 Absorber, Sound</b>		3531476-4	#.2		30.40
<b>7 Cover, Filter</b>		1367249-8	#.2		56.96
<b>#R&amp;R Complete</b>					
<b>8 Hose, Fresh Air</b>		3514480-7	.2		202.96
<b>9 Bracket, Mounting</b>		1336751-1			9.17
<b>10 Pin, Locating</b>		1257342-4			1.61
<b>11 Bushing, Mounting</b>		1336749-5			1.73
<b>12 Wellnut, Bracket Mounting</b>		966799-9			1.25

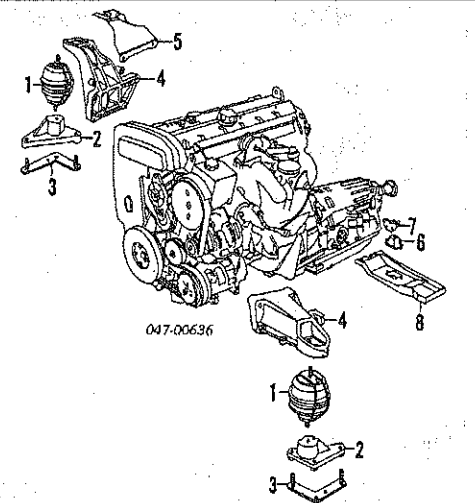
**ENGINE/TRANS MOUNTS**

**4 CYL 8 VALVE ENG 1991-95**



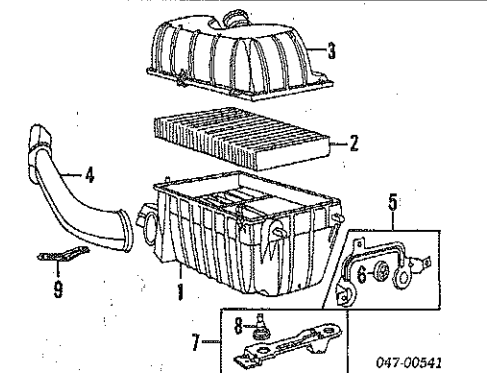
<b>1 Insulator Assy, Mount</b> w/Turbo w/o Turbo	R/L R/L	1329428-5 1378857-9	#.8 #.8		90.96 90.96
<b>2 Limiter, Insulator</b>	R/L	3514389-0	#.8		11.21
<b>†Included w/Mount Insulator Assy</b>					
<b>#R&amp;R Complete, R&amp;R Both Sides 1.3</b>					
<b>3 Bracket, Body Side</b>	R L	8250082-8 8250088-5	#.2 #.2		20.95 22.87
<b>4 Plate, Bracket Mount</b> Turbo	R/L	1272512-3	#.2	4.01	
<b>5 Plate, Mounting Stud</b>	R L	1357821-6 1273984-3	#.2 #.2	6.51 6.46	

**6 CYLINDER 1992-98**



<b>1 Insulator, Mount</b>	R/L	3536226-8	#.8		90.96
<b>#R&amp;R Both 1.3</b>					
<b>2 Bracket, Body Side</b> 3 <b>Plate, Brkt Stud</b> 4 <b>Bracket, Eng Side</b>	R L R L R	1366458-6 1366459-4 3514564-8 3514563-0 1366456-0 1366457-8	#.2 #.2 #.2 #.2 #.2 #.2		35.47 35.47 6.51 6.51 61.08 55.16
<b>#w/Mount Removed</b>					
<b>5 Shield, Heat</b> 6 <b>Insulator, Trans Mount</b> 1992-94 1995-98	R	3528452-0 1366462-8 9434223-5			9.04 .7 66.68 55.74
<b>7 Bracket, Trans</b> 92-94 95-98		3547672-0 9161019-6	#.2 #.2		51.24 36.22
<b>#w/Mount Removed</b>					
<b>8 Crossmember, Trans Mount</b>		9161011-3	.7		94.73

**4 CYL W/O TURBO 1991-95**



<b>1 Housing, Air Cleaner</b> 1991 1992-95 w/ A/C w/o A/C		1367078-1 1367078-1 3547097-0 1367078-1	#.7 #.7 #.7 #.7		113.98 113.98 121.29 113.98
<b>†Includes R&amp;R Cover &amp; Element</b>					
<b>2 Element, Cleaner</b> 3 <b>Cover, Filter</b> 92-95		9438217-3 1336395-7 3547104-4	#.2 #.2 #.2		23.13 50.61 57.61
<b>#R&amp;R Complete</b>					
<b>4 Inlet, Air</b> 1991 1992-95 w/ A/C w/o A/C		3514522-6 3547058-2 3507228-9 1336417-9 1336404-7	.2 .2 .2 2.40 2.40		17.96 21.54 21.54 14.77 2.40
<b>†Included w/Upper Bracket Assy</b>					
<b>7 Bracket Assy, Lower</b> 1991 1992-95 w/ A/C w/o A/C		3517692-4 3547057-4 3517692-4 1346175-1			17.96 17.85 17.96 4.05
<b>†Included w/Lower Bracket Assy</b>					
<b>8 Buffer, Mounting</b> 9 <b>Bracket, Air Inlet</b> 92-95		913514677-8 3507451-7			5.20 7.43

**AIR CLEANER**

**4 CYL W/TURBO 1991-95**

Illustration Located in Next Column

<b>1 Housing Assy, Cleaner</b>		3517057-0	#.7		105.62
<b>†Includes R&amp;R Cover &amp; Element</b>					
<b>2 Plug, Housing</b>		949855-4			2.08
<b>3 Bumper, Housing</b>		3501965-2			1.39
<b>†Included w/Cleaner Housing Assy</b>					

**6 CYLINDER 1992-98**

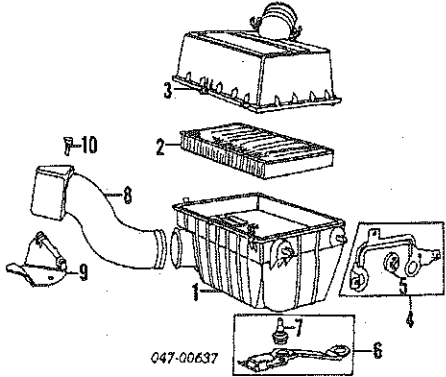
Illustration Located in Next Column

<b>1 Housing, Air Cleaner</b> †Includes R&R Cover & Element		1274931-3	#.7		109.44
<b>2 Element, Cleaner</b>		9161033-7	#.2		26.43
<b>3 Cover, Filter</b> 92-94 95-98		3528080-9 9141507-5	#.2 #.2		67.20 55.16
<b>#R&amp;R Complete</b>					
<b>4 Bracket Assy, Side</b>		1367393-4			17.05
<b>5 Grommet</b> 92-94 95-98		1336404-7			2.40
<b>†Included w/Side Bracket Assy</b>					

# VOLVO 940/960/S90/V90 1991-98

## AIR CLEANER Cont'd

### 6 CYLINDER 1992-98 Cont'd

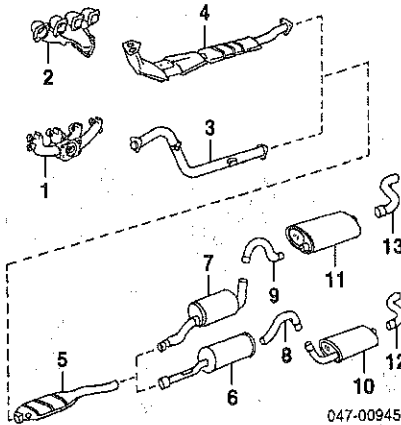


6 Bracket Assy, Lower	92-94 3501845-6	20.82
	95-98 9144240-0	6.40
7 Bumper (2)	1346175-1	4.05
Includes w/Lower Bracket Assy		
8 Tube, Intake Air	3507450-9	.2 21.54
9 Bracket, Tube	3507451-7	7.43
10 Retainer, Tube	1346646-1	1.61

## EXHAUST

### 940, 940 GL, 940 GLE, 940 TURBO 1991-95

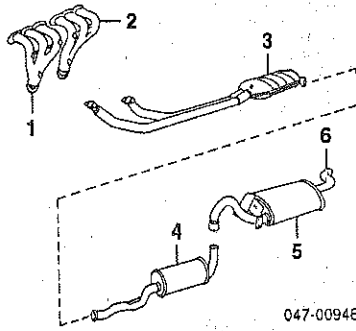
R&R Exhaust System Complete #3.0  
w/Turbo #2.7  
w/o Turbo #2.7  
#Does Not Include Exhaust Manifolds



1 Manifold, Exhaust	3514440-1	m #3.8	593.77
Includes R&R Intake Manifold			
2 w/o Turbo			
8 Valve Eng	92-95 8250271-7	m 1.0	321.93
16 Valve Eng	91 3514274-4	m 1.0	447.34
3 Pipe, Exhaust Front			
w/Turbo	9146796-9	.8	212.22
w/o Turbo	91-93 6842565-1	.8	299.92
	94-95 3514974-9	.8	258.68
5 Converter, Catalytic			
w/Turbo	3517393-9	1.2	520.18
w/o Turbo	91-93 3517612-2	.7	520.18
	94-95 1389966-1	.7	520.18
6 Resonator, Center	3536026-2	1.0	100.07
7 w/o Turbo			
940 GL, GLE	3536026-2	1.0	100.07
Order by Application			
8 Pipe, Connecting	9155409-7	.5	48.89
9 w/o Turbo			
940 GLE	91 9155408-9	.5	48.89
940 GL	9155409-7	.5	48.89
10 Muffler	3531672-8	.8	78.18
11 w/o Turbo			
940 GLE	91 3531670-2	.8	105.10
940 GL	3531672-8	.8	78.18
12 Pipe, Tail	9142998-5	.4	28.03
13 w/o Turbo			
940 GLE	91 3536027-0	.4	110.07
940 GL	9142998-5	.4	28.03
Order by Application			

## 940 SE 1991 960 1992-97 S90, V90 1998

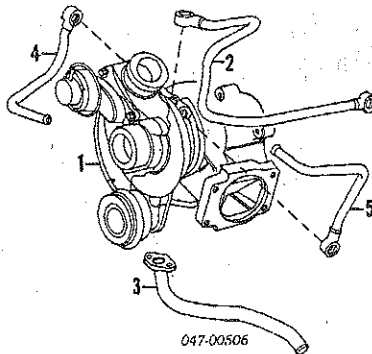
R&R Exhaust System Complete #2.3  
#Does Not Include Exhaust Manifolds



1 Manifold, Exhaust Front	3507742-9	m #1.0	430.02
2 Manifold, Exhaust Rear	3507743-7	m #1.0	430.02
3 Pipe, Exhaust Front			
1991-95	9146142-6	.8	1202.20
1996-98	9161835-5	.8	807.89
Includes Catalytic Converter			
4 Resonator, Center			
940 SE	91 3531553-0	1.0	117.74
960	92-94 1397913-3	1.0	100.07
	95-97 9161793-6	1.0	155.32
	98 9161791-0	1.0	155.32
S90, V90			
5 Muffler			
940 SE	91 3514722-2	.8	139.16
960	92-94 9161793-6	.8	182.43
	95-97 9161793-6	.8	182.43
	98 9161793-6	.8	182.43
S90, V90			
6 Pipe, Tail	91 1271361-6	.4	41.05

## TURBOCHARGER

### 4 CYL 1991-95

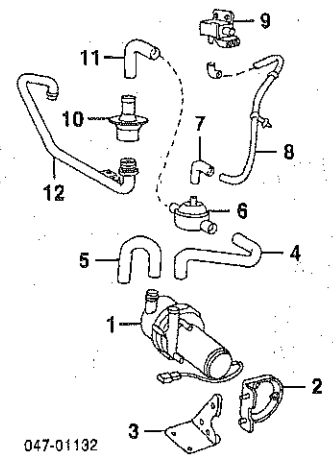


1 Turbocharger			
Garret	5003712-6	m 4.3	R698.48
Mitsubishi	5003713-4	m 4.3	R698.48
Remanufactured Part. Contact Dealer for Core Charge & Exchange Information			
2 Pipe, Oil Feed			
Garret	3514527-5	m	45.54
Mitsubishi	3514532-5	m	42.16
3 Pipe, Oil Return			
Garret	91 3514529-1	m	62.07
	92-95 3507630-6	m	61.71
	91 3514534-1	m	63.83
	92-95 3507631-4	m	61.71
Mitsubishi			
4 Line, Right Coolant			
Garret	3514424-5	m	26.92
Mitsubishi	3514428-6	m	31.92
5 Line, Left Coolant			
Garret	6842101-5	m	30.58
Mitsubishi	6842103-1	m	31.61

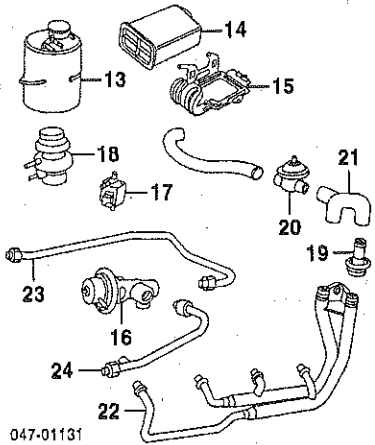
## EMISSION SYSTEM

Illustration Located in Next Column

1 Pump, Air (6 Cyl)	9146948-6	m .5	324.74
2 Brkt, Air Pump	95 9135667-5		19.50
	96-98 1275530-2		11.89
3 Brkt, Reinf	95 9146052-7		8.71
	96-98 1275533-6		12.88
4 Hose, Air	95 9135669-1	m	6.47
	96-98 1271773-2	m	22.10
5 Pipe, Inlet	9146642-5	m .4	4.30
6 Valve, Shut-Off	95 9146656-5	m	51.83
	96-98 9125623-0	m	90.96



7 Hose, Coupling	95 1332455-3	m	2.57
8 Pipe, Air	949120-0	m .4	4.99
Order by Application			
9 Valve, Solenoid	95-97 6842617-0	m .6	69.92
	98 30611688-2	m .6	67.60
	95 9445202-6	m .5	102.65
	96-98 9135666-7	m .5	20.76
10 Valve, Check	9125615-6	m	2.02
11 Hose	95 9146886-8	m .4	67.68
12 Tube, Air	96-98 1271769-0	m .4	78.77



13 Canister, Vapor			
4 Cyl			
8 Valve Eng	92-95 1276694-5	m .5	141.07
16 Valve Eng	91 1389295-5	m .5	97.60
6 Cyl	92-97 1276694-5	m .5	141.07
	98 1275943-7	m .5	120.16
14 Canister, Vapor	98 9179229-1		22.33
15 Brkt, Canister			
16 Valve, EGR			
1991-94	6842725-1	m .3	196.17
1995			
4 Cyl	6842725-1	m .3	196.17
6 Cyl	9146989-0	m .3	126.07
1996-98 (6 Cyl)	9146989-0	m .3	126.07
17 Valve, Solenoid	91-94 3507333-7	m .6	79.33
18 Amplifier, Vacuum	3531138-0	m .3	162.55
19 Valve, Check (2)			
4 Cyl			
1991-94	3507332-9	m .5	52.77
20 Valve, Pulsair			
4 Cyl			
1991-94	3507160-4	m	66.04
21 Hose, Valve	1266666-5	m	21.94
22 Pipe, Pulsair			
4 Cyl			
1991-94	3507350-1	m	220.46
23 Pipe, Exhaust Manifold EGR			
4 Cyl			
8 Valve Eng	92-95 1346850-9	m .4	40.04
16 Valve Eng	91 1326417-1	m .4	36.14
6 Cyl	92-98 9146128-5	m .4	25.20
24 Pipe, Intake Manifold EGR			
4 Cyl			
8 Valve Eng	92-95 3547947-6	m .4	30.51
16 Valve Eng	91 3547948-4	m .4	27.90
6 Cyl	92-98 9146130-1	m .4	23.87
Order by Application			



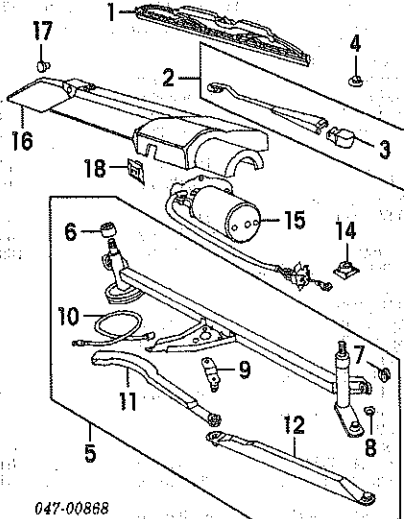
# VOLVO 940/960/S90/V90 1991-98

## WINDSHIELD Cont'd

Wagon	R 9447832-8	.2	52.63
	L 9447831-0	.2	52.63
940 SE, 960 1st Type	R 6848473-2	.2	64.53
	L 6848472-4	.2	64.53
2nd Type	R 9447826-0	.2	64.53
Sedan	R 9447825-2	.2	64.53
	L 9447828-6	.2	64.53
Wagon	R 9447827-8	.2	64.53
	L 9447827-8	.2	64.53
1995-98 940 Sedan	R 9447830-2	.2	52.63
	L 9447829-4	.2	52.63
Wagon	R 9447832-8	.2	52.63
	L 9447831-0	.2	52.63
960 Sedan	R 9447826-0	.2	64.53
	L 9447825-2	.2	64.53
Wagon	R 9447828-6	.2	64.53
	L 9447827-8	.2	64.53
S90	R 9447826-0	.2	64.53
	L 9447825-2	.2	64.53
V90	R 9447828-6	.2	64.53
	L 9447827-8	.2	64.53
8 Moulding, Corner Reveal 1st Type	R/L 3534292-2		17.77
†Contact Dealer for Specific VINs			
9 Moulding, Lower Reveal			
940, GL, GLE, Turbo	91-95	6848301-5	73.72
		1342004-7	1.90
10 Clip, Midg-Black (15)			
11 Trim, Windshield Pillar			
940, GL, GLE, Turbo	91-95	R 9145074-2	.3 90.66
		L 9145072-6	.3 90.66
940 SE, 960 1991-94	R 9145081-7	.3	159.64
	L 9145077-5	.3	159.64
1995-97 (a)	R 9137980-0	.3	127.85
	L 9137979-2	.3	127.85
S90, V90 (a)	R 9137980-0	.3	127.85
	L 9137979-0	.3	0.00
†Blue listed, Order by Application			
(a) Beige listed, Order by Application			
12 Clip, Pillar Trim	R/L 3519483-6		.53
Moulding, Front Roof Section			
13 Mirror, Rear View		1369540-8	.2 115.47
14 Cover, Mirror Base		1338364-1	8.86
†Blue listed, Order by Application			
15 Visor, Sun			
940, GL, GLE, Turbo	91-95	R 9144075-0	.2 64.01
		L 9144066-9	.2 74.53
940 SE	91	R 9164703-2	.2 175.79
		L 3519888-6	.2 74.74
960	92-93	R 9164703-2	.2 175.79
		L 3519888-6	.2 74.74
		R 9165740-3	.2 175.79
		L 9165739-5	.2 175.79
		R 9451247-2	.2 175.79
		L 9451246-4	.2 175.79
S90, V90	98	R 9451247-2	.2 175.79
		L 9451246-4	.2 175.79
†Beige listed, Order by Application			

## WIPER SYSTEM

940, 940 GL, 940 GLE, 940 TURBO



047-00888

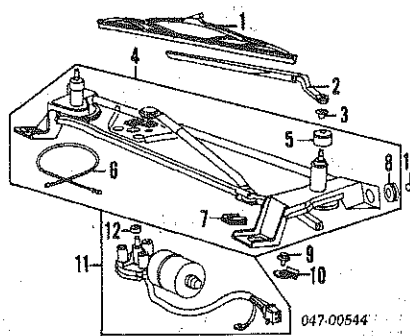
1 Blade, Wiper	R/L 6846246-4	.1	11.04
2 Arm Assy, Wiper	R/L 3538316-5	#.2	57.95
#Includes R&R Blade			
3 Cap, Wiper Arm	R/L 3538351-2		4.08
†Included w/Wiper Arm Assy			
4 Nut, Arm Flange	R/L 945408-3		.75
5 Trans Assy			
FHP	3518131-2	.8	236.00
SWF	3518119-7	.8	210.08

## WIPER SYSTEM

940 SE 1991

960 1992-97

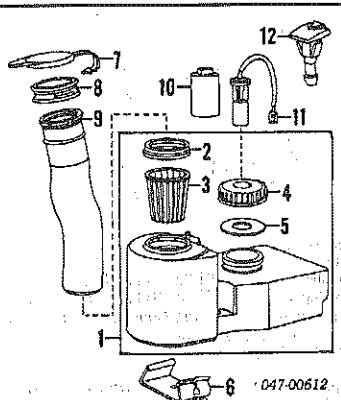
S90, V90 1998



047-00544

1 Blade, Wiper	R/L 1392219-0	.1	10.60
2 Arm, Wiper	R 3538308-2	#.2	59.24
	L 3538307-4	#.2	59.24
#Includes R&R Blade			
3 Seal, Shaft	R/L 3512235-7		2.56
4 Trans Assy	1392142-4	.8	300.94
5 Cover, Left Pivot	R/L 1304975-4		.64
6 Cable, Linkage	R 1392959-1		11.11
	L 1392958-3		10.75
7 Bushing, Lower Mount	R/L 1369273-6		2.14
8 Bushing, Upper Mount	R/L 1369272-8		1.61
†Included w/Trans Assy			
9 Fastener, Trans	R/L 1358763-9		.91
10 Spacer, Trans Mount	R/L 1369274-4		1.17
11 Motor Assy	1392140-8	.7	199.29
12 Protector, Shaft	1392967-4		.91
†Included w/Motor Assy			
13 Sleeve, Spacer (4)	1358946-0		1.22

## WINDSHIELD WASHER SYSTEM



047-00612

1 Reservoir Assy			
2.0 Liter Capacity	1342540-0	.5	53.53
3.2 Liter Capacity	1342543-4	.5	58.47
4.2 Liter Capacity			
Right Mount	1342958-4	.5	61.34
Left Mount	1369858-4	.5	57.24
2 Seal, Filler Tube	1392854-4		6.29
3 Strainer, Filler (a)	3538565-7	.2	10.32
(a) Order by Application			
4 Cap, Sensor	9171057-4		3.40
5 Seal, Cap	3534305-2		1.08
†Included w/Reservoir Assy			

6 Bracket, Reservoir			
2.0, 3.2 Liter Capacity	1369348-6		6.45
4.2 Liter Capacity			
Right Mount	1369349-4		7.81
Left Mount	1369348-6		6.45
7 Cap, Filler	3518083-8		.99
8 Sleeve, Filler	1259825-6		5.54
9 Pipe, Filler			
Black	3538355-3	.2	7.01
Clear	3538453-6	.2	7.30
†Order by Application			
10 Pump, Washer			
On Windshield	1258016-3	#.5	65.35
On Liftgate	1259832-2	#.5	76.62
11 Sensor, Fluid Level	3526960-4	#.5	40.96
#R&R Complete			
12 Nozzle, Washer			
940, GL, GLE, Turbo	91-95	R 9151802-7	.3 12.48
		L 9151801-9	.3 12.48
940 SE, 960		R 9151800-1	.3 12.48
		L 9151799-5	.3 12.48
S90, V90		98 R 9151800-1	.3 12.48
		L 9151799-5	.3 12.48

## COWL & DASH

Use Procedure Explanations 14 and 28 with the following text.

### 940, 940 GL, 940 GLE, 940 TURBO

Refinish Cowl Top Panel		1.2	
R&L Cowl Top Panel		1.0	
9 Panel, Cowl Top			
10 Panel, Cowl Top			
11 Panel, Cowl Top			
12 Panel, Cowl Top			
13 Panel, Cowl Top			
14 Panel, Cowl Top			
15 Panel, Cowl Top			
16 Panel, Cowl Top			
17 Panel, Cowl Top			
1 Panel, Cowl Top	3503989-0	1.0	239.89
2 Screen, Cowl Top	1316476-9	.3	18.21
3 Tape, Butyl	1277210-9		6.43
†Sold in 100mm Strips, Use as Required			
4 Clip, Cowl Top (9)	3503761-3		2.35
5 Panel, Cowl	1320348-4		420.54
6 Seal, Hood Rear	3526508-1		323.40
7 Seal, End	R 3541529-8		13.86
	L 3541528-0		13.42
8 Clip, Seal	R/L 1355536-2		.58
9 Sleeve, Seal	R/L 1334578-0		.85
10 Cover, Rain	1316824-0		29.57
11 Tape, Butyl	1277210-9		6.43
†Sold in 100mm Strips, Use as Required			
12 Plate, Protecting	1334086-3		11.80
13 Screen	1334037-7		8.36
14 Tape, Butyl	1277210-9		6.43
15 Panel, Dash	3528917-2		362.41
16 Panel, Lower Dash/Floor			
1991-94	9126845-8		522.50
1995	9126845-8		522.50
17 Bracket, Dash	R 3536601-2		16.44
	L 1320281-7		5.28

### 940 SE 1991

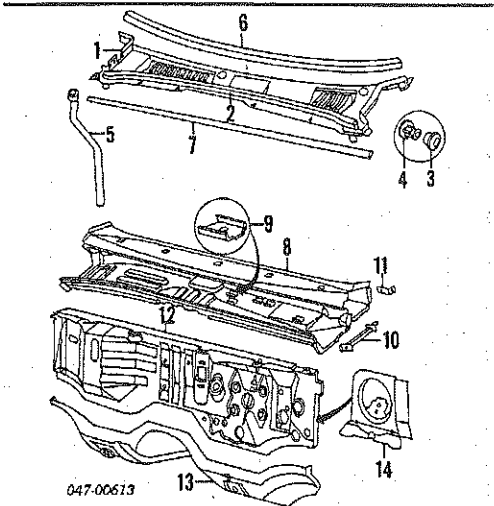
960 1992-97

S90, V90 1998

Illustration Located in Next Column

1 Panel Assy, Cowl Drain	3518209-6	1.0	260.93
2 Moulding, Seal	1358314-1	.3	60.18
3 Clip, Upper Panel (9)	1392780-1		.55
4 Retainer, Inner (9)	1392779-3		.55
†Included w/Cowl Drain Panel Assy			
5 Hose, Drain	91-94 R/L 3518692-3		9.33
	95-98 R/L 9126188-3		8.50
6 Strip, Retainer	6846389-2		55.67
7 Strip, Seal	3512224-1		19.56
8 Panel Assy, Cowl	9126227-9		411.04
9 Nut, Plate (3)	1334273-8		2.02
†Included w/Cowl Panel Assy			





10 Stay, Cowl	9126980-3	23.60
11 Bracket, Cowl	1380659-1	88.64
12 Panel, Dash	3538612-7	459.43
13 Panel, Lwr Dash/Floor	9128845-8	522.50
14 Bracket, Dash	1380873-8	28.58

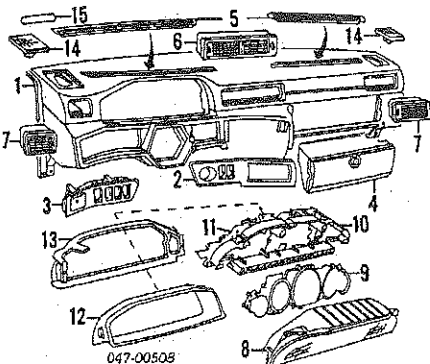
**INSTRUMENT PANEL**

Use Procedure Explanation 14 with the following text.

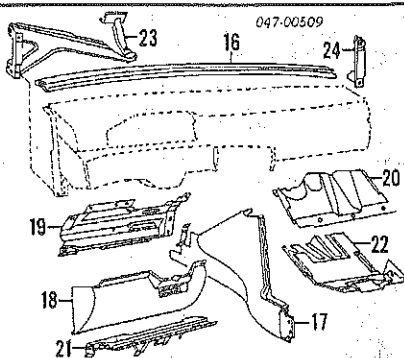
**940, 940 GL, 940 GLE, 940 TURBO**

R&I Instrument Panel ..... m 5.5

NOTE: All Parts in this section are included in R&R Instrument Panel unless noted otherwise.



1 Panel, Instrument	91-93 6848784-2	m 6.5	1155.44
	94-95 6848801-4	m 6.8	1191.93
¶Blue listed, Order by Application			
2 Panel, Control	6848727-1	.6	37.52
3 Panel, Control	3527200-4	.4	37.00
4 Glove Box	91-93 6847883-7	.3	319.66
	94-95 6840744-4	.3	319.66
¶Blue listed, Order by Application			
5 Vent, Defroster	R 3522198-9		26.65
	L 3522195-1		32.56
6 Vent, Center	R 3519988-8	.3	112.93
	L 3519987-6	.2	72.93
7 Vent, Outer	R 3519985-0	.2	59.09
	L 3519985-0		
8 Housing, Instrument	91 3523666-1		218.12
	92 3544474-4		228.75
	93-95 9128614-6		208.11
9 Cluster, Instrument-Serviced by Components			
10 Plate, Base	91-92 3523642-1		70.96
	93-94 9130054-1		64.57
	95 9434027-0		68.21
11 Board, Circuit	91 3523651-4	m 1.6	163.64
	92 3544471-0		166.60
	93-94 9130055-8		152.92
	95 9434137-7		139.26
12 Frame, Cluster Front			
Sedan			
To VIN 159487	6812821-4		110.39
From VIN 159488	6812821-4		110.39
Wagon			
To Vin 103778	6812821-4		110.39
From VIN 103779	6812821-4		110.39
13 Frame, Cluster Rear	3519982-7		63.04
14 Grille, Speaker			
Less Sensor	R 1373050-2	.2	45.34
	L 1373049-4	.2	45.34
Sensor, Speaker Grille	R/L 3521473-3		112.36
Speaker, Radio	R 1373048-6	.4	71.42
	L 1373047-8	.4	71.42
¶Order by Application			
15 Mldg, Speaker Grille	R/L 1373068-4		7.47

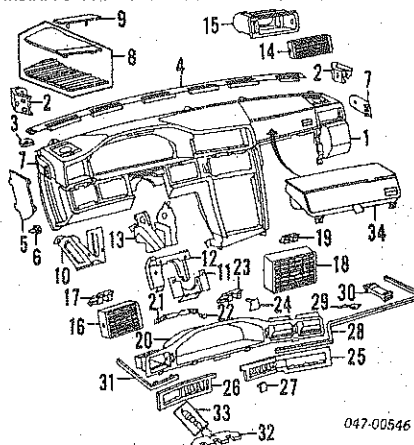


16 Moulding, Cover	6848546-5		82.76
17 Pnl, Console Side	91-93 R 3519563-5	.3	178.80
	L 3519561-9	.3	181.73
	94-95 R 6840870-7	.3	178.79
	L 3519561-9	.3	181.73
18 Cover, Knee Guard	91-93 3527624-5	.3	295.63
	94-95 6812813-1	.3	295.63
¶Blue listed, Order by Application			
19 Guard, Knee	3519375-4	.4	85.41
20 Absorber, Sound Right			
1991-93			
940, 940 GL, GLE	1307395-2	.3	58.53
940 Turbo	9145938-8	.3	17.19
1994-95	9145938-8	.3	17.19
21 Absorber, Sound Left	1371928-1	.3	83.29
22 Cover, Right	91-93 3500483-7	.3	938.97
¶Blue listed, Order by Application			
23 Bracket, Panel Mount	3527721-9		141.91
24 Brkt, Panel Right	91-93 3527578-3		26.00
	94-95 6840159-5		57.83

**940 SE 1991  
960 1992-97  
S90, V90 1998**

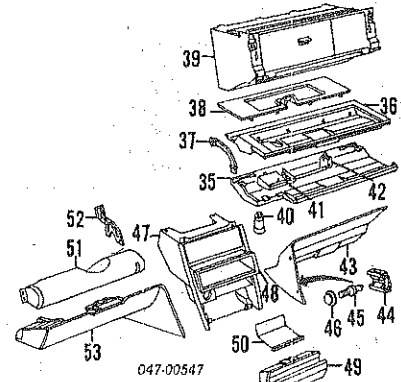
R&I Instrument Panel ..... m 5.5  
NOTE 1: Refer to Special Cautions Section at the beginning of this vehicle text.

NOTE 2: All Parts in this section are included in R&R Instrument Panel unless noted otherwise.



1 Panel, Instrument	91-92 3508047-2	m 7.5	1290.64
	93 3548516-8	m 7.8	1719.15
	94 6848354-4	m 7.8	1221.31
	95-98 9150327-6	m 7.8	1984.34
¶Order by Application			
2 Bracket, Panel Mount	R 1380652-6		8.75
	L 1380653-4		14.81
3 Clip, Panel (5)	1348040-5		1.01
4 Outlet, Defroster	6841004-2		121.58
5 Plate, Left End Cover			
1991-94	1379187-6		20.82
1995-98 (a)	9145932-1		14.62
¶Blue listed, Order by Application			
(a) Beige listed, Order by Application			
6 Clip (2/Side)	91-94 1379784-0		.63
	95-98 9447273-5		1.95
7 Outlet, Vent	R 1391733-1		30.10
	L 1391727-3		30.10
8 Grille, Speaker	R 3519173-3	.2	51.73
	L 3543473-7	.2	43.86
9 Mldg, Speaker Trim	R 1371576-8		32.85
	L 1371598-2		34.70
¶Black listed, Order by Application			
10 Bracket, Column	91-94 3530330-4		94.62
11 Bracket, Outer	91-93 6812581-4		3.65
12 Bracket, Inner	91-93 6812142-5		21.03
	94-98 9144242-6		15.32
13 Override, Column	91-93 6819572-6		140.88
14 Vent, Dash Right	91-94 1386754-4	.3	27.03
	95-98 9137280-5	.3	30.65

15 Housing, Vent	91-94 1348823-4	.4	48.60
	95-98 9137282-1	.4	34.84
16 Vent, Dash Left	91-94 1393132-4	.3	18.15
	95-98 9137273-0	.3	20.90
17 Clip, Vent	91-94 3527194-9		.42
18 Vent, Center (2)	91-94 R/L 1393131-6	.3	24.10
	95-98 R/L 9137278-9	.3	26.47
19 Clip, Vent (5)	91-94 3527194-9		.42
	95-98 9148408-9		.63
20 Frame, Cluster	91-93 3527312-7		171.54
	94 3543989-2		171.54
	95-98 9137091-6		209.00
	9447273-5		1.95
Bracket, VIN Plate			
21 Plate, VIN-Not Applicable			
22 Clip, VIN Plate (2)	3501835-7		.94
23 Clip, Spring (5)	3527194-9		.42
24 Cap (2)	3500812-7		2.64
25 Panel, Center			
Plastic	91-94 3527208-7		46.57
	95-98 9150359-9		83.60
Wood Finish (Kit)	95-98 9447596-9		1851.60
26 Panel, Left			
Plastic	91-94 3527206-1		41.24
	95-98 9150366-4		34.84
Wood Finish (a)	95-98 9144507-2		550.35
¶Black listed, Order by Application			
(a) included w/Wood Finish (Kit) Center Panel			
27 Plug, Panel (4)			
1991-94	3543274-9		2.59
1995-98	9129730-0		3.40
28 Mldg Assy, Right	91-93 1391900-6		74.04
	94 3548512-7		63.10
	95-98 9137765-5		54.34
29 Clip, Moulding	91-93 1386948-2		1.81
	94-98 3548731-3		.42
30 Clip, Moulding (4)	1393508-5		.33
¶Included w/Right Moulding Assy			
31 Moulding, Left	91-94 1391902-2		37.05
	95-98 9138093-1		26.47
32 Conductor, Light (2)	91-94 R/L 1393890-7		18.49
33 Socket w/Bulb	91-94 R/L 1363149-4		7.38
34 Air Bag-See Air Bag System Section			



35 Lid, Glove Box	91-94 1371464-7	.3	115.74
	95-98 9137087-4	.3	83.60
¶Beige listed, Order by Application			
36 Plate, Cover	1348897-8	.4	32.41
37 Stop, Arm (2)	1348902-6		5.64
38 Cover, Inner	1362172-7		13.86
39 Box, Glove	91-93 3527183-2	.5	86.20
	94-98 3548769-3	.5	68.84
40 Cylinder, Lock	91-93 3528777-0	.3	40.77
	94-98 9203092-3	.3	43.02
41 Housing, Cylinder			
1991-94	1379682-6		32.41
1995-98	9137507-1		34.84
¶Beige listed, Order by Application			
42 Latch, Glove Box	1379681-8		39.00
43 Cover, Under	91-93 9145438-9		163.36
	94-98 9184659-2		138.29
¶Order by Application			
44 Clip, Cover (2)	91-94 1386930-0		1.46
45 Pin, Cover (5)	91-94 1393314-8		2.02
46 Retainer, Cover (5)	91-94 1391626-7		1.05
47 Panel, Center	91-94 3541260-0		53.39
¶Order by Application			
48 Box, Stowage	91-94 1393903-8		57.15
49 Ashtray			
1991-94	9145370-4		64.08
1995-98			
Plastic	9150372-2		55.74
Wood Finish	9144508-0		348.33
¶Black listed, Order by Application			
50 Plate, Base	91-94 1393463-3		10.18
51 Bolster, Knee	3541700-5		146.69
52 Brkt, Knee Bolster	1386872-4		32.41
53 Cover, Knee Bar	9144428-0		138.17
¶Black listed, Order by Application			

**CENTER CONSOLE**

Use Procedure Explanation 14 with the following text.

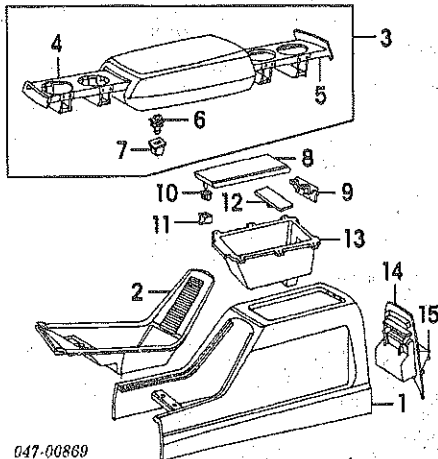
**940, 940 GL, GLE, TURBO**

R&I Console Assy			.6
------------------	--	--	----

# VOLVO 940/960/S90/V90 1991-98

## CENTER CONSOLE Cont'd

### 940, 940 GL, GLE, TURBO Cont'd

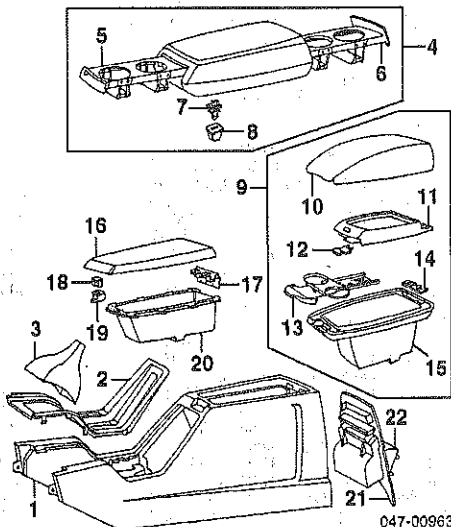


047-00869

1 Console	3519184-0	.8	125.25
‡Blue listed, Order by Application			
2 Panel, Cover	91-92 3541734-4	.3	78.13
	93-95 6840239-5	.3	70.60
3 Armrest Assy	9134883-9	.3	90.96
‡Blue listed, Order by Application			
4 Cupholder, Front	3524513-3		21.92
5 Cupholder, Rear	3524525-7		21.92
6 Pin	9134751-8		2.37
7 Latch	9134157-8		3.45
‡Included w/Armrest Assy			
8 Lid, Console Box	3527446-3	.3	73.79
‡Blue listed, Order by Application			
9 Hinge, Lid	1307707-8		13.36
10 Latch, Lid	6847246-3		5.83
11 Holder, Latch	1308809-1		3.59
12 Cover, Inside	1307727-6		4.55
13 Box, Console	9138067-5		41.29
14 Panel, Console Rear	3519273-1		54.88
15 Ashtray	3519274-9		36.98

### 940 SE 1991 960 1992-97

R&I Console Assy ..... .6

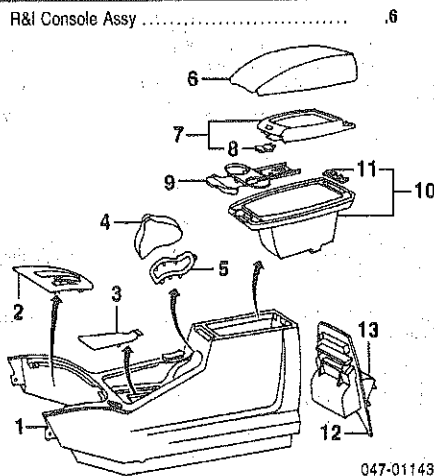


047-00963

1 Console	3519189-9	.8	140.76
‡Blue listed, Order by Application			
2 Panel, Console Front	1371049-6	.3	83.29
Man Trans			
Auto Trans			
1991-92	3527693-0	.3	78.46
1993-94	6840243-7	.3	70.60
1995	9150312-8	.3	68.74
1996-97	9145991-7	.3	68.74
‡Black listed, Order by Application			
3 Boot	1366749-4	.2	147.53
4 Armrest Assy	91-94 9134099-2	.3	90.96
‡Black listed, Order by Application			
5 Cupholder, Front	91-94 3524513-3		21.92
6 Cupholder, Rear	91-94 3524525-7		21.92
7 Pin	91-94 9134751-8		2.37
8 Latch	91-94 9134157-8		3.45
‡Included w/Armrest Assy			

9 Armrest Assy	95-97 9134510-8	.3	194.03
10 Armrest, Upper	95-97 9150347-4	.2	392.53
11 Armrest Assy, Lwr	95-97 9145526-1		68.61
12 Handle	95-97 9145529-5		3.69
‡(b) Included w/Lwr Armrest Assy			
13 Cupholder	95-97 9150348-2		52.93
‡Black listed, Order by Application			
14 Hinge	95-97 9145518-8		11.50
15 Box	95-97 9150345-8		104.49
‡Black listed, Order by Application			
‡(a) Included w/Armrest Assy			
16 Lid, Console Box	3527900-9	.3	93.11
‡Blue listed, Order by Application			
17 Hinge, Lid	1307707-8		13.36
18 Latch, Lid			
Magnetic	9145868-7		6.06
Mechanical	6847246-3		5.83
19 Latch, Holder			
Magnetic	6848463-3		3.09
Mechanical	1308809-1		3.59
20 Box, Console	1371057-9		53.70
21 Panel, Console Rear			
1991-93	3519273-1		54.88
1994-97			
Colored	3543653-4		50.08
Wood	9144504-9		178.85
22 Ashtray			
Colored	3519274-9		36.98
Wood	9144505-6		257.76
‡Black listed, Order by Application			

## S90, V90 1998



047-01143

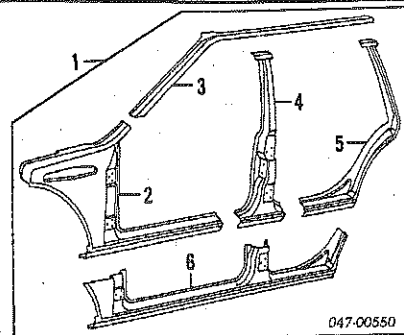
R&I Console Assy		.6	
1 Console			
Beige	9177647-6	.8	148.18
Gray	9177648-4	.8	148.18
Oak	9177649-2	.8	148.18
2 Panel, Console Front			
Plastic			
Beige	9181139-8	.3	45.92
Gray	9181138-0	.3	45.92
Oak	9181140-6	.3	45.92
Wood			
Birch	9181142-2	.3	127.17
Walnut	9181141-4	.3	127.17
3 Cap, Console			
Beige	9192325-0		39.59
Gray	9192326-8		39.59
Oak	9192324-3		39.59
4 Boot	9173289-1	.2	19.34
5 Frame, Boot	9173290-9		3.42
6 Armrest, Upper	9187425-5	.2	303.20
‡Dark Gray listed, Order by Application			
7 Armrest Assy, Lower	9187434-7		48.26
8 Handle	9150339-1		3.69
‡Included w/Lwr Armrest Assy			
9 Cupholder	9187444-6		55.69
10 Box Assy	9145515-4		104.49
‡(a) Beige listed, Order by Application			
11 Hinge	9145518-8		11.50
‡Included w/Box Assy			
12 Panel, Console Rear	9145321-7		50.08
13 Ashtray, Rear	9145327-4		27.85
‡(a) Order by Application			

## ROCKER/PILLARS/FLOOR

Use Procedure Explanations 14,15 and 28 with the following text.

## SHEET METAL ROCKER/PILLARS

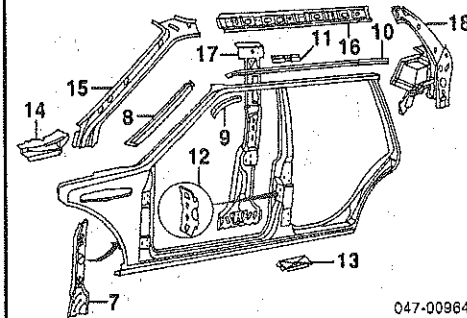
Refinish Body Side Assy	R/L	4.5
Refinish Front Section	R/L	1.0
Refinish Center Pillar Section	R/L	1.0
Refinish Rear Pillar Section	R/L	1.0
Refinish Rocker Panel Section	F/L	1.8



047-00550

1 Body Side Assy	R 3528862-0	s #19.5	1596.55
	L 3528861-2	s #19.5	1596.55
‡w/Windshield, Headliner & Necessary Bolted Parts			
Removed			
2 Section, Side Front	R 1380016-4	s #6.5	549.91
	L 1380015-6	s #6.5	549.91
‡w/Fender, Door, Windshield & Necessary Bolted Parts			
Removed			
3 Section, Pillar/Roof Side			
940, GL, GLE, Turbo	91-95 R 1380022-2	s	3.0 247.67
	L 1380021-4	s	3.0 247.67
940 SE	91 R 1380022-2	s	3.0 247.67
	L 1380021-4	s	3.0 247.67
960	92-97 R 1380022-2	s	3.0 247.67
	L 1380021-4	s	3.0 247.67
S90, V90	98 R 1380022-2	s	3.0 247.67
	L 1380021-4	s	3.0 247.67
4 Section, Center Pillar	R 1380018-0	s	6.0 351.12
	L 1380017-2	s	6.0 351.12
5 Section, Rear Pillar	R 1380020-6	s	3.5 468.86
	L 1380019-8	s	3.5 468.86
6 Section, Rocker Panel	R 1380024-8	s	#7.0 353.84
	L 1380023-0	s	#7.0 353.84

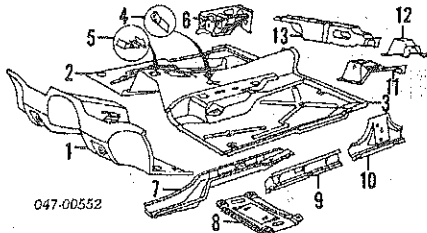
‡Included w/Body Side Assy  
‡Deduct 1.6 w/Quarter Panel Removed, Deduction Includes Common Surfaces & Included Operations



047-00964

7 Reinf, Hinge Pillar	R 3528863-8	2.0	134.82
	L 1380318-4	2.0	141.31
8 Pillar, Windshield			
940, GL, GLE, Turbo	91-95 R 3526628-7		62.89
	L 3526627-9		62.89
940 SE	91 R 3526632-9		72.02
	L 3526631-1		69.92
960	92-97 R 3526632-9		72.02
	L 3526631-1		69.92
S90, V90	98 R 3526632-9		72.02
	L 3526631-1		69.92
9 Reinforcement	R 1355184-1		12.15
	L 1355183-3		12.15
10 Rail, Drip Side	R 1316820-8		35.65
	L 1316819-0		35.65
11 Reinforcement	91-94 R/L 1355179-1		8.86
	95-98 R 9154346-2		19.86
	L 9154345-4		19.86
12 Reinf, Striker	R/L 1320344-3		10.26
13 Plate, Base	R 1316508-9		6.80
	L 1316507-1		6.80
14 Reinf, Front Inner	R 1355164-3		43.67
	L 1355163-5		43.67
15 Reinf, Pillar			
940, GL, GLE, Turbo	91-95 R 3526285-6	2.0	128.78
	L 3526284-9	2.0	128.78
940 SE	91 R 3526287-2	2.0	170.62
	L 3526286-4	2.0	170.62
960	92-97 R 3526287-2	2.0	170.62
	L 3526286-4	2.0	170.62
S90, V90	98 R 3526287-2	2.0	170.62
	L 3526286-4	2.0	170.62
16 Rail, Roof Side-See Roof Section			
17 Pillar, Center Inner	R 9159039-8	s	2.5 193.66
	L 9159038-0	s	2.5 193.66
18 Reinf, Rear Pillar-See Quarter Panel Section			

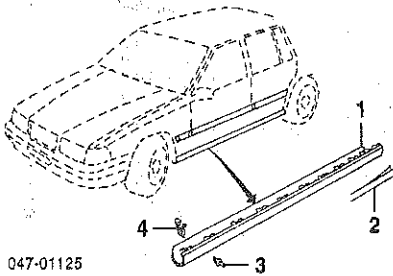
**SHEET METAL FLOOR**



<b>1 Panel, Lower Dash/Front Floor</b> See Cowl & Dash Section			
<b>Floor Assy, Front</b>			
2 Right Half	3503505-4		347.33
3 Left Half	3503504-7		347.33
4 Bracket¶	R 1320411-0		6.83
	L 1320410-2		6.83
¶Included w/Front Floor Half Assy			
5 Bracket, Console	91-92 1380272-3		29.58
	93-94 3528993-3		25.57
6 Bracket	91-94 1355824-2		72.69
	95-98 9126881-1		61.23
7 Sidemember, Floor	R 3536852-1	s	135.77
	L 3536851-3	s	201.67
8 Crossmember, Floor Panel, Inner Rocker	1380296-2		42.48
9 Front	R 1380411-7	s #2.0	62.62
	L 1380410-9	s #2.0	60.95
10 Center	R 3503486-7	s #2.0	54.36
	L 3503485-9	s #2.0	52.89
#R&R One Side Complete 3.0			
11 Support, Seat Front	R 1316675-6		55.80
	L 9126223-8		48.69
12 Support, Seat Rear	R 1355206-2		39.95
	L 1355205-4		39.95
13 Crossmember, Floor	R 3526098-3		103.46
	L 3528574-1		89.70

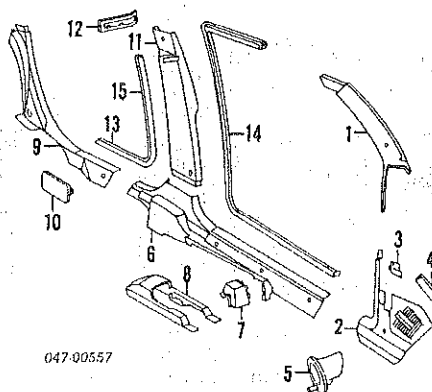
**EXTERIOR TRIM**

Refinish Rocker Moulding	R/L	.6
R&I Rocker Mldg	R/L	.4



<b>1 Moulding, Rocker</b>			
Gray	R 9126181-8	.4	106.18
	L 9126180-0	.4	106.18
Paint to Match	R 9126181-8	.4	106.18
	L 9126180-0	.4	106.18
2 Tape, Adhesive	R/L 9126160-2		2.35
3 Clip, Outer (7/Side)	R/L 9133417-7		.35
4 Clip, Inner (10/Side)	R/L 9447384-0		1.80

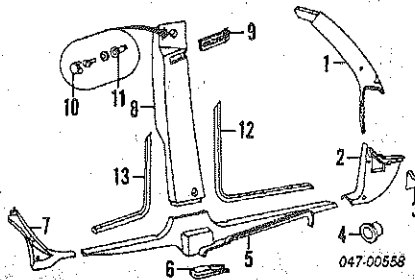
**INTERIOR TRIM 940, 940 GL, GLE, TURBO**



<b>1 Trim, Windshield Pillar-See Windshield Section</b>			
2 Trim, Cowl Side¶	R 6848487-2	.3	49.42
	L 1393286-8	.3	59.26
3 Cover, Trim¶	L 1310197-7		44.70
4 Cover, Side¶	L 1310224-9		7.99
¶Blue listed, Order by Application			
5 Seal, Trim	R 3503228-3		5.37
	L 3503227-5		5.37

6 Cover, Rocker Inner¶	R 6840144-7	.4	104.59
	L 6840143-9	.4	104.59
7 Cover, Seat¶	R 1353558-8		10.38
	L 1353556-2		10.38
8 Trim, Seat Side¶			
Manual Seat	R/L 9144226-9		11.58
Power Seat	R 9144232-7		11.58
	L 9144231-9		11.58
9 Trim, Rear Rocker¶			
Rear	R 9145127-8	.3	56.16
	L 9145124-5	.3	56.16
10 Plate, Rocker Cover¶			
4/Side	R/L 1297208-9		3.06
11 Trim, Center Pillar¶	R 3519650-0	.3	132.39
	L 3519649-2	.3	132.39
12 Frame, Seat Belt¶	R/L 3548745-3		5.65
13 Plug, Cover¶	R/L 1338085-2		1.76
¶Blue listed, Order by Application			
14 Seal, Door Opng Front	R 6848633-1	.6	151.66
	L 6848632-3	.6	151.66
15 Seal, Door Opng Rear	R/L 6848634-9	.6	142.88

**INTERIOR TRIM 940 SE 1991 960 1992-97 S90, V90 1998**

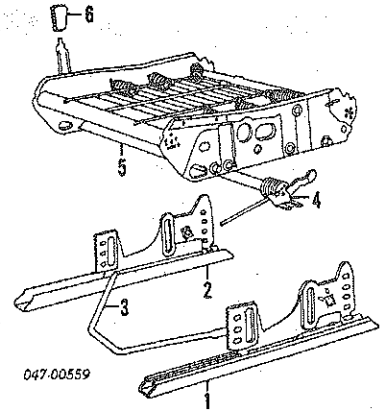


<b>1 Trim, Windshield Pillar-See Windshield Section</b>			
<b>2 Trim, Cowl Side</b>			
1991-94¶			
To VIN 15846	R 1379463-1	.3	60.18
	L 9145301-9	.3	51.04
From VIN 15847	R 9145594-9	.3	60.18
	L 9145301-9	.3	51.04
1995-98 (a)	R 9145596-4	.3	60.18
	L 9145298-7	.3	51.04
<b>3 Cover, Trim</b>			
1991-94¶			
To VIN 15846	R 1393236-3		7.84
From VIN 15847	R 9145590-7		7.84
1995-98 (a)	R 1379462-3		60.18
¶Blue listed, Order by Application			
(a) Black listed, Order by Application			
4 Seal, Trim	R 3503223-4		5.37
	L 3503222-6		5.37
<b>5 Cover, Rocker Inner</b>			
1991-94¶			
	R 1365293-8	.4	122.70
	L 1365287-0	.4	122.70
1995-98 (a)	R 1365292-0	.4	122.70
	L 1365286-2	.4	122.70
¶Blue listed, Order by Application			
<b>6 Cover, Seat (a)</b>			
Manual Seat	91-94 R/L 9144225-1		11.58
Power Seat	91-94 R 9144230-1		11.58
	L 9144229-3		11.58
	95-98 R 9144230-1		11.58
	L 9144229-3		11.58
7 Trim, Rear Rocker (a)	R 9145123-7	.3	38.27
	L 9145121-1	.3	38.27
8 Trim, Center Pillar (a)	R 1371152-9	.4	100.28
	L 1371151-0	.4	100.28
9 Frame, Seat Belt (a)	R/L 3548744-6		5.65
10 Plug, Cover (a) (2/Side)	R/L 1338084-5		1.88
Speaker (a)	R/L 9447988-6		0.00
(a) Black listed, Order by Application			
11 Anchor, Screw (2/Side)	R/L 1379805-3		1.01
<b>12 Seal, Door Opening Front</b>			
1991-94			
	R 3503223-4	.6	5.37
	L 3503222-6	.6	5.37
1995-98	R 6848633-1	.6	151.66
	L 6848632-3	.6	151.66
13 Seal, Door Opng Rear	R/L 6848634-9	.6	142.88

**FRONT SEAT**

**MANUAL**

R&I Front Seat	R/L	.5
Illustration Located in Next Column		
1 Rail, Seat Outer¶	R 9160730-9	#.7 144.76
	L 9160731-7	#.7 144.76
2 Rail, Seat Inner¶	R 9160733-3	#.7 144.76
	L 9160732-5	#.7 144.76
¶Order by Application		
#R&R Both One Seat 1.0		



3 Brace, Rail	R/L 1338101-7		28.82
4 Spring, Counterbalance w/Spring Leveling	1349289-7		99.13
5 Frame, Seat¶	R 9188499-9		313.58
	L 9188498-1		313.58
¶Order by Application			
6 Knob, Control w/Spring Leveling	1243089-8		4.55

**POWER**

R&I Front Seat	R/L	.5
Illustration Located in Next Column		
1 Rail, Seat Adjust Outer	91-93 R 9160233-4	#.7 253.33
	L 3513126-7	#.7 230.94
	94-98 R 9449249-3	#.7 253.33
	L 9449199-0	#.7 241.05
Inner	92-93 R 9160233-4	#.7 253.33
	L 9160232-6	#.7 253.33
	94-98 R 9174639-6	#.7 253.33
	L 9174638-8	#.7 253.33
#R&R Both One Seat 1.0		
2 Gear, Adjust	R 3513500-3	299.91
3 Motor, Front Drive	R 3541326-9	#.2 227.27
4 Motor, Center Drive	R 3541327-7	#.2 227.27
5 Motor, Rear Drive	R 3541328-5	#.2 227.27
#w/Seat Removed		
6 Bracket, Motor	R 3541103-2	40.45
7 Bracket, Motor	L 3541102-4	34.03
8 Cable, Front Drive w/Memory	R 3541599-1	24.69
w/o Memory	R 1331897-7	24.51
9 Cable, Center Drive w/Memory	R 3541598-3	24.69
w/o Memory	R 1331896-9	24.51
10 Cable, Rear Drive w/Memory	R 3541597-5	24.69
w/o Memory	L 1331895-1	24.51
11 Cable, Center Drive	L 1331898-5	24.51
12 Gear & Cable	L 3513493-1	183.09
13 Frame, Seat Lwr	91-95 L 6840320-3	221.72
	96-98 L 9188500-4	63.59

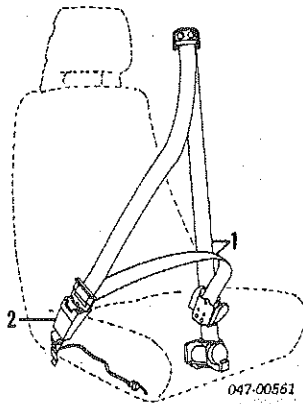
**REAR SEAT**

R&I Rear Seat		.4
---------------	--	----

**VOLVO 940/960/S90/V90 1991-98**

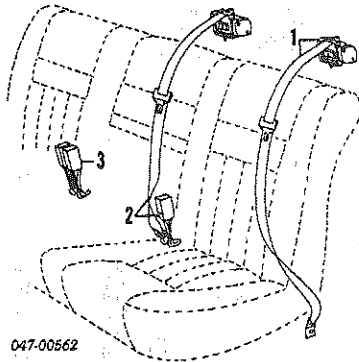
**SEAT BELTS**

**FRONT**



<b>1 Belt, Seat</b>					
1991	R	3525480-4	#.8	155.84	
	L	3525479-6	#.8	155.84	
1992-94	R	9156299-1	#.8	257.53	
	L	9156298-3	#.8	270.66	
1995					
Beige	R	9156356-9	#.8	270.66	
	L	9156355-1	#.8	270.66	
Black	R	9156299-1	#.8	257.53	
	L	9156298-3	#.8	270.66	
1996-98					
Beige	R	9188452-8	#.8	140.23	
	L	9156355-1	#.8	270.66	
Black	R	9188445-2	#.8	270.66	
	L	9156298-3	#.8	270.66	
<i>#Includes R&amp;L/R&amp;R Center Pillar &amp; Seat Side Trim Panel</i>					
<b>2 Latch, Belt</b>	R/L	9188778-6	.2	68.97	

**REAR SEDAN**

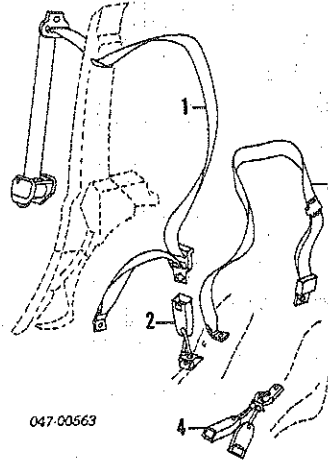


<b>1 Belt, Outer</b>					
Beige	91-95 R	9156362-7	#.6	108.66	
	L	9156361-9	#.6	108.66	
	96-98 R	9188454-4	#.6	73.11	
	L	6847035-0	#.6	108.66	
Black	91-95 R	3525862-3	#.6	162.01	
	L	3525861-5	#.8	162.01	
	96-98 R	9188447-8	#.6	69.22	
	L	9188446-0	#.6	69.22	
<i>#Includes R&amp;L Rear Seat</i>					
<b>2 Center Belt/Left Latch</b>					
Beige	91-95	9156363-5	#.2	118.43	
	96-98	6847067-3	#.2	118.43	
Black	91-95	3525863-1	#.2	176.71	
	96-98	9188859-4	#.2	118.43	
<b>3 Latch, Right/Center</b>		3513666-2	#.2	99.27	
<i>#w/Rear Seat Removed</i>					

**REAR WAGON**

*Illustration Located in Next Column*

<b>1 Belt, Outer</b>					
Beige	91-95 R	9156359-3	#.6	104.49	
	L	9156358-5	#.6	104.49	
	96-98 R	9188458-5	#.6	78.84	
	L	9188457-7	#.6	79.03	
Black	91-95 R	6812848-7	#.6	125.49	
	L	6812847-9	#.6	125.49	
	96-98 R	9188451-0	#.6	74.06	
	L	9188450-2	#.6	75.19	
<i>#Includes R&amp;L/R&amp;R Quarter Trim Panel</i>					



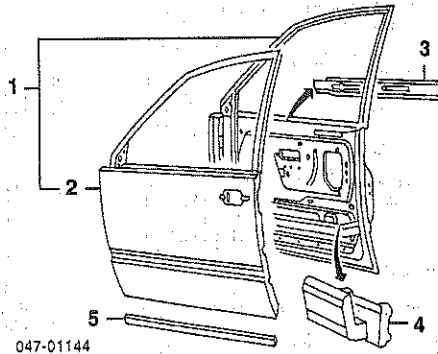
<b>2 Latch, Right Belt</b>	91-93	3513670-4	#.2	63.33	
	94-98	9188781-0	#.2	27.10	
<b>3 Belt, Center</b>					
1991-93		3513661-3	#.2	67.54	
1994-95					
Beige		9156372-6	#.2	104.49	
Black		3543686-4	#.2	126.17	
1996-98					
Beige		6847035-0	#.2	108.66	
Black		9188449-4	#.2	68.54	
<b>4 Latch</b>					
Left/Center	91-93	3513669-6	#.2	101.34	
	94-98	9188782-8	#.2	36.14	
<i>#w/Cushion Removed</i>					

**FRONT DOOR**

*Use Procedure Explanations 16 and 28 with the following text.*

**SHEET METAL**

Refinish Door Outside	R/L	2.1	
Add for Jamb & Interior	R/L	1.0	
Add for Jamb	R/L	.5	
R&L Door Assy	R/L	1.0	
Add to R&R Door Shell or Door Repair Panel To Drill Holes for Installation			
One Moulding	R/L	.3	
Each Additional Moulding	R/L	.2	

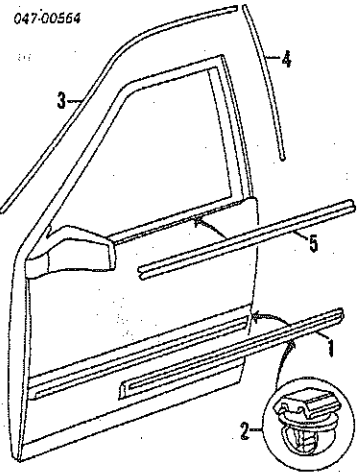


<b>1 Shell Assy, Door</b>					
940	R	9171078-0	#6.0	689.68	
	L	9171077-2	#6.0	689.68	
960	92-94 R	9171078-0	#6.0	689.68	
	L	9171077-2	#6.0	689.68	
	95-97 R	9171086-3	#6.0	689.68	
	L	9171085-5	#6.0	664.43	
S90, V90	98 R	9171086-3	#6.0	689.68	
	L	9171085-5	#6.0	664.43	
<b>2 Panel, Door Repair</b>					
940	R	1355476-1	#7.0	241.31	
	L	1355475-3	#7.0	241.31	
960	92-94 R	1355476-1	#7.0	241.31	
	L	1355475-3	#7.0	241.31	
	95-97 R	9126130-5	#7.0	278.43	
	L	9126129-7	#7.0	278.43	
S90, V90	98 R	9126130-5	#7.0	278.43	
	L	9126129-7	#7.0	278.43	
<i>¶Included w/Door Shell Assy</i>					
<b>3 Reinf, Door</b>	95-98	1267311-7	1.0	9.04	
	L	1267310-9	1.0	9.04	
<b>4 Block, SIPS</b>	95-98	9152430-6		21.59	
	L	9152429-8		21.59	
<b>5 Strip, Lower Seal</b>	R/L	3538529-3	.2	35.47	

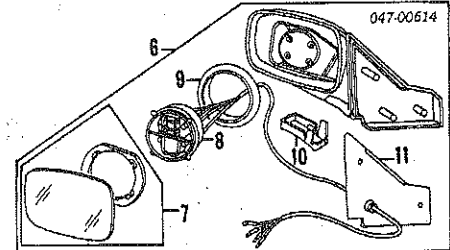
**EXTERIOR TRIM**

**940 1991-95  
960 1992-94**

Refinish Mirror Assy	R/L	.8	
R&L Door Side Moulding	R/L	.2	
R&L Belt Mldg	R/L	.2	
R&L Door Mirror	R/L	#1.0	
<i>#Includes R&amp;L Trim Panel</i>			



<b>1 Moulding, Side</b>					
940, GL, GLE, Turbo	R	3534217-9	.2	67.60	
	L	3534216-1	.2	67.60	
940 SE, 960	R	1358857-9	.2	110.08	
	L	1358856-1	.2	110.08	
<b>2 Clip, Mldg</b> (7/Side)	R/L	3518274-0		1.42	
<i>¶Order by Application</i>					
<b>3 Moulding, Window Front/Upper</b>					
Black	R	1325163-2	.2	37.36	
	L	1325162-4	.2	38.61	
Gray	R	3536719-2	.2	41.25	
	L	3536718-4	.2	41.25	
<b>4 Moulding, Window Rear</b>					
Black	R	1325165-7	.2	19.67	
	L	1325164-0	.2	20.17	
Gray	R	3536720-0	.2	20.89	
	L	3536721-8	.2	20.89	
<b>5 Moulding, Outer Belt</b>					
940, GL, GLE, Turbo	R	3526963-8	.3	136.62	
	L	3526962-0	.3	136.62	
940 SE, 960	R	3536737-4	.3	160.33	
	L	3536738-6	.3	165.64	

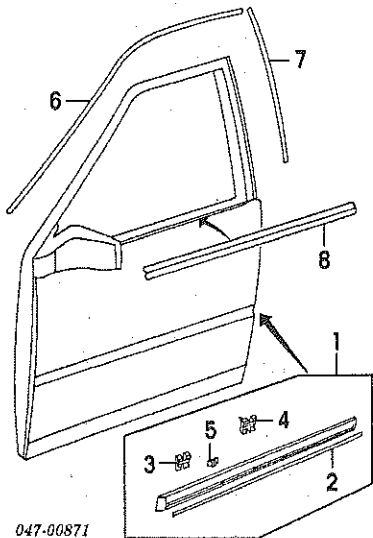


<b>6 Mirror Assy, Door</b>	91 R	3534360-7	#1.2	359.65	
	L	3534351-6	#1.2	359.65	
	92-95 R	9447786-6	#1.2	372.00	
	L	9447784-1	#1.2	372.00	
<i>#Includes R&amp;L Trim Panel</i>					
<b>7 Glass, Mirror</b> ¶	91 R	3518969-5	.2	54.99	
	L	3518965-3	.2	44.21	
	92-95 R	9447757-7	.2	76.71	
	L	9447755-1	.2	63.90	
<b>8 Drive Unit</b> ¶	91 R/L	3518613-9	.6	184.88	
	92-95 R/L	3528503-0	.6	206.30	
<b>9 Bellows, Rubber</b> ¶	R/L	1321694-0		9.82	
<b>10 Cap, Housing</b> ¶	R	3534298-9		7.56	
	L	3534296-3		7.32	
<b>11 Seal, Inner</b> ¶	91 R	3534492-8		12.98	
	L	3534491-0		12.98	
	92-95 R	3534254-2		12.98	
	L	3534253-4		12.98	
<i>¶Included w/Door Mirror Assy</i>					

**EXTERIOR TRIM**

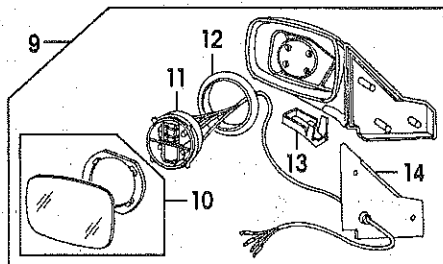
**960 1995-97  
S90, V90 1998**

Refinish Mirror Assy	R/L	.8	
R&L Door Side Moulding	R/L	.2	
R&L Belt Moulding	R/L	.2	
R&L Mirror Assy	R/L	#1.0	
<i>#Includes R&amp;L Trim Panel</i>			



047-00871

1 Moulding Assy, Side	R 9126636-1	.2	112.84
	L 9126636-3	.2	112.84
2 Insert, Moulding	R/L 9126294-9		27.50
3 Clip, Moulding (4/Side)	R/L 9126296-4		1.55
4 Clip, Moulding (3/Side)	R/L 9126305-3		1.08
5 Clip, Insert (6/Side)	R/L 9126289-9		.41
<i>#Included w/Side Moulding Assy</i>			
6 Moulding, Window Front/Upper			
Sedan	R 1268044-3	.2	35.83
	L 1268042-7	.2	35.83
Wagon	R 3536719-2	.2	41.25
	L 3536718-4	.2	41.25
7 Moulding, Window Rear			
Sedan	R 1268045-0	.2	18.67
	L 1268043-5	.2	18.67
Wagon	R 3536721-8	.2	20.89
	L 3536720-0	.2	20.89
8 Moulding, Outer Belt			
Sedan	R 9152372-0	.3	116.74
	L 9152371-2	.3	147.91
Wagon	95-97 R 6846078-1	.3	114.65
	R 6846077-3	.3	109.85
	98 R 3536737-4	.3	160.33
	L 3536736-6	.3	165.64



047-00872

9 Mirror Assy, Door	R 9447786-6	#1.2	372.00
	L 9447784-1	#1.2	372.00
<i>#Includes R&amp;R Trim Panel</i>			
10 Glass, Mirror	R 9447757-7	.2	76.71
	L 9447755-1	.2	63.90
11 Drive Unit	R/L 3528503-0	.6	206.30
12 Bellows, Rubber	R/L 1321694-0		9.82
13 Cap, Housing	R 3534298-9		7.56
	L 3534296-3		7.32
14 Seal, Inner	R 3534254-2		12.98
	L 3534253-4		12.98
<i>#Included w/Door Mirror Assy</i>			

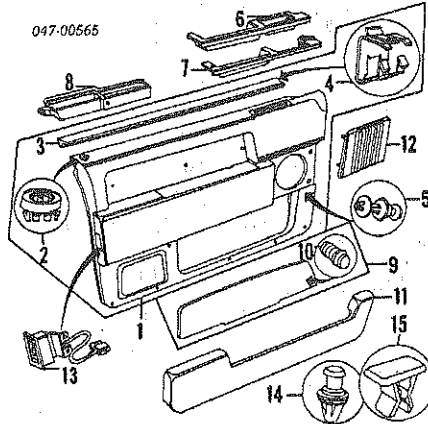
**INTERIOR TRIM  
940 1991-95  
960 1992-94**

R&R Trim Panel ..... R/L .4

NOTE: All Parts in this section are included in R&R Trim Panel unless noted otherwise.

Illustration Located in Next Column

1 Panel Assy, Door Trim	R 9145567-5	.6	475.62
	L 9145566-7	.6	475.62
2 Bushing, Lock (a)	R/L 1331203-8		1.04
<i>#Blue listed, Order by Application</i>			
3 Seal, Belt Inner (a)	R/L 3527594-0		16.42
4 Clip, Belt Seal (a)			
7/Side	R/L 3527192-3		1.06
<i>(a) Included w/Door Trim Panel Assy</i>			



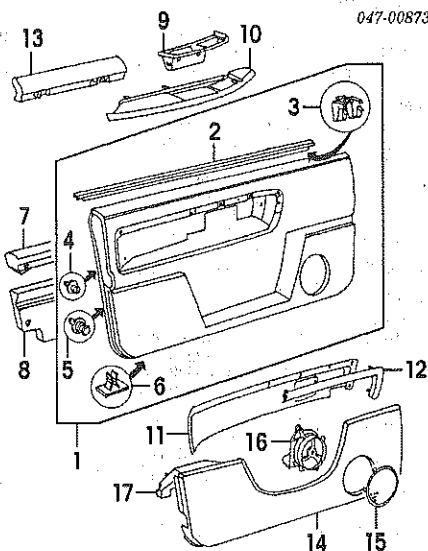
047-00565

5 Clip, Panel Handle, Door Pull	R/L 6848423-7		.77
6 Power Switch Type	R 3527636-9		11.59
	L 3527635-1		10.91
7 Coin Box Type	R 3527237-6		11.59
	L 3527236-8		11.59
8 Bracket	R 3541076-0		15.74
	L 3541075-2		15.74
9 Panel Assy, Cover	R 3500067-9		44.02
	L 3500066-0		44.02
<i>#Blue listed, Order by Application</i>			
10 Clip, Cover Panel (a)	R/L 1318217-5		1.17
<i>(a) Included w/Cover Panel Assy</i>			
11 Pocket, Door			
940, GL, GLE, Turbo	R 3527960-3		63.33
	L 1379099-3		61.86
940 SE, 960	91-92 R 9408207-0		120.16
	L 9408202-1		120.16
	93-94 R 9408207-0		120.16
	L 9408202-1		120.16
12 Grille, Speaker	R 1379329-4	.2	35.94
	L 1379328-6	.2	35.94
<i>#Blue listed, Order by Application</i>			
Speaker, Front Door	R/L 1384924-5	#.4	64.49
<i>#Not Included in R&amp;R Trim Panel</i>			
13 Lamp, Door Warning	R/L 3508668-5		20.20
14 Clip, Door (6/Side)	R/L 6847076-4		.67
15 Clip, Door (6/Side)	R/L 1338144-7		.73

**INTERIOR TRIM  
960 1995-97  
S90, V90 1998**

R&R Trim Panel ..... R/L .4

NOTE: All Parts in this section are included in R&R Trim Panel unless noted otherwise.



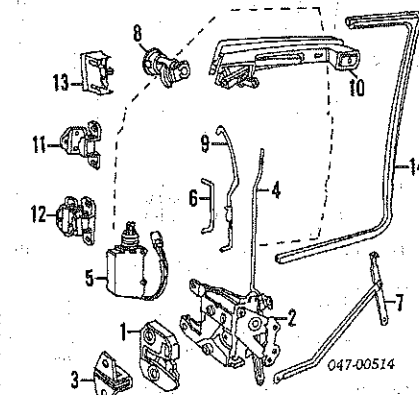
047-00873

1 Panel Assy, Door Trim	R 9144664-1	.8	543.48
	L 9144663-3	.8	543.48
<i>#Beige listed, Order by Application</i>			
2 Seal, Belt Inner	R/L 3527594-0		16.42
3 Clip, Seal (7/Side)	R/L 3527192-3		1.06
4 Clip, Panel (2/Side)	R/L 9137596-4		.46
5 Clip, Panel (3/Side)	R/L 9158929-1		.46
6 Clip, Panel (3/Side)	R/L 1338144-7		.73
<i>#Included w/Door Trim Panel Assy</i>			
7 Insulator, Upper	R 9137617-8		20.20
	L 9137606-1		20.20
8 Insulator, Lower	R 9137618-6		20.20
	L 9137607-9		20.20

9 Handle, Pull	R 9137735-8		11.91
	L 9137734-1		11.91
10 Armrest	R 9137859-6		40.33
	L 9137858-8		40.33
11 Panel, Cover	R 9137787-9		55.39
	L 9137786-1		55.39
<i>#Beige listed, Order by Application</i>			
12 Strip, Wood			
1995-96	R 9144515-5		79.90
	L 9144514-8		79.90
1997-98			
Birch	R 9165996-1		79.90
	L 9165995-3		79.90
Walnut	R 9447578-7		79.90
	L 9447580-3		79.90
13 Reinf, Cover	R 9158313-8		7.32
	L 9158303-9		7.32
14 Pocket, Door Trim	95 R 9137727-5		77.96
	L 9137726-7		77.96
	96-98 R 9150205-4		77.96
	L 9150203-9		77.96
15 Grille, Speaker	R 9137703-6		27.50
	L 9137703-6		27.50
<i>#Beige listed, Order by Application</i>			
16 Speaker	R 3533437-4	#.2	63.12
	L 3533436-6	#.2	63.12
<i>#w/Trim Panel Removed, Not Included in R&amp;R Trim Panel</i>			
17 Block, Pocket	95 R 9145959-4		20.20
	R 9145958-6		20.20
	96-98 R 9150251-8		20.20
	L 9150250-0		20.20

**HARDWARE  
940 1991-95  
960 1992-94**

Refinish Upper Hinge	R/L	.2
Refinish Lower Hinge	R/L	.2
R&I Outside Handle & Lock Cyl	R/L	#.7
<i>#Includes R&amp;I Trim Panel</i>		



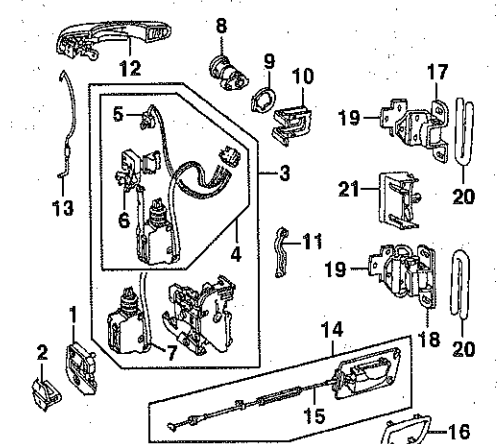
047-00514

1 Latch, Door Outer	R 9159531-4	.2	48.03
	L 9159530-6	.2	48.03
2 Latch, Door Inner	R 9127549-5	#.3	66.43
	L 9127546-1	#.3	66.43
<i>#w/Trim Panel Removed</i>			
3 Striker, Door Latch Shim, Striker	R/L 1380074-3	.2	21.11
	R/L 6817942-3		2.25
<i>#As Required</i>			
4 Rod, Lock Button	91-93 R/L 3536891-9		4.17
	94-95 R/L 3536890-1		5.16
Button, Lock	91-93 R/L 1334831-3		1.02
	94-95 R/L 1316928-9		1.80
<i>#Blue listed, Order by Application</i>			
5 Actuator, Power Lock	R 3503941-1	#.3	93.07
	L 3503946-0	#.3	82.79
<i>#w/Trim Panel Removed</i>			
6 Rod, Lock Cylinder	R 1268606-9		3.34
	L 1268605-1		3.29
7 Rod, Release	91 R 1320311-2		22.28
	L 1320310-4		22.28
	92-95 R 3528591-5		21.03
	L 3528590-7		21.03
Knob, Inside Handle	R/L 1316146-8		2.48
<i>#Blue listed, Order by Application</i>			
8 Cylinder, Lock (w/Key)			
Random Coding	R 3526023-1	#.2	57.02
	L 3526024-9	#.2	57.02
Specific Code Number	R 3526012-4	#.2	82.28
	L 3526011-6	#.2	83.94
<i>#Order by Code Number</i>			
<i>#w/Trim Panel Removed</i>			
9 Rod, Outside Release	R 1268725-7		7.65
	L 1268724-0		7.65
10 Handle, Outside Door			
Black	R 6846647-3	#.2	87.86
	L 6846646-5	#.2	87.86
Chrome	R 6846645-7	#.2	87.86
	L 6846644-0	#.2	87.86
<i>#w/Trim Panel Removed</i>			
Gasket, Handle Front	R/L 3503041-0		2.50
Gasket, Handle Rear	R/L 3503042-8		2.86
11 Hinge, Door Upper	R 1380535-3	#.5	65.23
	L 1380534-6	#.5	65.23

# VOLVO 940/960/S90/V90 1991-98

FRONT DOOR Cont'd		
<b>HARDWARE</b>		
<b>940 1991-95</b>		
<b>960 1992-94 Cont'd</b>		
12 Hinge, Door Lower	R 9447269-3 L 9447268-5	#.5 68.40 #.5 68.41
<i>#w/Door Removed</i>		
13 Ferrule, Door	R/L 1316713-5	8.23
<i>14 Seal, Door Opening</i> See Rocker/Pillars/Floor Section		
Seal, Lower Strip	R/L 3538529-3	35.47
<b>HARDWARE</b>		
<b>960 1995-97</b>		
<b>S90, V90 1998</b>		

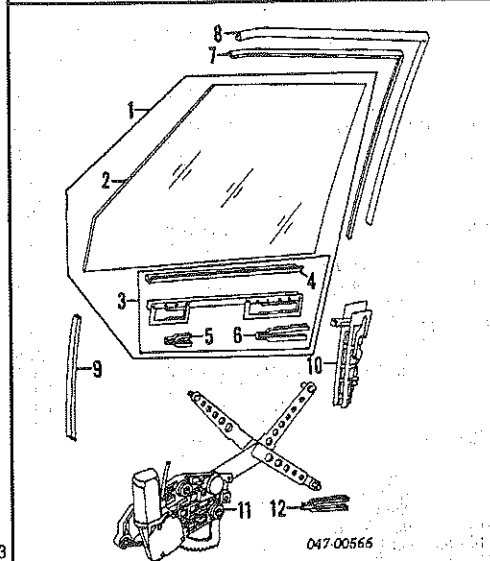
Refinish Outside Handle	R/L	.6
Refinish Upper Hinge	R/L	.2
Refinish Lower Hinge	R/L	.2
R&I Outside Handle & Lock Cyl	R/L	#.7
<i>#Includes R&amp;I Trim Panel</i>		



1 Latch, Door Outer	R 9159531-4 L 9159530-6	.2 48.03 .2 48.03
2 Striker, Door Latch	R/L 1380074-3	#.3 21.11
<i>3 Latch Assy, Door Inner</i>		
2 Stage Lock	R 9154395-9 L 9154393-4	#.5 102.20 #.5 102.20
<i>1 Stage Lock w/Remote Locks</i>		
	R 9159549-6 L 9159549-6 R 9159549-6 L 9159544-7	#.5 97.09 #.5 102.20 #.5 97.09 #.5 97.09
<i>4 Actuator Assy, Power Lock</i>		
2 Stage Lock	R 9154970-9 L 9154451-0	#.3 93.86 #.3 93.86
<i>1 Stage Lock w/Remote Locks</i>		
	R 9126463-0 L 9154348-8	#.3 93.86 #.3 123.29
<i>#w/Trim Panel Removed</i>		
<i>5 Switch, Remote Lock</i> (a)		
2 Stage Lock	R 9159520-9 L 9159519-9	0.00 74.47
<i>1 Stage Lock w/Remote Locks</i>		
	L 9126461-4	74.47
<i>6 Clip, Switch</i> (a)		
2 Stage Lock	R 9159522-3 L 9159521-5 L 9126459-8	6.64 6.64 7.68
<i>1 Stage Lock (a) Included w/Power Lock Actuator Assy</i>		
<i>7 Actuator, Power Lock</i>		
1 Stage Lock	R 9126463-0 L 9126456-4	#.3 93.86 #.3 93.86
<i>#Included w/Door Inner Latch Assy</i>		
<i>#w/Trim Panel Removed</i>		
<i>8 Cylinder, Lock</i>		
Random Code	91-93 R 9126502-5 L 9126501-7 94-98 R 3526024-9 L 3526023-1	#.2 55.04 #.2 55.04 #.2 57.02 #.2 57.02
<i>#w/Trim Panel Removed, Does Not Include Recode</i>		
Specific Code	91-93 R 9126953-0 L 9126952-2 94-98 R 3526012-4 L 3526011-6	#.2 92.20 #.2 92.20 #.2 82.28 #.2 83.94
<i>#Order by Code Number</i>		
<i>#w/Trim Panel Removed</i>		
9 Washer, Lock	R/L 1316398-5	8.68
10 Clip, Retainer	R/L 9152550-1	8.60
11 Rod, Lock Cylinder	R 9152344-9 L 9152343-1	3.40 3.40
12 Handle, Outside	R 9154450-2 L 9154449-4	#.2 87.86 #.2 87.86
<i>#w/Trim Panel Removed</i>		
13 Rod, Outside Handle	R 1268725-7 L 1268724-0	7.65 7.65
14 Handle Assy, Inside	R 9159676-7 L 9159675-9	38.86 38.86

<i>#Beige listed, Order by Application</i>		
15 Cable, Handle	R 9126959-7 L 9126958-9	33.45 33.45
<i>#Included w/Inside Handle Assy</i>		
16 Cover, Inside Handle	R 9126597-5 L 9126596-7	5.37 5.37
<i>#Beige listed, Order by Application</i>		
17 Hinge, Upper	R 1380535-3 L 1380534-6	#.5 65.23 #.5 65.23
18 Hinge, Lower	R 9447269-3 L 9447268-5	#.5 68.40 #.5 68.41
19 Shim, Hinge (2/Side)	R/L 1268984-0	#.5 4.77
<i>#R&amp;R Hinge &amp; Shim Complete, w/Door Removed</i>		
<i>20 Shim, Hinge</i>		
.3mm	R/L 1355240-1	.93
.5mm	R/L 1355239-3	.93
<i>#Use as Required</i>		
21 Ferrule	R/L 1316713-5	8.23

## GLASS & PARTS



<i>1 Glass Assy, Door</i>		
Volvo-Tinted	91 R 272433-4 L 272432-6 92-98 R 272437-5 L 272436-7	1.2 255.45 1.2 255.45 1.2 296.81 1.2 296.81
<i>2 Glass, Front Door</i>		
Volvo-Tinted	R 1358484-2 L 1358483-4	#1.2 251.72 #1.2 251.72
NAGS-Green	R/L FD02573-4GTN	#1.2 273.25
<i>3 Rail Assy, Glass Lift 1991</i>		
	R 1334704-2 L 1334703-4	#1.2 21.54 #1.2 20.22
<i>1992-98-Serviced w/Volvo Door Glass Assy</i>		
4 Strip, Filler (a)	R/L 1268231-6	#1.2 10.73
5 Ferrule, Rail Front (a)	91 R/L 1268661-4	#1.2 4.38
6 Ferrule, Rail Rear (a)	91 R/L 1268658-0	#1.2 7.01
<i>#Included w/Door Glass Assy</i>		
<i>(a) Included w/Glass Lift Rail Assy</i>		
<i>#R&amp;R Complete</i>		
7 Guide, Glass	91-94 R/L 6848266-0 95-98 R 1334588-9 L 1334587-1	50.68 9.32 12.89
8 Strip, Seal	R 1392798-3 L 1392797-5	53.14 53.14
<i>9 Guide, Glass Front-Serviced w/Door Shell Assy</i>		
<i>10 Guide, Glass Rear 940</i>		
<i>Sedan</i>		
To VIN 180871	R 1334588-9 L 1334587-1	9.32 12.89
From VIN 180872	R 6848224-9 L 6848223-1	20.82 20.82
<i>Wagon</i>		
To VIN 123124	R 1334588-9 L 1334587-1	9.32 12.89
From VIN 123125	R 6848224-9 L 6848223-1	20.82 20.82
<i>960</i>		
<i>Sedan</i>		
To VIN 46749	R 1334588-9 L 1334587-1	9.32 12.89
From VIN 46750	R 6848224-9 L 6848223-1	20.82 20.82
<i>Wagon</i>		
To VIN 17616	R 1334588-9 L 1334587-1	9.32 12.89
From VIN 17617	R 6848224-9 L 6848223-1	20.82 20.82
<i>S90, V90</i>		
	R 6848224-9 L 6848223-1	20.82 20.82

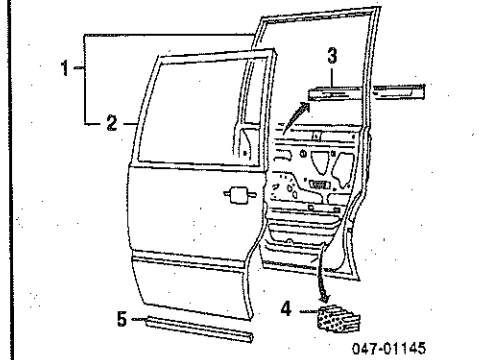
<i>11 Regulator, Window</i>		
91 R 3538176-3	#.5 452.10	
L 3538175-5	#.5 452.10	
92-94 R 3528566-7	#.5 452.13	
L 3528565-9	#.5 452.10	
95-97 R 9126233-5	#.5 298.54	
L 9126234-7	#.5 298.54	
98 R 9444078-1	#.5 271.70	
L 9444077-3	#.5 271.70	
<i>#w/Trim Panel Removed, w/Glass Removed .3</i>		
<i>12 Ferrule, Regulator</i>		
1991	R/L 1268660-6	7.87
1992-98-Serviced w/Window Regulator		

## REAR DOOR

Use Procedure Explanations 16 and 20 with the following text.

## SHEET METAL

Refinish Door Outside	R/L	2.1
Add for Jambos & Interior	R/L	1.0
Add for Jambos	R/L	.5
R&I Door Assy	R/L	.8
<i>Add to R&amp;I Door Shell or Door Repair Panel To Drill Holes for Installation</i>		
One Moulding	R/L	.3
Each Additional Moulding	R/L	.2



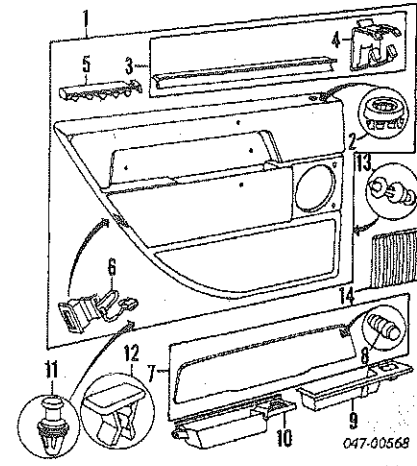
<i>1 Shell Assy, Door</i>		
940	91-95 R 9171082-2 L 9171081-4	4.5 642.26 4.5 642.26
960	92-94 R 9171082-2 L 9171081-4	4.5 642.26 4.5 642.26
	95-97 R 9171090-5 L 9171089-7	4.5 637.31 4.5 637.31
S90, V90	98 R 9171090-5 L 9171089-7	4.5 637.31 4.5 637.31
<i>2 Panel, Door Repair</i>		
940	91-95 R 1355474-6 L 1355473-8	5.5 265.31 5.5 265.31
960	92-97 R 1355474-6 L 1355473-8	5.5 265.31 5.5 265.31
S90, V90	98 R 9126874-8 L 9126873-0	5.5 278.43 5.5 278.43
<i>#Included w/Door Shell Assy</i>		
<i>3 Reinf, Door</i>		
95-98 R 1267340-6	1.0 9.04	
L 1267339-8	1.0 9.04	
<i>4 Block, SIPS</i>		
95-98 R 9126340-0	21.59	
L 9126339-2	21.59	
<i>5 Strip, Lower Seal</i>		
R/L 3538529-3	.2 35.47	

## EXTERIOR TRIM

940 1991-95  
960 1992-94

R&I Door Side Moulding	R/L	.2
R&I Bell Mldg	R/L	.2

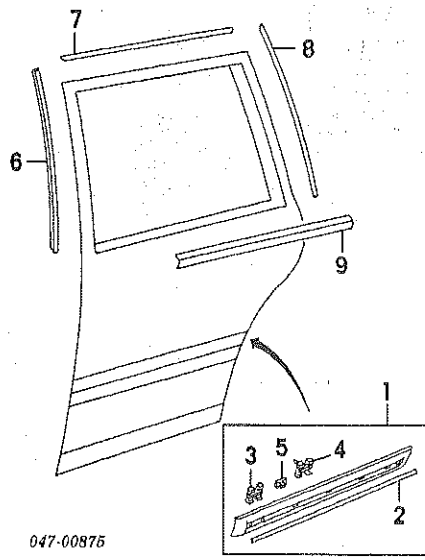
<b>1 Moulding Assy, Side</b>			
940, GL, GLE, Turbo	R	3534219-5	.2 57.39
	L	3534218-7	.2 57.39
940 SE, 960	R	1358859-5	.2 94.87
	L	1358858-7	.2 94.87
<b>2 Clip, Mldg] (6/Side)</b>			
	R/L	3518274-0	1.42
<i>¶Included w/Side Moulding Assy</i>			
<b>3 Moulding, Window Front</b>			
Black	R	1325169-9	.2 20.29
	L	1325168-1	.2 20.29
Gray	R	3536723-4	.2 20.30
	L	3536722-6	.2 20.89
<b>4 Moulding, Window Upper</b>			
Black	R	1325167-3	.2 26.76
	L	1325166-5	.2 26.75
Gray	R	3536725-9	.2 24.78
	L	3536724-2	.2 24.78
<b>5 Moulding, Window Rear</b>			
Black	R	1325171-5	.2 19.66
	L	1325170-7	.2 19.66
Gray	R	3536727-5	.2 20.30
	L	3536726-7	.2 22.23
<b>6 Moulding, Outer Belt</b>			
940, GL, GLE, Turbo	R	3526965-3	.2 103.49
	L	3526964-6	.2 106.30
940 SE, 960	R	3536741-6	.2 136.57
	L	3536740-8	.2 136.57



5 Clip, Panel] (3/Side)	R/L	9137596-4	.46
6 Clip, Panel] (2/Side)	R/L	9158929-1	.46
7 Clip, Panel] (2/Side)	R/L	1338144-7	.73
8 Insulator]	R	9145137-7	20.20
	L	9137587-3	20.20
<i>¶Included w/Door Trim Panel Assy</i>			
9 Handle, Pull]	R	9137737-4	11.91
	L	9137736-6	11.91
10 Armrest]	R	9137857-0	40.33
	L	9137856-2	40.33
11 Panel, Cover]	R	9137785-3	55.39
	L	9137784-6	55.39
<i>¶Beige listed, Order by Application</i>			
<b>12 Strip, Wood</b>			
1995-96	R	9144515-5	79.90
	L	9144514-8	79.90
1997-98			
Birch	R	9165996-1	79.90
	L	9165995-3	79.90
Walnut	R	9447578-7	79.90
	L	9447580-3	79.90
13 Grille, Speaker]	R/L	9137703-6	27.50
<i>¶Beige listed, Order by Application</i>			
14 Speaker	R	3533439-0	#.2 63.12
	L	3533438-2	#.2 63.12
<i>#w/Trim Panel Removed, Not Included in R&amp;R Trim Panel</i>			

**EXTERIOR TRIM  
960 1995-97  
S90, V90 1998**

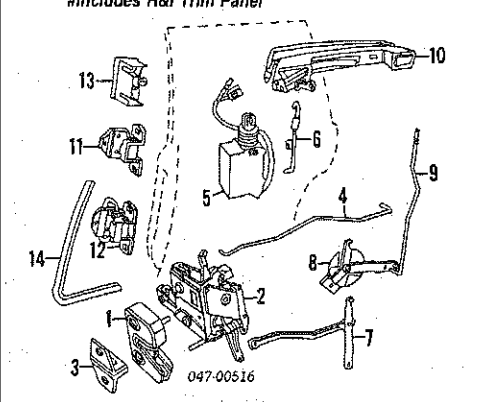
R&I Side Moulding	R/L	.2
R&I Belt Moulding	R/L	.2



<b>1 Panel Assy, Door Trim]</b>			
940, GL, GLE, Turbo	R	3527835-7	.6 498.78
	L	3527833-2	.6 498.78
940 SE, 960	R	6848284-3	.6 476.28
	L	6848283-5	.6 476.28
<b>2 Bushing, Lock] (a)</b>			
	R/L	1331203-8	1.04
<i>¶Blue listed, Order by Application</i>			
<b>3 Seal Assy, Belt (a)</b>			
Inner Front	R/L	3527594-0	16.42
<b>4 Clip, Belt Seal (a) (b)</b>			
5/Side	R/L	3527192-3	1.06
<i>(b) Included w/Belt Inner Front Seal Assy</i>			
<b>5 Seal, Belt Inner Rear (a)</b>			
	R	1297214-7	7.01
	L	1265786-2	7.01
<b>6 Lamp, Door Warning (a)</b>			
	R/L	1393937-6	20.62
<i>(a) Included w/Door Trim Panel Assy</i>			
<b>7 Panel Assy, Cover]</b>			
	R	3500075-1	44.02
	L	3500074-4	44.02
<i>¶Blue listed, Order by Application</i>			
<b>8 Clip, Cover Panel (a)</b>			
	R/L	1318217-5	1.17
<i>(a) Included w/Cover Panel Assy</i>			
<b>9 Handle, Pull]</b>			
	R	1345869-0	10.84
	L	1345868-2	11.56
10 Bracket]	R	3548918-6	13.78
	L	3548917-8	13.78
<i>¶Blue listed, Order by Application</i>			
<b>11 Clip, Door Panel (3/Side)</b>			
	R/L	6847076-4	.67
<b>12 Clip, Door Panel (3/Side)</b>			
	R/L	1338144-7	.73
<b>13 Clip, Panel (2/Side)</b>			
	R/L	6848423-7	.77
<b>14 Grille, Speaker]</b>			
	R	1379311-2	.2 32.73
	L	1379310-4	.2 32.73
<i>¶Blue listed, Order by Application</i>			
<b>Speaker, Door</b>			
	R/L	3533185-9	#.4 55.10
<i>#Not Included in R&amp;R Trim Panel</i>			

**HARDWARE  
940 1991-95  
960 1992-94**

Refinish Upper Hinge	R/L	.2
Refinish Lower Hinge	R/L	.2
R&I Outside Handle	R/L	#.6



1 Latch, Door Outer	R	9159531-4	.2 48.03
	L	9159530-6	.2 48.03
2 Latch, Door Inner	R	9127554-5	#.3 66.43
	L	9127553-7	#.3 66.43
<i>#w/Trim Panel Removed</i>			
3 Striker, Door Latch Shim, Striker]	R/L	1380074-3	.2 21.11
	R/L	6817942-3	2.25
<i>¶As Required</i>			
4 Rod, Locking	R	9152009-8	8.51
	L	9152008-0	8.51
5 Actuator, Power Lock	R/L	3503941-1	#.3 93.07
<i>#w/Trim Panel Removed</i>			
6 Link, Handle	R/L	3526223-7	6.30
7 Rod, Inside Release	R	1320315-3	18.21
	L	9250044-8	13.65
8 Bellcrank, Lock	R	1380010-7	8.03
	L	1380009-9	8.03
9 Rod, Lock Button	91-93 R/L	1334872-7	5.55
	94-95 R/L	1316934-7	5.55
<b>10 Handle, Outside</b>			
Black	R	6846647-3	#.2 87.86
	L	6846646-5	#.2 87.86
Chrome	R	6846645-7	#.2 87.86
	L	6846644-0	#.2 87.86
<i>#w/Trim Panel Removed</i>			
<b>Gasket, Handle Mount</b>			
Front	R/L	3503041-0	2.50
Rear	R/L	3503042-8	2.86
11 Hinge, Upper	R	1380535-3	#.4 65.23
	L	1380534-6	#.4 65.23
12 Hinge, Lower	R	9447269-3	#.4 68.40
	L	9447268-5	#.4 68.41
<i>#w/Trim Panel &amp; Door Removed</i>			
13 Ferrule, Door	R/L	1316713-5	8.23
<b>14 Seal, Door Opening</b>			
<i>See Rocker/Pillars/Floor Section</i>			
Seal, Lower Strip	R/L	3538529-3	35.47

**INTERIOR TRIM  
940 1991-95  
960 1992-94**

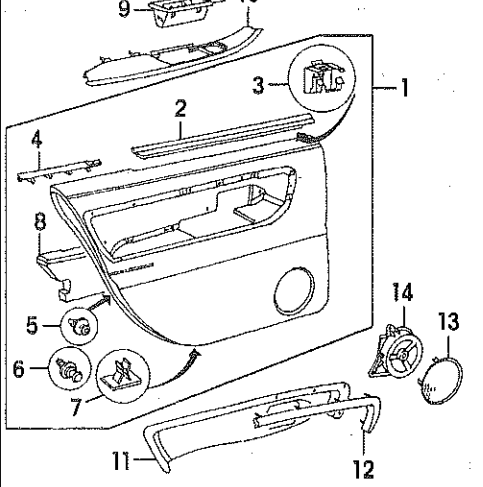
R&I Trim Panel	R/L	.4
----------------	-----	----

**NOTE: All Parts in this section are included in R&R Trim Panel unless noted otherwise.**

**INTERIOR TRIM  
960 1995-97  
S90, V90 1998**

R&I Trim Panel ..... R/L .4

**NOTE: All Parts in this section are included in R&R Trim Panel unless noted otherwise.**



<b>1 Panel Assy, Door Trim]</b>			
	R	9144672-4	.8 501.05
	L	9144671-6	.8 501.05
<i>¶Beige listed, Order by Application</i>			
<b>2 Seal, Belt Inner Front]</b>			
	R/L	3527595-7	15.28
<b>3 Clip, Belt Seal] (5/Side)</b>			
	R/L	3527192-3	1.06
<b>4 Seal, Belt Inner Rear]</b>			
	R	1297214-7	7.01
	L	1265786-2	7.01

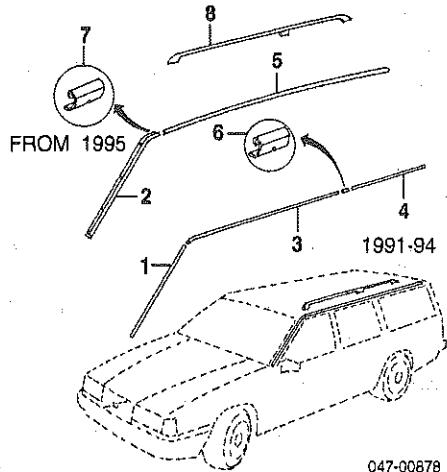
**HARDWARE  
960 1995-97  
S90, V90 1998**

Refinish Outside Handle	R/L	.6
Refinish Upper Hinge	R/L	.2
Refinish Lower Hinge	R/L	.2
R&I Outside Handle	R/L	#.6

*#Includes R&I Trim Panel*



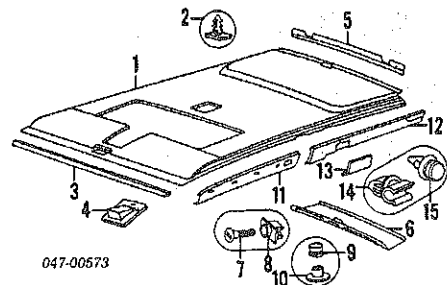




Moulding, Roof Trim Upper			
3 Center	91-94 R/L	6848318-9	#.2 55.40
4 Rear			
4 1991-94	R	6848320-5	#.2 44.04
	L	6848319-7	#.2 51.23
5 1995-98	R	9126577-7	#.2 79.91
	L	9126576-9	#.2 79.91
Connector, Trim			
6 1991-94	R/L	3536710-1	#.2 6.92
7 1995-98	R	3538156-5	#.2 1.61
	L	3534234-4	#.2 1.61
#R&R One Side Complete .4			
8 Rail, Roof Upper	R	9169540-3	.3 188.18
	L	9169539-5	.3 188.18

**INTERIOR TRIM WAGON**

R&I Headliner w/Sunroof	3.5
w/o Sunroof	2.7



1 Headliner			
940, GL, GLE, Turbo w/Sunroof	91 1393807-1	3.5	994.53
	92-94 9407880-5	3.5	828.39
	95 9150508-1	3.5	962.43
w/o Sunroof	91 9158517-4	2.7	763.32
	92-95 9158517-4	2.7	763.32
940 SE	91 9407445-7	2.7	1164.88
960, V90	92-94 9407884-7	2.7	1111.13
	95-98 9150508-1	2.7	962.43
2 Clip, Headliner			
940, GL, GLE, Turbo w/Sunroof (2)	1371441-5	833.04	
w/o Sunroof (4)	1371441-5	833.04	
940 SE, 960, V90 w/Sunroof (2)	91-94 1393645-5	1.40	
	95-98 9137957-8	1.27	
w/o Sunroof (4)	91-94 1393645-5	1.40	
	95-98 9137957-8	1.27	
3 Moulding, Front Cover			
1991-94			
940, GL, GLE, Turbo	1338425-0	23.71	
940 SE, 960	1379943-2	25.24	
1995-98	9137958-6	20.84	
*Beige listed, Order by Application			
4 Cover, Sunroof Drive-See Sunroof Section			
5 Grille, Roof Rear	1355233-6	42.00	
6 Cover, Rear Access			
940	1393122-5	85.21	
960	92-94 1393122-5	85.21	
	95-98 9137960-2	69.60	
*Beige listed, Order by Application			
7 Clip, Outer	125234-2	1.21	
8 Clip, Inner	1294354-4	1.04	
9 Bushing, Inner-Not Serviced			
10 Retainer			
940	1386846-8	.85	
960	92-94 1386846-8	.85	
	95-98 9137961-0	.78	
11 Cover, Roof Side Front			
940, GL, GLE, Turbo	R 9145069-2	#.3	82.23
	L 9145068-4	#.3	82.23

940 SE, 960, V90	91-94 R	9145065-0	#.3	151.52
	L	9145064-3	#.3	151.52
	95-98 R	9137978-4	#.3	137.24
	L	9137977-6	#.3	137.24
12 Cover, Roof Side Rear				
940, GL, GLE, Turbo	R	3519724-3	#.3	88.11
	L	6819031-3	#.3	77.72
940 SE, 960, V90				
1991-94				
To VIN 17589	R	9150086-8	#.3	102.87
	L	9150085-0	#.3	102.87
From VIN 17590	R	9150086-8	#.3	102.87
	L	9150085-0	#.3	102.87
1995-98	R	9137976-8	#.3	102.89
	L	9137975-0	#.3	102.89
*R&R Both One Side .4				
13 Cover, Panel				
940, GL, GLE, Turbo	R	3519736-7		8.90
	L	3519735-9		9.78
940 SE, 960, V90	91-94 R	1386170-3		9.20
	L	1386169-5		9.21
	95-98 R	9137993-3		8.38
	L	9137992-5		8.36
*Beige listed, Order by Application				
14 Clip, Roof Side Cover				
6/Side	R/L	1349000-8		2.17
15 Clip, Roof Side Cover				
2/Side	91-94 R/L	9182897-0	.73	
	95-98 R/L	1365985-9	.43	

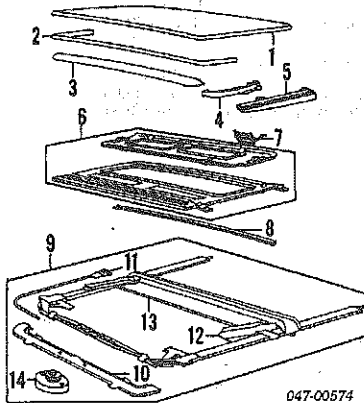
**SUNROOF**

**1991-94**

Refinish Sunroof Panel	1.0
O/H Sunroof	#3.5

#w/Headliner Removed

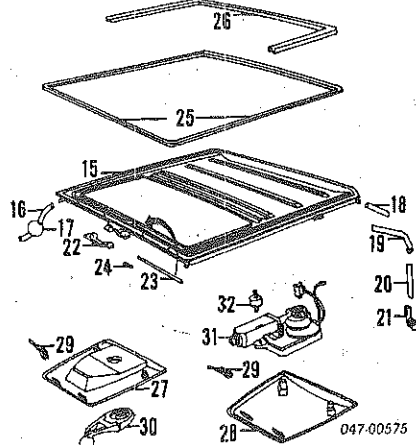
NOTE: All Parts in this section are included in overhaul unless noted otherwise.



1 Panel, Sunroof Outer	3503337-2	.8	491.65
2 Seal, Outer Panel	3528809-1	.9	73.97
3 Deflector, Wind	1380852-2	.4	89.03
4 Arm, Wind Deflector	R 3526913-3		50.43
	L 3526912-5		50.43
5 Moulding, Arm Cover	R 1380378-8		17.44
	L 1380377-0		18.54
6 Hatch, Inner			
940, GL, GLE, Turbo	91 6847613-4		486.41
	92-94 6847301-6		534.19
940 SE	91 6847614-2		534.19
960	92-94 6847304-0		534.19
*Beige listed, Order by Application			
7 Spring, Inner Hatch	R/L 1316165-8		8.69
8 Strip, Hatch Seal	3538716-6		13.31
9 Frame Assy, Operating	3536694-7		674.50
10 Plate, Cover Front	3526068-6		86.38
11 Cable, Drive	R 3526114-8	1.0	54.88
	L 3526113-0	1.0	54.88
12 Gate, Selector	R 3503789-4		24.90
	L 3503788-6		24.90
13 Stay, Cross	3526165-0		31.49
14 Gear	1320801-2		108.50
*Included w/Operating Frame Assy			

Illustration Located in Next Column.

15 Frame, Drainage	1380996-7		601.72
16 Hose, Front Drain	R/L 949906-2		7.84
*Trim to 1570mm			
17 Seal, Hose	R/L 1334559-0		8.03
18 Hose, Rear Upper Drain	R/L 949906-2		7.84
*Trim to: Sedan-1460mm, Wagon-115mm			
19 Tube, Drain Wagon	R 1380128-7		8.53
	L 1380127-9		8.75
20 Hose, Rear Lower Drain	R/L 949906-2		7.84
*Trim to 1250mm			



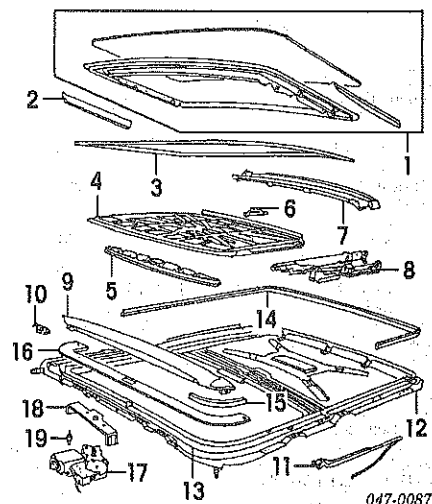
21 Pipe, Drain	R/L 3503973-4		3.88
Bushing, Drain Pipe	R/L 3503971-8		2.14
22 Bracket, Front Attach			
Sedan	1334339-7		6.51
Wagon	1334398-3		6.51
23 Moulding, Opening	1309617-7		d12.27
24 Joint, Opening Moulding	1393867-5		d3.64
*Blue listed, Order by Application			
25 Seal, Front	3528663-2		22.49
26 Seal, Rear			
Sedan	1334381-9		20.61
Wagon			
Side	R/L 1355688-1		7.83
Center	1355689-9		2.80
Plate, Gear Cover			
27 Manual	1311817-9		17.84
28 Power	1393832-9		17.97
*Beige listed, Order by Application			
29 Clip, Gear Cover Plate (2)	1310652-1		1.45
30 Handle, Gear	3526555-2		61.42
31 Motor, Operating	3503100-4		430.65
32 Mount, Motor	1320889-7		6.99

**1995-98**

O/H Sunroof	#3.5
-------------	------

#w/Headliner Removed

NOTE: All Parts in this section are included in overhaul unless noted otherwise.



1 Panel, Sunroof Outer w/Oak Trim	9444093-0	.8	742.42
w/o Oak Trim	9447664-5	.8	665.32
2 Moulding, Panel	R 6846666-3		16.02
	L 6846665-5		16.02
3 W/Strip, Outer Panel	9154194-6		107.21
4 Cover, Inner	9154461-9		390.47
5 Handle, Cover	9154977-4		32.40
*Beige listed, Order by Application			
6 Block, Slide (2/Side)	R/L 9154979-0		4.39
7 Channel, Drain	9154198-7		74.76
8 Gate, Selector	R 9447494-7		120.53
	L 9447496-2		120.53
9 Deflector, Wind	9447495-4		254.01
10 Hinge, Deflector	R 9447533-2		13.25
	L 9447533-2		13.25
11 Arm, Deflector	R 9154204-3		32.40
	L 9154203-5		32.40

# VOLVO 940/960/S90/V90 1991-98

## SUNROOF Cont'd

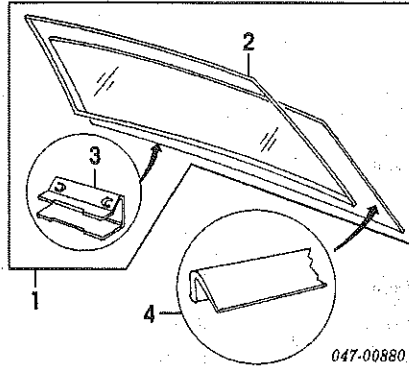
### 1995-98 Cont'd

12 Frame, Sunroof Drain	9447530-8	813.40
13 W/Strip, Housing Front	9154976-6	18.47
14 W/Strip, Housing Rear	9447531-6	24.38
15 Guide, Cable	R 9154215-9	8.30
	L 9154214-2	8.30
16 Plate, Cover	9447532-4	59.35
Moulding, Protector	9159553-7	68.62
*Beige listed, Order by Application		
17 Motor	6846664-8	m .5 430.65
18 Plate, Spacer	9154212-6	13.25
19 Stud, Mounting	1320889-7	6.99

## BACK WINDOW

Use Procedure Explanation 19 with the following text.

R&L Back Window #2.8  
#Includes Clean Up Old Adhesive as Necessary



1 Glass Assy, Back Window			
Volvo	6846196-1	#2.5	365.00
NAGS			
Laminated	FB04417GTY	#2.5	0.00
Tempered	FB04927GTY	#2.5	967.85
*Includes Clean Up Old Adhesive as Necessary			
2 Seal, Window	3538315-7		48.89
3 Junction, Window	3534527-1		4.83
*Included w/Back Window Glass Assy			
4 Moulding, Cover	3538625-9		20.38

## QUARTER PANEL

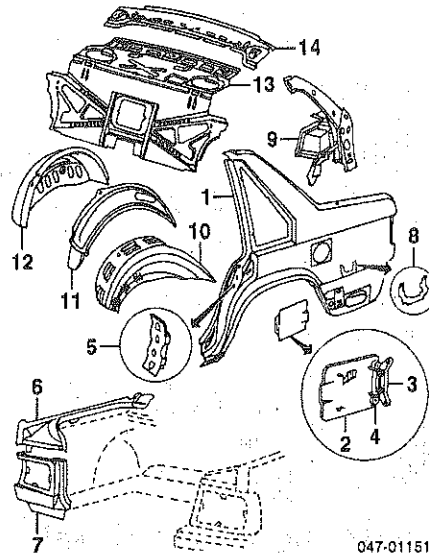
Use Procedure Explanations 20 and 28 with the following text.

### SHEET METAL SEDAN

Refinish Quarter Outside	R/L	2.4
Add to Edge Panel	R/L	.5
Add for Pillar	R/L	.5
Refinish Gutter Panel	R/L	1.0
Refinish Extension Panel	R/L	1.0
Refinish Fuel Lid		.4
R&R Both Quarter Panels		24.6
R&R Roof & Both Quarter Panels		43.1
w/Sunroof		40.1
R&R Rear Body Panel & Both Quarter Panels		27.6
R&R Roof, Both Quarters & Rear Body Panel		48.1
w/Sunroof		43.1
Section Quarter Panel		
Horizontal	R #10.0	
	L #11.0	
Section Both Quarter Panels		#19.3
Section Both Quarters & R&R Rear Body Panel		#22.3
*Time is to cut below Back Glass & into Trunk Opening		
Add to R&R Quarter Panel		
To Drill Holes for Installation		
One Moulding	R/L	.3
Each Additional Moulding	R/L	.2
To R&L Quarter Glass	R/L	.2
To R&L Back Glass	R/L	.3

Illustration Located in Next Column

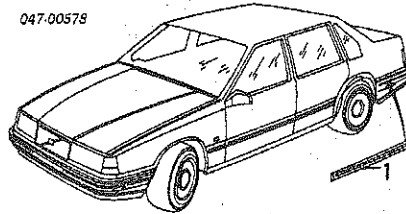
1 Panel, Quarter	R 3526484-5	#14.5	366.19
	L 3526483-7	#14.0	366.19
*Deduct 2.5 w/Roof Removed, Deduction Includes Common Surfaces & Included Operations			
2 Lid, Fuel Filler	L 9171105-1	.3	45.89
3 Hinge, Fuel Filler	L 1334365-2		5.18
4 Spring, Fuel Filler	L 1268035-1		8.40
5 Plate, Striker Reinf	R/L 1320344-3		10.26
6 Panel, Gutter	R 3526486-0		50.14
	L 3526485-2		50.14
7 Panel, Extension	R 3538105-2	#2.5	90.14
	L 3538104-5	#2.5	90.14



#w/Bumper Assy & Tail Lamp Removed			
Panel, Inner Reinf	R 3526708-7		140.84
	L 3526707-9		140.84
8 Retainer	L 1334291-0		12.35
9 Reinf, Rear Pillar	R 3526467-0		368.73
	L 3526466-2		368.73
10 Liner, Wheelhouse	R 3526598-2	.3	46.98
	L 3526597-4	.3	46.98
11 Wheelhouse, Outer	R 3526494-4	2.5	218.12
	L 3526493-6	2.5	218.12
12 Wheelhouse, Inner	R 1355772-3	2.5	225.23
	L 1355771-5	2.5	236.13
13 Shelf, Parcel/Seat Back	3526500-8		677.26
14 Crossmember, Lid Opening	3526508-1		323.40

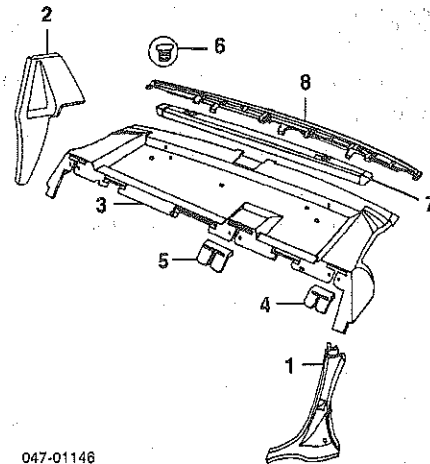
## EXTERIOR TRIM SEDAN

047-00578



1 Moulding, Bumper Trim Outer			
See Rear Bumper Section			
Antenna Assy, Power	91-94 1384788-4	.5	206.64
	95-98 9494387-5	.5	165.71
Mast, Antenna	9494389-1	.2	34.82
*Included w/Power Antenna Assy			
Top, Antenna/Body	3515291-7		22.24
Bracket, Antenna Mount	3523580-3		4.14

## INTERIOR TRIM SEDAN

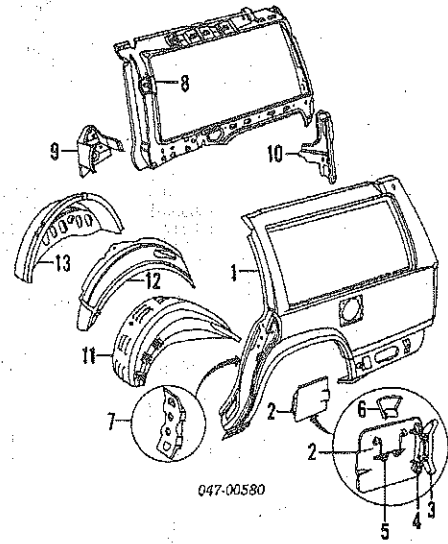


047-01146

1 Trim, Quarter/Rocker			
See Rocker/Pillars/Floor Section			
2 Panel, Upper Trim			
940	91-95 R 9145102-1	#.3	108.58
	L 9145098-1	#.3	108.58
960	92-93 R 9145102-1	#.3	108.58
	L 9145098-1	#.3	108.58
	94 R 9145110-4	#.3	257.05
	L 9145106-2	#.3	257.05
	95-97 R 9137991-7	#.3	229.90
	L 9137990-9	#.3	229.90
S90	98 R 9137991-7	#.3	229.90
	L 9137990-9	#.3	229.90
3 Shelf, Parcel			
940, GL, GLE, Turbo	9400168-2	#.4	266.97
940 SE	91 9400123-7	#.4	330.97
960	92-94 9400123-7	#.4	330.97
	95-97 9400204-5	#.4	266.50
S90	98 9400204-5	#.4	266.50
#w/Rear Seat Removed			
4 Cover, Seat Belt Slot			
940	R/L 9405707-2		9.44
960	92-94 R/L 8405707-2		9.44
	95-97 R/L 9137392-8		8.02
S90	98 R/L 9137392-8		8.02
5 Cover, Seat Belt Slot			
940	9405710-6		11.02
960	92-94 9405710-6		11.02
	95-97 9137393-6		9.61
S90	98 9137393-6		9.61
6 Plug, Shelf Cover			
940	9406226-2		2.61
960	92-94 9406226-2		2.61
	95-97 9137998-2		2.23
S90	98 9137998-2		2.23
*Beige listed, Order by Application			
7 Shade, Back Window	3529477-6		220.72
8 Moulding, Inside Cover	6812840-4		83.46

## SHEET METAL WAGON

Refinish Quarter Outside	R/L	2.5
Add to Edge Panel	R/L	.5
Add for Pillar	R/L	.5
Refinish Fuel Lid		.4
R&R Both Quarter Panels		31.6
R&R Roof & Both Quarter Panels		47.0
w/Sunroof		44.0
R&R Rear Body Panel & Both Quarter Panels		35.1
R&R Roof, Both Quarters & Rear Body Panel		50.5
w/Sunroof		47.5
Add to R&R Quarter Panel		
To Drill Holes for Installation		
One Moulding	R/L	.3
Each Additional	R/L	.2
To R&L Quarter Glass	R/L	.3



1 Panel, Quarter	R 9152720-0	#16.0	602.68
	L 9152719-2	#17.0	625.60
*Deduct 3.8 w/Roof Removed, Deduction Includes Common Surfaces & Included Operations			
2 Lid, Fuel Filler	L 9171107-7	.3	42.61
3 Hinge, Fuel Filler	L 1334365-2		5.18
4 Spring, Fuel Filler	L 1268035-1		8.40
5 Support, Fuel Filler	L 1316323-3		5.35
6 Retainer, Fuel Filler	L 1316435-5		2.40
7 Plate, Striker Reinf	R/L 1320344-3		10.26
8 Reinf, Quarter Inner	91-94 R 9126105-7	3.0	625.60
	L 9126104-0	3.0	625.60
	95-98 R 9126105-7	3.0	625.60
	L 9126104-0	3.0	625.60
9 Brkt, Inner Lower	91-92 R 1267674-8		39.87
	L 1267673-0		39.87
	93-98 R 3528516-2		36.29
	L 3528515-4		36.29



# VOLVO 940/960/S90/V90 1991-98

## QUARTER GLASS Cont'd

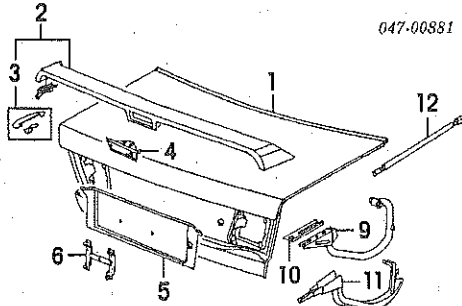
### WAGON Cont'd

9 Junction, Frame	R/L	3536758-0	5.67
10 Frame, Window Rear	R	3536507-1	42.76
	L	3536506-3	43.46

### LUGGAGE LID

Use Procedure Explanations 24 and 28 with the following text.

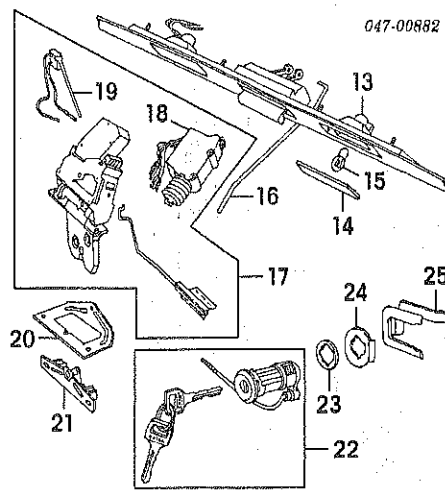
Refinish Luggage Lid Outside	2.6
Add for Underside	1.3
Refinish Spoiler	1.2
Refinish Hinge	R/L .2
R&I Lid Assy	.8
R&I Lid Liner	.3
Add to R&R Luggage Lid To Drill for & Install Spoiler	.7



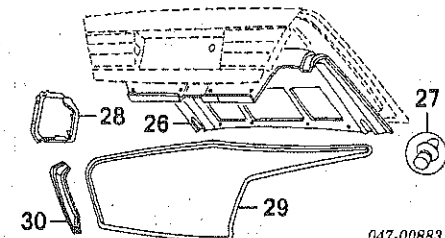
1 Lid, Luggage	3526561-0	1.4	1127.34
2 Spoiler Assy #Includes R&I/R&R Lid Liner	3529685-4	#.7	324.38
3 Mounting Kit, Spoiler	1381181-5		41.47
4 Lamp, High Mount Stop See Rear Lamps Section			
5 Panel, Cover	9154467-6		228.38
6 Bracket, License	9154456-9	.2	14.35
7 Emblem "VOLVO"			
940			
1991-95			
To VIN 70000	3538448-6	.2	30.37
From VIN 70001	3512149-0	.2	31.64
960			
1992-97			
To VIN 18141	3538448-6	.2	30.37
From VIN 18142	3512149-0	.2	31.64
S90			
98	8614021-7	.2	23.47
91	3518286-4	.2	31.62
8 Emblem, Model "940"	91-95 3536695-4	.2	31.54
"940 GL"	92 3538441-1	.2	49.26
"940 GLE"	91-92 3538436-1	.2	53.31
"940 TURBO"	91-95 3538444-5	.2	55.52
"940 SE"	91 3538717-4	.2	44.52
"960"	92-93 3528754-9	.2	29.61
	94 3536701-0	.2	29.76
	95-97 9126351-7	.2	26.83
	98 9447706-4	.2	22.22
"S90"			
9 Hinge, Lid	R 3526581-8	#.4	81.46
	L 3526580-0	#.4	81.46
#w/Luggage Lid, Parcel Shelf & Rear Seat Removed			
10 Spacer, Hinge	R/L 3538597-0		3.73
11 Cover, Hinge	R 3544723-4		18.59
12 Support, Gas Spring w/Spoiler	R/L 3529925-4	.3	60.14
w/o Spoiler	R/L 3526575-0	.3	87.02

Illustration Located in Next Column

13 Handle Assy	3536823-2	.4	148.44
14 Lens, License Light	R/L 9152295-3	.1	9.68
15 Bulb, License Light	R/L 949671-2		2.21
#Included w/Handle Assy			
16 Link, Handle	3536603-8	#.2	3.80
17 Latch Assy 2 Stage Lock	9152237-5	#.3	190.56
1 Stage Lock	6846474-2	#.3	190.56
18 Solenoid, Latch	3528843-0	#.4	111.79
19 Switch, Micro	1372919-9	#.3	22.51
#Included w/Latch Assy #w/Lid Liner Removed			
20 Reinf, Latch	8250176-8		11.21
21 Striker	3526603-0		25.27
22 Cylinder & Key Kit, Lock			
940, GL, GLE, Turbo			
Random Code Number	91-95 6846574-9	#.2	81.92
Specific Code (Specify)	91-95 9133857-4	#.2	94.34
940 SE			
Random Code Number	91 6846569-9	#.2	81.92
Specific Code (Specify)	91 6846472-6	#.2	68.58



960			
1992-96			
Random Code Number	6846569-9	#.2	81.92
Specific Code (Specify)	6846472-6	#.2	68.58
1997			
Random Code Number	9447973-0	#.2	96.33
Specific Code (Specify)	9152249-0	#.2	92.82
S90			
Random Code Number	9447973-0	#.2	96.33
Specific Code (Specify)	9152249-0	#.2	92.82
#Specify Code when Ordering #w/Lid Liner Removed, Does Not Include Recode			
Random Code Cyl			
23 Seal, Lock	3536509-7	1.59	
24 Washer, Lock	1316398-5	8.68	
25 Clip, Cylinder	1372551-0	7.97	



26 Liner, Lid	6848363-5	.4	223.53
27 Clip (14)	91-93 9406358-3		1.21
	94-98 9132306-3		.80
28 Cover	91-93 R 3542040-5	.1	23.67
	L 3542036-3	.1	23.67
	94-98 R 6812832-1	.1	15.60
	L 6812830-5	.1	15.60
29 Weatherstrip	3526523-0	.4	137.99
30 Cover, Corner	R 9171016-0		22.28
	L 9171015-2		22.28

## LIFTGATE

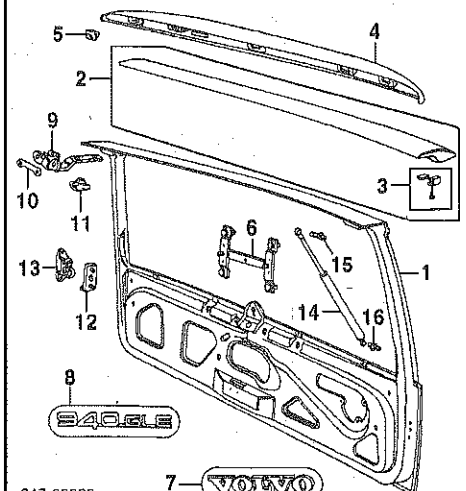
Use Procedure Explanations 25 and 28 with the following text.

### SHEET METAL/EXTERIOR TRIM

Refinish Liftgate Outside	2.2
Add for Jamb & Interior	1.0
Refinish Hinge	R/L .2
R&I Gate Assy	1.0
R&I Trim Panel	.3
Add to R&R Liftgate To Drill & Install Spoiler	.6
To Transfer Glass	.8
w/Wiper	.6

Illustration Located in Next Column

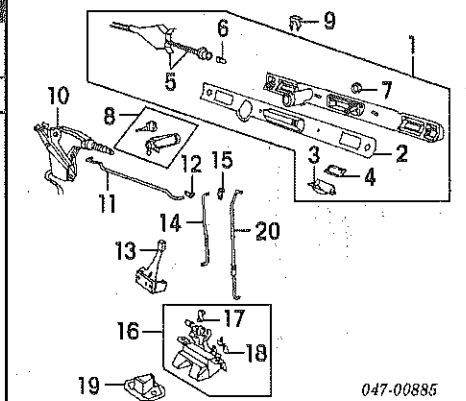
1 Shell, Liftgate			
940	9463406-0	4.5	696.58
960	92-94 9463406-0	4.5	696.58
	95-97 9463406-0	4.5	696.58
V90	98 9463406-0	4.5	696.58
2 Spoiler Assy			
940	6820415-5	.3	272.32
960	92-94 6820415-5	.3	272.32
3 Brkt Kit, Spoiler	271765-0		16.20
#Included w/Spoiler Assy			
4 Spoiler			
960	95-97 9154466-8	.3	161.73
V90	98 9154466-8	.3	161.73



5 Clip, Spoiler (5)			
960			
95-97	9447384-0	#.2	1.80
91-94	9154456-9	#.2	14.35
95-98	9154457-7	#.2	13.93
6 Brkt, License			
#w/Trim Panel Removed			
7 Emblem "VOLVO"			
940			
To VIN 40000	3538448-6	.2	30.37
From VIN 40001	3512149-0	.2	31.64
960			
To VIN 5761	3538448-6	.2	30.37
From VIN 5762	3512149-0	.2	31.64
V90	8614021-7	.2	23.47
8 Emblem, Model "940"	91-95 3536695-4	.2	31.54
"940 GL"	92 3538441-1	.2	49.26
"940 GLE"	91-92 3538442-9	.2	55.16
"940 TURBO"	91-95 3538444-5	.2	55.52
"940 SE"	91 3538718-2	.2	47.75
"960"	92-93 3528756-6	.2	31.54
	94 3536701-0	.2	29.76
	95-97 9126351-7	.2	26.83
	98 9447707-2	.2	13.08
"V90"			
9 Hinge, Liftgate	R/L 3526445-6	#.3	90.21
#w/Gate & Necessary Trim Removed			
10 Reinf, Attaching	R/L 1316599-8		3.35
11 Seal	R/L 3526000-9		5.96
12 Guide, Liftgate	R 1380515-5		11.80
	L 1380514-8		11.80
13 Plate, Base	R 9171067-3		20.55
	L 9171066-5		13.47
14 Support, Gas Spring	R/L 9463056-3	.2	60.34
15 Ball Stud, Upper	R/L 1355262-5		10.13
16 Ball Stud, Lower	R/L 1316489-2		5.54

## LOCK SYSTEM

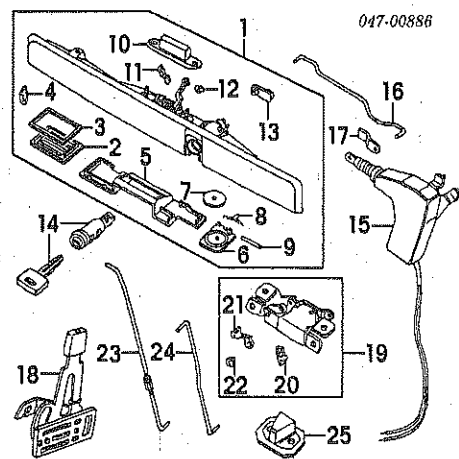
### 940 960 1992-94



1 Handle Assy	1355425-8	#.5	97.58
#w/Trim Removed			
2 Gasket, Handle Assy	3536671-5		20.37
3 Lens, License Lamp	R/L 1321984-5	.2	6.22
4 Gasket, License Lens	R/L 1321985-2		1.39
5 Socket Assy, Lamp	R/L 3526009-0		18.40
6 Bulb, License Lamp	R/L 192451-3		2.21
7 Gasket, Lock Cylinder	3526209-6		3.17
#Included w/Handle Assy			
8 Cylinder & Key Kit, Lock			
940, GL, GLE, Turbo			
Random Code Number	3526296-3	#.2	75.99

940 SE, 960 Random Code Number Specific Code (Specify) #w/Trim Panel Removed, Does Not Include Recode Random Lock Cylinder	1355425-8 3526050-4	#.2 #.2	97.58 100.68
9 Clip, Lock Cylinder	1316602-0		2.68
10 Solenoid, Lock	3538266-2	#.4	122.22
11 Link, Solenoid	1316469-4	#.2	5.02
#w/Trim Panel Removed			
12 Clip, Solenoid Link Lock Cylinder End Solenoid End	9152025-4 6848358-5 3526129-6		1.14 .93 42.48
13 Opener, Door		#.2	42.48
#w/Trim Panel Removed			
14 Link, Locking	9152449-6		4.39
15 Clip, Link	9152025-4		1.14
16 Latch Assy	9152017-1	#.4	97.76
#w/Trim Panel Removed			
17 Clip, Lock Link	9152025-4		1.14
18 Clip, Release	6846182-1		.63
Bushing, Release Clip	9152023-9		.54
Included w/Latch Assy			
19 Striker, Latch	9152016-3	.2	12.55
20 Link, Release	1355355-7		7.65

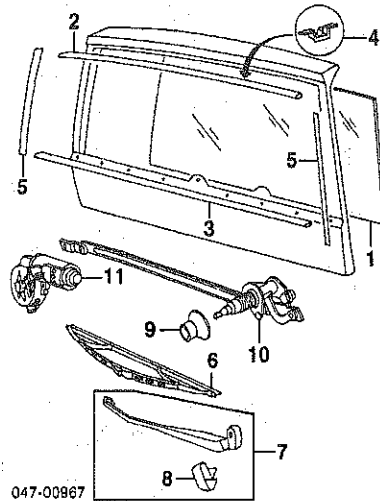
**LOCK SYSTEM**  
960 1995-97  
V90 1998



1 Handle Assy	95-96 9126281-6 97-98 9154351-2	#.5 #.5	159.33 159.33
#w/Trim Panel Removed			
2 Lens, License Lamp	R/L 9159343-4	.2	6.54
3 Gasket, Lens	R/L 9126894-6		1.42
4 Bulb, License Lamp	R/L 949671-2		2.21
5 Cover	9126738-5		13.25
6 Lid, Lock Cylinder	9126897-9		6.54
7 Gasket, Lid	9126896-1		1.11
8 Spring, Lid	9126898-7		1.68
9 Shaft, Pivot	9126899-5		1.11
10 Gasket, Handle	9126895-3		30.58
11 Clip, Lock Rod	1321503-3		.72
12 Bushing, Lock Rod	9187655-7		1.31
13 Clip, Lock Rod (2)	9152025-4		1.14
Included w/Handle Assy			
14 Cylinder & Key Kit, Lock	6817970-4 9126504-1	#.3 #.3	57.86 119.93
15 Solenoid, Lock	95-96 3538266-2 97-98 9444169-8		122.22 89.77
16 Rod, Lock Solenoid	1316469-4		5.02
17 Clip, Rod	6848358-5		.93
18 Opener, Door	3526129-6	#.2	42.48
19 Latch Assy	95 9152017-1 96-98 9444022-9	#.4 #.4	97.76 97.76
#w/Trim Panel Removed			
20 Clip, Lock Rod	9152025-4		1.14
21 Clip, Lock Rod	6846182-1		.63
22 Bushing, Lock Rod	9152023-9		.54
Included w/Latch Assy			
23 Rod, Lock	1355355-7		7.65
24 Rod, Lock	9152449-6		4.39
25 Brace, Lock	9444021-1		12.55

**GLASS & PARTS**

R&L Reveal Midgs Complete		.5	
Illustration Located in Next Column			
1 Glass, Liftgate Volvo-Tinted NAGS-Green	9126184-2 FB03243GTN	#3.0 #3.0	353.89 1015.60
#Includes Clean Up Old Adhesive as Necessary			



Tape, Attaching	1321227-9		32.78
Urethane	1161287-6		83.16
2 Midg, Upper Reveal	1369204-3	.3	94.87
3 Midg, Lower Reveal	9471560-4	.3	74.54
4 Clip, Upper/Lower Midg Black (14) Blue (2)	1342533-5 1342532-7		1.81 1.62
5 Midg, Side Reveal	R 1342909-7 L 1342908-9	.2 .2	44.94 44.94
6 Blade, Wiper	940 9139541-8 960 9139541-8 95-97 9171109-3 V90 98 9171109-3	.1 .1 .1 .1	7.07 7.07 8.36 8.36
7 Arm Assy, Wiper	940 1392934-4 960 1392934-4	#.2 #.2	48.57 48.57
#Includes R&R Blade			
8 Cap, Arm Attaching	940 1392935-1 960 9154343-9 1992-94 1392935-1 1995-98 9154343-9		4.23 3.69 4.23 3.69
#Included w/Wiper Arm Assy			
Arm, Wiper	960 9159485-3 V90 98 9159485-3		39.71 39.71
9 Seal, Shaft	1342040-1		7.18
10 Crank, Arm/Link	1358012-1		108.75
11 Motor, Wiper	1358011-3	#.7	178.85
Nozzle, Washer	1369855-0	#.2	10.43
#w/Trim Panel Removed Reservoir Assy-See Windshield Section			

**INTERIOR TRIM**

R&L Trim Panel		.3	
Illustration Located in Next Column			
1 Panel, Trim	940 9158680-0 960 9158680-0 92-94 9158680-0 95-97 9158679-2 V90 98 9158679-2	.4 .4 .4 .4 .4	181.68 181.68 167.13 167.13 76
2 Clip, Panel (4)	1379510-9		.76
#Beige listed, Order by Application			
3 Clip, Panel (4)	1354534-8		1.77
4 Frame, Handle	1353800-4		12.46
5 Handle	1310739-6		22.47
6 Plate, Base	1353755-0		10.97
#Black listed, Order by Application			
7 Nut, Base Plate (2)	1318908-9		1.15
8 Trim, Liftgate Side	R 1354537-1 L 1354536-3	.2 .2	23.71 23.71

9 Trim, Liftgate Upper	1331259-0	.2	49.29
10 Clip, Upper Trim (5)	1354535-5		.56

**REAR SUSPENSION**

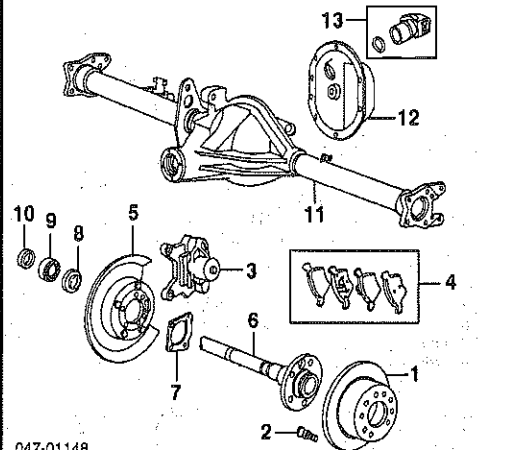
Use Procedure Explanation 23 with the following text.

**940, 940 GL, 940 GLE, 940 TURBO 1991-95  
940 SE WAGON 1991  
960 WAGON 1992-94**

R&L Suspension Assy		m	2.6
Check Rear Alignment		m	.8
Add to Adjust Front Alignment		m	.5
Bleed Brake System		m	.4
NOTE 1: R&L/R&R or O/H Does Not include alignment or bleed brake system.			

NOTE 2: Refer to Special Cautions Section at the beginning of this vehicle text.

NOTE 3: All Parts in this section are included in overhaul unless noted otherwise.



1 Rotor, Brake (Set of 2) #R&R Both Sides 1.2	270736-2	m	#.7	62.34
2 Stud, Wheel (5/Side)	R/L 1209295-3	m		4.48
3 Caliper, Brake	1991-93 (a) R 5003948-6 L 5003947-8	m	#.5	R148.20 R148.20
1994-95	R 9438220-7 L 9438219-9	m	#.5	0.00 370.89
#Order by Caliper Marking Number (a) Remanufactured Part. Contact Dealer for Core Charge & Exchange Information				

4 Pad Set, Brake	271959	m	#1.0	0.00
#Deduct .5 for Each Caliper Removed				
5 Plate, Backing	R/L 1273665-6	m	#.2	341.94
#w/Axle Shaft Removed				
6 Shaft, Axle	R/L 6814100-1	m	#1.1	418.35
7 Plate, Retainer	R/L 8250269-1	m	#1.1	17.84
8 Seal, Outer	R/L 384710-0	m	#1.1	13.29
9 Bearing, Axle	R/L 384728-2	m	#1.1	40.13
10 Ring	R/L 1232921-5	m	#1.1	19.03
#R&R One Side Complete, R&R Both Sides 2.1				
11 Axle Assy	8251018-1	m	#4.4	2197.13
#Order by Application #Includes Transfer Axles & Backing Plates				
Housing, Axle (a)	91-94 3549647-0 95 9143637-8 91 6814795-8 92-95 3549765-0	m	5.8	1349.88 1045.00 89.39 92.97
12 Cover, Diff'l (a)		m		
13 Sensor, ABS Speed (a)-See ABS/Brake Section Wheel, ABS Sensor (a)	6814113-4	m	.8	74.46
(a) Included w/Axle Assy				

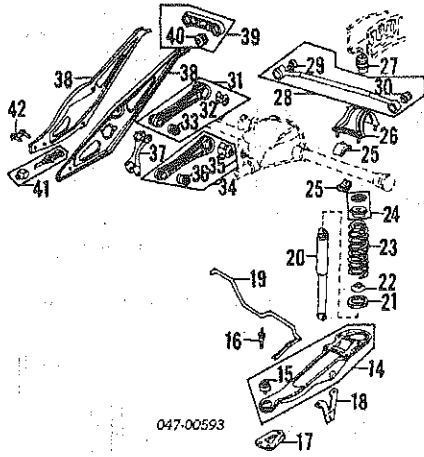
Illustration Located in Next Column

14 Arm Assy, Outer	R/L 1359114-4	m	#1.0	323.48
15 Bushing, Arm Mount	R/L 1273628-6	m	#1.0	34.55
#Included w/Outer Arm Assy #R&R One Side Complete, Both Sides 2.0, w/Axle Assy Removed .5				
16 Stud, Pivot	R/L 6819053-7	m		5.35
17 Bracket, Arm	R/L 8250281-6	m		7.17
18 Bracket, Stabilizer	R/L 1272960-4	m	#.2	11.43
#Included in R&R Stabilizer Bar				
19 Bar, Stabilizer	16mm Dia 3516573-7 19mm Dia 3516572-9	m	.5	145.79 158.63
20 Absorber, Shock	R/L 1329500-1 Self Leveling R/L 9140553-0	m	#.5 #.5	71.54 486.47
#Order by Application #R&R Both Sides .8, w/Lower Arm Removed .2				

# VOLVO 940/960/S90/V90 1991-98

## REAR SUSPENSION Cont'd

**940, 940 GL, 940 GLE, 940 TURBO 1991-95**  
**940 SE WAGON 1991**  
**960 WAGON 1992-94 Cont'd**



047-00593

21 Seat, Spring Lower	R/L	1329986-2	m #.7	11.81
22 Anchorage, Spring	R/L	1329879-9	m #.7	12.19
23 Spring, Coil	R/L	1273977-7	m #.7	126.60
<i>(Order by Application)</i>				
24 Spacer, Spring	R/L	1273811-8	m #.7	4.04
<b>#R&amp;R One Side Complete, Both Sides 1.2</b>				
25 Shell, Axle Bearing				
2/Side	R/L	1272399-5	m	32.03
26 Cap, Outer Arm	R/L	8250262-6	m	29.32
27 Bumper, Jounce Stop	R/L	1330853-1	m	26.72
28 Link Assy, Lateral Locating		1359559-0	m #.6	108.69
29 Bushing, Axle		1330427-4	m #.6	17.36
30 Bushing, Body		1330973-7	m #.6	24.67
<b>#Included w/Lateral Locating Link Assy</b>				
<b>#R&amp;R Complete</b>				
31 Rod Assy, Upper Torque		1329592-8	m #.7	148.46
32 Bushing, Axle		1272306-0	m #.7	35.12
33 Bushing, Bracket		1229608-3	m #.7	20.78
<b>#Included w/Upper Torque Rod Assy</b>				
34 Rod Assy, Lower Torque		8250268-3	m #.7	102.26
35 Bushing, Axle		1272306-0	m #.7	35.12
36 Bushing, Bracket		1229608-3	m #.7	20.78
<b>#Included w/Lower Torque Rod Assy</b>				
<b>#R&amp;R One Complete, Both 1.2</b>				
37 Bracket, Rod Mount		8250266-7	m	11.56
38 Frame, Anchor Rod	R	1329913-6	m #1.1	105.62
	L	6819383-8	m #1.1	96.10
39 Bracket Assy, Upper Mount		8250265-9	m #1.1	19.66
40 Bushing, Upper Brkt		1229873-3	m #1.1	13.05
<b>#Included w/Upper Mount Bracket Assy</b>				
41 Mount, Lower Pin		8250130-5	m #1.1	33.15
42 Plate, Attaching		1273683-1	m #1.1	5.43
<b>#R&amp;R Complete</b>				

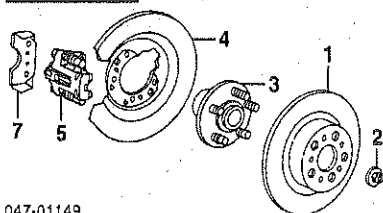
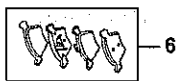
**940 SE SEDAN 1991**  
**960 SEDAN 1992-94**

R&I Rear Suspension Assy			m	3.0
O/H Suspension				
One Side	R/Lm		3.7	
Both Sides			7.2	
Adjust Four Wheel Alignment			m	1.9
Adjust Rear Alignment			m	1.4
Bleed Brake System			m	4

NOTE 1: R&I/R&R or O/H Does Not include alignment or bleed brake system.

NOTE 2: Refer to Special Cautions Section at the beginning of this vehicle text.

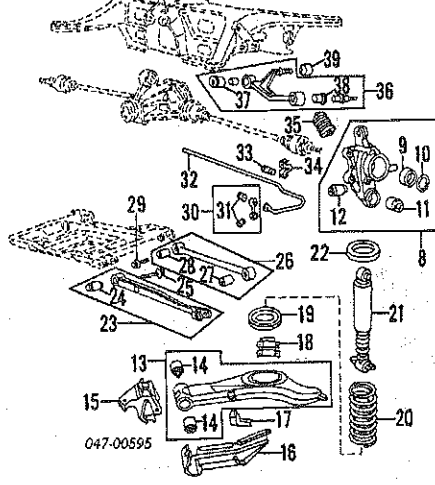
NOTE 3: All Parts in this section are included in overhaul unless noted otherwise.



047-01149

1 Rotor, Brake	R/L	1359290-2	m #.7	63.36
<b>#R&amp;R Both Sides 1.2</b>				

Pin, Wheel Locating	R/L	1330273-2	m	1.15
2 Nut, Axle	R/L	1387218-9	m	6.69
3 Hub, Axle	R/L	1387180-1	m #2.3	195.11
<b>#Includes Wheel Studs</b>				
<b>#R&amp;R Complete One Side, Both Sides 4.4, Includes R&amp;R Brake Rotor</b>				
4 Plate, Backing	R	1359289-4	m #.2	66.19
	L	1359288-6	m #.2	66.19
<b>#w/Hub Removed</b>				
5 Caliper, Brake				
91 R/L		5003648-2	m #.5	R148.20
92-94 R/L		8111104-9	m #.5	R133.88
<b>#Remanufactured Part. Contact Dealer for Core Charge &amp; Exchange Information</b>				
<b>#R&amp;R Both .8, w/Brake Rotor Removed .2</b>				
6 Pad Set, Brake			m #1.0	40.88
<b>#Deduct .5 for Each Caliper Removed</b>				
7 Plate, Caliper Cover	R/L	1387592-7	m	11.56



047-00595

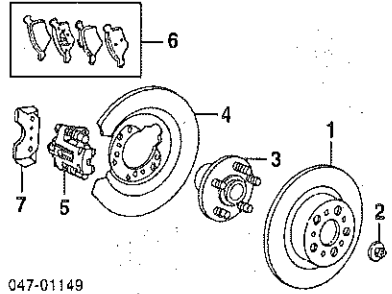
8 Knuckle Assy	R	1387756-8	m #2.3	509.25
	L	1387755-0	m #2.3	509.25
9 Bearing, Wheel	R/L	9140844-3	m #2.3	110.09
<b>#R&amp;R One Side Complete, Includes R&amp;R Rotor, Hub &amp; Backing Plate</b>				
10 Circlip, Bearing	R/L	914542-6	m	2.48
11 Bushing, Lower Arm	R/L	1359244-9	m	50.92
12 Bushing, Front Link		1387913-5	m	27.80
<b>#Included w/Knuckle Assy</b>				
13 Arm Assy, Lwr Control	R	3530913-7	m #1.0	419.86
	L	3530912-9	m #1.0	419.86
14 Bushing, Arm	(2/Side)	R/L 1387472-2	m #1.0	69.41
<b>#Included w/Lower Control Arm Assy</b>				
<b>#R&amp;R One Side Complete, Both Sides 2.0, w/Knuckle Removed .6</b>				
15 Bracket, Arm	R	1387146-2	m	97.22
	L	1387145-4	m	97.22
16 Shield, Arm Lower	R	6819043-8	m	24.82
	L	6819042-0	m	26.54
17 Shield, Arm Upper				
Serviced w/Arm Lower Shield				
18 Damper, Vibration		3530903-8	m #1.2	74.89
19 Seat, Spring Lower	R/L	3530737-0	m #1.2	11.09
20 Spring, Coil	R/L	9140681-9	m #1.2	116.70
<b>#R&amp;R One Side Complete</b>				
21 Absorber, Shock	R/L	3516803-8	m #.5	486.47
<b>#R&amp;R Both Sides .8, w/Lower Control Arm Removed .2</b>				
22 Seat, Spring Upper	R/L	1359283-7	m	11.56
23 Link Assy, Forward	R/L	3530450-0	m #.7	216.86
24 Bushing, Link	R/L	1359243-1	m #.7	24.98
<b>#Included w/Forward Link Assy</b>				
<b>#R&amp;R One Side Complete</b>				
25 Bolt, Eccentric	R/L	3516379-9	m	11.44
26 Link Assy, Rear	R/L	1387260-1	m #.5	84.80
27 Bushing, Outer	R/L	1359237-3	m #.5	26.84
28 Bushing, Inner	R/L	1359238-1	m #.5	23.09
<b>#Included w/Rear Link Assy</b>				
<b>#R&amp;R One Side Complete</b>				
29 Bolt, Eccentric	R/L	3516378-1	m	10.18
30 Link Assy, Stab Bar	R/L	3530304-9	m #.9	43.36
31 Bushing, Stabilizer Link	(2/Side)	R/L 1205926-7	m #.9	10.86
<b>#Included w/Stabilizer Bar Link Assy</b>				
32 Bar, Stabilizer	R/L	3530751-1	m #.9	157.93
33 Bushing, Stabilizer Bar	R/L	3530750-3	m #.9	7.47
34 Clamp, Stabilizer Bar	R/L	3530749-5	m #.9	18.94
<b>#R&amp;R Complete, w/One Lower Control Arm Removed .7, w/Both Lower Control Arms Removed .5</b>				
35 Bumper, Jounce	R	9140490-5	m	48.98
36 Link Assy, Upper	R	1387207-2	m 1.0	256.62
	L	1387206-4	m 1.0	244.80
37 Bushing, Front	R/L	1387226-2	m	28.68
38 Bushing, Rear Lower	R/L	1387757-6	m	41.65
<b>#Included w/Upper Link Assy</b>				
39 Bushing, Rear Upper	R/L	1359255-5	m	29.59

**960 1995-97**  
**S90, V90 1998**

R&I Rear Suspension Assy			m	3.5
O/H Suspension				
One Side	R/Lm		4.4	
Both Sides			8.4	

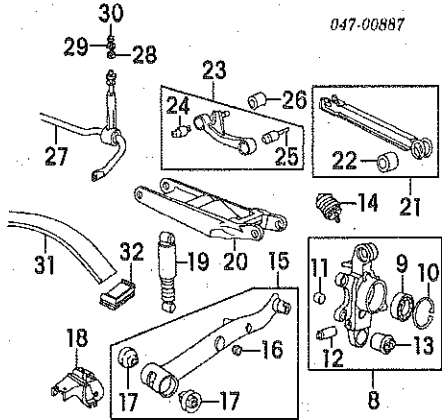
Adjust Four Wheel Alignment			m	1.9
Bleed Brake System			m	4

NOTE: R&I/R&R or O/H Does Not include alignment or bleed brake system.



047-01149

1 Rotor, Brake				
95-97		271895-5	m #.7	57.23
98		272301-3	m #.7	58.25
<b>#R&amp;R Both 1.2</b>				
<b>#Set of Two (Axle Set)</b>				
Pin, Wheel Locating	R/L	1330273-2	m	1.15
2 Nut, Axle	R/L	1387218-9	m	6.69
3 Hub, Axle	R/L	9140956-5	m #2.3	193.66
<b>#Includes Wheel Studs</b>				
4 Plate, Backing	95-97 R	1359289-4	m #2.3	66.19
	L	1359288-6	m #2.3	66.19
	98 R	9173738-7	m #2.3	39.86
	L	9173737-9	m #2.3	39.86
<b>#R&amp;R One Side Complete, Included in R&amp;R Knuckle Assy</b>				
5 Caliper, Brake				
1995-97				
New	R/L	9140394-9	m #.5	301.49
Remanufactured	R/L	8111104-9	m #.5	R133.88
1998	R/L	9173735-3	m #.5	371.25
<b>#Remanufactured Part. Contact Dealer for Core Charge &amp; Exchange Information</b>				
<b>#R&amp;R Both .8, w/Rotor Removed .2</b>				
6 Pad Set, Brake	95-97	271829-4	m #1.0	40.88
	98	272291-6	m #1.0	40.88
<b>#Deduct .5 for Each Caliper Removed</b>				
7 Plate, Caliper Cover	R/L	1387592-7	m	11.56

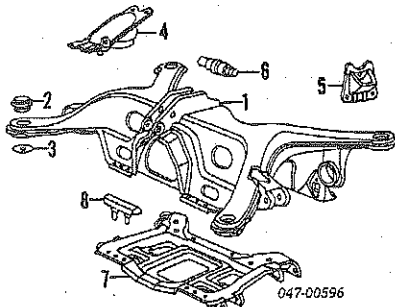


047-00887

8 Knuckle Assy	R	9127274-0	m #2.3	411.04
	L	9127273-2	m #2.3	411.04
9 Bearing	R/L	9140844-3	m #2.3	110.09
<b>#R&amp;R One Side Complete, Includes R&amp;R Rotor, Hub &amp; Backing Plate</b>				
10 Circlip, Bearing	R/L	914542-6	m	2.40
11 Retainer	R/L	3516653-7	m	6.90
12 Bushing, Control Arm	R/L	9127334-2	m	27.80
13 Bushing, Support Arm	R/L	1359244-9	m	50.92
<b>#Included w/Knuckle Assy</b>				
14 Bumper, Jounce	R/L	9140490-5	m	48.98
15 Arm Assy, Support				
Right		9169233-5	m #1.3	383.09
Left		9157674-4	m #1.3	383.09
<b>#w/Knuckle Assy Removed .5</b>				
16 Bushing	R/L	9140679-3	m	18.03
17 Bushing	(2/Side)	R/L 1387472-2	m	69.41
<b>#Included w/Support Arm Assy</b>				
18 Brkt, Support Arm	R	9140735-3	m	45.30
	L	9140734-6	m	45.30
19 Absorber, Shock				
Marked X (Std Susp)	R/L	271899-7	m #.5	71.54
Marked U (Self Leveling)	R/L	272208-0	m #.5	486.47
<b>#Order by Application</b>				
<b>#w/Lower Control Arm Removed .2</b>				
20 Arm, Lower Control	R	9140569-4	m #1.3	111.40
	L	9140568-6	m #1.3	111.40
<b>#w/Knuckle Removed .6</b>				
21 Link Assy, Rear	R/L	6819729-2	m #.7	66.81
22 Bushing, Link	R/L	1359237-3	m #.7	26.04
<b>#Included w/Rear Link Assy</b>				
<b>#R&amp;R One Side Complete, w/Knuckle Removed .3</b>				
23 Arm Assy, Upper Control	R	9127276-5	m #1.0	207.60
	L	9127275-7	m #1.0	207.60

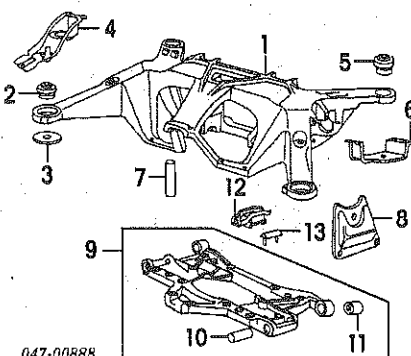
<i>#w/Knuckle Assy Removed .4</i>			
24 Bushing, Inner]	R/L	6819712-8	m 36.59
25 Bushing, Outer]	R/L	9127264-1	m 36.59
<i>¶Included w/Upper Control Arm Assy</i>			
26 Bushing, Control Arm	R/L	9140469-9	m 21.79
27 Bar, Stabilizer			
16mm		9157415-2	m #.5 158.63
18mm		9140491-3	m #.5 158.77
22mm		9140599-3	m #.5 158.77
28 Bushing, Stabilizer Link	R/L	1205991-1	m #.5 1.79
2/Side			
29 Washer, Stabilizer Link	R/L	1229303-1	m #.5 1.02
2/Side			
30 Nut, Lock	R/L	971098-9	m #.5 1.50
<i>#R&amp;R Complete, Not Included in O/H</i>			
31 Spring, Leaf]		6819301-0	m #2.5 313.44
<i>¶Order by Application</i>			
32 Bracket, Leaf Spring	R/L	6819182-4	m #2.5 19.86
<i>#R&amp;R Complete, Deduct 1.0 for Each Lower Arm Removed</i>			

**SUB-FRAME  
INDEPENDENT REAR SUSP  
940 SE SEDAN 1991  
960 SEDAN 1992-94**



1 Sub-Frame, Upper		1355578-4	m #2.5 1579.87
<i>#w/Necessary Parts &amp; Assemblies Removed</i>			
2 Bushing, Sub-Frame Mount			
960 Sedan			
Front	R/L	6819616-1	m .9 25.99
Rear	R/L	6819531-2	m .9 30.97
3 Washer, Bushing Retainer			
960 Sedan			
Front	R/L	6819617-9	m 14.81
Rear	R/L	947356-2	m 4.38
4 Bracket			
	R	3503871-0	m 145.79
	L	3503870-2	m 145.79
5 Stop	R/L	3503987-4	m 23.20
6 Bushing, Center Mount		3530297-5	m 12.73
7 Sub-Frame, Lower		1355986-9	m 393.78
8 Damper		3530435-1	m 5.07

**SUB-FRAME  
INDEPENDENT REAR SUSP  
960 1995-97  
S90, V90 1998**

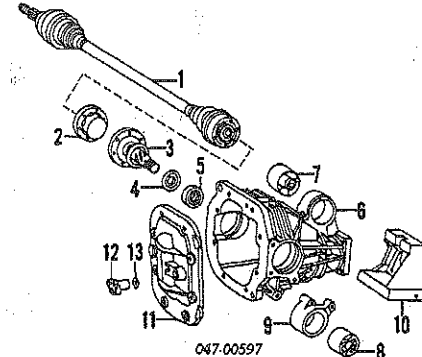


1 Sub-Frame, Upper		9127432-4	m #2.5 1182.91
<i>#w/Necessary Parts &amp; Assemblies Removed</i>			
2 Bushing, Front	R/L	6819780-5	m 30.58
3 Washer, Bush Retainer	R/L	947356-2	m 4.38
4 Bracket, Front			
R		9157494-7	m 127.51
L		9157493-9	m 127.51
5 Bushing, Rear	R/L	6819781-3	m 33.08
6 Bracket, Rear			
R		9140702-3	m 34.77
L		9140701-5	m 34.77
7 Spacer	R/L	6819715-1	m 7.68
8 Stop, Jounce Bumper	R/L	9157259-4	m 23.60
9 Sub-Frame Assy, Lower		9127279-9	m 411.04
10 Bushing, Control Arm]	R/L	9140578-7	m 36.59
11 Bushing, Rear Link]	R/L	1359238-1	m 23.09
<i>¶Included w/Lower Sub-Frame Assy</i>			
12 Anchor	R/L	6819183-2	m 27.16
13 Buffer	R/L	9157399-8	m 4.39

**REAR DRIVE AXLE**

**940 SE SEDAN 1991  
960 SEDAN 1992-94**

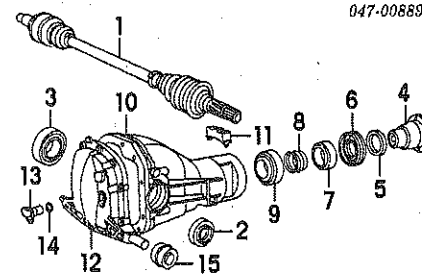
R&I Axle Shaft Assy ..... R/Lm #1.1  
*#w/Knuckle Assy Removed Deduct .8*



1 Shaft Assy, Axle	R/L	3502336-5	m #1.1 635.07
<i>#w/Knuckle Assy Removed Deduct .8</i>			
Boot Kit, Axle] (a)	R/L	270594-5	m 32.60
<i>(a) Inner or Outer</i>			
CV Kit, Inner]	R/L	270595-2	m 257.54
<i>¶Included w/Axle Shaft Assy</i>			
2 Cap, CV	R/L	1377274-4	m 9.23
3 Shaft, Axle Inner	R/L	6814118-3	m #.4 418.35
<i>#w/Shaft Assy Removed</i>			
4 Deflector, Shaft	R/L	1377288-4	m 2.37
5 Seal, Diff'l	R/L	1377058-1	m 16.93
6 Housing, Diff'l		6843602-1	m 7.3 1116.88
7 Bushing, Diff'l Upper	91	3530391-6	m .6 47.96
	92-94	271712-2	m .6 70.30
8 Bush, Diff'l Side	91-93 R/L	1359235-7	m .6 39.13
	94 R/L	271712-2	m .6 70.30
9 Bracket, Side Bushing	R	3520574-9	m 74.10
	L	3520573-1	m 74.10
10 Weight, Front Damper		3502625-1	m 64.83
11 Cover, Diff'l	91	3549767-6	m .7 100.42
	92-94	3549767-6	m .7 100.42
12 Sensor, ABS Speed-See ABS/Brake Section			
13 Seal, Sensor-See ABS/Brake Section			
Wheel, ABS Sensor		6814113-4	m .8 74.46

**960 1995-97  
S90, V90 1998**

R&I Axle Assy ..... R/Lm #1.9  
*#w/Knuckle Removed Deduct 1.3*

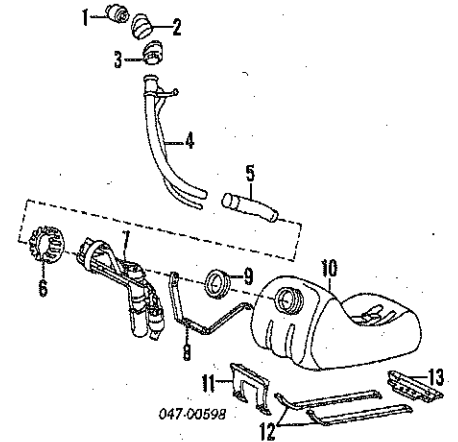


1 Shaft Assy, Axle			
3.73 Ratio	R/L	6843516-3	m #1.9 635.07
3.91/4.10 Ratio	R/L	6843866-2	m #1.9 635.07
<i>#w/Knuckle Assy Removed Deduct 1.3</i>			
Boot Kit, Axle			
3.73 Ratio	R/L	271925-0	m #.4 27.85
3.91/4.10 Ratio	R/L	271926-8	m #.4 27.85
<i>#w/Axle Shaft Assy Removed</i>			
2 Seal, Axle	R/L	1377058-1	m 16.93
3 Bearing, Side	R/L	183842-4	m 49.84
4 Flange, Companion		6843954-6	m 196.22
5 Cover, Dust		81388-1	m 5.76
6 Seal, Pinion		9143287-2	m 26.05
7 Bearing, Pinion Outer		183839-0	m 38.97
8 Sleeve, Crush		1340791-1	m 4.90
9 Bearing, Pinion Inner		183841-6	m 42.81
10 Housing, Diff'l		6843092-5	m 7.3 870.82
11 Bushing, Housing		6843063-9	m 9.68
12 Cover, Diff'l Housing		6843518-9	m 76.64
13 Sensor, ABS Speed-See ABS/Brake Section			
14 Seal, Sensor-See ABS/Brake Section			
Wheel, ABS Sensor		6814113-4	m 74.46
15 Bushing, Cover	R/L	6843094-1	m 20.90

**FUEL TANK**

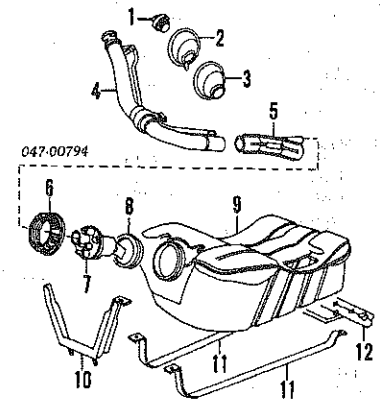
NOTE: R&R Does Not include drain fuel.

**940 GL, GLE, TURBO WAGON 1991-92  
940 SE WAGON 1991  
960 WAGON 1992**



1 Cap, Filler]			
Locking		9142606-4	42.48
Non-Locking		9142541-3	20.61
<i>¶Fed listed, Order by Application</i>			
2 Seal, Filler		1389275-7	24.45
3 Casing, Filler		1325410-7	20.08
4 Pipe, Filler		9142035-6	109.81
5 Hose, Filler		3536144-3	19.43
6 Nut, Connection		1325236-6	6.78
7 Pump/Sender			
940 GL, GLE	91-92	3507494-7	m 1.9 294.14
940 Turbo, SE	91	3507499-6	m 1.9 368.66
940 Turbo, SE, 960	92	3507499-6	m 1.9 368.66
8 Bracket, Rear		8250210-5	m 14.82
9 Seal, Tank		1367623-4	m 6.58
10 Tank, Fuel		3507095-2	m 2.3 412.50
11 Bracket, Rear		1325539-3	m 11.51
12 Band, Tension (2)		3501484-4	m 9.75
13 Bracket, Front		1325235-8	m 17.85

**940 1993-95  
960 WAGON 1993-94**

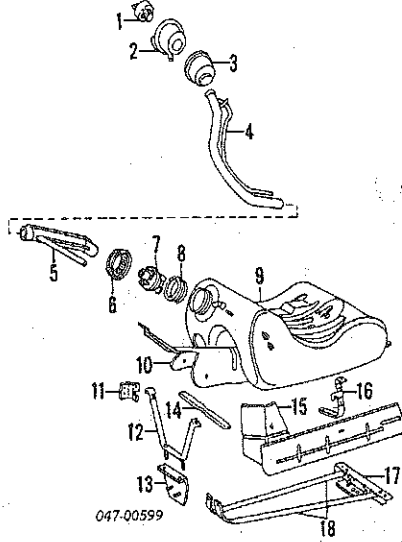


1 Cap, Filler			
Locking		9142606-4	42.48
Non-Locking		9142541-3	20.61
2 Seal, Filler		1389275-7	24.45
3 Casing, Filler		1325410-7	20.08
4 Pipe, Filler		9142036-4	108.43
	93	9142035-6	109.81
	94-95	9142035-6	109.81
5 Hose, Filler		3507463-2	22.06
6 Nut, Connection		1325236-6	6.78
7 Pump/Sender]		9142048-9	m #1.5 368.66
<i>¶Order by Application</i>			
<i>#Wagon Add .4</i>			
8 Seal, Tank		1367623-4	m 6.58
9 Tank, Fuel		3507456-6	m 2.6 338.95
10 Bracket, Rear		8250209-7	m 25.55
11 Band, Tension	R/L	6842546-1	m 11.56
12 Bracket, Front		3507462-4	m 14.83

# VOLVO 940/960/S90/V90 1991-98

## FUEL TANK Cont'd

940 SE SEDAN 1991  
960 SEDAN 1992-97  
960 WAGON 1995-97  
S90, V90 1998



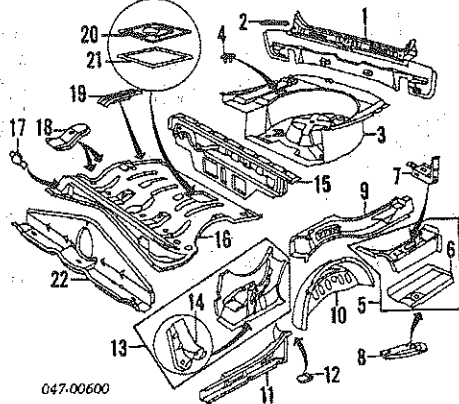
1 Cap, Fuel]			
Locking	9142606-4		42.48
Non-Locking	9142541-3		20.61
2 Seal, Filler Neck	1389275-7		24.45
3 Neck, Filler	1325410-7		20.08
4 Pipe, Filler	91-97 9142035-6		109.81
	98 9447068-9		86.86
5 Hose, Filler	91-97 3531814-6		37.00
	98 9447067-1		37.00
6 Nut, Connection	1325236-6		6.78
7 Pump/Sender Assy]	9180931-9	m 1.5	317.34
Pump, Fuel] (a)	9438756-0	m 1.5	203.38
Order by Application			
(a) Included w/Pump/Sender Assy			
8 Seal, Inner	1367623-4		6.58
9 Tank, Fuel	91-97 9142747-6	m 2.6	412.50
	98 9447079-6	m 2.6	412.50
10 Shield, Tank Lower	1358846-2		64.83
11 Support, Bracket	1358847-0		8.31
12 Bracket, Upper	1358845-4		17.72
13 Bracket, Lower	1358842-1		18.49
14 Stay	3501839-9		7.38
15 Shield, Side	9142021-6		412.50
16 Bracket, Shield	3517115-6		16.19
17 Bracket, Rear	1358843-9		18.49
18 Band, Tension (2)	3501484-4		9.75

## REAR BODY

Use Procedure Explanations 26 and 28 with the following text.

### SHEET METAL/EXTERIOR TRIM SEDAN

Refinish Rear Body Panel Outside	1.2
Add for inside	1.0
Refinish Floor Pan (Complete)	2.0

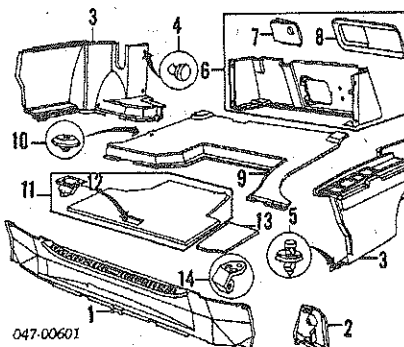


1 Panel, Rear Body	3526495-1	#8.0	539.34
#Deduct 2.5 for Each Quarter Panel Removed, Deduction Includes Common Surfaces & Included Operations			
2 Mldg, Panel Edge	R/L 679754-2		8.94
3 Pan, Spare Wheel	3526115-5	#8.5	456.24

### #w/Rear Body Panel Removed

4 Reinforcement	R/L 3526156-9		12.58
5 Panel Assy, Side	R 3526823-4	4.5	169.23
	L 3538243-1	4.5	154.91
6 Panel, Outer Side]	R 3526403-5	2.5	63.04
	L 3538594-7	2.5	49.67
Included w/Side Panel Assy			
7 Bracket	R 3526713-7		17.70
	L 3526711-1		29.57
8 Eye, Tow	91-94 1316885-1		36.08
	95-98 9126792-2		66.81
9 Sidemember, Rear			
940	R 9171049-1	s 6.5	380.15
	L 9171048-3	s 6.5	380.15
960	92-94 R 9171049-1	s 6.5	380.15
	L 9171048-3	s 6.5	380.15
	96-97 R 9171035-0	s 6.5	331.53
	L 9171034-3	s 6.5	331.53
S90	98 R 9171035-0	s 6.5	331.53
	L 9171034-3	s 6.5	331.53
Included w/Side Outer Panel Assy			
10 Wheelhouse, Inner-See Quarter Panel Section			
11 Panel, Rocker Rear	R 1316966-9	s 2.5	96.41
	L 1316965-1	s 2.5	93.88
12 Extension, Wheelhouse	R/L 1316072-6		2.33
13 Box Assy, Torsion	91-94 R 3538951-9		425.85
	L 3536945-3		425.85
	95-98 R 3536946-1		d361.67
	L 3536945-3		425.85
14 Pad, Jack]	R/L 1267130-1		33.57
Included w/Torsion Box Assy			
15 Crossmember			
940, GL, GLE, Turbo	9154222-5	#5.5	225.39
To VIN 172183	9154222-5	#5.5	225.39
From VIN 172184	91 9154219-1	#5.5	256.09
940 SE	91 9154219-1	#5.5	256.09
960	92-97 9154219-1	#5.5	256.09
S90	98 3538243-1	#5.5	154.91
Included w/Necessary Bolted Parts & Assemblies Removed			
16 Pan, Rear Floor	9126106-5		383.64
Reinf, Floor Pan	95-98 R 9126108-1		12.76
	L 9126107-3		12.76
17 Hook, Attaching	R/L 1334664-8		2.33
18 Anchorage	R/L 1334379-3		10.08
19 Reinforcement	1334259-7		19.66
20 Lid	1380584-1		14.10
21 Seal, Lid	1380585-8		7.65
22 Crossmember	3536855-4		325.73

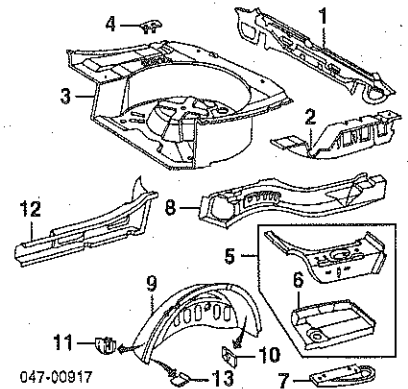
## INTERIOR TRIM SEDAN



1 Trim, Rear Body	91-93 9405901-1	.3	105.86
	94-98 6812743-0	.3	104.16
2 Trim, Rear Side	91-93 R 3542040-5		23.67
	L 3542036-3		23.67
	94-98 R 6812151-6		22.69
	L 6812150-8		22.69
3 Panel, Side Trim	91-93 R 9405915-1	.3	146.04
	L 9405902-9	.3	146.04
	94-98 R 9150054-6	.3	137.54
	L 6847236-4	.3	137.54
4 Clip, Panel (2)	91-93 R/L 9405904-5		.95
	94-98 R/L 9132306-3		.80
5 Clip, Lower (4)	91-93 R/L 3541113-1		1.21
	94-98 R/L 9132306-3		.80
6 Panel Assy, Frt Trim	91-93 9405919-3	.3	185.82
	94-98 9171023-6	.3	172.28
7 Door, Panel]	91-93 9406356-7		23.67
	94-98 9171024-4		19.99
8 Frame, Door]	91-93 9405922-7		24.96
Included w/Front Trim Panel Assy			
9 Carpet/Cover, Floor Frt	9150053-8	.2	137.54
10 Clip, Floor			
Front Cover (4)	9405969-8		1.26
11 Panel Assy, Floor Rear	9447537-3	.2	113.85
12 Handle]	9405967-2		9.04
Included w/Floor Rear Panel Assy			
13 Cap Assy, Floor Side	R 9405917-7		55.16
	L 9405916-9		55.16
14 Brkt, Floor Side Cap]	R/L 678491-2		9.25
Included w/Floor Side Cap Assy			

## SHEET METAL WAGON

Refinish Rear Crossmember/Panel Outside	1.0
Add for inside	.5
Refinish Rear Floor Pan (Complete)	2.0



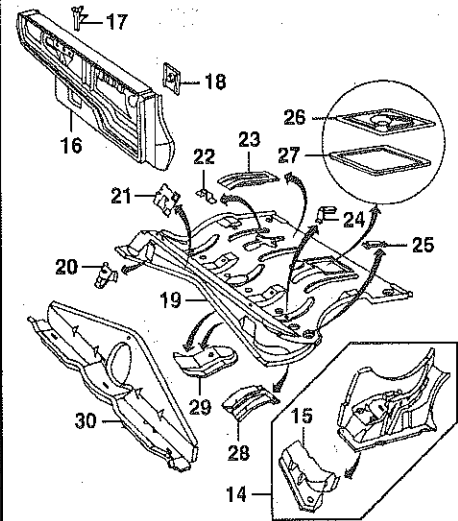
1 Panel/Crossmember, Rear	9126075-2	#6.5	222.86
#Deduct 1.5 for Each Quarter Panel Removed, Deduction Includes Common Surfaces & Included Operations			
2 Panel, Side	R 1267435-4	2.5	41.89
	L 1267434-7	2.5	41.89
3 Pan, Spare Wheel	3526115-5	#8.5	456.24

#w/Rear Crossmember Panel Removed			
4 Reinforcement (2)	R/L 3526156-9		12.58
5 Panel Assy, Side Otr	R 3526823-4	4.5	169.23
	L 3538243-1	4.5	154.91
6 Panel, Outer]	R 3526403-5	2.5	63.04
	L 3538594-7	2.5	49.67

Included w/Side Outer Panel Assy			
7 Eye, Tow	91-94 1316885-1		36.08
	95-98 9126792-2		66.81

8 Sidemember, Rear			
940	R 9171049-1	s 6.5	380.15
	L 9171048-3	s 6.5	380.15
960, V90	92-94 R 9171049-1	s 6.5	380.15
	L 9171048-3	s 6.5	380.15
	95 R 9171035-0	s 6.5	331.53
	L 9171034-3	s 6.5	331.53
	96-98 R 9171035-0	s 6.5	331.53
	L 9171034-3	s 6.5	331.53

Included w/Side Outer Panel Assy			
9 Wheelhouse, Inner-See Quarter Panel Section			
10 Plate, Nut	R/L 1334479-1		2.37
11 Brace, Attaching	91-92 R 3503331-5		17.05
	L 3503330-7		17.05
	93-98 R 3528772-1		13.52
	L 3528782-0		13.52
12 Panel, Rear Rocker	R 1316966-9	s 2.5	96.41
	L 1316965-1	s 2.5	93.88
13 Extension	R/L 1316072-6		2.33



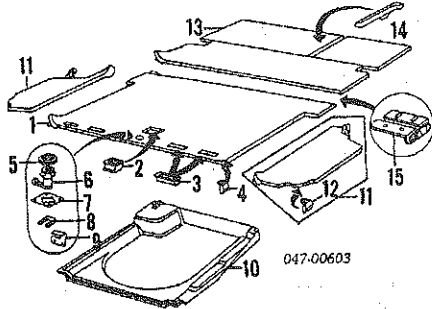
14 Box Assy, Torsion	91-94 R 3536946-1		d361.67
	L 3536945-3		425.85
	95-98 R 3536946-1		d361.67
	L 3536945-3		425.85
15 Pad, Jacking]	R/L 1267130-1		33.57
Included w/Torsion Box Assy			
16 Crossmember			
w/Multi-Link Susp	9154219-1	#5.5	256.09
w/o Multi-Link Susp	9154222-5	#5.5	225.39

Included w/Necessary Bolted Parts & Assemblies Removed			
17 Bracket	R 1320427-6		10.82
	L 1320426-8		10.82
18 Plate, Nut	91-94 1320439-1		14.15
	95-98 9154374-4		11.91



19 Pan, Rear Floor	9126106-5	383.64
20 Bracket	R/L 1355675-8	14.15
21 Bracket	1355676-6	18.49
22 Bracket	R/L 1316958-6	2.10
23 Reinforcement	1334259-7	19.66
24 Support (3)	1334621-8	3.17
25 Bracket	R 1334637-4	4.95
	L 1334636-6	4.95
26 Cover	1380584-1	14.10
27 Seal, Cover	1380585-8	7.65
28 Reinforcement	3536510-5	19.82
29 Anchorage	R/L 1334379-3	10.08
30 Crossmember	3536855-4	325.73

**INTERIOR TRIM WAGON**

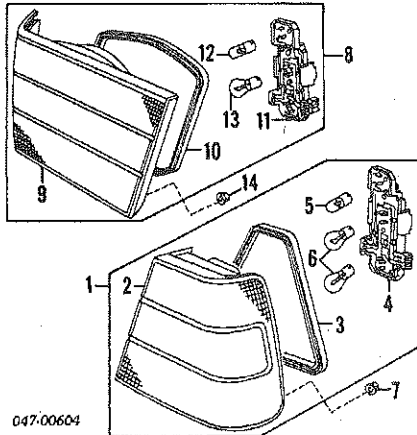


1 Panel, Rear Floor	3519536-1	.3	204.02
2 Handle, Floor Panel	1354055-4		8.75
3 Louver, Panel	R/L 1331476-0		8.90
<i>Black listed, Order by Application</i>			
4 Bracket, Floor Panel	R/L 678491-2	#.3	9.25
5 Escutcheon, Lock	1354495-2	#.3	4.59
<i>Black listed, Order by Application</i>			
6 Cylinder, Lock (w/Key) (a)	3503803-3	#.3	86.97
(a) Order by Lock Code Number			
7 Plate, Mount	1297182-6	#.3	6.62
8 Clip, Cylinder	1254114-0	#.3	.74
9 Striker, Latch	1243727-3	#.3	3.35
<i>#R&amp;R Complete</i>			
10 Panel, Lower	91-92 1386181-0	.3	114.35
	93-98 9150148-6	.3	114.35
11 Panel Assy, Floor Side	R 9447222-2	.2	92.82
	L 9447221-4	.2	92.82
12 Brkt, Floor Side Panel	R/L 678491-2		9.25
<i>Included w/Floor Side Panel Assy</i>			
13 Panel, Floor Front	91-93 1371720-2	.2	282.04
	94-98 6848821-2	.2	287.92
14 Ferrule	91-92 R 1353702-2		12.88
	L 1353701-4		12.88
	93-98 R 6812123-5		9.89
	L 6812122-7		9.89
<i>Black listed, Order by Application</i>			
15 Hinge, Panel	R 1243816-4	11.75	
	L 1243820-8	11.75	

**REAR LAMPS**

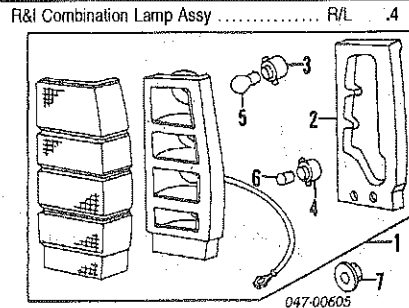
**COMBINATION LAMP SEDAN**

R&L Combination Lamp Assy	R/L	.4
R&L Lid Lamp Assy	R/L	.4



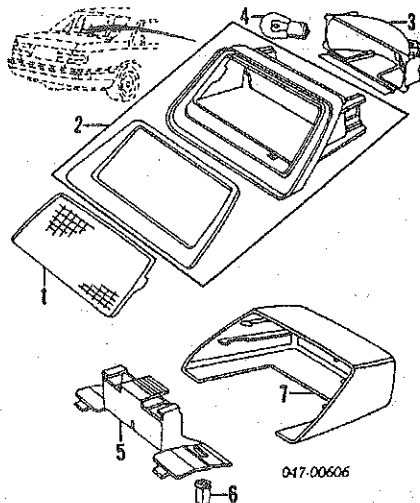
1 Lamp Assy, Rear Body-Serviced by Components			
2 Lens & Housing	91-94 R 3538339-7	.5	107.60
	L 3538338-9	.5	107.60
	95-98 R 9126963-9	.5	107.60
	L 9126962-1	.5	107.60
3 Gasket, Body	91-94 R/L 3534091-8		6.87
	95-98 R/L 9126964-7		6.62
4 Socket, Bulb	91-94 R/L 3534087-6		39.24
	95-98 R/L 9126861-5		34.12

**COMBINATION LAMP WAGON**



R&L Combination Lamp Assy	R/L	.4	
1 Lamp Assy, Combination			
	1991-94		
	w/Rear Fog Lamp	R 3518911-7	.4 152.28
		L 9127609-7	.4 152.28
	w/o Rear Fog Lamp	R 9127612-1	.4 152.28
		L 9127609-7	.4 152.28
	1995		
	940	R 9127612-1	.4 152.28
		L 9127609-7	.4 152.28
	960	95 R 9126884-7	.4 152.28
		L 9159659-3	.4 152.28
	96-97	R 9159662-7	.4 152.28
		L 9159659-3	.4 152.28
	1998	R 9159662-7	.4 152.28
		L 9159659-3	.4 152.28
2 Gasket, Body Mount	R 1358781-1		21.52
	L 1358780-3		20.94
3 Socket, Single Contact	(a)		
	Right (2)	1372041-2	10.05
	Left (3)	1372041-2	10.05
(a) Order by Application			
4 Socket, Dual Contact	R/L 1372043-8		10.62
5 Bulb, Single Contact	(a)		
	Right (2)	965827-9	2.56
	Left (3)	965827-9	2.56
(a) Order by Application			
6 Bulb, Dual Contact	R/L 964212-5	.4	2.82
<i>Included w/Combination Lamp Assy</i>			
7 Flange Nut (3/Side)	R/L 1325690-4		.35

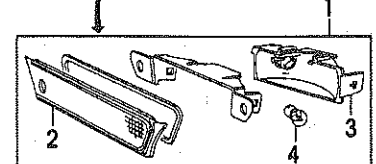
**STOP LAMP HIGH MOUNT SEDAN PARCEL SHELF MOUNTED**



1 Lens, Lamp	1991-93	3538204-3	#.4	82.52
	1994-97-Serviced w/Lamp Housing			
2 Housing, Lamp	1991-93	3538204-3	#.4	82.52
	1994-98	9133562-0	#.4	82.52

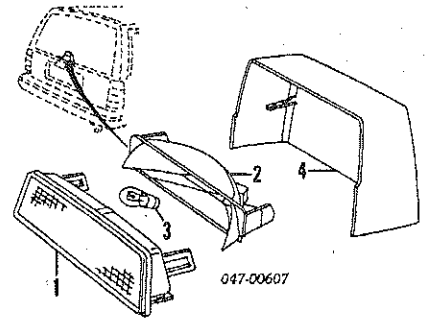
3 Reflector w/Socket	91-93 1369743-8	#.4	29.80
	94-98 9133561-2	#.4	29.80
4 Bulb	965826-1	#.4	2.71
5 Bracket, Lamp	3534079-3	#.4	13.78
6 Wellnut, Mounting (2)	1246840-1	#.4	.69
7 Cover, Housing	3534075-1	#.4	23.67
<i>Blue listed, Order by Application</i>			
<i>#R&amp;R Complete</i>			

**STOP LAMP HIGH MOUNT SEDAN SPOILER MOUNTED**



1 Lamp Assy, Stop	3529844-7	.3	61.91
<i>Located on Spoiler</i>			
2 Lens	3529640-9		10.86
3 Reflector w/Socket	1369741-2		31.71
4 Bulb	965826-1		2.71
<i>Included w/Stop Lamp Assy</i>			

**STOP LAMP HIGH MOUNT WAGON**



1 Lens, Lamp	1369740-4	.3	21.98
<i>Located on Liftgate</i>			
2 Reflector w/Socket	1369739-6	#.3	29.80
3 Bulb	965826-1	#.3	2.71
4 Cover, Housing	1358467-7	#.3	26.28
<i>Blue listed, Order by Application</i>			
<i>#R&amp;R Complete</i>			

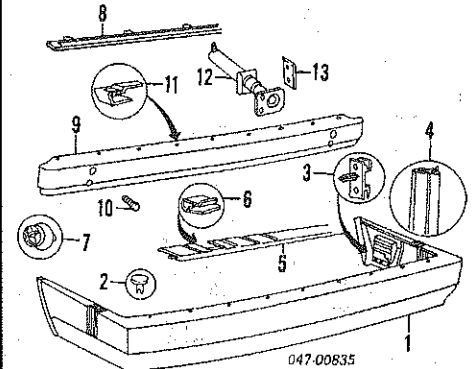
**REAR BUMPER**

Use Procedure Explanations 27 and 28 with the following text.

**ONE PIECE HEADLAMP (W/O FOG LAMP) 940 1991-95**

Refinish Rear Cover	1.5
R&L Bumper Assy	1.0
O/H Bumper Assy (Includes R&L)	1.8

NOTE: All Parts in this section are included in overhaul unless noted otherwise.



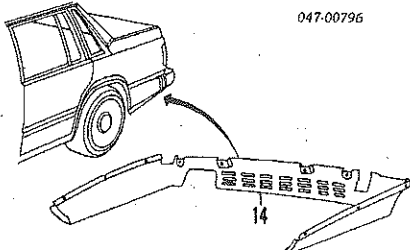
1 Cover, Rear Sedan			
	Body Color	9438498-9	1.8 323.46
	Paint to Match	3536806-7	1.8 239.12

# VOLVO 940/960/S90/V90 1991-98

## REAR BUMPER Cont'd

### ONE PIECE HEADLAMP (W/O FOG LAMP) 940 1991-95 Cont'd

Wagon				
Body Color	N.A.	1.8	0.00	
Paint to Match	9151152-7	1.8	238.86	
‡White listed, Order by Application				
2 Clip, Cover (7)	1268176-3		.84	
3 Clip, Cover End				
Sedan	R 3534123-9		8.45	
	L 3534122-1		8.45	
Wagon	R 1369971-5		4.65	
	L 1369970-7		4.65	
4 Seal, End	R/L 3528864-6		35.77	
5 Support, Cover	R 3536809-1		33.32	
	L 3536808-3		33.32	
6 Clip, Support (4/Side)	R/L 3536522-0		.73	
7 Clip, Outer	R/L 1391886-7		.61	
8 Midg, Upper Cover				
Wagon	6848644-8		100.85	
9 Bar, Reinforcement				
Sedan	3534286-4	IOH	828.13	
Wagon	1369662-0	IOH	660.42	
10 Bolt, Bumper (2/Side)	R/L 1273979-3		2.57	
11 Clip, Bumper (3/Side)	R/L 3534168-4		1.79	
12 Absorber, Impact				
Sedan	91-94 R 3534278-1	#.3	196.77	
	L 3534277-3	#.3	196.77	
	95 R 9154985-7	#.3	196.77	
	L 9154984-0	#.3	196.77	
Wagon	91-94 R 1369148-0	#.3	196.77	
	L 1369146-4	#.3	196.77	
	95 R 9154981-6	#.3	196.77	
	L 9154980-8	#.3	196.77	
‡w/Bumper Assy Removed, Not Included in O/H				
13 Plate, Absorber Nut	R/L 1321633-8		3.83	

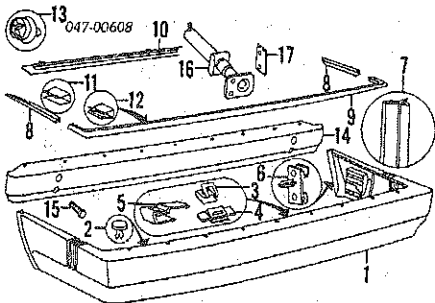


14 Panel, Valance 3538631-7 .5 88.57

### TWO PIECE HEADLAMP (W/FOG LAMP) 940 GL, 940 GLE, 940 TURBO 1991-95 940 SE 1991 960 1992-94

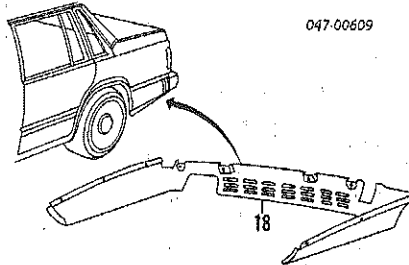
Refinish Rear Cover	1.5
Refinish Bumper Trim Mldgs Complete	1.0
Refinish Bumper Trim Outer Midg	R/L .3
Refinish Bumper Trim Center Midg	.7
R&I Bumper Assy	1.0
O/H Bumper Assy (Includes R&I)	1.8

NOTE: All Parts in this section are included in overhaul unless noted otherwise.



1 Cover, Rear				
Sedan				
Body Color	6846500-4	1.8	323.46	
Paint to Match	3534105-6	1.8	292.95	
Wagon				
Body Color	6846491-6	1.8	323.46	
Paint to Match	1391885-9	1.8	238.86	
‡Red listed, Order by Application				
2 Clip, Cover (14)	1268176-3		.84	
3 Spring Nut, Cover (6)	1369265-2		.78	
4 Clip, Cover (6)	3534168-4		1.79	
5 Clip, Cover (6)	3534168-4		1.79	
6 Clip, Cover End				
Sedan	R 3534123-9		8.45	
	L 3534122-1		8.45	
Wagon	R 1369971-5		4.65	
	L 1369970-7		4.65	

7 Seal, End Moulding	R/L 3528864-6		35.77	
8 Moulding, Bumper Trim Outer (P)				
Sedan				
940 GL, GLE, Turbo	R 3534126-2	IOH	52.28	
	L 3534125-4	IOH	52.28	
940 SE	91 R 3534129-6	IOH	52.28	
	L 3534128-8	IOH	52.28	
960	92-94 R 3534129-6	IOH	52.28	
	L 3534128-8	IOH	52.28	
Wagon				
940 GL, GLE, Turbo	R 3518825-9		35.15	
	L 3518819-2		33.02	
940 SE	91 R 1358668-0		33.32	
	L 1358667-2		33.32	
960	92-94 R 1358668-0		33.32	
	L 1358667-2		33.32	
9 Moulding, Bumper Trim Center (P)				
Sedan				
940 GL, GLE, Turbo	3534124-7	IOH	225.52	
940 SE	91 3534127-0	IOH	225.52	
960	92-94 3534127-0	IOH	225.52	
Wagon				
940 GL, GLE, Turbo	3518817-6		205.48	
940 SE	91 1358669-8		208.89	
960	92-94 1358669-8		208.89	
(P) Paint to Match				
10 Midg, Upper Cover				
Wagon	6848644-8		100.85	
11 Clip, Midg Outer (2/Side)	R/L 3536522-0		.73	
12 Clip, Midg Center (4)	1369266-0		.59	
13 Clip, Moulding	R/L 1391886-7		.61	
14 Bar, Reinforcement				
Sedan	3534286-4	IOH	828.13	
Wagon	91-93 1358665-6	IOH	691.38	
	94-95 1369662-0	IOH	660.42	
15 Bolt, Bumper (2/Side)				
Sedan	R/L 963101-1		1.35	
Wagon	R/L 1273979-3		2.57	
16 Absorber, Impact				
Sedan	91-94 R 3534278-1	#.3	196.77	
	L 3534277-3	#.3	196.77	
	95 R 9154985-7	#.3	196.77	
	L 9154984-0	#.3	196.77	
Wagon	91-94 R 1369148-0	#.3	196.77	
	L 1369146-4	#.3	196.77	
	95 R 9154981-6	#.3	196.77	
	L 9154980-8	#.3	196.77	
‡w/Bumper Assy Removed, Not Included in O/H				
17 Plate, Absorber Nut	R/L 1321633-8		3.83	

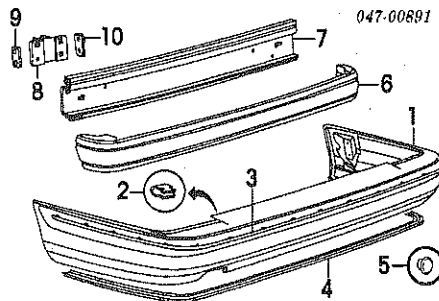


18 Panel, Rear Valance 3538631-7 .5 88.57  
Wagon 3538143-3 .5 104.18

### TWO PIECE HEADLAMP (W/FOG LAMP) 960 1995-97 S90, V90 1998

Refinish Rear Cover	2.4
R&I Bumper Assy	1.0
O/H Bumper Assy (Includes R&I)	1.8

NOTE: All Parts in this section are included in overhaul unless noted otherwise.



1 Cover, Rear				
Sedan				
Body Color	9411553-2	1.8	415.12	
Paint to Match	9126814-4	1.8	292.95	
Wagon				
Body Color	9411574-8	1.8	415.12	
Paint to Match	9126806-0	1.8	292.95	
‡Red listed, Order by Application				

2 Clip, Cover	9154412-2		.48	
3 Moulding, Trim				
Sedan	9126751-8	IOH	55.87	
	3528864-6	.3	35.77	
4 Moulding, Seal	1255988-6		.66	
5 Plug, Cover (2)				
6 Absorber, Impact				
Sedan	9126819-3	IOH	191.81	
Wagon	9126811-0	IOH	191.81	
7 Bar, Reinforcement				
Sedan	9128818-5	IOH	402.66	
Wagon	9126810-2	IOH	402.66	
8 Bracket, Bumper				
Sedan	R/L 9126820-1		30.58	
Wagon	R/L 9126812-8		30.58	
9 Washer	R/L 9126230-3		1.76	
10 Plate, Nut	R/L 9126255-0		4.83	
11 Panel, Rear Valance				
Sedan	3538631-7	.5	88.57	
Wagon	3538143-3	.5	104.18	

