



Zebra®
MM4 Mobile Mount
Vehicular Mount for QIn420, QL420
and P4T/RP4T Mobile Printer Series

Safety Guide and Installation Instructions



Special Notices

The following notices emphasize certain information in the guide. Each serves a special purpose and is displayed in the format shown:



Note: Note is used to emphasize any significant information.

Caution: Indicates information that, if not followed, can result in damage to software, hardware, or data.



Caution: This symbol indicates a potentially hazardous situation which, if not avoided, can result in personal injury.



Caution: This warning symbol indicates a potentially hazardous situation which, if not avoided, may be a shock hazard.



Warning: This warning symbol indicates an imminently hazardous situation which, if not avoided will result in death or serious injury. Before you work on any equipment, be aware of the hazards involved with electrical circuitry and be familiar with standard practices for preventing accidents.

General Warnings and Cautions



Caution: Only trained and qualified personnel should be allowed to install, replace, or service this equipment.



Caution: Read the installation instructions before you connect the system to its power source.



Note: Zebra Technologies Corporation is not liable for personal injury or damage to any equipment caused by the improper mechanical installation of this equipment or improper connection to any power source. Check with the vehicle manufacturer or dealer for installation assistance in order to prevent the voiding of the vehicle warranty or maintenance contract.



Warning: Risk of ignition or explosion. Explosive gas mixture may be vented from the vehicle battery. Work only in a well ventilated area. Avoid creating arcs and sparks at the battery terminal

MM4 Mobile Mount Safety and Installation Guide

Introduction



NOTE: Zebra Technologies Corporation is not liable for personal injury or damage to any equipment caused by the improper mechanical installation of this equipment or improper connection to any power source. Check with the vehicle manufacturer or dealer for installation assistance in order to prevent the voiding of the vehicle warranty or maintenance contract.

The MM4 Mobile Mount system is designed to integrate a Zebra™ QLn420, QL 420 or a P4T series mobile printer and optionally a Zebra DC/DC power supply into the electrical and mechanical systems of a vehicle. Once installed it will provide intelligent charging capabilities for the printer's battery and protection from accidental damage to the printer.

The DC/DC modules are supplied separately from the MM4 installation Kit (p/n AK18926-3 for QL 420 & P4T and P1050667-035 for QLn420). They should be installed in accordance with their installation guides and under the supervision of properly trained and qualified personnel.

The installation and safety warnings in this manual pertain only to the mechanical installation of the MM4 mobile mount. Follow them closely to ensure safe, reliable performance of the QLn420, QL 420 or P4T Printer in a mobile environment

It is important that the vehicle's electrical system be functioning properly. The vehicle's charging circuit must work properly and vehicle-generated electrical "noise" must be minimized and within specifications.

The vehicle charging circuit must neither undercharge nor over-charge the vehicle battery. Defective ignition wiring, damaged insulation, or faulty vehicle electrical components can cause electrical noise and excess electrical noise can be severe enough to defeat the electrical filtering that is built into the printer. When this happens, computers and printers can behave unpredictably.



NOTE: All of these systems must be connected in strict accordance with the instructions in this document. Failure to install this equipment per these instructions will void the warranty.

Tools Required for Installation

- An electrical drill, drill bits 1/4"(6 mm))
- Taps-1/4-20 and #6-32 (M6 and M3).
- Common hand tools.

References

- The QLn Series, QL Plus Series, and P4T/RP4T User Guides
- The RCLI-DC Mobile Charger Installation Guide, or
- The 50W. DC/DC Power Supply P4T (AT18488-1) Installation Guide

Contents of the MM4 Mobile Mount Package

- The Mobile Mount Bracket Assembly
- The Lift Truck Mounting Bracket
- The Fanfold Bin
- A plastic bag containing mounting hardware, and the Fanfold Spacer
- This Guide

Introduction to Installation

The MM4 Mobile Mount allows you to mount a QLn420, QL 420 or P4T printer into virtually any vehicle. A separately supplied DC/DC power supply appropriate to each printer model can provide a source of power to run and charge the printer's battery from the vehicle's electrical system.

Installation of the DC/DC power supply is covered in the Installation Guide supplied with each system.

In most installations, the power cable is wired to the vehicle's battery power system indirectly through a power take-off point. Some models of the DC/DC supplies offer the option of accessing input power from the vehicle's cigarette lighter or power adapter.

CAUTION: Under no circumstances should the equipment be attached directly to the vehicle's battery or an AC power source without a proper fuse.

Since each situation or equipment type may pose unique requirements, mounting hardware selection and mechanical installation shall be the responsibility of the installer. Zebra recommends using self-locking (ESN) nuts, bolts, and/or lock washers for installing the mount. The mount is pre-drilled for 1/4" (M6) mounting hardware.

Your tasks are to:

- Mechanically install the MM4 Mobile Mount
- Install the DC/DC converter system (if used in this installation) according to the appropriate Installation Guide
- Connect the Data I/O cable from the data terminal (if used) and the output cable from the DC/DC supply system to the printer.

Decide where you will mount the printer, then proceed with the following instructions.

Installing a Terminal

When you are installing the MM4 Mobile Mount, you may also be installing a terminal at the same time. Follow the terminal manufacturer's instructions for installing their unit. If the printer and terminal are linked together with a data cable it typically should be no longer than six (6) feet (183 cm).

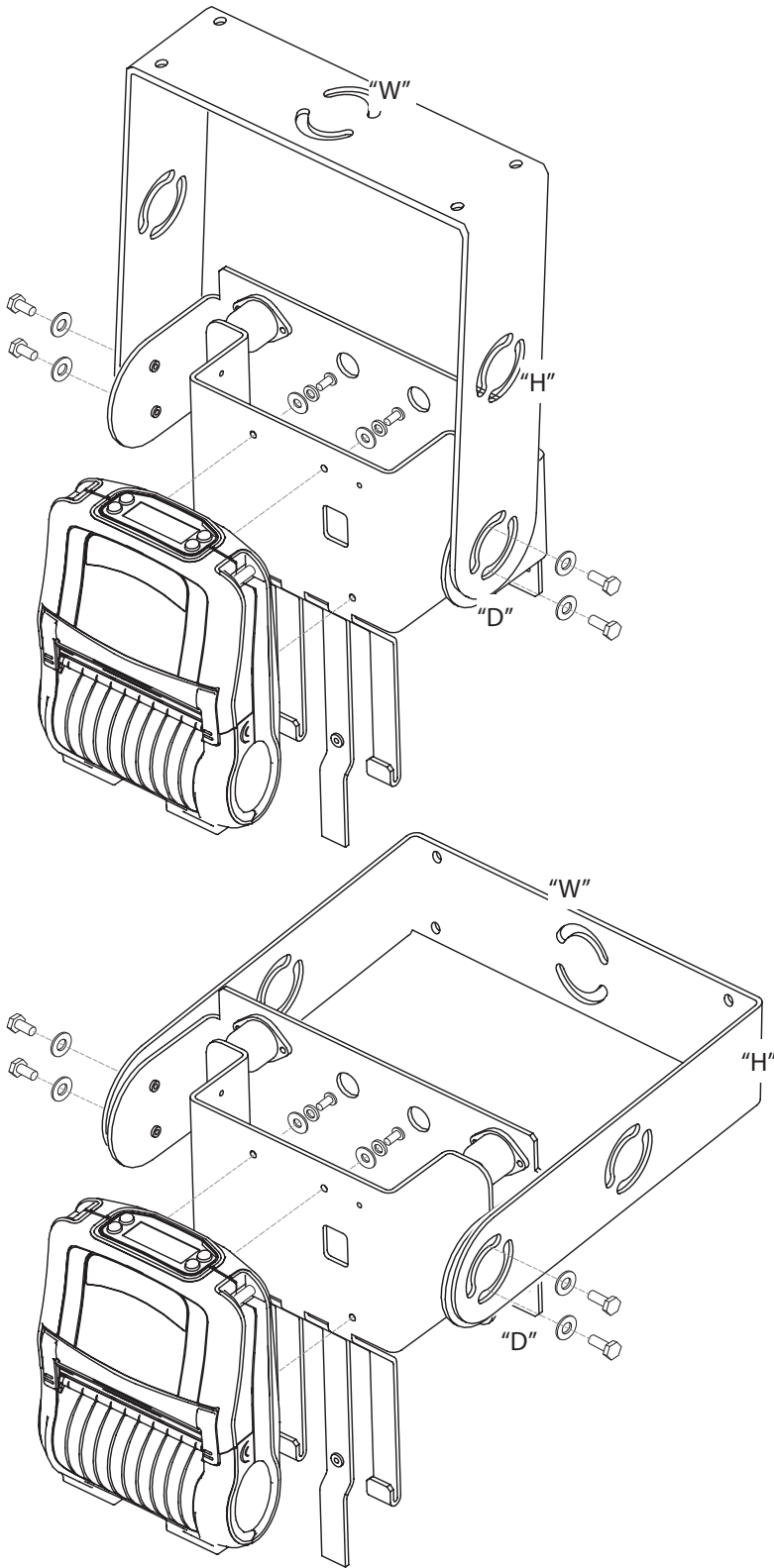
Some installations may require the terminal and printer to communicate via radio frequency (RF) rather than cables.

Plan your installation with these considerations in mind, and locate the printer so that the operator can easily load printing media and operate the printer's controls.

Mobile Mount Mechanical Installation

The MM4 Mobile Mount provides two basic mounting options, to allow maximum flexibility in location. The DC/DC module is shipped separately and is mounted external to the Mobile Mount, depending on the individual location's requirements.

It is important to leave a free zone around the printer to allow loading of paper and routine cleaning of the print head. Refer to Figure 2. In addition, the Mobile Mount allows for some rotation of the printer to allow the best positioning for the operator. Extra clearance should be provided for this movement if it is desired in the installation.



Vertical Mounting
(numbers in italics are in cm.)

HEIGHT "H"	WIDTH "W"	DEPTH "D"	DEPTH W/ BIN
21.32 IN.*	11.63 IN.	8.2 IN.	11.07 IN.
54.2 CM*	29.5 CM	20.83 CM	28.1 CM

Horizontal Mounting
(numbers in italics are in cm.)

HEIGHT "H"	WIDTH "W"	DEPTH "D"	DEPTH W/ BIN
14.30 IN.*	11.63 IN.	15.65 IN.	18.00 IN.
36.32*	29.5	39.75	45.72

*Includes minimum dimension to allow access to controls.



IMPORTANT: Mount the Printer where it will not interfere with the operator during normal use, nor have the potential to cause injury in case of an accident.

Figure 1
Standard Mounting Configurations (AK18926-3 shown with QL 420. Also used with P4T)

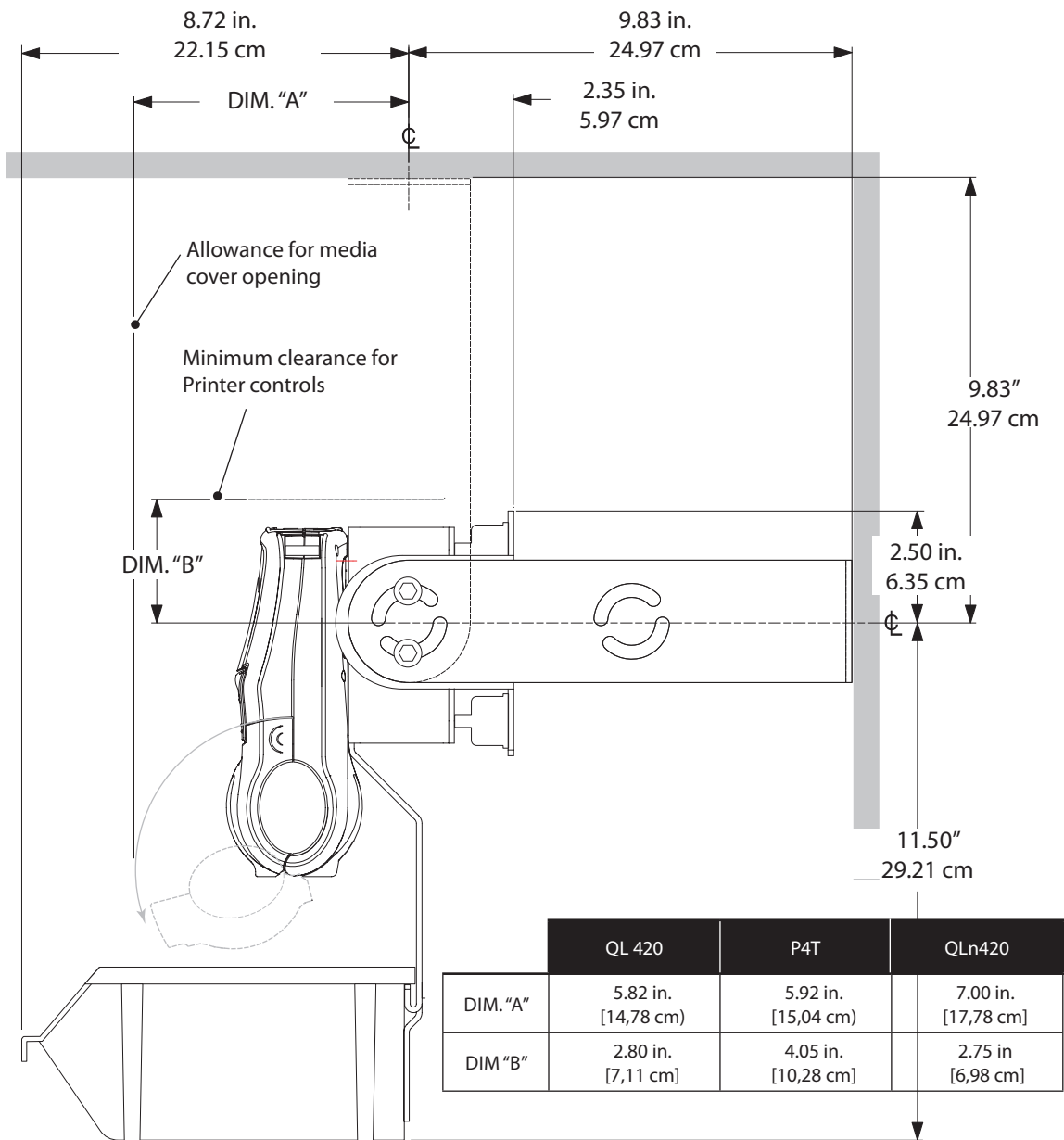


Figure 2
Horizontal and Vertical Mounting Details (QL 420 illustrated)

Use a 1/4" (6 mm) drill bit to make mounting holes. Secure the mount with nuts, bolts, and lock washers.

Refer to Figure 2 for details on mounting dimensions.

The mounting bracket (Figure 3) can also be used as a template for locating mounting holes on the vehicle. Note that a clearance of .31" (7.8 mm) must be left on either side of the Mounting Bracket for mounting hardware. The mounting dimensions in Figure 1 reflect this.

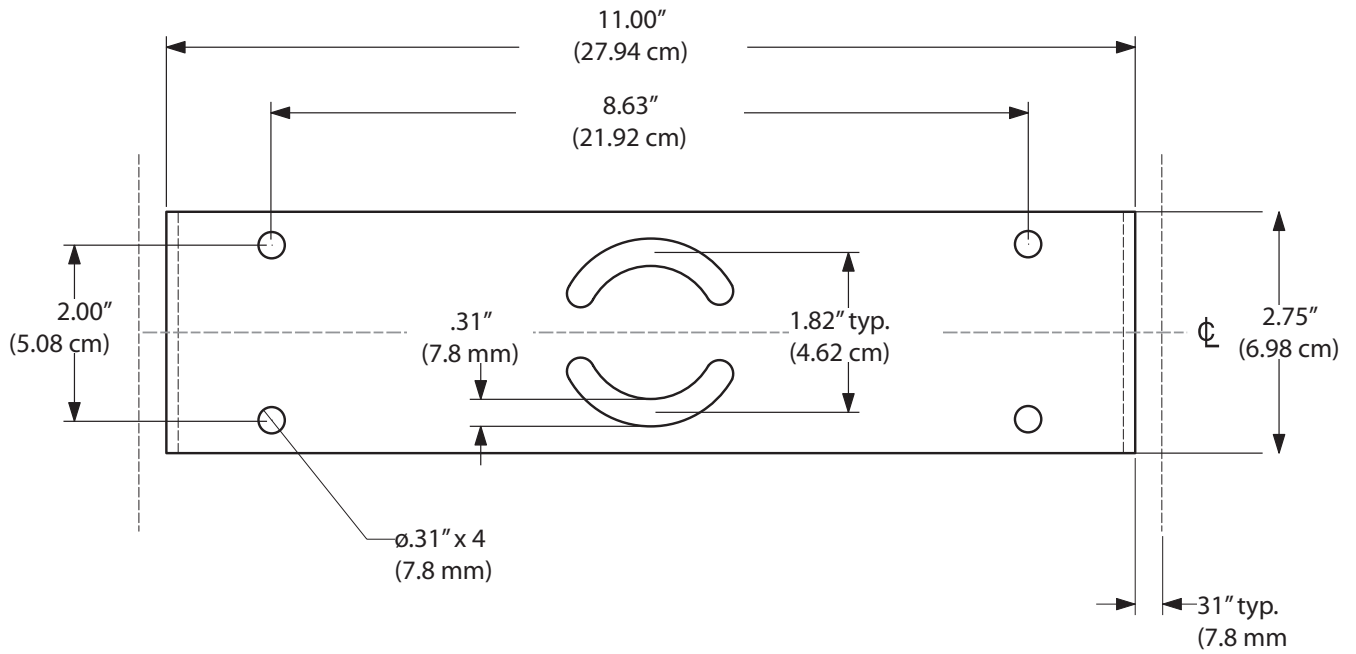


Figure 3
Mounting Bracket Hole Layout (not to scale)

Note that using a MM4 Mobile Mount assembly in the horizontal configuration requires leaving a minimum access for printer controls from any overhanging horizontal surface. (Refer to Figure 2).

CAUTION: Do not use the circular cutouts in the Mounting Bracket as the only mounting point when using in the horizontal configuration.



Hardware to secure the Mobile Mont to the vehicle is not supplied in the kit. Recommended fasteners are 1/4" (6 mm) diameter hex head or socket head bolts with flat washers, lock washers, nuts and/or locking nuts.

Printer Installation

Printer Preparation

Prepare the printer for installation by doing the following:

QLn420 only:

- Remove the carrying strap as shown in the QLn Series User Guide and Quick Start Guide.
- Remove the plastic belt clip.
- Remove the metal belt clip (if applicable) by unscrewing the two screws (SCR 6-32 X 1/4 PAN HD PHLLP NY) holding it to the printer.
- Remove the Docking Contacts Plug by removing (2) screws.

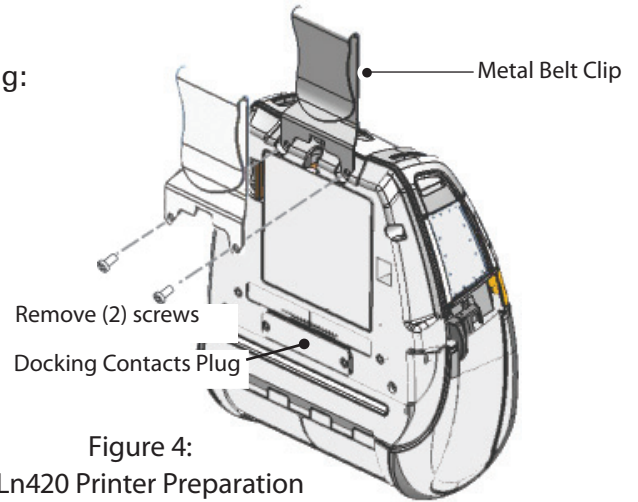


Figure 4:
QLn420 Printer Preparation

QL 420 only:

- If your printer has a carrying strap, you must remove it by the following procedure (Refer to Figure 5).
 1. Unscrew the (2) #4-40 x 1" screws holding the top corners of the printer together.
 2. Remove the Carrying Strap and the (2) Bushings.
 3. Replace the Bushings back in the top corners of the printer and re-install the two #4-40 x 1" screws
- Remove the Belt Clip from the back of the Printer (Refer to Figure 5).

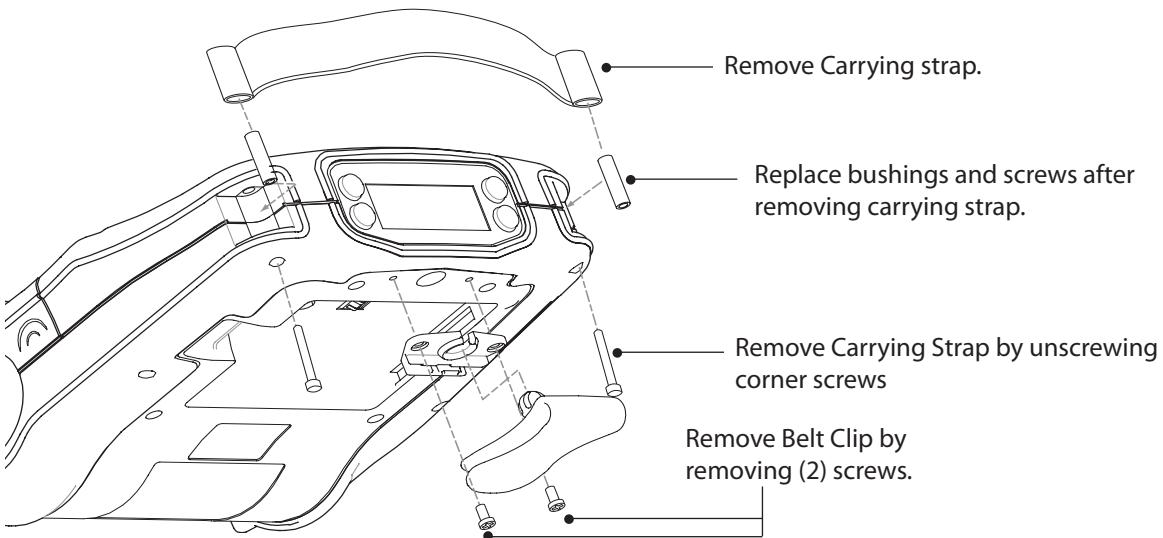


Figure 5:
QL 420 Printer Preparation

QLn420, QL420 and P4T Printers:

- If your printer is equipped with a shoulder strap, remove it by unclipping each end from the printer.
- Ensure the battery pack is installed prior to mounting the printer in the Mobile Mount.

Installing the Printer

The QLn420, QL 420 or P4T Printer can now be installed in the Mobile Mount.

QLn420:

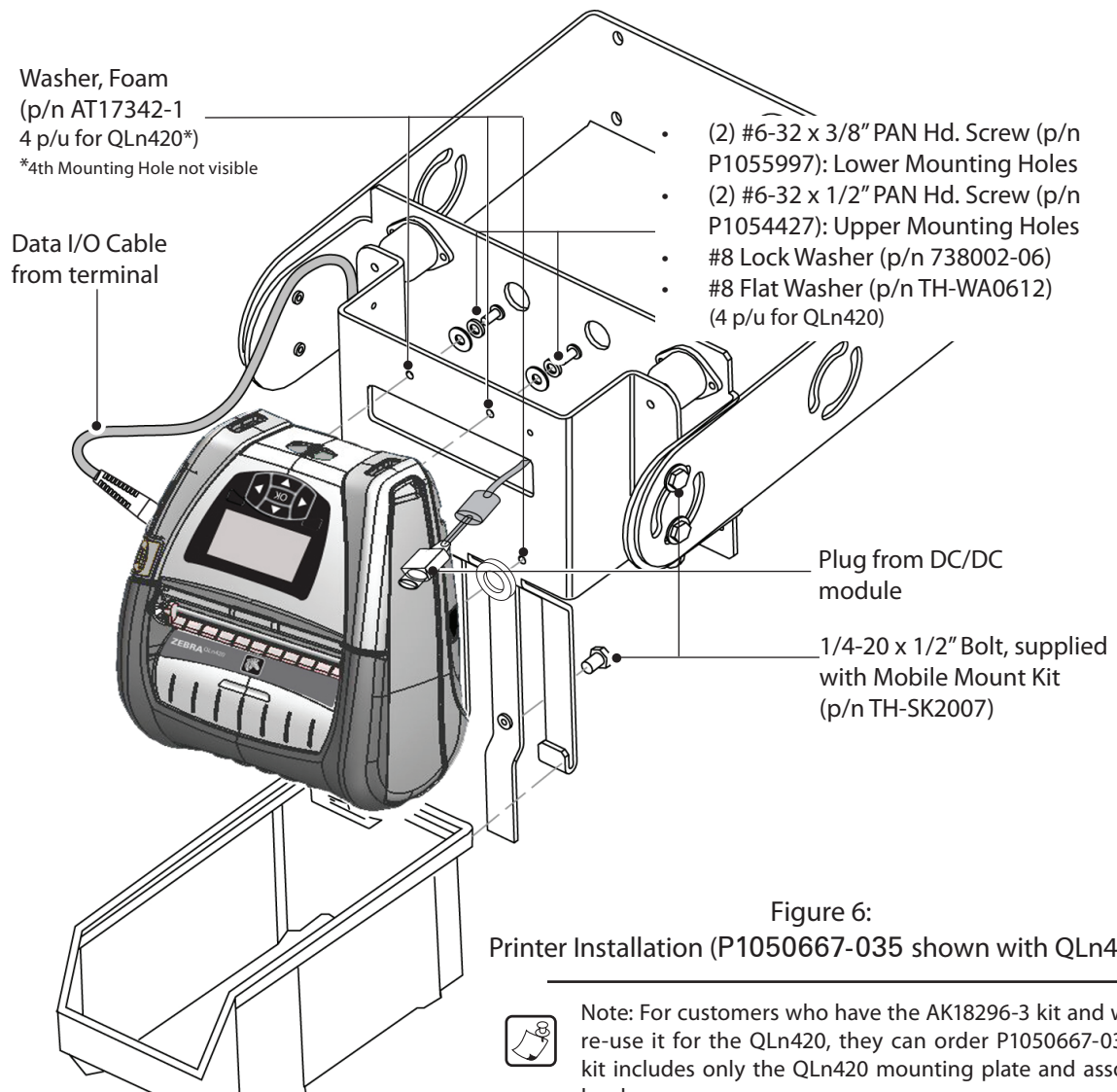
Peel adhesive backer from the (4) Foam Washers and apply to the Mounting Plate over the printer mounting holes as indicated in Figure 6. Secure the printer to the Mobile Mount Bracket with (2) #6-32 x 3/8" Screws, (2) #6-32 x 1/2" Screws, Lock Washers and Flat Washer. Do not exceed an installation torque of 7 in/lb. [.79 Nm] on these screws.

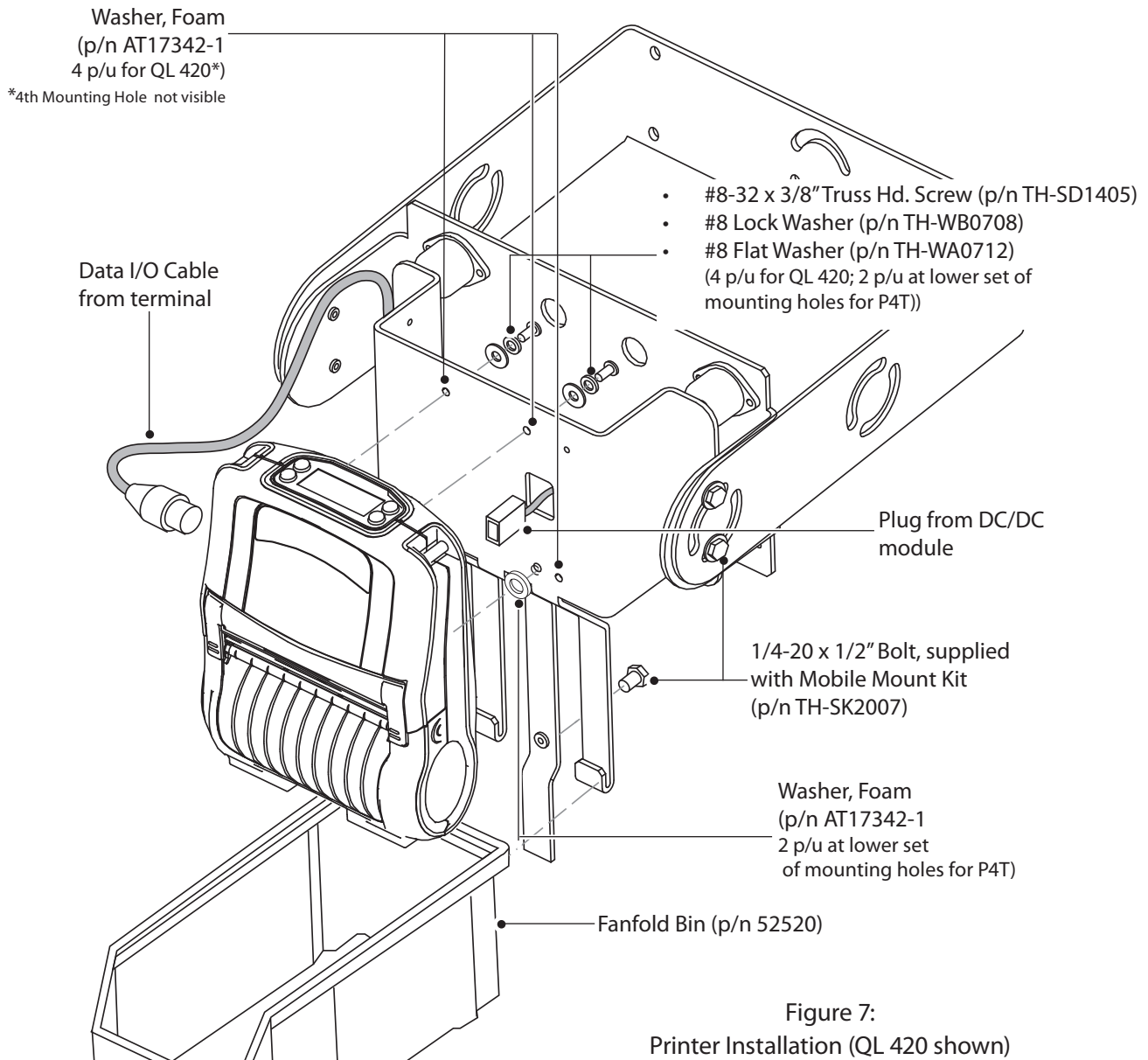
QL 420:

Peel adhesive backer from the (4) Foam Washers and apply to the Mounting Plate over the printer mounting holes as indicated in Figure 7. Secure the printer to the Mobile Mount Bracket with (4) #8-32 x 3/8" Screws, Lock Washers and Flat Washers. Do not exceed an installation torque of 7 in/lb. [.79 Nm] on these screws.

P4T:

Peel adhesive backer from (2) Foam Washers and apply to the Mounting Plate over the printer mounting holes as indicated in Figure 7. Secure the printer to the Mobile Mount Bracket with (2) #8-32 x 3/8" Screws, Lock Washers and Flat Washers. Do not exceed an installation torque of 7 in/lb. [.79 Nm] on these screws.





Install the Output Cable from the DC/DC Module

QL 420:

Plug the output voltage cable from the DC/DC module into the battery pack connector of QL 420. (Note: In some installations it may be easier to plug the charger cable into the battery pack prior to securing the Printer to the Mobile Mount.) If desired, you can use one of the supplied cable clamps and a #6-32 x 1/4" screw to hold the cable in position.

QLn420 and P4T:

Plug the output voltage cable from the DC/DC module into the DC power connector on the QLn420 and P4T. (Refer to the QLn Series and P4T User's Manuals for more information.)

Attaching the Fanfold Bin

If the printer will be using fanfold media, you must install the fanfold bin to the Mobile Mount. Hook the lip on the back of the tray to the corresponding "hooks" on the mobile Mount. Install a 1/4- 20 Hex head screw to the back of the center bar on the Mobile Mount which supports the fanfold bin and tighten it to secure the bin.

continued

Loading Media

Follow the loading procedures found in the QLn Series, QL 420 or P4T User's Guide. Note that if you are using Fanfold media, you should install the Fanfold Spacer (p/n BA16625-1) between the printer's media supports. The Spacer is included with the MM4 Mobile Mount Kit.



CAUTION: The Mobile Mount is designed for a maximum loading of 12 lbs [5.4kg] including the weight of media. Ensure no extra items are suspended from the Printer, the Mobile Mount Bracket of the Fanfold bin.

Printer Removal:

There is no need to remove the printer from the Mobile Mount during normal use and cleaning. All access doors and controls can be reached with the printer secured in the mount.

To remove the printer for servicing or repairs:

- Unplug the power cable and the data I/O cable (if installed.)
- Remove the mounting screws and their associated hardware. You can access the mounting screws through clearance holes in the Mobile Mount bracket.

Final Connections

If you are communicating data to the QLn420, QL 420 or P4T with a cable you must connect a "Data I/O" cable between the terminal and the printer. If desired, you can use one of the supplied cable clamps and a #6-32 x 1/4" screw to hold the cable in position. Consult the factory for information on the various I/O data cables offered by Zebra for use with a variety of widely used terminals.



NOTE: This unit was tested with shielded cables on the peripheral devices. Shielded cables must be used with the unit to insure compliance.

DC/DC Module Installation



NOTE: Always refer to any documentation included with the DC/DC Module for complete information on installing the DC/DC Module.

DC/DC Modules for use with MM4

DESCRIPTION	DC/DC P/N	INPUT VOLTAGE	USED ON
RCLI-DC MOBILE CHARGER 12 VDC	CC16614-G1	12 VDC	QL 420
RCLI-DC MOBILE CHARGER 9-30V	CC16614-G2	9-30 VDC	QL 420
RCLI-DC MOBILE CHARGER 30-60V	CC16614-G3	30-60 VDC	QL 420
RCLI-DC MOBILE CHARGER 12 VDC (w/ plug for cigarette lighter socket)	CC16614-G9	12 VDC	QL 420
LI-ION DC/DC 15 - 60 VDC ADAPTER	AK18913-003	15-60 VDC	P4T/RP4T/QLn420
LI-ION DC/DC 12-15 VDC ADAPTER	AK18831-2	12-15 VDC	P4T/RP4T/QLN420

DC/DC Module Location

Locate the DC/DC Module in a location convenient to the printer. Follow these guidelines:

- Select a location in the vehicle that will avoid personal contact in case of an accident.
- Place the Module so that you can easily unplug the charger's output cable from the printer.
- Route the Module's output cable to prevent undue strain being placed on the connection to the printer.
- Make sure that cable routing does not invite damage to the cable.
- RCLI DC/DC module series: Secure the module with #6 (3mm) hardware using the mounting flanges molded into the module cover. Insure that the mounting hardware will not become loose due to vibration by using locking hardware or prevailing torque fasteners.

Connect the Printer

QL420: Plug the output cable from the module to the battery connection on the printer. (Refer to the QL 420 User's Manual for more information.) It may be easier to plug in the charger connector before mounting the Printer to the Mobile Mount bracket.

P4T/RP4T: Plug the output cable from the module into the power connection on the printer. (Refer to the P4T User's Manual for more information.) It may be easier to plug in the module output connector to the printer before mounting the Printer to the Mobile Mount bracket.

Both Printer Series: Turn the input power source for the DC/DC module on, and verify that the indicator lights on the DC/DC module are lit and it is functioning properly.

RCLI series only: Refer to Table 1 in the RCLI Mobile Charger Installation Guide for indicator display information.

Connecting a Terminal

If you are also installing a terminal in the vehicle, you normally must run two separate cables from the vehicle power source: one to the printer and one to the terminal. The terminal power cable must be either supplied by the terminal manufacturer or fabricated by the installer.

It is the installer's responsibility to determine the suitability of running a terminal from the vehicle's battery.



IMPORTANT: Zebra Technologies Corporation is not liable for personal injury or damage to equipment caused by improper installation to any power source.

Installation Kit

The following list of parts is included with the MM4 Mobile Mount Kit. They are intended for use in the installation of the QLn420, QL 420, P4T, and/or printer and routing power and data I/O cables.

PART	DESCRIPTION	QTY
TH-SK2007	SCREW, 1/4"-20 X 1/2" HEX HD.	5
30466	WASHER .62 O.D.	4
THRMP22CC370187	CLAMP, CABLE	2
TH-SD1203B	SCREW #6-32 X 1/4" BLK	2
TH-SD1405	SCREW, #8-32 X 3/8" TRUSS HD.	4
P1055997	SCR 6-32 X 3/8 PAN HD PHLLP NYLOK	2
P1054427	SCR 6-32 X 1/2 PAN HD PHLLP NY	2
TH-WB0708	WASHER, LOCK # 8	4
TH-WA0712	WASHER, FLAT # 8	4
TH-WA0612	WSHR FLAT #6	4
738002-06	WSHR,LOCK,SPLIT,#6,SS	4
AT17342-1	WASHER, 1/4" FOAM W/ADHESIVE	4
BA16625-1	SPACER, FAN-FOLD QL 420	1
52520	BIN	1
505203	BRACKET MNTD LIFT TRUCK	1



NOTES: Mounting hardware for securing the Mobile Mount to the vehicle is not supplied in the kit. Recommended fasteners for the Mobile Mount are 1/4" (6 mm) diameter hex head or socket head bolts with flat washers, lock washers, nuts and/or locking nuts.

Recommended fasteners for the RCLI series DC/DC modules are #6-32 (M3) bolts, flat washers and lock washers

Printer Technical Support

When calling with a specific problem regarding the printers used in conjunction with the MM4 Mobile Mount, please have the following information on hand:

- Printer Model number/type (e.g. QL 420 or P4T)
- Printer serial number
- Printer Product Configuration Code (PCC)
- Type and model number of the DC/DC module you are using with the MM4 Mobile Mount.

For on-line product support and the most recent versions of downloadable user documentation, firmware and software utilities, go to the Zebra Web site: www.zebra.com

In the Americas contact

Regional Headquarters	Technical Support	Customer Service Dept.
Zebra Technologies Corporation 475 Half Day Road, Suite 500 Lincolnshire, Illinois 60069 USA Phone: +1.847.634.6700 or +1.866.230.9494 Fax: +1.847.913.8766	T: +1 877 275 9327 F: +1 847 913 2578 Hardware: ts1@zebra.com Software: ts3@zebra.com	For printers, parts, media, and ribbon, please call your distributor, or contact us. T: +1 877 275 9327 E: clientcare@zebra.com

In Europe, Africa, the Middle East, and India contact

Regional Headquarters	Technical Support	Internal Sales Dept.
Zebra Technologies Europe Limited Dukes Meadow Millboard Road Bourne End Buckinghamshire SL8 5XF, UK T: +44 (0)1628 556000 F: +44 (0)1628 556001	T: +44 (0) 1628 556039 F: +44 (0) 1628 556003 E: Tseurope@zebra.com	For printers, parts, media, and ribbon, please call your distributor, or contact us. T: +44 (0) 1628 556032 F: +44 (0) 1628 556001 E: cseurope@zebra.com

In the Asia Pacific region contact

Regional Headquarters	Technical Support	Customer Service
Zebra Technologies Asia Pacific Pte. Ltd. 120 Robinson Road #06-01 Parakou Building Singapore 068913 T: +65 6858 0722 F: +65 6885 0838	T: +65 6858 0722 F: +65 6885 0838 E: (China) tschina@zebra.com All other areas: tsasiapacific@zebra.com	For printers, parts, media, and ribbon, please call your distributor, or contact us. T: +65 6858 0722 F: +65 6885 0836 E: (China) order-csr@zebra.com All other areas: csasiapacific@zebra.com



Zebra Technologies Corporation

475 Half Day Road, Suite 500
Lincolnshire, IL 60069 USA
T: +1 847.634.6700 or +1 800.423.0442



Printed in
on chlorine-free
recycled paper

