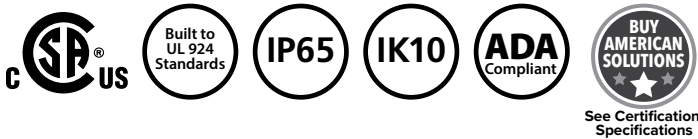


QTY	Label	MANUFACTURE	Description	Lum. Lumens	COMB
1	B	COLUMBIA	W3B4-35ML-SFA-EDU	4887	34.626
4	C1	BEACON	SRT2-120-3K7-5C-UNV-GT	12450	110.9
11	CY1	PRESCOLITE	LTC-6RD-P-15L35K8WD-DM1-S-BL	1586	18.7
30	CY2	PRESCOLITE	LTC-6RD-P-25L35K8XW-DM1-S-BL	2551	27.7
19	EWS	BARN LIGHT	12 IN SHADE WALL MOUNTED, 16W DOMED LED	1204	16
6	GP1	G LIGHTING	CONE GL-2350-E-NA-WH-WH-2-A	2144	23
20	GP2	G LIGHTING	GL-2351-N-NA-WH-WH-2-A	3496	38
32	LP2	LITECONTROL	4L-P-D-4-SOF-X-CX-35K-D100	4000	36
8	SP	PRESCOLITE	LTC-6RD-P-06L35K8MD-DM1-S-BL	746	7.8
3	UT	COLUMBIA	MPS4-35HL-CW-EDU	5758	49.5
6	VP1	COLUMBIA	LXEM4-35ML-DFA-EDU	5333	42
1	VP2	COLUMBIA	LXEM2-35LW-DFA-EDU	3348	26.1
6	VP3	COLUMBIA	LXEM4-35LW-RFA-EDU	4184	33.3
4	W	KIM	LTV81EB-NF-18L3K	1603	21.7

DATE: _____ LOCATION: _____
 TYPE: _____ PROJECT: _____
 CATALOG #: _____

FEATURES

- Two piece design allows for easy installation
- Superior color consistency within a 3-step MacAdam ellipse and greater than 80 CRI
- Surface mount or wall mount options available in 1', 2', 3' and 4' lengths
- Optional integral emergency battery pack
- Standard or Tamper-Resistant option
- Modular replaceable LED boards and driver accessible for future maintenance or upgrades
- Ambient -20°C to 40°C
- ADA (Americans with Disabilities Acts) compliant



CONTROL TECHNOLOGY



SPECIFICATIONS

CONSTRUCTION

- Housing constructed of aluminum. Wireway constructed of code-gauge steel. End caps are injection molded ABS material (standard)
- Housing components act as heat sink for LED heat dissipation
- White painted parts are treated with a five stage phosphate bonding process and finished with high reflectance baked enamel

OPTICS

- Frosted acrylic lens on standard; Frosted polycarbonate on Tamper-Resistant version

ELECTRICAL

- Long-life LEDs are rated for 60,000 hours at L80 lumen maintenance
- Driver options include 0–10V dimming, 1% dimming, dim-to-dark or step dimming
- Superior drivers and long-life LEDs provide quality illumination for prolonged service life
- Drivers < 10% THD at 120V, power factor > 0.95

CONTROLS

- Optional SpectraSync™ offers two modes of Tunable White solutions and integrates seamlessly into a variety of control systems
- NX Distributed Intelligence™ provides options for standalone and networked integrated sensor with wired connectivity for NX system deployments

TECHNOLOGY

- SpectraSAFE™ is a scalable, cloud-enabled and lighting-based wireless video security solution for interior commercial and industrial applications

CERTIFICATIONS

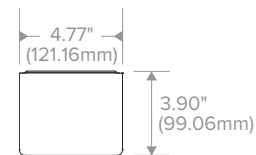
- All luminaires are built to UL 1598 and 2108 standards, and bear appropriate cCSAus labels
- Damp Location label standard; Wet Location available as an option. Wet location option is IP65 rated
- CSA certified to UL 924 standards with battery pack or DTS (Dimming Bypass Module) options
- Tamper-Resistant version is IK10 impact rated

RELATED PRODUCTS

- [Revalume™ Linear Wrap](#)
- [MPS MultiPurpose Linear](#)



End View



CERTIFICATIONS (CONTINUED)

- Adheres to LM79, LM80, and TM21 industry standards
- The DTS, Dimming Bypass Module, is for emergency circuit control loads including sensors and wireless systems CSA certified to UL 924. See page 8 for wiring diagram. [Link to Dimming Bypass Module Specification sheet](#)
- This product qualifies as a “designated country construction material” per FAR 52.225-11 Buy American-Construction Materials under Trade Agreements effective 03/30/2021. [See Buy American Solutions](#)

WARRANTY

- 5 year warranty
- See [HLI Standard Warranty](#) for additional information

KEY DATA	
Lumen Range	957–5510
Wattage Range	8.6–41.4
Efficacy Range (LPW)	108–148.9
Reported Life (Hours)	L80–60,000

DATE: _____ LOCATION: _____
 TYPE: _____ PROJECT: _____
 CATALOG #: _____

ORDERING GUIDE

Example: W3B4-40ML-SF-ED1U

CATALOG # _____

W3B											
Model	Size	Tamper-Resistant		CRI	Color Temp		Nominal Lumens			Lens	
W3B Wall3™ Wall Bracket	1	1'	Blank	Standard	Blank	>80	30	3000K	XW	4' (271)	
	2	2'	TP	Tamper-Resistant			35	3500K	VW	1' (1049), 2' (1521), 4' (3367)	
	3	3'					40	4000K	MW	1' (1656), 2' (2003), 3' (2528), 4' (3688)	
	4	4'					50	5000K	LW	1' (2248), 2' (2615), 3' (3146), 4' (4318)	
							2750T	2700K–5000K SpectraSync™ Tunable White ¹	ML	1' (2825), 2' (3331), 3' (3759), 4' (4930)	
							2765T	2700K–6500K SpectraSync™ Tunable White ¹	HL	3' (4367), 4' (5525)	
									SFA	Square Frosted Acrylic	
									SFP	Square Frosted Polycarbonate ²	

Driver		Voltage	Options		Control Options	
ED	0-10V Dimming	U 120V-277V	ELL14	Emergency Battery Pack, 10W ^{3,5,8,9,10,11}	<u>NX Standalone</u>	
ED1	0-10V 1% Dimming	347 347V (ED & ED1 only)	ELL14H2	Emergency Battery Pack, 2-Hour Run Time ^{3,5,8,9,10,11}	NXS NX, PIR BT Occupancy/Daylight Sensor, Slide Mount ^{5,14,16,17,18}	
EDD	0-10V Dim-to-Dark		BSL10LST	Emergency Battery Pack, Self-testing ^{3,5,9,10,11}	<u>NX Networked – Wired</u>	
ESD	Step Dimming ^{3,4,5,6}		GLR	Fast Blow Fuse	NXE NX, Dual SmartPORTs ^{3,5,17,18}	
LUTH	Hi-Lume 1% EcoSystem LED driver with Soft-on, Fade-to-Black dimming technology ^{3,5,18}		DTS	Dimming Bypass Module ^{5,10,11,12}	NXES NX, PIR BT Occupancy/Daylight Sensor, Slide Mount, Dual SmartPORTs ^{3,5,14,16,17,18}	
LUT5	5-Series EcoSystem LED driver ^{3,5,18}		MB	Matte Black	<u>Third-Party Control Options</u>	
DALIP	DALI Power Bus ^{3,5,7,18}		ZT	ZET Metallic Silver ²	ODPG Occupancy and Daylight Sensors w/ Grouping, Philips SNS200 ^{5,14,16,19,20}	
			WL	Wet Location ^{2,13}	LVR Lutron Vive Integral Fixture Control DFCSJ-OEM-RF (RF only) ^{5,14,16,19,20,21}	
			SAF	SpectraSAFE™ Integrated Surveillance Lighting System ^{3,5,14,15,16}	LVS Lutron Vive Integral Fixture Control DFCSJ-OEM-OCC (RF with daylight and occupancy sensing) ^{5,14,16,19,20,21}	
					OCMD Dimming Microwave Sensor (MC601V) ^{3,6}	

- Notes:
- Available with ED driver only. See Driver Availability Table for lumen package options
 - Only available with Tamper-Resistant option
 - Not available on W3B1
 - Not available on W3B2-VW
 - Not available in 347V
 - Not available with any sensor options
 - DALIP only available when LVS, LVR or ODPG control options are selected
 - Not available on W3B2
 - Emergency battery pack max ambient temperature 25°C
 - For compatibility with Dual-Lite Litegear inverters, contact Hubbell Lighting representative
 - Combination of all three; SpectraSync, NX and emergency battery pack not available.
 - For emergency circuit control loads including sensors and wireless systems CSA certified to UL 924. Not available with ESD driver option. Universal voltage only. DTS with W3B1 cannot be combined with Controls or SpectraSync options. See page 8 for wiring diagram
 - Cannot be combined with Controls except for OCMD and NXE
 - Not available on TP option
 - SpectraSync+NX+SAF cannot be configured
 - NX In-Fixture Control Options:**
 - Control Options include Injection Molded ABS End Cap
 - Only available with 0–10V dimming drivers (ED, ED1 & EDD)
 - NX is not available with ESD, LUTH, LUT5 or DALIP options
 - Third-Party Control Options:**
 - Not available with SpectraSync (2750T or 2765T)
 - LVS, LVR and ODPG only available with DALIP driver option
 - VIVE is a trademark of Lutron Electronics Co., Inc

PRODUCT EXCEPTIONS & DETAILS

Driver options listed below are available for the outputs as shown.

DRIVER AVAILABILITY TABLE – 1'				
1'	VW	MW	LW	ML
ED	x	x	x	x
ED1	x	x	x	x
EDD	x	x	x	x
ESD				
LUT5				
LUTH				
347	x	x	x	x
DALIP				

DRIVER AVAILABILITY TABLE – 2'				
2'	VW	MW	LW	ML
ED	x	x	x	x
ED1	x	x	x	x
EDD	x	x	x	x
ESD		x	x	x
LUT5	x	x	x	x
LUTH	x	x	x	x
347	x	x	x	x
DALIP	x	x	x	x

DRIVER AVAILABILITY TABLE – 3'				
3'	VW	MW	LW	ML
ED	x	x	x	x
ED1	x	x	x	x
EDD	x	x	x	x
ESD	x	x	x	x
LUT5	x	x	x	x
LUTH	x	x	x	x
347	x	x	x	x
DALIP	x	x	x	x

DRIVER AVAILABILITY TABLE – 4'						
4'	XW	VW	MW	LW	ML	HL
ED	x	x	x	x	x	x
ED1	x	x	x	x	x	x
EDD	x	x	x	x	x	x
ESD	x	x	x	x	x	x
LUT5	x	x	x	x	x	x
LUTH	x	x	x	x	x	x
347	x	x	x	x	x	x
DALIP	x	x	x	x	x	x

CONTROLS

NX Distributed Intelligence™ Lighting Controls:

Supports both indoor and outdoor applications in a variety of deployment options- wired, wireless, hybrid. Integrates with and enables a wide array of luminaires including those with SpectraSync™ Color Tuning Technology.



NX INTEGRATED CONTROLS REFERENCE								
NX Option	Sensor	Networkable	Scheduling	Occupancy	Daylight Harvesting	0-10V Dimming	On/off Control	Bluetooth® App Programming
NX Standalone								
NXS	NXSMP-SMI	No	Yes	Yes	Yes	Yes	Yes	Yes
NX Networked – Wired								
NXE	N/A	Yes	Yes	No	No	Yes	Yes	Requires NXBTC/R ¹
NXES	NXSMP-SMI	Yes	Yes	Yes	Yes	Yes	Yes	Yes

1 NXBTC/R needs to be plugged into an available NX SmartPORT™ on the fixture network
 2 To program NXWE option, need to consult factory. If connected to an area controller, programming can be done from that

Philips EasySense Controls ODPG Sensor:



- Occupancy sensing, daylight harvesting, task tuning and grouping in one device
- Standalone control or grouping to wireless switches¹
- Uses Philips field apps for on site commissioning^{2,3}
- Ability to create scenes for various room configurations
- Cost-effective solution for energy-savings and code-compliance strategies
- DLC® Qualified: Listed on the QPL for Networked Lighting Controls. Please refer to the DLC website for specific product qualifications at www.designlights.org

1 Wireless switches only compatible with ODPG Philips EasySense
 2 [See link to Philips commissioning](#)
 3 Requires android device or IR dongle. See links for [phone compatibility](#) and [IR dongle](#)

Wireless Switch Accessories¹

- [PESR-WH](#) EasySense compatible wireless single rocker switch, white
- [PEDR-WH](#) EasySense compatible wireless dual rocker switch, white

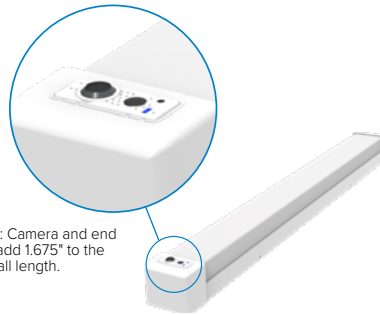


SPECTRASAFE

SpectraSAFE™ Integrated Surveillance Lighting System

Technical Features

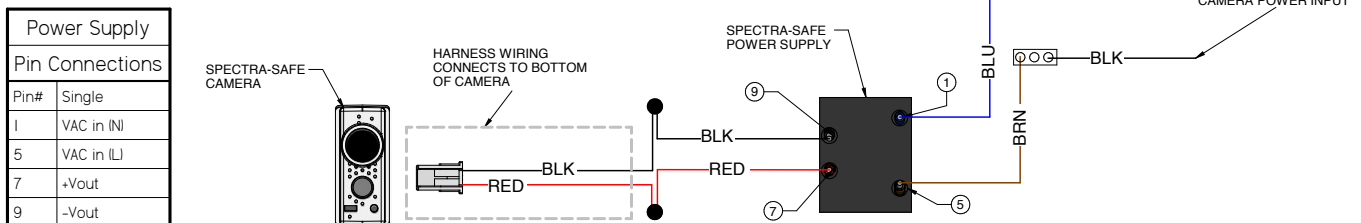
- High resolution 1080p full HD camera
- 2.8mm lens / 140° field of view
- IR emitter for low / no-light conditions
- [Multiple wiring configurations available](#)
- Supports 2-way audio communication
- Supports 2.4GHz WPA-PSK/WPA2-PSK Wi-Fi
- Data encrypted using AES 256 standard
- Low power consumption (2-5W)
- Transmissions secured using Open TLS / SSL



Software & Support

- Free Android, iOS and web-based app
- Versatile and supports multiple applications
- Multi-tenant web-based camera application
- Phone and in-app chat technical support
- Scalable cloud services and video storage
- Supported by a 5-year warranty

SPECTRASAFE WIRING DIAGRAM



DATE:	LOCATION:
TYPE:	PROJECT:
CATALOG #:	

CONTROLS (CONTINUED)

SpectraSync™ Color Tuning Technology:

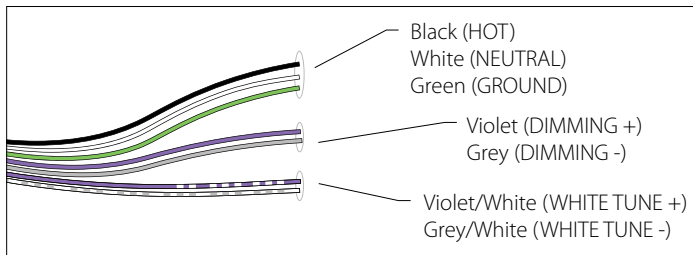
Control your space based on the needs of the application, specific activities throughout the day and preferences of the occupants with distinct SpectraSync™ Color Tuning Technologies.



SPECTRASYNC COLOR TUNING TECHNOLOGY		
Mode	Kelvin Range	Description
Tunable White	2700K–5000K 2700K–6500K	Offers users the ability to tailor CCT to their personal preference, enhancing task visibility, material and colors or the aesthetics of the space

SpectraSync Tunable White

Available in two options: 2750T (2700K–5000K) or 2765T (2700K–6500K). Requires two 0–10V controllers, one for intensity and one for CCT. Minimum 5% dimming.

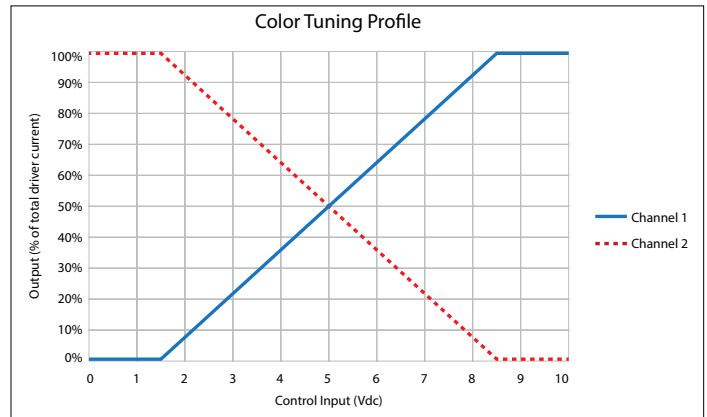


SpectraSync Tunable White luminaires are provided with two 0–10V circuits. The violet and grey circuit is for wiring to any qualified 0–10V controller for dimming. The violet/white and grey/white circuit is for wiring to any qualified 0–10V controller for Tunable White CCT control.

Controller Manufacturer Data

SpectraSync Tunable White was designed to be used with sinking style dimmers (provided by others) and is compatible with:

- Hubbell Control Solutions (HCS): NX Distributed Intelligence™ Room Controllers (NXRC) and In-fixture Controllers (NXFM)
- Lutron: DDTV, DVSTV, and NFTV dimmers
- Wattstopper: ADF120277 and CD4BL (Titan) dimmers



To enable scheduling and for use with NX wall control preset stations please refer to Hubbell Control Solutions NX SpectraSync technical sheet.

SPECTRASYNC™ AND NX AVAILABILITY TABLE



		Only With 80 CRI										
		No Battery Pack			With ELL14ST		With ELL14		With ELL14H2		With DTS	
Size	Lumen package	CTC	NX	CTC+NX	NX	CTC+NX	NX	CTC+NX	NX	CTC+NX	NX	CTC+NX
1ft	VW	Y	NXS Only	Y	N	N	N	N	N	N	N	N
	MW	Y	NXS Only	Y	N	N	N	N	N	N	N	N
	LW	Y	NXS Only	Y	N	N	N	N	N	N	N	N
	ML	Y	NXS Only	Y	N	N	N	N	N	N	N	N
2ft	VW	Y	Y	Y	NXS Only	Y	N	N	N	N	Y	Y
	MW	Y	Y	Y	NXS Only	Y	N	N	N	N	Y	Y
	LW	Y	Y	Y	NXS Only	Y	N	N	N	N	Y	Y
	ML	Y	Y	Y	NXS Only	Y	N	N	N	N	Y	Y
3ft	MW	Y	Y	Y	Y	Y	Y	Y	Y	Y	Y	Y
	LW	Y	Y	Y	Y	Y	Y	Y	Y	Y	Y	Y
	ML	Y	Y	Y	Y	Y	Y	Y	Y	Y	Y	Y
	HL	Y	Y	Y	Y	Y	Y	Y	Y	Y	Y	Y
4ft	XW	Y	Y	Y	Y	Y	Y	Y	Y	Y	Y	Y
	VW	Y	Y	Y	Y	Y	Y	Y	Y	Y	Y	Y
	MW	Y	Y	Y	Y	Y	Y	Y	Y	Y	Y	Y
	LW	Y	Y	Y	Y	Y	Y	Y	Y	Y	Y	Y
	ML	Y	Y	Y	Y	Y	Y	Y	Y	Y	Y	Y
	HL	Y	Y	Y	Y	Y	Y	Y	Y	Y	Y	Y

DATE: _____ LOCATION: _____

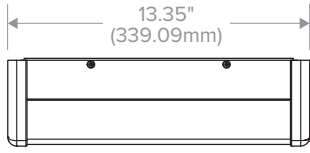
TYPE: _____ PROJECT: _____

CATALOG #: _____

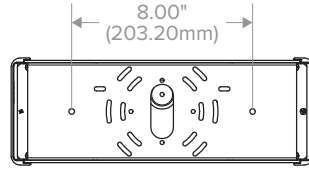
DELIVERED LUMENS

SIZE	LUMEN PACKAGE	COLOR	LUMENS	INPUT WATTS	LPW
W3B1	VW	3000K	957	8.3	115
		3500K	1005	8.6	117
		4000K	1021	8.6	119
		5000K	1061	8.6	124
	MW	3000K	1497	13.0	115
		3500K	1576	12.8	124
		4000K	1602	12.8	126
		5000K	1663	12.8	130
	LW	3000K	1996	17.3	115
		3500K	2084	17.7	118
		4000K	2117	17.7	120
		5000K	2199	17.7	124
	ML	3000K	2429	22.5	108
		3500K	2524	22.1	114
		4000K	2565	22.1	116
		5000K	2563	22.1	116
W3B2	VW	3000K	1554	12.0	129
		3500K	1612	11.9	135
		4000K	1631	11.9	137
		5000K	1686	11.9	142
	MW	3000K	1978	15.9	124
		3500K	2113	15.8	134
		4000K	2138	15.8	135
		5000K	2210	15.8	140
	LW	3000K	2556	20.5	125
		3500K	2725	20.5	133
		4000K	2758	20.5	135
		5000K	2850	20.5	139
	ML	3000K	3224	23.6	136
		3500K	3056	23.6	129
		4000K	3093	23.6	131
		5000K	3526	26.2	135
W3B3	MW	3000K	2726	18.2	150
		3500K	2808	18.2	154
		4000K	2854	18.2	157
		5000K	2961	18.2	163
	LW	3000K	3035	22.5	135
		3500K	3126	22.5	139
		4000K	3178	22.5	142
		5000K	3296	22.5	147
	ML	3000K	3645	27.1	135
		3500K	3754	27.1	139
		4000K	3816	27.1	141
		5000K	3958	27.1	146
	HL	3000K	4084	31.4	130
		3500K	4206	31.4	134
		4000K	4276	31.4	136
		5000K	4344	31.5	138
W3B4	XW	3000K	2598	18.6	140
		3500K	2779	18.6	149
		4000K	2707	18.6	146
		5000K	2707	18.6	146
	VW	3000K	3171	23.0	138
		3500K	3441	23.1	149
		4000K	3304	23.0	144
		5000K	3304	23.0	144
	MW	3000K	3523	25.4	139
		3500K	3611	25.4	142
		4000K	3671	25.4	145
		5000K	3671	25.4	145
	LW	3000K	4172	30.1	139
		3500K	4276	30.1	142
		4000K	4347	30.1	144
		5000K	4347	30.1	144
	ML	3000K	4767	34.6	138
		3500K	4886	34.6	141
		4000K	4967	34.6	143
		5000K	4967	34.6	143
HL	3000K	5289	41.4	128	
	3500K	5415	41.4	131	
	4000K	5509	41.4	133	
	5000K	5509	41.4	133	

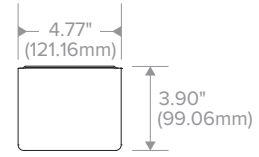
DIMENSIONS



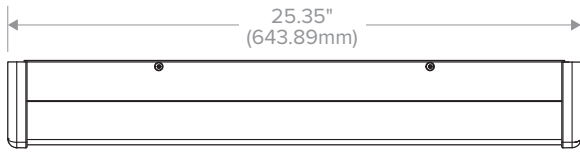
1ft Side View



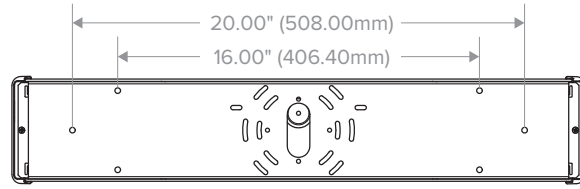
1ft Top View



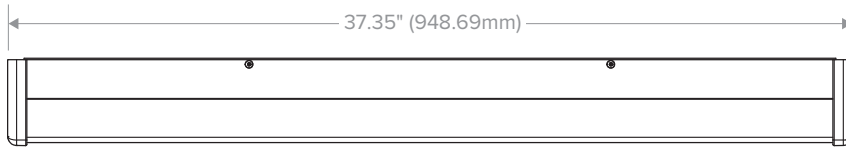
End View (all sizes)



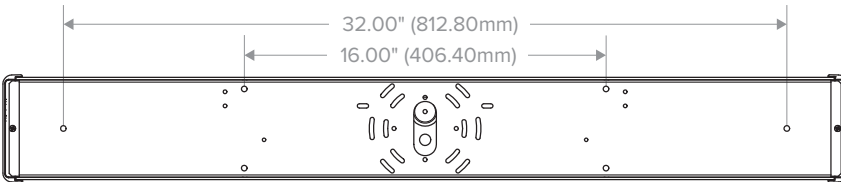
2ft Side View



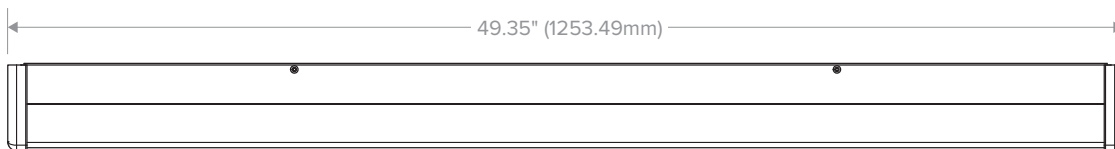
2ft Top View



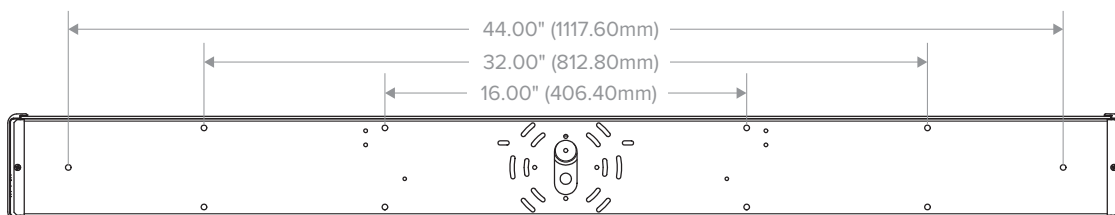
3ft Side View



3ft Top View



4ft Side View



4ft Top View

PHOTOMETRY

W3B2-35LW-SFA-EDU

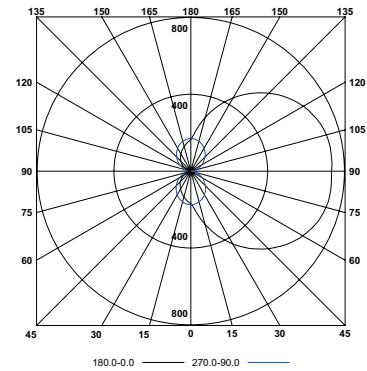
LUMINAIRE DATA

Test No.	20.01182
Description	2' Wall-Mount w/ Opal-White Acrylic Refractor
Delivered Lumens	2725
Watts	20.5
Efficacy	133
Mounting	Surface
Spacing Criterion	0° = N/A 90° = N/A

ZONAL LUMEN SUMMARY

Zone	Lumens	% Luminaire
0-30	167	6.1
0-40	305	11.2
0-60	688	25.3
0-90	1364	50.1
0-180	2725	100.0

POLAR GRAPH



W3B4-35LW-SFA-EDU

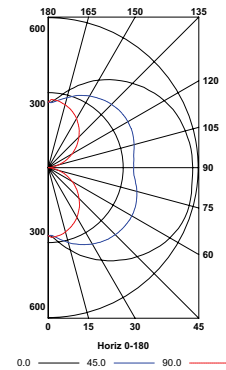
LUMINAIRE DATA

Test No.	21.00023
Description	4' Linear Wall-Mount w/ 3-Sided Wall Bracket
Delivered Lumens	4276
Watts	30.1
Efficacy	142
Mounting	Surface
Spacing Criterion	0° = 2.43 90° = 1.25

ZONAL LUMEN SUMMARY

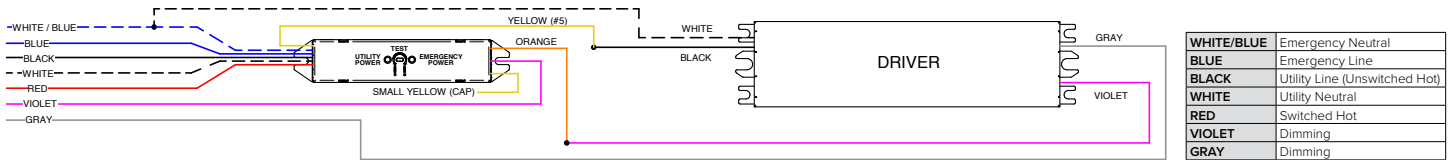
Zone	Lumens	% Luminaire
0-30	268	6.3
0-40	489	11.4
0-60	1100	25.7
0-90	2181	51.0
0-180	4276	100.0

POLAR GRAPH



ADDITIONAL INFORMATION

DTS WIRING DIAGRAM (0-10V DIMMING DRIVER SHOWN)



SRT2 EDGE-LIT

CEILING/SURFACE/GARAGE

FEATURES

- Edge-lit optical assembly delivers exceptional uniformity over the entire lens with indirect illumination that reduces glare and improves visual comfort
- Low profile housing intended for 8' - 20' mounting heights for surface, trunnion/yoke or pendant mounting
- Applications include parking garage, walkway or building canopies, corridors, tunnels, large stairwells and other interior applications
- Multiple optical distributions are available making the Beacon Edge-Lit luminaire both versatile and functional
- UL/cUL listed for wet locations, IP65



CONTROL TECHNOLOGY



SPECIFICATIONS

HOUSING

- Die-cast aluminum housing ensures long electrical component life and luminaire performance
- Corrosion resistant powder coat finish both protects and provides architectural appearance
- One piece molded silicone gasket ensures weather proof seal
- Thermally isolated driver mounted to dedicated bracket reduces operating temperatures and increases driver life and reliability

OPTICS

- Edge-lit acrylic light guide provides blended non-pixelated light for unprecedented visual comfort
- Choice of multiple light outputs with lumen range of 4,000–16,000
- Five distribution types: Type V Square, Type V Rectangular, Type V Concentrated, Type V Wide or Asymmetric (Type 3/4)
- Wide variety of CCT's and CRI's offered: 3000K (70CRI), 3000K (80CRI), 3500K (80CRI), 4000K (70CRI), 4000K (80CRI) or 5000K (70 CRI) CCT

ELECTRICAL

- 120V–277V 50/60Hz with 347V and 480V available
- 0-10V dimming drivers are RoHS compliant and IP66
- Surge protection – Standard 10kA with optional 20kA end of life LED indicator

- Dimming Drivers are standard and dimming leads are extended out of the luminaire unless control options require connection to the dimming leads. Must specify if wiring leads are to be greater than the 24" standard

INSTALLATION

- Standard quick mount plate over standard 4" square junction box or octagonal box and allows for simplified fixture installation.
- Standard luminaire accepts a rigid or free-swinging 3/4" NPT stem for pendant mount via wet location j-box (by others)
- Optional bird deterrent shroud available for field installation
- Optional trunnion/yoke mount available for field installation

OPTIONS/CONTROLS

- Standalone occupancy sensor available for on/off or dimming operation
- NX Distributed Intelligence™ available with in fixture wireless control module, features dimming and occupancy sensor
- wiSCAPE® available with in fixture wireless control module, features dimming and occupancy sensor
- UL924 device available for standalone and wireless control override during power interruptions
- Uplight option provides approximately 800 lumens and consumes only 8 additional watts
- Integral battery backup option available with and without heater. Rated for 0°C (without heater) and -30°C (with heater)
- Emergency lighting relay available for generator or central inverter supplied lighting



RELATED PRODUCTS

- [Drive Edge-Lit SRT1](#)
- [Arceos™ ARS Surface](#)
- [Endura](#)

- Vandal resistant wire guard available as an option for factory installation or as an accessory for field installation
- Please consult brand or sales representative when combining control and electrical options as some combinations may not operate as anticipated depending on your application

CERTIFICATIONS

- Listed to UL1598 for use in wet location, listed for -40°C to 40°C applications
- IDA approved with zero uplift for 3000K and warmer CCTs
- DLC® (DesignLights Consortium) Qualified. Please refer to the DLC website for specific product qualifications at www.designlights.org
- IP65
- This product qualifies as a "designated country construction material" per FAR 52.225-11 Buy American-Construction Materials under Trade Agreements effective 04/23/2020. See [Buy American Solutions](#)

WARRANTY

- 5 year warranty
- See [HLI Standard Warranty](#) for additional information

KEY DATA	
Lumen Range	4000–16000
Wattage Range	30–140
Efficacy Range (LPW)	110–135
Reported Life (Hours)	50K
Weight lbs. (kg)	15 (5.8)

SRT2 EDGE-LIT

CEILING/SURFACE/GARAGE

ORDERING GUIDE

Example: SRT2-30-3K7-5QW-UNV-BLT-WG

 CATALOG #

Series	Engine	CCT	Distribution	Voltage	Color/Finish	Options
SRT2 Edge-Lit Parking Garage Size 2	30 30W Nominal 3800 lm	3K7 3000K, 70 CRI	5QW Type Square Wide ¹	UNV 120V- 277V	BLT Black Matte Textured	WG Wire Guard
	50 50W Nominal 5700 lm	3K8 3000K, 80 CRI	5RW Type 5 Rect. Wide ¹	120 120V	BLS Black Gloss Smooth	UD Uplight Module ⁷
	65 65W Nominal 7000 lm	35K8 3500K, 80 CRI	5C Type 5 Concentrated	208 208V	DBT Dark Bronze Matte Textured	F Single Fuse (120, 277, 347V)
	85 85W Nominal 9500 lm	4K7 4000K, 70 CRI	5W Type 5 Wide ⁴	240 240V	DBS Dark Bronze Gloss Smooth	F Double Fuse (208, 240, 480V)
	100 100W Nominal 11000 lm	4K8 4000K, 80 CRI	ASY Asymmetric (Type 4) ¹	277 277V	GTT Graphite Matte Textured	E EM Battery Pack (0°C) ²
	120 120W Nominal 13000 lm	5K7 5000K, 70 CRI		347 347V	LGS Light Grey Gloss Smooth	EH EM Battery w/Heater (-30°C) ²
	140 140W Nominal 14700 lm			480 480V	PSS Platinum Silver Smooth	DTS Dimming Transfer Switch
				WHT White Matte Textured	LD3 36" Lead Length ⁵	
				WHS White Gloss Smooth	LD6 72" Lead Length ⁵	
				VGT Verde Green Textured	LD9 108" Lead Length ⁵	
				Color Option	SP20K 20kA Surge Protection with End of Life Indicator ³	
				CC Custom Color	LMB Less Mounting Bracket	

Control Options	
NX Standalone	
NXOS-12F	NX Distributed Intelligence™, PIR Occ. Sensor, Dimming Daylight Harvesting, up to 12' MH ³
NXOS924-12F	NX Distributed Intelligence™, PIR Occ. Sensor with UL924 dimming bypass module for controls override, up to 12' MH ³
NX Networked – Wireless¹	
NXWE	NX Distributed Intelligence™ Wireless Enabled (module + radio)
NXOSW-12F	NX Distributed Intelligence™ Wireless, PIR Occ. Sensor, Dimming Daylight Harvesting, up to 12' MH
NXWE924	NX Distributed Intelligence™ Wireless Enabled with UL924 dimming bypass module for controls override ³
NXOSW924-12F	NX Distributed Intelligence™ Wireless, PIR Occ. Sensor with UL924 dimming bypass module for controls override, up to 12' MH ³
wiSCAPE® – Wireless¹	
WIR	Wireless Controls, wiSCAPE®
WIRSC	wiSCAPE® + occupancy sensor
WIR924	Wireless Controls, wiSCAPE® with UL924 dimming bypass module for controls override ³
WIRSC924	wiSCAPE® + occupancy sensor with UL924 dimming bypass module for controls override ³
SiteSync	
SWP	SiteSync ^{2,6}
SWPM	SiteSync with occupancy sensor ^{2,6}
Sensor Controls	
SCP-8F	Remote control programmable line voltage sensor (8-12' recommended MH) ²
SCP-20F	Remote control programmable line voltage sensor (12-20' recommended MH) ²
SCP924-8F	Programmable sensor with UL924 dimming bypass module for controls override (8-12' recommended MH) ³
SCP924-20F	Programmable sensor with UL924 dimming bypass module for controls override (12-20' recommended MH) ³
BTSO_12	Bluetooth Programmable, PIR Occupancy/Daylight Sensor, 360° lens, up to 12' mounting height ⁸

Accessories (Order Separately)

- SRT2-WG** Wire Guard for SRT2 version
- SRT-MB** Mounting bracket for pre-installation
- SRT2-BS-XXX** Bird deterrent shroud for SRT2 version, not available with uplight or trunnion mount
- SRT2-TM** Trunnion/Yoke accessory for SRT2 version
- SCP-REMOTE** Remote control for SCP option; order at least on per project to program and control

Notes:

- | | |
|--|---|
| 1 Up to 85W light engines only | 7 Uplight Module (UD) will not be controlled by sensors |
| 2 Must specify voltage, 120V or 277V | 8 Consult Brand for 480 Volt |
| 3 Not available with uplight (UD) | |
| 4 100, 120 and 140W light engines only | |
| 5 Standard wire lead length 24" | |
| 6 65W and 85W only | |

SRT2 EDGE-LIT

CEILING/SURFACE/GARAGE

PERFORMANCE DATA

# of LEDs	Engine	DRIVE CURRENT (mA)	SYSTEM WATTS	DISTRIBUTION TYPE	5K (5000K nominal, 70 CRI)					4K (4000K nominal, 70 CRI)					3K (3000K nominal, 70 CRI)				
					LUMENS	LPW*	B	U	G	LUMENS	LPW*	B	U	G	LUMENS	LPW*	B	U	G
280	30	35mA	31.0	5C	3789	122.23	2	0	2	3771	121.65	2	0	2	3626	116.97	2	0	2
				5QW	3686	118.89	2	0	1	3668	118.33	2	0	1	3527	113.77	2	0	1
				ASY	2991	96.48	1	0	2	2976	96.02	1	0	2	2862	92.32	1	0	2
				5RW	3604	116.26	2	0	2	3587	115.71	2	0	2	3449	111.26	2	0	2
	50	55mA	48.1	5C	5684	118.17	2	0	2	5657	117.60	2	0	2	5439	113.08	2	0	2
				5QW	5529	114.94	2	0	1	5502	114.39	2	0	1	5291	109.99	2	0	1
				ASY	4486	93.27	1	0	2	4465	92.82	1	0	2	4293	89.25	1	0	2
				5RW	5406	112.40	2	0	2	5380	111.86	2	0	2	5174	107.56	2	0	2
	65	75mA	65.1	5C	7105	109.14	2	0	2	7071	108.61	2	0	2	6799	104.44	2	0	2
				5QW	6911	106.16	2	0	1	6878	105.65	2	0	1	6613	101.58	2	0	1
				ASY	5608	86.14	1	0	2	5581	85.73	1	0	2	5366	82.43	1	0	2
				5RW	6758	103.81	2	0	2	6726	103.31	2	0	2	6467	99.34	2	0	2
85	100mA	87.2	5C	9473	108.63	2	0	2	9428	108.11	2	0	2	9065	103.96	2	0	2	
			5QW	9214	105.67	2	0	1	9170	105.16	2	0	1	8818	101.12	2	0	1	
			ASY	7477	85.75	1	0	2	7441	85.33	1	0	2	7155	82.05	1	0	2	
			5RW	9011	103.33	2	0	2	8967	102.84	2	0	2	8623	98.88	2	0	2	
560	100	55mA	93.2	5C	11090	118.99	4	0	3	11037	118.42	4	0	3	10612	113.86	4	0	3
				5W	10788	115.75	4	0	3	10736	115.19	4	0	3	10323	110.76	4	0	3
	120	65mA	110.9	5C	13012	117.33	4	0	3	12950	116.77	4	0	3	12451	112.28	4	0	3
				5W	12657	114.13	4	0	3	12597	113.59	4	0	3	12112	109.22	4	0	3
	140	75mA	128.5	5C	14786	115.07	4	0	3	14715	114.52	4	0	3	14149	110.11	4	0	3
				5W	14383	111.93	4	0	3	14315	111.40	4	0	3	13764	107.11	4	0	3

Notes:

* Lumen values are from photometric tests performed in accordance with IESNA LM-79-08. Data is considered to be representative of the configurations shown. Actual performance may differ as a result of end-user environment, application and inherent performance tolerances of the electrical components.

ELECTRICAL DATA

# OF LEDs	INPUT VOLTAGE (V)	CURRENT (Amps)	SYSTEM POWER (w)
30	120	0.26	31
	208	0.15	
	240	0.13	
	277	0.11	
	347	0.09	
	480	0.06	
50	120	0.40	48.1
	208	0.23	
	240	0.20	
	277	0.17	
	347	0.14	
	480	0.10	
65	120	0.40	65.1
	208	0.23	
	240	0.20	
	277	0.17	
	347	0.14	
	480	0.10	
85	120	0.73	87.2
	208	0.42	
	240	0.36	
	277	0.31	
	347	0.25	
	480	0.18	
100	120	0.78	93.2
	208	0.45	
	240	0.39	
	277	0.34	
	347	0.27	
	480	0.19	
120	120	0.92	110.9
	208	0.53	
	240	0.46	
	277	0.40	
	347	0.32	
	480	0.23	
140	120	1.07	128.5
	208	0.62	
	240	0.54	
	277	0.46	
	347	0.37	
	480	0.27	

PROJECTED LUMEN MAINTENANCE

AMBIENT TEMP.	0	25,000	TM-21-11 36,000	50,000	100,000	Reported L70 (HOURS)	Calculated L70 (HOURS)
25°C / 77°C	1.00	0.97	0.95	0.94	0.89	>60,000	>266,000
40°C / 104°C	0.99	0.96	0.94	0.93	0.85	>60,000	>211,000

AMBIENT TEMPERATURE		LUMEN MULTIPLIER
0°C	32°F	1.03
10°C	50°F	1.01
20°C	68°F	1.00
25°C	77°F	1.00
30°C	86°F	0.99
40°C	104°F	0.98
50°C	122°F	0.97

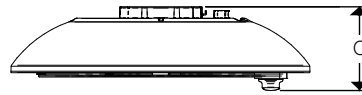
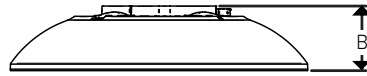
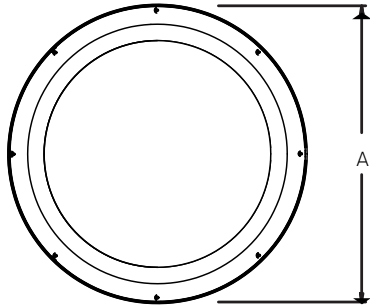
Use these factors to determine relative lumen output for average ambient temperatures from 0–25°C (32–122°F)

SRT2 EDGE-LIT

CEILING/SURFACE/GARAGE

DIMENSIONS

SRT2

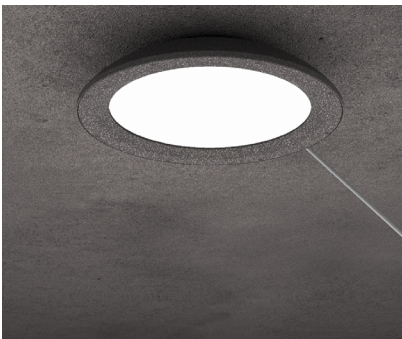


SRT2 with NX Distributed Intelligence™

A	B	C	Weight
18.5" (469mm)	4.0" (1mm)	5.2" (132mm)	15bs (6.8kg)

ADDITIONAL INFORMATION

MOUNTING



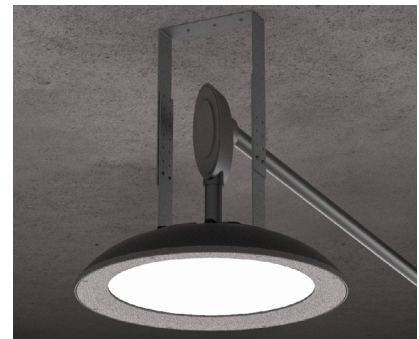
Surface Mount

Mounting plate with "quick mount" hanger for one person simple installation. (conduit not included)



Pendant Mount

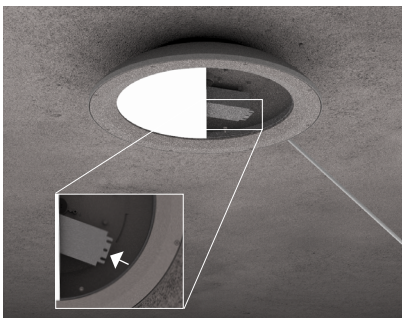
Standard 3/4" threaded entry for pendant applications. (conduit not included)



Trunion/Yoke Mount

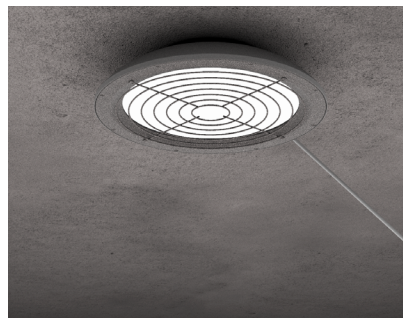
Multiple position trunion mount adjusts 9" up and down for positioning in 1" increments. (conduit not included)

ACCESSORIES AND SERVICES



Battery Backup

Integral battery backup option available on SRT2 version. (conduit not included)



Wire Guard

An optional wire guard can be specified at the factory or as an accessory for field installation. (conduit not included)



Bird Deterrent

An optional bird shroud deterrent can be specified at the factory or as an accessory for field installation. (conduit not included)

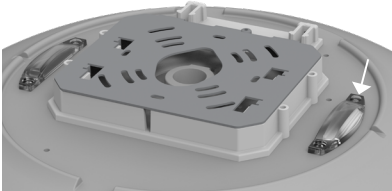
SRT2 EDGE-LIT

CEILING/SURFACE/GARAGE

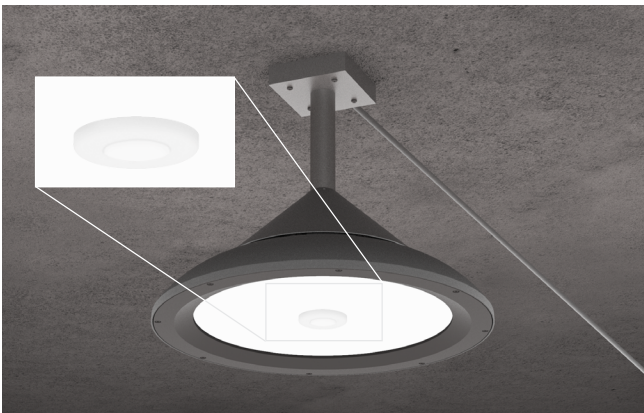
ADDITIONAL INFORMATION CONTINUED

UPLIGHT

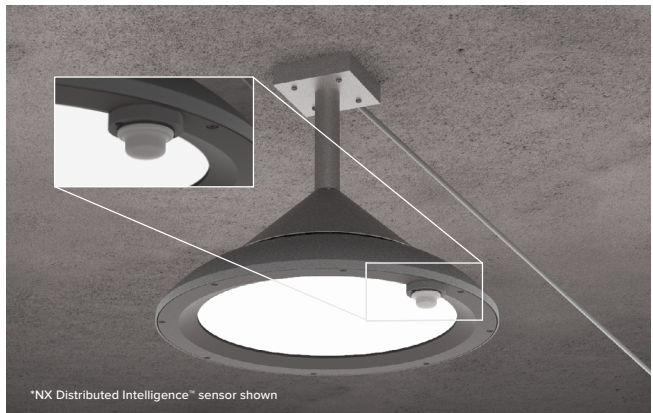
Optional uplight module provides 800 lumens of indirect illumination for improved visual quality while eliminating cave effect.



CONTROLS



Standalone Controls



*NX Distributed Intelligence™ sensor shown

Wireless Controls

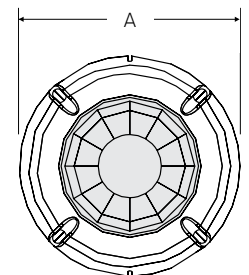
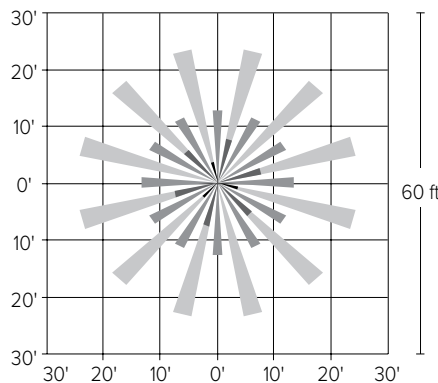
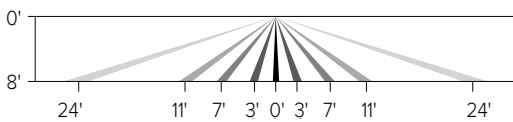
Optional passive infrared sensors are available for basic occupancy and daylight sensing. Programmable via remote or Bluetooth® phone app. (conduit not included)

NX DISTRIBUTED INTELLIGENCE

wiSCAPE™
WIRELESS OUTDOOR LIGHTING SYSTEM

Optional NX Distributed Intelligence™ and wiSCAPE® wireless controls are available for SRT2 versions (with or without occupancy sensing). (conduit not included)

SCP-8F



A	B
2.3" (59mm)	.8" (20mm)

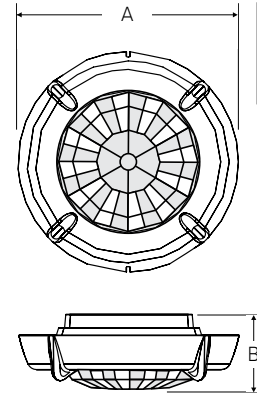
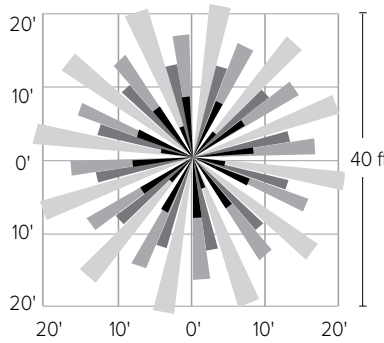
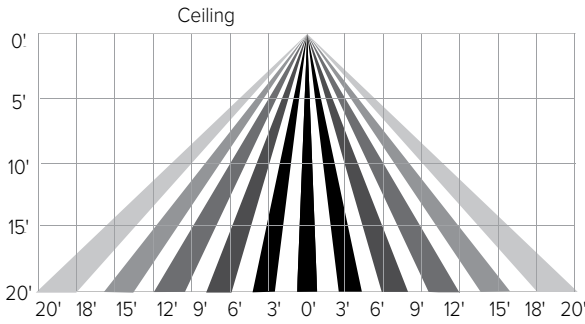
SRT2 EDGE-LIT

CEILING/SURFACE/GARAGE

ADDITIONAL INFORMATION CONTINUED

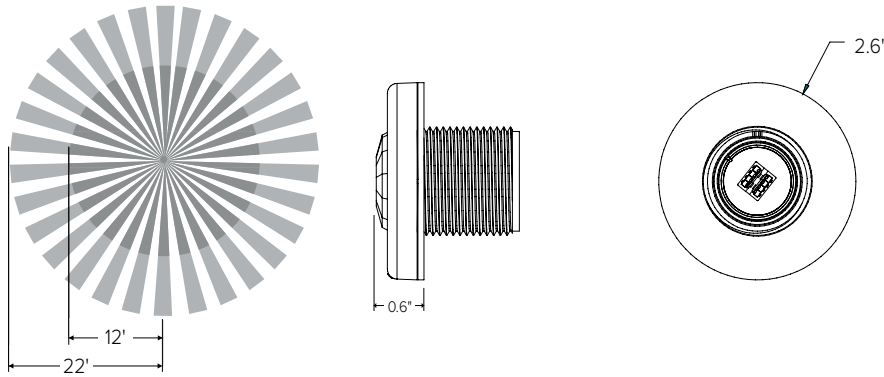
CONTROLS (CONT'D)

SCP-20F



A	B
2.3" (59mm)	.8" (20mm)

NXOS12F



Minor Motion
 Major Motion

NXSMP-OMNI Range

USE OF TRADEMARKS AND TRADE NAMES

All product and company names, logos and product identifies are trademarks™ or registered trademarks® of Hubbell Lighting, Inc. or their respective owners. Use of them does not necessarily imply any affiliation with or endorsement by such respective owners.

LTC-6RDW

LITEISTRY 6" ROUND CYLINDER

LITEISTRY™

FEATURES

- 6" architectural LED downlight and wall wash cylinder delivering 600 - 7000 lm
- Five beam distributions from 0.3 to 1.1 Spacing Criteria
- Quiet reflector appearance with 50° optical cutoff
- 2700K - 5000K, 80+ and 90+ CRI options
- Available in Surface, Wall, Pendant, or Cable/Cord Mount configurations
- Versatile canopy options for recessed and surface-mounted J-box applications
- Variety of dimming protocol options including 0-10V, DALI, DMX, Forward Phase and EcoSystem



RELATED PRODUCTS

- ∅ LTC-6RDW SpectraSync
- ∅ LTC-6RDWPH PowerHUBB
- ∅ 3" LITEISTRY Family
- ∅ 4" LITEISTRY Family
- ∅ 6" LITEISTRY Family

CONTROL TECHNOLOGY



SPECIFICATIONS

CONSTRUCTION

- Seamless heavy gauge aluminum cylinder body with a clean appearance
- Available in Surface (S), Wall (W), Pendant (P), or Cable/Cord (CM) mounting types
- Canopy options include Conduit Canopy (CC), Power Canopy (PC), Power Conduit Canopy (PCC), or Recessed Mount Driver (RMD), (See Dimensions section for details)
- For S, P, or CM mounting with CC or PCC canopy options, use 4" octagonal junction box (by others)
- All Wall Mount: Die cast aluminum mounting arm allows direct mounting to standard 4" octagonal or square junction box
- Pendant Mount canopy options allow sloped ceiling up to 35° (5° for RMD)
- Select from 4 standard architectural painted finishes, Brushed Aluminum, or specified custom color

OPTICS

- Visually pleasing 50° cutoff to source and source image
- The light distribution is free of distracting bright spots or pixelation and the perimeter has a smooth transition
- Optical grade silicone lens integral to light engine
- High purity spun aluminum reflector, self-flanged
- Large selection of anodized finishes and colors
- Painted cones and flange options available

ELECTRICAL

- Chip-on-board (COB) LED with 2 SDCM
- Multiple CCTs, 80+ or 90+ CRI
- Long LED life: L90 at >55,000 (TM-21)
- Universal voltage 120V-277V driver, 347V optional
- UL Class 2, inherent short circuit and overload protection, RoHS compliant
- Flicker free 0-10V dimming with 1% or <1% performance
- DALI, DMX, and Lutron Forward Phase and EcoSystem options

INSTALLATION

- Light Engine/Trim assembly is mechanically secured with torsion springs for ease of installation
- A quick connect is provided for easy maintenance or upgrade
- Recessed Mount Driver (RMD) is accessible from above or below ceiling; assembly mounts with 1/4-20 threaded rod (by others) and requires 6" plenum clearance
- Conduit Canopy options (CC or PCC) allow field selectable conduit entry (up to 4@ 90°) (See Dimensions section)
- Conduit Canopies utilize a patent pending mounting yoke to secure cylinder to the ceiling surface
- Cable/Cord can be cut in the field to custom length
- Standard and Custom Pendant lengths available (specify when ordering)

CERTIFICATIONS

- cCSAus certified to UL 1598
- Wall Mount up to 55L (except CC and PC): Suitable for wet locations
- Pendant Mount up to 55L (except CC and PCC): Suitable for wet locations under covered ceiling
- 60L-70L Pendant & Wall, all Surface, Cable/Cord, all Wall Wash, all CC and PCC: Suitable for damp locations
- This product qualifies as a "designated country construction material" per FAR 52.225-11 Buy American-Construction. Materials under Trade Agreements effective 6/6/2020. See [Buy American Solutions](#).

WARRANTY

- 5 year warranty
- See [HLI Standard Warranty](#) for additional information

KEY DATA	
Lumen Range	600-7000
Wattage Range	8-72
Efficacy Range (LPW)	94-104*
Reported Life (Hours)	L90 / >55,000
Input Current (mA)	67-600 (120V)

*Based on Specular, 35K, 80 CRI



LTC-6RDW

LITEISTRY 6" ROUND CYLINDER

DATE: _____ LOCATION: _____
 TYPE: _____ PROJECT: _____
 CATALOG #: _____

ORDERING GUIDE

Example: LTC-6RD-CM15WHPCC-15L35K9WD-DM1-SS-WH

CATALOG # _____

LTC-6RD		Cylinder Mounting		Canopy Option		Lumen Output		CCT		CRI	
Aperture/Shape/Function		S	Surface	<i>Refer to chart on Page 3 for available canopy options based on driver/controls selection</i>		06L	600 Lumens ³	27K	2700K	8	80+ CRI
LTC-6RD	6" Round Downlight Cylinder	W	Wall			10L	1000 Lumens ³	30K	3000K	9	90+ CRI
LTC-6RW	6" Round Wall Wash Cylinder	P	Pendant (Standard) Nominal 18" length from cylinder top to ceiling ¹⁰	CC	Conduit Canopy ^{3,9}	15L	1500 Lumens ³	35K	3500K		
		P_	Pendant (Custom) Specify length from cylinder top to ceiling in 1 inch increments from 15 to 60 ¹⁰	PC	Power Canopy ^{3,9}	20L	2000 Lumens ³	40K	4000K		
		Cable/Cord⁵		PCC	Power Conduit Canopy ^{3,9}	25L	2500 Lumens ³	50K	5000K ¹		
		CM	6ft Clear Cord	RMD	Recessed Mount Driver ^{3,9}	30L	3000 Lumens ³				
		CMBL	6ft Black Cord			35L	3500 Lumens ³				
		CMWH	6ft White Cord			40L	4000 Lumens ³				
		CM15	15ft Clear Cord			45L	4500 Lumens ³				
		CM15BL	15ft Black Cord			50L	5000 Lumens ³				
		CM15WH	15ft White Cord			55L	5500 Lumens ³				
						60L	6000 Lumens ^{3,7}				
						70L	7000 Lumens ^{3,7}				

Distribution		Driver Options		Control Options		Voltage		Reflector Finish		Reflector Color	
VNR	Very Narrow (0.3 SC/20°)	DM1	0-10V Dimming to 1% ^{3,8}	NXE	NX Enabled, Dual SmartPorts ^{2,3}	<i>Standard</i> 120-277V		<i>Finish not applicable with painted reflectors (WC or BC)</i>		<i>Standard Clear</i>	
NR	Narrow (0.4 SC/29°)	DM01	0-10V Dimming to <1% ³	NXWE	NX Wireless Enabled ^{2,3}						
MD	Medium (0.7 SC/53°)	DMX	DMX with RDM dimming to <0.1% ³	NXWD	NX Wireless Enabled, Dual SmartPorts ^{2,3}	34	347V ^{3,6}	S	Specular	CG	Champagne Gold
WD	Wide (1.0 SC/59°)	DALI	DALI Dimming to 1% ³	LV	Lutron Vive Enabled, 0-10V (requires DM1 driver) ³			SS	Semi-Specular	BL	Black
XW	Extra Wide (1.1 SC/66°)	2DM	Lutron Hi-Lume 2-wire Dimming to 1% (120V Forward Phase only) ³	LVE	Lutron Vive Enabled, EcoSystem, (requires EDM) ³			MFC	American Matte™	LW	Light Wheat
WW	Wall Wash ⁷	EDM	Lutron Hi-Lume EcoSystem Dimming to 1% ³			VS	Softglow®	PW	Pewter	WC	Painted White Cone and Flange
						VSS	SoftSheen™	BC	Painted Black Cone and Flange		

Flange Color Options		Exterior Cylinder Color	
<i>Standard matches reflector color</i>		BA	Brushed Aluminum ¹¹
WT	White Flange ⁴	BZ	Bronze
BT	Black Flange ⁴	BL	Matte Black
		WH	Matte White
		SVR	Silver
		CC_	Custom Color (Specify RAL#, Example: CCRAL1073)
		TCC_	True Custom Color (Specify description, Example: TCC BABY BLUE, Paint chip must be provided to match)

- Notes:
- 5000K available in 80+ CRI only.
 - NX requires DM1 driver option.
 - For lumen outputs/configurations available, see chart on page 3.
 - WT not needed for WC, BT not needed for BC.
 - Cable/Cord can be cut in the field to custom length.
 - 347V requires DM1 driver option; not available with Controls.
 - 60L and 70L require vented cylinder, Not available with WW.
 - DM1 on >60L is 0-10V to 5% dimming.
 - See Dimensions section for canopy configuration details.
 - Stem length varies by canopy configuration. See Dimensions section for details.
 - Canopy color for Brushed Aluminum is Black.



LTC-6RDW

LITEISTRY 6" ROUND CYLINDER

DATE: _____ LOCATION: _____
 TYPE: _____ PROJECT: _____
 CATALOG #: _____

DRIVER/CONTROL OPTION AVAILABILITY

Driver and Control options listed below are available in the configurations and lumen packages as shown.

Driver/Control Option		Cylinder Mounting ¹	Canopy Options ²	06L	10L	15L	20L	25L	30L	35L	40L	45L	50L	55L	60L	70L ⁶
DM1	0-10V 1%	W	Standard/CC	●	●	●	●	●	●	●	●	●	●	●	▼	▼
		P/S/CM	Standard/CC	●	●	●	●	●	●	●	●	●	●	●	▼	▼
DM01	0-10V <1%	W	Standard/CC	●	●	●	●	●								
		P/S/CM	Standard/CC	●	●	●	●	●								
DALI	DALI 1%	W	Standard/CC	●	●	●	●	●								
		P/S/CM	Standard/CC	●	●	●	●	●								
DMX	DMX w/ RDM <0.1%	W	Standard/CC	●	●	●	●	●	●	●	●	●	●	●		
		P/S/CM	PC/PCC	●	●	●	●	●	●	●	●	●	●	●		
			RMD ⁵	●	●	●	●	●	●	●	●	●	●	●		
			RMD	●	●	●	●	●	●	●	●	●	●			
2DM	Lutron Hi-Lume 2-wire 1%	W	Standard/CC		●	●	●	●								
		P/S/CM	Standard/CC		●	●	●	●								
EDM	Lutron Hi-Lume EcoSystem 1%	W	Standard/CC		●	●	●	●	●							
		P/S/CM	Standard/CC		●	●	●	●	●							
347V ³	347 Volts (DM1 required)	W	Standard/CC		●	●	●	●	●	●	●	●	●	●	▼	
		P/S/CM	Standard/CC		●	●	●	●	●	●	●	●	●	●	▼	

NXE	NX (DM1 required)	W	PC/PCC	●	●	●	●									
		P/S/CM	PC/PCC/RMD	●	●	●	●									
NXWD & NXWE	NX Wireless (DM1 required)	W	PC/PCC	●	●	●	●									
		S	RMD	●	●	●	●									
		P/CM	PC/PCC/RMD	●	●	●	●									
LV	Lutron Vive® (DM1 required)	W	N/A													
		P/S/CM	RMD ⁵	●	●	●	●									
LVE	Lutron Vive® (EDM required)	W	N/A													
		P/S/CM	RMD		●	●	●									

▼ Vented cylinder required, see line art for more details.

- See Cylinder Mounting chart.
- See Canopy Options chart and Dimensions section for details.
- Not available with Controls.
- RMD is Non-IC rated unless noted.
- IC Rated.
- 70L DM1 option is 0-10V 5%.

Cylinder Mounting	
W	Wall Mount
S	Surface Mount
CM	Cable/Cord Mount
P	Pendant Mount

Canopy Options	
(Blank)	Standard Canopy
CC	Conduit Canopy
PC	Power Canopy
PCC	Power Conduit Canopy
RMD	Recessed Mount Driver ⁴

CONTROLS

NX Distributed Intelligence™ Lighting Controls:

Supports applications in a variety of deployment options- wired, wireless, hybrid. Integrates with and enables a wide array of luminaires including those with SpectraSync™ Color Tuning Technology.



NX INTEGRATED CONTROLS REFERENCE								
NX Option	Sensor	Networkable	Scheduling	Occupancy	Daylight Harvesting	0-10V Dimming	On/off Control	Bluetooth® App Programming
NX Networked – Wired								
NXE	N/A	Yes	Yes	No	No	Yes	Yes	Requires NXBTC/R ¹
NX Networked – Wireless								
NXWE ²	N/A	Yes	Yes	No	No	Yes	Yes	No ³
NX Networked – Wired/Wireless								
NXWD	N/A	Yes	Yes	No	No	Yes	Yes	Requires NXBTC/R ^{1,3}

- NXBTC/R needs to be plugged into an available NX SmartPort™ on the fixture network
- Programming via App requires factory assistance
- To program NXWE option, need to consult factory. If connected to an area controller, programming can be done from that



LTC-6RDW
LITEISTRY 6" ROUND CYLINDER

DATE:	LOCATION:
TYPE:	PROJECT:
CATALOG #:	

PERFORMANCE DATA TABLE

Performance data provided below is for 3500K, 80 CRI with Specular Clear reflector finish/color

Lumen Package	Nominal Lumens	Distribution	Delivered Lumens	Watts	LPW
06L	600	Very Narrow	806	7.8	103
		Narrow	717	7.8	92
		Medium	746	7.8	96
		Wide	691	7.8	89
		Extra Wide	665	7.8	85
		Open Single Wall Wash	711	7.8	91
10L	1000	Very Narrow	1288	12.0	107
		Narrow	1146	12.0	96
		Medium	1192	12.0	99
		Wide	1104	12.0	92
		Extra Wide	1063	12.0	89
		Open Single Wall Wash	1136	12.0	95
15L	1500	Very Narrow	1851	18.7	99
		Narrow	1623	18.7	87
		Medium	1712	18.7	92
		Wide	1586	18.7	85
		Extra Wide	1527	18.7	82
		Open Single Wall Wash	1631	18.7	87
20L	2000	Very Narrow	2355	22.6	104
		Narrow	2263	22.7	100
		Medium	2265	22.6	100
		Wide	2180	22.7	96
		Extra Wide	2139	22.7	94
		Open Single Wall Wash	2211	22.8	97
25L	2500	Very Narrow	3093	27.7	112
		Narrow	2751	27.7	99
		Medium	2860	27.7	103
		Wide	2650	27.7	96
		Extra Wide	2551	27.7	92
		Open Single Wall Wash	2726	27.7	98
30L	3000	Very Narrow	3686	34.3	107
		Narrow	3278	34.3	96
		Medium	3409	34.3	99
		Wide	3158	34.3	92
		Extra Wide	3040	34.3	89
		Open Single Wall Wash	3248	34.3	95
35L	3500	Very Narrow	4477	43.0	104
		Narrow	3942	43.0	93
		Medium	4477	43.0	104
		Wide	3836	43.0	89
		Extra Wide	3693	43.0	86
		Open Single Wall Wash	3946	43.0	92



LTC-6RDW

LITEISTRY 6" ROUND CYLINDER

DATE: _____ LOCATION: _____

TYPE: _____ PROJECT: _____

CATALOG #: _____

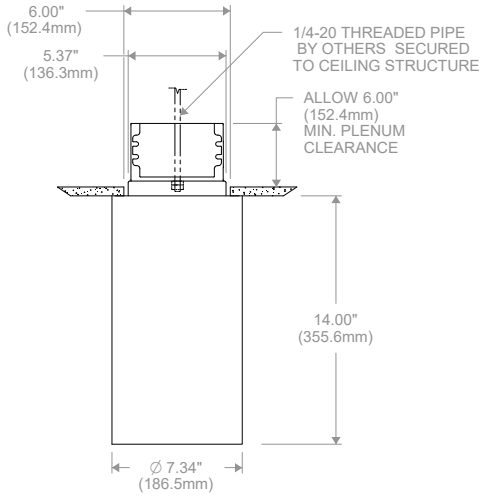
PERFORMANCE DATA TABLE CONTINUED

Performance data provided below is for 3500K, 80 CRI with Specular Clear reflector finish/color

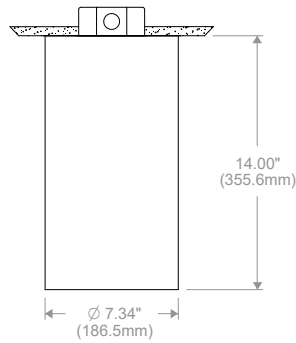
Lumen Package	Nominal Lumens	Distribution	Delivered Lumens	Watts	LPW
40L	4000	Very Narrow	5117	51.6	99
		Narrow	4552	51.6	88
		Medium	4733	51.6	92
		Wide	4385	51.6	85
		Extra Wide	4221	51.6	82
		Open Single Wall Wash	4510	51.6	87
45L	4500	Very Narrow	5371	55.1	98
		Narrow	4775	55.1	87
		Medium	4967	55.1	90
		Wide	4602	55.1	84
		Extra Wide	4430	55.1	80
		Open Single Wall Wash	4734	55.1	86
50L	5000	Very Narrow	5740	48.7	118
		Narrow	5105	48.7	105
		Medium	5308	48.7	109
		Wide	4918	48.7	101
		Extra Wide	4734	48.7	97
		Open Single Wall Wash	5059	48.7	104
55L	5500	Very Narrow	6365	53.9	119
		Narrow	5662	53.9	105
		Medium	5887	53.9	109
		Wide	5454	53.9	101
		Extra Wide	5250	53.9	97
		Open Single Wall Wash	5610	53.9	104
60L	6000	Very Narrow	7090	60.7	117
		Narrow	6299	60.7	104
		Medium	6557	60.7	108
		Wide	6075	60.7	100
		Extra Wide	5848	60.7	96
		Open Single Wall Wash	6249	60.7	103
70L	7000	Very Narrow	8266	72.1	115
		Narrow	7353	72.1	102
		Medium	7645	72.1	106
		Wide	7083	72.1	98
		Extra Wide	6819	72.1	95
		Open Single Wall Wash	7285	72.1	101

DIMENSIONS

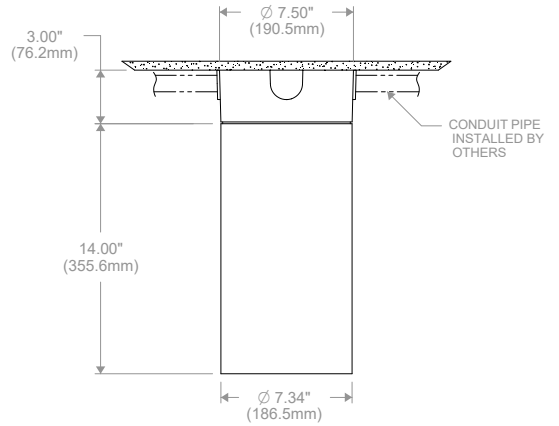
SURFACE (S)



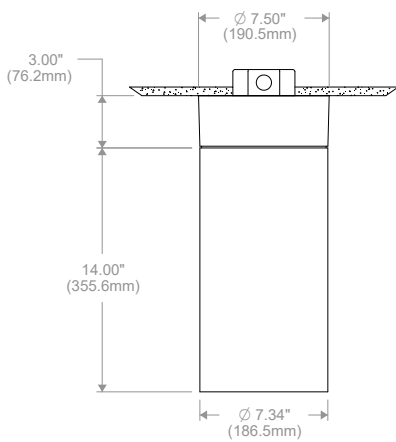
Surface Recessed Mount Driver SRMD



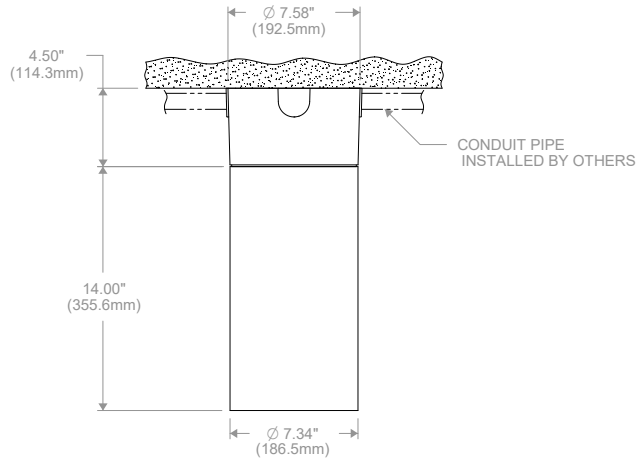
Surface Standard Canopy S



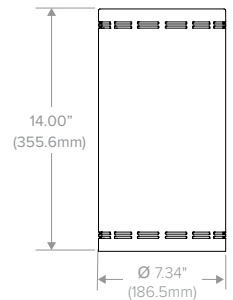
Surface Conduit Canopy SCC



Surface Power Canopy SPC



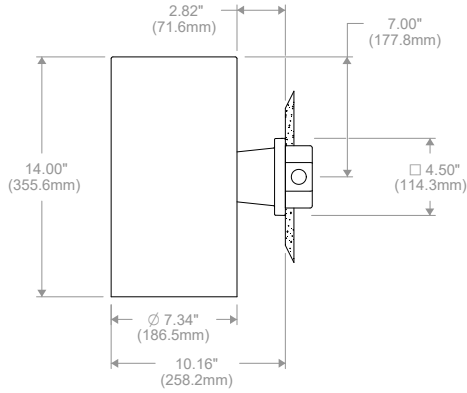
Surface Power Conduit Canopy SPCC



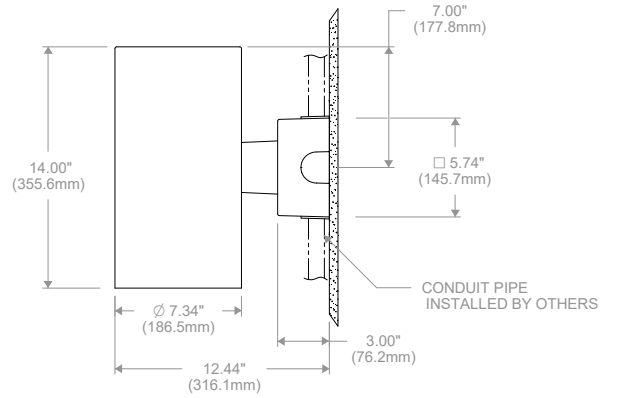
Vented Detail View (60L & 70L) (All Mountings)

DIMENSIONS

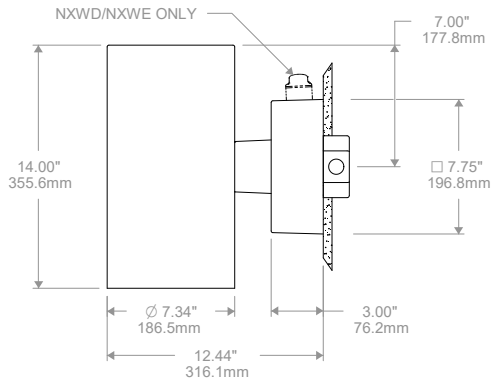
WALL (W)



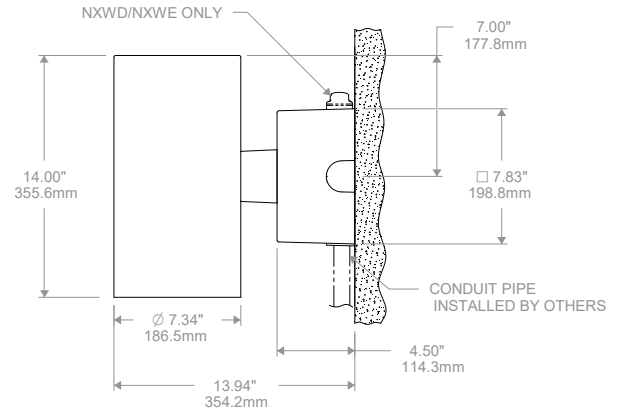
**Wall
Standard Canopy
W**



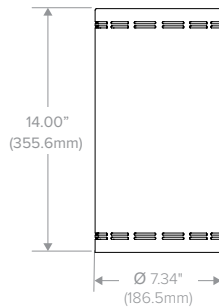
**Wall
Conduit Canopy
WCC**



**Wall
Power Canopy
WPC**



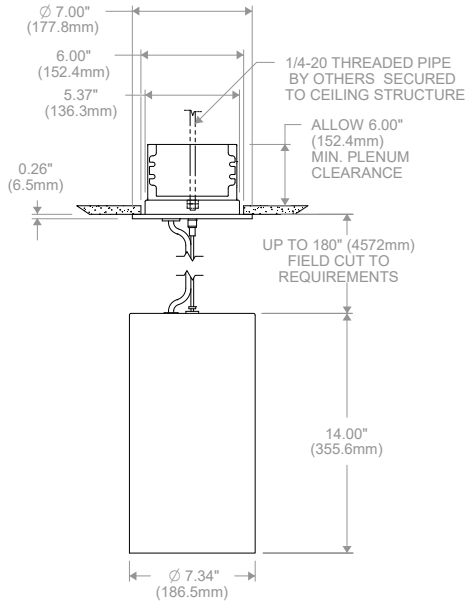
**Wall
Power Conduit Canopy
WPCC**



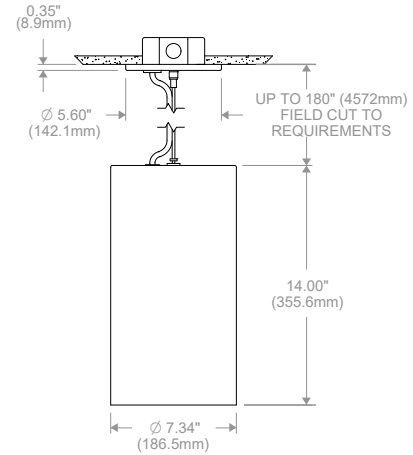
**Vented Detail View
(60L & 70L)
(All Mountings)**

DIMENSIONS

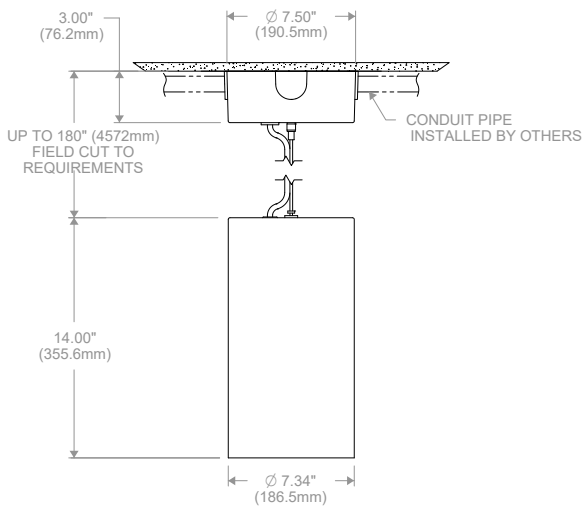
CABLE/CORD (CM)



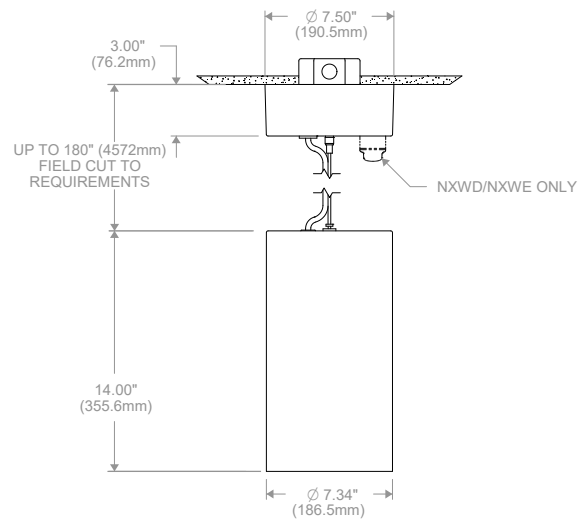
**Cable/Cord
Recessed Mount Driver
CMRMD**



**Cable/Cord
Standard Canopy
CM**



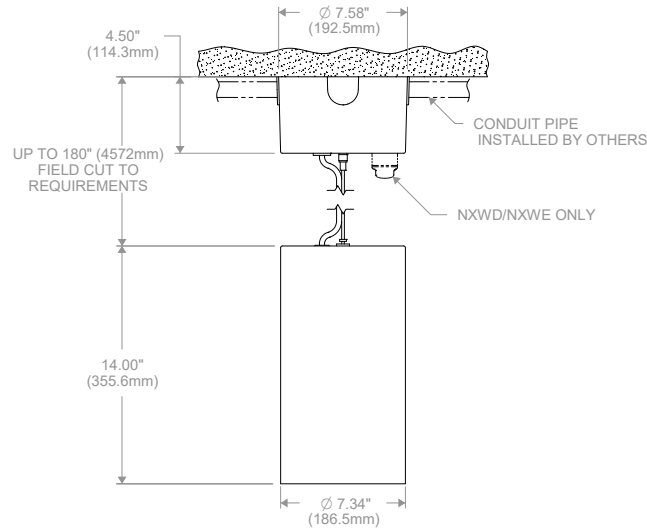
**Cable/Cord
Conduit Canopy
CMCC**



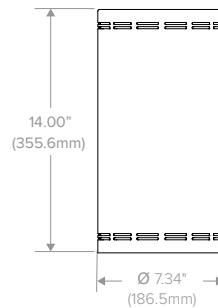
**Cable/Cord
Power Canopy
CMPC**

DIMENSIONS CONTINUED

CABLE/CORD (CM)



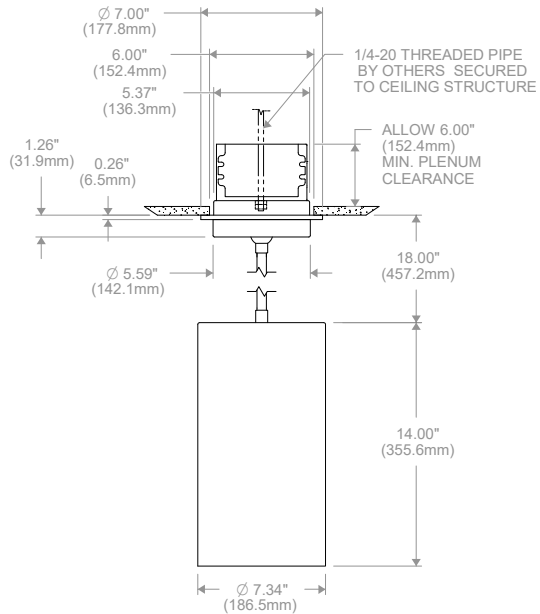
**Cable/Cord
Power Conduit Canopy
CMPCC**



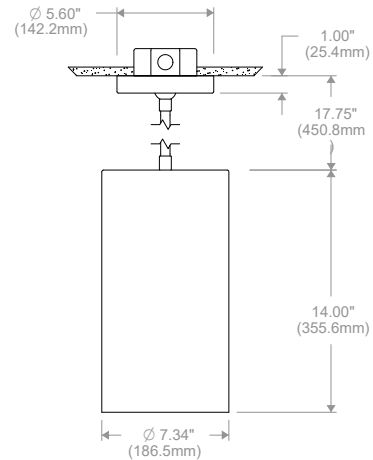
**Vented Detail View
(60L & 70L)
(All Mountings)**

DIMENSIONS

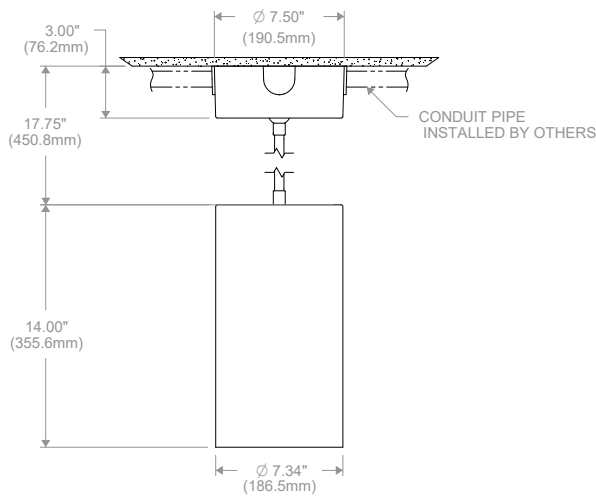
PENDANT (P)



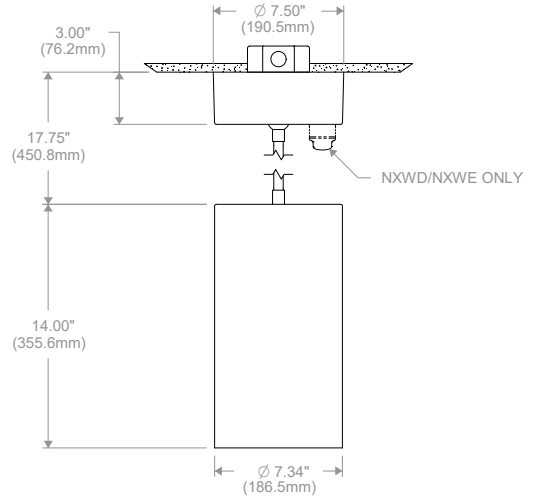
**Pendant Recessed Mount Driver
PRMD**



**Pendant Standard Canopy
P**



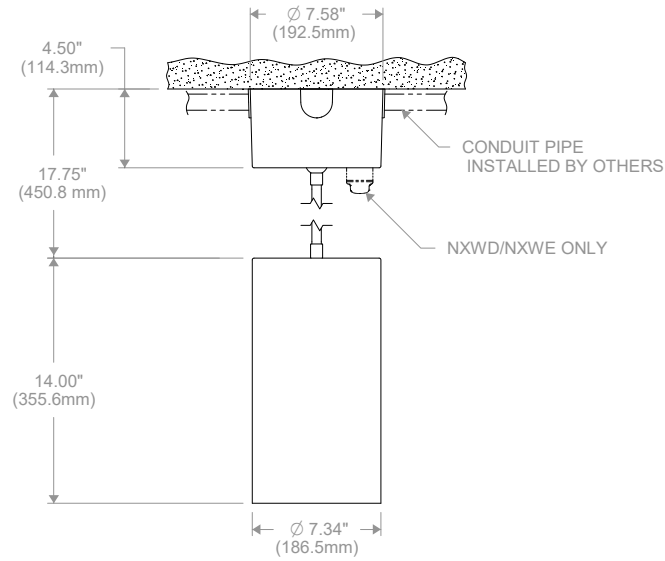
**Pendant Conduit Canopy
PCC**



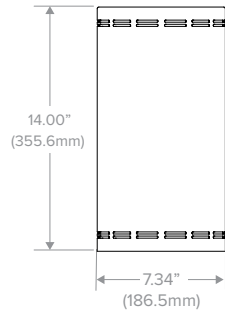
**Pendant Power Canopy
PPC**

DIMENSIONS CONTINUED

PENDANT (P)



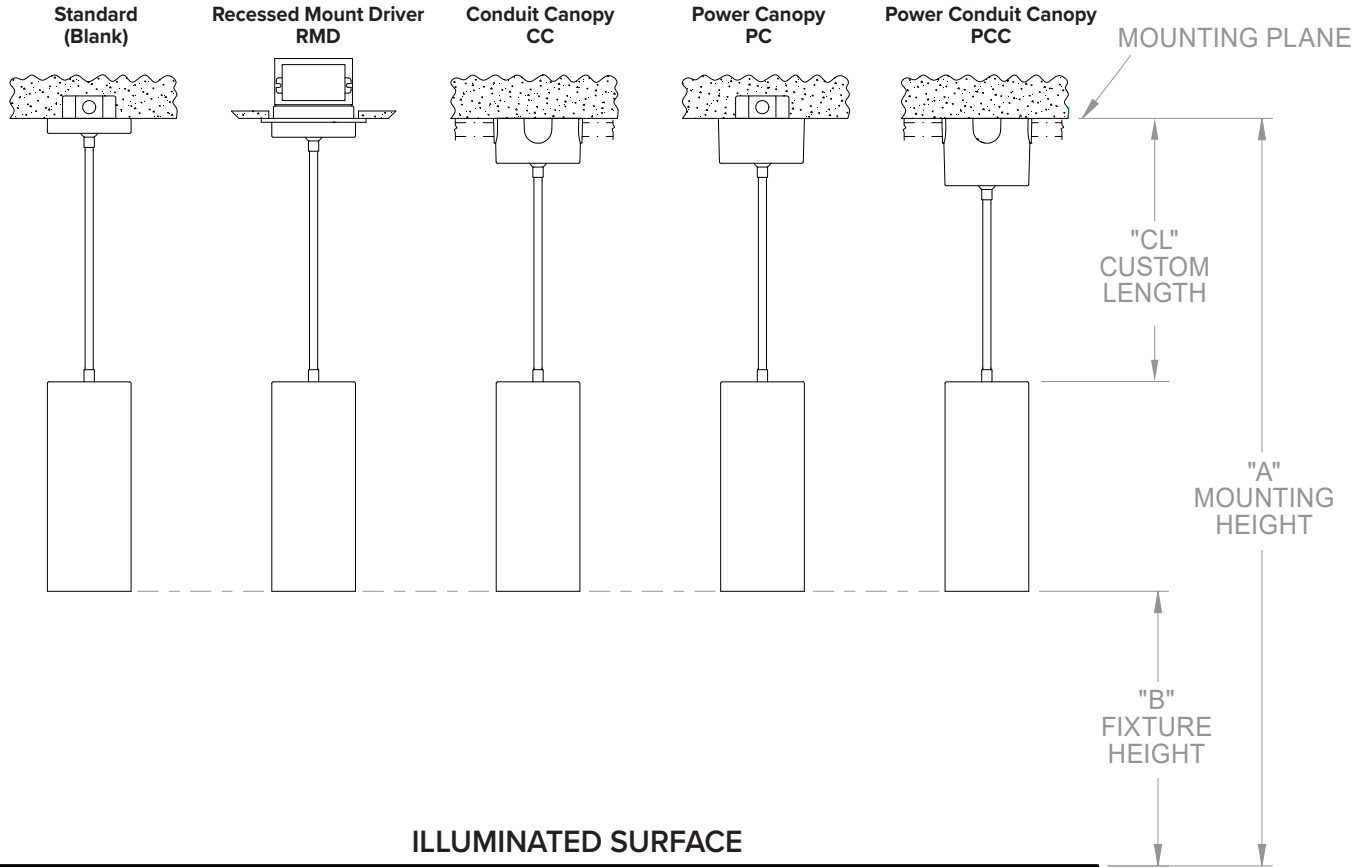
**Pendant
Power Conduit Canopy
PPCC**



**Vented Detail View
(60L & 70L)
(All Mountings)**

DIMENSIONS

PENDANT CUSTOM LENGTH



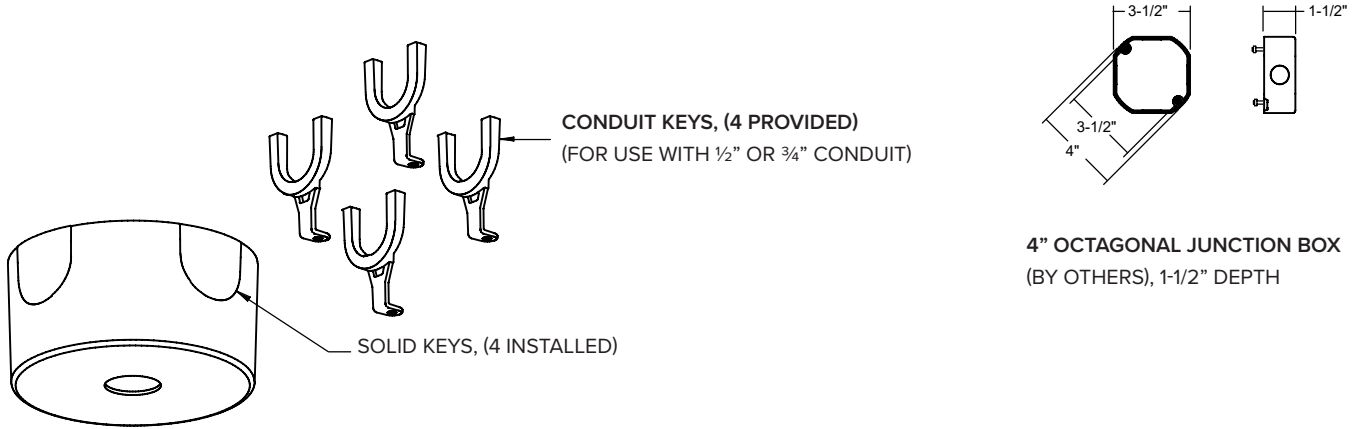
Custom Length (CL) = Mounting Height (A) - Fixture Height (B) - 14" Cylinder

Ordering Example:
A (120") - B (72") - 14" = 34" Custom Length
LTC-6RD-P34

DIMENSIONS

CONDUIT CANOPY DETAILS

CC and PCC Conduit Canopy options come standard with (4) Solid Keys installed and (4) Conduit Keys provided.
Accommodates a 4" octagonal junction box with 1-1/2" depth (by others).



CONDUIT MOUNTING EXAMPLES - FIELD INTERCHANGEABLE

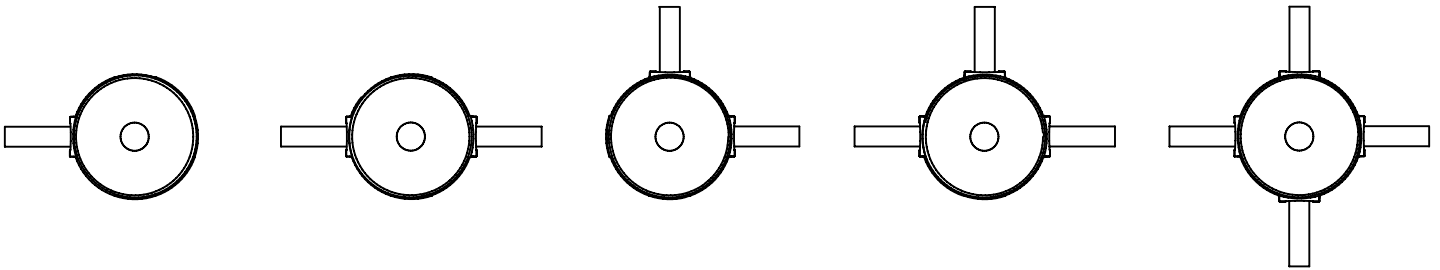
SINGLE

DOUBLE @ 180°

DOUBLE @ 90°

TRIPLE @ 90°

QUAD @ 90°



LTC-6RDW

LITEISTRY 6" ROUND CYLINDER

PHOTOMETRY

LTC-6RD-P-20L35K8VNR-DM1-S-BL

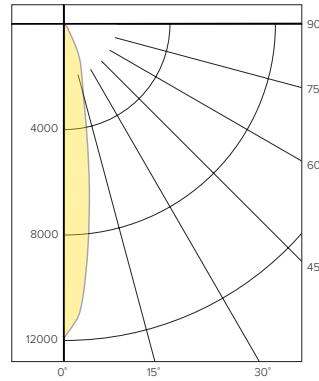
LUMINAIRE DATA

Test No.	R19.00588-C01
Description	2000 lm, Very Narrow, 3500K, 80 CRI
Delivered Lumens	2355
Watts	22.6W
Efficacy	104.0
Mounting	Pendant
Spacing Criterion	0.3
Beam Angle (FWHM)	18

ZONAL LUMEN SUMMARY

Zone	Lumens	% Luminaire
0-40	2290	97.2
0-60	2355	100.0
0-90	2355	100.0
0-180	2355	100.0

POLAR GRAPH



CANDELA DISTRIBUTION

Degree	Candela
0	11881
5	9399
15	2776
25	1236
35	255
45	74
55	0
65	0
75	0
85	0
90	0

LUMINANCE DATA*

Vertical Angle	Average
45°	6247
55°	0
65°	0
75°	0
85°	0

*Candela/Square Meter

LTC-6RD-P-20L35K8NR-DM1-S-BL

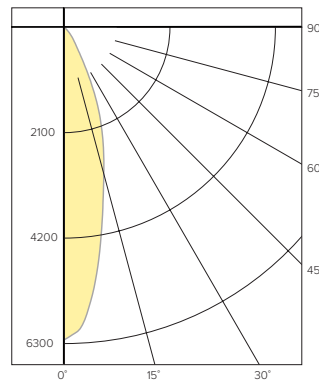
LUMINAIRE DATA

Test No.	R20.01439-C01
Description	2000 lm, Narrow, 3500K, 80 CRI
Delivered Lumens	2263
Watts	22.1W
Efficacy	103.0
Mounting	Pendant
Spacing Criterion	0.5
Beam Angle (FWHM)	29

ZONAL LUMEN SUMMARY

Zone	Lumens	% Luminaire
0-40	2185	96.6
0-60	2260	99.9
0-90	2263	100.0
0-180	2263	100.0

POLAR GRAPH



CANDELA DISTRIBUTION

Degree	Candela
0	6222
5	5603
15	3035
25	1354
35	348
45	83
55	5
65	2
75	1
85	0
90	0

LUMINANCE DATA*

Vertical Angle	Average
45°	6712
55°	498
65°	271
75°	221
85°	0

*Candela/Square Meter

LTC-6RD-P-20L35K8MD-DM1-S-BL

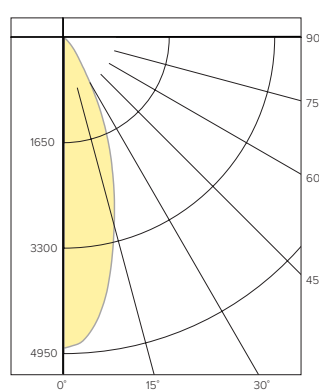
LUMINAIRE DATA

Test No.	R19.00587-01
Description	2000 lm, Medium, 3500K, 80 CRI
Delivered Lumens	2265
Watts	22.6W
Efficacy	100.0
Mounting	Pendant
Spacing Criterion	0.6
Beam Angle (FWHM)	37

ZONAL LUMEN SUMMARY

Zone	Lumens	% Luminaire
0-40	2171	95.9
0-60	2262	99.9
0-90	2265	100.0
0-180	2265	100.0

POLAR GRAPH



CANDELA DISTRIBUTION

Degree	Candela
0	4851
5	4619
15	3007
25	1450
35	386
45	99
55	6
65	2
75	1
85	0
90	0

LUMINANCE DATA*

Vertical Angle	Average
45°	8357
55°	624
65°	282
75°	231
85°	0

*Candela/Square Meter

LTC-6RDW

LITEISTRY 6" ROUND CYLINDER

PHOTOMETRY CONTINUED

LTC-6RD-P-20L35K8WD-DM1-S-BL

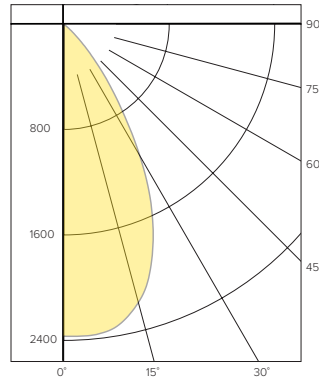
LUMINAIRE DATA

Test No.	R19.00585-01
Description	2000 lm, Wide, 3500K, 80 CRI
Delivered Lumens	2180
Watts	22.6W
Efficacy	96.1
Mounting	Pendant
Spacing Criterion	0.9
Beam Angle (FWHM)	59

ZONAL LUMEN SUMMARY

Zone	Lumens	% Luminaire
0-40	2014	92.4
0-60	2176	99.8
0-90	2180	100.0
0-180	2180	100.0

POLAR GRAPH



CANDELA DISTRIBUTION

Degree	Candela
0	2368
5	2371
15	2189
25	1591
35	726
45	177
55	10
65	3
75	1
85	0
90	0

LUMINANCE DATA*

Vertical Angle	Average
45°	14942
55°	1041
65°	424
75°	231
85°	0

*Candela/Square Meter

LTC-6RD-P-20L35K8XW-DM1-S-BL

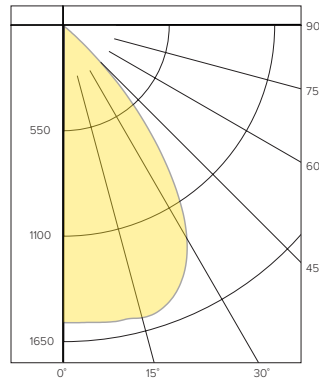
LUMINAIRE DATA

Test No.	R19.00586-01
Description	2000 lm, Extra Wide, 3500K, 80 CRI
Delivered Lumens	2139
Watts	22.7W
Efficacy	94.4
Mounting	Pendant
Spacing Criterion	1.1
Beam Angle (FWHM)	76

ZONAL LUMEN SUMMARY

Zone	Lumens	% Luminaire
0-40	1875	87.7
0-60	2134	99.8
0-90	2139	100.0
0-180	2139	100.0

POLAR GRAPH



CANDELA DISTRIBUTION

Degree	Candela
0	1547
5	1552
15	1576
25	1461
35	1007
45	301
55	9
65	3
75	1
85	0
90	0

LUMINANCE DATA*

Vertical Angle	Average
45°	25409
55°	937
65°	424
75°	231
85°	0

*Candela/Square Meter

LUMEN MULTIPLIER

Option	27K8	30K8	35K8	40K8	50K8	27K9	30K9	35K9	40K9
Multiplier	0.94	0.98	1.00	1.01	1.02	0.81	0.84	0.85	0.85

Photometrics are published below at a nominal 3500 Kelvin, 80+ CRI. This table may be used to approximate the lumen values at different Kelvin temperatures. Power consumption would stay the same.

LTC-6RDW

LITEISTRY 6" ROUND CYLINDER

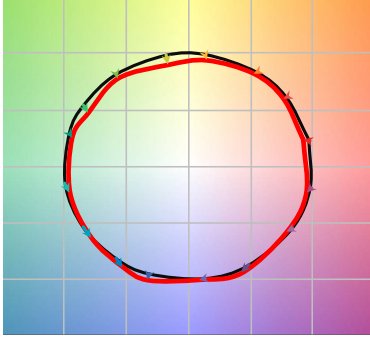
DATE: _____ LOCATION: _____

TYPE: _____ PROJECT: _____

CATALOG #: _____

TM-30 DATA

COLOR VECTOR GRAPHIC
3500K, 90 CRI



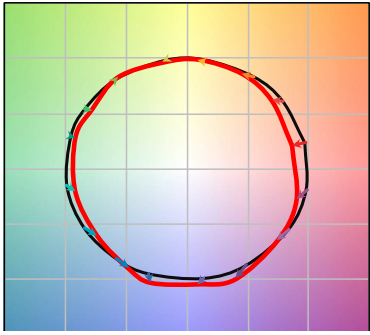
— Reference Illuminant — Test Source

COLOR DISTORTION GRAPHIC
3500K, 90 CRI



TEST RESULTS - 3500K		
Value	80+ CRI	90+ CRI
R_t	84	88
R_g	95	95
CCT (K)	3411	3419
D_{uv}	0.0015	0.0042
x	0.4120	0.4147
y	0.3974	0.4052
CIE R_a	84	93
CIE R_g	11	62

COLOR VECTOR GRAPHIC
3500K, 80 CRI



— Reference Illuminant — Test Source

COLOR DISTORTION GRAPHIC
3500K, 80 CRI





LTC-6RDW

LITEISTRY 6" ROUND CYLINDER

DATE: _____ LOCATION: _____

TYPE: _____ PROJECT: _____

CATALOG #: _____

ELECTRICAL DATA

DRIVER DATA		
Input Voltage	120-277 V	347 V
Input Frequency	50/60 Hz	50/60 Hz
Power Factor	≥0.90	≥0.90
THD	<20%	<20%
EMI Filtering (FCC 47 CFR Part 15)	Class A	Class A

* Values for DM1 option shown, values for other dimming options may vary.

WATTAGE DATA		
Lumen Output	Nominal Lumens	WATTAGE
06L	600	8
10L	1000	12
15L	1500	19
20L	2000	23
25L	2500	28
30L	3000	35
35L	3500	43
40L	4000	52
45L	4500	55
50L	5000	49
55L	5500	54
60L	6000	61
70L	7000	72

* Wattage may vary based on configuration and options selected

ADDITIONAL INFORMATION

DIMMING COMPATIBILITY CHART		
Dimming Driver	Manufacturer	Web Link
DM1 /DM01	Lutron DVTV	http://bit.ly/11jSvZg
DM1	Leviton AWRMG-7xx, AWSMG-7xx, AWSMT-7xx	http://bit.ly/1BJn2R9
EDM	Lutron	http://bit.ly/1vtjHAI
2DM	Lutron	http://bit.ly/1S4WjXK

DMX

See instruction sheet on www.prescolite.com for connection & installation information.

Central Inverters

For full fixture output in back-up mode, we recommend you visit www.dual-lite.com for your Central Lighting Inverter options. Please contact your local Hubbell representative for any assistance with proper sizing and loading of your inverter selection. Central lighting inverters must be ordered separately.

LiteGear: www.dual-lite.com/products/litegear_lg_series

LPS Series: www.dual-lite.com/products/lps

All product and company names, logos and product identifiers are trademarks ™ or registered trademarks ® of Hubbell Lighting, Inc. or their respective owners. Use of them does not necessarily imply any affiliation with or endorsement by such respective owners.

CONE

Interior Pendant

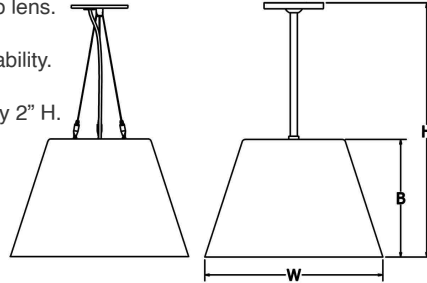


9777 Reavis Park Drive
St. Louis, MO 63123
800.331.2425 or 314.631.6000

sales@glighting.com www.glighting.com

GENERAL SPECIFICATION

LED: High efficiency mid-power LEDs.
Uplight: Optional uplight is wired on a second circuit. Standard satin white top lens.
LED Dimming: Standard 1% 0-10V dimming.
Cable Hanger Option: Standard 150" cable and white cord for on-site adjustability.
Canopy: Matches outer fixture finish. Hanger 3 & 4 with A-O lamping option includes 9.125" dia by 2.625" H spinning. V, W, X lamping includes 12.5" dia by 2" H.
Driver: Max remote driver installation distance 25ft from fixture body.
Acrylic: Acrylic is UL-94 HB Flame Class rated.
Finish: Highly durable oven cured no VOC premium powder coat.
Inner Finish: Inner finish available in white, black, and gold liquid paint.
 Non-white inner finishes will reduce lumen output.
Surge Protection: External surge protector provided as standard.



SAMPLE CATALOG NUMBER:

GL-2350- E- K- BLK- MO- 1- A 038

MODEL NO.	LAMPING	UPLIGHT	OUTER FINISH	INNER FINISH	HANGER	OPTIONS	OVERALL HEIGHT
GL-2350 8lbs W 16" in 3.6kg B 11" in H 38" in	A. 1LED30 B. 1LED35 C. 1LED40 D. 1LED30 E. 1LED35 F. 1LED40	NA. NONE P. 1UPLED30 Q. 1UPLED35 R. 1UPLED40 S. 1UPLED30 T. 1UPLED35 U. 1UPLED40	Standard: Powder Coat BLK- Black BL- Blue GR- Gray LG- Light Gray BE- Beige PAB- Antique Brass PA- Painted Aluminum PTC- Painted Copper WH- White DBZ- Dark Bronze NSN- New Satin Nickel BRN- Brown RD- Red CH- Champagne RG- Reed Green SG- Sungold GM- Gun Metal POR- Oil Rubbed Bronze Textured Powder TLV- Light Verdigris TWH- Textured White TBL- Textured Black TS- Textured Silver TBN- Terra Brown TBZ- Textured Bronze Premium: SA- Satin Aluminum Outer finish designated by first finish code.	Standard: MO- Matches Outer Finish Liquid Paint WH- White BLK- Black GL- Gold	1. Stem Mount Remote Driver Drivers mounted remotely 2. Cable Mount Remote Driver Drivers mounted remotely 3. Stem Mount Oversized Canopy Drivers mounted inside oversized canopy 4. Cable Mount Oversized Canopy Drivers mounted inside oversized canopy	A. No Options BC. Black Cord Fixture supplied with black power cord. DM. DMX Dimming EL. Emergency LED Must be remotely mounted in a controlled environment with an area temperature range of 32°-131°F. Specify 120 or 277 voltage. Downlight only.	Specify overall height in inches for hanger styles 1 & 3.
GL-2351 10lbs W 24" in 4.5kg B 15 3/8" in H 42" in	G. 1LED30 H. 1LED35 I. 1LED40 J. 1LED30 K. 1LED35 L. 1LED40 M. 1LED30 N. 1LED35 O. 1LED40 V. 1LED30* W. 1LED35* X. 1LED40* *Downlight and Remote Driver only.						

All Dimensions are nominal.

Light Source Definition

Downlight Output						Downlight Output					
Code	LED	Wattage	Lumens	Kelvin	CRI	Code	LED	Wattage	Lumens	Kelvin	CRI
A	1LED30	17W	1534	3000	80	V	1UPLED30	8W	866	3000	80
B	1LED35	17W	1534	3500	80	W	1UPLED35	8W	866	3500	80
C	1LED40	17W	1534	4000	80	X	1UPLED40	8W	866	4000	80
D	1LED30	24W	2148	3000	80						
E	1LED35	24W	2148	3500	80						
F	1LED40	24W	2148	4000	80						
G	1LED30	15W	1361	3000	80						
H	1LED35	15W	1361	3500	80						
I	1LED40	15W	1361	4000	80						
J	1LED30	26W	2334	3000	80						
K	1LED35	26W	2334	3500	80						
L	1LED40	26W	2334	4000	80						
M	1LED30	39W	3501	3000	80						
N	1LED35	39W	3501	3500	80						
O	1LED40	39W	3501	4000	80						

*Projected

Fixture tested with white inner finish. Non-white inner finishes will reduce lumen output.



MOD™ 4 LED Pendant Direct

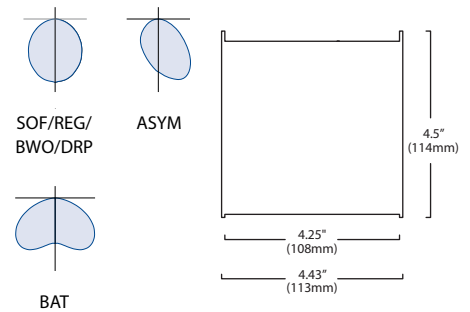
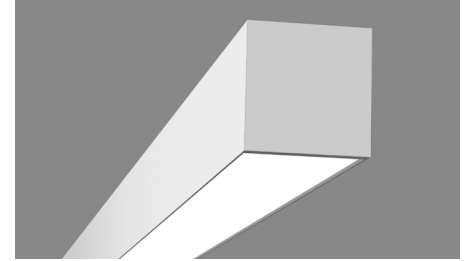
Fixture Type:

Project Name:

Ordering Guide

Feature	Code	Options	Description
Series		4L	MOD
Mounting		P	Pendant
Fixture distribution		D AD	Direct Asymmetric Direct
Row length (in feet)		—'	Enter in foot increments. Note fixture lengths below.
Max length in row		02 03 04 05 06 08	2', 609mm 3', 914mm 4', 1219mm 5', 1524mm 6', 1829mm 8', 2438mm
Downlight diffuser		SOF REG BWO ASYM BAT DRP	Soft Diffuse Regressed Diffuse Lens* Blade Baffle with Overlay* Asymmetric Diffuse Lens**/** Batwing Lens Drop Lens*+ *Not Available with Patterns **Must be ordered with AD
Finish/Color		C1 C2 C3 C4 C5 C6 CC	Matte White (Default) Textured Matte White Light Silver Machined Aluminum Carbon Black Textured Camera Black Custom Color
Color temperature		27K 30K 35K 40K 50K 27K9 30K9 35K9 40K9 50K9 2230TD 2750T 2765T	2700K+ 3000K 3500K 4000K 5000K+ 2700K, 90 CRI+ 3000K, 90 CRI 3500K, 90 CRI 4000K, 90 CRI 5000K, 90 CRI+ 2200K-3000K SpectraSync™ Dim-to-Warm* 2700K-5000K SpectraSync™ Tunable White* 2700K-6500K SpectraSync™ Tunable White* *Must be ordered with D05 Driver option; excludes 2' lengths and patterns
Direct output/ft (specifiable in 50 lumens/ft increments)		D030 D125	300 (not available in 2') 1250
Driver		NDM D05 D01 DS1 D00 DS0 LEC DALI DALIP	Non Dimming 5% Dimming, 0-10V* 1% Dimming, 0-10V Soft-Start 1% Dimming, 0-10V Dim-to-off (1%), 0-10V Soft-Start Dim-to-off (1%), 0-10V Hi-lume 1% EcoSystem LED driver DALI+ Powered DALI (2.0)+ *Must be ordered with 2230TD, 2750T or 2765T Option

* Additional lead time may be applicable. Contact factory.



Key Features

- Variable Intensity technology provides specifiable lumen output/wattage.
- End cap design eliminated visible diffuser seams/gaps
- 2 SDCM color variation

Performance

Nomenclature	Lumens/ft	W/ft	Efficacy
D030	300	2.6	118
D035	350	3.0	118
D040	400	3.4	118
D045	450	3.8	118
D050	500	4.2	118
D055	550	4.7	117
D060	600	5.1	117
D065	650	5.6	116
D070	700	6.1	116
D075	750	6.5	115
D080	800	7.0	115
D085	850	7.5	113
D090	900	7.9	113
D095	950	8.5	112
D100	1000	9.0	112
D105	1050	9.4	111
D110	1100	10.0	110

(wattage may vary up to 5% from published)



Quick Find litecontrol.com

4L-P-D

MOD™ 4 LED Pendant Direct

Ordering Guide (continued)

Circuiting		1C	1 Circuit
Voltage		UNV 347	Universal Voltage (120V through 277V) 347 Volt** *Excludes Emergency Battery Pack 'EF' Option. Excludes DALI, DALIP and Lutron (LEC) Dimming Drivers
Suspension kit		FA1 FA2 FA3 FA4	Suspension Kit, 51" Suspension Kit, 87" Suspension Kit, 219" Suspension Kit, 363" * Add suffix /V to replace all 2" non-feed canopy covers with 5" canopy covers. FA1/V = 51" suspension kit w/ 5" canopies; Stems (where applicable), canopies, and feed cord are supplied in white regardless of fixture color unless otherwise specified

Optional Features	Code	Options	Description
Nightlight		NL	Nightlight Circuit Required. Enter quantity. 2NL = 2 nightlight circuits/row
Emergency		EF	10W Emergency Battery Backup. Enter quantity. 2EF = 2 Emergency batteries/row. See Details for restrictions.
Thru-wiring		W1 W2 W3	No Thru Wire Provide Normal and Emergency/Nightlight Thru Wiring* Provide Normal Thru Wiring Only *Only applicable when specified with Emergency/Nightlight
Patterns*		C90L C120L C135L	Illuminated 90° corner Illuminated 120° corner Illuminated 135° corner *Contact Factory for pattern configurations. Approval drawings required. See page 5.
T-Bar Clips		CB1 CB2 CB3	T-bar clip - 15/16" T-bar clip - 9/16" T-bar clip - 9/16" SS *Includes Luminaire Canopy Box, see page 4 for details

Control Options	Code	Options	Description
NX**		NXE NXWE NXES NXS NXSW NXWD NXSWD	NX Enabled, Dual SmartPorts NX Wireless Enabled NX Enabled, Dual SmartPorts, PIR Occupancy Sensor, Dimming Daylight Harvesting NX, PIR Occupancy Sensor, Dimming Daylight Harvesting (standalone) NX Wireless, PIR Occupancy Sensor, Dimming Daylight Harvesting NX Wireless Enabled, Dual SmartPORTs NX Wireless, PIR Occupancy Sensor, Dimming Daylight Harvesting, Dual SmartPORTs *Not available for row mounting; Only available with 0-10V Driver options; Contact factory for Length restrictions
Sensors*		SD1 SO1	Daylight Sensor Required. Enter quantity. 2SD1= 2 daylight sensors/row Occupancy Sensor Required. Enter quantity. 2SO1= 2 occupancy sensors/row

* Additional lead time may be applicable. Contact factory.



4L-P-D

MOD™ 4 LED Pendant Direct

Output Restrictions

Driver options listed below are not available for the output and length as shown

Restrictions-Direct		Output
		300
Length (feet)	2	Not Available

MOD™ 4 LED Pendant Direct

Details

Construction:

Housing- Extruded aluminum with extruded aluminum end headers/row joining brackets.
End caps- Die cast aluminum with magnetic interface. Overlaps diffuser at each fixture end to eliminate gaps/LED visibility.

Downlight diffuser:

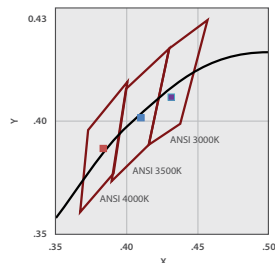
SOF- Soft diffuse acrylic lens.
REG- ½" regressed softglo lens with painted steel inserts. Output multiplier (.77)
BWO- White blade baffle with softglo lens overlay. Output multiplier (.70)
ASYM- Highly transmissive diffuse acrylic lens with linear prisms.
BAT- Highly transmissive diffuse acrylic lens with linear prisms.
DRP- ½" protruding soft diffuse lens.
Please see the installation instruction sheets for more details.

Finish/Color:

Visit www.litecontrol.com/finishes for details.

CCT:

27K-2700K output multiplier (0.95)
30K-3000K output multiplier (0.98)
35K-3500K output multiplier (1.00)*
40K-4000K output multiplier (1.03)
50K-5000K output multiplier (1.05)
27K9-2700K 90 CRI output multiplier (0.83)
30K9-3000K 90 CRI output multiplier (0.85)
35K9-3500K 90 CRI output multiplier (0.88)
40K9-4000K 90 CRI output multiplier (0.90)
50K9-5000K 90 CRI output multiplier (0.93)
*Scale all values from 35K



Color Variation:

2 step MacAdam ellipse

Output (VI technology):

Variable Intensity (VI) technology allows precise specification of fixture output/wattage. Fixture will be programmed and labeled to specification. Specify each in 50 lumen increments/ft with the below range:

	Lumens/ft	Nomenclature
Min:	300	D030
Max:	1250	D125

Field accessibility:

LED boards and drivers can be accessed and removed from above fixture, while installed. LED boards can be replaced either individually or as part of 2' module.

Driver:

NDM: Non-dimming. Fixture will be wired for fixed light output.
D05: Osram 100%-5% dimming range, Fixture will be wired for low voltage 0-10V dimming control. Only applicable if either 2230TD, 2750T or 2765T is selected.
D01: 100%-1% dimming range. Fixture will be wired for low voltage 0-10V dimming control.
DS1: Soft-Start 100%-1% dimming range. Fixture will be wired for low voltage 0-10V dimming control.
D00: Dim-to-off 100%-1% Dimming range. Fixture will be wired for low voltage 0-10V dimming control.
DS0: Soft-Start Dim-to-off 100%-1% dimming range. Fixture will be wired for low voltage 0-10V dimming control.
LEC: Hi-Lume 1% EcoSystem LED Driver with Soft-on, Fade-to-Black dimming technology.
DALI: DALI compatible.
DALIP: Self-Powered DALI bus (e.g. DEXAL)
*See driver limitations in Output Restrictions above.

Circuiting:

1C (1 Circuit) Fixture wired for a single circuit.

Suspension Kit:

3/64" diameter field-adjustable aircraft cable. Ships separately. Suspension required at every row joint. Low profile cable gripper limits visibility while providing maximum horizontal balance adjustment.

Canopy covers:

Non-feed-2" diameter (unless 5" non-feed cover is specified).
Feed-5" diameter.

NX Distributed Intelligence:

Supports indoor and outdoor applications, wired, wireless and hybrid networked NX lighting control deployments and enables emerging applications such as Hubbell Lighting's SpectraSync™ color tuning technology.
See separate [NX™ Application Guide](#) for additional details.
See Hubbell Controls Solution [NX Brochure](#).

Sensors:

SD1: Daylight sensor(Wattstopper part #FD301). Installs between diffusers.
SO1: Occupancy sensor(Wattstopper FS-305 with FS-L6 lens). Installs between diffusers.
NX: NX Sensors installs between diffusers.
See separate [Control Options Guide](#) for additional details.

SpectraSync™ Color Tuning Technology:

Control your space based on the needs of the application, specific activities throughout the day and preferences of the occupants with two distinct SpectraSync™ Color Tuning Technology.

Dim to Warm: Dim to Warm mimics the familiar warming effect that occurs with traditional incandescent sources as they are dimmed. (Available with 2200K-3000K).

Tunable White: Tunable White offers users the ability to tailor CCT to their personal preference, enhancing task visibility, material and colors or the aesthetics of the space. (Available with 2700K-5000K or 2700K-6500K).

See separate [SpectraSync™ Tech Sheet](#) for additional details.
See separate [NX™ Solutions Guide](#) for additional details.



MOD™ 4 LED Pendant Direct

Details (continued)

Feed cord:

4-wire, 7 amps max; 5-wire, 5 amps max.

Nightlight:

See separate LC-Nightlight spec sheet for additional details.

Emergency:

EF - 10W battery powered driver.
Provides a minimum of 90 minutes of emergency lighting.
Inverter-Compatible. Provided by others.
Available in 4'+ fixtures.

Thru wiring:

See separate LC-Thruwire spec sheet for additional details.

Luminaire Canopy Box:

See separate [LC instructions](#) for additional details
*For use with Grid Ceilings only

T-Bar Clips:

See separate [LC instructions](#) for additional details
*For use with Grid Ceilings only

System Connectors:

90°, 120°, 135° illuminated corners available. One piece construction, ready to install, with diffusers that match adjoining fixtures. Corner system connectors must be used to form patterns. The length of each outside or inside lighted corners is 12".

Rated Life (LED Board):

Tested in accordance to LM79-2008 & derived from EPA TM-21 calculator
L70: 280,000 (calculated per TM-21 extrapolated curve)
L70: >61,000 (reported per TM-21/LM80 6x's limitation)
L90: 72,000 (calculated per TM-21 extrapolated curve)
L90: >61,000 (reported per TM-21/LM80 6x's limitation)

Planning for installation :

Suspension Mounting Locations
Pendant locations at ends of rows (or individual fixtures) are 3/8" from fixture ends. Pendant attachment allows for horizontal adjustment to "fine-tune" side-to-side leveling.

Rated Life (Driver):

Standard = 100,000 hours
Lutron = 50,000 hours

Fixture weight:

3 lbs/ft.

Ratings:

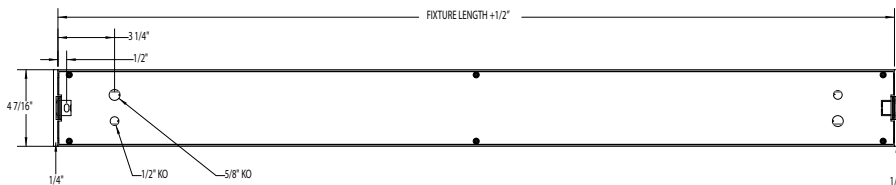
CSA listed for damp locations. IBEW. AF of L. UL924.
This product qualifies as a "designated country construction material" per FAR 52.225-11 Buy American-Construction. Materials under Trade Agreements effective 8/14/2020.
See [Buy American Act Solutions](#). Contact factory for configurations including SpectraSync, Emergency Battery, NX, or sensors.



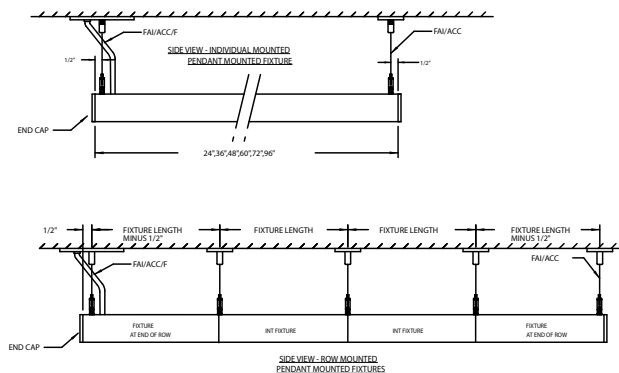
Warranty:

5 years. See www.litecontrol.com for details.

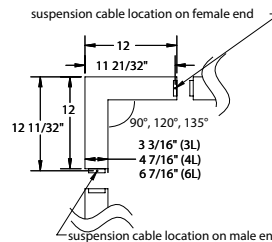
Individual Mounting:



Row Mounting:



Patterns:



Quick Find litecontrol.com **4L-P-D**

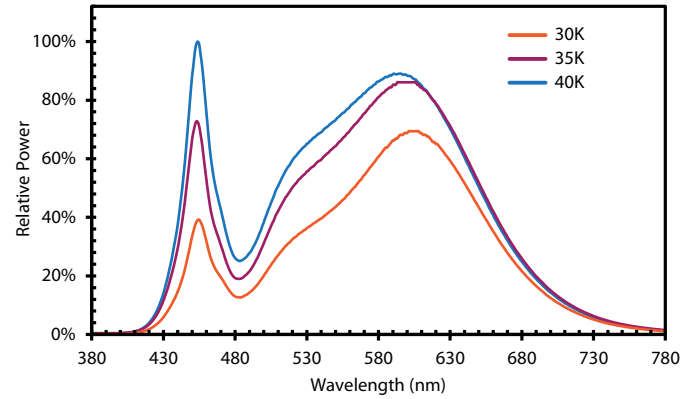
MOD™ 4 LED Pendant Direct

Details (continued)

Color Characteristics:

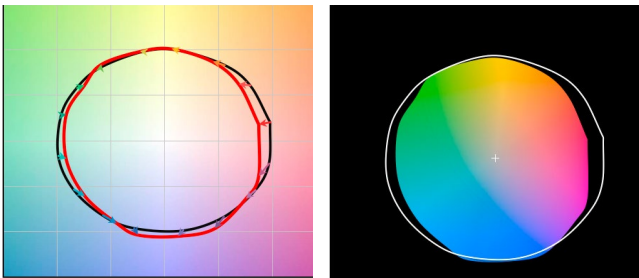
Value	Ordering Code		
	30K	35K	40K
Rf	83	82	82
Rg	96	96	96
CCT (K)	3009	3494	3975
Duv	-0.0009	-0.0004	-0.0003
x	0.435	0.4052	0.3814
y	0.4012	0.3898	0.3768
CIE Ra	83	83	84

Spectral Distribution:

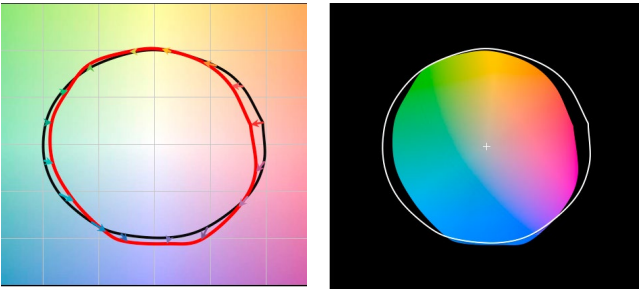


Color Vector Graphic:

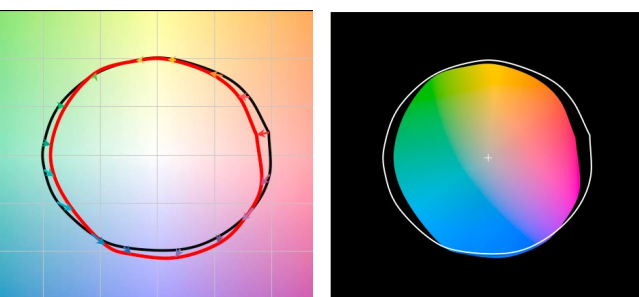
30K:



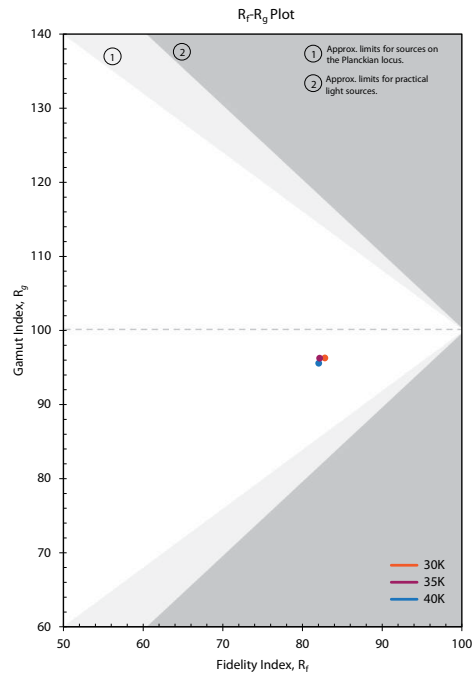
35K:



40K:



Color Gamut/Fidelity Plot



CRI:

80 minimum

CCT	CRI	R1	R2	R3	R4	R5	R6	R7	R8	R9	R10	R11	R12	R13	R14
30K	83	82	91	97	81	82	89	84	62	13	79	79	69	84	99
35K	83	81	89	95	81	81	85	86	65	13	73	79	62	83	97
40K	84	82	90	94	82	82	85	87	68	17	74	80	60	84	97

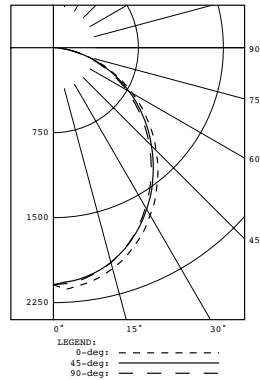
Quick Find litecontrol.com

4L-P-D

MOD™ 4 LED Pendant Direct

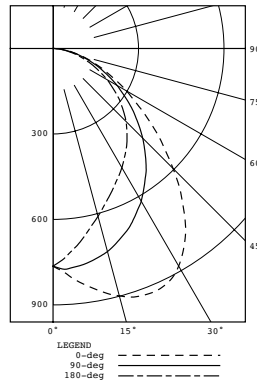
Photometry

Fixture: 4L-P-D-XX-XX-SOF-CX-35K-D100
CCT: 3500K
Output: D100
Nominal lumens: 1000 lumens/ft
Efficacy: 112 lm/W
Test report: 4L-P-D-04-SOF-X-CX-35K-D100.IES



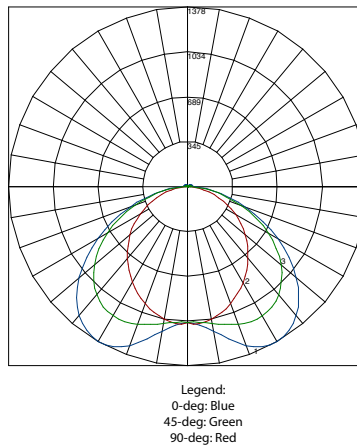
Zonal Lumens		
Zone	Lumens	Lamp %
0-40	1885.8	47.1
0-60	3214.6	80.4
0-90	4000.1	100.0
90-180	0.0	0.0%
0-180	4000.1	100.0

Fixture: 4L-R-AD-XX-XX-ASYM-CX-35K-D050
CCT: 3500K
Output: D050
Nominal lumens: 500 lumens/ft
Efficacy: 124 lm/W
Test report: 4L-R-AD-XX-XX-ASYM-CX-35K-D050.IES



Zonal Lumens		
Zone	Lumens	Lamp %
0-40	982	48.7
0-60	1658	82.3
0-90	2016	100.0
90-180	0	0.0
0-180	2016	100.0

Fixture: 4L-X-D-04-BAT-CX-35K-D100
CCT: 3500K
Output: D100
Nominal lumens: 1000 lumens/ft
Efficacy: 111 lm/W
Test report: 4L-X-D-04-BAT-CX-35K-D100.IES

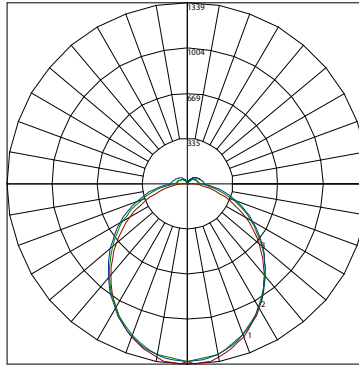


Zonal Lumens		
Zone	Lumens	Lamp %
0-40	1625.84	40.64
0-60	3056.77	76.42
0-90	3948.2	98.70
90-180	51.97	1.30
0-180	4000.17	100.00

MOD™ 4 LED Pendant Direct

Photometry (continued)

Fixture: 4L-X-D-04-DRP-CX-35K-D100
CCT: 3500K
Output: D100
Nominal lumens: 1000 lumens/ft
Efficacy: 110 lm/W
Test report: 4L-X-D-04-DRP-CX-35K-D100.IES



Legend:
 0-deg: Blue
 45-deg: Green
 90-deg: Red

Zonal Lumens

Zone	Lumens	Lamp %
0-40	1613.08	40.60
0-60	2797.69	70.50
0-90	3677.99	92.70
90-180	291.34	7.30
0-180	3969.32	100.00

LTC-6RDW

LITEISTRY 6" ROUND CYLINDER

LITEISTRY™

FEATURES

- 6" architectural LED downlight and wall wash cylinder delivering 600 - 7000 lm
- Five beam distributions from 0.3 to 1.1 Spacing Criteria
- Quiet reflector appearance with 50° optical cutoff
- 2700K - 5000K, 80+ and 90+ CRI options
- Available in Surface, Wall, Pendant, or Cable/Cord Mount configurations
- Versatile canopy options for recessed and surface-mounted J-box applications
- Variety of dimming protocol options including 0-10V, DALI, DMX, Forward Phase and EcoSystem



RELATED PRODUCTS

- ∅ LTC-6RDW SpectraSync
- ∅ LTC-6RDWPH PowerHUBB
- ∅ 3" LITEISTRY Family
- ∅ 4" LITEISTRY Family
- ∅ 6" LITEISTRY Family

CONTROL TECHNOLOGY



SPECIFICATIONS

CONSTRUCTION

- Seamless heavy gauge aluminum cylinder body with a clean appearance
- Available in Surface (S), Wall (W), Pendant (P), or Cable/Cord (CM) mounting types
- Canopy options include Conduit Canopy (CC), Power Canopy (PC), Power Conduit Canopy (PCC), or Recessed Mount Driver (RMD), (See Dimensions section for details)
- For S, P, or CM mounting with CC or PCC canopy options, use 4" octagonal junction box (by others)
- All Wall Mount: Die cast aluminum mounting arm allows direct mounting to standard 4" octagonal or square junction box
- Pendant Mount canopy options allow sloped ceiling up to 35° (5° for RMD)
- Select from 4 standard architectural painted finishes, Brushed Aluminum, or specified custom color

OPTICS

- Visually pleasing 50° cutoff to source and source image
- The light distribution is free of distracting bright spots or pixelation and the perimeter has a smooth transition
- Optical grade silicone lens integral to light engine
- High purity spun aluminum reflector, self-flanged
- Large selection of anodized finishes and colors
- Painted cones and flange options available

ELECTRICAL

- Chip-on-board (COB) LED with 2 SDCM
- Multiple CCTs, 80+ or 90+ CRI
- Long LED life: L90 at >55,000 (TM-21)
- Universal voltage 120V-277V driver, 347V optional
- UL Class 2, inherent short circuit and overload protection, RoHS compliant
- Flicker free 0-10V dimming with 1% or <1% performance
- DALI, DMX, and Lutron Forward Phase and EcoSystem options

INSTALLATION

- Light Engine/Trim assembly is mechanically secured with torsion springs for ease of installation
- A quick connect is provided for easy maintenance or upgrade
- Recessed Mount Driver (RMD) is accessible from above or below ceiling; assembly mounts with 1/4-20 threaded rod (by others) and requires 6" plenum clearance
- Conduit Canopy options (CC or PCC) allow field selectable conduit entry (up to 4@ 90°) (See Dimensions section)
- Conduit Canopies utilize a patent pending mounting yoke to secure cylinder to the ceiling surface
- Cable/Cord can be cut in the field to custom length
- Standard and Custom Pendant lengths available (specify when ordering)

CERTIFICATIONS

- cCSAus certified to UL 1598
- Wall Mount up to 55L (except CC and PC): Suitable for wet locations
- Pendant Mount up to 55L (except CC and PCC): Suitable for wet locations under covered ceiling
- 60L-70L Pendant & Wall, all Surface, Cable/Cord, all Wall Wash, all CC and PCC: Suitable for damp locations
- This product qualifies as a "designated country construction material" per FAR 52.225-11 Buy American-Construction. Materials under Trade Agreements effective 6/6/2020. See [Buy American Solutions](#).

WARRANTY

- 5 year warranty
- See [HLI Standard Warranty](#) for additional information

KEY DATA	
Lumen Range	600-7000
Wattage Range	8-72
Efficacy Range (LPW)	94-104*
Reported Life (Hours)	L90 / >55,000
Input Current (mA)	67-600 (120V)

*Based on Specular, 35K, 80 CRI



LTC-6RDW

LITEISTRY 6" ROUND CYLINDER

DATE: _____ LOCATION: _____

TYPE: _____ PROJECT: _____

CATALOG #: _____

ORDERING GUIDE

Example: LTC-6RD-CM15WHPCC-15L35K9WD-DM1-SS-WH

CATALOG #

LTC-6RD		Cylinder Mounting		Canopy Option		Lumen Output		CCT		CRI			
Aperture/Shape/Function		S	Surface	<i>Refer to chart on Page 3 for available canopy options based on driver/controls selection</i>		06L	600 Lumens ³	27K	2700K	8	80+ CRI		
LTC-6RD	6" Round Downlight Cylinder	W	Wall			10L	1000 Lumens ³	30K	3000K	9	90+ CRI		
LTC-6RW	6" Round Wall Wash Cylinder	P	Pendant (Standard) Nominal 18" length from cylinder top to ceiling ¹⁰			<i>Standard Canopy^{3,9}</i>	15L	1500 Lumens ³	35K	3500K			
		P_	Pendant (Custom) Specify length from cylinder top to ceiling in 1 inch increments from 15 to 60 ¹⁰			CC	Conduit Canopy ^{3,9}	20L	2000 Lumens ³	40K	4000K		
						PC	Power Canopy ^{3,9}	25L	2500 Lumens ³	50K	5000K ¹		
				PCC	Power Conduit Canopy ^{3,9}	30L	3000 Lumens ³						
				RMD	Recessed Mount Driver ^{3,9}	35L	3500 Lumens ³						
		Cable/Cord⁵				40L	4000 Lumens ³						
		CM	6ft Clear Cord			45L	4500 Lumens ³						
		CMBL	6ft Black Cord			50L	5000 Lumens ³						
		CMWH	6ft White Cord			55L	5500 Lumens ³						
		CM15	15ft Clear Cord			60L	6000 Lumens ^{3,7}						
		CM15BL	15ft Black Cord			70L	7000 Lumens ^{3,7}						
		CM15WH	15ft White Cord										

Distribution		Driver Options		Control Options		Voltage		Reflector Finish		Reflector Color	
VNR	Very Narrow (0.3 SC/20°)	DM1	0-10V Dimming to 1% ^{3,8}	NXE	NX Enabled, Dual SmartPorts ^{2,3}	<i>Standard</i> 120-277V		<i>Finish not applicable with painted reflectors (WC or BC)</i>		<i>Standard Clear</i>	
NR	Narrow (0.4 SC/29°)	DM01	0-10V Dimming to <1% ³	NXWE	NX Wireless Enabled ^{2,3}						
MD	Medium (0.7 SC/53°)	DMX	DMX with RDM dimming to <0.1% ³	NXWD	NX Wireless Enabled, Dual SmartPorts ^{2,3}	34	347V ^{3,6}	S	Specular	CG	Champagne Gold
WD	Wide (1.0 SC/59°)	DALI	DALI Dimming to 1% ³	LV	Lutron Vive Enabled, 0-10V (requires DM1 driver) ³			SS	Semi-Specular	BL	Black
XW	Extra Wide (1.1 SC/66°)	2DM	Lutron Hi-Lume 2-wire Dimming to 1% (120V Forward Phase only) ³	LVE	Lutron Vive Enabled, EcoSystem, (requires EDM) ³			MFC	American Matte™	LW	Light Wheat
WW	Wall Wash ⁷	EDM	Lutron Hi-Lume EcoSystem Dimming to 1% ³					VS	Softglow®	PW	Pewter
								VSS	SoftSheen™	WC	Painted White Cone and Flange
										BC	Painted Black Cone and Flange

Flange Color Options		Exterior Cylinder Color	
<i>Standard matches reflector color</i>		BA	Brushed Aluminum ¹¹
WT	White Flange ⁴	BZ	Bronze
BT	Black Flange ⁴	BL	Matte Black
		WH	Matte White
		SVR	Silver
		CC_	Custom Color (Specify RAL#, Example: CCRAL1073)
		TCC_	True Custom Color (Specify description, Example: TCC BABY BLUE, Paint chip must be provided to match)

- Notes:
- 5000K available in 80+ CRI only.
 - NX requires DM1 driver option.
 - For lumen outputs/configurations available, see chart on page 3.
 - WT not needed for WC, BT not needed for BC.
 - Cable/Cord can be cut in the field to custom length.
 - 347V requires DM1 driver option; not available with Controls.
 - 60L and 70L require vented cylinder, Not available with WW.
 - DM1 on >60L is 0-10V to 5% dimming.
 - See Dimensions section for canopy configuration details.
 - Stem length varies by canopy configuration. See Dimensions section for details.
 - Canopy color for Brushed Aluminum is Black.



LTC-6RDW

LITEISTRY 6" ROUND CYLINDER

DATE: _____ LOCATION: _____
 TYPE: _____ PROJECT: _____
 CATALOG #: _____

DRIVER/CONTROL OPTION AVAILABILITY

Driver and Control options listed below are available in the configurations and lumen packages as shown.

Driver/Control Option		Cylinder Mounting ¹	Canopy Options ²	06L	10L	15L	20L	25L	30L	35L	40L	45L	50L	55L	60L	70L ⁶
DM1	0-10V 1%	W	Standard/CC	●	●	●	●	●	●	●	●	●	●	●	▼	▼
		P/S/CM	Standard/CC	●	●	●	●	●	●	●	●	●	●	●	▼	▼
DM01	0-10V <1%	W	Standard/CC	●	●	●	●	●								
		P/S/CM	Standard/CC	●	●	●	●	●								
DALI	DALI 1%	W	Standard/CC	●	●	●	●	●								
		P/S/CM	Standard/CC	●	●	●	●	●								
DMX	DMX w/ RDM <0.1%	W	Standard/CC	●	●	●	●	●	●	●	●	●	●	●		
		P/S/CM	PC/PCC	●	●	●	●	●	●	●	●	●	●	●		
			RMD ⁵	●	●	●	●	●	●	●	●	●	●	●		
2DM	Lutron Hi-Lume 2-wire 1%	W	Standard/CC		●	●	●	●								
		P/S/CM	Standard/CC		●	●	●	●								
EDM	Lutron Hi-Lume EcoSystem 1%	W	Standard/CC		●	●	●	●	●							
		P/S/CM	Standard/CC		●	●	●	●	●							
347V ³	347 Volts (DM1 required)	W	Standard/CC		●	●	●	●	●	●	●	●	●	●	▼	
		P/S/CM	Standard/CC		●	●	●	●	●	●	●	●	●	●	▼	

NXE	NX (DM1 required)	W	PC/PCC	●	●	●	●									
		P/S/CM	PC/PCC/RMD	●	●	●	●									
NXWD & NXWE	NX Wireless (DM1 required)	W	PC/PCC	●	●	●	●									
		S	RMD	●	●	●	●									
		P/CM	PC/PCC/RMD	●	●	●	●									
LV	Lutron Vive® (DM1 required)	W	N/A													
		P/S/CM	RMD ⁵	●	●	●	●									
LVE	Lutron Vive® (EDM required)	W	N/A													
		P/S/CM	RMD		●	●	●									

▼ Vented cylinder required, see line art for more details.

- See Cylinder Mounting chart.
- See Canopy Options chart and Dimensions section for details.
- Not available with Controls.
- RMD is Non-IC rated unless noted.
- IC Rated.
- 70L DM1 option is 0-10V 5%.

Cylinder Mounting	
W	Wall Mount
S	Surface Mount
CM	Cable/Cord Mount
P	Pendant Mount

Canopy Options	
(Blank)	Standard Canopy
CC	Conduit Canopy
PC	Power Canopy
PCC	Power Conduit Canopy
RMD	Recessed Mount Driver ⁴

CONTROLS

NX Distributed Intelligence™ Lighting Controls:

Supports applications in a variety of deployment options- wired, wireless, hybrid. Integrates with and enables a wide array of luminaires including those with SpectraSync™ Color Tuning Technology.



NX INTEGRATED CONTROLS REFERENCE								
NX Option	Sensor	Networkable	Scheduling	Occupancy	Daylight Harvesting	0-10V Dimming	On/off Control	Bluetooth® App Programming
NX Networked – Wired								
NXE	N/A	Yes	Yes	No	No	Yes	Yes	Requires NXBTC/R ¹
NX Networked – Wireless								
NXWE ²	N/A	Yes	Yes	No	No	Yes	Yes	No ³
NX Networked – Wired/Wireless								
NXWD	N/A	Yes	Yes	No	No	Yes	Yes	Requires NXBTC/R ^{1,3}

- NXBTC/R needs to be plugged into an available NX SmartPort™ on the fixture network
- Programming via App requires factory assistance
- To program NXWE option, need to consult factory. If connected to an area controller, programming can be done from that



LTC-6RDW

LITEISTRY 6" ROUND CYLINDER

DATE: _____ LOCATION: _____

TYPE: _____ PROJECT: _____

CATALOG #: _____

PERFORMANCE DATA TABLE

Performance data provided below is for 3500K, 80 CRI with Specular Clear reflector finish/color

Lumen Package	Nominal Lumens	Distribution	Delivered Lumens	Watts	LPW
06L	600	Very Narrow	806	7.8	103
		Narrow	717	7.8	92
		Medium	746	7.8	96
		Wide	691	7.8	89
		Extra Wide	665	7.8	85
		Open Single Wall Wash	711	7.8	91
10L	1000	Very Narrow	1288	12.0	107
		Narrow	1146	12.0	96
		Medium	1192	12.0	99
		Wide	1104	12.0	92
		Extra Wide	1063	12.0	89
		Open Single Wall Wash	1136	12.0	95
15L	1500	Very Narrow	1851	18.7	99
		Narrow	1623	18.7	87
		Medium	1712	18.7	92
		Wide	1586	18.7	85
		Extra Wide	1527	18.7	82
		Open Single Wall Wash	1631	18.7	87
20L	2000	Very Narrow	2355	22.6	104
		Narrow	2263	22.7	100
		Medium	2265	22.6	100
		Wide	2180	22.7	96
		Extra Wide	2139	22.7	94
		Open Single Wall Wash	2211	22.8	97
25L	2500	Very Narrow	3093	27.7	112
		Narrow	2751	27.7	99
		Medium	2860	27.7	103
		Wide	2650	27.7	96
		Extra Wide	2551	27.7	92
		Open Single Wall Wash	2726	27.7	98
30L	3000	Very Narrow	3686	34.3	107
		Narrow	3278	34.3	96
		Medium	3409	34.3	99
		Wide	3158	34.3	92
		Extra Wide	3040	34.3	89
		Open Single Wall Wash	3248	34.3	95
35L	3500	Very Narrow	4477	43.0	104
		Narrow	3942	43.0	93
		Medium	4477	43.0	104
		Wide	3836	43.0	89
		Extra Wide	3693	43.0	86
		Open Single Wall Wash	3946	43.0	92



LTC-6RDW

LITEISTRY 6" ROUND CYLINDER

DATE: _____ LOCATION: _____

TYPE: _____ PROJECT: _____

CATALOG #: _____

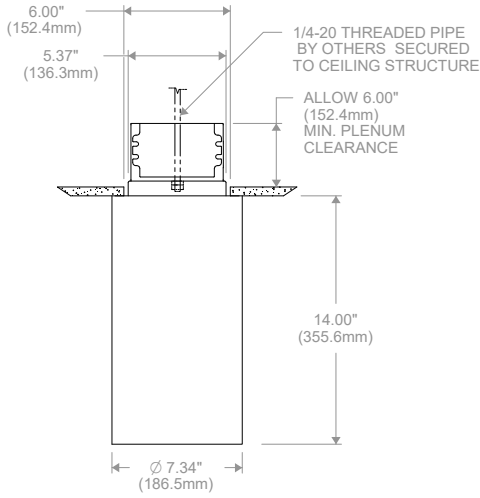
PERFORMANCE DATA TABLE CONTINUED

Performance data provided below is for 3500K, 80 CRI with Specular Clear reflector finish/color

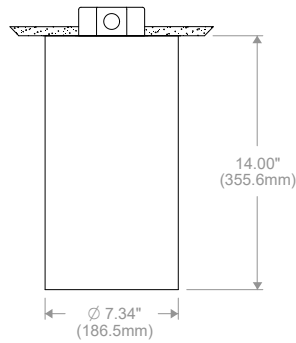
Lumen Package	Nominal Lumens	Distribution	Delivered Lumens	Watts	LPW
40L	4000	Very Narrow	5117	51.6	99
		Narrow	4552	51.6	88
		Medium	4733	51.6	92
		Wide	4385	51.6	85
		Extra Wide	4221	51.6	82
		Open Single Wall Wash	4510	51.6	87
45L	4500	Very Narrow	5371	55.1	98
		Narrow	4775	55.1	87
		Medium	4967	55.1	90
		Wide	4602	55.1	84
		Extra Wide	4430	55.1	80
		Open Single Wall Wash	4734	55.1	86
50L	5000	Very Narrow	5740	48.7	118
		Narrow	5105	48.7	105
		Medium	5308	48.7	109
		Wide	4918	48.7	101
		Extra Wide	4734	48.7	97
		Open Single Wall Wash	5059	48.7	104
55L	5500	Very Narrow	6365	53.9	119
		Narrow	5662	53.9	105
		Medium	5887	53.9	109
		Wide	5454	53.9	101
		Extra Wide	5250	53.9	97
		Open Single Wall Wash	5610	53.9	104
60L	6000	Very Narrow	7090	60.7	117
		Narrow	6299	60.7	104
		Medium	6557	60.7	108
		Wide	6075	60.7	100
		Extra Wide	5848	60.7	96
		Open Single Wall Wash	6249	60.7	103
70L	7000	Very Narrow	8266	72.1	115
		Narrow	7353	72.1	102
		Medium	7645	72.1	106
		Wide	7083	72.1	98
		Extra Wide	6819	72.1	95
		Open Single Wall Wash	7285	72.1	101

DIMENSIONS

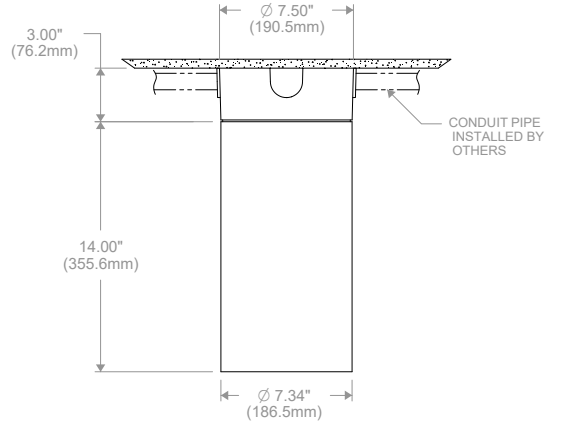
SURFACE (S)



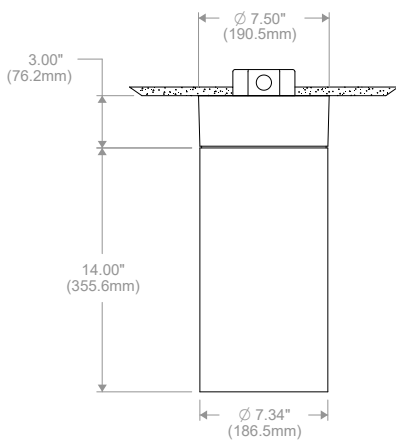
Surface Recessed Mount Driver SRMD



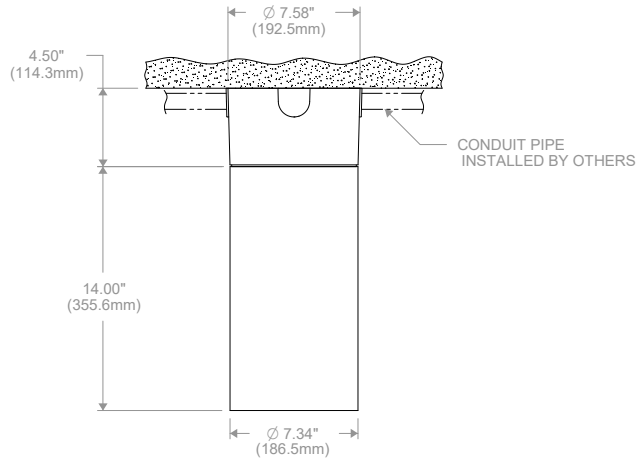
Surface Standard Canopy S



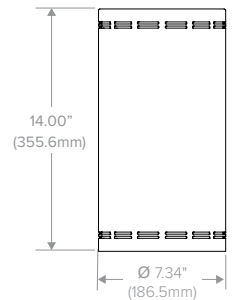
Surface Conduit Canopy SCC



Surface Power Canopy SPC



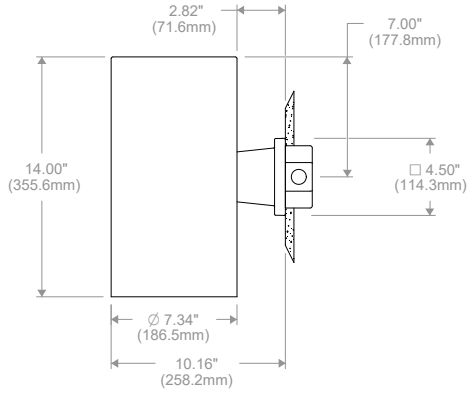
Surface Power Conduit Canopy SPCC



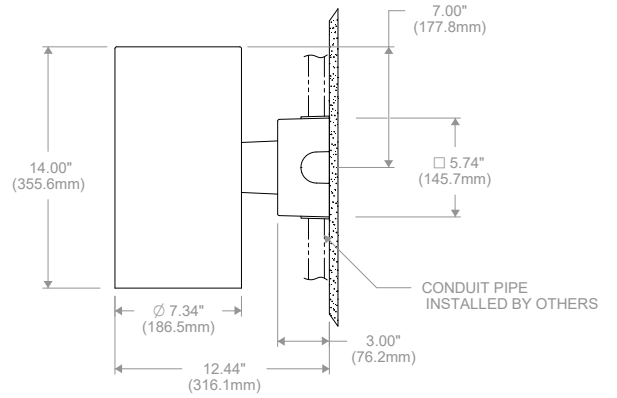
Vented Detail View (60L & 70L) (All Mountings)

DIMENSIONS

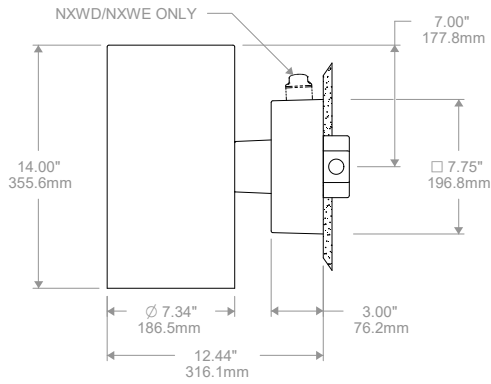
WALL (W)



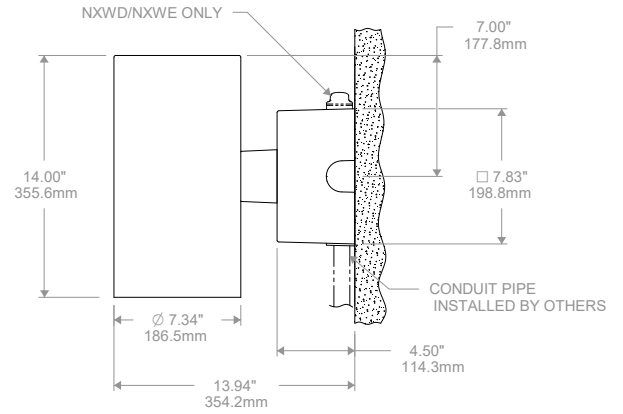
**Wall
Standard Canopy
W**



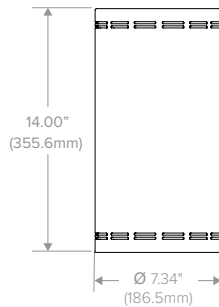
**Wall
Conduit Canopy
WCC**



**Wall
Power Canopy
WPC**



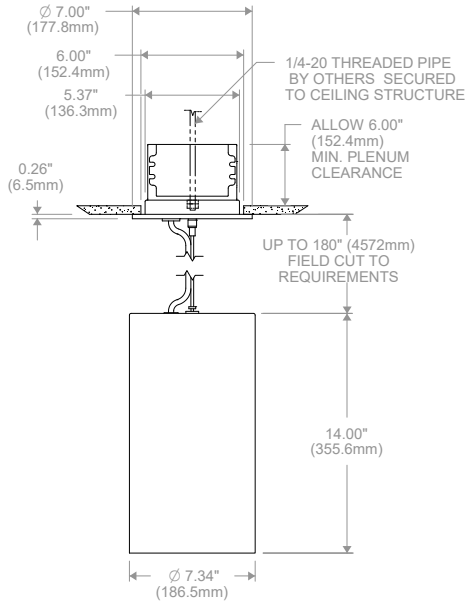
**Wall
Power Conduit Canopy
WPCC**



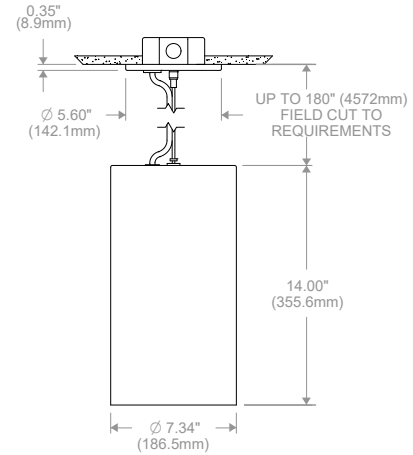
**Vented Detail View
(60L & 70L)
(All Mountings)**

DIMENSIONS

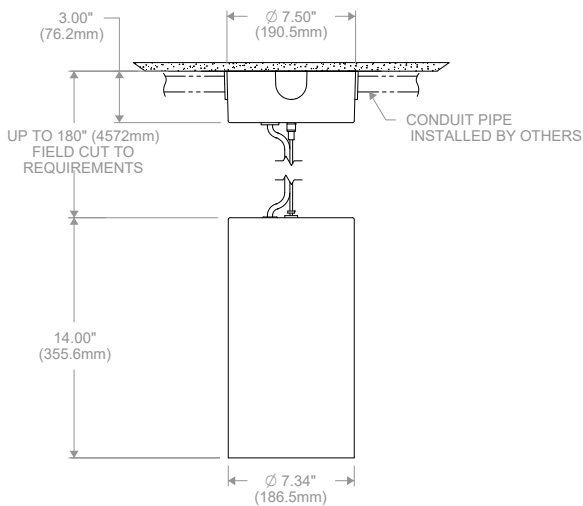
CABLE/CORD (CM)



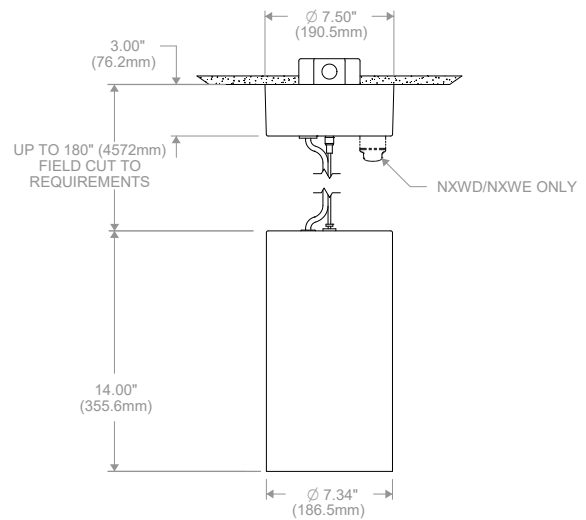
**Cable/Cord
Recessed Mount Driver
CMRMD**



**Cable/Cord
Standard Canopy
CM**



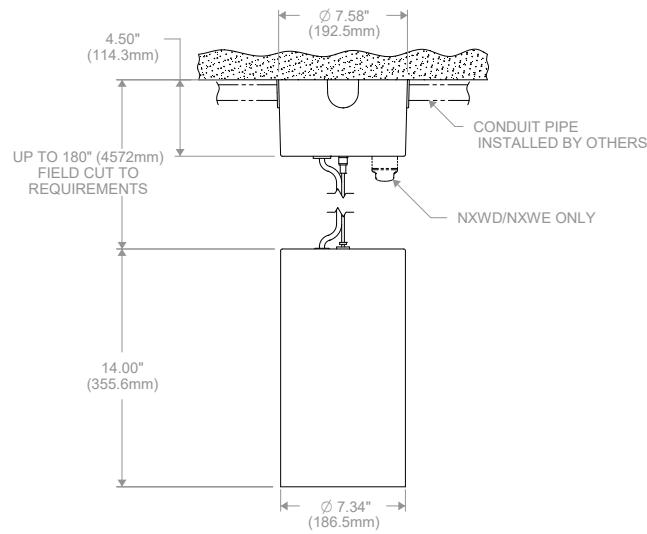
**Cable/Cord
Conduit Canopy
CMCC**



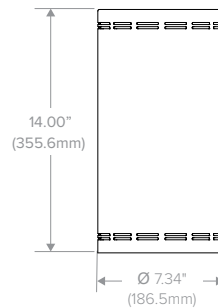
**Cable/Cord
Power Canopy
CMPC**

DIMENSIONS CONTINUED

CABLE/CORD (CM)



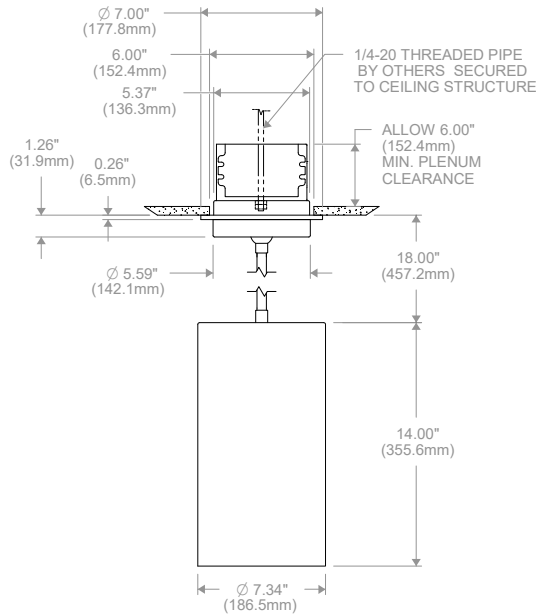
**Cable/Cord
Power Conduit Canopy
CMPCC**



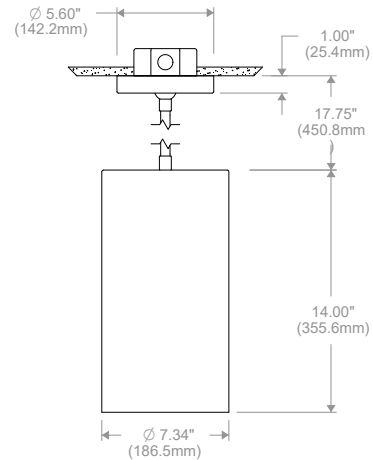
**Vented Detail View
(60L & 70L)
(All Mountings)**

DIMENSIONS

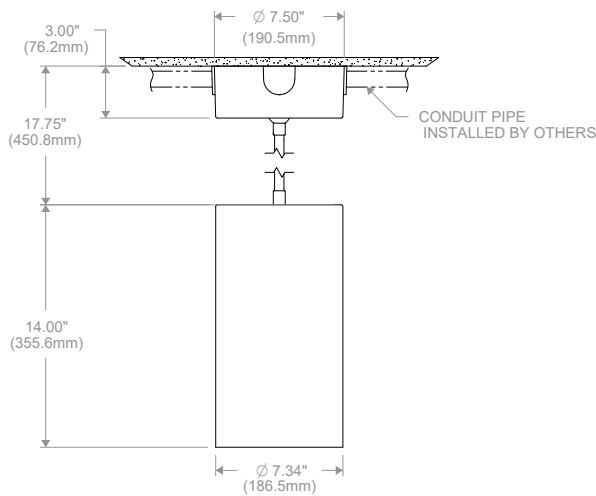
PENDANT (P)



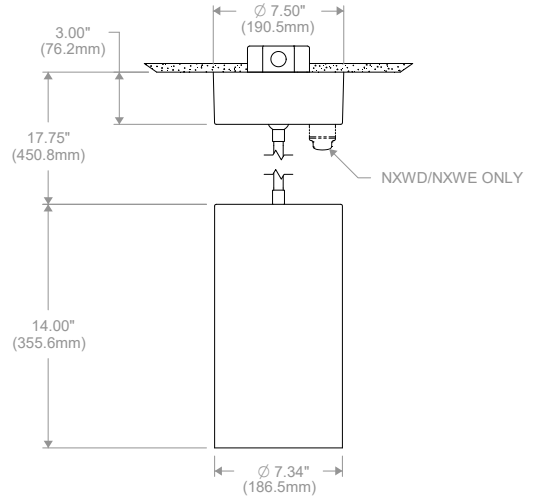
**Pendant Recessed Mount Driver
PRMD**



**Pendant Standard Canopy
P**



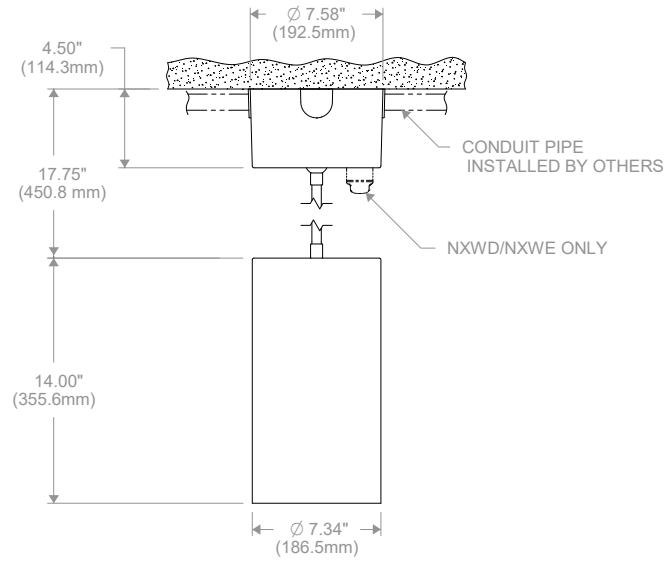
**Pendant Conduit Canopy
PCC**



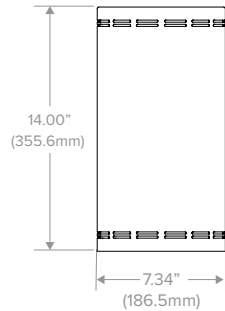
**Pendant Power Canopy
PPC**

DIMENSIONS CONTINUED

PENDANT (P)



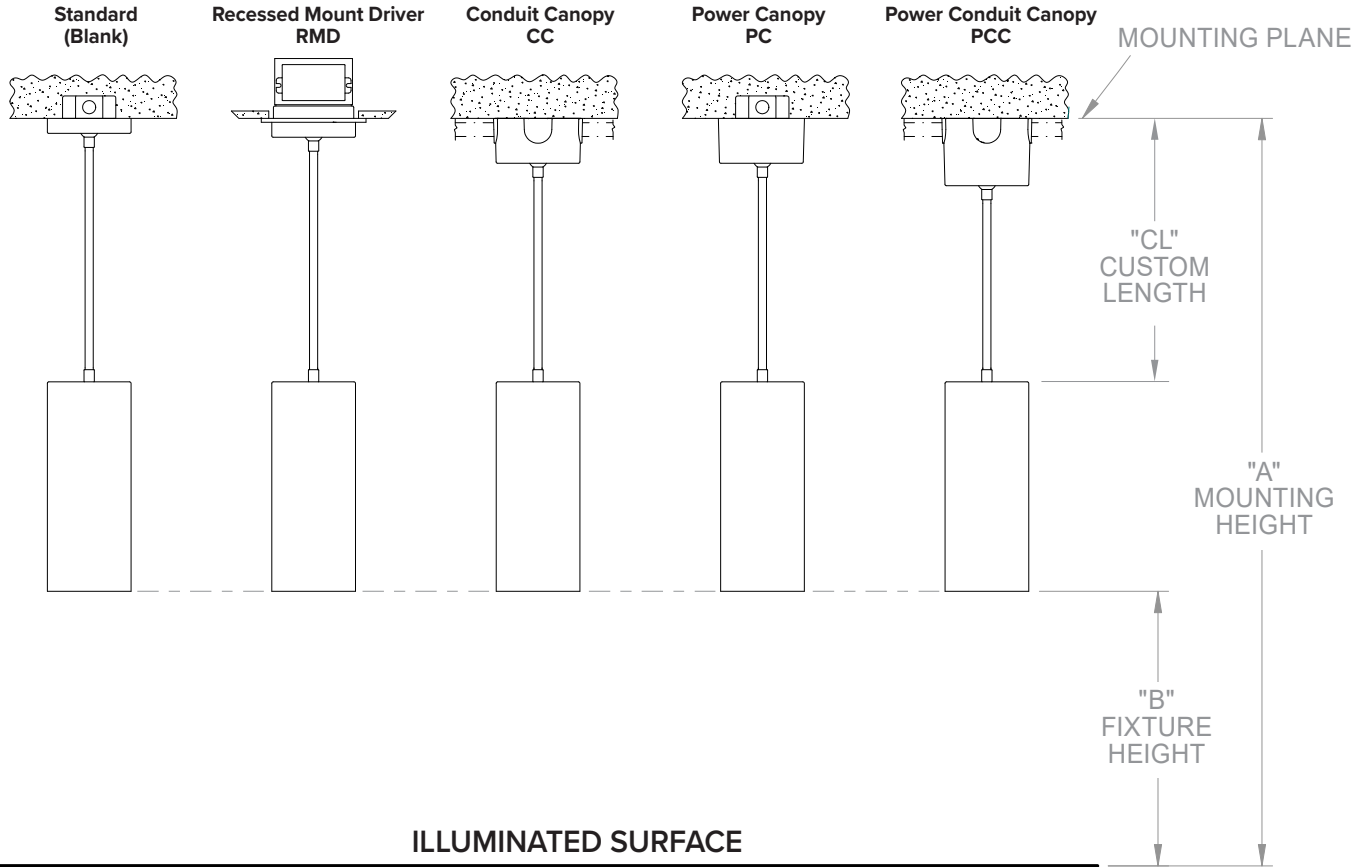
**Pendant
Power Conduit Canopy
PPCC**



**Vented Detail View
(60L & 70L)
(All Mountings)**

DIMENSIONS

PENDANT CUSTOM LENGTH



Custom Length (CL) = Mounting Height (A) - Fixture Height (B) - 14" Cylinder

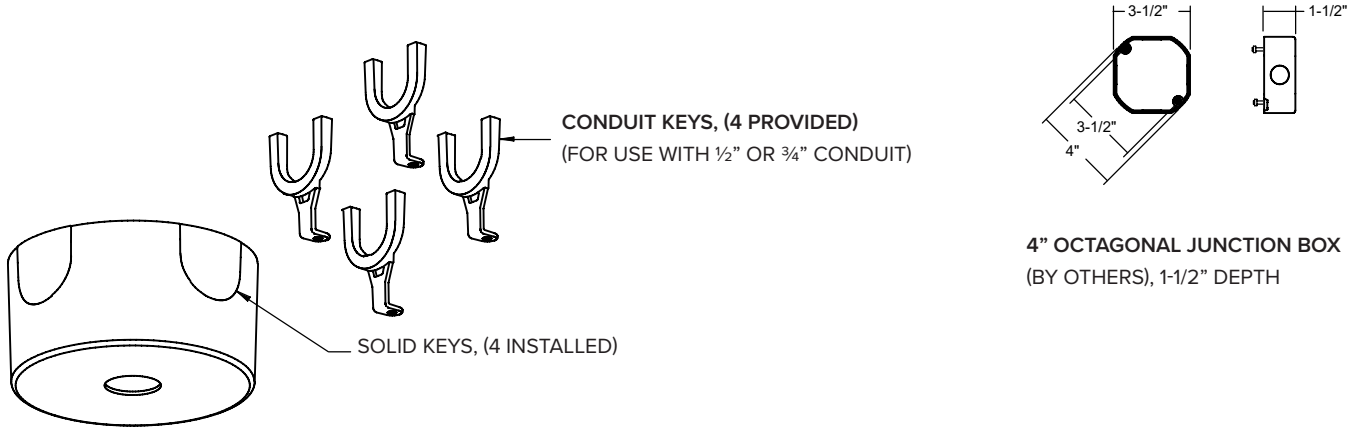
Ordering Example:

A (120") - B (72") - 14" = 34" Custom Length
LTC-6RD-P34

DIMENSIONS

CONDUIT CANOPY DETAILS

CC and PCC Conduit Canopy options come standard with (4) Solid Keys installed and (4) Conduit Keys provided.
Accommodates a 4" octagonal junction box with 1-1/2" depth (by others).



CONDUIT MOUNTING EXAMPLES - FIELD INTERCHANGEABLE

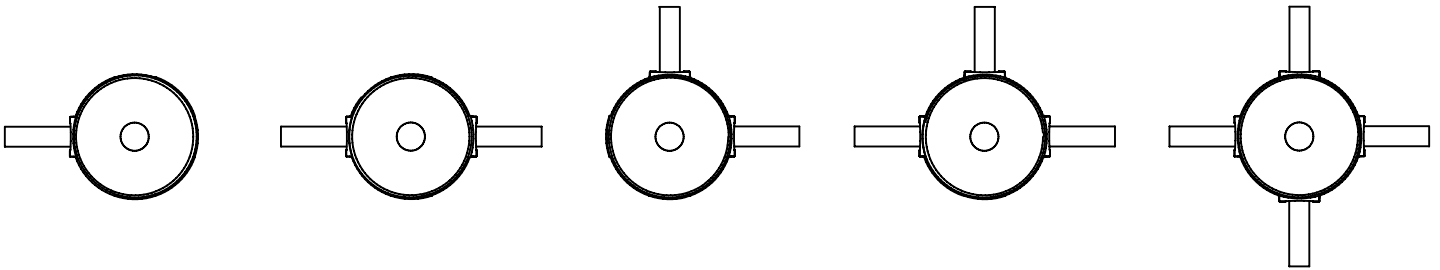
SINGLE

DOUBLE @ 180°

DOUBLE @ 90°

TRIPLE @ 90°

QUAD @ 90°



LTC-6RDW

LITEISTRY 6" ROUND CYLINDER

PHOTOMETRY

LTC-6RD-P-20L35K8VNR-DM1-S-BL

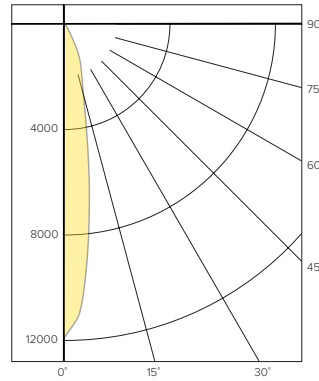
LUMINAIRE DATA

Test No.	R19.00588-C01
Description	2000 lm, Very Narrow, 3500K, 80 CRI
Delivered Lumens	2355
Watts	22.6W
Efficacy	104.0
Mounting	Pendant
Spacing Criterion	0.3
Beam Angle (FWHM)	18

ZONAL LUMEN SUMMARY

Zone	Lumens	% Luminaire
0-40	2290	97.2
0-60	2355	100.0
0-90	2355	100.0
0-180	2355	100.0

POLAR GRAPH



CANDELA DISTRIBUTION

Degree	Candela
0	11881
5	9399
15	2776
25	1236
35	255
45	74
55	0
65	0
75	0
85	0
90	0

LUMINANCE DATA*

Vertical Angle	Average
45°	6247
55°	0
65°	0
75°	0
85°	0

*Candela/Square Meter

LTC-6RD-P-20L35K8NR-DM1-S-BL

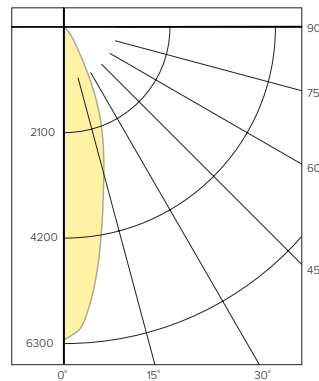
LUMINAIRE DATA

Test No.	R20.01439-C01
Description	2000 lm, Narrow, 3500K, 80 CRI
Delivered Lumens	2263
Watts	22.1W
Efficacy	103.0
Mounting	Pendant
Spacing Criterion	0.5
Beam Angle (FWHM)	29

ZONAL LUMEN SUMMARY

Zone	Lumens	% Luminaire
0-40	2185	96.6
0-60	2260	99.9
0-90	2263	100.0
0-180	2263	100.0

POLAR GRAPH



CANDELA DISTRIBUTION

Degree	Candela
0	6222
5	5603
15	3035
25	1354
35	348
45	83
55	5
65	2
75	1
85	0
90	0

LUMINANCE DATA*

Vertical Angle	Average
45°	6712
55°	498
65°	271
75°	221
85°	0

*Candela/Square Meter

LTC-6RD-P-20L35K8MD-DM1-S-BL

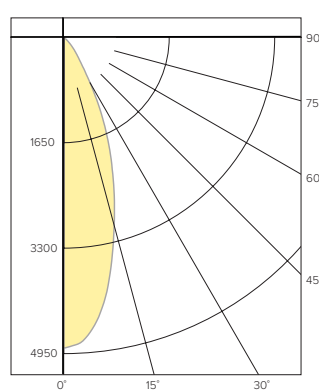
LUMINAIRE DATA

Test No.	R19.00587-01
Description	2000 lm, Medium, 3500K, 80 CRI
Delivered Lumens	2265
Watts	22.6W
Efficacy	100.0
Mounting	Pendant
Spacing Criterion	0.6
Beam Angle (FWHM)	37

ZONAL LUMEN SUMMARY

Zone	Lumens	% Luminaire
0-40	2171	95.9
0-60	2262	99.9
0-90	2265	100.0
0-180	2265	100.0

POLAR GRAPH



CANDELA DISTRIBUTION

Degree	Candela
0	4851
5	4619
15	3007
25	1450
35	386
45	99
55	6
65	2
75	1
85	0
90	0

LUMINANCE DATA*

Vertical Angle	Average
45°	8357
55°	624
65°	282
75°	231
85°	0

*Candela/Square Meter

LTC-6RDW

LITEISTRY 6" ROUND CYLINDER

PHOTOMETRY CONTINUED

LTC-6RD-P-20L35K8WD-DM1-S-BL

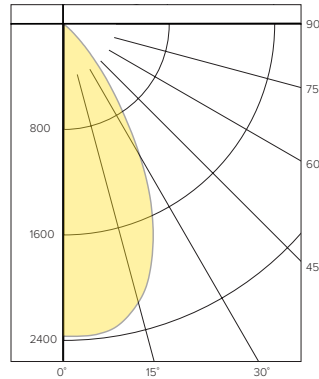
LUMINAIRE DATA

Test No.	R19.00585-01
Description	2000 lm, Wide, 3500K, 80 CRI
Delivered Lumens	2180
Watts	22.6W
Efficacy	96.1
Mounting	Pendant
Spacing Criterion	0.9
Beam Angle (FWHM)	59

ZONAL LUMEN SUMMARY

Zone	Lumens	% Luminaire
0-40	2014	92.4
0-60	2176	99.8
0-90	2180	100.0
0-180	2180	100.0

POLAR GRAPH



CANDELA DISTRIBUTION

Degree	Candela
0	2368
5	2371
15	2189
25	1591
35	726
45	177
55	10
65	3
75	1
85	0
90	0

LUMINANCE DATA*

Vertical Angle	Average
45°	14942
55°	1041
65°	424
75°	231
85°	0

*Candela/Square Meter

LTC-6RD-P-20L35K8XW-DM1-S-BL

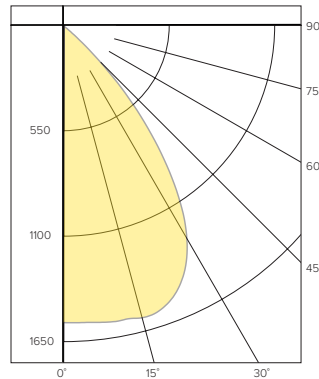
LUMINAIRE DATA

Test No.	R19.00586-01
Description	2000 lm, Extra Wide, 3500K, 80 CRI
Delivered Lumens	2139
Watts	22.7W
Efficacy	94.4
Mounting	Pendant
Spacing Criterion	1.1
Beam Angle (FWHM)	76

ZONAL LUMEN SUMMARY

Zone	Lumens	% Luminaire
0-40	1875	87.7
0-60	2134	99.8
0-90	2139	100.0
0-180	2139	100.0

POLAR GRAPH



CANDELA DISTRIBUTION

Degree	Candela
0	1547
5	1552
15	1576
25	1461
35	1007
45	301
55	9
65	3
75	1
85	0
90	0

LUMINANCE DATA*

Vertical Angle	Average
45°	25409
55°	937
65°	424
75°	231
85°	0

*Candela/Square Meter

LUMEN MULTIPLIER

Option	27K8	30K8	35K8	40K8	50K8	27K9	30K9	35K9	40K9
Multiplier	0.94	0.98	1.00	1.01	1.02	0.81	0.84	0.85	0.85

Photometrics are published below at a nominal 3500 Kelvin, 80+ CRI. This table may be used to approximate the lumen values at different Kelvin temperatures. Power consumption would stay the same.

LTC-6RDW

LITEISTRY 6" ROUND CYLINDER

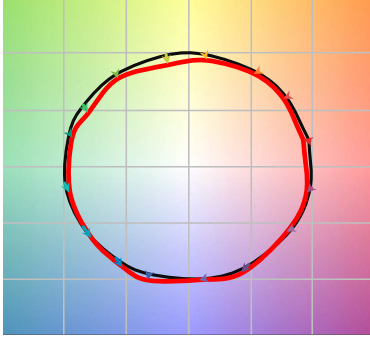
DATE: _____ LOCATION: _____

TYPE: _____ PROJECT: _____

CATALOG #: _____

TM-30 DATA

COLOR VECTOR GRAPHIC
3500K, 90 CRI



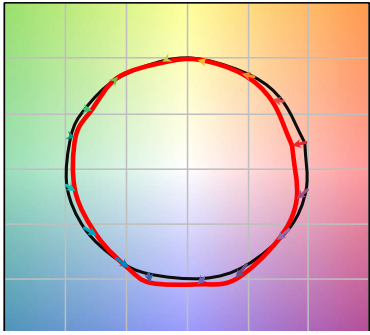
— Reference Illuminant — Test Source

COLOR DISTORTION GRAPHIC
3500K, 90 CRI



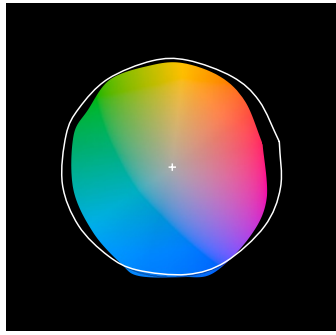
TEST RESULTS - 3500K		
Value	80+ CRI	90+ CRI
R_t	84	88
R_g	95	95
CCT (K)	3411	3419
D_{uv}	0.0015	0.0042
x	0.4120	0.4147
y	0.3974	0.4052
CIE R_a	84	93
CIE R_g	11	62

COLOR VECTOR GRAPHIC
3500K, 80 CRI



— Reference Illuminant — Test Source

COLOR DISTORTION GRAPHIC
3500K, 80 CRI





LTC-6RDW

LITEISTRY 6" ROUND CYLINDER

DATE: _____ LOCATION: _____

TYPE: _____ PROJECT: _____

CATALOG #: _____

ELECTRICAL DATA

DRIVER DATA		
Input Voltage	120-277 V	347 V
Input Frequency	50/60 Hz	50/60 Hz
Power Factor	≥0.90	≥0.90
THD	<20%	<20%
EMI Filtering (FCC 47 CFR Part 15)	Class A	Class A

* Values for DM1 option shown, values for other dimming options may vary.

WATTAGE DATA		
Lumen Output	Nominal Lumens	WATTAGE
06L	600	8
10L	1000	12
15L	1500	19
20L	2000	23
25L	2500	28
30L	3000	35
35L	3500	43
40L	4000	52
45L	4500	55
50L	5000	49
55L	5500	54
60L	6000	61
70L	7000	72

* Wattage may vary based on configuration and options selected

ADDITIONAL INFORMATION

DIMMING COMPATIBILITY CHART		
Dimming Driver	Manufacturer	Web Link
DM1 /DM01	Lutron DVTV	http://bit.ly/11jSvZg
DM1	Leviton AWRMG-7xx, AWSMG-7xx, AWSMT-7xx	http://bit.ly/1BJn2R9
EDM	Lutron	http://bit.ly/1vtjHAI
2DM	Lutron	http://bit.ly/1S4WjXK

DMX

See instruction sheet on www.prescolite.com for connection & installation information.

Central Inverters

For full fixture output in back-up mode, we recommend you visit www.dual-lite.com for your Central Lighting Inverter options. Please contact your local Hubbell representative for any assistance with proper sizing and loading of your inverter selection. Central lighting inverters must be ordered separately.

LiteGear: www.dual-lite.com/products/litegear_lg_series

LPS Series: www.dual-lite.com/products/lps

All product and company names, logos and product identifiers are trademarks ™ or registered trademarks ® of Hubbell Lighting, Inc. or their respective owners. Use of them does not necessarily imply any affiliation with or endorsement by such respective owners.

DATE: _____ LOCATION: _____
 TYPE: _____ PROJECT: _____
 CATALOG #: _____

FEATURES

- Uninterrupted ribbon of light; row mounting optional
- Long life 60,000 hour LEDs at L80 for reduced maintenance
- Superior color consistency within a 3-step MacAdam ellipse and greater than 80 CRI
- Available in 2', 4' or 8' lengths
- Optional integral emergency battery pack
- Three lens options as well as less lens (NL)
- Modular replaceable LED boards and driver accessible for future maintenance or upgrades
- Surface mount, wall mount or suspended



CONTROL TECHNOLOGY



SPECIFICATIONS

CONSTRUCTION

- Housing, wireway, and ends are formed from code-gauge steel
- Housing components act as heat sink for LED heat dissipation
- White painted parts are treated with a five stage phosphate bonding process and finished with high reflectance baked enamel

OPTICS

- Available with or without frosted acrylic lens

INSTALLATION

- Knockouts are provided for electrical access and mounting

ELECTRICAL

- Long-life LEDs are rated for 60,000 hours at L80 lumen maintenance
- Driver options include fixed output for on/off function, step dimming (high/low/off), or continuous 0–10V dimming
- Superior drivers and long-life LEDs provide quality illumination for prolonged service life
- Drivers < 10% THD at 120V, power factor > 0.95

CONTROLS

- Optional SpectraSync™ offers two modes of Tunable White solutions and integrates seamlessly into a variety of control systems
- NX Distributed Intelligence™ provides options for standalone and networked integrated sensor with wired or wireless connectivity for NX system deployments

TECHNOLOGY

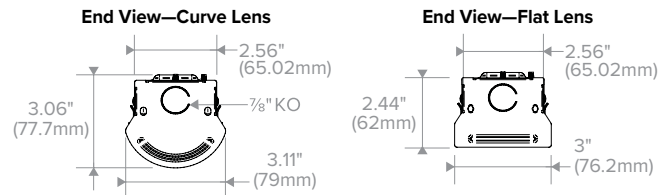
- SpectraSAFE™ is a scalable, cloud-enabled and lighting-based wireless video security solution for interior commercial and industrial applications

CERTIFICATIONS

- IC label is standard for recessed products
- All luminaires are built to UL 1598 and 2108 standards, and bear appropriate cCSAus labels
- Damp Location label standard
- CSA certified to UL 924 standards with battery pack or DTS (Dimming Bypass Module) options

RELATED PRODUCTS

- [Revalume™ Linear Wrap](#)
- [Reverie™ Decorative Low Bay](#)



CERTIFICATIONS (CONTINUED)

- Adheres to LM79, LM80, and TM21 industry standards
- The DTS, Dimming Bypass Module, is for emergency circuit control loads including sensors and wireless systems CSA certified to UL 924. See page 10 for wiring diagram. [Link to Dimming Bypass Module Specification sheet](#)
- This product qualifies as a “designated country construction material” per FAR 52.225-11 Buy American-Construction Materials under Trade Agreements effective 06/01/2020. [See Buy American Solutions](#)

WARRANTY

- 5 year warranty
- See [HLI Standard Warranty](#) for additional information

KEY DATA	
Lumen Range	1377–16,833
Wattage Range	13.5–133.8
Efficacy Range (LPW)	111–142
Reported Life (Hours)	L80–60,000

ORDERING GUIDE

Example: MPS4-40ML-CW-EDU

CATALOG #

MPS			Color Temp			Nominal Lumens ⁴			Lens		Distribution ⁵	
Model	Size ¹	CRI										
MPS MultiPurpose Linear	2' 2'	Blank >80	30	3000K	XW	4' (2700), 8' (5400)	LWHE	2' (2600), 4' (4100), 8' (8200)	C	Curve, Frosted Acrylic	N	Narrow Distribution ⁶
	4' 4'	9 90 ²	35	3500K	XWHE	4' (2500), 8' (5000)	ML	2' (3600), 4' (4800), 8' (9500)	F	Flat, Frosted Acrylic	W	Wide Distribution
	8' 8'		40	4000K	VW	2' (1700), 4' (3400), 8' (6900)	MLHE	4' (4700), 8' (9400)	NL	Less Lens		
			50	5000K	VWHE	4' (3300), 8' (6600)	HL	2' (3800), 4' (6000), 8' (12,000)	CP	Curve, Frosted Polycarbonate		
			2750T	2700K-5000K SpectraSync™ Tunable White ³	MW	2' (2300), 4' (3800), 8' (7700)	HLHE	4' (5700), 8' (11,500)				
			2765T	2700K-6500K SpectraSync™ Tunable White ³	MWHE	2' (2100), 4' (3700), 8' (7400)	VL	4' (7100), 8' (14,200)				
				LW	2' (2500), 4' (4200), 8' (8400)	XL	4' (8400), 8' (17,000)					

Driver	Voltage	Options	Control Options ^{23, 24, 25}
E	Fixed Output	ELL14 Emergency Battery Pack, 10W ^{9, 10, 11}	NX Standalone
ED	0-10V Dimming	ELL14H2 Emergency Battery Pack, 2-Hour Run Time ^{9, 10, 11}	NXS NX, PIR BT Occupancy/Daylight Sensor, Slide Mount ^{26, 28}
ED1	0-10V 1% Dimming	GLR Fast Blow Fuse	NX Networked – Wired
EDD	0-10V Dim-to-Dark	GTD Generator Transfer Device ¹²	NXE NX, Dual SmartPORTs ^{26, 27, 28}
ESD	Step Dimming	DTS Dimming Bypass Module ¹³	NXES NX, PIR BT Occupancy/Daylight Sensor, Slide Mount, Dual SmartPORTs ^{26, 27, 28}
LUTH	Hi-Lume 1% EcoSystem LED driver with Soft-on, Fade-to-Black dimming technology ⁷	MPSCE Injection Molded ABS Material Curve Endcap ²³	NX Networked – Wireless
LUT5	5-Series EcoSystem LED driver ⁷	MPSCE-MB Injection Molded ABS Material Curve Endcap, Matte Black	NXSW NX Wireless, PIR BT Occupancy/Daylight Sensor ^{26, 28}
DALIP	DALI Power Bus ⁸	MPSFE Injection Molded ABS Material Flat Endcap ²³	NXWE NX Wireless Enabled ^{26, 28}
		MPSFE-MB Injection Molded ABS Material Flat Endcap, Matte Black	Third-Party Control Options
		MB Matte Black	ODPG Occupancy and Daylight Sensors w/ Grouping, Phillips SNS200 ^{29, 31}
		ZT ZET Metallic Silver	LVR Lutron Vive Integral Fixture Control DFCSJ-OEM-RF (RF only) ^{29, 30, 31}
		PAF Painted After Fabrication	LVS Lutron Vive Integral Fixture Control DFCSJ-OEM-OCC (RF with daylight and occupancy sensing) ^{29, 30, 31}
		SAF SpectraSAFE™ Integrated Surveillance Lighting System ¹⁴	
		MST MASTER fixture that controls one or more SATELLITE fixtures in a continuous row application ^{15, 16, 17, 18, 19, 20, 21}	
		SAT SATELLITE fixture controlled by MASTER fixture in a continuous row application ^{16, 17, 18, 19, 20, 21}	
		INT Intermediate (provides ends with wiring access for continuous row mounting) ^{18, 20, 21, 22}	
		EOR End of Row (provides end wiring access for continuous row mounting) ^{18, 20, 21, 22}	

Accessories

<input type="checkbox"/> S18 18" Stem, Canopy	<input type="checkbox"/> MPSCRK-C Continuous Row Kit, Curve
<input type="checkbox"/> SS18 18" Swivel Stem—45° Swivel	<input type="checkbox"/> MPSCRK-F Continuous Row Kit, Flat
<input type="checkbox"/> CM24SCF3-KIT 24" Adjustable Cable Mounting Kit, 3-wire feed ³²	<input type="checkbox"/> MPSWG2 2' Wire Guard
<input type="checkbox"/> CM48SCF3-KIT 48" Adjustable Cable Mounting Kit, 3-wire feed ³²	<input type="checkbox"/> MPSWG4 4' Wire Guard, two Required for 8' Fixture
<input type="checkbox"/> CM24NF-KIT Single Point Non-Feed Cable Mount with Canopy, Single - 24" ³²	<input type="checkbox"/> MPSCE Injection Molded ABS Material Curve Endcap
<input type="checkbox"/> CM48NF-KIT Single Point Non-Feed Cable Mount with Canopy, Single - 48" ³²	<input type="checkbox"/> MPSCE-MB Injection Molded ABS Material Curve Endcap, Matte Black
<input type="checkbox"/> CSHC Chain Hanger Assembly	<input type="checkbox"/> MPSFE Injection Molded ABS Material Flat Endcap
<input type="checkbox"/> MPSZT Zip Tee Hanger - 1 1/2" Spacer on T-Bar Ceiling	<input type="checkbox"/> MPSFE-MB Injection Molded ABS Material Flat Endcap, Matte Black
<input type="checkbox"/> MPSTH Slide Tong Hanger	

Notes:

- For continuous row mounting, see [Continuous Row Mount Example Guide](#) on page 3
- Not available with HE lumen packages
- See [SpectraSync and NX Availability Table](#) on page 6
- High efficacy versions designated with "HE"
- Applicable to lens only
- Only available with Curve, Frosted Acrylic lens
- Not available in VL, XL, HE packages
- DALIP only available when LVS, LVR or ODPG control options are selected
- Delivered Emergency Lumens = ELL14 = 1210 lms
- Not available in 2ft size or with thru wire on XL 4ft and 8ft
- Emergency battery pack max ambient temperature: 25°C
- Only available with fixed output driver
- For emergency circuit control loads including sensors and wireless systems CSA certified to UL 924. Not available with ESD driver option. Universal voltage only. DTS with 2' cannot be combined with Controls or SpectraSync options. See page 10 for wiring diagram
- SpectraSync+NX+SAF can not be configured. Only available with NXE or NXWE. Not available in 347V
- Continuous-Row Options:**
15 MST option not available with INT row position
- 16 Multiple SAT fixtures can be controlled by one MST fixture. Any one SAT fixture can have no more than one connected MST fixture
- 17 NX is supported for this application, consult Brand for use with other controls systems
- 18 Not available with DTS, GTD, ATSD
- 19 Not available with LUTH or LUT5
- 20 All fixtures in a row must be the same driver type and voltage
- 21 Includes quick-connect wiring harness
- 22 Suspension support required at every fixture coupling; see Mounting Accessories Guide
- NX In-Fixture Control Options:**
23 Standard PAF when this option is chosen
24 Control Options include Injection Molded ABS End Cap
25 Fixtures with Control Options are Dry Location rated only
26 Only available with 0-10V dimming drivers (ED, ED1 & EDD)
27 Not available with surface mounting
28 Not available in 2ft when SpectraSync and SpectraSAFE are chosen
- Third-Party Control Options:**
29 LVS, LVR and ODPG only available with DALIP driver option
30 VIVE is a trademark of Lutron Electronics Co., Inc
31 Not available with SpectraSync (2750T or 2765T)
- Accessory Notes:**
32 See [Columbia Mounting Accessories page](#) for additional options

ORDERING GUIDE (CONTINUED)

CONTINUOUS ROW MOUNT EXAMPLE GUIDE					
Continuous Row Length	MPS4	MPS8	MPSCRK-*	CM**SCF*-KIT	CM**NF-KIT
12' — Option 1	1	1	1	1	1
12' — Option 2	3	0	2	1	1
16' — Option 1	0	2	1	1	1
16' — Option 2	2	1	2	1	2
32' — Option 1	0	4	3	2	1
32' — Option 2	2	3	4	2	1

[Link to Columbia Mounting Accessories page](#)

PRODUCT EXCEPTIONS & DETAILS

Driver options listed below are available for the outputs as shown.

DRIVER AVAILABILITY TABLE — 2'							
	VW	MW	MWHE	LW	LWHE	ML	HL
E	x	x	x	x	x	x	x
ED	x	x	x	x	x	x	x
ED1	x	x	x	x	x	x	x
EDD	x	x		x		x	x
ESD	x	x		x		x	x
LUT5	x	x		x		x	x
LUTH	x	x		x		x	x
347	x	x		x		x	x
DALIP	x	x	x	x	x	x	x

DRIVER AVAILABILITY TABLE — 4' & 8'														
	XW	XWHE	VW	VWHE	MW	MWHE	LW	LWHE	ML	MLHE	HL	HLHE	VL	XL
E	x	x	x	x	x	x	x	x	x	x	x	x	x	x
ED	x	x	x	x	x	x	x	x	x	x	x	x	x	x
ED1	x	x	x	x	x	x	x	x	x	x	x	x	x	x
EDD	x		x		x		x		x		x		x	x
ESD	x		x		x		x		x		x		x	x
347	x		x		x		x		x		x		x	x
LUT5	x		x		x		x		x		x			
LUTH	x		x		x		x		x		x			
DALIP	x	x	x	x	x	x	x	x	x	x	x	x	x	x

TEMPERATURE TABLE (C°) — 4' & 8'												
		80 CRI										
		E/ED/ED1		ESDU		ED347		EDD		LUT		
Size	Lumen Package	Ceiling/Surface Mount	Pendant/TH Mount	Ceiling/Surface Mount	Pendant/TH Mount	Ceiling/Surface Mount	Pendant/TH Mount	Ceiling/Surface Mount	Pendant/TH Mount	Ceiling/Surface Mount	Pendant/TH Mount	
2'	VW	35	40	35	40	35	40	35	40	35	40	
	MW	35	40	35	40	35	40	35	40	35	40	
	LW	35	40	35	40	35	40	35	40	35	40	
	ML	35	40	35	40	35	40	35	40	35	40	
	HL	30	35	30	35	30	35	30	35	30	35	
	XW	35	45	35	45	35	45	30	35	30	35	
4'	VW	35	45	35	45	35	45	30	35	30	35	
	MW	35	45	35	45	35	45	30	35	30	35	
	LW	35	45	35	45	35	45	30	35	30	35	
	ML	35	45	35	45	35	45	30	35	30	35	
	HL	35	40	35	40	35	40	25	30	30	35	
	VL	30	30	30	30	30	30	30	30	—	—	
XL*	25	25	25	25	25	25	25	25	—	—		
8'	XW	35	45	35	45	35	45	30	35	30	35	
	VW	35	45	35	45	35	45	30	35	30	35	
	MW	35	45	35	45	35	45	30	35	30	35	
	LW	35	45	35	45	35	45	30	35	30	35	
	ML	35	45	35	45	35	45	30	35	30	35	
	VL	30	30	30	30	30	30	30	30	—	—	
XL*	25	25	25	25	25	25	25	25	—	—		

*XL not available with thru wire

CONTROLS

NX Distributed Intelligence™ Lighting Controls:

Supports both indoor and outdoor applications in a variety of deployment options- wired, wireless, hybrid. Integrates with and enables a wide array of luminaires including those with SpectraSync™ Color Tuning Technology.



NX INTEGRATED CONTROLS REFERENCE									
NX Option	Sensor	Networkable	Scheduling	Occupancy	Daylight Harvesting	0-10V Dimming	On/off Control	Bluetooth® App Programming	
NX Standalone									
NXS	NXSMP-SMI	No	Yes	Yes	Yes	Yes	Yes	Yes	
NX Networked – Wired									
NXE	N/A	Yes	Yes	No	No	Yes	Yes	Requires NXBTC/R ¹	
NXES	NXSMP-SMI	Yes	Yes	Yes	Yes	Yes	Yes	Yes	
NX Networked – Wireless									
NXSW	NXSMP-SMI	Yes	Yes	Yes	Yes	Yes	Yes	Yes	
NXWE	N/A	Yes	Yes	No	No	Yes	Yes	No ²	

1 NXBTC/R needs to be plugged into an available NX SmartPORT™ on the fixture network
 2 To program NXWE option, need to consult factory. If connected to an area controller, programming can be done from that

Philips EasySense Controls ODPG Sensor:



- Occupancy sensing, daylight harvesting, task tuning and grouping in one device
- Standalone control or grouping to wireless switches¹
- Uses Philips field apps for on site commissioning^{2,3}
- Ability to create scenes for various room configurations
- Cost-effective solution for energy-savings and code-compliance strategies
- DLC® Qualified: Listed on the QPL for Networked Lighting Controls. Please refer to the DLC website for specific product qualifications at www.designlights.org

1 Wireless switches only compatible with ODPG Philips EasySense
 2 [See link to Philips commissioning](#)
 3 Requires android device or IR dongle. See links for [phone compatibility](#) and [IR dongle](#)

Wireless Switch Accessories¹

- [PESR-WH](#) EasySense compatible wireless single rocker switch, white
- [PEDR-WH](#) EasySense compatible wireless dual rocker switch, white



SPECTRASAFE

SpectraSAFE™ Integrated Surveillance Lighting System

Technical Features

- High resolution 1080p full HD camera
- 2.8mm lens / 140° field of view
- IR emitter for low / no-light conditions
- [Multiple wiring configurations available](#)
- Supports 2-way audio communication
- Supports 2.4GHz WPA-PSK/WPA2-PSK Wi-Fi
- Data encrypted using AES 256 standard
- Low power consumption (2-5W)
- Transmissions secured using Open TLS / SSL

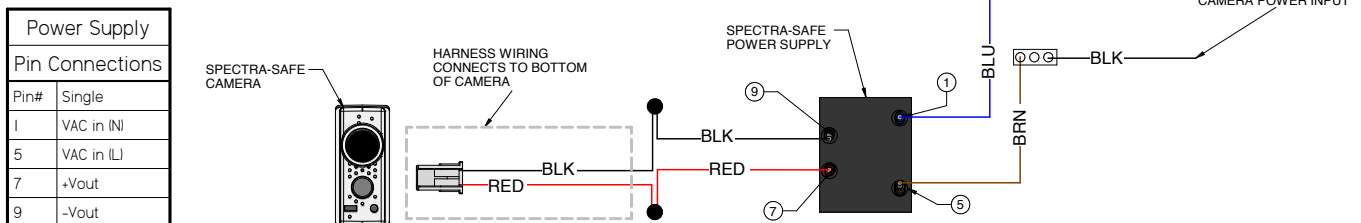


Note: Camera and end cap add 2.2" to the overall length.

Software & Support

- Free Android, iOS and web-based app
- Versatile and supports multiple applications
- Multi-tenant web-based camera application
- Phone and in-app chat technical support
- Scalable cloud services and video storage
- Supported by a 5-year warranty

SPECTRASAFE WIRING DIAGRAM



DATE: _____ LOCATION: _____
 TYPE: _____ PROJECT: _____
 CATALOG #: _____

CONTROLS (CONTINUED)

SpectraSync™ Color Tuning Technology:

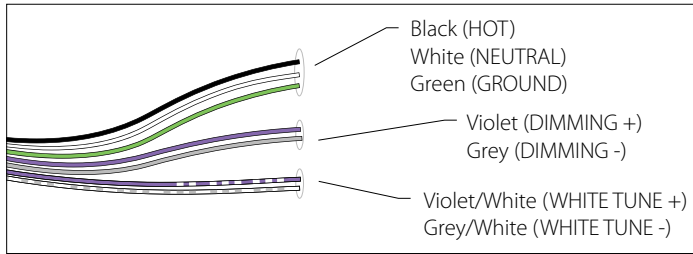
Control your space based on the needs of the application, specific activities throughout the day and preferences of the occupants with distinct SpectraSync™ Color Tuning Technologies.



SPECTRASYNC COLOR TUNING TECHNOLOGY		
Mode	Kelvin Range	Description
Tunable White	2700K–5000K 2700K–6500K	Offers users the ability to tailor CCT to their personal preference, enhancing task visibility, material and colors or the aesthetics of the space

SpectraSync Tunable White

Available in two options: 2750T (2700K–5000K) or 2765T (2700K–6500K). Requires two 0–10V controllers, one for intensity and one for CCT. Minimum 5% dimming.

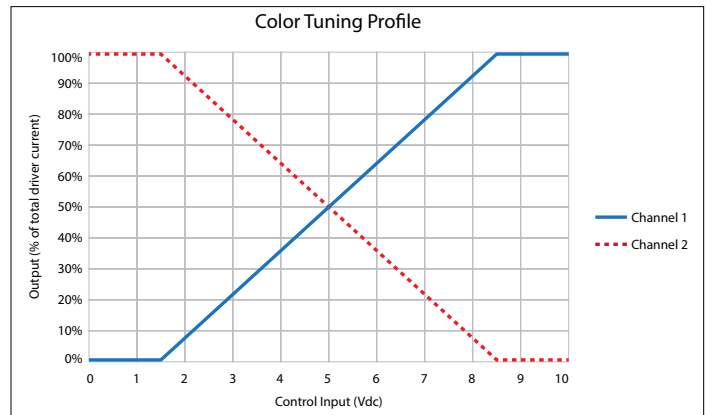


SpectraSync Tunable White luminaires are provided with two 0–10V circuits. The violet and grey circuit is for wiring to any qualified 0–10V controller for dimming. The violet/white and grey/white circuit is for wiring to any qualified 0–10V controller for Tunable White CCT control.

Controller Manufacturer Data

SpectraSync Tunable White was designed to be used with sinking style dimmers (provided by others) and is compatible with:

- Hubbell Control Solutions (HCS): NX Distributed Intelligence™ Room Controllers (NXRC) and In-fixture Controllers (NXFM)
- Lutron: DDTV, DVSTV, and NFTV dimmers
- Wattstopper: ADF120277 and CD4BL (Titan) dimmers



To enable scheduling and for use with NX wall control preset stations please refer to Hubbell Control Solutions NX SpectraSync technical sheet.

SPECTRASYNC™ AND NX AVAILABILITY TABLE



Size	Lumen package	Only With 80 CRI No Battery Pack			Only With 80 CRI With Battery Pack		
		CTC	NX	CTC+NX	CTC	NX	CTC+NX
2ft	VW	Y	Y	N	—	—	—
	MW	Y	Y	N	—	—	—
	LW	Y	Y	N	—	—	—
	ML	N	Y	N	—	—	—
	HL	N	Y	N	—	—	—
4ft	XW	Y	Y	Y	Y	Y	Y
	VW	Y	Y	Y	Y	Y	Y
	MW	Y	Y	Y	Y	Y	Y
	LW	Y	Y	Y	Y	Y	Y
	ML	Y	Y	Y	Y	Y	Y
	HL	Y	Y	Y	Y	Y	Y
	VL	N	Y	N	N	Y	N
8ft	XL	N	Y	N	N	Y	N
	XW	Y	Y	Y	Y	Y	Y
	VW	Y	Y	Y	Y	Y	Y
	MW	N	Y	N	N	Y	N
	LW	N	Y	N	N	Y	N
	ML	N	Y	N	N	Y	N
	HL	N	Y	N	N	Y	N

DELIVERED LUMENS

STANDARD EFFICACY PERFORMANCE TABLE						
FIXTURE	COLOR	LENS	DISTRIBUTION	LUMENS	INPUT WATTS	LPW
MPS2-VW	3500K	Curve	Wide	1659	13.8	120
			Narrow	1597	13.5	118
		Flat	Wide	1584	13.5	117
		No Lens		1724	13.8	125
	4000K	Curve	Wide	1681	13.8	122
			Narrow	1618	13.5	120
Flat		Wide	1604	13.5	119	
	No Lens		1746	13.8	127	
MPS2-MW	3500K	Curve	Wide	2201	18.2	121
			Narrow	2092	17.8	118
		Flat	Wide	2076	17.8	117
		No Lens		2287	18.2	126
	4000K	Curve	Wide	2229	18.2	122
			Narrow	2119	17.8	119
Flat		Wide	2102	17.8	118	
	No Lens		2316	18.2	127	
MPS2-LW	3500K	Curve	Wide	2444	20.4	120
			Narrow	2328	19.9	117
		Flat	Wide	2309	19.9	116
		No Lens		2540	20.4	124
	4000K	Curve	Wide	2475	20.4	121
			Narrow	2358	19.9	118
Flat		Wide	2338	19.9	118	
	No Lens		2572	20.4	126	
MPS2-ML	3500K	Curve	Wide	3452	29	119
			Narrow	3447	28.8	120
		Flat	Wide	3414	28.8	119
		No Lens		3587	29	124
	4000K	Curve	Wide	3496	29	121
			Narrow	3491	28.8	121
Flat		Wide	3458	28.8	120	
	No Lens		3632	29	125	
MPS2-HL	3500K	Curve	Wide	3655	31.7	115
			Narrow	3707	31.5	118
		Flat	Wide	3678	31.5	117
		No Lens		3797	31.7	120
	4000K	Curve	Wide	3701	31.7	117
			Narrow	3754	31.5	119
Flat		Wide	3725	31.5	118	
	No Lens		3846	31.7	121	
MPS4-XW	3500K	Curve	Wide	2574	20	129
			Narrow	2574	20	129
		Flat	Wide	2463	20	123
		No Lens		2674	20	134
	4000K	Curve	Wide	2606	20	130
			Narrow	2574	20	129
Flat		Wide	2494	20	125	
	No Lens		2708	20	135	
MPS4-VW	3500K	Curve	Wide	3279	26.7	123
			Narrow	3152	26.5	119
		Flat	Wide	3134	26.5	118
		No Lens		3450	26.7	129
	4000K	Curve	Wide	3321	26.7	124
			Narrow	3192	26.5	120
Flat		Wide	3174	26.5	120	
	No Lens		3564	26.7	133	
MPS4-MW	3500K	Curve	Wide	3656	30.4	120
			Narrow	3511	30.1	117
		Flat	Wide	3491	30.1	116
		No Lens		3847	30.4	127
	4000K	Curve	Wide	3702	30.4	122
			Narrow	3556	30.1	118
Flat		Wide	3535	30.1	117	
	No Lens		3974	30.4	131	
MPS4-LW	3500K	Curve	Wide	4043	34.4	118
			Narrow	4094	32.5	126
		Flat	Wide	4072	32.5	125
		No Lens		4255	34.4	124
	4000K	Curve	Wide	4095	34.4	119
			Narrow	4147	32.5	128
Flat		Wide	4124	32.5	127	
	No Lens		4395	34.4	128	

DELIVERED LUMENS (CONTINUED)

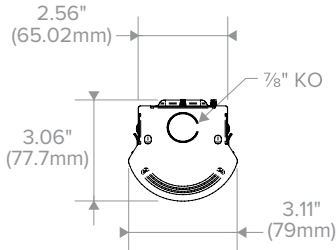
STANDARD EFFICACY PERFORMANCE TABLE							
FIXTURE	COLOR	LENS	DISTRIBUTION	LUMENS	INPUT WATTS	LPW	
MPS4-ML	3500K	Curve	Wide	4556	40.1	114	
			Narrow	4649	37.7	123	
		Flat	Wide	4625	37.8	122	
	4000K	No Lens	Curve	Wide	4794	40.1	120
				Narrow	4614	40.1	115
			Flat	Wide	4709	37.7	125
MPS4-HL		3500K	Curve	Wide	4684	37.8	124
				Narrow	4952	40.1	123
			Flat	Wide	5760	49.5	116
	4000K	No Lens	Curve	Wide	6061	49.4	117
				Narrow	5781	49.4	116
			Flat	Wide	5741	49.4	116
MPS4-VL		3500K	Curve	Wide	6061	49.5	122
				Narrow	5833	49.5	118
			Flat	Wide	5855	49.4	119
	4000K	No Lens	Curve	Wide	5814	49.4	118
				Narrow	6261	49.5	126
			Flat	Wide	6769	54.1	125
MPS4-XL		3500K	Curve	Wide	6675	54.1	123
				Narrow	6637	54.1	123
			Flat	Wide	7122	54.1	132
	4000K	No Lens	Curve	Wide	6855	54.1	127
				Narrow	6760	54.1	125
			Flat	Wide	6722	54.1	124
MPS8-XW		3500K	Curve	Wide	7357	54.1	136
				Narrow	8045	66.5	121
			Flat	Wide	7878	66.8	118
	4000K	No Lens	Curve	Wide	7813	66.9	117
				Narrow	8466	66.5	127
			Flat	Wide	8148	66.5	123
MPS8-VW		3500K	Curve	Wide	7979	66.8	119
				Narrow	7913	66.9	118
			Flat	Wide	8745	66.5	132
	4000K	No Lens	Curve	Wide	5147	40	129
				Narrow	4939	39.8	124
			Flat	Wide	4925	40	123
MPS8-MW		3500K	Curve	Wide	5348	40	134
				Narrow	5213	40	130
			Flat	Wide	5002	39.8	126
	4000K	No Lens	Curve	Wide	4988	40	125
				Narrow	5416	40	135
			Flat	Wide	6558	53.4	123
MPS8-LW		3500K	Curve	Wide	6303	53	119
				Narrow	6269	53	118
			Flat	Wide	6814	53.4	128
	4000K	No Lens	Curve	Wide	6642	53.4	124
				Narrow	6384	53	120
			Flat	Wide	6349	53	120
MPS8-MW		3500K	Curve	Wide	6901	53.4	129
				Narrow	7311	60.8	120
			Flat	Wide	7022	60.2	117
	4000K	No Lens	Curve	Wide	6981	60.2	116
				Narrow	7596	60.8	125
			Flat	Wide	7405	60.8	122
MPS8-LW		3500K	Curve	Wide	7112	60.2	118
				Narrow	7071	60.2	117
			Flat	Wide	7693	60.8	127
	4000K	No Lens	Curve	Wide	8087	68.8	118
				Narrow	8189	65	126
			Flat	Wide	8144	65	125
MPS8-ML		3500K	Curve	Wide	8402	68.8	122
				Narrow	8190	68.8	119
			Flat	Wide	8293	65	128
	4000K	No Lens	Curve	Wide	8248	65	127
				Narrow	8510	68.8	124
			Flat	Wide	9111	80.2	114
MPS8-ML		3500K	Curve	Wide	9298	75.4	123
				Narrow	9250	75.6	122
			Flat	Wide	9466	80.2	118
	4000K	No Lens	Curve	Wide	9227	80.2	115
				Narrow	9417	75.4	125
			Flat	Wide	9368	75.6	124
MPS8-ML		3500K	Curve	Wide	9587	80.2	120
				Narrow			
			Flat	Wide			
	4000K	No Lens	Curve	Wide			
				Narrow			
			Flat	Wide			

DELIVERED LUMENS (CONTINUED)

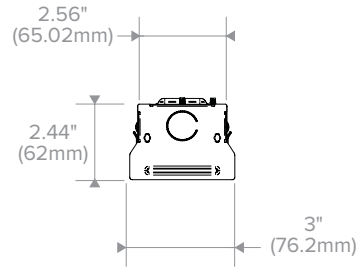
STANDARD EFFICACY PERFORMANCE TABLE						
FIXTURE	COLOR	LENS	DISTRIBUTION	LUMENS	INPUT WATTS	LPW
MPS8-HL	3500K	Curve	Wide	11520	99	116
			Narrow	11562	98.8	117
		Flat	Wide	11481	98.8	116
		No Lens		11969	99	121
	4000K	Curve	Wide	11667	99	118
			Narrow	11710	98.8	119
Flat		Wide	11628	98.8	118	
	No Lens		12122	99	122	
MPS8-VL	3500K	Curve	Wide	13537	108.2	125
			Narrow	13350	108.2	123
		Flat	Wide	13275	108.2	123
		No Lens		14065	108.2	130
	4000K	Curve	Wide	13710	108.2	127
			Narrow	13521	108.2	125
Flat		Wide	13444	108.2	124	
	No Lens		14245	108.2	132	
MPS8-XL	3500K	Curve	Wide	16091	133	121
			Narrow	15757	133.6	118
		Flat	Wide	15626	133.8	117
		No Lens		16718	133	126
	4000K	Curve	Wide	16296	133	123
			Narrow	15958	133.6	119
Flat		Wide	15826	133.8	118	
	No Lens		16932	133	127	

DIMENSIONS

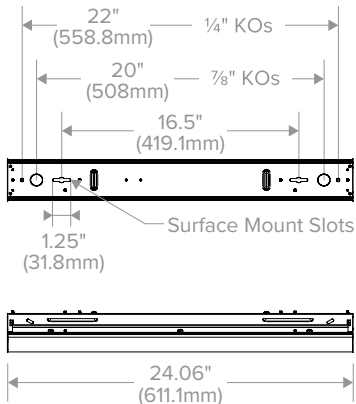
MPS END View - Curve Lens



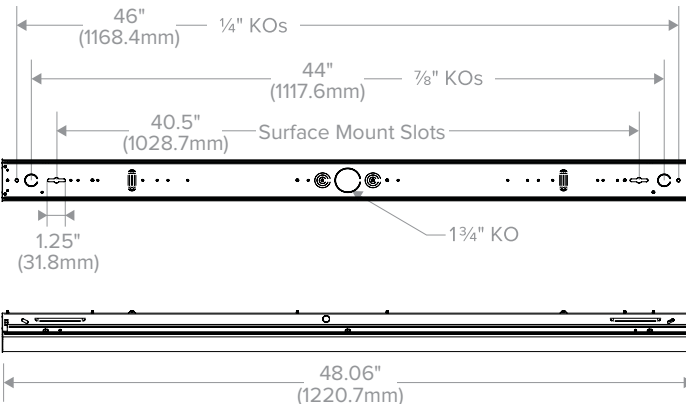
MPS END View - FLAT Lens



MPS 2' Dimensions

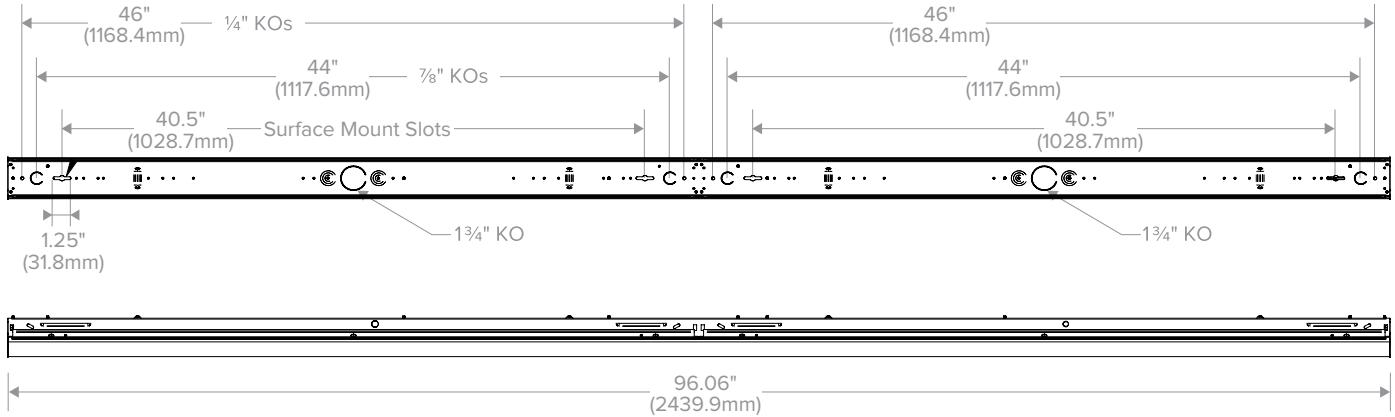


MPS 4' Dimensions



DIMENSIONS (CONTINUED)

MPS 8' Dimensions



PHOTOMETRY

MPS4-40ML-CN-EDU

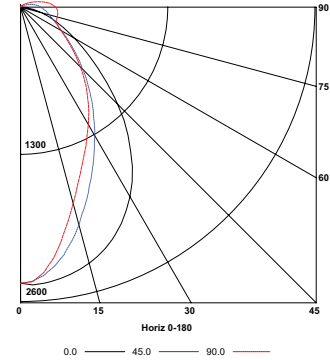
LUMINAIRE DATA

Test No.	19735
Description	MultiPurpose Linear, Narrow, LED 4ft, Frosted Linear Prisms Lens
Delivered Lumens	4742
Watts	37.70
Efficacy	126
Mounting	Surface
Spacing Criterion	0° = 1.18 90° = 1.77

ZONAL LUMEN SUMMARY

Zone	Lumens	% Luminaire
0-30	1542	32.5
0-40	2326	49.1
0-60	3518	74.2
0-90	4385	92.5
0-180	4742	100

POLAR GRAPH



MPS4-40ML-CW-EDU

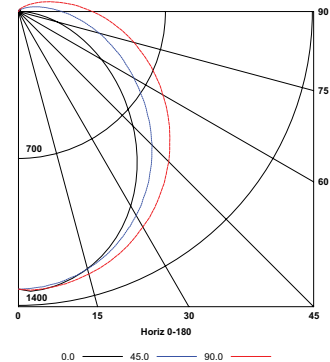
LUMINAIRE DATA

Test No.	19600
Description	MultiPurpose Linear, Wide, LED 4ft, Frosted Linear Prisms Lens
Delivered Lumens	4615
Watts	40.10
Efficacy	115
Mounting	Surface
Spacing Criterion	0° = 1.20 90° = 1.33

ZONAL LUMEN SUMMARY

Zone	Lumens	% Luminaire
0-30	1029	22.3
0-40	1688	36.6
0-60	3019	65.4
0-90	4248	92
0-180	4615	100

POLAR GRAPH



PHOTOMETRY (CONTINUED)

MPS4-40ML-FW-EDU

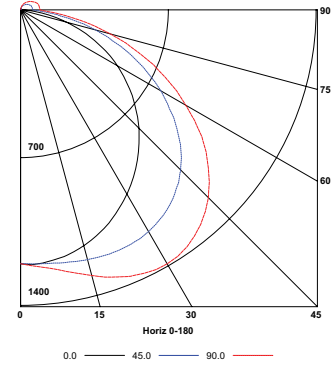
LUMINAIRE DATA

Test No.	19652
Description	MultiPurpose Linear, Wide, LED 4ft, Frosted Linear Prismatic Lens
Delivered Lumens	4685
Watts	37.80
Efficacy	124
Mounting	Surface
Spacing Criterion	0° = 1.24 90° = 1.67

ZONAL LUMEN SUMMARY

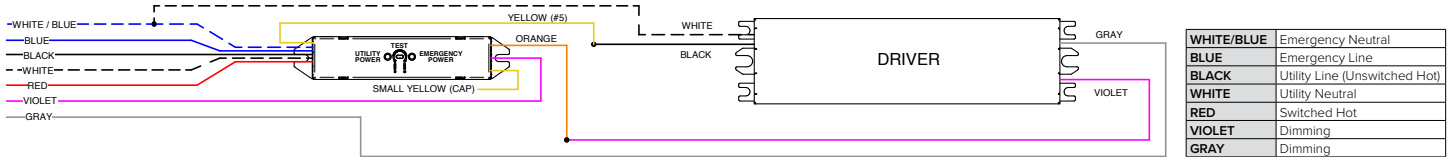
Zone	Lumens	% Luminaire
0-30	1026	21.9
0-40	1756	37.5
0-60	3324	70.9
0-90	4435	94.7
0-180	4685	100

POLAR GRAPH



ADDITIONAL INFORMATION

DTS WIRING DIAGRAM (0-10V DIMMING DRIVER SHOWN)



DATE:	LOCATION:
TYPE:	PROJECT:
CATALOG #:	

LXEM

ENCLOSED AND GASKETED FIBERGLASS EXTREME ENVIRONMENT

FEATURES

- Available in 2', 4', or 8' lengths
- IP65, IP67 and IP66 all models with standard polyacetal (POM) latches
- NEMA 4X housing
- Fiberglass housing with F1 weatherability rating, standard
- IK10 rated when ordered with polycarbonate lens
- Impact modified acrylic lens equivalent to 100% DR
- UL Sanitation Certified per NSF Standards
- Includes stainless steel surface mounting brackets
- -20°C up to +50°C ambient operation; see table provided for details



RELATED PRODUCTS

- Ø [LXEN](#)
- Ø [LXEP](#)
- Ø [LXEW](#)

SPECIFICATIONS

CONSTRUCTION

- Housing is formed from UL 5VA fiberglass
- F1 weatherability rating, suitable for indoor or outdoor use with respect to exposure to UV light
- Pour-in-place non-porous gasketing assures seal
- LED affixed to removable heat sinked gear tray
- 14 Latches per 8'; 8 per 4'; 6 per 2'
- Latches are provided tamper resistance ready, tamper resistant screws by others
- Latches are standard polyacetal (POM), optional in stainless steel
- Access openings are provided for electrical connection
- White painted parts are treated with a five-stage phosphate bonding process and finished with high reflectance baked enamel

OPTICS

- Lineal ribbed frosted acrylic lens impact modified equivalent to 100% DR; modification adds flexibility to reduce impact breakage compared to standard acrylic formulations
- Optional ribbed polycarbonate lens or deep acrylic
- All lenses available in clear or frost

ELECTRICAL

- Long life 60,000 hour LEDs at L80 for reduced maintenance
- Extra High Lumen packages (XL) rated L70 at 60,000 hours
- 80 CRI
- Driver options include fixed output for on/off function, step dimming (high/low/off) or continuous 0-10V dimming
- QR code label affixed to housing for easy traceability

CERTIFICATIONS

- All luminaires are built to UL 1598 and 2108 standards, and bear appropriate cCSAus labels
- CSA certified to UL 924 standards with battery pack or DTS (Dimming Bypass Module) options
- Wet Location label standard
- UL Sanitation certified to NSF standards
- Ingress protection IP65 and IP67 standard; IP66 on certain models

CERTIFICATIONS (CONTINUED)

- DLC® (DesignLights Consortium) Qualified, with some Premium Qualified configurations. Please refer to the DLC website for specific product qualifications at www.designlights.org
- The DTS, Dimming Bypass Module, is for emergency circuit control loads including sensors and wireless systems CSA certified to UL 924. See page 10 for wiring diagram. [Link to Dimming Bypass Module Specification sheet](#)
- This product qualifies as a “designated country construction material” per FAR 52.225-11 Buy American-Construction Materials under Trade Agreements effective 06/01/2020. [See Buy American Solutions](#)

WARRANTY

- 5 year warranty
- See [HLI Standard Warranty](#) for additional information

KEY DATA	
Lumen Range	2145–22,473
Wattage Range	20-183
Efficacy Range (LPW)	99-147
Reported Life (Hours)	L80/60,000

ORDERING GUIDE

Example: LXEM4-35HL-RFA-EDU

CATALOG #

LXEM		Color Temp			Nominal Lumens			Shielding		Driver		Voltage	
Model	Size												
LXEM LED Enclosed and Gasketed	2 2' ^{1,2,3,4} 4 4' 8 8'	30 3000K	VW 2' (2,145-2,708) 4' (2,802-3,433) 8' (6,078-6,866)	HL 2' (4,254-5,416) 4' (5,449-6,763) 8' (11,851-13,525)				RFA Ribbed Frosted Acrylic RA Ribbed Clear Acrylic ⁵ DFA Deep Frosted Acrylic DCA Deep Clear Acrylic ⁵ RFP Ribbed Frosted Polycarbonate ⁶ RP Ribbed Clear Polycarbonate ^{5,6}	E Fixed Output ED 0-10V Dimming ED1 0-10V 1% Dimming ⁷ ESD Step Dimming ⁷	U 120-277V 347 347V			
		35 3500K											
		40 4000K	LW 2' (2,738-3,529) 4' (3,726-4,922) 8' (8,095-9,276)	VL 4' (7,086-8,415) 8' (14,747-16,830)									
		50 5000K											
			ML 2' (3,862-4,921) 4' (4,533-5,646) 8' (9,844-11,293)	XL 4' (9,059-11,237) 8' (19,558-22,473)									

Options	
ELL14	Emergency Battery Pack Installed, 1400 Lumens ^{3,7,8}
GLR	Fast Blow Fuse
DTS	Dimming Bypass Module ^{3,8,9}
OCM	Microwave Occupancy Sensor ^{8,13}
SSL	Stainless Steel Tamper Resistance Ready Latches
TP	Tamper Proof Latches
F3C8W	3-Wire 8' Wet Cord
F3C15W	3-Wire 15' Wet Cord
F4C8W	4-Wire 8' Wet Cord
F4C15W	4-Wire 15' Wet Cord
F5C8W	5-Wire 8' Wet Cord
F5C15W	5-Wire 15' Wet Cord
F6C6W	6-Wire 6' Wet Cord
SWH	Single Wet Hub ½" NPT Hub
DWH	Dual Wet Hub ½" NPT Hub
ZRE	ControlScope® compatible ^{8,10}

Accessories	
<input type="checkbox"/> XEDPM	Dual Pendant Brackets (pendant by others) ¹¹
<input type="checkbox"/> XEHC	Chain Hanger Kit (Includes 14" Chain)
<input type="checkbox"/> XE45MB	45° Mounting Bracket ¹²
<input type="checkbox"/> XE45MBSS	45° Stainless Steel Mounting Bracket ¹²

Sensor kits (Order Separately) All sensor kits include On/Off Occupancy & Daylight. Daylight activation requires setting of dip-switches on site.					
	Catalog #	# Relays	Lens Type	Voltage	Wet Label
120V/277V	<input type="checkbox"/> OS1360WLK	1	360°	120/277	Yes
	<input type="checkbox"/> OS2360WLK	2	360°	120/277	Yes
	<input type="checkbox"/> OS1AWLK	1	Aisle	120/277	Yes
	<input type="checkbox"/> OS2AWLK	2	Aisle	120/277	Yes

Notes:

- 1 VL and XL not available in 2' size
- 2 Not available with battery pack or DTS
- 3 Not available with XL lumen package
- 4 Not available with VL lumen package
- 5 Clear lenses (RA, DCA and RP) may cause noticeable light patterns on lit surfaces. See ies files for exact distribution
- 6 2' and 4' only. 8' not available
- 7 See table for availability
- 8 Not available in 347V
- 9 For emergency circuit control loads including sensors and wireless systems listed to UL924. Only available with 0-10V drivers. See page 10 for wiring diagram
- 10 Registered trademark of Daintree Networks, used by permission
- 11 Requires ¾" OD threaded rod by others
- 12 2 required for 8' fixture
- 13 OCM option uses Wattstopper FM-105

PRODUCT EXCEPTIONS & DETAILS

Options listed below are available for the outputs as shown.

DRIVER AVAILABILITY TABLE							
Length	Output	Nominal Lumen Range	ESD Available	ED1 Available	347V Available	347V with ESD Available	347V with ED1 Available
2'	VW	2,145–2,708	Y	Y	Y	N/A	Y
	LW	2,738–3,529	Y	Y	Y	N/A	Y
	ML	3,862–4,921	Y	Y	Y	N/A	Y
	HL	4,254–5,416	Y	Y	Y	N/A	Y
4'	VW	2,802–3,433	Y	Y	Y	N/A	Y
	LW	3,726–4,922	Y	Y	Y	N/A	Y
	ML	4,533–5,646	Y	Y	Y	N/A	Y
	HL	5,449–6,763	Y	Y	Y	N/A	Y
	VL	7,086–8,415	Y	Y	Y	N/A	N/A
	XL	9,059–11,237	N/A	Y	Y	N/A	N/A
8'	VW	6,078–6,866	Y	Y	Y	N/A	Y
	LW	8,095–9,276	Y	Y	Y	N/A	Y
	ML	9,844–11,293	Y	Y	Y	N/A	Y
	HL	11,851–13,525	Y	Y	Y	N/A	Y
	VL	14,747–16,830	Y	Y	Y	N/A	N/A
	XL	19,558–22,473	N/A	Y	Y	N/A	N/A

MAX. AMBIENT OPERATING TEMP.							
Length	Output	Nominal Lumen Range	Watts	LPW	Max Ambient Operating Temperature (C°) (Universal Voltage)	ELL14 (with Universal Voltage)	347V
2'	VW	2,145–2,708	21	102–130	40	NA	35
	LW	2,738–3,529	26	105–135	40	NA	35
	ML	3,862–4,921	39	100–128	40	NA	35
	HL	4,254–5,416	44	97–123	35	NA	30
4'	VW	2,802–3,433	25	114–141	50	45	45
	LW	3,726–4,922	33	112–139	50	45	45
	ML	4,533–5,646	42	108–134	50	45	45
	HL	5,449–6,763	47	115–143	45	45	35
	VL	7,086–8,415	62	115–136	40	40	35
	XL	9,059–11,237	92	99–123	30	NA	25
8'	VW	6,078–6,866	49	124–141	50	45	45
	LW	8,095–9,276	67	122–139	50	45	45
	ML	9,844–11,293	84	117–134	50	45	45
	HL	11,851–13,525	95	125–143	45	45	35
	VL	14,747–16,830	123	120–136	40	40	35
	XL	19,558–22,473	183	107–123	30	NA	25

DELIVERED LUMENS

PRODUCT AVAILABILITY 80 CRI								
Lumen Package	Output	Color	Lens	Lumens	Watts	LPW	Max Ambient Operating Temp	
LXEM2-30VW-RFP-EDU	Very Low Watt	30K	RFP	2,145	211	101.6	40°C	
LXEM2-30VW-RA-EDU			RA	2,365	20.8	113.7	40°C	
LXEM2-30VW-RP-EDU			RP	2,373	20.8	114.1	40°C	
LXEM2-30VW-RFA-EDU			RFA	2,448	20.8	117.7	40°C	
LXEM2-30VW-DFA-EDU			DFA	2,467	20.8	118.6	40°C	
LXEM2-30VW-DCA-EDU			DCA	2,512	20.8	120.8	40°C	
LXEM2-35VW-RFP-EDU		35K	RFP	2,217	211	105.1	40°C	
LXEM2-35VW-RA-EDU			RA	2,446	20.8	117.6	40°C	
LXEM2-35VW-RP-EDU			RP	2,454	20.8	118	40°C	
LXEM2-35VW-RFA-EDU			RFA	2,531	20.8	121.7	40°C	
LXEM2-35VW-DFA-EDU			DFA	2,551	20.8	122.6	40°C	
LXEM2-35VW-DCA-EDU			DCA	2,598	20.8	124.9	40°C	
LXEM2-40VW-RFP-EDU		40K	RFP	2,252	211	106.7	40°C	
LXEM2-40VW-RA-EDU			RA	2,484	20.8	119.4	40°C	
LXEM2-40VW-RP-EDU			RP	2,492	20.8	119.8	40°C	
LXEM2-40VW-RFA-EDU			RFA	2,571	20.8	123.6	40°C	
LXEM2-40VW-DFA-EDU			DFA	2,590	20.8	124.5	40°C	
LXEM2-40VW-DCA-EDU			DCA	2,638	20.8	126.8	40°C	
LXEM2-50VW-RFP-EDU		50K	RFP	2,312	211	109.6	40°C	
LXEM2-50VW-RA-EDU			RA	2,550	20.8	122.6	40°C	
LXEM2-50VW-RP-EDU			RP	2,558	20.8	123	40°C	
LXEM2-50VW-RFA-EDU			RFA	2,639	20.8	126.9	40°C	
LXEM2-50VW-DFA-EDU			DFA	2,659	20.8	127.8	40°C	
LXEM2-50VW-DCA-EDU			DCA	2,708	20.8	130.2	40°C	
LXEM2-30LW-RFP-EDU		Low Watt	30K	RFP	2,738	26	105.3	40°C
LXEM2-30LW-RP-EDU				RP	3,049	26.1	116.8	40°C
LXEM2-30LW-RA-EDU				RA	3,144	26	120.9	40°C
LXEM2-30LW-RFA-EDU				RFA	3,180	26.2	121.4	40°C
LXEM2-30LW-DFA-EDU				DFA	3,239	26.1	124.1	40°C
LXEM2-30LW-DCA-EDU				DCA	3,273	26.1	125.4	40°C
LXEM2-35LW-RFP-EDU	35K		RFP	2,831	26	108.9	40°C	
LXEM2-35LW-RP-EDU			RP	3,153	26.1	120.8	40°C	
LXEM2-35LW-RA-EDU			RA	3,251	26	125	40°C	
LXEM2-35LW-RFA-EDU			RFA	3,289	26.2	125.5	40°C	
LXEM2-35LW-DFA-EDU			DFA	3,349	26.1	128.3	40°C	
LXEM2-35LW-DCA-EDU			DCA	3,385	26.1	129.7	40°C	
LXEM2-40LW-RFP-EDU	40K		RFP	2,875	26	110.6	40°C	
LXEM2-40LW-RP-EDU			RP	3,202	26.1	122.7	40°C	
LXEM2-40LW-RA-EDU			RA	3,302	26	127	40°C	
LXEM2-40LW-RFA-EDU			RFA	3,339	26.2	127.5	40°C	
LXEM2-40LW-DFA-EDU			DFA	3,401	26.1	130.3	40°C	
LXEM2-40LW-DCA-EDU			DCA	3,437	26.1	131.7	40°C	
LXEM2-50LW-RFP-EDU	50K		RFP	2,951	26	113.5	40°C	
LXEM2-50LW-RP-EDU			RP	3,287	26.1	125.9	40°C	
LXEM2-50LW-RA-EDU			RA	3,390	26	130.4	40°C	
LXEM2-50LW-RFA-EDU			RFA	3,428	26.2	130.9	40°C	
LXEM2-50LW-DFA-EDU			DFA	3,492	26.1	133.8	40°C	
LXEM2-50LW-DCA-EDU			DCA	3,529	26.1	135.2	40°C	
LXEM2-30ML-RFP-EDU	Medium Lumen		30K	RFP	3,862	38.5	100.3	40°C
LXEM2-30ML-RP-EDU				RP	4,228	38.5	109.8	40°C
LXEM2-30ML-RFA-EDU				RFA	4,343	38.5	112.8	40°C
LXEM2-30ML-RA-EDU				RA	4,446	38.5	115.5	40°C
LXEM2-30ML-DFA-EDU				DFA	4,526	38.5	117.5	40°C
LXEM2-30ML-DCA-EDU				DCA	4,565	38.5	118.6	40°C
LXEM2-35ML-RFP-EDU		35K	RFP	3,993	38.5	103.7	40°C	
LXEM2-35ML-RP-EDU			RP	4,371	38.5	113.5	40°C	
LXEM2-35ML-RFA-EDU			RFA	4,490	38.5	116.6	40°C	
LXEM2-35ML-RA-EDU			RA	4,597	38.5	119.4	40°C	
LXEM2-35ML-DFA-EDU			DFA	4,680	38.5	121.5	40°C	
LXEM2-35ML-DCA-EDU			DCA	4,720	38.5	122.6	40°C	
LXEM2-40ML-RFP-EDU		40K	RFP	4,055	38.5	105.3	40°C	
LXEM2-40ML-RP-EDU			RP	4,439	38.5	115.3	40°C	
LXEM2-40ML-RFA-EDU			RFA	4,560	38.5	118.4	40°C	
LXEM2-40ML-RA-EDU			RA	4,668	38.5	121.3	40°C	
LXEM2-40ML-DFA-EDU			DFA	4,752	38.5	123.4	40°C	
LXEM2-40ML-DCA-EDU			DCA	4,793	38.5	124.5	40°C	
LXEM2-50ML-RFP-EDU		50K	RFP	4,163	38.5	108.1	40°C	
LXEM2-50ML-RP-EDU			RP	4,558	38.5	118.4	40°C	
LXEM2-50ML-RFA-EDU			RFA	4,682	38.5	121.6	40°C	
LXEM2-50ML-RA-EDU			RA	4,793	38.5	124.5	40°C	
LXEM2-50ML-DFA-EDU			DFA	4,879	38.5	126.7	40°C	
LXEM2-50ML-DCA-EDU			DCA	4,921	38.5	127.8	40°C	

DELIVERED LUMENS (CONTINUED)

PRODUCT AVAILABILITY 80 CRI								
Lumen Package	Output	Color	Lens	Lumens	Watts	LPW	Max Ambient Operating Temp	
LXEM2-30HL-RFP-EDU	High Lumen	30K	RFP	4,254	44.1	96.5	35°C	
LXEM2-30HL-RP-EDU			RP	4,700	44.1	106.6	35°C	
LXEM2-30HL-RA-EDU			RA	4,868	44.1	110.4	35°C	
LXEM2-30HL-RFA-EDU			RFA	4,874	44.1	110.5	35°C	
LXEM2-30HL-DFA-EDU			DFA	5,008	44.1	113.6	35°C	
LXEM2-30HL-DCA-EDU			DCA	5,024	44.1	113.9	35°C	
LXEM2-35HL-RFP-EDU		35K	RFP	4,399	44.1	99.7	35°C	
LXEM2-35HL-RP-EDU			RP	4,860	44.1	110.2	35°C	
LXEM2-35HL-RA-EDU			RA	5,033	44.1	114.1	35°C	
LXEM2-35HL-RFA-EDU			RFA	5,040	44.1	114.3	35°C	
LXEM2-35HL-DFA-EDU			DFA	5,179	44.1	117.4	35°C	
LXEM2-35HL-DCA-EDU			DCA	5,195	44.1	117.8	35°C	
LXEM2-40HL-RFP-EDU		40K	RFP	4,467	44.1	101.3	35°C	
LXEM2-40HL-RP-EDU			RP	4,935	44.1	111.9	35°C	
LXEM2-40HL-RA-EDU			RA	5,111	44.1	115.9	35°C	
LXEM2-40HL-RFA-EDU			RFA	5,117	44.1	116	35°C	
LXEM2-40HL-DFA-EDU			DFA	5,259	44.1	119.2	35°C	
LXEM2-40HL-DCA-EDU			DCA	5,275	44.1	119.6	35°C	
LXEM2-50HL-RFP-EDU		50K	RFP	4,586	44.1	104	35°C	
LXEM2-50HL-RP-EDU			RP	5,066	44.1	114.9	35°C	
LXEM2-50HL-RA-EDU			RA	5,248	44.1	119	35°C	
LXEM2-50HL-RFA-EDU			RFA	5,254	44.1	119.1	35°C	
LXEM2-50HL-DFA-EDU			DFA	5,399	44.1	122.4	35°C	
LXEM2-50HL-DCA-EDU			DCA	5,416	44.1	122.8	35°C	
LXEM4-30VW-RFP-EDU		Very Low Watt	30K	RFP	2,802	24.5	114.4	50°C
LXEM4-30VW-RP-EDU				RP	2,938	24.4	120.4	50°C
LXEM4-30VW-RA-EDU				RA	3,039	24.4	124.6	50°C
LXEM4-30VW-RFA-EDU				RFA	3,048	24.5	124.4	50°C
LXEM4-30VW-DCA-EDU				DCA	3,180	24.4	130.3	50°C
LXEM4-30VW-DFA-EDU				DFA	3,184	24.4	130.5	50°C
LXEM4-35VW-RFP-EDU	35K		RFP	2,897	24.5	118.2	50°C	
LXEM4-35VW-RP-EDU			RP	3,038	24.4	124.5	50°C	
LXEM4-35VW-RA-EDU			RA	3,143	24.4	128.8	50°C	
LXEM4-35VW-RFA-EDU			RFA	3,151	24.5	128.6	50°C	
LXEM4-35VW-DCA-EDU			DCA	3,288	24.4	134.8	50°C	
LXEM4-35VW-DFA-EDU			DFA	3,293	24.4	134.9	50°C	
LXEM4-40VW-RFP-EDU	40K		RFP	2,942	24.5	120.1	50°C	
LXEM4-40VW-RP-EDU			RP	3,085	24.4	126.4	50°C	
LXEM4-40VW-RA-EDU			RA	3,191	24.4	130.8	50°C	
LXEM4-40VW-RFA-EDU			RFA	3,200	24.5	130.6	50°C	
LXEM4-40VW-DCA-EDU			DCA	3,339	24.4	136.8	50°C	
LXEM4-40VW-DFA-EDU			DFA	3,344	24.4	137	50°C	
LXEM4-50VW-RFP-EDU	50K		RFP	3,020	24.5	123.3	50°C	
LXEM4-50VW-RP-EDU			RP	3,168	24.4	129.8	50°C	
LXEM4-50VW-RA-EDU			RA	3,276	24.4	134.3	50°C	
LXEM4-50VW-RFA-EDU			RFA	3,285	24.5	134.1	50°C	
LXEM4-50VW-DCA-EDU			DCA	3,428	24.4	140.5	50°C	
LXEM4-50VW-DFA-EDU			DFA	3,433	24.4	140.7	50°C	
LXEM4-30LW-RFP-EDU	Low Watt		30K	RFP	3,726	33.3	111.9	50°C
LXEM4-30LW-RP-EDU				RP	3,872	33.3	116.3	50°C
LXEM4-30LW-RFA-EDU				RFA	4,048	33.3	121.5	50°C
LXEM4-30LW-RA-EDU				RA	4,054	33.3	121.8	50°C
LXEM4-30LW-DFA-EDU				DFA	4,241	33.3	127.4	50°C
LXEM4-30LW-DCA-EDU				DCA	4,303	33.3	129.2	50°C
LXEM4-35LW-RFP-EDU		35K	RFP	3,853	33.3	115.7	50°C	
LXEM4-35LW-RP-EDU			RP	4,004	33.3	120.2	50°C	
LXEM4-35LW-RFA-EDU			RFA	4,185	33.3	125.7	50°C	
LXEM4-35LW-RA-EDU			RA	4,192	33.3	125.9	50°C	
LXEM4-35LW-DFA-EDU			DFA	4,385	33.3	131.7	50°C	
LXEM4-35LW-DCA-EDU			DCA	4,449	33.3	133.6	50°C	
LXEM4-40LW-RFP-EDU		40K	RFP	3,912	33.3	117.5	50°C	
LXEM4-40LW-RP-EDU			RP	4,066	33.3	122.1	50°C	
LXEM4-40LW-RFA-EDU			RFA	4,250	33.3	127.6	50°C	
LXEM4-40LW-RA-EDU			RA	4,257	33.3	127.8	50°C	
LXEM4-40LW-DFA-EDU			DFA	4,453	33.3	133.7	50°C	
LXEM4-40LW-DCA-EDU			DCA	4,518	33.3	135.7	50°C	
LXEM4-50LW-RFP-EDU		50K	RFP	4,017	33.3	120.6	50°C	
LXEM4-50LW-RP-EDU			RP	4,174	33.3	125.3	50°C	
LXEM4-50LW-RFA-EDU			RFA	4,363	33.3	131	50°C	
LXEM4-50LW-RA-EDU			RA	4,371	33.3	131.3	50°C	
LXEM4-50LW-DFA-EDU			DFA	4,572	33.3	137.3	50°C	
LXEM4-50LW-DCA-EDU			DCA	4,638	33.3	139.3	50°C	

DELIVERED LUMENS (CONTINUED)

PRODUCT AVAILABILITY 80 CRI							
Lumen Package	Output	Color	Lens	Lumens	Watts	LPW	Max Ambient Operating Temp
LXEM4-30ML-RFP-EDU	Medium Lumen	30K	RFP	4,533	41.9	108.2	50°C
LXEM4-30ML-RP-EDU			RP	4,714	41.9	112.5	50°C
LXEM4-30ML-RFA-EDU			RFA	4,922	42	117.2	50°C
LXEM4-30ML-RA-EDU			RA	4,924	42	117.2	50°C
LXEM4-30ML-DFA-EDU			DFA	5,160	42	122.9	50°C
LXEM4-30ML-DCA-EDU			DCA	5,238	42	124.7	50°C
LXEM4-35ML-RFP-EDU		35K	RFP	4,688	41.9	111.9	50°C
LXEM4-35ML-RP-EDU			RP	4,875	41.9	116.3	50°C
LXEM4-35ML-RFA-EDU			RFA	5,089	42	121.2	50°C
LXEM4-35ML-RA-EDU			RA	5,091	42	121.2	50°C
LXEM4-35ML-DFA-EDU			DFA	5,336	42	127	50°C
LXEM4-35ML-DCA-EDU			DCA	5,416	42	128.9	50°C
LXEM4-40ML-RFP-EDU		40K	RFP	4,760	41.9	113.6	50°C
LXEM4-40ML-RP-EDU			RP	4,950	41.9	118.1	50°C
LXEM4-40ML-RFA-EDU			RFA	5,168	42	123.1	50°C
LXEM4-40ML-RA-EDU			RA	5,170	42	123.1	50°C
LXEM4-40ML-DFA-EDU			DFA	5,418	42	129	50°C
LXEM4-40ML-DCA-EDU			DCA	5,500	42	130.9	50°C
LXEM4-50ML-RFP-EDU		50K	RFP	4,887	41.9	116.6	50°C
LXEM4-50ML-RP-EDU			RP	5,082	41.9	121.3	50°C
LXEM4-50ML-RFA-EDU			RFA	5,306	42	126.3	50°C
LXEM4-50ML-RA-EDU			RA	5,308	42	126.4	50°C
LXEM4-50ML-DFA-EDU			DFA	5,563	42	132.4	50°C
LXEM4-50ML-DCA-EDU			DCA	5,646	42	134.4	50°C
LXEM4-30HL-RFP-EDU	High Lumen	30K	RFP	5,449	47.4	115	45°C
LXEM4-30HL-RP-EDU			RP	5,648	47.2	119.7	45°C
LXEM4-30HL-RFA-EDU			RFA	5,926	47.4	125	45°C
LXEM4-30HL-RA-EDU			RA	5,932	47.3	125.4	45°C
LXEM4-30HL-DFA-EDU			DFA	6,214	47.3	131.4	45°C
LXEM4-30HL-DCA-EDU			DCA	6,273	47.4	132.4	45°C
LXEM4-35HL-RFP-EDU		35K	RFP	5,634	47.4	118.9	45°C
LXEM4-35HL-RP-EDU			RP	5,840	47.2	123.7	45°C
LXEM4-35HL-RFA-EDU			RFA	6,127	47.4	129.3	45°C
LXEM4-35HL-RA-EDU			RA	6,133	47.3	129.7	45°C
LXEM4-35HL-DFA-EDU			DFA	6,425	47.3	135.8	45°C
LXEM4-35HL-DCA-EDU			DCA	6,487	47.4	136.9	45°C
LXEM4-40HL-RFP-EDU		40K	RFP	5,721	47.4	120.7	45°C
LXEM4-40HL-RP-EDU			RP	5,931	47.2	125.7	45°C
LXEM4-40HL-RFA-EDU			RFA	6,222	47.4	131.3	45°C
LXEM4-40HL-RA-EDU			RA	6,228	47.3	131.7	45°C
LXEM4-40HL-DFA-EDU			DFA	6,525	47.3	137.9	45°C
LXEM4-40HL-DCA-EDU			DCA	6,587	47.4	139	45°C
LXEM4-50HL-RFP-EDU		50K	RFP	5,874	47.4	123.9	45°C
LXEM4-50HL-RP-EDU			RP	6,089	47.2	129	45°C
LXEM4-50HL-RFA-EDU			RFA	6,388	47.4	134.8	45°C
LXEM4-50HL-RA-EDU			RA	6,394	47.3	135.2	45°C
LXEM4-50HL-DFA-EDU			DFA	6,699	47.3	141.6	45°C
LXEM4-50HL-DCA-EDU			DCA	6,763	47.4	142.7	45°C
LXEM4-30VL-RP-EDU	Very High Lumen	30K	RP	7,086	61.6	115	40°C
LXEM4-30VL-RA-EDU			RA	7,373	61.7	119.5	40°C
LXEM4-30VL-RFP-EDU			RFP	7,388	61.6	119.9	40°C
LXEM4-30VL-RFA-EDU			RFA	7,395	61.6	120	40°C
LXEM4-30VL-DFA-EDU			DFA	7,756	61.7	125.7	40°C
LXEM4-30VL-DCA-EDU			DCA	7,806	61.7	126.5	40°C
LXEM4-35VL-RP-EDU		35K	RP	7,327	61.6	118.9	40°C
LXEM4-35VL-RA-EDU			RA	7,624	61.7	123.6	40°C
LXEM4-35VL-RFP-EDU			RFP	7,639	61.6	124	40°C
LXEM4-35VL-RFA-EDU			RFA	7,646	61.6	124.1	40°C
LXEM4-35VL-DFA-EDU			DFA	8,020	61.7	130	40°C
LXEM4-35VL-DCA-EDU			DCA	8,072	61.7	130.8	40°C
LXEM4-40VL-RP-EDU		40K	RP	7,440	61.6	120.8	40°C
LXEM4-40VL-RA-EDU			RA	7,742	61.7	125.5	40°C
LXEM4-40VL-RFP-EDU			RFP	7,757	61.6	125.9	40°C
LXEM4-40VL-RFA-EDU			RFA	7,764	61.6	126	40°C
LXEM4-40VL-DFA-EDU			DFA	8,144	61.7	132	40°C
LXEM4-40VL-DCA-EDU			DCA	8,197	61.7	132.8	40°C
LXEM4-50VL-RP-EDU		50K	RP	7,639	61.6	124	40°C
LXEM4-50VL-RA-EDU			RA	7,948	61.7	128.8	40°C
LXEM4-50VL-RFP-EDU			RFP	7,964	61.6	129.3	40°C
LXEM4-50VL-RFA-EDU			RFA	7,971	61.6	129.4	40°C
LXEM4-50VL-DFA-EDU			DFA	8,361	61.7	135.5	40°C
LXEM4-50VL-DCA-EDU			DCA	8,415	61.7	136.4	40°C

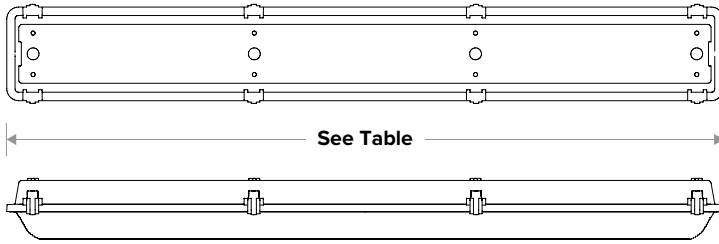
DELIVERED LUMENS (CONTINUED)

PRODUCT AVAILABILITY 80 CRI								
Lumen Package	Output	Color	Lens	Lumens	Watts	LPW	Max Ambient Operating Temp	
LXEM4-30XL-RFP-EDU	Xtra High Lumen	30K	RFP	9,059	91.3	99.2	30°C	
LXEM4-30XL-RP-EDU			RP	9,448	91.2	103.6	30°C	
LXEM4-30XL-RFA-EDU			RFA	9,779	91.2	107.2	30°C	
LXEM4-30XL-RA-EDU			RA	9,839	91.4	107.7	30°C	
LXEM4-30XL-DFA-EDU			DFA	10,358	91.4	113.3	30°C	
LXEM4-30XL-DCA-EDU			DCA	10,424	91.5	113.9	30°C	
LXEM4-35XL-RFP-EDU		35K	RFP	9,367	91.3	102.6	30°C	
LXEM4-35XL-RP-EDU			RP	9,769	91.2	107.1	30°C	
LXEM4-35XL-RFA-EDU			RFA	10,111	91.2	110.9	30°C	
LXEM4-35XL-RA-EDU			RA	10,174	91.4	111.3	30°C	
LXEM4-35XL-DFA-EDU			DFA	10,710	91.4	117.2	30°C	
LXEM4-35XL-DCA-EDU			DCA	10,778	91.5	117.8	30°C	
LXEM4-40XL-RFP-EDU		40K	RFP	9,512	91.3	104.2	30°C	
LXEM4-40XL-RP-EDU			RP	9,920	91.2	108.8	30°C	
LXEM4-40XL-RFA-EDU			RFA	10,268	91.2	112.6	30°C	
LXEM4-40XL-RA-EDU			RA	10,331	91.4	113	30°C	
LXEM4-40XL-DFA-EDU			DFA	10,876	91.4	119	30°C	
LXEM4-40XL-DCA-EDU			DCA	10,945	91.5	119.6	30°C	
LXEM4-50XL-RFP-EDU		50K	RFP	9,765	91.3	107	30°C	
LXEM4-50XL-RP-EDU			RP	10,184	91.2	111.7	30°C	
LXEM4-50XL-RFA-EDU			RFA	10,542	91.2	115.6	30°C	
LXEM4-50XL-RA-EDU			RA	10,607	91.4	116	30°C	
LXEM4-50XL-DFA-EDU			DFA	11,166	91.4	122.2	30°C	
LXEM4-50XL-DCA-EDU			DCA	11,237	91.5	122.8	30°C	
LXEM8-30VW-RA-EDU	Very Low Watt	30K	RA	6,078	48.8	124.6	50°C	
LXEM8-30VW-RFA-EDU			RFA	6,096	49	124.4	50°C	
LXEM8-30VW-DCA-EDU			DCA	6,360	48.8	130.3	50°C	
LXEM8-30VW-DFA-EDU			DFA	6,369	48.8	130.5	50°C	
LXEM8-35VW-RA-EDU		35K	RA	6,285	48.8	128.8	50°C	
LXEM8-35VW-RFA-EDU			RFA	6,303	49	128.6	50°C	
LXEM8-35VW-DCA-EDU			DCA	6,576	48.8	134.8	50°C	
LXEM8-35VW-DFA-EDU			DFA	6,585	48.8	134.9	50°C	
LXEM8-40VW-RA-EDU		40K	RA	6,382	48.8	130.8	50°C	
LXEM8-40VW-RFA-EDU			RFA	6,400	49	130.6	50°C	
LXEM8-40VW-DCA-EDU			DCA	6,678	48.8	136.8	50°C	
LXEM8-40VW-DFA-EDU			DFA	6,687	48.8	137	50°C	
LXEM8-50VW-RA-EDU		50K	RA	6,553	48.8	134.3	50°C	
LXEM8-50VW-RFA-EDU			RFA	6,571	49	134.1	50°C	
LXEM8-50VW-DCA-EDU			DCA	6,856	48.8	140.5	50°C	
LXEM8-50VW-DFA-EDU			DFA	6,866	48.8	140.7	50°C	
LXEM8-30LW-RFA-EDU		Low Watt	30K	RFA	8,095	66.6	121.5	50°C
LXEM8-30LW-RA-EDU				RA	8,109	66.6	121.8	50°C
LXEM8-30LW-DFA-EDU				DFA	8,482	66.6	127.4	50°C
LXEM8-30LW-DCA-EDU				DCA	8,605	66.6	129.2	50°C
LXEM8-35LW-RFA-EDU			35K	RFA	8,370	66.6	125.7	50°C
LXEM8-35LW-RA-EDU				RA	8,385	66.6	125.9	50°C
LXEM8-35LW-DFA-EDU				DFA	8,770	66.6	131.7	50°C
LXEM8-35LW-DCA-EDU				DCA	8,898	66.6	133.6	50°C
LXEM8-40LW-RFA-EDU	40K		RFA	8,500	66.6	127.6	50°C	
LXEM8-40LW-RA-EDU			RA	8,514	66.6	127.8	50°C	
LXEM8-40LW-DFA-EDU			DFA	8,906	66.6	133.7	50°C	
LXEM8-40LW-DCA-EDU			DCA	9,035	66.6	135.7	50°C	
LXEM8-50LW-RFA-EDU	50K		RFA	8,727	66.6	131	50°C	
LXEM8-50LW-RA-EDU			RA	8,741	66.6	131.3	50°C	
LXEM8-50LW-DFA-EDU			DFA	9,143	66.6	137.3	50°C	
LXEM8-50LW-DCA-EDU			DCA	9,276	66.6	139.3	50°C	
LXEM8-30ML-RFA-EDU	Medium Lumen		30K	RFA	9,844	84	117.2	50°C
LXEM8-30ML-RA-EDU				RA	9,847	84	117.2	50°C
LXEM8-30ML-DFA-EDU				DFA	10,320	84	122.9	50°C
LXEM8-30ML-DCA-EDU				DCA	10,476	84	124.7	50°C
LXEM8-35ML-RFA-EDU			35K	RFA	10,179	84	121.2	50°C
LXEM8-35ML-RA-EDU				RA	10,182	84	121.2	50°C
LXEM8-35ML-DFA-EDU				DFA	10,671	84	127	50°C
LXEM8-35ML-DCA-EDU				DCA	10,832	84	128.9	50°C
LXEM8-40ML-RFA-EDU		40K	RFA	10,336	84	123.1	50°C	
LXEM8-40ML-RA-EDU			RA	10,340	84	123.1	50°C	
LXEM8-40ML-DFA-EDU			DFA	10,836	84	129	50°C	
LXEM8-40ML-DCA-EDU			DCA	10,999	84	130.9	50°C	
LXEM8-50ML-RFA-EDU		50K	RFA	10,612	84	126.3	50°C	
LXEM8-50ML-RA-EDU			RA	10,616	84	126.4	50°C	
LXEM8-50ML-DFA-EDU			DFA	11,125	84	132.4	50°C	
LXEM8-50ML-DCA-EDU			DCA	11,293	84	134.4	50°C	

DELIVERED LUMENS (CONTINUED)

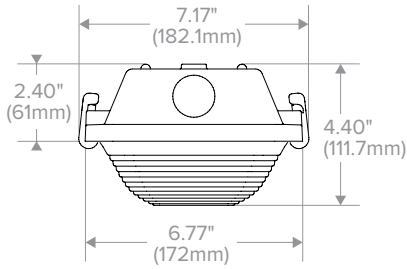
PRODUCT AVAILABILITY 80 CRI								
Lumen Package	Output	Color	Lens	Lumens	Watts	LPW	Max Ambient Operating Temp	
LXEM8-30HL-RFA-EDU	High Lumen	30K	RFA	11,851	94.8	125	45°C	
LXEM8-30HL-RA-EDU			RA	11,863	94.6	125.4	45°C	
LXEM8-30HL-DFA-EDU			DFA	12,428	94.6	131.4	45°C	
LXEM8-30HL-DCA-EDU			DCA	12,547	94.8	132.4	45°C	
LXEM8-35HL-RFA-EDU		35K	RFA	12,254	94.8	129.3	45°C	
LXEM8-35HL-RA-EDU			RA	12,267	94.6	129.7	45°C	
LXEM8-35HL-DFA-EDU			DFA	12,851	94.6	135.8	45°C	
LXEM8-35HL-DCA-EDU			DCA	12,973	94.8	136.9	45°C	
LXEM8-40HL-RFA-EDU		40K	RFA	12,444	94.8	131.3	45°C	
LXEM8-40HL-RA-EDU			RA	12,456	94.6	131.7	45°C	
LXEM8-40HL-DFA-EDU			DFA	13,049	94.6	137.9	45°C	
LXEM8-40HL-DCA-EDU			DCA	13,174	94.8	139	45°C	
LXEM8-50HL-RFA-EDU		50K	RFA	12,776	94.8	134.8	45°C	
LXEM8-50HL-RA-EDU			RA	12,789	94.6	135.2	45°C	
LXEM8-50HL-DFA-EDU			DFA	13,397	94.6	141.6	45°C	
LXEM8-50HL-DCA-EDU			DCA	13,525	94.8	142.7	45°C	
LXEM8-30VL-RA-EDU		Very High Lumen	30K	RA	14,747	123.4	119.5	40°C
LXEM8-30VL-RFA-EDU				RFA	14,789	123.2	120	40°C
LXEM8-30VL-DFA-EDU				DFA	15,512	123.4	125.7	40°C
LXEM8-30VL-DCA-EDU				DCA	15,613	123.4	126.5	40°C
LXEM8-35VL-RA-EDU	35K		RA	15,248	123.4	123.6	40°C	
LXEM8-35VL-RFA-EDU			RFA	15,292	123.2	124.1	40°C	
LXEM8-35VL-DFA-EDU			DFA	16,040	123.4	130	40°C	
LXEM8-35VL-DCA-EDU			DCA	16,143	123.4	130.8	40°C	
LXEM8-40VL-RA-EDU	40K		RA	15,484	123.4	125.5	40°C	
LXEM8-40VL-RFA-EDU			RFA	15,529	123.2	126	40°C	
LXEM8-40VL-DFA-EDU			DFA	16,288	123.4	132	40°C	
LXEM8-40VL-DCA-EDU			DCA	16,393	123.4	132.8	40°C	
LXEM8-50VL-RA-EDU	50K		RA	15,897	123.4	128.8	40°C	
LXEM8-50VL-RFA-EDU			RFA	15,943	123.2	129.4	40°C	
LXEM8-50VL-DFA-EDU			DFA	16,722	123.4	135.5	40°C	
LXEM8-50VL-DCA-EDU			DCA	16,830	123.4	136.4	40°C	
LXEM8-30XL-RFA-EDU	Xtra High Lumen		30K	RFA	19,558	182.4	107.2	30°C
LXEM8-30XL-RA-EDU				RA	19,678	182.8	107.7	30°C
LXEM8-30XL-DFA-EDU				DFA	20,716	182.8	113.3	30°C
LXEM8-30XL-DCA-EDU				DCA	20,847	183	113.9	30°C
LXEM8-35XL-RFA-EDU		35K	RFA	20,223	182.4	110.9	30°C	
LXEM8-35XL-RA-EDU			RA	20,348	182.8	111.3	30°C	
LXEM8-35XL-DFA-EDU			DFA	21,420	182.8	117.2	30°C	
LXEM8-35XL-DCA-EDU			DCA	21,556	183	117.8	30°C	
LXEM8-40XL-RFA-EDU		40K	RFA	20,536	182.4	112.6	30°C	
LXEM8-40XL-RA-EDU			RA	20,662	182.8	113	30°C	
LXEM8-40XL-DFA-EDU			DFA	21,752	182.8	119	30°C	
LXEM8-40XL-DCA-EDU			DCA	21,889	183	119.6	30°C	
LXEM8-50XL-RFA-EDU		50K	RFA	21,083	182.4	115.6	30°C	
LXEM8-50XL-RA-EDU			RA	21,213	182.8	116	30°C	
LXEM8-50XL-DFA-EDU			DFA	22,332	182.8	122.2	30°C	
LXEM8-50XL-DCA-EDU			DCA	22,473	183	122.8	30°C	

DIMENSIONS

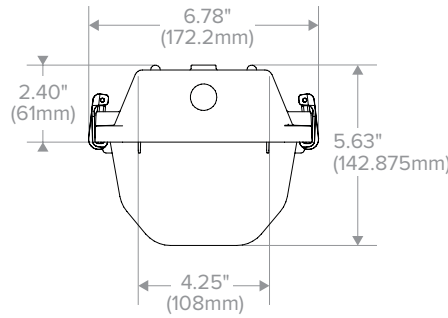


LXEM LENGTH DIMENSIONS								
Size	Lens	Length	Size	Lens	Length	Size	Lens	Length
2'	RFA	27 ² / ₃ "	4'	RFA	51 ¹ / ₂ "	8'	RFA	100"
	RA	27 ² / ₃ "		RA	51 ¹ / ₂ "		RA	N/A
	DFA	27 ² / ₃ "		DFA	51 ¹ / ₂ "		DFA	100"
	DCA	27 ² / ₃ "		DCA	51 ¹ / ₂ "		DCA	100"
	RFP	27 ² / ₃ "		RFP	51 ¹ / ₂ "		RFP	N/A
	RP	27 ² / ₃ "		RP	51 ¹ / ₂ "		RP	N/A

RFA Lens: 2', 4', 8', RFP Lens: 2', 4'



DFA or DCA Lens: 2', 4', 8'



NOTE: All dimensions are in inches; dimensions and specifications are subject to change without notice. Please consult factory or check sample for verification.

PHOTOMETRY

LXEM4-50ML-RFA-EDU

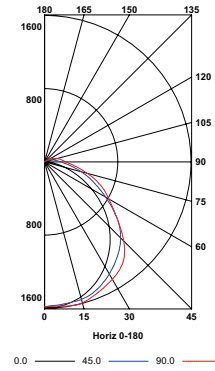
LUMINAIRE DATA

Test No.	17905
Description	LXEM LED Enclosed and Gasketed, Extreme Environment 7" x 51" LED with frosted ribbed acrylic lens
Delivered Lumens	5306
Watts	42.00
Efficacy	126
Mounting	Surface
Spacing Criterion	0° = 1.24 90° = 1.40

ZONAL LUMEN SUMMARY

Zone	Lumens	% Luminaire
0-30	1268	23.9
0-40	2105	39.7
0-60	3766	71.0
0-90	5025	94.7
0-180	5306	100.0

POLAR GRAPH



LXEM4-40HL-DFA-EDU

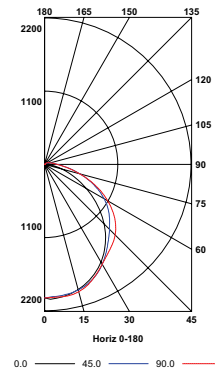
LUMINAIRE DATA

Test No.	17989
Description	LXEM LED Enclosed and Gasketed, Extreme Environment 7" x 51" LED with deep frosted acrylic lens
Delivered Lumens	6525
Watts	47.30
Efficacy	138
Mounting	Surface
Spacing Criterion	0° = 1.25 90° = 1.28

ZONAL LUMEN SUMMARY

Zone	Lumens	% Luminaire
0-30	1583	24.3
0-40	2594	39.8
0-60	4661	71.4
0-90	6235	95.6
0-180	6525	100.0

POLAR GRAPH



LXEM4-50XL-RA-EDU

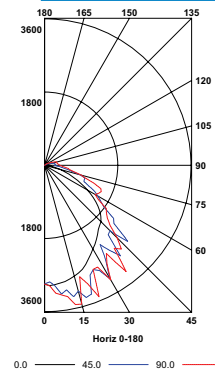
LUMINAIRE DATA

Test No.	18012
Description	LXEM LED Enclosed and Gasketed, Extreme Environment 7" x 51" LED with ribbed clear acrylic lens
Delivered Lumens	10607
Watts	91.40
Efficacy	116
Mounting	Surface
Spacing Criterion	0° = 1.21 90° = 1.38

ZONAL LUMEN SUMMARY

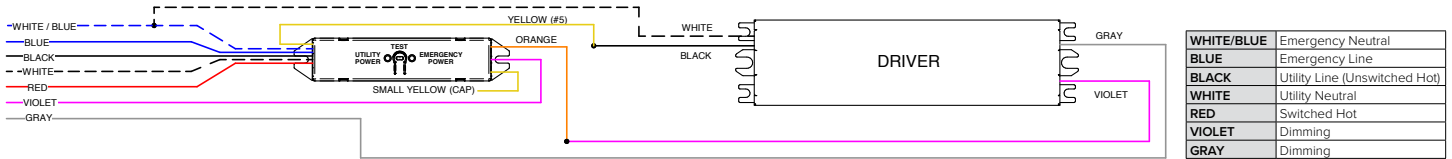
Zone	Lumens	% Luminaire
0-30	2547	24
0-40	4252	40.1
0-60	7643	72.1
0-90	10073	95
0-180	10607	100.0

POLAR GRAPH



ADDITIONAL INFORMATION

DTS WIRING DIAGRAM (0-10V DIMMING DRIVER SHOWN)



All product and company names, logos and product identifiers are trademarks™ or registered trademarks® of Hubbell Lighting, Inc. or their respective owners. Use of them does not necessarily imply any affiliation with or endorsement by such respective owners.

JOB _____

TYPE _____

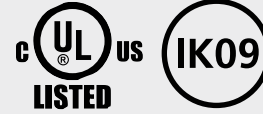
NOTES _____

APPROVALS _____

FEATURES

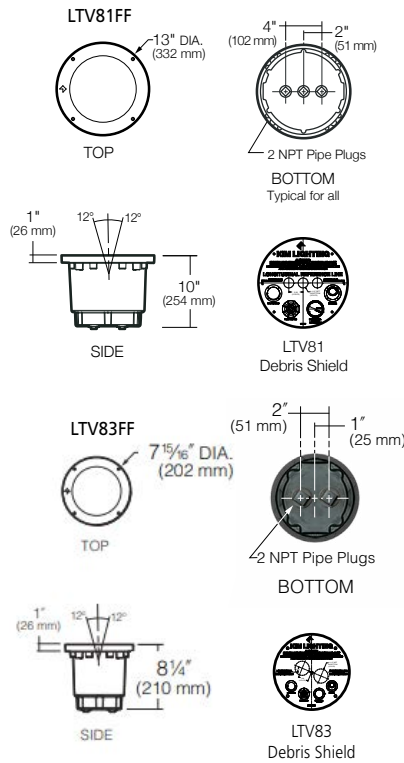
- Sealed IP68 LED light engine
- Bluetooth connectivity for remote control aiming and dimming
- Free Mobile App for Android and iOS
- Easy to install and pair devices
- Advanced thermal management provides long life in excess of 100,000+ hours
- Runs cool to the touch - less than 40°C

CERTIFICATIONS



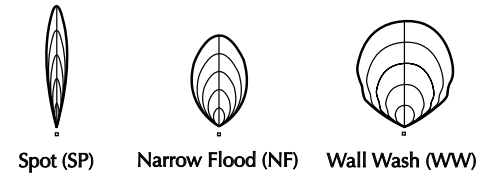
SPECIFICATIONS

Pour Box rough-in housing ships separately and as a quick-ship if requested.



LIGHT DISTRIBUTIONS:

LTV81FF, LTV82FF, LTV83FF



ORDERING CODE

LTV8xFF						
Fixture Size	Distribution*	Source	Electrical Module		Lens Options ¹	Rebar Cage Anchor
LTV81FF	13" Dia.	SP, NF, WW	36L	36 LEDs	SR Slip-Resistant Lens	RCA81 for LTV81
LTV82FF	10-3/8" Dia.	SP, NF, WW	18L	18 LEDs	PL Prismatic Lens	RCA82 for LTV82
LTV83FF	7-15/16" Dia.	SP, NF, WW	12L	12 LEDs		RCA83 for LTV83
			Color Temperature			
			3K 3000K			
			4K 4000K			
			5K 5000K			
			Voltages			
			UV 120-277V			

* SP = Spot, NF = Narrow Flood, WW = Wall Wash

¹ All lens options are integral parts of component module and must be installed at factory.

Kim Lighting reserves the right to change specifications without notice.

LTV81FF

Optical Module	Source	Color Temperature	Absolute Lumens	Center Beam Candle Power*	Voltage	Total System Watts	Max. Amps	Beam Angle (50%) H x V	Field Angle (10%) H x V	NEMA Type		
SP	36L	3K	3529	42861	UV	42W	.350 for 120V .202 for 208V .175 for 240V .152 for 277V	12.9 x 12.9	26.4 x 26.4	2H x 2V		
		4K	3617	45492								
		5K	3658	46015								
NF		3K	2911	3248				44W	.367 for 120V .212 for 208V .183 for 240V .159 for 277V	53.1 x 28.2	102.5 x 61.1	6H x 4V
		4K	2985	3310								
		5K	3020	3379								
WW		3K	3739	6083		44W	.367 for 120V .212 for 208V .183 for 240V .159 for 277V	53.1 x 28.2	102.5 x 61.1	6H x 4V		
		4K	3835	6239								
		5K	3878	6309								

LTV82FF

Optical Module	Source	Color Temperature	Absolute Lumens	Center Beam Candle Power*	Voltage	Total System Watts	Max. Amps	Beam Angle (50%) H x V	Field Angle (10%) H x V	NEMA Type		
SP	18L	3K	1809	23634	UV	22W	.183 for 120V .106 for 208V .092 for 240V .079 for 277V	13 x 13	26.5 x 26.5	2H x 2V		
		4K	1857	23065								
		5K	1875	25186								
NF		3K	1558	1889				19W	.158 for 120V .091 for 208V .079 for 240V .069 for 277V	58.9 x 21.3	93.3 x 53.9	5H x 4V
		4K	1597	1911								
		5K	1617	1934								
WW		3K	1637	3528		19W	.158 for 120V .091 for 208V .079 for 240V .069 for 277V	58.9 x 21.3	93.3 x 53.9	5H x 4V		
		4K	1679	3616								
		5K	1698	3659								

LTV83FF

Optical Module	Source	Color Temperature	Absolute Lumens	Center Beam Candle Power*	Voltage	Total System Watts	Max. Amps	Beam Angle (50%) H x V	Field Angle (10%) H x V	NEMA Type		
SP	12L	3K	1151	14996	UV	14W	.117 for 120V .067 for 208V .058 for 240V .051 for 277V	12.7 x 12.7	26.3 x 26.3	2H x 2V		
		4K	1180	15382								
		5K	1195	15564								
NF		3K	988	1204				14W	.117 for 120V .067 for 208V .058 for 240V .051 for 277V	50.3 x 50.3	81.2 x 81.2	5H x 5V
		4K	1013	1235								
		5K	1025	1250								
WW		3K	1222	2611		14W	.117 for 120V .067 for 208V .058 for 240V .051 for 277V	50.3 x 50.3	81.2 x 81.2	5H x 5V		
		4K	1253	2679								
		5K	1258	2709								

KEY: FF = Flat Frame, SP = Spot, NF = Narrow Flood, WW = Wall Wash (PicoPrism™), 36L = 36 LEDs, 18L = 18 LEDs, 16L = 16 LEDs, 12L = 12 LEDs, 3K = 3000K
4K = 4000K, 5K = 5000, UV = Universal Voltage shall range from 120V-277V with a ±10% tolerance.

* The SP and NF are based on Candela exiting unit straight up. The WW is for highest candela angle.

Spectroradiometric

	3K	4K	5K
Correlated Color Temp. CCT (K)	2800K to 3175K	3800K to 4600K	4600K to 5600K
Color Rendering Index (CRI)	≥72	≥72	≥72
Power Factor	>.90	>.90	>.90

L70 Data

	Calculated	Reported*
350 mA	100,000	60,000

*Based on test duration.

Kim Lighting reserves the right to change specifications without notice.

SPECIFICATIONS

Housing:

- Pour Box rough-in housing for installation below grade.
- High temperature UV resistant thermal plastic, F" minimum wall, black.
- Includes a splice box with molded plastic splice cover and silicone gasket.
- Three 1" NPT in bottom for through wiring on LTV81 and LTV82.
- Two 1" NPT in bottom for through wiring on LTV83. 107 cu. in. splice area for LTV81.
- 52 cu. in. splice area for LTV82. 24 cu. in. splice area for LTV83.
- Supplied with protective aluminum debris shield mask with orientation label for proper installation alignment for clean and easy installation in concrete pad or soil. Ships separately and as a quick-ship if requested.

Component Module:

- One-piece impregnated cast bronze, fully sealed component module secured to the face trims from the underside.
- A high temperature, anti-siphon, IP67 sealed cable extends from the component module to the splice box inside the housing.
- The fully assembled component module is secured to the housing with (4) ¼-20 tamper-resistant high grade stainless steel fasteners.

Face Trim:

- One-piece cast bronze lens ring fastened to the component module from the underside shall provide a flat surface.

Optical Modules:

- Spot (SP), Narrow Flood (NF), and Wall Wash (WW) optical modules are adjustable up to 15° utilizing a Bluetooth enabled motor assembly.

Bluetooth:

- Integral Bluetooth module used to adjust optics and dim fixture to desired setting when paired with KIM LTV8 Remote App via cellular/tablet device.
- Fully qualified Bluetooth 1.1, 1.2, 2.0, 2.1. Bluetooth v2.0+EDR compatible with Android devices running Android Gingerbread API level 9 forward. Bluetooth 4.0 LE compatible with iOS devices - iPhone 4S and later, 5th generation iPod touch, the iPad Mini and the 3rd generation and later of the full size iPad with iOS 5 or later.
- Bluetooth Apps are available for Apple iOS and Google Android mobile devices and are downloadable via the internet at Apple App Store or Google Play.

Lens:

- Clear 5/16" thick tempered glass lens and silicone gasket is retained securely within the component module.

Options:

- Slip Resistant Lens (SR), Prismatic Lens (PL), Rebar Cage Anchor (RCA8x).

Electrical Equipment:

- All electronic components are UL and CSA recognized and mounted directly to the component module for maximum heat dissipation and modularity. Driver is IP67 with -30°C minimum temperature rating.
- Product comes standard with a UL Recognized 10kA surge protector.

Drive-Over Durability:

- LTV8FF when installed in concrete, fixture will withstand drive-over by vehicles weighing up to 4,500 lbs.

Certification:

- (UL1598, UL8750). 25°C ambient operation.
- SASO Certified for LTV82/83.
- IEC 66262 Mechanical Impact Code IK09.
- CISPR 15 Compliant, per product standard EN 55015:2013.

Warranty:

- For full warranty see <http://www.hubbellighting.com/resources/warranty>
- Opening of Component Module on site will void warranty.



The Bluetooth® word mark and logos are registered trademarks owned by Bluetooth SIG, Inc. and any use of such marks by Kim Lighting is under license. Other trademarks and trade names are those of their respective owners. Apple, the Apple logo, iPad, iPhone, and iPod Touch are trademarks of Apple Inc., registered in the U.S. and other countries. App Store is a service mark of Apple Inc. Google Play is a trademark of Google Inc.

Kim Lighting reserves the right to change specifications without notice.