



Maintenance and Service Guide

HP Compaq tc1100 Tablet PC

Document Part Number: 335572-003

November 2004

This guide is a troubleshooting reference used for maintaining and servicing the tablet PC. It provides comprehensive information on identifying tablet PC features, components, and spare parts, troubleshooting tablet PC problems, and performing tablet PC disassembly procedures.

© Copyright 2004 Hewlett-Packard Development Company, L.P.

Microsoft and Windows are U.S. registered trademarks of Microsoft Corporation. Intel, Pentium, and Celeron are trademarks or registered trademarks of Intel Corporation or its subsidiaries in the United States and other countries. SD Logo is a trademark of its proprietor. Bluetooth is a trademark owned by its proprietor and used by Hewlett-Packard Company under license.

The information contained herein is subject to change without notice. The only warranties for HP products and services are set forth in the express warranty statements accompanying such products and services. Nothing herein should be construed as constituting an additional warranty. HP shall not be liable for technical or editorial errors or omissions contained herein.

Maintenance and Service Guide
HP Compaq tc1100 Tablet PC
Third Edition November 2004
Second Edition June 2004
First Edition February 2004
Document Part Number: 335572-003

Contents

1 Product Description

1.1 Models	1–3
1.2 Features	1–48
1.3 Clearing a Password	1–50
1.4 Power Management	1–51
1.5 Tablet PC External Components	1–52
1.6 Keyboard Components	1–65
1.7 HP Tablet PC Docking Station Components	1–70
1.8 Design Overview	1–74

2 Troubleshooting

2.1 Setup and Diagnostics Utilities	2–2
Selecting Setup or HP Diagnostics	2–2
Selecting from the File Menu	2–3
Selecting from the Security Menu	2–4
Selecting from the Advanced Menu	2–6
2.2 Using HP Diagnostics for Windows	2–8
Obtaining, Saving, or Printing Configuration Information	2–8
Obtaining, Saving or Printing Diagnostic Test Information	2–9
Troubleshooting Flowcharts	2–11
Flowchart 2.1—Initial Troubleshooting	2–12
Flowchart 2.2—No Power, Part 1	2–13
Flowchart 2.3—No Power, Part 2	2–14
Flowchart 2.4—No Power, Part 3	2–15

Flowchart 2.5—No Power, Part 4	2-16
Flowchart 2.6—No Video, Part 1	2-17
Flowchart 2.7—No Video, Part 2	2-18
Flowchart 2.8—Nonfunctioning Docking Station (if applicable)	2-19
Flowchart 2.9—No Operating System (OS) Loading	2-20
Flowchart 2.10—No OS Loading from Hard Drive, Part 1	2-21
Flowchart 2.11—No OS Loading from Hard Drive, Part 2	2-22
Flowchart 2.12—No OS Loading from Hard Drive, Part 3	2-23
Flowchart 2.13—No OS Loading from Diskette Drive	2-24
Flowchart 2.14—No OS Loading from CD-ROM or DVD-ROM Drive	2-25
Flowchart 2.15—No Audio, Part 1	2-26
Flowchart 2.16—No Audio, Part 2	2-27
Flowchart 2.17—Nonfunctioning Device	2-28
Flowchart 2.18—Nonfunctioning Keyboard	2-29
Flowchart 2.19—Nonfunctioning Pointing Device	2-30
Flowchart 2.20—No Network or Modem Connection	2-31

3 Illustrated Parts Catalog

3.1 Serial Number Location	3-1
3.2 HP Compaq Tablet PC System Major Components	3-2
3.3 Miscellaneous Cable Kit Components	3-6
3.4 Miscellaneous Plastics/Hardware Kit Components	3-7
3.5 Keyboard	3-8
3.6 Optional HP Tablet PC Docking Station	3-10

3.7 HP Tablet PC Docking Station Components	3–11
3.8 Miscellaneous	3–13
3.9 Sequential Part Number Listing	3–14

4 Removal and Replacement Preliminaries

4.1 Tools Required	4–1
4.2 Service Considerations	4–1
Plastic Parts	4–2
Cables and Connectors	4–2
4.3 Preventing Damage to Removable Drives	4–2
4.4 Preventing Electrostatic Damage	4–3
4.5 Packaging and Transporting Equipment	4–4
4.6 Workstation Precautions	4–4
4.7 Grounding Equipment and Methods	4–5

5 Removal and Replacement Procedures

5.1 Serial Number	5–2
5.2 Disassembly Sequence Chart	5–3
5.3 Preparing the Tablet PC for Disassembly	5–4
Before You Begin	5–4
5.4 Real Time Clock Battery	5–12
5.5 Hard Drive	5–13
5.6 Display Panel Assembly	5–16
5.7 System Board	5–25
5.8 Fan and Heat Sink	5–35
5.9 Optional HP Tablet PC Docking Station	5–37

6 Specifications

A Connector Pin Assignments

B Power Cord Set Requirements

C Screw Listing

Index

Product Description

Depending on model, the HP Compaq tc1100 Tablet PC offers a 1.1-GHz Intel® Pentium® M or 900-MHz Ultra Low Voltage Mobile Intel Celeron® processor with 512-KB cache, a 10.4-inch color TFT XGA display, up to 2 GB of 333-MHz DDR SDRAM, and NVIDIA GeForce4 420 Go 4X AGP graphics with 32 MB of video DDR SDRAM.

The primary pointing device on the tablet PC is the tablet PC pen. Handwriting recognition software is available in Microsoft® Windows® XP Tablet PC Edition 2005, the operating system installed on the tablet PC.



HP Compaq tc1100 Tablet PC

The optional keyboard is slightly smaller than a full-size notebook keyboard and it provides 101 data entry keys, cursor control keys, and a pointing stick device.

The optional HP Tablet PC Docking Station (not shown) provides access to a MultiBay and a variety of connectors.



HP Compaq tc1100 Tablet PC with Optional Keyboard

1.1 Models

Tablet PC models are shown in Tables 1-1 through 1-66.

Table 1-1
HP Compaq tc1100 Tablet PC
Naming Conventions

Key									
CTC1100	QP	100	X0	30	N	Ci	25	T	XXXXXX-XXX
1	2	3	4	5	6	7	8	9	10
Key	Description	Options							
1	Brand/Series designator	C = Compaq						TC1100 = Tablet PC	
2	Processor type	QP = Intel 1.0-GHz or 1.1-GHz Pentium M QC = Intel 800-MHz or 900-MHz Celeron T = configure-to-order							
3	Processor speed	110 = 1.1 GHz 100 = 1.0 GHz 900 = 900 MHz 800 = 800 MHz							
4	Display type/size/resolution	X = XGA (1024 × 768)						0 = 10.4-inch	
5	Hard drive size	30 = 30 GB 40 = 40 GB 60 = 60 GB 80 = 80 GB							
6	Optical drive designator	C = 24x CD-ROM N = no optical drive V = 24x DVD/CD-RW Combo Drive W = 8x DVD/CD-RW Combo Drive							

Table 1-1
HP Compaq tc1100 Tablet PC
Naming Conventions (*Continued*)

Key									
CTC1100	QP	100	X0	30	N	Ci	25	T	XXXXXX-XXX
1	2	3	4	5	6	7	8	9	10
Key	Description			Options					
7	Integrated communication			Cb = Combination modem/NIC/802.11b wireless LAN (Intel) Cd = Combination modem/NIC/802.11a/b/g wireless LAN (Intel) Cf = Combination modem/NIC/802.11b/g wireless LAN (Intel)/Bluetooth® wireless PAN Ci = combination modem/NIC/802.11b wireless LAN (Intel)/Bluetooth wireless PAN Cj = Combination modem/NIC/802.11b/g wireless LAN (Intel)/Bluetooth wireless PAN Ck = Combination modem/NIC/802.11b wireless LAN (Intel)/Bluetooth wireless PAN Cm = combination modem/NIC/802.11 a/b/g wireless LAN Japan/Bluetooth wireless PAN CN = combination modem/NIC Nk = combination modem/NIC/802.11 a/b/g wireless LAN/Bluetooth wireless PAN					
8	RAM			25 = 256 MB 51 = 512 MB 76 = 768 MB 10 = 1 GB					
9	Operating system			T = Microsoft Windows XP Pro Tablet PC Edition 2005					

Table 1-2
HP Compaq tc1100 Tablet PC Models

The following HP Compaq tc1100 Tablet PC models feature:

- Intel 1.0-GHz Pentium M processor
- 512-MB RAM
- Combination modem/NIC/wireless LAN (Intel)
- 40-GB hard drive
- Digital pen and pointing stick keyboard
- 6-cell, 3.6-Ah lithium ion (Li-Ion) battery pack
- 32 MB of discrete video memory
- 3-year warranty on parts and labor

CTC1100	QP	100	X0	40	N	Ci	51	T	
Asia Pacific			DQ871A#UUF			Korea			DQ871A#AB1
Australia			DQ871A#ABG			Latin America			DQ990A#ABM
Belgium			DQ871A#UUG			Norway			DQ871A#ABN
Brazil			DQ871A#AC4			Russia			DQ871A#ACB
China			DQ871A#AB2			Spain			DQ871A#ABE
Denmark			DQ871A#ABY			Sweden/Finland			DQ871A#AK8
Europe International			DQ871A#ABB			Switzerland			DQ871A#B12
France			DQ871A#ABF			Taiwan			DQ871A#AB0
French Canada			DQ871A#ABC			United Kingdom			DQ871A#ABU
Germany			DQ871A#ABD			United States			DQ871A#ABA
Italy			DQ871A#ABZ						
Japan			DQ871A#ABJ						
Japan (English)			DQ871A#ACF						

**Table 1-3
HP Compaq tc1100 Tablet PC Models**

The following HP Compaq tc1100 Tablet PC models feature:

- Intel 1.0-GHz Pentium M processor
- 512-MB RAM
- Combination modem/NIC
- 40 GB hard drive
- Digital pen and pointing stick keyboard
- 6-cell, 3.6-Ah Li-Ion battery pack
- 32 MB of discrete video memory
- 3-year warranty on parts and labor

CTC1100	QP	100	X0	40	N	CN	51	T	
Asia Pacific					DQ872A#UUF	Korea			DQ872A#AB1
Australia					DQ872A#ABG	Latin America			DQ872A#ABM
Belgium					DQ872A#UUG	Norway			DQ872A#ABN
China					DQ872A#AB2	Spain			DQ872A#ABE
Denmark					DQ872A#ABY	Sweden/Finland			DQ872A#AK8
Europe International					DQ872A#ABB	Switzerland			DQ872A#B12
France					DQ872A#ABF	Taiwan			DQ872A#AB0
French Canada					DQ872A#ABC	United Kingdom			DQ872A#ABU
Germany					DQ872A#ABD	United States			DQ872A#ABA
Italy					DQ872A#ABZ				
Japan					DQ872A#ABJ				
Japan (English)					DQ872A#ACF				

Table 1-4
HP Compaq tc1100 Tablet PC Models

The following HP Compaq tc1100 Tablet PC models feature:

- Intel 800-MHz (Celeron) processor
- 256-MB RAM
- Combination modem/NIC/wireless LAN (Intel)
- 30-GB hard drive
- Digital pen and pointing stick keyboard
- 6-cell, 3.6-Ah Li-Ion battery pack
- 32 MB of discrete video memory
- 1-year warranty on parts and labor

CTC1100	QC	800	x0	30	N	Ci	25	T	
Asia Pacific					DQ873A#UUF	Korea			DQ872A#AB1
Australia					DQ873A#ABG	Latin America			DQ873A#ABM
Belgium					DQ873A#UUG	Norway			DQ872A#ABN
Brazil					DQ873A#AC4	Russia			DQ873A#ACB
China					DQ873A#AB2	Spain			DQ872A#ABE
Denmark					DQ873A#ABY	Sweden/Finland			DQ872A#AK8
Europe International					DQ873A#ABB	Switzerland			DQ872A#B12
France					DQ873A#ABF	Taiwan			DQ872A#AB0
French Canada					DQ873A#ABC	United Kingdom			DQ872A#ABU
Germany					DQ873A#ABD	United States			DQ872A#ABA
Italy					DQ873A#ABZ				
Japan					DQ872A#ABJ				
Japan (English)					DQ872A#ACF				

Table 1-5
HP Compaq tc1100 Tablet PC Models

The following HP Compaq tc1100 Tablet PC models feature:

- Intel 800-MHz (Celeron) processor
- 512-MB RAM
- Combination modem/NIC/wireless LAN
- 60-GB hard drive
- Digital pen and pointing stick keyboard
- 6-cell, 3.6-Ah Li-Ion battery pack
- 32 MB of discrete video memory
- 1-year warranty on parts and labor

CTC1100	QC	800	X0	60	N	Cm	51	T	
Japan			DQ989A#ABJ			Japan (English)			DQ989A#ACF

Table 1-6
HP Compaq tc1100 Tablet PC Models

The following HP Compaq tc1100 Tablet PC models feature:

- Intel 1.0-GHz Pentium M processor
- 512-MB RAM
- Combination modem/NIC/wireless LAN (Intel)
- 40-GB hard drive
- Digital pen and pointing stick keyboard
- 6-cell, 3.6-Ah Li-Ion battery pack
- 32 MB of discrete video memory
- 3-year warranty on parts and labor

CTC1100	QP	100	X0	40	N	Ci	51	T	
Asia Pacific									DQ872A#AB1
Australia									DQ873A#ABM
Belgium									DQ872A#ABN
Brazil									DQ872A#ABE
China									DQ872A#AK8
Denmark									DQ872A#B12
Europe International									DQ872A#AB0
France									DQ872A#ABU
French Canada									DQ872A#ABA
Germany									
Italy									
Japan									
Japan (English)									

**Table 1-7
HP Compaq tc1100 Tablet PC Models**

The following HP Compaq tc1100 Tablet PC models feature:

- Intel 1.0-GHz Pentium M processor
- 512-MB RAM
- Combination modem/NIC/wireless LAN
- 40-GB hard drive
- Digital pen and pointing stick keyboard
- 6-cell, 3.6-Ah Li-Ion battery pack
- 32 MB of discrete video memory
- 3-year warranty on parts and labor

CTC1100	QP	100	X0	40	N	Cm	51	T	
Asia Pacific			PF292AA#UUF			Japan (English)			PF292AA#ACF
Australia			PF292AA#ABG			Korea			PF292AA#AB1
Belgium			PF292AA#UUG			Latin America			PF292AA#ABM
Brazil			PF292AA#AC4			Norway			PF292AA#ABN
China			PF292AA#AB2			Russia			PF292AA#ACB
Denmark			PF292AA#ABY			Spain			PF292AA#ABE
Europe International			PF292AA#ABB			Sweden/Finland			PF292AA#AK8
France			PF292AA#ABF			Switzerland			PF292AA#B12
French Canada			PF292AA#ABC			Taiwan			PF292AA#AB0
Germany			PF292AA#ABD			United Kingdom			PF292AA#ABU
Italy			PF292AA#ABZ			United States			PF292AA#ABA
Japan			PF292AA#ABJ						

**Table 1-8
HP Compaq tc1100 Tablet PC Models**

The following HP Compaq tc1100 Tablet PC models feature:

- Intel 1.0-GHz Pentium M processor
- 512-MB RAM
- Combination modem/NIC/wireless LAN (Intel)
- 80-GB hard drive
- Digital pen and pointing stick keyboard
- 6-cell, 3.6-Ah Li-Ion battery pack
- 32 MB of discrete video memory
- 3-year warranty on parts and labor

CTC1100	QP	100	X0	80	N	Ci	51	T	
Brazil			PD370L#AC4						

**Table 1-9
HP Compaq tc1100 Tablet PC Models**

The following HP Compaq tc1100 Tablet PC models feature:

- Intel 1.0-GHz Pentium M processor
- 256-MB RAM
- Combination modem/NIC/wireless LAN (Intel)
- 40-GB hard drive
- Digital pen and pointing stick keyboard
- 6-cell, 3.6-Ah Li-Ion battery pack
- 32 MB of discrete video memory
- 3-year warranty on parts and labor

CTC1100	QP	100	X0	40	N	Ci	25	T	
China			PE757PA#AB2						

**Table 1-10
HP Compaq tc1100 Tablet PC Models**

The following HP Compaq tc1100 Tablet PC models feature:

- Intel 1.0-GHz Pentium M processor
- 256-MB RAM
- Combination modem/NIC/wireless LAN (Intel)
- 30-GB hard drive
- Digital pen and pointing stick keyboard
- 6-cell, 3.6-Ah Li-Ion battery pack
- 32 MB of discrete video memory
- 1-year warranty on parts and labor

CTC1100	QP	100	X0	30	N	Ci	25	T	
Asia Pacific			PE788PS#UUF						

**Table 1-11
HP Compaq tc1100 Tablet PC Models**

The following HP Compaq tc1100 Tablet PC models feature:

- Intel 1.0-GHz Pentium M processor
- 256-MB RAM
- Combination modem/NIC/wireless LAN (Intel)
- 30-GB hard drive
- DVD/CD-RW Combo Drive
- USB MultiBay Cradle
- Digital pen and pointing stick keyboard
- 6-cell, 3.6-Ah Li-Ion battery pack
- 32 MB of discrete video memory
- 1-year warranty on parts and labor

CTC1100	QP	100	X0	30	Y	Ci	25	T	
Asia Pacific			PE739PA#UUF						

Table 1-12
HP Compaq tc1100 Tablet PC Models

The following HP Compaq tc1100 Tablet PC models feature:

- Intel 1.0-GHz Pentium M processor
- 256-MB RAM
- Combination modem/NIC/wireless LAN (Intel)
- 40 GB hard drive
- Digital pen and pointing stick keyboard
- 6-cell, 3.6-Ah Li-Ion battery pack
- 32 MB of discrete video memory
- 3-year warranty on parts and labor

CTC1100	QP	100	X0	40	N	Ci	25	T		
United States					PD540UC#ABA					

Table 1-13
HP Compaq tc1100 Tablet PC Models

The following HP Compaq tc1100 Tablet PC models feature:

- Intel 1.0-GHz Pentium M processor
- 256-MB RAM
- Combination modem/NIC/wireless LAN (Intel)
- 40-GB hard drive
- Digital pen and pointing stick keyboard
- 6-cell, 3.6-Ah Li-Ion battery pack
- 32 MB of discrete video memory
- 1-year warranty on parts and labor

CTC1100	QP	100	X0	40	N	Ci	25	T		
Taiwan					PC966PS#AB0					

**Table 1-14
HP Compaq tc1100 Tablet PC Models**

The following HP Compaq tc1100 Tablet PC models feature:

- Intel 1.0-GHz Pentium M processor
- 512-MB RAM
- Combination modem/NIC/wireless LAN (Intel)
- 40-GB hard drive
- Digital pen and pointing stick keyboard
- 6-cell, 3.6-Ah Li-Ion battery pack
- 32 MB of discrete video memory
- 3-year warranty on parts and labor

CTC1100	QP	100	X0	40	N	Ci	51	T	
United States			PC955US#ABA						

**Table 1-15
HP Compaq tc1100 Tablet PC Models**

The following HP Compaq tc1100 Tablet PC models feature:

- Intel 1.0-GHz Pentium M processor
- 256-MB RAM
- Combination modem/NIC/wireless LAN (Intel)
- 30-GB hard drive
- 8X DVD-ROM drive
- USB MultiBay cradle
- Digital pen and pointing stick keyboard
- 6-cell, 3.6-Ah Li-Ion battery pack
- 32 MB of discrete video memory
- 1-year warranty on parts and labor

CTC1100	QP	100	X0	30	Y	Ci	25	T	
Taiwan			PC962PS#AB0						

Table 1-16
HP Compaq tc1100 Tablet PC Models

The following HP Compaq tc1100 Tablet PC models feature:

- Intel 1.0-GHz Pentium M processor
- 512-MB RAM
- Combination modem/NIC/wireless LAN (Intel)
- 40-GB hard drive
- 24X DVD/CD-RW combo drive
- USB MultiBay cradle
- Digital pen and pointing stick keyboard
- 6-cell, 3.6-Ah Li-Ion battery pack
- 32 MB of discrete video memory
- 3-year warranty on parts and labor

CTC1100	QP	100	X0	40	Y	Ci	51	T	
Asia Pacific			PB719PA#UUF						

Table 1-17
HP Compaq tc1100 Tablet PC Models

The following HP Compaq tc1100 Tablet PC models feature:

- Intel 1.0-GHz Pentium M processor
- 512-MB RAM
- Combination modem/NIC/wireless LAN (Intel)
- 80-GB hard drive
- Digital pen and pointing stick keyboard
- 6-cell, 3.6-Ah Li-Ion battery pack
- 32 MB of discrete video memory
- 3-year warranty on parts and labor

CTC1100	QP	100	X0	80	N	Ci	51	T	
United States			PC317US#ABA						

**Table 1-18
HP Compaq tc1100 Tablet PC Models**

The following HP Compaq tc1100 Tablet PC models feature:

- Intel 1.0-GHz Pentium M processor
- 512-MB RAM
- Combination modem/NIC/wireless LAN (Intel)
- 60-GB hard drive
- Digital pen and pointing stick keyboard
- 6-cell, 3.6-Ah Li-Ion battery pack
- 32 MB of discrete video memory
- 3-year warranty on parts and labor

CTC1100	QP	100	X0	60	N	Ci	51	T	
United States			PC318US#ABA						

**Table 1-19
HP Compaq tc1100 Tablet PC Models**

The following HP Compaq tc1100 Tablet PC models feature:

- Intel 1.0-GHz Pentium M processor
- 512-MB RAM
- Combination modem/NIC/wireless LAN (Intel)
- 60-GB hard drive
- 24X DVD/CD-RW combo drive
- USB MultiBay cradle
- Digital pen and pointing stick keyboard
- 6-cell, 3.6-Ah Li-Ion battery pack
- 32 MB of discrete video memory
- 3-year warranty on parts and labor

CTC1100	QP	100	X0	60	Y	Ci	51	T	
United States			PC316US#ABA						

Table 1-20
HP Compaq tc1100 Tablet PC Models

The following HP Compaq tc1100 Tablet PC models feature:

- Intel 1.0-GHz Pentium M processor
- 256-MB RAM
- Combination modem/NIC/wireless LAN (Intel)
- 40-GB hard drive
- Digital pen and pointing stick keyboard
- 6-cell, 3.6-Ah Li-Ion battery pack
- 32 MB of discrete video memory
- 1-year warranty on parts and labor

CTC1100	QP	100	X0	40	N	Ci	25	T	
Asia Pacific			PB486PS#UUF						

Table 1-21
HP Compaq tc1100 Tablet PC Models

The following HP Compaq tc1100 Tablet PC models feature:

- Intel 1.0-GHz Pentium M processor
- 512-MB RAM
- Combination modem/NIC/wireless LAN (Intel)
- 60-GB hard drive
- Digital pen and pointing stick keyboard
- 6-cell, 3.6-Ah Li-Ion battery pack
- 32 MB of discrete video memory
- 3-year warranty on parts and labor

CTC1100	QP	100	X0	60	N	Ci	51	T	
Japan (English)			PA605PA#ACF						

**Table 1-22
HP Compaq tc1100 Tablet PC Models**

The following HP Compaq tc1100 Tablet PC models feature:

- Intel 1.0-GHz Pentium M processor
- 768-MB RAM
- Combination modem/NIC/wireless LAN (Intel)
- 60-GB hard drive
- 8X DVD-ROM drive
- Tablet dock
- USB mouse
- Digital pen and pointing stick keyboard
- 6-cell, 3.6-Ah Li-Ion battery pack
- 32 MB of discrete video memory
- 3-year warranty on parts and labor

CTC1100	QP	100	X0	60	Y	Ci	76	T	
Japan			PA604PA#ABJ						

**Table 1-23
HP Compaq tc1100 Tablet PC Models**

The following HP Compaq tc1100 Tablet PC models feature:

- Intel 1.0-GHz Pentium M processor
- 512-MB RAM
- Combination modem/NIC/wireless LAN (Intel)
- 40-GB hard drive
- Digital pen and pointing stick keyboard
- 6-cell, 3.6-Ah Li-Ion battery pack
- 32 MB of discrete video memory
- 3-year warranty on parts and labor

CTC1100	QP	100	X0	40	N	Ci	51	T	
United States			DZ937US#ABA						

Table 1-24
HP Compaq tc1100 Tablet PC Models

The following HP Compaq tc1100 Tablet PC models feature:

- Intel 1.0-GHz Pentium M processor
- 768-MB RAM
- Combination modem/NIC/wireless LAN (Intel)
- 60-GB hard drive
- 8X DVD-ROM drive
- Tablet dock
- USB mouse
- Digital pen and pointing stick keyboard
- 6-cell, 3.6-Ah Li-Ion battery pack
- 32 MB of discrete video memory
- 1-year warranty on parts and labor

CTC1100	QP	100	X0	60	Y	Ci	76	T	
Japan			DY861PA#ABJ						

Table 1-25
HP Compaq tc1100 Tablet PC Models

The following HP Compaq tc1100 Tablet PC models feature:

- Intel 1.0-GHz Pentium M processor
- 1-GB RAM
- Combination modem/NIC/wireless LAN (Intel)
- 40-GB hard drive
- Digital pen and pointing stick keyboard
- 6-cell, 3.6-Ah Li-Ion battery pack
- 32 MB of discrete video memory
- 3-year warranty on parts and labor

CTC1100	QP	100	X0	40	N	Ci	10	T	
China			DX381P#AB2						

**Table 1-26
HP Compaq tc1100 Tablet PC Models**

The following HP Compaq tc1100 Tablet PC models feature:

- Intel 1.0-GHz Pentium M processor
- 256-MB RAM
- Combination modem/NIC/wireless LAN (Intel)
- 40-GB hard drive
- Digital pen and pointing stick keyboard
- 6-cell, 3.6-Ah Li-Ion battery pack
- 32 MB of discrete video memory
- 1-year warranty on parts and labor

CTC1100	QP	100	X0	40	N	Ci	25	T	
Asia Pacific			DX993PC#UUF						

**Table 1-27
HP Compaq tc1100 Tablet PC Models**

The following HP Compaq tc1100 Tablet PC models feature:

- Intel 1.0-GHz Pentium M processor
- 512-MB RAM
- Combination modem/NIC/wireless LAN (Intel)
- 60-GB hard drive
- Digital pen and pointing stick keyboard
- 6-cell, 3.6-Ah Li-Ion battery pack
- 32 MB of discrete video memory
- 3-year warranty on parts and labor

CTC1100	QP	100	X0	60	N	Ci	51	T	
Asia Pacific			DX382P#UUF						

Table 1-28
HP Compaq tc1100 Tablet PC Models

The following HP Compaq tc1100 Tablet PC models feature:

- Intel 1.0-GHz Pentium M processor
- 512-MB RAM
- Combination modem/NIC/wireless LAN (Intel)
- 40-GB hard drive
- Digital pen and pointing stick keyboard
- 6-cell, 3.6-Ah Li-Ion battery pack
- 32 MB of discrete video memory
- 3-year warranty on parts and labor

CTC1100	QP	100	X0	40	N	Ci	51	T	
United States			DX867S#ABA						

Table 1-29
HP Compaq tc1100 Tablet PC Models

The following HP Compaq tc1100 Tablet PC models feature:

- Intel 1.0-GHz Pentium M processor
- 256-MB RAM
- Combination modem/NIC/wireless LAN (Intel)
- 30-GB hard drive
- Digital pen and pointing stick keyboard
- 6-cell, 3.6-Ah Li-Ion battery pack
- 32 MB of discrete video memory
- 1-year warranty on parts and labor

CTC1100	QP	100	X0	30	N	Ci	25	T	
Asia Pacific			DU707P#UUF						

**Table 1-30
HP Compaq tc1100 Tablet PC Models**

The following HP Compaq tc1100 Tablet PC models feature:

- Intel 1.0-GHz Pentium M processor
- 256-MB RAM
- Combination modem/NIC/wireless LAN (Intel)
- 40-GB hard drive
- Digital pen and pointing stick keyboard
- 6-cell, 3.6-Ah Li-Ion battery pack
- 32 MB of discrete video memory
- 3-year warranty on parts and labor

CTC1100	QP	100	X0	40	N	Ci	25	T	
Asia Pacific			DL757AV#UUF						

**Table 1-31
HP Compaq tc1100 Tablet PC Models**

The following HP Compaq tc1100 Tablet PC models feature:

- Intel 1.0-GHz Pentium M processor
- 256-MB RAM
- Combination modem/NIC/wireless LAN (Intel)
- 30-GB hard drive
- Digital pen and pointing stick keyboard
- 6-cell, 3.6-Ah Li-Ion battery pack
- 32 MB of discrete video memory
- 3-year warranty on parts and labor

CTC1100	QP	100	X0	30	N	Ci	25	T	
Asia Pacific			DN521PS#UUF						

Table 1-32
HP Compaq tc1100 Tablet PC Models

The following HP Compaq tc1100 Tablet PC models feature:

- Intel 1.0-GHz Pentium M processor
- 256-MB RAM
- Combination modem/NIC/wireless LAN (Intel)
- 40-GB hard drive
- Digital pen and pointing stick keyboard
- 6-cell, 3.6-Ah Li-Ion battery pack
- 32 MB of discrete video memory
- 1-year warranty on parts and labor

CTC1100	QP	100	X0	40	N	Ci	25	T		
Asia Pacific					DV467P#UUF					

Table 1-33
HP Compaq tc1100 Tablet PC Models

The following HP Compaq tc1100 Tablet PC models feature:

- Intel 1.0-GHz Pentium M processor
- 512-MB RAM
- Combination modem/NIC/wireless LAN (Intel)
- 40-GB hard drive
- Digital pen and pointing stick keyboard
- 6-cell, 3.6-Ah Li-Ion battery pack
- 32 MB of discrete video memory
- 3-year warranty on parts and labor

CTC1100	QP	100	X0	40	N	Ci	51	T		
Asia Pacific					DU705P#UUF					

**Table 1-34
HP Compaq tc1100 Tablet PC Models**

The following HP Compaq tc1100 Tablet PC models feature:

- Intel 1.0-GHz Pentium M processor
- 256-MB RAM
- Combination modem/NIC/wireless LAN (Intel)
- 30-GB hard drive
- Digital pen and pointing stick keyboard
- 6-cell, 3.6-Ah Li-Ion battery pack
- 32 MB of discrete video memory
- 1-year warranty on parts and labor

CTC1100	QP	100	X0	30	N	Ci	25	T	
Japan			DU694P#ABJ						

**Table 1-35
HP Compaq tc1100 Tablet PC Models**

The following HP Compaq tc1100 Tablet PC models feature:

- Intel 1.0-GHz Pentium M processor
- 256-MB RAM
- Combination modem/NIC/wireless LAN (Intel)
- 40-GB hard drive
- Digital pen and pointing stick keyboard
- 6-cell, 3.6-Ah Li-Ion battery pack
- 32 MB of discrete video memory
- 3-year warranty on parts and labor

CTC1100	QP	100	X0	40	N	Ci	25	T	
Taiwan			DU689P#AB0			Asia Pacific		DU686P#UUF	

Table 1-36
HP Compaq tc1100 Tablet PC Models

The following HP Compaq tc1100 Tablet PC models feature:

- Intel 1.0-GHz Pentium M processor
- 256-MB RAM
- Combination modem/NIC/wireless LAN (Intel)
- 40-GB hard drive
- Digital pen and pointing stick keyboard
- 6-cell, 3.6-Ah Li-Ion battery pack
- 32 MB of discrete video memory
- 3-year warranty on parts and labor

CTC1100	QP	100	X0	40	N	Ci	25	T		
Asia Pacific					DU685P#UUF					

Table 1-37
HP Compaq tc1100 Tablet PC Models

The following HP Compaq tc1100 Tablet PC models feature:

- Intel 1.0 GHz Pentium M processor
- 256-MB RAM
- Combination modem/NIC/wireless LAN (Intel)
- 30-GB hard drive
- Digital pen and pointing stick keyboard
- 6-cell, 3.6-Ah Li-Ion battery pack
- 32 MB of discrete video memory
- 1-year warranty on parts and labor

CTC1100	QP	100	X0	30	N	Ci	25	T		
Australia					DU684P#ABG					

**Table 1-38
HP Compaq tc1100 Tablet PC Models**

The following HP Compaq tc1100 Tablet PC models feature:

- Intel 1.0-GHz Pentium M processor
- 512-MB RAM
- Combination modem/NIC/wireless LAN (Intel)
- 60-GB hard drive
- Digital pen and pointing stick keyboard
- 6-cell, 3.6-Ah Li-Ion battery pack
- 32 MB of discrete video memory
- 1-year warranty on parts and labor

CTC1100	QP	100	X0	60	N	Ci	51	T	
Taiwan			DU683P#AB0						

**Table 1-39
HP Compaq tc1100 Tablet PC Models**

The following HP Compaq tc1100 Tablet PC models feature:

- Intel 1.0-GHz Pentium M processor
- 256-MB RAM
- Combination modem/NIC/wireless LAN (Intel)
- 40-GB hard drive
- Digital pen and pointing stick keyboard
- 6-cell, 3.6-Ah Li-Ion battery pack
- 32 MB of discrete video memory
- 3-year warranty on parts and labor

CTC1100	QP	100	X0	40	N	Ci	25	T	
China			DU682P#AB2						

Table 1-40
HP Compaq tc1100 Tablet PC Models

The following HP Compaq tc1100 Tablet PC models feature:

- Intel 1.0-GHz Pentium M processor
- 256-MB RAM
- Combination modem/NIC/wireless LAN (Intel)
- 30-GB hard drive
- Digital pen and pointing stick keyboard
- 6-cell, 3.6-Ah Li-Ion battery pack
- 32 MB of discrete video memory
- 1-year warranty on parts and labor

CTC1100	QP	100	X0	30	N	Ci	25	T	
Asia Pacific			DU679P#UUF						

Table 1-41
HP Compaq tc1100 Tablet PC Models

The following HP Compaq tc1100 Tablet PC models feature:

- Intel 1.0-GHz Pentium M processor
- 256-MB RAM
- Combination modem/NIC/wireless LAN (Intel)
- 40-GB hard drive
- Digital pen and pointing stick keyboard
- 6-cell, 3.6-Ah Li-Ion battery pack
- 32 MB of discrete video memory
- 3-year warranty on parts and labor

CTC1100	QP	100	X0	40	N	Ci	25	T	
Asia Pacific			DU678P#UUF						

**Table 1-42
HP Compaq tc1100 Tablet PC Models**

The following HP Compaq tc1100 Tablet PC models feature:

- Intel 1.0-GHz Pentium M processor
- 512-MB RAM
- Combination modem/NIC/wireless LAN (Intel)
- 60-GB hard drive
- Digital pen and pointing stick keyboard
- 6-cell, 3.6-Ah Li-Ion battery pack
- 32 MB of discrete video memory
- 3-year warranty on parts and labor

CTC1100	QP	100	X0	60	N	Ci	51	T	
Japan			DU677P#ABJ			Japan			DU676P#ABJ

**Table 1-43
HP Compaq tc1100 Tablet PC Models**

The following HP Compaq tc1100 Tablet PC models feature:

- Intel 1.0-GHz Pentium M processor
- 256-MB RAM
- Combination modem/NIC/wireless LAN (Intel)
- 30-GB hard drive
- Digital pen and pointing stick keyboard
- 6-cell, 3.6-Ah Li-Ion battery pack
- 32 MB of discrete video memory
- 1-year warranty on parts and labor

CTC1100	QP	100	X0	30	N	Ci	25	T	
Latin America			DT482A#ABM			United States			DT482A#ABA

Table 1-44
HP Compaq tc1100 Tablet PC Models

The following HP Compaq tc1100 Tablet PC models feature:

- Intel 1.0-GHz Pentium M processor
- 512-MB RAM
- Combination modem/NIC/wireless LAN (Intel)
- 40-GB hard drive
- Digital pen and pointing stick keyboard
- 6-cell, 3.6-Ah Li-Ion battery pack
- 32 MB of discrete video memory
- 3-year warranty on parts and labor

CTC1100	QP	100	X0	40	N	Ci	51	T	
Latin America			DT481A#ABM			United States			DT481A#ABA

Table 1-45
HP Compaq tc1100 Tablet PC Models

The following HP Compaq tc1100 Tablet PC models feature:

- Intel 1.0-GHz Pentium M processor
- 512-MB RAM
- Combination modem/NIC/wireless LAN (Intel)
- 60-GB hard drive
- Digital pen and pointing stick keyboard
- 6-cell, 3.6-Ah Li-Ion battery pack
- 32 MB of discrete video memory
- 3-year warranty on parts and labor

CTC1100	QP	100	X0	60	N	Ci	51	T	
Australia			DQ990A#ABG			United States			DQ990A#ABA

**Table 1-46
HP Compaq tc1100 Tablet PC Models**

The following configure-to-order HP Compaq tc1100 Tablet PC models feature:

- Pen and pointing stick keyboard
- 6-cell, 3.6-Ah Li ion battery pack
- 32 MB of discrete video memory
- 1-year warranty on parts and labor

CTC1100	T	100	X0	60	0	8	76	T	
United States		470046-345							
CTC1100	T	100	X0	60	0	8	38	T	
United States		470046-344							
CTC1100	T	100	X0	60	0	8	25	T	
United States		470046-343							
CTC1100	T	100	X0	60	0	C	76	T	
United States		470046-352							
CTC1100	T	100	X0	60	0	C	38	T	
United States		470046-350							
CTC1100	T	100	X0	60	0	C	25	T	
United States		470046-349							

Table 1-46
HP Compaq tc1100 Tablet PC Models (Continued)

CTC1100	T	100	X0	30	0	8	76	T	
United States			470046-342						
CTC1100	T	100	X0	30	0	8	38	T	
United States			470046-341						
CTC1100	T	100	X0	30	0	8	25	T	
United States			470046-340						
CTC1100	T	100	X0	30	0	C	76	T	
United States			470046-348						
CTC1100	T	100	X0	30	0	C	38	T	
United States			470046-347						
CTC1100	T	100	X0	30	0	C	25	T	
United States			470046-346						

**Table 1-47
HP Compaq tc1100 Tablet PC Models**

The following HP Compaq tc1100 Tablet PC models feature:

- Intel 1.1-GHz Pentium M processor
- 256-MB RAM
- Combination modem/NIC/802.11b wireless LAN (Intel)
- 30-GB hard drive
- Digital pen and pointing stick keyboard
- 6-cell, 3.6-Ah Li-Ion battery pack
- 32 MB of discrete video memory
- 1-year warranty on parts and labor

CTC1100	QP	110	X0	30	N	Cb	25	T	
Taiwan			PK039PS#AB0						

**Table 1-48
HP Compaq tc1100 Tablet PC Models**

The following HP Compaq tc1100 Tablet PC models feature:

- Intel 1.1-GHz Pentium M processor
- 256-MB RAM
- Combination modem/NIC/802.11b wireless LAN (Intel)
- 40-GB hard drive
- Digital pen and pointing stick keyboard
- 6-cell, 3.6-Ah Li-Ion battery pack
- 32 MB of discrete video memory
- 1-year warranty on parts and labor

CTC1100	QP	110	X0	40	N	Cb	25	T	
Asia Pacific			PN866PA#UUF						

Table 1-49
HP Compaq tc1100 Tablet PC Models

The following HP Compaq tc1100 Tablet PC models feature:

- Intel 1.1-GHz Pentium M processor
- 256-MB RAM
- Combination modem/NIC/802.11a/b/g wireless LAN (Intel)
- 40-GB hard drive
- 24X CD-ROM
- Digital pen and pointing stick keyboard
- 6-cell, 3.6-Ah Li-Ion battery pack
- 32 MB of discrete video memory
- 3-year warranty on parts and labor

CTC1100	QP	110	X0	40	C	Cd	25	T	
Asia Pacific			PN723PA#UUF						

Table 1-50
HP Compaq tc1100 Tablet PC Models

The following HP Compaq tc1100 Tablet PC models feature:

- Intel 1.1-GHz Pentium M processor
- 512-MB RAM
- Combination modem/NIC/802.11a/b/g wireless LAN (Intel)
- 40-GB hard drive
- Digital pen and pointing stick keyboard
- 6-cell, 3.6-Ah Li-Ion battery pack
- 32 MB of discrete video memory
- 3-year warranty on parts and labor

CTC1100	QP	110	X0	40	N	Cd	51	T	
United States			PL593US#ABA			ALL			PL593US

Table 1-51
HP Compaq tc1100 Tablet PC Models

The following HP Compaq tc1100 Tablet PC models feature:

- Intel 1.1-GHz Pentium M processor
- 256-MB RAM
- Combination modem/NIC/802.11a/b/g wireless LAN (Intel)
- 40-GB hard drive
- Digital pen and pointing stick keyboard
- 6-cell, 3.6-Ah Li-Ion battery pack
- 32 MB of discrete video memory
- 1-year warranty on parts and labor

CTC1100	QP	110	X0	40	N	Ci	25	T	
Korea			PM482PA#AB1			Taiwan		PK038PS#AB0	

Table 1-52
HP Compaq tc1100 Tablet PC Models

The following HP Compaq tc1100 Tablet PC models feature:

- Intel 1.1-GHz Pentium M processor
- 512-MB RAM
- Combination modem/NIC/wireless LAN (Intel)
- 40-GB hard drive
- Digital pen and pointing stick keyboard
- 6-cell, 3.6-Ah Li-Ion battery pack
- 32 MB of discrete video memory
- 3-year warranty on parts and labor

CTC1100	QP	110	X0	40	N	Ci	51	T	
Asia Pacific						Japan			PK225AA#ABJ
Australia						Korea			PK225AA#AB1
Brazil						Latin America			PK225AA#ABM
Denmark						Norway			PK225AA#ABN
Europe International						China			PK225AA#AB2
Belgium						Russia			PK225AA#ACB
French Canada						Sweden/Finland			PK225AA#AK8
France						Spain			PK225AA#ABE
Germany						Switzerland			PK225AA#B12
Italy						Taiwan			PK225AA#AB0
Japan English						United Kingdom			PK225AA#ABU
						United States			PK225AA#ABA

Table 1-53
HP Compaq tc1100 Tablet PC Models

The following HP Compaq tc1100 Tablet PC models feature:

- Intel 1.1-GHz Pentium M processor
- 256-MB RAM
- Combination modem/NIC/802.11a/b/g wireless LAN (Intel)
- Bluetooth wireless PAN
- 40-GB hard drive
- Digital pen and pointing stick keyboard
- 6-cell, 3.6-Ah Li-Ion battery pack
- 32 MB of discrete video memory
- 3-year warranty on parts and labor

CTC1100	QP	110	X0	40	N	Cm	51	T	
Asia Pacific			PN730PA#UUF PQ173PA#UUF			United States		PL584US#ABA	

Table 1-54
HP Compaq tc1100 Tablet PC Models

The following HP Compaq tc1100 Tablet PC models feature:

- Intel 1.1-GHz Pentium M processor
- 256-MB RAM
- Combination modem/NIC/802.11a/b/g wireless LAN (Intel)
- 40-GB hard drive
- Digital pen and pointing stick keyboard
- 6-cell, 3.6-Ah Li-Ion battery pack
- 32 MB of discrete video memory
- 1-year warranty on parts and labor

CTC1100	QP	110	X0	40	N	Cd	25	T	
United States			PP801UC#ABA						

Table 1-55
HP Compaq tc1100 Tablet PC Models

The following HP Compaq tc1100 Tablet PC models feature:

- Intel 1.1-GHz Pentium M processor
- 512-MB RAM
- Combination modem/NIC/802.11a/b/g wireless LAN (Intel)
- Bluetooth wireless PAN
- 40-GB hard drive
- Digital pen and pointing stick keyboard
- 6-cell, 3.6-Ah Li-Ion battery pack
- 32 MB of discrete video memory
- 3-year warranty on parts and labor

CTC1100	QP	110	X0	40	N	Cm	51	T	
Asia Pacific						PQ436US#UUF	Japan		PQ436US#ABJ
Australia						PQ436US#ABG	Korea		PQ436US#AB1
Brazil						PQ436US#AC4	Latin America		PQ436US#ABM
China						PQ436US#AB2	Taiwan		PQ436US#AB0
French Canada						PQ436US#ABC	United States		PQ436US#ABA
Japan English						PQ436US#ACF			

Table 1-56
HP Compaq tc1100 Tablet PC Models

The following HP Compaq tc1100 Tablet PC models feature:

- Intel 1.1-GHz Pentium M processor
- 256-MB RAM
- Combination modem/NIC/802.11b wireless LAN (Intel)
- 40-GB hard drive
- 24X DVD/CD-RW Combo Drive
- Digital pen and pointing stick keyboard
- 6-cell, 3.6-Ah Li-Ion battery pack
- 32 MB of discrete video memory
- 1-year warranty on parts and labor

CTC1100	QP	110	X0	40	W	Cb	25	T	
Asia Pacific			PN867PA#UUF						

**Table 1-57
HP Compaq tc1100 Tablet PC Models**

The following HP Compaq tc1100 Tablet PC models feature:

- Intel 1.1-GHz Pentium M processor
- 512-MB RAM
- Combination modem/NIC/802.11b/g wireless LAN (Intel)
- Bluetooth wireless PAN
- 40-GB hard drive
- 24X DVD/CD-ROM Combo Drive
- Digital pen and pointing stick keyboard
- 6-cell, 3.6-Ah Li-Ion battery pack
- 32 MB of discrete video memory
- 3-year warranty on parts and labor

CTC1100	QP	110	X0	40	W	Cf	51	T	
Asia Pacific			PP834AA#UUF			Korea			PP834AA#AB1
Australia			PP834AA#ABG			Latin America			PP834AA#ABM
Denmark			PP834AA#ABY			Norway			PP834AA#ABN
Europe			PP834AA#ABB			China			PP834AA#AB2
Belgium			PP834AA#UUG			Russia			PP834AA#ACB
French Canada			PP834AA#ABC			Sweden/Finland			PP834AA#AK8
France			PP834AA#ABF			Spain			PP834AA#ABE
Germany			PP834AA#ABD			Switzerland			PP834AA#B12
Italy			PP834AA#ABZ			Taiwan			PP834AA#AB0
Japan English			PP834AA#ACF			United Kingdom			PP834AA#ABU
Japan			PP834AA#ABJ			Unites States			PP834AA#ABA

Table 1-58
HP Compaq tc1100 Tablet PC Models

The following HP Compaq tc1100 Tablet PC models feature:

- Intel 1.1-GHz Pentium M processor
- 512-MB RAM
- Combination modem/NIC/802.11b wireless LAN (Intel)
- Bluetooth wireless PAN
- 60-GB hard drive
- Digital pen and pointing stick keyboard
- 6-cell, 3.6-Ah Li-Ion battery pack
- 32 MB of discrete video memory
- 3-year warranty on parts and labor

CTC1100	QP	110	X0	60	N	Ci	51	T	
Asia Pacific			PL732PA#UJF			Japan		PM487PA#ABJ	
China			PL711PA#AB2			Korea		PM483PA#AB1	

Table 1-59
HP Compaq tc1100 Tablet PC Models

The following HP Compaq tc1100 Tablet PC models feature:

- Intel 1.1-GHz Pentium M processor
- 512-MB RAM
- Combination modem/NIC/802.11a/b/g wireless LAN Japan
- Bluetooth wireless PAN
- 60-GB hard drive
- Digital pen and pointing stick keyboard
- 6-cell, 3.6-Ah Li-Ion battery pack
- 32 MB of discrete video memory
- 3-year warranty on parts and labor

CTC1100	QP	110	X0	60	N	Cm	51	T	
Japan			PM490PA#ABJ						

Table 1-60
HP Compaq tc1100 Tablet PC Models

The following HP Compaq tc1100 Tablet PC models feature:

- Intel 1.1-GHz Pentium M processor
- 512-MB RAM
- Combination modem/NIC/802.11a/b/g wireless LAN
- 60-GB hard drive
- 24X DVD/CD-ROM Combo Drive
- Digital pen and pointing stick keyboard
- 6-cell, 3.6-Ah Li-Ion battery pack
- 32 MB of discrete video memory
- 3-year warranty on parts and labor

CTC1100	QP	110	X0	60	W	Nk	51	T	
ALL									
Europe									

Table 1-61
HP Compaq tc1100 Tablet PC Models

The following HP Compaq tc1100 Tablet PC models feature:

- Intel 900-MHz Celeron processor
- 256-MB RAM
- Combination modem/NIC/802.11b wireless LAN
- Bluetooth wireless PAN
- 30-GB hard drive
- Digital pen and pointing stick keyboard
- 6-cell, 3.6-Ah Li-Ion battery pack
- 32 MB of discrete video memory
- 1-year warranty on parts and labor

CTC1100	QC	900	X0	30	N	Ci	25	T	
Japan			PM488PA#ABJ PM489PA#ABJ						

Table 1-62
HP Compaq tc1100 Tablet PC Models

The following HP Compaq tc1100 Tablet PC models feature:

- Intel 900-MHz Celeron processor
- 512-MB RAM
- Combination modem/NIC/802.11b wireless LAN
- 40-GB hard drive
- Digital pen and pointing stick keyboard
- 6-cell, 3.6-Ah Li-Ion battery pack
- 32 MB of discrete video memory
- 3-year warranty on parts and labor

CTC1100	QC	900	X0	40	N	Cb	51	T	
Australia			PM759PA#ABG						

**Table 1-63
HP Compaq tc1100 Tablet PC Models**

The following HP Compaq tc1100 Tablet PC models feature:

- Intel 900-MHz Celeron processor
- 256-MB RAM
- Combination modem/NIC/802.11b wireless LAN
- Bluetooth wireless PAN
- 40-GB hard drive
- Digital pen and pointing stick keyboard
- 6-cell, 3.6-Ah Li-Ion battery pack
- 32 MB of discrete video memory
- 1-year warranty on parts and labor

CTC1100	QC	900	X0	40	N	Ci	25	T	
Asia Pacific			PK226AA#UUF			Japan			PK226AA#ABJ
			PL731PA#UUF			Korea			PK226AA#AB1
ALL			PK226AA			Latin America			PK226AA#ABM
Australia			PK226AA#ABG			Norway			PK226AA#ABN
Brazil			PK226AA#AC4			China			PK226AA#AB2
Denmark			PK226AA#ABY			Russia			PK226AA#ACB
Europe			PK226AA#ABB			Sweden/Finland			PK226AA#AK8
Belgium			PK226AA#UUG			Spain			PK226AA#ABE
France			PK226AA#ABF			Switzerland			PK226AA#B12
Germany			PK226AA#ABD			Taiwan			PK226AA#AB0
Italy			PK226AA#ABZ			United Kingdom			PK226AA#ABU
Japan English			PK226AA#ACF						

Table 1-64
HP Compaq tc1100 Tablet PC Models

The following HP Compaq tc1100 Tablet PC models feature:

- Intel 900-MHz Celeron processor
- 256-MB RAM
- Combination modem/NIC/802.11b/g wireless LAN
- Bluetooth wireless PAN
- 40-GB hard drive
- Digital pen and pointing stick keyboard
- 6-cell, 3.6-Ah Li-Ion battery pack
- 32 MB of discrete video memory
- 3-year warranty on parts and labor

CTC1100	QC	900	X0	40	N	Cj	25	T	
Japan			PQ156PA#ABJ PQ157PA#ABJ						

Table 1-65
HP Compaq tc1100 Tablet PC Models

The following HP Compaq tc1100 Tablet PC models feature:

- Intel 900-MHz Celeron processor
- 256-MB RAM
- Combination modem/NIC/802.11b wireless LAN
- Bluetooth wireless PAN
- 40-GB hard drive
- Digital pen and pointing stick keyboard
- 6-cell, 3.6-Ah Li-Ion battery pack
- 32 MB of discrete video memory
- 1-year warranty on parts and labor

CTC1100	QC	900	X0	40	N	Ci	25	T	
Latin America			PN323LA#ABM			United States		PN323LA#ABA	

Table 1-66
HP Compaq tc1100 Tablet PC Models

The following HP Compaq tc1100 Tablet PC models feature:

- Intel 900-MHz Celeron processor
- 256-MB RAM
- Combination modem/NIC/802.11b wireless LAN
- Bluetooth wireless PAN
- 30-GB hard drive
- Digital pen and pointing stick keyboard
- 6-cell, 3.6-Ah Li-Ion battery pack
- 32 MB of discrete video memory
- 3-year warranty on parts and labor

CTC1100	QC	900	X0	30	N	Ci	25	T	
Europe			PN794UC#ABB			United Kingdom		PN794UC#ABU	
						United States		PN794UC#ABA	

1.2 Features

- 1.0-GHz or 1.1-GHz Intel Pentium M processor
 - or –
 - 800-MHz or 900-MHz Ultra Low Voltage Mobile Intel Celeron processor with 512-KB integrated cache, depending on model
- NVIDIA GeForce4 420 Go 4X AGP graphics controller with 32-MB SDRAM
- 1.0-GB, 768-MB, 512-MB, or 256-MB high-performance DDR SDRAM, expandable to 2 GB, depending on model
- Microsoft Windows XP Tablet PC Edition 2005
- 10.4-inch XGA (1024 × 768) TFT display with over 16.7 million colors
- Keyboard with pointing stick device
- Integrated communication—one of the following:
 - Type III Mini PCI 56Kbps, v.90/high-speed 56K modem, wireless LAN 802.11b, and 10/100 network interface card (NIC)
 - Type III Mini PCI 56Kbps, v.90/high-speed 56K modem and 10/100 network interface card (NIC)
- Integrated Bluetooth® on select models only
- One Type III PC Card slot with support for both 32-bit (CardBus) and 16-bit PC Cards
- One Secure Digital (SD) Memory Card slot
- External 65 W AC adapter with power cord
- Six-cell, 11.1 V, 3.6-Ah Li-Ion battery pack
- 80-, 60-, 40-, or 30-GB high-capacity hard drive, varying by tablet PC model

- Support for the following drives through the MultiBay (with optional External MultiBay or docking station):
 - ❑ 1.44-MB diskette drive
 - ❑ 24X Max CD-ROM drive
 - ❑ 8X Max CD-RW drive
 - ❑ 8X Max DVD-ROM drive
 - ❑ 8X Max DVD/CD-RW Combo Drive
 - ❑ 80-, 60-, 40-, or 30-GB hard drive
- Support for the following connectors on the tablet PC:
 - ❑ RJ-45 (network)
 - ❑ RJ-11 (modem)
 - ❑ Universal Serial Bus
 - ❑ External monitor
 - ❑ AC power
 - ❑ Stereo audio-out (headphone)
 - ❑ Mono microphone
 - ❑ External MultiBay
 - ❑ Keyboard
 - ❑ Docking station
- Support for the following connectors on the optional Docking Station:
 - ❑ External MultiBay
 - ❑ RJ-45 (network)
 - ❑ USB
 - ❑ External monitor
 - ❑ AC power
 - ❑ Stereo audio-out (headphone)

1.3 Clearing a Password

If the tablet PC has an unknown setup or power-on password, follow these steps to clear the password. These steps do not clear the drivelock password.

1. Remove the battery pack and Mini PCI communications memory module slot cover. Refer to [Section 5.3, “Preparing the Tablet PC for Disassembly,”](#) for more information.
 2. Remove the RTC battery (refer to [Section 5.4, “Real Time Clock Battery”](#)).
 3. Wait approximately 5 minutes.
 4. Replace the RTC battery and reassemble the tablet PC. Do *not* reinsert the battery pack at this time.
 5. Connect AC power to the tablet PC.
 6. Turn on the tablet PC.
- All setup and power-on passwords have been cleared.

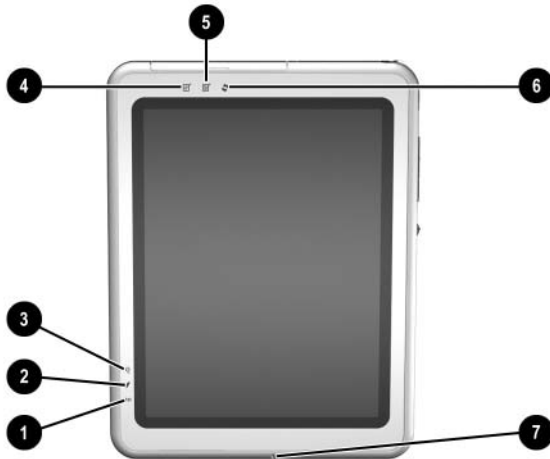
1.4 Power Management

The tablet PC comes with power management features that extend battery operating time and conserve power. The tablet PC supports the following power management features:

- Standby
- Hibernation
- User customization of settings
- Smart battery that provides an accurate battery power gauge
- Battery calibration
- Power/standby button
- Advanced Configuration and Power Interface (ACPI) compliance

1.5 Tablet PC External Components

The external components on the front of the tablet PC are shown in the following illustration and described in Table 1-47.



Front Components

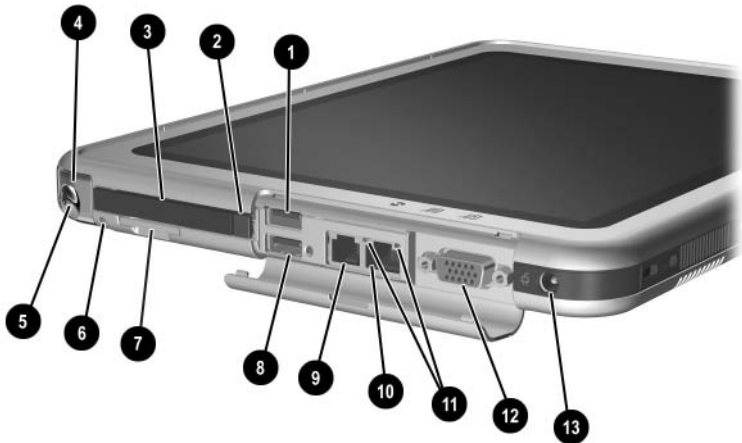
Table 1-47
Front Components

Item	Component	Function
1	Wireless light	Off: No wireless device is active. On: Wireless functionality is enabled. Flashing: Wireless functionality is enabled, but is not connected to a network or is not properly configured.
2	Battery light	On: A battery pack is charging. Flashing: A battery pack that is the only available power source has reached a low-battery condition.

Table 1-47
Front Components (Continued)

Item	Component	Function
3	AC adapter light	On: AC power is being supplied through the AC adapter.
4	Tablet PC Input Panel launch button	<p>When Windows is running, opens the Microsoft Tablet PC Input Panel application, which includes a handwriting pad and an on-screen keyboard. While using the on-screen keyboard:</p> <ul style="list-style-type: none"> ■ To enter the ctrl+alt+delete command, press the button on the tablet PC with the pen tip or a small object such as the end of a paper clip. ■ To switch the top row of keys between number keys and function keys, tap Func on the on-screen keyboard.
5	Journal launch button	When Windows is running, opens and closes the Microsoft Journal application, which supports handwriting.
6	Rotate button	Switches the image between landscape and portrait orientation.
7	Microphone	Inputs monaural sound.

The external components on the top side of the tablet PC are shown in the following illustration and described in Table 1-48.




Top Components

Table 1-48
Top Components

Item	Component	Function
1	USB port*	Connects an optional USB 2.0 - or - 1.1 compliant device.
2	PC Card eject button	Ejects an optional PC Card from the PC Card slot.
3	PC Card slot	Supports an optional Type I or Type II 32-bit (CardBus) or 16-bit PC Card.

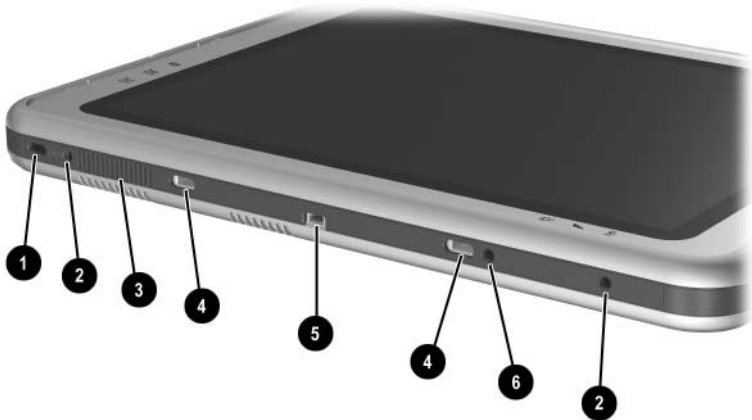
*If an optional External MultiBay is connected to the USB port, the External MultiBay must also be connected to external power. If an External MultiBay is connected to the External MultiBay connector, it is not necessary to connect the External MultiBay to external power.

**Table 1-48
Top Components (Continued)**

Item	Component	Function
4	Pen holder (shown with pen  inserted)	Secures the pen to the tablet PC.
5	Pen	Interacts with the tablet PC whenever the tip is within 0.5 inch of or contacts the screen.
6	Tablet PC tether eyelet	Used with the tether eyelet on the pen, enables you to tether the pen to the tablet PC.
7	SD Card slot	Supports an optional SD Card.
8	External MultiBay connector*	Connects and provides power for an optional USB 1.1 or USB 2.0 device.
9	RJ-11 (modem) jack	Connects a modem cable.
10	RJ-45 (network) jack	Connects an Ethernet network cable.
11	LAN connection lights (2)	Both lights off: The tablet PC is not connected to a LAN. Both lights on: The tablet PC is connected to a LAN with a 100-Mbps link. Green light on and yellow light off: The tablet PC is connected to a LAN with a 10-Mbps link. Green light flashing: Information is being transmitted through the LAN.
12	External monitor port	Connects an optional external monitor or projector.
13	AC power connector	Connects an AC adapter cable, aircraft power adapter, or automobile power charger/adapter.

*If an optional External MultiBay is connected to the USB port, the External MultiBay must also be connected to external power. If an External MultiBay is connected to the External MultiBay connector, it is not necessary to connect the External MultiBay to external power.

The external components on the left side of the tablet PC are shown in the following illustration and described in Table 1-49.




Left-Side Components

Table 1-49
Left-Side Components

Item	Component	Function
1	Security cable slot	Attaches an optional security cable to the tablet PC. △ Security solutions are designed to act as deterrents. These deterrents may not prevent a product from being mishandled or stolen.
2	Screen protector slots (2)	Secure the optional screen protector when it is attached to the tablet PC.

Table 1-49
Left-Side Components (Continued)

Item	Component	Function
3	Air vent	Allows airflow to cool internal components.
		 WARNING: To avoid potential discomfort or burns, do not block the air vents or use the tablet PC on your lap for extended periods. This tablet PC is designed to run demanding applications at full power. As a result of increased power consumption, it is normal for the tablet PC to feel warm or hot when used continuously. The tablet PC complies with the user-accessible surface temperature limits defined by the International Standard for Safety of Information Technology Equipment (IEC 60950).
4	Universal alignment slots (2)	Secure the portfolio, the optional screen protector, or an optional attachment, such as a tablet PC keyboard, to the tablet PC.
5	Keyboard connector	Connects an optional tablet PC keyboard to the tablet PC.
6	Alignment key slot	Accepts an alignment key to safeguard attachment procedures. For example, matching the alignment key on an optional tablet PC keyboard to the alignment key slot helps you to correctly orient the tablet PC to the keyboard as you connect them.

The external components on the right side of the tablet PC are shown in the following illustration and described in Table 1-50.



Right-Side Components

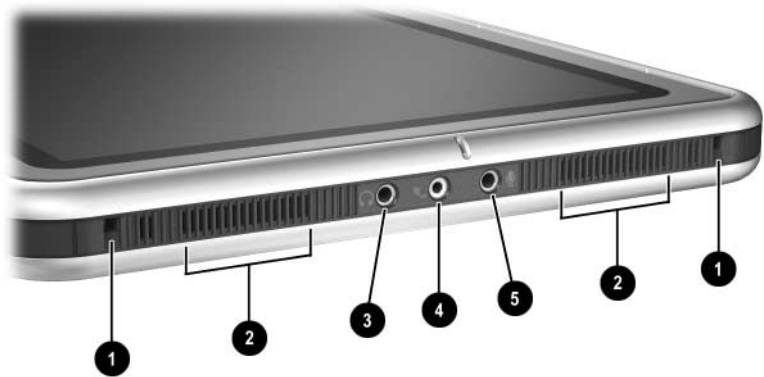
Table 1-50
Right-Side Components

Item	Component	Function
1	Jog dial	Functions like the enter key and the up and down arrow keys on a standard keyboard. <ul style="list-style-type: none">■ Press inward to enter a command.■ Rotate upward to scroll upward.■ Rotate downward to scroll downward.
2	esc button	While the tablet PC is <ul style="list-style-type: none">■ Starting up and a flashing pointer is displayed on the screen, opens the Setup utility.■ In Windows, functions like the esc key on a standard keyboard.

Table 1-50
Right-Side Components (*Continued*)

Item	Component	Function
3	Windows security button	<p>When pressed with the pen tip or a small object such as the end of a paper clip</p> <ul style="list-style-type: none"> ■ when Windows is open, enters the ctrl+alt+delete command. ■ when the Setup utility is open, enters the reset command.
4	tab button	When Windows is running, functions like the tab key on a standard keyboard.
5	Q menu button	When Windows is running, opens or closes the Q Menu.
6	E-mail launch button	<p>When Windows is running:</p> <ul style="list-style-type: none"> ■ Before your Internet or network service is set up, opens the operating system Internet connection wizard. ■ After your Internet or network service is set up, opens your default e-mail application.
7	Power/standby switch	<p>When the tablet PC is:</p> <ul style="list-style-type: none"> ■ Off, press to turn on the tablet PC. ■ On, slide and release to initiate standby. ■ In standby, slide and release to resume from standby. ■ In hibernation, slide and release to restore from hibernation. <p>If the system has stopped responding and Windows shutdown procedures cannot be used, slide and hold for 4 seconds to turn off the tablet PC.</p>
8	Power/standby light	<p>On: tablet PC is on. Flashing: tablet PC is in standby. Off: tablet PC is off or in hibernation.</p>

The external components on the bottom side of the tablet PC are shown in the following illustration and described in Table 1-51.

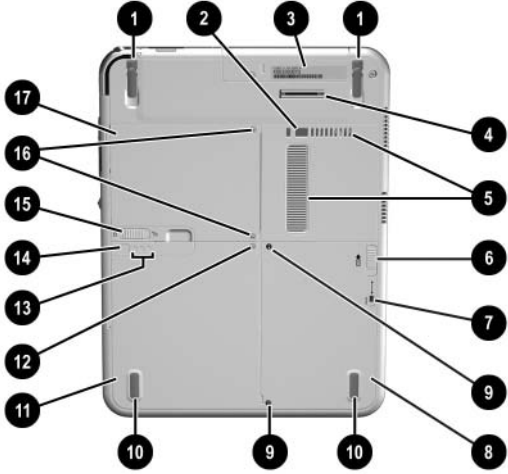


Bottom-side Components

Table 1-51
Rear Components

Item	Component	Function
1	Docking alignment slots (2)	Secure the tablet PC to an optional Tablet PC Docking Station.
2	Speakers (2)	Produce stereo sound.
3	Audio-out (headphone)	Connects optional stereo headphones or powered stereo speakers.
4	Headset jack	Connects an optional headset, such as a mobile telephone headset with a microphone and a monaural ear piece.
5	Audio-in (microphone)	Connects an optional stereo microphone.

The external components on the rear of the tablet PC are shown in the following illustration and described in Table 1-52.



Rear Components

Table 1-52
Rear Components

Item	Component	Function
1	Tilt feet (2)	While the tablet PC is being used in portrait orientation on a flat surface, can elevate the top of the tablet PC to provide a comfortable writing and viewing angle.
2	Docking restraint latch recess	Accepts the docking restraint latch on an optional docking station to secure the tablet PC to the Docking Station.

Table 1-52
Rear Components (Continued)



Item	Component	Function
3	Product identification label	Contains the serial number of the tablet PC and a code describing the original configuration of the tablet PC. You will need the serial number if you contact Customer Care.
4	Docking connector	Connects the tablet PC to an optional docking station.
5	Air vent	<p>Allows airflow to cool internal components.</p> <p> WARNING: To avoid potential discomfort or burns, do not block the air vents or use the tablet PC on your lap for extended periods. This tablet PC is designed to run demanding applications at full power. As a result of increased power consumption, it is normal for the tablet PC to feel warm or hot when used continuously. The tablet PC complies with the user-accessible surface temperature limits defined by the International Standard for Safety of Information Technology Equipment (IEC 60950).</p>
6	Attachment release latch	Releases an optional screen protector or tablet PC keyboard from the universal attachment slots on the tablet PC.
7	Hard drive retention screw	Secures the hard drive bay cover to the tablet PC.

Table 1-52
Rear Components (*Continued*)

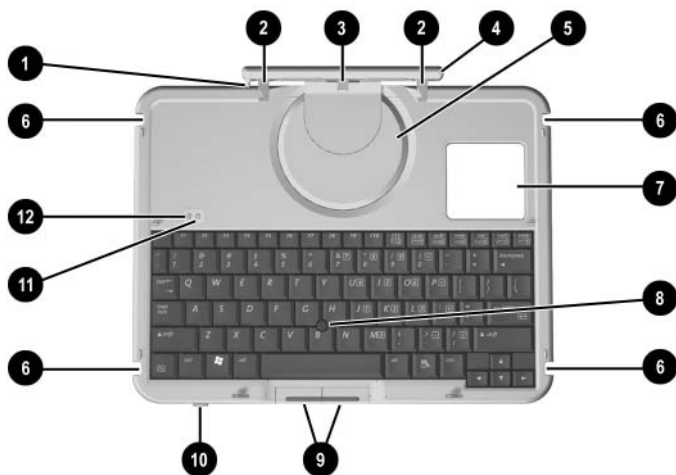
Item	Component	Function
8	Hard drive bay	Holds the system hard drive.
9	Hard drive security screws (2)	Secure the hard drive in the hard drive bay.
10	Pad feet (2)	Stabilize the tablet PC when it is placed on a flat surface.
11	Battery bay	Holds the battery pack.
12	Battery retention screw	Secures the battery pack to the tablet PC.
13	Battery quick check lights (3)	<p>On: Each light represents a percentage of a full charge. For example, when all three lights are on, the battery pack is fully charged.</p> <p>Flashing: When one light is flashing, less than 10% of a full charge remains in the battery pack.</p>
14	Battery quick check button	Activates the battery quick check lights, which display how much of a full charge remains in the battery pack.
15	Battery pack release latch	Releases the battery pack from the battery bay.

Table 1-52
Rear Components (*Continued*)

Item	Component	Function
16	Memory module and Mini PCI compartment cover retention screws	Secure the memory and Mini PCI compartment cover to the tablet PC.
17	Memory module and Mini PCI compartment	Contains one memory slot for a PC133-compliant memory module. Also holds an optional Mini PCI board, such as a modem board or a combination modem and wireless board.  To prevent an unresponsive system and the display of a warning message, install only a Mini PCI device authorized for use by the governmental agency that regulates wireless devices in your country. If you install a device and then receive a warning message, remove the device to restore tablet PC functionality. Then contact Customer Care.

1.6 Keyboard Components

The keyboard top components are shown in the following illustration and described in Table 1-53.



Keyboard Top Components

Table 1-53
Keyboard Top Components

Item	Component	Function
1	Alignment key	Ensures that the tablet PC is attached to the keyboard in the correct orientation.
2	Keyboard hooks (2)	Secure the tablet PC to the keyboard.
3	Keyboard connector	Connects the keyboard to the keyboard connector on the tablet PC.
4	Tilt adjustment	Tilts the tablet PC forward or backward while it is connected to the keyboard.

Table 1-53
Keyboard Top Components (Continued)

Item	Component	Function
5	Rotation disk	Rotates the tablet PC clockwise or counterclockwise while it is connected to the keyboard.
6	Docking alignment notches (4)	Help guide the tablet PC and keyboard into an optional HP Tablet PC Docking Station.
7	Docking connector pass-through	Enables the optional docking station to be connected to the tablet PC while the keyboard is attached to the tablet PC.
8	Pointing stick	Moves the cursor and selects and activates items on the screen.
9	Pointing stick buttons (2)	Function like the left and right buttons on an external mouse.
10	Keyboard latch	Slide to lock the keyboard or to release the keyboard from the tablet PC.
11	Caps lock light	When this light is on, the caps lock is on.
12	Num lock light	When this light is on, the numeric keypad is active.

The special keys on the keyboard are shown in the following illustration and described in Table 1-54.



Keyboard Special Keys

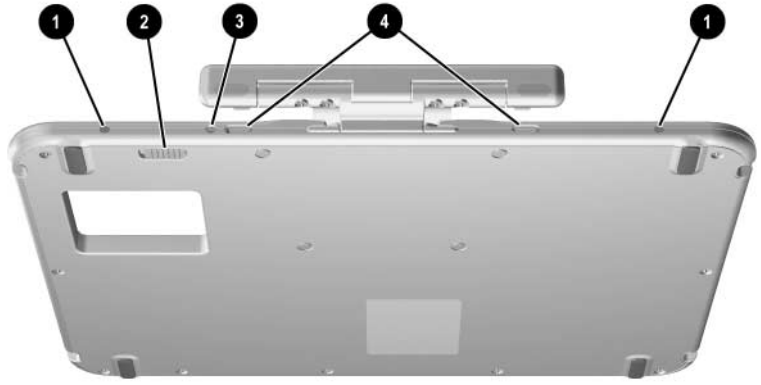
Table 1-54
Keyboard Special Keys

Item	Component	Function
1	Function keys	Perform system and application tasks. For example, in the Windows operating system and many applications, pressing F1 opens a Help file. To enter an F11 function, press F11/F12 . To enter an F12 function, press Fn+F11/F12 .
2	Fn key	Combines with other keys to perform system tasks. For example, pressing Fn+num lk turns on the keypad.

Table 1-54
Keyboard Special Keys (*Continued*)

Item	Component	Function
3	Windows logo key	Displays the Microsoft Windows Start Menu.
4	Windows applications key	Displays a shortcut menu for items beneath the pointer.
5	Keypad keys	Used like an external numeric keypad.

The components on the rear and bottom of the optional keyboard are shown in the following illustration and described in Table 1-55.



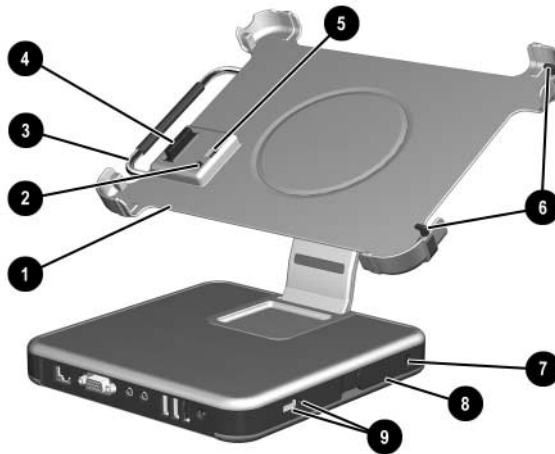
Keyboard Rear and Bottom Components

**Table 1-55
Keyboard Rear and Bottom Components**

Item	Component	Function
1	Screen protector slots	Attach the screen protector to the keyboard.
2	Attachment release switch	Releases a portfolio or optional screen protector from the keyboard.
3	Universal alignment slots	Secure the portfolio or optional screen protector to the keyboard.
4	Alignment key slots	Accept alignment keys to ensure proper orientation.

1.7 HP Tablet PC Docking Station Components

The upper and right-side components on the optional HP Tablet PC Docking Station are shown in the following illustration and described in Table 1-56.




Docking Station Upper and Right-Side Components

Table 1-56
Docking Station Upper and
Right-Side Components

Item	Component	Function
1	Docking stand	Holds the tablet PC when it is docked.
2	Docking eject pin	Disconnects the tablet PC and docking stand docking connectors when the release handle is pulled.
3	Release handle	Ejects the tablet PC from the docking stand.

Table 1-56
Docking Station Upper and
Right-Side Components (*Continued*)

Item	Component	Function
4	Docking connector	Connects to the tablet PC.
5	Docking restraint latch	Secures the tablet PC to the docking stand.
6	Docking alignment brackets (2)	Fit into the tablet PC docking alignment slots to align the tablet PC in the docking stand.
7	Security cable slot	Attaches an optional security cable to the tablet PC.  The purpose of security solutions is to act as a deterrent. These solutions do not prevent the product from being mishandled or stolen.
8	MultiBay release lever	Ejects a MultiBay device from the bay.
9	External MultiBay connector	Connects optional USB devices.

The front and left-side components on the optional docking station are shown in the following illustration and described in Table 1-57.



Docking Station Front and Left-Side Components

Table 1-57
Docking Station Front and Left-Side Components

Item	Component	Function
1	Pivot arm	Tilts the docking stand forward and backward to enable different viewing angles and different docking modes.
2	MultiBay	Supports a diskette drive, CD-ROM or CD-RW drive, DVD-ROM drive, DVD/CD-RW Combo Drive, or second hard drive.
3	RJ-45 (network) jack	Connects a network cable.
4	External monitor port	Connects an optional external monitor or overhead projector.

Table 1-57
Docking Station Front and Left-Side Components (*Continued*)

Item	Component	Function
5	Audio-in jack	Connects the stereo audio function of optional audio devices such as CD-ROM players.
6	Audio-out (headphone) jack	Connects optional stereo headphones or powered stereo speakers and connects the audio function of an audio/video device such as a television or VCR.
7	USB ports (3)	Connect optional USB devices.
8	AC power connector	Connects an AC adapter cable, aircraft power adapter, or automobile power charger/adapter.

1.8 Design Overview

This section presents a design overview of key parts and features of the tablet PC. Refer to [Chapter 3, “Illustrated Parts Catalog,”](#) to identify replacement parts, and [Chapter 5, “Removal and Replacement Procedures,”](#) for disassembly instructions.

The system board provides the following device connections:

- Memory module
- Hard drive
- Display
- Optional keyboard and pointing stick
- Audio
- Intel Pentium M or Celeron processor
- Fan
- PC Card
- Secure Digital (SD) Memory card (not SD I/O)
- External MultiBay
- Modem or modem/NIC



CAUTION: To prevent overheating, do not obstruct vents. Do not allow a hard surface, such as a printer, or a soft surface, such as pillows or thick rugs, to block airflow.

The tablet PC uses an electric fan for ventilation. The fan is controlled by a temperature sensor and is designed to operate automatically when high temperature conditions exist. These conditions are affected by high external temperatures, system power consumption, power management, battery conservation configurations, battery fast charging, and software applications. Cooling air is taken in through the air vent located on the rear of the tablet PC. Exhaust air is expelled through the air vent located on the left side of the tablet PC.

2

Troubleshooting



WARNING: Only authorized technicians trained by HP should repair this equipment. All troubleshooting and repair procedures are detailed to allow only subassembly/module level repair. Because of the complexity of the individual boards and subassemblies, do not attempt to make repairs at the component level or to make modifications to any printed wiring board. Improper repairs can create a safety hazard. Any indication of component replacement or printed wiring board modification may void any warranty or exchange allowances.

2.1 Setup and Diagnostics Utilities

Selecting Setup or HP Diagnostics

The tablet PC features 2 HP system management utilities:

- **Setup**—A system information and customization utility that can be used even when your operating system is not working or will not load. This utility includes settings that are not available in Windows.
- **HP Diagnostics**—A system information and diagnostic utility that is used within your Windows operating system. Use this utility whenever possible to
 - ❑ Display system information.
 - ❑ Test system components.
 - ❑ Troubleshoot a device configuration problem in Windows Tablet PC Edition.



It is not necessary to configure a device connected to a USB port on the tablet PC or to an optional docking station.

Using Setup

Information and settings in Setup are accessed from the File, Security, or Advanced menus:

1. Turn on or restart the tablet PC. Press **F10** while the F10 = ROM Based Setup message displays in the lower-left corner of the screen.
 - ❑ To change the language, press **F2**.
 - ❑ To view navigation information, press **F1**.
 - ❑ To return to the Setup menu, press **esc**.
2. Select the **File**, **Security**, or **Advanced** menu.

3. To close Setup and restart the tablet PC:
 - ❑ Select **File > Save Changes**, and Exit and press **enter**.
 - or –
 - ❑ Select **File > Ignore Changes**, and Exit and press **enter**.
4. When you are prompted to confirm your action, press **F10**.

Selecting from the File Menu

Table 2-1
File Menu

Select	To Do This
System Information	<ul style="list-style-type: none"> ■ View identification information about the tablet PC, a docking station, and any battery packs in the system. ■ View specification information about the processor, memory and cache size, and system ROM.
Save to Floppy	Save system configuration settings to a diskette.
Restore from Floppy	Restore system configuration settings from a diskette.
Restore Defaults	Replace configuration settings in Setup with factory default settings. Identification information is retained.
Ignore Changes and Exit	Cancel changes entered during the current session, and then exit and restart the tablet PC.
Save Changes and Exit	Save changes entered during the current session, and then exit and restart the tablet PC.

Selecting from the Security Menu

Table 2-2
Security Menu





Select	To Do This
Setup Password	Enter, change, or delete a setup password. (The setup password is called an administrator password in HP Computer Security, a program accessed from the Windows Control Panel.)
Power-on Password	Enter, change, or delete a power-on password.
DriveLock Password	Enable/disable DriveLock; change a DriveLock User or Master password.  DriveLock Settings are accessible only when you enter Setup by turning on (not restarting) the tablet PC.
Password Options	Enable/disable: <ul style="list-style-type: none">■ QuickLock■ QuickLock on Suspend■ QuickBlank  To enable QuickLock on Suspend or QuickBlank, you must first enable QuickLock.  Password options can be selected only when a power-on password has been set.

Table 2-2
Security Menu (*Continued*)

Select	To Do This
Device Security	<p>Enable/disable:</p> <ul style="list-style-type: none"> ■ Ports or diskette drives* ■ Diskette write* ■ CD-ROM or diskette startup <p> Settings for a DVD-ROM can be entered in the CD-ROM field.</p>
System IDs	<p>Enter identification numbers for the tablet PC, a docking station, and all battery packs in the system.</p>
<p>*Not applicable to SuperDisk LS-120 drives.</p>	

Selecting from the Advanced Menu

Table 2-3
Advanced Menu

Select	To Do This
Language (or press F2)	Change the Setup language.
Boot Options	<p>Enable/disable:</p> <ul style="list-style-type: none"> ■ QuickBoot, which starts the tablet PC more quickly by eliminating some startup tests. If you suspect a memory failure and want to test memory automatically during startup, disable QuickBoot. ■ MultiBoot, which sets a startup sequence that can include most bootable devices and media in the system.
Device Options	<ul style="list-style-type: none"> ■ Enable/disable the embedded numeric keypad at startup. ■ Enable/disable multiple standard pointing devices at startup. To set the tablet PC to support only a single, usually nonstandard, pointing device at startup, select Disable. ■ Enable/disable USB legacy support for a USB keyboard. When USB legacy support is enabled, the keyboard works even when a Windows operating system is not loaded. ■ Set an optional external monitor or overhead projector connected to a video card in a docking station as the primary device. When the tablet PC display is set as secondary, the tablet PC must be shut down before undocking from a docking station.

Table 2-3
Advanced Menu (Continued)

Select	To Do This
Device Options (<i>continued</i>)	<ul style="list-style-type: none"> ■ Change the parallel port mode from EPP (Enhanced Parallel Port [default]) to standard, bidirectional, EPP or ECP (Enhanced Capabilities Port). ■ Set video-out mode to NTSC (default), PAL, NTSC-J, or PAL-M.* ■ Enable/disable all settings in the SpeedStep window. When Disable is selected, the tablet PC runs in Battery Optimized mode. ■ Specify how the tablet PC recognizes multiple identical docking stations that are identically equipped. Select Disable to recognize the docking stations as a single docking station; select Enable to recognize the docking stations individually, by serial number. ■ Enable/disable the reporting of the processor serial number by the processor to the software.
HDD Self-Test Options	Run a quick comprehensive self-test on hard drives in the system that support the test features.

*Video modes can vary within regions. However, NTSC is commonly used in North America; PAL, in Europe, Africa, and the Middle East; NTSC-J, in Japan; and PAL-M, in Brazil. Other South and Central American regions may use NTSC, PAL, or PAL-M.

2.2 Using HP Diagnostics for Windows

When you access HP Diagnostics for Windows, a scan of all system components is displayed on the screen before the HP Diagnostics window opens.

You can display more or less information from anywhere within HP Diagnostics for Windows by selecting **Level** on the menu bar.

HP Diagnostics for Windows is designed to test HP components. If third-party components are tested, the results may be inconclusive.

Obtaining, Saving, or Printing Configuration Information

1. Access HP Diagnostics by selecting **Start > Control Panel > Diagnostics for Windows**.
2. Select **Categories**, and then select a category from the drop-down list.
 - To save the information, select **File > Save As**.
 - To print the information, select **File > Print**.
3. To close HP Diagnostics for Windows, select **File > Exit**.

Obtaining, Saving or Printing Diagnostic Test Information

1. Access HP Diagnostics by selecting **Start > Control Panel > Diagnostics for Windows**.
2. Select the **Test** tab.
3. In the scroll box, select the category or device you want to test.
4. Select a test type:
 - Quick Test**—Runs a quick, general test on each device in a selected category.
 - Complete Test**—Performs maximum testing on each device in a selected category.
 - Custom Test**—Performs maximum testing on a selected device.
 - ◆ To run all tests for your selected device, select **Check All**.
 - ◆ To run only the tests you select, select **Uncheck All**, and then select the check box for each test you want to run.
5. Select a test mode:
 - Interactive Mode**—Provides maximum control over the testing process. You determine whether the test was passed or failed. You may be prompted to insert or remove devices.
 - Unattended Mode**—Does not display prompts. If errors are found, they are displayed when testing is complete.

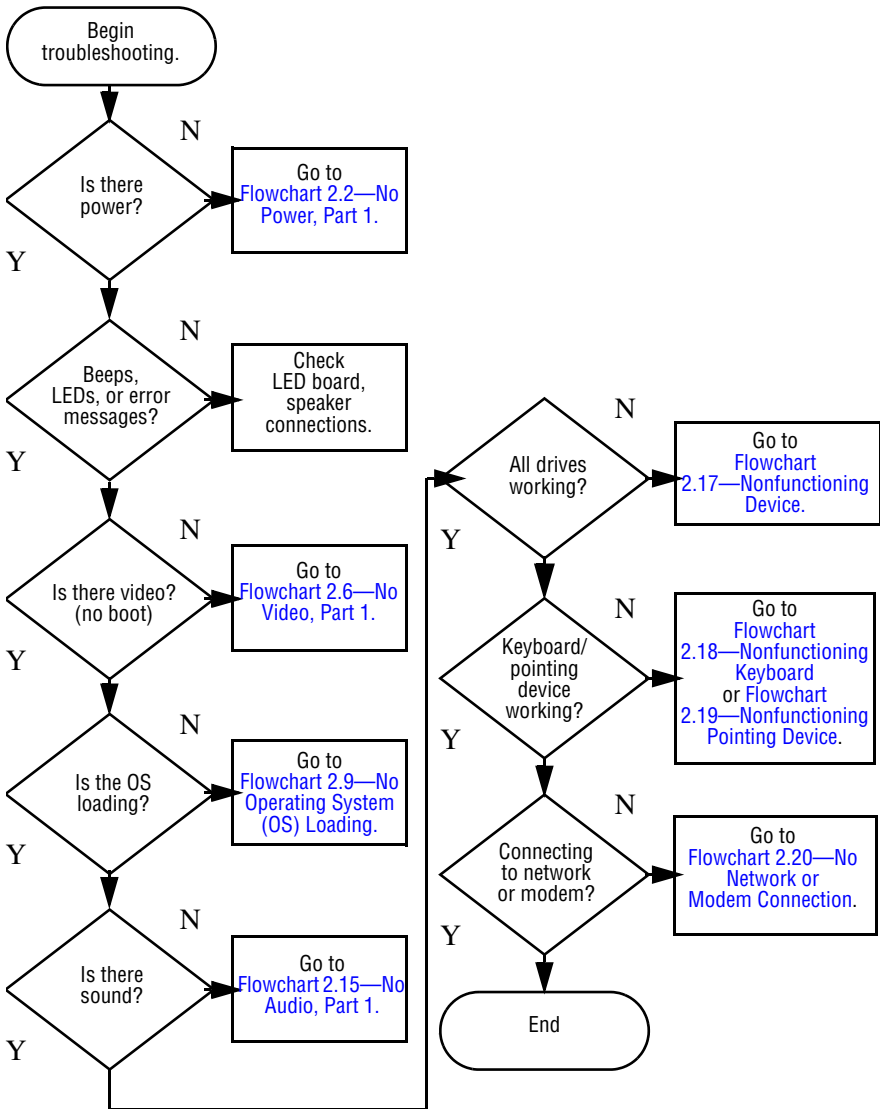
6. Select **Begin Testing**.
7. Select a tab to view a test report:
 - ❑ **Status tab**—Summarizes the tests run, passed, and failed during the current testing session.
 - ❑ **Log tab**—Lists tests run on the system, the number of times each test has run, the number of errors found on each test, and the total run time of each test.
 - ❑ **Error tab**—Lists all errors found in the tablet PC, along with their error codes.
8. Select a tab to save the report:
 - ❑ **Log tab**—Select **Log tab Save**.
 - ❑ **Error tab**—Select **Error tab Save**.
9. Select a tab to print the report:
 - Log tab**—Select **File > Save As**, and then print the file from your folder.

Troubleshooting Flowcharts

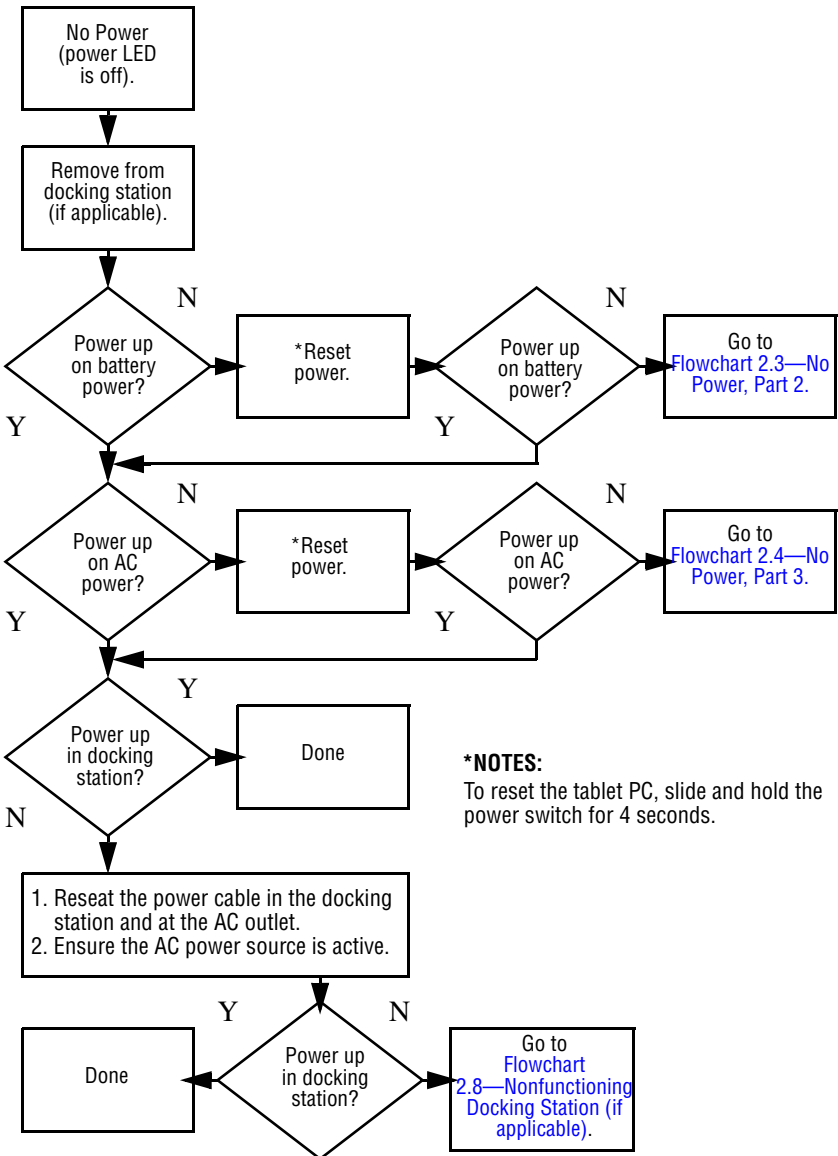
Table 2-4
Troubleshooting Flowcharts Overview

Flowchart	Description
2.1	"Flowchart 2.1—Initial Troubleshooting."
2.2	"Flowchart 2.2—No Power, Part 1."
2.3	"Flowchart 2.3—No Power, Part 2."
2.4	"Flowchart 2.4—No Power, Part 3."
2.5	"Flowchart 2.5—No Power, Part 4."
2.6	"Flowchart 2.6—No Video, Part 1."
2.7	"Flowchart 2.7—No Video, Part 2."
2.8	"Flowchart 2.8—Nonfunctioning Docking Station (if applicable)."
2.9	"Flowchart 2.9—No Operating System (OS) Loading."
2.10	"Flowchart 2.10—No OS Loading from Hard Drive, Part 1."
2.11	"Flowchart 2.11—No OS Loading from Hard Drive, Part 2."
2.12	"Flowchart 2.12—No OS Loading from Hard Drive, Part 3."
2.13	"Flowchart 2.13—No OS Loading from Diskette Drive."
2.14	"Flowchart 2.14—No OS Loading from CD-ROM or DVD-ROM Drive."
2.15	"Flowchart 2.15—No Audio, Part 1."
2.16	"Flowchart 2.16—No Audio, Part 2."
2.17	"Flowchart 2.17—Nonfunctioning Device."
2.18	"Flowchart 2.18—Nonfunctioning Keyboard."
2.19	"Flowchart 2.19—Nonfunctioning Pointing Device."
2.20	"Flowchart 2.20—No Network or Modem Connection."

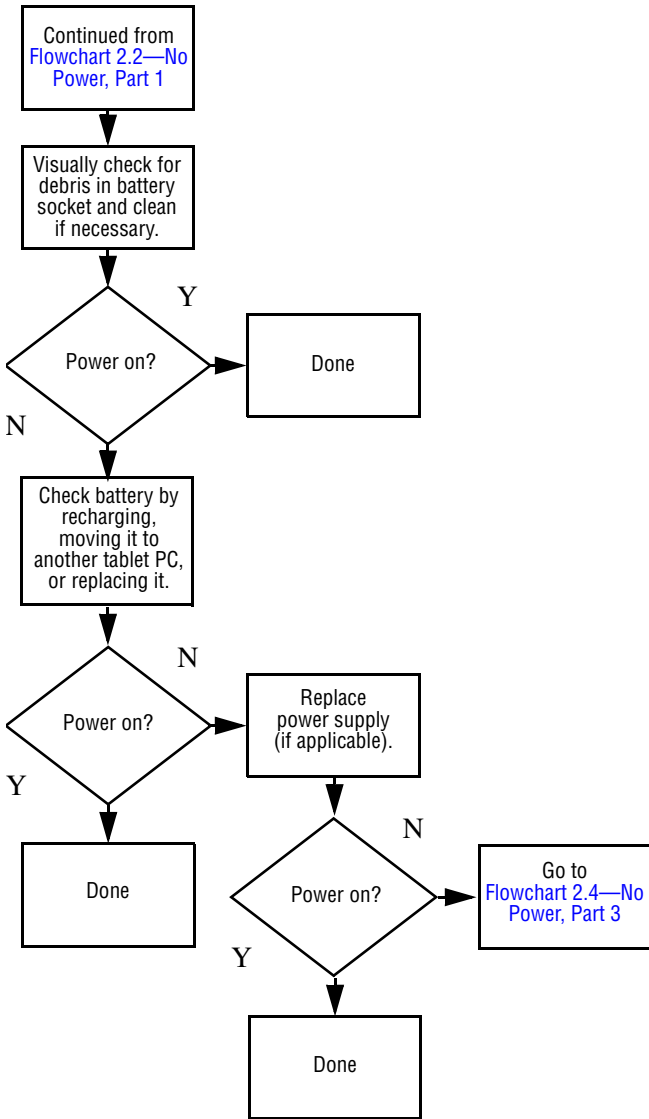
Flowchart 2.1 – Initial Troubleshooting



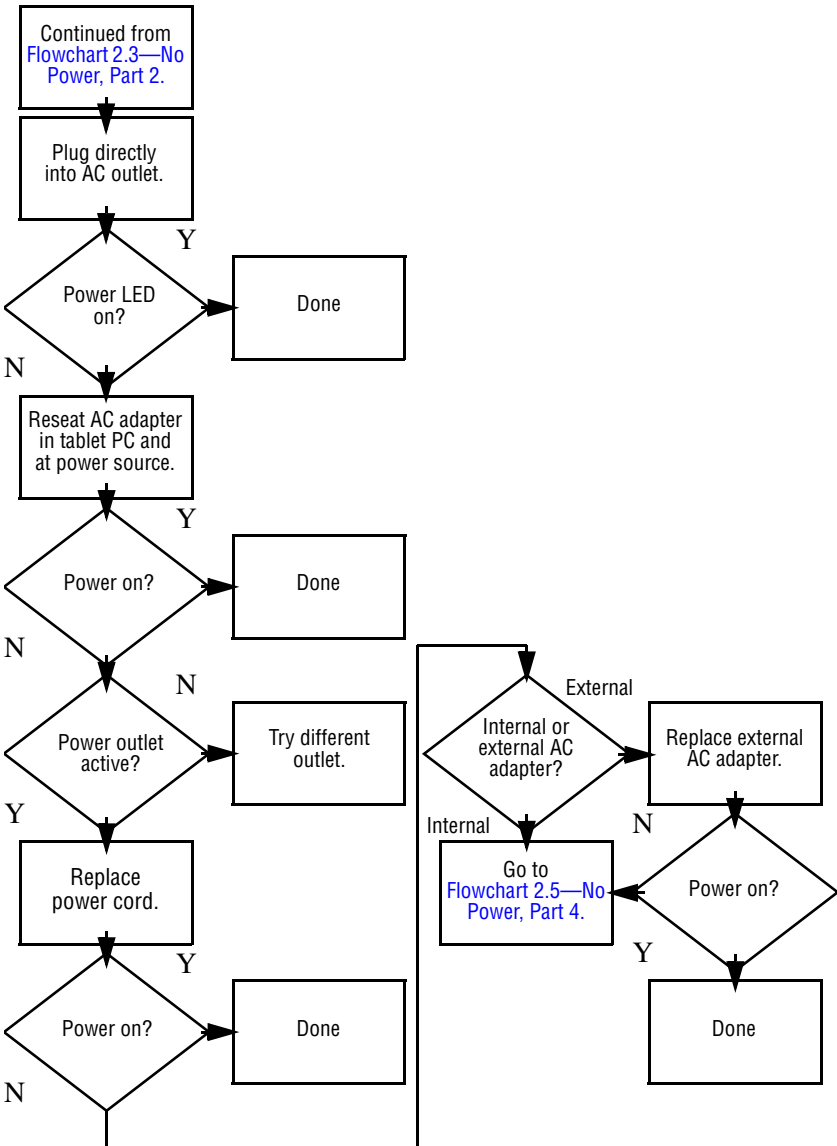
Flowchart 2.2—No Power, Part 1



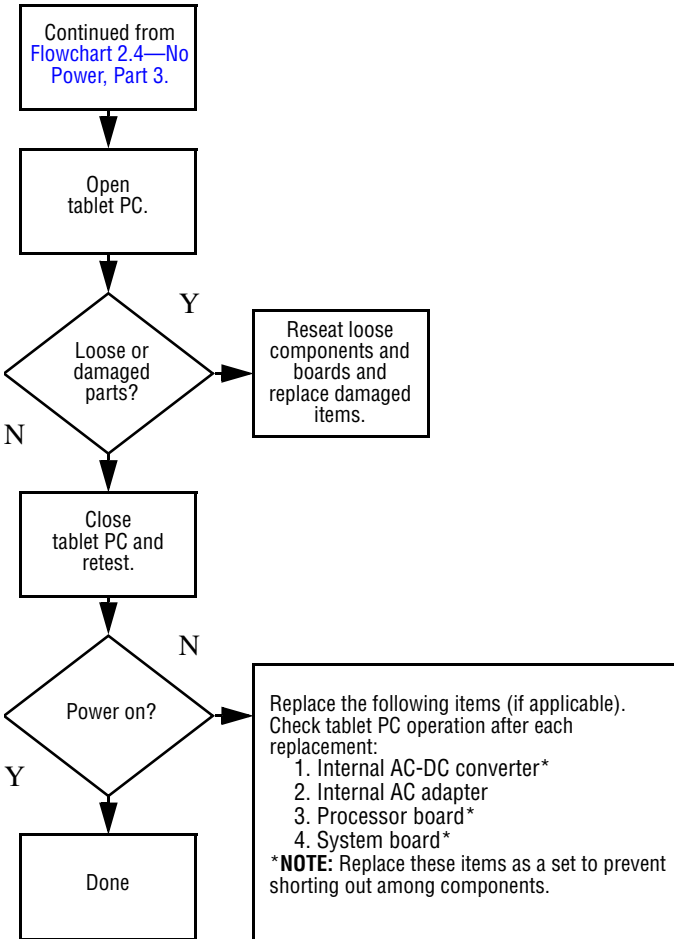
Flowchart 2.3—No Power, Part 2



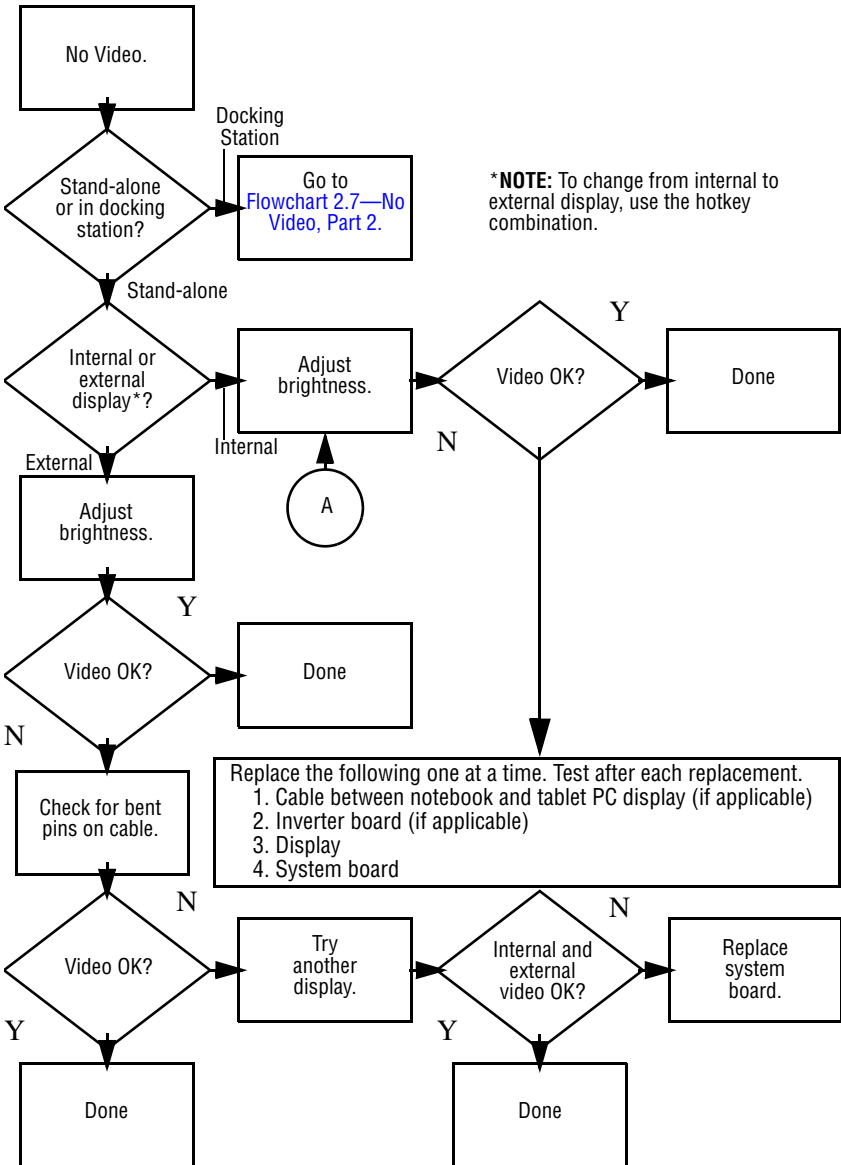
Flowchart 2.4—No Power, Part 3



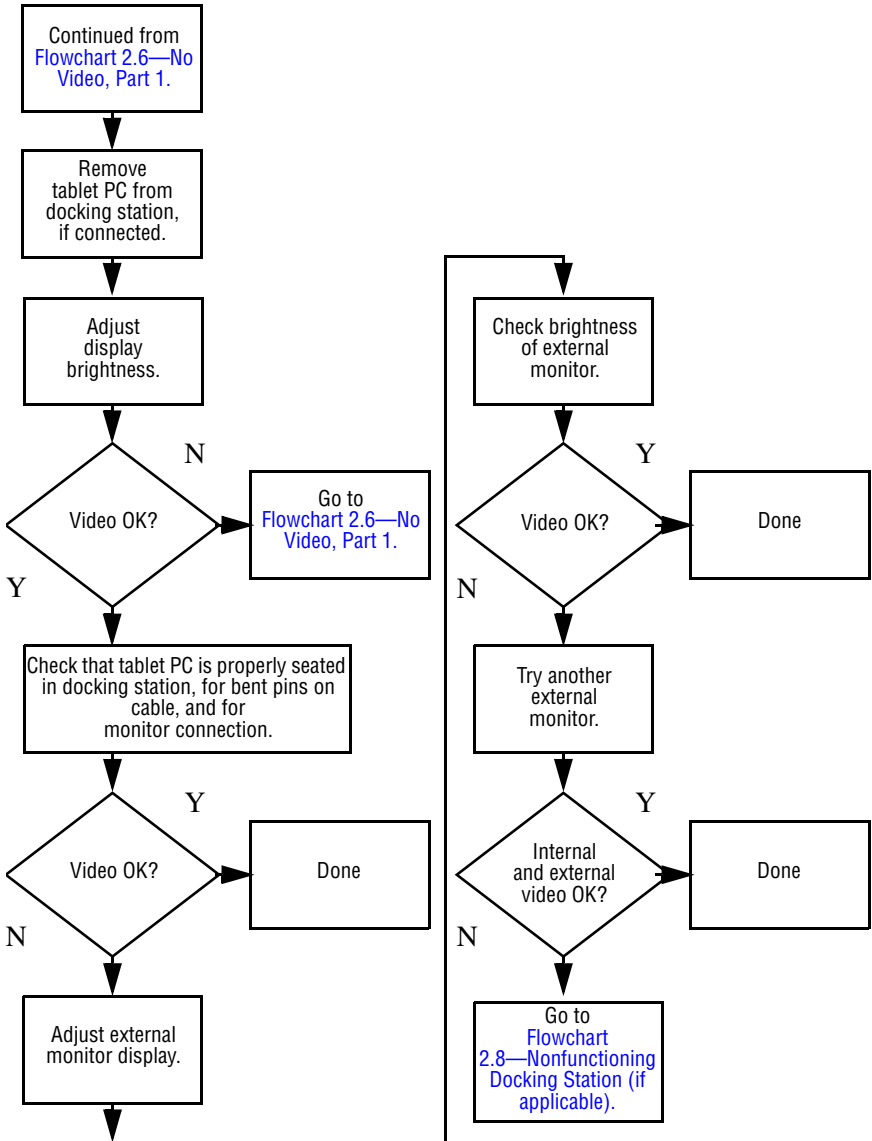
Flowchart 2.5—No Power, Part 4



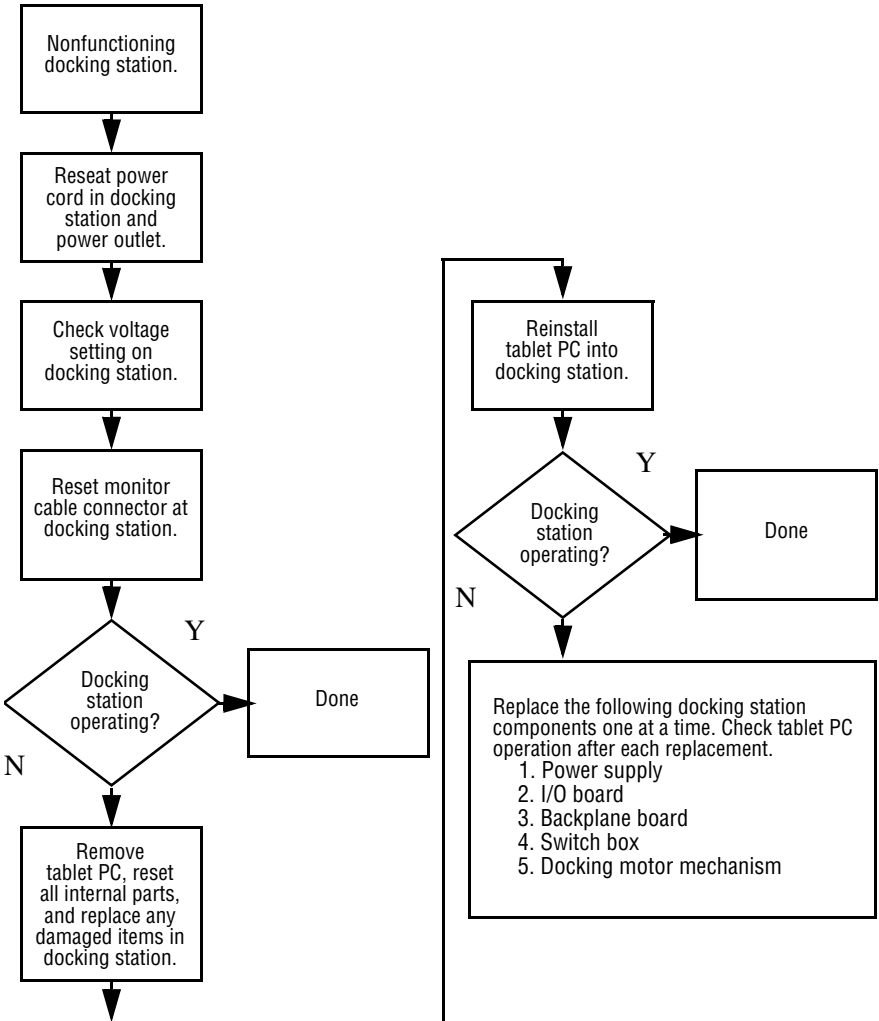
Flowchart 2.6—No Video, Part 1



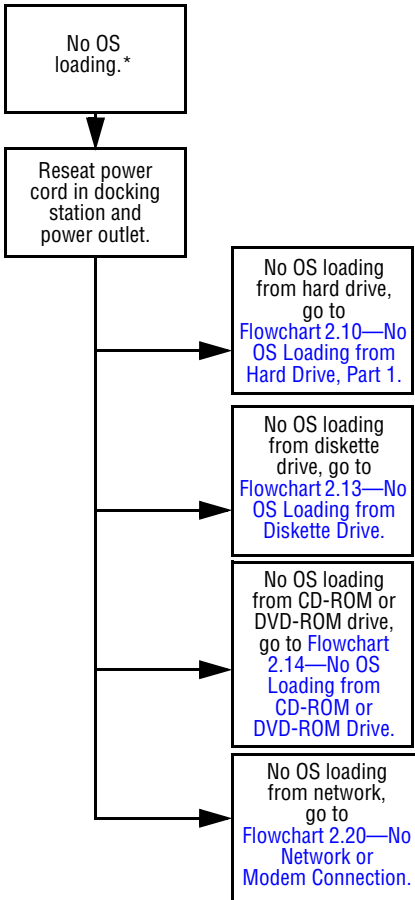
Flowchart 2.7—No Video, Part 2



Flowchart 2.8—Nonfunctioning Docking Station (if applicable)

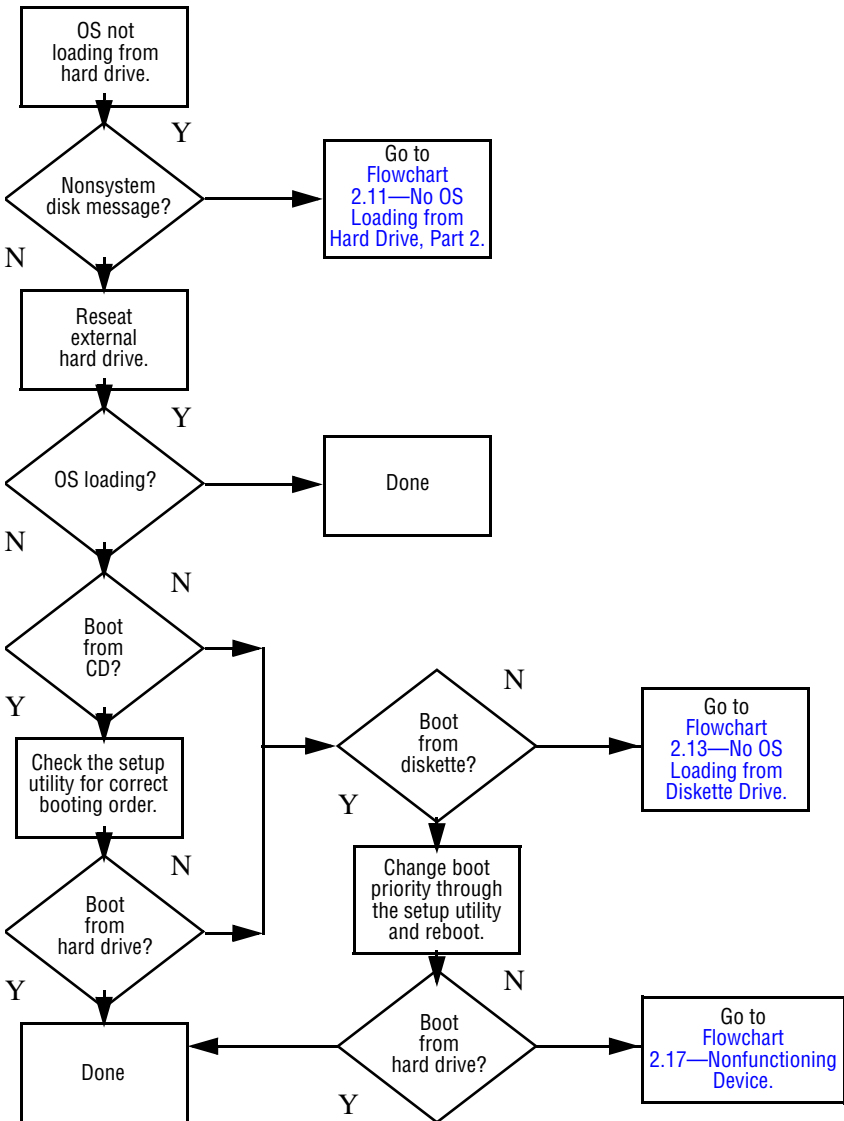


Flowchart 2.9—No Operating System (OS) Loading

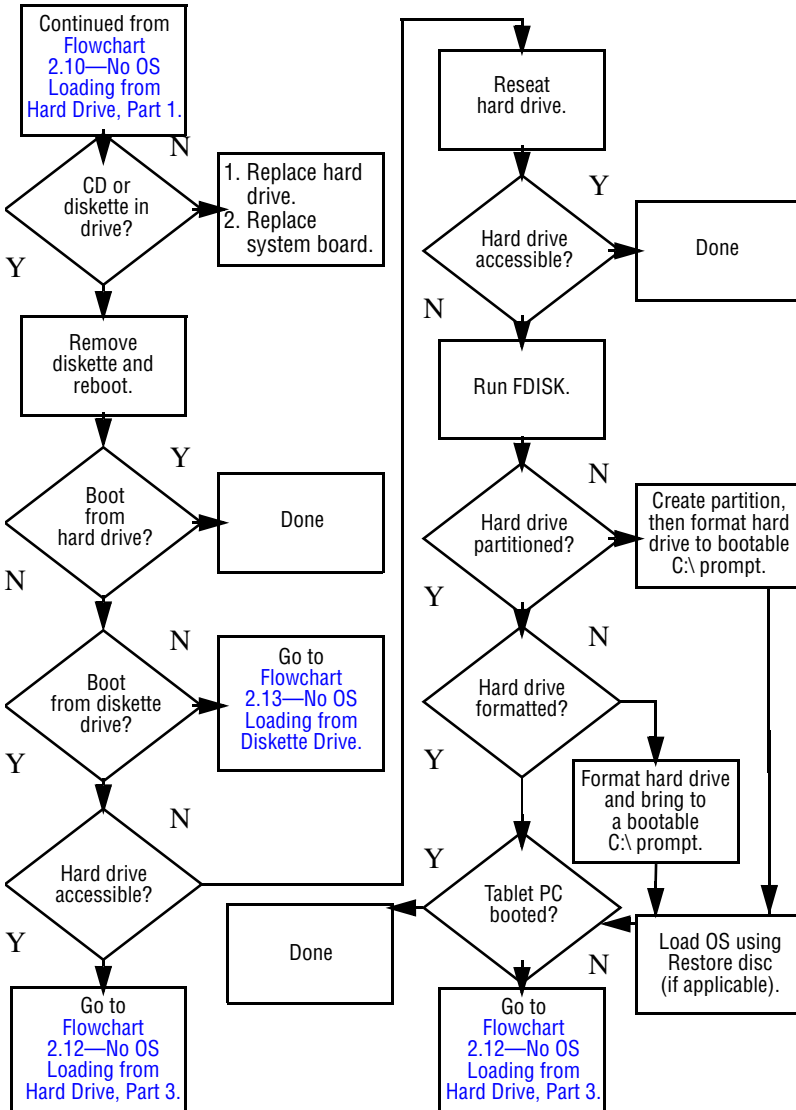


***NOTE:** Before beginning troubleshooting, always check cable connections, cable ends, and drives for bent or damaged pins.

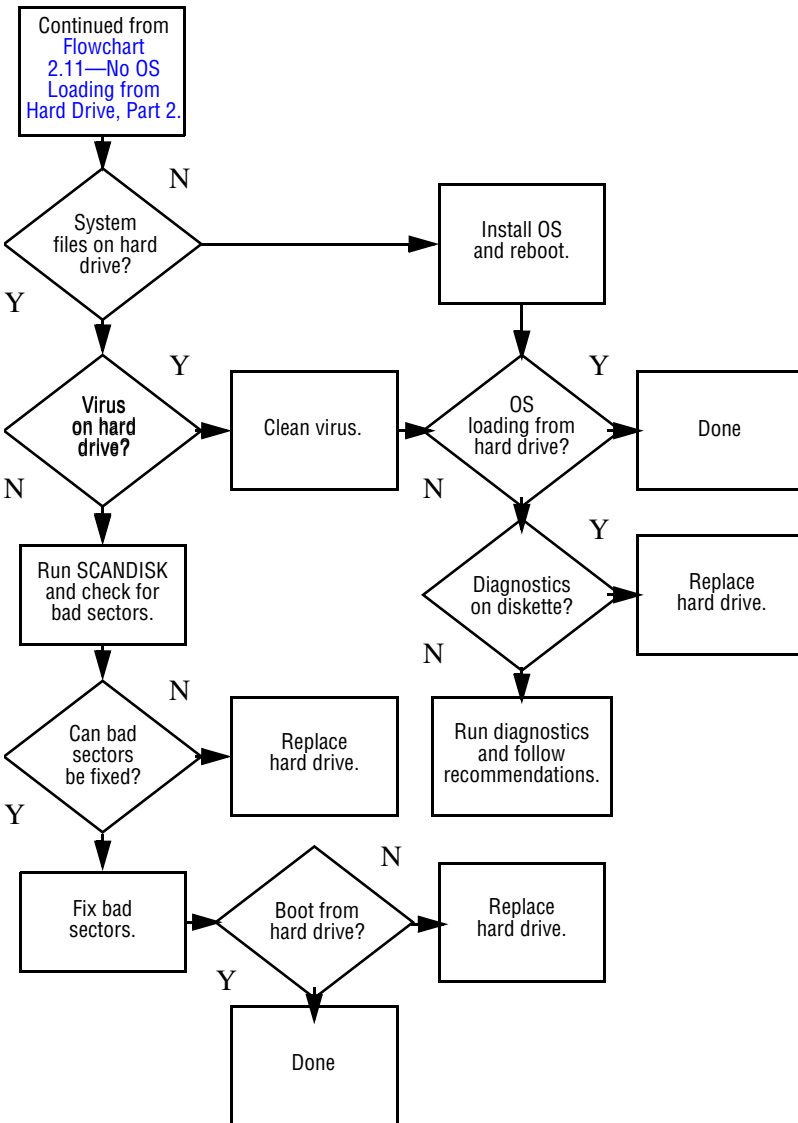
Flowchart 2.10—No OS Loading from Hard Drive, Part 1



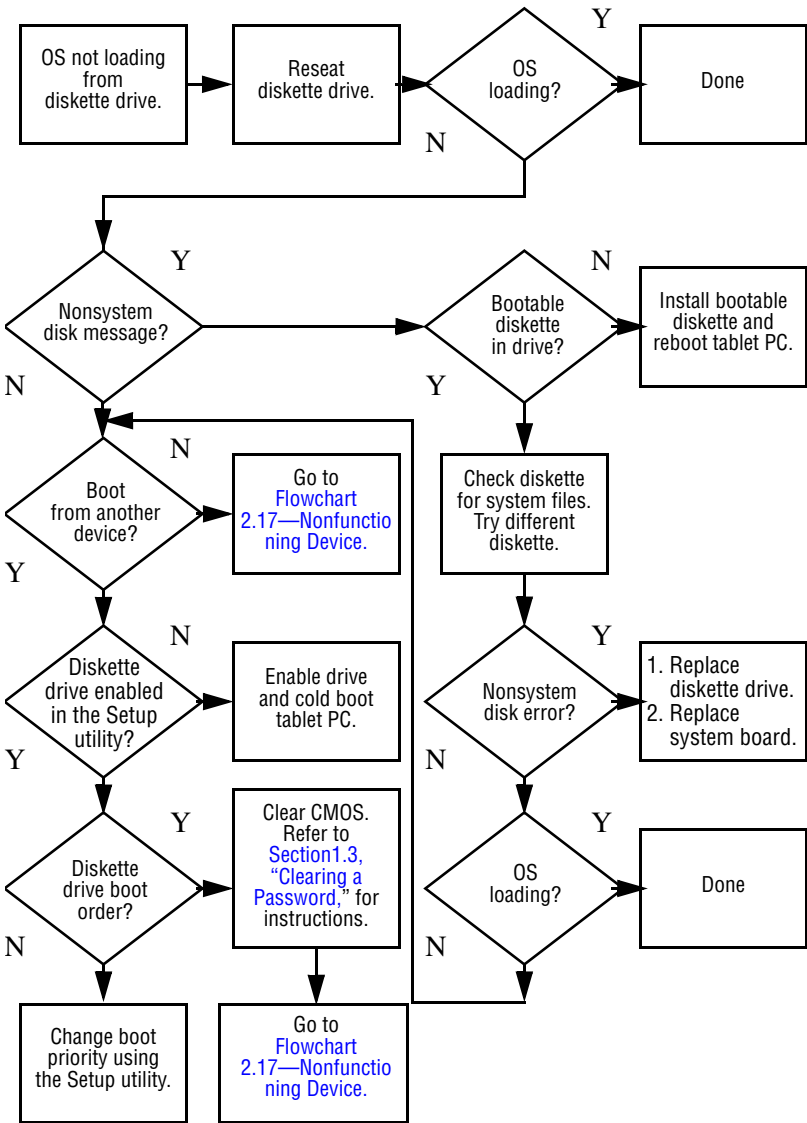
Flowchart 2.11 – No OS Loading from Hard Drive, Part 2



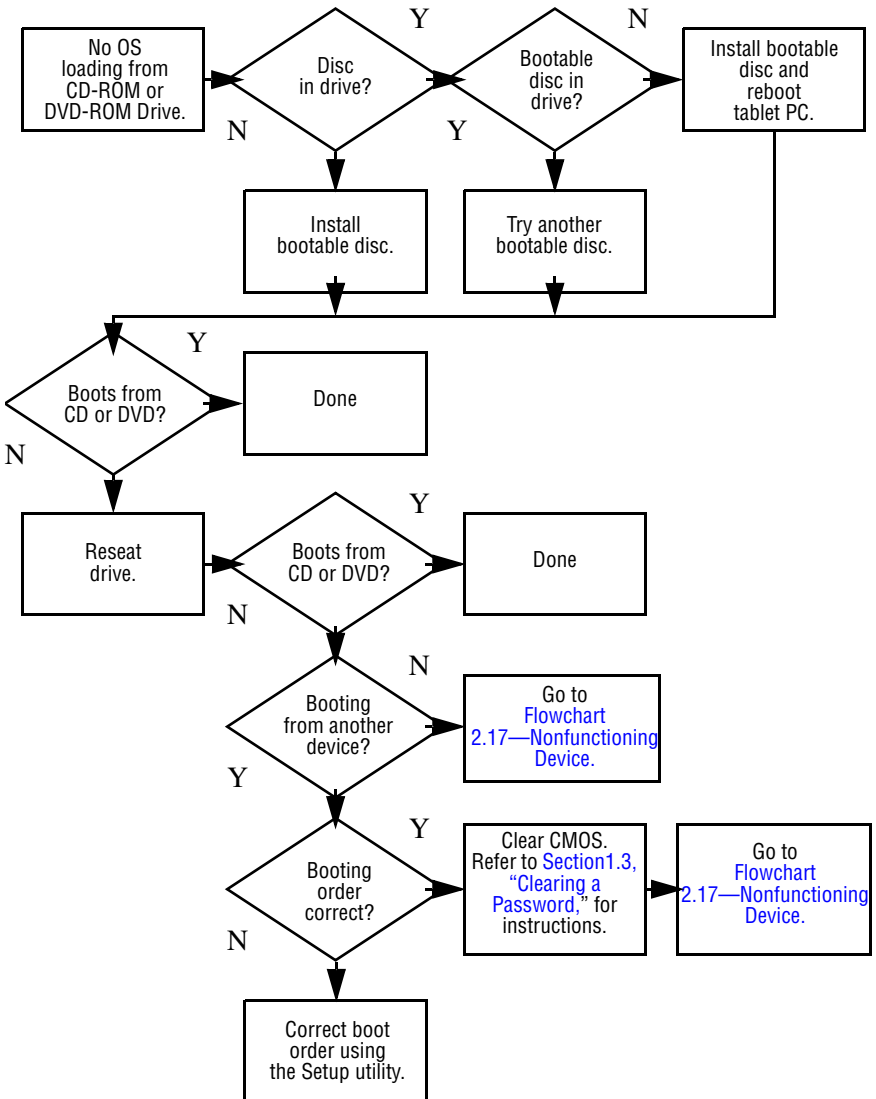
Flowchart 2.12—No OS Loading from Hard Drive, Part 3



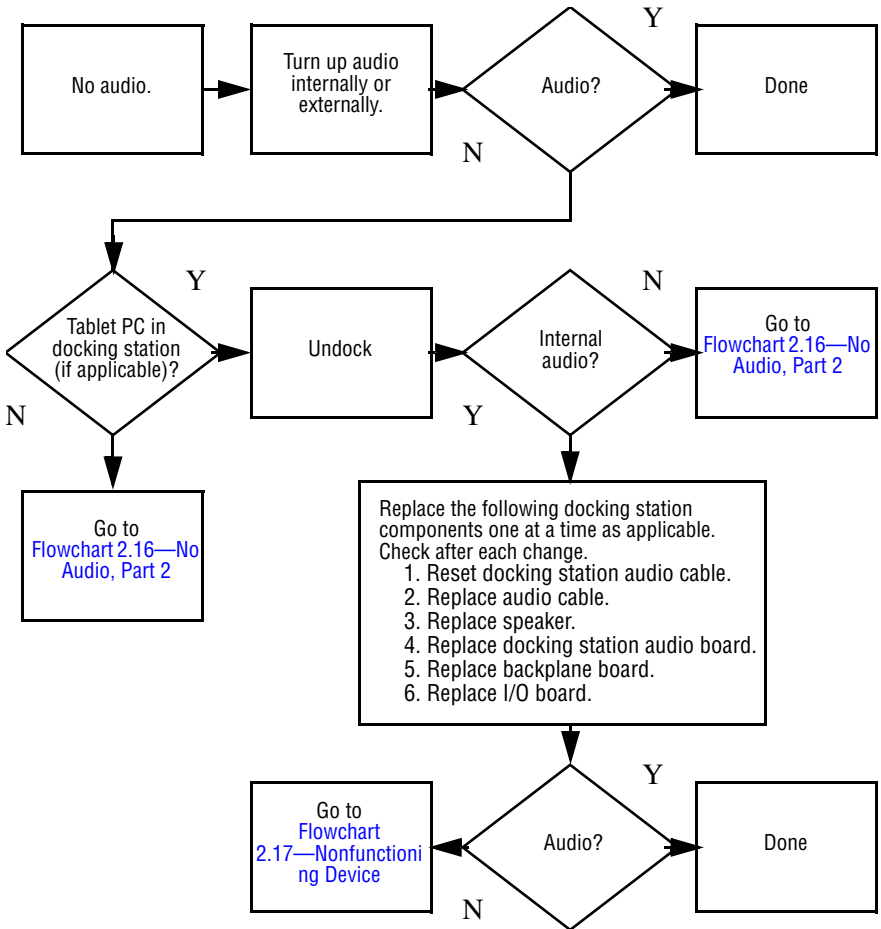
Flowchart 2.13—No OS Loading from Diskette Drive



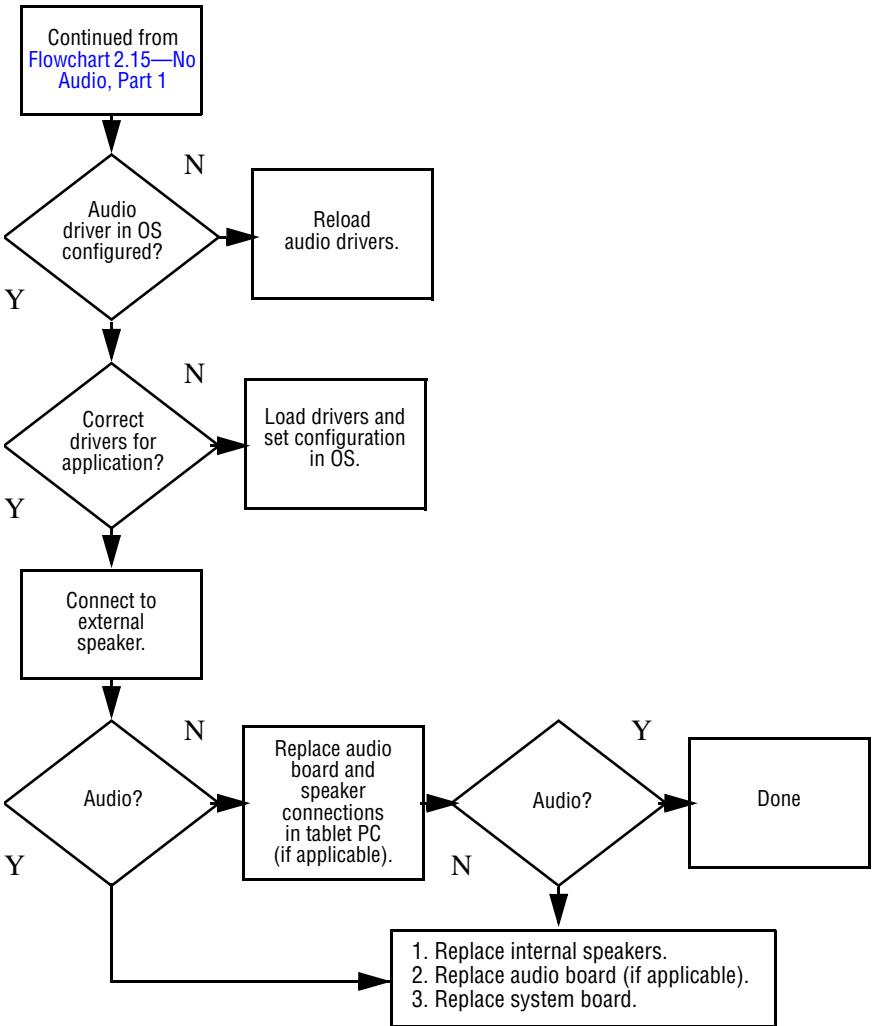
Flowchart 2.14—No OS Loading from CD-ROM or DVD-ROM Drive



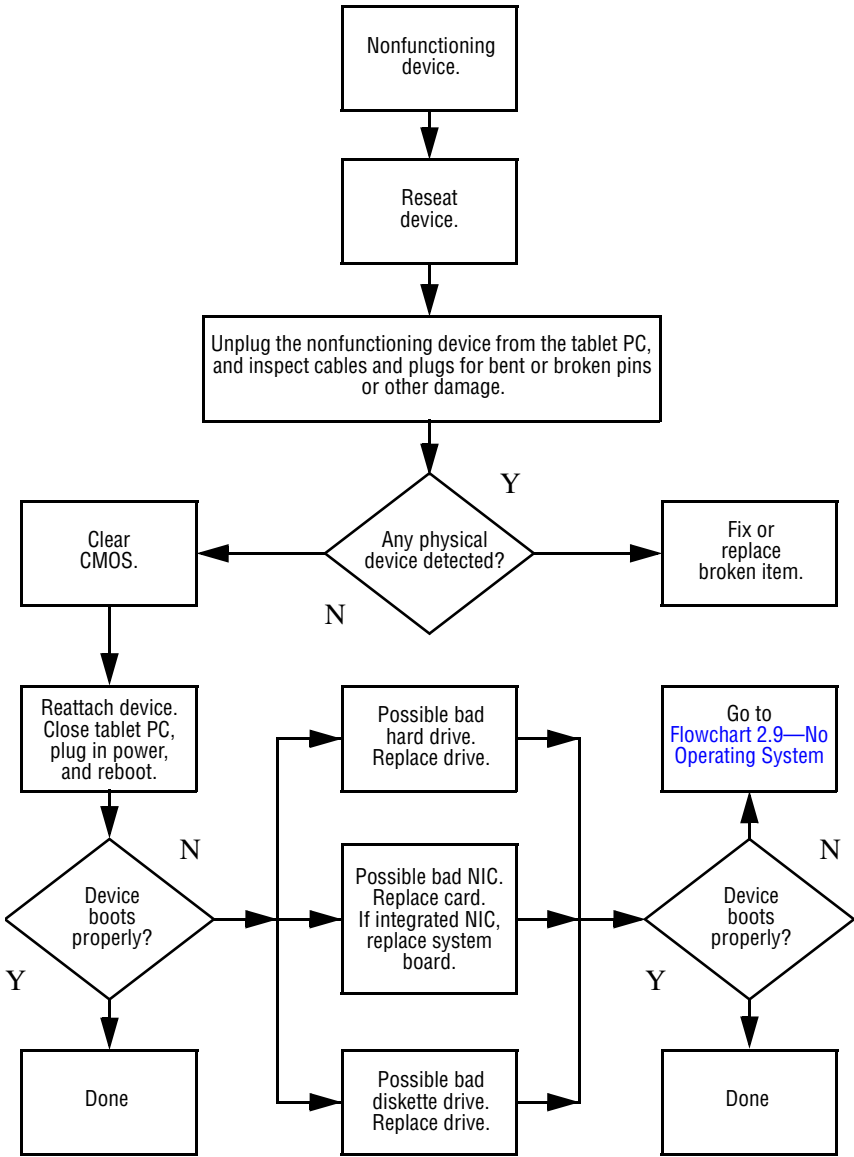
Flowchart 2.15—No Audio, Part 1



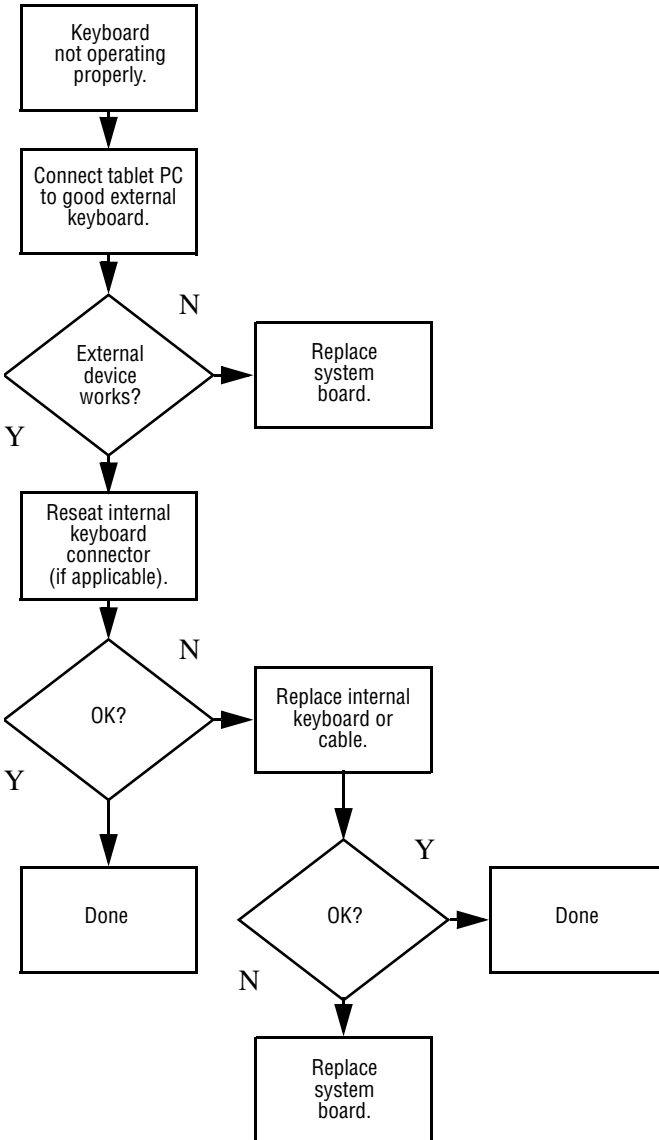
Flowchart 2.16—No Audio, Part 2



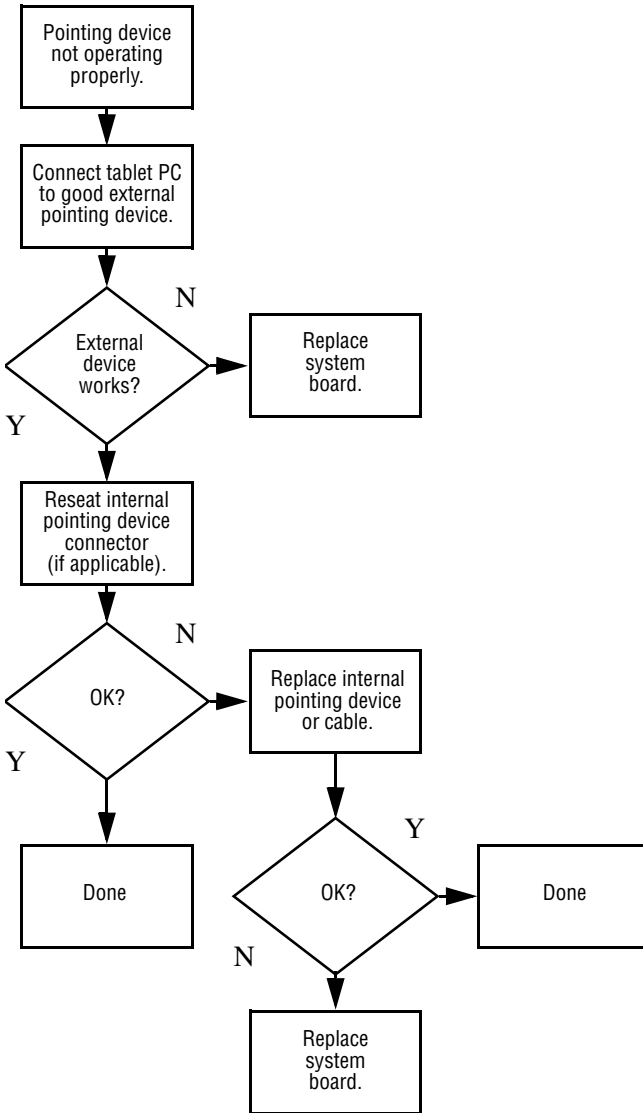
Flowchart 2.17—Nonfunctioning Device



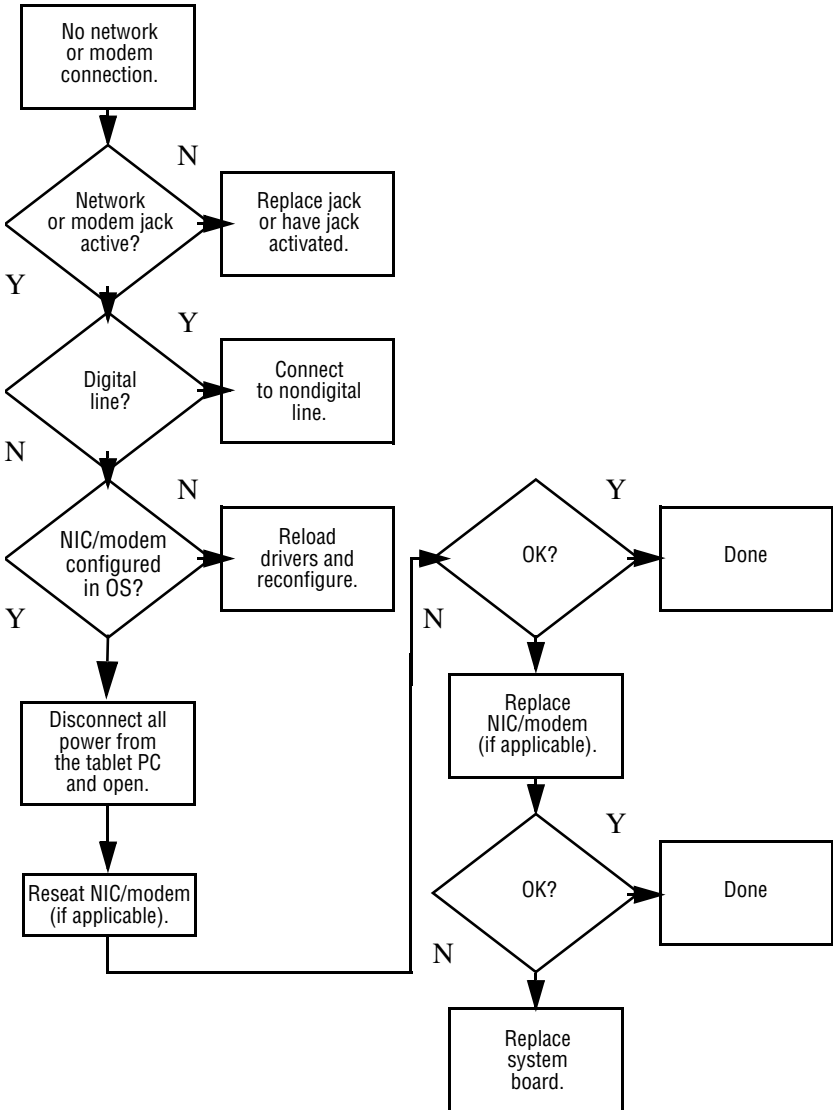
Flowchart 2.18—Nonfunctioning Keyboard



Flowchart 2.19—Nonfunctioning Pointing Device



Flowchart 2.20—No Network or Modem Connection



3

Illustrated Parts Catalog

This chapter provides an illustrated parts breakdown and a reference for spare part numbers and option part numbers.

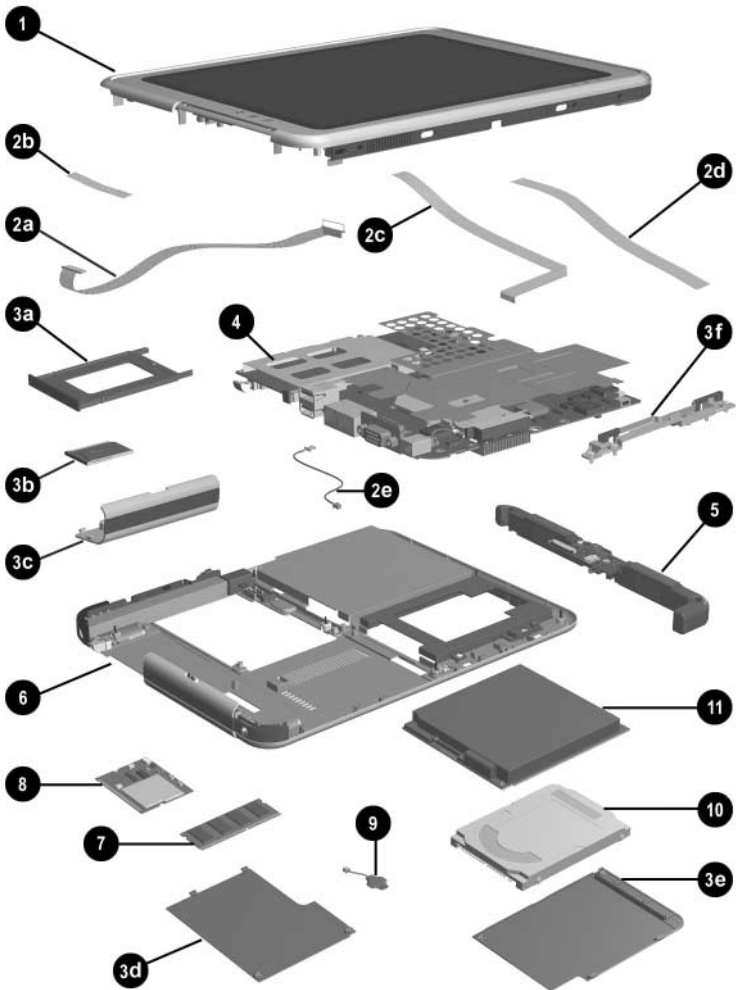
3.1 Serial Number Location

When ordering parts or requesting information, provide the tablet PC serial number and model number located on the bottom of the tablet PC.



Serial Number Location

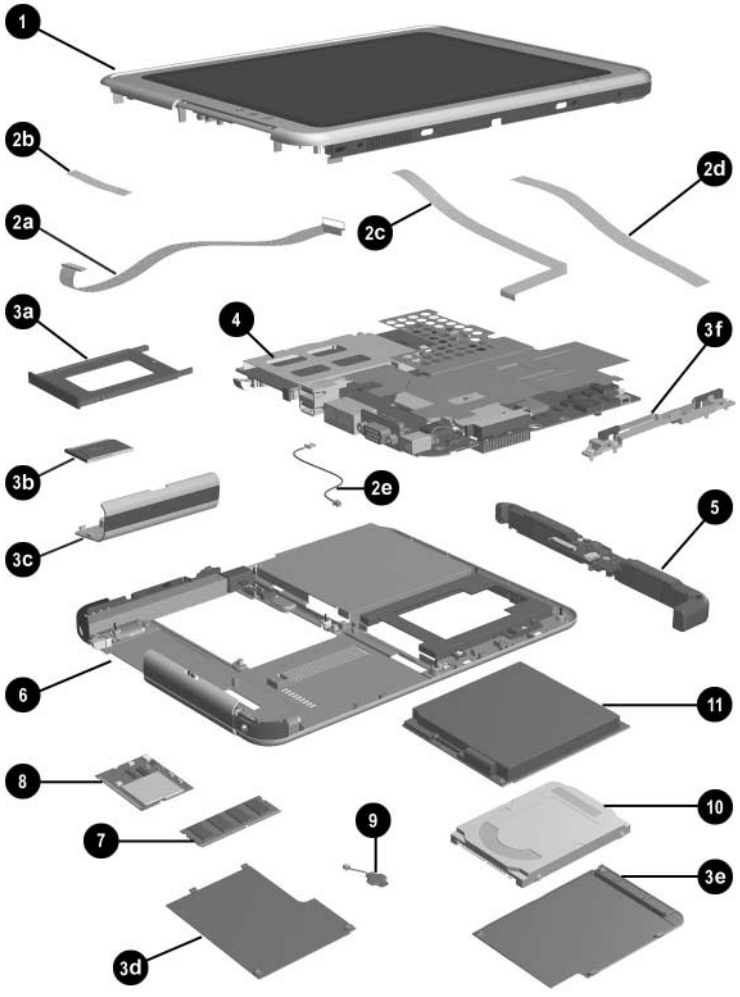
3.2 HP Compaq Tablet PC System Major Components



HP Compaq Tablet PC Major Components

Table 3-1
Spare Parts: Tablet PC System Major Components

Item	Description	Spare Part Number
1	Display components	
	Display panel assembly	348348-001
	Display bezel with inverter	348336-001
	Inverter	348358-001
	Bridge battery	348328-001
	Digitizer	348337-001
	Wireless antenna	348357-001
	Miscellaneous Cable Kit, includes:	348335-001
2a	Audio cable	
2b	Inverter cable	
2c	Digitizer cable	
2d	Display panel cable	
2e	Modem cable	
	Miscellaneous Plastics/Hardware Kit, includes:	348350-001
3a	PC Card slot space saver	
3b	SD Card slot space saver	
3c	Connector cover	
3d	Mini PCI communications/memory module compartment cover	
3e	Hard drive cover	
3f	Keyboard release assembly	
4	System board (includes fan and heat sink)	
	Mobile Intel Celeron, 800-MHz	348331-001
	Mobile Intel Celeron, 900-MHz	374024-001
	Intel Pentium M, 1.0-GHz	348332-001
	Intel Pentium M, 1.1-GHz	374023-001
	Fan (not illustrated separately)	348342-001
	Modem board (not illustrated separately)	349986-001
	Heat sink (not illustrated separately)	348354-001

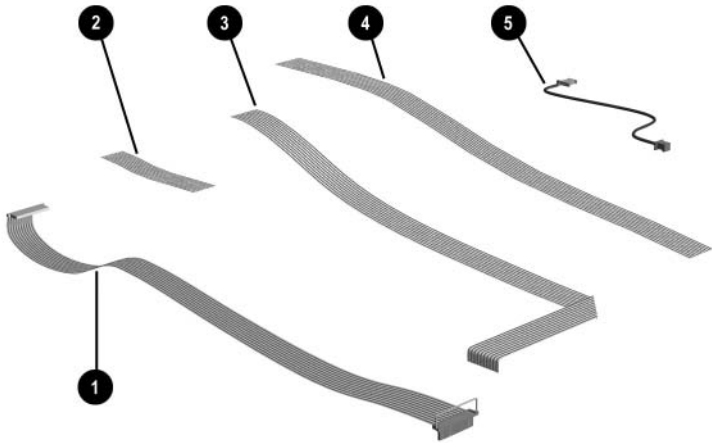


Tablet PC Major Components

Table 3-1
Spare Parts: Tablet PC System
Major Components (Continued)

Item	Description	Spare Part Number
5	Switch board	348330-001
6	Base enclosure (includes battery shield, hard drive bracket, LED board assembly, and shields)	348327-001
	Speaker assembly (includes audio board)	348352-001
7	Memory module (DDR, 256 MB)	
	DDR, 256 MB	348345-001
	DDR, 512 MB	348346-001
	DDR, 1024 MB	348344-001
8	Wireless local area network (LAN) board (Mini PCI, Type III)	
	802.11b (MOW)	348997-001
	802.11b (ROW)	348996-001
	802.11b/g (MOW)	374157-001
	802.11b/g (ROW)	374158-001
	802.11a/b/g	349985-001
	802.11a/b/g (Japan)	349985-291
	Bluetooth module	348334-001
9	Real time clock (RTC) battery	348329-001
10	Hard drives	
	30-GB, 4200 rpm	348339-001
	40-GB, 4200 rpm	348340-001
	40-GB, 5400 rpm	374025-001
	60-GB, 5400 rpm	348341-001
	80-GB, 5400 rpm	366786-001
11	Battery pack, Li-Ion	348333-001

3.3 Miscellaneous Cable Kit Components



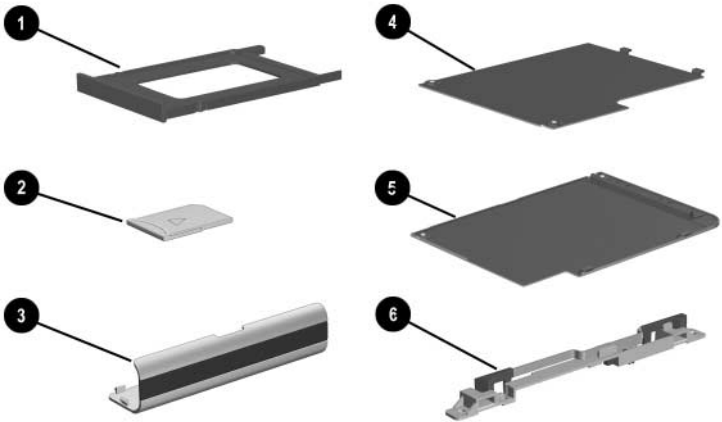
Miscellaneous Cable Kit Components

Table 3-2
Miscellaneous Cable Kit Components

Spare Part Number 348335-001

Item	Description
1	Audio cable
2	Inverter cable
3	Digitizer cable
4	Display panel cable
5	Modem cable

3.4 Miscellaneous Plastics/Hardware Kit Components



Miscellaneous Plastics/Hardware Kit Contents

**Table 3-3
Miscellaneous Plastics/Hardware Kit Components**

Spare Part Number 348350-001

Item	Description
1	PC Card slot space saver
2	SD Card slot space saver
3	Connector cover
4	Memory module/Mini PCI communications compartment cover
5	Hard drive cover
6	Keyboard release assembly

3.5 Keyboard



Tablet PC Keyboard

Table 3-4

**Tablet PC Keyboard
Spare Part Number Information**

Description	Spare Part Number	Description	Spare Part Number
tc1100 Tablet PC Keyboards			
APD	348325-371	Korea	348325-AD1
Australia	348325-011	Latin America	348325-161
Denmark	348325-081	Norway	348325-091
European	348325-021	People's Republic of China	348325-AA1
European A4	348325-A41	Spain	348325-071
France	348325-051	Sweden/Finland	348325-B71
French Canada	348325-DB1	Switzerland	348325-111
German	348325-041	Taiwan	348325-AB1
Italy	348325-061	United Kingdom	348325-031
Japan	348325-291	United States	348325-001
Japan (English)	348325-391		

3.6 Optional HP Tablet PC Docking Station



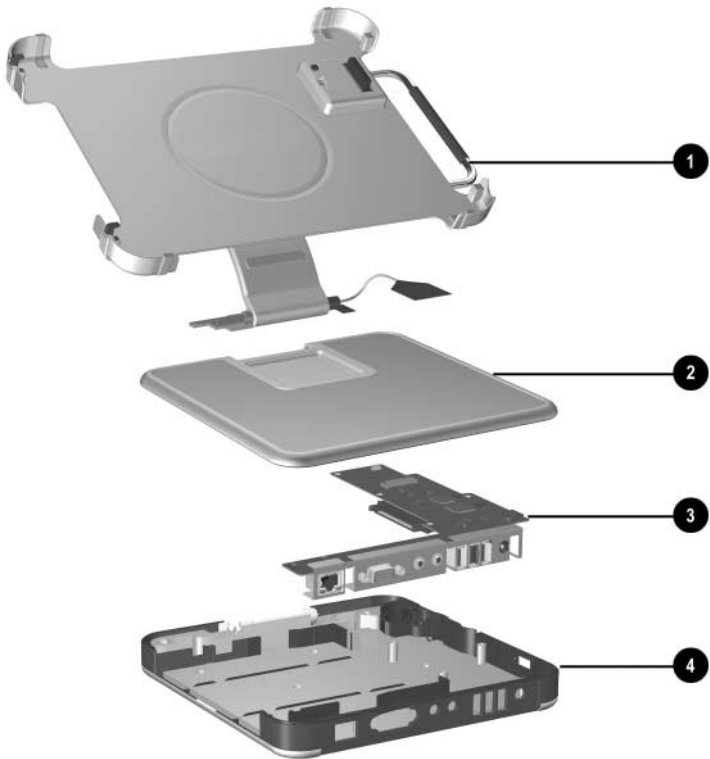
Optional HP Tablet PC Docking Station

Table 3-5

**Optional HP Tablet PC Docking Station
Spare Part Number Information**

Description	Spare Part Number
HP Tablet PC Docking Station	348338-001

3.7 HP Tablet PC Docking Station Components



HP Tablet PC Docking Station Components

Table 3-6

**HP Tablet PC Docking Station Components
Spare Part Number Information**

Item	Description	Spare Part Number
1	Docking stand and pivot arm	349090-001
2	Top case	349091-001
3	Board assembly	349093-001
4	Bottom case	349092-001

3.8 Miscellaneous

Table 3-7

Spare Parts: Miscellaneous (not illustrated)

Description	Spare Part Number	Description	Spare Part Number
AC power cord, 3-wire			
Australia	198723-011	Sweden	198723-101
Europe International	198723-B31	Switzerland	198723-BG1
Italy	198723-061	Taiwan	198723-AB1
Japan	198723-291	United Kingdom	198723-031
Korea	198723-AD1	United States	198723-001
People's Republic of China	198723-AA1		
AC adapter, 65 W			285288-001
Pen (uses a 1.5 VDC, AAAA battery)			
Eraser			344503-001
No eraser			344418-001
Pen tips			348355-001
Pen receptacle			348356-001
Tablet PC Miscellaneous Screw Kit (includes the following screws; refer to Appendix C, "Screw Listing." for more information on screw specifications and usage.)			348351-001
<ul style="list-style-type: none"> ■ Phillips M2.0 × 4.0 ■ Phillips M2.0 × 5.0 ■ Phillips M2.0 × 3.5 ■ Torx M2.5 × 7.0 			

3.9 Sequential Part Number Listing

Table 3-8

Spare Parts: Sequential Part Number Listing

Spare Part Number	Description
344418-001	Pressure sensitive pen without eraser
344503-001	Pressure sensitive pen with eraser
348325-001	Keyboard in United States
348325-011	Keyboard in Australia
348325-021	Keyboard in Europe
348325-031	Keyboard in United Kingdom
348325-041	Keyboard in Germany
348325-051	Keyboard in France
348325-061	Keyboard in Italy
348325-071	Keyboard in Spain
348325-081	Keyboard in Denmark
348325-091	Keyboard in Norway
348325-111	Keyboard in Switzerland
348325-161	Keyboard in Latin America
348325-291	Keyboard in Japan
348325-371	Keyboard in Asia Pacific
348325-391	Keyboard in Japan English
348325-A41	Keyboard in Belgium
348325-AA1	Keyboard in China
348325-AB1	Keyboard in Taiwan
348325-B71	Keyboard in Sweden and Finland

Table 3-8**Spare Parts: Sequential Part Number Listing (Continued)**

Spare Part Number	Description
348325-DB1	Keyboard in French Canada
348327-001	Base enclosure with shield
348328-001	Bridge battery
348329-001	RTC battery
348330-001	Power/standby switch
348331-001	System board with 800-MHz Intel Celeron processor, without memory
348332-001	System board with 1-GHz Intel Pentium M processor, without memory
348333-001	Battery pack, Li-Ion, 3.6-AHr
348334-001	Bluetooth radio device
348335-001	Miscellaneous Cable Kit
348336-001	Top case with inverter
348337-001	Digitizer
348338-001	Docking station
348339-001	Hard drive, 30-GB, 4200-rpm
348340-001	Hard drive, 40-GB, 4200-rpm
348341-001	Hard drive, 60-GB, 5400-rpm
348342-001	Fan
348343-001	Memory module, 128-MB, (333 MHz)
348344-001	Memory module, 1-GB, (333 MHz)
348345-001	Memory module, 256-MB, (333 MHz)

Table 3-8

Spare Parts: Sequential Part Number Listing (Continued)

Spare Part Number	Description
348346-001	Memory module, 512-MB, (333 MHz)
348348-001	Display panel assembly (Hydis)
348349-001	Display panel assembly (Toshiba)
348350-001	Miscellaneous Plastics Kit
348351-001	Miscellaneous Screw Kit
348352-001	Speaker assembly
348354-001	Heat sink
348355-001	Pen tips
348356-001	Pen receptacle
348357-001	Wireless antenna
348358-001	Inverter
348996-001	Mini-PCI communications card, 802.11b Intel (ROW)
348997-001	Mini-PCI communications card, 802.11b Intel (MOW)
349090-001	Docking stand and pivot arm
349091-001	Top case, docking station
349092-001	Bottom case
349093-001	Board assembly
349985-001	Mini-PCI communications card, 802.11a/b/g
349985-291	Mini-PCI communications card, 802.11a/b/g Japan
349986-001	Modem
366786-001	Hard drive, 80-GB, 5400-rpm

Table 3-8**Spare Parts: Sequential Part Number Listing (Continued)**

Spare Part Number	Description
374023-001	System board with 1.1-GHz Intel Pentium M processor, without memory
374024-001	System board with 900-MHz Intel Celeron processor, without memory
374025-001	Hard drive, 40-GB, 5400-rpm
374157-001	Mini-PCI communications card, 802.11b/g Intel (MOW)
374158-001	Mini-PCI communications card, 802.11b/g Intel (ROW)

Removal and Replacement Preliminaries

This chapter provides essential information for proper and safe removal and replacement service.

4.1 Tools Required

You need the following tools to complete the removal and replacement procedures:

- Magnetic screwdriver
- Torx T8 screwdriver
- Phillips P0 screwdriver
- Tool kit (includes connector removal tool, loopback plugs, and case utility tool)

4.2 Service Considerations

The following sections include some of the considerations that you should keep in mind during disassembly and assembly procedures.



As you remove each subassembly from the tablet PC, place the subassembly (and all accompanying screws) away from the work area to prevent damage.

Plastic Parts

Using excessive force during disassembly and reassembly can damage plastic parts. Use care when handling the plastic parts. Apply pressure only at the points designated in the maintenance instructions.

Cables and Connectors



CAUTION: When servicing the tablet PC, ensure that cables are placed in their proper locations during the reassembly process. Improper cable placement can damage the tablet PC.

Cables must be handled with extreme care to avoid damage. Apply only the tension required to unseat or seat the cables during removal and insertion. Handle cables by the connector whenever possible. In all cases, avoid bending, twisting, or pulling cables. Ensure that cables are routed in such a way that they cannot be caught or snagged by parts being removed or replaced. Handle flex cables with extreme care; these cables tear easily.

4.3 Preventing Damage to Removable Drives

Removable drives are fragile components that must be handled with care. To prevent damage to the tablet PC, damage to a removable drive, or loss of information, observe the following precautions:

- Before removing or inserting a hard drive, shut down the tablet PC. If you are unsure whether the tablet PC is off or in hibernation, turn on the tablet PC, and then shut it down.
- Before removing a diskette drive or optical drive, ensure that a diskette or disc is not in the drive. Ensure that the optical drive tray is closed.

- Before handling a drive, ensure that you discharge any static electricity. While handling a drive, avoid touching the connector.
- Handle drives on surfaces that have at least 2.54 cm (1 inch) of shock-proof foam.
- Avoid dropping drives from any height onto any surface.
- After removing a hard drive, optical drive, or diskette drive, place it in a static-proof bag.
- Avoid exposing a hard drive to products that have magnetic fields, such as monitors or speakers.
- Avoid exposing a drive to temperature extremes or liquids.
- If a drive must be mailed, place the drive in a bubble pack mailer or other suitable form of protective packaging and label the package “Fragile: Handle With Care.”

4.4 Preventing Electrostatic Damage

Many electronic components are sensitive to electrostatic discharge (ESD). Circuitry design and structure determine the degree of sensitivity. Networks built into many integrated circuits provide some protection, but in many cases the discharge contains enough power to alter device parameters or melt silicon junctions.

A sudden discharge of static electricity from a finger or other conductor can destroy static-sensitive devices or microcircuitry. Often, the spark is neither felt nor heard, but damage occurs.

An electronic device exposed to electrostatic discharge may not be affected at all and can work perfectly throughout a normal cycle. Or the device might function normally for a while, but because it has been degraded internally, it can fail prematurely.

4.5 Packaging and Transporting Equipment

Use the following grounding precautions when packaging and transporting equipment:

- To avoid hand contact, transport products in static-safe containers, such as tubes, bags, or boxes.
- Protect all electrostatic-sensitive parts and assemblies with nonconductive or approved containers or packaging.
- Keep electrostatic-sensitive parts in their containers until the parts arrive at static-free workstations.
- Place items on a grounded surface before removing items from their containers.
- Always be properly grounded when touching a sensitive component or assembly.
- Store reusable electrostatic-sensitive parts from assemblies in protective packaging or nonconductive foam.
- Use transporters and conveyors made of antistatic belts and roller bushings. Ensure that mechanized equipment used for moving materials is wired to ground and that proper materials are selected to avoid static charging. When grounding is not possible, use an ionizer to dissipate electric charges.

4.6 Workstation Precautions

Use the following grounding precautions at workstations:

- Cover the workstation with approved static-dissipative material (refer to [Table 4-2, “Static-Shielding Materials”](#)).
- Use a wrist strap connected to a properly grounded work surface, and use properly grounded tools and equipment.
- Use conductive field service tools, such as cutters, screwdrivers, and vacuums.

- When using fixtures that must directly contact dissipative surfaces, only use fixtures made of static-safe materials.
- Keep the work area free of nonconductive materials, such as ordinary plastic assembly aids and Styrofoam.
- Handle electrostatic-sensitive components, parts, and assemblies by the case or PCM laminate. Handle these items only at static-free workstations.
- Avoid contact with pins, leads, or circuitry.
- Turn off power and input signals before inserting or removing connectors or test equipment.

4.7 Grounding Equipment and Methods

Grounding equipment must include either a wrist strap or a foot strap at a grounded workstation.

- When seated, wear a wrist strap connected to a grounded system. Wrist straps are flexible straps with a minimum of one megohm $\pm 10\%$ resistance in the ground cords. To provide proper ground, wear a strap snugly against the skin at all times. On grounded mats with banana-plug connectors, connect a wrist strap with alligator clips.
- When standing, use foot straps and a grounded floor mat. Foot straps (heel, toe, or boot straps) can be used at standing workstations and are compatible with most types of shoes or boots. On conductive floors or dissipative floor mats, use foot straps on both feet with a minimum of one megohm resistance between the operator and ground. To be effective, the conductive strips must be worn in contact with the skin.

Other grounding equipment recommended for use in preventing electrostatic damage includes:

- Antistatic tape
- Antistatic smocks, aprons, and sleeve protectors
- Conductive bins and other assembly or soldering aids
- Nonconductive foam
- Conductive tabletop workstations with ground cords of one megohm resistance
- Static-dissipative tables or floor mats with hard ties to the ground
- Field service kits
- Static awareness labels
- Material-handling packages
- Nonconductive plastic bags, tubes, or boxes
- Metal tote boxes
- Electrostatic voltage levels and protective materials

Table 4-1 shows how humidity affects the electrostatic voltage levels generated by different activities.

Table 4-1
Typical Electrostatic Voltage Levels

Event	Relative Humidity		
	10%	40%	55%
Walking across carpet	35,000 V	15,000 V	7,500 V
Walking across vinyl floor	12,000 V	5,000 V	3,000 V
Motions of bench worker	6,000 V	800 V	400 V
Removing DIPS from plastic tube	2,000 V	700 V	400 V
Removing DIPS from vinyl tray	11,500 V	4,000 V	2,000 V
Removing DIPS from Styrofoam	14,500 V	5,000 V	3,500 V
Removing bubble pack from PCB	26,500 V	20,000 V	7,000 V
Packing PCBs in foam-lined box	21,000 V	11,000 V	5,000 V



A product can be degraded by as little as 700 V.

Table 4-2 lists the shielding protection provided by antistatic bags and floor mats.

Table 4-2
Static-Shielding Materials

Material	Use	Voltage Protection Level
Antistatic plastic	Bags	1,500 V
Carbon-loaded plastic	Floor mats	7,500 V
Metallized laminate	Floor mats	5,000 V

5

Removal and Replacement Procedures

This chapter provides removal and replacement procedures.

Torx T8 and Phillips P0 screws are removed during the disassembly of the tablet PC and the docking station. There are 38 screws, in 4 different sizes, that must be removed, replaced, and loosened when servicing the tablet PC. There are 20 screws, in 4 different sizes, that must be removed and replaced when servicing the docking station. Make special note of each screw size and location during removal and replacement.

Refer to [Appendix C, “Screw Listing,”](#) for detailed information on screw sizes, locations, and usage.

5.1 Serial Number

Report the tablet PC serial number to HP when requesting information or ordering spare parts. The serial number is located on the bottom of the tablet PC.



Serial Number Location

5.2 Disassembly Sequence Chart

Use the following table to determine the section number to be referenced when removing tablet PC components.

Table 5-1
Disassembly Sequence Chart

Section	Description	Number of screws removed
5.3	Preparing the tablet PC for disassembly	
	SD Card and PC Card	0
	Digitizer pen	0
	Battery pack	1
	Memory module and PCI device	2
5.4	Real time clock (RTC) battery	0
5.5	Hard drive	2
5.6	Display panel assembly	8
	Bridge battery	0
	Digitizer	5
5.7	System board	8
	Bluetooth module	0
	Main memory	0
	Modem board	0
5.8	Fan and heat sink	3
5.9	Docking station	17

5.3 Preparing the Tablet PC for Disassembly

Perform the following steps before disassembling the tablet PC.

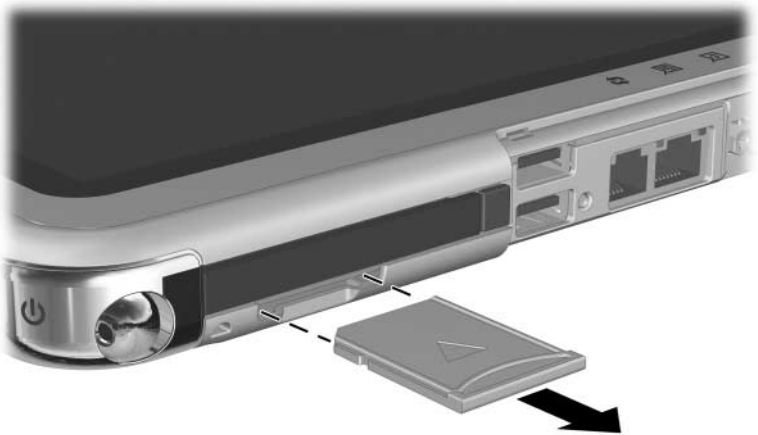
Before You Begin

1. Save your work, exit all applications, and shut down the tablet PC. If you are unsure whether the tablet PC is off or in hibernation, turn the tablet PC on and then shut it down through the operating system.
2. Disconnect all external devices connected to the tablet PC.
3. Disconnect the power cord.
4. Position the tablet PC so that the SD Card and PC Card slots are toward you.

5. Remove the SD Card and PC Card slot devices or space savers (if any) by following these steps:
 - a. Press the SD Card ❶ to release it ❷.
 - b. Remove the SD card from the slot.



Releasing the SD Card (space saver shown)



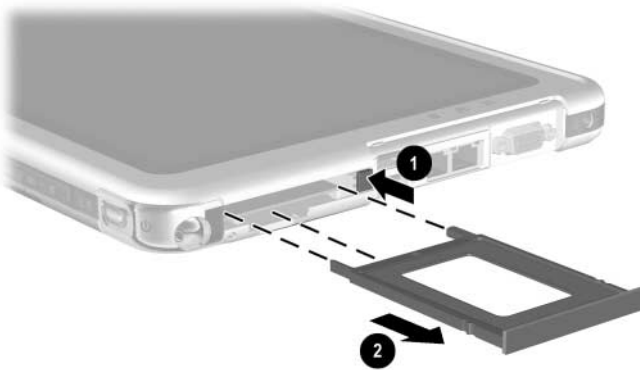
Removing the SD Card (space saver shown)

- c. Press the PC Card release button ❶ to release the button from the base enclosure. Press the button a second time to eject the contents of the PC Card slot.
- d. Remove the PC Card slot device ❷ from the card slot.



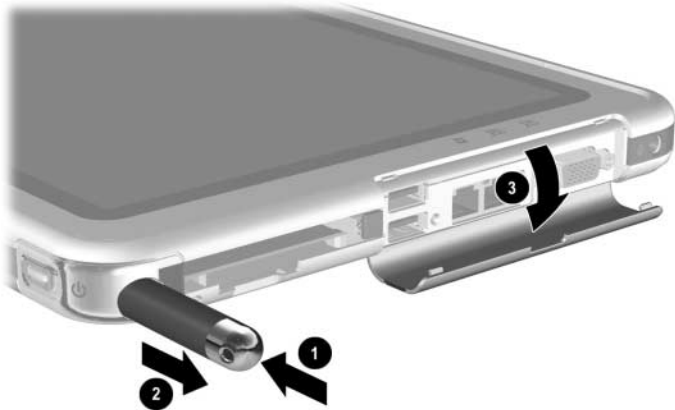
The PC Card slot space saver and SD Card slot space saver are included in the Miscellaneous Plastics/Hardware Kit, spare part number 348350-001.

- e. Press the PC Card release button again ❶ to reset it.



Removing the PC Card Device (space saver shown)

6. Press the end of the pen ❶ to release it from the holder. Then remove the pen from the holder ❷.
7. Open the connector cover by pulling out and down on the notch ❸.



Removing the Pen and Opening the Connector Cover

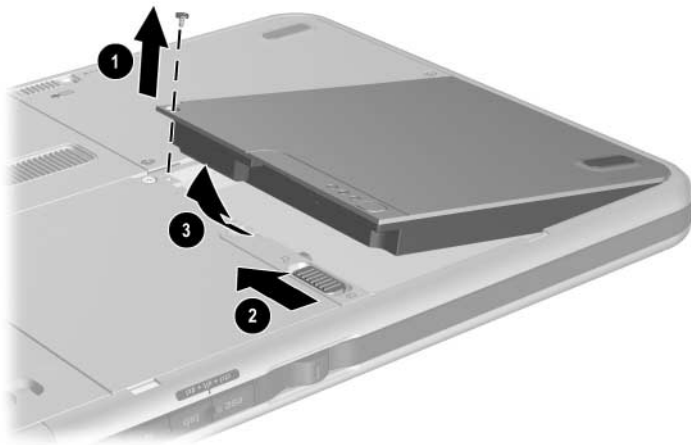
Battery Pack

Spare Part Number Information

Battery pack, Li-Ion

348333-001

8. Remove the battery pack by following these steps:
 - a. Turn the tablet PC upside down, with the power/standby switch and jog dial toward you.
 - b. Remove the optional PM2.0 × 4.0 retention screw ❶ that secures the battery pack to the tablet PC.
 - c. Slide the battery release latch ❷ toward the back of the tablet PC and hold it to release the battery pack.
 - d. Place your finger in the notch, lift the left side of the battery pack, and swing it to the right ❸.
 - e. Remove the battery pack.



Removing the Battery Pack

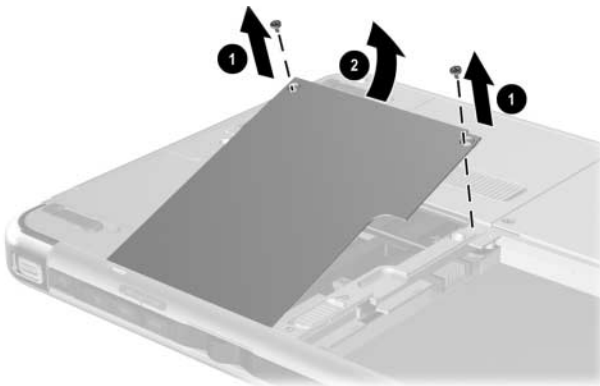
Reverse the preceding procedures to install the battery pack.

Mini PCI Communications Board

Spare Part Number Information

Wireless local area network (LAN) card	348997-001 (802.11b MOW)
	348996-001 (802.11b ROW)
	374157-001 (802.11b/g MOW)
	374158-001 (802.11b/g ROW)
	349985-001 (802.11 a/b/g)

9. Remove the Mini PCI communications board by following these steps:
 - a. Remove the 2 PM2.0 × 4.0 screws ❶ that secure the Mini PCI communications/memory module slot cover to the tablet PC.
 - b. Lift the back edge of the Mini PCI communications/memory module slot cover up and swing it toward you ❷.
 - c. Remove the Mini PCI communications/memory module slot cover.



*Removing the Memory Module/Mini PCI Communications
Compartment Cover*

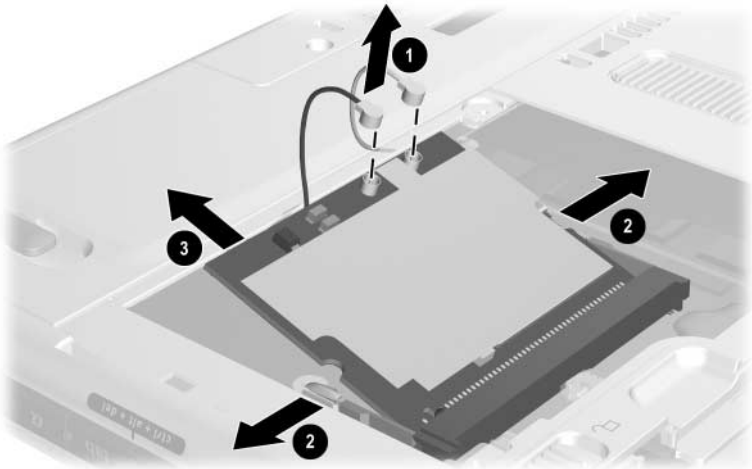


The Mini PCI communications/memory module slot cover is included in the Miscellaneous Plastics/Hardware Kit, spare part number 348350-001.

- d. Disconnect the 2 antenna cables ❶ from the Mini PCI communications board.
- e. Spread the retaining tabs ❷ securing the Mini PCI communications board to the system board.

The edge of the Mini PCI communications board rises at a 45-degree angle.

- f. Pull the Mini PCI communications board away from the connector at a 45-degree angle ❸.



Removing the Mini PCI Communications Board

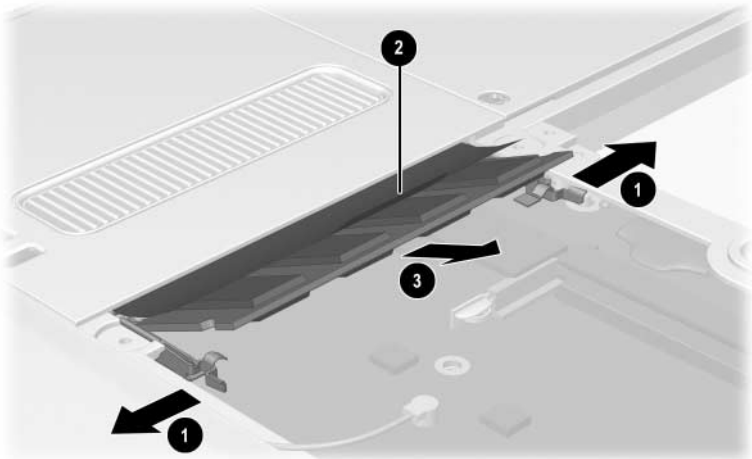
Reverse the preceding procedures to install the Mini PCI communications board.

Memory Module

Spare Part Number Information

256-MB DDR memory module	348345-001
512-MB DDR memory module	348346-001
1024-MB DDR memory module	348344-001

10. Remove the memory module by following these steps:
 - a. Remove the Mini PCI communications/memory module slot cover.
 - b. Spread the retaining tabs ❶ securing the memory module ❷ to the system board. The edge of the memory module rises at a 45-degree angle.
 - c. Pull the memory module away from the connector at a 45-degree angle ❸.



Removing the Memory Module

Reverse the preceding procedures to install the memory module.

5.4 Real Time Clock Battery

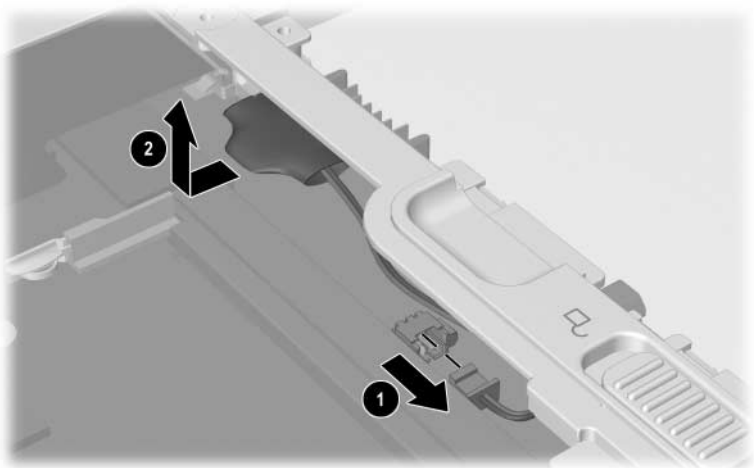
Real Time Clock (RTC) Battery Spare Part Number Information

RTC battery

348329-001

Perform the following steps to remove the RTC battery:

1. Prepare the tablet PC for disassembly (refer to Section 5.3, “Preparing the Tablet PC for Disassembly”).
2. Turn the tablet PC upside down, with the power switch and jog dial toward you.
3. Disconnect the RTC battery cable from the system board ❶.
4. Remove the RTC battery ❷ from the tablet PC.



Removing the RTC Battery

Reverse the preceding procedures to install the RTC battery.

5.5 Hard Drive

Hard Drive

Spare Part Number Information

80-GB, 5400 rpm	366786-001
60-GB, 5400 rpm	348341-001
40-GB, 5400 rpm	374025-001
40-GB, 4200 rpm	348340-001
30-GB, 4200 rpm	348339-001

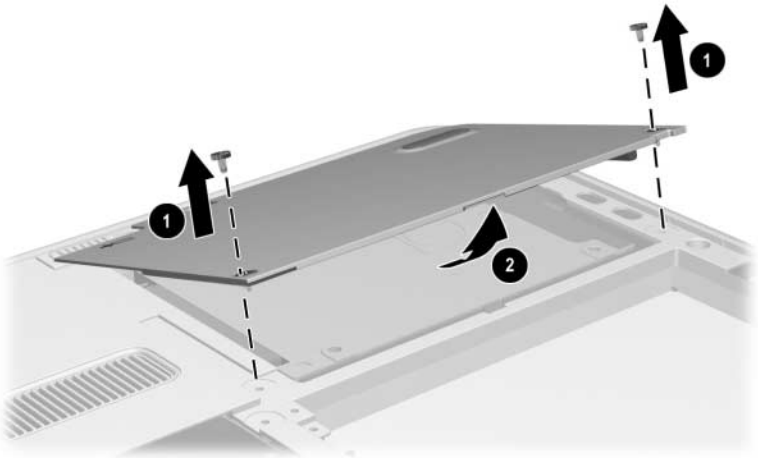
Remove the hard drive as follows:

1. Prepare the tablet PC for disassembly (refer to [Section 5.3, “Preparing the Tablet PC for Disassembly”](#)).
2. Remove the RTC battery (refer to [Section 5.4, “Real Time Clock Battery”](#)).
3. Turn the tablet PC upside down with the power switch and jog dial toward you.

4. Remove the 2 PM2.0 × 4.0 screws ❶ that secure the hard drive cover to the tablet PC.
5. Lift the front edge of the cover and swing the cover back ❷.
6. Remove the hard drive cover.

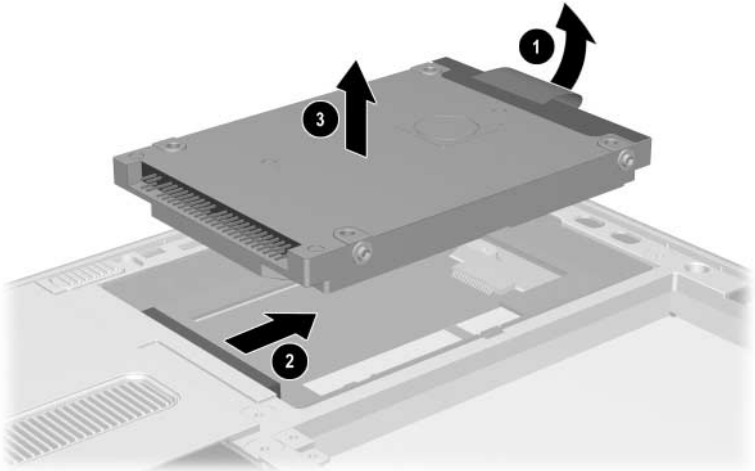


The hard drive cover is included in the Miscellaneous Plastics/Hardware Kit, spare part number 348350-001.



Removing the Hard Drive Cover

7. Use the tab **1** on the right side of the hard drive to slide the drive to the right **2** and disconnect it from the system board.
8. Remove the hard drive from the tablet PC **3**.



Removing the Hard Drive

Reverse the preceding procedures to install the hard drive.

5.6 Display Panel Assembly

Display Panel Assembly Components

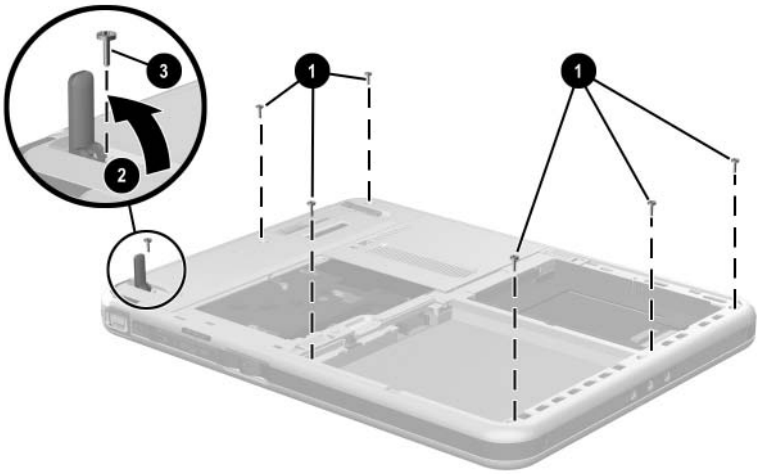
Spare Part Number Information

Display panel assembly	348348-001
Inverter	348358-001
Display bezel with inverter	348336-001
Bridge battery	348328-001
Digitizer	348337-001
Wireless antenna	348357-001

To remove and disassemble the display panel assembly:

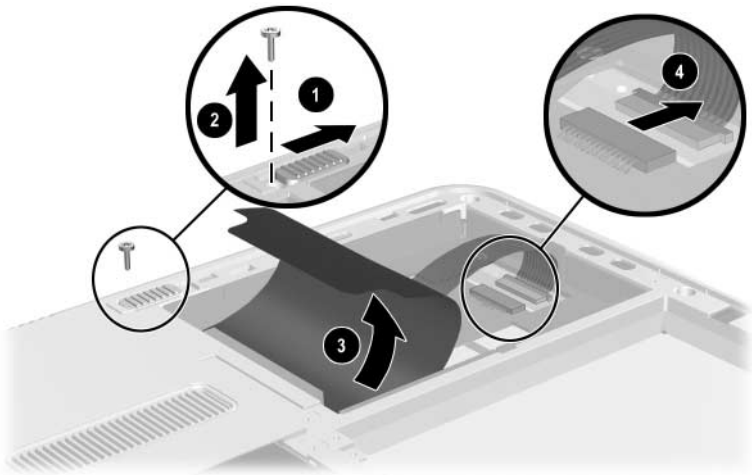
1. Prepare the tablet PC for disassembly (refer to [Section 5.3, “Preparing the Tablet PC for Disassembly”](#)).
2. Remove the RTC battery (refer to [Section 5.4, “Real Time Clock Battery”](#)).
3. Remove the hard drive (refer to [Section 5.5, “Hard Drive”](#)).
4. Turn the tablet PC upside down with the power switch and jog dial toward you.

5. Remove the 6 TM2.5 × 8.0 screws ❶ that secure the display panel assembly to the base enclosure.
6. Open the tilt foot ❷ in the bottom-left corner and remove the TM2.5 × 8.0 screw ❸ that secures the display panel assembly to the base enclosure.



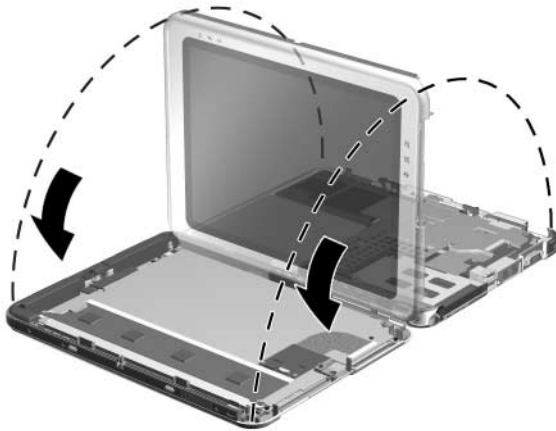
Removing the Display Panel Assembly Screws

7. Slide and hold the keyboard release latch ❶ to the right.
8. Remove the TM2.5 × 8.0 screw ❷ that secures the display panel assembly to the base enclosure.
9. Lift the edge of the insulator ❸ nearest the edge of the base enclosure.
10. On the right side of the hard drive bay, pull the plastic tab connected to the digitizer cable ❹ to the right to disconnect the cable.



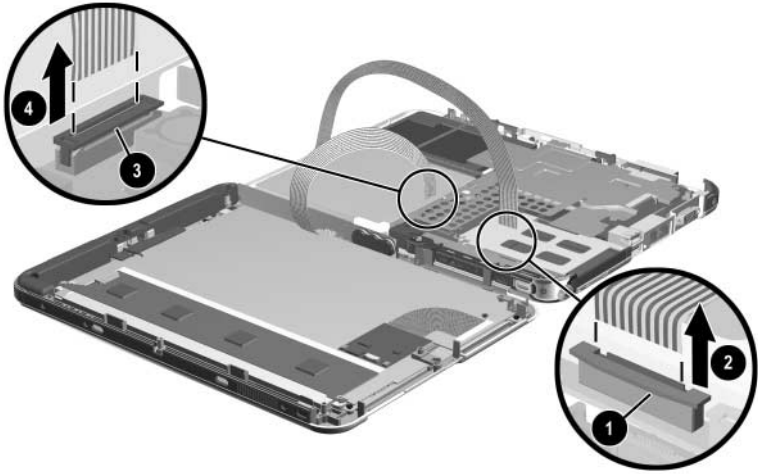
Removing the Display Panel Assembly Screw and Disconnecting the Digitizer Cable

11. Position the tablet PC right side up with the connector cover toward you. Make sure that the connector cover is open.
12. On the side of display panel assembly farthest from you, use a flat edge to pry the edge of the display panel assembly over the audio-out (headphone), headset, and microphone jacks.
13. Separate the display panel assembly from the base enclosure along the edge farthest from you. Swing the base enclosure toward you until it is resting on the table.



Separating the Display Panel Assembly and Base Enclosure

14. Release the ZIF connector **1** to which the audio cable is attached, and then disconnect the cable **2**.
15. Release the ZIF connector **3** to which the inverter cable is attached, and then disconnect the cable **4**.
16. Separate the display panel assembly and the base enclosure.

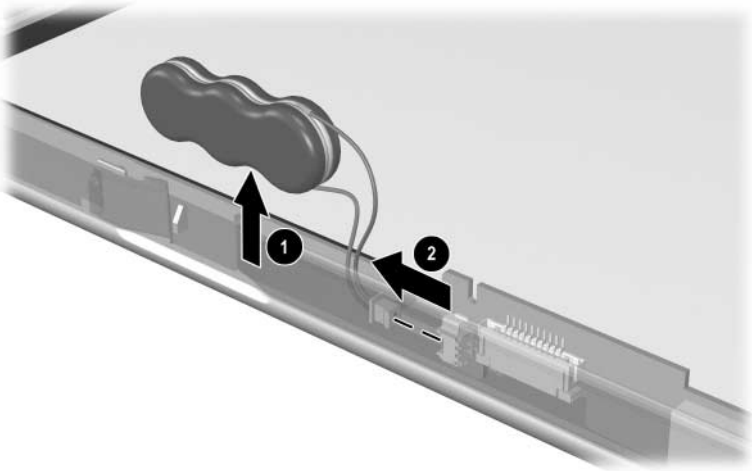


Disconnecting the Audio and Inverter Cables

Reverse the preceding procedures to reassemble and install the display panel assembly.

17. Remove the bridge battery as follows:

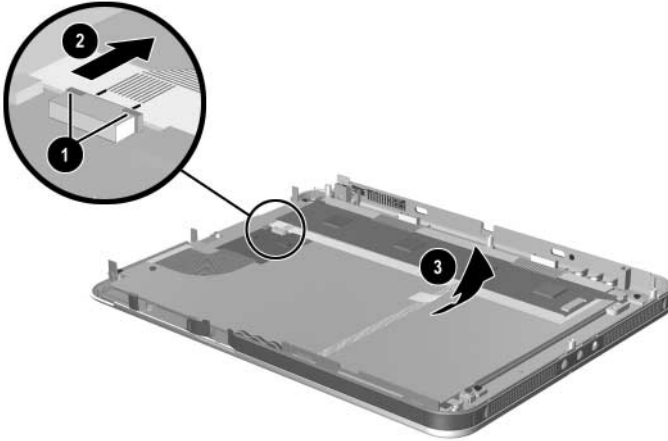
- d. Remove the bridge battery ❶ from the panel bezel.
- a. Disconnect the bridge battery cable ❷ from the panel inverter board.



Removing the Bridge Battery

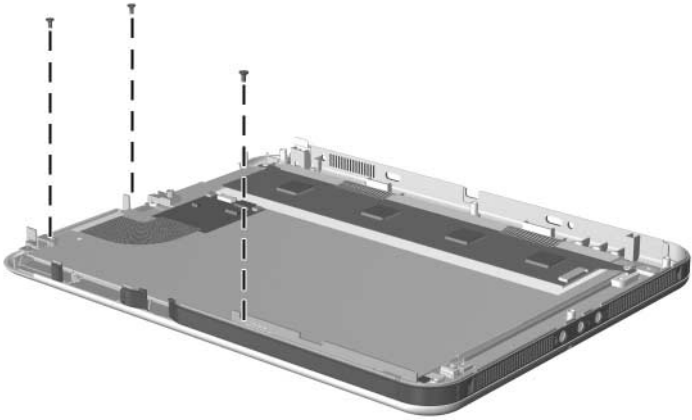
18. Remove the digitizer as follows:

- a. Release the ZIF connector **1** to which the digitizer cable is attached and disconnect the cable from the system board **2**.
- b. Swing the 2 flex cables **3** to the right.



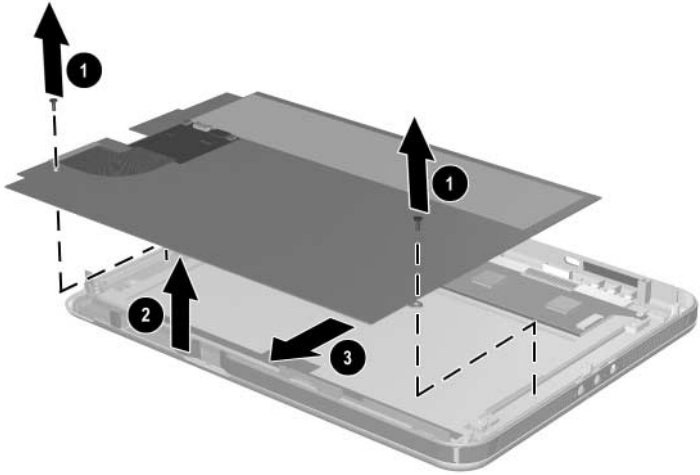
Disconnecting the Digitizer Cable.

- c. Remove the 2 PM 2.0 × 5.0 screws on the left side and the PM2.0 × 4.0 screw on the nearest side of the digitizer panel that secure the bracket to the panel assembly.



Removing the Bracket Screws

- d. Remove the 2 PM2.0 × 4.5 screws ❶ that secure the digitizer to the display panel assembly.
- e. Lift the front edge of the digitizer ❷ and slide it out ❸ of the display panel.



Removing the Digitizer

5.7 System Board

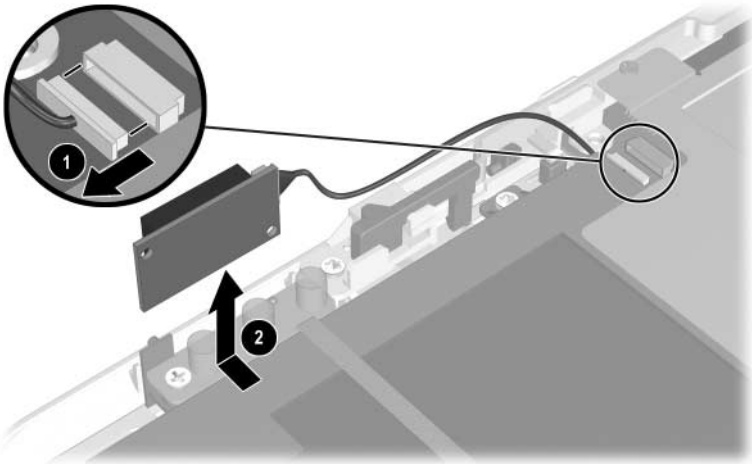
System Board Spare Part Number Information

System board with fan and heat sink	
Mobile Intel Celeron, 800-MHz	348331-001
Mobile Interl Celeron, 900-MHz	374024-001
Intel Pentium M, 1.0-GHz	348332-001
Intel Pentium M, 1.1-GHz	374023-001

Perform the following steps to remove the system board:

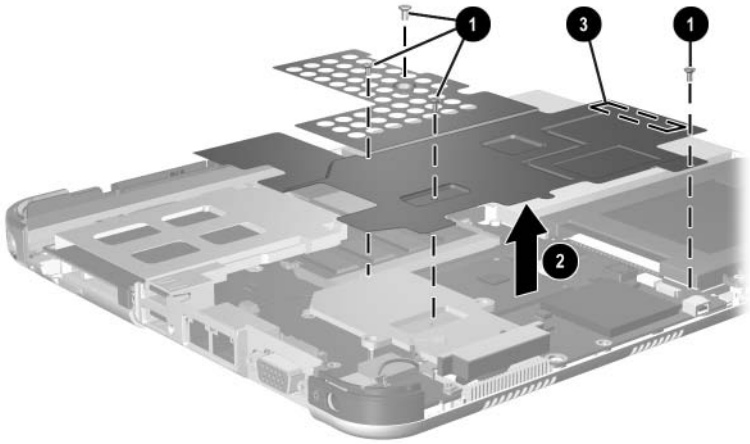
1. Prepare the tablet PC for disassembly (refer to [Section 5.3, “Preparing the Tablet PC for Disassembly”](#)).
2. Remove the RTC battery (refer to [Section 5.4, “Real Time Clock Battery”](#)).
3. Remove the hard drive (refer to [Section 5.5, “Hard Drive”](#)).
4. Remove the display panel assembly (refer to [Section 5.6, “Display Panel Assembly”](#)).

5. Remove the Bluetooth module as follows:
 - a. Position the tablet PC base enclosure so that the heat sink grille is toward you.
 - b. Disconnect the Bluetooth module connector from the system board ❶.
 - c. Slide the Bluetooth module ❷ away from you and lift it away from the base enclosure.



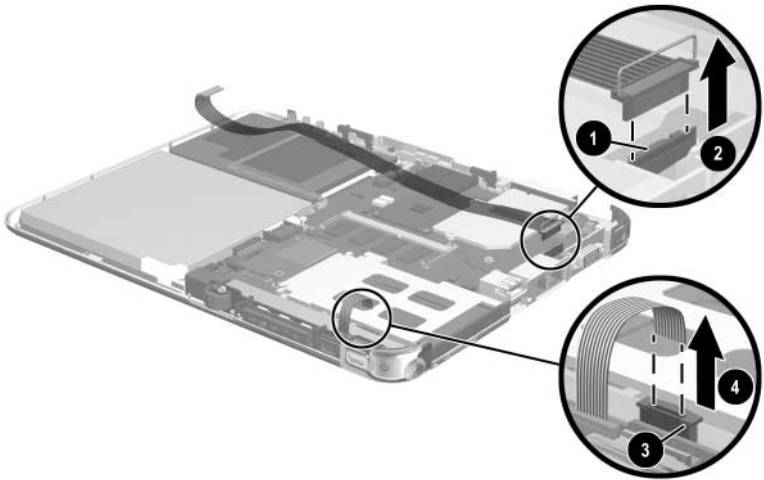
Removing the Bluetooth Module

6. Remove the 4 PM2.0 × 3.5 screws **1** that secure the system board shield to the base enclosure.
7. Lift the shield from the system board **2**.
8. Separate the adhesive **3** from the system board.



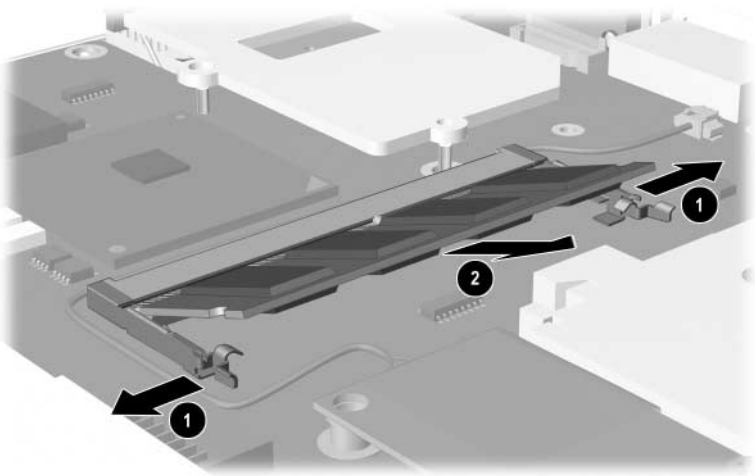
Removing the System Board Shield

9. Release the ZIF connector ❶ to which the audio cable is attached and disconnect the cable ❷ from the system board.
10. Release the ZIF connector ❸ to which the button board cable is attached and disconnect the cable ❹ from the system board.



Disconnecting the Audio and Button Board ZIF Connectors

11. Remove the system main memory by following these steps:
 - a. Spread the retaining tabs **1** securing the main memory board to the system board.
The end of the memory board opposite the connector rises at a 45-degree angle.
 - b. Pull the memory module away from the connector at a 45-degree angle **2**.



Removing the Main Memory Module

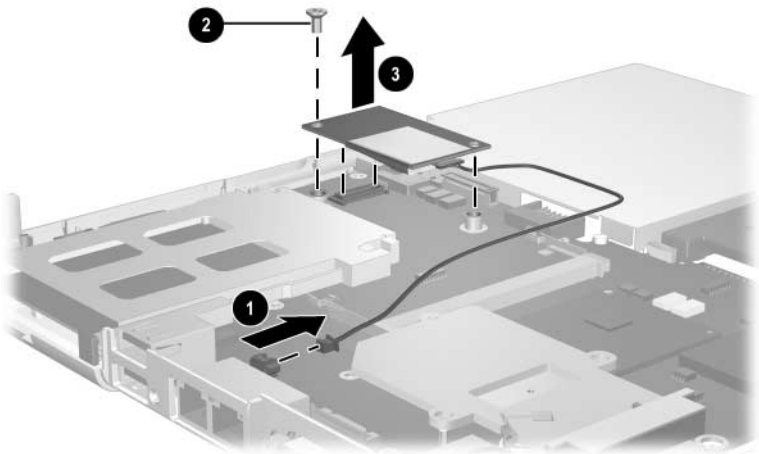
Modem Board

Spare Part Number Information

Modem board

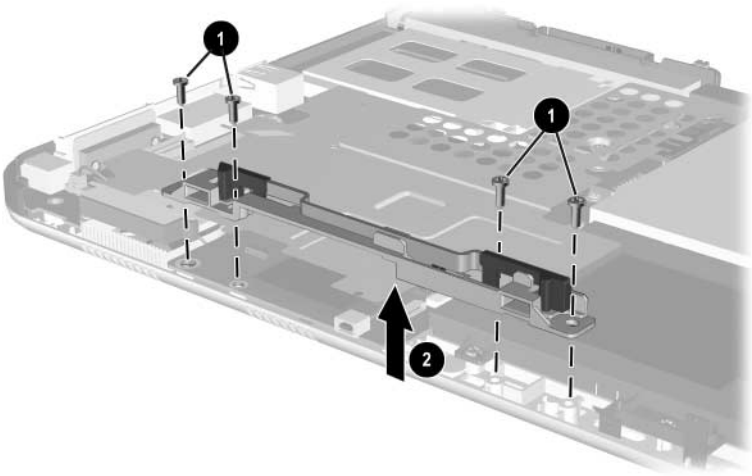
349986-001

12. Remove the modem board by following these steps:
- Disconnect the modem board connector from the system board ❶.
 - Remove the PM2.0 × 4.5 screw ❷ that secures the modem board to the system board.
 - Lift the modem and cable assembly from the base enclosure ❸.



Removing the Modem Board

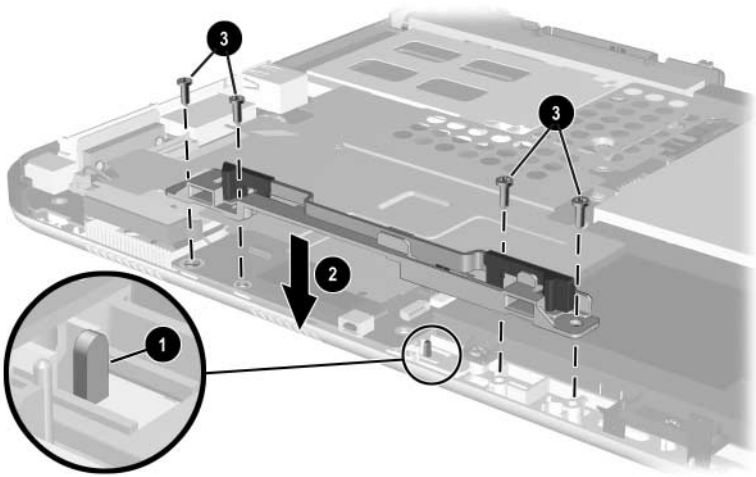
13. Remove the keyboard release assembly by following these steps:
 - a. Remove the 4 TM2.5 × 6.0 screws **1** that secure the keyboard release assembly to the base enclosure.
 - b. Lift the keyboard release assembly straight up **2** and remove it from the base enclosure.



Removing the Keyboard Release Assembly

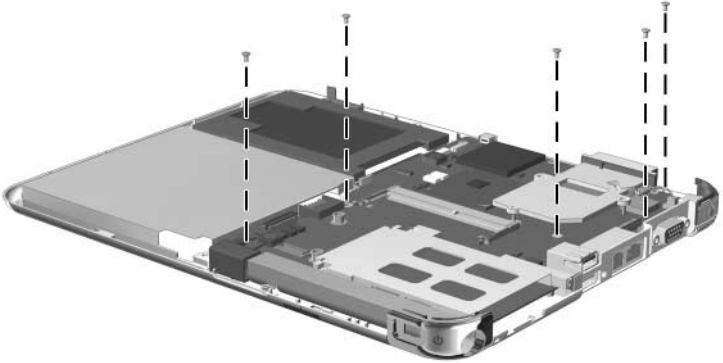


When installing the keyboard release assembly, make sure the actuator tab **1** in the base enclosure is in the leftmost position. After this tab is positioned properly, install the keyboard release assembly **2**, and 4 TM2.5 × 6.0 screws **3**.



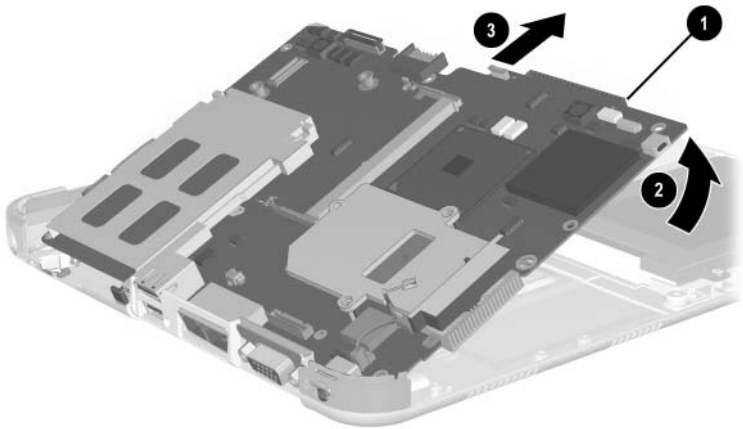
Installing the Keyboard Release Assembly

14. Position the base enclosure so the heat sink grille is to your right.
15. Remove the 5 PM2.0 × 4.5 screws that secure the system board to the base enclosure.



Removing the System Board Screws

16. Use the heat sink grille ❶ to lift the right edge of the system board ❷ until it rests at a 45-degree angle.
17. Slide the system board away from the base enclosure at an angle ❸ to remove it.



Removing the System Board

Reverse the preceding procedures to install the system board.

5.8 Fan and Heat Sink

Fan and Heat Sink

Spare Part Number Information

Fan	348342-001 310665-001
Heat Sink	348354-001

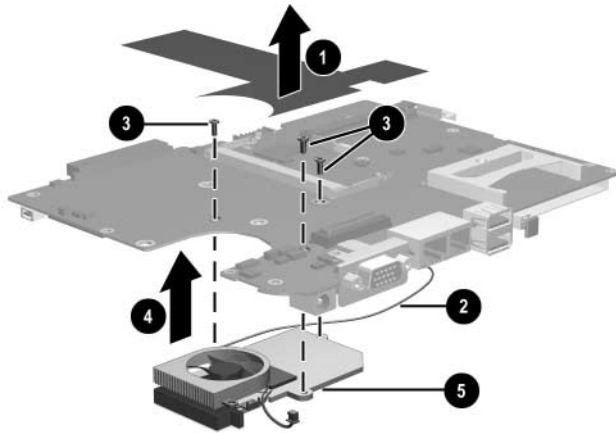


The fan and heat sink are included with the system board; however, the fan and heat sink can also be ordered separately.

Perform the following steps to remove the fan and heat sink:

1. Prepare the tablet PC for disassembly (refer to [Section 5.3, “Preparing the Tablet PC for Disassembly”](#)).
2. Remove the display panel assembly (refer to [Section 5.6, “Display Panel Assembly”](#)).
3. Remove the system board (refer to [Section 5.7, “System Board”](#)).

4. Remove the system board shield ❶.
5. Disconnect the fan cable from the system board ❷.
6. Remove the 3 PM2.0 × 4.5 screws ❸ that secure the fan and heat sink to the system board.
7. Lift the system board ❹ straight up. The fan and heat sink ❺ will remain resting on the work surface.



Removing the Fan and Heat Sink

Reverse the preceding procedures to install the system board shield, fan, and heat sink.

5.9 Optional HP Tablet PC Docking Station

Optional HP Tablet PC Docking Station Components Spare Part Number Information

Optional HP Tablet PC Docking Station	348338-001
Docking stand and pivot arm	349090-001
Top case	349091-001
Board assembly	349093-001
Bottom case	349092-001

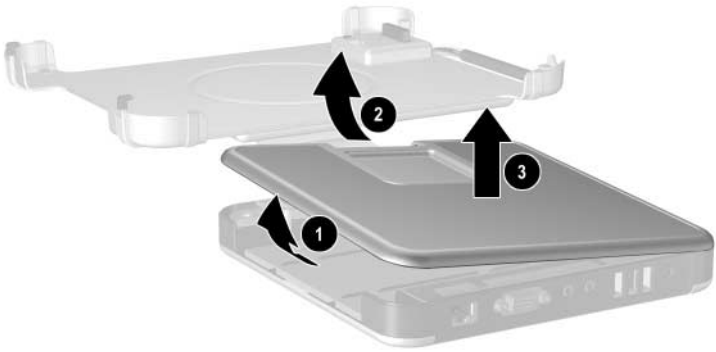
Perform the following steps to disassemble the docking station:

1. Position the docking station upside down, resting on the docking stand, with the bottom case toward you.
2. Remove the 4 TM2.5 × 7.4 screws that secure the top case to the bottom case.



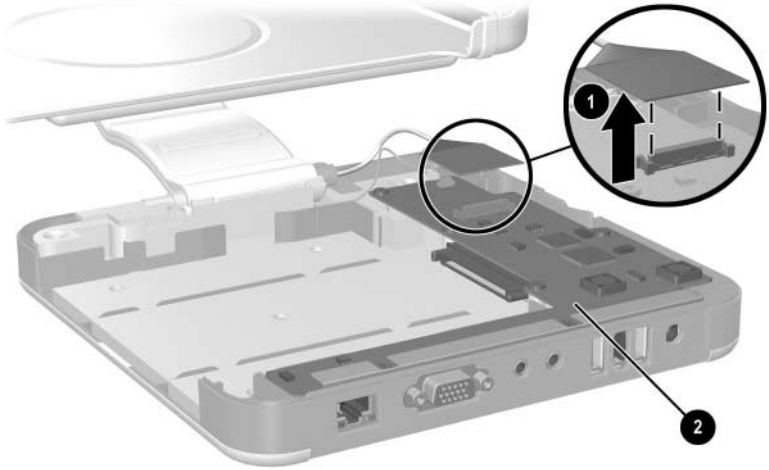
Removing the Top Case Screws

3. Position the docking station right side up with the rear toward you, and then swing the docking stand to the back.
4. Lift the left edge of the top case ❶ until the rear edge of the case ❷ disengages from the bottom case.
5. Remove the docking station top case ❸.



Removing the Top Case

6. Disconnect the docking stand cable ❶ from the board assembly ❷.



Disconnecting the Docking Stand Cable

7. Position the docking station with the left side toward you.

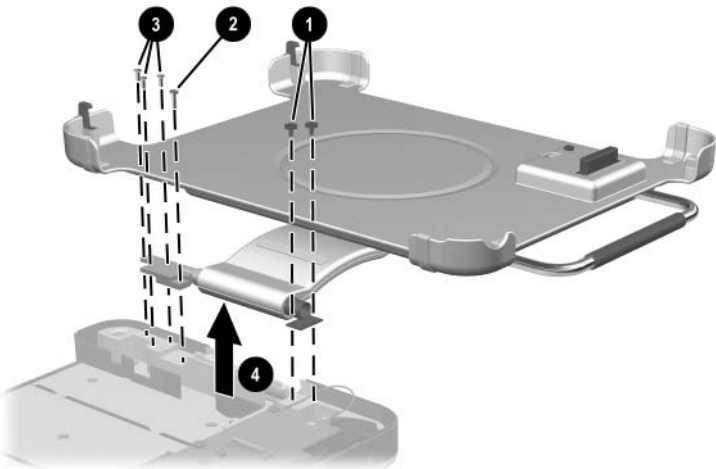


Make sure the docking stand and pivot arm are supported before removing the following screws. The docking stand and pivot arm can fall if not supported.

8. Remove the following screws:

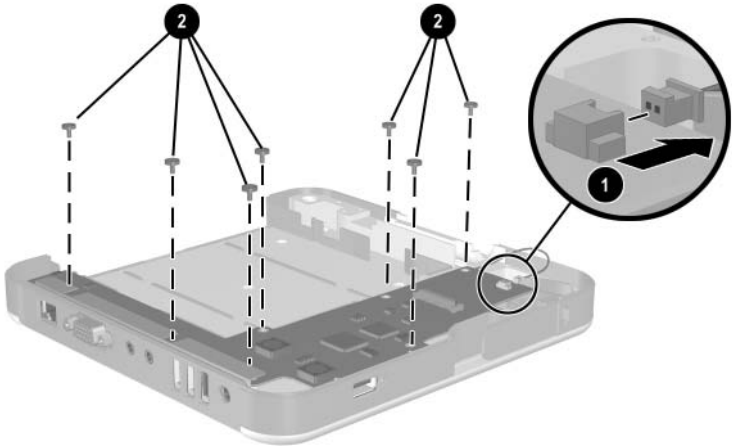
- ❑ 2 PM2.5 × 8.0 screws ❶ that secure the cable bracket to the bottom case.
- ❑ 1 PM2.5 × 11.0 screw ❷ that secures the pivot arm hinge to the bottom case.
- ❑ 3 PM2.5 × 8.0 screws ❸ that secure the pivot arm hinge to the bottom case.

9. Remove the docking stand and pivot arm ❹.



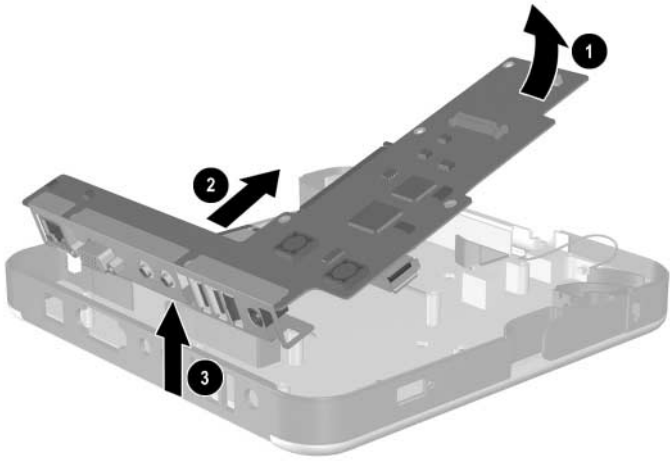
Removing the Docking Stand and Pivot Arm

10. Disconnect the switch cable ❶ from the board assembly.
11. Remove the 7 PM2.5 × 4.0 screws ❷ that secure the board assembly to the bottom case.



Removing the Board Assembly Screws

12. Lift the edge of the board assembly ❶ until it rests at an angle.
13. Slide the board assembly toward you ❷ until the rear connectors clear the bottom case.
14. Lift the docking station board assembly straight up ❸ to remove it from the bottom case.



Removing the Board Assembly

Reverse the preceding procedures to assemble the docking station.

6

Specifications

This chapter provides physical and performance specifications.

Table 6-1

Tablet PC

Dimensions

Height	27.4 cm	10.8 in
Width	21.6 cm	8.5 in
Depth	2.0 cm	0.8 in

Weight (varies by configuration)

Tablet PC only	1.4 kg	3.1 lb
Tablet PC with keyboard	1.8 kg	4.0 lb

Stand-alone power requirements

Nominal operating voltage	14.8 VDC
Maximum operating power	40.0 W
Peak operating power	38.0 W

Temperature

Operating	10°C to 35°C	50°F to 95°F
Nonoperating	-20°C to 60°C	-4°F to 140°F

Table 6-1
Tablet PC (Continued)

Relative humidity (noncondensing)

Operating	10% to 90%
Nonoperating	5% to 90%, 38.7°C (101.6°F) maximum wet bulb temperature

Altitude (unpressurized)

Operating (14.7 to 10.1 psia)	0 to 3,048 m	0 to 10,000 ft
Nonoperating (14.7 to 4.4 psia)	0 to 9,144 m	0 to 30,000 ft

Shock

Operating	10 g, 11 ms, half-sine
Nonoperating	60 g, 11 ms, half-sine



Applicable product safety standards specify thermal limits for plastic surfaces. The tablet PC operates well within this range of temperatures.

Table 6-2
10.4-inch XGA, TFT Display

Dimensions

Height	23.6 cm	9.29 in
Width	17.3 cm	6.81 in
Diagonal	26.4 cm	10.4 in

Number of colors Up to 16.8 million

Contrast ratio 150:1

Brightness 140 nits typical

Pixel resolution

Pitch	0.264 × 0.264 mm
Format	1024 × 768
Configuration	RGB vertical stripe

Backlight Edge lit

Character display 80 × 25

Total power consumption 3.75 W

Table 6-3
Hard Drives

	80-GB	60-GB
User capacity per drive*	80.0 GB	60.0 GB
Drive height	9.5 mm	9.5 mm
Drive width	70 mm	70 mm
Interface type	ATA-6	ATA-5
Seek times (typical read, including setting)		
Single track	3 ms	3 ms
Average	13 ms	13 ms
Full stroke	24 ms	24 ms
Logical blocks[†]	156,301,488	117,210,240
Disk rotational speed	5,400 rpm	5,400 rpm
Transfer rate		
Interface max (MB/s) [‡]	100	66.6

*1 GB=1,073,741,824 bytes.

[†]System capability may differ.

[‡]Actual drive specifications may differ slightly.

Certain restrictions and exclusions apply. Consult Customer Care for details.

Table 6-3
Hard Drives (Continued)

	40-GB	40-GB	30-GB
User capacity per drive*	40.0 GB	40.0 GB	30.0 GB
Drive height	9.5 mm	9.5 mm	9.5 mm
Drive width	70 mm	70 mm	70 mm
Interface type	ATA-5	ATA-5	ATA-5
Seek times (typical read, including setting)			
Single track	3 ms	3 ms	3 ms
Average	13 ms	13 ms	13 ms
Full stroke	24 ms	24 ms	24 ms
Logical blocks[‡]	78,140,160	78,140,160	58,605,120
Disk rotational speed	4,200 rpm	5,400 RPM	4,200 rpm
Transfer rate			
Interface max (MB/s) [†]	100	100	100

*1 GB=1,073,741,824 bytes.

[†]System capability may differ.

[‡]Actual drive specifications may differ slightly.

Certain restrictions and exclusions apply. Consult Customer Care for details.

Table 6-4
Diskette Drive
(For Use Only in the Docking Station or External MultiBay)

Diskette size	88.9 mm (3.5 in)
Light	On system
Height	12.7 mm (0.5 in)
Bytes per sector	512
Sectors per track	
High density	18 (1.44 MB)
Low density	9
Tracks per side	
High density	80
Low density	80
Read/write heads	2
Average seek times	
Track-to-track (high/low)	3 to 6 ms
Average (high/low)	95 to 174 ms
Settling time	15 ms
Latency average	100 ms

Table 6-5
CD-ROM Drive

(For Use Only in the Docking Station or External MultiBay)

Applicable disc	CD-ROM (Mode 1, 2, and 3) CD-XA ready (Mode 2, Form 1 and 2) CD-I ready (Mode 2, Form 1 and 2) CD-R (read only) CD Plus Photo CD (single/multisession) CD-Extra Video CD CD-WO (fixed packets only) CD-Bridge	
Center hole diameter	1.5 cm	0.59 in
Disc diameter		
Standard disc	12 cm	4.72 in
Mini disc	8 cm	3.15 in
Disc thickness	1.2 mm	0.047 in
Track pitch	1.6 μ m	
Access time		
Random	< 150 ms	
Full stroke	< 300 ms	
Cache buffer	128 KB	
Data transfer rate		
Sustained, 16X	150 KB/s at 1X	
Variable	1,500 to 3,600 KB/s (10X to 24X)	
Normal PIO Mode 4 (single burst)	16.66 KB/s	
Startup time	< 8 seconds	
Stop time	< 4 seconds	

Table 6-6
DVD-ROM Drive

(For Use Only in the Docking Station or External MultiBay)

Applicable disc	DVD-5, DVD-9, DVD-10 CD-ROM (Mode 1 and 2) CD Digital Audio CD-XA ready (Mode 2, Form 1 and 2) CD-I ready (Mode 2, Form 1 and 2) CD-R (read only) CD Plus Photo CD (single/multisession) CD-Bridge	
Center hole diameter	1.5 cm	0.59 in
Disc diameter		
Standard disc	12 cm	4.72 in
Mini disc	8 cm	3.15 in
Disc thickness	1.2 mm	0.047 in
Track pitch	0.74 μ m	
Access time		
Random	< 150 ms	
Full stroke	< 225 ms	
Audio output level	Line-out, 0.7 Vrms	
Cache buffer	512 KB	
Data transfer rate		
Max 24X CD	3,600 KB/s (150 KB/s at 1X CD rate)	
Max 8X DVD	10,800 KB/s (1352 KB/s at 1X DVD rate)	
Normal IO Mode 4 (single burst)	16.6 MB/s	
Startup time	< 12 seconds	
Stop time	< 3 seconds	

Table 6-7
DVD/CD-RW Combo Drive

(For Use Only in the Docking Station or External MultiBay)

Applicable disc	DVD-5, DVD-9, DVD-10 CD-ROM (Mode 1 and 2) CD Digital Audio CD-XA ready (Mode 2, Form 1 and 2) CD-I ready (Mode 2, Form 1 and 2) CD-R (read only) CD Plus Photo CD (single/multisession) CD-Bridge	
Center hole diameter	1.5 cm	0.59 in
Disk diameter		
Standard disc	12 cm	4.72 in
Mini disc	8 cm	3.15 in
Disk thickness	1.2 cm	0.047 in
Track pitch	0.74 μ m	
Access time		
Random	< 150 ms	
Full stroke	< 225 ms	
Audio output level	Line-out, 0.7 Vrms	
Cache buffer	128 KB	
Data transfer rate		
Sustained, 16X	150 KB/s	
Sustained, 4X CD-RW	5,520 KB/s	
Normal PIO Mode 4 (single burst)	16.6 MB/s	
Startup time	< 15 seconds	
Stop time	< 6 seconds	

Table 6-8
External AC Adapter

Weight	0.28 kg	0.62 lb
Power supply (input)		
Operating voltage	90 to 260 VAC RMS	
Operating current	1.7 A RMS	
Operating frequency range	47 to 63 Hz AC	
Maximum transient	4/50 kV	

Table 6-9
6-cell, Li-Ion Battery Pack

Weight	0.30 kg	0.65 lb
Energy		
Voltage	11.1 V	
Amp-hour capacity	3.6 Ah	
Watt-hour capacity	40.0 Wh	
Temperature		
Operating: charging	0°C to 40°C	32°F to 104°F
Operating: discharging	-10°C to 50°C	14°F to 122°F
Nonoperating	-20°C to 60°C	-4°F to 140°F
Battery recharge time		
System off or in standby	2.5 hours	
System on (varies depending on system power consumption)	3 to 6 hours	

Table 6-10
System DMA

Hardware DMA	System Function
DMA0	Available for audio
DMA1	Entertainment audio (default; alternate=DMA0, DMA3, none)
DMA2	Diskette drive
DMA3	ECP parallel port LPT1 (default; alternate=DMA0, none)
DMA4	DMA controller cascading (not available)
DMA5	Available for PC Card
DMA6	Not assigned
DMA7	Not assigned


 PC Card controller can use DMA 1, 2, or 5.

Table 6-11
System Interrupts

Hardware IRQ	System Function
IRQ0	System timer
IRQ1	Keyboard controller
IRQ2	Cascaded
IRQ3	COM2
IRQ4	COM1
IRQ5	Audio (default)*
IRQ6	Diskette drive
IRQ7	Parallel port
IRQ8	Real time clock (RTC)
IRQ9	Infrared
IRQ10	System use
IRQ11	System use
IRQ12	Internal point stick or external mouse
IRQ13	Coprocessor (not available to any peripheral)
IRQ14	IDE interface (hard drive and optical drive)
IRQ15	System use



PC Cards may assert IRQ3, IRQ4, IRQ5, IRQ7, IRQ9, IRQ10, IRQ11, or IRQ15. Either the infrared or the serial port may assert IRQ3 or IRQ4.

*Default configuration; audio possible configurations are IRQ5, IRQ7, IRQ9, IRQ10, or none.

Table 6-12
System I/O Addresses

I/O Address (hex)	System Function (shipping configuration)
000 - 00F	DMA controller no. 1
010 - 01F	Unused
020 - 021	Interrupt controller no. 1
022 - 024	Opti chipset configuration registers
025 - 03F	Unused
02E - 02F	87334 "Super I/O" configuration for CPU
040 - 05F	Counter/timer registers
044 - 05F	Unused
060	Keyboard controller
061	Port B
062 - 063	Unused
064	Keyboard controller
065 - 06F	Unused
070 - 071	NMI enable/real time clock
072 - 07F	Unused
080 - 08F	DMA page registers
090 - 091	Unused
092	Port A
093 - 09F	Unused
0A0 - 0A1	Interrupt controller no. 2

Table 6-12
System I/O Addresses (Continued)

I/O Address (hex)	System Function (shipping configuration)
0A2 - 0BF	Unused
0C0 - 0DF	DMA controller no. 2
0E0 - 0EF	Unused
0F0 - 0F1	Coprocessor busy clear/reset
0F2 - 0FF	Unused
100 - 16F	Unused
170 - 177	Secondary fixed disk controller
178 - 1EF	Unused
1F0 - 1F7	Primary fixed disk controller
1F8 - 200	Unused
201	Joystick (decoded in ESS1688)
202 - 21F	Unused
220 - 22F	Entertainment audio
230 - 26D	Unused
26E - 26	Unused
278 - 27F	Unused
280 - 2AB	Unused
2A0 - 2A7	Unused
2A8 - 2E7	Unused
2E8 - 2EF	Reserved serial port

Table 6-12
System I/O Addresses (Continued)

I/O Address (hex)	System Function (shipping configuration)
2F0 - 2F7	Unused
2F8 - 2FF	Infrared port
300 - 31F	Unused
320 - 36F	Unused
370 - 377	Secondary diskette drive controller
378 - 37F	Parallel port (LPT1/default)
380 - 387	Unused
388 - 38B	FM synthesizer—OPL3
38C - 3AF	Unused
3B0 - 3BB	VGA
3BC - 3BF	Reserved (parallel port/no EPP support)
3C0 - 3DF	VGA
3E0 - 3E1	PC Card controller in CPU
3E2 - 3E3	Unused
3E8 - 3EF	Internal modem
3F0 - 3F7	“A” diskette controller
3F8 - 3FF	Serial port (COM1/default)
CF8 - CFB	PCI configuration index register (PCIDIVO-1)
CFC - CFF	PCI configuration data register (PCIDIVO-1)

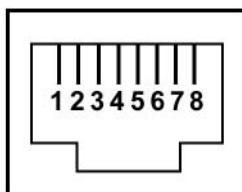
Table 6-13
System Memory Map

Size	Memory Address	System Function
640 KB	00000000-0009FFFF	Base memory
128 KB	000A0000-000BFFFF	Video memory
48 KB	000C0000-000CBFFF	Video BIOS
160 KB	000C8000-000E7FFF	Unused
64 KB	000E8000-000FFFFFF	System BIOS
15 MB	00100000-00FFFFFF	Extended memory
58 MB	01000000-047FFFFFF	Super extended memory
58 MB	04800000-07FFFFFF	Unused
2 MB	08000000-080FFFFFF	Video memory (direct access)
4 GB	08200000-FFFEFFFF	Unused
64 KB	FFFF0000-FFFFFFFF	System BIOS

A

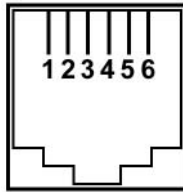
Connector Pin Assignments

Table A-1
RJ-45 (Network)



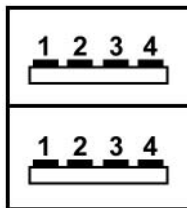
Pin	Signal	Pin	Signal
1	Transmit +	5	Unused
2	Transmit –	6	Receive –
3	Receive +	7	Unused
4	Unused	8	Unused

Table A-2
RJ-11 (Modem)



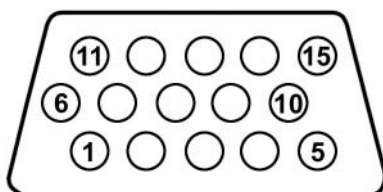
Pin	Signal	Pin	Signal
1	Unused	4	Unused
2	Tip	5	Unused
3	Ring	6	Unused

Table A-3
Universal Serial Bus



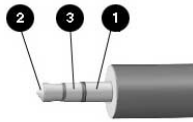
Pin	Signal	Pin	Signal
1	+5 VDC	3	Data +
2	Data -	4	Ground

Table A-4
External Monitor



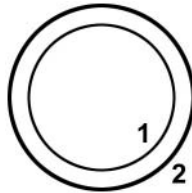
Pin	Signal	Pin	Signal
1	Red analog	9	+5 VDC
2	Green analog	10	Ground
3	Blue analog	11	Monitor detect
4	Not connected	12	DDC 2B data
5	Ground	13	Horizontal sync
6	Ground analog	14	Vertical sync
7	Ground analog	15	DDC 2B clock
8	Ground analog		

Table A-5
Stereo Speaker/Headphone



Pin	Signal	Pin	Signal
1	Ground	3	Left audio signal
2	Right audio signal		

Table A-6
Microphone



Pin	Signal	Pin	Signal
1	Audio in	2	Ground

Power Cord Set Requirements

The wide range input feature of the tablet PC permits it to operate from any line voltage from 100 to 120 or 220 to 240 V AC.

The power cord set received with the tablet PC meets the requirements for use in the country where the equipment is purchased.

Power cord sets for use in other countries must meet the requirements of the country where the tablet PC is used. For more information on power cord set requirements, contact Customer Care.

General Requirements

The following requirements apply to all countries:

- The length of the power cord set must be at least 1.5 meters (5.00 feet) a maximum of 2.0 meters (6.50 feet).
- All power cord sets must be approved by an acceptable accredited agency responsible for evaluation in the country where the power cord set will be used.
- The power cord set must have a minimum current capacity of 10 amps and a nominal voltage rating of 125 or 250 volts AC, as required by each country's power system.
- The appliance coupler must meet the mechanical configuration of an EN 60 320/IEC 320 Standard Sheet C13 connector for mating with the appliance inlet on the back of the tablet PC.

Country-Specific Requirements

3-Conductor Power Cord Set Requirements

Country	Accredited Agency	Applicable Note Number
Australia	EANSW	1
Austria	OVE	1
Belgium	CEBC	1
Canada	CSA	2
Denmark	DEMKO	1
Finland	FIMKO	1
France	UTE	1
Germany	VDE	1
Italy	IMQ	1
Japan	METI	3
The Netherlands	KEMA	1
Norway	NEMKO	1

Notes

1. The flexible cord must be <HAR> Type HO5VV-F, 3-conductor, 1.0 mm² conductor size. Power cord set fittings (appliance coupler and wall plug) must bear the certification mark of the agency responsible for evaluation in the country where it will be used.
 2. The flexible cord must be Type SPT-3 or equivalent, No. 18 AWG, 3-conductor. The wall plug must be a two-pole grounding type with a NEMA 5-15P (15 A, 125 V) or NEMA 6-15P (15 A, 250 V) configuration.
 3. The appliance coupler, flexible cord, and wall plug must bear a “T” mark and registration number in accordance with the Japanese Dentori Law. The flexible cord must be Type VCT or VCTF, 3-conductor, 1.00 mm² conductor size. The wall plug must be a two-pole grounding type with a Japanese Industrial Standard C8303 (7 A, 125 V) configuration.
-

3-Conductor Power Cord Set Requirements (*Continued*)

Country	Accredited Agency	Applicable Note Number
Sweden	SEMKO	1
Switzerland	SEV	1
United Kingdom	BSI	1
United States	UL	2

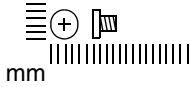
Notes

1. The flexible cord must be <HAR> Type HO5VV-F, 3-conductor, 1.0 mm² conductor size. Power cord set fittings (appliance coupler and wall plug) must bear the certification mark of the agency responsible for evaluation in the country where it will be used.
2. The flexible cord must be Type SPT-3 or equivalent, No. 18 AWG, 3-conductor. The wall plug must be a two-pole grounding type with a NEMA 5-15P (15 A, 125 V) or NEMA 6-15P (15 A, 250 V) configuration.
3. The appliance coupler, flexible cord, and wall plug must bear a "T" mark and registration number in accordance with the Japanese Dentori Law. The flexible cord must be Type VCT or VCTF, 3-conductor, 1.00 mm² conductor size. The wall plug must be a two-pole grounding type with a Japanese Industrial Standard C8303 (7 A, 125 V) configuration.

Screw Listing

This appendix provides specification and reference information for the screws used in the tablet PC and the docking station. All screws listed in this appendix are available for the tablet PC in the Miscellaneous Screw Kit, spare part number 348351-001 docking station.

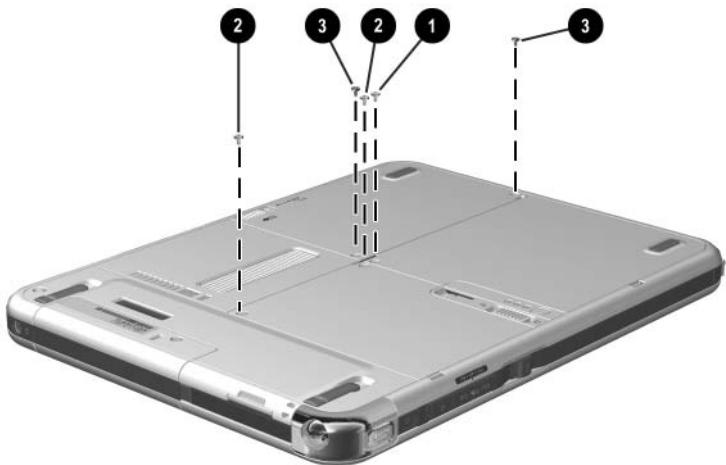
Table C-1
Phillips M2.0 × 4.0 Screw



	Color	Qty.	Length	Thread	Head Width
	Silver	9	4.0 mm	2.0 mm	3.8 mm

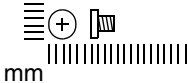
Where used:

- ❶ 1 screw that secures the battery pack to the tablet PC (documented in [Section 5.3](#))
- ❷ 2 screws that secure the Mini PCI communications/memory module compartment cover to the tablet PC (documented in [Section 5.3](#))
- ❸ 2 screws that secure the hard drive cover to the tablet PC (documented in [Section 5.5](#))



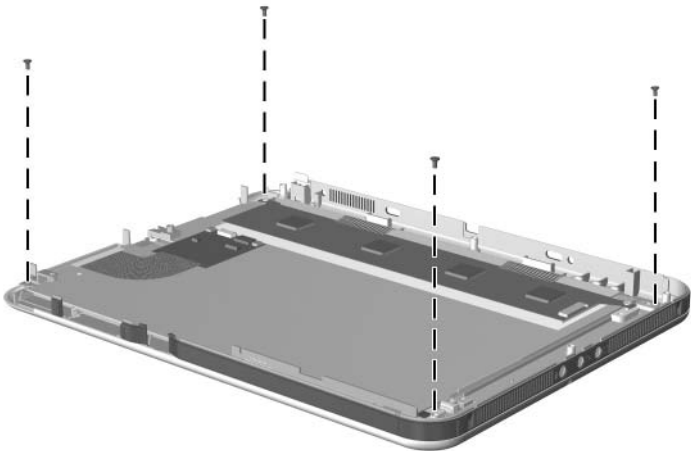
Phillips M2.0 × 4.0 Screw Locations

Table C-1
Phillips M2.0 × 4.0 Screw (Continued)

	Color	Qty.	Length	Thread	Head Width
	Silver	9	4.0 mm	2.0 mm	3.8 mm

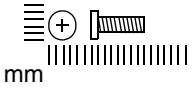
Where used:

4 screws that secure the display panel to the display bezel
 (documented in [Section 5.6](#))



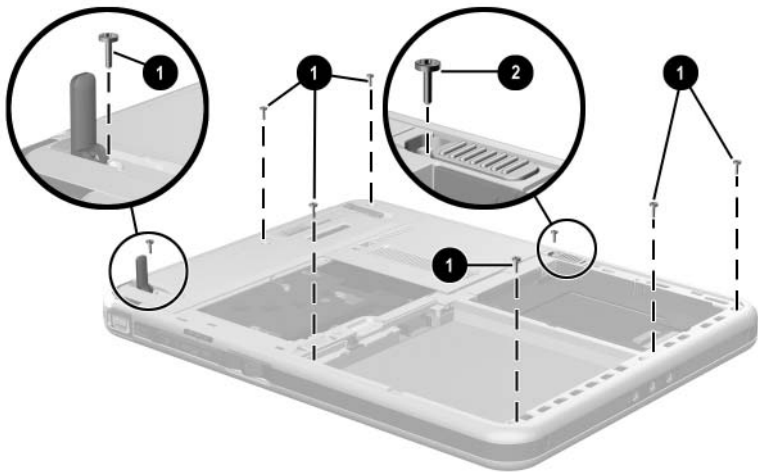
Phillips M2.0 × 4.0 Screw Locations

Table C-2
Phillips M2.5 × 8.0 Screw

	Color	Qty.	Length	Thread	Head Width
	Silver	8	8.0 mm	2.5 mm	4.4 mm

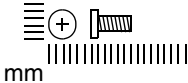
Where used:

- ❶ 7 screws that secure the display panel assembly to the base enclosure (documented in [Section 5.6](#))
- ❷ 1 screw under the keyboard release latch that secures the connector cover and display panel assembly to the base enclosure (documented in [Section 5.6](#))



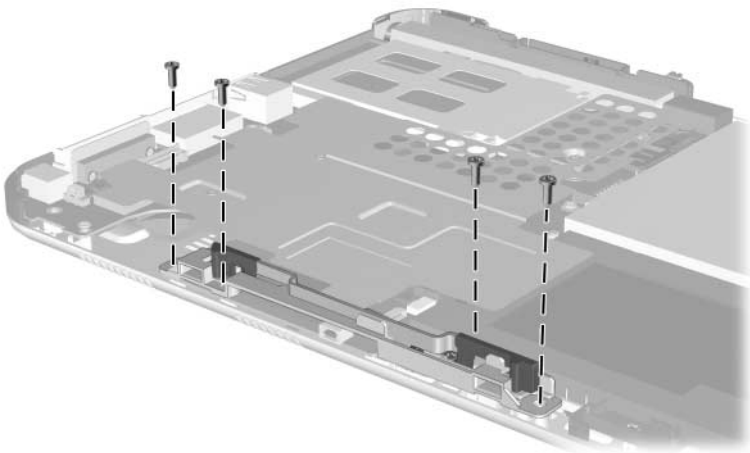
Torx M2.5 × 8.0 Screw Locations

Table C-3
Phillips M2.5 × 6.0 Screw

	Color	Qty.	Length	Thread	Head Width
mm	Silver	4	6.0 mm	2.5 mm	4.3 mm

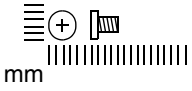
Where used:

4 screws that secure the keyboard release assembly to the base enclosure (documented in [Section 5.7](#))



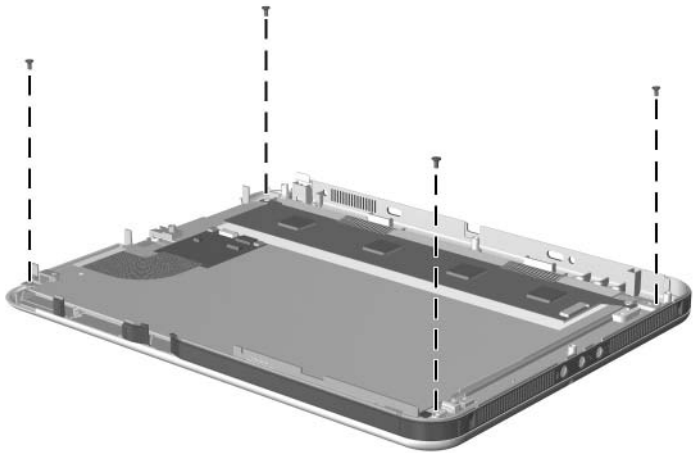
Phillips M2.5 × 6.0 Screw Location

Table C-4
Phillips M2.0 × 3.0 Screw

	Color	Qty.	Length	Thread	Head Width
	Silver	4	3.0 mm	2.0 mm	3.8 mm

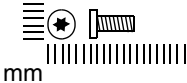
Where used:

4 screws that secure the display panel to the display bezel
(documented in [Section 5.6](#))



Phillips M2.0 × 3.0 Screw Locations

Table C-5
Torx M2.5 × 7.4 Screw

	Color	Qty.	Length	Thread	Head Width
mm	Silver	4	7.4 mm	2.5 mm	4.4 mm

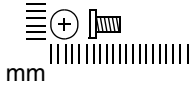
Where used:

4 screws that secure the docking station top case to the bottom case (documented in [Section 5.9](#))



Phillips M2.0 × 4.5 Screw Locations

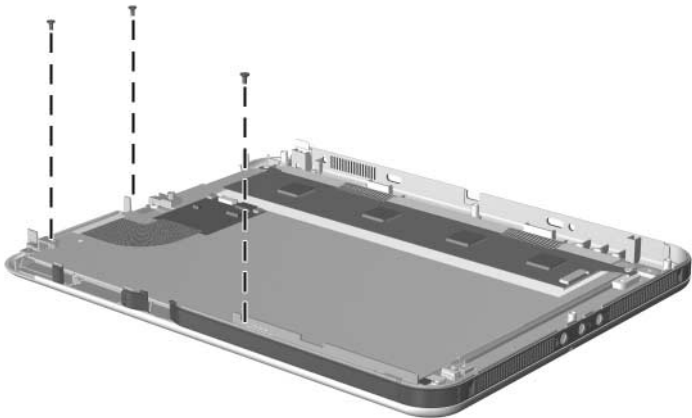
Table C-6
Phillips M2.0 × 5.0 Screw



	Color	Qty.	Length	Thread	Head Width
	Yellow	3	5.0 mm	4.0 mm	3.8 mm

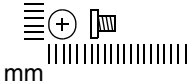
Where used:

3 screws that secure the display panel bracket to the display panel assembly (documented in [Section 5.6](#))



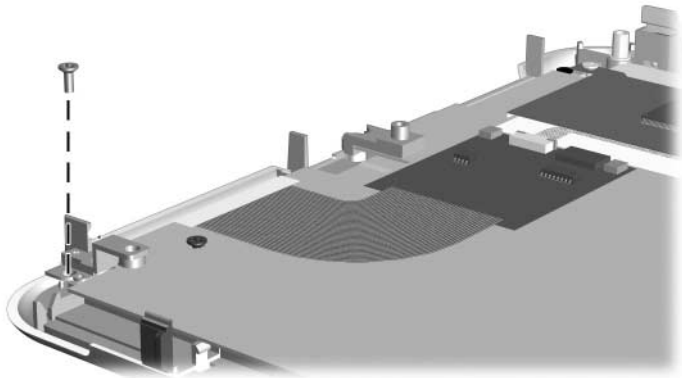
Phillips M2.0 × 5.0 Screw Locations

Table C-7
Phillips M2.0 × 3.5 Screw

	Color	Qty.	Length	Thread	Head Width
mm	Yellow	5	3.5 mm	2.0 mm	3.8 mm



Where used:

1 screw that secures the display panel bracket to the display panel assembly



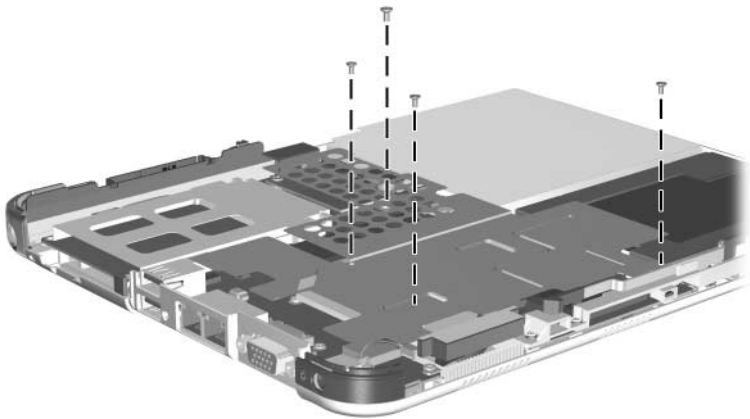
Phillips M2.0 × 3.5 Screw Locations

Table C-7
Phillips M2.0 × 3.5 Screw (Continued)

 mm	Color	Qty.	Length	Thread	Head Width
 3.5	Yellow	5	3.5 mm	2.0 mm	3.8 mm

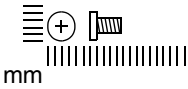
Where used:

4 screws that secure the system board shield to the base enclosure (documented in [Section 5.7](#))



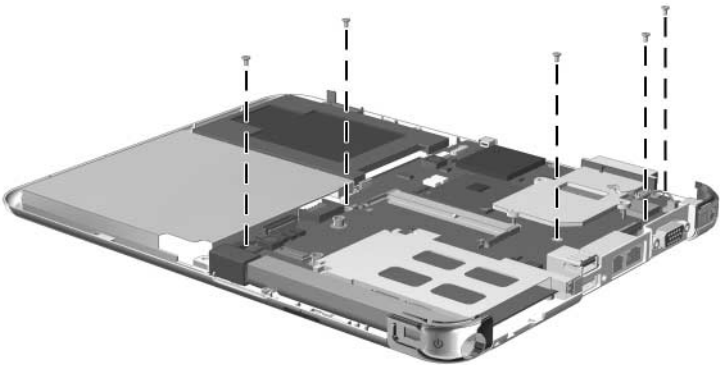
Phillips M2.0 × 3.5 Screw Locations

Table C-8
Phillips M2.0 × 4.5 Screw

	Color	Qty.	Length	Thread	Head Width
mm	Yellow	8	4.5 mm	2.0 mm	3.8 mm

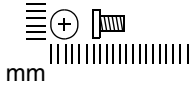
Where used:

5 screws that secure the system board to the base enclosure (documented in [Section 5.8](#))



Phillips M2.0 × 4.5 Screw Locations

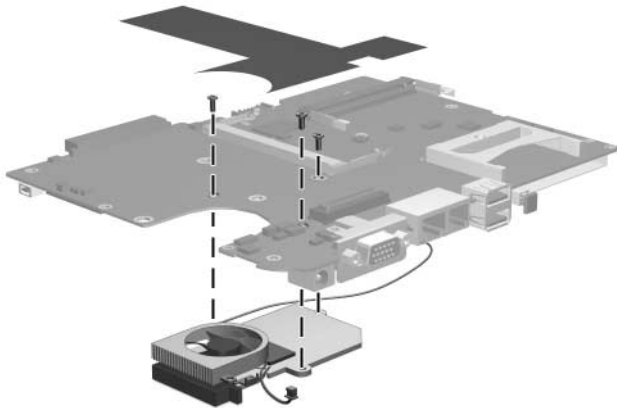
Table C-8
Phillips M2.0 × 4.5 Screw (Continued)



	Color	Qty.	Length	Thread	Head Width
	Yellow	8	4.5 mm	2.0 mm	3.8 mm

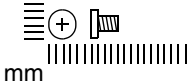
Where used:

3 screws that secure the fan and heat sink to the system board (documented in [Section 5.8](#))



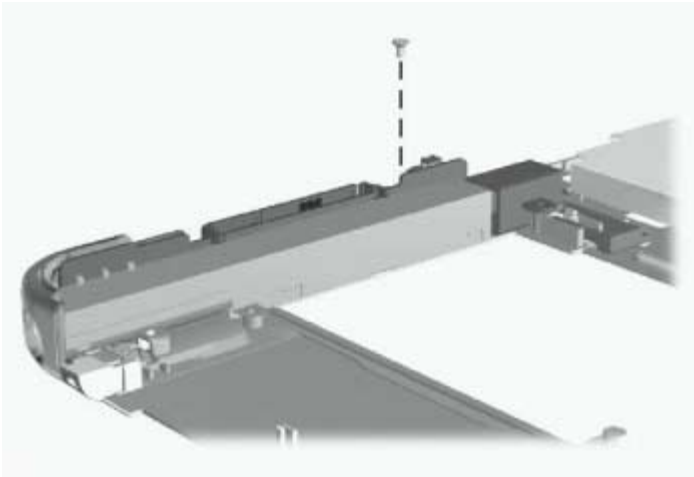
Phillips M2.0 × 4.5 Screw Locations

Table C-9
Phillips M2.0 × 4.0 Screw

	Color	Qty.	Length	Thread	Head Width
	Silver	1	4.0 mm	2.0 mm	3.8 mm

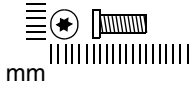
Where used:

1 screw that secures the switch board to the base enclosure (documented in [Section 5.9](#))



Phillips M2.0 × 4.0 Screw Location

Table C-10
Torx M2.5 × 8.0 Screw



	Color	Qty.	Length	Thread	Head Width
	Silver	5	8.0 mm	2.5 mm	4.3 mm

Where used:

- ❶ 2 screws that secure the docking station pivot arm and cable bracket to the bottom case (documented in [Section 5.9](#))
- ❷ 3 screws that secure the docking station pivot arm hinge to the bottom case (documented in [Section 5.9](#))

Torx M2.5 × 8.0 Screw Locations

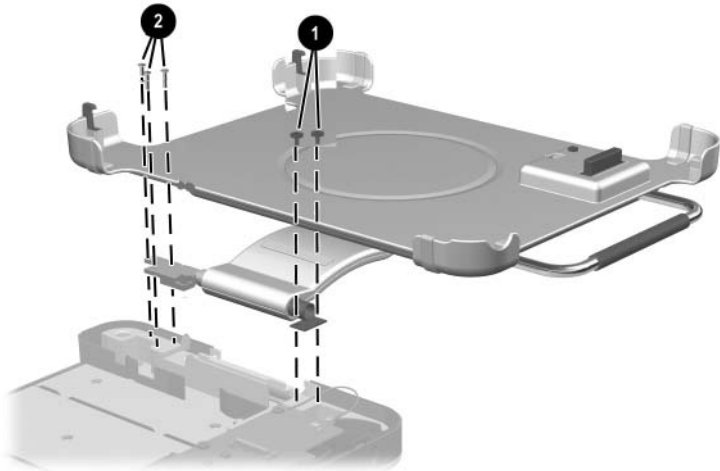
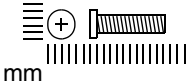
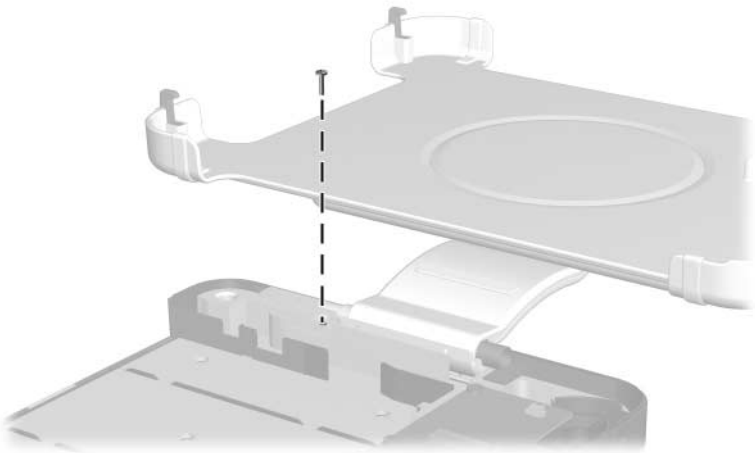


Table C-11
Phillips M2.5 × 11.0 Screw

	Color	Qty.	Length	Thread	Head Width
mm	Silver	1	11.0 mm	2.0 mm	4.3 mm

Where used:

1 screw that secures the docking station pivot arm hinge to the bottom case (documented in [Section 5.9](#))



Phillips M2.5 × 12.0 Screw Location

Index

A

- AC adapter
 - spare part number 3–13
 - specifications 6–10
- AC adapter light 1–53
- AC power connector
 - docking station 1–73
 - tablet PC 1–55
- AC power cord, spare part number 3–13
- air vent 1–57, 1–62
- alignment key 1–65
- alignment key slot
 - keyboard 1–69
 - tablet PC 1–57
- attachment release latch (tablet PC) 1–62
- attachment release switch (keyboard) 1–69
- audio troubleshooting 2–26
- audio-in jack
 - docking station 1–73
 - tablet PC 1–60
- audio-out jack
 - docking station 1–73
 - tablet PC 1–60

B

- base enclosure
 - illustrated 3–4
 - spare part number 3–5
- battery light 1–52
- battery pack
 - illustrated 3–4
 - location 1–63
 - quick check button 1–63
 - quick check lights 1–63
 - removal 5–8
 - spare part number 3–5
 - specifications 6–10
- battery pack release latch 1–63
- battery pack retention screw 1–63
- bridge battery
 - removal 5–21
 - spare part number 3–3, 5–16

C

- cables, service considerations 4–2
- caps lock light 1–66
- CD-ROM drive
 - OS loading problems 2–25
 - specifications 6–7

- components, docking station
 - front 1-70
 - left-side 1-70
 - rear 1-72
 - right-side 1-72
- components, keyboard
 - front 1-67
 - rear panel 1-69
 - top 1-65
- components, tablet PC
 - bottom 1-60, 1-61
 - front 1-52
 - left side 1-56
 - right side 1-58
 - top 1-54
- connector pin assignments
 - external monitor connector
 - A-3
 - headphone jack A-4
 - microphone jack A-4
 - modem jack A-2
 - monitor connector A-3
 - RJ-11 jack A-2
 - speaker jack A-4
 - USB port A-2
- connectors, service
 - considerations 4-2
- D**
- design overview 1-74
- diagnostics
 - configuration information
 - 2-8
 - overview 2-2
 - test information 2-9
- digitizer
 - removal 5-24
 - spare part number 3-3, 5-16
- digitizer cable
 - disconnection 5-18
 - illustrated 3-2, 3-6
- disassembly sequence chart 5-3
- diskette drive
 - OS loading problems 2-24
 - specifications 6-6
- display bezel with inverter, spare part number 3-3, 5-16
- display inverter cable, illustrated 3-6
- display panel assembly
 - illustrated 3-2
 - removal 5-16
 - spare part number 3-3, 5-16
- display panel cable 3-2, 3-6
- display, specifications 6-3
- DMA specifications 6-11
- docking alignment brackets (docking stand) 1-71
- docking alignment notches (keyboard) 1-66
- docking alignment slots (tablet PC) 1-60
- docking connector
 - docking station 1-71
 - tablet PC 1-62
- docking connector pass-through 1-66

- docking eject pin 1-70
- docking restraint latch
 - (docking station) 1-71
- docking restraint latch recess
 - (tablet PC) 1-61
- docking stand 1-70
- docking stand and pivot arm
 - removal 5-40
- docking station board
 - assembly, troubleshooting 2-19
- docking station components
 - front 1-70
 - left-side 1-70
 - rear 1-72
 - right-side 1-72
- DriveLock password 2-4
- drives, preventing damage 4-2
- DVD/CD-RW Combo Drive,
 - specifications 6-9
- DVD-ROM drive
 - OS loading problems 2-25
 - specifications 6-8

E

- electrostatic discharge 4-3,
 - 4-7
- e-mail launch button 1-59
- external monitor port
 - docking station 1-72
 - pin assignments A-3
 - tablet PC 1-55
- external MultiBay connector
 - docking station 1-71

F

- fan and heat sink
 - removal 5-35
 - spare part number 3-3,
 - 5-35
- feet 3-7
- flowcharts, troubleshooting
 - docking station 2-19
 - initial troubleshooting 2-12
 - keyboard 2-29
 - network or modem
 - connection 2-31
 - no audio 2-26, 2-27
 - no operating system
 - loading 2-20
 - no OS loading from
 - CD-ROM or DVD-ROM drive 2-25
 - no OS loading from diskette drive 2-24
 - no OS loading from hard drive 2-21, 2-22, 2-23
 - no power 2-13, 2-14,
 - 2-15, 2-16
 - no video 2-16, 2-17, 2-18
 - nonfunctioning devices
 - 2-28
 - pointing device 2-30
- fn** key 1-67
- function keys 1-67

G

- grounding equipment and methods 4-5

H

- hard drive
 - illustrated 3–4
 - OS loading problems 2–21
 - precautions 4–2
 - removal 5–13
 - spare part numbers 3–5
 - specifications 6–4
- hard drive bay 1–63
- hard drive cover
 - illustrated 3–2, 3–7
 - removal 5–13
- hard drive retention screws 1–62
- headphone (headset) jack
 - location 1–60
 - pin assignments A–4
- HP Diagnostics 2–8

I

- I/O address specifications 6–13
- illustrated parts catalog 3–1
- interrupt specifications 6–12

J

- jog dial 1–58
- journal launch button 1–53

K

- keyboard
 - illustrated 3–8
 - spare part number 3–9
 - spare part numbers 3–8
 - troubleshooting 2–29

- keyboard components
 - front 1–67
 - rear panel 1–69
 - top 1–65
- keyboard connector, tablet PC 1–57, 1–65
- keyboard hooks 1–65
- keyboard latch 1–66
- keyboard release assembly
 - illustrated 3–7
 - removal 5–31
- keypad keys 1–68

L

- LAN connection lights 1–55

M

- memory map specifications 6–16
- memory module
 - illustrated 3–4
 - removal 5–11
 - spare part number 3–5
- memory module/Mini PCI communications
 - compartment 1–64
- memory module/Mini PCI communications
 - compartment cover
 - illustrated 3–2, 3–7
 - retention screws 1–64
- microphone 1–53
- microphone jack pin assignments A–4

- Mini PCI communications
 - board, removal 5–10
- Miscellaneous Cable Kit
 - components 3–2, 3–6
 - spare part number 3–3, 3–6
- Miscellaneous Plastics/
Hardware Kit
 - components 3–7
 - spare part number 3–3
- Miscellaneous Screw Kit
 - contents 3–13
 - spare part number 3–13
- models 1–3
- modem board
 - removal 5–30
 - spare part number 5–30
- modem cable
 - disconnection 5–10
 - illustrated 3–2, 3–6
 - removal 5–37
- modem jack pin assignments
 - A–2
- modem, troubleshooting 2–31
- monitor port pin assignments
 - A–3
- MultiBay 1–72
- MultiBay release lever 1–71
- N**
- network, troubleshooting 2–31
- nonfunctioning device,
 - troubleshooting 2–19, 2–28
- num lock light 1–66
- O**
- operating system loading,
 - troubleshooting 2–20
- P**
- packing precautions 4–4
- pad feet 1–63
- parts catalog 3–1
- password
 - clearing 1–50
 - options 2–4
 - power-on 2–4
 - setup 2–4
- PC Card eject button 1–54
- PC Card slot 1–54
- PC Card slot space saver 3–7
- pen holder
 - illustrated 3–2, 3–7
 - removal 1–55
- pen holder push block
 - assembly 3–2, 3–7
- pen, spare part number 3–13
- pivot arm 1–72
- plastic parts 4–2
- pointing device,
 - troubleshooting 2–30
- pointing stick 1–66
- pointing stick buttons 1–66
- power cord set requirements
 - B–1
- power management features
 - 1–51
- power switch 1–59
- power, troubleshooting 2–13
- power/standby light 1–59
- power-on password 2–4
- product identification label
 - 1–62

Q

Q menu button 1–59

R

release handle 1–70
removal and replacement
 preliminaries 4–1
 procedures 5–1
RJ-11 jack
 location 1–55
 pin assignments A–2
RJ-45 jack
 docking station 1–72
 location 1–55
 pin assignments A–1
 tablet PC 1–55
rotate button 1–53
rotation disk 1–66
RTC (real time clock) battery
 illustrated 3–4
 removal 5–12
 spare part number 3–5,
 5–12

S

screen protector slots
 keyboard 1–69
 tablet PC 1–56
SD Card slot 1–55
SD Card slot space saver 3–7
 illustrated 3–7
 spare part number 3–7
security cable slot
 docking station 1–71
 tablet PC 1–56
serial number 3–1, 5–2
service considerations 4–1

Setup

 Advanced Menu 2–6
 File Menu 2–3
 overview 2–2
 Security Menu 2–4
setup password 2–4
spare part numbers
 AC adapter 3–13
 AC power cord 3–13
 base enclosure 3–5
 battery pack 3–5
 cable kit 3–6
 display components 3–3
 docking station 3–10, 3–12
 fan 3–3
 keyboard 3–9
 memory module 3–5
 modem board 5–30
 pen 3–13
 plastics/hardware kit 3–3,
 3–7
 RTC battery 3–5, 5–12
 screw kit 3–13
 speaker assembly 3–5
 switch board 3–5
 system board 3–3
 wireless LAN board 3–5
speaker assembly
 illustrated 3–4
 spare part number 3–5
speaker cable, illustrated 3–2,
3–6
speaker jack
 location 1–60
 pin assignments A–4
speakers 1–60

- specifications
 - AC adapter 6–10
 - battery 6–10
 - CD-ROM drive 6–7
 - diskette drive 6–6
 - display 6–3
 - DMA 6–11
 - DVD/CD-RW Combo Drive 6–9
 - DVD-ROM drive 6–8
 - hard drive 6–4
 - I/O addresses 6–13
 - interrupts 6–12
 - memory map 6–16
 - tablet PC 6–1
- static shielding materials 4–7
- stereo speaker jack, pin assignments A–4
- switch board
 - illustrated 3–4
 - spare part number 3–5
- switch board cable
 - illustrated 3–2, 3–6
 - removal 5–20
- system board
 - illustrated 3–4
 - removal 5–25
 - spare part number 3–3, 5–25
- system memory map 6–16
- T**
 - tab button 1–59
 - tablet PC components
 - bottom 1–60, 1–61
 - front 1–52
 - left side 1–56
 - right side 1–58
 - top 1–54
 - tilt adjustment 1–65
 - tilt feet 1–61
 - tools required 4–1
 - transporting precautions 4–4
 - troubleshooting
 - audio 2–26
 - docking station 2–19
 - flowcharts 2–11
 - HP Diagnostics 2–8
 - keyboard 2–29
 - modem 2–31
 - network 2–31
 - nonfunctioning device 2–19, 2–28
 - operating system loading 2–20
 - overview 2–1
 - pointing device 2–30
 - power 2–13
 - Setup 2–2
 - video 2–17
- U**
 - universal alignment slots
 - keyboard 1–69
 - tablet PC 1–57
 - Universal Serial Bus (USB) port
 - docking station 1–73
 - pin assignments A–2
 - tablet PC 1–54
- V**
 - video troubleshooting 2–17

W

Windows applications key
1–68

Windows logo key 1–68

Windows security button 1–59

wireless LAN board
illustrated 3–4
spare part number 3–5

wireless light 1–52

workstation precautions 4–4