

External Media Cards

Document Part Number: 383368-001

May 2005

This guide explains how to use external media cards.

Contents

External Media Cards

Digital Media Slot Cards (Select Models Only)	1
Inserting an Optional Digital Media Card	2
Removing an Optional Digital Media Card.	3
PC Cards.	4
Inserting a PC Card	5
Removing a PC Card	6
ExpressCards (Select Models Only)	7
Selecting an ExpressCard	7
Configuring an ExpressCard	8
Inserting an ExpressCard.	9
Stopping or Removing an ExpressCard.	11

External Media Cards

Digital Media Slot Cards (Select Models Only)

Optional digital media cards are removable storage cards that provide a convenient method of storing data and sharing it with other devices such as PDAs and cameras.



Some newer cards are devices, like cameras and wireless transceivers, rather than storage media.


The 6-in-1 Digital Media Slot (select models only) supports the following digital media card formats:

- Secure Digital (SD) Memory Card
- MultiMediaCard
- Memory Stick
- Memory Stick Pro
- SmartMedia Card
- xD-Picture Card



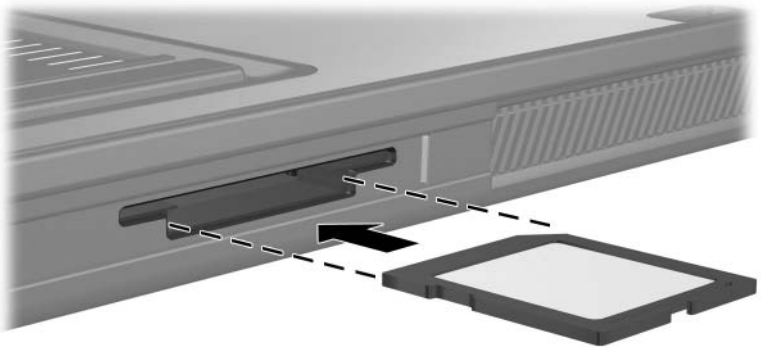
CAUTION: This notebook does not support adapters in the 6-in-1 Digital Media Slot. Inserting any kind of adapter into your Digital Media Slot can damage the media card or the notebook or both.

Inserting an Optional Digital Media Card


 **CAUTION:** To prevent damage to the digital media card connectors, use minimal pressure when inserting a digital media card into a Digital Media Slot.

To insert a digital media card:

1. Hold the digital media card label-side up with the connectors facing the notebook.
2. Slide the digital media card into the Digital Media Slot until the card is seated.

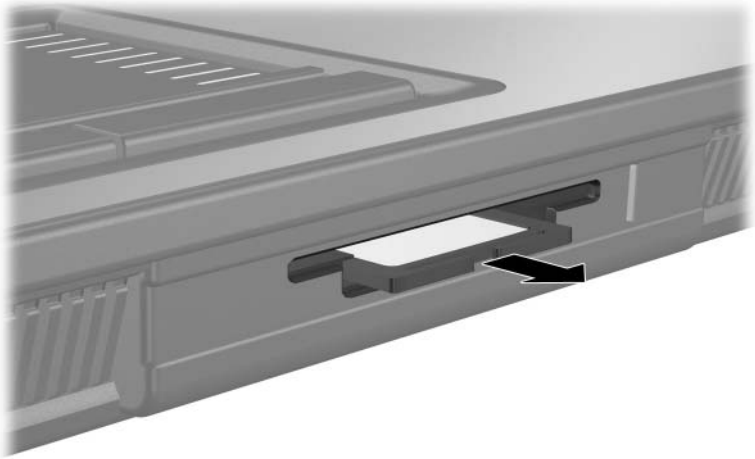


Removing an Optional Digital Media Card

 **CAUTION:** To prevent loss of data or an unresponsive system, stop the digital media card before removing it.

To remove a digital media card:

1. Close all files and applications using the digital media card.
(To stop a data transfer, click **Cancel** in the operating system Copying window.)
2. Pull the digital media card out of the slot.



PC Cards



CAUTION: If you install software or enablers provided by a PC Card manufacturer, you may not be able to use other PC Cards. If you are instructed by the documentation included with your PC Card to install device drivers:

- Install only the device drivers for your operating system.
 - Do not install other software, such as card services, socket services, or enablers, that may also be supplied by the PC Card manufacturer.
-



Your notebook may look slightly different from the illustrations in this section.

A PC Card is a credit card–sized accessory designed to conform to the standard specifications of the Personal Computer Memory Card International Association (PCMCIA).

- Your notebook supports 32-bit (CardBus) and 16-bit PC Cards.
- Your notebook is equipped with 1 PC Card slot and supports Type I and Type II PC Cards.
- Zoomed video PC Cards are not supported.

Inserting a PC Card



CAUTION: To prevent damage to the connectors:

- Use minimal pressure when inserting a PC Card into a PC Card slot.
 - Do not move or transport the notebook while a PC Card is inserted.
-

1. Hold the PC Card label side up with the connector facing the notebook.
2. Gently slide the card into the slot until the card is seated. (The operating system will issue a sound to indicate that a device has been detected.)



Removing a PC Card



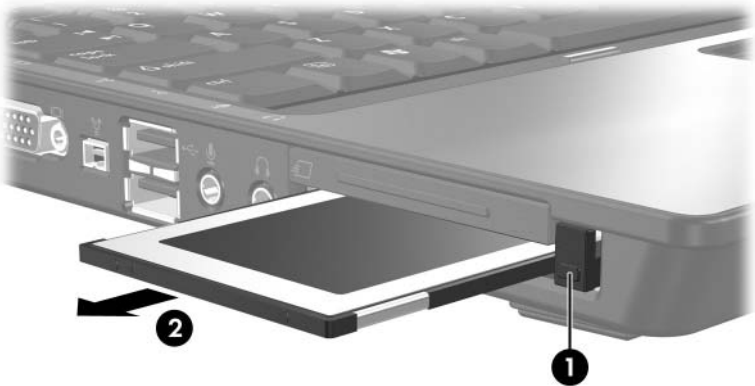
CAUTION: To prevent loss of data or an unresponsive system, stop the PC Card before removing it.

1. Stop the PC Card:
 - a. Double-click the **Safely Remove Hardware** icon in the notification area (at the far right of the taskbar).
 - b. Then select the PC Card.



To display the Safely Remove Hardware icon, click **Show Hidden Icons** in the notification area.

2. Press the PC Card slot eject button **1**. (This action extends the button into position for releasing the PC Card.)
3. Press the eject button again to release the PC Card.
4. Gently slide out the card **2**.



An inserted PC Card uses power even when idle. To conserve power, stop or remove a PC Card when you are not using it.

ExpressCards (Select Models Only)

An ExpressCard is a next-generation, high-performance PC Card, but it cannot be used in a standard PC Card slot.

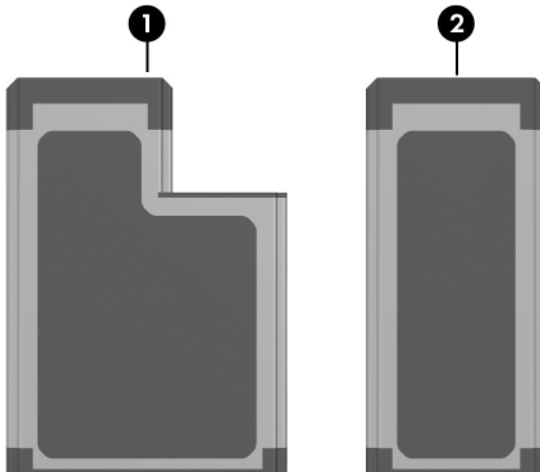
Like standard PC Cards, ExpressCards are designed to conform to the standard specifications of the Personal Computer Memory Card International Association (PCMCIA).

Selecting an ExpressCard

ExpressCards use one of 2 interfaces and are available in 2 sizes. The ExpressCard slot on your computer supports both interfaces and both sizes. For example, you can use

- An ExpressCard with either a USB interface or a PCI Express interface.
- A full-size ExpressCard, called *ExpressCard/54* ❶, or a smaller ExpressCard, called *ExpressCard/34* ❷.

The ExpressCard procedures described in the following sections are the same for both interfaces and both sizes.



Configuring an ExpressCard



CAUTION: To prevent loss of support for some ExpressCards, do not install all of the software or any of the enablers provided by a single ExpressCard manufacturer. If you are instructed by the documentation included with your ExpressCard to install device drivers:

- Install only the device drivers for your operating system.
 - Do not install other software, such as card services, socket services, or enablers, that may also be supplied by the ExpressCard manufacturer.
-

Inserting an ExpressCard

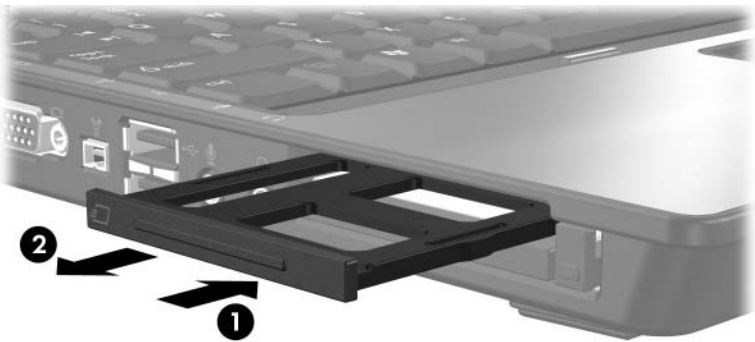


CAUTION: To prevent damage to the ExpressCard connectors:

- Use minimal force when inserting an ExpressCard into the ExpressCard slot.
 - Do not move or transport the notebook while the ExpressCard is inserted.
-

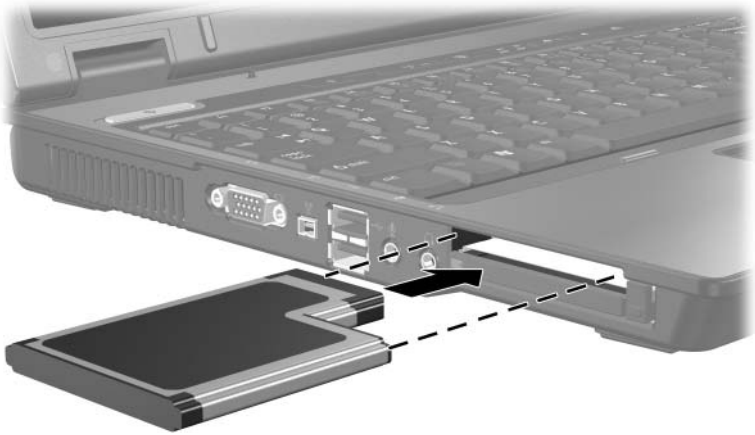
As shipped, the ExpressCard slot contains a protective insert. The insert must be released and then removed before you can insert an ExpressCard.

1. To release and remove the ExpressCard slot insert:
 - a. Press the insert **1** firmly inward, and then quickly release it.
 - b. Pull the insert out of the slot **2**.





2. To insert an ExpressCard:

- a. Position the card label-side up with the connectors facing the notebook.
- b. Gently slide the card into the slot until the card is seated.




Stopping or Removing an ExpressCard

 **CAUTION:** To prevent loss of data or an unresponsive system, stop the ExpressCard before removing it.

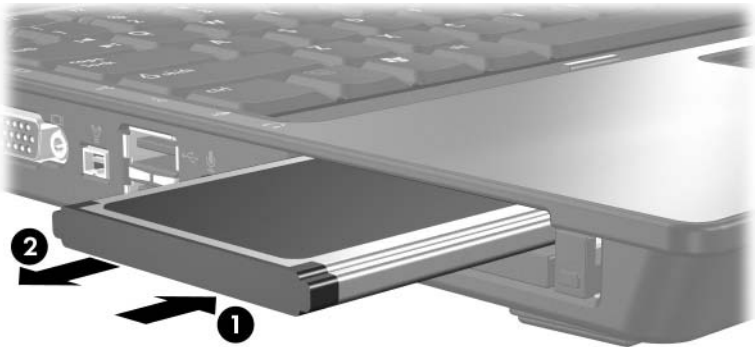
 Stopping an ExpressCard, even if it is not in use, conserves power.

To stop or remove an ExpressCard:

1. Close all applications and complete all activities that are supported by the ExpressCard.
2. To stop the ExpressCard:
 - a. Double-click the **Safely Remove Hardware** icon in the notification area (at the far right of the taskbar).
 - b. Then select the ExpressCard.

 To display the Safely Remove Hardware icon, click **Show Hidden Icons** in the notification area.

3. To release the ExpressCard, press the ExpressCard **1** firmly inward, and then quickly release it.
4. To remove the card, gently pull it outward from the slot **2**.



© Copyright 2005 Hewlett-Packard Development Company, L.P.

SD Logo is a trademark of its proprietor.

The information contained herein is subject to change without notice. The only warranties for HP products and services are set forth in the express warranty statements accompanying such products and services. Nothing herein should be construed as constituting an additional warranty. HP shall not be liable for technical or editorial errors or omissions contained herein.

External Media Cards

First Edition May 2005

Document Part Number: 383368-001