
HP External Serial Attached SCSI Rear Panel Cable Kit installation

Introduction

This document describes how to install the HP External Serial Attached SCSI (eSAS) Rear Panel Cable Kit on your HP workstation.

Kit contents

- HP eSAS (MiniSAS-4x) rear panel cable with mounting screw
- Expansion slot mounting bracket
- External SAS label
- SAS rear panel cable instruction (this document)
- Warranty information

Before you begin

To view *QuickSpecs* and determine the compatibility of this product with your HP workstation, see <http://www.hp.com/go/productbulletin>.

△ **CAUTION:** Do **not** connect the SAS rear panel cables to the SATA connectors. Connect the SAS rear panel cables to the SAS connectors only or the hard drives will not function.












📄 **NOTE:** If SAS connectors are not available on the system board, see the *QuickSpecs* for your workstation for information for approved, compatible plug-in cards.




416482-003

© 2006-2009 Hewlett-Packard Development Company, L.P. Printed in the U.S.

Warnings and cautions


-
-  **WARNING!**  Any surface or area of the equipment marked with this symbol indicates the presence of an electrical shock hazard. To reduce the risk of injury from electrical shock, do not open any enclosed area marked with this symbol.
-
-  **WARNING!** To reduce the risk of electric shock or damage to your equipment:
- Do not disable the power cord grounding plug. The grounding plug is an important safety feature.
 - Plug the power cord in a grounded (earthed) outlet that is easily accessible at all times.
 - Disconnect power from the equipment by unplugging the power cord from the electrical outlet.
-
-  **WARNING!**  Any surface or area of the equipment marked with this symbol indicates the presence of a hot surface or hot component. If this surface is contacted, the potential for injury exists. To reduce the risk of injury from a hot component, enable the surface to cool before touching.
-
-  **WARNING!** If a product is shipped in packaging marked with this symbol, , the product must always be lifted by two persons to avoid personal injury due to product weight.
-
-  **WARNING!** To reduce the risk of serious injury, read the *Safety & Comfort Guide*. It describes proper workstation setup, posture, health, and work habits for computer users, and provides important electrical and mechanical safety information. This guide is located at <http://www.hp.com/ergo> and on the documentation CD (if one is included with the product).
-
-  **CAUTION:** Static electricity can damage the electronic components of the workstation. Before beginning these procedures, be sure you discharge static electricity by briefly touching a grounded metal object.
-
-  **CAUTION:** To prevent damage to the workstation, observe the following Electrostatic Discharge (ESD) precautions while performing the system parts removal and replacement procedures:
- Work on a static-free mat.
 - Wear a static strap to ensure that any accumulated electrostatic charge is discharged from your body to the ground.
 - Create a common ground for the equipment you are working on by connecting the static-free mat, static strap, and peripheral units to that piece of equipment.
-
-  **NOTE:** HP accessories are for use in HP Workstation products. They have been extensively tested for reliability and are manufactured to high quality standards.
-

Step 1—Preparing for component installation

 **NOTE:** Workstation models vary. All illustrations are examples only.

Accessing the internal components of the workstation

1. If you need help preparing the workstation for this installation, consult the removal and replacement procedures in the service guide for your workstation at http://www.hp.com/support/workstation_manuals.

 **NOTE:** For the HP Z Workstation series, these procedures are also available in the *User Guide* on the *Documentation and Diagnostics CD* that shipped with your workstation.


2. Power down the workstation, and then disconnect the power cord.
3. Power down all external devices, and then disconnect them from the workstation.
4. Remove the side access panel.

Removing components

- ▲ If present, remove the card support to enable access to the expansion slots and system board connectors.

Step 2—Installing the SAS rear panel cable

△ **CAUTION:** Do **not** connect the SAS rear panel cables to the SATA connectors. Connect the SAS rear panel cables to the SAS connectors only, or the hard drives do not function.

 **NOTE:** To locate system board components, see the service label on the side access panel.

Chassis mounting installation


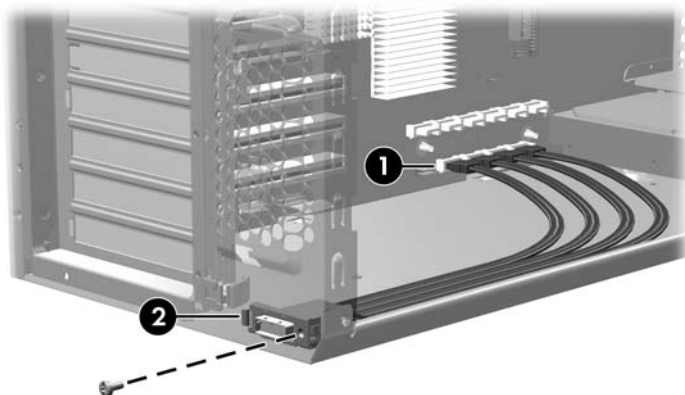
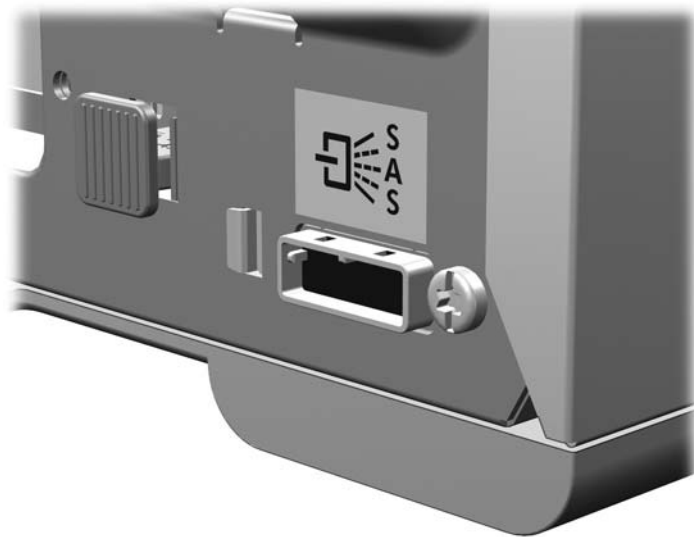
1. Attach the SAS cables of the SAS rear panel cable assembly to the SAS connectors ❶ on the system board.
-  **NOTE:** If four SAS connectors are not available, connect the cable assembly to the remaining free connectors. Bandwidth is proportional to the number of connectors attached.
2. Use a mounting screw to attach the MiniSAS-4x connector ❷ of the SAS rear panel cable assembly to the rear of the chassis.

Figure 1 Attaching the MiniSAS-4x connector



3. Adhere the external SAS label to the outside of the chassis near the connector.

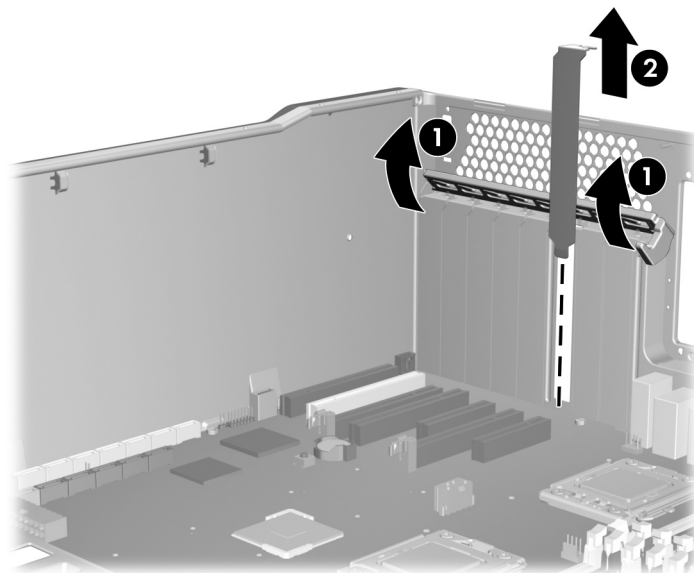
Figure 2 Adhering the label to the chassis



Install using the bulkhead mounting bracket (Optional)

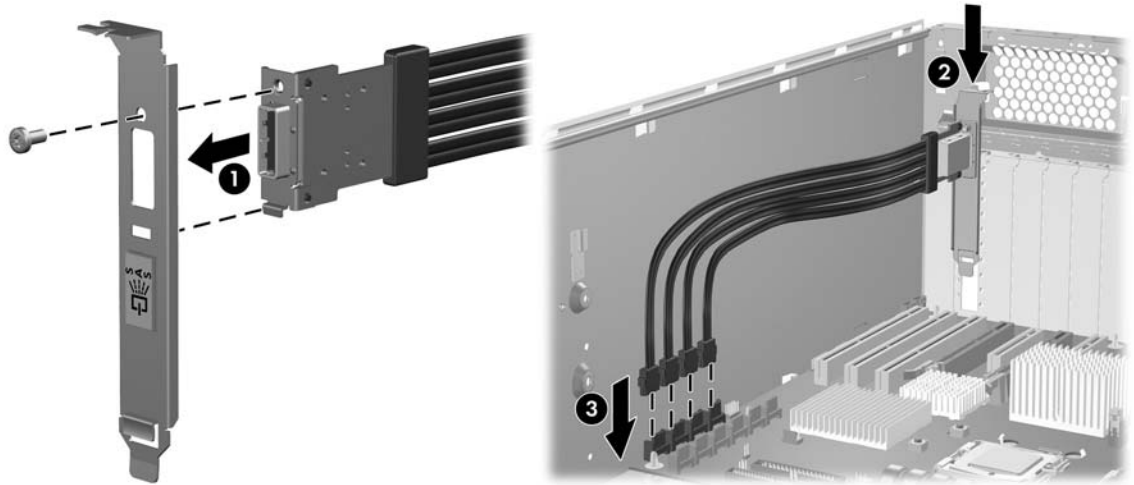
1. Select an unused expansion slot.
 - a. Open the expansion slot retention clamp ❶.
 - b. Remove the expansion slot cover ❷.

Figure 3 Removing the expansion slot cover



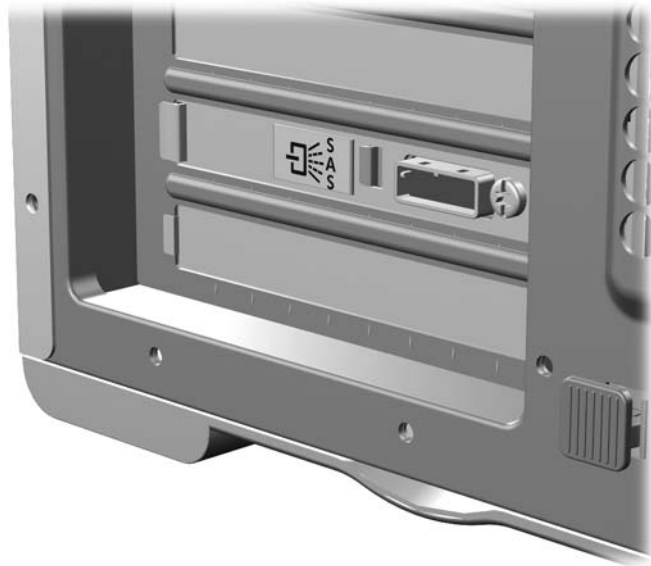
2. To install the MiniSAS-4x connector:
 - a. Attach the MiniSAS-4x connector of the SAS rear panel cable assembly to the SAS mounting bracket ❶.
 - b. Install the SAS mounting bracket in the workstation in place of the expansion slot cover ❷.
 - c. Connect the SAS cables to the SAS connectors on the system board ❸, or to an approved, compatible plug-in card.

Figure 4 Attaching the SAS rear panel cable assembly to the workstation



3. Adhere the external SAS label to the outside of the SAS mounting bracket.

Figure 5 Adhering the label to the SAS mounting bracket



Step 3—Reassembling the workstation

1. Reinstall the card support, if applicable.
2. Reinstall the side access panel.
3. Reconnect external devices and power cord.
4. Restore power to the workstation and all external devices.

Japanese 日本語

This document is available in Japanese. See http://www.hp.com/support/workstation_manuals, then select your workstation product and select **Japanese** from the drop down **Manual Language** menu.

このドキュメントは日本語版が用意されています。http://www.hp.com/support/workstation_manuals にアクセスし、ご使用のワークステーション製品を選択し、**Manual Language** ドロップダウンメニューから **Japanese** を選択してください。