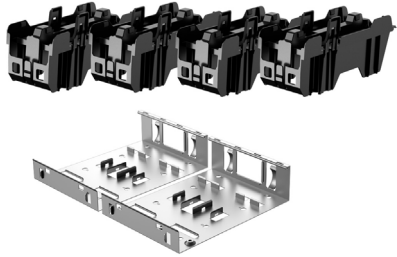




Installation Instructions HP Desktop Mini Rack Mount Tray Kit



Copyright © 2015 Hewlett-Packard Development Company, L.P.
The information contained herein is subject to change without notice.

Printed in

First Edition: February 2015

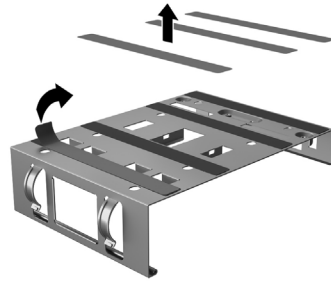


765003-001

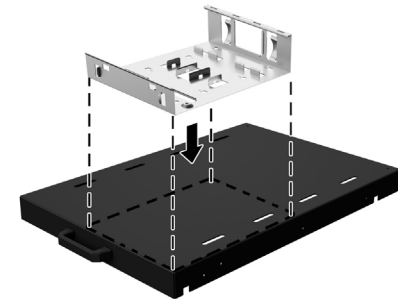
NOTE: An industry standard server shelf is required in order to install and use the Desktop Mini Rack Mount Tray Kit. The server shelf is purchased separately.

NOTE: The rack mount installs at a minimum of seven U spacing.

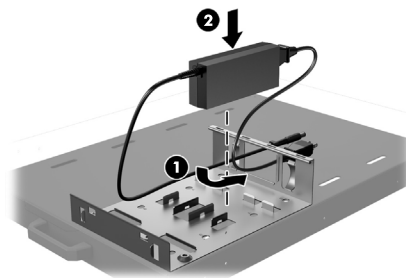
1 Remove the backing from the adhesive strips on the bottom of the rack mount tray.



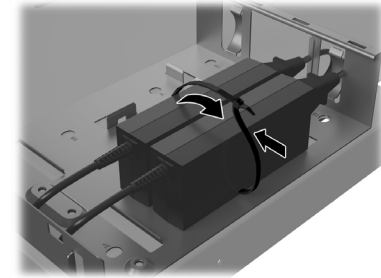
2 Place the rack mount tray onto the server shelf.



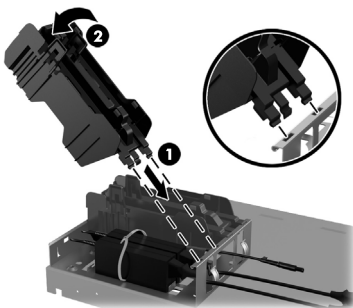
3 Route the Desktop Mini power cables out the rear of the tray **1** and place the power supply onto the tray **2**.



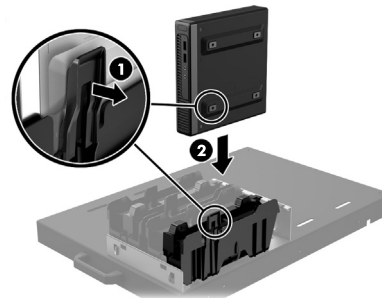
4 Secure two power supplies at a time by inserting a cable tie (customer provided) through the holes in the brackets on the tray and wrapping the cable tie around the power supplies.



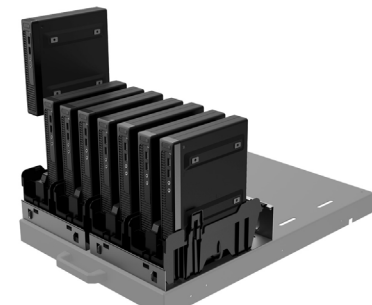
5 Insert the prongs on the rack mount into the slots on the rear of the tray **1** and rotate the mount down over the power supply **2** until the mount locks in place.



6 Pull back the arm on the rack mount **1** and place the Desktop Mini into the rack mount **2** so that the arm clips into the screw hole on the Desktop Mini.



7 Repeat steps 1 through 6 to install the remaining kit contents and Desktop Minis.



CAUTION: You must pull the arm back before inserting the Desktop Mini or the arm may shift the foot on the Desktop Mini out of position.

Online technical support

For the online access to technical support information, self-solve tools, online assistance, community forums or IT experts, broad multivendor knowledge base, monitoring and diagnostic tools, go to <http://www.hp.com/support>.

Documentation feedback

HP is committed to providing documentation that meets your needs. To help us improve the documentation, please send any suggestions, comments, or errors to doc.feedback@hp.com. Include the document title and part number (located near the barcode) when submitting your feedback.

Localized versions of this document

This document is available in the following languages on the product's support page at www.hp.com/support.

- French
- Italian
- German
- Spanish
- Portuguese
- Brazilian Portuguese
- Turkish
- Indonesian
- Simplified Chinese
- Traditional Chinese
- Japanese



NOTE: For regulatory and safety notices, refer to the *Product Notices* included with your product.
