



JEVEN UV-CONTROL

Installation guide

Version 19-01



Jeven

Top ventilation for top chefs



TABLE OF CONTENTS

RECEIVING CONTROL	03
INSTALLATION	04
OPERATION SETTING	05
PRODUCT DESCRIPTION.....	07
SOFTWARE FEATURES.....	07
TECHNICAL DATA.....	07
WIRING.....	08
EQUIPMENT LIST.....	09
CONTACT.....	10

RECEIVING CONTROL

Control that the insulation box and cables doesn't have any defects. Defective material can not be assembled and put into operation. Contact Jevan AB for handling of defective material.

Delivery includes:

- Jevan UV-Control



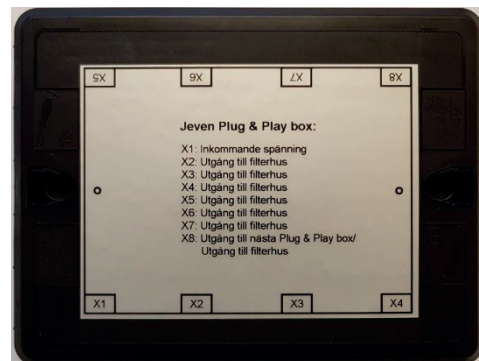
- Safety switch



- Connected cables. 5m or 10 m



- Jevan Plug & Playbox, 1 piece / hood



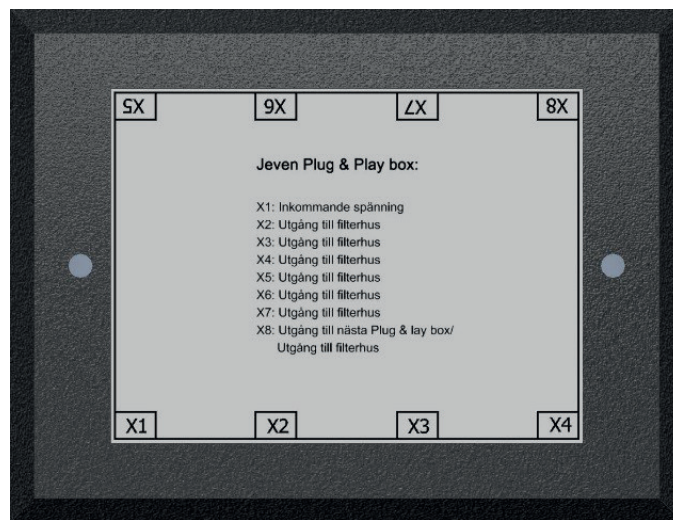
INSTALLATION

Install Jeven UV Control and the safety switch visibly and easily accesible to the kitchen staff.

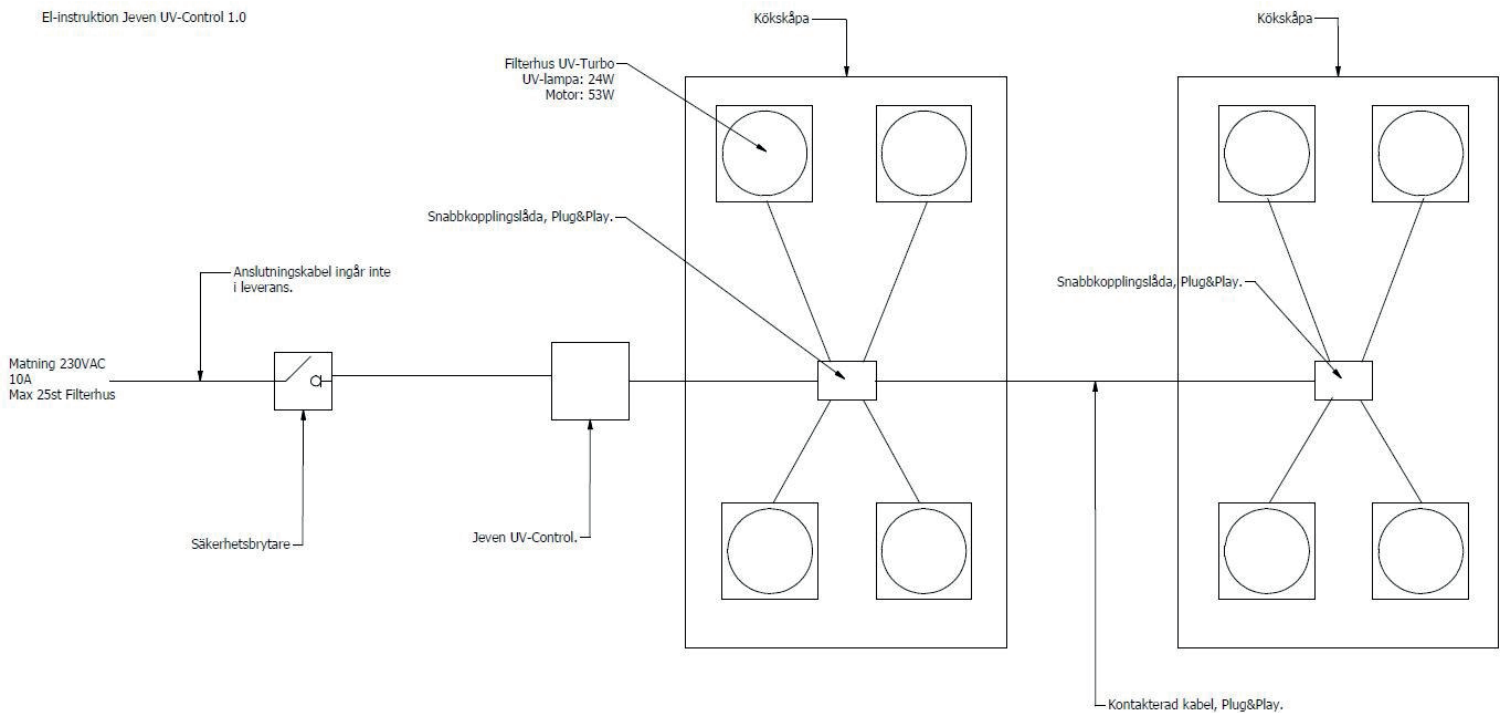
Connect the outgoing cable (7100-02171) towards the X1 on the Jeven Plug & Play box mounted on the kitchen hood.

If the hood is divided into several modules, also connect the filters that are not connected to the box (X2-X8).

If several hoods are to be connected to the UV Control, all the hoods should be connected by serie circuits with the contacted splice cables between the Plug & Play boxes, out from X8 and towards X1.



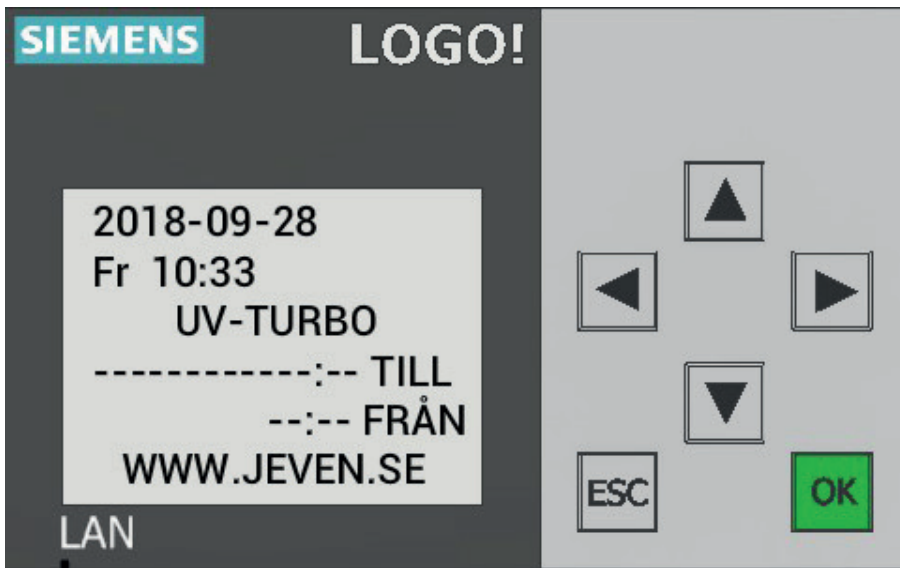
EI-instruktion Jeven UV-Control 1.0



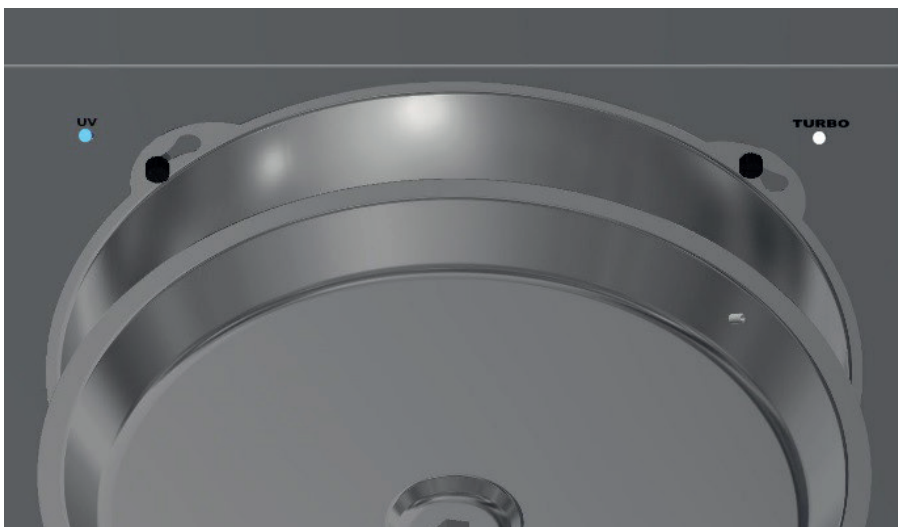
OPERATING SETTING

Incoming voltage to the safety switch should be 230VAC, fused with a 10A fuse. No additional loads may be connected to the group.

Voltage Jeven UV Control and start the facility by pressing ESC + ◀ on the LOGO in the UV Control.



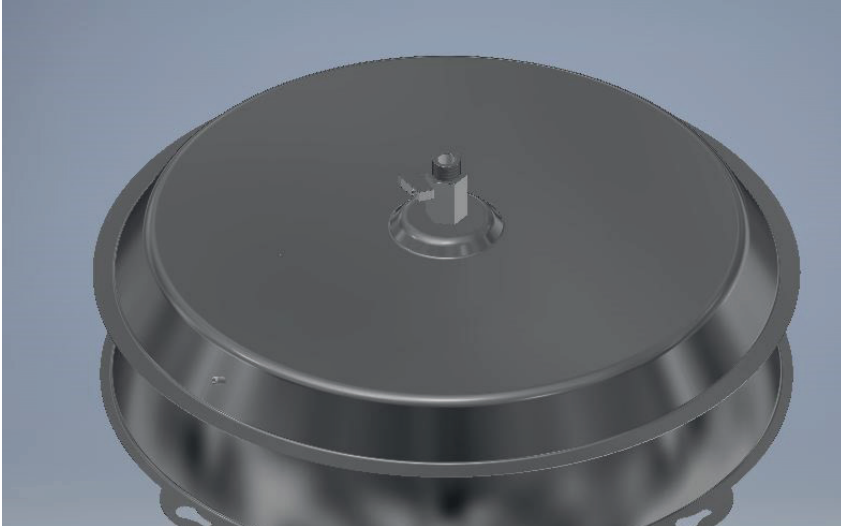
Control all the filter houses that they are started and that the diodes on the filter houses are lit.



OPERATING SETTING

FUNCTION CONTROL

Jeven UV Control is tested and the power limit is pre-programmed from the factory. To test the system, take down a grease collection basin from on of the filter houses.



The UV lamp in the filter house will go out and the UV Control should detect the power loss and generate alarms in the UV Control.

Control that the alarm has been activated on the LOGO in the UV Control



If the alarm has been activated, the grease collection basin is reassembled and then reset the alarm on the LOGO by pressing ESC + ▲

If the alarm has not been activated, read the "Jeven UV Control Manual" to adjust the alarm limit. Then do the test again.

PRODUCT DESCRIPTION

Jeven UV Control controls and monitors UV TurboSwing filter. With continuous monitoring of operating and the UV light sources, the function of UV purification is ensured.

The control and monitoring equipment starts/stops the facility. Operating times for the facility are set individually for the facility, Monday to Sunday, according to the needs that the user have. The facility can also be runned manually or through an external start/stop signal.

The equipments operating time is measured and emits an alarm when the maximum operating time has been reached (Maximum operating for the UV lamps are 8000 h).

The equipment monitors the UV lamps and if they break before the maximum operating time is reached, it will alarm.

When the maximum operating time has been reached, there is a possibility to reset the time. Replace the individual UV lamp before maximum operating time has been reached, the operating time should not be reset.

Sum alarms from the facility can be forwarded to superior system through potential-free contact.

SOFTWARE FEATURES

- Start and stop of the facility can be selected between: Manual, Weekly timer or External signal.
- Control of operating time, alarm at reached value.
- Possibility to reset the operating time.
- Control of the total amperage value of the UV lamps in the facility, will alarms if one breaks.
- Potential-free relay output to the superior system in the event of an alarm.
- Modbus TCP/IP Communication

In a separate document "Jeven UV Control Manual", the software features above are described more in detail.

TECHNICAL DATA

Dimension enclosure: 200x200x120mm (WxHxD) (Prepared for wall mounting)

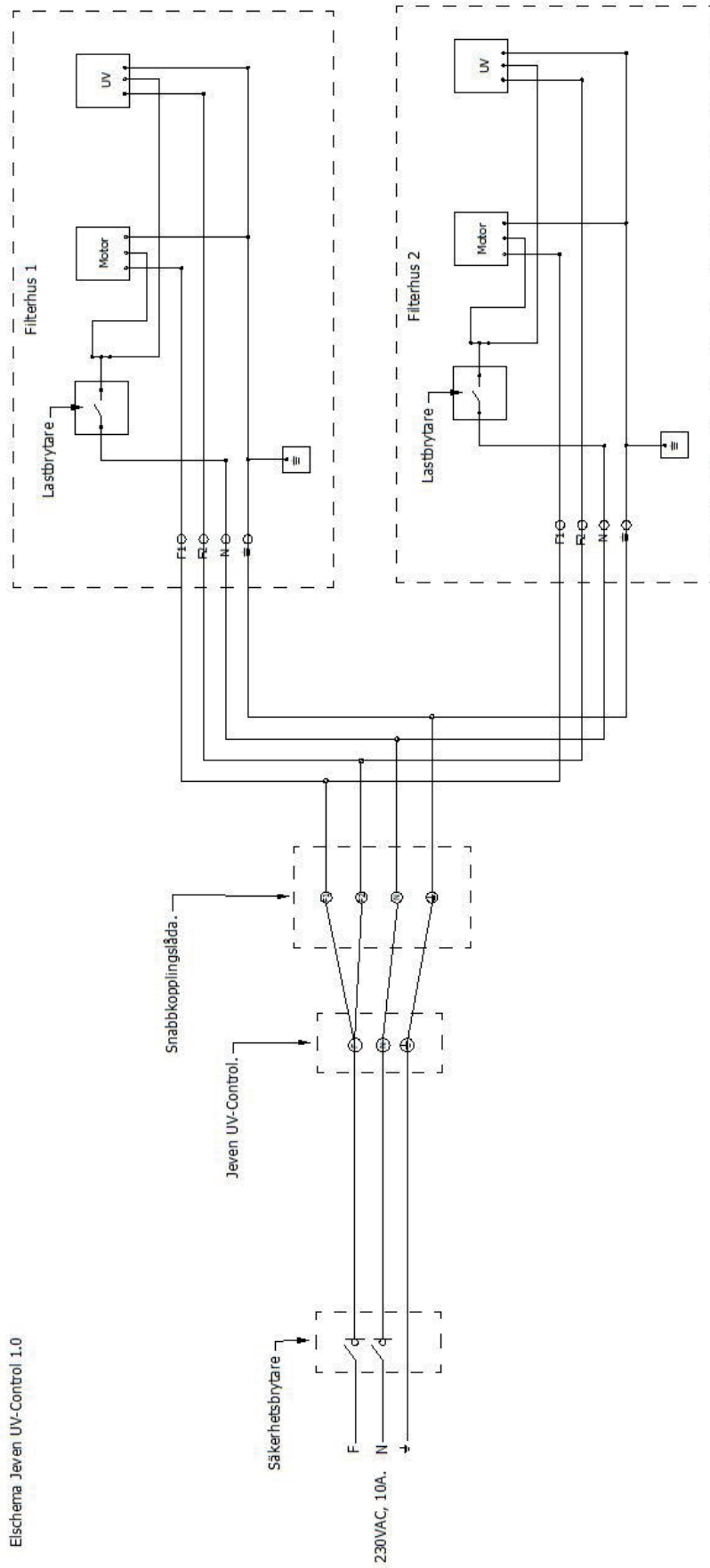
Supply voltage: 230VAC, 10A

Degree of protection: IP65

Ambient temperature: <55°C

Max number of filter

houses: 25st



EQUIPMENT LIST

<u>Benämning</u>	<u>Antal</u>	<u>Fabrikat</u>	<u>Typ</u>	<u>Data</u>	<u>EAN nummer</u>
Kapsling	1	Malmbergs	N8-D	HxBxD 201x202x120	
Monteringsplåt	1	Jeven AB	Rostfriståplåt. Borstad	HxBxD 270x190x1	
PLC, K1	1	Siemens	Logikmodul LOGO!8 230RCE	HxBxD 90x71,5x60	4034106031053
Driftlampa, R1	1	Malmbergs	AUP6, Grön	HxBxD 82x17,5x70	
Strömövervakning, P1	1	Finder	71.51.8.230.1021	HxBxD 85x35x63	8012823275994
Inkommande kabel, W1	1	Nexans Sweden AB	H05Z1Z1-F	3x1,5mm, Ytterdimension: Ø8,2mm.	
Utgående kabel, W2	1	WAGO	H05Z1Z1-F	4x1,5mm, Ytterdimension: Ø10,5mm.	4055143405058
Intern kabel, Svart	7	Amokabel	Texiline HF90	Ledararea 1,5mm	
Intern kabel, Blå	3	Amokabel	Texiline HF90	Ledararea 1,5mm	
Intern kabel, Grön/Gul	1	Amokabel	Texiline HF90	Ledararea 1,5mm	
Intern kabel, Vit	1	Amokabel	Texiline HF90	Ledararea 1,5mm	

6. CONTACT

Jeven AB
Växelgatan 15
S-826 40 Söderhamn

+46(0)270-731 40
jeven@jeven.se
www.jeven.se

UV Turbo

by **Jeven**

Jeven
Top ventilation for top chefs