

TABLE OF CONTENTS

TRANSMISSION REFERENCE

PAGE #

General Motors

125 (3T40) • 125C	4
180 • 180C (3L30) • 4L30E	10
200 • 200C • 200-4R	18
250 • 250C • 350 • 350C	25
325 • 325-4L	28
400 (3L80) • 425 • 4L80E • 4L85E	34
4T40E • 4T45E	42
440-T4 (4T60) • 4T60E • 4T65E	46
4T80E	54
700-R4 (4L60) • 4L60E • 4L65E • 4L70E	58
4L40E • 5L40E (A5S360R) • 5L50E (A5S390R)	66
6L45 • 6L50 • 6L80 • 6L90	70
Allison AT540	74
Allison MT640 MT650	77
Allison 1000 2000 2400	78
Aluminum Powerglide	82
Super Turbine 300	84
TAAT (Saturn)	86
VT20	90
MDRA • MDPA (Saturn)	272

Chrysler

A404 • 413 • 470 • 670	94
A904 (TF-6) • A500 (40RH • 42RH • 42RE • 44RE)	100
A727 (TF-8, 36RH) • A518 (46RH) • A618 (47RH) • 48RE	108
A604 (40TE • 41TE)	116
A606 (42LE) • 42RLE	122
62TE	128
45RFE • 5-45RFE • 68RFE	132

Ford

Ford 2 Speed	136
FMX • SX • MX • HX • BW8 • BW12	138
AOD (FIOD) • AODE • 4R70W • 4R75E • 4R75W	142
ATX	150
AXOD • AXODE • AX4N • AX4S	154
CD4E	164
C3 • A4LD • 4R44E • 4R55E • 5R44E • 5R55E	170
5R55N • 5R55S • 5R55W	180
C4 • C5	184
C6 • E40D • 4R100	190
4F27E (Mazda FN4A-EL) • FNR5	200
5R110W	206
6F35	210
6F50 • 6F55 • 6T70 • 6T75	212
6R60	490

Send orders to SAP, ATTN: Customer Service, 2315 SW 32nd Avenue, Pembroke Park FL 33023

Tel: (800) 582-2760 Fax: (954) 364-2301 email: SAPCustomerService@TTK-Bryco.com website: www.SealAftermarketProducts.com

Sales Policy: All shipments are FCA Pembroke Park. Price and Availability subject to change

Possession of price list does not constitute offer to sell

© 2013 Seal Aftermarket Products LLC. ALL RIGHTS RESERVED

Disclaimer - All information has been checked for accuracy, however no liability can be assumed for errors and omissions

Revision Number: 8/16/2013

Aisin Warner / Borg Warner / Aisin Seiki

BW-35 • BW-37	215
BW-T65 • BW -T66	216
50-40 • 50-42LE • 50-42LM	220
60-40LE • 60-42LE • 60-41SN	224
AW55-50SN • AW55-51SN (Nissan RE5F22A)	228
AWTF-80SC (AF40) • TF-81SC (Ford AF21) (Mazda AW6A-EL)	232
AW80-40LE • AW81-40LE • AW81-40LS • U440E/F • U441E/F	235
AS68RC (A465)	236

Honda & Acura

2 Speed • 3 Speed	238
4 Speed AK • AS • CA • P1 • F4 • G4 • K4 • L4 • ML4A • PL5X • MY8A • PY8A	242
4 Speed AOYA • APXA • APX4 • A6VA • BOYA • MP1A • MPJA • MPOA • MPXA • MPWA • PX4B	246
4 Speed MPRA • RO	250
4 Speed MR9A	253
4 Speed M1WA • MPWA • MPYA • M5DA • M5HA	254
4 Speed BAXA • MAXA • B6VA • M6HA • MDWA	260
CVT M4VA • MLYA SLYA • SZCA	263
4 Speed A4RA • B4RA • B46A • BDRA • BMXA • M4RA • S4RA • SLXA A24A • A2YA • M24A • MP7A • S24A • S4XA • SKWA • SP7A BZKA • M4TA • MCVA • MDLA • MDMA • MRVA • MZKA • SDMA	264
5 Speed BCLA • MCLA • MKYA • MKZA • GPPA • GPLA • MZJA • MZHA • MZNA • BZNA • MCTA • MRMA	
4 Speed B7TA • B7VA • B7XA • B7YA • B7ZA • M7ZA • MPZA	272
5 Speed BAYA • BDGA • BDHA • BDKA • BGFA • BGHA • BGRA • BJFA • BK3A • BT3A • BVGA • BVLA BWEA • BYBA • BYFA • B36A • B7WA • B97A • MAYA • MDKA • MGFA • MGHA • MJBA • MJFA MM2A • MURA • M7WA • PN3A • PN4A • PSFA • PVGA • PVLA • P34A • P35A • P36A • P79A	
5 Speed SPCA • MPCA • SMMA • SP5A • B90A • M91A • MM7A	282

Mazda

F3A	284
F4A-EL (Ford 4EAT-F) • F4E	288
G4A-EL (Ford 4EAT-G) • GF4A-EL	292
FN4A-EL (Ford 4F27E) • FNR5 (FS5A-EL)	
3N71B (Ford & Nissan) • 4N71B (Nissan) • N4A-EL	296
JF506E (JA5A-EL) (VW 09A)	300
RC4A-EL • JR405E	304
LJ4A-EL	356
R4A-EL	364

Mercedez Benz

722.0 • 722.1 • 722.2	306
722.3 • 722.4 • 722.5	310
722.6	314
722.9	318

Mitsubishi & Hyundai

W4A32 (F4A33-1) • A4AF1 (F4A32-1) • A4AF2 • A4BF1 • A4BF2 • A4BF3	322
KM170 • KM171 • KM172 • KM171-5 • KM172-5 (F4A22-2) • KM175 • KM176 • KM177 • KM176-5 KM175-5 • KM177-8	
F4A41 (F4A4B) • F4A42 • W4A42 • W4A4B • F4A51 • F4A5A • F5A51	336
R4A51 • V4A51 • R5A51 • V5A51	340
A4CF1/2	343
A5GF1 / A5HF1	344
F1C1	345

Nissan & Infiniti

RL3F01A • RN3F01A	346
RL4F02A • RE4F02A	350
RL4F03A • RE4F03A • RE4F04A (Ford F420E)	356
RG4R01A (Isuzu JR403E) • RL4R01A • RE4R01A • RE4R03A • RE5R01A (JR502E)	364
RE5R05A	374
RE0F09A • JF010E	378
RE0F10A • JF011E	381

Renault

AR4 • AD4 • AD8	382
MB1 • MB3 • MJ3	384
4139 • 4141	387
DPO • AL4	389

Subaru

R4AXEL (4EAT)	390
ECVT	394
M41 • M41A	398

Toyota

A10 [2 Speed Early] • A20 [2 Speed Late] • A30 [3 Speed]	401
A40 Series (Volvo AW70 Series)	402
A55	408
A130L A131L A132L • A140E A140L A141E A142L • A240E A240L A241 A242L A243L A244E A245E A246E A247E	410
A340E • A340F • A340H (Jeep AW4) (Volvo 30-40LE) • A341E • A343F	420
R150F (Automatic Transfer Case)	426
A440F • A442F • A450-43LE	428
A541 • A541E	434
A650	439
A750 • A761	440
A960E	445
U140 • U150 • U151 • U240 • U241 • U250	446
U340 • U341	452
U660E • U760E	455

VW & Audi

003	456
010 • 087 • 089 • 090	458
095 • 096 (01M) • 098 (01P) • 097 (01N)	462
01J • 02E	468
09G (TF-60SN) • 09K (TF-62SN) • 09M	469
09D (TR60SN)	470
09A (JF506E)	300

ZF

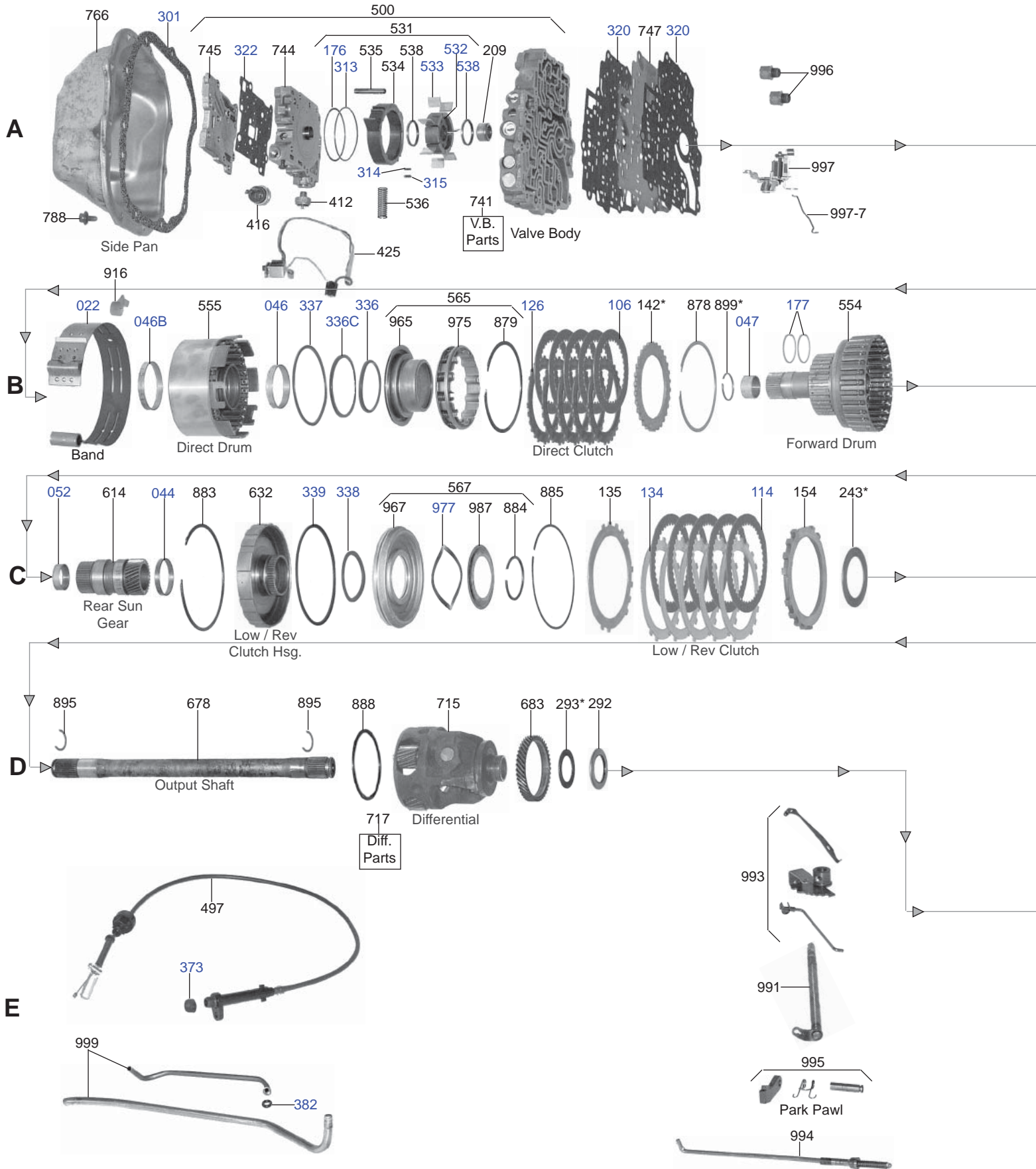
ZF4HP20	471
ZF4HP14 • ZF4HP18	472
ZF4HP16	480
ZF3HP22 • ZF4HP22 • ZF4HP24	482
ZF5HP18 • ZF5HP30	486
ZF5HP19 • ZF5HP19FL (VW 01V) • ZF5HP19FLA	490
ZF5HP24 • ZF6HP26 (Ford 6R60)	

Misc

BTR	499
MX17	500
SB308 (Suzuki) • SR410	503
Daihatsu	504
PERODUA KEMBARA	504

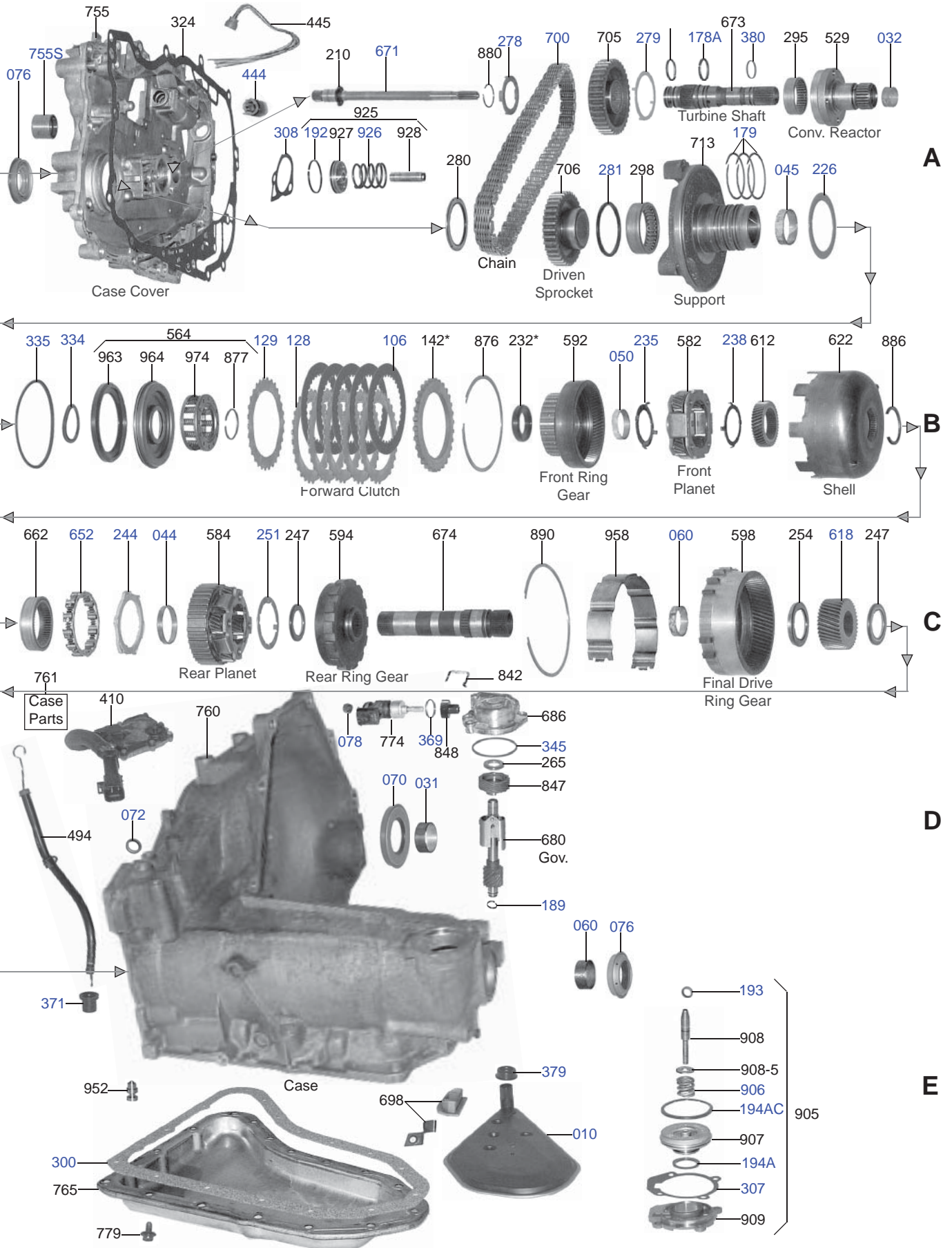
3T40 (125 / 125C)

FWD 3 Speed



FWD 3 Speed

3T40 (125 / 125C)



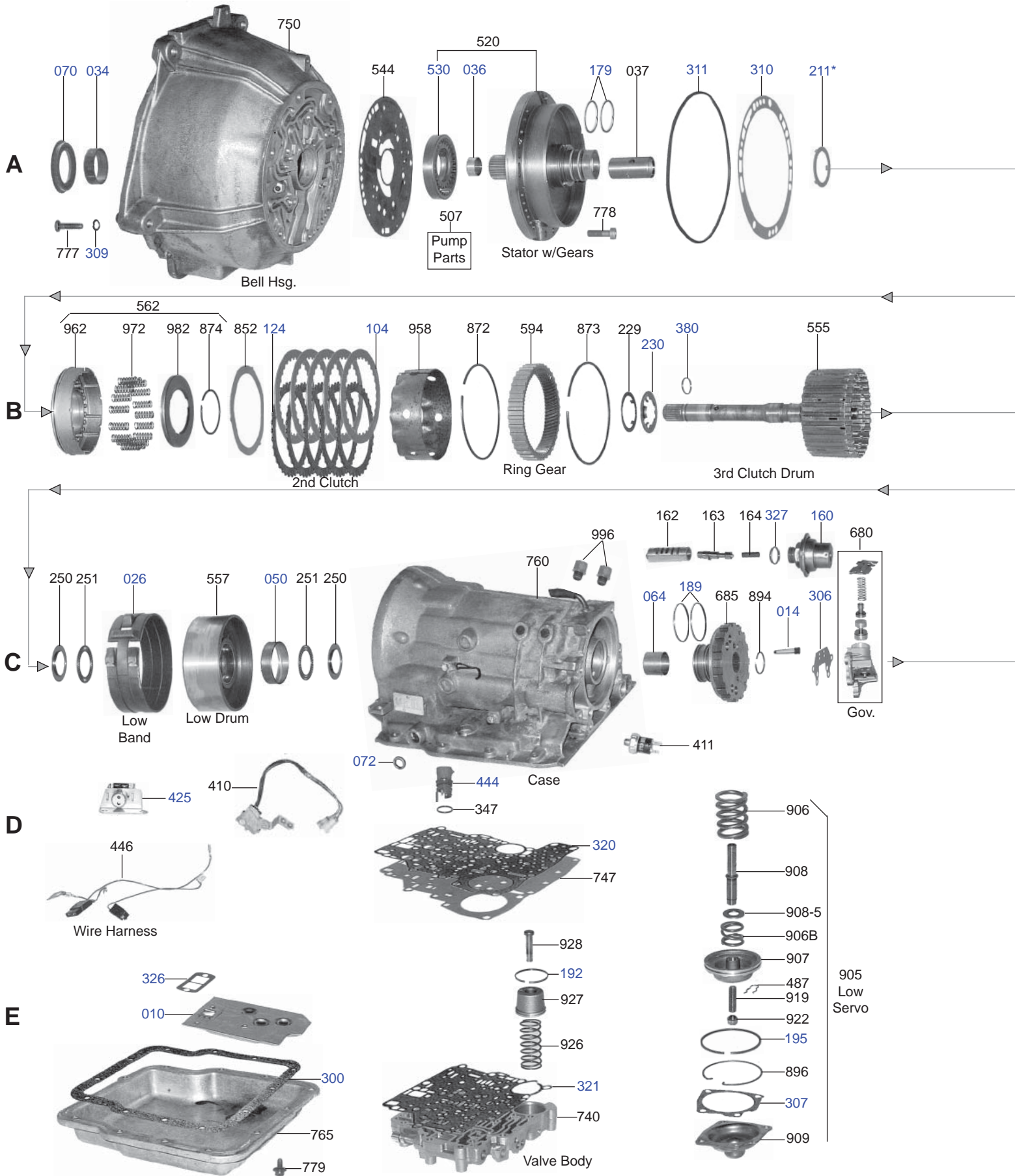
SAP #	IL#	OE	INDUSTRY	DESCRIPTION
PAPER & RUBBER KIT				
T64000C				Paper & Rubber Kit 125 125C Combo 1980-Up
TF64000C				Paper & Rubber Kit 125 125C Combo 1980-Up (Fiber Pan Gasket)
OVERHAUL KIT				
T64002				Overhaul Kit 125 125C 1980-86
TF64002				Overhaul Kit 125 125C 1980-86 (Fiber)
T64002A				Overhaul Kit 125C 1987-Up
TF64002A				Overhaul Kit 125C 1987-Up (Fiber)
B64002C				Overhaul Kit 125 125C (Combo) 1980-Up
T64002C				Overhaul Kit 125 125C (Combo) 1980-Up
TF64002C				Overhaul Kit 125 125C (Combo) 1980-Up (Fiber)
MASTER L/STEEL KIT				
B64004				Master L/Steels 125 125C 1980-E84
T64004A				Master L/Steels 125 125C 1987-Up
TF64004A				Master L/Steels 125 125C 1987-Up (Fiber)
B64004B				Master L/Steels 125 125C L1984-Up
T64004B				Master L/Steels 125 125C L1984-Up
MASTER W/STEEL KIT				
B64006				Master W/Steels 125 125C 1980-E84
TF64006A				Master W/Steels 125 125C 1987-Up (Fiber)
B64006B				Master W/Steels 125 125C L1984-Up
T64006B				Master W/Steels 125 125C L1984-Up
SUPER KIT				
B64008B				Super Kit 125 125C L1984-Up [Includes Bushing Kit, Washer Kit, Band, Filter]
GASKET & RUBBER COMPONENTS				
42275004	E373	255118260		Boot 125C Detent 1980-Up
31683	E371	1259475	3292	Boot 125C Filler Tube 1980-Up
40009T	E300	8631338	75500	Gasket 125 125C Pan 1980-Up [Cork & Rubber]
40009U		8631338	75500	Gasket 125 125C Pan 1980-Up [Ultracork]
40018	E300	8660038	75500F	Gasket 125 125C Pan 1980-Up [Fiber]
40097017	A322	8631756	75531	Gasket 125 125C Case Cover to Case (Large Outer Gasket) 1980-Up
40097018	A308	8660775	75532	Gasket 125 125C Case Cover to Case (Small Center Gasket) 1980-Up
40097019	E307	8631698	75533	Gasket 125 125C Intermediate Servo Cover 1980-Up
40009AT	A301	8643573	75537	Gasket 125 125C Side Pan (Valve Body Cover) 1980-Up [Cork & Rubber]
40009AU		8631340	75537	Gasket 125 125C Side Pan (Valve Body Cover) 1980-Up [Ultracork]
40018A	A301	8643573	75537F	Gasket 125 125C Side Pan (Valve Body Cover) 1980-Up [Fiber]
40097012	A320	8652065		Gasket 125 125C Valve Body (Upper & Lower) 1980-Up
40097016	A322	8666381	75573B	Gasket 125C Auxiliary Valve Body (Blue Stripe) 1988-Up
40097015	A322	8666380	75573A	Gasket 125C Auxiliary Valve Body (Orange Stripe) 1987-Up
40097013	A322	8653947	75568	Gasket 125C Auxiliary Valve Body 1982-E84
40097014	A322	8643863	75573	Gasket 125C Auxiliary Valve Body L1984-Up
1988002	D345	8660545		Lathe Cut Seal 125 125C Governor Cover 1980-Up
1988037	A192	8665807		Lathe Cut Seal 125C 1-2 Accumulator Piston 1988-Up
1990012	B336C	8631014		Lip Seal 125 125C Direct Clutch (Center) 1980-Up
1990011	B336	8631403		Lip Seal 125 125C Direct Clutch (Inner) 1980-Up
1990013	B337	8631592		Lip Seal 125 125C Direct Clutch (Outer)(Long Lip) 1980-Up
1990015	B334	8652460		Lip Seal 125 125C Forward Clutch (Inner) 1980-86
1990016	B335	8631013		Lip Seal 125 125C Forward Clutch (Outer) 1980-86
1990018	C338	8631074	75566	Lip Seal 125 125C Low/Reverse Clutch (Inner) 1980-86
1990020	C339	8631547		Lip Seal 125 125C Low/Reverse Clutch (Outer) 1980-Up
1990017	B335			Lip Seal 125C Forward Clutch (Outer) 1987-Up
1990100	E194AC	8652446		Lip Seal 125C Intermediate Servo (Outer) 1986-Up
1990099	E194A	8652445		Lip Seal 125C Intermediate Servo [0.856 ID] (Inner) 1985-96
1990098	E194A	8652444		Lip Seal 125C Intermediate Servo [1.089 ID] (Inner) 1985-Up
1990129	E194A	8652443		Lip Seal 125C Intermediate Servo [1.261 ID] (Inner) 1985-Up
1990019	C338		75566A	Lip Seal 125C Low/Reverse Clutch (Inner) 1987-Up
1994113		6264902		O-Ring 125 125C Filler Tube 1980-Up
1994039	A313	8631504		O-Ring 125 125C Pump Slide 1980-Up
1994108	E382	8631331		O-Ring 125 125C Reverse Oil Pipe to Case 1980-Up
1995117	D369			O-Ring 125 125C Speedometer Housing 1980-Up
1993019	A380	8662686		O-Ring 125 125C Turbine Shaft (Goes Behind Splines) 1982-Up
40075005	E379	8652898		Seal 125 125C Filter (Late) 1980-Up
42275006	A315	8631977		Seal 125 125C Pump Slide 1980-Up [PTFE]
42275003	A314	8631283		Seal 125 125C Pump Slide 1980-Up [Rubber]
1990006	D078	1240382		Seal 125 125C Speed-O Shaft 1980-Up
4760				Seal Up Kit 125C 1982-93 Speedo Sensor
40075063			65167	Seal/Cup Plug 125 125C Low/Reverse Clutch Housing (Long) (Updated) 1980-Up

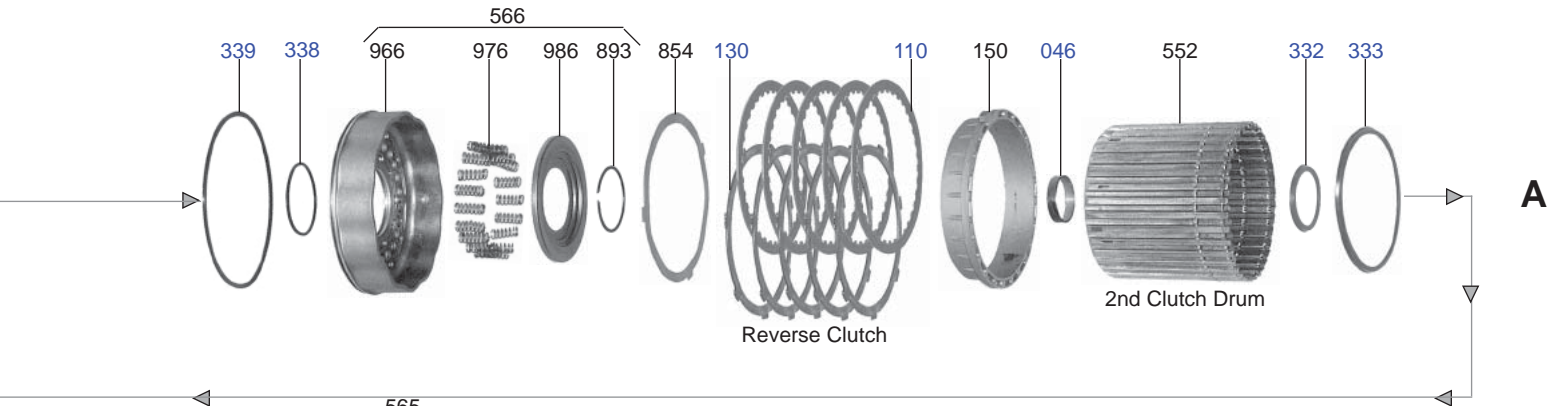
SAP #	IL#	OE	INDUSTRY	DESCRIPTION
METAL CLAD SEALS				
70015FM		8664812	75151A	Seal 125 125C Front Pump (Converter Hub) 1980-Up [Vamac]
70015		8664812	75151A	Seal 125 125C Front Pump (Converter Hub) 1980-Up [Vamac]
33013		8637420	75175A	Seal 125 125C Converter Hub (With Back Plate) 1980-Up
70016CR		24202835	75152	Seal 125 125C Axle (Left & Ride Side) 1980-Up
70016	D076	24202835	75152	Seal 125 125C Axle (Left & Ride Side) 1980-Up
33009		8643962	75152G 75152S	Seal 125 125C Axle Stabilizer 1980-Up
70004	D072	8637590	75511	Seal 125 125C Manual Lever 1980-83
70002	D072	8644709	84511	Seal 125 125C Manual Lever 1984-Up
OIL SEALING RINGS				
30123	E194A	8631468	75306T	Ring 125 Intermediate Servo (1.260 OD) (Inner) 1980-81 [PTFE]
30120	A178A	8631211	75301	Ring 125 Turbine Shaft (Front & Rear) (Scarf Cut) 1980-81 [PTFE]
30124A	A192	8631895	75302T	Ring 125 125C 1-2 Accumulator Piston 1980-87 [PTFE]
30116	E193	8631105	75570	Ring 125 125C Band Apply Pin 1980-Up [PTFE]
30118	A179	8652535	75300T	Ring 125 125C Driven Sprocket Support 1980-Up [PTFE]
30118A		8652535	75300T	Ring 125 125C Driven Sprocket Support 1980-Up [PTFE]
TAW-723		8631195		Ring 125 125C Driven Sprocket [Metal]
30112	D189	8632588	65309J	Ring 125 125C Governor Shaft 1980-Up [PTFE]
30119	B177		75307T	Ring 125 125C Input Shaft 1980-Up [PTFE]
TAW-726		8631948		Ring 125 125C Input Shaft 1980-Up [Metal]
30117	E194AC	8631469	75313T	Ring 125 125C Intermediate Servo (1.500 OD) (Inner) 1980-Up [PTFE]
30143	E194A	8631470	75312T	Ring 125 125C Intermediate Servo 1.676 OD (Inner) 1980-Up [PTFE]
30122	E194A	8631473	65310T	Ring 125 125C Intermediate Servo Piston (Outer) 1980-85 [PTFE]
TAW-951	A538	8631279		Ring 125 125C Pump Rotor 1980-Up [Metal]
30115	A176	8631417	75311	Ring 125 125C Pump Slide 1980-Up [PTFE]
30136	A178B	8643058	75301D	Ring 125 125C Turbine Shaft (Rear) (Solid) 1980-Up [PTFE]
30142	A178A	8637170	75301C	Ring 125C Turbine Shaft (Front) (Solid) 1982-Up [PTFE]
6002				Ring Kit 125 125C 1980-Up (17 PTFE Rings)
6291				Ring Kit 125 125C 1980-Up (14 PTFE Rings)
FRICTION CLUTCH				
33510R		8661380 8631025	75103	Friction 125 125C Forward & Direct [4.64 OD 32 Teeth 0.079 THK] 1980-E84
33510T	B106	8661380 8631025	75103	Friction 125 125C Forward & Direct [4.64 OD 32 Teeth 0.079 THK] 1980-E84
33508R	B106	8660168		Friction 125 125C Forward & Direct [4.63 OD 32 Teeth 0.069 THK] L1984-Up
33508T	B106	8660168	75707	Friction 125 125C Forward & Direct [4.63 OD 32 Teeth 0.069 THK] L1984-Up
33512R	C114	8652029	75102	Friction 125 125C Low/Reverse [5.37 OD 40 Teeth 0.079 THK] 1980-E84
33512T	C114	8652029	75102	Friction 125 125C Low/Reverse [5.37 OD 40 Teeth 0.079 THK] 1980-E84
33514T	C114	8666667	75109	Friction 125C Low/Reverse [5.37 OD 40 Teeth 0.091 THK] L1984-Up
40090R				Friction Module 125 125C 1980-83
40090BK				Friction Module 125 125C 1980-83
40170R				Friction Module 125 125C 1984-Up
40170T				Friction Module 125 125C 1984-Up
STEEL CLUTCH				
33515	B126	8661026	75100	Steel 125 125C Direct [3.51 ID 24 Teeth 0.091 THK] 1980-Up
33513	B129	8657257	75105	Steel 125 125C Forward [3.51 ID 30 Teeth 0.051 THK] (Waved) 1980-Up
33511	B128	8631379	75104	Steel 125 125C Forward [3.51 ID 26 Teeth 0.076 THK] (Flat) 1980-Up
33517	C134	8631076	75101	Steel 125 125C Low/Reverse [4.37 ID 11 Teeth 0.080 THK] 1980-83
33517A	C134	8652027	75101B	Steel 125C Low/Reverse [4.38 ID 11 Teeth 0.088 THK] 1984-Up
40091				Steel Module 125 125C 1980-E84
40171				Steel Module 125C L1984-Up
FILTER				
40040	E010	8666665	75710A	Filter 125 125C 1980-Up
FILTER KIT				
40041			FK75710A	Filter Kit 125 125C 1980-Up (Cork & Rubber Gasket)
40041A				Filter Kit 125 125C 1980-Up (Fiber Gasket)
BANDS				
40190	B022	8637623	75700A	Band 125 125C Flex (Wide) 1982-Up
BUSHINGS				
33322	C060	8631119	75019	Bushing 125 125C Case & Final Drive Gear 1980-Up
40039	C044	8631905	75006	Bushing 125 125C Low/Reverse Clutch Housing & Rear Planet 1980-Up
33317	A032	8628915	65002	Bushing 125 125C Converter Reactor (Stator) 1980-Up
40034	B046B	8631902	75000	Bushing 125 125C Direct Drum (Front) (2.70 OD) 1980-Up [Bronze]
40035	B046	8631901	75001	Bushing 125 125C Direct Drum (Rear) (2.35 OD) 1980-Up [Bronze]
40033	A045	8631900	75004	Bushing 125 125C Driven Sprocket Support 1980-Up [Bronze]
40037	B050	8631904	75007	Bushing 125 125C Front Ring Gear (Input Gear) [1.62 OD 1.49 ID] 1980-Up [Bronze]
40036	B047	8631903	75003	Bushing 125 125C Input Shaft 1980-Up
40038	C052	8631906	75008	Bushing 125 125C Reaction Sun Gear Shaft [1.42 OD] 1980-Up [Bronze]
33302	D060	8631288	75785	Bushing 125 125C Sleeve Case [1.26 OD 1.11 ID] 1980-Up [Steel]
33301	D031	8637905	75005A	Bushing 125C Converter Hub 1982-Up
40030				Bushing Kit 125 125C 1980-Up (13 Bushings)
40030A		K75901		Bushing Kit 125 125C 1979-Up (10 Bushings)

SAP #	IL#	OE	INDUSTRY	DESCRIPTION
WASHER & BEARINGS				
40073	A226	8631029	75402	Washer 125 125C Direct Drum to Support 1980-Up
40078	B235	8631063	75463	Washer Thrust 125 125C Front Planet to Hub - 4 Flat Tabs [2.28 OD 0.063in THK] 1980-Up [Metal]
40079	B238	8631062	75464	Washer 125 125C Front Planet to Sun Gear 1980-Up
40077	C251	8628188	65415	Washer 125 125C Rear Planet to Rear Ring Gear 1980-Up
40076	C244	8631227	75414	Washer 125 125C Sprag to Rear Planet
40071	A278	8652868	75413A	Washer Thurst 125 125C Drive Sprocket to Cover - 4 Flat Tabs [1.975 OD 0.071in THK] 1986-Up [Plastic]
40075	A279	8652841	75412 84412	Washer 125C Drive Sprocket to Support 1986-Up
40072	A281	8637227	75439	Washer Thrust 125 125C Driven Sprocket (Rear) [2.85 OD 0.155in THK] 1982-Up [Plastic]
40096008		8631135		Washer 125 125C 1980-Up Speedometer Gear
40074		8631747	75473P	Washer 125 125C Input Shaft (1st Design) 1980-87 [Plastic]
40070		8665957		Washer Kit 125 125C (Less Selectives) 1980-Up (9 Washers)
40099				Washer Kit 125 Front Planet Repair
40099B				Washer Kit 125 125C Final Drive
40099C				Washer Kit 125 125C Final Drive
ELECTRICAL COMPONENTS				
SA-216	A444	8662395	84983	Connector 125C Case (4 Prong Square) 1989-Up
HARD PARTS				
33705	A700	8643337	HV-019	Chain 125 125C Drive (3/4in Wide) 1980-83
33747	A700	8660099	84885 HV-018	Chain 125 125C Drive (7/8in Wide) 1980-93
41382B		8632646	75896	Gear 125 125C Drive Speedometer (10 Teeth) (Green) 1982-Up
41389		8632648	75897	Gear 125 125C Drive Speedometer (9 Teeth) (Yellow) 1982-Up
33749	A532	8652247	75978A	Rotor 125C Pump (15 Spline) 1982-Up
33700	A671	8643768	75874	Shaft 125 Pump (20 Spline) [7.5in Long] 1980-81
33702	A671	8643764	75875	Shaft 125C Pump (15 Spline W/Thin Steel Race) L1984-Up
40097	C977	8683616		Spring 125 125C Low/Reverse Clutch Return (Diaphragm)(Update) 1993-Up
40081A	A926		75893A	Spring 125C 1-2 Accumulator 1985-Up (Purple) 1980-Up
40064087				Spring 125C TCC Shudder 1980-Up
75884B	C618	8644114 24209169	75884B	Sun Gear 125 Final Drive (30 Teeth) (3.33 Ratio) 1980-Up
40184			75909	Valve 125 125C Accumulator Spring 1979-Up
33704	A533	8631280	75926	Vane 125 125C Pump 1980-Up

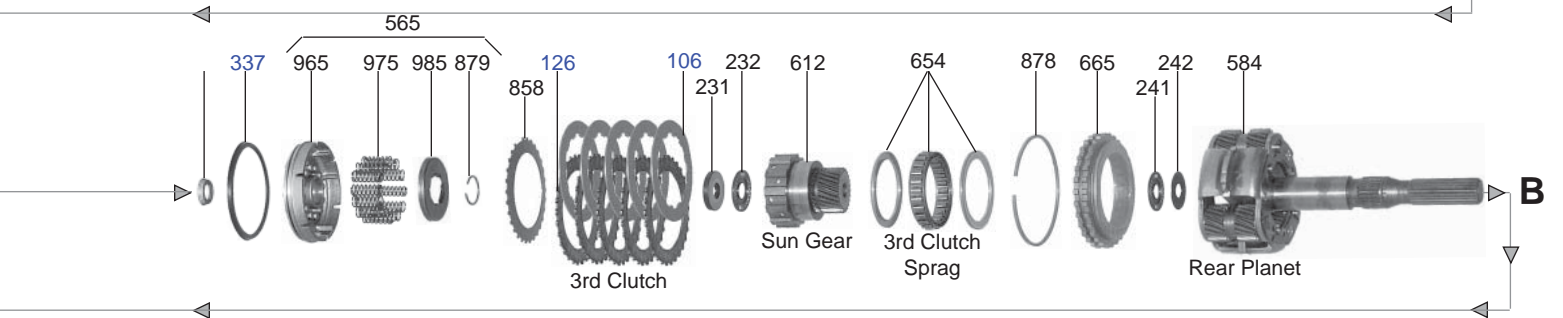
3L30 (180 / 180C)

RWD 3 Speed

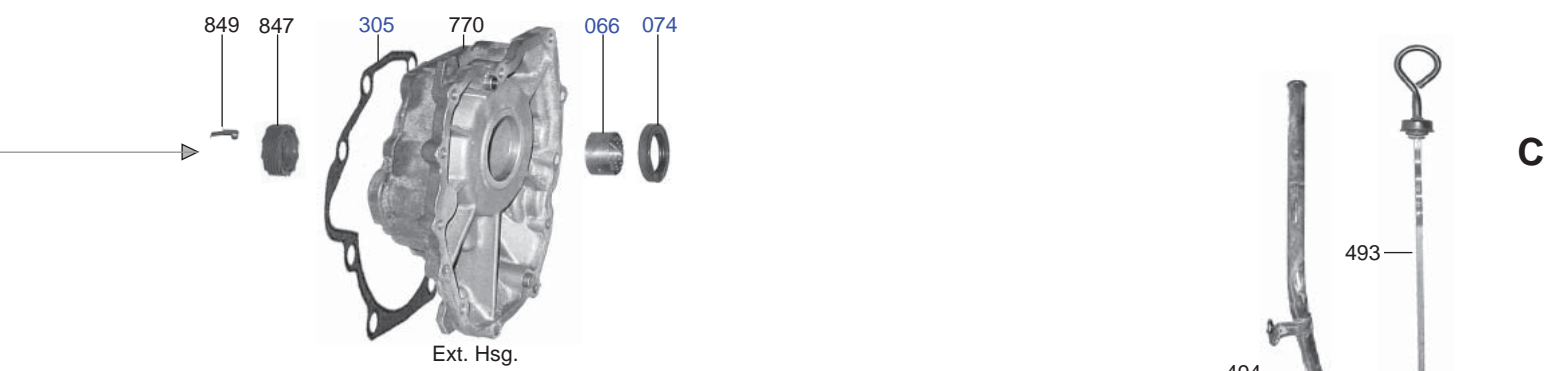




A

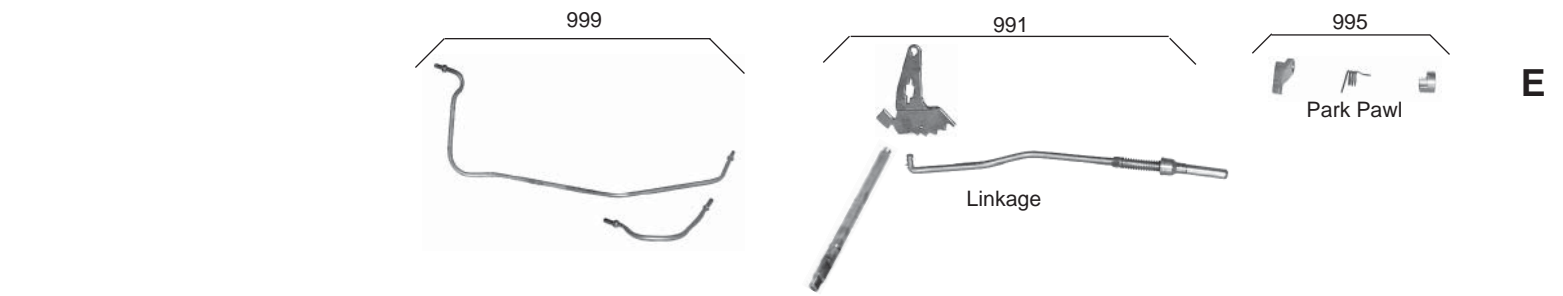


B



C

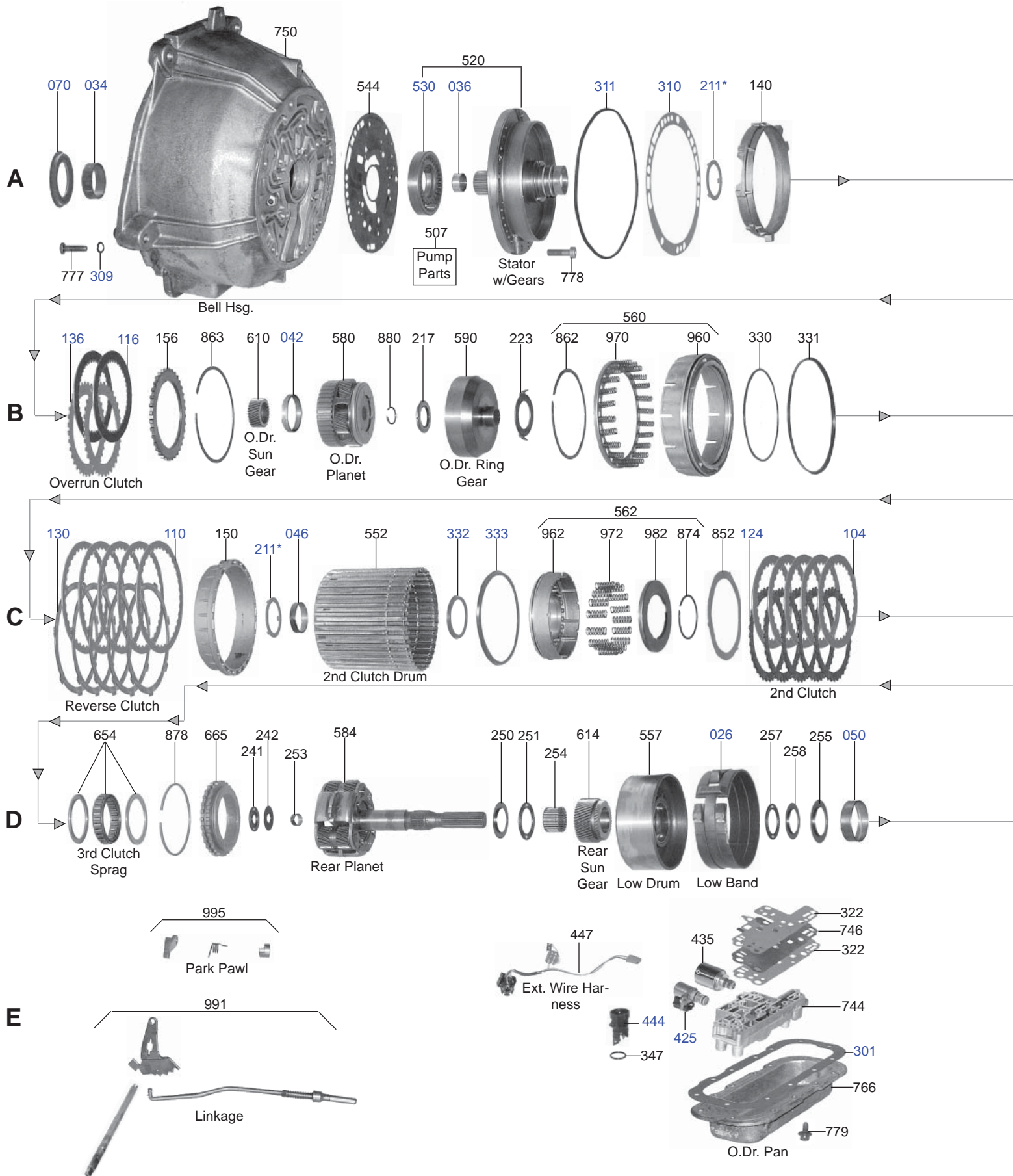
D

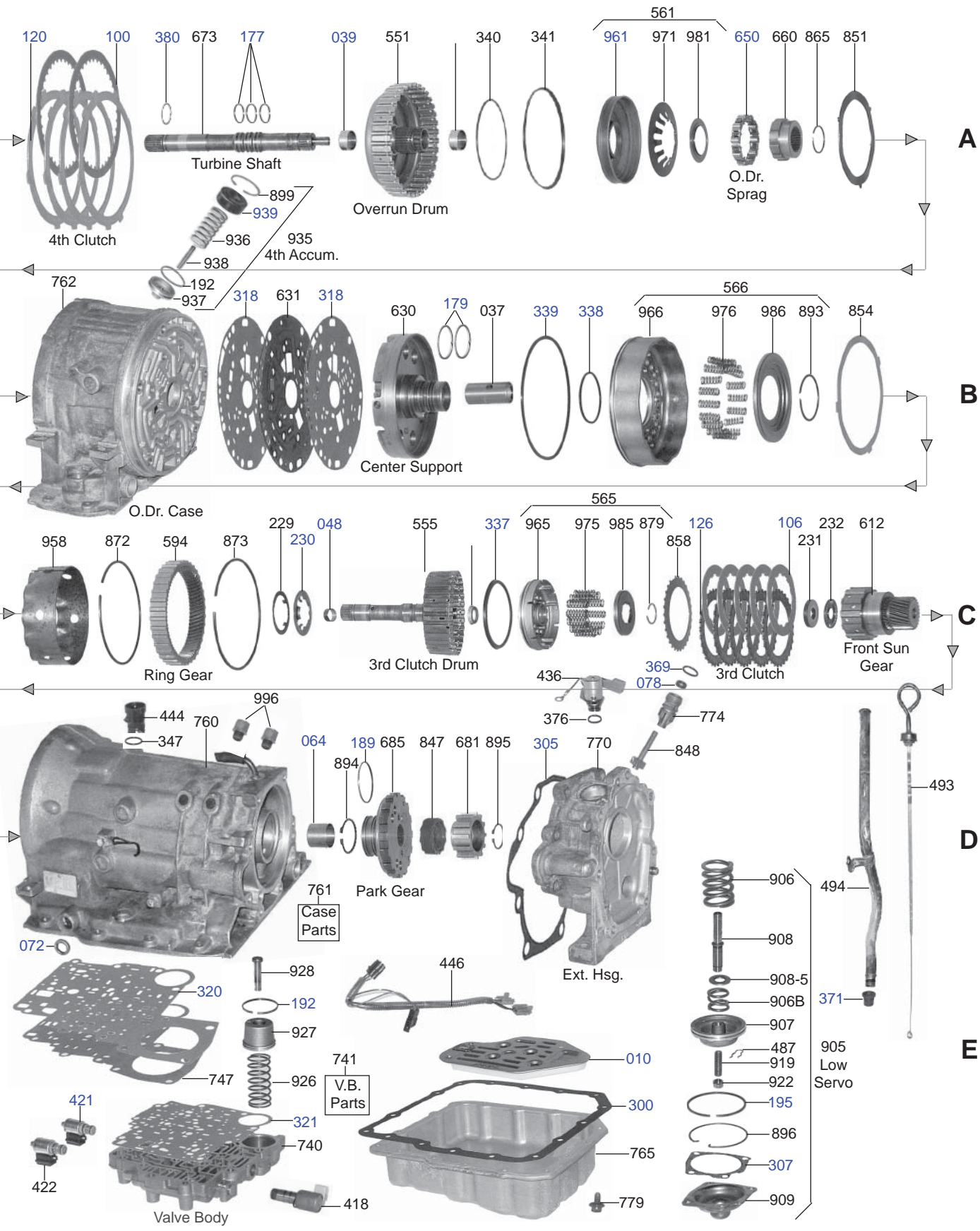


E

4L30E

RWD 4 Speed

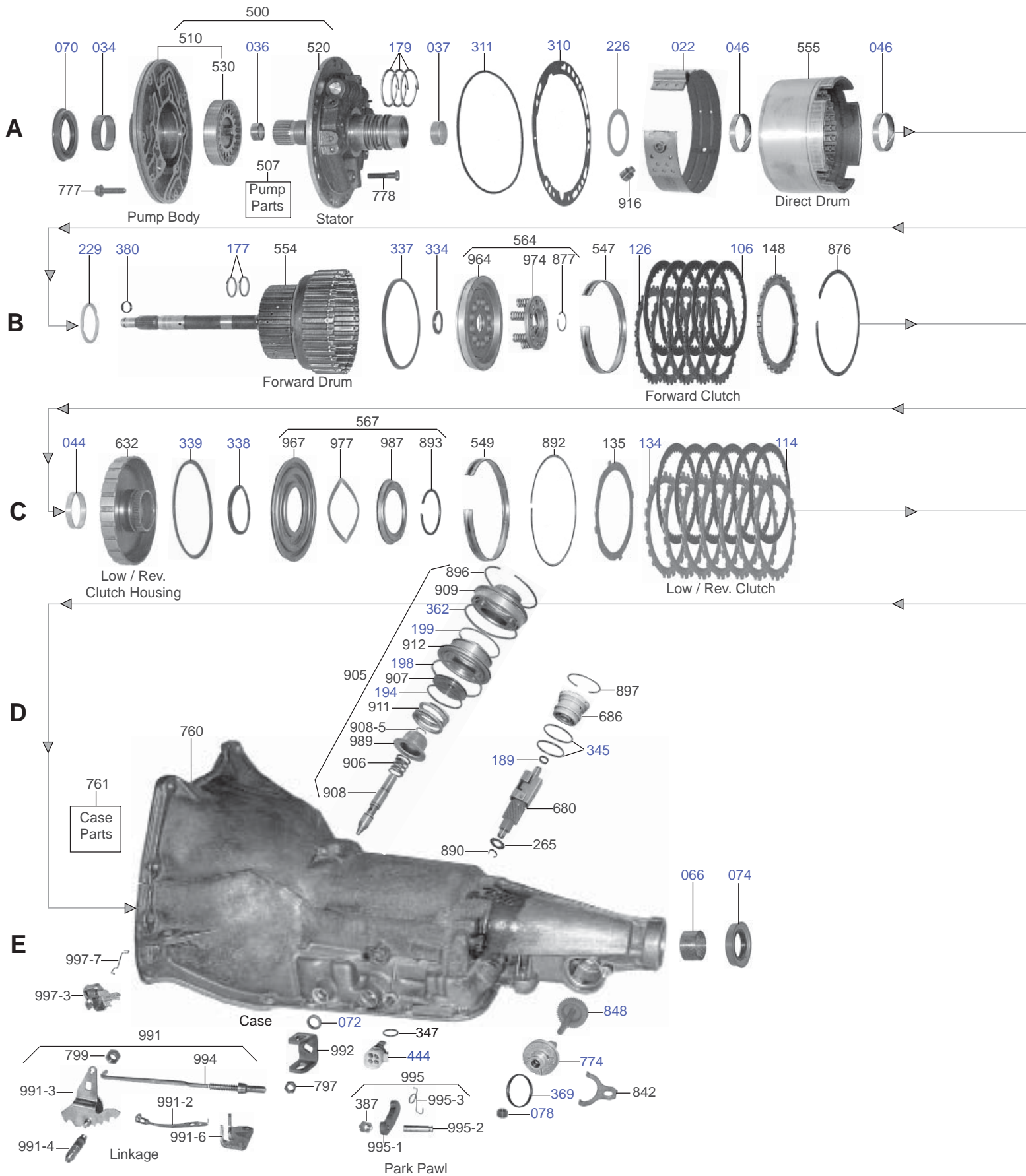


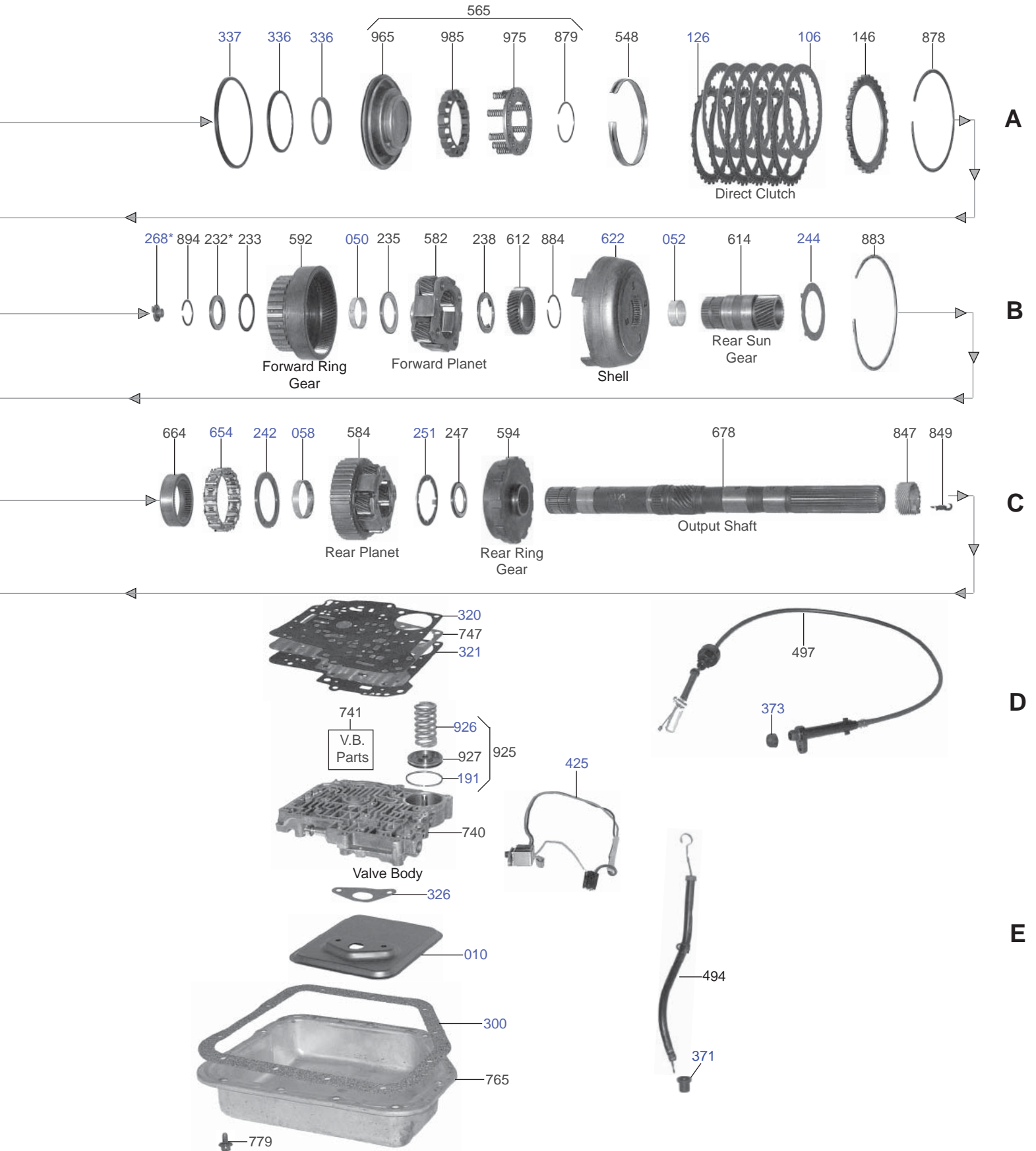


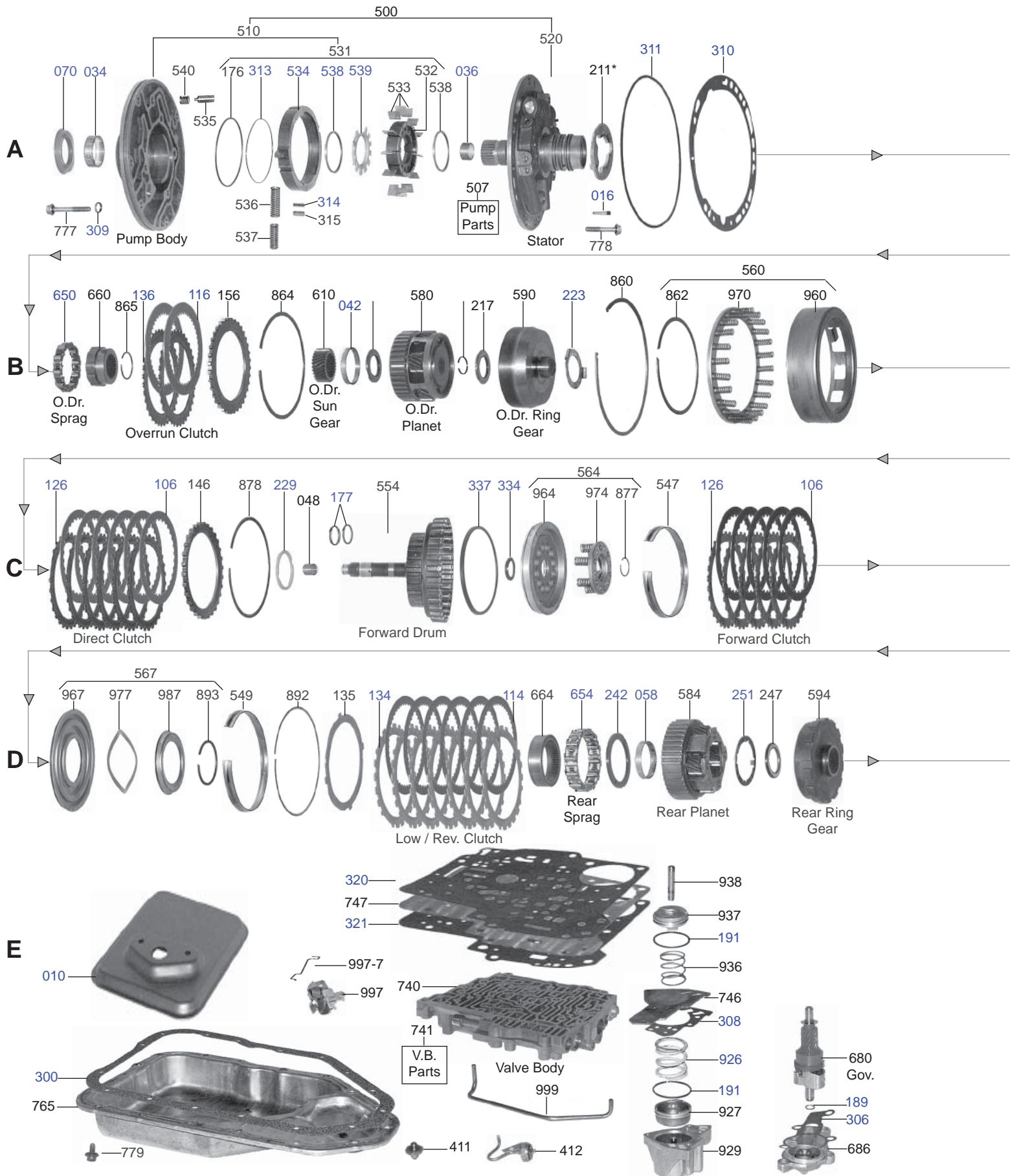
SAP #	IL#	OE	INDUSTRY	DESCRIPTION
PAPER & RUBBER KIT				
T24000				Paper & Rubber Kit 180 180C 1969-Up
TF24000				Paper & Rubber Kit 180 180C 1969-Up (Fiber)
TF24000A				Paper & Rubber Kit 180C 1987-Up (Post Office Units) (Fiber)
T24000E				Paper & Rubber Kit 4L30E 1990-Up
OVERHAUL KIT				
B24002				Overhaul Kit 180 180C 1969-Up
T24002				Overhaul Kit 180 180C 1969-Up
TF24002				Overhaul Kit 180 180C 1969-Up (Fiber)
T24002A				Overhaul Kit 180C 1987-Up (Post Office Units)
B24002B				Overhaul Kit 180 180C 1969-Up Holden
T24002B				Overhaul Kit 180 180C 1969-Up Holden
TF24002B				Overhaul Kit 180 180C 1969-Up Holden (Fiber)
B24002E				Overhaul Kit 4L30E (W/Out Piston) 1990-Up (Includes Opel & Vauxhall)
T24002E				Overhaul Kit 4L30E (With Piston) 1990-Up
TF24002E				Overhaul Kit 4L30E (With Piston) 1990-Up (Fiber)
MASTER L/STEEL KIT				
B24004				Master L/Steel Kit 180 180C 1969-Up
TF24004				Master L/Steel Kit 180 180C 1969-Up (Fiber)
B24004E				Master L/Steel Kit 4L30E (W/Out Piston) 1990-97 (Includes Opel & Vauxhall)
T24004E				Master L/Steel Kit 4L30E (With Piston) 1989-97
TF24004E				Master L/Steel Kit 4L30E (With Piston) 1989-97 (Fiber)
TF24004EA				Master L/Steel Kit 4L30E (With Piston) 1998-Up
MASTER W/STEEL KIT				
B24006				Master W/Steel Kit 180 180C 1969-Up
T24006				Master W/Steel Kit 180 180C 1969-Up
B24006E				Master W/Steel Kit 4L30E (W/Out Piston) 1989-97 (Includes Opel & Vauxhall)
TF24006E				Master W/Steel Kit 4L30E (With Piston) 1989-97 (Fiber)
TF24006EA				Master W/Steel Kit 4L30E (With Piston) 1998-Up (Fiber)
SUPER KIT				
B24008				Super Kit 180 180C 1969-Up (Includes Bushing Kit, Band, Filter, Modulator)
T24008E				Super Kit 4L30E 1990-97 (Includes Bushing Kit, Band, two Filters)
GASKET & RUBBER COMPONENTS				
31683	D371	8-96014-690-0	3292	Boot 180 180C 4L30E Filler Tube 1969-Up
31609T	E300	140506680	13600	Gasket 180 180C Bottom Pan 1969-Up [Cork & Rubber]
31609U		140506680	13600	Gasket 180 180C Bottom Pan 1969-Up [Ultracork]
31618	E300	140506680	13600F	Gasket 180 180C Bottom Pan 1969-Up [Fiber]
31609AT		96014234	54501	Gasket 4L30E Bottom Pan 1990-Up [Cork & Rubber]
31609AU			54501	Gasket 4L30E Bottom Pan 1990-Up [Ultracork]
31618A	E300	96014234	54501A	Gasket 4L30E Bottom Pan 1990-Up [Fiber]
31609BT		96015015	54501A	Gasket 4L30E Bottom Pan (BMW) 1990-Up [Cork & Rubber]
31628	E300	96015015	54501AF	Gasket 4L30E Bottom Pan (BMW) 1990-Up [Fiber]
31628AU			54502	Gasket 4L30E Front Overdrive Pan 1989-Up [Ultracork]
31628A	E301	8-9014-235-0	54502F	Gasket 4L30E Front Overdrive Pan 1989-Up [Fiber]
31608	A310	5258939	13601B	Gasket 180 180C Front Pump to Case 1969-Up
31608B		96014973	13601E	Gasket 4L30E Front Pump to Case 1990-Up (Opel)
31607A	E326	5258245	13617	Gasket 180 180C Filter 1969-Up
31654A				Gasket 180 180C LLV Valve Body Lower
31663	C327	5258240		Gasket 180 180C Modulator 1969-Up
31697159	E307	5258339		Gasket 180 180C Servo Cover 1969-Up
31697424	D320	96040729	41125	Gasket 180 180C Valve Body (Upper)
40097187				Gasket 180 180C Valve Body Lower (Holden)
31697156				Gasket 180 180C Valve Body Lower 1969-Up
31606	C305	96040534	13613	Gasket 180 180C 4L30E Extension Housing 1969-Up
31697573		96015772	54509	Gasket 4L30E Overdrive Adapter Plate 1990-91
31697574		96017399	13216	Gasket 4L30E Auxiliary Valve Body (Lower) 1990-Up
31697575		96017400	13211	Gasket 4L30E Auxiliary Valve Body (Upper) 1990-Up
31697571	B318	96016514		Gasket 4L30E Center Support To Plate (Takes 2)
31697568	D305	96014417	54613	Gasket 4L30E Extension Housing 1989-Up
31697569	A310	96014973		Gasket 4L30E Pump 1990-Up
31696133	E307	96014414	13614	Gasket 4L30E Servo Cover With Metal Core 1990-Up
31697572	E321			Gasket 4L30E Valve Body (Lower) 1990-Up
31616B				Gasket 4L30E Valve Body (Opel)
31616A	E320			Gasket 4L30E Valve Body (Upper) 1990-Up
31616			13610E	Gasket 180 4L30E Valve Body Upper 1990-93 (Holden)
31697155	C306			Gasket 180 180C Governor 1969-Up
1988095	A311	5258119		Lathe Cut Seal 180 180C/4L30E Pump 1969-Up
1988085				Lathe Cut Seal 4L30E Accumulator Piston 1990-Up
31685				Lathe Cut Seal 4L30E Overdrive Brake 5.341 X .151 X .080

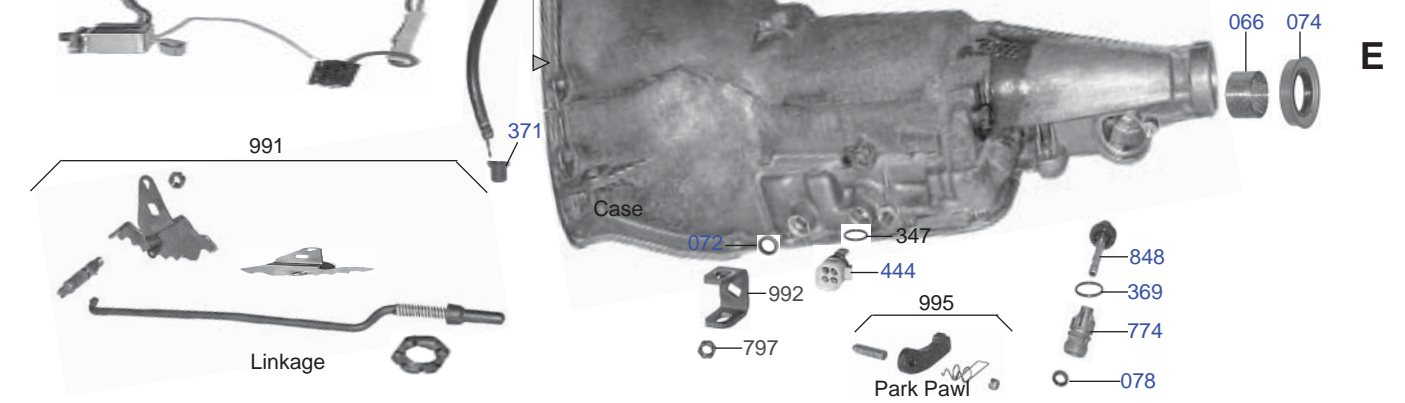
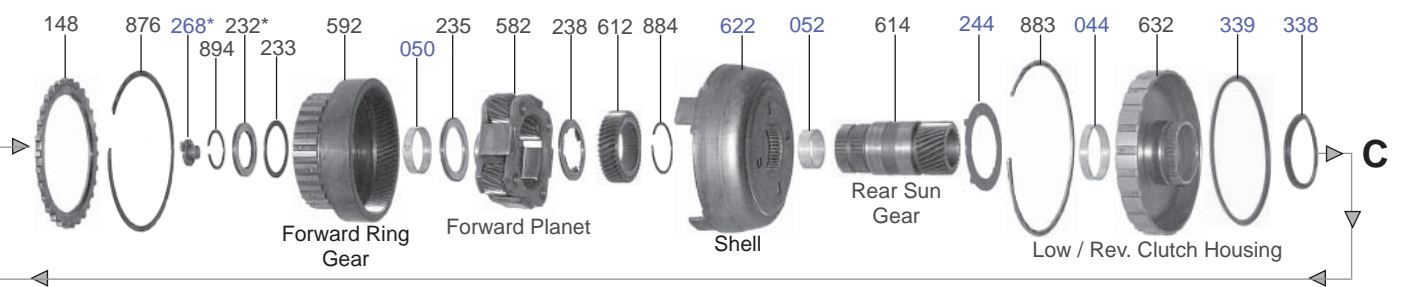
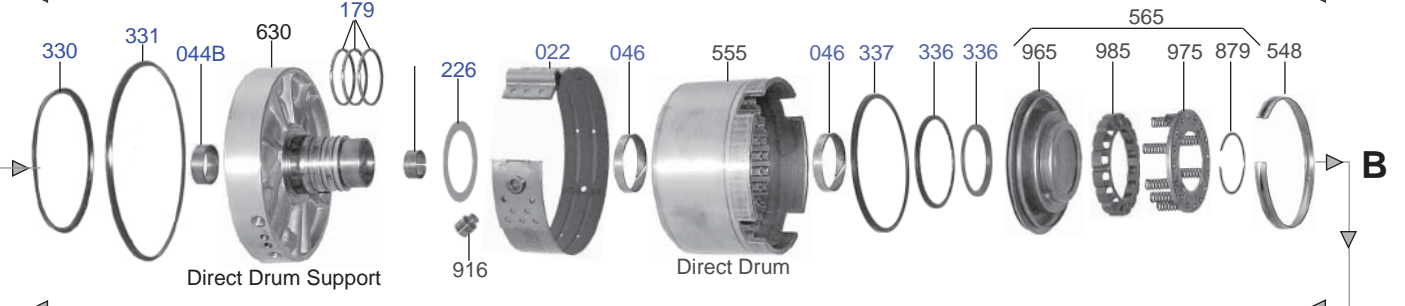
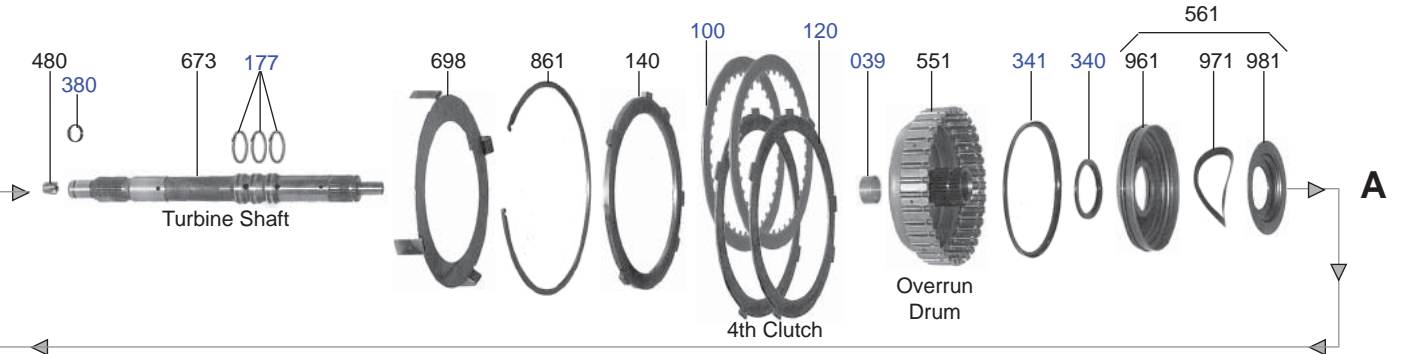
SAP #	IL#	OE	INDUSTRY	DESCRIPTION
GASKET & RUBBER COMPONENTS -- continued				
1988038	A338	5258005		Lathe Cut Seal All Reverse Clutch Inner 1969-Up
1985021	A339	3812831	3774	Lathe Cut Seal All Reverse Clutch Outer 1969-Up
1990006	D078	1240382		Lip Seal 180 180C Speed-O Shaft 1969-Up
1990184	B/C336	5258543		Lip Seal 180 180C 4L30E 3rd Clutch (Inner) 1969-Up
31657	B/C337	96014296		Lip Seal 180 180C 4L30E 3rd Clutch (Outer) 1969-Up
31647	A/C332	5258043		Lip Seal 180 4L30E 2nd Clutch (Inner) 1969-Up
31648	A/C332	5258041		Lip Seal 180 4L30E 2nd Clutch (Outer) 1969-Up
31679			13620	Lip Seal 4L30E Overdrive Brake (Outer) 1990-95
31679A				Lip Seal 4L30E Overdrive Brake (Outer) 1995-Up
1994013	D372	5258404		O-Ring 180 180C Detent Cable 1969-Up
1995017				O-Ring 180 180C Detent Cable 1969-Up
1994113	D371	6264902		O-Ring 180 180C Filler Tube 1969-Up
1995115	D369	10054241		O-Ring 180 180C Speed-O Sleeve 1969-Up
1995213				O-Ring 180 180C Speedometer 1989-Up (Tracker)
1994211	D369	7430921		O-Ring 180 180C Speedometer Gear 1969-Up
1993019	B380	8636033		O-Ring 180C 4L30E Turbine Shaft (Goes Behind Splines) 1982-Up
1993136				O-Ring 4L30E Accumulator Cover (1.987 X .103) 1990-Up (Viton)
1993526				O-Ring 4L30E Case housing 1990-Up
1993524				O-Ring 4L30E Drive Flange 1990-Up
1993522				O-Ring 4L30E Filler Tube Ext. 1990-Up
1993529				O-Ring 4L30E Filter Plug Cover 1990-Up
1993523				O-Ring 4L30E Filter Screen 1990-Up
1993525				O-Ring 4L30E Speed Sensor 1990-Up
31675145				Seal Connector 4L30-E 90-Up
31696015				Seal 180 Tin plated Steel Solenoid (Holden)
METAL CLAD SEALS				
70011FM	A070	8670283	54150	Seal 180 180C Front Pump (Converter Housing) 1969-Up [Vamac]
33001		8670283	54150	Seal 180 180C Front Pump (Converter Housing) 1969-Up [Poly]
70107	A070	8625571		Seal 180 180C Front Pump (Converter Housing) 1969-Up (Holden)
70225	A070	96015157	54151	Seal 4L30E Front Pump (Converter Housing) 1989-Up
70224	C066	96040762	54152	Seal 180 180C 4L30E Extension Housing 1992-Up (2WD Sidekick Tracker)
70014FM		1243402	8850B	Seal 180 180C Extension Housing 1969-Up
33002	C066	1243402	8850B	Seal 180 180C Extension Housing 1969-Up
70226	C066	96014416	82512	Seal 4L30E Extension Housing 1990-Up
70000	C072	8623056	38511	Seal 180 180C Manual Lever Shaft 1969-Up
70002	C072	8644709	84511	Seal 4L30E Manual Lever 1990-Up
70001				Seal 180 180C Speedometer Shaft (With Spring) 1989-Up
OIL SEALING RINGS				
30801T			54302	Ring 180 180C Stator 4L30E Center Support [PTFE]
TAW-1163	E192	8623653		Ring 180 180C Accumulator Piston 1969-Up [Metal]
TAW-273	A179	5258106		Ring 180 180C Stator 1969-Up [Metal]
TAW-278	C189	5258837		Ring 180 180C 4L30E Governor Hub 1969-Up [Metal]
TAW-1454	E195	5258159		Ring 180 180C 4L30E Low Servo Piston 1969-Up [Metal]
31660186				Ring 180/LLV Servo (Oversized) 1987-Up [PTFE]
TAW-275	C189	5258100		Ring 180C Governor Hub (Holden Only) [Metal]
TAW-1163	E192	8623653		Ring 4L30-E Accumulator Piston 1989-Up [Metal]
30811			54304	Ring 4L30E Input Shaft 1989-Up [PTFE]
30135	A177	8628090	65301TS	Ring 4L30E Turbine Shaft (Scarf Cut) 1989-Up [PTFE]
6278				Ring Kit 180 180C Holden (7 Metal Rings)
6022				Ring Kit 180 180C 1969-Up (7 Metal Rings)
6125				Ring Kit 180 180C 1969-Up (5 Metal 2 PTFE Rings)
6141				Ring Kit 4L30E 1990-Up (2 Metal 5 PTFE Rings)
FRICTION CLUTCH				
31622T	B/C106	90064281	54206	Friction 180 180C 3rd Clutch [3.85 OD 12 Teeth 0.098 THK] 1969-Up
31662A	C106	96014946	54206A	Friction 4L30E 3rd Clutch [3.85 OD 12 Teeth 0.098 THK] 1998-Up
31662AR	C106	96014946		Friction 4L30E 3rd Clutch [3.85 OD 12 Teeth 0.098 THK] 1998-Up
31620R	B/C104	96013664	54204	Friction 180 180C 4L30E 2nd Clutch [5.20 OD 30 Teeth 0.098 THK] 1969-Up
31620T	B116	96013664	54204	Friction 180 180C 4L30E 2nd Clutch [5.20 OD 30 Teeth 0.098 THK] 1969-Up
31620A		96014307		Friction 4L30E 2nd Clutch [5.20 OD 30 Teeth 0.098 THK] 1990-Up
31624R	A/C110	96013665		Friction 180 180C 4L30E Reverse [6.40 OD 36 Teeth 0.095 THK] 1969-Up
31624T	A/C110	96013665	54222	Friction 180 180C 4L30E Reverse [6.40 OD 36 Teeth 0.095 THK] 1969-Up
31624A		96013665		Friction 4L30E Reverse [6.40 OD 36 Teeth 0.098 THK] 1992-Up
31652T	A100	8-96014-459-0		Friction 4L30E Overdrive [6.70 OD 36 Teeth 0.087 THK] 1990-Up
31650		96014195	54108	Friction 4L30E Overrun [5.09 OD 40 Teeth 0.087 THK] 1989-Up
31680R				Friction Module 180 180C 1969-Up
31680T				Friction Module 180 180C 1969-Up
31680ER				Friction Module 180 180C 1969-Up 6 Cylinder (Holden)
31680A				Friction Module 4L30E 1989-97
31680AT				Friction Module 4L30E 1990-97

SAP #	IL#	OE	INDUSTRY	DESCRIPTION
FRICITION CLUTCH -- continued				
31680AR				Friction Module 4L30E 1989-97
31680BR				Friction Module 4L30E 1998-Up
STEEL CLUTCH				
31625	A/C124	5258057	54205	Steel 180 180C 4L30E 2nd [4.30 ID 36 Teeth 0.070 THK] 1969-Up
31621	A/C124	96040118	54205A	Steel 180 180C 4L30E 2nd [4.30 ID 36 Teeth 0.083 THK] 1969-Up
31627	B/C126	5258086	54221	Steel 180 180C 4L30E 3rd [2.85 ID 30 Teeth 0.070 THK] 1969-Up
31623	B/C126	5258955	54221C	Steel 180 180C 4L30E 3rd [2.0 ID 30 Teeth 0.083 THK] 1969-Up
31629	A130	96040135	54221B	Steel 180 180C 4L30E Reverse [5.70 ID 7 Teeth 0.083 THK] 1969-Up
31651	A120	8-96014-187-0	54107	Steel 4L30E Overdrive [5.80 ID 6 Teeth 0.080 THK] 1989-Up
31655	B136	8-9604-194-0	54109	Steel 4L30E Overrun [3.95 ID 36 Teeth 0.082 THK] 1989-Up
31681				Steel Module 180 180C 1969-Up
31681E				Steel Module 180 180C 1969-Up (Holden)
31681A				Steel Module 4L30E 1990-Up
FILTER				
31640	E010	5258130	54800	Filter 180 180C 1969-Up
31641	E010	8-96041-011-0	54800E	Filter 4L30E 1989-Up (Clear Cover) (All Except BMW)
31658	E010	96015432	54800B	Filter 4L30E 1991-Up (Black Cover) (BMW)
FILTER KIT				
31642			FK54800	Filter Kit 180 180C 1969-Up
31643			FK54800E	Filter Kit 4L30E 1989-Up (Clear Cover) (All Except BMW)
31659			FK54800B	Filter Kit 4L30E 1991-Up (Black Cover) (BMW)
31659BOX			FK54800B	Filter Kit 4L30E 1991-Up (Black Cover) (BMW)
MISCELLANEOUS FILTERS				
31640S	C014	5258383	26922	Filter 180 180C Governor (Tapered)
31678A	E018	96014345	54811	Filter 4L30E Force Motor Screen (In Auxiliary Valve Body) 1989-Up
31678B	E015	94014437	54812	Filter 4L30E PWM Solenoid Screen (3 3/4in long)(In Valve Body) 1989-Up
BANDS				
31646A	C026	5463805	54313	Band 180 180C/4L30E Low 1969-Up
BUSHINGS				
31666	A/C046	5258128	54006	Bushing 180 180C 4L30E 2nd Clutch Drum (1.76 OD) 1969-Up [Bronze]
31669	C064	5258191	54003	Bushing 180 180C 4L30E Case (1.32 OD) (1.24 ID) 1969-Up [Bronze]
33300	C066	6260048	8008A	Bushing 180 180C 4L30E Extension Housing (Dimpled) 1969-Up [Bronze]
33318	A034	8958661	8005	Bushing 180 180C 4L30E Front Pump (Converter Housing) 1969-Up [Babbitt]
31668	C050	5258075	54007	Bushing 180 180C 4L30E Input Sun Gear (2.32 OD) (2.19 ID) 1969-Up [Bronze]
33317	A036	8628915	65002	Bushing 4L30E Pump Stator (Front) 1989-Up
31636A	B048	8634925	65017	Bushing 4L30E 3rd Clutch Drum Shaft (Pilot) (0.552 OD) 1989-Up [Bronze]
31633A			54009	Bushing 4L30E Center Support 1989-Up (Design Difference)
31633AX	B037		54009	Bushing 4L30E Center Support 1989-Up
40039	B042	8631905	75006	Bushing 4L30E Overdrive Planet 1989-Up
40731	A039	8634908	65010	Bushing 4L30E Overrun Drum 1989-Up [Bronze]
31638				Bushing Kit 180 180C 1969-Up (5 Bushings)
31630A			K54901E	Bushing Kit 4L30E 1989-Up (10 Bushings)
WASHER & BEARINGS				
31696195				Washer 180 180C Front Pump Bolt 1969-Up
31677	B/C230	5258091	54702	Washer 180 180C 4L30E 2nd Drum to 3rd Drum (Rear) 1969-Up
31672	A211	5258202	54701	Washer 180 180C 4L30E Pump/Center Support .069 (No Tab) 1969-Up
31673	A211	5258203	54701A	Washer 180 180C 4L30E Pump/Center Support .077 (No Tab) 1969-Up
31674	A211	5258205	54701C	Washer 180 180C 4L30E Pump/Center Support .084 (No Tab) 1969-Up
31675	A211	5258206	54701D	Washer 180 180C 4L30E Pump/Center Support .092 (No Tab) 1969-Up
31676	A211	5258207	54701E	Washer 180 180C 4L30E Pump/Center Support .100 (No Tab) 1969-Up
31671	A211	94040561	54701F	Washer 4L30E Pump/Center Support .061 (3 Tab) 1987-Up
41217	A309	3884683	8626281	Washer 180 180C Pump Bolt 1969-Up
31670				Washer Kit 180 180C 4L30E 1969-Up (7 Washers)
ELECTRICAL COMPONENTS				
77983	D444	8634383	77983	Connector 180C Case (3 Prong) Square
SA-216	D444	8662395	84983	Connector 180C Case (4 Prong) Square
D54925	E421	8-96014-593-0	54925	Solenoid 4L30E 1-2 & 3-4 (A) Shift 1989-Up [OEM]
D54924	E425	8-96014-183-0	54924	Solenoid 4L30E TCC Converter Clutch 1990-99 [OEM]
841061		8-96014224-0	54922	Solenoid 4L30E 2-3 Shift Valve 1990-Up
HARD PARTS				
31664C	B939	8-96017-093-0	54885	Cover 4L30E 3-4 Accumulator (Bonded)
31664BM	A961	8-96014-577-0		Piston 4L30E Overrun Clutch 1989-Up
MODULATORS				
31644B	C160	8958947	54525C	Modulator 180 180C Dual Blue Stripe (Adjustable) 1969-Up
31644C	C160	96013028	54525A	Modulator 180 180C Blue Stripe (Non-Adjustable) 1969-Up
31644E	C160	96040434	54525D	Modulator 180 180C Purple (Adjustable) 1989-Up {Suzuki GEO Tracker}
31644A	C160	96013169		Modulator 180 Black (Non-Adjustable) 1990-Up
TOOLS				
31664229				Input Ring Installer Tool fo 4L30E 1990-Up









SAP #	IL#	OE	INDUSTRY	DESCRIPTION
PAPER & RUBBER KIT				
T54000A				Paper & Rubber Kit 200 200C 1976-87
T54000B				Paper & Rubber Kit 200-4R 1981-90
TF54000B				Paper & Rubber Kit 200-4R 1981-90 (Fiber)
OVERHAUL KIT				
B54002A				Overhaul Kit 200 200C 1976-87
T54002A				Overhaul Kit 200 200C 1976-87
TF54002A				Overhaul Kit 200 200C 1976-87 (Fiber)
T54002B				Overhaul Kit 200-4R 1981-90
B54002B				Overhaul Kit 200-4R 1981-90
TF54002B				Overhaul Kit 200-4R 1981-90 (Fiber)
MASTER L/STEEL KIT				
B54004A				Master L/Steels 200 200C 1976-87
T54004A				Master L/Steels 200 200C 1976-87
B54004B				Master L/Steels 200-4R 1981-90
T54004B				Master L/Steels 200-4R 1981-90
MASTER W/STEEL KIT				
B54006A				Master W/Steels 200 200C 1976-87
T54006A				Master W/Steels 200 200C 1976-87
B54006B				Master W/Steels 200-4R 1981-90
TF54006B				Master W/Steels 200-4R 1981-90 (Fiber)
SUPER KIT				
B54008B				Super Kit 200-4R 1981-90 [Includes Bushing Kit, Washer Kit, Band, Filter]
GASKET & RUBBER COMPONENTS				
42275004	D373	25518260		Boot 200 200C 200-4R Detent 1976-90
31683	E317	1259475	3292	Boot 200C 200-4R Filler Tube 1980-86
40075063		8631577	65167	Cup Plug Seal 200 200C/200-4R Low/Reverse Clutch Housing 1976-90
40409T	E300	8633380	65500	Gasket 200 200C Pan 1976-87 [Cork & Rubber]
40409U		8628302	65500	Gasket 200 200C Pan 1976-87 [Ultracork]
40417				Gasket 200 200C Pan 1976-87 [Felpro™]
40418	E300	8648529	65500F	Gasket 200 200C Pan 1976-87 [Fiber]
40709T		8634198	65502	Gasket 200-4R Pan 1981-90 [Cork & Rubber]
40709U		8634198	65502	Gasket 200-4R Pan 1981-90 [Ultracork]
40718	E300	8634198	65502F	Gasket 200-4R Pan 1981-90 [Fiber]
40717				Gasket 200-4R Pan 1981-90 [Felpro™]
40597036	A310	8633899		Gasket 200 Pump to Case 1976-87
40597043	D321	8628870		Gasket 200 Valve Body (Lower) 1976-78
40597040	D320	8630445		Gasket 200 Valve Body (Upper) 1976-78
40597046	E326	8628300		Gasket 200 200C Filter 1979-87
41217	A309	8626281	8626281	Gasket 200 200C 200-4R Pump Bolt 1976-90
40797045	E308	8634166		Gasket 200-4R Accumulator Housing to Plate 1981-90
40797044	E306	8634477		Gasket 200-4R Governor Cover 1981-90
40797037	A310	8634047		Gasket 200-4R Pump to Case 1981-90
40797042	E321	8634654		Gasket 200-4R Valve Body (Lower) 1981-90
40797039	E320	8634653		Gasket 200-4R Valve Body (Upper) 1981-90
40597041	D321	8633623		Gasket 200C Valve Body (Lower) 1979-87
40597038	D320	8633624		Gasket 200C Valve Body (Upper) 1979-87
1985014	E191	8635568		Lathe Cut Seal 200-4R 3-4 Accumulator 1981-90
1990044	A/B336	8630295		Lip Seal 200 200C 200-4R Direct Clutch Piston (Center) 1976-90
1990043	A/B336	8628079		Lip Seal 200 200C 200-4R Direct Clutch Piston (Inner) 1976-90
1990045	B/C337	8628078		Lip Seal 200 200C 200-4R Forward & Direct Clutch Piston (Outer) 1976-90
1990046	C334	8630102		Lip Seal 200 200C 200-4R Forward Clutch Piston (Inner) 1976-90
1990047	C338	8628246		Lip Seal 200 200C 200-4R Low/Reverse Clutch Piston (Inner) 1976-90
1990048	C339	8628364		Lip Seal 200 200C 200-4R Low/Reverse Clutch Piston (Outer) 1976-90
1990113	D199	8639782		Lip Seal 200 200C 200-4R Servo 51mm (Inner) 1976-90
1990110	D199	8639783		Lip Seal 200 200C 200-4R Servo 55mm (Inner) 1976-90
1990112	D199	8639784		Lip Seal 200 200C 200-4R Servo 57mm (Inner) 1976-90
1990109	D198			Lip Seal 200 200C 200-4R Servo 68mm (Outer) 1976-90
1990039	B330	8635562		Lip Seal 200-4R 4th Clutch (Inner) 1981-90
1990040	B331	8634024		Lip Seal 200-4R 4th Clutch (Outer) 1981-90
1990041	A340	8634054		Lip Seal 200-4R Overrun Clutch Piston (Inner) 1981-90
1990042	A341	8634053		Lip Seal 200-4R Overrun Clutch Piston (Outer) 1981-90
6021				Lip Seal Set 200 200C 200-4R Servo 1976-90
1994505	D345	8628248		O-Ring 200 200C Governor Cover Small (Inner) 1976-87
1994130	D345	8628955		O-Ring 200 200C Governor Cover (Outer) 1976-87
1989006	A311	8628052		O-Ring 200 200C Pump 1976-87
1994506	D362	8628136		O-Ring 200 200C Servo Cover 1976-87
1995015	D373	358424		O-Ring 200 200C 200-4R Detent 1976-90
1994113	E371	6264902		O-Ring 200 200C 200-4R Filler Tube 1969-79
1993014	B/A380	8630049		O-Ring 200 200C 200-4R Input Shaft 1976-90

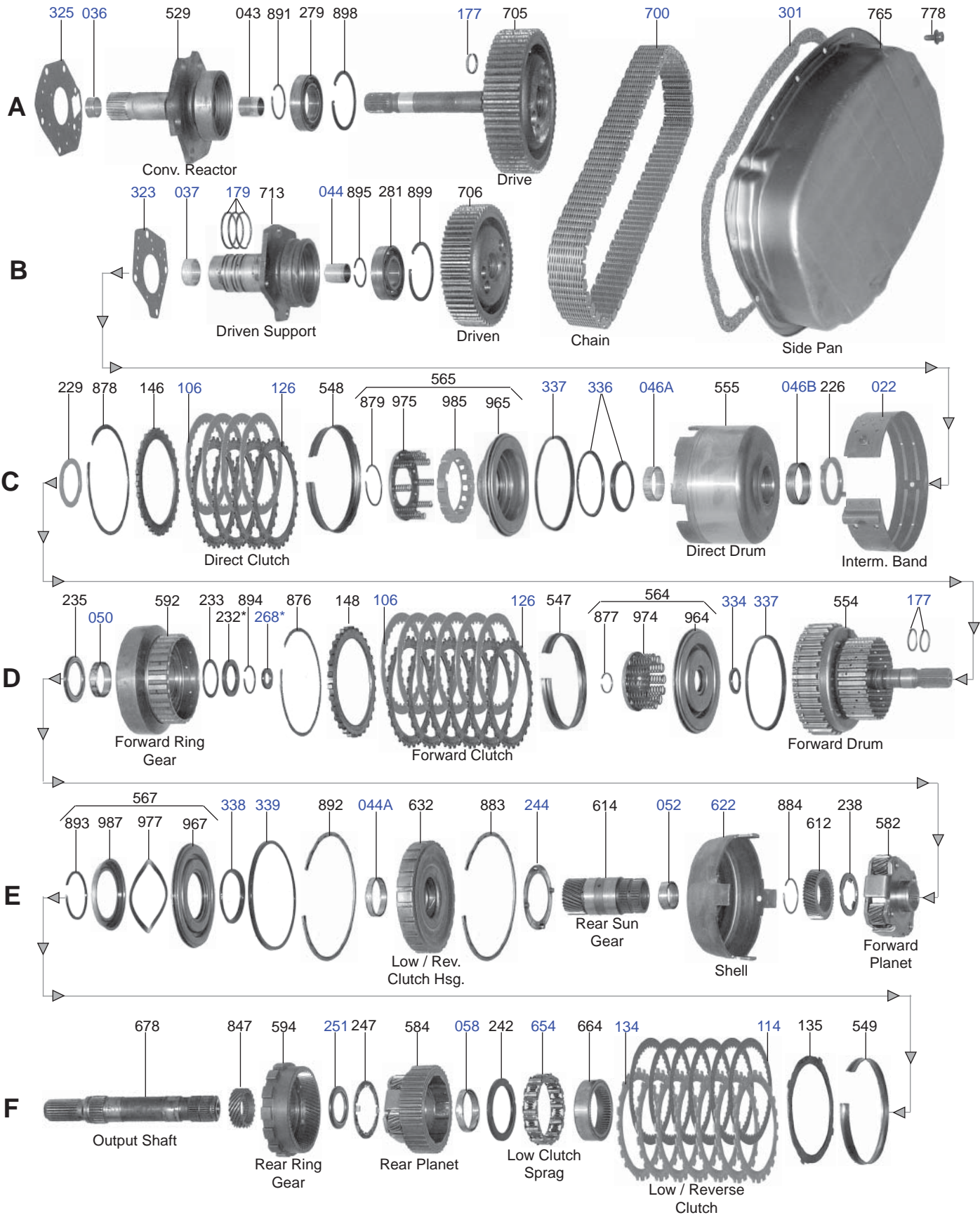
SAP #	IL#	OE	INDUSTRY	DESCRIPTION
GASKET & RUBBER COMPONENTS -- continued				
1995115	E369	1240382		O-Ring 200 200C 200-4R Speed-O Sleeve (Inner) 1976-87
1995134	E369			O-Ring 200 200C 200-4R Speed-O Sleeve (Outer)(BPO Case Only) 1976-87
1993014	B/A380	8630049		O-Ring 200-4R Lock-Up Solenoid 1981-90
1989007	A311	8634046		O-Ring 200-4R Pump 1981-90
1994503	A313	8634088		O-Ring 200-4R Pump Slide 1981-90
1995132T13		8264904		O-Ring 200-4R Speed-O Housing 1982-Up
1994010		8630052		O-Ring 200C Lock-Up Solenoid 1978-87
1993019	B/A380	8636033		O-Ring 200C Turbine Shaft (Goes Behind Splines) 1982-Up (4 & 6 Cylinder Type)
42275003	A314	8631283		Seal 200-4R Pump Slide (Rubber) 1981-90
METAL CLAD SEALS				
70013FM		8648394	65151	Seal 200 200C 200-4R Front Pump 1976-90
70349	A070	8648394	65151	Seal 200 200C 200-4R Front Pump 1976-90
70014FM		1243402	8850B	Seal 200 200C 200-4R Extension Housing (With Flange W/Out Boot) 1981-90
33002	E074	1243402	8850B	Seal 200 200C 200-4R Extension Housing (With Flange W/Out Boot) 1981-90
33003	E074	3932255	8850A	Seal 200-4R Extension Housing (W/Out Flange W/Out Boot) 1981-90
70050	E078	1240382	38511X	Seal 200 200C 200-4R Speedometer Shaft 1981-90
70000		8623056	38511	Seal 200 200C 200-4R Manual Control Shaft 1981-90
33000	E072	8623056	38511	Seal 200 200C 200-4R Manual Control Shaft 1981-90
OIL SEALING RINGS				
40460031	D/E191			Ring 200 200C 200-4R Accumulator 1976-90 [PTFE]
30106	D189	8633455	65309T	Ring 200 200C Governor 1976-87 [PTFE]
40460024	D199	8630568		Ring 200 200C Intermediate Servo Piston (Inner) 1.96in 1976-87 [PTFE]
30128	D199	8632149	65313T	Ring 200 200C Intermediate Servo Piston (Inner) 2.15in 1976-87 [PTFE]
30122	D199	8631473	65310T	Ring 200 200C Intermediate Servo Piston (Inner) 2.79in 1976-87 [PTFE]
30111	D198	8628697	65306T	Ring 200 200C Intermediate Servo Piston (Outer) 2.35in (Small) 1976-87 [PTFE]
41060021	D198	8630080		Ring 200 200C Intermediate Servo Piston (Outer) 2.53in (Small) 1976-87 [PTFE]
30104	A179	8628055	65300T	Ring 200 200C Stator 1976-87 [PTFE]
30113	D193	8630120	65179	Ring 200 200C 200-4R Intermediate Servo Pin 1976-90 [PTFE]
40460026	D199	8632150		Ring 200 200C 200-4R Intermediate Servo Piston (Inner) 2.28in 1976-90 [PTFE]
30129	D199	8632151	65314T	Ring 200 200C 200-4R Intermediate Servo Piston (Inner) 2.41in 1976-90 [PTFE]
TAW-716		8631473		Ring 200 200C Intermediate Servo Piston [Metal]
TAW-489	D198	8628124		Ring 200 200C 200-4R Intermediate Servo Piston (Outer) 2.67in (Small) 1976-90 [Metal]
30109	D198		65305T	Ring 200 200C 200-4R Intermediate Servo Piston (Outer) 2.67in (Small) 1976-90 [PTFE]
30110	D198	8628125	65307T	Ring 200 200C 200-4R Intermediate Servo Piston (Outer) 2.89in (Small) 1976-90 [PTFE]
40460019	D198	8628123		Ring 200 200C 200-4R Intermediate Servo Piston (Outer) (Large) 1976-90 [PTFE]
TAW-487	B/A177	8628090		Ring 200 200C 200-4R Turbine Shaft & Forward Drum Shaft 1976-90 [Metal]
30105	B/A177		65301T	Ring 200 200C 200-4R Turbine Shaft & Forward Drum Shaft (Scarf Cut) 1976-90 [PTFE]
40460018		8628275		Ring 200 200C 1-2 Accumulator Orange 1976-87 [PTFE]
30134	E191	8634390	65322T	Ring 200-4R 1-2 Accumulator 1981-90 [PTFE]
TAW-1043	B179	8634156		Ring 200-4R Direct Drum Support 1981-90 [Metal]
30112	E189	8632558	65309J	Ring 200-4R Governor 1981-90 [PTFE]
30135	A177	8634598	65301TS	Ring 200-4R Turbine Shaft (Solid) 1981-90 [PTFE]
TAW-1063		8634079		Ring 200-4R Slide to Wear Plate 1981-90 [Metal]
40460			K65903R	Ring Kit 200 200C 1976-87 (11 PTFE Rings)
6009				Ring Kit 200 200C 1976-87 (19 PTFE Rings)
6011				Ring Kit 200-4R 1981-90 (14 PTFE 3 Metal Rings)
FRICTION CLUTCH				
40420T	A/C106		65103	Friction 200 200C 200-4R Forward & Direct [0.078 THK] 1976-90
40424T	C/D114			Friction 200 200C 200-4R Low/Reverse [5.50 OD 0.078 THK] 1976-90
40720T	A100		65106	Friction 200-4R 4th [6.88 OD 36 Teeth 0.080 THK] 1981-90
40722T	B116		65107	Friction 200-4R Overrun [5.09 OD 40 Teeth 0.080 THK] 1981-90
40580R				Friction Module 200 200C 1976-87
40580T				Friction Module 200 200C 1976-87
40780R				Friction Module 200-4R 1981-90
40780T				Friction Module 200-4R 1981-90
STEEL CLUTCH				
33503	A/B/C126	8628484	65100	Steel 200 200C 200-4R Direct [4.34 ID 26 Teeth 0.090 THK] 1976-90
33503A	C/D134		65100X	Steel 200 200C 200-4R Direct [4.34 ID 26 Teeth 0.100 THK] (Oversize) 1976-90
33507	A/B/C126	8678902	65104	Steel 200 200C 200-4R Forward [4.33 ID 0.077 THK] (Flat) 1976-90
40423	A/B/C126	8678901	65105	Steel 200 200C 200-4R Forward [4.35 ID 0.060 THK] (Waved) 1976-90
33505	C/D134	8628224	65101	Steel 200 200C 200-4R Low/Reverse [4.60 ID 22 Teeth 0.076 THK] 1976-90
40721	A120	8634026	65109	Steel 200-4R 4th [5.835 ID 6 Teeth 0.080 THK] 1981-90
40723	B136	8634050	65112	Steel 200-4R Overrun [3.96 ID 36 Teeth 0.080 THK] 1981-90
41081				Steel Module 200 200C 1976-87
40781				Steel Module 200-4R 1981-90
FILTER				
33204	E010	8632949	65710A	Filter 200 Nylon L1979-87
33208	E010	8634223	65710B	Filter 200-4R 1981-90
33208G	E010	8657789	32710M	Filter 200-4R 1981-90 with Grommet

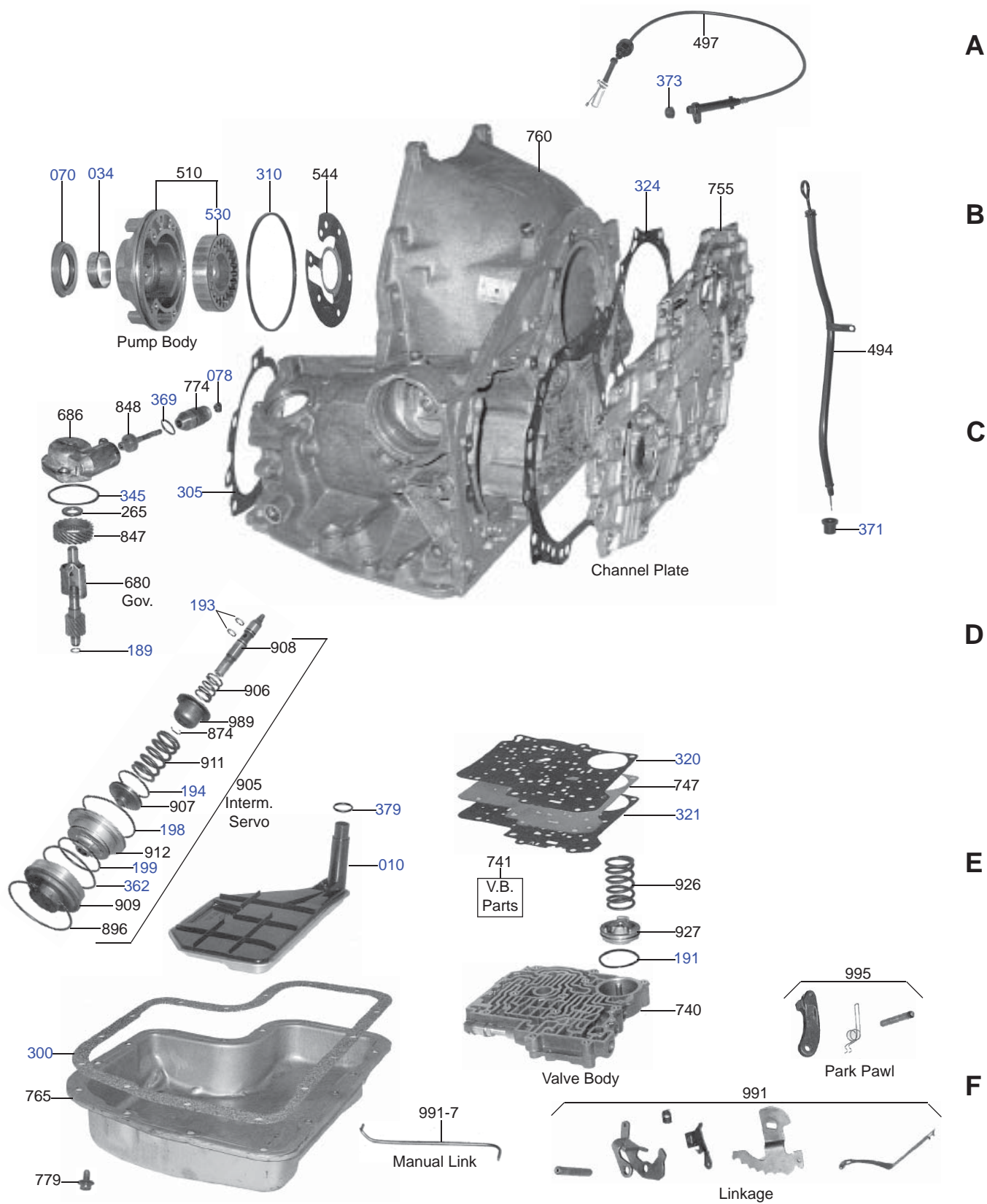
SAP #	IL#	OE	INDUSTRY	DESCRIPTION
FILTER KIT				
33264				Filter Kit 200 200C Nylon L1979-87 (With Cork & Rubber Pan Gasket)
33264A				Filter Kit 200 200C Nylon L1979-87 (With Fiber Pan Gasket)
33268				Filter Kit 200-4R 1981-90 (With Cork & Rubber Pan Gasket)
MISCELLANEOUS FILTERS				
41966	A016	8627509	34665	Filter 200-4R Pump Solenoid (Tapered) 1981-90
BANDS				
40490	A/B022	8657210	65700M	Band 200 200C 200-4R Flex (1.885in Wide) 1976-Up
BUSHINGS				
33319	A046	8628917	65001	Bushing 200 200C Direct Drum (Rear) [1.88 OD 0.506in Height] 1976-87 [Bronze]
40433	A046	8628918	65000	Bushing 200 200C Direct Drum (Front) (2.11 OD) 1976-87
40432	A037	8628916	65003	Bushing 200 200C Stator Support (Rear) 1976-87
41230	E066	6260048	8008	Bushing 200 200C 200-4R Extension Housing 1976-90 [Babbitt]
33300	E066		8008A	Bushing 200 200C 200-4R Extension Housing (Dimpled) 1976-90 [Bronze]
33320	B/C050	8630990	65012	Bushing 200 200C 200-4R Front Ring Gear 1976-90
40438	C044	8628929	65006	Bushing 200 200C 200-4R Low/Reverse Clutch Housing (Center Support) 1976-90
33321	A034		77005	Bushing 200 200C 200-4R Pump Body 1976-90 [Babbitt]
33321A	A034		77005	Bushing 200 200C 200-4R Pump Body 1976-90 [Bronze]
40434		8649963 8628913	77005S 65005S	Bushing 200 200C 200-4R Pump Body (1.8 OD) 1976-90 [Seal Sure]
40439	C/D058	8628947	65009	Bushing 200 200C 200-4R Rear Planet 1976-90
40437	B/C052	8628928	65008	Bushing 200 200C 200-4R Rear Sun Gear 1976-90
33317	A036	8628915	65002	Bushing 200 200C 200-4R Stator Support (Front) 1976-90
40734		8634907	65015	Bushing 200-4R Center Support Front (1.63 OD) (1.50 ID) 1981-90 [Bronze]
40732	B046	8634919	65013	Bushing 200-4R Direct Drum (Front) (2.28 OD) 1981-90 [Bronze]
40039	B042		75006	Bushing 200-4R Overdrive Planet 1981-90
40731	A039	8634908	65010	Bushing 200-4R Overrun Drum 1981-90
40430				Bushing Kit 200 200C 1976-87 (10 Bushings)
40930				Bushing Kit 200-4R 1981-90 (14 Bushings)
WASHER & BEARINGS				
40770B			K65907E	Bearing Kit 200-4R 1981-90
40771	B/C229	8628091	65401	Washer 200 200C 200-4R Direct Drum to Forward Drum 1976-90
40775	B/C268	8639294	65402C	Washer 200 200C 200-4R Forward Drum to Output Shaft .083in (# 4) 1976-90
40776	B/C268	8639295	65402D	Washer 200 200C 200-4R Forward Drum to Output Shaft .088in (# 5) 1976-90
40077	C/D251	8628188	65415	Washer 200 200C 200-4R Rear Planet to Rear Ring Gear 1976-90
40777	C/D242	8628182	65408	Thust Washer 200 200C 200-4R Carrier to Low Race 1976-87
40778	B/C244	8628766	65407A	Washer 200 200C 200-4R Shell to Low/Reverse Clutch Housing (0.060in) 1976-90 [Plastic]
40772	B226	8634157	65426	Washer 200-4R Direct Drum Support to Direct Drum 1981-90
40774	B223	8634146	65425	Washer 200-4R Overdrive Ring Gear to Direct Drum Support 1981-90
40770				Washer Kit 200-4R (W/Out Selectives) 1981-90 (8 Washers)
ELECTRICAL COMPONENTS				
SA-216	E444	8662395	84983	Connector 200C 200-4R Case (4 Prong) Square 1982-90
K77929U	E425		K77929U	Solenoid 200-4R TCC (Universal) 1981-90
HARD PARTS				
41382A	E848		31420	Gear 200 200C Speed-O Driven (34 Teeth) Green (With Plastic Shaft)
41385A	E848		31424	Gear 200 200C Speed-O Driven (38 Teeth) Blue (With Plastic Shaft)
41387A	E848		31430	Gear 200 200C Speed-O Driven (44 Teeth) Gray (With Plastic Shaft)
41387	E848		31409	Gear 200 200C Speed-O Driven (22 Teeth) Gray
41390	E774	25513247	35922	Housing 200 200C Speed-O 7/8in Steel (Use in Place of 7/8in Aluminum) 1976-Up
42295		8654491	77991	Retainer 200-4R Front Seal Lock 1981-90
40795			65917S	Shaft 200-4R Stator Tube 1981-90
40590		8628276	65795R	Spring 200 200C 1-2 Accumulator (Diesel) 1976-87
40890	D926	8628276	65799	Spring 200 200C 1-2 Accumulator (No Color) 1976-Up
40891	D926	8634391	77704 65795B	Spring 200 200C 1-2 Accumulator (Purple) 1976-Up
40893	D926	8657012	77703B	Spring 200-4R 1-2 Accumulator (White) 1981-Up
PUMP COMPONENTS				
42295		8654491	77991	Retainer 200-4R Front Seal Lock 1981-90
TAW-1072	A538	8678127		Ring 200-4R Pump Vane 1981-90 [Metal]
42297A	A539	12337830	65929A	Rotor Guide 200-4R Pump (10 Vane) 1981-90
40795			65917S	Shaft 200-4R Stator Tube 1981-90
VALVE BODY COMPONENTS				
27676P				Check Ball 200-4R Valve Body (0.250in Diameter) Plastic 1969-86
40799				Spring 200 200C 200-4R Throttle Valve (Anti-Stick) 1976-90

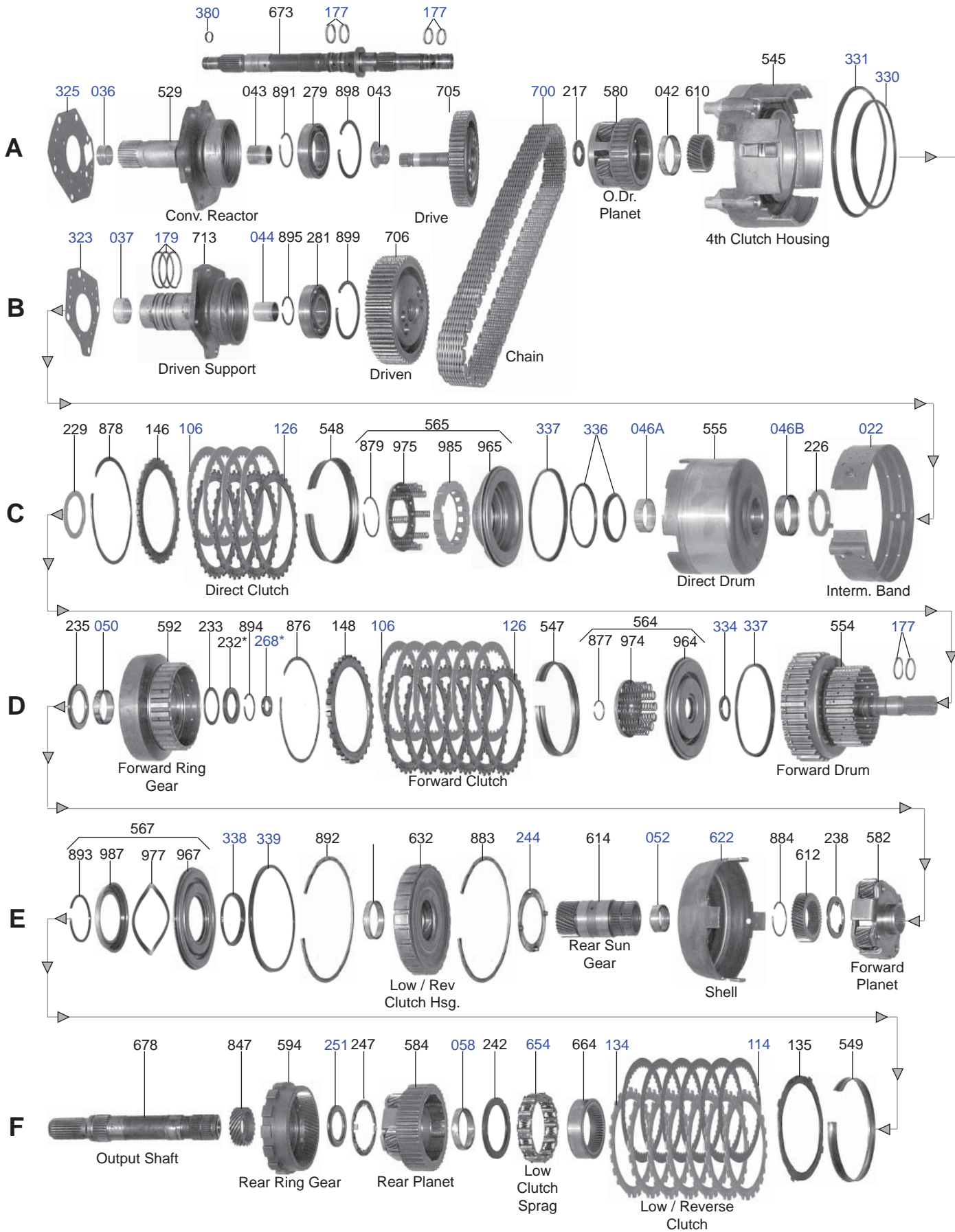
SAP #	IL#	OE	INDUSTRY	DESCRIPTION
PAPER & RUBBER KIT				
T44000				Paper & Rubber Kit 250 350 1969-79
TF44000				Paper & Rubber Kit 250 350 1969-79 (Fiber)
T44000B				Paper & Rubber Kit 250C 350C 1980-86
TF44000B				Paper & Rubber Kit 250C 350C 1980-86 (Fiber)
T44000D				Paper & Rubber Kit 250 250C 350 350C (Combo) 1969-86
TF44000D				Paper & Rubber Kit 250 250C 350 350C (Combo) 1969-86 (Fiber)
OVERHAUL KIT				
B44002				Overhaul Kit 250 350 1969-79[5M]
T44002				Overhaul Kit 250 350 1969-79[5M]
B44002A				Overhaul Kit 250 350 1969-79[9M]
T44002A				Overhaul Kit 250 350 1969-79[9M]
TF44002A				Overhaul Kit 250 350 1969-79 (Fiber) [9M]
B44002AA				Overhaul Kit 250 350 1969-79[5M 4T]
T44002AA				Overhaul Kit 250 350 1969-79[5M 4T]
B44002AB				Overhaul Kit 250 350 1969-79[10T]
T44002B				Overhaul Kit 250C 350C 1980-86[10T]
B44002C				Overhaul Kit 250C 350C 1980-86[5M 4T]
T44002C				Overhaul Kit 250C 350C 1980-86[5M 4T]
TF44002C				Overhaul Kit 250C 350C 1980-86 (Fiber) [5M 4T]
B44002D				Overhaul Kit 250 250C 350 350C (Combo) 1969-86 [5M 4T]
T44002D				Overhaul Kit 250 250C 350 350C (Combo) 1969-86 [5M 4T]
TF44002D				Overhaul Kit 250 250C 350 350C (Combo) 1969-86 (Fiber) [5M 4T]
MASTER L/STEEL KIT				
B44004A				Master L/Steel Kit 250 350 1969-79[9M]
B44004C				Master L/Steel Kit 250C 350C 1980-86[5M 4T]
B44004D				Master L/Steel Kit 250 250C 350 350C (Combo) 1969-86
T44004D				Master L/Steel Kit 250 250C 350 350C (Combo) 1969-86
MASTER W/STEEL KIT				
B44006A				Master W/Steel Kit 250 350 1969-79
B44006C				Master W/Steel Kit 250C 350C 1980-86
B44006D				Master W/Steel Kit 250 250C 350 350C (Combo) 1969-86
T44006D				Master W/Steel Kit 250 250C 350 350C (Combo) 1969-86
SUPER KIT				
B44008A				Super Overhaul 250 350 1969-79 [Includes Bushing Kit, Washer Kit, Band, Filter, Modulator]
B44008C				Super Overhaul 250C 350C 1980-86 [Includes Bushing Kit, Washer Kit, Band, Filter, Modulator]
B44008D				Super Overhaul 250 250C 350 350C (Combo) 1969-86 [Includes Bushing Kit, Washer Kit, Band, Filter, Modulator]
GASKET & RUBBER COMPONENTS				
41297005	6261235			Gasket 250 250C 350 350C Filter 1969-86
41209T	6261649	13500		Gasket 250 250C 350 350C Pan 1969-86 [Cork & Rubber]
41209U	6261649	13500		Gasket 250 250C 350 350C Pan 1969-86 [Ultracork]
41318	6261649	13500F		Gasket 250 250C 350 350C Pan 1969-86 [Fiber]
41211	8640671	13532		Gasket 250 250C 350 350C Pump Cover to Case 1969-86
41217	3884683	13268A		Gasket 250 250C 350 350C Pump Bolt Washer 1969-86
41497104	8641824			Gasket 250C 350C Solenoid 1981-86
41497003	330190			Gasket 250 350 Lower Valve Body 1969-79
41497001	330189			Gasket 250 350 Upper Valve Body 1969-79
41497004	8641421			Gasket 250C 350C Lower Valve Body 1980-86
41497002	8641470			Gasket 250C 350C Upper Valve Body 1980-86
1989005	1358899			Lathe Cut Seal 250 250C 350 350C Extension Housing 1969-86
1989004	1241734			Lathe Cut Seal 250 250C 350 350C Governor Cover 1969-86
1989001	3812830			Lathe Cut Seal 250 250C 350 350C Low Reverse Clutch (Inner) 1969-86
1989000	6261413	3877		Lathe Cut Seal 250 250C 350 350C Pump (white) 1969-86
1990003	6261055			Lip Seal 250 250C 350 350C Direct Clutch (Center) 1969-86
1990002	6261054			Lip Seal 250 250C 350 350C Direct Clutch (Outer) 1969-86
1990000	6261053			Lip Seal 250 250C 350 350C Forward & Direct Clutch (Inner) 1969-86
1990001	8623101	3643		Lip Seal 250 250C 350 350C Forward Clutch (Outer) 1969-86
1988053	8637772			Lip Seal 250 250C 350 350C Low Reverse Clutch (Center) 1969-86
1985021	3812831	3774		Lip Seal 250 250C 350 350C Low Reverse Clutch (Outer) 1969-86
1990004	6261079			Lip Seal 350 350C Intermediate Clutch (Inner) 1969-86
1990005	6261080			Lip Seal 350 350C Intermediate Clutch (Outer) 1969-86
1995132T13	6264904			O-Ring 250 250C 350 350C Speed-O Gear to Case Housing (1.7500D)(Black) 1969-86
1995115				O-Ring 250 250C 350 350C Modulator Speed-O Housing & Electrical Conn. 1969-86
1995222				O-Ring 250 250C 350 350C Output Shaft Yoke to Sleeve 1969-86
1995134	25501478			O-Ring 250 250C 350 350C Speed-O Housing (2.00 OD) (Dark Blue)
1994501	6264901			O-Ring 250 350 Detent Control Cable 1969-78
1994113	6264902			O-Ring 250 350 Filler Tube 1969-79
1993014	8630049			O-Ring 250C 350C Turbine Shaft (Pilot) 1980-86

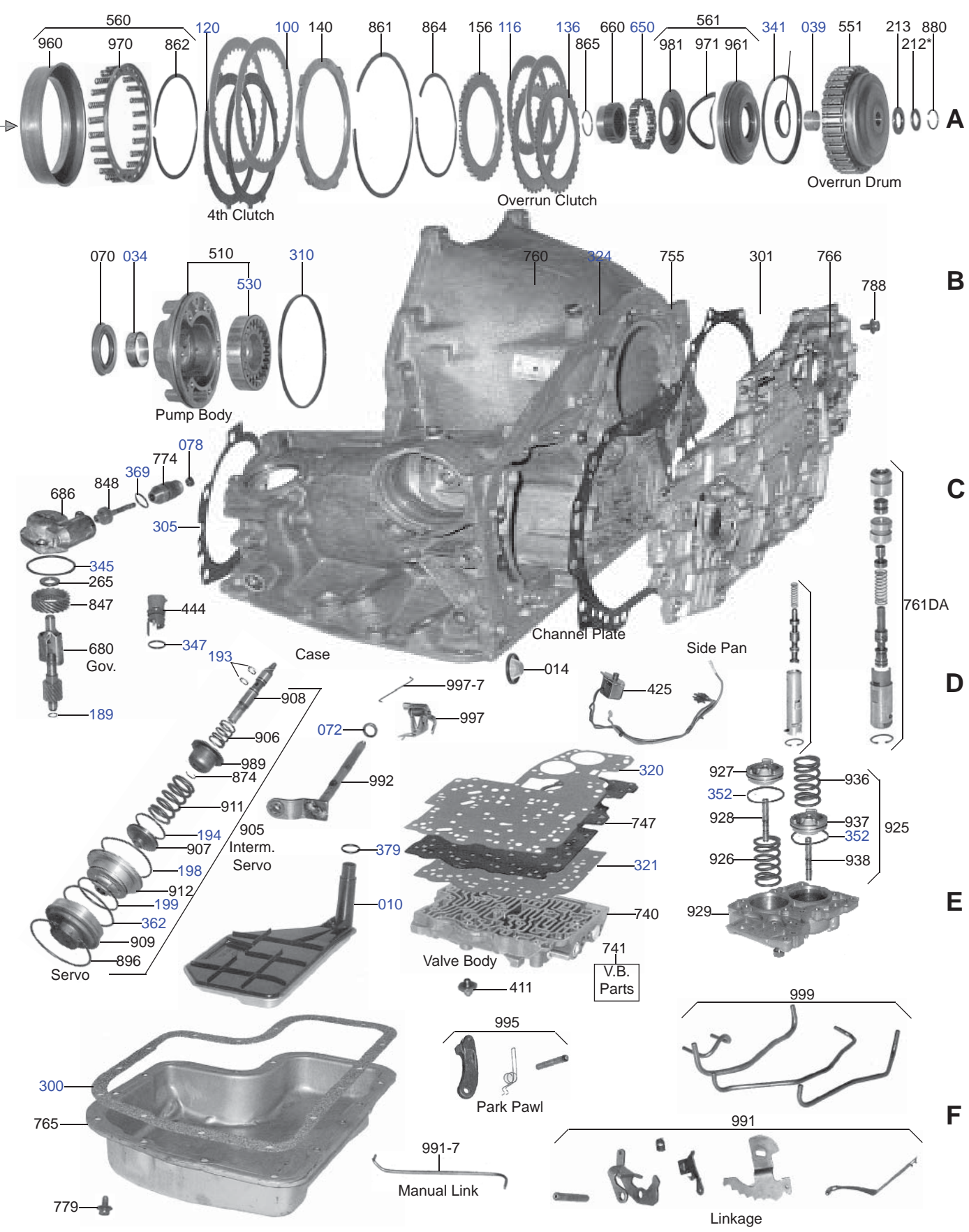
SAP #	IL#	OE	INDUSTRY	DESCRIPTION
GASKET & RUBBER COMPONENTS -- continued				
1994500		338926		O-Ring 350 350C Intermediate Accumulator Cover 1969-86
41275A		8642423	35712	Screen 250 250C 350 350C Governor 1969-86
41275		6261323	35711	Screen 250 250C 350 350C Pump 1969-86
41275001		1262475		Seal 250C 350C Detent Cable 1980-86
31683		1259475	3292	Seal 250C 350C Filler Tube Top Hat 1980-86
9016ESK				Seal Up Kit 350 350C 1969-86
8016ES				Seal Up Kit 250 250C 350 350C With Pan Gasket 1969-86
METAL CLAD SEALS				
70011FM		8641826	35151	Seal 250 250C 350 350C Front Pump 1969-86 [Vamac]
33001		8641826	35151	Seal 250 250C 350 350C Front Pump 1969-86 [Poly]
70014FM		1243402	8850B	Seal 250 250C 350 350C Extension Housing (W/Flange W/Out Boot) 1969-86
33002		1243402	8850B	Seal 250 250C 350 350C Extension Housing (W/Flange W/Out Boot) 1969-86
70050		1240382	38511X	Seal 250 250C 350 350C Speedometer Shaft (Rubber W/Out Spring) 1969-86
70000		8623056	38511	Seal 250 250C 350 350C Manual Lever Shaft 1969-86
OIL SEALING RINGS				
TAW-1083		6261746		Ring 250 250C 350 350C Stator Direct Clutch 1969-86 [Metal]
30015T		8640468		Ring 250 250C 350 350C Stator Direct Clutch 1969-86 [PTFE]
30014T		8640469		Ring 250 250C 350 350C Stator (Forward Clutch) 1969-86 [PTFE]
TAW-1082		6261570		Ring 250 250C 350 350C Stator (Front Pump Cover) 1969-86 [Metal]
TAW-371		6260370		Ring 350 Intermediate Servo 1974-79 [Metal]
30103		6260320	35305T	Ring 350 Direct Clutch Accumulator 1974-79 [PTFE]
TAW-1160		6261150		Ring 350 350C Direct Accumulator Piston [Metal]
TAW-54		6261138		Ring 350 350C Intermediate Accumulator Piston (Inner) 1969-86 [Metal]
30101		6260257	35302T	Ring 350 350C Intermediate Accumulator Piston (Inner) 1969-86 [PTFE]
TAW-1455		6260258		Ring 350 350C Intermediate Accumulator Piston (Outer) 1974-86 [Metal]
30102		6260258	35303T	Ring 350 350C Intermediate Clutch Accumulator (Outer) 1969-86 [PTFE]
30114		8640186	35307T	Ring 250C 350C 1977-81 Input Shaft [PTFE]
6145				Ring Kit 250 350 1969-86 (10 PTFE Rings)
6050				Ring Kit 250 250C 350 350C Short 1969-86 (5 Metal Rings) (Pump Rings Only)
6000				Ring Kit 350 350C Full 1969-86 (5 Metal & 4 PTFE)
6000OS				Ring Kit 350 350C Full 1969-86 (5 OS Metal & 4 PTFE)
6059				Ring Kit 350 350C Full 1969-86 (9 Metal Rings)
6098				Ring Kit 350 350C Full 1969-86 (9 PTFE Rings)
FRICTION CLUTCH				
41222T		6261278	35103	Friction 250 350 350C Forward & Direct [5.91 OD 20 Teeth 0.098 THK] 1969-86
41226R		8641512	18506	Friction 250 350 350C Low/Reverse [15 Teeth 0.098 THK] 1969-86
41226T		8641512	18506	Friction 250 350 350C Low/Reverse [15 Teeth 0.098 THK] 1969-86
41220T		8647522	35102	Friction 350 350C Intermediate [60 Teeth 0.098 THK] 1969-86
41370R				Friction Module 250 350 350C 1969-86
41370T				Friction Module 250 350 350C 1969-86
STEEL CLUTCH				
41223		6261071	35100	Steel 250 250C 350 350C Forward & Direct [6.16 ID 12 Teeth 0.067 THK] 1969-86
41223A			35100X	Steel 250 250C 350 350C Forward & Direct [6.15 ID 12 Teeth 0.090 THK] (Oversize) 1969-86
41225			35101	Steel 250 250C 350 350C Low/Reverse [5.72 ID 17 Teeth 0.068 THK] (Turbulator Holes) 1969-86
41221		8640672	35104	Steel 350 350C Intermediate [6.142 ID 7 Teeth 0.067 THK] 1969-86
41221A		8640672	35104X	Steel 350 350C Intermediate [6.142 ID 7 Teeth 0.089 THK] 1969-86
41371				Steel Module 250 350 350C 1969-86
FILTER				
33203		8640848	35710B	Filter 250 250C 350 350C Nylon 1969-86
41240		8638816	35710	Filter 250 250C 350 350C Brass 1969-86
33207		8641443	35710A	Filter 250 250C 350 350C Felt 1969-86
FILTER KIT				
33259				Filter Kit 250 250C 350 350C Brass 1969-86 (With Cork & Rubber Pan Gasket)
33263				Filter Kit 250 250C 350 350C Nylon 1969-86 (With Cork & Rubber Pan Gasket)
BANDS				
41290		6261132	35700	Band 350 350C Intermediate 1.00 Wide 1969-86
BUSHINGS				
33303		8641073	34002	Bushing 250C 350C Stator Front 1980-86 [Bronze]
33315		8641118	35012A	Bushing 250 250C 350 350C Case to Shaft 1969-86 [Bronze]
33313			35000	Bushing 250 250C 350 350C Direct Drum (Babbit Narrow) 1969-86
33313A		8640099	35000A	Bushing 250 250C 350 350C Direct Drum (Narrow) 1969-86 [Bronze]
33313B			35000B	Bushing 250 250C 350 350C Direct Drum (Wide No Oil Groove) 1969-86 [Bronze]
41230		6260048	8008	Bushing 250 250C 350 350C Extension Housing 1969-90 [Babbit]
33300		3717682	8008A	Bushing 250 250C 350 350C Extension Housing (Dimpled) 1969-86 [Bronze]
41235			30104A	Bushing 250 250C 350 350C Governor Bore 1969-86 [Bronze]
33314			35006	Bushing 250 250C 350 350C Input Ring Gear [1.873 OD 0.31in Height] 1969-86 [Bronze]
33305		3789034	8004D	Bushing 250 250C 350 350C Output Shaft 1969-86 [Bronze]
41236		8641058	8004P	Bushing 250 250C 350 350C Output Shaft Pilot 1969-86 [Plastic]
41232		6261022	35003	Bushing 250 250C 350 350C Stator (Rear) Bronze 1969-86

SAP #	IL#	OE	INDUSTRY	DESCRIPTION
BUSHINGS -- continued				
33312		6261033	35009	Bushing 250 250C 350 350C Sun Gear & Rear Planet Carrier [1.233 OD 0.377in Height] 1969-86 [Bronze]
33318		8623940	8005	Bushing 250 250C 350 350C Pump Body 1969-86 [Babbit]
42237		1381366	35007A	Bushing 250 350 Stator Front (30 Spline) 1969-Up
41260				Bushing Kit 250 350 1969-86 (12 Bushings)
41261				Bushing Kit 250C 350C 1980-86 (12 Bushings)
41262				Bushing Kit TH350 1969-77 (9 Bushings)
WASHER & BEARINGS				
41273			35404W	Shim 250 250C 350 350C Output Ring Gear Front 3 tabs .030 (# 3) 1969-86
41272			35412	Shim 250 250C 350 350C Stator .010 (# 1) 1969-86
41278		6261027	35405	Washer 250 250C 350 350C Forward Clutch to Input Ring Gear (Metal) 1969-86
41277		6260374	35403	Washer 250 250C 350 350C Input Ring Gear Rear 4 Tabs 1969-86
41276		6261124	35402	Washer 250 250C 350 350C Output Ring Gear Front 3 tabs 1969-86
42276		8642331	35406A	Washer Thrust 250 250C 350 350C Race to Reaction - 4 Flat Tabs [3.18 OD 0.049in THK] 1969-86 [Plastic]
41269		6261013	35400	Washer 250 250C 350 350C Stator .083 (# 2) 1969-86
41271		6261014	35400A	Washer 250 250C 350 350C Stator .100 (# 3) 1969-86
41279		6261184	35406	Washer 250 250C 350 350C Sun Shell to Inner Race 4 tabs 1969-86
41270				Washer Kit 250C 350C 1969-86 (7 Washers)
ELECTRICAL COMPONENTS				
77983		8634383	77983	Connector 250C 350C Case (3 Prong) 1980-86
SA-216		8662395	84983	Connector 350C Case (4 Prong) Square
HARD PARTS				
41284		8641422	K35201E	Pump Gear Set 250C 350C (.841 THK) 1980-86
41285		8641426	K35201F	Pump Gear Set 250C 350C (.843 THK) 1980-86
41286		8641429	K35201G	Pump Gear Set 250C 350C (.845 THK) 1980-86
41299			35350	Case Saver 250 250C 350 350C (1 Piece Type) 1969-86
27676P				Check Ball 250 250C 350 350C Valve Body (0.250in diameter) 1969-86 [Plastic]
27676S		6261179	13924A	Check Ball 250 250C 350 350C Valve Body (0.250in Diameter) 1969-86 [Steel]
41387			31409	Gear 250 250C 350 350C Driven Speedometer (22 Teeth) Gray
41388B		1359273	31425	Gear 250 250C 350 350C Driven Speedometer (39 Teeth) (Brown)
41383			35227B	Gear 350 Speed-O Drive (8 Teeth) Black (5/16in Slot)
41287		6261660	K35411	Gear Kit 250 250C 350 350C Governor 1969-86
41390		345215	35922	Speed-O Housing 250 250C 350 350C (Bullet Type) 1970-86 [7/8in Steel]
MODULATORS				
41245		3035519	35820R	Modulator 250 250C 350 350C Red Stripe 1964-86







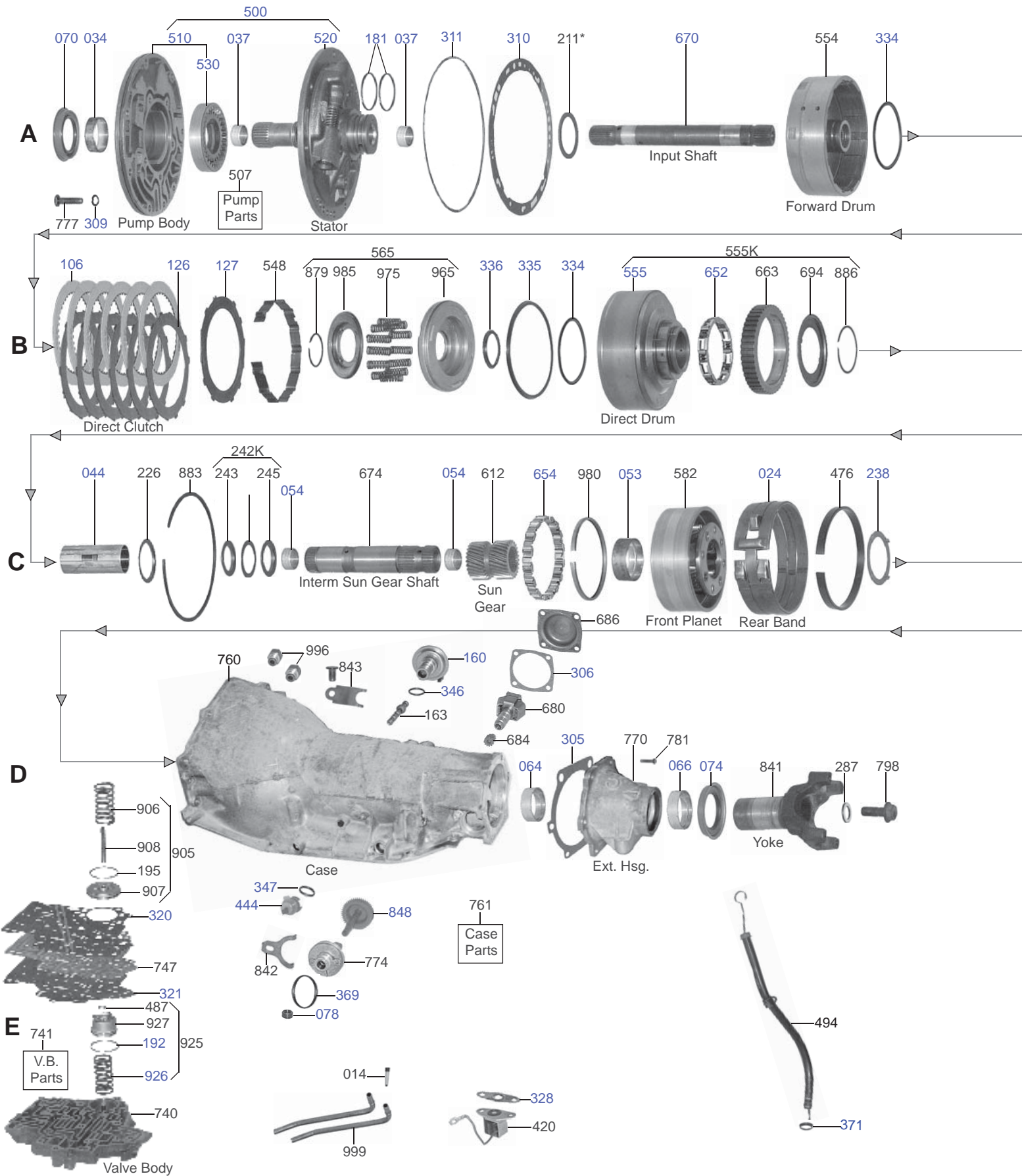


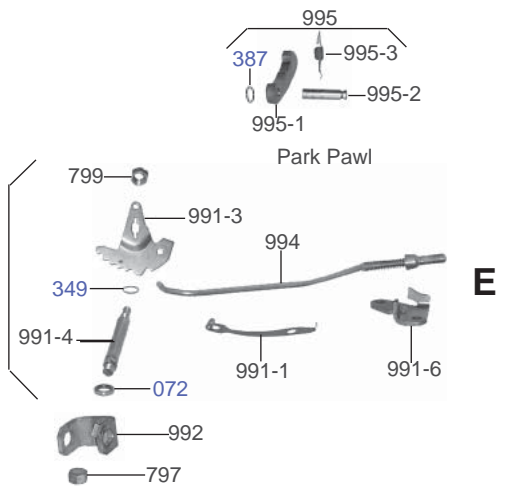
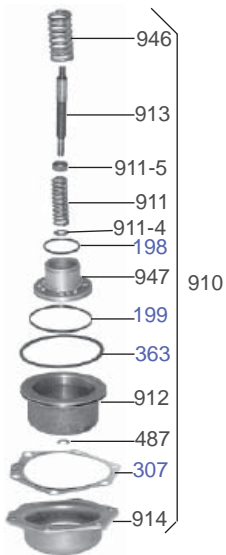
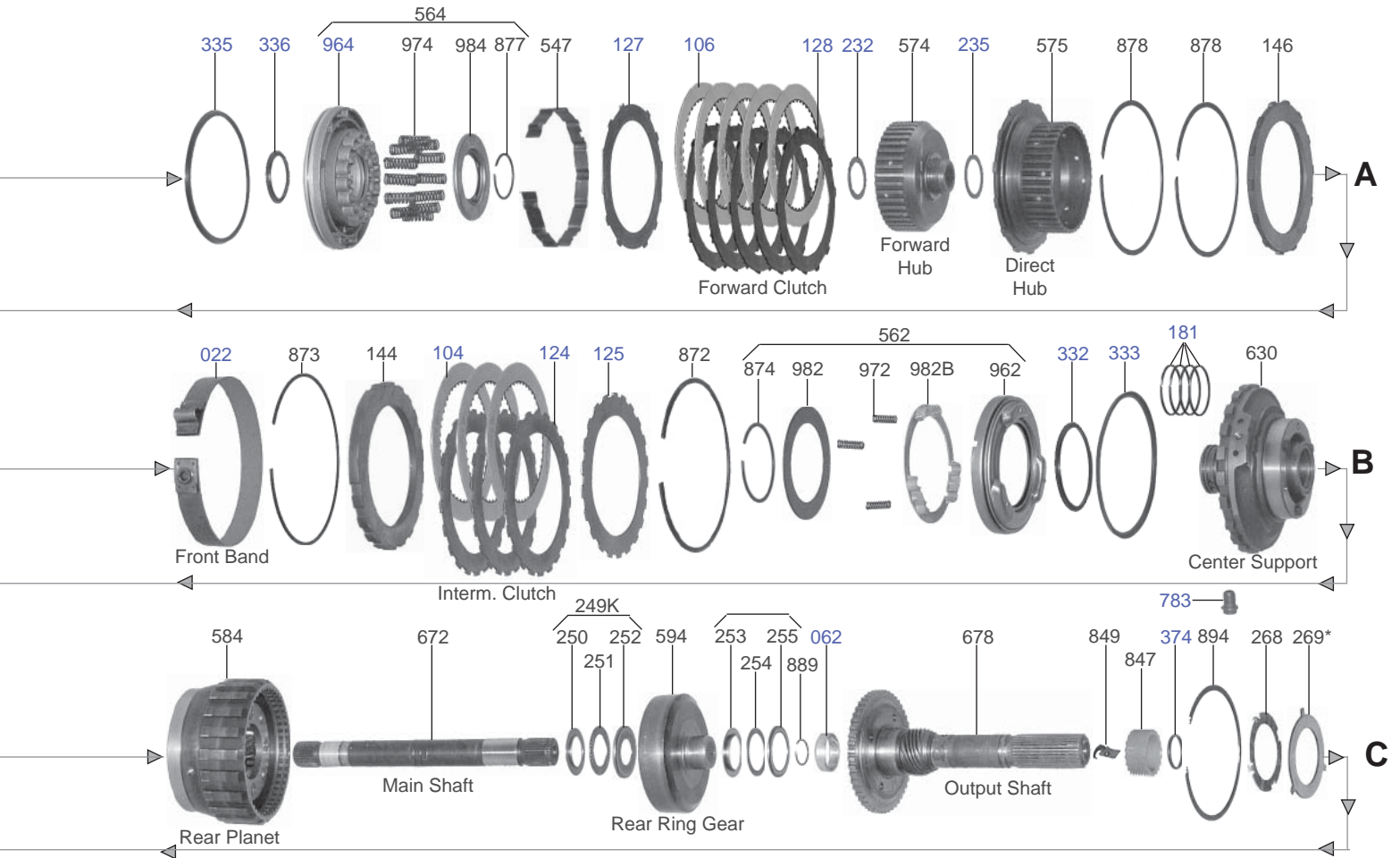
SAP #	IL#	OE	INDUSTRY	DESCRIPTION
PAPER & RUBBER KIT				
T54000C				Paper & Rubber Kit 325 1979-81
T54000D				Paper & Rubber Kit 325-4L 1982-85
OVERHAUL KIT				
T54002C				Overhaul Kit 325 1979-81
T54002D				Overhaul Kit 325-4L 1982-85
GASKET & RUBBER COMPONENTS				
42275004	25518260			Boot 325-4L Detent 1982-85
31683	1259475	3292		Boot 325-4L Filler Tube 1982-85
40075063	8631577	65167		Cup Plug Seal 325 325-4L Low/Reverse Clutch Housing 1979-85
41009T	8635014	65501		Gasket 325 325-4L Pan 1979-85 [Cork & Rubber]
41018	8635884	65501F		Gasket 325 325-4L Pan 1979-85 [Fiber]
41017	B90557			Gasket 325 325-4L Pan1979-85 (Felpro™)
41009AT	8632032	65169		Gasket 325 Sprocket Cover 1979-81 [Cork & Rubber]
41028		65169F		Gasket 325 Sprocket Cover 1979-81 [Fiber]
41109	8635154	65169A		Gasket 325-4L Sprocket Cover 1982-85 [Cork & Rubber]
41097053	8632019	65164		Gasket 325 Case Cover 1979-81
41197054	8635025 8635013	65164A		Gasket 325-4L Case Cover 1982-85
41097056	8632013	65166		Gasket 325 Driven Sprocket Support to Case Cover 1979-81
41097050	8632832	65172		Gasket 325 Valve Body Spacer Plate to Case (Lower) 1979-81
41197051	8639857 8635084	65172A		Gasket 325-4L Valve Body Space Plate to Case (Lower) 1982-85
41097048	8632831	65173		Gasket 325 Valve Body Spacer Plate to Case (Upper) 1979-81
41197049	8659032 8639856	65173A		Gasket 325-4L Valve Body Space Plate to Case (Upper) 1982-85
41197055	1627494	65171		Gasket 325 325-4L Final Drive to Case 1979-85
41197052	8635093	65172B		Gasket 325-4L Accumulator 1982-85
41197057	8635039			Gasket 325-4L Drive Sprocket Support to Case Cover 1982-85
41097047	8632018	65165		Gasket 325-4L Driven Sprocket Support to Case Cover 1982-85
1985000	8635568	65128		Lathe Cut Seal 325-4L 1-2 & 3-4 Accumulator 1982-85
1990044	8630295	65561		Lip Seal 325 325-4L Direct Clutch Piston (Center) 1979-85
1990043	8628079	65562		Lip Seal 325 325-4L Direct Clutch Piston (Inner) 1979-85
1990045	8628078			Lip Seal 325 325-4L Forward & Direct Clutch Piston (Outer) 1979-85
1990046	8630102	65564		Lip Seal 325 325-4L Forward Clutch Piston (Inner Small) 1979-85
1990047	8628246	65556		Lip Seal 325 325-4L Low/Reverse Clutch Piston (Inner) 1979-85
1990048	8628364	65565		Lip Seal 325 325-4L Low/Reverse Clutch Piston (Outer) 1979-85
1990049	8635662	65575		Lip Seal 325-4L 4th Clutch (Outer Drum) Position Inner Lip Seal 1982-85
1990041	8634054	65573		Lip Seal 325-4L Overrun Clutch Piston (Inner) 1982-85
1990042	8634053	65572		Lip Seal 325-4L Overrun Clutch Piston (Outer) 1982-85
1995015	358424			O-Ring 325 Detent 1979-81
1994113	6255641 6264902			O-Ring 325 Filler Tube 1979-81
1995115	6264903			O-Ring 325 325-4L Filter 1979-85
1995115	6264903	3410		O-Ring 325 325-4L Filter Speedometer Housing Case Connector 1979-85
1988002	8660545			O-Ring 325 325-4L Governor Cover 1979-85
1989008	8625007			O-Ring 325 325-4L Pump 1979-85
1994506	8628136	3256		O-Ring 325 325-4L Servo Cover 1979-85
1995117	8622076			O-Ring 325 325-4L Speed-O Housing 1979-85
1995115	6264903			O-Ring 325-4L Case Connector 1979-85
1993014	8630049	13503		O-Ring 325-4L Input Shaft 1982-85
1990006	1240382			Seal 325 325-4L Speedometer Shaft W/Out Spring 1979-85
6021				Seal Up Kit 325-4L Servo 1982-85
METAL CLAD SEALS				
70011FM	8641826	35151		Seal 325 Front Pump 1979-81 [Vamac]
33001	8641826	35151		Seal 325 Front Pump 1979-81 [Poly]
70013FM	8648394	65151		Seal 325-4L Front Pump 1982-85
70349	8648394	65151		Seal 325-4L Front Pump 1982-85
70000	8623056	38511		Seal 325 325-4L Manual Lever 1979-85
OIL SEALING RINGS				
40460031	8634161			Ring 325 Accumulator 1979-81 [PTFE]
30113	8630120	65179		Ring 325 325-4L Band Apply Pin 1979-85 [PTFE]
30104	8628055	65300T		Ring 325 325-4L Driven Sprocket Support 1979-85 [PTFE]
TAW-487	8628090			Ring 325 325-4L Forward Drum Shaft 1979-85 [Metal]
30105		65301T		Ring 325 325-4L Forward Drum Shaft (Scarf Cut) 1979-85 [PTFE]
30135	8634598	65301TS		Ring 325 325-4L Forward Drum Shaft (Solid) 1979-85 [PTFE]
30112	8632588	65309J		Ring 325 325-4L Governor Stem 1979-85 [PTFE]
40460024	8630568			Ring 325 325-4L Intermediate Servo Piston (Inner) 1.96 1979-85 [Metal]
40460026	8632150			Ring 325 325-4L Intermediate Servo Piston (Inner) 2.28 1979-85 [Metal]
30129	8632151	65314T		Ring 325 325-4L Intermediate Servo Piston (Inner) 2.41 1979-85 [PTFE]
TAW-489	8628124			Ring 325 325-4L Intermediate Servo Piston (Outer) 2.67 1979-85 [Metal]

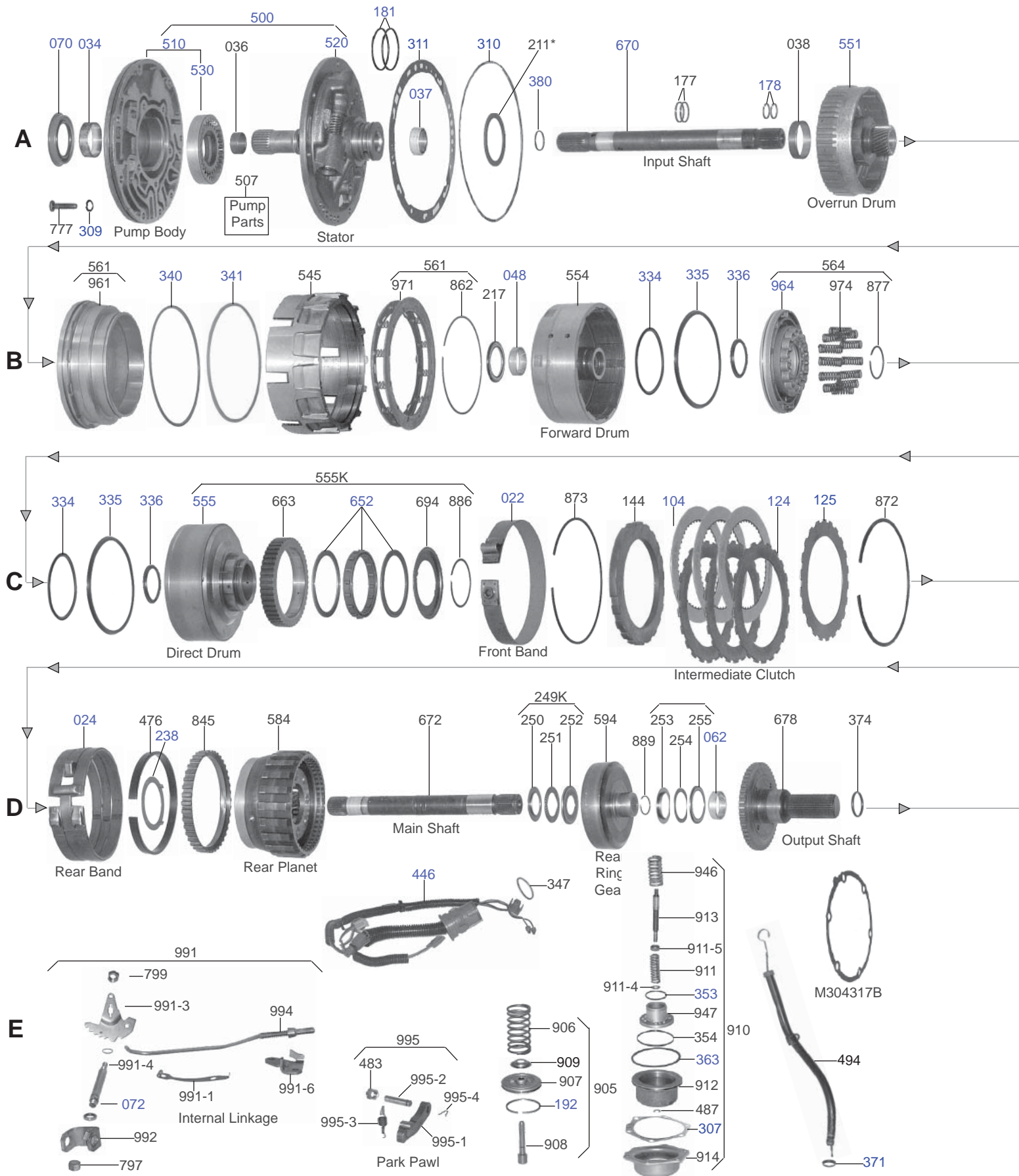
SAP #	IL#	OE	INDUSTRY	DESCRIPTION
OIL SEALING RINGS -- continued				
30109			65305T	Ring 325 325-4L Intermediate Servo Piston (Outer) (2.67 OD) 1979-85 [PTFE]
30110		8628125	65307T	Ring 325 325-4L Intermediate Servo Piston (Outer) (2.89 OD) 1979-85 [PTFE]
TAW-488		8628123		Ring 325 325-4L Intermediate Servo Piston (Outer) (Large) 1979-85 [Metal]
40460019				Ring 325 325-4L Intermediate Servo Piston (Outer) (Large) 1979-85 [PTFE]
30137		8635046	65346T	Ring 325-4L Sprocket Support 1982-85 [PTFE]
40460031				Ring 325-4L Accumulator 1982-85 [PTFE]
30141		8635043	65315T	Ring 325-4L Turbine Shaft (Front) (Scarf Cut) 1982-85 [PTFE]
41160035		8635497		Ring 325-4L Turbine Shaft (Front) (Solid) 1982-85 [PTFE]
30138		8635042	65317T	Ring 325-4L Turbine Shaft (Rear) 1982-85 [PTFE]
6010				Ring Kit 325 1979-81 (1 Metal 14 PTFE Rings)
6012				Ring Kit 325-4L 1982-85 (18 PTFE Rings)
FRICITION CLUTCH				
40420T		8657168	65103	Friction 325 325-4L Forward & Direct [0.078 THK] 1979-85
40424T		8669069	65102	Friction 325 325-4L Low/Reverse [5.50 OD 0.078 THK] 1979-85
40580R				Friction Module 325 1979-81
534				Friction Module 325-4L 1982-85
STEEL CLUTCH				
33503		8628484	65100	Steel 325 325-4L Direct [4.34 ID 26 Teeth 0.090 THK] 1979-85
40423		8678901	65105	Steel 325 325-4L Forward [4.35 ID 0.060 THK] (Waved) 1979-85
33507		8678902	65104	Steel 325 325-4L Forward [4.33 ID 0.077 THK] (Flat) 1979-85
33505		8628224	65101	Steel 325 325-4L Low/Reverse [4.60 ID 0.076 THK] 1979-85
33503A			65100X	Steel 325 325-4L Low/Reverse [4.34 ID 26 Teeth 0.092 THK] (Oversize) 1979-85
40721		8634026	65109	Steel 325-4L Overdrive (4th) [0.080 THK] 1982-85
40723		8634050	65112	Steel 325-4L Overrun [3.96 ID 36 Teeth 0.080 THK] 1982-85
FILTER				
41040		8632997	65710J	Filter 325 1979-81
BANDS				
40490		8657210	65700M	Band 325 325-4L Flex 1979-85
BUSHINGS				
33316		8629961	8005A	Bushing 325 Pump Body 1979-81 [Bronze]
40433		8628918	65000	Bushing 325 325-4L Direct Drum (Large) (2.110 OD) 1979-85
33320		8630990	65012	Bushing 325 325-4L Forward Ring Gear 1979-85
40438		8628929	65006	Bushing 325 325-4L Low/Reverse Clutch Housing (Center Support) 1976-90
40439		8628947	65009	Bushing 325 325-4L Rear Planet 1979-85
40437		8628928	65008	Bushing 325 325-4L Rear Sun Gear 1979-85
33317		8628915	65002	Bushing 325-4L Converter Reactor (Stator) 1982-85
40432		8628916	65003	Bushing 325-4L Driven Sprocket Support 1982-85
40039			75006	Bushing 325-4L Overdrive Planet 1982-85
40731		8634908	65010	Bushing 325-4L Overrun Drum 1982-85
WASHER & BEARINGS				
40775		8639294	65402C	Washer 325 325-4L Forward Drum to Input Shaft 0.083 (# 4) (Green) 1979-85 [Plastic]
40776		8639295	65402D	Washer 325 325-4L Forward Drum to Input Shaft 0.088 (# 5) (Red) 1979-85 [Plastic]
40077		8628188	65415	Washer 325 325-4L Rear Planet to Rear Ring Gear 1979-85
40778		8628766	65407A	Washer 325 325-4L Shell to Low/Reverse Clutch Housing (0.060in) 1979-85 [Plastic]
HARD PARTS				
41282			K35201B	Pump Gear Set 325 (0.727in) 1979-81

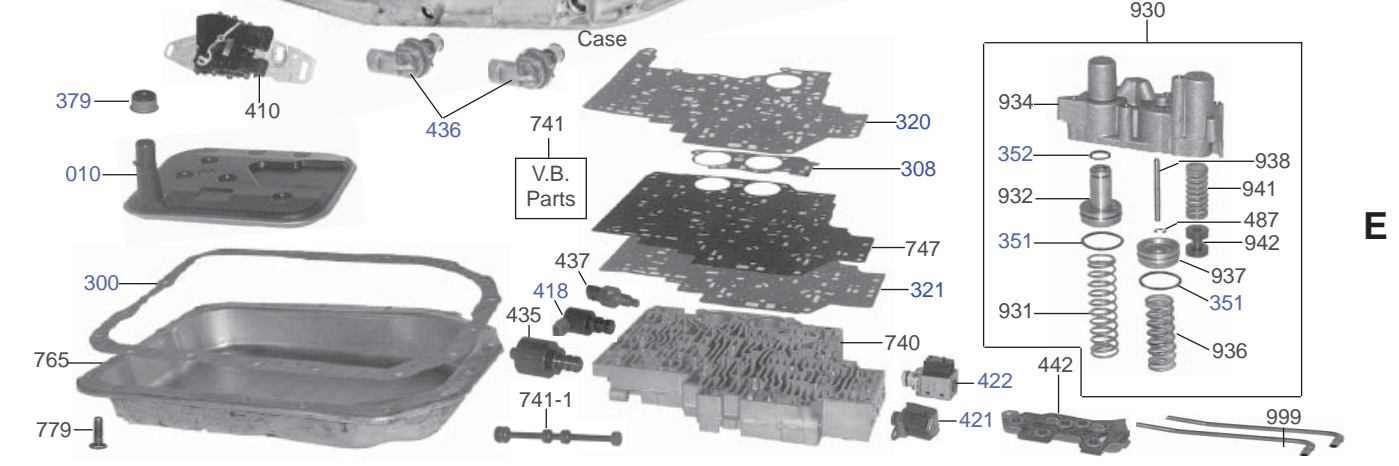
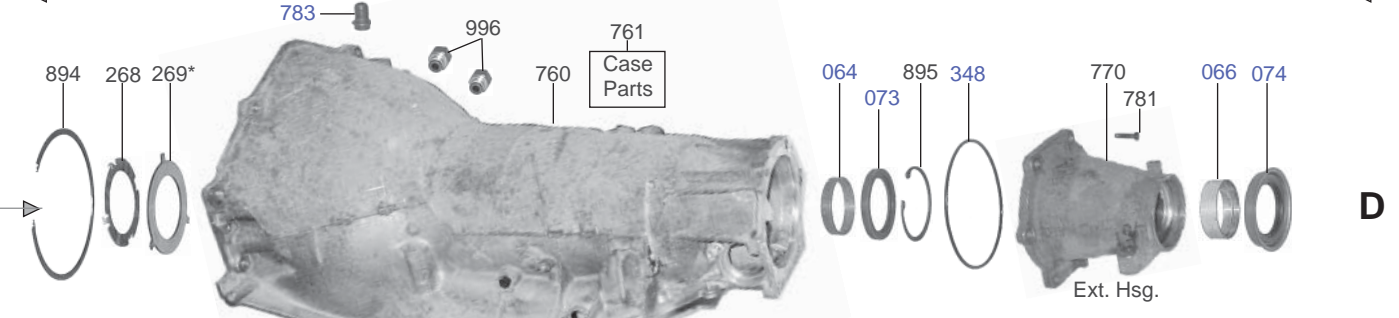
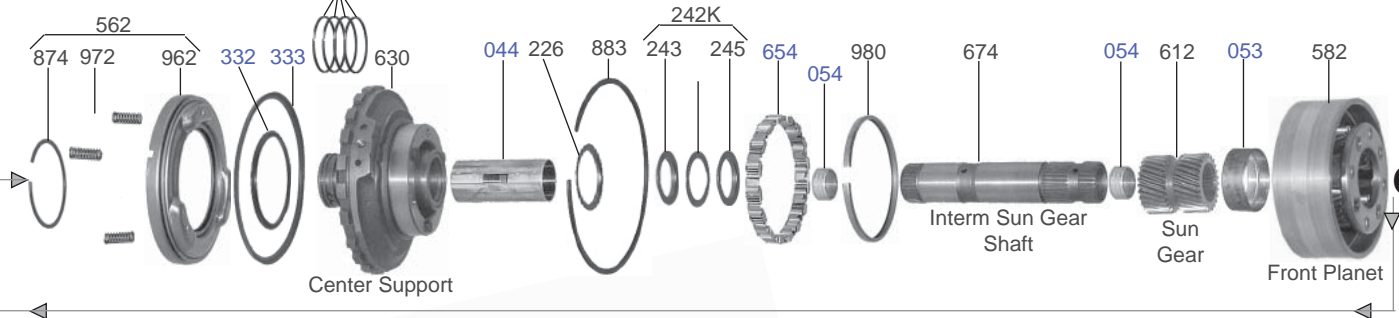
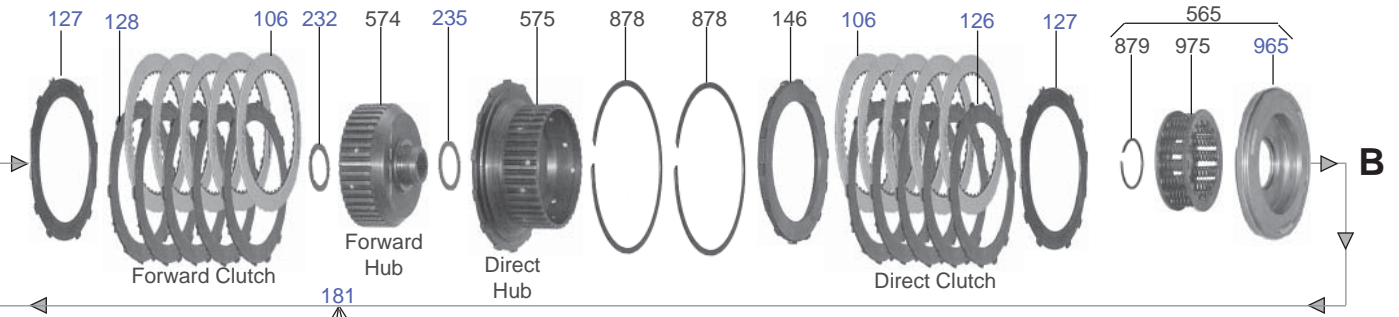
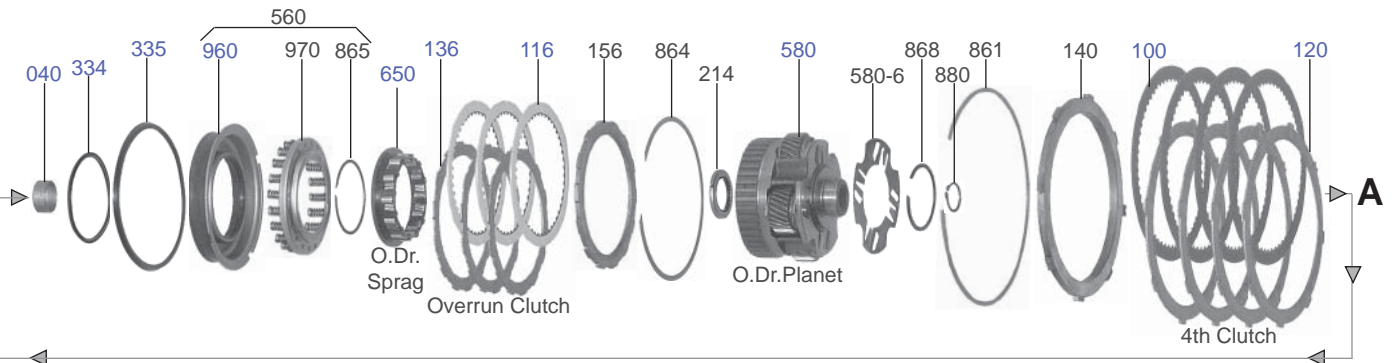
400 (3L80)

RWD 3 Speed









SAP #	IL#	OE	INDUSTRY	DESCRIPTION
PAPER & RUBBER KIT				
T34000				Paper & Rubber Kit 400 1965-Up
TF34000				Paper & Rubber Kit 400 1965-Up (Fiber)
T34000E				Paper & Rubber Kit 4L80E 1991-Up
TF34000E				Paper & Rubber Kit 4L80E 1991-Up (Fiber)
OVERHAUL KIT				
B34002				Overhaul Kit 400 1965-Up[6M]
T34002				Overhaul Kit 400 1965-Up[6M]
TF34002				Overhaul Kit 400 1965-Up (Fiber)[6M]
B34002A				Overhaul Kit 400 1965-Up[10M]
T34002A				Overhaul Kit 400 1965-Up[10M]
TF34002A				Overhaul Kit 400 1965-Up (Fiber)[10M]
T34002AA				Overhaul Kit 400 1965-Up[6M 4T]
B34002AB				Overhaul Kit 400 1965-Up (All PTFE Rings)
B34002E				Overhaul Kit 4L80E 4L85E 1991-Up[13T]
T34002E				Overhaul Kit 4L80E 4L85E 1991-Up[7T 6P]
TF34002E				Overhaul Kit 4L80E 4L85E 1991-Up (Fiber)[7T 6P]
T34002EX				Overhaul Kit 4L80E 4L85E 1991-Up (W/Out Pan Gasket)[7T 6P]
T34002EXP				Overhaul Kit 4L80E 4L85E (With Pistons) 1991-Up (W/Out Pan Gasket)[7T 6P]
T34002G				Overhaul Kit 425 1966-78[11M 1T]
MASTER L/STEEL KIT				
B34004				Master L/Steel Kit 400 1965-Up[6M]
B34004A				Master L/Steel Kit 400 1965-Up[10M]
T34004A				Master L/Steel Kit 400 1965-Up[10M]
B34004E				Master L/Steel Kit 4L80E 1991-96[13T]
T34004EX				Master L/Steel Kit 4L80E 1991-96 (W/Out Pan Gasket) [7T 6P]
T34004EAXP				Master L/Steel Kit 4L80E (With Pistons) 1997-Up (W/Out Pan Gasket) [7T 6P]
TF34004EA				Master L/Steel Kit 4L80E 1997-Up
MASTER W/STEEL KIT				
B34006A				Master W/Steel Kit 400 1965-Up
B34006E				Master W/Steel Kit 4L80E 1991-96
TF34006EA				Master W/Steel Kit 4L80E 1997-Up
SUPER KIT				
B34008A				Super Kit 400 1965-Up [Includes Bushing Kit, Washer Kit, Band, Filter, Modulator]
B34008E				Super Kit 4L80E 1991-96 [Includes Bushing Kit, Band, Filter]
T34008EX				Super Kit 4L80E 1991-96 (W/Out Pan Gasket) [Includes Bushing Kit, Band, Filter]
GASKET & RUBBER COMPONENTS				
31683	1259475	3292		Boot 400 4L80E Filler Tube 1980-Up
41975011	8656613			Boot 4L80E Filter Neck 1991-Up
41509T	8655625	3893		Gasket 400 Pan 1964-Up [Cork & Rubber]
41509U	8655625	3893		Gasket 400 Pan 1964-Up [Ultracork]
41518	8655625	3893F		Gasket 400 Pan 1964-Up [Fiber]
41509AT	8626932	13270		Gasket 425 Pan 1964-78 [Cork & Rubber]
41517A	8626932	13270		Gasket 425 Pan 1966-79 [Felpro]
41518A	8626932	13270F		Gasket 425 Pan 1966-79 [Fiber]
41709T	8677743	3893G		Gasket 4L80E Pan 1992-Up [Cork & Rubber]
41709U	8677743	3893G		Gasket 4L80E Pan 1992-Up [Ultracork]
41718		3893GF		Gasket 4L80E Pan 1992-Up [Fiber]
41796232	8677743	3893E		Gasket 4L80E Pan 1992-Up 1991-Up [Molded Rubber]
41697010	8623563			Gasket 400 Case to Spacer Plate (6 Check Ball Type) 1965-90
41697011	8670458			Gasket 400 Case to Spacer Plate (7 Check Ball Type) 1987-Up
41697007	8624709			Gasket 400 Extension Housing 1964-Up
41696081	8623263	3914		Gasket 400 Governor Cover 1964-Up
41510	8623978	3994		Gasket 400 Front Pump to Case 1964-Up
41696005	8623174	3916		Gasket 400 Rear (Reverse) Servo Cover 1964-Up [Metal]
41697009	8670447	3992A		Gasket 400 Valve Body (Lower) to Spacer Plate 1965-Up
41696006	8623741	3913		Gasket 400 Valve Body Detent Solenoid 1964-Up
41509BT	8625031	13269		Gasket 425 Sprocket Cover 1966-78 [Cork & Rubber]
41518B	8625031	13269F		Gasket 425 Sprocket Cover 1966-79 [Fiber]
41697150	8625203			Gasket 425 Case to Spacer Plate 1966-78
41697146	8625017			Gasket 425 Drive Gear Support
416979148	8625016			Gasket 425 Driven Gear Support
41697149	389948	13303		Gasket 425 Final Drive to Case 1966-78
41697147	8625018			Gasket 425 Pump 1966-78
41696006	8625086			Gasket 425 Solenoid to Case 1966-78
41697145	8625085	3913A		Gasket 425 Valve Body Detent Solenoid 1968-78
41697151	8625205	13276		Gasket 425 Valve Body (Lower) 1966-78
41797224	8661829	3993E		Gasket 4L80E Accumulator Cover 1991-Up
41797223	8677782	3994E		Gasket 4L80E Pump Cover to Case 1991-Up
41796009	8675728	3916E		Gasket 4L80E Rear Servo Cover 1991-Up

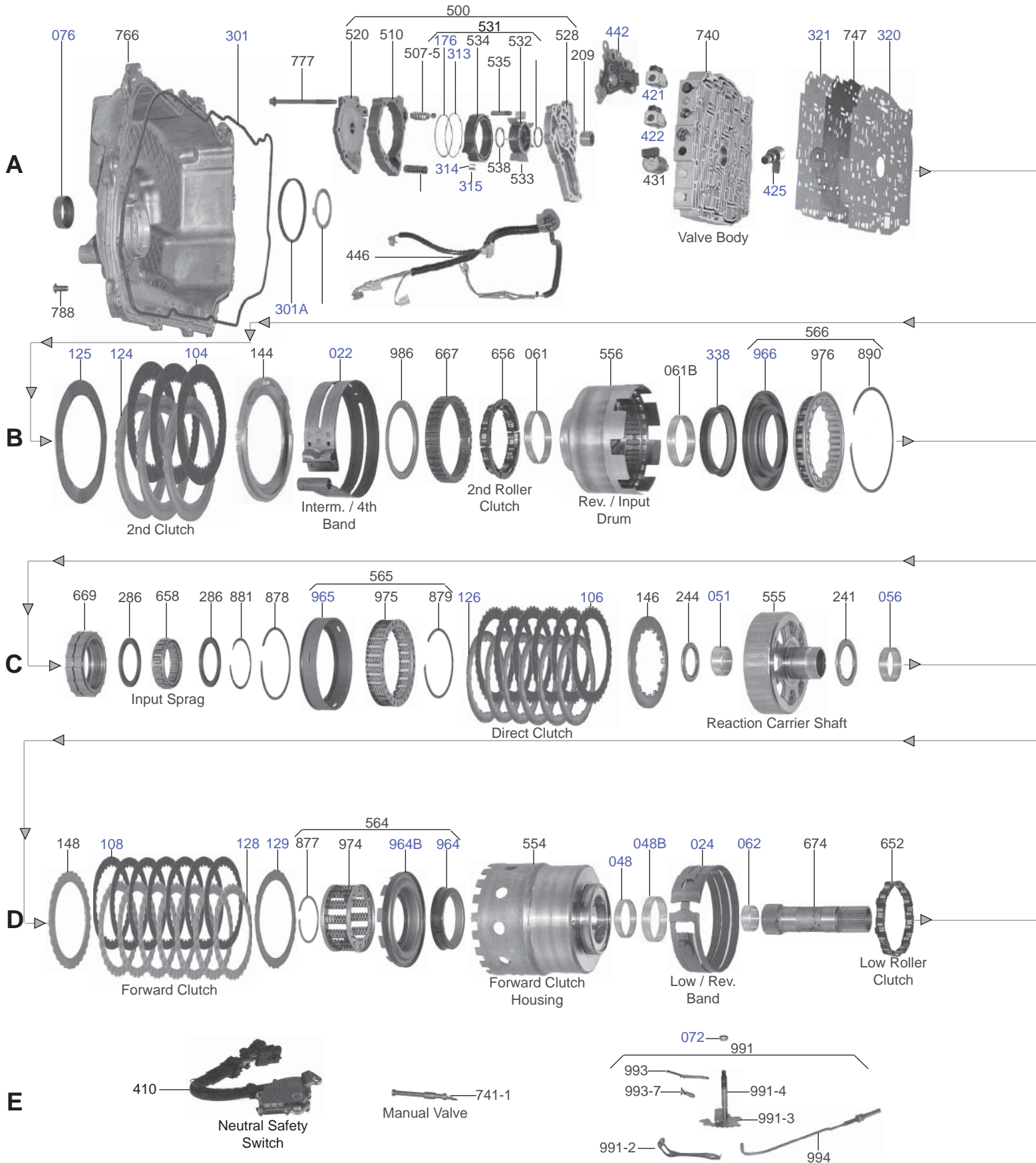
SAP #	IL#	OE	INDUSTRY	DESCRIPTION
GASKET & RUBBER COMPONENTS -- continued				
41797251		8684205	34205	Gasket 4L80E Valve Body to Case Upper 1991-Up
41797549		8684733		Gasket 4L80E Valve Body to Spacer Plate 1991-Up
1988000		8627690		Lathe Cut Seal 400 4L80E Forward Clutch (Center Bevel Cut) 1964-Up
1989000		8626309	3877	Lathe Cut Seal 400 Pump 1964-Up
1989008		8625007		Lathe Cut Seal 425 Pump 1966-78
1988070		8681168	34506	Lathe Cut Seal 4L80E Extension Housing 1991-Up
1985008		8654716	3877V	Lathe Cut Seal 4L80E Pump Body 1991-Up
1985021		8661639	3774	Lathe Cut Seal 4L80E 3rd Accumulator (Small) 1991-Up
1988047		8661639		Lathe Cut Seal 4L80E 3rd Clutch Accumulator
1987050		8661647	34710E	Lathe Cut Seal 4L80E 3rd-4th Clutch Accumulator Piston 1991-Up
1988048		8678294		Lathe Cut Seal 4L80E Accumulator Piston
1985064		8661890		Lathe Cut Seal 4L80E Accumulator Piston Large
1988064		8661890		Lathe Cut Seal 4L80E Accumulator Piston Large
1990007		8623121		Lip Seal 400 4L80E Forward & Direct Clutch (Center) 1964-Up
1990008		8623102		Lip Seal 400 4L80E Forward & Direct Clutch (Inner) 1964-Up
1990001		8623101	3643	Lip Seal 400 4L80E Forward & Direct Clutch (Outer) 1964-Up
1990009		8627627		Lip Seal 400 4L80E Intermediate Clutch (Inner) 1964-Up
1990010		8623143		Lip Seal 400 4L80E Intermediate Clutch (Outer) 1964-Up
1990162				Lip Seal 4L80E 4th Clutch (Inner) 1991-Up
1990163				Lip Seal 4L80E 4th Clutch (Outer) 1991-Up
1990159		24209225		Lip Seal 4L80E Direct Clutch Center 1991-Up
1990156		8675526		Lip Seal 4L80E Forward Clutch Center 1991-Up
1990160		8675636		Lip Seal 4L80E Intermediate Clutch Inner 1991-Up
1990161		8675637		Lip Seal 4L80E Intermediate Clutch Outer 1991-Up
1995115				O-Ring 400 Case Connector (Small) 1994
1995115				O-Ring 400 Case Connector 1995-Up
1994113		6264902		O-Ring 400 Filler Tube 1964-79
1995116		1363951		O-Ring 400 Filter Pick-Up Tube 1964-Up
1995012		8621767		O-Ring 400 Linkage Shaft 1964-66
1995115		10054241		O-Ring 400 Modulator & Case Connector 1964-Up
1995115		10054241		O-Ring 400 Modulator 1964-Up
1995222		8616504		O-Ring 400 Output Shaft to Yoke 1964-Up
1995010		8623040		O-Ring 400 Parking Pawl Pin 1964-Up
1995501		3789024		O-Ring 400 Pump Bolt 1985-95
1989035		8325058		O-Ring 425 Governor Cover 1966-78
1993507		8661760		O-Ring 4L80E Input Shaft 1991-Up
1993225		8680268		O-Ring 4L80E Output Shaft Sleeve 1994-Up
1993116				O-Ring 4L80E Output Speed Sensor 1991-Up
1994011		12337996		O-Ring 4L80E Pump Bolt 1991-Up
1994124				O-Ring 4L80E Wire Harness 1991-Up
1990006		1240382		Seal 400 Speed-O Shaft (W/Out Spring) 1964-Up
1985009		8623430		Seal 400/4L80E Rear Servo Piston 1964-Up
41775147		24203511		Seal 4L80E Cooler Line Fitting to Center Support 1991-Up
41775021		8675516		Seal 4L80E Rear Case
METAL CLAD SEALS				
70011FM		8641826	35151	Seal 400 425 Front Pump 1964-Up [Vamac]
33001		8641826	35151	Seal 400 425 Front Pump 1964-Up [Poly]
70054FM		8661602	34151	Seal 4L80E Front Pump 1991-Up [Vamac]
70054		8661602	34151	Seal 4L80E Front Pump 1991-Up [Vamac]
70055PKR		8675517		Seal 4L80E Rear Lube 1991-Up [Viton] [OEM]
70055		8675517	34551	Seal 4L80E Rear Lube 1991-Up
70021FM		8626009	34743A	Seal 400 4L80E Extension Housing (W/Out Boot) (2.70 OD) 1965-Up
33006		8626009	34743A	Seal 400 4L80E Extension Housing (W/Out Boot) (2.70 OD) 1965-Up
70066CR		8675731	34743B	Seal 4L80E Extension Housing (2.887 OD) 1991-Up [Vamac]
41714		8675731	34743B	Seal 4L80E Extension Housing (2.887 OD) 1991-Up [Poly]
41711		8677463	34743E	Seal 4L80E Extension Housing (With Boot) 1991-Up
70000		8657163	38511	Seal 400 4L80E Manual Lever Shaft 1981-Up
OIL SEALING RINGS				
30020T		8626356		Ring 400 425 Stator & Center Support 1964-Up [PTFE]
30022T			34710A	Ring 400 425 Front Accumulator Piston (Outer) (Cover 4L80E Front Servo) 1964-Up [PTFE]
30100			34712T	Ring 400 4L80E Rear Accumulator (Outer) 1971-Up [PTFE]
30153			34713F	Ring 4L80E Center Support 1991-Up [PTFE]
30153TR		24205722		Ring 4L80E Center Support 1998-Up [Plastic]
30154		8661789	34714T	Ring 4L80E Stator 1991-Up [PTFE]
30154TR		24205833		Ring 4L80E Stator 1998-Up [Plastic]
30156		8661893	34716T	Ring 4L80E Turbine Shaft to Forward Drum 1991-Up [PTFE]
TAW-1163		8623653		Ring 400 425 Front Accumulator Piston (Outer) 1964-Up [Metal]
TAW-1178		8623296		Ring 400 Turbine Shaft (With Variable Pitch) 1964-67 [Metal]
41660231		8627152S/C		Ring 400 425 Accumulator Inner 1965-Up (Scarf Cut) 1965-Up [PTFE]
30066T		8627152		Ring 400 425 Accumulator Inner 1965-Up [PTFE]
30155		8661894	34715T	Ring 4L80E Turbine Shaft to Stator 1991-Up [PTFE]

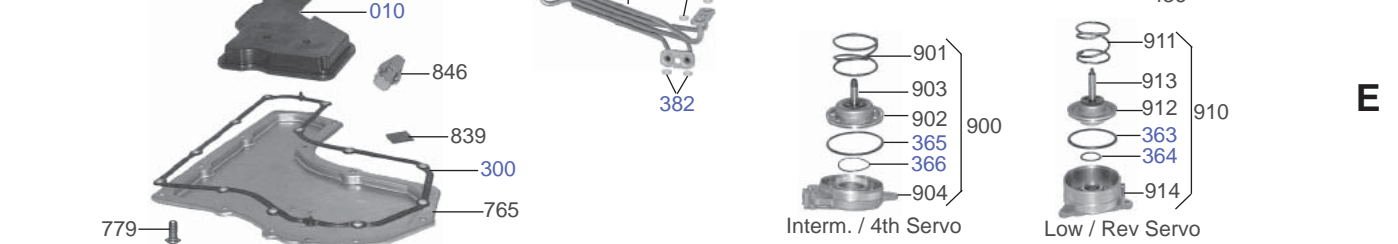
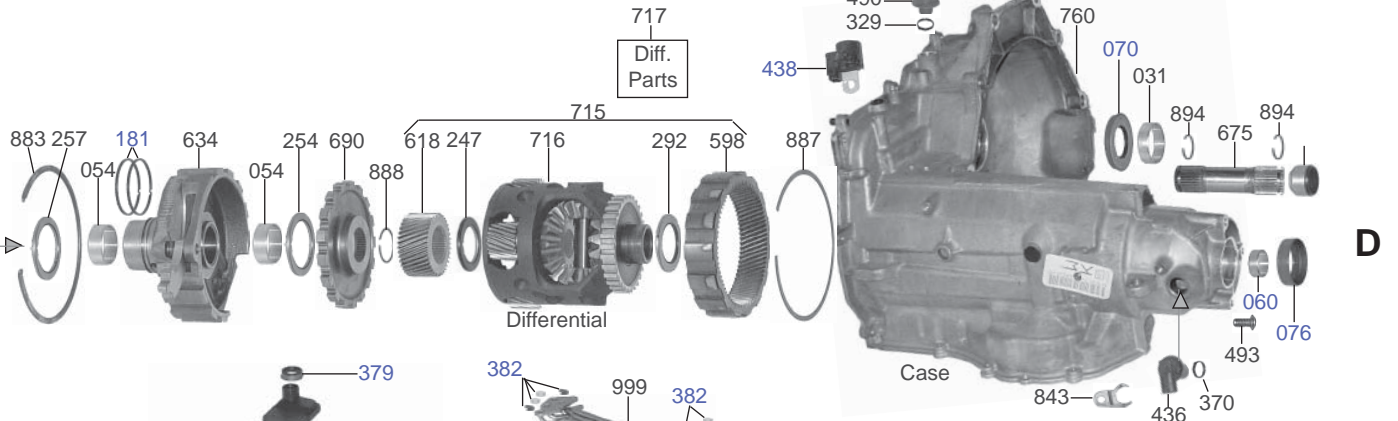
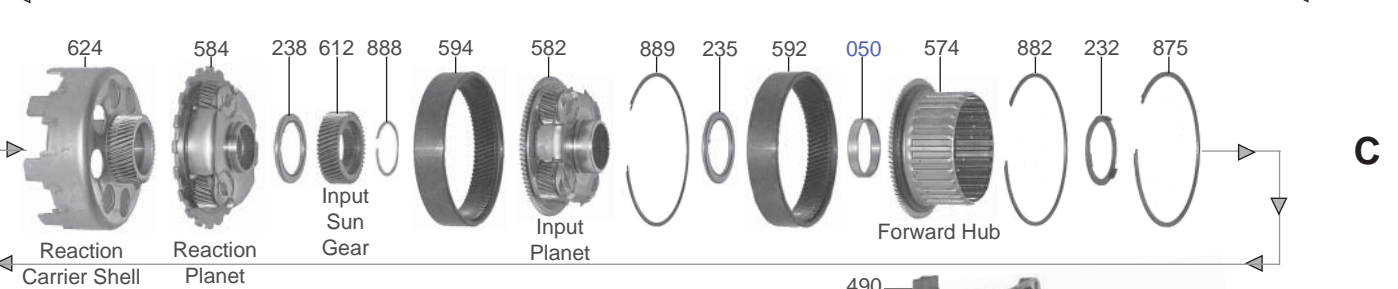
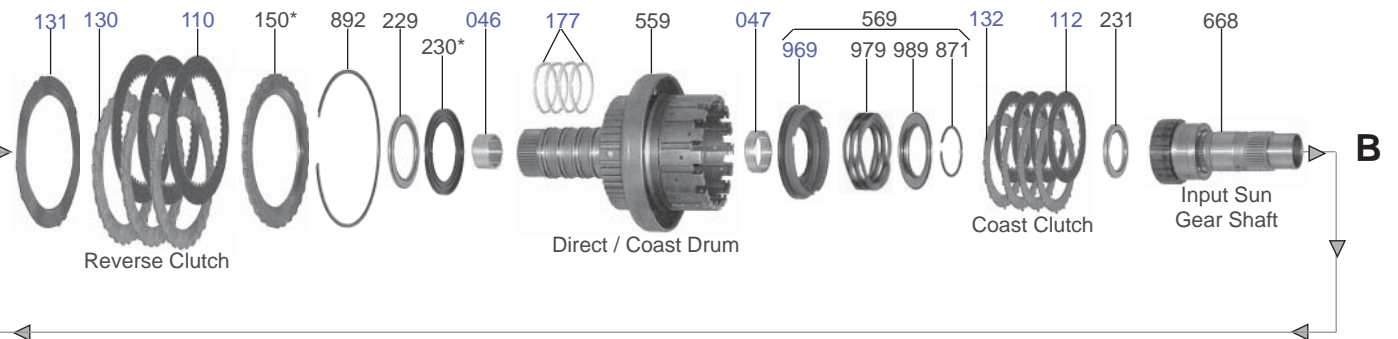
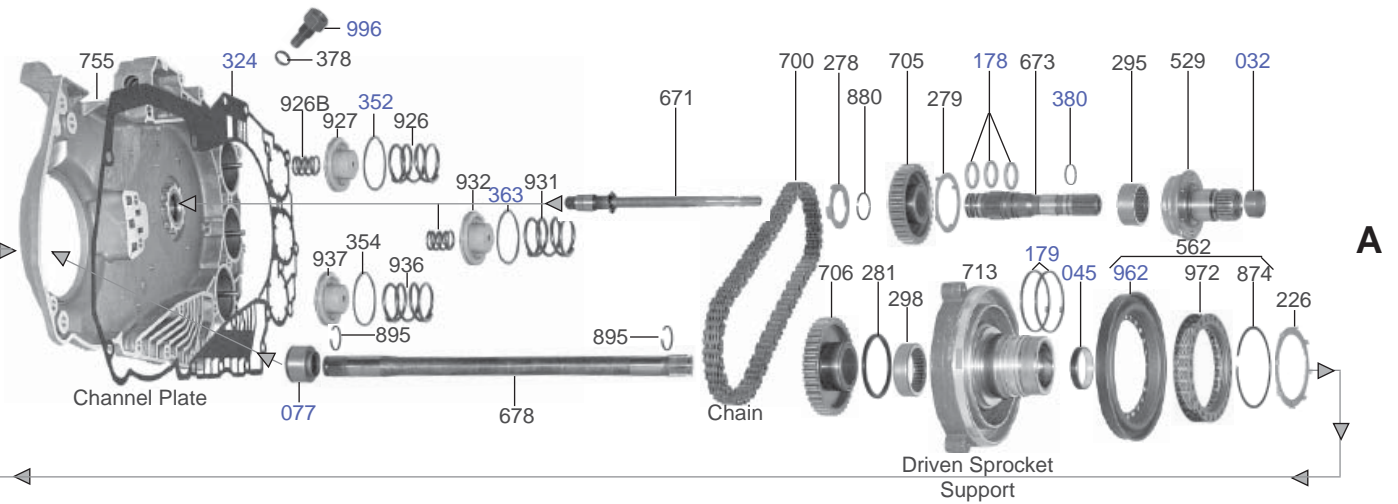
SAP #	IL#	OE	INDUSTRY	DESCRIPTION
OIL SEALING RINGS -- continued				
30065T		8627497		Ring 400 425 Accumulator Outer 1971-Up
TAW-1453		8623671		Ring 400 425 Accumulator Piston [Metal]
TAW-1461		8627153		Ring 400 4L80E Rear Accumulator (Outer) 1971-Up [Metal]
TAW-1461				Ring 400 Rear Accumulator (Inner) 1964-Up [Metal]
TAW-1464		8623672		Ring 400 Rear Accumulator (Outer) 1964-70 [Metal]
TAW-486		8623148		Ring 400 425 Stator & Center Support 1964-88 [Metal]
6047				Ring Kit 400 425 Short 1964-Up (6 Metal Rings)
6067				Ring Kit 400 425 Full 1964-Up (10 Metal Rings)
6001				Ring Kit 400 425 Full 1964-Up (6 Metal 4 PTFE Rings)
6061				Ring Kit 400 Full 1965-Up (8 Metal 2 PTFE Rings)
6144				Ring Kit 400 425 Full 1964-Up (10 PTFE Rings)
6150				Ring Kit 400 Full 1965-Up (10 PTFE Rings)
6031				Ring Kit 425 1966-78 (11 Metal 1 PTFE Rings)
6035				Ring Kit 4L80E 1991-Up (13 PTFE Rings)
6300				Ring Kit 4L80E (7 PTFE 6 Plastic Rings) 1991-Up
FRICITION CLUTCH				
41520R		8655619	34304	Friction 400 425 4L80E Forward & Direct [5.80 OD 0.080 THK] 1964-Up
41520T		8655619	34304	Friction 400 425 4L80E Forward & Direct [5.80 OD 0.080 THK] 1964-Up
41522T		8623151	34404	Friction 400 Intermediate [6.55 OD 0.080 THK] (Waffle) 1964-Up
41520AT		8623483	34304A	Friction 400 425 Forward & Direct [5.89 OD 42 Teeth] 1964-Up
41720T		8661571	34102	Friction 4L80E Overrun [5.37 OD 45 Teeth 0.080 THK] 1991-Up
41722T		8661580	34103	Friction 4L80E 4th [6.22 OD 60 Teeth 0.079 THK] 1991-Up
41522AT		8675521	34404C	Friction 4L80E Intermediate [6.55 OD 47 Teeth] 1991-Up
41680R				Friction Module 400 1965-Up
41680BW				Friction Module 400 1965-Up
41680T				Friction Module 400 1965-Up
41780R				Friction Module 4L80E 1991-95
41780AR				Friction Module 4L80E 1997-Up
STEEL CLUTCH				
41521		8623113	34305	Steel 400 Forward & Direct [4.57 ID 12 Teeth 0.067 THK] (Waved) 1964-66
41525		8623849	34305A	Steel 400 425 4L80E Forward [4.56 ID 12 Teeth 0.077 THK] (Flat) 1964-Up
41529		8623851	34305B	Steel 400 425 Forward & Direct [4.57 ID 12 Teeth 0.060 THK]
41523		8625197	34305C	Steel 400 425 4L80E Forward & Direct [4.56 12 Teeth 0.090 THK] 1964-Up
41527		8655621	34405	Steel 400 425 Intermediate [5.00 ID 22 Teeth 0.100 THK] (Flat) 1964-Up
41527A		8675522	34405E	Steel 4L80E Intermediate [5.02 ID 22 Teeth 0.076 THK] 1991-Up
41527B		8624199	34420	Steel 400/4L80E Intermediate [0.070 THK] (Waved) 1964-Up
41721		24204287	34101A	Steel 4L80E Overrun (Turbulator) [4.52 ID 14 Teeth 0.090 THK] 1997-Up
41723			34104A	Steel 4L80E 4th (Turbulator) [6.30 ID 8 Teeth 0.099 THK] 1997-Up
41681				Steel Module 400 1964-Up
41781				Steel Module 4L80E (With Turbulator Plates) 1997-Up
FILTER				
33200		5579822	34661	Filter 400 1964-E67
33212		6438348	34661A	Filter 400 Flat (Felt) L1967-Up
33216		34661C	34661C	Filter 400 Flat (Brass) L1967-Up
33200B		6438336	34661B	Filter 425 1966-78
41742A		8678757 8675545	34661E	Filter 4L80E 1991-96 [OEM]
41740		8678757	34661E	Filter 4L80E 1991-96
41744		24204277	34661F	Filter 4L80E 1997-Up
FILTER KIT				
33271			FK34661A	Filter Kit 400 (Felt) 1967-Up (With Cork & Rubber Pan Gasket)
33271A			FK34661A	Filter Kit 400 (Felt) 1967-Up (With Fiber Pan Gasket)
41542			FK34661C	Filter Kit 400 Flat (Brass) L1967-Up (With Cork & Rubber Pan Gasket)
41741			FK34661E	Filter Kit 4L80E 1991-96 (With Cork & Rubber Pan Gasket)
41741A			FK34661E	Filter Kit 4L80E 1991-96 (With Fiber Pan Gasket)
41745A			FK34661F	Filter Kit 4L80E 1997-Up (With Fiber Pan Gasket)
MISCELLANEOUS FILTERS				
41748		8661709	34664	Screen Filter 4L80E Shift Solenoid 1991-Up
41748A		8661834	34662	Screen Filter 4L80E TCC/PWM Solenoid (Thimble Type) 1991-Up
41966		8627509	34665	Screen Filter 400 Governor (Tapered) 1964-Up
42740B		8685041	34663	Screen Filter 4L80E Force Motor/Pressure Control 1991-Up
BANDS				
41589		8623155	34510R	Band 400 4L80E Rear (Reverse) (Smooth Lining) 1991-Up
41590		8623123	34325	Band 400 425 Front (1.0in Wide) 1964-Up (Also Fits 4L80E 1991-98)
BUSHINGS				
33300		6260048	8008A	Bushing 400 Extension Housing (Dimpled) 1967-Up [Bronze]
33303		8623944	34002	Bushing 4L80E Sun Gear Shaft (No Groove) & Overrun Drum 1991-Up [Bronze]
33303A			34002A	Bushing 4L80E Sun Gear Shaft (With 4 Grooves) (1.13 OD) (1.00 ID) 1991-L97 [Bronze]
33304A			34003E	Bushing 400 4L80E Center Support (1.54 OD) 1964-Up [Babbitt]
33304B			34003F	Bushing 4L80E Center Support (1.54 OD) (1.41 ID) L1997-Up [Babbitt]
33318			8005	Bushing 400 Pump 1964-Up [Babbitt]

SAP #	IL#	OE	INDUSTRY	DESCRIPTION
BUSHINGS -- continued				
41531		8623943	34004	Bushing 400 Output Shaft (Wide) (1.54 OD) (1.41 ID) 1964-74 [Bronze]
41534		8623966	34005A	Bushing 400 Extension Housing (1.995 OD) (1.89 ID) 1964-Up [Bronze]
41536		8623941	34006	Bushing 400 Case (2.13 OD) (2.00 ID) 1964-Up [Bronze]
41538		8653985	34004A	Bushing 400 4L80E Output Shaft (Narrow) (1.54 OD) 1970-Up [Bronze]
41539		8623192	34008	Bushing 400 4L80E Front Planet (2.31 OD) 1964-Up [Bronze]
41731			8005E	Bushing 4L80E Pump [2.13 OD 2.00 ID] 1991-96 [Babbitt]
41731A			8005F	Bushing 4L80E Pump 1997-Up [Bronze]
41732		8661284	34013	Bushing 4L80E Forward Drum [1.58 OD 1.38 ID] 1991-Up [Bronze]
41733		8683008	34016	Bushing 4L80E Stator Support (Front) [1.25 OD 1.13 ID] 1991-Up [Bronze]
41736		8661614	34017	Bushing 4L80E Stator Support (Rear) [1.55 OD 1.43 ID] 1991-Up [Bronze]
41735		8677221	34006E	Bushing 4L80E Case [2.13 OD 2.01 ID] 1991-92 [Bronze]
41738		8661604	34002E	Bushing 4L80E Overrun Drum (Front) (2.01 OD) 1991-Up [Bronze]
41739		8661368	34005E	Bushing 4L80E Extension Housing (2.02 OD) (1.89 ID) 1991-Up [Bronze]
41530				Bushing Kit 400 1964-Up (10 Bushings)
41730				Bushing Kit 4L80E 1991-96 (13 Bushings)
41730B			K34903F	Bushing Kit 4L80E 1997-Up (12 Bushings)
WASHER & BEARINGS				
41664081		8623920	K34500	Bearing 400 Center Support 1964-Up
41570B				Bearing Kit 400 4L80E 1969-Up
41217		8626281	8626281	Washer 400 Pump Bolt Washer 1964-Up
41571			34301	Washer 400 4L80E Forward Hub to Direct Drum 1964-Up [Metal]
41572		8624196	34339	Washer 400 4L80E Forward Drum to Forward Hub 1964-Up [Metal]
41574		8623301	34208A	Washer 400 Stator (.073 THK) 1964-Up
41575		8623303	34208C	Washer 400 Stator (.095 THK) 1964-Up
41576		8623305	34208E	Washer 400 Stator (.117 THK) 1964-Up
41573		8677573	34602B	Washer Thrust 4L80E Stator [2.77 OD 0.06in THK] 1991-Up [Metal]
41577		8626372	34501A	Washer 400 4L80E Front Planet to Rear Planet 4 Tab 1964-Up
41771		8677571	34602	Washer 4L80E Thrust Stator to Overrun Clutch (Blue) [0.059in] 1991-Up
41772		8677572	34602A	Washer 4L80E Thrust Stator to Overrun Clutch (Red) [0.075in] 1991-Up
41773		8677573	34602B	Washer 4L80E Thrust Stator to Overrun Clutch (Brown) [0.091in] 1991-Up
41774		8677574	34602C	Washer 4L80E Thrust Stator To Overrun Clutch (Green) [0.107in] 1991-Up
41775		8677575	34602D	Washer 4L80E Thrust Stator to Overrun Clutch (Black) [0.123in] 1991-Up
41570				Washer Kit 400 1964-Up (8 Washers)
41770			K34907F	Washer Kit 4L80E Stator To Overrun 1991-Up (5 pcs)
41770B			K34907E	Washer Kit 4L80E 1991-Up (5 Washers)
41770C				Washer Kit 4L80E 1991-Up (10 Washers)
ELECTRICAL COMPONENTS				
34329		24205373	34329	Connector 400 Case (1 Prong) 1968-Up
34329A		8629502	34329A	Connector 400 Case (2 Prong) With Insulator 1970-82
D34823		24203876	34823	Speed Sensor 4L80E Input & Output 1991-Up [OEM]
HARD PARTS				
41764125		8686124	34803	Bolt 4L80E 4th Clutch Housing to Case 1991-Up
41764071		8661762	34802	Bolt 4L80E Center Support to Case (1 3/8in Long) 1991-Up
34898		8680918	34898	Drum 4L80E Overrun Clutch With Sun Gear 1991-01
34838E		24209311	34838E	Drum 4L80E Direct (Housing) With Race 1991-96
41387		3987922	31409	Gear 400 Speed-O Driven (22 Teeth Gray)
41388		9780387	31421	Gear 400 Speed-O Driven (35 Teeth Orange With Plastic Shaft) 1964-Up
R34853G			34853G	Gear 4L80E Rear-Internal (Helical Cut Gears) 1997-Up
34202				Gear 4L80E Pump Body 1991-96
41751		24204961	34809A	Piston 4L80E Direct Clutch (With Bonded Rubber) 1997-Up
41752		24204957	34808A	Piston 4L80E Forward Clutch 1997-Up
41750		8661567	34967	Piston 4L80E Overrun Clutch (Bonded) 1991-Up
34821		8680918		Planet 4L80E Overdrive 1991-01
R34875E		24212051	34875E	Planet 4L80E Reaction-Front (4 Pinion) (Helical Cut Gears) 1991-Up
K34821				Planet Kit 4L80E Overdrive Planet (Includes Input Shaft 34801F) 1991-01
41775103		24204960	34818A	Sleeve 4L80E Center for Forward Piston 1997-Up [0.070 Orifice]
38511A				Shaft 4L80E Manual Lever (Short) 1991-94
38511B				Shaft 4L80E Manual Lever (Long) 1995-Up
34801F		24222184	34801F	Shaft 4L80E Turbine (Input) (2nd Design With Thru Oil Hole) 1991-Up
24211821				Shim 4L80E Center Support 1997-Up
41692		8624256	34706	Spring 400 Rear Accumulator (Blue) 1967-98
41693		8624391	34706A	Spring 400 Rear Accumulator (Heavy Duty) 1965-98
41764299				Spring 4L80E 1-2 Shift Valve 1991-Up
34822A		24208849	34822A	Support 4L80E Center (Central Lube Type) 1997-98
PUMP COMPONENTS				
K34201E			K34201E	Pump Gear Set 4L80E 1991-Up
34203A		24204303	34203A	Pump Stator Cover 4L80E 1997-Up
MODULATORS				
41245		3035519	35820P	Modulator 400 Red Stripe (Dual) 1964-Up
41245A		3035519	35820R	Modulator 400 Red Stripe (Single) 1964-Up

4T40E / 4T45E

FWD 4 Speed



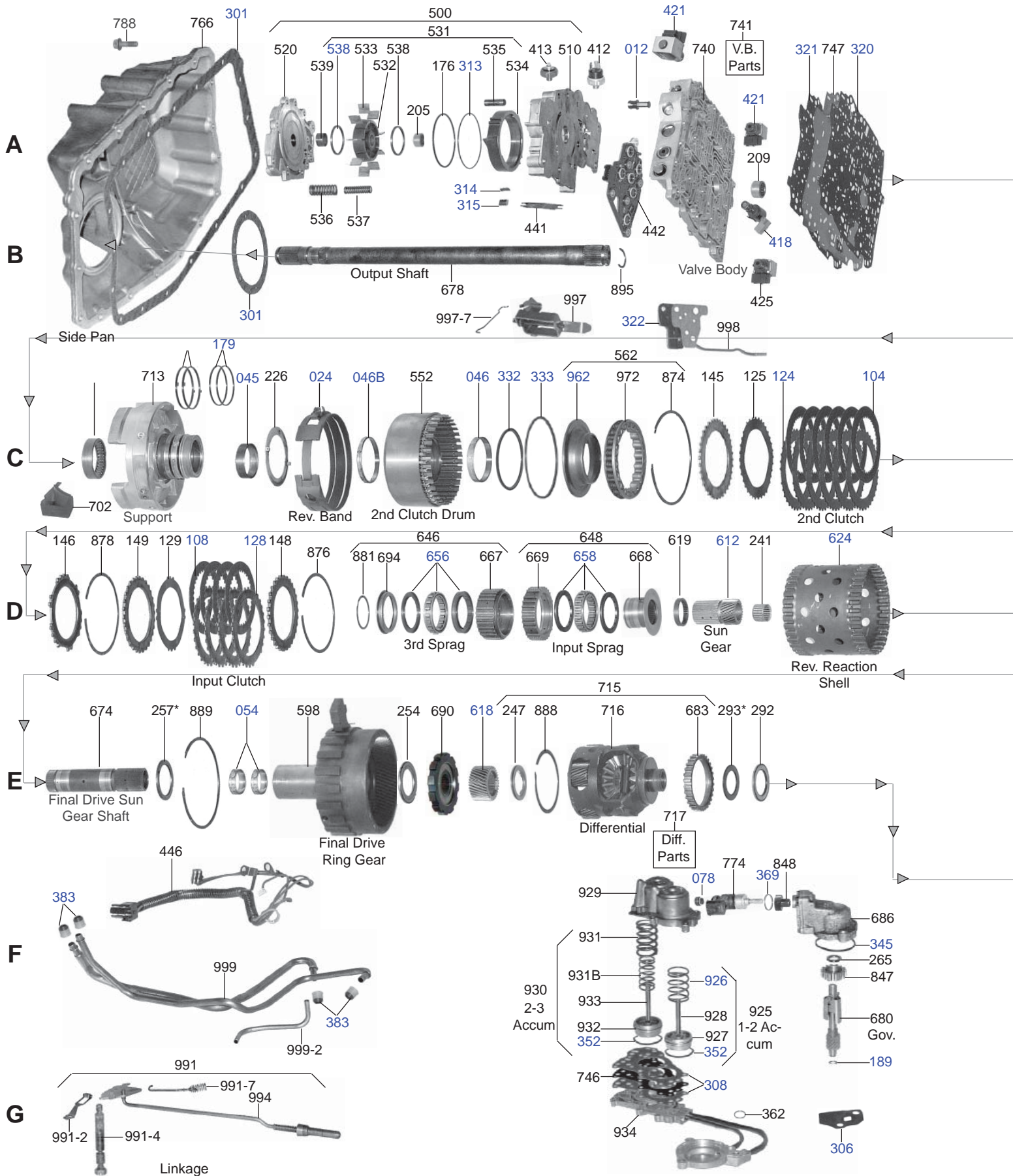


SAP #	IL#	OE	INDUSTRY	DESCRIPTION
OVERHAUL KIT				
TF14002A				Overhaul Kit 4T40E 4T45E (W/Out Pistons) 1995-Up (Fiber)
B14002AW				Overhaul Kit 4T40E 4T45E (W/Out Pistons) 1995-Up (Molded Rubber)
T14002AW				Overhaul Kit 4T40E 4T45E (W/Out Pistons) 1995-Up (Molded Rubber)
B14002APW				Overhaul Kit 4T40E 4T45E (With Pistons) 1995-Up (Molded Rubber)
T14002APW				Overhaul Kit 4T40E 4T45E (With Pistons) 1995-Up (Molded Rubber)
MASTER L/STEEL KIT				
TF14004A				Master L/Steels Kit 4T40E 4T45E (W/Out Pistons) 1995-Up (Fiber)
B14004APW				Master L/Steels Kit 4T40E 4T45E (With Pistons) 1995-Up (Molded Rubber)
T14004APW				Master L/Steels Kit 4T40E 4T45E (With Pistons) 1995-Up (Molded Rubber)
MASTER W/STEEL KIT				
T14006AW				Master W/Steels Kit 4T40E 4T45E (W/Out Pistons) 1995-Up (Molded Rubber)
B14006APW				Master W/Steels Kit 4T40E 4T45E (With Pistons) 1995-Up (Molded Rubber)
GASKET & RUBBER COMPONENTS				
1988092	24200739			D-Ring 4T40E 3-4 Accumulator Piston 1995-Up
41818		33500F		Gasket 4T40E Pan 1995-Up [Fiber]
41819	24203590	33500R		Gasket 4T40E Pan 1995-Up [Molded Rubber]
41897623	24201096	33530		Gasket 4T40E Case to Case Cover 1995-Up
41896176	8685154			Gasket 4T40E Side Cover (Inner) 1995-Up [Molded Rubber]
41896204	24210446	33501		Gasket 4T40E Side Cover (Outer) 1995-Up [Molded Rubber]
41897624	24212642	33526		Gasket 4T40E Valve Body Plate to Case Cover 1995-03
41897973	24216019	33526A		Gasket 4T40E Valve Body Plate to Case Cover 2004-Up
41897625	24207387	33525		Gasket 4T40E Valve Body to Plate 1995-03
41897972	242160717	33525A		Gasket 4T40E Valve Body to Plate 2004-Up
1988092	24200739			Lathe Cut Seal 4T40E 1-2 Accumulator Piston 1995-Up (Also Fits 2-3 & 3-4 Accumulator)
1988090	8678478			Lathe Cut Seal 4T40E Intermediate/4th Servo Cover 1995-Up
1988091	8684394			Lathe Cut Seal 4T40E Low/Reverse Servo Cover 1995-Up
1990245	8684673			Lip Seal 4T40E Intermediate/4th Servo Piston 1995-Up
1990244	8684674			Lip Seal 4T40E Low/Reverse Servo Piston 1995-Up
1994519	8675086			O-Ring 4T40-E Actuator Guide 1995-Up
1994017				O-Ring 4T40-E Filler Cap 1995-Up
1994531				O-Ring 4T40-E Oil Feed Tubes 1995-Up
1994039	8631504			O-Ring 4T40-E Pump Slide Back-Up
1994013				O-Ring 4T40-E Solenoid 1995-Up
1993116				O-Ring 4T40-E Speed Sensor 1995-Up
1993019	8636033			O-Ring 4T40E Turbine Shaft (Goes Behind Splines) (4 & 6 Cylinder Type)
1994015				O-Ring 4T40-E Var. Solenoid 1995-Up
1994014				O-Ring 4T40-E Var. Solenoid 1995-Up
42275003	8631283			Seal 4T40-E Pump Slide (Rubber) 1995-Up
41775164	8684467			Seal 4T40E Filter 1995-Up
42275006	8631282			Seal 4T40-E Pump Slide (PTFE) 1995-Up
41875172	24200326			Seal 4T40E 4T45E Cooler Fitting
41875173	8684482	33152A		Seal/Sleeve 4T40E Axle (Inner) (Both Sides) 1995-Up
METAL CLAD SEALS				
70015FM	8664812	77151A		Seal 4T40E Front (Converter) 1995-Up
70015	8664812	77151A		Seal 4T40E Front (Converter) 1995-Up
70255CR	24201936	33152		Seal 4T40E Axle (Left & Right Side) (W/Out Grease) 1995-Up
70002	8644709	84511		Seal 4T40E Manual Shaft 1995-Up
OIL SEALING RINGS				
30171		33301		Ring 4T40E 4T65E Turbine Shaft (Rear) 1997-Up [PTFE]
30168T	8684272			Ring 4T40E Direct/Coast Clutch Drum (Solid) 1995-Up [PTFE]
30170TR	24201613			Ring 4T40E Driven Sprocket Support 1995-Up [Torlon]
30169TR	24204223			Ring 4T40E Forward Drum Support 1995-Up [Torlon]
30115	8631417	75311		Ring 4T40E Pump Slide To Cover 1995-Up [PTFE]
30142	8637170	75301C		Ring 4T40E Turbine Shaft (Front) (Solid) 1995-Up [PTFE]
30136	8643058	75301D		Ring 4T40E Turbine Shaft (Rear) (Solid) 1995-Up [PTFE]
6188				Ring Kit 4T40E 4T45E 1995-Up (10 PTFE 4 Plastic Rings)
FRICTION CLUTCH				
41826T	24209723	33104		Friction 4T40E 2nd [6.55 OD 36 Teeth 0.070 THK] 1995-Up
41828T	8684282	33108		Friction 4T40E Coast [3.28 OD 20 Teeth 0.070 THK] 1995-Up
41822T	24209727	33102		Friction 4T40E Direct [3.90 ID 36 Teeth-External 0.070 THK] 1995-Up
41820R	8684444	33100		Friction 4T40E Forward [5.00 OD 30 Teeth 0.069 THK] 1995-Up
41820T	8684444	33100		Friction 4T40E Forward [5.00 OD 30 Teeth 0.069 THK] 1995-Up
41824R				Friction 4T40E Forward [5.30 OD 48 Teeth 0.070 THK] 1995-Up
41824T		33106		Friction 4T40E Forward [5.30 OD 48 Teeth 0.070 THK] 1995-Up
41880R				Friction Module 4T40E 4T45E (Stage 1) 1995-Up
41880				Friction Module 4T40E 4T45E 1995-Up

SAP #	IL#	OE	INDUSTRY	DESCRIPTION
STEEL CLUTCH				
41825A		24200298	33109	Steel 4T40E 2nd [4.749 ID 0.051 THK] (Waved) 1995-Up
41825		24200790	33107	Steel 4T40E 2nd [4.79 ID 8 Teeth 0.089 THK] 1995-Up
41829		8685874	33115	Steel 4T40E Coast [2.44 ID 12 Teeth 0.069 THK] 1995-Up
41823		8685879	33105	Steel 4T40E Direct [4.96 ID 16 Teeth-Internal 0.074 THK] 1995-Up
41821A		24200467	33103	Steel 4T40E Forward [4.05 ID 12 Teeth 0.038 THK] (Waved) 1995-Up
41821		8684445	33101	Steel 4T40E Forward [4.05 ID 30 Teeth 0.069 THK] 1995-Up
41827A			33113	Steel 4T40E Reverse [3.99 ID 30 Teeth 0.043 THK] (Waved) 1995-Up
41827			114705H	Steel 4T40E Reverse [30 Teeth 0.088 THK] (Turbulator) 1998-Up
41881				Steel Module 4T40E 4T45E 1995-Up
FILTER				
41840		24203770	33710	Filter 4T40E 1995-Up
MISCELLANEOUS FILTERS				
41865077		8685022		Screen Actuator Filter
FILTER KIT				
41841A			FK33710	Filter Kit 4T40E 1995-Up (Bonded Rubber Pan)
BANDS				
41890		8684403	33700	Band 4T40E Intermediate & 4th 1995-Up
41993		2421336	84700AR	Band 4T40E Low/Reverse (With Kevlar) 1995-Up
BUSHINGS				
33322			75019	Bushing 4T40E Case 1995-Up
33317		8628915	65002	Bushing 4T40E Converter Reactor (Front) 1995-Up
41834			33013	Bushing 4T40E Direct Clutch Housing Rear 1995-Up [Bronze]
41836			33012	Bushing 4T40E Direct/Coast Clutch Drum (Front) 1995-Up [Bronze]
41836A			33004	Bushing 4T40E Direct/Coast Clutch Drum (Rear) 1995-Up [Bronze]
41833B		8684330	33005	Bushing 4T40E Driven Sprocket Support (Rear) 1995-Up
41837			33009	Bushing 4T40E Final Drive Sun Gear Shaft (Front) 1995-Up [Bronze]
41832B			33006	Bushing 4T40E Forward Clutch Hub 1995-Up [Bronze]
41832			33010	Bushing 4T40E Forward Drum (Front Small One) 1995-Up [Bronze]
41832A			33011	Bushing 4T40E Forward Drum (Rear Large One) (2.41 OD) 1995-Up [Bronze]
41833			33007	Bushing 4T40E Reaction Carrier Shell (Front) (1.80 OD) 1995-Up [Bronze]
41833A			33008	Bushing 4T40E Reaction Carrier Shell (Rear) 1995-Up
41835			33002	Bushing 4T40E Reverse Input Drum (Front) (2.92 OD) 1995-Up [Bronze]
41835A			33003	Bushing 4T40E Reverse Input Drum (Rear) (2.60 OD) 1995-Up [Bronze]
41830			K33901	Bushing Kit 4T40E 1995-Up (15 Bushings)
WASHER & BEARINGS				
41871			33414	Washer 4T40E Case Cover to Driven Sprocket 1995-Up
41872			33415	Washer 4T40E Driven Sprocket to Reverse Input 1995-Up
41873			33416	Washer Thrust 4T40E Forward Clutch - 3 Flat Tabs [2.49 OD 0.084in THK] 1995-Up [Plastic]
41870			K33907	Washer Kit 4T40E 1995-Up (6 Washers)
ELECTRICAL COMPONENTS				
S-73		24207507	33956	Sensor 4T40E Vehicle Speed 1995-Up
D33946		10478146		Solenoid 4T40E Pressure Control (EPC) 1995-02
HARD PARTS				
33195			HV-039	Drive Chain 4T40E (.375 X .750 X 84)
33192A				Drive Chain 4T45E (.375 X .875 X 84)
41851		24205042	33821	Piston 4T40E 2nd Clutch (Bonded) 1995-Up
41850		24205043	33820	Piston 4T40E Coast Clutch (Inner) (Bonded) 1995-Up
41854		24205044	33824	Piston 4T40E Direct Clutch (Outer) (Bonded) 1995-Up
41853A		24205038		Piston 4T40E Forward Clutch (Inner) (Bonded) 1995-Up
41853		24206641	33825	Piston 4T40E Forward Clutch (Outer) (Bonded) 1995-Up
41852		24205040	33822	Piston 4T40E Reverse Clutch (Outer) (Bonded) 1995-Up
41852A			33823	Piston 4T40E Reverse Input Center (Bonded) 1995-Up
310				Piston Set 4T40E 1995-Up (7 Pistons)

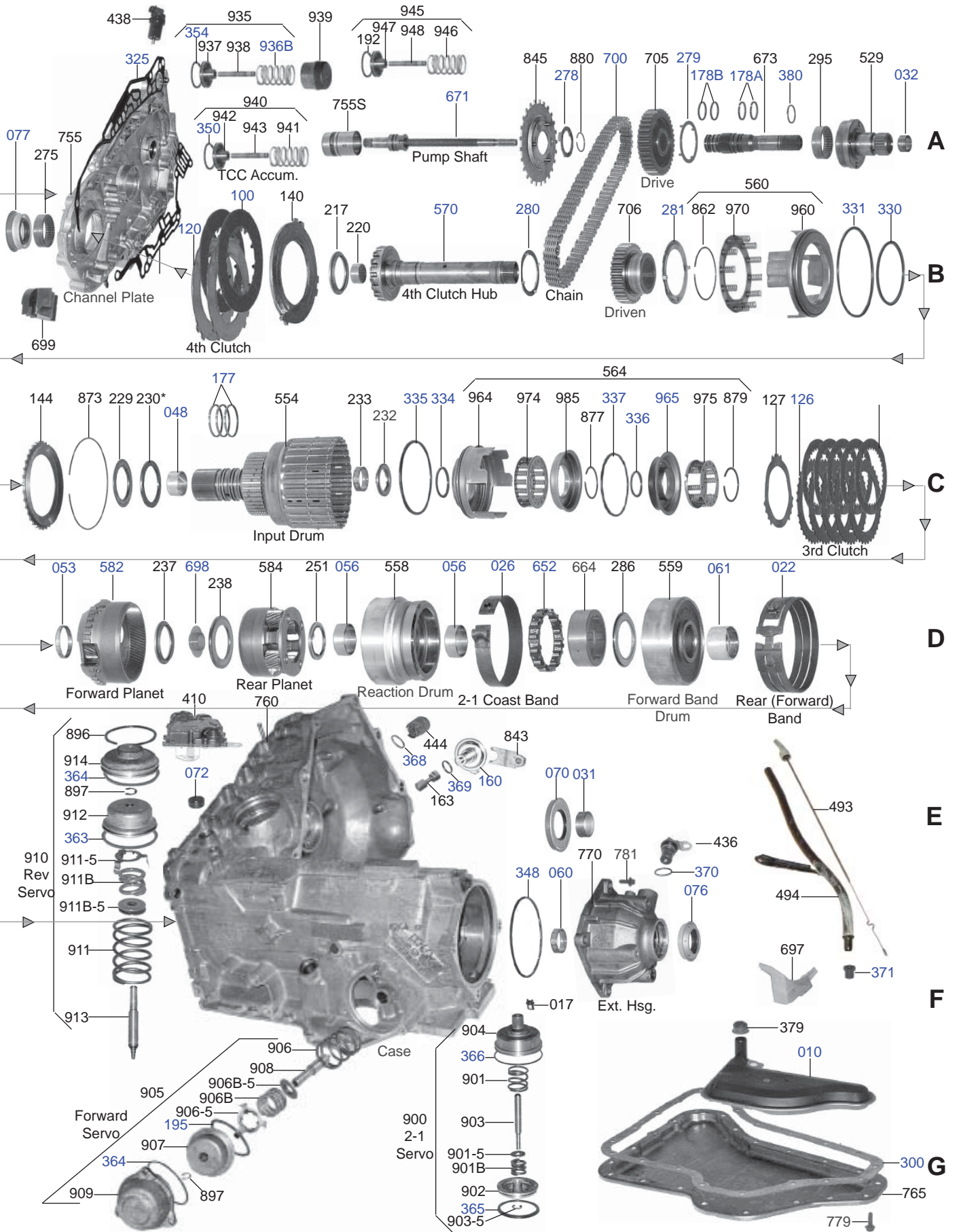
440-T4 / 4T60E / 4T65E

FWD 4 Speed



FWD 4 Speed

440-T4 / 4T60E / 4T65E



SAP #	IL#	OE	INDUSTRY	DESCRIPTION
PAPER & RUBBER KIT				
T84000				Paper & Rubber Kit 440-T4 1983-92
T84000E				Paper & Rubber Kit 4T60E 1991-99 (W/Out Pan Gasket)
TF84000E				Paper & Rubber Kit 4T60E 1991-99 (Fiber)
OVERHAUL KIT				
B84002				Overhaul Kit 440-T4 4T60 1983-93 (11 PTFE 2 Quad 2 Peek Rings)
T84002				Overhaul Kit 440-T4 4T60 1983-93 (11 PTFE 2 Quad 2 Peek Rings)
TF84002				Overhaul Kit 440-T4 4T60 1983-93 (11 PTFE 2 Quad 2 Peek Rings) (Fiber)
B84002E				Overhaul Kit 4T60E 1991-99 (7 PTFE Rings)
T84002E				Overhaul Kit 4T60E 1991-99 (7 PTFE 2 Plastic Rings)
TF84002E				Overhaul Kit 4T60E 1991-99 (7 PTFE 2 Plastic Rings) (Fiber)
T84002EX				Overhaul Kit 4T60E 1991-99 (7 PTFE 2 Plastic Rings) (W/Out Pan Gasket)
B84002EP				Overhaul Kit 4T60E (With Pistons) 1991-99 (7 PTFE Rings)
T84002EXP				Overhaul Kit 4T60E (With Pistons) 1991-99 (W/Out Pan Gasket) (7 PTFE 2 Plastic Rings)
T84002GX				Overhaul Kit 4T65E (GM & Volvo) (W/Out Pistons) 1997-Up (W/Out Pan Gasket) (2 Quad 7 PTFE 4 Plastic Rings)
B84002GW				Overhaul Kit 4T65E (GM & Volvo) (W/Out Pistons) 1997-Up (Molded Pan Gasket) (2 Quad 7 PTFE 4 Plastic Rings)
T84002GW				Overhaul Kit 4T65E (GM & Volvo) (W/Out Pistons) 1997-Up (Molded Pan Gasket) (2 Quad 7 PTFE 4 Plastic Rings)
T84002GWP				Overhaul Kit 4T65E (GM & Volvo) (With Pistons) 1997-Up (Molded Pan Gasket) (2 Quad 7 PTFE 4 Plastic Rings)
MASTER L/STEEL KIT				
B84004				Master L/Steel Kit 440-T4 1983-E86
B84004C				Master L/Steel Kit 440-T4 1987-90
T84004C				Master L/Steel Kit 440-T4 1987-90
B84004E				Master L/Steel Kit 4T60E 1991-95
T84004EX				Master L/Steel Kit 4T60E 1991-95 (W/Out Pan Gasket)
T84004GX				Master L/Steel Kit 4T65E (Except Volvo) (W/Out Pistons) (W/Out Side Cover Gaskets) 1997-02 (W/Out Pan Gasket)
B84002GWP				Master L/Steel Kit 4T65E (Except Volvo) (With Pistons) (W/Out Side Cover Gaskets) 1997-02 (Molded Pan Gasket)
T84004GWP				Master L/Steel Kit 4T65E (Except Volvo) (With Pistons) (W/Out Side Cover Gaskets) 1997-02 (Molded Pan Gasket)
T84004GAWP				Master L/Steel Kit 4T65E (Except Volvo) (With Pistons) (W/Out Side Cover Gaskets) 2003-Up (Molded Pan Gasket)
T84004HW				Master L/Steel Kit 4T65E Volvo (W/Out Side Cover Gasket) 1999-02 (Molded Pan Gasket)
T84004HAW				Master L/Steel Kit 4T65E Volvo (W/Out Side Cover Gasket) 2003-Up (Molded Pan Gasket)
MASTER W/STEEL KIT				
B84006				Master W/Steel Kit 440-T4 1983-E86
B84006C				Master W/Steel Kit 440-T4 1987-90
B84006E				Master W/Steel Kit 4T60E 1991-95
T84006GX				Master W/Steel Kit 4T65E (Except Volvo) (W/Out Pistons) (W/Out Side Cover Gaskets) 1997-02 (W/Out Molded Pan Gasket)
B84006GWP				Master W/Steel Kit 4T65E (Except Volvo) (With Pistons) (W/Out Side Cover Gaskets) 1997-02 (Molded Pan Gasket)
T84006GWP				Master W/Steel Kit 4T65E (Except Volvo) (With Pistons) (W/Out Side Cover Gaskets) 1997-02 (Molded Pan Gasket)
T84006GAWP				Master W/Steel Kit 4T65E (Except Volvo) (With Pistons) (W/Out Side Cover Gaskets) 2003-Up (Molded Pan Gasket)
T84006HW				Master W/Steel Kit 4T65E Volvo (W/Out Side Cover Gasket) 1999-02 (Molded Pan Gasket)
T84006HAW				Master W/Steel Kit 4T65E Volvo (W/Out Side Cover Gasket) 2003-Up (Molded Pan Gasket)
SUPER KIT				
B84008				Super Kit 440-T4 1984-86 [Includes Bushing Kit, Washer Kit, Band, Filter, Modulator]
B84008EP				Super Kit 4T60E (With Pistons) 1991-95 [Includes Bushing Kit, Washer Kit, Band, Filter, Modulator]
T84008GAWP				Super Kit 4T65E (Except Volvo) (With Pistons) (W/Out Side Cover Gaskets) 2003-Up [Includes Bushing Kit, Washer Kit, 3 Bands, Filter]
GASKET & RUBBER COMPONENTS				
42275004				Boot 440-T4 Detent Cable 1983-Up
31683		1259475	3292	Boot 440-T4 4T60E 4T65E Filler Tube 1983-Up
41975016		8662391		Cup Seal 440-T4 3-2 Coast Down (Up-Date) 1983-93
41975009		8656568		Cup Seal 440-T4 Servo Pipe to Case 1983-93
41975010		8656567		Cup Seal 440-T4 Servo Pipe to Valve Body 1983-93
41909T		8656396	84500	Gasket 440-T4 Bottom Pan 1983-Up [Cork & Rubber]
41909U			84500	Gasket 440-T4 Bottom Pan 1985-Up [Ultracork]
41918		8668028	84500F	Gasket 440-T4 Bottom Pan 1983-Up [Fiber]
41909ET		8676250	84500H	Gasket 4T60E Bottom Pan 1991-Up [Cork & Rubber]
41938		8676250	84500HF	Gasket 4T60E 4T65E Botton Pan 1991-Up [Fiber]
41996197		8676250	84500E	Gasket 4T60E 4T65E Bottom Pan (With 8mm Bolt Holes) 1991-Up [Molded Rubber]
41996198				Gasket 4T65E Bottom Pan (With 6mm Bolt Holes) 1997-Up [Molded Rubber]
40097452				Gasket 440-T4 Speed Sensor 1982-Up
41997025		8656073	84532	Gasket 440-T4 Accumulator Cover 1983-Up

SAP #	IL#	OE	INDUSTRY	DESCRIPTION
GASKET & RUBBER COMPONENTS -- continued				
41996050		8682085		Gasket 4T60E Accumulator Cover With Spacer Plate 1991-Up
41996160		24205621		Gasket 4T65E Accumulator Cover With Spacer Plate 1997-Up
41997035		8656395		Gasket 440-T4 Governor Control Body 1983-Up
41997026		8656083	84131A	Gasket 440-T4 Manuever Pipe to Valve Body (1st Design) 1983-E85
41997027		8662841	84131B	Gasket 440-T4 Manuever Pipe to Valve Body (2nd Design) L1985-Up
41997032		8656022		Gasket 440-T4 Modulator Port 1983-93
41909BT		8656398	84502	Gasket 440-T4 Side Cover (Inner) 1983-93 [Cork & Rubber]
41938A		8656398	84502F	Gasket 440-T4 Side Cover (Inner) 1983-90 [Fiber]
41909AT		8656397	84501	Gasket 440-T4 Side Cover (Outer) 1983-93 [Cork & Rubber]
41909AU			84501	Gasket 440-T4 Side Cover (Outer) 1983-93 [Ultracork]
41918A		8656397	84501F	Gasket 440-T4 Side Cover (Outer) 1983-93 [Fiber]
41996095		8683803	84503	Gasket 4T60E Side Cover (Outer) 1994-Up [Molded Rubber]
41996216		24206959		Gasket 4T65E Side Cover (Outer) 1997-Up [Molded Rubber]
41997033		8649196	84596	Gasket 440-T4 Upper Channel Plate 1983-E85
41997176		8668064	84596E	Gasket 440-T4 4T60E Upper Channel Plate (One Piece Design) L1985-Up
41997034		8649830	84530	Gasket 440-T4 Lower Channel Plate 1983-93
41997177		8651615	84530E	Gasket 4T60E Lower Channel Plate 1991-Up
41997030		8656713	84525	Gasket 440-T4 Valve Body Spacer Plate to Channel Plate E1985
41997029		8656813	8525A	Gasket 440-T4 Valve Body Spacer Plate to Channel Plate L1985-Up
41997031				Gasket 440-T4 Valve Body Spacer to Channel L85-Up
41997028		8656712		Gasket 440-T4 Valve Body to Spacer Plate E1985
41997178		8778761		Gasket 4T60E Valve Body Spacer Plate to Channel Plate 1991-92
41997271		8682280		Gasket 4T60E Valve Body Spacer Plate to Channel Plate 1993-Up
41997179		8678762		Gasket 4T60E Valve Body to Spacer Plate 1991-92
41997272		8682281		Gasket 4T60E Valve Body to Spacer Plate 1993-Up
35097706		24212828		Gasket 4T65E (Volvo) Separator Plate to Case 1999-Up
35097705		24212825		Gasket 4T65E (Volvo) Valve Body Plate To Separator Plate 1999-Up
41797597		24206578		Gasket 4T65E Valve Body Spacer Plate to Channel Plate 1997-Up
41797596		24204500		Gasket 4T65E Valve Body to Case 1997-Up
41997715		24220217R002	84596G	Gasket 4T65E Channel Plate (Upper) 1997-Up [Paper]
41997595		24212897	84530G	Gasket 4T65E Channel Plate (Lower) 1997-Up [Paper]
41996238				Gasket 4T65E Channel Plate (Upper) 1997-Up [Metal]
41996239				Gasket 4T65E Channel Plate (Lower) 1997-Up [Metal]
1401				Gasket Set 4T60 Valve Body 1987-92 (Cadillac & Allante Only)
472				Gasket Kit 4T65E Sperator Plates and Seals (Components for Volvo Coverage) 1999-Up
1988002		8660545		Lathe Cut Seal 440-T4 Governor Cover 1983-93
1985002				Lathe Cut Seal 440-T4 Input Clutch Accumulator Piston 1983-93
1988008		8649379		Lathe Cut Seal 440-T4 Lube Pipe Seal 1983-93
1985000		8635568		Lathe Cut Seal 440-T4/4T60E 1-2 & 3-4 Accumulator Piston 1983-Up
1985001		8658086		Lathe Cut Seal 440-T4 4T60E 4T65E Converter Clutch Accumulator Piston 1983-Up
1990155		8651549		Lathe Cut Seal 4T60E 2-1 Servo Piston 1991-Up
1987027				Lathe Cut Seal 4T60E 4T65E 3-4 Accumulator Piston 1991-Up
1985010		24200061		Lathe Cut Seal 4T60E Side Pan (Inner) 1994-Up
1989060		8651419		Lathe Cut Seal 4T60E 4T65E Extension Housing 1991-Up
1988089		24204374		Lathe Cut Seal 4T65E Forward Servo 1997-Up
1985011		24205119		Lathe Cut Seal 4T65E Side Pan (Inner) 1997-Up
1988005				Lathe Cut Seal TH440-T4 Converter Clutch Accumulator 1983-E85
1990034		8668074		Lip Seal 440-T4 2nd Clutch Piston (Inner) 1983-Up
1990033		8656742		Lip Seal 440-T4 2nd Clutch Piston (Outer) 1983-Up
1990038		8644156		Lip Seal 440-T4 4T60E 3rd Clutch Piston (Outer) 1983-Up
1990037		8675318		Lip Seal 440-T4 4T60E 4T65E 3rd Clutch Piston (Inner) 4/1983-Up
1990032		8644066		Lip Seal 440-T4 4T60E 4T65E 4th Clutch Piston (Inner) 1983-Up
1990031		8644061		Lip Seal 440-T4 4T60E 4T65E 4th Clutch Piston (Outer) 1983-Up
1990035		8649836		Lip Seal 440-T4 4T60E 4T65E Input Clutch Piston (Inner) 1983-Up
1990036		8649837		Lip Seal 440-T4 4T60E 4T65E Input Clutch Piston (Outer) 1983-Up
1990171				Lip Seal 440-T4 4T60E 4T65E Reverse Servo Piston 1983-Up (Also Fits Forward Servo Piston)
1988072		24204386		Lip Seal 4T60E 2-1 Servo Piston Cover 1997-Up
1993111				O-Ring 440-T4 Actuator Guide 1983-Up
1994014				O-Ring 440-T4 Lock-Up Solenoid 1983-Up
1995115				O-Ring 440-T4 Modulator 1983-Up (Use 106368)
1995117				O-Ring 440-T4 Speed-O Driven Gear Sleeve 1983-Up
1995115				O-Ring 440-T4 4T60E Case Connector 1983-Up (Also Fits 440-T4 Modulator)
1993500		8658109		O-Ring 440-T4 4T60E Converter Clutch Solenoid Screen 1983-Up
1993234		8651567		O-Ring 440-T4 4T60E 4T65E 3-4 Accumulator 1983-Up
1994132				O-Ring 440-T4 4T60E 4T65E 3rd Clutch Piston Housing (Inner) This O-Ring Is In The
1993042		8656760		O-Ring 440-T4 4T60E 4T65E Pump Slide 1983-Up
1993019		8662686		O-Ring 440-T4 4T60E 4T65E Turbine Shaft (Goes Behind Splines) 1983-Up
1988046		8651648		O-Ring 4T60E 2-1 Servo Cover to Case 1991-E95
1994118				O-Ring 4T60E
1993234		8651567		O-Ring 4T60E Forward Servo Cover 1991-Up
1994149		8651541		O-Ring 4T60E 4T65E 2-1 Servo Piston Housing 1991-Up

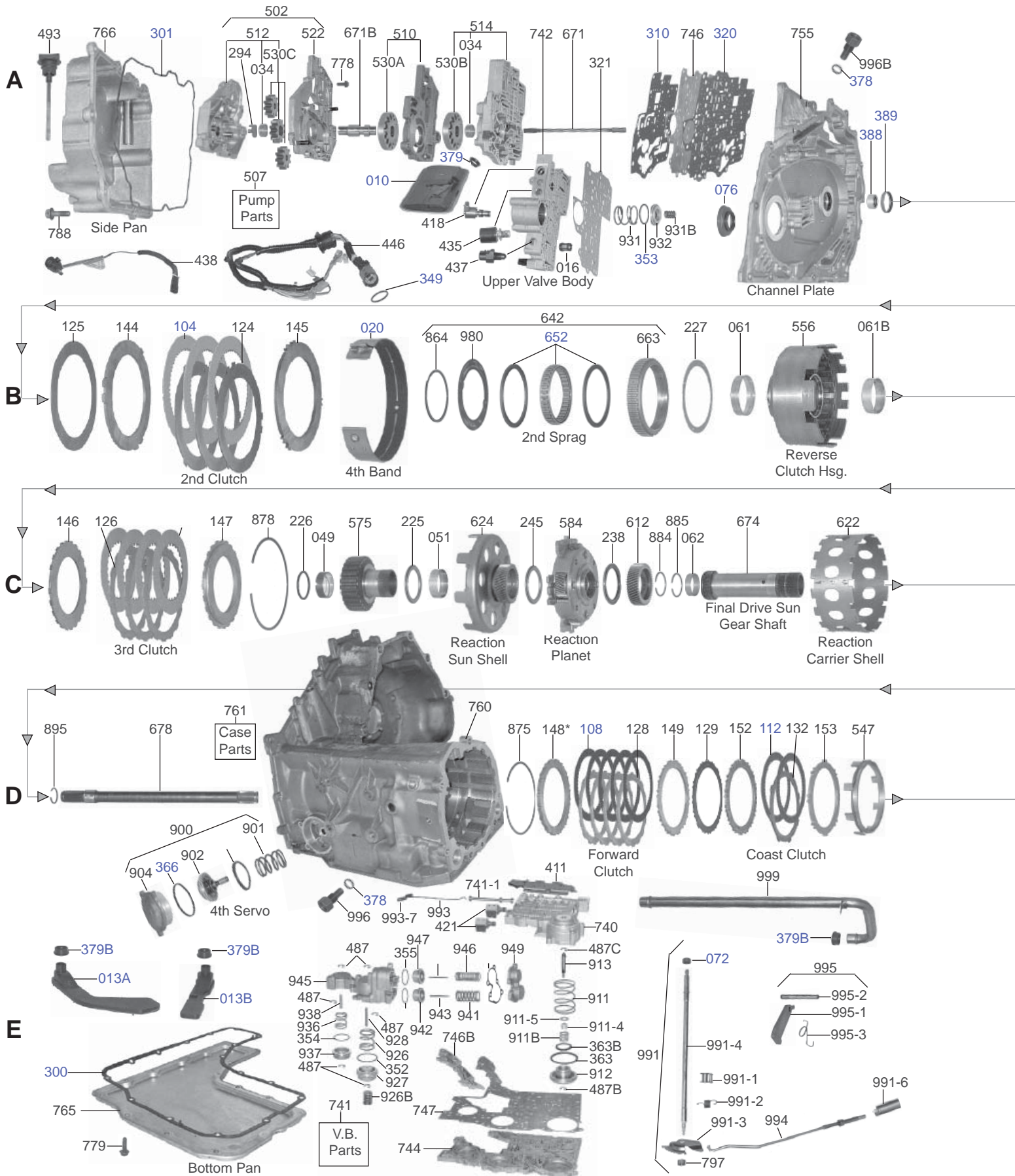
SAP #	IL#	OE	INDUSTRY	DESCRIPTION
GASKET & RUBBER COMPONENTS -- continued				
1994519		8675086		O-Ring 4T60E 4T65E Actuator Guide 1997-Up
1993232				O-Ring 4T60E 4T65E Reverse Band Servo Cover 1997-04
1993116T06				O-Ring 4T60E 4T65E Speed Sensor 1991-Up
1993150				O-Ring 4T65E Reverse Servo (Light Blue) 1997-Up
41975011		8656613		Seal 440-T4 4T60E 4T65E Filter Seal 1983-Up
42275006		8631877		Seal 440-T4 4T60E 4T65E Pump Slide 1983-Up [PTFE]
42275003		8631283		Seal 440-T4 4T60E 4T65E Pump Slide 1983-Up [Rubber]
METAL CLAD SEALS				
70022FM		8646637	84152	Seal 440-T4 4T60E Axle (Left Side) 1983-Up
70022		8646637	84152	Seal 440-T4 4T60E Axle (Left Side) 1983-Up
70016CR		8666007	75152	Seal 440-T4 4T60E 4T65E Axle (Right Side) (1 5/16 ID) 1983-Up
70016		8666007	75152	Seal 440-T4 4T60E 4T65E Axle (Right Side) (1 5/16 ID) 1983-Up
70015FM		8664812	75151A	Seal 440-T4 4T60E 4T65E Converter 1983-Up [Vamac]
70015		8664812	75151A	Seal 440-T4 4T60E 4T65E Converter 1983-Up [Vamac]
70002		8644709	84511	Seal 440-T4 4T60E 4T65E Manual Lever Shaft 1983-Up
70251FM		24204772	84151M	Seal 4T65E Torque Converter 1997-Up
70251		24204772	84151M	Seal 4T65E Torque Converter 1997-Up
70252FM		24204330	84153	Seal 4T65E Axle (Left Side) 1997-Up
70252		24204330	84153	Seal 4T65E Axle (Left Side) 1997-Up
70375		9445681	84154	Seal 4T65E Axle (Right Side) 1999-Up Volvo Only
OIL SEALING RINGS				
TAW-1409		8658098		Ring 440-T4 2nd Clutch 1983-86 [Metal]
30147		8658160	84303T	Ring 440-T4 4T60E 1-2 Reverse Servo 1983-Up [PTFE]
30112		8632588	65309J	Ring 440-T4 4T60E Governor Shaft 1983-Up [PTFE]
1987002		8662329		Ring 440-T4 4T60E 4T65E Quad 2nd Clutch (Rubber Expander) 1987-E98
GM-66		8662330	84300V	Ring 440-T4 4T60E 4T65E 2nd Clutch 1987-E98 [Plastic]
30120		8656342	75301	Ring 440-T4 4T60E 4T65E Input Shaft 1983-Up [PTFE]
TAW-1408		8644333	84333	Ring 440-T4 4T60E 4T65E Pump Vane 1983-Up [Metal]
30142		8637170	75301C	Ring 440-T4 4T60E 4T65E Turbine Shaft (Front) (Solid) 1983-Up [PTFE]
30136		8643058	75301D	Ring 440-T4 4T60E 4T65E Turbine Shaft (Rear) (Solid) 1983-Up [PTFE]
30145TR		24209498		Ring 4T65E 2nd Clutch Hub L1998-Up [Torlon]
6071				Ring Kit TH440-T4 1987-93 (2 Metal 9 PTFE 2 Plastic 2 Quad Rings)
6034				Ring Kit 4T60-E 1991-Up (7 PTFE Rings)
6183				Ring Kit 4T65E 1997-Up (7 PTFE 2 Plastic Rings)
FRICTION CLUTCH				
41926R		8662005	84102	Friction 440-T4 4T60E 2nd Clutch [5.11 OD 38 Teeth 0.069 THK] 1983-93
41926T		8662005	84102	Friction 440-T4 4T60E 2nd Clutch [5.11 OD 38 Teeth 0.069 THK] 1983-93
41924T		8658081	84107	Friction TH440-T4 3rd Clutch [4.41 OD 32 Teeth 0.091 THK] 1980-83
41924R		8658081	84107	Friction TH440-T4 3rd Clutch [4.41 OD 32 Teeth 0.091 THK] 1980-83
41927R		8658042	84107A	Friction 440-T4 4T60E 3rd Clutch [4.39 OD 32 Teeth 0.087 THK] 1983-88
41927T		8658042	84107A	Friction 440-T4 4T60E 3rd Clutch [4.39 OD 32 Teeth 0.087 THK] 1983-88
41928R		8658043	84107B	Friction 440-T4 3rd Clutch [4.69 OD 12 Teeth 0.087 THK] (1 Sided Friction) 1985-88
41928T		8658043	84107B	Friction 440-T4 3rd Clutch [4.69 OD 12 Teeth 0.087 THK] (1 Sided Friction) 1985-88
41927AR		8662954 8668361	84107C	Friction 440-T4 4T60E 4T65E 3rd Clutch [4.39 OD 32 Teeth 0.079 THK] (1 Sided Friction) 1989-Up
41927AT		8662954 8668361	84107C	Friction 440-T4 4T60E 4T65E 3rd Clutch [4.39 OD 32 Teeth 0.079 THK] (1 Sided Friction) 1989-Up
41928AR		8617205 8668362	84107D	Friction 440-T4 4T60E 4T65E 3rd Clutch [4.69 OD 12 Teeth 0.079 THK] 1989-Up
41928AT		8617205 8668362	84107D	Friction 440-T4 4T60E 4T65E 3rd Clutch [4.69 OD 12 Teeth 0.079 THK] 1989-Up
41920R		8662172	84108A	Friction 440-T4 4T60E 4th Clutch [5.31 OD 18 Teeth 0.084 THK] 1983-88
41920T		8662172	84108A	Friction 440-T4 4T60E 4th Clutch [5.31 OD 18 Teeth 0.084 THK] 1983-88
41920AT		8655066	84108B	Friction 4T60E 4T65E 4th Clutch [5.31 OD 18 Teeth 0.070 THK] 1987-Up
41920CT		18017245X	84108X	Friction TH440-T4 4T60E 4T65E 4th Clutch [0.090 THK] 1983-93
41922R		8662850	84103	Friction 440-T4 4T60E Input [4.65 OD 0.090 THK] 1983-E94
41922T		8662850	84103	Friction 440-T4 4T60E Input [4.65 OD 0.090 THK] 1983-E94
41922AR		24202333	84103A	Friction 4T60E 4T65E Input [4.65 OD 32 Teeth 0.065 THK] L1994-02
41922AT		24202333	84103A	Friction 4T60E 4T65E Input [4.65 OD 32 Teeth 0.065 THK] L1994-02
41922BT		24216502	84103P	Friction 4T65E Input [4.646 OD 30 Teeth] 2003-Up
41980T				Friction Module 440-T4 1984-86
41980AR				Friction Module 440-T4 1987-90
41980A				Friction Module 440-T4 1987-90
41980BR				Friction Module 4T60E 1991-95
41980B				Friction Module 4T60E 1991-95
41980ER				Friction Module 4T60E 1995-Up
41980DR				Friction Module 4T65E 1997-02 (Except Volvo)
41980DT				Friction Module 4T65E 1997-02 (Except Volvo)
41980DAR				Friction Module 4T65E 1999-02 (Volvo)
41980DBR				Friction Module 4T65E 2003-Up (Volvo)
41980DCR				Friction Module 4T65E 2003-Up (Except Volvo)

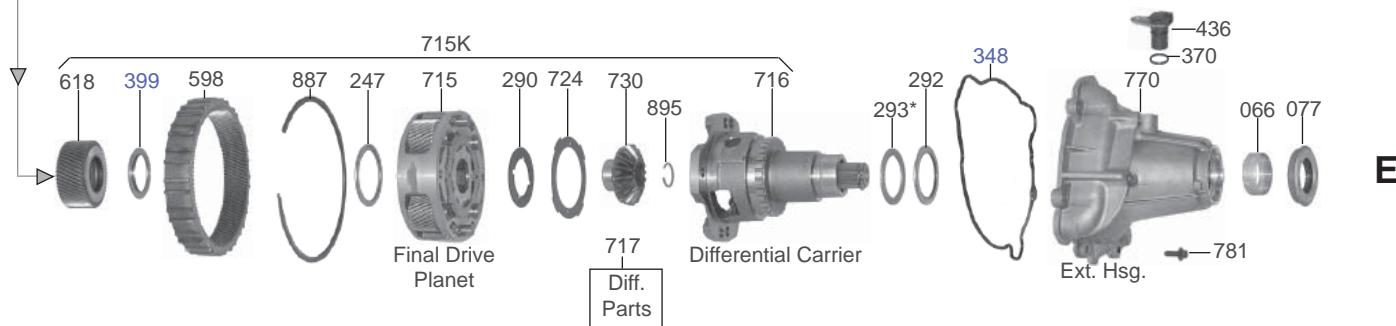
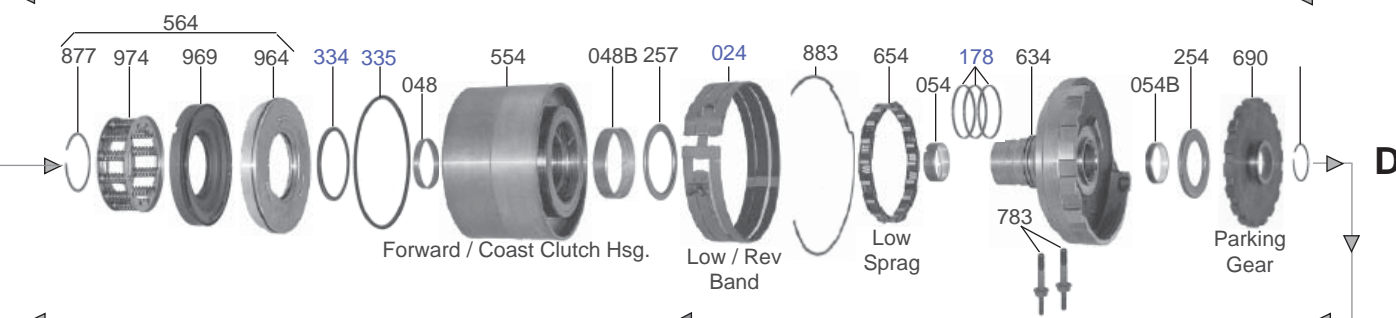
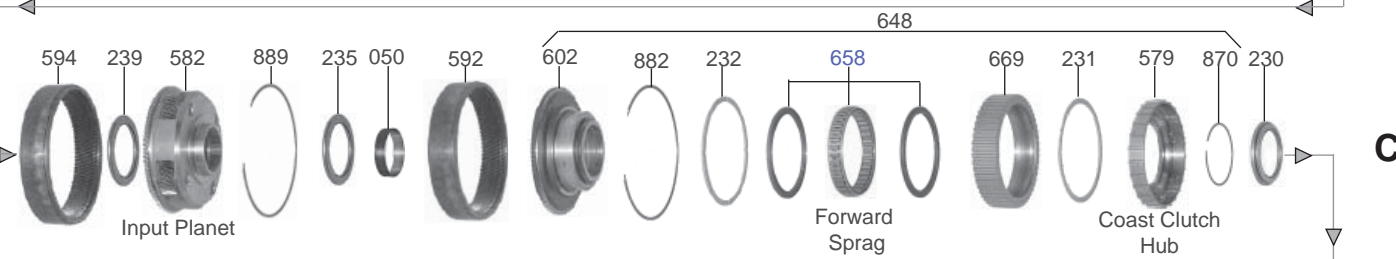
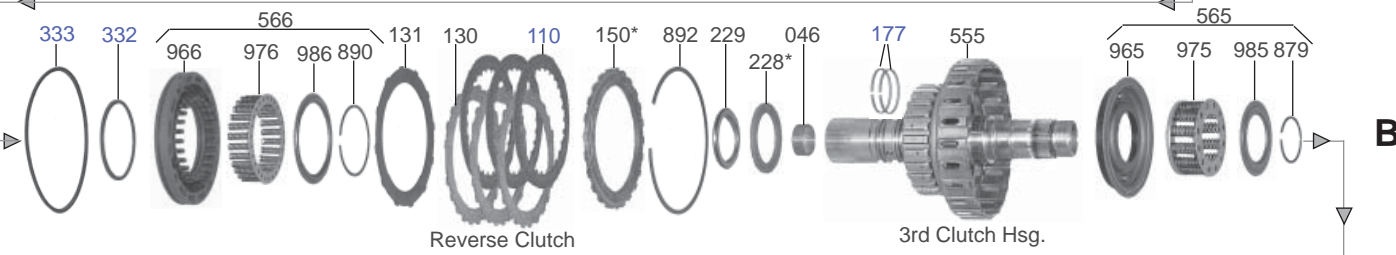
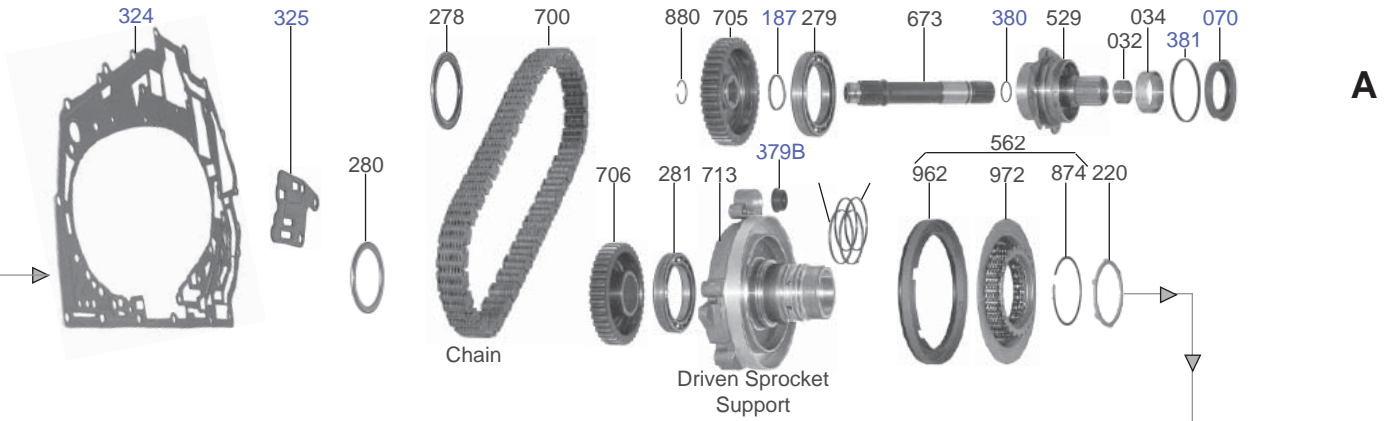
SAP #	IL#	OE	INDUSTRY	DESCRIPTION
STEEL CLUTCH				
41925		8656642	84104	Steel 440-T4 4T60E 2nd [3.79 ID 36 Teeth 0.091 THK] 1983-86
41925K		8662309	84104K	Steel 440-T4 4T60E 2nd [3.79 ID 36 Teeth 0.091 THK] 1983-86 (Kolene Coated)
41929		8662006	84104A	Steel 440-T4 4T60E 2nd [3.79 ID 34 Teeth 0.077 THK] 1987-Up
41929K		24203372	84104KA	Steel 440-T4 4T60E 2nd [3.79 ID 34 Teeth 0.077 THK] 1987-Up (Kolene Coated)
41929A		24204104	84104M	Steel 440-T4 4T60E 2nd [3.87 ID 34 Teeth 0.068 THK] 1987-Up
41929B		8658463	84106	Steel 440-T4 4T60E 2nd [3.79 ID 36 Teeth 0.044 THK] (Waved) 1983-Up
41929C		24202950	84106M	Steel 4T65E 2nd [4.45 ID 36 Teeth 0.068 THK] (Waved) 1997-Up
41923		8656313	84101	Steel 440-T4 4T60E 4T65E 3rd [3.51 ID 12 Teeth 0.091 THK] 1983-Up
42223D		8656312	84109	Steel 440-T4 4T60E 3rd [3.366 ID 12 Teeth 0.030 THK] (Waved) 1983-97
41921A		8661006	84105B	Steel 440-T4 4T60E 4th [3.46 ID 6 Teeth 0.074 THK] 1987-Up
41921		8650767	84105	Steel 440-T4 4T60E 4th [3.46 ID 6 Teeth 0.077 THK] 1983-86
41921B			84105E	Steel 440-T4 4T60E 4th [3.46 ID 6 Teeth 0.133 THK] 1993-Up
41921C		24208013	84105M	Steel 4T65E 4th [3.50 ID 6 Teeth 0.085 THK] 1997-Up
33511		8631379	75104	Steel 440-T4 4T60E Input [3.51 ID 26 Teeth 0.076 THK] 1983-92
41923A		8651446	75104A	Steel 4T60E Input [3.51 ID 26 Teeth 0.051 THK] L1990-E94
33513		8675257	75105	Steel 4T60E 4T65E Input [3.51 ID 30 Teeth 0.050 THK] (Waved) L1990-Up
41981				Steel Module 440-T4 1983-86
41981A				Steel Module 440-T4 1987-E91
41981B				Steel Module 4T60E 1991-Up
41981D				Steel Module 4T65E 1997-Up (Except Volvo)
41981DA				Steel Module 4T65E 1999-Up (Volvo)
FILTER				
41940		8682471 8662853	84710A	Filter 440-T4 1983-92
33205		24205416	84710E	Filter 4T60E 4T65E 1991-Up
FILTER KIT				
41941			FK84710A	Filter Kit 440-T4 1983-92 (With Cork & Rubber Pan Gasket)
41941A			FK84710A	Filter Kit 440-T4 1983-92 (With Fiber Pan Gasket)
33260			FK84710E	Filter Kit 4T60E 4T65E 1991-Up (With Cork & Rubber Pan Gasket)
33260A			FK84710E	Filter Kit 4T60E 4T65E 1991-Up (With Fiber Pan Gasket)
MISCELLANEOUS FILTERS				
41966		8627509	34665	Screen 440-T4 Governor Pressure 1983-88
41988		8656752	84711	Screen 440-T4 4T60E 4T65E Oil Pump Pressure 1983-Up
41988B		8651658	84713	Screen 4T60E Shift Solenoid 1991-Up
41988A		8651754	84717	Screen 4T60E 4T65E 2-1 Servo 1991-Up
BANDS				
41990		8675987	84700	Band 440-T4 1-2 (Rear) 1983-Up
41997		24202815	84701A	Band 4T60E 4T65E Reverse 1991-Up
41996B		8651624	84702A	Band 4T60E 4T65E 2-1 Coast (Center) 1991-Up [OEM]
41996A		8651624	84702A	Band 4T60E 4T65E 2-1 Coast (Center) 1991-Up
41996C		24208687	84700H	Band 4T60E 4T65E 2-1 Coast (High Energy) 1997-Up
41993		8651614	84700AR	Band 4T60E 4T65E Forward (Rear) 1991-Up (With Kevlar)
BUSHINGS				
41936A			84099	Bushing 440-T4 4T60E Channel Plate Sleeve 1983-Up [Steel]
41936		8649661	84003	Bushing 440-T4 4T60E Input Shaft (1.49 ID) 1983-Up [Bronze]
41936B		8649661	84003A	Bushing 440-T4 4T60E 4T65E Input Shaft (With ID Groove) 1983-Up [Bronze]
41930			84004	Bushing 440-T4 4T60E Input Sun Gear (1.21 OD) 1983-Up [Bronze]
33322		8631119	75019	Bushing 440-T4 Case & 4T60E/4T65E Extension Housing 1983-Up
41937		8644203	84008	Bushing 440-T4 Reaction Sun Gear (Front) 1983-92
41932E		8651447	84008A	Bushing 4T60E 4T65E Reaction Sun Gear (Front) 1991-Up
41933E		8651448	84008B	Bushing 4T60E 4T65E Reaction Sun Gear (Rear) (Forward Band Drum) 1991-Up [Bronze]
41939		8649537	84007	Bushing 440-T4 4T60E Final Drive Internal Gear Shaft 1983-Up
41933		8658803	84005	Bushing 440-T4 4T60E Front Planet 1986-91
41935		8644098	84000	Bushing 440-T4 4T60E 4T65E 2nd Clutch Housing (Front) 1983-Up
41934		8644099	84001	Bushing 440-T4 4T60E 4T65E 2nd Clutch Housing (Rear) 1983-Up
33301		8637905	75005A	Bushing 440-T4 4T60E 4T65E Converter Hub 1983-Up
33317		8628915	65002	Bushing 440-T4 4T60E 4T65E Converter Reactor (Front) 1983-Up
41932A		8656357	84006A	Bushing 440-T4 4T60E 4T65E Driven Sprocket Support 1983-Up
41937F			84009A	Bushing 4T60E 4T65E 1-2 Support (1.97 OD) 1996-Up [Bronze]
41931				Bushing Kit 440-T4 1983-91 (11 Bushings)
41931E				Bushing Kit 4T60E 1991-95 (16 Bushings)
41931D			K84901G	Bushing Kit 4T65E 1997-Up (12 Bushings)

SAP #	IL#	OE	INDUSTRY	DESCRIPTION
WASHER & BEARINGS				
41970B				Bearing Kit 440-T4 4T60E 1983-Up
41974			84473	Washer 440-T4 4T60 Input Shaft to Sun Gear 1983-88 (4 Tabs)
				Washer Thrust 440-T4 4T60E 4th Clutch Hub to Driven Support - 4 Round Tabs [2.83 OD 0.069in THK]
41975	8644664		84414	1983-Up [Plastic]
41975A	24204839		84414M	Washer 4T65E 4th Clutch Hub to Driven Support (2.465 OD) 1997-Up
41972	8649260		84413	Washer 440-T4 4T60E Drive Sprocket to Channel Plate .068 (3 Tab) 1983-Up
41972A	24204328		84413A	Washer 4T65E Drive Sprocket to Channel Plate .048 (3 Tab) 1997-Up
40075	8652841	75412	84412	Washer 440-T4 4T60E Drive Sprocket to Support (4 Tab) 1983-Up
41973	8644069		84402	Washer 440-T4 4T60E Driven Sprocket Support to 2nd Clutch Drum 1983-Up
41973A	24204434		84402M	Washer 4T65E Driven Sprocket Support to 2nd Clutch Drum (2 Tab) 1997-Up
41971	8644684		84411	Washer 440-T4 4T60E Driven Sprocket to Support (4 Tab) 1983-Up
41971A	24204840		84411M	Washer 4T65E Driven Sprocket to Support (3 Tab) 1997-Up
41979			84412M	Washer 4T65E Drive Sprocket to Sprocket Support (3 Tab) 1997-00
41979A			66410A	Washer 4T65E Drive Sprocket to Sprocket Support (3 Tab) 2001-Up
41976	24207063		84421	Washer 4T65E 4th Clutch Hub to Channel Plate (3 Tab) 1997-Up
41970				Washer Kit 440-T4 4T60E (6 Washers No Selectives) 1983-Up
41970A				Washer Kit 4T65E (5 Washers No Selectives) 1997-ON
ELECTRICAL COMPONENTS				
84825	10478108		K84825U	Solenoid 4T60E 1-2 3-4 & TCC 1991-Up
D33946	10478146		33946	Solenoid 4T65E EPC 1997-02 [OEM]
HARD PARTS				
33747	8660099		84885	Chain 440-T4 HV-018 (7/8in Wide) 1983-93
33188	24206434		84885M	Chain 4T65E (1/2in Wide) 1997-Up
84860A	24222373		84860A	Hub 4T60E 4th Clutch With Shaft (W/Out ID Bearing With External Sleeve) 1993-95 (Retro to 1983)
84860B	24202037		84860B	Hub 4T60E 4th Clutch With Shaft (W/Out ID Bearing With External Sleeve) 1996-Up
84860C	24205603		84860C	Hub 4T65E 4th Clutch With Shaft (32 Teeth) 1997-Up
41983	8658368		84989	Oil Dam 440-T4 4T60E 4T65E Front Planet 1983-Up
41950	24201154		84983E	Piston 4T60E 2nd Clutch (5-1/8 OD) (With Bonded Rubber) 1991-Up
41951	24200290		84760A	Piston 4T60E 3rd Clutch (With Bonded Rubber) 1989-99
41950A	24208336		84928	Piston 4T65E 2nd Clutch (With Bonded Rubber) 1997-Up
41951A	24205378		84930	Piston 4T65E 3rd Clutch (With Bonded Rubber) 1997-Up
R84947M	24204430		84947M	Planet 4T60E 4T65E Front (Input) 12 Lugs 1997-Up
84874	8656624			Pump Shaft 440-T4 4T60E Oil Pump Drive (9 3/4 Long) 1983-Up
84946A	24202422			Shell 440-T4 4T60E Reverse Reaction 1983-97 (Hardened)
41995A	8668487		84993	Spring 440-T4 4T60E 1-2 Accumulator (Green) 1983-Up
41964086	8656018			Spring 440-T4 TCC Valve 1983-Up
75884B	8644114			Sun Gear 440-T4 4T60E Final Drive (30 Teeth-Right Angled 2.130 OD)
84945C				Sun Gear 4T60E 4T65E Input L 1995-Up
MODULATORS				
41945	8646967		84820X	Modulator 440-T4 4T60E Red Stripe (Dual) 1983-91
PUMP COMPONENTS				
42275003	8631283			Seal 440-T4 4T60E 4T65E Pump Slide 1983-Up [Rubber]
33302	8631288		75785	Sleeve 440-T4 4T60E Pump Cover 1985-Up

4T80E

FWD 4 Speed



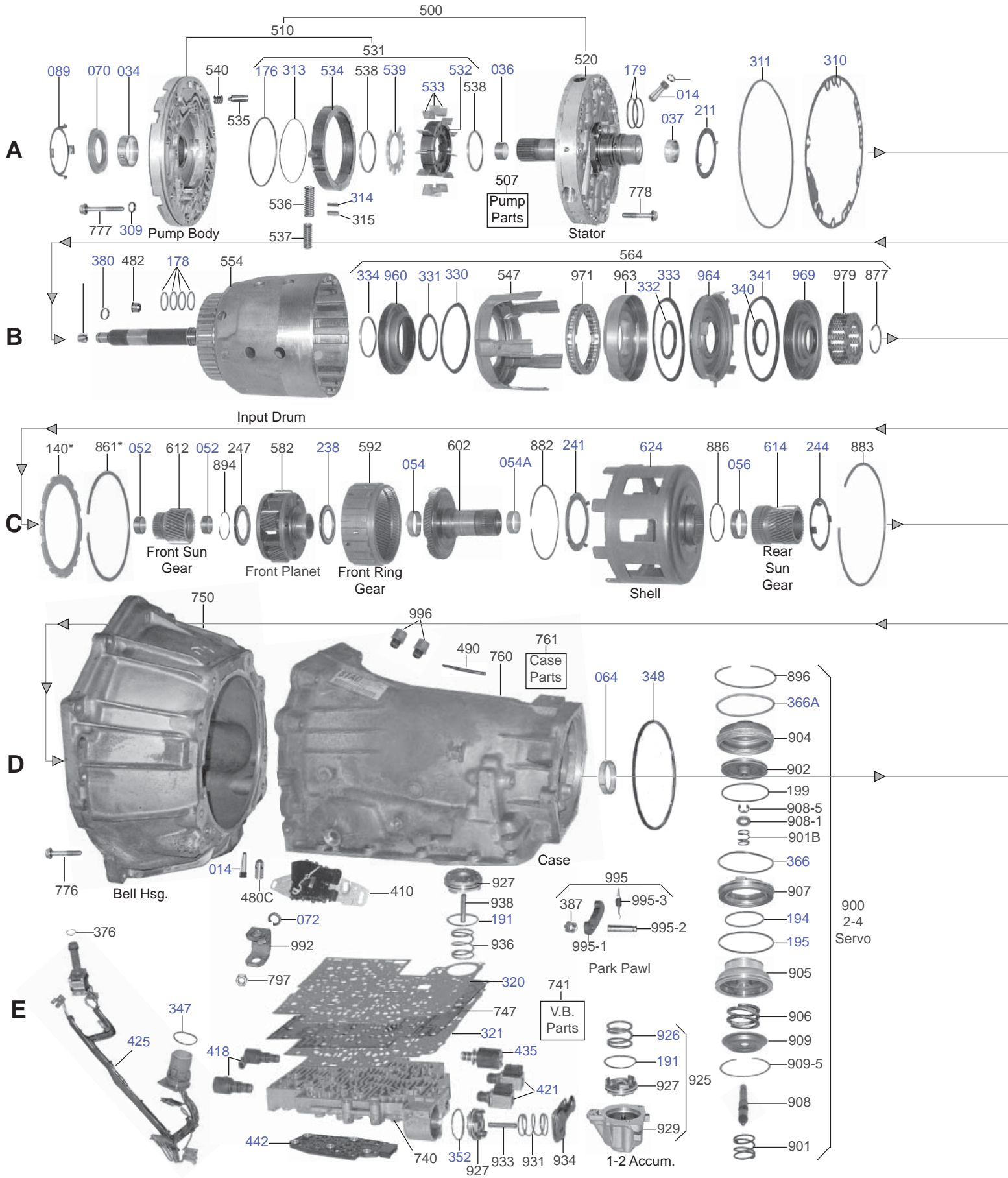


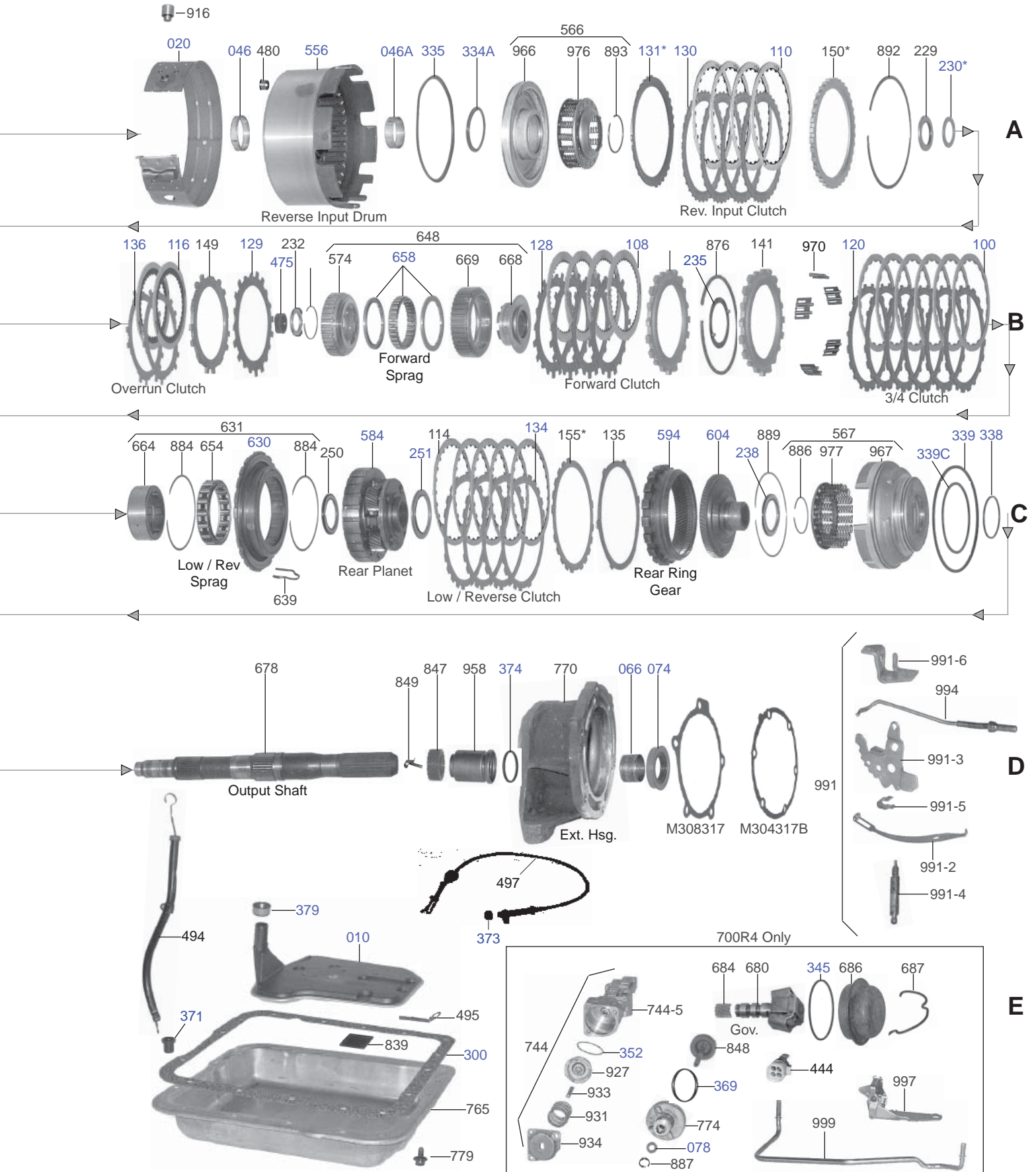
SAP #	IL#	OE	INDUSTRY	DESCRIPTION
OVERHAUL KIT				
T94002AW				Overhaul Kit 4T80E W/Out Transfer Plates (With Paper Plate Gaskets) 1993-Up
MASTER L/STEEL KIT				
T94004AW				Master L/Steels 4T80E W/Out Transfer Plates (With Paper Plate Gaskets) 1993-94
T94004BW				Master L/Steels 4T80E W/Out Transfer Plates (With Paper Plate Gaskets) 1995-02
MASTER W/STEEL KIT				
T94006AW				Master W/Steels 4T80E W/Out Transfer Plates (With Paper Plate Gaskets) 1993-94
T94006BW				Master W/Steels 4T80E W/Out Transfer Plates (With Paper Plate Gaskets) 1995-02
GASKET & RUBBER COMPONENTS				
42754		8680504		Boot 4T80E Left & Right Scavenge Filter & Scavenge Tube (0.440in Tall) 1993-Up
42754A		8678599		Boot 4T80E Main Filter (0.295in Tall) 1993-Up
42719		24209512	72500M	Gasket 4T80E Bottom Pan (With Tab) 1993-Up [Molded Rubber]
42718		24209512		Gasket 4T80E Bottom Pan 1993-Up [Fiber]
42796207		24208778	72751	Gasket 4T80E Channel Plate to Case (Outer) (Bonded) 1993-Up
42796212		24208779	72532A	Gasket 4T80E Channel Plate to Support (Inner) (Bonded) 1995-Up
42796208		24213957-1		Gasket 4T80E Valve Body Spacer Plate Cover (Top) 1993-Up
42796209		24213957-2		Gasket 4T80E Valve Body Spacer Plate Cover (Bottom) 1993-Up
42796217		8683184	72529	Gasket 4T80E Transfer Plate (Lower Body) (No ID Stamp) 1993 [Molded Rubber]
42796218		24201193	72529A	Gasket 4T80E Transfer Plate (Lower Body) (ID stamp 1193) 1994 [Molded Rubber]
42796219		24213957	72529B	Gasket 4T80E Transfer Plate (Lower Body) (ID stamp 3957) 1994-Up [Molded Rubber]
42796206		8679017	72548	Gasket 4T80E Extension Housing 1993-Up [Molded Rubber]
42797696		8678609	72528	Gasket 4T80E Secondary Pump to Separator Plate 1993-Up
42796205		8679392	72549	Gasket 4T80E Side Pan 1993-Up [Molded Rubber]
42797697		24229913	72526	Gasket 4T80E Spacer Plate to Channel Plate 1993-Up
42797699		24200439	72530	Gasket 4T80E 1-2 & 3-4 Accumulator Cover 1993-Up
42796211		8683149	72532	Gasket 4T80E Sprocket Support to Case Cover 1993-94
1988077		8679543		Lathe Cut Seal 4T80E 2-3 Accumulator Piston 1993-Up
1988089		8679290		Lathe Cut Seal 4T80E 4th Servo Cover 1993-Up
1988083		8681100	72541	Lathe Cut Seal 4T80E Converter Reactor to Case 1993-Up
1988063		24214003	72252	Lathe Cut Seal 4T80E Forward Clutch Piston Inner 00-Up
1990119		8679289		Lip Seal 4T80E 4th Servo Piston 1993-Up
1990229		24205415	72552	Lip Seal 4T80E Forward Clutch Piston (Inner) 1993-00
1990230		24205414	72553	Lip Seal 4T80E Forward Clutch Piston (Outer) 1993-Up
1990231		8679008	72554	Lip Seal 4T80E Reverse Clutch Piston (Inner) 1993-Up
1990234		8679271		Lip Seal 4T80E Low/Reverse Band Servo Small 1993-Up
1990232		8679007	72555	Lip Seal 4T80E Reverse Clutch Piston (Outer) 1993-Up
1994723		8676430		O-Ring 4T80E Case Connector 1993-Up
1994598		8680235		O-Ring 4T80E Cooler Fitting 1993-Up
1994116				O-Ring 4T80E Output Speed Sensor 1993-Up
1993020		8686052		O-Ring 4T80E Turbine Shaft 1993-Up
METAL CLAD SEALS				
70220		8677749	72151	Seal 4T80E Torque Converter 1993-Up
70222		8679679	72153	Seal 4T80E Axle (Case Cover) 1993-Up
70221		8677554	72152	Seal 4T80E Axle (Extension Housing) 1993-Up
70294		24201991	72154	Seal 4T80E Channel Plate to Drive Sprocket (Large) 1993-Up
70295		24201992	72155	Seal 4T80E Channel Plate to Turbine Shaft (Small) 1993-Up
70297		8677120		Seal 4T80E Cooler Line 1993-Up
70296		8678353	72156	Seal 4T80E Final Drive Sun Gear to Pinion Gear 1993-Up
70002		8644709	84511	Seal 4T80E Manual Shaft 1993-Up
OIL SEALING RINGS				
42760269		8678234	72301	Ring 4T80E 2nd Clutch Hub (Driven Sprocket Support) 1993-03 [PEEK] [OEM]
1987019		8678235	72302	Ring 4T80E 2nd Clutch Hub (Driven Sprocket Support) (Quad) 1993-03 [Viton]
42760267		8679881	72304	Ring 4T80E Drive Sprocket Support (2nd Clutch Hub) 1993-03 [PTFE]
42760268		8679587	72303	Ring 4T80E Forward/Coast Clutch Support 1993-03 [PEEK] [OEM]
30144		8656342	84307	Ring 4T80E Input Shaft (3rd Clutch Housing) 1993-03 [PTFE]
6336				Ring Kit 4T80E 1993-03 (3 PTFE 5 Peek Rings)
FRICITION CLUTCH				
42722R		8681371	72102	Friction 4T80E 2nd Clutch [7.50 OD 54 Teeth 0.081 THK] 1993-94
42722T		8681371	72102	Friction 4T80E 2nd Clutch [7.50 OD 54 Teeth 0.081 THK] 1993-94
42722AT		24201546	72102A	Friction 4T80E 2nd Clutch [7.50 OD 54 Teeth 0.071 THK] 1995-Up
42724R		8677610	72104	Friction 4T80E 3rd Clutch [5.95 OD 26 Teeth 0.081 THK] 1993-Up
42724T		8677610	72104	Friction 4T80E 3rd Clutch [5.95 OD 26 Teeth 0.081 THK] 1993-Up
42728R		8677829	72108	Friction 4T80E Coast [6.24 OD 51 Teeth 0.081 THK] 1993-94
42728T		8677829	72108	Friction 4T80E Coast [6.24 OD 51 Teeth 0.081 THK] 1993-94
42728AT		24224013 24200459	72108A	Friction 4T80E Coast [6.24 OD 53 Teeth 0.081 THK] 1995-Up
42720R		24223145	72100	Friction 4T80E Forward [6.40 OD 53 Teeth 0.081 THK] 1993-Up
42720T		24223145	72100	Friction 4T80E Forward [6.40 OD 53 Teeth 0.081 THK] 1993-Up
42726R		24223150	72106	Friction 4T80E Reverse [5.95 OD 26 Teeth 0.081 THK] 1993-Up
42726T		24223150	72106	Friction 4T80E Reverse [5.95 OD 26 Teeth 0.081 THK] 1993-Up

SAP #	IL#	OE	INDUSTRY	DESCRIPTION
FRICITION CLUTCH -- continued				
42780				Friction Module 4T80E 1993-Up
42780R				Friction Module 4T80E 1993-94
42780T				Friction Module 4T80E 1993-94
42780AT				Friction Module 4T80E 1995-Up
STEEL CLUTCH				
42721		8679584	72101	Steel 4T80E Forward [5.20 ID 16 Teeth 0.077 THK] 1993-Up
42723		8681834 8677609	72103	Steel 4T80E 2nd Clutch [5.55 ID 5 Teeth 0.091 THK] 1993-94
42723A		8684721	72103A	Steel 4T80E 2nd Clutch [5.55 ID 5 Teeth 0.081 THK] 1995-Up
42725		8677612	72105	Steel 4T80E 3rd Clutch [3.98 ID 22 Teeth 0.091 THK] 1993-Up
42727		8677615	72107	Steel 4T80E Reverse [4.70 ID 22 Teeth 0.091 THK] 1993-Up
42729		8677808	72109	Steel 4T80E Coast [5.20 ID 8 Teeth 0.123 THK] 1993-Up
42781				Steel Module 4T80E 1993-Up
FILTER				
42744		8681416	72710	Filter 4T80E Oil (Main) {Under Side Cover} 1993-Up
42742B		24207361	72711	Filter 4T80E Left Scavenger 1993-Up
42740		8679416	72712	Filter 4T80E Right Scavenger 1993-Up
FILTER KIT				
42745A				Filter Kit 4T80E Internal Underside Cover 1993-Up (With Fiber Pan Gasket)
42743A			FK72710	Filter Kit 4T80E Left & Right Scavenger 1993-Up (With Fiber Pan Gasket)
MISCELLANEOUS FILTERS				
42740C		8680389	72713	Screen Filter 4T80E Solenoid 1993-03
BAND				
42790		8684246	72700	Band 4T80E Overdrive (Front Flex) 1993-Up
ELECTRICAL COMPONENTS				
D34605A		242097276	34605A	Solenoid 4T80E Pressure Control (Force Motor) 1993-02
S-74		24204319	72955	Sensor 4T80E Speed Output 1993-Up
S-167		24209654	72954	Sensor 4T80E Input Speed 1st Design 1993-96

700R4 / 4L60E / 4L65E

RWD 4 Speed





SAP #	IL#	OE	INDUSTRY	DESCRIPTION
PAPER & RUBBER KIT				
T74000C				Paper & Rubber Kit 700R4 1982-93 (Combo)
T74000E				Paper & Rubber Kit 4L60E 1992-03
OVERHAUL KIT				
T74002B				Overhaul Kit 700R4 1987-93
B74002C				Overhaul Kit 700R4 1982-93
T74002C				Overhaul Kit 700R4 1982-93
TF74002C				Overhaul Kit 700R4 1982-93 (Fiber)
B74002E				Overhaul Kit 4L60E / 4L65E 1992-03
T74002E				Overhaul Kit 4L60E / 4L65E 1992-03
TF74002E				Overhaul Kit 4L60E / 4L65E 1992-03 (Fiber)
T74002EA				Overhaul Kit 4L60E / 4L65E (W/Out Pistons) 1997-03
T74002EAP				Overhaul Kit 4L60E / 4L65E (With Pistons) 1997-03
T74002GA				Overhaul Kit 4L60E / 4L65E / 4L70E 2004-Up
TF74002GA				Overhaul Kit 4L60E / 4L65E / 4L70E 2004-Up (Fiber)
T74002GAP				Overhaul Kit 4L60E / 4L65E / 4L70E (With Pistons) 2004-Up
T74002GB-1				Overhaul Kit 4L60E / 4L65E / 4L70E 2005-Up (W/Out Control Valve Springs)
MASTER L/STEEL KIT				
B74004				Master L/Steels Kit 700R4 1982-84
B74004B				Master L/Steels Kit 700R4 L1987-93
T74004B				Master L/Steels Kit 700R4 L1987-93
B74004E				Master L/Steels Kit 4L60E / 4L65E 1993-96
T74004E				Master L/Steels Kit 4L60E / 4L65E 1993-03
T74004EB				Master L/Steels Kit 4L60E / 4L65E (W/Out Pistons) 1997-03
T74004EBP				Master L/Steels Kit 4L60E / 4L65E (With Pistons) 1997-03
T74004GA				Master L/Steels Kit 4L65E / 4L70E 2004-Up
T74004GAP				Master L/Steels Kit 4L65E / 4L70E (With Pistons) 2004-Up
MASTER W/STEEL KIT				
B74006				Master W/Steels Kit 700R4 1982-84
B74006A				Master W/Steels Kit 700R4 1985-E87
B74006B				Master W/Steels Kit 700R4 L1987-93
T74006B				Master W/Steels Kit 700R4 L1987-93
B74006E				Master W/Steels Kit 4L60E 1993-96
T74006EBP				Master W/Steels Kit 4L60E / 4L65E (With Pistons) 1997-03
T74006GA				Master W/Steels Kit 4L65E / 4L70E 2004-Up
T74006GAP				Master W/Steels Kit 4L65E / 4L70E (With Pistons) 2004-Up
SUPER KIT				
B74008				Super Kit 700R4 1982-84 [Includes Bushing Kit, Washer Kit, Band, Filter]
B74008A				Super Kit 700R4 1985-E87 [Includes Bushing Kit, Washer Kit, Band, Filter]
B74008B				Super Kit 700R4 L1987-93 [Includes Bushing Kit, Washer Kit, Band, Filter]
B74008E				Super Kit 4L60E 1993-Up [Includes Bushing Kit, Washer Kit, Band, Filter]
T74008E				Super Kit 4L60E (With 3-4 Pistons) 1993-Up [Includes Bushing Kit, Washer Kit, Band, Filter]
T74008EBP				Super Kit 4L60E / 4L65E (With Pistons) 1997-03 [Includes Bushing Kit, Washer Kit, Band, Filter]
GASKET & RUBBER COMPONENTS				
31683		1259475	3292	Boot 700R4 / 4L60E Filler Tube
1984206				D-Ring 4L60E (52.2 X 2.35 X 2.15)
1984205				D-Ring 4L60E Outer (39.6 X 2.35 X 2.15) [Viton]
1984204				D-Ring 4L60E Outer (57.3 X 2.35 X 2.15) [Viton]
1984203				D-Ring 4L60E Outer (65.5 X 2.35 X 2.15) [Viton]
1984202				D-Ring 4L60E Outer (78.4 X 2.35 X 2.15) [Viton]
4847				D-Ring Kit 700R4 4L60E Servo (Replaces PTFE) 1986-Up [Viton]
42209T	8642360		77500	Gasket 700R4 4L60E Pan 1982-Up [Cork & Rubber]
42209U	8642360		77500	Gasket 700R4 4L60E Pan 1982-Up [Ultracork]
42218	8654799		77500F	Gasket 700R4 4L60E Pan 1982-Up [Fiber]
42297168	8647064		77528	Gasket 700R4 Valve Body (Lower) 1982-86
42297284	8681351		77528A	Gasket 700R4 Valve Body (Lower) 1987-93 W/ Orange Stripe
42297679	24211920		77528F	Gasket 4L60E Valve Body (Lower) 2000-Up
42297266	8681606		77528G	Gasket 4L60E Valve Body (Lower) (Combo) 1992-99
42297167	8647452		77527	Gasket 700R4 Valve Body (Upper) 1982-86
42297285	8681339		77527A	Gasket 700R4 Valve Body (Upper) 1987-93 W/ Yellow Stripe
42297680	24211921		77527F	Gasket 4L60E Valve Body (Upper) 2000-Up
42297265	8681603		77527G	Gasket 4L60E Valve Body (Upper) (Combo) 1992-99
42297020	8642040		77531	Gasket 700R4 Pump 1982-E83
42212A	8654143		77532	Gasket 700R4 4L60E Pump L1983-Up
1989004	1241734		13515	Lathe Cut Seal 700R4 Governor Cover 1982-Up
1989059	24203287			Lathe Cut Seal 4L60E Extension Housing 1996-Up
1985065				Lathe Cut Seal 4L60E 4L65E Extension Housing 1997-Up
1985014	8635568		65128	Lathe Cut Seal 700R4 Forward Clutch Accumulator 1987-93
1988060	8680653		77526	Lathe Cut Seal 4L60E Forward Clutch & 1-2 3-4 Accumulator 1987-Up
1985023				Lathe Cut Seal 700R4 Low & Reverse Clutch Inner

SAP #	IL#	OE	INDUSTRY	DESCRIPTION
GASKET & RUBBER COMPONENTS -- continued				
1989005		1358899		Lathe Cut Seal 700R4 4L60E Case to Extension Housing
1988053		8637772		Lathe Cut Seal 700R4 4L60E Low/Reverse Clutch (Center) 1982-Up
1989001		3812830	3773	Lathe Cut Seal 700R4 4L60E Low/Reverse Clutch (Inner)
1985021		3812831	3774	Lathe Cut Seal 700R4 4L60E Low/Reverse Clutch (Outer) 1982-Up
1990021		8642057	77518	Lip Seal 4L60 4L60E Reverse Input (Outer) Long Lip 1982-86
1990022		8663073	77518A	Lip Seal 4L60 4L60E Reverse Input (Outer) Long Lip 1987-Up
1990025		8682137		Lip Seal 700R4 4L60E 3-4 Clutch (Inner) Long Lip
1990024		8642138		Lip Seal 700R4 4L60E 3-4 Clutch (Outer) 1982-Up
1990027		8642147	77523	Lip Seal 700R4 4L60E Forward Clutch (Inner) Long Lip
1990026		8642146	77522	Lip Seal 700R4 4L60E Forward Clutch (Outer)
1990029		8642152	77525	Lip Seal 700R4 4L60E Overrun Clutch (Inner) Long Lip
1990006		1240382		Lip Seal 700R4 Speed-O Shaft 1982-Up
1990172		8642151	77519	Lip Seal 700R4 4L60E Overrun Clutch (Outer) Long Lip
1990023		8642058		Lip Seal 700R4 4L60E Reverse Input (Inner) Long Lip
1994124		12129390		O-Ring 4L60E Case Connector 1992-Up
1993012		1993012		O-Ring 4L60E Cooler Line Fitting (Takes 2) Allison 1000 2000-Up
1995124		3198561		O-Ring 4L60E Rear Clutch Connector
1994116		10456194		O-Ring 4L60E Speed Sensor 1996-Up
1993545		24212987		O-Ring 4L60E 4L65E Input Shaft Large (Fits Shaft With No Pilot) [Viton]
1995115	3168191	10054241		O-Ring 700R4 Case Connector 1982-91
1994502		8642112	77512	O-Ring 700R4 Inner Servo Piston Cover (Red) 1982-Up
1994236		8647351	77512A	O-Ring 700R4 4L60E Servo Cover (Outer) (Blue) 1984-Up
1994015		8642581	3566	O-Ring 700R4 Pump Cover Screen
1994504		8642143		O-Ring 700R4 4L60E Input Drum to Forward Piston 1982-93
1993508		8673104		O-Ring 700R4 4L60E Input Drum to Forward Piston 1994-Up
1993014		8630049		O-Ring 700R4 4L60E Input Shaft (With Pilot Up Thru 1997)(Small V-8 Type)
1995222		3764601		O-Ring 700R4 4L60E Output Shaft Yoke Sleeve To Yoke 1982-Up
1994011		12337996		O-Ring 700R4 4L60E Pump Bolt L1987-Up
1994503		8634088	65174	O-Ring 700R4 4L60E Pump Slide to Body
1995134		25501478		O-Ring 700R4 4L60E Speed-O Housing (Outer 1 7/8in OD) 1982-95
1993019		8636033		O-Ring 700R4 4L60E Turbine Shaft (Goes Behind Splines) Green PTFE coated (Small 4 & 6 Cylinder Type)
1985008		8654716	3877V	O-Ring 700R4 4L60E 4L65E Front Pump 1982-03 [Vamac]
42266		8642036	77711	Seal 4L60E Filter 1993-Up
42275008		8642178	77578	Seal 700R4 Input Housing to Output Shaft 1982-93
42275056		8677268	77578A	Seal 4L60E Input Housing to Output Shaft 1993-Up
42275281		24226315		Seal 4L60E 4L65E Pump To Case (Metal/Rubber Compression Style) 2004-Up
41475178				Seal 700-R4 Press Switch Small
41475179				Seal 700-R4 Pressure Switch
42266	8657767	8642036	77711	Seal 700R4 4L60E Filter 1982-92
42275006	8631877	8631282		Seal 700R4 4L60E Pump Slide (PTFE)
42275003	8631283			Seal 700R4 4L60E Pump Slide (Rubber)
8097ES				Seal Up Kit 700R4 4L60E (With Pan Gasket) 1982-Up
METAL CLAD SEALS				
70013FM		8648394	65151	Seal 700R4 4L60E Front Pump 1982-Up
70349		8648394	65151	Seal 700R4 4L60E Front Pump 1982-Up
70014FM		1243402	8850B	Seal 700R4 4L60E Extension Housing (With Flange) 1982-Up
33002		1243402	8850B	Seal 700R4 4L60E Extension Housing (With Flange) 1982-Up
70462		97287358		Seal 4L60E Extension Housing (Colorado• Canyon & Hummer H3) 2004-Up
70284CR		24207010	77153	Seal 4L60E Extension Adapter 1997-Up (Corvette Only)
70000		8623056	38511	Seal 700R4 4L60E Manual Control Shaft 1982-Up
OIL SEALING RINGS				
40460031		8634161		Ring 700R4 Accumulator [PTFE]
30113		8630120	65179	Ring 700R4 4L60E Intermediate Band Apply Pin 1982-Up [PTFE]
30104		8628055	65300T	Ring 700R4 Stator Support 1982-91 [PTFE]
30149		8681292	77300	Ring 4L60E Stator Support 1992-Up [PTFE]
30131		8642084	77302T	Ring 700R4 4L60E 2nd Apply Piston (Inner) (1.642 OD) 1982-Up [PTFE]
30151		8642458	77306T	Ring 700R4 4L60E 2nd Apply Piston (Inner) (2.162 OD) 1982-Up [PTFE]
TAW-1509		8642458	77306	Ring 700R4 4L60E 2nd Apply Piston (Inner) (2.162 OD) 1982-Up [Metal]
TAW-1559		8642459	77307	Ring 700R4 4L60E 2nd Apply Piston (Inner) (2.639 OD) 1982-Up [Metal]
30152		8642459	77307T	Ring 700R4 4L60E 2nd Apply Piston (Inner) (2.639 OD) 1982-Up [PTFE]
30132		8642081	77303T	Ring 700R4 4L60E 2nd Apply Piston (Outer) [PTFE]
30130		8642480	77304T	Ring 700R4 4L60E 4th Apply Piston (Outer) [PTFE]
TAW-2208		24201144	65925S	Ring 700R4 4L60E Pump Slide to Body [Metal]
TAW-1507		8642420	77301	Ring 700R4 4L60E Turbine Shaft 1982-Up [Metal]
30121			77301T	Ring 700R4 Turbine Shaft 1980-92 [PTFE]
30150		8667035	77305T	Ring 4L60E Turbine Shaft (Solid) 1987-Up [PTFE]
6003				Ring Kit 700R4 1982-93 (15 PTFE Rings)
6075				Ring Kit 4L60E 1992-Up (12 PTFE Rings)

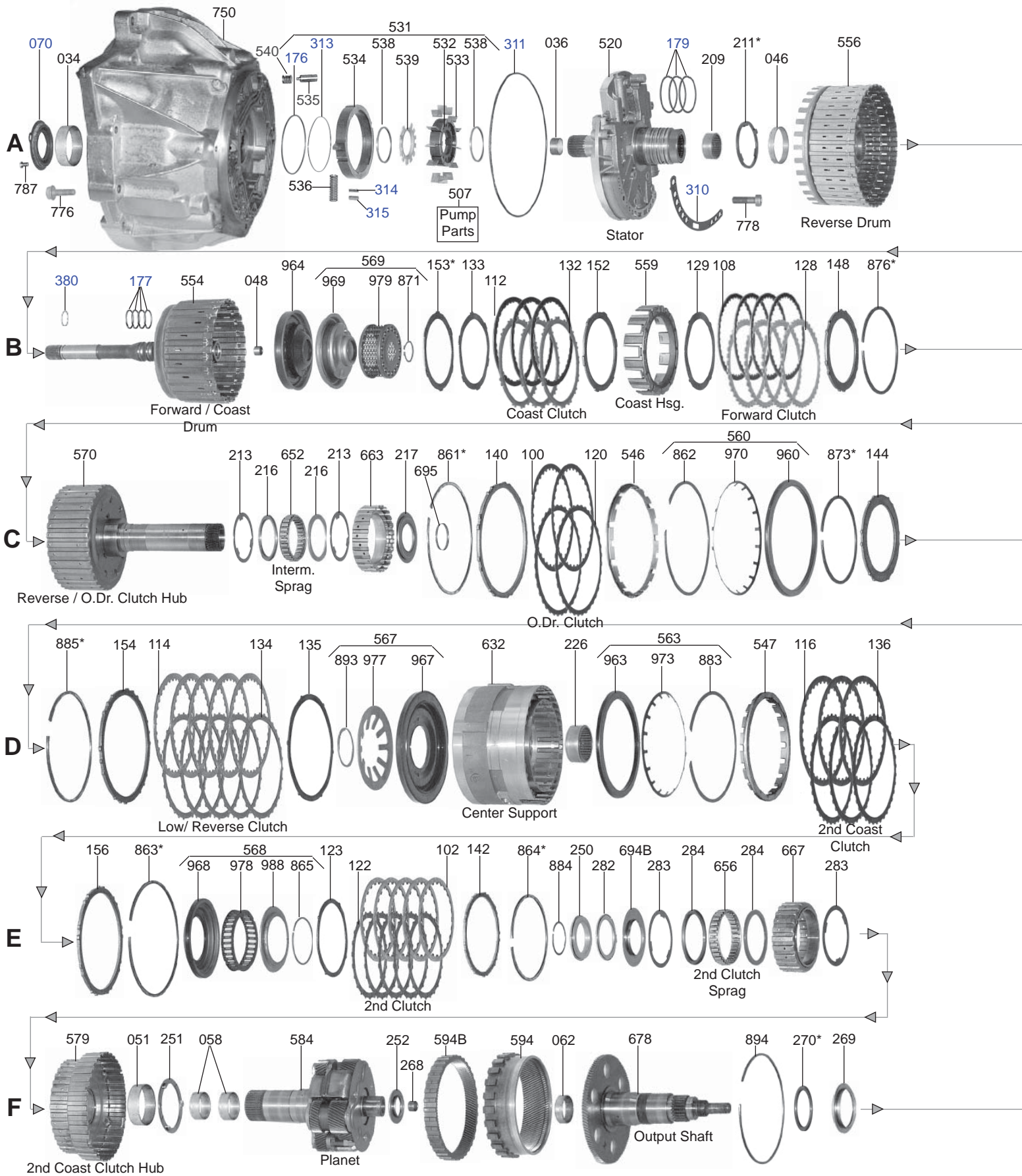
SAP #	IL#	OE	INDUSTRY	DESCRIPTION
FRICITION CLUTCH				
42222T		8647350	77103	Friction 700R4 Forward [5.31 OD 42 Teeth 0.079 THK] 1982-84
42326T		8654324	77103A	Friction 700R4 4L60E Forward [5.31 OD 41 Teeth 0.069 THK] 1985-Up
42326AR		8673254		Friction 4L60E Forward [5.31 OD 41 Teeth 0.70 THK] 1985-Up
42228R		8654306	77101	Friction 700R4 Reverse Input [6.04 OD 41 Teeth 0.078 THK] 1982-E87
42228T		8654306	77101	Friction 700R4 Reverse Input [6.04 OD 41 Teeth 0.078 THK] 1982-E87
42324T		8663079	77101A	Friction 700R4 4L60E Reverse Input [6.03 OD 0.070 THK] 1982-Up
42226T		8641698	35109	Friction 700R4 4L60E Low/Reverse [6.46 OD 0.087 THK] 1982-Up
42224R		8642144	77104	Friction 700R4 4L60E 3rd & 4th [5.74 OD 20 Teeth 0.080 THK] 1982-Up
42224T		8642174	77104	Friction 700R4 4L60E 3rd & 4th [5.74 OD 20 Teeth 0.080 THK] 1982-Up
42220T		8642155	77102	Friction 700R4 4L60E Overrun [5.04 OD 36 Teeth 0.078 THK] 1982-Up
42280T				Friction Module 700R4 1982-84
42280AR				Friction Module 700R4 1985-E87
42280A				Friction Module 700R4 1985-E87
42280BR				Friction Module 700R4 4L60E L1987-Up
42280BT				Friction Module 700R4 4L60E L1987-Up
42280GR				Friction Module 4L60E 4L65E 2004-Up
STEEL CLUTCH				
41225A				Steel 700R4 4L60E Low/Reverse [5.727 ID 17 Teeth 0.079 THK] 1982-Up
41225B		8667048	77105	Steel 700R4 4L60E Low/Reverse [0.095 THK] (Waved) 1987-97
41225C		24205269	77584D	Steel 4L60E Low/Reverse (With Turbulator Holes) [5.70 ID 17 Teeth 0.049 THK] 1997-Up
42227		8647067	77121A	Steel 700R4 Reverse Input [5.08 ID 30 Teeth 0.080 THK] (Waved) 1985-E87
42229		24205267	77111A	Steel 4L60E Reverse Input (With Turbulator Holes) [5.089 ID 36 Teeth 0.078 THK] 1997-Up
42227A		8663074	77121B	Steel 700R4 4L60E Reverse Input [5.084 ID 20 Teeth 0.088 THK] L1987-94
42223E		8678054	77114	Steel 700R4 3rd & 4th [4.97 ID 15 Teeth 0.077 THK] 1982-E87
42223		8642173	77114	Steel 700R4 4L60E 3rd & 4th [5.00 ID 20 Teeth 0.079 THK] 1982-92
42223B		8671900	77114A	Steel 700R4 4L60E 3rd & 4th [5.0 OD 20 Teeth 0.076 THK] (Notched) L1987-93
42223A		8685045	77114B	Steel 4L60E 3rd & 4th [5.00 ID 20 Teeth 0.106 THK] 1/1993-Up
42223C			77114X	Steel 700R4 4L60E 3rd & 4th [5.00 ID 20 Teeth 0.060 THK] 1982-Up
42223G				Steel 4L60E 4L65E 3rd & 4th Clutch [4.97 ID 20 Teeth 0.095 THK] 2001-Up
42327		8642167	77113	Steel 700R4 Forward [4.26 ID 20 Teeth 0.079 THK] 1982-84
42221		24203903	77123A	Steel 700R4 4L60E Forward [4.26 ID 20 Teeth 0.070 THK] (Waved) 1982-Up
42321		8654325	77113A	Steel 700R4 4L60E Forward [4.27 ID 20 Teeth 0.090 THK] 1985-Up
42321A		8686010	77123C	Steel 4L60E Forward [4.257 ID 12 Teeth 0.050 THK] (Waved) 1995-Up
42225		8642154	77112	Steel 700R4 4L60E Overrun [4.26 ID 10 Teeth 0.092 THK] 1982-Up
422811				Steel Module 700R4 4L60 (20 Pieces)
42281E				Steel Module 4L60E 1993-Up
42281D				Steel Module 4L60E 1997-Up
42281				Steel Module 700R4 1982-84
42281A				Steel Module 700R4 1985-92
42281G				Steel Module 4L60E 4L65E 2004-Up
FILTER				
33214		8667689	77710A	Filter 700R4 (Wide) 1982-93 With Grommet
42240		8685774	77710E	Filter 4L60E 1993-Up (Except Deep Pan & Corvette)
F-296		24208149	77710G	Filter 4L60E 1997-Up (Corvette) [OEM]
42244A		24208149	77710G	Filter 4L60E 1997-Up (Corvette)
42242B			77710H	Filter 4L60E 4L65E (1/2 Plastic & 1/2 Metal) 1997-03 (Deep Pan Truck & Van)
FILTER KIT				
33238			FK77710A	Filter Kit 700R4 (Wide) 1982-93 (With Cork & Rubber Pan Gasket)
33238A			FK77710A	Filter Kit 700R4 (Wide) 1982-93 (With Fiber Pan Gasket)
42241			FK77710E	Filter Kit 4L60E 1993-97 (With Cork & Rubber Gasket)
42241A			FK77710E	Filter Kit 4L60E 1993-97 (With Fiber Pan Gasket)
42245M			FK77710G	Filter Kit 4L60E 1997-Up (Corvette) (With Cork & Rubber Pan Gasket)
42243			FK77710H	Filter Kit 4L60E 4L65E (Deep Pan) 1997-Up (With Cork & Rubber Pan Gasket)
42243A			FK77710H	Filter Kit 4L60E 4L65E (Deep Pan) 1997-Up (With Fiber Pan Gasket)
33269			FK77710B	Filter Kit 700R4 (Wide) 1982-93
42340				Filter Kit 700R4 & TH200 (Combo) (With Cork & Rubber Pan Gaskets)
MISCELLANEOUS FILTERS				
42266B		24219045	77717	Filter 4L60E Force Motor (Late)
42266A		8683769	77714	Filter 4L60E Shift Solenoid (Small Rectangular) (Snaps on Valve Body Plate)
41275A		8642423	35712	Screen 700R4 Governor And Torque Converter Clutch 1982-Up
42266		8642036	77711	Screen 700R4 4L60E 4L65E Pump 1982-Up
BANDS				
42290		8642076	77700	Band 700R4 4L60E 2nd & 4th [2.284 Wide] 1982-Up

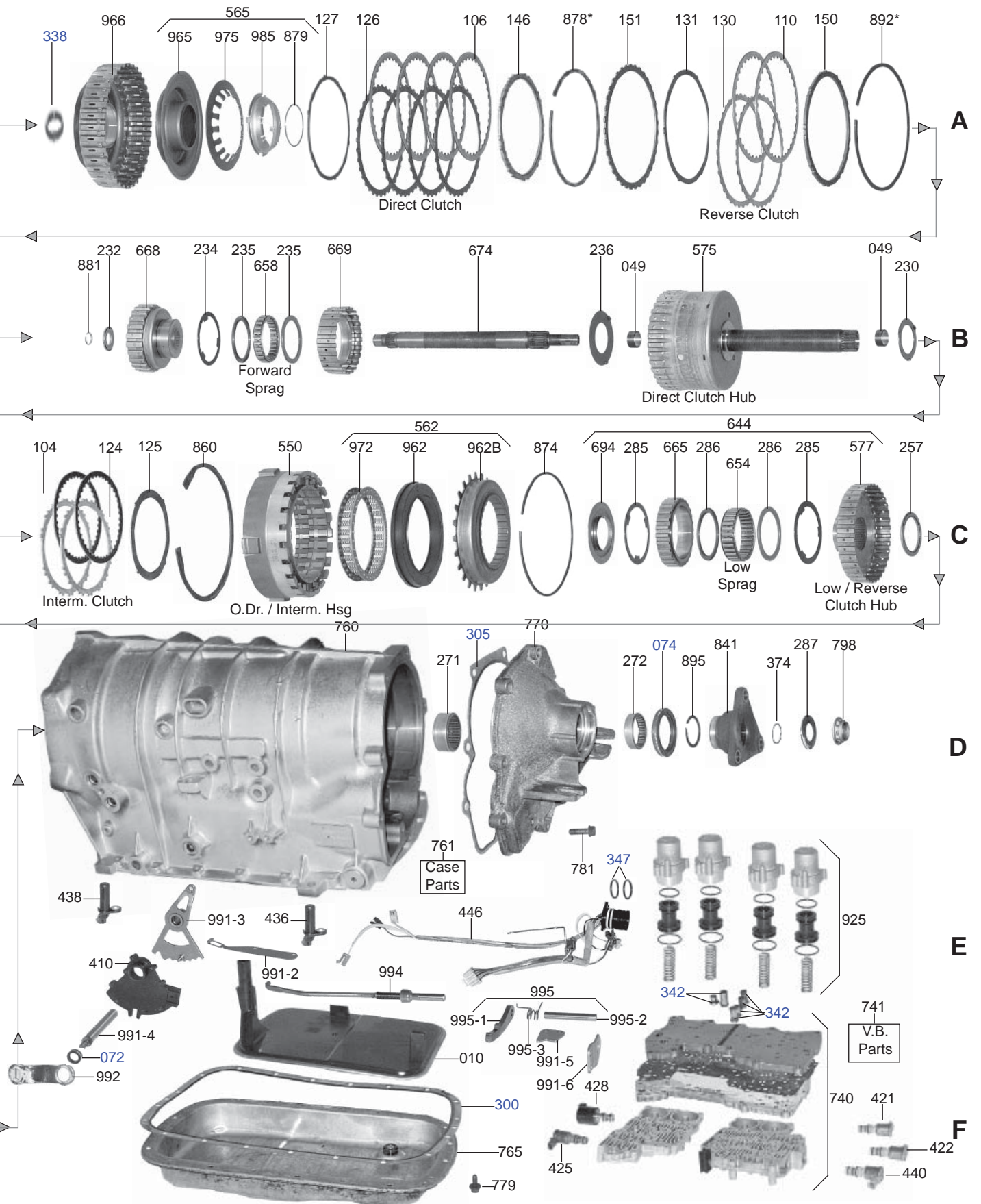
SAP #	IL#	OE	INDUSTRY	DESCRIPTION
BUSHINGS				
42237A		8628915	65002	Bushing 700R4 Stator (Front) For 27 Spline Converter 1982-E84 [Bronze]
33315B		8641118	35012	Bushing 700R4 4L60E Case to Shaft 1969-Up [Babbitt]
33315		8641118	35012A	Bushing 700R4 4L60E Case to Shaft 1982-Up [Bronze]
33300		3717682	8008A	Bushing 700R4 4L60E Extension Housing (Dimpled) 1982-Up [Bronze]
42236		8642181	77006	Bushing 700R4 4L60E Input Sun Gear Front and Rear 1982-Up
33321			77005B	Bushing 700R4 4L60E Pump Body 1982-Up [Babbitt]
33321A			77005B	Bushing 700R4 4L60E Pump Body 1982-Up [Bronze]
33321T		24206030	77005T	Bushing 700R4 4L60E Pump Body (With PTFE Coating) 1982-Up
40434		8649963 8628913	77005S 65005S	Bushing 700R4 4L60E Pump Body (1.8 OD) 1982-Up (Seal Sure)
42233		8642908	77009	Bushing 700R4 4L60E Reaction Shaft (Front) 1982-Up
42231		8642907	77007	Bushing 700R4 4L60E Reaction Shaft Carrier (Rear) 1982-Up
42234		8642909	77010	Bushing 700R4 4L60E Rear Sun Gear 1982-Up [Bronze]
42235		8642905	77003	Bushing 700R4 4L60E Reverse Drum (Front) 1982-Up [Bronze]
33319		8628917	65001	Bushing 700R4 4L60E Reverse Drum (Rear) [1.88 OD 0.506in Height] 1982-Up [Bronze]
42237		8641073	35007A	Bushing 700R4 4L60E Stator (Front) (1.00 ID) 30 Spline 1980-Up
42232		8682887	77002B	Bushing 700R4 4L60E Stator (Rear) 1982-91 [Bronze]
42330		K77901		Bushing Kit 700R4 Spline Input 1982-84 (12 Bushings)
42331		K77901A		Bushing Kit 700R4 4L60E With 30 Spline Input Shaft 1984-Up (12 Bushings)
42330A				Bushing Kit 700R4 4L60E 4L70E (27 & 30 Spline Input Shaft) 1984-Up (14 Bushings)
WASHER & BEARINGS				
42270B				Bearing Kit 700R4 4L60 1982-Up
42277		8642095	77402A	Washer 700R4 Input Carrier to Race 1982-85 [Plastic]
42271		8642071	77403E	Washer 700R4 4L60E Input Drum 2.55-2.65mm (#71)
42272		8642072	77403F	Washer 700R4 4L60E Input Drum 2.72-2.82mm (#72)
42273		8642073	77403G	Washer 700R4 4L60E Input Drum 2.89-2.99mm (#73)
42274		8642202	77401	Washer Thrust 700R4 4L60E Reaction Sun Shell (Front) - 4 Flat Tabs [3.38 OD 0.064in THK] 1982-Up [Metal]
42275		8642041	77400	Washer 700R4 4L60E Stator to Drum
42276		8642331	35406A	Washer Thrust 700R4 4L60E Sun Shell (Rear) 4 Flat Tabs [3.18 OD 0.049in THK] 1982-Up [Plastic]
42298W				Washer 700R4 4L60E Thrust (for SAP # 42298-Beast)
42270				Washer Kit 700R4 4L60E (7 Washers)
ELECTRICAL COMPONENTS				
77995		350-0020	77995R	Solenoid 4L60E TCC Lock Up With Wire Harness 1993-Up
D77943		24219581	77943	Solenoid 4L60E Manifold Pressure Switch 1993-Up [OEM]
D34605A		24220158	34605A	Solenoid 4L60E Pressure Control (Force Motor) 1993-02 {Retrofits to 1993} [OEM]
42247H		350-0014	77994	Wire Harness 4L60E Repair 1991-Up
HARD PARTS				
D77716B		8681295	77716B	Drum 4L60E Reverse (Square Hole) 1993-Up {Retro to 1987}
41383A		25522487	31426A	Gear 700R4 Driven (Speed Sensor) (40 Teeth) (Black)
42287		8642928	K77411	Gear Kit 700R4 Governor Repair Kit 1982-86
42287E		24200290		Piston 4L60E 4th Clutch 1994-Up [Molded Rubber]
42250		24205272	77764A	Piston 4L60E Forward Clutch 1994-Up [Molded Rubber]
42250A		24205273		Piston 4L60E Overrun Clutch 1994-Up [Molded Rubber]
K77998				Piston 700R4 4L60E 1-2 / 3-4 & Forward Accumulator (0.310 OD Pin) (Includes L/C Seal) 1982-93
K77998A				Piston 4L60E 4L65E 1-2 Accumulator (Includes L/C Seal) 1993-Up
732				Piston Kit 4L60E 1997-Up (3 Pistons)
77731B				Planet 4L60E 4L65E Rear (5 Pinion) 9/2002-Up {Retro Fits All 4 Gear}
K77895			K77895	Servo 700R4 4L60E 2nd Apply [Corvette Style] (Includes Pistons & PTFE Rings) 1982-90
K77895A			K77895A	Servo Kit 700R4 4L60E 2nd Apply [Corvette Style] (Includes Pistons - Boost Valve & PTFE Rings) 1982-90
77749		8668349	77749	Shell 700R4 4L60E Reaction Sun 1982-99 (Hardened)
42298B		8663641	77749HD	Shell 700R4 4L60E Reaction Sun 1982-Up (The Beast)
42283		8685655	77704B	Spring 4L60E 1-2 & 3-4 Accumulator (Orange) (Inner)
31664228				Spring 4L60E TCC 1993-99
42299		8654391		Spring 700R4 4L60E 4th Servo Release
42264401				Spring 700R4 Anti-Stick 1982-93
42284		8673387	77704C	Spring 700R4 4L60E 1-2 & 3-4 Accumulator (No Color) (Outer)
40891		8634163	77704/65795B	Spring 700R4 4L60E 1-2 & 3-4 Accumulator (Purple) (Outer)
40892		8634703	77703A/65795C	Spring 700R4 4L60E 1-2 & 3-4 Accumulator (Red) (Outer)
40893		8654183	77703B	Spring 700R4 4L60E 1-2 & 3-4 Accumulator (White) (Outer)
77825A		8681491	77825A	Support 700R4 4L60E Internal Front-(Reaction) Gear (Beveled Surface) 1982-Up

SAP #	IL#	OE	INDUSTRY	DESCRIPTION
PUMP COMPONENTS				
1994011		12337996		O-Ring 700R4 4L60E Pump Bolt L1982-Up
1994503				O-Ring 700R4 4L60E Pump Slide
42297B	24205410	65929B		Rotor Guide 4L60E Pump (13 Vane) 1997-Up
42297A	8654734	65929A		Rotor Guide 700R4 4L60E (10 Vane) 1982-96
42294A		65927A		Pump Rotor 700R4 4L60E (10 Vane) 1982-96
42294B	24208568	65927B		Pump Rotor 4L60E (13 Vane) (0.7070 to 0.7075in) 1997-Up
42295B	8634082	65928A		Pump Slide 4L60E 1997-Up (For 13 Vane Rotor)
42295	8654491	77991		Retainer 700R4 4L60E (Front Seal Lock) 1982-Up [Metal]
TAW-2208	8634079	65925S		Ring 700R4 4L60E Pump Slide to Body [Metal]
42275003	8631283			Seal 700R4 4L60E Pump Slide (Rubber)
77918S				Shaft 700R4 4L60E Stator 1982-1996
33704	8631280	75926		Vane 700R4 4L60E 1982-98
41217	3884683	8626281		Washer 700R4 Pump Bolt 1982-E86
MISCELLANEOUS COMPONENTS				
42275064	8685775			Grommet 4L60E Filter L93-Up
42245004	8654141			Retainer 700R4 4L60E Output Shaft to Input
42264149	24205103			Retainer 700R4 4L60E Cooler Line Fitting 1996-Up
42295	8654491	77991		Retainer 700R4 4L60E (Front Seal Lock) (Metal) 1982-Up
42275008	8642178			Seal 700R4 Input Housing to Output Shaft (With Splines) [Plastic]
77956HD				Valve 4L60 Throttle Boost & Sleeve
K77897		K77897		Valve Kit 700R4 Throttle Boost & Sleeve (0.50in)
K77896		K77896		Valve Kit 700R4 Throttle Boost & Sleeve (0.471in)

5L40E

RWD 5 Speed

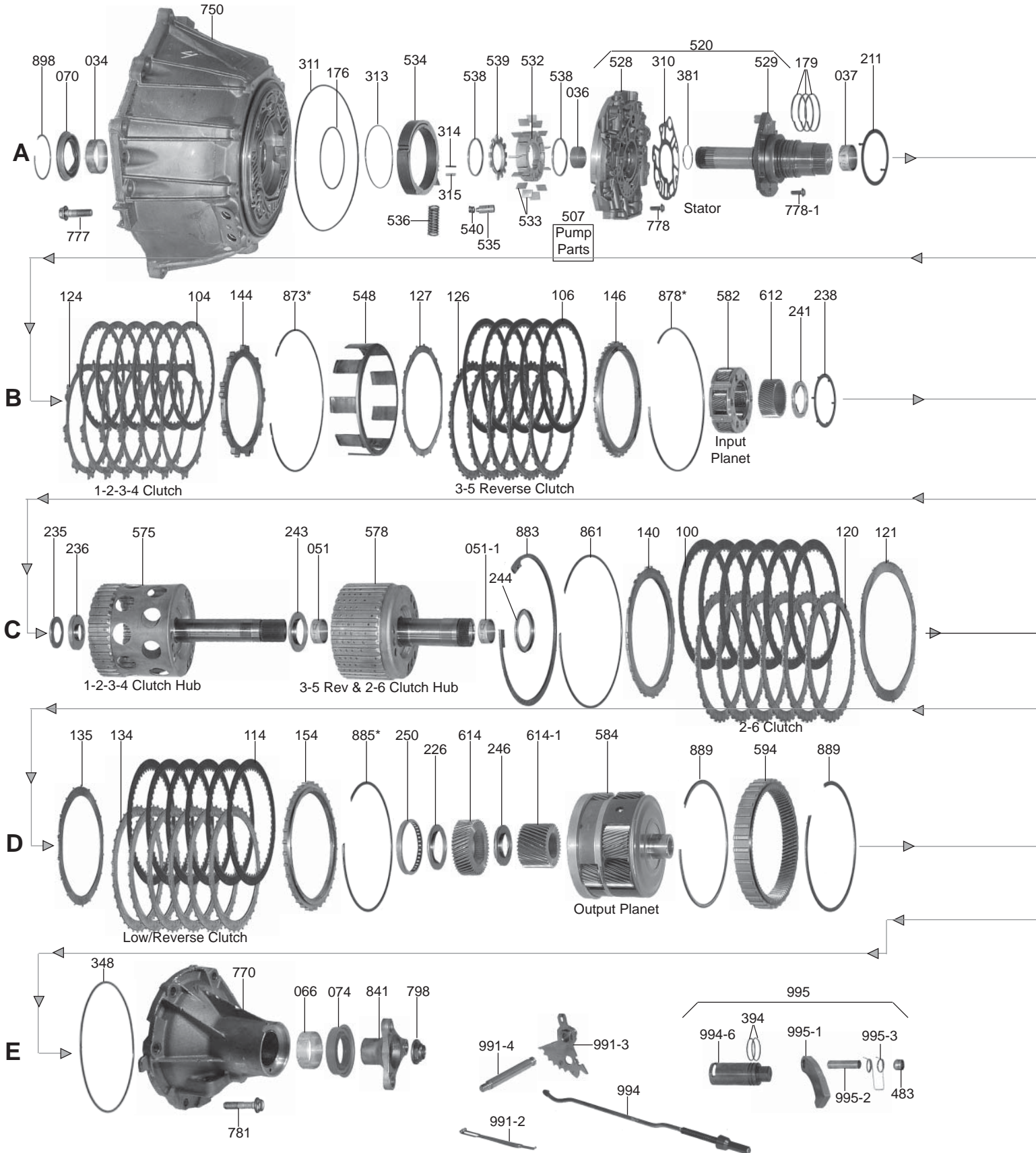


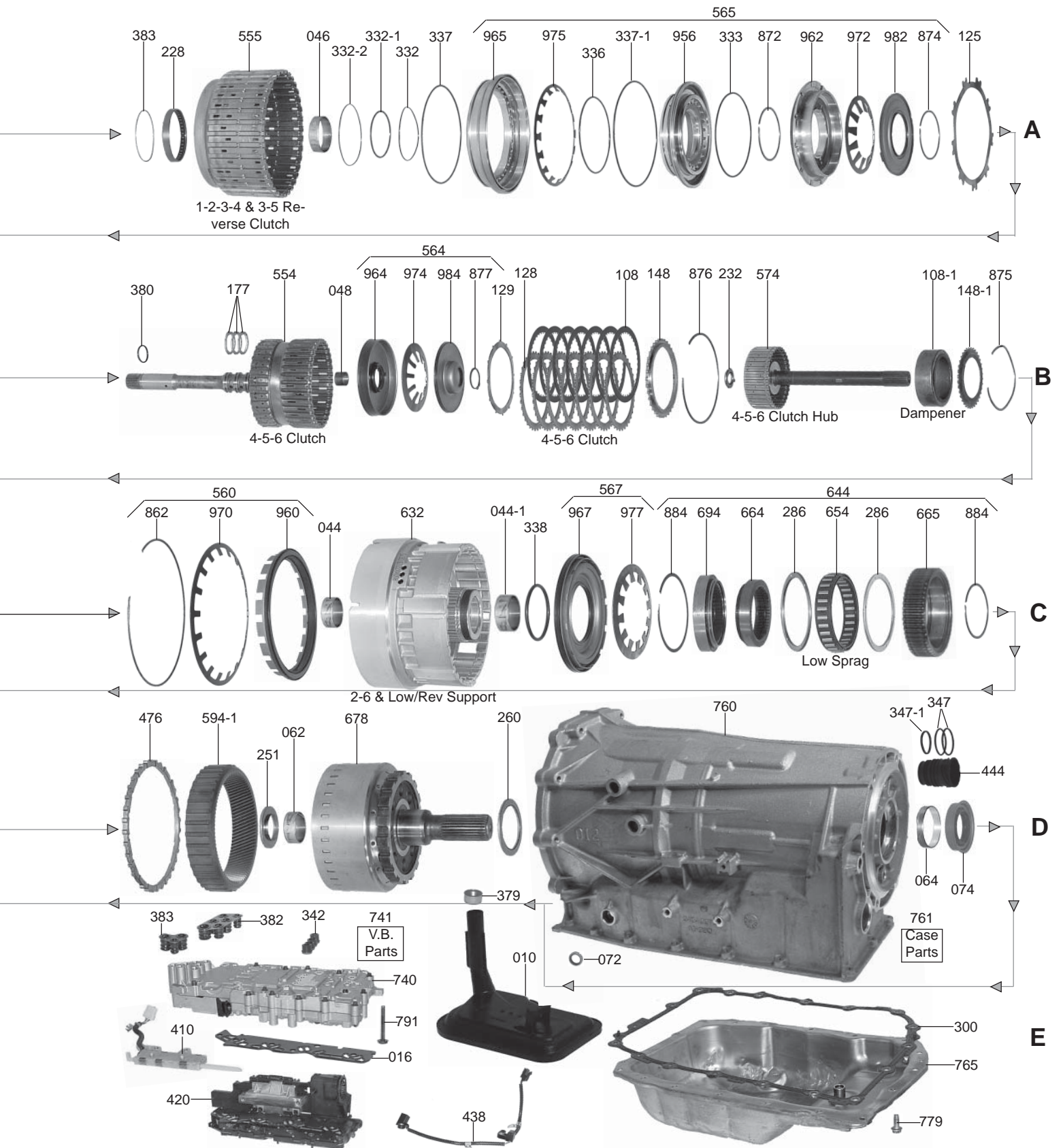


SAP #	IL#	OE	INDUSTRY	DESCRIPTION
OVERHAUL KIT				
T144002A				Overhaul Kit 4L40E 5L40E 5L50E (A5S360R A5S390R) (W/Out Pistons) 1999-2006
T144002AP				Overhaul Kit 4L40E 5L40E 5L50E (A5S360R A5S390R) (With Pistons) 1999-2006
MASTER L/STEEL KIT				
<i>Refer to Master W/Steel Kit section</i>				
MASTER W/STEEL KIT				
T144006A				Master W/Steels Kit 4L40E 5L40E 5L50E (A5S360R A5S390R) (W/Out Pistons) 1999-01 <i>Plates have Frictions on one side - Steels on the other</i>
T144006C				Master W/Steels Kit 5L40E 5L50E (W/Out Pistons) 2002-Up <i>Plates have Frictions on one side - Steels on the other</i>
T144006C				Master W/Steels Kit 5L40E 5L50E (With Pistons) 2002-Up <i>Plates have Frictions on one side - Steels on the other</i>
GASKET & RUBBER COMPONENTS				
31696225		55500		Gasket 5L40E Bottom Pan (20 Bolt Holes) 2000-Up [Molded Rubber]
31696226		55505		Gasket 5L40E Extension Housing (7 Bolt Holes) 2000-Up [Molded Rubber]
31696227		55503		Gasket 5L40E Stator To Case 2000-Up [Molded Rubber]
1993565				O-Ring 5L40E Output Shaft
1994795		80364		O-Ring 5L40E Bell Housing To Case 2000-Up
1992507				O-Ring 5L40E Case Connector
1993019				O-Ring 5L40E Input Shaft (Front) 2000-Up
1993556				O-Ring 5L40E Pump Outer Slide 2000-Up
1993566				O-Ring 5L40E Reverse Clutch Drum Piston (Direct Housing) (Inner) 2000-Up
42275003				Seal 5L40E Slide Backup
42275006				Seal 5L40E Slide Backup [PTFE]
METAL CLAD SEALS				
70395		96020366	54151	Seal 5L40E Front Pump 2000-Up
70396		96020744	85163	Seal 5L40E Extension Housing (2.45 OD) 2000-Up
70397		96042538		Seal 5L50E Extension Housing (3.50 OD) 2004-Up
70002		8644709	84511	Seal 5L40E Manual Lever Shaft 2000-Up
OIL SEALING RINGS				
31660309		55304		Ring 5L40E Input Shaft to Front (Solid) 2000-Up [PTFE]
31660308		55303		Ring 5L40E Input Shaft to Rear (Scarf Cut) 2000-Up [PTFE]
31660311		55301		Ring 5L40E Pump Outer Slide 2000-Up [PTFE]
31660310		55302		Ring 5L40E Stator To Reverse Drum 2000-Up [PTFE]
6200				Ring Kit 5L40E 2000-2006 (8 PTFE Rings)
FRICITION CLUTCH				
31680CR				Friction & Steel Module 5L40E (Combo Module) 1999-01
31680DR				Friction & Steel Module 5L40E (Combo Module) 2002-Up
FILTER				
F-458A		2-4722-200		Filter 5L40E With Outlet Tube Spacer & Intake Shroud
F-433A		2-4722-000		Filter 5L40E W/Out Tube Space (Cadillac BMW)
HARD PARTS				
14475553				Piston 5L40E Reverse Clutch 2002-Up
14475554				Piston 5L40E Coast Clutch 2002-Up
14475555				Piston 5L40E Forward Clutch 2002-Up
14475556				Piston 5L40E Direct Clutch 2002-Up
14475557				Piston 5L40E Low Reverse Clutch 2002-Up
14475558				Piston 5L40E 2nd Clutch 2002-Up
14475559				Piston 5L40E Intermediate Clutch 2002-Up
14475560				Piston 5L40E 2nd & Overdrive Direct Clutch 2002-Up
248				Piston Set 5L40E 2000-01 (3 Pistons)
4864				Piston Set 5L40E 2002-Up (9 Pistons)

6L45 / 6L50 / 6L80 / 6L90

RWD 6 Speed

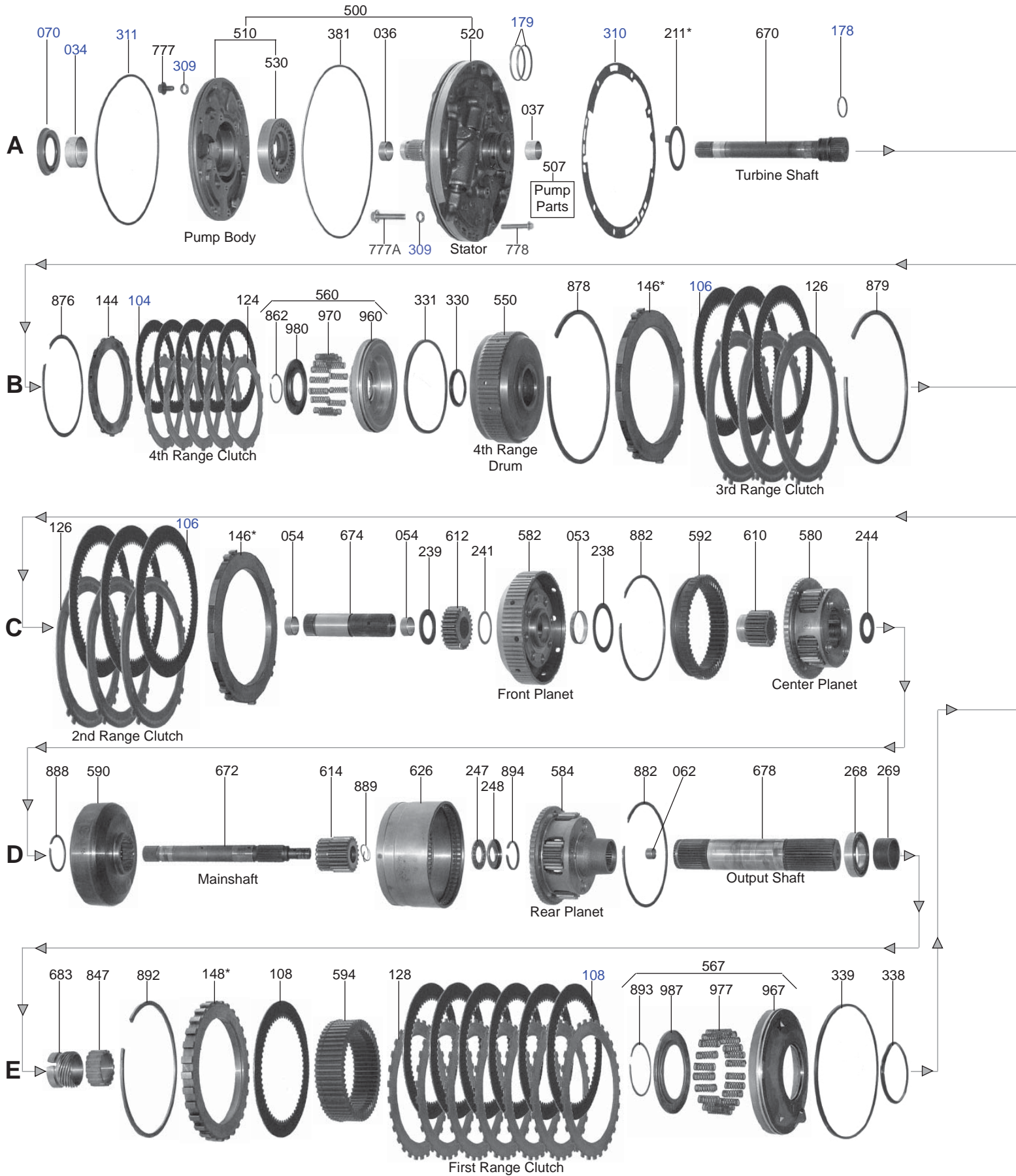




SAP #	IL#	OE	INDUSTRY	DESCRIPTION
OVERHAUL KIT				
T45002A				Overhaul Kit 6L45 6L50 2007-Up
T45002AP				Overhaul Kit 6L45 6L50 (With Pistons) 2007-Up
B45002C				Overhaul Kit 6L80 2006-Up
T45002C				Overhaul Kit 6L80 2006-Up
T45002CP				Overhaul Kit 6L80 (With Pistons) 2006-Up
B45002D				Overhaul Kit 6L90 2007-Up
T45002D				Overhaul Kit 6L90 2007-Up
T45002DP				Overhaul Kit 6L90 (With Pistons) 2007-Up
MASTER L/STEEL KIT				
T45004A				Master L/Steels Kit 6L50 2007-Up
B45004C				Master L/Steels Kit 6L80 2006-Up
T45004C				Master L/Steels Kit 6L80 2006-Up
B45004CP				Master L/Steels Kit 6L80 (With Pistons) 2006-Up
T45004CP				Master L/Steels Kit 6L80 (With Pistons) 2006-Up
B45004D				Master L/Steels Kit 6L90 2007-Up
T45004D				Master L/Steels Kit 6L90 2007-Up
B45004DP				Master L/Steels Kit 6L90 (with Pistons) 2007-Up
T45004DP				Master L/Steels Kit 6L90 (with Pistons) 2007-Up
MASTER W/STEEL KIT				
T45006A				Master W/Steels Kit, 6L50 2007-Up
B45006C				Master W/Steels Kit 6L80 2006-Up
T45006C				Master W/Steels Kit 6L80 2006-Up
B45006CP				Master W/Steels Kit 6L80 (With Pistons) 2006-Up
B45006D				Master W/Steels Kit 6L90 2007-Up
T45006D				Master W/Steels Kit 6L90 2007-Up
B45006DP				Master W/Steels Kit 6L90 (with Pistons) 2007-Up
GASKET & RUBBER COMPONENTS				
31696237				Gasket 6L50 Oil Pan 2007-Up [Molded Rubber]
41796240				Gasket 6L80 Oil Pan 2006-Up
41796252				Gasket 6L90 Oil Pan 2007-Up
METAL CLAD SEALS				
70417				Seal 6L50 6L80 6L90 Pump 2006-Up
70418				Seal 6L50 Extension Housing 2007-Up
70430				Seal 6L80 6L90 Extension Housing {Corvette & AWD} 2006-Up
70431				Seal 6L80 6L90 Extension Housing {RWD} (Large ID) 2006-Up
70432				Seal 6L80 6L90 Extension Housing {RWD} (Small ID) 2006-Up
FRICTION CLUTCH				
450080AR				Friction Module 6L50 2007-Up
450080CR				Friction Module 6L80 2006-Up
450080CT				Friction Module 6L80 2006-Up
450080DR				Friction Module 6L90 2007-Up
450080DT				Friction Module 6L90 2007-Up
STEEL CLUTCH				
450081A				Steel Module 6L50 2007-Up
450081C				Steel Module 6L80 2006-Up
450081D				Steel Module 6L90 2007-Up
HARD PARTS				
31675380				Piston 6L50 1-2-3-4 & 3-5 Reverse Clutch Retainer 2007-Up
31675381				Piston 6L45 6L50 4-5-6 Clutch Retainer 2007-Up
31675382				Piston 6L45 6L50 4-5-6 Clutch 2007-Up
31675383				Piston 6L45 6L50 2-6 Clutch 2007-Up
31675384				Piston 6L45 6L50 Low/Reverse Clutch 2007-Up
41775385				Piston 6L80 6L90 1-2-3-4 & 3-5 Reverse Clutch Retainer 2006-Up
41775386				Piston 6L80 6L90 4-5-6 Retainer 2006-Up
41775387				Piston 6L80 6L90 4-5-6 Clutch 2006-Up
41775388				Piston 6L80 6L90 2-6 Clutch 2006-Up
41775389				Piston 6L80 6L90 Low/Reverse Clutch 2006-Up
4857				Piston Kit 6L45 6L50 2007-Up (5 Pistons)
4858				Piston Kit 6L80 6L90 2006-Up (5 Pistons)

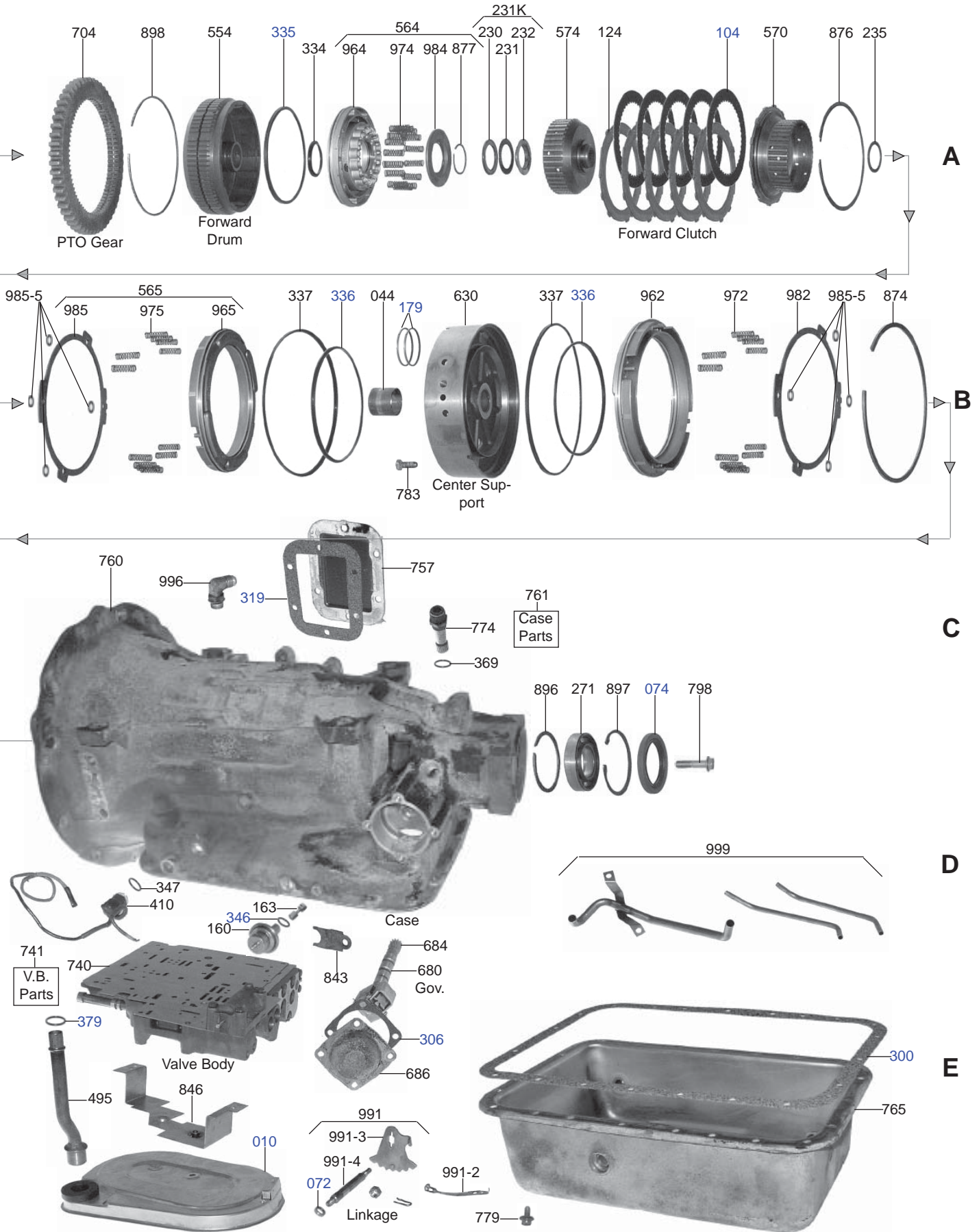
Allison AT540 / AT543 / AT545

RWD 4 Speed



RWD 4 Speed

Allison AT540 / AT543 / AT545

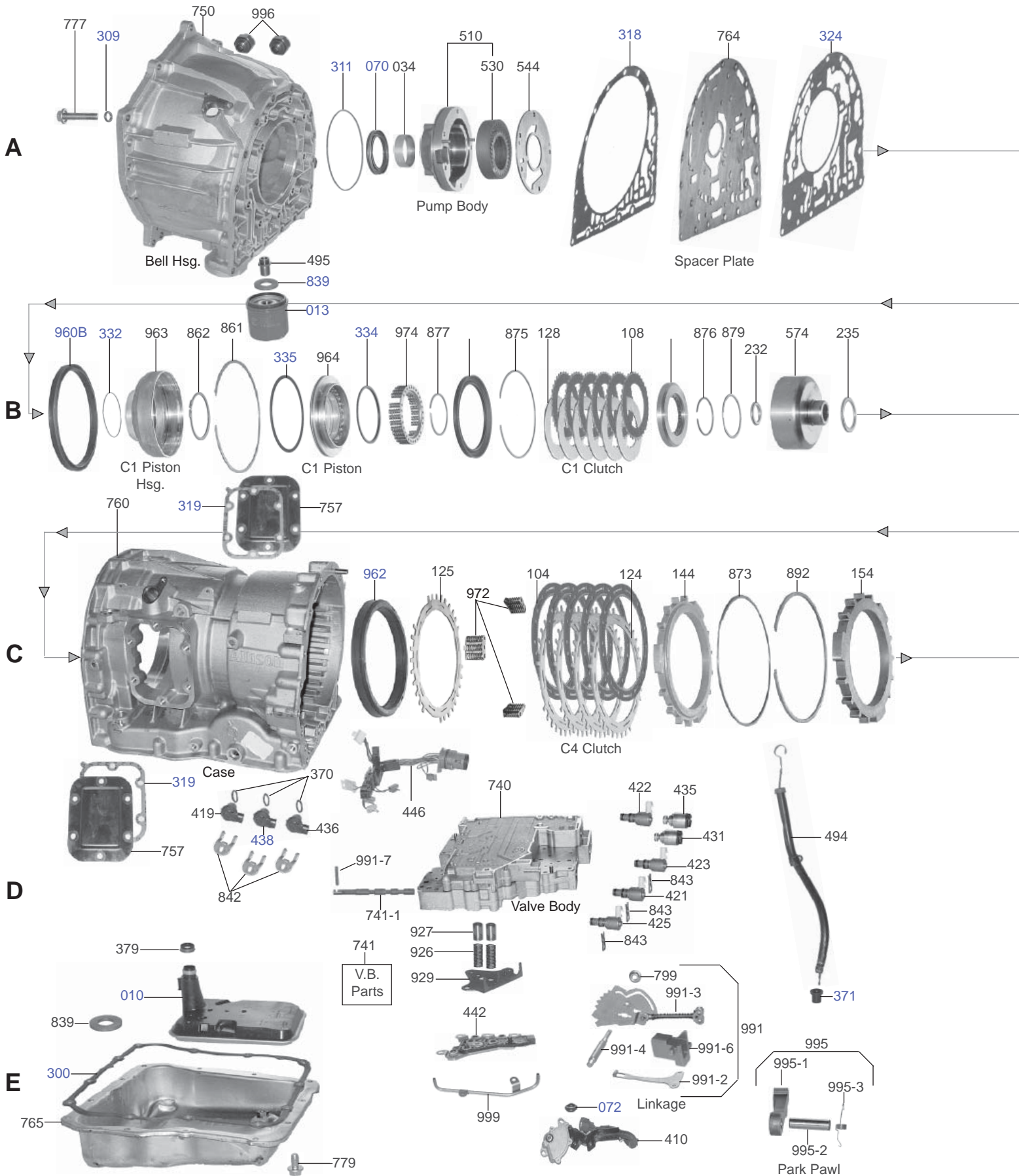


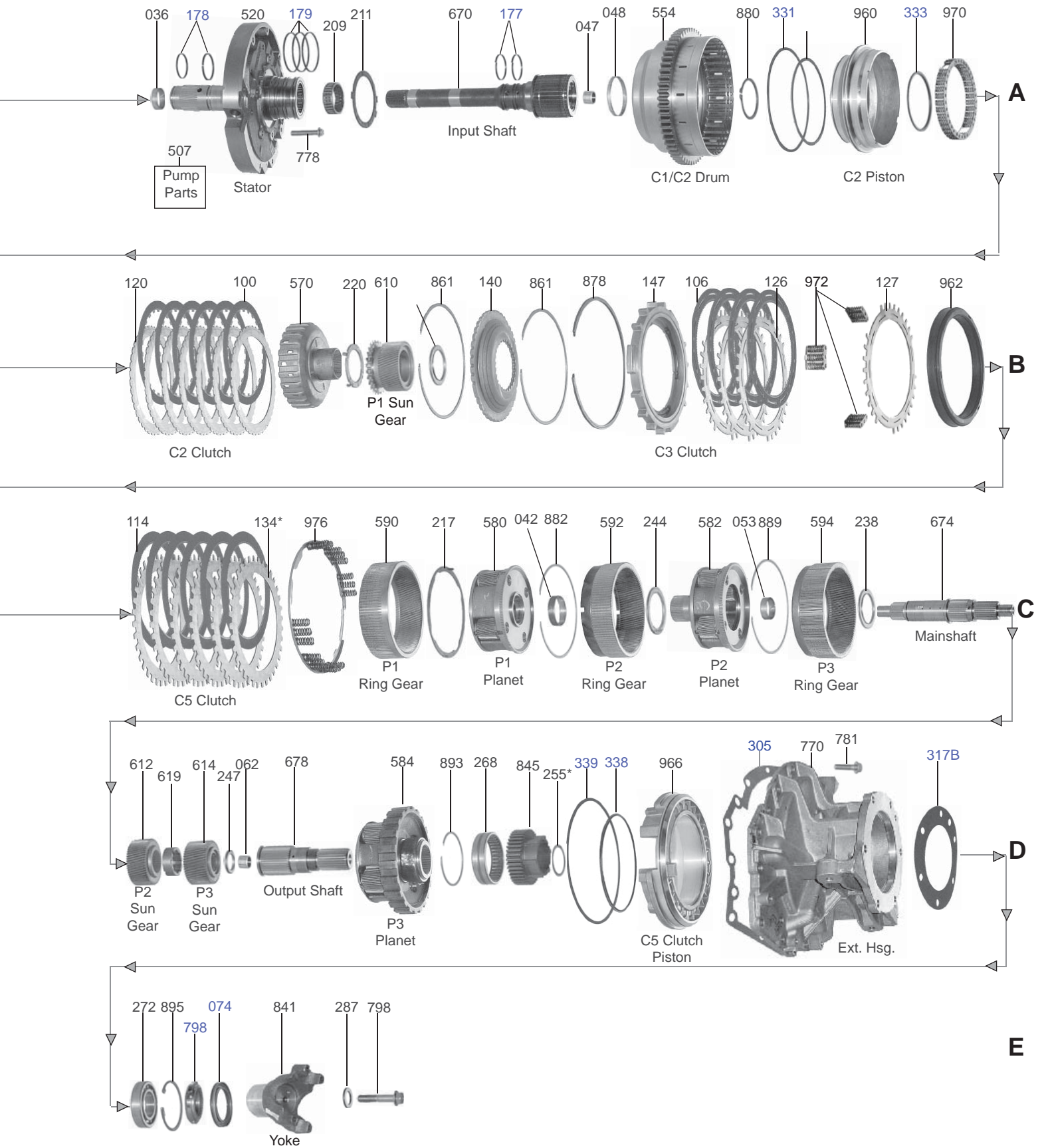
SAP #	IL#	OE	INDUSTRY	DESCRIPTION
OVERHAUL KIT				
B111002				Overhaul Kit AT540 AT545 1970-Up [5 Metal Rings]
T111002				Overhaul Kit AT540 AT545 1970-Up [1 Metal 4 PTFE Rings]
TF111002				Overhaul Kit AT540 AT545 1970-Up [1 Metal 4 PTFE Rings] (Fiber)
MASTER L/STEEL KIT				
B111004				Master L/Steels Kit AT540 AT545 1970-Up
TF111004				Master L/Steels Kit AT540 AT545 1970-Up (Fiber)
MASTER W/STEEL KIT				
B111006				Master W/Steels Kit AT540 AT545 1970-Up
T111006				Master W/Steels Kit AT540 AT545 1970-Up
GASKET & RUBBER COMPONENTS				
50009T	23016682	11315		Gasket AT540 AT545 Bottom Pan 1970-Up [Cork & Rubber] [Also Fits MT600 Series]
50009A				Gasket AT540 AT545 Bottom Pan 1970-Up [Fiber] [OE]
50017	23016682	11315		Gasket AT540 AT545 Bottom Pan 1970-Up (Felpro™)
50128	23016682	11315F		Gasket AT540 AT545 Bottom Pan 1970-Up [Fiber] [Also Fits MT600 Series]
41696081	8623263			Gasket AT540 AT545 Governor Cover 1970-Up
50196042	23016683			Gasket AT540 AT545 PTO Cover 1970-Up
50197319	23015883	11303		Gasket AT540 AT545 Pump To Case 1970-Up
41217		8626281		Gasket AT540 AT545 Stator Bolt Washer 1970-Up
1990008	8623102	3956		Lip Seal AT540 AT545 Forward & Direct Clutch (Inner) 1970-Up
1990001	8623101	3643		Lip Seal AT540 AT545 Forward & Direct Clutch (Outer) 1970-Up
1990168	6834588			Lip Seal AT540 AT545 3rd & 2nd Clutch (Inner) 1970-Up
1990165	23011456			Lip Seal AT540 AT545 3rd & 2nd Clutch (Outer) 1970-Up
1990166	29509198			Lip Seal AT540 AT545 1st Clutch (Inner) 1970-Up
1990167	29509983			Lip Seal AT540 AT545 1st Clutch (Outer) 1970-Up
1994116	6033448			O-Ring AT540 AT545 Filler Tube 1970-Up
1994115				O-Ring AT540 AT545 Modulator (Also Fits Speed-O Housing & Neutral Safety Switch) 1970-Up
1988061	23016600	11200A		O-Ring AT540 AT545 Pump Body 1970-Up
METAL CLAD SEALS				
70229FM			35151	Seal AT540 AT545 Front Pump (Reinforced) 1962-73
70229			35151	Seal AT540 AT545 Front Pump (Reinforced) 1962-73
70011FM	23015975	35151		Seal AT540 AT545 Front Pump 1970-Up [Vamac]
33001	23015975	35151		Seal AT540 AT545 Front Pump 1970-Up [Poly]
70116FM	29536379	37156		Seal AT540 AT545 Extension Housing 1970-Up
70116	29536379	37156		Seal AT540 AT545 Extension Housing 1970-Up
70000	23010610	38511		Seal AT540 AT545 Manual Lever Shaft 1970-Up
OIL SEALING RINGS				
TAW-60				Ring AT540 AT545 Stator To Forward Drum & Center Support 1970-Up [Metal]
TAW-1197				Ring AT540 AT545 Turbine Shaft [Metal]
6123				Ring Kit AT540 AT545 1970-Up (1 Metal 4 PTFE Rings)
6123M				Ring Kit AT540 AT545 1970-Up (5 Metal Rings)
FRICTION CLUTCH				
50024R	23041097	11106		Friction AT540 AT545 1st [8.12 OD 60 Teeth 0.100 THK] 1970-Up
50024T	6835152 6885138	11106		Friction AT540 AT545 1st [8.12 OD 60 Teeth 0.100 THK] 1970-Up
50022R	23042199	11104		Friction AT540 AT545 2nd & 3rd [9.12 OD 80 Teeth 0.100 THK] 1970-Up
50022T	6884958 6835687	11104		Friction AT540 AT545 2nd & 3rd [9.12 OD 80 Teeth 0.100 THK] 1970-Up
50020R	6835151	11103		Friction AT540 AT545 4th & Forward [5.89 OD 42 Teeth 0.080 THK] 1970-Up
50020T	6835151 6885137	11103		Friction AT540 AT545 4th & Forward [5.89 OD 42 Teeth 0.080 THK] 1970-Up
50080R				Friction Module AT540 AT545 1970-Up
50080T				Friction Module AT540 AT545 1970-Up
STEEL CLUTCH				
50023	6831705	11107		Steel AT540 AT545 1st [6.50 ID 30 Teeth 0.098 THK] 1970-Up
50021	29515399	11105		Steel AT540 AT545 2nd & 3rd [7.25 ID 9 Teeth 0.098 THK] 1970-Up
50081				Steel Module AT540 AT545
FILTER				
33216	6438326	34661C		Filter AT540 (Flat Brass Screen) (400 Type Filter)
FILTER KIT				
50041	6884270	FK11800		Filter Kit AT540 (Flat Brass Screen)(400 Type Filter)
MISCELLANEOUS FILTERS				
50165058	8624471			Filter AT540 Govenor Screen
BUSHINGS				
33316		8005A		Bushing AT540 AT545 Front Pump Body [Bronze]
HARD PARTS				
50164095	6836587			Bolt AT540 (8 3/8 X 16 X 1in)
MISCELLANEOUS COMPONENTS				
50196044	6839761			Washer AT540 AT545 Switch
50196064	9414220			Retainier AT540 AT545

SAP #	IL#	OE	INDUSTRY	DESCRIPTION
OVERHAUL KIT				
B101002				Overhaul Kit MT640 MT643 MT650 MT653 1972-Up
MASTER L/STEEL KIT				
B101004A				Master L/Steels Kit MT640 MT643 MT650 MT653 1972-Up
MASTER W/STEEL KIT				
B101006A				Master W/Steels Kit MT640 MT643 MT650 MT653 1972-Up
GASKET & RUBBER COMPONENTS				
50135		ARP216N		O-Ring 640 650 Filter [28.58 x 3.53] 1972-Up
METAL CLAD SEALS				
70118		23045556	20301C	Seal 640 Front Pump [3.38 OD] 1986-Up [Viton]
FILTER				
33201		6883044	21800	Filter 640 643 644 650 654 1972-Up
FILTER KIT				
50143		23019201	FK21800	Filter Kit 640 643 644 650 654 1972-Up
FRICION CLUTCH				
50122R		23042200	20100	Friction 640 650 Forward & 4th [30 Teeth 0.100 THK] 1991-Up
50122T		23042200 6834370	20100	Friction 640 650 Forward & 4th [30 Teeth 0.100 THK] 1991-Up
50124R		22042201	20101	Friction 640 650 Low - 2nd & 3rd [10.75 OD 50 Teeth 0.128 THK] 1971-Up
50124T		23042201 6835720	20101	Friction 640 650 Low - 2nd & 3rd [10.75 OD 50 Teeth 0.128 THK] 1971-Up
50022R		23042199	11104	Friction 640 650 1st [9.12 OD 80 Teeth 0.100 THK] 1971-Up
50022T		23042199	11104	Friction 640 650 1st [9.12 OD 80 Teeth 0.100 THK] 1971-Up
50180R				Friction Module 640 643 650 653 1972-Up
50180T				Friction Module 640 643 650 653 1972-Up
STEEL CLUTCH				
50121		23016610	20104	Steel 640 650 Forward & 4th [5.51 ID 18 Teeth 0.098 THK] 1972-Up
50123		23016606	20106	Steel 640 650 1st [5.51 ID 36 Teeth 0.098 THK] 1972-Up
50125		23016608	21105	Steel 640 650 Low - 2nd & 3rd [9.125 ID 11 Teeth 0.100 THK] 1972-Up
50181				Steel Module 640 643 650 653 1972-Up

Allison 1000/2000/2400

RWD 5 Speed



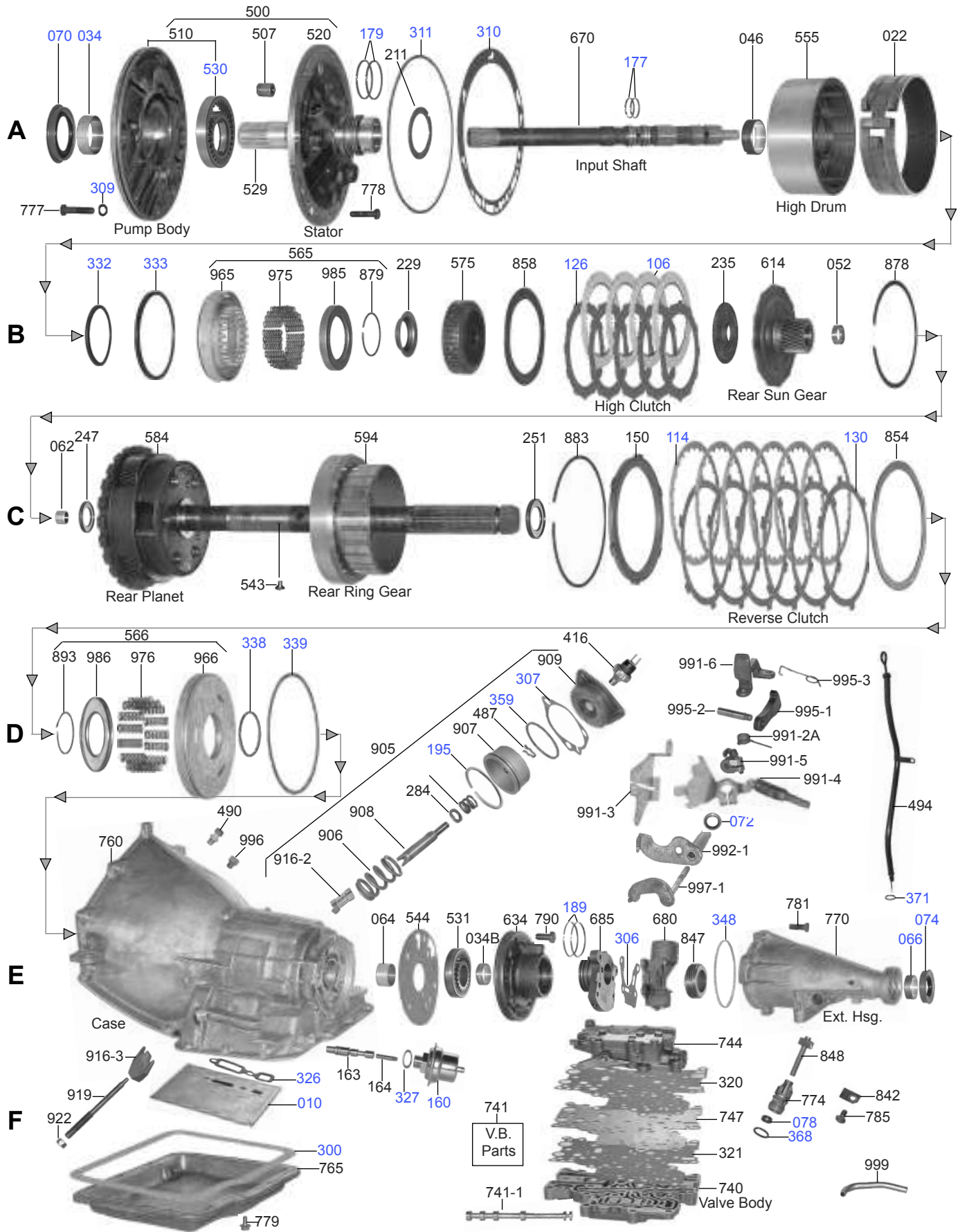


SAP #	IL#	OE	INDUSTRY	DESCRIPTION
OVERHAUL KIT				
B116002A				Overhaul Kit 1000/2000 Allison (W/Out Pistons) 2000-Up
T116002A				Overhaul Kit 1000/2000 Allison (W/Out Pistons) 2000-Up
T116002AP				Overhaul Kit 1000/2000 Allison (With Pistons) 2000-05
T116002AAP				Overhaul Kit 1000/2000 Allison (With Pistons) 2006-Up
MASTER L/STEEL KIT				
B116004A				Master L/Steels Kit 1000/2000 Allison (W/Out Pistons) 2000-Up
T116004A				Master L/Steels Kit 1000/2000 Allison (W/Out Pistons) 2000-Up
T116004AP				Master L/Steels Kit 1000/2000 Allison (With Pistons) 2000-05
T116004AAP				Master L/Steels Kit 1000/2000 Allison (With Pistons) 2006-Up
MASTER W/STEEL KIT				
B116006A				Master W/Steels Kit 1000/2000 Allison (W/Out Pistons) 2000-Up
T116006A				Master W/Steels Kit 1000/2000 Allison (W/Out Pistons) 2000-Up
T116006AP				Master W/Steels Kit 1000/2000 Allison (With Pistons) 2000-05
T116006AAP				Master W/Steels Kit 1000/2000 Allison (With Pistons) 2006-Up
GASKET & RUBBER COMPONENTS				
50496228	29536526	37500		Gasket 1000/2000 Allison Bottom Pan 2001-Up [Molded Rubber]
50496215	29536526			Gasket 1000/2000 Allison Bottom Pan (With Torque Limiters) 2000-Up [Ultracork]
50497722				Gasket 1000/2000 Allison Converter Housing to Manifold Plate 2000-Up
50497720	29501161			Gasket 1000/2000 Allison PTO Cover To Case 2000-Up
50497721	29536478			Gasket 1000/2000 Allison Bell Housing To Spacer Plate 2000-Up
50497723	29540130			Gasket 1000/2000 Allison Spacer Plate To Case 2000-Up
50497724	29536941			Gasket 1000/2000 Allison Extension Housing 2000-Up
1985017	29536102			Lathe Cut Seal 1000/2000 Allison C2 Piston (Outer) (Balance) 2000-Up
1985018	29536111			Lathe Cut Seal 1000/2000 Allison C1 Piston (Outer) 2000-Up
1985019	29534894			Lathe Cut Seal 1000/2000 Allison C5 Piston (Outer) 2000-Up
1985020	29536101			Lathe Cut Seal 1000/2000 Allison C2 Piston (Outer) (Large) 2000-Up
1990260	29531293			Lip Seal 1000/2000 Allison C1 Piston (Inner) 2000-Up
1990261	29536859			Lip Seal 1000/2000 Allison C5 Piston (Inner) 2000-Up
1990262	29536858			Lip Seal 1000/2000 Allison C5 Piston (Inner) 2000-Up
1990274	29536103			Lip Seal 1000/2000 Allison C2 Piston (Inner) 2000-Up
1993013				O-Ring 1000/2000 Allison Pump Body Valve Plug
1993554	29535518			O-Ring 1000/2000 Allison A Trim Solenoid Green 2000-Up
1993559	12129390			O-Ring 1000/2000 Allison Connector Housing Green 2000-Up
1993570				O-Ring 1000/2000 Allison (16.75 X 2.20) 2000-06
1994953				O-Ring 1000/2000 Allison (24.35 X 2.90) 2000-06
1993162	29537620			O-Ring 1000/2000 Allison Pump Body 2000-Up
1993553	29534145			O-Ring 1000/2000 Allison Speed Sensor 2000-Up
1993557	29507437			O-Ring 1000/2000 Allison C1 Piston Housing 2000-Up
50475248	29535578			Seal 1000/2000 Allison Bell Housing Bolt (Takes 10) 2000-Up
50475249	24205123			Seal 1000/2000 Allison Drain Plug 2000-Up
METAL CLAD SEALS				
70378	23540309 29536299	37151		Seal 1000/2000 Allison Front Pump 2000-Up
70116FM	29536379	37156		Seal 1000/2000 Allison Extension Housing 2000-Up
70116	29536379	37156		Seal 1000/2000 Allison Extension Housing 2000-Up
70000	23010610	38511		Seal 1000/2000 Allison Manual Lever Shaft 2000-Up
33000	23010610	38511		Seal 1000/2000 Allison Manual Lever Shaft 2000-Up
OIL SEALING RINGS				
50460289	29538158	37300		Ring 1000/2000 Allison Input Shaft 2000-Up [PEEK]
50460290	29531036	37302		Ring 1000/2000 Allison Stator To C1/C2 Drum (Rear) 2000-Up [PEEK]
50460291	29531038	37301		Ring 1000/2000 Allison Stator Shaft (Front) 2000-Up [PEEK]
6360				Ring Kit 1000/2000 Allison 2000-Up (7 PEEK Rings)
FRICTION CLUTCH				
50480T				Friction Module 1000/2000 Allison 2000-Up (Green Friction Material)
50480R				Friction Module 1000/2000 Allison 2000-Up
STEEL CLUTCH				
50481				Steel Module 1000/2000 Allison 2000-Up
FILTERS				
50440	29537965			Filter 1000/2000 Allison 2WD & 4x4 (Shallow Pan) (Black) 2000-Up
50442	29537966			Filter 1000/2000 Allison 4x4 (Deep Pan) (White) 2000-Up
WASHER & BEARINGS				
50464002				Washer 1000/2000 Allison Output Shaft to Yoke 2WD 2000-Up
HARD PARTS				
50464010				Bolt 1000/2000 Allison Converter 2000-Up
50464009	29535617			Magnet 1000/2000 Allison Spin-On Filter 2000-Up
50475307	29543321	37857		Piston 1000/2000 Allison C3 & C4 Clutch (Bonded) 2000-Up
50475308	29536105	37856		Piston 1000/2000 Allison C2 Balance Clutch (Bonded) 2000-Up
50475309	29536203	37855		Piston 1000/2000 Allison C1 Balance Clutch (Bonded) 2000-Up

SAP #	IL#	OE	INDUSTRY	DESCRIPTION
HARD PARTS -- continued				
50475309A		29542815		Piston 1000/2000 Allison C1 Balance 2006-Up
796				Piston Kit 1000/2000 Allison 2000-05 (4 Pistons)
798				Piston Kit 1000/2000 Allison 2006-Up (4 Pistons)
50464008				Retainer Cooler Line Fitting 1000/2000 Allison 2000-Up

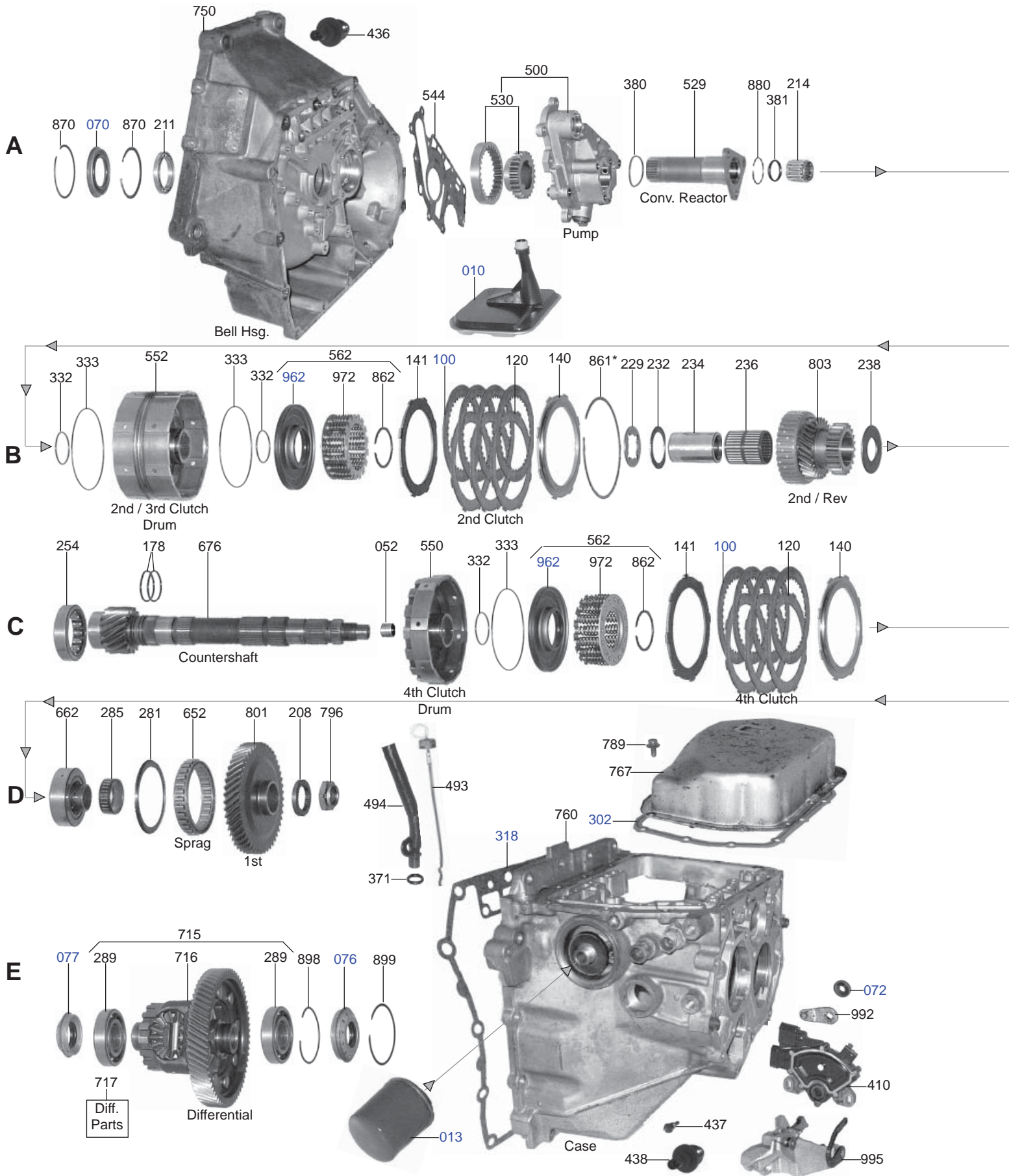
Aluminum Case Powerglide

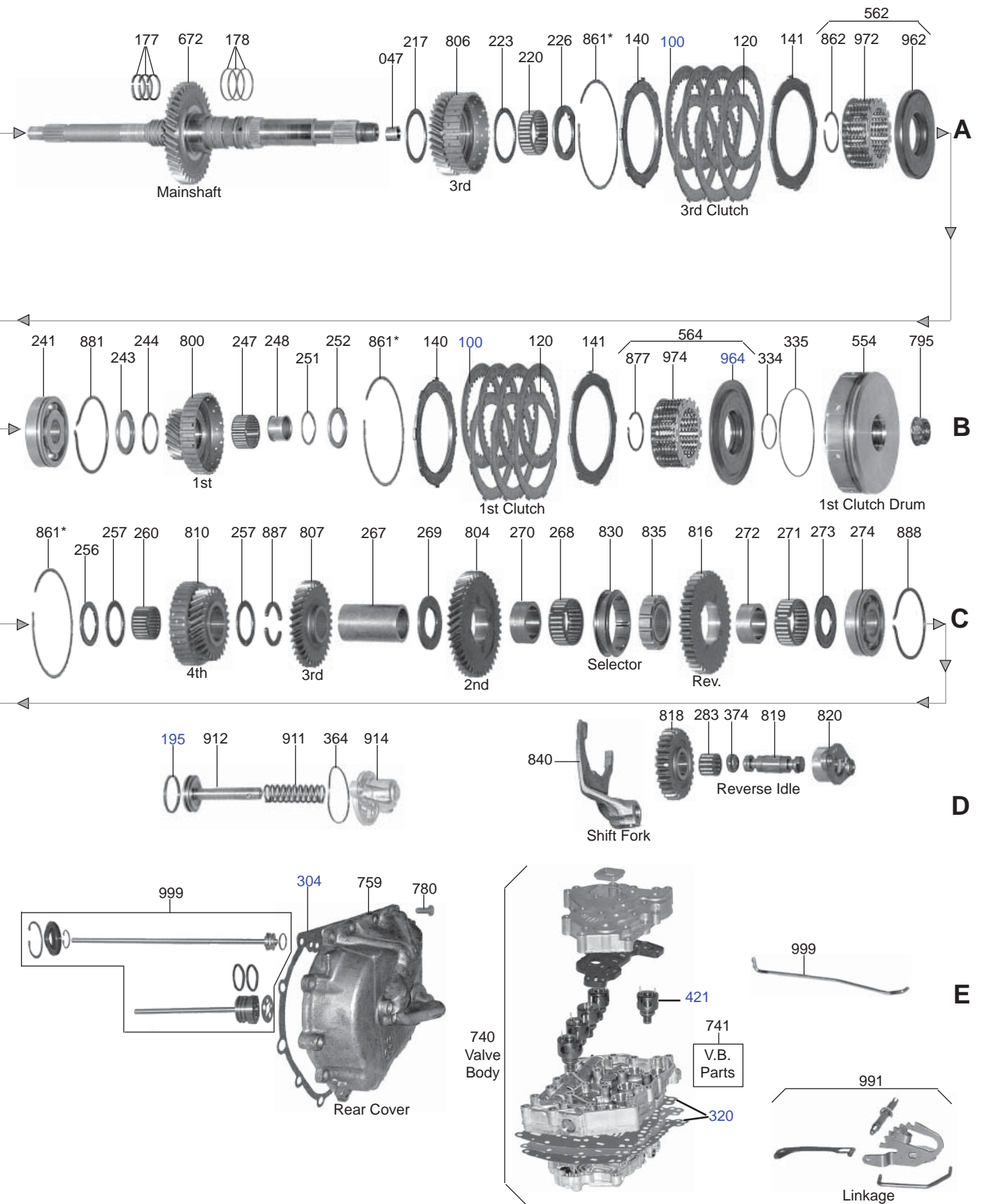
RWD 2 Speed



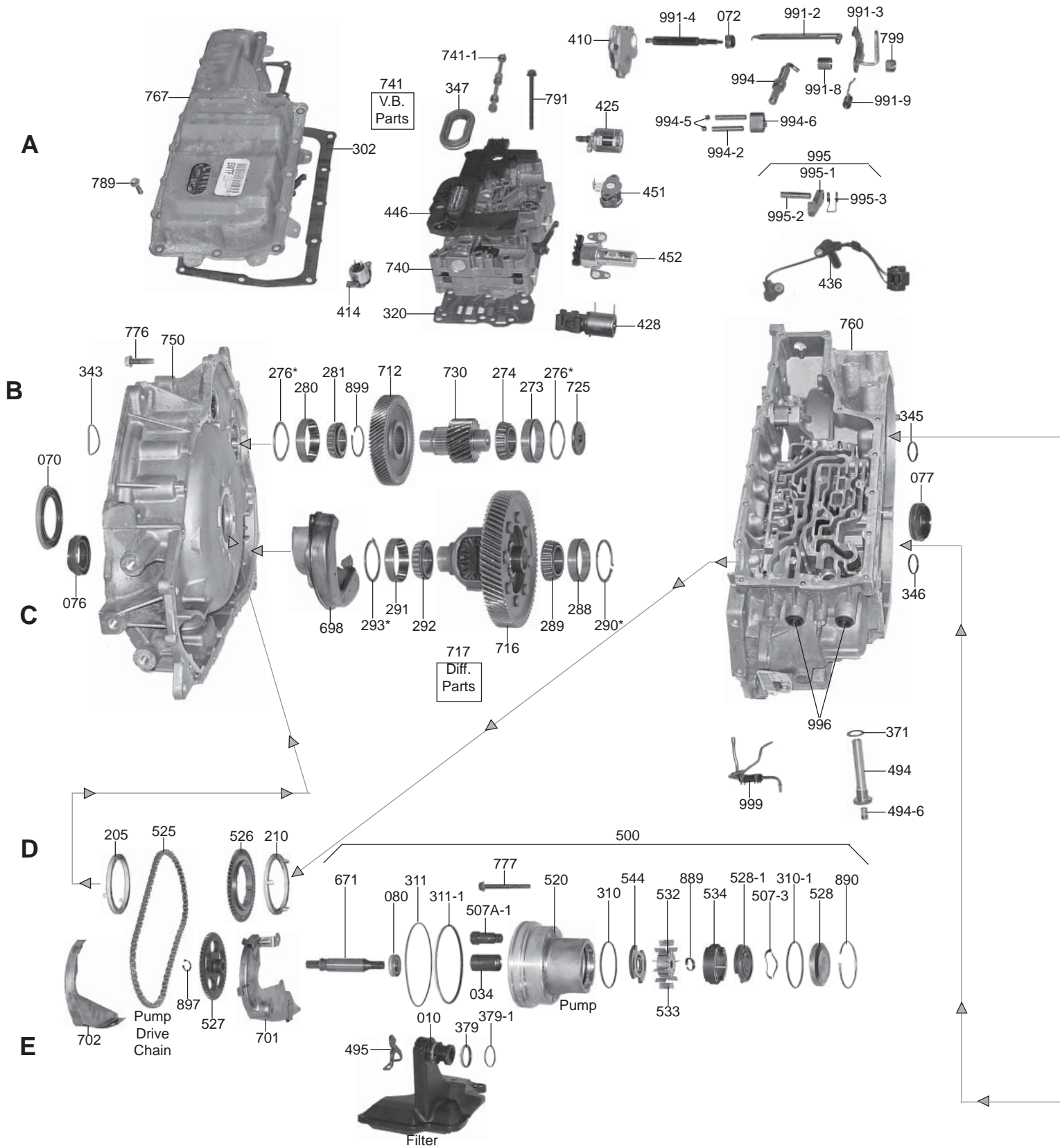
SAP #	IL#	OE	INDUSTRY	DESCRIPTION
PAPER & RUBBER KIT				
T103000				Paper & Rubber Kit Aluminum Powerglide 1962-73
OVERHAUL KIT				
B103002				Overhaul Kit Aluminum Powerglide 1962-73 (7 Metal Rings)
T103002				Overhaul Kit Aluminum Powerglide 1962-73 (7 Metal Rings)
TF103002				Overhaul Kit Aluminum Powerglide 1962-73 (7 Metal Rings) (Fiber)
TF103002R				Overhaul Kit Aluminum Powerglide (Racing) 1962-73 (1 Metal 4 PTFE Rings) (Fiber)
MASTER L/STEEL KIT				
B103004				Master L/Steels Kit Aluminum Powerglide 1962-73
T103004				Master L/Steels Kit Aluminum Powerglide 1962-73
MASTER W/STEEL KIT				
B103006				Master W/Steels Kit Aluminum Powerglide 1962-73
GASKET & RUBBER COMPONENTS				
42909T	3789148	3758		Gasket Aluminum Powerglide Pan 1962-73 [Cork & Rubber]
42918	3789148F	3758F		Gasket Aluminum Powerglide Pan 1962-73 [Fiber]
42906	3795990	3759		Gasket Aluminum Powerglide Filter
42997058	3789022	3762		Gasket Aluminum Powerglide Front Pump
42997065	3818935			Gasket Aluminum Powerglide Governor Cover
42997063	3789086	3763		Gasket Aluminum Powerglide Low Servo
42997064	6257218			Gasket Aluminum Powerglide Modulator
41217		8626281		Gasket Aluminum Powerglide Pump Bolt
42997062	3840329			Gasket Aluminum Powerglide Throttle Valve Cover 1962-73
42997066	3987943			Gasket Aluminum Powerglide Governor Support Body 1971-73
42997578				Gasket Aluminum Powerglide Output Shaft Support 1962-73
42997059	7420925			Gasket Aluminum Powerglide Valve Body (Lower & Upper) 1967-73
42997061	3840331			Gasket Aluminum Powerglide Plate to Lower Valve Body 1962-66
42997060	3840330			Gasket Aluminum Powerglide Valve Body Upper 1962-66
1988087	3789013			Lathe Cut Seal Aluminum Powerglide Front Pump 1962-73 (High Temperature)
1989009	3789013	3808		Lathe Cut Seal Aluminum Powerglide Front Pump 1962-73
1990101	3826034			Lip Seal Aluminum Powerglide High Drum (Inner)
1990102	3858874			Lip Seal Aluminum Powerglide High Drum (Outer)
1989001	8667373			Lip Seal Aluminum Powerglide Reverse Piston (Inner)
1985021	3812831	3774		Lip Seal Aluminum Powerglide Reverse Piston (Outer)
1989010	3789056			O-Ring Aluminum Powerglide Extension Housing To Case
1994113	6264902			O-Ring Aluminum Powerglide Filler Tube
1995230	3789087			O-Ring Aluminum Powerglide Low Servo
1995115	10054241			O-Ring Aluminum Powerglide Speed-O Sleeve (Inner)
METAL CLAD SEALS				
70011FM	8641300	35151		Seal Aluminum Powerglide Front Pump 1962-73 [Vamac]
33001	8641300	35151		Seal Aluminum Powerglide Front Pump 1962-73 [Poly]
70229FM		35151		Seal Aluminum Powerglide (Racing) Front Pump 1962-73
70229		35151		Seal Aluminum Powerglide (Racing) Front Pump 1962-73
70014FM	1243402	8850B		Seal Aluminum Powerglide Extension Housing (With Flange W/Out Boot) 1962-73
33002	1243402	8850B		Seal Aluminum Powerglide Extension Housing (With Flange W/Out Boot) 1962-73
70009	3789137	3768		Seal Aluminum Powerglide Manual Lever Shaft 1962-73
OIL SEALING RINGS				
TAW-408	3689808	8200		Ring Aluminum Powerglide Hi-Clutch 1962-73 {Also Fits Governor Support} Racing [Metal]
30001T		8200		Ring Aluminum Powerglide Hi-Clutch 1962-73 {Also Fits Governor Support} Racing [PTFE]
TAW-419	3817715	5301A		Ring Aluminum Powerglide Input Shaft 1962-73 [Metal]
30003T		5301A		Ring Aluminum Powerglide Input Shaft 1962-73 Racing [PTFE]
TAW-1460	3789084	18608A		Ring Aluminum Powerglide Low Servo [Metal]
6167				Ring Kit Aluminum Powerglide Racing (Oversized) (4 PTFE Rings 1 Metal Ring)
6018				Ring Kit Aluminum Powerglide 1962-73 (7 Metal Rings)
FRICION CLUTCH				
40920R	3779904	18305B		Friction Aluminum Powerglide High [5.07 OD 44 Teeth 0.098 THK] 1962-73
40920T	3779904	18305B		Friction Aluminum Powerglide High [5.07 OD 44 Teeth 0.098 THK] 1962-73
41226R	3832386	18506		Friction Aluminum Powerglide Reverse [6.46 OD 25 Teeth 0.098 THK] 1962-73
41226T	3832386	18506		Friction Aluminum Powerglide Reverse [6.46 OD 25 Teeth 0.098 THK] 1962-73
42982R				Friction Module Aluminum Powerglide 1962-73
42982				Friction Module Aluminum Powerglide 1962-73
STEEL CLUTCH				
42921	1366440	18306B		Steel Aluminum Powerglide High [3.86 ID 12 Teeth 0.070 THK] 1962-73
42923	3799210	18507A		Steel Aluminum Powerglide Reverse [5.726 ID 6 Teeth 0.070 THK] 1962-73
42981				Steel Module Aluminum Powerglide 1962-73
FILTER				
42940	6263005	28739A		Filter Aluminum Powerglide 1962-73
BUSHINGS				
33300	6260048	8008A		Bushing Aluminum Powerglide Extension Housing (Dimpled) 1962-73 [Bronze]
33318	8623940	8005		Bushing Aluminum Powerglide Front Pump Body 1962-73 [Babbitt]

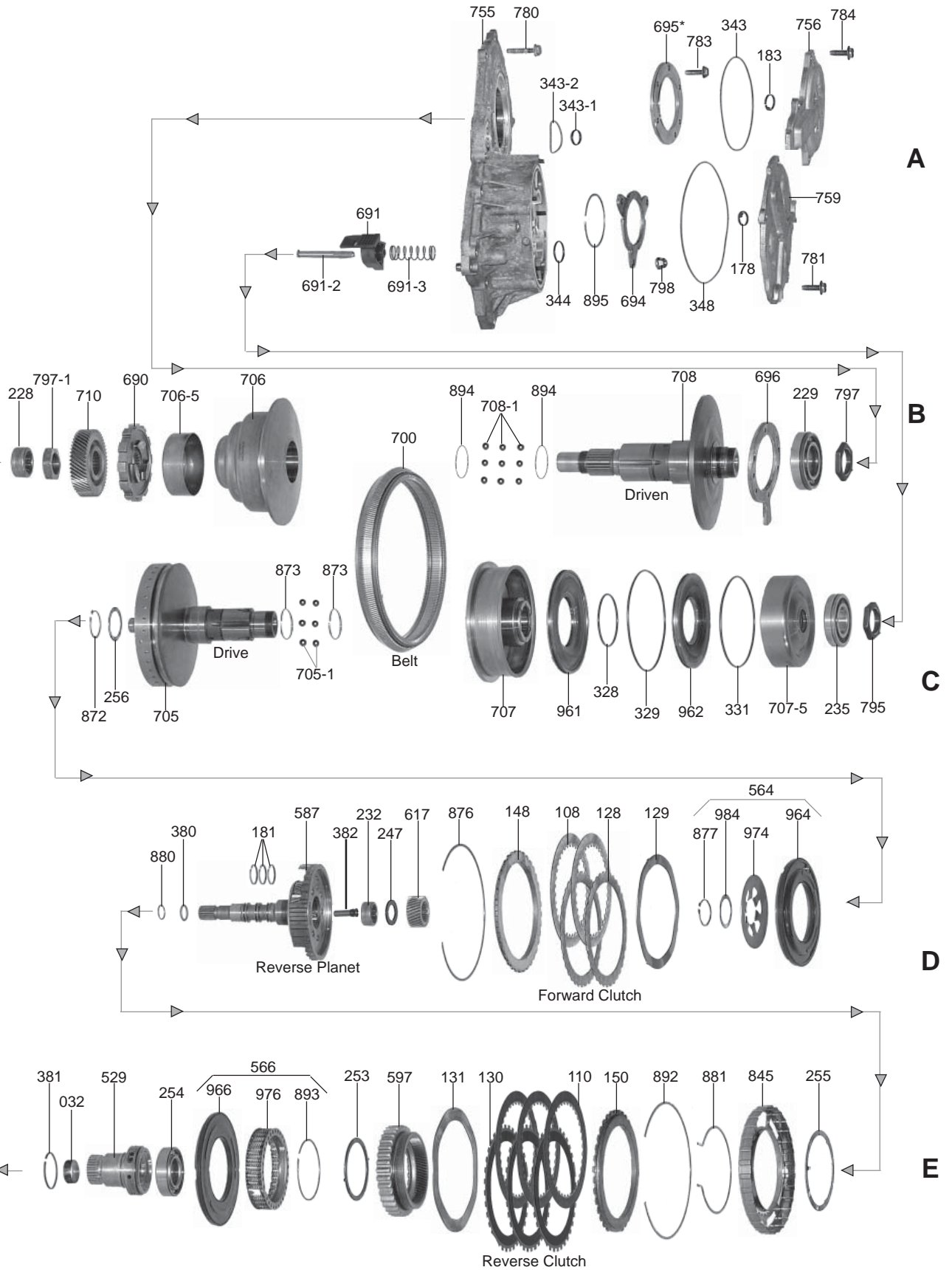
SAP #	IL#	OE	INDUSTRY	DESCRIPTION
OVERHAUL KIT				
T105002				Overhaul Kit ST300 1964-69
GASKET & RUBBER COMPONENTS				
43109T		1376720	3897F	Gasket ST300 Pan 19664-69 [Cork & Rubber]
43197238			13287	Gasket ST300 1964-69
43197239			3906L	Gasket ST300 1964-69
45996024		1359113	3898L	Gasket ST300 Governor Cover 1964-69
43197240		1374598	3878L	Gasket ST300 Front Pump 1964-69
43197241		1378520	3905L	Gasket ST300 Valve Body 1964-69
1990170		1356811	3889L	Lip Seal ST300 Front Clutch (Inner) 1964-69
OIL SEALING RINGS				
30982		1372058		Ring ST300 Low Servo Piston 1964-69 [Metal]
TAW-814		1367471		Ring ST300 Input Shaft 1964-69 [Metal]
TAW-408		3689808	8200	Ring ST300 Stator Shaft 1964-69
6023				Ring Kit ST300 1964-69 (6 Metal Rings)





SAP #	IL#	OE	INDUSTRY	DESCRIPTION
OVERHAUL KIT				
T10002A				Overhaul Kit Saturn (W/Out Bonded Pistons) 1991-Up
T10002AP				Overhaul Kit Saturn (With Bonded Pistons) 1991-Up
MASTER W/STEELS KIT				
T10006AP				Master W/Steels Kit Saturn (With Bonded Pistons) 1991-Up
GASKET & RUBBER COMPONENTS				
47004		412130-500		Gasket Saturn Valve Body Spacer Plate (Upper & Lower) (Takes 2) 1993-96
47097000				Gasket Saturn Valve Body Spacer Plate (Upper & Lower) (Takes 2) 1997-04
47007	21001684	412130-500		Gasket Saturn Rear Cover To Case 1991-Up
47007B	21001683			Gasket Saturn Top Pan 1991-Up
47008	21003108	412131-500		Gasket Saturn Bell Housing To Case 1991-Up
47007A	21002372	412132-500		Gasket Saturn Input Hub to Cover 1991-Up
47006	2100257	412127-500		Gasket Saturn Valve Body 1991-E92
1994315	21002502			O-Ring Saturn Oil Pump 1991-Up
1993028	21001665			O-Ring Saturn Converter Hub 1991-Up
1993208	21002508			O-Ring Saturn Filler Tube 1991-Up
1994033	21002503			O-Ring Saturn Servo Cover 1991-Up
1993010	21001615			O-Ring Saturn Inner Tube 1991-Up
1993514	21002242			O-Ring Saturn Input Shaft 1991-Up
47096085	21002144			Ring Saturn (Spiral) Input Shaft Converter 1991-Up
8192ES				Seal Up Kit Saturn MP6 MP7 1991-Up
METAL CLAD SEALS				
70193	21001660			Seal Saturn Front 1991-Up
70194	21002283			Seal Saturn Left Axle (Case Side)
70195				Seal Saturn Right Axle (Bell Housing Side)
70196	21001532			Seal Saturn Linkage Shaft
75099	21001662			Seal Saturn Rear Cover To Pinion Shaft Pilot (Black Plastic)
70286	21001111	95156		Seal Saturn Manual Lever 1991-Up
70197	21002853			Seal Saturn MP6 MP7 Shift 1991-Up
OIL SEALING RINGS				
30680	21002298	95304		Ring Saturn Servo Piston 1991-04 [PTFE]
30679	21002242	95303		Ring Saturn MP6, MP7 Input Shaft 1991-Up [PTFE]
30678	21002684	95300		Ring Saturn MP6 MP7 4th Clutch 1991-Up [PTFE]
6143				Ring Kit Saturn 1991-Up (6 PTFE Rings)
FRICTION CLUTCH				
47020T	21002278	95714		Friction Saturn (All Drums) [4.75 OD 8 Teeth] 1991-Up
47022T	21002276	95103		Friction Saturn (All Drums) [4.49 OD 36 Teeth 0.062 THK] (Single Sided) Internal Splines (Waved)
47024T	21002870	95100		Friction Saturn (All Drums) [4.375 OD 8 Teeth 0.062 THK] (Single Sided) Internal Splines
47080BK				Friction Module Saturn 1991-Up
FILTER				
47040B	21002303	95711		Filter Saturn (Spin-On) External 1991-Up
HARD PARTS				
47050	21001582	95982		Piston Saturn 2nd - 3rd & 4th Clutch Drums 1991-Up
47051	21001581	95981		Piston Saturn 1st Clutch Drum 1991-Up
764				Piston Kit Saturn 1991-Up (4 Pistons)





OVERHAUL KIT

TF205002A	Overhaul Kit VT20 VT25 2002-Up
TF205002AP	Overhaul Kit VT20 VT25 (With Pistons) 2002-Up

MASTER W/STEEL KIT

TF205006A	Master W/Steels VT20 VT25 2002-Up
TF205006AP	Master W/Steels VT20 VT25 (With Pistons) 2002-Up

METAL CLAD SEALS

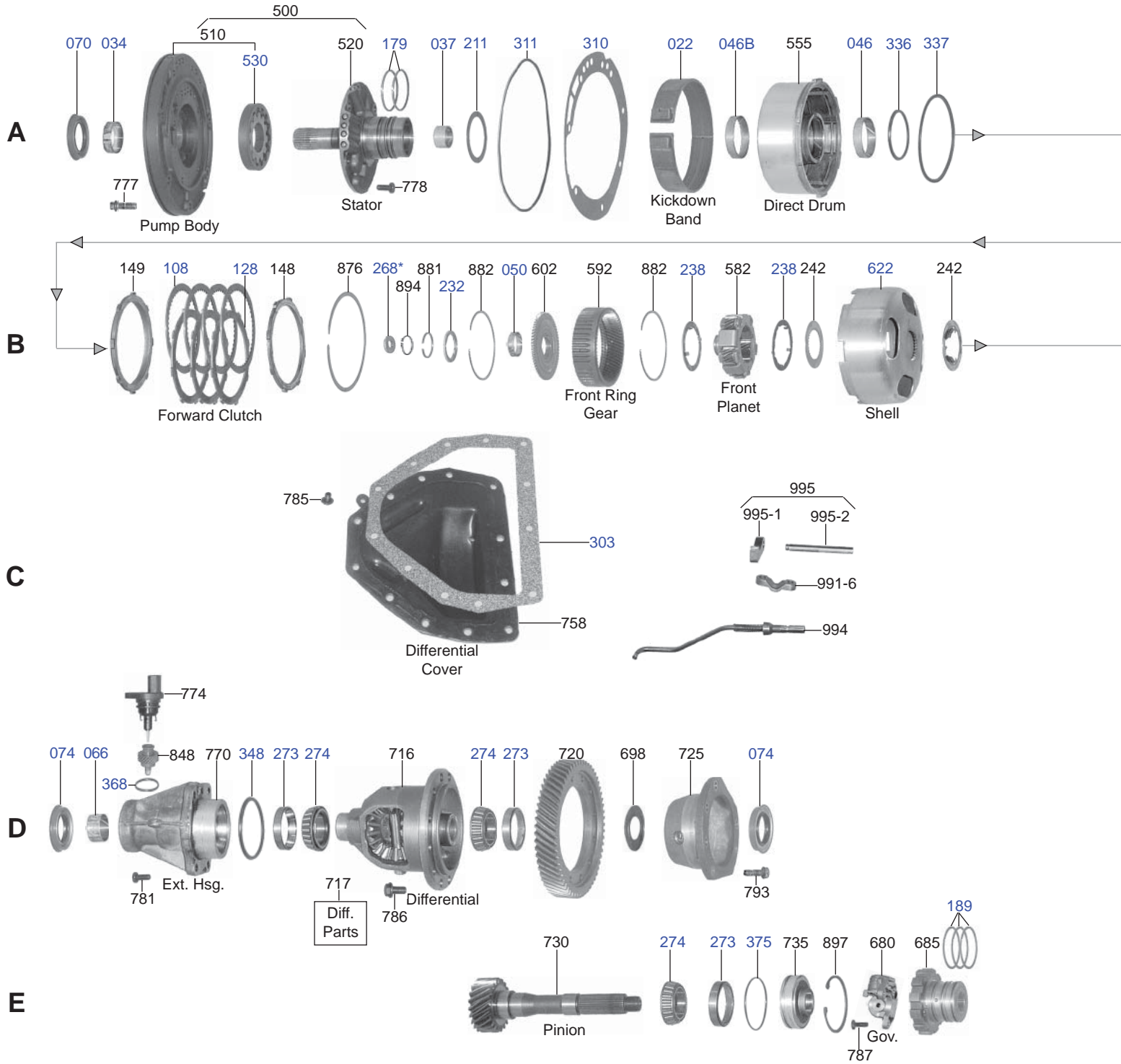
70536	Seal VT20 VT25 Converter Housing 2002-Up
70535	Seal VT20 VT25 Axle (Left Side) 2002-Up
70534	Seal VT20 VT25 Axle (Bell Housing Side) 2002-Up

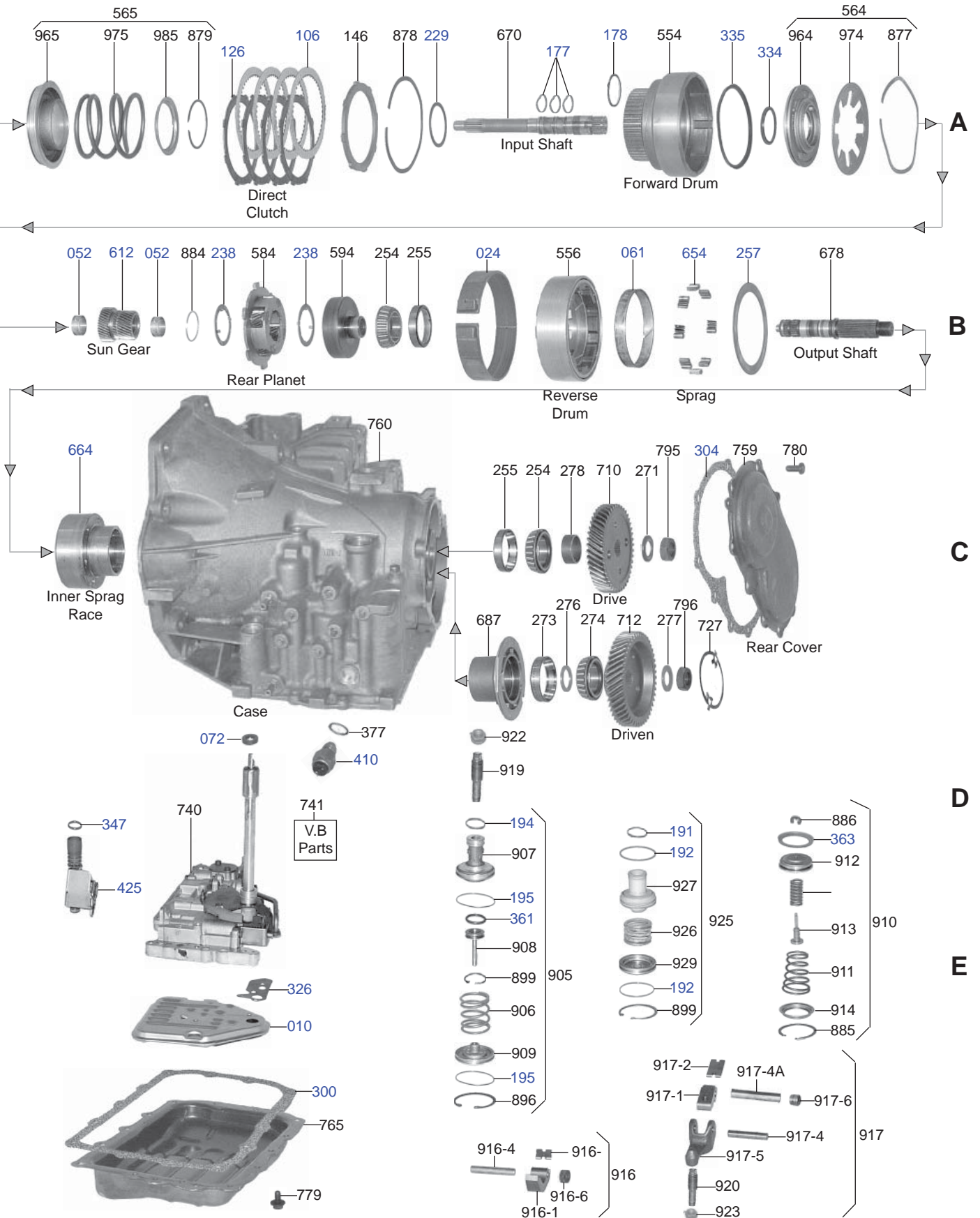
HARD PARTS

20588	Piston Kit VT20 VT25 2002-Up (2 Pistons)
-------	--

A404 / A413 / A470 / A670

FWD 3 Speed





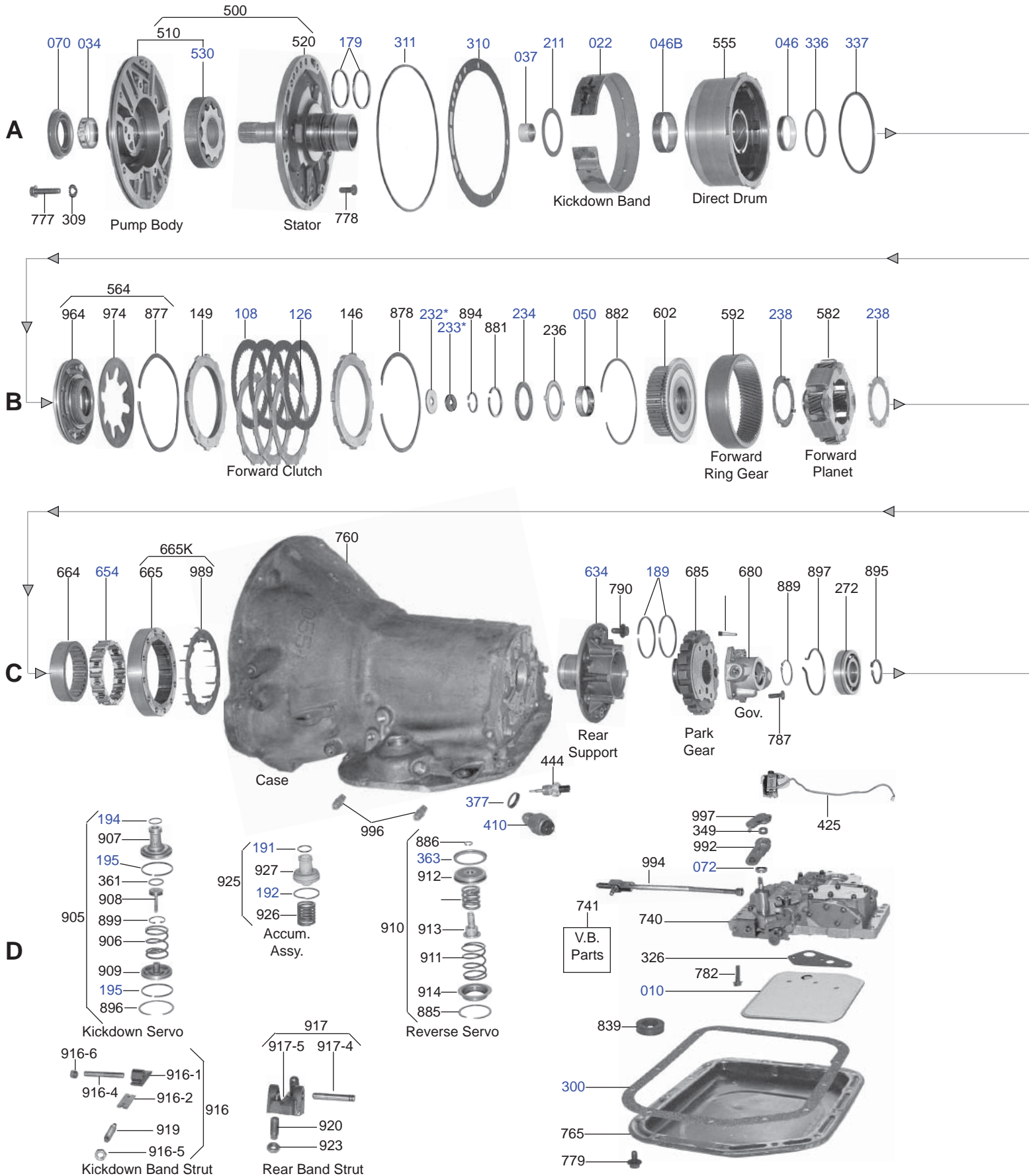
SAP #	IL#	OE	INDUSTRY	DESCRIPTION
PAPER & RUBBER KIT				
T32000B				Paper & Rubber Kit A404 A413 A470 A670 1978-Up
T32000BX				Paper & Rubber Kit A404 A413 A470 A670 (W/Out Pan Gasket) 1978-Up
OVERHAUL KIT				
T32002A				Overhaul Kit A413 A470 A670 1981-Up (2 Metal 12 PTFE Rings)
T32002AX				Overhaul Kit A413 A470 A670 1981-Up (2 Metal 12 PTFE Rings) (W/Out Pan Gasket)
T32002AB				Overhaul Kit A413 A470 A670 1986-02 (3 Metal 11 PTFE Rings)
T32002B				Overhaul Kit A404 A413 A470 A670 1978-Up (4 Metal 14 PTFE Rings)
TF32002B				Overhaul Kit A404 A413 A470 A670 1978-Up (4 Metal 14 PTFE Rings)
T32002BX				Overhaul Kit A404 A413 A470 A670 1978-Up (4 Metal 14 PTFE Rings) (W/Out Pan Gasket)
B32002BA				Overhaul Kit A404 A413 A470 A670 1978-Up (11 Metal 5 PTFE Rings)
MASTER L/STEEL KIT				
T32004A				Master L/Steels A413 A470 A670 1981-Up
B32004AA				Master L/Steels A413 A470 1981-Up
MASTER W/STEEL KIT				
B32006				Master W/Steels A404 1978-80
B32006AA				Master W/Steels A413 A470 A670 1981-Up
SUPER KIT				
B32008AA				Super Kit A413 A470 1981-Up [Includes Bushing Kit, Washer Kit, Band, Filter]
GASKET & RUBBER COMPONENTS				
49009T	5224052	32170		Gasket A404 A413 A470 A670 Bottom Pan 1978-Up [Cork & Rubber]
49009U	5224052	32170		Gasket A404 A413 A470 A670 Bottom Pan 1978-Up [Ultracork]
49118	5224052F	32170F		Gasket A404 A413 A470 A670 Bottom Pan 1978-Up [Fiber]
49197106	5212276	32165		Gasket A404 A413 A470 A670 Differential Cover 1978-Up [Cork & Rubber]
49109AU	5212276	32165		Gasket A404 A413 A470 A670 Differential Cover 1978-Up [Ultracork]
49118A	5212276	32165F		Gasket A404 A413 A470 A670 Differential Cover 1978-Up [Fiber]
49197249	4269671			Gasket A404 A413 A470 A670 Filter (Fiber Type) 1978-Up
49009AT	5222142	32169		Gasket A404 A413 A470 A670 Transfer Gear Cover 1978-Up [Cork & Rubber]
49009AU	5222142	32169		Gasket A404 A413 A470 A670 Transfer Gear Cover 1978-Up [Ultracork]
49018A		32169F		Gasket A404 A413 A470 A670 Transfer Gear Cover 1978-Up [Fiber]
49197125	4412305			Gasket A404 A413 A417 Solenoid 1978-Up
49197102	5212306			Gasket A404 A413 A470 A670 Pump 1978-Up
1990006	2538588			Lip Seal A404 A413 417 Speedometer Pinion 1978-Up
1990097	4057047			Lip Seal A404 A413 417 Speedometer Pinion 1978-Up
1990093	5205671			Lip Seal A404 Direct Clutch Piston (Outer) 1978-80
1990092	5205670			Lip Seal A404 A413 A470 A670 Direct Clutch Piston (Inner)
1990094	5212373			Lip Seal A404 A413 A470 A670 Forward Clutch Piston (Inner)
1990095	5205701			Lip Seal A404 A413 A470 A670 Forward Clutch Piston (Outer)
1990096	4269736			Lip Seal A404 A413 A470 A670 Reverse Servo (Viton) 1978-Up
1990075	4058487			Lip Seal A413 A470 A670 Direct Clutch Piston (Outer) 1981-Up
1991033	4130829			O-Ring A404 Accumulator Cover 1980
1991031	6031545			O-Ring A404 Accumulator Plate 1981-Up
1992500	6031559			O-Ring A404 Kick Down Servo Rod To Piston 1978-80
1995131				O-Ring A404 Servo Guide 1978 Only
1992129	6031370			O-Ring A404 Speedometer Housing 1978-Up
1993148	6500111			O-ring A404 A413 A470 A670 Extension Housing 1978-Up
1994113	6264902			O-Ring A404 A413 A470 A670 Filter Tube 1978-Up
1991146	6500169			O-Ring A404 A413 A470 A670 Pinion Bearing Retainer 1978-Up
1995121	5212152			O-Ring A404 A413 A470 A670 Speed-O Adapter 1978-Up
1988099	5205660			O-Ring A404 A413 A470 A670 Pump 1978-Up
1994113	6264902			O-Ring A404 A413 A470 A670 Solenoid 1978-Up
1990081	2466548			Seal A404 A413 A470 A670 Throttle Lever Shaft 1978-Up
49175262	4800019AA			Seal A413 A417 Cooler-By Tube 1998-Up
8030ES				Seal Up Kit A404 A413 417 1978-Up
METAL CLAD SEALS				
70019FM	4269057	12575		Seal A404 A413 A470 A670 Front Pump (With Flange) [Vamac]
70019	4269057	12575		Seal A404 A413 A470 A670 Front Pump (With Flange) [Vamac]
33081	3515138	12575A		Seal A404 A413 A470 A670 Front Pump (W/Out Flange) [Silicone]
70020CR	4412522AB	32367		Seal A404 A413 A470 A670 Axle (Left & Right Side) (With Lip) 1978-Up
70020	4412522AB	32367		Seal A404 A413 A470 A670 Axle (Left & Right Side) (With Lip) 1978-Up
70035	5222015	32365		Seal A404 A413 Transfer Shaft 1978-81
70008	3878447	22574		Seal A404 A413 A470 A670 Manual Shaft (1/4in Thick) 1966-Up
OIL SEALING RINGS				
TAW-1164	1401221			Ring A404 A413 Input Shaft (1.062 OD) 1978-85 [Metal]
30350	4269592	12853N		Ring A404 A413 Input Shaft (1.062 OD) 1978-86 [PTFE]
TAW-1181	1672287			Ring A404 A413 Kickdown Servo Piston (Small) (1.250 OD) 1978-80 [Metal]
TAW-1199	1315158			Ring A404 A413 A470 A670 Accumulator (Large) (2.00 OD) 1978-Up [Metal]
30352	3743014	2936T		Ring A404 A413 A470 A670 Accumulator (Large) (2.00 OD) 1978-Up [PTFE]
30405T	4295965			Ring A404 A413 A470 A670 Accumulator & Kickdown Servo (Small) 1981-Up [PTFE]
TAW-1189	5205697			Ring A404 A413 A470 A670 Forward Clutch Drum (1.750 OD) [Metal]

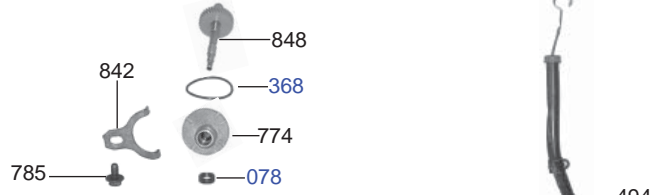
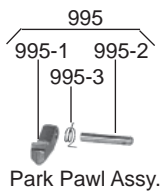
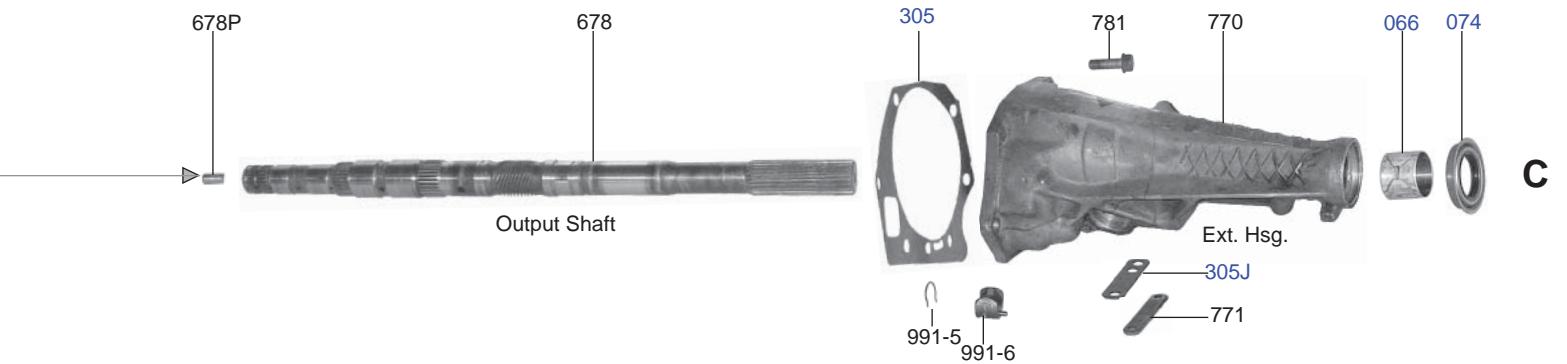
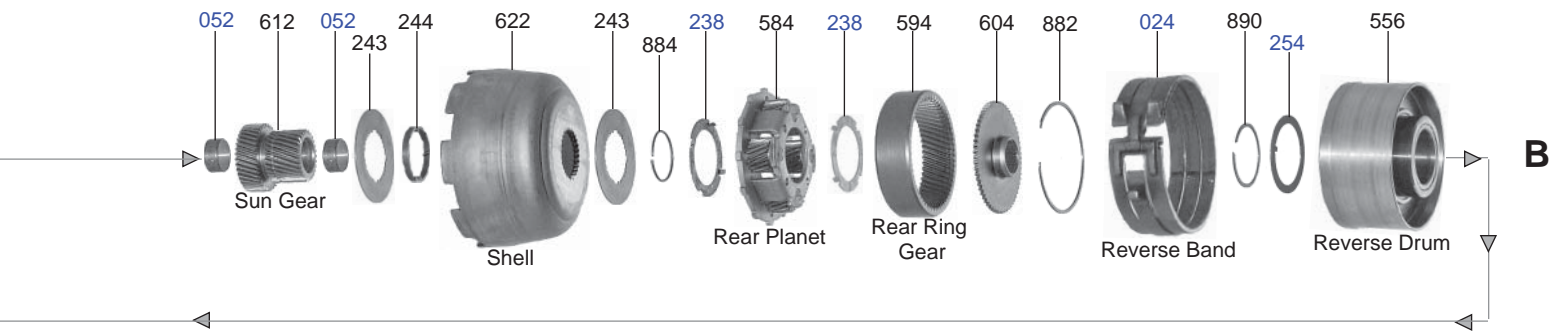
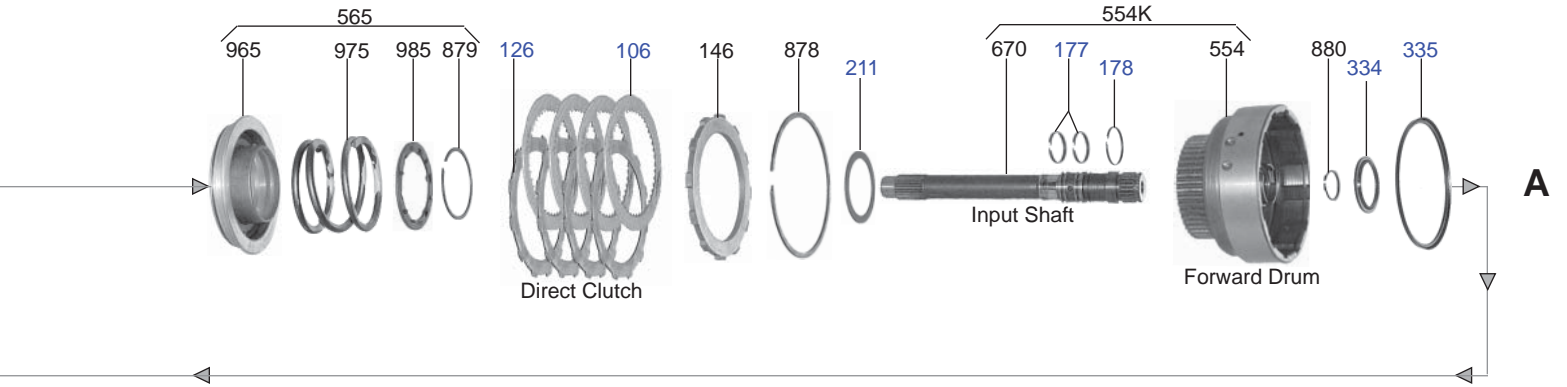
SAP #	IL#	OE	INDUSTRY	DESCRIPTION
OIL SEALING RINGS -- continued				
30356		4269593	32270T	Ring A404 A413 A470 A670 Forward Clutch Drum (1.750 OD) [PTFE]
TAW-803		5212092		Ring A404 A413 A470 A670 Governor Support (2.122 OD) [Metal]
30357		4269954	32260T	Ring A404 A413 A470 A670 Governor Support (2.122 OD) [PTFE]
TAW-806		5212049		Ring A404 A413 A470 A670 Kickdown Servo (Large) (1.898 OD) 1978-Up [Metal]
TAW-1162		1636470		Ring A404 A413 A470 A670 Kickdown Servo (Large) (2.125 OD) 1981-Up [Metal]
30352		3743014	2936T	Ring A404 A413 A470 A670 Kickdown Servo (Large) (2.125 OD) 1981-Up [Metal]
TAW-804		5212305	32210	Ring A404 A413 A470 A670 Stator Support (2.180 OD) [Metal]
TAW-1585		4377047		Ring A413 A470 A670 Input Shaft (.940 OD) 1986-Up [Metal]
30358		4377047	32247T	Ring A413 A470 A670 Input Shaft (.940 OD) 1986-Up [PTFE]
TAW-1081		3410374		Ring A413 A470 A670 Kickdown Servo (Small) (1.00 OD) 1981-Up [Metal]
49061			K32200B	Ring Kit A404 A413 A470 A670 1978-Up (11 Metal 5 PTFE Rings)
6005				Ring Kit A404 A413 A470 A670 1978-Up (4 Metal 14 PTFE Rings)
6299				Ring Kit A404 A413 A470 A670 1978-Up (5 Metal 8 PTFE 1 Plastic Rings)
6162				Ring kit A413 A470 A670 1981-Up (2 Metal 12 PTFE Rings)
6376				Ring Kit A413 A470 A670 1986-02 (3 Metal 11 PTFE Rings)
FRICITION CLUTCH				
49020T		5205675 4471439	32761	Friction A404 A413 A470 A670 Front [4.89 OD 47 Teeth 0.083 Waffled-THK] 1978-Up
49022T		5222185	32760	Friction A404 Rear [4.89 OD 47 Teeth 0.072 THK] 1978-80
49024T		4531024	32762	Friction A413 A470 A670 Rear [4.89 OD 49 Teeth 0.071 THK] 1981-Up
49080T				Friction Module A404 1978-80
49180R				Friction Module A413 A470 A670 1981-Up
49180T				Friction Module A413 A470 A670 1981-Up
STEEL CLUTCH				
49021		5205677	32751	Steel A404 Front & Rear [4.07 ID 8 Teeth 0.070 THK] 1978-80
49023		4207208	32752	Steel A413 A470 A670 Front [4.10 ID 8 Teeth 0.098 THK] 1981-Up
49025		5224073	32753	Steel A413 A470 A670 Rear [4.20 ID 8 Teeth 0.068 THK] 1981-Up
49081				Steel Module A404 1978-80
49181				Steel Module A413 A470 A670 1981-Up
FILTER				
33240		5212145	32776	Filter A404 A413 1978-82 [Felt]
33245		4269649	32776A	Filter A404 A413 A470 A670 1978-Up [Metal & Plastic]
FILTER KIT				
33255			FK32776	Filter Kit A404 413 1978-82 (With Cork & Rubber Pan Gasket)
33251			FK32776A	Filter Kit A413 A470 A670 1983-Up (Includes Cork & Rubber Pan Gasket)
33251A			FK32776A	Filter Kit A413 A470 A670 1983-Up (Includes Fiber Pan Gasket)
MISCELLANEOUS FILTERS				
49165031		3878313	48713	Screen Filter A413 A470 A670 Regulator Valve Body Feed
33245A			32713	Screen Filter A404/413/470/670 (Bolts Under Governor) Flat 3 Bolt
49565091		5205839	32778	Screen Filter A404/413/470/670 (Bolts Under Governor) Flat 3 Bolt
BANDS				
49090		4269663	32700	Band A404 A413 A470 A670 Kickdown (1.336in Wide) 1978-95
49092		5212312	32700A	Band A404 A413 A470 A670 Kickdown (Semi-Flex)
49093		5205765	32710	Band A404 A413 A470 A670 Reverse 1978-Up [OEM]
49091		5205765	32710R	Band A404 A413 A470 A670 Reverse 1978-Up
BUSHINGS				
33392		5222405	32010	Bushing A404 A413 A470 A670 Front Clutch Retainer (Large) (2.15 OD) 1978-Up [Bronze]
33393		5222406	32014	Bushing A404 A413 A470 A670 Front Clutch Retainer (Small) (1.48 OD) 1978-Up [Bronze]
33390		5212223	32060	Bushing A404 A413 A470 A670 Extension Housing (1.52 OD) 1978-Up [Bronze]
33395		5205728	32030	Bushing A404 A413 A470 A670 Front Ring Gear Hub 1978-Up
33383			12502	Bushing A404 A413 A470 A670 Pump Body 1978-Up [Babbitt]
33391		5222137	32040	Bushing A404 A413 A470 A670 Low/Reverse Drum (4.30 OD) 1978-Up [Bronze]
33394		5205735	32033	Bushing A404 A413 A470 A670 Sun Gear (1.06 OD) 1978-Up [Bronze]
49034		4058635	12503C	Bushing A404 A413 470 Stator (0.97 OD) (0.88 ID) 1978-85 [Bronze]
49635		5224451	32007	Bushing A413 A470 A670 Stator (1.11 OD) (0.99 ID) 1986-Up [Bronze]
49030				Bushing Kit A404 A413 A470 A670 (10 Bushings)
WASHER & BEARINGS				
49073		5205679	32600	Washer A404 A413 A470 A670 Stator To Direct Drum
49996097				Washer A404 A413 A417 Pump Bolts 1978-Up
49078		5205680	32620	Washer A404 A413 A470 A670 Forward Drum To Direct Drum 1978-Up
49077		5222493	32630	Washer A404 A413 470 Front Annulus Gear
49074		5224039	32623	Washer A404 A413 A470 A670 Output Shaft (0.079 THK) 1978-Up
49075		5224041	32623B	Washer A404 A413 A470 A670 Output Shaft (0.093 THK) 1978-Up
49079		5205772	32635	Washer A404 A413 A470 A670 Rear Band Drum To Case
49072		5205724	32631	Washer A404 Front Planet (Front & Rear With 4 Tabs) 1978-81
49076		5224066	32631A	Washer A413 A470 A670 Front Planet (Front & Rear With 4 Tabs) 1981-Up
49076A		4659163	32631B	Washer AA470 A670 Front Planet (Front & Rear With 5 Tabs) 1996-Up
49070				Washer Kit A404 A413 A470 A670 1978-Up (13 Washers)

SAP #	IL#	OE	INDUSTRY	DESCRIPTION
ELECTRICAL COMPONENTS				
D32329		4377005		Solenoid A413 A670 TCC (Lock-Up) 1993-98
HARD PARTS				
49099AS				Shim A404 A413 A470 A670 Pinion Shaft (.005)
49164138				Spring A404 Governor Ring 1978-Up
49098		4207246	32745	Spring A404 A413 470 Diaphragm Rear Clutch 1979-Up
32144		5224192		Shell A413 A470 A670 Sungear 1981-Up

30RH / 31RH / 32RH (A904 / A998 / A999)

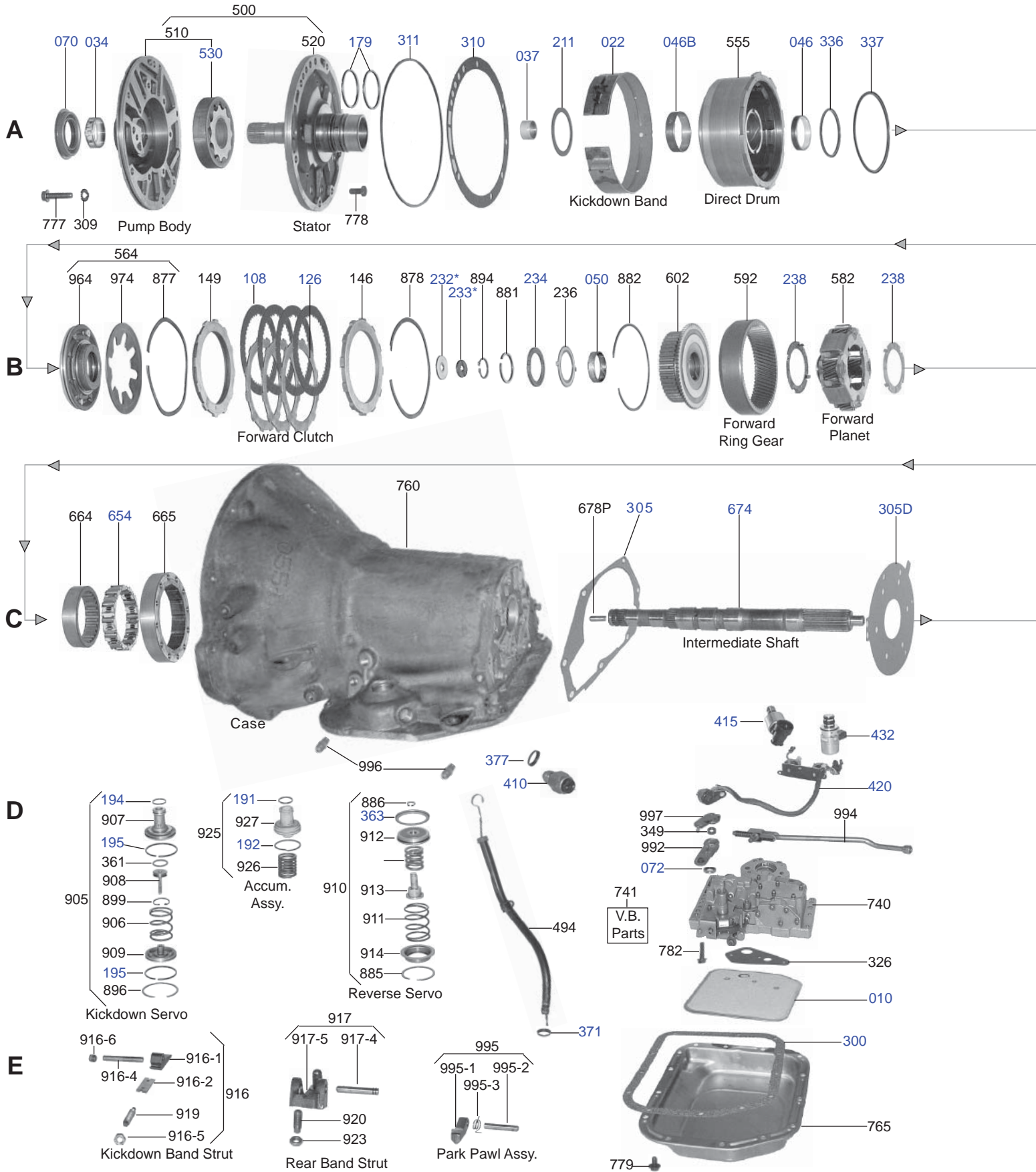
RWD 3 Speed



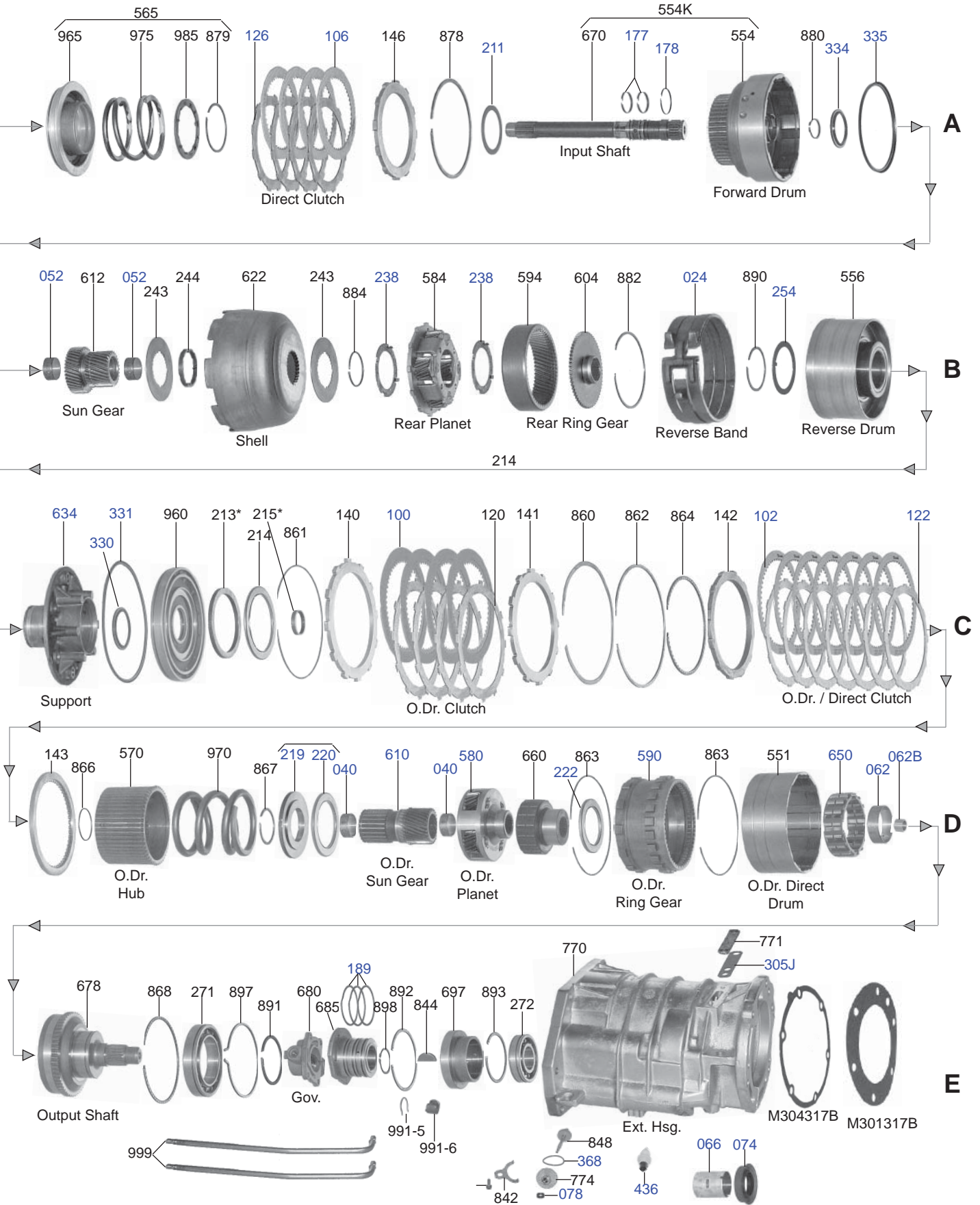


40RH / 42RH / 42RE / 44RE (A500)

RWD 4 Speed



40RH / 42RH / 42RE / 44RE (A500)



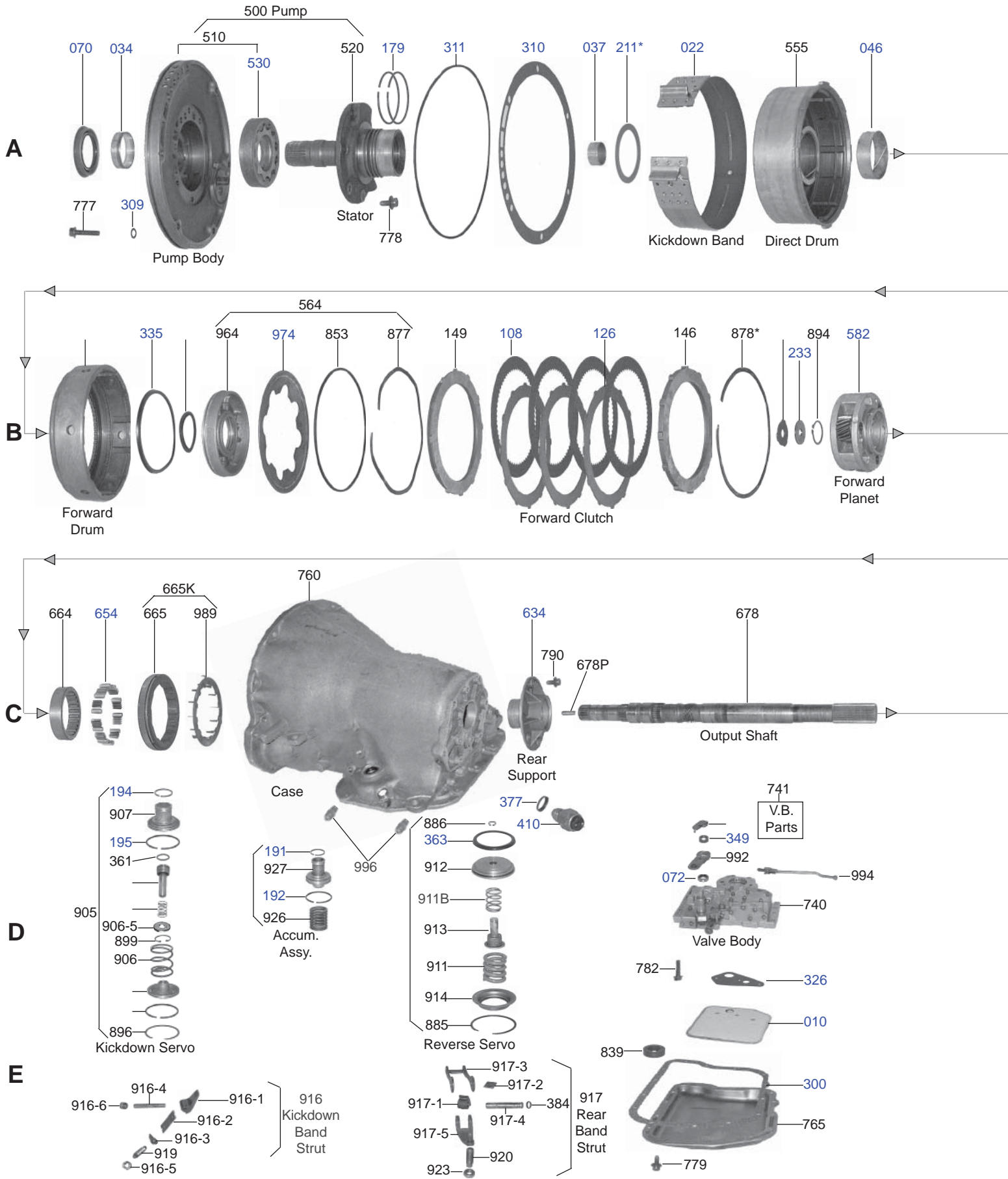
SAP #	IL#	OE	INDUSTRY	DESCRIPTION
PAPER & RUBBER KIT				
T12000C				Paper & Rubber Kit A904 (Except Colt Arrow) 1972-Up
T12000E				Paper & Rubber Kit A500 1988-Up
OVERHAUL KIT				
T12002A				Overhaul Kit A904 (TF-6) 1960-71 (8 Metal 2 PTFE 8 Plastic Rings)
B12002C				Overhaul Kit A904 (TF-6) 1972-Up (Except Colt & Arrow) (12 Metal 2 Plastic Rings)
T12002C				Overhaul Kit A904 (TF-6) 1972-Up (Except Colt & Arrow) (7 Metal 5 PTFE 2 Plastic Rings)
B12002CA				Overhaul Kit A904 (TF-6) 1972-Up (Except Colt & Arrow) (7 Metal 5 PTFE 2 Plastic Rings)
B12002CB				Overhaul Kit A904 (TF-6) 1972-Up (Except Colt & Arrow) (16 PTFE Rings)
T12002D				Overhaul Kit A904 (Colt & Arrow) (7 Metal 9 PTFE Rings)
B12002E				Overhaul Kit A500 (40RH 42RH 42RE) 1988-Up (4 Metal 8 PTFE 4 Plastic Rings)
T12002E				Overhaul Kit A500 (40RH 42RH 42RE) 1988-Up (4 Metal 8 PTFE 4 Plastic Rings)
TF12002E				Overhaul Kit A500 (40RH 42RH 42RE) 1988-Up (4 Metal 8 PTFE 4 Plastic Rings) (Fiber)
MASTER L/STEEL KIT				
B12004C				Master L/Steels Kit A904 (Except Colt & Arrow) (12 Metal 2 Plastic Rings) 1972-Up
T12004C				Master L/Steels Kit A904 (Except Colt & Arrow) (7 Metal 5 PTFE 2 Plastic Rings) 1972-Up
B12004E				Master L/Steels Kit A500 1988-Up
T12004E				Master L/Steels Kit A500 1988-Up
MASTER W/STEEL KIT				
B12006C				Master W/Steels A904 (Except Colt & Arrow) (12 Metal 2 Plastic Rings) 1972-Up
T12006D				Master W/Steels A904 (Colt & Arrow) 1974-82
B12006E				Master W/Steels Kit A500 1988-Up
T12006E				Master W/Steels Kit A500 1988-Up
SUPER KIT				
B12008C				Super Overhaul Kit A904 (Except Colt & Arrow) 1972-Up [Includes Bushing Kit, Washer Kit, Band, Filter]
B12008E				Super Overhaul Kit A500 1988-Up [Includes Bushing Kit, Washer Kit, Band, Filter]
GASKET & RUBBER COMPONENTS				
49775174	52118629			Boot A904 A500 Filler Tube 1997-Up
25452P				Check Ball A904 A500 (11/32in Diameter) [Torlon]
49609T	4295875	3795		Gasket A904 A500 Bottom Pan 1960-Up [Cork & Rubber]
49609U	4295875	3795		Gasket A904 A500 Bottom Pan 1960-Up [Ultracork]
49618	4295875F	3795F		Gasket A904 A500 Bottom Pan 1960-Up [Fiber]
49608T	3681438	3795A		Gasket A904 Bottom Pan (Colt & Arrow) 1974-80 [Cork & Rubber]
49617A	3681438	3795A		Gasket A904 Bottom Pan (Colt & Arrow) 1974-80 (Felprom™)
49628	3681438F	3795AF		Gasket A904 Bottom Pan (Colt & Arrow) 1974-80 [Fiber]
49597128	4531192	12145		Gasket A500 Extension Housing 1990-Up
49597132	2205322	3584L		Gasket A904 Extension Housing 1660-65
49797100	2466954	13253		Gasket A904 Extension Housing 1966-Up
495997487	4617216			Gasket A500 Governor Pressure Solenoid 1988-Up
49996178	4886333A			Gasket A500 Lock-Up & Overdrive Solenoid 1988-97
49797577	4531190			Gasket A500 Overdrive Clutch Retainer 1989-Up
49611	52118266	3572L		Gasket A904 A500 Front Pump to Case (14 Hole) (Retro Fits Early) 1960-Up
49597130	2666049			Gasket A904 A500 Output Shaft Bearing Cover
1990116	4431697			Lip Seal A500 Overdrive Clutch Piston (Inner)
1990117	4431696			Lip Seal A500 Overdrive Clutch Piston (Outer)
1990118	4202864			Lip Seal A500 Reverse Servo 1989-Up
1990072	1942396	3575		Lip Seal A904 Direct Clutch Piston (Inner) 1960-71
1990252	3515176	13307		Lip Seal A904 A500 Direct Clutch Piston (Inner) 1972-Up [Vamac]
1990074	1942397	3576 3578		Lip Seal A904 Direct Clutch Piston (Outer) & Rear Clutch (Outer) 1960-71
1990249	4085487AB	13308A		Lip Seal A904 A500 Direct Clutch Piston (Outer) 1972-98
1990076	2125187	3578		Lip Seal A904 Rear Clutch Piston (Inner) 1960-67
1990077	2538510	13289		Lip Seal A904 A500 Rear Clutch Piston (Inner) 1968-Up
1990078	2538695	13311		Lip Seal A904 A500 Rear Clutch piston (Outer) 1968-Up
1990120	1942499			Lip Seal A904 Reverse Servo 1960-64
1990096	4269736			Lip Seal A904 Reverse Servo Piston Seal (Colt Arrow)
1990079	2464462			Lip Seal A904 Reverse Servo Piston Seal 1989-Up
1990063	E5FZ-7C099-A			Lip Seal A904 Direct
49612	2204709	3847		O-Ring A904 A500 Front Pump
1992129	6031370			O-Ring A904 A500 Speed-O Housing (Red) 1966-Up
1995116	1363951			O-Ring A904 Speed-O Adapter 1960-65
1992117	6031410			O-Ring Kickdown Piston Inner 1978-Up
1992012	6030657			O-Ring Reverse Band Reaction Shaft
1990081	2466548			Seal A904 A500 Throttle Lever Shaft
49698S				Seal Up Kit A904
8029ES				Seal Up Kit A904 1972-Up
49196115	2408143			Washer A904 Gasket Neutral Safety Switch
METAL CLAD SEALS				
70019FM	4269057	12575		Seal A904 A500 Front Pump (With Flange) 1972-05 [Vamac]
70019	4269057	12575		Seal A904 A500 Front Pump (With Flange) 1972-05 [Vamac]
33081	3515138	12575A		Seal A904 A500 Front Pump (W/Out Flange) [Silicone]

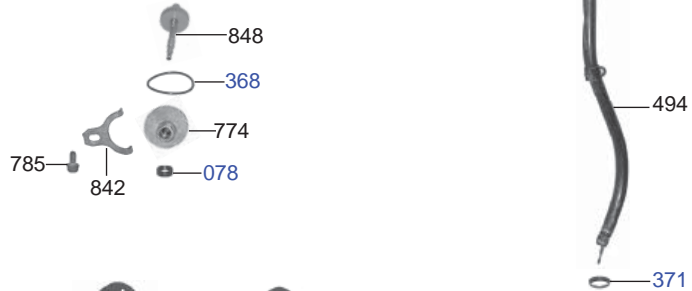
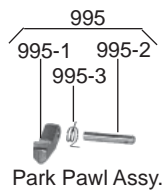
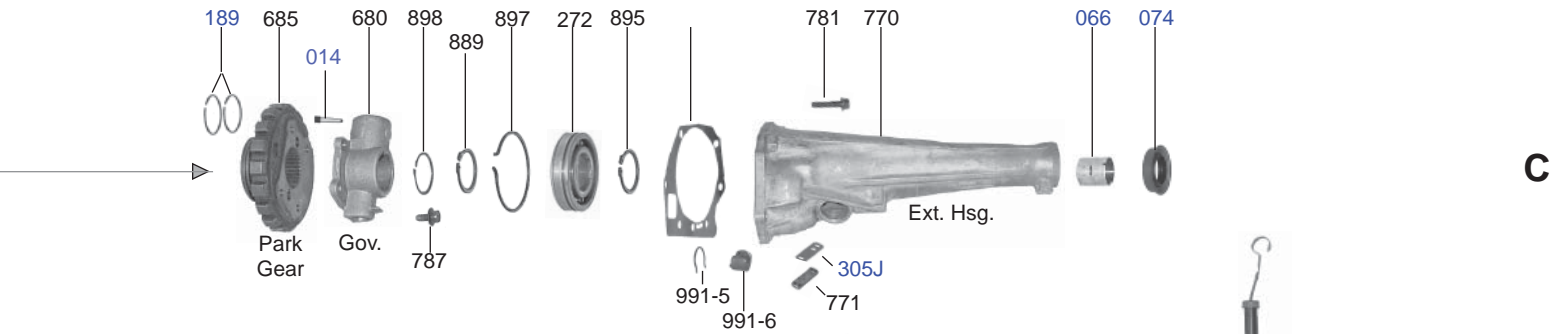
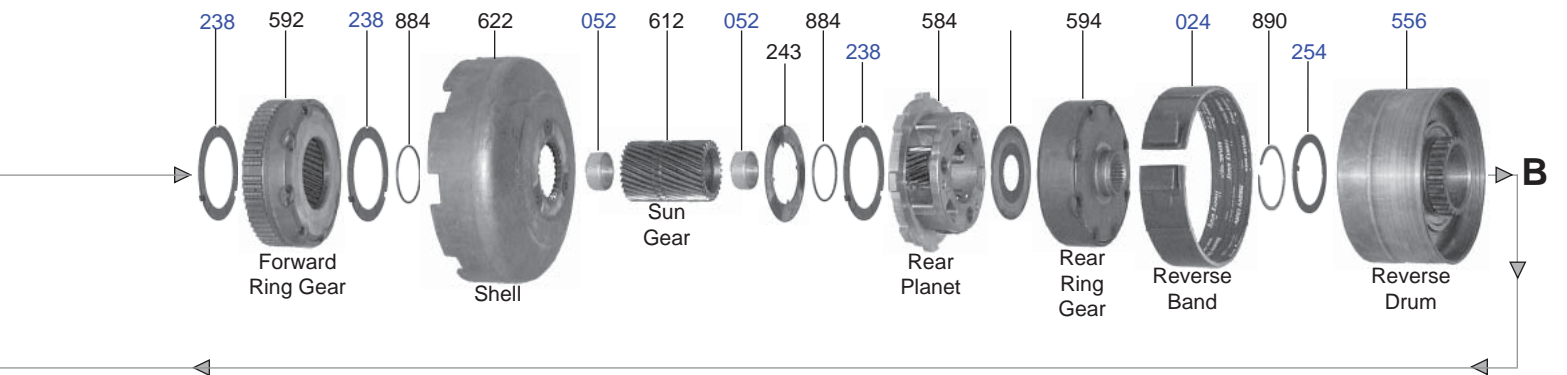
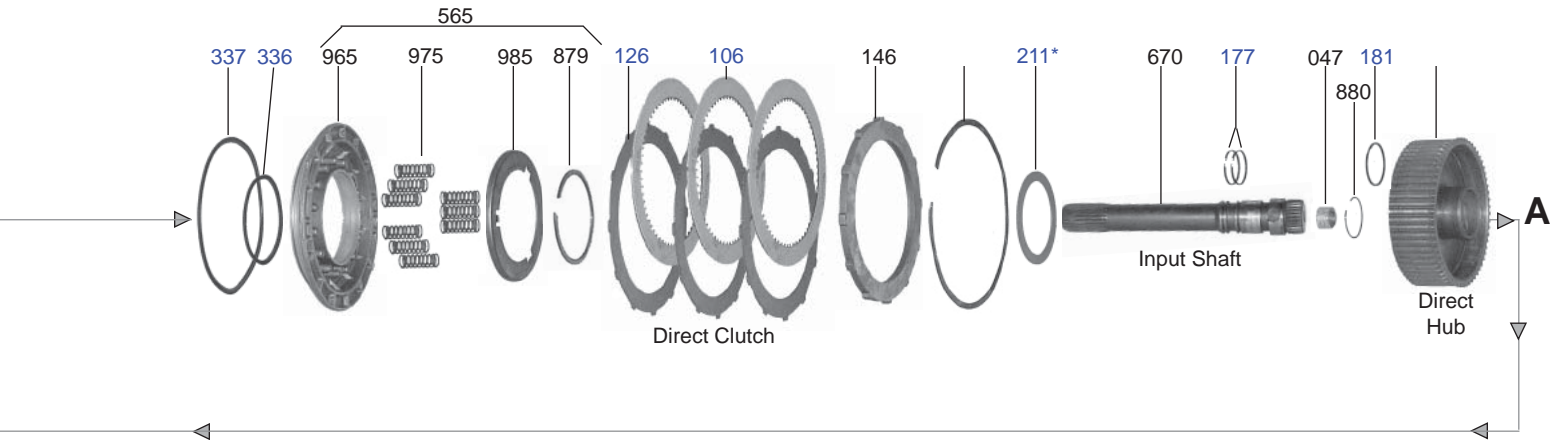
SAP #	IL#	OE	INDUSTRY	DESCRIPTION
METAL CLAD SEALS -- continued				
70068CR		4269956	12925T	Seal A500 Transfer Case Adapter Housing (4WD) With Boot 1988-Up
70068		4269956	12925T	Seal A500 Transfer Case Adapter Housing (4WD) With Boot 1988-Up
70018FM		D5AZ-7052-A	34743C	Seal A500 Rear Extension Housing (W/Out Boot) 1988-Up
70172		D5AZ-7052-A	34743C	Seal A500 Rear Extension Housing (W/Out Boot) 1988-Up
70104FM		4058047	12925E	Seal A904 Rear Extension Housing (W/Out Boot) 1972-Up
70104		4058047	12925E	Seal A904 Rear Extension Housing (W/Out Boot) 1972-Up
33082		4058047	12925E	Seal A904 Rear Extension Housing (W/Out Boot) 1972-Up
70037		2400163	12925B	Seal A904 Rear Extension Housing (With Boot) 1966-72
70032FM		4058047	12925D	Seal A904 Rear Extension Housing (With Boot) 1973-Up
70032		4058047	12925D	Seal A904 Rear Extension Housing (With Boot) 1973-Up
70008		3878447	22574	Seal A904 A500 Manual Shaft (1/4in Thick)
OIL SEALING RINGS				
30363		3743013	12770T	Ring A500 3-4 Accumulator Piston (Large In Valve Body) [2.0 OD] 1989-Up [PTFE]
30359		4431959	12860T	Ring A500 3-4 Accumulator Piston (Small In Valve Body) 1989-Up [PTFE]
TAW-1199		1315158		Ring A904 A500 Accumulator Piston (Large) [2.00 OD] [Metal]
TAW-1810		4461011		Ring A500 Governor 1989-Up [Metal]
30361		4295966	12852T	Ring A500 Kickdown Servo Piston & Cover (Large 2.560 OD) 1989-Up [Metal]
49960341		4471874	12600A	Ring A500 Stator Support 1988-Up [Plastic]
TAW-420		1942389		Ring A500 Stator Support 1988-Up [Metal]
TAW-1179		1323593	2823K	Ring A904 Input Shaft (Forward) [1.500 OD] 1968-77 [Metal]
30350		4269592	12853N	Ring A500 Input Shaft 1968-Up [PTFE]
30350P		1401221AB		Ring A500 Input Shaft 1989-Up [Plastic]
TAW-401		1942109		Ring A904 Governor (Butt Joint) (2.250 OD) 1962-Up [Metal]
TAW-1186		2892358		Ring A904 Governor (Lock Joint) (2.250 OD) 1962-Up [Metal]
TAW-1162		1636470		Ring A904 Kickdown Servo Piston & Cover (Large) [2.125 OD] 1971-Up [Metal]
TAW-1080		3410372		Ring A904 Kickdown Servo Piston & Cover (Large) [2.375 OD] 1971-Up [Metal]
TAW-1081		3410374		Ring A904 Kickdown Servo Piston [1.00 OD] 1971-Up [Metal]
TAW-1181		1672287		Ring A904 Kickdown Servo Piston [1.25 OD] 1960-Up [Metal]
49560081				Ring A904 A500 Accumulator Piston (Large) [1.50 OD] [PTFE]
30351		3743010	12853T	Ring A904 A500 Accumulator Piston (Small) 1987-Up [Metal]
TAW-1164		1401221		Ring A904 A500 Input Shaft (Lock Joint) (1.062 OD) 1968-Up [Metal]
TAW-714		4028333		Ring A904 A500 Rear Clutch Drum (Forward) (1.560 OD) 1978-Up [Metal]
30417T		3743033		Ring A904 Kickdown Servo 1971-Up [PTFE]
6033				Ring Kit A904 1960-70 (8 Metal, 2 PTFE, 2 Plastic Rings)
6043				Ring Kit A904 1971-Up (6 Metal, 2 Plastic Rings)
30463			K12950A	Ring Kit A904 1971-Up (12 Metal, 2 Plastic Rings)
6081				Ring Kit A904 1971-Up (7 Metal, 5 PTFE, 2 Plastic Rings)
30463T				Ring Kit A904 1960-Up (16 PTFE Rings)
6024				Ring Kit A500 1988-Up (4 Metal, 8 PTFE, 4 Plastic Rings)
6006				Ring Kit A904 (Colt & Arrow) 1960-77 (7 Metal, 9 PTFE Rings)
FRICTION CLUTCH				
49620T		4239805	12750A	Friction A500 Front (Direct) [4.94 OD 45 Teeth 0.087 THK] 1960-Up
49445T		4461045	12845	Friction A500 Overdrive Brake [6.07 OD 54 Teeth 0.087 THK] 1988-Up
49442T		4461042	12842	Friction A500 Overdrive Direct [5.48 OD 54 Teeth 0.063 THK] 1988-Up
49622R		2892551	12760B	Friction A904 A500 Rear (Forward) [4.94 OD 44 Teeth 0.061 THK] (Smooth) 1960-Up
49622T		2892551	12760B	Friction A904 A500 Rear (Forward) [4.94 OD 44 Teeth 0.061 THK] (Smooth) 1960-Up
49780R				Friction Module A904 TF6 1960-87
49780T				Friction Module A904 TF6 1972-Up
49780AR				Friction Module A500 1988-Up
49780AT				Friction Module A500 1988-Up
STEEL CLUTCH				
49447		4461047	12847	Steel A500 Overdrive [5.03 ID 12 Teeth 0.068 THK] 1988-Up
49443A		4461054	12854	Steel A500 Overdrive Direct [4.69 ID 12 Teeth 0.069 THK] 1988-Up
49621		1942403	12751	Steel A904 A500 Rear (Forward) & Front (Direct) [3.94 ID 12 Teeth 0.067 THK] 1960-Up
49621A			12751X	Steel A904 A500 Rear (Forward) & Front (Direct) [12 Teeth 0.088 THK] (Oversized) 1960-Up
49781				Steel Module A904 1960-Up
49781A				Steel Module A500 1988-Up
FILTER				
33246		3621456	12776A	Filter A904 Small (2 Hole) 1966-Up [Dacron]
33246B		3410253	12776B	Filter A904 Small (2 Hole) 1966-Up [Brass]
33241		3515996	12776C	Filter A904 A500 Large (4 Hole) 1966-Up [Dacron]
49540		52118789	12776F	Filter A500 1998-Up (Metal & Plastic)
33243M				Filter A904 In-line 5/16in (White) 1962-Up [OEM]
FILTER KIT				
49743A				Filter Kit A500 A518 1998-Up (With Fiber Pan Gasket)
33252			FK12776C	Filter Kit A904 (4 Hole) 1964-Up (With Cork & Rubber Pan Gasket)
33252A			FK12776C	Filter Kit A904 (4 Hole) 1964-Up (With Fiber Pan Gasket)
33287				Filter Kit A904 A500 (4 Hole) Combo Gaskets (With Cork & Rubber Pan Gasket)
33254		3515966		Filter Kit A904 (Colt & Arrow) 1976-86 (With Cork & Rubber Pan Gasket)

SAP #	IL#	OE	INDUSTRY	DESCRIPTION
MISCELLANEOUS FILTERS				
49565092		3743519	12785	Screen Filter A904 Governor
49588A		4412583		Screen Filter A500 Overdrive Piston Retainer
BANDS				
49690		4419646	12905F	Band A904 Kickdown Flex (1.375in Wide) 1960-Up
49694		4617849	12905H	Band A904 A500 Kickdown Semi-Rigid (1.60in Wide) 1988-99 [OEM]
49696		4617849	12905H	Band A904 A500 Kickdown Semi-Rigid (1.60in Wide) 1988-99
49691A		4443187	12820	Band A904 Reverse Rigid 1960-Up [OEM]
BUSHINGS				
33343		2801724	6023A	Bushing A500 Extension Housing [1.69 ID] 1988-Up [Bronze]
49334A		4461007	12510	Bushing A500 Output Shaft To Intermediate Shaft [0.605 ID] 1989-Up [Bronze]
49335A		4461006	12509	Bushing A500 Output Shaft To Overdrive Sprag Race [2.27 OD] 1989-Up [Bronze]
49332C		50151077AA	12511B	Bushing A500 Overdrive Sun Gear (Front) W/Out Flange [1.50 OD] 1999-Up
49332B			12511A	Bushing A500 Overdrive Sun Gear (Front) With Flange [1.42 OD] 1989-99
49637		2538525	12501A	Bushing A904 Extension Housing [1.69 OD 1.57 ID] 1966-Up [Babbitt]
49634		2801728	12503B	Bushing A904 Stator [0.97 OD 0.89 ID] 1968-77 [Bronze]
49631A		4617157	12506	Bushing A904 A500 Direct Drum (Front) [2.20 OD] L1992-Up [Bronze]
49631B		4617159	12505B	Bushing A904 A500 Direct Drum (Rear) [2.06 OD] L1992-Up [Bronze]
49631			12505A	Bushing A904 A500 Drum (Front) Wide [2.06 OD] L1992-Up [Bronze]
49638		3681967	12508	Bushing A904 A500 Front Gear Hub [1.63 OD] 1976-Up [Bronze]
33383		2204953	12502	Bushing A904 A500 Pump Body [Babbitt]
33382		2466796	12502A	Bushing A904 A500 Pump Body [Bronze]
49635		4058635	12503C	Bushing A904 A500 Stator [1.11 OD 0.99 ID] 1978-Up [Bronze]
49632		1942436	12507	Bushing A904 A500 Sun Gear [1.19 OD] [Bronze]
49330A				Bushing Kit A500 (Overdrive Section Only) 1988-Up (7 Bushings)
49660				Bushing Kit A904 A500 (W/Out Overdrive Section) 1968-E92 (9 Bushings)
WASHER & BEARINGS				
49379		4505188	12706A	Race A904 A500 Output Shaft 1990-Up
49673		3681935	12780G	Washer A904 4 Gear Front & Rear Planet (4 Tabs) 1974-Up
49674		2538671	12705B	Washer A904 Output Shaft [0.083 THK] 1960-76
49672		3743027	12780F	Washer A904 A500 3 Gear Front & Rear Planet (Both Sides) (3 Outer Tangs)
49671		3410572	12606A	Washer A904 A500 Direct Drum (Front & Rear) 1971-Up
49675		3681969	12620B	Washer A904 A500 Forward Drum To Hub (1 Tab) [1.520in ID 0.12in THK] 1973-Up [Metal]
49677		4269198	12705H	Washer A904 A500 Output Shaft (.083) (2 Inner Tabs) 1979-Up
49378A		4505185	12705J	Washer A904 A500 Output Shaft (3 Outer Tabs) (.052) 1990-Up
49378B		4505186	12705K	Washer A904 A500 Output Shaft (3 Outer Tabs) (.068) 1990-Up
49378C		4505187	12705L	Washer A904 A500 Output Shaft (3 Outer Tabs) (.083) 1990-Up
49678		4431435	12735	Washer A904 A500 Rear Drum To Snap Ring (1 Tab) 1988-91
49676		4202256	12705E	Washer A904 Thrust Output Shaft [0.083 THK] 1976-79
49670E				Washer Kit A500 1989-Up (7 Washers)
49670C				Washer Kit A904 (5 Washers)
49670A				Washer Kit A500 (W/Out Selectives) 1988-Up (10 Washers 1 Race)
49670				Washer Kit A904 (W/Out Selectives) 1974-Up (10 Washers)
ELECTRICAL COMPONENTS				
D22955A		56028196AD	22955A	Sensor A500 Governor Pressure (4 Blade) 2000-Up (Black Plastic) (Transducer)
D12955			12955	Sensor A500 Governor Pressure (3 Pin) 1993-95
D22955		56041403AA	22955	Sensor A500 Governor Pressure (4 Pin) 1996-99
D22958		4617210	22958	Solenoid A500 Governor Pressure 1994-Up [OEM]
D22954B		52118500	22954B	Solenoid A500 Overdrive & Lock-Up (8 Pin Case Connector) (With 4 Pin Governor Sensor) 1996-Up
HARD PARTS				
49699			12745	Diaphragm Spring A500 A904 Rear Clutch 1960-Up
12656B		4761011	12656B	Planet A500 Overdrive - 5 Gear (With 15° Teeth) 1995-Up
K12656B		4874396		Planet Kit A500 Overdrive - 5 Gear (With 15° Teeth) 1995-Up 2pc Kit [Includes OLD Planet & Sun Gear]
K12878		4874396		Planet Kit A500 Overdrive - 5 Gear (With 15° Teeth) 1995-Up 3pc Kit [Includes OLD Planet Sun Gear & Ring Gear]
K12656BR		4874396		Planet Kit A500 Overdrive - 5 Gear (With 15° Teeth) 1995-Up 5pc Kit [Includes O.D. Planet Sun Gear Ring Gear Bearing & Plate]
12658C		4761010	12658C	Ring Gear A500 Overdrive (With 15° Angled Teeth) Has 1 I.D. Groove Between Park Lugs & Drum Lugs
12913A			12913A	Shaft A500 Intermediate (With 37.5° Spline) 1990-93
12655C		4778742		Sun Gear A500 Overdrive (15° Angled Teeth) 1995-Up
49590		4461022	12655	Sun Gear A500 Overdrive (22° Angled Teeth) 1989-94
12962N		4446722	12962N	Support A500 Piston Retainer (With Governor Feed Tubes) 1988-95 (Includes 2 Plugs)
12782A		4431433	12782A	Support A904 Output Shaft (6 Bolt Holes) 1988-Up
MISCELLANEOUS COMPONENTS				
49793		3575333	22801	Grommet A904 Manual Lever
PUMP COMPONENTS				
49680		3780238	12762A	Pump Gears A904 A500 (0.7476-0.7486) (With 2 Lugs On Inner Gear) 1978-Up

36RH / 37RH(A727)

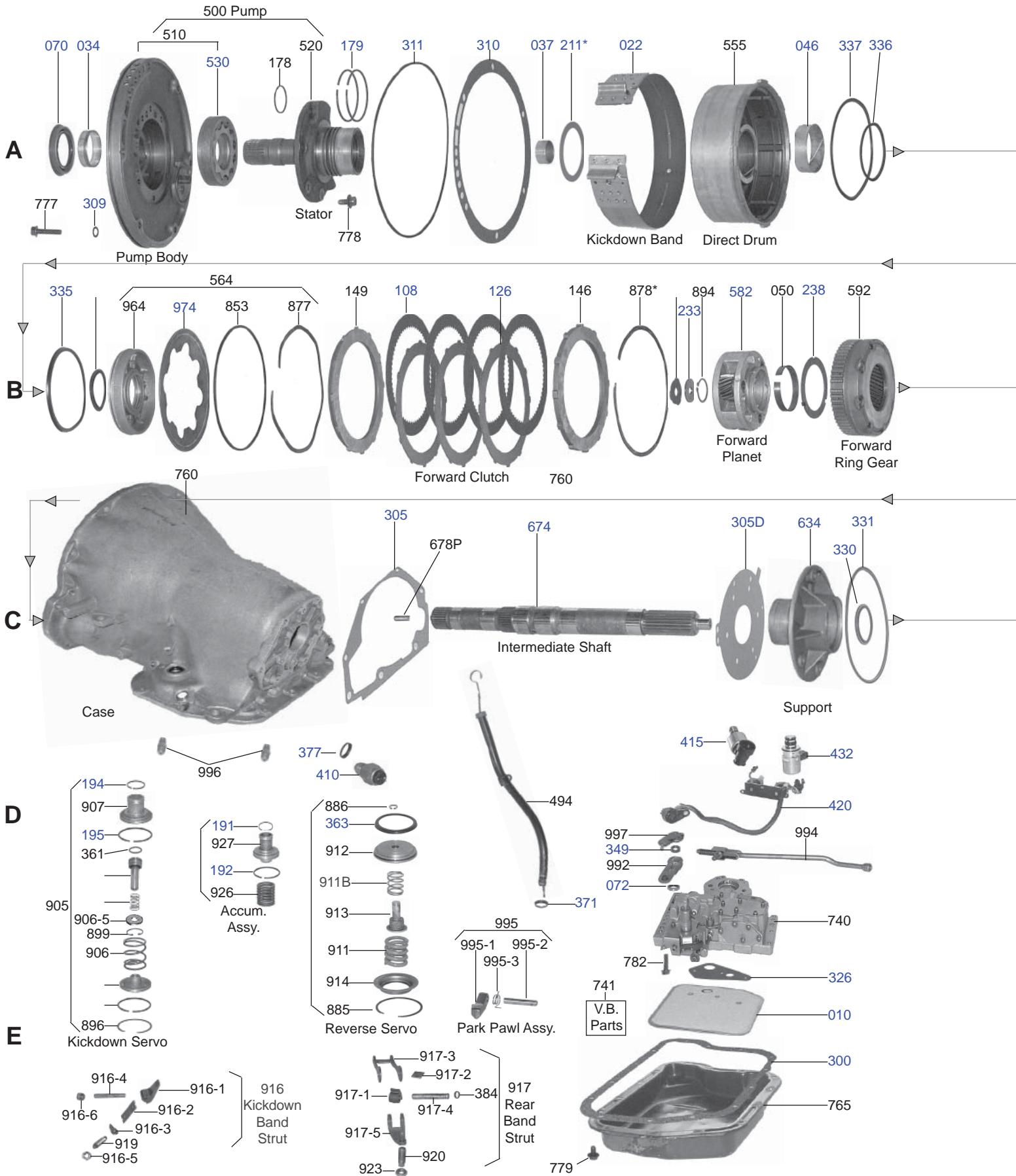
RWD 3 Speed

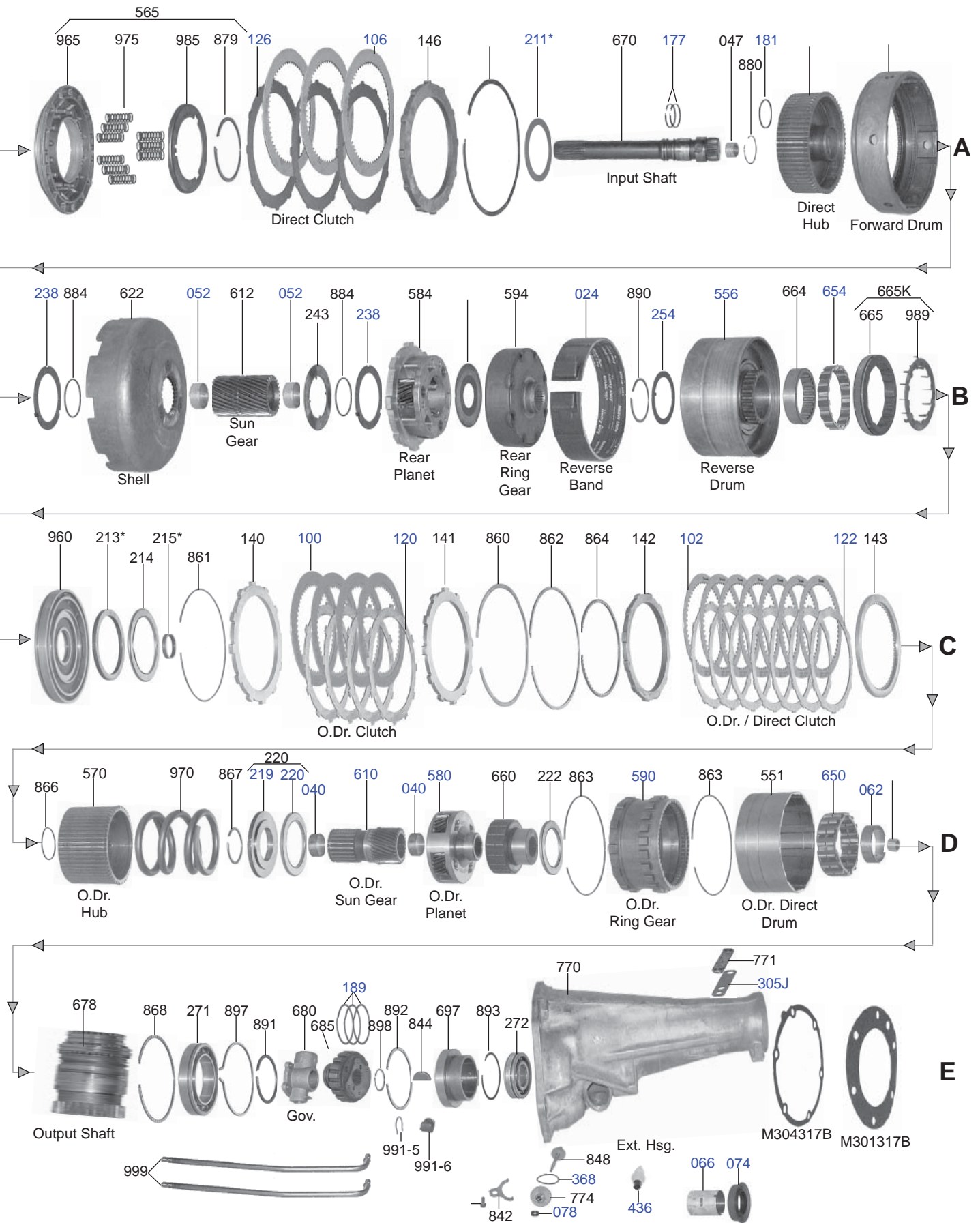




46RH/46RE/47RH/47RE/48RE (A518 / A618)

RWD 4 Speed





SAP #	IL#	OE	INDUSTRY	DESCRIPTION
PAPER & RUBBER KIT				
T22000C				Paper & Rubber Kit A727 1971-Up
T22000E				Paper & Rubber Kit A518 A618 1990-Up
TF22000E				Paper & Rubber Kit A518 A618 1990-Up (Fiber)
OVERHAUL KIT				
T22002				Overhaul Kit A727 1962-70
B22002C				Overhaul Kit A727 1971-Up (12 Metal Ring Kit)
T22002C				Overhaul Kit A727 1971-Up (11 Metal 1 PTFE Ring Kit)
TF22002C				Overhaul Kit A727 1971-Up (11 Metal 1 PTFE Ring Kit) (Fiber)
B22002CA				Overhaul Kit A727 1971-Up (6 Metal Ring Kit)
T22002CA				Overhaul Kit A727 1971-Up (5 Metal 2 PTFE Ring Kit)
B22002CB				Overhaul Kit A727 1971-Up (10 PTFE Ring Kit)
B22002E				Overhaul Kit A518 A618 1990-Up (4 Metal 14 PTFE Ring Kit)
T22002E				Overhaul Kit A518 A618 1990-Up (4 Metal 14 PTFE Ring Kit)
TF22002E				Overhaul Kit A518 A618 1990-Up (4 Metal 14 PTFE Ring Kit) (Fiber)
T22002GW				Overhaul Kit 48RE 2003-Up (Molded Pan Gasket)
T22002GX				Overhaul Kit 48RE 2003-Up (W/Out Pan Gasket)
MASTER L/STEEL KIT				
B22004C				Master L/Steels Kit A727 1971-Up
T22004C				Master L/Steels Kit A727 1971-Up (11 Metal 1 PTFE Ring Kit)
TF22004C				Master L/Steels Kit A727 1971-Up (11 Metal 1 PTFE Ring Kit) (Fiber)
B22004E				Master L/Steels Kit A518 A618 1990-97
T22004E				Master L/Steels Kit A518 A618 1990-97
T22004GW				Master L/Steels Kit 48RE 2003-Up (Molded Pan Gasket)
T22004GX				Master L/Steels Kit 48RE 2003-Up W/Out Pan Gasket
MASTER W/STEEL KIT				
B22006C				Master W/Steels Kit A727 1971-Up
B22006E				Master W/Steels Kit A518 A618 1990-97
T22006E				Master W/Steels Kit A518 A618 1990-97
T22006GW				Master W/Steels Kit 48RE 2003-Up (Molded Pan Gasket)
T22006GX				Master W/Steels Kit 48RE 2003-Up W/Out Pan Gasket
SUPER KIT				
B22008C				Super Overhaul Kit A727 1971-Up [Includes Bushing Kit, Washer Kit, Band, Filter]
B22008E				Super Overhaul Kit A518 1990-97 [Includes Bushing Kit, Washer Kit, 2 Bands, Filter]
T22008E				Super Overhaul Kit A518 1990-97 [Includes Bushing Kit, Washer Kit, 2 Bands, Filter]
GASKET & RUBBER COMPONENTS				
49775174		52118629		Boot A727 A518 A618 Filler Tube 1997-Up
49309T		2464324	3859	Gasket A727 A518 A618 Pan 1962-Up [Cork & Rubber]
49309U		2464324	3859	Gasket A727 A518 A618 Pan 1962-Up [Ultracork]
49318		2464324	3859F	Gasket A727 A518 A618 Pan 1962-Up [Fiber]
49596224		2464324AC	22500	Gasket 48RE Pan 2003-Up [Molded Rubber]
49597101		4028377	3856	Gasket A727 A518 A618 Pump to Case
49597255		4531191		Gasket A518 A618 Overdrive Clutch Retainer 1990-Up
49597128		4531192	12145	Gasket A518 A618 Extension Housing 1990-Up
495997487				Gasket A518 A618 Governor Pressure Solenoid 1988-Up
49996178				Gasket A518 A618 Lock-Up & Overdrive Solenoid 1988-97
4959712		240064		Gasket A727 Extension Housing 1962-65
49797100		2466954	13253	Gasket A727 Extension Housing 1966-Up
49597131		2466904		Gasket A727 Park Lock Cover
41217		3884683	8626281	Gasket A727 Pump Bolt Washer
49597130		266049		Gasket A727 A518 A618 Output Shaft Bearing Cover
49597654				Gasket A727 A518 A618 Filter
49196115		2408143		Washer A727 Neutral Safety Switch
1990217		4617352		Lip Seal A518 A618 Overdrive Clutch Outer 1990-Up
1990116				Lip Seal A518 A618 Overdrive Clutch Piston (Inner)
1990117				Lip Seal A518 A618 Overdrive Clutch Piston (Outer)
1990211		4531233		Lip Seal A618 Reverse Servo (2.479 OD) [Viton]
1990084		2124820		Lip Seal A727 Direct Clutch (Inner) 1962-71
1990121		2124821		Lip Seal A727 Direct Clutch (Outer) 1962-71
1990246		2464481		Lip Seal A727 Reverse Servo (2.812 OD) 1962-89
1990130				Lip Seal A727 A518 A618 Reverse Servo (2.812 OD) [Viton]
46544		3410226	73533	Lip Seal A727 A518 A618 Direct Clutch (Inner) 1972-Up
1990088		4058484		Lip Seal A727 A518 A618 Direct Clutch (Outer) 1972-Up
1990089		1942054		Lip Seal A727 A518 A618 Forward Clutch (Inner) 1962-Up
1990090		2124835		Lip Seal A727 A518 A618 Forward Clutch (Outer) 1962-Up
1993112				O-Ring 48RE Accumulator Piston 1986-89
1993114		21001996		O-Ring 48RE Input Shaft
1994570		91302-PC9-003		O-Ring A518 A618 Accumulator Piston
1994012		3154109		O-Ring A518 A618 Modulator Low Valve Body
1994113		6264902		O-Ring A727 Filler Tube
1995114		1316849		O-Ring A727 Safety Switch to Case 1960-Up

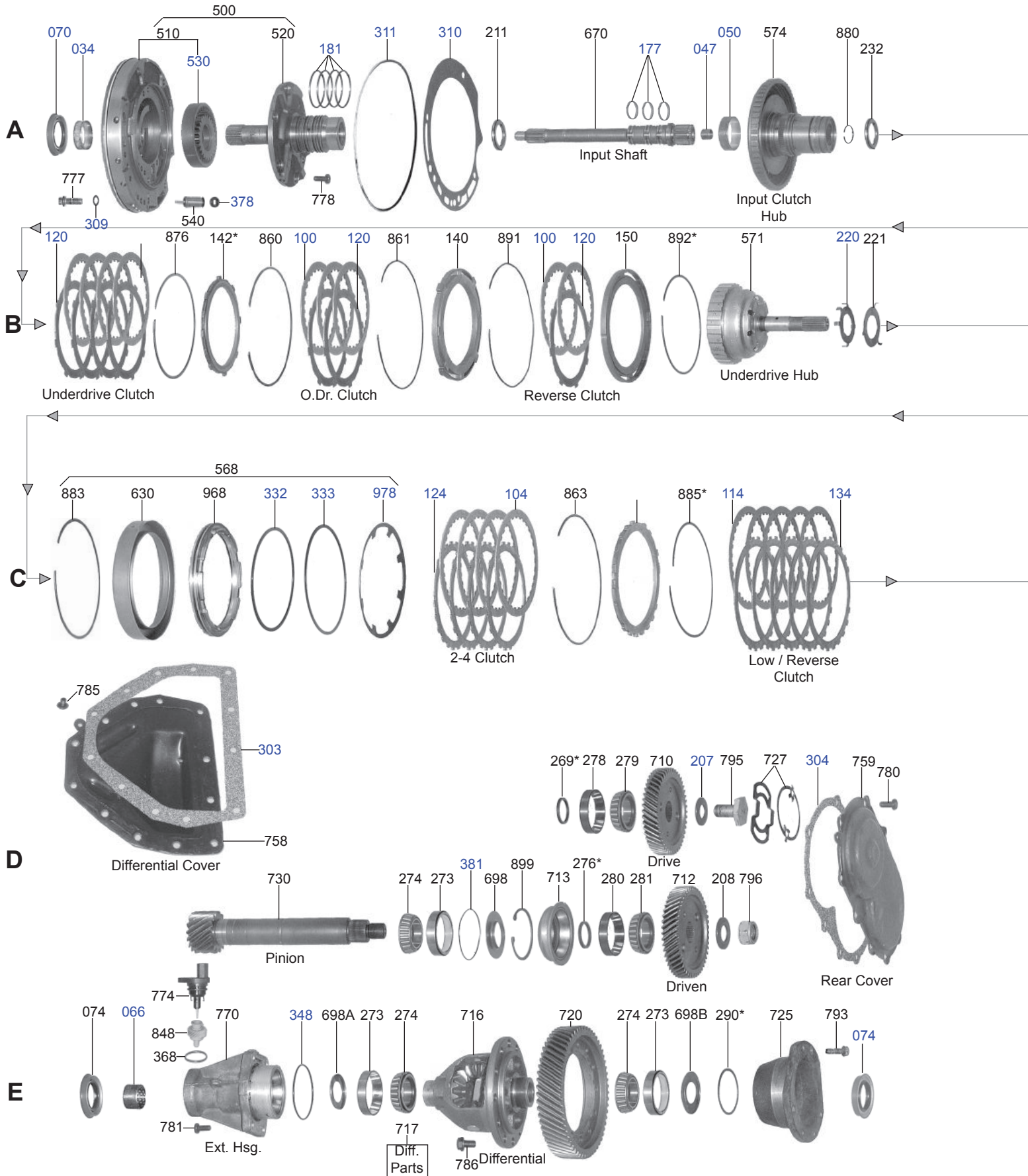
SAP #	IL#	OE	INDUSTRY	DESCRIPTION
GASKET & RUBBER COMPONENTS -- continued				
199512		1316813		O-Ring A727 Selector Shaft 1962-70
1992119		6028864		O-Ring A727 Servo Piston Inner
49312		1942021		O-Ring A727 A518 A618 Pump
1992129		6031370		O-Ring A727 A518 A618 Speed-O Housing (Red) 1966-Up
1990081		2466548		Seal A727 A518 A618 Throttle Lever Shaft
8254ES				Seal Up Kit A518 A618 1990-Up
METAL CLAD SEALS				
70030FM		3515137	22573	Seal A727 A518 A618 48RE Front Pump (With Flange) 1962-Up [Vamac]
70030		3515137	22573	Seal A727 A518 A618 48RE Front Pump (With Flange) 1962-Up [Vamac]
33080N		3515137	22573	Seal A727 A518 A618 48RE Front Pump (With Flange) 1962-Up [Poly]
70018FM		3515383	34743C	Seal A727 A518 A618 Extension Housing (W/Out Boot) 1965-Up
70172		3515383	34743C	Seal A727 A518 A618 Extension Housing (W/Out Boot) 1965-Up
70212FM		4531216	16695C	Seal A727 A518 A618 Extension Housing (With Boot) 1965-Up
70212		4531216	16695C	Seal A727 A518 A618 Extension Housing (With Boot) 1965-Up
70387		52854126AA		Seal 48RE Extension Housing 2WD (With Boot) (2.985 OD) 2003-Up
70008		3878447	22574	Seal A727 A518 A618 48RE Manual Shaft (1/4 Thick) 1966-Up
70068CR		4269956	12925T	Seal A727 A518 A618 Transfer Case Adapter Housing 1990-Up
70068		4269956	12925T	Seal A727 A518 A618 Transfer Case Adapter Housing 1990-Up
OIL SEALING RINGS				
TAW-1810		4461011		Ring A518 A618 Governor 1990-Up [Metal]
30420T			22627T	Ring A518 Rear Clutch Retainer [PTFE]
TAW-129		1329693		Ring A727 (2.75in x 0.095) [Metal]
30351		3743010	12853T	Ring A727 Accumulator Piston (Small) (1.062 OD) [PTFE]
30350			12853N	Ring A727 Accumulator Piston (Small) (1.062 OD) [PTFE]
TAW-401		1942109		Ring A727 Governor (2.250 OD) (Butt Joint) 1962-Up [Metal]
TAW-1186		2892358		Ring A727 Governor (2.250 OD) (Lock Joint) 1962-Up [Metal]
TAW-1184		1942041		Ring A727 Input Shaft (1.125 OD) 1967-Up [Metal]
TAW-415		2124813		Ring A727 Stator Shaft (2.625 OD) 1962-70 [Metal]
TAW-412		2801054		Ring A727 A518 Input Shaft (1.175 OD) 1967-Up [Metal]
TAW-405		1315158		Ring A727 A518 A618 Accumulator Piston (Large) (2.00 OD) [Metal]
49560081				Ring A727 A518 A618 Accumulator Piston (Large) (2.00 OD) [PTFE]
TAW-669		4058443		Ring A727 A518 A618 Forward Clutch Drum (1.875 OD) [Metal]
30413T		4412444		Ring A518 A618 A727 Kickdown Servo Piston [PTFE]
30362		4412443		Ring A518 A618 A727 Input Shaft 1988-Up [PTFE]
49560301		4617418AB		Ring 48RE Input Shaft 2003-Up [Plastic]
TAW-1994				Ring A727 A518 A618 Input Shaft (1.246 OD) 1994-Up [Metal]
30364		4741836		Ring A727 A518 A618 Input Shaft (1.246OD) 1994-Up [PTFE]
TAW-403		1942123		Ring A727 A518 A618 Kickdown Servo Piston (Large) & Cover (2.125 OD) 1962-Up [Metal]
TAW-1185		3165806		Ring A727 A518 A618 Kickdown Servo Piston (Small) (1.500 OD) 1962-Up [Metal]
TAW-735		3515321		Ring A727 A518 A618 Stator Shaft (2.625 OD) 1971-Up [Aluminum]
TAW-1188		3743699		Ring A727 A518 A618 Stator Shaft (2.625 OD) 1978-Up [Metal-Plated]
6032				Ring Kit A727 1962-70 (8 Metal 5 PTFE Rings)
30461			K22952U	Ring Kit A727 1971-Up (12 Metal Rings)
6062				Ring Kit A727 1971-Up (11 Metal 1 PTFE Rings)
30460T				Ring Kit A727 1971-Up (10 PTFE Rings)
6044				Ring Kit A727 Short 1971-Up (5 Metal 2 PTFE Rings)
6025				Ring Kit A518 A618 1990-Up (4 Metal 14 PTFE Rings)
FRICTION CLUTCH				
49445T			12845	Friction A518 A618 Overdrive [6.07 OD 54 Teeth 0.087 THK] (Flat) 1990-Up
49442T		4461042	12842	Friction A518 A618 Overdrive & Direct [5.48 OD 54 Teeth 0.063 THK] 1988-Up
49320T			22595B	Friction A727 A518 A618 Direct [6.69 OD 62 Teeth 0.095 THK] (Waffle) 1962-Up
49322T			22642A	Friction A727 A518 A618 Forward [6.69 OD 62 Teeth 0.061 THK] (Smooth) 1962-Up
49580R				Friction Module A727 1962-87
49580T				Friction Module A727 1962-87
49580AR				Friction Module A518 A618 1990-Up
49580AT				Friction Module A518 A618 1990-Up
49580BR				Friction Module 48RE 2003-Up
49580BT				Friction Module 48RE 2003-Up
STEEL CLUTCH				
49447		4461047	12847	Steel A518 A618 Overdrive [5.03 ID 12 Teeth 0.068 THK] 1988-Up
49443A		4461054	12854	Steel A518 A618 Overdrive Direct [4.69 ID 12 Teeth 0.069 THK] 1988-Up
49321		2124826	22594	Steel A727 A518 A618 Forward & Direct [5.35 ID 10 Teeth 0.070 THK]
49321A			22594X	Steel A727 A518 A618 Forward & Direct [5.342 ID 0.090 THK] (Oversize)
49581				Steel Module A727 1962-Up
49581C				Steel Module A518 A618 1990-Up
49581A				Steel Module A518 A618 1990-97
49581B				Steel Module 48RE 2000-Up

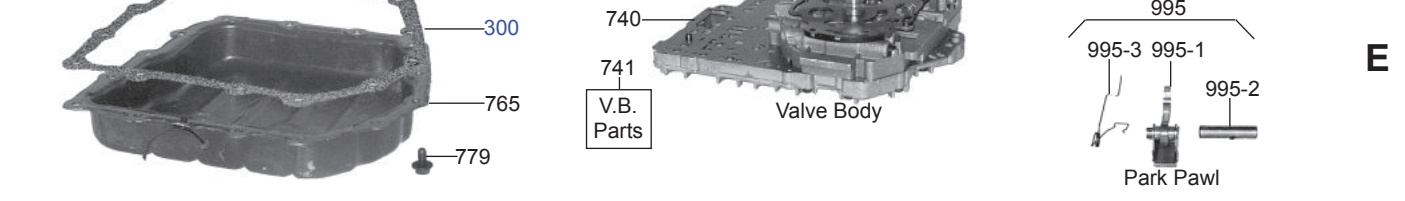
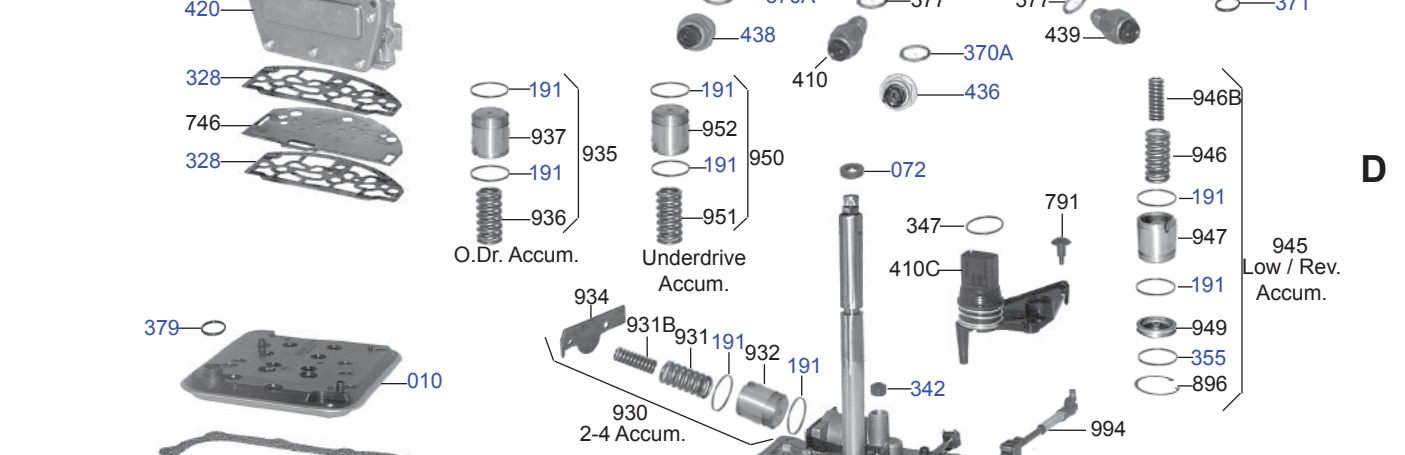
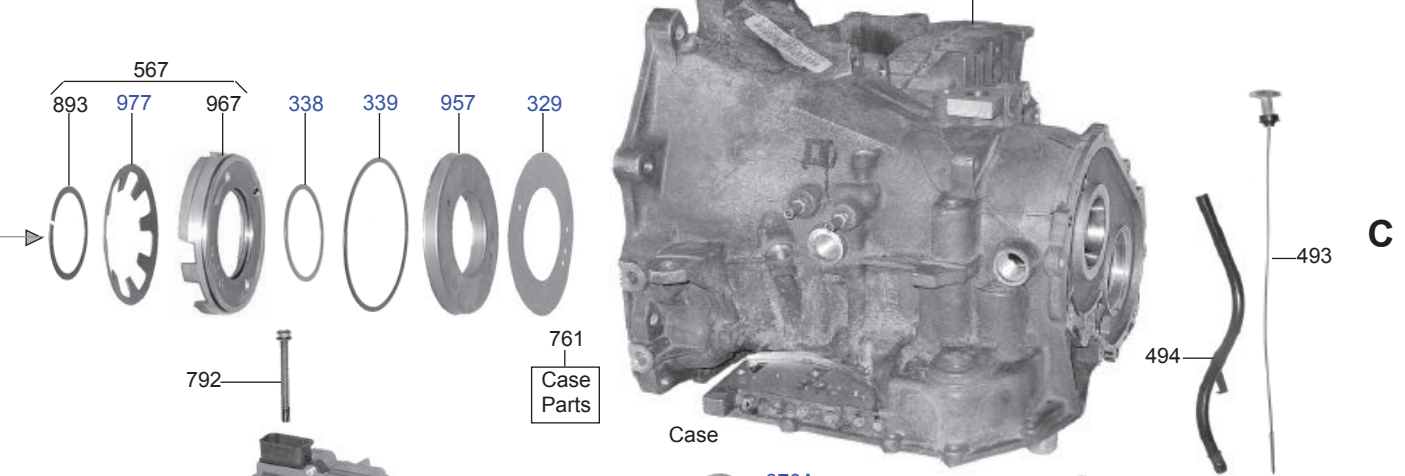
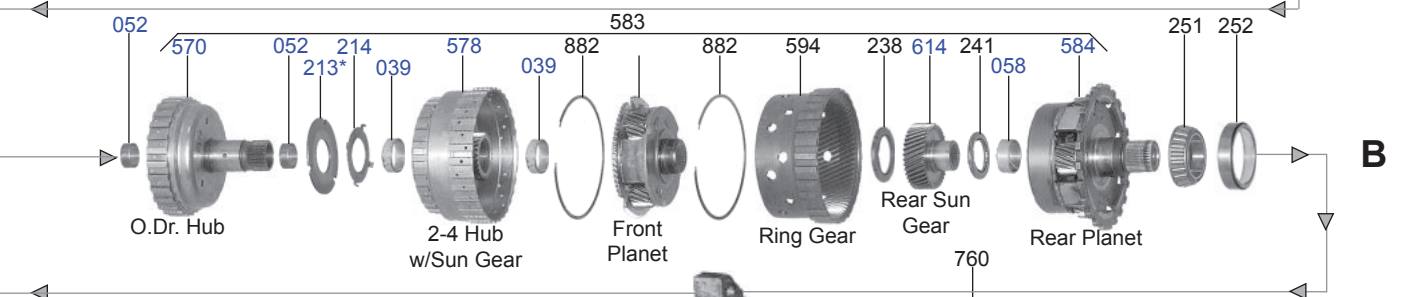
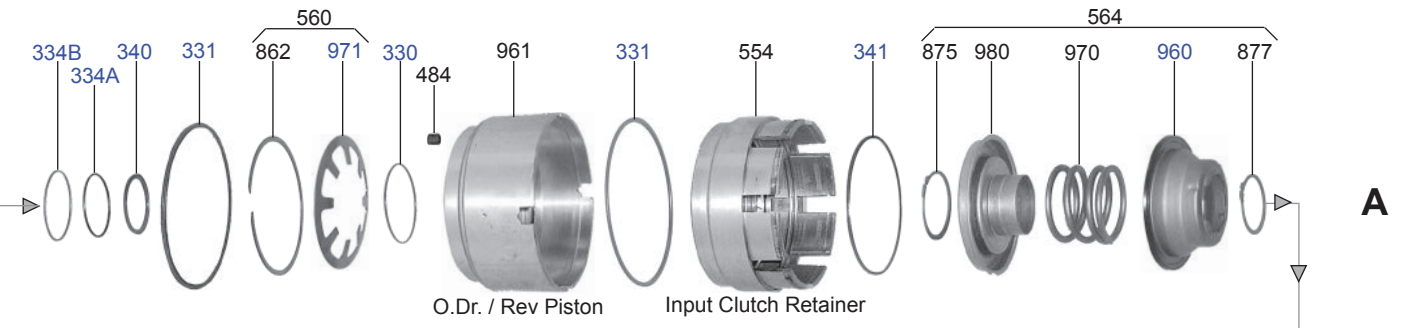
SAP #	IL#	OE	INDUSTRY	DESCRIPTION
FILTER				
33246		3621456	12776A	Filter A727 Small Dacron (2 Hole) 1966-Up
33246B		3410253	12776B	Filter A727 Small Brass
33241		3515996	12776C	Filter A727 A518 A618 Large Dacron 1966-97
49540		52118789	12776F	Filter A727 A518 A618 1998-Up
FILTER KIT				
49541A				Filter Kit A727 A518 A618 1998-Up
49541				Filter Kit A727 A518 A618 1998-Up
33253A		P232		Filter Kit A727 A518 (4 Hole Filter) 1962-Up (Fiber)
33287A				Filter Kit A727 (4 Hole Filter) 1966-Up [Fiber]
33253			FT1032	Filter Kit A727 A518 A618 Large Dacron
MISCELLANEOUS FILTERS				
49588A		4412583		Orifice Screen Filter A518 A618 Overdrive Piston Retainer
49565092		3743519	12785	Screen Filter A727 A518 A618 Governor
49165031		3878313		Screen Filter A518 A618 Regulator Valve Body Feed
BANDS				
49394		4471476	22900B	Band A727 A518 Reverse (Fits 6-1/4in OD Drum) L1991-Up
49391		1942133	22900	Band A727 Reverse 1962-89
49393		4505091	22900A	Band A727 A518 Reverse 1987-93 [OEM]
49390		3621491	22825F	Band A727 A518 A618 48RE Kickdown Flex 1962-Up
BUSHINGS				
33357			6023	Bushing A727 A518 A618 Extension Housing (1.69 ID) [Babbitt]
33343		2801724	6023A	Bushing A727 A518 A618 Extension Housing (1.69 ID) [Bronze]
49334A		4461007	12510	Bushing A518 A618 Output Shaft To Intermediate Shaft 1990-Up [Bronze]
49335A		4461006	12509	Bushing A518 A618 Output Shaft To Overdrive Sprag Race (2.27 OD) 1990-Up [Bronze]
49332C				Bushing A518 A618 Overdrive Sun Gear (Front) No Flange (1.50 OD) 1999-Up
49332B			12511A	Bushing A518 A618 Overdrive Sun Gear (Front) With Flange (1.42 OD) 1989-99
33385		2205031	22003	Bushing A727 A518 Pump Body (2.00 OD) (1.88 ID) [Babbitt]
33386		2466324	22003A	Bushing A727 A518 Pump Body (2.00 OD) (1.88 ID) [Bronze]
49331		2801348	22005A	Bushing A727 A518 A618 Stator Support (Rear) (1.30 OD) (1.17 ID) 1967-E93 [Bronze]
49331A			22005B	Bushing A727 A518 A618 Stator Support (Rear) (1.36 OD) (1.25 ID) L1993-Up [Bronze]
33384		4058647	22006A	Bushing A727 A518 A618 Direct Drum (With Oil Groove) (2.62 OD) (2.50 ID) 1971-Up [Bronze]
49332A		4461025	12511	Bushing A500 A518 Overdrive Sun Gear (No Flange) [Front 1990-93] [Rear 1990-Up] [Bronze]
49333		3681709	22001	Bushing A727 Input Shaft (0.75 OD) (0.64 ID) 1962-89 [Bronze]
49332		1736520	22002	Bushing A727 A518 A618 Sun Gear (1.34 OD) 1962-Up [Bronze]
49330B				Bushing Kit A518 A618 1990-Up (14 Bushings)
49330A				Bushing Kit A518 A618 (Overdrive Section Only) 1990-Up (7 Bushings)
49330				Bushing Kit A727 A518 (W/Out Overdrive Section) 1971-E92 (8 Bushings)
WASHER & BEARINGS				
Z12221				Bearing A518 A618 Overdrive Planet To Hub (3.210 OD)
49379		4505188	12706A	Race A727 A518 A618 Output Shaft 1990-Up
49376A		4618000	22703	Washer A618 48RE Shell To Rear Planet 2003-Up
49377			22700A	Washer A618 Forward Planet To Ring Gear And Shell To Rear Planet (4 Tab) (2.245 ID)
49376			22700	Washer A727 Forward Planet To Ring Gear Ring Gear To Shell & Shell To Rear Planet
49378		3681688	22665B	Washer A727 Output Shaft To Forward Drum (3 Tab) 1978-89
49579		52118059	22701	Washer A727 A518 Under Snap Ring To Rear Band Drum (1 Tab) 1989-90
49377A		4539129	22700B	Washer A727 A518 A618 Forward Planet To Ring Gear (5 Tab For A 5 Gear Planet)
49378B		4505186	12705K	Washer A727 A518 A618 Output Shaft (3 Outer Tabs) (.068) 1990-Up
49378C		4505187	12705L	Washer A727 A518 A618 Output Shaft (3 Outer Tabs) (.083) 1990-Up
49373		2204622	22449A	Washer A727 A518 A618 Stator To Direct Drum (.061 THK) [Plastic]
49374		2204623	22449C	Washer A727 A518 A618 Stator To Direct Drum (.084 THK)
49375		2400284	22449D	Washer A727 A518 A618 Stator To Direct Drum (.102 THK)
49372		2400843	22665A	Washer A727 Thrust Input Shaft 1962-79
49370A				Washer Kit A727 1962-66 (11 Washers)
49370B				Washer Kit A727 1967-89 (16 Washers 1 Race)
49370C				Washer Kit A727 1962-Up (7 Washers)
49370D				Washer Kit A518 A618 1990-Up (7 Washers 1 Race)
ELECTRICAL COMPONENTS				
D22955		56041403AA	22955	Sensor A518 A618 Governor Pressure (4 Pin - With Round Connector) 1996-99
D22956A		56028196AD	22955A	Sensor A518 A618 Governor Pressure (4 Pin - Rectangle Connector) 2000-Up
D22958		4617210	22958	Solenoid A518 A618 Governor Pressure 1994-Up
D22954B		52118500	22954B	Solenoid A518 A618 Overdrive & Lock-Up (4 Pin - Round Connector) 1996-99
D22954C		5211500AB	22954C	Solenoid A518 A618 Overdrive & Lock-Up (4 Pin - Rectangle Connector) 2000-Up
DK22954B		4617463	K22954B	Solenoid Kit A518 A618 (Includes Overdrive & Lockup Governor Pressure Sensor) 1996-99

SAP #	IL#	OE	INDUSTRY	DESCRIPTION
HARD PARTS				
22157C		52118057	22157C	Drum A518 A618 48RE Reverse (14 Roller - 6.25in Dimater) 1990-Up (Retrofits for No Lip Type)
49793		3575333	22801	Grommet A727 A518 A618 Manual Shaft 1962-Up
12656B		4761011	12656B	Planet A518 Overdrive - 5 Gear (Pinion) (With 15° Teeth) 1995-Up
49586		4461189	12656D	Planet A518 Overdrive - 5 Gear (Pinion) (With 22° Teeth) 1989-94
22134B		4617998	22134B	Planet A727 A518 A618 Front 5 Gear (Pinion) 1994-Up[Includes Planet Thrust Washer & Plastic Sleeve]
K12656B			K12656B	Planet Kit A518 A618 Overdrive - 5 Gear (With 15° Teeth) 1995-Up[Includes Overdrive Planet Sun Gear Ring Gear]
K12878		4874396	K12656B	Planet Kit A518 A618 Overdrive - 5 Gear (With 15° Teeth) 1995-Up[Includes Overdrive Planet Sun Gear Ring Gear]
K12656BR			K12656BR	Planet Kit A518 A618 Overdrive - 5 Gear (With 15° Teeth) 1995-Up[Includes Overdrive Planet Sun Gear Ring Gear Bearing & Thrust Plate]
49559			K12656D	Planet Kit A518 A618 Overdrive - 5 Gear (With 22.5° Teeth) 1990-Up[Includes Overdrive Planet Sun Gear Ring Gear Bearing & Thrust Plate]
12658		4461012	12658	Ring Gear A518 A618 Overdrive (With 22° Angled Teeth) 1989-94
12658C		4761010	12658C	Ring Gear A518 A618 Overdrive (With 15° Angled Teeth) (Has 1 I.D. Groove Between Park Lugs & Drum Lugs) 1994-Up
49398		1942015	22637	Spring A727 Forward Clutch Disc (Early) 1962-74
4804		4804	22832A	Spring A518 A618 3-4 Accumulator (Wire Coil Size.126in) 1989-Up
22141		2801311	22141	Sun Gear A518 A618 Front 1990-Up
12655C		4778742	12655C	Sun Gear A518 A618 Overdrive (15° Angled Teeth) 1995-Up
49590		4461022	12655	Sun Gear A518 A618 Overdrive (22° Angled Teeth) 1989-94
22754N		52118180	22754N	Support A518 Piston Retainer (Overdrive Output Shaft) (Includes 2 Plugs) 1990-Up
22755		52118245	22755	Support A727 Output Shaft (6 Bolt) 1989-Up
P12221		4461120		Thrust Plate A518 A618 Overdrive Planet To Hub
K12738		4740774		Thrust Plate Kit A518 A618 Overdrive Planet To Hub[Includes Thrust Plate & Bearing]

40TE/41TE (A604)

FWD 4 Speed



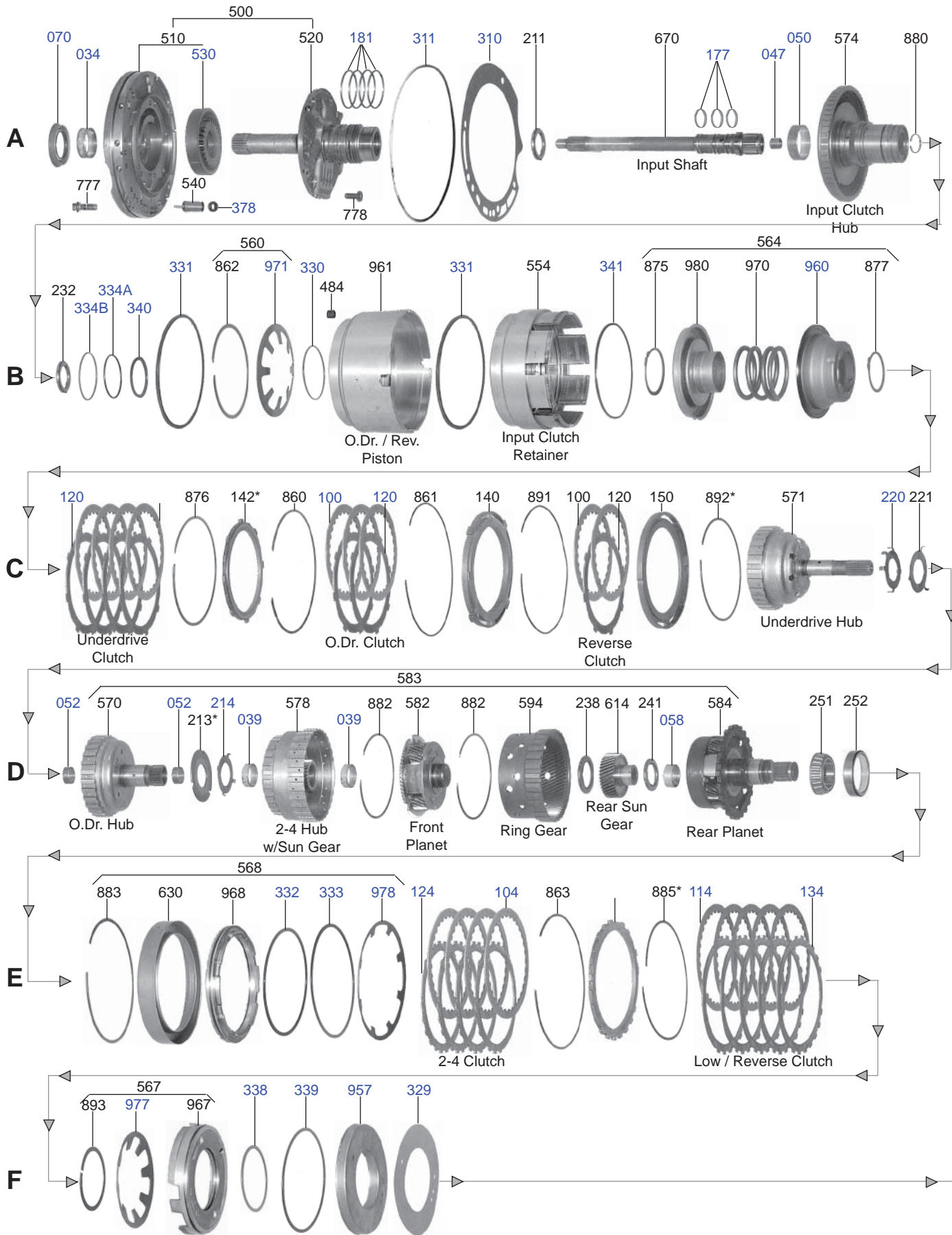


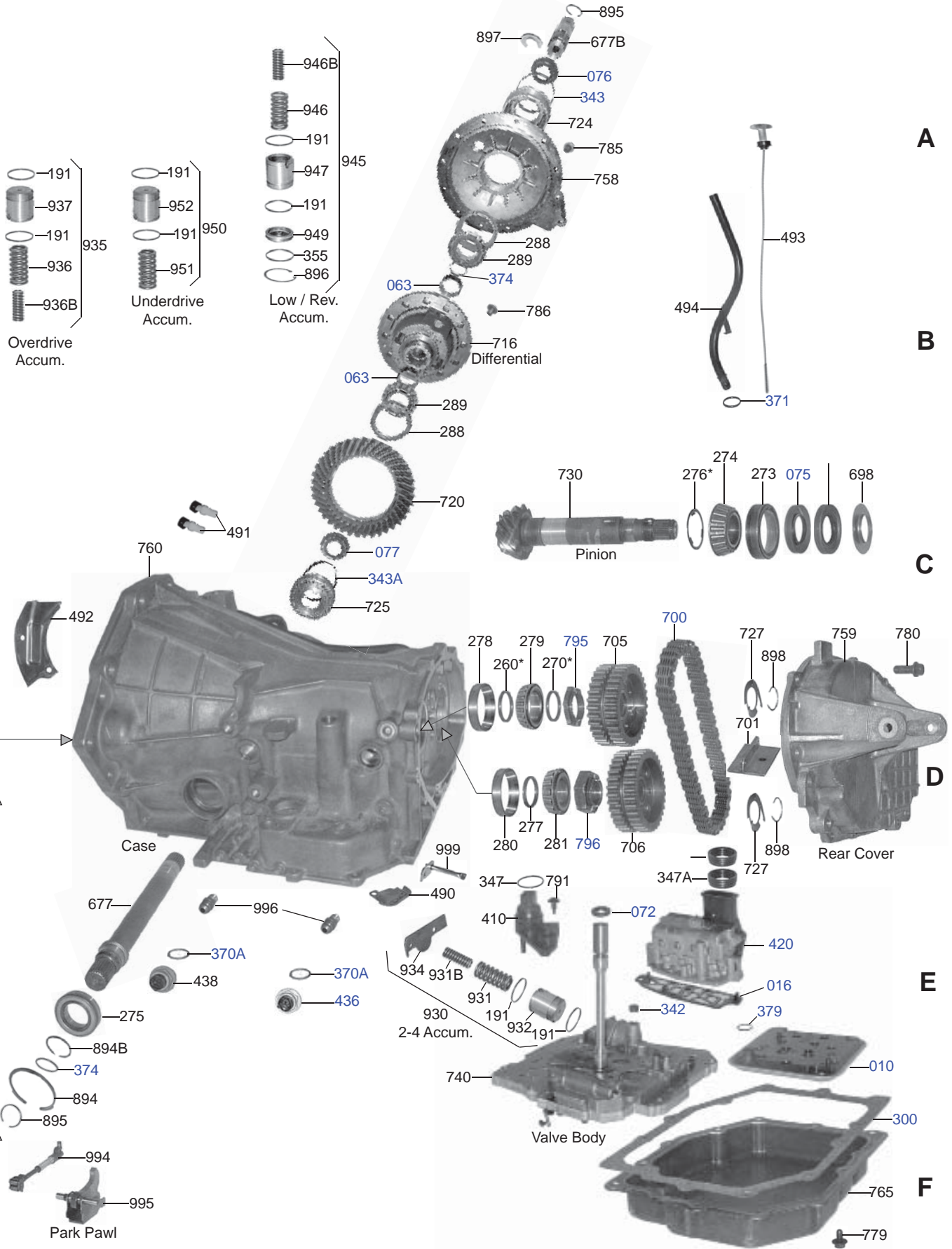
SAP #	IL#	OE	INDUSTRY	DESCRIPTION
PAPER & RUBBER KIT				
T92000				Paper & Rubber Kit A604 1990-03
TF92000				Paper & Rubber Kit A604 1990-03 (Fiber)
T92000X				Paper & Rubber Kit A604 1990-03 (W/Out Pan Gasket)
OVERHAUL KIT				
B92002				Overhaul Kit A604 1990-03 (11 PTFE Rings 4 Plastic Rings)
T92002				Overhaul Kit A604 1990-03 (11 PTFE Rings 4 Plastic Rings)
TF92002				Overhaul Kit A604 1990-03 (11 PTFE Rings 4 Plastic Rings) (Fiber)
T92002X				Overhaul Kit A604 1990-03 (11 PTFE Rings 4 Plastic Rings) (W/Out Pan Gasket)
T92002-1				Overhaul Kit A604 1990-03 (15 PTFE Rings)
TF92002-1				Overhaul Kit A604 1990-03 (15 PTFE Rings) (Fiber)
T92002-1X				Overhaul Kit A604 1990-03 (15 PTFE Rings) (W/Out Pan Gasket)
T92002-2X				Overhaul Kit A604 1990-03 (11 PTFE 4 Metal Rings) (W/Out Pan Gasket)
T92002A				Overhaul Kit 40TE 41TE (W/Out Pistons) 2004-Up (15 PTFE Rings)
T92002AP				Overhaul Kit 40TE (With Piston Kit # 222) 2004-Up (15 PTFE Rings)
T92002AAP				Overhaul Kit 41TE (With Piston Kit # 211) 2004-Up (15 PTFE Rings)
MASTER L/STEEL KIT				
B92004A				Master L/Steels A604 1990-03 (11 PTFE 4 Plastic Rings)
T92004A				Master L/Steels A604 1990-03 (11 PTFE 4 Plastic Rings)
T92004CP				Master L/Steels 40TE (With Piston kit # 222) 2004-Up
T92004DP				Master L/Steels 41TE (With Piston Kit # 221) 2004-Up
MASTER W/STEEL KIT				
B92006A				Master W/Steels A604 1990-03 (11 PTFE 4 Plastic Rings)
T92006A				Master W/Steels A604 1990-03 (11 PTFE 4 Plastic Rings)
T92006X				Master W/Steels A604 1990-03 (11 PTFE 4 Plastic Rings) (W/Out Pan Gasket)
T92006CP				Master W/Steels 40TE (With Piston kit # 222) 2004-Up
T92006DP				Master W/Steels 41TE (With Piston kit # 221) 2004-Up
SUPER KIT				
B92008A				Super Kit A604 40TE 41TE 41AE 1990-95 [Includes Bushing Kit, Washer Kit, Filter]
T92008CP				Super Kit 40TE (With Piston Kit # 222) 2004-Up [Includes Bushing Kit, Washer Kit, Filter]
T92008DP				Super Kit 41TE (With Piston Kit # 221) 2004-Up [Includes Bushing Kit, Washer Kit, Filter]
GASKET & RUBBER COMPONENTS				
1984165		4659376		D-Ring A604 2nd-4th Clutch (Inner)
1984166		4659374		D-Ring A604 2nd-4th Clutch (Outer)
1984161		4659856		D-Ring A604 Low/Reverse Clutch (Inner) 1989-Up
1984162		4659855		D-Ring A604 Low/Reverse Clutch (Outer) 1989-Up
49909T		4431997	92500	Gasket A604 Bottom Pan 1989-Up [Cork & Rubber]
49909U		4431997	92500	Gasket A604 Bottom Pan 1989-Up [Ultracork]
49918		4431997	92500F	Gasket A604 Bottom Pan 1989-Up [Fiber]
49909T		4377169	92501	Gasket A604 Differential Cover 1989-Up [Cork & Rubber]
49919U		4377169	92501	Gasket A604 Differential Cover 1989-Up [Ultracork]
49928		4377169	92501F	Gasket A604 Differential Cover 1989-Up [Fiber]
49906BT		4377165	92502	Gasket A604 Transfer Gear Cover 1989-Up [Cork & Rubber]
49958		4377165	92502F	Gasket A604 Transfer Gear Cover 1989-Up [Fiber]
49997143		4431649	92106	Gasket A604 Low & /Reverse Piston Retainer 1989-Up
49997141		4412844	92544	Gasket A604 Pump to Case 1989-Up
49597689				Gasket A604 Solenoid Cover 2000-03 [Molded Rubber]
49996689A				Gasket A604 Solenoid Cover 2004-Up [Molded Rubber]
49997644		4431798		Gasket A604 Solenoid Pack 1989-98
49997659		4659982		Gasket A604 Solenoid Pack 1999-Up
49975211				Grommet A604 Neutral/PRNDL Switch 10/1998-Up
1988099		4659945		Lathe Cut Seal A604 Pump
1990247		24200747		Lip Seal A604 Reverse Inner Band Servo 1989-Up
1990242		4412875 4531408	92143	Lip Seal A604 Overdrive - Reverse - Underdrive Clutch (Outer) 1990-Up
1990241		4659391		Lip Seal A604 Underdrive Clutch (Inner) 1995-Up
1994010				O-Ring A604 Cooler By-Pass Valve
1995521		MD030764		O-Ring A604 Cooler Line Fitting 1989-Up
1993148		6500111		O-Ring A604 Extension Housing 1989-Up
1994113		6264902		O-Ring A604 Filler Tube
1991115		4412844		O-Ring A604 Filter
1993501		6502272		O-Ring A604 Input Clutch Front (.070) (Orange) (Inner) 1989-E90
1993503		6502271		O-Ring A604 Input Clutch Front (.103) (Blue) (Inner) L1990-Up
1993502		6502270		O-Ring A604 Input Clutch Rear (.070) (Green) (Inner) 1989-E90
1993504		6502269		O-Ring A604 Input Clutch Rear (.103) (Red) (Inner) 1990-Up
1993506		6501700	92107	O-Ring A604 Speed Sensor (Small)
1993118		6501701	92108	O-Ring A604 Speed Sensor (Large)
1995011		8526398		O-Ring A604 Lever shaft 1989-Up

SAP #	IL#	OE	INDUSTRY	DESCRIPTION
GASKET & RUBBER COMPONENTS -- continued				
1991025		6501549	92303	O-Ring A604 Low/Reverse Accumulator Cover 1989-Up
1993505		5033158		O-Ring A604 Overdrive & Reverse Clutch (Inner) 1989-Up
1993551				O-Ring A604 Solenoid Lower (Blue) 2000-Up
1993549				O-Ring A604 Solenoid Middle (White) 1989-Up
1993550				O-Ring A604 Solenoid Upper (Green) 1989-Up
1991037		6501768		O-Ring A604 Transfer Shaft Bearing Retainer
40764005		8620318		Plug A604 Expansion 1989-Up
49964129		4446612		Plug A604 Parking Pawl 1989-Up
S-70				Repair Kit A604 Solenoid Pack 1989-98
S-304				Repair Kit A604 Solenoid 2000-Up
49975018		4412291		Seal A604 2nd-4th Feed (Valve Body To Case)
49975182				Seal A604 Connector Housing 1989-Up
49975057		4539866		Seal A604 Digital MLPS 1993-Up
49996096				Seal A604 Solenoid Gasket 1989-98
49975019		4412836		Seal A604 Manual Control (Valve Body Stem Seal) [Rubber]
8095ES				Seal Up Kit A604 1989-Up
METAL CLAD SEALS				
70019FM		4269057	12575	Seal A604 Front Pump (With Flange) 1972-05 [Vamac]
70019		4269057	12575	Seal A604 Front Pump (With Flange) 1972-05 [Vamac]
33081		3515138	12575A	Seal A604 Front Pump (W/Out Flange) [Silicone]
70019A		05078684AA		Seal A604 Front Pump 2006-Up [Vamac]
70020		4412522AB	32367	Seal A604 Axle (Left & Ride Side) 1989-Up
OIL SEALING RINGS				
30354		4446544	92302	Ring A604 Accumulator (Non Rotating) (1.013 OD) 1989-Up [PTFE]
30353		4446543	92301	Ring A604 Input Shaft (1.443 OD) 1989-Up [PTFE]
49960341		4471874	12600A	Ring A604 Stator Support (2.062 OD) 1988-Up [Plastic]
30153		8675729	34713F	Ring A604 Stator Support (2.062 OD) 1989-Up [PTFE]
6185				Ring Kit A604 1989-Up (15 PTFE Rings)
6026				Ring Kit A604 1989-Up (11 PTFE, 4 Plastic Rings)
6119		8675729		Ring Kit A604 Stator Support 1989-Up (4 PTFE Rings)
FRICTION CLUTCH				
49924R		4567212	92147	Friction A604 2nd & 4th [6.06 OD 31 Teeth 0.086 THK] 1989-Up
49924T		4567212	92147	Friction A604 2nd & 4th [6.06 OD 31 Teeth 0.086 THK] 1989-Up
49926R		4567573 4377134	92134	Friction A604 Low/Reverse [6.06 OD 32 Teeth 0.072 THK] (Hi-Energy) 1989-Up
49926T		4567573 4377134	92134	Friction A604 Low/Reverse [6.06 OD 32 Teeth 0.072 THK] 1989-Up
49922R		4377137	92137	Friction A604 Overdrive [5.43 OD 27 Teeth 0.086 THK] 1989-Up
49922T		4377137	92137	Friction A604 Overdrive [5.43 OD 27 Teeth 0.086 THK] 1989-Up
49920R		4505629	92138	Friction A604 Underdrive & Reverse [0.071 THK] Tan 1989-Up
49980R				Friction Module A604 1989-Up
49980T				Friction Module A604 1989-Up
535				Friction Module A604 1989-Up
49980CR				Friction Module A604 (With All High Energy Clutches) 1990-Up
49980CT				Friction Module A604 (2nd & 4th Clutch High Energy) 1990-Up
STEEL CLUTCH				
49925		4659054	92135	Steel A604 2nd & 4th [5.25 ID 14 Teeth 0.101 THK] 1989-Up
49927		4659055	92162	Steel A604 Low/Reverse [5.25 ID 14 Teeth 0.067 THK] 1989-Up
49921		4531905 4377183	92183	Steel A604 Overdrive - Underdrive - Reverse [4.53 ID 8 Teeth 0.068 THK] 1989-Up
49923		4377190	92190	Steel A604 Overdrive [4.50 ID 8 Teeth 0.098 THK] 1989
49981				Steel Module A604 1990-Up
FILTER				
49640		4864505	92710	Filter A604 1989-Up
FILTER KIT				
49641			FK92710	Filter Kit A604 1989-Up (With Cork & Rubber Pan Gasket)
49641A			FK92710	Filter Kit A604 1989-Up (With Fiber Pan Gasket)
MISCELLANEOUS FILTERS				
49565094		4446629		Screen Filter A604 Low/Reverse Piston Feed Orifice (Black) 1989-Up
49565096		4431789	72712C	Screen Filter A604 Solenoid 1989-Up
49165031		3878313	48713	Screen Filter A604 Regulatory Valve Body Feed 1989-Up
49965069		4431786	92786	Screen Filter A604 Solenoid 1989-99
49565093		4531903		Screened Orifice A604 In Overdrive / Reverse Piston

SAP #	IL#	OE	INDUSTRY	DESCRIPTION
BUSHINGS				
49931			92005	Bushing A604 2-4 Clutch Hub 1989-95 [Bronze]
49931A			92005A	Bushing A604 2-4 Clutch Hub 1996-Up
33390	4269961		32060	Bushing A604 Extension Housing (1.52 OD) [Bronze]
49935	4377170		92003	Bushing A604 Input Clutch Hub (Front) (1.90 OD) (1.79 ID) [Bronze]
49934	4412211		92002	Bushing A604 Input Shaft (Rear) (.595 OD) 1989-91
49934A	4212211AB		92002A	Bushing A604 Input Shaft (Rear) 2001-Up
49933	4412219		92004	Bushing A604 Overdrive Clutch Hub (0.96 OD) (.283 Tall) 1989-95 [Bronze]
49933A	4659617		92004A	Bushing A604 Overdrive Clutch Hub (.0945 OD) (.365 Tall) 1996-Up
33382			12502A	Bushing A604 Pump Body [Bronze]
49932	4412230		92006	Bushing A604 Rear Planet (1.22 OD) (1.10 ID) [Bronze]
92099	604-BSH 92835-07		92099	Boost Bushing A604 Pressure Regulator 1989-Up {Prevents Leaks past the Line Reducing Valve}
49930F				Bushing Kit A604 1989-95 (9 Bushings)
49930B				Bushing Kit A604 2001-Up (9 Bushings)
49930A			K92905A	Bushing Kit A604 1996-Up (9 Bushings)
WASHER & BEARINGS				
49975	4431666		92622B	Race A604 Overdrive Hub To 2.4 Hub (.074) (3 Slot)
49975A	4431668		92622C	Race A604 Overdrive Hub To 2.4 Hub (.091) (3 Slot)
49975B	4431669		92622D	Race A604 Overdrive Hub To 2.4 Hub (.100) (3 Slot)
49996097				Washer A604 Pump Bolt 1989-Up
49996116	5234023			Washer A604 PRNDL Switch 1989-Up
49973	6501832		92629	Washer A604 Output Gear (Under Bolt)
49972	4412216AB		92627	Washer A604 Overdrive Hub To 2-4 Hub (4 Tab) (1.263 ID)
49971	4471855		92625	Washer A604 Underdrive Hub To Overdrive Hub (5 Tab) [1.260in ID 0.50mm THK] [Metal]
49970				Washer Kit A604 1989-Up (6 Washers)
ELECTRICAL COMPONENTS				
92836A	5015646AC		92836A	Solenoid Pack A604 Shift Control (8 Prong) 1999-Up (Retro Fits to 1989)
D92933	4419478		92933	Wire Harness Repair Kit A604 (Input and Output Sensors) 1989-Up
HARD PARTS				
92748	4799794		92748	Gear A604 Ring Annulus (Rear)
92922A	4659618AB		92922A	Hub A604 2-4 Clutch (With Sun Gear) (1.16 ID Bushing) 1996-Up
92807A	4659993		92807A	Hub A604 Overdrive & Reverse (1.16 OD Shaft) 1996-Up
K92922A				Hub Kit A604 2-4 Clutch {includes Overdrive Hub}
K92807				Hub Kit A604 Overdrive Clutch {includes Front Planet Sun Gear 2-4 Hub}
49985	4431612		92912	Piston A604 Underdrive Clutch [Molded Rubber]
D92980	4431610 4431611		92910	Piston A604 Underdrive Housing (0.555in Tall) 1989-Up
D92980A	4800232AA			Piston A604 Underdrive Housing (0.700in Tall) 2004-Up
49975290	4431617AB			Piston 40TE 41TE Accumulator Cover 2004-Up
49975294	4800234AA			Piston 40TE 2nd & 4th Clutch 2004-Up
49975291	4800257AA			Piston 41TE 2nd & 4th Clutch 2004-Up
49975293	4800235AA		92754A	Piston 40TE Low/Reverse 2004-Up
49975292	4800256AA		92754B	Piston 41TE Low/Reverse 2004-Up
222				Piston kit 40TE (3 Pistons) {includes Accumulator 2-4 Clutch Low/Reverse Piston} 2004-Up
221				Piston kit 41TE (3 Pistons) {includes Accumulator 2-4 Clutch Low/Reverse Piston} 2004-Up
92747	4567539		92747	Planet A604 Front 1989-Up
92730A	4897329AA		92730A	Planet A604 Rear (1.125in Spline) L1991-Up
K92749A			K92749A	Planet Kit A604 41TE (5 Pinion) 1991-Up {Includes Front & Rear Planet 2-4 Hub OD Hub Rear Sun Gear Ring Gear}
4762712AD				Planet Kit A604 Front {Includes Overdrive Hub & 2-4 Hub}
897	4431648			Retainer A604 Low/Reverse Clutch Piston 1989-03
49998	4412248		92810	Spring A604 2nd-4th Clutch Return (.063 Thick) (6 1/2in OD) (8 Fingers)
49564404				Spring A604 Solenoid 1989-Up
49964139				Spring A604 Solenoid 1989-Up
92750	4377080		92750	Sun Gear A604 Rear Planet 1989-Up
PUMP COMPONENTS				
49990			K92201	Pump Gears A604 (25 Teeth Inner Gear) (.708 THK) 1989-Up

A606

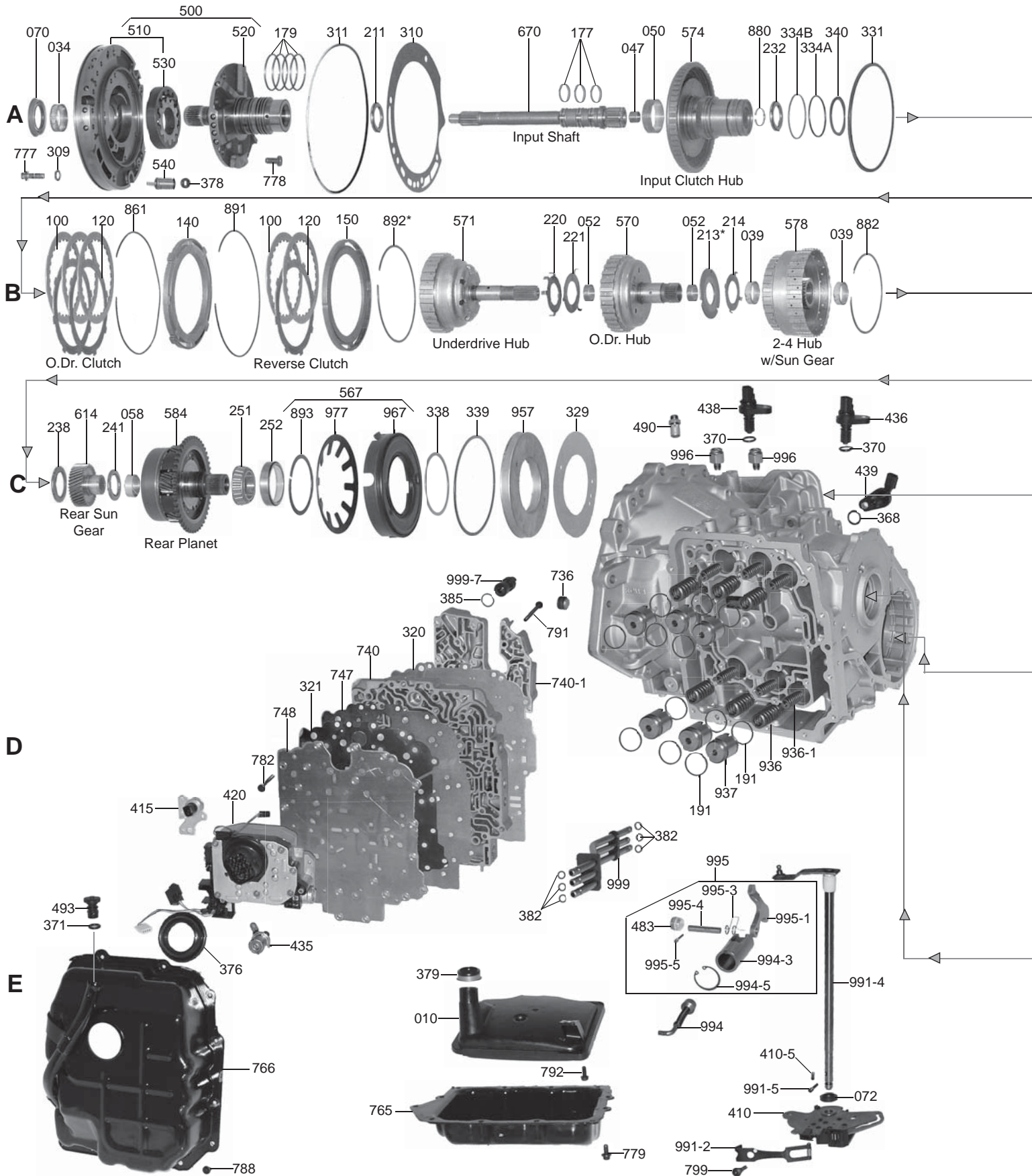


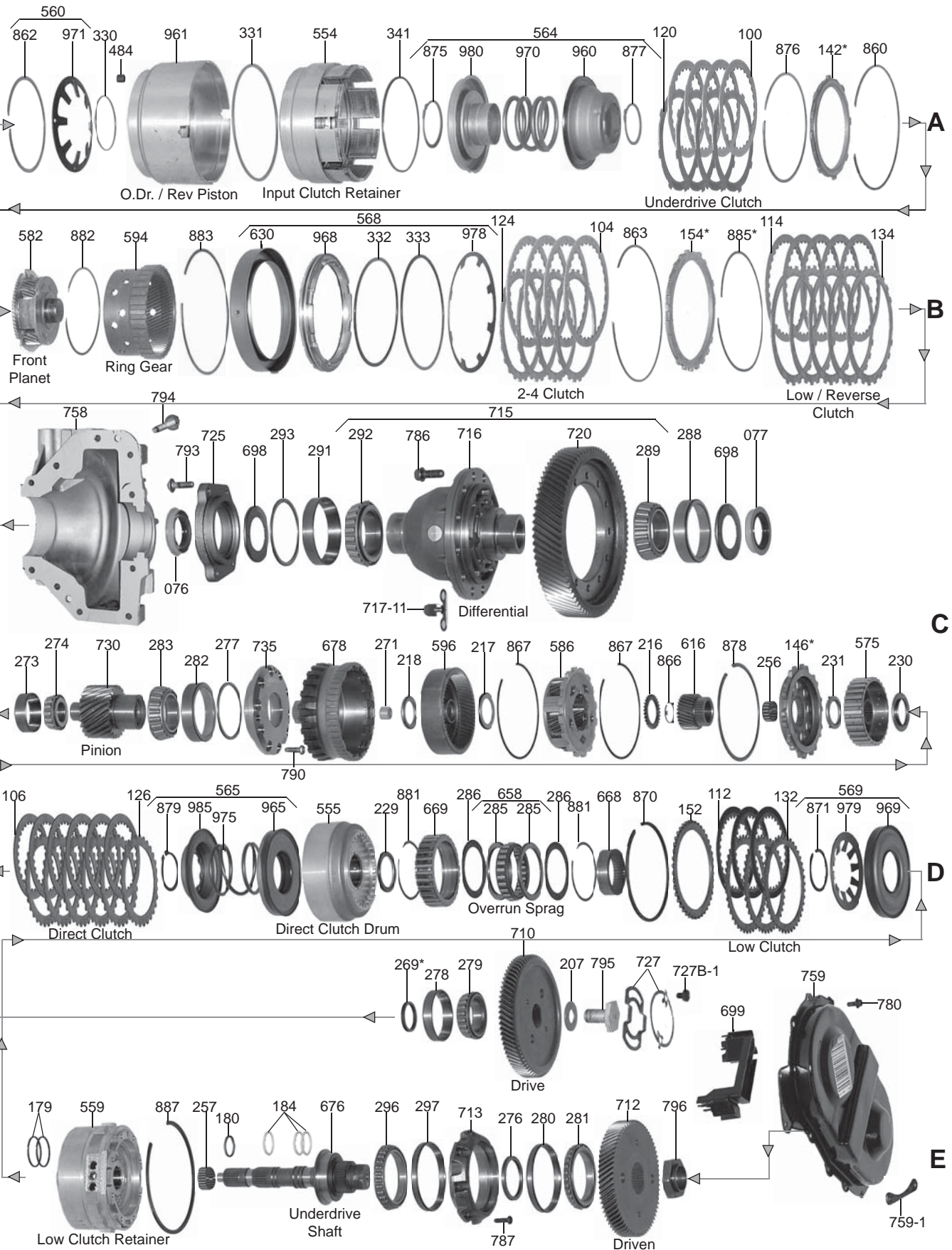


SAP #	IL#	OE	INDUSTRY	DESCRIPTION
PAPER & RUBBER KIT				
T62000				Paper & Rubber Kit A606 1993-Up
TF62000				Paper & Rubber Kit A606 1993-Up (Fiber Pan Gasket)
T62000X				Paper & Rubber Kit A606 1993-Up (W/Out Pan Gasket)
OVERHAUL KIT				
T62002-1				Overhaul Kit A606 1993-Up (15 PTFE Ring Kit)
TF62002-1				Overhaul Kit A606 1993-Up (15 PTFE Ring Kit) (Fiber)
T62002-1X				Overhaul Kit A606 1993-Up (15 PTFE Ring Kit) (W/Out Pan Gasket)
B62002				Overhaul Kit A606 1993-Up (11 PTFE 4 Plastic Rings)
T62002				Overhaul Kit A606 1993-Up (11 PTFE 4 Plastic Rings)
TF62002				Overhaul Kit A606 1993-Up (11 PTFE 4 Plastic Rings) (Fiber)
T62002X				Overhaul Kit A606 1993-Up (11 PTFE 4 Plastic Rings) (W/Out Pan Gasket)
T62002XP				Overhaul Kit A606 (With Pistons) 1993-Up (11 PTFE 4 Plastic Rings) (W/Out Pan Gasket)
BF82002A				Overhaul Kit 42RLE 4 Speed RWD 2003-Up (Fiber Pan Gasket)
TF82002A				Overhaul Kit 42RLE 4 Speed RWD 2003-Up (Fiber Pan Gasket)
MASTER L/STEEL KIT				
B62004				Master L/Steels Kit A606 1993-Up
TF62004				Master L/Steels Kit A606 1993-Up (Fiber)
T62004XP				Master L/Steels Kit A606 1993-Up (W/Out Pan Gasket)
BF82004A				Master L/Steels Kit 42RLE 4 Speed RWD 2003-Up
TF82004A				Master L/Steels Kit 42RLE 4 Speed RWD 2003-Up
MASTER W/STEEL KIT				
B62006				Master W/Steels Kit A606 1993-Up
T62006XP				Master W/Steels Kit A606 1993-Up (W/Out Pan Gasket)
BF82006A				Master W/Steels Kit 42RLE 4 Speed RWD 2003-Up
SUPER KIT				
B62008				Super Kit A606 1993-95 [Includes Bushing Kit, Filter]
GASKET & RUBBER COMPONENTS				
1984165	4659376			D-Ring A604 42RLE 2nd-4th Clutch (Inner) 1993-Up
1984166	4659374			D-Ring A606 42RLE 2nd-4th Clutch (Outer) 1993 Up
1984161	4659856			D-Ring A606 42RLE Low/Reverse Clutch (Inner) 1993-Up
1984162	4659855			D-Ring A606 42RLE Low/Reverse Clutch (Outer) 1993-Up
49909AT		61500		Gasket A606 Bottom Pan 1993-Up [Cork & Rubber]
49909AU		61500		Gasket A606 Bottom Pan 1993-Up [Ultracork]
49918A		61500F		Gasket A606 Bottom Pan 1993-Up [Fiber]
49618A		61501F		Gasket 42RLE Bottom Pan 2003-Up [Fiber]
49997302	4659126	61276		Gasket A604 Pump to Case 1993-Up
49928A				Gasket A606 Chain Cover 1993-Up [Cork & Rubber]
49997143	4431649			Gasket A606 42RLE Low/Reverse Piston Retainer 1993-Up
49907BT				Gasket A606 Rear Cover 1993-Up [Cork & Rubber]
49997143A	68003039AA			Gasket 42RLE Low/Reverse Retainer 2007-Up
49997141	4412844			Gasket 42RLE Pump 2003-Up
1988099	4659945			Lathe Cut Seal A606 42RLE Pump 1989-Up
1990242	4412875 4659056			Lip Seal A606 42RLE Overdrive & Reverse - Underdrive Clutch (Outer) 1995-Up
1990241	4659391			Lip Seal A606 42RLE Underdrive Clutch (Inner) 1995-Up
1995143	6502453			O-Ring A606 Adjuster Inner 1993-Up
1994010				O-Ring A606 Cooler By-Pass Valve 1993-Up
1993152	6502797			O-Ring A606 Differential Adjuster (Inner) 1993-Up
1993153	6502452			O-Ring A606 Differential Adjuster (Outer) 1993-Up
1994113	6264902			O-Ring A606 Filler Tube 1993-Up
1991115	4412844			O-Ring A606 42RLE Filter 1993-Up
1993503	6502271			O-Ring A606 42RLE Input Clutch Front (.103) (Blue) (Inner) 1993-Up
1993504	6502269			O-Ring A606 42RLE Input Clutch Rear (0.103in) (Red) (Inner) 1993-Up
1993505	5033158			O-Ring 42RLE Overdrive & Reverse Clutch (Inner) 2003-Up
1993506	6501700			O-Ring A606 Input Speed-O Sensor (Small) 1993-97
1993019				O-Ring A606 Input Speed-O Sensor (Small) 1998-Up
1993118	6501701			O-Ring A606 Output Speed-O Sensor (Large) 1993-97
1993021				O-Ring A606 Output Speed-O Sensor (Large) 1998-Up
1993505	5033158			O-Ring A606 Overdrive & Reverse Clutch (Inner) 1993-Up
1993018	21001606			O-Ring A606 Valve Sleeve Small 1991-Up
49975018	4412291			Seal A606 2nd-4th Feed (Valve Body To Case) 1993-Up
49975184				Seal A606 Connector Inner 1993-Up
49975183				Seal A606 Connector Outer 1993-Up
49975019	4412836			Seal A606 42RLE Manual Control (Valve Body Stem Seal) [Rubber]
1990240	4531408			Lip Seal 42RLE Underdrive Clutch (Outer) 2003-Up
49583D	4810021			Seal 42RLE Filler Tube (0.990 OD) 2003-Up
49975331				Seal 42RLE Connector MPLS
49996097				Washer 42RLE Pump Bolt 2003-Up

SAP #	OE	INDUSTRY	DESCRIPTION
METAL CLAD SEALS			
70019FM	4269057	12575	Seal A606 42RLE Front Pump (With Flange) 1972-03 [Vamac]
70019	4269057	12575	Seal A606 42RLE Front Pump (With Flange) 1972-03 [Vamac]
33081	3515138	12575A	Seal A606 Front Pump (W/Out Flange) [Silicone]
70212FM	4531216	16695C	Seal 42RLE Extension Housing (With Boot) 2003-Up
70212	4531216	16695C	Seal 42RLE Extension Housing (With Boot) 2003-Up
70100FM	4539796	61366	Seal A606 Left Axle (Inner Differential Adjuster) 1993-Up [Vamac]
70100	4539796	61366	Seal A606 Left Axle (Inner Differential Adjuster) 1993-Up [Vamac]
49914A	4539796	61366	Seal A606 Left Axle (Inner Differential Adjuster) 1993-Up
70101FM	4539891	61367	Seal A606 Right Axle (Outer Differential Adjuster)
70101	4539891	61367	Seal A606 Right Axle (Outer Differential Adjuster)
70103	4567809	61364	Seal A606 Transfer Shaft (Small) 1993-Up
70102	4567811	61365	Seal A606 Transfer Shaft (Large) 1993-Up
49913A	4567811	61365	Seal A606 Transfer Shaft (Large) 1993-Up
OIL SEALING RINGS			
49960341	4471874	12600A	Ring A606 42RLE Stator Support (2.062 OD) 1988-Up [Plastic]
TAW-1811	4471874		Ring A606 Stator Support 1988-Up [Metal]
30354	4446544	92302	Ring A606 42RLE Accumulator (Non Rotating) (1.013 OD) 1993-Up [PTFE]
30353	4446543	92301	Ring A606 42RLE Input Shaft (1.443 OD) 1993-Up [PTFE]
30153	8675729	34713F	Ring A606 Stator Support (Updated) (2.062 OD) 1993-Up [PTFE]
6119	8675729		Ring Kit A606 Stator Support 1993-Up (4 PTFE Rings)
6026			Ring Kit A606 42RLE 1993-Up (11 PTFE 4 Plastic Rings)
FRICITION CLUTCH			
49924R	4377125		Friction A606 2nd-4th [6.06 OD 31 Teeth 0.086 THK] (Hi-Energy) 1993-Up
49924T	4567212	92147	Friction A606 2nd-4th [6.06 OD 31 Teeth 0.086 THK] (Hi-Energy) 1993-Up
49926R	4567573		Friction A606 Low/Reverse [6.06 OD 32 Teeth 0.072 THK] (Hi-Energy) 1993-Up
49926T	4377134	92134	Friction A606 Low/Reverse [6.06 OD 32 Teeth 0.072 THK] (Hi-Energy) 1993-Up
49922R	4531678		Friction A606 Overdrive (2nd Design) [5.43 OD 0.073 THK] (Hi-Energy) 1993-Up
49920R	4505629		Friction A606 Underdrive & Reverse [0.071 THK] 1993-Up
49920T	4505629	92138	Friction A606 Underdrive & Reverse [0.071 THK] 1993-Up
49980AT			Friction Module A606 1993-Up
49980CR			Friction Module A606 42RLE (2-4 Clutch High Energy) 1993-Up
49980CT			Friction Module A606 (With All High Energy Clutches) 1993-Up
STEEL CLUTCH			
49925	4659054	92135	Steel A606 2nd & 4th 42RLE [5.25 ID 14 Teeth 0.101 THK] 1993-Up
49927	4659055	92162	Steel A606 42RLE Low/Reverse [5.25 ID 14 Teeth 0.067 THK] 1993-Up
49921	4659053	92183	Steel A606 42RLE Overdrive - Underdrive - Reverse [4.53 ID 8 Teeth 0.068 THK] 1993-Up
49981A			Steel Module A606 42RLE 1993-Up
FILTER			
49940	4796730	61710	Filter A606 1993-Up
FILTER KIT			
49941A		FK61710	Filter Kit A606 1993-Up (With Fiber Pan Gasket)
MISCELLANEOUS FILTERS			
49965063	4539787		Screen Filter A606 Solenoid Screen Plate 1993-Up
49565094	4446629		Screen Filter A606 42RLE Low/Reverse Piston Feed (Orifice Block) 1993-Up
49165031	3878313	48713	Screen Filter A606 42RLE Regulator Valve Body Feed 1993-Up
49565093	4531903		Screened Orifice 42RLE In Overdrive/Reverse Piston 2003-Up
BUSHINGS			
49931		92005	Bushing A606 2-4 Clutch Hub 1993-95 [Bronze]
49931A		92005A	Bushing A606 2-4 Clutch Hub 1996-Up
49936	4567225	61002	Bushing A606 Differential Housing (Inner) [1.32 OD 1.12 ID] [Bronze]
49935	4377170	92003	Bushing A606 Input Clutch Hub (Front) [1.90 OD 1.79 ID] [Bronze]
49934	4412211	92002	Bushing A606 Input Shaft (Rear) [0.595 OD] 1989-01
49934A	4212211AB	92002A	Bushing A606 Input Shaft (Rear) 2001-Up
49933	4412219	92004	Bushing A606 Overdrive Clutch Hub [0.960 OD] 1993-95 [Bronze]
49933A		92004A	Bushing A606 Overdrive Clutch Hub [0.945 OD] 1996-Up
33382	2466796	12502A	Bushing A606 Pump Body [Bronze]
49932	4412230	92006	Bushing A606 Rear Planet [1.22 OD 1.10 ID] [Bronze]
49930A		K92905A	Bushing Kit A606 1996-Up (9 Bushings)
49930C			Bushing Kit A606 1993-95 (10 Bushings)
49930D			Bushing Kit A606 1996-00 (10 Bushings)
49930E			Bushing Kit 2001-Up (10 Bushings)
WASHER & BEARINGS			
49972	4412216AB	92627	Washer A606 Overdrive Hub To 2-4 Hub (4 Tab) (1.263 ID)
49971	4471855	92625	Washer A606 Underdrive Hub To Overdrive Hub (5 Tab) [1.260in ID 0.50mm THK] [Metal]

SAP #	IL#	OE	INDUSTRY	DESCRIPTION
ELECTRICAL COMPONENTS				
S-305				Repair Kit A606 Solenoid 1993-Up
D92888		4800878	92888	Speed Sensor A606 Input (.928 OD Threads)
HARD PARTS				
49987A		6502476	61862	Nut A606 Output Shaft
49985		4431612	92912	Piston A606 Underdrive Clutch (With Molded Rubber)
49990			K92201	Pump Gears A604 (With 25 Teeth Inner Gear) [0.708 THK] 1989-Up
897		4431648		Retainer A606 Low/Reverse Clutch Piston (Tin) 1989-03
49998		4412248	92810	Spring A606 2nd-4th Clutch Return [6.5in OD 0.063 THK]

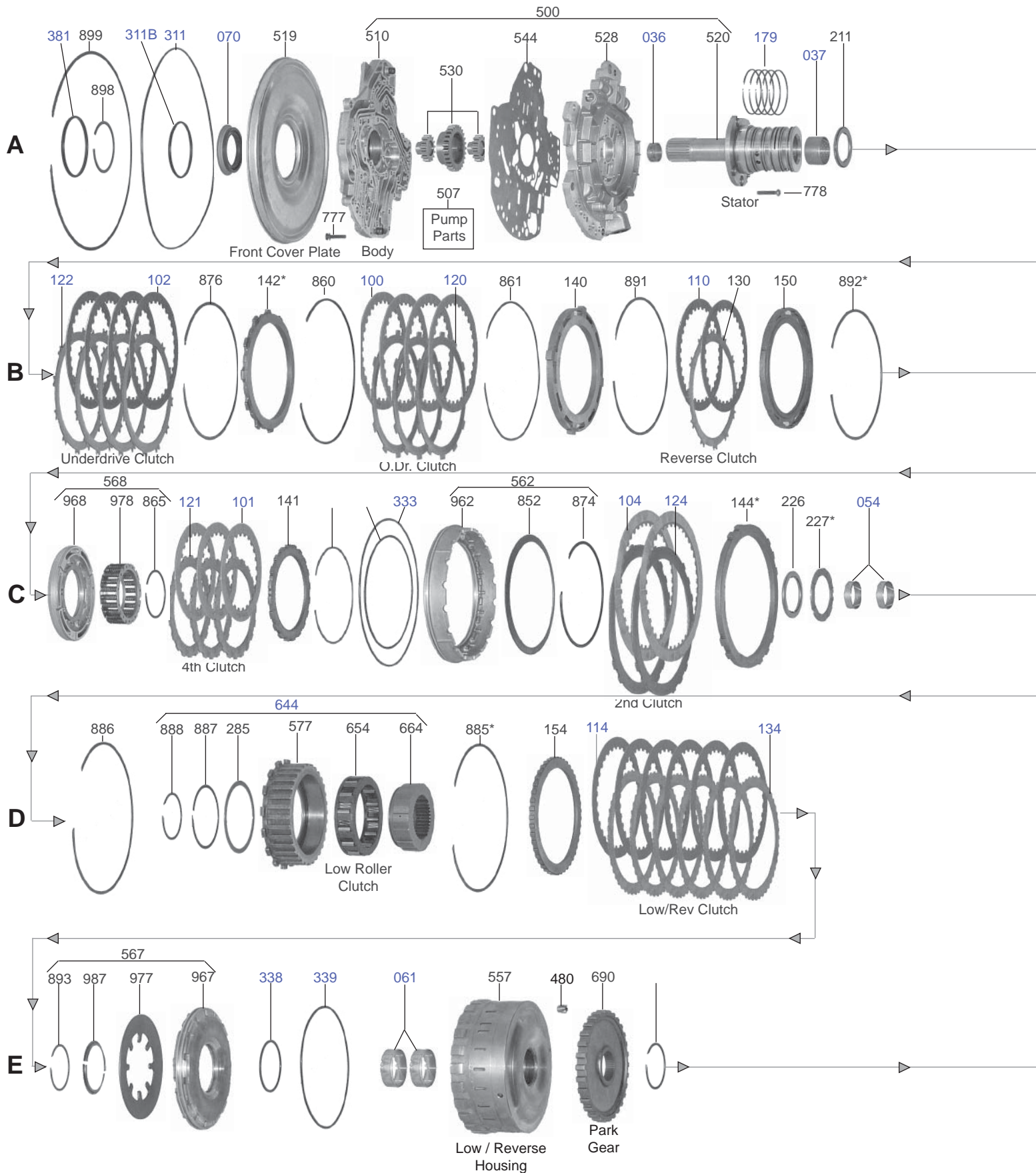


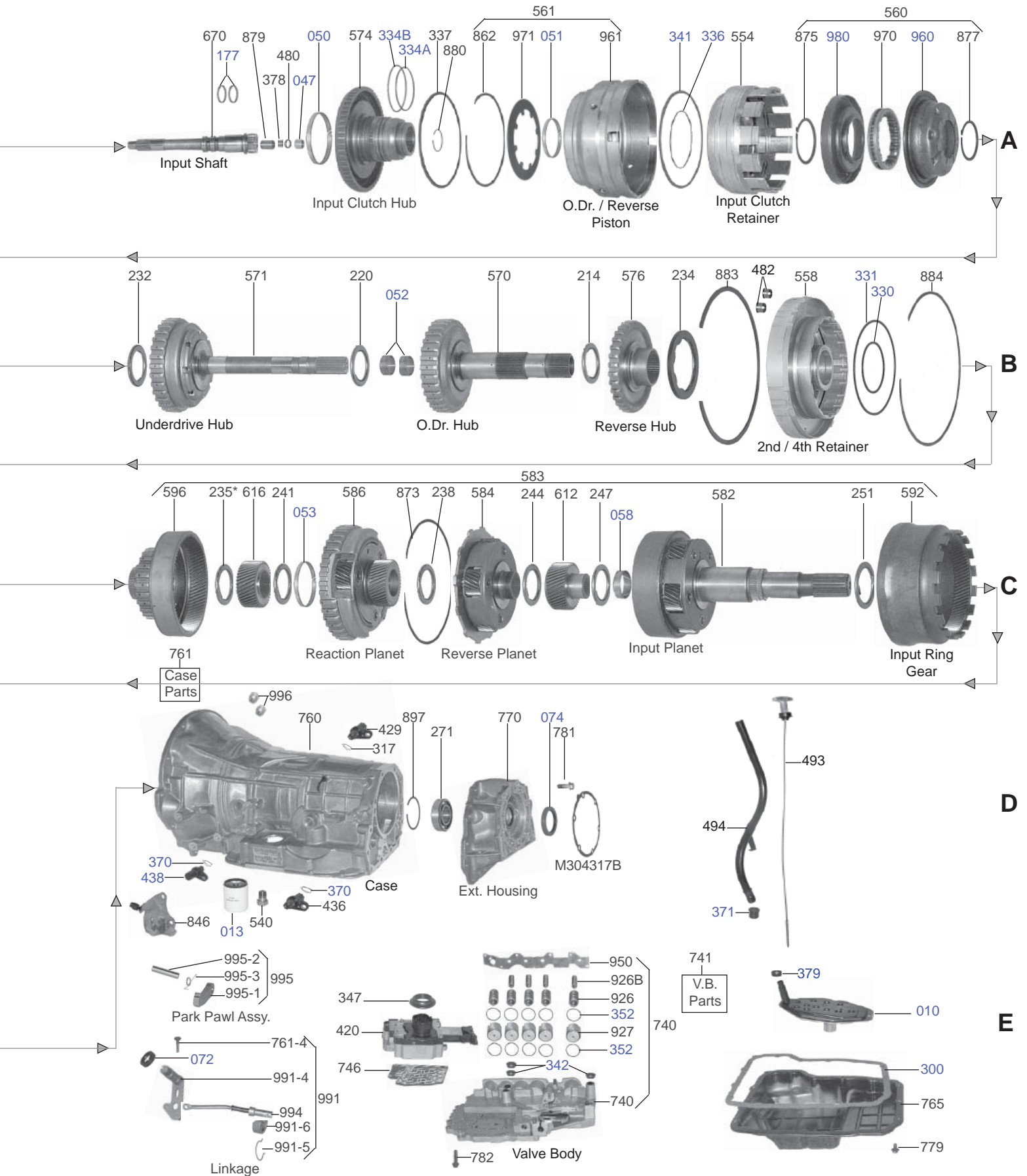


SAP #	IL#	OE	INDUSTRY	DESCRIPTION
OVERHAUL KIT				
T262002AX				Overhaul Kit 62TE (W/Out Pistons) 2007-Up (W/Out Pan Gasket)
T262002AXP				Overhaul Kit 62TE (With Pistons) 2007-Up (W/Out Pan Gasket)
MASTER L/STEEL KIT				
T262004AX				Master L/Steels Kit 62TE (W/Out Pistons) 2007-Up (W/Out Pan Gasket)
T262004AXP				Master L/Steels Kit 62TE (With Pistons) 2007-Up (W/Out Pan Gasket)
MASTER W/STEEL KIT				
T262006AX				Master W/Steels Kit 62TE (W/Out Pistons) 2007-Up (W/Out Pan Gasket)
T262006AXP				Master W/Steels Kit 62TE (With Pistons) 2007-Up (W/Out Pan Gasket)
GASKET & RUBBER COMPONENTS				
49997143A		68003039AA		Gasket 62TE Low & Reverse Retainer
METAL CLAD SEALS				
70019A		05078684AA		Seal 62TE Front Pump 2007-Up [Vamac]
70020		4412522AB	32367	Seal 62TE Axle (Left & Right Side) (With Lip) 2007-Up
OIL SEALING RINGS				
49960343		680186155AA		Ring 62TE Transfer Shaft to Low Clutch Drum [30mm Diameter] (White) 2007-Up [PTFE]
49960336				Ring 62TE Low Clutch Drum to Direct Clutch Drum 2007-Up [Plastic]
49960338		68019088AA		Ring 62TE Transfer Shaft to Low Clutch Drum [28.22mm Diameter] (Green) 2007-Up [PTFE]
6388				Ring Kit 62TE 2007-Up (19 PTFE & 6 Plastic Rings)
FRICTION CLUTCH				
49980DR				Friction Module 62TE 2007-Up
STEEL CLUTCH				
49981D				Steel Module 62TE 2007-Up
HARD PARTS				
49985		4431612	92912	Piston 62TE Underdrive Balance 2007-Up
49975291		4800257AA		Piston 62TE 2nd & 4th Clutch 2007-Up
49975292		4800256AA	92754B	Piston 62TE Low/Reverse 2007-Up
49975498		5078605AA		Piston 62TE Low Clutch 2007-Up [Brown Viton]
49975497		5078622AA		Piston 62TE Direct Clutch (Compounder) 2007-Up [Brown Viton]
49975496		5078625AA		Piston 62TE Direct Clutch Balance Retainer 2007-Up [Brown Viton]
4856				Piston Kit 62TE 2007-Up (6 Pistons)

45RFE / 5-45RFE

RWD 4 & 5 Speed



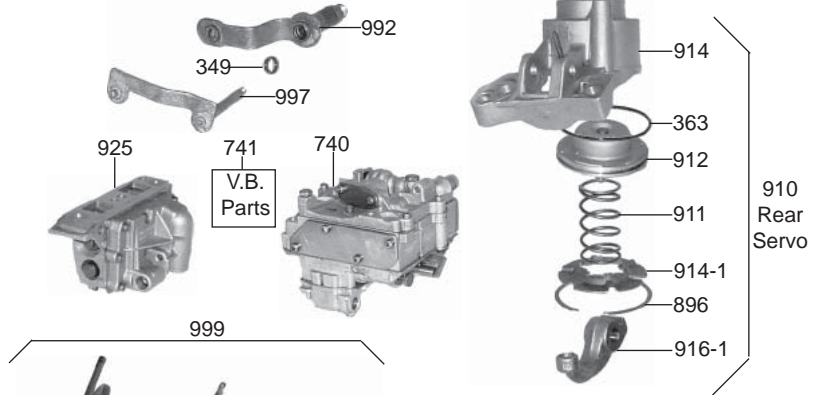
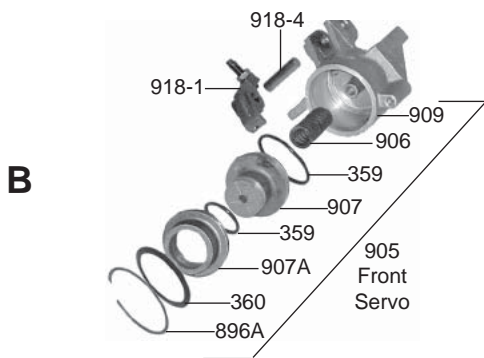
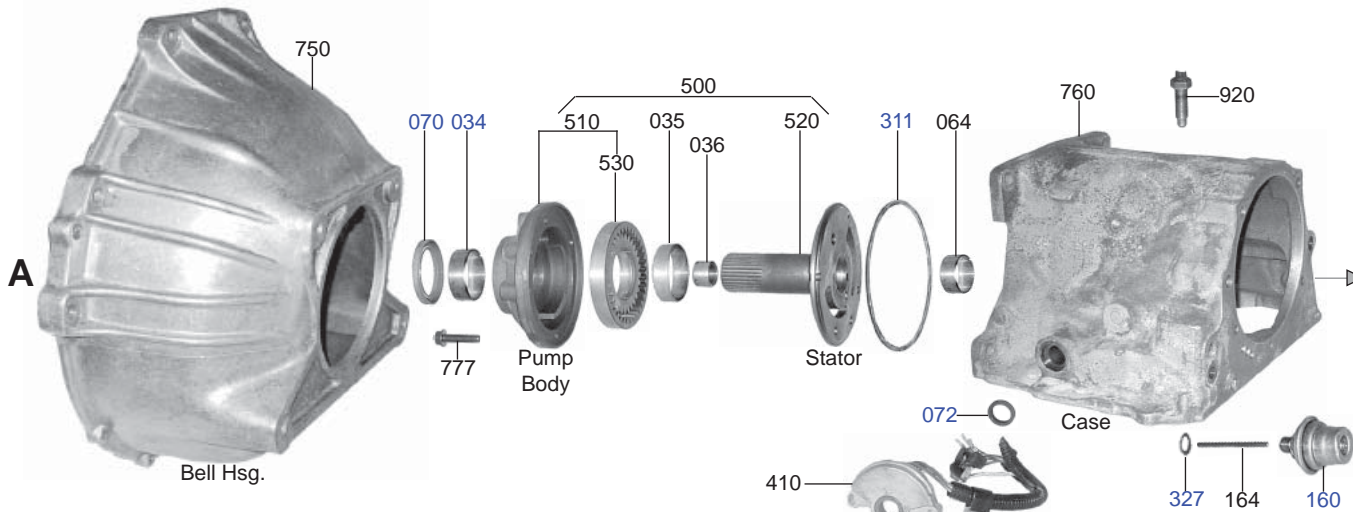


SAP #	IL#	OE	INDUSTRY	DESCRIPTION
OVERHAUL KIT				
B72002A				Overhaul Kit 45RFE (W/Out Pistons) 1999-03 (No Pan Gasket - No Solenoid Body Gasket)
TF72002A				Overhaul Kit 45RFE (W/Out Pistons) 1999-03 (Fiber Gasket & Solenoid Body Gasket)
B72002AP				Overhaul Kit 45RFE (With Pistons) 1999-03 (No Pan Gasket - No Solenoid Body Gasket)
TF72002AP				Overhaul Kit 45RFE (With Pistons) 1999-03 (Fiber Gasket & Solenoid Body Gasket)
TF72002B				Overhaul Kit 5-45RFE (W/Out Pistons) (With Solenoid Body Gasket) 2004-Up (Fiber)
TF72002BP				Overhaul Kit 5-45RFE (With Pistons) (With Solenoid Body Gasket) 2004-Up (Fiber)
TF72002C				Overhaul Kit 68RFE (W/Out Pistons) (With Solenoid Body Gasket) 2007-Up (Fiber)
T72002CX				Overhaul Kit 68RFE (W/Out Pistons) (With Solenoid Body Gasket) 2007-Up (No Pan Gasket)
TF72002CP				Overhaul Kit 68RFE (With Pistons) (With Solenoid Body Gasket) 2007-Up (Fiber)
MASTER L/STEEL KIT				
B72004A				Master L/Steels Kit 45RFE (W/Out Pistons) 1999-03 (No Pan Gasket - No Solenoid Body Gasket)
TF72004A				Master L/Steels Kit 45RFE (W/Out Pistons) 1999-03 (Fiber Gasket & Solenoid Body Gasket)
B72004AP				Master L/Steels Kit 45RFE (With Pistons) 1999-03 (No Pan Gasket - No Solenoid Body Gasket)
TF72004AP				Master L/Steels Kit 45RFE (With Pistons) 1999-03 (Fiber Gasket & Solenoid Body Gasket)
TF72004B				Master L/Steels Kit 5-45RFE (W/Out Pistons) (With Solenoid Body Gasket) 2004-Up (Fiber)
TF72004BP				Master L/Steels Kit 5-45RFE (With Pistons) (With Solenoid Body Gasket) 2004-Up (Fiber)
TF72004C				Master L/Steels Kit 68RFE (W/Out Pistons) (With Solenoid Body Gasket) 2007-Up (Fiber)
MASTER W/STEEL KIT				
B72006A				Master W/Steels Kit 45RFE (W/Out Pistons) 1999-03 (No Pan Gasket)
TF72006A				Master W/Steels Kit 45RFE (W/Out Pistons) 1999-03 (Fiber Gasket & Solenoid Body Gasket)
B72006AP				Master W/Steels Kit 45RFE (With Pistons) 1999-03 (No Pan Gasket)
TF72006AP				Master W/Steels Kit 45RFE (With Pistons) 1999-03 (Fiber Gasket & Solenoid Body Gasket)
TF72006B				Master W/Steels Kit 5-45RFE (W/Out Pistons) (With Solenoid Body Gasket) 2004-Up (Fiber)
TF72006C				Master W/Steels Kit 68RFE (W/Out Pistons) (With Solenoid Body Gasket) 2007-Up (Fiber)
GASKET & RUBBER COMPONENTS				
49516AD	4799316			D-Ring 45RFE 2nd Clutch Inner
49516D	4799520			D-Ring 45RFE 2nd Clutch Outer
49514AD	4799703			D-Ring 45RFE 4th Clutch Inner
49514D	4799525			D-Ring 45RFE 4th Clutch Outer
49512AD	4799526			D-Ring 45RFE Low & Reverse Clutch Inner
49512D	4799642			D-Ring 45RFE Low & Reverse Clutch Outer
49518D		44500F		Gasket 45RFE 5-45RFE Bottom Pan 1999-Up [Fiber]
49513D	4799090			Lip Seal 45RFE Reverse & Overdrive Clutch
1994013				O-Ring 45RFE Cooler By-Pass
19047T				O-Ring 45RFE Input & Output Sensor
19256T	4799073			O-Ring 45RFE Input Clutch Hub-Large Green
19255T	4799755			O-Ring 45RFE Input Clutch Hub-Small Red
19311B	4799089			O-Ring 45RFE Reverse/Overdrive (Inner)
19243T	4736547			O-Ring 45RFE 5-45RFE Converter Hub To Pump Body 1999-Up
49557D	4799074			O-Ring 45RFE 5-45RFE Front Plate Cover (Inner) 1999-Up
19364B	4799003			O-Ring 45RFE 5-45RFE Front Plate Cover (Outer) 1999-Up
49583D	4799964AB			Seal 45RFE Filler Tube 1999-Up
49551D				Seal 45RFE Diaphragm
49559D				Seal 45RFE Output Shaft
49778	4799778			Seal 45RFE Valve Body Clutch Feed (3 Per Transmission) 1999-Up
METAL CLAD SEALS				
49510DCR	4617919	44151		Seal 45RFE 5-45RFE Front Pump 1999-Up
49510D	4617919	44151		Seal 45RFE 5-45RFE Front Pump 1999-Up
70212FM	4531216	44153		Seal 45RFE Extension Housing (2WD) With Boot 1999-Up
70212	4531216	44153		Seal 45RFE Extension Housing (2WD) With Boot 1999-Up
70437	68033195AA			Seal 68RFE Extension Housing (2WD) 2007-Up
70438	52119498AA			Seal 68RFE Extension Housing (4WD) 2007-Up
49519D	4031923	44154		Seal 45RFE 5-45RFE Adapter Housing (4WD) 1999-Up
49511D	4799346	44155		Seal 45RFE 5-45RFE Manual Lever Shaft 1999-Up
70423	4617919AB			Seal 5-45RFE 68RFE Pump Cover Plate 2007-Up
OIL SEALING RINGS				
30355	4799539			Ring 45REF 5-45RFE Turbine Shaft 1999-Up [PTFE]
49560337				Ring 68RFE Turbine Shaft 2007-Up [PTFE]
30354	4446544	92302		Ring 45RFE 5-45RFE 68RFE Accumulator 1999-Up [PTFE]
TAW-2298	4799056			Ring 45RFE 5-45RFE 68RFE Stator Shaft 1999-Up [Metal]
6301				Ring Kit 45RFE 5-45RFE 1999-Up (5 Metal 12 PTFE Rings)
6385				Ring Kit 68RFE 2007-Up (5 Metal 12 PTFE Rings)

SAP #	IL#	OE	INDUSTRY	DESCRIPTION
FRICITION CLUTCH				
49526R		4799244	44103	Friction 45RFE 5-45RFE 2nd [8.10 OD 40 Teeth 0.09 THK] (High Energy) 1999-Up
49526T		4799244	44103	Friction 45RFE 5-45RFE 2nd [8.10 OD 40 Teeth 0.09 THK] 1999-Up
49524R		4799530	44104	Friction 45RFE 5-45RFE 4th [5.25 OD 24 Teeth 0.09 THK] (High Energy) 1999-Up
49524T		4799530	44104	Friction 45RFE 5-45RFE 4th [5.25 OD 24 Teeth 0.09 THK] 1999-Up
49522R		4799114	44106	Friction 45RFE 5-45RFE Overdrive [6.364 OD 32 Teeth 0.09 THK] (High Energy) 1999-Up
49522T		4799114	44106	Friction 45RFE 5-45RFE Overdrive [6.364 OD 32 Teeth 0.09 THK] 1999-Up
49520T		4799106	44105	Friction 45RFE 5-45RFE Underdrive [6.364 OD 32 Teeth 0.078 THK] 1999-Up
49528AT		4799461AB	44101	Friction 45RFE 5-45RFE Low/Reverse [6.844 OD 32 Teeth 0.078 THK] 1999-Up
49528T			44102	Friction 45RFE 5-45RFE Reverse [6.378 OD 32 Teeth 0.078 THK] 1999-Up
49580DR				Friction Module 45RFE 5-45RFE (High Energy) 1999-Up
49580DT				Friction Module 45RFE 5-45RFE 1999-Up
49580ER				Friction Module 68RFE 2007-Up
STEEL CLUTCH				
49527		4799460	44111	Steel 45RFE Low/Reverse [5.68 ID 46 Teeth 0.068 THK] 1989-Up
49521		4799105AB	44112	Steel 45RFE Underdrive & Reverse [5.39 ID 12 Teeth-Notched 0.068 THK] 1989-Up
49525		4799243	44113	Steel 45RFE 2nd [6.77 ID 10 Teeth 0.127 THK]
49529		4799529	44114	Steel 45RFE 4th [4.24 ID 20 Teeth 0.100 THK]
49523		4799398AB	44116	Steel 45RFE Overdrive [5.39 ID 12 Teeth 0.068 THK]
49581D				Steel Module 45RFE 5-45RFE 1999-Up
49581E				Steel Module 68RFE 2007-Up
FILTER				
49544		4800029AA	44710	Filter 45RFE 5-45RFE 68RFE (2WD) 1999-Up (Grommet is also available under # 49554D)
49542		4799507	44710A	Filter 45RFE 5-45RFE 68RFE (4WD) 1999-Up (Grommet is also available under # 49554D)
FILTER KIT				
49545			FK44710	Filter Kit 45RFE 5-45RFE (2WD) 1999-Up (With Fiber Pan Gasket)
49549			FK44710A	Filter Kit 45RFE 5-45RFE (4WD) 1999-Up (With Fiber Pan Gasket)
MISCELLANEOUS FILTERS				
F-374		4799662	44711	Filter 45RFE 5-45RFE 68RFE Cooler (Spin-On) 1999-Up
BUSHINGS				
49534DA		4799132	44011	Bushing 45RFE Input Clutch Hub 1999-Up
49537D		4799510	44007	Bushing 45RFE Input Planet 1999-Up
49532D		4799544	44003	Bushing 45RFE Input Shaft 1999-Up
49538D		4799657	44005	Bushing 45RFE Low/Reverse Clutch Housing (Front) 1999-Up
49538DA		4799658	44006	Bushing 45RFE 5-45RFE 68RFE Low/Reverse Clutch Housing (Rear) 1999-Up
49534D		4799552	44010	Bushing 45RFE Overdrive Hub 1999-Up
49533D		4799644	44001	Bushing 45RFE Overdrive/Reverse Piston Housing 1999-Up
49536D		4799622	44009	Bushing 45RFE Reaction Planet 1999-Up
49535D		4799560	44004	Bushing 45RFE Reaction Planet Ring Gear 1999-Up
49531D		4799656	44002	Bushing 45RFE Stator (Front) 1999-Up
49531DA		4799583	44002A	Bushing 45RFE Stator (Rear) 1999-Up
49530D			K44901	Bushing Kit 45RFE 5-45RFE 1999-Up (12 Bushings)
ELECTRICAL COMPONENTS				
4854				Solenoid Repair Kit 45RFE 5-45RFE 2004-Up
HARD PARTS				
49595D		4799650	44829	Piston 45RFE 5-45RFE 68RFE Underdrive Clutch [6-1/8in OD 2-3/4in ID] 1999-Up
49596D		4799652	44830	Piston 45RFE 5-45RFE 68RFE Retainer Underdrive Clutch (Balance) 1999-Up
49575357				Piston 45RFE 5-45RFE 2nd Clutch Piston 1999-Up
49575358				Piston 68RFE 2nd Clutch 2007-Up
49575359			44854	Piston 45RFE 5-45RFE 68RFE 4th Clutch 1999-Up
49575581		05179008AA		Piston 5-45RFE 68RFE Low/Reverse 2004-Up
4851				Piston Kit 45RFE 1999-On (2 Pistons)
4859				Piston Kit 5-45RFE 2004-Up (5 Pistons)
4860				Piston Kit 68RFE 2007-Up (5 Pistons)

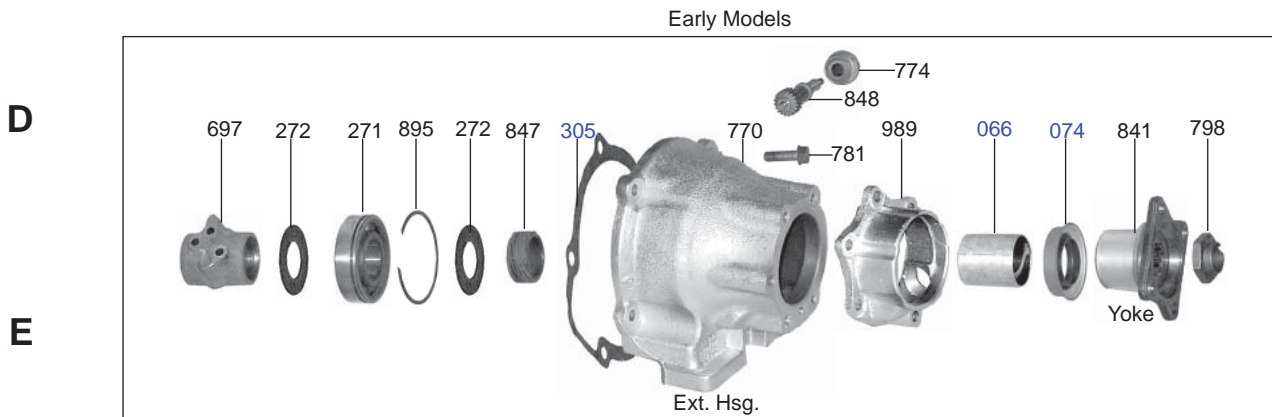
SAP #	IL#	OE	INDUSTRY	DESCRIPTION
OVERHAUL KIT				
8059				Overhaul Kit 2 Speed 1959-64
METAL CLAD SEALS				
70181V		C2AZ-7A248-A	16601A	Seal 2 Speed Front Pump (No Flange) 1959-64 [Viton]
OIL SEALING RINGS				
TAW-329		C2AZ-7C169B		Ring 2 Speed Sun Gear 1959-64 [Metal]
TAW-597		B9AZ-7C328A		Ring 2 Speed Clutch Drum 1959-64 [Metal]
30987		B9AZ-7A011-B		Ring 2 Speed Output Shaft 1959-64 [Metal]
6172P				Ring Kit 2 Speed 1959-64 (6 Metal Rings)

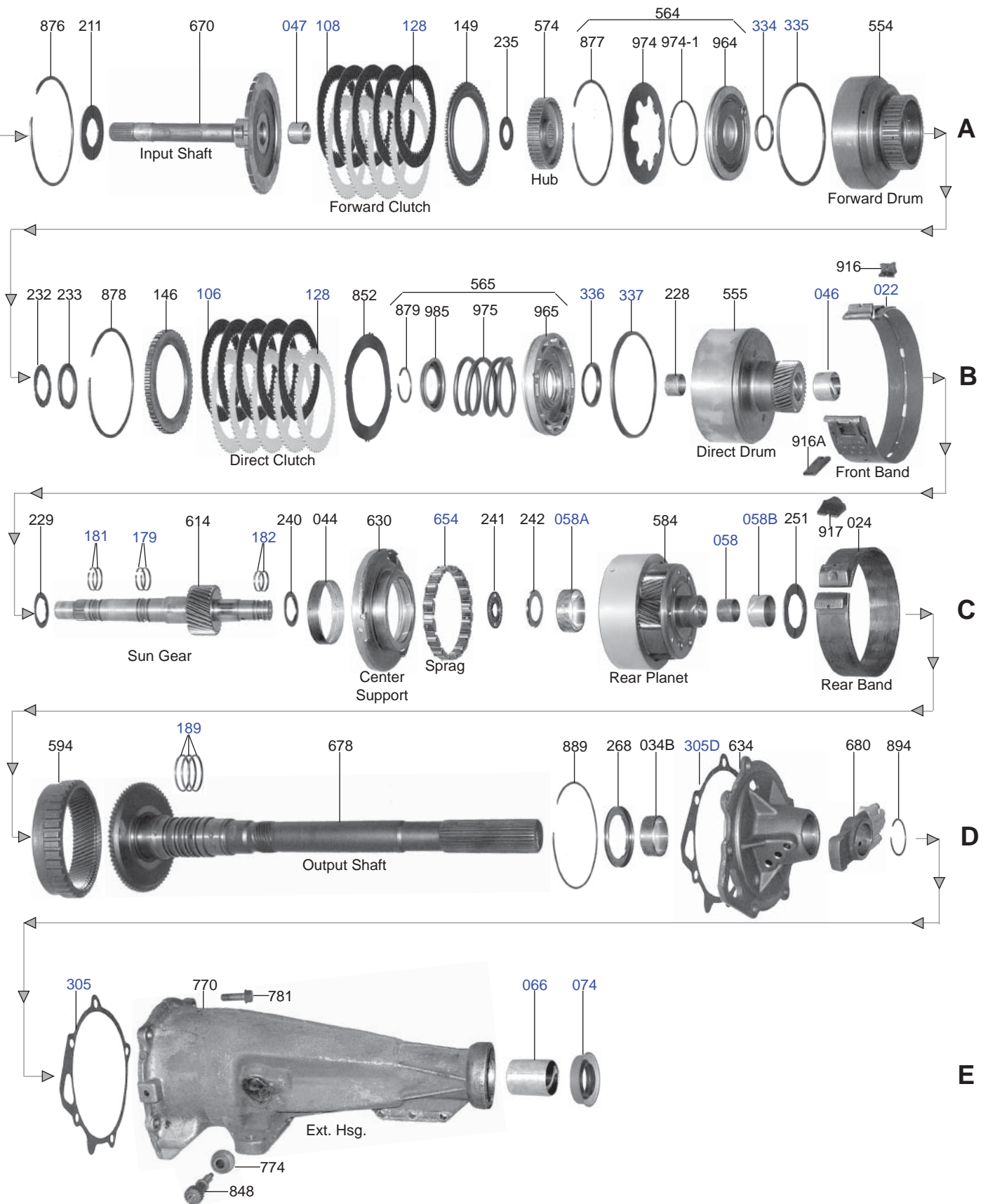
FMX / BW8-12



NOTE: To ID the Transmission, Measure the Cast Iron Case Front to Back.

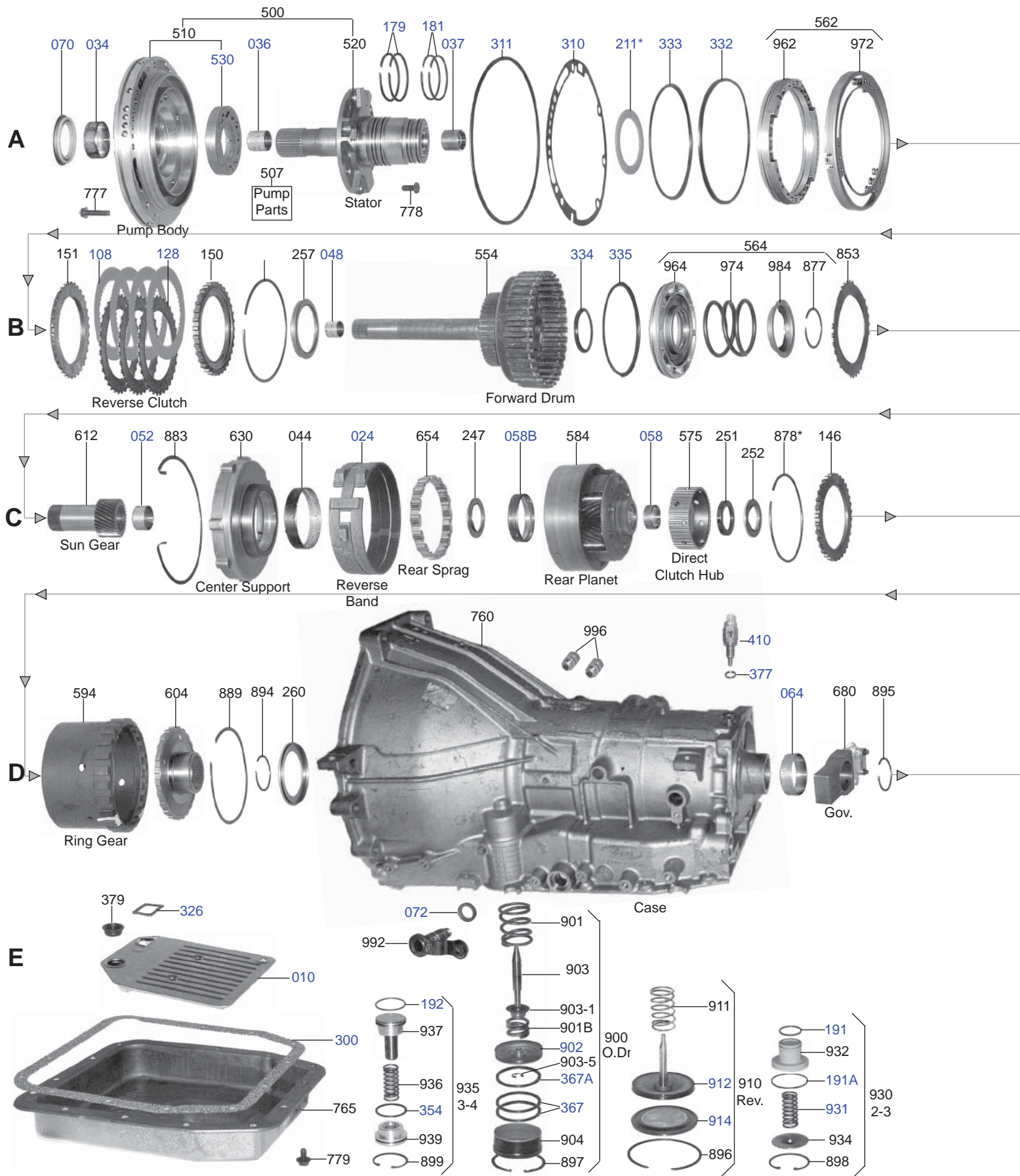
FMX = 10"
 Small Case = 9 7/8"
 Medium Case = 10 7/32"
 Large Case = 10 7/8" 1958-60
 Large Case = 11 1/2" 1961-65

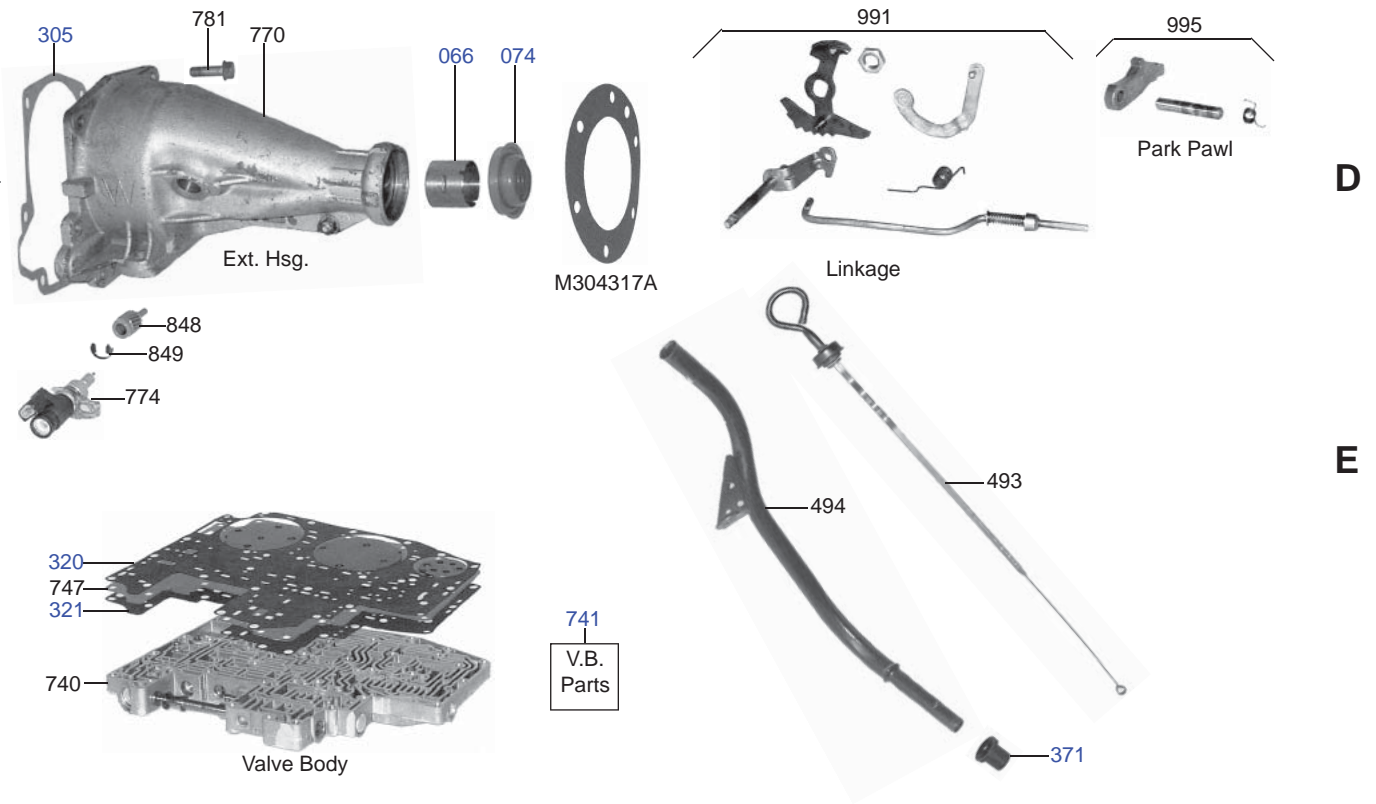
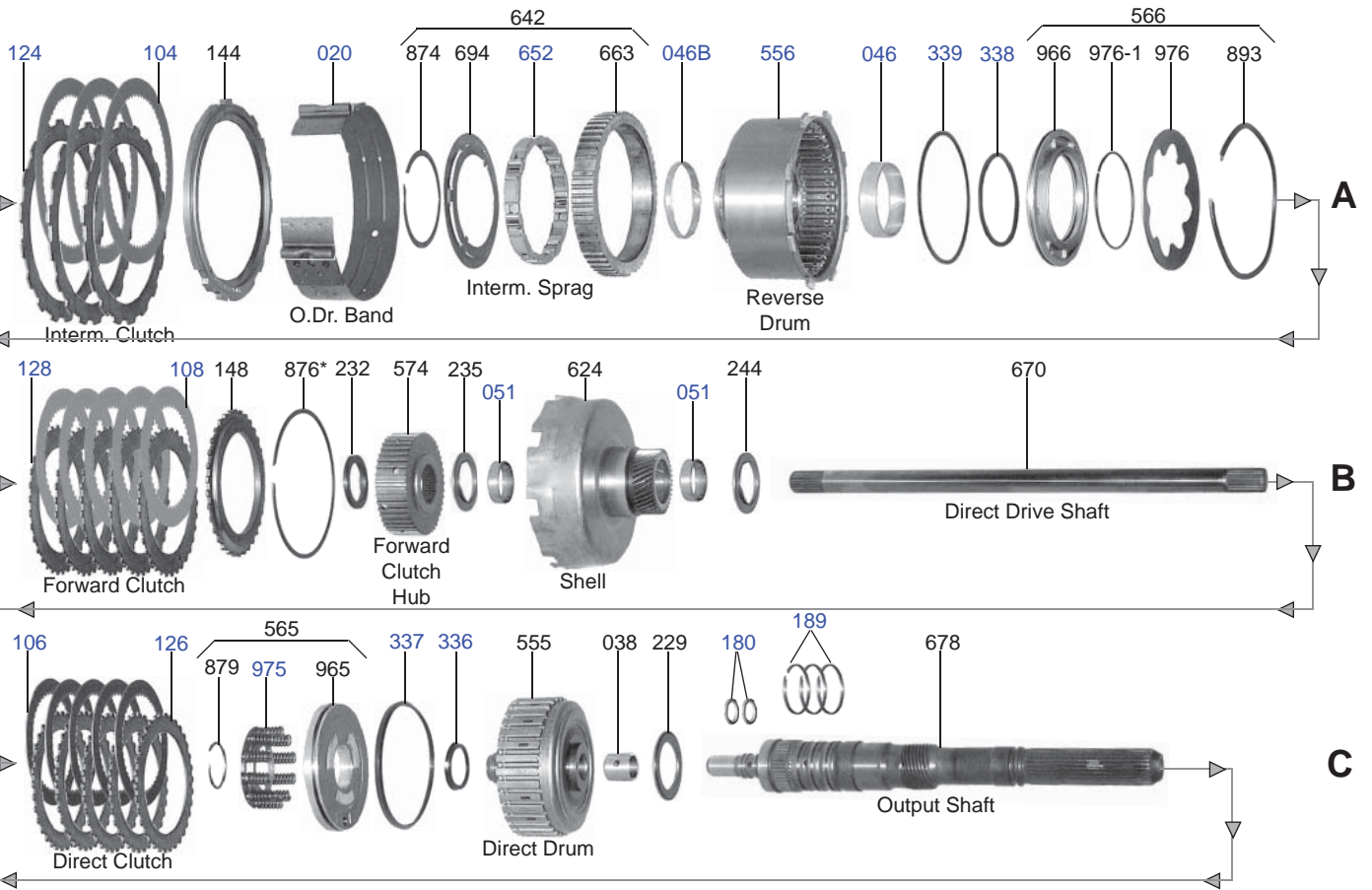




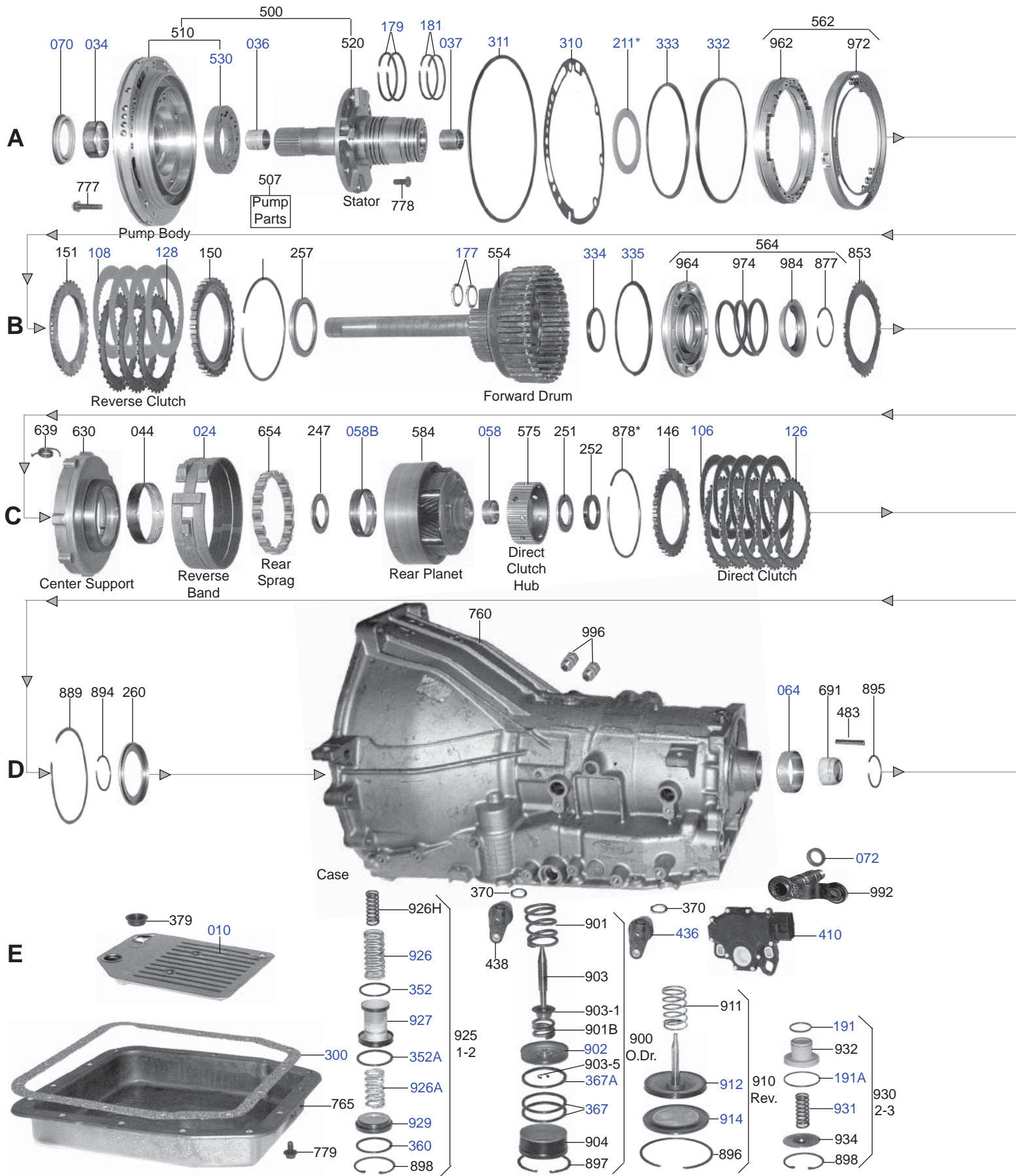
SAP #	IL#	OE	INDUSTRY	DESCRIPTION
PAPER & RUBBER KIT				
T106000				Paper & Rubber Kit FMX 1968-81
T106000B				Paper & Rubber Kit SX Case 1951-67
T106000C				Paper & Rubber Kit MX Case 1955-71
OVERHAUL KIT				
B106002				Overhaul Kit FMX 1968-81
T106002				Overhaul Kit FMX 1968-81
TF106002				Overhaul Kit FMX 1968-81 (Fiber)
T106002A				Overhaul Kit BW8 & BW12 1956-71
MASTER L/STEEL KIT				
B106004				Master L/Steels Kit 1968-81
TF106004				Master L/Steels Kit 1968-81 (Fiber)
MASTER W/STEEL KIT				
B106006				Master W/Steels Kit FMX 1968-81
TF106006				Master W/Steels Kit FMX 1968-82 (Fiber)
SUPER KIT				
B106008				Super Kit FMX 1968-81 [Includes 2 Bushings, Band, Filter, Modulator]
GASKET & RUBBER COMPONENTS				
45909T	B5AZ-7A191-A	3565		Gasket FMX SX BW8 BW12 Bottom Pan 1951-81 [Cork & Rubber]
45918	B5AZ-7A191-A	3565F		Gasket FMX SX BW8 BW12 Bottom Pan 1951-81 [Fiber]
45999035	B5AZ-7A191-B	3610		Gasket MX Bottom Pan 1955-71 [Cork & Rubber]
45997088	C8AZ-7A222-A	13284		Gasket Rear Oil Pump To Case
45997087	D2AZ-7086-A	13283A		Gasket FMX Extension Housing 1968-81
45797073	C2AP-7B426-A			Gasket FMX (SX MX Case) Modulator
1989019	B1AZ-7A136-A	3666		Lathe Cut Seal FMX Front Pump to Case 1951-81
1988024	D1AZ-7A548-A	13312		Lathe Cut Seal FMX Front Clutch Piston Outer 1969-Up
1988033	B1AZ-7C050B			Lathe Cut Seal FMX Front Servo Guide
1989034	C7AZ-7C050C			Lathe Cut Seal FMX Front Servo Guide Large
1990059	C8AZ-7E212-A	13286		Lip Seal FMX Rear Clutch (Inner) 1968-81
1990060	C8AZ-7C051-A	13285		Lip Seal FMX Rear Clutch (Outer) 1968-81
1994113	6264902			O-Ring FMX Filler Tube
1995219	C8MY-7A293A			O-Ring FMX Front Servo & Front Clutch
1995228	C1AZ-7A294-D			O-Ring FMX Front Servo Large 1961-81
1995223				O-Ring FMX Front Servo Piston
1995216	B7AZ-7C098B			O-Ring FMX Front Servo Release Piston
1995235	C1AZ-7A294A			O-Ring FMX MX Rear Servo
1995233	C8AZ-7423A			O-Ring FMX Rear Servo Piston
1995227	B9AZ-7A294E			O-Ring FMX Servo Large
1995559	386078-S	3499		O-Ring FMX Throttle Shaft Lever
1995014	1P-77868A			O-Ring (SX MX Case) Outlet Tube O-Ring
1989056	(386078-S)			Quad Ring FMX Throttle Shaft
1989033				Seal FMX Front Servo (Large)
METAL CLAD SEALS				
70181V	C2AZ-7A248-A	16601A		Seal FMX Front Pump (W/Out Flange) 1968-Up [Viton]
33041N	C2AZ-7A248-A	16601A		Seal FMX Front Pump (W/Out Flange) 1968-Up
70235	C3AZ-7A248-A	6550C		Seal (SX MX HX Case) BW8 BW12 Front Pump 1951-67
70014FM	D5AZ-7B052-A	8850B		Seal SX Case Extension Housing (W/Out Boot) 1951-67
33002	D5AZ-7B052-A	8850B		Seal SX Case Extension Housing (W/Out Boot) 1951-67
70018FM	D5AZ-7052-A	34743C		Seal FMX MX Extension Housing (W/Out Boot) 1955-81
70172	D5AZ-7052-A	34743C		Seal FMX MX Extension Housing (W/Out Boot) 1955-81
70083	D5AZ-7B498-A	6507A		Seal FMX (SX MX HX Case) Manual Lever 1951-81
OIL SEALING RINGS				
TAW-211	C6AZ-7D019-A	36401		Ring FMX Governor [Metal]
TAW-731	COAZ-7C169-A	6231		Ring FMX BW8 BW12 Sun Gear (Center) 1968-81 [Metal]
TAW-736	1P-77542A	6230		Ring FMX SX Sun Gear (Front) [Metal]
TAW-355	B5SZ-77542-A	6230A		Ring MX Sun Gear (Front) 1968-81 [Metal]
TAW-413	1P-77543-B	6235		Ring FMX BW8 BW12 Sun Gear (Rear) 1968-81 [Metal]
TAW-730	IP-778834A			Ring FMX Medium Case [Metal]
TAW-828	1314862			Ring BW8 BW12 [Metal]
6019				Ring Kit FMX 1968-81 (10 Metal Rings)
6229				Ring Kit SX Case 1951-71 (10 Metal Rings)
6266				Ring Kit MX Case 1955-72 (10 Metal Rings)
6181P				Ring Kit BW8 BW12 1957-66 (8 Metal Rings 2 Plastic Rings)

SAP #	IL#	OE	INDUSTRY	DESCRIPTION
FRICION CLUTCH				
46020R		EOAZ-7B164-A	76404	Friction FMX Front & Rear [5.24 OD 45 Teeth 0.061 THK] 1967-81
46020T		EOAZ-7B164-A	76404	Friction FMX Front & Rear [5.24 OD 45 Teeth 0.061 THK] 1967-81
45922W		C2AP-7B164-A	6204M	Friction FMX Rear [5.25 OD 43 Teeth 0.092 THK] 1967-81 [OEM]
45960R				Friction Module FMX 1968-81
45980T				Friction Module FMX 1968-81
STEEL CLUTCH				
45921		C8AZ-7B442-A	6205	Steel FMX Front & Rear [0.068 THK] (Flat) 1968-81
45981				Steel Module FMX
FILTER				
33221		DOAZ-7A098-A	6282D	Filter FMX Brass 1968-81
FILTER KIT				
33274				Filter Kit FMX Brass 1968-81
BANDS				
45990		D7AZ-7A162-A	6313X	Band FMX Front (Flex) 1968-81
BUSHINGS				
33342			36002	Bushing FMX Front Pump Body [2.13 OD 2.00 ID] 1968-81 [Bronze]
33357			6023	Bushing FMX Extension Housing 1968-81 [Babbitt]
33343			6023A	Bushing FMX Extension Housing [Bronze]
HARD PARTS				
45999		C0AP-7B070A	6208C	Spring FMX Diaphragm Front Clutch 1968-81
MODULATORS				
45947			16525	Modulator FMX Blue Stripe (Single Line) 1968-81
45945		D5AZ-7A377-A	6834	Modulator FMX Green Stripe (Single Line) 1961-81

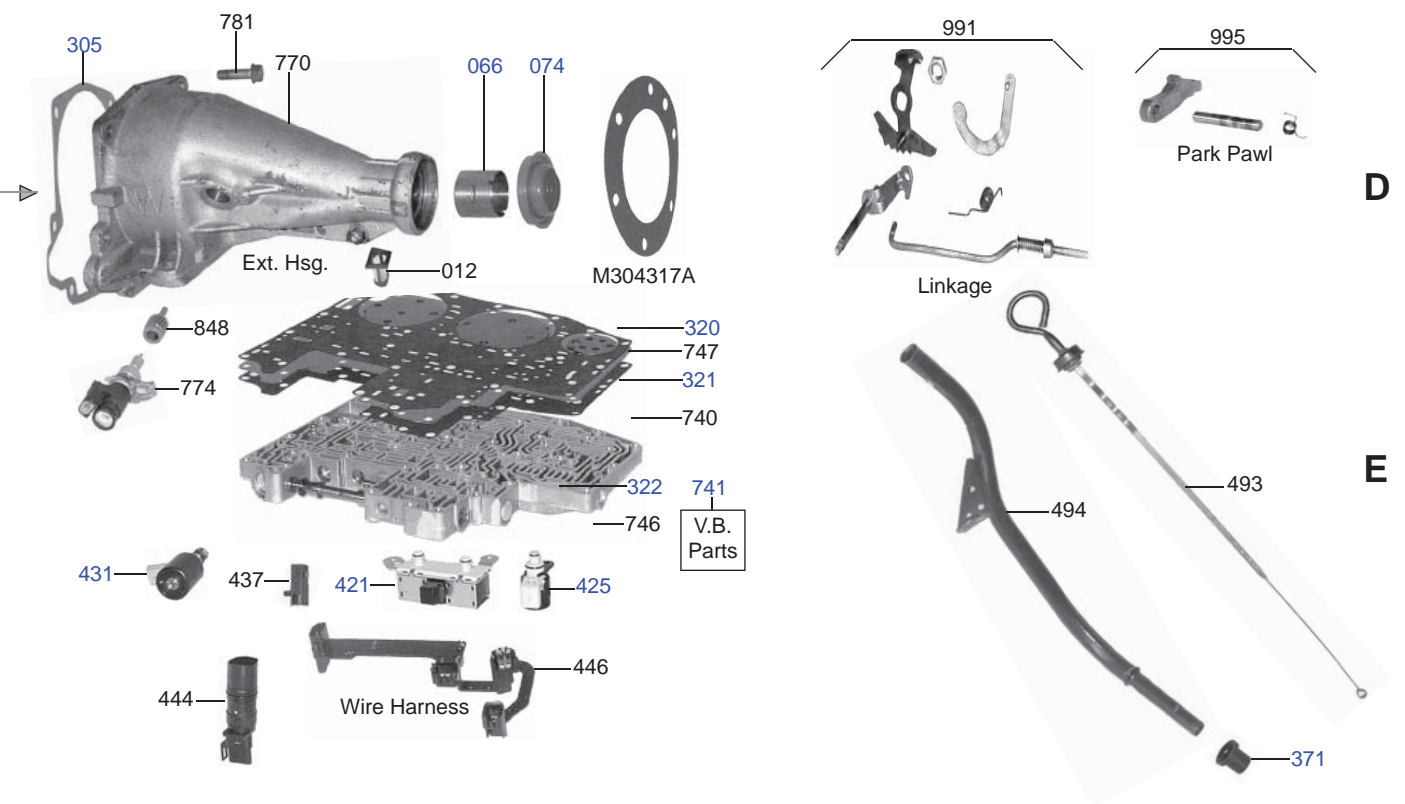
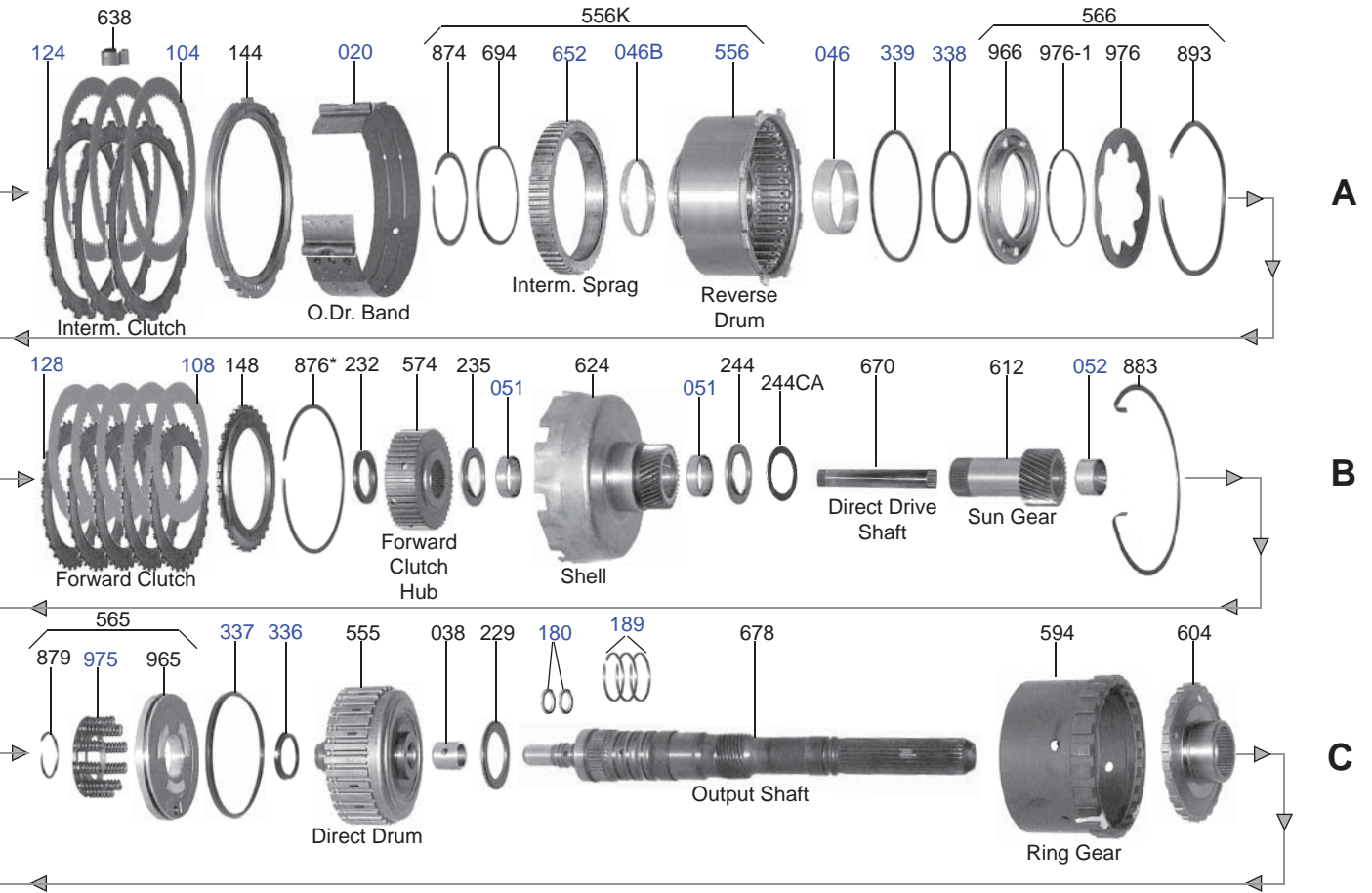




AODE / 4R70W / 4R75W / 4R70E / 4R75E RWD 4 Speed



RWD 4 Speed **AODE / 4R70W / 4R75W / 4R70E / 4R75E**



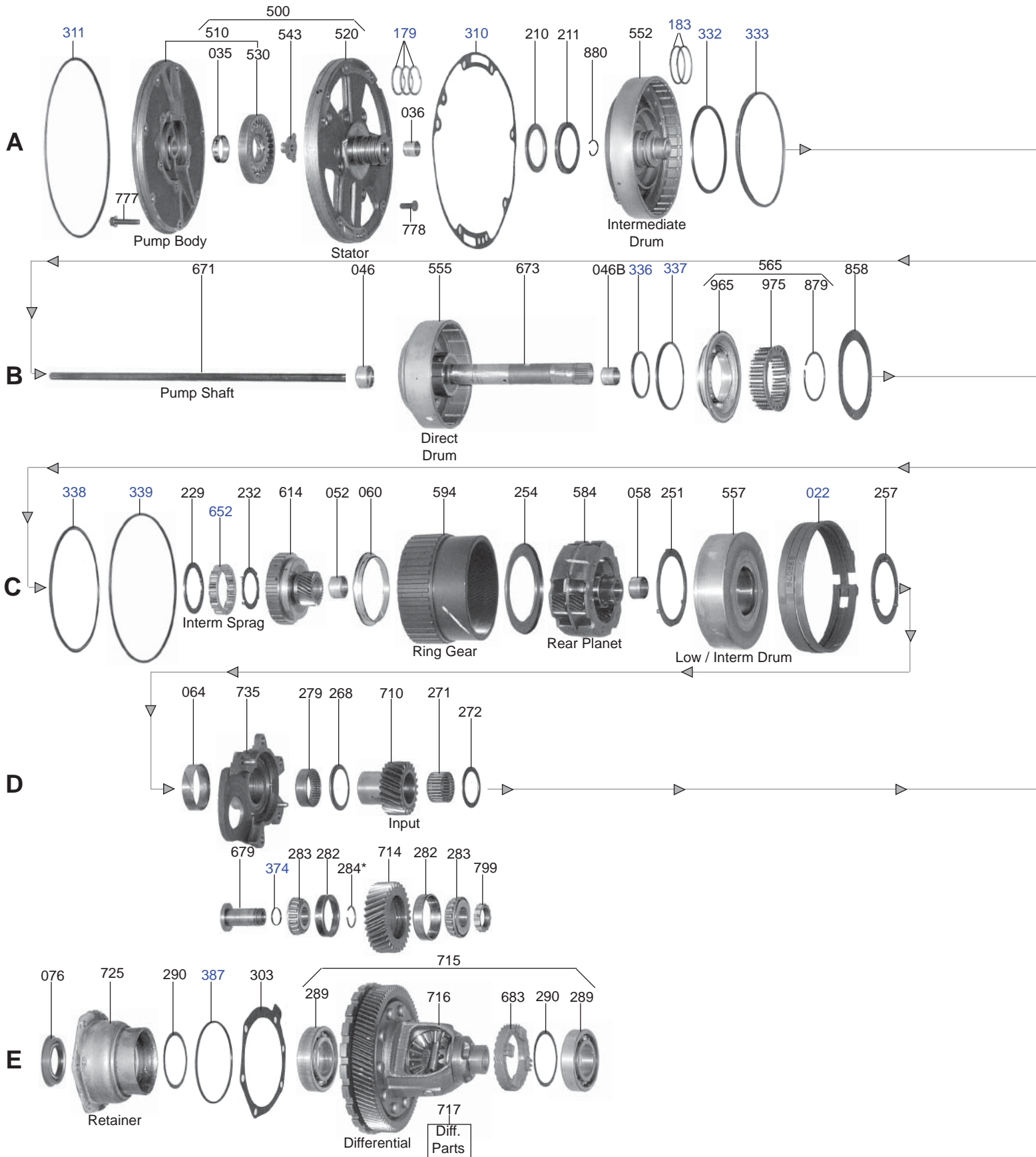
SAP #	IL#	OE	INDUSTRY	DESCRIPTION
PAPER & RUBBER KIT				
T76000				Paper & Rubber Kit AOD (FIOD) 1980-93
TF76000				Paper & Rubber Kit AOD (FIOD) 1980-93 (Fiber)
T76000E				Paper & Rubber Kit AODE 4R70W 1992-95
TF76000E				Paper & Rubber Kit AODE 4R70W 1992-95 (Fiber)
TF76000G				Paper & Rubber Kit 4R70W/E 4R75W/E 1996-Up (Fiber)
OVERHAUL KIT				
B76002				Overhaul Kit AOD 1980-93 With Plated Govern Rings
T76002				Overhaul Kit AOD 1980-93 With Plated Govern Rings
T76002A				Overhaul Kit AOD 1980-93 Cast Iron Govern Rings
B76002E				Overhaul Kit AODE 4R70W 1992-95 (7 Metal 4 PTFE Rings)
T76002E				Overhaul Kit AODE 4R70W 1992-95 (7 Metal 4 PTFE Rings)
TF76002E				Overhaul Kit AODE 4R70W 1992-95 (7 Metal 4 PTFE Rings) (Fiber)
B76002G				Overhaul Kit 4R70W 1996-03 (7 Metal 4 PTFE Rings)
T76002G				Overhaul Kit 4R70W 1996-03 (7 Metal 4 PTFE Rings) (Redesigned Pump Seal)
T76002GA				Overhaul Kit 4R70W 1996-03 (7 Metal 4 PTFE Rings) (Original Design Pump Seal)
TF76002G				Overhaul Kit 4R70W 1996-03 (7 Metal 4 PTFE Rings) (Fiber)
T76002GW				Overhaul Kit 4R70W 1996-03 (7 Metal 4 PTFE Rings) (Molded Pan Gasket)
T76002GH				Overhaul Kit 4R70W 1996-Up (Combo) (7 Metal 6 PTFE 2 Plastic Rings)
TF76002H				Overhaul Kit 4R70W/E 4R75W/E 2004-Up (5 Metal 4 PTFE 2 Plastic Rings) (Fiber)
T76002HX				Overhaul Kit 4R70W/E 4R75W/E 2004-Up (5 Metal 4 PTFE 2 Plastic Rings) (W/Out Pan Gasket)
				Overhaul Kit 4R70W/E 4R75W/E 2004-Up (5 Metal 4 PTFE 2 Plastic Rings) (Molded Pan Gasket)
T76002HW				(Redesigned Pump Seal)
				Overhaul Kit 4R70W/E 4R75W/E 2004-Up (5 Metal 4 PTFE 2 Plastic Rings) (Molded Pan Gasket) (Original Design Pump Seal)
T76002HWA				Overhaul Kit 4R70W/E 4R75W/E (With Pistons) 2004-Up (5 Metal 4 PTFE 2 Plastic Rings) (Molded Pan Gasket)
T76002HWP				
MASTER L/STEEL KIT				
B76004				Master L/Steels Kit AOD (FIOD) 1980-83
B76004A				Master L/Steels Kit AOD (FIOD) L1983-93
T76004A				Master L/Steels Kit AOD (FIOD) L1983-93
B76004E				Master L/Steels Kit AODE 1992-95
T76004E				Master L/Steels Kit AODE 1992-95
B76004G				Master L/Steels Kit 4R70W 1996-03
T76004G				Master L/Steels Kit 4R70W 1996-03
TF76004G				Master L/Steels Kit 4R70W 1996-03
TF76004H				Master L/Steels Kit 4R70W 4R75W 2004-Up
MASTER W/STEEL KIT				
B76006				Master W/Steels Kit AOD (FIOD) 1980-83
B76006A				Master W/Steels Kit AOD (FIOD) L1983-93
B76006E				Master W/Steels Kit AODE 1992-95
T76006E				Master W/Steels Kit AODE 1992-95
B76006G				Master W/Steels Kit 4R70W 1996-97
T76006GW				Master W/Steels Kit 4R70W 1996-97 (With Molded Pan Gasket)
TF76006H				Master W/Steels Kit 4R70W 4R75W 2004-Up
SUPER KIT				
B76008				Super Kit AOD (FIOD) 1980-83 [Includes Bushing Kit, Washer Kit, Band, Filter]
B76008E				Super Kit AODE 4R70W 1992-95 [Includes Bushing Kit, Washer Kit, Band, Filter]
T76008E				Super Kit AODE 4R70W 1992-95 [Includes Bushing Kit, Washer Kit, Band, Filter]
B76008G				Super Kit 4R70W 1996-97 [Includes Bushing Kit, Band, Filter]
GASKET & RUBBER COMPONENTS				
46009T	E0AZ-7A191-A	76500		Gasket AOD Pan 1980-93 [Cork & Rubber]
46009U	E0AZ-7A191-A	76500		Gasket AOD Pan 1980-93 [Ultracork]
46018	E0AZ-7A191-A	76500F		Gasket AOD Pan 1980-93 [Fiber]
46109T	F2VY-7A191-A	76500A		Gasket AODE 4R70W/E 4R75W/E Pan 1992-Up [Cork & Rubber]
46109U	F2VY-7A191-A	76500A		Gasket AODE 4R70W/E 4R75W/E Pan 1992-Up [Ultracork]
46118	F2VY-7A191-A	76500AF		Gasket AODE 4R70W/E 4R75W/E Pan 1992-Up [Fiber]
46196187	F2VY-7A191-A	76500E		Gasket AODE 4R70W/E 4R75W/E Pan 1992-Up [Molded Rubber]
46097083	E3SZ-7A136-A	76501		Gasket AOD Front Pump 1980-93
46097261	F2VY-7A136-A	76501E		Gasket AODE 4R70W/E 4R75W/E Front Pump 1992-Up
46197551J	F7AZ-7D100-AA			Gasket 4R70W Valve Body To Plate (Lower) (White Stripe) 1996-00
46097086	E0AZ-7086-A			Gasket AOD AODE Extension Housing 1980-95
46096121	F6AZ-7086-A			Gasket 4R70W/E 4R75W/E Extension Housing [Silicone Beaded] 1993-Up
46096121A		76305H		Gasket 4R70W Extension Housing 2009-Up
46096000	E0AZ-7E062-A			Gasket AOD Filter 1980-93
46097085	E0AZ-7C099-B			Gasket AOD Valve Body (Upper) 1980-93
46097084	E9AZ-7D100-A			Gasket AOD Valve Body To Plate (Lower) 1980-89
46097124	F0AZ-7D100-A			Gasket AOD Valve Body To Plate (Lower) 1990-93
46097263	F2VY-7H173-A			Gasket AODE Valve Body To Cover 1992-95
46097262	F3LY-7D100-A			Gasket AODE Valve Body To Plate (Lower) 1992-95
46097264	F2VY-7C155-A			Gasket AODE 4R70W Valve Body (Upper) (Yellow) 1992-95

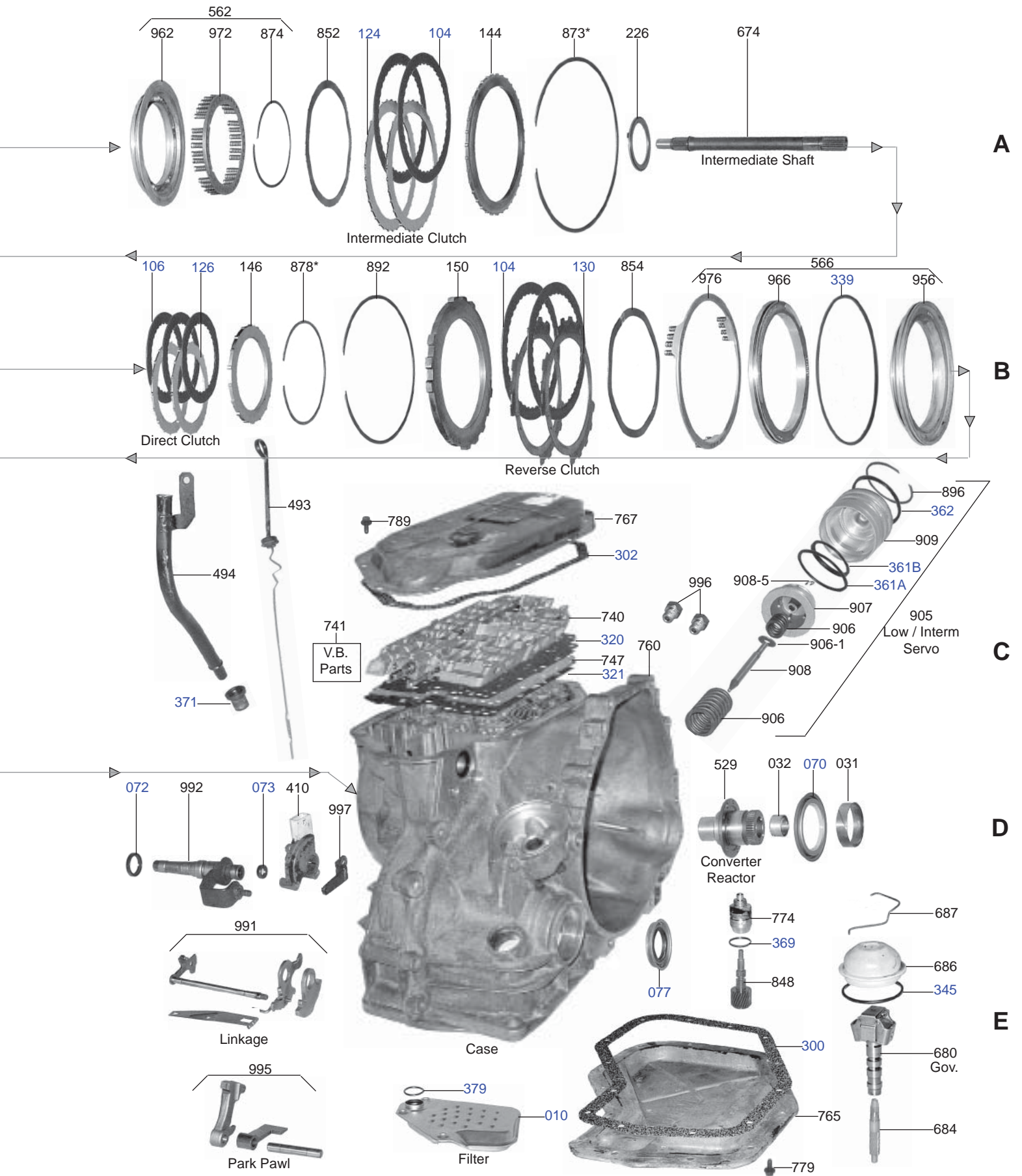
SAP #	IL#	OE	INDUSTRY	DESCRIPTION
GASKET & RUBBER COMPONENTS -- continued				
46197660J		1L3Z-7C155-AA		Gasket 4R70W Valve Body Upper (Light Green Stripe) 1996-Up
46075327		E1FZ-7F330-A		Grommet AOD AODE 4R70W Passing Gear 1991-Up
1985004				Lathe Cut Seal AOD 2-3 Accumulator Smal 1980-93
1988021		E0AZ-7D404-A		Lathe Cut Seal AOD AODE 4R70W/E 4R75W/E Reverse Clutch (Inner) 1980-Up
1988022		E0AZ-7D403-A		Lathe Cut Seal AOD AODE 4R70W/E 4R75W/E Reverse Clutch (Outer) 1980-Up
1988059		E0AZ-7D026-A		Lathe Cut Seal AOD AODE 4R70W/E 4R75W/E Overdrive Servo Cover 1980-Up
1990057		E0AZ-7F225-A	76518	Lip Seal AOD AODE 4R70W Intermediate Clutch (Inner) 1980-03
1990058		E0AZ-7F224-A	76519	Lip Seal AOD AODE 4R70W Intermediate Clutch (Outer) 1980-03
1990055		E0AZ-7C099-B	76514	Lip Seal AOD AODE 4R70W/E 4R75W/E Direct Clutch (Inner) 1980-Up
1990056		E0AZ-7A548-B	76515	Lip Seal AOD AODE 4R70W/E 4R75W/E Direct Clutch (Outer) 1980-Up
1990053		E0AZ-7C099-A	76512	Lip Seal AOD AODE 4R70W/E 4R75W/E Forward Clutch (Inner) 1980-Up
1990054		E0AZ-7A548-A	76513	Lip Seal AOD AODE 4R70W/E 4R75W/E Forward Clutch (Outer) 1980-Up
1988023				O-Ring AOD 3-4 Accumulator Cover 1980-92 (Also Fits AODE 1-2 Accumulator)
1994022		F1DZ-7Z144B		O-Ring AOD AODE
1995215		87054-S94		O-Ring AOD AODE 4R70W Output Shaft To Yoke 1980-Up
1994113		6264902		O-Ring AOD AODE 4R70W Filler Tube 1980-Up
1995504		87009-S100		O-Ring AOD Neutral Safety Switch 1980-93
1994510		E0AZ-7D024-A		O-Ring AOD Overdrive Servo Piston (1.937) 1980-93
1994140		E0AZ-7D024-B		O-Ring AOD Overdrive Servo Piston (2.250) 1980-93
1994143		E9SZ-7D024-A		O-Ring AOD Overdrive Servo Piston (2.437) 1989-93
1985016		E0AZ-7A248-A	76502	O-Ring AOD AODE 4R70W/E 4R75W/E Pump 1980-Up
1994552		F2YV-7F249-A		O-Ring AODE 1-2 Accumulator (Large) 1992-96
1994031		F2YV-2F248-A		O-Ring AODE 1-2 Accumulator (Small) 1992-96
1988055		F2YV-7F294-A		O-Ring AODE 1-2 Accumulator Cover 1992-96
1994008				O-Ring AODE Solenoid
46475000		E9TZ-7N171-A		Plug AODE 4R70W 1995-Up
8203ES				Seal-Up Kit AODE 4R70W/E 4R75W/E 1992-Up
METAL CLAD SEALS				
70254		F2VY-7A248-AA	16601E	Seal AODE 4R70W/E 4R75W/E Front Pump (Original Design) 1992-Up [Viton]
70254A		F2VY-7A248-AA	16601E	Seal AODE 4R70W/E 4R75W/E Front Pump (Redesigned) 1992-Up [Viton]
70014FM		D5AZ-7052-B	8850B	Seal AOD AODE Extension Housing (With Flange & W/Out Boot) 1980-Up
33002		D5AZ-7052-B	8850B	Seal AOD AODE Extension Housing (With Flange & W/Out Boot) 1980-Up
33015		D5AZ-7052-B	16695ES	Seal AOD AODE Extension Housing (With Flange & With Short Boot) 1980-92
70108FM		F3LY-7052-A	76509A	Seal AODE 4R70W/E 45R75W/E Extension Housing (With Short Boot) 1993-Up [Viton]
70108		F3LY-7052-A	76509A	Seal AODE 4R70W/E 45R75W/E Extension Housing (With Short Boot) 1993-Up [Viton]
46012		E0AZ-7F337A	76511	Seal AOD Throttle Lever 1980-93
70006		E0AZ-7F337-A	76511	Seal AOD Throttle Lever 1980-93
70083		D5AZ-7B498-A	6507A	Seal AOD AODE 4R70W/E 4R75W/E Manual Lever 1980-Up
OIL SEALING RINGS				
30300		E0AZ-7F248-A	76233T	Ring AOD 3-4 Accumulator (1.596 OD) 1980-Up (Also Covers AODE 1-2 Upper) [PTFE]
TAW-854		E0AZ-7D019-A		Ring AOD Stator (Forward Clutch) (2.374 OD) 1980-92 [Metal]
46060055		E0AZ-7F273-A		Ring AOD AODE 2-3 Accumulator (Upper) (1.223 OD) 1980-86 [PTFE]
46060054		E0AZ-7F249-A		Ring AOD AODE 2-3/3-4 Accumulator (Lower) (1.994 OD) 1980-Up [PTFE]
30305		E3AZ-7F274-A	76229T	Ring AOD AODE 4R70W Output Shaft (Direct Clutch) (Scarf Cut) 1980-95 [PTFE]
30305A		E1AP-7F274-A2A		Ring AOD AODE 4R70W Direct Clutch (Solid) 1980-Up [PTFE]
TAW-855		E0AZ-7F273-A		Ring AOD AODE 4R70W/E 4R75W/E Output Shaft To Case [Metal]
TAW-1538		E6AZ-7F273-A		Ring AOD AODE 4R70W/E 4R75W/E Output Shaft To Case [Metal-Plated]
TAW-853		E0AZ-7D020-A		Ring AOD AODE 4R70W/E 4R75W/E Stator (Reverse Clutch) (2.624 OD) [Metal]
TAW-2046		F4AZ-7D019-A		Ring AODE 4R70W Stator Forward Clutch (2.374 OD) 1993-03 [Metal Hardened]
30165		F2YV-7B497-A	76235T	Ring AODE 4R70W-E 4R75W/E Input Shaft (1.130 OD) Scarf Cut 1992-Up [PTFE]
30165A				Ring AODE 4R70W/E 4R75W/E Input Shaft (1.130 OD) Solid 1992-Up [PTFE]
TAW-490				Ring AOD 2-3 Accumulator Piston Large 1980-93 [Metal]
6073				Ring Kit AOD (With Plated Governor Rings) 1980-93 (8 Metal 5 PTFE Rings)
6168				Ring Kit AOD (W/Out Plated Governor Rings) 1980-93 (8 Metal 5 PTFE Rings)
6045				Ring Kit AODE 4R70W 1992-03 (7 Metal 4 PTFE Rings)
6378				Ring Kit 4R70W/E 4R75W/E 1996-Up (7 Metal 6 PTFE 2 Peek Rings)
6039				Ring Kit 4R70W/E 4R75W/E 2004-Up (5 Metal 4 PTFE 2 Peek Rings)
FRICTION CLUTCH				
46022R		E0AZ-7B164-B	76504	Friction AOD Reverse [5.24 OD 45 Teeth 0.080 THK] 1980-L83
46022T		E0AZ-7B164-B	76504	Friction AOD Reverse [5.24 OD 45 Teeth 0.080 THK] 1980-L83
46024R		E0AZ-7B164-A	76304	Friction AOD AODE Direct [4.65 OD 42 Teeth 0.075 THK] 1980-Up
46024T		E0AZ-7B164-A	76304	Friction AOD AODE Direct [4.65 OD 42 Teeth 0.075 THK] 1980-Up
46026R		E0AZ-7B164D	76604	Friction AOD AODE Intermediate [7.06 OD 60 Teeth 0.080 THK] 1980-Up
46026T		E0AZ-7B164D	76604	Friction AOD AODE Intermediate [7.06 OD 60 Teeth 0.080 THK] 1980-Up
46028R		F3LY-7B164-A	76604A	Friction AODE 4R70W Intermediate [7.06 OD 60 Teeth 0.066 THK] 1993-Up
46028T		F3LY-7B164-A	76604A	Friction AODE 4R70W Intermediate [7.06 OD 60 Teeth 0.066 THK] 1993-Up
46020R		E0AZ-7B164-A	76404	Friction AOD AODE Forward & Reverse [5.250 OD 45 Teeth 0.061 THK] 1980-Up
46020AT		F2VP-7E311-A	76404A	Friction AOD AODE 4R70W/ 4R75W/E Forward [5.36 OD 45 Teeth 0.063 THK] 1990-Up

SAP #	IL#	OE	INDUSTRY	DESCRIPTION
FRICITION CLUTCH -- continued				
46080R				Friction Module AOD 1980-83
46180R				Friction Module AOD 1983-93
46180T				Friction Module AOD 1984-89
46180AR				Friction Module AODE 4R70W 1993
46180LR				Friction Module AODE 4R70W 1994-Up
STEEL CLUTCH				
46021	E0AZ-7B442-A	76305		Steel AOD Direct [3.67 ID 28 Teeth 0.070 THK] 1980-89
46021A	E9SZ-7B442-A	76305A		Steel AOD AODE Direct [3.66 ID 34 Teeth 0.070 THK] 1990-95
46021B	F6AZ-7B442-AA	76305B		Steel 4R70W 4R75W Direct [3.66 ID 34 Teeth 0.079 THK] 1996-Up
46023	E0AZ-7B442-B1	76605		Steel AOD AODE Intermediate [5.87 ID 18 Teeth 0.069 THK] 1980-Up
46027	E0AZ-7B442-B3	76607		Steel AOD AODE Intermediate [5.85 ID 18 Teeth 0.089 THK] 1980-Up
46029	E0AZ-7B442-B4	76608		Steel AOD AODE Intermediate [5.87 ID 16 Teeth 0.100 THK] 1980-Up
46029A	E0AZ-7B442-B2	76606		Steel AOD AODE 4R70W 4R75W Intermediate [5.860 ID 18 Teeth 0.079 THK] 1980-Up
46023A	E0AZ-7B442-B2			Steel AOD AODE 4R70W/E 4R75W/E Intermediate [5.864 ID 18 Teeth 0.079 THK] 1980-Up
46025	F0SZ-7B442-A	76405		Steel AOD AODE 4R70W/E 4R75W/E Forward [3.90 ID 34 Teeth 0.069 THK] 1990-Up
46025A	F2TZ-7B442-A	76407		Steel AOD AODE 4R70W/E 4R75W/E Reverse [3.90 ID 32 Teeth 0.068 THK] 1990-Up
46081				Steel Module AOD 1980-83
46181				Steel Module AOD 1984-89
46181A				Steel Module AOD AOD-E 4R70W 1990-Up
46181B				Steel Module 4R70W 4R75W 2004-Up
FILTER				
33223	E1AZ-7A098-A	76422		Filter AOD (2WD) 1980-96
33232	E4TP-7F003-A	76424		Filter AOD (4WD) 1984-93
33229	F2VY-7A098-A	76426		Filter AODE 4R70W (2WD) 1992-95
33233	F6AZ-7A098-A	76420		Filter AODE 4R70W (4WD) 1994-Up
FILTER KIT				
33276		FK76422		Filter Kit AOD (2WD) 1980-93 (Cork & Rubber Pan Gasket)
33276A		FK76422		Filter Kit AOD (2WD) 1980-96 (Fiber Pan Gasket)
46044		FK76424		Filter Kit AOD (4WD) 1984-93 (Cork & Rubber Pan Gasket)
46043		FK76426		Filter Kit AODE 4R70W (2WD) 1992-95 (Cork & Rubber Pan Gasket)
46043A		FK76426		Filter Kit AODE 4R70W (2WD) 1992-95 (Fiber Pan Gasket)
46045		FK76420		Filter Kit AODE 4R70W (4WD) 1994-Up (Cork & Rubber Pan Gasket)
46045A		FK76420		Filter Kit AODE 4R70W (4WD) 1994-Up (Fiber Pan Gasket)
MISCELLANEOUS FILTERS				
46065095	E7AZ-E242-A	76423A		Screen Filter AOD Governor
46065096	F2VY-7H187-A			Screen Filter AODE 4R70W/E 4R75W/E Solenoid Feed (In Valve Body) 1992-Up
BANDS				
46090		76320		Band AOD Overdrive Drum (1.5in Wide) 1980-93
46091		76820R		Band AOD AODE 4R70W/E 4R75W/E Reverse 1980-Up (Relined)
46092	F2AZ-7F196A	76320A		Band AOD AODE 4R70W/E 4R75W/E Overdrive Front - Drum (2in Wide) 1990-Up
BUSHINGS				
33354		36002B		Bushing AOD AODE 4R70W/E 4R75W/E Pump [2.12 OD 0.760in Height] 1980-Up [Babbitt]
46031	E0AZ-7E214-A	76007		Bushing AOD AODE 4R70W/E 4R75W/E Turbine Shaft (0.89 OD) 1980-Up [Bronze]
46042	E0AZ-7D025-A	76005		Bushing AOD AODE Case Rear (Top Hat Replaces Case Bushing) 1980-Up
46033	E0AZ-7A132A	6022B		Bushing AOD AODE 4R70W/E 4R75W/E Center (Planet) Support [3.30 OD] 1980-Up [Babbitt]
46035	E0AZ-7A375-A	76012		Bushing AOD AODE 4R70W/E 4R75W/E Planet Brake Drum (Rear) (1.380 OD) 1980-Up [Bronze]
46040	E0AZ-7F217-A	76002		Bushing AOD AODE 4R70W/E 4R75W/E Reverse Clutch Drum (Front) 1980-Up [Bronze]
46037	E8AZ-7F218-A	76006		Bushing AOD AODE 4R70W/E 4R75W/E Reverse Clutch Drum (Rear) 1980-Up [Bronze]
46032	E0AZ-7B262-A	76003		Bushing AOD AODE 4R70W/E 4R75W/E Forward Sun Gear (1.31 OD) 1980-Up [Babbitt]
46036	E0AZ-7A193-A	76010		Bushing AOD AODE 4R70W/E 4R75W/E Reverse Sun Gear (Sun Shell) 1980-Up [Bronze]
46039		76000		Bushing AOD Stator (Rear) (1.27 OD) (1.14 ID) 1980-91 [Bronze]
46039A	F4AP-76000B	76000E		Bushing AODE 4R70W/E 4R75W/E Stator (Rear) (1.27 OD) (1.1 ID) 1994-Up [Bronze]
45630	C6AZ-7B261-C	36000A		Bushing AODE 4R70W/E 4R75W/E Stator (Front) (1.10 OD) 1980-Up [Bronze]
46030	F2VP-7B261A	36000B		Bushing AODE 4R70W/E 4R75W/E Stator (Front) (Later Design) 1994-Up [Bronze]
46034	E0AZ-7A233A	76011		Bushing AOD AODE 4R70W Direct Drum (0.90 OD) 1980-Up [Bronze]
46038	E0AZ-7A375A	76013		Bushing AOD AODE 4R70W/E 4R75W/E Planet Carrier Front 1980-Up [Bronze]
33356	B3TZ-7A034-A	6014		Bushing AOD AODE Extension Housing (1.63 OD) (1.500 ID) 1980-92 [Babbitt]
46041	F3LP-7A034AA	76014		Bushing 4R70W Extension Housing Large (1.73 OD) (1.61 ID) 1993-Up [Bronze]
46060				Bushing Kit AOD AODE (With Cast Iron Drums) 1980-Up (16 Bushings)
46130W				Bushing Kit 4R70W 1992-Up (16 Bushings)
WASHER & BEARINGS				
D76428	3L3Z-7F243-AA	76428		Bearing AOD AODE 4R70W Direct Drum to Direct Hub 1980-Up
D76411A	3L3Z-7A166-A	76411A		Bearing AODE Forward Clutch to Reverse Drum 1987-91 [OEM]
	F6AZ-7F242-BA			
D46430B	3L3Z-7F242-AA	76430B		Bearing AODE 4R70W Case (Rear) (.114in) 1994-Up [OEM]
D76425	E0AZ-7C096-A	76425		Bearing AOD AODE Forward Sun Gear [OEM]
46070B		K76906		Bearing Kit AOD AODE 1983-Up

SAP #	IL#	OE	INDUSTRY	DESCRIPTION
WASHER & BEARINGS -- continued				
46079		EOAZ-7A166A	76411	Washer AOD Forward Clutch (6 Tabs) 1980-84
46071		E0AZ-7D014-A	76409A	Washer AOD AODE 4R70W/E 4R75W/E Stator (0.052in THK) #1 (Green) 1980-Up
46072		E0AZ-7D014-B	76409B	Washer AOD AODE 4R70W/E 4R75W/E Stator (0.070in THK) #2 (Yellow) 1980-Up
46073		E0AZ-7D014-C	76409C	Washer AOD AODE 4R70W/E 4R75W/E Stator (0.087in THK) #3 (Brown) 1980-Up
46074		E0AZ-7D014-D	76409D	Washer AOD AODE 4R70W/E 4R75W/E Stator (0.104in THK) #4 (Red) 1980-Up
46077		E0AZ-7D014-E	76409E	Washer AOD AODE 4R70W/E 4R75W/E Stator (0.121in THK) #5 (Blue) 1980-Up
46070				Washer Kit AOD AODE 4R70W/E 4R75W/E 1980-Up (Contains 5 Pump Selective)
ELECTRICAL COMPONENTS				
D76986B		F8AZ-7G276-AA	76986B	Connector 4R70W Case (Hard Wire Track)
D76925		F8AZ-7G484-AB	76925	Solenoid 4R70W/E 4R75W/E Shift (Dual) 1998-Up
D76923		F6AZ-7G383-AA	76923	Solenoid AODE 4R70W EPC (Electronic Pressure Control) 1992-97
D76926A		XL3Z-7G383-AB	76926A	Solenoid AODE 4R70W EPC (Electronic Pressure Control) 1999-Up (5.4L Models) [OEM]
76926B		5C2Z-7G383-AB	76926B	Solenoid 4R75W/E EPC (Electronic Pressure Control) 2005-Up
D76919		F5AZ-7G484-A	76919	Solenoid AODE 4R70W Shift (Dual Pack) 1992-97 [OEM]
S-125		F8AZ-7G383AB	76926	Solenoid AODE EPC Hard Wire 1998-Up
D76921		F5AZ-7G136-A	76921	Solenoid AODE TCC Lock-up (10-15 OHM) 1995-Up
D76991		F5AZ-7A247-A	76991	Switch AODE MLPS (8 Pin) 1992-97
D76991B		F7LZ-7F293-AA	76991B	Switch 4R70W MPLS (Digital Sensor 11 Pin) 1997-03
HARD PARTS				
27676S			13924A	Check Ball AOD AODE 4R70W Valve Body (1/4in) 1980-Up [Steel]
27676P				Check Ball AOD AODE 4R70W Valve Body (1/4in) 1980-Up [Torton]
25451P		E7DZ-7E195-A		Check Ball AOD AODE Valve Body (5/16in) 1980-Up [Torton]
33774M		E0AZ-7D036-A	76885	Cover AOD AODE 4R70W/E 4R75W/E Reverse Servo 1980-Up
46088B		F4AZ-7F247-A	76839	Cover AODE 4R70W/E 4R75W/E 1-2 Accumulator (Bonded Rubber) 1994-Up
46098		EOAZ-7B070A	76406	Diaphragm Spring AOD Reverse Clutch 1980-91
D76877E		F8AZ-7D044-AA	76877E	Drum AOD AODE 4R70W Reverse Assembly 1993-Up [Stamped Steel]
46193		E9AZ-7D044A	76876A	Drum AODE 4R70W Reverse (4 Plate-Bearing Type) 1983-93 [Cast Iron]
46175310		3L3Z-7E005-AA	76855	Piston 4R70W/E 4R75W/E Intermediate 2004-Up
33771		E0AZ-7D189-A	76528A	Piston AOD AODE 4R70W/E 4R75W/E Reverse Servo (1 Groove) 1980-Up
33771M		E0AZ-7D189-A	76528A	Piston AOD AODE 4R70W/E 4R75W/E Reverse Servo (1 Groove) 1980-Up
33772M		E0AZ-7D189-B	76528B	Piston AOD AODE 4R70W/E 4R75W/E Reverse Servo (2 Groove) 1980-Up
33773M		E0AZ-7D189-C	76528C	Piston AOD AODE 4R70W/E 4R75W/E Reverse Servo (3 Groove) 1980-Up
46086E		7F5Z-7H188-AA	76832	Piston AODE Overdrive Servo (One Piece Design) 1992-Up
46087E			76832A	Piston AODE 4R70W Overdrive Servo (2 Piece Design With Steel Sleeve) 1993-Up
46075253		F7AZ-7F251-AA	76838A	Piston AODE 4R70W/E 4R75W/E 1-2 Accumulator 1994-Up [Rubber] [OEM]
46175348		F7AZ-7H292AB	76836A	Piston AODE 4R70W/E 4R75W/E 2-3 Accumulator 1994-Up [Viton]
46088A		F7AZ-7H292AB	76836A	Piston AODE 4R70W 2-3 Accumulator 1997-Up
D76307CA		F2TZ-7B066-A	76307CA	Pressure Plate AODE Reverse Clutch (Rear) Top Flat 1992-Up
46184		F3AZ-7D191A	76554A	Retainer AOD AODE Intermediate (Roller Clutch) 1980-Up
76624HA		5L3Z-7A019-AB	76870D	Shell 4R75W Sun Gear (Non-Magnetic) 2004-Up
46182E		F75Z-7F284-BA		Spring AOD AOD-E 4R70W 1-2 Accumulator (Brown) 1992-Up
46182B			76821B	Spring AOD AOD-E 4R70W 1-2 Accumulator (Light Blue) 1992-Up
46182C		F7AZ-7F284CA	76821A	Spring AODE 4R70W 4R75E 1-2 Accumulator (Top) (Dark Blue) 1992-Up
D76924A		F4UZ-7F284-A	76924A	Spring AODE 4R70W 4R75E 1-2 Accumulator (Bottom-Pan Side) (Pink) 1992-Up [OEM]
46182				Spring AOD AOD-E 4R70W 1-2 Accumulator (Violet) 1992-Up
46182D				Spring AOD AOD-E 4R70W 1-2 Accumulator (White) 1992-Up
46182A				Spring AOD AOD-E 4R70W 1-2 Accumulator Bottom (Purple) 1994-97
4845				Spring AODE 4R70W 1-2 Accumulator (Violet) 1992-94
46064030				Spring AODE 4R70W 2-1 Capacity Modulator 1992-Up
46064133				Spring AOD #2 (Purple)
46064132				Spring AOD #1
4797				Spring Kit AOD 1980-93
76204A			76204A	Stator Support AODE Pump 1992-Up
76872A		F3LY-7A399-A	76872A	Sun Gear 4R70W Forward Clutch (31 Teeth) 1993-Up
76870C		F4SZ-7A019-A	76870C	Sun Gear 4R70W Shell Assembly (38 Teeth) 1993-03

ATX



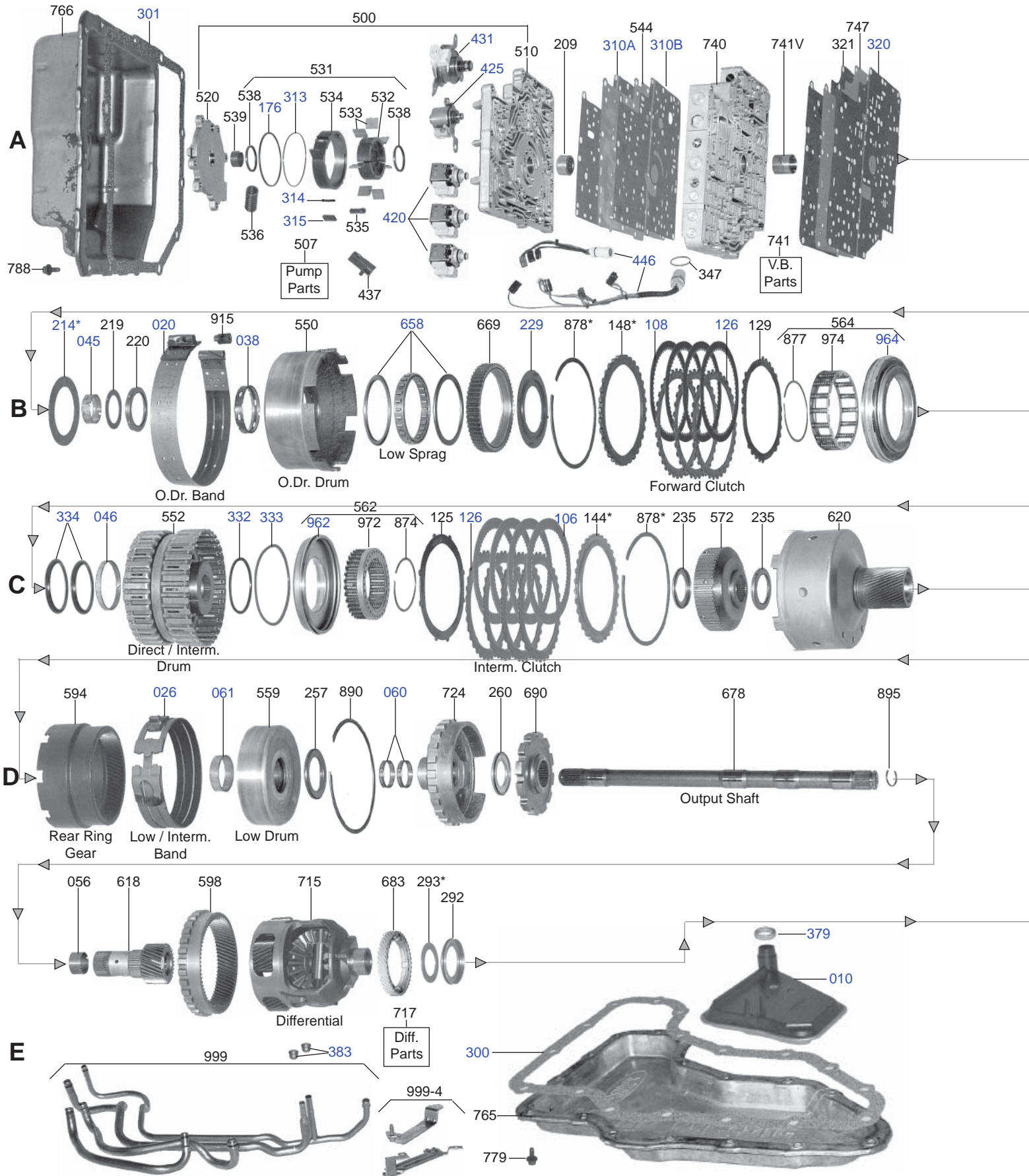


SAP #	IL#	OE	INDUSTRY	DESCRIPTION
OVERHAUL KIT				
T66002				Overhaul Kit ATX 1981-Up (Metal Rings)
B66002				Overhaul Kit ATX 1981-Up (Metal Rings)
T66002A				Overhaul Kit ATX 1981-Up (PTFE Rings)
MASTER W/STEEL KIT				
B66006				Master W/Steels Kit ATX 1981-91 (Metal Rings)
GASKET & RUBBER COMPONENTS				
31683		1259475	3292	Boot ATX Filler Tube 1983-Up
46209T		E1EZ-7A191-A	86500	Gasket ATX Bottom Pan 1981-Up [Cork & Rubber]
46209U		E1FZ-7A191-A	86500	Gasket ATX Bottom Pan 1981-Up [Ultracork]
46218		E1FZ-7A191-A	86500F	Gasket ATX Bottom Pan 1981-Up [Fiber]
46209AT		E1FZ-7F396-A	86501	Gasket ATX Control Cover (Valve Body) 1981-Up [Cork & Rubber]
46209AU		E1FZ-7F396-A	86501	Gasket ATX Control Cover (Valve Body) 1981-Up [Ultracork]
46218A		E1FZ-7F396-A	86501F	Gasket ATX Control Cover (Valve Body) 1981-Up [Fiber]
46297105		E5FZ-7G345-A		Gasket ATX Differential Retainer 1985-94
46297089		E1FZ-7A136-A		Gasket ATX Pump 1981-Up
46297091		E8FZ-7C155-A		Gasket ATX Valve Body (Lower) 1981-Up
46297090		E8FZ-7D100-A		Gasket ATX Valve Body (Upper) 1981-Up
1988025		E1FZ-7D024-A		Lathe Cut Seal ATX Low/Intermediate Servo (Large) 1981-Up
1989023		N801062-S		Lathe Cut Seal ATX Differential Retainer 1981-Up
1990065		E5FZ-7C099-A		Lip Seal ATX Direct Clutch (Inner) 1981-Up
1990064		E5FZ-7A548-A		Lip Seal ATX Direct Clutch (Outer)
1990061		E1FZ-7F225-A		Lip Seal ATX Intermediate Clutch (Inner) 1981-Up
1990062		E1FZ-7F224-A		Lip Seal ATX Intermediate Clutch (Outer) 1981-Up
1990068		E3FZ-7D025-A		Lip Seal ATX Low/Intermediate Servo (Small) (2.281 ID) 1983-84
1990115		E6FZ-7D025-A		Lip Seal ATX Low/Intermediate Servo (Small) (2.281 ID) 1986-Up
1990067		E4FZ-7D025-A		Lip Seal ATX Low/Intermediate Servo (Small) (2.309 ID) 1985-Up
1990069		E1FZ-7D025-A		Lip Seal ATX Low/Intermediate Servo (Small) 1981-82
1990114		E5FZ-7D025-A		Lip Seal ATX Low/Intermediate Servo (Small) 1985-Up
1990065		E1FZ-7D404-A		Lip Seal ATX Reverse Clutch (Inner) 1981-Up
1990066		E1FZ-7D403-A		Lip Seal ATX Reverse Clutch (Outer) 1981-Up
1994113		G264902		O-Ring ATX Filler Tube 1981-82
1995020		N800679-S		O-Ring ATX Idler Gear Shaft 1981-Up
1988026		E1FZ-7D026-A		O-Ring ATX Low/Intermediate Servo Cover
1989020		E1FZ-7A248-A		O-Ring ATX Pump 1981-Up
1995120		E0AZ-7F337-A		O-Ring ATX Speed-O Housing 1981-Up
1989022		N801011-S		Seal ATX Governor Cover 1981-Up
46206A		E1FZ-7E062-A	86543	Seal ATX Oil Filter Gasket 1981-Up
1989021		E1FZ-7A548-A		Seal ATX Reverse Clutch Housing (Outer) 1981-Up
METAL CLAD SEALS				
70025FM		E6FZ-7F401-A	86151	Seal ATX Converter Hub 1981-Up
33042		E6FZ-7F401-A	86151	Seal ATX Converter Hub 1981-Up
70026FM		E1FZ-1177-A	86152	Seal ATX Axle (Left & Right Side) 1981-Up
70007		E1FZ-7B498-A	86153	Seal ATX Manual Control 1981-Up
46212		E1FZ-7B498-A	86153	Seal ATX Manual Control 1981-Up
70006		E0AZ-7F337-A	76511	Seal ATX Throttle Lever 1981-Up
OIL SEALING RINGS				
TAW-988		E1FZ-7D019-A		Ring ATX Direct Clutch (1.572 OD) 1981-Up [Metal]
46260069		E1FZ-7D019-A		Ring ATX Direct Clutch (1.572 OD) 1981-Up [PTFE]
TAW-987		E1FZ-7D020-A		Ring ATX Intermediate Clutch (2.072 OD) 1981-Up [Metal]
30304		E1FZ-7D020-A	86210T	Ring ATX Intermediate Clutch (2.072 OD) 1981-Up [PTFE]
6014				Ring Kit ATX 1981-Up (5 Metal Rings)
6072				Ring Kit ATX 1981-Up (5 PTFE Rings)
FRICITION CLUTCH				
33541R		E1FZ-7B164-A	86304	Friction ATX Direct [5.05 OD 30 Teeth 0.076 THK] 1981-Up
33541T		E1FZ-7B164-A	86304	Friction ATX Direct [5.05 OD 30 Teeth 0.076 THK] 1981-Up
33540T		E1FZ-7B164-B	86504	Friction ATX Intermediate & Reverse [7.22 OD 40 Teeth 0.078 THK] 1981-91
46220R		F23Z-7B164-B	86504A	Friction ATX Intermediate & Reverse [7.22 OD 40 Teeth 0.079 THK] 1992-Up
46220T		F23Z-7B164-B	86504A	Friction ATX Intermediate & Reverse [7.22 OD 40 Teeth 0.078 THK] 1992-Up
46280R				Friction Module ATX 1981-91
46280				Friction Module ATX 1981-91
46280AR				Friction Module ATX 1992-Up
STEEL CLUTCH				
33542		E1FZ-7B442-A	86305	Steel ATX Direct [3.87 ID 16 Teeth 0.069 THK] 1981-Up
46221		F23Z-7B442-A	86405A	Steel ATX Intermediate [6.07 ID 36 Teeth 0.071 THK] 1992-Up
33543		E2FZ-7B442-A	86405	Steel ATX Intermediate [6.39 ID 11 Teeth 0.069 THK] 1981-91
33544		E1FZ-7B442-C	86505	Steel ATX Reverse [6.38 ID 11 Teeth 0.069 THK] 1981-Up
46223		F23Z-7B442-B	86505A	Steel ATX Reverse [6.14 ID 11 Teeth 0.069 THK] 1992-Up
46281				Steel Module ATX 1981-91
46281A				Steel Module ATX 1992-Up

SAP #	IL#	OE	INDUSTRY	DESCRIPTION
FILTER				
33234		E9FZ-7A098-A	86422	Filter ATX 1981-Up
FILTER KIT				
33284				Filter Kit ATX 1981-Up
33284A				Filter Kit ATX 1981-Up (Fiber Gasket)
BANDS				
46247BW		E9FZ-7D034A	86320A	Band ATX Low & Intermediate (Use With Short Strut) 1986-Up [OEM]
33777		E9FZ-7D034A	86320A	Band ATX Low & Intermediate (Use With Short Strut) 1986-Up
BUSHINGS				
46237		E1EP-7B259A	86000	Bushing ATX Front Pump Gear (1.48 OD) 1981-Up [Bronze]
46231		E1EP-7N817A	86002	Bushing ATX Stator Support (1.16 OD) 1981-Up [Bronze]
46232		E1EP-7F233-A	86005	Bushing ATX Direct Drum (Early) Thin 1981-84 [Bronze]
33373		E1EP-7F233-B	86005X	Bushing ATX Direct Drum (Late) Thick (1.28 OD) (1.13 ID) 1981-Up [Bronze]
46239		E1EP-7D065A	86006	Bushing ATX Planet Assembly (1.16 OD) (1.04 ID) 1981-Up [Bronze]
46236		E1EP-7F366-A	86010	Bushing ATX Transfer Housing 1981-Up [Bronze]
46235		E1EP-7F437-A	86011	Bushing ATX Converter Reaction Shaft 1981-Up [Bronze]
46231A		E1EP-7B261	86012	Bushing ATX Pump Cover (0.73 OD) (0.60 ID) 1981-Up [Bronze]
WASHERS & BEARINGS				
D56374A		E1FZ-7F374A		Bearing ATX Stator to Intermediate Drum 1981-Up [OEM]
HARD PARTS				
D86440B		F23Z-7A398A	86440B	Planet ATX Split Gear (31 Teeth) [OE]
MISCELLANEOUS COMPONENTS				
45293		D4AZ-7341-A	26710	Grommet ATX Linkage (5/16in ID)
45293A			26711	Grommet ATX Linkage (5/8in ID)

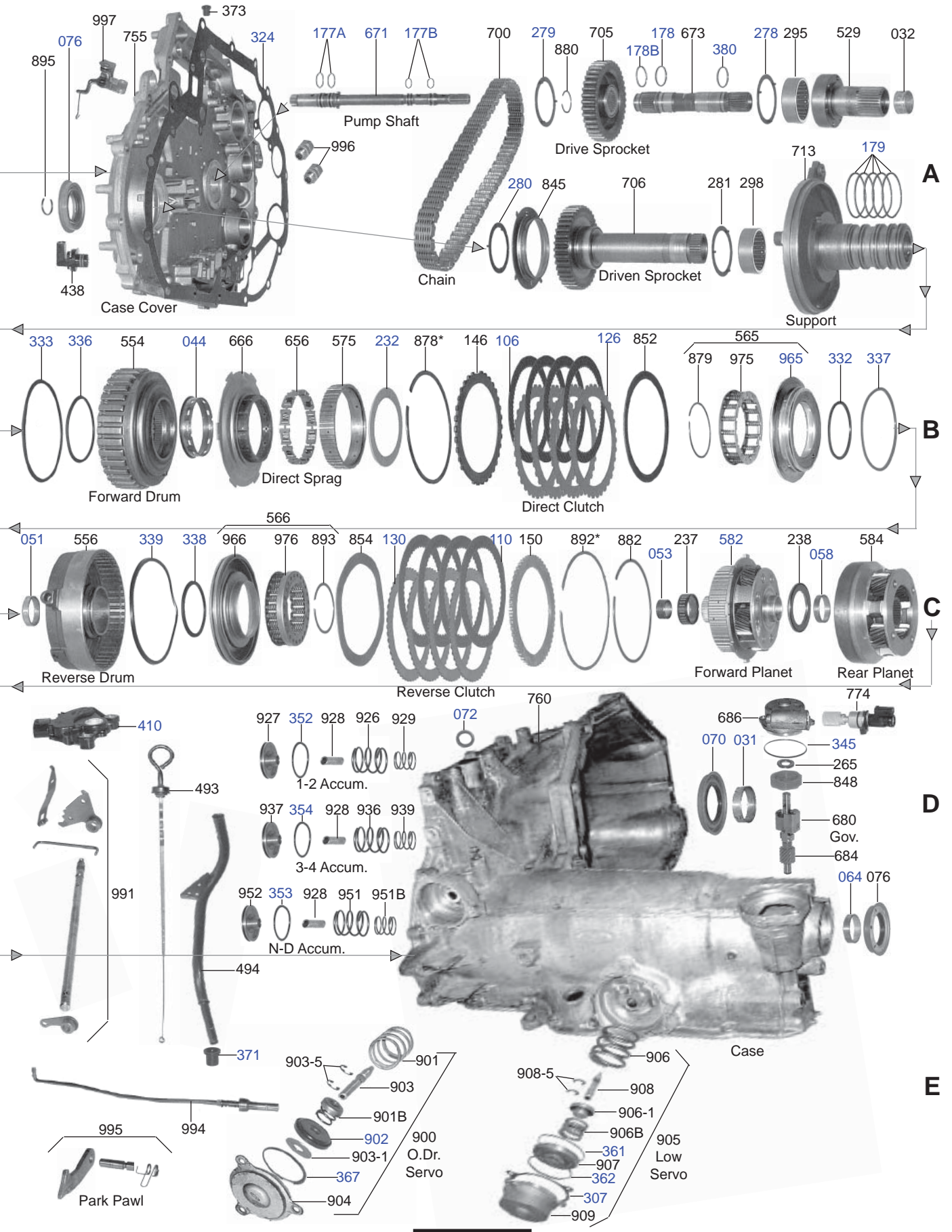
AXOD / AXODE / AX4S

FWD 4 Speed



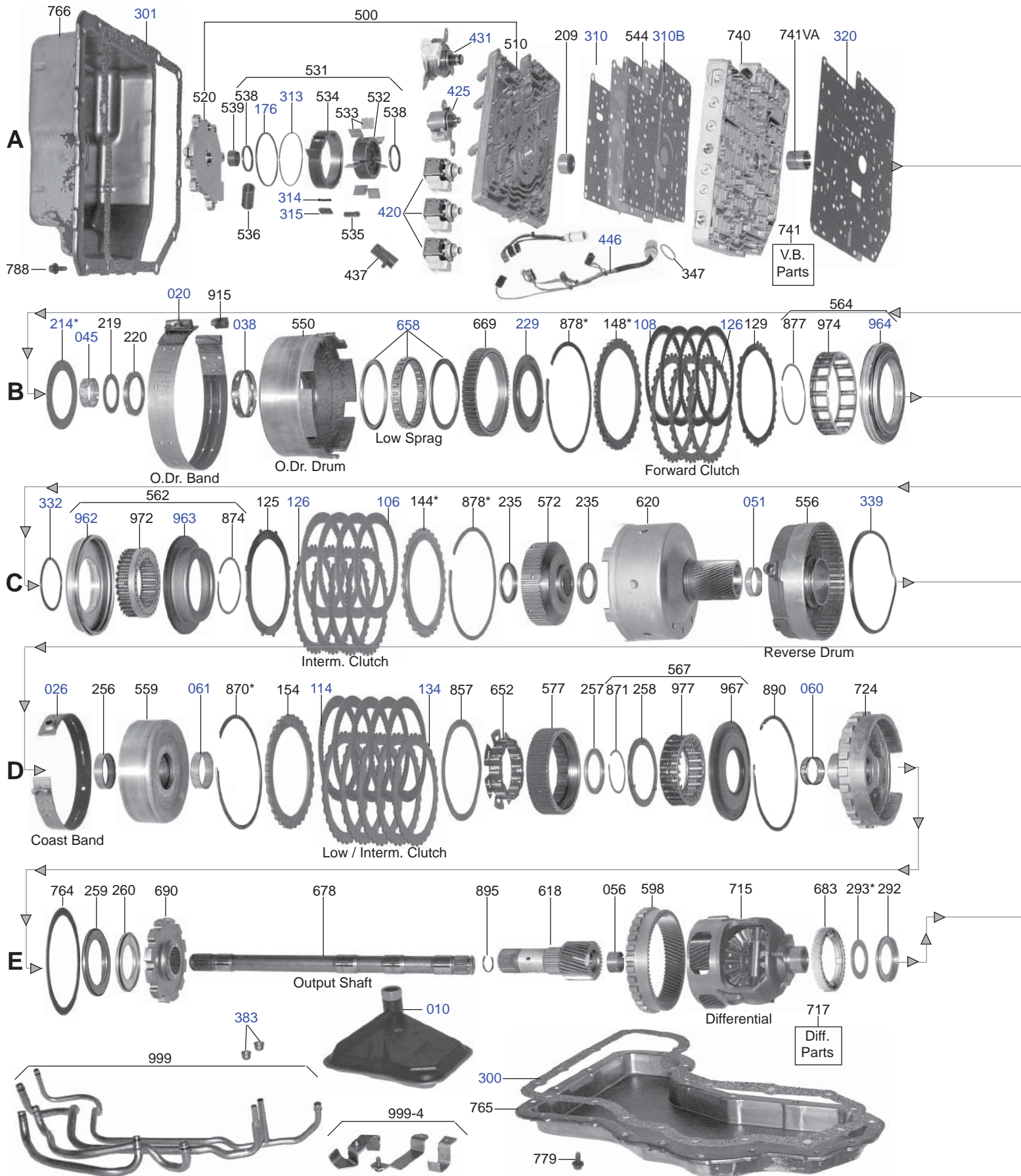
FWD 4 Speed

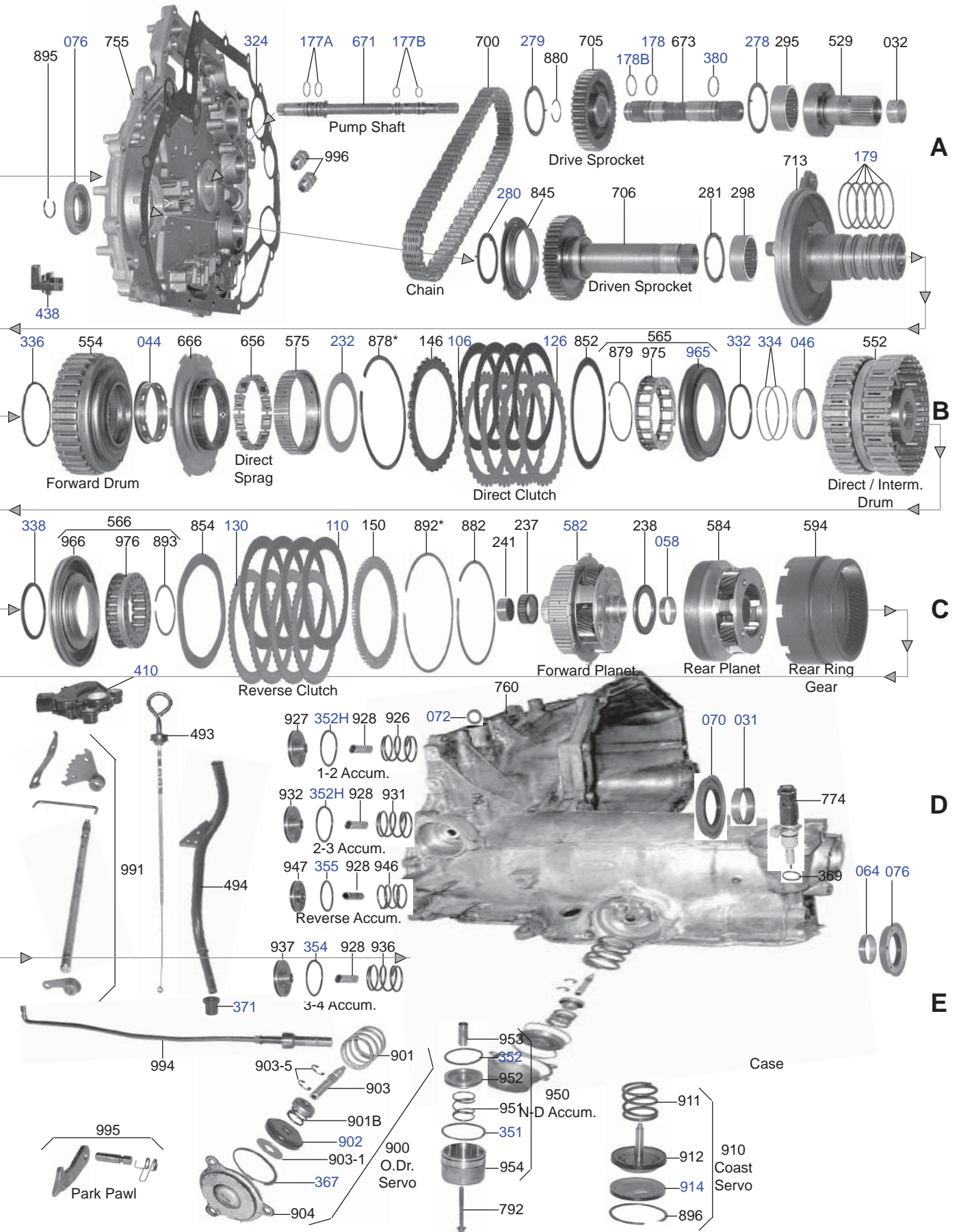
AXOD / AXODE / AX4S



AX4N / 4F50N

FWD 4 Speed





SAP #	IL#	OE	INDUSTRY	DESCRIPTION
PAPER & RUBBER KIT				
T86000				Paper & Rubber Kit AXOD 1986-90
T86000E				Paper & Rubber Kit AXODE/AX4S 1991-Up
OVERHAUL KIT				
B86002				Overhaul Kit AXOD 1986-90
T86002				Overhaul Kit AXOD 1986-90
B86002E				Overhaul Kit AXODE AX4S 1991-98
T86002E				Overhaul Kit AXODE AX4S 1991-98
TF86002E				Overhaul Kit AXODE AX4S 1991-98 (Fiber)
T86002EA				Overhaul Kit AXODE AX4S (Combo) 1991-Up
TF86002EA				Overhaul Kit AXODE AX4S (Combo) 1991-Up (Fiber)
T86002G				Overhaul Kit AX4S 1999-Up (Molded Rubber Pan Gasket)
T86002GX				Overhaul Kit AX4S 1999-Up (W/Out Pan and Side Cover Gaskets)
B86002H				Overhaul Kit AX4N 1995-99 (W/Out Bonded Pistons)
T86002H				Overhaul Kit AX4N 1995-99 (W/Out Bonded Pistons)
TF86002H				Overhaul Kit AX4N 1995-99 (W/Out Bonded Pistons) (Fiber)
TF86002HP				Overhaul Kit AX4N 1995-99 (With Bonded Pistons) (Fiber)
B86002HA				Overhaul Kit AX4N 4F50N 2000-03 (W/Out Bonded Pistons)
T86002HA				Overhaul Kit AX4N 4F50N 2000-03 (W/Out Bonded Pistons)
T86002HAP				Overhaul Kit AX4N 4F50N 2000-03 (With Bonded Pistons)
T86002HB				Overhaul Kit 4F50N 2004-Up (W/Out Bonded Pistons)
MASTER L/STEEL KIT				
B86004				Master L/Steels Kit AXOD 1986-90
B86004EA				Master L/Steels Kit AXODE AX4S 1991-98
T86004EA				Master L/Steels Kit AXODE AX4S 1991-98
T86004G				Master L/Steels Kit AX4S 1999-Up (Molded Rubber Pan Gasket)
B86004H				Master L/Steels Kit AX4N 1995-99 (W/Out Bonded Pistons)
T86004H				Master L/Steels Kit AX4N 1995-99 (W/Out Bonded Pistons)
B86004HA				Master L/Steels Kit AX4N 4F50N 2000-03 (W/Out Bonded Pistons)
T86004HA				Master L/Steels Kit AX4N 4F50N 2000-03 (W/Out Bonded Pistons)
T86004HAP				Master L/Steels Kit AX4N 4F50N 2000-03 (With Bonded Pistons)
T86004HB				Master L/Steels Kit 4F50N 2004-Up (W/Out Bonded Pistons)
MASTER W/STEEL KIT				
B86006				Master W/Steels Kit AXOD 1986-E89
B86006EA				Master W/Steels Kit AXODE AX4S 1991-98
T86006G				Master W/Steels Kit AX4S 1999-Up (Molded Rubber Pan Gasket)
B86006H				Master W/Steels Kit AX4N 1995-99 (W/Out Bonded Pistons)
T86006H				Master W/Steels Kit AX4N 1995-99 (W/Out Bonded Pistons)
TF86006H				Master W/Steels Kit AX4N 1995-99 (W/Out Bonded Pistons) (Fiber)
T86006HP				Master W/Steels Kit AX4N 1995-99 (With Bonded Pistons)
TF86006HP				Master W/Steels Kit AX4N 1995-99 (With Bonded Pistons) (Fiber)
T86006HA				Master W/Steels Kit AX4N 4F50N 2000-03 (W/Out Bonded Pistons)
T86006HAP				Master W/Steels Kit AX4N 4F50N 2000-03 (With Bonded Pistons)
T86006HB				Master W/Steels Kit 4F50N 2004-Up (W/Out Bonded Pistons)
SUPER KIT				
B86008				Super Kit AXOD 1986-90 [Includes Bushing Kit, Washer Kit, Band, Filter]
B86008EA				Super Kit AXODE AX4S (Except SHO) 1991-95 [Includes Bushing Kit, Washer Kit, Band, Filter]
T86008EA				Super Kit AXODE AX4S (Except SHO) 1991-95 [Includes Bushing Kit, Washer Kit, Band, Filter]
GASKET & RUBBER COMPONENTS				
42275004		E6DZ-7F429-A		Boot AXOD Detent Cable 1986-91
31683		6264902	3292	Boot AXOD AXODE AX4N Filler Tube 1986-Up
1984083		F3DZ-7F225-A		D-Ring AXODE AX4S AX4N Direct & Interm. Clutch (Inner) (AXODE With SHO) 1993-Up
46309T		E6DZ-7A191-A	96500	Gasket AXOD AXODE Bottom Pan 1986-96 [Cork & Rubber]
46309U		E6DZ-7A191-A	96500	Gasket AXOD AXODE Bottom Pan 1986-96 [Ultracork]
46317				Gasket AXOD AXODE Bottom Pan 1986-96 [Felpro™]
46318		E6DZ-7A191-A	96500F	Gasket AXOD AXODE Bottom Pan 1986-96 [Fiber]
46396682		F6DZ-7A191-A	96500C	Gasket AXODE AX4S Bottom Pan 1995-Up [Molded Rubber]
46309AT		F5DZ-7F396-A	96501A	Gasket AX4N Bottom Pan 1995-Up [Cork & Rubber]
46309AU		F5DZ-7A191-A	96500A	Gasket AX4N Bottom Pan 1995-Up [Ultracork]
46318A			96500AF	Gasket AX4N Bottom Pan 1995-Up [Fiber]
46396090		F6DZ-7A191-B	96500AB	Gasket AX4N Bottom Pan 1995-Up [Molded Rubber]
46309BT		E6DZ-7F396-A	96501	Gasket AXOD AXODE Side Cover 1986-96 [Cork & Rubber]
46318B		E6DZ-7F396-A	96501F	Gasket AXOD AXODE Side Cover 1986-96 [Fiber]
46396681		F6DZ-7F396-A	96501C	Gasket AXOD AXODE Side Cover 1986-Up [Molded Rubber]
46318C		F5DZ-7F396A	96501AF	Gasket AX4N Side Cover 1995-96 [Fiber]
46309CT		F5DZ-7F396A		Gasket AX4N Side Cover 1995-00 [Cork & Rubber]
46396201		F5DZ-7F396-A	96501B	Gasket AX4N Side Cover 1995-00 [Molded Rubber/Metal]
46396688		YF1Z-7F396-BA	96501D	Gasket AX4N Side Cover 2001-Up [Molded Rubber]
46397523			12857	Gasket AX4N Pump Separator Plate To Valve Body 1995-97
46397602		F6DZ-4A136-AA		Gasket AX4N Pump Separator Plate To Valve Body 1998-Up

SAP #	IL#	OE	INDUSTRY	DESCRIPTION
GASKET & RUBBER COMPONENTS -- continued				
46397521			12856	Gasket AX4N Pump To Separator Plate 1995-97
46397603	F8AZ-7G331-AA			Gasket AX4N Pump To Separator Plate 1998-Up
46397664			12957	Gasket AX4N Valve Body Separator Plate To Case Cover 1994-97 (Yellow Stripe)
46397665			12960	Gasket AX4N Valve Body Separator Plate To Case Cover 1998-02 (Orange Stripe)
46397663			12958	Gasket AX4N Valve Body To Separator Plate 1994-97 (White Stripe)
46397107	E6DZ-7G303-A	96556		Gasket AXOD AXODE Channel Plate to Case 1986-99
46397107A	YF1Z-7G303-AA	96556B		Gasket AXODE Channel Plate to Case 2000-Up
46397643	F5DZ-7G303-A	96556A		Gasket AX4N Channel Plate to Case 1995-99
46397643A	YF3Z-7G303-AA	96556C		Gasket AX4N Channel Plate to Case 2000-03
46397812	4F1Z-7G303-CA			Gasket AX4N Channel Plate to Case 2004-Up
46397121	E9OY-7A136-A			Gasket AXOD Pump Separator Plate To Valve Body (Blue Stripe) 1990
46397116	E6DZ-7A136-A			Gasket AXOD Pump Separator Plate To Valve Body (No Stripe) 1986
46397117	E7DZ-7A136-A			Gasket AXOD Pump Separator Plate To Valve Body (White Stripe) 1987
46397118	E8DZ-7A136-A			Gasket AXOD Pump Separator Plate To Valve Body (Yellow Stripe) 1988-89
46397109	E6DZ-7G331-A	96536		Gasket AXOD Pump To Separator Plate (No Stripe) 1986
46397119	E7DZ-7G331-A	96536A		Gasket AXOD Pump To Separator Plate (White Stripe) 1987
46397120	E8DZ-7G331-A	96536B		Gasket AXOD Pump To Separator Plate (Yellow Stripe) 1988-90
46397122	E9DZ-7G331-A	96536C		Gasket AXOD Pump To Separator Plate (Blue Stripe) 1990-91
46397232	F1DZ-7G331-A	96536D		Gasket AXODE Pump To Separator Plate (Green Stripe) 1991-93
46397113	E6DZ-7D100-A			Gasket AXOD Valve Body To Separator Plate (No Stripe) 1986
46397114	E7DZ-7D100-A			Gasket AXOD Valve Body To Separator Plate (White Stripe) 1987
46397115	E8DZ-7D100-A			Gasket AXOD Valve Body To Separator Plate (Yellow Stripe) 1988-90
46397305	F2DZ-7D026-A			Gasket AXOD AXODE AX4S Low Intermediate Servo 1986-Up
46397230	F1DZ-7A136-A			Gasket AXODE Pump Separator Plate To Valve Body 1991-93
46397229	F1DZ-7D100-A			Gasket AXODE Valve Body To Separator Plate 1991-93
46397678	XF2Z-7C155-AA	96529D		Gasket AX4S Valve Body (Yellow Stripe) 1999-Up
46397112	E8DZ-7C155A			Gasket AXOD Spacer Plate To Case Cover (Yellow Stripe) 1988
46309BU	E6DZ-7F396A			Gasket AXOD AXODE AX4S Control Cover (0.80in THK)
46397110	E6DZ-7C155A			Gasket AXOD Spacer Plate To Case Cover (No Stripe) 1986
46397666			12959	Gasket AX4N Separator Plate To Valve Body (Green Stripe) 1998-Up
46397677	XF2Z-7D100-AA	96531D		Gasket AX4S Valve Body To Separator Plate (Blue Stripe) 1999-Up
46397111	E7DZ-7C155A			Gasket AXOD Spacer Plate To Case Cover (White Stripe) 1987
46397231	F1DZ-7C155A			Gasket AXODE Control Valve Body (Orange Stripe) 1991-93
1987073	F5DZ-7G095-A			Lathe Cut Seal AX4N 1-2 3-4 & Neutral-Drive Accumulator Pistons 1995-Up
1987075	E6DZ-7G095-A			Lathe Cut Seal AXOD AXODE AX4S 1-2 Accumulator Piston 1986-96
1988035	E6DZ-7D024-A			Lathe Cut Seal AXOD AXODE AX4S Overdrive Servo Cover (Thick Wall) 1986-Up
1987072	E6DZ-7F248-A			Lathe Cut Seal AXOD AXODE AX4S AX4N 3-4 Accumulator Piston 1986-Up
1988051	E6DZ-7D024-B			Lathe Cut Seal AXOD AXODE AX4S AX4N Overdrive Servo Cover (Thin Wall) 1986-Up
1990106	F3DZ-7G240-A			Lip Seal AXOD AXODE Direct & Interm. Clutch (Inner) (Except AXODE With SHO) 1986-93
1990105	E6DZ-7A548-A			Lip Seal AXOD AXODE AX4S Direct Clutch (Outer) 1986-Up
1990103	E6DZ-7F224-A			Lip Seal AXOD AXODE AX4S Intermediate & Forward Clutch (Outer) 1986-Up
1990104	F3DZ-7A548-B			Lip Seal AXOD AXODE AX4S AX4N Forward Clutch (Inner) 1986-Up
1990183	E6DZ-7D403-A			Lip Seal AXOD AXODE AX4S AX4N Reverse Clutch (Outer) 1986-Up
1994014	F1DZ-7Z144-B			O-Ring AX4N EPC Solenoid (Inner) 1995-Up
1994013	F1DZ-7Z144-A			O-Ring AX4N EPC Solenoid (Outer) 1995-Up
1988074	F5DZ-7H277-A			O-Ring AX4N Neutral-Drive Accumulator Cover 1995-Up
1994123	F5DZ-7H274-A			O-Ring AX4N Reverse Accumulator Piston 1995-Up
1993021	F0TZ-6749-B			O-Ring AXOD AXODE AX4S AX4N Turbine Shaft (For 25 Spline Shaft) L1993-Shaft
1995037	803201-S			O-Ring AXOD Governor Cover 1986-90
1993119	E6DZ-7A469-A			O-Ring AXOD Oil Filter 1986-E88
1993020	87022-S96			O-Ring AXOD AXODE Turbine Shaft (For 23 Spline Shaft) 1986-E93
1994511	E6DZ-7D040-A			O-Ring AXOD AXODE AX4S Low Intermediate Servo Cover 1986-Up
1994233	E6DZ-7D025-A			O-Ring AXOD AXODE AX4S Low Intermediate Servo Piston 1986-Up
1994132	E6DZ-7G275-A			O-Ring AXOD AXODE AX4S N-D Accumulator Piston 1986-96
1993039	E6DZ-7G102-A			O-Ring AXOD AXODE AX4S AX4N Direct & Intermediate Clutch Hub
1994041	E6DZ-7G282-A			O-Ring AXOD AXODE AX4S AX4N Oil Pump Slide 1986-Up
1994016	F1DZ-7Z484-A			O-Ring AXOD AXODE AX4S AX4N TCC & Shift Solenoids (Outer) 1986-Up
1994010	F1DZ-7Z484-B			O-Ring AXODE AX4S AX4N TCC & Shift Solenoids (Inner) 1991-Up
1993017	21002488			O-Ring AX4N Output Shaft Hub 1991-Up
1994611	90301-23194			O-Ring AX4N Accumulator Piston & Speedometer
1993532	0585-141039			O-Ring Regulator Plug (17mm X 1.5mm) 1990-Up
1995106				O-Ring AX4N Speedometer Inner 1995-Up
46375129	F5DZ-7G085-A			Seal AX4N Rear Lube Tube & Differential Support Lube Tube 1995-Up
40075063	E6DZ-7G085-A	65167		Seal AXOD AXODE Rear Lube Tube To Case (0.405 Long) 1st Design 1986-E93
42275006	8631877			Seal AXOD AXODE AX4S AX4N Pump Slide (PTFE) 1986-Up
42275003	8631283			Seal AXOD AXODE AX4S AX4N Pump Slide (Rubber) 1986-Up
46375188	F8DZ-7G085-AA			Seal AXODE AX4S Rear Lube Tube To Case (.357 Long) 2nd Design L93-Up
46375129	F3DZ-7G085-A			Seal AXODE AX4S Rear Lube Tube To Differential Support (3rd Design) 1992-Up
46375168	E6DZ-7G085A			Seal AXOD Rear Lube 1986-92
8068ES				Seal Up Kit AXODE AX4S 1991-98
8204ES				Seal Up (External) Kit AX4N 1995-99

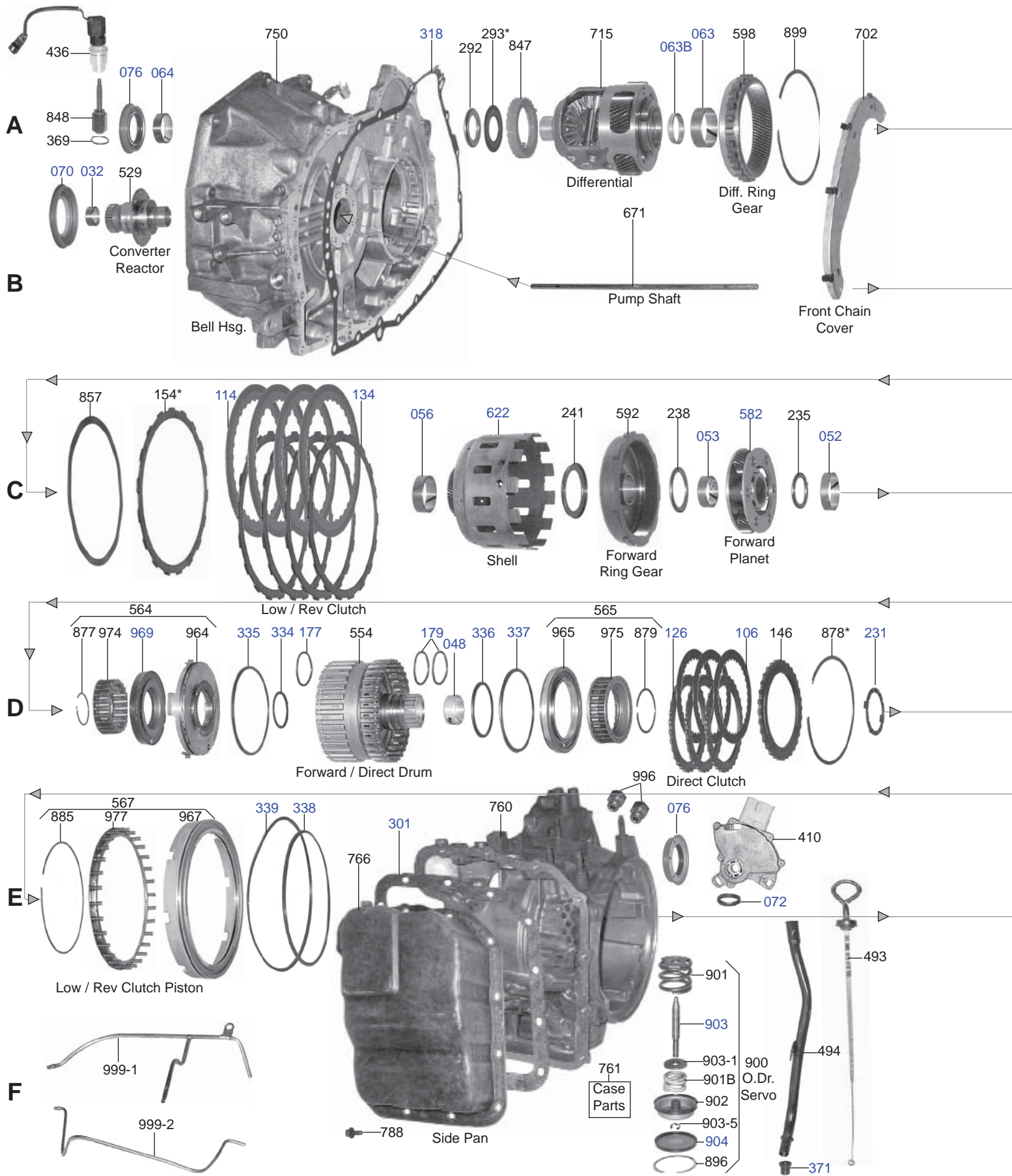
SAP #	IL#	OE	INDUSTRY	DESCRIPTION
METAL CLAD SEALS				
70023FM		E6SP-7F401-A	96151	Seal AXOD AXODE AX4S AX4N Converter Hub 1986-Up [Viton]
70023		E6SP-7F401-A	96151	Seal AXOD AXODE AX4S AX4N Converter Hub 1986-Up [Viton]
70024FM		E6DZ-1177-A	96152	Seal AXOD AXODE AX4S AX4N Axle (Left & Right) 1986-Up
70024		E6DZ-1177-A	96152	Seal AXOD AXODE AX4S AX4N Axle (Left & Right) 1986-Up
70010		E6DZ-7F337-A	96154	Seal AXOD AXODE AX4S AX4N Manual Control Lever 1986-Up
70082		E6SP-7N089-A	96155	Seal AXOD AXODE AX4S AX4N Pump Shaft 1986-Up
OIL SEALING RINGS				
30240		E6SP-7G174-AA		Ring AXOD Governor (0.529 OD) 1986-90 [PTFE]
30239		E8DZ-7D019-A	96306T	Ring AXOD AXODE AX4S AX4N Forward Direct (2.466OD) 1986-Up [PTFE]
30237		E6DZ-7G092-A	96300T	Ring AXOD AXODE AX4S AX4N Pump Shaft (Front) (0.693 OD) 1986-Up [PTFE]
46360076		E6DZ-7G093-A		Ring AXOD AXODE AX4S AX4N Pump Shaft (Rear) (0.833 OD) 1986-Up [PTFE]
TAW-1553		E6DZ-7G281-A		Ring AXOD AXODE AX4S AX4N Pump Slide (3.079 OD) 1986-Up [Metal]
46360074				Ring AXOD AXODE AX4S AX4N Turbine Shaft (Front) (1.033 OD) 1986-Up [PTFE]
TAW-1555		E6SP-7G287	96302	Ring AXOD AXODE Pump Vane 1986-Up
TAW-1942		F2DZ-7G090-A		Ring AXOD AXODE AX4S AX4N Turbine Shaft (Rear) (1.008 OD) 1986-Up [Metal]
46360334				Ring AX4S Torque Converter 2000-Up [PTFE]
6151				Ring Kit AX4N 1994-Up (1 Metal 10 PTFE)
6197				Ring Kit AXOD 1986-Up (2 Metal 11 PTFE)
6017				Ring Kit AXOD AXODE AX4S AX4N (1 Metal 11 PTFE Rings) 1986-Up
FRICITION CLUTCH				
46324R		E6DZ-7B164-B	96103	Friction AXOD AXODE Forward [5.75 OD 52 Teeth 0.065 THK] 1986-E91
46324T		E6DZ-7B164-B	96103	Friction AXOD AXODE Forward [5.75 OD 52 Teeth 0.065 THK] 1986-E91
46326T		F2DZ-7B146-A	96103A	Friction AXODE AX4S AX4N Forward [5.75 OD 57 Teeth 0.065 THK] L1991-Up
46320R		E6DZ-7B164-A	96105	Friction AXOD AXODE AX4S Direct & Intermediate [5.75 OD 0.065 THK] 1986-94
46320T		E6DZ-7B164-A	96105	Friction AXOD AXODE AX4S Direct & Intermediate [5.75 OD 0.065 THK] 1986-94
46320AT		F5DZ-7B164A		Friction AX4N Direct & Intermediate [5.75 OD 63 Teeth] 1995-Up
46322T		E6DZ-7B164-C	96109	Friction AXOD AXODE AX4S AX4N Reverse [5.75 OD 63 Teeth 0.069 THK] 1986-Up
46380R				Friction Module AXOD AXODE 1986-E91
46380				Friction Module AXOD AXODE 1986-E91
46380AR				Friction Module AXODE AX4S L1991-Up
46380A				Friction Module AXODE AX4S L1991-Up
46380BR				Friction Module AX4N 4F50N 1995-Up
46380BT				Friction Module AX4N 4F50N 1995-Up
STEEL CLUTCH				
46321		E6DZ-7B442-A	96100	Steel AXOD AXODE AX4N Forward & Direct [4.71 ID 0.070 THK] 1986-E91 (AX4N 1995 only)
46327		F2DZ-7B442-A	96100A	Steel AXODE AX4S AX4N Forward [4.94 ID 0.069 THK] L1991-Up
46329		F5DZ-7B442-A	96106	Steel AX4N Low/Intermediate [4.75 ID 32 Teeth 0.070 THK] 1995-Up
46325		E6DZ-7B442-B	96104	Steel AXOD Intermediate [4.72 ID 34 Teeth 0.090 THK] 1986-88
46321K		F50Z-7B442-CC	96100K	Steel AX4N Intermediate [4.70 ID 34 Teeth 0.070 THK] 1996-Up (Kolene Coated)
46323		E6DZ-7B442-C	96101	Steel AXOD AXODE AX4S AX4N Reverse [4.82 ID 54 Teeth 0.070 THK] 1986-Up
46381B				Steel Module AX4N 1995-Up
46381				Steel Module AXOD 1986-E89
46381A				Steel Module AXODE/AX4S 1992-Up
FILTER				
46341		E6DZ-7A098-A	96710	Filter AXOD AXODE (With Small Orange Grommet) 1986-95
46341A		F3DP-7G186-AB	96712	Filter AX4S 1993-Up - AX4N 1995-96 (With Large Orange Grommet)
46341B		F6DZ-7A098-A	96710A	Filter AX4S AX4N 1996-Up (With Green Grommet)
FILTER KIT				
46344			FK96710	Filter Kit AXOD AXODE (With Small Orange Grommet) 1986-95 (Cork & Rubber Pan Gasket)
46344A			FK96710	Filter Kit AXOD AXODE (With Small Orange Grommet) 1986-95 (Fiber Pan Gasket)
46358			FK96710A	Filter Kit AX4N 1997-Up (With Green Lip Seal) (Cork & Rubber Pan Gasket)
46358A			FK96710A	Filter Kit AX4N 1997-Up (With Green Lip Seal) (Fiber Pan Gasket)
46346				Filter Kit AXODE AX4S (With Large Orange Grommet) 1986-95 (Cork & Rubber Pan Gasket)
46346A				Filter Kit AXODE AX4S (With Large Orange Grommet) 1986-95 (Fiber Pan Gasket Gasket)
46357			FK96712	Filter Kit AX4N (With Large Orange Grommet) 1996-Up (Cork & Rubber Pan Gasket)
46357A			FK96712	Filter Kit AX4N (With Large Orange Grommet) 1996-Up (Fiber Pan Gasket)
MISCELLANEOUS FILTERS				
46341C		E6DZ-7G308-A	96711	Screen AXOD/AXODE By-Pass Solenoid 1986-Up
BANDS				
46349		E6DZ-7D034-A	96701	Band AXOD AXODE Low & Intermediate 1986-95
46348		E6DZ-7F196-A	96700	Band AXOD AXODE AX4N Overdrive 1986-Up

SAP #	IL#	OE	INDUSTRY	DESCRIPTION
BUSHINGS				
46333		E6SP-7G220-AA	96003	Bushing AXOD AXODE Front Planet Carrier 1986-Up [Bronze]
46336		E6SP-7A132-AA	96005	Bushing AXOD Rear Planet Support (Narrow) 1986-87
46337		E8SP-7A132-AA	96005A	Bushing AXOD AXODE Rear Planet Support (Wide) 1988-Up [Bronze]
46334		E6SP-76065A	96004	Bushing AXOD AXODE Rear Sun Gear Drum (1.974 OD) 1986-91
46334A		F3DP-7G065-BA	96004A	Bushing AXODE AX4N Rear Sun Gear Drum (2.0 OD) 1993-Up [Bronze]
46335		E6SP-7F209-AA	96009	Bushing AXOD AXODE Sun Gear Shell (Front) (1.582 OD) 1986-E93
46335A		F3DP-7F209AA	96009A	Bushing AXODE AX4N Sun Gear Shell (Front) (1.61 OD) 1993-Up [Bronze]
46332		E6SP-7N805-AA	96001	Bushing AXOD AXODE AX4N Converter Hub 1986-Up
40036		8631903	75003	Bushing AXOD AXODE AX4N Converter Reactor 1986-Up
46331		E6SP-7G123-AA	96010	Bushing AXOD AXODE AX4N Direct Intermediate Clutch Drum 1986-Up [Bronze]
46339		E6SP-7G170-AA	96008	Bushing AXOD AXODE AX4N Driven Sprocket Support 1986-Up
46350		E6SP-7G344-AA	96006	Bushing AXOD AXODE AX4N Final Drive Sun Gear 1986-Up
46353		E8DP-7G210-AA	96011	Bushing AXOD AXODE AX4N Overdrive Drum 1986-Up [Bronze]
46353A		E8DP-7G210-AA	96011	Bushing AXOD AXODE AX4S Overdrive Drum 1986-Up [Babbit]
46352		E6SP-7E110-AA	96012	Bushing AXOD AXODE AX4N Rear Case 1986-Up
46338		E6SP-7B375-AA	96014	Bushing AXOD AXODE AX4N Rear Planet 1986-Up
46338B			96014A	Bushing AXOD AXODE AX4N Rear Planet (Wide) (1.97 OD) 1986-Up
46351		E6SP-7D138-AC	96007	Bushing AXOD AXODE Direct Overrun Drum (With 12 Slotted Holes) (1/2in Wide) 1986-Up
46351A		F3SP-7G138-AA	96007A	Bushing AX4N Direct Overrun Drum (With 12 Slotted Holes) (5/8in Wide) 1995-Up
46330A				Bushing Kit AX4N 1995-Up (13 Bushings)
46330				Bushing Kit AXOD AXODE 1986-Up (18 Bushings)
WASHER & BEARINGS				
D36240		3C3Z-7F240-A		
		E6DZ-7F240-A	96428	Bearing AXODE AX4N Direct Clutch Hub 1986-Up [OEM]
D96096A		E6DZ-7C096-A	96425	Bearing AXOD AXODE AX4S AX4N Intermediate Clutch Hub 1986-Up
46374B		F5DZ-7G099-A	96401A	Washer AX4N Drive Sprocket (Both Sides) (3 Tab) 1995-Up [OEM]
D96401A		F5DZ-7G099-A		Washer Thrust AXODE AX4N Drive Sprocket - 3 Round Tabs [0.050in THK] 1996-Up [OEM] [Plastic]
46371B		F4DZ-7H270-AA	96439	Washer AXODE AX4N Intermediate Clutch Retainer 1991-Up
46374			96400	Washer AX4ODE AX4N Driven Sprocket To Case Cover (Black Plastic 3 Square Tabs) 1995-Up
46376		E6DZ-7G099-A	96401	Washer AXOD AXODE Drive Sprocket To Case Cover 1986-Up
46375		E6DZ-7G096-A	96402	Washer AXOD AXODE Driven Sprocket To Case Cover (Metal 3 Flat Tabs) 1986-Up
46372		E6DZ-7F369-A	96427	Washer AXOD AXODE AX4N Direct Intermediate Drum To Direct Sprag 2 Tabs 1986-Up
46368			96437	Washer AXOD AXODE AX4N Driven Sprocket Support To Overdrive
46373		E6DZ-7A166-A	96426	Washer AXOD AXODE AX4N Forward Drum To Low Sprag (With 4 Flat Tabs) 1986-Up
46372B		F5DZ-7G096-A	96402A	Washer AXODE Driven Sprocket To Case Cover (Plastic 3 Flat Tabs) 1995-Up
46371				Washer Kit AXOD AXODE 1986-94 (6 Plastic & 1 Metal)
46371C			K96906A	Washer Kit AXODE 1995-Up (7 Plastic)
ELECTRICAL COMPONENTS				
D96959		F1DZ-7M101-A	96959	Sensor AXODE Turbine Speed Sensor 1991-Up [OEM]
D96959A		F5DZ-7M101-A	96959A	Sensor AX4N Turbine Speed Sensor 1995-00 [OEM]
D96958C		E9LZ-9E731-A	96951A	Sensor AXODE AX4S Sensor (VSS-Digital Dash) 1993-E99 [OEM]
D96957		F5DZ-7F293-BA	96957	Sensor AXODE AX4N MLPS (8 Pin) (Neutral Safety) 1993-97 [OEM]
D96957A		F6DZ-7F293-A	96957A	Sensor AXODE MLPS (11 Pin Analog) (Covers some AX4N) 1996-99 [OEM]
D96957B		F8DZ-7F293-AD	96957B	Sensor AXODE AX4N MLPS (10 Pin Digital) TRS 1998-Up [OEM]
D96956		F1DZ-7H141-A	96956	Sensor AXODE AX4N Transmission Oil Temperature (TOT) 1991-Up [OEM]
DK96964B		F2DZ-7A247-AA	K96964B	Sensor Kit AXODE AX4S Service (Includes Connector Assembly) 1991-97 [OEM]
96209				Spool & Plug Kit AXOD/E Pressure Regulator
D96955		F8DZ-7G383-BB	96955	Solenoid AXODE EPC 1991-Up [OEM]
D96953		F1DZ-7G484-A	96953	Solenoid AXODE AX4N Shift (1-2 2-3 3-4) 1991-Up
D96950		E6DZ-7G136-A	96950	Solenoid AXOD TCC Converter Clutch Lockup 1986-90 [OEM]
S-132		F1DZ-7G136-A	96951	Solenoid AXODE AX4S TCC On/Off
D96954		F7OZ-7G136-AA	96954	Solenoid AX4N Lock-Up (Blue) 97-Up [OEM]
D96952		F3DZ-7G136-A	96952	Solenoid AXODE Modulator Lock-Up Round (White Connector) 1991-Up [OEM]
46347B		F1OZ-7G136-A	96952	Solenoid AXODE Modulator Lock-Up Round (White Connector) 1991-Up
D96966C		3F1Z-7G276-BB	96966C	Wire Harness AXODE 1993-Up
D96967		4F1Z-7G276-A	96967	Wire Harness AX4N Internal With Top Connect 1995-03 [OEM]
HARD PARTS				
33176		E6DZ-7G249A	96820 HV-021	Chain AXOD Drive (43 Links - 1 Cooper) (0.375 x 0.75 x 86) 1985-Up
33175		E8DZ-7G249A	96820A HV-029	Chain AXOD Drive (43 Links - 1 Green) (0.375 x 0.875 x 86) 1986-88
46395B		F5DZ-7H284-A	96864	Cover AX4N Coast Servo (Bonded) 1995-Up
RK96822		F5DZ-7F465-A	96822	Differential Assembly AXOD AXODE Planet Carrier (35 Spline Axle) 1986-Up
96946E			96946E	Extend Pin AXOD AXODE Low & Intermediate Servo (1 Groove) 1986-Up
46391B		F5DZ-7H290-A	96841	Piston AX4N Low / Intermediate Clutch (Bonded) 1995-04
46392B		F4DP-7F254-B	96940A	Piston AX4N Direct Clutch With Check Valve 1995-Up (Covers AX4S <i>Windstar</i> 1996-97) [OEM]
		4F1Z-7E005-AA		
46390B		F88Z-7E005-AA	96837A	Piston AX4N Intermediate Clutch 1995-Up (Covers AX4S <i>Windstar</i> 1996-97)

SAP #	IL#	OE	INDUSTRY	DESCRIPTION
HARD PARTS -- continued				
46396C		F88Z-7A262-AA	96941C	Piston AX4S AX4N Forward Clutch 1998-Up [OEM]
46396E		F88Z-7A262-AA	96941C	Piston AX4S AX4N Forward Clutch 1998-Up
46396B		F5DZ-7A262-AB F8DZ-7A262-AB	96941A	Piston AX4N Forward Clutch 1994-97 (Covers AX4S <i>Windstar 1996-97</i>) [OEM]
46396D		F8DZ-7A262-AB	96941A	Piston AX4N Forward Clutch 1994-97 (Covers AX4S <i>Windstar 1996-97</i>)
46392M		F3DZ-7F200-A		Piston AXOD AXODE AX4S AX4N Overdrive Servo 1986-97
46393B		F4DZ-7H185-A	96837D	Piston Housing AX4N Intermediate Clutch Return 1995-Up (AX4S 1996-Up 3.8L <i>Windstar</i>)
46388B				Piston Kit AX4N 1994-98 (5 Pistons)
4850				Piston Kit AX4S AX4N 1999-Up (5 Pistons)
96731		F5DZ-7D006-BA	96731	Planet AXOD AXODE Rear (30 Teeth) 1986-E00
96747A		F5DZ-7A398-BA	96747A	Planet AXOD AXODE Front 1993-Up
96731A		F7DZ-7D006-AA	96731A	Planet AX4N Rear 1995-Up
K96731A			K96731A	Planet Kit AX4S Gear Train (Includes Front & Rear Planet With 36 Lug Sunshell) 1993-00
K96731B				Planet Kit AX4N Gear Train (Front & Rear Planet With Lug Sunshell) 1995-97
96839B		F5DZ-7D064-A	96839B	Shell AX4N Sun Gear (36 Lug) 1993-Up
46364042				Spring AXOD Capacity Modulator 1-2 1986-Up
46364017				Spring AXODE AX4S 1-2 Capacity
46364018				Spring AX4N 2-3 Capacity
96832		1F1Z-7B0006-BA	96832	Sun Gear AXOD AXODE Final Drive (30 Teeth) 1986-00
PUMP COMPONENTS				
D96928		E6DZ-7R194-AA		Pump Slide AXOD AXODE AX4S 88-Up

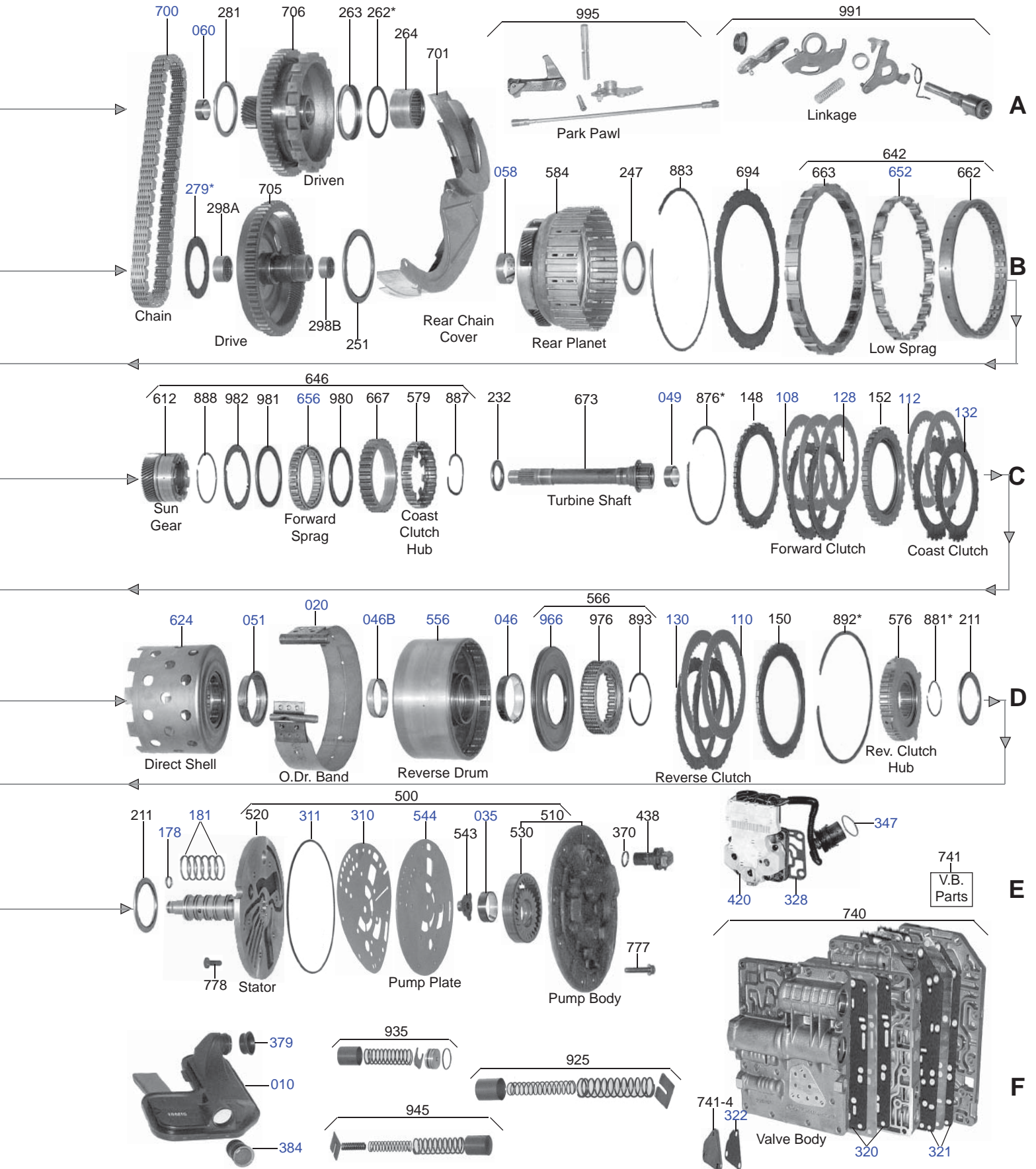
CD4E

FWD 4 Speed



FWD 4 Speed

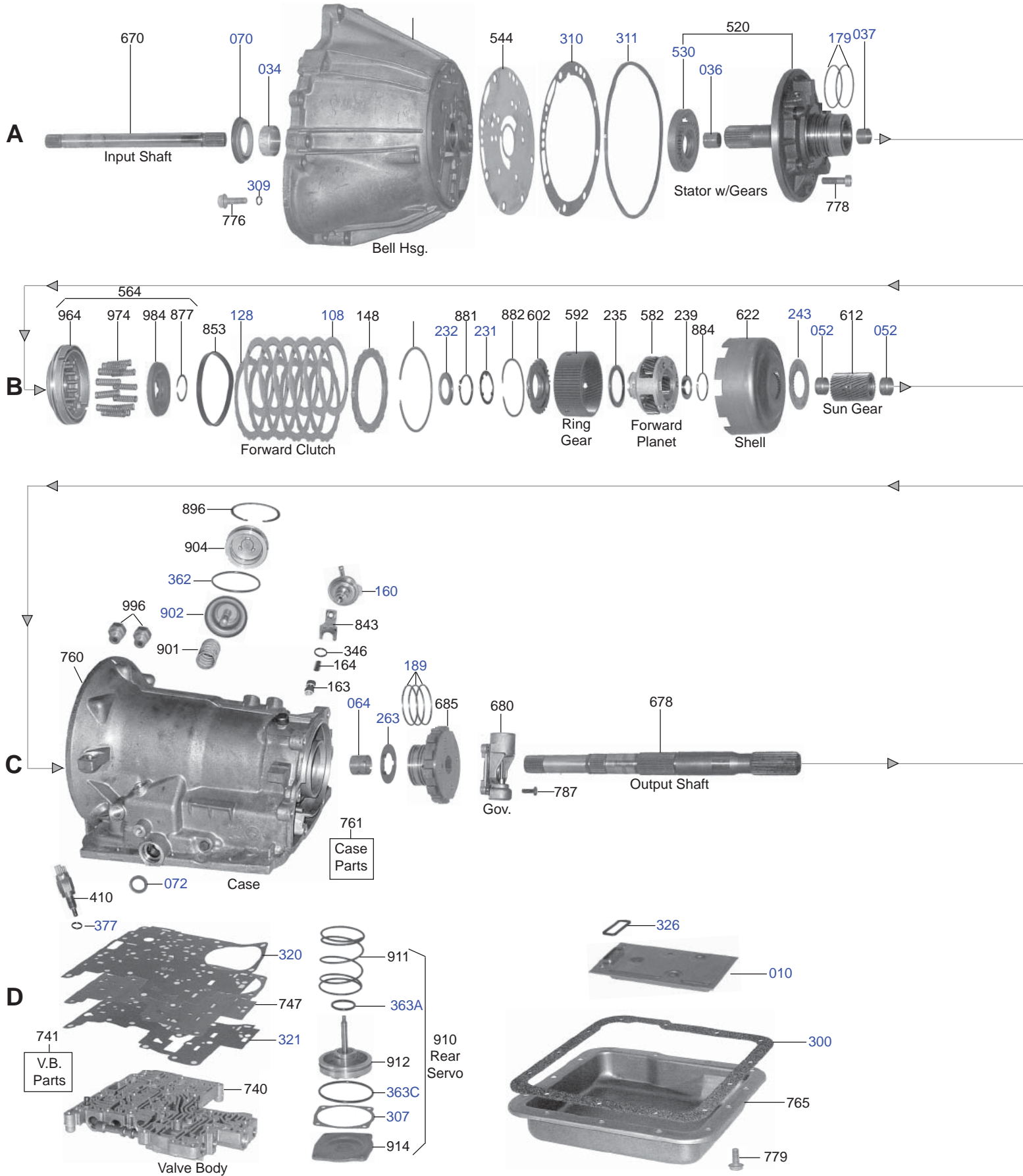
CD4E

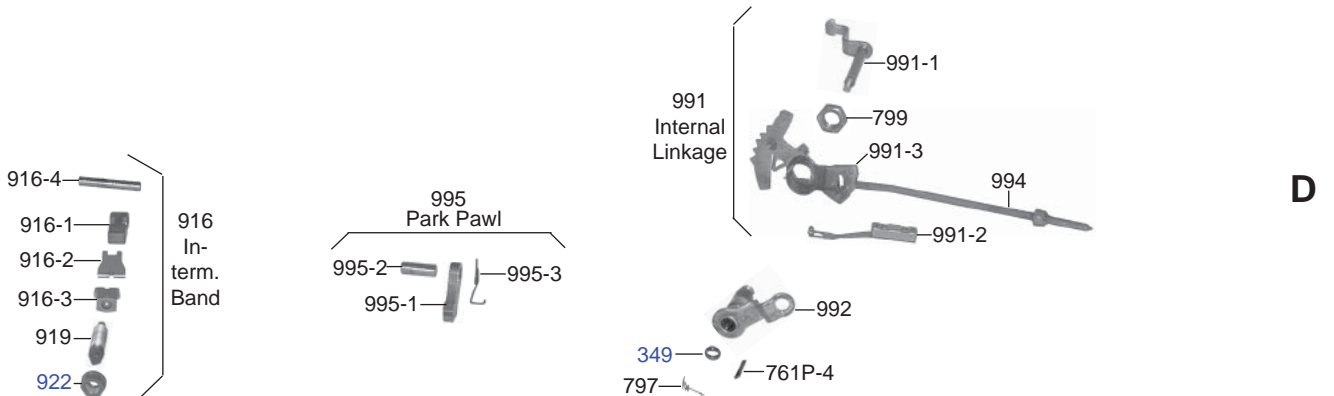
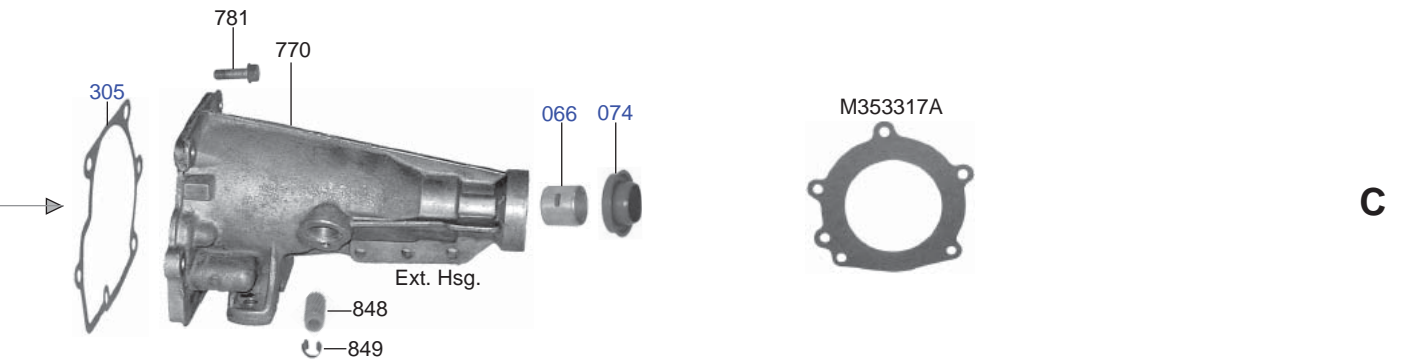
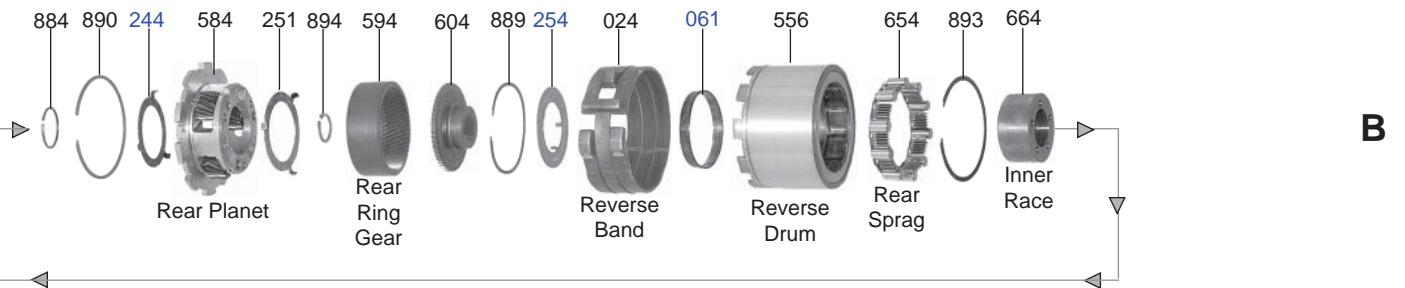
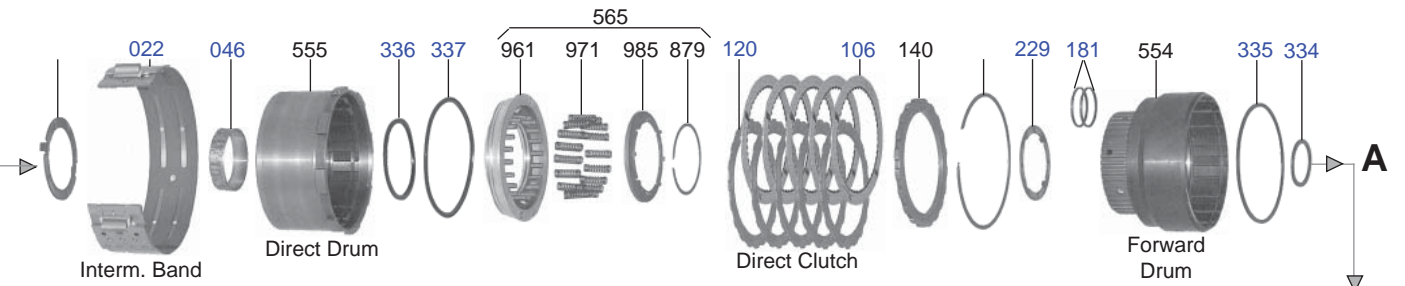


SAP #	IL#	OE	INDUSTRY	DESCRIPTION
OVERHAUL KIT				
B96002				Overhaul Kit CD4E (W/Out Pistons) 1994-02
T96002				Overhaul Kit CD4E (W/Out Pistons) 1994-02
TF96002				Overhaul Kit CD4E (W/Out Pistons) 1994-02 (Fiber)
B96002P				Overhaul Kit CD4E (With Pistons) 1994-02
T96002P				Overhaul Kit CD4E (With Pistons) 1994-02
B96002CW				Overhaul Kit CD4E (W/Out Pistons) 2003-Up (Molded Rubber Pan Gasket)
T96002CW				Overhaul Kit CD4E (W/Out Pistons) 2003-Up (Molded Rubber Pan Gasket)
T96002CWP				Overhaul Kit CD4E (With Pistons) 2003-Up (Molded Rubber Pan Gasket)
MASTER L/STEEL KIT				
B96004				Master L/Steels Kit CD4E (W/Out Pistons) 1994-02
TF96004				Master L/Steels Kit CD4E (W/Out Pistons) 1994-02
T96004P				Master L/Steels Kit CD4E (With Pistons) 1994-02 (Fiber)
B96004CWP				Master L/Steels Kit CD4E (With Pistons) 2003-Up (Molded Rubber Pan Gasket)
T96004CWP				Master L/Steels Kit CD4E (With Pistons) 2003-Up (Molded Rubber Pan Gasket)
MASTER W/STEEL KIT				
T96006				Master W/Steels Kit CD4E (W/Out Pistons) 1994-02
B96006P				Master W/Steels Kit CD4E (With Pistons) 1994-02
T96006P				Master W/Steels Kit CD4E (With Pistons) 1994-02
TF96006P				Master W/Steels Kit CD4E (With Pistons) 1994-02 (Fiber)
T96006CWP				Master W/Steels Kit CD4E (With Pistons) 2003-Up (Molded Rubber Pan Gasket)
SUPER KIT				
B96008P				Super Kit CD4E (With Pistons) 1994-02 [Includes Bushing Kit, Band, Filter]
GASKET & RUBBER COMPONENTS				
46509T	F3RZ-7F396A	73500		Gasket CD4E Pan (Side Cover) 1994-Up [Cork & Rubber]
46509AU	F3RZ-7F396A			Gasket CD4E Pan (Side Cover) 1994-Up [Ultracork]
46518	F3RZ-7F396A	73500F		Gasket CD4E Pan (Side Cover) 1994-Up [Fiber]
46596199	3L8Z-7F396-AA F2VY-7A191A			Gasket CD4E Pan (Side Cover) 2003-Up [Molded Rubber]
46516	F3RZ-7F202A	73540		Gasket CD4E Accumulator Body Cover 1994-Up
46506	F3RZ-7B353-A	73508		Gasket CD4E Case To Bell Housing 1994-Up
46508	F3RZ-7H200-A	73507		Gasket CD4E Electronic Control Body 1994-Up
46507	F3RZ-7H251-A	73504		Gasket CD4E Pressure Tap Plate 1994-Up
46597684	F3RZ-7G331-A	73502		Gasket CD4E Pump Separator Plate 1994-96
46597683	F7RZ-7G331-AA	73502A		Gasket CD4E Pump Separator Plate 1997-Up
46517	F3RZ-7D100-A	73501		Gasket CD4E Valve Body Upper Separator Plate
46575132	E1AZ-7G005-A			Grommet CD4E Breather (On Oil Pan)
1989057	F3RZ-7A248-A	73503		Lathe Cut Seal CD4E Pump Body 1994-Up
46544	F3RZ-7F225-A	73533		Lip Seal CD4E Direct Clutch Piston (Inner) 1994-Up
46543	F3RZ-7A548-B			Lip Seal CD4E Direct Clutch Piston (Outer) 1994-Up
46548	F3RZ-7A548-C	73538		Lip Seal CD4E Forward Clutch Piston (Inner) 1994-Up
46545	F3RZ-7A548-A			Lip Seal CD4E Forward Clutch Piston (Outer) 1994-Up
1993513	F3RZ-7B329-A	73514		O-Ring CD4E Case Connector 1994-Up
1994015	N806913-S			O-Ring CD4E Vehicle Speed Sensor 1994-Up
31683	E2FZ-7N243-A	3292		Seal CD4E Filler Tube 1994-Up
46575089	F3RP-7Z302-A	73517		Seal CD4E Filter 1994-Up
46575088	F3RZ-7H249-A	73517A		Seal CD4E Filter To Valve Body (Exhaust Regulator) 1994-Up
46554	F3RZ-7D404-A			Seal CD4E Low/Reverse Clutch (Inner) 1994-Up
46555	F3RZ-7D403-A			Seal CD4E Low/Reverse Clutch (Outer) 1994-Up
METAL CLAD SEALS				
70310FM	F3RZ-7F401A	73151		Seal CD4E Converter Hub 1994-Up [Vamac]
70310	F3RZ-7F401A	73151		Seal CD4E Converter Hub 1994-Up [Vamac]
70024FM	E6DZ-1177-A	96152		Seal CD4E Axle (Left & Right Side) 1994-Up
70024	E6DZ-1177-A	96152		Seal CD4E Axle (Left & Right Side) 1994-Up
70381	YL8Z-1S177-AA	73153		Seal CD4E Axle (4WD Adapter Housing Side) 2003-Up
70007	E1FZ-7B498-A	86153		Seal CD4E Manual Control Lever (Large) 1994-Up
46212	E1FZ-7B498-A	86153		Seal CD4E Manual Control Lever (Large) 1994-Up
70010	E6DZ-7F337A	96154		Seal CD4E Manual Control Lever (Small) 1994-Up
OIL SEALING RINGS				
30637	F3RZ-7C099-A	73304		Ring CD4E Forward/Direct Clutch Hub (Solid) 1994-Up [PTFE]
30635	F3RZ-7H114-FA	73302		Ring CD4E Pump Stator to Forward - Direct - Reverse Drum (Scarf Cut) 1994-Up [PTFE]
30635S	F3RP-7H114-FA	73302		Ring CD4E Pump Stator to Forward - Direct - Reverse Drum (Solid) 1994-Up [PTFE]
30638	F3RP-7H115-BA	73303		Ring CD4E Pump Stator To Turbine Shaft 1994-Up [PTFE]
30636	F3RZ-7D020-A	73301		Ring CD4E Reverse Clutch Cylinder (Scarf Cut) 1994-Up [PTFE]
30636S	F3RP-7D020-AB	73301		Ring CD4E Reverse Clutch Cylinder (Solid) 1994-Up [PTFE]
6138				Ring Kit CD4E 1994-Up (10 PTFE Rings)

SAP #	IL#	OE	INDUSTRY	DESCRIPTION
FRICITION CLUTCH				
46522T		F4RZ-7B164-D	73102	Friction CD4E Direct [5.268 OD 24 Teeth 0.065 THK] 1994-95
46522AV		F6RZ-7B164A	73102A	Friction CD4E Direct [5.27 OD 24 Teeth] (High Energy) 1996-Up
46528T		F3RZ-7B164-E	73108	Friction CD4E Coast [4.83 OD 24 Teeth 0.065 THK] 1994-96
46528AR		F7RZ-7B164-AA	733108A	Friction CD4E Coast [4.83 OD 24 Teeth 0.065 THK] (Hi Energy) 1997-Up
46526R		F3RZ-7B164-B	73100	Friction CD4E Forward [5.27 OD 32 Teeth 0.065 THK]
46526T		F3RZ-7B164-B	73100	Friction CD4E Forward [5.27 OD 32 Teeth 0.065 THK]
46520T		F3RZ-7B164-C	73104	Friction CD4E Low/Reverse [8.625 OD 32 Teeth 0.065 THK]
46524R		F3RZ-7B164-A	73106	Friction CD4E Reverse [6.065 OD 0.065 THK]
46582ACM				Friction Module CD4E 1994-Up
46582R				Friction Module CD4E 1994-Up
46582AT				Friction Module CD4E 1997-Up
46582ABWJ				Friction Module CD4E 1997-Up
STEEL CLUTCH				
46529		F3RZ-7B442-D	73109	Steel CD4E Coast [3.74 ID 20 Teeth 0.069 THK] 1994-Up
46523		F3RZ-7B442-E	73103	Steel CD4E Direct [4.10 ID 32 Teeth 0.079 THK] 1994-Up
46523A		F5RZ-7B442-A	73103A	Steel CD4E Direct [4.10 ID 28 Teeth 0.118 THK] 1995-96
46527		F3RZ-7B442-C	73101	Steel CD4E Forward [4.25 ID 32 Teeth 0.069 THK]
46521		F3RZ-7B442-B	73105	Steel CD4E Low/Reverse [7.80 ID 18 Teeth 0.069 THK]
46521B		F3RZ-7B066E	73105B	Steel CD4E Low/Reverse [7.80 ID 18 Teeth 0.091 THK]
46521A		F3RZ-7B066F	73105C	Steel CD4E Low/Reverse [7.80 ID 18 Teeth 0.098 THK]
46525		F3RZ-7B442-A	73107	Steel CD4E Reverse [4.75 ID 32 Teeth 0.069 THK]
46583				Steel Module CD4E 1994-Up
46583A				Steel Module CD4E 1994-Up
FILTER				
46540		F3RZ-7A098-A	73710	Filter CD4E 1994-Up
BANDS				
46546		F3RZ-7D034-A	73700	Band CD4E Overdrive (1.658 Wide) 1994-95
46547		F4RZ-7D034-A	73700A	Band CD4E Overdrive (2.047in Wide) (4 Cylinder & V6) 1994-Up
BUSHINGS				
46539A		F3RP-7H041AA	73008	Bushing CD4E Converter Housing (Front Case Half) (1.74 OD) 1994-Up [Bronze]
46531		F3RP-7N805-AA	73001	Bushing CD4E Converter Hub [1.89 OD 1.70 ID] 1994-Up [Bronze]
46531A		F3RP-7N817-AA	73002	Bushing CD4E Converter Reactor [1.05 OD 0.935 ID] 1994-Up [Bronze]
46539		F3RP-7H040-AA	73007	Bushing CD4E Differential Housing (2.18 OD) 1994-Up [Bronze]
46532		F3RP-7H209-AB	73012	Bushing CD4E Direct & Forward Clutch Drum [1.60 OD] 1994-Up [Bronze]
46535		F3RP-7H240-AA	73010	Bushing CD4E Direct Hub & Shell (2.55 OD) [Bronze]
46537		F3RP-7G344-AA	73009	Bushing CD4E Driven Sprocket [1.30 OD] 1994-Up [Bronze]
46538		F3RP-7H034-AA	73005	Bushing CD4E Forward Planet (1.81 OD) [Bronze]
46538B		F3RP-7F366-AA	73004	Bushing CD4E Forward Sun Gear [2.24 OD] 1994-Up [Bronze]
46533		F3RP-7B259-BA	73011	Bushing CD4E Inner Pump Gear [1.48 ID 1.358 ID] 1994-Up [Bronze]
46536		F3RP-7H240-AA	73006	Bushing CD4E Intermediate Sun Gear [2.18 OD] 1994-Up [Alum]
46534A		F3RP-7F218-AA	73015	Bushing CD4E Reverse Clutch Drum (Front) (With Shoulder)
46534		F3RP-7F217-AA	73014	Bushing CD4E Reverse Clutch Drum (Rear) 1994-Up
46538A		F3RP-7H043-AA	73013	Bushing CD4E Reverse Planet 1994-Up
46538B		F3RP-7H033-AB	73004	Bushing CD4E Reverse Sun Gear Shell 1994-Up
46534B		F3RP-7H025-AA	73003	Bushing CD4E Turbine Shaft 1994-Up
46530				Bushing Kit CD4E 1994-Up (16 Bushings)
WASHER & BEARINGS				
46572A		F3RZ-7G099A	73401A	Washer CD4E Drive Sprocket To Bell Housing (0.056) 1994-Up
46572B		F3RZ-7G099B	73401B	Washer CD4E Drive Sprocket To Bell Housing (0.066) 1994-Up
D73401C		F3RZ-7G099-C	73401C	Washer CD4E Drive Sprocket To Bell Housing (0.076) 1994-Up [OEM]
46572C		F3RZ-7G099-C	73401C	Washer CD4E Drive Sprocket To Bell Housing (0.076) 1994-Up
46572D		F3RZ-7G099D	73401D	Washer CD4E Drive Sprocket To Bell Housing (0.086) 1994-Up
46571		F3RZ-7G116-A	73422	Washer CD4E Forward & Direct Drum To Reverse Drum (4 Tab) 1994-Up [Plastic]
46570			K73907	Washer Kit CD4E (4 Washers)
ELECTRICAL COMPONENTS				
D73959B		1S7Z-7M101-KA	73959B	Sensor CD4E Turbine Shaft Speed (With Black Connector) With Enclosed Pick-Up 1994-Up
D73957		6L8Z-7F293-AA	73957	Sensor CD4E Manual Lever Position 1994-Up
HARD PARTS				
33174		F6RZ-7G249-BA	73820A	Chain CD4E (45 Links 1in Wide)
46588		F4RZ-7D027-A	73340	Cover CD4E Overdrive Servo (Bonded)
73300		F3RZ-7D044-AA	73300	Drum CD4E Reverse (2 Clutch)
96554B		F7RZ-7G120-AC	73754B	Drum CD4E Direct (Coast & Forward) (0.078in Direct Steels) 1996-97 (Covers 4 Cylinders W/Out Wave Plate)

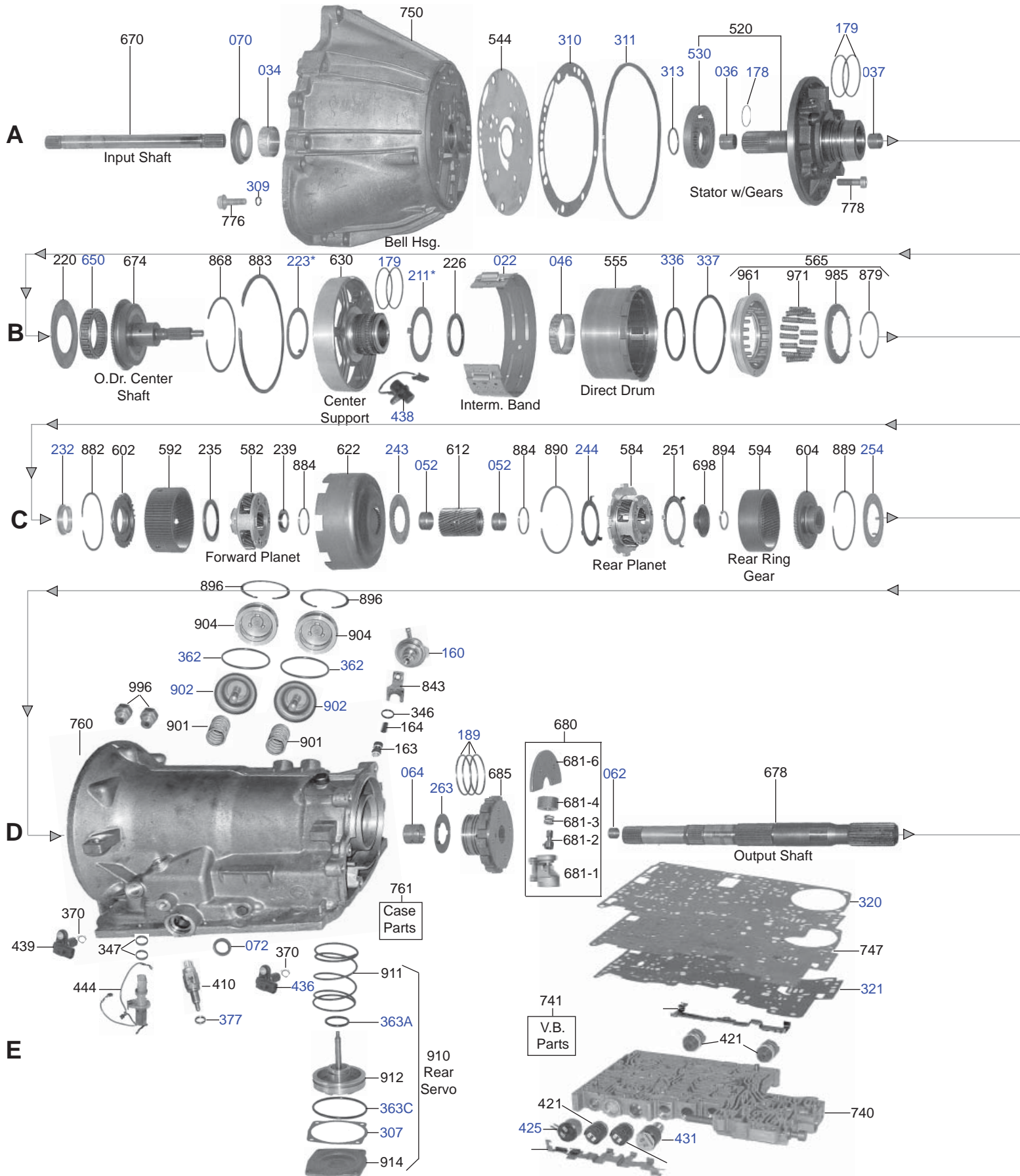
SAP #	IL#	OE	INDUSTRY	DESCRIPTION
HARD PARTS -- continued				
46584		F4RZ-7H188-E	73528A	Piston CD4E Overdrive Servo (1 Ring) 1st Design (No Spring Type) 1994-Up
46584A		F4RZ-7H188-D	73528B	Piston CD4E Overdrive Servo (2 Rings) 1st Design (No Spring Type) 1994-Up
46580		F3RZ-7A266-C		Piston CD4E Coast Clutch (Bonded) 1994-97
46581A		F8RZ-7A262-BA	73937A	Piston CD4E Coast Clutch (Bonded) 1998-Up
46581		F3RZ-7E079-A	73939	Piston CD4E Reverse Clutch (Bonded)
765A				Piston Kit CD4E 1994-Up (3 Pistons & Cover)
765B				Piston Kit CD4E 2003-Up (2 Pistons & Cover)
73912A		F7RZ-7A103-AA	73912A	Pump Assembly CD4E Front 1994-96 (Retrofits to 1994)
73423		F4RZ-7D064-A	73423	Shell CD4E Direct With Hub
73746		F3RZ-7A626-A	73746	Shell CD4E Overdrive & Reverse Sun Gear (58 Teeth) 1994-Up
D73034AA		F6RZ-7034AA		Valve CD4E Vent Assembly
D73034BA		F6RZ-7034BA		Valve CD4E Vent Assembly
TOOLS				
99023A				O-Ring Pick Tool Set



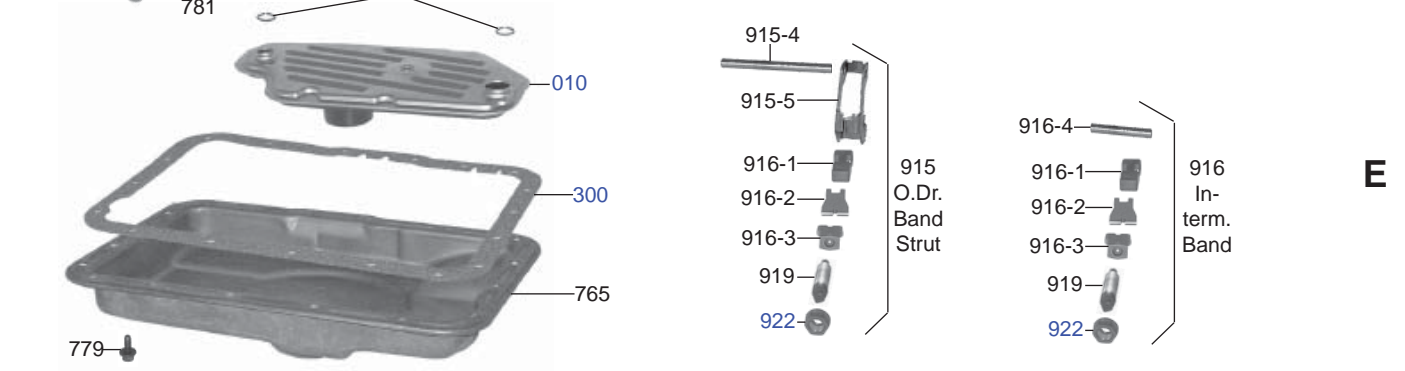
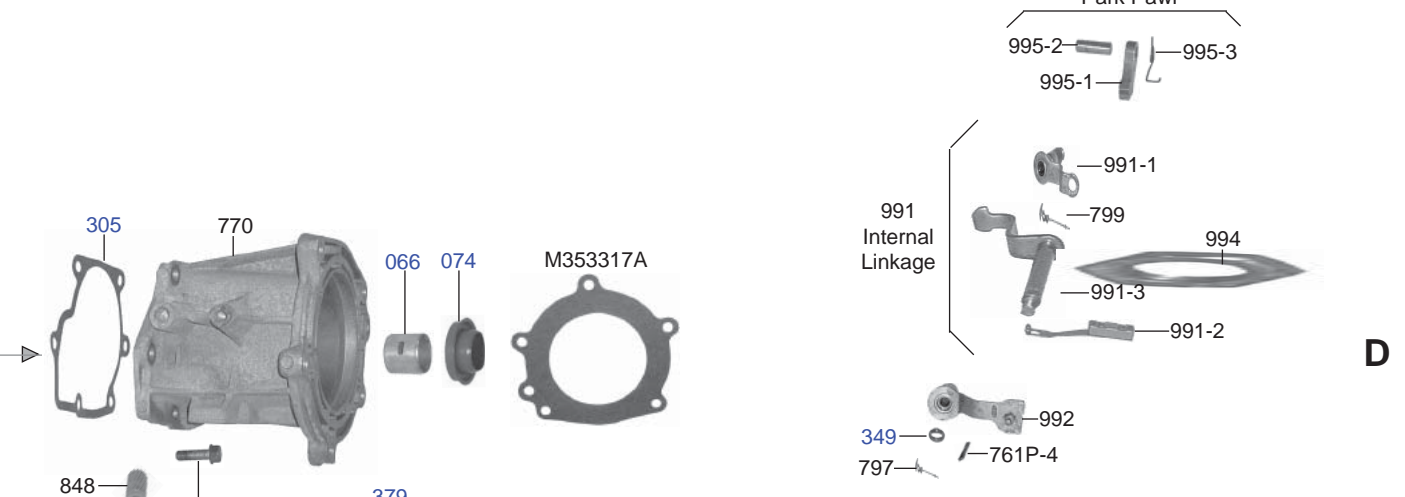
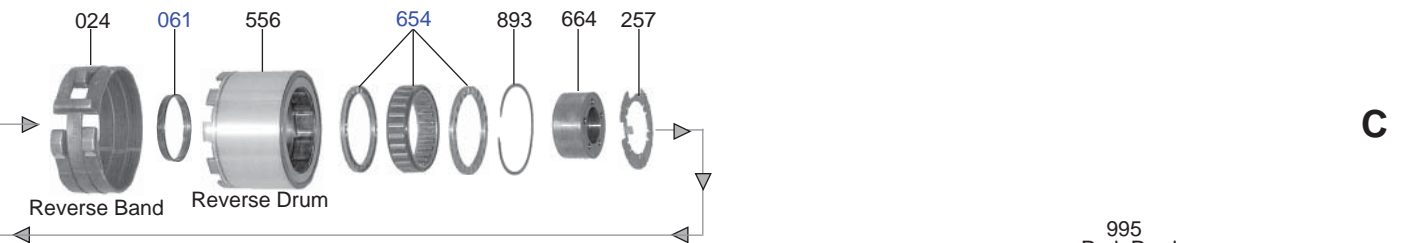
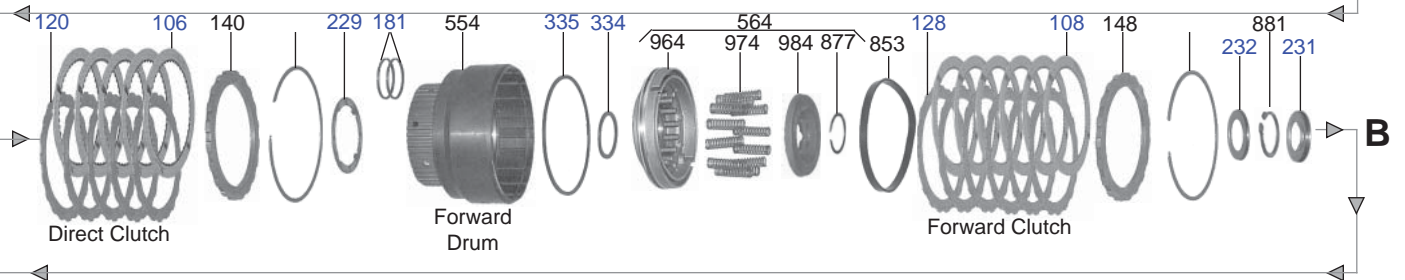
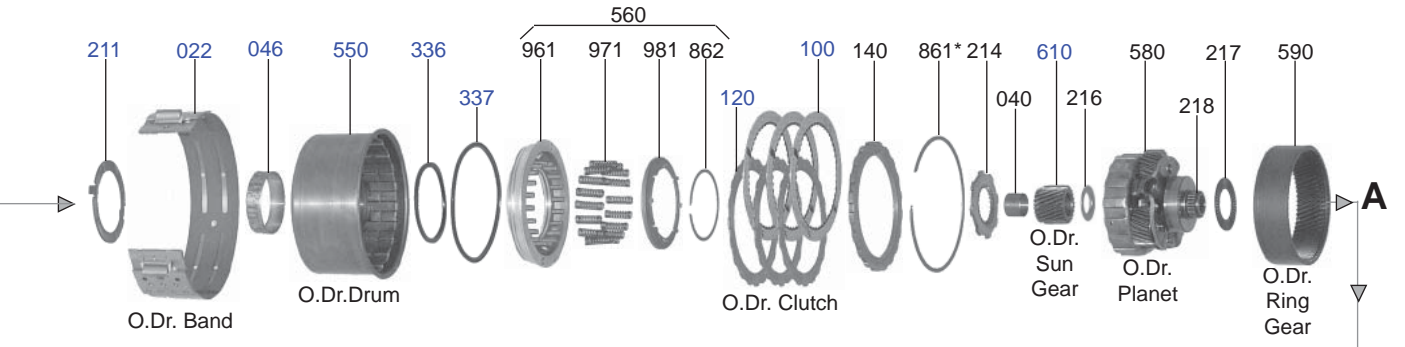


A4LD / 4R44E / 4R55E / 5R55E

RWD 4/5 Speed



A4LD / 4R44E / 4R55E / 5R55E



SAP #	IL#	OE	INDUSTRY	DESCRIPTION
PAPER & RUBBER KIT				
T56000E				Paper & Rubber Kit A4LD 1985-95
TF56000E				Paper & Rubber Kit A4LD 1985-95 (Fiber)
T56000H				Paper & Rubber Kit 4R44E 4R55E 1995-96
T56000L				Paper & Rubber Kit 4R44E 4R55E 5R55E 1997-Up
OVERHAUL KIT				
B56002				Overhaul Kit C-3 1974-87
T56002				Overhaul Kit C-3 1974-87
B56002E				Overhaul Kit A4LD 1985-95 With Viton & Plated Governor Rings (With Band Nuts)
T56002E				Overhaul Kit A4LD 1985-95 With Viton & Plated Governor Rings (With Band Nuts)
TF56002E				Overhaul Kit A4LD 1985-95 With Viton & Plated Governor Rings (With Band Nuts) (Fiber)
T56002EA				Overhaul Kit A4LD 1985-95 With Viton & Cast Iron Governor Rings
TF56002EA				Overhaul Kit A4LD 1985-95 With Viton & Cast Iron Governor Rings (Fiber)
T56002EB				Overhaul Kit A4LD 1988-95 With Viton Governor Rings
TF56002EB				Overhaul Kit A4LD 1988-95 With Viton Governor Rings (Fiber)
T56002EC				Overhaul Kit A4LD 1985-95 With Plated Governor Rings (With Band Nuts)
B56002H				Overhaul Kit A4LDE 4R44E 4R55E 1995-96
T56002H				Overhaul Kit A4LDE 4R44E 4R55E 1995-96
TF56002H				Overhaul Kit A4LDE 4R44E 4R55E 1995-96 (Fiber)
B56002L				Overhaul Kit 4R44E 4R55E 5R55E 1997-Up
T56002L				Overhaul Kit 4R44E 4R55E 5R55E 1997-Up
TF56002L				Overhaul Kit 4R44E 4R55E 5R55E 1997-Up (Fiber)
MASTER L/STEEL KIT				
B56004A				Master L/Steels Kit C-3 1974-87
B56004E				Master L/Steels Kit A4LD 1985-89
TF56004E				Master L/Steels Kit A4LD 1985-89
TF56004E				Master L/Steels Kit A4LD 1985-89 (Fiber)
B56004G				Master L/Steels Kit A4LD 1990-94
TF56004G				Master L/Steels Kit A4LD 1990-94
TF56004G				Master L/Steels Kit A4LD 1990-94 (Fiber)
B56004H				Master L/Steels Kit A4LDE 4R44E 4R55E 1995-96
TF56004H				Master L/Steels Kit A4LDE 4R44E 4R55E 1995-96
B56004L				Master L/Steels Kit 5R44E 5R55E 1997-Up
T56004L				Master L/Steels Kit 5R44E 5R55E 1997-Up
TF56004L				Master L/Steels Kit 5R44E 5R55E 1997-Up (Fiber)
MASTER W/STEEL KIT				
B56006A				Master W/Steels Kit C-3 1979-87
B56006E				Master W/Steels Kit A4LD 1985-89
TF56006E				Master W/Steels Kit A4LD 1985-89 (Fiber)
B56006G				Master W/Steels Kit A4LD 1990-94
B56006H				Master W/Steels Kit A4LDE 4R44E 4R55E 1995-96
T56006H				Master W/Steels Kit A4LDE 4R44E 4R55E 1995-96
B56006L				Master W/Steels Kit 5R44E 5R55E 1997-Up
T56006L				Master W/Steels Kit 5R44E 5R55E 1997-Up
SUPER KIT				
B56008A				Super Kit C-3 1979-87 [Includes Bushing Kit, Washer Kit, Band, Filter]
B56008E				Super Kit A4LD 1986-88 [Includes Bushing Kit, Washer Kit, Band, Filter, Modulator]
B56008G				Super Kit A4LD 1990-94 [Includes Bushing Kit, Washer Kit, Band, Filter, Modulator]
T56008H				Super Kit 4R44E/4R55E 1995-96 [Includes Bushing Kit, 2 Bands, Filter]
T56008L				Super Kit 4R44E/5R55E 1997-Up [Includes Bushing Kit, 2 Bands, Filter]
GASKET & RUBBER COMPONENTS				
45075022	D9AZ-7D376-A			Check Valve Seal A4LD Accumulator (with Hole) [Torton]
45009T	E5TZ-7A191-A	56500		Gasket A4LD 4R44E 4R55E 5R55E Bottom Pan 1985-Up [Cork & Rubber]
45009U	E5TZ-7A191-A	56500		Gasket A4LD 4R44E 4R55E 5R55E Bottom Pan 1985-Up [Ultracork]
45018	E5TZ-7A191-A	56500F		Gasket A4LD 4R44E 4R55E 5R55E Bottom Pan 1985-Up [Fiber]
31509T	D5ZZ-7A191-B	56265		Gasket C-3 Bottom Pan 1974-93 [Cork & Rubber]
31517	D5ZZ-7A191-B	56265		Gasket C-3 Bottom Pan 1974-93 [Felpro™]
31518	D5ZZ-7A191-B	56265F		Gasket C-3 Bottom Pan 1974-93 [Fiber]
45004E				Gasket A4LD 4R44E 4R55E Front Pump
45014E				Gasket 4R44E 4R55E 5R55E Valve Body (Lower) 1995-Up
45015E				Gasket 4R44E 4R55E 5R55E Valve Body (Upper) 1995-Up
45015	E8TZ-7D100-A			Gasket A4LD Valve Body (Lower)
45014	E8TZ-7C155-A			Gasket A4LD Valve Body (Upper)
31507	D5ZZ-7E062-A	56268		Gasket C-3 Filter
31515	D4ZZ-7D100-A			Gasket C-3 Valve Body (Lower)
31514	D4ZZ-7D100-B			Gasket C-3 Valve Body (Upper)
45004	F5TZ-7A136-A	56276		Gasket C-3 A4LD 4R44E 4R55E Pump
45006	D4ZZ-7086-B	56272		Gasket C-3 A4LD 4R44E 4R55E 5R55E Extension Housing
45013	D4ZZ-7L173-A	56269		Gasket C-3 A4LD 4R44E 4R55E 5R55E Reverse Servo Cover

SAP #	IL#	OE	INDUSTRY	DESCRIPTION
GASKET & RUBBER COMPONENTS-- continued				
1988084		D4ZZ-7423-A		Lathe Cut Seal A4LD/4R44E/4R55E/5R55E Reverse Servo (Large) Double Lip (Updated)
45053		D7ZZ-7A548-A	56116A	Lathe Cut Seal A4LD Direct & Overdrive Clutch (Outer) 1985-87
1988058		FOTZ-7B070A		Lathe Cut Seal A4LD Front Clutch Cushion 1990-Up
1989024		D4ZZ-7D040-A		Lathe Cut Seal C-3 Intermediate Servo Cover 1974-78 and A4LD Intermediate
1988030		D7ZZ-7A548A		Lathe Cut Seal C3 A4LD High & Reverse (Outer) 1977-Up
1988031		D4ZZ-7A548-B	56120	Lathe Cut Seal C-3 A4LD 4R44E 4R55E 5R55E Forward Clutch (Inner)
1988032		D4ZZ-7A548-A	56126	Lathe Cut Seal C-3 A4LD 4R44E 4R55E 5R55E Forward Clutch (Outer)
1987001		E5TZ-7D0429-A		Lathe Cut Seal A4LD Direct Drum (2.354 OD) 1985-Up [Viton]
1987003		F3TZ-7D429-A	56228C	Lathe Cut Seal A4LD 4R44E 4R55E Center Support (2.354 OD) 1993-Up
1987000		E7TZ-7D011-A	56445V	Lathe Cut Seal A4LD 4R44E 4R55E Governor Housing (2.340 OD)
45054		E8TZ-7A548-A		Lip Seal A4LD 4R44E 4R55E 5R55E Direct Clutch (Outer) 1987-Up
45052		FOTZ-7A548-A		Lip Seal A4LD Direct Clutch (Outer) 1990-96
1990239		F7TZ-7A548-AA		Lip Seal A4LD 4R44E 4R55E Overdrive Clutch (Outer) 1997-05
1988029		E8TZ-7D404-A		Lip Seal A4LD 4R44E 4R55E 5R55E Direct & Overdrive Clutch (Inner) 1988-Up
1993510				O-Ring A4LD Connector (1.9 X 14.5mm) 1985-Up
1994516		E6TZ-7A469-A		O-Ring A4LD Oil Filter Screen Large 1986-Up
1994517		E6TZ-7A469B		O-Ring A4LD Oil Filter Screen Small 1986-Up
1994518		E6TZ-7D040-A		O-Ring A4LD 4R44E 4R55E 5R55E Intermediate & Overdrive Servo 1986-Up
1995505		E804595-S200		O-Ring A4LD 4R44E 4R55E 5R55E Pump Bolt 1995-Up
31598		E6TZ-7A469A/B	K56283	O-Ring A4LD A4LDE 4R44E 5R55E For Filter 1985-Up (2/Per Various)
1993527				O-Ring A4LD-E Connector Housing 1995-Up
1994687		31042-X8600		O-Ring A4LDE Oil Valve Solenoid
1994629		MD611712		O-Ring A4LDE Solenoid
1995559		1P-77265-B	3499	O-Ring C-3 A4LD Throttle Shaft (No Lobes)
1989056		1P-77265-B		O-Ring C-3 A4LD Throttle Shaft (With 4 Lobes)
1988028		D5ZZ-78A248-A		O-Ring C-3 A4LD 4R44E 4R55E Pump
1994113		6264902		O-Ring C-3 A4LD 4R44E 4R55E 5R55E Filler Tube
1994512		D4ZZ-7423-A		O-Ring C-3 A4LD 4R44E 4R55E 5R55E Reverse Servo Seal (Large)
1994216		D4ZZ-7423-B		O-Ring C-3 A4LD 4R44E 4R55E 5R55E Reverse Servo Seal (Small)
1994513		E5TZ-7A469-A		O-Ring Filter (Large) 1985 Only
1994514		E5TZ-7A469-B		O-Ring Filter (Small) 1985 Only
8076ES				Seal Up Kit A4LD 1985-95
METAL CLAD SEALS				
70029		D4ZZ-7A248-A	56550	Seal C-3 Front Pump 1974-94 [Silicone]
70309FM		E5TZ-7A248-A	56550A	Seal C-3 A4LD/E 4R44E 4R55E Front Pump 1974-96 [Viton]
70309		E5TZ-7A248-A	56550A	Seal C-3 A4LD/E 4R44E 4R55E Front Pump 1974-96 [Viton]
70243V		F7ZZ-7A248-AA	56550B	Seal 4R44E 4R55E 5R55E Front Pump (No Flange) 1997-Up [Viton]
70028FM		E2ZZ-7052-A	56557B	Seal C-3 A4LD/E 4R44E 4R55E 5R55E Extension Housing (With Boot) 1974-Up
70028		E2ZZ-7052-A	56557B	Seal C-3 A4LD/E 4R44E 4R55E 5R55E Extension Housing (With Boot) 1974-Up
31512		D5ZZ-7052-A	56557	Seal C-3 A4LD/E 4R44E 4R55E 5R55E Extension Housing (W/Out Boot) 1974-Up
70083		D5AZ-7B498-A	6507A	Seal C-3 A4LD/E 4R44E 4R55E 5R55E Manual Lever 1974-Up
OIL SEALING RINGS				
TAW-425		D4ZZ-7D025-A	56228	Ring C-3 Direct Drum (2.354 OD) 1974-87 [Metal]
30308P		F7TZ-7C323DD	56228D	Ring 5R55E Overdrive & Direct Drum 1997-Up [Plastic]
30308		E5TZ-7D025-A	56229T	Ring A4LD 4R44E 4R55E Overdrive & Direct Drum (2.354 OD) 1985-Up [PTFE]
45060070		3L2Z-7L323-AA		Ring A4LD 4R44E 4R55E Stator (Front) (Butt Cut) [PTFE]
45060279		1L2P-7L323-AA	56230A	Ring A4LD 4R44E 4R55E Stator (Front) 1985-Up [PTFE]
TAW-424		FOTZ-7D011-A	56645	Ring C-3 A4LD Governor (2.340 OD) 1974-Up [Metal]
TAW-1870			56645C	Ring C-3 A4LD Governor (2.340 OD) 1974-Up [Metal-Plated]
TAW-423		D4ZZ-7D019-A		Ring C-3 A4LD 4R44E 4R55E Forward Drum (1.496 OD) [Metal]
6020				Ring Kit C-3 1974-87 (7 Metal Rings)
6036				Ring Kit A4LD 1984-95 (Metal-Plated Governor) (5 Metal 3 PTFE Rings)
6015				Ring Kit A4LD 1984-95 (Non-Plated Governor) (5 Metal 3 PTFE Rings)
6058				Ring Kit A4LD 1984-95 (No Governor Rings) (2 Metal 3 PTFE Rings)
6302				Ring Kit 4R44E 4R55E 5R55E 1995-96 (2 Metal 3 PTFE Rings)
6284				Ring Kit 4R44E 4R55E 5R55E 1997-Up (2 Metal 1 PTFE 4 Plastic Rings)
FRICITION CLUTCH				
31520T		E3ZZ-7B164-A	56404	Friction C-3 A4LD Forward [4.65 OD 72 Teeth 0.079 THK] 1974-89
45026T		FOTZ-7B164A	56404B	Friction A4LDE 4R44E 4R55E Forward [4.65 OD 72 Teeth 0.070 THK] 1990-96
45026AR		F7ZZ-7B164-AA	56404C	Friction 4R44E 5R55E Forward [4.65 OD 72 Teeth 0.069 THK] 1997-Up
45026AT		F7ZZ-7B164-AA	56404C	Friction 4R44E 5R55E Forward [4.65 OD 72 Teeth 0.069 THK] 1997-Up
31522T		E3ZZ-7B164-B	56304	Friction C-3 A4LD High/Reverse [0.075 THK] 1974-89
45022R		FOTZ-7B164B	56304B	Friction A4LD 4R44E 4R55E Reverse High [4.89 OD 48 Teeth 0.069 THK] 1990-96
45022T		FOTZ-7B164B	56304B	Friction A4LD 4R44E 4R55E Reverse High [4.89 OD 48 Teeth 0.069 THK] 1990-96
45022AT		F7ZZ-7B164-BA	56304E	Friction 4R44E 5R55E High/Reverse [4.85 OD 48 Teeth 0.069 THK] 1997-Up
45020T			56304A	Friction A4LD Overdrive [4.89 OD 32 Teeth 0.078 THK] 1985-89
45024T		FOTZ-7B164-C	56304C	Friction A4LD 4R44E 4R55E Overdrive [4.85 OD 16 Teeth 0.069 THK] 1990-Up
45020AT		F7ZZ-7B164-CA	56304D	Friction 4R44E 5R55E Overdrive [4.85 OD 16 Teeth 0.070 THK] 1997-Up

SAP #	IL#	OE	INDUSTRY	DESCRIPTION
FRICITION CLUTCH -- continued				
31586R				Friction Module C-3 1974-87
31586				Friction Module C-3 1974-87
45082R				Friction Module A4LD 1985-89
45082T				Friction Module A4LD 1985-89
45082AR				Friction Module A4LD 4R44E 4R55E 1990-96
45082AT				Friction Module A4LD 4R44E 4R55E 1990-96
45082GR				Friction Module 4R44E 4R55E 5R55E 1997-Up
45082GT				Friction Module 4R44E 4R55E 5R55E 1997-Up
STEEL CLUTCH				
31521			56405	Steel C-3 Forward [3.80 ID 19 Teeth 0.078 THK] 1974-78
31525			56405A	Steel C-3 A4LD Forward [3.80 ID 19 Teeth 0.068 THK] 1974-89
45023		F0TZ-7B442A	56405B	Steel A4LD 4R44E 4R55E 5R55E Forward [3.80 ID 19 Teeth 0.065 THK] 1990-Up
45023X			56405X	Steel C-3 A4LD 4R44E 4R55E 5R55E Forward [3.80 ID 19 Teeth 0.098] (Oversized) 1985-Up
31523			56305	Steel C-3 High/Reverse [4.0 ID 20 Teeth 0.078 THK] 1974.78
45021		D8ZZ-7B442-B	56305A	Steel C-3 A4LD High/Reverse & Overrun [4.0 ID 20 Teeth 0.068 THK] 1985-89
45025		F0TZ-7B442-B	56305B	Steel A4LD 4R44E 4R55E 5R55E High/Reverse & Overrun [3.97 ID 20 Teeth 0.065 THK] 1990-Up
45025X		D4ZZ-7B442-B	56305X	Steel C-3 A4LD 4R44E 4R55E 5R55E High/Reverse [3.97 ID 20 Teeth 0.100 THK] 1974-Up
45027		F77Z-7B442AA	56307	Steel 5R44E 5R55E High/Reverse [3.95 ID 20 Teeth 0.082 THK] 1997-Up
31589				Steel Module C-3 1979-87 (With .071 Plates)
31587				Steel Module C-3 1979-87 (With .082 Plates)
45083				Steel Module A4LD 1985-89
45083A				Steel Module A4LD 4R44E 4R55E 1990-Up
45083G				Steel Module 4R44E 5R55E 1997-Up
FILTER				
31540		D4AZ-7A098-A	56422	Filter C-3 1974-87
45040		E9TZ-7A098-C	37710	Filter A4LD 4R44E 4R55E 5R55E (2WD) 1989-99
45044		F5TZ-7A098-B	37711	Filter A4LD (4WD) 1985-86
31541		E6TZ-7A098-B	56710A	Filter A4LD (2WD) 1986-88
31544		E6TZ-7A098-C	56710F	Filter A4LD (2WD) 1989-95
31543		E6TZ-7A098-A	56710E	Filter A4LD (4WD) (OE Style) 1986-95
FILTER KIT				
31542			FK56422	Filter Kit C-3 1974-87 (Cork & Rubber Pan Gasket)
45041			FK56710A	Filter Kit A4LD (2WD) 1986-88 (Cork & Rubber Pan Gasket)
45041A			FK56710A	Filter Kit A4LD (2WD) 1986-88 (Fiber Pan Gasket)
45043			FK56710F	Filter Kit A4LD (2WD) 1989-Up (Cork & Rubber Pan Gasket)
45141			FK56710E	Filter Kit A4LD (4WD) 1986-88 (Cork & Rubber Pan Gasket)
45141A			FK56710E	Filter Kit A4LD (4WD) 1986-88 (Fiber Pan Gasket)
45042			FK37710	Filter Kit A4LD 4R44E 4R55E 5R55E (2WD) 1995-99 (Cork & Rubber Pan Gasket)
45042A			FK37710	Filter Kit A4LD 4R44E 4R55E 5R55E (2WD) 1995-99 (Fiber Pan Gasket)
45050			FK37711	Filter Kit A4LD 4R44E 4R55E 5R55E (4WD) 1986-Up (Cork & Rubber Pan Gasket)
45050A			FK37711	Filter Kit A4LD 4R44E 4R55E 5R55E (4WD) 1986-Up (Fiber Pan Gasket)
MISCELLANEOUS FILTERS				
45065074				Screen Filter 4R44E 5R44E EPC Limit Filter 1995-Up
45065062		E8TZ-7N113-B	56712	Screen Filter A4LD TCC Solenoid
BANDS				
31547A		E3ZZ-7D095-A	56520	Band C-3 A4LD 4R55E Reverse 1974-Up
45090		E6TZ-7D034-A	56320A	Band C-3 A4LD 4R44E 4R55E 5R55E Intermediate & Overdrive Flex 1985-Up
45090BW		E6TZ-7D034-A	56320A	Band C-3 A4LD 4R44E 4R55E 5R55E Intermediate & Overdrive Flex 1985-Up
45090V		E6TZ-7D034-A	56320A	Band C-3 A4LD 4R44E 4R55E 5R55E Intermediate & Overdrive Flex 1985-Up (Kevlar)
45091		F0TZ-7F196A	56320E	Band A4LD 4R44E 4R55E Overdrive 1990-91 {for 4.0L Engine}
BUSHINGS				
31530			56001	Bushing C-3 A4LD 4R44E 4R55E 5R55E Converter Housing (1.74 OD) 1974-Up [Bronze]
31539			56001B	Bushing C-3 A4LD 4R44E 4R55E 5R55E Converter Housing (1.74 OD) 1974-Up [Babbitt]
45031		560010SS	56001SS	Bushing C-3 A4LD 4R44E 4R55E 5R55E Converter Housing (1.74 OD) (Sure Seal) 1974-Up
31533			56002	Bushing C-3 A4LD Direct Clutch Drum (Cast Iron) 1999-Up
45036			56002A	Bushing C-3 A4LD Direct & Overdrive Clutch Drum (Steel Drum)
31534		74DT-7D065-AA	56003	Bushing C-3 A4LD 4R44E Sun Gear (1.04 OD) (0.92 ID) [Bronze]
31536			56005	Bushing C-3 A4LD 4R44E 4R55E Case (1.14 OD) (1.01 ID) [Bronze]
31535			56004	Bushing C-3 A4LD 4R44E 4R55E Reverse Drum (2.64 OD) (2.51 ID) [Bronze]
31537		D7FZ-7A034-A	56014	Bushing C-3 A4LD 4R44E 4R55E 5R55E Extension Housing (1.50 OD) [Babbitt]
31531			56000B	Bushing C-3 A4LD 4R44E 4R55E 5R55E Stator (Front) With Spiral ID Groove [Bronze]
31532			56000A	Bushing C-3 A4LD 4R44E 4R55E 5R55E Stator (Rear)
45038			56006	Bushing A4LD Output Shaft Pilot 1985-89
45039			56000C	Bushing A4LD 4R44E 4R55E 5R55E Stator (Front) With Grooves On ID & OD [Bronze]
31538				Bushing Kit C-3 1974-87 (10 Bushings)
45030				Bushing Kit A4LD 4R44E 4R55E 1985-Up (14 Bushings)

SAP #	IL#	OE	INDUSTRY	DESCRIPTION
WASHER & BEARINGS				
56952AB			56952C	Bearing 4R44E 4R55E Center Support (With Races) (Bearing Style) 1993-96
D56240		F7ZZ-7M150-DA	56240	Bearing 4R44E 5R55E Race Output Shaft Hub to Case 1995-Up
D56239		F7ZZ-7M150-CA	56239	Bearing 4R44E 5R55E Thrust Output Shaft Hub to Case 1995-Up
D56241		F77Z-7M153-EB	56241	Bearing A4LD Thrust Hub Assembly 1997-Up
D56374A		E1FZ-7F374A		Bearing A4LD Forward Planet & Hub [OEM]
D56234		F3TZ-7D234A	56234	Bearing A4LD Hub to Forward Drum (2nd Design) 1990-Up [OEM]
45072		D4ZZ-7D066-A	56215	Washer C-3 A4LD 4R44E 4R55E Between Sun Shell & Rear Planet Washer 1985-96
45075		D4AZZ-7A166-A	56213	Washer C-3 A4LD Forward Planet To Hub (Also Fits Rear Planet To Hub)
45079		F0TZ-7A166A	56213B	Washer A4LD 4R44E 4R55E 5R55E Thrust Rear Planetary (Front) 1985-Up
45070			56233	Washer A4LD 4R44E 4R55E Overdrive Clutch Adapter 1985-Up
45085			56211C	Washer A4LD Front Planet Cup 1986-90
45087		F7TZ-7L339A	56218	Washer A4LD 4R44E 4R55E Overdrive Planet to Overdrive Sprag Retainer 1985-Up
45088			56250-01K	Washer A4LD 4R44E 4R55E Rear Case (With 4.0L Engine) 1989-Up
45086		D4ZZ-7D442-B	56212	Washer C-3 A4LD Output Shaft 1985-96
45073		D4ZZ-7D090-A	56217	Washer C-3 A4LD Between Forward Drum & Hub (3 Outer Tabs) 1974-89
45074		D4ZZ-7D090-B	56211	Washer C-3 A4LD Between Forward Drum & Hub (4 Inner Tabs) (Brass) 1974-89
45076		F0TZ-7D014-A	56221	Washer Thrust C-3 A4LD Pump & Center Support - 2 Flat Tabs [3.15 OD 0.055in THK] [Metal]
45144		F0TZ-7D014-D	56224	Washer C-3 A4LD Pump & Center Support [Metal]
45078		E5TZ-7C096-A	56210A	Washer C-3 A4LD 4R44E 4R55E Direct Drum To Forward Drum (Metal)
45077		D4ZZ-7B368-A	56216	Washer C-3 A4LD 4R44E 4R55E 5R55E Between Governor Support & Case
31581		E830124-S	56777	Washer C-3 A4LD Pump Bolt 1974-94
45071		E5TZ-7L326A	56219	Washer A4LD Thrust Center Support 1985-Up
45084		F0TZ-7A166-B	56213C	Washer A4LD 4R44E 4R55E 5R55E Thrust Rear Planetary (Rear) 1985-Up
45143		F0TZ-7D422A	56212A	Washer A4LD 4R44E 4R55E Thrust Output Shaft 1990-Up [Metal]
45170			K56907F	Washer Kit 4R44E 5R55E 5R55E (Selective Pump) 1997-Up (6 Washers)
45142A				Washer Kit A4LD 1985-89 (8 Washers)
45142B				Washer Kit A4LD 4R55E 1990-96 (11 Washers 1 Lube Dam)
45142				Washer Kit A4LD 1985-89 (12 Washers)
31570				Washer Kit C-3 1974-87 (9 Washers)
ELECTRICAL COMPONENTS				
D56845		F5TZ-7M101-A		Sensor 4R44E 4R55E 5R55E Input Speed 1995-Up (Under Center Support) [OEM]
D56846		F7RZ-7H103-AA		Sensor 4R44E 4R55E 5R55E Output Speed 1997-Up (In Rear of Case)
D56843		F5TZ-7F037-AA	56843	Solenoid A4LD 4R44E 4R55E TCC 1995-96 [OEM]
D56843A		F77Z-7G136-AA	56843A	Solenoid 4R44E 4R55E 5R55E TCC 1997-01 [OEM]
56836B		E8TZ-7M107A	56836B	Solenoid A4LD 3-4 Shift (Except Aerostar) 1985-Up
56836		E5TZ-7F037-A	56836	Solenoid A4LD TCC Lockup 1985-95
D56836		E5TZ-7F037-A	56836	Solenoid A4LD TCC Lockup 1985-95 [OEM]
D56839		F5TZ-7Z409-B	56389	Wire Harness 4R44E 4R55E 5R44E 5R55E Connector Case 1995-Up [OEM]
HARD PARTS				
45095				Bolt A4LDE 4R44E 4R55E Filter
56284A		E9TZ-7L669-A	56284A	Drum A4LD Overdrive Clutch (Stamped Steel) 1985-89
33991		380850-S	26610	Nut C-3 A4LD 4R44E 4R55E 5R55E Band Adjustment Nut (Coarse Threads)
D56528		F77Z-7D021-A	56528	Piston C-3 A4LD 4R44E 4R55E 5R55E (Servo) Intermediate & Overdrive [2.10 OD] 1975-Up [OEM]
31550M		F77Z-7D021-A	56528	Piston C-3 A4LD 4R44E 4R55E 5R55E (Servo) Intermediate & Overdrive [2.10 OD] 1975-Up
		F77Z-7D021-BA		
31551M		D8DZ-7D021-A	56528A	Piston C-3 A4LD 4R44E 4R55E (Servo) Intermediate & Overdrive [1.945 OD] 1978-Up
31552M		E3ZZ-7D021-A	56528C	Piston C-3 A4LD 4R44E 4R55E 5R55E (Servo) Intermediate (No Dot) [1.845 OD] 1983-Up
45075256		F0TZ-7D021-DA	56528E	Piston A4LD 4R44E 4R55E 5R55E (Servo) Intermediate & Overdrive 1990-Up
		F77Z-7D021-EA		
45096M		F0ZZ-7D021-A	56528G	Piston A4LD 4R44E 4R55E 5R55E (Servo) Intermediate [1.720 OD] 1990-Up
31585		D4ZZ-7D191A	K56960	Spring & Roller Kit A4LD Rear-Overrun 1985-96 (Covers All Except 4.0L)
56413A		2L5Z-7B446-AA	56413A	Planet 4R44E 4R55E 5R55E Overdrive Assembly (With Trigger Wheel) 1995-97
56413		XL2Z-7B446-DA	56413	Planet A4LD Overdrive Assembly (W/Out Trigger Wheel) 1985-95
D56333A		D4ZZ-7E333A		Plunger A4LD Manual Lever [OEM]
56200F		YL2Z-7A103-JA	56200F	Pump A4LDE Front Assembly 1990-95 (Retro back to 1988)
D56E86-S		E860125S		Ring A4LD [OEM]
56423B		F3TZ-7D064-A	56423B	Shell A4LD Driving (Input) (Snap-on Type) 1994-96
56423A		F0TZ-7D064-A	56423A	Shell A4LD Driving (Input) 1985-93
33551		SF62950		Spacer A4LD Crankshaft to Flywheel (2.8 - 2.9 - 4.0L)
46094		E5TZ-7L490A		Spring A4LD Converter Clutch (TCC) 1985-94
45064135				Spring A4LD Anti-Shudder 1985-Up

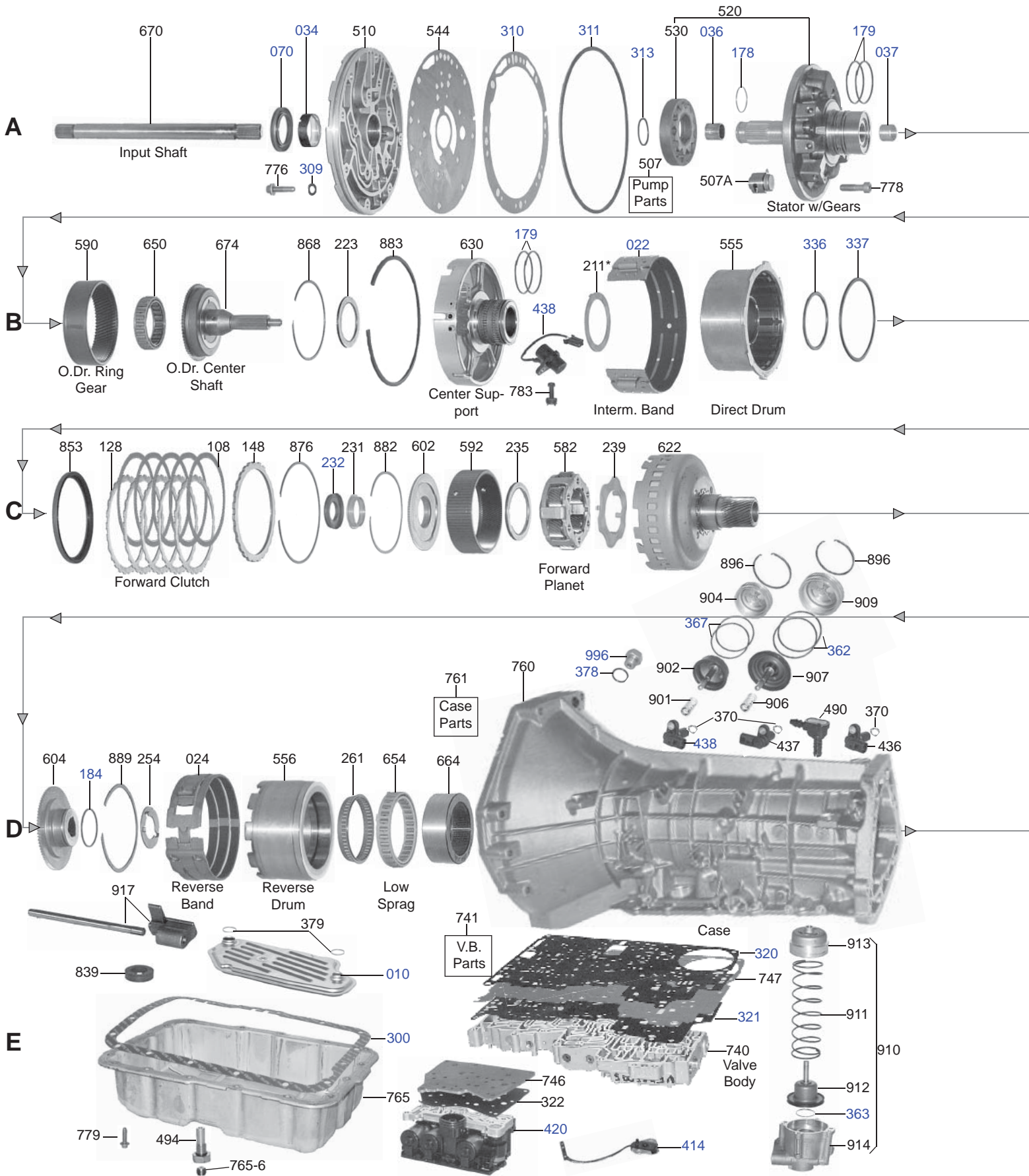
Ford

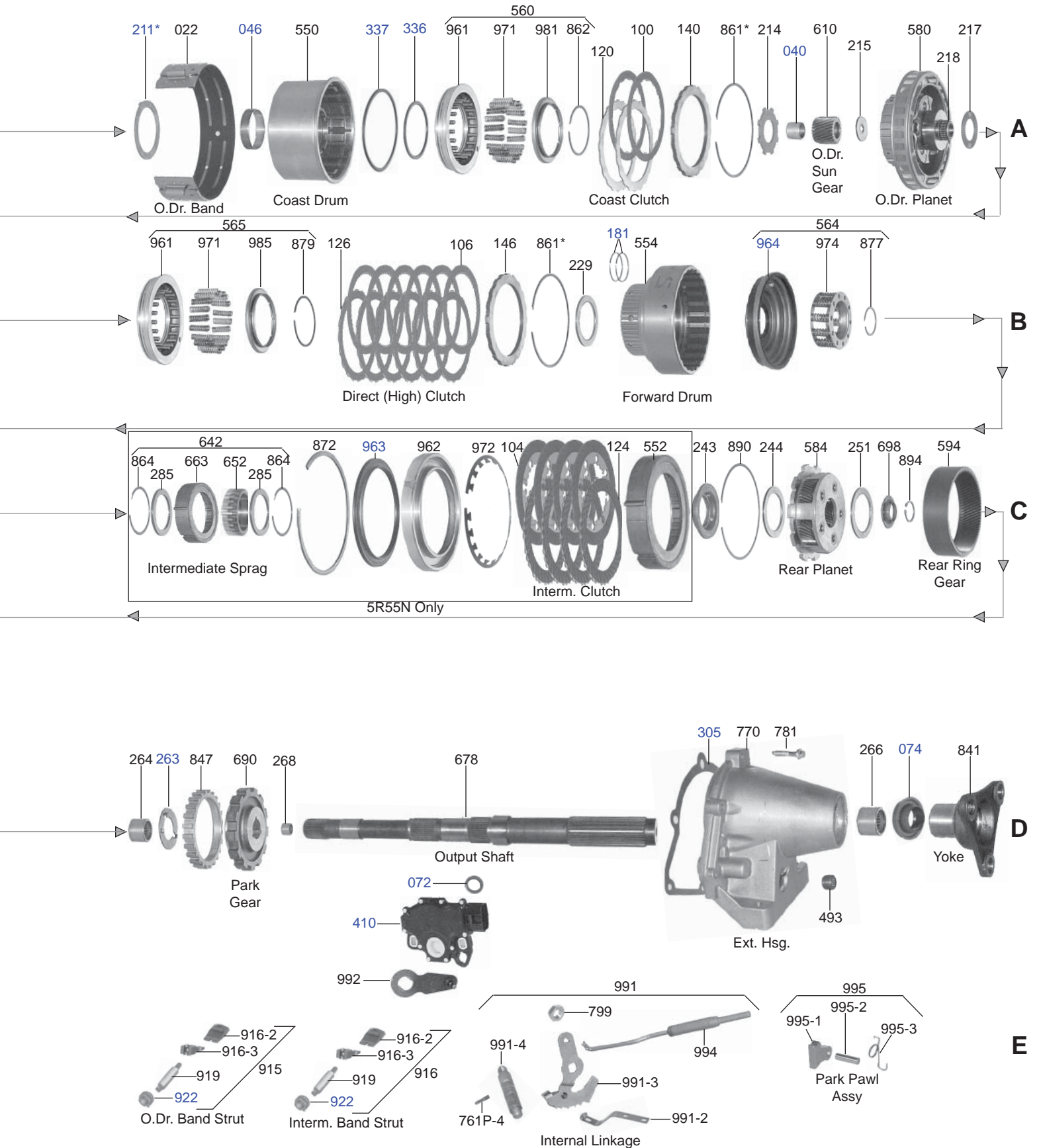
C3 / A4LD / 4R44E / 4R55E / 5R44E / 5R55E

SAP #	IL#	OE	INDUSTRY	DESCRIPTION
MODULATORS				
45045		E5TZ-7A377-B	56833	Modulator A4LD No Stripe Non Adjustable 1985-89
45047		FOTZ-7A377	56833M	Modulator A4LD No Stripe Non Adjustable 1990-Up
31549		E1SZ-7A377B	56832	Modulator C3 (Green Stripe) 1974-87
31546		E4SZ-7A377-A	56833T	Modulator C-3 Single Hose Adjustable 1985-92 Turbo Ford
TOOLS				
99023A				Took Kit O-Ring Pick Set (5 pcs)
MISCELLANEOUS COMPONENTS				
45158A		F77Z-7B176AC	56415A	Lube Dam 4R55E Rear Planetary 1997-Up

5R55N / 5R55S / 5R55W

RWD 5 Speed



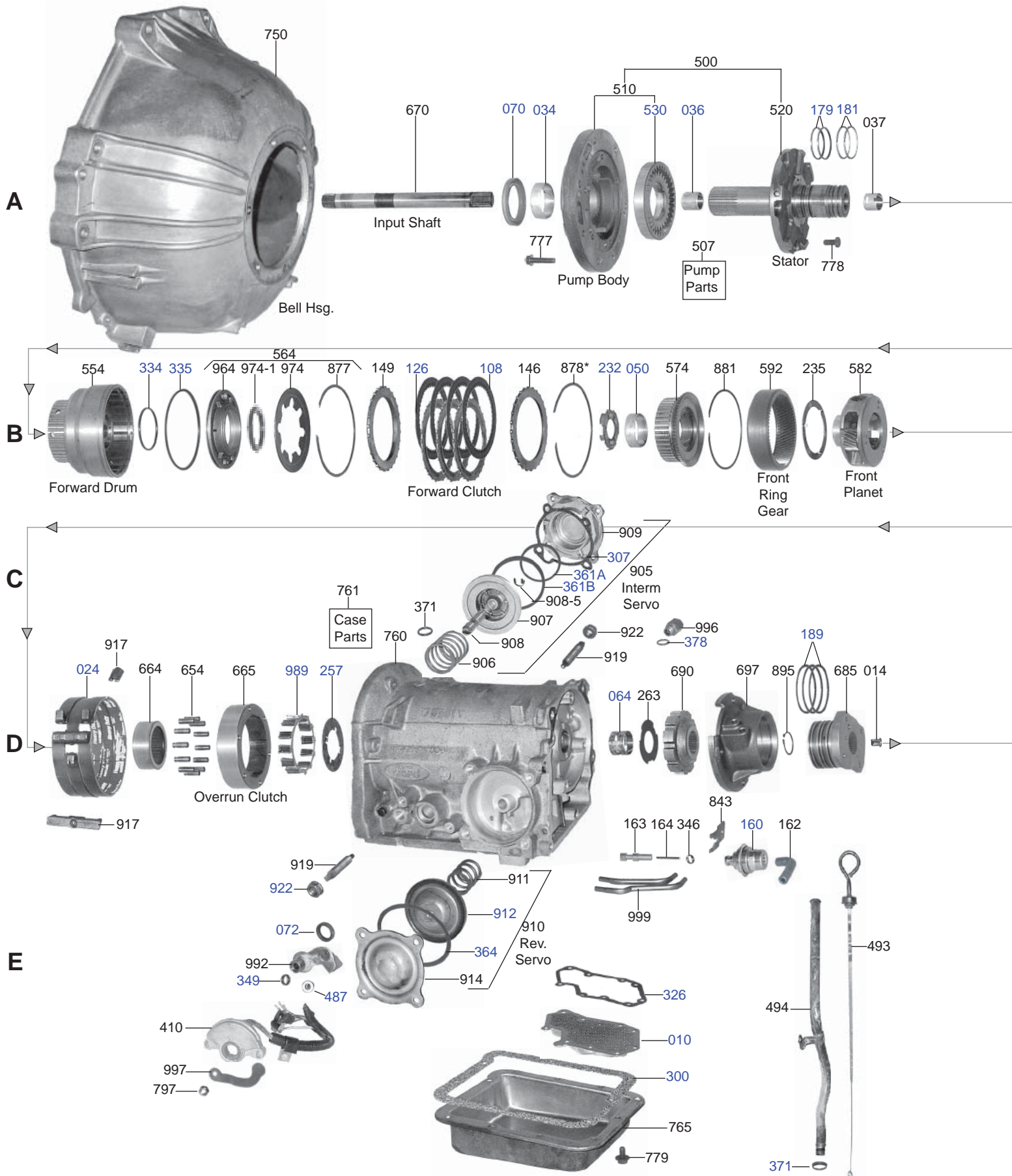


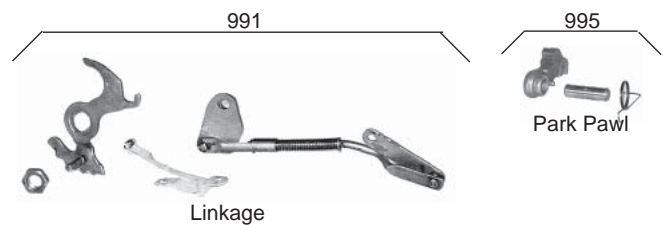
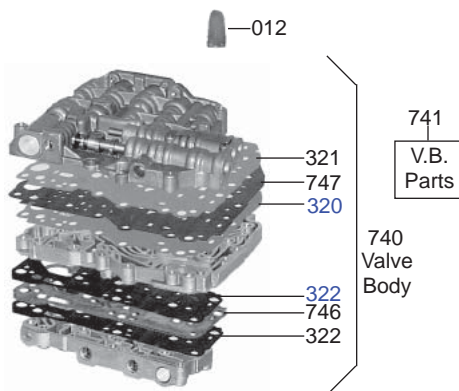
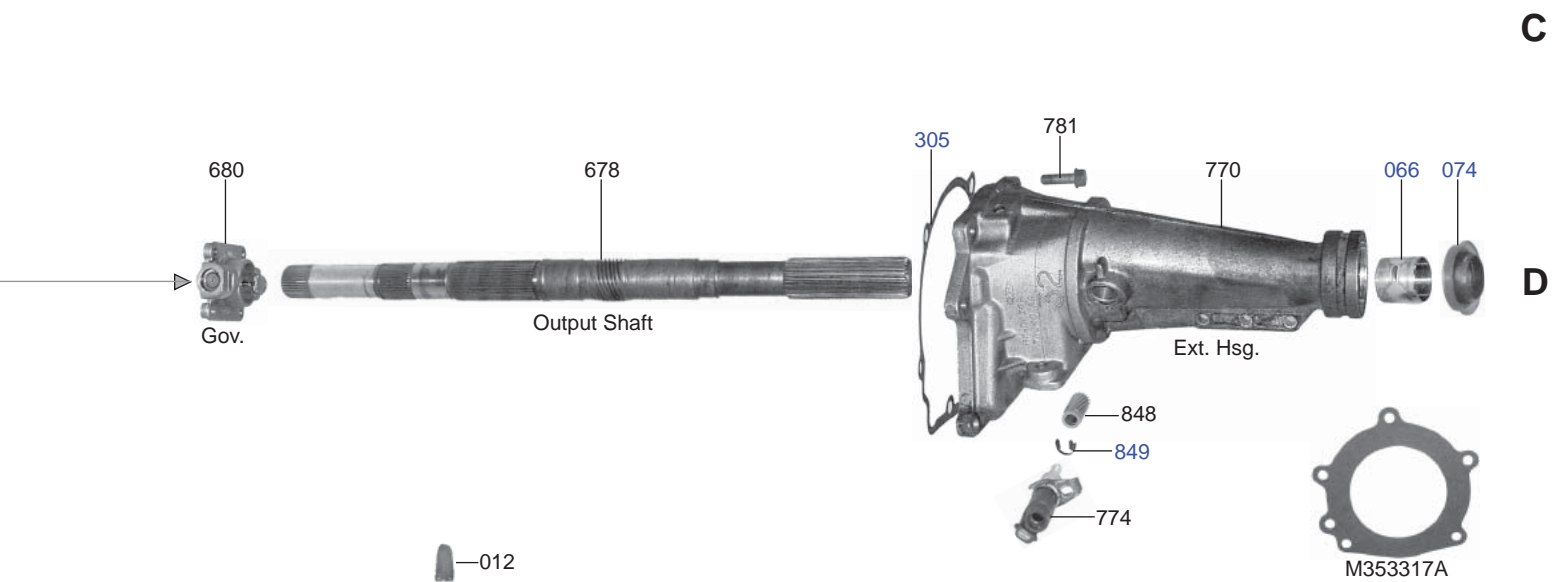
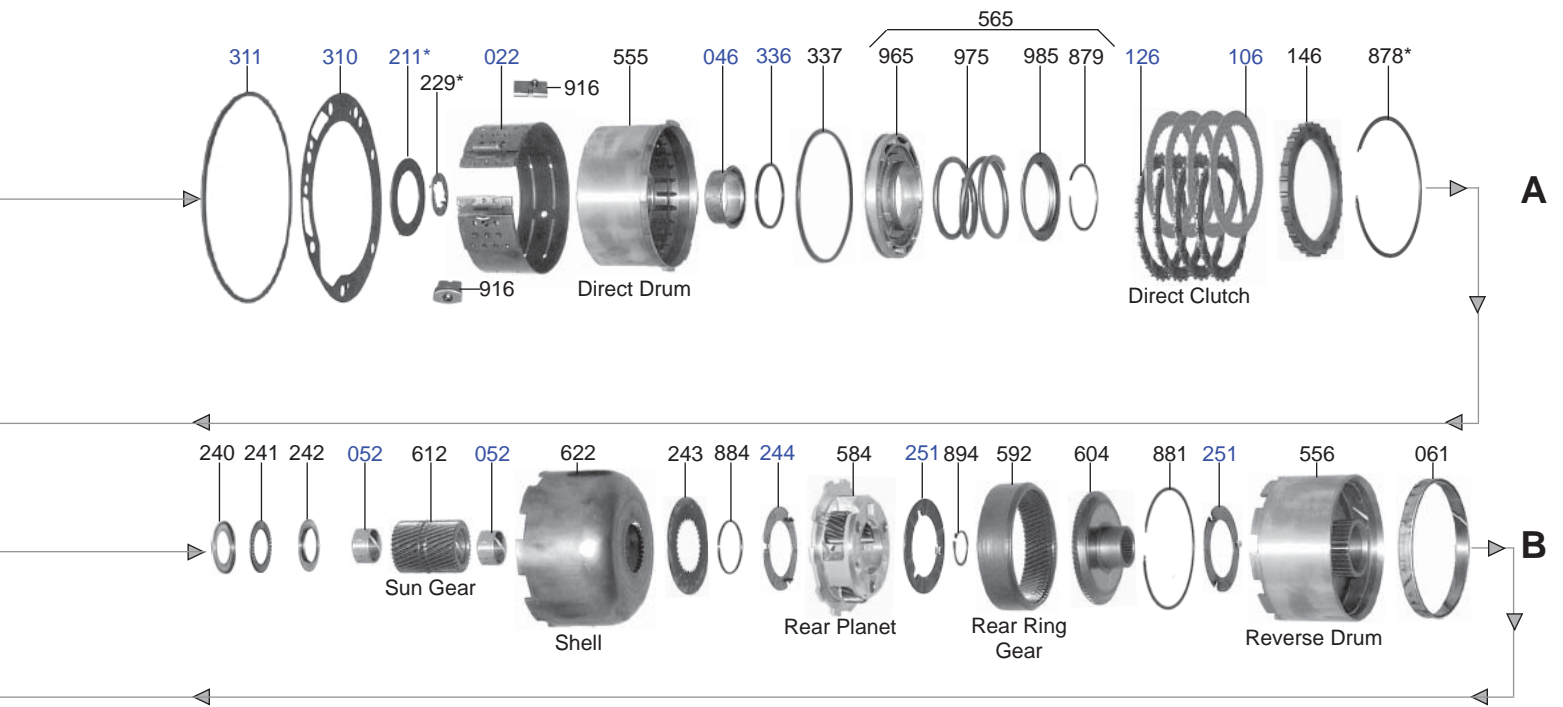
SAP #	IL#	OE	INDUSTRY	DESCRIPTION
OVERHAUL KIT				
T16002A				Overhaul Kit 5R55N (W/Out Bonded Piston) 1999-Up
T16002AP				Overhaul Kit 5R55N (With Bonded Piston) 1999-Up
T16002G				Overhaul Kit 5R55S 5R55W (W/Out Bonded Piston) 2002-08
B16002GP				Overhaul Kit 5R55S 5R55W (With Bonded Piston) 2002-08
T16002GP				Overhaul Kit 5R55S 5R55W (With Bonded Piston) 2002-08
T16002GA				Overhaul Kit 5R55S (W/Out Bonded Piston) 2009-Up
T16002GAP				Overhaul Kit 5R55S (With Bonded Piston) 2009-Up
MASTER L/STEEL KIT				
T16004AP				Master L/Steels Kit 5R55N (With Bonded Piston) 1999-Up
B16004GP				Master L/Steels Kit 5R55S 5R55W (With Bonded Piston) 2002-08
T16004GP				Master L/Steels Kit 5R55S 5R55W (With Bonded Piston) 2002-08
T16004GAP				Master L/Steels Kit 5R55S (With Bonded Piston) 2009-Up
MASTER W/STEEL KIT				
T16006AP				Master W/Steels Kit 5R55N (With Bonded Piston) 1999-Up
T16006G				Master W/Steels Kit 5R55S 5R55W (W/Out Bonded Piston) 2002-08
T16006GP				Master W/Steels Kit 5R55S 5R55W (With Bonded Piston) 2002-08
T16006GAP				Master W/Steels Kit 5R55S (With Bonded Piston) 2009-Up
GASKET & RUBBER COMPONENTS				
1984078				D-Ring 5R55S 5R55W Reverse Servo Housing To Piston 2002-05
45019		XW4Z-7A191-CA	56500J	Gasket 5R55N 5R55S 5R55W Bottom Pan 2000-Up [Molded Rubber]
45097669		XW4Z-7H133-AA		Gasket 5R55N Valve Body Cover 1999-02
45097692		XW4Z-7D100-BF		Gasket 5R55N Valve Body Separator Plate To Case 1999-Up
45097714		XW4Z-7D100-AF		Gasket 5R55N Valve Body To Separator Plate 1999-Up
45097668		XW4Z-7A086-AA	56272J	Gasket 5R55N 5R55S 5R55W Extension Housing To Case 1999-Up
45097667		XW4Z-7A136-AB	56276J	Gasket 5R55N 5R55S 5R55W Pump to Case 1999-Up
41217			8626281	Gasket 5R55N 5R55S 5R55W Pump Bolt Washer
45097738		1L2Z-7Z490AB-1		Gasket 5R55S 5R55W Valve Body Separator Plate To Case (Upper) 2002-Up
45097739		1L2Z-7Z490AB-2		Gasket 5R55S 5R55W Valve Body To Separator Plate (Lower) 2002-Up
45097668A		4L2Z-7086-AA		Gasket 5R55S 5R55W Case To Transfer Case 2002-Up
1988031		D4ZZ-7A548-B		Lathe Cut Seal 5R55N Coast Clutch Inner
1988032		D4ZZ-7A548-A		Lathe Cut Seal 5R55N Coast Clutch Outer
45053		D4ZZ-7D404-4		Lip Seal 5R55N 5R55S 5R55W Overdrive Clutch (Inner) 1997-05
45052		FOZT-7A548-A		Lip Seal 5R55N 5R55S 5R55W Overdrive Clutch (Outer) 1997-05
1988096		XW4Z-7A248AA		O-Ring 5R55N 5R55S 5R55W Pump Cover 1999-Up
1993027				O-Ring 5R55N 5R55S 5R55W Connector 1999-Up
1993552		XW4Z-7D273-AA		O-Ring 5R55N 5R55S 5R55W Cooler Line Fitting 1999-Up
1993542		W703119-S300		O-Ring 5R55N 5R55S 5R55W Overdrive Servo Cover 1999-Up
1993543		W702969-S300		O-Ring 5R55N 5R55S 5R55W Intermediate Servo Cover 1999-Up
45075202		YW4P-7H003-CB		Seal 5R55N Valve Body Spring 1999-02
METAL CLAD SEALS				
70243V		F77Z-7A248-AA	56550B	Seal 5R55N 5R55S 5R55W Front (No Flange) 1999-Up
70283		XW4Z-7052AA	56557J	Seal 5R55N Extension Housing 1999-Up
70108FM		F3LY-7052-A	76509A	Seal 5R55S 5R55W Extension Housing 2002-Up
70108		F3LY-7052-A	76509A	Seal 5R55S 5R55W Extension Housing 2002-Up
70282		1L2Z-7052-BA	56557W	Seal 5R55S 5R55W Adapter Housing (4WD) 2002-Up
70083		D5AZ-7B498-A	6507A	Seal 5R55N 5R55S 5R55W Manual Lever 1999-Up
OIL SEALING RINGS				
30308P		F77Z-7C323-DD	56228D	Ring 5R55N 5R55W 5R55S Direct Clutch (Center Support) 1999-Up [Torlon]
TAW-2212			56227A	Ring 5R55N 5R55W 5R55S Forward Clutch Drum 1997-Up [Metal]
45060307			56227A	Ring 5R55N 5R55W 5R55S Forward Clutch Drum 1997-Up [PEEK]
45060265		XW4Z-7D019-BA	56310	Ring 5R55N 5R55W 5R55S Output Shaft 1999-Up [PTFE]
30308			56229T	Ring 5R55N 5R55W 5R55S Overdrive Brake Drum 1999-Up [PTFE]
45060279		1L2P-7L323-AA	56230A	Ring 5R55N 5R55W 5R55S Pump Support (Lock-Up) 1999-Up [PTFE]
6358				Ring Kit 5R55N 5R55S 5R55W (2 Metal 4 PTFE 2 Torlon Rings) 1999-Up
FRICITION CLUTCH				
45082NR				Friction Module 5R55N 1999-Up
45082NT				Friction Module 5R55N 1999-Up
45082LR				Friction Module 5R55S 5R55W 2002-Up
45082LT				Friction Module 5R55S 5R55W 2002-Up
STEEL CLUTCH				
45023N		XW4Z-7B442-AA	56405J	Steel 5R55N 5R55S 5R55W Forward [4.64 ID 27 Teeth 0.068 THK] 1999-Up
45025		XW4Z-7B442-GA	56305B	Steel 5R55N 5R55S 5R55W Overdrive Direct [3.97 ID 20 Teeth 0.065 THK] 1999-Up
45083N				Steel Module 5R55N 5R55S 5R55W 1999-Up
FILTER				
F-340		1L2Z-7A098AC	56710K	Filter 5R55S 5R55W (2 1/4in Tall Pick-Up Tube) 2002-Up
MISCELLANEOUS FILTERS				
45065063				Screen Filter 5R55N Solenoid Plate 1999-02
45065064				Screen Filter 5R55S 5R55W Solenoid Plate 2002-Up

SAP #	IL#	OE	INDUSTRY	DESCRIPTION
BANDS				
45090		XW4Z-7D034BA	56320A	Band 5R55N Overdrive & Intermediate (Hi-Energy) 1999-Up
D56520J		XW4Z-7D095-AA	56520J	Band 5R55N 5R55W 5R55S Low/Reverse 1999-Up
BUSHINGS				
31533			56002	Bushing 5R55N 5R55S 5R55W Coast Clutch Drum (Cast Iron) 1999-Up
31531			56000B	Bushing 5R55N 5R55S 5R55W Overdrive Sun Gear 1999-Up
31530			56001	Bushing 5R55N 5R55S 5R55W Pump Cover 1999-Up
45039			56000C	Bushing 5R55N 5R55S 5R55W Stator (Front) 1999-Up
31532			56000A	Bushing 5R55N 5R55S 5R55W Stator (Rear) 1999-Up
31531			56000B	Bushing 5R55N 5R55S 5R55W Stator Front
45030G				Bushing Kit 5R55N 5R55S 5R55W 1999-Up (5 Bushings)
WASHER & BEARINGS				
45064027		XW4Z-7D014-DA		Bearing 5R55N 5R55S 5R55W Thrust 2.95mm (1-Notch) 1999-Up [OEM]
45145		FOTZ-7D090A	56211D	Washer 5R55N 5R55S 5R55W Bearing to Forward Hub (Solid) 1999-Up [Bronze]
45077		D4ZZ-7B368-A	56216	Washer 5R55N 5R55S 5R55W Parking Gear To Case 1999-Up
45176A		F7TZ-7D014TA	56236B	Washer 5R55N 5R55S 5R55W Pump To Coast Clutch Drum (0.063) 1999-Up [Plastic]
45176B		F7TZ-7D014MA	56236C	Washer 5R55N 5R55S 5R55W Pump To Coast Clutch Drum (0.071) 1999-Up [Plastic]
45176C		F7TZ-7D014NA	56236D	Washer 5R55N 5R55S 5R55W Pump To Coast Clutch Drum (0.075) 1999-Up [Plastic]
45176D		F7TZ-7D014PA	56236E	Washer 5R55N 5R55S 5R55W Pump To Coast Clutch Drum (0.079) 1999-Up [Plastic]
45176E		F7TZ-7D014RA	56236F	Washer 5R55N 5R55S 5R55W Pump To Coast Clutch Drum (0.083) 1999-Up [Plastic]
45176F		F7TZ-7D014SA	56236G	Washer 5R55N 5R55S 5R55W Pump To Coast Clutch Drum (0.087) 1999-Up [Plastic]
ELECTRICAL COMPONENTS				
D56974		XW4Z-7H103-AA	56974	Sensor 5R55N 5R55S 5R55W Input Speed [OEM]
D56955J		XW4Z-7F293AA	56955J	Switch 5R55N Neutral Safety (12 Prong Connector) 1999-Up [OEM]
D56954J		XW4Z-7G391AC	56954J	Solenoid Block 5R55N (12 Pin) 1999-Up (Lincoln Only) [OEM]
D56954L		9L2Z-7G391-A	56954L	Solenoid Block 5R55W 5R55S 2004-Up [OEM]
HARD PARTS				
D56284J			56284J	Drum 5R55N 5R55W Overdrive 1999-Up
33991		380850-S	26610	Nut 5R55N 5R55S 5R55W Band 1999-Up
45075204		XW4Z-7B070-AA	56528H	Piston 5R55N Forward Clutch Cushion 1999-02
45075205		XW4Z-7E005-BA	56531J	Piston 5R55N Intermediate (Bonded) (5-15/16in OD) 1999-Up
		1L2P-7A262-AA		
45075265		6L2Z-7A262-BA	56886B	Piston 5R55N 5R55S 5R55W Forward Clutch (Bonded) (5.090 OD)
45188				Piston Kit 5R55N 1999-02 (3 Pistons)
D56413J		XW4Z-7B446-BA	56413J	Planet 5R55N 5R55W Overdrive Assembly (25 Teeth) 1999-Up
MISCELLANEOUS COMPONENTS				
45064034				Drain Plug 5R55N 5R55W 5R55S 1999-Up

C-4 / C-5

RWD 3 Speed





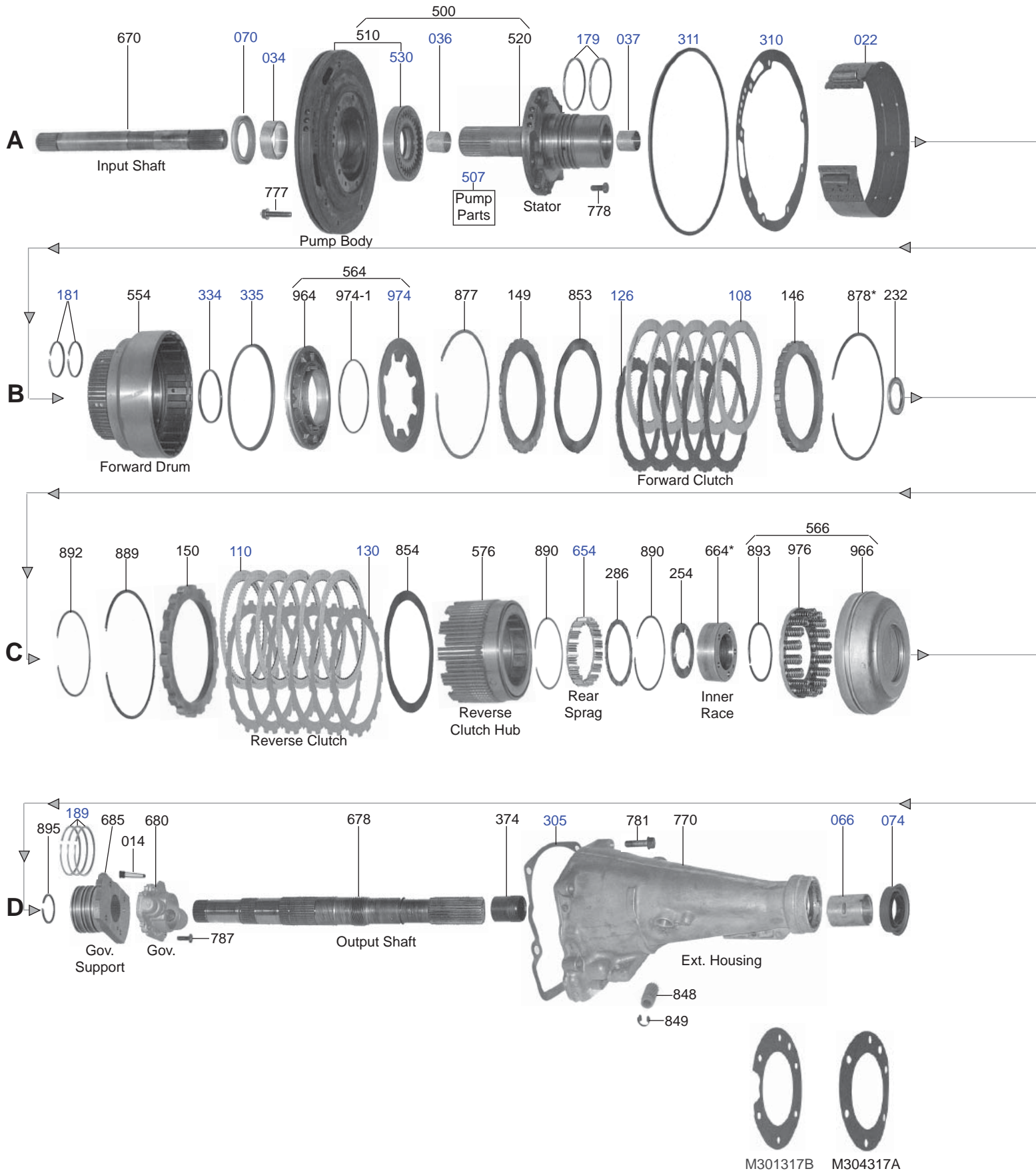
SAP #	IL#	OE	INDUSTRY	DESCRIPTION
PAPER & RUBBER KIT				
T26000				Paper & Rubber Kit C4 1965-69 With Band Nuts
T26000C				Paper & Rubber Kit C4 1970-83 With Band Nuts
T26000E				Paper & Rubber Kit C5 1982-86 With Band Nuts
OVERHAUL KIT				
T26002				Overhaul Kit C4 1965-69 With Band Nuts (7 Metal Rings)
TF26002				Overhaul Kit C4 1965-69 With Band Nuts (7 Metal Rings) (Fiber)
B26002B				Overhaul Kit C4 1978-81 W/Out Band Nuts (9 PTFE Rings)
B26002C				Overhaul Kit C4 1970-81 With Band Nuts (9 Metal Rings)
T26002C				Overhaul Kit C4 1970-81 With Band Nuts (9 Metal Rings)
TF26002C				Overhaul Kit C4 1970-81 With Band Nuts (9 Metal Rings) (Fiber)
B26002CA				Overhaul Kit C4 1970-81 W/Out Band Nuts (9 Metal Rings)
B26002CA-1				Overhaul Kit C4 1970-81 W/Out Band Nuts (9 PTFE Rings)
B26002E				Overhaul Kit C5 1982-86 With Band Nuts (7 Metal Rings)
T26002E				Overhaul Kit C5 1982-86 With Band Nuts (7 Metal Rings)
TF26002E				Overhaul Kit C5 1982-86 With Band Nuts (7 Metal Rings) (Fiber)
B26002EA				Overhaul Kit C5 1982-86 W/Out Band Nuts (7 Metal Rings)
B26002EA-1				Overhaul Kit C5 1982-86 W/Out Band Nuts (7 PTFE Rings)
MASTER L/STEEL KIT				
TF26004				Master L/Steels Kit C4 1965-69 (Fiber)
B26004C				Master L/Steels Kit C4 1970-81
T26004C				Master L/Steels Kit C4 1970-81
B26004E				Master L/Steels Kit C5 1982-86
MASTER W/STEEL KIT				
T26006				Master W/Steels Kit C4 1965-69 With Band Nuts (7 Metal Rings)
B26006C				Master W/Steels Kit C4 1970-81
B26006E				Master W/Steels Kit C5 1982-86
SUPER KIT				
B26008				Super Kit C4 1978-81 [Includes Bushing Kit, Washer Kit, Band, Filter, Modulator]
B26008E				Super Kit C5 1982-86 [Includes Bushing Kit, Washer Kit, Band, Filter, Modulator]
GASKET & RUBBER COMPONENTS				
45309T	D60Z-7A191-A	13265		Gasket C4 C5 Bottom Pan 1964-86 [Cork & Rubber]
45318	D60Z-7A191-A	13265F		Gasket C4 C5 Bottom Pan 1964-86 [Fiber]
45306	D3BZ-7E062-A	13326		Gasket C4 Filter (Paper) 1973-83
45797073	C2AP-7B426-A			Gasket C4 Modulator To Case (Screw In Type Modulator)
45197078	D7FZ-7D100-A			Gasket C4 Valve Body (4 Cylinder & V6) 1970-83
45197079	D40P-7D100-A	13302A		Gasket C4 Valve Body (In Line 6 Cylinder & V6) 1970-83
45497140	C5AZ-7D100-B			Gasket C4 Valve Body 1964-66
45197142				Gasket C4 Valve Body 1967-69
45197082	C4AZ-7B442-C			Gasket C4 C5 Extension Housing 1964-86
45197081	C4AZ-7D026-C3			Gasket C4 C5 Front Servo Cover 1964-86
45110	E1AZ-7A136-A	12361		Gasket C4 C5 Pump 1964-86
45497077	E2DZ-7F497-A			Gasket C5 3-2 Timing Body Separator 1982-86
45497080	E3DZ-7D100-A			Gasket C5 Valve Body 1982-86
1989047	C8AZ-7D404-B	13263		Lathe Cut Seal C4 Direct Clutch Piston (Inner) 1968-69
1988015	D0AP-7D404-A	13263A		Lathe Cut Seal C4 C5 Direct Clutch Piston (Inner) 1970-86
1988016	C8AZ-7A548-B	3929		Lathe Cut Seal C4 Direct Clutch Piston (Outer) 1964-5/81
1988014	C4AZ-7A548-C			Lathe Cut Seal C4 Forward Clutch Piston Outer 1964-78
1989031	D0AZ-7D024-A	13301B		Lathe Cut Seal C4 Intermediate Servo (Large 2.807 ID) 1970-77
1989030	D2DZ-7D024-A	13475		Lathe Cut Seal C4 Intermediate Servo (Large 2.867 ID) 1972-83
1988017	D5TZ-7D024-A	13301A		Lathe Cut Seal C4 Intermediate Servo (Large 3.390 ID) 1964-83
1988018	D9FZ-7D025-A	13223		Lathe Cut Seal C4 Intermediate Servo (Small 2.271 ID) 1964-83
1988019	D9AZ-7D025-A	13240		Lathe Cut Seal C4 Intermediate Servo (Small 2.381 ID) 1964-83
1989028	C5AZ-7D025-A	13245		Lathe Cut Seal C4 Intermediate Servo (Small 2.687 ID) 1965-68
1988020				Lathe Cut Seal C4 Intermediate Servo (Small 3.060 ID) 1965-68
1989016	D0AZ-7D040-A	13325		Lathe Cut Seal C4 C5 Reverse Servo Cover 1964-86
1989037	C5ZZ-7D025A			Lathe Cut Seal C4 Intermediate Servo Piston 1965 Only
1989029	C4AZ-7D025B			Lathe Cut Seal C4 Front Servo Small 1964-1979
1989039	C4OZ-7D025B			Lathe Cut Seal C4 Intermediate Servo Piston 1964 Only
1989040	C5AZ-7D025A			Lathe Cut Seal C4 Intermediate Servo Piston 1965-66
1990052	E1AZ-7A548-A			Lip Seal C4 C5 Direct Clutch Piston (Outer) 6/81-1986
1990051	D8OZ-7A548-A			Lip Seal C4 C5 Forward Clutch Piston Outer 1978-86
1995226	B5AZ-7A294-E			O-Ring C4 Direct Clutch Piston (Inner) 1964-67
1995226	B5AZ-7A294-E			O-Ring C4 Forward Clutch Piston Inner 1964-69
45111	376950-S	3971		O-Ring C4 Pump 1964-65
1995503	380892-S94	14847		O-Ring C4 C5 Cooler Lines & Fittings
1994113	6264902			O-Ring C4 C5 Filler Tube
1994679	D0AZ-7A294-A			O-Ring C4 C5 Forward Clutch Piston Inner 1970-86
1995559	1P-77265-B	3499		O-Ring C4 C5 Modulator
1995115	87036594			O-Ring C4 C5 Speed-O Housing

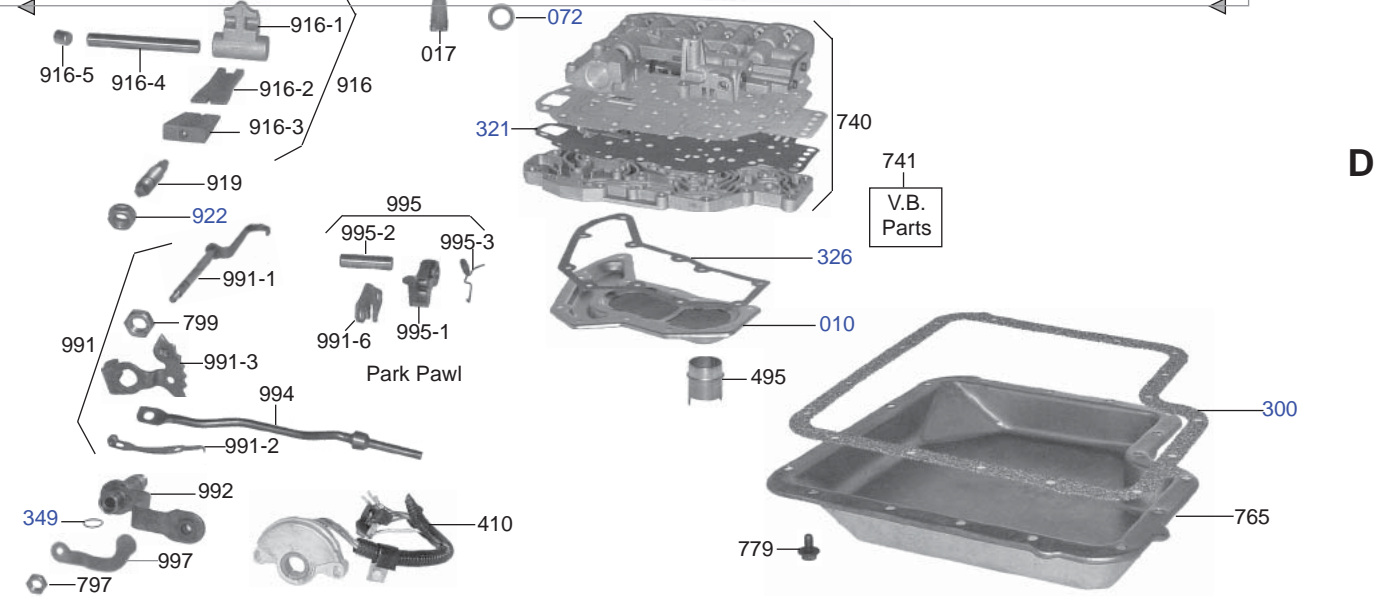
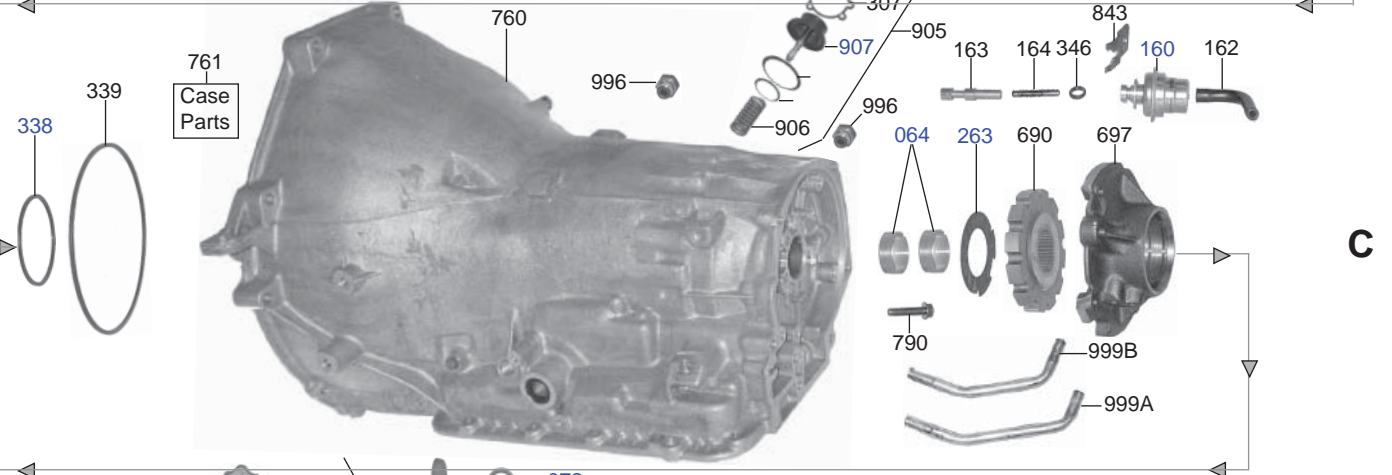
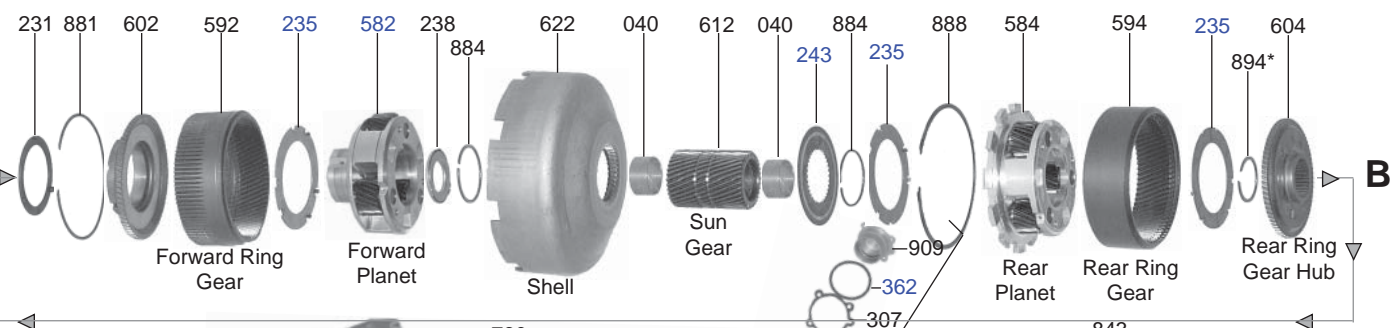
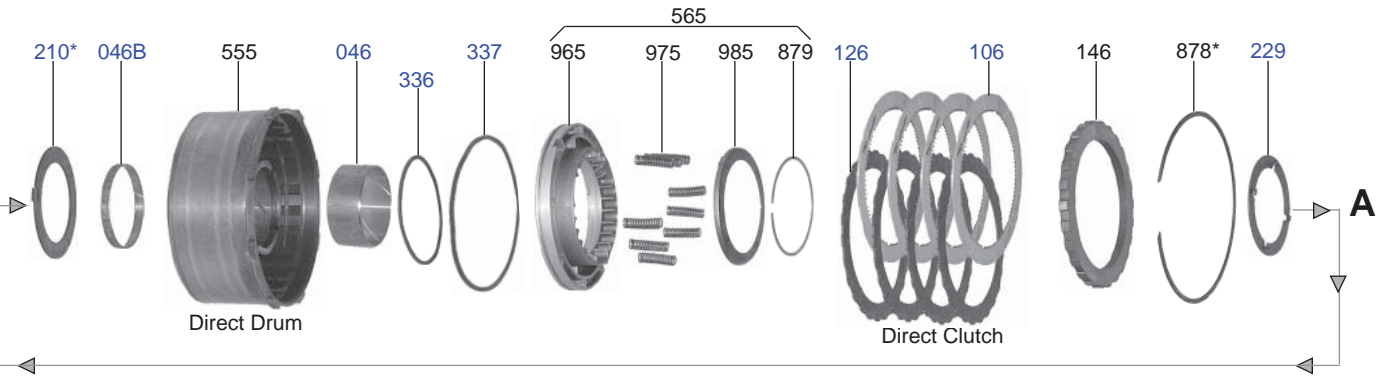
SAP #	IL#	OE	INDUSTRY	DESCRIPTION
GASKET & RUBBER COMPONENTS -- continued				
1989032		E1AZ-7D024-A	13216A	O-Ring C5 Intermediate Servo Large (3.487 ID) 1982-86
1994140		E2SZ-7D025-A	13341W	O-Ring C5 Intermediate Servo Small (2.237 ID) 1982-86
1994142		E2DZ-7D025-A	13341G	O-Ring C5 Intermediate Servo Small (2.362 ID) 1982-86
1994153		E1AZ-7D024A		O-Ring C5 Intermediate Servo Piston Large 1982-86
1989056				Quad-Ring C4 C5 Detent
45175012		D9FZ-7D376-A		Seal C4 C5 Check Valve Intermediate Accumulator 1964-86
8114ES				Seal Up Kit C4 1970-81
8040ES				Seal Up Kit C4 C5 (With Pan Gasket) 1966-86
METAL CLAD SEALS				
70181V		C2AZ-7A248-A	16601A	Seal C4 C5 Front Pump (W/Out Flange) [Viton]
33041N		C2AZ-7A248-A	16601A	Seal C4 C5 Front Pump (W/Out Flange)
70014FM		D5AZ-7052-B	8850B	Seal C4 C5 Extension Housing (With Flange W/Out Boot) 1964-86
33002		D5AZ-7052-B	8850B	Seal C4 C5 Extension Housing (With Flange W/Out Boot) 1964-86
70031FM		D5AZ-70852-B	16695E	Seal C4 C5 Extension Housing (With Long Boot) 1964-86
70031		D5AZ-70852-B	16695E	Seal C4 C5 Extension Housing (With Long Boot) 1964-86
70231		D6AZ-7052-A		Seal C4 C5 Extension Housing (With Short Boot) 1964-86
70083		D5AZ-7B498-A	6507A	Seal C4 C5 Manual Lever 1964-86
OIL SEALING RINGS				
TAW-414		0445-016-002A		Ring C4 Direct Clutch (1.750 OD) (.093 Wide) 1964-69 [Metal]
TAW-212		C4AZ-7D019-B		Ring C4 Forward Clutch (1.707 OD) (.093 Wide) 1964-69 [Metal]
TAW-411		D0AZ-7A019-A		Ring C4 Forward Clutch (1.757 OD) (.093 Wide) 1970-77 [Metal]
30210AT		D0AZ-7A019-A		Ring C4 Forward Clutch (1.757 OD) (.093 Wide) 1970-77 [PTFE]
TAW-363		C4AZ-7D011-A		Ring C4 C5 Direct Clutch (1.80 OD) (.093 Wide) 1970-86 [Metal]
TAW-544		D7AZ-7D019-A		Ring C4 C5 Forward Clutch (1.757 OD) (.123 Wide) 1978-86 [Metal]
30215T				Ring C4 C5 Forward Clutch (1.757 OD) (.123 Wide) 1978-86 [PTFE]
TAW-399		C4AZ-7D011-A		Ring C4 C5 Governor (2.687 OD) (.093 Wide) 1964-86 [Metal]
30204T				Ring C4 C5 Governor (2.687 OD) (.093 Wide) 1964-86 [PTFE]
30210T		DOAZ-7D019-A		Ring C4 C5 Stator to Reverse Clutch 1970-86 [PTFE]
6029				Ring Kit C4 1964-69 (7 Metal Rings)
30230T				Ring Kit C4 1970-77 (9 PTFE Rings)
6179				Ring Kit C4 1970-77 (7 Metal Rings)
6339				Ring Kit C4 C5 1978-86 (4 Metal 3 Governor PTFE Rings)
6092				Ring Kit C4 C5 1978-86 (7 Metal Rings)
6068				Ring Kit C4 C5 1970-86 (9 Metal Rings)
FRICION CLUTCH				
45322R		E2SZ-7B164B	26304B	Friction C4 C5 High/Reverse [4.56 OD 42 Teeth 0.78 THK] (Waffle) 1965-86
45322T		E2SZ-7B164B	26304B	Friction C4 C5 High/Reverse [4.56 OD 42 Teeth 0.78 THK] (Waffle) 1965-86
45320R		C8AZ-7B164D	26404B	Friction C4 C5 Forward [4.56 OD 42 Teeth 0.061 THK] (Smooth) 1964-86
45320T		C8AZ-7B164D	26404B	Friction C4 C5 Forward [4.56 OD 42 Teeth 0.061 THK] (Smooth) 1964-86
45180R				Friction Module C4 C5 1964-Up
45180T				Friction Module C4 C5 1964-Up
STEEL CLUTCH				
45321		C4AZ-7B442B	26305A	Steel C4 C5 High/Reverse [3.60 ID 26 Teeth 0.078 THK] 1964-86
45321A		E2SZ-7B442-B	26305X	Steel C4 C5 High/Reverse [3.596 ID 26 Teeth 0.095 THK] (Oversized) 1964-86
45323		E2SZ-7B442-A	26305B	Steel C5 High/Reverse [3.59 ID 26 Teeth 0.090 THK] 1982-86
45181				Steel Module C4 C5 1964-86
FILTER				
33236A		C5AZ-7A098-C	26422A	Filter C4 1965-69
33222		D0DZ-7A098-B	26422B	Filter C4 Flat (Shallow Pan) 1970-83
33227		D3BZ-7A098A	26442D	Filter C4 Deep Pan 1973-77 (Bronco)
33224		E2DZ-7A098-A	26422G	Filter C5 (2WD) 1982-86
33231		E3TZ-7A098A	26422H	Filter C5 Deep Pan 1983-86 (Bronco & Rnage)
FILTER KIT				
33261			FK26422A	Filter Kit C4 1965-69 (Cork & Rubber Pan Gasket)
33275			FK26422B	Filter Kit C4 Flat (Shallow Pan) 1970-83 (Cork & Rubber Pan Gasket)
33277			FK26422G	Filter Kit C5 1982-87 (Cork & Rubber Pan Gasket)
MISCELLANEOUS FILTERS				
31640S		C7AZ-7E424-A	26922	Screen Filter C4 Governor
BANDS				
45390		D9AZ-7D034-C	26320F	Band C4 C5 Intermediate (Flex) 1965-86
45393		D0AZ-7D095-A	26520A	Band C4 C5 Reverse (Rear) 1964-86

SAP #	IL#	OE	INDUSTRY	DESCRIPTION
BUSHINGS				
45334		C4AZ-7D001A	26004	Bushing C4 Reverse/Brake Drum 1964-69 [Bronze]
45335		C4AZ-7025A	26005	Bushing C4 C5 Case Rear 1964-86 [Bronze]
33340		D0AP-7D046-B	26002A	Bushing C4 C5 Direct Drum 1970-86
33356		B3TZ-7A034A	6014	Bushing C4 C5 Extension Housing (1.50 ID) 1964-86 [Babbitt]
33356A			6014	Bushing C4 C5 Extension Housing (1.50 ID) 1964-86 [Bronze]
45332		C6AZ-7E059-A	26008	Bushing C4 C5 Forward Clutch Hub
45336		D0AZ-7B261-A	26000C	Bushing C4 C5 Front Stator 1970-86
33355		C0AP-7B258-A	26001B	Bushing C4 C5 Pump [Babbitt]
33341			26001	Bushing C4 C5 Pump [Bronze]
45333		C4AZ-7D065-A	26003	Bushing C4 C5 Sun Gear [Bronze]
45331				Bushing Kit C4 C5 1970-86 (9 Bushings)
45331A				Bushing Kit C4 C5 1970-86 (8 bushings)
WASHER & BEARINGS				
45372		C4AZ-7A242-A	26215	Washer C4 Input Shell To Rear Planet 1964-71
45677		C4AZ-7C096-A	36444A	Washer C4 Rear Planet To Rear Hub & Rear Hub To Rear Drum (Wide) 1964-79
45375		D0AZ-7D090-A	26401A	Washer C4 C5 Forward Drum To Clutch Hub 1970-86
45373		D2OZ-7A242-A	26215A	Washer C4 C5 Input Shell To Rear Planet 1972-86
45377		E0AZ-7D072-A	26605	Washer C4 C5 Sprag Race To Case
45379		D0AZ-7D014-B	26209T	Washer C4 C5 Stator To Direct Drum W/Tangs (.089) 1966-86
45378		D0AZ-7D014-D	26209V	Washer Thrust C4 C5 Stator To Direct Drum - 2 Tabs [2.748 OD 0.12in THK] 1966-86 [Plastic]
45374		C4AP-7D091H	26212B	Washer C4 C5 Stator to Forward Drum [0.074 THK] #3 1964-86
45370				Washer Kit C4 C5 1970-86 (10 Washers)
45370A				Washer Kit C4 C5 1970-86 (6 Washers)
HARD PARTS				
45399		E1AZ-7B070B	26406	Diaphragm Spring C4 Forward Clutch 1970-81
33991		380850-S	26610	Nut C4 Band Adjustment (Coarse Thread) 1964-81
33993		389049-S	26610A	Nut C4 C5 Band Adjustment (Fine Thread) 1982-86
33766M		D1AZ-7D189-A	26528A	Piston C4 C5 Reverse Servo
45398		C4AZ-7C010-F	K26201	Pump Gear Set C4 C5 1970-86
MODULATORS				
45347		D2AZ-7A377-A	26833X	Modulator C4 Single Yellow Stripe (Push In) 1973-83
45345		C4AZ-7A377-B	26830	Modulator C4 White Stripes (Screw In) 1964-72
45346		D5AZ-7A377-B	26833S	Modulator C4 C5 Single Green Stripe (Push In) 1974-86
45348		E2TZ-7A377-A	26833W	Modulator C5 White Stripe (Push In) 1982-86
MISCELLANEOUS COMPONENTS				
45293		D4AZ-7341-A	26710	Grommet C4 C5 Linkage Grommet (5/16 ID)
45293A		EOAZ-7341-B	26711	Grommet C4 C5 Linkage Grommet (5/8 ID)

C-6

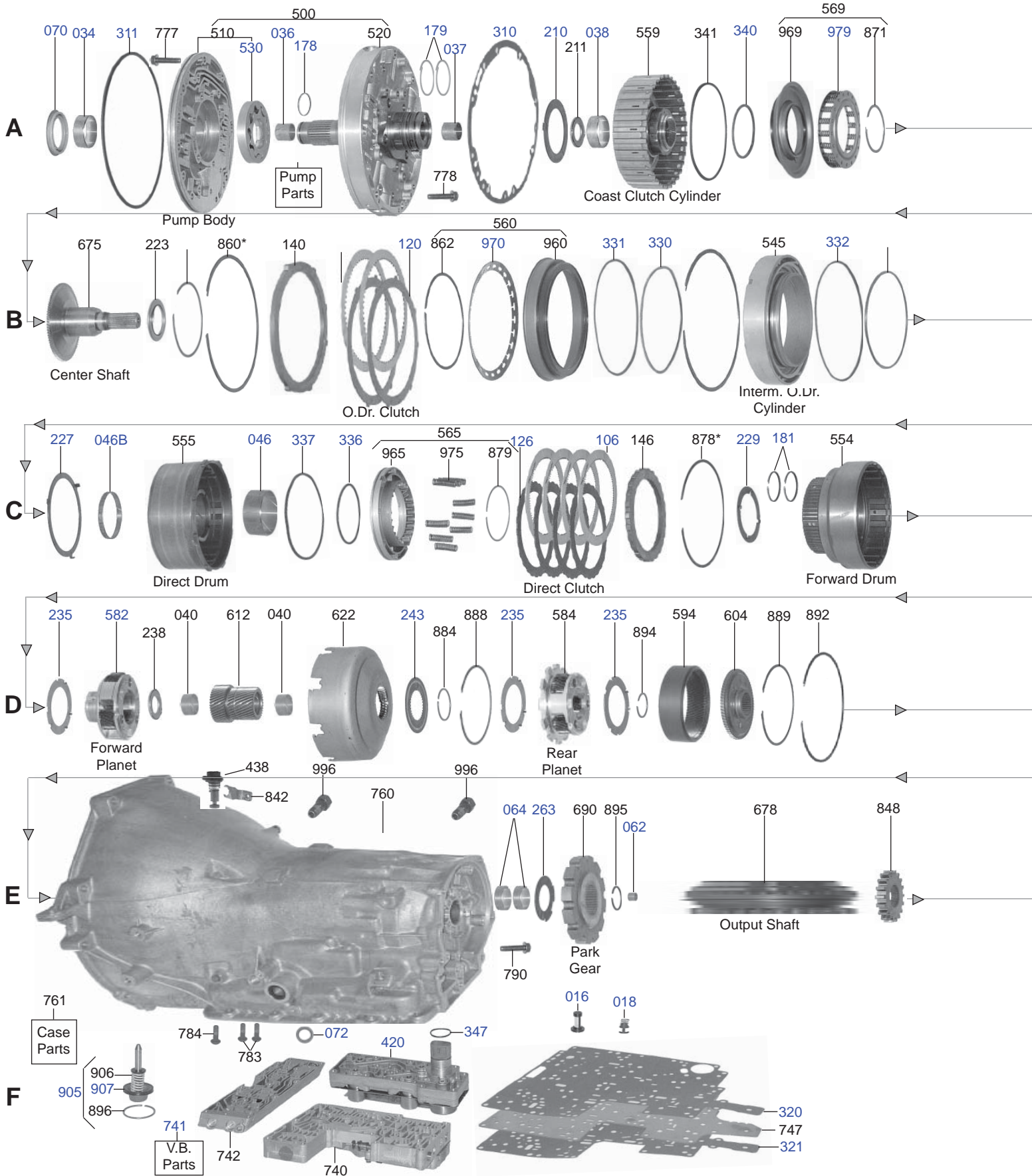
RWD 3 Speed

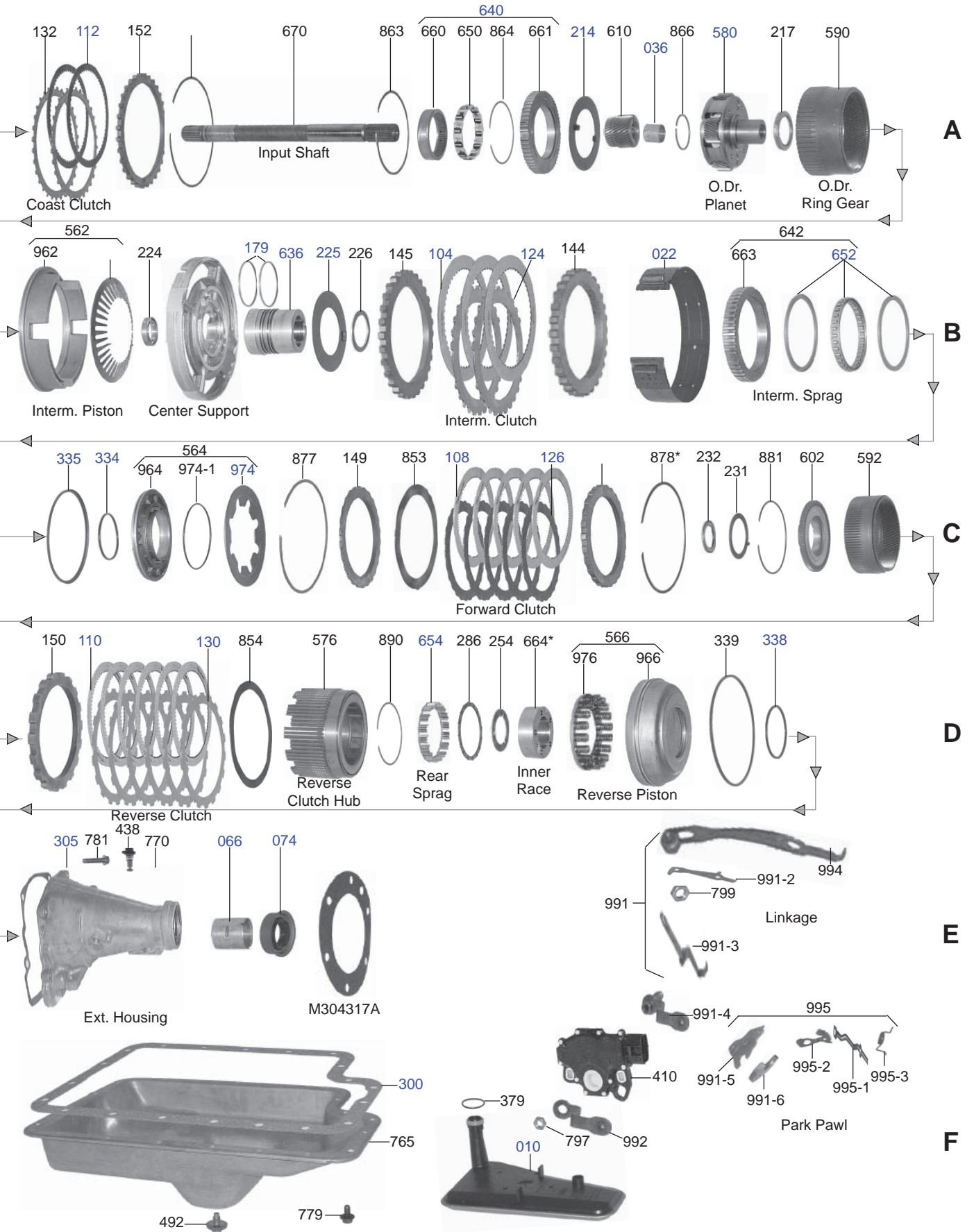




E4OD / 4R100

RWD 4 Speed





SAP #	IL#	OE	INDUSTRY	DESCRIPTION
PAPER & RUBBER KIT				
T36000A				Paper & Rubber Kit C6 E1976-Up
T36000C				Paper & Rubber Kit C6 1968-Up
T36000E				Paper & Rubber Kit E4OD 1989-95
TF36000E				Paper & Rubber Kit E4OD 1989-95 (Fiber)
T36000EBX				Paper & Rubber Kit E4OD 4R100 1996-Up (W/Out Pan Gasket)
OVERHAUL KIT				
T36002				Overhaul Kit C6 1966-E76
B36002A				Overhaul Kit C6 L1976-Up With Band Nut [7 Metal Rings]
T36002A				Overhaul Kit C6 L1976-Up With Band Nut [7 Metal Rings]
TF36002A				Overhaul Kit C6 L1976-Up With Band Nut [7 Metal Rings] (Fiber)
B36002AA				Overhaul Kit C6 L1976-Up W/Out Band Nut [7 Metal Rings]
B36002AB				Overhaul Kit C6 L1976-Up W/Out Band Nut [7 PTFE Rings]
B36002B				Overhaul Kit C6 1968-Up
T36002B				Overhaul Kit C6 1968-Up
T36002C				Overhaul Kit C6 1968-Up With Band Nut
TF36002C				Overhaul Kit C6 1968-Up With Band Nut (Fiber)
B36002E				Overhaul Kit E4OD 1989-95
T36002E				Overhaul Kit E4OD 1989-95
TF36002E				Overhaul Kit E4OD 1989-95 (Fiber)
B36002EB				Overhaul Kit E4OD 4R100 1996-Up [4 Metal 5 PTFE Rings]
T36002EB				Overhaul Kit E4OD 4R100 1996-Up [4 Metal 5 PTFE Rings]
TF36002EB				Overhaul Kit E4OD 4R100 1996-Up [4 Metal 5 PTFE Rings] (Fiber)
T36002EBW				Overhaul Kit E4OD 4R100 1996-Up [4 Metal 5 PTFE Rings] (Molded Pan Gasket)
T36002EB-1				Overhaul Kit E4OD 4R100 1996-Up [7 PTFE Rings]
MASTER L/STEEL KIT				
B36004A				Master L/Steels C6 L1967-E76 With Band Nut
T36004A				Master L/Steels C6 L1968-E76 With Band Nut
TF36004A				Master L/Steels C6 L1967-E76 With Band Nut (Fiber)
B36004B				Master L/Steels C6 L1976-Up
T36004B				Master L/Steels C6 L1976-Up
TF36004B				Master L/Steels C6 L1976-Up (Fiber)
B36004EB				Master L/Steels E4OD 1996-3/97
T36004EB				Master L/Steels E4OD 1996-3/97
TF36004EB				Master L/Steels E4OD 1996-3/97 (Fiber)
B36004E				Master L/Steels E4OD 1989-95
T36004E				Master L/Steels E4OD 1989-95
TF36004E				Master L/Steels E4OD 1989-95 (Fiber)
B36004EG				Master L/Steels 4R100 1998-Up
T36004EG				Master L/Steels 4R100 1998-Up
MASTER W/STEEL KIT				
B36006B				Master W/Steels C6 L1976-Up
B36006E				Master W/Steels E4OD 1989-95
T36006E				Master W/Steels E4OD 1989-95
B36006EB				Master W/Steels E4OD 1996-3/97
T36006EB				Master W/Steels E4OD 1996-3/97
B36006EG				Master W/Steels 4R100 1998-Up
T36006EG				Master W/Steels 4R100 1998-Up
SUPER KIT				
B36008B				Super Kit C6 L1976-Up [Includes Bushing Kit, Washer Kit, Band, Filter, Modulator]
B36008E				Super Kit E4OD 1989-95 2WD [Includes Bushing Kit, Band, Filter]
B36008EB				Super Kit E4OD 1996-Up 2WD [Includes Bushing Kit, Band, Filter]
T36008EG				Super Kit 4R100 1998-Up [Includes Bushing Kit, Band, Filter]
GASKET & RUBBER COMPONENTS				
45609T		C6AZ-7A191-B	13233	Gasket C6 Pan 1966-Up [Cork & Rubber]
45609U		C6AZ-7A191-B	13233	Gasket C6 Pan 1966-Up [Ultracork]
45618		C6AZ-7A191-B	13233F	Gasket C6 Pan 1996-Up [Fiber]
46409T		E9TZ-7A191-A	36500	Gasket E4OD Pan 1989-95 [Cork & Rubber]
46409U		E9TZ-7A191-A	36500	Gasket E4OD Pan 1989-95 [Ultracork]
46418		E9TZ-7A191-A	36500F	Gasket E4OD Pan 1989-Up [Fiber]
46496132		F6TZ-7A191-A	36500G	Gasket E4OD 4R100 Pan 1996-Up [Molded Rubber]
45797072		C6AZ-7086-A	13232	Gasket C6 Extension Housing
46496191			36502	Gasket 4R100 PTO 1998-Up
45696080		C6AZ-7E062A		Gasket C6 Filter [Metal]
45797071		D4AZ-7D026-A	13236	Gasket C6 Intermediate Servo Cover
45797074		D2AZ-7B426A		Gasket C6 Modulator 1972-Up
45610		C6AZ-7E062-A	13235	Gasket C6 Oil Filter
45797068		E0AZ-7A136-B		Gasket C6 Pump
45797070				Gasket C6 Valve Body (Lower) 1966
45797069		D6AZ-7D100-A		Gasket C6 Valve Body (Lower) 1967-Up

SAP #	IL#	OE	INDUSTRY	DESCRIPTION
GASKET & RUBBER COMPONENTS -- continued				
9997256		E7TZ-7086A		Gasket E4OD 4R100 Adapter to Case
46412A		E9TZ-7A136A	13225E	Gasket E4OD 4R100 Pump 1989-Up
46497364		E9TZ-7C155-B	13334F	Gasket E4OD Spacer Plate To Case (Upper) (0.015in) 1989
46497367		F1TZ-7C155-A	13334H	Gasket E4OD Spacer Plate To Case (Upper) (Yellow Stripe) (0.015in) 1990-95
46497510		F6TZ-7C155-A	13334K	Gasket E4OD Spacer Plate To Case (Upper) (Green Stripe) (0.015in) 1996-97
46497640		F81Z-7C155-AA	13334L	Gasket 4R100 Spacer Plate To Case (Upper) (Light Blue) (0.015in) 1998-05
46497133		E9TZ-7D100-B	13334E	Gasket E4OD Valve Body To Spacer Plate (Lower) (0.08in) 1989
46497137		F0TZ-7D100-A	13334G	Gasket E4OD Valve Body To Spacer Plate (Lower) (Yellow Stripe) (0.008in) 1990-95
46497661		F6TZ-7D100A	13334J	Gasket E4OD Valve Body To Spacer Plate (Lower) (Green Stripe) 1996-97
46497511		F6TZ-7D100-Z	13334M	Gasket 4R100 Valve Body To Spacer Plate (Lower) (Blue Stripe) (0.008in) 1996-04
46497136		E9TZ-7086-B	13232E	Gasket E4OD 4R100 Extension Housing
46419		E9TZ-7G379-A	36268	Gasket E4OD 4R100 Pump Bolt Washer
46497645			36743G	Gasket E4OD Center Support Plate
1988010		C8AZ-7A548-C		Lathe Cut Seal C6 Direct Clutch (Outer)
1989046		C6AZ-7C099A		Lathe Cut Seal C6 Direct Clutch Inner 1966-67
1989013		C6AZ-7A548A		Lathe Cut Seal C6 Forward Clutch Inner 1966-76
1988013		D5TZ-7D024B		Lathe Cut Seal C6 Intermediate Servo Cover
1989014		C6AZ-7D025E		Lathe Cut Seal C6 Intermediate Servo Small 1966-74
1989045		C6AZ-7D404A		Lathe Cut Seal C6 Reverse Clutch Inner 1966-67
1988011		C7AZ-7D404-A		Lathe Cut Seal C6 E4OD Reverse Clutch (Inner) 1968-95
1988012		C8AZ-7D403-A		Lathe Cut Seal E4OD 4R100 Reverse Clutch (Outer) 1966-65
1990128		C8AZ-7C099-A		Lip Seal C6 Direct Clutch (Inner) L1976-Up
1990127				Lip Seal C6 Direct Clutch (Outer) 1989-Up [Viton]
1994232		E9TZ-7A548-F		Lip Seal C6 E4OD 4R100 Forward Clutch (Inner)
1990050		D6AZ-7A548-A		Lip Seal C6 E4OD 4R100 Forward Clutch (Outer)
1990250		E9TZ-7A548-A		Lip Seal E4OD Overdrive Clutch (Outer) W/Aluminum Piston 1989-95
1990125		E9TZ-7A548-C		Lip Seal E4OD 4R100 Coast Clutch (Inner) Cast Iron Drum
1990126		E9TZ-7A548B		Lip Seal E4OD 4R100 Coast Clutch (Outer) 1989-Up
1988009				Lip Seal E4OD 4R100 Direct Clutch (Inner) 1989-04
1990122		E9TZ-7F252-A		Lip Seal E4OD 4R100 Intermediate & Overdrive Clutch (Inner) (Also Fits E4OD Overdrive)
1990123		E9TZ-7F224-A		Lip Seal E4OD 4R100 Intermediate Clutch (Outer) 1989-Up
1990218		F6TZ-7D404-A		Lip Seal E4OD 4R100 Reverse Clutch (Inner) 1996-Up
1990219		F6TZ-7F403-A		Lip Seal E4OD 4R100 Reverse Clutch (Outer) 1996-Up
1993528		380892-S94		O-Ring C6 Cooler Line
1995224				O-Ring C6 Front Servo Piston
1995232		C6AZ-7D024-A		O-Ring C6 Intermediate Servo Cover
1995217		8616504		O-Ring C6 Output Shaft
1988097		C6AZ-7A248-B		O-Ring C6 Pump
1995559		386078-S	3499	O-Ring C6 Throttle Shaft & Modulator
1993016				O-Ring E4OD 4R100 Cooler Bypass [Viton]
1995023				O-Ring E4OD Connector 1989-Up
1985005		E9TZ-7A248-A		O-Ring E4OD 4R100 Pump
1995123		87034-S94		O-Ring E4OD 4R100 Solenoid Pack Connector 1989-Up
45675146				Poppet Valve C6 1966-Up
1989056		386078-S		Seal C6 Throttle Shaft (With 4 Lobes)
46475084		E9TZ-10C030-AA		Seal E4OD Connector 1989-94
9017ESK				Seal Up Kit C6 1968-Up
8039ES				Seal Up Kit E4OD 4R100 (With Pan Gasket) 1989-Up
METAL CLAD SEALS				
70181V			16601A	Seal C6 Front Pump (W/Out Flange) 1966-Up [Viton]
33041N		C2AZ-7A248-A	16601A	Seal C6 Front Pump (W/Out Flange) 1966-Up
70018FM		D5AZ-7052-A	34743C	Seal C6 E4OD 4R100 Extension Housing (W/Out Boot) 1966-Up
70172		D5AZ-7052-A	34743C	Seal C6 E4OD 4R100 Extension Housing (W/Out Boot) 1966-Up
70212FM		D5AZ-7052-A	16695C	Seal E4OD 4R100 Extension Housing (With Boot) 1966-Up
70212		D5AZ-7052-A	16695C	Seal E4OD 4R100 Extension Housing (With Boot) 1966-Up
70033FM		D5AZ-7052-A	16695C	Seal E4OD 4R100 Extension Housing With Boot
70083		D5AZ-7B498-A	6507A	Seal C6 E4OD 4R100 Manual Lever 1966-Up
OIL SEALING RINGS				
TAW-211		C6AZ-7D019-B	36401	Ring C6 E4OD 4R100 Forward Clutch 1966-Up [Metal]
30307T		C6AZ-7D019-A		Ring C6 E4OD 4R100 Forward Clutch 1966-Up [PTFE]
TAW-399		C4AZ-7D011-A		Ring C6 Governor 1966-Up [Metal]
30208T		C6AZ-7D025-A	36210T	Ring C6 E4OD 4R100 Direct Clutch [PTFE]
TAW-466		C6AZ-7D025-A	36210	Ring C6 E4OD 4R100 Direct Clutch [Metal]
30309		E9TZ-7G402-A	36402T	Ring E4OD 4R100 Coast Clutch [PTFE]
30306		E9TZ-7L323-A	36403T	Ring E4OD 4R100 L Up (On Stator Front) [PTFE]
6004				Ring Kit C6 1966-Up (5 Metal 2 {Stator Support} PTFE)
6069				Ring Kit C6 1966-Up (7 Metal Rings)
6069OS				Ring Kit C6 1966-Up (7 OS Metal Rings)
6076				Ring Kit C6 1966-Up (7 PTFE Rings)
6027				Ring Kit E4OD 4R100 1989-Up (4 Metal 5 PTFE Rings)
6191				Ring Kit E4OD 4R100 1989-Up (7 PTFE Rings)

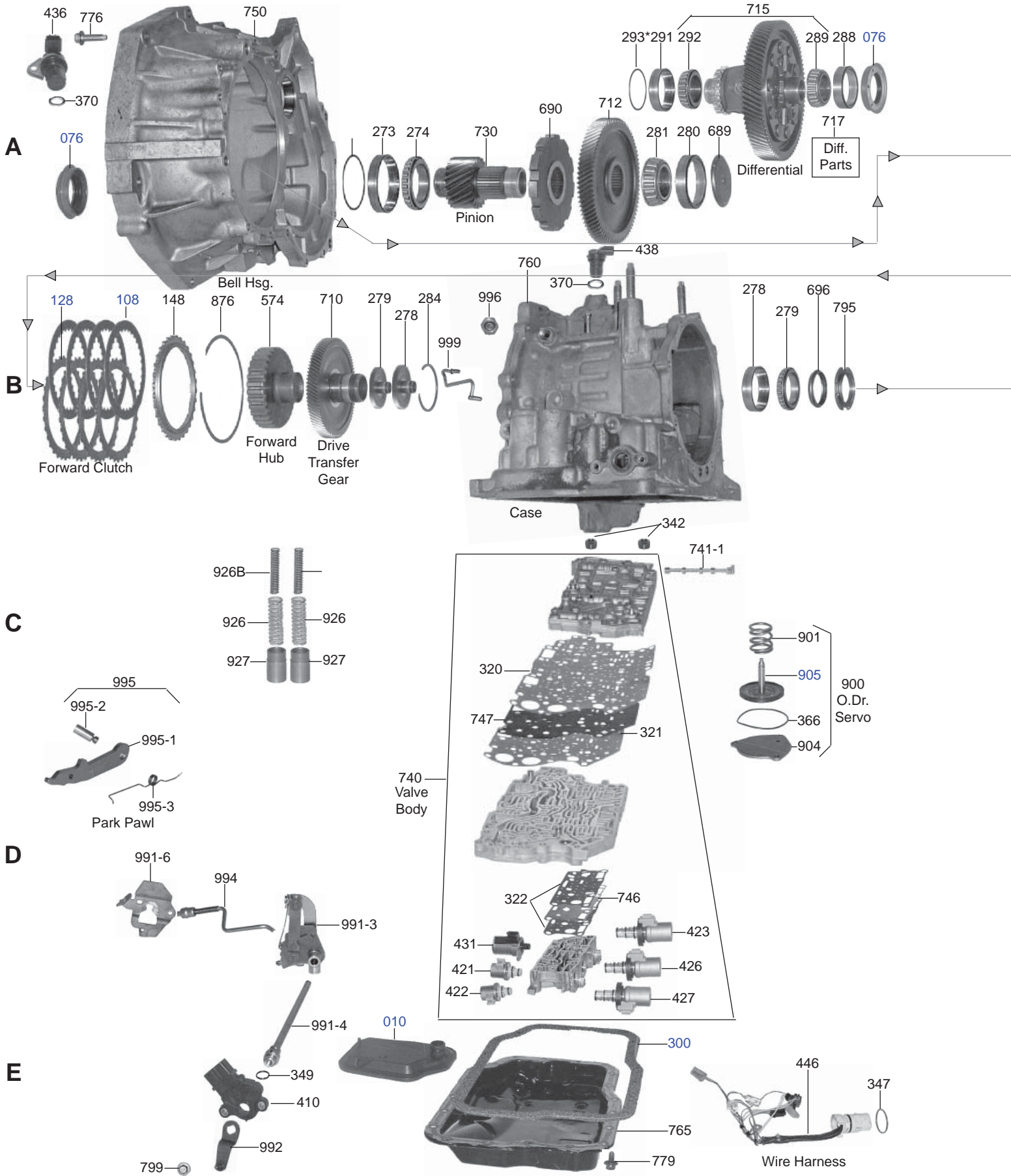
SAP #	IL#	OE	INDUSTRY	DESCRIPTION
FRICITION CLUTCH				
45620T		C6AZ-7B164B	36404	Friction C6 Forward [5.04 OD 57 Teeth 0.060 THK] 1966-67
45622R		D2AZ-7B164-A	36404A	Friction C6 Forward [6.35 OD 90 Teeth 0.063 THK] Smooth 1967-76
45622T		D2AZ-7B164-A	36404A	Friction C6 Forward [6.35 OD 90 Teeth 0.063 THK] Smooth 1967-76
45628R		D6AZ-7B164-B	36404B	Friction C6 E4OD Forward [6.34 OD 90 Teeth 0.079 THK] Smooth L1976-Up
45628T		D6AZ-7B164-B	36404B	Friction C6 E4OD Forward [6.34 OD 90 Teeth 0.079 THK] Smooth L1976-Up
46420T		F2TZ-7B164A	36404C	Friction E4OD Forward [6.35 OD 90 Teeth 0.079 THK] 1989-Up
45624R		C8AZ-7B164-H	36304	Friction C6 E4OD 4R100 Direct [6.34 OD 63 Teeth 0.079 THK] Waffle 1966-Up
45624T		C8AZ-7B164-H	36304	Friction C6 E4OD 4R100 Direct [6.34 OD 63 Teeth 0.079 THK] Waffle 1966-Up
46422T		E9TZ-7B164-D	36304D	Friction E4OD 4R100 Direct [6.39 OD 64 Teeth 0.077 THK] Smooth 1989-Up
45626R		D6AZ-7B164-A	36504A	Friction C6 E4OD Reverse [6.79 OD 72 Teeth 0.079 THK] 1966-E97
45626T		D6AZ-7B164-A	36504A	Friction C6 E4OD Reverse [6.79 OD 72 Teeth 0.079 THK] 1966-E97
46424R		F81Z-7B164-DA	36504B	Friction 4R100 Reverse [6.750 OD 24 Teeth 0.080 THK] 1998-Up
46424T		F81Z-7B164-DA	36504B	Friction 4R100 Reverse [6.750 OD 24 Teeth 0.080 THK] 1998-Up
46461T		E9TZ-7B164-C	36101	Friction E4OD 4R100 Coast [6.58 OD 60 Teeth 0.079 THK] 1989-Up
46464R		E9TZ-7B164A	36103	Friction E4OD 4R100 Overdrive [8.79 OD 64 Teeth 0.078 THK] 1989-Up
46464T		E9TZ-7B164A	36103	Friction E4OD 4R100 Overdrive [8.79 OD 64 Teeth 0.078 THK] 1989-Up
46464AT		F81P-7B164BA	36103B	Friction 4R100 Overdrive [8.688 OD 32 Teeth 0.079 THK] 1998-Up
46465T		E9TZ-7B164B	36105	Friction E4OD Intermediate [7.78 OD 50 Teeth 0.079 THK] 1989-Up
46465AT		F7SP7F219BA	36105A	Friction 4R100 Intermediate [7.80 OD 50 Teeth 0.079 THK] L1997-Up
46465BT		1C3Z-7B164-AA	36105B	Friction E4OD 4R100 Intermediate [7.79 OD 60 Teeth 0.076 THK] 1989-Up
45682R				Friction Module C6 Early 1968-76
45682				Friction Module C6 Early 1968-76
45780R				Friction Module C6 Late 1977-Up
45780T				Friction Module C6 Late 1977-Up
45880R				Friction Module C6 L1967-Up
45880				Friction Module C6 L1967-Up
46480				Friction Module E4OD 1989-E97
46480A				Friction Module E4OD 1996-Up
46480AR				Friction Module E4OD 1996-Up
46480R				Friction Module E4OD 1989-E97
46480ER				Friction Module 4R100 1998-Up
46480ET				Friction Module 4R100 1998-Up
STEEL CLUTCH				
45621		E9TZ-7B442-D	36305	Steel C6 E4OD 4R100 Forward & Direct [5.13 ID 22 Teeth 0.078 THK] 1966-Up
45623		E9TZ-7B442-E	36505	Steel C6 E4OD 4R100 Reverse [5.73 ID 18 Teeth 0.067 THK] 1966-Up
46442		EPTZ-7B442-A	36104	Steel E4OD 4R100 Overdrive [7.45 ID 6 Teeth 0.079 THK] 1989-Up
46462		E9TZ-7B442-C	36102	Steel E4OD 4R100 Coast [5.85 ID 60 Teeth 0.079 THK] 1989-Up (for Cast Iron Drum)
46462A		F81Z-7B442AA		Steel 4R100 Coast [5.85 ID 32 Teeth 0.079 THK] 1999-Up
46466		E9TZ-7B442-B	36106	Steel E4OD 4R100 Intermediate [6.21 ID 15 Teeth 0.079 THK] 1989-Up
46466A		E9TZ-7B066C	36415C	Steel 4R100 Intermediate [6.21 ID 26 Teeth 0.125 THK] 1999-Up
45781				Steel Module C6 1966-Up
46481				Steel Module E4OD (With Cast Iron Coast Clutch Drum) 1989-98
46481E				Steel Module 4R100 1999-Up
FILTER				
33225		C6AZ-7A098-B	36423A	Filter C6 2WD 1966-74
33220		D5AZ-7A098-A	36423B	Filter C6 2WD 1975-Up
33226		D3TZ-7A098-A	36423C	Filter C6 4X4 1973-Up
46343		E9TZ-7G186-BA	36423E	Filter E4OD 4R100 2WD 1989-Up
46345		E9TZ-7A098-B	36423F	Filter E4OD 4R100 4X4 1989-Up
FILTER KIT				
33278			FK36423A	Filter Kit C6 2WD 1966-74 (Cork & Rubber Pan Gasket)
33273			FK36423B	Filter Kit C6 2WD 1975-Up (Cork & Rubber Pan Gasket)
33273A			FK36423B	Filter Kit C6 2WD 1975-Up (Fiber Pan Gasket)
33279			FK36423C	Filter Kit C6 4x4 1973-Up (Cork & Rubber Pan Gasket)
33279A			FK36423C	Filter Kit C6 4x4 1973-Up (Fiber Pan Gasket)
46441			FK36423E	Filter Kit E4OD 4R100 2WD 1989-Up (Cork & Rubber Pan Gasket)
46441A			FK36423E	Filter Kit E4OD 4R100 2WD 1989-Up (Fiber Pan Gasket)
46443			FK36423F	Filter Kit E4OD 4R100 4x4 1989-Up (Cork & Rubber Pan Gasket)
46443A			FK36423F	Filter Kit E4OD 4R100 4x4 1989-Up (Fiber Pan Gasket)
MISCELLANEOUS FILTERS				
46465060		E9TZ-7G308-B	36712E	Screen Filter E4OD 4R100 Solenoids (Fits On Separator Plate)
46493		F1TZ-7H194-A	36713	Screen Filter E4OD Intermediate Accumulator (With Spring) 1991-96 (Sets in Under Spacer Plate)
BANDS				
45690		D9AZ-7D034-B	36320F	Band C6 Intermediate (Flex)
46446		E9TZ-7D034-A	36320E	Band E4OD 4R100 Intermediate (Flex) 1989-Up

SAP #	IL#	OE	INDUSTRY	DESCRIPTION
BUSHINGS				
33342		E0AZ-7B258-A	36002	Bushing C6 Pump Body [2.13 OD 2.00 ID] 1966-Up [Bronze]
33343		B5AZ-7A034-A	6023A	Bushing C6 E4OD 4R100 Extension Housing [1.69 ID] [Bronze]
33354		C6AZ-7B258-A	36002B	Bushing C6 E4OD Front Pump Body [2.12 OD 0.760in Height] [Babbitt]
33357		C1VY-7A034-A	6023	Bushing C6 E4OD 4R100 Extension Housing 1966-Up [Babbitt]
33343A			6023T	Bushing C6 E4OD 4R100 Extension Housing 1966-Up [PTFE Coated]
45038			56006	Bushing E4OD Output Shaft Pilot
45630		C6AZ-7B261-C	36000A	Bushing C6 E4OD 4R100 Stator (Front) & Overdrive Sun Gear (1.10 OD) [Bronze]
45631		C6AZ-7D018-A	36001A	Bushing C6 E4OD 4R100 Stator (Rear)
45632		C6AZ-7D046-B	36004	Bushing C6 E4OD 4R100 Direct Drum (Front) (3.07 OD) [Bronze]
45633		C6AZ-7D046-A	36003	Bushing C6 E4OD 4R100 Direct Drum (Rear) (2.87 OD) [Bronze]
45634		C6AZ-7D065-A	36005	Bushing C6 E4OD 4R100 Sun Gear (Primary) (1.44 OD) (1.32 ID) [Bronze]
45635		C6AZ-7D025-E	36008	Bushing C6 Case Rear (1.66 OD) (1.47 ID) 1966-Up [Bronze]
46433		C6AZ-7025-B	36008H	Bushing C6 Case (Rear) W Out Oil Groove (1.60 OD) [Bronze]
33344		C6AZ-7D025A.	36007	Bushing C6 Case (1.60 OD) (1.47 ID) 1966-Up [Bronze]
46436			36016	Bushing 4R100 Coast Clutch [2.82 OD 2.70 ID] 1998-Up [Bronze]
46431A		EOAZ-7B258A	36002	Bushing E4OD 4R100 Pump Body 1996-Up [Bronze]
46431B			76001	Bushing E4OD 4R100 Pump (2.12 OD) (2.00 ID) 1996-Up [Bronze]
46432		C6AZ-7025-D	36007H	Bushing C6 Case (With 3 Oil Grooves) [1.60 OD] [Bronze] [fits C6 Front• E4OD 4R100 Front & Rear]
46436A				Bushing E4OD Coast Clutch Drum (With Oil Groove) 1989-97 [Bronze]
45640				Bushing Kit C6 1966-Up (10 Bushings)
46430				Bushing Kit E4OD 4R100 1989-Up (14 Bushings)
46430E			K36905F	Bushing Kit 4R100 1998-Up (11 Bushings)
WASHERS & BEARINGS				
D36431A			36431A	Bearing E4OD Forward Drum to Front/Rear Sun Gear
36447			36447	Bearing E4OD Front Planet 1997-Up [OEM]
D56374A		E1FZ-7F374A		Bearing E4OD 4R100 Center Support to Forward Drum 1987-Up [OEM]
D7E486AA				Bearing E4OD 4R100 Coast Clutch Cylinder (Front) 1989-Up [OEM]
D36240		3C3Z-7F240-A	96428	Bearing E4OD Overdrive Planet to Hub 1989-Up [OEM]
46464227		E6DZ-7F240-A		Bearing E4OD 4R100 Center Support (1.850 OD) (1.180in ID)
96423		E6DZ-7G178-A	96423	Bearing E4OD Center Support & Race to Output Shaft 1989-Up
46470B			K36907C	Bearing Kit E4OD Torrington
46474		C6AZ-7D066-B	36416	Race C6 E4OD 4R100 Input Shell
45671		C6AZ-7C096-A	36421	Washer C6 Direct Drum To Forward Drum
45673		C6AZ-7A166-A	36428	Washer C6 Front & Rear Planet (6 Tab) For 3 Gear Planet
45674		E9TZ-7A166-A	36428A	Washer E4OD Forward Hub To Forward Planet (4 Tab) For 4 Gear Planet
45675		D3TZ-7B368-A	36444	Washer C6 E4OD Parking Gear To Case
45678			36409B	Washer C6 Stator Support .089 [Metal]
45678AP		C6AZ-7D014-AP	36409P	Washer C6 Stator Support .057 [Plastic]
45678BP		C6AZ-7D014-BP	36409AP	Washer C6 Stator Support .074 [Plastic]
45678CP		C6AZ-7D014-CP	36409BP	Washer C6 Stator Support .089 [Plastic]
45678DP		C6AZ-7D014-DP	36409CP	Washer C6 Stator Support .104 [Plastic]
45678EP		C6AZ-7D014-EP	36409DP	Washer C6 Stator Support .119 [Plastic]
46471		F1TZ-7D014-A	36409E	Washer Thrust E4OD 4R100 Stator Support - 2 Flat Tabs [1.03 OD 0.063 THK] [Plastic]
46472		C6SZ-7A166-A	36402	Washer C6 Rear Planet (4 Tab) For 4 Gear Planet
45672		C6AZ-7C096A	36422	Washer C6 Thrust Intermediate Brake (4 Tabs) 1966-Up
46472A		F0TZ-7A166-C		Washer E4OD Forward Hub To Forward Planet (3 Narrow Tabs) For 3 Gear Forward Planet
45676		D3TZ-7B368A	36437	Washer C6 E4OD Output Shaft to Parking Gear 1966-97
46496196				Washer E4OD Center Support
D36446B		F81Z-7L339-AA	36446B	Washer 4R100 Thrust Overdrive Planet to Sprag 1998-Up [Plastic] [OEM]
46473B		F81Z-7L339-AA	36446B	Washer 4R100 Thrust Overdrive Planet to Sprag 1998-Up [Plastic]
46473A		F1TZ-7L339-A	36446A	Washer E4OD Overdrive Planet To Overdrive Sprag (With 2 Inner Tabs) 1989-97 [Plastic]
46475		E9TZ-7L326-A	36448	Washer E4OD 4R100 Center Support To Direct Drum [Plastic]
46476			36405	Washer E4OD 4R100 Intermediate Drum To Sprag [Plastic]
D36422E		E9TZ-7C096-A	36422E	Washer E4OD Direct Drum To Forward Drum 1989-97 [OEM]
46477		E9TZ-7C096-A	36422E	Washer E4OD Direct Drum To Forward Drum 1989-97
45670				Washer Kit C6 W/Out Selective 1969-Up (9 Washers)
45670A				Washer Kit C6 1968-Up (8 Washers)
46470			K36907E	Washer Kit E4OD 4R100 Planet 4 Pinion (12 Washers)
46470A			K36907F	Washer Kit E4OD 4R100 Planet 3 Pinion (13 Washers)
46470E				Washer Kit 4R100 1998-Up (9 Washers)
45670A				Washer Kit C6 68-Up W/Out Selective Washers (8 Washers)
ELECTRICAL COMPONENTS				
D36949		E9TZ-7G391-A	36949	Solenoid E4OD Block 9 Pin (With 0.100 Thick Plastic Connector) 1989-94
D36949A		F81Z-7G391-BA	36949A	Solenoid E4OD 4R100 Block (W/Out PWM) 1995-97 (Diesel) (Also Fits 1995-98 (Gas))
D36949B		F81Z-7G391-CB	36949B	Solenoid 4R100 Block (With PWM) 1999-Up (Diesel) (Also Fits 1995-98 (Gas))
D36955A		F7TZ-7F293-AA	36955A	Sensor E4OD 4R100 MLPS (12 Pin Digital) 1997-Up
D36957A		F81Z-7M101-AA	36957A	Sensor 4R100 Input Speed (Turbine Shaft) 1998-Up (Non-PTO Models)

SAP #	IL#	OE	INDUSTRY	DESCRIPTION
HARD PARTS				
46464090		E9TZ-7Z059-B	36917	Bolt E4OD Center Support 1989-Up
46464091		E9TZ-7Z059-A	36916	Bolt E4OD Intermediate & Overdrive Clutch 1989-Up
391590S				Cap E4OD Output Shaft (Late Style)
K36743A			K36743A	Center Support Kit E4OD (Includes Center Hub, Center Shaft & Bearing Cap)
46497		E9TZ-7B070-C	36719	Diaphragm Spring E4OD Coast Clutch
46497A		E9TZ-7B070-B	36721	Diaphragm Spring E4OD/4R100 Intermediate Clutch 1989-Up
45699		D9AZ-7B070-A	36419	Diaphragm Spring C6 Forward Clutch Disc Spring (.076) 1966-E76
45698		D9AZ-7B070-A	36419A	Diaphragm Spring C6 E4OD Forward Clutch Disc Spring (.094) L1976-Up
36743H-1			36743H	Hub E4OD Center Support (With Bearing) (Late Style) 1989-Up
D36418F		F7TZ-7B067-AB	36418F	Hub E4OD Forward Ring Gear 1997-Up [OEM]
DK36418F			K36418F	Hub Kit E4OD Forward Ring Gear (Includes Needle Bearing) 1997-99 [OEM]
33992		375185-S100	36610	Nut C6 Band Adjusting Nut 1968-Up
33768M		D5UZ-7D021-A	36528A	Piston C6 Intermediate Servo (Red Dot 1.980in) (N Cover) 1974-Up
33767		D5TZ-7D021A	36528	Piston C6 Intermediate Servo (Green Dot 2.095in) 1966-74
33769M		D5TZ-7D021-B	36528B	Piston C6 Intermediate Servo (Blue Dot 2.130in) 1974-Up
33770M		D7AZ-7D021-A	36528C	Piston C6 Intermediate Servo (Yellow Dot 2.05in) (S Cover) 1974-Up
46495		F6TZ-7D021A	36528E	Piston E4OD 4R100 Intermediate Servo 1989-Up
36440G		F81Z-7A398-CA	36440G	Planet E4OD Front 6 Pin 1997-Up
36742D		1C3Z-7B446-BA	36742D	Planet E4OD Overdrive (4 Pinion Steel) 2nd Design 1995-Up (Heavy Duty)
K36440G			K36640G	Planet Kit E4OD Forward (6 Pinion) (Includes Gear Hub & Needle Bearing)
K36742		F4TZ7B446-B	K36742	Planet Kit E4OD Overdrive (3 Pinion) (Includes Input Shaft)
D36415CB		3C3Z-7B066-CB	36415CB	Plate E4OD 4R100 Pressure Intermediate Clutch-Front (0.319 THK) [OEM]
D36415J		F81Z-7B066-BA	36415J	Plate 4R100 Pressure Intermediate Clutch-Rear (Backing) 1998-Up [OEM]
46464024		F81Z-7A008-EA		Plate 4R100 Valve Body Separator 1998-Up (2 V-Notches & 1 Semicircle) 1998-Up [OEM]
45664150				Plug Cup C6 1966-Up [Steel]
36429F		F7TZ-7D171-AA	36429F	Race E4OD Overrun Clutch (Low) - Inner 5-1997-Up
36429E		E9TZ-7D171-AA	36429E	Race E4OD Thrust (Bearing Type)
K36429E		E9TZ-7D164-B	K36429E	Race Kit E4OD Overrun Clutch (Includes Bearing)
36410F		F81Z-7017-E	36410F	Shaft E4OD 4R100 Input (2nd Design 13-9/16in) 1989-Up
36743A-1			36743A	Shaft E4OD Center 1995-Up
D36600A		F0TZ-7A527-A	36600A	Snap Ring E4OD Overdrive Piston Return (Heavy Duty) 1989-Up
4819				Spring E4OD Accumulator Blue
46464386				Spring E4OD Accumulator (Blue)
46464023		E9TZ-7D017-A		Spring E4OD Blow Off 1989-Up
46464116				Spring E4OD Lock Up Valve 1989-Up
MODULATORS				
45345		C4AZ-7A377-B	26830	Modulator C6 White Stripe (Single Line) (Screw-In) 1966-72
45646		D7OZ-7A377-A	36830D	Modulator C6 Green Stripe (Single Line) (Push-In) 1977-Up
45647		D5AZ-7A377-A	36833X	Modulator C6 Purple Stripe (Single Line) (Push-In) 1975-Up
45648		D3TZ-7A377-A	36833	Modulator C6 Black Stripe (Single Line) (Push-In) 1973-Up
SPRAG & ONE WAY CLUTCHES				
DK36962A		E9TZ-7F271-A		Sprag E4OD 4R100 Intermediate 1989-98
PUMP COMPONENTS				
4810				Poppet Valve Set C6 Drain Back (In Stator) (Includes 5 Valves & 5 Orifice Plugs)
D36424F		F81Z-7A103-BA	36424F	Pump E4OD Assembly (With 9 Lobe Inner Gear) 1995-98 (Retro to 1989)
45680		C6AP-7C010B	K36201	Pump Gear Set C6 1966-Up
46498			K36438A	Pump Gears E4OD 4R100 (9 Lobes Inner Gear) (4.083 OD Outer Gear) 1995-Up
MISCELLANEOUS COMPONENTS				
25451P		E7DZ-7E195-A		Check Ball E4OD Valve Body (5/16in Diameter) [Torlon]
27676P		E0AZ-7E195-B		Check Ball E4OD Valve Body (1/4in Diameter) [Plastic]
46464032		2C3Z-7H322-AA		Tube 4R100 Cooler By Pass 1997-Up (E350 • E450 • E550)
46464033		2C3Z-7H322-BA		Tube 4R100 Cooler By Pass 1997-Up (F-Series • Expedition • Navigator)
46464031		4C2Z-7H322-AC		Tube 4R100 Cooler By Pass 2004

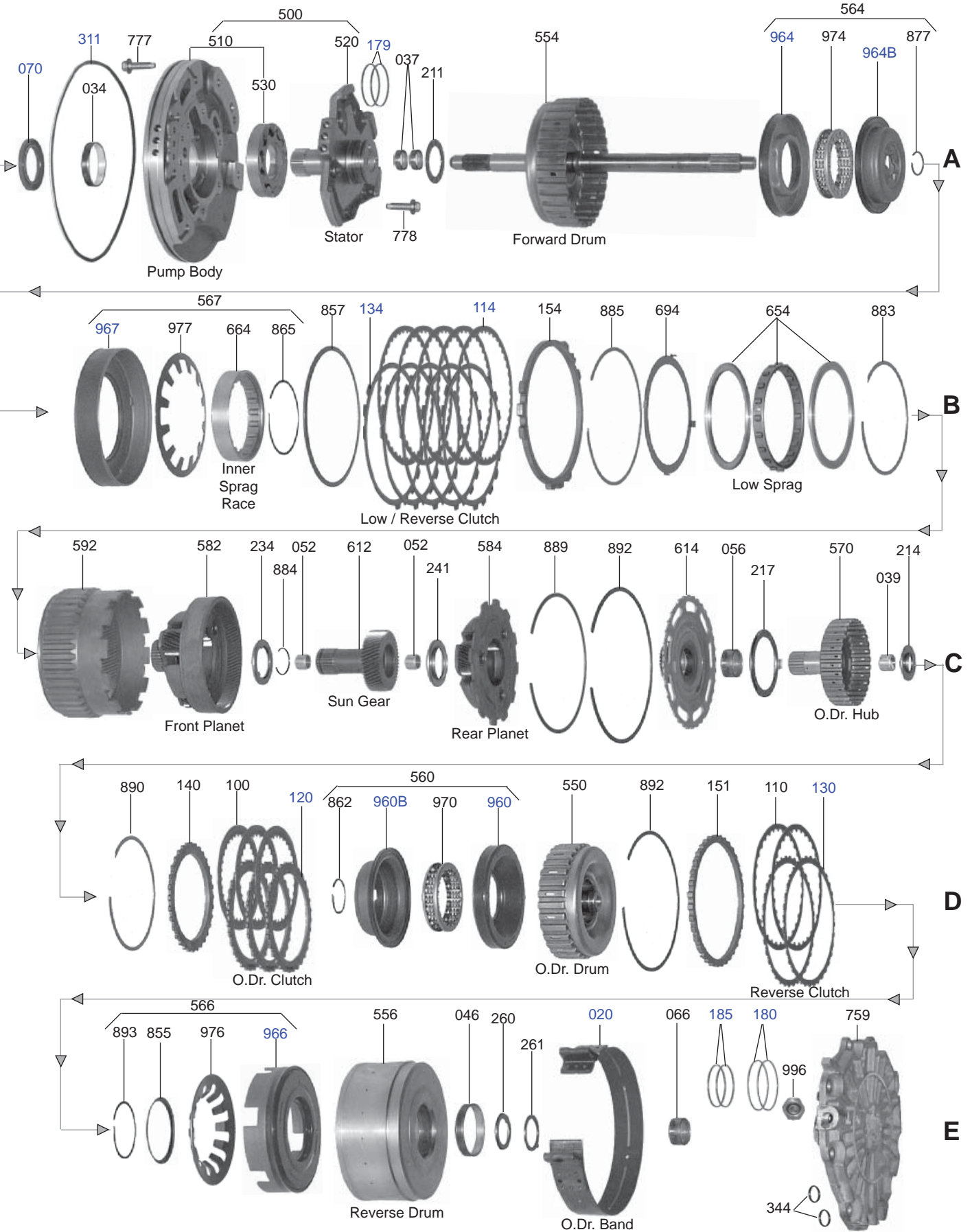
4F27E / FN4A-EL

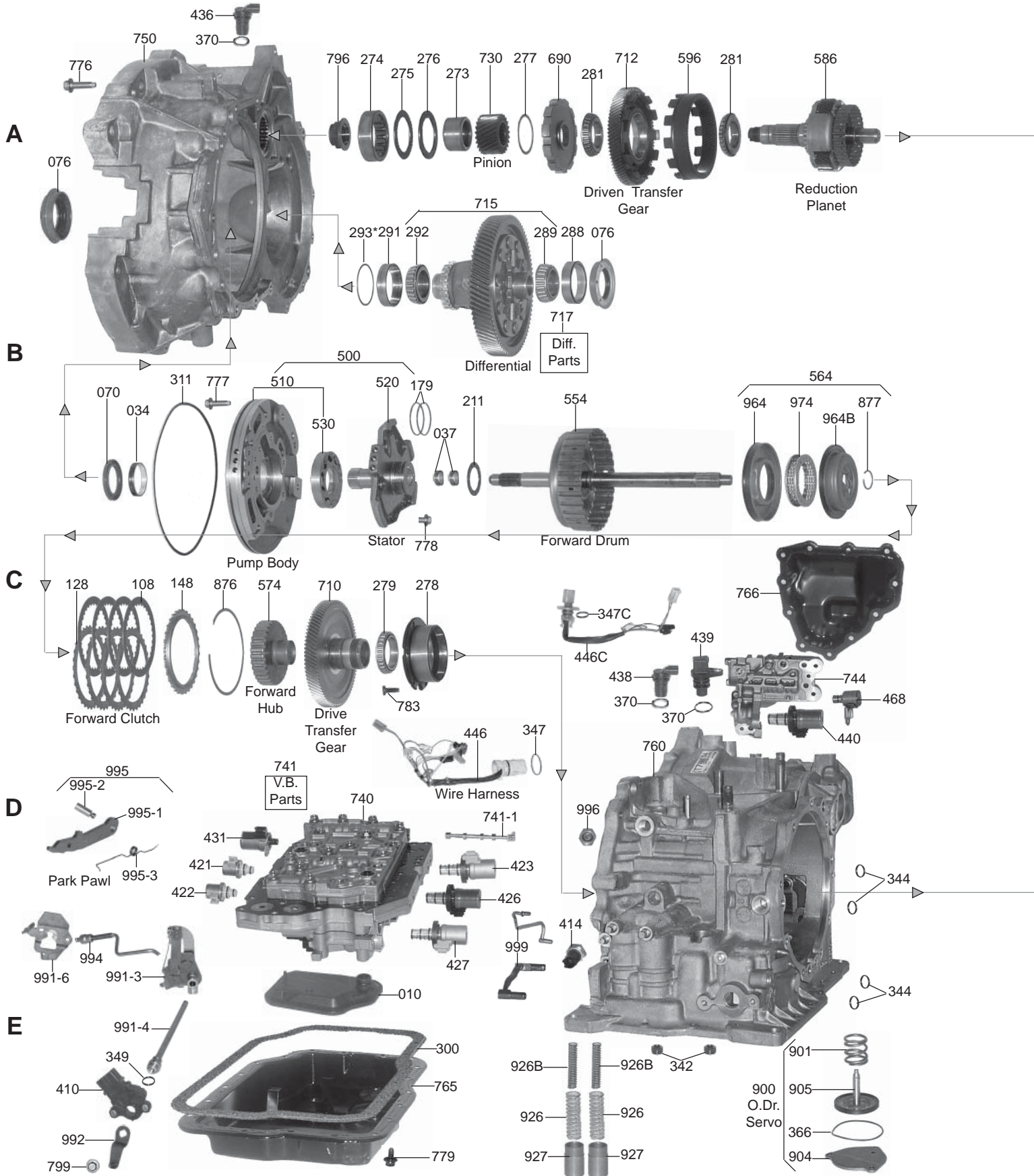
FWD 4 Speed

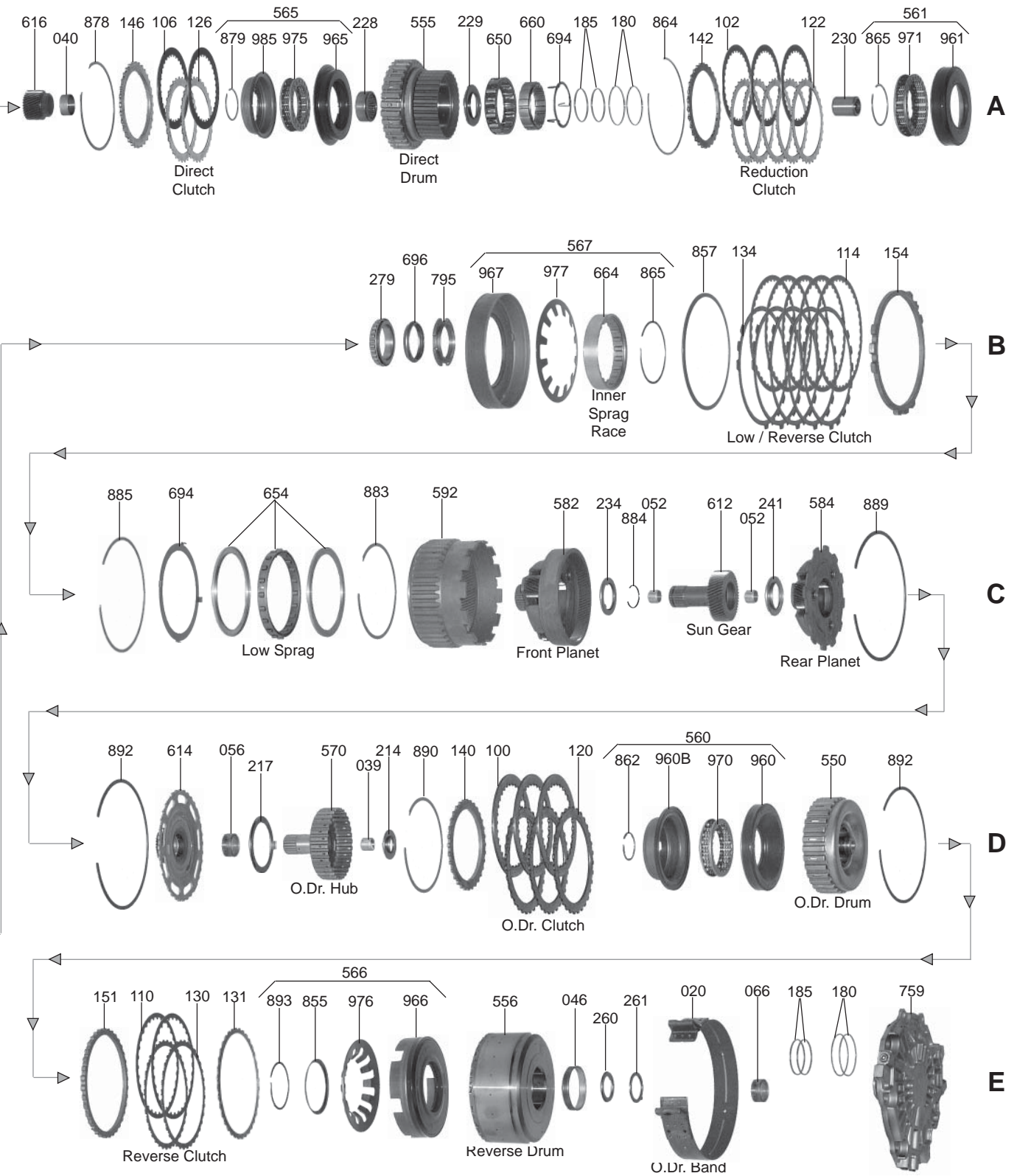


FWD 4 Speed

4F27E / FN4A-EL





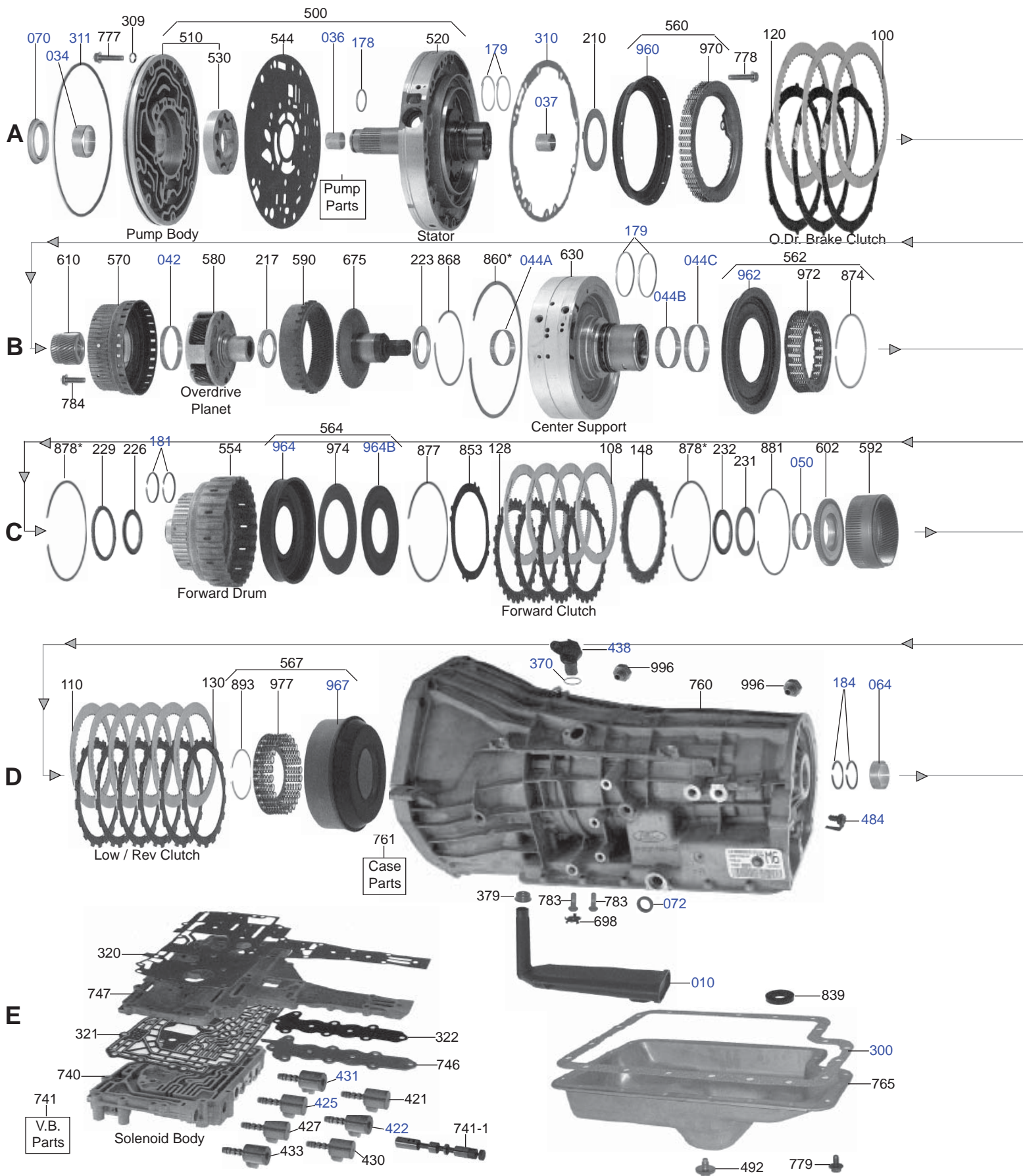


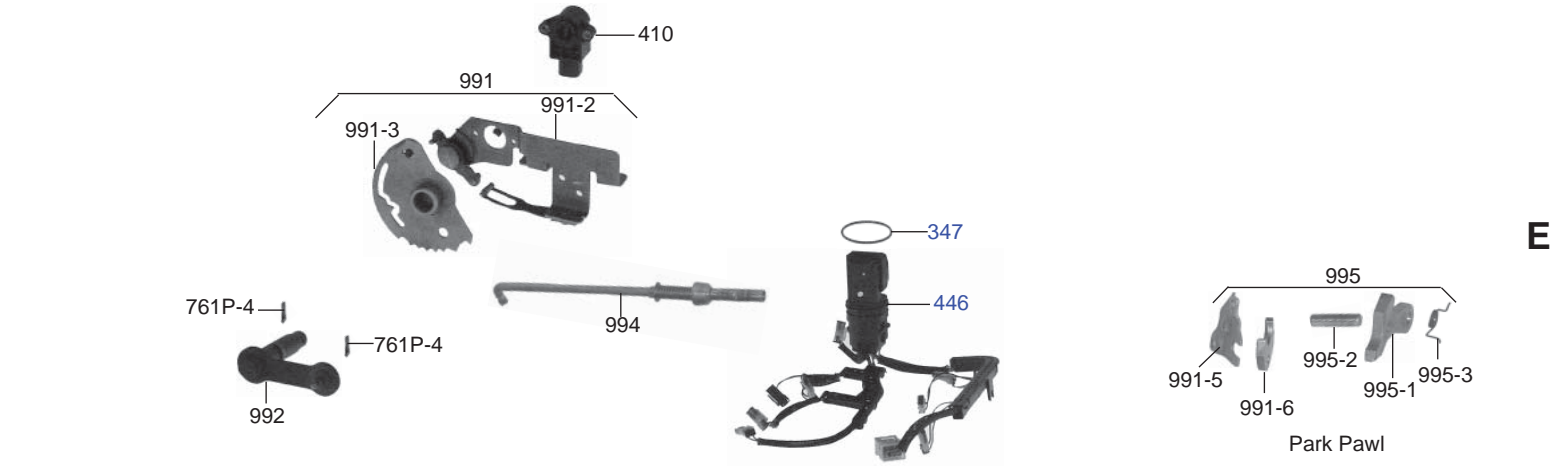
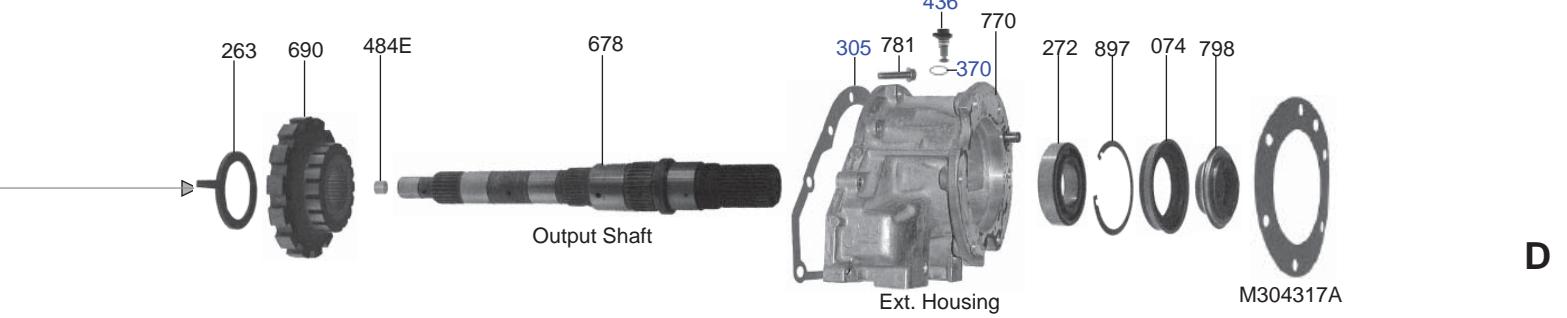
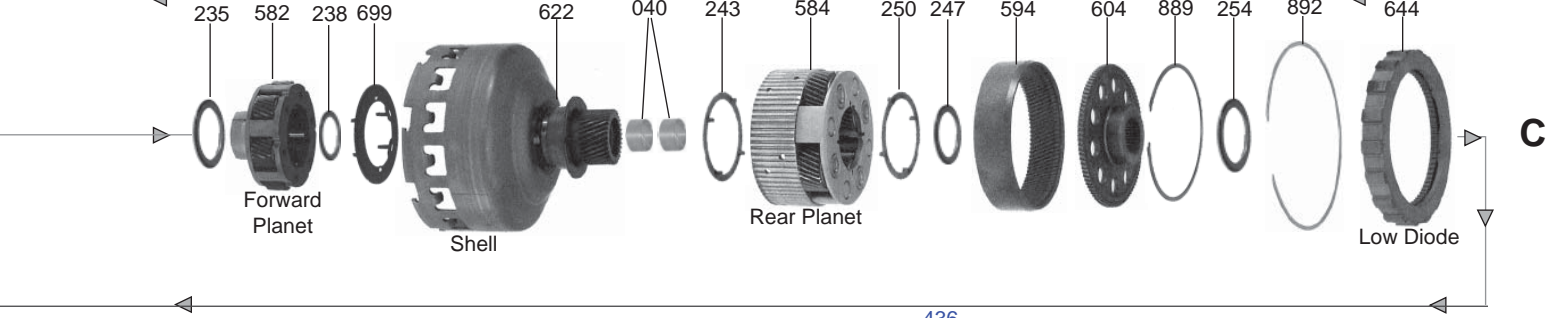
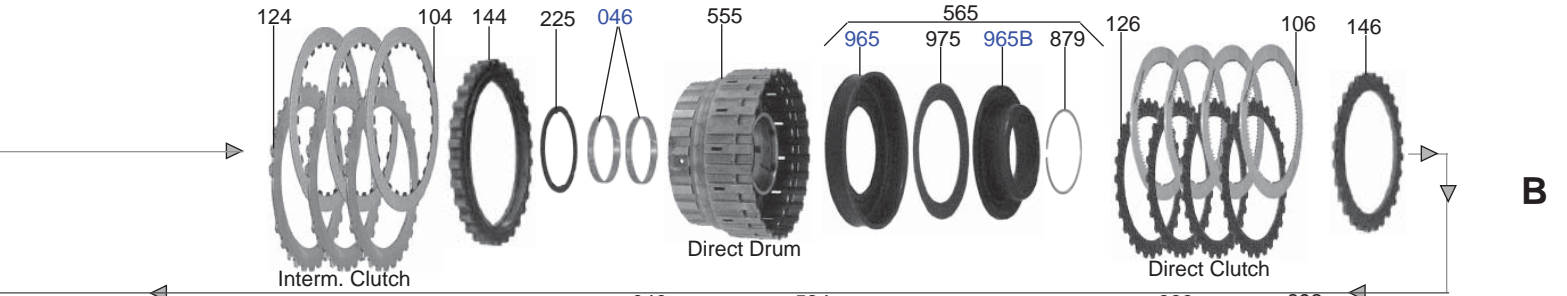
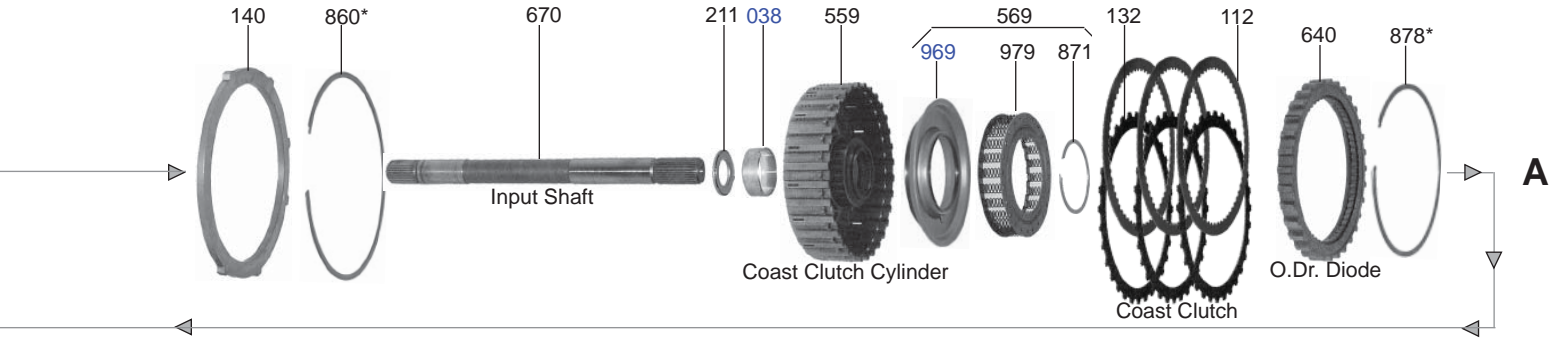
SAP #	IL#	OE	INDUSTRY	DESCRIPTION
OVERHAUL KIT				
BF138002A				Overhaul Kit FN4A-EL 4F27E (Combo) 1999-Up
BF138002AP				Overhaul Kit 4F27E (Ford) With Pistons 2000-Up
BF138002BP				Overhaul Kit FNA4-EL (Mazda) With Pistons 1999-Up
TF138002A				Overhaul Kit FN4A-EL 4F27E (Combo) 1999-Up
TF138002AP				Overhaul Kit 4F27E (Ford) With Pistons 2000-Up
TF138002BP				Overhaul Kit FNA4-EL (Mazda) With Pistons 1999-Up
TF138002C				Overhaul Kit FNR5 FS5A-EL 2005-09
MASTER L/STEELS KIT				
BF138004AP				Master L/Steels Kit 4F27E (Ford) With Pistons 2000-Up
BF138004BP				Master L/Steels Kit FNA4-EL (Mazda) 1999-Up With Pistons (Except Mazda 3 & 6 Series)
TF138004AA				Master L/Steels Kit FNA4-EL (Mazda) 2003-Up (Mazda 3 & 6 Series)
TF138004AAP				Master L/Steels Kit FNA4-EL (Mazda) With Piston 2003-Up (Mazda 3 & 6 Series)
TF138004AP				Master L/Steels Kit 4F27E (Ford) With Pistons 2000-Up
TF138004C				Master L/Steels FNR5 FS5A-EL 2005-09
MASTER W/STEELS KIT				
TF138006A				Master W/Steels Kit 4F27E FN4A-EL (Combo) W/Out Pistons 2000-Up (Except Mazda 3 & 6 Series)
BF138006AP				Master W/Steels Kit 4F27E (Ford) With Pistons 2000-Up
BF138006BP				Master W/Steels Kit FN4A-EL (Mazda) With Pistons 1999-Up (Except Mazda 3 & 6 Series)
TF138006AP				Master W/Steels Kit 4F27E (Ford) With Pistons 2000-Up
TF138006AA				Master W/Steels Kit FNA4-EL (Mazda) 2003-Up (Mazda 3 & 6 Series)
TF138006AAP				Master W/Steels Kit FNA4-EL (Mazda) With Piston 2003-Up (Mazda 3 & 6 Series)
TF138006BP				Master W/Steels Kit FN4A-EL (Mazda) With Pistons 1999-Up (Except Mazda 3 & 6 Series)
TF138006C				Master W/Steels FNR5 FS5A-EL 2005-09
GASKET & RUBBER COMPONENTS				
32328D			46500F	Gasket FN4A-EL 4F27E FNR5 FS5A-EL Bottom Pan 1999-Up [Fiber]
32397691	FN11-21-11X			Gasket 4F27E Valve Body Upper Lower 1999-Up
32315D	FN01-21-108			Gasket 4F27E Auxiliary Valve Body Lower (With Screen)
32312D	XS4Z-7A248-AC	46506		Lathe Cut Seal 4F27E Pump Body 2000-05
1994618	FN01-19-242	46505		O-Ring FN4A-EL (Mazda) Pump Body 1999-05
METAL CLAD SEALS				
70342	XS4Z-1177-AA	46152A		Seal 4F27E Axle (Both Sides) 2000-Up (Ford)
70155	F004-27-238	46152		Seal 4F27E Axle (Both Sides) [0.349 Thick] 1999-Up (Mazda)
70341	XS4Z-7A248-AA	46151		Seal 4F27E Front 1999-Up
OIL SEALING RINGS				
30616D	YS4Z-7D020-A FN01-19-655	46301		Ring FN4A-EL 4F27E FNR5 FS5A-EL Reverse Clutch Drum 1999-Up [Plastic]
30615D	YS4Z-7D019-A	46300		Ring FNA4-EL 4F27E FNR5 FS5A-EL Stator To Forward Clutch Drum (Cover to Reverse Drum) 1999-Up [Plastic]
6304				Ring Kit FN4A-EL 4F27E 2000-Up (6 Plastic Rings)
6387				Ring Kit FNR5 FS5A-EL 2006-Up (8 Plastic Rings)
FRICTION CLUTCH				
32320DR	XS4Z-7B164-CB	46103		Friction 4F27E Forward & Direct [4.52 OD 32 Teeth 0.063 THK] (Waffle) 1999-Up
32320D	XS4Z-7B164-CB	46103		Friction 4F27E Forward & Direct [4.52 OD 32 Teeth 0.063 THK] (Waffle) 1999-Up
32320DT	XS4Z-7B164-CB	46103		Friction 4F27E Forward & Direct [4.52 OD 32 Teeth 0.063 THK] 1999-Up
32324D	XS4Z-7B164-BB	46109		Friction 4F27E Low/Reverse [5.51 OD 32 Teeth 0.063 THK] 1999-Up
32324DT	XS4Z-7B164-BB	46109		Friction 4F27E Low/Reverse [5.51 OD 32 Teeth 0.063 THK] 1999-Up
32326D	FN01-19-4F0			Friction 4F27E Low/Reverse [6.10 OD 68 Teeth 0.063 THK] 1998-Up
32380D				Friction Module 4F27E FN4A-EL Except Mazda 3 & 6 1999-Up
32380DR				Friction Module 4F27E FN4A-EL Except Mazda 3 & 6 1999-Up
32380FR				Friction Module FN4A-EL Mazda 3 & 6 2003-Up
32380ER				Friction Module FNR5 FS5A-EL 2005-09
STEEL CLUTCH				
32323D	XS4Z-7B442-CB	46111		Steel 4F27E Forward & Overdrive [3.70 ID 32 Teeth 0.063 THK] 1999-Up
32321D	XS4Z-7B442-BB	46113		Steel 4F27E Low/Reverse [5.57 ID 12 Teeth 0.063 THK] 1999-Up
32327D	XS4Z-7B442-CB	46112		Steel 4F27E Direct [3.70 ID 32 Teeth 0.138 THK] 1999-Up
32325D	XS4Z-7B442-AB	46114		Steel 4F27E Reverse [5.00 ID 36 Teeth 0.063 THK] 1999-Up
32381D				Steel Module 4F27E FN4A-EL Except Mazda 3 & 6 1999-Up
32381F				Steel Module FNA4-EL Mazda 3 & 6 2003-Up
32381E				Steel Module FNR5 FS5A-EL 2005-09
FILTER				
32342	XS4Z-7A098-AB			Filter 4F27E FN4AEL 1999-Up
FILTER KIT				
32343AM				Filter Kit 4F27E FN4AEL 1999-Up (With Fiber Pan Gasket)
BANDS				
32348D	XS4Z-7D034-AB	46700		Band 4F27E Intermediate 1999-Up [OEM]
32349D	XS4Z-7D034-AB	46700		Band 4F27E Intermediate 1999-Up

SAP #	IL#	OE	INDUSTRY	DESCRIPTION
BUSHINGS				
32353D			46005	Bushing 4F27E FN4AEL Pump Body 1999-Up
32352D			46012	Bushing 4F27E FN4AEL End Cover 1999-Up
32354D				Bushing 4F27E FN4AEL Pump Stator 1999-Up
32351D			46014	Bushing 4F27E FN4AEL Reverse Drum 1999-Up
32355D				Bushing 4F27E FN4AEL Rear Planet Pinion to OD Drum 1999-Up
32330D				Bushing Kit 4F27E FN4AEL 1999-Up (9 Bushings)
WASHER & BEARINGS				
32371D		XS4Z-7H042AB		Washer 4F27E Stator to Forward Drum Plastic
32364253				Washer FNR5 FS5A-EL Pressure Sensor 2006-Up
HARD PARTS				
32390G		XS4Z-7D021-AB FN11-21-32Y	46528	Piston 4F27E FN4A-EL Overdrive Servo (Bonded) 1999-Up
32390CM		FN11-19-5HOA	46855	Piston FN4A-EL FS5A-EL Reverse Clutch (1.375 THK) 1999-Up (Mazda Only)
32390C		XS4Z-7D402-AB	46855A	Piston 4F27E FNR5 Reverse Clutch 2000-Up (Ford Only)
32390E		XS4Z-7A262-CC	46856	Piston 4F27E FN4A-EL FNR5 FS5A-EL Forward Clutch 1999-Up
32390D		XS4Z-7H360AB	46857	Piston 4F27E FN4A-EL FNR5 FS5A-EL Forward Retainer Clutch 1999-Up
32390A		XS4Z-7A262-AB	46858	Piston 4F27E FN4A-EL FNR5 FS5A-EL Overdrive Clutch 1999-Up
32390B		XS4Z-7H359-AB	46859	Piston 4F27E FN4A-EL FNR5 FS5A-EL Overdrive Clutch Retainer 1999-Up
32390F		XS4Z-7D021AB	46860	Piston 4F27E FN4A-EL FNR5 FS5A-EL Low & Reverse 1999-Up
32375458				Piston FNR5 FS5A-EL Direct Clutch 2005-09
32375459				Piston FNR5 FS5A-EL Direct Clutch Retainer 2005-09
32375460				Piston FNR5 FS5A-EL Reduction Clutch 2005-09
32388D				Piston Kit 4F27E 2000-Up (7 Pistons)
32388E				Piston Kit FN4AEL 1999-Up (7 Pistons)
32388F				Piston Kit FNR5 2005-09 (9 Pistons)
32388G				Piston Kit FS5A-EL 2005-09 (9 Pistons)

5R110W (TorqShift)

RWD 5 & 6 Speed





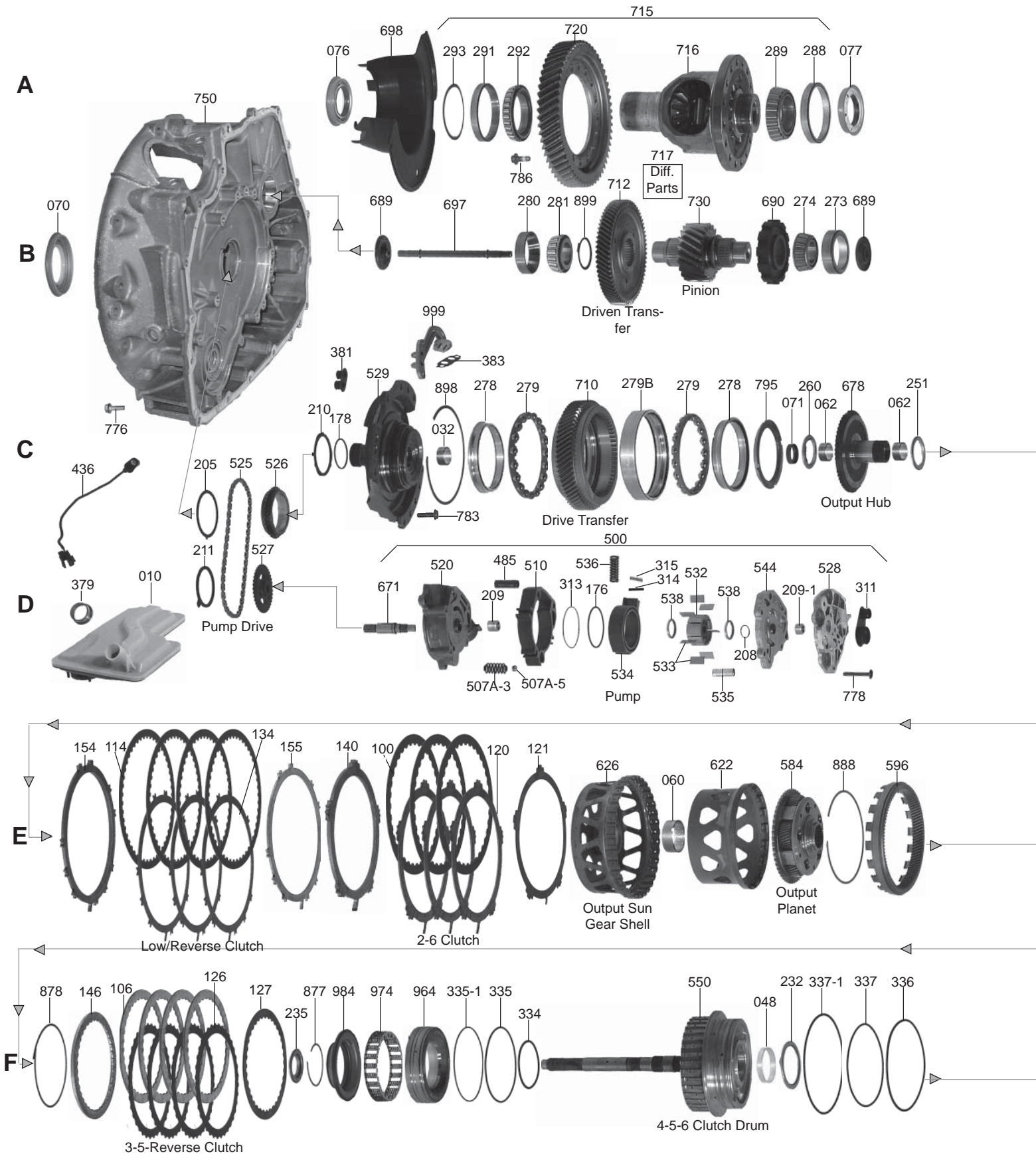
SAP #	IL#	OE	INDUSTRY	DESCRIPTION
OVERHAUL KIT				
B136002A				Overhaul Kit 5R110W 2003-Up
T136002A				Overhaul Kit 5R110W 2003-Up
B136002AP				Overhaul Kit 5R110W With Bonded Pistons 2003-Up
T136002AP				Overhaul Kit 5R110W With Bonded Pistons 2003-Up
MASTER L/STEEL KIT				
B136004A				Master L/Steels Kit 5R110W 2003-04
T136004A				Master L/Steels Kit 5R110W 2003-04
B136004AP				Master L/Steels Kit 5R110W With Bonded Pistons 2003-04
T136004AP				Master L/Steels Kit 5R110W With Bonded Pistons 2003-04
B136004AA				Master L/Steels Kit 5R110W 2005-Up
T136004AA				Master L/Steels Kit 5R110W 2005-Up
B136004AAP				Master L/Steels Kit 5R110W With Bonded Pistons 2005-Up
T136004AAP				Master L/Steels Kit 5R110W With Bonded Pistons 2005-Up
MASTER W/STEEL KIT				
B136006A				Master W/Steels Kit 5R110W 2003-04
T136006A				Master W/Steels Kit 5R110W 2003-04
B136006AP				Master W/Steels Kit 5R110W With Bonded Pistons 2003-04
T136006AP				Master W/Steels Kit 5R110W With Bonded Pistons 2003-04
B136006AA				Master W/Steels Kit 5R110W 2005-Up
T136006AA				Master W/Steels Kit 5R110W 2005-Up
B136006AAP				Master W/Steels Kit 5R110W With Bonded Pistons 2005-Up
T136006AAP				Master W/Steels Kit 5R110W With Bonded Pistons 2005-Up
GASKET & RUBBER COMPONENTS				
46496132	F6TZ-7A191-A	36550G		Gasket 5R110W Oil Pan 2003-Up [Molded Rubber]
46896221	3C3Z-7086-AA			Gasket 5R110W Extention Housing To Case (Paper/Metal) 2003-Up
46897966	3C3Z-7A136-AA	36225		Gasket 5R110W Pump To Case 2003-Up
1994129	3C3Z-7Z276-AA	36520		O-Ring 5R110W Case Connector 2003-Up
1993531				O-Ring 5R110W Cooler Lines 2003-Up
1994113	3913308-S	3291		O-Ring 5R110W Filler Tube 2003-Up
1994132	3C3Z-7J030-BA	36538		O-Ring 5R110W Output Shaft With Fixed Yoke 2003-Up
1993014				O-Ring 5R110W Output Speed Sensor (5/8in OD) 2003-Up
1985005	E9TZ-7A248-A	13226E		O-Ring 5R110W Pump to Case 2003-Up
1994146	3C3P-7J126-AA	36522		O-Ring 5R110W Remote Oil Filter 2003-Up
METAL CLAD SEALS				
70380	3C3Z-7052-CA	36157B		Seal 5R110W Extention Housing 4WD (Slip Yoke) 2003-Up
70415	3C3Z-7052-BA	36157A		Seal 5R110W Extention Housing 4WD (Fixed Yoke) 2003-Up
70083	D5AZ-7B498-A	6507A		Seal 5R110W Manual Lever Control 2003-Up
OIL SEALING RINGS				
30309	3C3Z-7D025-AA	36402T		Ring 5R110W (Stator Shaft) Coast Clutch 2003-Up [PTFE]
46860295	3C3Z-7D019-AB			Ring 5R110W Case To Output Shaft 2003-Up [PTFE]
46860293		36210L		Ring 5R110W Direct Clutch 2003-Up [Plastic]
30306	E9TZ-7L323-A	36403T		Ring 5R110W Stator (Front) [PTFE]
6363				Ring Kit 5R110W 2003-Up (7 PTFE 2 Plastic Rings)
FRICTION CLUTCH				
46880				Friction Module 5R110W 2003-04
46880A				Friction Module 5R110W 2005-Up
STEEL CLUTCH				
46881				Steel Module 5R110W 2003-04
46881A				Steel Module 5R110W 2005-Up
FILTER				
46840	8C3Z-7A398-A	36423H		Filter 5R110W 2003-Up
FILTER KIT				
46841				Filter Kit 5R110W 2003-Up
MISCELLANEOUS FILTERS				
46865101	3C3Z-7H200-AA	36111		Screen Filter 5R110W Solenoid Thimble Plate 2003-Up

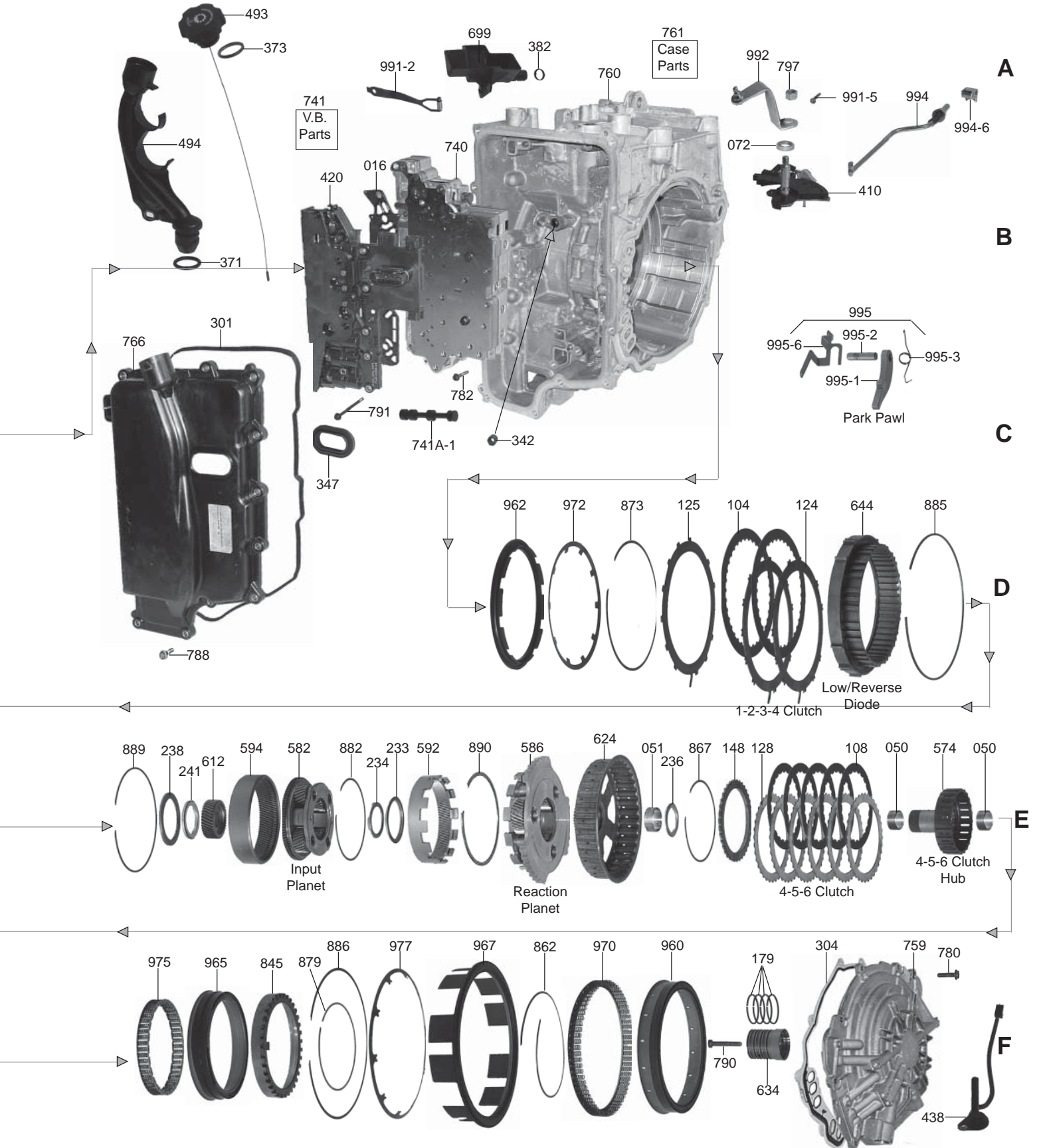
SAP #	IL#	OE	INDUSTRY	DESCRIPTION
BUSHINGS				
46838			36008L	Bushing 5R110W Case (1.740 ID) With Oil Pockets 2003-Up
46835A			36012L	Bushing 5R110W Center Support (Center) (1.735 ID) 2003-Up
46835			36011L	Bushing 5R110W Center Support (Front) (1.840 ID) 2003-Up
46835B			36013L	Bushing 5R110W Center Support (Rear) (1.985 ID) 2003-Up [Babbitt]
46833			36003L	Bushing 5R110W Coast Clutch Drum 2003-Up [Babbitt]
46834			36005L	Bushing 5R110W Coast Clutch Hub (.415 Wide) (3.00in ID) 2003-Up
46836	E9TZ-7B258-A			Bushing 5R110W Direct Drum (Front & Rear) 2003-Up
46837	C6AZ-7B261-C			Bushing 5R110W Forward Dum 2003-Up [Babbitt]
46837A				Bushing 5R110W Forward Hub 2005-Up
46431B	C6AZ-7D018-A	76001		Bushing 5R110W Pump (2.12 OD) (2.00 ID) 2003-Up [Bronze]
45630			36000A	Bushing 5R110W Stator (Front) (1.10 OD) [Bronze]
45631	C6AZ-7D018-A	36001A		Bushing 5R110W Stator (Rear) (1.12 OD) (1.00 ID) [Bronze]
46839				Bushing 5R110W Tail Housing 2003-Up
46830				Bushing Kit 5R110W 2005-Up (16 Bushings)
ELECTRICAL COMPONENTS				
36958			36958	Sensor 5R110W Output Speed 2003-Up
HARD PARTS				
46875282	3C3Z-7A262-DA	36964B		Piston 5R110W Overdrive Brake Clutch 2003-Up [Molded]
46875283	3C3Z-7A262-CA	36963B		Piston 5R110W Coast Clutch 2003-Up [Molded]
46875284	3C3Z-7E005-AA	36966A		Piston 5R110W Intermediate Clutch 2003-Up [Molded]
46875285	3C3Z-7A262-BA	36435G		Piston 5R110W Direct Clutch (6 5/16in OD) 2003-Up [Molded]
46875286	3C3Z-7H360-AA	36855		Piston 5R110W Direct Clutch Balance 2003-Up [Molded]
46875287	3C3Z-7A262-AA	36434B		Piston 5R110W Forward Clutch 2003-Up [Molded]
46875288	3C3Z-7H360-AA	36856		Piston 5R110W Forward Clutch Balance 2003-Up [Molded]
46875289	3C3Z-7D402-AA	36441G		Piston 5R110W Low/Reverse Clutch 2003-Up [Molded]
788				Piston Kit 5R110W 2003-Up (8 Pistons)
MISCELLANEOUS COMPONENTS				
46496192	F81Z-7E380-AA			Lube Orifice Plug 5R110W In Rear Of Case 2003-Up
46496193	391932-S100			Washer 5R110W Cooler Line Fitting 2003-Up
46496194	391933-S100			Washer 5R110W Cooler Line Fitting 2003-Up

SAP #	IL#	OE	INDUSTRY	DESCRIPTION
OVERHAUL KIT				
T46002B				Overhaul Kit 6F35 2009-Up
T46002BP				Overhaul Kit 6F35 (With Pistons) 2009-Up
MASTER L/STEEL KIT				
T46004B				Master L/Steels Kit 6F35 2009-Up
T46004BP				Master L/Steels Kit 6F35 (With Pistons) 2009-Up
MASTER W/STEEL KIT				
T46006B				Master W/Steels Kit 6F35 2009-Up
T46006BP				Master W/Steels Kit 6F35 (With Pistons) 2009-Up
METAL CLAD SEALS				
70485				Seal 6F35 Pump 2009-Up
70489				Seal 6F35 Transfer Unit 2009-Up
70488				Seal 6F35 Axle Shaft (Case Side) 2009-Up
70486				Seal 6F35 Axle Shaft (Bell Housing Side) 2009-Up
FRICION CLUTCH				
460080R				Friction Module 6F35 2009-Up
STEEL CLUTCH				
460081				Steel Module 6F35 2009-Up
HARD PARTS				
46075486	9L8P-7J029-AA			Piston 6F35 Balance Overdrive (4,5,6) 6F35 2009-Up
46075487	9L8P-7D402-AC			Piston 6F35 Low/Reverse 2009-Up
46075488	9L8P-7A262-AC			Piston 6F35 Forward (1,2,3,4) 2009-Up
46075489	9L8P-7F472-AD			Piston Intermediate (2,6) 2009-Up
46075490	9L8P-7F254-AC			Piston 6F35 Direct (3,5,R) 2009-Up
4863				Piston Kit 6F35 2009-Up (5 Pistons)

6F50 / 6F55 / 6T70 / 6T75

FWD 6 Speed



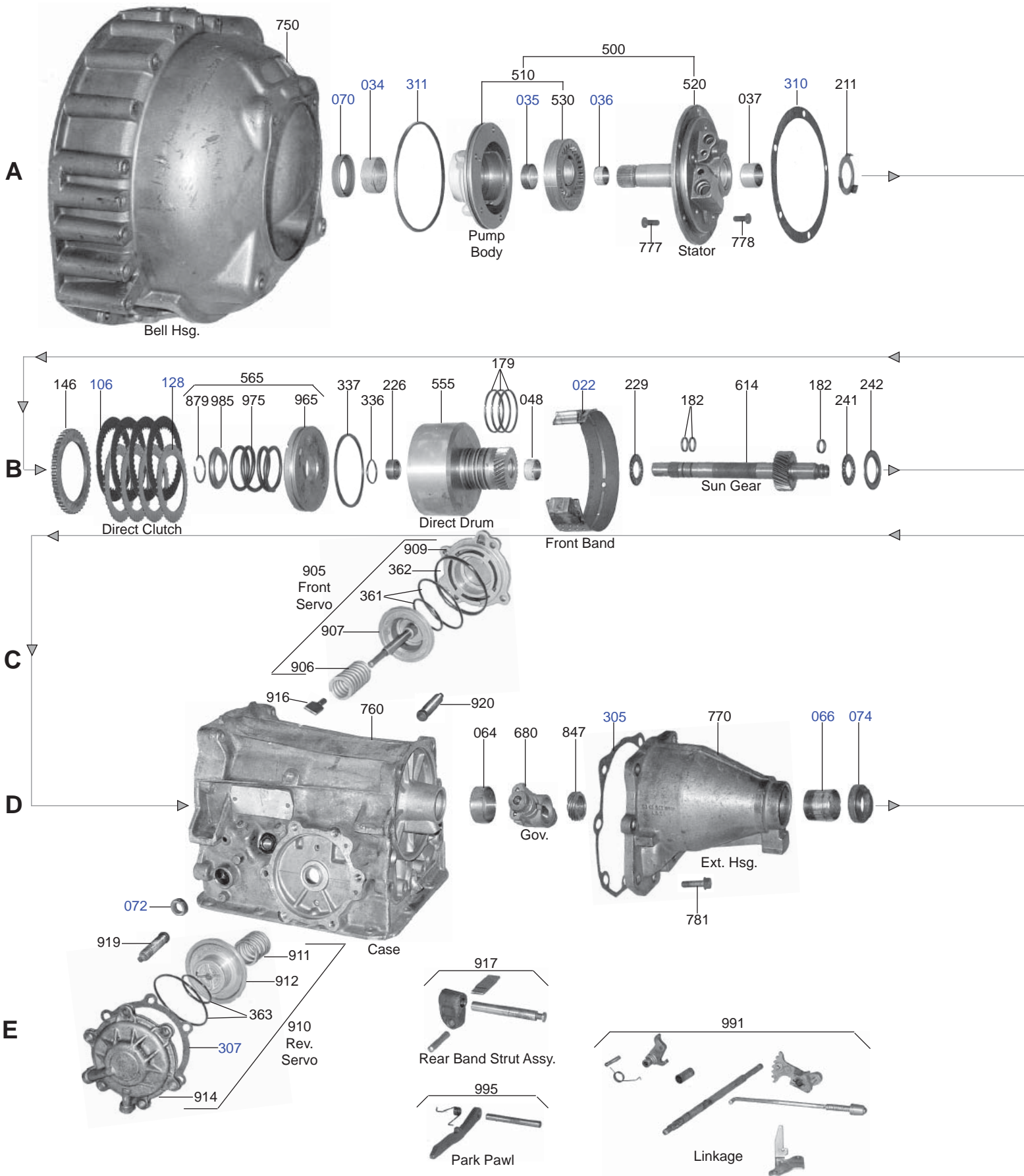


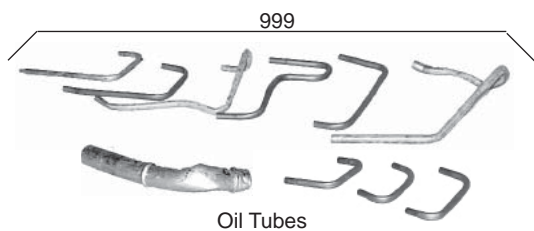
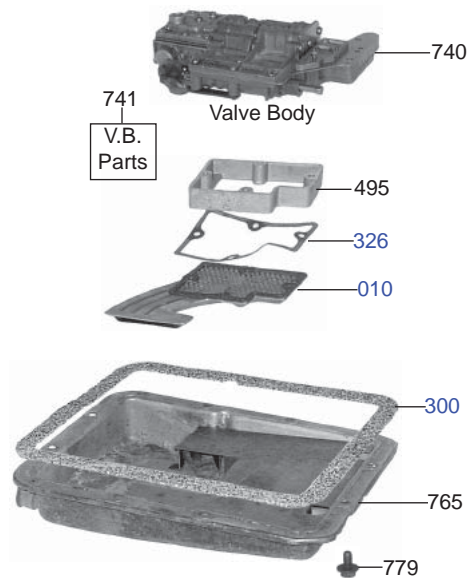
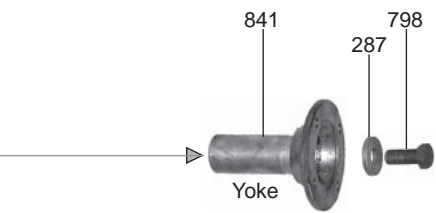
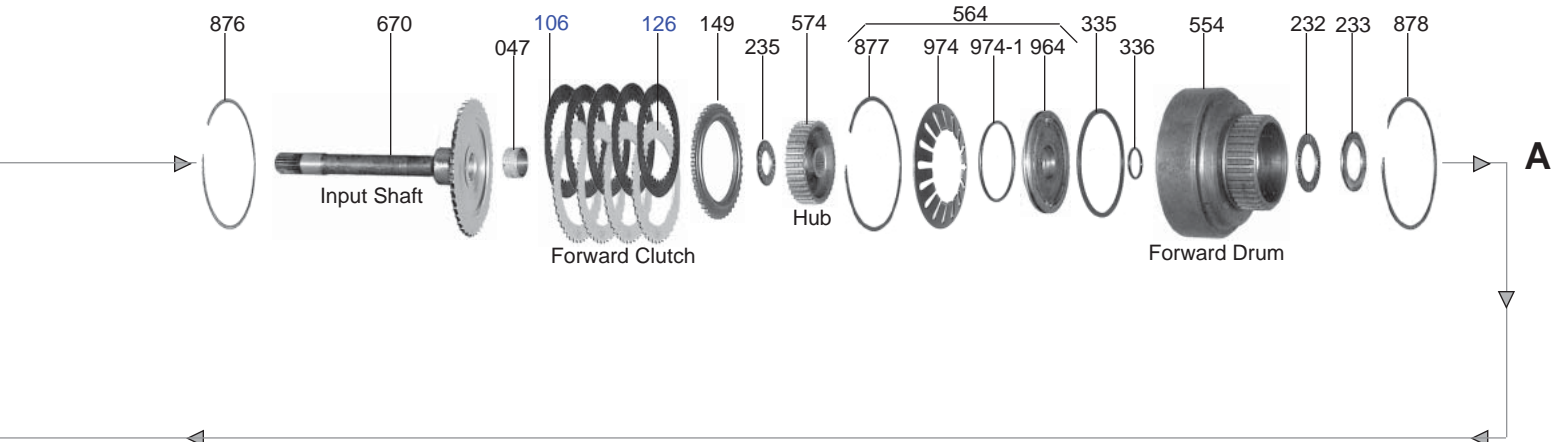
SAP #	IL#	OE	INDUSTRY	DESCRIPTION
OVERHAUL KIT				
T25002A				Overhaul Kit 6F50 (W/Out Pistons) 2007-Up
T25002AP				Overhaul Kit 6F50 (With Pistons) 2007-Up
T25002B				Overhaul Kit 6T70 6T75 (W/Out Pistons) 2007-Up
T25002BP				Overhaul Kit 6T70 6T75 (With Pistons) 2007-Up
MASTER L/STEEL KIT				
T25004A				Master L/Steels Kit 6F50 (W/Out Pistons) 2007-Up
T25004AP				Master L/Steels Kit 6F50 (With Pistons) 2007-Up
T25004B				Master L/Steels 6T70 6T75 (W/Out Pistons) 2007-Up
T25004BP				Master L/Steels 6T70 6T75 (With Pistons) 2007-Up
MASTER W/STEEL KIT				
T25006A				Master W/Steels Kit 6F50 (W/Out Pistons) 2007-Up
T25006AP				Master W/Steels Kit 6F50 (With Pistons) 2007-Up
T25006B				Master W/Steels 6T70 6T75 (W/Out Pistons) 2007-Up
T25006BP				Master W/Steels 6T70 6T75 (With Pistons) 2007-Up
METAL CLAD SEALS				
70507	7T4Z-7F401-A			Seal 6F50 Pump 2007-Up
70508	7T4Z-1177-C			Seal 6F50 Axle Shaft (Bell Housing) 2007-Up
70509	7T4Z-1177-D			Seal 6F50 Axle Shaft (Case Side) 2007-Up
70531	7T4Z-7048-A			Seal 6F50 Input Shaft 2007-Up
FRICTION CLUTCH				
25080AR				Friction Module 6F50 6F55 6T70 6T75 2007-Up
STEEL CLUTCH				
25081A				Steel Module 6F50 6F55 6T70 6T75 2007-Up
HARD PARTS				
25075521	7T4Z-7D402A			Piston 6F50 6F55 6T70 6T75 Reverse 2007-Up
25075522	7T4Z-7E005A			Piston 6F50 6F55 6T70 6T75 Intermediate 2007-Up
25075523	7T4Z-7A262A			Piston 6F50 6F55 6T70 6T75 Forward 2007-Up
25075524	7T4Z-7H360A			Piston 6F50 6F55 6T70 6T75 Balance Overdrive 2007-Up
25075525	7T4Z-7A262B			Piston 6F50 6F55 6T70 6T75 Overdrive 2007-Up
4861				Piston Kit 6F50 6F55 6T70 6T75 2007-Up (5 Pistons)

SAP #	IL#	OE	INDUSTRY	DESCRIPTION
PAPER & RUBBER KIT				
T119000				Paper & Rubber Kit BW-35 (USA) 1962-71
OVERHAUL KIT				
T119002				Overhaul Kit BW-35 (USA) 1962-71
T119002A				Overhaul Kit BW-35 (Foreign) 1963-76
B104002A				Overhaul Kit BW-37 (Saab 900 1981-92 & Saab 9000 1981-85)
GASKET & RUBBER COMPONENTS				
	211E7A191			
31709T	31157491	3744		Gasket BW-35 Pan (Foreign) 1962-71 [Cork & Rubber]
31717				Gasket BW-35 Pan (Foreign) 1963-66 (Felpro™)
31708T	3164825	3740		Gasket BW-35 Pan (USA) 1962-71 [Cork & Rubber]
31718A	3164825F	3740F		Gasket BW-35 Pan (USA) [Fiber]
29897163	31644899			Gasket BW-35 Extension Housing (5/16in Holes)
29897166				Gasket BW-35 Throttle Control Cable
31797286	3164869			Gasket BW-35 Front Pump (Material N-8092)
29897165	3170362			Gasket BW-35 Extension Housing Paper
29897164	3150988			Gasket BW-35 Governor Cover Paper
29997657	8725822			Gasket BW-37 Differential Cover (Saab)
29916	1942041	22626		Gasket BW-37 Transmission to Engine Metal 1981-93
1989042				Lathe Cut Seal BW-35 Front Servo Sleeve (1.43in ID)
1988040	3165001			Lathe Cut Seal BW-35 Front Servo Piston
1988044				Lathe Cut Seal BW-35 Front Servo Sleeve
1988056	3165012			Lathe Cut Seal BW-35 Front Clutch Piston (Oversized)
29914	8317449			Lathe Cut Seal BW-37
29907	8317448			Lathe Cut Seal BW-37
29906	8317447			Lathe Cut Seal BW-37 (5.240 x 0.139 x 0.138)
1994229				O-Ring BW-35 ARP#229
1995119	3165013			O-Ring BW-35 Front Clutch Cylinder
1995139	3165002			O-Ring BW-35 Front Servo
1995127	3165003			O-Ring BW-35 Front Servo
1995229	3165014			O-Ring BW-35 Rear Servo
METAL CLAD SEALS				
70086	3183886			Seal BW-35 BW-37 Front Pump 1963-87
29911				Seal BW-35 BW-37TB Axle 1981-93
70038	3154112	19675		Seal BW-35 BW-37 Manual Lever 1963-76
OIL SEALING RINGS				
30481	RQ-2153			Ring BW-37TB Sun Gear Shaft Front Rear 1981-88 [PTFE]
30481A	9361551			Ring BW-37TB Sun Gear Front 1989-93 [PTFE]
30482	3165007	19216		Ring BW-35 BW-37 Sun Gear (Front) 1962-Up [Metal]
30482T	3165007	19216		Ring BW-35 BW-37 Sun Gear (Front) 1962-Up [PTFE]
TAW-1190	3165008	19217		Ring BW-35 Primary Sun Gear (Rear) 1962-Up [Metal]
30190	3176130	19217A		Ring BW-35 BW-37 Primary Sun Gear (Rear) 1962-Up [PTFE]
30191	2537372			Ring BW-35 Sun Gear [PTFE]
TAW-2408				Ring BW-37 Input Shaft [Metal]
6090				Ring Kit BW-35 1962-Up (6 Metal 5 PTFE Rings)
6030				Ring Kit BW-35 1962-Up (8 Metal 3 PTFE Rings)
6030OS				Ring Kit BW-35 1962-Up (8 Metal 3 PTFE Rings)
29960				Ring Kit BW-37 1981-93 (12 Metal 7 PTFE Rings)
FRICTION CLUTCH				
31720R	3198571	19206A		Friction BW-35 BW-37 Forward & Rear [4.20 OD 0.061 THK] 1962-Up
29880R				Friction Module BW-35 BW-37 1962-Up
STEEL CLUTCH				
31723	3164863	19222		Steel BW-35 BW-37 Rear [3.10 ID 40 Teeth 0.068 THK] (Dished) 1962-Up
31721	3164873	19205		Steel BW-35 BW-37 Front & Rear [3.10 ID 44 Teeth 0.068 THK] (Flat) 1962-Up
29881				Steel Module BW-35 BW-37 1962-Up
FILTER				
31738	3170356	19755		Filter BW-35 (W/Out Shroud) 1963-Up
BANDS				
31746	3188603	19313C		Band BW-35 Front (Rigid With Red Lining) 1.84in Wide 1962-76
BUSHINGS				
31730	3205306	19003		Bushing BW-35 Pump Body [1.82 OD 1.70 ID] 1962-Up [Babbitt]
31740	3205309	19011		Bushing BW-35 Stator (Front) (23 Spline) Input Shaft 1962-Up
31734	3205308	19012		Bushing BW-35 Front Pump Drive Gear [1.41 OD 1.285 ID] 1962-Up
31737	3205303	19010		Bushing BW-35 Sun Gear & Planet (Rear) 1962-Up
WASHER & BEARINGS				
29879				Washer BW-37 (used in OHK B104002A)
HARD PARTS				
33187	87-09-271	19820 HV-003		Chain BW-35TB BW-37 Drive 1968-84

T65 / T66

RWD 3 Speed





A

B

C

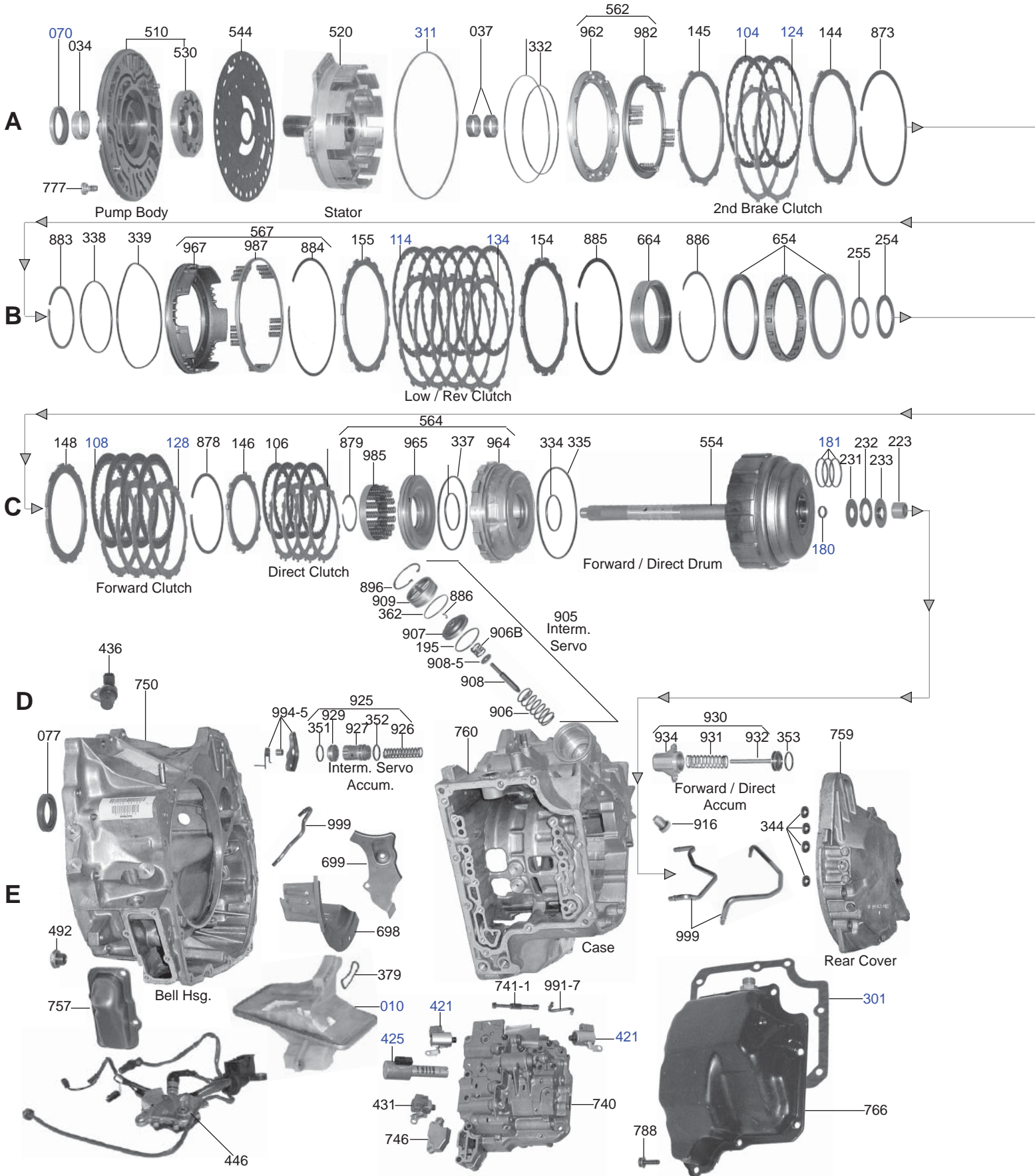
D

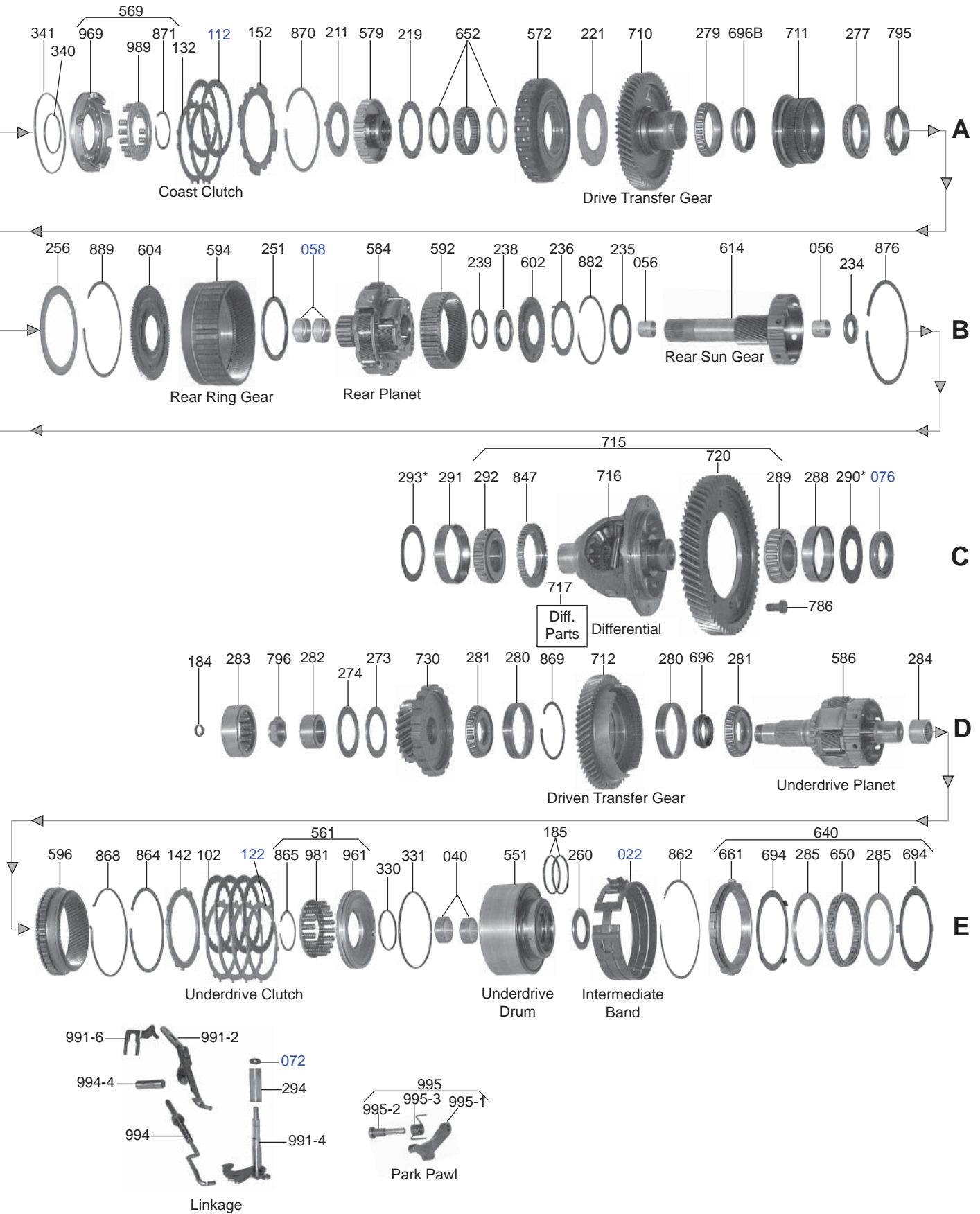
E

SAP #	IL#	OE	INDUSTRY	DESCRIPTION
OVERHAUL KIT				
B29002				Overhaul Kit T65 T66 1973-94
T29002				Overhaul Kit T65 T66 1973-94
MASTER W/STEELS KIT				
B29006				Master W/Steels Kit T65 T66 1973-94
T29006				Master W/Steels Kit T65 T66 1973-94
GASKET & RUBBER COMPONENTS				
32009	04650-45008V	3740A		Gasket T65 T66 Oil Pan [Cork & Rubber]
32008	04650-45008VF	3740AF		Gasket T65 T66 Oil Pan [Fiber]
32097314	046-504-5007Y	3824		Gasket T65 T66 Front Pump 1971-Up
32097317	04650-45003L			Gasket T65 Rear Servo Cover
32006	0435-045006			Gasket T65 T66 Filter Screen
32097315	04650-45001t			Gasket T65 T66 Extension Housing
1988041	3165012			Lathe Cut Seal T65 T66 Front Clutch Cylinder Piston
1988042	3165009			Lathe Cut Seal T65 T66 Rear Clutch Drum
31767	3165012			Lathe Cut Seal T65 T66 (3.230 x 0.180 x 0.090)
31768P				Lathe Cut Seal T65 T66 [3.733 ID 0.172 Wall 0.125 CS]
1988043	0555-141012			Lathe Cut Seal T65 T66 Front Pump
20008				O-Ring T65 T66 (44.20 x 3.00)
20009				O-Ring T65 T66 (46.20 x 3.20)
20010				O-Ring T65 (69.34 x 3.00)
20011				O-Ring T65 (69.42 x 3.55)
20012				O-Ring T65 (76.20 x 3.00)
20013				O-Ring T65 (88.30 x 3.50)
1994780	046514-1002H			O-Ring T65 T66 Front & Rear Servo 1973-87
1994781	04514-1004B			O-Ring T65 T66 Servo Cover 1973-87
1994784	04651-41001L			O-Ring T65 T66 Servo Piston 1973-87
1994782	046501-600M			O-Ring T65 T66 Servo Piston 1973-87
1995210				O-Ring T65 T66 Speedometer Housing 1973-87
32075066	046504-4004B			Seal T65 T66 Front Clutch Piston Inner
METAL CLAD SEALS				
70232	046-504-4001			Seal T65 T66 Front (BMW) 1973-Up (Thick)
70086	3183886			Seal T65 T66 Front (Except BMW) (Thin)
70113	235728-3			Seal T65 T66 Extension Housing 1969-Up (Jaguar)
70085				Seal T65 T66 Rear (BMW)
70039				Seal T65 T66 Manual Lever 1963-75
70233				Seal T65 T66 Speedometer Shaft
OIL SEALING RINGS				
30190	3176130	19217A		Ring T65 T66 Primary Sun Gear (Rear) 1962-Up [PTFE]
30482T	3165007			Ring T65 Sun Gear (Front) [PTFE]
TAW-418	3164858			Ring T65 Rear Clutch [Metal]
6090				Ring Kit T65 T66 1973-94 (6 Metal 5 PTFE Rings)
6030				Ring Kit T65 T66 1973-94 (8 Metal 3 PTFE Rings)
6030OS				Ring Kit T65 T66 1973-94 (8 OS Metal 3 PTFE Rings)
FRICTION CLUTCH				
31720R	3198571	19206A		Friction T65 T66 Front & Rear [4.20 OD 0.061 THK] 1973-94
29880R				Friction Module T65 T66 1973-94
STEEL CLUTCH				
31723	3164863	19222		Steel T65 T66 Rear [3.10 ID 40 Teeth 0.068 THK] (Dished) 1973-Up
31721	3164873	19205		Steel T65 T66 Front & Rear [3.10 ID 44 Teeth 0.068 THK] (Flat) 1973-Up
29881				Steel Module T65 T66 1973-94
FILTER				
31739	3188896	19757		Filter T65 T66 1973-94
FILTER KIT				
32041BOX				Filter Kit T65 T66 1973-94 (With Cork & Rubber Pan Gasket)
BANDS				
31748	3193718	19313F		Band T65 T66 Front (Flex)
31749	3187096	19313D		Band T65 T66 Rear
BUSHINGS				
31740	3205309	19011		Bushing T65 Stator (Front) (23 Spline) Input Shaft 1962-Up
31734	3205308	19012		Bushing T65 T66 Front Pump Drive Gear [1.41 OD 1.285 ID] 1962-Up
31730	3205306	19003		Bushing T65 T66 Pump Body (1.82 OD) (1.70 ID) 1962-Up [Babbitt]
31737	3205303	19010		Bushing T65 T66 Sun Gear & Planet (Rear) 1962-Up

50-40 / 50-42LE

FWD 4 Speed



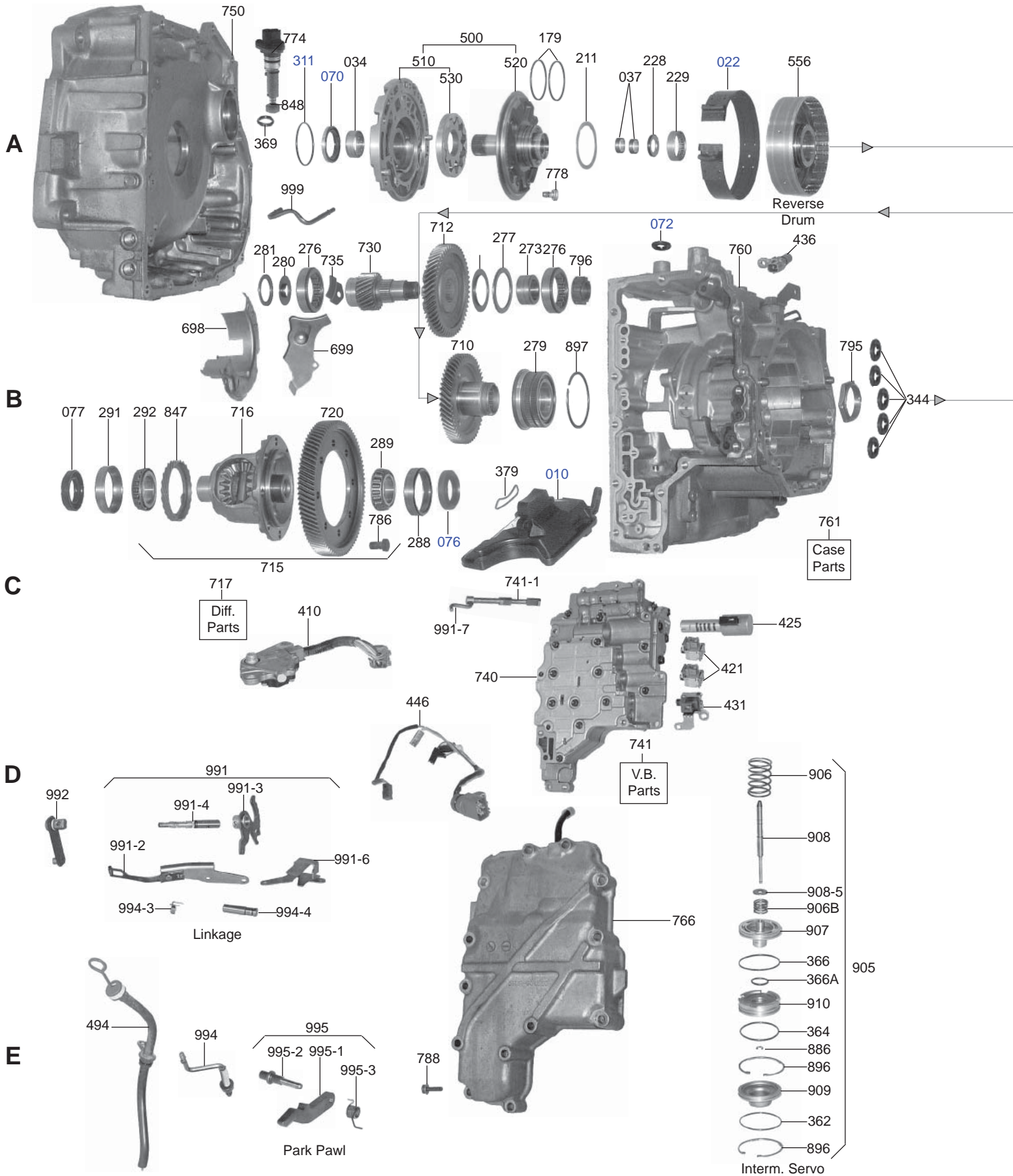


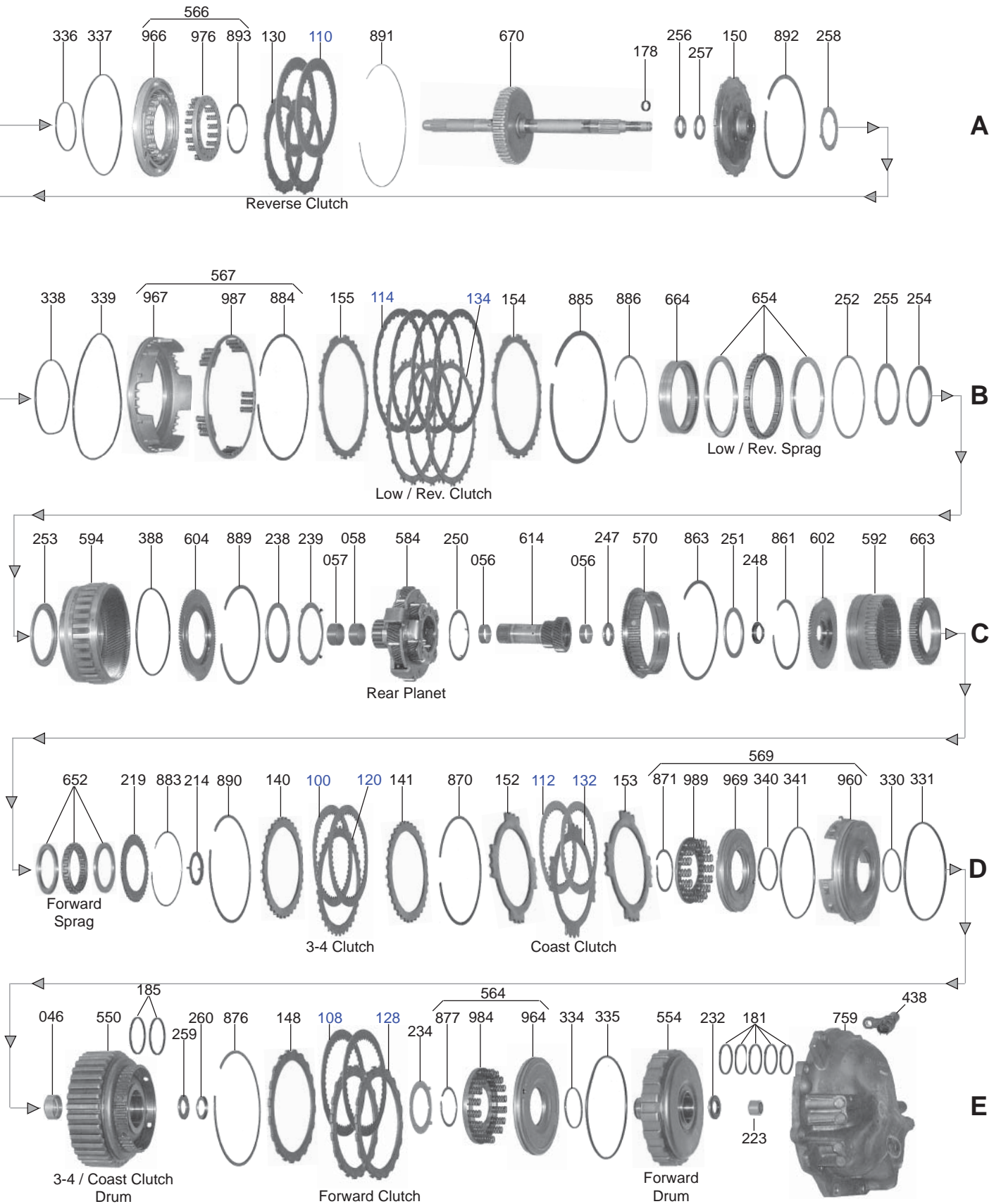
SAP #	IL#	OE	INDUSTRY	DESCRIPTION
OVERHAUL KIT				
BF89002A				Overhaul Kit 50-40 50-42LE 50-42LM 1989-Up (Fiber)
TF89002A				Overhaul Kit 50-40 50-42LE 50-42LM 1989-Up (Fiber)
MASTER L/STEELS KIT				
BF89004A				Master L/Steels Kit 50-40 50-42LE 1989-98
TF89004A				Master L/Steels Kit 50-40 50-42LE 1989-98
TF89004AA				Master L/Steels Kit 50-42LE 1999-Up
MASTER W/STEELS KIT				
BF89006A				Master W/Steels Kit 50-40 50-42LE 1989-98
TF89006A				Master W/Steels Kit 50-40 50-42LE 1989-98
BF89006AA				Master W/Steels Kit 50-42LE 1999-Up
BF89006AC				Master W/Steels Kit 50-42LM 1999-Up
GASKET & RUBBER COMPONENTS				
35018			59500F	Gasket 50-42LE Oil Pan 1989-Up [Fiber]
35004		5040045004T		Gasket 50-40 Rear Valve Body
35008D				Gasket 50-40 Valve Body
35008E				Gasket 50-40 Valve Body
1994743				O-Ring 50-42LE Connector & Speedometer 1989-Up
1994115				O-Ring 50-42LE Drain Plug 1989-Up
1994536		90348756		O-Ring 50-42LE Front Pump 1989-Up
METAL CLAD SEALS				
70351		6843111-3	67550	Seal 50-40 50-42LE Front Pump 1989-Up
70352		6843112-1		Seal 50-40 50-42LE Axle (Left & Right Side) (1.520 ID) (2.483 OD) 1992-Up (Volvo)
70016		90342143	75152	Seal 50-40 50-42LE Axle (Left & Right Side) (Opel) 1989-Up
70386				Seal 50-40 50-42LE Axle (Bell Housing) 1992-Up
70414		46514-36001	42152	Seal 50-40 50-42LE Pinion
70045		3520746-3	78197	Seal 50-40 50-42LE Manual Lever Shaft 1989-Up
OIL SEALING RINGS				
TAW-2395				Ring 50-40 50-42LE Forward & Direct Clutch [Metal]
30968		35160280		Ring 50-40LE 1989-Up [PTFE]
30966T				Ring 50-40 50-42LE Forward & Direct Drum Shaft (Small Rear) (Butt Joint) [PTFE]
30970A				Ring 50-40LE C-2 C-3 B-1 Accumulator 1989-Up [PTFE]
30970				Ring 50-40LE B-1 C-2 Accumulator 1989-Up [PTFE]
30969				Ring 50-40LE (0.970 x 0.085 x 0.060) [PTFE]
TAW-2394		24587NHSF		Ring 50-40LE (62 x 2.3 x 2.2) [Metal]
6306				Ring Kit 50-40 50-42LE 1989-Up (5 Metal 16 PTFE 1 Plastic Rings)
FRICITION CLUTCH				
35024		90348796	59102	Friction 50-40 50-42LE 50-42LM 2nd Brake [6.302 OD 33 Teeth 0.067 THK] 1989-Up
35024T		90348796	59102	Friction 50-40 50-42LE 50-42LM 2nd Brake [6.302 OD 33 Teeth 0.067 THK] 1989-Up
35024AALTO			59108B	Friction 50-42LE 2nd Brake (B2) [6.30 OD 40 Teeth 0.067 THK] 1999-Up
35024BALTO			59108A	Friction 50-42LE 50-42LM 2nd Brake (B2) [6.30 OD 40 Teeth 0.075 THK] 1999-Up
35020		90542422	59100	Friction 50-40 50-42LE 50-42LM Coast [4.260 OD 34 Teeth 0.067 THK] 1989-Up
35020AALTO				Friction 50-42LE 50-42LM Direct (C2) Underdrive (C3) 1999-Up
35022		90542936	59104	Friction 50-40 50-42LE 50-42LM Forward (Direct) [5.374 OD 46 Teeth 0.067 THK] 1989-Up
35022T		90542936	59104	Friction 50-40 50-42LE 50-42LM Forward (Direct) [5.374 OD 46 Teeth 0.067 THK] 1989-Up
35026		90348808	59108	Friction 50-40 50-42LE Low Reverse (B3) [6.302 OD 33 Teeth 0.067 THK] 1989-98
35026T		90348808	59108	Friction 50-40 50-42LE Low Reverse (B3) [6.302 OD 33 Teeth 0.067 THK] 1989-98
35080				Friction Module 50-40LE 1989-98
35080A				Friction Module 50-42LE 1999-Up
35080B				Friction Module 50-42LM 1999-Up
STEEL CLUTCH				
35027		90348795	59103	Steel 50-40 50-42LE 2nd Brake [5.661 ID 10 Teeth 0.098 THK] 1989-98
35027A			59103B	Steel 50-42LE 2nd Brake [5.54 ID 10 Teeth 0.098 THK] 1999-Up
35027B			59103C	Steel 50-42LM 2nd Brake (B2) [5.54 ID 10 Teeth 0.071 THK] 1999-Up
35029		90348774	59109	Steel 50-40 50-42LE Direct [3.582 12 Teeth 0.071 THK] 1989-98
35021A			59109B	Steel 50-42LE 50-42LM Direct (C2) [3.58 ID 18 Teeth 0.071 THK] 1999-Up
35021		90348778	59107	Steel 50-40 50-42LE 50-42LM Forward [4.491 ID 12 Teeth 0.071 THK] 1989-Up
35025		90348807		Steel 50-40 50-42LE 50-42LM Low Reverse [5.661 ID 15 Teeth 0.071 THK] 1989-Up
35023				Steel 50-40 50-42LE 50-42LM Underdrive [3.582 ID 8 Teeth 0.071 THK] 1989-98
35023A			59101C	Steel 50-42LE 50-42LM Underdrive (C3) [5.38 ID 18 Teeth 0.098 THK] 1999-Up
35081				Steel Module 50-40LE 1989-98
35081A				Steel Module 50-42LE 1999-Up
35081B				Steel Module 50-42LM 1999-Up
FILTER				
35040B		90348726 30681088	59710B	Filter 50-42LE 1989-Up (Volvo 850 & Saab)
35040		5040738001N	59710	Filter 50-40 50-42LE 1989-98
FILTER KIT				
35041A			FK59710	Filter Kit 50-40 50-42LE 1989-Up (Except Saab 99-Up)

SAP #	IL#	OE	INDUSTRY	DESCRIPTION
BANDS				
35092		5040735001	59700	Band 50-40 50-42LE Intermediate (Rigid) 1989-Up
BUSHINGS				
35034				Bushing 50-40 50-42LE Rear Planet (Front) No Groove (1.165 ID) [Bronze]
35034A				Bushing 50-40 50-42LE Rear Planet (Rear With Groove) (1.165 ID) [Bronze]
35036				Bushing 50-40 50-42LE Planetary Sun Gear (0.97 OD) [Bronze]
35033A				Bushing 50-40 50-42LE Pump Shaft Front (0.97 OD) [Bronze]
35033				Bushing 50-40 50-42LE Pump Shaft Rear (0.97 OD) (0.84 ID) [Bronze]
35032A				Bushing 50-40 Underdrive Clutch Rear (1.22 OD) (1.1 ID) [Bronze]
35032				Bushing 50-40 Underdrive Clutch Front (1.22 OD) [Bronze]
35032B				Bushing 50-42LE Underdrive 1998-Up
35030			K59901	Bushing Kit 50-40 50-42LE 1989-Up (11 Bushings)
WASHER & BEARINGS				
35073				Washer 50-40LE Planetary [2.933 OD 1.856 ID 0.035 THK] 1989-Up [Plastic]
35072				Washer 50-40LE Planetary [3.035 OD 2.224 ID 0.069 THK] 1989-Up [Plastic]
35071				Washer 50-40LE Planetary [3.93 OD 2.23 ID 0.070 THK] 1989-Up [Plastic]
31353				Washer 50-40 50-42LE (17.25 X 14.10 X 1.50) [Aluminum]
ELECTRICAL COMPONENTS				
D59954		5040313001L	59954	Solenoid 50-40 50-42LE Lock-Up [OEM]
D59955		6843783	59955	Solenoid 50-40 50-42LE Shift (A & B Shift) [OEM]

60-40LE

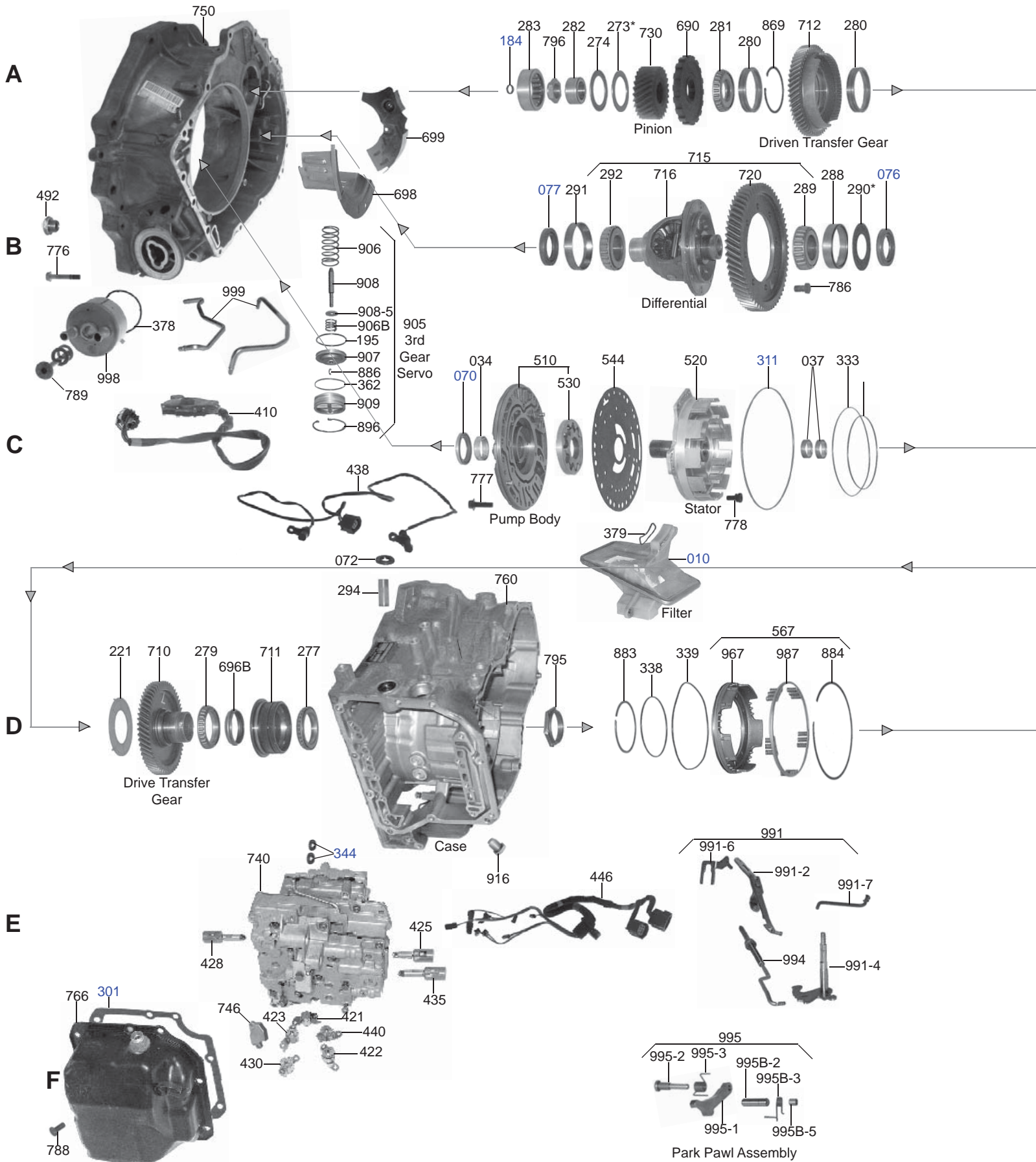
FWD 4 Speed





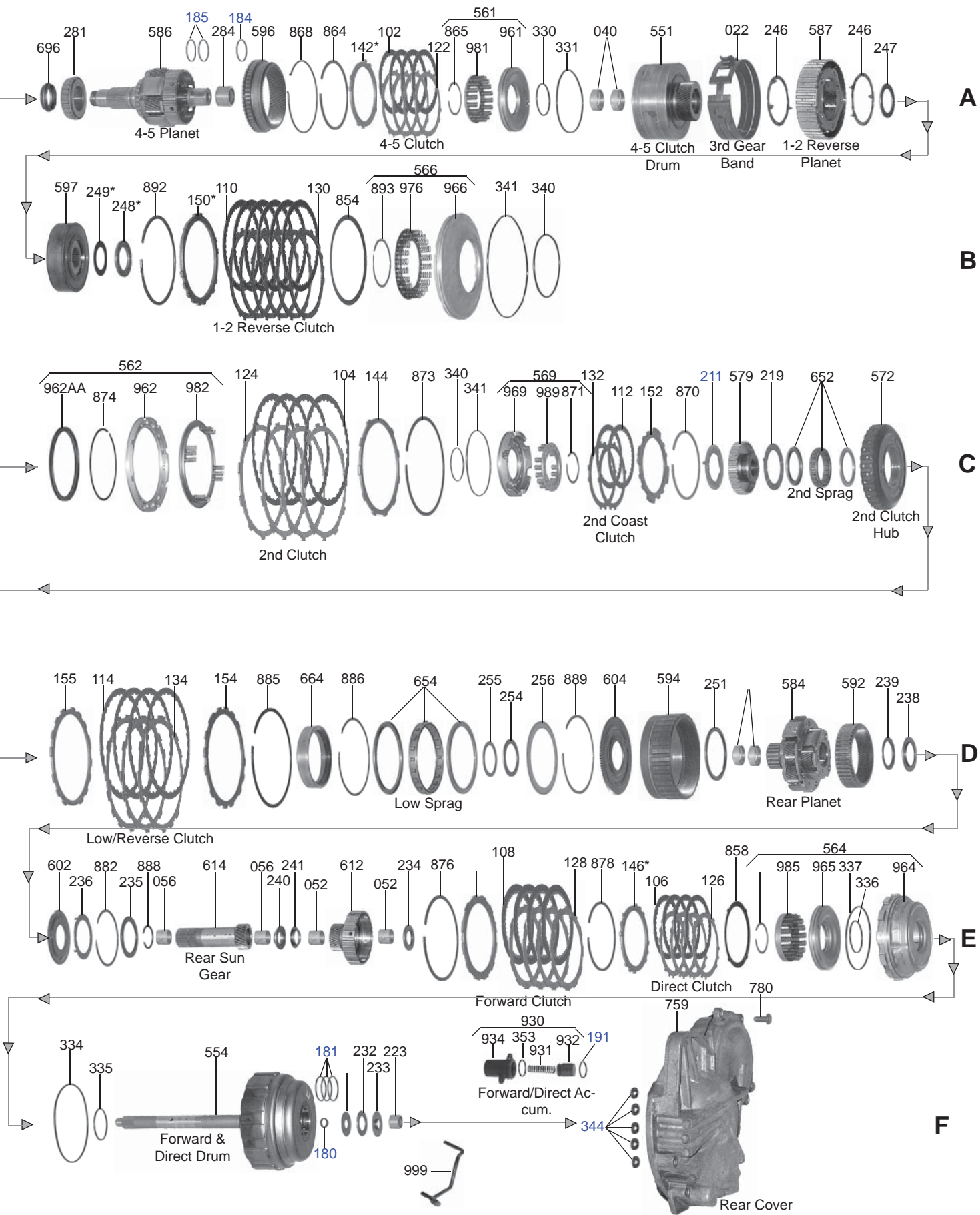
SAP #	IL#	OE	INDUSTRY	DESCRIPTION
OVERHAUL KIT				
BF121002A				Overhaul Kit 60-40LE 60-42LE 60-41SN 1995-Up (Fiber)
TF121002A				Overhaul Kit 60-40LE 60-42LE 60-41SN 1995-Up (Fiber)
MASTER L/STEELS KIT				
BF121004A				Master L/Steels Kit 60-40LE 60-42LE 1995-Up (Fiber)
TF121004A				Master L/Steels Kit 60-40LE 60-42LE 1995-Up (Fiber)
MASTER W/STEELS KIT				
BF121006A				Master W/Steels Kit 60-40LE 60-42LE 1995-Up (Fiber)
TF121006A				Master W/Steels Kit 60-40LE 60-42LE 1995-Up (Fiber)
GASKET & RUBBER COMPONENTS				
35218		59500AF		Gasket 60-40LE Oil Pan 1995-Up [Fiber]
35208				Gasket Set 60-40LE 60-42LE Valve Body (10 Pieces)
1994597				O-Ring 60-40LE Connector 1995-Up
1994672				O-Ring 60-40LE Input & Output Sensors 1995-Up
1994518				O-Ring 60-40LE Pump To Case 1995-Up
1994829				O-Ring 60-40LE Speedometer 1995-Up
1994827				O-Ring 60-40 Accumulator [23.9 X 2.7mm] 1995-Up
1994155				O-Ring 60-40 Clutch Drum
1994825				O-Ring 60-40 3rd & 4th Clutch Outer [21.2 X 3.10mm] 1995-Up
1994828				O-Ring 60-40 Ring Gear [117 X 121.6 X 2.88mm] 1995-Up
METAL CLAD SEALS				
70353	27431-60G10	59152B		Seal MC AW60-40LE Axle Shaft 1995-98
70354	27441-60G10	59152C		Seal MC AW60-40LE Axle Shaft 1999-Up
70351	22881-60G10			Seal MC AW60-40LE Front Pump 1995-Up
70045	3520746-3	78197		Seal MC AW60-40LE Manual Lever Shaft 1995-Up
OIL SEALING RINGS				
30576	24732-60GT0	79732		Ring 60-40LE Rear Cover 1995-Up [PTFE]
30574				Ring 60-40LE Forward Clutch (Butt Cut) 1995-Up [PTFE]
30573				Ring 60-40LE Input Shaft 1995-Up [PTFE]
30575				Ring 60-40LE Forward Clutch (Scarf Cut) 1995-Up [PTFE]
6307		K59300A		Ring Kit 60-40LE 1993-Up (11 PTFE Rings)
FRICTION CLUTCH				
35222T	90444685	59100A		Friction 60-40LE Coast [4.96 OD 44 Teeth 0.067 THK] 1992-Up
35220	90444669	59100B		Friction 60-40LE Forward (CO, CI) [5.60 OD 51 Teeth 0.067 THK]
35220T	904446699			Friction 60-40LE Forward (CO, CI) [5.60 OD 51 Teeth 0.067 THK]
35026	90348808	59108		Friction 60-40LE Low/Reverse [6.30 OD 33 Teeth 0.068 THK] (Grooved) 1995-Up
35224T	90444546	59111		Friction 60-40LE Reverse [5.60 OD 44 Teeth 0.071 THK] 1999-Up
35224AT				Friction 60-40LE Reverse (C2) [5.25 OD 44 Teeth 0.071 THK] 1998-Up
35280				Friction Module 60-40LE 1995-Up
35280R				Friction Module 60-40LE 1995-Up
35280T				Friction Module 60-40LE 1995-Up
STEEL CLUTCH				
35221	90444885	60103 59113		Steel 60-40LE 3rd-4th [4.68 ID 36 Teeth 0.071 THK]
35227	90444863	60109 59101A		Steel 60-40LE Coast [4.10 ID 16 Teeth 0.071 THK]
35227A	90444550	60109A 59101B		Steel 60-40LE Coast (C3) [4.10 ID 16 Teeth 0.126 THK] 1992-Up
35225		60105		Steel 60-40LE Forward [4.68 ID 20 Teeth 0.071 THK]
35229	90444973	60101 59105A		Steel 60-40LE Low/Reverse [5.70 ID 15 Teeth 0.071 THK]
35223	90444686	60107 59112		Steel 60-40LE Reverse (C2) [4.10 ID 6 Teeth 0.071 THK] 1995-Up
35223A				Steel 60-40LE Reverse (C2) [4.10 ID 15 Teeth 0.071 THK] 1998-Up
35281				Steel Module AW60-40LE 1995-Up
FILTER				
35240	26445-60G10	59710A		Filter 60-40LE 1995-Up (Opel Suzuki Corsa)
FILTER KIT				
35241A				Filter Kit 60-40LE 1995-Up (Opel Suzuki Corsa)
WASHER & BEARINGS				
35275370				Washer Thrust 60-40LE Stator to Reverse Drum - 1 Tab [2.386 OD 0.061in THK] 1995-Up
35275371				Washer Thrust 60-40LE Reverse Clutch Pressure Plate to Drive Gear - 4 Round Tabs [2.417 OD 0.57in THK] 1995-Up
35275372				Washer Thrust 60-40LE Low/Reverse Sprage to Front Ring Gear - No Tabs [0.055in THK] 1995-Up
35275373				Washer Thrust 60-40LE Ring Gear Hub to 3-4 Coast Clutch Drum - 4 Round Tabs [1.810 OD 0.12in THK] 1995-Up
35275374				Washer Thrust 60-40LE Forward Clutch Drum to 3-4 Coast Clutch Drum - 4 Round Tabs [2.81 OD 0.05in THK] 1995-Up
298L				Washer Kit 1995-Up (5 Washers)
BANDS				
35292	26971-60G10	59700A		Band 60-40LE Intermediate (Flex) 1993-Up

AW55-50SN / AW55-51SN (AF23/AF33/RE5F22A) FWD 5 Speed



FWD 5 Speed

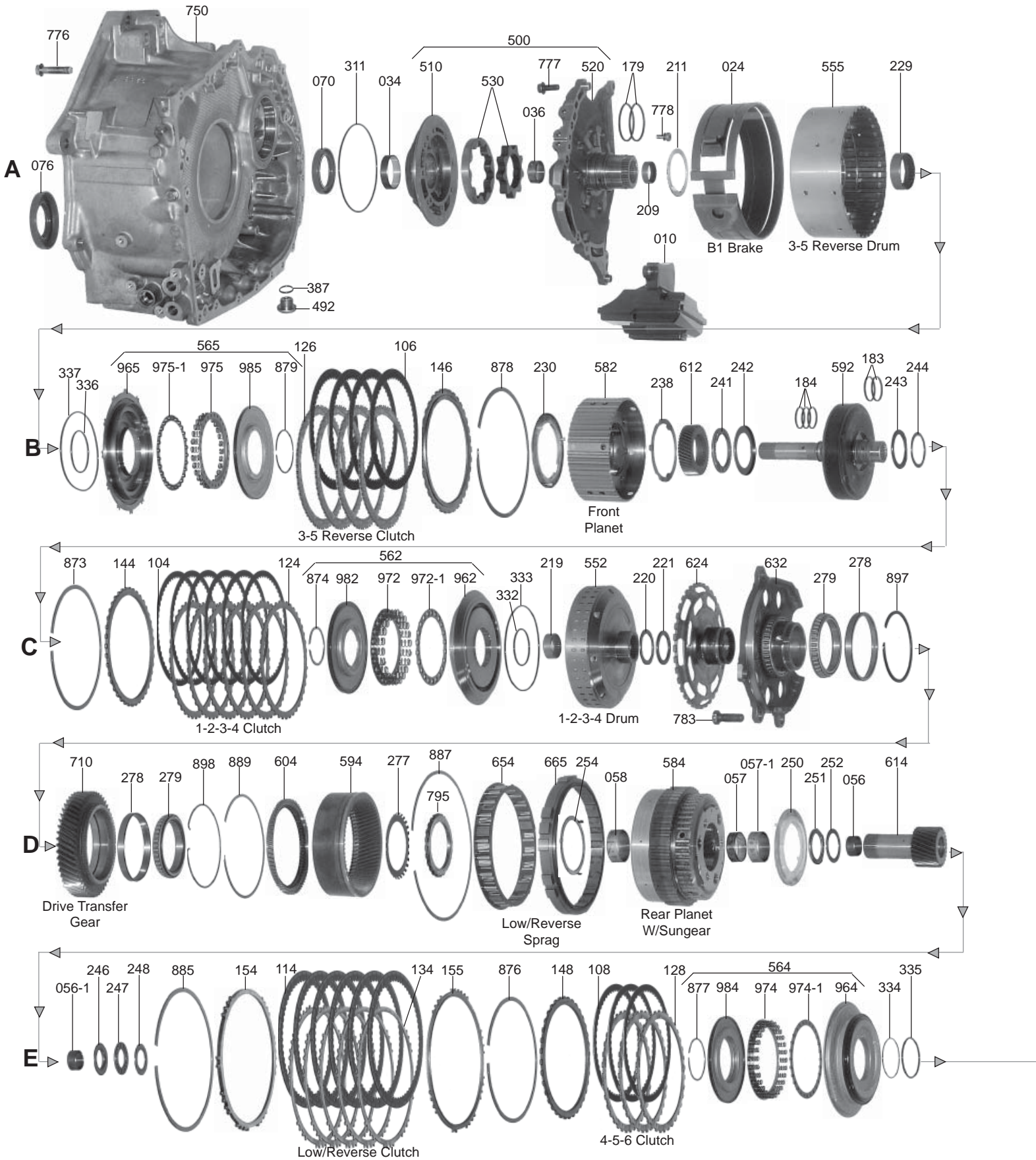
AW55-50SN / AW55-51SN (AF23/AF33/RE5F22A)



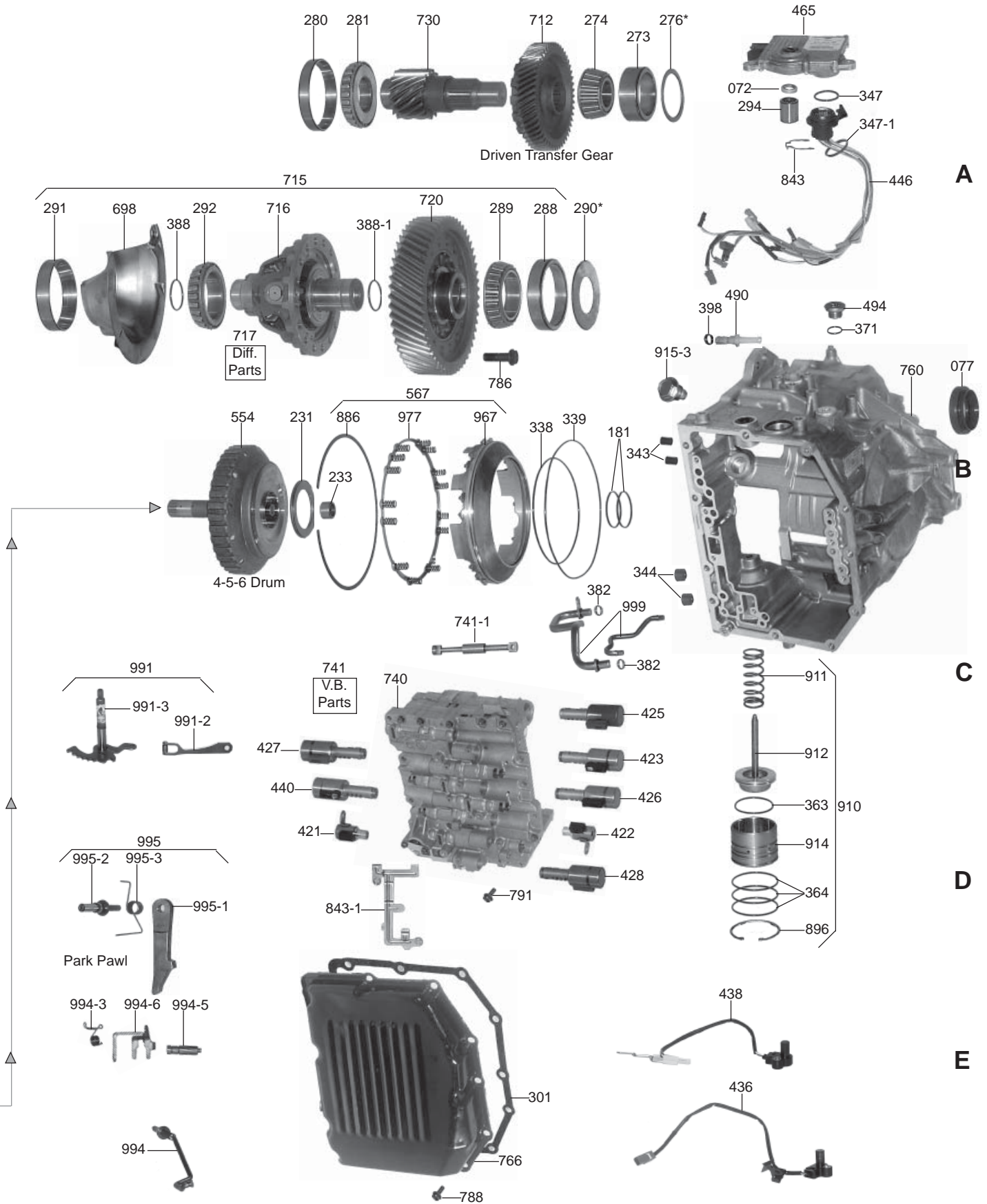
SAP #	IL#	OE	INDUSTRY	DESCRIPTION
OVERHAUL KIT				
BF21002A				Overhaul Kit AW55-50SN AW55-51SN RE5F22A (Combo) 2000-Up
TF21002A				Overhaul Kit AW55-50SN AW55-51SN RE5F22A (Combo) 2000-Up
TF21002B				Overhaul Kit AW55-50SN AW55-51SN (Volvo) 2000-Up
TF21002C				Overhaul Kit AW55-50SN AW55-51SN (Saturn Saab Opel) 2000-Up
TF21002F				Overhaul Kit AW55-50SN AW55-51SN RE5F22A (Nissan) 2000-Up
MASTER L/STEELS KIT				
BF21004A				Master L/Steels Kit AW55-50SN AW55-51SN RE5F22A (Combo) 2000-Up
TF21004A				Master L/Steels Kit AW55-50SN AW55-51SN RE5F22A (Combo) 2000-Up
TF21004B				Master L/Steels Kit AW55-50SN AW55-51SN (Volvo) 2000-Up
TF21004C				Master L/Steels Kit AW55-50SN AW55-51SN (Saturn Saab Opel) 2000-Up
TF21004F				Master L/Steels Kit AW55-50SN AW55-51SN RE5F22A (Nissan) 2000-Up
MASTER W/STEELS KIT				
BF21006A				Master W/Steels Kit AW55-50SN AW55-51SN RE5F22A (Combo) 2000-Up
TF21006A				Master W/Steels Kit AW55-50SN AW55-51SN RE5F22A (Combo) 2000-Up
TF21006B				Master W/Steels Kit AW55-50SN AW55-51SN (Volvo) 2000-Up
TF21006C				Master W/Steels Kit AW55-50SN AW55-51SN (Saturn Saab Opel) 2000-Up
TF21006F				Master W/Steels Kit AW55-50SN AW55-51SN RE5F22A (Nissan) 2000-Up
GASKET & RUBBER COMPONENTS				
35118		59500		Gasket AW55-50SN AW55-51SN Pan (9 Bolt Holes) 2000-Up (Fiber)
1994598				O-Ring AW55-50SN Input & Output Sensor 2000-Up
27698		93510		O-Ring AW55-50SN Wire Harness 2000-Up
1994536				O-Ring AW55-50SN AW55-51SN Pump
19517				Seal AW55-50SN AW55-51SN Case To Rear Cover [0.59 OD 0.113in THK] 2000-Up
METAL CLAD SEALS				
70383				Seal AW55-50SN Axle (Bell Housing Side) [2.40 OD] 2005-Up (GM)
70384				Seal AW55-50SN Axle (Bell Housing Side) [2.145 OD] 2002-Up (Saturn)
70382				Seal AW55-50SN Axle (Bell Housing Side) [2.958 OD] 2000-Up (Volvo)
70352	90342143 90311-11128 90311			Seal AW55-50SN AW55-51SN Axle Both Sides [2.483 OD 1.520 ID] 2000-Up (Some Volvos)
70045	12002	78197		Seal AW55-50SN AW55-51SN Linkage [0.875 OD 0.440 ID] 2000-Up
70351	90348749			Seal AW55-50SN AW55-51SN Pump
OIL SEALING RINGS				
35160283				Ring AW55-50SN AW55-51SN 4-5 Clutch 2000-Up [PTFE]
35160281				Ring AW55-50SN AW55-51SN 4-5 Planet Shaft Pilot To Rear Cover 2000-Up [PTFE]
30970B				Ring AW55-50SN AW55-51SN Forward & Direct Accumulator 2000-Up [PTFE]
30966T				Ring AW55-50SN AW55-51SN Forward & Direct Clutch 2000-Up [PTFE]
35160280				Ring AW55-50SN AW55-51SN Forward & Direct Drum Shaft (Small) Rear 2000-Up [Plastic]
6315				Ring Kit AW55-50SN AW55-51SN 2000-Up (7 PTFE 2 Plastic Rings)
FRICTION CLUTCH				
35180R				Friction Module AW55-50SN 2000-Up
35180AR				Friction Module AW55-50SN 2000-Up (Volvo & Nissan Only)
STEEL CLUTCH				
35181				Steel Module AW55-50SN 2000-Up
FILTER				
35140	31728-8Y000 24220578	59710D		Filter AW-55-50SN 2001-Up
BUSHINGS				
25430		67001		Bushing AW55-50SN AW55-51SN Pump
35136				Bushing AW55-50SN AW55-51SN Rear Planet (Rear) 2000-Up
35135		59015D		Bushing AW55-50SN AW55-51SN Rear Planet (Front) 2000-Up
35133		59010D		Bushing AW55-50SN AW55-51SN Underdrive Drum 2000-Up
35131		59002D		Bushing AW55-50SN AW55-51SN Stator (Front) 2000-Up
35132		59003D		Bushing AW55-50SN AW55-51SN Stator (Rear) 2000-Up
35137		59017G		Bushing AW55-50SN AW55-51SN Direct Clutch Front Hub (Rear Sun Gear) 2000-Up
35130				Bushing Kit AW55-50SN AW55-51SN 2000-Up (11 Bushings)
WASHER & BEARINGS				
35072				Washer AW55-50SN AW55-51SN 2nd Coast Clutch Hub To 2nd Clutch Hub (3 Tab) 2000-Up [Plastic]
35073				Washer AW55-51SN AW55-51SN Stator To Sprag Race (3 Tab) [2.919 OD 1.847 ID] 2000-Up [Plastic]
35170				Washer AW55-50SN AW55-51SN 2nd Coast Clutch Drum to Transfer Gear 2000-Up [Plastic]
35171				Washer AW55-50SN AW55-51SN Sprag to Rear Ring Gear Hub 2000-Up
35172				Washer AW55-50SN AW55-51SN 1-2 Reverse Planet 2000-Up [Plastic]
27872				Washer AW55-50SN Drain Plug 2000-Up
220				Washer Kit AW55-50SN AW55-51SN 2000-Up (6 Washers)
TOOLS				
35199				Tool Kit for Solenoid Cleaning

AWTF80SC / 81SC (AF21/AF40-6)

FWD 6 Speed



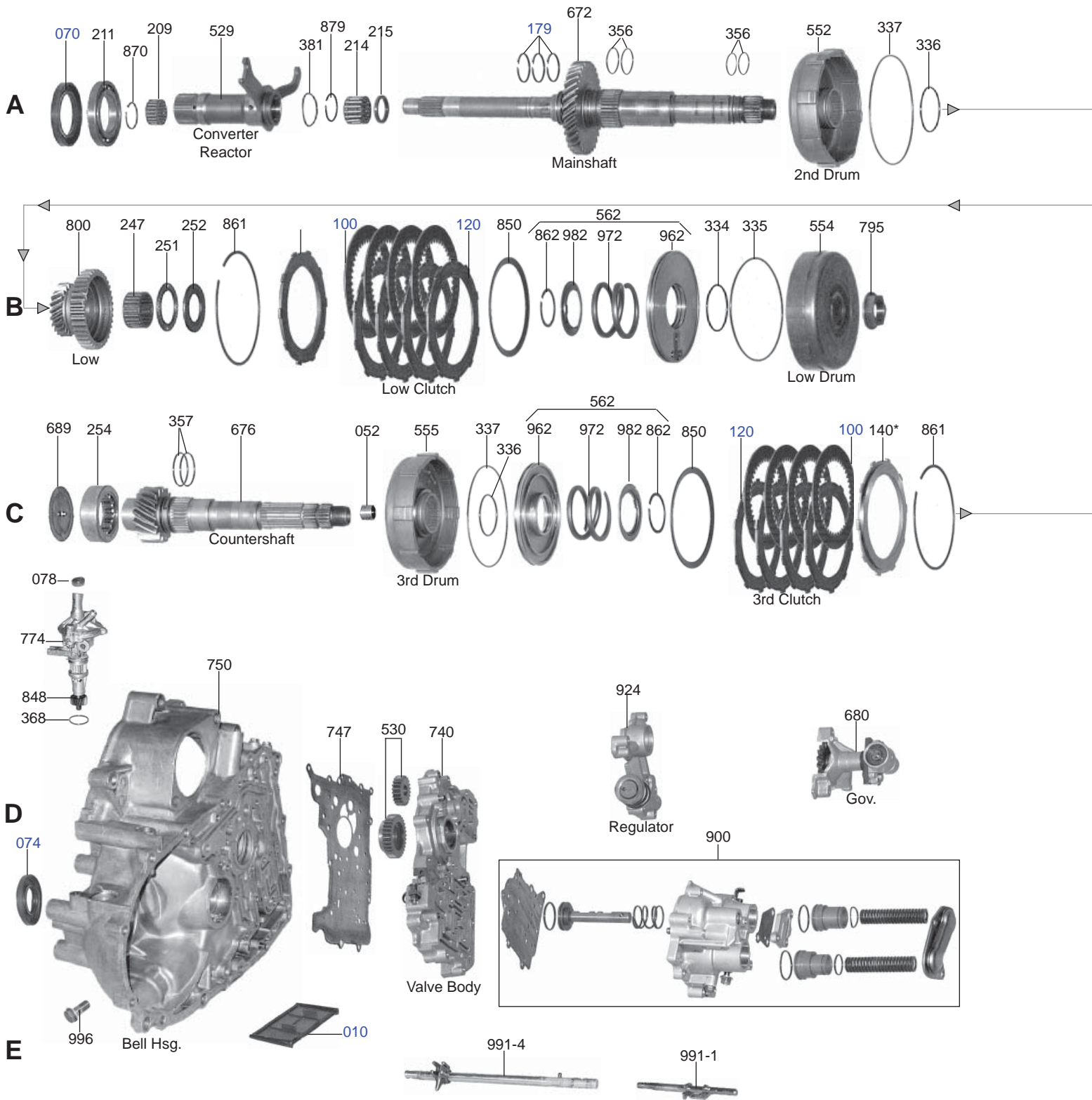
AWTF80SC / 81SC (AF21/AF40-6)

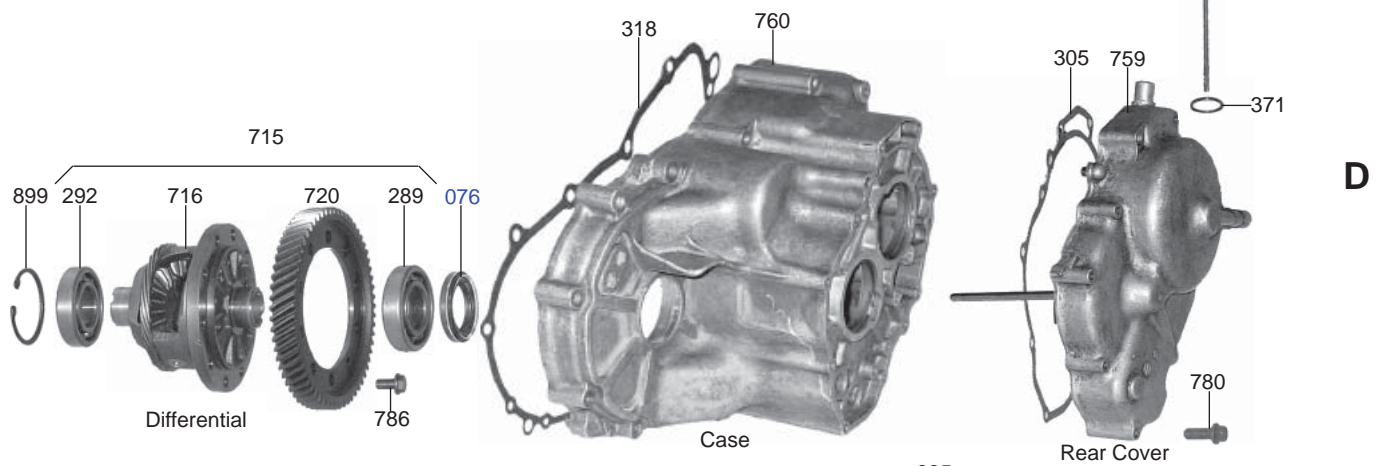
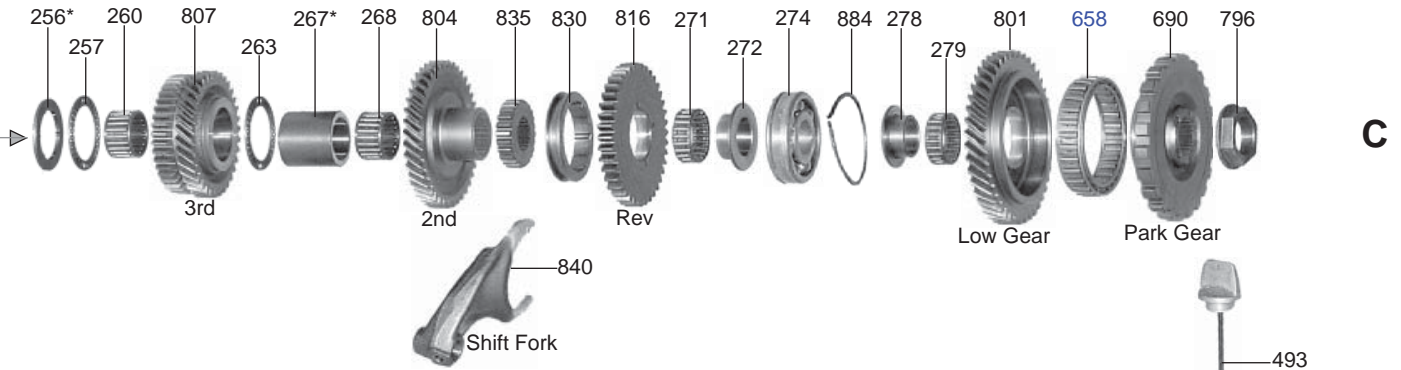
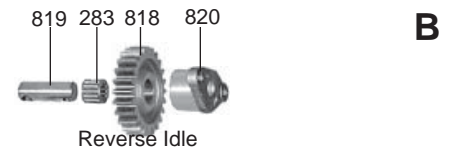
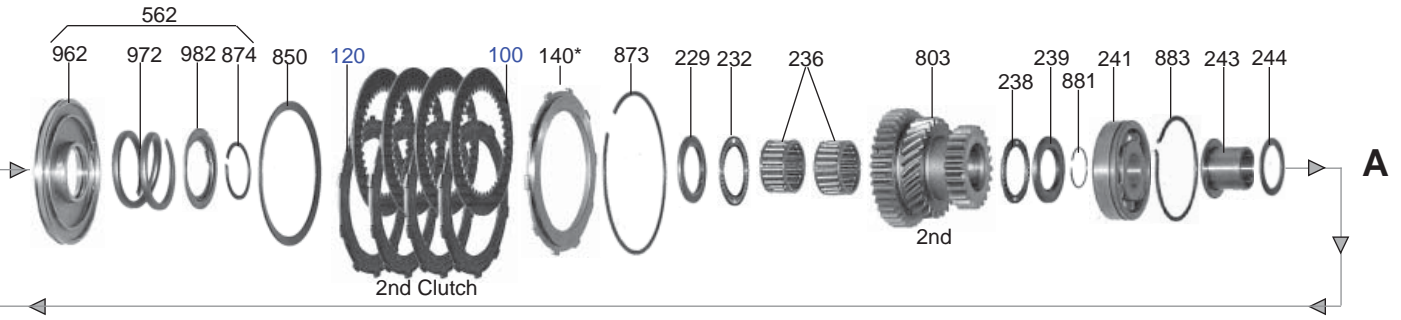


SAP #	IL#	OE	INDUSTRY	DESCRIPTION
PAPER & RUBBER KIT				
T255000AX				Paper & Rubber Kit TF-80SC 2006-Up (Volvo Only) W/Out Valve Cover Gasket
OVERHAUL KIT				
T255002AX				Overhaul Kit TF-80SC Non-Volvo (W/Out Valve Cover Gasket) 2006-Up
T255002AAX				Overhaul Kit TF-80SC Volvo Only (W/Out Valve Cover Gasket) 2006-Up
B255002BX				Overhaul Kit TF-81SC (AF21 AW6A-EL) (W/Out Valve Cover Gasket) 2005-Up
T255002BX				Overhaul Kit TF-81SC (AF21 AW6A-EL) (W/Out Valve Cover Gasket) 2005-Up
T255002ACX				Overhaul Kit TF-80SC (Volvo included) TF-81SC (AF21 AW6A-EL) (W/Out Valve Cover Gasket) 2005-Up Combo
MASTER L/STEELS KIT				
T255004AX				Master L/Steels Kit TF-80SC (FWD) (W/Out Valve Cover Gasket) 2006-Up
T255004AAX				Master L/Steels Kit TF-80SC Volvo Only (W/Out Valve Cover Gasket) 2006-Up
T255004BX				Master L/Steels Kit TF-81SC (AF21) (W/Out Valve Cover Gasket) 2005-Up
MASTER W/STEELS KIT				
T255006AX				Master W/Steels Kit TF-80SC (FWD) (W/Out Valve Cover Gasket) 2006-Up
T255006AAX				Master W/Steels Kit TF-80SC Volvo Only (W/Out Valve Cover Gasket) 2006-Up
B255006BX				Master W/Steels Kit TF-81SC (AF21) (W/Out Valve Cover Gasket) 2005-Up
T255006BX				Master W/Steels Kit TF-81SC (AF21) (W/Out Valve Cover Gasket) 2005-Up
GASKET & RUBBER COMPONENTS				
70467				Seal Cap TF-80SC (Volvo) TF-81SC 2005-Up
70480				Seal Cap TF-81SC Spider Gears (36.5mm Diameter) 2005-Up
METAL CLAD SEALS				
70400				Seal TF-80SC TF-81SC Pump 2006-Up
70401				Seal TF-80SC Axle (Bell Housing) Side 2006-Up
70465				Seal TF-80SC Volvo Axle AWD (Bell Housing) 2006-Up
70352				Seal TF-80SC Volvo Axle 2006-Up
70466				Seal TF-80SC Volvo Axle Inner 2006-Up
70478				Seal TF-81SC Case Side Axle Shaft 2005-Up
70479				Seal TF-81SC Axle Differential Side (All Except MKZ, Zephyr, Milan & Fusion) 2005-Up
70481				Seal TF-81SC Axle Differential Side (MKZ, Zephyr, Milan & Fusion) 2005-Up
70482				Seal TF-81SC Coverter Side Axle (All Except MKZ Zephyr, Milan & Fusion) 2005-Up
OIL SEALING RINGS				
6316				Ring Kit TF-80SC TF-81SC 2006-Up (9 PTFE Rings)
FRICTION CLUTCH				
35380R				Friction Module TF-80SC 2006-Up
35380AR				Friction Module TF-81SC (AF21 AW6A-EL) 2005-Up
35380AT				Friction Module TF-81SC (AF21 AW6A-EL) 2005-Up
STEEL CLUTCH				
35381				Steel Module TF-80SC TF-81SC 2006-Up
WASHER & BEARINGS				
239				Thrust Washer Kit TF-80SC TF-81SC 2006-Up (7 Washers)
TOOLS				
35199				Tool Kit for Solenoid Cleaning

SAP #	IL#	OE	INDUSTRY	DESCRIPTION
OVERHAUL KIT				
T137002A				Overhaul Kit AW80-40LE AW81-40LE AW80-40LS 2004-Up
T147002A				Overhaul Kit U440E/F U441E/F 1999-Up
MASTER L/STEELS KIT				
T137004A				Master L/Steels Kit AW80-40LE AW81-40LE AW80-40LS 2004-Up
T147004A				Master L/Steels Kit U440E/F U441E/F 1999-Up
MASTER W/STEELS KIT				
T137006A				Master W/Steels Kit AW80-40LE AW81-40LE AW80-40LS 2004-Up
T147006A				Master W/Steels Kit U440E/F U441E/F 1999-Up
GASKET & RUBBER COMPONENTS				
13709				Gasket AW80-40LE AW81-40LE U440 1999-Up
OIL SEALING RINGS				
6405				Ring Kit AW80-40LE AW81-40LE U440 1999-Up (5 PTFE Rings)
FRICITION CLUTCH				
137080R				Friction Module AW80-40LE AW81-40LE AW80-40LS U440E/F U441E/F 1999-Up
STEEL CLUTCH				
137081				Steel AW80-40LE AW81-40LE AW80-40LS U440E/F U441E/F 1999-Up
METAL CLAD SEALS				
70518				Seal AW80-40LE AW81-40LE Axle (Bell Housing) Side 2004-Up
70519				Seal AW80-40LE AW81-40LE Axle (Case) Side 2004-Up
70093				Seal U440E/F U441 Axle (Bell Housing) Side 1999-Up
70096				Seal U440E/F U441 Axle (Case) Side 1999-Up
70520				Seal U440E/F U441 Axle (Bell Housing) Side (Suzuki) 1999-Up
70521				Seal U440E/F U441 Axle (Case) Side (Suzuki) 1999-Up

SAP #	IL#	OE	INDUSTRY	DESCRIPTION
OVERHAUL KIT				
T172002A				Overhaul Kit AS68RC (A465) 2006-Up
TF172002A				Overhaul Kit AS68RC (A465) 2006-Up (Fiber)
MASTER L/STEEL KIT				
TF172004A				Master L/Steels Kit AS68RC (A465) 2006-Up (Dodge Only)
TF172004B				Master L/Steels Kit AS68RC 2006-Up (Mitsubishi Only)
MASTER W/STEEL KIT				
TF172006A				Master W/Steels Kit AS68RC (A465) 2006-Up (Dodge Only)
TF172006B				Master W/Steels Kit 4AS68RC 2006-Up (Mitsubishi Only)
GASKET & RUBBER COMPONENTS				
17209				Gasket A68RC Pan 2006-Up [Cork & Rubber]
OIL SEALING RINGS				
6394				Ring Kit AS64RC (A465) 2006-Up (6 PTFE 4 Plastic Rings)
FRICTION CLUTCH				
17280AR				Friction Module AS68RC (A465) 2006-Up (Dodge Only)
17280BR				Friction Module AS68RC 2006-Up (Mitsubishi Only)
STEEL CLUTCH				
17281				Steel Module AS68RC (A465) 2006-Up





Honda

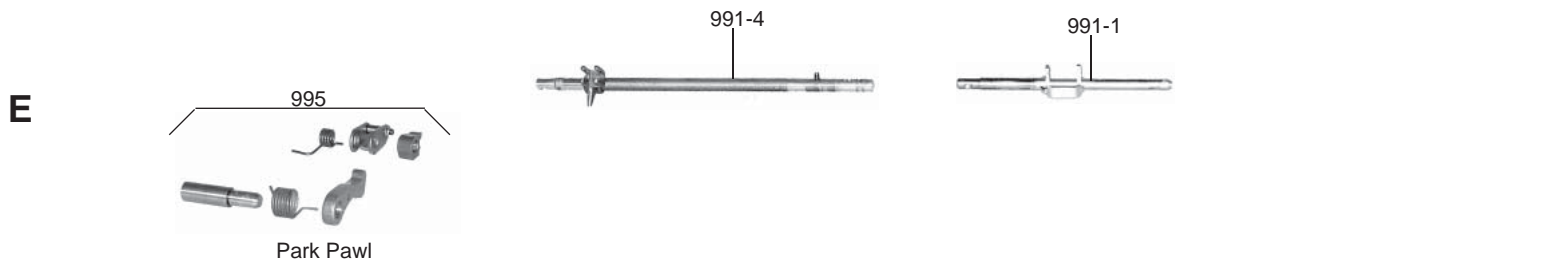
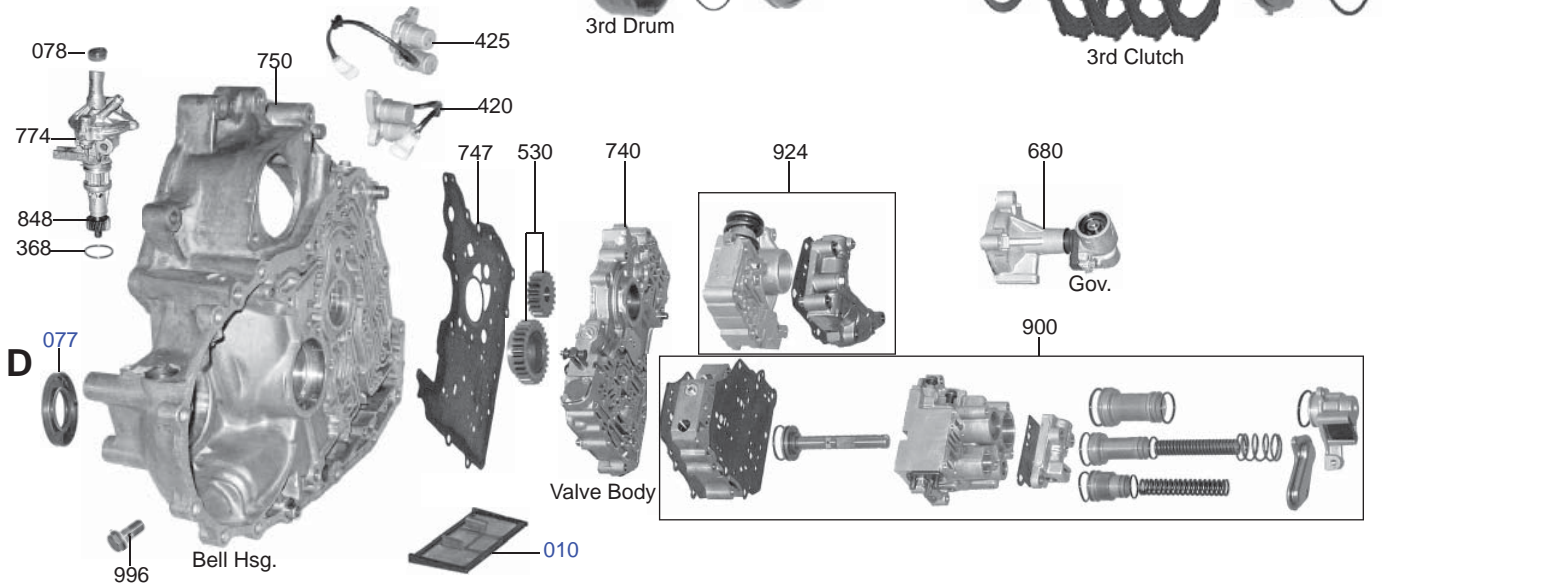
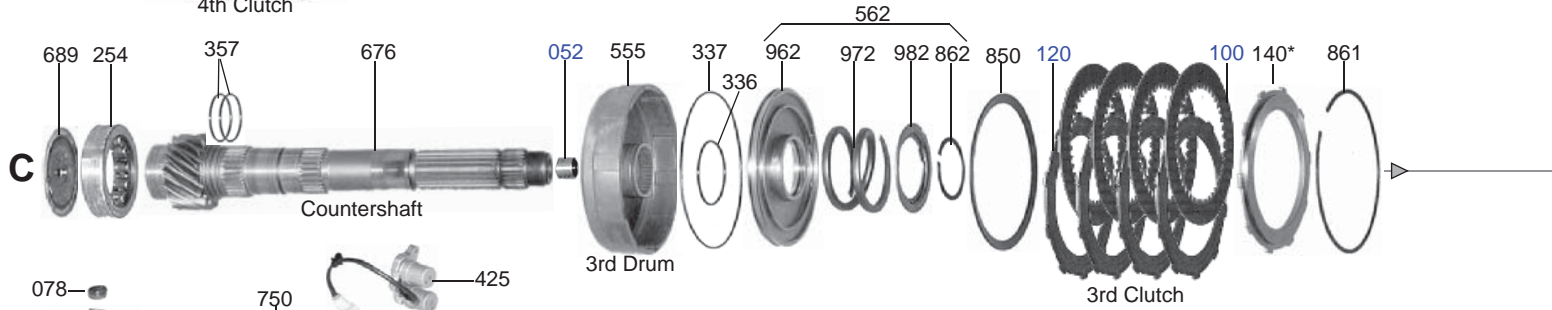
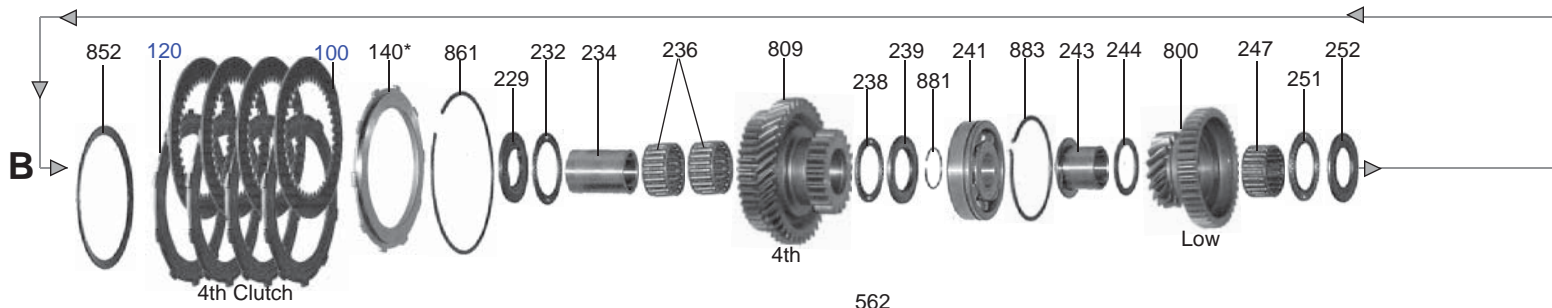
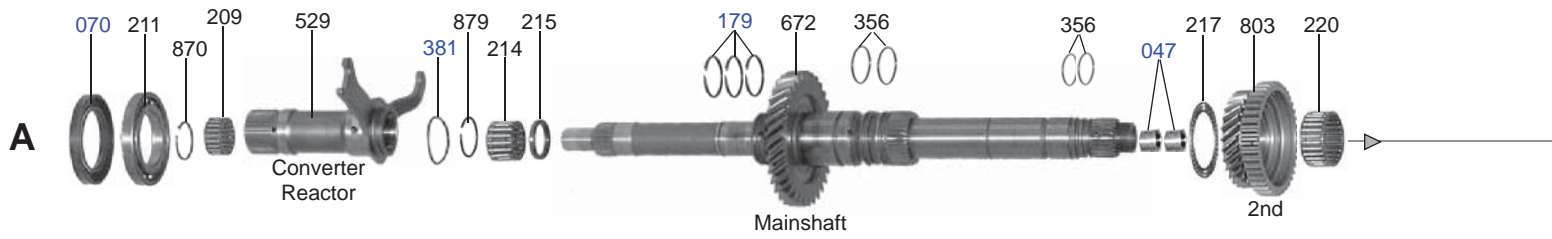
2 SPEED Accord (1976-78) / Civic (1973-80)

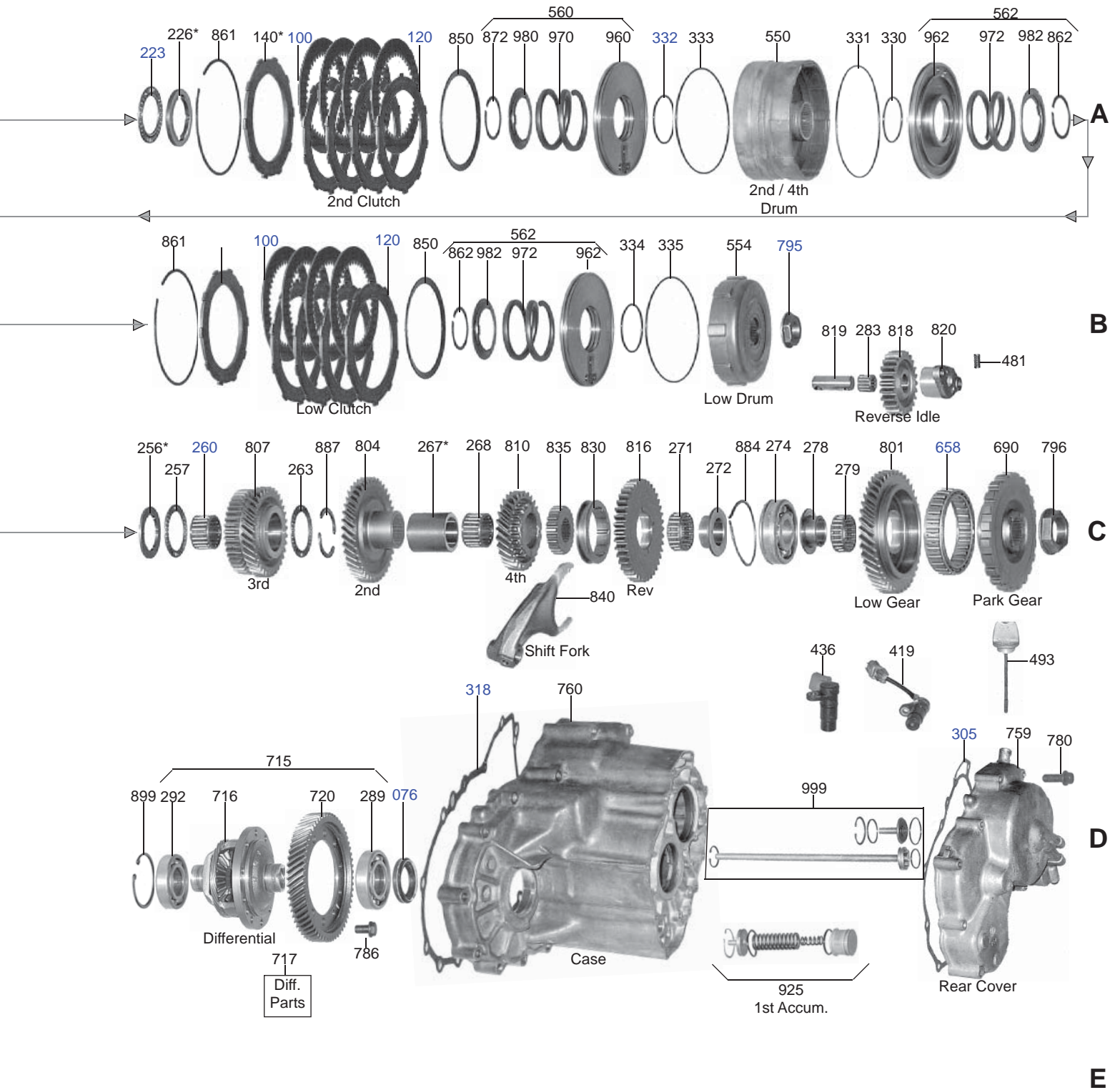
SAP #	IL#	OE	INDUSTRY	DESCRIPTION
OVERHAUL KIT				
B178002				Overhaul Kit Honda 2 Speed 1973-79
MASTER L/STEELS KIT				
B178004				Master L/Steels Kit Honda 2 Speed 1973-79
MASTER W/STEELS KIT				
B178006				Master W/Steels Kit Honda 2 Speed 1973-79
METAL CLAD SEALS				
70043		91307-639-015	91511	Seal Honda 2 Speed Front
70146		91205-639-005		Seal Honda 2 Speed Left Axle
70313		91206-639-005	78194	Seal Honda 2 Speed Right Axle
70314		92108-551-015	78198	Seal Honda 2 Speed Speed-O Gear
OIL SEALING RINGS				
TAW-877		22628-639-003		Ring Honda 2 Speed Low & Drive Clutch 1973-79
TAW-878		23122-639-003		Ring Honda 2 Speed Main Shaft [24.0mm ID 1.99mm THK] 1973-79
TAW-1469		23122-639-003		Ring Honda 2 Speed Main Shaft [24.0mm ID 2.36mm THK] 1973-79
28060			K78903	Ring Kit Honda 2 Speed 1973-79 (5 Metal Rings)
FRICITION CLUTCH				
28020T		22535-639010	78103	Friction Honda 2 Speed Low Drive [3.75 OD 38 Teeth 0.075 THK] 1973-80
28080				Friction Module Honda 2 Speed (Low & Drive) 1973-79
STEEL CLUTCH				
28021		22536-639-000	78100	Steel Honda 2 Speed Low Reverse [2.80 ID 39 Teeth 0.079 THK] 1963-80
28081				Steel Module Honda 2 Speed 1973-79
FILTER				
28040		25420-639-000	78661	Filter Honda 2 Speed 1973-79

Honda

3 SPEED Accord (1979-82) / Civic (1981-85) / Prelude (1980-82)

SAP #	IL#	OE	INDUSTRY	DESCRIPTION
OVERHAUL KIT				
B150002				Overhaul Kit Honda 3 Speed 1980-86
T150002				Overhaul Kit Honda 3 Speed 1980-86
MASTER L/STEELS KIT				
B150004				Master L/Steels Kit Honda 3 Speed 1980-86
MASTER W/STEELS KIT				
B150006				Master W/Steels Kit Honda 3 Speed 1980-86
T150006				Master W/Steels Kit Honda 3 Speed 1980-86
GASKET & RUBBER COMPONENTS				
28107		21811-PC9-020		Gasket Set Honda 3 Speed Side Case (3 Pieces) 1980-85
METAL CLAD SEALS				
70046		91307-639-015		Seal Honda 3 Speed (Front)
70056		91205-639-005		Seal Honda 3 Speed (Left Axle)
70045		90311-12002	78197	Seal Honda 3 Speed Linkage
70043		91208-551-015	91511	Seal Honda 3 Speed Speed-O Gear
70044		91201-PA9-003		Seal Honda 3 Speed Throttle Rod
OIL SEALING RINGS				
TAW-1124		22814-PA9-023		Ring Honda 3 Speed Main Shaft (32mm) [Metal]
6038				Ring Kit Honda 3 Speed (3 Metal Rings)
6354				Ring Kit Honda 3 Speed (2 Metal Rings)
FRICITION CLUTCH				
28120R		22544-PA9-010		Friction Honda 3 Speed Low - 2nd - 3rd [4.17 OD 38 Teeth 0.075 THK]
28180R				Friction Module Honda 3 Speed 1980-88
STEEL CLUTCH				
28121		22543-PA9-010	88100	Steel Honda 3 Speed Low - 2nd - 3rd Clutch [3.22 ID 8 Teeth 0.079 THK]
28181				Steel Module Honda 3 Speed 1980-88
FILTER				
28240			88710A	Filter Honda 3 Speed 1983-89





Honda

Accord AK (1983) • AS (1984-85) • F4 (1986-89)

Prelude K4 MY8A PY8A (1988-91) / Civic CA (1986-87) • L4 ML4A (1988-91)

Acura

Integra CA (1986-89) • P1 (1988-90) / Legend G4 L5 PL5X (1986-90)

SAP #	IL#	OE	INDUSTRY	DESCRIPTION
OVERHAUL KIT				
B60002A				Overhaul Kit AK AS <i>Accord 1983-85 • CA Civic 1986-87</i>
T60002A				Overhaul Kit AK AS <i>Accord 1983-85 • CA Civic 1986-87</i>
B60002C				Overhaul Kit F4 <i>Accord 1986-89</i>
T60002C				Overhaul Kit F4 <i>Accord 1986-89</i>
B60002DA				Overhaul Kit CA <i>Integra 1986-89 • P1 Integra 1988-90</i>
T60002DA				Overhaul Kit CA <i>Integra 1986-89 • P1 Integra 1988-90</i>
B60002E				Overhaul Kit K4 PY8A MY8A <i>Prelude 1988-91</i>
T60002E				Overhaul Kit K4 PY8A MY8A <i>Prelude 1988-91</i>
B60002H				Overhaul Kit G4 L5 PL5X <i>Legend 1986-90</i>
T60002H				Overhaul Kit G4 L5 PL5X <i>Legend 1986-90</i>
B60002L				Overhaul Kit L4 ML4A <i>Civic 1988-99</i>
T60002L				Overhaul Kit L4 ML4A <i>Civic 1988-99</i>
MASTER L/STEELS KIT				
B60004A				Master L/Steels Kit AK <i>Accord 1982-83</i>
B60004B				Master L/Steels Kit AS <i>Accord 1983-85</i>
B60004C				Master L/Steels Kit F4 <i>Accord 1985-89</i>
B60004D				Master L/Steels Kit CA <i>Civic 1986-87</i>
B60004H				Master L/Steels Kit G4 L5 PL5X <i>Legend 1986-90</i>
B60004L				Master L/Steels Kit L4 ML4A <i>Civic 1988-91</i>
MASTER W/STEELS KIT				
B60006A				Master W/Steels Kit AK <i>Accord 1982-83</i>
B60006B				Master W/Steels Kit AS <i>Accord 1983-85</i>
B60006C				Master W/Steels Kit F4 <i>Accord 1985-89</i>
B60006D				Master W/Steels Kit CA <i>Civic 1986-87</i>
B60006DA				Master W/Steels Kit CA <i>Integra 1986-89 • P1 Integra 1988-90</i>
B60006H				Master W/Steels Kit G4 L5 PL5X <i>Legend 1986-90</i>
T60006L				Master W/Steels Kit L4 ML4A <i>Civic 1988-91</i>
GASKET & RUBBER COMPONENTS				
28708SB		21812-PF4-000		Gasket Side Cover With Sealant Bead (Accord Prelude)
28207		21811-PC9-000	88150	Gasket AK AS Case 1983-85
28808		21811-PC9-910	88150B	Gasket CA P1 Case
28806A		21811-PPI-000	88150C	Gasket PI Case 1986-90
28897439		21811-PP1-000		Gasket CA Case (With Sealant Bead) 1987-88
28897191		21811-PL4-000		Gasket L4 ML4A Case 1988-91
28707		21811-PF4-000	88150A	Gasket F4 Case 1986-89
28718		21811-PK4-000	88150D	Gasket K4 Case 1988-91 [Fiber]
28718A		21811-PY8-S10		Gasket PY8A Case 1990-91
28209			88159	Gasket AS AK CA Side Cover
28897429		21812-PL4-000	88159B	Gasket L4 P1 Side Cover
28997222		21812-PG4-010		Gasket L5 PL5X Side Cover
28708		21812-PF4-000	88159A	Gasket F4 Side Cover
28997220		21812-PL5-000		Gasket G4 Side Cover
28719		21812-PK4-000	88159C	Gasket K4 Side Cover [Fiber]
28897190				Gasket CA P1 L4 ML4A Side Cover to Case 1988-91
28897427				Gasket AK AS CA S5 MP5A Side Cover (With Sealant Bead)
28271				Gasket AK AS CA L4 ML4A P1
28806B			412793-500	Gasket A24 M24 S24 P24 A4RA M4RA Case
28997435		21811-PG4-010		Gasket AK AS CA Converter Housing (With Sealant Bead) 1986-87
28997221		21811-PG4-010		Gasket G4 Converter Housing To Case 1986-87
28997433		21811-PL5-010		Gasket L5 PL5X Converter Housing (With Sealant Bead) 1988-90
28997436		21812-PG4-010		Gasket G4 L5 PL5X Side Cover (With Sealant Bead) 1986-87
28997434		21812-PL5-000		Gasket G4 L4 PL5X Side Cover (With Sealant Bead) 1988-90
28297428		21811-PC9-910		Gasket AK AS Converter Housing To Case
28997219		21811-PL5-010		Gasket G4 Converter Housing To Case
1994563		91302-PG4-003		O-Ring F4 K4 CA L4 P1 G4 L5 PL5X 2nd Clutch (Inner)
METAL CLAD SEALS				
70125			88151	Seal Acura Axle Shaft (Front Right) 1991-95
70128				Seal Acura Axle Shaft (Rear Left) 1991-95
70126				Seal Acura Secondary Shaft [37.5 x 47 x 7mm] 1991-95
70315				Seal AK AS CA Axle (Bell Housing Side)
70049		91205-PC9-005	88152	Seal AK AS CA Axle Right [35 x 62 x 9mm]
70044		91201-PA9-004		Seal AK AS F4 K4 CA L4 Throttle Shaft [9 x 18 x 7mm]
70046				Seal AK AS F4 K4 CA L4 P1 Converter [44 x 68 x 8mm] (Counter Clockwise Helix)
70045			78197	Seal AK AS F4 K4 CA L4 P1 G4 L5 PL5X Manual Shaft [12 x 22 x 7mm] 1983-Up
70253		91206-PC9-711		Seal F4 CA Axle (Bell Housing Side) [40 x 76 x 9mm]
70056		91205-PC9-711		Seal F4 K4 Axle (Case Side) [40 x 62 x 9mm]

Honda

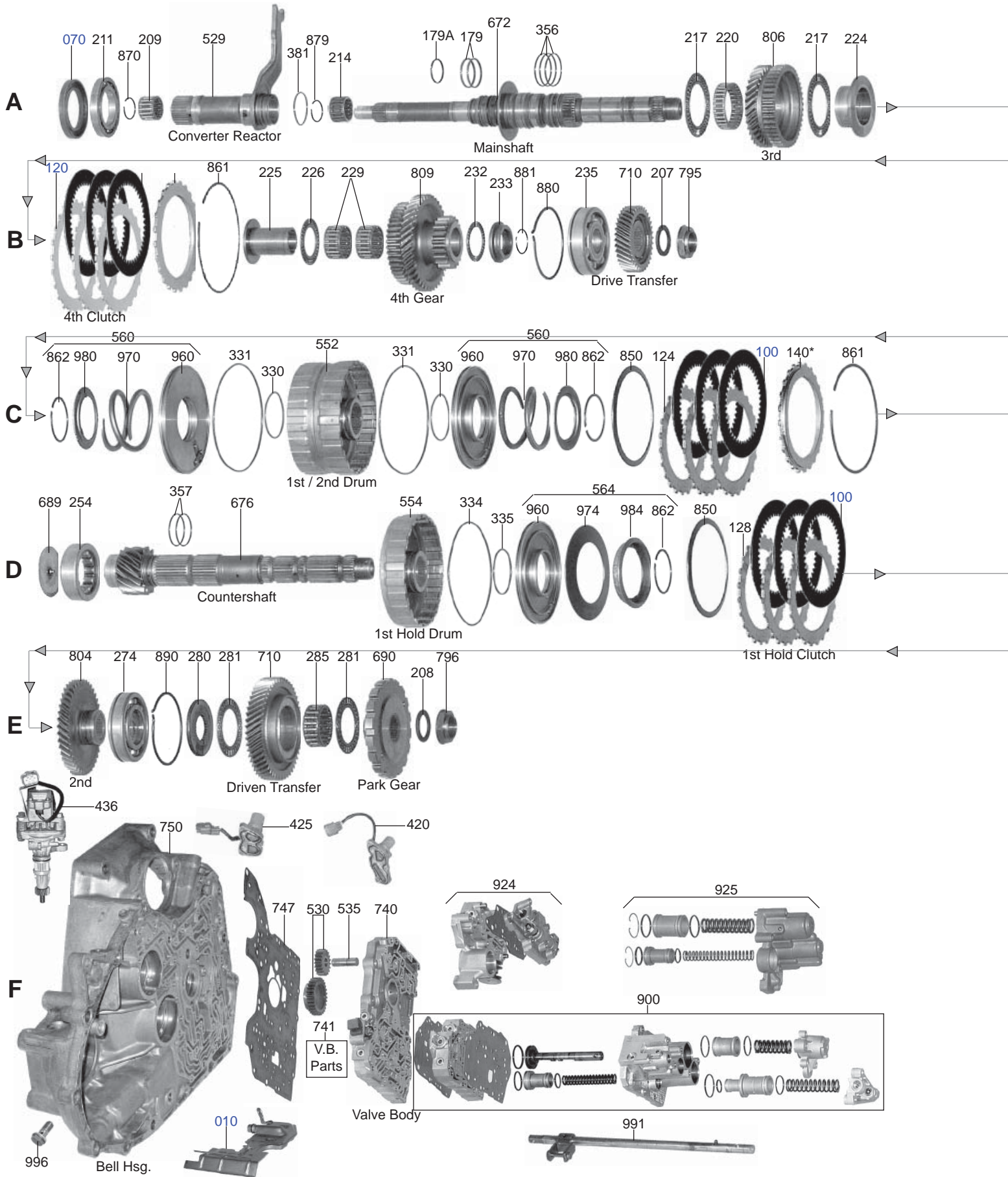
Accord AK (1983) • AS (1984-85) • F4 (1986-89)

Prelude K4 MY8A PY8A (1988-91) / Civic CA (1986-87) • L4 ML4A (1988-91)

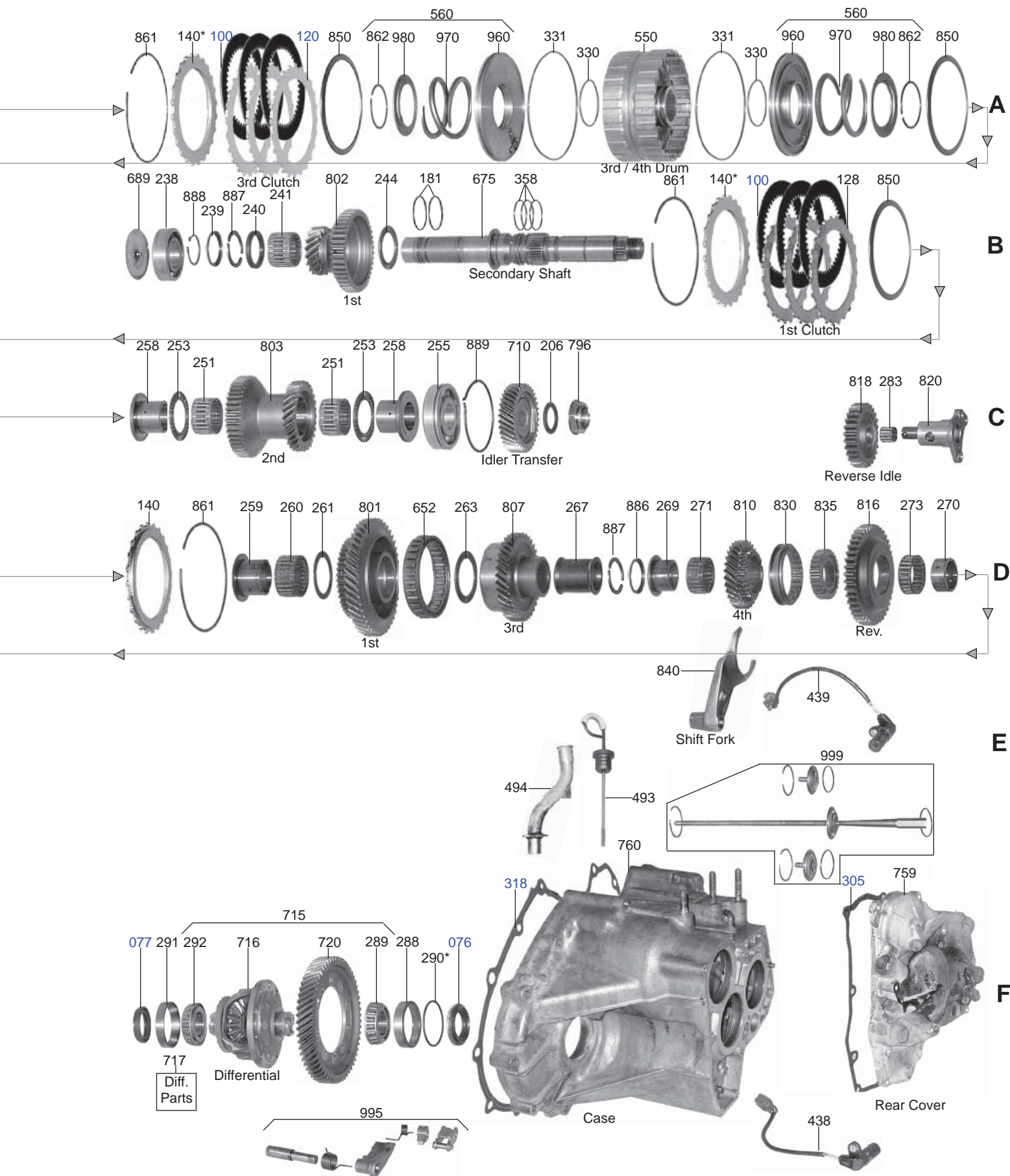
Acura

Integra CA (1986-89) • P1 (1988-90) / Legend G4 L5 PL5X (1986-90)

SAP #	IL#	OE	INDUSTRY	DESCRIPTION
METAL CLAD SEALS -- continued				
70315			88151	Seal Honda Axle Bell Housing 1983-87 Prelude Civic
70053				Seal Honda Axle Shaft (Bell Housing Side) 1988-91 (Prelude)
70059				Seal Honda Axle Shaft (Case Side) 1988-Up
70062		91206-PC8-005		Seal P1 Axle (Case Side) [40 x 76 x 9mm]
OIL SEALING RINGS				
TAW-1124		22814-PA9-023		Ring AK AS CA L4 P1 Main Shaft (1.259 OD) 1983-91 [Metal]
TAW-1808		22814-PF4-003		Ring F4 K4 G4 L5 PL5X PY8A Main Shaft [35.0mm] 1986-90 [Metal]
TAW-1962				Ring K4 (Prelude) Main Shaft (1.141 OD) 1988-91 [Metal]
6038				Ring Kit AK AS CA L4 ML4A P1 1983-91 (3 Metal Rings)
6037				Ring Kit F4 K4 PY8A MY8A MPWA 1986-91 (4 Metal Rings)
6041				Ring Kit G4 L5 PL5X MPLA 1986-91 (4 Metal Rings)
FRICITION CLUTCH				
28120R		22544-PA9-010		Friction AK Low - 2nd - 3rd - 4th [4.171 OD 38 Teeth 0.075 THK] 1983
		22544-PC9-010		
28220T		22544-P24-S00	88105	Friction AS CA L4 P1 Low - 2nd - 3rd - 4th [4.323 OD 38 Teeth 0.075 THK] 1984-91
28620		22544-PF4-010	88107	Friction F4 K4 G4 L5 PL5X Low - 2nd - 3rd - 4th [44 Teeth 0.077 THK] 1986-91
28280R				Friction Module AK <i>Accord 1983</i>
28880T				Friction Module AS <i>Accord 1984-85 • CA P1 Integra 1986-90 • L4 ML4A Civic 1988-91</i>
28880				Friction Module AS <i>Accord 1984-85 • CA P1 Integra 1986-90 • L4 ML4A Civic 1988-91</i>
28980				Friction Module G4 L5 PL5X <i>Legend 1987-90</i>
28780				Friction Module F4 <i>Accord 1986-89 • K4 MY8A PY8A Prelude 1988-91</i>
STEEL CLUTCH				
28121		22543-PC9-000	88100	Steel AS AK 1st 2nd 3rd 4th [3.23 ID 8 Teeth 0.079 THK] 1980-85
28221			88102	Steel CA L4 L5 P1 K4 G4 L5 PL5X 1st 2nd 3rd 4th [3.438 ID 8 Teeth 0.079 THK] 1983-Up
28621		22543-PH0-850	88108	Steel L4 P1 CA Low [3.23 ID 8 Teeth 0.063 THK] 1986-91
28621X			88108X	Steel F4 PF4 K4 PY8A MY8A 1st - 2nd - 3rd - 4th [3.44 ID 10 Teeth 0.070 THK] 1985-Up
28629B		22653-PX3-801	88109B	Steel AK AS A4 CA G4 L4 L5 ML4A MY8A Low [3.44 ID 24 Teeth] 1996-Up
28023		22543-PA9-010	88111	Steel AK AS A4 CA G4 L4 L5 ML4A MY8A Low Hold [3.22 ID 8 Teeth 0.079 THK] 1989-Up
28281				Steel Module AK <i>Accord 1983</i>
28283				Steel Module AS <i>Accord 1984-85</i>
28283A				Steel Module CA <i>Integra 1986-90</i>
28883				Steel Module P1 <i>Integra 1986-90 • L4 ML4A Civic 1988-91</i>
28981				Steel Module G4 L5 PL5X <i>Legend 1987-90</i>
28781				Steel Module F4 <i>Accord 1986-89 • K4 MY8A PY8A Prelude 1988-91</i>
FILTER				
28940			88710B	Filter L5 PL5X 1987-90
BUSHINGS				
28733				Bushing AK AS F4 K4 CA L4 P1 G4 L5 PL5X Countershaft (Large)
28731				Bushing AK AS F4 K4 CA L4 P1 G4 L5 PL5X Main shaft (Front Small)
28732				Bushing AK AS F4 K4 CA L4 P1 G4 L5 PL5X Main shaft (Rear Large)
28730				Bushing Kit S4XA SP7A MP7A PY8A MY8A RO MPRA A4RA (3 Bushings)
WASHER & BEARINGS				
28756			88406A	Bearing AK AS F4 L4 CA P1 Needle 2nd Clutch [2.035 THK] 1983-Up
28756A		91028-PF4-A01	88406C	Bearing K4 G4 L5 PL5X Needle 2nd Clutch (2-4 Drum Front) [0.098 THK] 1987-Up
ELECTRICAL COMPONENTS				
D88995		28300-PL5-033	88995	Solenoid L5 PL5X Lock-Up 1988-90 (Legend & Sterling)
D88997		28300-PK4-013	88997	Solenoid PY8A MY8A Lock-Up 1989 (Prelude 2.0L)
D88994		28200-PL5-033	88994	Solenoid Shift L5 PL5X 1988-91 (Legend & Sterling)
D88953A		28200-P56-003	88953A	Solenoid L5 PL5X Shift 1994-97 (The Bottom 2 On The Outside Of The Bell) (Integra)
S-57		28300-PY8-J10		Solenoid Lock-Up 1990-91 (Acura)
HARD PARTS				
28996		90202-PG4-020		Nut G4 Counter Shaft [24mm] Left
28997A		90202-PL5-000		Nut L5 Counter Shaft [23mm]
28998A		90202-PL5-201		Nut L5 PL5X Counter Shaft [24mm] 1989-90
28897B		90202-P56-000		Nut P24 A4RA SDMA MP7A S4XA Counter Shaft [23mm] Left
28898		90202-PF4-010		Nut P24 F4 P1 RO PY8 MY8 Counter Shaft [23mm] Right
28298		90201-689-900		Nut F4 CA AS Counter Shaft Hex [20mm] 1989-93
28898B		90201-P4P-000		Nut Main Shaft P24 A4RA SDMA S4XA [21mm] Left Side
28997		91201-PG4-000		Nut Main Shaft G4 [19mm] 1986-88
28998		90201-PL5-200		Nut Main Shaft L5 PL5X [19mm] 1989-90
28299		90201-PA9-000	88948	Nut Main Shaft AK AS F4 L4 CA K4 P1 RO [19mm] Left Side
28897		90201-P24-J00		Nut Main Shaft M24A P24 MP7A [19mm]
28297		90201-PL4-000		Nut CA F4 L4 RO P1 MPRA Main Shaft [19mm] 1985-Up
28296		90201-PS5-000		Nut L4 Secondary Shaft [20mm] 1988-91
TOOLS				
28999				HONDA & ACURA Bushing Installer and Removal Tool Set (22 Pieces)
28999ER				HONDA & ACURA Red Bushing Extractor Tool



FWD 4 Speed



Honda

Accord **PX4B** (1990) • **APXA** (1991) • **APX4** (1991-92) • **MPWA** (1992) [4 Speed]

Accord **MPXA** (1993) • **AOYA MPOA** (1994-97) • **BOYA** (1996-97) [4 Speed]

Prelude **MP1A** (1992-96) / Odyssey **MPJA** (1995-97) [4 Speed]

CL A6VA (1998-99) [4 Speed]

Acura

SAP #	IL#	OE	INDUSTRY	DESCRIPTION
OVERHAUL KIT				
B80002A				Overhaul Kit AOYA APXA APX4 MPOA MPWA MPXA PX4B Accord 1990-97 • BOYA Accord 1996-97 • MPJA Odyssey 1995-97 • MP1A Prelude 1992-96 • A6VA CL 1998-99
T80002A				Overhaul Kit AOYA APXA APX4 MPOA MPWA MPXA PX4B Accord 1990-97 • BOYA Accord 1996-97 • MPJA Odyssey 1995-97 • MP1A Prelude 1992-96 • A6VA CL 1998-99
MASTER L/STEELS KIT				
B80004A				Master L/Steels Kit AOYA APXA APX4 MPOA MPWA MPXA PX4B Accord 1990-97 • BOYA Accord 1996-97 • MPJA Odyssey 1995-97 • MP1A Prelude 1992-96 • A6VA CL 1998-99
T80004A				Master L/Steels Kit AOYA APXA APX4 MPOA MPWA MPXA PX4B Accord 1990-97 • BOYA Accord 1996-97 • MPJA Odyssey 1995-97 • MP1A Prelude 1992-96 • A6VA CL 1998-99
MASTER W/STEELS KIT				
B80006A				Master W/Steels Kit AOYA APXA APX4 MPOA MPWA MPXA PX4B Accord 1990-97 • BOYA Accord 1996-97 • MPJA Odyssey 1995-97 • A6VA CL 1998-99
T80006A				Master W/Steels Kit AOYA APXA APX4 MPOA MPWA MPXA PX4B Accord 1990-97 • BOYA Accord 1996-97 • MPJA Odyssey 1995-97 • A6VA CL 1998-99
B80006B				Master W/Steels MP1A Prelude 1992-96
GASKET & RUBBER COMPONENTS				
28604		21812-PX4-000	88159D	Gasket PX4B Rear Cover
28604A		21812-PX4-941		Gasket AOYA APXA APX4 A6VA BOYA MP1A MPJA MPOA MPWA MPXA Rear Cover
28606		21811-PX4-000	88150E	Gasket PX4B AOYA APXA APX4 BOYA MP1A MPJA Bell Housing To Case 1990-Up
1994521				O-Ring MPJA (24 x 2.9) 1994-97
1994528		91302-PX9-004		O-Ring AOYA APXA APX4 A6VA BOYA MP1A MPOA MPWA MPXA 2nd & 3rd Clutch Piston Inner
1994553		91313-611-010		O-Ring AOYA APXA APX4 A6VA BOYA MP1A MPOA MPWA MPXA 3rd Accumulator Piston
1994557		91301-PC9-003		O-Ring AOYA APXA APX4 A6VA BOYA MP1A MPOA MPWA MPXA Rear Cover Housing
1994558		91311-PA9-004		O-Ring AOYA APXA APX4 A6VA BOYA MP1A MPOA MPWA MPXA
1994562		91307-PA4-004		O-Ring AOYA APXA APX4 A6VA BOYA MP1A MPOA MPWA MPXA Main & Counter Shaft
1994564		91308-PH0-013		O-Ring AOYA APXA APX4 A6VA BOYA MP1A MPOA MPWA MPXA Counter Shaft (Small)
1994567		91331-PC9-003		O-Ring AOYA APXA APX4 A6VA BOYA MP1A MPOA MPWA MPXA Top & 3rd Accumulator
1994572		91310-PA9-004		O-Ring AOYA APXA APX4 A6VA BOYA MP1A MPOA MPWA MPXA 3rd Accumulator Piston
1994573		91344-580-000		O-Ring AOYA APXA APX4 A6VA BOYA MP1A MPOA MPWA MPXA Servo Valve
1994574				O-Ring AOYA APXA APX4 A6VA BOYA MP1A MPOA MPWA MPXA (28.9 x 2.35) 2nd Accumulator
1994592		91309-PX4-003		O-Ring AOYA APXA APX4 A6VA BOYA MP1A MPOA MPWA MPXA Sensor
1994596		91304-PT0-000		O-Ring AOYA APXA APX4 A6VA BOYA MP1A MPOA MPWA MPXA Speedometer (Small)
1994640		91305-PX4-003		O-Ring AOYA APXA APX4 A6VA BOYA MP1A MPOA MPWA MPXA Guide Feed Pipe
1994641		91303-PX4-004		O-Ring AOYA APXA APX4 A6VA BOYA MP1A MPOA MPWA MPXA Clutch Piston Outer
1994642		91302-PF0-003		O-Ring AOYA APXA APX4 A6VA BOYA MP1A MPOA MPWA MPXA (26.8mm x 2.4mm) Top Accumulator Piston
1994643		91302-PS5-003		O-Ring AOYA APXA APX4 A6VA BOYA MP1A MPOA MPWA MPXA Top Accumulator Cover
1994644		91308-PX4-003		O-Ring AOYA APXA APX4 A6VA BOYA MP1A MPOA MPWA MPXA Top Accumulator Piston
1994690		91306-P0X-003		O-Ring AOYA APXA APX4 A6VA BOYA MP1A MPOA MPWA MPXA Idler Gear Shaft
1994734		MD611660		O-Ring AOYA APXA APX4 A6VA BOYA MP1A MPOA MPWA MPXA Valve Body
1994878				O-Ring AOYA APXA APX4 A6VA BOYA MP1A MPOA MPWA MPXA (25 x 2.4mm) 2nd Accumulator
METAL CLAD SEALS				
70045		91209-612-003	78197	Seal PX4B AOYA APXA APX4 A6VA BOYA MP1A MPJA MPOA MPWA Accord MPXA Manual Shaft
70059		91206-PK4-003		Seal PX4B AOYA APXA APX4 A6VA BOYA MP1A MPJA MPOA MPWA Accord MPXA Axle Case Side) (40 x 66 x 9mm)
70048		91205-PL3-A00	88152B	Seal APXA APX4 AOYA A6VA BOYA MP1A MPJA MPOA MPWA Accord MPXA PX4B Axle (Bell Side) (40 x 56 x 9mm)
OIL SEALING RINGS				
TAW-1808		22814-PF3-003		Ring PX4B AOYA APXA APX4 A6VA BOYA MP1A MPJA MPOA MPWA MPXA Main Shaft (35mm) 1990-97 [Metal]
TAW-1962		22814-PK4-003		Ring PX4B AOYA APXA APX4 A6VA BOYA MP1A MPJA MPOA MPWA MPXA Main Shaft (29mm) 1990-97 [Metal]
TAW-1124		22814-PA9-023		Ring PX4B AOYA APXA APX4 A6VA BOYA MP1A MPJA MPOA MPWA MPXA Main Shaft (32mm) 1990-97 [Metal]
6087				Ring Kit PX4B AOYA APXA APX4 A6VA BOYA MP1A MPJA MPOA MPWA MPXA (6 Metal Rings)
6087OS				Ring Kit PX4B AOYA APXA APX4 A6VA BOYA MP1A MPJA MPOA MPWA MPXA (6 Metal Rings)
FRICITION CLUTCH				
28622		22535-639010	98101	Friction PX4B AOYA APXA APX4 A6VA BOYA MP1A MPJA MPOA MPWA MPXA 1st - 2nd - 3rd - 4th [44 Teeth 0.076 THK] 1990-97
28622T		22535-639010	98101	Friction PX4B AOYA APXA APX4 A6VA BOYA MP1A MPJA MPOA MPWA MPXA 1st - 2nd - 3rd - 4th [44 Teeth 0.076 THK] 1990-97
28680				Friction Module AOYA APXA BOYA MPJA MPXA PX4B MP1A 1990-97
28680A				Friction Module MP1A MPJA 1995-06 MPOA AOYA A6VA (19 Frictions)

Honda

Steel PX4B AOYA APXA APX4 A6VA BOYA MP1A MPJA MPOA MPWA MPXA 2nd Clutch

Accord PX4B (1990) • APXA (1991) • APX4 (1991-92) • MPWA (1992) [4 Speed]

Accord MPXA (1993) • AOYA MPOA (1994-97) • BOYA (1996-97) [4 Speed]

Prelude MP1A (1992-96) / Odyssey MPJA (1995-97) [4 Speed]

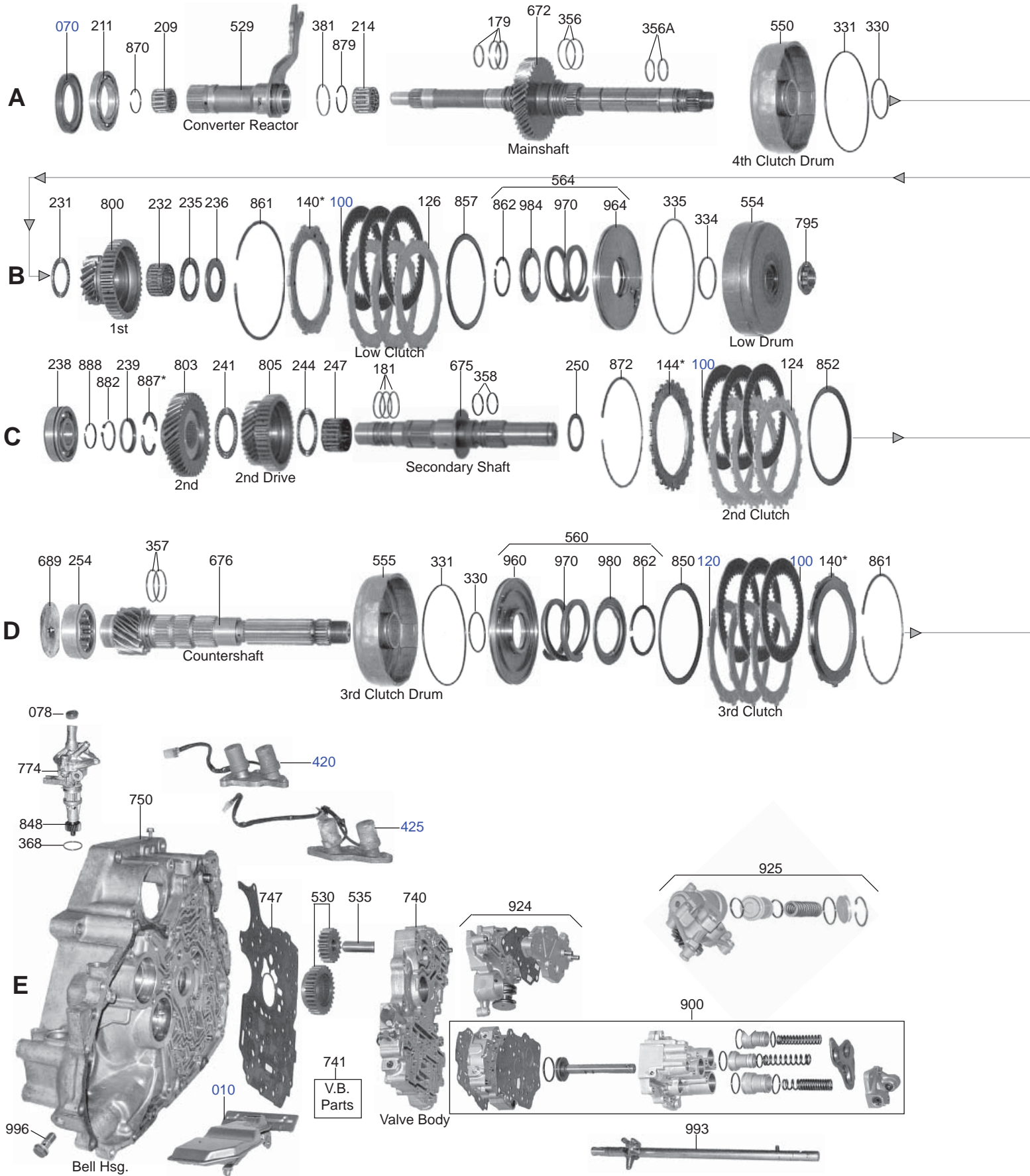
CL A6VA (1998-99) [4 Speed]

Acura

SAP #	IL#	OE	INDUSTRY	DESCRIPTION
STEEL CLUTCH				
28631		22543-P46-N00	98115	Steel PX4B AOYA APXA APX4 A6VA BOYA MP1A MPJA MPOA MPWA MPXA 3rd & 4th Clutch [3.70 ID 24 Teeth 0.091 THK]
28625		22543-PX4-003	98113	Steel PX4B AOYA APXA APX4 A6VA BOYA MPJA MPOA MPWA MPXA 2nd Clutch [24 Teeth 0.102 THK]
28627		22644-PRO-003	98111	Steel PX4B APXA APX4 MP1A MPOA MPWA MPXA 1st & Low Hold [24 Teeth 0.079 THK] 1990-97
28627A		22681-POZ-003		Steel AOYA BOYA MPJA A6VA 1st Clutch [24 Teeth 0.061 THK]
28681				Steel Module PX4B AOYA APXA APX4 A6VA BOYA MPOA MPWA MPXA 1990-97
28681A				Steel Module MP1A 1992-96
FILTER				
28640		25420-PRO-030	98710	Filter PX4B 1990-91
28640A		25420-P6H-000	98710A	Filter AOYA APXA APX4 A6VA BOYA MP1A MPJA MPOA MPXA 1992-97
FILTER KIT				
28641				Filter Kit PX4B 1990-91
28643				Filter Kit APX4 MP1A A6VA 1992-Up
BUSHINGS				
28730B				Bushing Kit PX4B MPXA APXA APX4 AOYA MPOA BOYA A6VA (3 Bushings)
28930B				Bushing Kit MPWA MPZA M7ZA M6HA BAXA B6VA M1WA (3 Bushings)
WASHER & BEARINGS				
28052				Washer PX4B AOYA APXA APX4 A6VA BOYA MP1A MPOA MPWA MPXA (15 x 8.50 x 2) [Aluminum]
28053				Washer PX4B AOYA APXA APX4 A6VA BOYA MP1A MPOA MPWA MPXA (26 x 18 x 2) [Aluminum]
ELECTRICAL COMPONENTS				
S-79		28200-PX4-014	88951	Solenoid AOYA APXA APX4 BOYA MP1A Shift 1990-97 {Accord / Prelude}
S-80		28300-PX4-014	88952	Solenoid AOYA APXA APX4 BOYA MP1A Lock-Up 1990-98 {Accord / Prelude}
HARD PARTS				
28847				Pin PX4B AOYA APXA APX4 A6VA BOYA MP1A MPOA MPWA MPXA Slotted Spring (5/32 x 1-1/4in) [Steel-Phosphate Coated]
28848				Pin PX4B AOYA APXA APX4 A6VA BOYA MP1A MPOA MPWA MPXA Slotted Spring (1/4 x 1-1/4in) [Steel-Phosphate Coated]
28897A		90203-PX4-010		Nut PX4B AOYA APXA APX4 A6VA BOYA MP1A MPOA MPWA MPXA Secondary Counter Shaft (23mm) 1990-Up

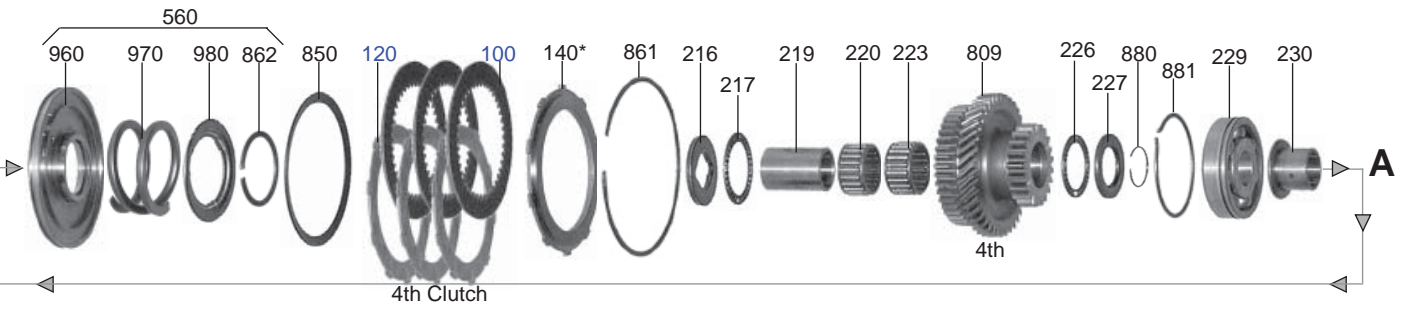
RO / MPRA

FWD 4 Speed

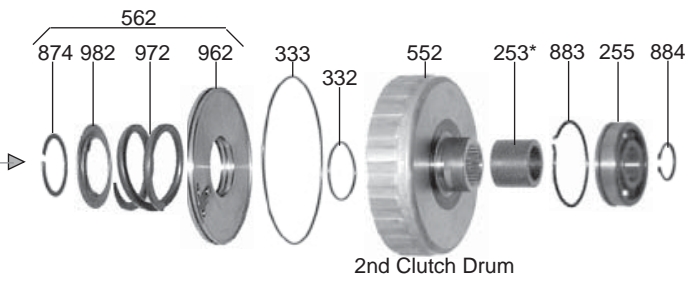


FWD 4 Speed

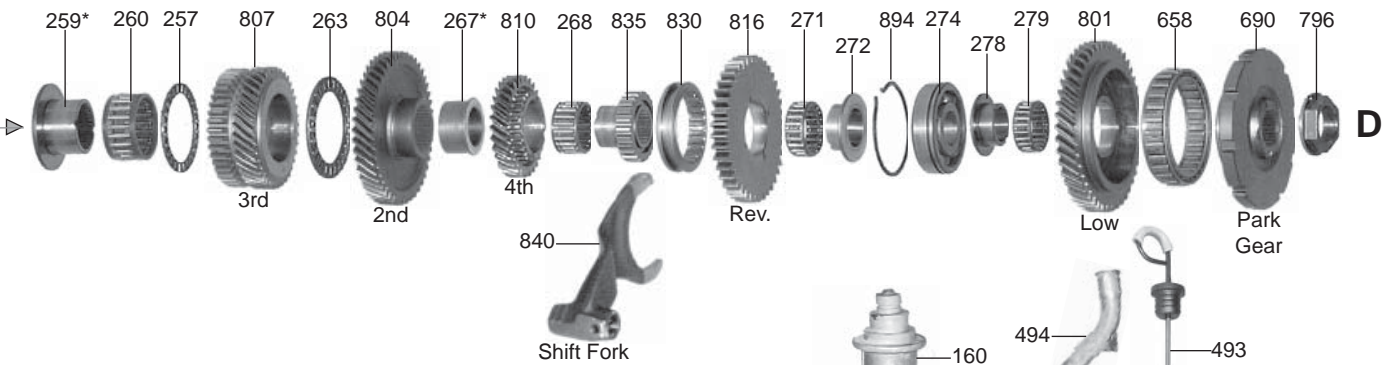
RO / MPRA



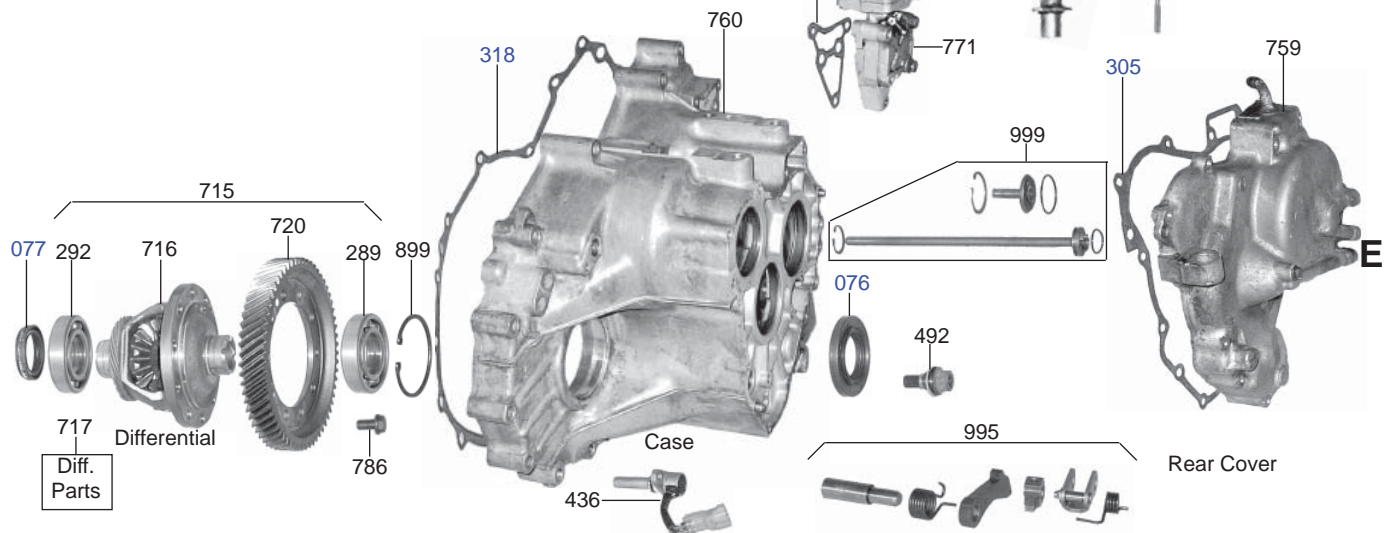
B



C



D



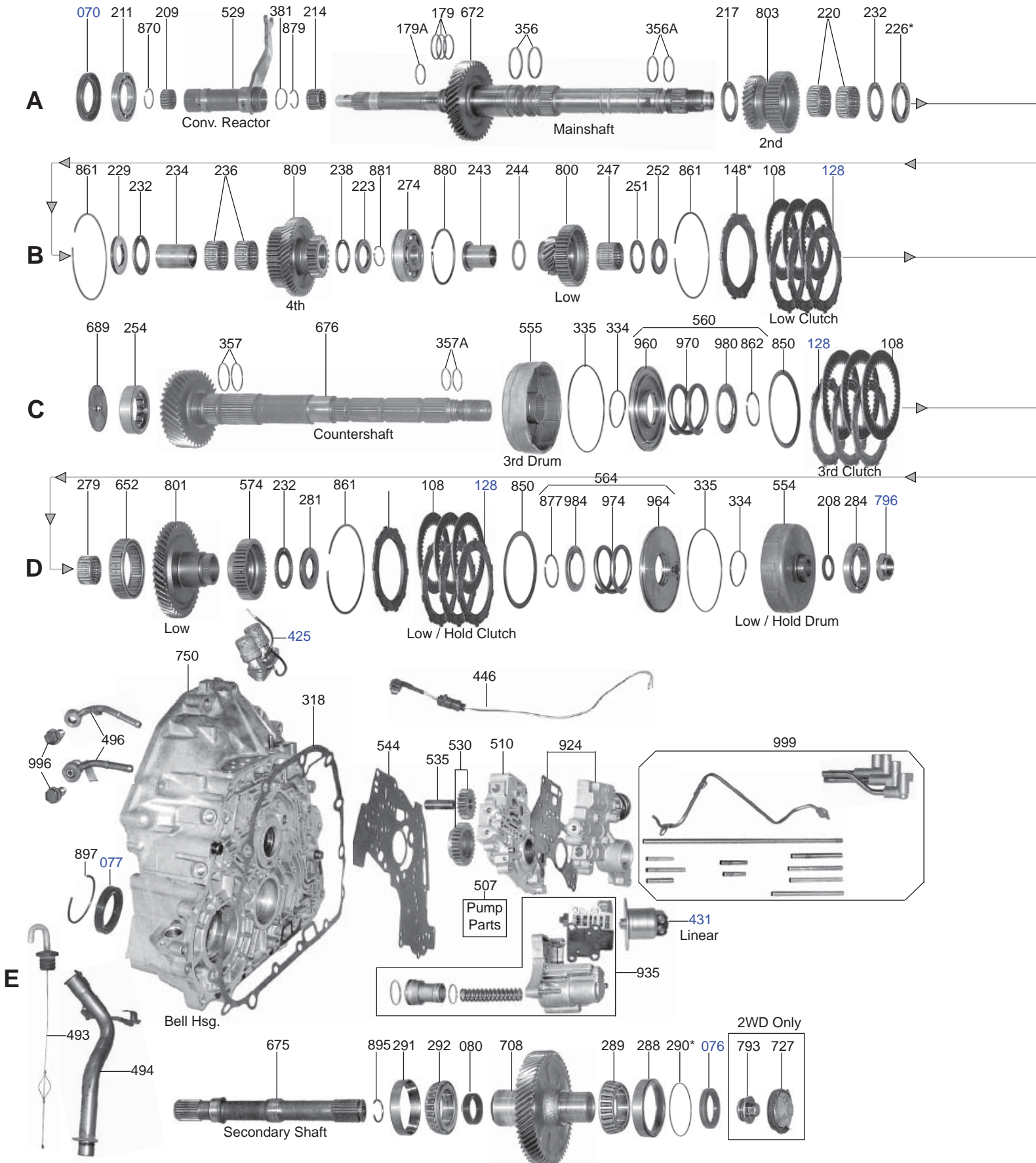
E

SAP #	IL#	OE	INDUSTRY	DESCRIPTION
OVERHAUL KIT				
B170002A				Overhaul Kit MPRA RO 1990-93
T170002A				Overhaul Kit MPRA RO 1990-93
MASTER L/STEELS KIT				
B170004A				Master L/Steels Kit MPRA RO 1990-93
T170004A				Master L/Steels Kit MPRA RO 1990-93
MASTER W/STEELS KIT				
B170006A				Master W/Steels Kit MPRA RO 1990-93
T170006A				Master W/Steels Kit MPRA RO 1990-93
GASKET & RUBBER COMPONENTS				
28897373	21811-PRO-010			Gasket MPRA RO Case Housing 1990-Up
28897372	21812-PRO-010			Gasket MPRA RO Side Cover 1990-Up {Integra}
28897371	28612-PRO-010			Gasket MPRA RO Modulator 1990-Up
METAL CLAD SEALS				
70046	91207-639-015			Seal RO Front (44 x 68 x 8mm) Counter Clockwise Helix 1990-93
70062	91206-PCS-005			Seal MPRA RO Right Axle 1990-93
28715	91205-PK5-E40	88152P		Seal MPRA RO Bell Housing Axle Seal
70089		88151B		Seal MPRA RO Bell Housing Axle Seal (40 x 56 x 9mm)
OIL SEALING RINGS				
TAW-2072	22814-PRO-003			Ring MPRA RO Secondary Shaft (27.0mm) [Metal]
6049				Ring Kit MPRA RO 1990-Up (6 Metal Rings)
FRICTION CLUTCH				
28620	22544-PRO-850	88107		Friction RO MPRA [41 Teeth 0.077 THK] 1990-93
28780				Friction Module MPRA RO 1990-Up
STEEL CLUTCH				
28629	22644-PRO-003	88109		Steel RO 2nd Clutch [3.44 ID 24 Teeth 0.118 THK] 1990-93
28629A	22643-PRO-003	88109A		Steel MPRA 2nd Clutch [3.44 ID 24 Teeth 0.079 THK] 1990-93
28621	22543-PF4-000	88108		Steel RO MPRA 3rd & 4th Clutch [3.44 ID 10 Teeth 0.079 THK]
28813A				Steel Module MPRA RO 1990-93 (15 Steels)
FILTER				
28844	25420-PRO-030	88710P		Filter MPRA RO 1990-93

SAP #	IL#	OE	INDUSTRY	DESCRIPTION
GASKET & RUBBER COMPONENTS				
28904C		21811-PR9-004		Gasket MR9A Case 1991-06.
28906C		21812-PR9-004		Gasket MR9A Side Cover 1991-06
METAL CLAD SEALS				
70127		91207-PR9-003	98154	Seal MR9A Axle (Left Side) (46 x 70 x 8mm) 1991-Up
OIL SEALING RINGS				
TAW-1808		22814-PF4-003		Ring MR9A Main Shaft (35mm) 1991-06 [Metal]
30641		14567NH		Ring MR9A Main Shaft (37mm) 1991-06 [PTFE]
28960C				Ring Kit MR9A 1991-96 (2 Metal 3 PTFE Rings)
FRICITION CLUTCH				
28624CH		22674-PR9-003	98104	Friction MR9A 4th [4.70 OD 44 Teeth 0.091 THK] 1991-06 [OEM]
28622		22535-639010	98101	Friction MR9A 2nd [44 Teeth 0.076 THK] 1991-06
28620		22544-PF4-010	88107	Friction MR9A Low (1st) [44 Teeth 0.077 THK] 1991-06
28980C				Friction Module MR9A 1991-Up (23 Frictions)
FILTER				
28940C		25420-PR9-020	98710N	Filter MR9A 1991-Up

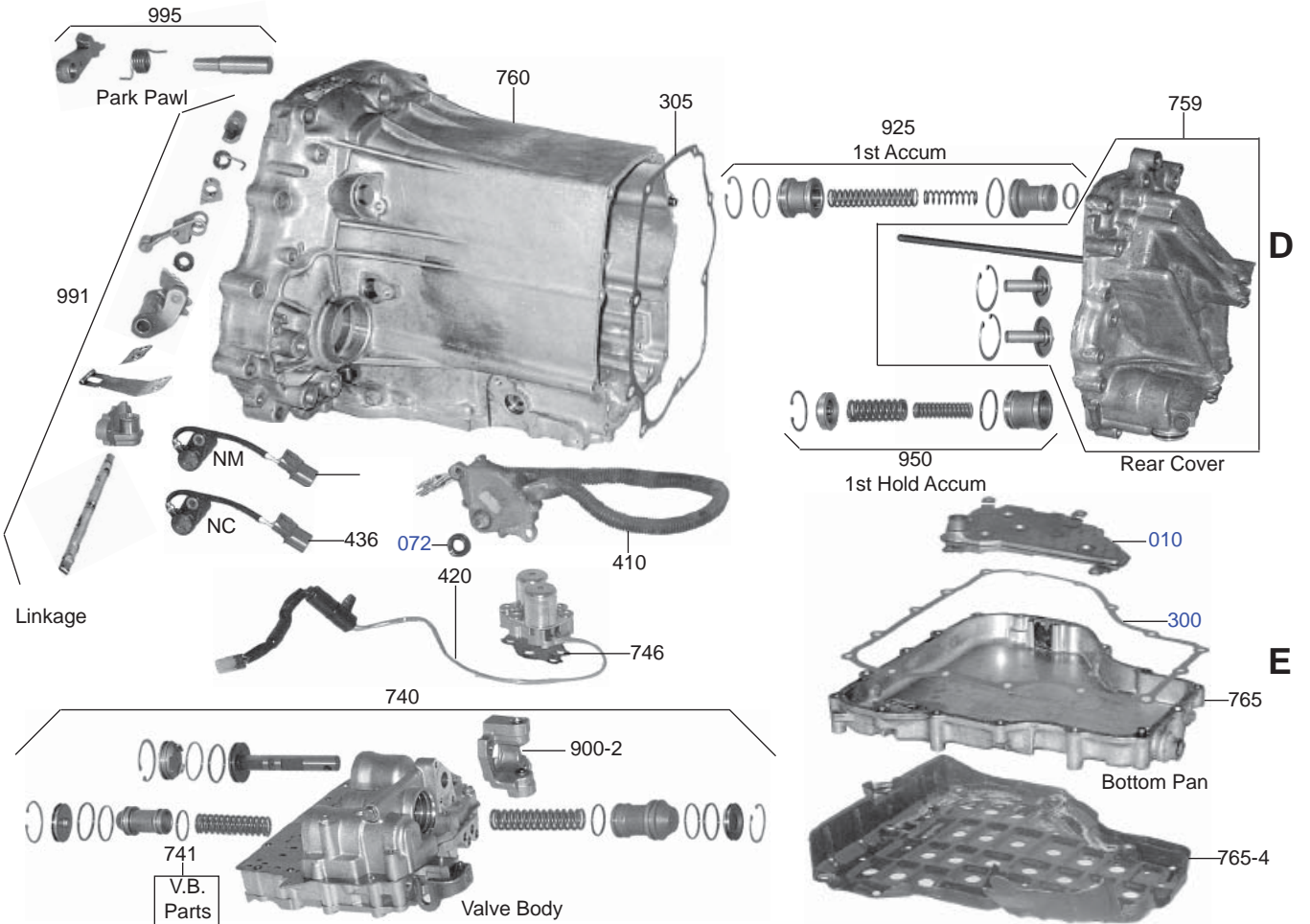
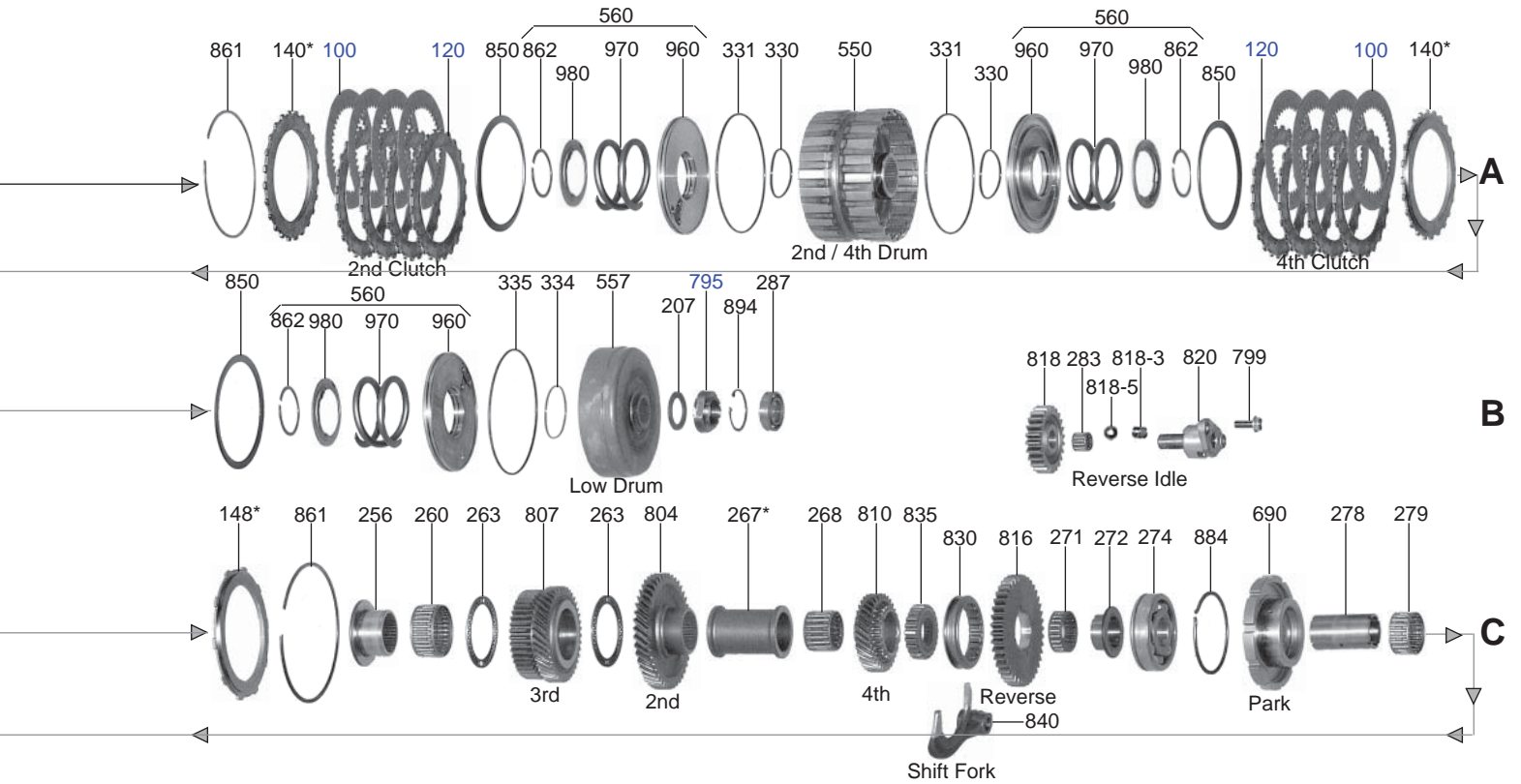
M1WA / MPWA (Vigor)

FWD 4 Speed



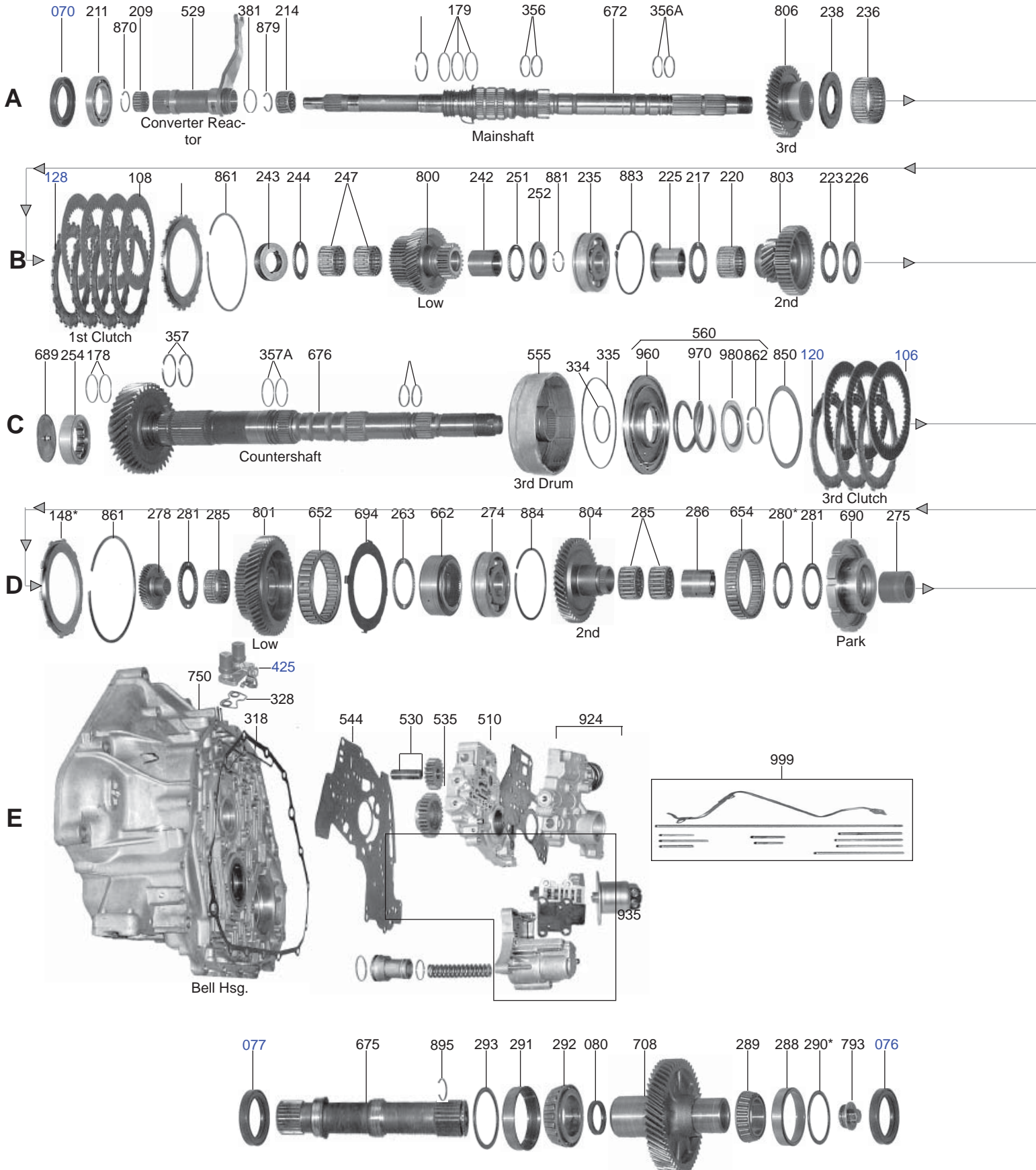
FWD 4 Speed

M1WA / MPWA (Vigor)



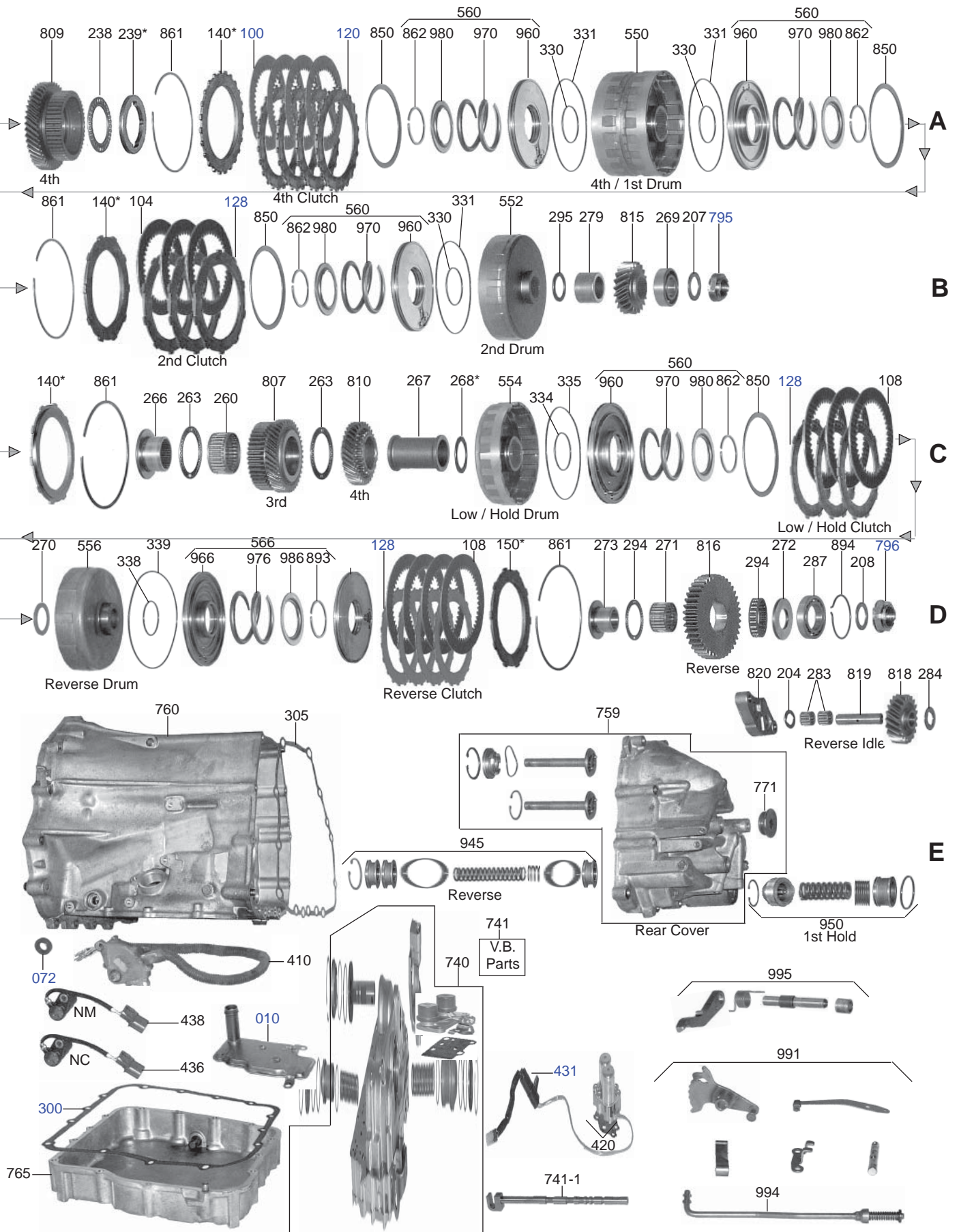
MPYA / M5DA

FWD 4 Speed



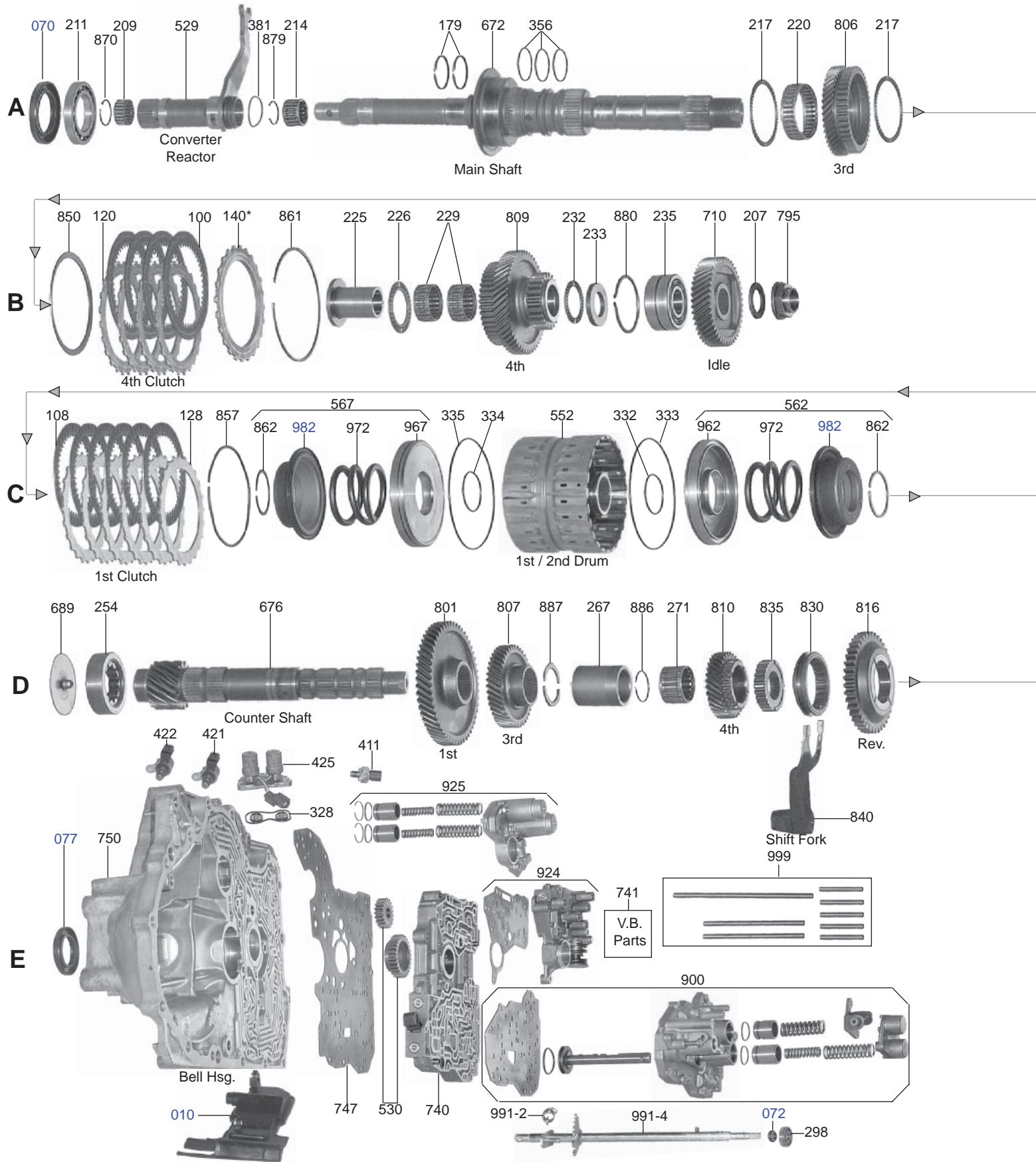
FWD 4 Speed

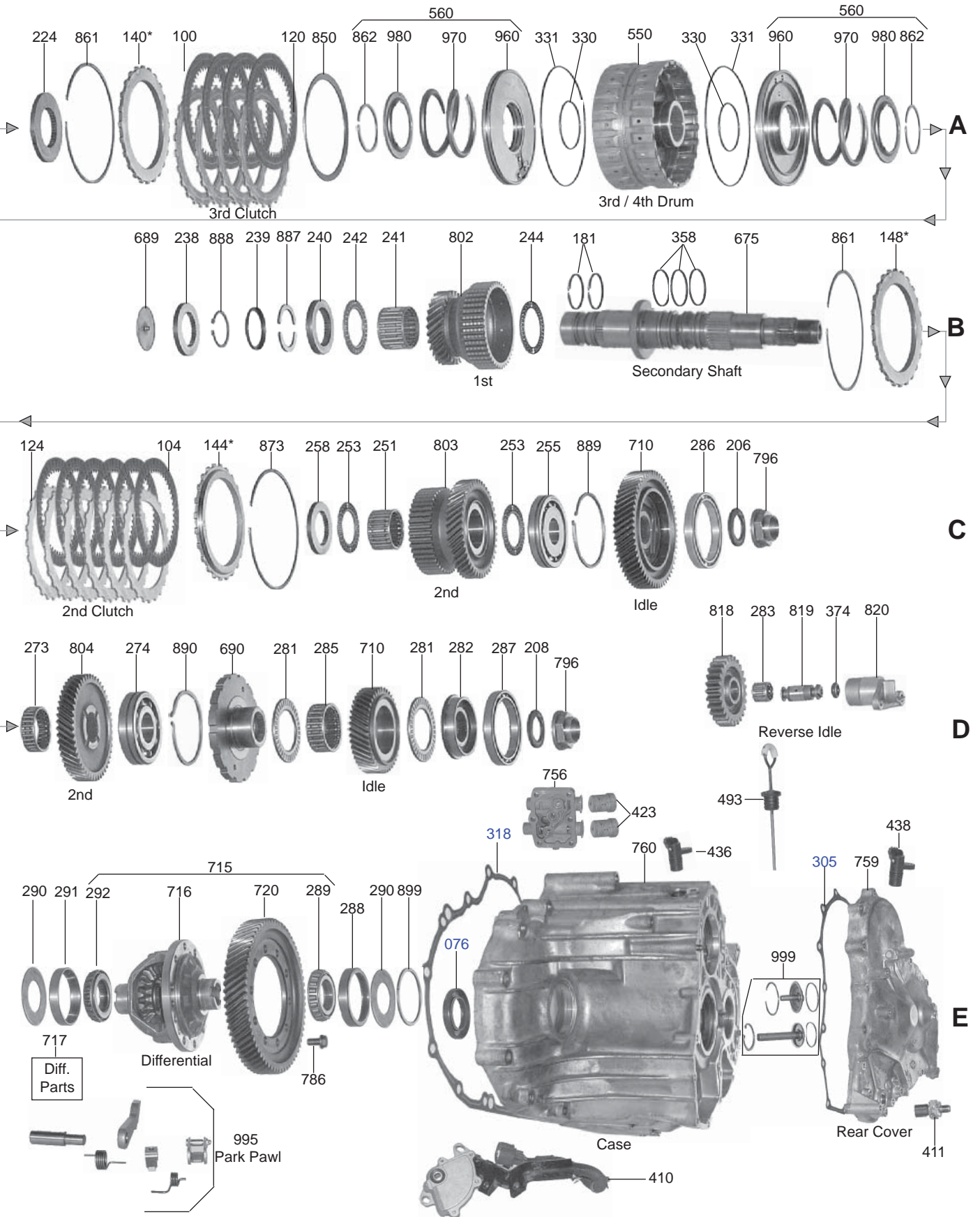
MPYA / M5DA



SAP #	IL#	OE	INDUSTRY	DESCRIPTION
OVERHAUL KIT				
B70002B				Overhaul Kit M5DA <i>RL 1996-01</i> • M5HA <i>TL 3.2 1995-98</i> • MPYA (Cork Pan Gasket) <i>Legend 91-95</i>
TF70002B				Overhaul Kit M5DA <i>RL 1996-01</i> • M5HA <i>TL 3.2 1995-98</i> • MPYA (Fiber Pan Gasket) <i>Legend 91-95</i>
B70002C				Overhaul Kit MPWA <i>Vigor 1992-94</i> • M1WA <i>TL 2.5 1995-98</i>
T70002C				Overhaul Kit MPWA <i>Vigor 1992-94</i> • M1WA <i>TL 2.5 1995-98</i>
MASTER L/STEELS KIT				
B70004B				Master L/Steels Kit M5DA <i>RL 1996-01</i> • M5HA <i>TL 3.2 1995-98</i> • MPYA (Cork) <i>Legend 91-95</i>
T70004B				Master L/Steels Kit M5DA <i>RL 1996-01</i> • M5HA <i>TL 3.2 1995-98</i> • MPYA (Fiber) <i>Legend 91-95</i>
B70004C				Master L/Steels Kit MPWA <i>Vigor 1992-94</i>
B70004D				Master L/Steels Kit M1WA <i>TL 2.5 1995-98</i>
MASTER W/STEELS KIT				
B70006B				Master W/Steels Kit M5DA <i>RL 1996-01</i> • M5HA <i>TL 3.2 1995-98</i> • MPYA (Cork) <i>Legend 91-95</i>
B70006C				Master W/Steels Kit MPWA <i>Vigor 1992-94</i>
B70006D				Master W/Steels Kit M1WA <i>TL 2.5 1995-98</i>
GASKET & RUBBER COMPONENTS				
28909B		98500V		Gasket MPWA (Vigor) Bottom Pan
28918B		98500V		Gasket MPWA (Vigor) Bottom Pan [Fiber]
28909A		98500L		Gasket MPYA Bottom Pan
28918A		98500L		Gasket MPYA Bottom Pan [Fiber]
28918D	21813-PH5-000			Gasket M5HA M5DA Bottom Pan [Fiber]
28906B	21811-PW7-000			Gasket MPWA M1WA Case
28904B	21812-PW7-000			Gasket MPWA M1WA Side Cover
28908A	21811-PY4-000	98503L		Gasket MPYA M5HA M5DA Case
28906A	21812-PY4-000	98502L		Gasket MPYA M5HA M5DA Side Cover
1994527	91305-PY4-000			O-Ring MPYA M5HA M5DA Main Shaft
1994533	91311-PY4-003			O-Ring MPYA M5HA M5DA Solenoid Wire
METAL CLAD SEALS				
70046	91207-639-015	78195		Seal M1WA MPYA M5DA Converter (44 x 68 x 8mm) Counter Clockwise Helix
70150	91201-PW5-015	98158		Seal MPWA Coverter (Front Right) (50 x 70 x 11mm)
70127	91207-PR9-003	98154		Seal MPYA M5HA Converter Hub (46 x 70 x 8mm) 1991-Up
70045	31375-31X00	78197		Seal MPWA M1WA MPYA M5DA Manual Shaft
70370	91206-PW5-015	50210		Seal MPWA Axle (Case Side) 1992-95
70151	91205-PW5-005	98162		Seal MPWA Differential Cover (Left Axle) 1992-Up
70149	91202-PW5-005	98159		Seal MPWA Intermediate (Secondary Shaft) 1992-Up
OIL SEALING RINGS				
TAW-1808	22814-PF4-003			Ring MPWA M1WA Main Shaft (35.0mm) [Metal]
TAW-1962	22814-PK4-003			Ring MPWA M1WA Main Shaft (29.0mm) [Metal]
TAW-2073	22814-PR9-003			Ring MPYA M5DA M5HA Main Shaft (37.0mm) [Metal]
TAW-2074	22814-PY4-003			Ring MPYA M5DA M5HA Main Shaft (42.0mm) [Metal]
6037				Ring Kit MPWA M1WA (4 Metal Rings)
6101				Ring Kit MPYA M5DA M5HA (6 Metal Rings)
FRICITION CLUTCH				
28620AH	22344-PY4-003	98106		Friction MPYA M5DA M5HA 2nd [5.0 ID 45 Teeth 0.079 THK] 1991-Up [OEM]
28622AH	22544-PY4-003			Friction MPYA M5DA M5HA 1st • Reverse • Low [5.0 OD 45 Teeth] 1991-Up [OEM]
28624AH	22645-PY4-003			Friction MPYA M5DA M5HA 4th [5.0 OD 45 Teeth 0.094 THK] 1991-Up [OEM]
28626AH	22644-PY4-E02			Friction MPYA M5DA M5HA 3rd [5.0 OD 45 Teeth 0.094 THK] 1991-Up [OEM]
28980AH				Friction Module M5DA <i>RL 1996-01</i> • M5HA <i>TL 3.2 1995-98</i> • MPYA <i>Legend 1991-95</i>
28980AT				Friction Module M5DA <i>RL 1996-01</i> • M5HA <i>TL 3.2 1995-98</i> • MPYA <i>Legend 1991-95</i>
28980B				Friction Module MPWA <i>Vigor 1992-95</i>
28980L				Friction Module M1WA <i>TL 2.5 1995-98</i>
STEEL CLUTCH				
28621A	22543-PY4-003	98116		Steel MPYA M5HA M5DA 1st - 2nd - Reverse & Low [3.75 ID 20 Teeth 0.79 THK] 1991-Up
28623A	22643-PY4-003	98109		Steel MPYA M5HA M5DA 3rd - 4th [3.75 ID 20 Teeth 0.102 THK] 1991-Up
28629B	22653-PX3-801	88109B		Steel MPWA M1WA Low 1991-Up [3.44 ID 24 Teeth] 1991-Up
28981A				Steel Module M5DA <i>RL 1996-01</i> • M5HA <i>TL 3.2 1995-98</i> • MPYA <i>Legend 1991-95</i>
28981B				Steel Module MPWA <i>Vigor 1992-95</i> • M1WA <i>TL 2.5 1995-98</i>
FILTER				
28944	25420-PW4-010	88710V		Filter MPWA M1WA 1992-Up
28942	25420-PY4-000	98710L		Filter B7VA M5DA M5HA MPYA 1991-Up
FILTER KIT				
28943	FK250	FK98710L		Filter Kit MPYA 1991-95 (With Cork & Rubber Pan Gasket)
BUSHINGS				
28734				Bushing MPYA M5DA Main & Counter Shaft
28735				Bushing MPYA M5DA MPWA Main & Counter Shaft
28930A				Bushing Kit MPYA M5DA (4 Bushings)

SAP #	IL#	OE	INDUSTRY	DESCRIPTION
HARD PARTS				
28897A		90203-PX4-010		Nut MPWA M1WA Secondary Counter Shaft (23mm) 1990-Up
28997B		90202-PY4-000		Nut Main Shaft MPWA M1WA {Also covers Counter Shaft MPYA M5DA} (24mm) Left Side
28898A		90201-PX4-010		Nut Main Shaft MPWA M1WA (23mm) 1990-Up
28998B		90201-PY4-000		Nut Main Shaft MPYA M5HA M5DA {Counter Shaft MPWA M1WA}



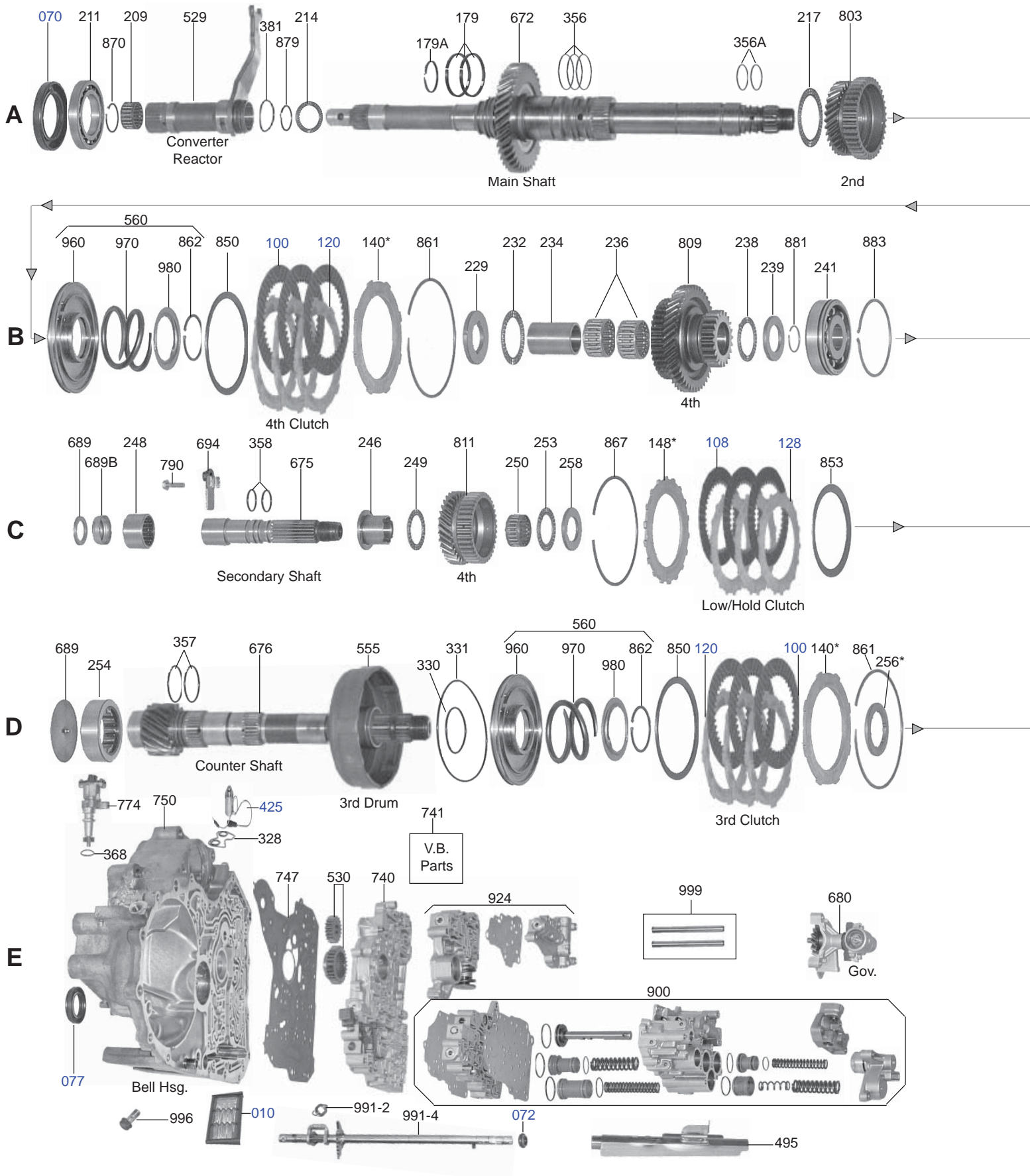


SAP #	IL#	OE	INDUSTRY	DESCRIPTION
OVERHAUL KIT				
B30002C				Overhaul Kit BAXA MAXA <i>Accord 1998-01</i> • B6VA <i>CL 1998-99</i> • MDWA <i>Odyssey 1998</i> • M6HA <i>Prelude 1997-01</i>
T30002C				Overhaul Kit BAXA MAXA <i>Accord 1998-01</i> • B6VA <i>CL 1998-99</i> • MDWA <i>Odyssey 1998</i> • M6HA <i>Prelude 1997-01</i>
MASTER L/STEELS KIT				
B30004C				Master L/Steels Kit BAXA MAXA <i>Accord 1998-01</i> • B6VA <i>CL 1998-99</i> • MDWA <i>Odyssey 1998</i> • M6HA <i>Prelude 1997-01</i>
T30004C				Master L/Steels Kit BAXA MAXA <i>Accord 1998-01</i> • B6VA <i>CL 1998-99</i> • MDWA <i>Odyssey 1998</i> • M6HA <i>Prelude 1997-01</i>
MASTER W/STEELS KIT				
B30006C				Master W/Steels Kit BAXA MAXA <i>Accord 1998-01</i> • B6VA <i>CL 1998-99</i> • MDWA <i>Odyssey 1998</i>
B30006CA				Master W/Steels Kit M6HA <i>Prelude 1997-01</i>
T30006C				Master W/Steels Kit BAXA MAXA <i>Accord 1998-01</i> • B6VA <i>CL 1998-99</i> • MDWA <i>Odyssey 1998</i>
GASKET & RUBBER COMPONENTS				
28718B		21811-P6H-000		Gasket BAXA MAXA B6VA M6HA Main Case 1997-2001
28718C		21811-P6H-010		Gasket BAXA MAXA M6HA B6VA MDWA Main Case 2001-Up
28717B		21812-PCJ-000		Gasket BAXA MAXA B6VA M6HA Rear Cover 1998-2002
28719B		21812-P6H-000		Gasket BAXA MAXA M6HA B6VA Side Cover
OIL SEALING RINGS				
6338				Ring Kit BAXA MAXA B6VA MDWA M6HA 1998-Up (2 PTFE 2 Plastic Rings)
METAL CLAD SEALS				
70089			88151B	Seal BAXA MAXA B6VA M6HA Axle (Bell Housing & Case Side) [40 x 56 x 9mm]
70046				Seal BAXA MAXA B6VA M6HA Converter & Counter Clockwise Helix [44 x 68 x 8mm]
70045			78197	Seal BAXA MAXA B6VA M6HA Manual Shaft
FRICTION CLUTCH				
28980ER				Friction Module BAXA MAXA <i>Accord 1998-01</i> • B6VA <i>CL 1998-99</i> • MDWA <i>Odyssey 1998</i> • M6HA <i>Prelude 1997-01</i>
28780BT				Friction Module BAXA MAXA <i>Accord 1998-01</i> • B6VA <i>CL 1998-99</i> • MDWA <i>Odyssey 1998</i> • M6HA <i>Prelude 1997-01</i>
STEEL CLUTCH				
28629D		22523-P6H-003	98111E	Steel BAXA MAXA M6HA B6VA 1st Clutch [3.60 ID 24 Teeth 0.079 THK] 1997-Up
28629E		22543-PAX-003	98114	Steel BAXA MAXA MDWA 2nd Clutch [3.60 ID 24 Teeth 0.091 THK] 1998-Up
28629C		22543-P6H-003	98114A	Steel M6HA 2nd Clutch [3.60 ID 24 Teeth 0.063 THK] 1997-01
28981E				Steel Module BAXA MAXA <i>Accord 1998-01</i> • B6VA <i>CL 1998-99</i> • MDWA <i>Odyssey 1998</i>
28781B				Steel Module M6HA <i>Prelude 1997-01</i>
FILTER				
28940B				Filter BAXA MAXA B6VA MDWA M6HA 1997-01
BUSHINGS				
28930B				Bushing Kit BAXA MAXA B6VA MDWA M6HA 1997-01 (3 Bushings)
HARD PARTS				
28798B		90201-POZ-000		Nut Counter Shaft BAXA MAXA MDWA M6HA 1997-Up
28797B		90203-POZ-000		Nut Counter Shaft B6VA (Main Shaft M6HA) 1997-Up
28950EF		22533-PAX-003		Retainer Piston BAXA B6VA 1st & 2nd Clutch (Inner Bonded) (3.960 OD)
TOOLS				
28999				Honda & Acura Bushing Installer and Removal Tool Set (22 Pieces)
28999ER				Honda & Acura Red Bushing Extractor Tool
28999EY				Honda & Acura Yellow Bushing Extractor Tool

SAP #	IL#	OE	INDUSTRY	DESCRIPTION
OVERHAUL KIT				
B140002A				Overhaul Kit M4VA <i>Civic HX 1996-00</i>
T140002A				Overhaul Kit M4VA <i>Civic HX 1996-00</i>
T140002B				Overhaul Kit MLYA SLYA <i>Civic HX 2001-05</i>
T210002A				Overhaul Kit SZCA <i>Civic Hybrid 2003-10</i>
MASTER L/STEELS KIT				
B140004A				Master L/Steels Kit M4VA <i>Civic HX 1996-00</i>
T140004A				Master L/Steels Kit M4VA <i>Civic HX 1996-00</i>
T140004B				Master L/Steels Kit MLYA SLYA <i>Civic HX 2001-05</i>
T210004A				Master L/Steels Kit SZCA <i>Civic Hybrid 2003-10</i>
MASTER W/STEELS KIT				
B140006A				Master W/Steels Kit M4VA <i>Civic HX 1996-00</i>
T140006A				Master W/Steels Kit M4VA <i>Civic HX 1996-00</i>
T140006B				Master W/Steels Kit MLYA SLYA <i>Civic HX 2001-05</i>
T210006A				Master W/Steels Kit SZCA <i>Civic Hybrid 2003-10</i>
GASKET & RUBBER COMPONENTS				
20035	91311-P4V-004			D-Ring M4VA Input Shaft (Bevelled) (16.50mm x 1.25 x 2.35) 1996-Up
28207B	21814-P4V-000	88500J		Gasket M4VA Pan 1996-00
28207CA	21814-PZC-000			Gasket SZCA Pan 2003-Up
28206B	21811-P4V-000			Gasket M4VA Front Housing 1996-00
1994914				O-Ring M4VA (102.8 x 2.25mm) 1996-Up
1994912				O-Ring M4VA (138.5 X 2.4mm) 1996-Up
1994907				O-Ring M4VA (30.5 X 1.95mm) 1996-Up
1994911				O-Ring M4VA (25 X 2mm) 1996-Up
METAL CLAD SEALS				
70376	91206-PR8-005			Seal M4VA Converter Housing 1996-Up
28213	91207-P4V-004			Seal M4VA Converter Housing 1996-Up
70049	91205-PC9-005			Seal M4VA Axle Right 1996-Up
70045	91209-612-003	78197		Seal M4VA SZCA Manual Lever Shaft 1996-Up
70399				Seal SZCA Axle (Bell Housing Side) 2003-Up
	91207-PWR-003			
70504	91207-PHT-003			Seal SZCA Axle Input Shaft 2003-Up
70505	91205-PWR-003			Seal SZCA Axle (Case Side) 2003-Up
OIL SEALING RINGS				
TAW-2442	22813-P4V-003			Ring M4VA SZCA 2nd Drive 1996-Up [Metal]
30816	22816-P4V-003			Ring M4VA SZCA Input Shaft 1996-Up [PTFE]
21060378				Ring SZCA Pulley Large 2003-Up [PTFE]
21060379				Ring SZCA Pulley Small 2003-Up [PTFE]
21060377				Ring SZCA Starting Clutch [Scarf Cut] 2003-Up [PTFE]
6346				Ring Kit M4VA (Civic HX) 1996-00 (1 Metal 3 PTFE Rings)
6399				Ring Kit SZCA 2003-Up (1 Metal 6 PTFE Rings)
FRICTION CLUTCH				
28222B	22344-PY4-003	88104		Friction M4VA SZCA MLYA SLYA Reverse [5.74 OD 24 Teeth 0.081 THK] 1996-Up
28221		88102		Friction M4VA SZCA MLYA SLYA 4th [3.438 ID 8 Teeth 0.079 THK] 1996-Up
28280B				Friction Module M4VA <i>Civic HX 1996-00</i> • SZCA <i>Civic Hybrid 2003-10</i>
140080B				Friction Module MLYA SLYA <i>Civic HX 2001-05</i>
STEEL CLUTCH				
28223B	22543-PY4-003	88119		Steel M4VA SZCA MLYA SLYA Reverse [5.15 ID 12 Teeth 0.076 THK] 1996-Up
28281B				Steel Module M4VA <i>Civic HX 1996-00</i> • SZCA <i>Civic Hybrid 2003-10</i>
140081B				Steel Module MLYA SLYA <i>Civic HX 2001-05</i>
FILTER				
28242B				Filter M4VA (Cartridge Type) 1996-00
28240B	25420-P4V-003	88710K		Filter M4VA MLYA SLYA (Flat Type) 1996-Up
FILTER KIT				
28245				Filter Kit M4VA Cartridge Type 1996-00
HARD PARTS				
14075513				Piston MLYA SLYA Starting Clutch 2001-Up

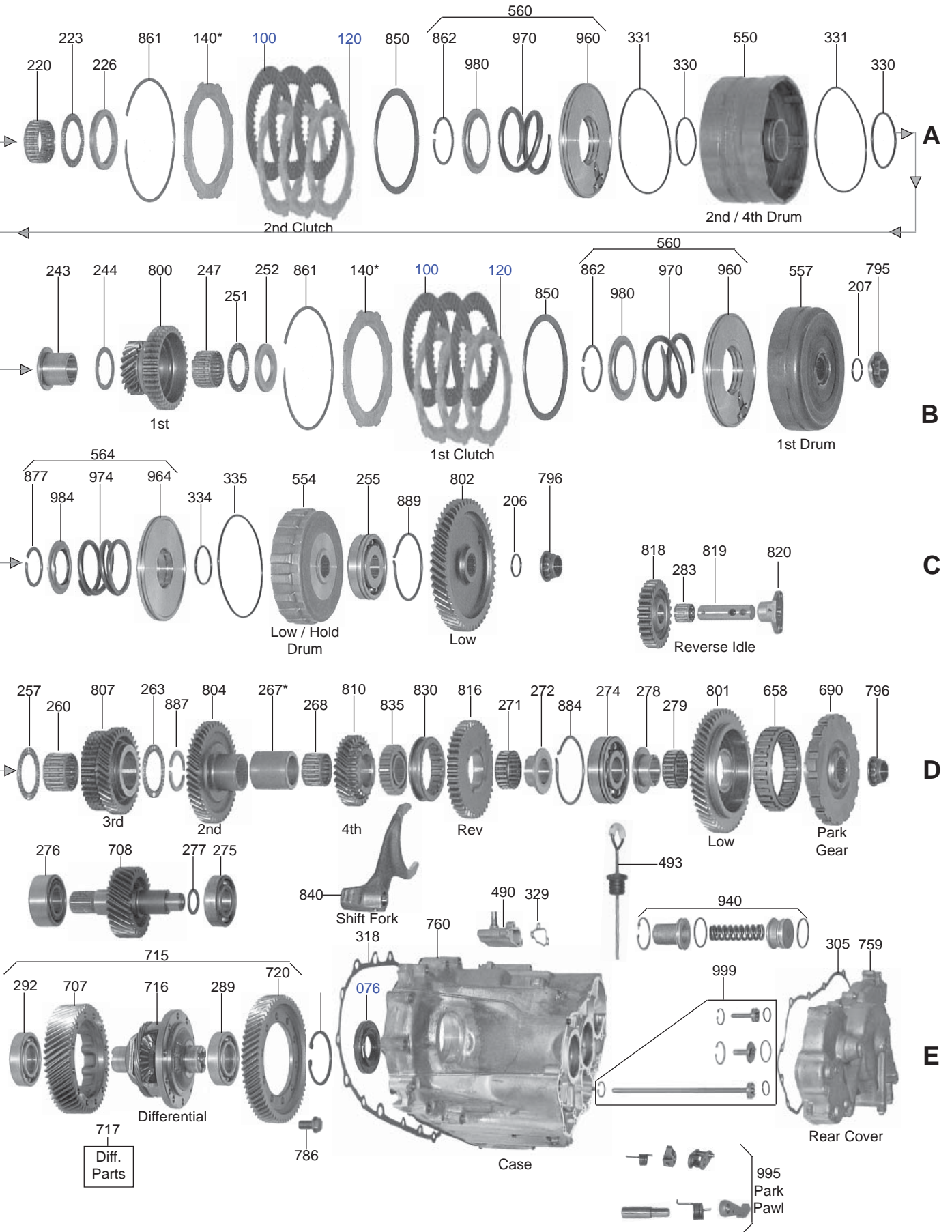
**S24A / A24A / M24A / MDLA / MDMA / M4TA /
MP7A / SP7A / S4XA / SKWA / MRVA**

FWD 4 Speed



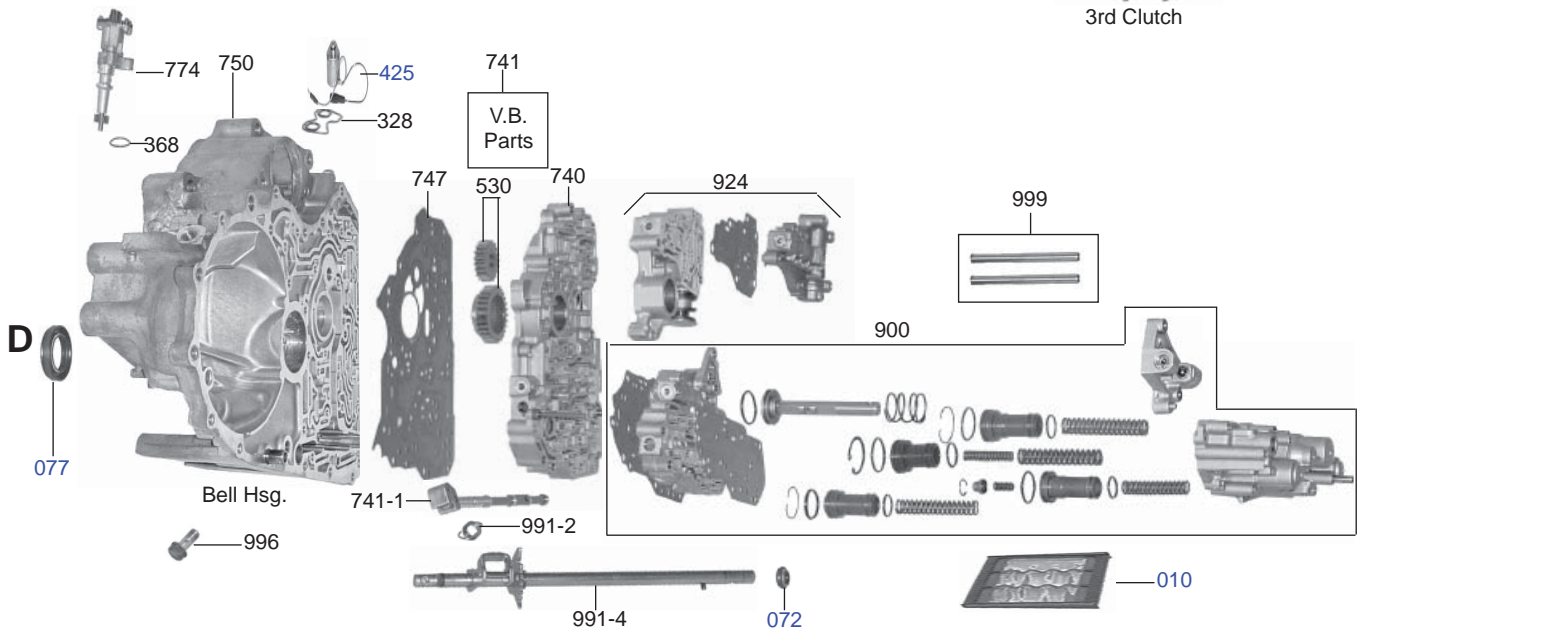
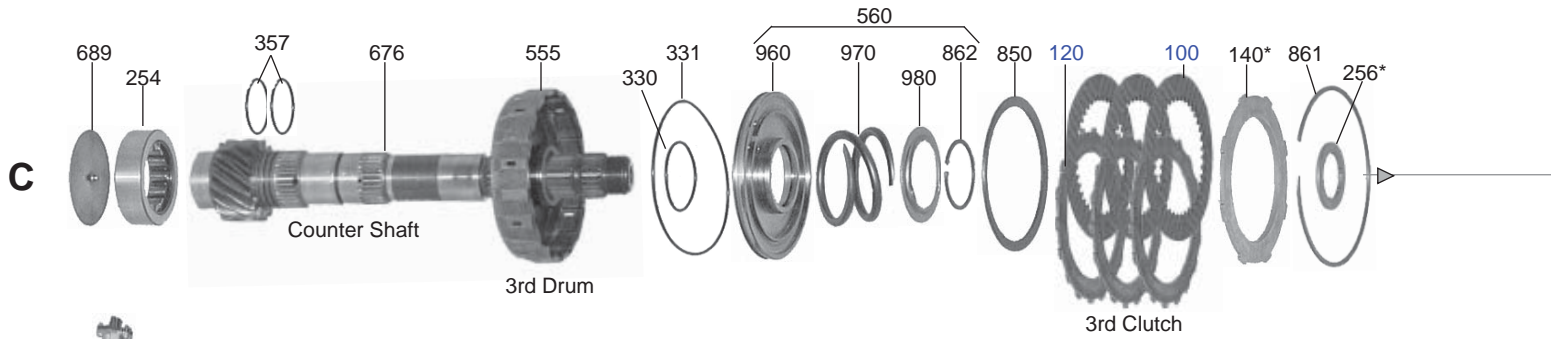
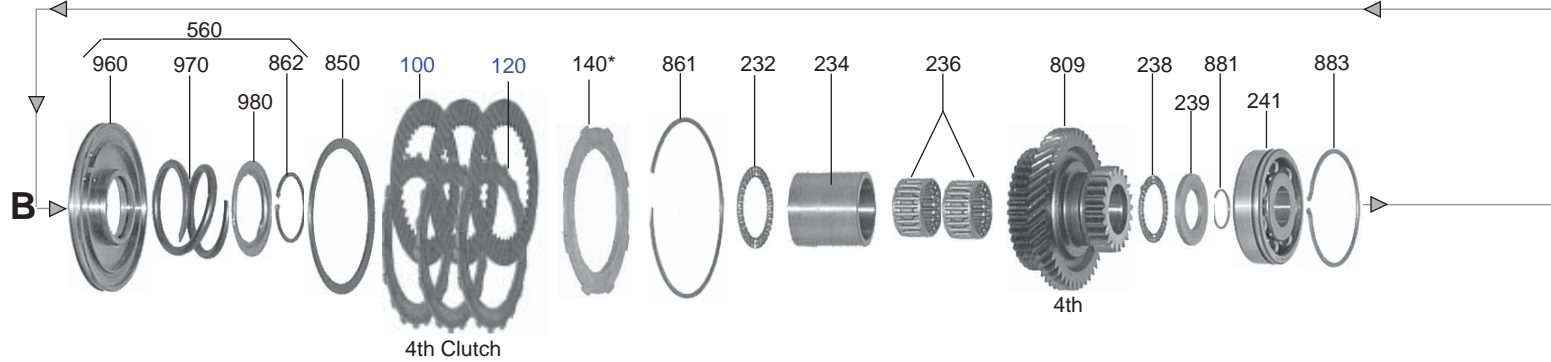
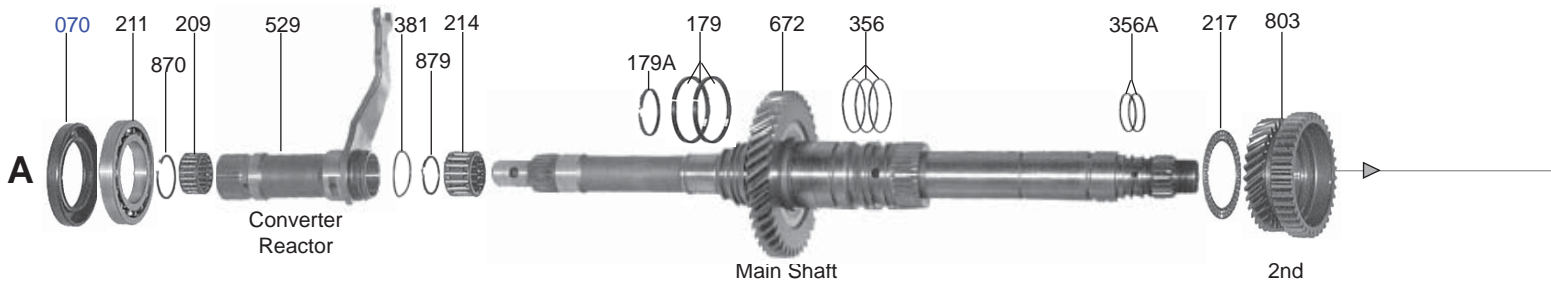
S24A / A24A / M24A / MDLA / MDMA / M4TA / MP7A / SP7A / S4XA / SKWA / MRVA

FWD 4 Speed



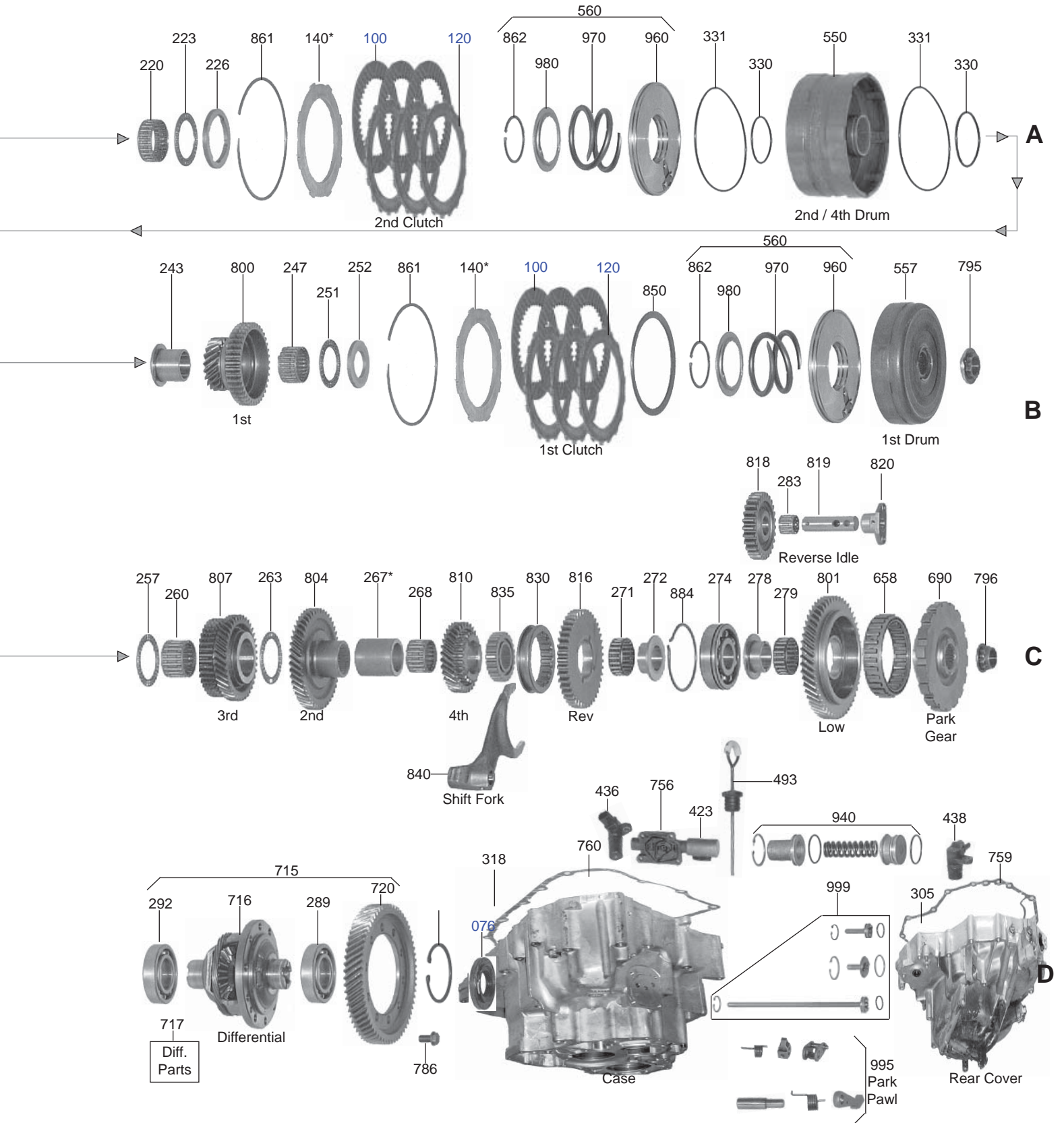
A4RA / B4RA / B46A / BDRA / BMXA / M4RA / S4RA /SLXA

FWD 4 Speed



A4RA / B4RA / B46A / BDRA / BMXA / M4RA / S4RA / SLXA

FWD 4 Speed



Honda

Del Sol M24A S24A (1993-97) / Civic A24A A2YA (1992-95) [4 Speed]
Civic A4RA B4RA B46A BDRA M4RA S4RA(1996-00) • BMXA SLXA (2001-05) [4 Speed]
Element BZKA MZKA (2003-06) [4 Speed]
CR-V M4TA MDLA MDMA MCVA MRVA SDMA (1997-04) [4 Speed]
Accord BCLA MCLA (2003-07) / Element MNZA BZNA (2007-11) [5 Speed]
CR-V FWD MKYA GPLA (2005-06) • FWD MZJA (2007-11) [5 Speed]
CR-V AWD MKZA GPPA (2005-06) • AWD MZHA (2007-11) [5 Speed]
Acura
Integra MP7A SP7A (1994-95) • S4XA SKWA (1996-00) [4 Speed]
TSX MCTA (2004-08) / RSX MRMA (2002-07) [5 Speed]

SAP #	IL#	OE	INDUSTRY	DESCRIPTION
OVERHAUL KIT				
T90002C				Overhaul Kit A24A A2YA Civic 1992-95 • M24A S24A Del Sol 1993-97
B90002C				Overhaul Kit A24A A2YA Civic 1992-95 • M24A S24A Del Sol 1993-97
B90002DA				Overhaul Kit A4RA B4RA B46A BDRA M4RA S4RA Civic 1996-00 BMXA SLXA 2001-05
T90002DA				Overhaul Kit A4RA B4RA B46A BDRA M4RA S4RA Civic 1996-00 BMXA SLXA 2001-05
B90002HA				Overhaul Kit MDMA M4TA MDLA SDMA CR-V 1997-04
T90002HA				Overhaul Kit MDMA M4TA MDLA SDMA CR-V 1997-04
B90002HB				Overhaul Kit MP7A SP7A S4XA SKWA Integra 1994-00
T90002HB				Overhaul Kit MP7A SP7A S4XA SKWA Integra 1994-00
T90002N				Overhaul Kit BCLA MCLA Accord 2003-07 • BZKA MZKA Element 2003-06 • MCTA TSX 2004-08 • MRMA RSX 2002-07 • MCVA MRVA CR-V 1997-04 • GPPA GPLA MKZA MKYA CR-V 2005-06 • MZJA MZHA CR-V 2007-11 • MNZA BZNA Element 2007-11 • MSA (Non USA) RSX 2002-04 & Civic
MASTER L/STEELS KIT				
B90004C				Master L/Steels Kit A24A A2YA Civic 1992-95 • M24A S24A Del Sol 1993-97
B90004DA				Master L/Steels Kit A4RA B4RA B46A BDRA S4RA M4RA Civic 1996-01 BMXA SLXA 2001-05
T90004DA				Master L/Steels Kit A4RA B4RA B46A BDRA S4RA M4RA Civic 1996-01 BMXA SLXA 2001-05
B90004HA				Master L/Steels Kit M4TA MDLA SDMA CR-V 1997-04
T90004HA				Master L/Steels Kit M4TA MDLA SDMA CR-V 1997-04
B90004HB				Master L/Steels Kit MP7A SP7A Integra 1994-95
T90004HB				Master L/Steels Kit MP7A SP7A Integra 1994-95
B90004HBA				Master L/Steels Kit S4XA SKWA Integra 1996-00
T90004HBA				Master L/Steels Kit S4XA SKWA Integra 1996-00
T90004N				Master L/Steels Kit BCLA MCLA Accord 2003-07 • MRMA RSX 2002-07 • CRV GPLA GPPA MKYA 2005-06
T90004NA				Master L/Steels Kit BZKA MZKA Element 2003-06 • MRVA MCVA CR-V 1997-04
T90004NB				Master L/Steels Kit MCTA TSX 2004
T90004NC				Master L/Steels Kit MCTA TSX 2005
MASTER W/STEELS KIT				
B90006C				Master W/Steels Kit A24A A2YA Civic 1992-95 • M24A S24A Del Sol 1993-97
T90006C				Master W/Steels Kit A24A A2YA Civic 1992-95 • M24A S24A Del Sol 1993-97
B90006DA				Master W/Steels Kit A4RA B4RA B46A BDRA S4RA M4RA Civic 1996-01 BMXA SLXA 2001-05
T90006DA				Master W/Steels Kit A4RA B4RA B46A BDRA S4RA M4RA Civic 1996-01 BMXA SLXA 2001-05
B90006HA				Master W/Steels Kit M4TA MDLA SDMA CR-V 1997-04
T90006HA				Master W/Steels Kit M4TA MDLA SDMA CR-V 1997-04
B90006HB				Master W/Steels Kit MP7A SP7A Integra 1994-95
T90006HB				Master W/Steels Kit MP7A SP7A Integra 1994-95
B90006HBA				Master W/Steels Kit S4XA SKWA Integra 1996-00
T90006HBA				Master W/Steels Kit S4XA SKWA Integra 1996-00
T90006N				Master W/Steels Kit BCLA MCLA Accord 2003-07 • MRMA RSX 2002-07
T90006NA				Master W/Steels Kit BZKA MZKA Element 2003-06 • MRVA MCVA CR-V 1997-04
T90006NB				Master W/Steels Kit MCTA TSX 2004
T90006NC				Master W/Steels Kit MCTA TSX 2005
GASKET & RUBBER COMPONENTS				
28297374	21811-P24-J00			Gasket M24A A2YA S24A A24A Case Housing 1992-Up
28206D	21811-P4T-000			Gasket SDMA M4TA MDMA Case 1997-Up
28697805	21811-PRP-010			Gasket BZKA MCVA BCLA MRMA Case 2000-Up
28804B	21812-P24-J00	412727-500		Gasket A4RA BDRA B46A BD4A M4RA S4RA BMXA SLXA Pan
28806BA	21811-P56-000			Gasket BMXA Case 2001-05
28806BA	21811-PLX-000			Gasket BMXA Case 2001-05
4772				Gasket Kit A4RA B4RA B46A BDRA M4RA S4RA BMXA SLXA (Includes Case and Case Housing) 1992-Up
28815	21113-P56-003			Grommet A4RA BDRA B46A BD4A M4RA S4RA BMXA SLXA Filter 1994-95
1993583	91302-PGK-003			O-Ring M24A A2YA S24A A24A Torque Converter
1994691	91303-PS5-003			O-Ring A4RA BDRA B46A BD4A M4RA S4RA BMXA SLXA Low Clutch Piston Ourlter
19127A	91302-PL4-003			O-Ring A4RA BDRA B46A BD4A M4RA S4RA BMXA SLXA (41.8 x 2.2mm)
1993026				O-Ring A4RA BDRA B46A BD4A M4RA S4RA BMXA SLXA Converter Stator Shaft (PTFE Coated)
1994523	91302-PN6-004			O-Ring A4RA BDRA B46A BD4A M4RA S4RA BMXA SLXA 2nd Accumulator Piston
1994544	91308-PA9-003			O-Ring A4RA BDRA B46A BD4A M4RA S4RA BMXA SLXA (19.81 x 1.90) Main Shaft

Honda

Del Sol M24A S24A (1993-97) / Civic A24A A2YA (1992-95) [4 Speed]
Civic A4RA B4RA B46A BDRA M4RA S4RA(1996-00) • BMXA SLXA (2001-05) [4 Speed]
Element BZKA MZKA (2003-06) [4 Speed]
CR-V M4TA MDLA MDMA MCVA MRVA SDMA (1997-04) [4 Speed]
Accord BCLA MCLA (2003-07) / Element MNZA BZNA (2007-11) [5 Speed]
CR-V FWD MKYA GPLA (2005-06) • FWD MZJA (2007-11) [5 Speed]
CR-V AWD MKZA GPPA (2005-06) • AWD MZHA (2007-11) [5 Speed]

Acura

Integra MP7A SP7A (1994-95) • S4XA SKWA (1996-00) [4 Speed]
TSX MCTA (2004-08) / RSX MRMA (2002-07) [5 Speed]

SAP #	IL#	OE	INDUSTRY	DESCRIPTION
GASKET & RUBBER COMPONENTS -- continued				
1994565		91303-PC9-004		O-Ring A4RA BDRA B46A BD4A M4RA S4RA BMXA SLXA Piston Clutch Outer
1994561		91302-PA9-003		O-Ring A4RA BDRA B46A BD4A M4RA S4RA BMXA SLXA Clutch Piston Inner
1994568		31673-21X00		O-Ring A4RA BDRA B46A BD4A M4RA S4RA BMXA SLXA
1994569		32710-P9000		O-Ring A4RA BDRA B46A BD4A M4RA S4RA BMXA SLXA
1994554		31526-21X00		O-Ring A4RA BDRA B46A BD4A M4RA S4RA BMXA SLXA
1994595		91306-PJ4-000		O-Ring A4RA BDRA B46A BD4A M4RA S4RA BMXA SLXA Solenoid
1994534		91316-PR9-003		O-Ring ZKA BCLA MCLA MCTA MCVA MKYA MRMA MRVA MZKA Converter Hub
1994594				O-Ring BZKA BCLA MCLA MCTA MCVA MKYA MRMA MRVA MZKA Stator [30.63 x 1.72mm]
1994881				O-Ring BZKA BCLA MCLA MCTA MCVA MKYA MRMA MRVA MZKA [31 x 2mm]
1994883				O-Ring BZKA BCLA MCLA MCTA MCVA MKYA MRMA MRVA MZKA [22.0 x 2.0mm]
1994913				O-Ring BZKA BCLA MCLA MCTA MCVA MKYA MRMA MRVA MZKA [91.3 x 2.2mm]
1994880				O-Ring SDMA [41.32 x 2.17mm] 1997-Up
1994887				O-Ring SDMA [20 x 2.5mm] 1997-Up
1994889				O-Ring SDMA [30 X 2.4mm] 1997-Up
1994891				O-Ring SDMA [49.4 x 3.1mm] 1997-Up
1994892				O-Ring SDMA [21.7 x 2.2mm] 1997-Up
1994894				O-Ring SDMA [34.5 x 2mm] 1997-Up
1994896				O-Ring SDMA [31.47 x 1.78mm] 1997-Up
METAL CLAD SEALS				
70089		91205PL3-01	88151B	Seal Axle (Bell Housing Side) [40 x 56 x 9mm]
70404		91206-PX5-005	121152A	Seal BCLA MCLA Axle Right (Bell Housing) 2003-05
70399		91206-PHR-003		Seal BZKA MCTA MRVA MRMA Axle (Bell Housing) Side 2002-Up
70048		91205-PL3-A01	88152B	Seal P24 A2YA (Civic Del Sol) Axle (Bell Housing Side) [35 x 56 x 8mm] 1992-97
70046		91207-POX-003		Seal A24A M24A S24A MDLA M4TA MP7A SP7A S4XA A4RA BDRA BMXA Converter
70045		91209-612-003	78197	Seal A24A M24A S24A MDLA M4TA MP7A SP7A S4XA A4RA BDRA BMXA
70062		91206-PC8-005		Seal M4TA Axle (Case Side) [35 x 76 x 9mm] 1997-02
70403		91205-P0X-005		Seal BZKA BCLA MCTA MRVA MZKA Axle Left (Case Side) Shaft
OIL SEALING RINGS				
30639T				Ring A4RA BDRA B46A BD4A M4RA MDMA M4TA MDLA MP7A SP7A S4XA SKWA Main Shaft (29.0mm) 1994-Up [PTFE]
30655T				Ring A4RA BDRA B46A BD4A M4RA MDMA M4TA MDLA MP7A SP7A S4XA SKWA Main Shaft (35.0mm) 1994-Up [PTFE]
6320				Ring Kit A4RA BDRA B46A BD4A M4RA MDMA M4TA MDLA MP7A SP7A S4XA SKWA 1994-Up (4 PTFE Rings)
6368				Ring Kit BCLA MCLA BZKA MZKA MCTA MRMA <i>RSX</i> MCVA MRVA GPPA GPLA MKZA MKYA MZJA MZHA MNZA BZNA (6 Plastic Rings)
FRICITION CLUTCH				
28220		22544-P24-A01	88105	Friction S5 MPSA S24A A24A A4RA BDRA M24A BMXA 1st - 2nd - 3rd - 4th
28022		22544-P24-S00	88101	Friction S5 MPSA S24A A24A M4TA MDLA M24A SP7A MP7A S4XA Low Hold
		22544-PRP-003		Friction MCVA MRVA BZKA MZKA 1st 2nd• MCTA 2nd 4th 5th • MRMA BCLA MCLA GPLA GPPA MKYA
28624ER		22545-PRP-013	121101F	MKZA Low 2nd 3rd (High Energy)
28626DR		22544-P0x-003	121104	Friction MCTA 1st 3rd (High Energy)
		22546-RFK-003		Friction MCVA MRVA BZKA MZKA 3rd 4th• MCTA 4th 5th • MRMA BCLA MCLA GPLA GPPA MKYA MKZA
28622DR		22544-P7T-003	98105G	4th 5th (High Energy)
28280A				Friction Module A24A A2YA <i>Civic 1992-95</i> • M24A S24A <i>Del Sol 1993-97</i>
28280AT				Friction Module A24A A2YA <i>Civic 1992-95</i> • M24A S24A <i>Del Sol 1993-97</i>
28880T				Friction Module A4RA B4RA B46A BDRA M4RA S4RA <i>Civic 1996-00</i> BMXA SLXA <i>2001-05</i>
28880				Friction Module A4RA B4RA B46A BDRA M4RA S4RA <i>Civic 1996-00</i> BMXA SLXA <i>2001-05</i>
28680GR				Friction Module BZKA MZKA MRVA MCVA 2002-Up
28880BH				Friction Module MP7A SP7A <i>Integra 1994-95</i> [OEM]
28880BR				Friction Module MP7A SP7A <i>Integra 1994-95</i>
28880BT				Friction Module MP7A SP7A <i>Integra 1994-95</i>
28880CH				Friction Module S4XA SKWA <i>Integra 1996-00</i> [OEM]
28880CT				Friction Module S4XA SKWA <i>Integra 1996-00</i>
28680FR				Friction Module BCLA MCLA <i>Accord 2003-07</i> • MRMA <i>RSX 2002-07</i> • CRV <i>GPLA GPPA MKYA 2005-06</i>
28880DR				Friction Module M4TA MDLA MDMA <i>CR-V 1997-04</i>
28880DT				Friction Module M4TA MDLA MDMA <i>CR-V 1997-04</i>
90080R				Friction Module MCTA <i>TSX 2004</i> (High Energy)
90080AR				Friction Module MCTA <i>TSX 2005</i> (High Energy)

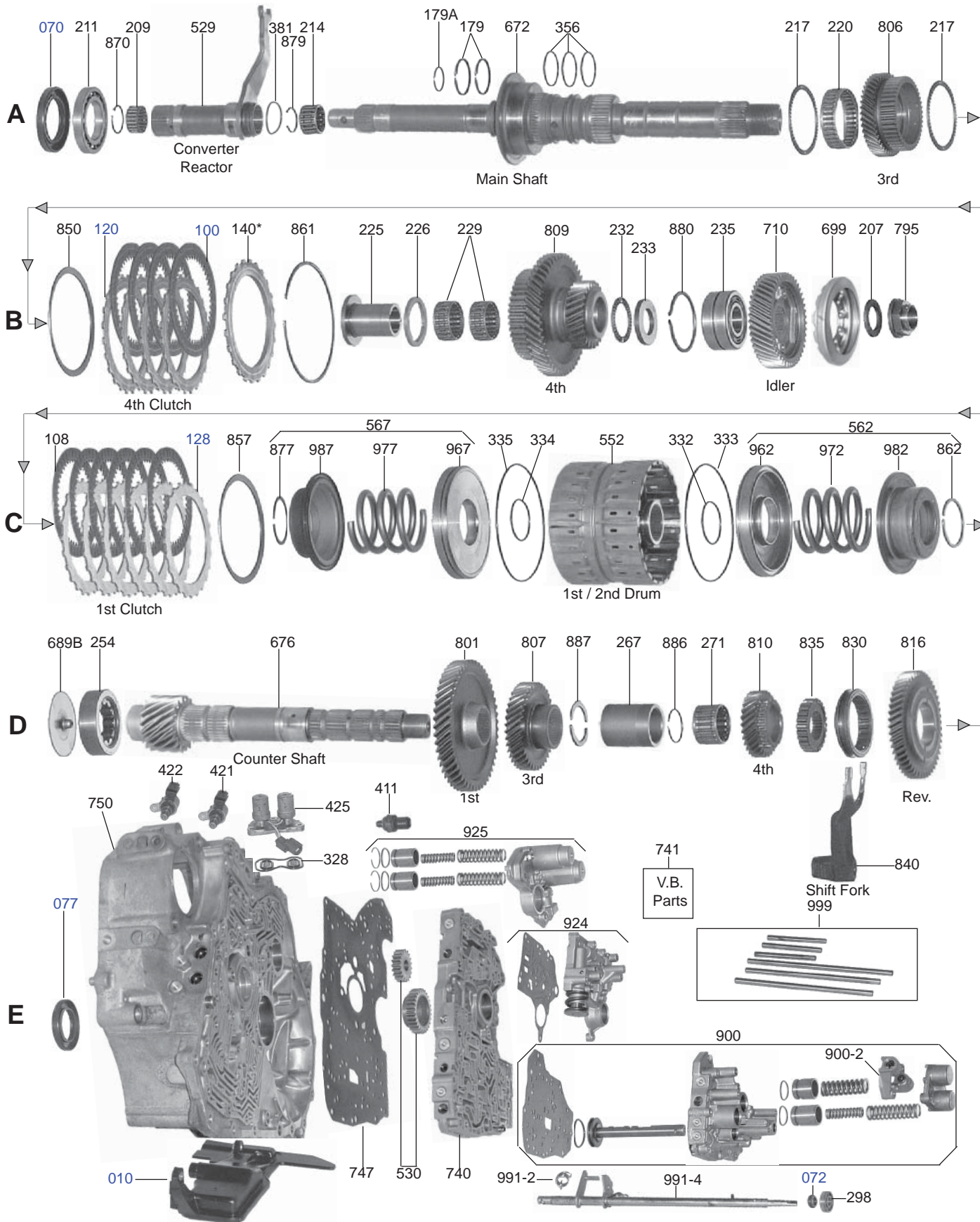
Honda

Del Sol M24A S24A (1993-97) / Civic A24A A2YA (1992-95) [4 Speed]
Civic A4RA B4RA B46A BDRA M4RA S4RA(1996-00) • BMXA SLXA (2001-05) [4 Speed]
Element BZKA MZKA (2003-06) [4 Speed]
CR-V M4TA MDLA MDMA MCVA MRVA SDMA (1997-04) [4 Speed]
Accord BCLA MCLA (2003-07) / Element MNZA BZNA (2007-11) [5 Speed]
CR-V FWD MKYA GPLA (2005-06) • FWD MZJA (2007-11) [5 Speed]
CR-V AWD MKZA GPPA (2005-06) • AWD MZHA (2007-11) [5 Speed]
Acura
Integra MP7A SP7A (1994-95) • S4XA SKWA (1996-00) [4 Speed]
TSX MCTA (2004-08) / RSX MRMA (2002-07) [5 Speed]

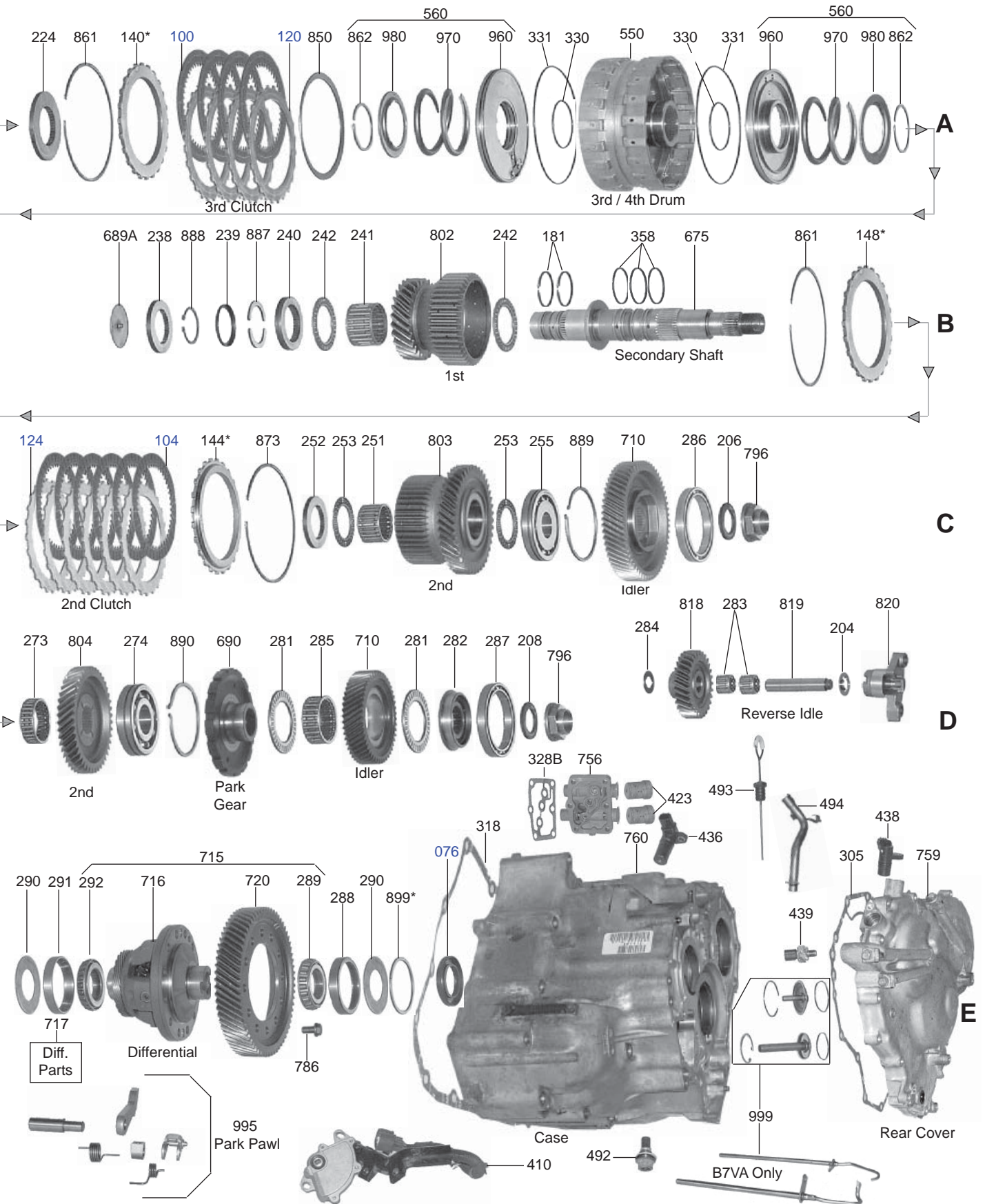
SAP #	IL#	OE	INDUSTRY	DESCRIPTION
STEEL CLUTCH				
28823		22543-P7T-003	88113	Steel M4TA MDLA 2nd - 3rd - 4th [3.22 ID 10 Teeth 0.079 THK]
28823D		22530-PR4-003	88113A	Steel A4RA M4RA B46A BDRA 2nd - 3rd - 4th [3.20 ID 18 Teeth] 1996-Up
28823C		22543-P4R-003	88108A	Steel A4RA M4RA B46A BDRA Low (1st) [3.20 ID 18 Teeth] 1996-Up
28823A		22543-P4R-003		Steel M4TA 1st [3.22 ID 10 Teeth 0.063 THK]
28623		22543-PHO-850	88110	Steel S24A A24A M24A 1st [3.23 ID 8 Teeth 0.063 THK] 1989-97
28023A		22544-P4V-000	88111A	Steel S24A M4TA MDLA MP7A Low Hold [2.80 ID 18 Teeth 0.063 THK]
28625B		22653-PRP-901		Steel MCTA 4th 5th • BZKA MZKA 3rd 4th • BCLA MCLA 4th 5th
28623C				Steel MCTA 1st 3rd 2004-08
28281A				Steel Module A24A A2YA Civic 1992-95 • M24A S24A Del Sol 1993-97
28281C				Steel Module A4RA B4RA B46A M4RA BDRA S4RA Civic 1996-00 BMXA SLXA Civic 2001-05
28861C				Steel Module S4XA SKWA Integra 1996-00 • M4TA MDLA MDMA SDMA CR-V 1997-04
28681G				Steel Module BZKA MZKA Element 2003-06 • MRVA MCVA CR-V 1997-04
28681F				Steel Module BCLA MCLA Accord 2003-07 • MRMA RSX 2002-07
28863B				Steel Module MPTA SP7A Integra 1994-95
90081				Steel Module MCTA TSX 2004
90081A				Steel Module MCTA TSX 2005
FILTER				
28244B				Filter BCLA BZKA GPLA GPPA MCVA MKZA MKYA MRVA MZKA MRMA 2002-Up
28246B		25420-P56-003	88710Q	Filter (A4RA BDRA Some) M4TA MDMA (Canister) (6 3/4in Long With Tube)
28244		25420-P24-J00	88710S	Filter M24A S24A A24A P24 A2YA (Flat) (6 x 1 15/16in)
28246		25420-P4R-003	88710R	Filter MDLA MDMA BDRA BDRA BMXA S4RA 1997-01
FILTER KIT				
28243			FK88710S	Filter Kit M24A S24A A24A 1992-Up
BUSHINGS				
28730A				Bushing Kit S24A A24A M24A P24 M4TA SDMA (4 Bushings)
WASHER & BEARINGS				
28052		15 X 8.40 X 2.05		Washer BZKA BCLA MCLA MCTA MCVA MKYA MRMA MRVA MZKA [15 x 8.50 x 2] [Aluminum]
28053				Washer BZKA BCLA MCLA MCTA MCVA MKYA MRMA MRVA MZKA [26 x 18 x 2] [Aluminum]
ELECTRICAL COMPONENTS				
S-55		28200-P4R-003	88953B	Solenoid A4RA BDRA M4TA MDMA SKWA 1996-Up
S-78		28203-PK4-305	88996	Solenoid Assembly A24A S24A A4RA M4TA BDRA M24A B46A MDLA MP7A
HARD PARTS				
28897A		90203-PX4-010		Nut BZKA BCLA MCLA MCTA MCVA MKYA MRMA MRVA MZKA Secondary Counter Shaft [23mm] 2002-Up
28898A		90201-PX4-010		Nut Main Shaft BCLA MCLA BZKA MZKA MCTA MRMA MKYA MCVA MRVA GPPA GPLA MKZA MNZA BZNA MZJA MZHA [23mm] 1990-Up
MISCELLANEOUS COMPONENTS				
25450				Check Ball BZKA BCLA MCLA MCTA MCVA MKYA MRMA MRVA MZKA [0.218in Diameter] [Steel]
TOOLS				
28999				Honda & Acura Bushing Installer and Removal Tool Set (22 Pieces)
28999ER				Honda & Acura Red Bushing Extractor Tool
28999EY				Honda & Acura Yellow Bushing Extractor Tool

B7TA / B7VA / B7XA / B7YA / M7ZA

FWD 4 Speed

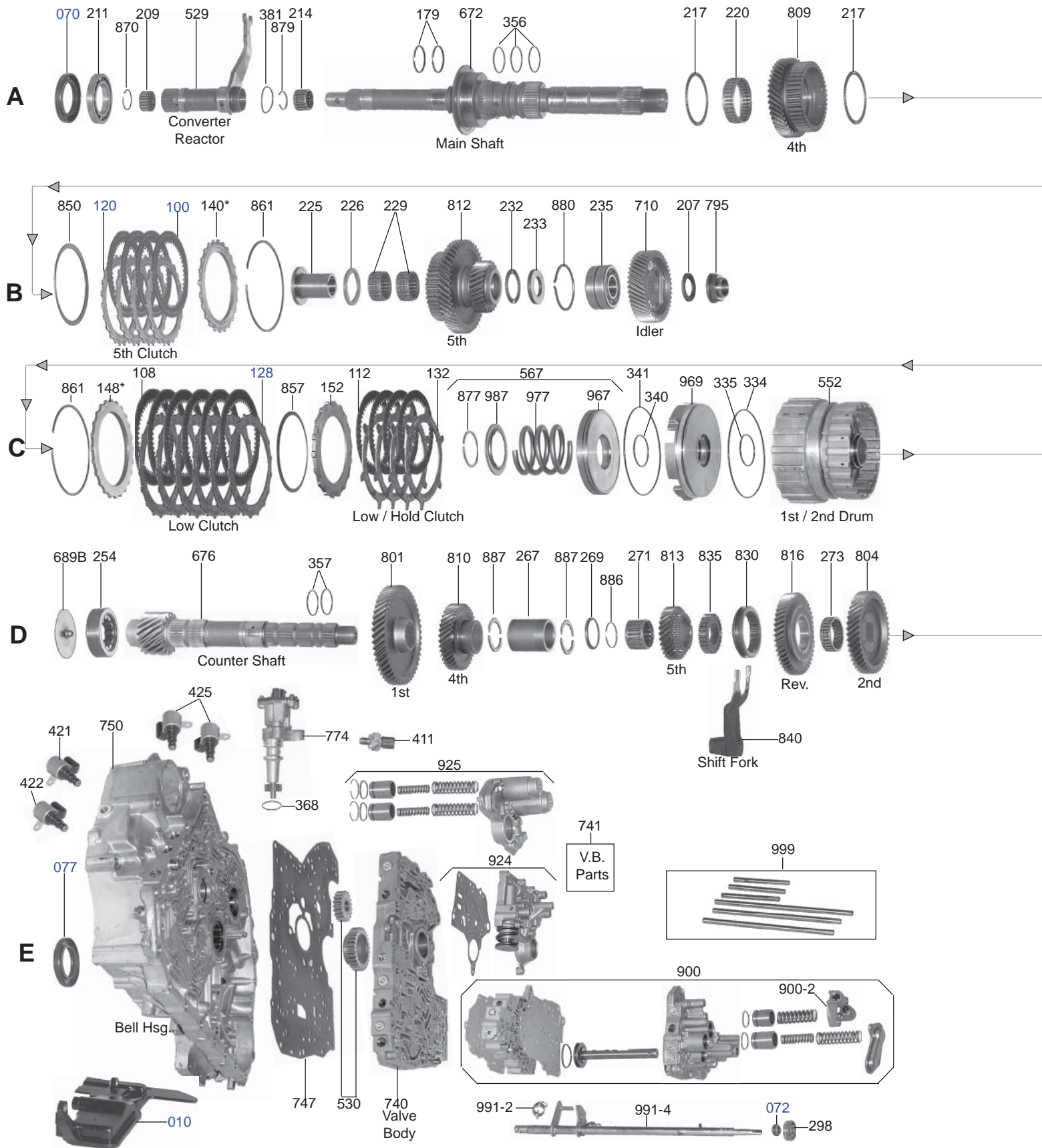


B7TA / B7VA / B7XA / B7YA / M7ZA



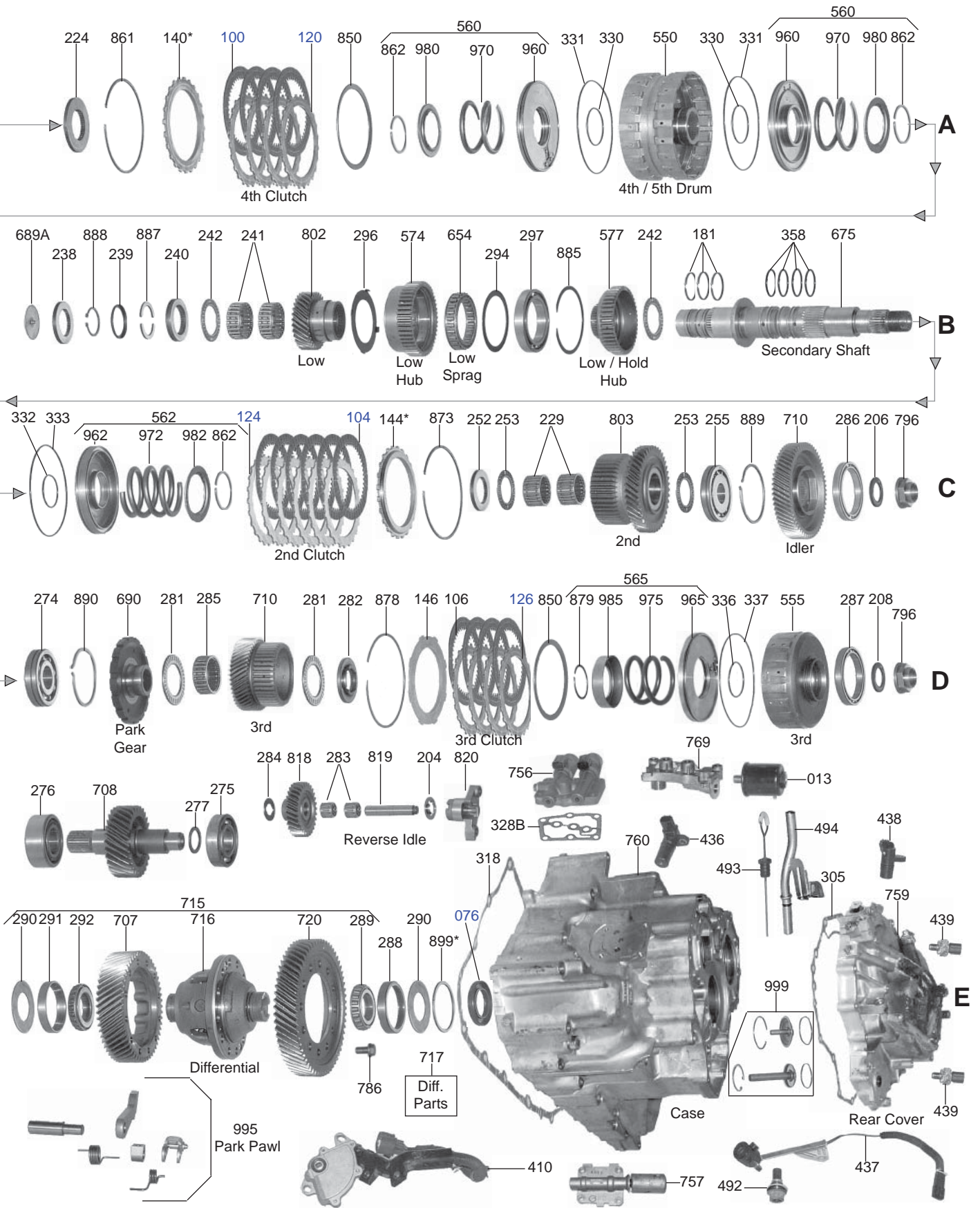
**BAYA / BGHA / BVGA / BYBA / B7WA / MAYA /
MFYA / MGHA / MGSA / M7WA**

FWD 5 Speed

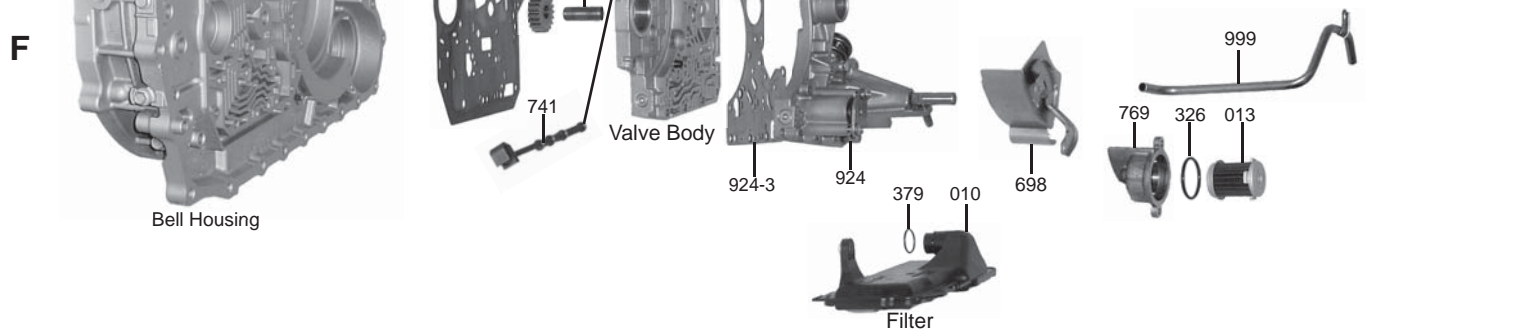
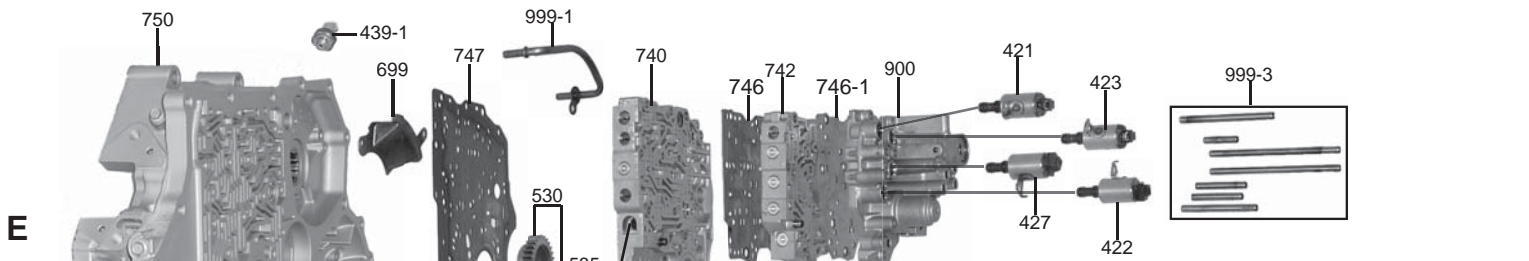
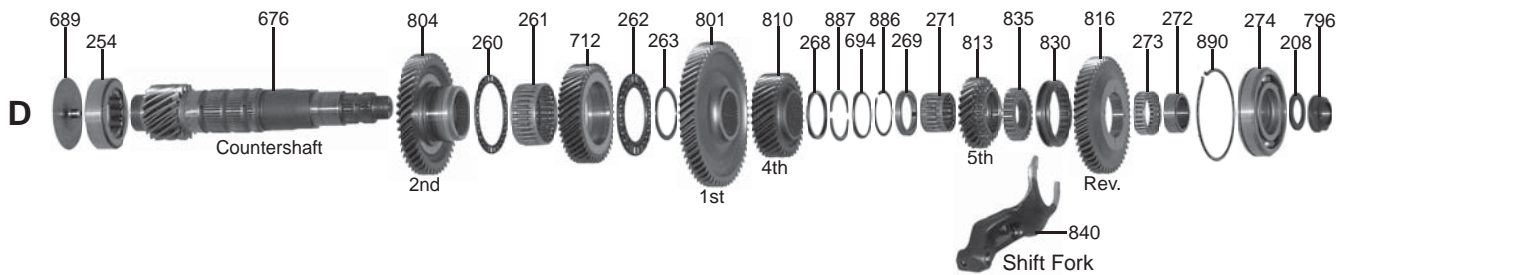
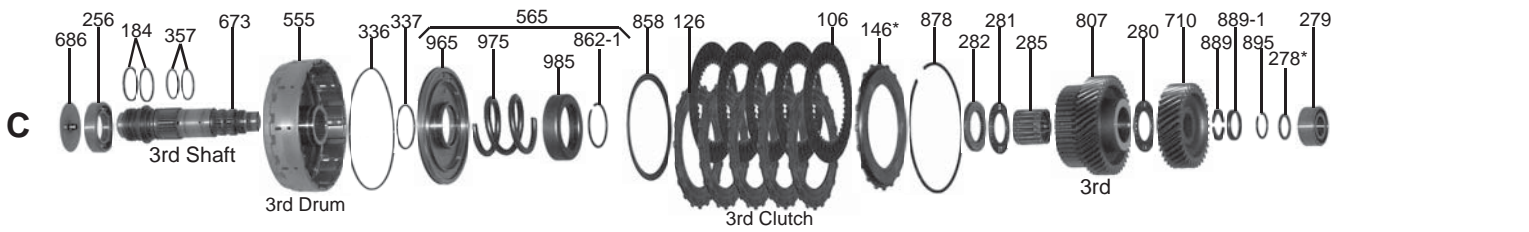
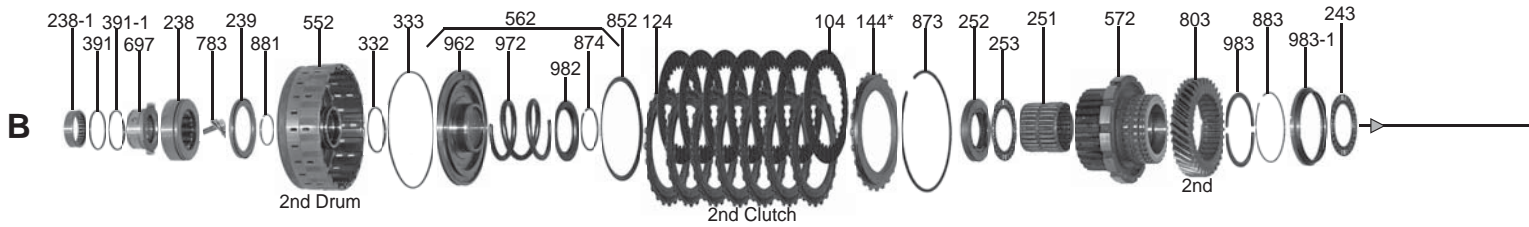
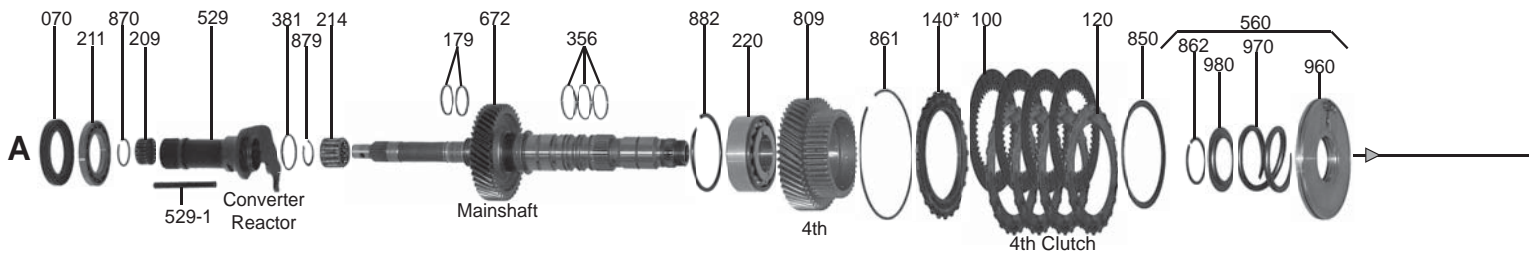


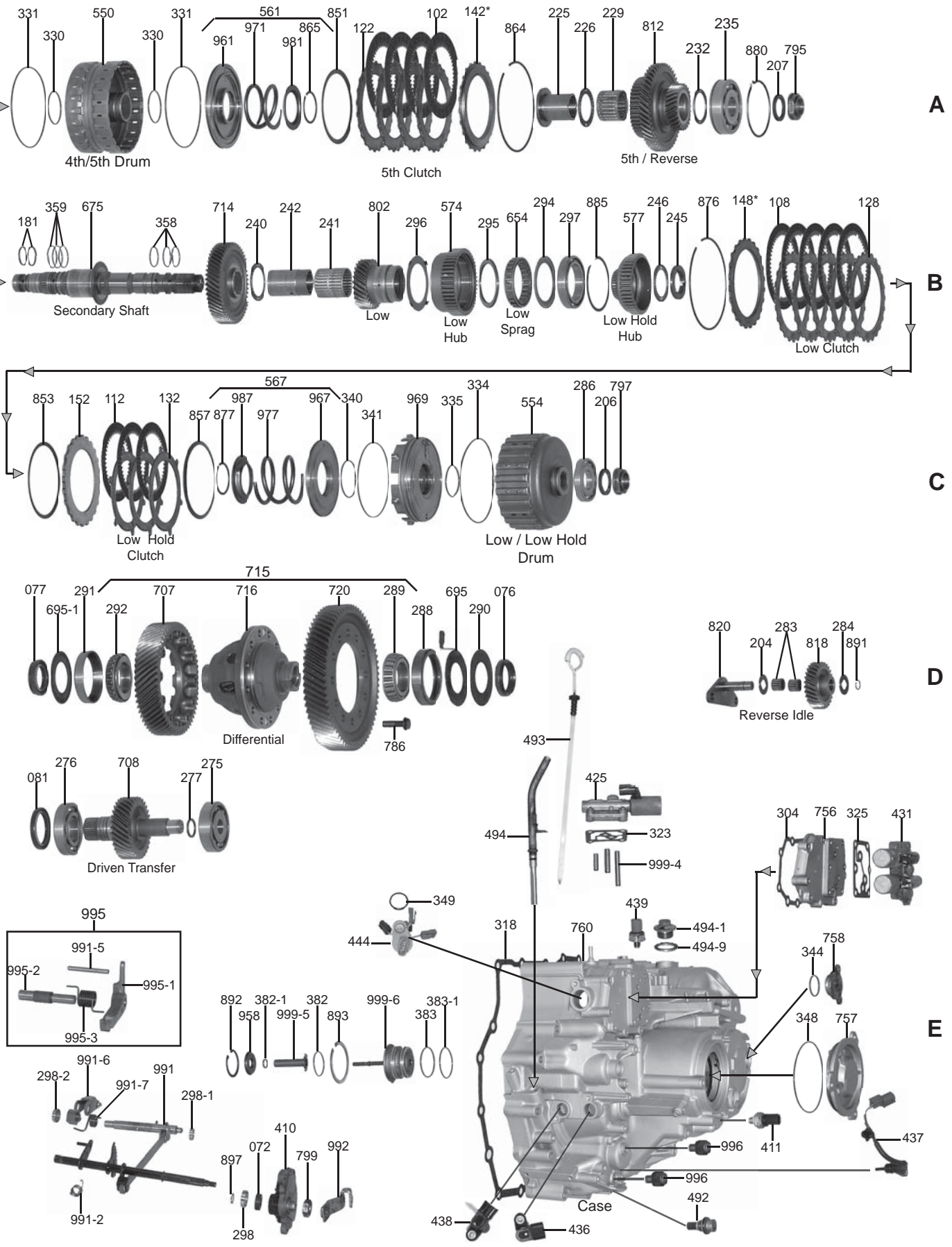
BAYA / BGHA / BVGA / BYBA / B7WA / MAYA / MFYA / MGHA / MGSA / M7WA

FWD 5 Speed



HONDA





Honda

Odyssey B7TA B7YA (1999-01) [4 Speed]
 Accord V6 MPZA (1995-97) • B7XA (1998-02) [4 Speed]
 Accord V6 BAYA MAYA (03-06) • B97A P79A (08-Up) / Hybrid MURA (2005-08) [5 Speed]
 Odyssey BYBA (2002-04) • BGRA (2005-07) • B36A P36A (2007-Up) [5 Speed]
 Ridgeline BJFA MJFA (2006-08) • PSFA (2009-11) Crosstour BBSA (2010-12) [5 Speed]
 Pilot AWD BVGA PVGA (2003-07) • P34A (2008) • PN3A (2009-11) [5 Speed]
 Pilot FWD BVLA PVLA (2003-07) • P35A (2008) • PN4A (2009-11) [5 Speed]

Acura

TL B7VA (1999) / CL V6 B7ZA M7ZA (1996-00) [4 Speed]
 TL B7WA M7WA (00-03) • BDGA (04-08) • Type S BDHA (07-08) • BK3A (2009-11) [5 Speed]
 MDX MGHA BGHA (2001-02) • MDKA BDKA (2003-06) • BYFA (2007-Up) [5 Speed]
 RL MJBA (2005-07) / RDX AWD BWEA (2007-11) • FWD BT3A (2010-Up) [5 Speed]
 CL BGFA MGFA (2001-05) / TSX MM2A (2009-Up) [5 Speed]
 Vue MDRA MDPA (2004-Up) [5 Speed]

Saturn

SAP #	IL#	OE	INDUSTRY	DESCRIPTION
OVERHAUL KIT				
B20002B				Overhaul Kit BAYA MAYA Accord V6 2003-06 • B7WA M7WA TL 2000-03 • BDGA TL 2004-08 • BGFA MGFA CL 2001-05
T20002B				Overhaul Kit BAYA MAYA Accord V6 2003-06 • B7WA M7WA TL 2000-03 • BDGA TL 2004-08 • BGFA MGFA CL 2001-05
B30002A				Overhaul Kit MPZA Accord V6 1995-97
T30002A				Overhaul Kit MPZA Accord V6 1995-97
B20002C				Overhaul Kit B7ZA M7ZA CL V6 1996-00 • B7VA TL 1999 • B7XA Accord V6 1998-02 • B7YA B7TA Odyssey 1999-01
T20002C				Overhaul Kit B7ZA M7ZA CL V6 1996-00 • B7VA TL 1999 • B7XA Accord V6 1998-02 • B7YA B7TA Odyssey 1999-01
B20002CA				Overhaul Kit B7ZA M7ZA CL V6 1996-00 • B7VA TL 1999 • B7XA Accord V6 1998-02 • B7YA B7TA Odyssey 1999-01 • MPZA Accord V6 1995-97 (Combo)
T20002CA				Overhaul Kit B7ZA M7ZA CL V6 1996-00 • B7VA TL 1999 • B7XA Accord V6 1998-02 • B7YA B7TA Odyssey 1999-01 • MPZA Accord V6 1995-97 (Combo)
T20002E				Overhaul Kit BGHA MGHA MDX 2001-02 • BYBA Odyssey 2002-04 • BGRA Odyssey 2005-07 • BVGA Pilot AWD 2003-05
T20002V				Overhaul Kit MDKA BDKA MDX 03-06 • MJBA RL 05-07 • BWEA RDX 07-Up • BJFA MJFA Ridgeline 06-08 • BVLA PVLA Pilot FWD 03-07 • PVGA (2006-07) BVGA (2006) Pilot AWD • P34A Pilot AWD 2008 • P35A Pilot FWD 2008 • MDRA MDPA Saturn Vue 04-Up • BBSA Crosstour 2010-12
T20002V-1				Overhaul Kit MDKA BDKA MDX 03-06 • MJBA RL 05-07 • BWEA RDX 07-Up • BJFA MJFA Ridgeline 06-08 • BVLA PVLA Pilot FWD 03-07 • PVGA (2006-07) BVGA (2006) Pilot AWD • P34A Pilot AWD 2008 • P35A Pilot FWD 2008 • MDRA MDPA Saturn Vue 04-Up • BBSA Crosstour 2010-12 W/Out Shaft Nuts
T40002B				Overhaul Kit BDHA BK3A TL FWD 2007-Up • MM2A TSX 2009-Up • B36A P36A Odyssey 2007-Up • B97A P79A Accord V6 2008-Up • PN4A Pilot FWD 2009-Up
T40002B-1				Overhaul Kit BDHA BK3A TL FWD 2007-Up • MM2A TSX 2009-Up • B36A P36A Odyssey 2007-Up • B97A P79A Accord V6 2008-Up • PN4A Pilot FWD 2009-Up W/Out Shaft Nuts
T40002D				Overhaul Kit BYFA MDX AWD 2007-Up • BK4A TL AWD 2009-Up • BT3A RDX FWD 2010-Up • PN3A Pilot AWD 2010-Up • PSFA Ridgeline 2009-Up
T40002D-1				Overhaul Kit BYFA MDX AWD 2007-Up • BK4A TL AWD 2009-Up • BT3A RDX FWD 2010-Up • PN3A Pilot AWD 2010-Up • PSFA Ridgeline 2009-Up W/Out Shaft Nuts
T40002G				Overhaul Kit MURA Accord Hybrid 2005-08
MASTER L/STEELS KIT				
T20004B				Master L/Steels Kit BAYA MAYA Accord V6 2003-04 • M7WA B7WA TL 2000-03 • BGFA MGFA CL V6 2001-06
T20004BA				Master L/Steels Kit BAYA MAYA Accord V6 2005-07
B30004A				Master L/Steels Kit MPZA Accord V6 1995-97
T30004A				Master L/Steels Kit MPZA Accord V6 1995-97
B20004CB				Master L/Steels Kit B7XA Accord V6 1998-02 • M7ZA CL V6 1996-00
T20004CB				Master L/Steels Kit B7XA Accord V6 1998-02 • M7ZA CL V6 1996-00
T20004E				Master L/Steels Kit BYBA Odyssey 2002-04 • BGHA MGHA MDX 2001-02
T20004EA				Master L/Steels Kit BVGA Pilot 2003-07 • BGRA Odyssey 2005-07
T20004M				Master L/Steels Kit B7VA TL 1999 • B7TA B7YA Odyssey 1999-01
T20004V				Master L/Steels MDKA BZKA MDX 2003-06
T40004G				Master L/Steels Kit MURA Accord Hybrid 2005-08
T40004B				Master L/Steels Kit BDHA TL FWD 2007-Up • B97A Accord V6 2008-09 • B36A P36A Odyssey 2007-08 • PN4A Pilot FWD 2009-Up
T40004BA				Master L/Steels Kit BK3A TL FWD 2007-Up • B36A P36A Odyssey 2009-Up • MM2A TSX 2009-Up • B97A P79A Accord V6 2010-Up
T40004D				Master L/Steels Kit BYFA MDX AWD 2007-Up
T40004DA				Master L/Steels Kit PN3A Pilot AWD 2010-Up
T40004DB				Master L/Steels Kit BK4A TL AWD 2009-Up
T40004DC				Master L/Steels Kit PSFA Ridgeline 2009-Up • BT3A RDX FWD 2010-Up

Honda

Odyssey B7TA B7YA (1999-01) [4 Speed]

Accord V6 MPZA (1995-97) • B7XA (1998-02) [4 Speed]

Accord V6 BAYA MAYA (03-06) • B97A P79A (08-Up) / Hybrid MURA (2005-08) [5 Speed]

Odyssey BYBA (2002-04) • BGRA (2005-07) • B36A P36A (2007-Up) [5 Speed]

Ridgeline BJFA MJFA (2006-08) • PSFA (2009-11) Crosstour BBSA (2010-12) [5 Speed]

Pilot AWD BVGA PVGA (2003-07) • P34A (2008) • PN3A (2009-11) [5 Speed]

Pilot FWD BVLA PVLA (2003-07) • P35A (2008) • PN4A (2009-11) [5 Speed]

Acura

TL B7VA (1999) / CL V6 B7ZA M7ZA (1996-00) [4 Speed]

TL B7WA M7WA (00-03) • BDGA (04-08) • Type S BDHA (07-08) • BK3A (2009-11) [5 Speed]

MDX MGHA BGHA (2001-02) • MDKA BDKA (2003-06) • BYFA (2007-Up) [5 Speed]

RL MJBA (2005-07) / RDX AWD BWEA (2007-11) • FWD BT3A (2010-Up) [5 Speed]

CL BGFA MGFA (2001-05) / TSX MM2A (2009-Up) [5 Speed]

Vue MDRA MDPA (2004-Up) [5 Speed]

Saturn

SAP #	IL#	OE	INDUSTRY	DESCRIPTION
MASTER W/STEELS KIT				
T20006B				Master W/Steels Kit BAYA MAYA Accord V6 2003-04 • M7WA B7WA TL 2000-03 • BGFA MGFA CL V6 2001-06
T20006BA				Master W/Steels Kit BAYA MAYA Accord V6 2005-07
B30006A				Master W/Steels Kit MPZA Accord V6 1995-97
T30006A				Master W/Steels Kit MPZA Accord V6 1995-97
B20006CB				Master W/Steels Kit B7XA Accord V6 1998-02 • M7ZA CL V6 1996-00
T20006CB				Master W/Steels Kit B7XA Accord V6 1998-02 • M7ZA CL V6 1996-00
T20006E				Master W/Steels Kit BYBA Odyssey 2002-04 • BGHA MGHA MDX 2001-02
T20006M				Master W/Steels Kit B7VA TL 1999 • B7TA B7YA Odyssey 1999-01
T20006V				Master W/Steels MDKA BZKA MDX 2003-06
T40006B				Master W/Steels Kit BDHA TL FWD 2007-Up • B97A Accord V6 2008-09 • B36A P36A Odyssey 2007-08 • PN4A Pilot FWD 2009-Up
T40006BA				Master W/Steels Kit BK3A TL FWD 2007-Up • B36A P36A Odyssey 2009-Up • MM2A TSX 2009-Up • B97A P79A Accord V6 2010-Up
T40006DA				Master W/Steels Kit PN3A Pilot AWD 2010-Up
T40006DC				Master W/Steels Kit PSFA Ridgeline 2009-Up • BT3A RDX FWD 2010-Up
T40006G				Master W/Steels Kit MURA Accord Hybrid 2005-08
GASKET & RUBBER COMPONENTS				
28997716		21811-P7Z-000		Gasket M7ZA B7VA B7XA B7TA B7ZA Case 1997-Up
28697997		21811-P7W-000		Gasket BAYA MAYA MGFA M7WA B7WA Case 2000-Up
		21812-PGH-010		
28697998		21812-P7W-000		Gasket MGHA BAYA BYBA BGHA BDGA Case 2000-Up
28614B		21811-POZ-000		Gasket MPZA Case 1996-Up
28697807		21811-RGR-000		Gasket BGRA Case 2005-Up
28697808A		21811-RCK-000		Gasket MURA Case 2005-07
28697808B		21811-R36-000		Gasket MVGA Case 2009-Up
28997758		21812-P7T-000		Gasket BYVA B7XA B7YA B7TA Side Cover
28615B		21812-POZ-000		Gasket MPZA M7ZA Side Cover 1995-Up
28697806		21811-PGH-020		Gasket MGHA BGHA BVGA Case to Bell Housing 2001-Up
28997717		21812-P7Z-000		Gasket M7ZA B7VA B7XA B7TZ Side Cover 1997-99
28716B		28252-PAX-000	121531	Gasket BAYA MAYA BYWA MGFA M7WA BWA Solenoid
28697996		25812-P7W-A00		Gasket BAYA MAYA Passage 2000-Up
1993583		91302-PGK-003		O-Ring BAYA MAYA BYWA MGFA M7WA BYWA B7VA B7XA B7TA Torque Converter
1994529		91303-PY9-004		O-Ring BAYA MAYA B7WA MGFA M7WA B7WA Clutch Piston Outer
1994783		04650-16003F		O-Ring BAYA MAYA B7WA MGFA M7WA B7WA Servo Piston
1994811		90301-99076		O-Ring BAYA MAYA B7WA MGFA M7WA B7WA Output Shaft
1994884				O-Ring BAYA MAYA B7WA MGFA M7WA B7WA (19 X 2mm)
1994902		91303-P0Z-003		O-Ring BAYA MAYA B7WA MGFA M7WA B7WA MPZA Low Clutch Inner Rear
1994903		91302-POZ-003		O-Ring BAYA MAYA B7WA MGFA M7WA B7WA MPZA Low Clutch Inner Front
1994904				O-Ring BAYA MAYA B7WA MGFA M7WA B7WA MPZA Inner
28619B		27589-POZ-023		Seal MPZA Top Accumulator Cover 1995-Up
OIL SEALING RINGS				
TAW-1124		22814-P0X-003		Ring M7ZA B7VA B7XA B7YA B7TA B7ZA MPZA Main Shaft (32.0mm) 1996-Up [Metal]
30653T		22814-PA9-023	121305A	Ring M7ZA B7VA B7XA B7YA B7TA B7ZA MPZA Main Shaft (32.0mm) 1996-Up [PTFE]
		22814-PK4-003		Ring M7ZA B7VA B7XA B7YA B7TA B7ZA MPZA BGHA BYBA BGRA BVGA B7WA MGHA M7WA MAYA
30639T		22815-P4P-003	121305B	Main Shaft (29.0mm) 1996-Up [PTFE]
		22814-PF4-003		Ring M7ZA B7VA B7XA B7YA B7TA B7ZA MPZA BGHA BYBA BGRA BVGA B7WA MGHA M7WA MAYA
30643T		22816-P6H-003	121305	Secondary Shaft (35.0mm) 1996-Up [Plastic]
6347				Ring Kit M7ZA B7VA B7XA B7YA B7TA B7ZA MPZA 1996-Up (2 Metal 1 PTFE 3 Plastic Rings)
6361				Ring Kit BGHA BYBA BGRA BVGA B7WA MGHA M7WA MAYA (3 PTFE 3 Plastic Rings)
6308				Ring Kit MPZA APX4 MPXA MPOA AOYA (8 Metal Rings)
6370				Ring Kit BDKA MDKA MJBA BJFA MJFA MDRA 2003-Up (8 Plastic Rings)

Honda

Odyssey B7TA B7YA (1999-01) [4 Speed]
 Accord V6 MPZA (1995-97) • B7XA (1998-02) [4 Speed]
 Accord V6 BAYA MAYA (03-06) • B97A P79A (08-Up) / Hybrid MURA (2005-08) [5 Speed]
 Odyssey BYBA (2002-04) • BGRA (2005-07) • B36A P36A (2007-Up) [5 Speed]
 Ridgeline BJFA MJFA (2006-08) • PSFA (2009-11) Crosstour BBSA (2010-12) [5 Speed]
 Pilot AWD BVGA PVGA (2003-07) • P34A (2008) • PN3A (2009-11) [5 Speed]
 Pilot FWD BVLA PVLA (2003-07) • P35A (2008) • PN4A (2009-11) [5 Speed]

Acura

TL B7VA (1999) / CL V6 B7ZA M7ZA (1996-00) [4 Speed]
 TL B7WA M7WA (00-03) • BDGA (04-08) • Type S BDHA (07-08) • BK3A (2009-11) [5 Speed]
 MDX MGHA BGHA (2001-02) • MDKA BDKA (2003-06) • BYFA (2007-Up) [5 Speed]
 RL MJBA (2005-07) / RDX AWD BWEA (2007-11) • FWD BT3A (2010-Up) [5 Speed]
 CL BGFA MGFA (2001-05) / TSX MM2A (2009-Up) [5 Speed]
 Vue MDRA MDPA (2004-Up) [5 Speed]

Saturn

SAP #	IL#	OE	INDUSTRY	DESCRIPTION
METAL CLAD SEALS				
70045		91209-612-003	78197	Seal B7TA B7VA B7XA B7YA M7ZA MGHA Manual Shaft (12 x 22 x 7)
		91207-P7Z-003		Seal BAYA BDGA BGFA BGHA BVGA BYBA B7TA B7VA B7WA B7XA B7YA B7ZA MGFA Torque
70052		91207-PG4-005	121153	Converter Housing 2000-Up
				Seal BAYA BGHA BVGA BYBA B7TA B7VA B7WA B7XA B7YA MAYA MFYA MGHA MGSA M7WA M7ZA
70089		91205-P0X-005	88151B	Axle Left
		91206-P0Z-005		
70316		91207-PH8-005		Seal BAYA BYBA B7TA B7VA B7WA B7XA B7ZA MFYA MGHA MGSA M7WA Axle Right
70428		91201-RDK-003		Seal MDKA MJBA BVGA PVGA MJFA BJFA Bell Housing (48 x 65 x 7) 2003-07
70408		91207-PY4-004		Seal MDKA BDKA Axle Shaft Bell Housing Side 2003-06
70048			88152B	Seal MPZA Axle (Case Side) (35 x 54 x 8mm)
FRICITION CLUTCH				
28924H		22536-639-000	98106G	Friction BAYA BYBA B7WA MGHA M7WA 4th & 5th Clutch [44 Teeth 0.076 THK]
28628BH		22674-POZ-003	116700	Friction MPZA Low Hold [4.56 OD 44 Teeth 0.076 THK] 1995-97 [OEM]
28624BH		22545-POZ-003	98101	Friction MPZA M6HA B6VA 2nd - 3rd - 4th [4.70 OD 44 Teeth 0.076 THK] 1995-Up
28622CR				Friction BDHA BK3A MM2A B36A P36A B97A P79A PN4A BT3A PN3A PSFA 2nd Clutch 2007-Up
28624DBR		22644-RDK-A01		Friction MURA 3rd Clutch 2005-Up
28626BR				Friction BDHA BK3A MM2A B36A P36A B97A P79A PN4A BT3A PN3A PSFA Low/Hold 2007-Up
28626CCR		22645-RJB-003		Friction MURA 4th & 5th Clutch MURA 2005-Up
28626DR				Friction MURA MGHA BGHA BYBA BVGA Low Hold 2005-Up
28980D				Friction Module B7XA Accord V6 1998-02 • M7ZA CL V6 1996-00
28980DT				Friction Module B7XA Accord V6 1998-02 • M7ZA CL V6 1996-00
28680AR				Friction Module B7XA M7ZA 1997-02 (also covers MP1A MPJA MPOA AOYA)
28680DR				Friction Module BAYA MAYA 2003-04 • M7WA B7WA BVGA MFYA 2000-Up
28680ER				Friction Module BAYA MAYA 2005-07 • BYBA BGHA MGHA BDGA 2000-Up
28680HR				Friction Module BVGA 2003-06 • BVLA 2005 • BGRA 2005-07
28680CR				Friction Module B7VA TL 1999 • B7TA B7YA Odyssey 1999-01
28680BH				Friction Module MPZA Accord V6 1995-97 [OEM]
28680BR				Friction Module MPZA Accord V6 1995-97
28680BT				Friction Module MPZA Accord V6 1995-97
40080CR				Friction Module BK3A TL FWD 2007-Up • B36A P36A Odyssey 2009-Up • PSFA Ridgeline 2009-Up • MM2A TSX 2009-Up • B97A P79A Accord V6 2010-Up • BT3A RDX FWD 2010-Up
40080DR				Friction Module BYFA MDX AWD 2007-Up
40080DBR				Friction Module BK4A TL AWD 2009-Up
28680IR				Friction Module MDKA BZKA MDX 2003-06
20080UR				Friction Module MURA Accord Hybrid 2005-08
STEEL CLUTCH				
28921		22656-P7T-003	98111G	Steel B7TA B7VA 1st & 2nd [3.67 ID 20 Teeth 0.078 THK]
28923B		22653-PGH-003		Steel B7XA B7ZA 3rd [3.46 ID 20 Teeth 0.091 THK] 2005-2007
28923A		25420-639-000		Steel B7XA B7ZA 3rd [3.70 ID 24 Teeth 0.091 THK]
28923		22543-PS5-013	98115G	Steel BYBA MGHA 3rd [3.495 ID 20 Teeth 0.091 THK] 1999-01
				Steel BAYA MAYA BYBA B7WA MFYA BGHA MGHA MGSA M7WA 1st Clutch [4.06 ID 24 Teeth 0.063 THK] 2000-Up
28631B		22543-P7W-003	121111	Steel BAYA MAYA BYBA B7WA MFYA BGHA MGHA MGSA M7WA 2nd [3.60 ID] 2000-Up
28627D		22673-P7W-003	121112	Steel BAYA MAYA BYBA B7WA MFYA BGHA MGHA MGSA M7WA Low Hold [3.74 ID 20 Teeth 0.064 THK] 2000-Up
28621B		22643-P7W-003	121114	Steel B7VA B7TA BAYA MAYA BDGA BYBA B7WA BGHA MGHA M7WA 4th [3.67 ID 20 Teeth 0.079 THK]
28921A		22653-P7W-003	98116G	Steel MPZA Low Hold [3.67 ID 6 Teeth 0.063 THK] 1995-Up
28627B		22681-POZ-003		Steel MPZA Low Hold [3.67 ID 6 Teeth 0.079 THK] 1995-Up
28627C		22683-POZ-003	98121	Steel MPZA Low Hold [3.67 ID 6 Teeth 0.079 THK] 1995-Up
		22643-RDK-013		
28623B		22463-RJF-003		Steel BDHA BK3A MM2A B36A P36A B97A P97A PN4A BYFA BK4A BT3A PN3A PSFA 2nd 2007-Up
28625A		22653-RJB-E01		Steel BDHA BK3A MM2A B36A P36A B97A P97A PN4A BT3A PN3A PSFA 3rd 2007-Up

Honda

Odyssey B7TA B7YA (1999-01) [4 Speed]
 Accord V6 MPZA (1995-97) • B7XA (1998-02) [4 Speed]
 Accord V6 BAYA MAYA (03-06) • B97A P79A (08-Up) / Hybrid MURA (2005-08) [5 Speed]
 Odyssey BYBA (2002-04) • BGRA (2005-07) • B36A P36A (2007-Up) [5 Speed]
 Ridgeline BJFA MJFA (2006-08) • PSFA (2009-11) Crosstour BBSA (2010-12) [5 Speed]
 Pilot AWD BVGA PVGA (2003-07) • P34A (2008) • PN3A (2009-11) [5 Speed]
 Pilot FWD BVLA PVLA (2003-07) • P35A (2008) • PN4A (2009-11) [5 Speed]

Acura

TL B7VA (1999) / CL V6 B7ZA M7ZA (1996-00) [4 Speed]
 TL B7WA M7WA (00-03) • BDGA (04-08) • Type S BDHA (07-08) • BK3A (2009-11) [5 Speed]
 MDX MGHA BGHA (2001-02) • MDKA BDKA (2003-06) • BYFA (2007-Up) [5 Speed]
 RL MJBA (2005-07) / RDX AWD BWEA (2007-11) • FWD BT3A (2010-Up) [5 Speed]
 CL BGFA MGFA (2001-05) / TSX MM2A (2009-Up) [5 Speed]
 Vue MDRA MDPA (2004-Up) [5 Speed]

Saturn

SAP #	IL#	OE	INDUSTRY	DESCRIPTION
STEEL CLUTCH -- continued				
28625C		22653-RDK-003 22653-RJB-013		Steel MURA 3rd 2005-Up
28627G		22656-RCK-003		Steel MURA 4th & 5th 2005-Up
28981D		22657-RCK-003		Steel Module B7XA Accord V6 1998-02 • M7ZA CL V6 1996-00
28681D				Steel Module BAYA MAYA Accord V6 2003-04 • M7WA B7WA TL 2000-03 • BGFA MGFA CL V6 2001-06
28681E				Steel Module BAYA MAYA Accord V6 2005-07
28681H				Steel Module BYBA BGHA MGHA 2001-Up
28681B				Steel Module MPZA Accord V6 1995-97
28681C				Steel Module B7VA TL 1999 • B7TA B7YA Odyssey 1999-01
40081C				Steel Module BK3A TL FWD 2007-Up • B36A P36A Odyssey 2009-Up • PSFA Ridgeline 2009-Up • MM2A TSX 2009-Up • B97A P79A Accord V6 2010-Up • BT3A RDX FWD 2010-Up
28681I				Steel Module MDKA BZKA MDX 2003-06
20081U				Steel Module MURA Accord Hybrid 2005-08
FILTER				
28246C		25420-P7W-003	48575LL	Filter BAYA BYBA BDGA B7WA MGFA M7WA (Plastic) 2000-Up
28940D			98710P	Filter M7ZA B7XA B7TA B7VA B7ZA B7YA (Plastic) 1998-Up
MISCELLANEOUS FILTERS				
28665109				Screen Filter BAYA MAYA BYBA MGFA M7WA Valve Body 2000-Up
WASHER & BEARINGS				
28055		90471-PW7-A00		Washer BAYA MAYA B7WA MGFA M7WA B7WA (16.80 x 10.50 x 2.00) [Aluminum]
MISCELLANEOUS COMPONENTS				
SUB-2041				Transfer Case Kit MDKA BDKA MJBA BWEA PVGA BVGA BJFA MJFA PSFA BYFA 2002-Up (AWD Coverage)

Honda

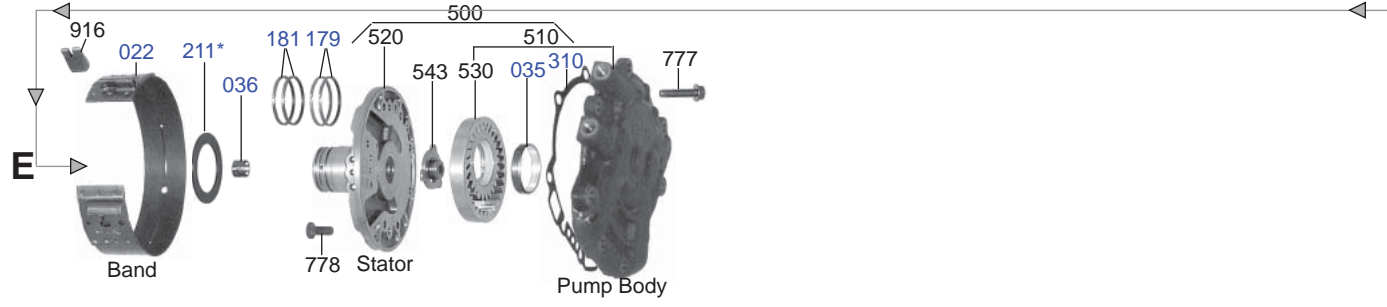
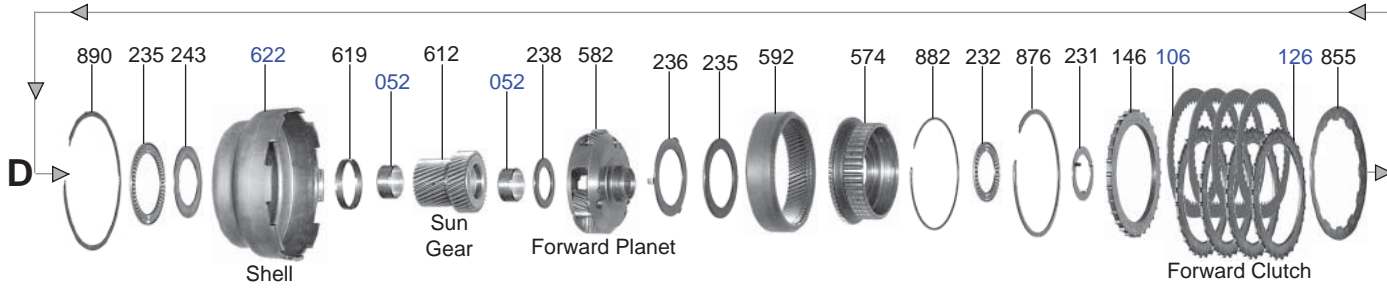
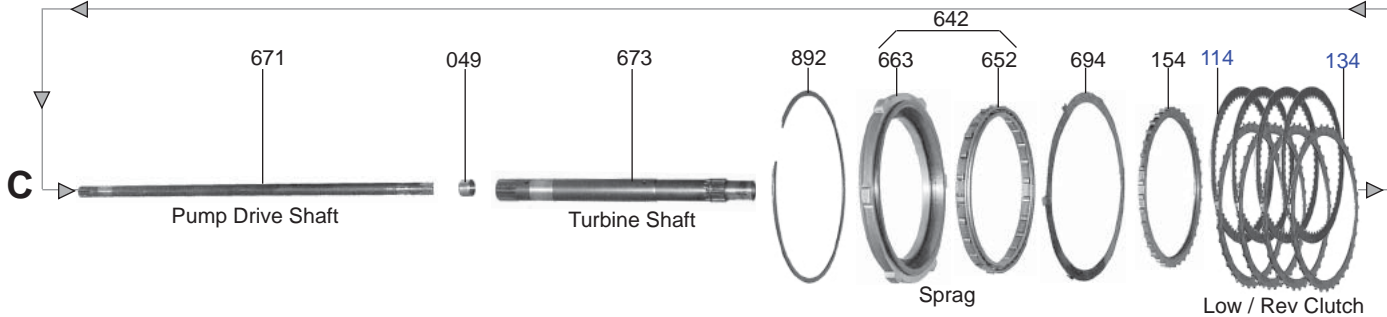
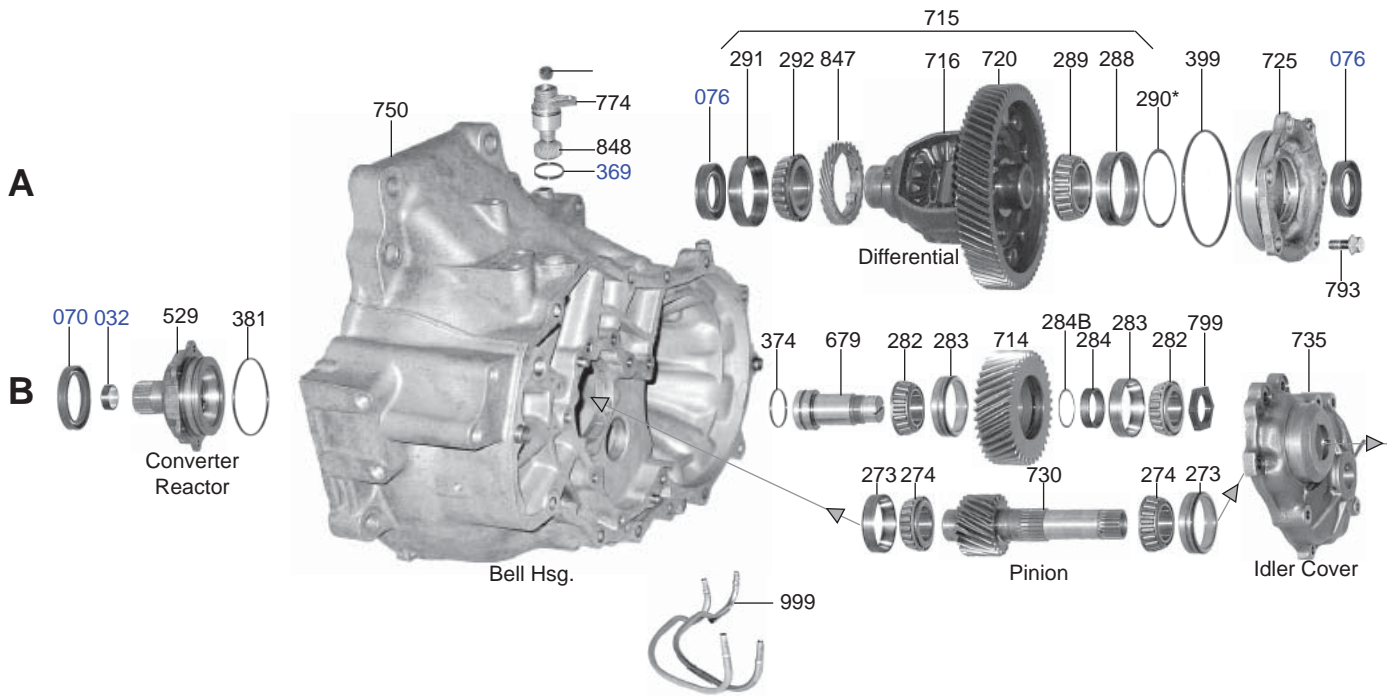
Civic SPCA MPCA (2006-09) / Fit SMMA (2007-08) • SP5A (2009-11) [5 Speed]

Accord B90A M91A (2008-12) [5 Speed]

TSX MM7A (2009-11) [5 Speed]

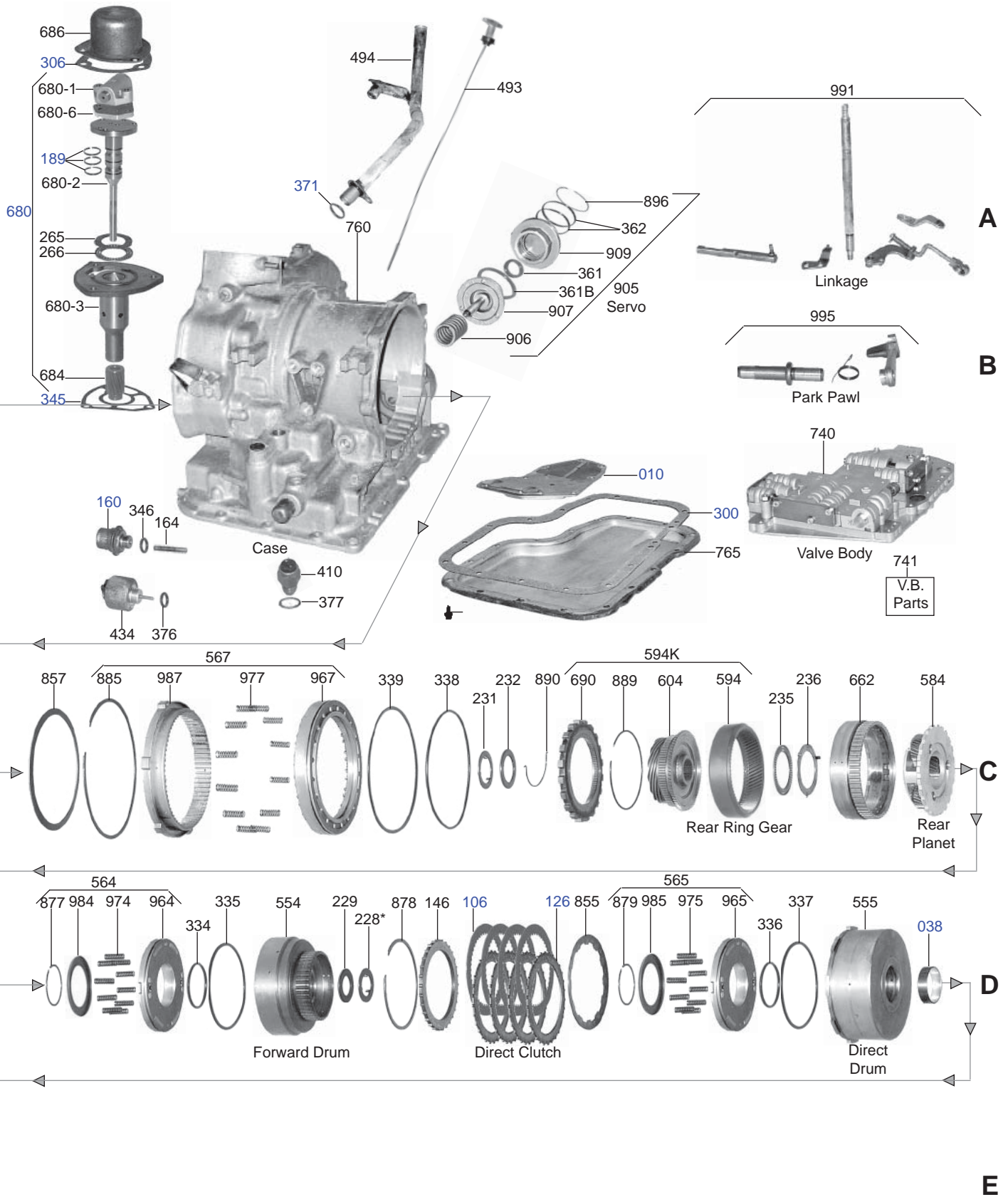
Acura

SAP #	IL#	OE	INDUSTRY	DESCRIPTION
OVERHAUL KIT				
T160002C				Overhaul Kit SPCA MPCA <i>Civic 2006-09</i> • SMMA <i>Fit 2007-08</i> SP5A <i>Fit 2009-11</i>
T160002E				Overhaul Kit B90A M91A <i>Accord 2008-12</i> • MM7A <i>TSX 2009-11</i>
MASTER L/STEELS KIT				
T160004C				Master L/Steels Kit SPCA MPCA <i>Civic 2006-09</i>
T160004D				Master L/Steels Kit SMMA <i>Fit 2007-08</i> SP5A <i>Fit 2009-11</i>
T160004E				Master L/Steels Kit B90A M91A <i>Accord 2008-12</i> • MM7A <i>TSX 2009-11</i>
MASTER W/STEELS KIT				
T160006C				Master W/Steels Kit SPCA MPCA <i>Civic 2006-09</i>
T160006D				Master W/Steels Kit SMMA <i>Fit 2007-08</i> SP5A <i>Fit 2009-11</i>
T160006E				Master W/Steels Kit B90A M91A <i>Accord 2008-12</i> • MM7A <i>TSX 2009-11</i>
GASKET & RUBBER COMPONENTS				
286970036		28252-RPC-000		Gasket SPCA SMMA Linear A Solenoid 2006-Up
286970037		28262-RPC-000		Gasket SPCA SMMA Linear B Solenoid 2006-Up
OIL SEALING RINGS				
6391				Ring Kit SPCA MPCA SMMA SP5A 2006-Up (2 PTFE 4 Plastic Rings)
6368				Ring Kit B90A M91A MM7A (6 Plastic Rings)
FRICITION CLUTCH				
16020R		22544-RPC-003		Friction SPCA MPCA SMMA SP5A Low Clutch [0.076in THK] 2006-Up
16022R		22544-RPC-004		Friction SPCA MPCA SMMA SP5A 2nd 3rd 4th 5th Clutch [0.078in THK] 2006-Up
16080R				Friction Module SPCA MPCA <i>Civic 2006-Up</i>
16080AR				Friction Module SMMA SP5A <i>Fit 2007-Up</i>
16080BR				Friction Module B90A M91A <i>Accord 2008-12</i>
STEEL CLUTCH				
16021		22543-RPC-003		Steel SPCA MPCA SMMA SP5A Low Clutch [0.063in THK] 2006-Up
16023		22643-RPC-004		Steel SPCA MPCA 2nd Clutch [0.079in THK] 2006-Up
16023A		22643-RMM-004		Steel SMMA SP5A 2nd Clutch [0.090in THK] 2007-Up
16025		22653-RPC-004		Steel SPCA MPCA SMMA SP5A 4th Clutch [0.063in THK] 2006-Up
16027		22643-RPC-003		Steel SPCA MPCA 3rd & 5th Clutch [0.063in THK] 2006-Up
16027A		22643-RMM-003		Steel SMMA SP5A 3rd & 5th Clutch [0.079in THK] 2007-Up
16081				Steel Module SPCA MPCA <i>Civic 2006-Up</i>
16081A				Steel Module SMMA SP5A <i>Fit 2007-Up</i>
16081B				Steel Module B90A M91A <i>Accord 2008-12</i>
HARD PARTS				
28664277		90203-PRC-000		Nut SPCA SMMA Main Shaft [22mm] 2006-Up



FWD 3 Speed

F3A

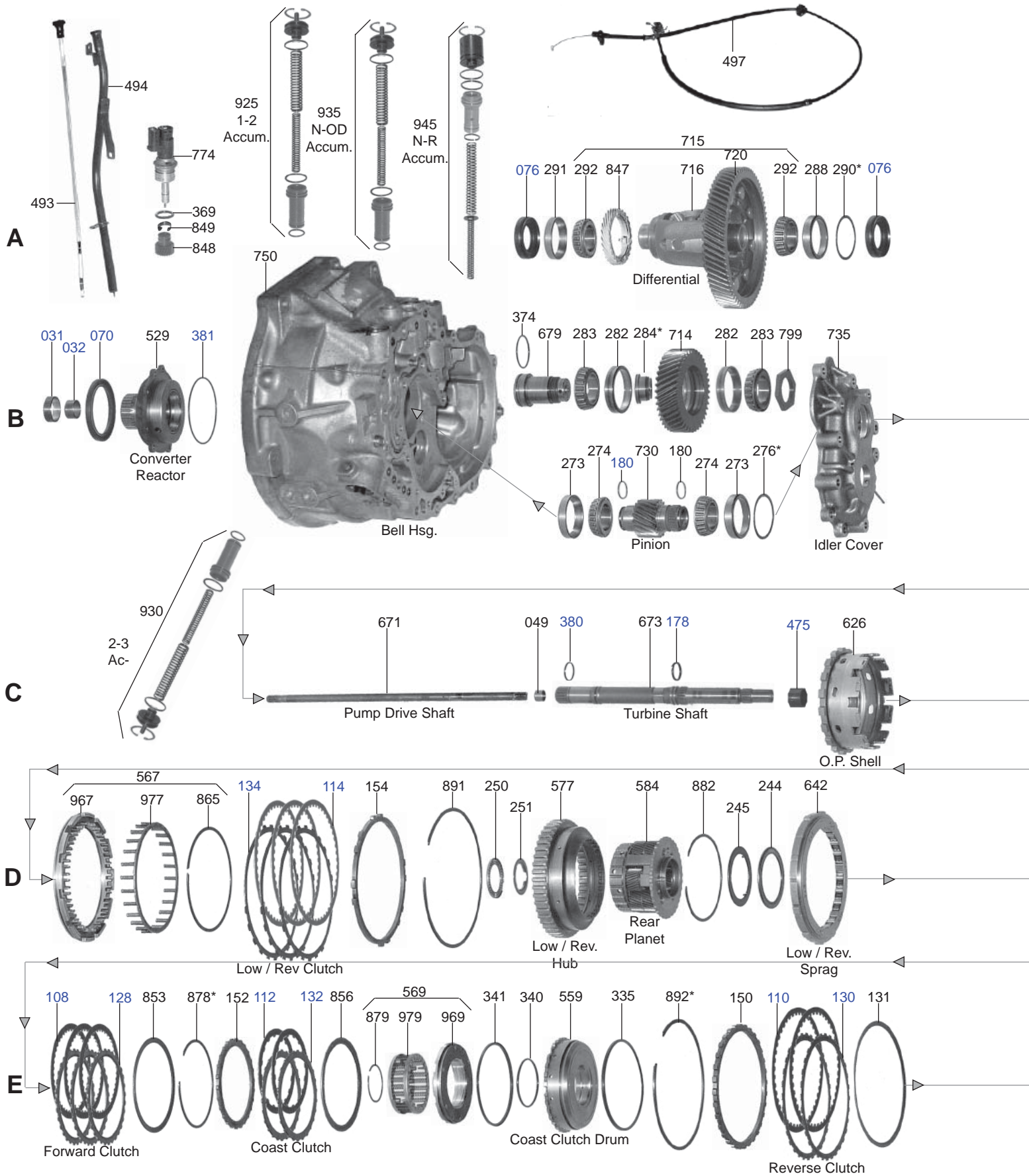


SAP #	IL#	OE	INDUSTRY	DESCRIPTION
PAPER & RUBBER KIT				
T18000				Paper & Rubber Kit F3A 1981-Up
OVERHAUL KIT				
B18002				Overhaul Kit F3A 1981-Up (With 2 Case Gaskets)
T18002				Overhaul Kit F3A 1981-Up (W/Out Case Gaskets)
MASTER L/STEELS KIT				
B18004				Master L/Steels Kit F3A 1981-Up {Mazda Ford Geo}
MASTER W/STEELS KIT				
B18006				Master W/Steels Kit F3A 1981-93
SUPER KIT				
B18008				Super Kit F3A 1981-87
GASKET & RUBBER COMPONENTS				
1984022	0338-19-476			D-Ring F3A Front & Rear Clutch Outer 1981-Up
1984139	FT01-19-603			D-Ring F3A Low & Reverse Clutch Outer 1981-Up
1984015	31617-X0400			D-Ring F3A Outer (29.4 X 5.2 X 2.5)
1984167	F4BZ-7D025A			D-Ring F3A Servo Piston
1984024	0842-19-385			D-Ring F3A Servo Piston 1981-Up
1984025	FT03-19-385			D-Ring F3A Servo Piston 1981-Up
1984026	0338-19-384			D-Ring F3A Servo Piston Large 1981-Up
27509T	FT01-19-835	91500		Gasket F3A Oil Pan 1981-Up [Cork & Rubber]
27518	FT01-19-835	91500F		Gasket F3A Oil Pan 1981-Up [Fiber]
27397466				Gasket F3A 3-2 Valve Cover 1986-89
27308	FT01-19-688	91520		Gasket F3A Governor 1981-Up
27307	FT01-19-689	91523		Gasket F3A Governor Cover 1981-Up
27306	FT01-19-221A	91522		Gasket F3A Pump Body To Case 1981-Up
1994649	FT01-19-214			O-Ring F3A Bearing Cover 1981-Up
1994650	9954-209-501			O-Ring F3A Differential Side Cover 1981-Up
1995512	9954-10-1601			O-Ring F3A Filler Tube
1994646	0338-19-475			O-Ring F3A Forward & Direct Piston Inner 1981-Up
1995511	9954-10-1001			O-Ring F3A Manual Lever Shaft
1994648	FT01-19-394			O-Ring F3A Servo Piston 1981-Up
1995146	6500169			O-Ring F3A Shaft Bearing Retainer
1995510	1011-17-443			O-Ring F3A Speedometer
1994126	90301-34007			O-Ring F3A Speedometer Accumulator Piston
METAL CLAD SEALS				
70109	FT01-19-223	91151		Seal F3A Front Pump 1981-Up
70155	FUO3-27-238A	46152 91152		Seal F3A Both Axles 1981-Up
70043	9958-60-8166	91511		Seal F3A Speedometer Housing 1981-Up
OIL SEALING RINGS				
30603	FT01-19-855T	91229T		Ring F3A Governor 1981-Up [PTFE]
TAW-317	0338-19-256	66227		Ring F3A Stator Front 1981-Up [Metal]
30584	BV01-19-256	66227		Ring F3A Stator Front 1981-Up [PTFE]
TAW-315	0338-19-257	66228		Ring F3A Stator Rear 1981-Up [Metal]
30585	BV01-19-257	66228		Ring F3A Stator Rear 1981-Up [PTFE]
27399	FT05-19-538			Seal F3A Front Planet Carrier [PTFE]
6080				Ring Kit F3A 1981-Up (4 Metal 4 PTFE Rings)
6080OS				Ring Kit F3A 1981-Up (4 OS Metal 4 PTFE Rings)
FRICTION CLUTCH				
27020R	0338-19-500A	66304		Friction F3A Forward & Direct [0.063 THK] 1981-Up
27020T	0338-19-500A	66304		Friction F3A Forward & Direct [0.063 THK] 1981-Up
27322R	FT01-19-610	91102		Friction F3A Low/Reverse [5.80 OD 62 Teeth 0.060 THK] 1981-Up
27322T	FT01-19-610	91102		Friction F3A Low/Reverse [5.80 OD 62 Teeth 0.060 THK] 1981-Up
27350R				Friction Module F3A 1981-Up
27350T				Friction Module F3A 1981-Up
STEEL CLUTCH				
27321	FT01-19-499	91100		Steel F3A Forward & Direct [3.62 ID 28 Teeth 0.063 THK] 1981-Up
27323	FT01-19-609	91104		Steel F3A Low/Reverse [5.12 ID 37 Teeth 0.059 THK] 1981-Up
27351				Steel Module F3A 1981-Up
FILTER				
27340	FT01-19-815	91710		Filter F3A (Shallow Pan) 1981-87 {Ford & Mazda}
27341	8-94428489-0	91710A		Filter F3A (Deep Pan) 1985-91 {Isuzu & GM Storm}
27345	FT21-19-8150	91710B		Filter F3A (Shallow Pan) 1981-89 {Mazda 323 & Ford Tracer}
27348	8-94413320-0	91710C		Filter F3A (Deep Pan With Long Tube) 1987-95 {Isuzu}
27347	E9BZ-7A098-A	91710D		Filter F3A (Deep Pan) 1989-93 {Ford Festiva}
FILTER KIT				
27349			FK91710D	Filter Kit F3A (Tracer & Festiva) 1989-93
27346	FT 21 19 815D		FK91710D	Filter Kit F3A 1987-90 (With Cork & Rubber Pan Gasket)
27346A				Filter Kit F3A 1987-90 (With Fiber Pan Gasket)

SAP #	IL#	OE	INDUSTRY	DESCRIPTION
BANDS				
27146		0338-19-360B	66320J	Band F3A Inetermediate (1.734 Wide) 1975-Up
BUSHINGS				
27332		31412-X5000	91001	Bushing F3A Direct Drum (0.51 OD) (0.37 ID) [Babbitt]
27333		31353-X5000	91002	Bushing F3A Stator To Turbine Shaft (0.79 OD) (0.64 ID) [Babbitt]
27334		31358-X5000	91003	Bushing F3A Inner Pump Gear (1.62 OD) (1.47 ID) [Babbitt]
27335		31343-X5000	91004	Bushing F3A Cover (0.91 OD) (0.77 ID) (0.60 HT) 1981-84 [Babbitt]
27339		31343-X5100	91004A	Bushing F3A Cover (0.93 OD) (0.78 ID) [Babbitt]
27379		31373-X5100	91004B	Bushing F3A Cover (0.93 OD) (0.78 ID) [Babbitt]
27331		31137-X5000	91005	Bushing F3A Converter Hub (1.418 OD) (1.27 ID) [Babbitt]
27331A				Bushing F3A Converter Hub (1.457 OD) (1.29 ID) [Babbitt]
27336		31883-X5000	91006	Bushing F3A Governor Housing (0.99 OD) (0.85 ID) [Babbitt]
27337		31462-X5000	91007	Bushing F3A Sun Gear (1.19 OD) (1.04 ID) [Babbitt]
27338		31513-X5000	91008	Bushing F3A Direct Drum (1.86 OD) (1.71 ID) [Babbitt]
27330			K91000	Bushing Kit F3A 1981-Up (14 Bushings)
WASHER & BEARINGS				
27451		0338-19-647	66707A	Washer F3A Stator To Direct Drum (1.70mm)
27452		0338-19-641	66707B	Washer F3A Stator To Direct Drum (1.90mm)
27453		0338-19-642	66707C	Washer F3A Stator To Direct Drum (2.10mm)
27454		0338-19-643	66707D	Washer F3A Stator To Direct Drum (2.30mm)
27455		0338-19-644	66707E	Washer F3A Stator To Direct Drum (2.50mm)
HARD PARTS				
27375		FT01-19-565	91749	Shell F3A Connecting 1983-89
MODULATORS				
27447		31938-X3100	66830X	Modulator F3A (Adjustable)

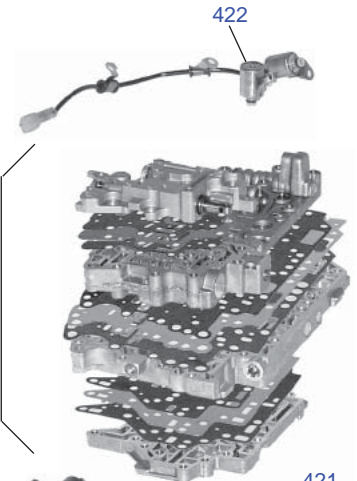
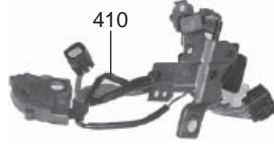
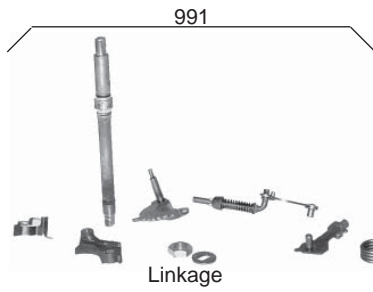
F4E / F4EAT / F4A-EL

FWD 4 Speed (1 Pan)

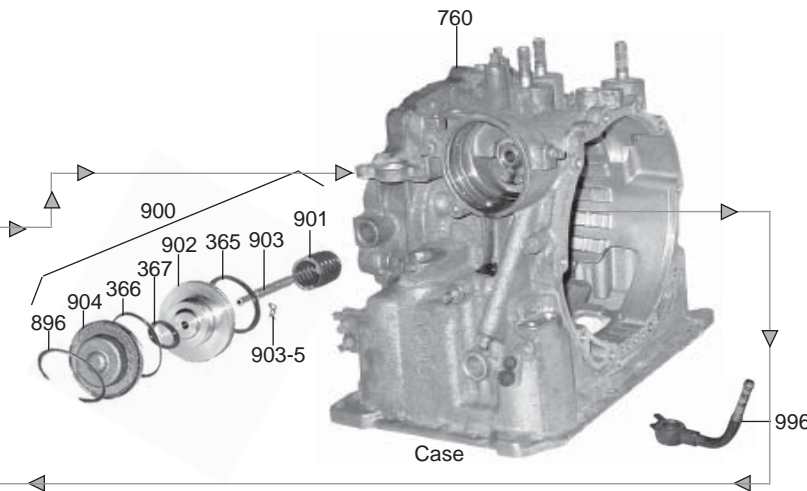


FWD 4 Speed (1 Pan)

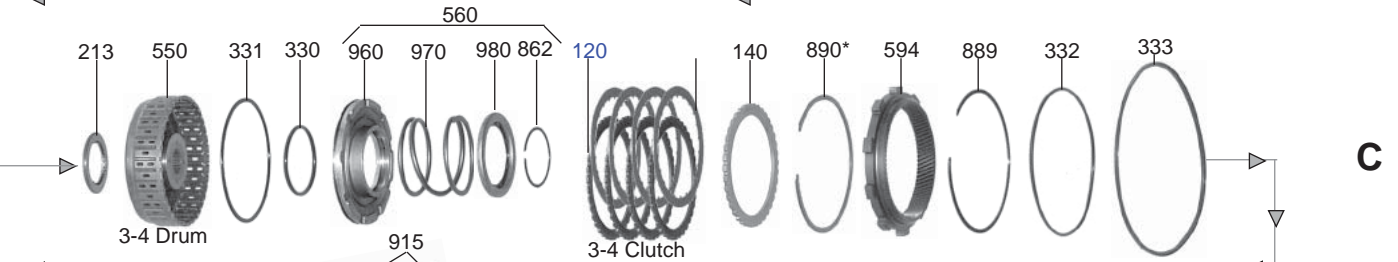
F4E / F4EAT / F4A-EL



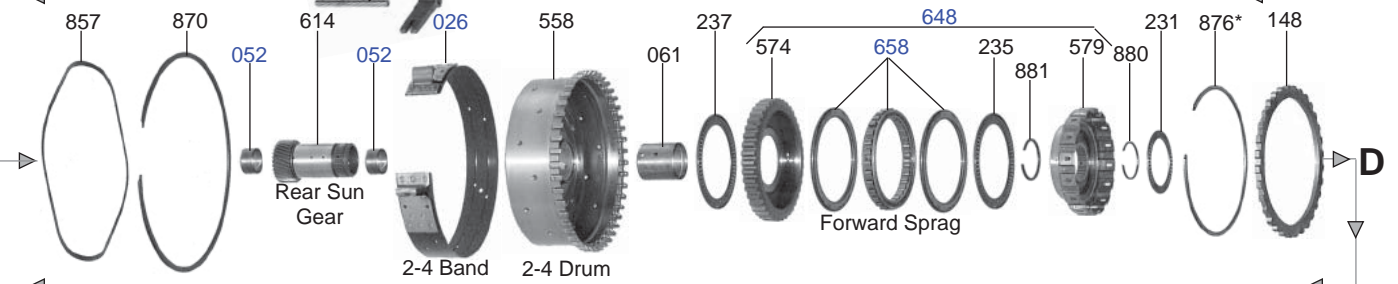
A



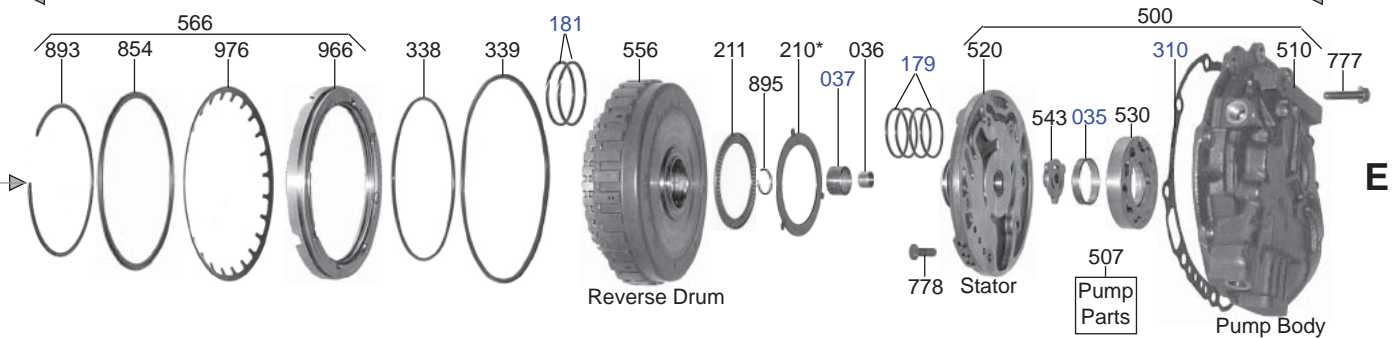
B



C



D



E

SAP #	IL#	OE	INDUSTRY	DESCRIPTION
OVERHAUL KIT				
B38002AB				Overhaul Kit F4AEL 4EAT-F 1990-Up (Combo)
T38002AB				Overhaul Kit F4AEL 4EAT-F 1990-Up (Combo)
MASTER L/STEELS KIT				
B38004AB				Master L/Steels Kit F4AEL 4EAT-F 1990-Up (Combo)
T38004AB				Master L/Steels Kit F4AEL 4EAT-F 1990-Up (Combo)
MASTER W/STEELS KIT				
B38006AB				Master W/Steels Kit F4AEL 4EAT-F 1990-Up (Combo)
T38006AB				Master W/Steels Kit F4AEL 4EAT-F 1990-Up (Combo)
SUPER KIT				
B38008AB				Super Kit F4AEL 4EAT-F 1990-99
GASKET & RUBBER COMPONENTS				
1987005				D-Ring F4AEL 1-2 Accumulator (Large)
1987006				D-Ring F4AEL 1-2 Accumulator (Small)
1984050	31617-X1200			D-Ring F4AEL Intermediate Band Servo Piston 1971-Up
1984061	31617-X0100			D-Ring F4AEL Servo 1983-Up
1984064				D-Ring F4AEL Servo Piston 1990-Up
1984063	F1CZ-7D024A			D-Ring F4AEL Servo Piston Large 1990-Up
32309T	F1CZ-7A191-A	74500		Gasket F4AEL Oil Pan (19 Holes) 1990-Up [Cork & Rubber]
32328	F1CZ-7A191-A	74500F		Gasket F4AEL Oil Pan (19 Holes) 1990-Up [Fiber]
32397719	OK282-21-112			Gasket F4A-EL Aux. Valve Body Upper 1998-Up
32306	F1CZ-7A136-A	71501		Gasket F4AEL Front Pump 1990-Up
32397386	FU61-21-112A			Gasket F4AEL Valve Body 1990-96
32397387	FU61-21-114A			Gasket F4AEL Valve Body 1990-96
32397382	FU61-21-102A			Gasket F4AEL Valve Body 1990-96
32397383	FU61-21-104A			Gasket F4AEL Valve Body 1990-96
32397385	FU61-21-108C			Gasket F4AEL Valve Body 1990-96
32397384	FU61-21-106C			Gasket F4AEL Valve Body 1990-Up
38005				Gasket Kit F4AEL Valve Body 1990-97
38006				Gasket Kit F4AEL Valve Body 1998-Up
1987007				Lathe Cut Seal F4AEL Accumulator Piston 1990-Up
1990201	F1CZ-7F224-A			Lip Seal F4AEL 3rd Clutch Piston Outer 1990-Up
1990203	F1CZ-7A548-D			Lip Seal F4AEL Coast Clutch Piston Outer 1990-Up
1990204	F1CZ-7A548-B			Lip Seal F4AEL Low Clutch Piston Outer 1990-Up
1990202	F1CZ-7D403-A			Lip Seal F4AEL Reverse Clutch Piston Outer 1990-Up
1993536				O-Ring F4AEL 1-2 2-3 Neutral-Overdrive Neutral-Reverse Accumulator Stop (Cover)
1994227	E92Z-7C099-A			O-Ring F4AEL 3rd & 4th Clutch Piston Inner 1990-Up
1994697	F1CZ-FF225A			O-Ring F4AEL 3rd Forward Clutch Piston Inner 1990-Up
1994700	FU61-21-367			O-Ring F4AEL Band Adjuster Inner 1990-Up
1994701	FU61-21-368			O-Ring F4AEL Band Adjuster Outer 1990-Up
1994699				O-Ring F4AEL Converter Reactor
1994684	9954-10-1201			O-Ring F4AEL Filler Tube 1990-Up
1994689	31692-X8600			O-Ring F4AEL Overdrive Servo 1983-Up
1994707	1011-17-443			O-Ring F4AEL Speedometer Housing To Case O-Ring 1990-Up
1993537	E92Z-7G091A			O-Ring F4AEL Turbine Shaft Rear 1986-Up
1993538	F1CZ-7G091A			O-Ring F4AEL Turbine Shaft Rear 1990-Up
19005A	E92Z-7N243-A			O-Ring F4AEL L Turbine Shaft 1990-Up
32398	F1CZ-7A469-A	74503		Seal F4AEL Filter Screen
27875075				Seal F4AEL Inhibitor Switch 1990-Up
6131				Seal Kit F4AEL 4EAT-F Accumulator Piston 1990-Up
32396053				Spacer F4AEL O-Ring Tube 1990-Up
32396052				Spacer F4AEL O-Ring Tube 1990-Up
METAL CLAD SEALS				
70155	E7GZ-1177-A	46152		Seal F4AEL 4EAT-F Axle 1990-Up
70312	E92Z-7F401-A	71151		Seal F4AEL 4EAT-F Converter 1990-Up
70043	9958-60-8166	91511		Seal F4AEL 4EAT-F Speedometer Shaft 1990-Up
OIL SEALING RINGS				
30633				Ring F4AEL 4EAT-F Valve Body Accumulator 1990-Up [PTFE]
30611A	FU60-19-603	74301T		Ring F4AEL 4EAT-F Coast Clutch 1990-Up [PTFE]
TAW-1964	FU60-19-212	74302		Ring F4AEL 4EAT-F Output Gear 1990-Up [Metal]
30615A	F1CZ-7G092A	74302T		Ring F4AEL 4EAT-F Output Gear 1990-Up [PTFE]
TAW-1965	FU60-19-701	74300		Ring F4AEL 4EAT-F Pump Stator 1990-Up [Metal]
30610A	F1CZ-7D019-A	74300T		Ring F4AEL 4EAT-F Pump Stator 1990-Up [PTFE]
30634	FU50-19-762	74303T		Ring F4AEL 4EAT-F Turbine Shaft 1990-Up [PTFE]
30624	FU60-19-212			Ring F4AEL 4EAT-F Accumulator 1987-Up [PTFE]
30631				Ring F4AEL 4EAT-F Accumulator 1990-Up [PTFE]
30632				Ring F4AEL 4EAT-F Accumulator 1990-Up [PTFE]
6116				Ring Kit F4AEL 4EAT-F 1990-Up (6 Metal 3 PTFE Rings)
6127				Ring Kit F4AEL 4EAT-F 1990-Up (9 PTFE Rings)

SAP #	IL#	OE	INDUSTRY	DESCRIPTION
OIL SEALING RINGS -- continued				
32360			K74903	Ring Kit F4AEL 4EAT-F 1990-Up (17 PTFE Rings)
32360A				Ring Kit F4AEL 4EAT-F 1990-Up (6 Metal 11 PTFE Rings)
FRICITION CLUTCH				
32334R	F1CZ-7B164-A	74101		Friction F4AEL 4EAT-F Forward [4.98 OD 42 Teeth 0.062 THK] 1990-Up
32334T	F1CZ-7B164-A	74101		Friction F4AEL 4EAT-F Forward [4.98 OD 42 Teeth 0.062 THK] 1990-Up
32332R	F1CZ-7B164-B	74102		Friction F4AEL 4EAT-F Coast [4.53 OD 16 Teeth 0.062 THK] 1990-Up
32332T	F1CZ-7B164-B	74102		Friction F4AEL 4EAT-F Coast [4.53 OD 16 Teeth 0.062 THK] 1990-Up
32336R	F1CZ-7B164-C	74103		Friction F4AEL 4EAT-F Reverse [6.90 OD 45 Teeth 0.062 THK] 1990-Up
32336T	F1CZ-7B164-C	74103		Friction F4AEL 4EAT-F Reverse [6.90 OD 45 Teeth 0.062 THK] 1990-Up
32330A	FW30-19-370			Friction F4AEL Overdrive (3/4) [4.30 OD 22 Teeth 0.061 THK] 1990-Up
32338R	F1CZ-7B164-E	74105		Friction F4AEL 4EAT-F Low & Reverse [7.10 OD 48 Teeth 0.062 THK] 1990-Up
32338T	F1CZ-7B164-E	74105		Friction F4AEL 4EAT-F Low & Reverse [7.10 OD 48 Teeth 0.062 THK] 1990-Up
32380BW				Friction Module F4AEL 4EAT-F 1990-Up
32380R				Friction Module F4AEL 4EAT-F 1990-Up
32380T				Friction Module F4AEL 4EAT-F 1990-Up
STEEL CLUTCH				
32333	F1CZ-7B442A	74111		Steel F4AEL Forward [4.35 ID 32 Teeth 0.063 THK] 1990-Up
32331	F1CZ-7B442B	74112		Steel F4AEL Coast [3.90 ID 26 Teeth 0.063 THK] 1990-Up
32335	F1CZ-7B442C	74113		Steel F4AEL Reverse [6.30 ID 32 Teeth 0.063 THK] 1990-Up
32339	F1CZ-7B442D	74114		Steel F4AEL Overdrive (3/4) [3.70 ID 38 Teeth 0.063 THK] 1990-Up
32339A	F1CZ-7B442F	74114A		Steel F4AEL Overdrive (3/4) [3.70 ID 38 Teeth 0.091 THK] 1990-Up
32339D	FU64-19-334B	74114B		Steel F4AEL Overdrive (3/4) [3.67 ID 38 Teeth 0.071 THK] 1990-Up
32339C	FW30-19-334	74114C		Steel F4AEL Overdrive (3/4) [3.70 ID 38 Teeth 0.130 THK] 1994-Up
32337	F1CZ-7B442E	74115		Steel F4AEL Low Reverse [6.50 ID 16 Teeth 0.063 THK] 1990-Up
32381A				Steel Module F4AEL 1990-Up
FILTER				
32340	FU61-21-500B	74710		Filter F4AEL 4EAT-F 2WD (W/Out Tube) 1990-Up
32340B	FW01-21-500	74710A		Filter F4AEL 4EAT-F AWD (With Tube) 1993-Up
FILTER KIT				
32341		FK74710		Filter Kit F4AEL 4EAT-F 1990-Up (With Cork & Rubber Pan Gasket)
32341A		FK74710		Filter Kit F4AEL 4EAT-F 1990-Up (With Fiber Pan Gasket)
MISCELLANEOUS FILTERS				
27868A	FU9A-21-296			Screen Filter F4AEL 4EAT-F Valve Body Solenoid 1990-Up
BANDS				
32346	FU60-21-310E F1CZ-7D034-A	74700		Band F4AEL 4EAT-F 1990-Up
32346D	FU60-21-310E F1CZ-7D034-A	74700		Band F4AEL 4EAT-F 1990-Up [OEM]
BUSHINGS				
27831		71002		Bushing F4AEL 4EAT-F Converter Hub (57.1mm) 1988-Up [Babbit]
32356A		74009		Bushing F4AEL 4EAT-F Converter Reactor (Small) To Turbine Shaft [0.513 OD 0.394 ID] 1990-Up
32351		74003		Bushing F4AEL 4EAT-F Inner Pump Gear [1.62 OD 1.50 ID] 1990-Up [Babbit]
32356		74010		Bushing F4AEL 4EAT-F Stator (Large) For Turbine Shaft [1.01 OD 0.89 ID] [Babbit]
32353		74007		Bushing F4AEL 4EAT-F Sun Gear [1.32 OD 1.20 ID] 1990-Up [Babbit]
32355		74001		Bushing F4AEL 4EAT-F Sun Gear (Small) [0.95 OD 0.83 ID] 1990-Up [Babbit]
32357		74011		Bushing F4AEL 4EAT-F Turbine Shaft Inner Rear Outer 1990-Up
32354		74006		Bushing F4AEL 4EAT-F Pump Rear Side [1.03 OD 0.91 ID] 1990-Up [Babbit]
32352		74005		Bushing F4AEL 4EAT-F Pump Front Side [0.95 OD 0.83 ID] 1990-Up [Babbit]
32350				Bushing Kit F4AEL 4EAT-F 1990-Up (9 Bushings)
ELECTRICAL COMPONENTS				
D74955	35678121	74954		Solenoid F4AEL 1-2 Shift 1990-Up
D74958		74955		Solenoid F4AEL 2-3 3-4 Shift 1990-Up
HARD PARTS				
32364094				Spring F4AEL Relief Valve 1990-Up
32397	FU60-19-551E	74745		Spring F4AEL 4EAT-F Diaphragm Reverse 1990-Up
MISCELLANEOUS COMPONENTS				
32373	F1CZ-7G220-A	74008		Sleeve F4AEL Turbine Shaft [PTFE]

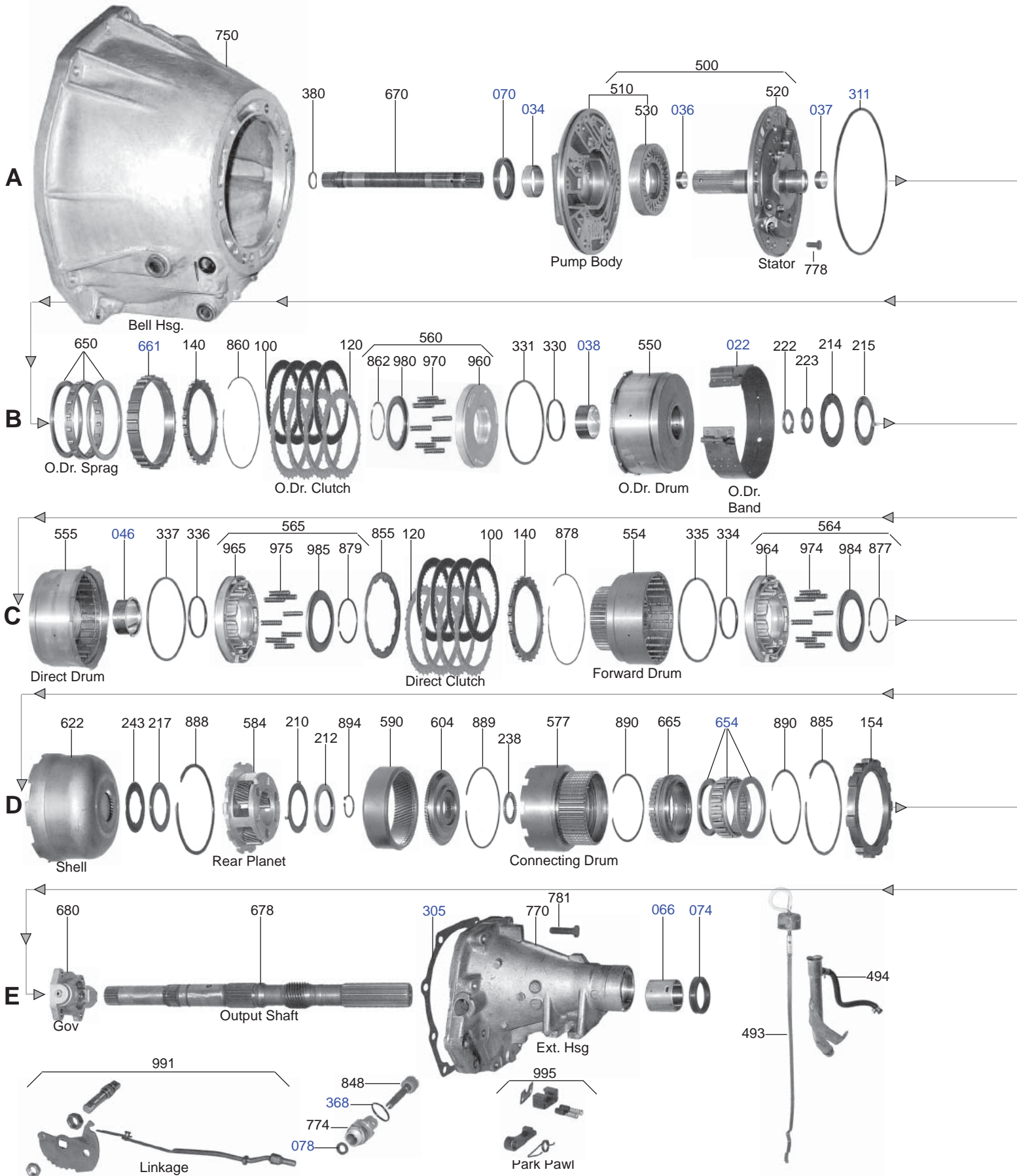
SAP #	IL#	OE	INDUSTRY	DESCRIPTION
OVERHAUL KIT				
B28002				Overhaul Kit G4A-EL G4A-HL 1986-92
T28002				Overhaul Kit G4A-EL G4A-HL 1986-92
TF28002				Overhaul Kit G4A-EL G4A-HL 1986-92 (Fiber)
B28002E				Overhaul Kit G4A-EL G4A-HL GF4A-EL 1993-Up (10 PTFE Rings)
T28002E				Overhaul Kit G4A-EL G4A-HL GF4A-EL 1993-Up (10 PTFE Rings)
TF28002E				Overhaul Kit G4A-EL G4A-HL GF4A-EL 1993-Up (10 PTFE Rings) (Fiber)
T28002G				Overhaul Kit G4A-EL G4A-HL GF4A-EL 1993-Up (6 Metal 4 PTFE Rings)
MASTER L/STEELS KIT				
B28004B				Master L/Steels Kit G4A-EL G4A-HL (Non-Turbo) 1988-92
B28004E				Master L/Steels Kit G4A-EL G4A-HL GF4A-EL 1993-Up
T28004E				Master L/Steels Kit G4A-EL G4A-HL GF4A-EL 1993-Up
TF28004E				Master L/Steels Kit G4A-EL G4A-HL GF4A-EL 1993-Up (Fiber)
MASTER W/STEELS KIT				
B28006B				Master W/Steels Kit G4A-EL G4A-HL (Non-Turbo) 1988-92
TF28006E				Master W/Steels Kit G4A-EL G4A-HL GF4A-EL 1993-Up (Fiber)
B28006EA				Master W/Steels Kit G4A-EL G4A-HL 1993-Up
SUPER KIT				
B28008B				Super Kit G4A-EL G4A-HL (Non-Turbo) 1988-92
B28008E				Super Kit GF4A-EL 1993-Up
GASKET & RUBBER COMPONENTS				
1984069	F0JY-7D025A			D-Ring G4A-EL Servo 1991-93
1984071	F32Z-7D025A			D-Ring G4A-EL Servo 1993-Up
1984068	E92Z-7A548B			D-Ring G4A-EL/HL 3rd & 4th Cutch Piston 1986-Up
1984067	E92Z-7D024A			D-Ring G4A-EL/HL Servo 1986-Up
1984070				D-Ring G4A-EL/HL Servo 86-Up
27850T	FU01-21-512	71500		Gasket G4A-EL Pan (Non Turbo) 1986-Up [Cork & Rubber]
27818A	FU01-21-512	71500F		Gasket G4A-EL Pan (Non Turbo) 1986-Up [Fiber]
27809CU	FU32-21-512	71500A		Gasket G4A-EL Pan (Turbo) 1988-Up [Ultracork]
27819	FU32-21-512	71500A		Gasket G4A-EL Pan (Turbo) 1988-Up [Felpro™]
27818	FU32-21-512 FPK	71500AF		Gasket G4A-EL Pan (Turbo) 1988-Up [Fiber]
27809T	FU50-21-531B	71502		Gasket G4A-EL Valve Body Cover (Non-Turbo) 1988-92 [Cork & Rubber]
27809AU	FU32-21-531			Gasket G4A-EL Side Pan (Turbo) 1988-Up [Ultracork]
27897403	FU01-21-108G			Gasket G4A-EL/HL Valve Body (With Turbo) 1986-Up
27851				Gasket G4A Pump
27884	FU01-21-106J			Gasket G4A-EL Valve Body (0.0085in THK)
27897389	FU84-21-284A			Gasket G4A-EL 1-2 Accumulator Cover 1986-Up
27858A	FU50-21-531	71502F		Gasket G4A-EL Type G Valve Body Cover (Non-Turbo) 1986-Up [Fiber]
27879	FU01-21-108G			Gasket G4A-EL Valve Body 1990-92
27897395	FU84-21-104A			Gasket G4A-EL Valve Body 1990-Up
27897394	FU84-21-102A			Gasket G4A-EL Valve Body 1990-Up
27897413	FU9D-21-104B			Gasket G4A-EL Valve Body 1993-Up
27897415	FU9D-21-112D			Gasket G4A-EL Valve Body 1993-Up
27897414	FU9D-21-114D			Gasket G4A-EL Valve Body 1993-Up
27897416	FU9D-21-106D			Gasket G4A-EL Valve Body 1993-Up
27897417	FU9D-21-108D			Gasket G4A-EL Valve Body 1993-Up
27897412	FU9D-21-102B			Gasket G4A-EL Valve Body 1993-Up
27897392				Gasket G4A-EL/HL Accumulator Cover 1986-Up (Reference 410002-500)
27897391	FU01-21-284D			Gasket G4A-EL/HL N-R Accumulator Cover 1986-Up
27897404	FU01-21-106J			Gasket G4A-EL/HL Valve Body (With Turbo) 1986-Up
27897401	FU21-21-112B			Gasket G4A-EL/HL Valve Body 1986-Up
27897399	FU01-21-104G			Gasket G4A-EL/HL Valve Body 1986-Up
27897400	FU01-21-102F			Gasket G4A-EL/HL Valve Body 1986-Up
27897402	FU21-21-114B			Gasket G4A-EL/HL Valve Body 1986-Up
27897409	FU50-21-102A			Gasket G4A-EL/HL Valve Body 1988-89
27897410	FU50-21-104			Gasket G4A-EL/HL Valve Body 1988-89
27897408	FU50-21-106B			Gasket G4A-EL/HL Valve Body 1988-89
27897390	FU50-21-284			Gasket G4A-HL 1-2 Accumulator Cover 1988-Up
27897406	FU50-21-108B			Gasket G4A-HL Valve Body 1988-89
27897407	FU50-21-112B			Gasket G4A-HL Valve Body 1988-89
27897405	FU50-21-114B			Gasket G4A-HL Valve Body 1988-89
27864	FU81-21-104	410695-502		Gasket G4A-EL Valve Body (0.008 THK)
27865	FU81-21-102	410696-502		Gasket G4A-EL Valve Body (0.015 THK)
1987015				Lathe Cut Seal G4A-EL/HL Accumulator Piston 1990-Up
1987012				Lathe Cut Seal G4A-EL/HL Accumulator Piston 1990-Up
1987013				Lathe Cut Seal G4A-EL/HL Accumulator Piston 1990-Up
1987016				Lathe Cut Seal G4A-EL/HL Accumulator Piston 1990-Up

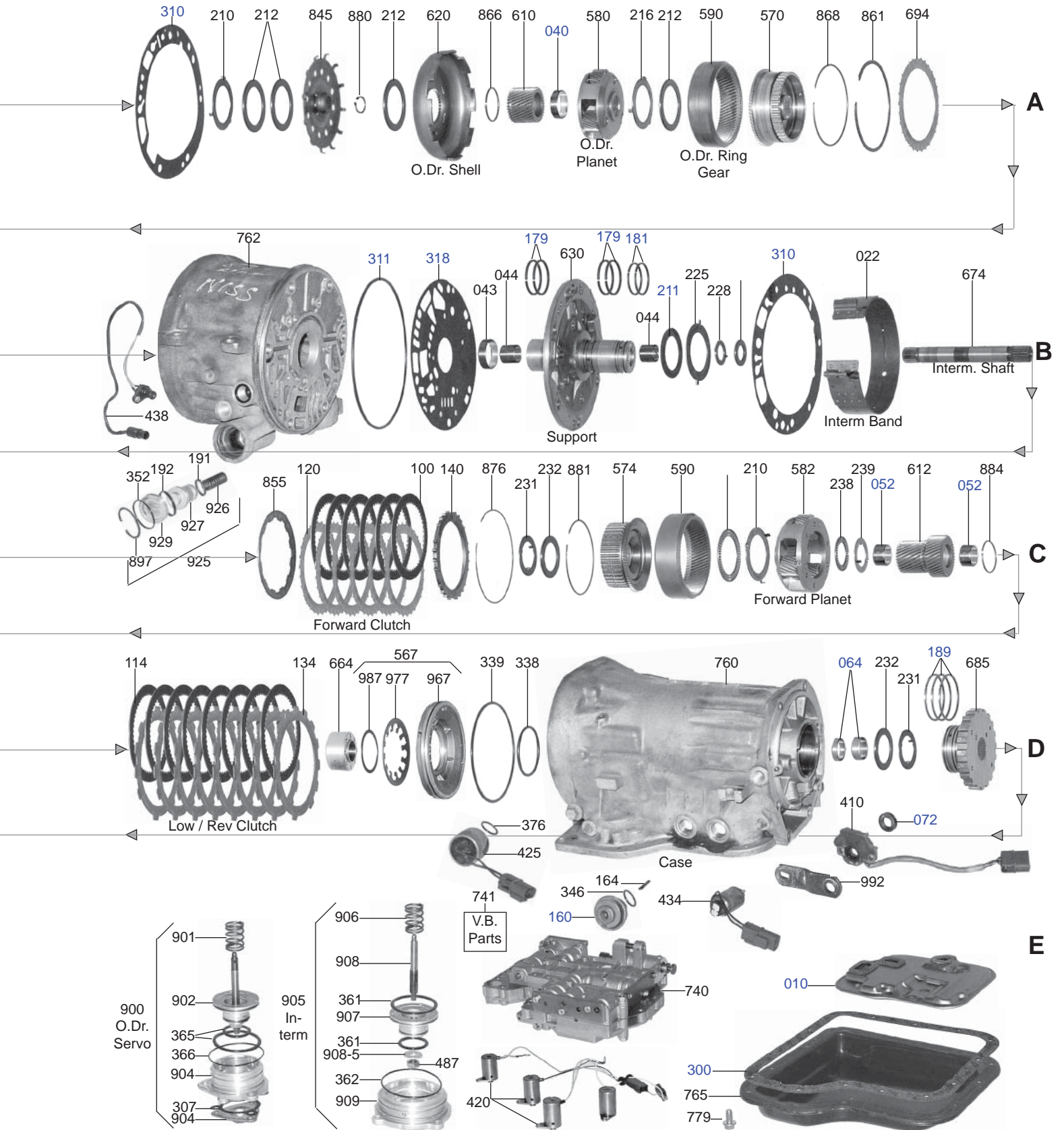
SAP #	IL#	OE	INDUSTRY	DESCRIPTION
GASKET & RUBBER COMPONENTS -- continued				
1987008				Lathe Cut Seal G4A-EL/HL Accumulator Piston 1990-Up
1987011				Lathe Cut Seal G4A-EL/HL Accumulator Piston 1990-Up
1987010				Lathe Cut Seal G4A-EL/HL Accumulator Piston 1990-Up
1987014				Lathe Cut Seal G4A-EL/HL Accumulator Piston 1990-Up
1987009				Lathe Cut Seal G4A-EL/HL Accumulator Piston 1990-Up
1990209	FU01-19-353A			Lip Seal G4A-EL/HL 3rd 4th Clutch Inner 1987
1990206	E92Z-7F225-A			Lip Seal G4A-EL/HL Direct & Intermediate Clutch Inner 1986-Up
1990205	E92Z-7F224-A			Lip Seal G4A-EL/HL Forward & Intermediate Outer 1986-Up
1990208	E92Z-7A548-A			Lip Seal G4A-EL/HL Forward Clutch Outer 1986-Up
1990207	E92Z-7A403-A			Lip Seal G4A-EL/HL Low & Reverse Clutch Outer 1986-Up
1994716	F32Z-7Z001A			O-Ring G4A-EL Idle Gear Shaft 1993-Up
1994684	9954-10-1201			O-Ring G4A-EL Filler Tube 1986-Up
27859		71503		O-Ring G4A-EL Filter
1994632	96054022			O-Ring G4A-EL 3rd 4th Clutch Piston 1993-Up
1993117				O-Ring G4A-EL/HL Accumulator Piston 1986-89
1994713	E92Z-7A248A			O-Ring G4A-EL/HL Converter Stator 1986-Up
1994710	E92Z-7Z001A			O-Ring G4A-EL/HL Idle Gear Shaft 1986-Up
1994714	E92Z-7D404A			O-Ring G4A-EL/HL Reverse Clutch Inner 1986-Up
1994717	098-323-863A			O-Ring G4A-EL/HL Servo 1986-89 (Mazda Only)
1994715	FU01-21-342A			O-Ring G4A-EL/HL Servo 1987
27886		71991		Seal G4A-EL Retainer Pump
27875074				Seal G4A-EL/HL Bulkhead Connector 1986-Up
METAL CLAD SEALS				
70155	FU03-27-238	46152		Seal G4A-EL Axle (Both Sides) 1986-Up
70312	FU01-19-241A			Seal G4A-EL Front (Narrow) 1986-Up
70043	9958-60-8166	91511		Seal G4A-EL Speedometer 1986-Up
OIL SEALING RINGS				
30615		71302T		Ring G4A-EL/HL Output Gear Shaft 1986-Up [PTFE]
TAW-1921				Ring G4A-EL/HL Output Gear Shaft 1986-Up [Metal]
30610		71300T		Ring G4A-EL/HL Stator Shaft 1986-92 [PTFE]
TAW-1921				Ring G4A-EL/HL Stator Shaft 1986-92 [Metal]
30634				Ring G4A-EL/HL Turbine Shaft 1986-Up [PTFE]
30614	FU01-19-762	71303T		Ring G4A-EL/HL Turbine Shaft 1987-Up [PTFE]
TAW-1920	E92Z-7G092A			Ring G4A-EL/HL Output Shaft [Metal]
30611	FU01-19-603A	71301T		Ring G4A-EL/HL Forward Clutch Inner 1987-Up [PTFE]
30612	FU01-21-294	71304T		Ring G4A-EL 2-3 Accumulator 1986-90 [PTFE]
30619A				Ring G4A-EL Accumulator 1987-Up [PTFE]
30613A				Ring G4A-EL Valve Body Accumulator 1987-Up [PTFE]
30612A				Ring G4A-EL Valve Body Accumulator 1987-Up [PTFE]
6128				Ring Kit G4A-EL/HL 1986-Up (10 PTFE Rings)
6117				Ring Kit G4A-EL/HL 1986-Up (6 Metal 4 PTFE Rings)
6130				Seal-Up Kit G4A-EL Accumulator 1990-Up
6129				Seal-Up Kit G4AEL/HL Accumulator 1986-89
FRICTION CLUTCH				
27824R	FU08-19-370			Friction G4A-EL 3rd/4th [4.65 OD 50 Teeth 0.063 THK] 1987-Up
27824T	FU01-19-370	71104		Friction G4A-EL 3rd/4th [4.65 OD 50 Teeth 0.063 THK] 1987-Up
27880R	E92Z-7B164B			Friction G4A-EL Coast [5.50 OD 44 Teeth Square Tooth 0.061 THK] 1988-Up
27880T	FU50-19-590	71102A		Friction G4A-EL Coast [5.50 OD 44 Teeth Square Tooth 0.061 THK] 1988-Up
27822	FU08-19-590	71102		Friction G4A-EL Coast [5.50 OD 44 Teeth V-Tooth 0.061 THK] 1986-87
27826R	FU08-19-580	71101		Friction G4A-EL Forward [5.70 OD 48 Teeth 0.063 THK] 1986-Up
27826T	FU01-19-580	71101		Friction G4A-EL Forward [5.70 OD 48 Teeth 0.063 THK] 1986-Up
27820	FU01-19-460	71103		Friction G4A-EL Low/Reverse [7.70 OD 58 Teeth V-Tooth 0.063 THK] 1986-87 (Also Fits Reverse Clutch)
27828R	E92Z-7B164C			Friction G4A-EL Low/Reverse [7.70 OD 58 Teeth 0.063 THK] (Square Tooth) 1988-Up
27828T	FU50-19-4F0	71103A		Friction G4A-EL Low/Reverse [7.70 OD 58 Teeth 0.063 THK] (Square Tooth) 1988-Up
27890				Friction Module G4A-EL/HL (Non Turbo) 1986-87
27890R				Friction Module G4A-EL/HL 1986-87
27892R				Friction Module G4A-EL/HL (Non Turbo) 1988-Up
27892CR				Friction Module G4A-EL/HL GF4A-EL 1988-Up
27892C				Friction Module G4A-EL/HL (Non-Turbo) 1988-Up

SAP #	IL#	OE	INDUSTRY	DESCRIPTION
STEEL CLUTCH				
27821		FU01-19-334	71114	Steel G4A-EL 3rd/4th [4.0 ID 16 Teeth 0.063 THK] (Wide) 1986-87
27883		FU50-19-334	71114A	Steel G4A-EL 3rd/4th [4.0 ID 30 Teeth 0.063 THK] (Narrow) 1988-Up
27881		F02Z-7B442A	71114B	Steel G4A-EL 3rd/4th [4.0 ID 30 Teeth 0.091 THK] (Narrow) 1988-93
27881A		F32Z-7B442B	71114C	Steel G4A-EL 3rd/4th [4.0 ID 30 Teeth 0.130 THK] (Narrow) 1993-Up
27823		FU01-19-621	71112	Steel G4A-EL Coast [4.45 ID 32 Teeth 0.063 THK] 1986-Up
27827		FU01-19-571	71111	Steel G4A-EL Forward [4.80 ID 8 Teeth 0.063 THK] 1986-92
27827A		E32Z-7B442C	71111A	Steel G4A-EL Forward [4.80 ID 32 Teeth 0.063 THK] 1993-Up
27825		FU01-19-451A	71115	Steel G4A-EL Low/Reverse [7.10 ID 15 Teeth 0.063 THK] 1986-Up
27829		FU50-19-561	71113	Steel G4A-EL Reverse [7.10 ID 12 Teeth 0.063 THK] 1986-92
27829A		F32Z-7B442D	71113A	Steel G4A-EL Reverse [7.10 ID 32 Teeth 0.063 THK] 1993-Up
27893B				Steel Module G4A-EL G4A-HL (Turbo) 1988-93
27893				Steel Module G4A-EL G4A-HL (Non-Turbo) 1988-92
27893C				Steel Module G4A-EL 1993-Up
FILTER				
27840		FU01-210500E	71710	Filter G4A-EL (Non Turbo) (4 Bolt 5/8in THK) 1986-87
27842		FU31-21-500	71710A	Filter G4A-EL (3 Bolt 1.0in THK) 1988-95
27844		FOJY-7A098-A	71710B	Filter G4A-EL (3 Bolt 1.25in THK) 1988-92
27848			71710D	Filter G4A-EL (3 Bolt Plastic With 1.5in Long Pick-Up Tube) 1993-Up
FILTER KIT				
27843			FK71710A	Filter Kit G4A-EL (3 Bolt 1.0in THK) 1988-Up (With Cork & Rubber Pan Gasket)
27843A			FK71710A	Filter Kit G4A-EL (3 Bolt 1.0in THK) 1988-Up (With Fiber Pan Gasket)
27849			FK71710D	Filter Kit G4A-EL (3 Bolt Plastic With 1.5in Long Pick-Up Tube) 1993-Up (With Cork & Rubber Pan Gasket)
MISCELLANEOUS FILTERS				
27868		FU01-21-296A	N/L	Filter G4A-EL Thimble Filter In Valve Body 1986-92
BANDS				
27846		E92Z-7D034-A FU08-21-310A	71700A	Band G4A-EL Intermediate (1.50in Wide) 1986-Up
27846D		FU08-21-310A	71700A	Band G4A-EL Intermediate (1.50in Wide) 1986-Up [OEM]
27847		F02Z-7D034-A	71700B/C	Band G4A-EL Intermediate (Turbo) (1.80in Wide) 1988-Up
27848D		FU9A-21-310C		Band G4A-EL Intermediate 6 CYL. (High Energy) 1991-Up
BUSHINGS				
27833			71001	Bushing G4A-EL Band Drum (Or Sun Gear Shell) (1 3/8in Long) (Non Turbo)
27833A			71001A	Bushing G4A-EL/HL Band Drum (Or Sun Gear Shell) (1 5/8in Long) (Turbo)
27831			71002	Bushing G4A-EL/HL Converter Hub (57.1mm) 1988-Up
27832			71002A	Bushing G4A-EL/HL Converter Hub (61.1mm) 1986-87
27837			71006	Bushing G4A-EL/HL Pump Cover (Front)
27836			71005	Bushing G4A-EL/HL Pump Cover (Rear)
27873		E92Z-7G220-A	71008	Bushing G4A-EL/HL Turbine Shaft 1986-Up
27838			71007	Bushing G4A-EL/HL Stator Support (31 Spline) 1986-87 [Babbitt]
27839			71007A	Bushing G4A-EL/HL Stator Support (35 Spline) 1988-Up [Babbitt]
27834			71003	Bushing G4A-EL/HL Sun Gear W/Out Slots Gear Side B 1986-Up
27835			71004	Bushing G4A-EL/HL Sun Gear With Slots Spline Side B 1986-Up
27873			71008	Bushing G4A-EL Turbine Shaft (Slides On) (PTFE Sleeve)
27830A				Bushing Kit G4A-EL W/Out Converter Bushings
27830			K71000	Bushing Kit G4A-EL (Non-Turbo) 1987-Up (9 Bushings)
ELECTRICAL COMPONENTS				
D71956		FU9A-21-1F1-D	71956	Solenoid G4A-EL GF4A-EL 1-2 Shift [OEM]
D71958		FU9A-21-1F4-D	71958	Solenoid G4A-EL GF4A-EL 2-3 Shift [OEM]
D71960		FU9A-21-1F5-D	71960	Solenoid G4A-EL GF4A-EL 3-2 Down Shift [OEM]
D71959		FU9A-21-1F3-D	71959	Solenoid G4A-EL GF4A-EL 3-4 Shift [OEM]
D71957		FU9A-21-1F2-C	71957	Solenoid G4A-EL GF4A-EL Lock-Up 1993-Up [OEM]
D71925		FU9A-21-1G1-C	71925	Solenoid G4A-EL GF4A-EL Lock-Up & EPC 1986-93 [OEM]
DK71954		FU84-21-200	K71954	Solenoid Group G4A-EL GF4A-EL Shift & Lock-Up (7 Solenoids) [OEM]
HARD PARTS				
27899A		E92Z-7E085E	71745A	Spring G4A-EL/HL Reverse Clutch Return (Beveled) (0.060 Thick) 1988-Up
27897A				Spring G4A-EL O-Ring Expander 1987-Up
27897				Spring Expander G4A-EL/HL (for # 27898)

L3N71B / L4N71B / E4N71B

RWD 3 & 4 Speed



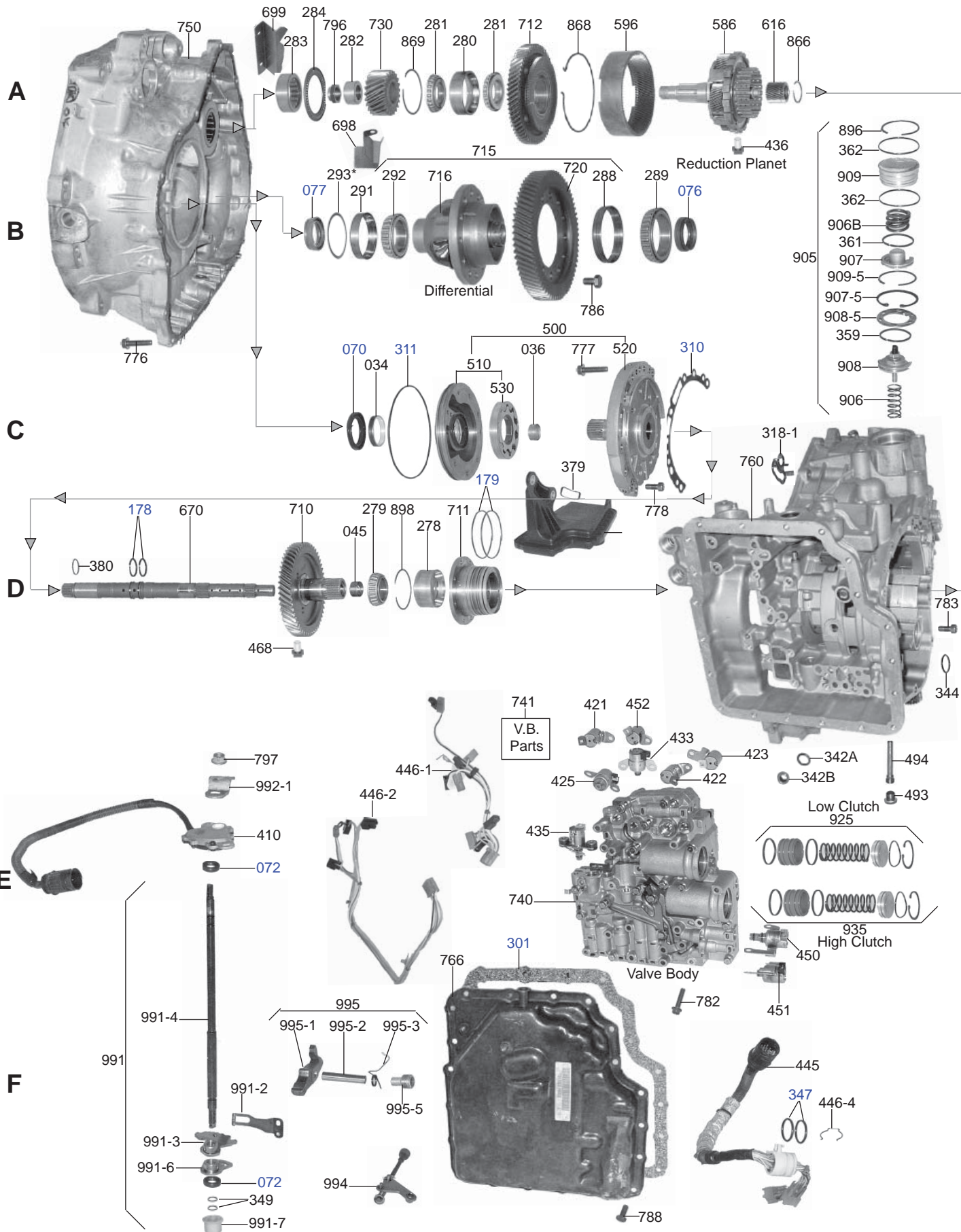


SAP #	IL#	OE	INDUSTRY	DESCRIPTION
PAPER & RUBBER KIT				
T53000				Paper & Rubber Kit L3N71B 1971-87
T53000B				Paper & Rubber Kit L4N71B 1983-Up
OVERHAUL KIT				
B53002				Overhaul Kit L3N71B 1971-87
T53002				Overhaul Kit L3N71B 1971-87
TF53002				Overhaul Kit L3N71B 1971-87 (Fiber)
B53002B		K66900B		Overhaul Kit L4N71B E4N71B 1983-Up
T53002B				Overhaul Kit L4N71B E4N71B 1983-Up
TF53002B				Overhaul Kit L4N71B E4N71B 1983-Up (Fiber)
T53002E				Overhaul Kit N4A-EL 1988-92
MASTER L/STEELS KIT				
B53004				Master L/Steels Kit L3N71B 1971-87
B53004B				Master L/Steels Kit L4N71B E4N71B 1983-90
MASTER W/STEELS KIT				
B53006				Master W/Steels Kit L3N71B 1971-87
B53006B				Master W/Steels Kit L4N71B E4N71B 1983-Up
T53006E				Master W/Steels N4A-EL 1988-92
GASKET & RUBBER COMPONENTS				
1984056	31612-X0100			D-Ring 3N71B Clutch Piston 1971-Up
1984052	31516-X0100			D-Ring 3N71B Forward & Direct Clutch Outer 1971-Up
1984051	31616-X0100			D-Ring 3N71B Intermediate Band Servo Piston 1971-Up
1984053	31646-X0100			D-Ring 3N71B Reverse Clutch Outer 1971-Up
1984057	31616-X1000			D-Ring 3N71B Servo Piston Small 1971-Up
1984060	31616-X0120			D-Ring 4N71B Overdrive Servo 1983-Up
1984059	31616-X0300			D-Ring 4N71B Overdrive Servo 1983-Up
1984058	31617-X8201			D-Ring 4N71B Overdrive Servo 1983-Up
1984054	31363-X0100			D-Ring L3N71B L4N71B Front Pump & Overdrive Case
1984072				D-Ring N4A-EL Servo 1988-Up
27473	31612-3101	66112		Gasket E4N71B Overdrive Servo
27028	31397-X0101	13100F		Gasket L3N71B L4N71B Bottom Pan (14 Holes) (Nissan/Mazda) [Fiber]
27009T	31397-X0102	13100		Gasket L3N71B L4N71B Bottom Pan (14 Holes) (Nissan/Mazda) [Cork & Rubber]
27050T	D7DZ-7A191A	13100A		Gasket L3N71B Bottom Pan (17 Holes) 1974-83 (Ford) [Cork & Rubber]
27038		13100AF		Gasket L3N71B Bottom Pan (17 Holes) 1974-83 (Ford) [Fiber]
27478	31335-X0100	1308		Gasket L3N71B L4N71B Extension Housing
27472				Gasket L4N71B {Part of 27079 & 27408}
27497362				Gasket L4N71B Overdrive Case To Case (Mazda)
27097358				Gasket L4N71B Overdrive Case To Case (Nissan)
27097359	31366-X0101	13101		Gasket L3N71B Front Pump (Non Lock-Up) (3 Speed)
27097358		13101B		Gasket L3N71B Front Pump (With Lock-Up) (3 Speed) (Also Fits L4N71B Overdrive Case To Main)
27479	31366-X8600	13101A		Gasket L4N71B Front Pump To Overdrive Case (4 Speed) 1983-Up
27497423	BV01-21-156			Gasket N4A-EL Valve Body Lower 1988-92
27497421	BV01-21-123A			Gasket N4A-EL Valve Body Lower 1988-92
27497420	BV01-21-112A			Gasket N4A-EL Valve Body Upper 1988-92
27497422	BV01-21-155			Gasket N4A-EL Valve Body Upper 1988-92
1994681	31517-X0100			O-Ring 3N71B Forward & Direct Clutch Inner 1971-Up
19142	31914-X0100			O-Ring 3N71B Manual Lever Shaft 1971-87
1994680	31647-X0100			O-Ring 3N71B Reverse Clutch Piston Inner 1971-Up
1994112	995410-2211			O-Ring 3N71B Speedometer 1971-87
1993511				O-Ring N4A-EL Accumulator Piston 1988-Up
1993512				O-Ring N4A-EL Accumulator Piston 1988-Up
27499	BV01-21-5A1			Seal E4N71B L4L71B Planet Carrier (for 27402A)
6132				Seal Kit N4A-EL Accumulator Piston 1988-Up
METAL CLAD SEALS				
70141	80674-2110 X0102 31344-	66550		Seal L3N71B L4N71B Front Pump 1971-Up
70076	32709-14600			Seal 3N71B 4N71B Speedometer 1971-Up
70167	31336-X0101	66558		Seal L3N71B Extension Housing 1972-87
70143	0376-3350	66557A		Seal L3N71B L4N71B Extension Housing (With External Servo) 1974-83 (Mazda)
70138	31336-X8000	66557B		Seal L4N71B Extension Housing (With Flange) (4 Speed) 1983-Up
70142	M502-17-335A	66557C		Seal N4AEL Extension Housing W/Out Boot 1988-Up (Mazda)
OIL SEALING RINGS				
30683T	31362-X8600	66227T		Ring L3N71B L4N71B Forward Drum [PTFE]
TAW-317	31361-X0100			Ring L3N71B L4N71B Direct & Overdrive Drum (1.732 OD) [Metal]
30687T	31673-X8682	66234T		Ring E4N71B N4A-EL Overdrive Accumulator (With 1/4in Gap) [PTFE]
30682T	31361-X8600	66228T		Ring E4N71B N4A-EL Direct & Overdrive Drum [PTFE]
30685T	31672-X8600			Ring E4N71B N4A-EL Overdrive Accumulator Large [PTFE]
30686T	31673-X8610	66232T		Ring E4N71B N4A-EL Overdrive Accumulator Small [PTFE]

SAP #	IL#	OE	INDUSTRY	DESCRIPTION
OIL SEALING RINGS -- continued				
6107				Ring Kit L3N71B 1971-Up (4 Metal 3 PTFE Rings)
6107OS				Ring Kit L3N71B 1971-Up (7 OS Metal Rings)
6108				Ring Kit L4N71B 1983-Up (12 PTFE Rings 1 Seal)
6118				Ring Kit N4A-EL 1988-Up (8 PTFE Rings 2 Seals)
FRICTION CLUTCH				
27022R	31662-X0102			Friction 3N71B 4N71B N4A-EL Low/Reverse (5.10 OD) 1971-Up
27022T	31662-X0100	66504		Friction 3N71B 4N71B N4A-EL Low/Reverse (5.10 OD) 1971-Up
27070				Friction Module L3N71B 1971-87
27480R				Friction Module L4N71B N4A-EL 1983-Up
27480				Friction Module L4N71B N4A-EL 1983-Up
STEEL CLUTCH				
27021	31536-X0100 FT01-19-499 0338-	66305		Steel 3N71B 4N71B Forward & Direct [3.63 ID 28 Teeth 0.079 THK] 1971-Up
27321	19-499	91100		Steel 3N71B 4N71B N4A-EL Forward - Direct - Overdrive [3.62 ID 28 Teeth 0.063 THK] 1987-89
27321A	BV01-19-499	91100A		Steel N4A-EL Overdrive [3.63 ID 28 Teeth 0.098 THK] 1988-Up
27025	0338-19-609	66505		Steel 3N71B 4N71B N4A-EL Low/Reverse [4.23 ID 13 Teeth 0.079 THK] 1971-Up
27071				Steel Module L3N71A L3N71B 1971-87
27481				Steel Module L4N71B 1983-Up
27481A				Steel Module N4A-EL 1984-Up (21 Pieces)
FILTER				
27040	31728-X0100	66423		Filter L3N71B 1971-87 (Nissan - Mazda - Ford)
27041	31728-X0F00	66423A		Filter L3N71B 1976-82 (Ford)
28344	31728-X8600	66423B		Filter L4N71B E4N71B 1983-Up (Nissan)
27056	31728-Y09000	66423C		Filter E4N71B N4A-EL 1988-95 (Mazda 929 Pickups)
FILTER KIT				
27042		FK66423		Filter Kit L3N71B 1971-87 (Nissan)
28348		FK66423B		Filter Kit L4N71B E4N71B 1983-Up (Nissan)
27057		FK66423C		Filter Kit E4N71B N4A-EL 1988-95 (With Cork & Rubber Pan Gasket) (Mazda 929/Pickups)
27057A				Filter Kit E4N71B N4A-EL 1988-97 (With Fiber Pan Gasket) (Mazda 929/Miata/Pickup Trucks)
BANDS				
27047		66320F		Band L3N71B L4N71B Overdrive & Intermediate (Flex) (1 3/4in Wide)
27046		66320R		Band L3N71B L4N71B Overdrive & Intermediate (Hard Type)
BUSHINGS				
27031		66023		Bushing L3N71B Extension Housing [1.58 OD 1.36 ID 1.575 Long] [Babbitt]
27033	31373-X010	66008		Bushing L3N71B L4N71B Case (Rear) Wide [1.25 OD] [Babbitt]
27030	48488-7000	66002		Bushing L3N71B L4N71B Pump Body (1.78 OD) [Babbitt]
27032	31353-X0100	66001		Bushing L3N71B L4N71B Stator (Front & Rear) (0.91 OD) 1971-Up [Babbitt]
27032B	31354-X6100	66001A		Bushing E4N71B N4A-EL Stator Front (0.92 OD) 1984-Up [Babbitt]
27032C	31354-X8600	66001B		Bushing L4N71B Stator (Rear) [0.91 OD 0.785 Wide] (With 2 Notches) 1984-Up [Babbitt]
27032A	31353-X6100	66001C		Bushing L4N71B Stator (Center) (0.89 OD) (0.310 Wide) 1984-Up [Babbitt]
26938	31332-X8000	69008		Bushing L4N71B Extension Housing (1.495 ID) [Babbitt]
27036A	31503-X8601	66003A		Bushing L4N71B Overdrive Drum (1.86 OD) [Babbitt]
27034	31375-X0101	66007		Bushing 3N71B 4N71B N4A-EL Case Front (1.25 OD) 1972-Up [Babbitt]
27036B	31388-X8070	66001D		Bushing E4N71B N4A-EL Drum Support (1.50 OD) 1984-Up [Babbitt]
27035	31462-X0101	66005		Bushing L3N71B L4N71B Sun Gear (Front & Rear) 3 Speed (1.10 OD) 1971-Up [Babbitt]
27035A	31462-X6100	66005A		Bushing E4N71B N4A-EL Sun Gear (Front & Rear) 4 Speed 1984-Up [Babbitt]
27037A	31592-X8600	66037		Bushing E4N71B N4AEL Overdrive Sun Gear (1.35 OD) 1984-Up [Babbitt]
27037	31592-X9000	66037A		Bushing L4N71B Overdrive Sun Gear (31 Teeth Type) (1.26 OD) (1.140 ID) 1984-Up [Babbitt]
WASHER & BEARINGS				
27451	31528-X0106	66707A		Washer L3N71B L4N71B Direct Drum 1.70mm(0.067in)
27452	31528-X0100	66707B		Washer L3N71B L4N71B Direct Drum 1.90mm(0.075in) (Also Fits Overdrive Drum)
27453	31528-X0101	66707C		Washer L3N71B L4N71B Direct Drum 2.10mm(0.083in)
27454	31528-X0102	66707D		Washer L3N71B L4N71B Direct Drum 2.30mm(0.091in)
27455	31528-X0103	66707E		Washer L3N71B L4N71B Direct Drum 2.50mm(0.098in)
27450				Washer Kit 3N71B 4N71B N4AEL Selective Pump 1971-Up (5 Washers)
ELECTRICAL COMPONENTS				
D66832D	31941-X0106	66832D		Solenoid N4A-EL E4N71B Downshift 1983-Up
D66832H	31941-P2012	66832H		Solenoid L4N71B N4A-EL Lock-Up 1983-Up
MODULATORS				
27448	31931-X0106			Modulator 4N71B Diesel 1981-84 [OEM]
27449	31931-X9081	68830		Modulator N4A-EL Push-In (0.91 Diaphragm) 1988-Up (Mazda 929 With DOHC)
27447		66830X		Modulator 3N71B 4N71B Screw-In (0.91 Diaphragm) Non-Turbo
27449A	31931-X9081	68830		Modulator N4A-EL Push-In (Adjustable With Bracket) 1984-Up
27447A				Modulator 3N71B 4N71B Screw-In (Adjustable) Non-Turbo 1971-Up [OEM]
HARD PARTS				
27497				Spring E4N71B N4A-EL Overdrive Servo 1984-94
27048	31651-X0101	66419		Spring L3N71B 4N71B Low/Reverse 1971-Up

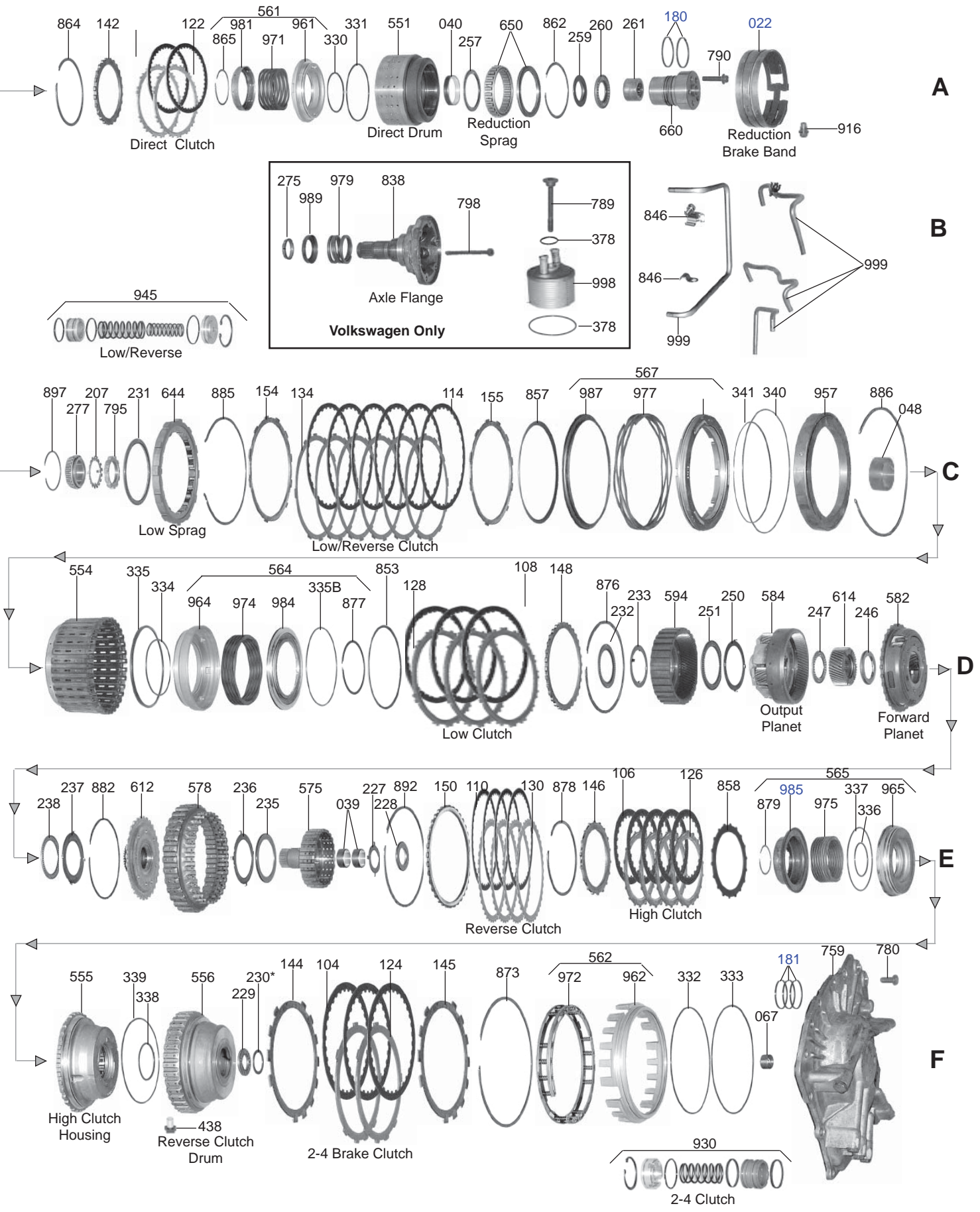
JF506E (JA5A-EL / 09A)

FWD 5 Speed



FWD 5 Speed

JF506E (JA5A-EL / 09A)



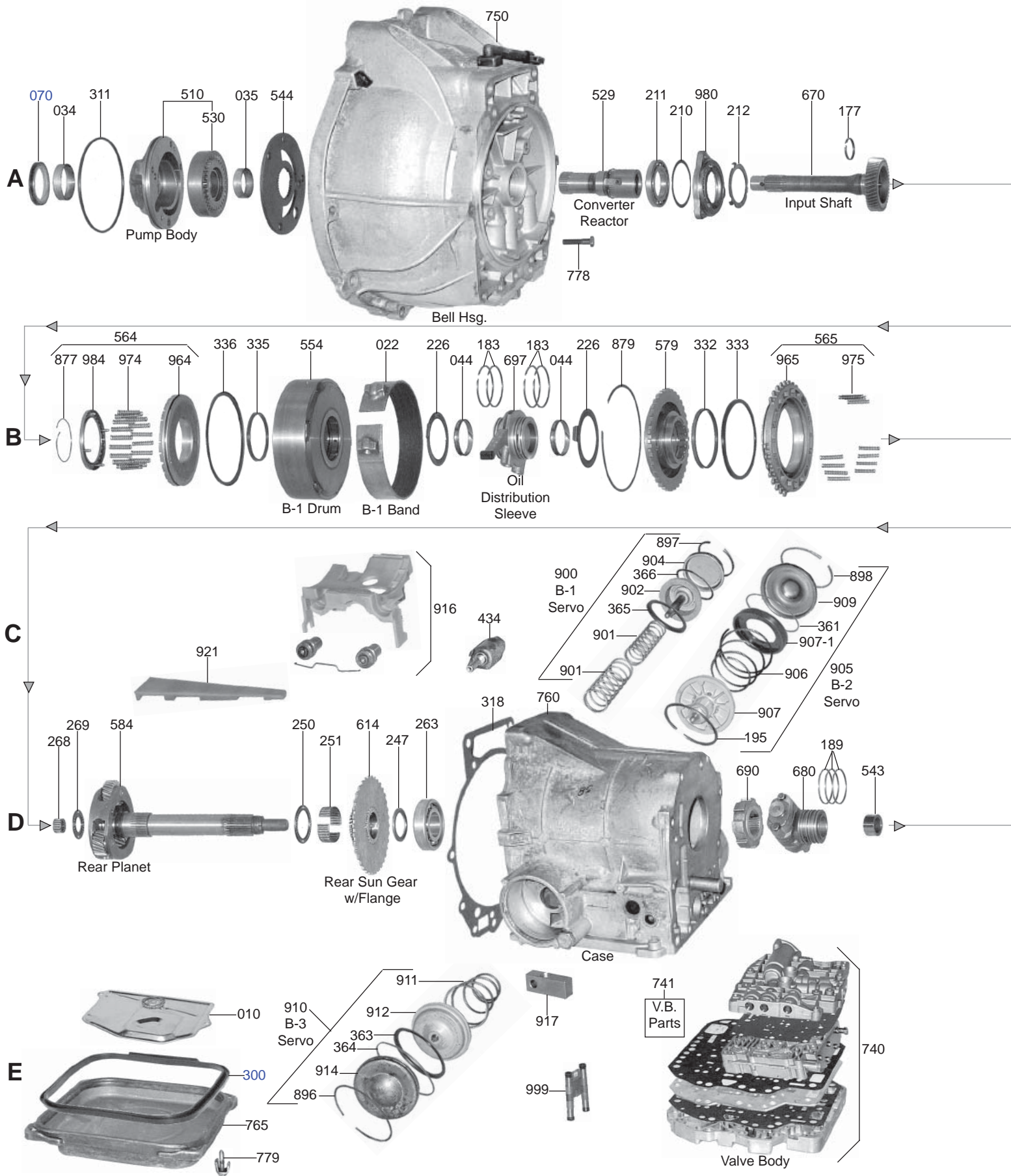
SAP #	IL#	OE	INDUSTRY	DESCRIPTION
OVERHAUL KIT				
T183002AP				Overhaul Kit JF506E (With Retainer) 2002-06 {VW}
T183002BP				Overhaul Kit JF506E (With Retainer) 2002-06 {Mazda • Jaguar • Land Rover • Ford 5F31J}
T183002CP				Overhaul Kit JF506E (With Retainer) 2002-06 (Combo) {Mazda • Jaguar • Land Rover • VW}
MASTER L/STEELS KIT				
T183004AP				Master L/Steels Kit JF506E (With Retainer) 2002-06 {VW}
T183004BP				Master L/Steels Kit JF506E (With Retainer) 2002-06 {Mazda • Jaguar • Land Rover • Ford 5F31J}
MASTER W/STEELS KIT				
T183006AP				Master W/Steels Kit JF506E (With Retainer) 2002-06 {VW}
T183006BP				Master W/Steels Kit JF506E (With Retainer) 2002-06 {Mazda • Jaguar • Land Rover • Ford 5F31J}
GASKET & RUBBER COMPONENTS				
32498105			122500	Gasket JF506E (All) Side Pan 2002-Up
32496222		FP01-19-221		Gasket JF506E (All) Pump Stator To Case 2002-Up
32496223		31623-PW000		Gasket JF506E Servo Cover (3 Bolt) 2002-Up {VW}
1994748		BW01-21-032		O-Ring JF506E (All) Pump Body 2002-Up
1992506				O-Ring JF506E Connector Housing 2002-Up
32475280				Seal JF506E Cooler Housing 2003-Up
METAL CLAD SEALS				
70393				Seal JF506E Axle 2003-Up
70329				Seal JF506E Axle Shaft 2003-Up {Mazda}
70392				Seal JF506E Axle Shaft 2003-Up
70394				Seal JF506E Axle Shaft 2003-Up {VW}
70389				Seal JF506E (All) Front Pump 2003-Up
70390		31375-PR000		Seal JF506E (All) Front (2.33 OD) 2002-Up
70039				Seal JF506E (All) Shift Lever [0.866 OD 0.433 ID] 2002-Up
70139				Seal JF506E (All) Shift Lever [0.975 OD 0.560 ID] 2002-Up
70384				Seal JF506E Axle (Case Side) No Flange [2.285 OD 1.550 ID] 2002-Up {Freelander}
70382				Seal JF506E Axle (Case Side) With Flange [2.285 OD 1.550 ID] 2002-Up {Jaguar}
70385				Seal JF506E Axle (Bell Housing Side) [2.680 OD 2.150 ID] 2002-Up {Jaguar}
70386				Seal JF506E Axle (Both Sides) [2.830 OD 2.270 ID] 2002-Up {Volkswagen}
OIL SEALING RINGS				
32460296		FP01-19-655		Ring JF506E (All) Direct Clutch [2.050 OD] 2002-Up [Plastic]
32460299		FP01-19-257		Ring JF506E (All) Low Clutch (3.065 OD) 2002-Up [Plastic]
32460300		FP01-19-212		Ring JF506E (All) Reverse Clutch (In Rear Cover) (1.750 OD) (V Joint) 2002-Up [PTFE]
32460297				Ring JF506E (All) Input Shaft 2002-Up [PTFE]
32460298		FP01-19-701		Ring JF506E (All) Accumulator Pistons [PTFE]
6364				Ring Kit JF506E 2002-Up [12 PTFE Rings 4 Plastic Rings]
FRICTION CLUTCH				
183108A		FP01-19-5J0	122103	Friction JF506E Low [5.42 OD 30 Teeth 0.071 THK] 2002-Up
183110A		FP01-19-610	122105	Friction JF506E Reverse [6.125 OD 32 Teeth 0.063 THK] 2002-Up
183102A		FP01-19-580	122101	Friction JF506E Direct [4.00 OD 24 Teeth 0.069 THK] 2002-Up
83114BA		FP01-19-590	63102	Friction JF506E Low/Reverse [6.50 OD 32 Teeth 0.071 THK] 2002-Up
183104D		FP01-19-580	122101	Friction JF506E 2/4 Brake [7.50 OD 32 Teeth 0.063 THK] 2002-Up {Jaguar}
183104A		FP01-19-580	122101	Friction JF506E 2/4 Brake [7.50 OD 32 Teeth 0.063 THK] 2002-Up {Land Rover}
183104B		FP01-19-580	122101	Friction JF506E 2/4 Brake [7.50 OD 32 Teeth 0.063 THK] 2002-Up {Mazda}
32480BR				Friction Module JF506E 2002-Up
STEEL CLUTCH				
183126A		FP01-19-6E1	122116	Steel JF506E High [3.608 ID 18 Teeth 0.095 THK] 2002-Up
183130A		FP01-19-571	122115	Steel JF506E Reverse [5.625 ID 36 Teeth 0.079 THK] 2002-Up
183122A		FP01-19-499	122111	Steel JF506E Direct [3.375 ID 24 Teeth 0.079 THK] 2002-Up
183134A		FP01-19-609	122112	Steel JF506E Low/Reverse [5.91 ID 10 Teeth 0.055 THK] 2002-Up
183128A		FP01-19-561	122113	Steel JF506E Low [4.845 ID 32 Teeth 0.055 THK] 2002-Up
183126B				Steel JF506E High [3.608 ID 18 Teeth 0.063 THK] 2002-Up
183124A		FP01-19-3N4	122114	Steel JF506E 2/4 Brake [6.625 ID 7 Teeth 0.118 THK] 2002-Up
183150AA			122135	Steel JF506E Reverse Pressure Plate [36 Teeth 0.141 THK] 2002-Up
183150AB			122135A	Steel JF506E Reverse Pressure Plate [36 Teeth 0.150 THK] 2002-Up
183150AC			122135B	Steel JF506E Reverse Pressure Plate [36 Teeth 0.157 THK] 2002-Up
183150AD			122135C	Steel JF506E Reverse Pressure Plate [36 Teeth 0.165 THK] 2002-Up
183154B				Steel JF506E Low/Reverse Pressure Plate [10 Teeth 0.250 THK] 2002-Up
183146AD			122135	Steel JF506E High Clutch Pressure Plate (3.6 THK) 2002-Up
183146AA			122135	Steel JF506E High Clutch Pressure Plate (3.0 THK) 2002-Up
183146AB			122135	Steel JF506E High Clutch Pressure Plate (3.2 THK) 2002-Up
32481B				Steel Module JF506E All 2002-Up
FILTER				
32440B			122710	Filter JF506E (With Round Pick-Up) 2002-Up {Freelander Mazda Jaguar}
32440C			122711	Filter JF506E (With Rectangle Pick-Up) 2002-Up {VW}

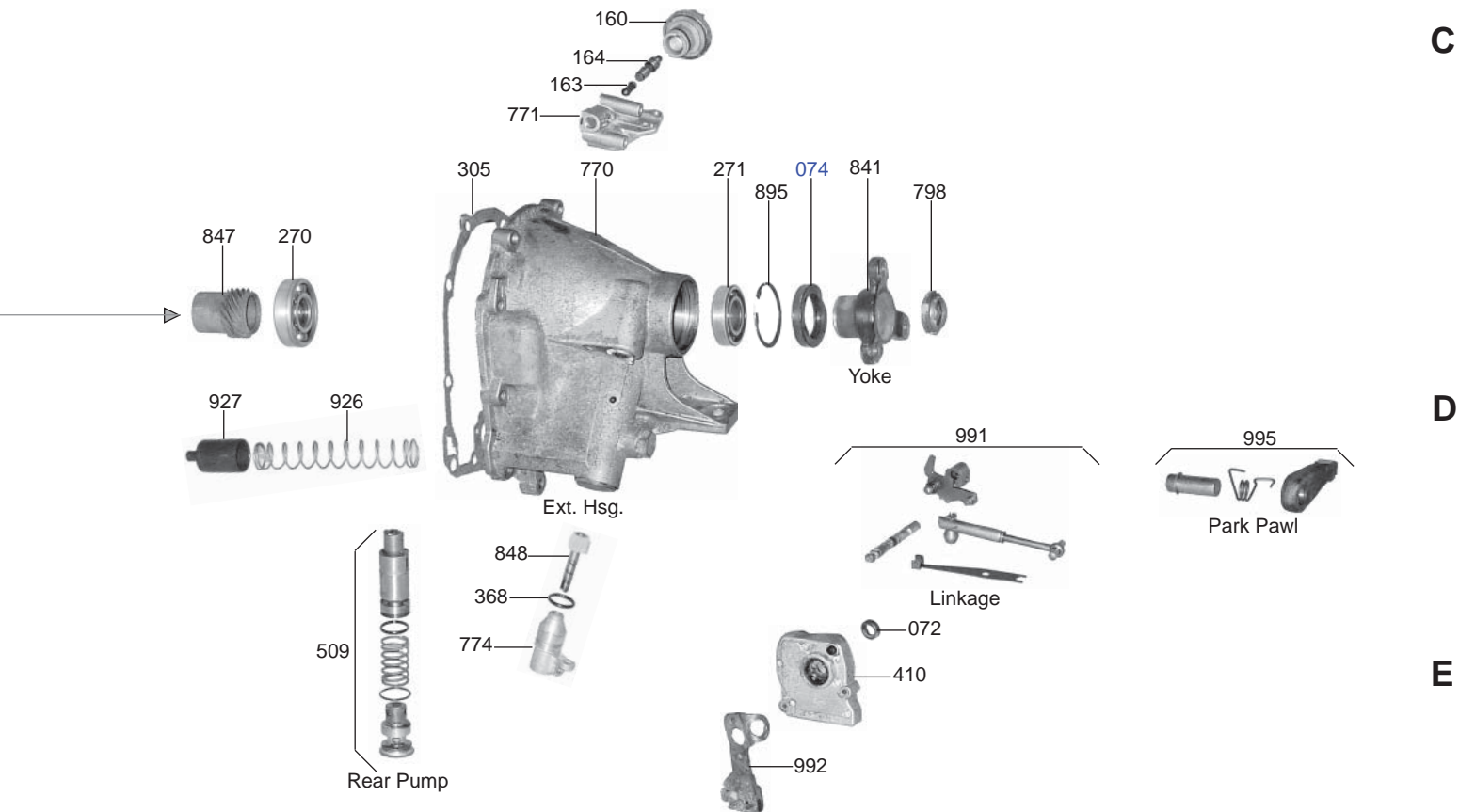
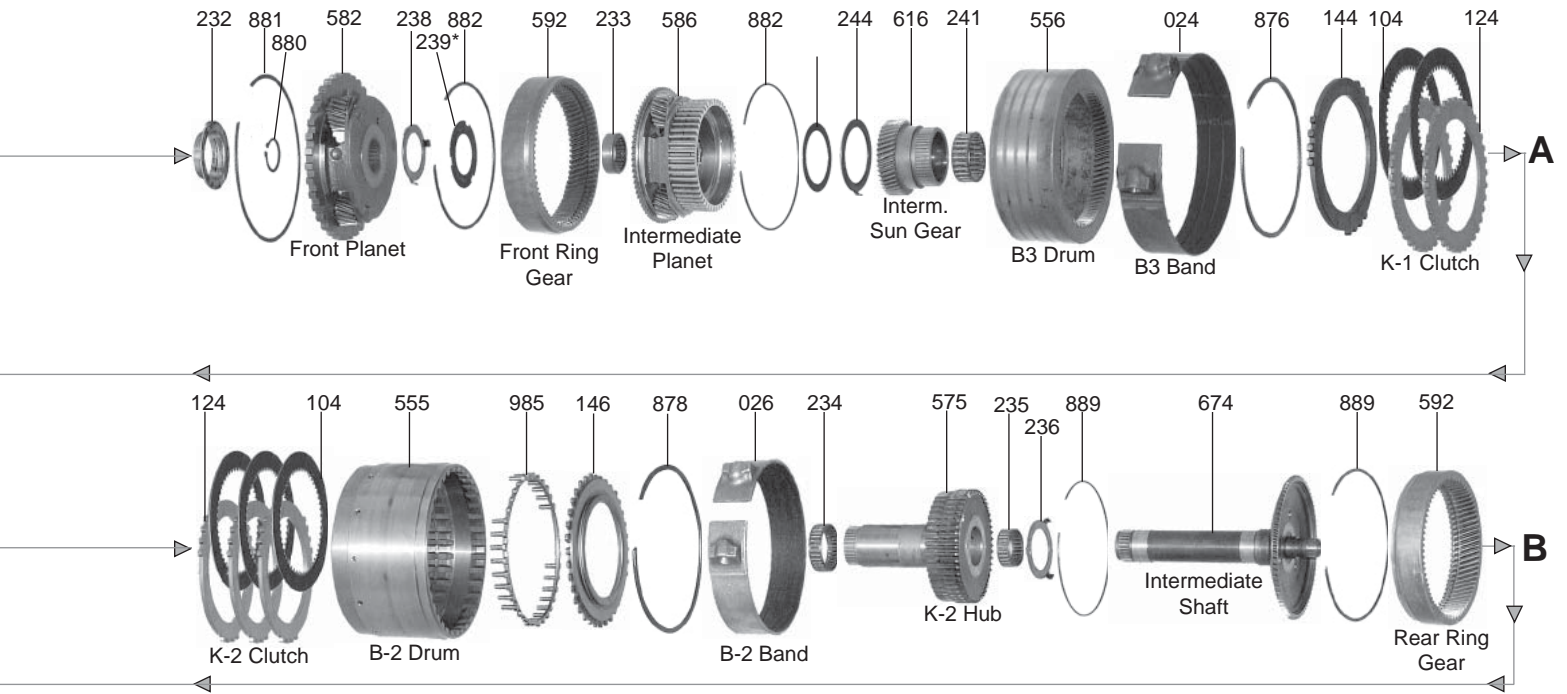
SAP #	IL#	OE	INDUSTRY	DESCRIPTION
ELECTRICAL COMPONENTS				
D183451B		31941-PM005	122958A	Solenoid JF506E Neutral Shift {Mazda} [OEM]
D183452A		31941-PM002	122958	Solenoid JF506E Reduction Timing {Rover / VW / Jaguar} [OEM]
D183452AB		31941-PM002	122958	Solenoid JF506E Reduction Timing {Mazda} [OEM]
D183421B		31941-PM004	122951A	Solenoid JF506E Shift A {Mazda} [OEM]
D183422A		31941-PR000	122952	Solenoid JF506E Shift B {Rover / VW / Jaguar / Mazda} [OEM]
D183423B		31941-PM003	122953A	Solenoid JF506E Shift C {Mazda} [OEM]
D183425B		31941-PM000	122957A	Solenoid JF506E TCC {Mazda} 2002-Up [OEM]
D183433B		31941-PM001	122955	Solenoid JF506E High Clutch & 2-4th Brake {Mazda} [OEM]
D183435A		31941-PR015	122956	Solenoid JF506E Pressure Control 2002-Up {Rover / VW / Jaguar / Mazda} [OEM]
841244			122991	Solenoid Pack JF506E (9 Solenoids) 2002-Up {Mazda} [OEM]
HARD PARTS				
32475279				Retainer JF506E (All) High Clutch Spring (Bonded) (4.120 OD) (1.655 ID) 2002-Up

SAP #	IL#	OE	INDUSTRY	DESCRIPTION
OVERHAUL KIT				
TF193002A				Overhaul Kit RC4A-EL JR405E 2000-11
TF193002AP				Overhaul Kit RC4A-EL JR405E (With Pistons) 2000-11
MASTER L/STEELS KIT				
TF193004A				Master L/Steels Kit RC4A-EL JR405E 2000-11
TF193004AP				Master L/Steels Kit RC4A-EL JR405E (With Pistons) 2000-11
MASTER W/STEELS KIT				
TF193006A				Master W/Steels Kit JR405E 2000-11
TF193006AP				Master W/Steels Kit JR405E (With Pistons) 2000-11
TF193006AA				Master W/Steels Kit RC4A-EL 2000-11
TF193006AAP				Master W/Steels Kit RC4A-EL (With Pistons) 2000-11
GASKET & RUBBER COMPONENTS				
19398107				Gasket JR405E Pan 2000-11 [Fiber]
19398106				Gasket RC4A-EL Pan 2000-11 [Fiber]
METAL CLAD SEALS				
70131		31344-21X00		Seal RC4A-EL Front Pump 2000-11
70476				Seal JR405E Front Pump 2000-11
70186		R501-17-335A		Seal RC4A-EL Extension Housing 2000-11
70477				Seal RC4A-EL JR405E Extension Housing AWD 2004-11
OIL SEALING RINGS				
6389				Ring RC4A-EL JR405E 2000-11 (4 PTFE 4 Plastic Rings)
FRICITION CLUTCH				
193020R				Friction RC4A-EL JR405E High 2000-11
193022R		8-97330997-0		Friction RC4A-EL JR405E Reverse 2000-11
193024R		31532-AA170		Friction RC4A-EL JR405E Low 2000-11
193028R		31532-AA220		Friction RC4A-EL JR405E 2nd & 4th 2000-11
27128D		31662-AA110		Friction RC4A-EL JR405E Low Brake [5.8 OD 30T 0.061THK] 2000-11
193080R				Friction Module RC4A-EL JR405E 2000-11
STEEL CLUTCH				
193021				Steel RC4A-EL High 2000-11
193021A				Steel JR405E High 2000-11
193029				Steel RC4A-EL 2nd & 4th 2000-11
193029A				Steel JR405E 2nd & 4th 2000-11
193025				Steel RC4A-EL Low 2000-11
193025A		31536-AA200		Steel JR405E Low 2000-11
193023				Steel RC4A-EL JR405E Reverse 2000-11
193027				Steel RC4A-EL JR405E Low Brake 2000-11
193081				Steel Module JR405E 2000-11
193081A				Steel Module RC4A-EL 2000-11
FILTER				
193040		897-331-0630		Filter RC4A-EL JR405E [14mm Tube Height] 2004-Up
HARD PARTS				
19375494		BW01-19-6S3		Piston RC4A-EL JR405E Low Clutch 2000-11
19375495		BW02-19-6S3		Piston RC4A-EL JR405E High Clutch 2000-11
4855				Piston Kit RC4A-EL JR405E 2000-11 (2 Pistons)

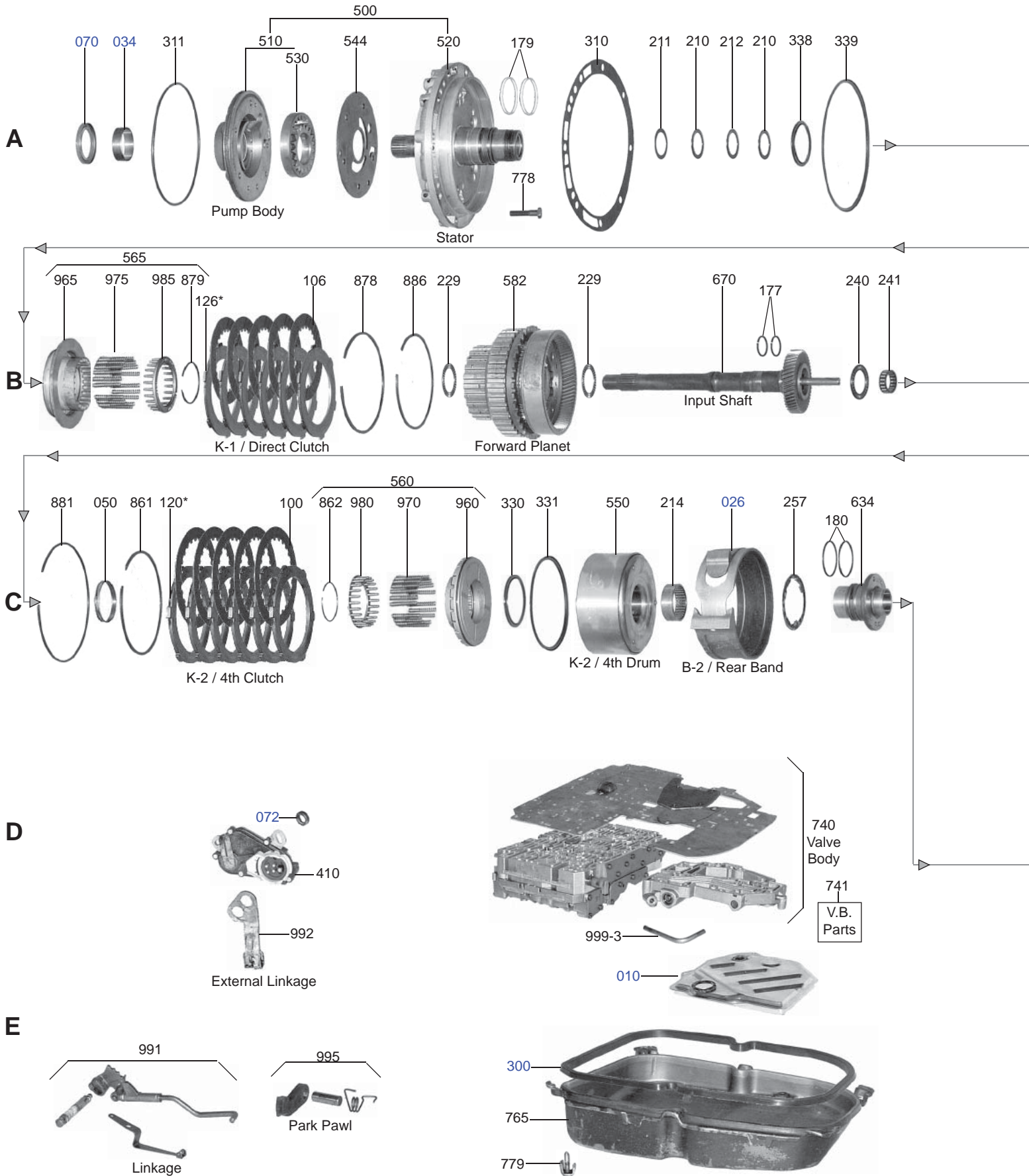
722.0 / 722.1 / 722.2

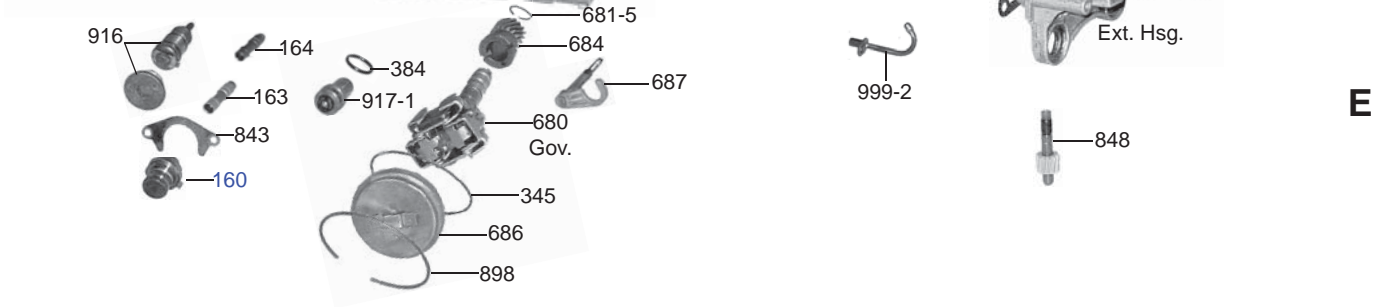
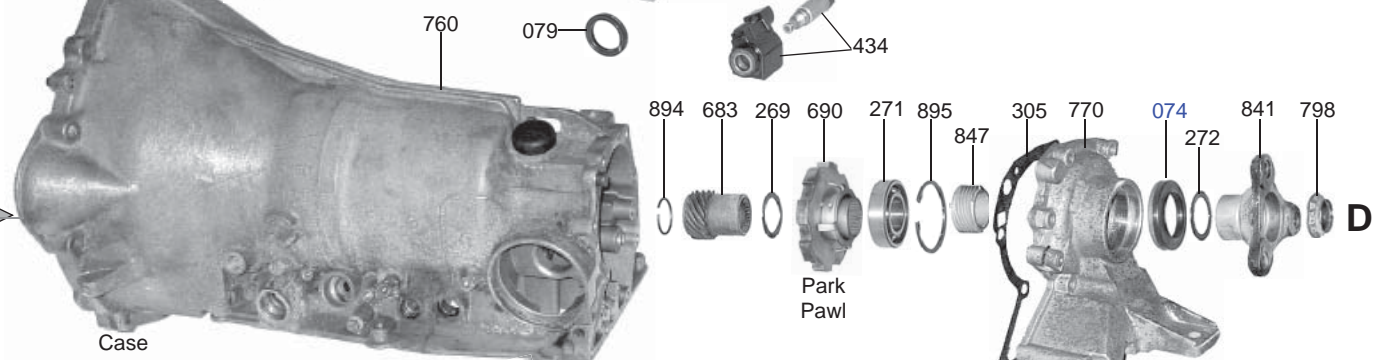
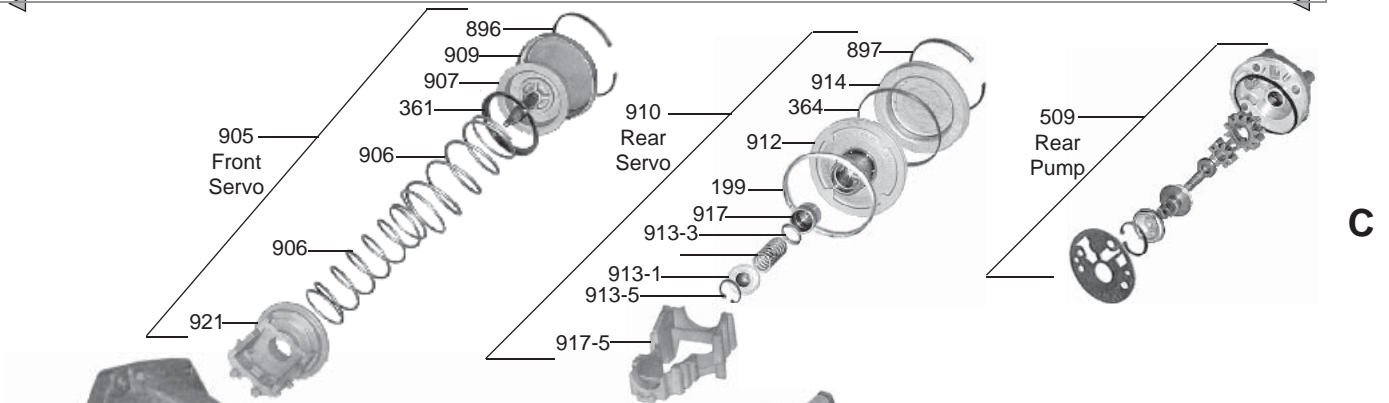
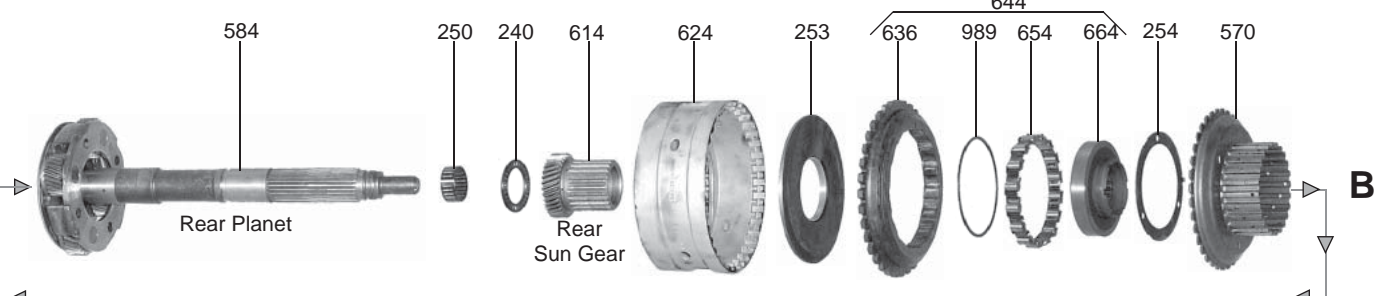
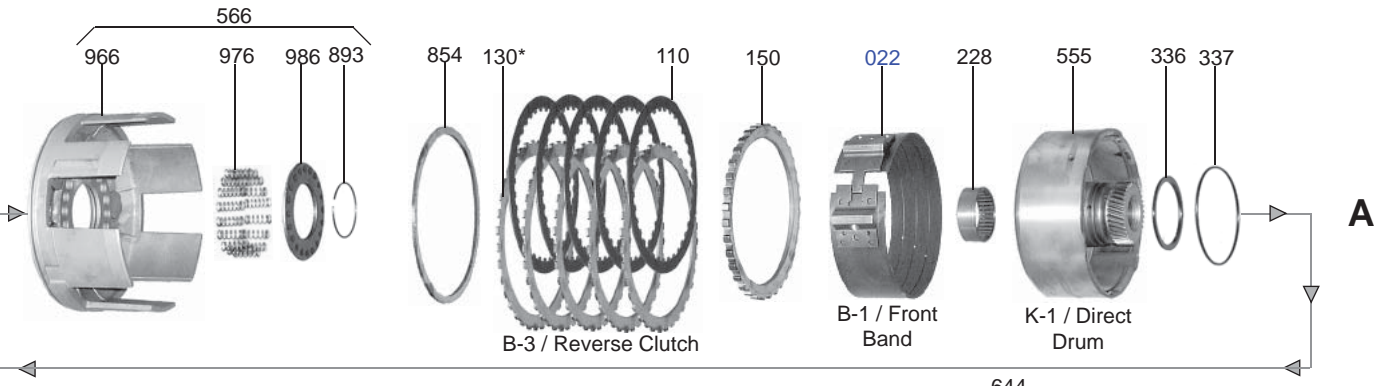
RWD 3 & 4 Speed





SAP #	IL#	OE	INDUSTRY	DESCRIPTION
OVERHAUL KIT				
B58002				Overhaul Kit 722.0 722.1 722.2 1970-83
T58002				Overhaul Kit 722.0 722.1 722.2 1970-83
MASTER L/STEELS KIT				
B58004				Master L/Steels Kit 722.0 722.1 722. 2 1970-83
MASTER W/STEELS KIT				
B58006				Master W/Steels Kit 722.0 722.1 722.2 1970-83
GASKET & RUBBER COMPONENTS				
31309		115-271-1680	68500	Gasket 722.0 722.1 722. 2 Oil Pan [Molded Rubber]
METAL CLAD SEALS				
70334	008-997-2546		68151	Seal 722.1 Front (1 1/16 OD Converter Hub) (6 Cylinder) 1970-83
70333	004-997-0547		68152	Seal 722.0 722.2 Front (1 5/8 OD Converter Hub) (8 Cylinder) 1970-83
70330	005-997-1146		68155	Seal 722.0 722.1 Extension Housing 1970-82
70331	006-997-6146		68153	Seal 722.0 722.1 Manual Lever 1970-83
31314	011 997 6447		68166	Seal 722.0 722.1 Speedo Housing 1970-83
70332	115-2721192		68154	Seal 722.0 722.1 Servo Front B2 1970-82
OIL SEALING RINGS				
TAW-2440				Ring 722.0 722.1 722.2 1970-82 [Metal]
TAW-2435				Ring 722.0 722.1 1970-82 [Metal]
TAW-2436	1622CHSF			Ring 722.0 722.1 1970-82 [Metal]
TAW-2437				Ring 722.0 722.1 722.2 Governor Hub 1970-82 [Metal]
TAW-2439				Ring 722.0 722.1 1970-82 [Metal]
TAW-2441				Ring 722.0 722.1 1970-82 [Metal]
TAW-2438				Ring 722.0 722.1 722.2 Oil Distributor Sleeve [Metal]
6355				Ring Kit 722.0 722.1 722.2 1970-80 (13 Metal Rings)
6355OS				Ring Kit 722.0 722.1 722.2 1970-80 (13 OS Metal Rings)
FRICTION CLUTCH				
31320T		112-272-0225	68103	Friction 722.1 722.2 1st - 2nd - 3rd - 4th (K1 & K2) [5.35 OD 51 Teeth 0.083 THK] 1970-83
31380T				Friction Module 722.0 722.1 722.2 1970-83
STEEL CLUTCH				
31321	109-272-1526		68100	Steel 722.1 722.2 1st - 2nd - 3rd - 4th (K1 & K2) [4.10 ID 12 Teeth 0.079 THK] 1970-83
31323	109-272-0626		68101	Steel 722.1 722.2 1st - 2nd - 3rd - 4th (K1 & K2) [4.10 ID 12 Teeth 1.118 THK] 1970-83
31325	109-272-1426		68102	Steel 722.1 722.2 1st - 2nd - 3rd - 4th (K1 & K2) [4.10 ID 12 Teeth 1.138 THK] 1970-83
31381				Steel Module 722.0 722.1 722.2 1970-83
BUSHINGS				
31330		112-272-4350	68005	Bushing 722.0 722.1 722.2 Front Pump Body (6 & 8 Cylinder) (1.85 OD) 1970-82 [Bronze]
MODULATORS				
31334		000-270-0079	68820C	Modulator 722.0 4 Bolt Pan With Key Screw-in (White Plastic Top) 1972-81 [OEM]
HARD PARTS				
31398			68918	Shaft 722.0 Pump Stator Clip (Snap) Type 1970-82
31399			68917	Shaft 722.0 Pump Stator Press Type 1970-82



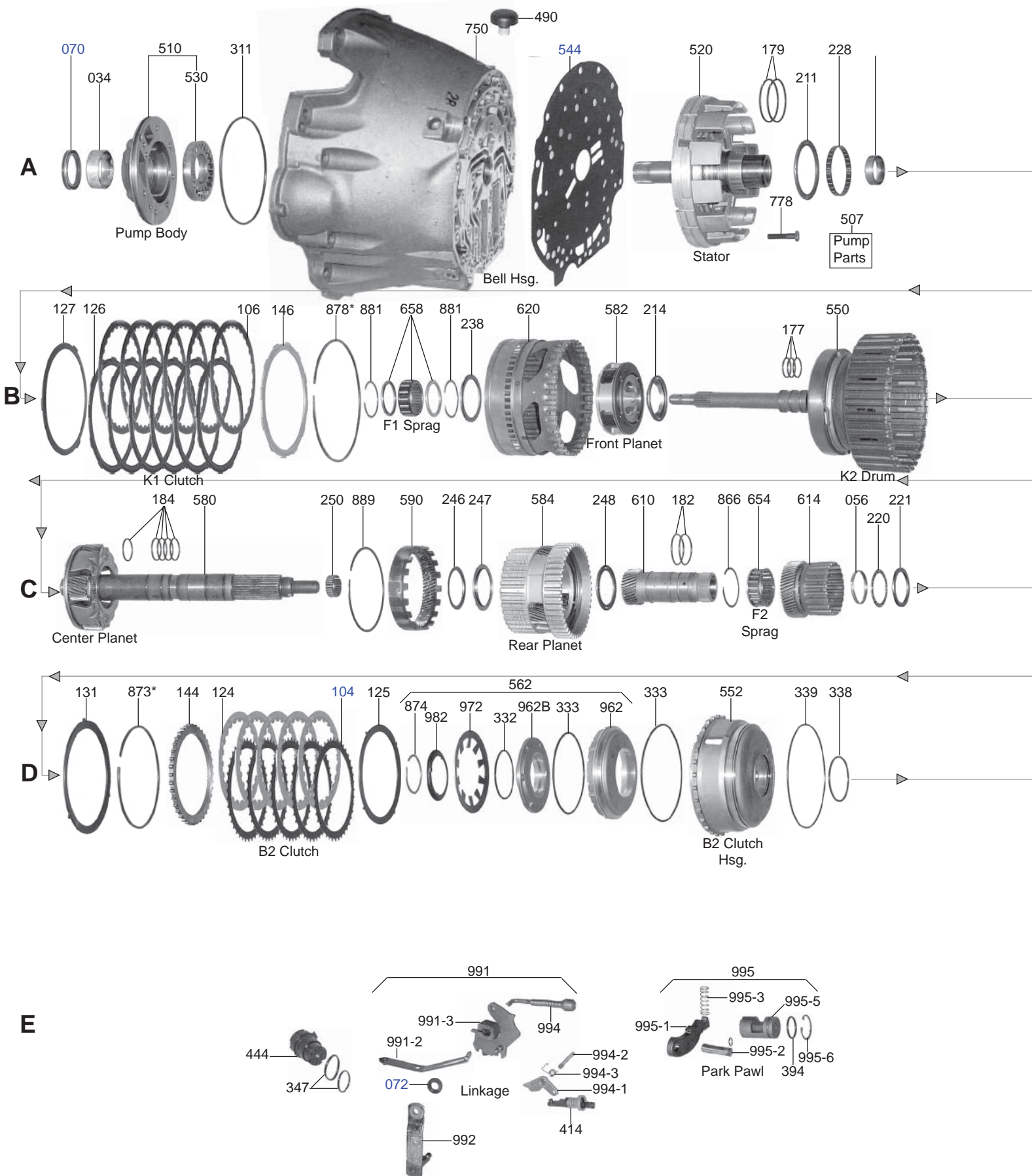


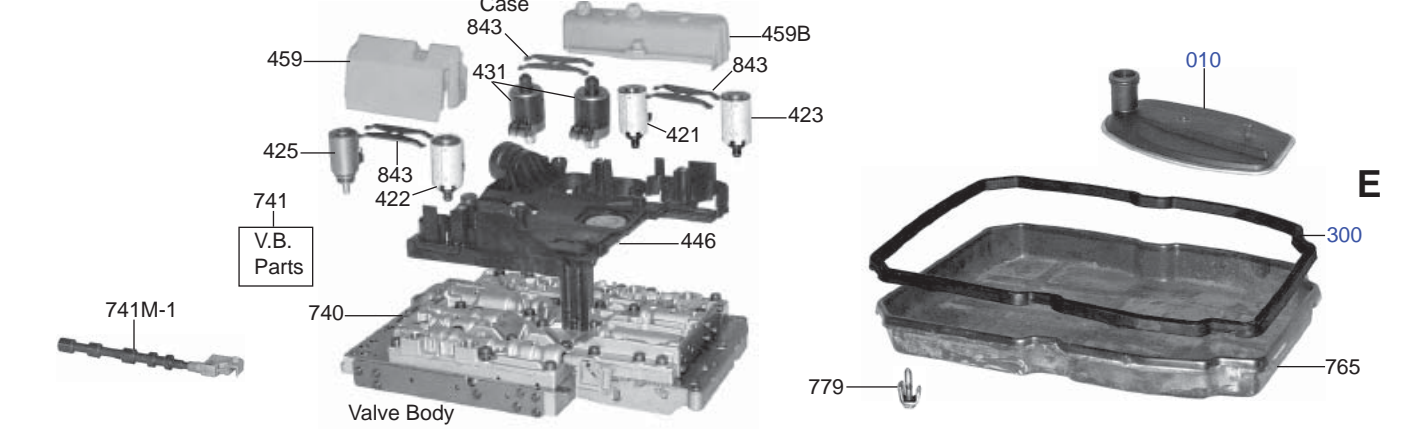
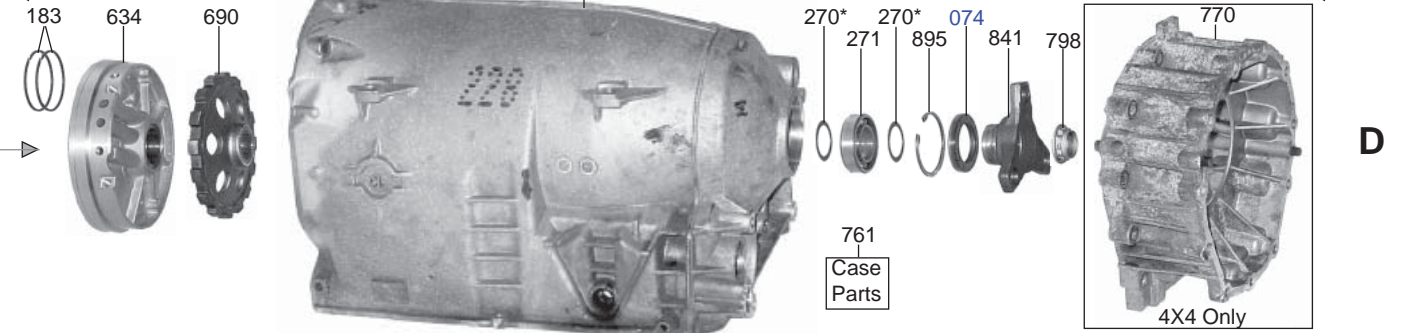
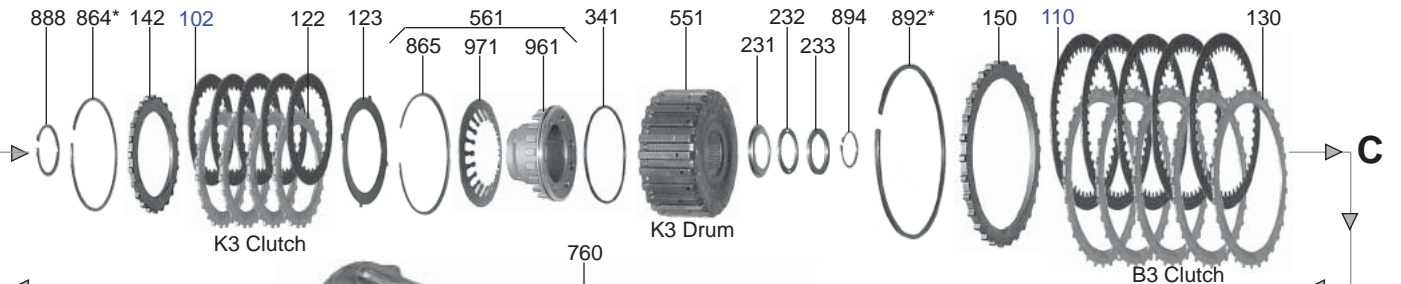
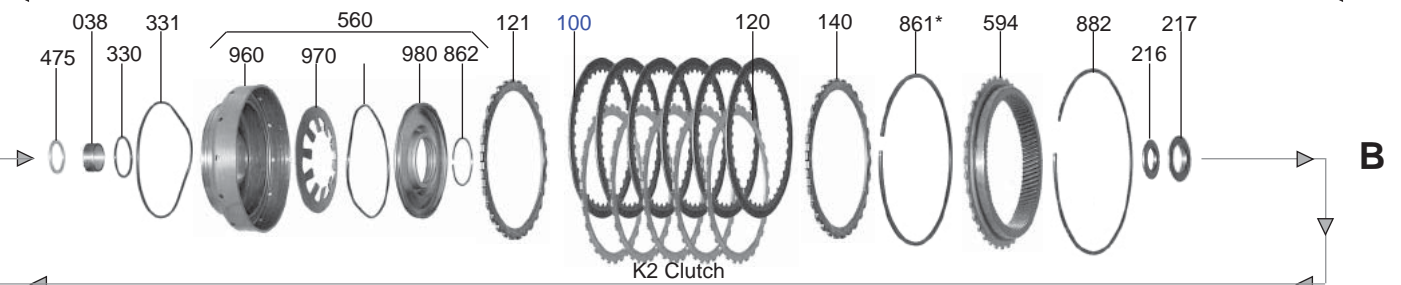
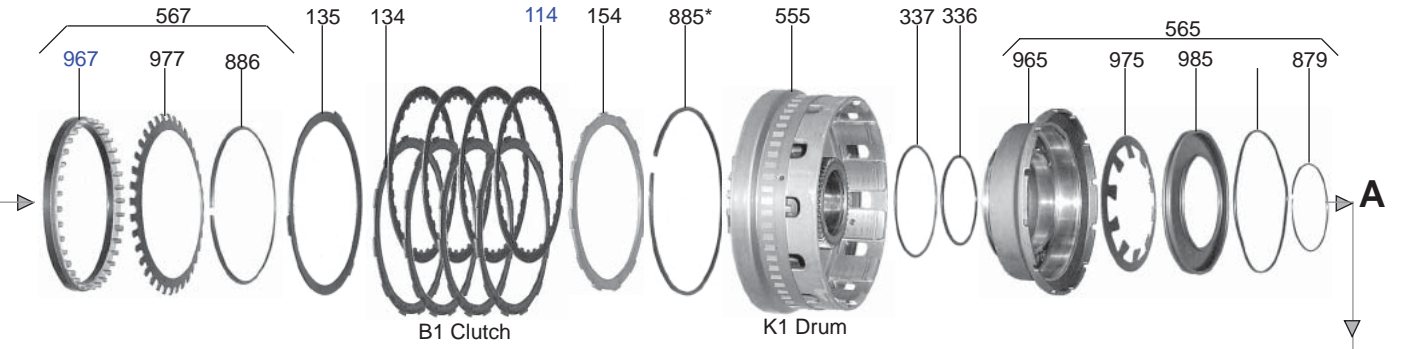
SAP #	IL#	OE	INDUSTRY	DESCRIPTION
OVERHAUL KIT				
B68002B			K68900A	Overhaul Kit 722.3 1981-97
T68002B			K68900A	Overhaul Kit 722.3 1981-97
B68002A				Overhaul Kit 722.4 1984-97
T68002A				Overhaul Kit 722.4 1984-97
B68002C				Overhaul Kit 722.5 (5 Speed) 1990-97
T68002C				Overhaul Kit 722.5 (5 Speed) 1990-97
MASTER L/STEELS KIT				
B68004B				Master L/Steels Kit 722.3 (Large Case) 1981-97
B68004A				Master L/Steels Kit 722.4 (Small Case) 1984-97
B68004C				Master L/Steels Kit 722.5 (5 Speed) 1990-97
MASTER W/STEELS KIT				
B68006B				Master W/Steels Kit 722.3 (Large Case) 1981-97
B68006A				Master W/Steels Kit 722.4 (Small Case) 1984-97
GASKET & RUBBER COMPONENTS				
19484				Cap (17.89 X 9.9) [Rubber]
31409	126-271-0280	68501		Gasket 722.3 722.5 Bottom Pan 1981-97 [Molded Rubber]
31909	123-271-0280	68502		Gasket 722.4 Bottom Pan 1984-97 [Molded Rubber]
31497704				Gasket 722.3 Extension Housing (With Six Bolt Holes) 1984-92
31497733				Gasket 722.3 Valve Body 1981-96
31415A	202-277-01-80			Gasket 722.4 722.5 Rear Pump
31904				Gasket 722.4 Valve Body
31406A				Gasket 722.5 Valve Body
31408	126-271-1280			Gasket Set 1981-97
19002A				O-Ring 722.3 (12.45 x 1.50mm)
1994898				O-Ring 722.3 (14 x 3.0mm) Filler Tube 1984-Up
20038				O-Ring 722.3 (17.30 x 1.30mm)
19098A				O-Ring 722.3 (18.0 x 2.0mm)
19099				O-Ring 722.3 (18.87 x 2.00mm)
19069				O-Ring 722.3 (4.15 x 1.90mm)
19000B				O-Ring 722.3 (4.5 x 1.5mm)
19000A				O-Ring 722.3 (6.3 x 1.5mm)
19189				O-Ring 722.3 (7.60 x 2.62mm)
1994899				O-Ring 722.3 (98.3 x 2.5mm) Drum Seal 1984-E92
1994929				O-Ring 722.4 (16.7 x 1.2mm) 1984-96
19308A				O-Ring 722.4 (89.5 x 2.70mm)
1993517	0585-141022			O-Ring 722.4 Front Servo Cover 1990-Up
METAL CLAD SEALS				
70339	012-997-8747	68164		Seal 722.3 722.4 722.5 Rear (2.450 OD) (1.525 ID) 1981-97
70335	004-997-2847	68161		Seal 722.3 722.5 Front Pump 1981-97
70362	010-997-4547	68163		Seal 722.4 Front Pump 1984-97
70340	008-997-9047	68183		Seal 722.3 Manual Lever 1981-97
70336	006-997-0147	68173		Seal 722.4 Manual Lever 1984-97
70337	006-997-7347	68169		Seal 722.3 722.4 722.5 Rear Servo 1981-Up
OIL SEALING RINGS				
30478				Ring 722.3 (0.595 x 0.049 x 0.076) 1981-Up [PTFE]
30456				Ring 722.3 722.4 Valve Body Accumulator [0.865 OD] [0.711 ID] [0.077 RW] 1981-Up [PTFE]
30452				Ring 722.3 722.4 Valve Body Accumulator [0.705 OD] [0.551 ID] [0.077 RW] 1981-Up [PTFE]
30453				Ring 722.3 722.4 Valve Body Accumulator [0.750 OD] [0.596 ID] [0.077 RW] 1981-Up [PTFE]
30454				Ring 722.3 722.4 Valve Body Accumulator [0.785 OD] [0.631 ID] [0.077 RW] 1981-Up [PTFE]
30455				Ring 722.3 722.4 Valve Body Accumulator [0.825 OD] [0.671 ID] [0.077 RW] 1981-Up [PTFE]
30451				Ring 722.3 722.4 Valve Body Accumulator [0.665 OD] [0.511 ID] [0.077 RW] 1981-Up [PTFE]
30469				Ring 722.3 (1.260 x 0.063 x 0.078) 1981-Up [PTFE]
30475				Ring 722.3 (1.000 x 0.074 x 0.078) 1981-Up [PTFE]
30457				Ring 722.3 722.4 Valve Body Accumulator (.945 OD) (.791ID) (.077 RW) 1981-Up [PTFE]
30468				Ring 722.3 (0.869 x 0.058 x 0.075) 1981-Up [PTFE]
30476				Ring 722.3 722.4 (0.505 x 0.054 x 0.057) 1981-Up [PTFE]
30467				Ring 722.3 (1.959 X 0.076 X 0.073) 1981-Up [PTFE]
30472				Ring 722.3 (1.085 X 0.071 X 0.079) 1981-Up [PTFE]
30477				Ring 722.3 722.4 (0.590 X 0.063 X 0.076) 1981-Up [PTFE]
30466	126-277-055			Ring 722.3 (3.508 X.095 X .092) 1981-Up [PTFE]
30471				Ring 722.3 (2.792 X.133 X .220) 1981-Up [PTFE]
30479				Ring 722.3 (3.45 x 0.135 x 0.285) 1981-Up [PTFE]
30470				Ring 722.4 (K1 Pack) Drum 1984-Up [PTFE]
30473				Ring 722.4 Turbine Shaft 1984-Up [PTFE]
30961	201-277-0055			Ring 722.4 B-2 Accumulator (2.870 OD) (.104 T) 1984-Up [PTFE]
30961A	202-277-0055			Ring 722.4 B-2 Accumulator (2.807 OD) (.136 T) 1984-Up [PTFE]
30421				Ring 722.5 (1.254 x 0.077 x 0.074mm) 1990-Up [PTFE]
30474				Ring 722.5 (1.599 x 0.077 x 0.074mm) 1990-Up [PTFE]

SAP #	IL#	OE	INDUSTRY	DESCRIPTION
OIL SEALING RINGS -- continued				
6353				Ring Kit 722.3 1981-97 (14 PTFE Rings)
6337				Ring Kit 722.3 722.4 Accumulator Rings Only 1981-97 (11 PTFE Rings)
6350				Ring Kit 722.4 1984-97 (10 PTFE Rings)
FRICION CLUTCH				
31420T		126-272-0725	68106	Friction 722.3 722.5 Rear 4th (K2 Pack) [4.82 OD 24 Teeth 0.085 THK] 1981-Up
31920T		123-272-0125	68108	Friction 722.4 Rear 4th (K2 Pack) [4.25 OD 36 Teeth 0.083 THK] 1984-Up
31422T		126-272-0625	68105	Friction 722.3 722.5 Front 3rd (K1 Pack) [5.30 OD 24 Teeth 0.083 THK] 1981-Up
31922T		123-272-0225	68109	Friction 722.4 Front 3rd (K1 Pack) [40 Teeth 0.083 THK] 1984-Up
31424T		126-272-0925	68107	Friction 722.3 722.5 Reverse (B3 Pack) [6.60 OD 36 Teeth 0.081 THK] 1981-Up
31924T		123-272-0325	68110	Friction 722.4 Reverse (B3 Pack) [6.00 OD 30 Teeth 0.081 THK] 1984-Up
31428T		124-272-0025	68134	Friction 722.5 Overdrive 5th [5.50 OD 28 Teeth 0.083 THK] 1990-Up
31480				Friction Module 722.3 1981-97
31980				Friction Module 722.4 1984-97
31480AT				Friction Module 722.5 (5 Speed) 1990-97
STEEL CLUTCH				
31421A		126-272-0326	68116	Steel 722.3 722.5 4th (K2 Pack) [3.464 ID 6 Teeth 0.079 THK] 1981-Up
31421		126-272-3626	68116A 68129E	Steel 722.3 722.5 4th (K2 Pack) [4.04 ID 6 Teeth 0.118 THK] 1981-Up
31923		201-272-0726	68129	Steel 722.4 4th (K2 Pack) [3.51 ID 6 Teeth 0.079 THK] 1984-Up
31921		201-272-0326	68128	Steel 722.4 4th (K2 Pack) [3.25 ID 6 Teeth 0.138 THK] 1984-Up
31423		126-272-5026	68115B	Steel 722.3 722.5 Front (K1 Pack) [4.10 ID 6 Teeth 0.138 THK] 1981-Up
31425		126-272-3326	68115E	Steel 722.3 722.5 Front (K1 Pack) [4.10 ID 6 Teeth 0.197 THK] 1981-Up
31427		126-272-3826	68117A	Steel 722.3 722.5 Reverse (B3 Pack) [4.80 ID 36 Teeth 0.110 THK] 1981-Up
31925		201-272-0826	68129A	Steel 722.4 Front (K1 Pack) [3.51 ID 6 Teeth 0.118 THK] 1984-Up
31927		201-272-2226	68141A	Steel 722.4 Reverse (K3 Pack) [5.05 ID 36 Teeth 0.138 THK] 1984-Up
31481				Steel Module 722.3 1981-97
31981		71753		Steel Module 722.4 1984-97
FILTER				
31440		126-277-02-95	68710D	Filter 722.3 (4 5 & 6 Cylinders) 722.4 (All) 1981-97 (190 & 380 Series)
31442			68712	Filter 722.5 (5 Speed) 1990-97
FILTER KIT				
31441			FK68710D	Filter Kit 722.3 (Large Case) 1981-97
31941				Filter Kit 722.4 (Small Case) 1984-97
31443				Filter Kit 722.5 (5 Speed) With Valve-6 Bolt Pan 1991-Up
BANDS				
31447		126-270-1662	68700	Band 722.3 722.5 Front (Semi Flex) 1981-97
31446A		126-270-2062	68701B	Band 722.3 722.5 Rear (Split) 1981-Up
31946A		124-270-0062	68702A	Band 722.4 Front (Semi Flex) 1984-97
31947		201-270-1062	68704	Band 722.4 Rear (Split) 1984-97
BUSHINGS				
31431		23009	68002	Bushing 722.3 722.5 Front Pump Body 1981-97

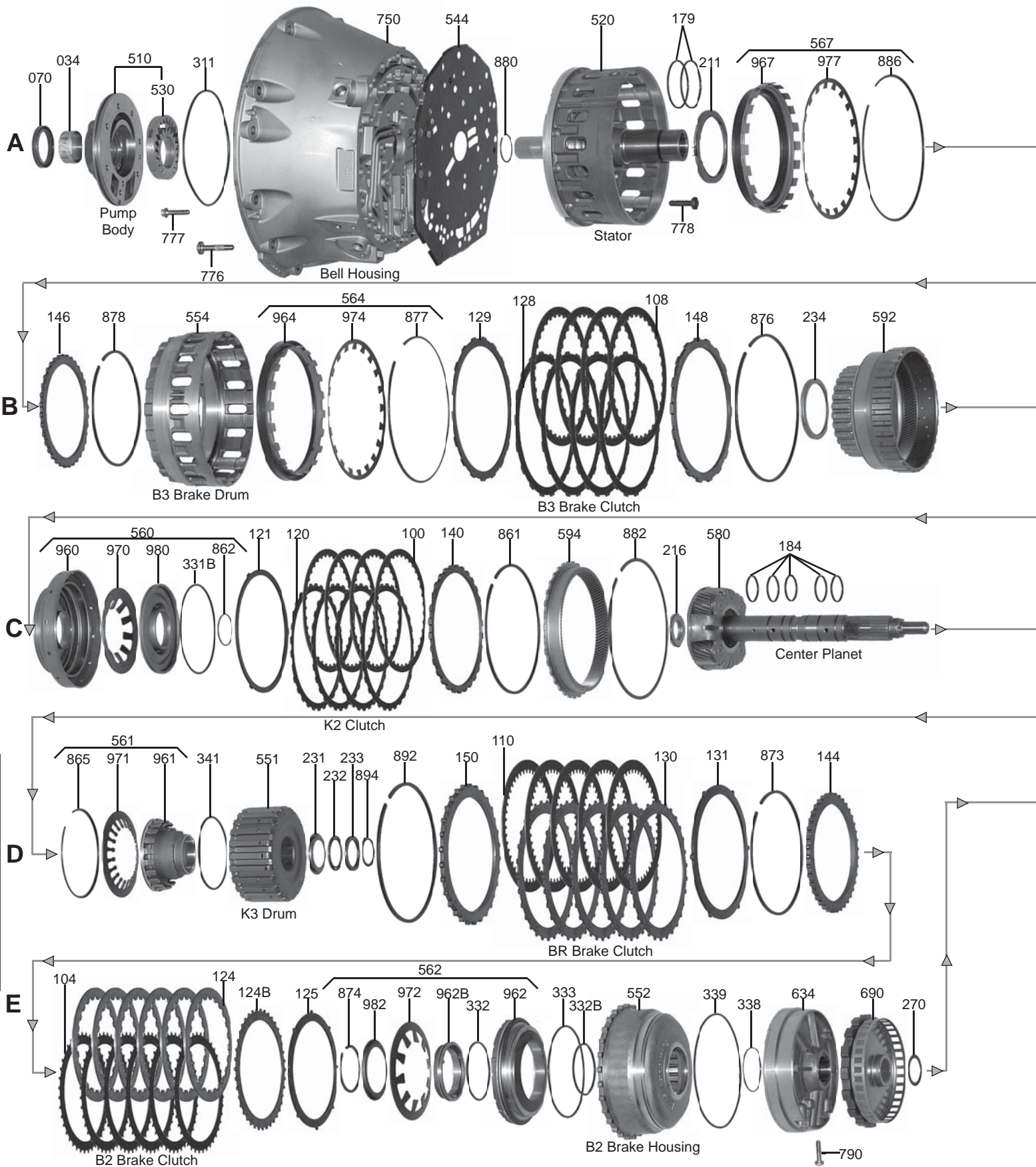
722.6

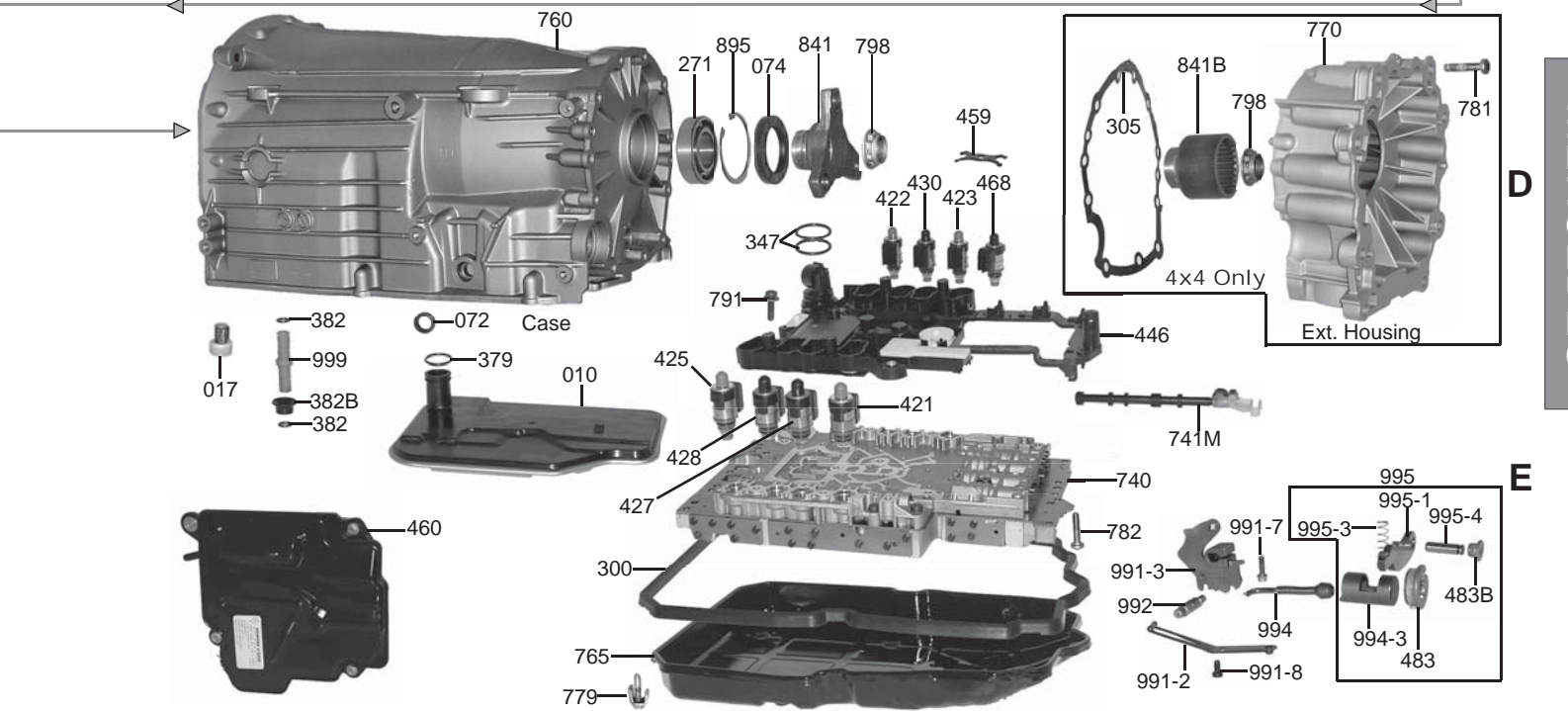
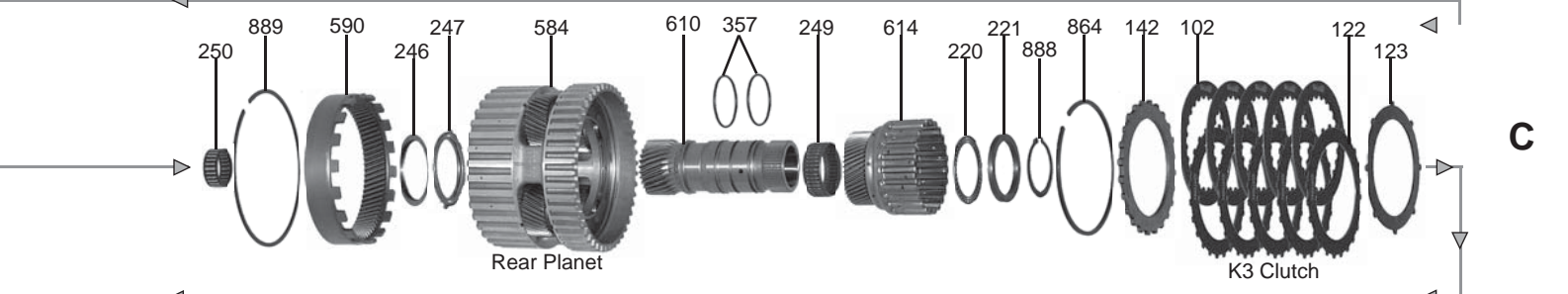
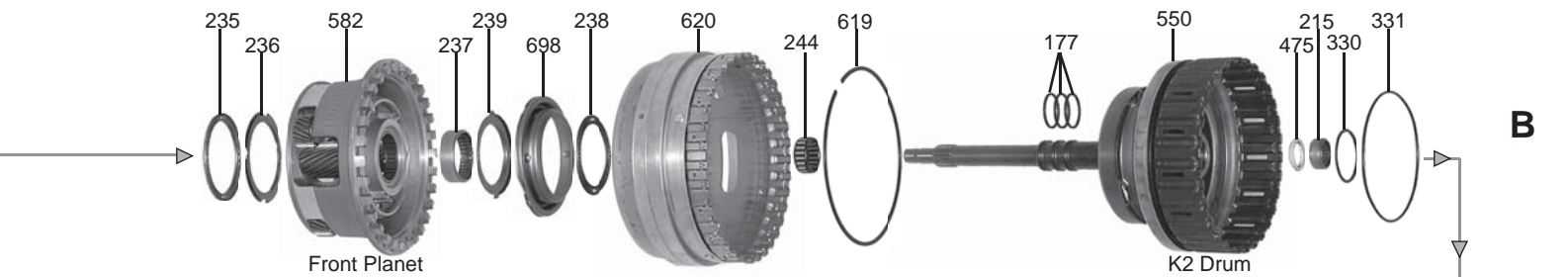
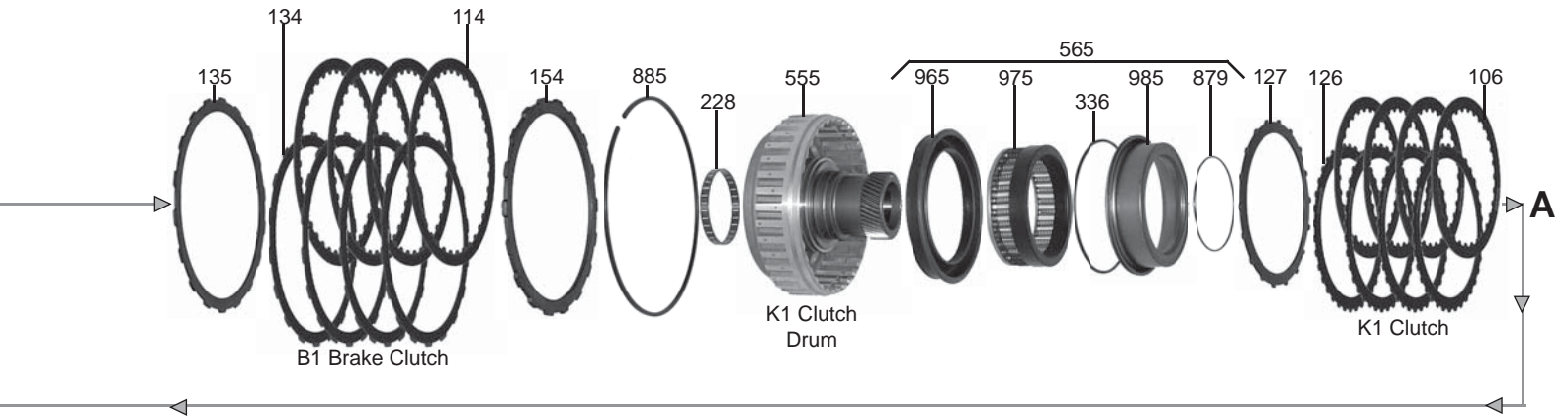
RWD 5 Speed





SAP #	IL#	OE	INDUSTRY	DESCRIPTION
OVERHAUL KIT				
T78002A				Overhaul Kit 722.6 1996-Up W/Out Piston W/Out Pump Gasket (3 PTFE 8 Plastic Rings)
B78002AP				Overhaul Kit 722.6 1996-Up With Piston With Pump Gasket (10 PTFE Rings)
T78002AP				Overhaul Kit 722.6 1996-Up With Piston With Pump Gasket (3 PTFE 8 Plastic Rings)
MASTER L/STEELS KIT				
B78004AAP				Master L/Steels Kit 722.6 1996-01 (With Piston) (With Double Sided Friction & 5.25in ID K2)
GASKET & RUBBER COMPONENTS				
31409C		140-271-0080	68501G	Gasket 722.6 Bottom Pan 1996-Up [Molded Rubber]
31408C		140-277-4214		Gasket 722.6 Pump (With Plate) 1996-Up
1994703				O-Ring 722.6 Front Pump (144.0 X 3.75) 1996-Up
METAL CLAD SEALS				
70335		004-997-2847	68161	Seal 722.6 Front Pump (2.285 OD) 1996-Up
31913C		140-997-0846	68165G	Seal 722.6 Extension Housing (0.322 THK) (2.445 OD) 1996-Up
70336		006 997 0147	68165	Seal 722.6 Manual Lever (0.710 ID) 1996-Up
OIL SEALING RINGS				
30180T		1402720455		Ring 722.6 K1 Drum [PTFE]
30181T				Ring 722.6 Output Shaft [PTFE]
30181P				Ring 722.6 Output Shaft [Plastic]
30182T		1402421155		Ring 722.6 Input Shaft [PTFE]
30182P				Ring 722.6 Input Shaft [Plastic]
31460C				Ring Kit 722.6 1996-Up (10 PTFE Rings)
6369				Ring Kit 722.6 1996-Up (3 PTFE 8 Plastic Rings)
FRICTION CLUTCH				
31422CW		140.272-0025	68105G	Friction 722.6 (Mercedes) B1 & K1 [6.81 OD 30 Teeth 0.088 THK] 1996-Up [OEM]
31480CR				Friction Module 722.6 (With Small ID K2 Friction For A 3 Gear Rear Planet) 1996-01
FILTER				
31442C		140 277 0095	68712G	Filter 722.6 (Mercedes 5 Speed With Lock-Up) 1996-Up
FILTER KIT				
31443C			FK68712G	Filter Kit 722.6 (5 Speed) 1990-97
HARD PARTS				
31485C		140 272 1631		Piston 722.6 B1 Clutch (Mercedes) 1997-Up
31485CA				Piston 722.6 B1 Clutch (Chrysler) 2004-Up



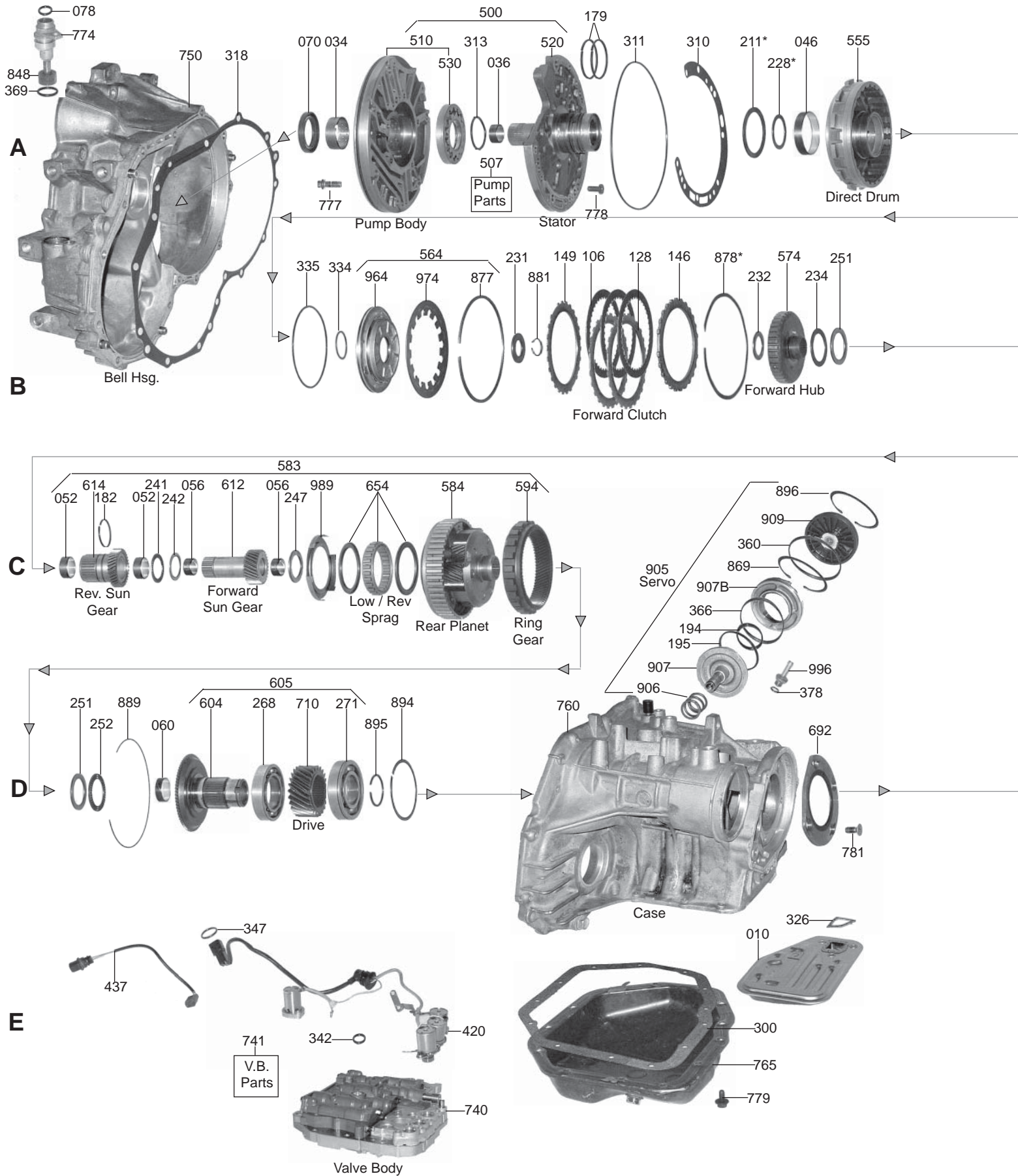


MERCEDES

SAP #	IL#	OE	INDUSTRY	DESCRIPTION
OVERHAUL KIT				
T288002A				Overhaul Kit 722.9 2004-Up
MASTER L/STEELS KIT				
T288004A				Master L/Steels Kit 722.9 2004-Up
MASTER W/STEELS KIT				
T288006A				Master W/Steels Kit 722.9 2004-Up
FRICTION CLUTCH				
288080R				Friction Module 722.9 2004-Up
STEEL CLUTCH				
288081				Steel Module 722.9 2004-Up
FILTER				
288040				Filter 722.9 2004-Up

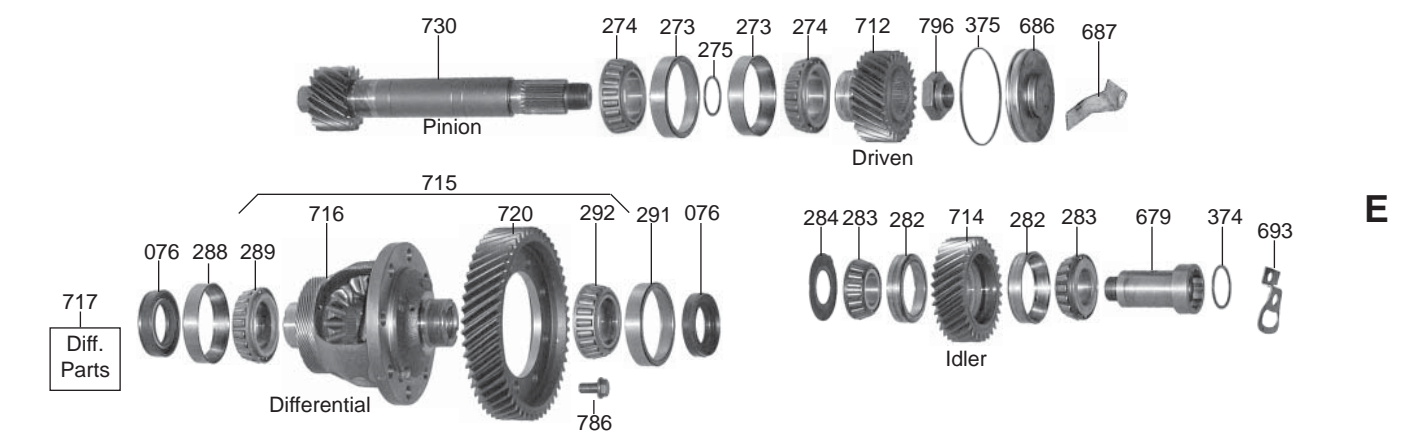
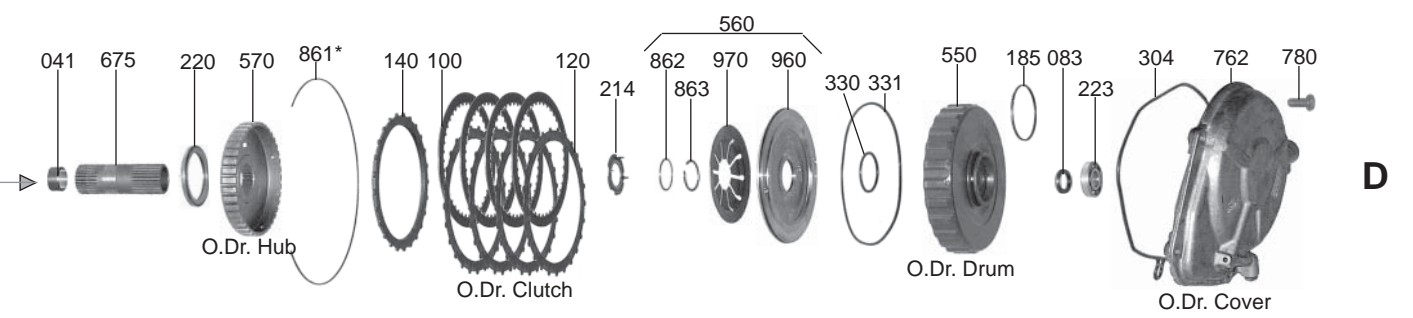
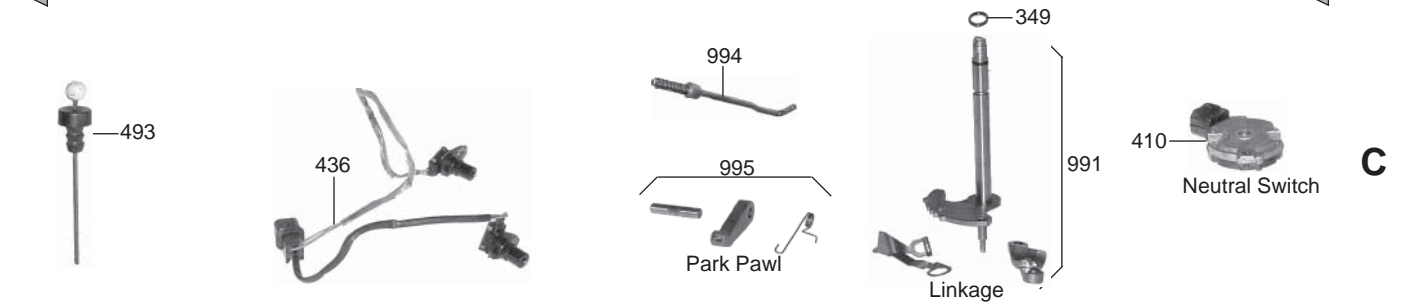
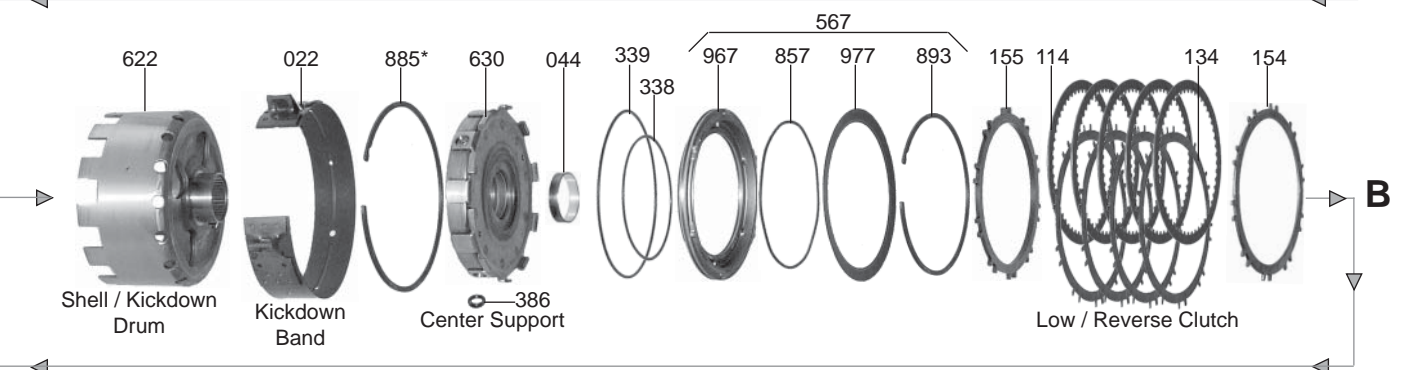
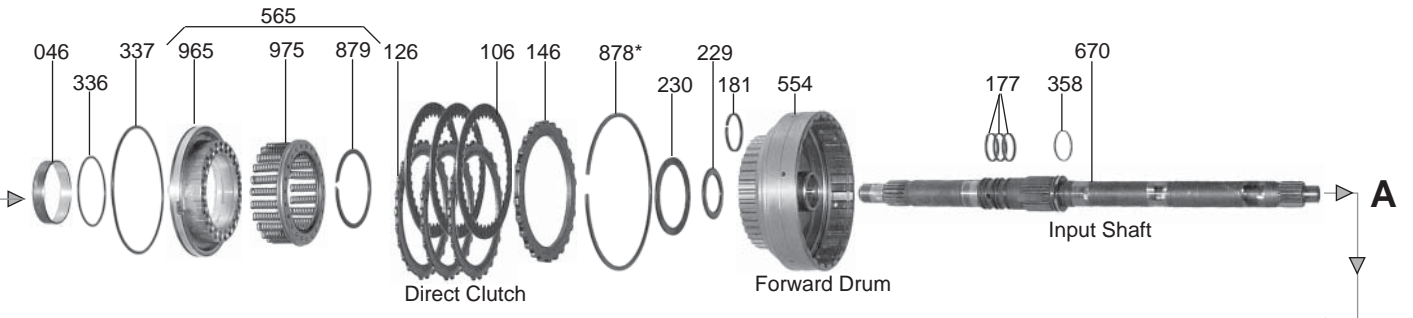
KM170 thru KM177-8

FWD 3 & 4 Speed



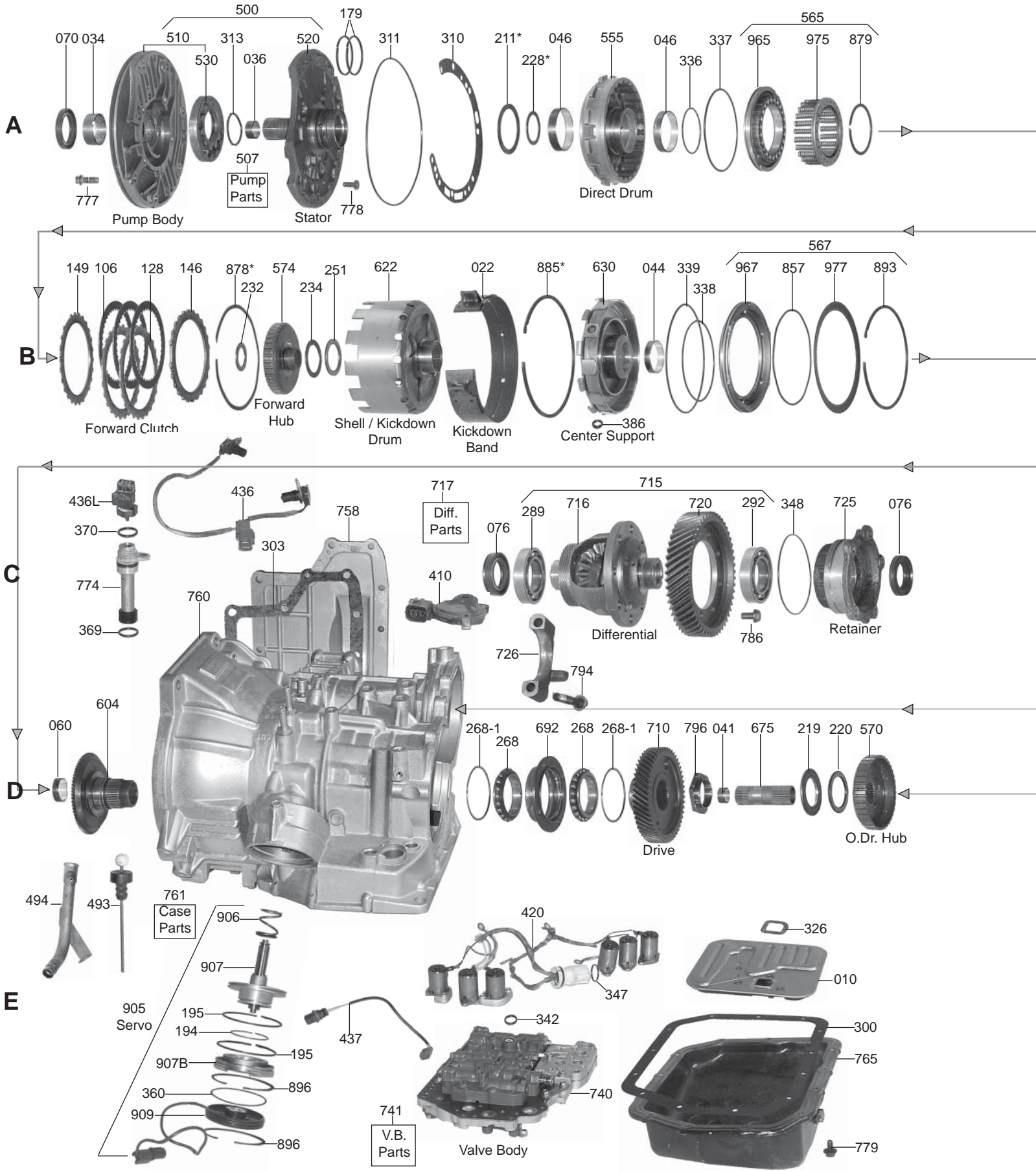
FWD 3 & 4 Speed

KM170 thru KM177-8



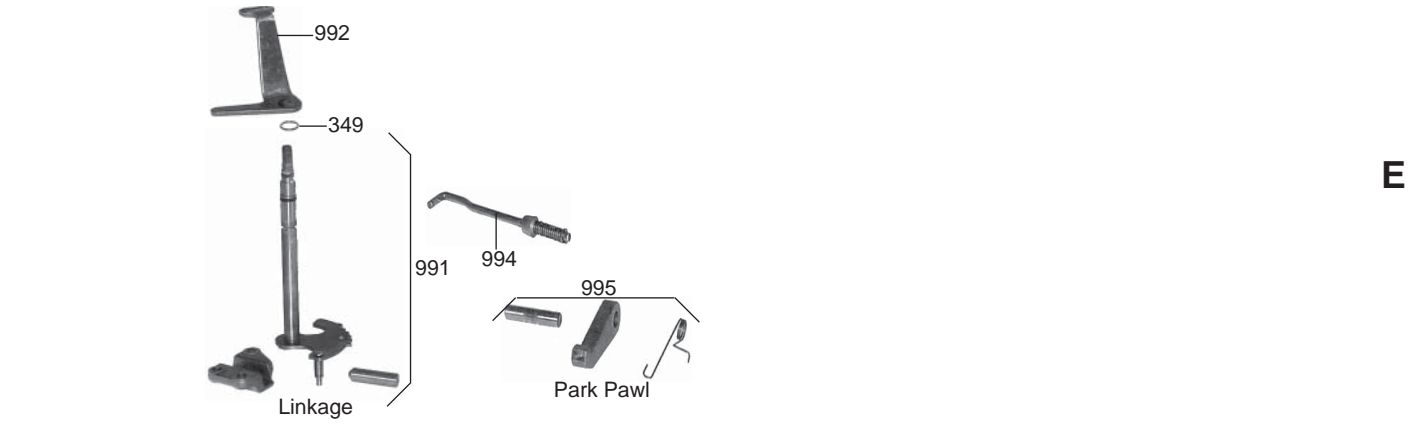
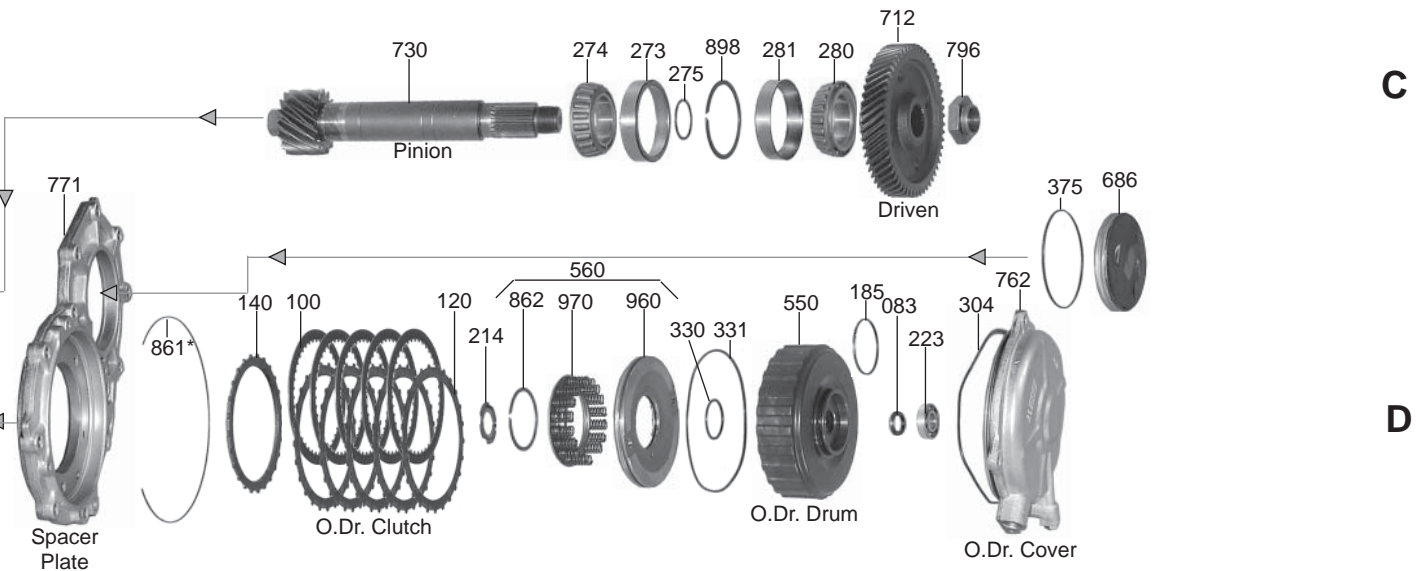
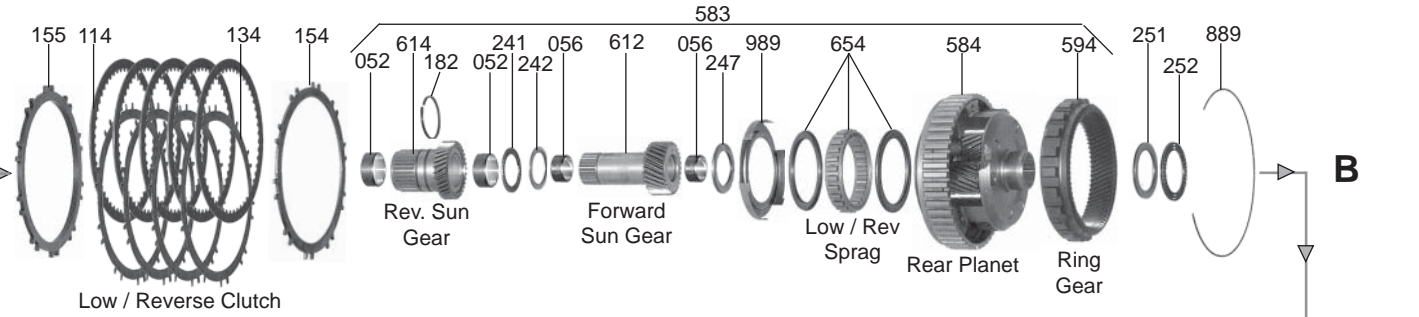
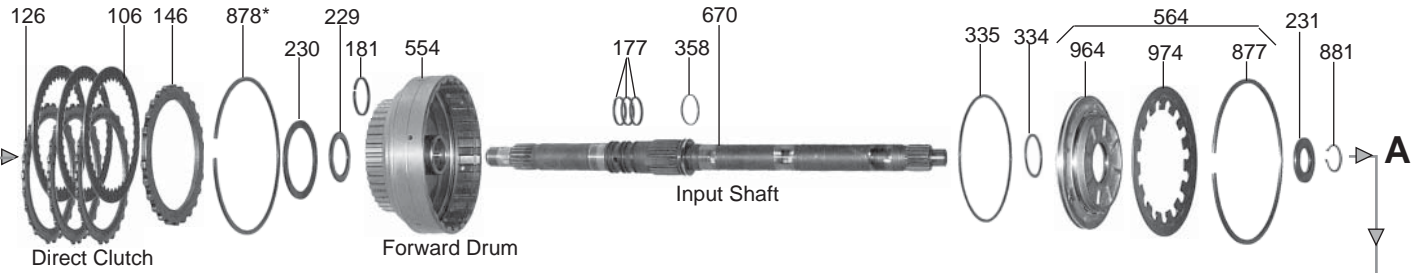
A4AF3 / A4BF2

FWD 4 Speed



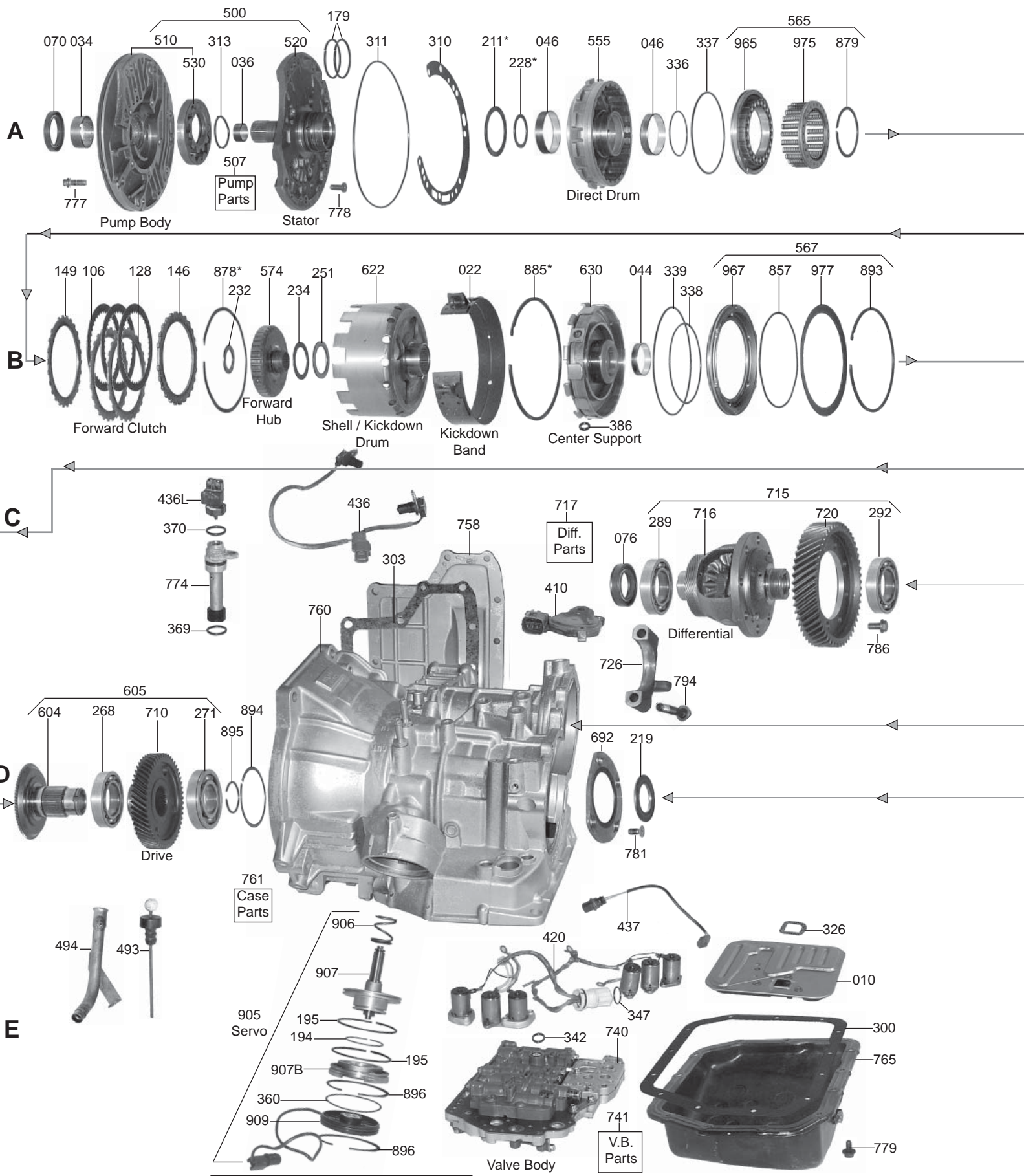
FWD 4 Speed

A4AF3 / A4BF2



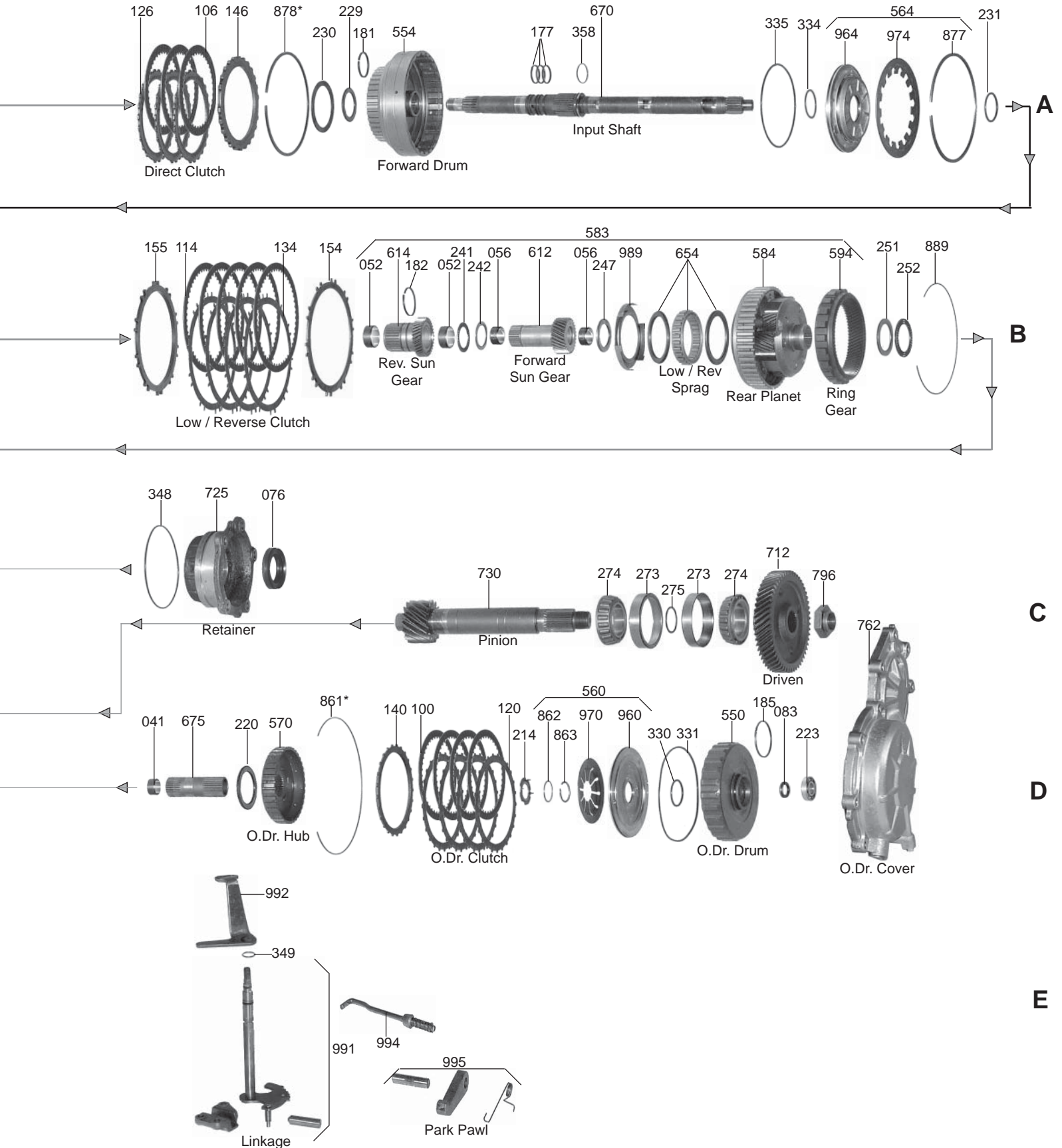
A4AF1 / AFAF2 / A4BF1

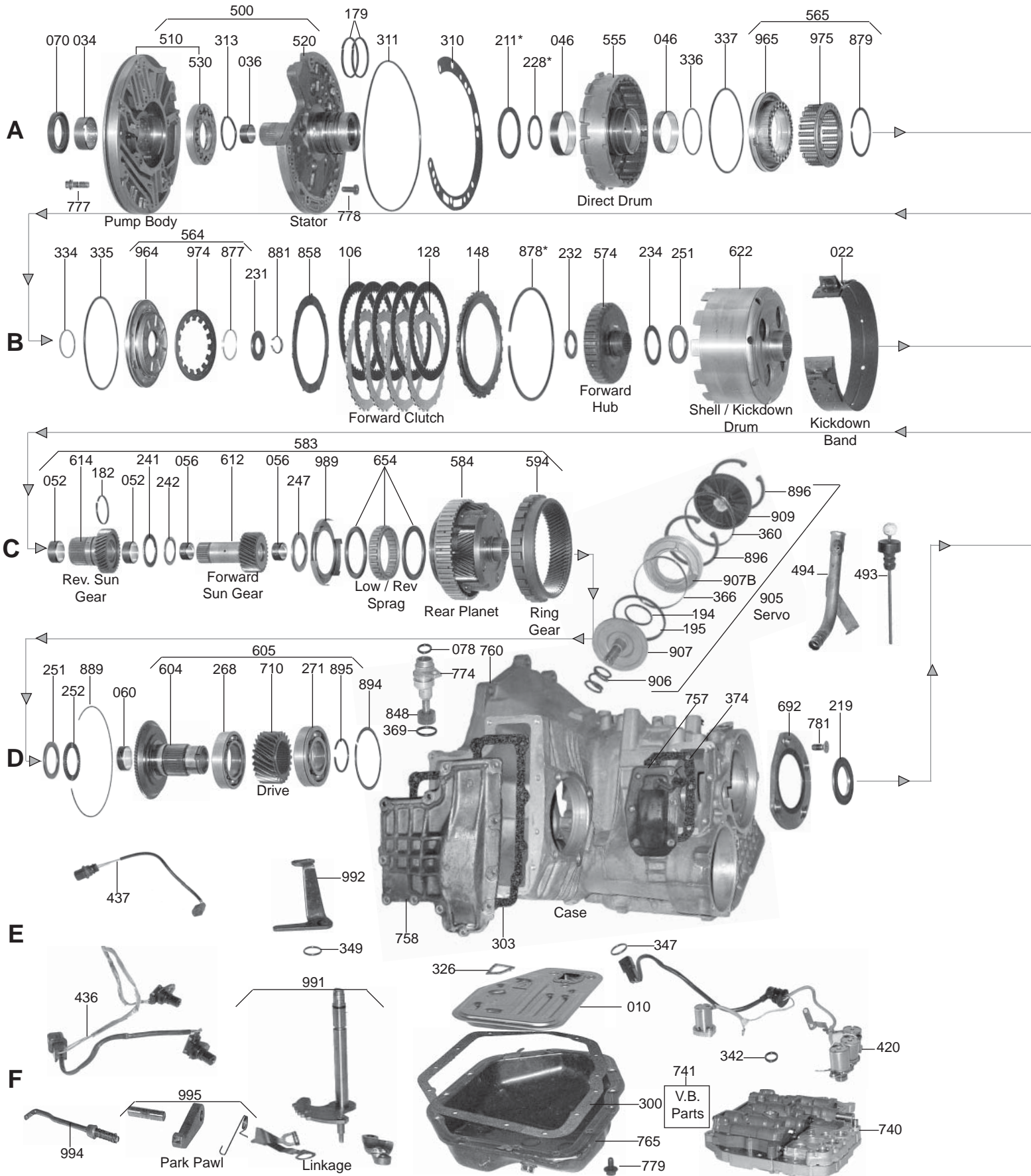
FWD 4 Speed

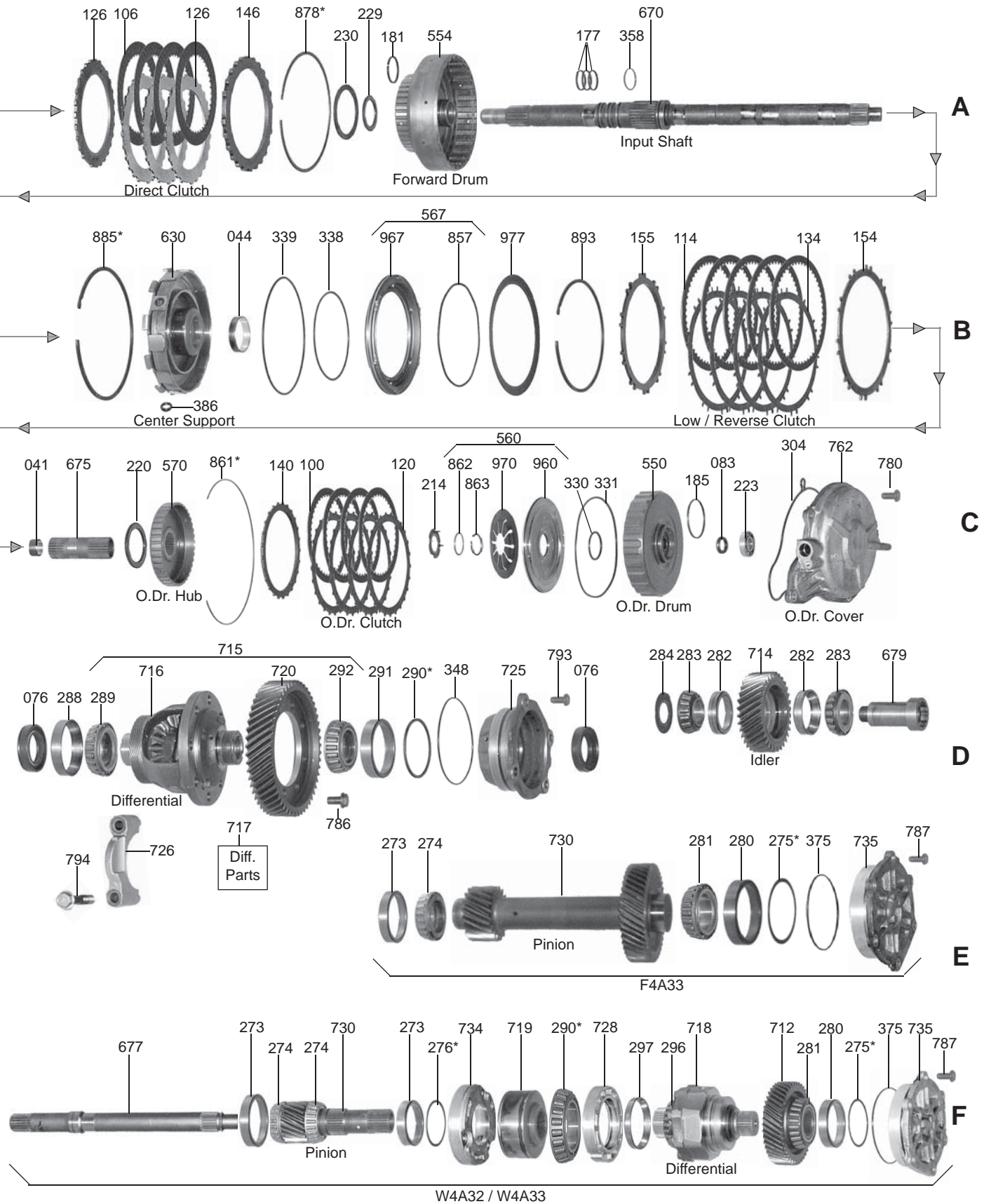


FWD 4 Speed

A4AF1 / AFAF2 / A4BF1







SAP #	IL#	OE	INDUSTRY	DESCRIPTION
OVERHAUL KIT				
B42002A				Overhaul Kit KM170 KM171 KM172 1979-88
T42002A				Overhaul Kit KM170 KM171 KM172 1979-88
T42002C				Overhaul Kit KM175 KM177 1985-88
TF42002C				Overhaul Kit KM175 KM177 1985-88 (Fiber)
B42002E				Overhaul Kit KM175-5 KM176-5 KM177-8 1988-Up
BF42002E				Overhaul Kit KM175-5 KM176-5 KM177-8 1988-Up (Fiber)
T42002E				Overhaul Kit KM175-5 KM176-5 KM177-8 1988-Up
TF42002E				Overhaul Kit KM175-5 KM176-5 KM177-8 1988-Up (Fiber)
B42002H				Overhaul Kit KM171-5 KM172-5 1989-96 (With Fiber Case Gasket)
T42002H				Overhaul Kit KM171-5 KM172-5 1989-96 (With Metal Case Gasket)
TF42002H				Overhaul Kit KM171-5 KM172-5 1989-96 (With Metal Case Gasket) (Fiber)
B42002L				Overhaul Kit A4AF1 1993-Up
T42002L				Overhaul Kit A4AF1 1993-Up
BF42002L				Overhaul Kit A4AF1 1993-Up (Fiber)
TF42002L				Overhaul Kit A4AF1 1993-Up (Fiber)
BF42002LB				Overhaul Kit A4AF1 A4AF2 A4BF1 A4BF2 1993-99 (Fiber)
TF42002LB				Overhaul Kit A4AF1 A4AF2 A4BF1 A4BF2 1993-99 (Fiber)
B42002LC				Overhaul Kit A4AF3 A4BF2 A4BF3 <i>Elantra 2000 • Accent 2000-03 • Tiburon 2000-01</i>
BF42002LC				Overhaul Kit A4AF3 A4BF2 A4BF3 <i>Elantra 2000 • Accent 2000-03 • Tiburon 2000-01</i>
TF42002LC				Overhaul Kit A4AF3 A4BF2 A4BF3 <i>Elantra 2000 • Accent 2000-03 • Tiburon 2000-01</i>
B42002M				Overhaul Kit F4A33-1 W4A32 W4A33 (W/Out Transfer Case Parts) 1990-99
T42002M				Overhaul Kit F4A33-1 W4A32 W4A33 (W/Out Transfer Case Parts) 1990-99
B42002MA				Overhaul Kit W4A32 W4A33 (With Transfer Case Parts) 1990-99
T42002MA				Overhaul Kit W4A32 W4A33 (With Transfer Case Parts) 1990-99
MASTER L/STEELS KIT				
B42004A				Master L/Steels Kit KM170 KM171 KM172 1979-88
B42004E				Master L/Steels Kit KM175-5 KM176-5 KM177-8 1988-Up
TF42004E				Master L/Steels Kit KM175-5 KM176-5 KM177-8 1988-Up (Fiber)
B42004H				Master L/Steels Kit KM171-5 KM172-5 1989-Up (W/Out Metal Case Gasket)
B42004L				Master L/Steels Kit A4AF1 1993-Up
BF42004L				Master L/Steels Kit A4AF1 1993-Up (Fiber)
BF42004LB				Master L/Steels Kit A4AF1 A4AF2 (Fiber) <i>Elantra 1996-99 • Tiburon 1997-99</i>
B42004LC				Master L/Steels Kit A4AF3 A4BF3 <i>Elantra 2000 • Tiburon 1999-9/2001</i>
BF42004LC				Master L/Steels Kit A4AF3 A4BF3 (Fiber) <i>Elantra 2000 • Tiburon 1999-9/2001</i>
TF42004LC				Master L/Steels Kit A4AF3 A4BF3 (Fiber) <i>Elantra 2000 • Tiburon 1999-9/2001</i>
BF42004LD				Master L/Steels Kit A4AF3 (Fiber) <i>Accent 2000-Up</i>
TF42004LD				Master L/Steels Kit A4AF3 (Fiber) <i>Accent 2000-Up</i>
B42004M				Master L/Steels Kit F4A33-1 W4A32 W4A33 (W/Out Transfer Case Parts) 1990-99
MASTER W/STEELS KIT				
B42006A				Master W/Steels Kit KM170 KM171 KM172 1979-88
B42006E				Master W/Steels Kit KM175-5 KM177-8 1988-Up
BF42006E				Master W/Steels Kit KM175-5 KM177-8 1988-Up (Fiber)
T42006E				Master W/Steels Kit KM175-5 KM177-8 1988-Up
B42006H				Master W/Steels Kit KM171-5 KM172-5 1989-Up (W/Out Metal Case Gasket)
TF42006H				Master W/Steels Kit KM171-5 KM172-5 1989-Up (With Metal Case Gasket) Fiber
B42006L				Master W/Steels Kit A4AF1 1993-Up
BF42006L				Master W/Steels Kit A4AF1 1993-Up (Fiber)
BF42006LB				Master W/Steels Kit A4AF1 A4AF2 (Fiber) <i>Elantra 1996-99 • Tiburon 1997-99</i>
B42006LC				Master W/Steels Kit A4AF3 A4BF3 <i>Elantra 2000 • Tiburon 1999-9/2001</i>
BF42006LC				Master W/Steels Kit A4AF3 A4BF3 (Fiber) <i>Elantra 2000 • Tiburon 1999-9/2001</i>
TF42006LC				Master W/Steels Kit A4AF3 A4BF3 (Fiber) <i>Elantra 2000 • Tiburon 1999-9/2001</i>
BF42006LD				Master W/Steels Kit A4BF3 (Fiber) <i>Accent 2000-Up</i>
TF42006LD				Master W/Steels Kit A4BF3 (Fiber) <i>Accent 2000-Up</i>
B42006M				Master W/Steels Kit F4A33-1 W4A32 W4A33 (W/Out Transfer Case Parts) 1990-99
T42006M				Master W/Steels Kit F4A33-1 W4A32 W4A33 (W/Out Transfer Case Parts) 1990-99
SUPER KIT				
B42008E				Super kit KM175-5 KM175-6 KM176-7 1989-Up
B42008H				Super kit KM171-5 KM172-5 KM172-7 1989-96
GASKET & RUBBER COMPONENTS				
1984121				D-Ring A4F1-2 A4B1-2 End Clutch Outer 1993-Up
1984105				D-Ring F4A32 (3.350 X .080) [0.090 THK] 1993-Up
19394A				D-Ring F4A32 Outer (82.4mm X 86.4 X 2.35mm)
1984122				D-Ring F4A33 Servo Piston 1990-Up

SAP #	IL#	OE	INDUSTRY	DESCRIPTION
GASKET & RUBBER COMPONENTS -- continued				
1984089		MD707279		D-Ring KM170 Direct Clutch Outer 1979-Up
1984182		MD707282		D-Ring KM170 Direct Clutch Outer 1979-Up [Viton]
19343C				D-Ring KM170 End Clutch Cover
1984090		MD731136		D-Ring KM170 Forward Clutch (Turbo) 1979-Up
1984093		45448-36001		D-Ring KM170 Forward Clutch Inner 1979-Up
1984183		MD707247		D-Ring KM170 Forward Clutch Outer 1979-Up [Viton]
1984103		45823-21700		D-Ring KM170 Idler To Case 1979-Up
1984088		MD707391		D-Ring KM170 Low Reverse Clutch 1979-Up
1984066		MD707392		D-Ring KM170 Low Reverse Clutch Inner 1979-Up
1984094		MD707368		D-Ring KM170 Servo 1979-Up
1984169		MD707194		D-Ring KM170 Servo Cover
1984174		MD707369		D-Ring KM170 Servo Small
1984171				D-Ring KM170 Servo Update Outer
1984170		45269-36001		D-Ring KM171-1 Transfer Cover
1984177		MD722577		D-Ring KM171-5 Direct Clutch Outer 1989-Up
1984176		MD722651		D-Ring KM171-5 Forward Clutch Shaft 1989-Up
1984175		MD726482		D-Ring KM171-5 Low Reverse Clutch 1989-Up
1984099				D-Ring KM171-5 Servo Outer 1989-Up
1984178		MD754884		D-Ring KM175 A4F1-2 A4B1-2 End Clutch Inner 1985-Up
1984106		MD720749		D-Ring KM175 Forward Clutch Inner 1985-88
1984172		MD722771		D-Ring KM175 Servo Small 1985-Up
1984179		MD722586		D-Ring KM175-5 Forward Clutch Inner 1988-Up
1984180		MD726483		D-Ring KM175-5 Low Reverse Clutch 1988-Up
1984181		MD731138		D-Ring KM175-5 Low Reverse Clutch Outer 1988-Up
1984197				D-Ring KM175-5 Servo Piston 83mm Bore 1989-Up
1984173		MD731131		D-Ring KM175-5 Servo Small (Turbo) 1988-Up
28509AT		45285-22010	41500A	Gasket A4AF-1 F4A32-1 Pan (13 Bolt) 1990-Up [Cork & Rubber]
28518A			41500AF	Gasket A4AF1 A4AF3 Bottom Pan (13 Bolt) 1991-96 [Fiber]
28509T				Gasket A4AF1 A4AF3 Bottom Pan (13 Bolt) 1991-96 [Cork & Rubber]
28518B		45285-28010	41500BF	Gasket A4BF1 A4BF2 Bottom Pan (13 Bolt) 1996-Up [Fiber]
28309T		MD739235	42500	Gasket KM Series Bottom Pan (12 Bolt) 1979-81 (Except KM177) [Cork & Rubber]
28309U				Gasket KM Series Bottom Pan (12 Bolt) 1979-81 (Except KM177) [Ultracork]
28318			42500F	Gasket KM Series Bottom Pan (12 Bolt) 1979-81 (Except KM177) [Fiber]
28509T			42504	Gasket KM177 KM177-8 Bottom Pan (13 Bolt) 1987-Up [Cork & Rubber]
28518			42504F	Gasket KM177 KM177-8 Bottom Pan (13 Bolt) 1987-Up [Fiber]
37009T				Gasket F4A33 W4A32 W4A33 Bottom Pan (14 Bolt) 1990-Up
37009U				Gasket F4A33 W4A32 W4A33 Bottom Pan (14 Bolt) 1990-Up [Ultracork]
37018			41500F	Gasket F4A33 W4A32 W4A33 Bottom Pan (14 Bolt) 1990-Up [Fiber]
28361		MD722385	42502A	Gasket All KM Series (Except F4A33 W4A32 W4A33) Pump 1982-Up
28304			42503	Gasket All KM Series Filter 1979-81
28350			42503A	Gasket All KM Series Filter 1982-Up
37204		413381-500		Gasket F4A32-1 A4BF2 3 Pump 1990-Up
37004		MD752978	41501	Gasket F4A33 W4A32 W4A33 Pump 1990-Up
37006				Gasket F4A33-1 Filter Various
28497248		MD707221	42501	Gasket KM170 KM171 KM172 Case To Converter 1979-83 [Cork & Rubber]
28362		MD700782	42501A	Gasket KM171 KM172 KM175 Case To Converter 1984-88 [Fiber]
28362A		MD730804	42501B	Gasket KM175 KM176 KM177 Case To Converter 1989-Up [Metal]
28497245		MD707750		Gasket KM170 End Cover Rear
28397247		MD707652		Gasket KM170 Pump 1979-81
28497246		MD739238		Gasket KM170 Series End Plate (With Sealant Bead on One side) 1979-88
41797252		MD739239		Gasket KM170 Series End Plate (With Sealant Bead on One side) 1979-88
28396071		MD728040		Gasket KM175-5 176-5 Rear Clutch Cover Seal (O-Ring Type)
28396072		MD729729		Gasket KM175-5 176-5 Rear Clutch Cover Seal (O-Ring Type)
1990222				Lip Seal KM175 End Clutch Outer 1985-Up
1994779				O-Ring A4AF1 F4A32 (0.560 x .085in) 1993-Up
1994652				O-Ring A4F1-2 A4BF1-2 End Clutch to Case 1993-99
1994618		MD707636		O-Ring All KM Series Pump 1979-Up
1994623				O-Ring All KM Series Speedo Sleeve 1979-Up
1994778				O-Ring A4AF1 F4A32 (3.610in x .103in) 1993-Up
1994731		MD722770		O-Ring F4A33-1 Servo Piston
1994593				O-Ring KM170 (2.0mm x 9.0mm)
1994695				O-Ring KM170 (2.984 x 0.120)
1994622				O-Ring KM170 (24.4mm x 2.0mm)
1994620		MD707193		O-Ring KM170 Bearing Retainer
28313				O-Ring KM170 Filter (12.87 x 2.4)
1994724		MD726966		O-Ring KM170 Manual Lever 1979-Up

SAP #	IL#	OE	INDUSTRY	DESCRIPTION
GASKET & RUBBER COMPONENTS -- continued				
1994702		E92Z-7F337-A		O-Ring KM170 Manual Linkage Solenoid (12.57 x 1.92)
1994619		31526-31X06		O-Ring KM170 Servo
1994613		MD707839		O-Ring KM170 Speedo Gear Shaft
1994612		MD707830		O-Ring KM170 Speedometer Gear Sleeve
1994759				O-Ring KM170 Stator Shaft 1979-Up
1994728		MD707516		O-Ring KM170 Transfer Idler Shaft 1979-88
1994729		MD732133		O-Ring KM171-5 Forward Clutch Inner 1989-Up
1994624		45263-34010		O-Ring KM175 KM177 Overdrive Oil Tube 1985-88
1994621		45332-34010		O-Ring KM175 KM177 Overdrive Support to Drum 1985-88
1994730		45612-37001		O-Ring KM175 KM177 Servo Housing 1985-Up
1994625		MD611658		O-Ring KM175 Pressure Control Solenoid
2846310				Plug KM170 Series (0.398 x 0.115) [Steel]
28464309				Plug KM170 Series (Small) (0.319 x 0.115) [Steel]
4801				Repair Kit A4AF F4A33 W4A32 W4A33 Overdrive Clutch (O-Rings) 1991-Up
4800				Repair Kit KM175 KM175-5 KM176-5 KM177 KM177-8 Overdrive Clutch (O-Rings) 1987-Up
28570			42925	Seal All KM Series A4BF2 3 Pump Gear 1989-Up
37075086		45959-28010	77959	Seal F4A33-1 A4BF-3 Inhibitor Switch 1990-Up
28475098		MD727455		Seal KM170 Low & Reverse
28475085				Seal KM170 Series Inhibitor Switch 1979-Up
28375079				Seal KM171-5 Solenoid 1989-Up
28570		MD729928	42925	Seal KM171-5 KM172-5 KM175-5 KM176-5 KM177-8 A4AF F4A33 Inner Pump Gear to Converter Hub L1987-Up
37175364				Seal KM175 KM177 Solenoid 1985-89 [Molded Rubber]
28375081		46341-22710		Seal KM175-5 KM176-5 A4BF-3 1988-Up
8163ES				Seal Up Kit KM175-5 KM176-5 KM177-8 1988-Up
METAL CLAD SEALS				
70063		MD707184	42152	Seal KM Series (All) Axle Shaft Forward 1979-Up (Except F4A33-6 1992-Up)
70058		MD955601		Seal KM Series (All) Front 1979-Up
70177		MD731793		Seal F4A33-1 W4A33-1 KM170 Drive Gear Shaft (AWD) 1990-Up (Except 3000GT 1990-Up)
70173		MB837030		Seal F4A33-1 Drive Gear Shaft (AWD) 1991-Up (3000GT)
70179		MB837031		Seal F4A33-1 W4A33-1 KM-170 Extension Housing Rear (AWD) 1990-Up
70178		MD701430		Seal F4A33-1 W4A33-1 KM-170 Extension Housing Output Shaft (AWD) 1990-Up
70174		MD742053	42152A	Seal F4A33 (Both Axles) 6/1992-Up
70064		MD730727		Seal KM170 Series Speedometer
70170		MD722531		Seal KM Series End Clutch 1985-Up
70180		MD736847		Seal KM175-5 KM176-5 KM177-8 A4AF3 A4BF1 A4BF2 F4A33 W4A32 W4A33 End Clutch 1989-Up
75083		43119-37010		Seal KM170 Accumulator Piston 1979-88
70425				Seal KM170 Series Manual Lever
70176		MD719710		Seal W4A32-1 Differential Aclé Driver Side 1990-Up
OIL SEALING RINGS				
30661		MD707204	42303	Ring Accumulator Piston (Inner) (0.882in OD) [Metal]
30663		MD707237	42307T	Ring All KM 3 Speed Series Input Shaft (Rear) (0.513in OD) 1979-Up [PTFE]
TAW-1805				Ring All KM 4 Speed Series Overdrive Drum (Lock Joint) 1985-Up [Metal]
TAW-1389		MD707202		Ring All KM Series Accumulator Piston (Outer) (1.772 OD) [Metal]
TAW-1388		MD707646	94302	Ring All KM Series Pump Stator (2.165in OD) 1979-Up [Metal]
30630		MD713991	42301T	Ring All KM Series Pump Stator (2.165in OD) (PTFE) 1988-Up
30675A		MD731132	41307	Ring F4A32-1 W4A33-1 Kickdown Servo [PTFE]
30676			42309T	Ring KM170 Series Kickdown Servo 1984-Up
TAW-2162		MD726528		Ring FA33-1 Reverse Sun Gear 1990-Up
		MD707235		
TAW-1386		MD0707236		Ring KM170 KM171 KM172 KM175 Forward Drum (Front) & Forward Drum (1.259in OD) 1979-88 [Metal]
30627		MD707369	42314T	Ring KM170 KM171 KM172 KM175 Forward Drum (Front) (1.259in OD) 1979-88 [PTFE]
		MD705020		
TAW-1387		MD715020		Ring KM170 KM171 KM172 KM175 KM171-5 KM172-5 Governor (1.389in OD) 1979-Up [Metal]
30672		MD722278	42315T	Ring KM175-5 KM172-5 KM175-5 KM176-5 KM177-5 F4A32 F4A33 W4A32 W4A33 Reverse Sun Gear (1.574in OD) 1989-Up [PTFE]
30667		45631-36001		Ring KM170 A4AF1 A4BF2 3 Servo Overdrive 78mm 1979-Up [PTFE]
30628		45631-37001	42311T	Ring KM170 A4AF2 A4BF1 2 3 Servo Piston 1987-Up [PTFE]
30666		MD715047	42308T	Ring Servo Piston (Small) (1.947in OD) [PTFE]
30629		MD722551	42313T	Ring Shaft (Front) Small (1.023in OD) 1983-Up [PTFE]
6156				Ring Kit F4A33-1 W4A33 1990-Up (2 Metal 8 PTFE 1 Rubber Rings)
6152				Ring Kit KM170 KM171 KM172 1979-88 (9 Metal 6 PTFE Rings)
6155				Ring Kit KM171-5 KM172-5 1989-Up (1 Metal 10 PTFE Rings)
6155OS				Ring Kit KM171-5 KM172-5 1989-Up (1 Metal 10 PTFE Rings)

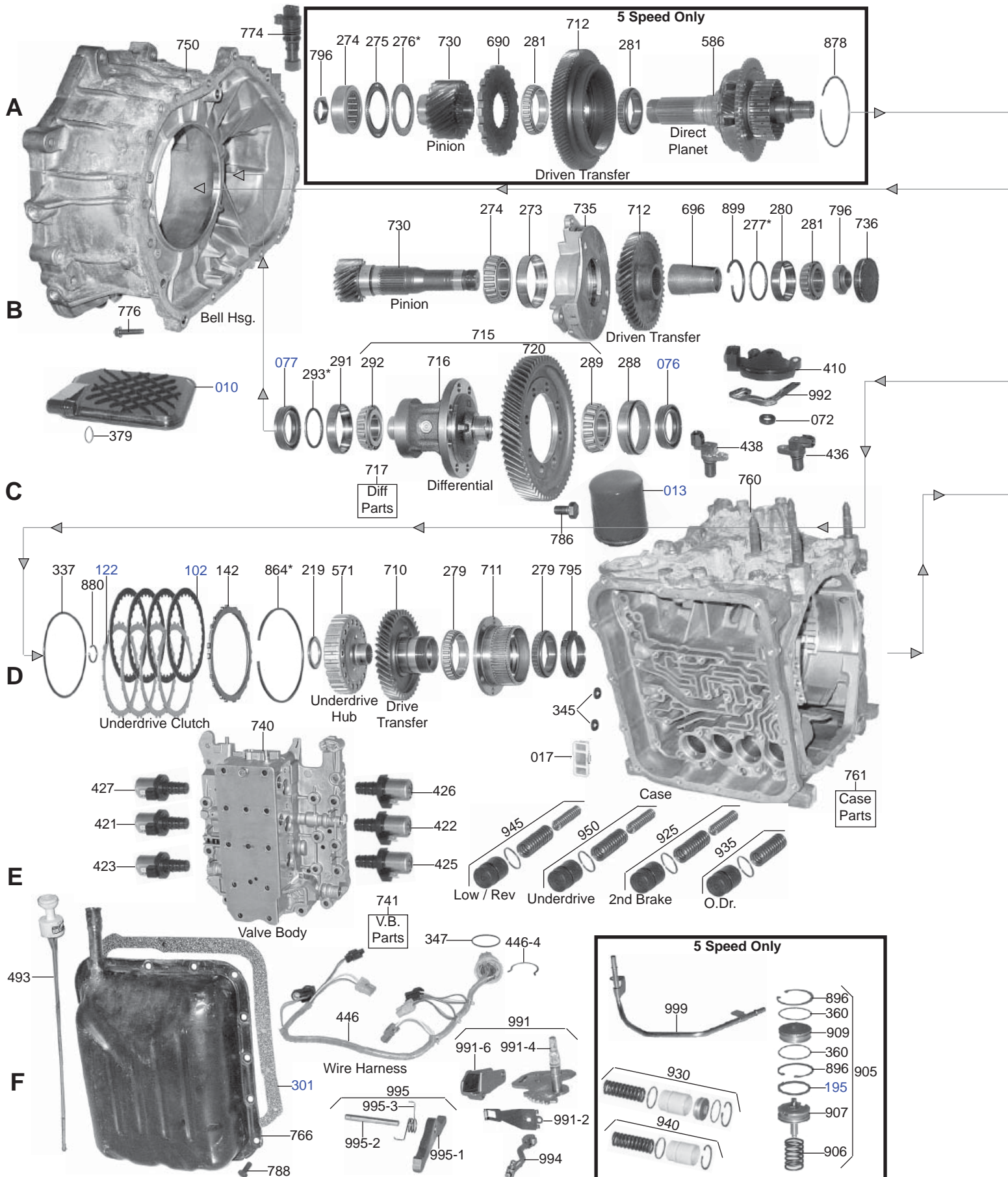
SAP #	IL#	OE	INDUSTRY	DESCRIPTION
OIL SEALING RINGS -- continued				
6154				Ring Kit KM175 KM177 1985-88 (5 Metal 9 PTFE Rings)
6154OS				Ring Kit KM175 KM177 1985-88 (5 Metal 9 PTFE Rings)
6186				Ring Kit KM175-5 KM176-5 1988-Up (1 Metal 10 PTFE 2 Rubber Rings)
6153				Ring Kit KM175-5 KM176-5 KM177-8 A4AF W4A32 1989-Up (5 Metal 11 PTFE Rings)
6309				Ring Kit A4AF1 A4AF2 A4BF1 A4BF2 1993-99 (1 Metal 9 PTFE Rings)
6122				Ring Kit A4AF3 A4BF2 A4BF3 2000-Up (1 Metal 9 PTFE Rings)
FRICITION CLUTCH				
28324T	MD707258	42100A		Friction KM170 KM171-1 KM171-2 KM172-1 Rear [5.00 OD 10 Teeth] 1979-88
28322T	MD707403	42103		Friction KM170 KM171 KM172 KM175 Low/Reverse [48 Teeth 0.072 THK] 1979-88
28320T	MD707257	42100		Friction KM170 KM171 KM172 KM175 KM177 Forward & Direct [3.95 ID 38 Teeth 0.075 THK] 1979-88
28354R	MD719833			Friction KM171-5 KM172-5 KM175-5 KM176-5 KM177-8 A4AF1 A4AF3 A4BF1 A4BF2 W4A32 Low Reverse [51 Teeth 0.071 THK] 1987-Up
28354T	MD719833	52107		Friction KM171-5 KM172-5 KM175-5 KM176-5 KM177-8 A4AF1 A4AF3 A4BF1 A4BF2 W4A32 Low Reverse [51 Teeth 0.071 THK] 1987-Up
28326R	MD722555			Friction KM175 KM175-5 KM176-5 KM177-8 A4AF1 A4BF1 A4BF2 F4A33 W4A32 W4A33 Forward & Direct [4.99 ID 38 Teeth 0.075 THK] 1989-Up
28326T	MD722555	42100B		Friction KM175 KM175-5 KM176-5 KM177-8 A4AF1 A4BF1 A4BF2 F4A33 W4A32 W4A33 Forward & Direct [4.99 ID 38 Teeth 0.075 THK] 1989-Up
28352R	MD729333			Friction KM175 KM175-5 KM176-5 KM177-8 A4AF1 A4BF1 A4BF2 F4A33 W4A32 W4A33 Overdrive [40 Teeth 0.074 THK] 1985-Up
28352T	MD729333	42111		Friction KM175 KM175-5 KM176-5 KM177-8 A4AF1 A4BF1 A4BF2 F4A33 W4A32 W4A33 Overdrive [40 Teeth 0.074 THK] 1985-Up
37624R	45621-36061			Friction A4BF3 Low & Reverse Clutch 2000-Up
37622R	45449-22770	41102A		Friction A4BF3 Rear (Forward) Cutch 2000-Up
37622T	45449-22770	41102A		Friction A4BF3 Rear (Forward) Cutch 2000-Up
37626R	45560-22761	42111D		Friction A4BF3 Overdrive Clutch 2000-Up
37626T	45560-22761	42111D		Friction A4BF3 Overdrive Clutch 2000-Up
37020R		42100M		Friction F4A33-1 W4A33-1 Direct [5.425 38 Teeth 0.067 THK] 1991-Up
37020T	MD-735828	42100M		Friction F4A33-1 W4A33-1 Direct [5.425 38 Teeth 0.067 THK] 1991-Up
37022W		42100N		Friction F4A33-1 W4A33-1 Forward [5.40 OD 42 Teeth 0.067 THK] 1991-Up
37022T	MD731582	42100N		Friction F4A33-1 W4A33-1 Forward [5.40 OD 42 Teeth 0.067 THK] 1991-Up
37024R				Friction F4A33-1 F4A33EV W4A33-1 Low/Reverse 1991-Up
37080R				Friction Module F4A33 W4A33 1990-Up
37080T				Friction Module F4A33 W4A33 1990-Up
37280R				Friction Module F4A32-1 A4AF-1 1993-Up
37280				Friction Module F4A32-1 A4AF-1 1993-Up
37480R				Friction Module A4AF1 A4AF2 1993-99
37480				Friction Module A4AF1 A4AF2 1993-99
37680R				Friction Module A4BF3 2000-Up (Elantra & Tiburon)
37680T				Friction Module A4BF3 2000-Up (Elantra & Tiburon)
37680AT				Friction Module A4BF3 2000-Up (Accent)
28480				Friction Module KM170 KM171-1 KM171-2 KM172 KM172-1 1979-88
37180AR				Friction Module KM171-5 KM172-5 KM176-5 KM177-7 KM177-8 F4A21 F4A22 F4A23 1988-Up
37180AT				Friction Module KM171-5 KM172-5 KM176-5 KM177-7 KM177-8 F4A21 F4A22 F4A23 1988-Up
28370				Friction Module KM171-5 172-5 172-7 F3A21-2 F3A22-2 1989-96
28370A				Friction Module KM171-5 172-5 172-7 F3A21-2 F3A22-2 1989-96
28370R				Friction Module KM171-5 172-5 172-7 F3A21-2 F3A22-2 1989-96
28580R				Friction Module KM175 KM175-1 KM175-2 1985-89
28580				Friction Module KM175 KM175-1 KM175-2 1985-89
28582R				Friction Module KM177 KM177-1 1987-88
28582				Friction Module KM177 KM177-1 1987-88
STEEL CLUTCH				
37021	MD739384	41101		Steel F4A33 W4A33 Direct [4.115 ID 26 Teeth 0.088 THK] 1990-Up
28321	MD707256	42101		Steel KM170 KM171 KM172 KM175 KM177 Direct 1979-88
28341	MD722559	42101A		Steel KM171-5 KM172-5 KM175-5 KM176-5 KM177-8 A4AF1 A4BF1 A4BF2 W4A32 Direct 1989-92
28353	MD739509	42101B		Steel F4A33 Direct [4.117 ID 24 Teeth 0.120 THK] 1992-Up
28323		42102		Steel KM175 KM175-1 KM175-2 KM177 KM177-1 Rear [4.0 ID 24 Teeth] 1985-89
28363	MD707255	42102A		Steel KM170 KM171 KM172 KM175 KM177 Rear 1989-Up
37023	MD731604	41103		Steel F4A33 W4A33 Forward [4.36 ID 26 Teeth 0.071 THK] 1990-Up
37025	MD731587	41105		Steel F4A33 W4A33 Low/Reverse [5.54 ID 20 Teeth 0.039 THK] 1990-Up
28325	MD707401	42104		Steel KM170 Low/Reverse [5.00 ID 6 Teeth 0.071 THK] 1979-81
28327	MD707425	42105		Steel KM171 Low/Reverse [5.00 ID 12 Teeth 0.071 THK] 1982-84
28329	MD715438	42106		Steel KM171 KM172 KM175 Low/Reverse [5.0 ID 24 Teeth 0.071 THK] 1985-88
28367	MD727779	42114		Steel Low/Reverse KM171-5 KM172-5 7 KM175-5 Km 176-5 176-7 KM177-78 F4A32-1 [20 Teeth 0.071 THK]
28359	MD704948	42109		Steel KM172 KM175 KM177 Low/Reverse [5.0 ID 24 Teeth 0.039 THK] 1984-88

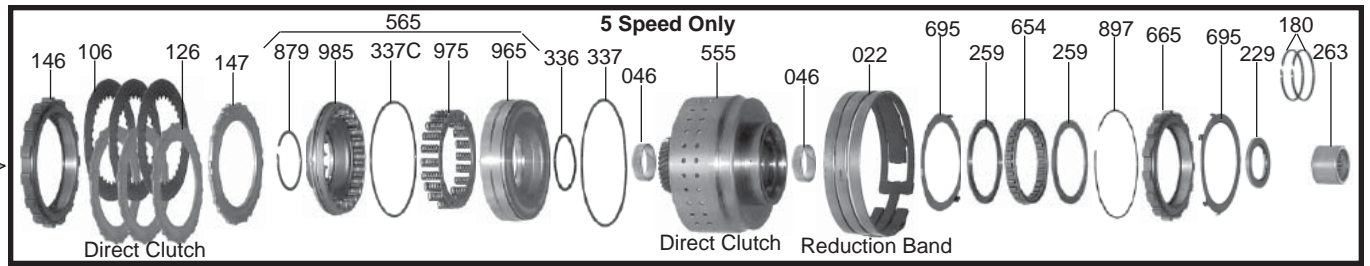
SAP #	IL#	OE	INDUSTRY	DESCRIPTION
STEEL CLUTCH -- continued				
28357		MD707402	42109	Steel KM170 KM171-1 KM171-2 KM172 KM172-1 Low/Reverse (5.0 ID) 1979-83
28351		MD702528	42112	Steel KM175 175-1 172-5 175-5 176-5 176-7 177-1 177-78 Overdrive [25 Teeth 0.032 THK]
28539		MD704948	42113	Steel KM175-5 175-6 176-5 176-7 177-7 177-8 W4A32-1 1989-Up
28365		MD719834	42110	Steel KM177 177-1 Low & Reverse [5.30 ID 24 Teeth 0.039 THK] 1987-88
37023A		MD738368	108703A	Steel F4A33-EV Forward [4.36 ID 24 Teeth 0.071 THK] 1991-Up
37021A		MD739570	108701A	Steel F4A33-EV Direct [4.12 ID 24 Teeth 0.086 THK]
37281				Steel Module F4A32-1 A4AF-1 1993-Up
37481				Steel Module A4AF1 2 1993-99 (14 Steels)
37081				Steel Module F4A33-1 W4A33-1 1990-Up
37081B				Steel Module W4A32-1 1992-Up
37681				Steel Module A4BF-3 2000-Up
28373				Steel Module KM171-5 KM172-5 1988-Up
28481				Steel Module KM170 KM171-1 KM171-2 KM172 KM172-1 1978-Up
28581				Steel Module KM175 KM175-1 KM175-2 1985-89
37181A				Steel Module KM175-5 KM177-8 1988-Up
28583				Steel Module KM177 KM177-1 1987-88
FILTER				
37040B		MD735572	41710	Filter F4A33 W4A32 W4A33 (Zero Leak) (Half Plastic) 1990-Up
37044		46321-22050	41710A	Filter A4AF-1 A4AF-2 A4BF-1 1993-99
37440		46321-22731	41710B	Filter A4AF-1 A4BF-1 A4BF-2 (Half Plastic) 1999-Up
37042		46321-36010	42710C	Filter F3A21-2 F4A21-2 F4A22-2 F4A23-1 2 F4A33-1 1987-91
28540		MD729954	42710D	Filter KM171-5 KM172-5 KM175-5 KM176-5 KM177-8 (0.70in) 1987-Up
28542		MD729955	42710E	Filter KM171-5 KM172-5 KM175-5 KM177-8 1987-Up
FILTER KIT				
37048			FT1193	Filter Kit A4AF-1 1990-Up (with Cork & Rubber Pan Gasket)
37041			FK41710	Filter Kit F4A33-1 W4A32-1 W4A33-1 (Zero Leak) 1990-Up (With Cork & Rubber Pan Gasket)
37441A			FK41710A	Filter Kit A4AF-1 A4BF-1 A4BF-2 1993-Up (With Fiber Pan Gasket)
37443A			FK41710B	Filter Kit A4BF-3 (Hyundai) 2000-Up (With Fiber Pan Gasket)
37043			FK42710C	Filter Kit F3A21-2 F4A21-2 F4A22-2 (With Cork & Rubber Pan Gasket)
37043A			FK42710C	Filter Kit F3A21-2 F4A21-2 F4A22-2 (with Fiber Pan Gasket)
28356			FK42710D	Filter Kit KM175 KM177 1987-Up (With Cork & Rubber Pan Gasket)
28543			FK42710E	Filter Kit KM176 177 172.5 1982-Up (With Cork & Rubber Pan Gasket)
28544			FK42710E	Filter Kit KM175 KM176 KM177 1982-87 (With Cork & Rubber Pan Gasket)
28544A				Filter Kit KM175 KM176 KM177 1982-87 (With Fiber Pan Gasket)
BANDS				
37046		MD736920	41700	Band F4A33 W4A33 Kickdown (2-3/8in Wide) 1990-Up
28347		MD713179	42700	Band KM170(All) A4AF-1 A4AF-3 (1-9/16in Wide)
28392		MD719933	42700A	Band KM177 177-8 A4BF-1 A4BF-2 W4A32 (1-3/4in Wide) 1987-Up
BUSHINGS				
28330			42001	Bushing KM170(All) Pump Body (1.82 OD) (1.70 ID) 1979-Up
28331			42002	Bushing KM170(All) Stator Support (Front) (.945 OD) 1979-88 [Babbit]
28331A			42002A	Bushing KM170(All) Stator Support (Front) (.988 OD) 1989-Up [Babbit]
		31343-X5000		
28335		MD707463	42006	Bushing KM170 KM171 Reverse Sun Gear (0.95 OD) 1979-88 [Babbit]
28338		MD707454B	42009	Bushing KM170 KM171 Output Shaft [0.904 ID] 1979-88 [Babbit]
28366		MD719976	42012	Bushing KM170 KM171 Reverse Sun Gear [0.823 ID] 1979-88 [Bronze]
28333A			42004A	Bushing KM170 KM171 KM172 Low & Reverse 1979-88 [Babbit]
28332			42003	Bushing KM170 KM171 KM172 KM175 Front Drum [2.17 OD] 1979-88 [Babbit]
28334		MD731163A	42005	Bushing KM171-5 KM175 175-5 KM176-5 KM177 Center Support 1985-Up
28337		MD715286	42008	Bushing KM171-5 KM175-5 KM176-5 KM177 [0.59 OD 0.47 ID] 1988-Up [Babbit]
28332B			42003B	Bushing KM171-5 KM175-5 KM176-5 KM177 Direct Drum Rear 1989-Up [Babbit]
28332A			42003A	Bushing KM171-5 KM175-5 KM176-5 KM177 Front Drum 1989-Up [Babbit]
28336A		MD720769	42006A	Bushing KM171-5 KM175-5 KM176-5 KM177 Reverse Sun Gear 1989-Up [Babbit]
28335A		MD720766	42007A	Bushing KM171-5 KM175-5 KM176-5 KM177 Forward Sun Gear
28333		MD713163R	42004	Bushing KM172 KM175 Center Support (1.74 OD) 1984-88 [Bronze]
28336C			42006B	Bushing KM172 KM175 Sun Gear (1.10 OD) (1.03 ID) 1984-88 [Bronze]
28391		MD733486	42010A	Bushing KM172 KM175 KM177 Output Shaft (Front) (1.178 ID) 1983-88
28390				Bushing KM172 KM175 KM177 Output Shaft (Rear) (1.018 ID) 1985-88
28336		MD712766	42007	Bushing KM175 KM177 Reverse Sun Gear (1.10 OD) (1.023 ID) 1985-88 [Babbit]
28332C			42003C	Bushing KM175 Front Drum (2.17 OD) (2.05 ID) 1984-Up [Babbit]
37033			41006	Bushing F4A33-1 Center Support (1.81 OD) (1.7 ID) [Babbit] 1990-Up
37034			41012	Bushing F4A33-1 Output Shaft (1.42 OD) (1.31 ID) 1990-Up [Babbit]
37036			41008	Bushing F4A33-1 Forward Sun Gear Frong (0.89 OD) [Babbit] 1990-Up
37031A			41007	Bushing F4A33-1 W4A33-1 Stator (0.98 OD) [Babbit]
37037			41009	Bushing F4A33-1 Forward Sun Gear Rear (0.89 OD) 1990-Up [Babbit]

SAP #	IL#	OE	INDUSTRY	DESCRIPTION
BUSHINGS				
37035A			41010	Bushing F4A33-1 Transfer Shaft (0.89 OD) 1990-Up [Babbit]
37032			41003	Bushing F4A33-1 Front Drum Front (2.17 OD) 1990-Up [Babbit]
37031			41005	Bushing F4A33-1 W4A33-1 Front Pump (1.81 OD) 1990-Up [Bronze]
37032A			41004	Bushing F4A33-1 Front Drum Rear (2.28 OD) 1990-Up [Babbit]
37030			41901	Bushing Kit F4A33 (11 Bushings)
28339A			K42901B	Bushing Kit KM170 KM171 KM172 KM171-5 KM172-5 1979-Up (8 Bushings)
28368			K42901E	Bushing Kit KM170 KM171 KM172 KM171-5 KM172-5 KM177 Low & Reverse 1979-Up (3 Bushings)
28355			K42901A	Bushing Kit KM170 KM171 KM172 KM175 1979-98 (2 Bushings)
28339			K42901D	Bushing Kit KM171-5 KM175-5 KM176-5 KM177-8 1989-Up (13 Bushings)
28339D			K42901F	Bushing Kit KM172 KM175 1983-88 (9 Bushings)
28239			K42901C	Bushing Kit KM175 Early 4 Speed 1985-88 (12 Bushings)
WASHER & BEARINGS				
37195		45744-36001		Race F4A22-2 F4A23-2 Forward Sun Gear 1989-Up [OEM]
19520		MD707653	13286C	Washer KM170 Pump Bolt
28371C		MD715877	42411	Washer KM175 End Clutch 1988-Up
ELECTRICAL COMPONENTS				
28393			42930	Solenoid KM176-5 KM177-5 Shift A 1989-Up
S-95		MD734199	41990	Solenoid Assembly F4A33 (Diamante 3000GT Expo Gallant) 1990-92 [OEM]
D41990B		MD754832	41990B	Solenoid Group F4A33-1 KM175-5 With Straight Connector 1993-95 (Mirage 94-97 Eclipse 94-98 Galant 94-96 3000GT 94-99) [OEM]
D41990C		46313-34522		Solenoid Group F4A33-1 KM175-5 (With 90 Degree) Connector 1990-92 (Elenra 93-Up) [OEM]
HARD PARTS				
37095				Bolt F3A21-2 F4A21-2 F4A22-2 F4A23-1 2 F4A33-1 {Used With SAP Filter # 37042 - 4 Pieces per Filter}
37095A				Bolt KM170 (8 x 1.25 x 20)
37096				Bolt Kit KM170 1987-Up (4 Bolts in Kit)
K42747E			K42747E	Planet Kit KM177-5 (With 1 Groove) {Includes Planet Sprag Forward Sun Gear 26T Reverse Sun Gear 34T} 1988-Up
K42747H			K42747H	Planet Kit KM177-8 F4A23-2 {Includes Planetary, Forward Sun Gear 29T Reverse Sun Gear 34T} 1989-Up
28599		MD730691	42419B	Spring KM170 Rear Clutch (15 Fingers) 1984-91
37198A			42746B	Sun Gear KM177-8 F4A23-2 Forward [29 Teeth] 1989-Up [OEM]
37197		45790-37000		Sun Gear KM175-5 KM177-8 Reverse 1989-Up
TOOLS				
99023A				Tool Kit O-Ring Pick Set 5 pcs

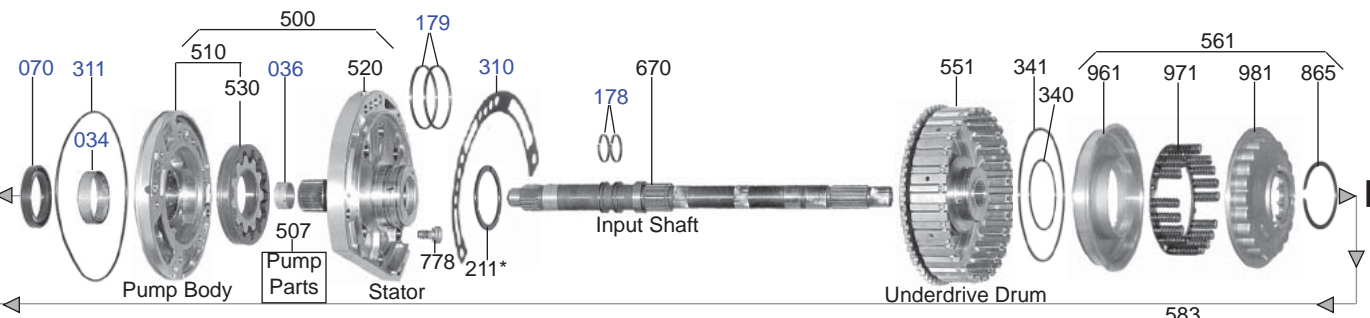
F4A41 / F4A42 / W4A42 / F4A51 / F5A51

FWD 4 & 5 Speed

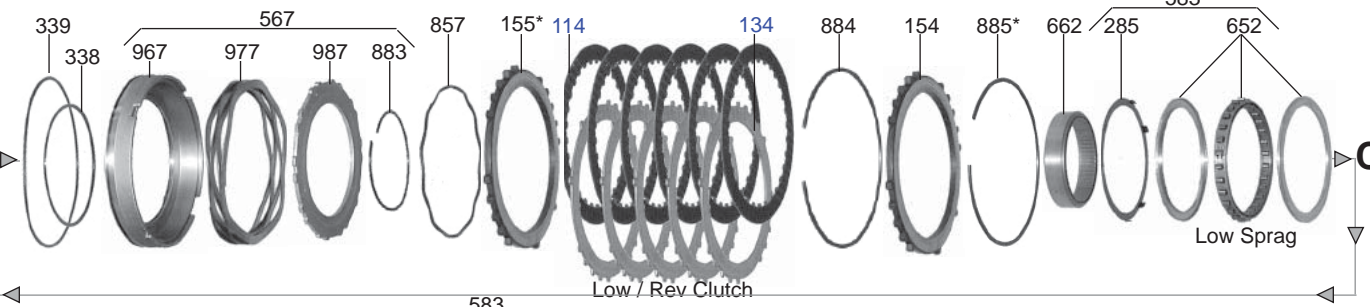




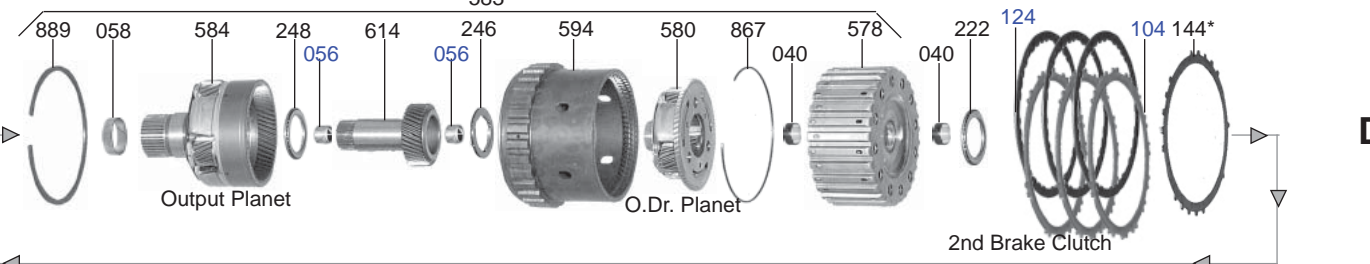
A



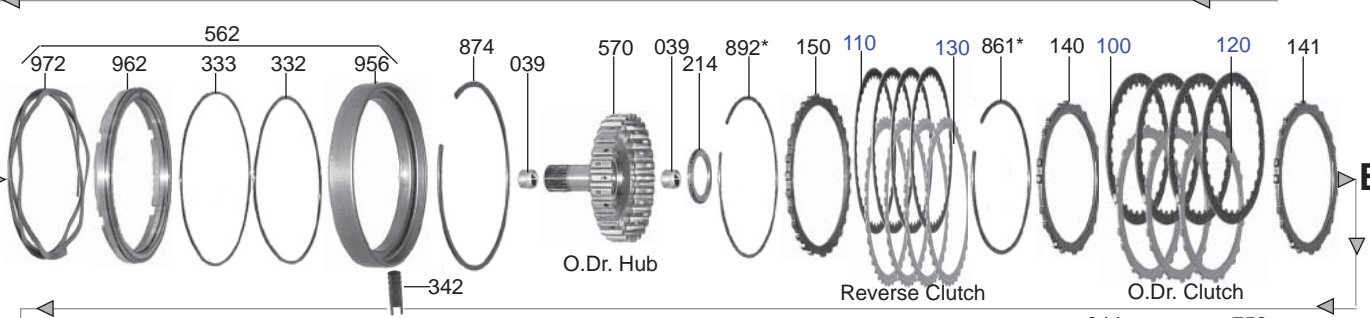
B



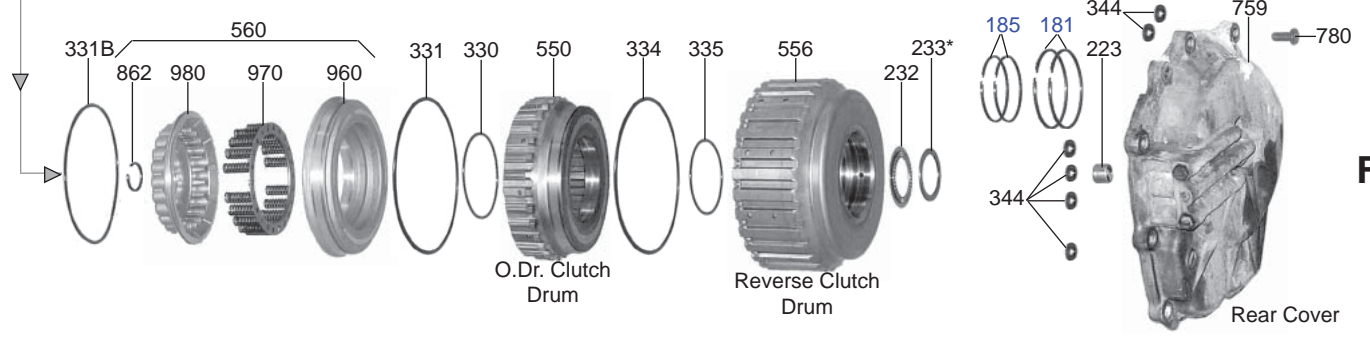
C



D



E



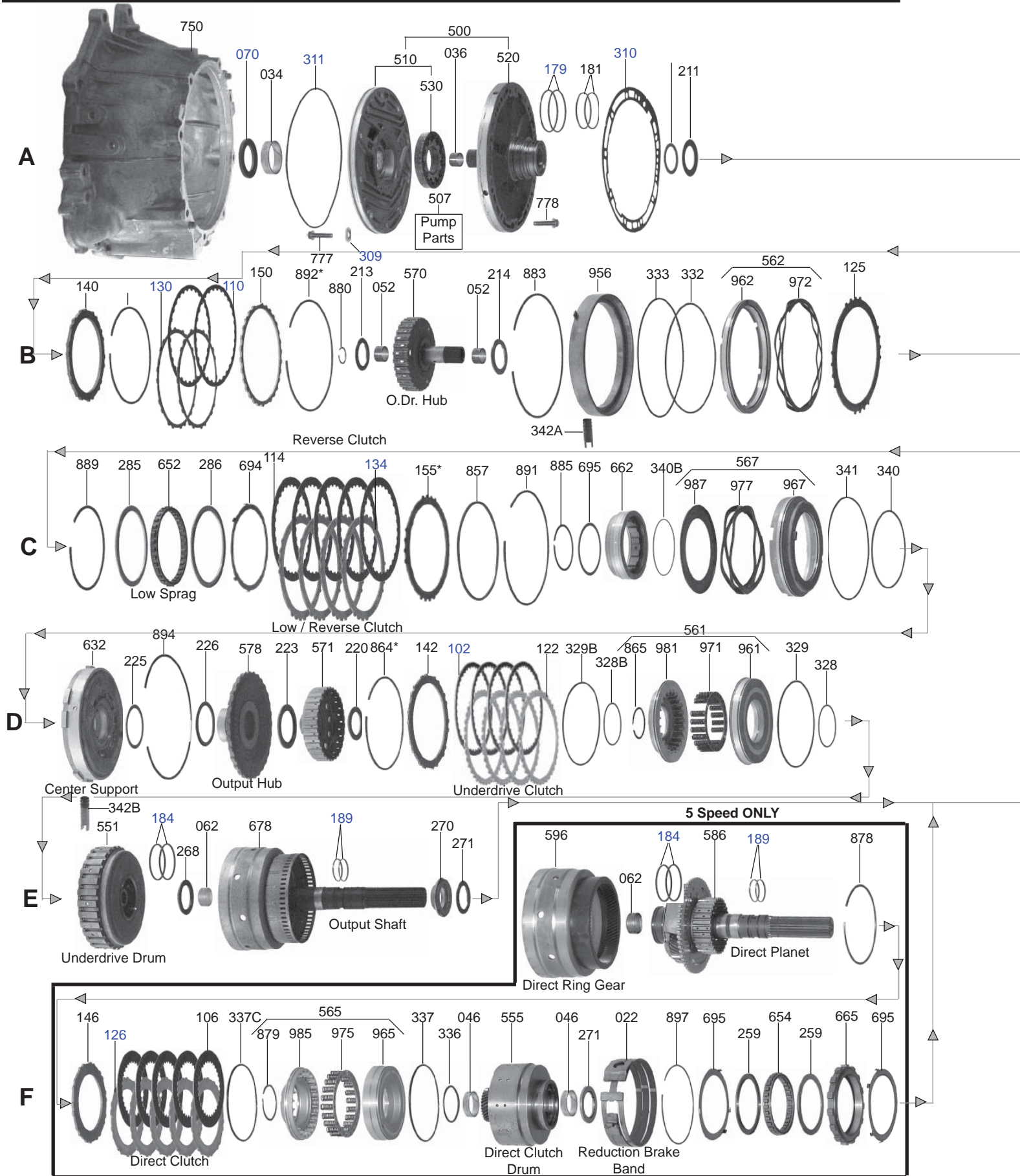
F

SAP #	IL#	OE	INDUSTRY	DESCRIPTION
OVERHAUL KIT				
B41002A				Overhaul Kit F4A41 F4A42 W4A42 W4A4B 1996-Up (W/Out Side Pan Gasket)
TF41002A				Overhaul Kit F4A41 F4A42 W4A42 W4A4B 1996-Up (Fiber)
B41002B				Overhaul Kit F4A51 F4A5A W4A5A 1996-Up (W/Out Side Pan Gasket)
TF41002B				Overhaul Kit F4A51 F4A5A W4A5A 1996-Up (Fiber)
T41002C				Overhaul Kit F5A51 1997-Up (5 Speed)
MASTER L/STEELS KIT				
B41004A				Master L/Steels Kit F4A41 F4A42 1996-Up
TF41004A				Master L/Steels Kit F4A41 F4A42 1996-Up (Fiber)
B41004B				Master L/Steels Kit F4A51 1996-Up
TF41004B				Master L/Steels Kit F4A51 1996-Up (Fiber)
T41004C				Master L/Steels Kit F5A51 1997-Up (5 Speed)
MASTER W/STEELS KIT				
B41006A				Master W/Steels Kit F4A41 F4A42 1996-Up (W/Out Pan Gasket)
TF41006A				Master W/Steels Kit F4A41 F4A42 1996-Up (Fiber)
B41006B				Master W/Steels Kit F4A51 1996-Up
TF41006B				Master W/Steels Kit F4A51 1996-Up (Fiber)
T41006C				Master W/Steels Kit F5A51 1997-Up (5 Speed)
GASKET & RUBBER COMPONENTS				
37311		45271-39010		Cap F4A41 F4A42 F4A51 Differential Cover
37318A		MD763470		Gasket F4A41 F4A42 W4A42 Side Cover 1996-Up [Fiber]
37318				Gasket F4A51 F5A51 Side Cover 1996-Up [Fiber]
37308A		MR486686		Gasket F4A41 F4A42 Valve Body (With I Marking) 1998-Up
37304		MD761220		Gasket F4A41 F4A42 W4A42 Pump To Case 1996-Up
37304A		MD752800		Gasket F4A51 F5A51 Pump To Case 1996-Up
1984160		MD756797		D-Ring F4A51 Underdrive Retainer Outer 1997-up
1984114		MD731137		D-Ring F4A41 Low & Reverse Brake (Turbo) 1990-Up
1984156		MD756831		D-Ring F4A41 F4A42 2nd Brake Piston 1997-Up
1984157		MD752214		D-Ring F4A41 F4A42 2nd Brake Piston Outer 1997-Up
1984152		MD754524		D-Ring F4A41 F4A42 F4A51 Reverse Clutch Piston 1997-Up
1984153		MD753285		D-Ring F4A41 F4A42 F4A51 Reverse Clutch Retainer Outer 1996-Up
1984149		MD752211		D-Ring F4A41 F4A42 F4A51 Underdrive Clutch Retainer Outer 1996-Up
1984154		MD752213		D-Ring F4A41 F4A42 L/R Brake Piston Inner 1996-Up
1984155		MD752212		D-Ring F4A41 F4A42 L/R Brake Piston Outer 1996-Up
1984151		MD754521		D-Ring F4A41 F4A42 Overdrive Clutch Piston Outer 1997-Up
1984150		MD754520		D-Ring F4A41 F4A42 Underdrive Retainer Outer 1997-Up
1984185		MD756806		D-Ring F4A51 2nd Brake Piston Inner 1997-Up
1984186		MD756807		D-Ring F4A51 2nd Brake Piston Outer 1997-Up
1984184		MD753286		D-Ring F4A51 L/R Brake Piston Inner 1997-98
1984187		MD762897		D-Ring F4A51 Low Reverse Brake Piston Inner 1998-Up
1984188		MD762898		D-Ring F4A51 Low Reverse Brake Piston Outer
1984163		MD756799		D-Ring F4A51 Overdrive Clutch Piston Outer 1997-Up
1994541				O-Ring F4A41 F4A42 F4A51 W4A42 F5A51 Pump Body 1996-Up
1994532		91308-PY4-003		O-Ring F4A41 F4A42 F4A51 W4A42 F5A51 Rear Cover To Case (Small) 1996-Up
1990253		MR399570		Lip Seal F4A41 F4A42 Sprag Oil Dam 1997-Up
1990254		MD763666		Lip Seal F4A51 Sprag Oil Dam 1997-Up
37575326				Seal F4A41 F4A42 F5A51 Solenoid
37314		MD757211		Seal Tube F4A51 F5A51 2nd Brake (Mitsubishi Only) 1996-Up
METAL CLAD SEALS				
70058		46132-36002		Seal F4A41 F4A42 F4A51 W4A42 F5A51 Front 1997-Up
		45245-39001		
70355		MD755904	41151J	Seal F4A41 F4A42 F4A51 F5A51 Axle (Both Sides) 1996-Up
70426				Seal F4A51 F5A51 Axle Shaft (30 x 39.5 x 7.5mm)
OIL SEALING RINGS				
TAW-2236		MD760147		Ring F4A41 F4A42 F4A51 W4A42 Overdrive Clutch (In Rear Cover) (2.325 OD) 1996-Up [Metal]
TAW-2237		MD760146		Ring F4A41 F4A42 F4A51 W4A42 Reverse Clutch (In Rear Cover) (2.762 OD) 1996-Up [Metal]
30629		MD722551	42313T	Ring F4A41 F4A42 W4A51 W4A42 F5A51 Input Shaft 1996-Up [PTFE]
37560280		MD758998	47306	Ring F5A51 Reduction Brake Band Servo Piston 2001-Up [PTFE]
37561		MR232183	47305	Ring F5A51 Direct Clutch 1997-Up [Metal]
30677A		MD757761	41304	Ring F4A41 F4A42 F4A51 Valve Body Damping 1997-Up [PTFE]
30677		MD752074		Ring F4A41 F4A42 F4A51 Variable Accumulator Pistons 1997-Up [PTFE]
6303				Ring Kit F4A41 F4A42 F4A51 W4A42 1996-Up (6 Metal 7 PTFE Rings)
6303A				Ring Kit F5A51 1997-Up (8 Metal 10 PTFE 4 O-Rings)

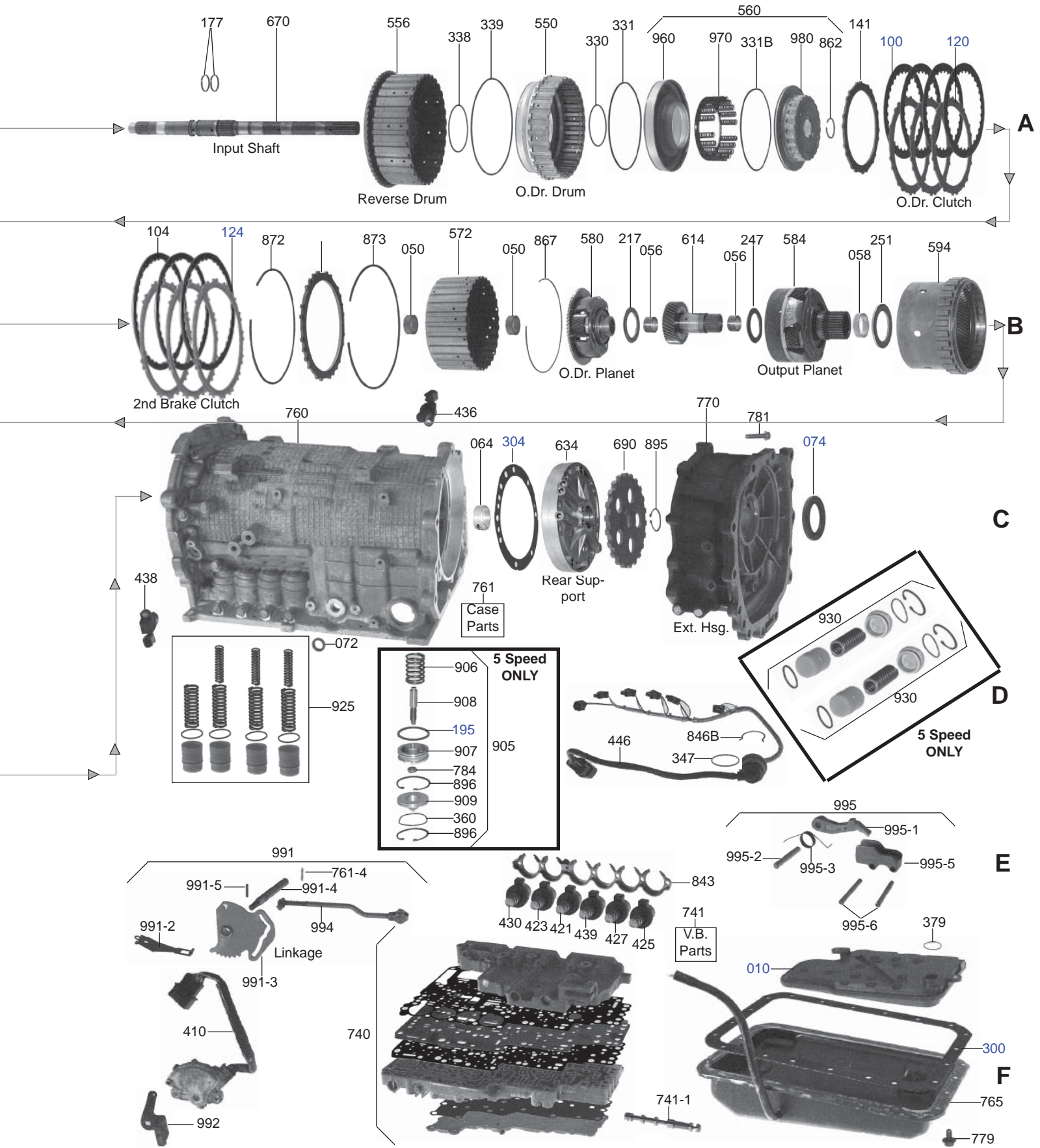
SAP #	IL#	OE	INDUSTRY	DESCRIPTION
FRICITION CLUTCH				
37322W		45632-39000	41108	Friction F4A41 F4A42 Low/Reverse [6.18 OD 30 Teeth 0.067 THK] 1996-Up
37322AR		45632-39500	41108A	Friction F4A51 F5A51 Low/Reverse [7.03 OD 30 Teeth 0.067 THK] 1996-Up
37320W		45422-39000	41109	Friction F4A41 F4A42 W4A42 Overdrive [5.35 OD 30 Teeth 0.067 THK] 1996-Up
37326AR		45525-39501	41109A	Friction F4A51 F5A51 Overdrive [5.82 OD 30 Teeth 0.067 THK] 1996-Up
37324W		45625-39000	41107	Friction F4A41 F4A42 2nd Brake [6.18 OD 30 Teeth 0.067 THK] 1996-Up
37328W		45445-39000	41106	Friction F4A51 F5A51 Reverse [6.53 OD 30 Teeth 0.067 THK] 1996-Up
37326W		45525-39000	41110	Friction F4A51 F5A51 Underdrive Clutch [5.82 OD 30 Teeth 0.067 THK] 1996-Up
37326A			41110A	Friction F4A51 F5A51 Underdrive [5.82 OD 30 Teeth 0.067 THK] 1996-Up
37328AR			41105A	Friction F4A51 Reverse 1995-Up
37380R				Friction Module F4A41 F4A42 1997-Up
37380T				Friction Module F4A41 F4A42 1997-Up
37380AR				Friction Module F4A51 1997-Up
37380AT				Friction Module F4A51 1997-Up
37580R				Friction Module F5A51 1999-Up
STEEL CLUTCH				
37327		45446-39000	41113	Steel F4A41 F4A42 W4A42 Reverse [5.25 ID 20 Teeth 0.071 THK] 1996-Up
37323A		45626-39000	41114	Steel F4A41 F4A42 W4A42 2nd Brake [5.12 ID 17 Teeth 0.099 THK] 1996-Up
37323B		45626-39500	41114A	Steel F4A51 F5A51 2nd Brake [6.03 ID 6 Teeth 0.099 THK] 1997-Up
37323			41118C	Steel F4A41 F4A42 2nd Brake [5.12 ID 17 Teeth 0.080 THK]
37323C			41114D	Steel F4A51 2nd Brake [6.0 ID 16 Teeth 0.078 THK] 1997-Up
37323D				Steel F4A41 F4A42 W4A42 2nd Brake [5.12 ID 17 Teeth 0.077 THK] 1996-Up
37329		45623-39000	41115	Steel F4A41 F4A42 W4A42 Low/Reverse [5.53 ID 17 Teeth 0.039 THK] 1996-Up
37321		45423-39010	41116	Steel F4A41 F4A42 W4A42 Overdrive [4.65 ID 20 Teeth 0.099 THK] 1996-Up
37325B		45423-39700	41116A	Steel F4A51 F5A51 Overdrive [4.85 ID 20 Teeth 0.098 THK] 1996-Up
37325		45527-39000	41117	Steel F4A41 F4A42 W4A42 Underdrive [4.65 ID 20 Teeth 0.070 THK] 1996-Up
37325A		45527-39500	41117A	Steel F4A51 F5A51 Underdrive [4.85 ID 20 Teeth 0.071 THK] 1997-Up
37381				Steel Module F4A41 F4A42 W4A42 1999-Up
37381A				Steel Module F4A51 1995-Up (18 Steels)
37581				Steel Module F5A51 1999-Up
FILTER				
37342BM		46322-39000	41712	Filter F4A41 F4A42 F5A51 External (Spin On) Some Early 1996-Up
37344		MD758691	41710J	Filter F4A41 F4A42 (All Plastic) Rectangle (With 1 Small Corner Cut Off) 1996-Up
F-273		MD758684		Filter F4A51 F5A51 (1/2 Metal & 1/2 Plastic) Rectangle 1996-99
F-437		46321-39010	41710L	Filter F4A41 F4A42 1997-Up (Hyundai)
37540B		46321-22040	47710A	Filter R4A51 R5A51 V4A51 V5A51 Deep Pan 10/2000-Up
37540		MR357710		Filter R4A51 R5A51 V4A51 V5A51 Shallow Pan 6/1998-00
FILTER KIT				
37341M				Filter Kit F4A51 1995-Up
BUSHINGS				
37331			41005	Bushing F4A41 F4A42 F4A51 W4A42 F5A51 Pump Body 1996-Up
37332				Bushing F4A41 F4A42 F4A51 W4A42 F5A51 Stator (Front) 1996-Up
28366		MD719976	42012	Bushing F4A41 F4A42 W4A42 Output Sun Gear (0.703) 1996-Up
37333			41008	Bushing F4A51 Reverse Hub [1.16in OD 1.08 ID] 1995-Up [Babbitt]
37330			K41905J	Bushing Kit F4A41 F4A42 1996-Up (4 Bushings)
37330A			K41905K	Bushing Kit F4A51 1997-Up (7 Bushings)
ELECTRICAL COMPONENTS				
S-96		46313-39050	41954	Solenoid F4A41 42 F4A 51 TCC Low Reverse, 2nd, Underdrive 1995-Up

R4A51 / V4A51 / R5A51 / V5A51

RWD 4 & 5 Speed



R4A51 / V4A51 / R5A51 / V5A51



SAP #	IL#	OE	INDUSTRY	DESCRIPTION
OVERHAUL KIT				
TF142002A				Overhaul Kit R4/V4A51 R5/V5A51 (4 Speed 1999-02) (5 Speed 2001-Up)
BF142002A				Overhaul Kit R4/V4A51 R5/V5A51 (4 Speed 1999-02) (5 Speed 2001-Up)
MASTER L/STEELS KIT				
BF142004A				Master L/Steels Kit R4A51 V4A51 (4 Speed 1999-02)
TF142004A				Master L/Steels Kit R4A51 V4A51 (4 Speed 1999-02)
BF142004B				Master L/Steels Kit R5A51 V5A51 (5 Speed 2001-Up)
TF142004B				Master L/Steels Kit R5A51 V5A51 (5 Speed 2001-Up)
MASTER W/STEELS KIT				
BF142006A				Master W/Steels Kit R4A51 V4A51 (4 Speed 1999-02)
TF142006A				Master W/Steels Kit R4A51 V4A51 (4 Speed 1999-02)
BF142006B				Master W/Steels Kit R5A51 V5A51 (5 Speed 2001-Up)
TF142006B				Master W/Steels Kit R5A51 V5A51 (5 Speed 2001-Up)
GASKET & RUBBER COMPONENTS				
37598104			47500F	Gasket R4/V4A51 R5/V5A51 Bottom Pan 1999-Up [Fiber]
37597707	MR222874			Gasket R4/V4A51 R5/V5A51 Case To Rear Support 1999-Up
37597708	MR195630	47503		Gasket R4/V4A51 R5/V5A51 Pump to Case 1999-Up
1994808	MR176814	47522		O-Ring R4/V4A51 R5/V5A51 Pump to Case 1999-Up
37575239	MR263066			Seal Tube R4/V4A51 R5/V5A51 Valve Body To Center Support 1999-Up
37575238	MR263067			Seal Tube R4/V4A51 R5/V5A51 Valve Body To 2nd Brake Clutch Housing 1999-Up
1994587	MD707187			Washer Seal R4/V4A51 R5/V5A51 Pump Bolt 1999-Up
METAL CLAD SEALS				
70058	MD955601			Seal R4/V4A51 R5/V5A51 Front Pump 1999-Up
70129	MD951482	47157		Seal R4A51 (4 Speed RWD) 2WD Extension Housing 1999-02
70192	MD609235	67853		Seal R4/V4A51 V5A51 4x4 Extension Housing (1.715 ID) (2.700 OD) 1999-Up
OIL SEALING RINGS				
30629	MD72551	42313T		Ring R4/V4A51 R5/V5A51 Input Shaft 1999-Up [PTFE]
37560281	MR246865	47307		Ring R4/V4A51 R5/V5A51 Underdrive Clutch Drum 1999-Up [PTFE]
TAW-1387	MD707520	47308		Ring R4/V4A51 Output Shaft To Rear Support 1999-02 [Metal]
TAW-2236	MD760147	41300		Ring R4/V4A51 R5/V5A51 Stator (Front) (2.770 OD) 1999-Up [Metal]
TAW-60	MD760146	41301		Ring R5/V5A51 Direct Drum To Rear Support 2001-Up [Metal]
37560280	MD758998	47306		Ring R5/V5A51 Reduction Brake Band Servo 2001-Up [PTFE]
30677A	MD757761	41304		Ring R5/V5A51 Valve Body Damping 1999-Up [PTFE]
30677	MD752074			Ring R5/V5A51 Var. Accumulator Pistons 1999-Up [PTFE]
6342				Ring Kit R4/V4A51 R5/V5A51 1999-Up (8 Metal 12 PTFE 3 O-Rings)
FRICTION CLUTCH				
37324AR		41107A		Friction R4/V4A51 R5/V5A51 2nd Brake [7.03 OD 30 Teeth 0.067 THK] 1995-Up
37324AT		41107A		Friction R4/V4A51 R5/V5A51 2nd Brake [7.03 OD 30 Teeth 0.067 THK] 1995-Up
37328AT		41106A		Friction R4/V4A51 R5/V5A51 Reverse [6.53 OD 30 Teeth 0.067 THK] 1995-Up
37322AR		41108A		Friction R4/V4A51 R5/V5A51 Low Reverse [7.03 OD 30 Teeth 0.067 THK] 1999-Up
37322AT		41108A		Friction R4/V4A51 R5/V5A51 Low Reverse [7.03 OD 30 Teeth 0.067 THK] 1999-Up
37326AR		41109A		Friction R4/V4A51 R5/V5A51 Overdrive [5.82 OD 30 Teeth 0.067 THK] 1999-Up
37580AR				Friction Module R4A51 V4A51 1999-Up
37580AT				Friction Module R4A51 V4A51 1999-Up
37580R				Friction Module R5A51 V5A51 2001-Up
37580T				Friction Module R5A51 V5A51 2001-Up
STEEL CLUTCH				
37327A		41113A		Steel R4/V4A51 R5/V5A51 Reverse [6.04 ID 20 Teeth 0.071 THK] 1999-Up
37323E		41114F		Steel R4/V4A51 R5/V5A51 2nd Brake [6.04 ID 16 Teeth 0.153 THK] 1999-Up
37329A		41115A		Steel R4/V4A51 R5/V5A51 Low Reverse [6.29 ID 16 Teeth 0.039 THK] 1999-Up
37325B		41116A		Steel R4/V4A51 R5/V5A51 Overdrive [4.855 ID 20 Teeth 0.098 THK] 1999-Up
37521		41118		Steel R5/V5A51 Direct [3.475 ID 20 Teeth 0.098 THK] 2001-Up
37581A				Steel Module R4A51 V4A51 1999-Up
37581				Steel Module R5A51 V5A51 2001-Up
FILTER				
37540				Filter R4/V4A51 R5/V5A51 RWD 4x4 (No Pick-Up Tube) for Shallow Pan 1999-Up
37540B		47710A		Filter R4/V4A51 R5/V5A51 RWD 4x4 (With 1/2 Pick-Up Tube) for Deep Pan 2000-Up

SAP #	IL#	OE	INDUSTRY	DESCRIPTION
OVERHAUL KIT				
T41002EX				Overhaul Kit A4CF1/2 2006-Up
MASTER L/STEELS KIT				
T41004EX				Master L/Steels Kit A4CF1/2 2006-Up
MASTER W/STEELS KIT				
T41006EX				Master W/Steels Kit A4CF1/2 2006-Up
GASKET & RUBBER COMPONENTS				
410970096				Gasket A4CF1/2 Pump 2006-Up
OIL SEALING RINGS				
6412				Ring Kit A4CF1/2 2006-Up (7 PTFE, 6 Plastic)
METAL CLAD SEALS				
70058				Seal A4CF1/2 Coverter 2006-Up
70460				Seal A4CF1/2 Housing Side differential 2006-Up
70459				Seal A4CF1/2 Case Side differential 2006-Up
FRICITION CLUTCH				
37380BR				Friction Module A4CF1/2 2006-Up
STEEL CLUTCH				
37381B				Steel Module A4CF1/2 2006-Up
BUSHINGS				
41031				Bushing A4CF1/2 Converter 2006-Up
41032				Bushing A4CF1/2 Input Shaft 2006-Up
41034				Bushing A4CF1/2 Reverse Clutch Hub 2006-Up
28366				Bushing A4CF1/2 Overdrive Clutch & Underdrive Sungear 2006-Up

SAP #	IL#	OE	INDUSTRY	DESCRIPTION
OVERHAUL KIT				
T51002A				Overhaul Kit A5GF1 2005-Up
T51002B				Overhaul Kit A5HF1 2005-Up
MASTER L/STEELS KIT				
T51004A				Master L/Steels Kit A5GF1 2005-Up
T51004B				Master L/Steels Kit A5HF1 2005-Up
MASTER W/STEELS KIT				
T51006A				Master W/Steels Kit A5GF1 2005-Up
T51006B				Master W/Steels Kit A5HF1 2005-Up
GASKET & RUBBER COMPONENTS				
37304				Gasket A5GF1 Pump 2005-Up
OIL SEALING RINGS				
6406				Ring Kit A5GF1 2005-Up (8 Metal 10 PTFE 3 O-Rings)
6401				Ring Kit A5HF1 2005-Up (6 Metal 12 PTFE 3 O-Rings)
FRICION CLUTCH				
510080R				Friction Module A5GF1 2005-Up
51080R				Friction Module A5HF1 2005-Up
STEEL CLUTCH				
510081				Steel Module A5GF1 2005-Up
51081				Steel Module A5HF1 2005-Up
FILTER				
F-437				Filter A5GF1 A5HF1 2005-Up
METAL CLAD SEALS				
	MD955601	46132-		
70058		36002		Seal A5GF1 A5HF1 Front Pump 2005-Up
70459				Seal A5GF1 Axle Case Side 2005-Up
70460				Seal A5GF1 Axle Bell Housing Side 2005-Up

OVERHAUL KIT

T312002X

Overhaul Kit F1C1 2000-Up

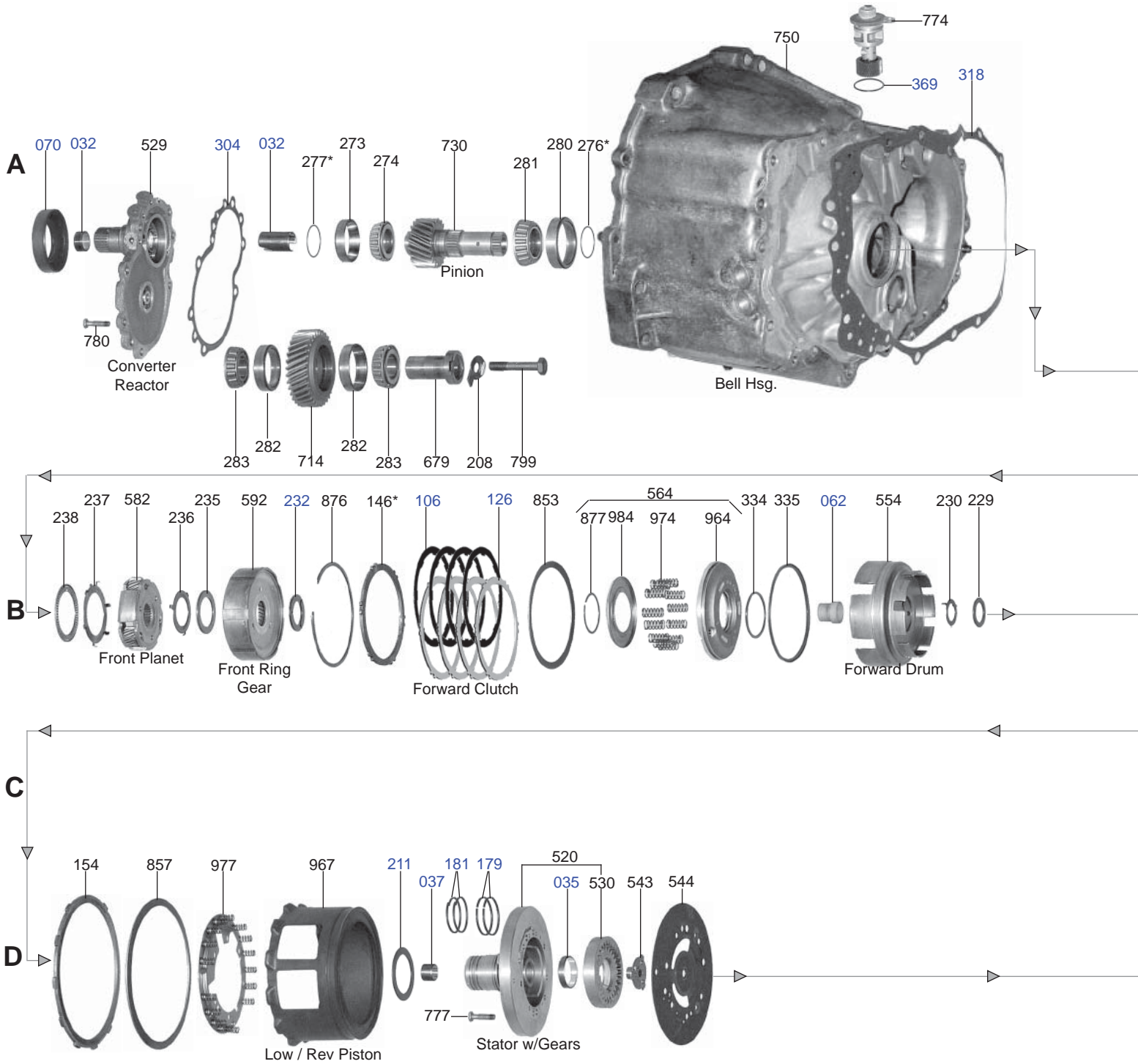
OIL SEALING RINGS

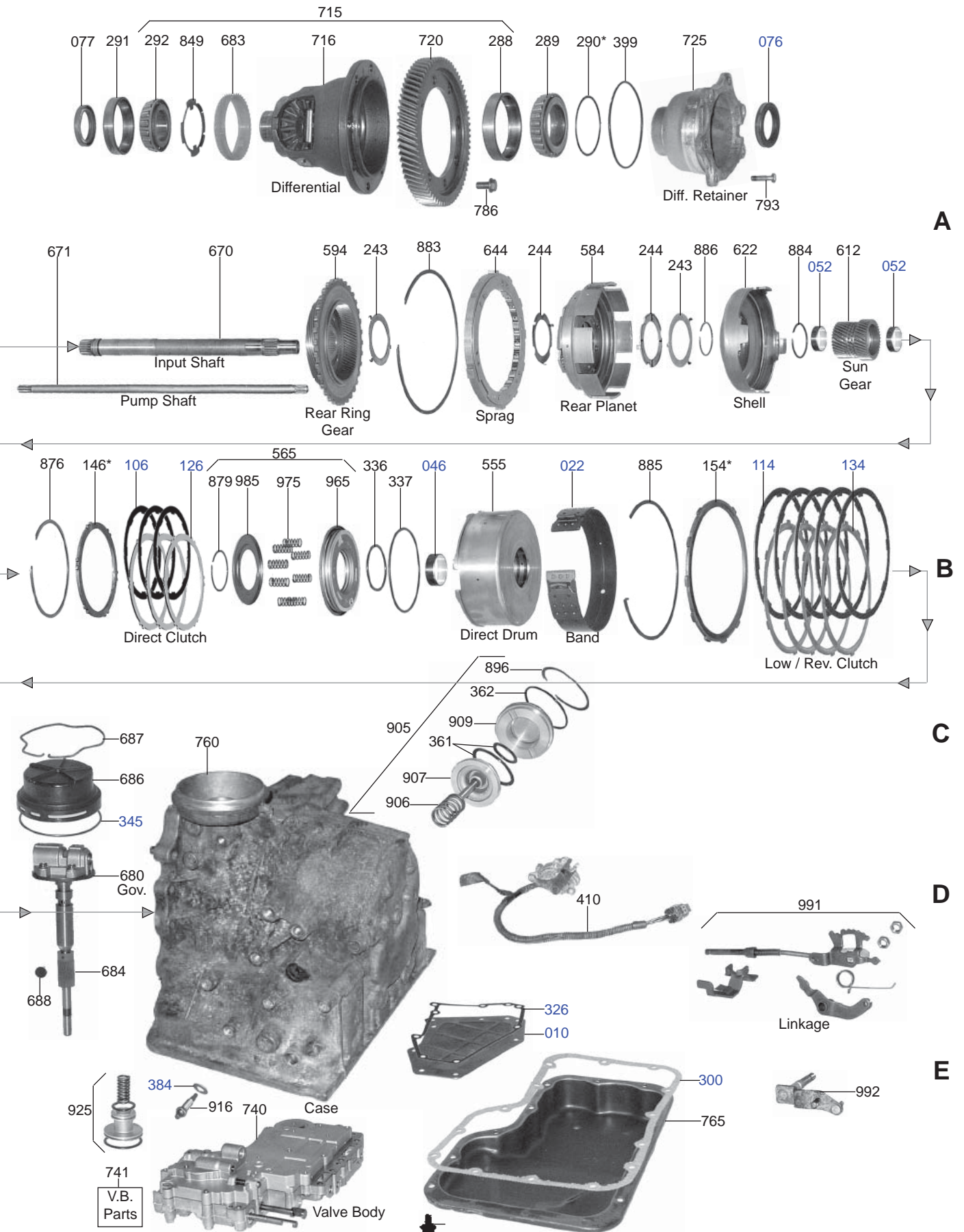
6403

Ring Kit F1C1 2000-Up (3 Metal 1 PTFE 7 Plastic)

RN3F01A / RL3F01A

FWD 3 Speed



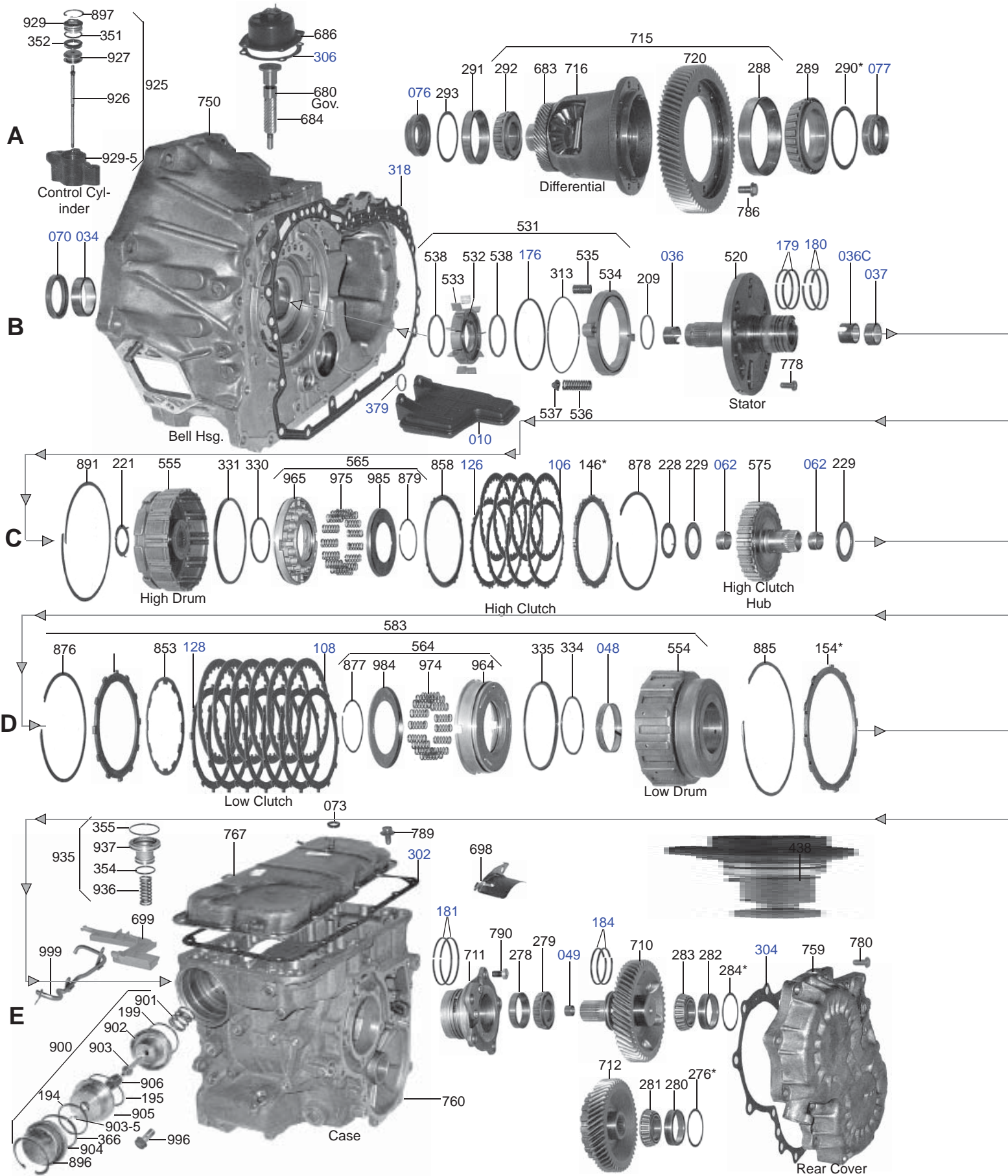


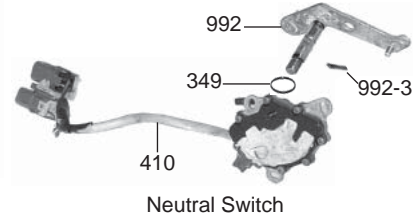
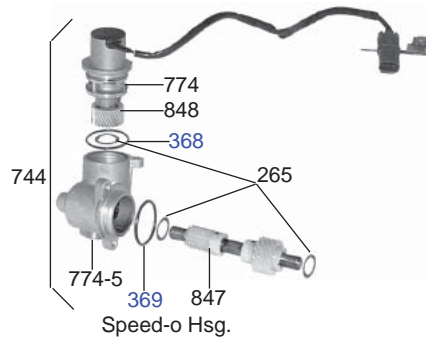
SAP #	IL#	OE	INDUSTRY	DESCRIPTION
PAPER & RUBBER KIT				
T43000				Paper & Rubber Kit RL3F01A RN3F01A 1981-92
OVERHAUL KIT				
B43002				Overhaul Kit RL3F01A RN3F01A 1981-92
T43002				Overhaul Kit RL3F01A RN3F01A 1981-92
MASTER L/STEELS KIT				
B43004				Master L/Steels Kit RL3F01A RN3F01A 1981-92
B43004A				Master L/Steels Kit RL3F01A RN3F01A with Turbo 1983-92
MASTER W/STEELS KIT				
B43006				Master W/Steels Kit RL3F01A RN3F01A 1981-92
B43006A				Master W/Steels Kit RL3F01A RN3F01A With Turbo 1983-92
GASKET & RUBBER COMPONENTS				
27209T	31397-01X01	83500		Gasket RL3F01A RN3F01A Oil Pan 1981-Up [Cork & Rubber]
27217	31397-01X01	83500		Gasket RL3F01A RN3F01A Oil Pan 1981-Up (Felpro™)
27218	31397-01X01	83500F		Gasket RL3F01A RN3F01A Oil Pan 1981-Up [Fiber]
27204	31729-01X00	83501		Gasket RL3F01A RN3F01A Filter 1981-Up
27297459	31309-01X02	83516		Gasket RL3F01A RN3F01A Converter Housing to Case 1981-Up
27297460	31198-01X02	83515		Gasket RL3F01A RN3F01A Front Cover 1981-Up
1984101	31616-X1000			D-Ring RL3F01A RN3F01A Servo 1981-Up
1994018	31159-X6101			O-Ring RL3F01A RN3F01A Input Shaft Lock up 1981-Up
1994584	31914-01X00			O-Ring RL3F01A RN3F01A Manual Lever Shaft 1981-Up
1994588	31052-01X00			O-Ring RL3F01A RN3F01A Throttle Cable 1981-Up
1994604	31084-M7500			O-Ring RL3F01A RN3F01A Filler Tube 1981-Up
1994608	32170-M8000			O-Ring RL3F01A RN3F01A Speedometer 1981-Up
1984014	31877-01X00			Seal RL3F01A RN3F01A Governor Cover 1981-Up
METAL CLAD SEALS				
70074	31197-01X01	83151		Seal RL3F01A RN3F01A Front (Housing) Cover 1981-Up
70075	38342-M8001	83152		Seal RL3F01A RN3F01A Axle (Both Sides) 1981-Up
70076	32709-58500	83153		Seal RL3F01A RN3F01A Speedometer Gear Shaft 1981-Up
OIL SEALING RINGS				
TAW-2234	31362 01X00	83228		Ring RL3F01A RN3F01A Forward Clutch (Rear) 1981-Up [Metal]
30605T	31362 01X00	83228T		Ring RL3F01A RN3F01A Forward Clutch (Rear) 1981-Up [PTFE]
TAW-2235	31361-01X00	83227		Ring RL3F01A RN3F01A Direct Clutch (Front) 1981-Up [Metal]
30604T	31361 01X00	83227T		Ring RL3F01A RN3F01A Direct Clutch (Front) 1981-Up [PTFE]
6046		K83903		Ring Kit RL3F01A RN3F01A 1981-Up (4 Metal Rings)
60460S				Ring Kit RL3F01A RN3F01A 1981-Up (4 Metal Rings)
FRICITION CLUTCH				
27220T	31532-01X00	83103		Friction RL3F01A RN3F01A High/Reverse & Forward [5.04 OD 8 Teeth 0.071 THK] (Non Turbo) 1981-Up
27224T	31532-01X01	83103A		Friction RL3F01A RN3F01A High/Reverse & Forward [5.04 OD 8 Teeth 0.063 THK] (Non Turbo) 1981-Up
27222R	31662-01X01	83102		Friction RL3F01A RN3F01A Low/Reverse [6.94 OD 8 Teeth 0.079 THK] 1981-Up
27222T	31662-01X01	83102		Friction RL3F01A RN3F01A Low/Reverse [6.94 OD 8 Teeth 0.079 THK] 1981-Up
27290				Friction Module RL3F01A RN3F01A 1981-92 (Non-Turbo)
27292				Friction Module RL3F01A RN3F01A 1981-92 (Turbo)
STEEL CLUTCH				
27221	31526-01X00	83100		Steel RL3F01A RN3F01A High/Reverse & Forward [4.40 ID 12 Teeth 0.079 THK]
27223	31666-01X00	83104		Steel RL3F01A RN3F01A Low/Reverse [6.30 ID 8 Teeth 0.079 THK]
27625C	31536-01X01	93107A		Steel RL3F01A RN3F01A High/Reverse [4.40 ID 24 Teeth 0.079 THK] 1990-92
27291				Steel Module RL3F01A RN3F01A 1981-92
FILTER				
27240	31728-01X09	83710		Filter RL3F01A RN3F01A 1981-86
27241	31728-01X10	83710A		Filter RL3F01A RN3F01A Deep Pan 1987-Up
FILTER KIT				
27242		FK83710		Filter Kit RL3F01A RN3F01A 1981-86 (Cork & Rubber)
27244		FK83710A		Filter Kit RL3F01A RN3F01A 1987-Up Deep Pan (Cork & Rubber)
BUSHINGS				
27234	31513-01X00	83000		Bushing RL3F01A RN3F01A Front Drum 1981-Up
27238	31199-01X00	83001		Bushing RL3F01A RN3F01A Converter Reactor Front 1981-Up
27237	31196-01X02	83002		Bushing RL3F01A RN3F01A Converter Reactor Rear 1981-Up
27233	31349-01X00	83003		Bushing RL3F01A RN3F01A Pump Gear 1981-Up
27236	31343-01X00	83004		Bushing RL3F01A RN3F01A Stator 1981-Up
27230	31141-01X01	83005		Bushing RL3F01A RN3F01A Converter Hub 1981-Up [Babbitt]
27266	31483-01X00	83006		Bushing RL3F01A RN3F01A Output Shaft 1981-90 [Plastic]
27231	31462-01X00	83007		Bushing RL3F01A RN3F01A Sun Gear 1981-Up
27239				Bushing Kit RL3F01A RN3F01A 1981-Up (8 Bushings)

SAP #	IL#	OE	INDUSTRY	DESCRIPTION
WASHER & BEARINGS				
27279		31555-X0100	83408	Bearing RL3F01A RN3F01A Forward Drum to Stator 1981-Up [OEM]
27258		31435-01X00	83419	Bearing RL3F01A RN3F01A Front Planet 1981-89 [OEM]
27252				Washer RL3F01A RN3F01A 1981-Up [Aluminum]
27263		31437-01X01	83406	Washer RL3F01A RN3F01A Rear Planet 1981-Up
27267		31508-01X01	83403	Washer RL3F01A RN3F01A Hub to Fwd Drum (No Tabs) [Black Plastic]
27277		31508-01X00	83402	Washer RL3F01A RN3F01A Between Stator & Direct Drum [Black Plastic]
27277A		31508-01X02	83403A	Washer RL3F01A RN3F01A Hub to Fwd Drum (2 Tabs) 1990-Up
27285				Washer Kit RL3F01A RN3F01A (8 Pieces) 1981-92
27285A				Washer Kit RL3F01A RN3F01A (10 Pieces) 1981-92
27286A				Washer & Bearing Kit RE3F01A RN3F01A (13 Pieces) 1981-92
HARD PARTS				
27281		31465-01X01	83749	Shell RL3F01A Sun gear 1981-92
27259		31436-01X01	83407	Race RL3F01A RN3F01A Rear Carrier 1981-Up
27265		31435-01X02	83409	Race RL3F01A RN3F01A Forward Drum to Stator 1981-Up
27269		31439-01X00	83405	Race RL3F01A Internal Gear Front (3 Tabs) 1981-92
27257		31434-01X01	83418	Race RL3F01A RN3F01A Bearing Front Planet 1981-Up

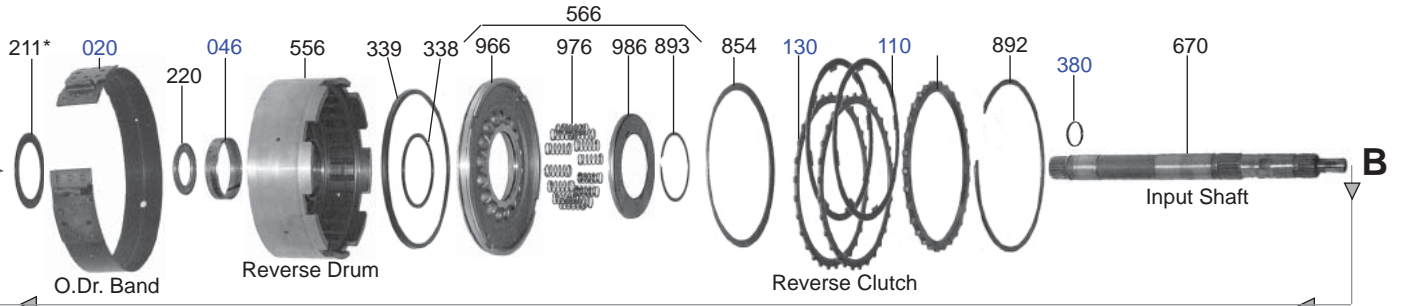
RL4F02A / RE4F02A

FWD 4 Speed

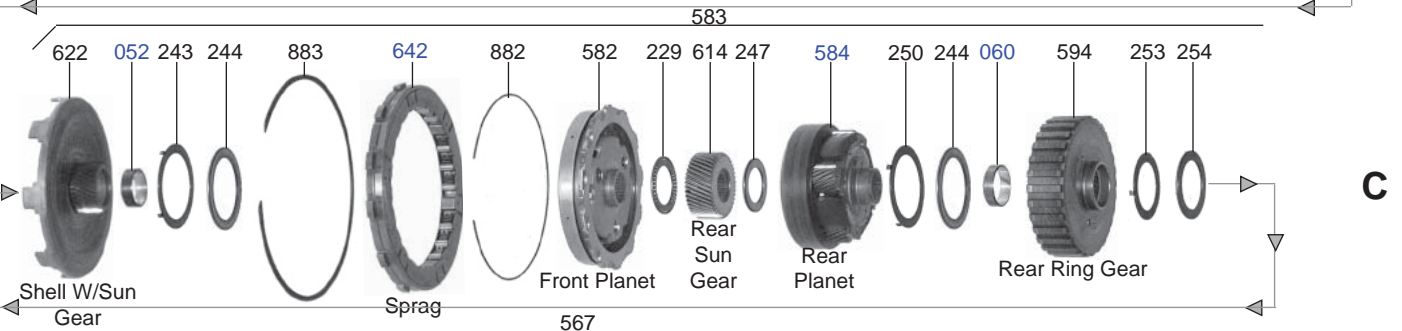




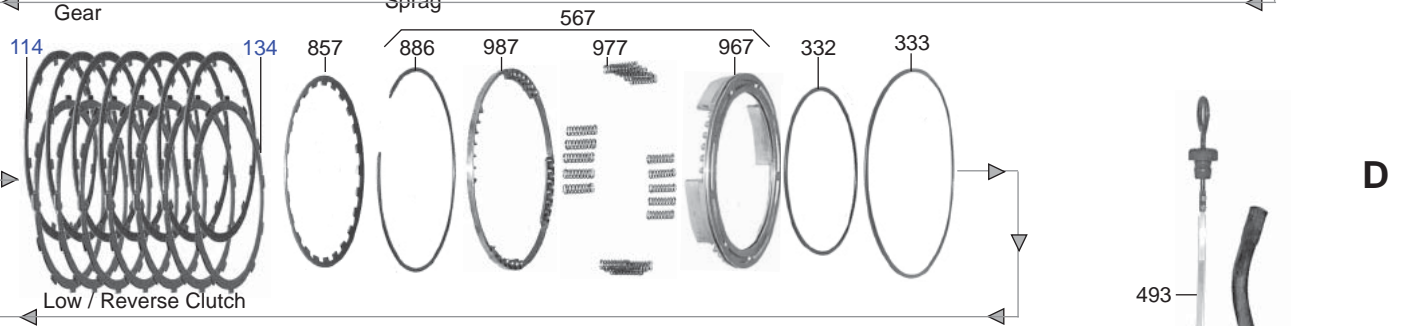
A



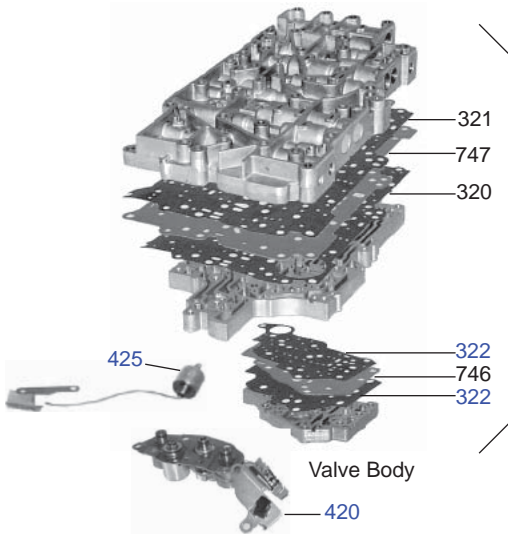
B



C

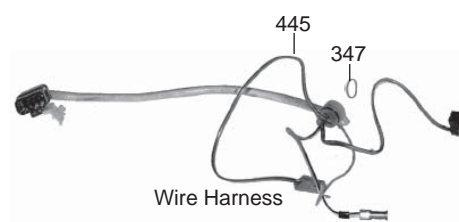


D

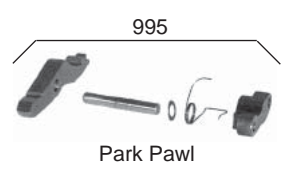
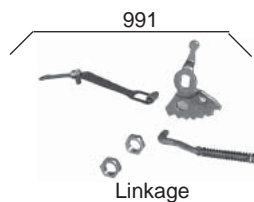


740

741
V.B. Parts



E



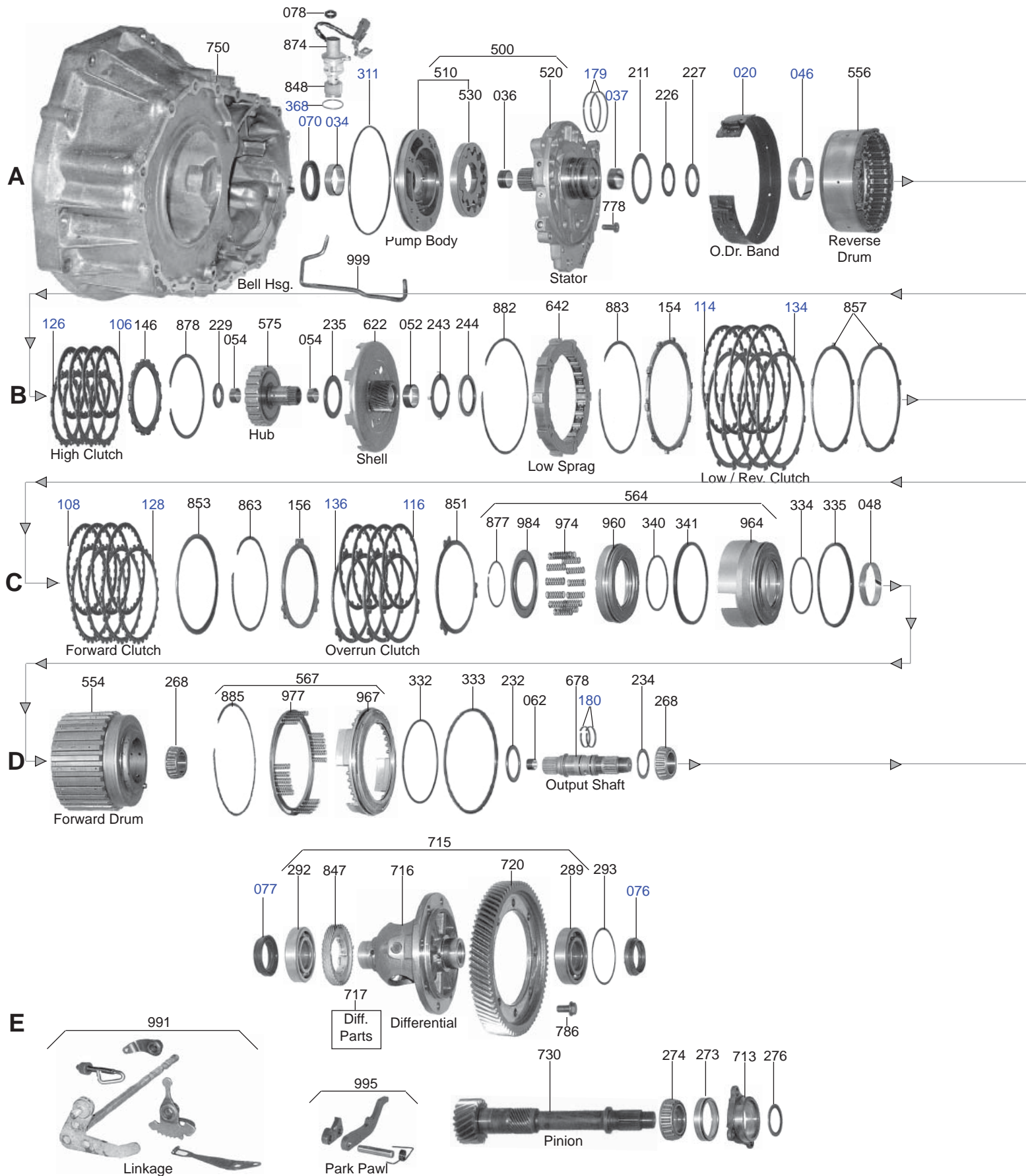
SAP #	IL#	OE	INDUSTRY	DESCRIPTION
OVERHAUL KIT				
B93002C			K93900E	Overhaul Kit RL4F02A RE4F02A Combo 1985-Up
T93002C				Overhaul Kit RL4F02A RE4F02A Combo 1985-Up
TF93002C				Overhaul Kit RL4F02A RE4F02A Combo 1985-Up (Fiber)
MASTER L/STEELS KIT				
B93004C				Master L/Steels Kit RE4F02A L1988-Up (Maxima V6)
B93004E				Master L/Steels Kit RE4F02A 7/1989-Up (Stanza)
MASTER W/STEELS KIT				
B93006C				Master W/Steels Kit RE4F02A L1988-Up (Maxima V6)
SUPER KIT				
B93008C				Super Kit RE4F02A 1989-94 (Maxima V6)
GASKET & RUBBER COMPONENTS				
1984006	31527-21X72			D-Ring RE4F02A RL4F02A Servo 1989-Up
1984005	31527-21X71			D-Ring RE4F02A RL4F02A Servo 1989-Up
1984011	31527-21X70			D-Ring RE4F02A RL4F02A Servo Piston Inner 1990-Up
1984030	31527-21X64			D-Ring RE4F02A/V Servo 1989-Up
1984031	31617-21X23			D-Ring RE4F02A/V Servo 1989-Up
1984032	31527-21X46			D-Ring RE4F02A/V Servo 1990-Up
19415	31577-21X00			D-Ring RL4F02A (74.90 X 4.15 X 2.00)
1984007	31576-21X00			D-Ring RL4F02A Low Clutch Piston Outer 1984-85
1984002	31647-21X00			D-Ring RL4F02A RE4F02A Low/Reverse Clutch Inner 1984-Up
1984001	31646-21X00			D-Ring RL4F02A RE4F02A Low/Reverse Clutch Outer 1984-Up
1984013	31527-21X12			D-Ring RL4F02A Servo 1984-88
1984027	31527-21X09			D-Ring RL4F02A Servo 1984-89
1984012	31527-21X61			D-Ring RL4F02A Servo 1989-Up
1984009	31527-21X62			D-Ring RL4F02A Servo Piston Inner 1988-90
1984008	31527-21X69			D-Ring RL4F02A Servo Piston Rod Outer 1988-90
27609T	31396-21X01	93500		Gasket RL4F02A RE4F02A Pan Gasket [Cork & Rubber]
27618	31396-21X01	93500F		Gasket RL4F02A RE4F02A Pan Gasket [Fiber]
27697332	31398-21X03			Gasket RL4F02A RE4F02A Transfer Gear Cover
27697344	31338-21X03			Gasket RE4F02A Pump Slide Control Cover (Accumulator Cover)
27697333	31383-21X01			Gasket RE4F02A RL4F02A Side Retainer 1984-Up
27697348	31827-27X60			Gasket RE4F02A/V Valve Body Lower 1989-Up
27697346	31717-27X60			Gasket RE4F02A/V Valve Body to Case 1989-Up
27697345	31716-27X60			Gasket RE4F02A/V Valve Body to Space Plate 1989-Up
27697347	31828-27X60			Gasket RE4F02A/V Valve Body Upper Lock-up 1989-Up
27697334	31309-21X04	93503		Gasket RL4F02A RE4F02A Bell (Coverter) Housing to Case
27697335	31877-21X02			Gasket RL4F02A RE4F02A Governor Cover
27697339	31282-21X01			Gasket RL4F02A RE4F02A Lock-Up Valve Body (Upper)
27697338	31827-21X01			Gasket RL4F02A RE4F02A Lock-Up Valve Body (Lower)
27697342	31827-21X00			Gasket RL4F02A Valve Body Lower Lock-up 1984-85
27697338	31827-21X01			Gasket RL4F02A Valve Body Lower Lock-up 1985-90
27697341	31717-21X01			Gasket RL4F02A Valve Body to Case 1984-85
27697337	31717-21X04			Gasket RL4F02A Valve Body to Case 1985-90
27697340	31716-21X01			Gasket RL4F02A Valve Body to Space Plate 1984-85
27697336	31716-21X04			Gasket RL4F02A Valve Body to Space Plate 1985-90
27697343	31282-21X00			Gasket RL4F02A Valve Body Upper Lock-up 1984-85
27697339	31282-21X01			Gasket RL4F02A Valve Body Upper Lock-up 1985-90
27697442	31717-24X01			Gasket RL4F02A Main Valve Body 1990 (Axxess)
27697443	31716-24X02			Gasket RL4F02A Valve Body Upper 1990 (Axxess)
4763				Gasket Kit RL4F02A Case 1985-Up
1990199	31528-21X09			Lip Seal RE4F02A RL4F02A High Clutch Piston Outer 1985-Up
1990196	31337-21X01			Lip Seal RE4F02A RL4F02A Pump Side Accumulator Piston 1984-Up
1994656	31356-21X02			O-Ring RE4F02A RL4F02A Pump Slide Accumulator Piston 1984-Up
1994588				O-Ring RE4F02A Solenoid (Small)
19255				O-Ring RL4F02A RE4F02A (68.90 X 2.62)
1994677	31084-21X01			O-Ring RL4F02A RE4F02A Filler Tube
27698	31729-21X01	93510		O-Ring RL4F02A RE4F02A Filter Screen
1994018	31159-X5101			O-Ring RL4F02A RE4F02A Input Shaft
1994150				O-Ring RL4F02A RE4F02A Servo Cover
1994661				O-Ring RL4F02A RE4F02A Servo Cover
1994608	32710-1E01			O-Ring RL4F02A RE4F02A Speedometer Housing To Case
1994659	31887-21X00			O-Ring RL4F02A RE4F02A Speedometer
27675067	31908-21X00			Seal RE4F02A RL4F02A Cap TV Shaft 1984-Up
8178ES				Seal Up Kit RL4F02A RE4F02A/V 1984-Up

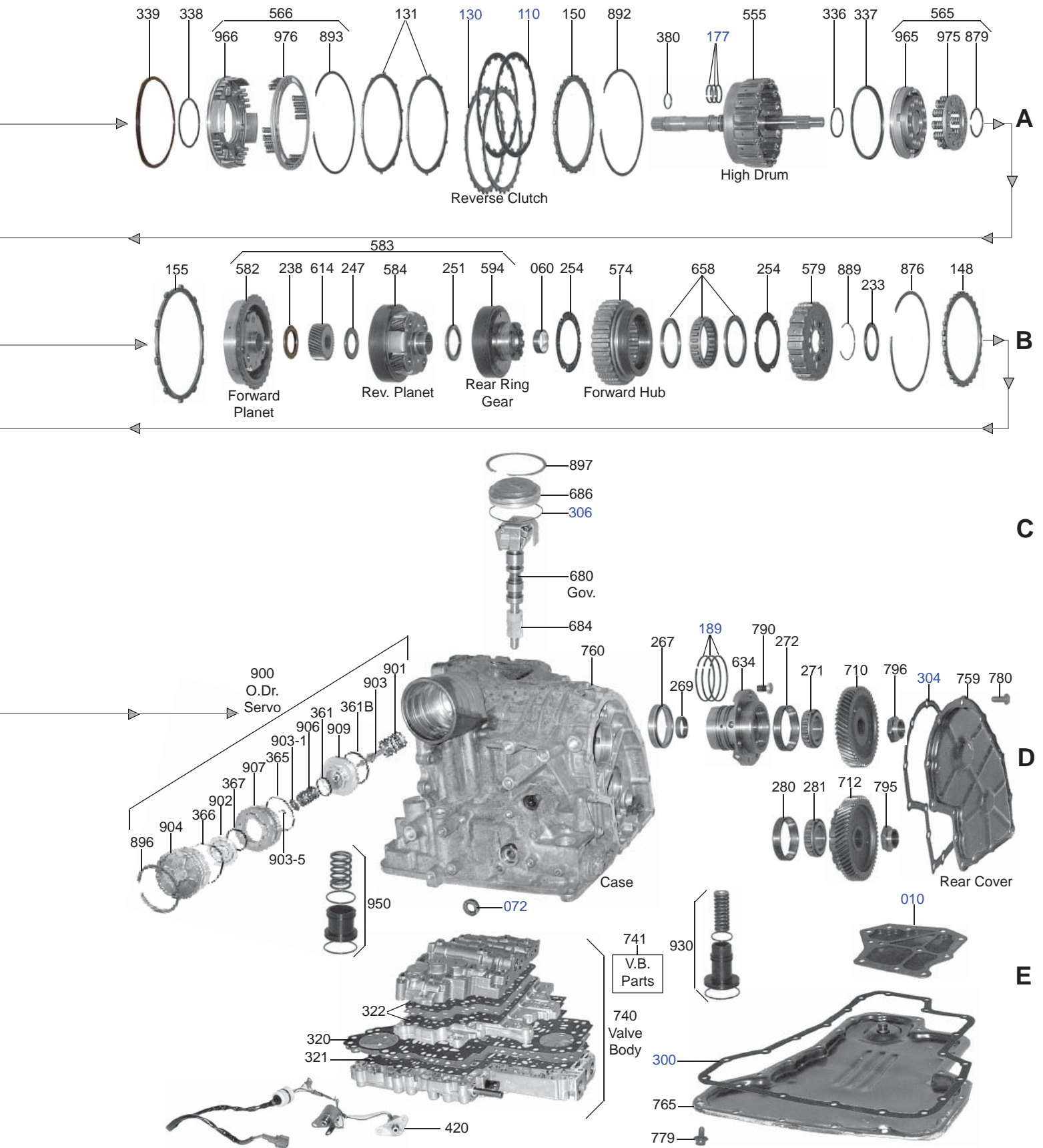
SAP #	IL#	OE	INDUSTRY	DESCRIPTION
METAL CLAD SEALS				
27614		38342-06R00	93157	Seal RL4F02A RE4F02A Right Axle (52 x 72 x 9mm) (Stanza 4WD 1985-94)
70132		38342-03E01		Seal RL4F02A RE4F02A Right Axle (33 X 59 X 17mm) (All except Stanza 4WD)
70130		38342-21X00		Seal RL4F02A RE4F02A Left Axle (39 X 57 X 21.5mm)
70134		38342-21X01		Seal RL4F02A RE4F02A Left Axle (39 X 57 X 21.5mm) (Maxima)
70135		38342-21X02		Seal RE4F02A Left Axle (46 x 90 x 11mm) 2WD with Viscous Coupling 89-Up
70076		32709-58500		Seal RL4F02A RE4F02A Speed O Shaft
70131		31344-21X00		Seal RL4F02A RE4F02A Converter Housing (Front)
70135		31908-21X00		Seal RL4F02A RE4F02A Throttle Shaft
70136				Seal RL4F02A RE4F02A/V Throttle Valve Shaft 1985-Up
OIL SEALING RINGS				
30606		31558-21X00	93307T	Ring RL4F02A RE4F02A High Drum [PTFE]
30607		31487-21X00	69300T	Ring RL4F02A RE4F02A Output Shaft [PTFE]
30608		31361-21X00	69309T	Ring RL4F02A RE4F02A Reverse Clutch [PTFE] (Also fits Output Shaft)
30609		31313-21X00	69301T	Ring RL4F02A RE4F02A Low Drum [PTFE]
27681		31363-41X00	93301	Ring RL4F02A RE4F02A Pump Slide 1985-Up [PTFE]
TAW-2055		31363-41X00		Ring RL4F02A RE4F02A Pump Slide [Metal]
6104				Ring Kit RL4F02A RE4F02A (1 Metal 8 PTFE Rings)
FRICION CLUTCH				
27622R		31532-21X00	93100	Friction RL4F02A Reverse [8 Teeth 0.079 THK] 1985-89
26928R		31532-21X07	93100A	Friction RL4F02A RE4F02A Reverse [34 Teeth 0.079 THK] 1987-Up
27624R		31562-21X01	93104H	Friction RL4F02A High [5.04 OD 30 Teeth-Narrow 0.064 THK] 1974-84 (Maxima)
27624		31562-21X01	93104H	Friction RL4F02A High [5.04 OD 30 Teeth-Narrow 0.064 THK] 1974-84 (Maxima)
27628R		31532-21X02 31532 21X04	93104A	Friction RL4F02A RE4F02A High [5.04 OD 30 Teeth-Wide 0.062 THK] (Maxima 1984-89) (Stanza 1988-89)
27628T		31532-21X02 31532 21X04	93104A	Friction RL4F02A RE4F02A High [5.04 OD 30 Teeth-Wide 0.062 THK] (Maxima 1984-89) (Stanza 1988-89)
27628AT		31562-21X03	93104B	Friction RL4F02A High [5.04 OD 30 Teeth-Wide 0.079 THK] 1985-88
26936R		31532-21X05	93104C	Friction RL4F02A RE4F02A High [5.235 OD 30 Teeth-Wide 0.063 THK] 1987-Up
27620R		31662-21X00	93115	Friction RL4F02A RE4F02A Low/Reverse [7.10 OD 12 Teeth 0.079 THK] 1985-94
27620T		31662-21X00	93115	Friction RL4F02A RE4F02A Low/Reverse [7.10 OD 12 Teeth 0.079 THK] 1985-94
27626R		31662-21X00	93109	Friction RL4F02A RE4F02A Low [5.70 OD 30 Teeth 0.079 THK] 1985-94
27626T		31662-21X00	93109	Friction RL4F02A RE4F02A Low [5.70 OD 30 Teeth 0.079 THK] 1985-94
27670D				Friction Module RE4F02A 1990-92 (18 PCS) (Stanza Electronic)
27672				Friction Module RL4F02A 1988-90 (Pulsar)
27670C				Friction Module RE4F02A 1989-94 (Maxima Electronic)
27670R				Friction Module RL4F02A 1985-88 (Maxima)
27670				Friction Module RL4F02A 1985-88 (Maxima)
27674				Friction Module RL4F02A 1986-89 (Stanza)
27670CR				Friction Module RE4F02A 1989-94 (Maxima Electronic)
STEEL CLUTCH				
27623A		31536-21X01	93102A	Steel RL4F02A RE4F02A Reverse [30 Teeth 0.079 THK] 1985-Up
26929			93107D	Steel RL4F02A RE4F02A High [4.40 ID 27 Teeth 0.108 THK] 1987-Up (Pulsar Turbo)
26931		31536-41X02	93107C	Steel RL4F02A RE4F02A High [4.40 ID 27 Teeth 0.118 THK] 1987-89 (Pulsar)
27625		31566-21X01	93107E	Steel RL4F02A RE4F02A High [4.40 ID 24 Teeth 0.118 THK] (Maxima 7/84-11/84)
27625G		31536-21X02	93107B	Steel RL4F02A RE4F02A High [4.41 ID 24 Teeth 0.067 THK] 1986-88 (Maxima)
27625D		31536-21X03	93107F	Steel RL4F02A RE4F02A High [4.40 ID 24 Teeth 0.055 THK] 1988-90 (Maxima)
27625F		31536-21X04	93107G	Steel RE4F02A High [4.40 ID 27 Teeth 0.095 THK] 1990-94 (Maxima - Stanza - Axxess) Steel RL4F02A RE4F02A High [4.40 ID 24 Teeth 0.108 THK] (Maxima 84-85 - Stanza 88-Up - Stanza Wagon 88-Up)
27625E		31566-21X02	93107	Steel RL4F02A RE4F02A High [4.40 ID 24 Teeth 0.079 THK] (Maxima 84-85 - Stanza 86-88 - Stanza Wagon 85-88 -
27625C		31536-01X01	93107A	Steel RL4F02A RE4F02A Low [4.80 ID 12 Teeth 0.079 THK] 1985-Up
27627		31596-21X01	93112	Steel RL4F02A RE4F02A Low/Reverse [6.50 ID 12 Teeth 0.079 THK] 1985-Up
27621		31666-23X00	93117	Steel RL4F02A RE4F02A Low/Reverse [6.50 ID 12 Teeth 0.079 THK] 1985-Up
27671D				Steel Module RE4F02A 1990-92
27673				Steel Module RL4F02A 1988-90 (Pulsar)
27671C				Steel Module RE4F02A 1989-94 (Maxima Electronic)
27679				Steel Module RL4F02A 1985-89 (Stanza)
27671				Steel Module RL4F02A 1985-88 (Maxima)
FILTER				
27640		31728-20X00	93710	Filter RL4F02A RE4F02A
FILTER KIT				
27641			FK93710	Filter Kit RL4F02A RE4F02A
BANDS				
27647		31630-21X00	93700	Band RL4F02A RE4F02A Overdrive (1.5in Wide) 1 groove 1985-Up
BUSHINGS				
27631		31342-21X01	93001	Bushing RL4F02A RE4F02A Converter Housing 1985-94
27632		31354-21X01	93002	Bushing RL4F02A RE4F02A Stator Front Non Lock-up (2 slots) (.948 OD) 1985-94
27638				Bushing RL4F02A RE4F02A Stator Front Lock-up (1.04 OD) [Babbitt]
27636		31352-21X00	93003	Bushing RL4F02A RE4F02A Stator Center (1 slot) (1.18 OD) 1985-94 [Babbitt]
27633		31363-21X01	93004	Bushing RL4F02A RE4F02A Stator Rear (No slot) 1985-94 [Babbitt]

SAP #	IL#	OE	INDUSTRY	DESCRIPTION
BUSHINGS -- continued				
27629		31513-21X00	93005	Bushing RL4F02A RE4F02A Reverse Drum (2 slot) 1985-94
27639		31548-21X01	93006	Bushing RL4F02A RE4F02A High Clutch Hub (Sleeve) 1985-94
27635		31462-21X04	93007	Bushing RL4F02A RE4F02A Sun Gear (1.3 OD) 1985-94 [Babbitt]
27634		31453-21X00	93008	Bushing RL4F02A RE4F02A Rear Ring Gear (1.4 OD) 1985-94 [Babbitt]
27649		31579-21X00	93009	Bushing RL4F02A RE4F02A Low Clutch Drum 1985-94 [Babbitt]
27637		31483-21X01	93010	Bushing RL4F02A RE4F02A Output Shaft 1985-94
27630			K93000	Bushing Kit RL4F02A RE4F02A (Short) 1984-Up (7 Bushings)
27650			K93000A	Bushing Kit RL4F02A RE4F02A (Long) 1984-94 (12 Bushings)
WASHER & BEARINGS				
27686B		31455-21X00	93410	Bearing RI4F02A RE4F02A Internal Gear 1985-Up
27686		31407-01X00	93406	Bearing RL4F02A RE4F02A 2nd Drum to Hub (Rear Sun gear) 1985-Up [OEM]
27686A		31407-21X00	93403	Bearing RL4F02A RE4F02A Rear Planet (Front) 1985-94 [OEM]
27677		31360-21X01	93413	Washer RL4F02A RE4F02A Pump Support 1985-Up
29673		31508-3109		Washer RL4F03A Output Retainer to Forward Drum
27696048		31897-21X00		Washer RE4F02A RL4F02A/V Governor Locking 1985-Up
29670			K99907	Washer Kit RE4F03A Stator to Reverse Drum (6 Pieces Selective)
ELECTRICAL COMPONENTS				
D93954		31940-27X66	93954	Solenoid Assembly RE4F02A With Mounting Plate
D93956		31940-21X05	93956	Solenoid RL4F02A Overdrive 1985-92
HARD PARTS				
27664323				Bolt RL4F02A RE4F02A Pump (8 1.25 X 16mm) 1984-Up
93897		31420-21X11	93897	Carrier RL4F02A RE4F02A Front Planet 1985-94 (Maxima)
26965J		31429-21X00	69408	Race RL4F02A RE4F02A Pump Stator to High Drum (0.030) 1987-Up
26965P		31429-21X05		Race RL4F02A RE4F02A Stator Support to Reverse Drum (0.71) 1985-94
27688		31460-21X03	93879	Shell RL4F02A RE4F02A Sun Gear (With Front Sun Gear) 1985-94 (Maxima & Stanza)

RL4F03A / RE4F03A / RE4F04A

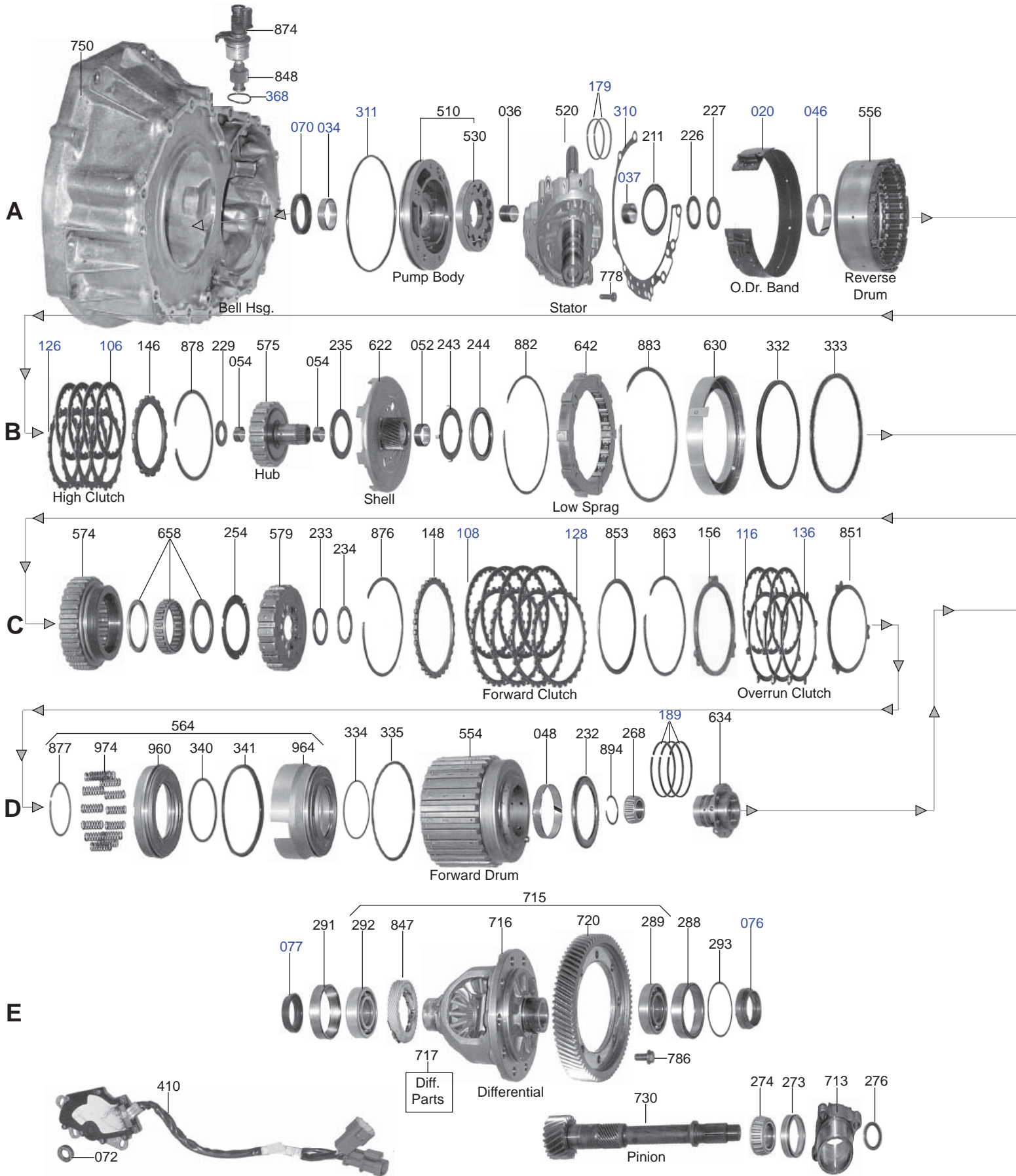
FWD 4 Speed

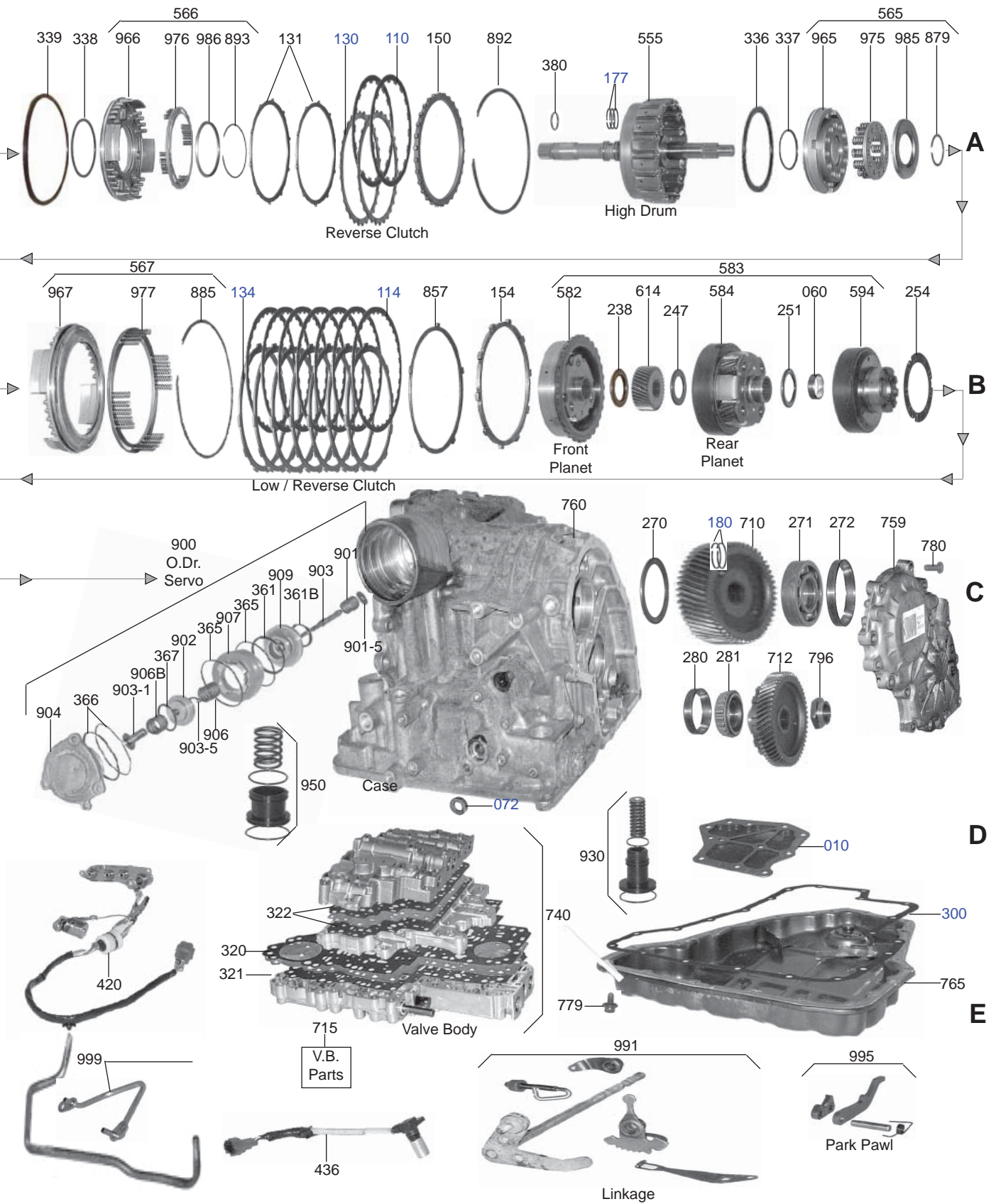




RE4F03V / RE4F04V / 4F20E / JF403E

FWD 4 Speed





SAP #	IL#	OE	INDUSTRY	DESCRIPTION
OVERHAUL KIT				
B83002A				Overhaul Kit RL4F03A RE4F03A 1991-Up
T83002A				Overhaul Kit RL4F03A RE4F03A 1991-Up
TF83002A				Overhaul Kit RL4F03A RE4F03A 1991-Up (Fiber)
BF83002AA				Overhaul Kit JF403E LJ4AEL 1990-Up
TF83002AA				Overhaul Kit JF403E LJ4AEL 1990-Up (Fiber)
B83002B				Overhaul Kit RE4F04A RE4F04V RE4F04B 4F20E 1992-Up
T83002B				Overhaul Kit RE4F04A RE4F04V RE4F04B 4F20E 1992-Up
TF83002B				Overhaul Kit RE4F04A RE4F04V RE4F04B 4F20E 1992-Up (Fiber)
MASTER L/STEELS KIT				
B83004A				Master L/Steels Kit RL4F03A RE4F03A 1991-97
T83004A				Master L/Steels Kit RL4F03A RE4F03A 1991-97
BF83004AA				Master L/Steels Kit JF403E 1990-Up
B83004B				Master L/Steels Kit RE4F04A RE4F04V 4F20E 1992-Up
T83004B				Master L/Steels Kit RE4F04A RE4F04V 4F20E 1992-Up
TF83004B				Master L/Steels Kit RE4F04A RE4F04V 4F20E 1992-Up (Fiber)
MASTER W/STEELS KIT				
B83006A				Master W/Steels Kit RL4F03A RE4F03A 1991-97
T83006A				Master W/Steels Kit RL4F03A RE4F03A 1991-97
BF83006AA				Master W/Steels Kit JF403E 1990-Up
B83006AC				Master W/Steels Kit RE4F03A 1998-Up
T83006AC				Master W/Steels Kit RE4F03A 1998-Up
B83006B				Master W/Steels Kit RE4F04A RE4F04V 4F20E 1992-Up
T83006B				Master W/Steels Kit RE4F04A RE4F04V 4F20E 1992-Up
GASKET & RUBBER COMPONENTS				
1984143		31527-31X02		D-Ring RE4F03A RL4F03A Forward Clutch Inner 1990-Up
1984142		31527-31X01		D-Ring RE4F03A RL4F03A High Clutch Inner 1990-Up
1984140		31527-31X04		D-Ring RE4F03A RL4F03A Low Reverse Brake Inner 1990-Up
1984144		31527-31X03		D-Ring RE4F03A RL4F03A Overrun Clutch Inner 1990-Up
1984141		31527-31X00		D-Ring RE4F03A RL4F03A Reverse Clutch Inner 1990-Up
1984146		31527-31X65		D-Ring RE4F03A RL4F03A Servo Outer 1990-Up
1984148		31527-31X14		D-Ring RE4F03A RL4F03A Servo Outer 1990-Up
1984147		31527-31X67		D-Ring RE4F03A RL4F03A Servo Outer 1995-Up
1984137		31527-31X66		D-Ring RE4F03A Servo Outer 1990-Up
1984126		31527-80X03		D-Ring RE4F04A Forward Clutch Inner 1992-Up
1984124		31527-80X00		D-Ring RE4F04A High Clutch Inner 1992-Up
1984125		31527-80X02		D-Ring RE4F04A High Clutch Outer
1984130		31527-80X06		D-Ring RE4F04A Low Reverse Clutch Outer
1984127		31527-80X04		D-Ring RE4F04A Overrun Clutch Inner 1992-Up
1984128		31527-80X00		D-Ring RE4F04A Reverse Clutch Inner 1992-Up
1984136		31527-80X09		D-Ring RE4F04A Servo Outer 1992-Up
1984138				D-Ring RE4F04A Servo Outer 1992-Up
1984133		31527-80X012		D-Ring RE4F04A Servo Piston Outer 1992-Up
1984135				D-Ring RE4F04A Servo Piston Outer 1992-Up
1984131		31527-80X10		D-Ring RE4F04A Servo Piston Outer 1992-Up
1984132		31527-80X11		D-Ring RE4F04A Servo Piston Outer 1992-Up
1984129		31527-80X05		D-Ring RE4F04A V Low Reverse Clutch Inner
32418			64500F	Gasket JF403E Bottom Pan 1990-Up [Fiber]
32418A			64500BF	Gasket LJ4A-EL Bottom Pan 1995-Up [Fiber]
29609T		31397-31X01	99500	Gasket RL4F03A RL4F03V Bottom Pan 1990-Up [Cork & Rubber]
29618		31397-31X26	99500F	Gasket RL4F03A RL4F03V Bottom Pan 1990-Up [Fiber]
29609AT				Gasket RE4F04A RE4F04V Bottom Pan 1992-Up [Cork & Rubber]
29609AU				Gasket RE4F04A RE4F04V Bottom Pan 1992-Up [Ultracork]
29618A		31397-80X01	63500F	Gasket RE4F04A RL4F04A Bottom Pan 1992-Up [Fiber]
29606		31398-31X01	99501	Gasket RL4F03A Side Cover 1990-Up
29696114		31398-31X02	99501	Gasket RL4F03A Side Cover (With Metal Core) 1990-Up
32404		31366-80X00		Gasket JF403E Pump to Case 1990-Up
29697538		31717-31X03		Gasket RE4F03A RL4F03A 1990-92
29697537		31717-31X02		Gasket RE4F03A RL4F03A Valve Body Lower 1990-92
29697535		31716-31X00		Gasket RE4F03A RL4F03A Valve Body Upper 1990-92
29697536		31716-31X01		Gasket RE4F03A RL4F03A Valve Body Upper 1990-92
29619A		31366-80X00	RB/JC 11-18-93	Gasket RE4F04A Pump 1992-Up
29604B		31623-80X00	RB/JC 11-18-93	Gasket RE4F04A Servo 1992-Up
29604A		31623-80X00	RB/JC 11-18-93	Gasket RE4F04A Servo Cover 1992-Up
29606A		31716-80X01	RB/JC 11-18-93	Gasket RE4F04A Sub Valve Body Upper 1992-99
29608A		31717-80X03	RB/JC 11-18-93	Gasket RE4F04A Valve Body Main Lower 1993-Up
29607A		31717-80X02	RB/JC 11-18-93	Gasket RE4F04A Valve Body Main Upper 1993-Up

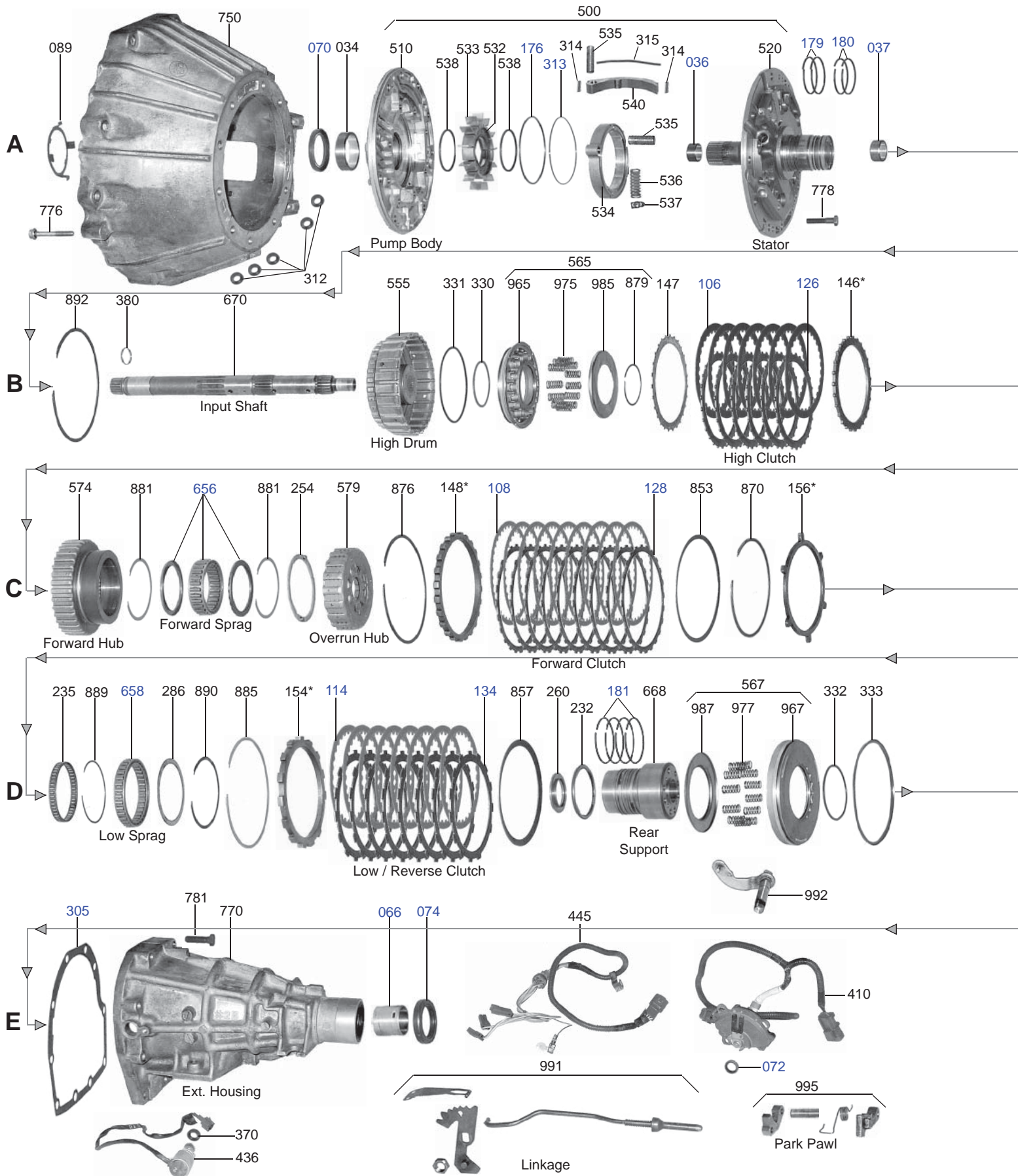
SAP #	IL#	OE	INDUSTRY	DESCRIPTION
GASKET & RUBBER COMPONENTS -- continued				
1990225		31528-31X01		Lip Seal RE4F03A RL4F03A High Clutch 1990-Up
1990227		31528-31X02		Lip Seal RE4F03A RL4F03A Forward Clutch 1990-Up
1990223		31528-31X04		Lip Seal RE4F03A RL4F03A Low & Reverse Clutch 1990-Up
1990224		31528-21X10		Lip Seal RE4F03A RL4F03A V Reverse Clutch 1990-Up
1990221		31528-80X00		Lip Seal RE4F04A Overrun Clutch 1992-Up
1990220		31528-80X00		Lip Seal RE4F04A Reverse & Forward Clutch 1992-Up
1994859		94483485		O-Ring JF403E Accumulator (39.4 X 2.3mm) 1990-Up
19220				O-Ring JF403 (15.22 X 2.62) 1990-Up
1994775		8-94395791		O-Ring JF403E LJ4A-El O.D. Servo Piston (76.51 X 2.39) 1990-Up
1993113				O-Ring RL4F03A RE4F03A Accumulator Piston 1990-Up
1994797				O-Ring RE4F03A RL4F03A Dip Stick 1990-Up
1994745		31526-31X03		O-Ring RE4F03A RL4F03A Servo 1991-Up
1994746		31526-31X02		O-Ring RE4F03A RL4F03A Servo 1991-Up
1994751		31526-31X04		O-Ring RE4F03A RL4F03A Servo 1991-Up
1994005		34970-0B001		O-Ring RE4F04A V Solenoid Select Lock 1992-Up
1994604		31804-M7500		O-Ring RL4F03A Filler Tube 1990-Up
1994744		31526-31X02		O-Ring RL4F03A Front Pump 1990-Up
1994749		31526-31X10		O-Ring RL4F03A Governor Cover 1990-Up
1994588		31052-01X00		O-Ring RL4F03A T.V. Cable 1990-Up
29675130		31374-80X00		Seal RE4F04A Oil Sleeve 1992-Up
29675131				Seal RE4F04A Valve Body to Case 1992-Up
METAL CLAD SEALS				
70206		31375-80X00	63150	Seal RE4F04A Front Pump (Converter) 1992-Up
70211		38342-31X01	99152	Seal RL4F03A RE4F03A Axle Right (Bell Housing Side) (With Viscous Coupling) (2.0L) 1990-Up
70329		38342-31X00	99154	Seal RL4F03A RE4F03A Axle Left & Right (1.6L) 1990-Up
70132		38342-03E01	93152	Seal RE4F04A Axle Right (Case Side) 1992-Up
70210		38342-31X02	99155	Seal RE4F03A RL4F03A Axle Left (With Viscous Differential) (2.0L)
70207		38342-03E00	63152	Seal RE4F04A Axle Left (Bell Housing Side) (W/Out Viscous Coupling) 1992-Up
70135		38342-80X00	63153	Seal RE4F04A Axle Left (Bell Housing Side) (With Viscous Coupling) 1992-Up
70328		38342-80X00	63153	Seal RE4F04A 4F20E Axle Left (Bell Housing Side) 1992-Up
70016		97070182	75152 64152	Seal JF403E Axle (Left & Right side) 1990-Up
70155			46152 6415B	Seal LJ4A-EL Axle (Left & Right Side) 1995-Up
70089		38342-31X00	88151B	Seal RL4F03A RL4F03V RE4F03A Axle (Both Sides) (1.6L) 1990-Up
70045		31375-31X01	78197	Seal RL4F03A RE4F03A Manual Lever 1990-Up
OIL SEALING RINGS				
30973A		31525-80X02	63306	Ring RE4F04A 4F20E Input Shaft 1992-Up [PTFE]
30971A			63307	Ring RE4F04A 4F20E Rear Support (Forward & Overrun Clutch) 1992-Up [PTFE]
30974A		31525-80X80	64301	Ring RE4F04A 4F20E Stator Support (Reverse Clutch) 1992-Up [PTFE]
TAW-2130		31525-80X03		Ring RE4F04A 4F20E Stator Support (Reverse Clutch) 1992-Up [Metal]
30973		31525-31X02	99305	Ring RL4F03A RL4F03V RE4F03A Input Shaft 1990-Up [PTFE]
30972			99304	Ring RL4F03A RL4F03V RE4F03A Output Shaft 1990-Up [PTFE]
30974			99302	Ring RL4F03A RL4F03V RE4F03A Output Shaft 1990-Up [PTFE]
30971			99303	Ring RL4F03A RL4F03V RE4F03A Rear Support (Forward & Overrun Clutch) [PTFE]
TAW-2233		31525-31X11		Ring RL4F03A RL4F03V RE4F03A Stator Support (Reverse Clutch) 1990-91 [Metal]
30976		31525-31X12	99300A	Ring RL4F03A RL4F03V RE4F03A Stator Support (Reverse Clutch) 1992-Up [PTFE]
30972A			63308	Ring RL4F04A Output Shaft 1992-Up [PTFE]
6344				Ring Kit JF403E 1990-Up (10 PTFE Rings)
6157				Ring Kit RE4F04A 4F20E 1992-Up (2 Metal 10 PTFE Rings)
6159				Ring Kit RL4F03A RL4F03V RE4F03A 1992-Up (2 Metal 12 PTFE Rings)
FRICITION CLUTCH				
29622		31532-31X02	99104	Friction RE4F03A RE4F03V Forward [4.97 OD 30 Teeth 0.071 THK] 1991-Up
29622T		31532-31X02	99104	Friction RE4F03A RE4F03V Forward [4.97 OD 30 Teeth 0.071 THK] 1991-Up
29622B		31532-CM001		Friction JF403E Forward [5.40 OD 32 Teeth 0.055 THK] 1995-Up
29628R			99108	Friction RE4F03A RE4F03A Low Reverse [5.90 OD 30 Teeth 0.071 THK] 1991-97
29628T		31532-31X04	99108	Friction RE4F03A RE4F03A Low Reverse [5.90 OD 30 Teeth 0.071 THK] 1991-97
29628B		94385692		Friction JF403E Low & Reverse [6.50 OD] 1990-Up
29628C		31532-31X10		Friction RE4F03A Low Reverse [5.94 OD 30 Teeth 0.079 THK] 1998
		35232-80X05 F3XY-7B164-B FX01-19-5J0	63100	Friction RE4F04A 4F20E LJ4A-EL High [4.4 OD 21 Teeth 0.062 THK] 1991-E1994
29626AR		31532-80X10 31532		
29626CR		80L04	101106	Friction RE4F04A 4F20E LJ4A-EL High Low Reverse [4.4 OD 24 Teeth 0.059 THK] 1994-Up
29622AR				Friction RE4F04A 4F20E JF403E Forward [5.416 OD 32 Teeth 0.063 THK]
29620R		31532-31X00	99100	Friction RL4F03A RL4F03A Reverse [5.14 OD 18 Teeth 0.077 THK] 1991-Up
29620T		31532-31X00	99100	Friction RL4F03A RL4F03A Reverse [5.14 OD 18 Teeth 0.077 THK] 1991-Up
29620A		31532-80X06		Friction RE4F04A 4F20E JF403E Reverse [5.50 OD 28 Teeth 0.063 THK]
29626R		31532-31X00		Friction RL4F03A RL4F03V High [4.10 OD 20 Teeth 0.079 THK]

SAP #	IL#	OE	INDUSTRY	DESCRIPTION
FRICITION CLUTCH -- continued				
29626B		31532-31X01	99102A	Friction RE4F03A RL4F03A High [4.10 OD 20 Teeth 0.079 THK] 1991-Up
29626BT		31532-31X01	99102A	Friction RE4F03A RL4F03A High [4.10 OD 20 Teeth 0.079 THK] 1991-Up
29624R		31532-31X03	99106	Friction RL4F03A RL4F03A Overrun [4.61 OD 18 Teeth 0.063 THK] 1991-Up
29624T		31532-31X03	99106	Friction RL4F03A RL4F03A Overrun [4.61 OD 18 Teeth 0.063 THK] 1991-Up
29624A		31532-80X07		Friction RE4F04A 4F20E JF403E Overrun [5.00 OD 20 Teeth 0.063 THK] 1990-Up
29626DR		94385851		Friction JF403 High 1990-Up
29624B		FX01-19-4F0	64108	Friction JF403E Overun [5.0 OD 20 Teeth 0.063 THK] 1990-Up
29690DR				Friction Module RE4F03A 1998-Up
29690R				Friction Module RL4F03A RE4F03A 1991-97
29690AR				Friction Module RE4F04A 1992-Up
32480R				Friction Module JF403E 1990-92
32480AR				Friction Module LJ4AEL 1995-Up {Mazda}
STEEL CLUTCH				
29629		31666-31X01	99109	Steel RL4F03A RL4F03V Low Reverse [5.40 ID 10 Teeth 0.079 THK] 1991-Up
29629A		31666-80X00		Steel RE4F04A 4F20E Low Reverse [5.90 ID 10 Teeth-Narrow 0.071 THK] 1992-Up
29623		31536-31X02	99105	Steel RE4F03A RL4F03A Forward [4.50 ID 30 Teeth 0.079 THK] 1991-Up
29623A		31536-80X02		Steel RE4F04A 4F20E JF403E Forward [4.93 ID 32 Teeth 0.071 THK] 1990-Up
29623B		FX01-19-561		Steel JF403E Forward [4.93 ID 22 Teeth 0.055 THK] 1995-Up
29625		31536-31X03	99107	Steel RL4F03A RL4F03V Overrun [4.13 ID 6 Teeth 0.079 THK] 1991-Up
29625A		31536-80X03		Steel RE4F04A 4F20E JF403E Overrun [4.50 ID 8 Teeth 0.063 THK] 1992-Up
29621		31536-31X05	99101	Steel RL4F03A RL4F03V Reverse [4.65 ID 30 Teeth 0.079 THK] 1991-Up
29621A		31536-80X00		Steel RE4F04A 4F20E JF403E Reverse [5.0 ID 30 Teeth 0.071 THK] 1990-Up
29627		31536-31X01	99103	Steel RL4F03A RL4F03V High [3.42 ID 18 Teeth 0.079 THK] 1991-Up
29627A		31536-80X05	63101	Steel RE4F04A RE4F04V High [3.60 ID 28 Teeth 0.059 THK] 1992-Up
29627B		31536-80X04	63101A	Steel RE4F04A 4F20E High [3.60 ID 28 Teeth 0.079 THK] 1992-Up
29627C		97043655	64105A	Steel JF403E High [3.70 ID 28 Teeth 0.079 THK] 1993 Only
29627D		94385852		Steel JF403E High [3.7 ID 28 Teeth 0.087 THK] 1990-92
29627E		31536-31X07	99103A	Steel RE4F03A High [3.40 ID 18 Teeth 0.059 THK] 1993-Up
29691D				Steel Module RE4F03A 1998-Up
29691C				Steel Module RL4F03A RE4F03A 1991-97
29691A				Steel Module RE4F04A 1992-Up
32481				Steel Module JF403E 1990-92
FILTER				
32440		94385937	64710	Filter JF403E 1990-94
32442		FX01-19-815	64710A	Filter JF403E 1995-Up
29640		31728-31X01	99710	Filter RL4F03A RE4F03A RL4F03V 1990-Up
29644		31728-80-L01	63710A	Filter RE4F04A 1992-Up
FILTER KIT				
29641			FK99710	Filter Kit RL4F03A RL4F03V 1990-Up (With Cork & Rubber Pan Gasket)
29643			FK63710A	Filter Kit RE4F04A 1992-97 (With Cork & Rubber Pan Gasket)
29643A			FK63710A	Filter Kit RE4F04A 1992-97 (With Fiber Pan Gasket)
BANDS				
29646A			63700	Band RE4F04A 4F20E Overdrive (1 5/8in Wide)
29646			99700	Band RL4F03A RE4F03A RE4F03V Overdrive (1 5/16in Wide)
BUSHINGS				
29637A			63005	Bushing RE4F04A Pump Body (1.85 OD) [Babbitt]
29634A			63008	Bushing RE4F04A Forward Drum [2.75 OD 2.62 ID] [Babbitt]
29634			99005	Bushing RL4F03A RE4F03A Pump Body (1.78 OD) [Babbitt]
29638			99003	Bushing RL4F03A RE4F03A Stator (Rear) (1.07 OD) [Babbitt]
29633		31405-31X02	99004	Bushing RE4F03A RL4F03A High Clutch 1991-Up [Babbitt]
29637		31405-31X11	99007	Bushing RE4F03A RL4F03A Stator Front (0.94 OD) 1991-Up [Babbitt]
29631		31405-31X01	99006A	Bushing RE4F03A RL4F03A Sun Gear Rear (1.27 OD) 1991-Up [Babbitt]
29635		31405-31X03	99009	Bushing RE4F03A RL4F03A Sun Gear Front (1.15 OD) [Babbitt]
29632		31405-31X05	99008	Bushing RE4F03A RL4F03A Reverse Drum (2.16 OD) [Bronze]
29639		31405-31X00	99002	Bushing RE4F03A RL4F03A Forward Drum (2.44 OD) 1991-Up [Bronze]
29633A		31405-80X05	63011	Bushing RE4F04A Planet Front (0.91 OD) 1992-Up [Babbitt]
29638A		31405-80X01	63007	Bushing RE4F04A Stator Front (1.03 OD) 1992-Up [Babbitt]
29635A		31405-80X09	63009	Bushing RE4F04A Sun Gear (1.28 OD) (1.1 ID) 1992-Up [Babbitt]
29631A		31405-80X02	63003	Bushing RE4F04A Stator Rear (1.16 OD) 1992-Up [Babbitt]
29636A		31405-80X04		Bushing RE4F04A Forward One Way Clutch Inner [Babbitt] 1992-Up
29632A		31405-80X07	63006	Bushing RE4F04A Reverse Clutch 1992-Up [Bronze]
29630A				Bushing Kit RE4F04A RE4F04V (10 Bushings)

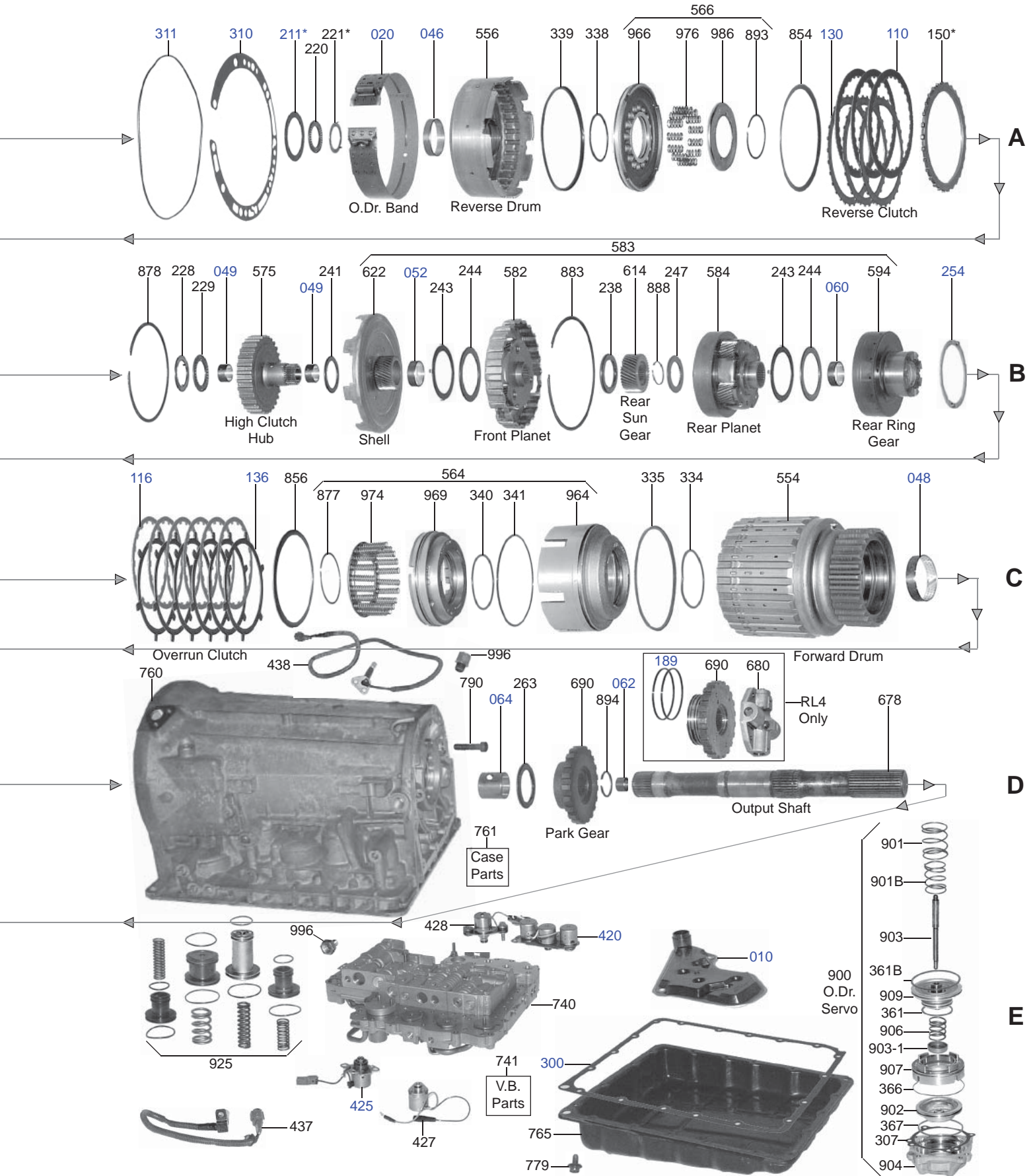
SAP #	IL#	OE	INDUSTRY	DESCRIPTION
WASHER & BEARINGS				
29673		31508-3109		Washer Thrust RL4F03A Forward Drum To Rear Support - 3 Round Tabs [3.09 OD 0.04in THK] [Plastic]
29671		31508-31X00		Washer Thrust RE4F03A RL4F03A Stator to Reverse Drum 0.025in [Plastic]
29671A		31508-31X01		Washer Thrust RE4F03A RL4F03A Stator to Reverse Drum 0.031in [Plastic]
29671B		31508-31X02		Washer Thrust RE4F03A RL4F03A Stator to Reverse Drum 0.037in [Plastic]
29671C		31508-31X03		Washer Thrust RE4F03A RL4F03A Stator to Reverse Drum 0.043in [Plastic]
29671D		31508-31X04		Washer Thrust RE4F03A RL4F03A Stator to Reverse Drum 0.049in [Plastic]
29671E		31508-31X05		Washer Thrust RE4F03A RL4F03A Stator to Reverse Drum 0.055in [Plastic]
29670			K99907	Washer Kit RE4F03A RL4F03A Stator to Reverse Drum (6 Washers)
ELECTRICAL COMPONENTS				
D99995				Solenoid RL4F03A Lock-Up 1995-98
D63954		31940-80X00		Solenoid Group RE4F04A (Long Wire Design) 1991-Up (Excludes Maxima 2000-Up)
DK99950A		31940-33X02	K99950A	Solenoid Group RE4F03A Electronic Type (5 Solenoids) 1993-98
MISCELLANEOUS COMPONENTS				
29651				Check Ball RL4F03A RE4F03A (0.312in Diameter) [Steel]
29664164				Spring RL4F03A 1-2 Accumulator Piston
29664130				Spring RE4F04A Pilot Valve 1992-Up

RL4R01A / RE4R01A / RE4R03A

RWD 4 Speed

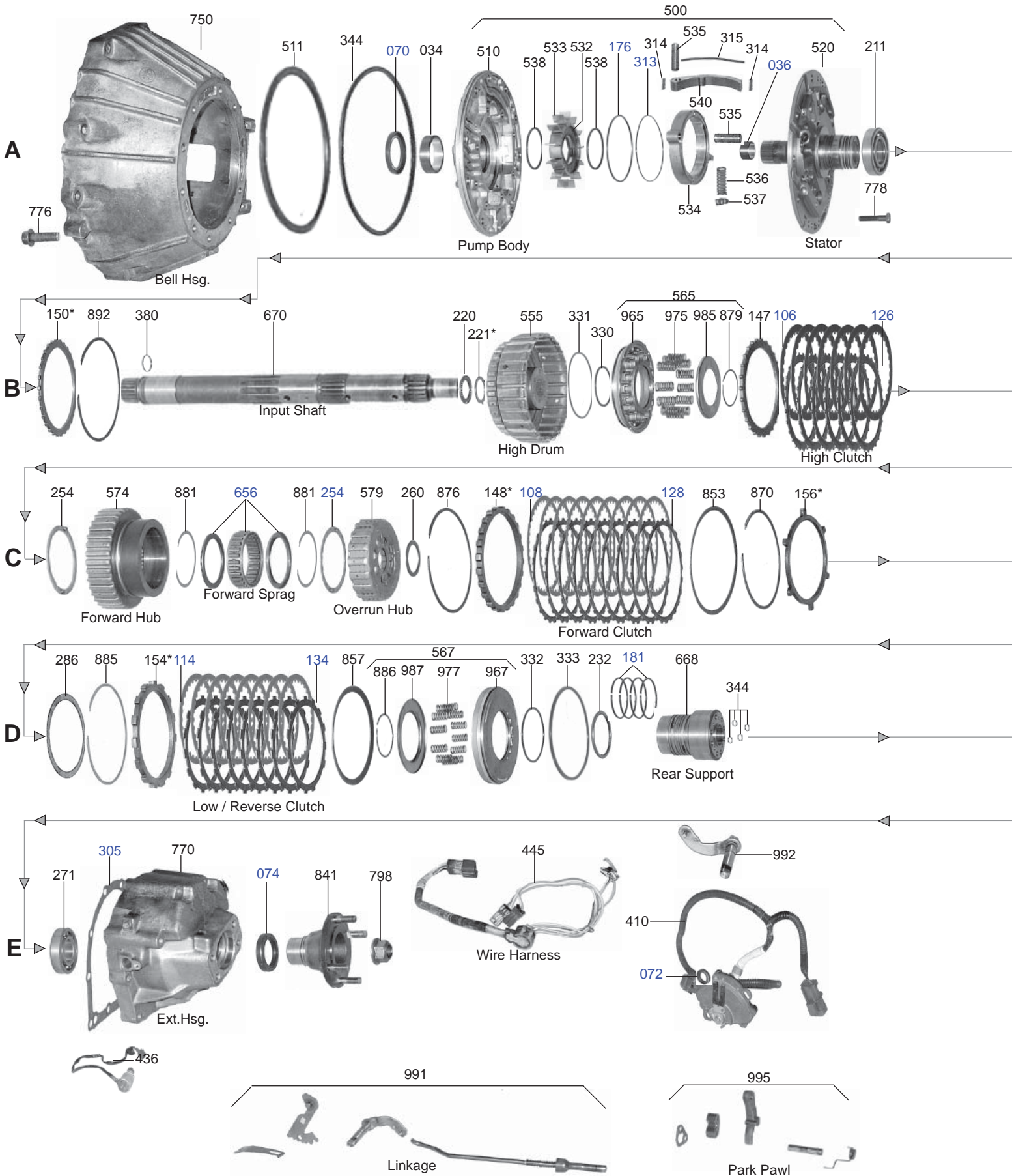


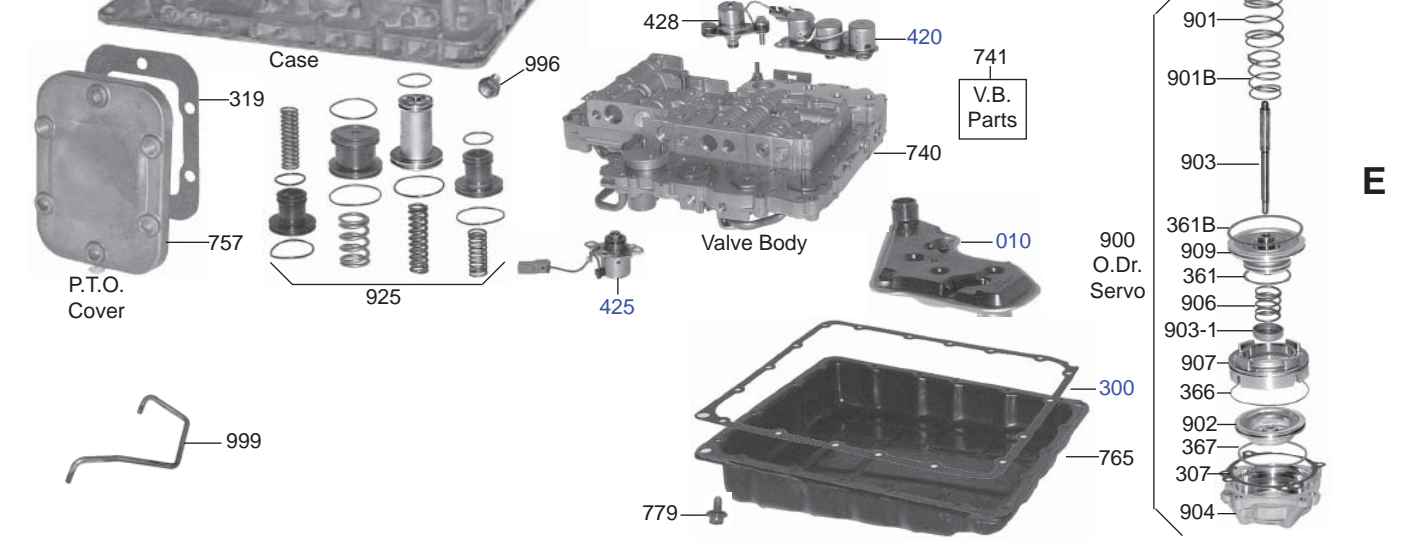
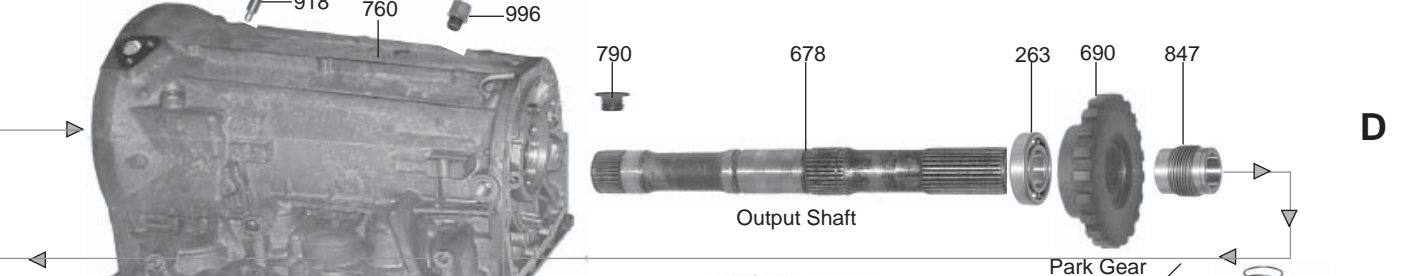
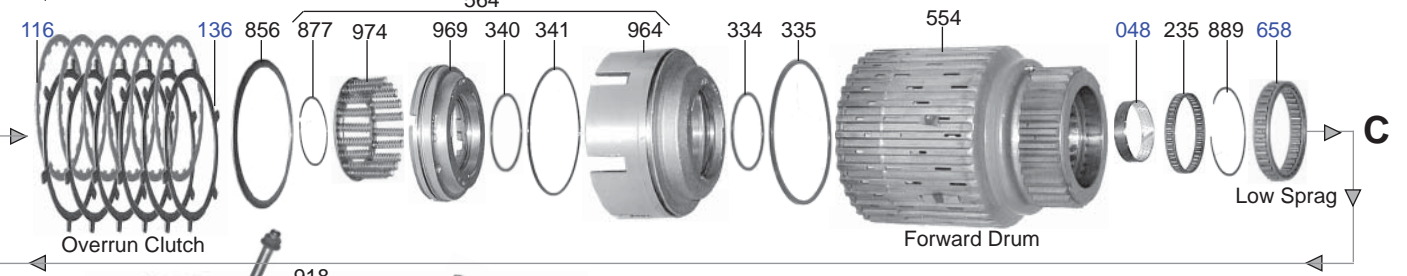
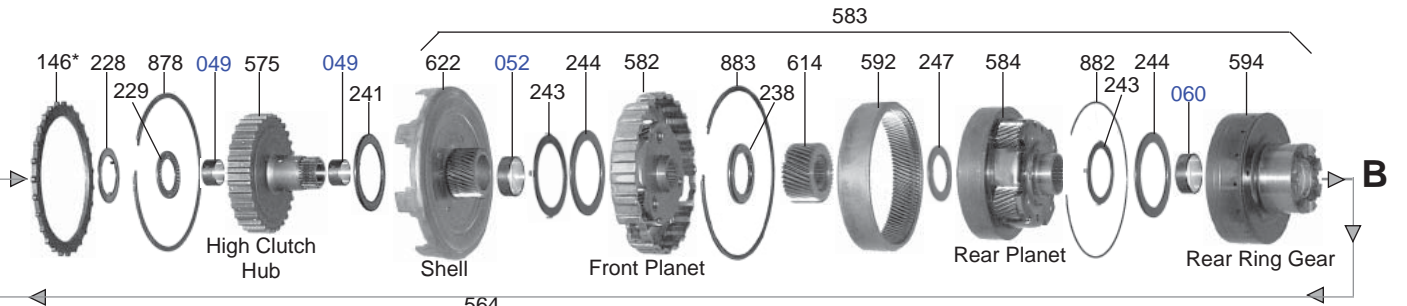
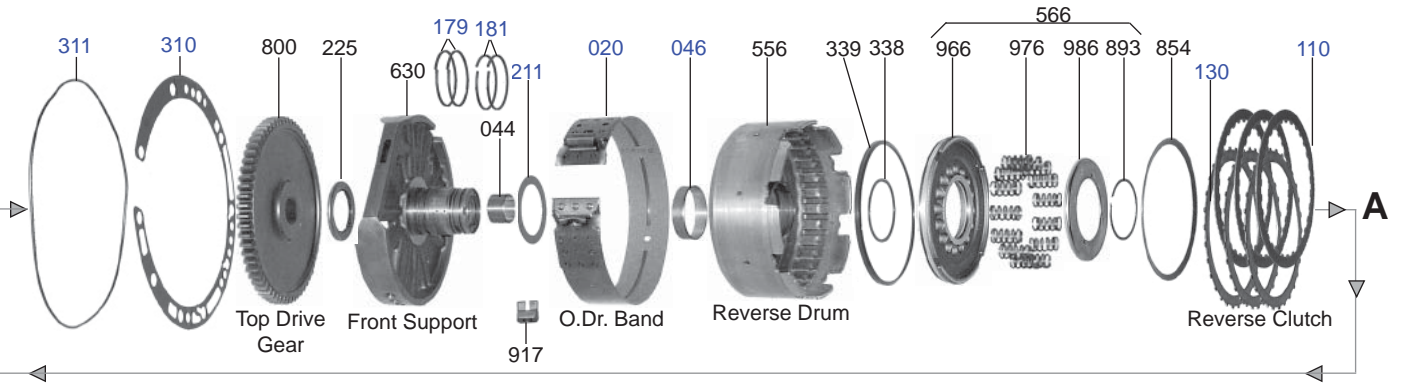
RL4R01A / RE4R01A / RE4R03A



RG4R01A / JR403E

RWD 4 Speed





Mazda

SAP #	IL#	OE	INDUSTRY	DESCRIPTION
OVERHAUL KIT				
B73002A				Overhaul Kit RL4R01A RE4R01A 1987-Up
T73002A				Overhaul Kit RL4R01A RE4R01A 1987-Up
TF73002A				Overhaul Kit RL4R01A RE4R01A 1987-Up (Fiber)
B73002AC				Overhaul Kit RL4R01A RE4R01A R4A-EL (Non-Metal Pump Gasket) 1988-Up
T73002C				Overhaul Kit R4A-EL 1989-Up
T73002G				Overhaul Kit JR403E 1988-Up
TF73002G				Overhaul Kit JR403E 1988-Up (Fiber)
B73002Q				Overhaul Kit RE4R03A 1989-Up
T73002Q				Overhaul Kit RE4R03A 1989-Up
TF73002Q				Overhaul Kit RE4R03A 1989-Up (Fiber)
TF73002R				Overhaul Kit RE5R01A JR502E 1991-Up
MASTER L/STEELS KIT				
B73004A				Master L/Steels Kit RL4R01A RE4R01A 1987-92 Nissan 2WD Pickup
TF73004B				Master L/Steels Kit RL4R01A RE4R01A 1988-Up Nissan 4x4 Pickup
TF73004G				Master L/Steels Kit JR403E 1988-Up
TF73004QC				Master L/Steels Kit RE4R03A 1990-Up Infiniti Q45
TF73004R				Master L/Steels Kit RE5R01A JR502E 1991-Up
MASTER W/STEELS KIT				
B73006A				Master W/Steels Kit RL4R01A RE4R01A 9/1989-1992 Nissan 2WD Pickup
T73006B				Master W/Steels Kit RL4R01A RE4R01A 1988-Up Nissan 4x4 Pickup
T73006C				Master W/Steels Kit R4A-EL 1989-92
T73006CB				Master W/Steels Kit R4A-EL 1993-Up
TF73006G				Master W/Steels Kit JR403E 1988-Up
B73006Q				Master W/Steels Kit RE4R03A 1989-99 Nissan Patrol 4x4
TF73006R				Master W/Steels Kit RE5R01A JR502E 1991-Up
SUPER KIT				
B73008A				Super Kit RL4R01A RE4R01A 1987-8/1989 Nissan 2WD Pickup
B73008AC				Super Kit RE4R01A 1988-Up Nissan Pathfinder & 4WD Pickup
B73008B				Super Kit RL4R01A RE4R01A 1988-Up Nissan 4x4 Pickup
B73008Q				Super Kit RE4R03A 1989-99 Nissan Patrol 4x4
GASKET & RUBBER COMPONENTS				
1984042		31527-01X00		D-Ring JR403 Clutch Piston Outer
1984037		31527-51X05		D-Ring RE4R01A RE4R03A JR403 Overrun Clutch Outer
1984028		31547-21X00		D-Ring RE4R01A RE5R01A High Clutch Inner
1984003		31517-21X00		D-Ring RE4R01A RE5R01A Reverse Clutch Inner
1984018		31527-41X01		D-Ring RE4R01A RL4R01A
1984038		31616-21X14		D-Ring RE4R01A RL4R01A
1984036		31527-41X07		D-Ring RE4R01A RL4R01A Servo 1989-Up
1984039		31527-41X00		D-Ring RE4R01A RL4R01A R4-AEL Servo
1984029		31527-21X01		D-Ring RE4R01A RL4R01A RE5R01A High Clutch Outer
1984049		31527-41X09		D-Ring RE4R01A RL4R01A Servo
1984033		31527-41X03		D-Ring RE4R01A RL4R01A Servo
1984048		31527-41X04		D-Ring RE4R01A RL4R01A Servo
1984044		31527-71X00		D-Ring RE4R01A Servo 1990-93
1984047		31527-51X00		D-Ring RE4R03A 1990-Up Servo
1984040		31527-51X02		D-Ring RE4R03A Low Reverse Clutch Piston Inner 1989-Up
1984041		31527-51X03		D-Ring RE4R03A Reverse Clutch Piston Inner 1989-Up
1984043		31527-51X06		D-Ring RE4R03A Servo 1989-Up
1984046		31527-51X01		D-Ring RE4R03A Servo 1990-93
1984045		31527-21X66		D-Ring RE4R03A Servo 1990-93
1984034		31527-41X05		D-Ring RE5R01A Low Reverse Forward Clutch
1984035		31527-41X06		D-Ring RE5R01A RE4R01 03A JR403E Forward Overrun Clutch Inner
1984194				D-Ring RE5R01A Reduction Brake Piston Inner 1991-Up
1984195				D-Ring RE5R01A Servo Piston Outer 1991-Up
26909T		31397-41X01		Gasket RL4R01A RE4R01A RE5R01A Oil Pan [Cork & Rubber]
26909U		31397-41X01		Gasket RL4R01A RE4R01A RE5R01A Oil Pan [Ultracork]
26919		31397-41X01	69500F	Gasket RL4R01A RE4R01A RE5R01A Oil Pan [Fiber]
26909AT		31397-41X01	69502	Gasket RE4R03A RG4R01A JR403E Oil Pan
26919A		31397-41X01	69502F	Gasket RE4R03A RG4R01A JR403E Oil Pan [Fiber]
26917A		31397-41X01	69502	Gasket RE4R03A RG4R01A JR403E Oil Pan [Felpro]
50207		31338-71X00		Gasket JR403E Extension 1988-Up
269970083				Gasket RE4R03A Extension Housing 4WD 1997-Up
50204		31366-71X00		Gasket JR403E Pump 1988-Up
26904		31366-51X01		Gasket RE4R01A RE4R03A Pump With Slot for Turbine Sensor
26996120		BV56-19-688		Gasket RE4R01A RL4R01A RE4R03A Turbine Sensor

Mazda

SAP #	IL#	OE	INDUSTRY	DESCRIPTION
GASKET & RUBBER COMPONENTS -- continued				
26997351		31623-41X00		Gasket RE4R01A RL4R01A Servo Cover
26907		BV40-21-155	69509	Gasket RE4R01A Valve Body
26907B				Gasket RE4R01A Valve Body (Lower) 1987-03 (All Except R4AEL Mazda RX7)
26907C				Gasket RE4R01A Valve Body (Upper) 1987-03 (All Except R4AEL Mazda RX7)
26907A		BV40-21-156	69510	Gasket RE4R01A Valve Body 1989-Up
26904D		31366-51X00		Gasket RE4R01A RE5R01A Pump (With Input Speed Sensor Cut Out)
26950M		31623-51X01		Gasket RE4R03A JR403E Servo [Metal]
26950		31623-51X00		Gasket RE4R03A Servo
26908D5		31717-60X01		Gasket RE5R01A Valve Body Lower
26908D4		31716-60X04		Gasket RE5R01A Valve Body 1992-96
26908D3		31716-60X03		Gasket RE5R01A Valve Body Upper 1991-92
26908D6		31716-60X02		Gasket RE5R01A Valve Body Upper 1991-96
50204M				Gasket RG4R01A JR403E Pump
26997349		31338-41X01		Gasket RL4R01A RE4R01A Extension Housing
26904A		31366-41X01		Gasket RL4R01A RE4R01A RE4R03A Pump
26975068				Grommet RE4R01A RL4R01A Lookup Solenoid
1990198		31528-51X00		Lip Seal RE4R03A Overrun Clutch 1990-Up
1990197		31528-41X000		Lip Seal RE5R01A Forward & Overrun Clutch
1993217				O-Ring JR403E 1988-Up
1994586		94483319		O-Ring JR403E Front Pump to Case 1988-Up
26918		31526-41X07	62505	O-Ring RE4R01A Filter
19139				O-Ring RE4R01A R4LR01A (44.50 X 2.30)
19138				O-Ring RE4R01A RL4R01A (1.566 X .092)
1994718		31526-31X01		O-Ring RE4R01A RL4R01A Case
1994664		31526-41X00		O-Ring RE4R01A RL4R01A Pump Body 1989-Up
1994668		31526-41X06		O-Ring RE4R01A RL4R01A R4-AEL
1994657				O-Ring RE4R01A RL4R01A RE4R03A Pump Slide
1994663		31526-41X08		O-Ring RE4R01A RL4R01A RE4R03A RE5R01A
1994662		31159-21X00		O-Ring RE4R01A RL4R01A RE5R01A
1994670		0842-19-394		O-Ring RE4R01A RL4R01A Servo
1994671		31628-X0100		O-Ring RE4R01A RL4R01A Servo 1989-Up
1994676		31526-51X02		O-Ring RE4R03A Servo 1989-Up
19220B				O-Ring RE4R03A (15.54 X 2.62mm)
1994021		31526-51X00		O-Ring RE4R03A Input Shaft 1989-Up
1994675		31526-51X01		O-Ring RE4R03A Servo 1989-Up
19173C				O-Ring RE5R01A (41.6 X 2.4mm)
1994651				O-Ring RE5R01A 1991-Up
1994823				O-Ring RE5R01A Fill Tube 1991-Up
1994665				O-Ring RL4R01A RE4R01A RE4R03A RG4R01A JR403E Pump
50275150		9-09572-014-0		Seal JR403E Oil Cooler Line 1988-Up
26975069		31354-41X00		Seal RE4R01A Pump Slide Lever Short
26975070		31355-41X00		Seal RE4R01A RE5R01A JR403E Pump Slide Lever Long
50217				Seal RG4R01A JR403E Front Support (Reverse Drum Support) To Case
METAL CLAD SEALS				
70137		31336-X6901	69153	Seal JR403E Extension Housing (Isuzu Truck 1988-Up)
70187		M504-17-335		Seal R4A-EL 4x4 Adapter Housing (Mazda)
70142		R501-17-335A	66557C	Seal RE4R01A Extension Housing <i>Mazda 929 1992-Up • MPV 2WD 1994-Up</i>
70140		32136-01G10		Seal RE4R03A Extension Housing <i>300ZX Turbo 1990-91 • Infinity Q45 1990-93</i>
70137			69153	Seal RL4R01A RE4R01A Extension Housing <i>Nissan Truck 1987-89</i>
70131		31344-21X00		Seal RL4R01A RE4R01A RE4R03A Front
70139		31375-41X00		Seal RL4R01A RE4R01A RE4R03A Manual Lever
70138		31336-X8000	66557B	Seal RL4R01A RE4R03A Extension Housing (240SX & Van 1987-89)
70250		8-97080507-0		Seal JR403E Speedometer 1988-Up
70301			69155	Seal RE4R01A JR403E Center Transfer Case 1988-Up
70300		31375-41X04	69157	Seal RE4R01A Transfer Case Rear 1988-Up
50214		32136-02T00		Seal JR403E Extension Housing 1988-Up
70186		R501-17-335A		Seal R4-AEL Extension Housing 1989-Up
70185		BV65-19-437		Seal R4-AEL Extension Housing 1993-Up
OIL SEALING RINGS				
30810		31525-39X00		Ring RL4R01A Governor [PTFE]
		31377-AA050 31525		
30809		41X00	69303	Ring RL4R01A RE4R01A RE4R03A RG4R01A JR403E Forward & Overrun [PTFE]
30809			69303	Ring RL4R01A RE4R01A RE4R03A RG4R01A JR403E High Clutch [PTFE]
TAW-2055		31363-41X00		Ring RL4R01A RE4R01A RE4R03A RG4R01A JR403E Pump Slide [Metal]
30608		31361-21X00	69309T	Ring RL4R01A RE4R01A RE4R03A RG4R01A JR403E Reverse Clutch [PTFE]
30311		31525-71X00		Ring JR403E Input Shaft Rear 1988-Up [PTFE]
30813		31525-60X01		Ring RE5R01A Center Support 1991-Up [PTFE] [OEM]
30814		31525-60X00		Ring RE5R01A Input Shaft 1991-Up [PTFE]

Mazda

SAP #	IL#	OE	INDUSTRY	DESCRIPTION
OIL SEALING RINGS -- continued				
6170				Ring Kit JR403E 1988-Up (1 Metal 9 PTFE Rings)
6105				Ring Kit RL4R01A RE4R01A RE4R03A 1987-Up (1 Metal 11 PTFE Rings)
6106				Ring Kit RE4R03A R4-AEL 1989-Up (1 Metal 8 PTFE Rings)
6341				Ring Kit RE5R01A 1991-Up (1 Metal 11 PTFE Rings)
FRICITION CLUTCH				
26922AR	31532-51X01	62100		Friction RG4R01A RE4R03A JR403E Forward [6.60 ID 50 Teeth 0.079 THK] 1987-Up
26922AT	31532-51X01	62100		Friction RG4R01A RE4R03A JR403E Forward [6.60 ID 50 Teeth 0.079 THK] 1987-Up
26920R	31532-41X16	69102		Friction RL4R01A RE4R01A R4-AEL Forward [36 Teeth 0.063 THK] 1987-Up
26920T	31532-41X16	69102		Friction RL4R01A RE4R01A R4-AEL Forward [36 Teeth 0.063 THK] 1987-Up
26936AR				Friction RG4R01A RE4R03A JR403E High [64 Teeth 0.062 THK] 1987-Up
27128AR				Friction RG4R01A RE4R03A JR403E Low/Reverse [33 Teeth 0.64 THK] 1987-Up
26928AR				Friction RG4R01A RE4R03A JR403E Reverse [64 Teeth 0.075 THK] 1987-Up
26922R				Friction RL4R01A RE4R01A Forward [36 Teeth 0.079 THK] 1987-Up
26936T		93104C		Friction RL4R01A RE4R01A High [30 Teeth 0.063 THK] 1987-Up
27128D		69104B		Friction RL4R01A RE4R01A Low/Reverse [5.80 OD 30 Teeth 0.061 THK] 1987-Up
26924R	31532-41X13	69103		Friction RL4R01A RE4R01A R4-AEL Overrun [18 Teeth 0.079 THK] 1987-Up
26924T	31532-41X13	69103		Friction RL4R01A RE4R01A R4-AEL Overrun [18 Teeth 0.079 THK] 1987-Up
26926AT	31532-51X02	62102		Friction RE4R03A Overrun [6.085 OD 20 Teeth 0.062 THK] 1990-Up
27128BR	31532-51X06	62102A		Friction RG4R01A RE4R03A JR403E Overrun [6.10 OD 20 Teeth 0.079 THK] 1987-Up
27128BT	31532-51X06	62102A		Friction RG4R01A RE4R03A JR403E Overrun [6.10 OD 20 Teeth 0.079 THK] 1987-Up
26926R				Friction RL4R01A RE4R01A Reverse [30 Teeth 0.079 THK] 1993-Up
26922T	31532-41X12	62100		Friction RE4R01A RE5R01A R4-AEL [5.80 OD 36 Teeth] 1988-Up
26928T	31532-41X07	93100A		Friction RL4F02A RE4R01A RE5R01A R4-AEL Reverse [34 Teeth 0.079 THK] 1985-Up
27128AT	31532-51X07	62104		Friction RE4R03A JR403E RG4R01A Low/Reverse [6.10 OD] 1990-Up
26928AT	31532-51X05	62106		Friction RE4R03A JR403E RG4R01A Reverse [6.14 OD] 1990-Up
26936D	31532-60X03	69108C		Friction RE5R01A Reduction Direct [4.80 OD 30 Teeth 0.79 THK] 1991-Up
26924DALTO	31532-60X01	69108D		Friction RE5R01A Reduction Brake [5.39 OD 30 Teeth 0.063 THK] 1991-Up
26936AT	31532-51X04	62108		Friction RE4R03A JR403E High [6.12 OD 64 Teeth 0.062 THK] 1988-Up
27128R	31662-41X14			Friction RE4R01A RE5R01A R4-AEL Low Reverse 1998-Up
50280R				Friction Module JR403E 1988-Up
26988R				Friction Module RE4R01A (2WD) 1989-Up
26988				Friction Module RE4R01A (2WD) 1989-Up
26982R				Friction Module RE4R01A RL4R01A R4-AEL (4WD) 1988-Up
26982				Friction Module RE4R01A RL4R01A R4-AEL (4WD) 1988-Up
26982AR				Friction Module R4A-EL 1989-96
26982A				Friction Module R4A-EL 1989-96
26982DR				Friction Module RE5R01A JR502E 1991-Up
26982D				Friction Module RE5R01A JR502E 1991-Up
26990T				Friction Module RE4R03A 1990-Up (Except Patrol)
26990CR				Friction Module RE4R03A 1989-Up <i>Nissan Patrol 4x4</i>
STEEL CLUTCH				
26921A		62101		Steel RE4R03A RG4R01A JR403E Forward [6.10 ID 36 Teeth 0.079 THK]
26923A	31532-51X02	62103		Steel RE4R03A RG4R01A JR403E Overrun [5.36 ID 6 Teeth 0.079 THK]
26921	31536-AA010	69111		Steel RL4R01A RE4R01A Forward [5.30 ID 24 Teeth 0.071 THK] 1/1995-Up
26927	31536-41X12	69112		Steel RL4R01A RE4R01A Forward [5.30 ID 24 Teeth 0.079 THK] 1987-1/1995
26925		69117		Steel RL4R01A RE4R01A High [4.40 ID 27 Teeth 0.067 THK] 1987-E89
26929A	31536-41X03	62107		Steel RE4R03A JR403E High & Reverse [5.20 ID 40 Teeth 0.079 THK] L1989-Up
27127	31666-AA050	69114		Steel RL4R01A RE4R01A Low/Reverse [14 Teeth 0.079 THK] 1989-Up
27127A				Steel RL4R01A RE4R01A Low/Reverse [5.48 ID 11 Teeth] 1989-Up
27623	31536-21X01	93102		Steel RL4R02A RE4F02A RE4R01A [5.30 ID 30 Teeth 0.079 THK] 1985-Up
27623B		93102B		Steel RL4R01A RE4R01A Reverse [5.05 OD 30 Teeth 0.079 THK] 1993-Up
26931D	31536-60X00	122713		Steel RE5R01A Reduction Direct [3.82 ID 28 Teeth 0.079 THK] 1991-Up
26927D	31536-60X03	122711		Steel RE5R01A Reduction Brake [4.70 ID 8 Teeth 0.079 THK] 1991-Up
26929D	31536-60X02	122711A		Steel RE5R01A Reduction Brake [4.70 ID 8 Teeth 0.104 THK] 1991-Up
26925A	31536-51X04	62109		Steel JR403E High [5.19 ID 40 Teeth 0.118 THK] 1988-Up
50281				Steel Module JR403E 1988-Up
50283				Steel Module JR403E RG4R01A 1992-Up
26985				Steel Module RE4R01A (2WD) 1989-Up
26987				Steel Module RE4R01A (2WD) 1989-96
26983				Steel Module RE4R01A RL4R01A R4-AEL (4WD) 1988-Up
26983A				Steel Module R4A-EL 1989-96
26991				Steel Module RE4R03A 1990-Up
26991C				Steel Module RE4R03A 1989-Up <i>Nissan Patrol 4x4</i>
26983D				Steel Module RE5R01A JR502E 1991-Up (41PCS)

Mazda

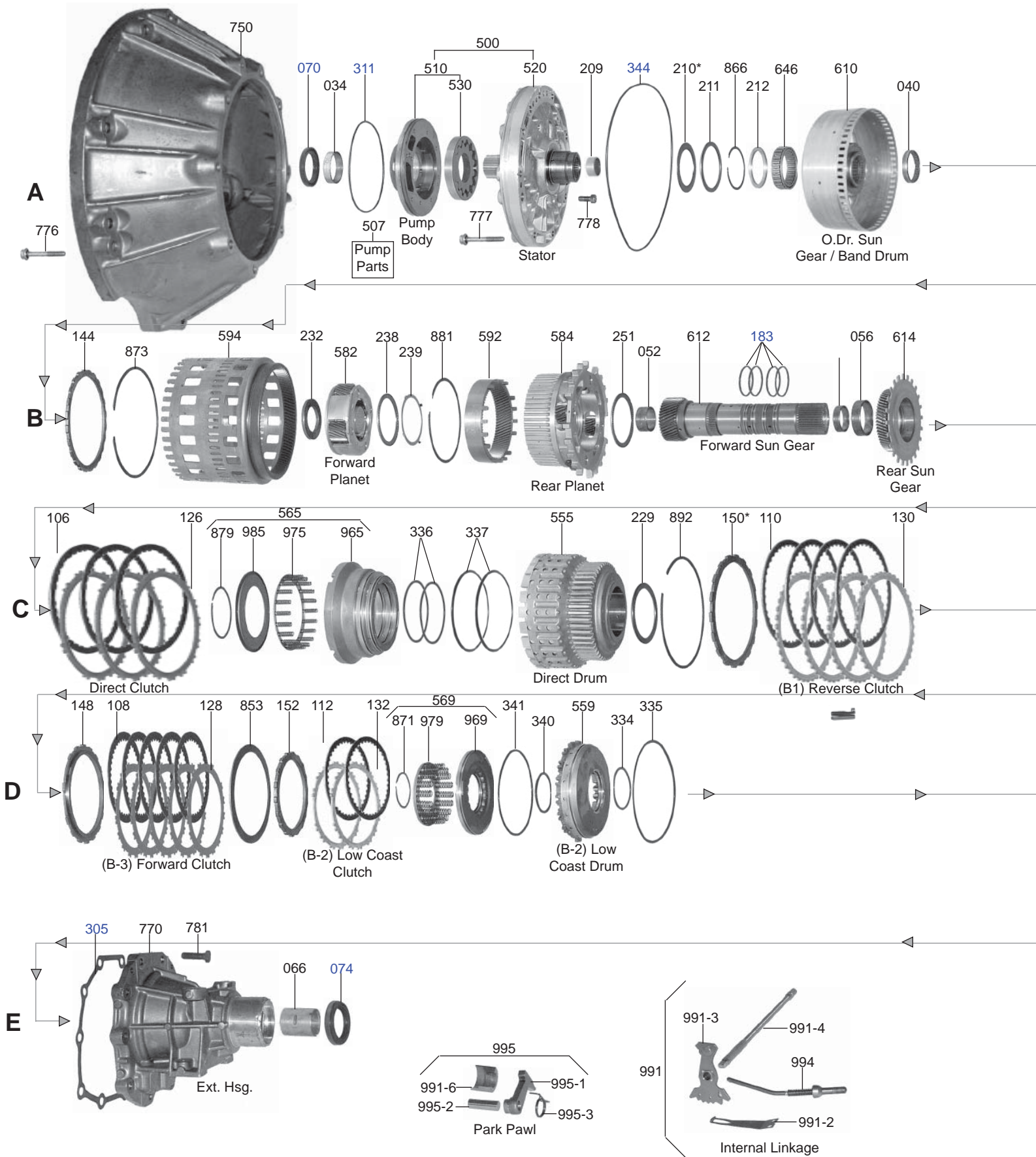
SAP #	IL#	OE	INDUSTRY	DESCRIPTION
FILTER				
26942			69710	Filter RE4R01A 1987-Up 1/4in Height
26940	31728-41X01	69710A	69710A	Filter RE4R01A R4A-EL RG4R01A JR403E 1990-Up 3/4in Height <i>4WD & Mazda 929</i>
26940D	31728-60X01	69710C	69710C	Filter RE5R01A 1991-Up <i>Q45</i>
26944	31728-51X02	62710	62710	Filter RE4R03A 1990-Up <i>300ZX Turbo & Q45</i>
26940E	31728-51X04	62710A	62710A	Filter RE4R03A 1988-Up <i>Cima (Foreign Model)</i>
26948	31728-4A00	69710B	69710B	Filter RE4R01A 1990-Up 1/4in Height <i>4 Cyl Pickup & 4 Cyl Pathfinder</i>
26954	31728-41X03	69711	69711	Filter R4A-EL RE4R01A 1992-95 <i>Mazda 929</i>
26952	BV65-19-815	69711A	69711A	Filter R4A-EL RE4R01A 1994-Up <i>RX7 Turbo</i>
26952J	BV45-19-815	69710E	69710E	Filter R4A-EL
26940F	31728-4A00	69710F	69710F	Filter RE4R01B <i>Leopard (Foreign Model)</i>
FILTER KIT				
26943			FK69710	Filter Kit RE4R01A 1987-Up (With Cork & Rubber Pan Gasket) 1/4in Height
26943A			FK69710	Filter Kit RE4R01A 1987-Up (With Fiber Pan Gasket) 1/4in Height
26941			FK69710A	Filter Kit RE4R01A R4-AEL RG4R01A 1987-Up (With Cork & Rubber Pan Gasket) 3/4in Height
26941A			FK69710A	Filter Kit RE4R01A R4-AEL RG4R01A 1987-Up (With Fiber Pan Gasket) 3/4in Height
26941C				Filter Kit RE4R01A R4A-EL JR403E RG4R01A (With 2 Cork & Rubber Gaskets) (Combo)
26949			FK69710B	Filter Kit RE4R01A 1990-Up (With Cork & Rubber Pan Gasket) 1/4in Height <i>4 Cyl Pickup & Pathfinder</i>
26949A			FK69710B	Filter Kit RE4R01A 1990-Up (With Fiber Pan Gasket) 1/4in Height <i>4 Cyl Pickup & Pathfinder</i>
26941D			FK69710C	Filter Kit RE5R01A 1991-Up (With Fiber Pan Gasket) <i>Q45</i>
26955			FK69711	Filter Kit R4A-EL 1992-94 (With Cork & Rubber Pan Gasket) <i>Mazda 929 V6</i>
26951			FK69711A	Filter Kit R4A-EL RE4R01A 1994-Up (With Cork & Rubber Pan Gasket) <i>RX7 Turbo</i>
26945			FK62710	Filter Kit RE4R03A 1990-Up (With Cork & Rubber Pan Gasket) <i>300ZX Turbo & Q45</i>
26945A			FK62710	Filter Kit RE4R03A 1990-Up (With Fiber Pan Gasket) <i>300ZX Turbo & Q45</i>
26947				Filter Kit JR403E RG4R01A 1988-Up (With Cork & Rubber Pan Gasket)
BANDS				
50247	31630-51X02	62700Q	62700Q	Band RE4R03A RG4R01A JR403E Overdrive (2-1/4in Wide) 1989-Up
27946	31630-41X00	69700	69700	Band RL4R01A RE4R01A Overdrive (1-1/2in Wide) 1987-98 [OEM]
27947D	31630-41X00	69700J	69700J	Band RL4R01A RE4R01A R4A-EL Reverse 1990-Up
BUSHINGS				
26939	31405-41X05	69006	69006	Bushing RL4R01A RE4R01A RE5R01A R4A-EL RG4R01A RE4R03A JR403E Forward Drum 1987-Up Bushing RL4R01A RE4R01A RE5R01A R4A-EL RG4R01A RE4R03A JR403E Converter (Pump) Housing (0.845 ID) 1987-Up
27631	31343-21X01	93001	93001	Bushing RL4R01A RE4R01A RE5R01A R4A-EL Stator Front (1.04 OD) 1987-Up [Babbitt]
26932A	31405-41X02	69002	69002	Bushing RL4R01A RE4R01A RE5R01A R4A-EL Stator Front (0.95 OD) 1987-Up [Babbitt]
26932	31405-41X03	69002A	69002A	Bushing RL4R01A RE4R01A RE5R01A R4A-EL Stator Front (0.95 OD) 1987-Up [Babbitt]
26937X		69003A	69003A	Bushing RL4R01A RE4R01A RE5R01A R4A-EL Case (1.41 OD) (1.26 ID) 1987-Up [Babbitt]
26934	31405-41X06	69010	69010	Bushing RL4R01A RE4R01A RE5R01A R4A-EL Output Shaft (Front) 1987-Up
26935	31405-41X07	69011	69011	Bushing RL4R01A RE4R01A RE5R01A R4A-EL Ring (Internal) Gear 1987-Up [Babbitt]
27633	31363-21X01	93004	93004	Bushing RL4R01A RE4R01A RE5R01A R4A-EL Stator (Rear) (1.10 ID) 1987-Up [Babbitt]
27629	31513-21X00	93005	93005	Bushing RL4R01A RE4R01A RE5R01A R4A-EL Reverse Drum 1987-Up
27639	31548-21X01	93006	93006	Bushing RL4R01A RE4R01A RE5R01A R4A-EL Sleeve 1987-Up
27635	31462-21X04	93007	93007	Bushing RL4R01A RE4R01A RE5R01A R4A-EL Front Sun Gear (Shell) (1.30 OD) 1987-Up [Babbitt]
26934B	31405-71X00	62003	62003	Bushing RG4R01A RE4R03A JR403E Stator (Rear) (1.23 OD) [Babbitt]
26935B	31405-51X07	62004	62004	Bushing RG4R01A RE4R03A JR403E Forward One Way Clutch 1990-Up [Babbitt]
26937BX		62006A	62006A	Bushing RG4R01A RE4R03A JR403E Case (1.57 OD) (1.42 ID) 1990-Up [Babbitt]
26931B	31405-51X01	62007	62007	Bushing RE4R03A RG4R01A JR403E Stator (Front) (1.048 ID) (1.146 OD) 1990-Up [Babbitt]
26932B	31405-41X04R	62007A	62007A	Bushing RG4R01A RE4R03A JR403E Stator (Front) (1.23 OD) 1990-Up [Babbitt]
26938B	31405-51X03	62008	62008	Bushing RG4R01A RE4R03A JR403E Extension Housing (1.86 OD) 1990-Up [Babbitt]
26933B	31405-51X06	62009	62009	Bushing RG4R01A RE4R03A JR403E Sun Gear Shaft (1.62 OD) 1990-Up
26939B	31405-51X05	62010	62010	Bushing RG4R01A RE4R03A JR403E High Drum (1.86 OD) 1990-Up [Babbitt]
26929B	31402-51X04	62011	62011	Bushing RG4R01A RE4R03A JR403E Reverse Drum (2.016 ID) (2.133 OD) 1990-Up
50230		K62000	K62000	Bushing Kit RG4R01A RE4R03A JR403E 1987-Up (14 Bushings)
26930				Bushing Kit RL4R01A RE4R01A 1987-Up (13 Bushings)

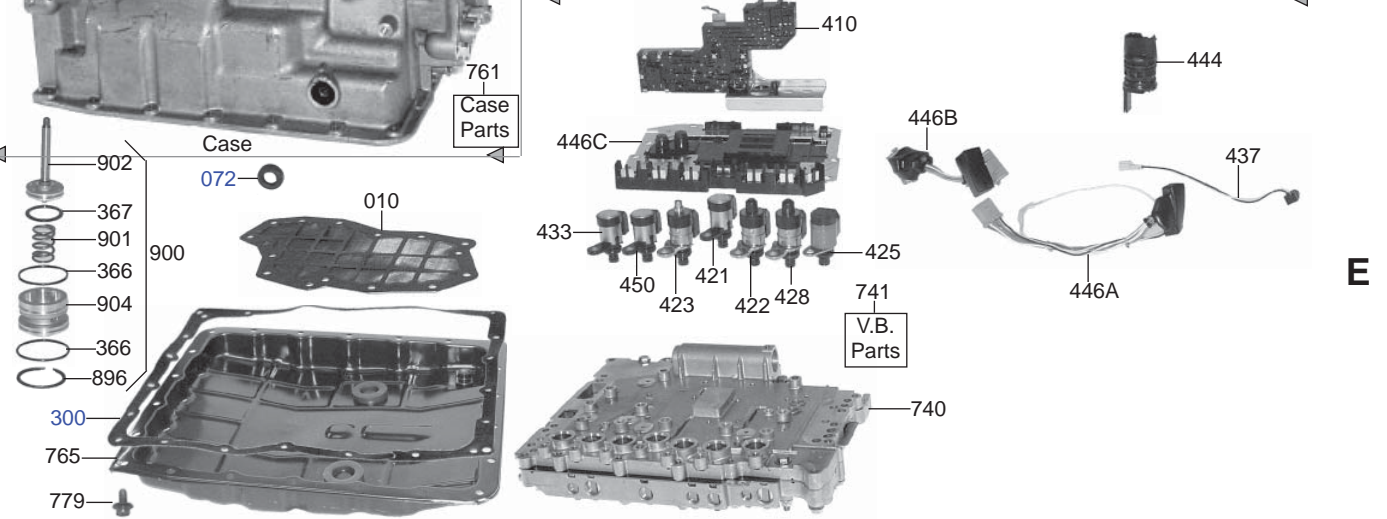
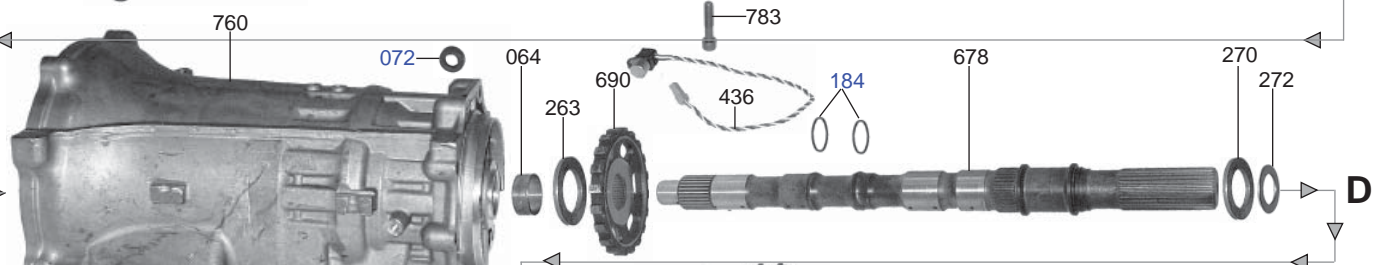
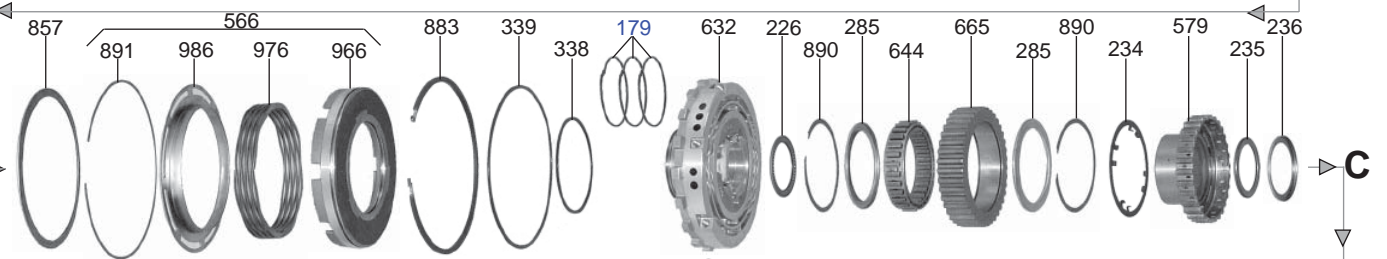
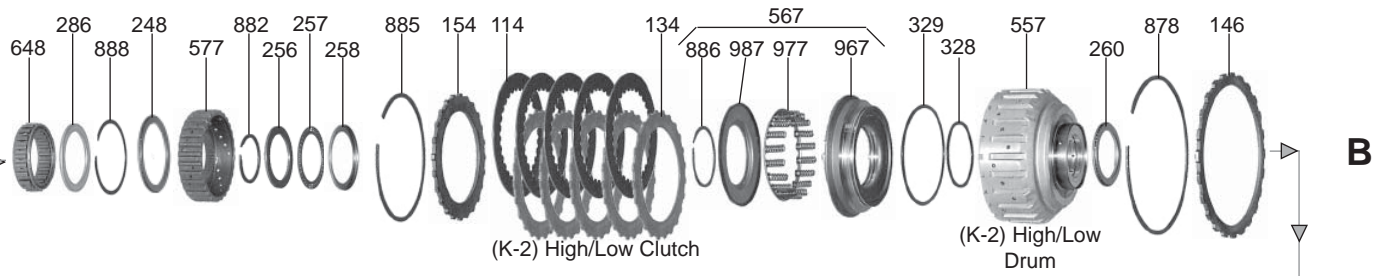
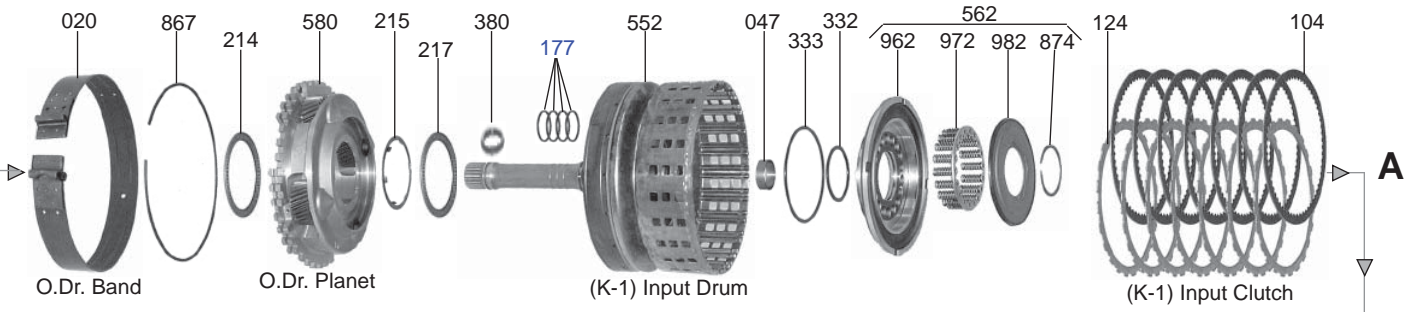
Mazda

SAP #	IL#	OE	INDUSTRY	DESCRIPTION
WASHER & BEARINGS				
27268		31438-X0100	83404	Bearing RL4R01A Intermediate Gear Front 1981-92 [OEM]
27686B		31455-21X00	93410	Bearing RE4R03A JR403E Rear Planet 1994-Up
26965		31435-21X00	69411B	Bearing RE4R01A Rear Planet 1988-Up [OEM]
26966C		31407-41X11	69415	Bearing RE4R01A Output Shaft (Overrun to Support) 1993-Up [OEM]
26966L		31407-41X07	69408B	Bearing RE4R01A Stator to Reverse Drum 1988-Up [OEM]
26966D		31407-41X05	69413	Bearing RE4R03A JR403E Low Sprag 1988-Up [OEM]
26966G		31407-51X02	62447	Bearing RE4R03A JR403E Overrun Hub 1988-Up [OEM]
26966I		31407-41X06	62448	Bearing RE4R03A Inner Low Sprag 1990-Up [OEM]
26966E		31407-51X01	62445	Bearing RE4R03A JR403E Front Sun Gear 1988-Up [OEM]
50266		31407-71X01	62441A	Bearing JR403E Front Planet 1988-Up [OEM]
26966K		31407-51X05	62441	Bearing RE4R03A Front Planet 1990-Up [OEM] <i>300ZX Turbo * Q45</i>
26971		31528-21X01	93400	Washer RL4R01A RE4R01A RE5R01A R4A-EL Stator To Reverse Drum (0.035in) 1987-Up
26971A		31528-21X02	93400C	Washer RL4R01A RE4R01A RE5R01A R4A-EL Stator To Reverse Drum (0.043in) 1987-Up
26971B		31528-21X03	93400A	Washer RL4R01A RE4R01A RE5R01A R4A-EL Stator To Reverse Drum (0.051in) 1987-Up
26956		31464-21X00	69414	Washer Thrust RL4R01A RE4R01A Shell To Front Planet & Rear Planet To Ring Gear - 2 Half Circle Table [3.80 OD 0.093in THK] [Plastic]
50296141		31508-51X08	62401	Washer RE4R03A JR403E Thrust Overrun Hub 1988-Up
ELECTRICAL COMPONENTS				
D69997		31940-60X00		Solenoid RE5R01A JR502E Lock-Up & Pressure Control 1991-Up
D69946		31940-41X01	69946	Solenoid RE4R01A RE4R03A JR403E R4A-EL EPC 1989-Up
D62997		31940-41X10	62997	Solenoid RE4R01A RG4R01A RE4R03A JR403E R4A-EL Lock-Up 1988-Up
D69973M				Solenoid R4A-EL Lock-Up 1988-94
DK69954		31940-41X09	K69954	Solenoid Group RE4R01A R4A-EL (Includes Shift A & B Coast EPC) 1988-Up
DK69954A				Solenoid Group RE5R01A (Includes Shift A & B Coast Overrun) 1990-Up
HARD PARTS				
50264151		94483471		Bolt JR403E (M6-1.0 x 20) Grade 9.8 1988-Up
26996E		31550-41X04	69844A	Hub RE4R01A RE5R01A R4AEL High 1988-Up
26996G		31550-51X01	62863	Hub RE4R03A JR403E High Clutch 1988-Up
26996J		31440-51X04	62731A	Planet RE4R03A Rear (58 Teeth) 1993-Up
50296		31420-71X00		Planet JR403E Front 1988-Up [OEM]
50296A		31440-71X02		Planet JR403E Rear 1988-Up
50297		31450-71X02		Ring JR403E Gear 1988-Up
		31435-41X00 31464		
26965B		21X00	62401	Race RE4R01A Rear Planetary 1988-Up [OEM]
26965C		31472-41X01		Race RE4R01A RL4R01A Inner & Outer Output Shaft 1988-Up
26965F		31439-21X00	69409	Race RE4R01A R4AEL High Clutch Hub 1987-Up [OEM]
26965I		31435-51X01	62443	Race RE4R03A Front & Rear Planet 1990-Up [OEM]
26965D		31435-51X00	62444	Race RE4R03A JR403E Front Planet 1988-Up [OEM]
26998A		31460-51X02	62866	Sun Gear RE4R03A JF403E Front & Sun Shell (40 Teeth) 1990-Up
26998		31460-41X02	69834	Sun Gear RE4R01A RE5R01A R4AEL Front (With Sun Shell) 1988-Up
26999		31469-41X04	69843A	Sun Gear RE4R01A RE5R01A R4AEL Rear (2WD) (42 Teeth) 1988-Up [OEM]
69843A		31469-41X04	69843A	Sun Gear RE4R01A RE5R01A R4AEL Rear (2WD) (42 Teeth) 1988-Up

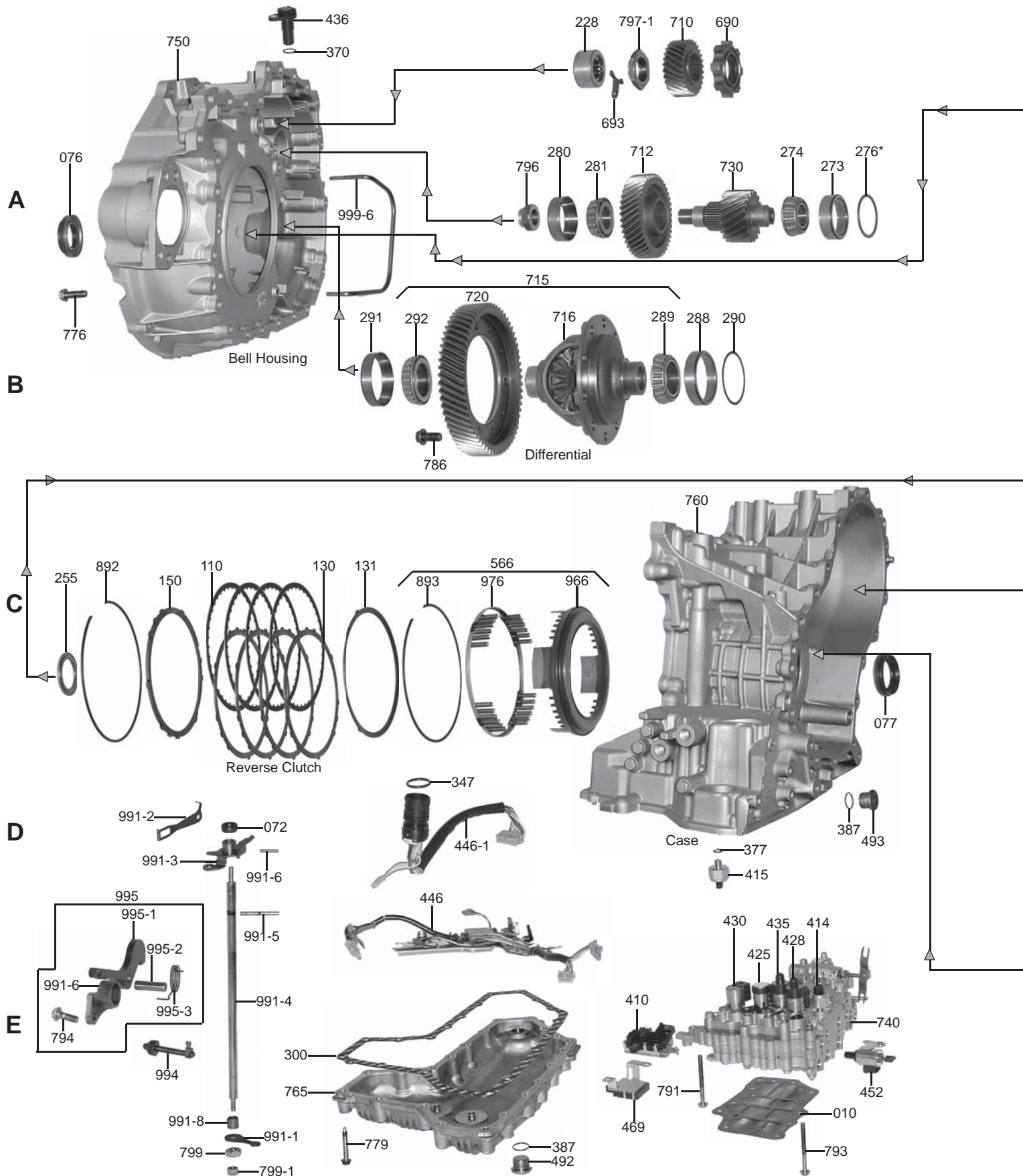
RE5R05A

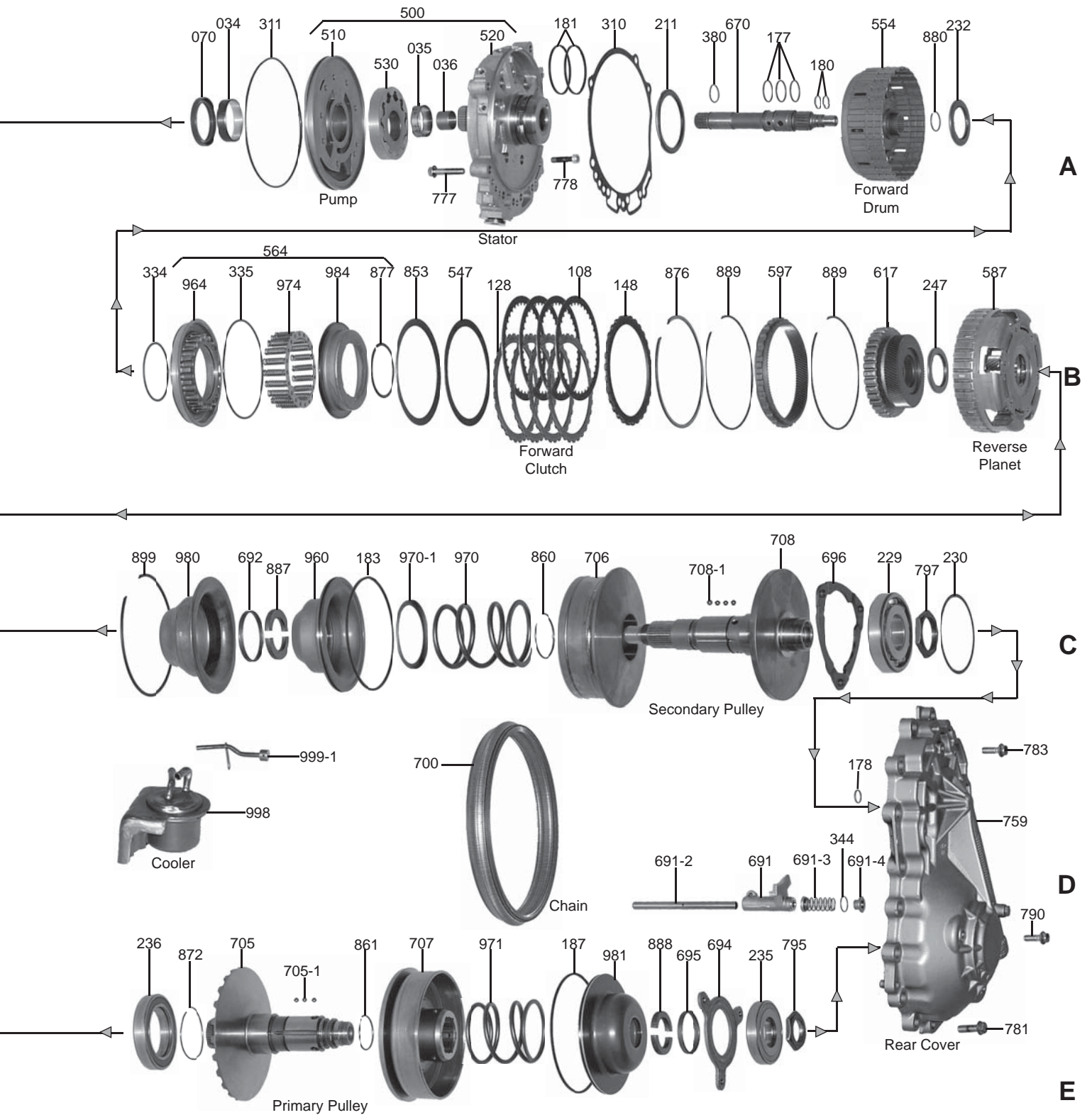
RWD 5 Speed





SAP #	IL#	OE	INDUSTRY	DESCRIPTION
OVERHAUL KIT				
BF173002A				Overhaul Kit RE5R05A 2002-Up (Fiber)
TF173002A				Overhaul Kit RE5R05A 2002-Up (Fiber)
MASTER L/STEELS KIT				
BF173004A				Master L/Steels Kit RE5R05A 2002-Up (Except V8 Engines)
TF173004A				Master L/Steels Kit RE5R05A 2002-Up (Except V8 Engines)
TF173004B				Master L/Steels Kit RE5R05A 2002-Up (V8 Engines)
MASTER W/STEELS KIT				
BF173006A				Master W/Steels Kit RE5R05A 2002-Up (Except V8 Engines)
TF173006A				Master W/Steels Kit RE5R05A 2002-Up (Except V8 Engines)
TF173006B				Master W/Steels Kit RE5R05A 2002-Up (V8 Engines)
GASKET & RUBBER COMPONENTS				
1984251				D-Ring RE5R05A Direct Clutch Outer & External Small
1984253				D-Ring RE5R05A Direct Clutch Inner & Internal Small
1984252				D-Ring RE5R05A Direct CL Outer External Large
26918E		31397-90X00	123500	Gasket RE5R05A Pan 2002-Up [Fiber] (Except Kia)
26918F				Gasket RE5R05A Pan 2005-Up [Fiber] (Kia Models)
26997994				Gasket RE5R05A Filler Tube to Case 2002-Up
26997995		31338-90X00		Gasket RE5R05A Extension Housing (4X4) Front (10 Bolt Holes) 2002-Up
1994748				O-Ring RE5R05A Pump Body to Stator 2002-Up
1994808				O-Ring RE5R05A Pump Stator to Case 2002-Up
METAL CLAD SEALS				
70045			78197	Seal RE5R05A Shift Lever (.867 OD) (.486 ID) 2002-Up
70131				Seal RE5R05A Pump (2.475 OD) (1.808 ID) 2002-Up
70137			69153	Seal RE5R05A Extension Housing 2WD (2.44 OD) (1.734 ID) 2002- Up
70402				Seal RE5R05A Extension Housing 2WD (2.56 OD) (1.835 ID) 2002- Up
70421				Seal RE5R05A Internal Yoke 2002-Up
OIL SEALING RINGS				
26960316				Ring RE5R05A Reverse Clutch (2.928 OD) Lap Joint [PTFE]
26960319				Ring RE5R05A Output Shaft to Fwd Sun Gear Shaft (1.32 OD) Butt Joint [PTFE]
6367				Ring Kit RE5R05A 2003-Up (2 PTFE 11 Plastic Rings)
FRICTION CLUTCH				
26982ER				Friction Module RE5R05A 2002-Up (Except V8)
26982ET				Friction Module RE5R05A 2002-Up (Except V8)
26982FR				Friction Module RE5R05A 2002-Up (V8 Engine)
STEEL CLUTCH				
26983E				Steel Module RE5R05A 2002-Up (Except V8)
26983F				Steel Module RE5R05A 2002-Up (V8 Engine)
WASHER & BEARINGS				
27253				Washer RE5R05A Cooler Fitting 2002-Up



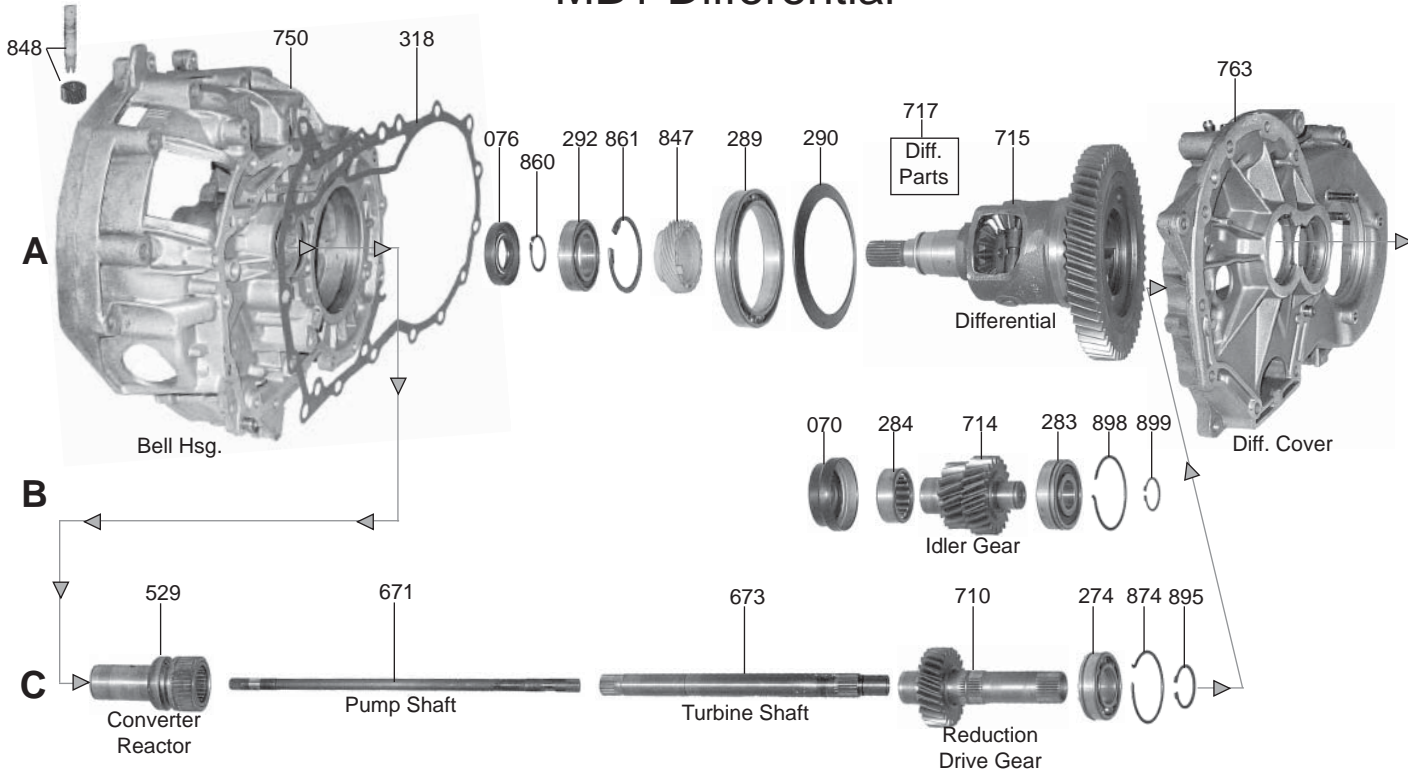


SAP #	IL#	OE	INDUSTRY	DESCRIPTION
OVERHAUL KIT				
BF203002A				Overhaul Kit RE0F09A (JF010E) W/Out Pistons 2003-Up
TF203002A				Overhaul Kit RE0F09A (JF010E) W/Out Pistons 2003-Up
MASTER L/STEELS KIT				
TF203004A				Master L/Steels Kit RE0F09A (JF010E) W/Out Pistons 2003-Up
BF203004AP				Master L/Steels Kit RE0F09A (JF010E) With Pistons 2003-Up
MASTER W/STEELS KIT				
TF203006A				Master W/Steels Kit RE0F09A (JF010E) W/Out Pistons 2003-Up
BF203006AP				Master W/Steels Kit RE0F09A (JF010E) With Pistons 2003-Up
GASKET & RUBBER COMPONENTS				
20396251				Gasket RE0F09A Pan (With Silicone Bead) 2003-Up [Fiber]
20396310				Gasket RE0F09A (JF010E) Oil Pump 2003-Up
METAL CLAD SEALS				
70483				Seal RE0F09A (JF010E) Converter Hub 2003-Up
70484				Seal RE0F09A (JF010E) Right Axle 2003-Up
OIL SEALING RINGS				
6392				Ring Kit RE0F09A 2003-Up (2 PTFE 7 Plastic Rings)
FRICION CLUTCH				
20380				Friction Module RE0F09A 2003-Up
20380T				Friction Module RE0F09A 2003-Up
STEEL CLUTCH				
20381				Steel Module RE0F09A 2003-Up

SAP #	IL#	OE	INDUSTRY	DESCRIPTION
OVERHAUL KIT				
TF212002A				Overhaul Kit RE0F10A / JF011E W/Out Pistons 2006-Up
MASTER L/STEELS KIT				
TF212004A				Master L/Steels Kit RE0F10A / JF011E W/Out Pistons 2006-Up
MASTER W/STEELS KIT				
TF212006A				Master W/Steels Kit RE0F10A / JF011E W/Out Pistons 2006-Up
GASKET & RUBBER COMPONENTS				
203970073				Gasket RE0F10A Pan 2006-Up
203970076				Gasket JF011E Pan 2007-Up
METAL CLAD SEALS				
70514				Seal RE0F10A JF011E Converter 2006-Up
70211				Seal RE0F10A JF011E Axle (Bell Housing) Side 2006-Up
70329				Seal RE0F10A JF011E Axle (Case Housing) Side 2006-Up
OIL SEALING RINGS				
6404				Ring Kit RE0F10A JF011E 2006-Up (2 PTFE 10 Plastic Rings)
FRICTION CLUTCH				
212080R				Friction Module RE0F10A / JF011E 2006-Up
STEEL CLUTCH				
212081				Steel Module RE0F10A / JF011E 2006-Up

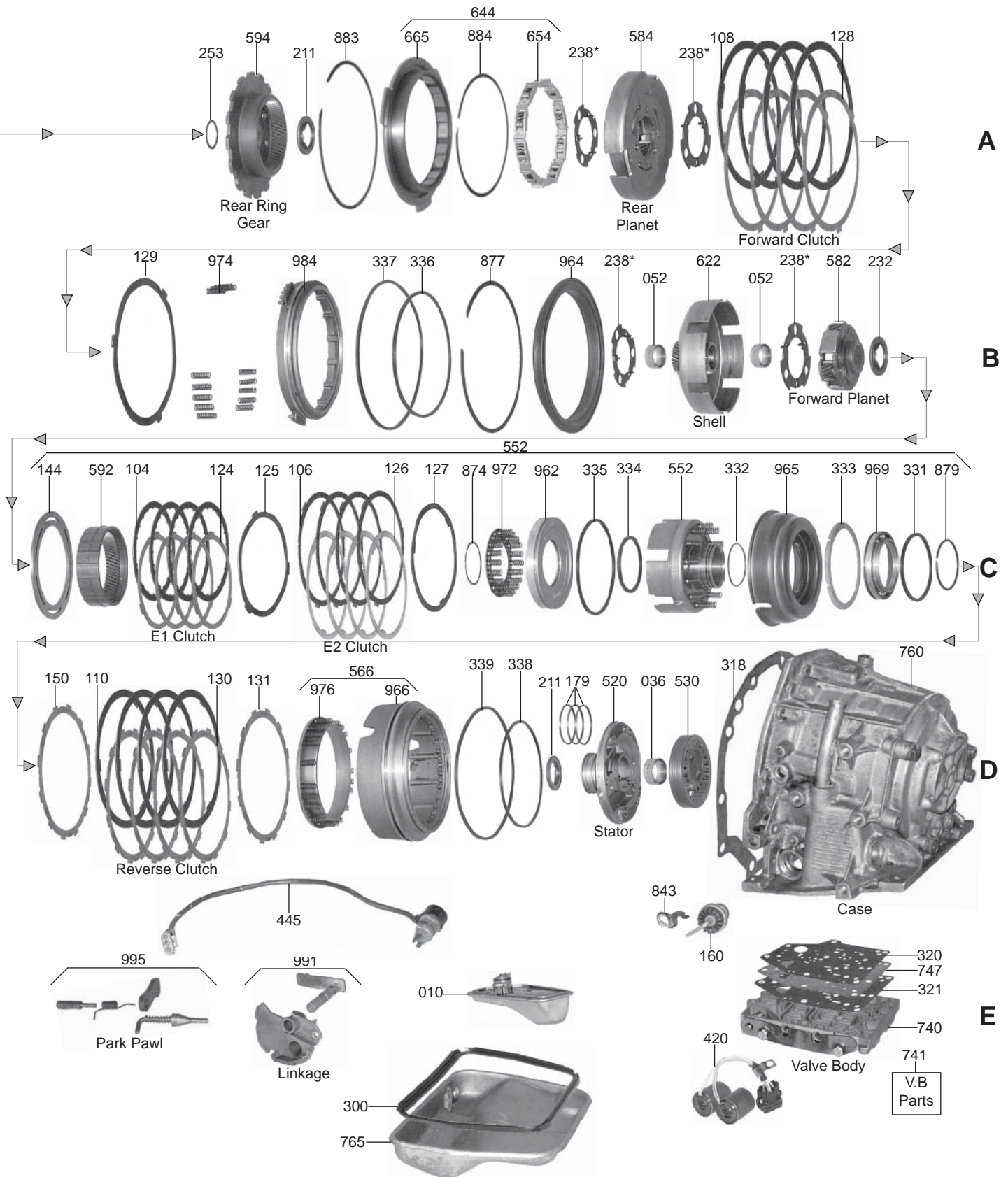
SAP #	IL#	OE	INDUSTRY	DESCRIPTION
OVERHAUL KIT				
B152002A				Overhaul Kit AR4 W/Out Pistons 1988-Up
B152002AP				Overhaul Kit AR4 With Pistons 1988-Up
8357				Overhaul Kit AD4 W/Out Pistons 1989-98
GASKET & RUBBER COMPONENTS				
29009C	7700-733-198	129500		Gasket AR4 Pan 1988-Up [Molded Rubber]
34109A	095 321 493	119505 119500A		Gasket AD4 Pan 1989-Up [Molded Rubber]
29109A	7700-749-967	129500B		Gasket AD8 Pan 1993-Up [Molded Rubber]
29004C	7700-736-611	129503		Gasket AR4 Pump 1988-Up
29106B				Gasket AD4 Pump 1991-Up
29106A	7700-749-256	129503B		Gasket AD8 Pump 1992-Up
29116A	7700-749-969			Gasket AD8 Case 1992-Up
29114A	7700-749-968			Gasket AD8 End Cover 1992-Up
METAL CLAD SEALS				
70239	095-321-243A 095-321-243D	129151		Seal AR4 Pump 1988-Up
70320	7700-736-612	739208		Seal AR4 Axle Covers (Blanking Plugs) [73mm] 1988-Up
70321	097-321-491A	739209		Seal AR4 Axle Covers (Blanking Plugs) [50mm] 1988-Up
29011C	7703-067-143			Seal AR4 Axle Left 1988-Up
29013C	7703-067-154	707504		Seal AR4 1988 Differential 1988-Up
34113V				Seal AD4 Pinion Shaft (34.85 x 50mm) 1990-Up [Viton]
OIL SEALING RINGS				
30708T				Ring AD4 AD8 Accumulator 1988-Up [PTFE]
6178				Ring Kit AR4 1988-Up (12 Metal Rings)
6357				Ring Kit AD4 1990-Up (12 Metal 2 PTFE Rings)
FRICITION CLUTCH				
29090CR				Friction Module AR4 1988-Up
STEEL CLUTCH				
34129B				Steel AD4 AD8 (K3) [2.80 ID 28 Teeth 0.079 THK] 1989-Up
34129A		119109A		Steel AR4 (K3) [2.80 ID 28 Teeth 0.057 THK] 1988-Up
34121		119100		Steel AR4 AD4 AD8 Low/Reverse (B1) [5.1 ID 12 Teeth 0.079 THK] 1989-Up
34127		119107		Steel AR4 AD4 AD8 Forward (K1) Reverse (K2) [4.1 ID 32 Teeth 0.079 THK] 1989-Up
34123		119104		Steel AR4 AD4 AD8 Intermediate (B2) [5.35 ID 3 Teeth 0.079 THK] 1989-Up
29091C				Steel Module AR4 1988-Up
29191B				Steel Module AD4 1989-Up
29191A				Steel Module AD8 1993-Up
FILTER				
29047	7700-746-294	129710		Filter AR4 1988-Up
F-283				Filter AD8 (Zero Leak) 1993-Up [OEM]
MISCELLANEOUS FILTERS				
29185				Screen Filter AD4 AD8 Valve Body Screen
BUSHINGS				
29132A				Bushing AD4 AD8 Pump Gear (1.59 OD) (1.49 ID) [Bronze]
29130A				Bushing Kit AD4 AD8 (8 Bushings)
HARD PARTS				
34186				Clip AR4 AD4 AD8 Clutch Hub 1988-Up
34197				Nut AR4 Output Shaft 1988-Up
34197A				Nut AD8 Output Shaft 1988-Up
34197B				Nut AD4 AD8 Output Shaft
29085C	095-323-927C			
	77-00-736-631	129855		Piston AR4 AD4 AD8 3-4 Clutch (K3) 1989-Up
34175220	095-323-217B	119825 129857		Piston AR4 AD4 AD8 Forward Clutch (K1) 1989-Up
34175226	095-323-479	119829 129860		Piston AR4 AD4 AD8 Low/Reverse (B1) 1989-Up
34175227	095-323-121E	119824 129845		Piston AD4 AD8 Reverse (K2) 1989-Up
29075240				Piston AR4 AD4 (B2) 1988-Up
29080C				Piston Kit AR4 1988-Up (5 Pistons)

MB1 Differential



D

E



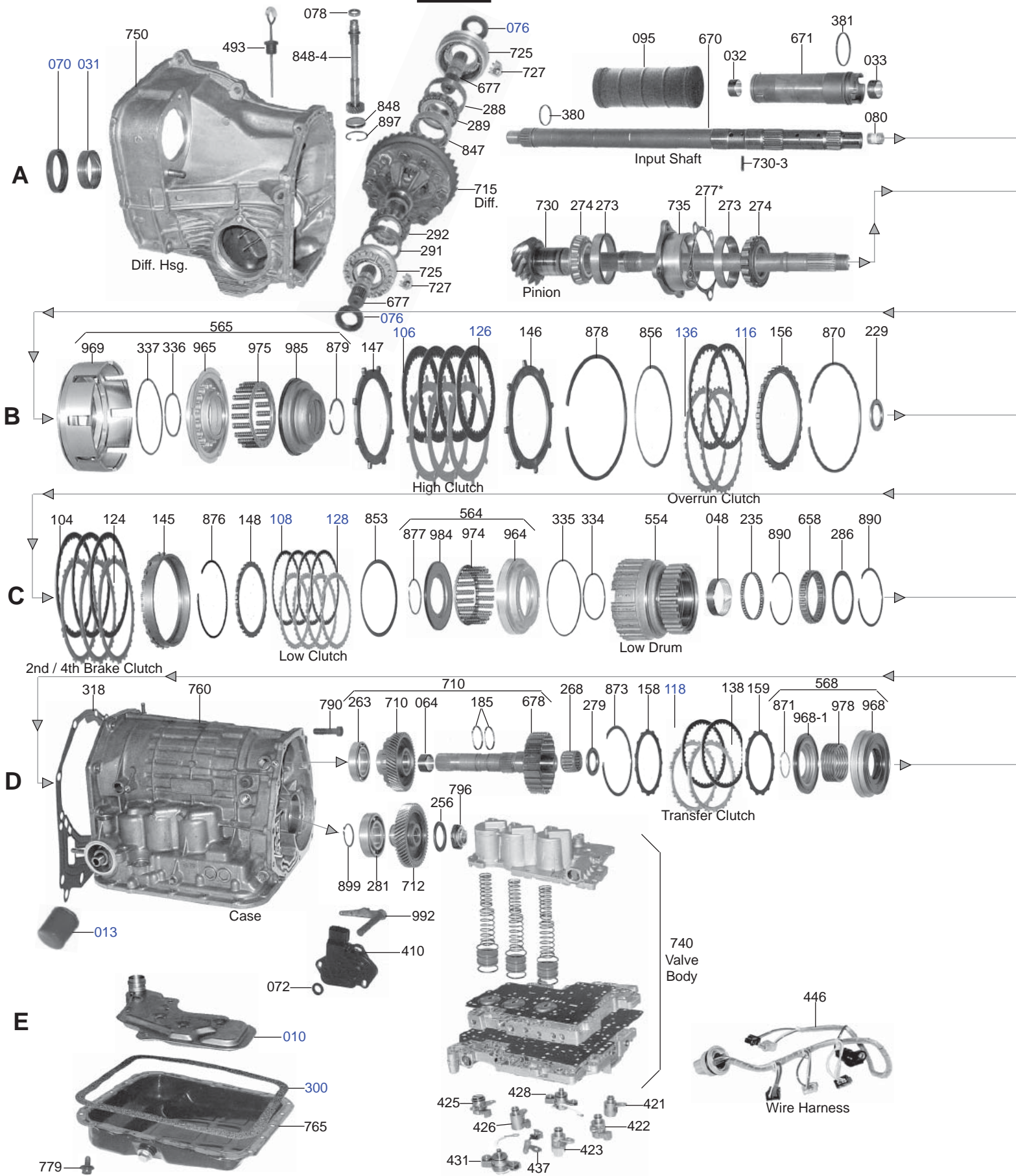
SAP #	IL#	OE	INDUSTRY	DESCRIPTION
OVERHAUL KIT				
B52002A				Overhaul Kit MB101 MB1 MB3 1983-Up
MASTER L/STEELS KIT				
B52004A				Master L/Steels Kit MB101 MB1 MB3 1983-Up
MASTER W/STEELS KIT				
B52006A				Master W/Steels Kit MB101 MB1 MB3 1983-Up
GASKET & RUBBER COMPONENTS				
29007				Gasket MB101 Valve Body
29009		7700680106	52500	Gasket MB101 Pan 1983-88 [Molded Rubber]
20014				O-Ring MB101 (21.55 x 1.79)
20016				O-Ring MB1 (22.70 x 2.98)
20017				O-Ring MB1 (24.77 x 5.36)
29053				Lathe Cut Seal MB1 MJ3 (0.670 X 0.118 X 0.079)
29058				Lathe Cut Seal MB1 M53N Valve Body Plate (.358 X .100 X .065) (3 Pieces)
29057				Lathe Cut Seal MB1 (3 Pcs)
29056A				Lathe Cut Seal MB1 MJ3 (3 Pcs) (4.445 ID) (0.159 Wall) (0.120 Cs)
29055A				Lathe Cut Seal MB1 MJ3 [2.347 ID 0.159 Wall 0.131 CS]
29051A				Lathe Cut Seal MB1 MJ3 (5.571 ID) (0.157 Wall)
29050				Lathe Cut Seal MB1 MJ3 (6.433 X .157 X .119)
29052A				Lathe Cut Seal MB1 MJ3 [6.752 ID 0.157 Wall 0.118 CS]
29196				Lathe Cut Seal MB1 (134.20 x 4.35 x 3.14) (for 29103 Rubber Kit)
METAL CLAD SEALS				
70148				Seal MB1 MB3 Axle 1983-Up
70323		7703087106	51153	Seal MJ3 4139 Axle (54mm OD) 1976-Up
70322		7703087024	51151A	Seal MJ3 4139 Converter (60mm OD) 1976-Up
70318		7703087135	51151A	Seal MB1 MB3 Front Pump 1983-Up
OIL SEALING RINGS				
TAW-1321		77-01-462-295	52300	Ring MB1 MJ3 Pump Cover [Metal]
TAW-2410				Ring MB1 E1 E2 Drum [Metal]
6356				Ring Kit MB1 1983-91 (3 Metal Rings)
FRICITION CLUTCH				
29024				Friction MB1 MJ3, MJ5 (E1) Inner [4.8 OD 21 Teeth 0.080 THK] 1983-Up
29024T			52111	Friction MB1 MJ3, MJ5 (E1) Inner [4.8 OD 21 Teeth 0.080 THK] 1983-Up
29026		7701-596-732		Friction MB1 MJ3 MJ5 (E2) Outer [5.25 OD 3 Teeth 0.080 THK] 1983-Up
29026T		7701-596-732	52108	Friction MB1 MJ3 MJ5 (E2) Outer [5.25 OD 3 Teeth 0.080 THK] 1983-Up
29022T		7701462297	52101	Friction MB1 MJ3 MJ5 Rear [7.60 OD 3 Teeth 0.080 THK] 1983-Up
29020		77-01-462-298	52105	Friction MB1 MJ3 MJ5 Front [7.48 OD 3 Teeth] 1983-Up
29092A				Friction Module MB101 MJ3 MJ5 1983-Up (With E1 E2 Clutch Plates)
STEEL CLUTCH				
29029				Steel MB1 MJ3 MJ5 (E2) External Lugs [5.85 ID 3 Teeth] 1983-Up
29028		52112	52112	Steel MB1 MJ3 MJ5 (E1) Internal Lugs [4.30 ID 3 Teeth] 1983-Up
29021		7701-462-298		Steel MB1 MJ3 MJ5 Front [6.70 ID 3 Teeth 0.060 THK] 1983-Up
29025		7701-462-297		Steel MB1 MJ3 MJ5 Rear [6.30 ID 12 Teeth 0.060 THK] 1983-Up
29023				Steel MB1 MJ3 MJ5 Front [6.70 ID 3 Teeth 0.060 THK] 1983-Up
29025A		7701-463-364	52104	Steel MB1 MJ3 MJ5 Rear [6.3 ID 12 Teeth 0.060 THK] 1983-Up
29091				Steel Module MB1 (W/Out E1 & E2 Clutches) 1983-Up
29093A				Steel Module Renault MB1 MJ3 MJ5 (With Waved Steels) 1983-Up
FILTER				
29045		77-00-739-883	52710B	Filter MJ3 1988-Up
29046		77-00-734-655		Filter MB101 W/Out Bolt Holes 1983-88

SAP #	IL#	OE	INDUSTRY	DESCRIPTION
GASKET & RUBBER COMPONENTS				
29409			54500	Gasket 4141 Pan 1987-92
29106				Gasket 4139 Pan 1976-86 [Fiber]
29108				Gasket 4139 Pan 1976-86 [Fiber]
29116				Gasket R18l 4139 Case 1980-83 {Fuego}
29115				Gasket R18l 4139 Valve Body 1980-83 {Fuego}
29104				Gasket R18l 4139 Valve Body 1980-83 [Fuego]
29113				Gasket 4139 Valve 1980-83 {Fuego}
29114				Gasket 4139 Cover (Small) 1980-83 {Fuego}
OIL SEALING RINGS				
30980		77-00-676-814		Ring R18l 4139 1980-85 {Fuego} [PTFE]
TAW-2409				Ring 4141 (E1 & E2) 1980-Up [Metal]
FRICITION CLUTCH				
29122		7701-457-5444	51103	Friction 4139 F1 & F2 (Large) [6.0 OD 45 Teeth 0.061 THK] 1976-86
29122ALTO		7701-457-5444	51103	Friction 4139 F1 & F2 (Large) [6.0 OD 45 Teeth 0.061 THK] 1976-86
31720ALTO		7701-457-135	19206A	Friction 4139 E1 & E2 (Small) [4.20 OD 36 Teeth] 1976-85
29190R				Friction Module 4139 1976-86
STEEL CLUTCH				
29125			72703	Steel 4139 E1 & E2 (Small) [3.10 ID 3 Teeth 0.059 THK] 1976-86
29121				Steel 4139 F1 & F2 (Large) [45 Teeth 0.061 THK] 1976-86
29129		72713		Steel 4139 E1 & E2 (Small) [3.10 ID 3 Teeth 0.100 THK] 1976-86
29191				Steel Module 4139 1976-86
WASHER & BEARINGS				
29187				Washer 4139 (1.370 x 1.085 x 0.080) {Fuego} 1980-Up [Aluminum]

SAP #	IL#	OE	INDUSTRY	DESCRIPTION
OVERHAUL KIT				
T252002AX				Overhaul Kit DPO AL4 1998-Up (W/Out Case Gaskets)
T252002AXP				Overhaul Kit DPO AL4 With Pistons 1998-Up (W/Out Case Gaskets)
MASTER L/STEELS KIT				
<i>Refer to Master W/Steel Kit section</i>				
MASTER W/STEELS KIT				
T252006AX				Master W/Steels Kit AL4 1998-Up (W/Out Case Gaskets)
T252006AXP				Master W/Steels Kit AL4 With Pistons 1998-Up (W/Out Case Gaskets)
T252006BX				Master W/Steels Kit DPO 1998-Up (W/Out Case Gaskets)
T252006BXP				Master W/Steels Kit DPO With Pistons 1998-Up (W/Out Case Gaskets)
METAL CLAD SEALS				
70468		77 03 087 217	112151	Seal DPO AL4 Converter 1998-Up
70470		77 03 087 209	112153	Seal DPO AL4 Axle/Case Side (Left) Outer 1998-Up
70471		77 03 087 218A	112154	Seal DPO AL4 Axle/Case Side (Left) Inner 1998-Up
70472		77 03 087 208	112155	Seal DPO AL4 Manual Lever 1998-Up
70469		77 03 087 210	112152	Seal DPO AL4 Bell Housing Side (Right) 1998-Up
OIL SEALING RINGS				
6396				Ring Kit DPO AL4 1998-Up (8 Plastic Rings)
FRICITION CLUTCH				
252080T				Friction Module AL4 1998-Up (Single Sided Frictions)
252080AT				Friction Module DPO 1998-Up (Single Sided Frictions)
BANDS				
112700			112700	Band DPO 1998-Up
FILTER				
F-470				Filter DPO 1988-Up
HARD PARTS				
25275461		77 00 874 818		Piston DPO F2 Servo 1998-Up
25275462		77 00 874 819		Piston DPO F3 Servo 1998-Up
25275463		77 00 870 097		Piston DPO F1 Brake 1998-Up
25275464		77 00 872 240		Piston DPO E1 Clutch 1998-Up
25275465		77 00 875 765		Piston DPO E1 Clutch Retainer 1998-Up
25275466		77 00 100 393		Piston DPO E2 Clutch 1998-Up
25275467		77 00 870 611		Piston DPO E2 Clutch Retainer (Accumulator) 1998-Up
252088				Piston Kit DPO AL4 1998-Up (7 Pistons)
252088A				Piston Kit DPO AL4 1998-Up W/Out Servo Pistons (5 Pistons)
ELECTRICAL COMPONENTS				
D252047		8200-337-880		Solenoid DPO AL4 EPC 2003-Up
D252048		7700-102-977		Solenoid DPO AL4 Shift 1998-Up

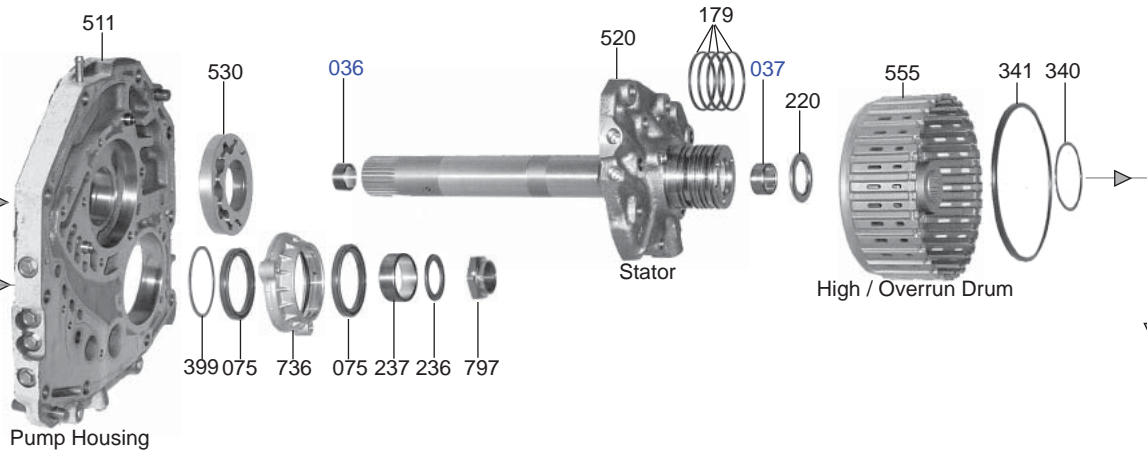
EC8 / 4EAT (99-Up)

4 Speed FWD / AWD

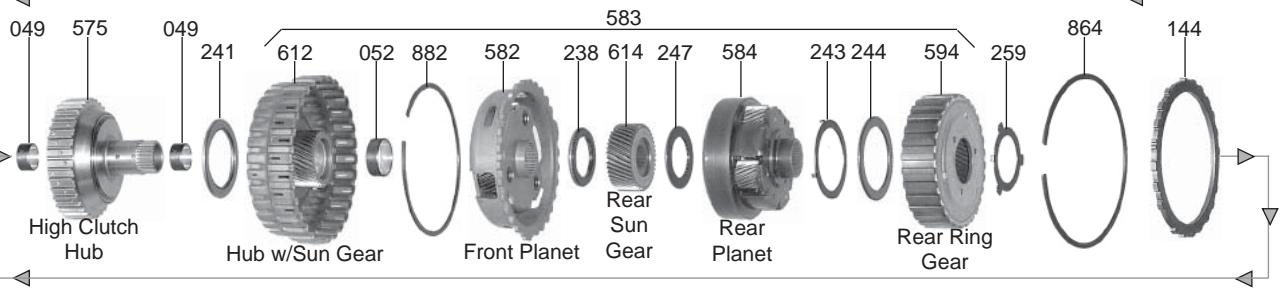


4 Speed FWD / AWD

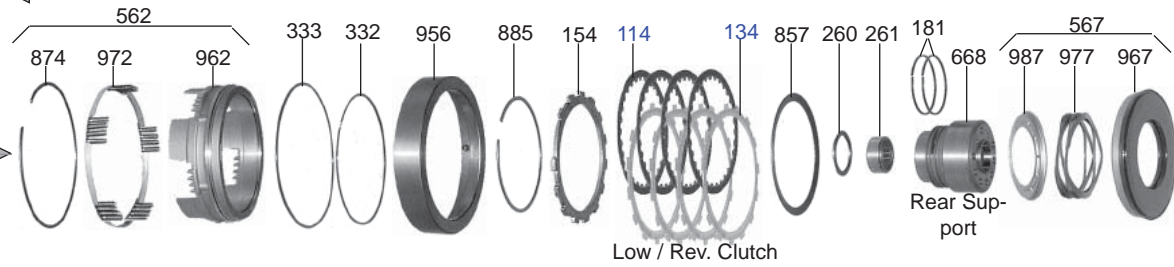
EC8 / 4EAT (99-Up)



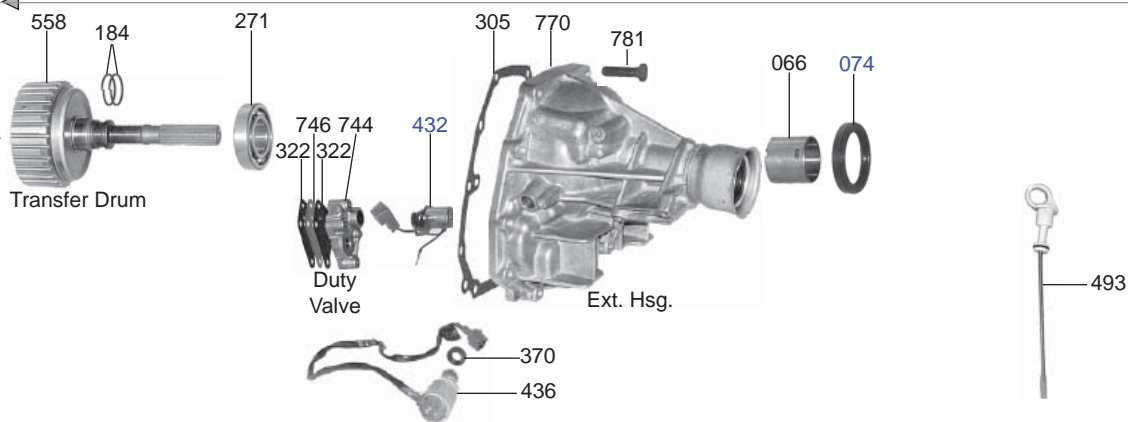
A



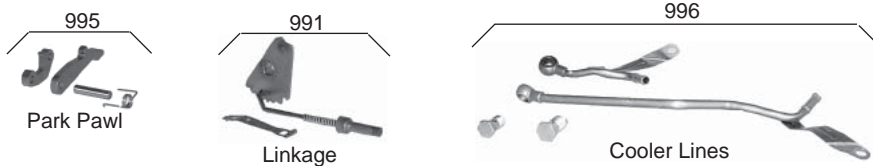
B



C



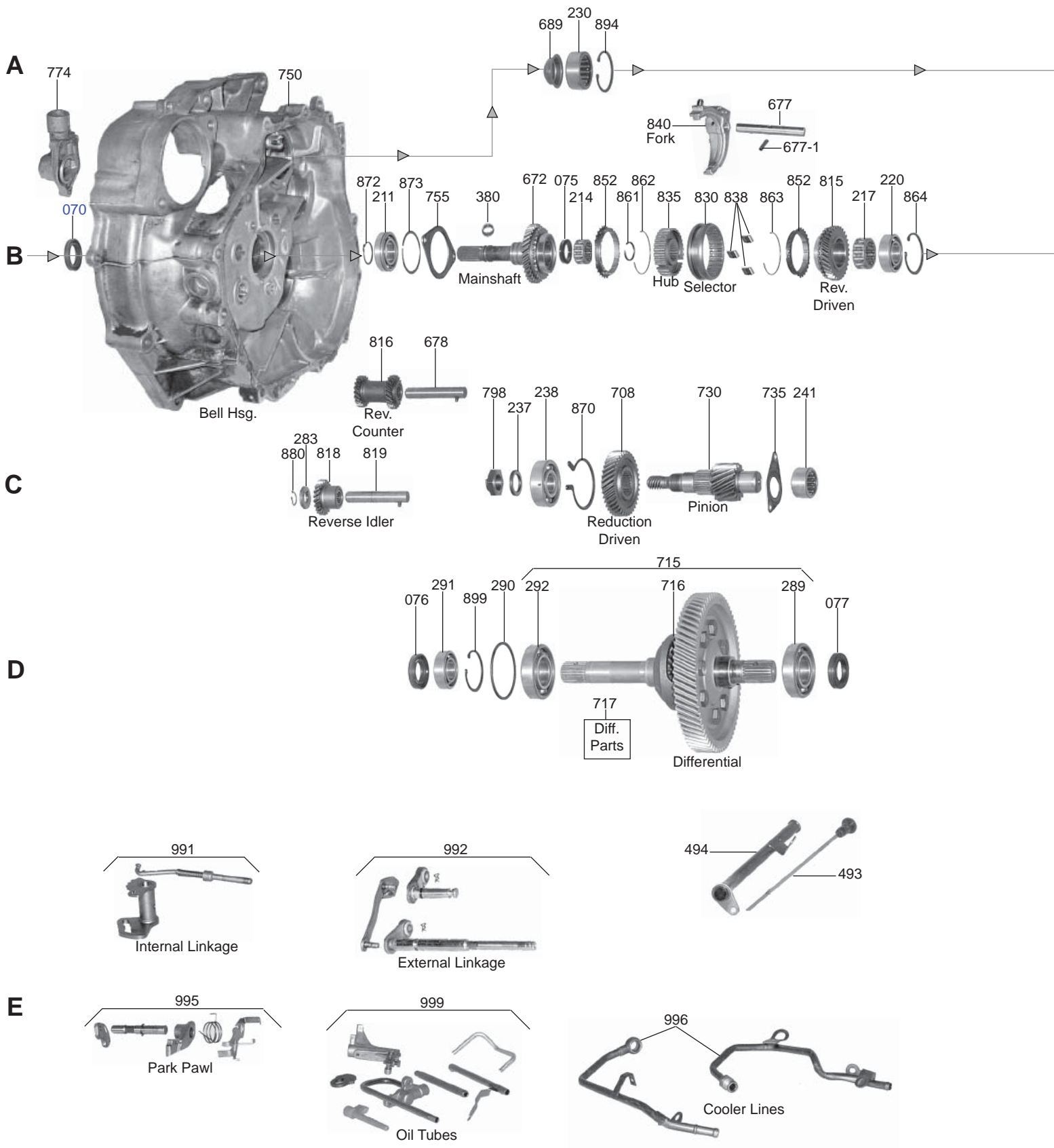
D



E

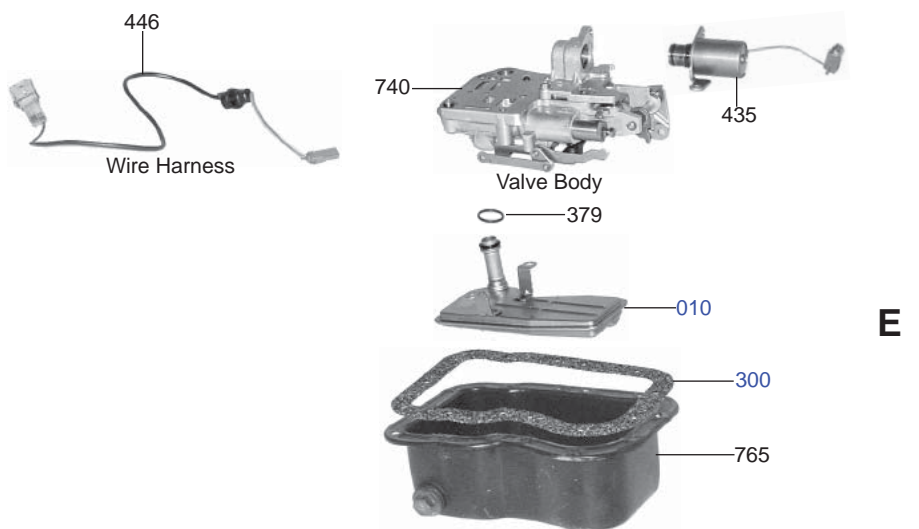
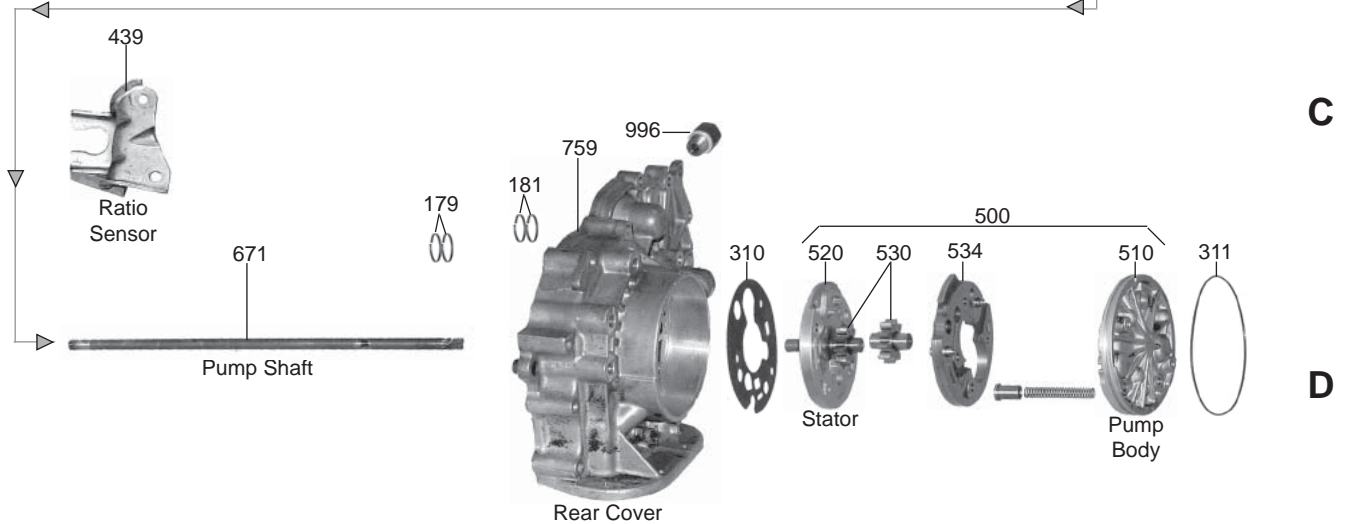
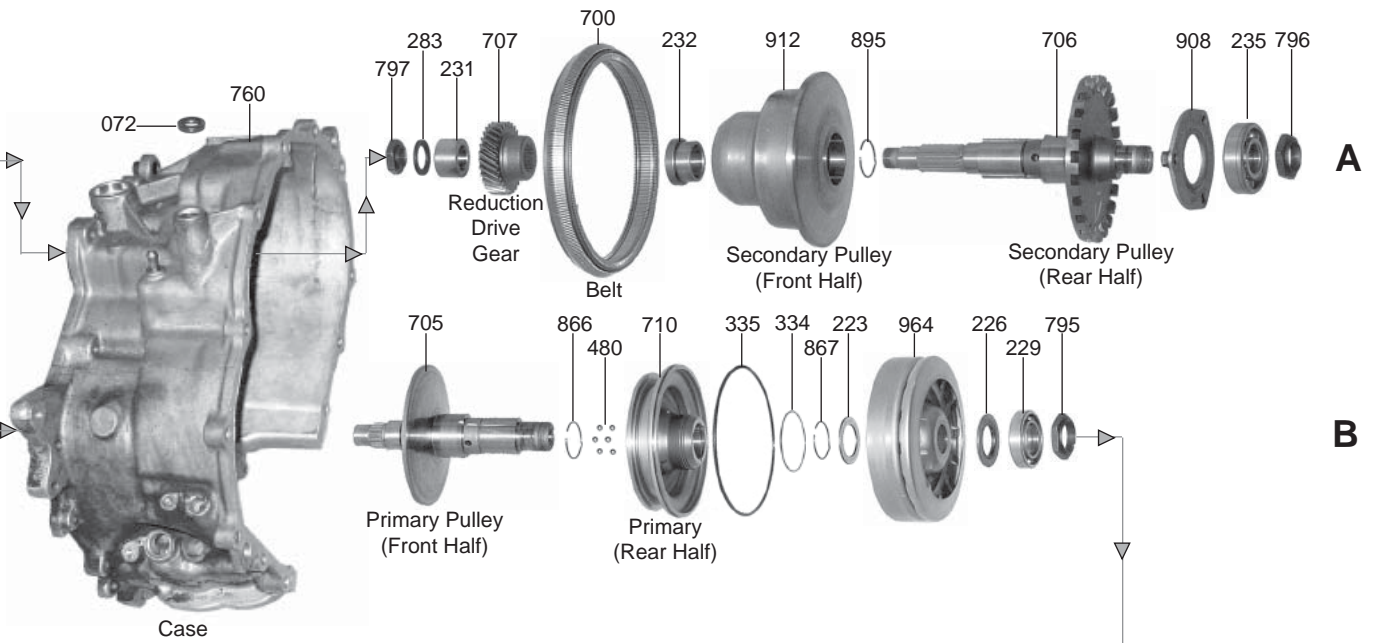
SAP #	IL#	OE	INDUSTRY	DESCRIPTION
OVERHAUL KIT				
B23002				Overhaul Kit R4AXEL(4EAT) (4 Speed) 1987-98
T23002				Overhaul Kit R4AXEL(4EAT) (4 Speed) 1987-98
TF23002				Overhaul Kit R4AXEL(4EAT) (4 Speed) 1987-98 (Fiber)
BF23002E				Overhaul Kit R4AXEL(4EAT) (4 Speed) 7/1998-Up (Fiber)
TF23002E				Overhaul Kit R4AXEL(4EAT) (4 Speed) 7/1998-Up (Fiber)
MASTER L/STEELS KIT				
B23004				Master L/Steels Kit R4AXEL(4EAT) 4WD W/Out Turbo (With Transfer Case Clutch) 1987-92
B23004A				Master L/Steels Kit R4AXEL(4EAT) 4WD W/Out Turbo (W/Out Transfer Case Clutch) 1987-92
B23004BA				Master L/Steels Kit R4AXEL(4EAT) 2WD Turbo (W/Out Transfer Case Clutch) 1991-94
B23004C				Master L/Steels Kit R4AXEL(4EAT) 4WD (With Transfer Case Clutch) 1995-98
B23004CA				Master L/Steels Kit R4AXEL(4EAT) 2WD (W/Out Transfer Case Clutch) 1995-98
MASTER W/STEELS KIT				
B23006				Master W/Steels Kit R4AXEL(4EAT) 4WD W/Out Turbo (With Transfer Case Plates) 1987-92
B23006A				Master W/Steels Kit R4AXEL(4EAT) 4WD W/Out Turbo (W/Out Transfer Case Plates) 1987-92
B23006B				Master W/Steels Kit R4AXEL(4EAT) 4WD With Turbo (With Transfer Case Plates) 1987-92
B23006BA				Master W/Steels Kit R4AXEL(4EAT) 2WD Turbo (W/Out Transfer Case Plates) 1991-94
B23006C				Master W/Steels Kit R4AXEL(4EAT) 4WD (With Transfer Case Clutch) 1995-98
B23006CA				Master W/Steels Kit R4AXEL(4EAT) 2WD (W/Out Transfer Case Clutch) 1995-98
GASKET & RUBBER COMPONENTS				
27909T	31397AA040	69503		Gasket R4AXEL(4EAT) Oil Pan 1987-Up
27917	31397AA040	69503F		Gasket R4AXEL(4EAT) Oil Pan 1987-98 (Felpro)
27918	31397AA040	69503F		Gasket R4AXEL(4EAT) Oil Pan 1987-98 (Fiber)
27918A		69504F		Gasket R4AXEL(4EAT) Oil Pan 1999-Up [Fiber]
27997456	31262-AA020			Gasket R4AXEL(4EAT) Relief Valve 1987-Up
27997454	31954-AA070			Gasket R4AXEL(4EAT) Transfer Valve Rear Clutch 1987-Up
27996094	31339AA122			Gasket R4AXEL(4EAT) Front Pump to Case 1988-up [Steel]
27996214	31339-AA140			Gasket R4AXEL(4EAT) Pump 1999-Up [Metal]
27997455	31337-AA120			Gasket R4AXEL(4EAT) Tail Housing 1987-Up
1984082	31363-AA020			D-Ring R4AXEL(4EAT) Rear Drive Outer 1987-91
1984207	31363-AA030			D-Ring R4AXEL(4EAT) Rear Drive Outer 1987-Up
1984010	31527-21X11			D-Ring R4AXEL(4EAT) Servo Cover Inner 1988-90
1984079	31616-AA050			D-Ring R4AXEL(4EAT) Servo Outer 1987-Up
1984074	31616-AA030			D-Ring R4AXEL(4EAT) Servo Outer 1990-91
1984075	31616-AA060			D-Ring R4AXEL(4EAT) Servo Outer 1991-94
1984189				D-Ring R4AXEL(4EAT) Transfer Case Piston Outer 1994-Up
1994721				O-Ring R4AXEL(4EAT) (.685 x .120) 1987-Up
19065				O-Ring R4AXEL(4EAT) (20.06 x 1.85)
1994722	8069-84030			O-Ring R4AXEL(4EAT) Differential Side Bearing Retainer 1987-Up
1994685	31677-X8600			O-Ring R4AXEL(4EAT) Overdrive Accumulator Piston 1983-Up
1994720	8069-82020			O-Ring R4AXEL(4EAT) Pinion Seal Retainer 1987-Up
1994719	8069-71010			O-Ring R4AXEL(4EAT) Servo Band 1987-Up
27975078	31396-AA000			Seal R4AXEL(4EAT) Airbreather 1987-Up
27975133	31294-AA000			Seal R4AXEL(4EAT) Differential Housing to Pump Stator 1988-Up
METAL CLAD SEALS				
27173	80673-0031	66546		Seal R4AXEL(4EAT) Bi Directional Axle 1987-Up
70165				Seal R4AXEL(4EAT) Bi Directional Axle 1987-Up
70163	8067-50030			Seal R4AXEL(4EAT) Front (Converter Housing) Except 1995-Up Impreza) 1987-Up
70162	8067-12090			Seal R4AXEL(4EAT) Speedo Shaft 1987-Up
70161	8067-16040			Seal R4AXEL(4EAT) Linkage
70187	8067-35190			Seal R4AXEL(4EAT) Rear (4x4 Extension Housing) 1987-Up
70166	32296-AA020			Seal Pipe R4AXEL(4EAT) pinion (Except 1995-98 Legacy & SVX) 1987-98
OIL SEALING RINGS				
30902	31377-AA020	69302		Ring R4AXEL(4EAT) Reduction Gear Shaft 1987-Up [PTFE]
30900	31377-AA010	69315T		Ring R4AXEL(4EAT) Rear Shaft 1987-Up [PTFE]
30901	31361-AA000	69311T		Ring R4AXEL(4EAT) Turbine Shaft 1987-Up
6121				Ring Kit R4AXEL(4EAT) 1987-98 (1 Metal 13 PTFE Rings)
6348				Ring Kit R4AXEL(4EAT) 1999-Up (7 PTFE 4 Plastic Rings)
FRICION CLUTCH				
26920T	31532-41X06	69102		Friction R4AXEL(4EAT) Forward [36 Teeth 0.063 THK] 1995-98
26936T	31522-41411	93104C		Friction R4AXEL(4EAT) High [30 Teeth 0.063 THK] 1987-Up
27128C	31662-AA090	69104C		Friction R4AXEL(4EAT) Low Reverse [5.8 OD 30 Teeth 0.070 THK] 4/1995-Up
27128T		69104		Friction R4AXEL(4EAT) Low Reverse [5.80 OD 30 Teeth 0.076 THK] 1987-92
26924T	6880901	69103		Friction R4AXEL(4EAT) Overrun [18 Teeth 0.079 THK] 1987-98
26926R				Friction R4AXEL(4EAT) Reverse [34 Teeth 0.079 THK] 1987-Up
27126R				Friction R4AXEL(4EAT) Transfer Case [24 Teeth 0.079 THK] 1987-89
27126AR	31588-AA-060			Friction R4AXEL(4EAT) Transfer Case [24 Teeth 0.070 THK] 1990-Up

SAP #	IL#	OE	INDUSTRY	DESCRIPTION
FRICION CLUTCH -- continued				
27992				Friction Module R4AXEL(4EAT) W/Out Turbo W/Out Tranfer Case Plates 1987-92
27990				Friction Module R4AXEL(4EAT) With Turbo W/Out Transfer Case Plates 1987-93
27992BR				Friction Module R4AXEL(4EAT) W/Out Transfer Case Plates 1985-Up
27980AR				Friction Module R4AXEL(4EAT) Transfer Case Clutches 1987-89
27980BR				Friction Module R4AXEL(4EAT) Transfer Case Clutches 1990-Up
STEEL CLUTCH				
26927		31536-41X09	69112	Steel R4AXEL(4EAT) Forward [5.30 ID 24 Teeth 0.079 THK] 1993-Up
26925		31536-AA030	69117	Steel R4AXEL(4EAT) High [4.40 ID 27 Teeth 0.079 THK] 1993-98
27921		31536-AA070	69121	Steel R4AXEL(4EAT) High [4.10 ID 27 Teeth 0.108 THK] 1991-98
27127		31666-AA050	69114	Steel R4AXEL(4EAT) Low Reverse [4 Teeth 0.079 THK] 1987-92
27127B		31666-AA060		Steel R4AXEL(4EAT) Low Reverse [5.10 ID 14 Teeth 0.063 THK] 1993-Up
27127C		31666-AA030	69114B	Steel R4AXEL(4EAT) Low Reverse [5.10 ID 14 Teeth 0.071 THK] 1989-94
26923		31536-AA020	69113	Steel R4AXEL(4EAT) Overrun [6 Teeth 0.079 THK] 1993-Up
27623B		31536-41X14	93102B	Steel R4AXEL(4EAT) Reverse [5.05 ID 30 Teeth 0.079 THK] 1993-Up
27623A		31536-AA050	93102A	Steel R4AXEL(4EAT) Reverse [5.30 ID 30 Teeth 0.079 THK] 1987-Up
27125		31589-AA030	69118	Steel R4AXEL(4EAT) Transfer Case [4.10 ID 30 Teeth 0.071 THK] 1987-92
27125A		31589-AA041	69118A	Steel R4AXEL(4EAT) Transfer Extension [4.10 ID 30 Teeth 0.063 THK] 1993-Up
27991B				Steel Module R4AXEL(4EAT) 1987-93 (Turbo) W/Out Transfer Case Plates
27991				Steel Module R4AXEL(4EAT) 1990-92 (30Pcs) (Turbo) With Transfer Case Plates
27991A				Steel Module R4AXEL(4EAT) 1991-94 (30Pcs) With Transfer Case Plates
27991C				Steel Module R4AXEL(4EAT) 1995-Up (20Pcs) W/Out Transfer Case Plates
27993B				Steel Module R4AXEL(4EAT) 1995-Up (27Pcs) With Transfer Case Plates
27993A				Steel Module R4AXEL(4EAT) 1987-92 W/Out Turbo W/Out Transfer Case Plates
27993				Steel Module R4AXEL(4EAT) 1987-92 W/Out Turbo W/Out Transfer Case Plates
FILTER				
27944BS				Filter R4AXEL(4EAT) Spin On 1999-Up
27941			69710K	Filter R4AXEL(4EAT) 1992-98 (Legacy SVX Impreza 1990-98)
27944			69710L	Filter R4AXEL(4EAT) 7/1998-Up (Subaru Forester)
27940			69710J	Filter R4AXEL(4EAT) 1987-91 (XT6 Loyale)
FILTER KIT				
27943			FK69710K	Filter Kit R4AXEL(4EAT) 1992-Up (With Cork & Rubber Pan Gasket) (Legacy SVX Impreza 1990-Up)
BANDS				
27946		31630-41X00	69700	Band R4AXEL(4EAT) Overdrive (1 1/2in Wide) 1987-98
BUSHINGS				
27931			69005	Bushing R4AXEL(4EAT) Converter Housing (2.24 OD) (1.97 ID) 1988-Up [Bronze]
27631			93001	Bushing R4AXEL(4EAT) Converter Housing to Converter Hub 1987-Up
27934			69018	Bushing R4AXEL(4EAT) Pump Shaft Front (1.50 OD) 1987-Up [Babbitt]
27933			69017	Bushing R4AXEL(4EAT) Output Shaft (0.83 OD) (0.71 ID) 1987-Up [Babbitt]
27932			69015	Bushing R4AXEL(4EAT) Stator Shaft Front (1.05 OD) (0.98 ID) 1988-Up [Babbitt]
27932A			69016	Bushing R4AXEL(4EAT) Stator Rear (1.10 OD) (0.95 ID) [Babbitt]
WASHER & BEARINGS				
32396051		9956-21-400		Washer R4AXEL(4EAT) Pump Cooler Fitting 1990-Up
27980				Washer R4AXEL(4EAT)
ELECTRICAL COMPONENTS				
D69977				Solenoid R4AXEL (4EAT) Transmission Clutch 1994-95
D69976			69976	Solenoid Group R4AXEL(4EAT) (Includes Shift A Shift B Coast EPC) 1st Design 1993-98



FWD CVT

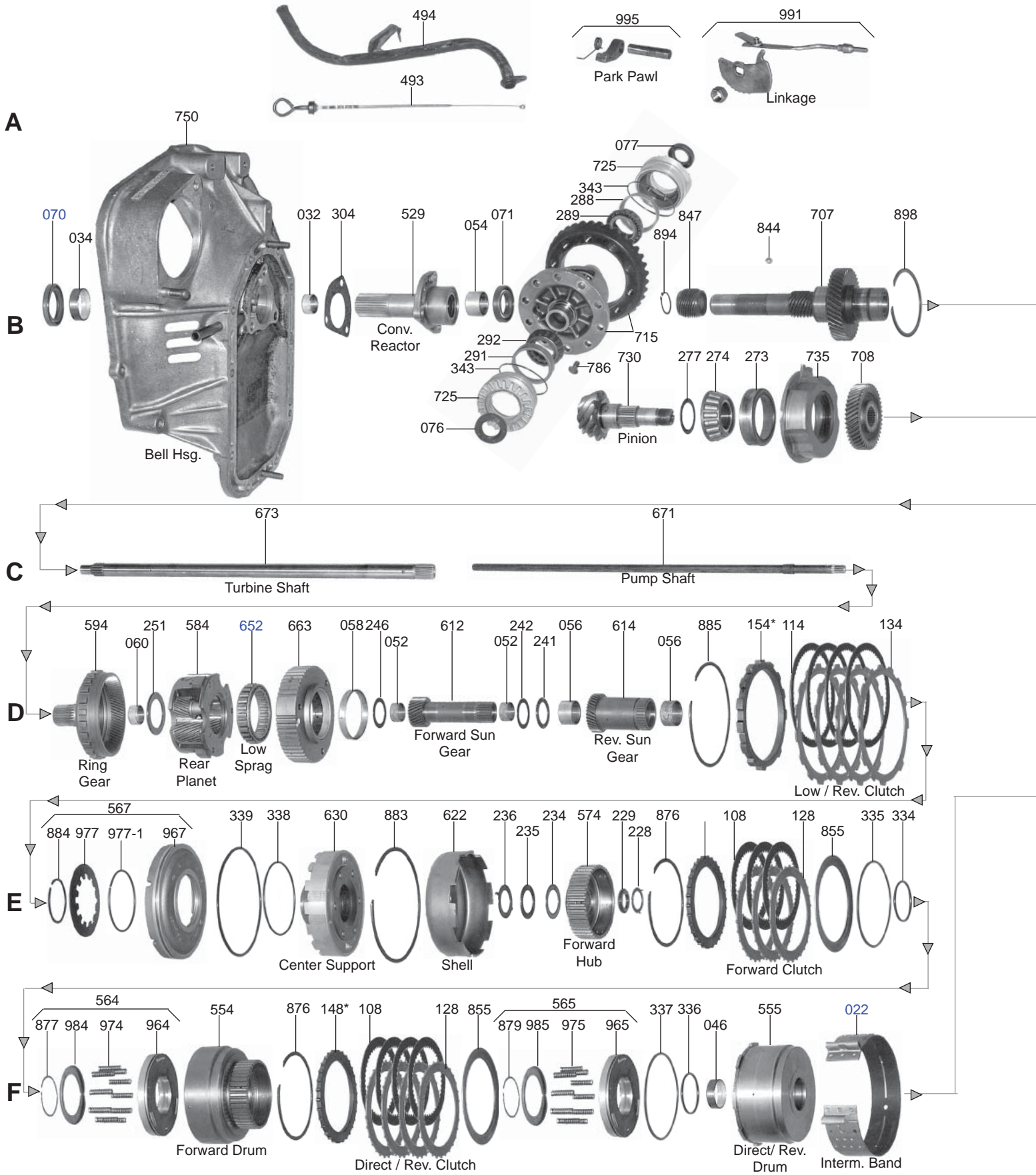
ECVT

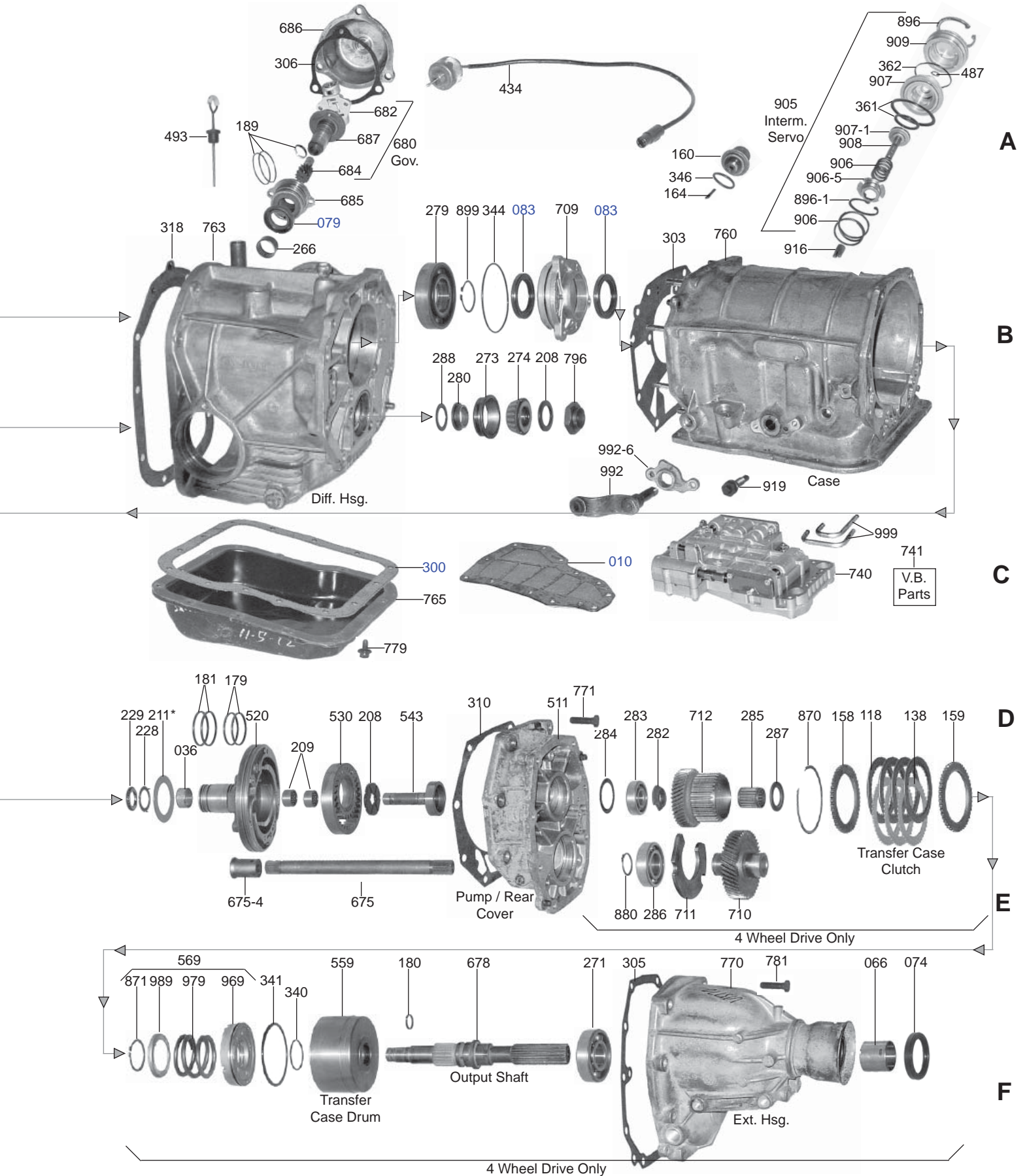


SAP #	IL#	OE	INDUSTRY	DESCRIPTION
OVERHAUL KIT				
27502F				Overhaul Kit ECVT 1988-95 (Fiber)
METAL CLAD SEALS				
27513				Seal ECVT Manual Lever 1988-95
27512				Seal ECVT Main Drive 1988-95
27514				Seal ECVT Extension Housing 1988-95.
GASKET & RUBBER COMPONENTS				
27518B				Pan Gasket ECVT (Nisan Micra) 1990-Up [Fiber]
27518A				Pan Gasket ECVT (Justy) 1989-95 [Fiber]
27506				Gasket ECVT Transfer Cover 1988-95
27508				Gasket Set ECVT 1988-95
27503				Rubber kit ECVT 1988-95

M41 / M41A

FWD 3 Speed 2WD / AWD



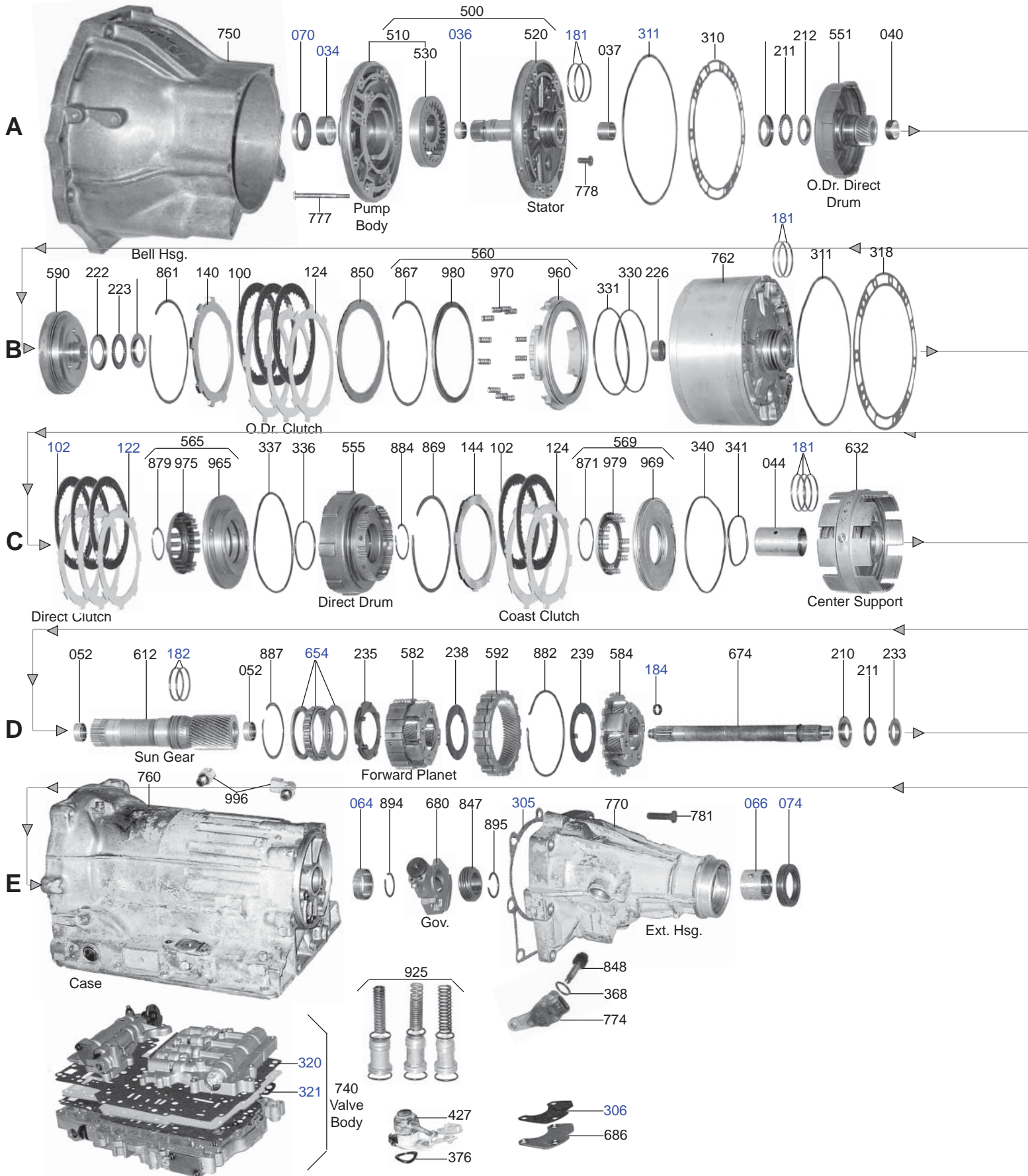


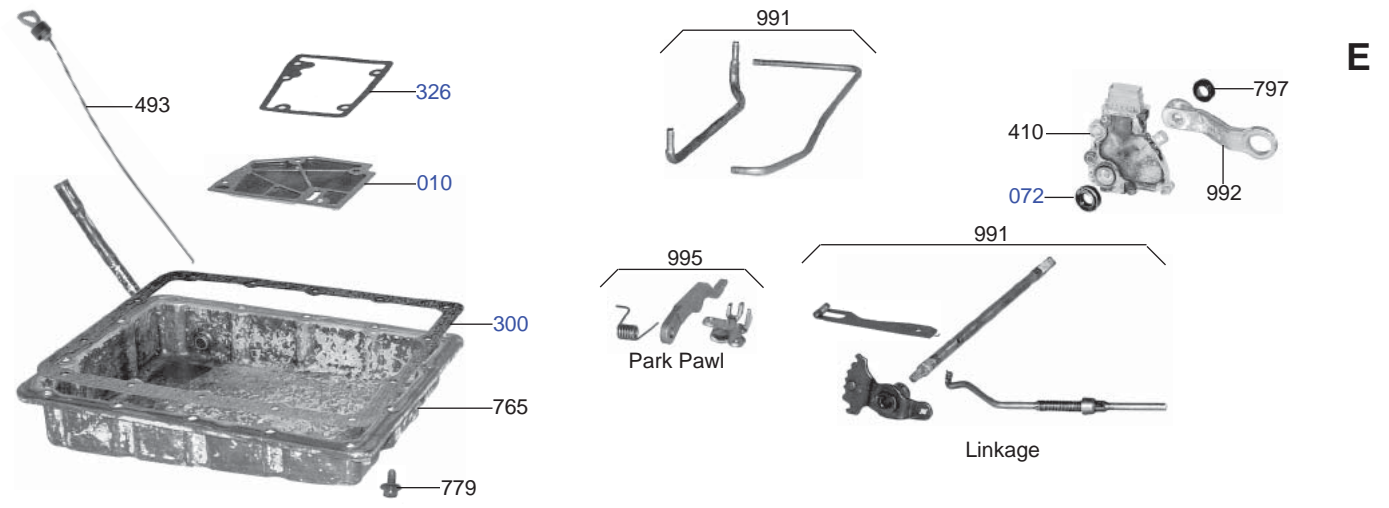
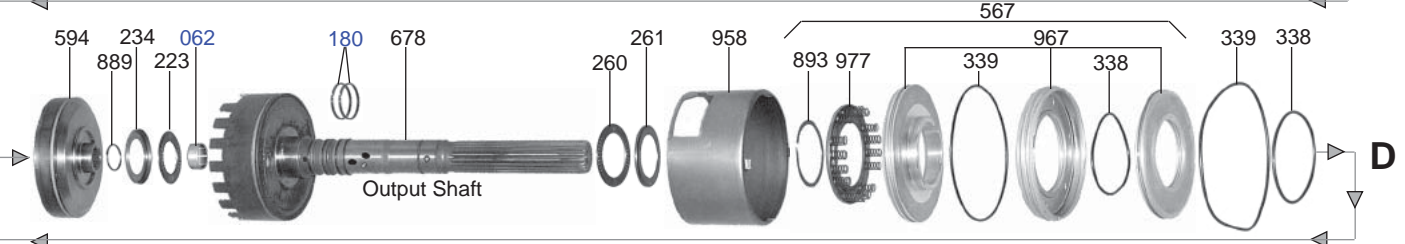
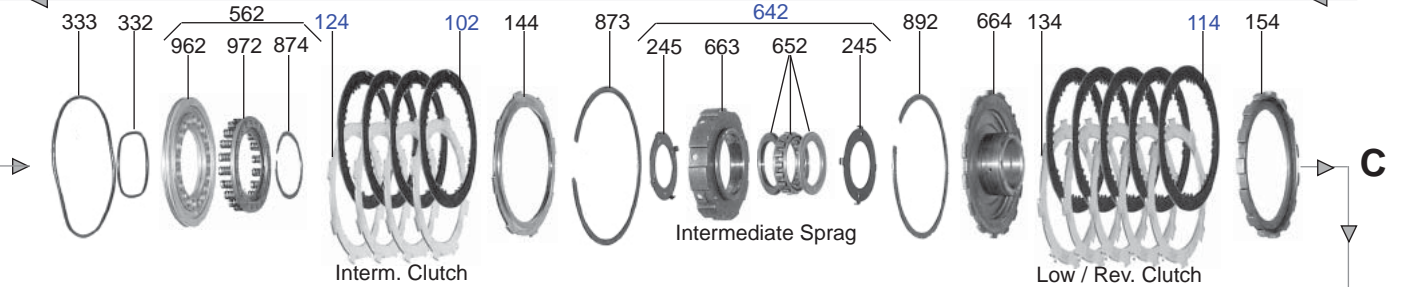
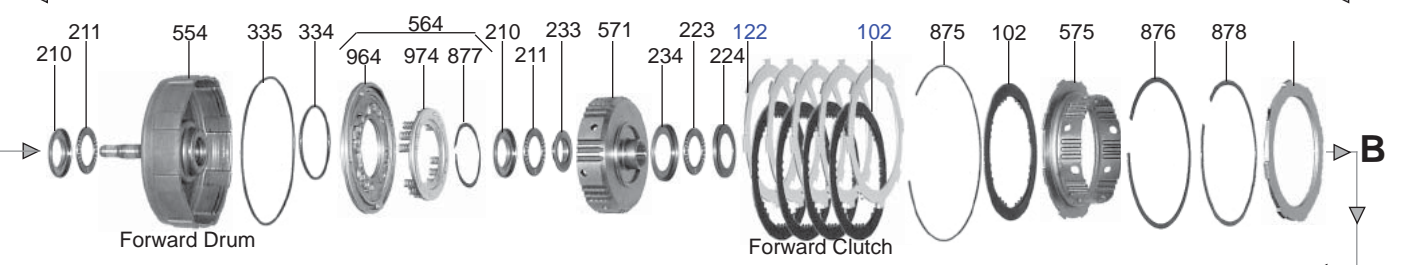
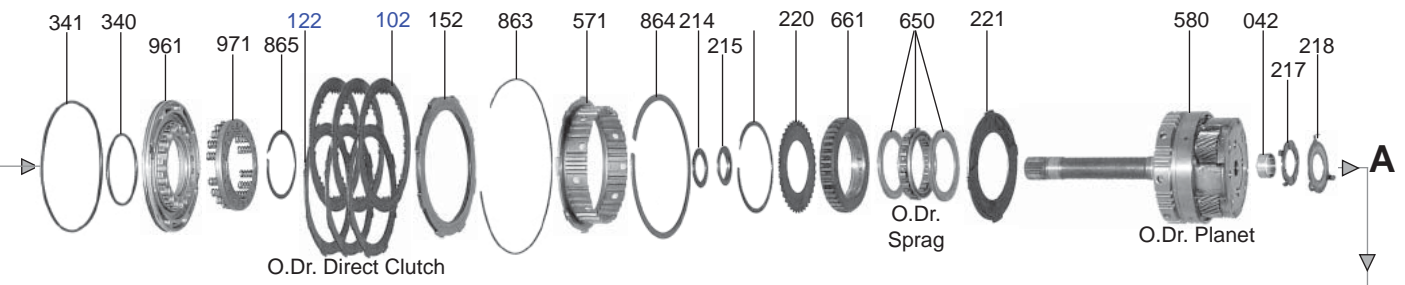
SAP #	IL#	OE	INDUSTRY	DESCRIPTION
OVERHAUL KIT				
B13002				Overhaul Kit M41 1975-Up
T13002				Overhaul Kit M41 1975-Up
MASTER L/STEELS KIT				
B13004				Master L/Steels Kit M41 (W/Out Transfer Case Plates) 1975-84
B13004B				Master L/Steels Kit M41 (W/Out Transfer Case Plates) 1985-Up
MASTER W/STEELS KIT				
B13006				Master W/Steels Kit M41 (W/Out Transfer Case Plates) 1975-84
B13006B				Master W/Steels Kit M41 (W/Out Transfer Case Plates) 1985-Up
B13006C				Master W/Steels Kit M41 (With Transfer Case Plates) 1985-Up
GASKET & RUBBER COMPONENTS				
27109T	34539-3600	66500		Gasket M41 M41A (13 Bolt) 1975-82 [Cork & Rubber]
27158	34539-3600F	66500F		Gasket M41 M41A (13 Bolt) 1975-92 [Fiber]
27104T	44539-7000 44037-7100	66500A		Gasket M41A Pan (14 Bolt) 1983-89 [Cork & Rubber]
27158C	31397-AA001 44037-7100F	66500AF		Gasket M41A Pan (14 Bolt) 1983-89 [Fiber]
27158D	31397-AA050	66500B		Gasket M41A Pan Indented (14 Bolt) 1990-94 [Fiber]
27178				Gasket M41 End Case 1975-82
27187				Gasket M41 Trans Case
27194				Gasket M41 Early Servo Cover
27177				Gasket M41 Pump
27197				Gasket M41 Pump
27179				Gasket M41 Side Cover
27199	31366-AA000			Gasket M41 Converter Housing 1975-82
27193				Gasket M41 Converter Housing 1983-92
27198				Gasket M41 End Case
27196				Gasket M41 Governor
METAL CLAD SEALS				
70305	80674-2110	66550J		Seal M41 Torque Converter (Front) 1975-Up
70311	80672-1020	66551A		Seal M41 M41A Intermediate Shaft 1983-Up
27114	80672-2040	66553		Seal M41 M41A Governor Case 1975-Up
27117	80672-7030	66548		Seal M41 M41A Differential Right 1975-Up
70307	80672-7040	66549		Seal M41 M41A Differential Left 1975-Up
70306				Seal M41 M41A Stator Front 1982-Up
27111	80673-2020	66552		Seal M41 M41A Stator Rear 1975-79
27115	80672-8030	66552A		Seal M41 M41A Stator Rear 1980-82
27148	80672-8050	66556A		Seal M41 M41A Stator Rear 1982-Up
70308	80674-0030	66545		Seal M41 Reduction Drive Gear [2.280 OD 1.570 ID] 1983-Up
70304	80674-2130	66551		Seal M41 M41A Differential & Reduction Case 1975-85
OIL SEALING RINGS				
30621	31880-AA000	45307T		Ring M41 M41A Governor Large (1.70 OD) 1975-Up [PTFE]
30620	31879-AA000	87307T		Ring M41 M41A Governor Small (0.95 OD) 1975-Up [PTFE]
30502	31377-A000	87300		Ring M41A Input Shaft 1979-Up [Metal]
FRICTION CLUTCH				
27024	34079-8720	66503		Friction M41 M41A Low Reverse [5.11 OD 45 Teeth 0.093 THK] 1983-84
27026	34079-8710	66504A		Friction M41 M41A Low Reverse [5.66 OD 13 Teeth 0.093 THK] 1975-82
27120	31588-AA040	66404		Friction M41 M41A Transfer Extension [3.70 OD 33 Teeth 0.115 THK] 1983-Up
27124R				Friction M41 M41A Low Reverse [5.30 OD 48 Teeth 0.090 THK] 1985-Up
27130				Friction Module M41 3 speed W/Out Transfer Case Plates 1975-84
27138R				Friction Module M41 3 speed W/Out Transfer Case Plates 1982-94
27132R				Friction Module M41 3 speed W/Out Transfer Case Plates 1987-94
STEEL CLUTCH				
27121	31589-AA000	66405		Steel M41 M41A Transfer Case [2.83 ID 48 Teeth 0.072 THK] 1983-Up
27029	34425-8710	66506		Steel M41 M41A Low Reverse [4.41 ID 13 Teeth 0.071 THK] 1983-84
27123	31666-AA000	66506A		Steel M41 M41A Low Reverse [5.70 ID 13 Teeth 0.091 THK] 1985-Up
27131				Steel Module M41 W/Out Transfer Case Plates 1975-84
27133				Steel Module M41 W/Out Transfer Case Plates 1985-94
27139				Steel Module M41 M41A With Transfer Case Plates 1982-94
FILTER				
27040	31728-X0100	66423		Filter M41 1975-92
BANDS				
27146	0338-19-360B	66320J		Band M41 Intermediate 1975-Up
BUSHINGS				
27136	48489-7000	66011		Bushing M41 M41A Oil Pump Carrier (0.83 OD) (0.59 ID) 1975-89 [Steel]
HARD PARTS				
27154	44084-7000	66411P		Gear M41 Governor (11 Teeth-With Pin) (1.715in Long) 1975-79

SAP #	IL#	OE	INDUSTRY	DESCRIPTION
METAL CLAD SEALS				
25212		90210-08004	58202	Seal A20 Manual Lever 1968-75
25110		90311-50042	48226	Seal A10 Pump 1965-70
25210		90311-42083	58826	Seal A20 Pump 1968-75
70236				Seal A30 Pump 1968-79
70238		90311-08044	48202	Seal A10 A20 Throttle Shaft 1969-87
FRICTION CLUTCH				
25222T		35883-12010	58221	Friction A20 Reverse [5.20 OD 22 Teeth 0.099 THK] 1968-75
25220T		35633-12010	58206	Friction A20 Forward [4.25 OD 8 Teeth 0.098 THK] 1968-75
25320T		35633-30010	49206	Frcition A30 Front [4.99 OD 24 Teeth 0.094 THK] 1968-78
STEEL CLUTCH				
25121		35634-31010	48306	Steel A10 Direct [3.53 ID 6 Teeth 0.066 THK] 1965-70
25221		35634-12010	58205	Steel A20 Forward [3 36 ID 6 Teeth] 1968-75
25223		35884-12010	58222	Steel A20 Reverse [4.57 ID 6 Teeth 0.068 THK] 1968-75

A40 thru A46DL

RWD 3 & 4 Speed





A40 (Volvo AW55 BW55) (03-55) / A41 (03-56) / A43 (03-75) [3 Speed]
A40D 1977-82 (03-50) • 1983-85 (03-51) / A40D (03-60) [4 Speed Non Lockup]
A42D (Volvo AW70) (03-70) / A43D (Volvo AW71) (03-71) / A44D (03-72) [4 Speed Non Lockup]
A42DL (Volvo AW70L) (03-70L) / A43DL (Volvo AW72L) (03-71L) [4 Speed Lockup]
A44DL A44DL A45DL A45DF (Volvo AW72L) (03-72L) (Mitsubishi AW372L) [4 Speed Lockup]
A43DE (03-71LE) / A44DE (03-72LE) [4 Speed Electronic - Lockup]

SAP #	IL#	OE	INDUSTRY	DESCRIPTION
PAPER & RUBBER KIT				
T57000A				Paper & Rubber Kit A40 A41 A43 (AW55 Volvo) 1973-Up
T57000CC				Paper & Rubber Kit A40D A42D A43D 1977-Up
T57000EC				Paper & Rubber Kit A42DL A43DE A43DL A44DL A46DE A46DF 1982-Up
OVERHAUL KIT				
T57002A				Overhaul Kit A40 A41 A43 (AW55 Volvo) 1973-Up
B57002A				Overhaul Kit A40 A41 A43 (AW55 Volvo) 1973-Up
B57002CB				Overhaul Kit AW70 AW71 AW72 (Volvo) 1979-Up
T57002CB				Overhaul Kit AW70 AW71 AW72 (Volvo) 1979-Up
TF57002CB				Overhaul Kit AW70 AW71 AW72 (Volvo) 1979-Up (Fiber)
B57002CC				Overhaul Kit A40D A42D A43D 1976-Up
T57002CC				Overhaul Kit A40D A42D A43D 1976-Up
B57002EC				Overhaul Kit A42DL A43DE A43DL A44DE A44DL A46DE A46DF 1982-Up
T57002EC				Overhaul Kit A42DL A43DE A43DL A44DE A44DL A46DE A46DF 1982-Up
TF57002EC				Overhaul Kit A42DL A43DE A43DL A44DE A44DL A46DE A46DF 1982-Up (Fiber)
T57002G				Overhaul Kit A43D A43DE A43DL A46DE A46DF 1981-Up
T57002H				Overhaul Kit A43DL A44DL A45DL 1984-Up
B57002H				Overhaul Kit A43DL A44DL A45DL 1984-Up
T57002Y				Overhaul Kit BW55 (Volvo) 1974-84
MASTER L/STEELS KIT				
B57004C				Master L/Steels A42DL A44DL A45DL AW372 1984-94
B57004CC				Master L/Steels Kit A40D A42DL 1977-93
B57004HC				Master L/Steels Kit A42DL A43DE A43DL A44DL A45DL 1982-84
T57004HC				Master L/Steels Kit A42DL A43DE A43DL A44DL A45DL 1982-84
B57004P				Master L/Steels Kit A46DE A46DF 1990-Up
T57004Y				Master L/Steels Kit BW55 (Volvo) 1974-84
MASTER W/STEELS KIT				
B57006A				Master W/Steels Kit A40 A41 A43 (AW55 Volvo) 1973-Up
B57006C				Master W/Steels A42DL A44DL A45DL AW372 1984-94
T57006C				Master W/Steels A42DL A44DL A45DL AW372 1984-94
T57006CB				Master W/Steels AW70 AW71 AW72 (Volvo) 1979-96
B57006CC				Master W/Steels Kit A40D A42DL 1977-93
B57006HC				Master W/Steels Kit A42DL A43DE A43DL A44DL A45DL 1982-Up
T57006HC				Master W/Steels Kit A42DL A43DE A43DL A44DL A45DL 1982-Up
TF57006HC				Master W/Steels Kit A42DL A43DE A43DL A44DL A45DL 1982-Up (Fiber)
B57006P				Master W/Steels Kit A46DE A46DF 1990-Up
B57006T				Master W/Steels Kit A44DE 1992-Up
T57006Y				Master W/Steels Kit BW55 (Volvo) 1974-84
SUPER KIT				
B57008A				Super Kit A40 A41 A43 (AW55 Volvo) 1973-Up [Includes Bushing Kit, Filter]
B57008CC				Super Kit A40D A42DL 1977-86 [Includes Bushing Kit, Filter]
B57008DA				Super Kit A43D 1979-96
B57008FC				Super Kit A43DE 1983-86 [Includes Bushing Kit, Filter]
B57008HC				Super Kit A42DL A43DL A44DL A45DL 1982-Up [Includes Bushing Kit, Filter]
GASKET & RUBBER COMPONENTS				
25552	35147-22010			D-Ring A40 (All Series) Pump 1973-79
25409T	35168-22011	67920		Gasket A40 (All Series) Oil Pan 1973-Up [Cork & Rubber]
25418	35168-22010	67920F		Gasket A40 (All Series) Oil Pan 1973-Up [Fiber]
25755	35182-22010	67564		Gasket A40 A40D A41 A42D A42DL A43 A43D A43DL A44D A44DL Extension Housing
25497171				Gasket A40 AW55 Valve Body (Lower)
25497174				Gasket A40 AW55 Valve Body (Upper)
25497170	35144-22010			Gasket A40 (All Series) Case Rear Cover 1973-Up
25470	04450-45007P	67501F		Gasket A40 A41 A43 (BW55 Volvo) Filter 1973-86
25509	35339-30030	67501		Gasket A40D Filter 1977-85
25654	35339-30050	67501B		Gasket A42D A43D A44D Filter 1979-Up
25756	35339-14010	67501A		Gasket A42DL 43DL 44DL 45DL 45DF Filter 1982-Up
25597200	35433-14020	67512A		Gasket A40D Valve Body #1 1981-Up
25597201	35434-14020	67513A		Gasket A40D Valve Body #2 1981-Up
25597198	35436-30040			Gasket A40D Valve Body #4
25597193				Gasket A40D Valve Body (Lower)
25597192				Gasket A40D Valve Body (Upper)
25597197	35435-14020			Gasket A40D Valve Body Plate #3
25597195	35435-30010			Gasket A40D Valve Body Plate #3

A40 (Volvo AW55 BW55) (03-55) / A41 (03-56) / A43 (03-75) [3 Speed]
A40D 1977-82 (03-50) • 1983-85 (03-51) / A40D (03-60) [4 Speed Non Lockup]
A42D (Volvo AW70) (03-70) / A43D (Volvo AW71) (03-71) / A44D (03-72) [4 Speed Non Lockup]
A42DL (Volvo AW70L) (03-70L) / A43DL (Volvo AW72L) (03-71L) [4 Speed Lockup]
A44DL A44DL A45DL A45DF (Volvo AW72L) (03-72L) (Mitsubishi AW372L) [4 Speed Lockup]
A43DE (03-71LE) / A44DE (03-72LE) [4 Speed Electronic - Lockup]

SAP #	IL#	OE	INDUSTRY	DESCRIPTION
GASKET & RUBBER COMPONENTS -- continued				
25597196		35436-14020		Gasket A40D Valve Body Plate #4
25597194		35436-30020		Gasket A40D Valve Body Plate #4
25655				Gasket A42DL A44DL A45DL (AW70 AW71 Volvo) Valve Body (Lower)
25656			67512B	Gasket A42DL A44DL A45DL (AW70 AW71 Volvo) Valve Body (Upper)
25651			67513C	Gasket A43D AW72 KM148 Valve Body (Lower)
25680			67512E	Gasket A43D AW72 KM148 Valve Body (Upper)
25752				Gasket A43D Separator Plate
25753				Gasket A43D Separator Plate
25653		35435-30030		Gasket A43D Separator Plate
25650				Gasket A43D Valve Body
25697208				Gasket A43DE A46DE A46DF Valve Body (Lower)
25697207				Gasket A43DE A46DE A46DF Valve Body (Upper)
25766		35339-30060	67501C	Gasket A43DE Filter 1983-Up
25697210		35223-30010		Gasket A43DE Lock Up Relay Cover
25697209		35153-30010		Gasket A43DE Lower Cover
2569713		35478-30010		Gasket A43DE Solenoid
25697211		35435-30040		Gasket A43DE Valve Body #3
25697206		35436-30050		Gasket A43DE Valve Body #4
25697208A		35436-35010		Gasket A43DE A46DE A46DF Valve Body (Aux Lower 9/2000-04)
25697207A		35434-35010		Gasket A43DE A46DE A46DF Valve Body (Lower 9/2000-04)
25497546		04550-45011C		Gasket BW55 (Volvo) Extension Housing 1974-82
25497541		57107		Gasket BW55 (Volvo) Oil Galley Cover (In Extension Housing)
25497542				Gasket BW55 (Volvo) Valve Body (Lower)
25497543				Gasket BW55 (Volvo) Valve Body (Upper)
25551				Grommet A40D Valve Body
1994584		90301-09173		O-Ring A40 (All Series) Filler Tube & Throttle Cable 1973-Up
1994582		90301-99009		O-Ring A40 (All Series) Overdrive Clutch Inner (Green Teflon Coated)
1994583		90301-99008		O-Ring A40 (All Series) Overdrive Clutch Outer (Light Blue Teflon Coated)
1995562		90301-99006		O-Ring A40 (All Series) Overdrive Housing To Case
1994576		90301-99010		O-Ring A40 (All Series) Pump 1979-Up
1995564		90301-18018		O-Ring A40 (All Series) Speedometer 1973-Up
1994157		0734-313-163		O-Ring A40 A41 A43 Intermediate
1994577		90301-84148		O-Ring A40 A41 A43 Rear Clutch Outer
1994122		045514-10134Y		O-Ring BW55 (Volvo) Accumulator Piston
25350		90310-09001		Seal A40 (All Series) Speedometer Shaft Felt 1973-Up
METAL CLAD SEALS				
70042				Seal A40 (All Series) Rear (Without Felt) (38 X 58 X 11mm)
70143		8-94155-373-0	66557A	Seal A42D A42DL Rear (38.5 X 49.2 X 8mm) 1986-Up
70129		MD951482	47157	Seal A44D A44DL Rear (39.5 X 57.1 X 13.2mm)
70040		90310-09001	89157	Seal A40 A41 A43 Speed-O Shaft
70351		90311-38020		Seal A40 (All Series) Front Pump
70371				Seal A40 A41 A43 Linkage (Manual Lever)
70039		90311-11128		Seal A40 A41 A43 Linkage (Manual Lever)
70113		235728-3		Seal AW55 BW55 AW70 AW71 (Volvo) Rear (36 X 49.5 11mm)
70214		380192-5		Seal BW55 (Volvo) Speed-O Shaft
OIL SEALING RINGS				
TBI-54		35617-22020	67228	Ring A40 (All Series) Forward Direct Overdrive Drum [2.029 OD] 1973-81 [Metal]
TAW-1344			87302	Ring A40 Series Forward Direct Overdrive Drum (2.046 OD) 1981-Up [Metal]
30512			67232T	Ring A40 Series Intermediate Shaft [0.055 OD] [PTFE]
TBI-55		35735-22010		Ring A40 Series Output Shaft (1.312 OD) [Metal]
TAW-1343		35749-30010	67231	Ring A40 Series (Except BW55) Sun Gear [1.752 OD] [Metal]
TAW-1119		0445-016-002A	67226	Ring A40 (BW55) Sun Gear 1980-Up [Metal]
TBI-56		35749-22010		Ring A40 (All Series) Sun Gear Shaft [Metal]
TBI-53		35617-22010		Ring A40 A41 A43 Forward Drum (2.029 OD) 1973-81 [Metal]
6078				Ring Kit A40 A41 A43 (AW55 BW55 Volvo) 1973-86 (17 Metal 1 PTFE Rings)
6085				Ring Kit A40D A42D A44D 1977-Up (21 Metal 1 PTFE Rings)
6053				Ring Kit A43D A42DL 8-1981-Up (14 Metal 1 PTFE Rings)
6140				Ring Kit A43D/DL/DE 1981-94 (14 Metal 3 PTFE Rings)
6139				Ring Kit A42D A43D (AW70 AW71 AW72 Volvo) 1982-Up (7 Metal 8 PTFE Rings)
6160				Ring Kit BW55 (Volvo) (10 Metal Rings)

A40 (Volvo AW55 BW55) (03-55) / A41 (03-56) / A43 (03-75) [3 Speed]
A40D 1977-82 (03-50) • 1983-85 (03-51) / A40D (03-60) [4 Speed Non Lockup]
A42D (Volvo AW70) (03-70) / A43D (Volvo AW71) (03-71) / A44D (03-72) [4 Speed Non Lockup]
A42DL (Volvo AW70L) (03-70L) / A43DL (Volvo AW72L) (03-71L) [4 Speed Lockup]
A44DL A44DL A45DL A45DF (Volvo AW72L) (03-72L) (Mitsubishi AW372L) [4 Speed Lockup]
A43DE (03-71LE) / A44DE (03-72LE) [4 Speed Electronic - Lockup]

SAP #	IL#	OE	INDUSTRY	DESCRIPTION
FRICITION CLUTCH				
25420		35677-22010	67100	Friction A40 Series Forward - Direct - Intermediate - Overdrive - Overdrive Direct [5.00 OD 24 teeth 0.091 THK]
25420T		35677-22010	67100	Friction A40 Series Forward - Direct - Intermediate - Overdrive - Overdrive Direct [5.00 OD 24 teeth 0.091 THK]
25424R		35677-22060	67123	Friction A40 Series Intermediate Brake #2 [5.00 OD 24 Teeth 0.079 THK] 1985-Up
25424T		35677-22060	67123	Friction A40 Series Intermediate Brake #2 [5.00 OD 24 Teeth 0.079 THK] 1985-Up
25422		35633-30060	67103	Friction A40 Series Low Reverse [5.00 OD 16 Teeth 0.091 THK] 1973-Up
25422T		35633-30060	67103	Friction A40 Series Low Reverse [5.00 OD 16 Teeth 0.091 THK] 1973-Up
25620R		35677-30010	67110	Friction A43D Overdrive Direct [5.60 OD 44 Teeth 0.091 THK] 1979-81
25620T		35677-30010	67110	Friction A43D Overdrive Direct [5.60 OD 44 Teeth 0.091 THK] 1979-81
25822R		35677-32040	89100	Friction A43DE A43DL 1st/Reverse [5.60 OD 33 Teeth 0.067 THK] 1982-Up
25822T		35677-32040	89100	Friction A43DE A43DL 1st/Reverse [5.60 OD 33 Teeth 0.067 THK] 1982-Up
25480				Friction Module A40 A41 A43 (AW55 Volvo) 3 Speed 1973-Up
25480R				Friction Module A40 A41 A43 (AW55 Volvo) 3 Speed 1973-Up
25580				Friction Module A40D A43D 1977-93
25780				Friction Module AW70 AW71 1979-96
25670R				Friction Module A42DL A43D A43DE A43DL A44DL A45DL 1981-84
25670T				Friction Module A42DL A43D A43DE A43DL A44DL A45DL 1981-84
26780R				Friction Module A42DL A44 A45DL 1984-94
26780T				Friction Module A42DL A44 A45DL 1984-94
25670A			44752G	Friction Module A42DL A44DL A45DL 1984-Up
25672R				Friction Module A43D A43DL A43DE 1982-Up
25670B			44752D	Friction Module A43DL A43DE With Thin Intermediate Plates 1984-Up
25670C				Friction Module A44DE 1992-Up
25674R				Friction Module A46DE A46DF 1990-Up
25674T				Friction Module A46DE A46DF 1990-Up
STEEL CLUTCH				
25421		35634-22030	67101	Steel A40 (All Series) Intermediate Brake #2 - Overrun Brake #1 [4.0 ID 8 Teeth] 1973-Up
25427A		35648-30010	67122	Steel A40 (All Series) Intermediate Brake #2 - Overrun Brake #1 [4.00 ID 0.079 THK]
25427		35648-30020	67107	Steel A40 (All Series) Intermediate Brake #2 [4.0 ID 8 Teeth 0.092 THK] 1980-Up
25427B		35648-22010	67108	Steel A40 (All Series) Intermediate Brake #2 [4.01 ID 8 Teeth 0.118 THK] 1985-Up
25423B		35634-30090	67111A	Steel A40 (All Series) Forward & Direct [4.0 ID 8 Teeth-Short 0.055 THK] 1981-Up
25423A		35634-30120	67111B	Steel A46DE A46DF Forward & Direct [4.00 ID 8 Teeth 0.091 THK] 1990-Up
25423		35634-22070	67102	Steel A40 (All Series) Forward - Direct - Overdrive Direct [4.0 ID 8 Teeth 0.071 THK] 1973-Up
25723		35634-30070	67111	Steel A40 (All Series) Forward - Direct - Overdrive Direct [4.0 ID 8 Teeth 0.079 THK] 1980-Up
25721		35634-30080	67127	Steel A40 (All Series) Overdrive [4.60 ID 7 Teeth 0.079 THK] 1981-Up
25721A		35634-30010	67124	Steel A40 (All Series) Overdrive [4.60 ID 7 Teeth 0.091 THK]
25425		35634-22020	67104	Steel A40 (All Series) Low Reverse [4.0 ID 15 Teeth 0.071 THK] 1973-Up
25481				Steel Module A40 A41 1972-86
25581				Steel Module A40D A42DL 1977-93
25781				Steel Module AW70 AW71 1979-86
26781				Steel Module A42DL A44 A45DL 1984-94
25671				Steel Module A43D A43DE A43DL 1979-Up
25671A				Steel Module A42DL A44DL A45DL 1984-Up
25671C				Steel Module A44DE 1992-Up
25673				Steel Module A46DE A46DF 1990-Up
FILTER				
25440		35303-22020	67423	Filter A40 A41 A43 (AW55 BW55 Volvo) 1972-82
25540		35303-30031	67424	Filter A40D A41D 1978-86
25640		35303-30050	67428	Filter A42D A43D (AW70 AW71 Volvo) 1981-Up
25740		35303-14010	67425	Filter A42DL A43DL A44DL A45DL A45DF 1982-Up
25940		35303-30060	67426	Filter A43DE A46DE A46DL 1983-Up
FILTER KIT				
25442			FK67423	Filter Kit A40 A41 A43 (AW55 BW55 Volvo) 1972-82 (With Cork & Rubber Pan Gasket)
25642			FK67428	Filter Kit A42D A43D (AW70 AW71 Volvo) 1981-Up (With Cork & Rubber Pan Gasket)
25642A			FK67428	Filter Kit A42D A43D (AW70 AW71 Volvo) 1981-Up (With Fiber Pan Gasket)
25742			FK67425	Filter Kit A42DL A43DL A44DL A45DL A45DF 1982-Up (With Cork & Rubber Pan Gasket)
25942			FK67426	Filter Kit A43DE A46DE A46DL 1983-Up (With Cork & Rubber Pan Gasket)
25942A			FK67426	Filter Kit A43DE A46DE A46DL 1983-Up (With Fiber Pan Gasket)

Toyota

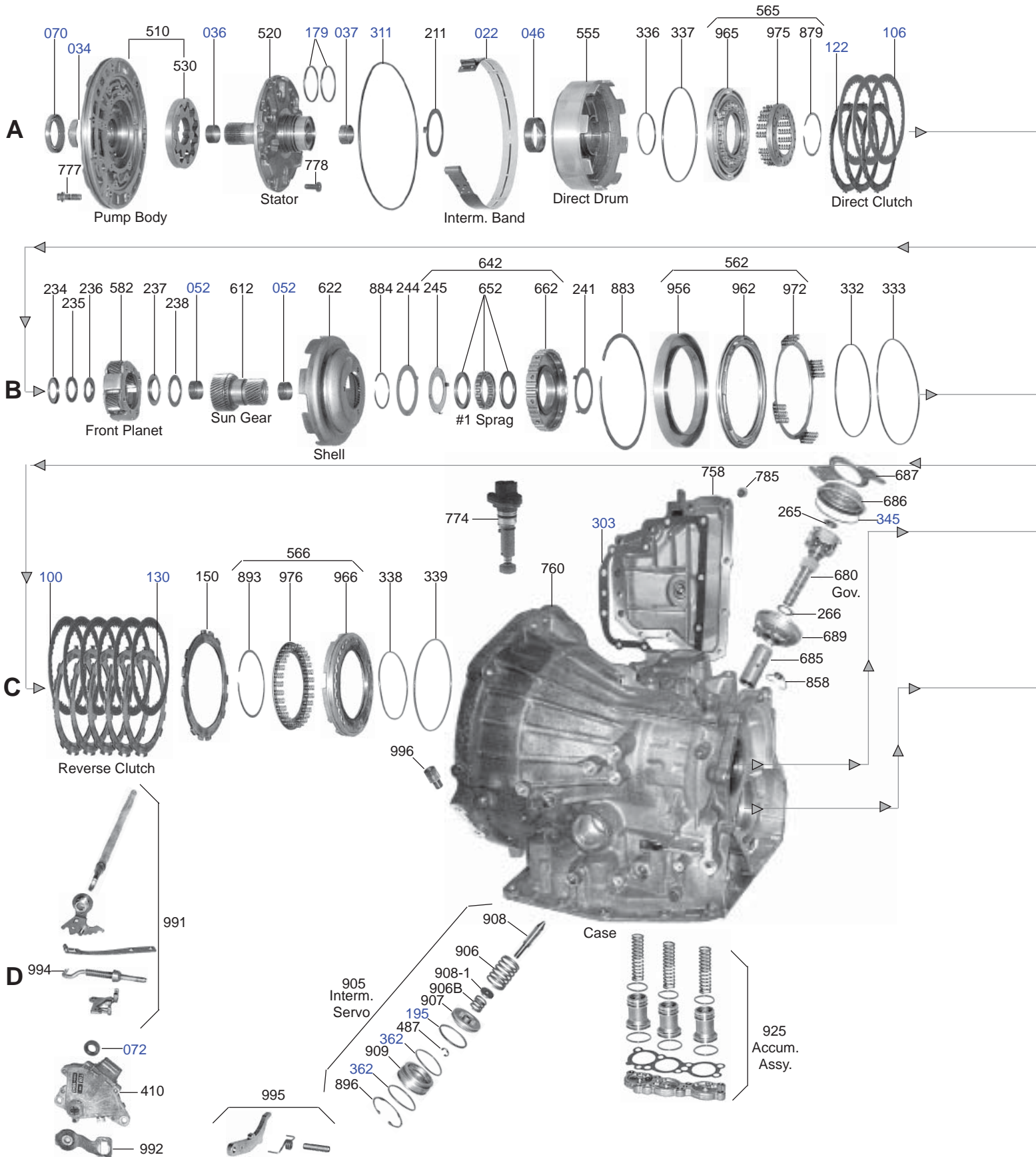
A40 (Volvo AW55 BW55) (03-55) / A41 (03-56) / A43 (03-75) [3 Speed]
A40D 1977-82 (03-50) • 1983-85 (03-51) / A40D (03-60) [4 Speed Non Lockup]
A42D (Volvo AW70) (03-70) / A43D (Volvo AW71) (03-71) / A44D (03-72) [4 Speed Non Lockup]
A42DL (Volvo AW70L) (03-70L) / A43DL (Volvo AW72L) (03-71L) [4 Speed Lockup]
A44DL A44DL A45DL A45DF (Volvo AW72L) (03-72L) (Mitsubishi AW372L) [4 Speed Lockup]
A43DE (03-71LE) / A44DE (03-72LE) [4 Speed Electronic - Lockup]

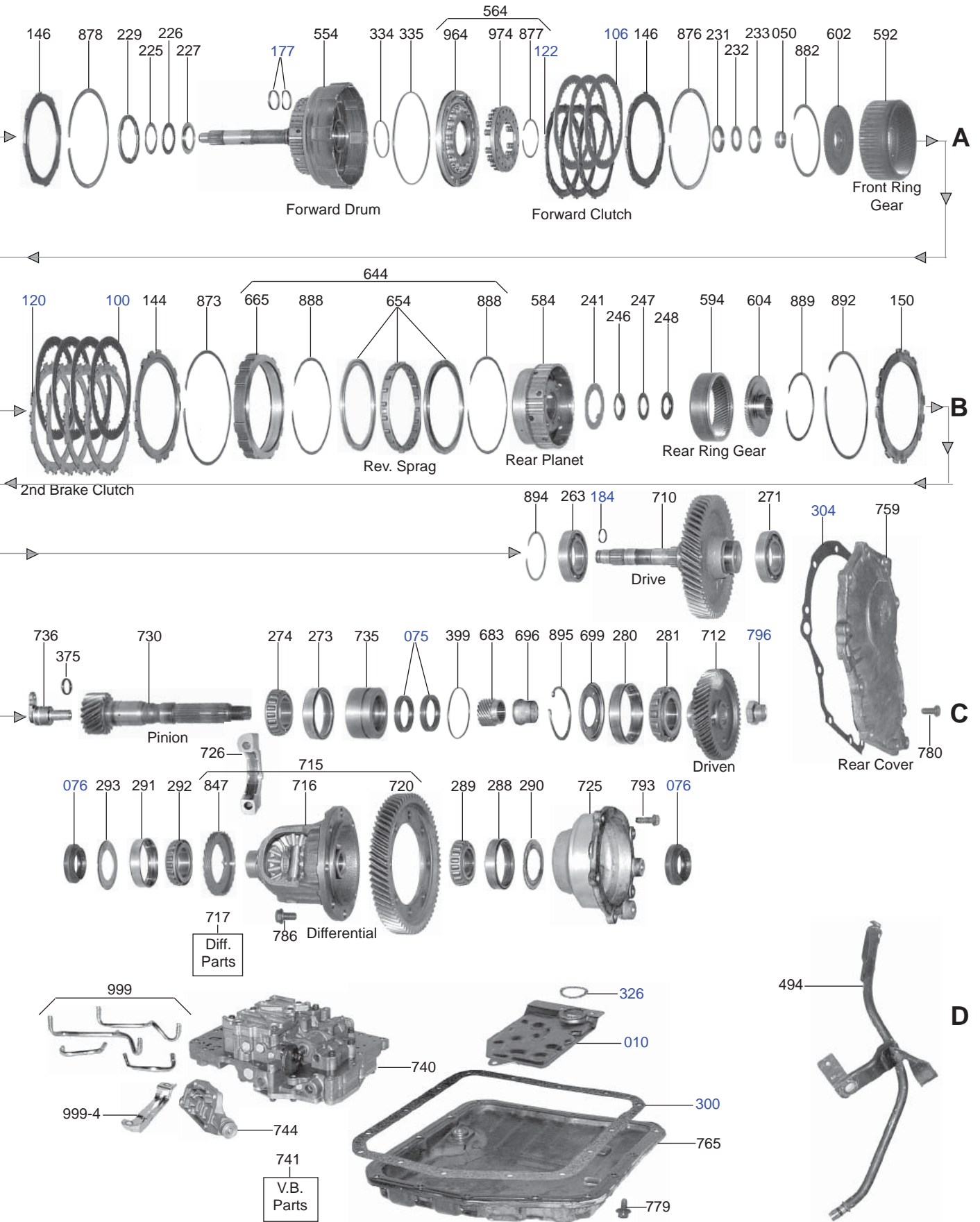
SAP #	IL#	OE	INDUSTRY	DESCRIPTION
BUSHINGS				
33383			12502	Bushing A40 (All Series) Case 1981-Up
25431	90999-72020		67006	Bushing A40 Extension Housing (1.65 OD) [Babbitt]
25436			67005	Bushing A40 (All Series) Output Shaft (0.83 OD) [Babbitt]
25435			67002	Bushing A40 (All Series) Stator (Front & Rear) (0.97 OD) (.848 ID) (.384 Wide) [Babbitt]
25430			67001	Bushing A40 (All Series) Pump Body
25434			67007	Bushing A40 (All Series) Sun Gear Shaft Front & Rear 1972-Up [Bronze]
25434A			67010	Bushing A40 (All Series) Overdrive Sun Gear Rear (1.03 OD) 1973- Up [Babbitt]
25433			67004	Bushing A40 (All Series) Center Support (1.56 OD) 1972-Up [Bronze]
25429				Bushing Kit A40 A41 A43 (AW55 BW55 Volvo) (11 Bushings)
WASHER & BEARINGS				
26757				Washer A43 A44 Thrust (2 Prong) 1979-Up [Plastic]
25684	35738-30010			Washer A43 Thrust Planetary 1979-Up
25455	35738-22010			Washer A40 Thrust Planetary 1973-Up
25682	35739-30010			Washer A43D/DL/DE Planetary 1979-Up
25466	35739-22011			Washer A40 Planetary 1973-Up
25683	35739-30020			Washer A43 A44D/DL Thrust Planetary (2 Prong) 1979-Up
25758				Washer Kit A40 (All Series) (2 Planetary Washers)
25457				Washer Thrust BW55 (Volvo) Planet - 2 Half Circle Tabs [3.42 OD 0.065in THK] 1974-81 [Plastic]
25456				Washer BW55 (Volvo) Thurst Planet 1974-81

SAP #	IL#	OE	INDUSTRY	DESCRIPTION
GASKET & RUBBER COMPONENTS				
25009T		35168-16010		Gasket A55 A55F Oil Pan 1979-87 [Cork & Rubber]
19315				O-Ring A55 A55F (18.32 x 2.86) 1969-87
19308		MD727944		O-Ring A55 A55F (82.95 x 2.70) 1979-87
METAL CLAD SEALS				
70238		90311-08044	48202	Seal A55 A55F Throttle Shaft 1969-87
70237		90311-10082	49837	Seal A55 A55F Manual Lever 1979-87
70228				Seal A55 A55F Extension Housing 1979-87
25011		90310-23001	87850	Seal A55 A55F Governor Pressure Adapter 1979-87
70291		90311-32006	87851	Seal A55 A55F Axle (Left & Right Side) 1979-87
OIL SEALING RINGS				
TBI-308		35735-30010		Ring A50 A55F (1.2598in x 0.0964in) 1979-87 [Metal]
TAW-1342		35746-16010		Ring A55 A55F Governor Support 1969-87 [Metal]
FRICTION CLUTCH				
25080				Friction Module A55 A55F 1979-87
STEEL CLUTCH				
25081				Steel Module A55 A55F 1979-87
FILTER				
25041		35303-16020	87710	Filter A55 1979-86 (Tercel 2WD)
HARD PARTS				
25051		35781-16010	101	Chain A55 A55F(0.3750 x 0.750 x 62) 1969-87 [OEM]

A130 / A131 / A132

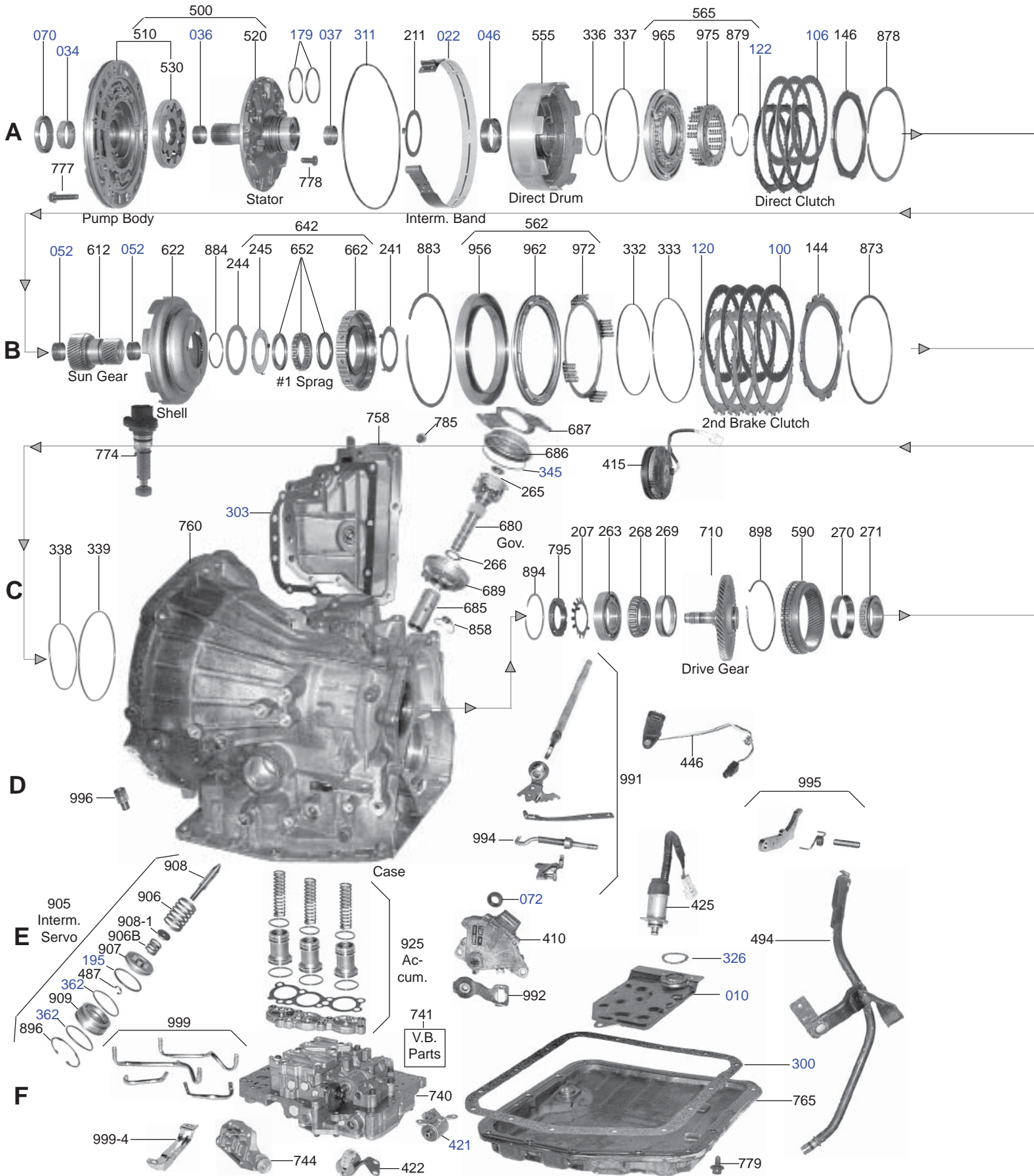
FWD 3 Speed





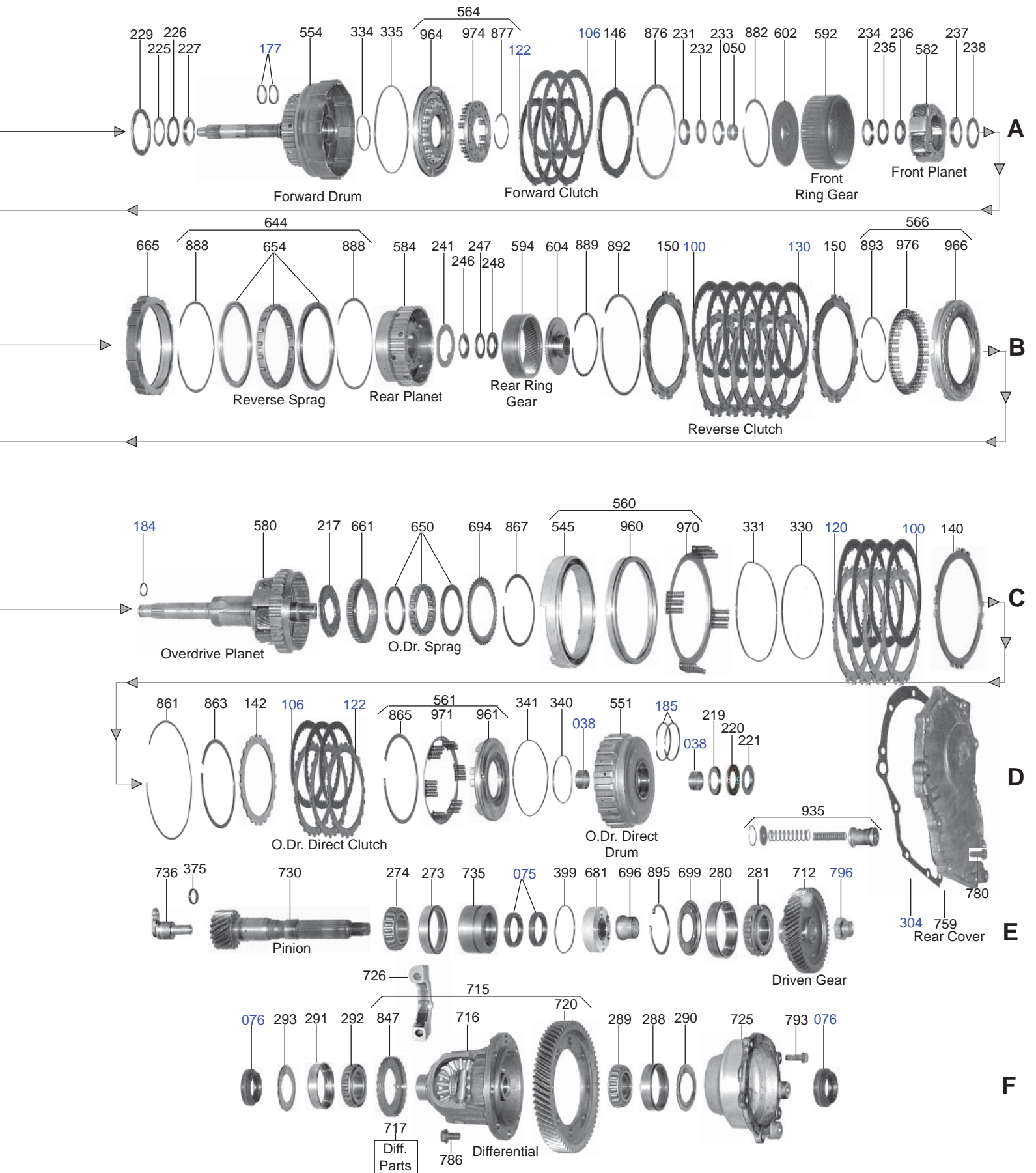
A140 / A141 / A142

FWD 4 Speed



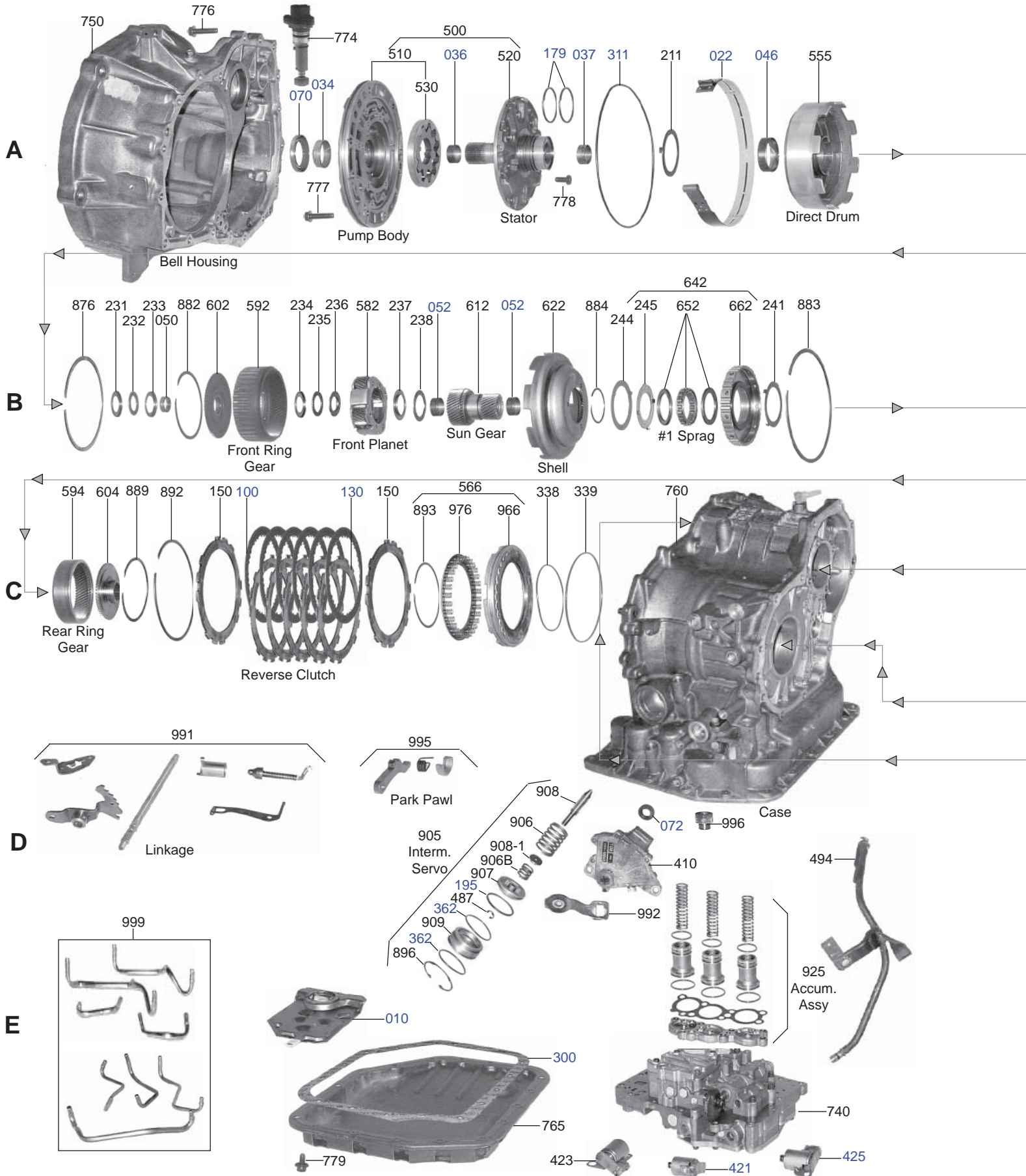
FWD 4 Speed

A140 / A141 / A142



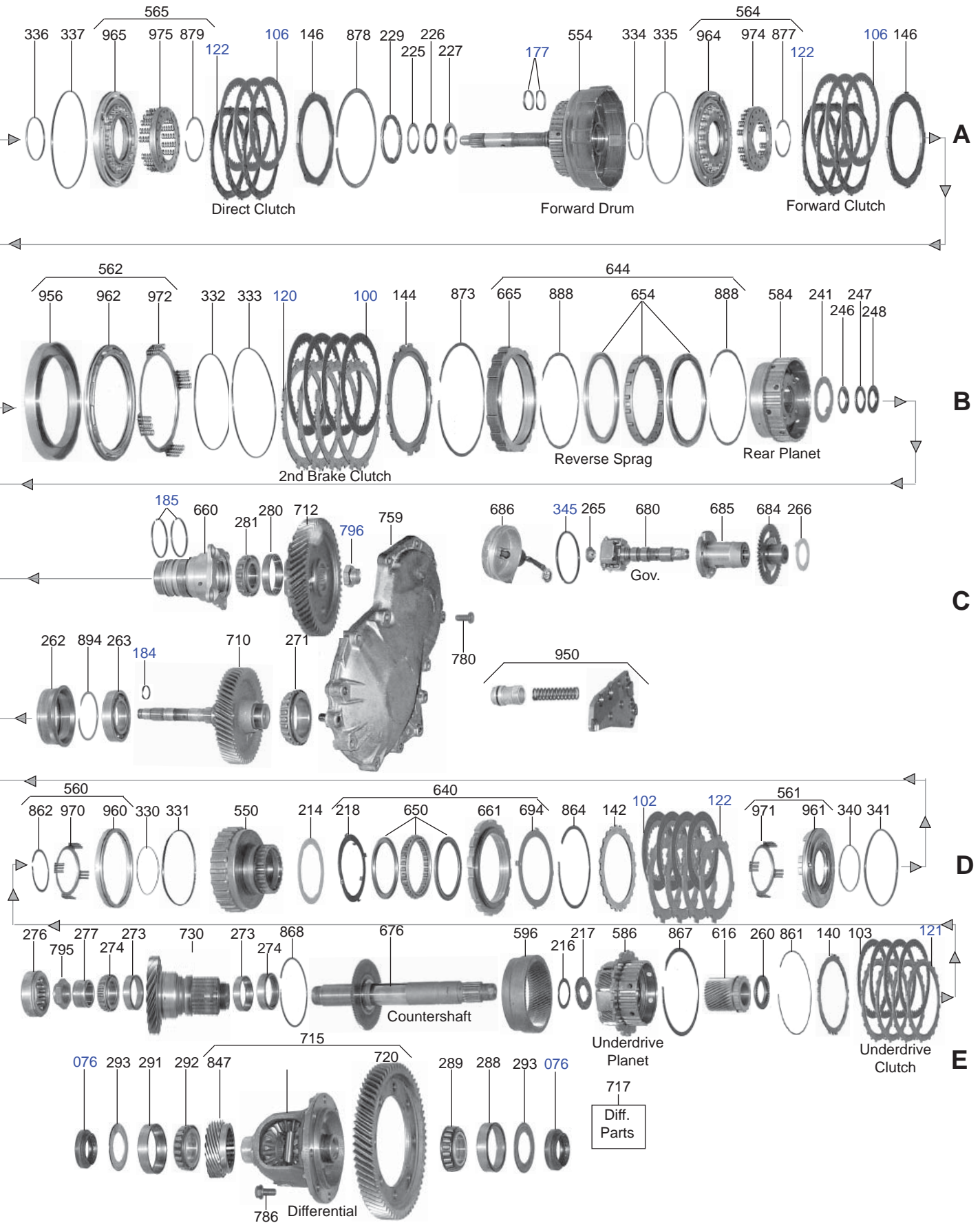
A240 Thru A247

FWD 4 Speed Underdrive



FWD 4 Speed Underdrive

A240 Thru A247



SAP #	IL#	OE	INDUSTRY	DESCRIPTION
PAPER & RUBBER KIT				
T67000B				Paper & Rubber Kit A130 A131 A132 1984-Up
OVERHAUL KIT				
B67002B				Overhaul Kit A130 A131 A132 1984-Up
T67002B				Overhaul Kit A130 A131 A132 1984-Up
TF67002B				Overhaul Kit A130 A131 A132 1984-Up (Fiber)
B67002C				Overhaul Kit A140 A141 A142 1983-Up
T67002C				Overhaul Kit A140 A141 A142 1983-Up
TF67002C				Overhaul Kit A140 A141 A142 1983-Up (Fiber)
B67002D				Overhaul Kit A240 A241 A242L A243L A244E 1985-Up
T67002D				Overhaul Kit A240 A241 A242L A243L A244E 1985-Up
TF67002D				Overhaul Kit A240 A241 A242L A243L A244E 1985-Up (Fiber)
B67002DA				Overhaul Kit A245E A246E A247E 1993-02
T67002DA				Overhaul Kit A245E A246E A247E 1993-02
TF67002DA				Overhaul Kit A245E A246E A247E 1993-02 (Fiber)
BF67002DB				Overhaul Kit A245E 2003-Up (Fiber)
TF67002DB				Overhaul Kit A245E 2003-Up (Fiber)
MASTER L/STEELS KIT				
B67004B				Master L/Steels Kit A130 A131 A132 1984-Up
B67004C				Master L/Steels Kit A140E/L A141E A142L 1983-Up
TF67004C				Master L/Steels Kit A140E/L A141E A142L 1983-Up (Fiber)
B67004D				Master L/Steels Kit A240 A241 A242L A243L A244E 1985-Up
B67004DA				Master L/Steels Kit A245E A246E A247E 1993-02
TF67004DA				Master L/Steels Kit A245E A246E A247E 1993-02 (Fiber)
BF67004DB				Master L/Steels Kit A245E 2003-Up
TF67004DB				Master L/Steels Kit A245E 2003-Up
MASTER W/STEELS KIT				
B67006B				Master W/Steels Kit A130 A131 A132 1984-Up
B67006C				Master W/Steels Kit A140E/L A141E A142L 1983-Up
T67006C				Master W/Steels Kit A140E/L A141E A142L 1983-Up
TF67006C				Master W/Steels Kit A140E/L A141E A142L 1983-Up (Fiber)
B67006D				Master W/Steels Kit A240 A241 A242L A243L A244E 1985-Up
T67006D				Master W/Steels Kit A240 A241 A242L A243L A244E 1985-Up
B67006DA				Master W/Steels Kit A245E A246E A247E 1993-02
BF67006DB				Master W/Steels Kit A245E 2003-Up
TF67006DB				Master W/Steels Kit A245E 2003-Up
SUPER KIT				
B67008B				Super Kit A130L A131L A132L 1984-Up
B67008CC				Super Kit A140E/L A141E A142L 1983-Up
B67008D				Super Kit A240E/L 241EL 243L 244E 1985-Up
GASKET & RUBBER COMPONENTS				
27675P				Check Ball 5.5mm Diameter [Plastic]
25809T	35168-32010	89500		Gasket A130 A140 Oil Pan 1983-Up [Cork & Rubber]
25809U	35168-32010	89500		Gasket A130 A140 Oil Pan 1983-Up [Ultracork]
25818	35168-32010	89500F		Gasket A130 A140 Oil Pan 1983-Up [Fiber]
25909T	35168-12020	89501		Gasket A240 A241 A242 A243 Oil Pan 1985-Up [Cork & Rubber]
25918	35168-12020	89501F		Gasket A240 A241 A242 A243 Oil Pan 1985-Up [Fiber]
25909AT	35168-12030	89504		Gasket A245E A246E A247E Oil Pan 1993-02 [Cork & Rubber]
25918A	35168-12030	89504F		Gasket A245E A246E A247E Oil Pan 1993-02 [Fiber]
25918B	35168-12060	89505F		Gasket A245E A246E Oil Pan 2003-Up [Fiber]
26511	35434-12010			Gasket Valve Body A240E
25807	35339-32010	89507		Gasket A130 A140 Filter
25997295	41182-12010			Gasket A131L Differential Cover
25897287	41182-32010			Gasket A140 Differential Cover
25997488	34112-20010			Gasket A140 Overdrive Cover 1983-86
25907	35339-12010	89508A		Gasket A240 A241 A242 A243 A244 Oil Filter 1985-Up
25907A	35339-12020	89508B		Gasket A245E A246E A247E Oil Filter 1993-Up
26597277	35478-32010			Gasket Forward Accumulator Cover
26197329				Gasket Forward Overdrive Cover
26597649				Gasket Oil Tube Housing to Case A241 1988-91
25997292	35144-12010			Gasket Overdrive Cover A130 A140
26597648				Gasket Pressure Regulator Body A241H 1988-91
26597279				Gasket Transfer Case Plate #2 A240
26597278	35172-12010			Gasket Transaxle Housing Cover A240
25897282	35433-32020			Gasket Valve Body #1 A140
25897293	35433-20040			Gasket Valve Body #1 A140
26597299				Gasket Valve Body #1 A240
26597650				Gasket Valve Body #1 A241 1988-91

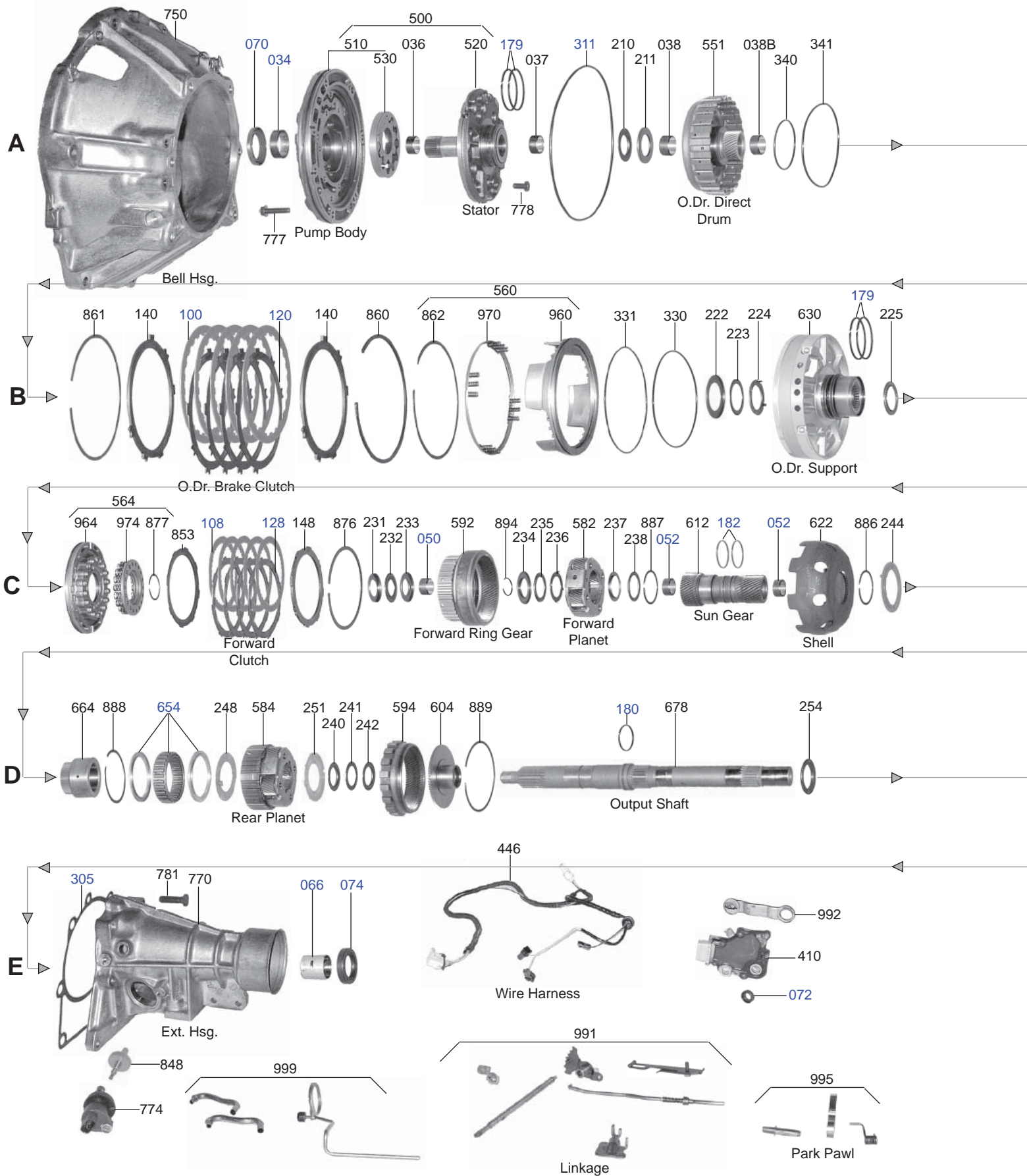
SAP #	IL#	OE	INDUSTRY	DESCRIPTION
GASKET & RUBBER COMPONENTS -- continued				
25897294		35434-20020		Gasket Valve Body #2 A140
26597651		35431-32010		Gasket Valve Body #2 A241 1988-91
26597300				Gasket Valve Body A240E
25997310		35477-12020		Gasket Valve Body Cover A130
25897280		35431-32010		Gasket Valve Body Cover A140
25897291		35477-32010		Gasket Valve Body Cover A140
25897281		35477-32021		Gasket Valve Body Cover A140
26597298				Gasket Valve Body Cover A240
26513		35477-12010		Gasket Valve Body Cover A240 A241 A244
25897290		35434-32020		Gasket Valve Body Lower A140
26514		35434-16030		Gasket Valve Body Lower A240L 241E 244E
25997283		35433-20020		Gasket Valve Body Upper A130
26512		35433-12020		Gasket Valve Body Upper A240E
25997297		35433-12030		Gasket Valve Body Upper A130
25906A				Gasket Valve Body Cover A245E 1993 (Corolla Paseo)
26597307				Gasket A240
1994630				O-Ring A130 A140 Differential Side Bearing Retainer
1994548				O-Ring A130 A140 Differential Drive Pinion
1994633				O-Ring A140 Overdrive brake Piston
1994634				O-Ring A140 Overdrive Clutch Piston Inner
1994727				O-Ring A140 1st and reverse Clutch Outer
1994725				O-Ring A140 A540 Overdrive First Clutch
1994117				O-Ring A240 A540E A340 Accumulator Piston
1994538				O-Ring A240 Forward Clutch Piston Inner
1994540				O-Ring A240 Second Brake Piston Inner
1994541				O-Ring A240 Second Brake Piston Outer
1994546				O-Ring A240 Solenoid Valve Body
1994537				O-Ring A240 Underdrive Clutch Outer
1995563		96711-24018		O-Ring A130 A140 Speedometer 1983-Up
1994539		90301-41002		O-Ring A130 140 240 Series Servo Cover 1983-Up
1994636		90301-67001		O-Ring A130 A140 Governor Cover
1994584		90301-09173		O-Ring A130 A140 A240 Filler Tube & Throttle Cable 1983-Up
1994536		90301-99024		O-Ring A130 A140 A240 Pump
1994545		90301-68001		O-Ring A240 Governor Cover 1985-Up
1995509		96711-24030		O-Ring A240 Speedometer 1985-Up
1994635		90301-06004		O-Ring A140
1994549		96721-24013		O-Ring A140
1994637		90301-99021		O-Ring A130L 131L 132L Forward Return & 2nd Clutch Inner
1994579		90301-99016		O-Ring A130 A140 A240-Series Clutch Piston
25899		41231-32010		Pinion Crush Collar A140E 1983-94
26575052		35148-12010		Seal A240 Governor Apply #2
25857		35159-20010		Seal Brake Drum 23mm A245
25856		35159-32011		Seal Brake Drum 36mm A540E A541E 1988-Up
25875055		35179-32010		Seal Overdrive Brake A140
8120ES				Seal Up Kit A130 A131 A132 L 1985-Up
8126ES				Seal Up Kit A140E/L 1983-Up
8127ES				Seal Up Kit A240E/L 1985-Up
25964170				Sleeve for Speedo Seal Installer
METAL CLAD SEALS				
70351		90311-38020	67550	Seal A130 A140 A240 Front Pump 1983-Up
70093		90311-34005	89152	Seal A131 A132L A141E Axle (Left & Right Side) (2.137 OD) 1983-Up (Covers A240 A244 A245 Axle Right)
70091		90311-35010	89154	Seal A130L A140E A140L Axle (Left & Right Side) (2.18 OD) 1983-Up (Covers A241 A243 A247 Axle Right)
70096		90311-35020	89158A	Seal A241 A243 A247 Axle Left (2.492 OD) 1985-Up
70045		90311-12002	78197	Seal A130 A140 A240 Manual Lever 1983-Up
70280		90311-44004	89154A	Seal A241H Axle Right 1988-91
70090		90310-34005	89156	Seal A130 A140 Differential Shaft 1983-Up
70040		90310-09001	89157	Seal A130 A140 A240 Speedometer Shaft 1983-Up
OIL SEALING RINGS				
30525		35865-32010	89307T	Ring A130 A140 A240 2nd Coast Servo [PTFE]
TAW-1344		35617-16010	87302	Ring A130 A140 A240 Direct Clutch [Metal]
30528		35712-32010	89301T	Ring A130 A140 A240 Forward (Input) Clutch [PTFE]
30524		35748-32010	89306T	Ring A130 A140 A240 Intermediate Shaft [PTFE]
30526		35617-32011	89300T	Ring A130 A140 A240 Stator Shaft [PTFE]
6086				Ring Kit A130 A140 Series A240 Series 1983-Up (2 Metal 6 PTFE Rings)
6351				Ring Kit A245E 246E 247E 1993-Up (2 Metal 8 PTFE Rings 1 Plastic Ring)
6371				Ring Kit A245E 2003-Up (2 Metal 7 PTFE Rings 1 Plastic Ring)

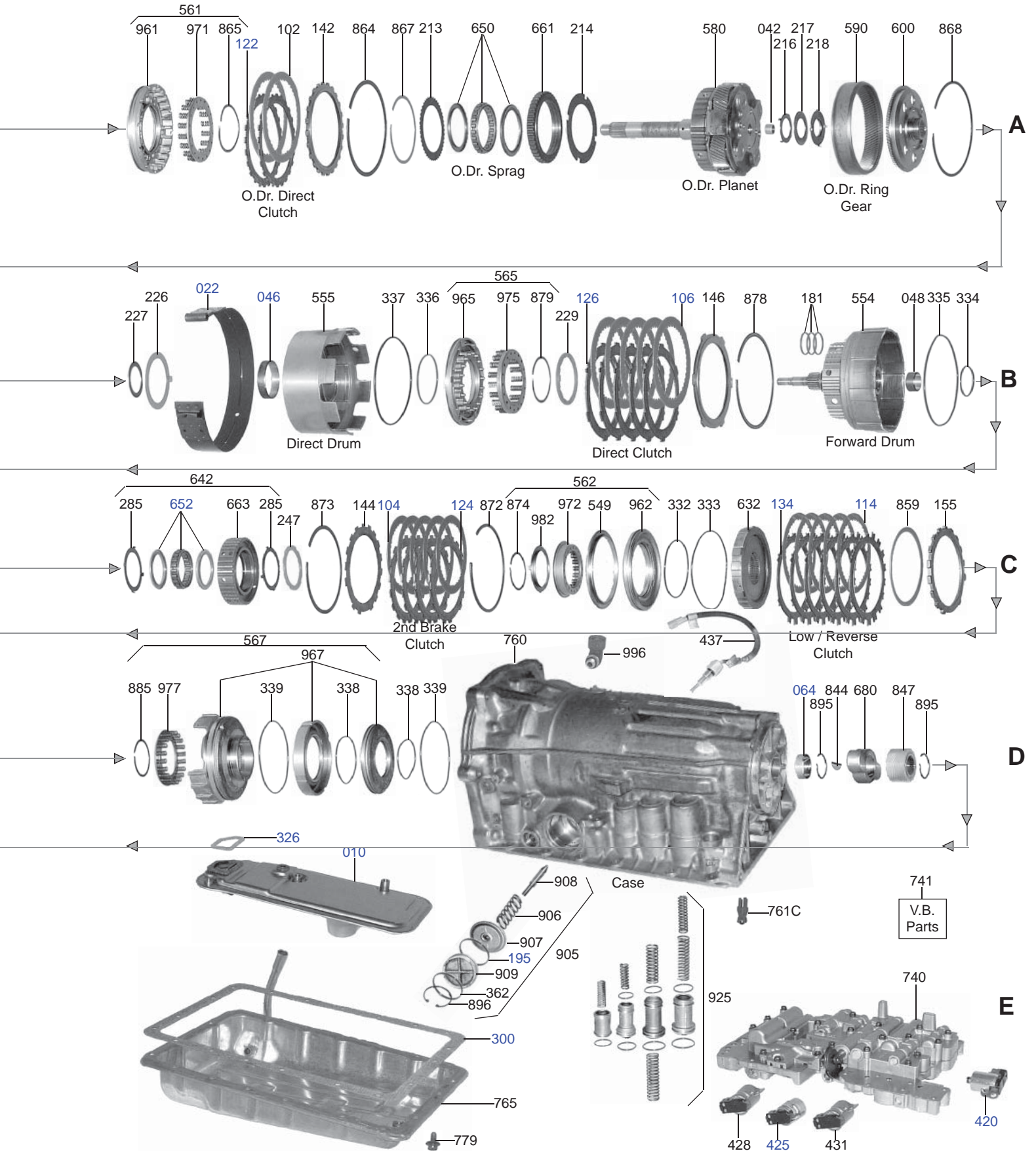
SAP #	IL#	OE	INDUSTRY	DESCRIPTION
FRICITION CLUTCH				
25822R		35677-32040	89100	Friction A130 A140 A240 1st / Reverse [5.60 OD 33 Teeth 0.067 THK] 1982-Up
25822T		35677-32040	89100	Friction A130 A140 A240 1st / Reverse [5.60 OD 33 Teeth 0.067 THK] 1982-Up
25822AT		35677-12060	89100A	Friction A245E A246E 1st / Reverse [5.60 OD 33 Teeth 0.069 THK] 1993-Up
25820T		35633-32050	89103	Friction A130 A140 A240 Forward - Direct - Overdrive [40 Teeth 0.067 THK]
25820R		35633-32050	89103	Friction A130 A140 A240 Forward - Direct - Overdrive [40 Teeth 0.067 THK]
24022R		35677-32050	89101	Friction A140 2nd Brake [5.60 OD 33 Teeth 0.079 THK] 1986-Up
24022T		35677-32050	89101	Friction A140 2nd Brake [5.60 OD 33 Teeth 0.079 THK] 1986-Up
26222R		35677-20010 35677 20030	89104	Friction A140 Overdrive Brake [6.50 OD 24 Teeth 0.075 THK]
26222T		35677-20010 35677 20030	89104	Friction A140 Overdrive Brake [6.50 OD 24 Teeth 0.075 THK]
24028		35677-30150 35633 20010	89113	Friction A140 A245 Direct & Overdrive [5.0 OD 40 Teeth 0.075 THK] 1986-Up
24028T		35677-30150 35633 20010	89113	Friction A140 A245 Direct & Overdrive [5.0 OD 40 Teeth 0.075 THK] 1986-Up
25920		34261-12010	89107	Friction A240 A245 Underdrive [4.30 OD 34 Teeth 0.075 THK] 1985-Up
25920T		34261-12010	89107	Friction A240 A245 Underdrive [4.30 OD 34 Teeth 0.075 THK] 1985-Up
25922R		34262-12010	89109	Friction A240 A245 Underdrive [4.30 OD 26 Teeth 0.067 THK] 1985-92
25922T		34262-12010	89109	Friction A240 A245 Underdrive [4.30 OD 26 Teeth 0.067 THK] 1985-92
25990				Friction Module A130L A131L A132L 1984-Up
25990R				Friction Module A130L A131L A132L 1984-Up
25990T				Friction Module A130L A131L A132L 1984-Up
25880				Friction Module A140E/L A141E/L A142L 1983-97
25880R				Friction Module A140E/L A141E/L A142L 1983-97
25880BR				Friction Module A140 A141 1983-L86
26580T				Friction Module A240E/L A241E/L A243L A244E 1985-Up
26580R				Friction Module A240E/L A241E/L A243L A244E 1985-Up
26580AR				Friction Module A245E A246E A247E 1993-Up
26580AT				Friction Module A245E A246E A247E 1993-Up
STEEL CLUTCH				
25823		35648-32020	89106	Steel A130 A140 A240 1st / Reverse [4.70 ID 12 Teeth 0.071 THK] 1993-Up
25823A		35648-12020	89106A	Steel A240 1st / Reverse [4.70 ID 12 Teeth 0.071 THK] 1993-Up
25825		34648-32010	89105	Steel A130 A140 A240 2nd Brake [4.60 ID 12 Teeth 0.071 THK] 1983-Up
25821		35634-32010	89102	Steel A130 A140 A240 Forward - Direct - Overdrive [4.10 ID 8 Teeth 0.071 THK]
24023		35648-32040	89120	Steel A140 Overdrive Brake [5.60 ID 12 Teeth 0.098 THK] 1991-Up
26223		35648-20010	89112	Steel A140 Overdrive Brake [5.60 ID 12 Teeth 0.071 THK] (With 4 Notched Teeth) 8/1986-Up
25827		35634-20010	89111	Steel A140 Overdrive Direct [4.10 ID 20 Teeth 0.071 THK] 8/1986-Up
25921		34263-12010	89108	Steel A240 A245 Underdrive Direct [5.60 ID 20 Teeth 0.071 THK] 1985-Up
25923		34264-12010	89110	Steel A240E A240L A241E Underdrive & Differential Lock [3.20 ID 8 Teeth] 1985-Up
25925		34264-12020	89110A	Steel A240 Underdrive [3.42 ID 8 Teeth 0.071 THK] 1993-Up
25991				Steel Module A130L A131L A132L 1983-Up
25881				Steel Module A140E/L A141E/L A142L 1983-Up
26581				Steel Module A240E/L A241E/L A243L A244E 1985-Up
26581A				Steel Module A245E A246E A247E(MS7) 1993-Up (22 Pcs)
FILTER				
25844		35330-32022	89710G	Filter A130 A140 (With Square Pick-Up) (2x2 1/4) 1983-97
25941		35330-12010	89710A	Filter A240 A241 A243 2WD 1985-Up
25944		35330-12030	89710E	Filter A245E A246E A247E 1993-02
F-436		35330-12040	89710H	Filter A245E A246E 2003-Up
FILTER KIT				
25843			FK89710G	Filter Kit A140E 1991-Up (With Cork & Rubber Pan Gasket)
25843A			FK89710G	Filter Kit A140E 1991-Up (With Fiber Pan Gasket)
25943				Filter Kit A240 A241 A243 2WD 1984-Up (With Cork & Rubber Pan Gasket)
25943A				Filter Kit A240 A241 A243 2WD 1984-Up (With Fiber Pan Gasket)
25945			FK89710E	Filter Kit A245E A246E 1993-Up (With Cork & Rubber Pan Gasket)
25945A			FK89710E	Filter Kit A245E A246E 1993-Up (With Fiber Pan Gasket)
25945CA				Filter Kit A245E A246E 2003-Up (With Fiber Pan Gasket)
BANDS				
25846		35810-32020	89700	Band A130 A140 A240 (Series) Coast Brake 1983-Up
BUSHINGS				
25832			89008	Bushing A130 A140 A240 Direct Drum
25430			67001	Bushing A130 A140 A240 Pump Body
25835			89006	Bushing A130 A140 A240 Ring Gear (0.87 OD) [Bronze]
25438			67002A	Bushing A130 A140 A240 Stator (Front) [0.98 OD 0.678in Height] [Bronze]
25833			89003	Bushing A130 A140 A240 Stator (Rear)
25834A			89010A	Bushing A130 A140 A240 Sun Gear
25834			89010	Bushing A140 A240 Overdrive Direct Drum (Or Overdrive Sun Gear)
25830				Bushing Kit A130 A140 A240 1983-Up (10 Bushings)

SAP #	IL#	OE	INDUSTRY	DESCRIPTION
WASHER & BEARINGS				
25871		35616-32010	89424	Washer A130 A140 A240 A540/E Direct Drum to Pump Stator
25950		35738-32010	89415	Washer A140E/L A141E Small Planetary #2 1983-Up
25951		35739-32011	89416	Washer A140E/L A141E Large Planetary #3 1983-Up
25872		34391-12010		Washer A240 A241 A245E Overrun Clutch 1985-Up
25980				Washer Various Toyota Nissan Suzuki SB308 VW Renault
ELECTRICAL COMPONENTS				
SA-144		85420-32020 85420 32021	89961	Solenoid A140E A141E Shift 1 1983-97
S-144		85420-32020	89961	Solenoid A140E A141E Shift 1 1983-97 [OEM]
89962		85420-32040	89962	Solenoid A140E A141E Shift 2 1983-97
S-147		85420-12061	89957	Solenoid A240E A241E Lock-Up 1985-Up [OEM]
SA-209		85420-10010 85420 10011	89954	Solenoid A240L A241H A241L A243L Overdrive
SA-211		85420-12140	89957A	Solenoid A245E A246E Lock-Up (With Bracket)
K89955			K89955	Solenoid Kit A140 A141 A240 A241 A244 Shift (includes 2 Solenoids & Brackets) 1983-97
HARD PARTS				
25960		90179-20004	89998A	Nut A130 A140 Holds Driven Transfer Gear To Pinion
25895		35104-32010	89913A	Shaft A130 A140 Pump Stator 1985-Up

A340 / A341 / A343

RWD 4 Speed





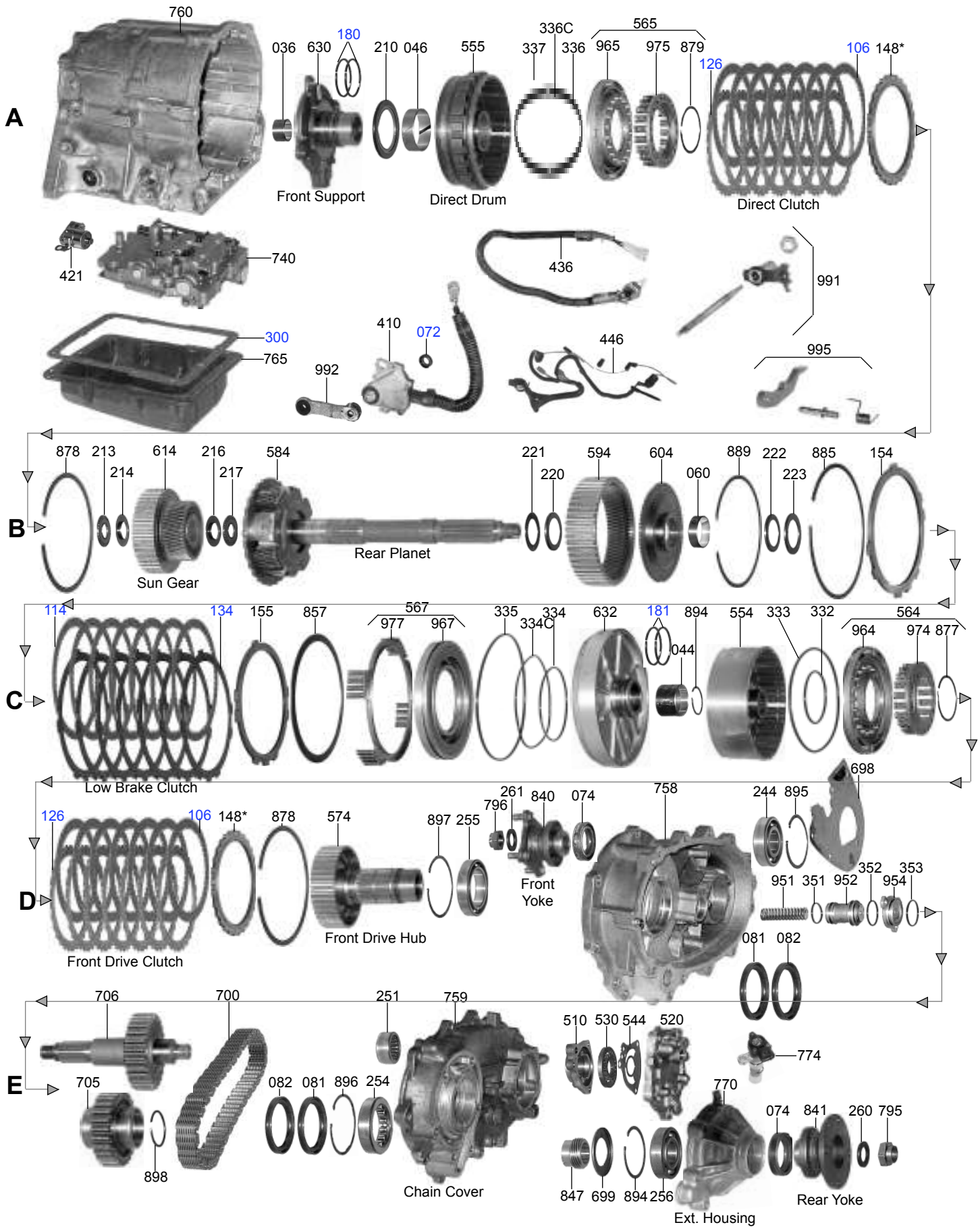
SAP #	IL#	OE	INDUSTRY	DESCRIPTION
OVERHAUL KIT				
B97002				Overhaul Kit A340E A340F A340H 1985-99 (A341E 1990-00) (AW4 1987-99)
T97002				Overhaul Kit A340E A340F A340H 1985-99 (A341E 1990-00) (AW4 1987-99)
TF97002				Overhaul Kit A340E A340F A340H 1985-99 (A341E 1990-00) (AW4 1987-99) (Fiber)
B97002B				Overhaul Kit A340E A340F A343F 2000-Up
T97002B				Overhaul Kit A340E A340F A343F 2000-Up
T97002C				Overhaul Kit AW40 AW30-40LE A341E A340E 1990-99
B97002D				Overhaul Kit A343F 1995-99
T97002D				Overhaul Kit A343F 1995-99
TF97002D				Overhaul Kit A343F 1995-99 (Fiber)
MASTER L/STEELS KIT				
B97004				Master L/Steels Kit A340E A340H 1986-99
T97004				Master L/Steels Kit A340E A340H 1986-99
B97004A				Master L/Steels Kit A340E (Turbo) AW4 1986-99
B97004C				Master L/Steels Kit A341E 1992-96
B97004D				Master L/Steels Kit A343F 1995-99
T97004D				Master L/Steels Kit A343F 1995-99
TF97004D				Master L/Steels Kit A343F 1995-99
MASTER W/STEELS KIT				
B97006				Master W/Steels Kit A340E A340H 1986-99
T97006				Master W/Steels Kit A340E A340H 1986-99
B97006A				Master W/Steels Kit A340E (Turbo) AW4 1986-99
B97006C				Master W/Steels Kit A341E 1992-96
T97006C				Master W/Steels Kit A341E 1992-96
T97006EA				Master W/Steels Kit A340E A340F A343F 2000-Up (Excludes 4 Cylinder)
B97006D				Master W/Steels Kit A343F 1995-99
T97006D				Master W/Steels Kit A343F 1995-99
SUPER KIT				
B97008				Super Kit A340E 1986-99 [Includes Bushing Kit, Band, Filter]
B97008A				Super Kit A340E (Turbo) AW4 1986-99 [Includes Bushing Kit, Band, Filter]
GASKET & RUBBER COMPONENTS				
26109T			97500	Gasket A340 Oil Pan 1985-Up [Cork & Rubber]
26118				Gasket A340 Oil Pan 1985-Up [Fiber]
25755			67564	Gasket A340 Extension Housing 1985-02
26197320	35336-60010			Gasket A340 Series Filter 4x4 1985-Up
26197505				Gasket A340 Valve Body Lower (Jeep Only) 1985-Up
26197502	35434-30075			Gasket A340 Valve Body Lower (With White Stripe) 1987-88
26197500	35434-30072			Gasket A340 Valve Body Lower 1985-86
26177	35434-30076	413192-500		Gasket A340 Valve Body Lower 1989-00
26176A				Gasket A340 Valve Body Upper
26179A	35433-30063			Gasket A340 Valve Body Upper (With White Stripe) 1987-88
26197499	35433-30061			Gasket A340 Valve Body Upper 1985-86
26178	35433-30064	413191-500		Gasket A340 Valve Body Upper 1989-00
26197713				Gasket A340E A3401E Valve Body Upper 1989-Up
26197712				Gasket A340E A341E Valve Body Lower 1989-Up
26185			K97585	Gasket A340E A340H Filter
26197685	35433-24011			Gasket A343F Valve Body Lower 1998-00
26197686	35434-24011			Gasket A343F Valve Body Upper 1998-00
26197730	35434-60040			Gasket A340E/F A343F Valve Body Lower 2000-Up
26197728	35433-60040			Gasket A340E/F A343F Valve Body Upper 2000-Up
26108B				Gasket A341E Valve Body Cover
26108A				Gasket A341E Valve Body Cover
25858	35159-30010	N/L		Gasket Tube A340 2nd Brake Clutch
1994134	90301-46002			O-Ring A340
1994826				O-Ring A340 (19.92 X 2.7mm) Servo Inner
1994599	90301-85001			O-Ring A340 2nd Brake Inner 1985-Up
1994120	90301-25002			O-Ring A340 Accumulator Piston
1994145	90301-65005			O-Ring A340 Direct Clutch Inner 1986-Up
1994750	90301-99036			O-Ring A340 Direct Clutch Outer 1985-Up
1994756	90301-99065			O-Ring A340 Direct Clutch Outer 1985-Up
1994163	90301-99063			O-Ring A340 Overdrive Clutch Outer 1993-Up
1994627	90301-99037			O-Ring A340 Overdrive Support Outer 1985-Up
1994755	90301-99033	97507		O-Ring A340 Pump To Case
1994584	90301-097173			O-Ring A340 Series Filler Tube 1985-Up
1995559	53003977	3499		O-Ring A340 Series Filler Tube Jeep Only 1985-Up
1994531	90301-11008			O-Ring A340 Series Speedo Sensor 1985-Up
1994116	90301-18004			O-Ring A340 Series Speedo Sleeve 1985-Up
1995509	96711-24030			O-Ring A340 Series Speedo Sleeve 1985-Up

SAP #	IL#	OE	INDUSTRY	DESCRIPTION
GASKET & RUBBER COMPONENTS -- continued				
19306A				O-Ring A340E Inner Piston (68.6 X 2.7mm) 1986-Up
1994161				O-Ring A340E/F Overdrive Brake Clutch Inner
1994835				O-Ring A341 Forward Clutch
1994845				O-Ring A341E Extension Housing 1986-Up
1994842				O-Ring A341E Accumulator 1986-Up
1994821				O-Ring A341E Accumulator Piston 1993-Up
1994834				O-Ring A341E Direct Clutch Outer 1986-Up
1994844				O-Ring A341E Filter 1986-Up
1994832				O-Ring A341E Inner 1986-Up
1994836				O-Ring A341E Intermediate 1986-Up
1994837				O-Ring A341E Intermediate 1986-Up
1994047		90301-99200		O-Ring A341E Low Reverse
1994162				O-Ring A341E Outer 1986-Up
1994843				O-Ring A341E Pulse Gen. 1996-Up
1994830				O-Ring A343F 1986-Up
1994147				O-Ring A343F 2nd Brake & 1st Reverse 1986-Up
1994158		0734-313-007		O-Ring A343F 2nd Brake & 1st Reverse 1986-Up
1994581		90301-99193		O-Ring A343F Clutch Piston Outer
8139ES				Seal Up Kit A340 Series 1985-Up
METAL CLAD SEALS				
70042		90311-38040		Seal A340 Extension Housing 2WD (38 x 58 x 11mm) 1985-Up [Rubber Cased] {Jeep}
70422				Seal A340 Extension Housing (38 x 58 x 11mm) 2000-Up [Metal Cased] {Volvo}
70198		90311-40001		Seal A340 Extension Housing 2WD (40 x 58 x 11mm) 1985-Up {Toyota}
70199		90311-42042		Seal A340 Extension Housing 2WD (45 x 55 x 11mm) 1990-Up {Lexus Volvo}
70351		90311-38020	67550	Seal A340 Front Pump (38 x 58 x 8mm) 1985-Up
70045		90311-12002	78197	Seal A340 Manual Lever Shaft
70040		90310-09001	89157	Seal A340 S-Type Speed-O Driven Gear
70497			97160	Seal A340 Extension Housing 4X4 Adapter 2000-Up
70373		90311-48016	94152	Seal A343F Case Rear Adapter 1992-Up
OIL SEALING RINGS				
30523		35865-30010	97302T	Ring 2nd Coast Servo Brake 1985-Up [PTFE]
30531T		35617-30020	97300T	Ring A340 Center Support 1985-Up [PTFE]
30522T		35712-30020	97301T	Ring A340 Input Shaft 1985-Up [PTFE]
TAW-2415		35735-30021		Ring A340 Output Shaft (Metal) 1985-Up
30531T		35617-30020	97300T	Ring A340 Stator Support 1985-Up [PTFE]
TAW-1343		35749-30010		Ring A340 Sun Gear 1985-Up [Metal]
30526		35617-32011	89300T	Ring Stator 1985-Up [PTFE]
6146				Ring Kit A340 1985-Up (3 Metal 8 PTFE Rings)
6146OS				Ring Kit A340 1985-Up (3 Metal 8 PTFE Rings)
FRICTION CLUTCH				
26128R		35667-30020		Friction A340E A341E A343F 2nd Brake [5.178 OD 32 Teeth 0.081 THK] 1985-Up
26128T		35667-50020	97103A	Friction A340E A341E A343F 2nd Brake [5.178 OD 32 Teeth 0.081 THK] 1985-Up
26126R		35667-50030		Friction A340E A341E A343F Direct [40 Teeth 0.083 THK] 1985-Up
26126T		35633-33020	97103	Friction A340E A341E A343F Direct [40 Teeth 0.083 THK] 1985-Up
26122R		35633-30040	97108	Friction A340E A341E A343F Overdrive Direct [32 Teeth 0.067 THK] 1985-Up
26122T		35633-14010	97108	Friction A340E A341E A343F Overdrive Direct [32 Teeth 0.067 THK] 1985-Up
26124R		35677-30110		Friction A340E A341E A343F Low Reverse [5.092 OD] 1985-Up
26124T		35677-30180		Friction A340E A341E A343F Low Reverse [5.092 OD] 1985-Up
26120R		34633-50010		Friction A340 A343F Overdrive Brake [5.665 ID 24 Teeth 0.081 THK] 1985-Up
26120T		34633-30030	89116A	Friction A340 A343F Overdrive Brake [5.665 ID 24 Teeth 0.081 THK] 1985-Up
26172T		35677-30090	97102	Friction A340 A341E Forward [5.0 OD 40 Teeth 0.083 THK] 1985-Up
26172AR		35677-30090	97107	Friction A340E A343F Forward [5.0 OD 40 Teeth 0.067 THK] 1985-Up
26172AT		35677-14010	97107	Friction A340E A343F Forward [5.0 OD 40 Teeth 0.067 THK] 1985-Up
26172CR		35677-50010	97102A	Friction A341E Forward [5.0 OD 40 Teeth 0.078 THK] 1990-Up
26150R				Friction Module A340E (Non-Turbo) A341E 1985-99
26150T				Friction Module A340E (Non-Turbo) A341E 1985-99
26150AR				Friction Module A340E (Turbo) A340H A343F 1985-99
26150AT				Friction Module A340E (Turbo) A340H A343F 1985-99
26050AR				Friction Module A341E AW30-40/43LE 1990-Up
26050A				Friction Module A341E AW30-40/43LE 1990-Up
26150BR				Friction Module A340E A340F A343F (Excludes 4 Cylinders) 2000-Up

SAP #	IL#	OE	INDUSTRY	DESCRIPTION
STEEL CLUTCH				
26171		35647-30030	97113	Steel A340 2nd Brake [16 Teeth 0.071 THK] 1985-Up
26125		35647-30020	97123	Steel A340 2nd Brake [16 Teeth 0.098 THK] 1985-Up
26129		35647-30011	97124	Steel A340 Direct [4.10 ID 6 Teeth 0.091 THK] 1985-Up
26129A		35647-14010	97133	Steel A340 Direct [6 Teeth 0.118] 1985-Up
26129B		35647-22030		Steel A340E/F A343F Direct [4.152 ID 24 Teeth] 2000-Up
26121		35634-30100	97111	Steel A340 Forward [4.10 ID 8 Teeth 0.079 THK] 1985-Up
26121A		35634-30110	97111A	Steel A340 Forward [4.134 ID 8 Teeth 0.091 THK] 1992-Up
26123		35648-30031	97114	Steel A340 Low Reverse [4.3 ID 14 Teeth 0.071 THK] 1985-Up
26173		34634-30020	97100	Steel A340 Overdrive Brake [5.60 ID 6 Teeth 0.079 THK] 1985-Up
26173A		34634-30021	97100A	Steel A340 A343F A350E Overdrive Brake [5.60 ID 6 Teeth 0.079 THK] 1992-Up
26127		34616-30010	97110	Steel A340 Overdrive Direct [24 Teeth 0.079 THK] 1985-Up
26151B				Steel Module A343F 1995-ON (28 Steels)
26151D				Steel Module A340E A340F A343F (Excludes 4 Cylinders) 2000-Up
26151A				Steel Module A340E Turbo 1986-Up (28 Steels)
26151				Steel Module A340E A341E 1985-Up
26051A				Steel Module A341E AW30-40/43LE 1990-Up
26151C				Steel Module A340 1994-95
FILTER				
26148		35330-30011	97710	Filter A340E (3 Bolt Rectangle Pickup) 1985-Up {2WD Models}
26145		83504032	97712	Filter A340H (4 Bolt Rectangle Pickup) 1985-Up {Jeep 4WD}
26042		35330-30020	97715	Filter A340E/F A341E {Lexus GS300 1994-95} {Covers 4 Runner Tacoma 2WD 2000-Up} {Tundra V6 2001-Up}
26144		35330-22010	97714	Filter A340F (4X4 Models) (4 Bolt) Oval Pick-Up On Corner (Oval Pick-Up Is 3/8in Tall) 1995-Up
26144F		35330-35020	97714A	Filter A340F (4X4) 1995-Up
26140		35303-35010	97711	Filter A340F (4X4 Models) 1985-Up
26040		35330-50010	97711L	Filter A341E 1990-Up
26548		35330-60020	97718	Filter A343F 1995-Up {Covers A340F V6 Model 1997-Up}
26546		35330-60030		Filter A340E/F A343F(V6 Models) 1998-Up
26044		35330-30040	97719	Filter A350E 1996-97 {Lexus 3.0L}
FILTER KIT				
26143			FK97710	Filter Kit A340E (2WD Models) 1985-Up (With Cork & Rubber Pan Gasket)
26143A			FK97710	Filter Kit A340E (2WD Models) 1985-Up (With Fiber Pan Gasket)
26142			FK97711	Filter Kit A340 (4X4 Models) 1985-Up (With Cork & Rubber Pan Gasket)
26147			FK97712	Filter Kit A340E (4X4 Models) 1987-Up (With Cork & Rubber Pan Gasket)
26147A			FK97112	Filter Kit A340E (4X4 Models) 1987-Up (With Fiber Pan Gasket)
26149			FK97716	Filter Kit A340F (V6 Models) 1995-96 (With Cork & Rubber Pan Gasket) (T100)
26041			FK97711L	Filter Kit A341E 1990-Up (With Cork & Rubber Pan Gasket)
26041A			FK97711L	Filter Kit A341E 1990-Up (With Fiber Pan Gasket)
26141			FK97714A	Filter Kit A340F 1995-Up (With Cork & Rubber Pan Gasket)
26545A				Filter Kit A343F (V8) 1998-Up (With Fiber Pan Gasket)
26043			FK97715	Filter Kit A341E 1994-95 (With Cork & Rubber Pan Gasket)
26043A			FK97715	Filter Kit A341E 1994-95 (With Fiber Pan Gasket)
26549			FK97718	Filter Kit A343F 1995-Up {Covers A340F 1997-Up} (With Cork & Rubber Pan Gasket)
BANDS				
26146		35810-30020	97700	Band A340 A341 1985-Up
BUSHINGS				
33383		1835585	12502	Bushing A340 Case 1985-Up
26132			97010	Bushing A340 Direct Drum 1985-Up
25437			19002J	Bushing A340 Extension Housing [1.378in ID] 1985-Up [Bronze]
25431		90999-72020	67006	Bushing A340 Extension Housing (1.65 ID) 1984-Up [Babbitt]
26137			97003	Bushing A340 Extension Housing [1.74 OD 1.575in ID] 1985-Up [Babbitt]
26131			97005	Bushing A340 Forward Sun Gear (Front) [1.19 OD] 1985-Up [Bronze]
26136			97006	Bushing A340 Forward Sun Gear (Rear) [1.19 OD] 1985-Up [Bronze]
26134			97008	Bushing A340 Front Planet Ring Gear (1.07 OD) 1985-Up [Bronze]
25430			67001	Bushing A340 Front Pump 1985-Up
26133			97011	Bushing A340 Input Shaft 1985-Up
26138			97012	Bushing A340 A341 Overdrive Direct Rear (1.19 OD) 1985-Up [Bronze]
26135			97012A	Bushing A340 A341 Overdrive Direct Drum (1.19 OD) 1985-Up [Bronze]
26139			97004	Bushing A340 A341 Forward Drum (Input Shaft) (1.07 OD) 1985-Up [Bronze]
26130		K97000		Bushing Kit A340 1985-Up (15 Bushings)
WASHER & BEARINGS				
26194				Washer Kit A340E F Plantaries 1985-Up (6 Pieces)
HARD PARTS				
33185			HV-027	Drive Chain 1987-95 (Cherokee, Comanche - Also covers GM S10 & Jimmy)

R150F

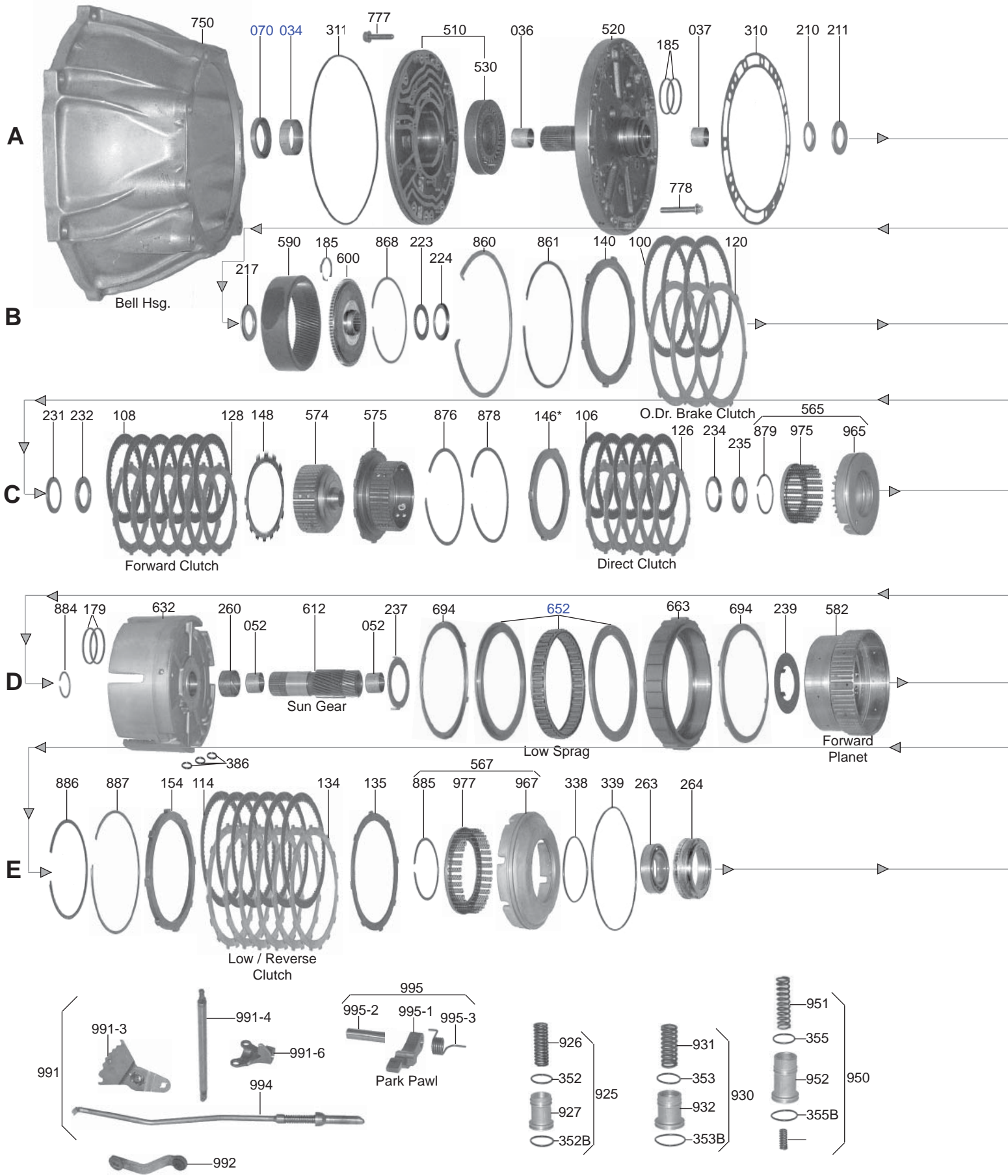
Automatic Transfer Case



SAP #	IL#	OE	INDUSTRY	DESCRIPTION
OVERHAUL KIT				
T197002				Overhaul Kit A340H Transfer Case Only (R150F) 1985-99
B197002				Overhaul Kit A340H Transfer Case Only (R150F) 1985-99
MASTER L/STEELS KIT				
T197004				Master L/Steels A340H Kit Transfer Case Only (R150F) 1985-99
B197004				Master L/Steels A340H Kit Transfer Case Only (R150F) 1985-99
MASTER W/STEELS KIT				
T197006				Master W/Steels Kit A340H Transfer Case Only (R150F) 1985-99
B197006				Master W/Steels Kit A340H Transfer Case Only (R150F) 1985-99
GASKET & RUBBER COMPONENTS				
26009T	35178-30010			Gasket A340H (Transfer Case R150F) Bottom Pan [Cork & Rubber]
26097508	34437-35010			Gasket A340H (Transfer Case R150F) Valve Body Small Upper
26097509	34436-35010			Gasket A340H (Transfer Case R150F) Valve Body Small Upper
26097506	34434-35010			Gasket A340H (Transfer Case R150F) Valve Body Upper
26097507	34433-35010			Gasket A340H (Transfer Case R150F) Valve Body Lower
1994761	90301-84184			O-Ring A340H (Transfer Case R150F) Low Clutch Inner
1994774	087-409-549			O-Ring A340H (Transfer Case R150F) Direct Clutch
1994253	90310-99041			O-Ring A340H (Transfer Case R150F) Clutch Piston
1994712	E92Z-7F225B			O-Ring A340H (Transfer Case R150F) Direct & Low Clutch Inner
METAL CLAD SEALS				
70202		97153		Seal R150F Transfer Case Output Flange 1985-96
70200		97156		Seal R150F Transfer Case Front & Rear Inner 75mm
70201		97155		Seal R150F Transfer Case Chain Case Front & Rear 1987-Up
70203				Seal R150F Case Front & Rear (4 Cylinders) 1987-Up
70040		89157		Seal R150F Speedometer 1985-Up
70045		78197		Seal R150F Manual Level Shaft 1985-Up
OIL SEALING RINGS				
TBI-54	35617-22020	67228		Ring R150F Front Support [Metal]
30168T	35617-22020			Ring R150F Center Support 1985-Up [PTFE]
6148				Ring Kit R150F 1985-Up (4 Metal Rings)
6148OS				Ring Kit R150F 1985-Up (4 Metal Rings)
FRICITION CLUTCH				
26020R	34653-35020			Friction R150F Direct & Front [5.60 OD 44 Teeth 0.067 THK] 1985-Up
26022R	35683-35020			Friction R150F Low [6.80 OD 53 Teeth 0.070 THK] 1985-Up
26080R				Friction Module A340H (Transfer Case R150F) 1985-Up
STEEL CLUTCH				
26023		97115		Steel R150F Direct & Front [4.60 ID 29 Teeth 0.071 THK] 1985-Up
26025		97116		Steel R150F Low [5.60 ID 8 Teeth 0.071 THK] 1985-Up
26081				Steel Module A340H (Transfer Case R150F) 1985-94
BUSHINGS				
26033		97009		Bushing A340H (Transfer Case R150F) Direct Drum (2.0 OD) 1985-Up [Babbitt]

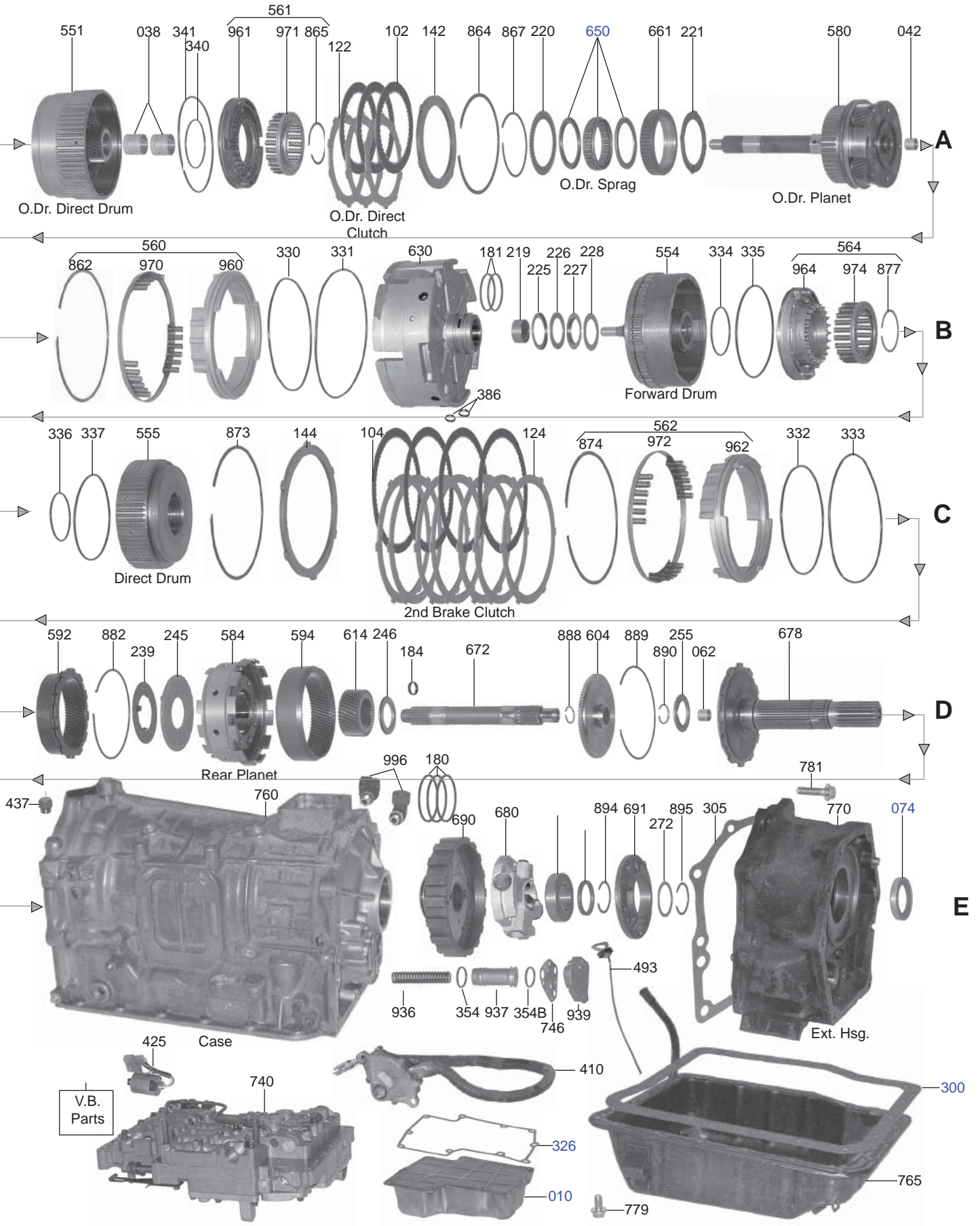
A440 / A442

RWD 4 Speed



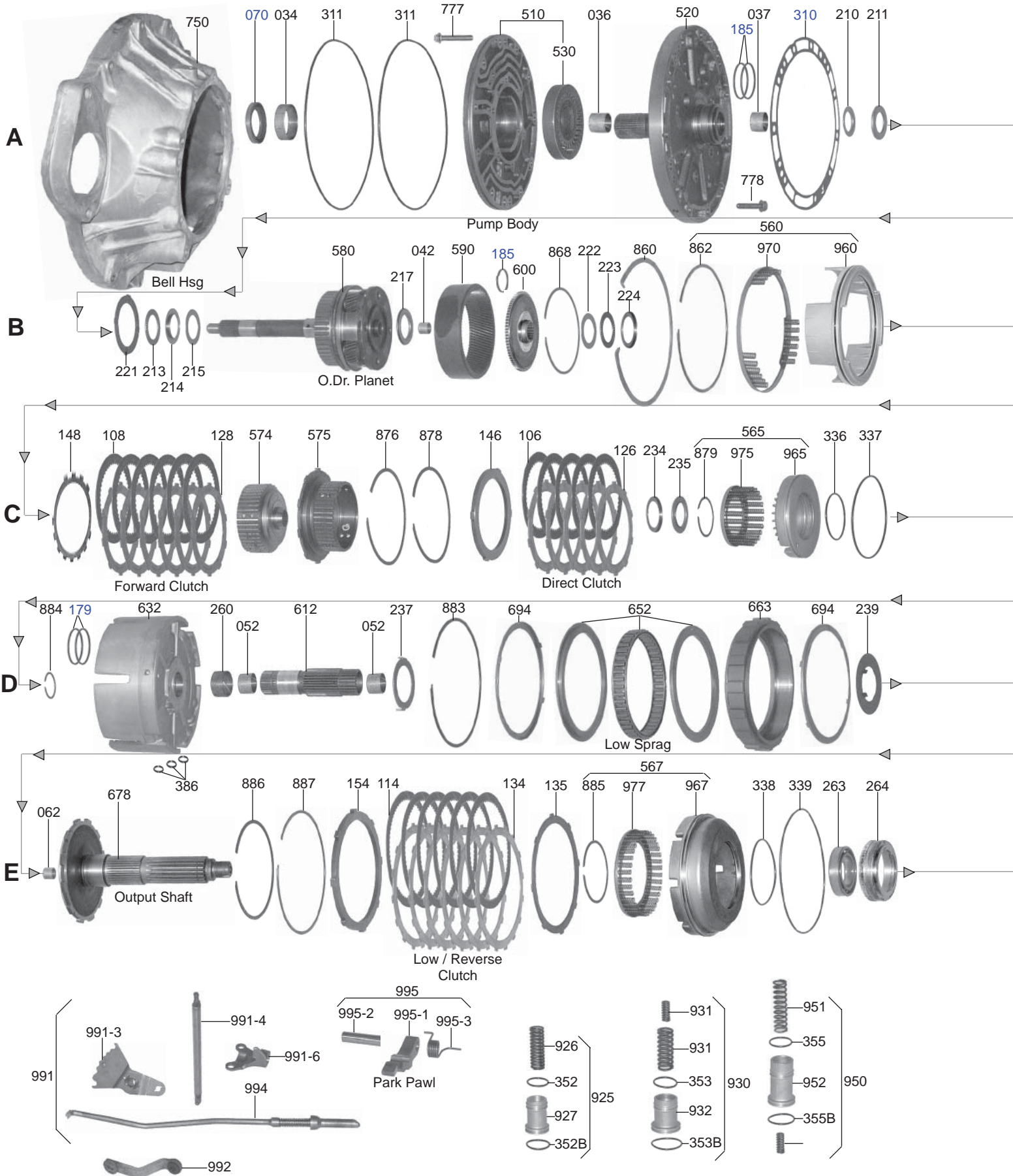
RWD 4 Speed

A440 / A442



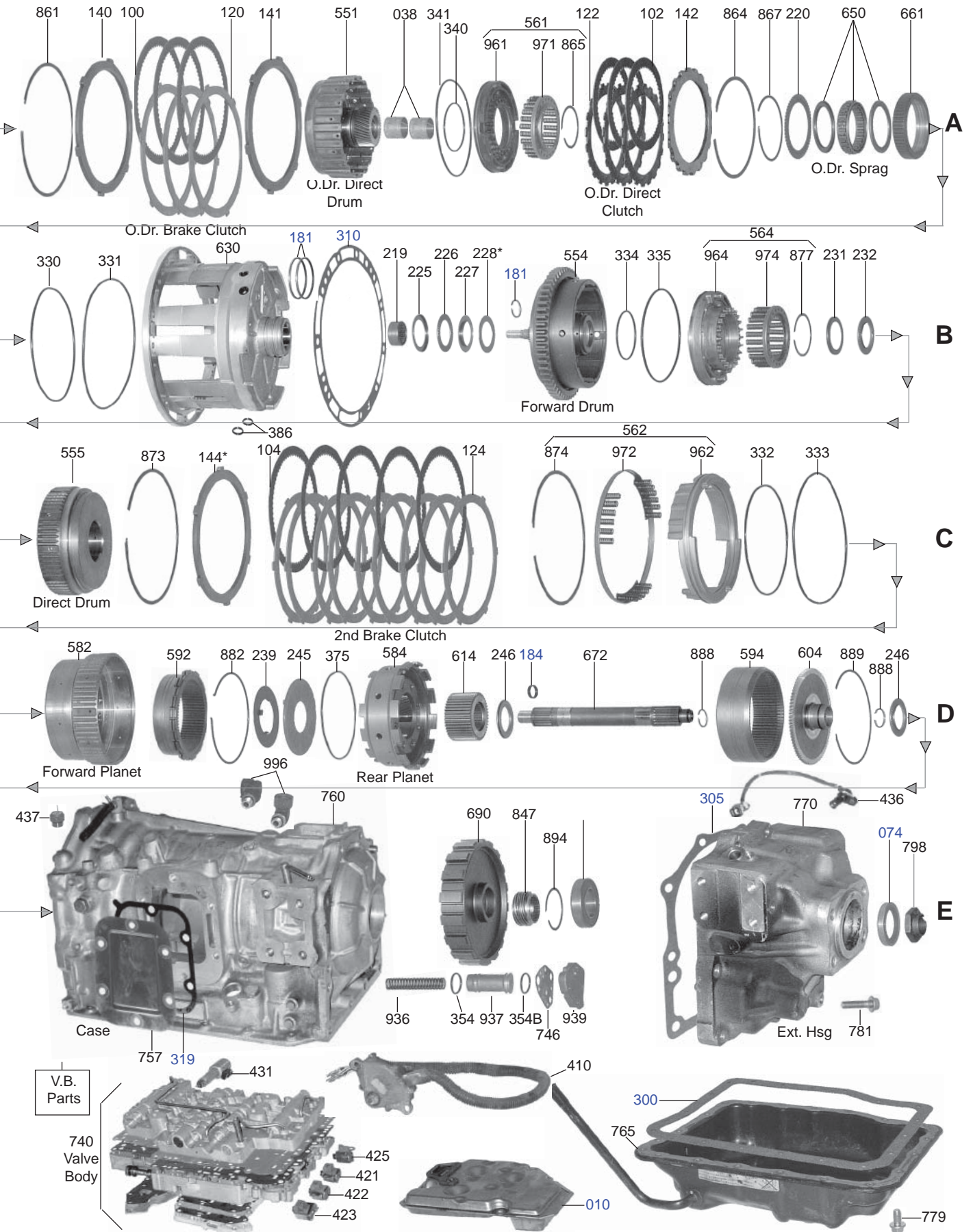
450-43LE (Aisin Seiki)

RWD 4 Speed



RWD 4 Speed

450-43LE (Aisin Seiki)

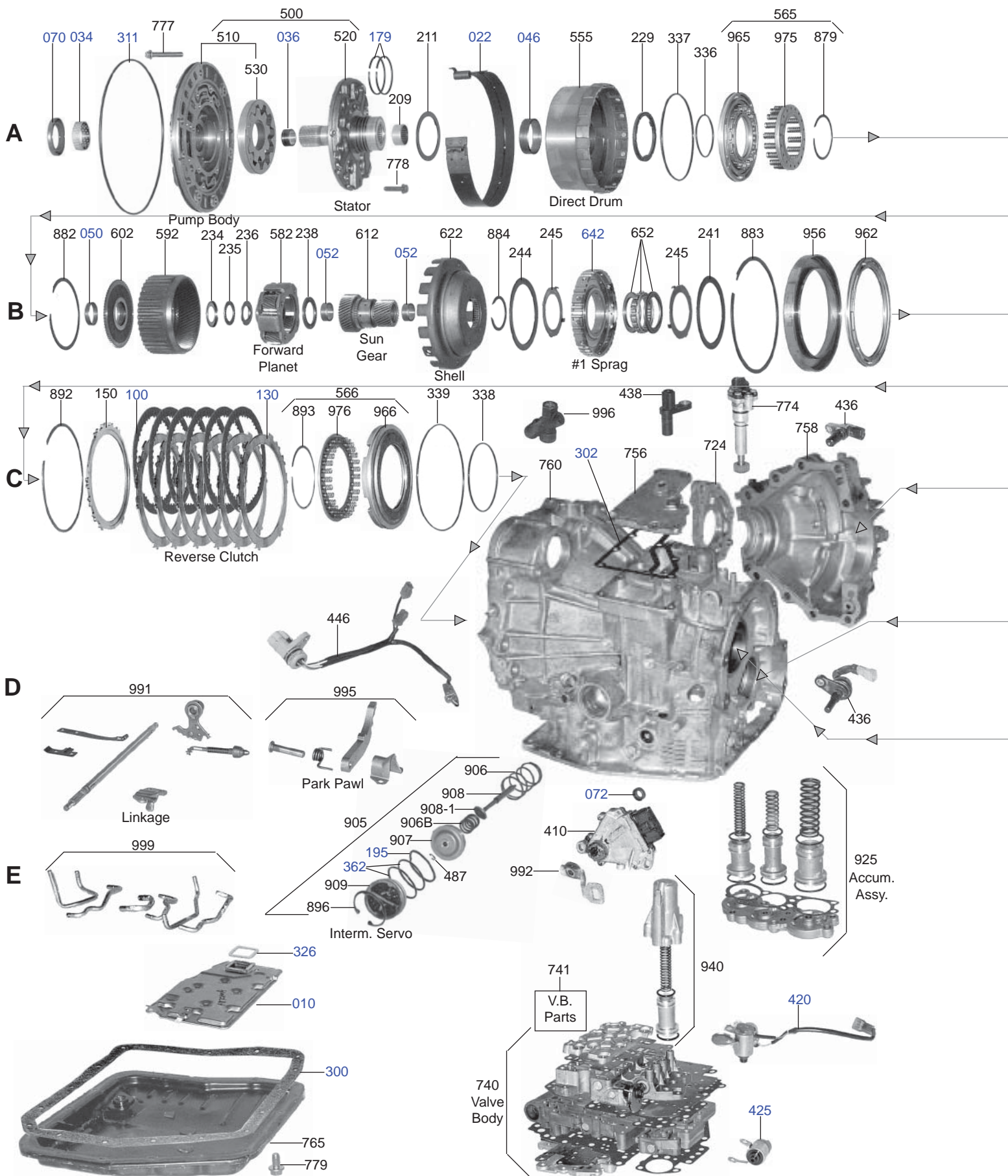


SAP #	IL#	OE	INDUSTRY	DESCRIPTION
OVERHAUL KIT				
B141002				Overhaul Kit A440F A442F W/Out Transfer Case Parts 1985-95
T141002				Overhaul Kit A440F A442F W/Out Transfer Case Parts 1985-95
TF141002				Overhaul Kit A440F A442F W/Out Transfer Case Parts 1985-95 (Fiber)
B141002E				Overhaul Kit A450-43LE 1998-Up
T141002E				Overhaul Kit A450-43LE 1998-Up
MASTER L/STEELS KIT				
B141004				Master L/Steels Kit A440F W/Out Transfer Case Parts 1985-92
B141004AC				Master L/Steels Kit A442F W/Out Transfer Case Parts 1993-95
B141004E				Master L/Steels Kit A450-43LE 1998-Up
T141004E				Master L/Steels Kit A450-43LE 1998-Up
MASTER W/STEELS KIT				
B141006				Master W/Steels Kit A440F W/Out Transfer Case Parts 1985-92
B141006AC				Master W/Steels Kit A442F W/Out Transfer Case Parts 1993-95
B141006E				Master W/Steels Kit A450-43LE 1998-Up
T141006E				Master W/Steels Kit A450-43LE 1998-Up
SUPER KIT				
B141008				Super Kit A440F 1985-92 [Includes Filter]
B141008AC				Super Kit A442F 1993-95 [Includes Bushing Kit, Filter]
GASKET & RUBBER COMPONENTS				
26309T	35168-36010	94500		Gasket A440F A442F A450-43LE Oil Pan 1985-95 [Cork & Rubber]
26318B	35168-36010	94500F		Gasket A440F A442F A450-43LE Oil Pan 1985-95 [Fiber]
26339	35339-36010	94505		Gasket A440F Filter 1985-92
26359				Gasket A442F Filter 1993-95
26327				Gasket A450-43LE Extension Housing
50206	32129-01100			Gasket A450-43LE PTO 1998-Up
26397680	35434-60020			Gasket A440 A442 Valve Body (Turbo Diesel) 1986-Up
26306C	35434-60010			Gasket A440 Valve Body Lower
26397694				Gasket A440F Valve Body 1987-89 (W/Out Cruise Control)
26397695				Gasket A440F Valve Body 1987-89 (W/Out Cruise Control)
26397683				Gasket A440F A442 Valve Body 1987-89 (W/Out Cruise Control)
26397684				Gasket A440F A442 Valve Body (W/Out Cruise Control)
26319	33513-36010			Gasket A450-43LE Pump 1998-Up
26318	35144-60010			Gasket A440F Rear Cover 1985-Up
26317				Gasket A440F Side Cover 1985-95 [Fiber]
1994812				O-Ring A440 A442 1986-Up
1994807				O-Ring A440 A442 1986-Up
1994705	F322-7F249A			O-Ring A440 A442 Accumulator Piston 1993-Up
1994809	90301-99029			O-Ring A440 A442 Pump
1994742				O-Ring A440 A442 Servo (3.739 X .122) 1990-Up
1994866				O-Ring A450-43LE Accumulator S1-B 1999-Up
1994867				O-Ring A450-43LE Accumulator S1-3 #2 1999-Up
1994865				O-Ring A450-43LE Front Clutch Outer
1994862				O-Ring A450-43LE 1999-Up
1994871	8-97256-923-0			O-Ring A450-43LE Case to Bell Housing 1999-Up
1994868				O-Ring A450-43LE Accumulator 1999-Up
1994873				O-Ring A450-43LE Electrical Connector 1999-Up
1994861				O-Ring A450-43LE Low Reverse Inner 1999-Up
1994847				O-Ring A450-43LE Accumulator B-A (26.6 x 2.95mm) 1999-Up
1994848				O-Ring A450-43LE (29.75 X 2.95mm) B-A S1-B
METAL CLAD SEALS				
70372	90311-42012	94151		Seal A440F A442F A450-43LE Front Pump 1985-95
70367	90311-48002			Seal A440F A442F Extension Housing 1985-95
70374	8-9720207-0			Seal A450-43LE Extension Housing 1998-Up
70039	90311-11001	78197		Seal A440F A442F A450-43LE Manual Lever Shaft 1985-95
70368	90311-48010	94153		Seal A440F A442F Output Shaft Retainer 1985-95
70373		94152		Seal A440F A442F Case Adapter 1985-95
70298	90316-48003			Seal A440F A442F Chain Case Gear 1985-95
OIL SEALING RINGS				
TAW-1388	35617-36020	94302		Ring A440F A442F A450-43E Stator Shaft 1985-Up [Metal]
TAW-1344				Ring A440F A442F A450-43E Stator Center Support 1985-Up [Metal]
30536	35735-36010	94306		Ring A440 A442 A450-43IE 1985-Up Governor [PTFE]
30533	35712-36010	94301		Ring A440F A442F A450-43LE Governor Support (Planetary Lube) 1998-Up [PTFE]
30535	35748-36010	94303		Ring A440F A442F A450-43LE Intermediate Shaft 1998-Up [PTFE]
6305				Ring Kit A440F A442F 1985-95 (6 Metal 6 PTFE Rings)
6305OS				Ring Kit A440F A442F 1985-95
6312				Ring Kit A450-43LE 1998-Up (6 Metal 3 PTFE Rings)

SAP #	IL#	OE	INDUSTRY	DESCRIPTION
FRICITION CLUTCH				
26322		35633-36020	94102	Friction A440 A442 Forward - Overdrive - Direct [4.99 OD 46 Teeth] 1985-95
26322T		35633-36020	94102	Friction A440 A442 Forward - Overdrive - Direct [4.99 OD 46 Teeth] 1985-95
26324		35633-36030	94104	Friction A440 A442 Low/Reverse [6.8 OD 70 Teeth 0.068 THK] 1985-95
26324T		35633-36030	94104	Friction A440 A442 Low/Reverse [6.8 OD 70 Teeth 0.068 THK] 1985-95
26320		35633-36010	94100	Friction A440 A442 Intermediate [6.8 OD 70 Teeth 0.083 THK] 1985-95
26320T		35633-36010	94100	Friction A440 A442 Intermediate [6.8 OD 70 Teeth 0.083 THK] 1985-95
26326R				Friction A442 Overdrive - Brake [7.25 OD 75 Teeth] 1993-95
26380				Friction Module A440F 1985-92
26380AR				Friction Module A442F 1993-95
26380BR				Friction Module A450-43LE 1998-Up
STEEL CLUTCH				
26321		35634-36010	94101	Steel A440 A442 Overdrive (Direct) & Forward [4.0 ID 10 Teeth 0.071 THK] 1985-95
26321C		35634-36050	94101A	Steel A440 A442 Overdrive (Direct) & Forward [3.997 ID 10 Teeth 0.087 THK] 1985-95
26321A		35634-36020	94101B	Steel A440 A442 A450-43LE Overdrive (Direct) & Forward [3.997 ID 10 Teeth 0.095 THK] 1985-95
26323		35632-36020	94103	Steel A440 A442 Low/Reverse [6.0 ID 16 Teeth 0.071 THK] 1985-92
26323A		35632-60030	94103A	Steel A442 Low/Reverse [6.0 ID 16 Teeth 0.095 THK] 1993-95
26325		35632-36010	94105	Steel A440 A442 Overdrive (Brake) & Intermediate [6.0 ID 6 Teeth 0.095 THK] 1985-95
26325A		35632-60010	94105A	Steel A442 Overdrive (Brake) [6.40 ID 6 Teeth 0.095 THK] 1993-95
26381				Steel Module A440F 1985-92
26381A				Steel Module A442F 1993-95
26381B				Steel Module A450-43LE 1998-Up
FILTER				
26540		35303-60010	94710A	Filter A440F [2.0in Thick] 1985-95
26544		35330-60010	94710B	Filter A442F 1993-95
26340B		8-97202-067-0		Filter A450-43LE 1998-Up
FILTER KIT				
26341			FK94710A	Filter Kit A440F [2.0in Thick] 1985-92 (With Cork & Rubber Pan Gasket)
26345			FK94710B	Filter Kit A442F 1993-95 (With Cork & Rubber Pan Gasket)
BUSHINGS				
26331			94005	Bushing A440F A442F Pump Body 1985-95
26333A			94003	Bushing A442F Stator Rear (1.16 x 1.06 x 0.77) 1993-95 [Bronze]
26332A			94006A	Bushing A442F Overdrive Direct Drum [1.16 OD 1.0 ID] 1993-95 [Bronze]
26335			94009	Bushing A440F Sun Gear [1.06 OD 0.94 ID 0.5 HT] 1985-95 [Bronze]
26335A			94009A	Bushing A442F Sun Gear [1.10 OD 0.99 ID 0.4 HT] 1993-95 [Bronze]
26336			94010	Bushing A440F A442F Output Shaft 1985-95
26333			94003	Bushing A450-43LE Stator Rear (1.16 OD) [Bronze]
26332			94006	Bushing A450-43LE Overdrive Direct Drum 1985-Up
26334			94007	Bushing A450-43LE Stator Front 1985-Up [Bronze]
26337			94010	Bushing A450-43LE Center Support 1985-Up [Bronze]
26338			94011	Bushing A450-43LE Overdrive Planet 1985-Up
26335B			94009	Bushing A450-43LE Sun Gear (1.12 OD) (1.07 ID) 1999-Up
26330			K94000	Bushing Kit A440F A442F 1985-95 (15 Bushings)
WASHER & BEARINGS				
25687		35178-30010		Washer A440F
26373		35738-36020		Washer A442 Trust Planetary
ELECTRICAL COMPONENTS				
D94954		85420-21090	94954	Solenoid A440F A442F Shift 1 & Shift 2 1985-95
D94955		85420-30220	94955	Solenoid A440F A442F Lock-Up 1985-95

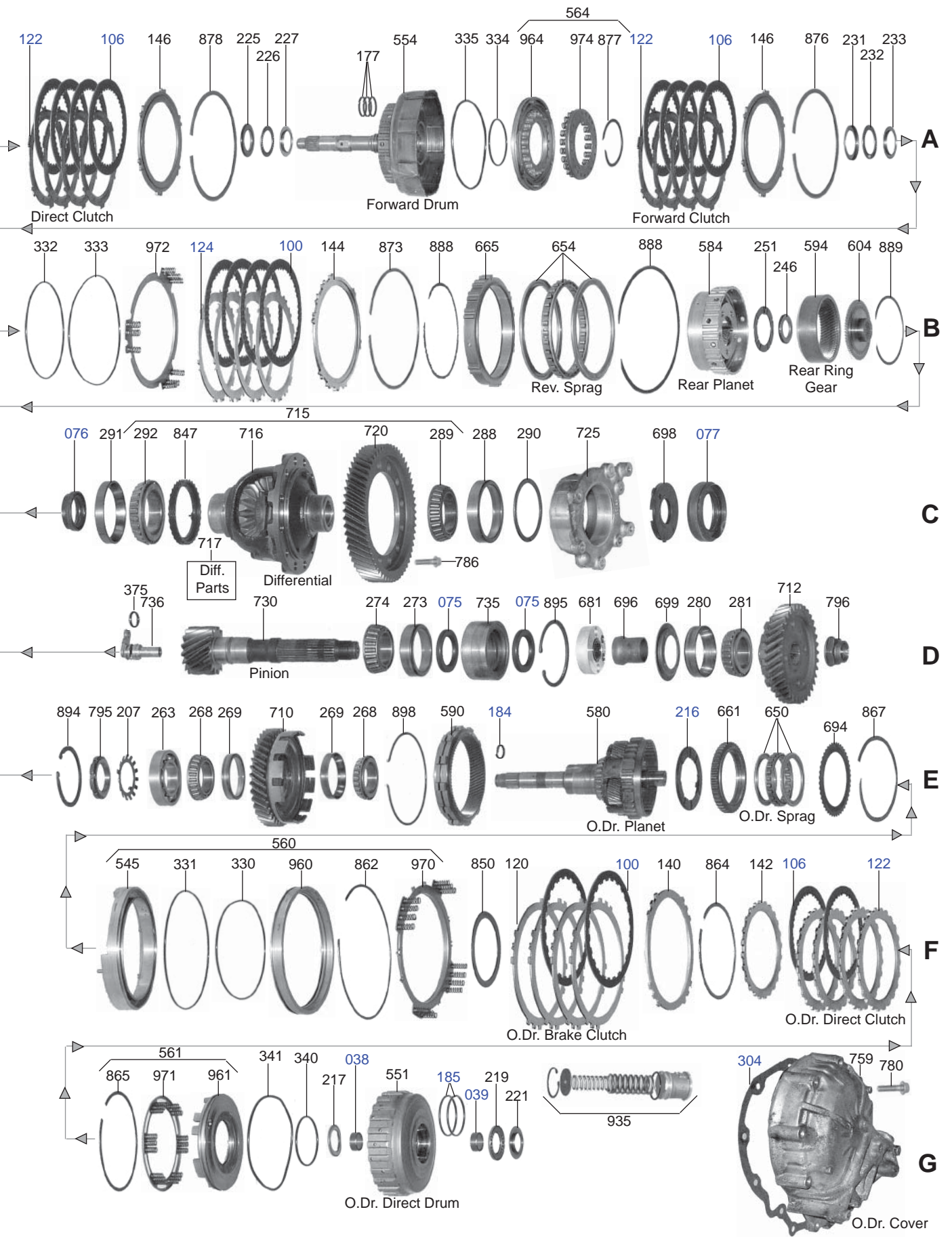
A540 / A541

FWD 4 Speed



FWD 4 Speed

A540 / A541



SAP #	IL#	OE	INDUSTRY	DESCRIPTION
OVERHAUL KIT				
B87002A				Overhaul Kit A540E 1988-93
T87002A				Overhaul Kit A540E 1988-93
TF87002A				Overhaul Kit A540E 1988-93 (Fiber)
B87002AB				Overhaul Kit A540H 1989-Up
T87002AB				Overhaul Kit A540H 1989-Up
TF87002AB				Overhaul Kit A540H 1989-Up (Fiber)
B87002B				Overhaul Kit A541E 1994-Up
T87002B				Overhaul Kit A541E 1994-Up
TF87002B				Overhaul Kit A541E 1994-Up (Fiber)
MASTER L/STEELS KIT				
B87004A				Master L/Steels Kit A540E 1988-5/1991
T87004A				Master L/Steels Kit A540E 1988-5/1991
B87004AA				Master L/Steels Kit A540E 6/1991-1993
B87004B				Master L/Steels Kit A541E 1994-Up
T87004B				Master L/Steels Kit A541E 1994-Up
TF87004B				Master L/Steels Kit A541E 1994-Up (Fiber)
MASTER W/STEELS KIT				
B87006A				Master W/Steels Kit A540E 1988-5/91
B87006AA				Master W/Steels Kit A540E 6/1991-1993
B87006AB				Master W/Steels Kit A540H 1989-Up
B87006B				Master W/Steels Kit A541E 1994-Up
T87006B				Master W/Steels Kit A541E 1994-Up
SUPER KIT				
B87008A				Super Kit A540E 1988-91
GASKET & RUBBER COMPONENTS				
24009T		35168-32020	89503	Gasket A540E A540H Oil Pan 1988-Up [Cork & Rubber]
24018		35168-32020	89503F	Gasket A540E A540H Oil Pan 1988-Up [Fiber]
24009AT		35168-33010	89503A	Gasket A541E Oil Pan 1994-Up [Cork & Rubber]
24018A		35168-33010	89503AF	Gasket A541E Oil Pan 1994-Up [Fiber]
24097482		35153-33010		Gasket A540E Top Cover
24006		35339-32020	89508C	Gasket A540E Filter 1988-Up
24097481		34112-32040		Gasket A540E A540H Overdrive Cover (Rear Cover) 1988-Up
24097480		35153-32010		Gasket A540E Upper Case Cover 1988-91
24097479		35431-32021		Gasket A540E Upper Valve Body Cover 1988-Up
24097484		35477-32041		Gasket A540E Valve Body Cover 1988-Up
24097647				Gasket A540E/H Valve Body (AWD) 1996-Up {Rav 4}
24097646				Gasket A540E/H Valve Body (AWD) 1996-Up {Rav 4}
24097486		35434-32040		Gasket A540E Valve Body (#2) 1988-Up
24097545		35436-33010		Gasket A541E Upper Valve Body Cover 1996-Up
24097485		35433-32040		Gasket A540E Valve Body (#1) 1988-Up
24097540		35153-33020		Gasket A541 Upper Case Cover 1994-Up
24097544		35435-33010		Gasket A541E Upper Valve Body Cover 1995-Up
24097268		35431-33010		Gasket A540E Valve Body Cover 1994-Up
24097269		35477-33020		Gasket A540E Valve Body Cover Upper 1994-Up
24097270		35433-33010		Gasket A541E Valve Body (#1) 1994-02
24097700		35434-33012		Gasket A541E Valve Body (#2) (Revised) 1994-02
24097308		35488-33010		Gasket A540E Valve Body Cover Loower 1994-02
1995563		96711-24018		O-Ring A540E Bulkhead Connector 1988-Up
1994585		90301-10189		O-Ring A540E Cooler Line Fittings 1988-Up
1994584		90301-09173		O-Ring A540E Filler Tube 1988-Up
1994536		90301-99024	89516	O-Ring A540E Front Pump 1988-Up
1994137		90301-52003		O-Ring A540E Servo Cover 1988-93
1994132		90301-43005		O-Ring A540E Servo Cover 1994-Up
1995509		96711-24030		O-Ring A540E Speed Meter Shaft 1988-Up
1994588		96721-19009		O-Ring A540E Speedo Sensor 1988-Up
1994128		90301-36006		O-Ring A540E Accumulator Piston
1994141		90301-59014		O-Ring A540E Forward & Direct Clutch Inner 1988-Up
1994754		90301-69003		O-Ring A540E Differential Pin Bearing Retainer 1988-Up
1994757		90301-90001		O-Ring A540E 1st & Reverse Clutch Inner 1988-Up
24075189		35145-32020		Seal A540E/H Differential Cover to Case
METAL CLAD SEALS				
70351		90311-38020	67550	Seal A540E A541E Front Pump 1988-Up
70189		90311-50011	89160	Seal A540E A541E Axle Left (Except AWD) 1988-Up
70280		90311-44004	89154A 89159A	Seal A540E Axle Left (AWD) 1988-Up
70188		90311-40010	89159	Seal A540E A541E Axle Right 1988-Up
70182			89161	Seal A540E A541E Differential Pinion 1988-Up
70045		90311-12002	78197	Seal A540E A541E Manual Lever Shaft 1988-Up
70040		90310-09001	89157	Seal A540E A541E Speedometer Gear Shaft 1988-Up

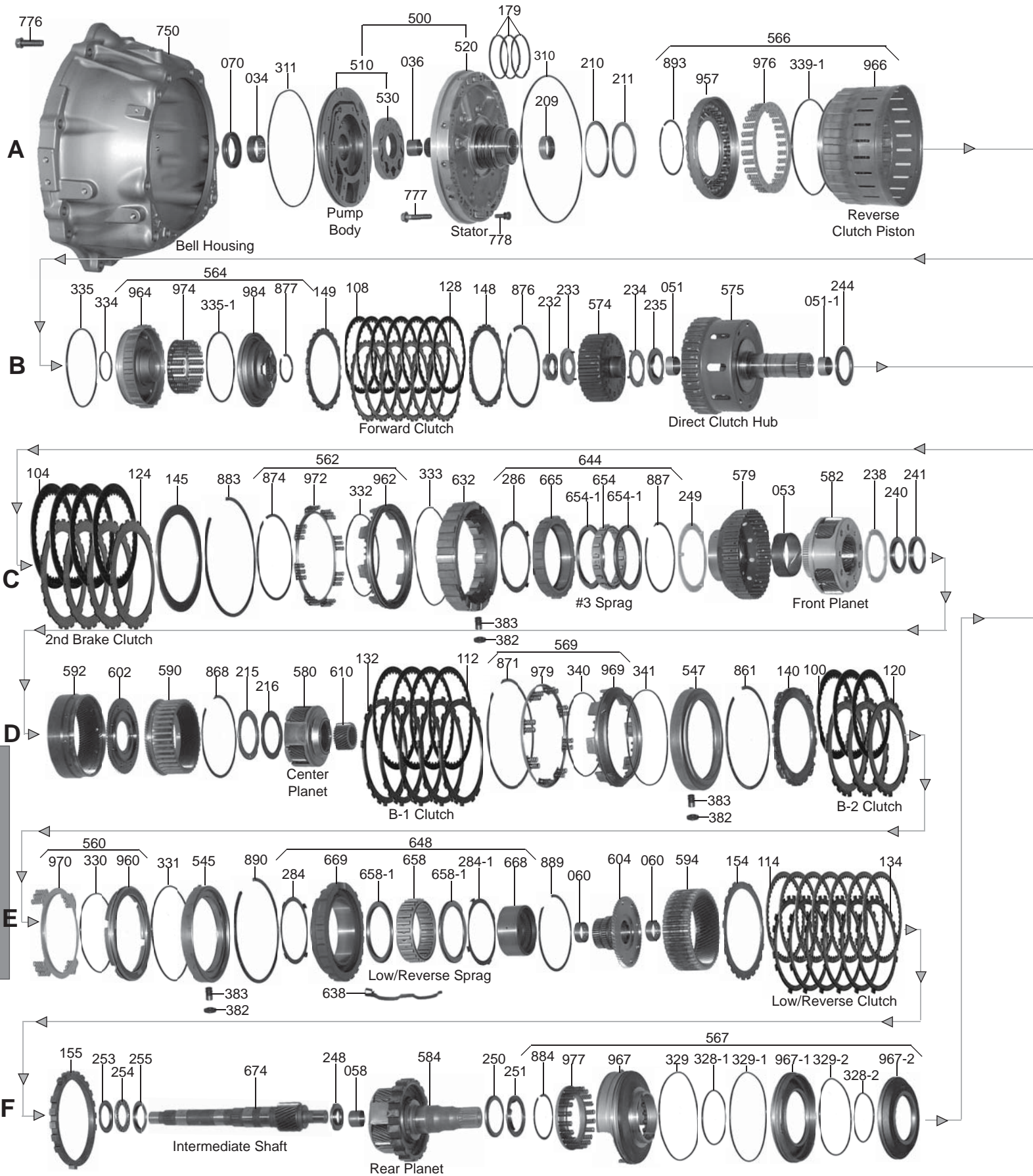
SAP #	IL#	OE	INDUSTRY	DESCRIPTION
OIL SEALING RINGS				
30537		35865-32020	89308T	Ring A540 2nd Coast Servo 1988-Up [PTFE]
TAW-1344		35617-16010	87302	Ring A540 Direct Clutch [Metal]
30528		35712-32010	89301T	Ring A540 Forward Clutch [PTFE]
30524		35748-32010	89306T	Ring A540 Intermediate Shaft [PTFE]
30526		35617-32011	89300T	Ring A540 Overdrive Direct Clutch [PTFE]
30527		35865-33010	89308B	Ring A541 2nd Coast Servo 1994-Up [PTFE]
6142				Ring Kit A540 (2 Metal & PTFE Rings)
61420S				Ring Kit A540 (2 Metal & PTFE Rings)
FRICTION CLUTCH				
24022R				Friction A540 2nd Brake [5.60 OD 33 Teeth 0.075 THK] 1992-Up
24022T			89101	Friction A540 2nd Brake [5.60 OD 33 Teeth 0.075 THK] 1992-Up
24022AT		35677-33020	89101A	Friction A540E A541E 2nd Brake [5.60 OD 33 Teeth 0.075 THK] 1992-Up
24022B		35677-33050	89101B	Friction A541E 2nd Brake [5.84 OD 36 Teeth 0.072 THK] 1994-Up
24028		35633-20010	89113	Friction A540 Direct [5.00 OD 40 Teeth 0.083 THK] 1992-Up
24028T		35633-20010	89113	Friction A540 Direct [5.00 OD 40 Teeth 0.083 THK] 1992-Up
24026A		35633-33010	89103A	Friction A540 Forward [5.00 OD 40 Teeth 0.060 THK] 1992-Up
24020		35677-32060	89115	Friction A540 Low/Reverse [5.60 OD 33 Teeth 0.059 THK]
24020A		35677-33040	89115A	Friction A541E Reverse [5.84 OD 36 Teeth 0.059 THK] 1994-Up
24080				Friction Module A540E 1988-91
24080R				Friction Module A540E 1988-91
24080AT				Friction Module A540E 1991-93
24080AR				Friction Module A540E 1991-93
24080CR				Friction Module A540H AWD 1989-Up
24080C				Friction Module A540H AWD 1989-Up
24080BR				Friction Module A541E 11/1993-Up
24080BT				Friction Module A541E 11/1993-Up
STEEL CLUTCH				
24029		35648-32030	89119	Steel A540 2nd Brake [4.60 ID 12 Teeth 0.071 THK] 1988-Up
24027		35634-32020	89117	Steel A540 Direct [4.10 ID 6 Teeth-Notched 0.071 THK] 1988-91
24027A		35634-33030	89117A	Steel A540 Direct [4.10 ID 6 Teeth 0.055 THK] 1992-Up
24027B		35647-33020	89117B	Steel A540 Direct [4.10 ID 6 Teeth 0.079 THK] 1992-Up
25821B		35634-33020	89102B	Steel A540 Forward [4.10 ID 8 Teeth 0.055 THK] 1992-Up
25821A		35634-33010	89102A	Steel A540 Forward [4.10 ID 8 Teeth 0.063 THK] 1992-Up
25821C		35634-12040	89102C	Steel A540 Forward [4.10 ID 8 Teeth 0.071 THK] 1988-91
24021		34615-20010	89111A	Steel A540 Overdrive Direct [4.10 ID 24 Teeth 0.118 THK] 1989-93
24025A		35648-33010	89119A	Steel A541E 2nd Brake [4.86 ID 10 Teeth 0.071 THK] (Wide) 1994-Up
24021A		34615-33030	89111B	Steel A541E Overdrive Direct [4.10 ID 24 Teeth 0.071 THK] 1994-Up
24029A		35648-33020	89106B	Steel A541E Reverse [4.86 ID 10 Teeth 0.063 THK] (Narrow) 1994-Up
24081				Steel Module A540E 1988-91
24081A				Steel Module A540E 1991-93
24081C				Steel Module A540H AWD 1989-Up
24081B				Steel Module A541E 1994-Up
FILTER				
25842B		35330-32030	89710C	Filter A540E A540H 1988-Up
24040B		35330-33010	89711	Filter A541E 1994-Up
FILTER KIT				
24041			FK89710C	Filter Kit A540E A540H 1988-94 (With Cork & Rubber Pan Gasket)
24041A			FK89710C	Filter Kit A540E A540H 1988-94 (With Fiber Pan Gasket)
24043			FK89711	Filter Kit A541E 1994-Up (With Cork & Rubber Pan Gasket)
24043A			FK89711	Filter Kit A541E 1994-Up (with Fiber Pan Gasket)
MISCELLANEOUS FILTERS				
24065095		35441-32020		Screen Filter A540E/H Solenoid Feed Screen
BANDS				
24846		35810-32030	89700D	Band A540E A541E (1 1/4in Wide) 1994-Up
BUSHINGS				
24031			89009	Bushing A540 Sun Gear [0.99 OD 0.89 ID] 1988- Up [Bronze]
24032			89011	Bushing A540E Direct Drum 1988-Up
24033			89012A	Bushing A540 Overdrive Direct Drum (Rear) 1988-Up [Bronze]
24036			89012	Bushing A540 Overdrive Direct Drum (Front) 1988-Up [Bronze]
24035			89013	Bushing A540 Input Hub [1.30 OD 1.19 ID] [Bronze]
25430			67001	Bushing A540 Pump Body 1988-Up
25438			67002A	Bushing A540 Stator Support (Front) [0.98 OD 0.678in Height] 1988-Up [Bronze]
24030				Bushing Kit A540 1988-Up (8 Bushings)
24030A			K89000B	Bushing Kit A540H 1989-Up (9 Bushings)

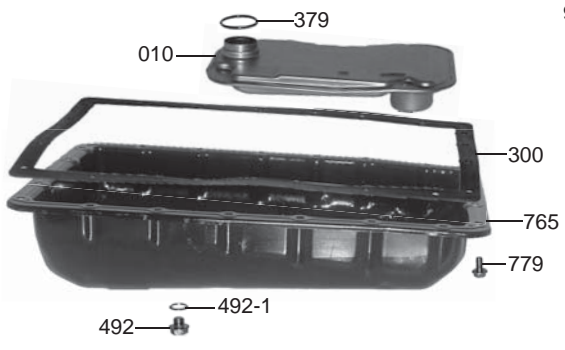
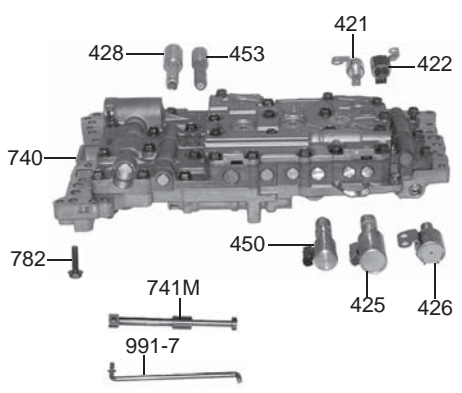
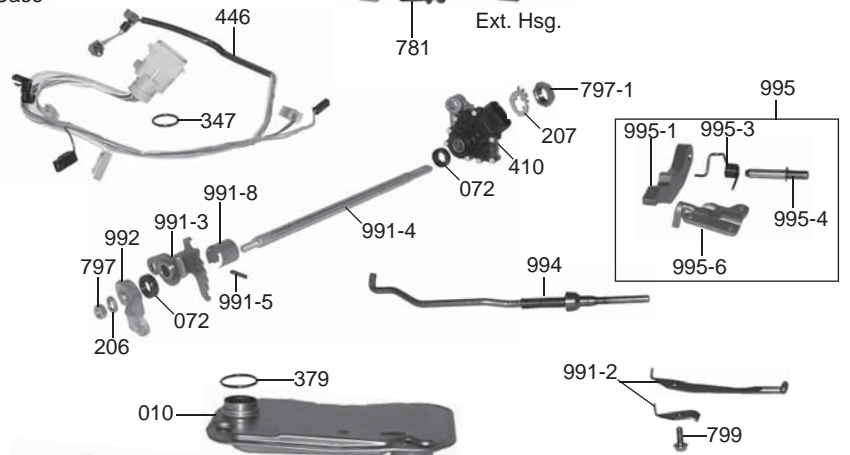
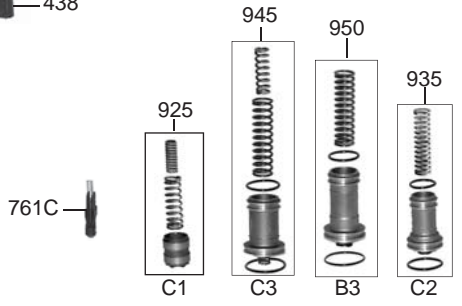
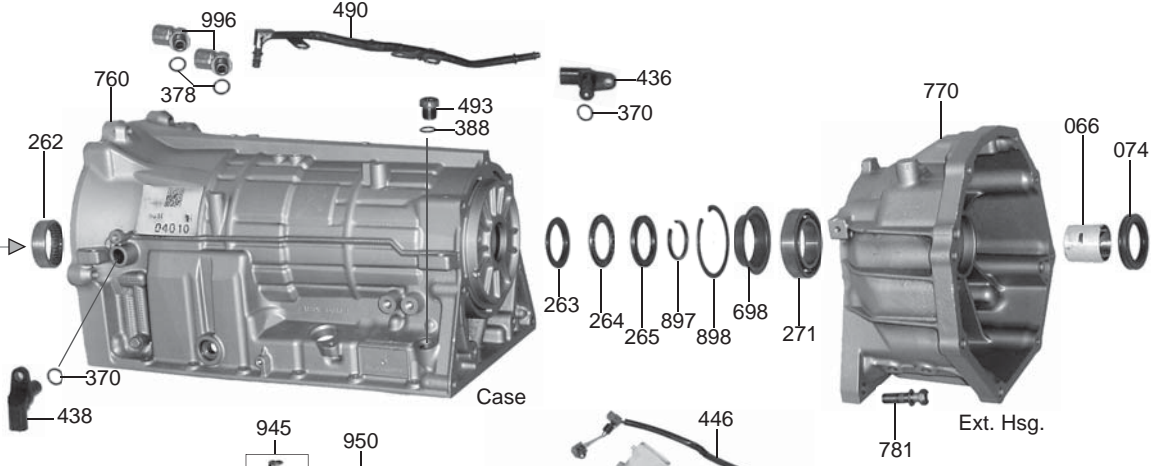
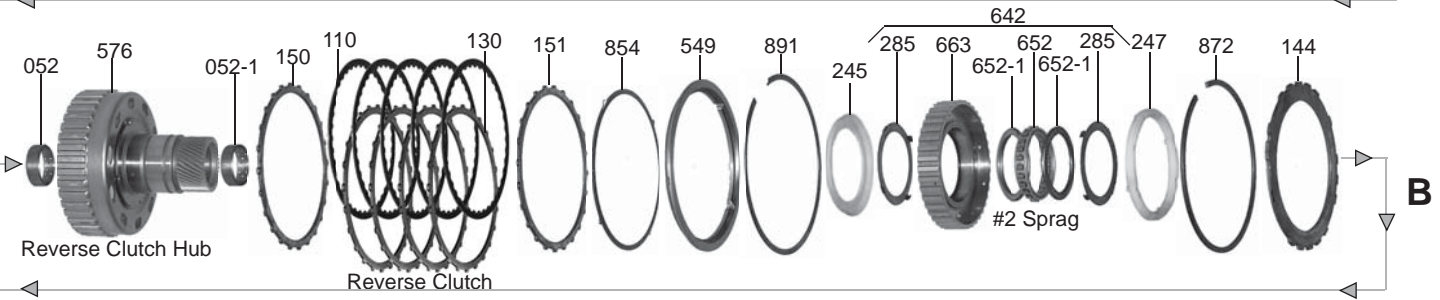
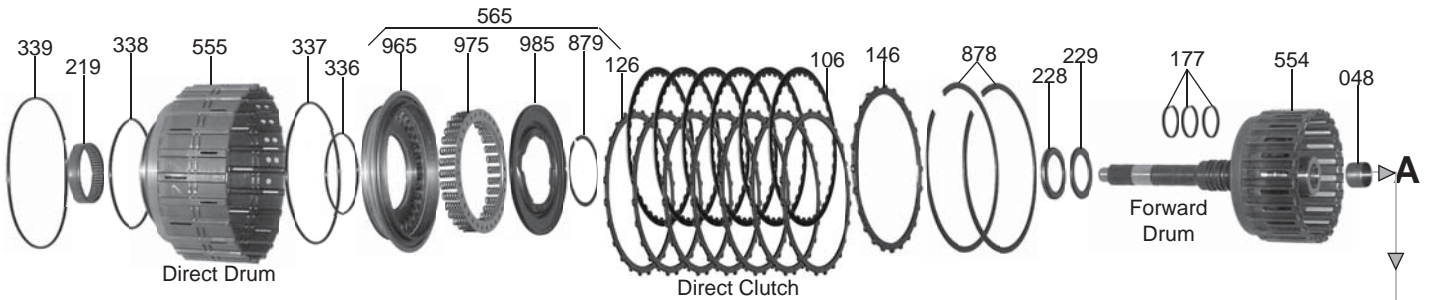
SAP #	IL#	OE	INDUSTRY	DESCRIPTION
WASHER & BEARINGS				
24073		34737-3310	89932B	Washer A540 Overdrive Planet To Overdrive Drum
24072		35738-32020	89427	Washer A540E Planetary Carrier Front 1988-93
24074		35739-32020	89429	Washer A540E Planetary Carrier Sun Gear 1988-93
24074A		35739-33010	89429A	Washer A541E Planetary Carrier #3 1994-Up
24072A		35738-33020	89427A	Washer A541E Planetary #2 1994-Up
24071A		35738-33010	89428A	Washer A541E Planetary #3 1994-Up
24071		35738-32030	89428	Washer A540E Planetary Carrier Rear 1988-93
24070				Washer Kit A540 Planetary (5 Washers)
ELECTRICAL COMPONENTS				
89757		85420-32091	89757	Solenoid A540E A540H Shift 1 & 2 1988-93
D89757		85420-32091	89757	Solenoid A540E A540H Shift 1 & 2 1988-93 [OEM]
SA-151		85420-32110	89758	Solenoid A540E Lock Up 1989-93
D89758		85420-32110	89758	Solenoid A540E Lock Up 1989-93 [OEM]
D89758A		35240-33010	89758A	Solenoid A541E Lock-Up 1994-04 [OEM]
D89757A		85420-33010	89757A	Solenoid A541E Shift 1 & 2 1994-Up [OEM]
HARD PARTS				
24099		41231-32020		Drive Pinion Crush Collar A540E/H 1988-92
24099A		41231-33010		Drive Pinion Crush Collar A541E 1993-Up

SAP #	IL#	OE	INDUSTRY	DESCRIPTION
OVERHAUL KIT				
T187002A				Overhaul Kit A650E 1998-Up
TF187002A				Overhaul Kit A650E 1998-Up (Fiber)
MASTER L/STEELS KIT				
T187004A				Master L/Steels A650E 1998-Up
MASTER W/STEELS KIT				
T187006A				Master W/Steels A650E 1998-Up
GASKET & RUBBER COMPONENTS				
26109T				Gasket A650E 2003-Up 1998-Up [Cork & Rubber]
26118				Gasket A650E 2003-Up 1998-Up [Fiber]
METAL CLAD SEALS				
70461				Seal A650E Yoke Flange [Type V] 1998-Up
70199				Seal A650E Extension Housing (2WD) 1998-Up
70198	90311-40001			Seal A650E Extension Housing (AWD) 1998-Up
FRICITION CLUTCH				
18780				Friction Module A650E 1998-Up
STEEL CLUTCH				
18781				Steel Module A650E 1998-Up
FILTER				
26842	35330-30050			Filter A650E 1998-Up (GS300/400/430 IS300 LS430)
FILTER KIT				
26841				Filter Kit A650E 1998-Up (With Cork & Rubber Pan Gasket) <i>GS300/400/430 • IS300 • LS430</i>
26841A				Filter Kit A650E 1998-Up (With Fiber Pan Gasket) <i>GS300/400/430 • IS300 • LS430</i>
WASHER & BEARINGS				
18708				Washer Kit A650E 1998-Up (5 Washers)

A750

RWD 5 Speed





C

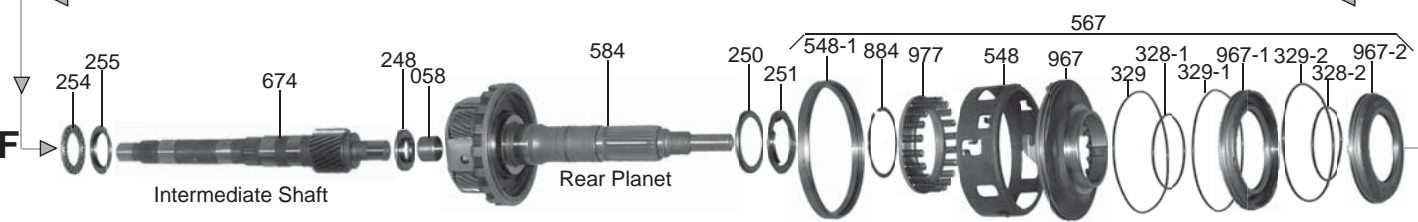
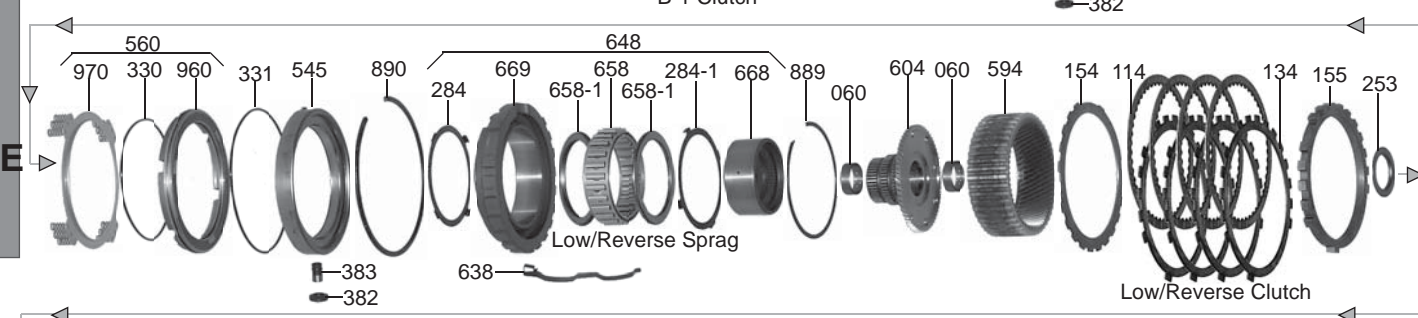
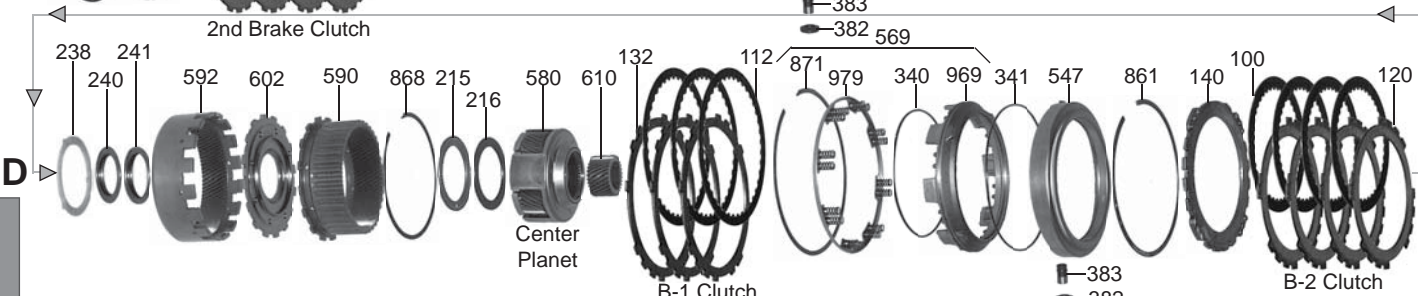
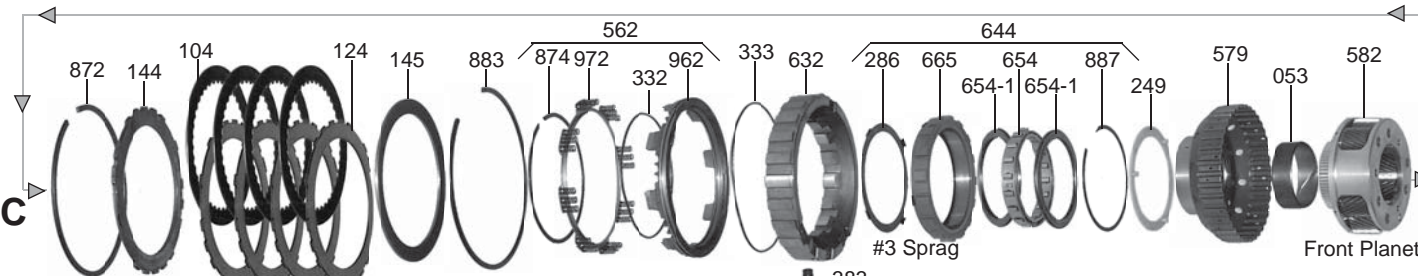
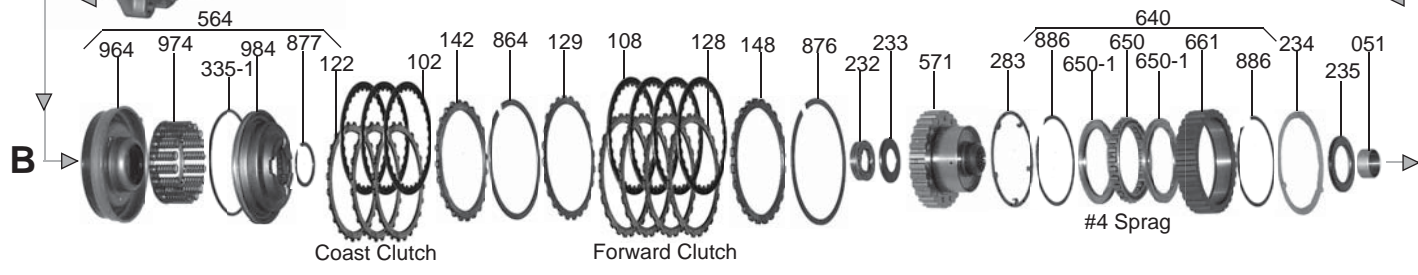
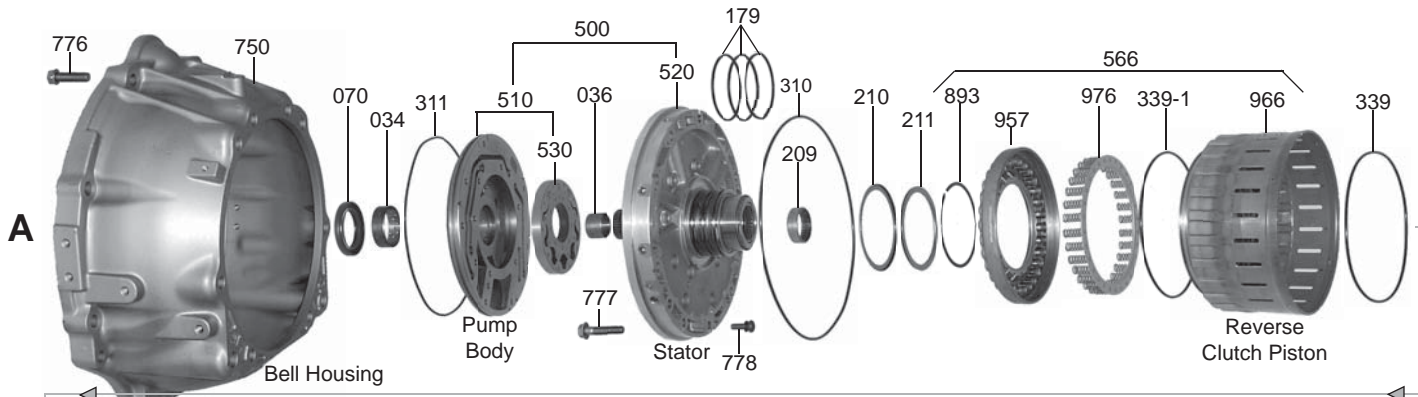
D

E

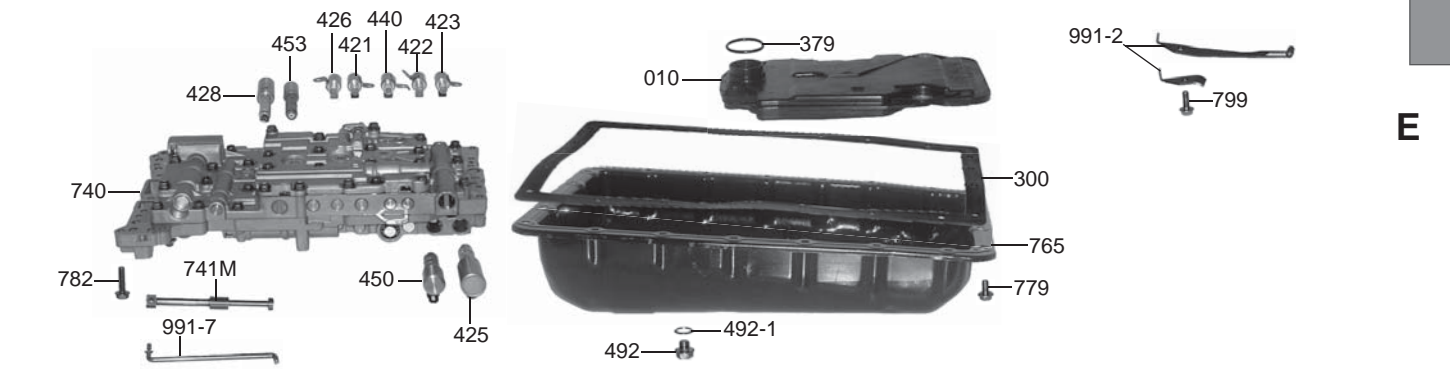
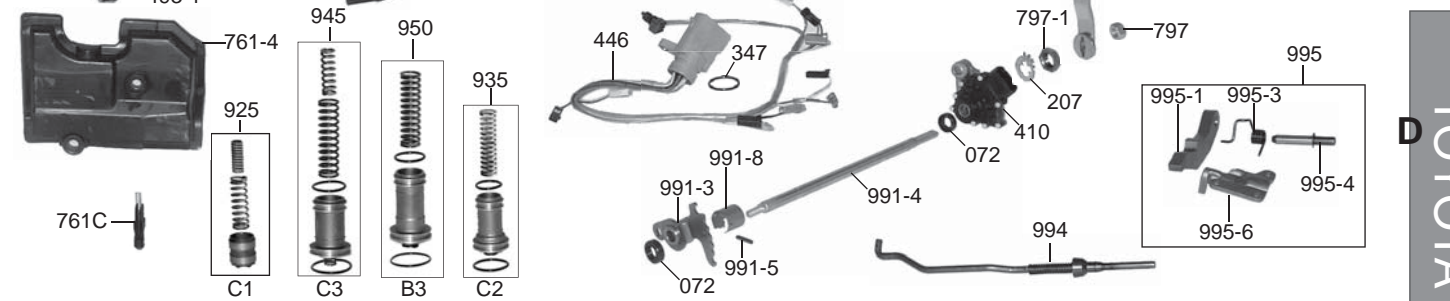
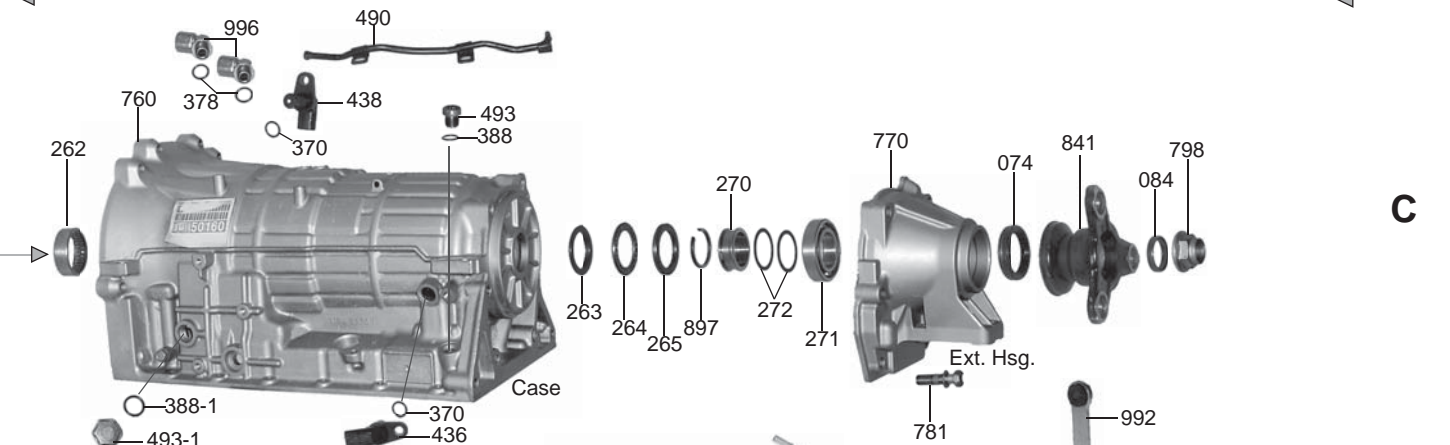
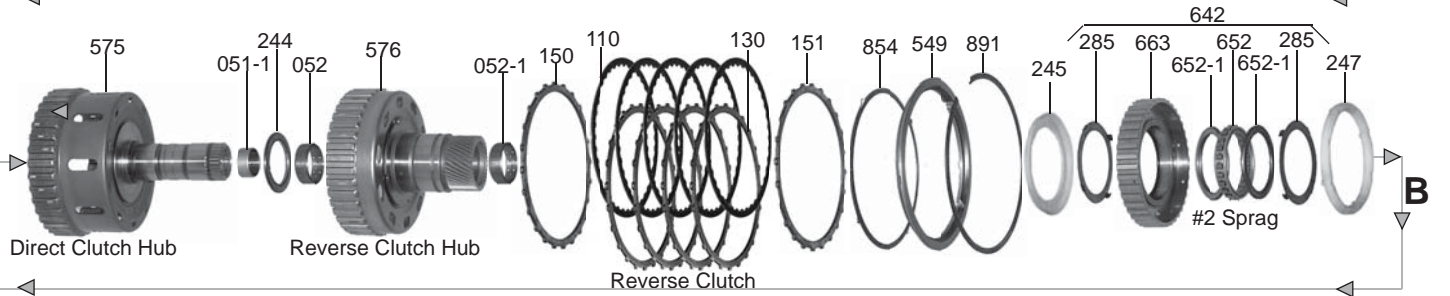
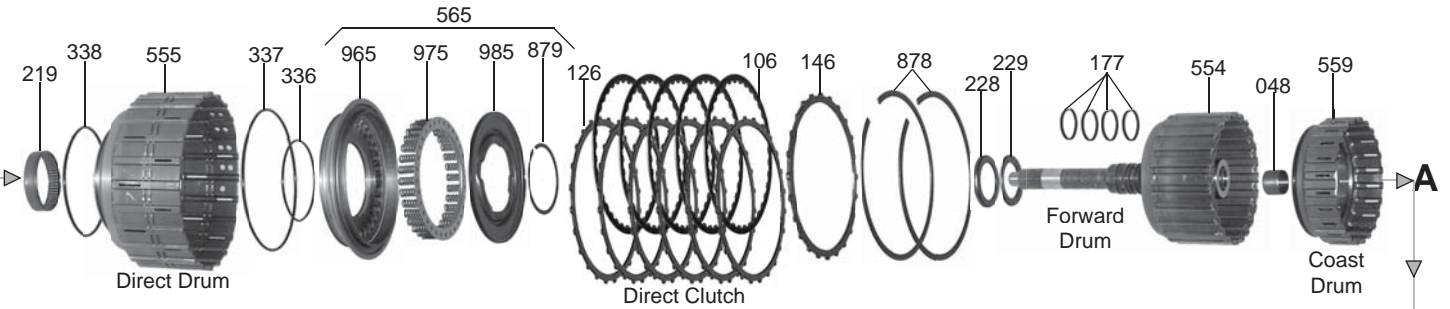
TOYOTA

A761

RWD 6 Speed



TOYOTA



C

D

E

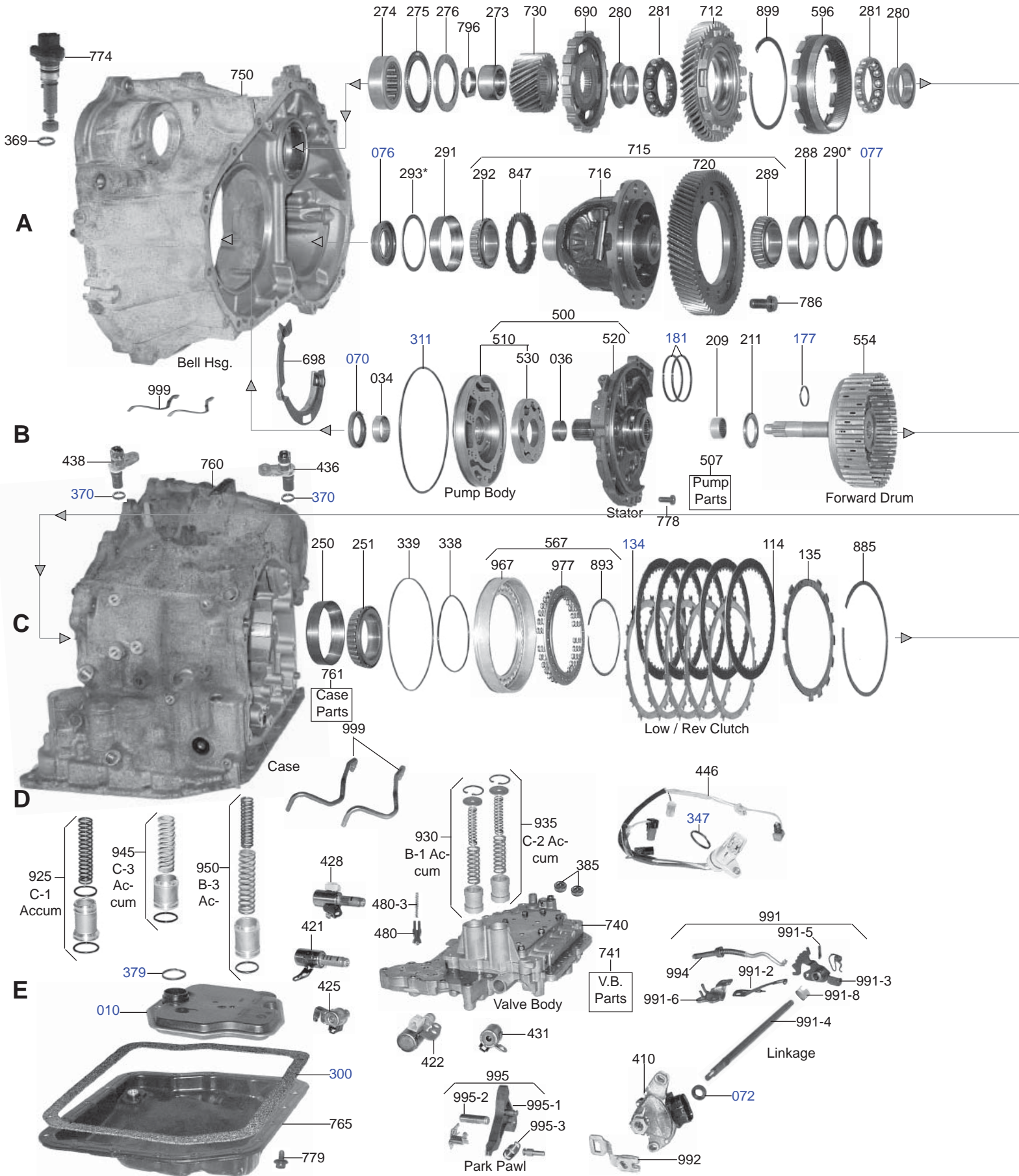
TOYOTA

SAP #	IL#	OE	INDUSTRY	DESCRIPTION
OVERHAUL KIT				
T117002A				Overhaul Kit A750E A750F (W/Out Pistons) 2003-11
T117002B				Overhaul Kit A761E (W/Out Pistons) 2004-Up
MASTER L/STEELS KIT				
T117004A				Master L/Steels A750E A750F (W/Out Pistons) 2003-11
T117004B				Master L/Steels A761E (W/Out Pistons) 2004-Up
MASTER W/STEELS KIT				
T117006A				Master W/Steels A750E A750F (W/Out Pistons) 2003-11
T117006B				Master W/Steels A761E (W/Out Pistons) 2004-Up
GASKET & RUBBER COMPONENTS				
11799609				Gasket A750E/F A761E 2003-Up 2003-Up [Cork & Rubber]
METAL CLAD SEALS				
70351		90311-38077	67550	Seal A750E/F A761E Pump 2003-Up
70464				Seal A750E/F A761E Transfer Case Adapter Rear 2003-Up
70368				Seal A750E A750F Output Shaft 2004-11
70461				Seal A761E Yoke Flange [Type V] 2004-Up
OIL SEALING RINGS				
26160340				Ring A750E/F A761E Stator to Reverse Clutch Drum [Plastic]
6384				Ring Kit A750E/F A761E 2003-Up (4 PTFE 3 Plastic Rings)
FRICTION CLUTCH				
11780R				Friction Module A750E A750F 2003-11
11780BR				Friction Module A761E 2004-Up
STEEL CLUTCH				
11781				Steel Module A750E A750F 2003-11
11781B				Steel Module A761E 2004-Up
WASHER & BEARINGS				
11705				Thrust Washer Kit A750 A761E 2003-11

SAP #	IL#	OE	INDUSTRY	DESCRIPTION
OVERHAUL KIT				
T267002A				Overhaul Kit A960E 2006-Up
MASTER L/STEELS KIT				
T267004A				Master L/Steels A960E 2006-Up
MASTER W/STEELS KIT				
T267006A				Master W/Steels A960E 2006-Up
GASKET & RUBBER COMPONENTS				
26709				Gasket A960E Pan Gasket 2006-Up [Cork & Rubber]
METAL CLAD SEALS				
70351		90311-38077	67550	Seal A960E Front Pump 2006-Up
70198		90311-40001		Seal A960E Extension Housing 2006-Up
FRICITION CLUTCH				
267080				Friction Module A960E 2006-Up
STEEL CLUTCH				
267081				Steel Module A960E 2006-Up

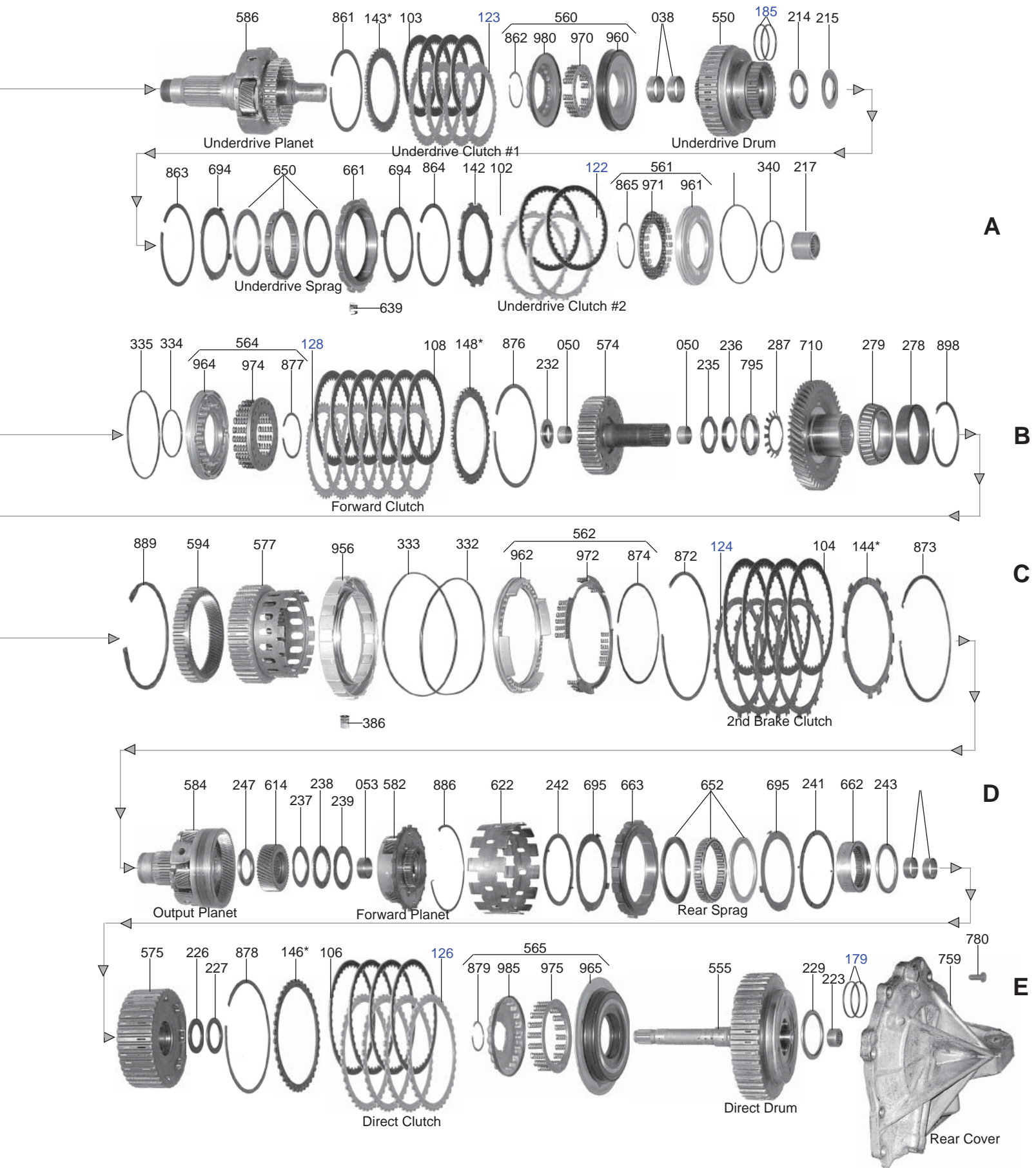
U140 / U240 / U241 / U250

FWD 4 Speed



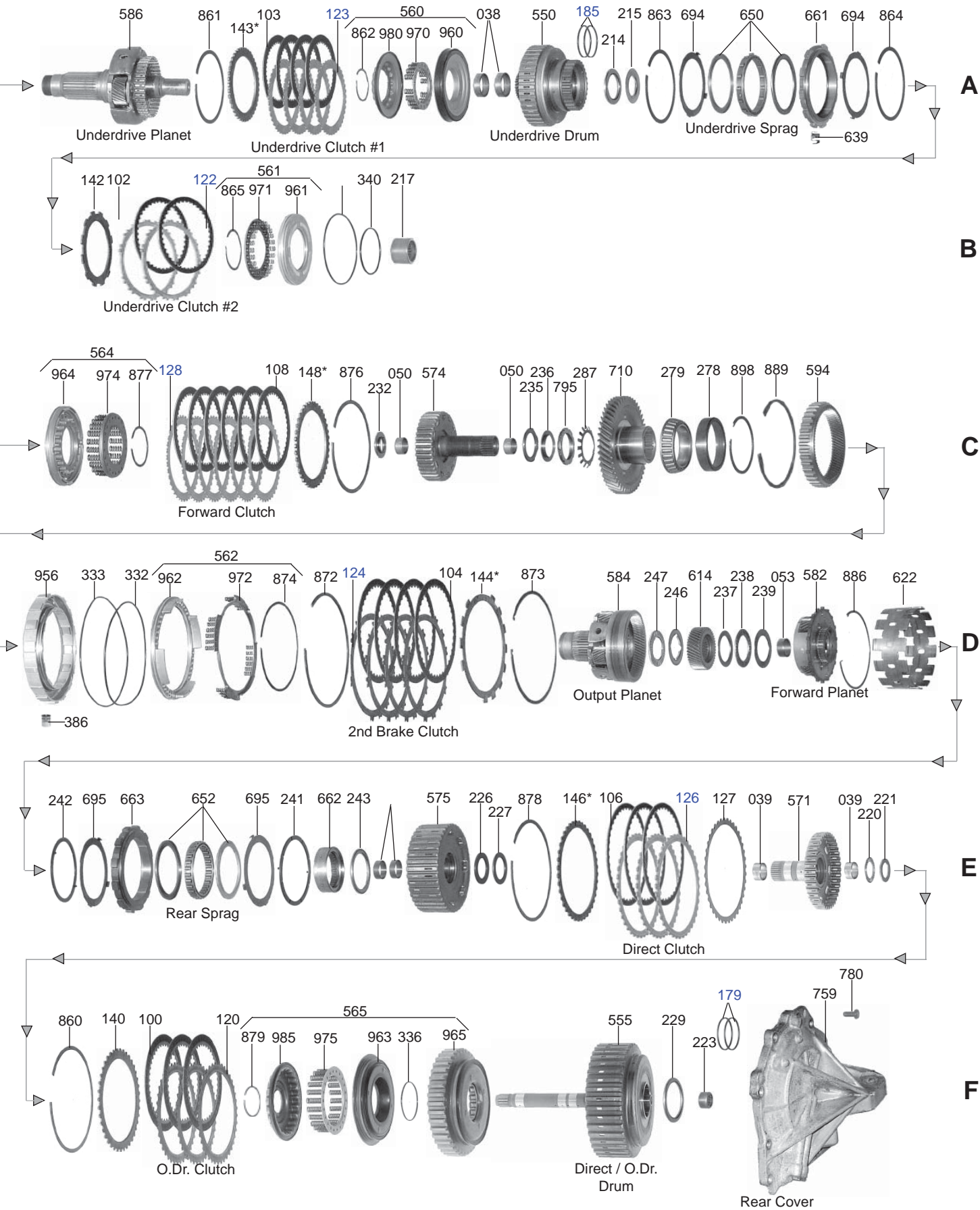
FWD 4 Speed

U140 / U240 / U241 / U250



FWD 5 Speed

U150 / U151 / U250

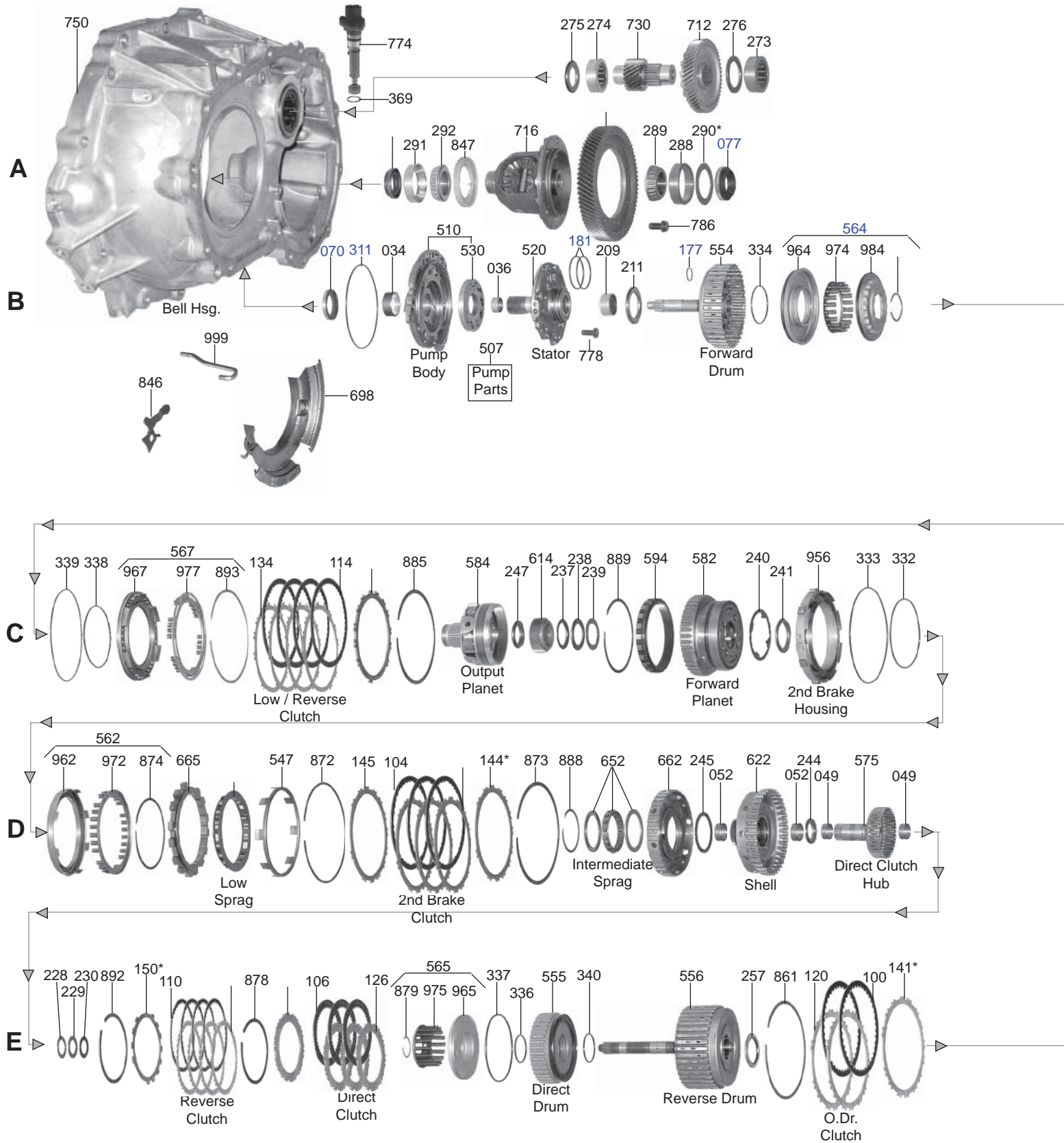


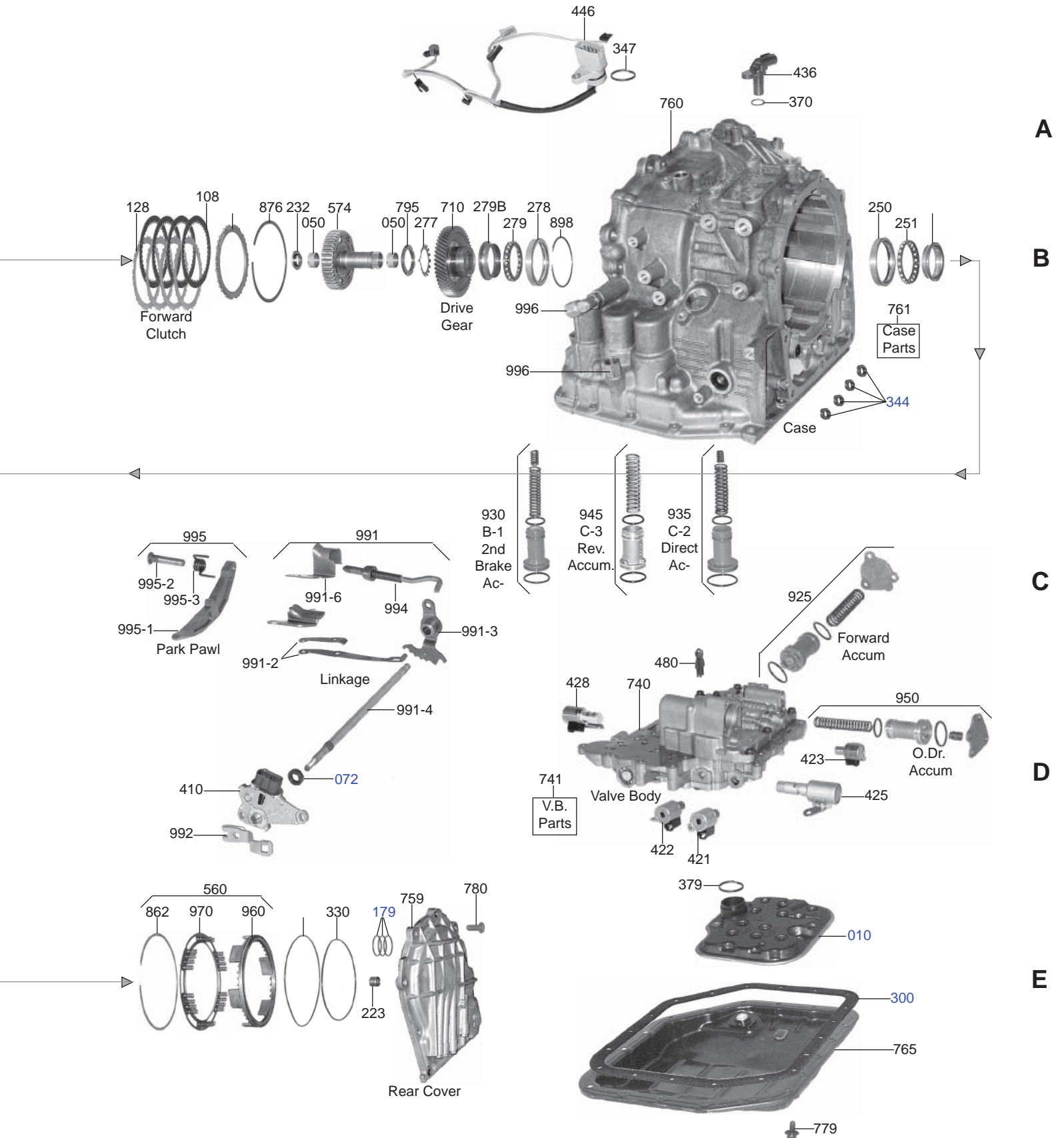
SAP #	IL#	OE	INDUSTRY	DESCRIPTION
OVERHAUL KIT				
B167002A				Overhaul Kit U140E U140F 1999-Up (W/Out Pan Gasket)
TF167002A				Overhaul Kit U140E U140F 1999-Up (Fiber)
TF167002AC				Overhaul Kit U140E U140F U240E U241E U150E U151E U151F(Combo) 1998-Up
B167002DX				Overhaul Kit U240E U241E 1999-Up (W/Out Pan Gasket)
TF167002D				Overhaul Kit U240E U241E 1999-Up (Fiber)
TF167002E				Overhaul Kit U150E U151E/F 2002-On (Fiber)
TF167002EP				Overhaul Kit U150E U151E/F (With 7 Pistons) 2002-On (Fiber)
TF167002EP-1				Overhaul Kit U150E U151E/F (With 6 Pistons) 2002-On (Fiber)
TF167002F				Overhaul Kit U250E 2005-Up
TF167002FP				Overhaul Kit U250E (With Pistons) 2005-Up
MASTER L/STEELS KIT				
B167004A				Master L/Steels Kit U140E U140F 1999-Up (W/Out Pan Gasket)
TF167004A				Master L/Steels Kit U140E U140F 1999-Up (Fiber)
TF167004AP				Master L/Steels Kit U140E U140F (With Pistons) 1998-Up (Fiber)
B167004DXP				Master L/Steels Kit U240E U241E 2000-Up (W/Out Pan Gasket)
TF167004D				Master L/Steels Kit U240E U241E 2000-Up (Fiber)
TF167004DP				Master L/Steels Kit U240E U241E (With Pistons) 1999-Up (Fiber)
TF167004E				Master L/Steels Kit U150E U150F 2002-Up (Fiber)
TF167004EP				Master L/Steels Kit U150E U150F (With 7 Pistons) 2002-Up (Fiber)
TF167004F				Master L/Steels Kit U250E 2005-Up
TF167004FP				Master L/Steels Kit U250E (With Pistons) 2005-Up
MASTER W/STEELS KIT				
B167006A				Master W/Steels Kit U140E U140F 1999-Up (W/Out Pan Gasket)
TF167006A				Master W/Steels Kit U140E U140F 1999-Up (Fiber)
TF167006AP				Master W/Steels Kit U140E U140F (With Pistons) 1999-Up (Fiber)
B167006DXP				Master W/Steels Kit U240E U241E (With Pistons) 1999-Up (W/Out Pan Gasket)
TF167006DP				Master W/Steels Kit U240E U241E (With Pistons) 1999-Up (Fiber)
TF167006EP				Master W/Steels Kit U150E U150F (With 7 Pistons) 2002-Up (Fiber)
TF167006F				Master W/Steels Kit U250E 2005-Up
TF167006FP				Master W/Steels Kit U250E (With Pistons) 2005-Up
GASKET & RUBBER COMPONENTS				
26218		35168-21010	57500	Gasket U140 U240 U241 Bottom Pan 1999-Up [Fiber]
26204A		35168-21011		Gasket U140 U240 U241 Valve Body 1999-Up
19946B3		90301-21009		O-Ring U140 A150 A240 Connector Housing
19202R		90301-32010		O-Ring U140 A150 A240 Filter Screen
1994589		90301-18018		O-Ring U140 A150 A240 Speed Sensor Connector 1985-Up
1994806		90301-990099		O-Ring U140 U240 U241 Pump Body 1999-Up
1994846		90301-28008		O-Ring U140 U240E U241E Accumulator 1999-Up
1994855				O-Ring U140E U240E U241E 1st Reverse Brake Inner 1999-Up
1994816		90080-30079		O-Ring U140 U240E U241E Underdrive (104.0 x 2.62mm) 1999-Up
METAL CLAD SEALS				
70351		90311-38077	67550	Seal U140E U140F U150 U240E U241E Front Pump 1999-Up
70188		90311-40010	89159	Seal U140E U150E U150F Axle Right (Bell Housing Side) (2.210 OD) 1999-Up
70356		90311-62004	57152	Seal U140F Axle Right (4WD) 1999-Up
26211A		90311-62004	57152	Seal U140F Axle Right (4WD) 1999-Up
70189		90311-50011	89160 89156	Seal U140E U140F Axle Left (Case Side) (3.160 OD) 1988-Up
70388		90311-50023		Seal U150E U150F Axle Left 2002-Up
70091		90311-35019	89154 57152N	Seal U240E Axle (Left & Right Side) 2000-Up
		90080-31069 90311		
70357		50026		Seal U241E Axle (Left) 2000-Up
70358		90311-40026		Seal U241E Axle (Right) 2000-Up
70045		90311-12002	78197	Seal U140 U140F U150 U240E U241E Manual Lever Shaft 1999-Up
OIL SEALING RINGS				
TAW-2406		34244-21010		Ring U140 U240 U241 Under Drive Clutch Drum [Metal]
30290		35613-2101		Ring U140 U240 U241 Stator (Rear) 1999-Up [PTFE]
30293		35712-21010		Ring U140 U240 U241 Input Shaft 1999-Up [PTFE]
30291		35653-21010		Ring U140 U240 U241 Rear Cover 1999-Up [PTFE]
30292		34346-21010		Ring U140 U150 U240 Underdrive Output Shaft 20.0mm [PTFE]
6311				Ring Kit U140 U150 U240 1998-Up (2 Metal 6 PTFE Rings)
6362				Ring Kit U150E U151E U151F 2002-Up (2 Metal 4 PTFE 2 Plastic)
FRICTION CLUTCH				
26280AR				Friction Module U140E U140F 1999-Up
26280AT				Friction Module U140E U140F 1999-Up
26280DR				Friction Module U150E U151E 2001-Up
26280DT				Friction Module U150E U151E 2001-Up
26280BR				Friction Module U240E U241E 2000-Up
26280BT				Friction Module U240E U241E 2000-Up
26280FR				Friction Module U250E 2005-Up

SAP #	IL#	OE	INDUSTRY	DESCRIPTION
STEEL CLUTCH				
26229A		34263-06010	136709-200	Steel U140 Underdrive #1 [3.903 ID 40 Teeth 0.079 THK] 1999-Up
26229B		34263-06020	57115E	Steel U240 U241 U250 Underdrive #1 [3.55 ID 40 Teeth 0.079 THK] 2000-Up
26229		34264-06010	136711-180	Steel U140 Underdrive #2 [3.66 ID 11 Teeth 0.070 THK] 1999-Up
26229C		34264-06020	57116E	Steel U240 U241 U250 Underdrive #2 [3.51 ID 11 Teeth 0.070 THK] 2000-Up
26225		35691-06010	136705-200	Steel U140 U240 U241 U250 2nd Brake [5.64 ID 12 Teeth 0.079 THK] 1999-Up
26223A		35647-06010		Steel U140 U240 U241 Direct [5.536 ID 40 Teeth 0.118 THK] 1999-Up
26221		35634-06010	136701-180	Steel U140 U240 U241 U250 Forward [4.499 ID 40 Teeth 0.071 THK] 1999-Up
26227		35692-06010	136707-180	Steel U140 U240 U241 U250 Low/Reverse [5.60 ID 12 Teeth 0.070 THK] 1999-Up
26223B		35647-33030	136703-180	Steel U250E Direct Clutch 2002-Up
26229D		34616-33010	163713-180	Steel U250E Overdrive Direct 2002-Up
26281A				Steel Module U140E U140F 1999-Up
26281DT				Steel Module U150E U151E 2001-Up
26281B				Steel Module U240E U241E 2000-Up
26281F				Steel Module U250E 2005-Up
FILTER				
26240C		35330-06010	57710A	Filter U140E U140F U141E U240E {2WD & 4x4} 1999-Up
FILTER KIT				
26243A			FK57710A	Filter Kit U140E U140F U141E U240E {2WD & 4x4} 1998-Up (With Fiber Pan Gasket)
MISCELLANEOUS FILTERS				
26266		35442-21010		Screen Filter U140E U140F U340E 341E Throttle Modulator
26266A		35441-21010		Screen Filter U140E U140F Solenoid Oil Screen
WASHER & BEARINGS				
26271		35737-21010		Thrust Washer U140E/F U240E U241E Planetary Carrier #1 1998-Up (U250E 2005-Up #1 & #2)
26271A				Thrust Washer U150E U151E U151F U250E Planetary Carrier #2 2002-Up
HARD PARTS				
26297A		90179-32002		Nut U140E U140F U240E U241E Underdrive Input Shaft
26297		90179-46001		Nut U140E U140F U240E U241E Front Planetary Gear
26275310				Piston Direct Clutch U140E U140F U240E U241 1998-Up
26275311				Piston Direct Clutch Retainer U140E U140F U240E U241E 1998-Up
26285		35606-21010		Piston Set U140E U140F U240E U241E 1998-Up [Includes Direct Clutch & Retainer]
26286		34205-21010		Piston U140E U140F Underdrive Clutch 1998-Up {2 Piece Design}
26275274		35668-08010	57857	Piston U150E U151E U151F Forward Clutch Balance 2002-Up
26275273		34628-08010	57855	Piston U150E U151E U151F Overdrive Clutch Balance 2002-Up
26275270		35612-33050	57856	Piston U150E U151E U151F Forward Clutch 2002-Up
26275271		24612-33020	57855A	Piston U150E U151E U151F Overdrive Clutch 2002-Up
26275272		34601-08010	57858	Piston U150E U151E U151F Direct Clutch 2002-Up
26275246		34205-06020		Piston U240E U241E Underdrive Clutch 2000-Up {2 Piece Design}
26275247		35063-20010	57529	Piston U240E U241E Forward Clutch 2000-Up
26288A				Piston Kit U140E U140F 1998-Up (3 Pistons)
26288C				Piston Kit U151E U151F 2002-Up (7 Pistons) - including Direct Clutch Piston
26288C-1				Piston Kit U151E U151F 2002-Up (6 Pistons)
26288B				Piston Kit U240E U241E 2000-Up (3 Pistons)
26288F				Piston Kit U250E 2005-Up (7 Pistons) - including Direct Clutch Piston

U340E / U341E / U341F

FWD 4 Speed

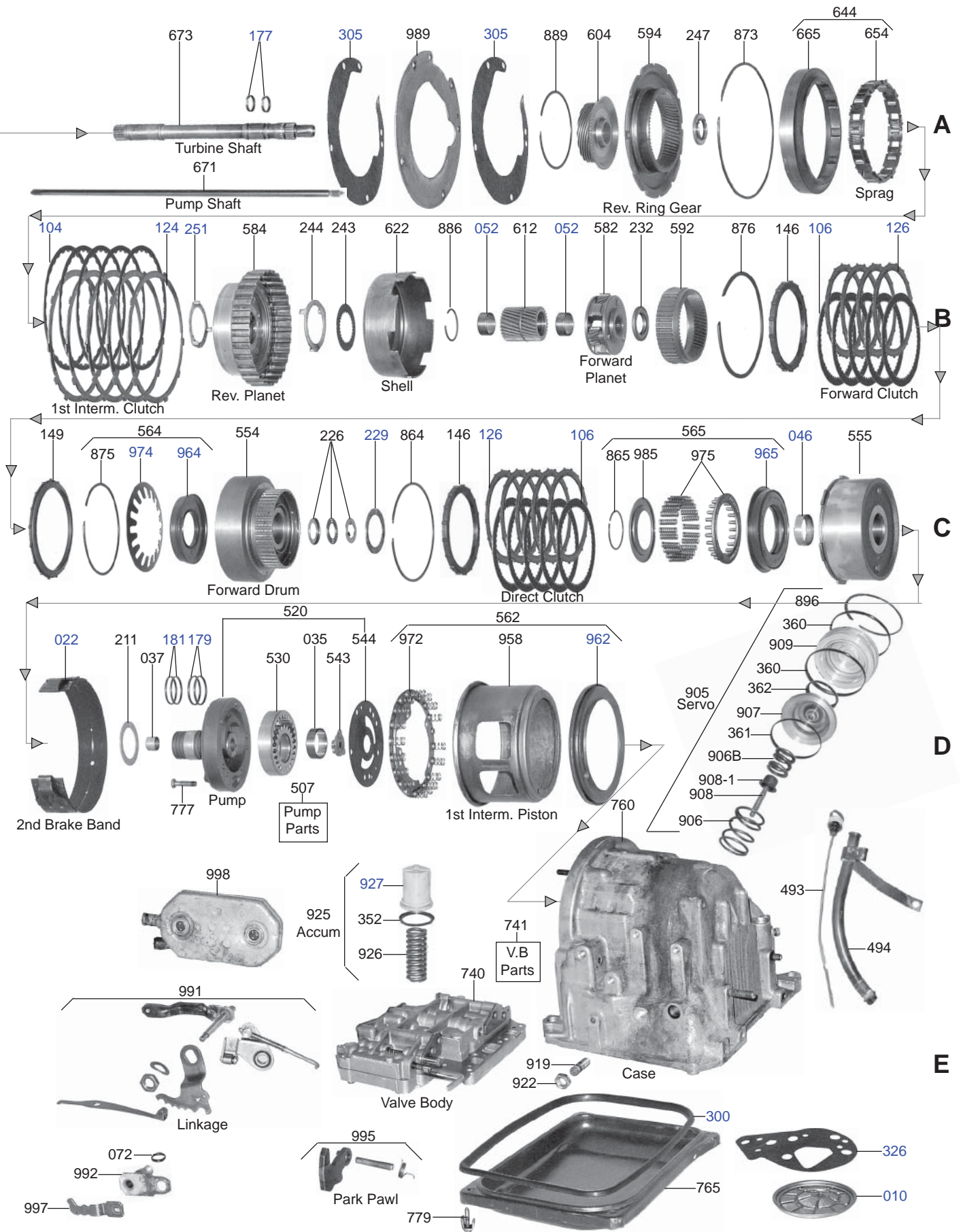




SAP #	IL#	OE	INDUSTRY	DESCRIPTION
OVERHAUL KIT				
B127002A				Overhaul Kit U340E U341E U341F 1999-Up
T127002A				Overhaul Kit U340E U341E U341F 1999-Up
TF127002A				Overhaul Kit U340E U341E U341F 1999-Up (Fiber)
T127002AP				Overhaul Kit U340E U341E U341F (With Pistons) 1999-Up
MASTER L/STEELS KIT				
B127004A				Master L/Steels Kit U340E U341E U341F 1999-Up
TF127004A				Master L/Steels Kit U340E U341E U341F 1999-Up (Fiber)
MASTER W/STEELS KIT				
TF127006A				Master W/Steels Kit U340E U341E U341F 1999-Up (Fiber)
GASKET & RUBBER COMPONENTS				
26109AT	35168-52020	57500M		Gasket U340E U341E U341F Bottom Pan (With 19 Holes) 1999-Up [Cork and Rubber]
26218B	35168-52020	57500M		Gasket U340E U341E U341F Bottom Pan 1999-Up [Fiber]
26297740	35477-52020			Gasket U340E U341E U341F Valve Body Cover (Upper) 2000-Up
26297741				Gasket U340E U341E U341F Valve Body Cover (Lower) 2000-Up
1994851	90301-09173			O-Ring U340E U341E U341F Filler Tube 1999-Up
1994532	90301-10189			O-Ring U340E U341E U341F Legend Solenoid Assembly 1999-Up
1994744	90301-99124			O-Ring U340E U341E U341F Pump Body 1991-Up
1994743				O-Ring U340E U341E U341F Speedometer 1999-Up
19517	90311-35045			Seals U340E U341E U341F Rear Cover To Case & Valve Body (Front) 1999-Up
METAL CLAD SEALS				
70351	90311-38077	67550		Seal U340E U341E U341F Front Pump 1989-Up
70288	90311-34022	57152M		Seal U340E Axle Left (Case Side) (2.205 OD) 1999-Up
70289	90311-35045	57152N		Seal U341E U341F Axle Left (Case Side) (2.255 OD) 1999-Up
70093	90311-34005 90311-34023	89152 57153M		Seal U340E Axle Right (2.126 OD) 1999-Up
70091	90311-35019	89154		Seal U341E Axle Right (2.175 OD) 1999-Up
70045	90311-12002	78197		Seal U340E U341E U341F Manual Lever Shaft 1999-Up
OIL SEALING RINGS				
26260287	35712-52020			Ring U340E U341E U341F Forward Clutch (Input Shaft) 1999-Up [PTFE]
26260286	35613-52010			Ring U340E U341E U341F Pump Stator Shaft 1999-Up [PEEK]
26260288	35617-52020			Ring U340E U341E U341F Reverse Clutch Drum (In Rear Cover) 1999-Up [PEEK]
6359				Ring Kit U340E U341E U341F 1999-Up (1 PTFE 5 PEEK Rings)
FRICTION CLUTCH				
26280CR				Friction Module U340E U341 U341F 1999-Up
26280CT				Friction Module U340E U341 U341F 1999-Up
STEEL CLUTCH				
26281C				Steel Module U340E U341E U341F 1999-Up
FILTER				
26242B	35330-20020	57710M		Filter U340E U341E U341F 4 Speed 1999-Up
FILTER KIT				
26245		FK57710M		Filter Kit U340E U341E U341F 1989-Up (With Cork & Rubber Pan Gasket)
26245A		FK57710M		Filter Kit U340E U341E U341F 1989-Up (With Fiber Pan Gasket)
MISCELLANEOUS FILTERS				
26266B	35441-52010			Screen Filter U340E U341E Solenoid Oil 2000-Up
HARD PARTS				
26287	35063-52010	57528M		Piston Set U340E U341E U341F Forward Clutch & Forward Clutch Retainer 1999-Up
26275603	35605-52010			Piston U340E U341E U341F Direct Drum 1999-Up
4865				Piston Kit U340E U341E U341F 1999-Up (3 Pistons)

SAP #	IL#	OE	INDUSTRY	DESCRIPTION
OVERHAUL KIT				
TF277002A				Overhaul Kit U660E W/Out Pistons 2007-Up
TF277002B				Overhaul Kit U760E W/Out Pistons 2008-Up
MASTER L/STEELS KIT				
TF277004A				Master L/Steels Kit U660E W/Out Pistons 2007-Up
MASTER W/STEELS KIT				
TF277006A				Master W/Steels Kit U660E W/Out Pistons 2007-Up
GASKET & RUBBER COMPONENTS				
277970051		35168-33080 35168 08010		Gasket U660E (With Silicone Bead) 2007-Up
METAL CLAD SEALS				
70498		90311-A0010		Seal U660E Front Pump 2007-Up
		90080-31069 90311		
70357		50026	57152A	Seal U660E Axle Case Side 2007-Up
		90311-40010 90311		
70188		A0011	89159	Seal U660E Axle Bell Housing 2007-Up
		90311-11128 90311		
70045		12002	78197	Seal U660E Linkage 2007-Up
OIL SEALING RINGS				
6398				Ring Kit U660E U760E 2007-Up (3 PTFE 3 Plastic Rings)
FRICTION CLUTCH				
27780				Friction Module U660E 2007-Up
STEEL CLUTCH				
27781				Steel Module U660E 2007-Up

SAP #	IL#	OE	INDUSTRY	DESCRIPTION
GASKET & RUBBER COMPONENTS				
31009		003-321-371	13800	Gasket VW003 Pan 1969-76 [Cork & Rubber]
METAL CLAD SEALS				
31011		003-507-269A	39195	Seal VW003 Final Drive 1969-76
FRICTION CLUTCH				
31020T		003-323-241B	39266	Friction VW003 Forward [5.20 OD 43 Teeth 0.062 THK] 1969-76
STEEL CLUTCH				
31021		003-323-139	39265	Steel VW003 Forward & Direct [3.50 ID 16 Teeth 0.078 THK] 1969-76
FILTER				
31040		003-325-241	39661	Filter VW003 Rear Drive (Round Center Bolt) 1969-76

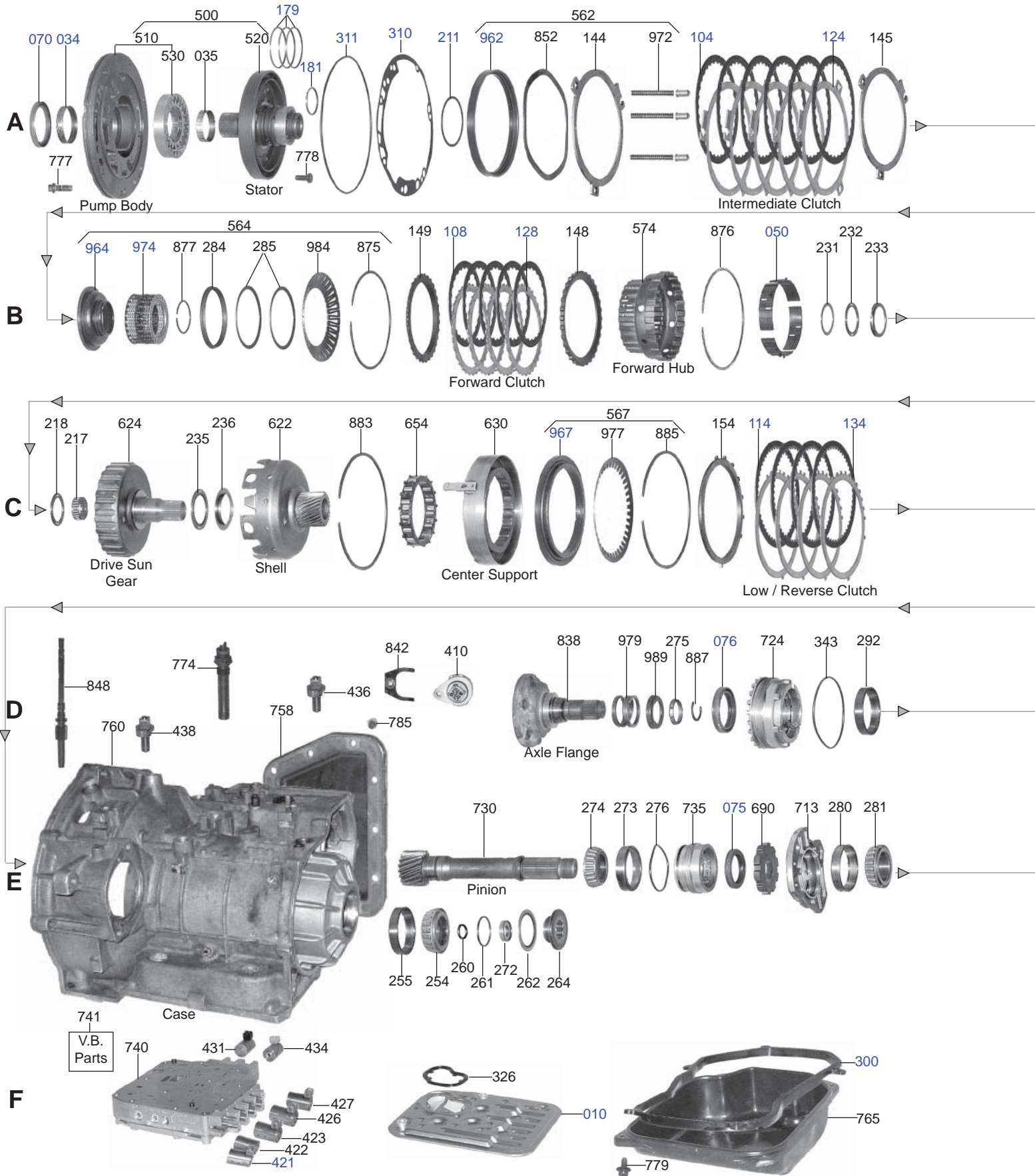


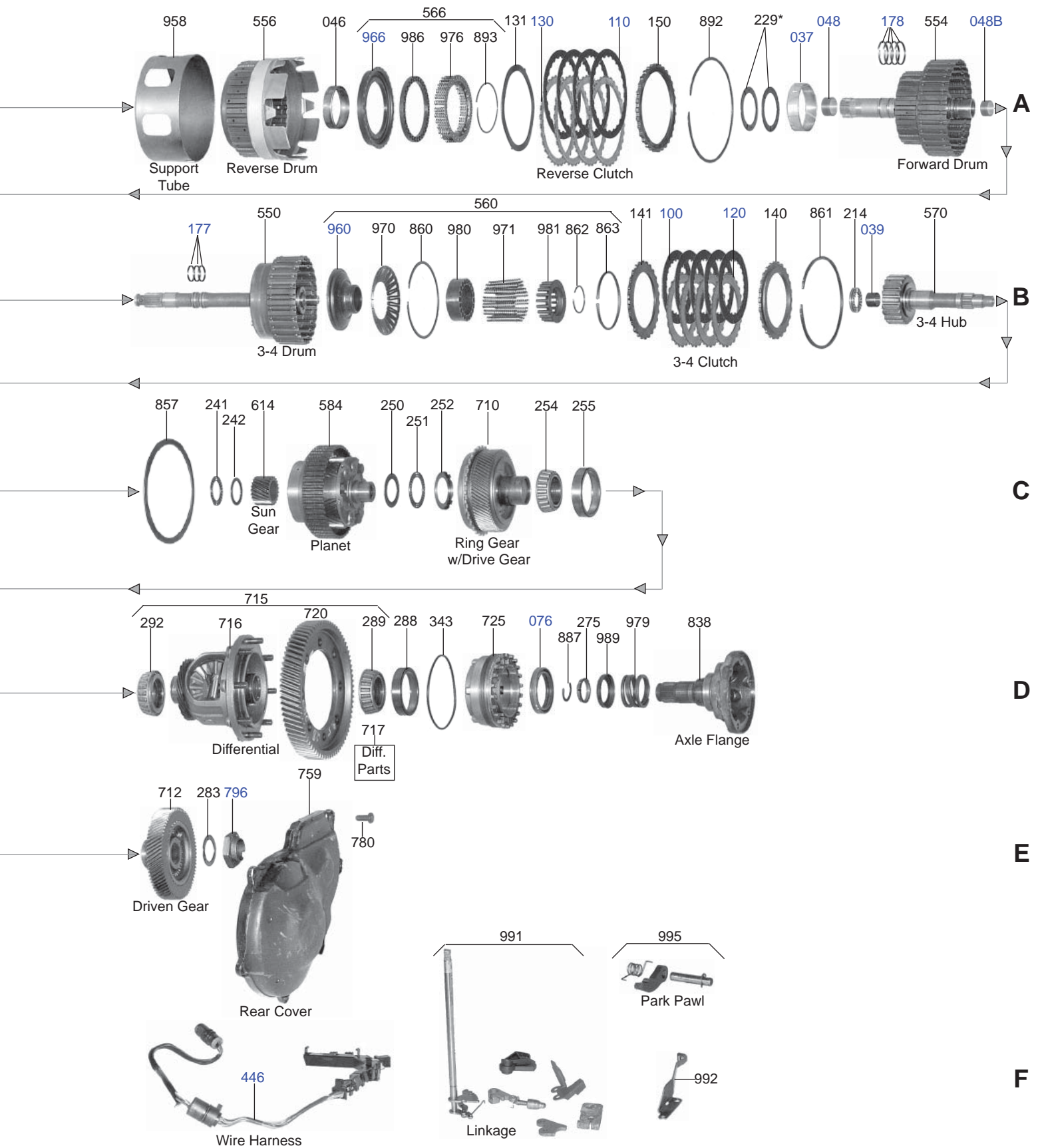
SAP #	IL#	OE	INDUSTRY	DESCRIPTION
PAPER & RUBBER KIT				
T65000				Paper & Rubber Kit 010 087 089 090 (Without Differential Seals) 1975-Up
OVERHAUL KIT				
B65002				Overhaul Kit 010 087 089 090 (W/Out Differential Seals) 1975-Up
T65002				Overhaul Kit 010 087 089 090 (W/Out Differential Seals) 1975-Up
B65002A				Overhaul Kit 010 (With Differential Seals) 1975-Up
T65002A				Overhaul Kit 010 (With Differential Seals) 1975-Up
T65002B				Overhaul Kit 087 089 (With Differential Seals) 1975-Up
B65002C				Overhaul Kit 087 089 090 (With Differential Seals) 1975-Up
T65002C				Overhaul Kit 087 089 090 (With Differential Seals) 1975-Up
MASTER L/STEELS KIT				
B65004				Master L/Steels Kit 010 087 089 090 (W/Out Differential Seals) 1975-Up
B65004A				Master L/Steels Kit 010 (With Differential Seals) 1975-Up
B65004B				Master L/Steels Kit 087 (With Differential Seals) 1977-82
T65004B				Master L/Steels Kit 087 (With Differential Seals) 1977-82
B65004C				Master L/Steels Kit 089 (With Differential Seals) 1976-Up
MASTER W/STEELS KIT				
B65006				Master W/Steels Kit 010 087 089 090 (W/Out Differential Seals) 1975-92
B65006A				Master W/Steels Kit 010 (With Differential Seals) 1975-92
B65006C				Master W/Steels Kit VW 087 089 (With Differential Seals) 1976-92
GASKET & RUBBER COMPONENTS				
31109		010-321-371B	79500	Gasket 010 087 089 090 Bottom Pan 1975-Up [Molded Rubber]
31104		010-409-549B	13620	Gasket 010 Final Drive to Case [Fiber]
31197475		010-325-443	79505	Gasket 010 087 089 090 Round Filter To Valve Body
31105		010-321-385-B	79501	Gasket 010 087 089 090 Transmission Plate To Differential
31192		010-409-549B	13620	Lathe Cut Seal 010 087 089 090 Differential housing To Case
1990189		003-325-413		Lip Seal 010 Accumulator Piston
1990191		010-323-119		Lip Seal 010 Clutch Piston
1990190		010-323-487B		Lip Seal 010 Servo Piston
1990192		010-323-487C		Lip Seal 010 Servo Piston
1990193		010-323-525C		Lip Seal 010 Servo Piston Outer
1995514		010-409-563A		O-Ring 010 Cooler Line Fitting 1975-Up
1994758		010-409-580		O-Ring 010 Front Bearing Return
1995522		003-325-443		O-Ring 010 Governor
1995518		010-325-381		O-Ring 010 Governor Cover
1995517		021-105-279		O-Ring 010 Governor Housing to Case
1994767		010-409-731		O-Ring 010 Idler Gear
1994768		068-145-119		O-Ring 010 Idler Gear Late
1995515		N28-201-2		O-Ring 010 Manual Lever 1975-Up
1995520		011-519-349		O-Ring 010 Servo Cover
1995516		010-232-533		O-Ring 010 Servo Cover 1975-Up
1992501		N9008991		O-Ring 010 Solenoid Connector
1995519		6264902		O-Ring 010 087 089 090 Filler Tube
METAL CLAD SEALS				
70184		010-409-568	79303	Seal 010 087 089 Front Pump (Converter) 1975-Up
70219		003-519-089D	39197	Seal 090 Front Pump (Converter) 1977-Up
70183		087-323-559	79302	Seal 087 089 090 Turbine Shaft 1984-Up
70216		018-409-399	79308	Seal 087 089 090 Axle (Both Sides) 1975-Up
70175		010-409-255A	79304	Seal 010 Axle (Both Sides) Output Shaft 1979-84
70217		020-301-189M	79309	Seal 010 Axle (Both Sides) 1984-Up
70122		087-409-133A	79306	Seal 087 089 Governor Shaft 1977-Up
70218		003-507-125A	39194	Seal 090 Governor Shaft 1969-Up
70144		010-409-085D	39196	Seal 010 090 Pinion Shaft (Front) 1975-Up
70123		089-409-085B	79310	Seal 089 Pinion Shaft (Front) 1976-Up
70215		087-409-085A	79305A	Seal 087 Pinion Shaft (Front) 1979-Up
70120		089-409-529A	79307	Seal 089 090 Pinion Shaft (Rear) 1975-Up
70168		087-409-529A	79307A	Seal 087 Pinion Shaft (Rear) 1979-Up
70121		010-409-529C	79301	Seal 010 Pinion Shaft (Rear) 1975-Up
OIL SEALING RINGS				
TAW-673		010-323-557A		Ring 010 087 089 090 Input Shaft 1975-Up [Metal]
TAW-675		010-321-261		Ring 010 087 089 090 Direct Clutch 1975-Up [Metal]
TAW-674		003-321-261		Ring 010 087 089 090 Forward Clutch [Metal]
6079				Ring Kit 010 087 089 090 1975-Up (6 Metal Rings)
FRICITION CLUTCH				
31124T		010-323-141C	79103	Friction 010 089 090 Direct/Reverse [4.75 OD 49 Teeth 0.090 THK] 1975-Up
31127T		087-323-141A	79103A	Friction 087 Direct/Reverse [5.00 OD 49 Teeth 0.090 THK] 1983-Up
31120R		010-323-241C	79105	Friction 010 087 089 090 Forward [4.75 OD 49 Teeth 0.061 THK] 1975-Up
31120T		010-323-241C	79105	Friction 010 087 089 090 Forward [4.75 OD 49 Teeth 0.061 THK] 1975-Up
31122T		010-323-231	79106	Friction 010 087 089 090 Low/Reverse [6.60 OD 30 Teeth 0.061 THK] 1975-Up

SAP #	IL#	OE	INDUSTRY	DESCRIPTION
FRICITION CLUTCH -- continued				
31172R				Friction Module 010 087 089 090 1975-92
31172T				Friction Module 010 087 089 090 1975-92
31174T				Friction Module 087 089 1975-92
STEEL CLUTCH				
31123		010-323-139	79100	Steel 010 087 089 090 Direct/Reverse [4.063 ID 17 Teeth 0.079 THK] 1975-Up
31125		087-323-139	79100A	Steel 087 Direct/Reverse [4.04 ID 53 Teeth 0.079 THK] 1983-Up
31121		010-323-227A	79104	Steel 010 087 089 090 Low/Reverse [6.18 ID 8 Teeth 0.079 THK] 1975-Up
31173				Steel Module 010 087 089 090 1975-Up (Except 1983-Up Audi 5000)
31175				Steel Module 087 089 1975-92
FILTER				
31140		010-325-421	79710	Filter 010 089 Rectangular 1975-76
31141		010-325-421A	79710A	Filter 010 087 089 090 Round 1977-Up
FILTER KIT				
31142			FK79710	Filter Kit 010 089 Rectangular 1975-76
31143				Filter Kit 010 087 089 090 Round 1977-Up
BANDS				
31146		010-323-461C	79700	Band 010 087 089 090 1975-Up (Except 1983-Up Audi 5000)
BUSHINGS				
31032		010-323-217A	39008	Bushing 010 087 089 090 Sun Gear [1.18 OD 1.08 ID] [Bronze]
31138		010-323-115	39005	Bushing 010 087 089 090 Direct Drum [1.66 OD 1.54 ID] [Bronze]
31031		003-321-253	39003	Bushing 010 087 089 090 Pump Housing [0.37 OD] 1969-Up [Bronze]
31030		003-323-611	39002	Bushing 010 087 089 090 Oil Pump 1969-Up [Bronze]
31128				Bushing Kit 010 087 089 090 1975-92 (6 Bushings)
WASHER & BEARINGS				
31185		003-323-161AP		Washer 010 087 089 090 Forward Drum To Direct Drum [Plastic]
31187		010-323-291A	79572	Washer 010 087 087 090 Annulus Gear To Rear Planet (4 Tab) [Metal]
31186		010-323-291	79571	Washer Thrust 010 Rear Planet - 3 Flat Tabs [2.46 OD 0.055in THK] 1975-Up [Metal]
31188				Washer 010 087 089 090 [Aluminum]
HARD PARTS				
31175251		010-323-479A	79970	Piston 010 087 089 090 1st Intermediate Clutch (Without Check Ball) [Molded Rubber]
31175252		010-323-121B	79974	Piston 010 087 089 090 Direct Clutch [Molded Rubber] [OEM]
31175253		010-323-512A	79970A	Piston 010 087 089 090 1st Intermediate Clutch (With Check Ball) [Molded Rubber] [OEM]
31149		010-323-229C	79598A	Spring 010 087 089 090 Diaphragm Forward Clutch (16 Lug)

VW AG4 (095 / 096 / 01M)(098 / 01P)

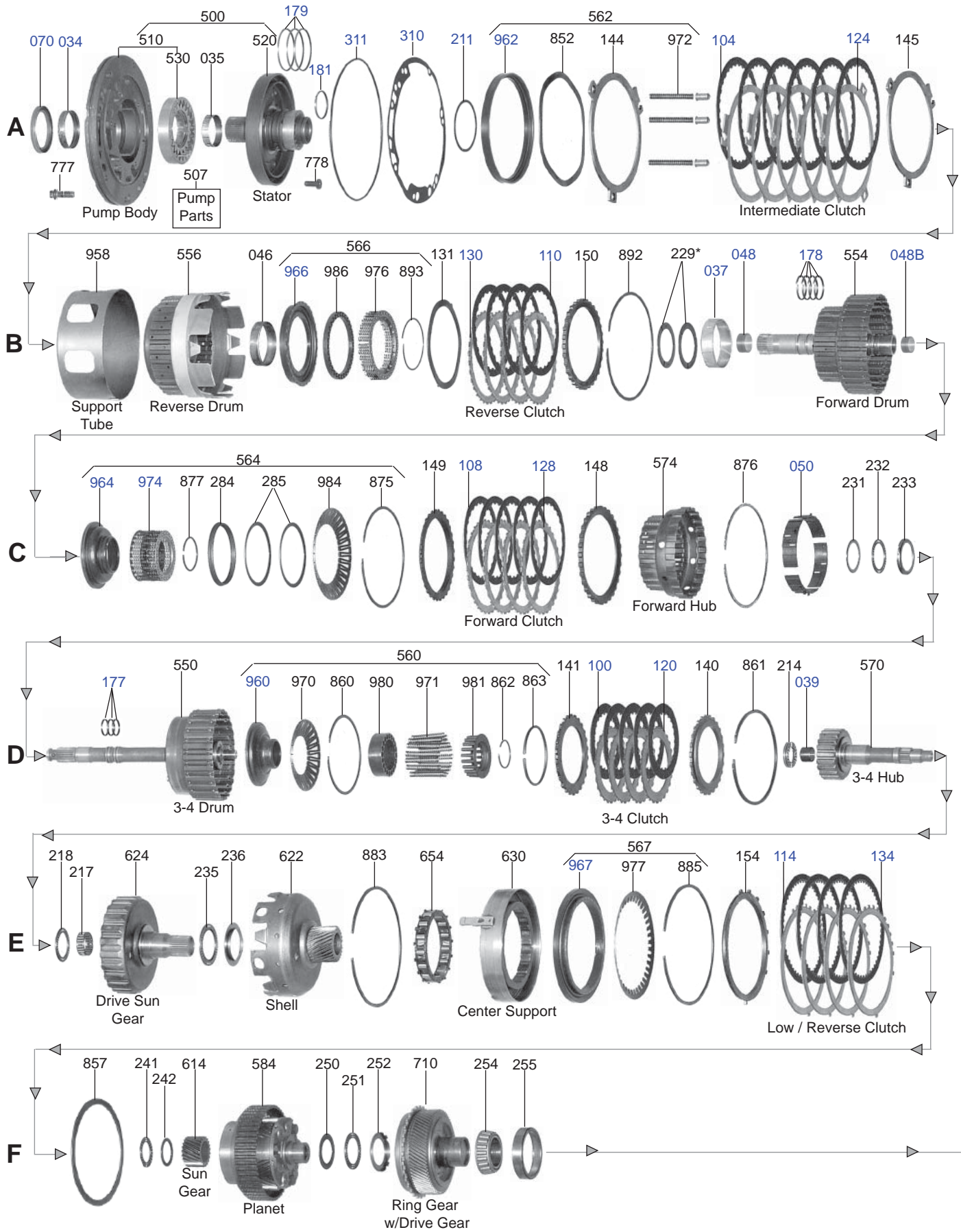
FWD 4 Spd

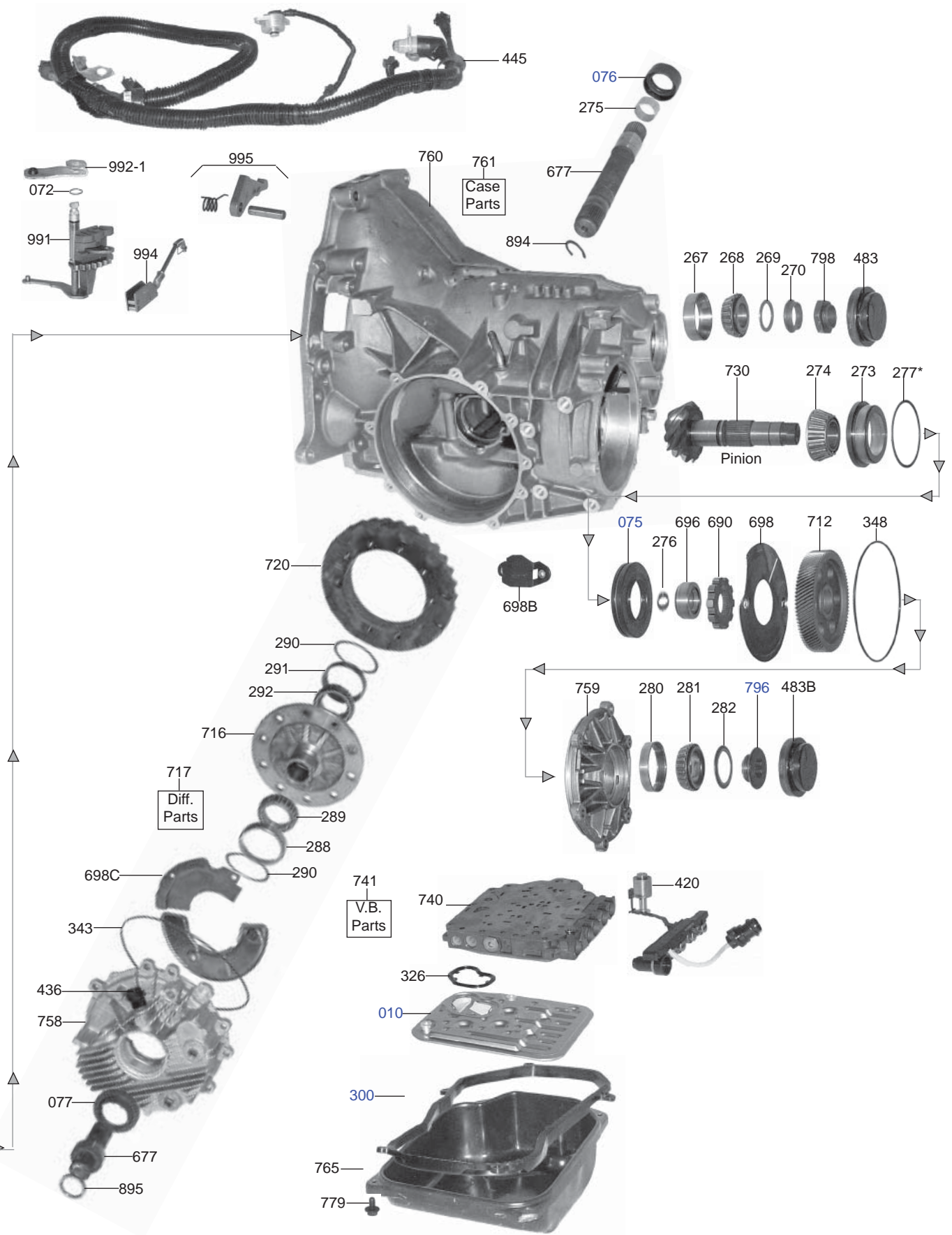




VW AG4 (097 / 01N)

FWD 4 Speed





SAP #	IL#	OE	INDUSTRY	DESCRIPTION
OVERHAUL KIT				
B75002A				Overhaul Kit 095 096 W/Out Molded Piston 1989-Up (With NBR Pan Gasket)
T75002A				Overhaul Kit 095 096 W/Out Molded Piston 1989-Up (With Poly Pan Gasket)
34202A				Overhaul Kit 097 W/Out Molded Piston 1989-94
B75002D				Overhaul Kit 098 (01P) W/Out Molded Pistons 1992-Up
T75002D				Overhaul Kit 098 (01P) W/Out Molded Pistons 1992-Up
MASTER L/STEELS KIT				
B75004AA				Master L/Steels Kit 095 096 W/Out Molded Pistons 1989-94
T75004AA				Master L/Steels Kit 095 096 W/Out Molded Pistons 1989-94
B75004AAP				Master L/Steels Kit 095 096 (With 5 Molded Pistons) 1989-1994
T75004DA				Master L/Steels Kit 098 W/Out Molded Pistons 1992-94
MASTER W/STEELS KIT				
B75006AA				Master W/Steels Kit 095 096 W/Out Molded Pistons 1989-94
T75006AA				Master W/Steels Kit 095 096 W/Out Molded Pistons 1989-94
B75006AAP				Master W/Steels Kit 095 096 (With 5 Molded Pistons) 1989-94
B75006ABP				Master W/Steels Kit 095 096 01M (With 7 Molded Pistons) 1995-Up
T75006DB				Master W/Steels Kit 098 W/Out Molded Pistons 1/1995-Up (Eurovan)
GASKET & RUBBER COMPONENTS				
34109	096-321-370	119500		Gasket 095 096 Bottom Pan 1989-Up [NBR]
34109P	095-321-371			Gasket 095 096 Bottom Pan 1989-Up [Poly]
34109B	097-321-371	119500A		Gasket 097 Bottom Pan 1990-94 [Molded Rubber]
34209C	098-321-370	119500B		Gasket 098 Bottom Pan 1992-Up [Molded Rubber]
34109A	095 321 493	119505		Gasket 095 096 Transfer Gear Cover 1990-Up
34209AC	098-321-488	119505A		Gasket 098 Transfer Gear Cover 1992-94
34209BC	01P-321-493	119505B		Gasket 098 Transfer Gear Cover 1995-Up
34107	095-321-385-A	119503		Gasket 095 096 097 098 Pump to Case 1990-94
34107A	01M-321-385	119503A		Gasket 096 Pump To Case 1/1995-98
34104				Gasket 095 096 097 098 Solenoid
34108	095-321-559			Gasket 095 096 098 Differential
34106	095-325-443A	119501		Gasket 095 096 097 Filter
34204B				Gasket 097 Baffle Plate 1989-Up [Nitrile Rubber]
1994792	095-321-386			O-Ring 095 096 097 098 Pump
1994793	095-325-381A			O-Ring 095 Bulkhead Connector 1990-Up
1994206				O-Ring 095 Cooler Bolt Top 1990-Up
1994790				O-Ring 095 Differential Bearing (Ret #1) 1995-Up
1993209	003-321-419A			O-Ring 095 Filler Tube 1990-Up
1994789				O-Ring 095 Output Speed Sensor 1990-Up
1994794				O-Ring 095 Pin Bearing (Ret #1) 1990-Up
METAL CLAD SEALS				
70239	095-321-243D	119151		Seal 095 096 097 098 Front Pump (Converter)
70242	096-323-862-A	119153		Seal 095 096 Pinion Shaft 1990-10/91
70241	096-323-862	119153A		Seal 095 096 Pinion Shaft 10/1991-Up
70365	098-323-862A	119153C		Seal 098 Pinion Shaft 1992-Up [OEM]
70217	020-301-189-H	79309		Seal 095 096 Axle (Left & Right Side) 1990-Up
34214	01F-409-399			Seal 097 Axle Left (60 x 75 x 8) 1990-Up
34212	097-409-399A	119156		Seal 097 Axle Right (32.3 x 48 x 7.15) 1990-Up
70366	016-409-399B	119154		Seal 098 Axle (Left & Right Side) 1992-Up
70240	095-323-862-A	119152		Seal 095 096 097 098 Manual Shaft Lever 1990-Up
34213V	0734-319-302			Seal 097 Differential Output 1990-Up [Viton]
70293	002-517-289A			Seal 098 Plug Joint Flange 1992-Up
OIL SEALING RINGS				
TAW-1996	095-321-262			Ring 095 096 097 098 Forward Clutch [Metal]
TAW-1997	095-323-557A			Ring 095 096 097 098 Input Shaft (Front) [Metal]
TAW-1998	095-323-560			Ring 095 096 097 098 Input Shaft (Rear) [Metal]
TAW-1995	095-321-261			Ring 095 096 097 098 Reverse Clutch [Metal]
30703	095-323-570A			Ring 095 096 097 098 Turbine Shaft 1988-Up [Metal]
6178				Ring Kit 095 096 097 098 (12 Metal Rings)
FRICTION CLUTCH				
34126R	095-323-941A	119108		Friction 095 096 097 098 3-4 Clutch (K3) [3.80 OD 22 Teeth 0.063 THK] 1990-94
34126AR	095-323-941C	119108A		Friction 095 096 097 098 3-4 Clutch (K3) [4.05 OD 22 Teeth 0.063 THK] 1995-Up
34120R	095-323-241A	119702		Friction 095 096 097 098 Intermediate (B2) [6.10 OD 32 Teeth 0.063 THK] 1990-Up
34122R	095-323-231C	119103		Friction 095 096 097 098 Low Reverse Brake (B1) [5.75 OD 50 Teeth 0.063 THK] 1990-Up
34124R	095-323-241A	119106		Friction 095 096 097 098 Forward (K1) & Reverse (K2) [4.80 OD 24 Teeth 0.063 THK] 1990-Up
34190R				Friction Module 095 096 1989-94
34190T				Friction Module 095 096 1989-94
34190AT				Friction Module 096 01M 1995-Up
34290CR				Friction Module 098 1992-94
34290CAR				Friction Module 098 (01P) 1995-Up

SAP #	IL#	OE	INDUSTRY	DESCRIPTION
STEEL CLUTCH				
34129			119109	Steel 095 096 097 098 3-4 Clutch (K3) [2.80 ID 26 Teeth 0.079 THK] 1990-94
34129A			119109A	Steel 095 096 097 098 3-4 Clutch (K3) [2.80 ID 28 Teeth 0.057 THK] 1995-Up
34127			119107	Steel 095 096 097 098 Forward (K1) & Reverse (K2) [4.10 ID 32 Teeth 0.079 THK] 1990-Up
34127A			119107A	Steel 095 096 097 098 Forward (K1) [4.10 ID 32 Teeth 0.057 THK] 1995-Up
34123			119104	Steel 095 096 097 098 Intermediate (B2) [5.35 ID 3 Teeth 0.079 THK] 1990-Up
34125C			119104C	Steel 095 096 097 098 Intermediate (B2) [5.35 ID 3 Teeth 0.118 THK] 1990-Up
34121			119100	Steel 095 096 097 098 Low Reverse (B1) [5.10 OD 12 Teeth 0.079 THK] 1990-94
34121A	095-323-227A		119100A	Steel 095 096 097 098 Low Reverse (B1) [5.10 ID] 1995-Up
34191				Steel Module 095 096 1989-94
34191A				Steel Module 095 096 1995-Up
34291B				Steel Module 097 1989-Up
34291CA				Steel Module 098 1995-Up
FILTER				
34040	095-325-429D		119710	Filter 095 096 097 098 (With Molded Rubber Gasket)
34140			79800C	Filter 096 (With Round Lip Seal Grommet) 1996-Up
FILTER KIT				
34141			P1248	Filter Kit 01M (With Lip Seal) 1996-Up
34041				Filter Kit 095 096 097 098
34247C				Filter Kit 098 1996-Up (Eurovan)
BUSHINGS				
34136				Bushing 095 096 097 098 3-4 Hub Pilot (Front) to Forward Drum [Bronze]
34133				Bushing 095 096 097 098 Forward Drum (Large) Front to Stator (0.88 OD) [Bronze]
34134				Bushing 095 096 097 098 Forward Drum Shaft (Small) Front (3.4 OD) [Bronze]
34133A				Bushing 095 096 097 098 Forward Drum Shaft (Small) Rear (0.94 OD) [Bronze]
34132				Bushing 095 096 097 098 Pump Body (2.11 OD) (2.02 ID) [Bronze]
34135				Bushing 095 096 098 Planet Pinion Shaft [Bronze]
34131			119006	Bushing 095 096 098 Drum Reverse (K2) (2.29 OD) [Bronze]
34130			K119905	Bushing Kit 095 096 097 098 (7 Bushings)
WASHER & BEARINGS				
34197				Collar Nut 095 096 098 Rear Planet Ring Gear To Case Bearing
34171	095-323-345		119403	Washer 095 096 098 Thrust Reverse to Forward Drum 1990-Up
34172P	095-321-285			Washer 095 096 097 098 Stator To Reverse Drum [Plastic]
ELECTRICAL COMPONENTS				
D119957	096-927-365		119957	Harness 095 096 Internal Wire (Case Connector & TOT) 1990-94 [OEM]
S-303	098-927-365		119957B	Harness 097 Internal Wire (Case Connector & TOT) 1990-Up [OEM]
D119957A	01M-927-365		119957A	Harness 01M Internal Wire (Case Connector & TOT) 1995-Up [OEM]
34179C	098-927-365		119957C	Harness 098 01P 099 Internal Wire (Case Connector and TOT) 1990-Up
D119952	095-927-331A		119952	Solenoid 095 096 097 098 Shift (Takes 6 per Transmission) [OEM]
HARD PARTS				
34175220	095-323-217B		119825	Piston 095 096 097 098 Forward Clutch (K1) 1989-94
34175221	095-323-217G		119825A	Piston 095 096 097 098 Forward Clutch (K1) 1995-Up
34175222	095-323-257		119826	Piston 096 097 098 Spring Retainer Forward Clutch (K1) 1995-Up
34175225	095-323-977		119828	Piston 096 097 098 Retainer (K3) 1995-Up
34175223	095-323-927A		119827	Piston 095 096 097 098 Fourth Clutch (K3) 1989-94
34175224	095-323-927G		119827A	Piston 095 096 097 098 Fourth Clutch (K3) 1995-Up
34175228	095-321-531C		119823	Piston 095 096 097 098 Intermediate & 2-4 Clutch (B2) 1989-Up
34175227	095-323-121E		119824	Piston 095 096 097 098 Reverse (K2) 1989-Up
34175226	095-323-479		119829	Piston 095 096 097 098 Low/Reverse Clutch (B1) 1989-Up
8403				Piston Kit 095 096 097 098 1989-94 (5 Pistons)
8404				Piston Kit 01M 01N 01P 1995-Up (7 Pistons)
34199	095-323-295A			Spring 095 096 097 098 Low/Reverse Clutch 1990-Up
MISCELLANEOUS COMPONENTS				
34186				Clip 095 096 (01M) Forward Hub To 3-4 Drum [Plastic]
34186A				Clip 097 098 Forward Hub To 3-4 Drum [Plastic]
31175135	020-409-289B			Plug 095 096 Joint Flange
34187				Retainer 095 096 097 098 Piston Spring Seat

SAP #	IL#	OE	INDUSTRY	DESCRIPTION
OVERHAUL KIT				
T275002A				Overhaul Kit 01J 2002-Up
T275002AP				Overhaul Kit 01J With Pistons 2002-Up
MASTER L/STEELS KIT				
T275004AP				Master L/Steels Kit 01J With Pistons 2002-Up
MASTER W/STEELS KIT				
T275006AP				Master W/Steels Kit 01J With Pistons 2002-Up
FRICTION CLUTCH				
275080T				Friction Module 01J 2002-Up
STEEL CLUTCH				
275081				Steel Module 01J 2002-Up
HARD PARTS				
27575580				Piston 01J Reverse Brake 2002-Up

SAP #	IL#	OE	INDUSTRY	DESCRIPTION
OVERHAUL KIT				
TM865002A				Overhaul Kit DSG 02E 2003-Up
MASTER L/STEELS KIT				
TM865004A				Master L/Steels Kit DSG 02E 2003-Up
MASTER W/STEELS KIT				
TM865006A				Master W/Steels Kit DSG 02E 2003-Up
FRICTION CLUTCH				
86580T				Friction Module DSG 02E 2003-Up
STEEL CLUTCH				
86581				Steel Module DSG 02E 2003-Up
FILTER				
F-495		02E-325-429D		Filter DSG 02E 2006-Up

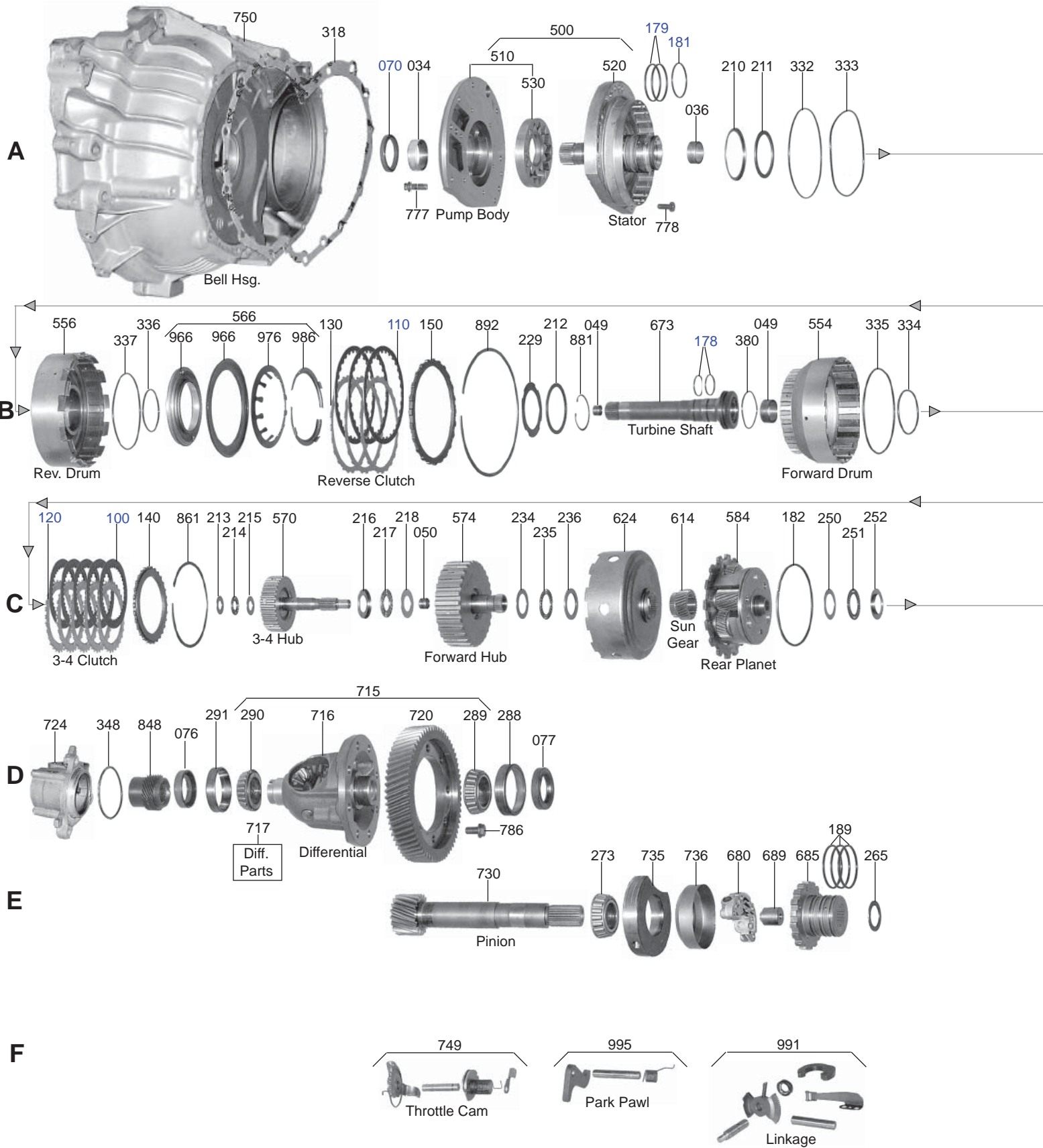
SAP #	IL#	OE	INDUSTRY	DESCRIPTION
OVERHAUL KIT				
T265002A				Overhaul Kit 09G (TF-60SN) 2003-Up
T265002B				Overhaul Kit 09K (TF-62SN) 2003-Up
T265002C				Overhaul Kit 09M (TF-60SN) 2006-Up
MASTER L/STEELS KIT				
T265004A				Master L/Steels Kit 09G (TF-60SN) 2003-Up
T265004B				Master L/Steels Kit 09K (TF-62SN) 2003-Up
T265004C				Master L/Steels Kit 09M (TF-60SN) 2006-Up
MASTER W/STEELS KIT				
T265006A				Master W/Steels Kit 09G (TF-60SN) 2003-Up
T265006B				Master W/Steels Kit 09K (TF-62SN) 2003-Up
GASKET & RUBBER COMPONENTS				
34196234				Gasket 09G (TF-60SN) Pan 2003-Up [Molded Rubber]
34196235				Gasket 09G (TF-60SN) Pump 2003-Up
34196246				Gasket 09K (TF-62SN) Pan 2003-Up [Molded Rubber]
34196247				Gasket 09M (TF-60SN) Pan 2006-Up [Molded Rubber]
METAL CLAD SEALS				
70416				Seal 09G (TF-60SN) 09K (TF-62SN) Converter Hub 2003-Up
70473				Seal 09K (TF-62SN) Axle Shaft 2003-Up
OIL SEALING RINGS				
34160330				Ring 09G (TF-60SN) Input Shaft 2003-Up [PTFE]
34160328				Ring 09G (TF-60SN) Drum (K1) 2003-Up [PTFE]
34160327				Ring 09G (TF-60SN) Drum (K3) 2003-Up [PTFE]
34160329				Ring 09G (TF-60SN) Rear Drum (K2) 2003-Up [PTFE]
6375				Ring Kit 09G (TF-60SN) 09K 09M 2003-Up (9 PTFE Rings)
FRICTION CLUTCH				
34180R				Friction Module 09G (TF-60SN) 2003-Up
265080R				Friction Module 09K (TF-62SN) 2003-Up
34180DR				Friction Module 09M (TF-60SN) 2006-Up
STEEL CLUTCH				
34281				Steel Module 09G (TF-60SN) 09K (TF-62SN) 2003-Up
MISCELLANEOUS FILTERS				
35365106				Screen Filter 09G (TF-60SN) Valve Body Screen 2003-Up
TOOLS				
35199				Tool Kit for Solenoid Cleaning
SOL-KIT 09G/D				Solenoid Bushing & Washer Kit 09G W/Out Reamer
SOL-KIT 09G/D(S)				Solenoid Bushing & Washer Kit 09G With Reamer

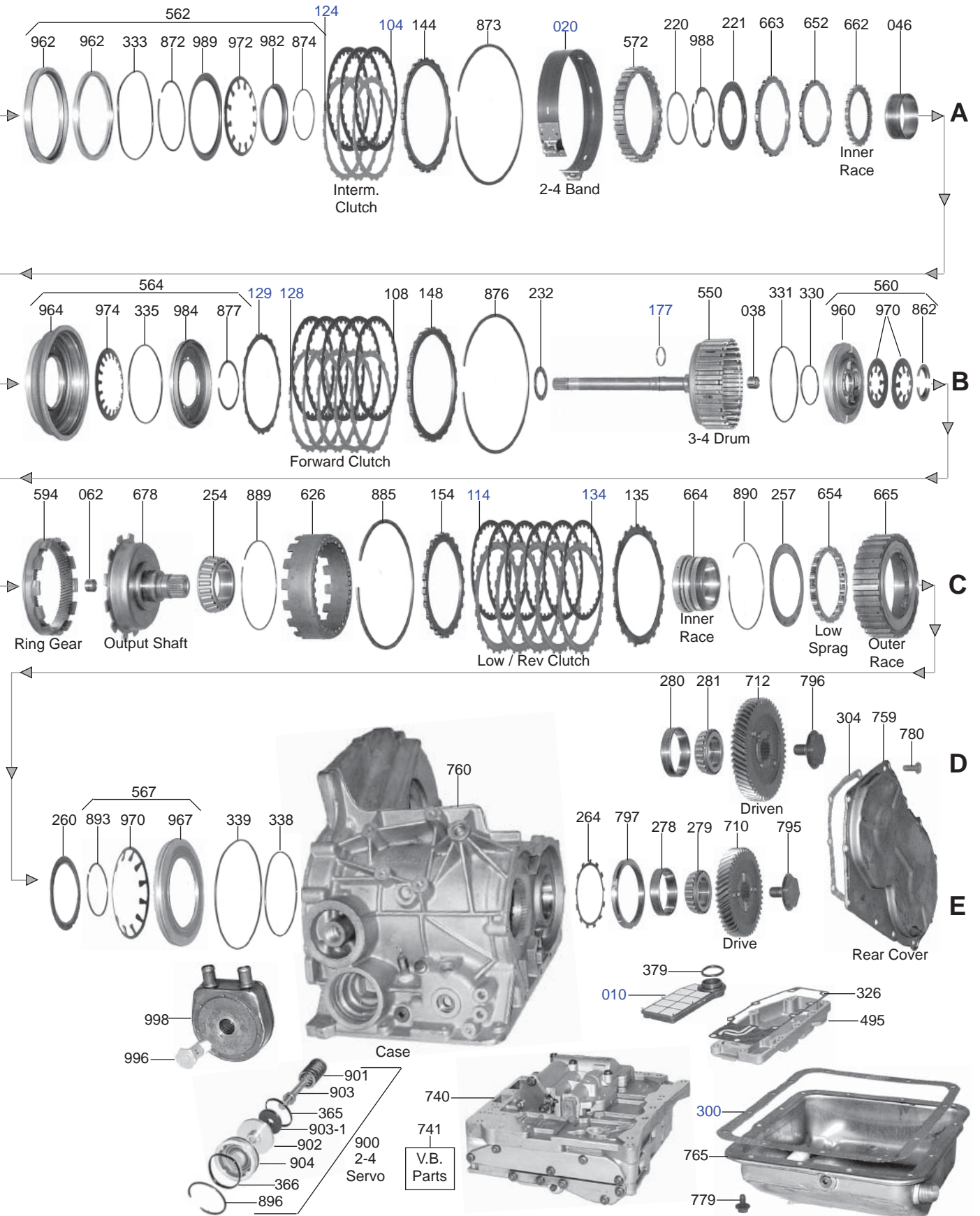
SAP #	IL#	OE	INDUSTRY	DESCRIPTION
OVERHAUL KIT				
T235002A				Overhaul Kit 09D (TR60SN) 2004-Up
MASTER L/STEELS KIT				
T235004A				Master L/Steels Kit 09D (TR60SN) 2003-Up {V6 Engines}
T235004AA				Master L/Steels Kit 09D (TR60SN) 2003-Up {V8 Engines}
MASTER W/STEELS KIT				
T235006A				Master W/Steels Kit 09D (TR60SN) 2003-Up {V6 Engines}
T235006AA				Master W/Steels Kit 09D (TR60SN) 2003-Up {V8 Engines}
GASKET & RUBBER COMPONENTS				
34196242				Gasket 09D Pan 2004-Up [Molded Rubber]
METAL CLAD SEALS				
70451				Seal 09D Pump 2004-Up
70452				Seal 09D Rear Case 2004-Up
OIL SEALING RINGS				
6382				Ring Kit 09D 2004-Up (10 PTFE Rings)
FRICITION CLUTCH				
34180BR				Friction Module 09D (TR60SN) 2002-11 {V6 Engines}
34180CR				Friction Module 09D (TR60SN) 2002-11 {V8 Engines}
STEEL CLUTCH				
34181B				Steel Module 09D (TR60SN) 2002-11 {V6 Engines}
34181C				Steel Module 09D (TR60SN) 2002-11 {V8 Engines}
TOOLS				
35199				Tool Kit for Solenoid Cleaning
SOL-KIT 09G/D				Solenoid Bushing & Washer Kit 09D W/Out Reamer
SOL-KIT 09G/D(S)				Solenoid Bushing & Washer Kit 09D With Reamer

SAP #	IL#	OE	INDUSTRY	DESCRIPTION
ELECTRICAL COMPONENTS				
D85955		0501-315-752	85955	Solenoid ZF4HP20 Shift

ZF4HP14 (Peugeot)

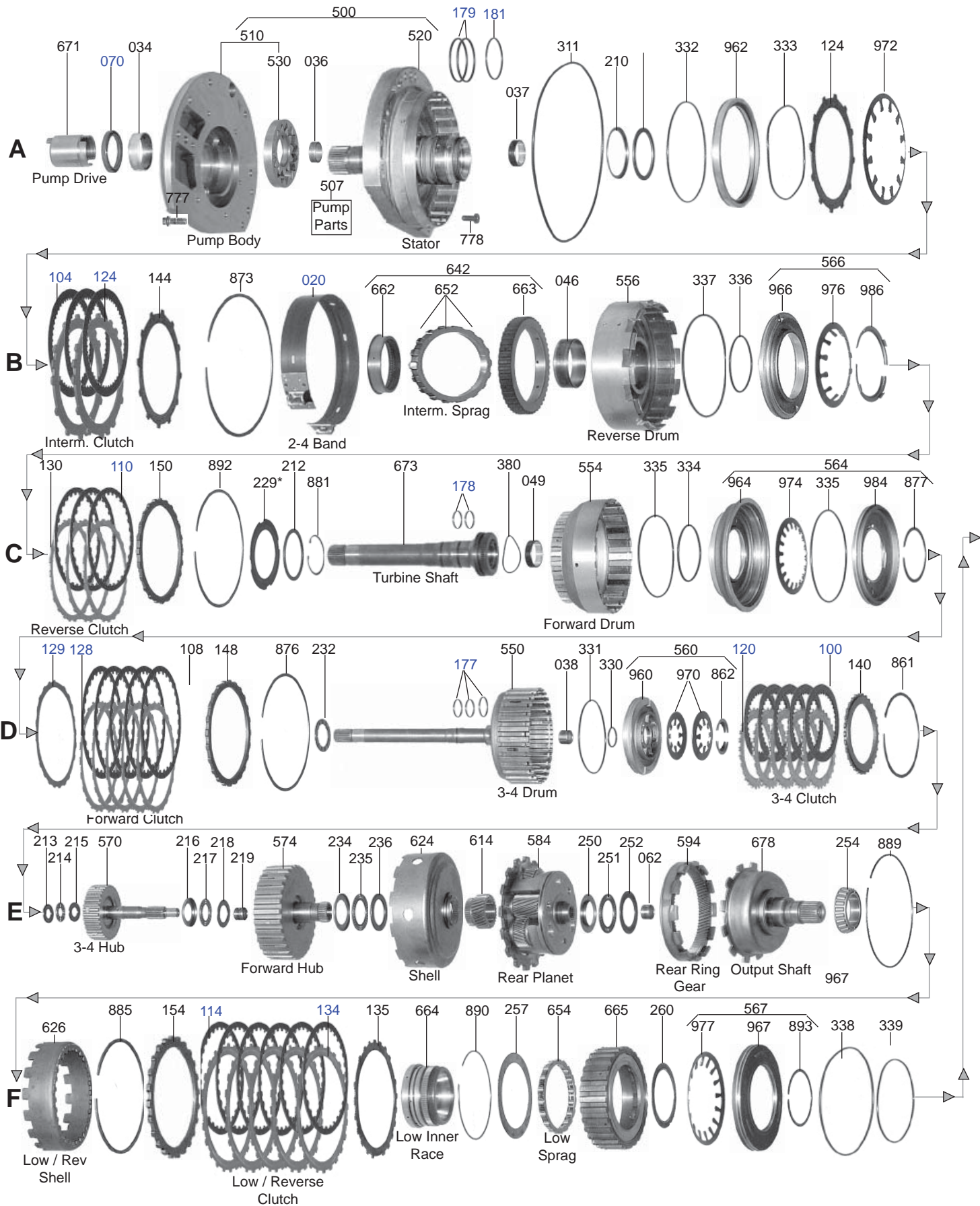
FWD 4 Speed

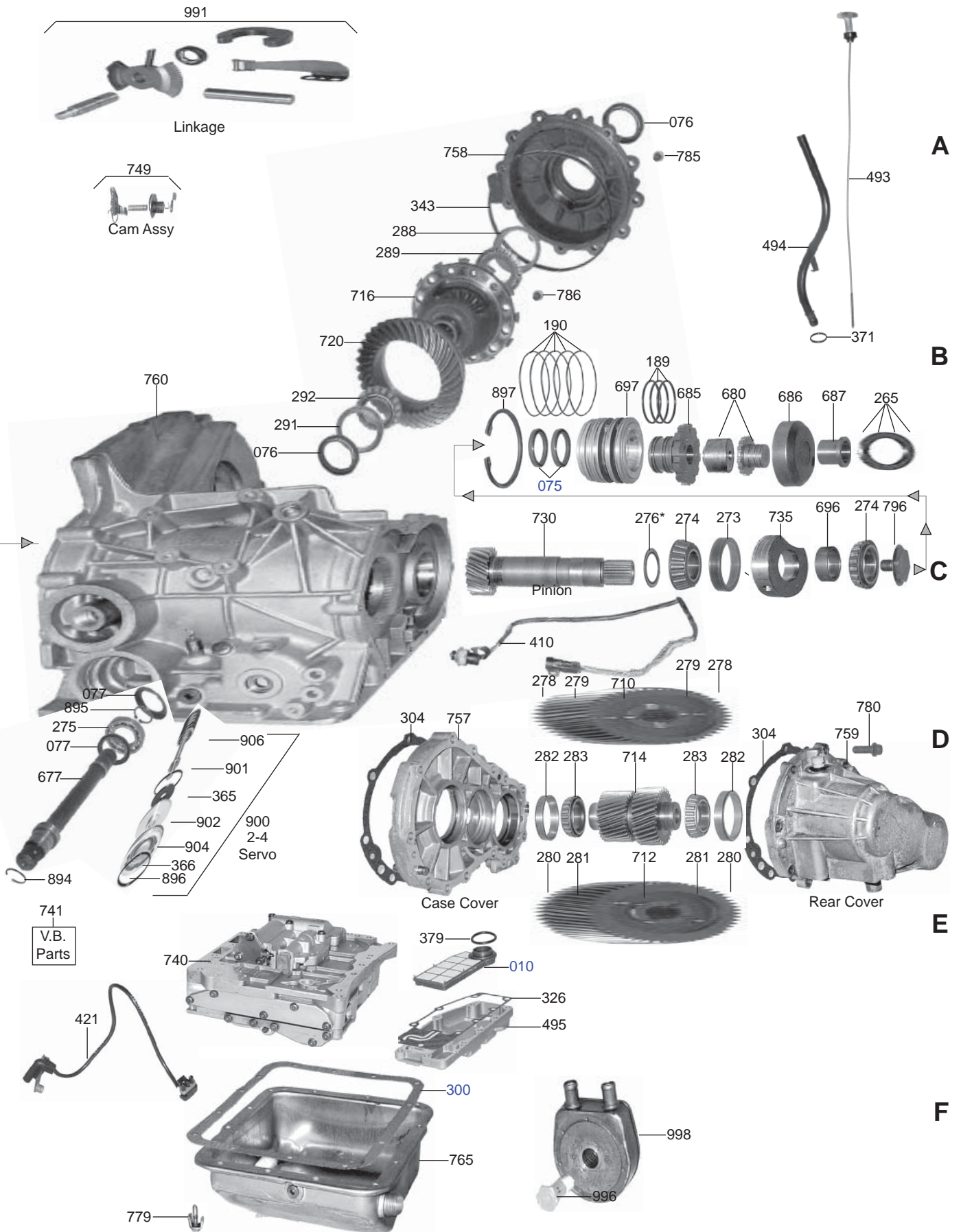




ZF4HP18 (Eagle / Dodge)

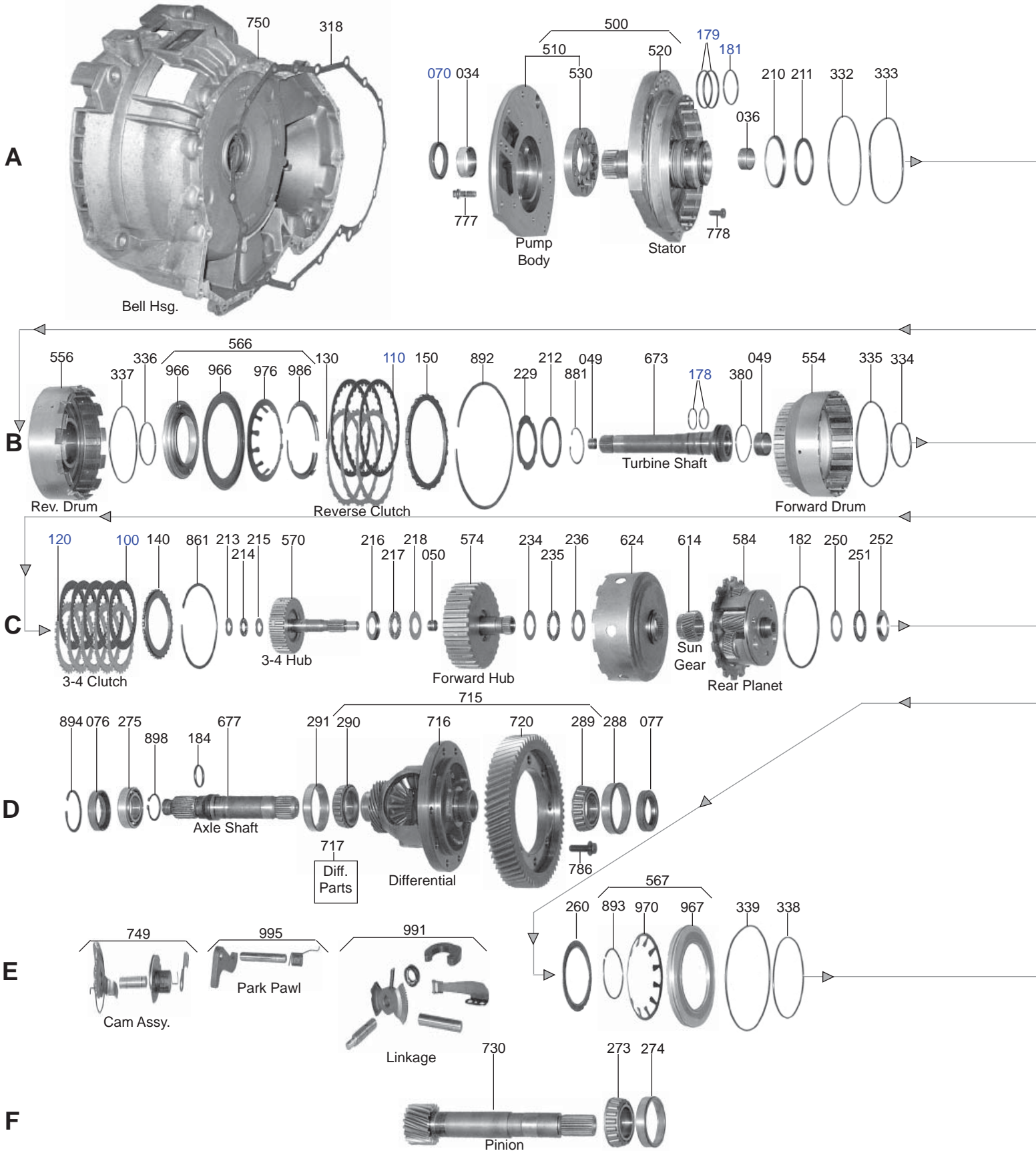
FWD 4 Speed

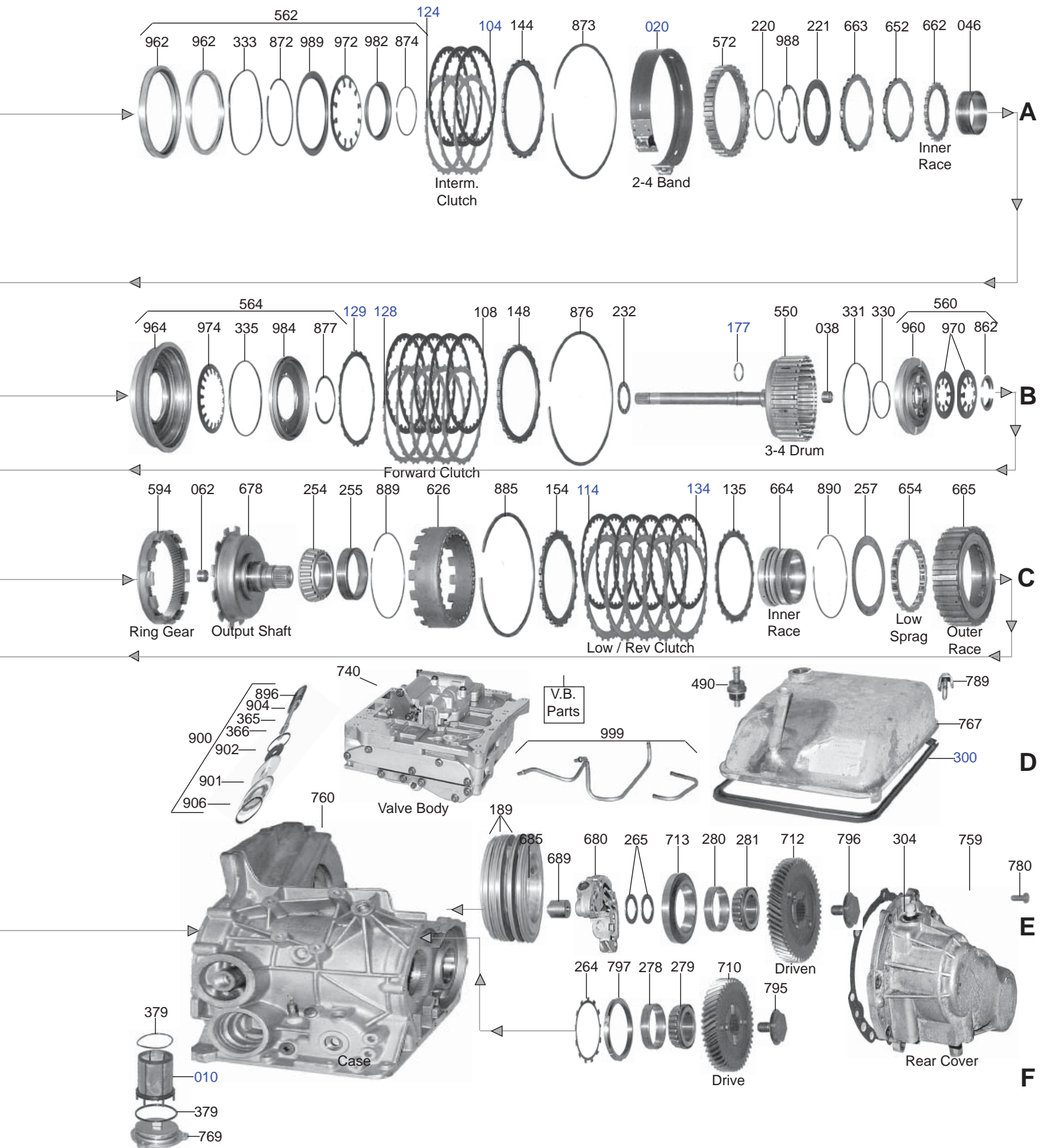




ZF4HP18 (Saab)

FWD 4 Speed





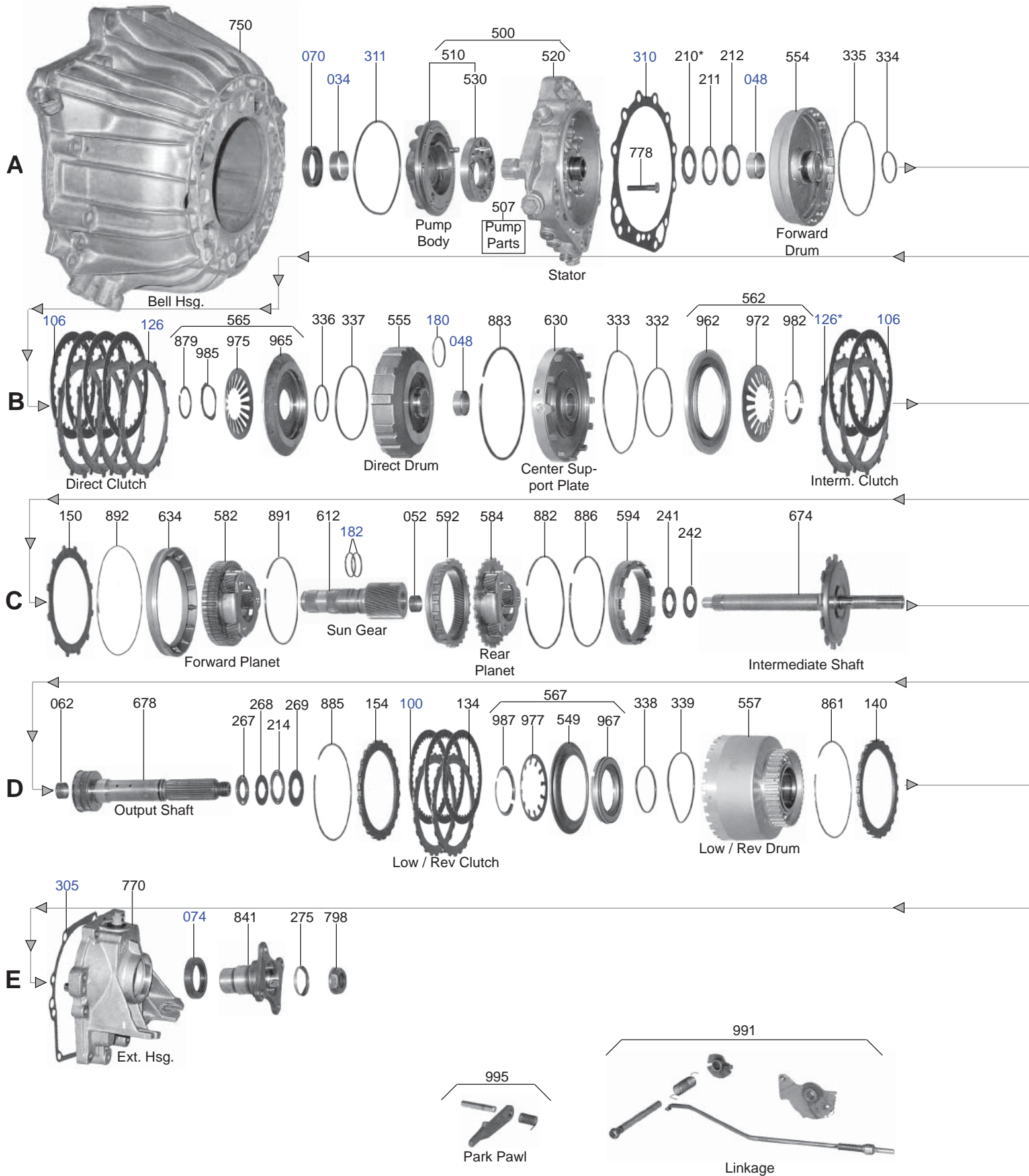
SAP #	IL#	OE	INDUSTRY	DESCRIPTION
OVERHAUL KIT				
TF79002P				Overhaul Kit ZF4HP14 1989-Up
BF79002P				Overhaul Kit ZF4HP14 1989-Up
B79002E				Overhaul Kit ZF4HP18FL 1988-Up (Eagle & Dodge)
T79002E				Overhaul Kit ZF4HP18FL 1988-Up (Eagle & Dodge)
B79002S				Overhaul Kit ZF4HP18Q (Saab 900 1994-97) (9000 1987-98) (Alfa Romeo & Lancia 1990-97)
T79002S				Overhaul Kit ZF4HP18Q (Saab 900 1994-97) (9000 1987-98) (Alfa Romeo & Lancia 1990-97)
MASTER L/STEELS KIT				
BF79004P				Master L/Steels Kit ZF4HP14 1989-Up
TF79004P				Master L/Steels Kit ZF4HP14 1989-Up
B79004E				Master L/Steels Kit ZF4HP18FL 1988-Up (Eagle & Dodge)
T79004E				Master L/Steels Kit ZF4HP18FL 1988-Up (Eagle & Dodge)
MASTER W/STEELS KIT				
BF79006P				Master W/Steels Kit ZF4HP14 1989-94 (Peugeot)
TF79006P				Master W/Steels Kit ZF4HP14 1989-94 (Peugeot)
B79006E				Master W/Steels Kit ZF4HP18FL 1988-Up (Eagle & Dodge)
T79006E				Master W/Steels Kit ZF4HP18FL 1988-Up (Eagle & Dodge)
B79006S				Master W/Steels Kit ZF4HP18Q 1986-97
GASKET & RUBBER COMPONENTS				
1984168				D-Ring ZF4HP18 Turbine Shaft
29218		1036301182	85500	Gasket ZF4HP14 Bottom Pan 1984-Up [Fiber]
32209		1050301036	85501	Gasket ZF4HP18 Bottom Pan 1986-Up [Molded Rubber]
29206				Gasket ZF4HP14 ZF4HP18 Filter Cover (Various)
29707				Gasket ZF4HP14 ZF4HP18 Valve Body End Plate
29207		075-112-022		Gasket ZF4HP14 Case
32216		1050-322-083		Gasket ZF4HP18 Case (Citroen)
29706				Gasket ZF4HP18 Rear Cover
32204		1050-327-091		Gasket ZF4HP18 Valve Body
29298				Lathe Cut Seal ZF4HP14 Cooler (0.834 x 1.254 x 0.187)
29299				Lathe Cut Seal ZF4HP14 Cooler (2.670 x 0.171 x 0.189)
32150V				Lathe Cut Seal ZF4HP14 ZF4HP18 Governor [2.213 ID 0.093 Wall 0.094 CS]
32299		83505412		Lathe Cut Seal ZF4HP18F Cooler (2.663 x 0.128 x 0.143)
32298		83505411		Lathe Cut Seal ZF4HP18FL Cooler (0.838 x 0.123 x 0.143)
1994030				O-Ring ZF4HP14 ARP # 030
1994133				O-Ring ZF4HP14 ARP # 133
1994139				O-Ring ZF4HP14 ARP # 139
1994045				O-Ring ZF4HP14 Intermediate Clutch Center ARP # 045
1994916				O-Ring ZF4HP14 Low & Reverse Inner
1994796				O-Ring ZF4HP18 (17.0 x 1.5)
1993156				O-Ring ZF4HP18 A Clutch Outer
1993534				O-Ring ZF4HP18 Differential Cover
1994798				O-Ring ZF4HP18 Filter
1994799				O-Ring ZF4HP18 Filter Cover
1994144		0734-313-029		O-Ring ZF4HP18 Forward Clutch Inner
1993535				O-Ring ZF4HP18 Governor Sleeve
1993160				O-Ring ZF4HP18 Low & Reverse Outer
1994038				O-Ring ZF4HP18 Reverse Clutch Inner
1993030				O-Ring ZF4HP18 Turbine Shaft
METAL CLAD SEALS				
70276		750-111-079	85151A	Seal ZF4HP18 Front Converter Housing 1986-Up (Eagle Dodge) [Viton]
70271		750-111-191		Seal ZF4HP18 Pinion Shaft In-Line 1988-08 (Eagle Dodge)
70324				Seal ZF4HP14 Axle 1986-Up
29718		0750-111-220	85156	Seal ZF4HP18 Axle (Left & Right Side) 1990-Up (Alpha 164)
70158		96054226		Seal ZF4HP14 ZF4HP18 Axle Shaft 1985-Up
70273				Seal ZF4HP18 Differential Cover Inline 1988-Up
70272				Seal ZF4HP18 Axle Right Inline 1988-Up
70274		83505053		Seal ZF4HP18 Axle Left Outer Inline 1988-Up
70279				Seal ZF4HP14 ZF4HP18 Axle
70278		87-042-98	85161	Seal ZF4HP14 ZF4HP18 Axle Left 1981-Up
70275		83805052		Seal ZF4HP18 Axle Left Inline 1988-Up
OIL SEALING RINGS				
30623		501-309-031	85315	Ring ZF4HP14 Input Shaft To Turbine Shaft (Front) (0.740 OD) [PTFE]
TAW-2301		750-113-012		Ring ZF4HP14 ZF4HP18 Input Shaft To Turbine Shaft (Rear) (1.023 OD) [Metal]
30690F		501-309-030	85308T	Ring ZF4HP18 Input Shaft To Turbine Shaft (Front) (0.868 OD) 1986-Up [PTFE]
TAW-2285		750-113-024		Ring ZF4HP18 Stator To Forward Drum (2.04 OD) [fits ZF4HP14 Stator To Reverse Drum] [Metal]
TAW-2284		750-113-015		Ring ZF4HP18 Stator To Reverse Drum (2.285 OD) [Metal]
TAW-2286		750-113-013		Ring ZF4HP18 Turbine Shaft To Stator (Front) (1.220 OD) [Metal]
TAW-2287		750-113-014		Ring ZF4HP18 Turbine Shaft To Stator (Rear) (1.260 OD) [Metal]
TAW-1448				Ring ZF4HP14 Stator Shaft [Metal]

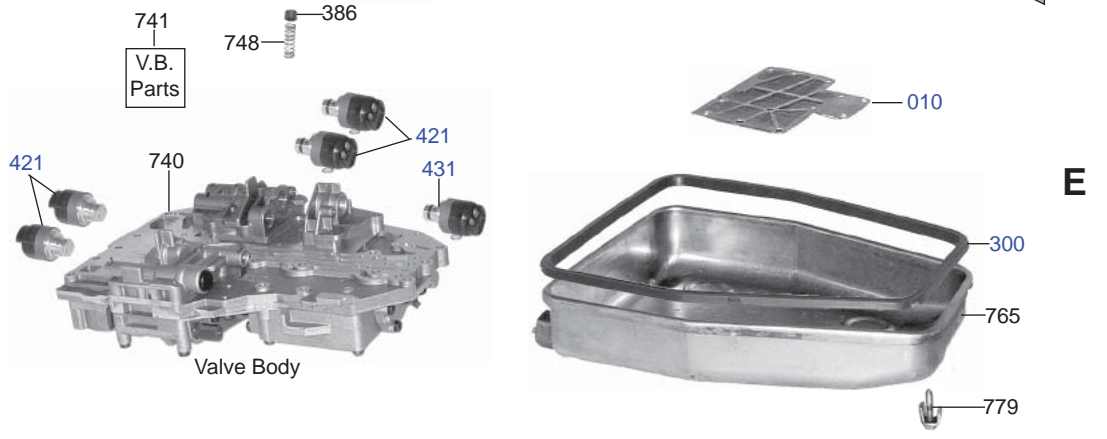
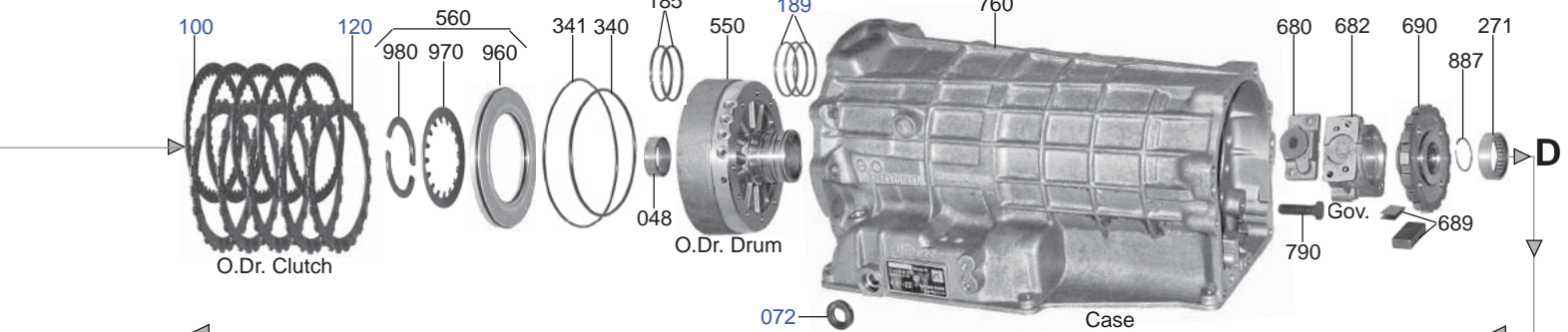
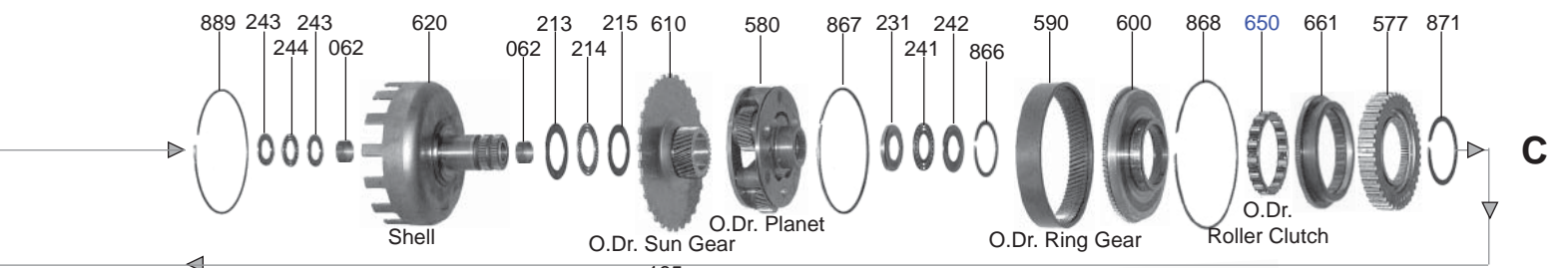
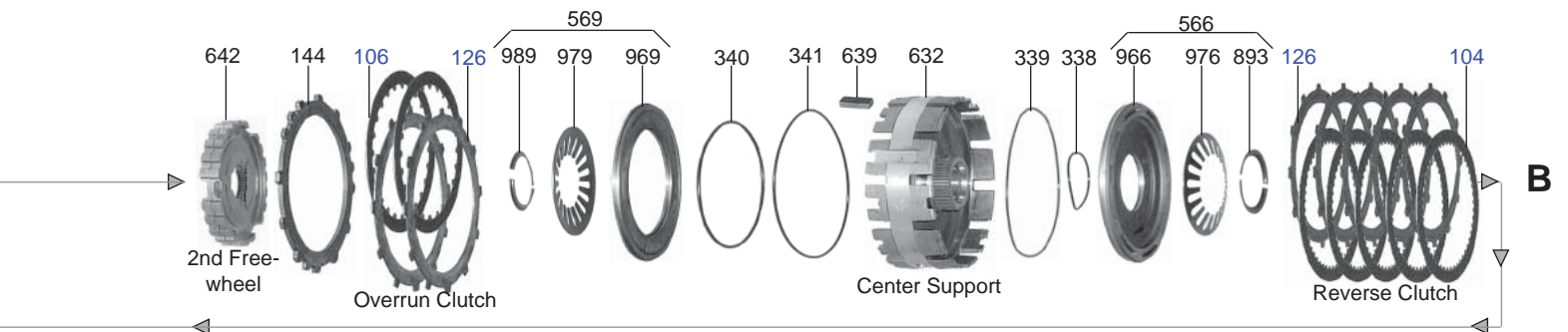
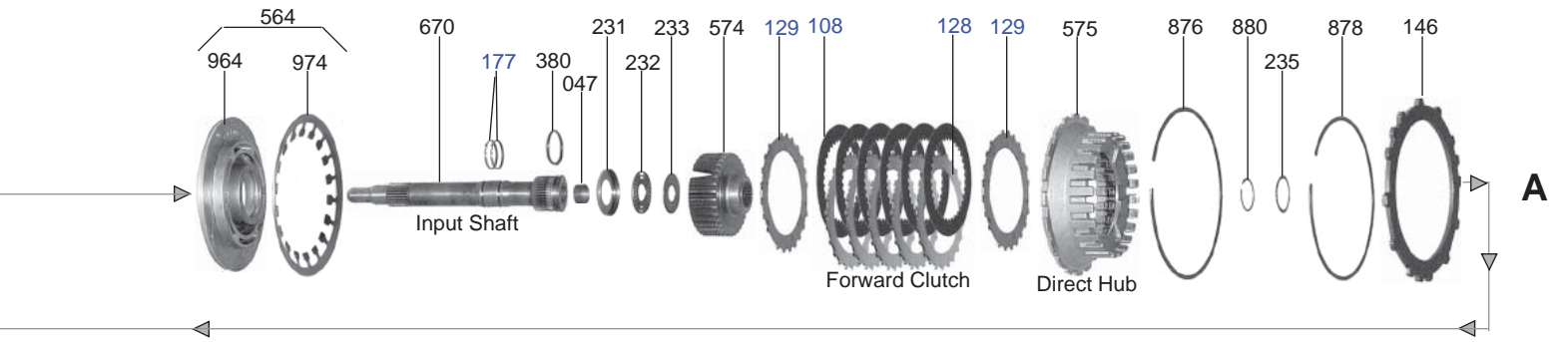
SAP #	IL#	OE	INDUSTRY	DESCRIPTION
OIL SEALING RINGS -- continued				
TAW-2427				Ring ZF4HP18 Intermediate Shaft (Late) [Metal]
TAW-2423		0750-113-025	85318	Ring ZF4HP14 Planet Rear [Metal]
TAW-2425				Ring ZF4HP18 Input Shaft (Late) [Metal]
6349				Ring Kit ZF4HP14 (Peugeot) 1984-On (8 Metal 1 PTFE Rings)
63490S				Ring Kit ZF4HP14 (Peugeot) 1984-On (8 Metal 1 PTFE Rings)
6194				Ring Kit ZF4HP18 (8 Metal 2 PTFE Rings 2 Lathe-Cut Seal) 1986-Up
FRICITION CLUTCH				
29222W		1036-230-033	85104	Friction ZF4HP14 3/4 Input (E Pack) [3.85 OD 36 Teeth 0.061 THK]
29222T		1036-230-033	85104	Friction ZF4HP14 3/4 Input (E Pack) [3.85 OD 36 Teeth 0.061 THK]
32226R		1050-230-032	85113	Friction ZF4HP18 3/4 Input (E Pack) [4.25 OD 30 Teeth 0.063 THK] 1986-Up
32226T		1050-202-004	85113	Friction ZF4HP18 3/4 Input (E Pack) [4.25 OD 30 Teeth 0.063 THK] 1986-Up
31224R		24231-205-955	82109	Friction ZF4HP18 Reverse & Overdrive [48 Teeth 0.063 THK] 1976-Up
31224T		24231-205-955	82109	Friction ZF4HP18 Reverse & Overdrive [48 Teeth 0.063 THK] 1976-Up
29220R		1036-217-005	85103	Friction ZF4HP14 Low/Reverse (D Pack) [5.30 OD 30 Teeth 0.061 THK] 1986-Up
29220T		1036-217-005	85103	Friction ZF4HP14 Low/Reverse (D Pack) [5.30 OD 30 Teeth 0.061 THK] 1986-Up
32224R		1050-217-035	85116	Friction ZF4HP18 Low/Reverse (D Pack) [5.80 OD 30 Teeth 0.063 THK] 1986-Up
32224T		1050-217-035	85116	Friction ZF4HP18 Low/Reverse (D Pack) [5.80 OD 30 Teeth 0.063 THK] 1986-Up
32222T		1050-202-004	85112	Friction ZF4HP18 Reverse (B Pack) [5.80 OD 30 Teeth 0.079 THK] 1986-Up
32222R		1050-230-032	85112	Friction ZF4HP18 Reverse (B Pack) [5.80 OD 30 Teeth 0.079 THK] 1986-Up
29224R		1036-202-028	85102A	Friction ZF4HP14 Direct [5.30D 30 Teeth 0.079 THK] 1986-Up
29224T		1036-202-028	85102A	Friction ZF4HP14 Direct [5.30D 30 Teeth 0.079 THK] 1986-Up
29280T				Friction Module ZF4HP14 1986-Up
32280A				Friction Module ZF4HP18FL ZF4HP18Q 86-Up
STEEL CLUTCH				
29225		1036-330-036	85124	Steel ZF4HP14 3/4 Input (E Pack) [2.95 ID 30 Teeth 0.071 THK] 1986-Up
32225		1050-330-017	85134	Steel ZF4HP18 3/4 Input (E Pack) [3.075 ID 30 Teeth 0.071 THK] 1986-Up
29221		1036-302-015	85121	Steel ZF4HP14 Intermediate (C Pack) & Forward (A Pack) [4.73 ID 24 Teeth 0.071 THK] 1986-Up
29223		1036-317-006	85123	Steel ZF4HP14 Low/Reverse (D Pack) [4.73 ID 24 Teeth 0.047 THK] 1986-Up
32223		1050-302-011	85122	Steel ZF4HP18 Forward (A Pack) [5.20 ID 24 Teeth 0.071 THK] 1986-Up
32227		1050-302-012	85143	Steel ZF4HP18 Forward (A Pack) [5.20 ID 24 Teeth 0.040 THK] (Waved) 1986-Up
29281				Steel Module ZF4HP14 1984-Up
32281A				Steel Module ZF4HP18FL ZF4HP18Q 1986-Up
FILTER				
34142		01F-325-433	85710B	Filter ZF4HP18FL 1991-Up (Audi Only)
29240		1036-226-013	85710	Filter ZF4HP14 ZF4HP18 (Rectangle Filter) 1984-Up (Peugeot Eagle)
29242		0501-311-497	85710A	Filter ZF4HP14 ZF4HP18 (Round Filter) Type-Q 1986-Up (Alfa Romero Citreon Saab 9000)
29242A		0501-311-497	85710A	Filter ZF4HP14 ZF4HP18 (Round Filter) Type-Q 1986-Up (Alfa Romero Citreon Saab 9000) [OEM]
FILTER KIT				
29241		FK222	FK85710	Filter Kit ZF4HP14 1984-Up
29243				Filter Kit ZF4HP18Q
BANDS				
29290		0501-204-331	85700	Band ZF4HP14 2-4 Brake [1.18 Wide] 1986-Up
32290B		0501-210-101	85701A	Band ZF4HP18FLA/E [OEM] 1991-97
BUSHINGS				
32231			85000	Bushing ZF4HP18 Pump Housing - Premier Only (1.89 OD) 1988-Up [Bronze]
29231			85007	Bushing ZF4HP14 Stator Rear (1.22 OD) (1.14 ID) 1985-Up [Bronze]
32233			85002	Bushing ZF4HP18 Stator Front (1.19 OD) (1.10 ID) 1986-Up [Bronze]
32232			85001	Bushing ZF4HP18 Turbine Shaft (1.11 OD) (1.02 ID) 1986-Up [Bronze]
32236			85006	Bushing ZF4HP18 3rd/4th Drum (0.59 OD) (0.48 ID) 1986-Up [Bronze]
32230A			K85905	Bushing Kit ZF4HP18FL 1988-Up
32230			K85905A	Bushing Kit ZF4HP18Q 1986-Up (5 Bushings)
WASHER & BEARINGS				
31358				Washer ZF4HP14 (21.6 X 18.4 X 1.57) [Aluminum]
31851				Washer ZF4HP14 (14 X 10 X 0.800) [Aluminum]
32261				Washer ZF4HP18 AMC
31896158		634801308		Washer ZF4HP22 24 Pump Plug 1984-Up
ELECTRICAL COMPONENTS				
D82953		1050-227-018	82953	Solenoid ZF4HP18 Pressure Regulator (All Models Except Audi) 1986-Up
841154		0750-132-105	82956	Solenoid ZF4HP18 Shift 1986-Up
HARD PARTS				
29295		1036-309-269		Bolt ZF4HP14 Transfer Shaft 1986-Up

SAP #	IL#	OE	INDUSTRY	DESCRIPTION
OVERHAUL KIT				
B145002A				Overhaul Kit ZF4HP16 2002-Up
T145002A				Overhaul Kit ZF4HP16 2002-Up
B145002AP				Overhaul Kit ZF4HP16 (With Pistons) 2002-Up
T145002AP				Overhaul Kit ZF4HP16 (With Pistons) 2002-Up
MASTER L/STEELS KIT				
T145004A				Master L/Steels Kit ZF4HP16 2002-Up
B145004AP				Master L/Steels Kit (With Pistons) ZF4HP16 2002-Up
T145004AP				Master L/Steels Kit (With Pistons) ZF4HP16 2002-Up
MASTER W/STEELS KIT				
T145006A				Master W/Steels Kit ZF4HP16 2002-Up
B145006AP				Master W/Steels Kit ZF4HP16 (With Pistons) 2002-Up
T145006AP				Master W/Steels Kit ZF4HP16 (With Pistons) 2002-Up
FRICTION CLUTCH				
145080				Friction Module ZF4HP16 2000-Up
STEEL CLUTCH				
145081				Steel Module ZF4HP16 2000-Up
HARD PARTS				
14575449				Piston ZF4HP16 C Clutch 2002-Up
14575450				Piston ZF4HP16 D Clutch 2002-Up
4862				Piston Kit ZF4HP16 2002-Up (2 Pistons)

ZF4HP22 /24

RWD 4 Speed



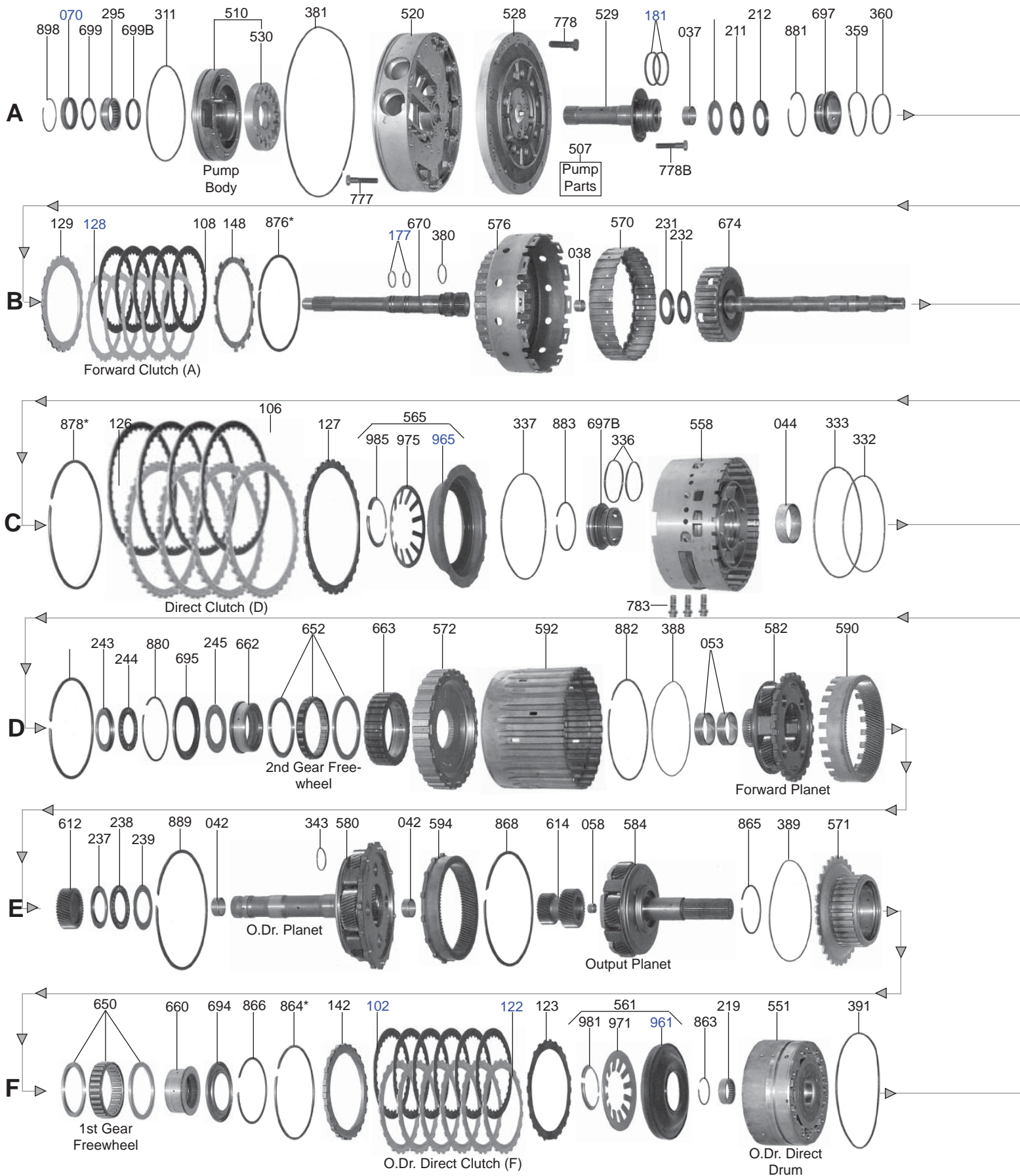


SAP #	IL#	OE	INDUSTRY	DESCRIPTION
OVERHAUL KIT				
B69002A		1043-298-095		Overhaul Kit ZF4HP22 ZF4HP24 1984-Up
T69002A		1043-298-095		Overhaul Kit ZF4HP22 ZF4HP24 1984-Up
MASTER L/STEELS KIT				
B69004A				Master L/Steels Kit ZF4HP22 1984-Up
T69004A				Master L/Steels Kit ZF4HP22 1984-Up
MASTER W/STEELS KIT				
B69006A				Master W/Steels Kit ZF4HP22 1984-Up
T69006A				Master W/Steels Kit ZF4HP22 1984-Up
B69006B				Master W/Steels Kit ZF4HP22 1984-96 (With 5 Selective Steels)
B69006E				Master W/Steels Kit ZF4HP24 1988-Up
T69006E				Master W/Steels Kit ZF4HP24 1988-Up
GASKET & RUBBER COMPONENTS				
31209		24-11-1-205-903	82500	Gasket ZF3HP22 Oil Pan 1984-Up [Molded Rubber]
31809		24-11-1-215-488	82501	Gasket ZF4HP22 ZF4HP24 Oil Pan [Molded Rubber]
31897588		750112009		Gasket ZF3HP22 Pump Plate To Stator
31206		24341205974	82563	Gasket ZF3HP22 Filter
31204		1043322129		Gasket ZF3HP22 Pump Stator To Bell Housing
31897589		70112012		Gasket ZF4HP22 Extension Housing 1984-Up
31897592		1043326253		Gasket ZF4HP22 Valve Body (Upper) 1984-Up
31897593		1043328080		Gasket ZF4HP24 Valve Body (Lower) Electronic 1984-Up
31854		1043326232		Gasket ZF4HP22 Valve Body
31897591		1043326162		Gasket ZF4HP22 Valve Body Hydraulic 1984-Up
1994785		734313061		O-Ring ZF4HP22 Pump Body
1994023		734313032		O-Ring ZF4HP22 24 Bulkhead Connector
1994787		734331028		O-Ring ZF4HP22 24 Overdrive Clutch Inner 1990-Up
31898		073-431-3110	82509	O-Ring ZF4HP22 ZF4HP24 Filter
31897		24311218570		O-Ring ZF4HP22 (36.7 x 2.2)
31875165		734317003		Seal ZF4HP22 ZF4HP24 Case Sleeve (8 Per Kit)
31875166		1043301514		Seal ZF4HP22 ZF4HP24 Case Sleeve With Tab
METAL CLAD SEALS				
70249		750110062		Seal ZF3HP22 ZF4HP22 ZF4HP24 Manual Lever Seal 1976-Up
70248		046-504-4002H		Seal ZF3HP22 ZF4HP22 ZF4HP24 Extension Housing (2-1/2in OD) 1984-Up (BMW & Peugeot)
70247		24-311-207-621		Seal ZF3HP22 ZF4HP22 ZF4HP24 Front 1976-Up
OIL SEALING RINGS				
TAW-2165		301302051		Ring ZF3HP22 ZF4HP22 Direct Clutch Drum [Metal]
TAW-2168		750113021		Ring ZF3HP22 ZF4HP22 Sun Gear Shaft [Metal]
31859V		501306311		Ring ZF4HP22 Governor [Viton]
30760		24321205972	82300	Ring ZF3HP22 Governor 1976-84 [Metal]
30819				Ring ZF4HP22 Input Shaft 1984-Up [PTFE]
TAW-2167		750113003		Ring ZF4HP22 ZF4HP24 Direct & Intermediate Clutch [Metal]
TAW-2166		635290026		Ring ZF4HP22 ZF4HP24 Planet Washer [Metal]
31260			K82903	Ring Kit ZF3HP22 1976-86 (5 Metal Rings)
6182				Ring Kit ZF4HP22 ZF4HP24 1984-Up (7 Metal 2 PTFE Rings 3 L/C Seals)
6182OS				Ring Kit ZF4HP22 ZF4HP24 1984-Up (7 Metal 2 PTFE Rings 3 L/C Seals)
FRICTION CLUTCH				
31224R		24231-205-955	82109	Friction ZF3HP22 ZF4HP22 Reverse (D Pack) [48 Teeth 0.063 THK] 1976-Up
31224T		24231-205-955	82109	Friction ZF3HP22 ZF4HP22 Reverse (D Pack) [48 Teeth 0.063 THK] 1976-Up
31824W		1043-217-015	82109A	Friction ZF4HP22 Reverse (D Pack) [5.60 OD 58 Teeth 0.061 THK] 1987-Up
31820R		24-23-1-214-441	82110	Friction ZF4HP22 Input (E Pack) & Overdrive (F Pack) [5.00 OD 40 Teeth 0.061 THK] 1984-Up
31820T		24-23-1-214-441	82110	Friction ZF4HP22 Input (E Pack) & Overdrive (F Pack) [5.00 OD 40 Teeth 0.061 THK] 1984-Up
31822ALTO		1043-202-1325	82110A	Friction ZF4HP24A [5.00 OD 40 Teeth 0.061 THK] (Smooth) 1987-Up
				Friction ZF4HP22 ZF4HP24 Direct (B Pack) Intermediate & Overrun (C Pack) [5.60 OD 24 Teeth 0.059 THK] 1976-Up
31222R		24-23-1-215-770	82108	Friction ZF4HP22 ZF4HP24 Direct (B Pack) Intermediate & Overrun (C Pack) [5.60 OD 24 Teeth 0.059 THK] 1976-Up
31222T		24-23-1-215-770	82108	Friction ZF4HP22 ZF4HP24 Direct (B Pack) Intermediate & Overrun (C Pack) [5.60 OD 24 Teeth 0.059 THK] 1976-Up
31220T		24231-205-918	82107	Friction ZF3HP22 ZF4HP22 Forward (A Pack) [4.00 OD 34 Teeth 0.061 THK] 1976-Up
31280				Friction Module ZF3HP22 1976-86
31880R				Friction Module ZF4HP22 1984-96
31880				Friction Module ZF4HP22 1984-96
31882R				Friction Module ZF4HP24 1988-96
31882				Friction Module ZF4HP24 1988-96

SAP #	IL#	OE	INDUSTRY	DESCRIPTION
STEEL CLUTCH				
31221		24231-205-917	82100	Steel ZF3HP22 ZF4HP22 Forward (A Pack) [3.0 ID 24 Teeth 0.071 THK] 1976-Up
31221B		1043-302-123	82100A	Steel ZF3HP22 ZF4HP22 Forward (A Pack) [2.99 ID 24 Teeth 0.047 THK] 1984-Up
31823A		1043-330-140	53707W140	Steel ZF4HP22 Forward (A Pack) [4.213 ID 24 Teeth 0.055 THK] (Waved) 1987-99
31821		24231-215-440	82111	Steel ZF4HP22 Low Reverse (E Pack) [4.20 ID 24 Teeth 0.059 THK] 1984-Up
31823		2431-215-453	82112	Steel ZF4HP22 ZF4HP24 Overdrive (F Pack) [4.20 ID 24 Teeth 0.083 THK] 1984-Up
31825		1043-317-040	82113	Steel ZF4HP24 Reverse (D Pack) [4.80 ID 12 Teeth 0.047 THK] 1976-Up
31223		24231-205-935	82104	Steel ZF3HP22 ZF4HP22 Intermediate & Overrun (C Pack) - Reverse (D Pack) [12 Teeth 0.071 THK] 1984-Up
31223B		24231-209-824	82105	Steel ZF3HP22 ZF4HP22 Direct (A Pack) - Intermediate (C Pack) - Reverse (D Pack) [4.69 ID 12 Teeth 0.060 THK] 1983-99
31281				Steel Module ZF3HP22 1976-86
31881A				Steel Module ZF4HP22 1984-96
31881				Steel Module ZF4HP22 1984-96
31883				Steel Module ZF4HP24 1988-96
FILTER				
31240		24-34-1-209-791	82710	Filter ZF3HP22 1976-84
31840		24-31-1-218-550	82710A	Filter ZF4HP22 (No Pick-Up Tube) 1984-Up
31843		1043-226-037	82710F	Filter ZF4HP22 (With Suction Tube) 1988-Up (Land Rover)
31841		24-31-1-218-204	82710E	Filter ZF4HP24 (With 1.0in Long Pick-Up Tube) (With Suction Tube) 1988-Up
31846		943-307-011-01	82710G	Filter ZF4HP22 1993-Up (Porsche 911 Carrera)
F-460		1043-206-035		Filter ZF4HP24 (Audi A8)
FILTER KIT				
31242			FK82710	Filter Kit ZF3HP22 1976-84 (With Molded Pan Gasket)
31842				Filter Kit ZF4HP22 (No Pick-Up Tube) 1984-Up (BMW)
31844			FK82710F	Filter Kit ZF4HP22 (With 1 Pick-Up Tube) 1988-Up
31845				Filter Kit ZF4HP22 1991-Up (With Molded Pan Gasket) (Land Rover)
31847			FK82710G	Filter Kit ZF4HP22 1993-Up (With Molded Pan Gasket) (Porsche 911 Carrera)
BUSHINGS				
31230		0201-311-526	82001	Bushing ZF3HP22 ZF4HP22 ZF4HP24 Front Pump (1.70 OD) 1976-93 [Bronze]
31231			82005	Bushing ZF3HP22 ZF4HP22 ZF4HP24 Center Support (Also Covers Governor Support & 1st Clutch Drum) 1976-Up
WASHER & BEARINGS				
31879		23-22-1-201-330	82421	Washer ZF4HP22 24 Output Shaft 1984-Up
ELECTRICAL COMPONENTS				
D82835		0501-307-869	82835	Solenoid ZF4HP22 ZF4HP24 Shift (E7 Type Only) 1984-Up
D82842		1043-228-057	82842	Solenoid ZF4HP22 ZF4HP24 EPC (Electronice Pressure Regulator) (E9 Type V Only) 1984-Up
HARD PARTS				
31864165		630502079		Retainer Clip ZF4HP22 ZF4HP24 1984-Up
31864167				Spring ZF4HP22 ZF4HP24 TV Valve
31877		JLM 11573		Spring ZF4HP22 ZF4HP24 Converter Control Valve
31396			82969	Stator Shaft ZF4HP22 ZF4HP24 1984-Up
MISCELLANEOUS COMPONENTS				
31899		1043-302-007	82905	Diaphragm Spring ZF4HP24 Front Clutch 1984-95

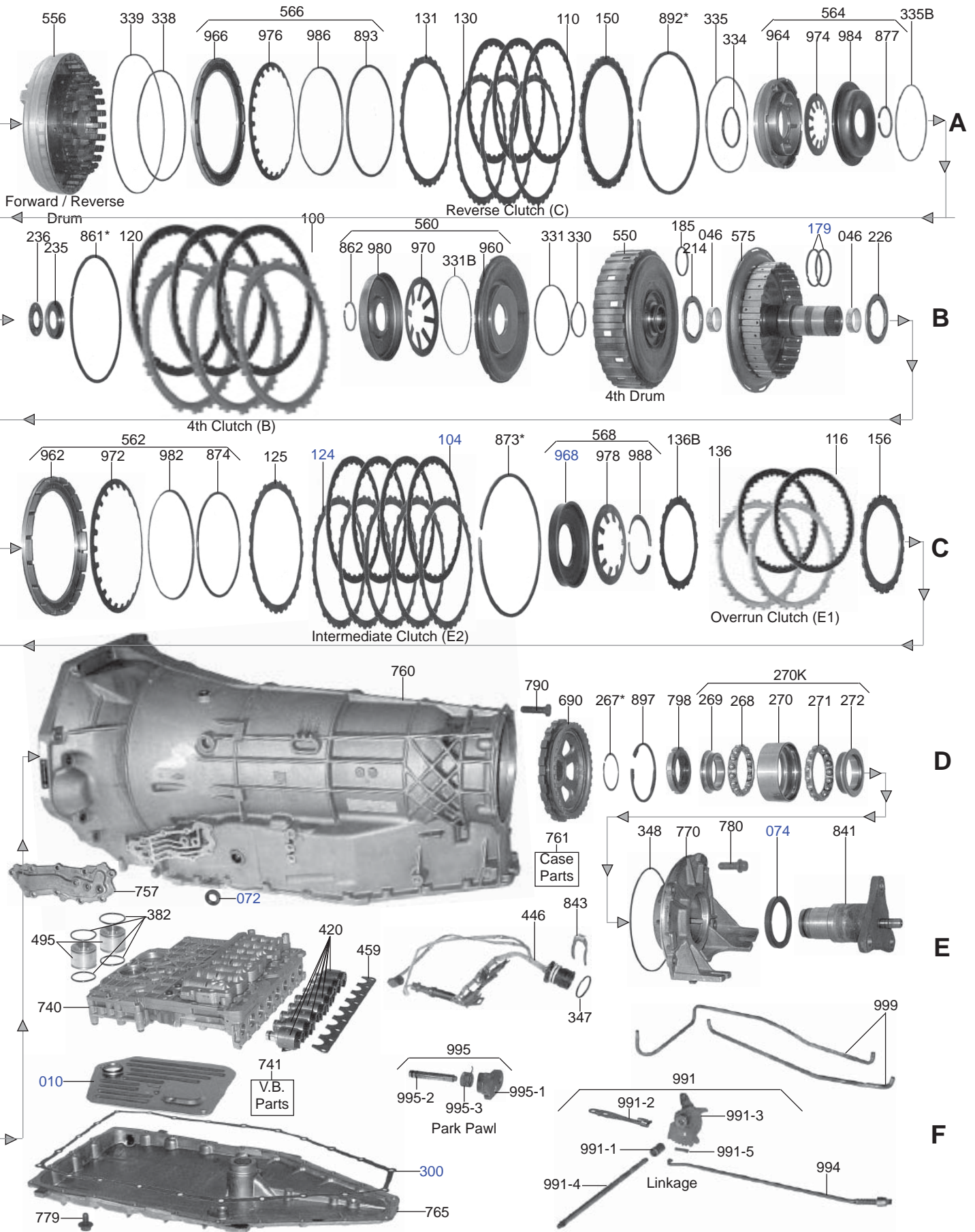
ZF5HP30

RWD 5 Speed

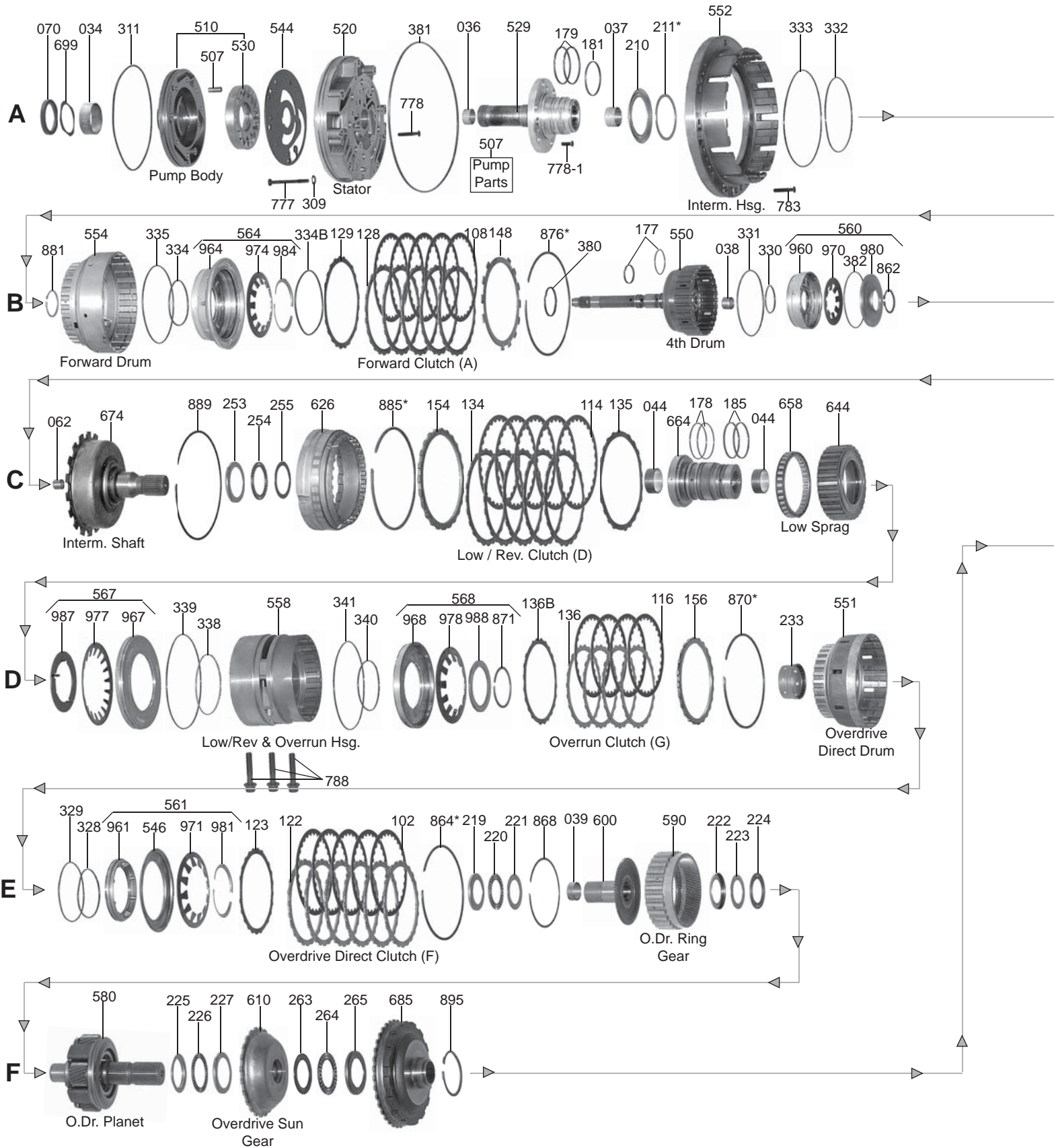


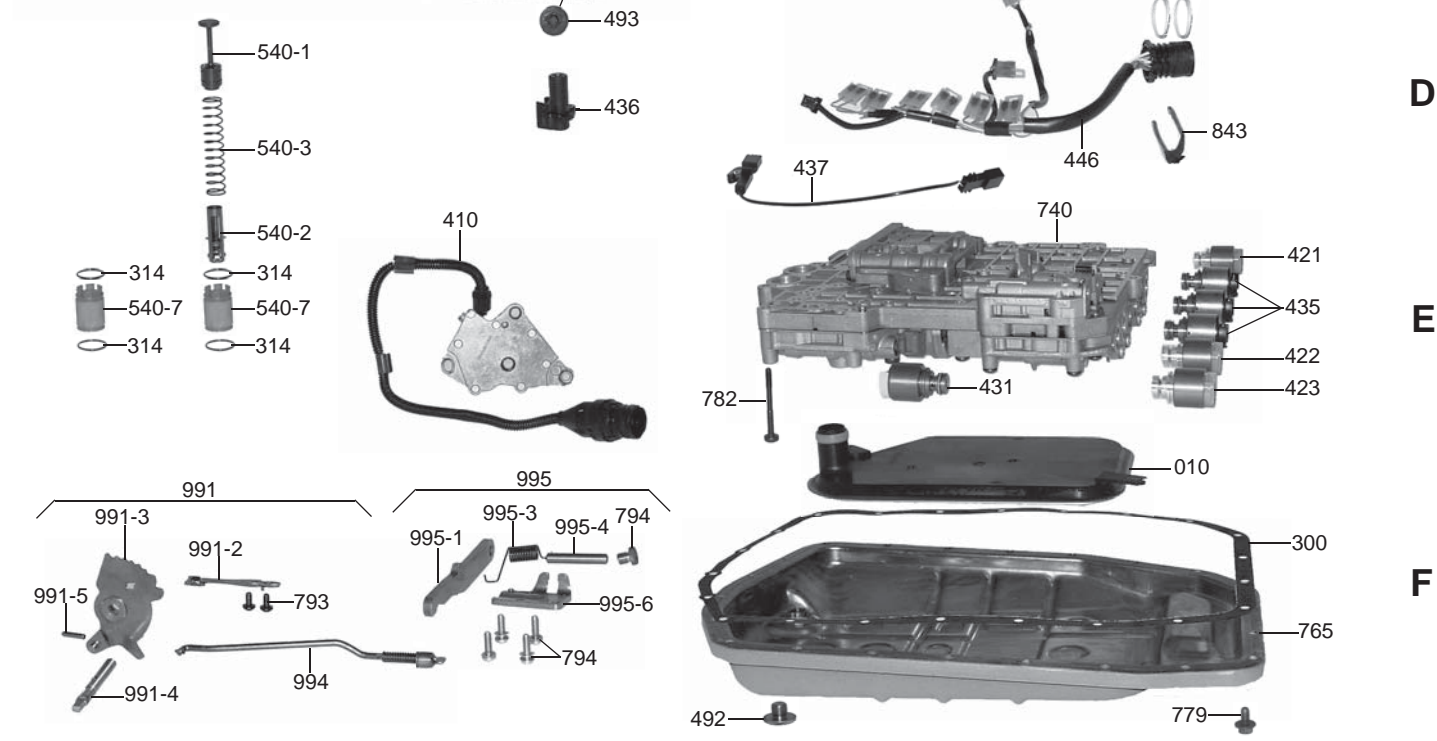
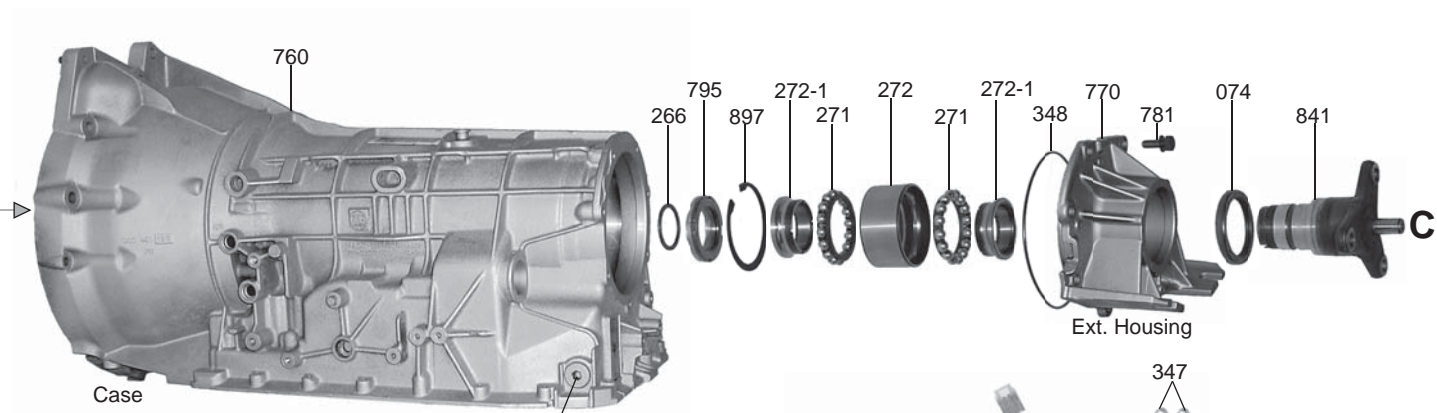
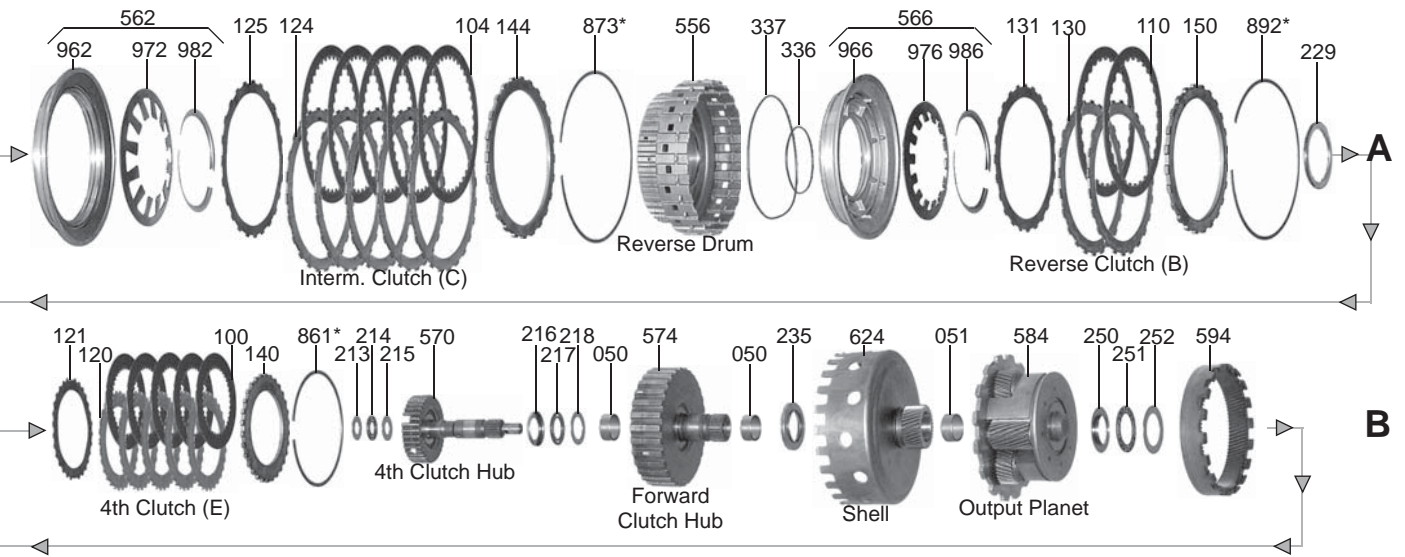
RWD 5 Speed

ZF5HP30



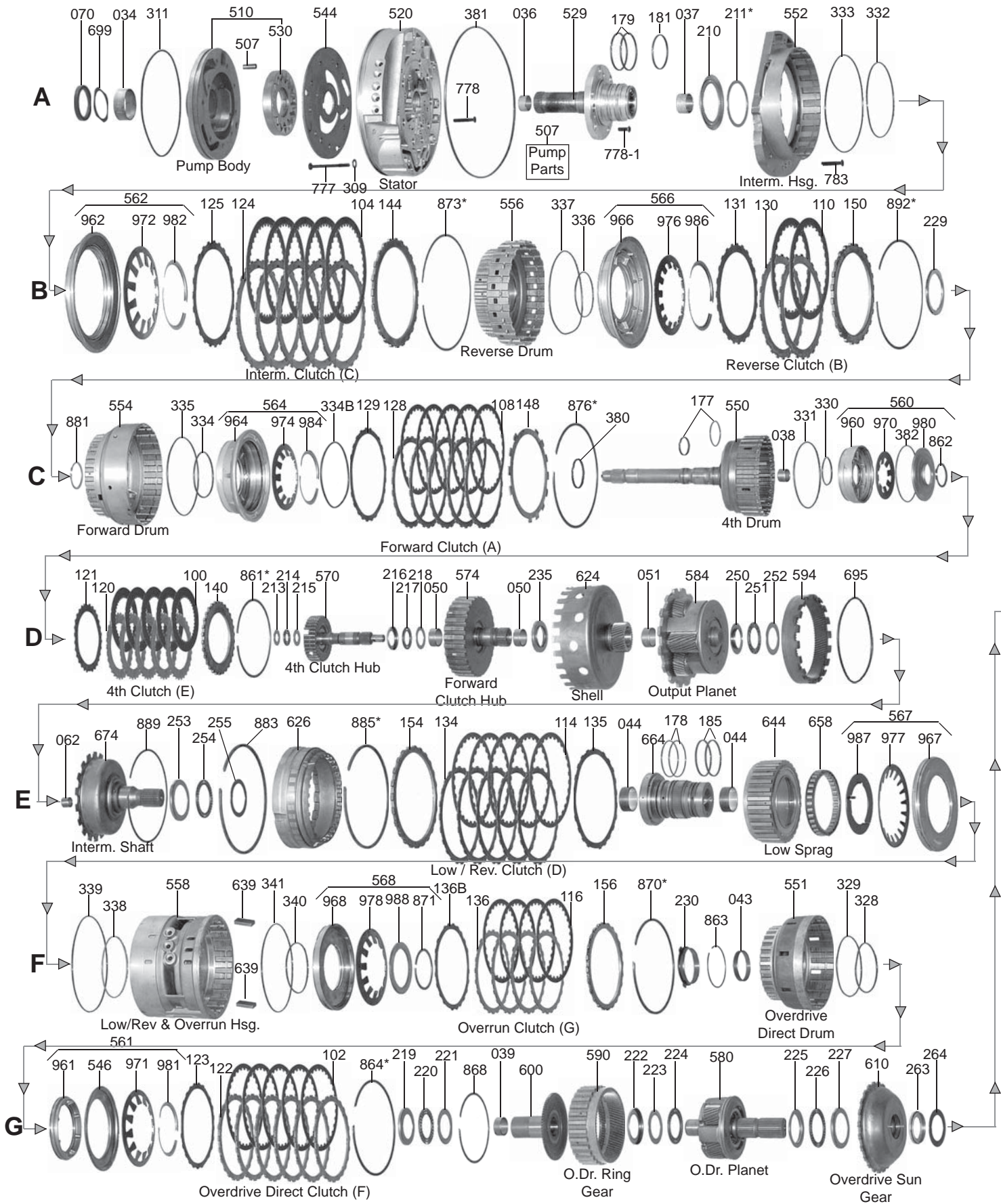
SAP #	IL#	OE	INDUSTRY	DESCRIPTION
OVERHAUL KIT				
B179002A				Overhaul Kit ZF5HP18 BMW (RWD) W/Out Pistons 1993-Up
T179002A				Overhaul Kit ZF5HP18 BMW (RWD) W/Out Pistons 1993-Up
MASTER L/STEELS KIT				
B179004A				Master L/Steels Kit ZF5HP18 BMW (RWD) W/Out Pistons 1993-Up
MASTER W/STEELS KIT				
B179006A				Master W/Steels Kit ZF5HP18 BMW (RWD) W/Out Pistons 1993-Up
T179006A				Master W/Steels Kit ZF5HP18 BMW (RWD) W/Out Pistons 1993-Up
GASKET & RUBBER COMPONENTS				
31809C			85502	Gasket ZF5HP18 Pan 1993-Up [Molded Rubber]
31807D	24111-421-140		85503	Gasket ZF5HP30 Pan 1993-Up [Fiber]
31806C	1056-327-110			Gasket ZF5HP18 Valve Body
31808C	1056-327-100			Gasket ZF5HP18 Valve Body 1990-96
31808D	1055-327-093			Gasket ZF5HP30 Valve Body 1993-94
31818D	0750 112 154			Gasket ZF5HP30 Valve Body
31806D	1055-327-102			Gasket ZF5HP30 Valve Body
31888	1056327019			Orifice ZF5HP30 Valve Body 1.00mm (Brown)
31888B	1056 327 020			Orifice ZF5HP30 Valve Body 1.20mm (Purple)
31888A	1056327039			Orifice ZF5HP30 Valve Body 1.70mm (Yellow)
METAL CLAD SEALS				
70369			82154	Seal ZF5HP18 Extension Housing BMW (RWD) 1993-Up
31811V	24231-421-536			Seal ZF5HP30 Extension Housing [Viton]
70247				Seal ZF5HP18 Front BMW (RWD) 1993-Up
OIL SEALING RINGS				
30757				Ring ZF5HP18 Input Shaft 1991-96 [PTFE]
30758				Ring ZF5HP18 [PTFE]
30759	0734-317-219			Ring ZF5HP18 (2.35 x 0.092 x 0.088 OD) [PTFE]
30756	07343-317-205			Ring ZF5HP18 (2.148 x 0.090 x 0.070 OD) [PTFE]
30857T	0734 401 241			Ring ZF5HP30 Input Shaft 25.0mm [PTFE]
30858T	0734 317 217			Ring ZF5HP30 3rd Clutch 44.0mm [PTFE]
30856T	0734 401 248			Ring ZF5HP30 Stator and Sun Gear (52.0mm) [PTFE]
6352				Ring Kit ZF5HP18 1991-98 (3 Metal 5 PTFE Rings)
31860D				Ring Kit ZF5HP30 1993-Up (7 PTFE Rings)
FRICITION CLUTCH				
31826	1055-270-072		85118	Friction ZF5HP30 Forward (A Pack) - (E Pack) - Overdrive (F Pack) [5.60 OD 30 Teeth] 1993-Up
				Friction ZF5HP30 Direct (B Pack) Intermediate - Overrun (C Pack) - Low/Reverse (D Pack) [8.02 OD 30 Teeth 0.063 THK] 1993-Up
31828	1055-270-054		85119	Friction ZF5HP30 Direct (B Pack) Intermediate - Overrun (C Pack) - Low/Reverse (D Pack) [8.02 OD 30 Teeth 0.063 THK] 1993-Up
31224R	24231-205-955		82109	Friction ZF5HP18 Reverse (D Pack) [48 Teeth 0.063 THK] 1976-Up
31224T	24231-205-955		82109	Friction ZF5HP18 Reverse (D Pack) [48 Teeth 0.063 THK] 1976-Up
31880CR				Friction Module ZF5HP18 1991-98
31880C				Friction Module ZF5HP18 1991-98
31880D				Friction Module ZF5HP30 1993-Up (33 Pieces)
STEEL CLUTCH				
31223A	1043-302-021		82104A	Steel ZF5HP18 Intermediate (C Pack) [4.69 ID 12 Teeth 0.082 THK] 1976-Up
32229	1056-329-002		85121A	Steel ZF5HP18F Overdrive (F Pack) [4.70 ID 24 Teeth 0.118 THK] 1991-Up
31825D	1055374001			Steel ZF5HP30 3/4 (E) Overdrive (F) [OEM]
31823D	1055 371 003		85135	Steel ZF5HP30 Direct/Reverse (B) - Intermediate (C) - Low/Reverse (D) [32 Teeth 0.118 THK] (Flat) [OEM]
31881C				Steel Module ZF5HP18 1991-98
FILTER				
31848C	1056298047			Filter ZF5HP18 BMW (RWD) 1993-Up
	1055-298-015			
31848D	24341-421-200		85710G	Filter ZF5HP30 1991-Up (BMW)
FILTER KIT				
31849C			K85710F	Filter Kit ZF5HP18 BMW (RWD) 1993-Up
31849D				Filter Kit ZF5HP30 1991-Up (BMW)
WASHER & BEARINGS				
31850				Washer ZF5HP18 ZF5HP30 (1.40 x 1.20 x 0.080)
31357				Washer ZF5HP18 ZF5HP30 (14.75 x 10.10 x 2.0)
32182				Washer ZF5HP30 CX Type
ELECTRICAL COMPONENTS				
S-160	1056-254-018		85957	Solenoid ZF5HP18 EPC (Electronic Pressure Regulator) 1991-Up
HARD PARTS				
31864C	0501.312.546			Piston ZF5HP18 G Drum 1991-96
MISCELLANEOUS COMPONENTS				
31866C	1050-331-021		85833	Diaphragm Spring ZF5HP18 Intermediate C Clutch 1991-Up [OEM]
31867C	0501-312-903		85834	Diaphragm Spring ZF5HP18 Reverse D Clutch 1991-Up [OEM]
TOOLS				
9X204				Harness ZF5HP18

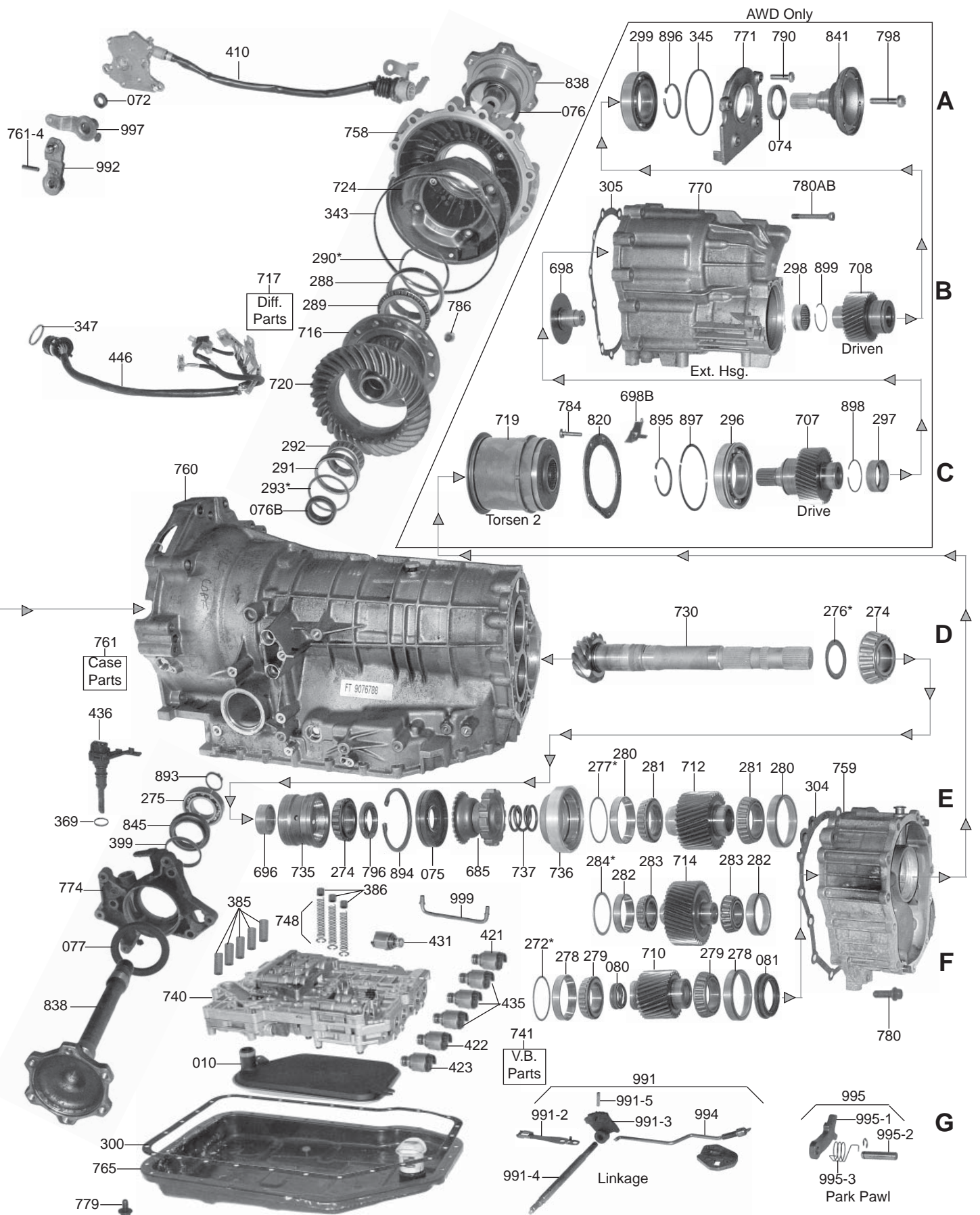




ZF5HP19FL / ZF5HP19FLA (Audi / VW)

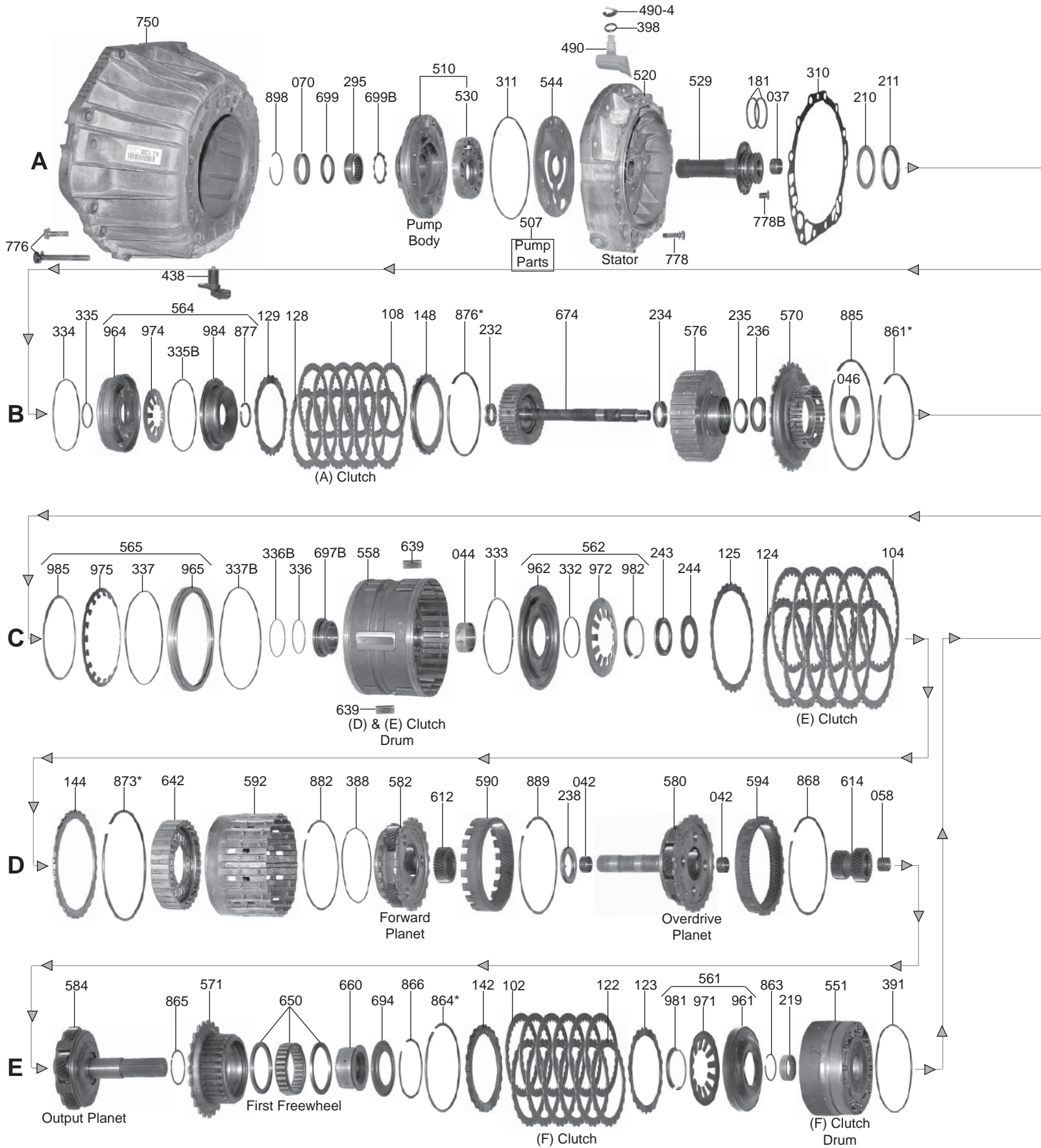
FWD/AWD 5 Speed

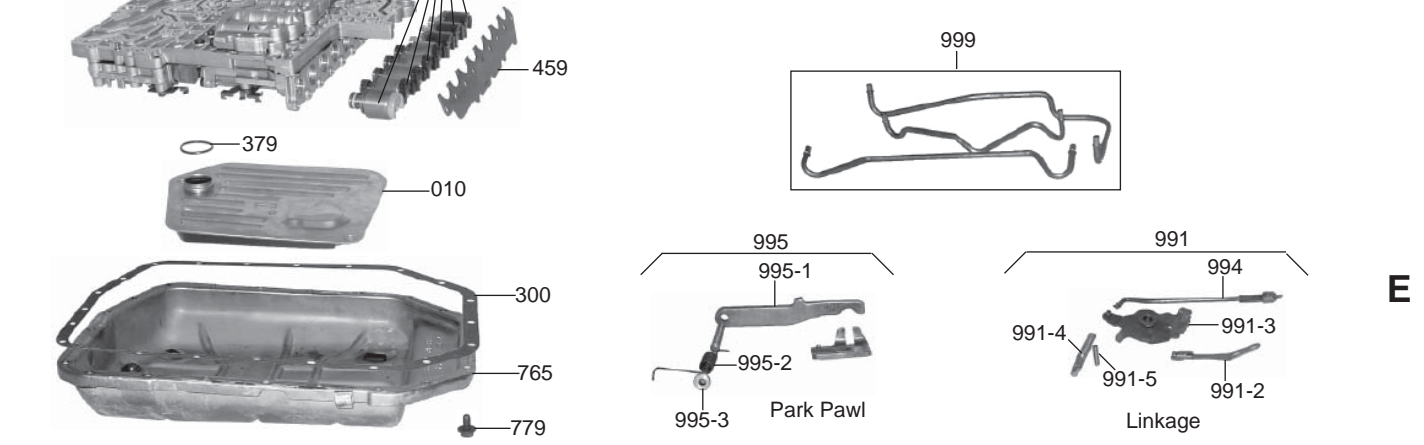
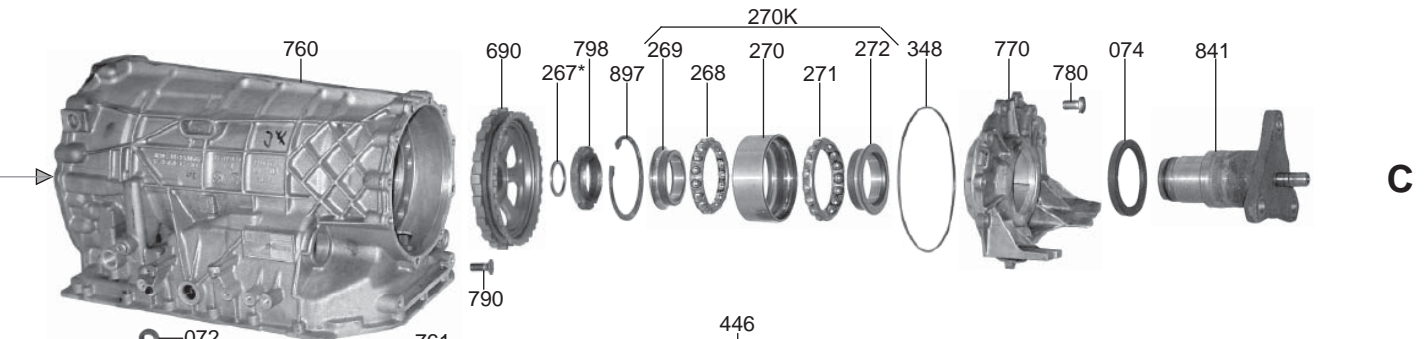
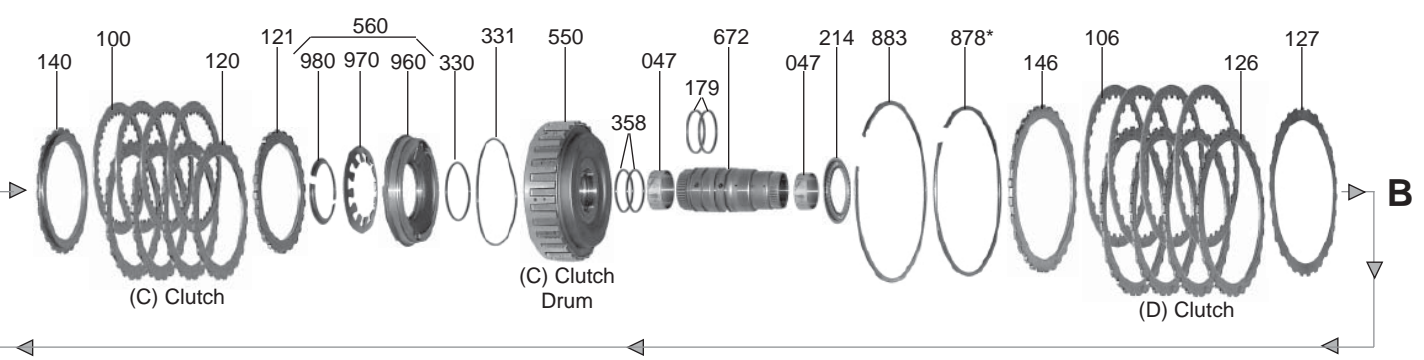
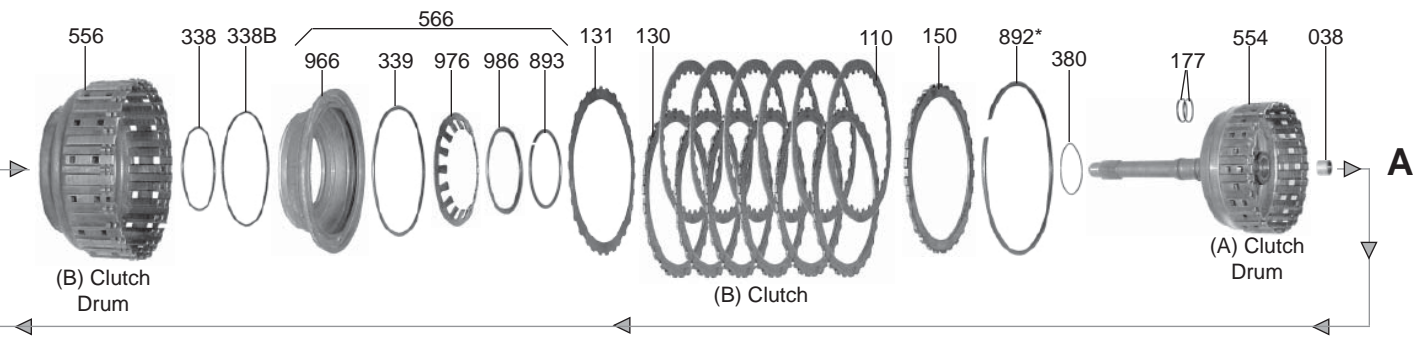




ZF5HP24

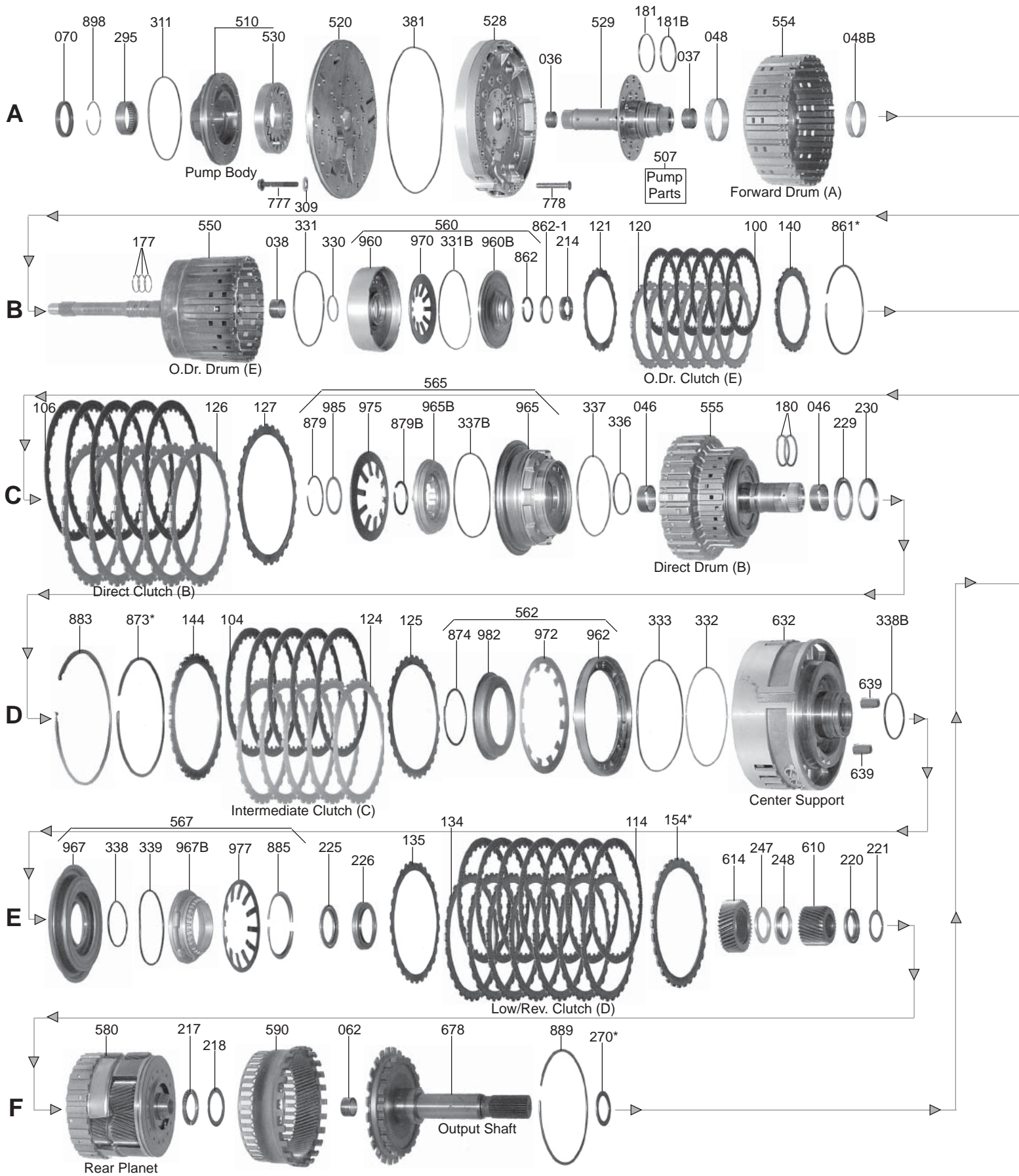
RWD/AWD 5 Speed





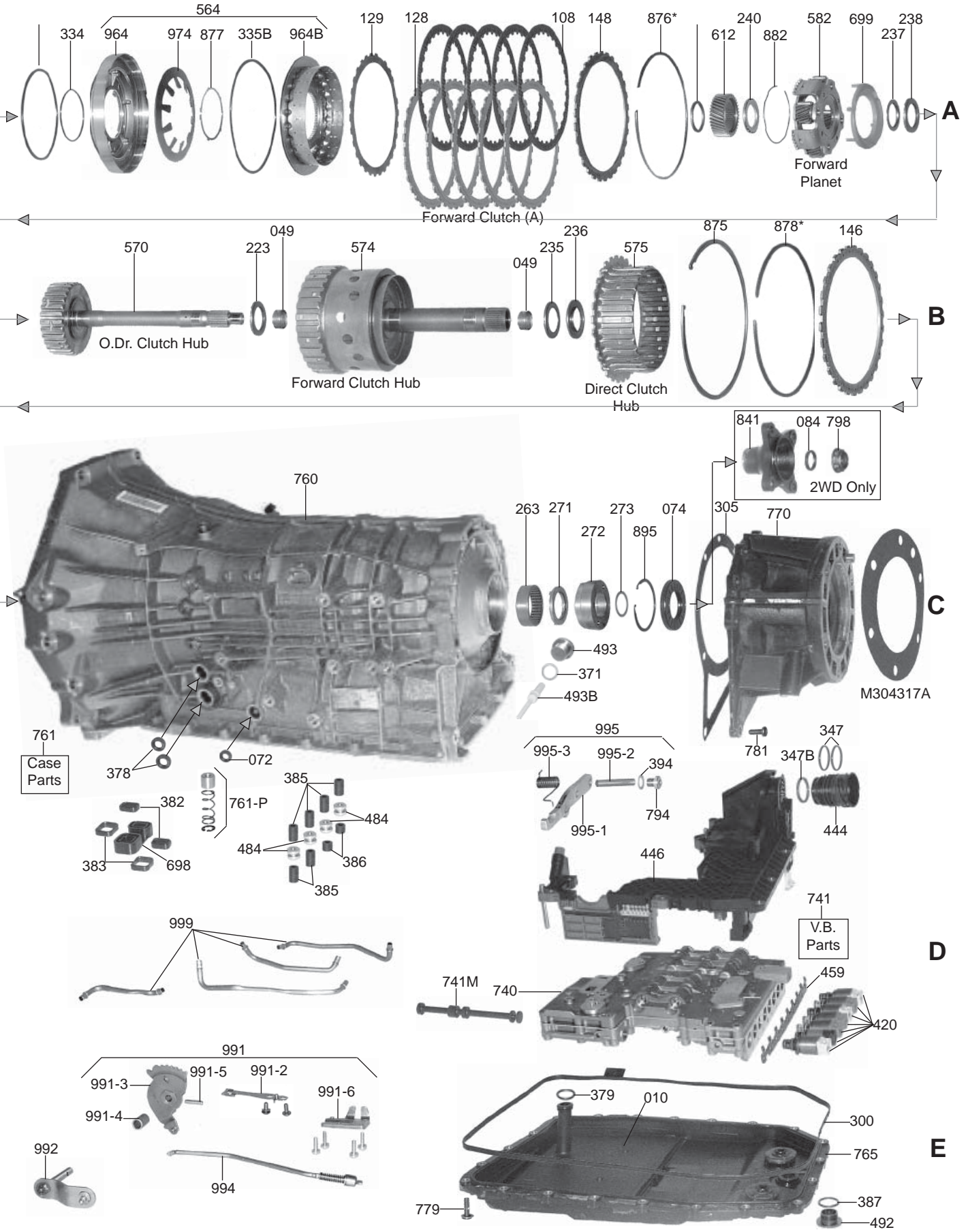
ZF6HP26 (6R60)

RWD 6 Speed



RWD 6 Speed

ZF6HP26 (6R60)



SAP #	IL#	OE	INDUSTRY	DESCRIPTION
OVERHAUL KIT				
T175002B				Overhaul Kit ZF5HP19 1999-03
T175002AA				Overhaul Kit ZF5HP19FL (01V) ZF5HP19FLA 1996-03
MASTER L/STEELS KIT				
T175004B				Master L/Steels Kit ZF5HP19 1999-03
T175004AA				Master L/Steels Kit ZF5HP19FL (01V) ZF5HP19FLA 1996-03
MASTER W/STEELS KIT				
T175006B				Master W/Steels Kit ZF5HP19 1999-03
T175006AA				Master W/Steels Kit ZF5HP19FL (01V) ZF5HP19FLA 1996-03
GASKET & RUBBER COMPONENTS				
32207B		01V-321-371		Gasket ZF5HP19 Pan - 27 Bolt 1996-Up [Fiber]
FRICITION CLUTCH				
32280B		1060-298-022		Friction Module ZF5HP19FL (FWD) 1995-Up
32280R				Friction Module ZF5HP19 ZF5HP19FL (01V) ZF5HP19FLA 1995-Up
STEEL CLUTCH				
32281				Steel Module ZF5HP19 ZF5HP19FL (01V) ZF5HP19FLA 1995-Up
FILTER				
32240		01V-325-429 0501-209-251	85710K	Filter ZF5HP19FL ZF5HP19FLA 1995-Up {Audi A4 A6 A8 & VW}

ZF

ZF5HP24

SAP #	IL#	OE	INDUSTRY	DESCRIPTION
OVERHAUL KIT				
T185002B				Overhaul Kit ZF5HP24 (non-AWD) 1996-04
MASTER L/STEELS KIT				
T185004B				Master L/Steels Kit ZF5HP24 1997-04
MASTER W/STEELS KIT				
T185006B				Master W/Steels Kit ZF5HP24 1997-04 {Except BMW X5 4.6is}
GASKET & RUBBER COMPONENTS				
32207A		24111-422-676		Gasket ZF5HP24 Pan 1997-Up [Fiber]
FRICITION CLUTCH				
31880ER				Friction Module ZF5HP24 1995-04
STEEL CLUTCH				
31881E				Steel Module ZF5HP24 1995-04 {Except BMW X5 4.6is}
FILTER				
32242		0501-004-925	114710	Filter ZF5HP24 1995-Up {BMW - Jaguar RWD}
FILTER KIT				
32247			K114710	Filter Kit ZF5HP24 1996-Up {BMW & Jaguar XK8} (With Fiber Pan Gasket)

ZF

ZF6HP26 (Ford 6R60)

Ford

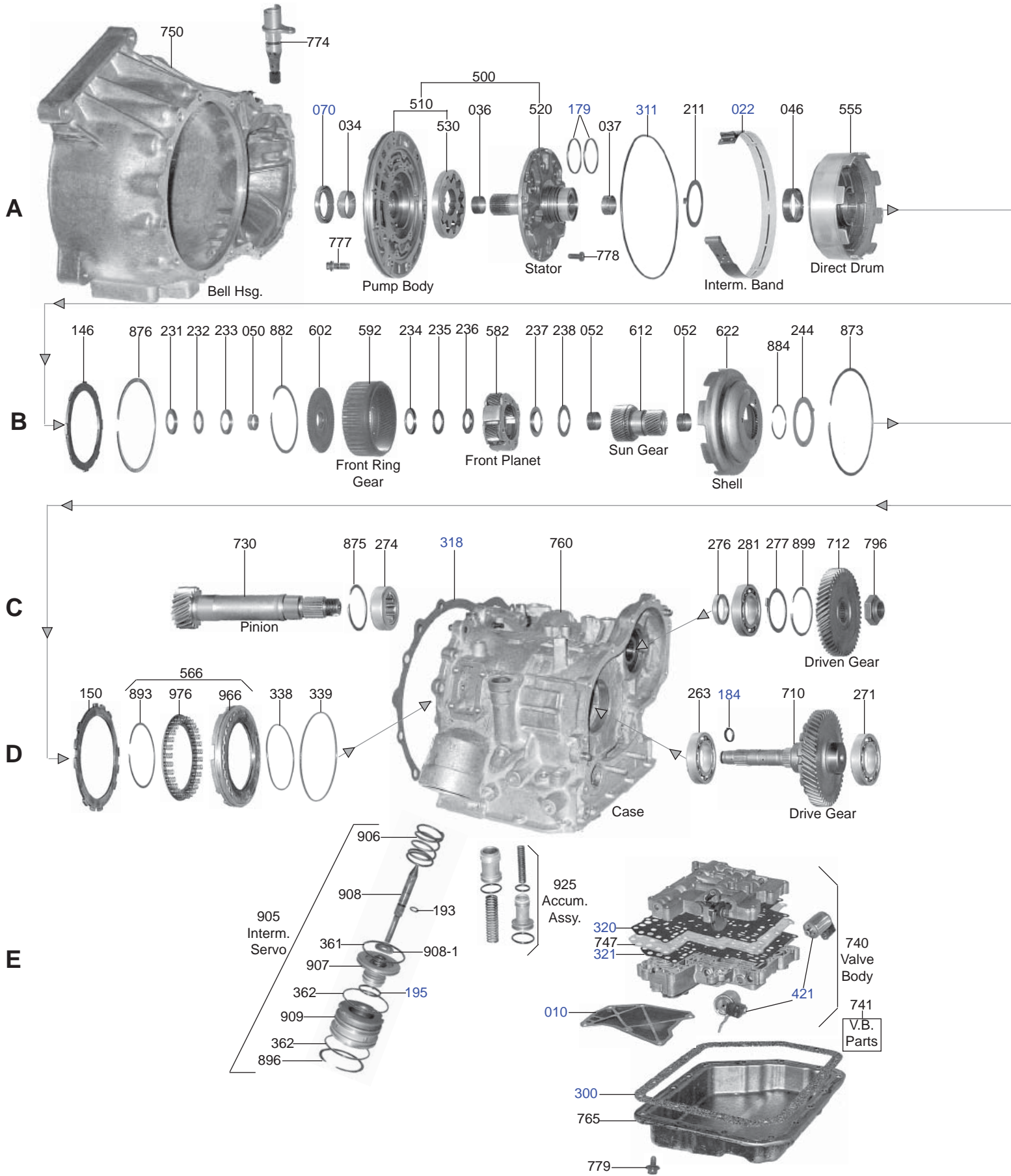
6R75W / 6R80

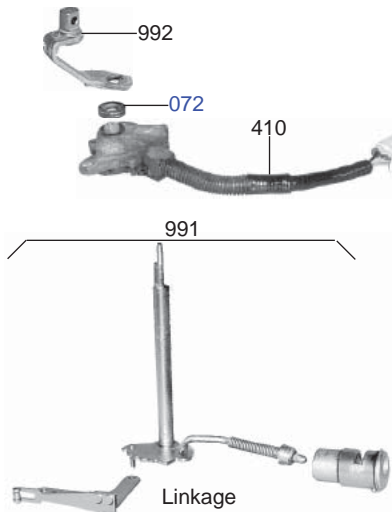
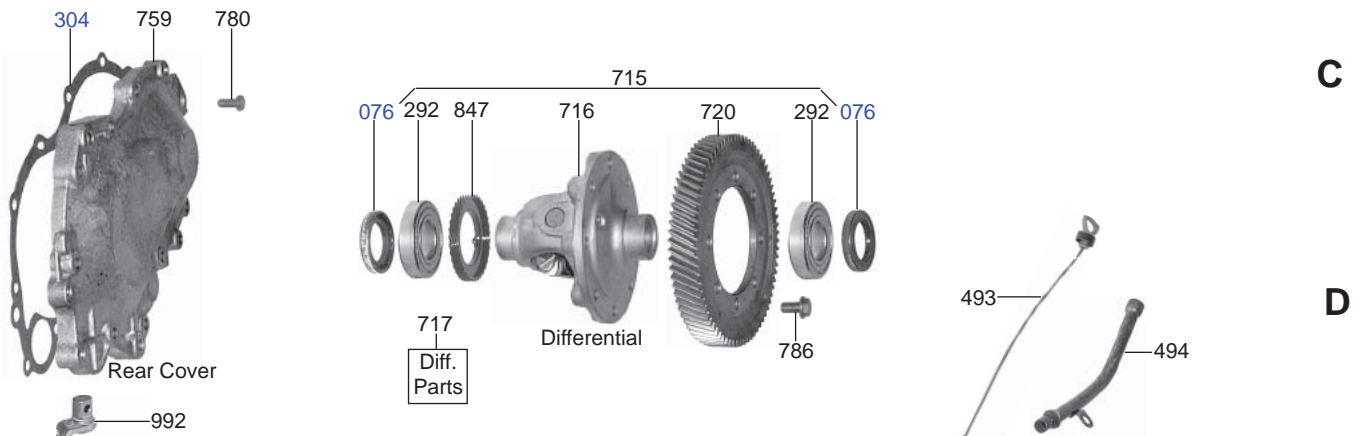
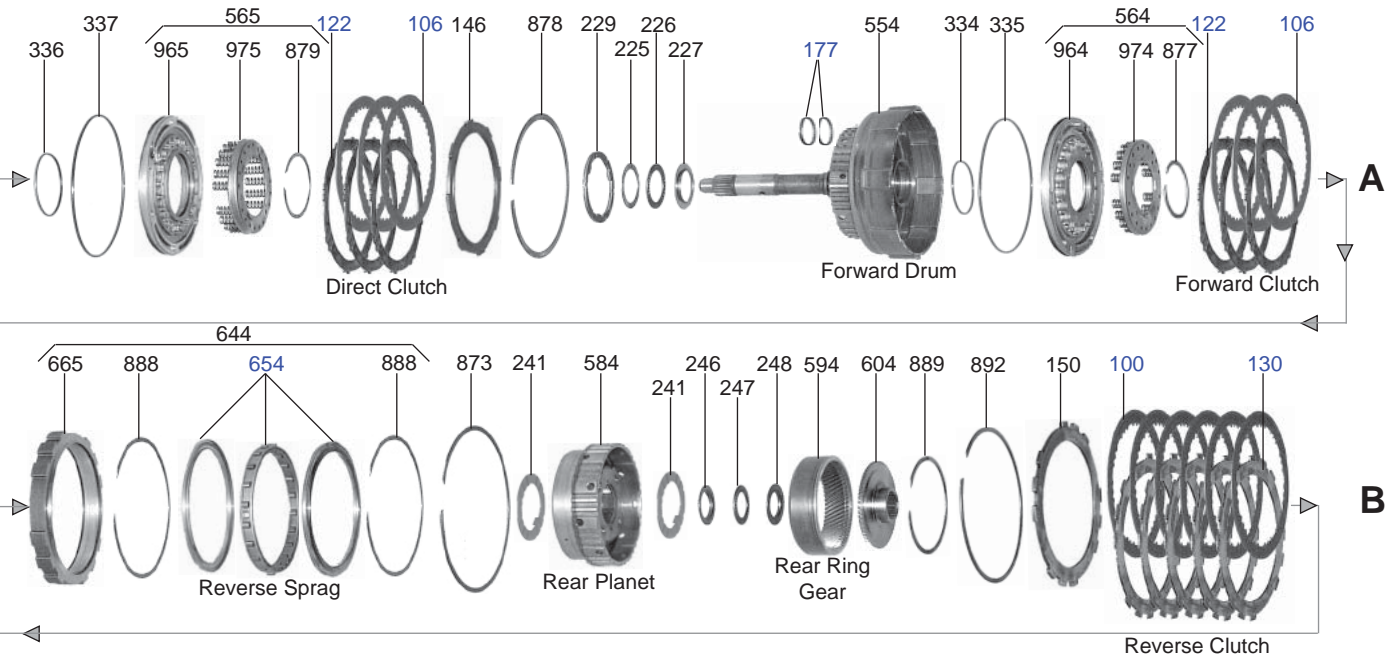
SAP #	IL#	OE	INDUSTRY	DESCRIPTION
OVERHAUL KIT				
B49002A				Overhaul Kit 6R60 6R75W 6R80 2006-Up
T49002A				Overhaul Kit 6R60 6R75W 6R80 2006-Up
T49002B				Overhaul Kit ZF6HP26 2001-Up
MASTER L/STEELS KIT				
B49004A				Master L/Steels Kit 6R60 6R75W 6R80 2006-Up
T49004A				Master L/Steels Kit 6R60 6R75W 6R80 2006-Up
T49004B				Master L/Steels Kit ZF6HP26 2001-Up
MASTER W/STEELS KIT				
B49006A				Master W/Steels Kit 6R60 6R75W 6R80 2006-Up
T49006A				Master W/Steels Kit 6R60 6R75W 6R80 2006-Up
T49006B				Master W/Steels Kit ZF6HP26 2001-Up
FRICITION CLUTCH				
31880G				Friction Module 6R60 6R75W 6R80 ZF6HP26 2001-Up
STEEL CLUTCH				
31881G				Steel Module 6R60 6R75W 6R80 ZF6HP26 2001-Up
BUSHINGS				
31830G				Bushing Kit ZF6HP26 2001-Up (9 Bushings)
31830GA				Bushing Kit 6R60 2006-Up (10 Bushings)

SAP #	IL#	OE	INDUSTRY	DESCRIPTION
OVERHAUL KIT				
8252				Overhaul Kit BTR 85LE 91LE 93LE 95LE 97LE 1989-02
MASTER L/STEELS KIT				
8252B				Master L/Steels Kit BTR 85LE 91LE 93LE 95LE 97LE 1989-02
GASKET & RUBBER COMPONENTS				
46596153				Connector Seal BTR 85 1990-Up
46609	0585-04503B	46265		Gasket BTR 85LE Pan 1989-Up [Molded Rubber]
46597564	0585-045040			Gasket BTR 85LE Rear Servo Cover 1990-Up
46597598	0585-045035			Gasket BTR 85LE Valve Body Lower 1990-Up
46597558	0585-045034			Gasket BTR 85LE Pump to Case 1990-Up
46597599	0585-045044			Gasket BTR Valve Body Upper 1990-Up
46597585				Gasket BTR 85LE Pump to Case 1991-97
46597559	0585-045018			Gasket BTR 91LE 97LE Pump to Plater Cover 1990-Up
46597586				Gasket BTR 91-97LE Valve Body Lower
46597587				Gasket BTR 91-97LE Valve Body Upper
46597561	0591-045047			Gasket BTR 85LE Servo CR With Sealant Bead 1990-Up
46597600	0591-045046			Gasket BTR Extension Housing 1990-Up
1994616				O-Ring BTR 85LE Filter Screen 1990-Up
1994615	0585-141026			O-Ring BTR 85LE Input Shaft 1990-Up
1994772	0585-141015			O-Ring BTR 85LE C3 Clutch Inner 1990-Up
1994770	0585-141018			O-Ring BTR 85LE C1 C2 C4 Clutch Inner 1990-Up
1994639	0585-141010			O-Ring BTR 85LE Rear Servo (Large) 1990-Up
1994628	0585-141028			O-Ring BTR 85LE Rear Servo (Small) 1990-Up
1993518	0585-141036			O-Ring BTR 85LE C4 Clutch Piston Outer
1993520	0585-141021			O-Ring BTR 85LE C2 C3 Piston Outer
1994773	0585-141029			O-Ring BTR 85LE Pump Body to Case 1990-Up
1993516	0585-141032			O-Ring BTR 85LE Front Servo (Small) 1990-Up
1993519	0585-141020			O-Ring BTR 85LE C-1 Clutch Piston (Outer) 1990-Up
1994614	0585-141017			O-Ring BTR 85LE Connector 1990-Up
46596156	0585-053020			Spacer BTR 85LE Overdrive Shaft 1990-Up
METAL CLAD SEALS				
70245	0593-044080			Seal BTR 85LE Manual Lever (9.5 x 17.58 x 4) 1990-Up
70246	0593-044084			Seal BTR 85LE Front Pump (46 x 62 x 7) 1990-Up
OIL SEALING RINGS				
30161	0585-016004			Ring BTR 85LE Converter Support [1.387 ID 1.546 OD] [PTFE]
30148	0585-016006			Ring BTR 85LE Front Servo Rod 1990-Up [PTFE]
30158	0585-016013			Ring BTR 85LE Overdrive Shaft Small 1990-Up [PTFE]
30146	0585-016015			Ring BTR 85LE Output Shaft 1990-Up [PTFE]
30160	0585-016014			Ring BTR 85LE Overdrive Shaft Large 1990-Up [PTFE]
30370	0585-016011			Ring BTR 85LE C3 Clutch Drum 1990-Up [Metal]
6163				Ring Kit BTR 85LE 91LE 95LE 1990-Up (2 Metal 14 PTFE Rings)
FRICION CLUTCH				
46620W	0585-66013	46100		Friction BTR 85LE 95LE C1 C2 C3 [5.00 OD 46 Teeth 0.079 THK] 1987-Up
46624T	0585-666-010			Friction BTR 85LE 95LE C4 Overrun [4.59 OD 41 Teeth 0.080 THK] 1987-Up
29880BTR				Friction Module BTR 85LE 91 95LE 1987-Up
STEEL CLUTCH				
46623	0585-166030	46106		Steel BTR 85LE C4 [3.58 ID 56 Teeth 0.067 THK] 1987-Up
46623A	0585-166035	46107		Steel BTR 85LE C4 [3.58 ID 56 Teeth 0.055 THK] 1987-Up
46623B	0585-166036	46108		Steel BTR 85LE C4 [3.58 ID 56 Teeth 0.071 THK] 1987-Up
46623C	0585-166037	46109		Steel BTR 85LE C4 [3.58 ID 56 Teeth 0.087 THK] 1987-Up
46621	0585-1166007	46103		Steel BTR 85LE C1/C2/C3 [4.10 ID 52 Teeth 0.079 THK] 1987-Up
FILTER				
46640	TGM-10011			Filter BTR 85LE 95LE 1989-Up
FILTER KIT				
46641				Filter Kit BTR 85LE 95LE 1989-Up (With Cork & Rubber Pan Gasket)
WASHER & BEARINGS				
46564168				Washer BTR 85LE Belleville Servo Cushion 1990-Up
46596155	0585-193072			Washer BTR 85LE Planetary 1990-Up
MISCELLANEOUS COMPONENTS				
46575163				Check Ball BTR 85 (6.35mm Diameter) 1990-Up [Nylon]
46575162				Check Ball BTR 85 (12.2mm Diameter) 1990-Up [Nylon]
46564163				Spring BTR 85 Valve Body 1987-Up

MX17

FWD 3 Speed





SAP #	IL#	OE	INDUSTRY	DESCRIPTION
OVERHAUL KIT				
B67002A				Overhaul Kit MX17 1985-Up
T67002A				Overhaul Kit MX17 1985-Up
MASTER L/STEEL KIT				
B67004A				Master L/Steels Kit MX17 1985-Up
MASTER W/STEEL KIT				
B67006A				Master W/Steels Kit MX17 1985-Up
GASKET & RUBBER COMPONENTS				
26409T		96053920		Gasket MX17 Bottom Pan [Cork & Rubber]
26418		96053920	89502F	Gasket MX17 Bottom Pan [Fiber]
26497447		96054136		Gasket MX17 Bell Housing To Case
26497448		96053918		Gasket MX17 Case To Rear Cover
26497449		96053919		Gasket MX17 2nd Brake Cover 1985-Up
26407		35142-87705-000		Gasket MX17 Case 1987-Up
26497451		96054195		Gasket MX17 Valve Body (Lower)
26408		91171235		Gasket MX17 Valve Body (Lower) 95-Up
26497450		96054146		Gasket MX17 Valve Body (Upper)
26408A		91173349		Gasket MX17 Valve Body (Upper) 95-Up
1994536		90301-99024		O-Ring MX17 Pump Body
METAL CLAD SEALS				
70351		96053884	67550	Seal MX17 Front Pump 1983-Up
70158		96054226		Seal MX17 Axle (Both Sides) (2.145 OD) 1985-Up
70299				Seal MX17 Axle (W/Out Helix) 1985-Up
70159		96054141	78197	Seal MX17 Manual Lever 1985-Up
OIL SEALING RINGS				
30540T			89305T	Ring MX17 2nd Coast Servo (1.33 OD) [PTFE]
30541T			89309T	Ring MX17 2nd Coast Servo (2.51 OD) [PTFE]
30526		35617-32011	89300T	Ring MX17 Direct Clutch [PTFE]
30528		35712-32010	89301T	Ring MX17 Forward Clutch [PTFE]
30524		35748-32010	89306T	Ring MX17 Intermediate Shaft [PTFE]
30538		97057149	89300AT	Ring MX17 Direct Clutch 1987-Up [PTFE]
6120				Ring Kit MX17 1985-Up (9 PTFE Rings)
FRICTION CLUTCH				
25820R		35633-32050	89103	Friction MX17 Forward & Direct [5.00 OD 40 Teeth 0.067 THK]
25820T		35633-32050	89103	Friction MX17 Forward & Direct [5.00 OD 40 Teeth 0.067 THK]
25822		35677-32040	89100	Friction MX17 Reverse [5.60 OD 33 Teeth 0.067 THK]
26480R				Friction Module MX17 (17 pcs) 1985-Up
26480T				Friction Module MX17 (17 pcs) 1985-Up
STEEL CLUTCH				
25821			89102	Steel MX17 Forward & Direct [4.10 OD 8 Teeth 0.071 THK]
25823			89106	Steel MX17 Reverse [4.60 ID 12 Teeth 0.071 THK] 1983-Up
26481				Steel Module MX17 (17 pcs) 1985-Up
FILTER				
26440		26570-82300	89710B	Filter MX17 1985-Up (Sprint Suzuki)
FILTER KIT				
26441			FK89710B	Filter Kit MX17 1985-Up (With Cork & Rubber Pan Gasket) (Suzuki)
BANDS				
26446			89700B	Band MX17 (1 1/4in Wide) 1985-Up (Suzuki)
ELECTRICAL COMPONENTS				
D89965		91173731	89965	Solenoid MX17 Shift (With Bracket) Direct Clutch
D89966		91173730	89966	Solenoid MX17 Shift (With Bracket) 2nd Brake

SAP #	IL#	OE	INDUSTRY	DESCRIPTION
GASKET & RUBBER COMPONENTS				
29509		24786-78230	138500	Gasket SB308 Pan (14 Bolt Holes) 1987-Up [Molded Rubber]
29580				Gasket SB308 Valve Body 1987-Up
29581				Gasket SB308 Pump 1987-Up
29582				Gasket SB308 Case Small 1987-Up
29583				Gasket SB308 Case Large 1987-Up
METAL CLAD SEALS				
29510		22881-78230	138151	Seal SB308 Front Pump (Foreign Model-Corsa) 1987-Up
70327		09282-08001		Seal SB308 Manual Lever 1987-Up
OIL SEALING RINGS				
30622		24181-78230	138300	Ring SB308 Input Shaft 1987-91 [PTFE]
30572		22831-78231	138301	Ring SB308 Pump Stator 1987-Up [PTFE]
29560				Ring Kit SB308 1987-Up (4 PTFE Rings)
FRICTION CLUTCH				
29522		26830-84500	138105	Friction SB308 Reverse Brake [4.39 OD 18 Teeth 0.090 THK] 1987-Up
29570				Friction Module SB308 1987-Up
STEEL CLUTCH				
29521		26651-78230	138104	Steel SB308 Forward [3.34 OD 2.42 ID 6 Teeth] 1987-Up
29523		26841-78230	138106	Steel SB308 Reverse Brake [4.52 OD 3.85 ID 8 Teeth] 1987-Up
29571				Steel Module SB308 1987-Up
FILTER				
29540		26570-78231	138710	Filter SB308 (Foreign Model-Corsa) 1987-Up

SAP #	IL#	OE	INDUSTRY	DESCRIPTION
FRICTION CLUTCH				
29520AT		26633-75FT0		Friction SR410-2 SR412-2 Front [5.165 OD 36 Teeth] 1999-Up (Wagon R)
29522AT		26611-75FT0		Friction SR410-2 SR412-2 Rear [3.785 OD 40 Teeth] 1999-Up (Wagon R)
29526AT		26746-74FT0		Friction SR410 SR412-2 1-2 Brake [5.61 OD 36 Teeth 0.066 THK] 1998-Up
29528AT		26823-75FT1		Friction SR410 SR410-2 Overdrive [5.61 OD 36 Teeth 0.099 THK] 1998-Up

SAP #	IL#	OE	INDUSTRY	DESCRIPTION
GASKET & RUBBER COMPONENTS				
29381				Gasket Daihatsu Pump
29383				Gasket Daihatsu Case
29303				Rubber Kit Daihatsu Charade (Export Type) 1984-94
METAL CLAD SEALS				
29310		90043-11124		Seal Daihatsu Front Pump (Export Type) 1984-94
29312		90043-11125		Seal Daihatsu Manual Lever (Export Type) 1984-94
29311		90043-11153		Seal Daihatsu Axle (Export Type) 1984-94
70299				Seal Daihatsu Axle W/Out Helix (Export Type) 1984-94
OIL SEALING RINGS				
30510				Ring Daihatsu Input Shaft (Export Type) 1984-94
TAW-2411		35617-12010		Ring Daihatsu Governor (Export Type) 1984-94
FRICION CLUTCH				
25220T		35633-12010	58206	Friction Daihatsu Forward [4.25 OD 8 Teeth 0.098 THK] 1984-94
25222T		35883-12010	58221	Friction Daihatsu Reverse [5.20 OD 22 Teeth 0.099 THK]
25280T				Friction Module Daihatsu Charade (Export Type) 1984-94
STEEL CLUTCH				
25221		35634-12010	58205	Steel Daihatsu Forward [3.36 ID 6 Teeth] 1984-94
25223		35884-12010	58222	Steel Daihatsu Reverse [4.57 ID 6 Teeth 0.068 THK] 1984-94
25281				Steel Module Daihatsu Charade (Export Type) 1984-94

PERODUA KEMBARA**A4Q**

SAP #	IL#	OE	INDUSTRY	DESCRIPTION
FILTER				
F-469				Filter A4Q Perodua Kembara 2000-Up