

Built-in Appliances

2016



BOSCH

Invented for life

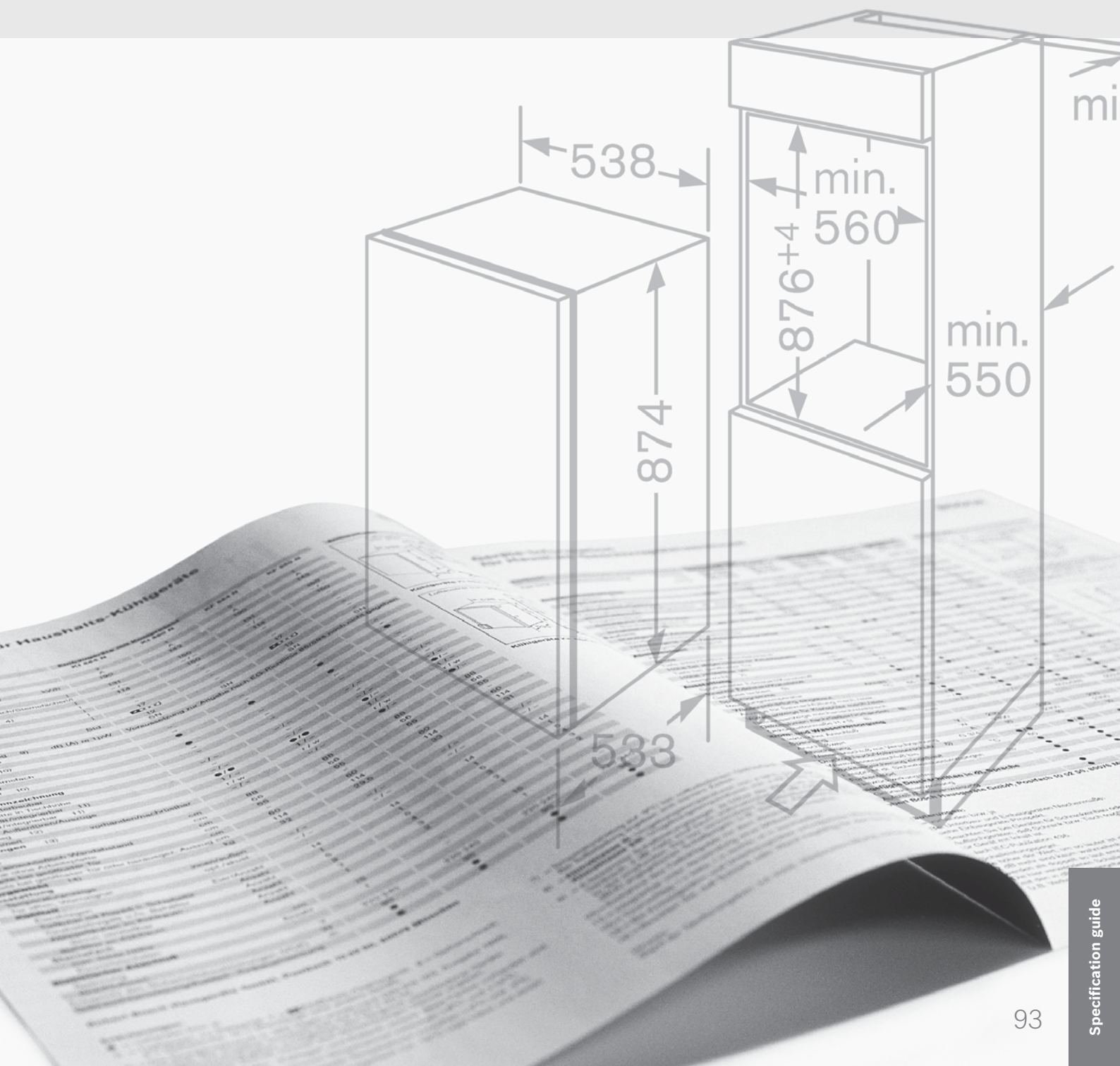
Product installation and specification guide

2016



BOSCH

Invented for life

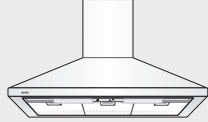
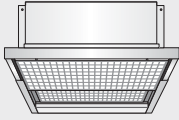
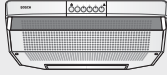

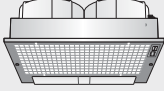
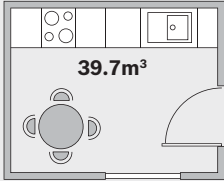


Installation tips

Ovens, microwaves and hobs	
<p>Flexibility to choose the way you want to cook</p> <p>Whether you're creating a feast for fifteen, steaming a healthy meal, cooking for one or popping on a frozen meal, Bosch appliances have the flexibility to do the job.</p>	
<p>Built-in single and double ovens</p> <p>The beauty of built-in ovens is that they can be housed in a variety of positions. For optimum convenience, install in standard tall cabinets at a level to suit the main users. Install single ovens alone, or together with a combination oven/microwave, built-in microwave, steam or combination steam oven. Hobs need to be bought separately.</p>	
<p>Built-under single and double ovens</p> <p>Single ovens can also be installed under the work surface, directly below the hob, or apart from it. Bosch also offers double ovens that are specifically designed for installation under the work surface. Hobs need to be bought separately.</p>	
<p>Compact steam, combination ovens and combination microwave ovens</p> <p>Compact appliances offer a range of combination or specialist functions – for example steam cooking is one of the healthiest methods of cooking available – and are ideal if space is at a premium. If you have more room, they're perfect for providing extra capacity and flexibility above or alongside a suitable built-in single oven. Build in to a standard tall or base cabinet with or without a warming drawer.</p>	
<p>Standard built-in microwaves</p> <p>Depending on the model, you can install into a tall housing, or in a wall cupboard. Wall cupboard models are available in 50cm or 60cm widths, and all come with installation/trim kit.</p>	
<p>Hobs</p> <p>Choose from gas, induction, ceramic or sealed plate. Available in 5 widths: 30, 60, 70, 80 or 90cm.</p>	

Quick checklist		
<p>Ovens</p> <ul style="list-style-type: none"> <input type="checkbox"/> Standard single oven <input type="checkbox"/> Double oven <input type="checkbox"/> Built-under <input type="checkbox"/> Built-in at eye level <p>Self-cleaning function</p> <ul style="list-style-type: none"> <input type="checkbox"/> Pyrolytic self-cleaning function <input type="checkbox"/> EcoClean® self-cleaning programme <p>Steam oven/combination oven/combination microwave</p> <ul style="list-style-type: none"> <input type="checkbox"/> Steam combination oven <input type="checkbox"/> Steamer <input type="checkbox"/> Combination oven <input type="checkbox"/> Combination microwave 	<p>Built-in</p> <ul style="list-style-type: none"> <input type="checkbox"/> Built-under <input type="checkbox"/> Built-in wall cupboard installation <input type="checkbox"/> 50cm wide <input type="checkbox"/> 60cm wide 	<p>Hobs</p> <ul style="list-style-type: none"> <input type="checkbox"/> Gas <input type="checkbox"/> Induction <input type="checkbox"/> Ceramic <input type="checkbox"/> Sealed plate <input type="checkbox"/> 30cm wide <input type="checkbox"/> 60cm wide <input type="checkbox"/> 70cm wide <input type="checkbox"/> 80cm wide <input type="checkbox"/> 90cm wide

Installation tips

Hoods	
<p>Keep air fresh and free of cooking smells</p> <p>Extractor hoods are an integral part of a clean and fresh working kitchen environment. Not only do Bosch extractor hoods look good and add a professional touch to your kitchen, they also deal quietly and efficiently with the key tasks of eliminating unwanted odours and removing grease and moisture from the kitchen.</p>	
<p>Chimney extractor hoods</p> <p>Choose between wall-mounted models or an island version to create a striking focal point in the kitchen. Some models are further enhanced by glass canopies. Available 60, 70 and 90cm wide.</p>	
<p>Chimney extractor easy mounting system</p> <p>Installing your new cooker hood in the kitchen is quick and straightforward with the patented easy mounting system. The self-levelling fixing rings allow you to precision adjust the horizontal position of the hood by up to a 6mm radius.</p>	
<p>Slimline extractor</p> <p>Ideal where an unobtrusive extractor is required. Built into a wall cabinet above the hob, it can be extended when in use, and retracted when not. Use the special handle profile accessory, or if you prefer, a matching pelmet from your kitchen supplier. 60 or 90cm wide.</p>	
<p>Conventional extractor hoods</p> <p>Ideal where space is at a premium, these 14cm tall extractors can be mounted directly to the wall or suspended beneath a reduced height wall cupboard. 60cm wide.</p>	
<p>Integrated extractor hoods</p> <p>Integrated extractor hoods are designed to be mounted between two cabinets with a matching furniture door affixed to the front.</p>	
<p>Canopy extractor hoods</p> <p>Designed to fit discreetly into the base of a wall cupboard, or specially designed furniture canopy with operation from below. 60cm wide.</p>	
<p>Choosing the correct extractor</p> <p>As a guideline, the air in the room should be changed 6-12 times per hour. Calculate the floor area in square metres and multiply by the height of the room in metres. Then divide the maximum extraction rate (not freeblowing) of the hood selected by the figure calculated above. The resulting figure should be at least 7, but preferably as close to 12 as possible.</p>	
<p>Example</p> <p>Kitchen (H x W x D) metres 2.1 x 4.5 x 4.2 = 39.7m³. Assume 10 air changes per hour – multiply 39.7m³/h by 10 = 397m³/h. Choose a hood capable of extracting at least this amount of air per hour – e.g. DWB097A50B (max ducted extraction rate 460m³ per hour).</p> <p>To avoid excessive noise, try to select a model which meets the above requirements on an intermediate speed, rather than at the highest speed.</p>	 <p>10 x 39.7m³ = 397m³</p>

Quick checklist	
<p>Type of hood</p> <ul style="list-style-type: none"> <input type="checkbox"/> Chimney <input type="checkbox"/> Slimline <input type="checkbox"/> Conventional <input type="checkbox"/> Integrated <input type="checkbox"/> Canopy 	<ul style="list-style-type: none"> <input type="checkbox"/> Ducted <input type="checkbox"/> Re-circulated <input type="checkbox"/> Size <input type="checkbox"/> Size of kitchen

Ducted or recirculation mode?

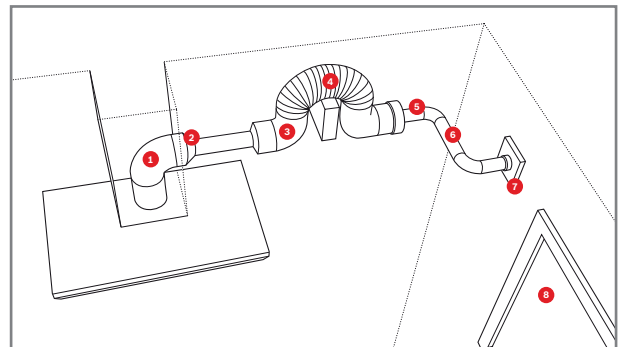
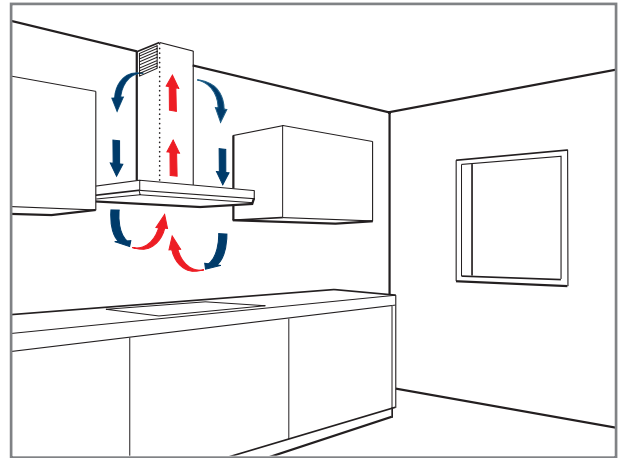
Ducted extraction

Ducting out is the most effective method of extraction if the hood can be sited on an outside wall, or an outside wall can be reached via ducting. The main difference between ducted and recirculation cooker hoods is that ducted systems can extract steam and odours, as well as grease. All our extractors are now standardized to a 150mm diameter outlet for easier installation. Use of 120/125mm diameter ducting is also possible, but will result in reduced air flow and increased noise. Use of 100mm diameter ducting is not recommended.

The following points should be observed for optimum ducted extraction results:

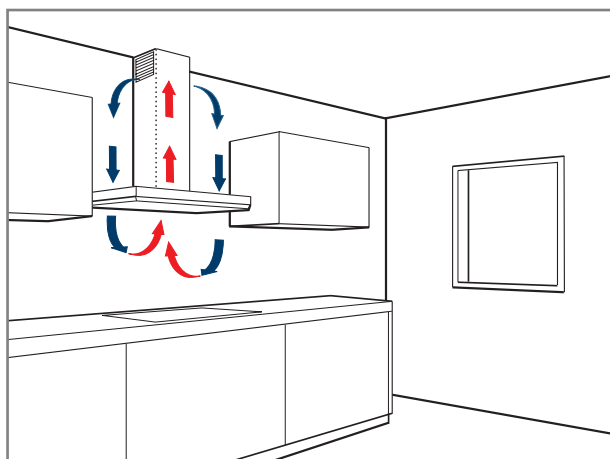
1. Ensure any pipe elbow bends are at least 30cm from the hood ducting opening.
2. Avoid reducing the diameter or area of the ducting.
3. Use wide-angled pipe elbows, but keep the number used to a minimum.
4. Only install pipes with smooth, even inner surfaces. If a flexible hose has to be used, ensure it is pulled tight to smooth out the ridges before fixing.
5. Avoid reducing the diameter or area of the ducting.
6. Use ducting pipes with a diameter of at least 120mm, but ideally 150mm.
7. Keep piping to a minimum – use the most direct route to external outlet.
8. Make sure that there is an adequate supply of fresh air to replace the air ducted out of the kitchen i.e. windows that can be opened, doors to adjacent rooms, air bricks.

Problems with installation may occur if points 1 to 8 are not observed.



Recirculation kit

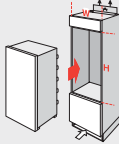
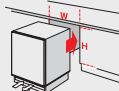
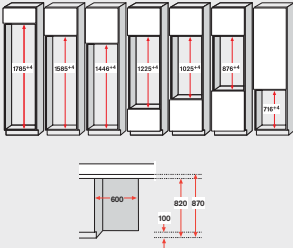
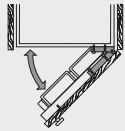
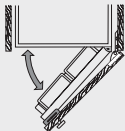
Cooker hoods with recirculation are energy-efficient and much easier to install. Air is passed through the metal filter to extract the grease and then through a special charcoal filter, which removes odours. The purified air is then returned to the room. As no ducting openings are necessary, this is an energy efficient method of extraction as no energy can escape (ie. cool air in the summer or warm air in the winter), making it a good choice for low energy houses. The kit contains all you need to set the hood up for recirculation and installation is relatively easy. Check each model for details on the appropriate recirculation kit accessory.



Tips and hints

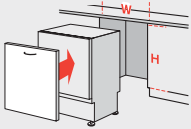
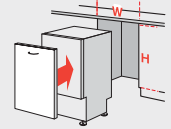
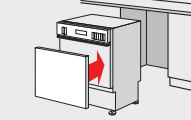
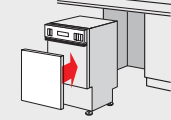
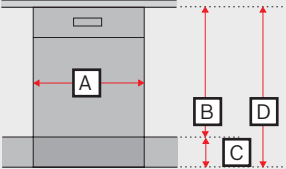
1. Calculate the extraction capacity needed.
2. Choose a hood with at least the same width of your hob.
3. Ensure efficient pipe ducting installation.
4. The hood should be installed at a minimum of 65cm above a gas hob or 55cm above an electric hob.
5. To effectively remove cooking odours from your kitchen, switch the hood on 5-10 minutes prior to cooking.
6. Leave the hood to run at a low setting after cooking has finished for 5-10 minutes to remove any lingering odours. Or simply select the Automatic After Running function, which enables the hood to continue running at a low speed for 10 minutes before automatically turning itself off (available on selected models).
7. Regularly clean metal grease filters to ensure optimum extraction performance. All of our metal grease filters, brushed steel filters and rim ventilation filters are dishwasher-proof.

Installation tips

Integrated cooling	
<p>Individual, versatile and low on energy consumption Bosch's range of fridges and freezers is as varied as today's lifestyle. With an impressive range of features and models on offer, there is something to suit everyone's shopping and cooking habits.</p>	
<p>Built-in fridges and freezers, integrated These models are designed to be built into standard cabinets. Door panels matching your kitchen cabinets are bolted to the appliance doors so that they blend in perfectly. Please ensure that recess height is correct. Door panels and cabinets should be obtained from your kitchen cabinet supplier.</p>	
<p>Built-under fridges and freezers, integrated These models can be built under a continuous worktop between two cabinets, or at the end of a row of cabinets. A furniture door blends your appliance with the rest of your kitchen.</p>	
<p>Recess dimensions Built-under models permit variable plinth heights and are therefore suitable for different worktop heights. Dimensions (H x W): 100 x 600mm, 820 x 600mm, 870 x 600mm. Ventilation is through the plinth, no worktop cutting required.</p>	
<p>Hinge systems Flat hinges This innovative easy-to-fit hinge system requires no extra drilling and permanently secures the appliance door to the furniture door. Offers a generous opening angle of 115° and features automatic door closing at an angle of less than 20°. Some models feature SoftClose doors, a damping system that means you can push your door to and it will close silently without a 'clunk', and it will never swing back open.</p>	<p>Flat-type hinge system</p> 
<p>Sliding hinges A sliding hinge, attached to a slide connector is pre-fitted in the factory, this allows the appliance door to be coupled with the furniture door. It offers adjustment in depth and height for precise fitting.</p>	<p>Sliding hinge system</p> 

Quick checklist	
<p>Type</p> <ul style="list-style-type: none"> <input type="checkbox"/> Built-in fridge, integrated <input type="checkbox"/> Built-in freezer, integrated <input type="checkbox"/> Built-in fridge freezer, integrated <input type="checkbox"/> Built-under fridge, integrated <input type="checkbox"/> Built-under freezer, integrated 	<p>Height:</p> <p>Width:</p> <p>Hinge system</p> <ul style="list-style-type: none"> <input type="checkbox"/> Flat hinge system <input type="checkbox"/> Sliding hinge system

Installation tips

Dishwashers	
<p>Integrated and semi-integrated dishwashers Energy and water-efficient with outstanding performance, Bosch integrated dishwashers quietly do all the hard work for you behind closed doors.</p>	
<p>Fully integrated dishwashers These models can be built under a worktop or sink drainer, between two units or at the end of a run of units. A furniture door is mounted on the appliance door so that the dishwasher is indistinguishable from other kitchen cabinets. Choose from full size 60cm wide, or slimline 45cm wide.</p>	<div style="display: flex; justify-content: space-around;"> <div style="text-align: center;"> <p>60cm wide</p>  </div> <div style="text-align: center;"> <p>45cm wide</p>  </div> </div>
<p>Semi-integrated dishwashers A furniture door is mounted on the appliance door, so all that is seen of the dishwasher itself is the stylish control panel. Can be built under a worktop or sink drainer, between two units or at the end of a run of units. Available full size 60cm wide.</p>	<div style="display: flex; justify-content: space-around;"> <div style="text-align: center;"> <p>60cm wide</p>  </div> <div style="text-align: center;"> <p>45cm wide</p>  </div> </div>
<p>Built-in dimensions (60m wide) If you have a recess height of 81.5 – 87.5cm, plan for an 81cm dishwasher. The appliance feet may be screwed out to a total height of 87.5cm. Or, if you have a recess height of 86.5 – 92.5cm plan for an 86cm dishwasher. The appliance feet screw out to a total height of 92.5cm.</p>	

Quick checklist

Type

Fully integrated dishwasher

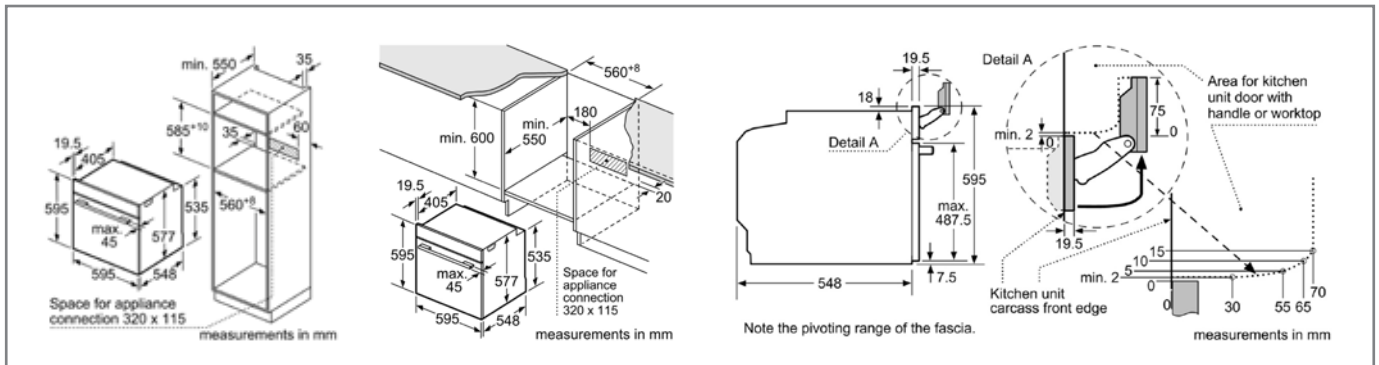
- 60cm wide
- 45cm wide

Semi-integrated dishwasher (60cm wide)

- 81cm high
- 86cm high

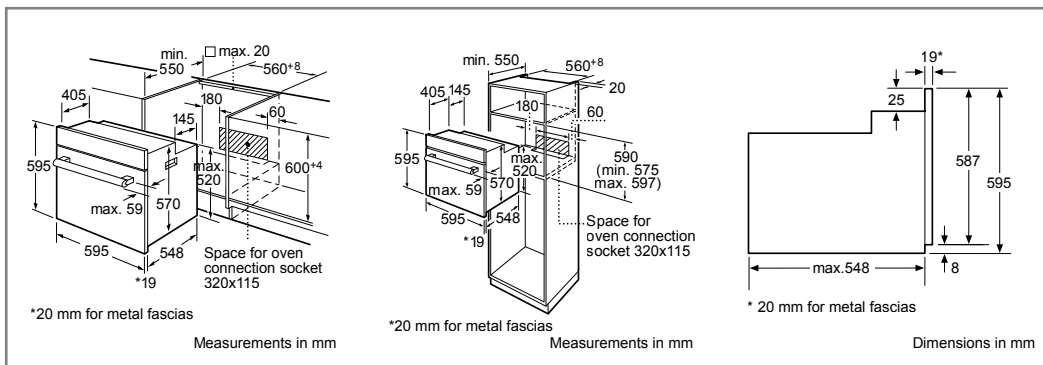
Ovens technical diagrams

Single and double ovens



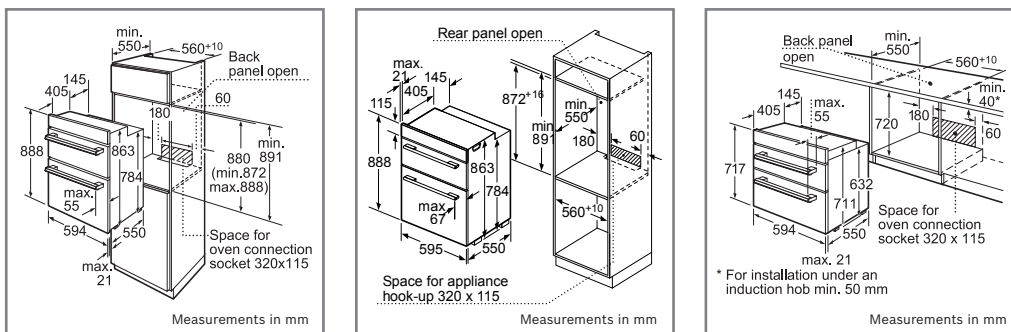
Single ovens

HKG6769S6B, HBG6764S6B, HBG6764B6B, HBG674BS1B, HBG674BB1B, HBG656RS1B, HBG656RB1B, HBG634BS1B, HBG634BB1B.



Single ovens

HBA23B150B, HBA13R150B, HBM13B1.0B, HBA73R150B, HBA63B150B, HBA53R150B and HBN331E7B



Built-in double ovens

HBM13B550B | HBM56B551B | HBM53R550B | HBM43B2.0B | 13B2.1B

Built-in double ovens

HBM13B151B

Built-under double ovens

HBN53R550B | 43B2.0B | 13B2.1B

Single ovens specifications

	Serie 8			Serie 6		Serie 8	
Oven type	Pyrolytic with Added Steam	Pyrolytic	Pyrolytic	Pyrolytic	Pyrolytic	Standard	Standard
Brushed steel	HRG6769S6B	HBG6764S6B	HBG674BS1B	HBA73R150B	HBA63B150B	HBG656RS1B	HBG634BS1B
Black	-	HBG6764B6B	HBG674BB1B	-	-	HBG656RB1B	HBG634BB1B
White	-	-	-	-	-	-	-
KEY FEATURES							
Home Connect	●	●	-	-	-	-	-
Home Connect Connectivity	Wi-Fi	Wi-Fi	-	-	-	-	-
3 TFT colour and graphics displays with direct text touch	●	●	●	-	-	●	-
1 TFT colour and text display with touch buttons	-	-	-	-	-	-	●
SoftClose/SoftOpen drop down door	●/●	●/●	●/●	-	-	●/●	●/●
Digital temperature display with proposal	●	●	●	-	-	●	●
Actual temperature display	●	●	●	-	-	●	●
Heating up / residual heat indicator	●/●	●/●	●/●	-/-	-/-	●/●	●/●
Sabbath setting	●	●	●	-	-	●	●
Pyrolytic self cleaning function	●	●	●	●	●	-	-
Pyrolytic proof tray/holder & baking tray	●	●	●	-	-	-	-
ecoClean® back/roof/side surfaces	-	-	-	-	-	●/●/●	●/-
EcoClean® cleaning programme	-	-	-	-	-	-	-
Bosch Assist	●	●	-	-	-	●	-
Perfect Roast Multi-point temperature probe	●	●	-	-	-	●	-
PerfectBake Sensor	●	●	-	-	-	●	-
Automatic cooking programmes	-	-	-	-	-	-	-
DESIGN							
Control panel height mm	96	96	96	115	115	96	96
Control wheel	●	●	●	-	-	●	●
Push buttons or keys	-	-	-	●	●	-	-
Steel handle fixing blocks	●	●	●	-	-	●	●
Black handle fixing blocks	-	-	-	●	●	-	-
FEATURES							
Electronic clock timer with automatic on/off programmer	White	White	White	Red	Red	White	White
Main on/off switch	●	●	●	-	-	●	●
Interior lights	3 x LED	1 x Halogen	1 x Halogen	1 x 40W	1 x 40W	1 x Halogen	1 x Halogen
Light on/off when oven door opened/closed	●	●	●	-	-	●	●
Automatic safety switch off	●	●	●	●	●	●	●
Control panel lock	●	●	●	●	●	●	●
Start button	●	●	●	-	-	●	●
Water tank empty indicator	●	-	-	-	-	-	-
Enamelled oven interior	●	●	●	●	●	●	●
Number of shelf positions	5	5	5	5	5	5	5
Retractable control dial(s)	-	-	-	●	●	-	-
Fixed Controls	-	-	-	-	-	-	-
Full glass inner door	●	●	●	●	●	●	●
PROGRAMMES / FUNCTIONS							
4D Hot Air	●	●	●	-	-	●	●
3D Hot Air	-	-	-	●	●	-	-
HotairEco	●	●	●	●	●	●	●
Conventional top & bottom heat	●	●	●	●	●	●	●
Conventional heat eco	●	●	●	-	-	●	●
Hot air grilling	●	●	●	●	●	●	●
Full width variable grill	●	●	●	●	●	●	●
Half width variable grill	●	●	●	●	-	●	●
Pizza Setting	●	●	●	●	-	●	●
Bottom heat	●	●	●	●	●	●	●
Intensive heating	●	-	-	-	-	-	-
Low temperature cooking	●	●	●	-	-	●	●
Defrost	●	●	●	●	-	●	●
Preheating	●	●	●	-	-	●	●
Plate warming	●	●	●	-	-	●	●
Dehydrate	●	-	-	-	-	-	-
Added steam function	●	-	-	-	-	-	-
Steam descaling & cleaning	●	-	-	-	-	-	-
Cavity drying function	●	-	-	-	-	-	-
Steam reheating and dough proving functions	●	-	-	-	-	-	-
Fast heat	●	●	●	●	●	●	●
PERFORMANCE / TECHNICAL SPECIFICATIONS							
Cavity dimensions (HxWxD in mm)	357x480x415	357x480x415	357x480x415	329x479x400	329x479x400	357x480x415	357x480x415
Oven capacity (L) ¹	71	71	71	63	63	71	71
Water tank capacity (L)	1	-	-	-	-	-	-
Energy efficiency rating 1	A	A+	A+	A	A	A+	A+
Efficiency declared on	Hot Air	Hot Air	Hot Air	Hot Air	Hot Air	Hot Air	Hot Air
Energy consumption hot air (kWh)	0.74	0.69	0.69	0.70	0.70	0.69	0.69
Energy consumption conventional (kWh)	0.90	0.87	0.87	0.93	0.93	0.87	0.87
Time to cook standard load (mins.)	44	42	42	48	48	42	42
Largest baking sheet area (in cm1)	1290	1290	1290	1350	1350	1290	1290
Cable length (in cm)	120	120	120	150	150	120	120
Total connected loading (W)	3450	3450	3450	3650*	3650*	3450	3450
STANDARD ACCESSORIES							
Full width enamelled pan	1	1	1	1	1	1	1
Wire pan insert	-	-	-	1	1	-	-
Wire shelves	2	2	2	2	2	2	2
Extendible telescopic shelves	3 levels	1 level	-	1	-	1 level	-
OPTIONAL ACCESSORIES							
Baking sheet	HEZ631070	HEZ631070	HEZ631070	HEZ331072	-	HEZ631070	HEZ631070
Wire shelf	HEZ634000	HEZ634000	HEZ634000	HEZ634000	-	HEZ634000	HEZ634000
Fully extendible telescopic shelf rail (1 level)	-	-	HEZ638170	-	-	-	HEZ638100
Fully extendible telescopic shelf rails (3 levels)	-	-	-	-	HEZ338357	-	-
Extra deep enamelled roasting pan	-	-	-	HEZ333000	HEZ333000	-	-

● = Yes
- = No

*From Summer 2016 total connected loading will be reduced to 2950 W

All models comply with COMMISSION REGULATION (EC) No 1275/2008 with regard to ecodesign requirements for standby and off mode electric power consumption.

¹ According to norm EU 65/2014

Energy rating: According to Norm EN50304; 2014 update 65/2014

A+++ = more efficient, D = less efficient

Double ovens specifications

Serie 6										
Oven type	Built-In Double		Built-In Double		Built-In Double		Built-In Double		Built-In Double	
Brushed steel	HBM56B551B		HBM53R550B		HBM13B550B		HBM43B250B		HBM13B251B	
Black	-		-		-		HBM43B260B		HBM13B261B	
White	-		-		-		-		HBM13B221B	
KEY FEATURES	Main	2nd	Main	2nd	Main	2nd	Main	2nd	Main	2nd
Electronic control	●	-	-	-	-	-	-	-	-	-
Digital temperature display with proposal	●	-	-	-	-	-	-	-	-	-
Digital symbol & function display	●	-	-	-	-	-	-	-	-	-
Heating up / residual heat indicator	●/●	-	-	-	-	-	-	-	-	-
Actual temperature display	●	-	-	-	-	-	-	-	-	-
Automatic safety switch off	●	-	-	-	-	-	-	-	-	-
EcoClean® back/roof/side liners	●/●/●	●/●/●	●/●/●	●/●/●	●/-	●/●/-	●/●/●	●/●/●	●/-	●/●/-
EcoClean® cleaning programme	●	●	●	●	-	-	-	-	-	-
DESIGN										
Control panel height mm	115	-	115	-	115	-	115	-	115	-
Display window	Twin	-	Single	-	Single	-	Single	-	Single	-
Central illuminated control dial	●	-	-	-	-	-	-	-	-	-
Metal touch controls	●	-	-	-	-	-	-	-	-	-
Push buttons	-	-	-	-	-	-	-	-	-	-
Steel handle fixing blocks	●	●	●	●	●	●	●	●	●	●
Black handle fixing blocks	-	-	-	-	-	-	●	●	●	●
Drop down door	●	●	●	●	●	●	●	●	●	●
FEATURES	Main	2nd	Main	2nd	Main	2nd	Main	2nd	Main	2nd
Electronic clock timer with automatic on/off programmer	●	-	●	-	●	-	●	-	●	-
Retractable control dial(s)	●	●	●	●	●	●	●	●	●	●
Fixed Controls	-	-	-	-	-	-	-	-	-	-
Interior lights	1	1	1	1	1	1	1	1	1	1
Control panel lock	●/-	-	●/-	-	●/-	-	●/-	-	●/-	-
Smooth enamelled oven interior	●	●	●	●	●	●	●	●	●	●
Number of shelf positions	5	2	5	2	5	2	5	2	5	2
Full glass inner door	●	●	●	●	●	●	●	●	●	●
Heat reflective glass	●	●	●	●	●	●	●	●	●	●
PROGRAMMES / FUNCTIONS	Main	2nd	Main	2nd	Main	2nd	Main	2nd	Main	2nd
HotairEco	●	-	-	-	-	-	-	-	-	-
3D Hot Air	●	-	●	-	●	-	●	-	●	-
Defrost	●	-	●	-	●	-	●	-	●	-
Pizza Setting	●	-	●	-	●	-	●	-	●	-
Conventional top & bottom heat	●	●	●	●	-	●	●	●	-	●
Bottom heat	●	●	●	-	-	-	●	-	-	-
Full width variable grill	●	●	●	●	-	●	●	●	-	●
Half width variable grill	●	●	●	●	-	-	●	-	-	-
Hot air grilling	●	-	●	-	-	-	●	-	-	-
Keep warm	●	-	-	-	-	-	-	-	-	-
Sabbath setting	●	-	-	-	-	-	-	-	-	-
AutoCook programmes	40	-	-	-	-	-	-	-	-	-
Fast heat	●	-	-	-	-	-	●	-	-	-
PERFORMANCE / TECHNICAL SPECIFICATIONS	Main	2nd	Main	2nd	Main	2nd	Main	2nd	Main	2nd
Cavity dimensions (HxWxD in mm)	329x482x418	172x468x433	329x482x418	172x468x433	351x482x418	172x468x433	329x482x418	172x468x433	351x482x418	172x468x433
Oven capacity (L) ¹	66	35	66	35	71	35	66	35	71	35
Energy efficiency rating 1	A	B	A	B	A	B	A	B	A	B
Efficiency declared on	Hotair	Conv.	Hotair	Conv.	Hotair	Conv.	Hotair	Conv.	Hotair	Conv.
Energy consumption hot air (kWh)	0.70	-	0.84	-	0.80	-	0.84	-	0.80	-
Energy consumption conventional (kWh)	0.96	0.79	0.96	0.79	-	0.79	0.96	0.79	-	0.79
Time to cook standard load (mins.)	44	46	44	46	44	46	44	46	44	46
Largest baking sheet area (in cm ¹)	1350	-	1350	-	1350	-	1350	-	1350	-
Cable length (in cm)	-	-	-	-	-	-	-	-	-	-
Total connected loading (W)	5500	-	5500	-	4400	-	5500	-	4400	-
STANDARD ACCESSORIES										
Full width enamelled pan	1	-	1	-	1	-	1	-	1	-
Wire pan insert	1	-	1	-	1	-	1	-	1	-
Wire shelves	3	-	3	-	3	-	3	-	3	-
OPTIONAL ACCESSORIES										
Fully extendible telescopic shelf rails (3 levels)	HEZ338357	-	HEZ338307	-	HEZ338357	-	HEZ338357	-	HEZ338357	-
Extra deep enamelled roasting pan	HEZ333000	-	HEZ333000	-	HEZ333000	-	HEZ333000	-	HEZ333000	-

● = Yes
- = No

All models comply with COMMISSION REGULATION (EC) No 1275/2008 with regard to ecodesign requirements for standby and off mode electric power consumption.

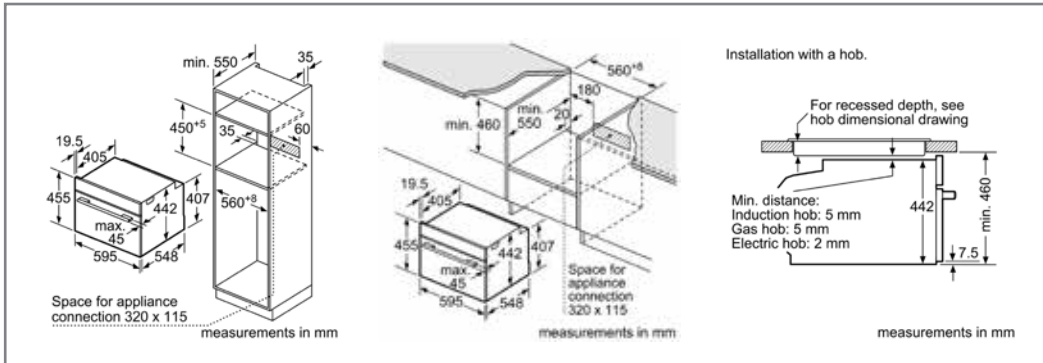
¹ According to norm EU 65/2014

Energy rating: According to Norm EN50304; 2014 update 65/2014

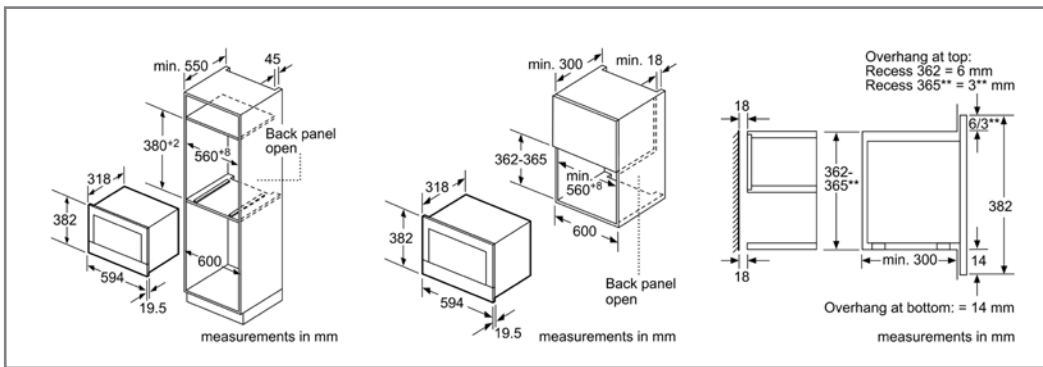
A+++ = more efficient, D = less efficient

Compact appliances technical diagrams

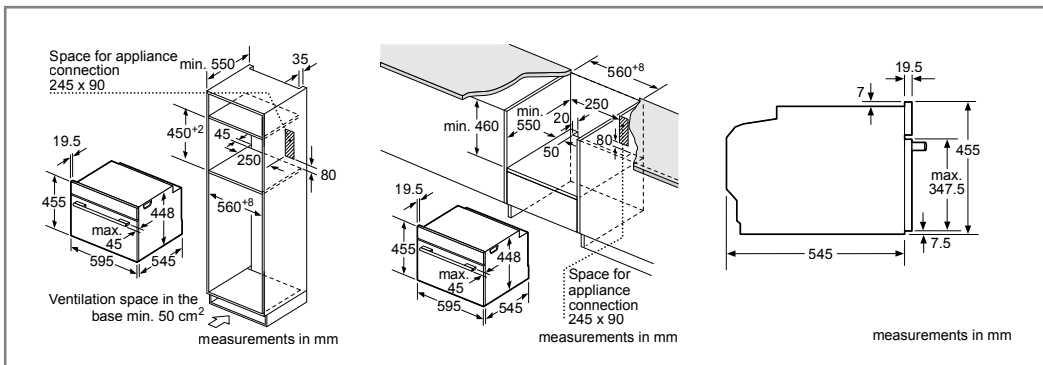
Steam ovens, compact ovens with integrated microwave, microwave combination ovens



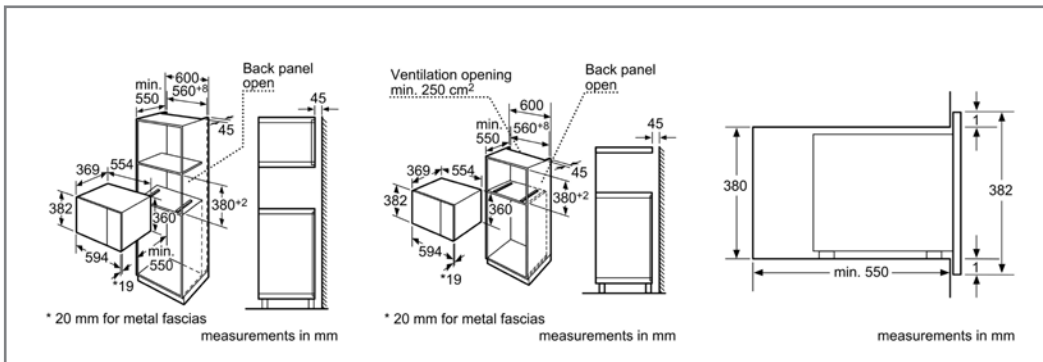
Steam ovens CBG675BS1B | CSG656BS1B | CDG634BS1B | CNG6764S6B | CMG656B.6B | CMG633B.1B | CMG676BS6B



Microwaves BEL634GS1B | BFL634G.1B



Microwave CFA634GS1B

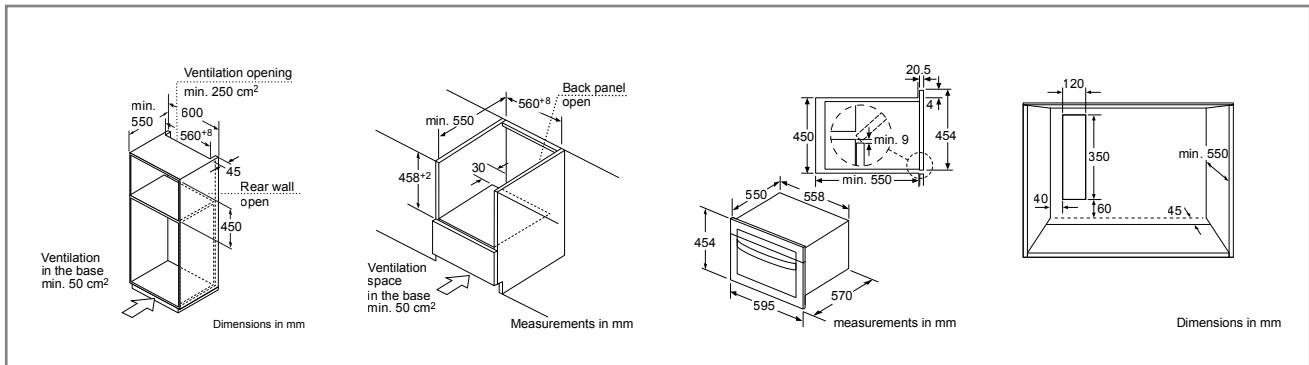


Microwave HMT84M6.4B

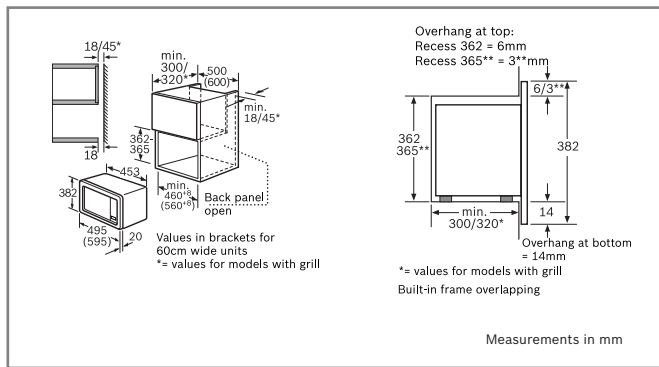
We try to keep up to date with constant technological improvements, so from time to time we may update installation guidelines. Therefore we strongly recommend that you download the latest installation guidelines from www.bosch-home.co.uk. Line drawings are for guidance only, and we recommend that you refer to the latest installation guidelines. Though every care is taken to ensure instructions are correct at the time of printing, Bosch cannot accept responsibility for incorrect planning or installation as a result of the use of these line drawings.

Compact appliances technical diagrams

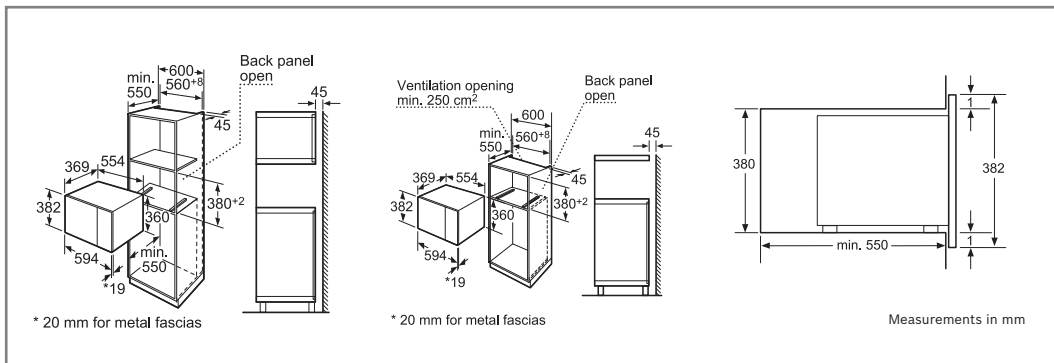
Steam ovens, compact ovens with integrated microwave, microwave combination ovens



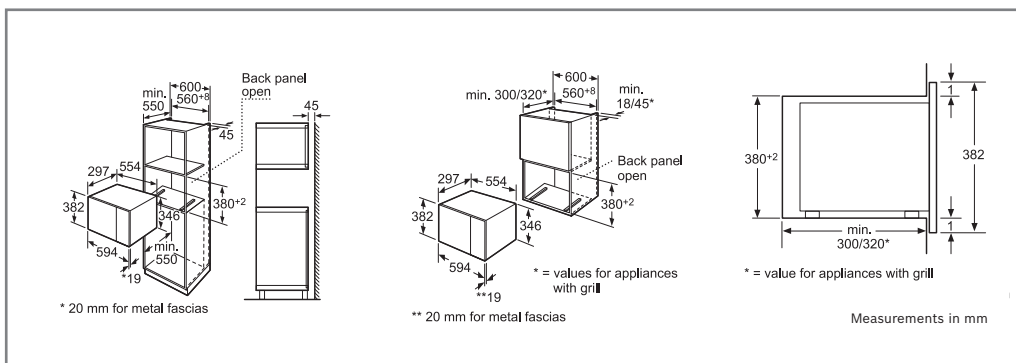
Microwave HBC84H501B



HMT75M551B



HMT84G654B

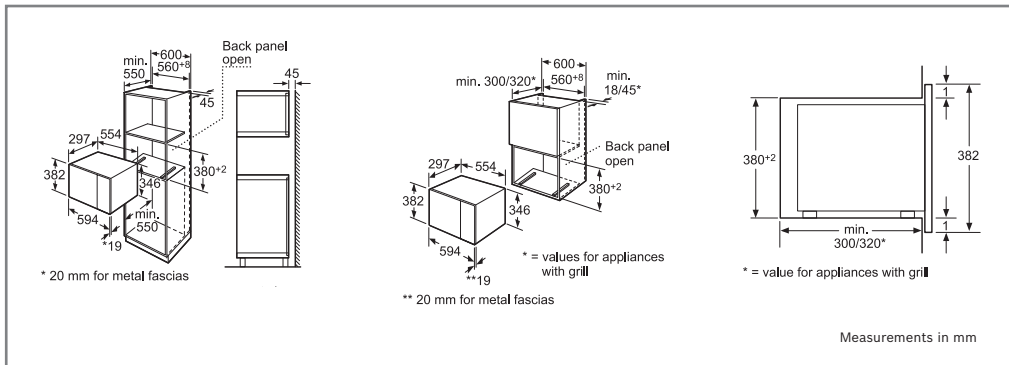


HMT75M6.4B

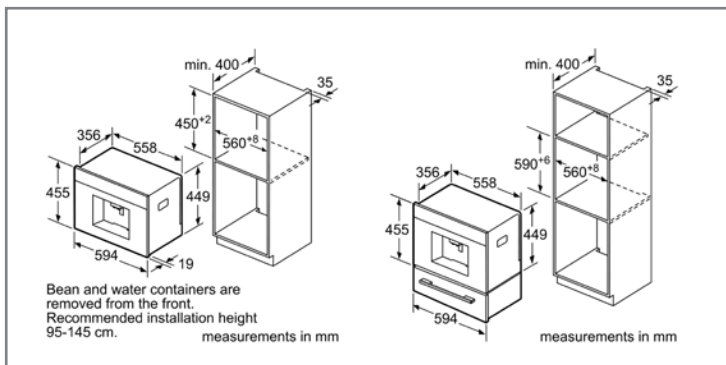
We try to keep up to date with constant technological improvements, so from time to time we may update installation guidelines. Therefore we strongly recommend that you download the latest installation guidelines from www.bosch-home.co.uk. Line drawings are for guidance only, and we recommend that you refer to the latest installation guidelines. Though every care is taken to ensure instructions are correct at the time of printing, Bosch cannot accept responsibility for incorrect planning or installation as a result of the use of these line drawings.

Compact appliances technical diagrams

Steam ovens, compact ovens with integrated microwave, microwave combination ovens



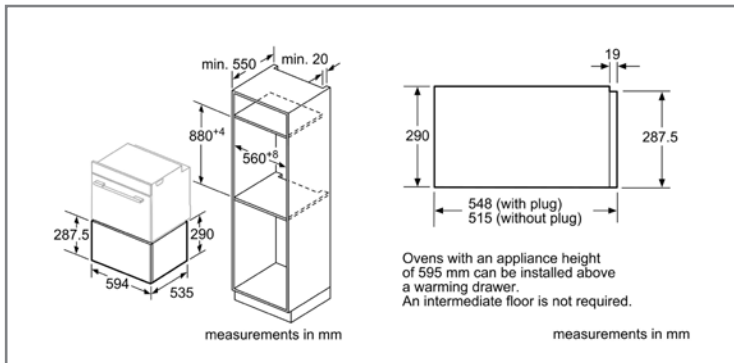
HMT75G654B



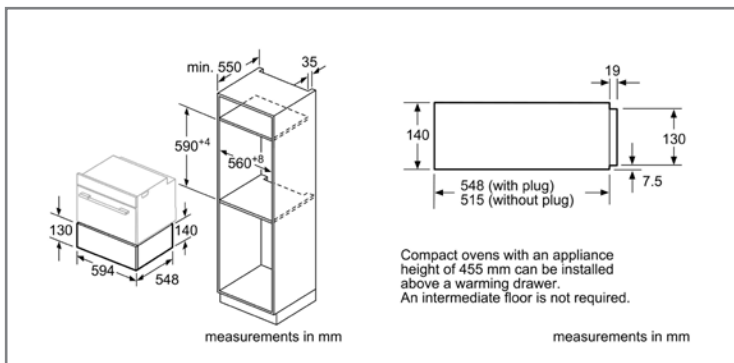
Coffee maker CTL636ES6

Compact appliances technical diagrams

Steam ovens, compact ovens with integrated microwave, microwave combination ovens



Warming drawers BID630NS1 installed with 60cm high single oven.



Warming drawers BIC630NS1B installed with 45cm high compact oven.

Compact ovens

Oven type	Serie 8						
	Pyrolytic	Pyrolytic with Microwave & Added Steam	Pyrolytic with Microwave	Pyrolytic with Microwave	With Microwave	With Microwave	Microwave
Brushed steel	CBG675BS1B	CNG6764S6B	CMG676BS6B	CMG656BS6B	CMG633BS1B	-	-
Black	-	-	-	CMG656BB6B	-	CMG633BB1B	CFA634GS1B
KEY FEATURES							
Home Connect	-	●	●	●	-	-	-
Home Connect Connectivity	-	Wi-Fi	Wi-Fi	Wi-Fi	-	-	-
3 TFT colour and graphics displays with direct text touch	-	●	●	●	-	-	-
1 TFT colour and text display with touch buttons	●	-	-	-	●	●	●
SoftClose/SoftOpen drop down door	●/●	●/●	●/●	●/●	●/●	●/●	●/●
Digital temperature display with proposal	●	●	●	●	●	●	●
Actual temperature display	●	●	●	●	●	●	●
Heating up / residual heat indicator	●/●	●/●	●/●	●/●	●/●	●/●	●/●
Sabbath setting	●	●	●	●	●	●	●
Pyrolytic self cleaning function	●	●	●	-	-	-	-
Pyrolytic proof tray/holder & baking tray	●	●	●	-	-	-	-
ecoClean® back/roof/side surfaces	-/-/-	-/-/-	-/-/-	●/●/●	-/-/-	-/-/-	-/-/-
EcoClean® cleaning programme	-	-	-	-	-	-	-
Bosch Assist	-	●	●	-	-	-	-
Perfect Roast Multi-point temperature probe	-	●	-	-	-	-	-
PerfectBake Sensor	-	●	-	-	-	-	-
Automatic cooking programmes	10	-	-	-	14	14	14
DESIGN							
Control panel height mm	96	96	96	96	96	96	96
Control wheel	●	●	●	●	●	●	●
Push buttons or keys	-	-	-	-	-	-	-
Steel handle fixing blocks	●	●	●	●	●	●	●
Black handle fixing blocks	-	-	-	-	-	-	-
FEATURES							
Electronic clock timer with automatic on/off programmer	White	White	White	White	White	White	White
Main on/off switch	●	●	●	●	●	●	●
Interior lights	1 x Halogen	1 x LED	1 x LED	1 x LED	1 x LED	1 x LED	1 x LED
Light on/off when oven door opened/closed	●	●	●	●	●	●	●
Automatic safety switch off	●	●	●	●	●	●	●
Control panel lock	●	●	●	●	●	●	●
Start button	●	●	●	●	●	●	●
Water tank empty indicator	-	●	-	-	-	-	-
Enamelled oven interior	●	●	●	●	●	●	●
Number of shelf positions	3	3	3	3	3	3	3
Retractable control dial(s)	-	-	-	-	-	-	-
Fixed Controls	-	-	-	-	-	-	-
Full glass inner door	●	●	●	●	●	●	●
PROGRAMMES / FUNCTIONS							
4D Hot Air	●	●	●	●	●	●	●
HotairEco	●	●	●	●	●	●	●
Conventional top & bottom heat	●	●	●	●	-	-	-
Conventional heat eco	●	●	●	●	-	-	-
Hot air grilling	●	●	●	●	●	●	●
Full width variable grill	●	●	●	●	●	●	●
Half width variable grill	●	●	●	●	●	●	●
Pizza Setting	●	●	●	●	-	-	-
Bottom heat	●	●	●	●	-	-	-
Intensive heating	●	●	●	●	-	-	-
Low temperature cooking	●	●	●	●	-	-	-
Defrost	●	-	-	-	-	-	-
Preheating	●	●	●	●	●	●	●
Plate warming	●	●	●	●	-	-	-
Dehydrate	-	●	-	-	-	-	-
Microwave	-	●	●	●	●	●	●
Microwave Combined with Hotair, Top&Bottom Heat, HotAir Grilling, Grill	-	90/180/360W	90/180/360W	90/180/360W	-	-	-
Microwave Combined with Hotair	-	-	●	-	90W	90W	90W
Microwave Combined with Hotair Grilling	-	-	-	-	90/180/360W	90/180/360W	90/180/360W
Added steam function	-	●	-	-	-	-	-
Steam descaling & cleaning	-	●	-	-	-	-	-
Cavity drying function	-	●	-	-	-	-	-
Steam reheating and dough proving functions	-	●	-	-	-	-	-
Fast heat	●	●	-	●	●	●	●
PERFORMANCE / TECHNICAL SPECIFICATIONS							
Cavity dimensions (HxWxD in mm)	237x480x415	237x480x392	237x480x392	237x480x392	237x480x392	237x480x392	237x480x392
Oven capacity (L) ¹	47	45	45	45	45	45	45
Installation in tall housing / under work surface	●	●	●	●	●	●	●
Maximum Microwave Power in W	-	1000	1000	1000	1000	1000	1000
Number of Microwave Power levels	-	5	5	5	5	5	5
Water tank capacity (L)	-	1	-	1	1	1	1
Energy efficiency rating 1	A+	-	-	-	-	-	-
Efficiency declared on	Hotair	-	-	-	-	-	-
Energy consumption hot air (kWh)	0.61	-	-	-	-	-	-
Energy consumption conventional (kWh)	0.73	-	-	-	-	-	-
Time to cook standard load (mins.)	46	-	-	-	-	-	-
Largest baking sheet area (in cm1)	1290	1290	1290	1290	1290	1290	1290
Cable length (in cm)	120	120	120	120	120	120	120
Total connected loading (W)	3000	3650	3650	3650	3650	3650	3650
STANDARD ACCESSORIES							
Full width enamelled pan	1	1	1	1	1	1	1
Wire pan insert	-	-	-	-	-	-	-
Wire shelves	1	2	1	2	1	1	1
Extendible telescopic shelves	-	1 level	-	-	-	-	-
OPTIONAL ACCESSORIES							
Baking sheet	HEZ631070	HEZ631070	-	HEZ631070	HEZ631070	HEZ631070	HEZ631070
Fully extendible telescopic shelf rail (1 level)	HEZ638178	-	-	-	-	-	-
Wire shelf	HEZ634000	-	-	-	-	-	-

● = Yes
- = No

¹ According to norm EU 65/2014
Excludes steam only models and models with microwave

Compact steam ovens

Microwave combination oven

Oven type	Serie 8	
	Steam Combination Oven	Steam Combination Oven
Brushed steel	CSG656BS1B	CDG634BS1B
KEY FEATURES		
3 TFT colour and graphics displays with direct text touch	●	-
1 TFT colour and text display with touch buttons	-	●
SoftClose/SoftOpen drop down door	●/●	●/●
Digital temperature display with proposal	●	●
Actual temperature display	●	●
Heating up / residual heat indicator	●/●	●/●
Sabbath setting	●	-
ecoClean® back/roof/side surfaces	●/●/●	-/-/-
EcoClean® cleaning programme	●	-
Bosch Assist	●	-
Automatic cooking programmes	-	20
DESIGN		
Control panel height mm	96	96
Control wheel	●	●
Steel handle fixing blocks	●	●
FEATURES		
Electronic clock timer with automatic on/off programmer	White	White
Main on/off switch	●	●
Interior lights	1 x LED	1 x standard
Light on/off when oven door opened/closed	●	●
Automatic safety switch off	●	●
Control panel lock	●	●
Start button	●	●
Water tank empty indicator	●	●
Enamelled oven interior / Stainless steel oven interior	●/-	-/-
Number of shelf positions	3	4
Full glass inner door	●	●
PROGRAMMES / FUNCTIONS		
4D Hot Air	●	-
HotairEco	●	-
Conventional top & bottom heat	●	-
Conventional heat eco	●	-
Hot air grilling	●	-
Full width variable grill	●	-
Half width variable grill	●	-
Pizza Setting	●	-
Bottom heat	●	-
Low temperature cooking	●	-
100% steam	●	●
Added Steam option for Hotair, Top&Bottom Heat, HotAir Grilling	●	-
Steam reheating	●	●
Steam dough proving	●	●
Defrost	●	●
Preheating	●	-
Warming	●	-
Steam descaling & cleaning	●	●
Cavity drying function	●	●
Fast heat	●	●
PERFORMANCE / TECHNICAL SPECIFICATIONS		
Cavity dimensions (HxWxD in mm)	237x480x415	265x325x439
Oven capacity (L) ¹	47	38
Installation in tall housing / under work surface	●	●
Water tank capacity (L)	1.0	1.3
Energy efficiency rating 1	A+	-
Efficiency declared on	Hotair	-
Energy consumption hot air (kWh)	0.61	-
Energy consumption conventional (kWh)	0.79	-
Time to cook standard load (mins.)	42	-
Largest baking sheet area (in cm ¹)	1290	1290
Cable length (in cm)	120	120
Total connected loading (W)	3300	1900
STANDARD ACCESSORIES		
Full width enamelled pan	1	-
Wire shelves	1	-
Small perforated steam tray	1	-
Small solid steam tray	1	-
Large perforated steam tray	1	1
Large solid steam tray	-	1
OPTIONAL ACCESSORIES		
Baking sheet	HEZ631070	-

● = Yes
- = No

Oven type	Serie 6	
	Combination Oven	Combination Oven
Stainless steel	HBC84H501B	
KEY FEATURES		
Electronic control	●	
DESIGN		
Control panel height mm	96	
Display window	Single	
Control dials with metal cap	-	
Control Dials standard	●	
Touch control	-	
Push buttons	●	
Straight bar handle	●	
Steel handle fixing blocks	●	
U-shape glass on metal door design	-	
Drop down door	●	
Left hinged door	-	
FEATURES		
Electronic clock timer	●	
Retractable control dial(s)	2	
Fixed Controls	-	
Interior lights, halogen	-	
Interior lights standard	1	
Control panel lock	●	
Stainless steel interior	-	
Number of shelf positions	0	
ecoClean® back liner	-	
Quartz grill	●	
PROGRAMMES / FUNCTIONS		
Hot Air Cooking	●	
Full width variable grill	Quartz	
Half width variable grill	-	
Convection grilling	-	
Hot air grilling	●	
Microwave	●	
Combination operation	●	
Automatic cooking programmes	15	
Automatic defrost programmes	4	
Automatic combination programmes	8	
Programmable steps	3	
Memory function	-	
Fast heat	●	
PERFORMANCE / TECHNICAL SPECIFICATIONS		
Usable oven capacity (L)	44	
Cavity dimensions (HxWxD in mm)	250x420x420	
Installation in tall housing	●	
Installation in base unit / under work surface	-	
Installation 60cm wide wall unit	-	
Installation 50cm wide wall unit	-	
Maximum oven temperature (C°)	230	
Microwave Inverter technology	-	
Microwave distribution	Turntable	
Turntable diameter (mm)	360.0	
Maximum microwave power (W)	1000	
Number of microwave power levels	5	
Nominal voltage (V)	230-240	
Total connected loading (W)	3600	
Cable length (in cm)	180	
GB plug	-	
External cooling fan	●	
Appliance weight (kg)	-	
Safety Approved	●	
STANDARD ACCESSORIES		
Glass pan	-	
Enamelled pan	-	
Wire rack	-	
Wire shelves	-	
Turntable	-	
OPTIONAL ACCESSORIES		
Steel Décor strip, approx. 594mm wide, 22mm high	-	

● = Yes
- = No

Microwave ovens

Oven type	Serie 8		Serie 6				
	Microwave with grill	Microwave	Microwave with grill	Microwave	Microwave with grill	Microwave	Microwave
Stainless steel	BEL634GS1B	BFL634GS1B	HMT84G654B	HMT84M654B	HMT75G654B	HMT75M654B	HMT75M551B
Black	-	BFL634GB1B	-	HMT84M664B	-	HMT75M664B	-
White	-	-	-	HMT84M624B	-	HMT75M624B	-
KEY FEATURES							
1 TFT colour and text display with touch buttons	●	●	-	-	-	-	-
DESIGN							
Control wheel	●	●	-	-	-	-	-
Control dials with with metal cap	-	-	-	-	-	-	-
Control Dials standard	-	-	●	●	●	●	●
Touch control	●	●	-	-	-	-	-
Push buttons	-	-	●	●	●	●	●
Left hinged door	●	●	●	●	●	●	●
FEATURES							
Electronic clock timer	●	●	●	●	●	●	●
Retractable control dial(s)	-	-	1	1	1	1	1
Interior lights	1 x LED	1 x LED	1 standard	1 standard	1 standard	1 standard	1 x standard
Stainless steel interior	●	●	●	●	●	●	●
Quartz grill	●	-	●	-	●	-	-
PROGRAMMES / FUNCTIONS							
Microwave	●	●	●	●	●	●	●
Microwave and Grill Combination operation	●	-	●	-	-	-	-
Automatic programmes	10	7	8	7	8	7	7
Programmable steps	-	-	-	-	-	-	-
Memory function	-	-	1	1	1	1	1
PERFORMANCE / TECHNICAL SPECIFICATIONS							
Useable oven capacity (L)	21	21	25	25	20	20	17
Cavity dimensions (HxWxD in mm)	220x350x270	220x350x270	208x328x369	208x328x369	221x308x298	221x308x298	194x290x285
Installation in tall housing	●	●	●	●	●	●	-
Installation 60cm wide wall unit	●	●	-	-	●	●	-
Installation 50cm wide wall unit	-	-	-	-	-	-	●
Microwave distribution	Stirrer	Stirrer	Turntable	Turntable	Turntable	Turntable	Turntable
Turntable diameter (mm)	-	-	315	315	245	245	245
Maximum microwave power (W)	900	900	900	900	800	800	800
Number of microwave power levels	5	5	5	5	5	5	5
Total connected loading (W)	1990	1220	1450	1450	1270	1270	1270
Cable length (in cm)	150	150	130	130	130	130	130
GB plug	●	●	●	●	●	●	●
STANDARD ACCESSORIES							
Glass pan	1	1	-	-	-	-	-
Enamelled pan	-	-	-	-	-	-	-
Wire rack	1	1	-	-	-	-	-
Turntable	-	-	1	1	1	1	1

● = Yes
- = No

Compact coffee maker

	Serie 8
Stainless steel	CTL636ES1
KEY FEATURES	
3 TFT colour and graphics displays with direct text touch	●
Left hinged door to access interior	●
Electronic control	●
SensoFlow System	●
Aroma pressure system	●
Auto Valve System	●
DESIGN	
Control panel height mm	96
Control wheel	●
FEATURES	
Main on/off switch	●
Bean container / Ground coffee container	●/●
Container empty warning indicators for water / beans	●/●
Cleaning / descaling / filter warning indicators	●/●/●
Ceramic coffee grinders	●
Multilevel grinding setting	●
Cup illumination	●
Height adjustable coffee outlet (mm)	7-15
Height adjustable milk nozzle (mm)	7-15
Removable, insulated milk container	●
Removable water tank	●
Adjustable automatic switch off setting	●
Integrated water filter	●
Removable spillage collection tray	●
Removable used coffee grounds collection container	●
PROGRAMMES / FUNCTIONS	
Personalised milk beverage	1 or 2 cup
Milk foam	1 or 2 cup
Hot water	1 or 2 cup
Warm milk	1 or 2 cup
Ristretto	1 or 2 cup
Coffee	1 or 2 cup
Espresso	1 or 2 cup
Cappuccino	1 or 2 cup
Latte Macchiato	1 or 2 cup
Caffe latte	1 or 2 cup
Espresso Macchiato	1 or 2 cup
One touch function for milk drinks	●
Coffee temperature options	3
Hot water temperature options	4
Milk foam/ frothing function	●/●
Hot Milk function	●
Cleaning / descaling / combined programmes	●/●/●
Automatic rinse when switched on/off	●/●
PERFORMANCE / TECHNICAL SPECIFICATIONS	
Recommended installation height (mm)	950-1450
Installation in a tall housing	●
Insulated Milk container capacity (L)	0.5
Brewing chamber volume (g)	8-12
Bean container	500
Ground coffee container	●
Water tank capacity (L)	2.4
Total connected loading (W)	1600
Cable length (in cm)	170
GB plug	●

● = Yes
- = No

Warming and storage drawers

	Serie 8		
	BID630NS1B	BIC630NS1B	BIC630NB1B
Stainless steel			
KEY FEATURES			
Electronic control	●	●	●
Soft close mechanism	●	●	●
DESIGN			
Install independently	●	●	●
Install with compact appliance	-	●	●
Install with a single oven	●	●	●
Push-Pull opening mechanism	●	●	●
FEATURES			
Operating indicator light	●	●	●
Rotary temperature control dial	●	●	●
Number of settings	4	4	4
Maximum temperature	°C 80	80	80
Minimum temperature	°C 40	40	40
Toughened glass drawer base	●	●	●
Maximum loading	plates 40	12	12
Maximum loading	espresso cups 192	64	64
Maximum weight capacity	kg 25	25	25
PERFORMANCE / TECHNICAL INFORMATION			
Drawer interior volume	L 52	20	20
Interior drawer dimensions	mm 468x242x458	468x92x458	468x92x458
Installation in a tall housing	●	●	●
Installation under work surface	●	●	●
Nominal voltage	V 220-240	220-240	220-240
Total connected loading	W 810	810	810
Cable length	cm 150	150	150
GB plug	●	●	●
Appliance weight	kg 21	16	16
Safety Approved	●	●	●

Freestanding microwave specifications

	Serie 4				
	HMT75M451B	HMT75G451B	HMT72M450B	HMT72G450B	HMT84M451B
Brushed steel					
Black	HMT75M461B	-	-	-	HMT84M461B
White	HMT75M421B	-	-	-	HMT84M421B
KEY FEATURES					
Electronic controls	●	●	-	-	●
DESIGN					
Colour co-ordinated controls	●	●	●	●	●
Left hinged door	●	●	●	●	●
Door open button	●	●	●	●	●
FEATURES					
Electronic clock	●	●	-	-	●
Push button controls	●	●	-	-	●
Retractable controls	●	●	-	-	●
Rotary controls	-	-	●	●	-
99 minute timer	●	●	-	-	●
60 minute timer	-	-	●	●	-
Interior light	●	●	●	●	●
Glass turntable	●	●	●	●	●
Stainless steel interior	-	●	-	-	-
Lacquered interior	●	-	●	●	●
PROGRAMMES/FUNCTIONS					
Microwave	●	●	●	●	●
Quartz grill	-	●	-	●	-
Microwave combination cooking	-	●	-	●	-
Weight automatic programmes	7	8	-	-	7
Microwave/grill combination programmes	-	3	-	2	-
Memory function	●	●	-	-	●
PERFORMANCE/TECHNICAL					
Oven capacity	L 17	17	17	17	25
Oven interior dimensions (HxWxD)	mm 194x290x274	194x290x274	194x290x274	194x290x274	215x337x354
Can be installed under a wall unit	●	-	●	-	-
Microwave distribution	Turntable	Turntable	Turntable	Turntable	Turntable
Turntable diameter	mm 245	245	245	245	315
Microwave power levels	5	5	5	5	5
Maximum microwave power level	watts 800	800	800	800	900
Grill power	watts -	1000	-	1000	-
Cable length	cm 130	130	130	130	130
GB plug	●	●	●	●	●
Total connected load	watts 1270	1270	1270	1270	1450
Voltage	volts 230	230	230	230	230
CE/VDE approved	●	●	●	●	●
Appliance weight	kg 13.6	13.6	13.6	13.6	17.0
Weight including packaging	15.0	15.0	15.0	15.0	19.0
STANDARD ACCESSORIES					
Wire grid	-	1	-	1	-

● = Yes
- = No

Electric hobs specifications

	FLEXINDUCTION				INDUCTION			
	PIZ975N17E	PIP875N17E	PIV675N17E	PIG675N17E	PIN651F17E	PIE975N14E	PIM875N14E	
Black glass, brushed steel trim								
Black glass								
KEY FEATURES								
Electronic control	●	●	●	●	●	●	●	
DirectSelect operation	DirectSelect Plus	DirectSelect Plus	DirectSelect Plus	DirectSelect Plus	DirectSelect Plus	DirectSelect Plus	DirectSelect Plus	
Electronic power level display	●	●	●	●	●	●	●	
Safety cut-out switch off	●	●	●	●	●	●	●	
Control panel lock	●	●	●	●	●	●	●	
Boost setting	●	●	●	●	●	●	●	
QuickStart function	-	-	-	-	●	-	-	
ReStart function	-	-	-	-	●	-	-	
Energy Consumption Display	-	-	-	-	●	-	-	
Automatic pan recognition	●	●	●	●	●	●	●	
Connection Current Management	-	-	-	-	-	-	-	
DESIGN								
Hob width (mm)	916	816	606	606	592	916	816	
Front controls	●	●	●	●	●	●	●	
Touch control	●	●	●	●	●	●	●	
Metal control dials	-	-	-	-	-	-	-	
Can be installed with a Bosch domino hob	●	●	●	●	-	●	●	
All around trim	●	●	●	●	-	●	●	
Three sided bevelled frameless finish	-	-	-	-	●	-	-	
Frameless	-	-	-	-	-	-	-	
FEATURES								
Number of power levels	17	17	17	17	17	17	17	
Main on/off switch	●	●	●	●	●	●	●	
Timer for all zones	●	●	●	●	●	●	●	
Residual heat indicators	Hh	Hh	Hh	Hh	Hh	Hh	Hh	
Freeze function	●	●	●	●	●	●	-	
Small utensil detection	●	●	●	●	-	●	●	
PERFORMANCE / TECHNICAL INFORMATION								
Number of cooking zones	5	5	4	4	4	4	5	
Number of FlexInduction cooking zones	4	1	2	1	1	-	-	
Triple ring induction zone	●	-	-	-	-	-	-	
Number of dual / extendible zones	-	-	-	-	-	-	-	
Left zone FlexInduction connected (max. kW/Area mm)	3.3 380x200	-	3.3 400x240	3.3 400x240	3.7 240x400	-	-	
Left front zone max. power & diameter (kW & mm)	-	2.2 180	-	-	-	1.8 180	1.8 180	
Left back zone max. power & diameter (kW & mm)	-	1.4 145	-	-	3.8 200x240	1.8 180	1.4 145	
Centre zones FlexInduction connected (max. kW/Area mm)	-	-	-	-	-	-	-	
Centre zone max. power & diameter (kW & mm)	3.3, 2.2, 2.6 320, 260, 210	2.2 240	-	-	-	-	2.2 240	
Centre front zone max. power & diameter (kW & mm)	-	-	-	-	-	-	-	
Centre back zone max. power & diameter (kW & mm)	-	-	-	-	-	-	-	
Right zone FlexInduction connected (max.kW/Area mm)	3.3 380x200	3.6 380x200	3.3 400x240	-	-	-	-	
Right front zone max. power & diameter (kW & mm)	-	-	-	2.2 210	-	2.2 210	2.2 210	
Right back zone max. power & diameter (kW & mm)	-	-	-	1.4 145	1.8 145	1.4 145	1.4 145	
Nominal voltage (V)	220-240	220-240	220-240	220-240	220-240	220-240	220-240	
Maximum power output (W)	10800	7200	7200	7200	7200	7200	7200	
Cable length (in cm)	110	110	110	110	110	110	110	
13A UK plug	-	-	-	-	-	-	-	
Appliance weight (kg)	20.0	16.0	14.0	12.0	11.9	12.0	14.0	
Safety Approved	●	●	●	●	●	●	●	
OPTIONAL ACCESSORIES								
Connecting strip	HEZ394301	HEZ394301	HEZ394301	HEZ394301	-	HEZ394301	HEZ394301	
Set of four pans	HEZ390042	HEZ390042	HEZ390042	HEZ390042	HEZ390042	HEZ390042	HEZ390042	

● = Yes
- = No

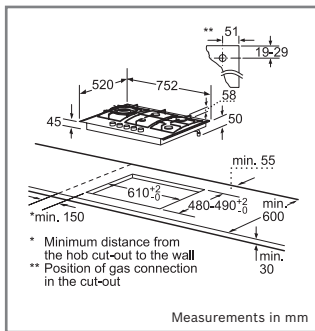
Electric hobs specifications

	QUICK-THERM				SEALED PLATE				DOMINO				
	Serie 4		Serie 2										
Black Glass, Brushed steel trim	-	-	-	-	-	-	-	-	-	-	PKF375V14E		
White Glass	-	-	-	-	-	-	-	-	-	-	-		
Black Glass	PKN811D17E	PKE611D17E	-	PKF659C17E	-	-	-	-	-	-	-		
Brushed steel	-	-	-	-	-	-	-	-	-	-	-		
White	-	-	-	-	-	-	-	NCT615C01	-	-	-		
Black	-	-	-	-	-	-	-	NCT612C01	-	-	-		
Black	-	-	-	-	-	-	-	NCT616C01	-	-	-		
KEY FEATURES													
Electronic control	●	●	-	-	-	-	-	-	-	-	-		
Electronic power level display	●	●	-	-	-	-	-	-	-	-	-		
Safety cut-out switch off	●	●	-	-	-	-	-	-	-	-	-		
DESIGN													
Hob width (mm)	802	592	592	592	592	592	580	580	580	306	-		
Side controls	-	-	●	●	●	●	●	●	●	●	-		
Front controls	●	●	-	-	-	-	-	-	-	-	●		
Touch control	●	●	-	-	-	-	-	-	-	-	●		
Metal control dials	-	-	-	-	-	-	-	-	-	-	●		
Standard controls - steel coloured	-	-	●	●	●	●	●	●	●	●	-		
Standard controls - colour coordinated	-	-	-	-	●	●	●	●	●	●	-		
Profile trim (Front Facette with side trim)	-	-	●	●	●	●	●	●	●	●	-		
Can be installed with a Bosch domino hob	●	●	●	●	●	●	●	●	●	●	●		
Frameless	●	●	-	-	●	●	-	-	-	-	-		
FEATURES													
Number of power levels	17	17	9	9	9	9	9	9	9	9	9		
Main on/off switch	●	●	-	-	-	-	-	-	-	-	●		
Power on indicator	●	●	-	-	-	-	-	-	-	-	-		
Residual heat indicators	Hh	Hh	Hh	Hh	Hh	Hh	-	-	-	-	Hh		
PERFORMANCE / TECHNICAL INFORMATION													
Number of cooking zones	4	4	4	4	4	4	4	4	4	2	2		
Number of dual / extendible zones	2	-	1	1	-	-	-	-	-	-	1		
Left front zone power & diameter	kW & mm	2	180	1.2	145	1.2	145	1.2	145	2.0	180	-	-
Left back zone power & diameter	kW & mm	1.8, 2.6	170, 265	2	180	0.75, 2.2	120, 210	2.2	210	1.5	145	-	-
Centre front zone power & diameter	kW & mm	-	-	-	-	-	-	-	-	-	-	0.8-2.0	120-180
Centre back zone power & diameter	kW & mm	-	-	-	-	-	-	-	-	-	-	1.2	145
Right front zone power & diameter	kW & mm	0.75, 2.2	120, 210	2.2	210	2	180	2	180	1.5	145	-	-
Right back zone power & diameter	kW & mm	1.2	145	1.2	145	1.2	145	1.2	145	2.0	180	-	-
Nominal voltage	V	220-240	220-240	220-240	220-240	220-240	220-240	220-240	220-240	220-240	220-240	220-240	220-240
Total connected electrical load	W	7500	6600	6600	6600	6600	6600	6600	7000	7000	3200	3200	3200
Cable length	cm	-	-	-	-	-	-	-	100	100	100	100	100
Appliance weight	kg	11.0	7.0	8.0	8.0	8.0	8.0	8.0	11.0	11.0	4.7	4.7	4.7
Safety Approved	●	●	●	●	●	●	●	●	●	●	●	●	●
OPTIONAL ACCESSORIES													
Connecting strip	-	-	-	-	-	-	-	-	-	-	-	-	HEZ394301

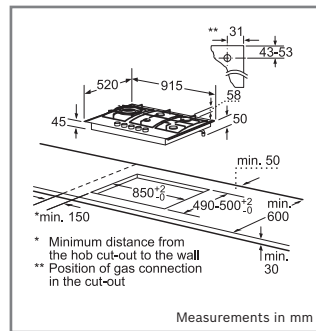
● = Yes
- = No

Gas hobs technical diagrams

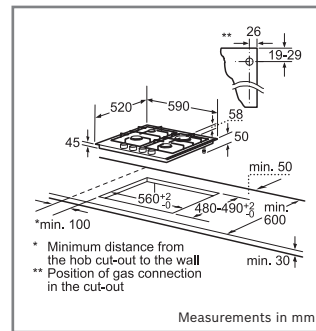
Standard and domino gas hobs



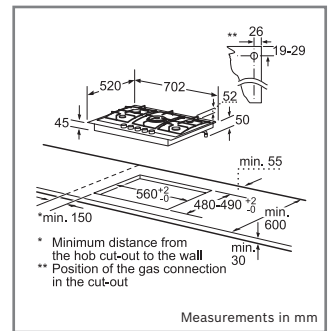
PPS816M91E



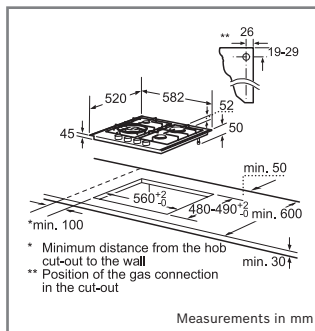
PPS916B91E



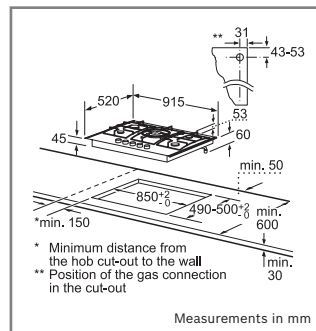
PPP616M91E



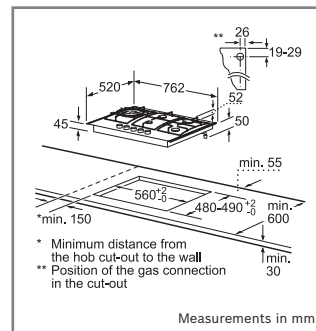
PCR715M90E | PCQ715B90E



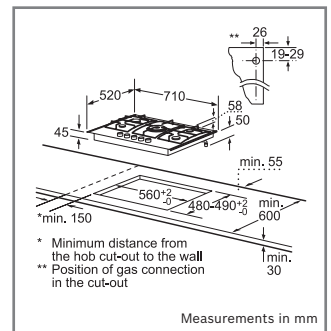
PCH615M90E | PCP61.B90E



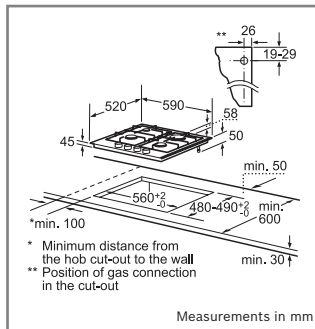
PCR915B91E



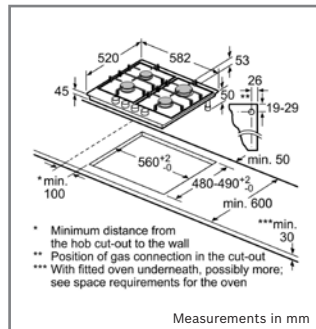
PCS815B90E



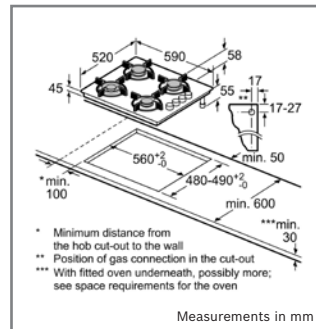
PPQ716B91E



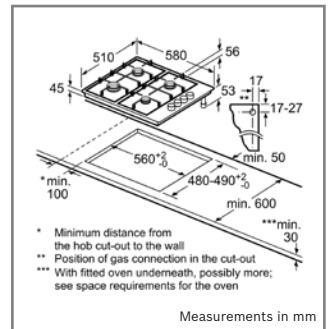
PPP616B91E



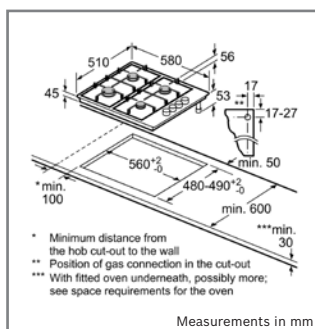
PCP615B90E | PCP61.B90E



POP6B6B80



PBH6B5B60



PBP6B.B60

We try to keep up to date with constant technological improvements, so from time to time we may update installation guidelines. Therefore we strongly recommend that you download the latest installation guidelines from www.bosch-home.co.uk. Line drawings are for guidance only, and we recommend that you refer to the latest installation guidelines. Though every care is taken to ensure instructions are correct at the time of printing, Bosch cannot accept responsibility for incorrect planning or installation as a result of the use of these line drawings.

Gas hobs specifications

		Serie 6											
		PPS816M91E PPS916B91E PPP616M91E			PCR715M90E PCH615M90E		PPQ716B91E PPP616B91E		PCR915B91E PCS815B90E		PCQ715B90E PCP615B90B		
		PPS816M91E PPS916B91E PPP616M91E			PCR715M90E PCH615M90E		PPQ716B91E PPP616B91E		PCR915B91E PCS815B90E		PCQ715B90E PCP615B90B		
Stainless steel / Stainless steel trim		-	-	-	-	-	-	-	-	-	-	-	
Black/Premium black		PPS816M91E	PPS916B91E	PPP616M91E	-	-	PPQ716B91E	PPP616B91E	-	-	-	PCP615B90B	
White/Premium white		-	-	-	-	-	-	-	-	-	-	PCP612B90E	
KEY FEATURES													
Number of wok style burners		1	1	-	1	1	1	-	1	1	1	-	
Dual control wok burner		-	-	-	●	-	-	-	-	●	-	-	
Quick-Stop Main Switch		●	●	●	●	●	-	-	-	-	-	-	
DESIGN													
Hob width (mm)		752	915	590	702	582	710	590	915	762	702	582	
Side controls		-	-	-	-	-	-	-	-	-	-	-	
Front controls		●	●	●	●	●	●	●	●	●	●	●	
Ceramic glass base		●	●	-	-	-	-	-	-	-	-	-	
Design trim (Front Facette with steel finish side trim)		-	-	-	-	-	-	-	-	-	-	-	
Tempered glass base		●	●	●	-	-	●	●	-	-	-	-	
Metal/Steel base		-	-	-	●	●	-	-	●	●	●	●	
Surface / Flush Fitting Installation		●/●	●/●	●/●	●/-	●/-	●/●	●/●	●/-	●/-	●/-	●/-	
FEATURES													
Variable power levels		●	●	●	●	●	●	●	●	●	●	●	
Ignition via control dials		●	●	●	●	●	●	●	●	●	●	●	
Flame failure safety device		●	●	●	●	●	●	●	●	●	●	●	
Cast iron pan supports		number	5	5	4	2	2	5	4	3	3	2	2
Cast iron finish pan supports		number	-	-	-	-	-	-	-	-	-	-	-
Enamelled pan supports		number	-	-	-	-	-	-	-	-	-	-	-
Low profile single piece burners		-	-	-	-	-	-	-	-	-	-	-	-
Two piece burners		●	●	●	●	●	●	●	●	●	●	●	
PERFORMANCE / TECHNICAL INFORMATION													
Number of cooking zones		5	5	4	5	4	5	4	5	5	5	4	
Left burner power		kW	4.0	4.0	-	-	-	-	-	5.0	-	-	
Front left zone power		kW	-	-	1.7	1.0	3.3	1.0	1.7	3.0	-	1.0	1.7
Back zone left power		kW	-	-	1.7	1.7	1.7	1.7	1.7	1.0	-	1.7	1.7
Centre/Centre front zone power		kW	1.0	1.0	-	5.0	-	4.0	-	4.5	1.0	4.0	-
Centre back zone power		kW	1.7	1.7	-	-	-	-	-	1.7	-	-	-
Front right zone power		kW	1.7	1.7	1.0	1.7	1.0	1.7	1.0	1.7	1.7	1.7	1.0
Back right zone power		kW	3.0	3.0	3.0	3.0	3.0	3.0	3.0	1.7	3.0	3.0	3.0
Pre-set for natural gas		●	●	●	●	●	●	●	●	●	●	●	
Nominal voltage		V	220-240	220-240	220-240	220-240	220-240	220-240	220-240	220-240	220-240	220-240	220-240
Maximum gas power output load		W	11400	11400	7400	12400	9000	11400	7400	11900	12400	12400	7400
Total connected electrical load		W	0.6	0.6	0.6	0.6	0.6	0.6	0.6	0.6	0.6	0.6	0.6
Cable length		cm	100	100	100	100	100	100	100	150	100	100	100
GB plug		-	-	-	-	-	-	-	-	-	-	-	-
Appliance weight		kg	18.1	18.1	13.1	14.0	10.8	18.1	13.1	16.3	13.8	14.0	9.7
Safety Approved		●	●	●	●	●	●	●	●	●	●	●	●
STANDARD ACCESSORY													
LPG jets		28-30/37mbar	28-30/37mbar	28-30/37mbar	28-30/37mbar	28-30/37mbar	28-30/37mbar	28-30/37mbar	28-30/37mbar	28-30/37mbar	28-30/37mbar	28-30/37mbar	28-30/37mbar
OPTIONAL ACCESSORIES													
Connecting Strip		-	-	-	-	-	-	-	-	-	-	-	-

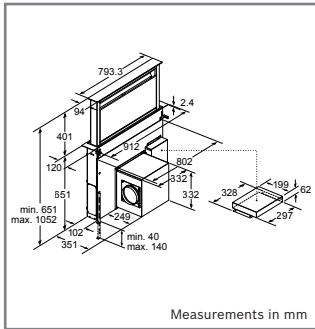
● = Yes
- = No

DOMINO GAS HOBS

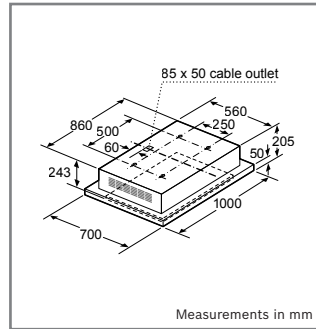
Serie 2			Serie 8	
	PBH6B5B60	PBP6B5B60	PRB326B70E	PRA326B70E
POP6B6B80	-	PBP6B6B60	-	-
-	-	PBP6B2B60	-	-
-	1	-	-	1
-	-	-	-	●
-	-	-	-	-
590	580	580	306	306
●	●	●	-	-
-	-	-	●	●
-	-	-	●	●
-	-	-	●	●
●	-	-	-	-
-	●	●	-	-
●/-	●/-	●/-	●/-	●/-
●	●	●	●	●
●	●	●	●	●
●	●	●	●	●
-	-	-	1	1
-	2	2	-	-
2	-	-	●	-
-	-	-	-	-
●	●	●	-	-
4	4	4	2	1
-	-	-	-	-
3.0	3.3	3.0	-	-
1.7	1.7	1.7	-	-
-	-	-	1.9	6.0
-	-	-	2.8	-
1.0	1.0	1.0	-	-
1.7	1.7	1.7	-	-
●	●	●	●	●
220-240	220-240	220-240	220-240	220-240
7400	7700	7400	4700	6000
0.6	0.6	0.6	0.6	0.6
100	100	100	100	100
-	-	-	-	-
11.3	10.0	9.5	7.0	8.6
●	●	●	●	●
28-30/37mbar	28-30/37mbar	28-30/37mbar	28-30/37mbar	28-30/37mbar
-	-	-	HEZ394301	HEZ394301

Hoods technical diagrams

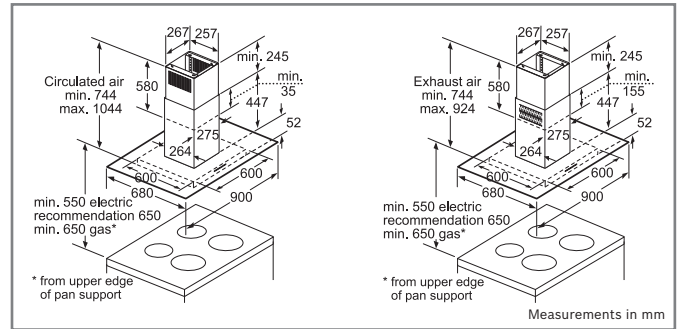
Chimney hoods



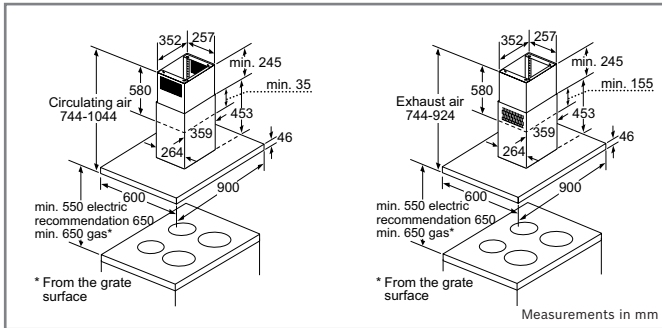
DDA097G59B



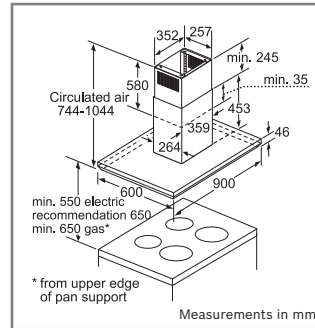
DID106T50



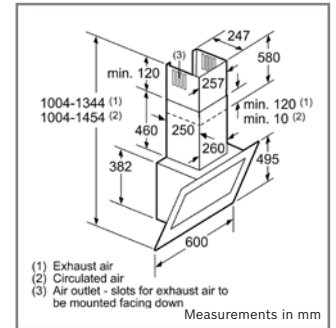
DIA098E50B



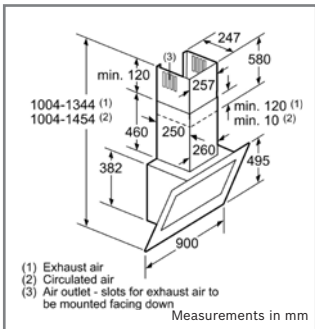
DIB091K50B



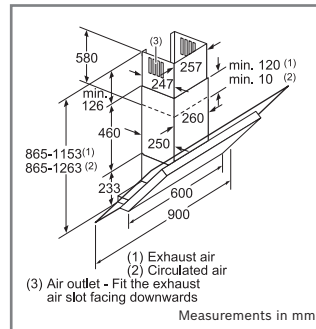
DIB091U51B



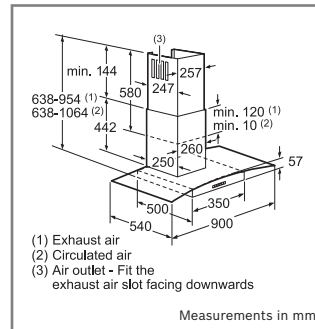
DWK068G61B



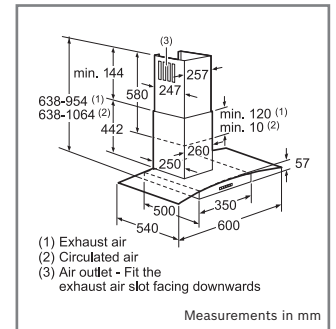
DWK098G61B



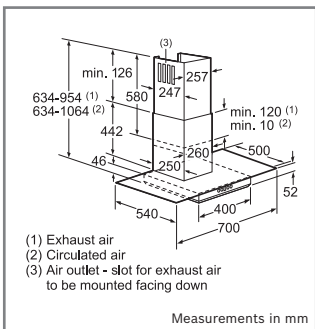
DWK098E51B



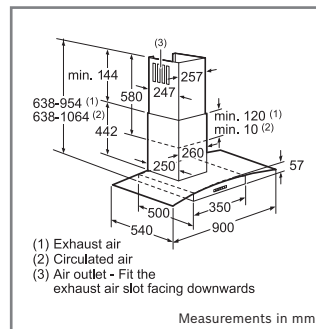
DWA097E51B



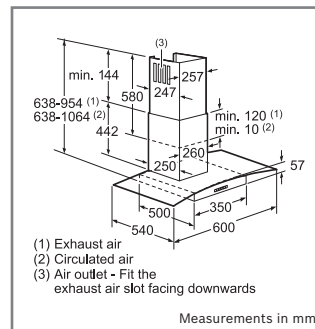
DWA067E51B



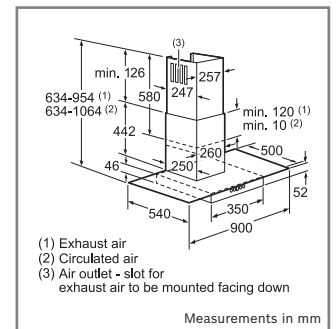
DWA078E50B



DWA094W51B



DWA064W51B

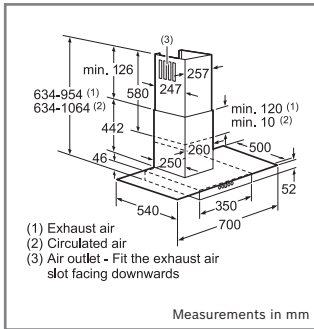


DWA094W50B

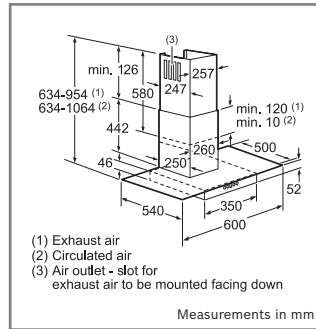
We try to keep up to date with constant technological improvements, so from time to time we may update installation guidelines. Therefore we strongly recommend that you download the latest installation guidelines from www.bosch-home.co.uk. Line drawings are for guidance only, and we recommend that you refer to the latest installation guidelines. Though every care is taken to ensure instructions are correct at the time of printing, Bosch cannot accept responsibility for incorrect planning or installation as a result of the use of these line drawings.

Hoods technical diagrams

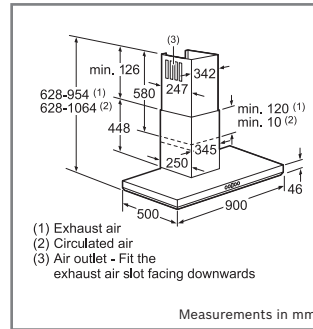
Chimney hoods



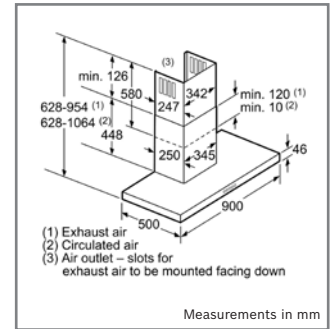
DWA074W50B



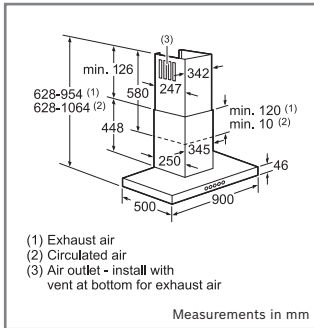
DWA064W50B



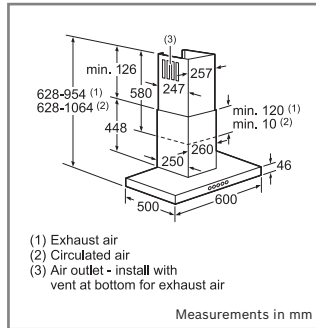
DWB098E51B



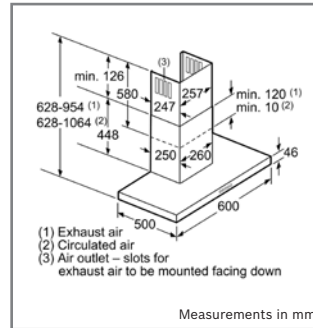
DWB098J50B



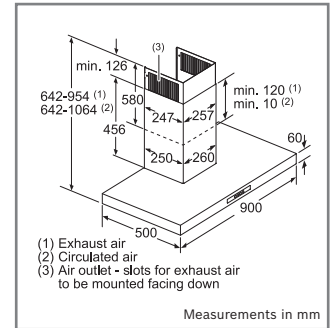
DWB097A50B



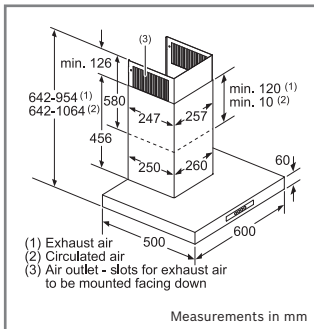
DWB067A50B



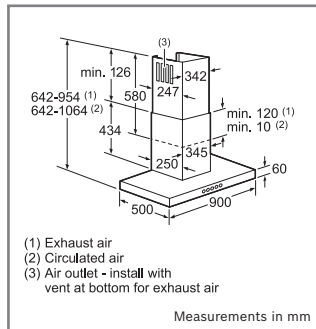
DWB068J50B



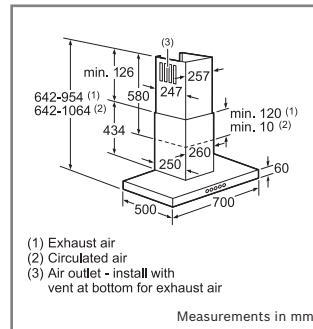
DWB09W452B



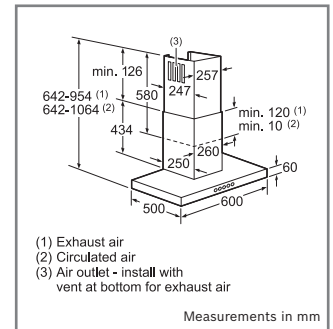
DWB06W452B



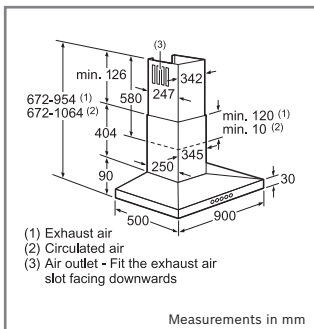
DWB094W50B



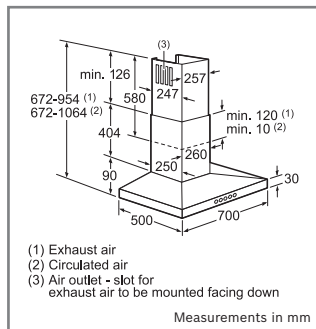
DWB074W50B



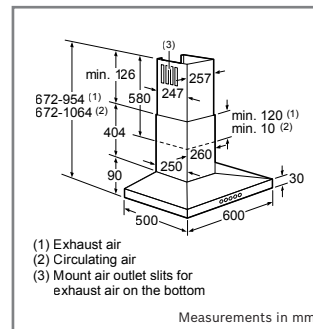
DWB064W50B



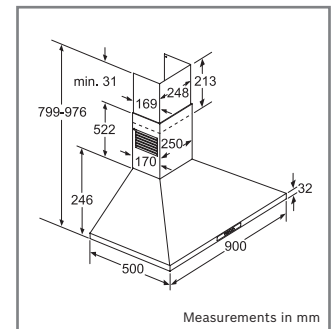
DWW097A50B



DWW077A50B



DWW067A50B

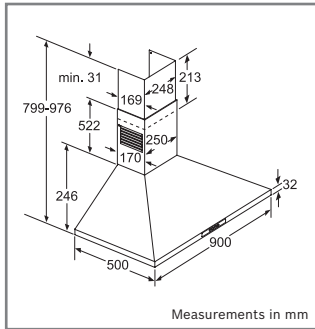


DWW09W460B

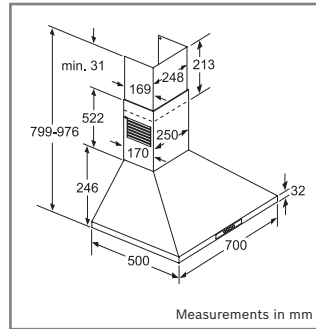
We try to keep up to date with constant technological improvements, so from time to time we may update installation guidelines. Therefore we strongly recommend that you download the latest installation guidelines from www.bosch-home.co.uk. Line drawings are for guidance only, and we recommend that you refer to the latest installation guidelines. Though every care is taken to ensure instructions are correct at the time of printing, Bosch cannot accept responsibility for incorrect planning or installation as a result of the use of these line drawings.

Hoods technical diagrams

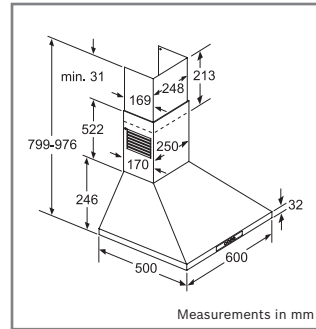
Chimney hoods



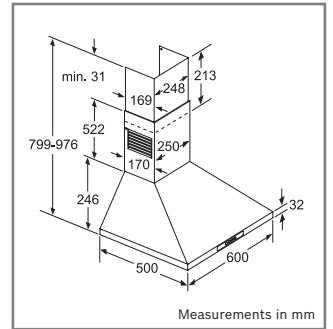
DWW09W450B



DWW07W450B

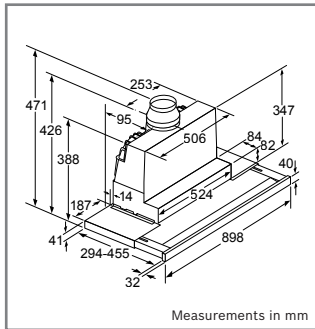


DWW06W460B

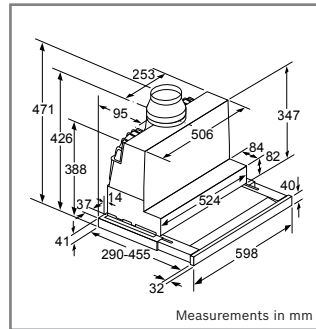


DWW06W450B

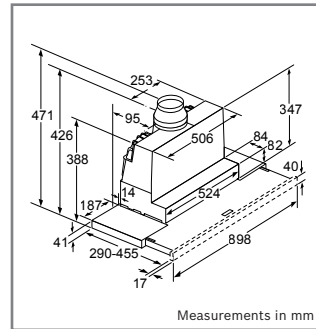
Telescopic, canopy, integrated and conventional hoods



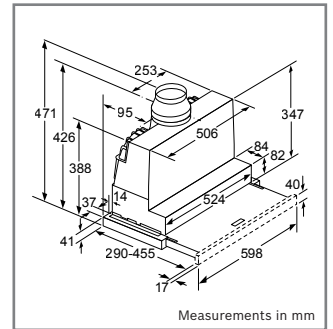
DFS097J50B



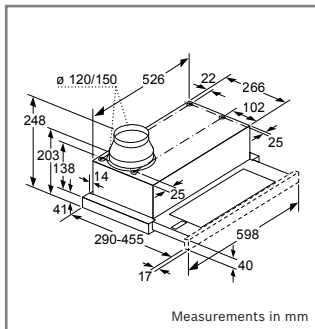
DFS067J50B



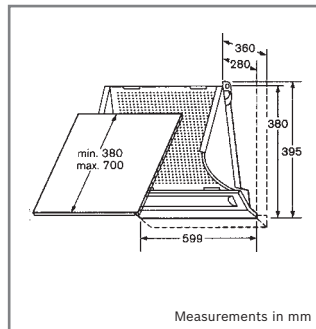
DFS097A50B



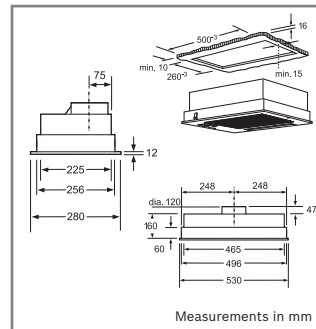
DFS067A50B



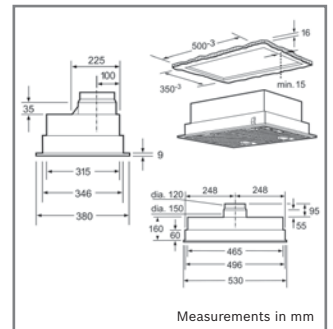
DFM063W50B



DHE635BGB | DHE645MGB

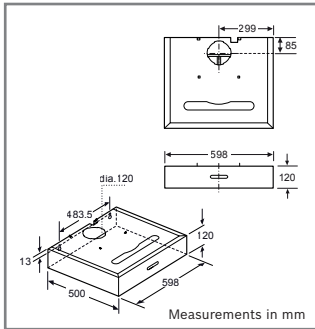


DHL535BGB

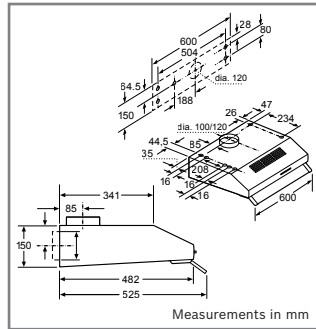


DHL555BGB

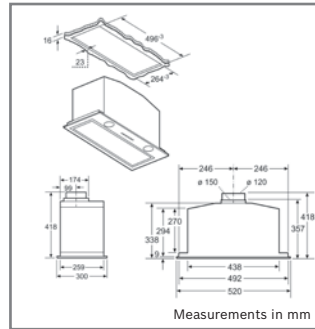
Telescopic, canopy, integrated and conventional hoods



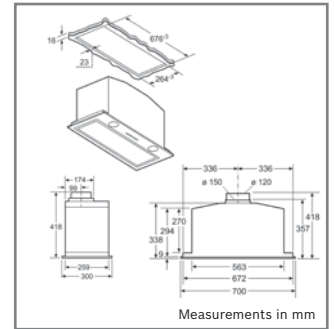
DHU646PGB



DHU645PGB | DHU646PGB
DHU642PGB



DHL575CGB



DHL785CGB

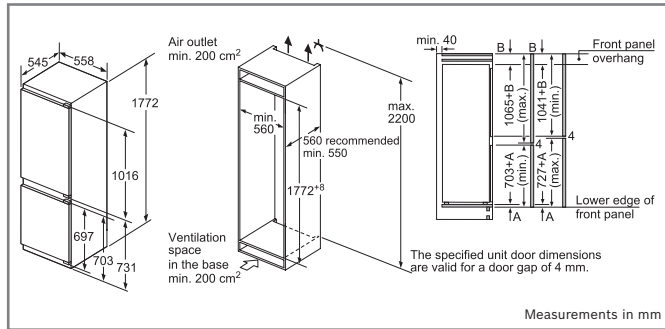
Hoods specifications

Design Family	Canopy			
	Serie 6	Serie 6	Serie 4	Serie 2
Model Number	DHL785CGB	DHL575CGB	DHL555BGB	DHL535BGB
Stainless Steel	●	●	-	-
Stainless Steel & Glass	-	-	-	-
Black or black glass	-	-	-	-
White	-	-	-	-
Silver Metallic Lacquered	-	-	●	●
KEY FEATURES				
Electronic control	●	●	-	-
Electronic power level display	●	●	-	-
Rim ventilation	●	●	-	-
Grease filter saturation indicator	-	-	-	●
Charcoal filter saturation indicator	-	-	-	-
DESIGN				
Appliance width (mm)	700	520	530	530
Wall mounted installation	-	-	-	-
Ceiling mounted installation	-	-	-	-
Install in, between or under furniture carcass	●	●	●	●
Height adjustable chimney sections	-	-	-	-
Canopy/Box height (mm)	-	-	-	-
Adjustable vapour screen	-	-	-	-
Variable control position	-	-	-	-
Steel finish profile/handle	-	-	-	-
Glass canopy	-	-	-	-
FEATURES				
Metal Touch control	-	-	-	-
Soft touch metal button control	●	●	-	-
Push button control	-	-	-	-
Rocker switch control	-	-	-	●
Slider switch control	-	-	●	-
Touch control	-	-	-	-
LED, Low-lift pushbuttons	-	-	-	-
Power levels	3	3	3	2
Intensive setting	●	●	●	-
Automatic intensive revert	●	●	-	-
1W LED	2	2	-	-
15W LED light strips	-	-	-	-
3W low energy LED light	-	-	-	-
20W low energy halogen spotlights	-	-	2	-
25W halogen spotlights	-	-	-	-
28W halogen bulbs	-	-	-	2
40W bulbs	-	-	-	-
Softlight with dimmer function	-	-	-	-
Automatic after running (minutes)	-	-	-	-
Additional noise reduction insulation	-	-	-	-
Double filter system	-	-	-	-
Steel filter cover	-	-	-	-
Steel filter cover solid (rim ventilation)	●	●	-	-
Cosmetic steel filter cover	-	-	-	-
Number of metal grease filter cassettes	2	1	2	-
Paper grease filter	-	-	-	●
PERFORMANCE / TECHNICAL INFORMATION				
Easy installation system	-	-	-	-
Suitable for ducted operation	●	●	●	●
Suitable for recirculating operation	●	●	●	●
Extraction Rate in m³/h (1,2)				
- ducted / recirculating at power level 1	340 / 210	290 / 210	210 / 180	150 / 130
- ducted / recirculating at power level 2	540 / 270	450 / 260	320 / 250	210 / 180
- ducted / recirculating at power level 3	630 / 300	560 / 290	420 / 320	280 / 240
- ducted / recirculating at power level 4	-	-	-	-
- ducted / recirculating, intensive setting	730 / -	610 / -	650 / -	- / -
Max Noise level (sound pressure) based on dBA re 20 µPa (1,3)				
- ducted / recirculating at power level 1	39/53	36/52	27/38	41/41
- ducted / recirculating at power level 2	49/57	49/57	38/46	48/48
- ducted / recirculating at power level 3	52/59	53/60	45/50	54/55
- ducted / recirculating at power level 4	-	-	-	-
- ducted / recirculating, intensive setting	55/60	56/61	55/58	- / -
Noise level (sound power) based on dB(A) re 1 pW (1,4)				
- ducted / recirculating at power level 1	53/67	50/66	41/52	53/53
- ducted / recirculating at power level 2	63/71	63/71	52/60	60/60
- ducted / recirculating at power level 3	66/73	67/74	59/64	66/67
- ducted / recirculating at power level 4	-	-	-	-
- ducted / recirculating, intensive setting	69/74	70/75	69/72	- / -
Pipe outlet diameter (mm)	120/150	150/120	150/120	120
Min. distance above an electric hob (mm)	550	550	550	550
Min. distance above a gas hob pan supports (mm)	650	650	650	650
Motor power (W)	275	250	200	170
Total electrical loading (W)	277	252	240	230
Nominal Voltage (V)	220-240	220-240	220-240	220-240
Power cable length (cm)	150	150	130	130
GB plug	●	u	●	u
Appliance weight (kg)	13.0	10.0	9.0	5.0
Safety approved	●	●	●	●
Energy Rating	C	C	D	E
OPTIONAL ACCESSORIES				
900x720mm brushed steel back panel	-	-	-	-
700x720mm brushed steel back panel	-	-	-	-
600x720mm brushed steel back panel	-	-	-	-
Steel finish profile/handle - solid	-	-	-	-
Steel finish profile/handle with control opening	-	-	-	-
Paper grease filters	-	-	-	DH2100
Recirculating kit (needed if recirculating)	DHZ5605	DHZ5605	-	-
Charcoal odour filter (needed if recirculating)	DHZ5316	DHZ5316	DH27305	DH27304
CleanAir recirculating kit	-	-	-	-
CleanAir charcoal odour filter	-	-	-	-
Décor panel white	-	-	-	-
Décor panel black	-	-	-	-
Active Carbon Filter	-	-	-	-
Cable guidance frame	-	-	-	-
Lowering frame	-	-	-	-

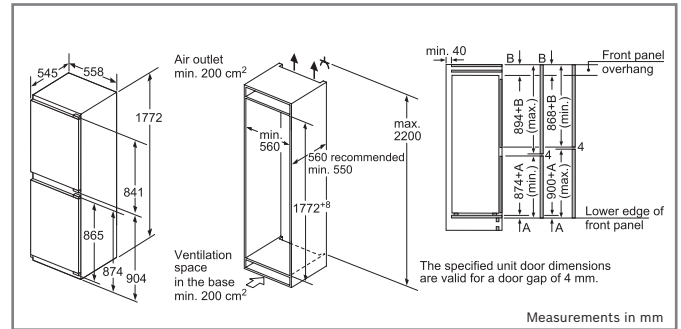
Integrated cooling technical diagrams

Fridge freezers, fridges and freezers

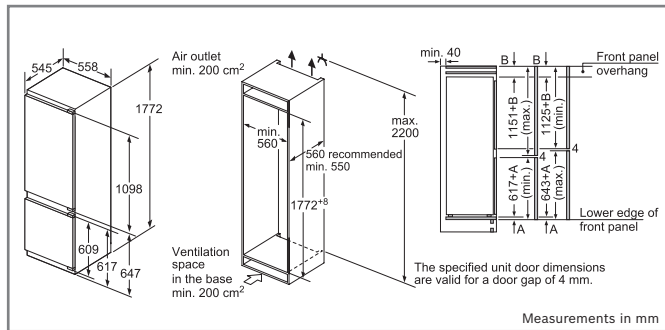
Please refer to the Freestanding Appliances brochure for American-style fridge freezers.



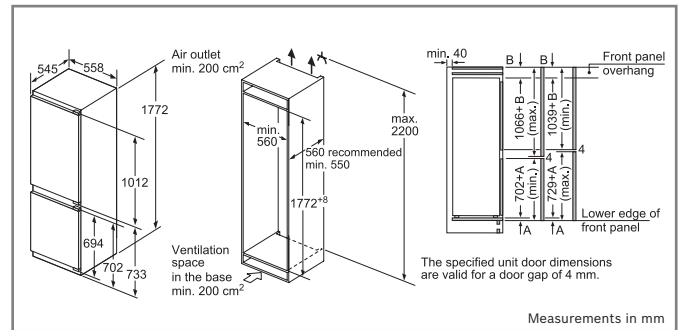
KIN86AD30G



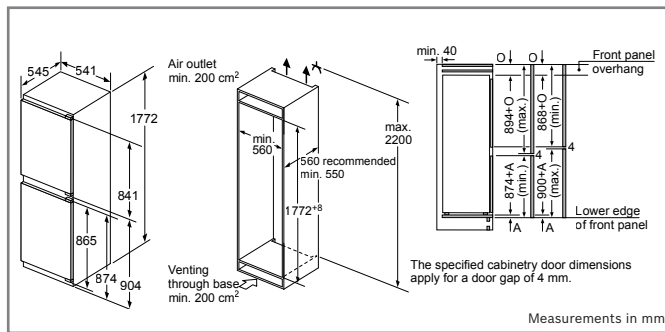
KIN85AF30G



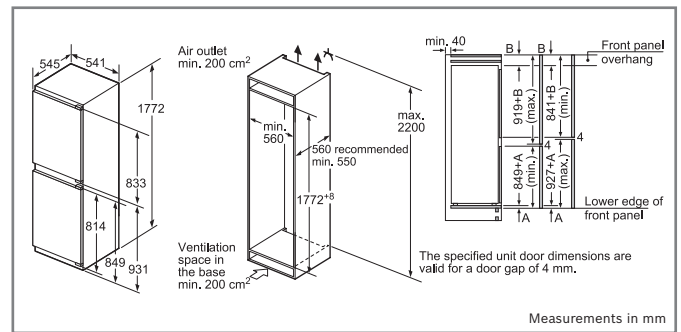
KIS87AF30G / KIV87VF30G / KIV87VS30G



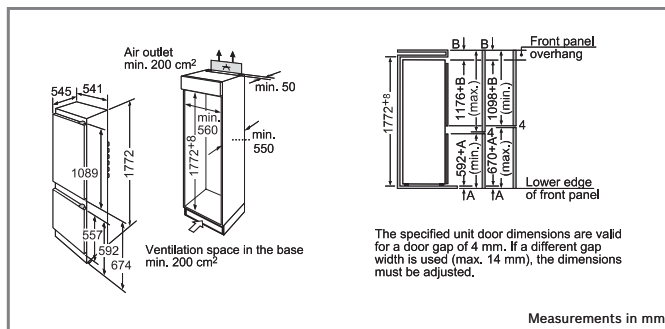
KIS86AF30G / KIN86VF30G / KIV86VS30G



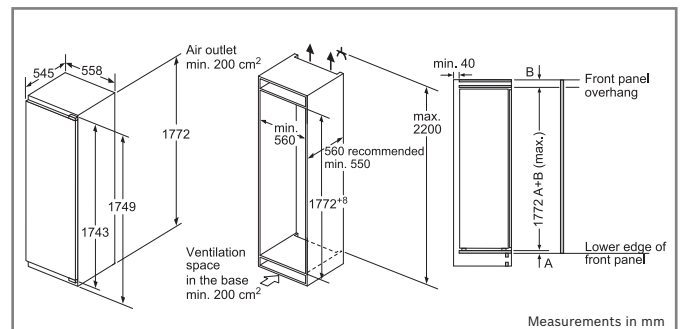
KIV85VF30G / KIV85VS30G



KIV32X23GB



KIV38X22GB

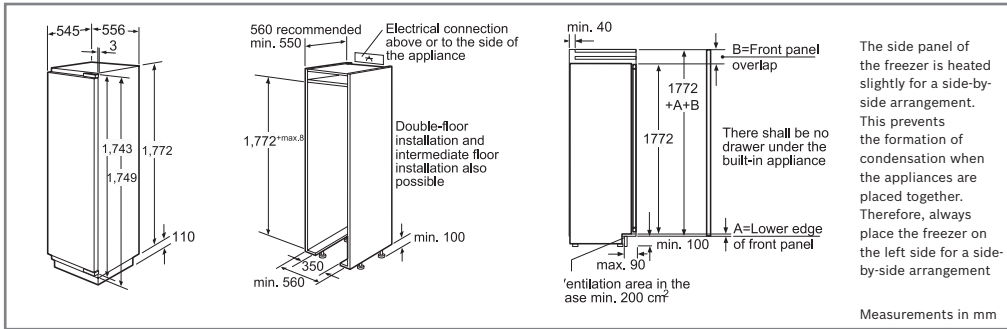


KIR81AF30G

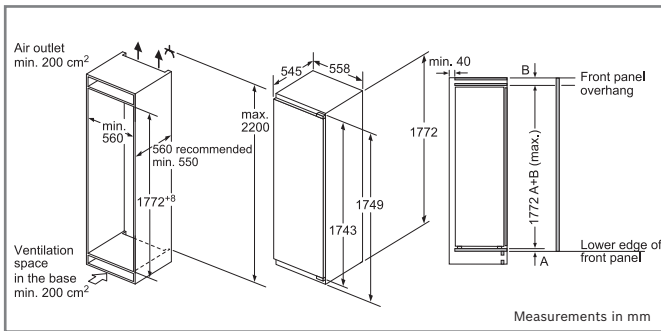
We try to keep up to date with constant technological improvements, so from time to time we may update installation guidelines. Therefore we strongly recommend that you download the latest installation guidelines from www.bosch-home.co.uk. Line drawings are for guidance only, and we recommend that you refer to the latest installation guidelines. Though every care is taken to ensure instructions are correct at the time of printing, Bosch cannot accept responsibility for incorrect planning or installation as a result of the use of these line drawings.

Integrated cooling technical diagrams

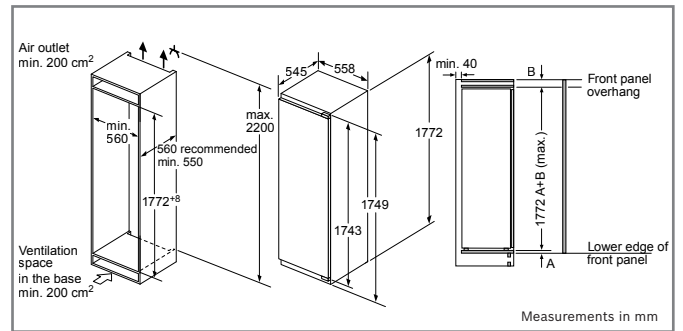
Fridge freezers, fridges and freezers



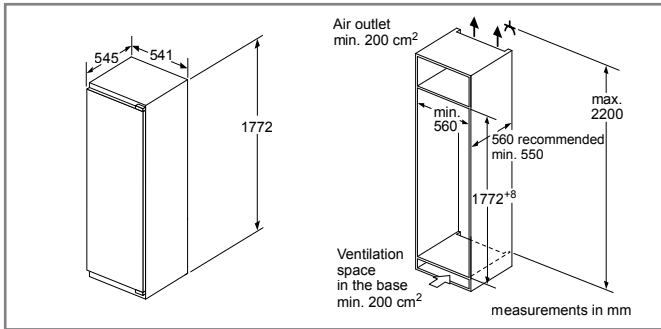
GIN38A55GB



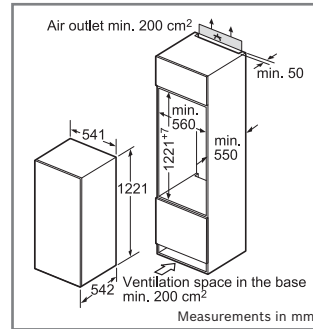
KIL82AF30G



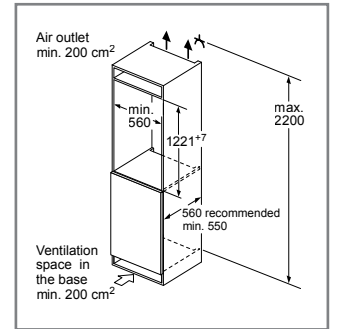
GIN81AE30G



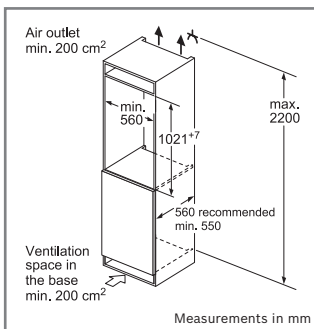
KIR81VS30G | KIL82VS30G



KIR41AF30G | KIR24V20G |
KIR41AD30G | KIL42VS30G |
KIR41VS30G



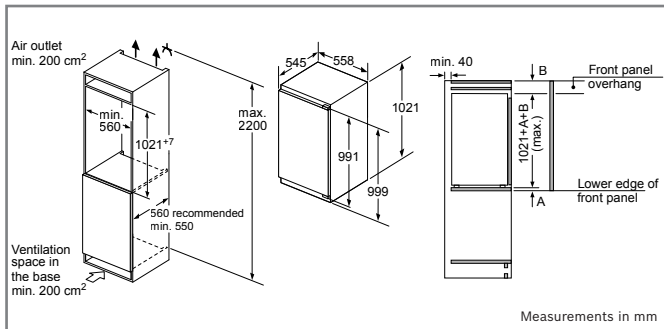
GIN41AE30G



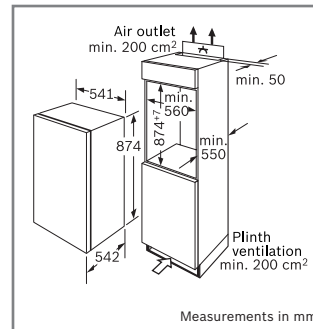
KIR31VS30G

Integrated cooling technical diagrams

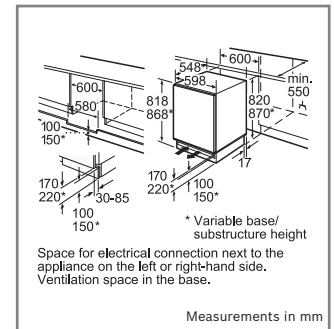
Fridge freezers, fridges and freezers



GIN31AE30G



KIR21VS30G | KIR21VF30G |
KIR21AF30G | GID18A50GB |
GID18A20GB | KIR18V20GB |
KIL22VF30G | KIL22VS30G



KUR15A50GB | KUL15A60GB |
GUD15A50GB

Matching fridges & freezers

Freezer Model	Height	Matching Fridges
GID18A20GB	88cm	KIR18V20GB KIR21VS30G KIL22VS30G
GID18A50GB	88cm	KIR21VF30G KIL22VF30G KIR21AF30G
GIN31AE30G	102.5cm	KIR31VS30G

Freezer Model	Height	Matching Fridges
GIN41AE30G	112.5cm	KIR24V20GB KIR41VS30G KIR41AF30G KIR41AD30G KIL42VS30G
GIN81AE30G	177.5cm	KIR81VS30G KIL82VS30G KIR81AF30G
GIN38A55GB	177.5cm	GIN38A55GB KIL82AF30G

Integrated fridges & freezers specifications

AMERICAN STYLE	Serie 8		Serie 6				Serie 4
Stainless steel look		KAD92AI30	KAG90AI20G	KAD90VI20G	KAI90VI20G	KAD90VB20G	KAN90VI20G
Black	KAN92LB35						
PERFORMANCE AND CONSUMPTION							
Energy efficiency class	A++	A++	A+	A+	A+	A+	A+
Annual energy consumption (kWh)	385	348	432	436	432	436	475
Total unit net capacity (litres)	592	541	522	533	523	533	573
Refrigerator net capacity (litres)	375	173	359	163	360	370	373
Freezer net capacity (litres)	202	163	157	228	163	163	200
Noise level dB (re 1pW)	43	42	43	43		43	44
DESIGN FEATURES							
Colour of sides	Chrome Inox-Metallix	Chrome Inox-Metallix	Grey	Grey	Grey	Black	Grey
Type of handle	Integrated vertical handle	vertical bar handle	Vertical bar handle	vertical bar handle	vertical bar handle	vertical bar handle	vertical bar handle
Door hinge	left and right	left and right	Left and right	left and right	left and right	left and right	left and right
Type of hinge	-	-	-	-	-	-	-
Reversible Door, Hinged on right	-	-	-	-	-	-	-
Light Wattage - Refrigerator	-	-	-	-	-	-	-
Light	-	-	-	-	-	-	-
LED light	●	●	-	-	-	-	-
Number of compressors	1	1	1	1	1	1	1
Number of cooling circuits	2	2	1	1	1	1	1
Number of evaporators	-	-	-	-	-	-	-
Number of temperature zones fridge	1	1	-	1	1	1	1
FOOD FRESHNESS SYSTEMS							
Range of temperatures (°C)	-	-	4-8	-	-	-	-
Interior ventilation through plinth	-	-	-	-	-	-	-
Humidity control drawer	-	-	-	-	-	-	-
Anti Bacterial	-	-	-	-	-	-	-
Food preservation containers	-	-	CoolBox	-	-	-	-
MultiAirflow system	●	-	●	-	-	-	-
KEY FEATURES - FRIDGE SECTION							
No. of temperature zones fridge	1	1	1	1	1	1	1
Number of vegetable containers with ribbed bottom and humidity control	1	-	-	-	-	-	-
Number of shelves in fridge compartment	4	4	-	4	4	4	4
Number of glass safety shelves in fridge compartment	-	-	3	-	-	-	-
Number of adjustable shelves in fridge compartment	-	-	1	-	-	-	-
Type of shelves	1	Partial extension	Stationary	-	-	-	-
Drawers with telescopic rails	3	1	-	1	1	1	1
Number of door bins in fridge	2	1	1	-	-	-	-
Tilt-out door bins in fridge	●	-	-	-	-	-	-
Number of door shelves	-	4	-	4	4	4	4
Number of containers in fridge compartment	3	3	-	-	-	-	-
EasyLift flexible shelf in door	-	-	-	-	-	-	-
Fast cooling switch	●	●	-	●	●	●	●
Included accessories	2 cold accumulators, egg tray	Connection hose, egg tray	1 x connection hose, 1 egg tray	Connection hose, egg tray	Connection hose, egg tray	Connection hose, egg tray	egg tray
KEY FEATURES - FREEZER SECTION							
Star rating	4	4	-	4	4	4	4
Number of freezer draws	2	2	-	2	2	2	2
NoFrost system	●	●	Full	●	●	●	●
Fast freezing switch	●	●	●	●	●	●	●
Shelf adjustability	●	●	-	-	-	-	-
Automatic motor-driven ice-maker	-	●	●	●	●	-	-
Water filter replacement indicator	-	●	●	●	-	●	-
Water tank	-	-	●	-	-	-	-
Dispenser - crushed ice, ice cubes, quick ice, water, water filter	-	●	●	●	●	●	-
Included accessories	-	-	-	-	-	-	-
FUNCTIONS							
Electronic display	●	●	2 x LED display	●	●	●	●
Temperature display fridge	●	●	-	●	●	●	●
Warning / malfunction signal	●	●	Visual and audible	●	●	●	●
Door opened indicator	●	●	-	●	●	●	●
DIMENSION AND INSTALLATION							
Climate class	SN-T	SN-T	SN-T	SN-T	SN-T	SN-T	SN-T
Height of the product	1756	1756	1770	1770	1770	1770	1770
Width of the product	910	910	910	910	910	910	910
Depth of the product	725	725	720	720	720	720	720
Width with opened door 90°n (mm)	95	94.84	-	166	166	166	166
Depth with open door 90° (mm)	1158	1193	1193	1193	1193	1193	1193
Maximum height for installation (mm)	-	-	-	-	-	-	-
Maximum width for installation (mm)	-	-	-	-	-	-	-
Depth for installation (mm)	-	-	-	-	-	-	-
Maximum adjustability feet (mm)	Yes - front only	Yes - front only	-	Yes - front only	Yes - front only	Yes - front only	Yes - front only

● = Yes
- = No

Integrated fridges & freezers specifications

BUILT-IN FRIDGE FREEZERS	Serie 6				Serie 4			
Model no	KIN86AD30G	KIN85AF30G	KIS87AF30G	KIS86AF30G	KIN86VF30G	KIV87VF30G	KIV87VS30G	KIV86VS30G
NoFrost / LowFrost	NoFrost 60/40	NoFrost 50/50	LowFrost 70/30	LowFrost 60/40	NoFrost 60/40	LowFrost 70 / 30	LowFrost 70 / 30	LowFrost 60/40
Type of control setting and signalling devices	Economy setting / Holiday mode, Super setting for freezer, Super setting fridge, Temperature display fridge, Warning function freezer sect., Warning signal door open	Economy setting / Holiday mode, Super setting for freezer, Super setting fridge, Temperature display fridge, Warning function freezer sect., Warning signal door open	Economy setting / Holiday mode, Super setting for freezer, Super setting fridge, Temperature display fridge, Warning function freezer sect., Warning signal door open, Warning signal for malfunction	Economy setting / Holiday mode, Super setting for freezer, Super setting fridge, Temperature display fridge, Warning function freezer sect., Warning signal door open, Warning signal for malfunction	Super setting for freezer, Temperature display fridge, Warning signal door open	Super setting for freezer, Temperature display fridge	Super setting for freezer, Temperature display fridge	Economy setting / Holiday mode, Super setting for freezer, Super setting fridge, Temperature display fridge, Warning function freezer sect., Warning signal door open, Warning signal for malfunction
PERFORMANCE AND CONSUMPTION								
Energy efficiency class	A++	A++	A++	A++	A++	A++	A++	A++
Energy consumption annual (kWh/annum)	221	232	225	218	222	227	227	218
Total unit net capacity (l)	255	246	270	265	255	272	272	265
Refrigerator Net capacity (l)	188	154	209	191	188	209	209	191
Freezer Net capacity (l)	67	92	61	74	67	63	63	74
Temperature rise time (h)	13	13	26	32	13	26	26	32
Freezing capacity (kg/24h)	8	9	7	7	8	3	3	7
Storage Period in Event of Power Failure (h)	13	13	26	32	13	26	26	32
Climate class	SN-ST	SN-ST	SN-T	SN-ST	SN-ST	SN-T	SN-T	SN-ST
Noise level (dB(A) re 1 pW)	39	39	36	36	39	38	38	36
FOOD FRESHNESS SYSTEM								
Thermometer fridge section	Digital	Digital	Digital	Digital	Digital	Digital	Digital	Digital
Range of temperature (°C)	4-8	4-8	4-8	4-8	4-8	4-8	4-8	4-8
Frost free system	Freezer	Freezer	No	No	Freezer	No	No	No
Anti Bacterial	-	-	-	-	-	-	-	-
KEY FEATURES - FRIDGE								
Fast cooling switch	●	●	●	●	-	-	-	●
Number of Door Bins - Refrigerator	3	1	3	3	3	4	4	3
Door bin adjustability - Refrigerator	-	-	-	-	-	-	-	-
Tilt-out door bins in fridge	●	●	●	●	●	●	●	●
Type of shelves - Fridge					Stationary	Stationary	Stationary	
Light Wattage - Refrigerator								
Egg Bin	●	●	●	●	●	●	●	●
Number of shelves in fridge compartment	5	4	5	5	4	5	5	5
Number of Adjustable Shelves in fridge compartment	4	3	4	4	3	4	4	4
Material of the shelves	Glass	Glass	Glass	Glass	Glass	Glass	Glass	Glass
Optional accessories	KSZ10020	KSZ10020	KSZ10020	KSZ10020	KSZ10020	KSZ10020	KSZ10020	KSZ10020
Temperature display fridge	digital 7 segment	digital 7 segment	digital 7 segment	digital 7 segment	digital 7 segment	digital LED	digital LED	digital 7 segment
No. of egg racks	2	2	2	2	2	2	2	2
No. of door shelves	5	3	5	5	4	5	5	5
No. of shelves in fridge	5	4	5	5	4	5	5	5
Light	●	●	●	●	●	●	●	●
Included accessories	2 x cold accumulator, 2 x egg tray, 1 x ice cube tray	2 x cold accumulator, 2 x egg tray, 1 x ice cube tray	2 x cold accumulator, 2 x egg tray, 1 x ice cube tray	2 x cold accumulator, 2 x egg tray, 1 x ice cube tray	2 x cold accumulator, 2 x egg tray, 1 x ice cube tray	2 x cold accumulator, 2 x egg tray, 1 x ice cube tray	2 x cold accumulator, 2 x egg tray, 1 x ice cube tray	2 x cold accumulator, 2 x egg tray, 1 x ice cube tray
KEY FEATURES - FREEZER								
Star Rating	4	4	4	4	4	4	4	4
Temperature adjustable freezer	●	●	●	●	●	●	●	●
Freezing drawers	3	4	2	3	3	2	2	3
Fast freezing switch	●	●	●	●	●	●	●	●
Door opened indicator freezer	●	●	●	●	●	-	-	●
Shelf Material - Freezer	Safety glass	Safety glass	Safety glass	Safety glass	Safety glass	Safety glass	Safety glass	Safety glass
Freezer Cold Packs	●	●	●	●	●	●	●	●
No. of ice cube trays	1	1	1	1	1	1	1	1
FUNCTIONS								
Number of compressors	1	1	1	1	1	1	1	1
Minimum ambient temperature	10	10	10	10	10	10	10	10
Maximum ambient temperature	38	38	38	38	38	38	38	38
DIMENSION AND INSTALLATION								
Door hinge	Right reversible	Right reversible	Right reversible	Right reversible	Right reversible	Right reversible	Right reversible	Right reversible
Type of hinge	Fixed / flat hinge	Fixed / flat hinge	Fixed / flat hinge	Fixed / flat hinge	Fixed / flat hinge	Fixed / flat hinge	Sliding hinge	Fixed / flat hinge
Height of the product (mm)	1772	1772	1772	1772	1772	1772	1772	1772
Width of the product (mm)	558	558	558	558	538	538	538	558
Depth of the product	545	545	545	545	542	542	542	545
Depth with open door 90 degree (mm)	1140	1140	1140	1140	1140	1140	1140	1140
Maximum adjustability feet (mm)								
Height of the packed product (mm)	1840	1840	1840	1840	1840	0	0	1840
Width of the packed product (mm)	620	620	620	620	620	0	0	620
Depth of the packed product (mm)	640	640	640	640	640	0	0	640
Minimum height for installation (mm)	1775	1775	1775	1775	1775	1775	1775	1775
Maximum height for installation (mm)	1775	1775	1775	1775	1775	1775	1775	1775
Minimum width for installation (mm)	560	560	560	560	560	560	560	560
Maximum width for installation (mm)	560	560	560	560	560	560	560	560
Depth for installation (mm)	550	550	550	550	550	550	550	550
Height (mm)	1772	1772	1772	1772	1772	1772	1772	1772
Required niche size for installation (HxWxD)	1775.0 x 560 x 550	1775.0 x 560 x 550	1775.0 x 560 x 550	1775.0 x 560 x 550	1775.0 x 560 x 550	1775.0 x 560 x 550	1775.0 x 560 x 550	1775.0 x 560 x 550
Width with opened door (90°)	60.00	60.00	60.00	60.00	60.00	60.00	60.00	60.00
Depth with door open (90°)	114.00	114.00	114.00	114.00	114.00	114.00	114.00	114.00
Net weight (kg)	68.0	69.0	67.0	69.0	69.0	0.0	0.0	69.0
Gross weight (kg)	74.0	75.0	73.0	75.0	74.0	0.0	0.0	75.0

● = Yes
- = No

Integrated fridges & freezers specifications

BUILT-IN FRIDGE FREEZERS	Serie 4		Serie 2	
Model no	KIV85VF30G	KIV85VS30G	KIV32X23GB	KIV38X22GB
NoFrost / LowFrost	LowFrost 50 / 50	LowFrost 50/50	Static 50/50	Static 70/30
Type of control setting and signalling devices	Super setting for freezer, Temperature display fridge	Super setting for freezer, Temperature display fridge		
PERFORMANCE AND CONSUMPTION				
Energy efficiency class	A++	A++	A+	A+
Energy consumption annual (kWh/annum)	239	239	283	275
Total unit net capacity (l)	259	159	255	276
Refrigerator Net capacity (l)	157	157	162	217
Freezer Net capacity (l)	102	102	93	59
Temperature rise time (h)	24	24	16	13
Freezing capacity (kg/24h)	4	4	6	6
Storage Period in Event of Power Failure (h)	24	24	16	13
Climate class	SN-T	SN-T	SN-ST	SN-ST
Noise level (dB(A) re 1 pW)	38	38	40	40
FOOD FRESHNESS SYSTEM				
Thermometer fridge section	Digital	Digital		
Range of temperature (°C)	4-8	4-8	4-8	4-8
Frost free system	No	low frost	No	No
Anti Bacterial	-	-	-	-
KEY FEATURES - FRIDGE				
Fast cooling switch	-	-	-	-
Number of Door Bins - Refrigerator	3	3	0	0
Door bin adjustability - Refrigerator	-	-	-	-
Tilt-out door bins in fridge	●	●	●	●
Type of shelves - Fridge	Stationary	Stationary	Stationary	Stationary
Light Wattage - Refrigerator			1x25 Watt	1x25 Watt
Egg Bin	●	●	-	-
Number of shelves in fridge compartment	4	4	3	5
Number of Adjustable Shelves in fridge compartment	3	3	2	4
Material of the shelves	Glass	Glass	Glass	Glass
Optional accessories	KSZ10020	KSZ10020		
Temperature display fridge	digital LED	digital LED	No temperature indication	No temperature indication
No. of egg racks	2	2		
No. of door shelves	4	4		
No. of shelves in fridge	4	4	3	5
Light	●	●	●	●
Included accessories	2 x cold accumulator, 2 x egg tray, 1 x ice cube tray	2 x cold accumulator, 2 x egg tray, 1 x ice cube tray	1 x butter dish	1 x butter dish
KEY FEATURES - FREEZER				
Star Rating	4	4	4	4
Temperature adjustable freezer	●	●	●	●
Freezing drawers	4	4	4	3
Fast freezing switch	●	●	-	-
Door opened indicator freezer	-	-	-	-
Shelf Material - Freezer	Safety glass	Safety glass		
Freezer Cold Packs	●	●	-	-
No. of ice cube trays	1	1		
FUNCTIONS				
Number of compressors	1	1	1	1
Minimum ambient temperature	10	10	10	10
Maximum ambient temperature	38	38	38	38
DIMENSION AND INSTALLATION				
Door hinge	Right reversible	Right reversible	Right reversible	Right reversible
Type of hinge	Fixed / flat hinge	Sliding hinge	Sliding hinge	Sliding hinge
Height of the product (mm)	1772	1772	1772	1772
Width of the product (mm)	538	538	541	541
Depth of the product	542	542	545	545
Depth with open door 90 degree (mm)	1140	1140	1140	1140
Maximum adjustability feet (mm)				
Height of the packed product (mm)	1840	1840	1860	1860
Width of the packed product (mm)	620	620	620	620
Depth of the packed product (mm)	640	640	640	640
Minimum height for installation (mm)	1775	1775	1775	1775
Maximum height for installation (mm)	1775	1775	1775	1775
Minimum width for installation (mm)	560	560	562	562
Maximum width for installation (mm)	560	560	562	562
Depth for installation (mm)	550	550	550	550
Height (mm)	1772	1772	1772	1772
Required niche size for installation (HxWxD)	1775.0 x 560 x 550	1775.0 x 560 x 550	1775.0 x 562.0 x 550	1775.0 x 562.0 x 550
Width with opened door (90°)	60.00	60.00	60.00	60.00
Depth with door open (90°)	114.00	114.00	114.00	114.00
Net weight (kg)	69.0	69.0	56.0	57.0
Gross weight (kg)	75.0	75.0	61.0	62.0

● = Yes
- = No

Integrated fridges & freezers specifications

BUILT-IN FRIDGES	Serie 6					Serie 4			
Model number	KIR81AF30G	KIL82AF30G	KIR41AD30G	KIR41AF30G	KIR21AF30G	KIL82VS30G	KIR81VS30G	KIL42VS30G	KIR41VS30G
Highlights	EasyAccess shelves, HydroFresh box	EasyAccess shelves, HydroFresh box, VarioZone	EasyAccess shelves, HydroFresh box	EasyAccess shelves, HydroFresh box	EasyAccess shelves, HydroFresh box	Supercooling, VarioZone	Supercooling		
PERFORMANCE AND CONSUMPTION									
Energy efficiency class	A++	A++	A++	A++	A++	A++	A++	A++	A++
Energy consumption annual (kWh/annum)	116	209	105	105	97	209	116	172	105
Total unit gross capacity (l)	321	288	215	215	147	288	321	196	215
Total unit net capacity (l)	319	286	211	211	144	286	319	195	211
Refrigerator Gross capacity (l)	321	254	215	215	147	254	321	181	215
Refrigerator Net capacity (l)	319	252	211	211	144	209	116	180	211
Freezer Net capacity (l)		34				252	319	15	
Climate class	SN-T	SN-ST	SN-T	SN-T	SN-T	SN-ST	SN-T	SN-ST	SN-T
Noise level (dB(A) re 1 pW)	37	36	33	33	33	37	37	37	37
FOOD FRESHNESS SYSTEM									
Number of containers in fridge section	2	2	1	1	1	2	2	1	1
Humidity Control Drawer	●	●	●	●	●				
Food freshness type	HydroFresh Humidity controlled container, Crisper box	HydroFresh Humidity controlled container, Crisper box	HydroFresh Humidity controlled container	HydroFresh Humidity controlled container	HydroFresh Humidity controlled container	Vegetable container	Vegetable container	Vegetable container	Vegetable container
KEY FEATURES - FRIDGE									
Temperature display fridge	LED digital Numerical display	LED digital Numerical display	LED digital Numerical display	LED digital Numerical display	LED digital Numerical display	digital LED	digital LED	digital LED indicator	digital LED indicator
Number of egg racks	2	2	2	2	2	2	2	2	2
Number of door shelves	6	5	4	4	3	5	6	4	4
Number of shelves in fridge	7	5	6	6	3	5	7	4	4
Light	●	●	●	●	●	●	●	●	●
Number of Door Bins - Refrigerator	3	2	2	2	1	3	4	3	3
Tilt-out door bins in fridge	●	●	●	●	●	●	●	●	●
Fully extendable/ Easy Access shelves	●	●	●	●	●		6		
Shelves for Bottles	●					-	-		
Warning signal door open	acoustic	acoustic	acoustic	acoustic	acoustic	without	without		
Fast cooling switch	●	●	●	●	●	●	●	●	●
KEY FEATURES - FREEZER									
Freezer Star Rating		4				4	0	4	
Temperature adjustable freezer		●				●	-	●	
Door opened indicator freezer	●	●	●	●	●	-	-		
Defrost process freezer section		Manual				Manual		Manual	
No. of ice cube trays		1				1		1	
Number of shelves in fridge compartment	7	5	6	6	4	5	7	5	6
Number of Adjustable Shelves in fridge compartment (Stck)	6	4	5	5	3	4	6	4	5
Material of the shelves	Safety Glass	Safety Glass	Safety Glass	Safety Glass	Safety Glass	Glass	Glass	Safety Glass	Safety Glass
Included accessories	2 x egg tray	2 x egg tray, 1 x ice cube tray	2 x egg tray	2 x egg tray	2 x egg tray	2 x egg tray, 1 x ice cube tray	2 x egg tray	2 x egg tray, 1 x ice cube tray	2 x egg tray
Storage period in power failure		22				22		13	
FUNCTIONS									
Number of independent cooling systems	1	1	1	1	1	1	1	1	1
Type of control	Electronic	Electronic	Electronic	Electronic	Electronic	Electronic	Electronic	Electronic	Electronic
Minimum ambient temperature	10	10	10	10	10	10	10	10	10
Maximum ambient temperature	43	38	43	43	43	38	43	38	43
Cold technology	1 compressor/ 1 cold circuit	1 compressor/ 1 cold circuit	1 compressor/ 1 cold circuit	1 compressor/ 1 cold circuit	1 compressor/ 1 cold circuit	1 compressor/ 1 cold circuit	1 compressor/ 1 cold circuit	1 compressor/ 1 cold circuit	1 compressor/ 1 cold circuit
Anti Bacterial						-	-		
Number of compressors	1	1	1	1	1	1	1	1	1
DIMENSION AND INSTALLATION									
Connection Rating (W)	90	90	90	90	90	90	90	90	90
Current (A)	13	13	10	13	13	13	13	13	13
Voltage (V)	220-240	220-240	220-240	220-240	220-240	220-240	220-240	220-240	220-240
Frequency (Hz)	50	50	50	50	50	50	50	50	50
Length electrical supply cord (cm)	230	230	230	230	230	230	230	230	230
Approval certificates	VDE	VDE	VDE	VDE	VDE	VDE	VDE	VDE	VDE
Type of hinge	Fixed / Flat hinge	Fixed / Flat hinge	Fixed / Flat hinge	Fixed / Flat hinge	Fixed / Flat hinge	Follow-door	Follow-door	Sliding hinge	Sliding hinge
Reversible Door Hinge	●	●	●	●	●	●	●	●	●
Height of the product (mm)	1772	1772	1221	1221	874	1772	1772	1221	1221
Width of the product (mm)	558	558	558	558	558	541	541	538	538
Depth of the product	545	545	545	545	545	545	545	545	545
Depth with open door 90 degree (mm)	1140	1140	1140	1140	1140	1140	1140	1140	1140
Height of the packed product (mm)	1840	1840	1290	1290	950	1840	1840	0	1300
Width of the packed product (mm)	620	620	620	620	620	620	620	0	620
Depth of the packed product (mm)	640	640	640	640	640	640	640	0	640
Width with opened door (90°)	60.00	60.00	60.00	60.00	60.00	60.00	60.00	60.00	60.00
Depth with door open (90°)	114.00	114.00	114.00	114.00	114.00	114.00	114.00	114.00	114.00
Required niche size for installation (HxWxD)	1775.0 x 560 x 550	1775.0 x 560 x 550	1225.0 x 560 x 550	1225.0 x 560 x 550	880 x 560 x 550	1775.0 x 560 x 550	1775.0 x 560 x 550	1225.0 x 560 x 550	1225.0 x 560 x 550
Minimum height for installation (mm)	1775	1775	1225	1225	880	1775	1775	1225	1225
Maximum height for installation (mm)	1775	1775	1225	1225	880	1775	1775	1225	1225
Minimum width for installation (mm)	560	560	560	560	560	560	560	560	560
Maximum width for installation (mm)	560	560	560	560	560	560	560	560	560
Depth for installation (mm)	550	550	550	550	550	550	550	550	550
Net weight (kg)	70.0	67.0	49.0	49.0	39.0	68.0	68.0	0.0	42.0
Gross weight (kg)	76.0	73.0	52.0	52.0	42.0	74.0	74.0	0.0	46.0
Dimensions of the packed product (cm)	184 x 62 x 64	184 x 62 x 64	129 x 62 x 64	129 x 62 x 64	95 x 62 x 64	184 x 62 x 64	184 x 62 x 64	0 x 0 x 0	130 x 62 x 64
Required cutout/niche size for installation (cm)	177.5 x 56 x 55	177.5 x 56 x 55	122.5 x 56 x 55	122.5 x 56 x 55	88 x 56 x 55	177.5 x 56 x 55	177.5 x 56 x 55	122.5 x 56 x 55	122.5 x 56 x 55
EAN code	4242002734590	4242002734934	4242002875149	4242002735276	4242002735009	4242002906348	4242002904832	4242002812830	4242002812816

● = Yes
- = No

Integrated fridges & freezers specifications

BUILT-IN FRIDGES	Serie 2						
Model number	KIR31VS30G	KIL22VF30G	KIR21VF30G	KIL22VS30G	KIR21VS30G	KIR24V20GB	KIR18V20GB
Highlights		Supercooling		Supercooling			
PERFORMANCE AND CONSUMPTION							
Energy efficiency class	A++	A++	A++	A++	A++	A+	A+
Energy consumption annual (kWh/annum)	100	148	97	148	97	131	122
Total unit gross capacity (l)	176	127	147	127	147	227	154
Total unit net capacity (l)	172	124	144	124	144	221	150
Refrigerator Gross capacity (l)	176	112	147	112	147	227	154
Refrigerator Net capacity (l)	172	109	144	109	144	221	150
Freezer Net capacity (l)		15		15			
Climate class	SN-T	SN-ST	SN-T	SN-ST	SN-T	SN-ST	SN-ST
Noise level (dB(A) re 1 pW)	36	38	36	38	36	36	34
FOOD FRESHNESS SYSTEM							
Number of containers in fridge section	1	1	1	1	1		
Humidity Control Drawer							
Food freshness type	Vegetable container	Vegetable container	Vegetable container	Vegetable container	Vegetable container	Vegetable container	Vegetable container
KEY FEATURES - FRIDGE							
Temperature display fridge	digital LED indicator	digital LED	digital LED indicator	digital LED	digital LED indicator	No temperature indication	No temperature indication
Number of egg racks	2	2	2	2	2		
Number of door shelves	4	3	3	3	3		
Number of shelves in fridge	4	3	3	3	4		4
Light	●	●	●	●	●	●	●
Number of Door Bins - Refrigerator	3	2	2	2	2		
Tilt-out door bins in fridge	●	●	●	●	●	●	●
Fully extendable/ Easy Access shelves		2		2			
Shelves for Bottles		-		-			
Warning signal door open		without		without			
Fast cooling switch	●	without	●	without	●		
KEY FEATURES - FREEZER							
Freezer Star Rating		4		4			
Temperature adjustable freezer		●		●			
Door opened indicator freezer		-		-			
Defrost process freezer section		Manual		Manual			
No. of ice cube trays		1		1			
Number of shelves in fridge compartment	4	3	4	3	4	6	4
Number of Adjustable Shelves in fridge compartment (Stck)	3	2	3	2	3	5	3
Material of the shelves	Safety Glass	Glass	Safety Glass	Glass	Safety Glass	Safety Glass	Safety Glass
Included accessories	2 x egg tray	2 x egg tray, 1 x ice cube tray	2 x egg tray	2 x egg tray, 1 x ice cube tray	2 x egg tray	1 x egg tray	1 x butter dish
Storage period in power failure		13		13			
FUNCTIONS							
Number of independent cooling systems	1	1	1	1	1	1	1
Type of control	Electronic	Electronic	Electronic	Electronic	Electronic	mechanical	mechanical
Minimum ambient temperature	10	10	10	10	10	10	10
Maximum ambient temperature	43	38	43	38	43	38	38
Cold technology	1 compressor/1 cold circuit	1 compressor/1 cold circuit	1 compressor/1 cold circuit	1 compressor/1 cold circuit	1 compressor/1 cold circuit	1 compressor/1 cold circuit	1 compressor/1 cold circuit
Anti Bacterial						●	●
Number of compressors	1	1	1	1	1	1	1
DIMENSION AND INSTALLATION							
Connection Rating (W)	90	90	90	90	90	90	90
Current (A)	10	10	10	10	13	10	13
Voltage (V)	220-240	220-240	220-240	220-240	220-240	220-240	220-240
Frequency (Hz)	50	50	50	50	50	50	50
Length electrical supply cord (cm)	230	230	230	230	230	230	230
Approval certificates	VDE	VDE	VDE	VDE	VDE	VDE	VDE
Type of hinge	Sliding hinge	Flush-folding	Fixed / Flat hinge	Follow-door	Sliding hinge	Sliding hinge	Sliding hinge
Reversible Door Hinge	●	●	●	●	●	●	●
Height of the product (mm)	1021	874	874	874	874	1221	874
Width of the product (mm)	538	541	538	541	538	541	541
Depth of the product	542	545	542	545	542	542	542
Depth with open door 90 degree (mm)	1140	1140	1140	1140	1140	1140	1140
Height of the packed product (mm)	1100	950	950	950	950	1300	950
Width of the packed product (mm)	620	610	620	620	610	615	610
Depth of the packed product (mm)	640	630	640	640	630	635	630
Width with opened door (90°)	60.00	60.00	60.00	60.00	60.00	60.00	60.00
Depth with door open (90°)	114.00	114.00	114.00	114.00	114.00	114.00	114.00
Required niche size for installation (HxWxD)	1025.0 x 560 x 550	880 x 560 x 550	880 x 560 x 550	880 x 560 x 550	880 x 560 x 550	1225.0 x 560 x 550	880 x 560 x 550
Minimum height for installation (mm)	1025	880	880	880	880	1225	880
Maximum height for installation (mm)	1025	880	880	880	880	1225	880
Minimum width for installation (mm)	560	560	560	560	560	560	560
Maximum width for installation (mm)	560	560	560	560	560	560	560
Depth for installation (mm)	550	550	550	550	550	550	550
Net weight (kg)	37.0	32.0	37.0	36.0	32.0	40.0	31.0
Gross weight (kg)	41.0	35.0	40.0	39.0	35.0	44.0	34.0
Dimensions of the packed product (cm)	110 x 62 x 64	95 x 61 x 63	95 x 62 x 64	95 x 62 x 64	95 x 61 x 63	130 x 61.5 x 63.5	95 x 61 x 63
Required cutout/niche size for installation (cm)	102.5 x 56 x 55	88 x 56 x 55	88 x 56 x 55	88 x 56 x 55	88 x 56 x 55	122.5 x 56 x 55	88 x 56 x 55
EAN code	4242002875132	4242002875316	4242002875156	4242002875323	4242002812823	4242002578293	4242002578262

● = Yes
- = No

Integrated fridges & freezers specifications

BUILT-IN FREEZERS	Serie 8				Serie 4	
Model number	GIN38A55GB	GIN81AE30G	GIN41AE30G	GIN31AE30G	GID18A50GB	GID18A20GB
Highlights						
PERFORMANCE AND CONSUMPTION						
Energy efficiency class	A+	A++	A++	A++	A+	A+
Energy consumption annual (kWh/annum)	310	188	243	168	192	192
Total unit gross capacity (l)	288	150	235	120	-	-
Total unit net capacity (l)	212	127	211	97	94	94
Freezer Net capacity (l)	212	127	211	97	94	94
Climate class	SN-ST	SN-T	SN-T	SN-T	SN-T	SN-T
Noise level (dB(A) re 1 pW)	40	39	38	39	36	36
KEY FEATURES - FREEZER						
Freezer Star Rating	4	4	4	4	4	4
Temperature adjustable freezer	●	●	●	●	●	●
Door opened indicator freezer	●	●	●	●	●	●
Defrost process freezer section	Manual	-	-	-	Manual	Manual
No. of ice cube trays	-	1	1	1	-	-
Number of shelves in freezer compartment	5	4	5	3	4	4
Number of Adjustable Shelves in freezer compartment (Stck)	2	-	-	-	0	0
Material of the shelves	Safety Glass	Safety Glass	Safety Glass	Safety Glass	Safety Glass	Safety Glass
Included accessories		2 x cold accumulator, 1 x ice cube tray	2 x cold accumulator, 1 x ice cube tray	2 x cold accumulator, 1 x ice cube tray	2 x cold accumulator, 1 x berry tray, 1 x ice cube tray	2 x cold accumulator, 1 x berry tray, 1 x ice cube tray
Storage period in power failure	11	23	22	25		
FUNCTIONS						
Number of independent cooling systems	1	1	1	1	1	1
Type of control	Electronic	Electronic	Electronic	Electronic	Electronic	Electronic
Minimum ambient temperature	-	10	10	10	-	-
Maximum ambient temperature	-	43	43	43	-	-
Cold technology	1 compressor/ 1 cold circuit	NoFrost	NoFrost	NoFrost	1 compressor/ 1 cold circuit	1 compressor/ 1 cold circuit
Anti Bacterial	-	-	-	-	-	-
Number of compressors	1	1	1	1	1	1
DIMENSION AND INSTALLATION						
Connection Rating (W)	120	120	120	120	90	90
Current (A)	13	13	13	13	13	13
Voltage (V)	220-240	220-240	220-240	220-240	220-240	220-240
Frequency (Hz)	50	50	50	50	50	50
Length electrical supply cord (cm)	230	230	230	230	230	230
Approval certificates	VDE	VDE	VDE	VDE	VDE	VDE
Type of hinge	Fixed / Flat hinge	Flush-folding	Flush-folding	Flush-folding	Fixed / Flat hinge	Fixed / Flat hinge
Reversible Door Hinge	●	●	●	●	●	●
Height of the product (mm)	1772	1221	1772	1021	874	874
Width of the product (mm)	556	558	558	558	541	541
Depth of the product	545	545	545	545	542	542
Depth with open door 90 degree (mm)	1140	1140	1140	1140	-	-
Height of the packed product (mm)	1840	1290	1840	1090	1840	1840
Width of the packed product (mm)	620	620	620	620	620	620
Depth of the packed product (mm)	640	640	640	640	640	640
Width with opened door (90°)	60.00	60.00	60.00	60.00	60.00	60.00
Depth with door open (90°)	114.00	114.00	114.00	114.00	114.00	114.00
Required niche size for installation (HxWxD)	1775.0 x 560 x 550	122.5 x 56 x 55	177.5 x 56 x 55	102.5 x 56 x 55	880 x 560 x 550	880 x 560 x 550
Minimum height for installation (mm)	1775	1225	1775	1025	1775	1775
Maximum height for installation (mm)	1775	1225	1775	1025	1775	1775
Minimum width for installation (mm)	560	560	560	560	560	541
Maximum width for installation (mm)	560	560	560	560	560	541
Depth for installation (mm)	550	550	550	550	550	550
Net weight (kg)	73.0	49.0	66.0	43.0	36.0	542
Gross weight (kg)	79.0	52.0	72.0	46.0	39.0	39.0
Dimensions of the packed product (cm)	184 x 62 x 64	129 x 62 x 64	184 x 62 x 64	109 x 62 x 64	184 x 62 x 64	184 x 62 x 64
Required cutout/niche size for installation (cm)	177.5 x 56 x 55	122.5 x 56 x 55	177.5 x 56 x 55	102.5 x 56 x 55	88 x 56 x 55	88 x 56 x 55
EAN code	4242002734934	4242002898209	4242002898834	4242002898261	4242002734590	4242002527963

● = Yes
- = No

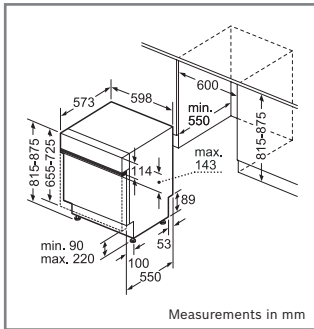
Integrated fridges & freezers specifications

BUILT-UNDER FRIDGES	Serie 6		Serie 4
Model number	KUL15A60GB	KUR15A50GB	GUD15A50GB
PERFORMANCE AND CONSUMPTION			
Energy efficiency class	A++	A+	A+
Annual energy consumption (kWh)	140	118	184
Total unit net capacity (litres)	123	137	98
Refrigerator net capacity (litres)	108	131	-
Freezer net capacity (litres)	15	0	98
Noise level dB (re 1pW)	38	38	38
DESIGN FEATURES			
Colour of sides	-	-	-
Type of handle	-	-	-
Door hinge	-	-	-
Type of hinge	Flat hinge	Flat hinge	Flat hinge
Reversible Door, Hinged on right	●	●	●
Light Wattage - Refrigerator	-	-	-
Light	●	●	-
LED light	-	-	-
Number of compressors	1	1	1
Number of cooling circuits	1	1	1
Number of evaporators	-	-	-
Number of temperature zones fridge	-	-	-
FOOD FRESHNESS SYSTEMS			
Range of temperatures (°C)	-	-	-
Interior ventilation through plinth	-	-	-
Humidity control drawer	●	●	-
Anti Bacterial	-	-	-
Food preservation containers	-	-	-
MultiAirflow system	-	-	-
KEY FEATURES - FRIDGE SECTION			
No. of temperature zones fridge	-	-	-
Number of vegetable containers with ribbed bottom and humidity control	-	-	-
Number of shelves in fridge compartment	-	-	-
Number of glass safety shelves in fridge compartment	2	3	-
Number of adjustable shelves in fridge compartment	1	3	-
Type of shelves	-	-	-
Drawers with telescopic rails	-	-	-
Number of door bins in fridge	-	-	-
Tilt-out door bins in fridge	-	-	-
Number of door shelves	3	3	-
Number of containers in fridge compartment	2	2	-
EasyLift flexible shelf in door	-	-	-
Fast cooling switch	-	-	-
Included accessories	1 x egg tray, 1 x ice cube tray	1 x egg tray	-
KEY FEATURES - FREEZER SECTION			
Star rating	***	-	-
Number of freezer draws	-	-	3
NoFrost system	-	-	-
Fast freezing switch	-	-	●
Shelf adjustability	-	-	-
Automatic motor-driven ice-maker	-	-	-
Water filter replacement indicator	-	-	-
Water tank	-	-	-
Dispenser - crushed ice, ice cubes, quick ice, water, water filter	-	-	-
Included accessories	-	-	2 x ice packs, 1 x ice cube tray
FUNCTIONS			
Electronic display	-	-	-
Temperature display fridge	-	-	-
Warning / malfunction signal	-	-	-
Door opened indicator	-	-	●
DIMENSION AND INSTALLATION			
Climate class	SN-ST	SN-ST	SN-ST
Height of the product	820	820	820
Width of the product	598	598	598
Depth of the product	548	548	548
Width with opened door 90°n (mm)	-	-	-
Depth with open door 90° (mm)	1150	1150	1150
Maximum height for installation (mm)	-	-	-
Maximum width for installation (mm)	-	-	-
Depth for installation (mm)	-	-	-
Maximum adjustability feet (mm)	50	50	50

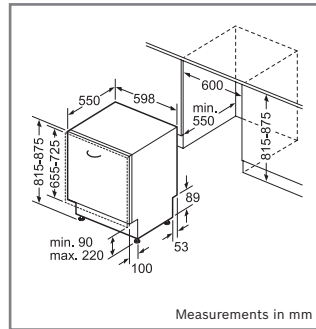
● = Yes
-- = No

Dishwasher technical diagrams

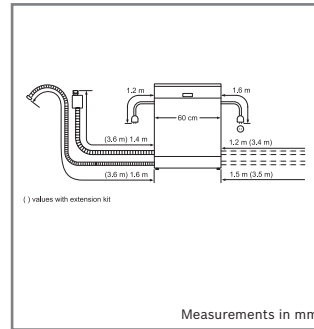
Semi integrated, fully integrated and slimline dishwashers



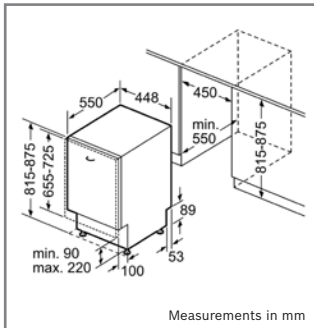
Semi integrated dishwashers



Fully integrated dishwashers



All 60cm dishwasher connection dimensions



45cm dishwashers

Dishwasher specifications

FULLY-INTEGRATED

	Serie 8			Serie 6			
MODEL	SMV88TX26E	SMV88TD00G	SMV87TD00G	SMV69P15GB	SMV69M01GB	SBV69M00GB	SMV65M10GB
Main colour of product	-	-	-	Brushed steel	Brushed steel	Brushed steel	Brushed steel
Taller height model	-	-	-	-	-	86.5cm	-
Home Connect	●	-	-	-	-	-	-
PERFORMANCE							
Reference programme	Eco	Eco	Eco	Eco	Eco	Eco	Eco
Reference programme temperature (°C)	50	50	50	50	50	50	50
Energy efficiency class	A+++	A+++	A++	A+	A+	A++	A++
Energy consumption annual (kWh/annum) ¹	237	237	266	299	262	262	262
Water consumption annual (l/annum) ¹	2660	2660	2660	2660	1820	1820	2660
Energy consumption (kWh) ²	0.83	0.83	0.93	1.05	0.92	0.92	0.92
Water consumption (l) ²	9.50	9.50	9.50	9.50	6.50	6.50	9.50
Cleaning performance	A	A	A	A	A	A	A
Drying performance	A	A	A	A	A	A	A
Number of place settings	14	14	14	14	13	13	13
Noise level (dB(A) re 1 pW)	42	42	44	39	44	44	44
Total cycle time of reference programme (min)	195	195	210	195	195	195	210
PROGRAMMES/ FUNCTIONS							
Number of programmes	8	8	7	6	6	6	6
Number of different wash temperatures	6	6	6	5	5	5	5
Number of options	5	5	4	4	4	4	2
List of programmes	Auto35-45, Auto45-65, Auto65-75, Economy 50, Night Program 50, Super 60, Quick 45, Prerinse	Auto35-45, Auto45-65, Auto65-75, Economy 50, Night Program 50, Super 60, Quick 45, Prerinse	Auto35-45, Auto45-65, Auto65-75, Economy 50, Quick Wash 45	Auto45-65, Delicate 40, Economy 50, Intensive 70, Pre Rinse, Quick Wash 45	Auto45-65, Delicate 40, Economy 50, Intensive 70, Pre Rinse, Quick Wash 45	Auto45-65, Delicate 40, Economy 50, Intensive 70, Pre Rinse, Quick Wash 45	Auto45-65, Delicate 40, Economy 50, Intensive 70, Pre Rinse, Quick Wash 45
Additional special options	Shine and dry, Half Load, HygienePlus, Intensive Zone, VarioSpeedPlus	Shine and dry, Half Load, HygienePlus, Intensive Zone, VarioSpeedPlus	Half Load, HygienePlus, Intensive Zone, VarioSpeedPlus	Half Load, HygienePlus, Intensive Zone, VarioSpeedPlus	Extra dry, Half Load, Intensive Zone, VarioSpeedPlus	Extra dry, Half Load, Intensive Zone, VarioSpeedPlus	Intensive Zone, VarioSpeedPlus
FLEXIBLE DESIGN ELEMENTS							
VarioDrawer/VarioDrawer Plus/VarioDrawer Pro	VarioDrawer Pro	VarioDrawer Pro	VarioDrawer Pro	VarioDrawer	VarioDrawer Plus	VarioDrawer Plus	-
Basket type	VarioFlex Pro	VarioFlex Pro	VarioFlex Pro	VarioFlex Plus	VarioFlex Plus	VarioFlex Plus	VarioFlex Plus
Adjustable upper basket	3-stage Rackmatic™	3-stage Rackmatic™	3-stage Rackmatic™	3-stage Rackmatic™	3-stage Rackmatic™	3-stage Rackmatic™	3-stage Rackmatic™
Upper rack cup shelf	-	-	-	2	2	2	2
Number of Flip Tines in Upper Rack	6	6	6	6	6	6	6
Cup Shelf	2	2	2	2	2	2	2
Number of Flip Tines in Lower Rack	8	8	8	4	6	6	6
Largest loadable dish upper basket (cm)	21	21	21	21	27	29	27
Largest loadable dish lower basket (cm)	31	31	31	30	30	33	30
Basket with handle	Bottom basket, Top basket	Bottom basket, Top basket	Bottom basket, Top basket	Bottom basket, Top basket	Bottom basket, Top basket	Bottom basket, Top basket	Bottom basket, Top basket
INNOVATIONS AND TECHNOLOGY							
Zeolith Energy recovery system	●	●	●	●	●	●	●
Drying system	Heat Exchanger	Heat Exchanger	Heat Exchanger	Heat Exchanger	Heat Exchanger	Heat Exchanger	Heat Exchanger
Load sensor	●	●	●	●	●	●	●
Detergent aware	●	●	●	●	●	●	●
DosageAssist	●	●	●	●	●	●	●
Glass protection system	●	●	●	●	●	●	●
Aquasensor	●	●	●	●	●	●	●
Self cleaning filter system	●	●	●	●	●	●	●
DESIGN FEATURES							
RealTime clock	●	●	●	-	-	-	-
TimeLight projection on floor	●	●	●	-	●	-	-
InfoLight (red)	-	-	-	●	-	●	●
DoorOpen Assist (with childlock function)	●	●	●	-	●	-	-
Full colour TFT control	●	●	●	-	-	-	-
Interior light	●	●	●	-	-	-	-
Start delay time max (hours)	24	24	24	24	24	24	24
Time remaining indicator	●	●	●	●	●	●	●
End of cycle indicator	Acoustic	Acoustic	Acoustic	Acoustic	Acoustic	Acoustic	Acoustic
Interior cavity material	Stainless steel	Stainless steel	Stainless steel	Stainless steel	Stainless steel	Stainless steel	Stainless steel
Salt light LED indicator	●	●	●	●	●	●	●
Rinse aid light LED indicator	●	●	●	●	●	●	●
Flood protection system	AquaStop 24hr	AquaStop 24hr	AquaStop 24hr	AquaStop 24hr	AquaStop 24hr	AquaStop 24hr	AquaStop 24hr
TECHNICAL SPECIFICATIONS							
Required niche size for installation (HxWxD)	815-875 x 600 x 550	815-875 x 600 x 550	815-875 x 600 x 550	815-875 x 600 x 550	815-875 x 600 x 550	865-925 x 600 x 550	815-875 x 600 x 550
Net weight (kg)	48.0	48.0	40.0	43.0	40.0	41.0	38.0
Gross weight (kg)	51.0	51.0	43.0	45.0	42.0	44.0	41.0
Length electrical supply cord (cm)	175	175	175	175	175	175	175
Length inlet hose (cm)	165	165	165	165	165	165	165
Length outlet hose (cm)	190.0	190.0	190.0	190.0	190.0	190.0	190.0
Maximum adjustability feet (mm)	60	60	60	60	60	60	60
Surge-back protection installed	●	●	●	●	●	●	●
Water softener (kWh) ³	●	●	●	●	●	●	●
Maximum accepted water hardness	50°DH	50°DH	50°DH	50°DH	50°DH	50°DH	50°DH
Maximum temperature for water intake (°C)	60	60	60	60	60	60	60
Included accessories 2	Large item spray head, Steam deflector plate	Large item spray head, Steam deflector plate	Large item spray head, Steam deflector plate	Large item spray head, Steam deflector plate	Large item spray head, Steam deflector plate	Large item spray head, Steam deflector plate	Large item spray head, Steam deflector plate
Optional accessories	SGZ1010, SMZ2014, SMZ2055, SMZ5001, SMZ5003, SMZ5005, SMZ5100, SMZ5300	SGZ1010, SMZ2014, SMZ2055, SMZ5001, SMZ5003, SMZ5005, SMZ5100, SMZ5300	SGZ1010, SMZ2014, SMZ2055, SMZ5001, SMZ5003, SMZ5005, SMZ5100, SMZ5300	SGZ1010, SMZ2014, SMZ2055, SMZ5001, SMZ5003, SMZ5005, SMZ5100, SMZ5300	SGZ1010, SMZ2014, SMZ2055, SMZ5001, SMZ5002, SMZ5003, SMZ5005, SMZ5005, SMZ5300	SGZ1010, SMZ2014, SMZ5001, SMZ5002, SMZ5003, SMZ5015, SMZ5300	SGZ1010, SMZ2014, SMZ2055, SMZ5001, SMZ5003, SMZ5005, SMZ5100, SMZ5300
EAN code	4242002901848	4242002859156	4242002859170	4242002859149	4242002859132	4242002859125	4242002859101

● = Yes | - = No

Key to accessories

- SGZ1010 AquaStop extension
- SMZ5001 Baby care kit
- SMZ5002 Silverware holder cassette
- SMZ5100 Vario-cutlery basket (60cm)
- SMZ5300 Glass holder accessory
- SMZ5005 Front edging Strips (81.5cm)
- SMZ5006 Front edging Strips (81.5cm)
- SMZ5015 Front edging Strips (86.5cm)
- SPZ5100 Vario-cutlery basket (45cm & compacts)

Notes

- ¹ Based on 280 standard cleaning cycles using cold water fill, including consumption of the standby mode.
- ² The consumption per cleaning cycle of the "Eco 50" programme using cold water fill.
- ³ We would recommend our dishwashers are connected to the mains water supply where possible. However, they may also be connected to an external water softener as long as the water softener produces softened water of less than 1.1 mmol/litre (7.0°e) and the water softener in the appliance is turned off. Please contact product advice for further information. When using an external water softener unit, you will need to set the 'Refill Salt' indicator to zero otherwise over-softening of the water will take place which will result in corrosion of your glassware. Water pressure required: 0.5-10 Bar. Flow rate: 10 litres per minute. Inlet valve connected directly to 3/4" screwed joint. All Bosch built-in dishwashers are suitable for use with doors from 3.5kg-8.5kg if the correct door springs are installed.

Dishwasher specifications

FULLY-INTEGRATED

	Serie 6		Serie 4	Serie 2		
MODEL	SMV53M10GB	SMV53M30GB	SMV53L00GB	SMV50C10GB	SMV40C30GB	SMV40C00GB
Main colour of product	Brushed steel	Brushed steel	Silver	Black	Black	Black
Taller height model	-	-	-	-	-	-
Home Connect	-	-	-	-	-	-
PERFORMANCE						
Reference programme	Eco	Economy	Eco	Eco	Eco	Eco
Reference programme temperature (°C)	50	50	50	50	50	50
Energy efficiency class	A++	A++	A+	A+	A+	A+
Energy consumption annual (kWh/annum) ¹	262	262	290	290	290	290
Water consumption annual (l/annum) ¹	2660	2660	3300	3300	3300	3920
Energy consumption (kWh) ²	0.92	0.92	1.02	1.02	1.02	1.02
Water consumption (l) ²	9.50	9.50	11.70	11.70	11.70	14.00
Cleaning performance	A	A	A	A	A	A
Drying performance	A	A	A	A	A	A
Number of place settings	13	13	12	12	12	12
Noise level (dB(A) re 1 pW)	46	46	48	48	50	54
Total cycle time of reference programme (min)	210	210	210	210	210	210
PROGRAMMES/ FUNCTIONS						
Number of programmes	5	5	5	5	4	4
Number of different wash temperatures	4	4	4	4	3	3
Number of options	2	2	2	1	1	0
List of programmes	Auto45-65, Economy 50, Intensive 70, Pre Rinse, Quick Wash 45	Auto, Economy, Intensive, Pre Rinse, Quick Wash	Auto45-65, Economy 50, Intensive 70, Pre Rinse, Quick Wash 45	Economy 50, Intensive 70, Normal 65, Pre Rinse, Quick Wash 45	Economy 50, Normal 65, Pre Rinse, Quick Wash 45	Economy 50, Normal 65, Pre Rinse, Quick Wash 45
Additional special options	Intensive Zone, VarioSpeedPlus	VarioSpeed, ExtraDry	Half Load, VarioSpeed	VarioSpeed	VarioSpeed	
FLEXIBLE DESIGN ELEMENTS						
VarioDrawer/VarioDrawer Plus/VarioDrawer Pro	-	-	-	-	-	-
Basket type	VarioFlex	VarioFlex basket system	VarioFlex	Vario	Vario	Normal
Adjustable upper basket	3-stage Rackmatic™	3-stage Rackmatic™	3-stage Rackmatic™	3-stage Rackmatic™	3-stage Rackmatic™	when empty
Upper rack cup shelf	2	2	2	2	2	2
Number of Flip Tines in Upper Rack	2	2	2	-	-	-
Cup Shelf	-	-	-	-	-	-
Number of Flip Tines in Lower Rack	4	4	4	2	2	-
Largest loadable dish upper basket (cm)	21	27	27	27	27	22
Largest loadable dish lower basket (cm)	30	30	30	30	30	30
Basket with handle	Bottom basket, Top basket	Bottom basket, Top basket	Bottom basket, Top basket	Top basket	Top basket	Top basket
INNOVATIONS AND TECHNOLOGY						
Zeolith Energy recovery system	-	-	-	-	-	-
Drying system	Heat Exchanger	Inherent heat	Residual	Residual	Residual	Residual
Load sensor	●	●	●	●	●	●
Detergent aware	●	●	●	●	●	●
DosageAssist	●	●	●	●	●	●
Glass protection system	●	●	●	●	●	●
Aquasensor	●	●	●	●	●	●
Self cleaning filter system	●	●	●	●	●	●
DESIGN FEATURES						
RealTime clock	-	-	-	-	-	-
TimeLight projection on floor	-	-	-	-	-	-
InfoLight (red)	●	●	●	●	●	●
DoorOpen Assist (with childlock function)	-	-	-	-	-	-
Full colour TFT control	-	-	-	-	-	-
Interior light	-	-	-	-	-	-
Start delay time max (hours)	24	24	24	9	9	-
Time remaining indicator	●	●	●	-	-	-
End of cycle indicator	Acoustic	End of program audible	Acoustic	Acoustic	Acoustic	Acoustic
Interior cavity material	Stainless steel	Stainless steel	Stainless steel/Polinox	Stainless steel/Polinox	Stainless steel/Polinox	Stainless steel/Polinox
Salt light LED indicator	●	●	●	●	●	●
Rinse aid light LED indicator	●	●	●	●	●	●
Flood protection system	AquaStop 24hr	AquaStop 24hr	AquaStop 24hr	AquaStop 24hr	AquaStop 24hr	AquaStop 24hr
TECHNICAL SPECIFICATIONS						
Required niche size for installation (HxWxD)	815-875 x 600 x 550	815-875 x 600 x 550	815-875 x 600 x 550	815-875 x 600 x 550	815-875 x 600 x 550	815-875 x 600 x 550
Net weight (kg)	36.0	34.0	33.0	33.0	30.0	34.0
Gross weight (kg)	39.0	36.0	35.0	35.0	33.0	36.0
Length electrical supply cord (cm)	175	175	175	175	175	175
Length inlet hose (cm)	165	165	165	165	165	165
Length outlet hose (cm)	190.0	190.0	190.0	190.0	190.0	190.0
Maximum adjustability feet (mm)	60	60	60	60	60	60
Surge-back protection installed	●	●	●	●	●	●
Water softener (kWh) ³	●	●	●	●	●	●
Maximum accepted water hardness	50°DH	50°DH	50°DH	35°DH	35°DH	35°DH
Maximum temperature for water intake (°C)	60	60	60	60	60	60
Included accessories 2	Large item spray head, Steam deflector plate	vapor barrier plate	Large item spray head, Steam deflector plate	Large item spray head, Steam deflector plate	Large item spray head, Steam deflector plate	Large item spray head, Steam deflector plate
Optional accessories	SGZ1010, SMZ2014, SMZ2055, SMZ5001, SMZ5002, SMZ5003, SMZ5005, SMZ5300	SGZ1010, SMZ2014, SMZ2055, SMZ5001, SMZ5002, SMZ5003, SMZ5005, SMZ5006, SMZ5300	SGZ1010, SMZ2014, SMZ2055, SMZ5000, SMZ5001, SMZ5002, SMZ5003, SMZ5006, SMZ5300	SGZ1010, SMZ2014, SMZ2055, SMZ5000, SMZ5001, SMZ5002, SMZ5003, SMZ5006, SMZ5300	SGZ1010, SMZ2055, SMZ5000, SMZ5001, SMZ5002, SMZ5003, SMZ5006	SGZ1010, SMZ2044, SMZ2055, SMZ5000, SMZ5001, SMZ5002, SMZ5003, SMZ5006, SMZ5025
EAN code	4242002859118	4242002873046	4242002862019	4242002861906	4242002861890	4242002862071

● = Yes | - = No

Key to accessories

SGZ1010 AquaStop extension
 SMZ5001 Baby care kit
 SMZ5002 Silverware holder cassette
 SMZ5100 Vario-cutlery basket (60cm)
 SMZ5300 Glass holder accessory
 SMZ5005 Front edging Strips (81.5cm)
 SMZ5006 Front edging Strips (81.5cm)
 SMZ5015 Front edging Strips (86.5cm)
 SPZ5100 Vario-cutlery basket (45cm & compacts)

Notes

¹ Based on 280 standard cleaning cycles using cold water fill, including consumption of the standby mode.

² The consumption per cleaning cycle of the "Eco 50" programme using cold water fill.

³ We would recommend our dishwashers are connected to the mains water supply where possible. However, they may also be connected to an external water softener as long as the water softener produces softened water of less than 1.1 mmo/litre (7.0°) and the water softener in the appliance is turned off. Please contact product advice for further information.

When using an external water softener unit, you will need to set the 'Refill Salt' indicator to zero otherwise over-softening of the water will take place which will result in corrosion of your glassware.

Water pressure required: 0.5-10 Bar. Flow rate: 10 litres per minute. Inlet valve connected directly to 3/4" screwed joint.

All Bosch built-in dishwashers are suitable for use with doors from 3.5kg-8.5kg if the correct door springs are installed.

Dishwasher specifications

	SEMI-INTEGRATED					45CM FULLY-INTEGRATED	
	Serie 8	Serie 6	Serie 4	Serie 4	Serie 6	Serie 6	Serie 4
MODEL	SMI8TS00G	SMI6SP15GB	SMI50C12GB	SMI50C15GB	SMI50C16GB	SPV69T00GB	SPV40C10GB
Main colour of product	Brushed steel	Stainless steel	White	Silver	Black	Silver	Black
Taller height model	-	-	-	-	-	-	-
Home Connect	-	-	-	-	-	-	-
PERFORMANCE							
Reference programme	Eco	Eco	Eco	Eco	Eco	Eco	Eco
Reference programme temperature (°C)	50	50	50	50	50	50	50
Energy efficiency class	A++	A++	A+	A+	A+	A++	A+
Energy consumption annual (kWh/annum) ¹	266	262	290	290	290	211	220
Water consumption annual (l/annum) ¹	2660	1820	2660	2660	2660	2660	2660
Energy consumption (kWh) ²	0.93	0.92	1.02	1.02	1.02	0.75	0.78
Water consumption (l) ²	9.50	6.50	9.50	9.50	9.50	9.50	9.50
Cleaning performance	A	A	A	A	A	A	A
Drying performance	A	A	A	A	A	A	A
Number of place settings	14	13	12	12	12	10	9
Noise level (dB(A) re 1 pW)	41	44	46	46	46	44	48
Total cycle time of reference programme (min)	195	195	210	210	210	195	195
PROGRAMMES/ FUNCTIONS							
Number of programmes	8	6	5	5	5	6	4
Number of different wash temperatures	6	5	4	4	4	5	3
Number of options	5	4	2	2	2	3	1
List of programmes	Auto, Economy 50, Night Program 50	Auto, Delicate 40, Economy 50, Intensive 70, Pre Rinse, Quick Wash 45	Auto, Economy 50, Intensive 70, Pre Rinse, Quick Wash 45	Auto, Economy 50, Intensive 70, Pre Rinse, Quick Wash 45	Auto, Economy 50, Intensive 70, Pre Rinse, Quick Wash 45	Auto, Economy 50, Pre Rinse, Quick Wash 45	Economy 50, Intensive 70, Pre Rinse, Quick Wash 45
Additional special options	Extra dry, Half Load, HygienePlus, Intensive Zone, VarioSpeedPlus	Extra dry, HygienePlus, Intensive Zone, VarioSpeedPlus	Half Load, VarioSpeed	Half Load, VarioSpeed	Half Load, VarioSpeed	HygienePlus, Intensive Zone, VarioSpeedPlus	VarioSpeed
FLEXIBLE DESIGN ELEMENTS							
VarioDrawer/VarioDrawer Plus/VarioDrawer Pro	-	-	-	-	-	VarioDrawer	-
Basket type	VarioFlex Pro	VarioFlex Plus	Vario	Vario	Vario	VarioFlex Plus	Vario
Adjustable upper basket	3-stage Rackmatic™	3-stage Rackmatic™	3-stage Rackmatic™	3-stage Rackmatic™	3-stage Rackmatic™	3-stage Rackmatic™	3-stage Rackmatic™
Upper rack cup shelf	-	2	-	-	-	1	2
Number of Flip Tines in Upper Rack	6	6	-	-	-	3	-
Cup Shelf	2	2	-	-	-	1	-
Number of Flip Tines in Lower Rack	8	6	2	2	2	4	2
Largest loadable dish upper basket (cm)	21	21	27	27	27	21	27
Largest loadable dish lower basket (cm)	31	30	30	30	30	30	30
Basket with handle	Bottom basket, Top basket	Bottom basket, Top basket	Top basket	Top basket	Top basket	Bottom basket, Top basket	Top basket
INNOVATIONS AND TECHNOLOGY							
Zeolith Energy recovery system	-	-	-	-	-	-	-
Drying system	Heat Exchanger	Heat Exchanger	Residual	Residual	Residual	Heat Exchanger	Residual
Load sensor	●	●	●	●	●	●	●
Detergent aware	●	●	●	●	●	●	●
DosageAssist	●	●	●	●	●	●	●
Glass protection system	●	●	●	●	●	●	●
Aquasensor	●	●	●	●	●	●	-
Self cleaning filter system	●	●	●	●	●	●	●
DESIGN FEATURES							
RealTime clock	●	-	-	-	-	-	-
TimeLight projection on floor	●	-	-	-	-	●	-
InfoLight (red)	-	-	-	-	-	-	-
DoorOpen Assist (with childlock function)	-	-	-	-	-	-	-
Full colour TFT control	●	-	-	-	-	-	-
Interior light	-	-	-	-	-	-	-
Start delay time max (hours)	24	24	24	24	24	24	9
Time remaining indicator	●	●	●	●	●	●	-
End of cycle indicator	Acoustic	-	-	-	-	Acoustic	Acoustic
Interior cavity material	Stainless steel	Stainless steel	Stainless steel/Polinox	Stainless steel/Polinox	Stainless steel/Polinox	Stainless steel	Stainless steel
Salt light LED indicator	●	●	●	●	●	●	●
Rinse aid light LED indicator	●	●	●	●	●	●	●
Flood protection system	AquaStop 24hr	AquaStop 24hr	AquaStop 24hr	AquaStop 24hr	AquaStop 24hr	AquaStop 24hr	AquaStop 24hr
TECHNICAL SPECIFICATIONS							
Required niche size for installation (HxWxD)	815-875 x 600 x 550	815-875 x 600 x 573	815-875 x 600 x 550	815-875 x 600 x 550	815-875 x 600 x 550	815-875 x 450 x 550	815-875 x 450 x 550
Net weight (kg)	44.0	42.0	33.0	33.0	33.0	32.0	29.0
Gross weight (kg)	47.0	44.0	35.0	35.0	35.0	34.0	31.0
Length electrical supply cord (cm)	175	170	175	175	175	175	175
Length inlet hose (cm)	165	140	165	165	165	165	165
Length outlet hose (cm)	190.0	170.0	190.0	190.0	190.0	205.0	205.0
Maximum adjustability feet (mm)	60	60	60	60	60	60	60
Surge-back protection installed	●	●	●	●	●	●	●
Water softener (kWh) ³	●	●	●	●	●	●	●
Maximum accepted water hardness	50°DH	50°DH	50°DH	50°DH	50°DH	50°DH	35°DH
Maximum temperature for water intake (°C)	60	60	60	60	60	60	60
Included accessories 2	Large item spray head, Steam deflector plate	Large item spray head, Steam deflector plate	Large item spray head, Steam deflector plate	Large item spray head, Steam deflector plate	Large item spray head, Steam deflector plate	Large item spray head, Steam deflector plate	Large item spray head, Steam deflector plate
Optional accessories	SGZ1010, SMZ2014, SMZ5001, SMZ5003, SMZ5005, SMZ5100, SMZ5300	SGZ1010, SMZ2014, SMZ5001, SMZ5002, SMZ5003, SMZ5005, SMZ5100	SGZ1010, SMZ2014, SMZ5000, SMZ5001, SMZ5002, SMZ5003, SMZ5006, SMZ5022	SGZ1010, SMZ2014, SMZ2044, SMZ5000, SMZ5001, SMZ5002, SMZ5003, SMZ5006, SMZ5025	SGZ1010, SMZ2014, SMZ5000, SMZ5001, SMZ5002, SMZ5003, SMZ5006	SGZ1010, SMZ5000, SMZ5001, SMZ5003, SMZ5005, SMZ5300, SPZ5100	SGZ1010, SGZ3003, SMZ5000, SMZ5001, SMZ5003, SMZ5005, SMZ5300
EAN code	4242002859194	4242002871677	4242002861838	4242002861845	4242002861852	4242002871691	4242002872940

● = Yes | - = No

Key to accessories

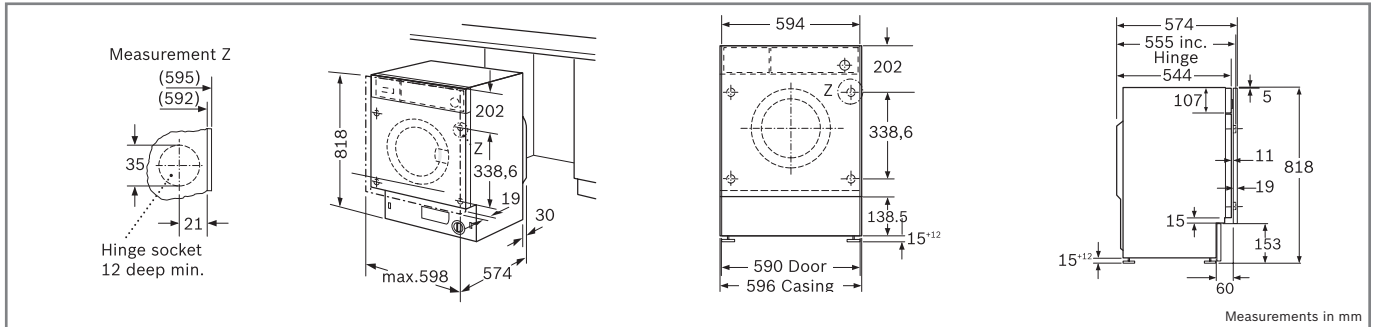
- SGZ1010 AquaStop extension
- SMZ5001 Baby care kit
- SMZ5002 Silverware holder cassette
- SMZ5100 Vario-cutlery basket (60cm)
- SMZ5300 Glass holder accessory
- SMZ5005 Front edging Strips (81.5cm)
- SMZ5006 Front edging Strips (81.5cm)
- SMZ5015 Front edging Strips (86.5cm)
- SPZ5100 Vario-cutlery basket (45cm & compacts)

Notes

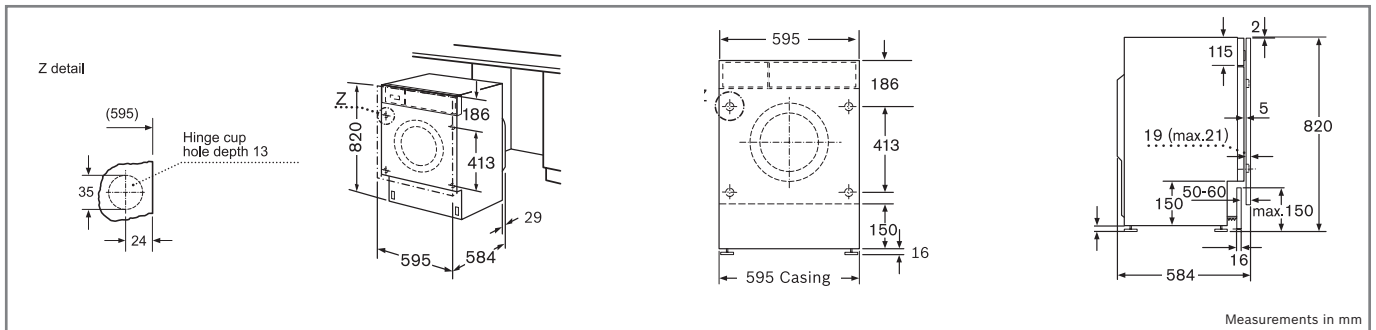
- ¹ Based on 280 standard cleaning cycles using cold water fill, including consumption of the standby mode.
- ² The consumption per cleaning cycle of the "Eco 50" programme using cold water fill.
- ³ We would recommend our dishwashers are connected to the mains water supply where possible. However, they may also be connected to an external water softener as long as the water softener produces softened water of less than 1.1 mmo/litre (7.0°) and the water softener in the appliance is turned off. Please contact product advice for further information. When using an external water softener unit, you will need to set the 'Refill Salt' indicator to zero otherwise over-softening of the water will take place which will result in corrosion of your glassware. Water pressure required: 0.5-10 Bar. Flow rate: 10 litres per minute. Inlet valve connected directly to 3/4" screwed joint. All Bosch built-in dishwashers are suitable for use with doors from 3.5kg-8.5kg if the correct door springs are installed.

Home laundry technical diagrams

Washing machines and washer dryers



WIS28441GB | WIS24141GB



WKD28541GB | WKD28351GB

Home laundry specifications

WASHING MACHINES

	Serie 8	
	WIS28441GB	WIS24141GB
White		
PERFORMANCE		
Energy efficiency class	A+	A+
Capacity cotton	kg 7.0	7.0
Maximum spin speed	rpm 1400	1200
Moisture content% on dry load after max. spin	53	59
Washing performance class	A	A
Spin drying performance class	B	C
Energy consumption annual	kWh/annum 220	220
Ø Energy consumption 40°C cotton programme (partial load)	kWh 0.86	0.86
Ø Energy consumption 60°C cotton programme (full load)	kWh 0.95	0.95
Ø Energy consumption 60°C cotton programme (partial load)	kWh 1.01	1.01
Water consumption annual	l/annum 11000	11000
Average washing time cotton 40°C (partial load)	135	135
Average washing time cotton 60°C (full load)	min 165	165
Average washing time cotton 60°C (partial load)	160	160
Drum volume	l 55	55
Noise level washing (dB)	46	46
Noise level spinning (dB)	64	63
PROGRAMMES/FUNCTIONS		
Standard Programmes		
Cottons	●	●
Easy-care programme	●	●
Wool programme	●	●
Delicates / Silk	●	●
Rinse	●	●
Spin	●	●
Empty	●	●
Specialist Programmes		
Superquick 15	●	-
Powerwash 60	●	-
Sensitive	●	-
Sportswear	●	-
Dark wash	●	-
Power Wash 60	●	-
Mixed Load	●	●
Options		
Pre Wash	●	●
Wash plus	●	●
Reduced Ironing	●	●
Aqua plus	●	●
Variable Temperature	●	●
Variable Spin	●	-
Spin speed reduction	-	●
KEY FEATURES		
Express Wash System	●	●
ADDITIONAL FEATURES		
softSurge Drum	●	●
Time delay	24	-
Time remaining	●	-
Foam Detection System	●	●
Safeguard Monitoring System	●	●
Noise Insulation	●	●
Water Protection system	Aquastop	Aquastop
TECHNICAL INFORMATION		
Dimensions (HxWxD) (exc door)	81.8 x 60 x 55.5	81.8 x 60 x 55.5
Display	LED Display	-
Cabinet Colour	white	white
Door Colour	white	white
Door Opening	130	130
Door Hinge	left-hand	left-hand
Length of supply cord	cm 225	225
Fully Integrable	●	●
EAN Code	4242002805719	4242002805726
OPTIONAL ACCESSORIES		
Height Adjustment	WMZ20440	WMZ20440
Connecting Piece	WMZ20470	WMZ20470
Floor Securing Kit	WMZ2200	WMZ2200
Extension for water inlet	WMZ2380	WMZ2380

● = Yes | - = No

All models comply with COMMISSION REGULATION (EC) No 1275/2008 with regard to ecodesign requirements for standby and off mode electric power consumption.

WASHER DRYER

	Serie 6	Serie 4
	WKD28541GB	WKD28351GB
White		
PERFORMANCE		
Energy efficiency class	B	B
Capacity cotton (kg) washing	7.0	7.0
Capacity cotton (kg) drying	4.0	4.0
Maximum spin speed (rpm)	1400	1400
Washing performance class	A	A
Energy consumption (wash and dry of full wash load)	kWh 5.6	5.6
Energy consumption (wash only)	kWh 1.03	1.03
Total annual energy consumption (Washing and drying 200 full loads)	kWh 1120	1120
Total annual water consumption (Washing only 200 full loads)	l 10400	10400
Water consumption (wash and dry full wash load)	l 103	103
Total annual water consumption (Washing and drying 200 full loads)	l 26000	26000
Total annual energy consumption (Washing only 200 full loads)	kWh 250	250
Average washing time cotton 60°C (full load)	min 212	212
Drum volume	l 52	52
Noise level washing	dB 57	57
Noise level spinning	dB 74	74
Noise level drying	dB 60	60
PROGRAMMES		
Standard programmes		
Cottons	●	●
Easy-care programme	●	●
Wool programme	●	●
Delicates / Silk	●	●
Intensive Dry	●	●
Gentle Dry	●	●
Rinse	●	●
Spin	●	●
Empty	●	●
Specialist programmes		
SuperQuick15	●	-
Night Wash	●	-
Sportswear	●	-
Sensitive	●	-
Mixed load	●	●
Fluff Removal Programme	●	●
Options		
Wash plus	●	●
Reduced Ironing	●	●
Rinse plus	●	●
Pre wash	●	●
Variable temperature	●	●
Variable spin	●	●
Spin speed reduction	●	●
Flexi Time	●	●
KEY FEATURES		
Full Electronic Control Dial for all wash and special programmes	●	●
Time selection options	●	●
ADDITIONAL FEATURES		
Aquatronic Wash System	●	●
Time Delay	24 hours	24 hours
Foam Detection System	●	●
Safeguard monitoring system	●	●
Child Lock	●	●
Water Protection system	Multiple water protection	AquaSecure
TECHNICAL INFORMATION		
Dimensions of the product (exc door)	cm 82 x 59.5 x 58.4	82 x 59.5 x 58.4
Length electrical supply cord	cm 220.00	220.00
Display	LED	LED
Cabinet Colour	white	white
Door Colour	white	white
Door Opening	95	95
Door Hinge	Left-hand	Left-hand
Fully Integrable	●	●
EAN code	4242002554594	4242002553740
OPTIONAL ACCESSORIES		
Connecting Piece (between appliance and 90cm worktop)	WMZ20470	WMZ20470
Floor Securing Kit	WMZ2200	WMZ2200
Extension for water inlet	WMZ2380	WMZ2380

● = Yes | - = No








Built-in ovens accessories



Description	Accessory Nr.	HBG634BS1B	HBG634BB1B	HBG656RS1B	HBG656RB1B	HBG674BS1B	HBG674BB1B	HBG6764S6B	HBG6764B6B
Single level telescopic shelf rails for Serie 8 non-pyrolytic, non-steam 60cm single ovens	HEZ638100	•	•	•	•	-	-	-	-
Single level telescopic shelf rails for Serie 8 60cm single pyrolytic ovens	HEZ638170	-	-	-	-	•	•	•	•
Full width enamelled baking tray for Serie 8 60cm single and 45cm compact ovens	HEZ631070	•	•	•	•	•	•	•	•
Full width wire shelf for Serie 8 60cm single and 45cm compact ovens	HEZ634000	•	•	•	•	•	•	•	•

Built-in compact accessories


Description	Accessory Nr.	CMG656BS6B	CMG656BB6B	CMG633BS1B	CBG675BS1B	CSG656BS1B	CNG6764S6B	CMG676BS6B
Single level telescopic shelf rails for Serie 8 non-pyrolytic, non-steam 45cm compact ovens	HEZ638108	-	-	-	-	-	-	-
Single level telescopic shelf rails for Serie 8 45cm compact pyrolytic ovens	HEZ638178	-	-	-	•	-	-	-
Full width enamelled baking tray for Serie 8 60cm single and 45cm compact ovens	HEZ631070	-	-	-	•	•	•	•
Full width wire shelf for Serie 8 60cm single and 45cm compact ovens	HEZ634000	•	•	•	•	•	•	•

Electric hobs accessories

	Description	Accessory Nr.	PIZ975N17E	PIP875N17E	PIV675N14E	PIN675N17E	PIN651F17E	PIE975N14E	PIM875N14E	PIM851F17E	PIL811F17E	PIE675N14E	PIE651F17E
	Set of four pans	HEZ390042	•	•	•	•	•	•	•	•	•	•	•
	Connecting strip	HEZ394301	•	•	•	•	-	•	•	-	-	•	-
	Teppan yaki approx. 40x20cm	HEZ390512	•	•	•	•	•	-	-	-	-	-	-
	Teppan yaki approx. 30x20cm	HEZ390511	•	•	•	•	•	-	-	-	-	-	-
	Griddle plate approx. 40x20cm	HEZ390522	•	•	•	•	•	-	-	-	-	-	-
	Rectangular roasting pan with lid approx. 30x20cm	HEZ390011	•	•	•	•	•	-	-	-	-	-	-
	Steamer pan insert of use with HEZ390011 roasting pan	HEZ390012	•	•	•	•	•	-	-	-	-	-	-

	Description	Accessory Nr.	PIE611B17E	PIA611F18E	PIA611B68B	PIE375C14E	PKN811D17E	PKE611D17E	PKF659C17E	PKE611C17E	NCT615C01 NCT616C01 NCT612C01	PKF375V14E
	Set of four pans	HEZ390042	•	•	•	-	-	-	-	-	-	-
	Connecting strip	HEZ394301	-	-	-	•	-	-	-	-	-	•
	Teppan yaki approx. 40x20cm	HEZ390512	-	-	-	-	-	-	-	-	-	-
	Teppan yaki approx. 30x20cm	HEZ390511	-	-	-	-	-	-	-	-	-	-
	Griddle plate approx. 40x20cm	HEZ390522	-	-	-	-	-	-	-	-	-	-
	Rectangular roasting pan with lid approx. 30x20cm	HEZ390011	-	-	-	-	-	-	-	-	-	-
	Steamer pan insert of use with HEZ390011 roasting pan	HEZ390012	-	-	-	-	-	-	-	-	-	-

Gas hobs accessories

	Description	Accessory Nr.	PPS816M91E	PPS916B91E	PCR715M90E	PCH615M90E	PPQ716B91E	PPP616B91E	POP66B80	PCS815B90E
	Connecting strip	HEZ394301	-	-	-	-	-	-	-	-

	Description	Accessory Nr.	PCQ715B90E	PCP615B90B PCP616B90E PCP612B90E	PBH6B5B60	PBP6B5B60 PBP6B2B60	PRA326B90E	PRB326B90E
	Connecting strip	HEZ394301	-	-	-	-	•	•

Hoods accessories

	Description	Accessory Nr.	DDA097G59B	DID106T50	DIA098E50B	DIB091U51B	DWK098E51B	DWA097E51B DWA067E51B	DWA078E50B	DWA094W51B DWA064W51B	DWA094W50B DWA074W50B DWA064W50B	DWB098E51B
	Recirculating kit (needed if recirculating)	DHZ5145	-	-	-	-	-	-	-	-	-	-
	Recirculating kit (needed if recirculating)	DHZ5325	-	-	-	-	•	•	•	•	•	-
	Recirculating kit (needed if recirculating)	DHZ5345	-	-	-	-	-	-	-	-	-	•
	Recirculating kit (needed if recirculating)	DHZ5365	-	-	•	-	-	-	-	-	-	-
	Recirculating kit (needed if recirculating)	DHZ5385	-	-	-	•	-	-	-	-	-	-
	Recirculating kit (needed if recirculating)	DHZ5595	-	-	-	-	-	-	-	-	-	-
	Recirculating kit (needed if recirculating)	DSZ5100	-	-	-	-	-	-	-	-	-	-
	Recirculating kit (needed if recirculating)	DHZ5275	-	-	-	-	-	-	-	-	-	-
	900 x 720mm brushed steel back panel	DHZ9551	-	-	-	-	-	-	-	-	-	-
	700 x 720mm brushed steel back panel	DHZ7551	-	-	-	-	-	-	-	-	-	-
	600 x 720mm brushed steel back panel	DHZ6551	-	-	-	-	-	-	-	-	-	-
	Decor panel black	DSZ0660	-	-	-	-	-	-	-	-	-	-
	Decor panel white	DSZ0620	-	-	-	-	-	-	-	-	-	-

Hoods accessories

Description	Accessory Nr.	DWB097A50B	DWB09W452B	Accessory Nr.	DWB094W50B	DWB074W50B	DWW097A50B	DWW077A50B	DWW067A50B	DWW09W460B	DWW09W450B	DWW06W450B
		DWB067A50B	DWB06W452B		DWB064W50B	DWB064W50B	DWW06W460B	DWW07W450B				
 Recirculating kit (needed if recirculating)	DHZ5145	-	-	DHZ5145	-	-	-	-	-	-	-	-
 Recirculating kit (needed if recirculating)	DHZ5325	•	•	DHZ5325	-	•	-	•	•	-	-	-
Recirculating kit (needed if recirculating)	DHZ5345	-	-	DHZ5345	•	-	•	-	-	-	-	-
Recirculating kit (needed if recirculating)	DHZ5365	-	-	DHZ5365	-	-	-	-	-	-	-	-
Recirculating kit (needed if recirculating)	DHZ5385	-	-	DHZ5385	-	-	-	-	-	-	-	-
Recirculating kit (needed if recirculating)	DHZ5995	-	-	DHZ5995	-	-	-	-	-	-	-	-
Recirculating kit (needed if recirculating)	DSZ5100	-	-	DSZ5100	-	-	-	-	-	-	-	-
Recirculating kit (needed if recirculating)	DHZ5275	-	-	DHZ5275	-	-	-	-	-	•	•	•
 900 x 720mm brushed steel back panel	DHZ9551	-	-	DHZ9551	-	-	-	-	-	-	-	-
 700 x 720mm brushed steel back panel	DHZ7551	-	-	DHZ7551	-	-	-	-	-	-	-	-
 600 x 720mm brushed steel back panel	DHZ6551	-	-	DHZ6551	-	-	-	-	-	•	-	•
 Decor panel black	DSZ0660	-	-	DSZ0660	-	-	-	-	-	-	-	-
 Decor panel white	DSZ0620	-	-	DSZ0620	-	-	-	-	-	-	-	-


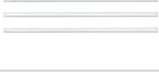


Description	Accessory Nr.	DFS097J50B/DFS067J50B	DFS097A50B/DFS067A50B	DFM063W50B	DHE645MGB	DHE635BGB	DHL535BGB	DHU625MGB	DHU635PGB/DHU636PGB/DHU632PGB	DHL785GCGB	DHL575CGB	DHU645PGB/DHU646PGB/DHU642PGB
Steel finish profile/handle - solid	DSZ4952	-	•	-	-	-	-	-	-	-	-	-
Steel finish profile/handle - solid	DSZ4956	-	•	-	-	-	-	-	-	-	-	-
Recirculating kit (needed if recirculating)	DHZ5605	-	-	-	-	-	-	-	-	•	•	-
Recirculating kit (needed if recirculating)	DSZ4565	•	•	•	-	-	-	-	-	-	-	-
CleanAir recirculating kit	DSZ4680	•	•	-	-	-	-	-	-	-	-	-
CleanAir charcoal odour filter	DSZ4681	•	•	-	-	-	-	-	-	-	-	-
Active Carbon Filter	DSZ4561	•	•	-	-	-	-	-	-	-	-	-
Active Carbon filter	DSZ4551	-	-	•	-	-	-	-	-	-	-	-
Carbon filter	DHZ7304	-	-	-	-	-	•	-	-	-	-	-
Carbon filter	DSZ11AF	-	-	-	•	•	-	-	-	-	-	-
Carbon filter	DHZ2400	-	-	-	-	-	-	•	-	-	-	-
Carbon filter	DHZ2701	-	-	-	-	-	-	-	•	-	-	•
Lowering frame	DSZ4660	•	•	-	-	-	-	-	-	-	-	-
White handle strip	DSZ4652	-	-	•	-	-	-	-	-	-	-	-
Black handle strip	DSZ4656	-	-	•	-	-	-	-	-	-	-	-

Dishwasher accessories

Description	Accessory Nr.	SMI88TS00G	SMI65P15GB	SMI50C12GB	SMI50C15GB	SMI50C16GB	SMV88TX26E	SMV88TD00G
Aquastop extension	SGZ1010	●	●	●	●	●	●	●
Stainless steel door and plinth panel	SMZ2044	-	-	-	●	-	-	-
Bottle and small parts holders	SMZ5001	●	●	●	●	●	●	●
Silver polishing cassette	SMZ5002	●	●	●	●	●	●	●
Drop hinge for tall cabinets	SMZ5003	●	●	●	●	●	●	●
Stainless steel panel strips	SMZ5005	●	●	-	-	-	●	●
Stainless steel panel strips	SMZ5006	-	-	●	●	●	-	-
Stainless steel decor conversion kit	SMZ5025	-	-	-	●	-	-	-
Adjustable cutlery basket	SMZ5100	●	-	-	-	-	●	●

Description	Accessory Nr.	SMV53L00GB	SMV50C10GB	SPV69T00GB	SPV40C10GB
Aquastop extension	SGZ1010	●	●	-	-
Stainless steel door and plinth panel	SMZ2044	-	-	-	-
Bottle and small parts holders	SMZ5001	●	●	-	-
Silver polishing cassette	SMZ5002	●	●	-	-
Drop hinge for tall cabinets	SMZ5003	●	●	-	-
Stainless steel panel strips	SMZ5005	-	-	-	-
Stainless steel panel strips	SMZ5006	●	●	-	-
Glass holder accessory	SMZ5300	●	●	●	●

Home laundry accessories

Description	Accessory Nr.	WIS28441GB	WIS24141GB	WKD28540GB	WKD28350GB
 Floor securing component	WMZ2200	●	●	●	●
 Adjustment kit for higher work surfaces (850mm to 870mm)	WMZ20470	●	●	●	●
 Extension for cold water inlet/Aquastop	WMZ2380	●	●	●	●
 Height adjustable feet	WMZ20440	●	●	-	-

Download a copy of our freestanding catalogue online at **bosch-home.co.uk** or call **0344 892 8979**



Contact Bosch Customer Service

To arrange an engineer visit, obtain product advice or order replacement spare parts or accessories visit **bosch-home.co.uk** or call **0344 892 8979**

Republic of Ireland customers should visit **bosch-home.ie** to arrange an engineer's visit, or to order spare parts and accessories, or call **(01) 450 2655**



Bosch Home UK



@BoschHomeUK

Calls are charged at the basic rate, please check with your telephone service provider for exact charges.

Disclaimer: This brochure is current as from the publication date and supersedes all previous brochures for these products. This brochure should not be regarded as an infallible guide nor as an offer for sale of any particular product. Whilst BSH Home Appliances Ltd believes that all information contained within this brochure is correct at the time of going to print, no representation or warranty, express or implied, is or will be made and no responsibility or liability is or will be accepted by BSH Home Appliances Ltd in relation to the accuracy or completeness of this information and any liability is expressly disclaimed. To the extent permitted by law, BSH Home Appliances Ltd expressly excludes: i) all conditions, warranties and other terms which might otherwise be implied by statute, common law or the law of equity and ii) any liability for any direct, indirect or consequential loss or damage (including, without limitation, damages for loss of business or loss of profits) arising in contract, tort or otherwise from the use of or reliance on any information contained within this brochure or from any action or decision taken as a result of such use or reliance. BSH Home Appliances Ltd reserves the right to modify technical data and all other information contained within this brochure without notice. All rights reserved. No part of this publication may be reproduced in any form or without the prior written permission of BSH Home Appliances Ltd. All colour variations are due to the limitations of the printing process. This brochure is printed on environment-friendly chlorine-free bleached paper.

April 2016

BSH Home Appliances Limited

Grand Union House
Old Wolverton Road, Wolverton
Milton Keynes MK12 5PT
bosch-home.co.uk

BSH Home Appliances Limited

M50 Business Park
Ballymount, Dublin 12
Tel: 1890 626 041
bosch-home.ie

