

+ Additions.

**The Early
Gaverners of
Devon**

by

John P. Gaverner

Volume XX

VOLUME 20

THE EARLY TAVERNERS OF DEVON

THE EARLY TAVERNERS OF DEVON

I am indebted to Carole Hartshorne of Exeter who searched the West Country studies library index (Burnett Morris) index and extracted the following information which I have regrouped into chronological order.

Her original letter appears at the back of the volume.

Devonshire Taverners, 1200 to 1300

YEAR

- 1210 Oliver Taberner - Dartmouth
Oliver Tabernarius - a Witness
- 1224 Geoffrey Taverner Exeter - a Witness
- 1228 Richard Tabernarius - Land in Exeter
- 1230 Geoffrey Taverner - a Witness
- ? Geoffrey Taverner had a daughter Matilldis Taverner
- ? Mattildis daughter of Geoffrey married Nicholas Leufaunt -
see Totness Merchant guild.
- 1247 Richard Taverner - a Witness, Exeter
- 1249 Feet of Fines, Exeter, Nicholas Taverner and wife Cecily
- 1249 Nicholas
- 1251 Paulius Taverner, Exeter Smithen Street
- 1259 Mathew Taverner - Grant of 2 Tenements
- 1259 Radulphus Taverner Fined
- 1267 Henrius Taverner Councillor, Exeter
- 1273 Benedict Taverner, a Juror, Honiton Hundred Rolls.

1300 to 1400

- 1305 Roger Taverner - South Zeal - Murdered
- 1327 Agnes Taverner - Land in South Tawton
- 1328 John Taverner and his son John Defendants in land transaction in South Tawton.
- 1332 John Taverner South Tawton - Subsidy Roll
- 1333 Ricardus Taverner, Exeter, Elector.
- 1333/4 Robertus Taverner, Exeter, Elector.
- 1337 Ricardus Taverner
- 1342 Simon Taverner, Exeter - a respondent
- 1346 Richard Taverner (South Tawton) pardon for death of Robert del Halle.
- 1362 Nicholas Taverner - see John Mountagu
- 1367 Nicholas Taverner - Mayor of Exeter
- 1370 John Taverner - Exeter
- 1371 Wilhelmus Taverner M.P. Barnstaple
- 1371 William Taverner Burgess of Barnstaple
- 1383 Robert Taverner.

1400 to 1500

- 1410 Thomas Taverner born fowey Son of John Taverner a legatee
- see will of Roger Bernard.
- 1438 William Taverner to Thomas Brook Kt, his heir.
- 1441 Hugh Taverner - South Tawton
- 1458 Richard Taverner - received land & tenements in
Oakhampton.
- 1476 John Tabyner - Rector of Cly St St George.
- 1499 John an idiot, aged 58, son and heir of Richard Taverner.
- 1499 Joan, or Alice Wykes married Richard Taverner of South
Zeal.
- 1499 Richard, son of Richard.
- 1499 Richard Taverner died - heir an idiot son John.

1500 to 1600

- 1509 Richard Taverner tenant at Colybere in South Tawton.
- 1509 Alicia Taverner tenant at South Tawton.
- 1516 Alicia Taverner, widow heir Elizabeth Taverner daughter of Richard Taverner.
- ? Alice 2nd wife of Richard Taverner
- 1516 Elizabeth daughter of Richard Taverner, lord of South Zeal - see her husband Richard Burgizne.
- 1522 John Taverner Idiot son of Richard Taverner his land in Bradminch Manor is the King's Land.
- 1522 Johanna, wife of Richard Taverner daughter and heir of William Widecombe.
- 1532&6 John, rector of Throwleigh.
- 1533 Simon Taverner - Chagford.
- 1540 Simon Taverner - monastery, North Bovey.
- 1549 Silvester Taverner, Gent - Northam rends cal. patent rolls.
- 1549 John Taverner Clericus, see will of Richard Quance, South Tawton.
- 1557 Nicholas Taverner - see Stationers Company.
- 1570 William Taverner - Bridford - see Jn Marwoode.
- ? William Taverner - Mary Tavy - Church Warden.
- 1575 Mabelye Taverner - spinster, Hampshed
- 1585 John Taverner witness to will of Joan Connett.

1600 to 1700

- 1610 Thomas Taverner of Chagford, Patron of Trusham Pat.Hoc.
- 1611 Symon Taverner and Johan Collam (Beaworthy)
- 1613 Sussan, daughter of Frances Taverner (1638/9 married Alex Sutton Bovey Tracey).
- 1614 Mathew Taverner - see his son, Peter.
- 1626 Frannces son of Richard Taverner.
- 1629 Margaret will - "Chuntils".
- 1636 John, son of William Taverner.
- 1638 Elizabeth Taverner nee Baker, see Hugh Taverner, Hugh Taverner see Roger Granville abs Bovey Tracy married.
- 1638 Honor Taverner nee Osborn (married Peter Taverner at Bovey Tracy).
- 1651 Ann daughter Elizabeth Taverner see John Allyn.
- 1651 John Taverner (Bradstone) Royalist composition, names widow Anne Taverner and son John.
- 1676 Charles Taverner - see Plympton St Mary.

Geographically The Taverners lived in South Tawton and South Zeal from 1300 onward. These two small villages are some 8 to 10 miles West of Exeter and just a few hundred yards from each other. By the 16th Century they had spread further East to Chagford, Bridford and Bovey Tracy.

Later Taverners in Devon are listed in Volume 2 of The Taverners, and are reproduced here for completeness.

Tel 01392 881907

17, Millway Gardens,
Bradninch,
Exeter,
EX5 4RE.

25th April 1995.

Dear John,

Many thanks for your request for research with regard to the Taverner family of Devon.

Sorry for any inconvenience the delay in my reply may have caused - the Easter Holidays have a lot to answer for!

I have completed the searches you requested with the following results:

1. Feet of fines prior to 1630

These have been transcribed from 1196 to 1369 and are stored by the D&CRS in the Westcountry Studies Library. Some dates following these have been transcribed and are stored at the PRO.

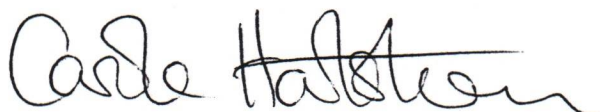
A copy is enclosed of the only entry found. All variants possible tried,

2. Search of Personal Names Indexes.

There are various indexes in the DRO and Westcountry Studies Library. A search through the two main indexes in the DRO proved unfruitful, however, a search through the WCS 'Burnett Morris' index was much more successful. I enclose a typescript of all the entries I found. As you will see the entries were numerous so I thought I would refer to yourself before continuing to look up each individual reference - just making a list of the entries took almost two hours, the writing of 'Burnett Morris' leaves alot to be desired!!

I hope this meets with your approval and look forward to hearing from you.

Yours sincerely,



Carole Hartshorn (Mrs)

Account:

3 hours @ £5 per hour = £15.00. Please make your cheque payable to C. Hartshorn
+ 1 copy @ 0.12p Total £15.12

TAVERNER AND VARIANTS

Details extracted from the Burnett Morris Index, Westcountry Studies Library.
All extracts are recorded as found.

Agnes ca 1327 (& others) defendants in case about land in South Tawton
See Roger Goselyn 1327.

Alicia ?1509 tenant at South Tawton TDA 34/604

Alicia ?1516 Widow, her death referred to, heir Elizabeth (dau of Rich.) TDA34/604

Alice (2nd wife of Richard) G.V.

Anne dau Elizabeth T - see John Allyn 1651

Benedict 1273 a juror - Honiton Hundred Rolls p.74

Catherine - see Catherine Cole (no date)

Charles 1676 see Plympton St. Mary (Charities)

Elizabeth 1516 dau of Richard (Lord of South Zeal) - see her husband, Richard
Burfizne(?) TDA 35/394

Elizabeth - nee Baker, see Hugh T. 1638

Hugh T. - see Roger Granville abstracts, Bovey Tracey Marr. p.137

Frances 1626 son of Rich T. see R. Granville abstracts p.127

Geoffrey had a dau Matilidis T. G.V. (no date)

Geoffrey cal224 - Exeter, a witness - see Fitz-John.

Geoffrey cal230 - a witness D&C N&Q XII 129

Henrius Tabernarius 1267 Exeter Councillor - B Wilkinson, Mediaeval p.xxx

Honor - nee Osborne 1638, see Peter T. R. Granville p.137

Hugh 1441 South Tawton - see Wm Beauchamp

Joan or Alice nee Wykes mar Rich of South Zeal TDA 34/633

Joan wife of Richard died 1499 G.V.

Johanna 1522 wife of Richard, dau & heir of Wm Widecombe. TDA 35/524

Johan 1611 nee Collam

Johnes 1327 one of the collectors of subsidy, South Tawton TDA 33/422

John 1328 and his son John - defendants about land in South Tawton
See Geoffrey Goselying 1328.

Joh South Tawton 1332 Subsidy Roll TDA 33/422

- John c1370 Exeter MSS No 72. s...rage Roll
- John Tabyner 26.01.1476 Rector of Clyst St. George - Olivers Ecc. Antiq. I154
Died 1487
- John 1499, an idiot aged 58 years, son & heir of Rich T. G.V. Cal. Pat. Rolls p171
- John 1532 & 1536 Rector of Throwleigh, Em. Varwell - Throwleigh p107 & p131
- John 1522 idiot son of Richard T. His land in Bradninch Manor is the Kings Land
TDA 35/524
- John 1549 Clericus - see will of Rich Quance, South Tawton TDA 34/641
- John 1585 witness to will of Joane Connett G.V.
- John 1636 son of Wm T. Roger Granville abstracts p.133
- John (Bradstone) Royalist Composition 1651 Rt TV p.2804
names widow Anne, son John.
- Mabelye 1575 Mamhed - spinster, see Wm Fox 1575
- Margaret Will 04.11.1629 "Churntils"(?) III 77-8
- Matthew Tabernarius 10.12.1259 Grant of two tenements, EX MSS No.663.
D&C N&Q 19/238-9
- Matthew see his son 1614 Peter. ROger Granville p.125
- Mattildis dau of Geoffrey mar. Nicholas Leufaunt - see Totnes Merchants Guild.
Nich. 1249 TDA 70/290
- Nich see Nich Bridestowe
- Nich see John Mountagu 1362
- Nicholas Mayor of Exeter 1367 see John Uphill.
- Nich 1557 see Stationers Company.
- Oliver Tabernarius a witness D&D N&Q XVII 349
- Oliver Taberner (4?) c1210 Watkin/Dartmouth & TDA 70/290
- Oliver (Dartmouth) see Wm Fleming
- Paulius c1251 Exeter, Smithen Street - see N. Pock
- Radulphus 1259 fined Wm A. Morris p.220
- Richard Tabernarius c1228 land in Exeter - see Warin Albus & TDA 70/476 note 75
- Richard Tabernarius a witness Exeter 1247 - see John Pain 1247
- Richardus 1333 Exeter Elector, B. Wilkinson - Mediaeval p.70 & 1352 (index)

Richard 1337 see John Daune 1337

Richard 1346 (South Tawton) pardon for death of Robert Del Halle
Cal. Pat. Rolls p.96 & p.487

Richard c1458 receives lands and tenements in Okehampton, 37 Henry 6
Parchment (no.2707) Exeter City Library

Rich son of Rich 1499 G.V.

Richard died 1499 . Inq. and p.m. lists of land - heir idoit son John
Cal Inq & p.m. Henry VII Vol II pp84/5 (Reference Library)

Richard 1509 tenant at Colybere in Sth Tawton. TDA 34/604

Rich of South Zeal 256 TDA 71

Robertus 1333 Exeter elector. B. Wilkinson Mediaeval pp.69/70 and p.74 (index)
also 1334/5 Exeter receiver TDA 70/410
also 1342 a respondent - Exeter. See Hen Hugheton.

Robert 1383 TDA 35/511

Robert - Fursdon Collection I 241

Roger South Zeal 1305 mudedred TDA 35/522 - see E. Legaweeks(?) South T. (2)
Roger - Fursdon Collection I 165

Silvester 1549 Gentleman - Northam rends. Cal. Pat. Rolls 1549/51. p.37

Simon 1342 Exeter - a respondent see Hen Hugheton.

Simon 1533 Chagford TDA 62/242
also 1540 - monastery North Bovey D&C N&Q XVII 91

Symon 1611 and Johan Collam (Beaworthy) see Roger Granville abstracts p.80

Sussan 1613 dau of Frances T. - Roger Granville abstracts p123
also 1638/9 husband Alex Sutton - Bovey Tracey

Tho. 1616 Chagford patron of Trusham. Pat hoc. vice. Olivers Ecc. Antiq. I193

Tho 1410 born Fowey, Clerk, son of John T. a legatee - see will of Roger Bernard

Wilhelmus 1371 M.P. Barnstaple, 256 TDA71.

Wm 1371 burgess of Barnstaple see Wm Boweryle 1371

William 02.06.1438 to Thomas Brook, Knight, his heir. Cal. Close Rolls p189

Wm (Bridford) see John Marwoode 1570

Wm (Mary Tavy) 306 Churchwarden TDA71.

heirs of Joan for ever. Rendering therefor yearly 2 marks of silver at 4 terms, to wit, at the Nativity of St John Baptist (24 June) $\frac{1}{2}$ mark, at the feast of St Michael $\frac{1}{2}$ mark, at the Nativity of our Lord $\frac{1}{2}$ mark & at Easter $\frac{1}{2}$ mark, & rendering therefor all other services which to the said land belong. And Richard, son of John, & Joan, & the heirs of Joan shall warrant to Richard de la Ya & his heirs the said land by the said services against all men for ever.

(512.)

444. At Exeter, in the octave of Holy Trinity, 33 Hen. III (6 June 1249). Before [*same as in No. 461*]. Between Brother Ralph de Tudewylle, Prior of the Friars Preachers of Exeter,¹ claimant, and Nicholas le Taverner & Cecily his wife, opponents, as to 1 messuage in EXETER. Plea of *warranty of charter* was summoned. Nicholas & Cecily acknowledged the message to be the right of the Prior & Brethren aforesaid as by gift of Nicholas & Cecily. To have & to hold to the Prior & his successors & the Brethren in free alms for ever. Rendering therefor to the chief lords of that fee all the services which to the said message belong in discharge of all service & exaction. And Nicholas & Cecily & the heirs of Cecily shall warrant, acquit & defend to the said Prior & his successors and Brethren the said message as their free alms against all men for ever. For this the Prior received Nicholas & Cecily & the heirs of Cecily into all benefits & orisons which henceforth should be made in their church of Exeter for ever.

[Endorsed.]

And the Dean & Chapter of Exeter put in their claim.

(513.)

445. At Exeter, in the octave of Holy Trinity, 33 Hen. III (6 June 1249). Before [*same as in No. 461*]. Between Henry, Prior of Legh (Canonleigh),² claimant, and Roger de Glauill,³ deforciant, as to 7² 6⁴ which were in arrear to the Prior in respect of an annual rent of 3^s

¹ *i.e.*, the Dominicans or Black Friars whose house in Exeter was between Hedford Circus and the Close. Oliver, *Mon.*, p. 334.

² Oliver, *Mon.*, p. 224.

³ Walter de Clavil held Butlescombe and Canonleigh in 1086. *Victoria Hist.*, p. 500.

8th September 1592 **Elizabeth Trend**

16th November 1592 **Margerie Trend**

2nd April 1596 **Else Trend**

20th March 1599 **Agnes Trend**

- 1602 **Elizabeth Tavener**

27th January 1605 **Rose Venicum**

23rd November 1605 **Margerye Rawe**

30th November 1605 **John Rawe**

19th January 1608 **Jone Rawe**

23rd January 1608 **Edward W.....cott**

- 28th July 1610 **Marye Tavener**

21st January 1611 **Annes Trende**

22nd July 1611 **Marye Woulcott**

- 16th August 1612 **Edmonde Tavener**

- 23rd April 1613 **Jone Tavener**

March 1614 **John Woulcott**

22nd October 1615 **Robert Trende**

29th March 1617 **Susan Venicum**

- 27th January 1618 **John Taverner**

- 30th December 1619 **Christian Taverner**

- 25th April 1620 **Peter Taverner**

- 26th April 1620 **Elizabeth Taverner**

- June 1623? **Taverner**

....? February 1624 **Walter Venicombe** a base child borne of Christen Venicombe

15th October 1624 **John Wolcot**

http://www.thefamilyhistorypages.co.uk/Bridford_Parish_Records.html

4/9/2008

17th January 1625 **Christian Clampitt**

25th October 1626 **Agnes Woulcot**

4th March 1628 **Margaret Woulcot** wife of George Woulcot

22nd March 1628 **George Woulcot**

October 1628 **James Woulcot**

24th May 1629 **Priscilla Taverner** daughter of Hughe Taverner

29th June 1634 **Syblie Rowe**

2nd April 1635 **Jane Woulcott** widow

27th July 1636 **Mably Vinecome** wife of Thomas Vinecome

8th July 1638 **John Woolcot**

21st December 1639 **John Taverner**

25th March 1642 **Thomas Venicomb**

2nd May 1642 **Margery Wolcot** widow

12th March 1646 **Thomas Woolcott**

26th April 1646 **Joane Woolcott**

31st March 1650 **Marie Crispin** daughter of John Crispin

29th August 1657 **Elizabeth Wollcott** wife of Nicholas Wollcott

20th Feb/March? 1660 **William Wollcott**

8th September 1660 **John Wolcott**

5th November 1660 **John Crispin** son of William Crispin

22nd April 1663 **Agnis Crispin** wife of William Crispin

21st December 1664 **Peter Vinicomb**

24th December 1664 **Thomas Hill** son of John Hill

1st January 1671 **Anna Crispin**

30th November 1671 **Sarah Shercomb** daughter of William Shercomb

http://www.thefamilyhistorypages.co.uk/Bridford_Parish_Records.html

4/9/2008

3rd July 1672 **Joan Shercomb** daughter of William Shercomb

29th August 1674 **John Hill** son of John Hill

17th March 1675 **John Crispin**

15th October 1675 **Nicholas Crispin**

11th May 1676 **Thomas Vinecomb**

23rd October 1676 **Agnes Crispin**

10th May 1677 **Susanna Vinecomb**

27th December 1679 **William Shercomb**

5th June 1680 **Johan Trimlett** wife of Robert Trimlett

7th January 1682 **Wilmott Wollacott**

6th October 1684 **Jone Tremlett** daughter of Robert Tremlett

30th March 1687 **Priscilla Crispin**

1st April 1689 **John Norish**

14th February 1690 **Edward Tremlet** son of Robert Tremlet

25th August 1696 **Mary Shircombe** daughter of William Shircombe

13th December 1696 **Thomas Crispin** son of William Crispin

10th April 1698 **William Crispin**

28th June 1701 **Mary Crispin** widow

2nd March 1703 **Cicilly Tremlet**

2nd June 1706 **Susanna Jervis** wife of William Jervis

13th March 1709 **Robert Tremlet**

29th May 1709 **Elizabeth Rowe** daughter of James Rowe

19th September 1710 **William Jervis**

13th August 1711 **Susanna Crispin** daughter of George Crispin

26th August 1711 **Agnes Sercombe** daughter of William Sercombe

http://www.thefamilyhistorypages.co.uk/Bridford_Parish_Records.html

5th November 1711 **George Crispin** son of George Crispin

4th May 1712 **Elizabeth Rowe** daughter of James Rowe

8th January 1722 **John Row**

28th January 1725 **George Crispin**

5th October 1728 **William Row**

4th December 1729 **Persilla Crwes**

6th January 1731 **William Syrcombe**

26th February 1731 **Elizabeth Syrcombe**

23rd October 1731 **Ann Syrcombe**

15th April 1733 **George Crispin**

19th February 1736 **John Tremlet**

8th April 1737 **Jacob Row**

21st December 1742 **Betty Sircombe** wife of John Sircombe of Christowe

19th May 1743 **Richard Cruise**

12th June 1749 **Miriam Rowe**

19th September 1749 **Ann Sircombe** wife of Richard Sircombe

27th August 1752 **Patience Sircombe**

2nd November 1755 **Ann Sircombe**

6th March 1756 **Richard Sircombe**

14th May 1758 **Elizabeth Cruise**

6th August 1766 **William Sircombe**

2nd December 1772 **Elizabeth Crispin** daughter of John Crispin

29th December 1772 **Mary Sircombe** widow of Richard Sircombe

12th February 1780 **John Rowe**

7th June 1791 **Anne Rowe**

- 19th May 1796 **Sarah Taverner** daughter of George & Anne Taverner aged 2 months
- 12th July 1797 **Grace Rowe** widow aged 80
- 22nd October 1797 **Elizabeth Bolley** daughter of John & Betty Bolley aged 9 days
- 28th April 1799 **John Bolly** son of John & Betty Bolly aged 6 months
- 6th April 1800 **Betty Bolly** wife of John Bolly aged 24
- 21st February 1802 **Jacob Sircombe** of Exeter aged 63
- 6th February 1806 **William Sercombe** son of William Sercombe aged 8
- 22nd June 1806 **Rebecca Bolley** daughter of George & Anne aged 5
- 27th June 1806 **Eliza Bolley** daughter of John & Elizabeth Bolley aged 3
- 28th June 1806 **Anne Bolley** wife of George Bolley aged 29
- 28th June 1806 **William Bolley** son of George Bolley aged 1
- 5th June 1809 **Susanna Hill** wife of John Hill aged 68
- 22nd June 1816 **Mary Sercombe** of Exeter aged 65
- 7th March 1819 **Johanna Sercombe** aged 11 months
- 27th June 1824 **George Bolley** aged 10
- 30th September 1825 **Sarah Trenn** of St Mary Major Exeter aged 62
- 20th February 1829 **William Woollacott** aged 66
- 29th March 1829 **John Vicary Woollacott** base child of Maria Woollacott aged 9 months
- 30th June 1830 **Mary Ann Bolley** aged 21
- 24th December 1831 **Elizabeth Sercombe** aged 15
- 25th December 1831 **Elizabeth Woollacott** aged 71
- 20th March 1831 **John Splatt** aged 72

[Back to Bridford Page](#)

BRIDFORD PARISH RECORDS

These excerpts from the Bridford Parish registers contain only the names that I am researching. The microfilm copy was a typed transcript. Throughout this extract I have used the modern calendar.

Baptisms

2nd March 1539 **Jone Woulcott** daughter of Gregorie Woulcott

8th February 1540 **Andrew Trend** son of Richard Trend

• 14th February 1541 **William Tavener** son of John Tavener

• ...? February 1541 **Tamsin Tavener** daughter of John Tavener

18th April 1541 **Edward Woulcott** son of Gregorie Woulcott

20th April 1543 **John Trend** son of Richard Trend

4th September 1543 **Stephen Woulcott** son of Gregorie Woulcott

4th April 1545 **Wilmot Trend** daughter of Richard Trend

20th March 1546 **Ann Woulcott** daughter of Gregorie Woulcott

19th May 1548 **Margaret Clampitt** daughter of Thomas Clampitt

28th September 1548 **Peter Woulcott** son of Gregorie Woulcott

• 31st January 1549 **Peter Tavener** son of William Tavener

9th March 1549 **Nicholl Trend** daughter of Richard Trend

27th October 1549 **Thomas Clampitt** son of Thomas Clampitt

• 10th January 1551 **Thomas Tavener** son of John Tavener

• 6th April 1551 **Mergerie Tavener** daughter of William Tavener

6th April 1551 **Jone Trend** daughter of Richard Trend

15th January 1552 **Marie Woulcott** daughter of Gregorie Woulcott

13th March 1552 **Jone Best** daughter of Robert Best

17th March 1552 **Christian Clampitt** daughter of Thomas Clampitt

• 24th June 1553 **John Tavener** son of William Tavener

27th March 1554 **John Woulcot** son of Gregorie Woulcot

9th April 1554 **Syslie Best** daughter of Robert Best

13th December 1554 **Jone Woulcot** daughter of John Woulcot

7th March 1555 **John Trend** son of John Trend

17th July 1555 **Gregorie Trend** son of Richard Trend

12th November 1555 **Margaret Tavener** daughter of William Tavener

10th April 1556 **Else Tavener** daughter of John Tavener

27th July 1556 **Richard Woulcot** daughter of John Woulcot

7th March 1557 **Elnor Trend** daughter of Richard Trend

6th June 1558 **Robert Trend** son of John Trend

9th December 1558 **Denis Tavener** daughter of William Tavener

10th December 1559 **Michael Woulcot** and **Mergerie Woulcot** ye children of Gregorie Woulcot

9th March 1560 **Jane Trend** daughter of Walter Trend

9th August 1560 **Mathew Tavener** son of William Tavener

4th October 1561 **Syslie Woulcott** daughter of John Woulcott

28th November 1561 **William Tavener** son of William Tavener

26th February 1562 **Mergerie Trend** daughter of John Trend

7th April 1562 **Henrie Trend** son of Walter Trend

15th August 1562 **William Tavener** son of William Tavener

20th April 1563 **Peter Woulcot** son of Gregorie Woulcot

27th February 1564 **Tamsin Tavener** daughter of William Tavener

6th April 1564 **Simon Tavener** son of William Tavener

23rd April 1564 **Robert Woulcott** son of Edward Woulcott

31st December 1564 **Agnes Trend** daughter of Walter Trend

25th July 1565 **Jane Woulcot** daughter of Edward Woulcot

http://www.thefamilyhistorypages.co.uk/Bridford_Parish_Records.html

4/9/2008

14th November 1565 **Susan Woulcot** daughter of John Woulcot

27th March 1566 **Marget Tavener** daughter of William Tavener

3rd September 1566 **Edward Tavener** son of William Tavener

1st September 1567 **Antonie Trend** son of Walter Trend

15th February 1568 **Jone Woulcot** daughter of John Woulcot

15th September 1568 **John Tavener** and **Jone Tavener** ye children of William Tavener

22nd April 1569 **Phillip Tavener** son of William Tavener

7th December 1569 **Marie Trend** daughter of Walter Trend

31st October 1570 **John Woulcot** son of John Woulcot

1st April 1571 **Agnes Tavener** daughter of William Tavener

31st May 1572 **Walter Trend** son of Walter Trend

12th September 1572 **Margerie Woulcot** daughter of Edward Woulcot

12th October 1572 **Stephen Tavener** son of William Tavener

18th February 1574 **Annes Woulcot** and **Tephine Woulcot** daughters of John Woulcot

19th March 1575 **Else Tavener** daughter of William Tavener

27th September 1575 **Jone Woulcot** daughter of Edward Woulcot

18th November 1576 **Jane Woulcot** daughter of John Woulcot

13th January 1578 **Elizabeth Woulcot** daughter of Edward Woulcot

1st May 1579 **Pascow Woulcot** daughter of John Woulcot

11th February 1580 **Jane Woulcot** daughter of Edward Woulcot

29th October 1581 **George Woulcot** son of Edward Woulcot

18th September 1584 **John Woulcot** son of Edward Woulcot

28th January 1587 **Jone Woulcot** daughter of Edward Woulcot

22nd August 1591 **John Venicombe** son of Richard Venicombe

6th March 1593 **Richard Venicombe** son of Richard Venicombe

- 11th December 1593 **John Trene** son of Agnes Trene a base child
- 2nd April 1594 **Marie Woulcot** daughter of Edward Woulcot
- 28th September 1595 **Christian Venicombe** daughter of Richard Venicombe
- 14th September 1596 **Hughe Hil** son of Elizabeth Hil, base child
- 23rd February 1598 **William Venicombe** son of Richard Venicombe
- 10th June 1599 **John Tavener** son of John Tavener
- 14th September 1600 **Peter Venicumbe** son of Rycherd Venicumbe
- 5th December 1602 **Wylliam Tavener** son of John Tavener
- 11th February 1603 **Jone Woulcott** daughter of John Woulcott
- 22nd May 1603 **Rose Venicumbe** daughter of Richard Venicumbe
- 17th November 1603 **Elnor Tavener** daughter of Mathew Tavener
- 28th December 1604 **Edwarde Tavener** son of Stephen Tavener
- 23rd April 1605 **Marye Tavener** a base child borne of the body of Jone Tavener
- 19th June 1605 **Margarett Woulcott** daughter of George Woulcott
- 11th November 1605 **John Rawa** and **Mergerye Rawa** the children of John Rawa
- 8th October 1606 **Cateryn Tavener** daughter of Stephen Tavener
- 21st November 1606 **Valentine Woulcott** a base child borne of the body of Jone Woulcott
- 23rd April 1609 **Christopher Tavener** son of Stephen Tavener
- 12th August 1609 **Thomas Venicombe** son of Rycherd Venicombe
- 22nd June 1610 **John Cruse** son of Artur Cruse
- 15th October 1611 **Nycholas Woulcott** son of James Woulcott
- 21st April 1612 **Edmonde Tavener** son of Steven
- 14th June 1612 **Jone**d ? a base child, daughter of Syslyed?
- 31st March 1613 **Wyllyam Woulcott** son of Jone Woulcott a base child
- 20th January 1614 **Anne Tavener** daughter of Steven Tavener

20th May 1614 **John Cruse** son of Artur Cruse

18th November 1617 **George Tavener** son of Steven Tavener

28th December 1618 **Wyllyam Woulcott** son of Marye Woulcott a base child

30th July 1620 **James Hyll** son of Walter & Alice Hyll

29th January 1623 **Wyllyam Woulcott** a base childe borne of Marye Woulcott

22nd January 1624 **Walter Venicumbe** a base child borne of the bodie of Christian Venicumbe

20th February 1626? **Hille** daughter of Nicholas & Mellonie Hille

2nd April 1626 **Julian Rowe** daughter of William & Sible Rowe

17th May 1629 **Priscilla Tavener** daughter of Hughe Tavener

17th May 1629 **William Rowe** son of William Rowe

16th March 1631 **Wilmote Woolcott** the base borne child of Mary Woolcott

19th August 1638 **Elizabeth Woolcot** daughter of Nicholas & Elizabeth Woolcot

30th June 1639 **John Chrispen** son of John & Prissella Chrispen

14th July 1639 **Marie Wollcott** daughter of William & Jone Wollcott

28th October 1640 **Martha Wolcot** daughter of Nicholas & Elizabeth Wolcot

6th February 1643 **Nicholas Wolcot** son of Nicholas Wolcot

2nd March 1643 **William Wolcot** son of William Wolcot

13th January 1645 **Judah Crispin** daughter of John Crispin

9th February 1645 **Thomas Woollecott** son of William Woollecott

...? March 1645 **Jane Wollacott** daughter of Nicholas Wollacott

12th April 1646 **Joan Woolcott** daughter of William Woolcott

23rd May 1647 **John Woollcote** son of William Woollcote

7th November 1647 **Maria Crispine** daughter of John Crispine

27th May 1649 **James Woolcott** son of Nicholas Woolcott

..? August 1651 **Elias Woolcott** son of William Woolcott

10th April 1785 **William Laskey** son of William & Anne Laskey

12th October 1788 **Sarah Hill** daughter of John & Mary Hill

17th July 1791 **Anne Hill** daughter of John & Mary Hill

19th August 1792 **John Woolacott** son of William & Elizabeth Woolacott

11th October 1794 **Elizabeth Tavener** daughter of George & Anne Tavener

7th February 1796 **Mary Woolacott** daughter of William & Elizabeth Woolacott

13th March 1796 **Sarah Tavener** daughter of George & Anne Tavener

3rd December 1797 **Anne Woollacott** daughter of William & Elizabeth Woollacott

18th February 1798 **John Bolley** son of George & Anne Bolley

14th October 1798 **John Bolley** son of John & Betty Bolley

7th July 1799 **Mary Hill** daughter of John & Mary Hill

10th May 1801 **Rebecca Bolley** daughter of George & Anne Bolley

14th June 1801 **Sarah Woollacott** daughter of William & Elizabeth Woollacott

10th September 1801 **Mary Bolly** daughter of John & Betty Bolly

11th January 1803 **Elizabeth Bully** daughter of John & Elizabeth Bully

18th October 1804 **Elizabeth Bolley** daughter of John & Betty Bolley

23rd December 1804 **William Bolley** son of George & Anne Bolley

6th October 1805 **Maria Woollacott** daughter of William & Elizabeth Woollacott

15th May 1811 **Elizabeth Tavener** daughter of William & Grace Tavener

12th May 1813 **Joanna Tavener** daughter of William & Grace Tavener

9th February 1814 **Mary Sercombe** daughter of George & Rosamound Sercombe

3rd March 1816 **Elizabeth Sercombe** daughter of George & Rosamond Sercombe

19th September 1819 **John Woollacott** son of John & Anne Woollacott

16th January 1820 **Sarah Sercombe** daughter of George & Rosamond Sercombe

28th October 1821 **Richard Woollacott** son of John & Anne Woollacott

14th August 1822 **John Sercombe** son of George & Rosamond Sercombe

24th April 1825 **George Sercombe** son of George & Rosamond Sercombe

24th July 1825 **Elizabeth Woollacott** base child of Anne Woollacott

16th March 1828 **Rosamond Sercombe** daughter of George & Rosamond Sercombe

10th March 1833 **Thomas Sercombe** son of George & Rosamond Sercombe

27th May 1835 **Hannah Friend** daughter of Robert & Sally Friend

2nd April 1837 **Ellen Friend** daughter of Robert & Sally Friend

Marriages

17th November 1589 **Richard Venicombe & Susan Woulcot**

21st January 1591 **Robert Murch & Margaret Splatt**

- 27th June 1591 **Peeter Tavener & Christian C.....?**

27th January 1592 **Edward Grosse & Jone Woulcott**

- 15th April 1592 **Richard Langworthie & Jane Tavener**

17th July 1595 **George Woulcott & Tamsin Hill**

- 25th September 1596 **John Tavener & Elizabeth Hill**

25th September 1596 **Robert Trend & Annes Yeowe**

8th April 1600 **John Woulcott junior & Margerie Trend**

3rd November 1600 **John Woulcott senior & Jone Westcott**

19th October 1602 **George Woulcot & Margaret Murche**

- 19th February 1603 **Mathew Tavener & Radagone Narramoore**

- 4th February 1604 **Stephen Tavener & Tamsyn Puddicombe**

20th October 1605 **John Rawe & Jone Berrye**

26th September 1607 **James Woulcott & Jane Wattes**

2nd October 1609 **Artur Cruse & Pascow Woulcott**

http://www.thefamilyhistorypages.co.uk/Bridford_Parish_Records.html

4/9/2008

14th January 1612 **John Tavener & Elizabeth Zentle**

10th May 1612 **John Moore & Jane Woulcott**

17th June 1616 **Henrye Wyll & Alse Best**

29th April 1619 **Walter Hyll & Alice Wescott**

14th February 1620 **Peter Tavener & Elizabeth Staplehill**

24th April 1620 **Henrye Luce & Johan Woulcott**

5th June 1621 **Nycholas Murche & Johan Woulcott**

4th May 1622 **John Tavener & Isett Langaden**

19th August 1622 **Robert Hyll & Amye Lamcrofte**

7th February 1623 **Rycherde Hyll & Mary Cornish**

13th July 1624 **Robert Skinner & Jane Woulcot**

14th January 1626 **Hughe Tavener & Pertisie Medway**

5th May 1628 **Ambrose Wills & Margaret Woulcot**

17th January 1635 **Hugh Clampitt & Joane Sutton**

19th January 1635 **John Crispin & Priscilla Willes**

29th June 1636 **William Woollicot & Joane Dod**

10th June 1637 **Nicholas Woollicot & Elizabeth Holman**

20th November 1641 **John Valence & Melony Wolcot**

27th October 1646 **William Sercombe & Agnes Amerie**

19th June 1650 **Hanniball Clampitt & Joane Bushell**

29th November? 1652 **Thomas Taringe & Dorithe Vinnicombe**

7th February 1665 **William Wollacott & Frances Ashford**

22nd October 1665 **Edward Wilcox & Alice Cooke** widow of Poltimore

26th September 1667 **William Ambury & Christian Furse**

10th May 1668 **Joseph Lammacroft & Priscilla Crispin**

http://www.thefamilyhistorypages.co.uk/Bridford_Parish_Records.html

4/9/2008

15th February 1814 **Joseph Northcott & Sarah Tozer Hill** wit. William Rolston, George Bailey

27th February 1816 **William Kemel & Mary Mudge** wit. Elizabeth Sercome, John Bailey

6th July 1816 **William Rougg & Sarah Treend** by Licence wit. Francis Turner, Mary Wotton

8th March 1820 **John Norish & Mary Tinkcombe** wit. Samuel Hore, John Bailey

16th April 1823 **Richard Brimicombe & Ann Tingcombe** wit. John Norris, John Bailey

21st April 1829 **Richard Snow & Elizabeth Woollacott** wit. William Woollacott, John Bailey

30th May 1830 **John Wills & Maria Woolcot** wit. Mary Wills, John Bailey

3rd August 1830 **Samuel Sercombe** of Ashton & **Ann Rosestone** wit. Betsy Smalridge, Mary Ann Mugford

24th May 1835 **William Turpin** of S. Thomas & **Sarah Wright** wit. Sarah Wright, John Lewis, Joseph Wright

Burials

27th November 1540 **Allies Tavener** widow

9th January 1544 **Elizabeth Gervis**

11th December 1544 **Jone Best** wife of Robert Best

• 19th May 1547 **Simon Tavener**

• 23rd November 1547 **Tamsin Tavener** daughter of Thomas Tavener

• 26th July 1548 **Jone Tavener** widow

17th August 1548 **Margaret Clampitt** daughter of Thomas Clampitt

• 20th August 1548 **Christian Tavener** daughter of Simon Tavener

27th November 1552 **Jone Trend** daughter of Richard Trend

23rd? 1553 **Thomas Clampitt**

7th April 1556 **Gregorie Trend** son of Richard Trend

• 12th October 1557 **Brydgett Tavener**

28th December 1560 **Jone Trend** wife of John Trend

26th April 1561 **Peter Woulcot** son of Gregorie Woulcot

12th October 1561 **Jone Woulcot** wife of John Woulcot

30th December 1562 **Ammie Trend** wife of John Trend

20th September 1564 **Robert Woulcot** son of Edward Woulcot

31st May 1570 **Richaurd Best**

1st November 1570 **William Tavener** son of William Tavener

5th November 1570 **Tamsin Tavener** daughter of William Tavener

11th January 1571 **John Tavener**

20th July 1571 **Agnes Tavener**

11th April 1573 **Margerie Woulcot**

19th April 1573 **Tamsin Tavener**

4th May 1573 **Walter Trend**

20th July 1574 **Nichol Trend**

5th March 1575 **Jone Woulcot**

3rd May 1575 **William Taverner**

8th June 1578 **Jane Woulcot**

18th April 1579 **Jone Tavener**

15th November 1579 **John Trend**

9th April 1579 **William Trend**

23rd March 1580 **Jane Woulcot**

30th June 1582 **Jone Woulcott** daughter of John Woulcott

23rd December 1583 **Agnes Tavener**

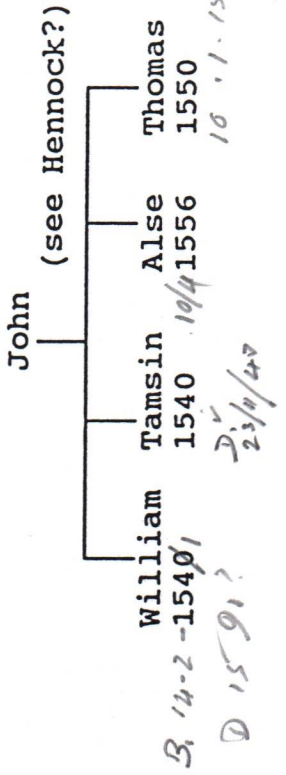
2nd September 1584 **Gregorie Woulcot**

10th May 1591 **Anne Woulcott**

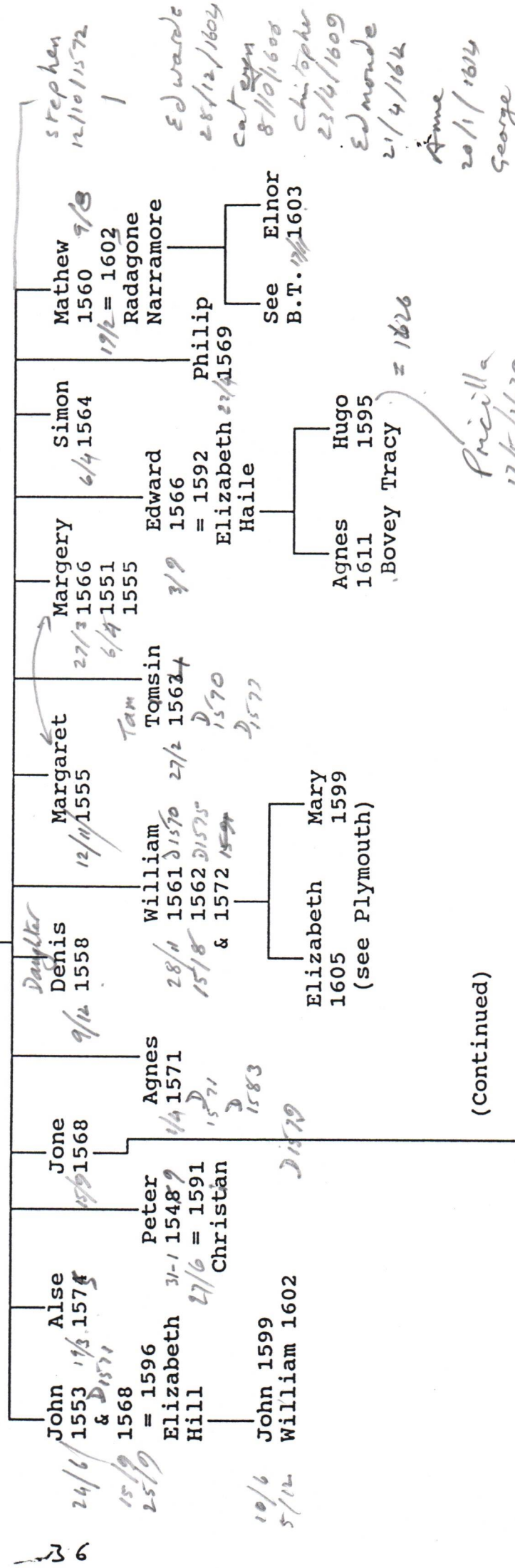
17th May 1591 **William Tavener**

BRIDFORD DEVON.

Burials -
19/5/1547 Simon T
26/6/1548 Jane T. widow
20/8/1548 christia T da of Simon T
12/10/1557 Biddgett T.



William =



Priscilla
17/5/1629

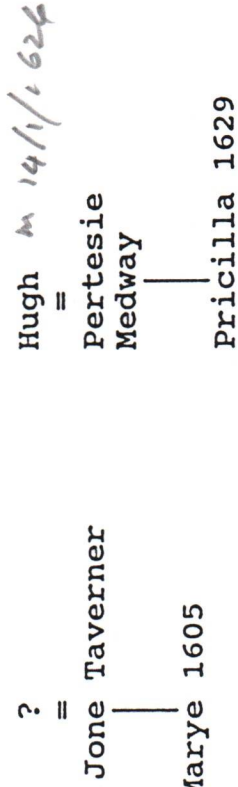
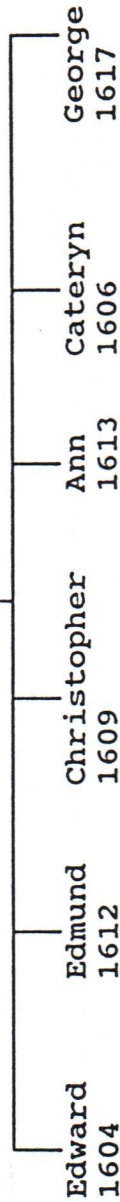
(Continued)

(See over)

BRIDFORD Devon
(Continued)

William

4/2
Steven = 1603† Tomsyn Puddicombe
(married at Bovey Tracy)

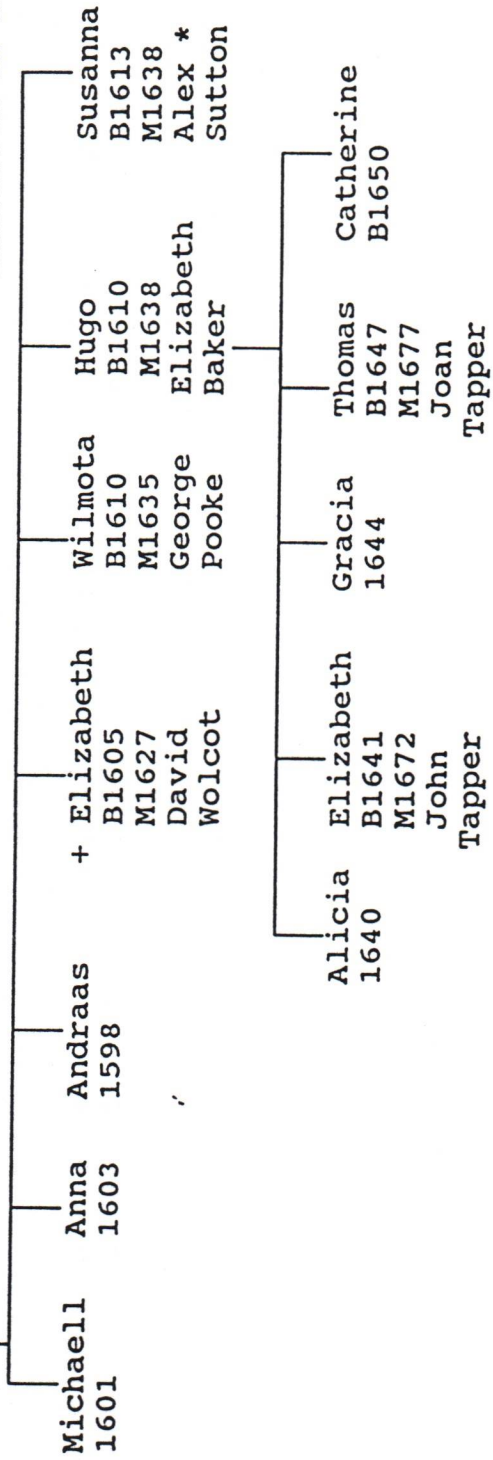


- Jane Taverner = Richard Langworthie 1592
- John Taverner = Elizabeth Zentle 1611
- John Taverner = Isett Langanden 1622
- Peter Taverner = Elizabeth Staplehill 1619

DEVON at Bovey Tracy

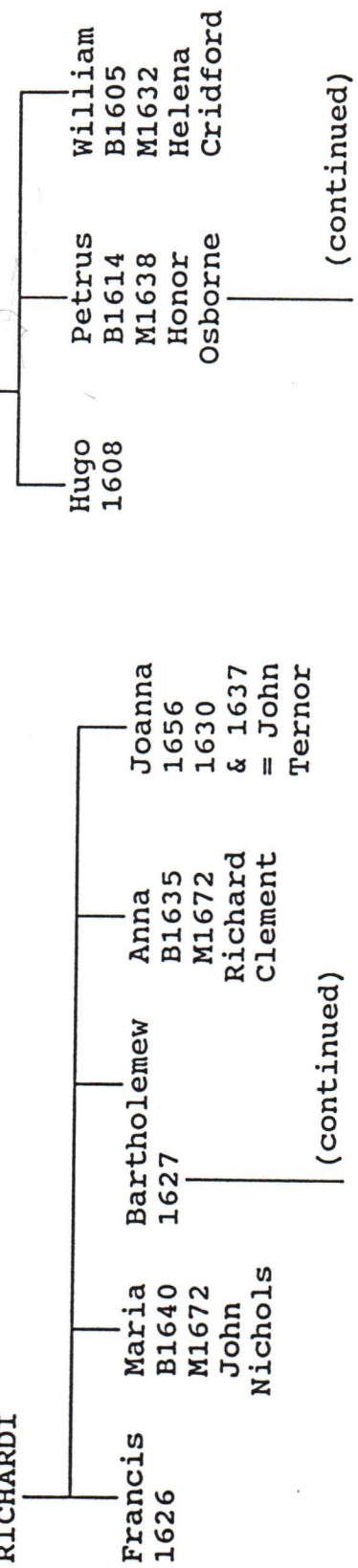
FRANCISCISI

* Alex later married
+ Elizabeth in 1646



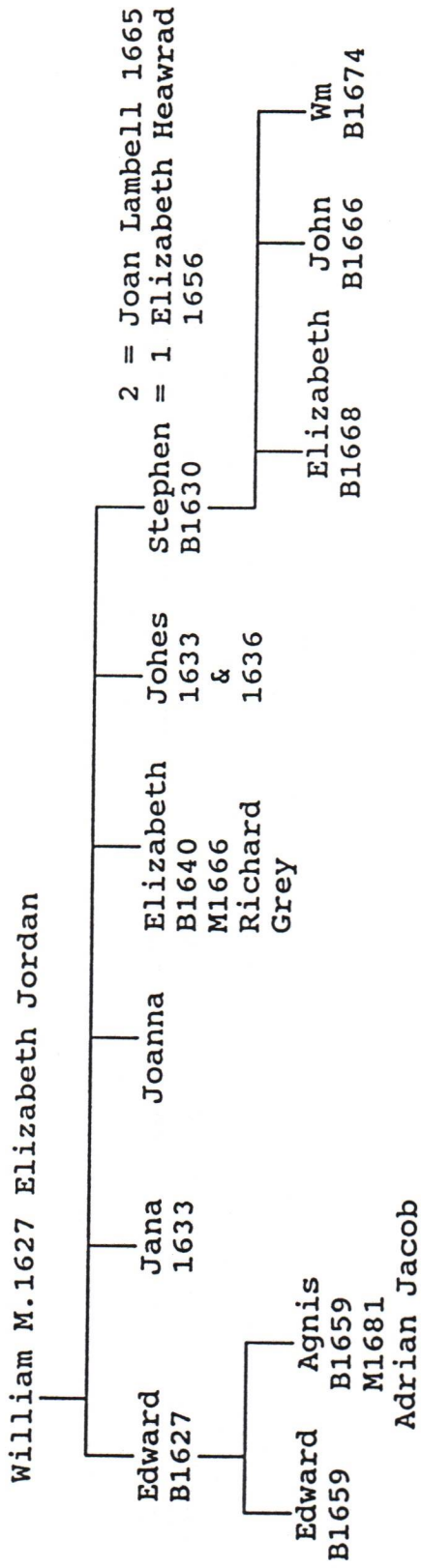
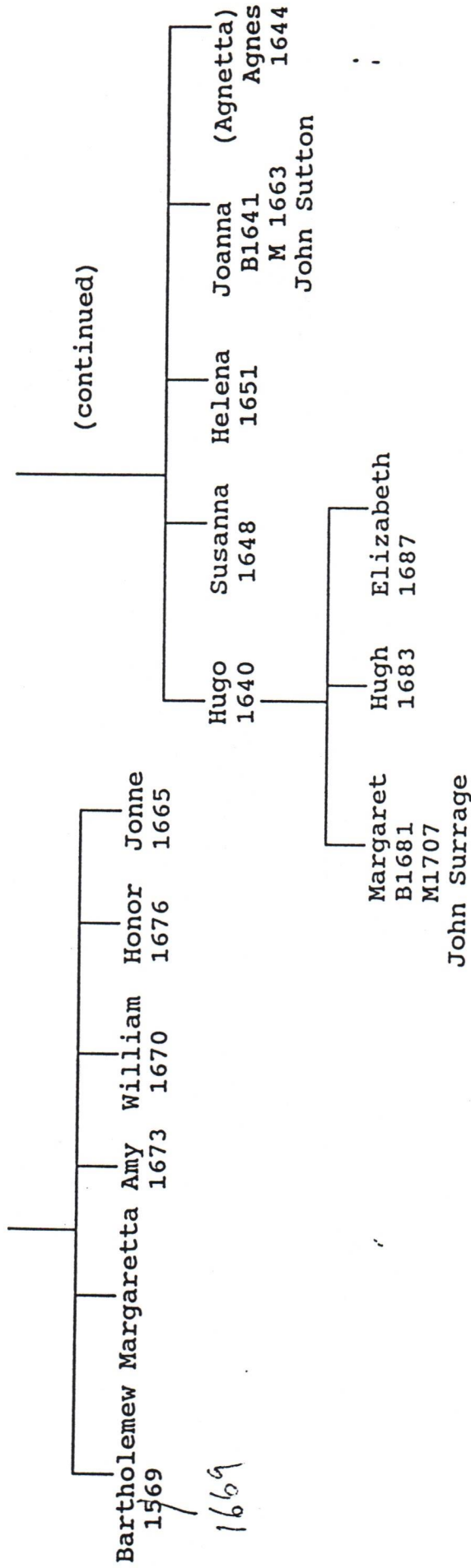
RICHARDI

MATHIE (see Bridford)



(continued)

(continued)



(Continued)

(Continued)

Peter M1660 Tomasin Wallish

Peter B1661 Married Joan

Peter 1699
John 1695

(see Chadleigh)

Elizabeth
Witrow =

GEORGE

Stephen
B1660
M1695

Mary
1664

Wm
1667

Thomas
B1669
M1694

Mary Westcott

Thomas
B1698

William

Hugh B1695

John
1699
(see Whitestone)

Wm
1697

Thomas
1695

Magdalena Taverner married 1579 John Tappley
Redegundis Taverner married 1621 David Ellacombe
Elizabeth Taverner married 1646 Alex Suttton
Sarah Taverner married 1677 Robert Tayler
Joan Taverner married 1693 Sam Floud

John Taverner married Ann Pouttle 1566 Exminster
 William Taverner christened John Taverner 1572 Exminster
 John Taverner married Blanche 1581 Exminster
 John Taverner married Margaret 1596 Exminster
 John Taverner christened 1560 Paignton
 Margery Taverner married John Horsham 1575 Paignton
 John born 1548 Hennock
 Mable of John Taverner 1549 Hennock
 Joan Taverner married Roger Lucye 1549 Hennock
 Joan Taverner married John ? 1580 Hennock
 Stephen Taverner married Jane Balle 1676 Hennock
 Susan Taverner married Edmund Randell 1563 Charleton
 Andrew Taverner born of John Taverner 1582 Widecombe In The Moor
 William Taverner born of John Taverner 1579 Widecombe In The Moor
 Maud Taverner married Thomas Gillard 1539 Stoke Fleming
 William Taverner baptised of Edward Taverner 1595 Ilsington
 Susan Taverner married Hugh Lamshead 1675 Ilsington
 Wylmott Taverner baptised of John Taverner 1595 Tedburn In The Moor
 Elizabeth Taverner baptised of Walter Taverner 1597 Dartmouth St Saviour
 Christian Taverner married John Standon 1618 Mary Tavy
 Jaone Taverner married John Allen 1624 Mary Tavy
 William Taverner married Sarah Babacombe 1636 Moreton Hampstead
 Sophia Taverner married John Manneton 1624 Kenn
 Elizabeth Taverner baptised William Taverner 1605 Plymouth St Andrews
 Mary Taverner baptised William Taverner 1599 Plymouth St Andrews
 Elizabeth Taverner married Abraham Mabbett 1624 Plymouth St Andrews
 Joan Taverner married George Dix 1611 Plymouth St Andrews
 Steven Taverner married Elizabeth Heawood 1656 Totnes
 Joan Taverner married John Turner 1656 Totnes
 John Taverner = Thomazin Westaway 1643 Stamford Courtney
 John Taverner = Mary Busell 1670 Dunsford
 John baptised of John Taverner 1673 Dunsford
 William baptised of John Taverner 1676 Dunsford
 Joan baptised of John Taverner 1680 Dunsford
 John baptised of Thomas Taverner 1691 Dunsford
 William Taverner married Ann Tozar 1674 Dunsford
 Jones baptised of Ricks 1646 Oakhampton
 Henry Taverner married Agnes Powning 1632 Exeter St George
 Grace Taverner married Ew Lopez 1674 Lustleigh
 Thomas Taverner married Joan Sellack 1683 Lustleigh
 Elizabeth Taverner baptised of ? & Ursula Taverner 1634 Ermington
 Dorothy Taverner married John Cooke 1653 Buckfast Leigh
 Amey Taverner baptised of John Taverner 1661 Stoke-in-Teignhead
 John Taverner baptised of John Taverner 1654 Stoke-in-Teignhead
 Mary Taverner baptised of John Taverner 1645 Stoke-in-Teignhead
 William Taverner baptised of John Taverner 1648 Stoke-in-Teignhead
 William Taverner baptised of Mary Taverner 1670 Stoke-in-Teignhead
 Ann Taverner married Jeffrey Neckels 1687 Stoke-in-Teignhead
 Philip Taverner married Johan Mudge 1606 Stoke-in-Teignhead

Chagford

Dunes = Vignes Bodye 1599
Amey = Banabe Varder 1618
Anne = John Vogwell 1639
Diones = George Hodge 1665
Grace = William Vallence 1668
Peter = Barbara Frend 1635
Richard = Agnes Scott 1673
Sarah = Thos Sellett 1691
Thomas = Mary Aynell 1662
Tomasin = John Steer 1750
William = Jane Fraye 1673

Kings Tengnton

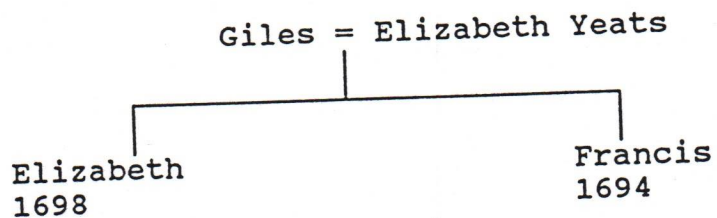
Julian = Ed Grant 1676
Thomas = Julian Brown 1671

Plympton St Mary

Katherine = Richard Coale 1676
Margaret = Samson Fostard 1610

Broad Clyst

Agnes = Thos Pumery 1690



Records Hand Noted Daily August '99

BOVEY TRACEY - Devon. - Exeter Record office
2160 A

Apprentices

PO 124	ANNA TAVERNOR	Husbandry.	1782
PO 147	THOMAS TAVERNOR	"	1782
PO 402	WILLIAM TAVERNOR	"	1816
PO 485	JOHN TAVERNOR	"	1824
PO 503	WILLIAM T.	"	1825
PO 526	THOMAS T	"	1827
PO 603	THOMAS T	"	1831

OWNERS OF SHIPS - DEVON RECORDS OFFICE
TAVERNOR.

SHIP - POLLY NO 42558 1872
TEIGNMOUTH.

- BEFORE HIM - OWNER IN 1866
WAS NAMED WARD.

146 TONNES - MASTER - HEATH

SHIPS MASTERS - NO TAVERNORS

Feet of FINES

CHAFFORD 1683 churchwardens (transferred)
W^m TAVERNOR & John Philcott

Calendar of Deeds Enrolled within Co of Devon
1540 - 1660, NO TAVERNORS

Kindred Connections

John Taverner

|

Captain John T. b 1658 = ELIZABETH
m 1678 V.A.

Sarah b 1678

Eliz b 1681
d 1728
= Thomas?

John b 1682

Richard 1685

John Taverner

|

Eliz d 1581

John T m Judith Smythas in England 1622
b 1602

Virginia

John VA.
1630

Gerald Crane Taverner

From: Diana P. Statt <roman@ieway.com>
To: <DEVON-L@rootsweb.com>
Sent: Saturday, February 26, 2000 8:21 PM
Subject: TAVERNERS in Chagford

I jotted down these few notes while searching for my own ancestors. Hope they help someone

BURIALS:

TAVERNER, Robert, illegitimate s of Dorothy 6 Sept 1599
TAVERNER, Joan, wid 20 Aug 1604
TAVERNER, Johanna wid of John 18 Aug 1605
TAVERNER, Andrew, son of John 10 Sept 1605
TAVERNER, Robert, base of Agnes 8 July 1614

MARRIAGES:

BODYE, Vinges & Dunes TAVERNER 25 Nov 1599
TAVERNER, Thomas & Mary Aynell 17 July 1662
HODGE, Georg & Diones TAVERNER 1 Jan 1665
TAVERNER, Wm. & Jane FRAYE 7 Oct 1673

Diana Statt
Spokane Washington

Gerald Crane Taverner

From: <JMax745@aol.com>
To: <gertavner@telus.net>
Sent: Sunday, February 27, 2000 5:12 AM
Subject: Re: The Tavernor/Taverner clan

After re-reading my ggg-uncle's entry in the family bible (which was copied by hand by my cousin), I see that William Tavernor was born December 4, 1783, but it doesn't say where. His wife, Mary, was born January 25, 1790, also no place name. All I have is that William's father gave him the Bible May 9, 1829 "in the Parish of Bovey Tracey nigh Chudleigh in the County of Devon, England." They left England with his sister, Hannah Tavernor Crabb, her nine children and eight others unknown. That is the information I have from family records. However, I have been in touch with some people researching the Crabb name in England, and they have information that says my family is actually from Linkinhorne in Cornwall. Hannah and her husband, Edward Crabb, were apparently married in Linkinhorne, but moved to Plymouth where they had several children, then moved to Bovey Tracey, living on Mary St. when Edward died.

I have been trying to find a passenger list for any ship that might have left for America March 31, 1831 headed for St. Andrews in North America. In William's Bible, he gives the whole route, but neglected to say where they departed FROM. That's all I know about the Tavernors before they left England. Should you be looking for some who disappeared from Bovey Tracey, now you know where they went!!

Joyce Crabbe

Maxwell

2/27/2000

Gerald Crane Taverner

From: <smide1@juno.com>
To: <gertavner@telus.net>
Sent: Wednesday, March 01, 2000 7:18 PM
Subject: Re: Taverners

Dear Gerald & Brenda,

Thank you for your query on the Taverner name in Devon, particularly Moreton-Hampstead. The furthestest back I have is John Taverner, of that parish, father of seven children (John, 1752, Jenny, 1754, Mary, 1756, Joan, 1760, Ann, 1763, and Ann again in 1766. John, Sr. was buried Aug, 1792, and other than that, I know very little of him. John Jr. married Elizabeth Connett, 1779, and fathered 13 children, 11 of them boys, which did a great deal to further the Taverner name in the area. Here, my line branches off, as one of these 10 sons, Jeremiah, marries, and some time prior to 1827, moves to the St. Marylebone parish in the east end of London. His son, William, (1827-1892) was my G. G. Grandfather, and founder of a rather successful candy company, which operated until after WWII. Williams dau, Louisa, and her husband both died early, and my grandfather, also a William, dropped the surname, "Klaje", and reverted to the Taverner name of his mother's family. He was quite the adventurer, and sailed to Australia, and then to Canada, where he eventually settled. >From there, his eldest son, (my father) emigrated to the U.S., and here we are, tho all of the male descendants of my grandparents are still in Canada.

Back to Moreton-Hampsted---The family farmed at the Great Duccombe farm there, from the late 1700's thru the 1800's. I understand it is now run as a "Bed & Breakfast" Inn, tho not by any relation to the Taverner family. Other than the immediate family in Moreton-Hampsted, there is a considerable group of Taverner's (and variants) scattered around that area of Devon. Sorry I am not far enough back to help you with connections in the 1600's, but of course, will be very interested if you tie into this line at some future point in your research. Any information I have that is of interest to you, I will be happy to share.

Sincerely,
Elaine (Taverner) Hart
St. Maries, Idaho,

Gerald Crane Taverner

From: <smide1@juno.com>
To: <gertavner@telus.net>
Sent: Sunday, March 05, 2000 6:17 PM
Subject: Re: Taverners

Hi again--

Got a couple of coincidences going here; my sister, her daughter, and myself are also planning a trip to England in early Oct., and plan at least a couple of days in Devon, especially at the Great Duccombe Farm and the surrounding area. Also, you are practically neighbors with some "Taverner's"--my two widowed Aunts, maiden names "Taverner", also live in Delta, B.C.. Their names are Mrs. Marion Hayman and Mrs. Connie Duncan.

Thought you might like to touch base with another "Tav." researcher, the one who has done a lot of the Devon digging on the ancient parish level, and has actually been there. She and I are both descended from the Jeremiah I mentioned in my last message, tho from different siblings. She is Melanie Wileman, at MELCHRISS@wileman40.freeserve.co.uk She presently lives in Dorset. Tho she didn't meet him at the time, she first saw her husband on the grounds of the Taverner farm when she was on holiday there. Hows that for deja vu! There is another searcher from this family, also on-line, Beverly Hall, at bev.hall@sl.kpdsb.on.ca

At what point did your family migrate to Canada, and where in England were they prior to that? What occupation did they follow? Outside of the obvious farming, there seems to be quite a tradition of confection-making in our line, and the story goes that the name was once Tavernier, and candy maker to the King of France. Both Melanie and I heard the tale about the French connection, with the different spelling, and there seems to be a grain of truth in there somewhere--the oldest son of Jeremiah, John, was also a candy maker in London, and had been in France, taken a French bride, and had several children born there, according to census returns, and for whatever reason, he spelled his name Tavernier. Also, his sister, Louise Taverner, also married a Frenchman from Paris by the name of Jules Woillaume, and he was in partnership with my William Taverner in the original Taverner Confectionery business. So that makes 3 out of that family in the trade. John, and two other children, were baptized at St. Andrew, Plymouth, Devon, between 1812 and 1817, so that may have been a stopover in the transition from the farm to London. About all for now, hope some of this is of interest to you--

Sincerely,
Elaine Hart

Gerald Crane Taverner

From: Gerald Crane Taverner <gertavner@telus.net>
To: Elaine Hart <smide1@juno.com>
Sent: Monday, March 06, 2000 7:54 PM
Subject: The Taverner Clan

Dear Elaine,

The first Taverners that we know about i.e., 1272 were known as Le Taverner and this came from a book privately published in 1994 by John P. Tavener. If you would like to obtain a copy of this publication I would suggest that you contact him at the following address:

Mr. John P. Tavener,
 Rougemont,
 238 Hesketh Lane,
 Tarleton, Preston PR4 6RH,
 Lancashire,
 England.

John, and his father before him, have collected an enormous amount of material over the years. And John is still at it, thank God!

Your aunts are probably listed under their deceased husbands' first names for reasons of security. If you can let me have their phone numbers or addresses, it will save me from phoning all the Haymans and Duncans in the local telephone book.

I shall be contacting both Melanie Wileman and Beverly Hall as well and will send you copies of my messages.

Our branch of the Taverner clan migrated to Newfoundland some time in the 17th Century. Newfoundland at that time was a (sort of) colony but very few people lived there all year round because, amongst other things, the British Government's policy was to avoid having to administer one in the formal sense. Fishing Admirals were appointed at the beginning of each fishing season and returned home at the end of it. The trade was in cod fish shipped to the Old Country, Portugal, Spain and France. And the trade was considered as an essential training ground for the Royal Navy; a cradle of the Royal Navy, if you like. Quite a number of books have been written about this period. Three generations of Taverners moved back and forth/to and from Dorset until 1700, and even later. Our earliest known ancestor was William who was married to Margaret and they died and are buried in St. James Parish, Poole, Dorset, this in 1680 and 1701 respectively. William was a mariner and Margaret looked after their fishing business in a place called Bay de Verde. After being burned out by the French on four occasions some of the family went back to Poole and others went on to Trinity, Trinity Bay, in 1700-01, a place which could be more easily defended from the depredations of the French. Newfoundlanders sold and delivered the flake dried codfish and received needed manufactured goods in return. The Trinity Bay trade flourished until about 1850. Taverner males have been fishermen, mariners, merchants. Justices of the Peace, etc. etc. And by the way, the contacts between Poole and Trinity are close to this day and the Taverner name is given prominent mention in both places. If you are interested send me your postal address and I would be happy to send you a booklet by Dr. Gordon Handcock entitled "The Story of Trinity" in which the Taverners are given, if I remember correctly, honourable mention 41 times. The Taverner name is also very well known in Poole. The Wessex Newfoundland Society helps to maintain and encourage the contact and I have been asked, if the scheduling can be arranged to everyone's satisfaction, to give a talk to the Wessex Newfoundland Society in Poole in October on our branch of the clan.

Trinity gradually went into decline after 1850 and the Taverners moved out, some to other parts of Newfoundland, some to the U.S.A. and some to other parts of Canada. My father, for example, moved to Montreal, Quebec in 1922 and I was hatched there in 1928. Newfoundland became part of Canada in 1949. We presently live about 25 miles south of Vancouver, B.C. at the other end of the country. I don't know where you live so if you reside in Canada, I apologize for the geography lesson.

Trinity's claim to fame these days is in its historical background and the town (quaint) is beginning to flourish because of the tourist trade. The harbour is magnificent and the inhabitants are doing an excellent job of promoting the area.

One Taverner was a Baron of Sandwich, one of the Cinque Ports, another was a very famous musician (mainly church music) and then there is the Taverner Bible! It goes on and on. John Taverner's would give you a good sample of the Taverners past.

Now to go back a bit, to date we have been unable to get back further in time than William and Margaret and have come up against a brick wall in Dorset. However, we recently were given copies of Dr. Keith Matthews' papers as they relate to the Newfoundland Taverners by the Maritime History Archive of Memorial University. Keith Matthews was Professor of History at Memorial University, in St. John's, Newfoundland; he died in 1984. It was these papers that put us on to the Devon connection because he named 11 towns/villages/hamlets in Devon with Newfoundland Taverners. I recognize that we are looking for a needle in the haystack, but genealogists, amateur or otherwise have to be optimists.

The above is a little disjointed but I hope that I haven't been too boring.

Regards,

Gerald Taverner

Gerald Crane Taverner

From: Angela Aldam <angela.aldam@virgin.net>
To: Gerald Crane Taverner <gertavner@telus.net>
Sent: Thursday, February 10, 2000 6:50 AM
Attach: tav.htm
Subject: Re: Taverners

Dear Brenda and Gerald,

My interest in the TAVE(R)NERS comes about because my GGG Grandfather BAKER, a farmer of Whitestone in Devon, married Jane TAVERNER, whose family had been farming in Whitestone since about 1750. I got as far back as Jane's grandfather, Robert TAVERNER, when I "lost the scent". Fortunately, another BAKER researcher (Pip) also descended from Jane TAVERNER, had the presence of mind to ask her old friend Eric TAVERNER if perhaps he might be related. He had already had his tree worked out for him by a professional, and Pip was able to find the missing link which showed Pip and I are descended from the same TAVERNER family. Virtually all the info I have prior to Robert is therefore courtesy of Eric, although I have not met him myself.

It turns out that Robert TAVERNER was baptised in Dunsford as the son of "William Taverner alias Avery". His father was a Dunsford man, and his grandfather and great-grandfather were buried there. I enclose an outline tree in HTML (click on it and it should open in your browser). The information passed on to me does not go back far enough to show whether or not there could be any overlap with the line you are working on.

Not having done the research myself I cannot say whether any sources beyond the obvious were consulted. Also, I do not know whether any other TAVERNER information may have been unearthed in the process, and whether any record would still be held by Eric or his researcher. I will contact Pip and if there is anything to report one of us will certainly let you know.

Best wishes, Angela

 Angela H Aldam (angela.aldam@virgin.net)
<http://freespace.virgin.net/gary.aldam/>

-----Original Message-----

From: Gerald Crane Taverner <gertavner@telus.net>
To: Angela Aldam <angela.aldam@virgin.net>
Date: 09 February 2000 00:17
Subject: Taverners

To introduce ourselves, we obtained your name and address from the microfiche of members interests of the Devon FHS of which we are a member. Let us begin by saying that we live in Delta, British Columbia, Canada, a municipality about 25 miles south of Vancouver. Our ancestors, as far back as we have been able to trace them, came from Poole, Dorset and the connection to Canada came through Newfoundland in the 17th Century. William and Margaret Taverner are both buried in St. James Parish, Poole, William having died 27 March, 1680 and Margaret 14 June, 1701. We have a copy of William's Will, the original of which is in the Dorset Record Office in Dorchester. However there is no record of Taverners living in Poole at the time of the Census of 1574. John P. Tavener and his father of Tarleton, Lancashire have done a great deal of research on the clan (about 24 volumes, believe or not) and while there are mentions of Taverners in Devon there are none in Dorset. Our branch of the clan were involved in the fishing business in Newfoundland and were also mariners Masters/Owners of sailing ships as well. This has led us to believe that they originated in Devon. Research by Dr. Keith Matthews, Professor of History at Memorial University in St. John's, Newfoundland identified Devon as the origin of the Newfoundland Taverners. Besides Charleton, there is mention of 10 towns and/or villages, all within an 18 miles radius where Taverners are given honourable mention. We have yet to make a definitive connection between Dorset and Devon, nor do

2/11/2000

we have any information as yet on William and Margaret's origins. However circumstantial evidence (the sea) and the research of Dr. Matthews suggests that William probably came from Devon. We would very much like to exchange information with you on Devon (or other) Taverners and look forward to your response.

Brenda and Gerald Taverner

TAVERNERS (mainly Dunsford / Whitestone)

sent by Angela H Aldam 10/2/2000

1 William TAVERNER

bur. 1672, Dunsford, Devon

1 John TAVERNER

bur. 1705, Dunsford, Devon

& Mary BRISELL

bur. 1705, Dunsford, Devon

m. 1670, Dunsford, Devon

1 Mary TAVERNER

bap. 1671, Dunsford, Devon

& Jeremy JERVAS

m. 1699

2 John TAVERNER

bap. 1673, Dunsford, Devon

& Christian MORRIS

bur. 1720

m. 1706

1 Mary TAVERNER

bap. 1706

bur. 1726

2 John TAVERNER

bap. 1708

bur. 1737

1 Mary TAVERNER

bap. 1736

3 William TAVERNER / AVERY

born. Holeland, Dunsford, Devon

bap. 1677, Dunsford, Devon

bur. 1745

& Jane / Joan KEMMEL

born. Tedburn St Mary, Devon

bur. 1763

m. 10 Jun 1707, Dunsford, Devon

1 William TAVERNER / AVERY

bap. 27 Jul 1708, Dunsford, Devon

bur. 1708, Dunsford, Devon

rem. infant death

2 Thomas TAVERNER / AVERY

bap. 3 Mar 1710, Dunsford, Devon

bur. 1788

3 William TAVERNER / AVERY

bap. 3 May 1712, Dunsford, Devon

bur. 1773

& Mary CONNETT

m. 30 Jun 1748, Dunsford, Devon

1 William TAVERNER

bap. 1749, Dunsford, Devon

bur. 1828

& Alice SEIRCOMBE

bap. 1755

bur. 1826

m. 1783

1 William TAVERNER

bap. 1784

died. 1849

& Ann DICKER

bap. 1799

died. 1860

m. 1818

2 Mary TAVERNER

bap. 1786

bur. 1802

3 George TAVERNER

bap. 1789

bur. 1836

& Mary JERVIS

bap. 1787

died. 1866

m. 1811

4a John TAVERNER*

bap. 1792

died. 1865

& Mary

bap. 1791

bur. 1819

4b John TAVERNER*

bap. 1792

died. 1865

& Ann HODGE

m. 1820

5 Thomas TAVERNER

bap. 1800

bur. 1836

& Marcia ?

2 George TAVERNER

bap. 1751, Dunsford, Devon

bur. 1755, Dunsford, Devon

3 Mary TAVERNER

bap. 1754, Dunsford, Devon

4 Molly TAVERNER

bap. 1756, Dunsford, Devon

bur. 1778

5 Elizabeth TAVERNER

bap. 1758, Dunsford, Devon

bur. 1778

6 Anna TAVERNER

bap. 1760, Dunsford, Devon

& John SEWARD

m. 1787

7 George TAVERNER

bap. 1763, Dunsford, Devon

& Mary SEWARD

bur. 1802

m. 1789

4 Jane TAVERNER / AVERY

bap. 2 Jun 1714, Dunsford, Devon

& John JERVIS

m. 2 Jun 1737, Dunsford, Devon

5 John TAVERNER / AVERY

bap. 4 Jun 1717, Dunsford, Devon

bur. 1776

1 John TAVERNER / AVERY

bap. 17 Apr 1740, Dunsford, Devon

rem. infant death

2 William TAVERNER / AVERY

bap. 1 Feb 1741, Dunsford, Devon

& Alice SERCOMBE

m. 25 Feb 1783, Dunsford, Devon

3 Joan TAVERNER

bap. 10 Mar 1742, Dunsford, Devon

& Nicholas TUCKETT

m. 10 May 1768, Dunsford, Devon

4 John TAVERNER / AVERY

born. ? 1742

bap. 31 Jan 1744, Dunsford, Devon

rem. If marriage correct, very young age.

& Mary HAMMETT

m. 3 Nov 1760, Drewsteignton, Devon

1 James TAVERNER / AVERY

bap. 25 Apr 1764, Drewsteignton, Devon

6 Robert TAVERNER

born. abt 1719

bap. 6 Aug 1719, Dunsford, Devon

died. Sep 1807, Heath Barton, Whitestone, Devon

bur. 28 Sep 1807, St Catherine, Whitestone, Devon

occ. Farmer

rem. or bapt 6 Aug 1718

& Agnes NORRIS

born. abt 1731

bap. 24 Jun 1731, Dunsford, Devon

died. Apr 1810

bur. 3 May 1810, St Catherine, Whitestone, Devon

m. 15 Aug 1751, Holcombe Burnell, Devon

1 Mary TAVERNER

bap. 5 Oct 1752, St Catherine, Whitestone, Devon

bur. 8 Dec 1779

2 Jane TAVERNER

bap. 4 Mar 1755, St Catherine, Whitestone, Devon

bur. 13 Mar 1806, St Catherine, Whitestone, Devon

3 George TAVERNER

bap. 22 Mar 1757, St Catherine, Whitestone, Devon

died. 3 Dec 1835

bur. 9 Dec 1835, St Catherine, Whitestone, Devon

occ. Tenant Farmer

& Ann EARLAND

bap. 2 Dec 1760, St Catherine, Whitestone, Devon

died. 25 Sep 1846

bur. 28 Sep 1846, St Catherine, Whitestone, Devon

rem. or died 23 Sep 1846

m. 19 Mar 1782, St Catherine, Whitestone, Devon

1 John TAVERNER

bap. 11 Jun 1782, St Catherine, Whitestone, Devon

died. 20 Jul 1861, Heath Barton, Whitestone, Devon

occ. Yeoman

rem. or bap 11 Jul 1782

2 George TAVERNER

bap. 8 Aug 1784, St Catherine, Whitestone, Devon

3a Anna TAVERNER*

bap. 22 Feb 1786, Crediton, Devon

& Thomas BREWER

3b Anna TAVERNER*

bap. 22 Feb 1786, Crediton, Devon

& BAKER

4 Mary TAVERNER

born. abt 1789, Whitestone, Devon

bap. 7 May 1788, Crediton, Devon

died. 7 Mar 1870

& Josias LUSCOMBE

born. 1788/1789, Moretonhampstead, Devon

bur. 4 Apr 1828, St Catherine, Whitestone, Devon

m. 9 May 1822, St Catherine, Whitestone, Devon

5 William TAVERNER

born. abt 1790, Whitestone, Devon

bap. 30 Mar 1790, Crediton, Devon

6 Thomas TAVERNER

born. abt 1792, Whitestone, Devon

bap. 10 Apr 1792, Crediton, Devon

7 Elizabeth TAVERNER

born. abt 1794, Whitestone, Devon

8 Joseph TAVERNER

born. 1796, Bridford, Devon

died. 9 Nov 1875, Nadder village, Whitestone, Devon

& Frances "Fanny" LAKE

bap. 1800, Spreyton, Devon

died. 30 Mar 1874, St Catherine, Whitestone, Devon

m. 30 Nov 1820, St Catherine, Whitestone, Devon

9 Sarah TAVERNER

bap. 13 Mar 1796, Bridford, Devon

rem. Infant Death

10 Sarah TAVERNER

born. abt 1802

bap. 24 Jun 1802, St Catherine, Whitestone, Devon

& John SHORT

occ. Yeoman

11 Jane TAVERNER

born. 14 May 1804, Heath Barton, Whitestone, Devon

bap. 15 Oct 1804, St Catherine, Whitestone, Devon

died. 7 Jun 1889, 56 Hoopern St, St Davids Exeter, Devon

bur. St Catherine, Whitestone, Devon

& Mark BAKER

born. 12 May 1803, Nadder House, Whitestone, Devon

bap. 13 May 1803, St Catherine, Whitestone, Devon

died. 22 Sep 1866, Cleve Cottage, Whitestone Cross, Devon

bur. 27 Sep 1866, St Catherine, Whitestone, Devon

occ. Farmer

m. 17 Feb 1825, St Catherine, Whitestone, Devon

4 Anna TAVERNER

bap. 1 Feb 1759, St Catherine, Whitestone, Devon

bur. 4 Nov 1779

5 Thomas TAVERNER

bap. 7 Feb 1761, St Catherine, Whitestone, Devon

6 Agnes TAVERNER

born. abt 1763

bap. 24 Feb 1763, St Catherine, Whitestone, Devon

bur. 8 Nov 1835

& John HAWKINS

occ. Yeoman

m. 29 Jun 1794, St Catherine, Whitestone, Devon

1 Grace HAWKINS

bap. 3 Aug 1795

2 John HAWKINS

bap. 8 Jun 1797, St Catherine, Whitestone, Devon

3 Sarah HAWKINS

bap. 28 Mar 1799

4 Anness HAWKINS

born. 28 Apr 1802

died. 29 Mar 1867

& William DENNIS

bap. 7 Oct 1798, Silverton, Devon

died. 30 Oct 1871

occ. Domestic Servant
m. 26 Nov 1823, Whitestone, Devon

5 Maria HAWKINS

bap. 29 Dec 1803, St Catherine, Whitestone, Devon
& Edward BAXTER

occ. Yeoman
m. 9 Jun 1830, St Catherine, Whitestone, Devon

6 Thomas HAWKINS

bap. 13 Feb 1806

7 Betty TAVERNER

bap. 30 May 1765, St Catherine, Whitestone, Devon
& John BARTLETT

m. 8 Sep 1805, St Catherine, Whitestone, Devon

8 Robert TAVERNER

bap. 23 Jul 1767, St Catherine, Whitestone, Devon
bur. 23 Nov 1800

9 Martha TAVERNER

born. abt 1769
bap. 21 Dec 1769, St Catherine, Whitestone, Devon
bur. 29 Oct 1797

& George HAWKINS

m. 31 May 1796, St Catherine, Whitestone, Devon

10 Sarah TAVERNER

bap. 28 Jan 1772, St Catherine, Whitestone, Devon
bur. 31 Mar 1776, St Catherine, Whitestone, Devon

11 Sarah TAVERNER

bap. 16 Jan 1777, St Catherine, Whitestone, Devon

7 Mary TAVERNER / AVERY

bap. 31 May 1722, Dunsford, Devon
& Thomas TOZER
m. 1756

8 George TAVERNER

bap. 1728, Dunsford, Devon
bur. 1749

4 Joane TAVERNER

bap. 1681, Dunsford, Devon
& Benjamin BOWDEN
m. 1704

5 Martha TAVERNER

bap. 1684, Dunsford, Devon
bur. 1686, Dunsford, Devon

2 William TAVERNER

bur. 1706, Dunsford, Devon
& Ann TOZAR
bur. 1695, Dunsford, Devon
m. 1674

angela.aldam@virgin.net

<http://freespace.virgin.net/gary.aldam/famhist/>

Gerald Crane Taverner

From: Pip Davis <pdavis@eclipse.co.uk>
To: <gertavner@telus.net>
Cc: Angela Aldam <angela.aldam@virgin.net>
Sent: Saturday, February 12, 2000 12:08 PM
Subject: The Taverner Family

Dear Brenda & Gerald,

Thanks very much for your letter about the TAVERNER family - and as you will have already found out, Angela and I are both descended from the same TAVERNER family. Angela had just sent me your email plus her reply, so I already had my thinking cap on - though to what avail, I am not sure!

As you now know, Eric's professional researcher gave us the bit of the jigsaw that Angela needed to complete 'our' TAVERNER ancestry which is based round Whitestone (Angela's the real expert!), but we have not tried to get back beyond the earlier info that Eric's researcher provided, so the trail goes dead about the date you need to know more! Yes, TAVERNER is very much a Devon name - so much so that it only relatively recently occurred to me to ask Eric about his background, although I had known him for years. I would be fascinated to know the villages that are associated with it officially - for us it is essentially Dunsford, with Chudleigh then following on. Another newly discovered relative Garth PEDLER, who lives in Totnes now and whose pedigree goes back to a place in North Devon called Frithelstock, also located records of TAVERNERS in Drewsteignton, and in my researches into my paternal grandfather's background (PYKE/PIKE) at North Tawton, there are records of TAV(E)RNERs including this peculiar 'alias AVERY', so I reckon there may be a link there too.

Looking at my parishes map, I see that Dunsford records started circa 1594, so it might be worth seeing what else they throw up. Certainly I have found out recently that there is even a house in Dunsford still called 'TAVERNERS

according to some friends we have out there - I have not been to try to find it yet, but the deeds to it might be fascinating!. Also, Garth noted that the Dunsford Churchyard has a row of six TAVERNER gravestones in the NE corner of the churchyard according to his notes. However all these and indeed our TAVERNER ancestors seem to have been essentially 'landlocked' in every sense, for they farmed in the various local parishes (& seem to have been relatively prosperous too). The TAVERNERS at Whitestone certainly seem to have been known as Yeomen. It would be interesting to know if any of the TAVERNER parishes are nearer the sea? This might provide an important lead?

I shall pass your letter on to Eric, in case he knows of any TAVERNER ancestors linked to the sea. There is certainly an enterprising spirit in the TAVERNERS - there are branches out in Australia too!

Sorry I can't be of any more immediate help, but will willingly try to

assist you in your search!

Best wishes,

Pip (Madeleine) Davis

Gerald Crane Taverner

From: Gerald Crane Taverner <gertavner@telus.net>
To: Angela Aldam <angela.aldam@virgin.net>
Cc: Pip Davis <pdavis@eclipse.co.uk>
Sent: Saturday, February 12, 2000 2:32 PM
Subject: Taverners

Dear Angela and Pip,

To state that Brenda and I were delighted to receive your Taverner messages would be an understatement. Thank you both very very much for your kindness.

The late Dr. Keith Matthews besides being Professor of History at Memorial University in St. John's, Newfoundland, also founded the Maritime History Archive of the University. It was from these papers that we found that the Devon Taverners associated with Newfoundland came from the following towns/villages, namely: Dunsford, Christow, Chagford, Mortonhampstead, North Bovey, Lustleigh, Bovey Tracey (formerly South Bovey), Kingsteighton, Stokeinteignhead, and Lypmstone and all of these, according to my road map are within an 18 mile radius. Also given honourable mention is Charleton (I presume there was no East or West Charleton in those days).

Brenda is going to send you the first five pages of our family tree together with a covering letter with an explanation of its intricacies. In view of the fact that we have never put this on our computer, it is handwritten and we must send it to you by snail mail. We have Angela's full style address as follows: Mrs. A.H. Aldam, 26 Rye Street, Bishops Stortford, Herts CM23 2HG. Angela, let us know if this is incorrect. Pip, if you would send us your mailing address Brenda will send you one as well.

Genealogy is like a jigsaw puzzle, and I like to think that with your help we shall make some progress.

Once again thank you very much for your kindness.

Regards,

Gerald

DEVON.

Feet of fines. Chagford 1683.

Church wardens

William Taverner & John Philcott.

(Devon records office)

DEVON (via Gerald T.)

To: (unknown), INTERNET:DEVON-L@rootsweb.com
From: INTERNET:DEVON-L@rootsweb.com, INTERNET:DEVON-L@rootsweb.com
Date: 6/16/99, 2:27 PM
Re: More TAVERNERS in the Chagford Registry

For those persons interested in this family line, I found a few more in the Chagford

MARRIAGES:

Barnaby Varder & Amye Taverner -- August 1st, 1618
Peter Taverner & Barbara Frennd -- January 6th, 1633
Thomas Taverner & Mary Aynell -- July 17, 1662

BURIALS:

Robert Taverner, base of Agnes -- July 8, 1614
Grace Taverner December 20, 1642
Peter Taverner January 17, 1644 (Could be the Peter of the above)
Agnes Taverner, widow April 9, 1648
Suzanna Taverner,
widow of John of Morton Hampstead November 16, 1653
John Taverner, February 28, 1658

Hope this helps someone
Diana Statt

----- Internet Header -----
Sender: DEVON-L-request@rootsweb.com
Received: from bl-14.rootsweb.com (bl-14.rootsweb.com [204.212.38.30])
by hpangaab.compuserve.com (8.8.8/8.8.8/HP-1.5) with ESMTP id RAA21750;
Wed, 16 Jun 1999 17:27:34 -0400 (EDT)
Received: (from slist@localhost)
by bl-14.rootsweb.com (8.9.3/8.9.3) id OAA11360;
Wed, 16 Jun 1999 14:26:48 -0700 (PDT)
Resent-Date: Wed, 16 Jun 1999 14:26:48 -0700 (PDT)
Message-Id: <3.0.3.32.19990616142722.006cf754@ieway.com>
X-Sender: roman@ieway.com
X-Mailer: QUALCOMM Windows Eudora Light Version 3.0.3 (32)
Date: Wed, 16 Jun 1999 14:27:22 -0700
Old-To: DEVON-L@rootsweb.com
From: "Diana P. Statt" <roman@ieway.com>
Subject: More TAVERNERS in the Chagford Registry
Mime-Version: 1.0
Content-Type: text/plain; charset="us-ascii"
Resent-Message-ID: <i8AyrD.A.NxC.YaBa3@bl-14.rootsweb.com>
To: DEVON-L@rootsweb.com
Resent-From: DEVON-L@rootsweb.com
X-Mailing-List: <DEVON-L@rootsweb.com> archive/latest/7855
X-Loop: DEVON-L@rootsweb.com
Precedence: list
Resent-Sender: DEVON-L-request@rootsweb.com