

# Reel Catalog



**Hose, cord and cable reels**

[reelcraft.com](http://reelcraft.com)





# Why use hose reels?

Why use hose reels? Because they make hose handling more efficient and safer. Your hoses, cables and cords will last up to five times longer. You will improve hose management, which decreases labor costs. Your chances of injuries from tripping

hazards will decrease, which saves lost work time, medical bills and higher insurance. You also save the expense and time to replace expensive hoses, cables and cords that get run over by fork lifts and other vehicles.



Series TW7000

Truck courtesy of E&B Paving, Anderson IN

## Five reasons why hose reels add value



**Improve efficiency**  
Hoses, cable and cords are where you want/need them.



**Increase safety**  
Reduce tripping accidents and lost work time.



**Minimize leakages**  
Reduce costs of air and water leakages.



**Reduce hose wear**  
Hose and cords on reels can last up to five times longer.



**Increase productivity**  
No more tangled hoses improves efficiency.



Series 7000

**Front Cover:** L-R: Nordic Series Large Frame Reels; Series 7000; Series 7000 & 80000 Reels, photo courtesy of Utility Fleet Sales, Bryan, TX

**Back Cover:** L-R: Series 30000; Series TW7000, truck provided by E&B Paving, Anderson, IN; Series 30000, photo courtesy of Zedos United, Singapore.

## OSHA says reduce your trips and falls

"There are many situations that may cause slips, trips and falls. The controls needed to prevent these hazards are usually obvious, but too often ignored, such as... coiling up extension cords, lines and hoses when not in use and keeping electrical and

other wires out of the way." OSHA's "Fall Prevention Tips" include, "Practice good housekeeping. Keep cords, welding leads and air hoses out of walkways or adjacent work areas."

Source: [www.osha.gov](http://www.osha.gov)

## Same-day quick ship program offers fastest service

Because we are centrally located in the US and have three North American warehouses, upon request, we can quickly ship our standard products the same day for domestic orders of five or fewer standard models. Orders must be received by 11:30 am local time. Look for the shipping icons in this catalog for designated models. For the most current list of Quick Ship reels, please visit [www.reelcraft.com](http://www.reelcraft.com).



## Two Year Limited Warranty and Return Policy

Reelcraft now offers a two\* year limited warranty. All products manufactured by Reelcraft Industries, Inc. are warranted to be free of defects due to faulty material or workmanship for 24 months from date of shipment, except hose. For complete warranty information, online warranty registration, service manuals, and return information please visit [www.reelcraft.com](http://www.reelcraft.com) or call Reelcraft's Customer Service Department toll-free at 1-800-444-3134. \*1 year for Series LD, LG and LH cord reels.



# Reelcraft: Better by Design

Reelcraft's reels are better by design because of our lasting commitment to excellence. Our engineering team is well known for designing durable, high quality products. Our standard

features include durable, corrosion-resistant powder coat paint, multi-position guide arms for versatile mounting options and heavy-duty, reinforced steel stampings for increased

strength. Our reels are permanently factory-lubricated for a long, trouble-free service life. All of these features, and many more, add up to make "The Reelcraft Difference."

## Reinforced Steel

The steel-stamped guide arm is reinforced to reduce bending due to angular pull.

## Improved Connection

The elongated brass connector and proprietary adhesion process provide a better crimp to the hose.

## Stress-free Swivel

Our full-flow design combines the highest grade seal design with supporting bearing surfaces to insure the longest possible life.

## Corrosion-Resistant

Steel components are individually powder coated to virtually eliminate corrosion.

## Long Service Life

Field-proven swivel assures long service life.

## Finish with Quality

Our components undergo a special five-stage cleaning process and are individually powder-coated for the highest quality paint adhesion. Excess powder is reclaimed to be environmentally friendly.

## Kinkless Hose

High quality PVC hose is specially blended for use on reels

## Scaled Connection Points

Swivel and hose inlet connections seal against leaks

## Adjustable Guide Arm

Multiple guide arm positions provide versatile uses and easier field adjustment

## Trouble-Free Performance

Fewer components increase the service life of the reel and improve performance

## Long Life Drive Spring

Declutching arbor virtually eliminates possibility of spring damage due to reverse winding of reel spool.

## Enclosed Drive Spring

Drive mechanism is enclosed for protection against the environment.



## Robust Latch

Wide profile combined with special spring assures maximum service life.

## Structural Strength

Welded heavy gauge steel frame includes dramatically flanged edges and stiffening ribs for lighter weight, yet stronger components for ease of handling and installation.

## Easy to Mount

Attaches to most structurally sound surfaces. Edges are curved for safety.

Series 7000

Shown: 7850 OLP



# Table of Contents



Reelcraft is the industry leader for hose, cord and cable reels available anywhere in the world. We manufacture a complete line of products for many professional and commercial applications including industrial, automotive, construction, aviation, fuel delivery, welding, maritime, food processing, chemical delivery, turf/ag, custom reels and much more. Our key focus is to develop quality products that make hoses, cords and cables more productive, keep them easily accessible and make them last longer. Reelcraft is a highly innovative company in our product development and our manufacturing techniques. We have been ISO 9001:2008 accredited since 1996 and we lead the industry in developing new cutting edge products. Our lean manufacturing and Six Sigma programs give us the core competencies to continue to deliver the world's best reel products.

Reelcraft Industries is  
**ISO 9001:2008**  
Certified Since 1996

## Lighter, economical 8 Series RT

1/4", 3/8", 1/2" I.D.

An economical, lighter hose reel designed for low, medium and high pressure applications.



Series RT  
Patent No. 7,150,425

## Compact reels 9 Series 4000 / 5000 / 5005

1/4", 3/8", 1/2" I.D.

For all general air, water, oil or grease applications.



Series 5005

## Heavy duty reels 10 Series 7000

1/4", 3/8", 1/2", 3/4" I.D.

Our best-selling reel for low, medium and high pressure applications.



Series 7000

## Dual pedestal reels 11 Series DP5000 / DP7000

1/4", 3/8", 1/2" I.D.

Compact interlocking base and balanced swivel.

**NEW!**

Series DP5000  
Patent Pending



## Mobile base reels 12 Series D8000 / E8000

1/4", 3/8", 1/2" I.D.

The aluminum cast base and arm offer the highest rigidity among this class of hose reels.



Series D8000

## Dual pedestal reels 13 Series 80000 / D80000

3/8", 1/2", 3/4", 1" I.D.

Our largest pedestal-style hose reel with heavy-duty, ball-bearing style swivel for low, medium and high pressure applications.



Series 80000

## Low profile reels 14 Series SD10000

3/4", 1" I.D.

Low profile spring driven hose reel designed to handle up to 50' of 3/4" or 1" hose.



Series SD10000

**NEW!**

## Vehicle-mount reels 15 Series 9000

1/2", 3/4", 1", 1 1/4", 1 1/2" I.D.

Mobile base reel ideal for high volume air, water, fuel and petroleum applications.



Series 9000

## Large mobile reels 16 Nordic Series 3100 / 4800

1/2", 3/4", 1", 1 1/4", 1 1/2", 2" I.D.

Great for high volume air, water, fuel and petroleum applications.



Nordic  
Series 4800

## Twin hydraulic 17 Series TH

1/4", 3/8", 1/2" I.D.

Medium pressure for operating hydraulic cylinders, motors or tools.



Series TH80000

### To place an order, please advise:

1. Model number.
2. Product to be handled such as air, oil, water, etc.
3. Maximum operating pressure in P.S.I.
4. Maximum operating temperature in degrees Fahrenheit.
5. Hose inside and outside diameters and length.
6. Installation height, especially if more than 16 feet.

7. Desired guide arm position by adding one of the suffixes to the model number. Example: 5635 OLP SW for side wind. Refer to the guide arm chart for guide arm suffix codes.

### Additional Considerations:

A flexible connection between the reel and the source of supply is required to prevent possible misalignment and binding. Non-flexible connections will void the warranty.

The pressure rating of inlet hose must be equal or greater than the rating of the reel.

### Accessories

Reels ordered with hose and bumper are assembled complete and ready to install. Order bumpers separately for reels without hose.

Additional questions? Please visit [reelcraft.com](http://reelcraft.com) or call for assistance.





# Table of Contents

## Fuel reels

18

3/4", 1", 1 1/4", 1 1/2" I.D.

For low pressure applications. Equipped with fuel-grade hose.

Series 80000 Fuel



## Composite reels

21

Series S

3/8", 1/2", 5/8" I.D.

Lighter weight, easy-to-handle for low pressure air, water, chemical delivery or welding. Ideal for wash-down applications.



Series S

## Grounding reels

18

Series G 3000

Used to dissipate static electricity when transferring flammable materials on fuel trucks, in chemical plants and more.



Grounding Reels

## Pressure wash

22

Series PW / H18006 / 30000

1/4", 3/8", 1/2" I.D.

Many models for high pressure applications. Spring driven, hand crank and motor driven rewind.

Series PW7000



## Stainless steel reels

19

3/8", 1/2", 3/4", 1" I.D.

Full line of stainless steel reels for low and medium pressure applications.



7000 OMS

## General use

23

Series CU / CT / CM

3/8", 1/2" I.D.

Hand crank: ideal for lighter duty general use or pressure wash applications.



Series CU

## Pre-rinse, drinking water hose reels

20

3/8", 1/2" I.D.

Several models for pre-rinse applications and potable (drinking) water.



Drinking water

Pre-rinse

**NEW!**



Series CT

## Medium Duty

24

Series H

3/8", 1/2", 3/4" I.D.

Hand crank: ideal for medium duty applications requiring longer hose.



Series H

## Heavy duty, long hose lengths

24-25

Series 30000

1/2", 3/4", 1" I.D.

For low and medium pressure applications requiring long hose. Hand crank, air motor, bevel crank and electric motor rewind.



Series 30000

### COPYRIGHT NOTICE

All rights reserved. No part of the material protected by this copyright may be reproduced or utilized in any form or by any means, electronic or mechanical, including photocopying, recording, broadcasting or by any other information storage and retrieval system without written permission from Reelcraft Industries, Inc.

Reelcraft, Work Smarter, Nordic, Hose Boss, Safe-T-Reel, Better by Design, Built Better to Perform Better and Rely on Reelcraft are the trademarks and service marks of Reelcraft Industries, Inc. registered in the United States and/or other jurisdictions. You shall not display, disparage, dilute or taint our trademarks and service marks, or use our marks in such a way that would misrepresent the identity of the owner.

All other trademarks, service marks or registered trademarks appearing on these pages are the trademarks or service marks of their respective owners. Super Swivel, Full Circle swivel, Viton, Quiet Speed, Buna, Push Lok, Stubby, Stubby II, Delrin and Pos-i-Latch are not owned by Reelcraft Industries, Inc.



Located in Northeast Indiana since 1971, Reelcraft's global headquarters' office and manufacturing space is a state-of-the-art 130,000 square foot facility.

### Reelcraft's global offices serve:

- ✓ Australia
- ✓ Europe/UK
- ✓ Canada
- ✓ Asia/Pacific Rim
- ✓ Central America
- ✓ South America
- ✓ Middle East

Reelcraft Industries is  
**ISO 9001:2008**  
Certified Since 1996

1.800.444.3134  
www.reelcraft.com

**REELCRAFT**®

# Table of Contents



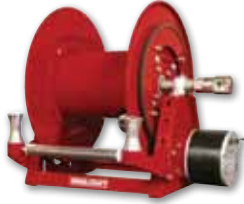
Reelcraft's product quality starts with modern engineering techniques for maximum strength through better design, better materials and tested and proven products.

We are committed to superior manufacturing processes by producing our steel components from hard tooling (dies) that increase product strength and reliability compared with simply bending metal in press breaks. In addition, we offer more levels of industrial products: Good, Better, Best and Ultimate. Our customers report that superior value is why they choose Reelcraft reels. All of these qualities and more add up to make "The Reelcraft Difference."

Reelcraft Industries is  
**ISO 9001:2008**  
Certified Since 1996

## "A" frame 27 Nordic Series 1200

1/2", 3/4", 1" I.D.  
"A" frame design for increased rigidity and maximum durability. Hand crank or motor driven.



Series 1200

## Modular, t-slot 30 Series 40

1", 1 1/4", 1 1/2" I.D.  
Durable, reliable, modular large frame reel is fully customizable to fit your specs. Gear drive, chain drive, hand crank and bevel crank.



Series 40

## Steel large frame 29-33

Nordic Series 2400 / 3900 / 3700 / 5900

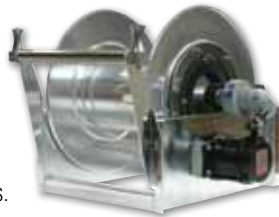
1/2", 3/4", 1", 1 1/4", 1 3/8", 1 1/2", 2", 2 1/2", 3", 4" I.D.  
Rugged and durable, gear-drive, crank rewind or chain and sprocket drive powered by electric motor.



Series 3700

## Propane reels 32 Nordic Series 3900 LPG / LP80000 / LPD80000

1/2", 3/4", 1", 1 1/4", 1 1/2", 2" I.D.  
Propane reels designed with U/L certified swivel for LPG dispensing. Motor driven and spring driven reels.



Series 3900 LPG

## Petroleum service 34 Nordic Series 3800

1 1/4", 1 3/8", 1 1/2", 2" I.D.  
Inverted reel fits under the canopy of petroleum service trucks. Fluid path is designed for dispensing petroleum.

Series 3800



## Single wrap reels 35 Nordic Series 6000

1 3/8", 1 1/2", 2", 2 1/2", 3" I.D.  
Single wrap reel offers the narrowest profile available to store and retrieve fueling hoses.

Series 6000



## Light and medium duty 36 Series LD / LG

Light and power cord reels for less demanding applications. Quality materials offering lighter weight solutions.

LG3050 143 9



## Hand crank cord reels 36 Series LH

Portable power made easier with the storage of up to 100' of 10/3 power cord.

LH2080 143



## Heavy duty reels 37-41 Series L4000 / L5000 / L7000 / 30000 / Nordic CR

A variety of light and power source options.

L 4035 163 3



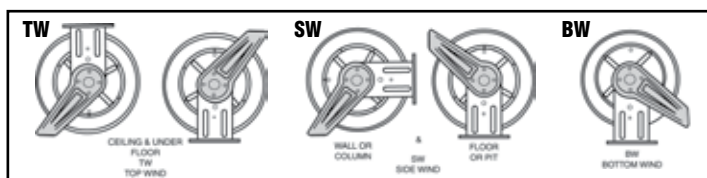
LE312 123 12D

## Guide Arm Positions and Suffix Codes

### Guide Arm Suffix Codes:

The suffix codes (as indicated at right) must be added after the model number to specify desired guide arm position. For example, 5635 OLP **SW** designates side wind guide arm position.

**Additional Notes:** 9000 series reels are shipped in the **BW** position and the 80000 series is shipped in the **SW** position. All other series reels are shipped in the **TW** position unless otherwise specified. Series 4000 and 5000 reels ordered in the **BW** position are available in constant tension only.



### Suffix Codes

- TW Top Wind**  
Ceiling and under floor
- SW Side Wind**  
Wall or column; floor or pit
- BW Bottom Wind**





# Table of Contents

## Welding hose reels 42-43

Series TW / STW / BA

1/4", 3/8" I.D.  
For low pressure oxygen/acetylene applications. Includes "T" grade reels for a variety of gases.



Series STW

## Spring driven welding cable

Series WC7000 / WC80000

Stores work lead or electrode lead cable when not in use.

44



Series WC7000

## Hand crank welding cable

Series CEA 30000

Stores work lead or electrode lead cable when not in use.

44



Series CEA30000

## Multiple spools

Safe-T-Reel Series

Ideal where space, weight and flexibility are key for manual winding of hose, cord, oxygen / acetylene and welding cable.

45



Safe-T-Reel Series

## Tool balancers

Series TB / TBL

Makes tools nearly weightless. Reduces operator fatigue and damage from dropping tools.

46



Series TB



Low pressure air/water hose

## Parts/accessories 47-50

Mounting brackets, chain shrouds, roller brackets, motors, switches, hose bumpers, hose assemblies and replacement hoses.

## Display stands

Three reel tabletop display S602155

Four reel tabletop display S602155-1

Six reel display S602037-2

Eight reel display S602037-1

Eight reel centerpiece display \*S600539  
Conveniently displays up to eight reels and features removable universal brackets for ease of mounting. It is easily assembled/disassembled. Reels sold separately.



Eight reel display stand



Eight reel centerpiece display stand

\*Any four Series 4000 or 5000 can be installed on the top. Any four Series RT, 5005 or 7000 can be installed on the bottom. Series RT and 5005 require either 600626 or 600230 additional mounting brackets.

## Custom Built Reels

Reelcraft's engineered products group custom builds reels to your specifications. Our special engineered products are developed for demanding applications in areas such as marine, military, aviation, hydro-seeding, sewer and well cleaning, offshore oil rigs, robotic cable and much more. We offer flexibility, competitive pricing and a lasting commitment to excellence. For more than 20 years, Reelcraft's engineered products group has produced custom products to meet individualized requirements.

## Reelcraft's Capabilities

### Very few size and weight constraints

We build to meet most extreme size and weight constraints.

### Special finishes/paint options

Options include galvanized, CARC paint, marine grade epoxy, liquid enamel coat paint and powder coat paint in any color.

### Various drive types

Manual crank, motorized, spring drive, hand-over-hand and more.

### Wide range of pressures

A wide variety of pressure ranges available

## Custom Reels

Built to your specs



from 50 to 15,000 PSI and beyond.

**Unique options** - Hose Boss™ rewind assist, tensioning bars, multiple fluid paths, level rewinds and much more.

### No minimum quantities

Order from 1 to as many as you need.



Marine grade epoxy



Multiple spools



Turn-key solutions



Stainless steel



Multiple fluid paths



Fiber optic cable



Sewer/jetter



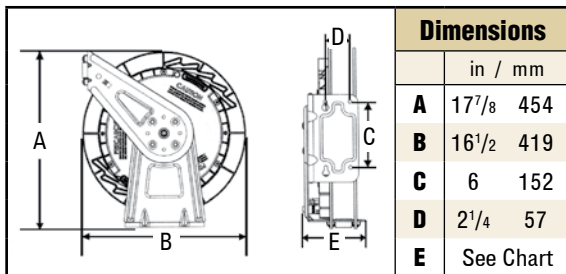


Made  
  
in USA

RT650-OLP  
Patent No. 7,150,425

## Medium Duty Spring Retractable Reels Air/Water/Oil/Grease - 1/4", 3/8", 1/2" I.D.

Series RT is an economical choice for a medium duty, lighter weight, spring-driven hose reel for applications that are less demanding, yet require a product that can withstand industrial and commercial use. The industrial-grade drive spring is protected from the environment in a polypropylene spool for longer service life. Guide arm adjusts to seven positions.



Nitrogen Reels

RT650-OLPG-GN20



Side-Mount Reels

RT650-OLPSM

Model with Hose	Shipping Weight		Pressure		Hose I.D.		Hose O.D.		(M)NPTF Outlet	(F)NPTF Inlet	Hose Length		Model without hose & bumper	Shipping Weight		Pressure		E
	lbs / kg	psi / bar	in / mm	in / mm	in	in	ft / m	lbs / kg	psi / bar	in / mm								
<b>Low Pressure Air/Water Reels</b> Maximum Temperature 150° F (65° C)																		
RT425-OLP	19 9	300 21	1/4 6	.475 12	1/4	3/8	25 8	RT402-OLP	19 9	300 21	5 <sup>3</sup> / <sub>4</sub> 146							
RT435-OLP	21 10	300 21	1/4 6	.475 12	1/4	3/8	35 11	RT403-OLP	19 9	300 21	5 <sup>3</sup> / <sub>4</sub> 146							
RT450-OLP	24 11	300 21	1/4 6	.475 12	1/4	3/8	50 15	RT405-OLP	21 10	300 21	5 <sup>3</sup> / <sub>4</sub> 146							
RT465-OLP	25 11	300 21	1/4 6	.475 12	1/4	3/8	65 20	RT406-OLP	21 10	300 21	5 <sup>3</sup> / <sub>4</sub> 146							
RT625-OLP	20 9	300 21	3/8 10	.600 15	1/4	3/8	25 8	RT602-OLP	19 9	300 21	5 <sup>3</sup> / <sub>4</sub> 146							
RT635-OLP	21 10	300 21	3/8 10	.600 15	1/4	3/8	35 11	RT603-OLP	19 9	300 21	5 <sup>3</sup> / <sub>4</sub> 146							
RT650-OLP	27 12	300 21	3/8 10	.600 15	1/4	1/2	50 15	RT605-OLP	22 10	300 21	6 <sup>1</sup> / <sub>4</sub> 159							
RT825-OLP	26 12	300 21	1/2 13	.750 19	1/2	1/2	25 8	RT802-OLP	23 10	300 21	6 <sup>1</sup> / <sub>4</sub> 159							
RT835-OLP	27 12	300 21	1/2 13	.750 19	1/2	1/2	35 11	RT803-OLP	23 10	300 21	6 <sup>1</sup> / <sub>4</sub> 159							
RT850-OLP	37 17	300 21	1/2 13	.750 19	1/2	1/2	50 15	RT805-OLP	25 11	300 21	7 <sup>3</sup> / <sub>4</sub> 197							
<b>Medium Pressure Oil Reels</b> Maximum Temperature 150° F (65° C)																		
RT625-OMP	27 12	1000 69	3/8 10	.710 18	3/8	3/8	25 8	RT602-OMP	22 10	1000 69	5 <sup>3</sup> / <sub>4</sub> 146							
RT635-OMP	30 14	1000 69	3/8 10	.710 18	3/8	3/8	35 11	RT603-OMP	22 10	1000 69	5 <sup>3</sup> / <sub>4</sub> 146							
RT650-OMP	35 16	1000 69	3/8 10	.710 18	3/8	1/2	50 15	RT605-OMP	25 11	1000 69	7 <sup>3</sup> / <sub>4</sub> 197							
RT825-OMP	31 14	1000 69	1/2 13	.850 22	1/2	1/2	25 8	RT802-OMP	23 10	1000 69	6 <sup>1</sup> / <sub>4</sub> 159							
RT835-OMP	32 15	1000 69	1/2 13	.850 22	1/2	1/2	35 11	RT803-OMP	23 10	1000 69	6 <sup>1</sup> / <sub>4</sub> 159							
<b>High Pressure Grease Reels</b> Maximum Temperature 150° F (65° C)																		
RT425-OHP	28 13	5000 345	1/4 6	.580 15	1/4	3/8	25 8	RT402-OHP	22 10	5000 345	5 <sup>3</sup> / <sub>4</sub> 146							
RT435-OHP	30 14	5000 345	1/4 6	.580 15	1/4	3/8	35 11	RT403-OHP	22 10	5000 345	5 <sup>3</sup> / <sub>4</sub> 146							
RT625-OHP	30 14	4800 331	3/8 10	.730 19	3/8	3/8	25 8	RT602-OHP	22 10	5000 345	5 <sup>3</sup> / <sub>4</sub> 146							
RT635-OHP	34 15	4800 331	3/8 10	.730 19	3/8	1/2	35 11	RT603-OHP	22 10	5000 345	6 <sup>1</sup> / <sub>4</sub> 159							
RT650-OHP	46 21	4800 331	3/8 10	.730 19	3/8	1/2	50 15	RT605-OHP	25 11	5000 345	7 <sup>3</sup> / <sub>4</sub> 197							

Low pressure reels furnished standard with PVC hose. Medium pressure reels furnished standard with S.A.E. 100 R1T one wire braid hose. High pressure reels furnished standard with S.A.E. 100 R2T two wire braid hose.

Available Options

Mounting Brackets  
See page 47



Inlet Hose Assemblies  
See page 49



Replacement Bumpers  
See page 49



Replacement Hoses  
See page 50



## Premium Duty Spring Retractable Reels Air/Water/Oil/Grease - 1/4", 3/8", 1/2" I.D.

Series 4000, 5000 and 5005 reels are all-steel construction and compact for a wide range of applications with critical space requirements. A full flow shaft and swivel assures maximum product delivery. Guide arm adjusts to two positions.



4625 OLP

5635 OLP

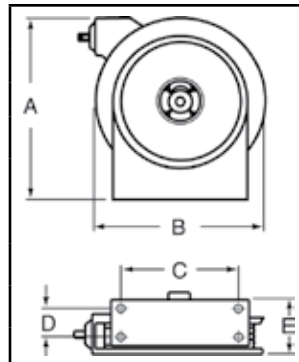
5650 OLP



**Enclosed Model**

5435 ELP

Made  
in USA



Dimensions - Size Index						
No.	1	2	3	4		
	in / mm		in / mm		in / mm	
<b>A</b>	12 <sup>7</sup> / <sub>8</sub>	327	14 <sup>1</sup> / <sub>2</sub>	368	17 <sup>1</sup> / <sub>2</sub>	445
<b>B</b>	12 <sup>5</sup> / <sub>8</sub>	321	13 <sup>1</sup> / <sub>2</sub>	343	16 <sup>1</sup> / <sub>2</sub>	419
<b>C</b>	8	203	9 <sup>3</sup> / <sub>4</sub>	248	9 <sup>3</sup> / <sub>4</sub>	248
<b>D</b>	2 <sup>1</sup> / <sub>2</sub>	64	2 <sup>1</sup> / <sub>2</sub>	64	2 <sup>1</sup> / <sub>2</sub>	64
<b>E</b>	5 <sup>3</sup> / <sub>8</sub>	137	6	152	6	152

Four 5/16" (8mm) diameter mounting holes.

**NOTE:** See operating instructions for optimum mounting configuration.

**Enclosed Models:** Series 5000 E reels are the same as 5000 O reels except E Series reels are fully enclosed. To order, change the model number suffix letter O to E, Example: 5430 OHP becomes 5430 EHP. Add 8 lbs. to open reel weight. Enclosed version is only available for Series 5000 reels (size index 2 reels). Refer to reelcraft.com for dimensional information.

Quiet latch with Hose	Ratchet latch with Hose	Shipping Weight	Pressure	Hose I.D.	Hose O.D.	(M)NPTF Outlet	(F)NPTF Inlet	Hose Length	Quiet latch without hose & bumper	Shipping Weight	Pressure	Size Index #
		lbs / kg	psi / bar	in / mm	in / mm	in	in	ft / m		lbs / kg	psi / bar	
<b>Low Pressure Air/Water Reels</b> Maximum Temperature 150° F (65° C)												
4420 OLP	-----	18 8	300 21	1/4 6	.475 12	1/4	3/8	20 6	4400 OLP	17 8	500 35	1
4425 OLP	B4425 OLP	19 9	300 21	1/4 6	.475 12	1/4	3/8	25 8	4400 OLP	17 8	500 35	1
4435 OLP	B4435 OLP	19 9	300 21	1/4 6	.475 12	1/4	3/8	35 11	4400 OLP	17 8	500 35	1
5450 OLP	B5450 OLP	26 12	300 21	1/4 6	.475 12	1/4	3/8	50 15	5400 OLP	20 9	500 35	2
4617 OLP	-----	19 9	300 21	3/8 10	.600 15	1/4	3/8	17 5	4600 OLP	17 8	500 35	1
4625 OLP	B4625 OLP	20 9	300 21	3/8 10	.600 15	1/4	3/8	25 8	4600 OLP	17 8	500 35	1
5635 OLP	B5635 OLP	25 11	300 21	3/8 10	.600 15	1/4	3/8	35 11	5600 OLP	21 10	500 35	2
5650 OLP	B5650 OLP	36 16	300 21	3/8 10	.600 15	1/4	3/8	50 15	5605 OLP	31 14	500 35	3
A5825 OLP	B5825 OLP	27 12	300 21	1/2 13	.750 19	1/2	3/8	25 8	A5800 OLP	22 10	500 35	2
A5835 OLP	B5835 OLP	39 18	300 21	1/2 13	.750 19	1/2	3/8	35 11	A5805 OLP	32 15	500 35	3
A5850 OLP	B5850 OLP	41 19	300 21	1/2 13	.750 19	1/2	3/8	50 15	A5806 OLP	35 16	500 35	4
<b>Medium Pressure Oil Reels</b> Maximum Temperature 210° F (99° C)												
5435 OMP	B5435 OMP	31 14	2750 190	1/4 6	.530 13	1/4	3/8	35 11	5400 OMP	23 10	3000 207	2
5630 OMP	B5630 OMP	31 14	2600 179	3/8 10	.690 18	3/8	3/8	30 9	5600 OMP	24 11	3000 207	2
A5825 OMP*	B5825 OMP*	34 15	3250 224	1/2 13	.820 21	1/2	3/8	25 8	A5800 OMP	24 11	3250 207	2
A5835 OMP	B5835 OMP	42 19	3250 224	1/2 13	.820 21	1/2	3/8	35 11	A5805 OMP	32 15	3250 207	3
<b>High Pressure Grease Reels</b> Maximum Temperature 210° F (99° C)												
5430 OHP	-----	30 14	5000 345	1/4 6	.580 15	1/4	1/4	30 9	5400 OHP	23 10	5000 345	2
5435 OHP	B5435 OHP	39 18	5000 345	1/4 6	.580 15	1/4	1/4	35 11	5405 OHP	33 15	5000 345	3
5625 OHP	B5625 OHP	32 15	4800 331	3/8 10	.730 19	1/4	1/4	25 8	5600 OHP	26 12	5000 345	2

Low pressure hose reels furnished standard with PVC hose. Compressed air hoses should not be converted to oxygen service - may cause explosion when O<sub>2</sub> mixes with fuel. Medium pressure reels furnished standard with S.A.E. 100 R1T one wire braid hose. **\*Floor tank mount only - do not mount on ceiling.** High pressure reels furnished standard with S.A.E. 100 R2T two wire braid hose.

**Available Options**

**Mounting Brackets**  
See page 47



**Inlet Hose Assemblies**  
See page 49



**Replacement Bumpers**  
See page 49



**Replacement Hoses**  
See page 50



# Heavy Duty Hose Reels | Series 7000



Fry's Napa AutoCare Center, Columbia City, IN



7850 OLP

## Heavy Duty Spring Retractable Hose Reels

**Air/Water/Oil/Grease** - 1/4", 3/8", 1/2", 3/4" I.D.

Series 7000 is very robust and ideal for the most demanding applications. The reel's base and guide arm are formed from high-grade steel and engineered with structural forms and gussets to yield the greatest amount of strength. The standard low pressure hose is for air or water service only. The basic reel without hose can be used for air, water or oil. Consult Reelcraft for other products and hoses. Guide arm adjusts to 3 positions.

For all metric thread connections over 1/2" add the suffix number 70 to indicate BSPT threads - example 7900 OLP70.

Dimensions	7000 O		7000 E	
	in / mm		in / mm	
	<b>A</b>	20 <sup>1</sup> / <sub>4</sub>	514	20 <sup>3</sup> / <sub>4</sub>
<b>B</b>	19	483	20 <sup>3</sup> / <sub>4</sub>	527
<b>C</b>	7 <sup>13</sup> / <sub>16</sub>	198	7 <sup>13</sup> / <sub>16</sub>	198
<b>D</b>	3 <sup>7</sup> / <sub>8</sub>	98	3 <sup>7</sup> / <sub>8</sub>	98
<b>E</b>	6 <sup>1</sup> / <sub>8</sub>	146	6 <sup>3</sup> / <sub>4</sub>	171

Four 1/2" (12.7mm) diameter mounting holes.

Series 7000 E reels are the same as 7000 O reels except **E Series reels are fully enclosed**. To order, change the model number suffix letter O to E. Example, 7650 OHP becomes 7650 EHP. Add 17 lbs. to open reel weight.



7650 ELP

### Applications

- Industrial
- Automotive Service Centers
- Transmission Shops
- Fleet Maintenance Facilities
- Pneumatic Tools
- Aircraft Maintenance
- Tire Stores
- Agriculture
- Service Trucks
- Wash Down



Model with Hose	Shipping Weight		Pressure	Hose I.D.		Hose O.D.		(M)NPTF Outlet	(F)NPTF Inlet	Hose Length		Model without hose & bumper	Shipping Weight		Pressure		
	lbs	kg		psi	bar	in	mm			in	mm		ft	m		lbs	kg
<b>Low Pressure Air/Water Reels</b> Maximum Temperature 150° F (65° C)																	
7650 OLP	43	20	300	21	3/8	10	.600	15	1/4	1/2	50	15	7600 OLP	40	18	500	35
7670 OLP	47	21	300	21	3/8	10	.600	15	1/4	1/2	70	22	7600 OLP	40	18	500	35
7850 OLP	47	21	300	21	1/2	13	.750	19	3/8	1/2	50	15	7800 OLP	41	19	500	35
7850 OLP121	47	21	300	21	1/2	13	.750	19	1/2	1/2	50	15	7800 OLP	41	19	500	35
7925 OLP	47	21	250	17	3/4	19	1.075	27	3/4	3/4	25	8	7900 OLP	44	20	500	35
F7925 OLP*	47	21	50	3	3/4	19	1.075	27	3/4	3/4	25	8	F7900 OLP	45	20	500	35
<b>Medium Pressure Oil Reels</b> Maximum Temperature 210° F (99° C)																	
7650 OMP	55	25	2600	179	3/8	10	.690	18	3/8	1/2	50	15	7600 OMP	43	20	3000	207
7850 OMP	57	26	3250	224	1/2	13	.820	21	1/2	1/2	50	15	7800 OMP	43	20	3250	224
<b>High Pressure Grease Reels</b> Maximum Temperature 210° F (99° C)																	
7450 OHP	55	25	5000	345	1/4	6	.580	15	1/4	1/2	50	15	7400 OHP	43	20	5000	345
7650 OHP	60	27	4800	331	3/8	10	.730	19	1/4	1/2	50	15	7600 OHP	46	21	5000	345

Low pressure reels furnished standard with PVC hose. Medium pressure reels furnished standard with S.A.E. 100 R1T one wire braid hose. High pressure reels furnished standard with S.A.E. 100 R2T two wire braid hose. For hydraulic or other applications please consult manufacturer. \*Series F7925 OLP supplied with fuel grade hose and UL330 and UCL approved hose with a 250 psi (17 bar) minimum burst.

**Available Options**

**Mounting Brackets**  
See page 47



**Inlet Hose Assemblies**  
See page 49



**Replacement Bumpers**  
See page 49



**Replacement Hoses**  
See page 50





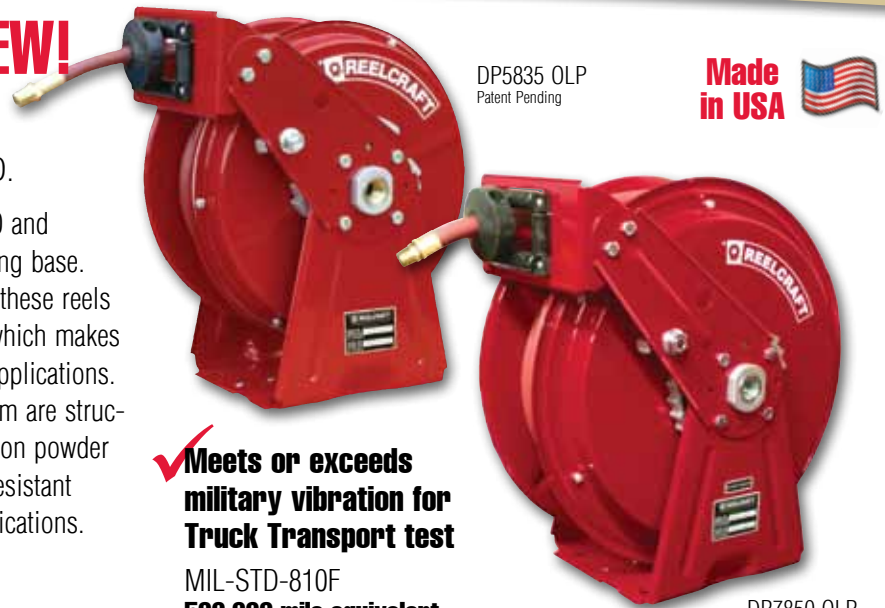
# Compact Dual Pedestal Reels | Series DP5000 / DP7000

## Heavy Duty Spring Retractable Hose Reels

**Air/Water/Oil/Grease** - 1/4", 3/8", 1/2" I.D.

Reelcraft's new compact dual pedestal Series DP5000 and DP7000 feature an innovative, non-welded, interlocking base. Independent testing to military standards has proven these reels stand up to heavy vibration and won't vibrate apart, which makes them especially strong and ideal for truck-mounted applications. Superbly engineered dual pedestal base and guide arm are structurally reinforced. All-steel construction and a baked-on powder coat finish combine to produce a rugged corrosion-resistant product suitable for a wide variety of heavy duty applications.

**NEW!**



DP5835 OLP  
Patent Pending

**Made in USA**

**Meets or exceeds military vibration for Truck Transport test**

MIL-STD-810F  
**500,000 mile equivalent**

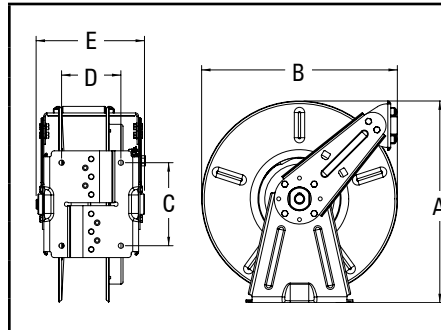
DP7850 OLP  
Patent Pending

✓ **Superior corrosion-resistance**

A double adhesive gasket seals the spring case and steel parts are powder coated to provide excellent protection against weathering.

✓ **Ease of operation**

The latch pawl is mounted on the guide arm to prevent latch out at full extension and the high impact, nylon-filled guide rollers make retraction and pay out nearly effortless.



**Dimensions - Size Index**

No.	1	2	3	4
	in / mm	in / mm	in / mm	in / mm
<b>A</b>	16 <sup>3</sup> / <sub>8</sub> 416	16 <sup>3</sup> / <sub>8</sub> 416	17 432	17 432
<b>B</b>	14 <sup>3</sup> / <sub>8</sub> 365	14 <sup>3</sup> / <sub>8</sub> 365	16 <sup>1</sup> / <sub>2</sub> 419	16 <sup>1</sup> / <sub>2</sub> 419
<b>C</b>	7 178	7 178	7 178	7 178
<b>D</b>	4 102	5 127	4 102	5 127
<b>E</b>	8 203	9 229	8 203	9 229

Four 7/16" (11mm) diameter mounting holes.

Model with Hose	Shipping Weight		Pressure		Hose I.D.		Hose O.D.		(M)NPTF Outlet	(F)NPTF Inlet	Hose Length		Model without hose & bumper	Shipping Weight		Pressure		Size Index #
	lbs / kg	psi / bar	in / mm	in / mm	in	in	ft / m	lbs / kg	psi / bar									
<b>Low Pressure Air/Water Reels</b> Maximum Temperature 150° F (65° C) w/hose / 210° F (99° C) w/o hose																		
DP5435 OLP	34 15	300 21	1/4 6	.475 12	1/4	1/2	35 11	DP5400 OLP	29 13	500 35	1							
DP5450 OLP	37 17	300 21	1/4 6	.475 12	1/4	1/2	50 15	DP5400 OLP	29 13	500 35	1							
DP7450 OLP	46 21	300 21	1/4 6	.475 12	1/4	1/2	50 15	DP7400 OLP	44 20	500 35	3							
DP5635 OLP	41 19	300 21	3/8 10	.600 15	1/4	1/2	35 11	DP5600 OLP	37 17	500 35	1							
DP5650 OLP	44 20	300 21	3/8 10	.600 15	1/4	1/2	50 15	DP5605 OLP	38 17	500 35	2							
DP7650 OLP	50 23	300 21	3/8 10	.600 15	1/4	1/2	50 15	DP7600 OLP	44 20	500 35	3							
DP5835 OLP	52 24	300 21	1/2 13	.750 19	3/8	1/2	35 11	DP5800 OLP	38 17	500 35	2							
DP7850 OLP	53 24	300 21	1/2 13	.750 19	3/8	1/2	50 15	DP7800 OLP	45 20	500 35	4							
<b>Medium Pressure Oil Reels</b> Maximum Temperature 210° F (99° C)																		
DP7650 OMP	55 25	2600 179	3/8 10	.690 18	3/8	1/2	50 15	DP7600 OMP	45 20	3000 207	3							
DP5835 OMP	54 24	3250 224	1/2 13	.820 21	1/2	1/2	35 11	DP5800 OMP	40 18	3250 224	2							
DP7850 OMP	64 29	3250 224	1/2 13	.820 21	1/2	1/2	50 15	DP7800 OMP	45 20	3250 224	4							
<b>High Pressure Grease Reels</b> Maximum Temperature 210° F (99° C)																		
DP7450 OHP	59 27	5000 345	1/4 6	.580 15	1/4	1/2	50 15	DP7400 OHP	44 20	5000 345	3							
DP5635 OHP	43 20	4800 331	3/8 10	.730 19	1/4	1/2	35 11	DP5600 OHP	40 18	5000 345	2							
DP7650 OHP	65 29	4800 331	3/8 10	.730 19	1/4	1/2	50 15	DP7600 OHP	46 21	5000 345	3							

Low pressure reels furnished standard with PVC hose. Medium pressure reels furnished standard with S.A.E. 100 R1T one wire braid hose. High pressure reels furnished standard with S.A.E. 100 R2T Two wire braid hose.

**Available Options**

**Mounting Brackets**  
See page 47



**Inlet Hose Assemblies**  
See page 49



**Replacement Bumpers**  
See page 49



**Replacement Hoses**  
See page 50



Reelcraft Industries is  
**ISO 9001:2008**  
Certified Since 1996

1.800.444.3134  
www.reelcraft.com

**REELCRAFT**®

## Ultimate Duty Spring Retractable Reels Air/Water/Oil/Grease - 1/4", 3/8", 1/2" I.D.

The ultra duty aluminum cast base and arm of the Series D8000 and E8000 offers the highest rigidity among this class of hose reels. The guide arm is field-adjustable for floor, wall, ceiling, pit and truck mounting. The durable baked-on, powder-coat finish provides a high quality ultra-violet radiation (sunlight) weather and chip-resistant finish.

Made in USA 



D8650 OLP

### Enclosed Model

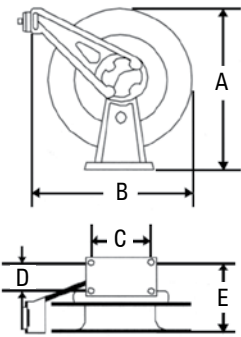


D8650 ELP

Series D8000 E reels are the same as D8000 O reels except **these reels are fully enclosed**. To order, change the model number suffix letter O to E. Example, D8650 OLP becomes D8650 ELP. Add 17 pounds to open reel weight.

### FEATURES

- ✓ Aluminum guide arm and base are cast from 40,000 P.S.I. tensile strength material with 7% elongation which assures ultimate shock resistance. Cast aluminum frame gives maximum strength with minimum payload weight.
- ✓ A special heavy, double adhesive sided spring case gasket protects the main spring from damage (failure) caused by water, dirt or other foreign matter entering the spring case.
- ✓ Guide arm is field adjustable for floor, wall, ceiling, pit and truck mounting.
- ✓ Full flow shaft and swivel.
- ✓ Reel springs are manufactured from the highest quality scale-less blue tempered steel.
- ✓ Individually coated components with a durable baked-on powder coat finish provides excellent high quality ultra violet radiation (sunlight) weather and chip-resistant finish.



		Dimensions			
		D/E8000 O		D8000 E	
		in / mm		in / mm	
<b>A</b>	21 <sup>1</sup> / <sub>8</sub>	537	21 <sup>9</sup> / <sub>16</sub>	548	
<b>B</b>	19	483	20 <sup>7</sup> / <sub>8</sub>	530	
<b>C</b>	7 <sup>7</sup> / <sub>8</sub>	200	7 <sup>7</sup> / <sub>8</sub>	200	
<b>D</b>	3 <sup>3</sup> / <sub>4</sub>	95	3 <sup>3</sup> / <sub>4</sub>	98	
<b>E</b>	9 <sup>1</sup> / <sub>4</sub>	235	10 <sup>1</sup> / <sub>2</sub>	267	

Four 1/2" (12.7mm) diameter mounting holes.

Model with Hose	Shipping Weight		Pressure		Hose I.D.		Hose O.D.		(M)NPTF Outlet	(F)NPTF Inlet	Hose Length		Model without hose & bumper	Shipping Weight		Pressure	
	lbs / kg	psi / bar	in / mm	in / mm	in	in	ft / m	lbs / kg	psi / bar								
<b>Low Pressure Air/Water Reels</b> Maximum Temperature 150° F (65° C) w/hose / 210° F (99° C) w/o hose																	
D8650 OLP	45	20	300	21	3/8	10	.600	15	1/4	1/2	50	15	D8600 OLP	40	18	500	35
D8670 OLP	47	21	300	21	3/8	10	.600	15	1/4	1/2	70	21	D8600 OLP	40	18	500	35
D8850 OLP	47	21	300	21	1/2	13	.750	19	3/8	1/2	50	15	D8800 OLP	41	19	500	35
E8850 OLP*	47	21	300	21	1/2	13	.750	19	3/8	1/2	50	15	E8800 OLP	41	19	500	35
<b>Medium Pressure Oil Reels</b> Maximum Temperature 210° F (99° C)																	
D8650 OMP	47	21	2600	179	3/8	10	.690	18	3/8	1/2	50	15	D8600 OMP	43	20	3000	207
D8840 OMP	53	24	3250	224	1/2	13	.820	21	1/2	1/2	40	12	D8800 OMP	43	20	3250	224
D8850 OMP	57	26	3250	224	1/2	13	.820	21	1/2	1/2	50	15	D8800 OMP	43	20	3250	224
E8850 OMP*	57	26	3250	224	1/2	13	.820	21	1/2	1/2	50	15	E8800 OMP	43	20	3250	224
<b>High Pressure Grease Reels</b> Maximum Temperature 210° F (99° C)																	
D8450 OHP	53	24	5000	345	1/4	6	.580	15	1/4	1/2	50	15	D8400 OHP	44	20	5000	345
D8650 OHP	60	27	4800	331	3/8	10	.730	19	1/4	1/2	50	15	D8600 OHP	44	20	5000	345
E8650 OHP*	60	27	4800	331	3/8	10	.730	19	1/4	1/2	50	15	E8600 OHP	44	20	5000	345

\*Series E8000 models are for lubrication trucks. Low pressure reels furnished standard with PVC hose. Medium pressure reels are furnished standard with S.A.E. 100 R1T one wire braid hose. High pressure reels furnished standard with SAE 100R2T two wire braid hose.

Available Options

Optional Roller Guides  
See page 47



Inlet Hose Assemblies  
See page 49



Replacement Bumpers  
See page 49



Replacement Hoses  
See page 50



## Heavy Duty Spring Retractable Reels

**Air/Water/Oil/Grease** - 3/8", 1/2", 3/4", 1" I.D.

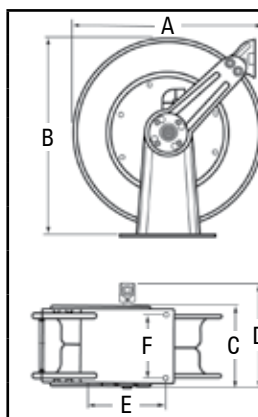
Reelcraft's Series 80000 and D80000 spring retractable reels incorporate the most current design and manufacturing techniques to guarantee long life and trouble-free performance. All-steel construction and a baked-on powder coat finish combine to produce a rugged, corrosion-resistant product suitable for a wide variety of heavy duty applications. Series D80000 reels are also supplied with Reelcraft's ball-bearing style swivel.



82100 OLP

### FEATURES

- ✓ Hose anti latch-out feature ensures hose retracts every time.
- ✓ Guide arm is field adjustable for wall, ceiling, or truck mounting positions.
- ✓ Dual pedestal base and guide arm design are structurally reinforced.
- ✓ Five-in-one, heat-treated aluminium casting incorporates main shaft, ratchet, spring arbor and inlet/outlet plumbing in one-piece casting.
- ✓ Containerized spring assembly provides safer and easier handling during maintenance.
- ✓ Two sealed ball bearings for smooth rotation of main shaft.



Dimensions - Size Index						
No.	1		2		3	
	in / mm		in / mm		in / mm	
<b>A</b>	24	610	24	610	24	610
<b>B</b>	25 <sup>3</sup> / <sub>8</sub>	645	25 <sup>3</sup> / <sub>8</sub>	645	25 <sup>3</sup> / <sub>8</sub>	645
<b>C</b>	8 <sup>3</sup> / <sub>8</sub>	213	9 <sup>3</sup> / <sub>8</sub>	238	9 <sup>3</sup> / <sub>8</sub>	238
<b>D</b>	10 <sup>1</sup> / <sub>8</sub>	257	14 <sup>1</sup> / <sub>4</sub>	362	15 <sup>1</sup> / <sub>4</sub>	387
<b>E</b>	10	254	10 <sup>1</sup> / <sub>2</sub>	267	10 <sup>1</sup> / <sub>2</sub>	267
<b>F</b>	6	152	7 <sup>7</sup> / <sub>8</sub>	200	7 <sup>7</sup> / <sub>8</sub>	200

Four 1/2" (12.7mm) diameter mounting holes.

Model with Hose	Shipping Weight		Pressure		Hose I.D.		Hose O.D.		(M)NPTF Outlet	(F)NPTF Inlet	Hose Length		Model without hose & bumper	Shipping Weight		Pressure		Size Index #
	lbs	kg	psi	bar	in	mm	in	mm	in	in	ft	m		lbs	kg	psi	bar	
<b>Low Pressure Air/Water Reels</b> Maximum Temperature 150° F (65° C) w/hose / 210° F (99° C) w/o hose																		
81100 OLP	82	37	300	21	3/8	10	.600	15	3/8	1/2	100	30	81000 OLP	77	35	500	35	1
82075 OLP	87	39	300	21	1/2	13	.750	19	1/2	1/2	75	23	82000 OLP	82	37	500	35	1
82100 OLP	95	43	300	21	1/2	13	.750	19	1/2	1/2	100	30	82000 OLP	82	37	500	35	1
83050 OLP	88	40	250	17	3/4	19	1.075	27	3/4	3/4	50	15	83000 OLP	77	35	500	35	1
+F83050 OLP*	89	41	50	3	3/4	19	1.075	27	3/4	3/4	50	15	F83000 OLP	74	34	500	35	1
D83075 OLP	102	46	250	17	3/4	19	1.075	27	3/4	3/4	75	23	D83000 OLP	83	38	500	35	2
D84050 OLP	103	47	250	17	1	25	1.375	35	3/4	1	50	15	D84000 OLP	91	41	500	35	3
<b>Medium Pressure Oil Reels</b> Maximum Temperature 210° F (99° C)																		
82075 OMP	101	46	2000	138	1/2	13	.850	22	1/2	1/2	75	23	82000 OMP	82	37	2000	138	1
83050 OMP	98	44	1250	86	3/4	19	1.188	30	3/4	3/4	50	15	83000 OMP	84	38	1500	104	1
<b>High Pressure Grease Reels</b> Maximum Temperature 210° F (99° C)																		
81075 OHP	111	50	4800	331	3/8	10	.730	19	3/8	3/8	75	23	81000 OHP	85	39	5000	345	1
81100 OHP	127	58	4800	331	3/8	10	.730	19	3/8	3/8	100	30	81000 OHP	85	39	5000	345	1

+UL330 and ULC approved hose. 250 psi minimum burst. (17 Bar) / For all metric thread connections over 1/2" add the suffix number -70 to indicate BSPT threads - example 83050-OLP70.  
 Low pressure reels furnished standard with PVC hose. Medium pressure reels are furnished standard with S.A.E. 100 R1T one wire braid hose. Modification - Reels without hose can be modified to handle gasoline and diesel fuel, to order place prefix "F" before model number (F83000 OLP). \*Model F83050 OLP equipped with fuel grade hose. High pressure reels furnished standard with SAE 100R2T two wire braid hose.

**Available Options**

**Mounting Brackets**  
See page 47



**Inlet Hose Assemblies**  
See page 49



**Replacement Bumpers**  
See page 49



**Replacement Hoses**  
See page 50







SD13050 OLP

**NEW!**

## Spring Retractable Low Profile Reels Air/Water/Oil/Vacuum Recovery - 3/4", 1" I.D.

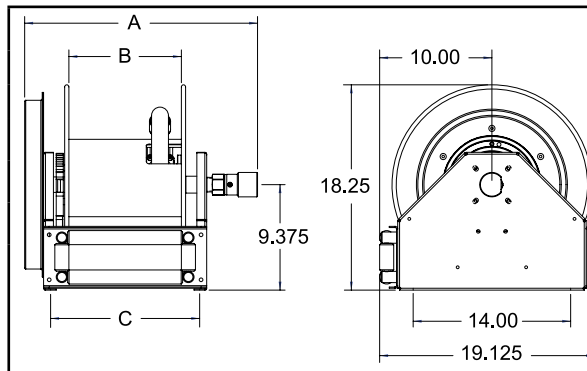
Series SD10000 hose reels are designed to facilitate larger diameter 3/4" and 1" hose up to 50 ft. They feature a high quality external drive spring and a heavy gauge all-bolted together frame. This is the most compact reel in its class, making it ideal for mounting in truck cabinets or other areas where space is limited.

### Benefits

- **Compact** reel features extreme space saving design, ideal for applications with minimal space constraints.
- **Strength** reel is built with high quality industrial grade components for superior strength and design.

### SPECIFICATIONS

- High impact UHMW guide rollers
- Corrosion resistant powder coat paint
- 1 3/8" solid main shaft
- 4 - 5/8" tie rods maintain reel integrity and provide added support
- Containerized external drive spring assembly is easily and safely serviced
- Ultra low profile design for mounting in cabinetry
- Ductile iron fluid path parts
- Stainless latch spring and widened aluminum ratchet/pawl
- Torsion spring for longer service life



### Size Index

No.	1	2
	in / mm	in / mm
<b>A</b>	18 <sup>3</sup> / <sub>4</sub> 476	20 <sup>3</sup> / <sub>4</sub> 527
<b>B</b>	8 203	10 254
<b>C</b>	11 <sup>1</sup> / <sub>4</sub> 286	13 <sup>1</sup> / <sub>4</sub> 337

Four 1/2" (12.7mm) mounting holes. All models are bottom wind unless otherwise specified. Additional bracket required for other guide arm positions.

Model with Hose	Shipping Weight		Pressure		Hose I.D.		Hose O.D.		(M)NPTF Outlet	(F)NPTF Inlet	Hose Length		Model without hose & bumper	Shipping Weight		Pressure		Size Index #
	lbs	kg	psi	bar	in	mm	in	mm	in	in	ft	m		lbs	kg	psi	bar	
<b>Low Pressure Air/Water Reels</b> Maximum Temperature 210° F (99° C)																		
SD13035 OLP	95	43	300	21	3/4	19	1.188	30	3/4	1	35	11	SD13000 OLP	85	39	500	35	1
SD13050 OLP	105	48	300	21	3/4	19	1.188	30	3/4	1	50	15	SD13000 OLP	85	39	500	35	1
SD14035 OLP	102	46	300	21	1	25	1.375	35	3/4	1	35	11	SD14000 OLP	85	39	500	35	1
SD14050 OLP	125	57	300	21	1	25	1.375	35	3/4	1	50	15	SD14005 OLP	92	42	500	35	2
<b>Medium Pressure Oil Reels</b> Maximum Temperature 210° F (99° C)																		
SD13050 OMP	105	48	1250	86	3/4	19	1.188	30	3/4	1	50	15	SD13000 OMP	85	39	3000	207	1
<b>Vacuum Recovery Reels</b> Maximum Temperature 210° F (99° C)																		
SD13035 OVP	95	43	28 Hg~300 psi		3/4	19	1.260	32	3/4	1	35	11	SD13000 OVP	85	39	28 Hg~300 psi		1
SD13050 OVP	105	48	28 Hg~300 psi		3/4	19	1.260	32	3/4	1	50	15	SD13000 OVP	85	39	28 Hg~300 psi		1
SD14035 OVP	102	46	28 Hg~250 psi		1	25	1.496	38	1	1	35	11	SD14000 OVP	85	39	28 Hg~300 psi		1
SD14050 OVP	125	57	28 Hg~250 psi		1	25	1.496	38	1	1	50	15	SD14005 OVP	92	42	28 Hg~300 psi		2

**NOTE:** Vacuum Recovery Reel capacities based on using SAE 100 R4 hose or equivalent. Minimum bend radius is 8", max O.D. 1.500".

**Available Options**

**Optional Roller Guides**  
See page 47



**Inlet Hose Assemblies**  
See page 49



**Replacement Bumpers**  
See page 49



**Replacement Hoses**  
See page 50



## Ultimate Duty Spring Retractable Reels Air/Water/Oil/Grease - 1/2", 3/4", 1", 1 1/4", 1 1/2" I.D.

Series 9000 mobile base reels offer the greatest amount of stability for high volume air, water, diesel fuel and gasoline. Ideal for portable service trucks, permanent service or plant work areas. A durable baked-on powder coat finish produces a rugged corrosion resistant product suitable for a wide variety of heavy duty applications. Basic reels without hose will handle air, water or oil; consult Reelcraft for other applications.

Made  
  
in USA

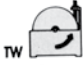


D9350 OLPBW


No.	Dimensions - Size Index					
	1		2		3	
	in / mm		in / mm		in / mm	
A	26 1/4	667	26 1/4	667	26 1/4	667
B	24 1/8	613	24 1/8	613	24 1/8	613
C	4 3/4	121	3 7/8	98	4 1/2	114
D	12	305	17 11/16	449	13 3/8	340
E	7 3/4	195	13 7/16	341	7 3/4	195
F	22 1/4	556	22 1/4	556	22 1/4	556
G	12 1/4	311	12 1/4	311	12 1/4	311
H	13 7/8	352	13 7/8	352	13 7/8	352
J	26 3/8	670	26 3/8	670	26 3/8	670

Four 1/4" (6mm) mounting holes.


### Hose Guide Roller Position



TW  
RIGHT HAND INLET



BW  
RIGHT HAND INLET



SW  
LEFT HAND INLET

A suffix code (see diagram) must be added after the model number to specify desired position. Reels are shipped in the BW position unless specified otherwise. FF9500/9600 in BW only.

Model with Hose	Weight		Pressure		Hose I.D.		Hose O.D.		(M)NPTF Outlet	(F)NPTF Inlet	Hose Length		Model without hose & bumper	Weight		Pressure		Size Index #
	lbs / kg	psi / bar	in / mm	in / mm	in / mm	in / mm	in	in	ft / m	lbs / kg	psi / bar							
<b>Low Pressure Air/Water Reels</b> Maximum Temperature 150° F (65° C)																		
D9275 OLP	122	55	300	21	1/2	13	.750	19	1/2	1/2	75	23	D9200 OLP	115	52	500	35	1
D9299 OLP	127	58	300	21	1/2	13	.750	19	1/2	1/2	100	30	D9200 OLP	115	52	500	35	1
D9350 OLP	140	64	250	17	3/4	19	1.075	27	3/4	3/4	50	15	D9300 OLP	115	52	500	35	1
D9375 OLP	152	69	250	17	3/4	19	1.075	27	3/4	3/4	75	23	D9300 OLP	115	52	500	35	1
D9399 OLPBW	143	65	250	17	3/4	19	1.075	27	3/4	3/4	100	30	D9305 OLPBW	115	52	500	35	3
D9450 OLP	157	71	250	17	1	25	1.375	35	3/4	1	50	15	D9400 OLP	115	52	500	35	1
Not available with hose					1 1/4	32	1.750	44	1 1/4	1 1/2	50	15	FF9500 OLPBW	125	57	600	41	2
Not available with hose					1 1/2	38	2.000	51	1 1/2	1 1/2	50	15	FF9600 OLPBW	135	61	600	41	2
<b>Medium Pressure Oil Reels</b> Maximum Temperature 210° F (99° C)																		
D9275 OMP	131	59	3250	224	1/2	13	.820	21	1/2	1/2	75	23	D9200 OMP	117	53	3250	224	1
D9350 OMP	142	64	1250	86	3/4	19	1.188	30	3/4	3/4	50	15	D9300 OMP	117	53	3000	207	1
<b>High Pressure Grease Reels</b> Maximum Temperature 210° F (99° C)																		
D9175 OHP	153	69	4800	331	3/8	10	.730	19	3/8	1/2	75	23	D9100 OHP	118	54	5000	345	1

Low pressure reels furnished standard with PVC hose. Medium pressure reels are furnished standard with S.A.E. 100 R1T one wire braid hose. High pressure reels furnished standard with SAE 100R2T two wire braid hose. For all metric thread connections over 1/2" add the suffix number 70 to indicate BSPT threads - example D9300 OLP70. FF9500 and FF9600 models will have BSSP threads. **Note: To specify our heavy duty model, change prefix from D to E. Not available on FF9500 or FF9600. Modification** - Reels without hose can be modified to handle gasoline and diesel fuel, to order place prefix "F" before model number - example (FD9300 OLP).

**Available Options**

**Optional Roller Guides**  
See page 47



**Inlet Hose Assemblies**  
See page 49



**Replacement Bumpers**  
See page 49



**Replacement Hoses**  
See page 50



# Large Frame Hose Reels | Nordic Series 3100 / 4800

Twin hose models are available as standard.



Nordic Series 4800

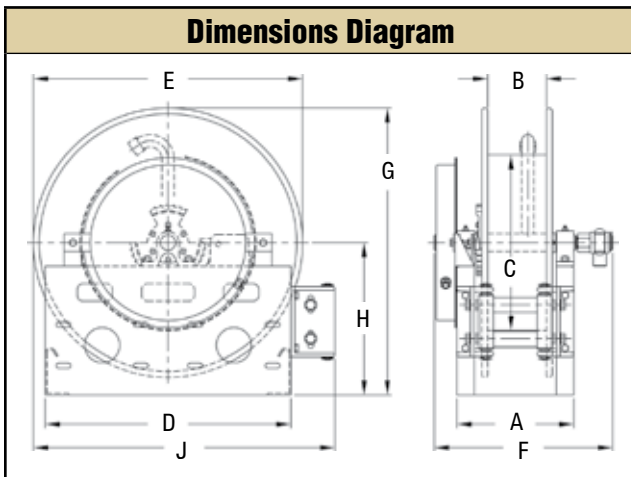
## Spring Driven Large Frame Reels Nordic Series 3100 & 4800

1/2", 3/4", 1" or 1 1/2" Fluid Path for 1/2" through 2" I.D. Hose

**Inlet:** 1/2" up to 1" female/male NPT 90° swivel joint.

**Gooseneck:** 1/2" up to 1" female/male NPT. **Series 3100** reels handle hose from 1/4" through 1" I.D. **Series 4830** reels handle hose from 1/2" through 1" I.D. Inlet is 1/2" up to 1" female/male NPT 90° swivel joint. Gooseneck is 1/2" up to 1" female/male NPT. **Series 4800** reels handle hose from 1" through 1 1/2" I.D. 2" straight victaulic x 1 1/2" NPT female inlet is standard. Gooseneck is 1" to 1 1/2" female/male NPT.

**Roller position:** You must specify roller position BW, SW or TW. If roller position is not specified, reels will be shipped with rollers in position BW, see page 15.



**Series 3100 / 4830** product temperatures from -50° to +225° F and standard pressures to 3000 p.s.i. **Series 4800** product temperatures from -50° to + 225°F at standard pressures to 300 p.s.i. for 2" and 600 p.s.i. for 1 1/2" I.D. hose. Reels to operate at other temperatures or pressures can be furnished at extra cost. Consult manufacturer. The standard color for this series is red or gray.

**Hose stop:** A hose stop should be used to prevent damage to rollers and nozzles and to permit adjustment of free hose length. See description on page 49. Hose stops are available at extra cost.

**Note:** Other sizes and/or threads can be furnished for gooseneck when specified.

Hose I.D.	in mm	1/2	3/4	1	1 1/4	1 1/2	Specification - Hose Capacity and Reel Dimensions *20" (508mm) diameter drum on Model #4830-31-10 for 1/2" and 3/4" hose										
		13	19	25	32	38											
Hose O.D.	in mm	7/8	1 9/32	1 9/16	1 13/16	2 1/16											
		22	33	40	46	52											
Model	Hose Length						Est. Weight	A	B	C	D	E	F	G	H	J	
3101-19-4	ft	30	25	15			90 LB	in	9	4	11.25	21	19	15.5	22.5	13	25
	m	9	8	5			41 KG	mm	229	102	286	533	483	394	572	330	635
3101-23-4	ft	60	40	25			93 LB	in	9	4	11.25	21	23	15.5	24.5	13	26
	m	18	12	8			42 KG	mm	229	102	286	533	584	394	622	330	660
3101-23-6	ft	100	65	60			95 LB	in	11	6	11.25	21	23	17.5	24.5	13	26
	m	30	20	18			43 KG	mm	279	152	286	533	584	445	622	330	660
3101-23-8	ft	100	65	60			97 LB	in	13	8	11.25	21	23	19.5	24.5	13	26
	m	30	20	18			44 KG	mm	330	203	286	533	584	495	622	330	660
4830-31-5X	ft	75	75	65			122 LB	in	10.44	5.5	20	30	31	17	33	17.5	34.5
	m	23	23	20			55 KG	mm	265	140	508	762	787	432	838	445	876
4830-31-8	ft	80	80	90			125 LB	in	13.44	8	15	30	31	19.5	33	17.5	34.5
	m	24	24	27			57 KG	mm	341	203	381	762	787	495	838	445	876
4830-31-10	ft	*90	*100	100			128 LB	in	15.44	10	*15	30	31	21.5	33	17.5	34.5
	m	*27	*30	30			58 KG	mm	392	254	*381	762	787	546	838	445	876
4800-31-6	ft			70	50	40	122 LB	in	11.44	6	11.25	30	31	17	33	17.5	34.5
	m			21	15	12	55 KG	mm	291	152	286	762	787	432	838	445	876
4800-31-8	ft			75	75	50	125 LB	in	13.44	8	11.25	30	31	19	33	17.5	34.5
	m			23	23	15	57 KG	mm	341	203	286	762	787	483	838	445	876



## Twin Hose, Spring Retractable Reels

**Dual Hydraulic** - 1/4", 3/8", 1/2" I.D.

Reelcraft's hydraulic reels are used for medium pressure dual hydraulic hose applications and are ideal for operating hydraulic cylinders, tools and equipment. High volume dual-body swivel for maximum product delivery (excluding the 80000). Series TH reels incorporate contemporary engineering and manufacturing techniques for trouble-free performance. Reels are all-steel construction and compact for applications with critical space requirements.



TH5425 OMP

Made  
in USA



TH7445 OMP

### Applications

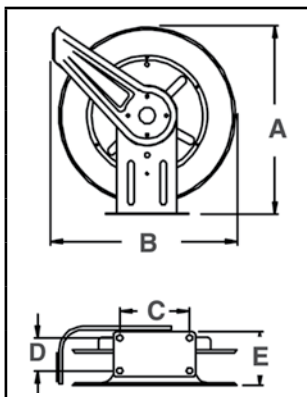
- Cranes
- Construction Equipment
- Hydraulic Tools
- Vehicle Extraction Tools
- Aerial Device
- Hydraulic Cylinders
- Tree Cutters
- Digger Derricks
- Railroad Maintenance Tools

### Questions? We can help!

Our friendly customer service team is ready to help you with expert assistance. When you call us, you get a live voice and fast, friendly service.

### FEATURES

- ✓ Constant tension or pos-i-latch spool mechanism
- ✓ All-steel construction
- ✓ Reels have a durable, abrasion-resistant, baked-on powder coat finish
- ✓ Compact design for critical space requirements



Dimensions - Size Index						
No.	1		2		3	
	in / mm		in / mm		in / mm	
<b>A</b>	14 1/2	368	20 1/4	514	25 3/8	645
<b>B</b>	13 1/2	343	19	483	24	610
<b>C</b>	9 3/4	248	7 7/8	200	10	254
<b>D</b>	2 1/2	64	3 7/8	98	6	152
<b>E</b>	6	152	7	178	13	330

5000 reels have four 5/16" (8mm) mounting holes. 7000 and 80000 reels have four 1/2" (12.7mm) mounting holes.

Model with Hose	Shipping Weight		Pressure	Hose I.D.		Hose O.D.		(M)NPT Outlet	(F)NPT Inlet	Hose Length		Model without hose & bumper	Shipping Weight		Pressure	Size Index #		
	lbs	kg		psi	bar	in	mm	in	mm	in	mm		ft	m			lbs	kg
<b>Medium Pressure Hydraulic Hose Reels</b> Maximum Temperature 210° F (99° C)																		
TH5425 OMP	34	15	2000	138	1/4	6	.530	13	1/4	1/4	25	8	TH5400 OMP	24	11	3000	207	1
TH7445 OMP	60	27	2000	138	1/4	6	.530	13	1/4	1/4	45	14	TH7400 OMP	44	20	3000	207	2
THA7630 OMP	53	24	2000	138	3/8	10	.660	17	3/8	3/8	30	9	THA7600 OMP CA	44	20	3000	207	2
TH86050 OMP	99	45	2000	138	3/8	10	.710	18	3/8	3/8	50	15	TH86000 OMP	88	40	3000	207	3
TH88050 OMP	104	47	2000	138	1/2	13	.850	22	1/2	1/2	50	15	TH88000 OMP CA	88	40	3000	207	3

**Available Options**

**Mounting Brackets**  
See page 47



**Inlet Hose Assemblies**  
See page 49



**Replacement Bumpers**  
See page 49



**Replacement Hoses**  
See page 50





FD83075 OLP

## Spring Retractable Fuel Reels

**F7000** - 3/4" I.D. / **FF9000** - 1 1/4", 1 1/2" I.D.

**FE9000, FD9000** - 3/4", 1" I.D.

**F80000, FD80000** - 3/4", 1" I.D.

**FSD10000** - 3/4", 1" I.D.



Reelcraft's spring retractable fuel delivery reels, equipped with Viton seals, incorporate metal forms to insure the greatest possible strength and are ideal for mobile and permanent-mount applications. These rugged, corrosion-resistant reels are suitable for a wide variety of fuel applications including E85. Series F/FD/FE/FSD reels are all supplied with our ball-bearing style swivel.

Model with Hose	Shipping Weight		Pressure		Hose I.D.		Hose O.D.		(M)NPTF Outlet	(F)NPTF Inlet	Hose Length		Model without hose & bumper	Shipping Weight		Pressure		Size Index Page	Size Index #				
	lbs	kg	psi	bar	in	mm	in	mm	in	in	ft	m		lbs	kg	psi	bar						
<b>Low Pressure Fuel Reels</b> Maximum Temperature 150° F (65° C) w/hose / 210° F (99° C) w/o hose																							
CA	GS	F7925 OLP	47	21	*50	3	3/4	19	1.188	30	3/4	3/4	25	8	F7900 OLP	CA	45	20	500	35	10	----	
CA		F83050 OLP	89	40	*50	3	3/4	19	1.188	30	3/4	3/4	50	15	F83000 OLP	CA	74	34	500	35	13	1	
		FD83075 OLP	115	52	*50	3	3/4	19	1.188	30	3/4	3/4	75	23	FD83000 OLP	GS	82	37	500	35	13	2	
		FD84035 OLP	94	43	*50	3	1	25	1.500	38	1	1	35	11	FD84000 OLP	CA	84	38	500	35	13	3	
CA		FD84050 OLP	115	52	*50	3	1	25	1.500	38	1	1	50	15	FD84000 OLP	CA	84	38	500	35	13	3	
		FE9350 OLP	140	64	*50	3	3/4	19	1.188	30	3/4	3/4	50	15	FE9300 OLP		115	52	500	35	15	1	
		FE9450 OLP	157	71	*50	3	1	25	1.500	38	1	1	50	15	FE9400 OLP		115	52	500	35	15	1	
CA		FD9350 OLP	140	64	*50	3	3/4	19	1.188	30	3/4	3/4	50	15	FD9300 OLP		114	52	500	35	15	1	
CA		FD9450 OLP	157	71	*50	3	1	25	1.500	38	1	1	50	15	FD9400 OLP	CA	113	51	500	35	15	1	
		Not available with hose				1	1 1/4	32	1.750	44	1	1 1/4	1 1/2	50	15	FF9500 OLPBW	CA	125	57	600	41	15	2
		Not available with hose				1	1 1/2	38	2.000	51	1	1 1/2	1 1/2	50	15	FF9600 OLPBW	CA	135	61	600	41	15	2
		FSD13035 OLP	102	46	*50	3	3/4	19	1.188	30	3/4	1	35	11	FSD13000 OLP		85	39	500	35	14	1	
		FSD13050 OLP	110	50	*50	3	3/4	19	1.188	30	3/4	1	50	15	FSD13000 OLP		85	39	500	35	14	1	
		FSD14035 OLP	105	48	*50	3	1	25	1.500	38	1	1	35	11	FSD14000 OLP		85	39	500	35	14	1	
		FSD14050 OLP	127	58	*50	3	1	25	1.500	38	1	1	50	15	FSD14005 OLP		92	42	500	35	14	2	

\*Models equipped with fuel grade hose. UL330 and ULC approved hose. 250 PSI minimum burst (17 Bar) For all metric thread connections 1" and under add the suffix number -70 to indicate BSPT threads - example FD80000-OLP70. For all metric threads above 1" add -118 for BSPP threads. FF Models supplied with 1 1/2" inlet. Reel inlet on all models in this chart is NPTF (F) and matches hose I.D. Flow rates of fuel hose are reduced by 30% with addition of internal spring type bend restrictors. For example, flow rate of F7925 OLP with internal bend restrictors is 9.0 GPM at 40 psi; flow without internal bend restrictors is 13.0 GPM at 40 psi.

## Spring Retractable Grounding Reels

### Series G 3000

Static discharge reels are used to ground equipment operating in hazardous atmospheres. When properly clamped to ground, the static discharge reel dissipates static electrical buildup, reducing the chances of sparking and the potential for explosion.



GA3100 N

G 3050 Y

G 3050

Model	Cable Extended		Y	Clamp Rating	Max Temp		Cable Notes	Shipping Weight		
	ft	m			F	C		lbs	kg	
GS	G 3050	50	15	N/A	100 AMP	150	66	Single 7 x 7 stranded steel*	12	5
GS	G 3050 Y	50	15	2 @ 15' (5)	100 AMP	150	66	35' (9.2m) plus dual 15' (4.6m) for Y* Total extension 50' (15m)	12	5
GS	G 3050 N	50	15	N/A	100 AMP	150	66	Nylon covered cable**	12	5
IN	GA3100 N	100	30	N/A	100 AMP	125	52	Hi-vis orange nylon covered cable**	16	7

\*3/32" OD steel aircraft cable. DC resistance is approximately one ohm per 50 ft. of steel cable. \*\*Nylon covered cable (1/8" O.D.). Dimensions: G 3050's = 8.62" x 3.35" x 8.81" (L x W x H); 4 mounting holes (3/8") 7 7/8" x 1 1/2". GA3100 N = 9.25" x 4.31" x 9 3/4" (L x W x H); 4 mounting holes (1/2") 7 7/8" x 1 1/8".

Models listed with an icon can be shipped same day upon request when the order is received by 11:30 AM local time for quantities of 5 or fewer.

- IN Indiana Warehouse
- CA California Warehouse
- GS Indiana & California Warehouses
- CA Canadian Warehouse

## Stainless Steel Spring Retractable Reels

**Air/Water/Oil** - 3/8", 1/2", 3/4", 1" I.D.

Reelcraft's stainless steel hose reels are ideal for food processing, pre-rinse, wash down, chemical transfer and industrial-solvent handling. Also suitable for coastal, offshore and on-board ship in marine applications where the harsh environment of salt water spray requires the use of stainless steel hose reels. Swivels include Viton® O-rings.

**Note:** Standard latch parts are made from aluminium. Stainless latch parts are available as a standard option (except 80000 Series) by placing a -S at the end. Example: OLS-S. \*Series 80000 and D80000 stainless reels have an aluminum fluid path and may not be suitable for all applications.

### FEATURES

- ✓ Full-flow stainless steel shaft and swivel assures maximum product delivery.  
**Exception:** Series 80000 - aluminum fluid path.
- ✓ Heavy duty brackets eliminate bending due to angular hose pull.
- ✓ Banded drive spring gives smooth automatic hose retrieval.
- ✓ Multi-position guide arm permits wall, floor, ceiling, pit or truck mounting.
- ✓ Nylon guide rollers reduce hose drag and abrasion.
- ✓ Pos-i-latch will maintain the desired working length of hose. Mechanism assures a positive latch of the hose.
- ✓ 7000 Series offers weatherproof gasketed spring motor, assures maximum service life.
- ✓ Vibration-proof self-locking fasteners assures assembly integrity.
- ✓ 304L grade of stainless steel.



Series 7000

## General Use

Many versatile applications in corrosive or sanitary environments



Series D9000

## Ultra Heavy Duty

Heavy duty dual pedestal for maximum strength

Model without hose & bumper	Shipping Weight		Pressure		Hose I.D.		Hose O.D.		(F)NPTF Outlet	(F)NPTF Inlet	Hose Length		Size Index Page	Size Index #
	lbs / kg	psi / bar	in / mm	in / mm	in	in	ft / m							
<b>Low and Medium Pressure Reels</b> Maximum Temperature 210° F (99° C)														
CA 5600 OLS	22 10	500 35	3/8 10	.600 15	3/8	3/8	35 11	9	2					
5600 OMS	24 11	3000 207	3/8 10	.710 18	3/8	3/8	30 9	9	2					
CA 7800 OLS	41 19	500 35	1/2 13	.750 19	1/2	1/2	50 15	10	----					
7600 OMS55	42 19	3000 207	3/8 10	.710 18	3/8	3/8	66 20	10	----					
CA 7800 OMS	43 20	3000 207	1/2 13	.850 22	1/2	1/2	50 15	10	----					
82000 OLS	81 37	500 35	1/2 13	.750 19	1/2	1/2	100 30	13	1					
82000 OMS	83 38	1500 104	1/2 13	.850 22	1/2	1/2	75 23	13	1					
83000 OLS	81 37	500 35	3/4 19	1.188 30	3/4	3/4	50 15	13	1					
83000 OMS	83 38	1250 86	3/4 19	1.188 30	3/4	3/4	50 15	13	1					
D83000 OLS	84 38	500 35	3/4 19	1.188 30	3/4	3/4	75 23	13	2					
D84000 OLS	92 42	500 35	1 25	1.375 35	1	1	50 15	13	3					
D9200 OLS	115 52	500 35	1/2 13	.750 19	1/2	1/2	100 30	15	1					
D9300 OLS	116 53	500 35	3/4 19	1.188 30	3/4	3/4	75 23	15	1					
D9400 OLS	117 53	500 35	1 25	1.375 35	1	1	50 15	15	1					
D9200 OMS	118 54	3000 207	1/2 13	.850 22	1/2	1/2	75 23	15	1					
D9300 OMS	118 54	3000 207	3/4 19	1.188 30	3/4	3/4	50 15	15	1					

For all metric thread connections over 1/2" add the suffix number 70 to indicate BSPT threads - example D83000 OLS70.

Model without Hose & bumper	Shipping Weight		Pressure	(F)NPTF Outlet	(F)NPTF Inlet	I.D.	1/4	6	3/8	10	1/2	13	3/4	19	1	25	Size Index # (see pg. 24)	
	lbs / kg	psi / bar					in	in	O.D.	.530 13	.710 18	.850 22	1.188 30	1.375 35				
<b>Manual Crank Medium Pressure Reels</b> Maximum Temperature 210° F (99° C)																		
CA HS18000 M	36 16	3000 207	1/2	1/2	Hose Length	425 130	300 91	200 61	---	---	---	---	---	---	---	---	1	
HS28000 M	35 16	3000 207	1/2	1/2		625 191	450 137	300 91	---	---	---	---	---	---	---	---	---	2
HS19000 M	38 17	3000 207	3/4	3/4		425 130	300 91	200 61	75 23	---	---	---	---	---	---	---	---	1
HS29000 M	36 16	3000 207	3/4	3/4		625 191	450 137	300 91	125 38	---	---	---	---	---	---	---	---	2
HS37000 L	47 21	500 35	1" (M)NPTF	1		---	---	---	---	---	---	---	---	---	---	---	---	refer to reelcraft.com

### Applications

- Restaurants
- Dairies
- Marinas
- Pharmaceutical
- Food Processing
- Ships

**Available Options**

**Mounting Brackets**  
See page 47



**Inlet Hose Assemblies**  
See page 49



**Replacement Bumpers**  
See page 49



**Replacement Hoses**  
See page 50







4625 OLPSW5

Optional 360° Swivel 600248

Spray Valve 600080



A5835 OLBSW23

## Spring Retractable Pre-Rinse Reels - 3/8" I.D.

Engineered for use in highly corrosive environments such as restaurants, institutions, and home and garden applications. Reelcraft's pre-rinse reels include a standard lever-operated spray valve. Available in stainless or powder-coat finish. Rated for hot water up to 210° F (99° C).

### Hot water washdown and food prep

Commercial use, restaurants, schools, home/garden and more

## Spring Retractable Potable (Drinking) Water Reel - 1/2" I.D.

Designed for potable water systems, the A5835 OLBSW23 is suitable for use as a drinking water system component. Fluid path is stainless steel and CPVC material.

### Drinking Water

Boats, RVs, buses and much more

### PRE-RINSE REEL FEATURES

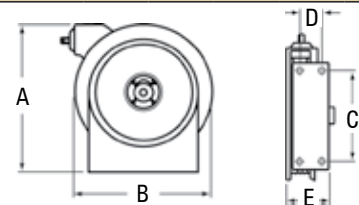
- ✓ Lever-operated spray valve is included
- ✓ Optional 360° rotating swivel (600248) offers 20 degrees of angular motion
- ✓ Push-Lok, field replaceable, hose-end fittings
- ✓ Reels can be mounted on the wall, ceiling, or under a counter, making water conveniently available
- ✓ Latching mechanism holds hose at desired length

Made in USA 

### POTABLE WATER REEL FEATURES

- ✓ Stainless steel, full flow shaft and PVC swivel
- ✓ Convenient fast hook-up and disconnect
- ✓ Drain and standard female garden hose outlet fitting are standard
- ✓ Maximum operating temperature 86° F (30°C)

### Dimensions - Size Index



No.	1		2		3	
	in / mm		in / mm		in / mm	
<b>A</b>	12 <sup>7</sup> / <sub>8</sub>	327	14 <sup>1</sup> / <sub>2</sub>	368	18 <sup>1</sup> / <sub>2</sub>	470
<b>B</b>	12 <sup>5</sup> / <sub>8</sub>	321	13 <sup>1</sup> / <sub>2</sub>	343	15	381
<b>C</b>	8	203	9 <sup>3</sup> / <sub>4</sub>	248	9 <sup>3</sup> / <sub>4</sub>	248
<b>D</b>	2 <sup>1</sup> / <sub>2</sub>	64	2 <sup>1</sup> / <sub>2</sub>	64	2 <sup>1</sup> / <sub>2</sub>	64
<b>E</b>	5 <sup>3</sup> / <sub>8</sub>	137	6	152	7	178

Four 5/16" (8mm) diameter mounting holes.

Model with Hose	Shipping Weight		Pressure		Hose I.D.		Hose O.D.		(F)NPTF Inlet	Hose Length		Size Index #
	lbs	kg	psi	bar	in	mm	in	mm	in	ft	m	
<b>Pre-Rinse Hose Reels</b>												
4625 OLPSW5	22	10	250	17	3/8	10	.640	16	3/8	25	8	1
5635 OLPSW5	27	12	250	17	3/8	10	.640	16	3/8	35	11	2
5635 ELPSW5	37	17	250	17	3/8	10	.640	16	3/8	35	11	3
<b>Pre-Rinse Stainless Steel Hose Reels</b>												
5635 OLSSW5	28	13	250	17	3/8	10	.640	16	3/8	35	11	2
5635 ELSSW5	38	17	250	17	3/8	10	.640	16	3/8	35	11	3
<b>Potable (Drinking) Water Hose Reels</b> Garden hose fitting 3/4" N/H threads (F)												
A5835 OLBSW23*	28	13	150	10	1/2	13	.781	20	1/2 male	35	11	2

\*Maximum operating temperature is 86° F (30° C).

Available Options

Mounting Brackets See page 47



Inlet Hose Assemblies See page 49



Replacement Bumpers See page 49



Call customer service for special hoses



## Spring Retractable Composite Reels

**Air/Water/Chemical Delivery/Welding** - 3/8", 1/2" I.D.

Series S reels are economical, lighter weight, easy to handle and meet the demands of a medium-duty industrial grade reel for continuous operation. Made of corrosion-proof, tough polypropylene, extensive tests have shown it to be highly resistant to the vast majority of acids, alkalis and UV rays. The design protects the hose and allows easy cleaning of both hose and reel. Wall, ceiling or floor mount.

### A unique combination of composites and metals

The tough composite polypropylene outer case houses solid brass swivel and fluid path, a steel main shaft and high quality spring steel motor.

### Corrosion-resistant, durable

The tough composite polypropylene outer case is UV stabilized and resistant to most acids and alkalis with excellent impact resistance. Suitable for general applications and environments where corrosion is an issue.

### Positive latching system

The design of the latching system ensures positive latching in any mounting position.

### Unique mounting

The bracket system supplied with the reel allows mounting in any position with the advantage of the swivel feature.

### Lighter weight

Pound for pound the S Series offers distinct weight advantages due to the composite case construction.

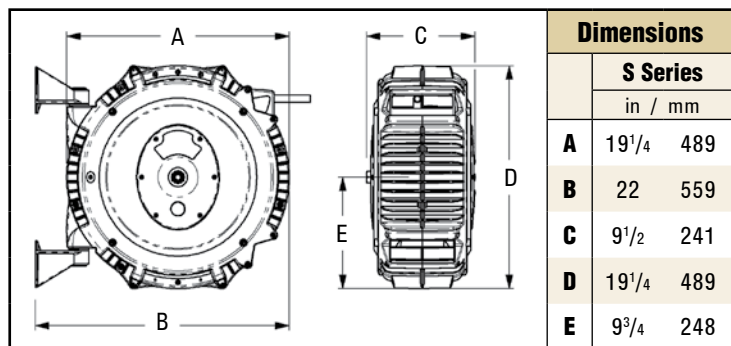


Arbor Farms Nursery, Fort Wayne, Indiana



SGA3650 OLP

Series S reels are made in Australia.



### Applications

- ✓ Combination Air/Water
- ✓ Water Service
- ✓ Hot Water Wash
- ✓ Chemical Delivery
- ✓ Oxygen Acetylene

Suitable for all position mounting.

Model with Hose	Shipping Weight		Pressure		Hose I.D.		Hose O.D.		(M)NPTF Hose Outlet	(F)NPTF Reel Inlet	Hose Length	
	lbs	kg	psi	bar	in	mm	in	mm	in	in	ft	m
<b>Air* &amp; Water* Hose Reels</b> Working Temperature 150° F (65° C)												
SGA3650 OLP	21	10	232	16	3/8	10	.621	16	3/8	3/8	50	15
SGA3665 OLP	25	11	232	16	3/8	10	.621	16	3/8	3/8	65	20
SGA3850 OLP	23	10	232	16	1/2	13	.781	20	1/2	1/2	50	15
<b>Water Hose Reel</b> Garden-style hose end. Working Temperature 150° F (65° C)												
SWA3850 OLP	23	10	125	9	5/8	16	.750	19	3/4 NH	1/2	50	15
<b>Hot Water Wash Reel</b> Working Temperature 185° F (85° C). Working pressure is related to working temperature.												
SHA3850 OLP	22	10	232	16	1/2	13	.781	20	1/2	1/2	50	15
<b>Chemical Delivery Hose Reel</b> Working Temperature 140° F (60° C)												
SCA3850 OLP	22	10	232	16	1/2	13	.781	20	1/2	1/2	50	15
<b>Oxygen/Acetylene Hose Reel</b> Working Temperature 150° F (65° C)												
STW3450 OLP	27	12	300	21	1/4	6	.530	13	9/16"18(F)LH-RH	9/16"18(F)LH-RH	50	15

STW3450 OLP C dimension = 11.25" / 286mm. \*NOTE: Air hose can be used for water on these models.

### Available Options

**Inlet Hose Assemblies**  
See page 49

**Replacement Bumpers**  
See page 49

**Replacement Hoses**  
See page 50

### Spring driven

Pressure up to 5000 PSI and up to 100 feet of hose

PW7650 OHP



### Spring Retractable, Hand Crank, Motor Driven

Air/Water - 1/4", 3/8", 1/2" I.D.

Compact design and quality steel construction are incorporated into Reelcraft's full line of pressure wash reels, rated up to 5000 PSI. Series PW, H18006 and 30000 reels are able to carry 50 to 425 feet of tangle-free hose and are complete with a high pressure water swivel for maximum product delivery. The high pressure water swivel is designed to handle a broad range of pressures, temperatures and chemicals; perfect for agricultural/marine, equipment cleaning and pressure washing applications.



CA38106 M

### Applications

- Agricultural
- Marine
- Equipment cleaning
- Pressure washing
- Much more

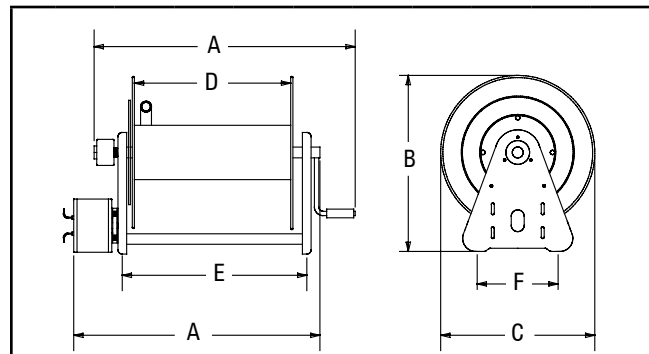
Dimensions - 7000 & 8000				
No.	1		2	
	in / mm		in / mm	
<b>A</b>	19	483	24	610
<b>B</b>	20 <sup>1</sup> / <sub>4</sub>	514	25 <sup>3</sup> / <sub>8</sub>	645
<b>C</b>	7	178	8 <sup>5</sup> / <sub>16</sub>	211
<b>D</b>	7	178	10 <sup>1</sup> / <sub>2</sub>	267
<b>E</b>	7 <sup>7</sup> / <sub>8</sub>	200	10	254
<b>F</b>	3 <sup>7</sup> / <sub>8</sub>	98	6	152

Four 1/2" (12.7mm) mounting holes.

### Hand crank

Pressure up to 5000 PSI and up to 425 feet of hose

Made in USA



Hose I.D.	in / mm		in / mm		in / mm		Shipping Weight	Size Index #	
	1/4	6	3/8	10	1/2	13			
Hose O.D.	.530	13	.730	19	.850	22			
Model without hose & bumper	Hose Length						lbs / kg		
	ft / m		ft / m		ft / m				
<b>Spring Driven</b> Pressure 5000 psi / 345 bar									
PW7600 OHP	---	---	50	15	---	---	43	20	1
PW7650 OHP*	---	---	50	15	---	---	60	27	1
PW81000 OHP	---	---	100	30	---	---	86	39	2
<b>Hand Crank</b> Pressure 5000 psi / 345 bar									
H18006 M	150	46	100	30	---	---	31	14	3
CA38106 M	200	61	140	43	100	30	41	19	4
CA38112 M	425	130	300	91	200	61	46	21	5
<b>Electric Motor Driven</b> Pressure 5000 psi / 345 bar									
EA38106 M12D	200	61	140	43	100	30	63	29	6
EA38112 M12D	425	130	300	91	200	61	71	32	7

\*Hose included - max temperature 212°F (100°C); Max temperature for models without hose 400°F (200°C). PSI rating based upon 2.4 to 1 safety factor.

Dimensions - Series H & 30000										
No.	3		4		5		6		7	
	in / mm		in / mm		in / mm		in / mm		in / mm	
<b>A</b>	13 <sup>3</sup> / <sub>4</sub>	349	19	483	25	635	19 <sup>5</sup> / <sub>8</sub>	499	25 <sup>5</sup> / <sub>8</sub>	651
<b>B</b>	20 <sup>1</sup> / <sub>8</sub>	511	20 <sup>1</sup> / <sub>4</sub>	514	20 <sup>1</sup> / <sub>4</sub>	514	20 <sup>1</sup> / <sub>4</sub>	514	20 <sup>1</sup> / <sub>4</sub>	514
<b>C</b>	17 <sup>3</sup> / <sub>4</sub>	425	17 <sup>3</sup> / <sub>4</sub>	425	17 <sup>3</sup> / <sub>4</sub>	425	17 <sup>3</sup> / <sub>4</sub>	425	17 <sup>3</sup> / <sub>4</sub>	425
<b>D</b>	5	127	6	152	12	305	6	152	12	305
<b>E</b>	6 <sup>3</sup> / <sub>8</sub>	162	9 <sup>3</sup> / <sub>4</sub>	248	15 <sup>3</sup> / <sub>4</sub>	400	9 <sup>3</sup> / <sub>4</sub>	248	15 <sup>3</sup> / <sub>4</sub>	400
<b>F</b>	10	254	9	229	9	229	9	229	9	229

"A" is overall length. Four 1/2" (12.7mm) diameter mounting holes.

Available Options

Mounting Brackets  
See page 47



Inlet Hose Assemblies  
See page 49



Replacement Bumpers  
See page 49



Call customer service for special hoses





## Light Industrial Hand Crank Hose Reels

Reelcraft's Series C hose reels are designed for lighter-duty applications that require longer lengths of hose. Hand crank with a balanced brass swivel and brass inlet, the Series C is the product of lighter weight components and forward-thinking design. Reels in this family benefit from a tough, corrosion-resistant powder coat paint. All reels feature a drag break to prevent de-spooling when reel is not in use. The Series C is an economical choice for storing and retrieving hose.

### Series CU Air/Water - 3/8", 1/2" I.D.

Series CU features our most rigid base design in this series and supports the reel on either side.

### Series CT Air/Water/Pressure Wash - 3/8", 1/2" I.D.

The Series CT frame features a tubular design. The inlet is fed through the center of the tube frame, protecting the inlet hose and creating a cleaner look over all.

### Series CM Pressure Wash - 3/8" I.D.

Series CM reels offer the greatest amount of flexibility in this series by featuring a modular mounting platform. Reelcraft can configure custom mounts upon request or the customer may choose to supply their own.



CU6050LN

**NEW!**

CT6100HN

Dimensions - Series CT				
	5		6	
	in / mm		in / mm	
<b>A</b>	15 <sup>2</sup> / <sub>3</sub>	397	15 <sup>2</sup> / <sub>3</sub>	397
<b>B</b>	15 <sup>2</sup> / <sub>5</sub>	391	19 <sup>4</sup> / <sub>9</sub>	494
<b>C</b>	13 <sup>1</sup> / <sub>4</sub>	337	13 <sup>1</sup> / <sub>4</sub>	337
<b>D</b>	6	152	6	152
<b>E</b>	3 <sup>1</sup> / <sub>3</sub>	85	3 <sup>1</sup> / <sub>3</sub>	85
<b>F</b>	4 <sup>1</sup> / <sub>4</sub>	108	4 <sup>1</sup> / <sub>4</sub>	108

### Available Options

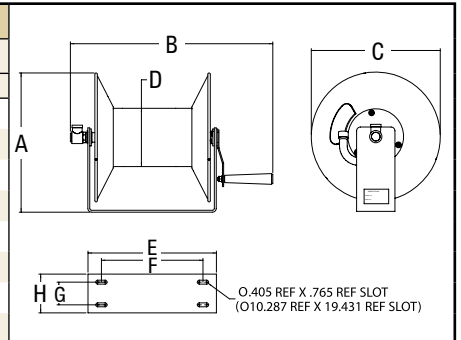
**Inlet Hose Assemblies**  
See page 49



**Replacement Hoses**  
See page 50



Dimensions - Series CU								
	1		2		3		4	
	in / mm		in / mm		in / mm		in / mm	
<b>A</b>	11 <sup>1</sup> / <sub>2</sub>	292	11 <sup>1</sup> / <sub>2</sub>	292	14 <sup>3</sup> / <sub>10</sub>	363	14 <sup>3</sup> / <sub>10</sub>	363
<b>B</b>	16 <sup>3</sup> / <sub>4</sub>	425	20 <sup>4</sup> / <sub>5</sub>	528	16 <sup>3</sup> / <sub>4</sub>	425	20 <sup>4</sup> / <sub>5</sub>	528
<b>C</b>	11	279	11	279	13 <sup>1</sup> / <sub>4</sub>	337	13 <sup>1</sup> / <sub>4</sub>	337
<b>D</b>	4	102	4	102	4	102	6	152
<b>E</b>	9 <sup>3</sup> / <sub>8</sub>	238	13 <sup>7</sup> / <sub>8</sub>	352	9 <sup>3</sup> / <sub>10</sub>	237	13 <sup>1</sup> / <sub>4</sub>	337
<b>F</b>	6 <sup>5</sup> / <sub>8</sub>	168	11 <sup>3</sup> / <sub>8</sub>	289	6 <sup>3</sup> / <sub>5</sub>	168	10 <sup>1</sup> / <sub>4</sub>	260
<b>G</b>	1 <sup>9</sup> / <sub>10</sub>	49	1 <sup>9</sup> / <sub>10</sub>	49	1 <sup>9</sup> / <sub>10</sub>	49	2 <sup>1</sup> / <sub>3</sub>	59
<b>H</b>	3 <sup>3</sup> / <sub>8</sub>	86	3 <sup>3</sup> / <sub>8</sub>	86	3 <sup>1</sup> / <sub>3</sub>	85	4	102



Model w/o Hose & bumper	Shipping Weight		Pressure		Hose I.D.		Hose O.D.		(F)NPTF Reel Outlet	(F)NPTF Reel Inlet	Hose Length		Size Index #
	lbs	kg	psi	bar	in	mm	in	mm	in	in	ft	m	
<b>Low Pressure Air/Water Reels</b> Maximum Temperature 150° F (65° C)													
CU6050LN	11	5	300	21	3/8	10	.600	15	3/8	3/8	50	15	1
CU6100LN	16	7	300	21	3/8	10	.600	15	3/8	3/8	100	30	2
CU8050LN	13	6	300	21	1/2	13	.750	19	1/2	1/2	50	15	3
CU8100LN	20	9	300	21	1/2	13	.750	19	1/2	1/2	100	30	4
CT6050LN	13	6	300	21	3/8	10	.600	15	1/2	1/2	50	15	5
CT6100LN	17	7.5	300	21	3/8	10	.600	15	1/2	1/2	100	30	6
CT8050LN	13	6	300	21	1/2	13	.750	19	1/2	1/2	50	15	5
CT8100LN	17	7.5	300	21	1/2	13	.750	19	1/2	1/2	100	30	6
<b>High Pressure Wash Reels</b> Maximum Temperature 210° F (99° C)													
CT6050HN	13	6	5000	345	3/8	10	.730	19	3/8	1/2	50	15	5
CT6100HN	17	7.5	5000	345	3/8	10	.730	19	3/8	1/2	100	30	6
CM6050HN	14	6.5	5000	345	3/8	10	.730	19	3/8	1/2 (M)	50	15	7
CM6100HN	18	8	5000	345	3/8	10	.730	19	3/8	1/2 (M)	100	30	8

Reels are supplied without hose; assemblies will be quoted upon request.

Dimensions - Series CM				
	7		8	
	in / mm		in / mm	
<b>A</b>	13 <sup>1</sup> / <sub>4</sub>	337	13 <sup>1</sup> / <sub>4</sub>	337
<b>B</b>	14 <sup>3</sup> / <sub>10</sub>	363	18 <sup>3</sup> / <sub>10</sub>	465
<b>C</b>	16 <sup>2</sup> / <sub>5</sub>	416	20 <sup>2</sup> / <sub>5</sub>	518
<b>D</b>	6	152	6	152
<b>E</b>	2 <sup>1</sup> / <sub>2</sub>	64	2 <sup>1</sup> / <sub>2</sub>	64
<b>F</b>	3 <sup>1</sup> / <sub>2</sub>	89	3 <sup>1</sup> / <sub>2</sub>	89

## Medium Duty Hand Crank Reels

**Series H - Air/Water/Oil/Grease** - 3/8", 1/2", 3/4" I.D.

Series H is an economical reel designed for medium duty applications requiring long lengths of hose. It is equally suited for plant or field use such as turf care, pest control, steam cleaning and more. Shipped completely assembled, ready to install.

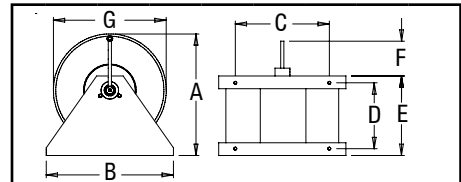
Made in USA 

Medium duty  
H16000



Model without hose & bumper	Shipping Weight		Pressure		Hose I.D.		Hose O.D.		(F)NPTF Reel Outlet	(F)NPTF Reel Inlet	Hose Length		Size Index #
	lbs / kg		psi / bar		in / mm		in / mm		in	in	ft / m		
<b>Low Pressure Air/Water Hose Reels</b> Max temperature 150°F (65°C)													
H16000	32	15	500	35	3/8	10	.600	15	1/4	3/8	300	91	1
H18000	34	15	1000	69	1/2	13	.750	19	1/2	1/2	200	61	1
H28005	34	15	1000	69	1/2	13	.750	19	1/2	1/2	300	91	4
H28000	37	17	1000	69	1/2	13	.750	19	1/2	1/2	300	91	2
H19000	33	15	1000	69	3/4	19	1.075	27	3/4	3/4	90	27	1
H29005	36	16	1000	69	3/4	19	1.075	27	3/4	3/4	100	30	3
H29000	41	19	1000	69	3/4	19	1.075	27	3/4	3/4	150	46	2
<b>Medium Pressure Oil Hose Reels</b> Max temperature 210°F (99°C)													
H16000 M	32	15	3000	207	3/8	10	.710	18	3/8	3/8	300	91	1
H18000 M	34	15	3000	207	1/2	13	.850	22	1/2	1/2	200	61	1
H19000 M	38	17	3000	207	3/4	19	1.188	30	3/4	3/4	90	27	1
H29000 M	35	16	3000	207	3/4	19	1.188	30	3/4	3/4	150	46	2
<b>High Pressure Grease Hose Reels</b> Max temperature 210°F (99°C)													
H16000 H	35	16	5000	345	3/8	10	.730	19	3/8	3/8	250	76	1

Reels are supplied without hose; assemblies will be quoted upon request. **CAUTION:** To prevent drum damage fully extend and pressurize hose and rewind on the reel. Stainless models available, see page 19.



Dimensions - Size Index

	1		2		3		4	
	in / mm		in / mm		in / mm		in / mm	
A	19	483	19	483	18 <sup>7</sup> / <sub>8</sub>	479	20 <sup>1</sup> / <sub>8</sub>	512
B	20	508	20	508	14	356	14	356
C	15	381	15	381	10	254	10	254
D	10	254	16	407	16	407	16	407
E	12 <sup>1</sup> / <sub>2</sub>	318	18 <sup>1</sup> / <sub>2</sub>	470	18 <sup>1</sup> / <sub>2</sub>	470	18 <sup>1</sup> / <sub>2</sub>	470
F	5 <sup>3</sup> / <sub>4</sub>	146	5 <sup>3</sup> / <sub>4</sub>	146	5 <sup>3</sup> / <sub>4</sub>	146	5 <sup>3</sup> / <sub>4</sub>	146
G	17 <sup>3</sup> / <sub>4</sub>	451	17 <sup>3</sup> / <sub>4</sub>	451	15 <sup>3</sup> / <sub>16</sub>	386	17 <sup>3</sup> / <sub>4</sub>	451

Four 7/16" (11mm) diameter mounting holes. Drum diameter 8".



Motor Driven  
EA33112 L12D

## Heavy Duty Hand Crank and Motor Driven Reels

**Series 30000 - Air/Water/Oil** - 1/4", 1/2", 3/4", 1" I.D.

Reelcraft's Series 30000 reels are designed for rugged, heavy duty applications requiring long lengths of hose and large storage capacity. All-bolted unitized construction with no welds to fatigue, full flow swivel and heavy gauge steel frame, spool and drum ensure longest service life. Series 30000's vibration-proof, self-locking fasteners are ideal for industrial or field use such as turf care or pest control.

- ✓ Adjustable spool rotation drag that eliminates hose backlash
- ✓ Permanently lubricated dual main bearings
- ✓ All bolted construction - no welds
- ✓ Nickel-plated swivel with four O-ring options: AFLAS (standard), Buna, Viton® or -EPR\* seals \*Standard swivel
- ✓ Ball bearing swivel (excludes 1/2" low pressure models)
- ✓ Optional lock pin to prevent spool rotation when the reel is not in use, part #S600874
- ✓ Motor mounting at either end of reel
- ✓ Full flow shaft

**Available Options**

**Pivot Brackets**  
See page 47



**Hose Roller Guides**  
See page 47



**Switches & Motors**  
See page 48

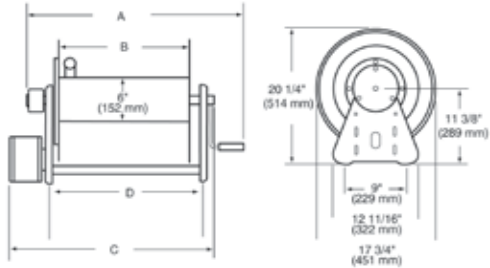


**Hose Assemblies**  
See page 50



# Long Hose Lengths | Series 30000

	Hose I.D.	1/4"	3/8"	1/2"	3/4"	1"
	Hose O.D.	.530"	.710"	.850"	1.188"	1.380"
		(6.4 mm)	(9.5 mm)	(12.7 mm)	(19.1 mm)	(25.4 mm)
		(13 mm)	(18 mm)	(22 mm)	(30 mm)	(35.0 mm)
"B" Width	Weight	Hose Capacity				
6"	38 lb	200'	140'	100'	50'	N/A
(152 mm)	(18 kg)	(61 m)	(43 m)	(30 m)	(15 m)	
12"	46 lb	425'	300'	200'	100'	N/A
(305 mm)	(21 kg)	(130 m)	(91 m)	(61 m)	(30 m)	
18"	54 lb	625'	450'	325'	175'	100'
(457 mm)	(24 kg)	(191 m)	(137 m)	(99 m)	(54 m)	(31 m)
22"	58 lb	780'	550'	400'	225'	125'
(559 mm)	(27 kg)	(238 m)	(168 m)	(122 m)	(69 m)	(38 m)
27"	66 lb	1000'	700'	500'	275'	150'
(686 mm)	(30 kg)	(305 m)	(213 m)	(152 m)	(84 m)	(46 m)



Four 1/2 inch (12.7 mm) diameter mounting holes.

**Note:** Weights listed are for crank driven - Add for power driven, electric - all explosion proof 45 lb. (20.41 kg); 12 Volt D.C. 1/3 H.P. 30 lb. (13.61 kg); Air 6 AM 36 lb. (16.33 kg). \* Note: capacity chart is reference only.



Hand Crank  
CA32112 L



**Hose Installation:** The Series 30000 gooseneck is easily removed from the reel for hose attachment. Simply remove the four fasteners attaching gooseneck to reel, connect hose to the gooseneck and re-connect to the reel. **NOTE:** Do not discard the O-ring; insure that the O-ring is properly fitted into the grooves when replacing the gooseneck.

**Note:** Many more reel models available in addition to chart  
Please contact manufacturer for details.



Model without hose & bumper	Shipping Weight lbs / kg	Pressure psi / bar	Hose I.D. in / mm	Hose O.D. in / mm	(F)NPTF Reel Outlet in	(F)NPTF Reel Inlet in	Capacity ft / m	A in / mm	B in / mm	C in / mm	D in / mm
<b>Hand Crank Hose Reels</b> Temperature operating range from -20° F (-29° C) to +250° F (121° C)											
CA32106 L	40 18	1000 69	1/2 13	.750 19	1/2	1/2	100 30	19 483	6 152	N/A	9 3/4 248
CA32112 L	46 21	1000 69	1/2 13	.750 19	1/2	1/2	200 61	25 635	12 305	N/A	15 3/4 400
CA32118 L	51 23	1000 69	1/2 13	.750 19	1/2	1/2	325 99	31 787	18 457	N/A	21 3/4 552
CA32122 L	65 29	1000 69	1/2 13	.750 19	1/2	1/2	400 122	35 889	22 559	N/A	25 3/4 654
CA32128 L	69 31	1000 69	1/2 13	.750 19	1/2	1/2	500 152	40 1016	27 686	N/A	30 3/4 781
CA32106 M	42 19	3000 207	1/2 13	.850 22	1/2	1/2	100 30	19 483	6 152	N/A	9 3/4 248
CA32112 M	46 21	3000 207	1/2 13	.850 22	1/2	1/2	200 61	25 635	12 305	N/A	15 3/4 400
CA33106 L	41 19	1000 69	3/4 19	1.075 27	3/4	3/4	50 15	19 483	6 152	N/A	9 3/4 248
CA33112 L	46 21	1000 69	3/4 19	1.075 27	3/4	3/4	100 30	25 635	12 305	N/A	15 3/4 400
CA33118 L	51 23	1000 69	3/4 19	1.075 27	3/4	3/4	175 53	31 787	18 457	N/A	21 3/4 552
CA33112 M	47 21	3000 207	3/4 19	1.188 30	3/4	3/4	100 30	25 635	12 305	N/A	15 3/4 400
CA33118 M	51 23	3000 207	3/4 19	1.188 30	3/4	3/4	175 53	31 787	18 457	N/A	21 3/4 552
CA37118 L*	54 24	300 21	1 25	1.375 35	1 (M)	1	100 30	31 787	18 457	N/A	21 3/4 552
CA37122 L*	61 28	300 21	1 25	1.375 35	1 (M)	1	150 46	35 889	22 559	N/A	25 3/4 654
CA37128 L*	65 29	300 21	1 25	1.375 35	1 (M)	1	175 53	40 1016	27 686	N/A	30 3/4 781
<b>Bevel Crank Hose Reels</b>											
BA36112 L	57 26	200 14	1/4 6	Twin Welding	1/4	1/4	250 76	25 635	12 305	N/A	15 3/4 400
BA34112 M	54 24	3000 207	1/2 13	Twin Hydraulic	1/2	1/2	100 30	25 635	12 305	N/A	15 3/4 400
<b>Electric Motor Driven Hose Reels</b> Temperature operating range from -20° F (-29° C) to +250° F (121° C)											
EA32106 L10A	61 28	1000 69	1/2 13	.750 19	1/2	1/2	100 30	N/A	6 152	19 5/8 498	9 3/4 248
EA32112 L12D	64 29	1000 69	1/2 13	.750 19	1/2	1/2	200 61	N/A	12 305	23 3/8 600	15 3/4 400
EA32118 L12D	68 31	1000 69	1/2 13	.750 19	1/2	1/2	325 99	N/A	18 457	29 5/8 752	21 3/4 552
EA33112 L12D	68 31	1000 69	3/4 19	1.075 27	3/4	3/4	100 30	N/A	12 305	23 3/8 600	15 3/4 400
EA33118 L12D	68 31	1000 69	3/4 19	1.075 27	3/4	3/4	175 53	N/A	18 457	29 5/8 752	21 3/4 552
EA33112 M12D	71 32	3000 207	3/4 19	1.188 30	3/4	3/4	100 30	N/A	12 305	23 3/8 600	15 3/4 400
EA33128 M12D	91 41	3000 207	3/4 19	1.188 30	3/4	3/4	275 84	N/A	27 686	38 3/8 981	30 3/4 781
EA33112 M24D	71 32	3000 207	3/4 19	1.188 30	3/4	3/4	100 30	N/A	12 305	23 3/8 600	15 3/4 400
EA37118 L12D*	71 32	300 21	1 25	1.375 35	1	1 (M)	100 30	N/A	18 457	31 787	21 3/4 552
<b>Air Motor Driven Hose Reels</b> Filter, regulator, lubricator required. Temperature operating range from -20° F (-29° C) to +250° F (121° C)											
AA32112 L4A	62 28	1000 69	1/2 13	.750 19	1/2	1/2	200 61	N/A	12 305	23 3/4 591	15 3/4 400
AA33106 L4A	59 27	1000 69	3/4 19	1.075 27	3/4	3/4	50 15	N/A	6 152	17 1/4 438	9 3/4 248
AA33112 L6A	68 31	1000 69	3/4 19	1.075 27	3/4	3/4	100 30	N/A	12 305	23 3/4 591	15 3/4 400

All Series 30000 reels are supplied without hose. Assemblies quoted upon request. \*Series 37000 reels do not have a gooseneck. **CAUTION:** To prevent drum damage, fully extend and pressurize hose and rewind on the reel. For all metric thread connections over 1/2" add the suffix number 70 to indicate BSPT threads - example CA33112 M70.



## Portable Hose Reel and Cart



**Hose Reel and Cart Package**  
600968

Hose Reel and Cart Packages	
Package	Items Included
<b>600965</b>	12" hand crank hose reel (CA32112 L); 12" hand cart with pneumatic tires (600741-1); 10' inlet hose (600962)
<b>600966</b>	12" hand crank hose reel (CA32112 L); 12" hand cart with semi-pneumatic tires (600741-2); 10' inlet hose (600962)
<b>600967</b>	12" hand crank hose reel (CA33112 L); 12" hand cart with pneumatic tires (600741-1); 10' inlet hose (600963)
<b>600968</b>	18" hand crank hose reel (CA37118 L); 18" hand cart with pneumatic tires (600885-1); 10' inlet hose (S600829-10)

### Additional Accessories

Battery box (battery not included): S600812

Battery cable connector: 600814

Chain guard: S600518

Hose: 1" ID x 100', 1" NPT x 1" NPSH: 600829-100

Hose: 3/4" ID x 150', 3/4" NPT x 1" NPSH: 601044-150

Inlet hose 1" ID x 10', 1" NPT x 1" NPSH: S600829-10

Operating switch: S600808

**Made in USA** 



600965

**Note:** Refer to pages 24 and 25 for Series 30000 hose reel dimensions and specifications.

	Cart Size			
	12 in	305 mm	18 in	457 mm
<b>A</b>	Adjustable*			
<b>B</b>	23 3/4	603	28 3/4	730
<b>C</b>	18 1/4	464	18 1/4	464

\*Handle height of cart is adjustable to 35.625", 38.625", 41.5" or 44.5". Eight 5/16" (8mm) diameter mounting holes.

## Hose Reel and Trailer

**Made in USA** 

Reelcraft's rugged, self-contained hose reel trailer easily attaches to most off-road vehicles or carts and is pre-drilled 12" or 18" for Series 30000 hose reels. Reels hold up to 150' of 3/4" I.D. or 100' of 1" I.D. water hose. Makes spot watering easier, quicker and more convenient.



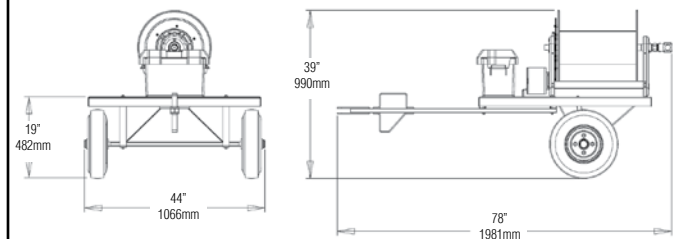
600910

Hose Reel and Trailer Packages	
Package	Items Included
<b>600911</b>	Trailer (600810); Hand rewind hose reel (CA37118 L); 10' lead hose (S600829-10); Roller Bracket, top wind (602133-3)
<b>600910</b>	Trailer (600810); 12V DC Motor driven hose reel (EA37118 L12D); Switch, complete (S600808); Battery box, battery not included (S600812); Chain guard (600518); Roller bracket, top wind (602133-3); Roller bracket, bottom wind (S602132-3); 10' lead hose with 1" I.D. (600829-10)
<b>600810</b>	Trailer only - does not include hose or reel. Reels designed for trailer include motor driven # EA37118 L12D and hand crank #CA37118L. Trailer weight 154 lbs / 70kg.



**Hose Reel and Trailer Package**  
600910

## Trailer Dimensions



Trailer designed for off-road use only, not for passenger transport. Maximum weight capacity 400 pounds. Maximum speed 15 miles per hour. Trailer, reel and accessories sold separately.

## Heavy Duty Large Frame Reels Nordic™ Series 1200

1" Fluid Path for 1/2" through 1" I.D. Hose

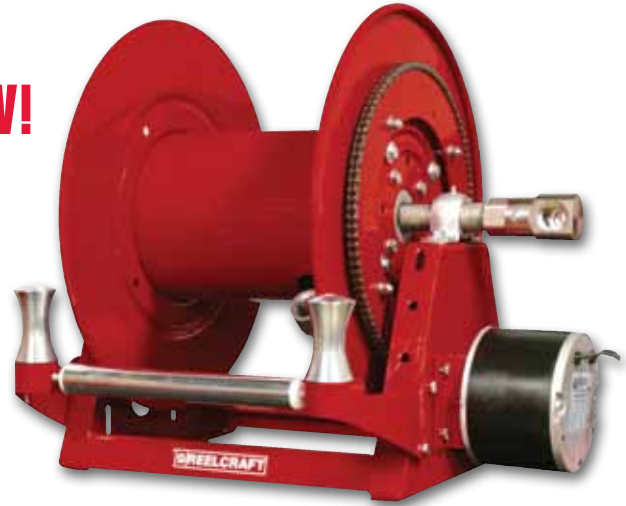
**Rewind:** Direct crank rewind or chain and sprocket drive powered by A.C. or D.C. electric motor, compressed air motor or hydraulic motor. Crank is not supplied on power rewind models. A pin lock assembly is optional on manual rewind reels. A 3/8" pitch chain is standard.

**Inlet:** 1/2" up to 1" female/male NPT 90° swivel joint. Straight swivel joint may be specified at extra cost.

**Gooseneck:** 1/2", 3/4", 1" female NPT. Other sizes and/or threads, including garden hose thread, can be furnished when specified.

The standard color for this series is red.

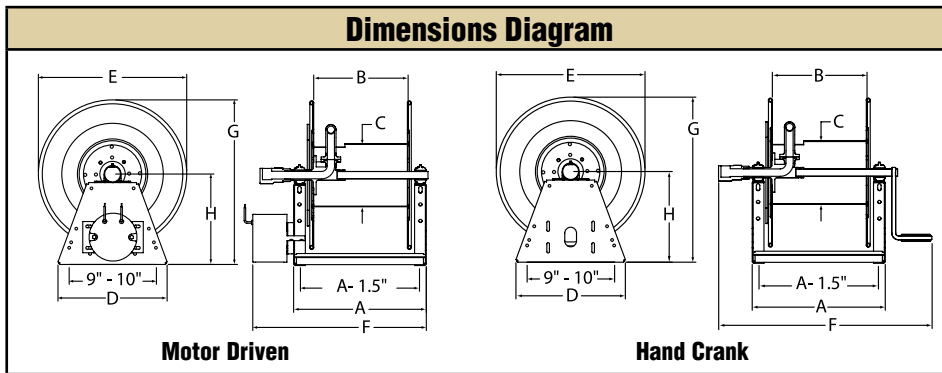
**NEW!**



Nordic Series 1200

Shown with optional three-way roller bracket.

Nonexplosion-proof motor is standard "E" (pictured). Explosion proof (EP) motor is available upon request.



**Made in USA**

Product temperatures range from -20° to +225°F and standard pressures to 3000 PSI. Other temperatures or pressures can be furnished at extra cost; consult manufacturer.

Hose I.D.		in	1/2	3/4	1	Specification - Hose Capacity and Reel Dimensions														
Hose O.D.		in	0.845	1.18	1.4	KEY: CRK = hand crank; "E" = nonexplosion-proof electric motor; EP = explosion-proof motor; AIR = air motor; BEVEL = bevel crank														
		mm	21.5	30	35.6	Weight Crank*	Weight Motor*	Weight Bevel*	A	B	C	D	E	F CRK	F "E"	F EP	F AIR	F BEVEL	G	H
1200-19-6	ft	100	50	35	41 LB	58 LB	48 LB	in	11	6	8	14	19	22	16.5	18.5	16	24	21.1	11.6
	m	30	15	11	19 KG	26 KG	22 KG	mm	279	152	203	356	483	559	419	470	406	610	536	295
1200-19-12	ft	200	100	70	43 LB	60 LB	50 LB	in	17	12	8	14	19	28	22.5	24.5	22	30	21.1	11.6
	m	61	30	21	20 KG	27 KG	23 KG	mm	432	305	203	356	483	711	572	622	559	762	536	295
1200-19-18	ft	300	150	105	44 LB	61 LB	51 LB	in	23	18	8	14	19	34	28.5	30.5	28	36	21.1	11.6
	m	91	46	32	20 KG	28 KG	23 KG	mm	584	457	203	356	483	864	724	775	711	914	536	295
1200-19-22	ft	365	180	125	45 LB	62 LB	52 LB	in	27	22	8	14	19	38	32.5	34.5	32	40	21.1	11.6
	m	111	55	38	20 KG	28 KG	24 KG	mm	686	559	203	356	483	965	826	876	813	1016	536	295
1200-19-28	ft	465	230	160	46 LB	63 LB	53 LB	in	33	28	8	14	19	44	38.5	40.5	38	46	21.1	11.6
	m	142	70	49	21 KG	29 KG	24 KG	mm	838	711	203	356	483	1118	978	1029	965	1168	536	295
1200-23-6	ft	150	75	50	49 LB	66 LB	56 LB	in	11	6	11.25	15.25	23	22	16.5	18.5	16	24	25.1	13.6
	m	46	23	15	22 KG	30 KG	25 KG	mm	279	152	286	387	584	559	419	470	406	610	638	345
1200-23-12	ft	300	150	100	51 LB	68 LB	58 LB	in	17	12	11.25	15.25	23	28	22.5	24.5	22	30	25.1	13.6
	m	91	46	30	23 KG	31 KG	26 KG	mm	432	305	286	387	584	711	572	622	559	762	638	345
1200-23-18	ft	450	225	150	52 LB	69 LB	59 LB	in	23	18	11.25	15.25	23	34	28.5	30.5	28	36	25.1	13.6
	m	137	69	46	24 KG	31 KG	27 KG	mm	584	457	286	387	584	864	724	775	711	914	638	345
1200-23-22	ft	550	275	180	53 LB	70 LB	60 LB	in	27	22	11.25	15.25	23	38	32.5	34.5	32	40	25.1	13.6
	m	168	84	55	24 KG	32 KG	27 KG	mm	686	559	286	387	584	965	826	876	813	1016	638	345
1200-23-28	ft	700	350	230	54 LB	71 LB	61 LB	in	33	28	11.25	15.25	23	44	38.5	40.5	38	46	25.1	13.6
	m	213	107	70	24 KG	32 KG	28 KG	mm	838	711	286	387	584	1118	978	1029	965	1168	638	345

\*Estimated weight on carbon steel frame. Refer to page 28 to build a complete model number.

# Large Frame Reels | Nordic Heavy Duty Solutions

## Reelcraft's Engineered Product Solutions

### Full Flow Design

The goose neck is contoured to match the drum diameter, which allows smooth hose wrapping and unimpeded flow.

### Long Service Life

Swivel incorporates a permanently lubricated ball bearing.

### Adjustable Hose Tension

The brake can be adjusted to suit the application requirements.

### Trouble-Free Rewinding

Chain and sprocket drive ensures smooth and consistent operation.

Meets or Exceeds Military Vibration for Truck Transport test.

MIL-STD-810F  
500,000 mile equivalent

### Long Service Life

The spool axial is supported by independent self-aligning bearing.

### Free Rotation While Pressurized

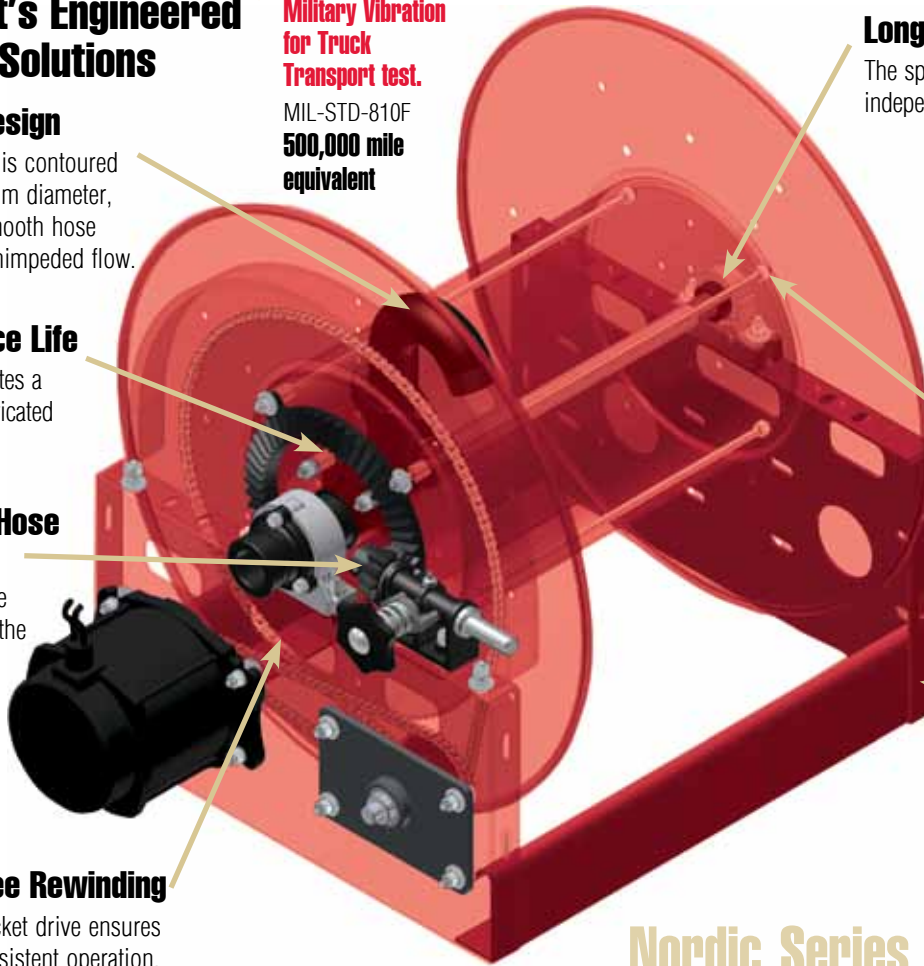
The swing joint and spindle allows reel to freely rotate while fluid is pressurized.

### Precise Rigid Construction

Proprietary unitized tie rods are zinc plated offering greater strength and resistance to vibration and corrosion.

### Ultimate Corrosion Resistance

Individually powder coated components insure maximum coverage and resistance to corrosion. Stainless steel fasteners are standard.



## Nordic Series

Drive Options	Series	Head Dia.	Drum Length	Thread Size	Inlet/Outlet Thread	Thread Style	Fluid Path Material	Pressure	Inlet Style	Fluid Path Location/Direction	Color Code
<b>E</b> 12 VDC	<b>1200</b>	<b>19</b>	6"-36" in 2" increments	<b>50</b> 1/2"	<b>FM</b> Female In/ Male Out	<b>NP</b> NPT	<b>A</b> Aluminum	<b>LP</b> 0-600	<b>1</b> Straight	<b>1</b> Left Hand Top Wind	<b>R</b> Red
<b>NJ</b> 24 VDC	<b>2400</b>	<b>21</b>		<b>75</b> 3/4"							
<b>EP</b> *12 VDC Exp	<b>3900</b>	<b>23</b>		<b>10</b> 1"	<b>MF</b> Male In/ Female Out	<b>BT</b> BSPT	<b>S</b> Stainless	<b>3K</b> 1000-3000	<b>5</b> 1" LPG	<b>3</b> Right Hand Top Wind	<b>W</b> White
<b>EA</b> *115 VAC Exp	<b>3700</b>	<b>25</b>		<b>12</b> 1 1/4"							
<b>EX</b> *230 VAC Exp	<b>5900</b>	<b>28</b>		<b>15</b> 1 1/2"	<b>VM</b> Victaulic In/ Male Out			<b>6K</b> 5001-6000			<b>S</b> Silver
<b>EJ</b> *24 VDC Exp		<b>31</b>		<b>20</b> 2"							
<b>HD</b> Hydraulic		<b>36</b>		<b>25</b> 2 1/2"				<b>15K</b> 15,000			
<b>AF</b> 1 1/2 HP Air		<b>39</b>		<b>30</b> 3"							
<b>AR</b> 4 HP Air		<b>46</b>		<b>40</b> 4"							
<b>BC</b> Bevel Crank											
<b>HC</b> Hand Crank											
<b>S</b> Storage											
<b>CR</b> Cable Reel											
*Exp=Explosion proof motor											
Material Options/ Drive Size											
1/2" Pitch Chain	###5										
5/8" Pitch Chain	###6										
3/4" Pitch Chain	###7										
Gear Driven	###9										
Alum. Frame/Spool	###5#										
304 S.S. Frame/Spool	###9#										
316 S.S. Frame/Spool	###8#										
Sewer Cleaning Reel	###15										
Twin Hose	###1T										

Additional Options
Idler
Chain Guard
Roller Bracket (Top)
Roller Bracket (Bottom)
Inboard Motor
Brake
Auxiliary Bevel Crank
Hose Boss (Guide)
Junction Box
Explosion Proof Switch
Solenoid
Circuit Breaker
Control Valve

**Part No. Example: EP3900-23-28-15FFNPALP21-R00**  
 EP(12VDC Electric Explosion Proof Motor)  
 3900(Series 3900 Hose Reel)  
 -23(23" Head Dia.) -28(28" Drum Length)  
 -15(1-1/2" Thread Size) FF(Female In/Out Thread Type)  
 NP(NPT Thread Style) A(Aluminum Fluid Path)  
 LP(0-600 PSI) 2(90° Inlet)  
 1(Left Hand Top Wind Fluid Path Location/Direction)  
 R(Red)

**NOTE:** Not all options available in every combination. Please contact manufacturer for price and availability.



## Heavy Duty Large Frame Reels Nordic Series 2400

1/2", 3/4" or 1" Fluid Path for 1/2" through 1" I.D. Hose

**Rewind:** Gear-drive rewind (new) or chain and sprocket drive powered by A.C. or D.C. electric motor, compressed air motor or hydraulic motor.

**Inlet:** 1/2" up to 1" female/male NPT 90° swivel joint. Straight swivel joint may be specified at extra cost.

**Gooseneck:** 1/2" up to 1" female/male NPT. Other sizes and/or threads, including male NST and male garden hose thread, can be furnished when specified.

Product temperatures from -20° to +225°F and standard pressures to 3000 p.s.i. Reels to operate at other temperatures or pressures can be furnished at extra cost, consult manufacturer. The standard color for this series is red or gray. ADD 12" to E dimension when crank is in rewind position.

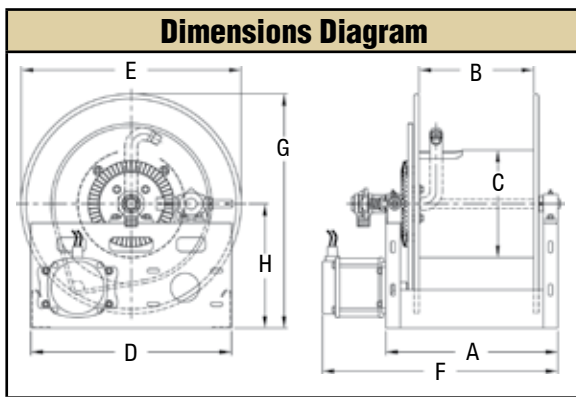
**NEW!**  
Gear drive  
option



**1/2" pitch chain  
now standard**

Shown with optional  
bevel crank.

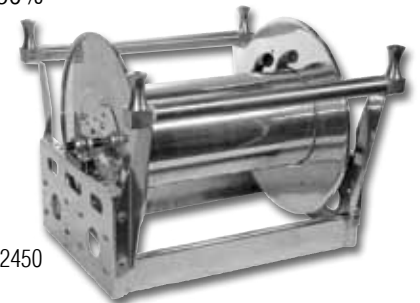
**Made  
in USA**



## Fire Service / Booster Reels

The **aluminum Series 2450** reel for booster hose is corrosion-resistant and weighs up to 50% less than standard steel booster reels. Features include an aluminum spool and frame assembly, plated steel fluid path and plated sprocket and fasteners. **No painting or finishing is required.**

Nordic Series 2450



Hose I.D.	in mm	1/2	3/4	1	Specification - Hose Capacity and Reel Dimensions																			
		13	19	25	KEY: CRK = hand crank; ELC = electric motor; HYD = hydraulic motor; AIR = air motor																			
Hose O.D.	in mm	.875 22	1.281 33	1.563 40	Model	Hose Length (other std. lengths available)				Est. Weight	A	B	C	D	E CRK	E ELC	E AIR	E HYD	F CRK	F ELC	F AIR	F HYD	G	H
2400-19-16	ft	200	100	50	70 LB	in	22	16	11.25	21	21	21	21	21	21	21	21	26	29	28	28	22.5	13	
	m	61	30	15	32 KG	mm	559	406	286	533	533	533	533	533	533	533	533	660	737	711	711	572	330	
2400-23-14	ft	315	150	100	74 LB	in	20	14	11.25	21	23	23	23	23	23	23	23	24	27	26	26	24.5	13	
	m	96	46	30	34 KG	mm	508	356	286	533	584	584	584	584	584	584	584	610	686	660	660	622	330	
2400-23-18	ft	485	240	150	78 LB	in	24	18	11.25	21	23	23	23	23	23	23	23	28	31	30	30	24.5	13	
	m	148	73	46	35 KG	mm	610	457	286	533	584	584	584	584	584	584	584	711	787	762	762	622	330	
2400-23-20	ft	535	260	165	80 LB	in	26	20	11.25	21	23	23	23	23	23	23	23	30	33	32	32	24.5	13	
	m	163	79	50	36 KG	mm	660	508	286	533	584	584	584	584	584	584	584	762	838	813	813	622	330	
2400-23-24	ft	625	300	200	84 LB	in	30	24	11.25	21	23	23	23	23	23	23	23	34	37	36	36	24.5	13	
	m	191	91	61	38 KG	mm	762	610	286	533	584	584	584	584	584	584	584	864	940	914	914	622	330	
2400-25-8	ft	235	125	60	72 LB	in	14	8	11.25	21	25	25	25	25	25	25	25	18	21	20	20	26.5	14	
	m	72	38	18	33 KG	mm	356	203	286	533	635	635	635	635	635	635	635	457	533	508	508	673	356	
2400-25-14	ft	450	225	110	74 LB	in	20	14	11.25	21	25	25	25	25	25	25	25	24	27	26	26	26.5	14	
	m	137	69	34	34 KG	mm	508	356	286	533	635	635	635	635	635	635	635	610	686	660	660	673	356	
2400-31-8	ft	435	185	125	74 LB	in	14	8	11.25	24	31	31	31	31	31	31	31	18	21	20	20	32.5	17	
	m	133	56	38	34 KG	mm	356	203	286	610	787	787	787	787	787	787	787	457	533	508	508	826	432	
2400-31-10	ft	540	235	165	76 LB	in	16	10	11.25	24	31	31	31	31	31	31	31	20	23	22	22	32.5	17	
	m	165	72	50	34 KG	mm	406	254	286	610	787	787	787	787	787	787	787	508	584	559	559	826	432	
2400-31-16	ft	900	400	300	80 LB	in	22	16	11.25	24	31	31	31	31	31	31	31	26	29	28	28	32.5	17	
	m	274	122	91	36 KG	mm	559	406	286	610	787	787	787	787	787	787	787	660	737	711	711	826	432	

Refer to page 28 to build a complete model number. Refer to chart on page 31 for weight adders.

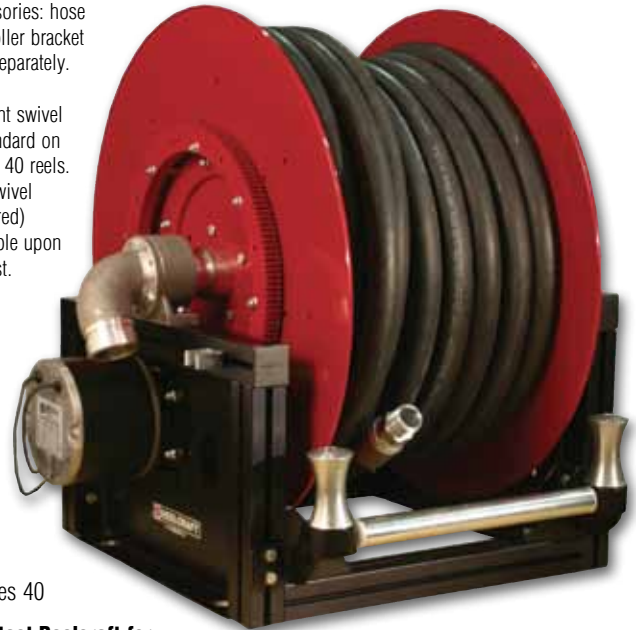
## Modular Large Frame Reels Series 40 - 1", 1¼", 1½" I.D.

### Flexible Configurations

- ✓ Standard straight ball bearing swivel joint with female NPT threads and 2" victaulic groove. 90° swivel available upon request.
- ✓ Hand crank, bevel crank, 12 VDC gear and chain drive rewind.
- ✓ Also available as standard, explosion proof 12VDC, 115 AC, hydraulic and pneumatic motor.
- ✓ Powder coated steel flanges included, aluminum also available as standard.
- ✓ Open spool spacer allows for easy access to reversible goose neck and open spool design allows for hose flexing under pressure without spool distortion.
- ✓ Plumbing and motor shown on left side; however, any configuration is available as a standard order.
- ✓ Standard colors are powder coat red with black frame. Other colors available upon request.
- ✓ Max pressure: 600 psi. Standard seals maximum temperature 174° F (79° C) and minimum temperature -20° F (-29° C). Extreme temperature seals maximum temperature 400° F (204° C) and minimum temperature -50° F (-45° C).
- ✓ Chain/gear guard is a recommended option, sold separately.

Shown with optional accessories: hose and roller bracket sold separately.

Straight swivel is standard on Series 40 reels. 90° swivel (pictured) available upon request.



Series 40

Contact Reelcraft for guard, switch and roller brackets.

Made in USA 

### Also available in standard drive types:

Explosion proof  
12VDC  
24VDC  
115VAC

Pneumatic Motor  
Hydraulic Motor  
Auxiliary Bevel Crank

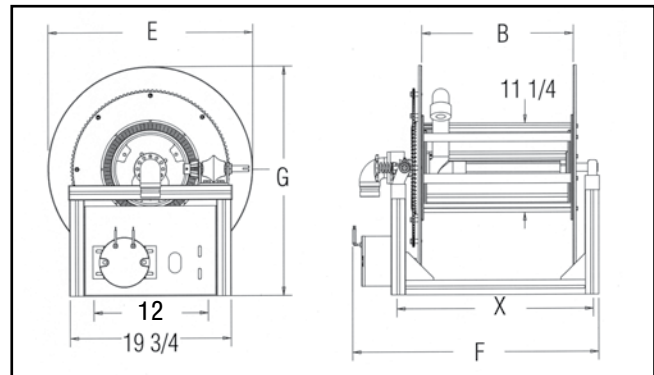
### Part Number Options 4□1131□□1LC

#### Hose ID:

- 1 = 1" hose
- 2 = 1 ¼" hose
- 3 = 1 ½" hose

#### Drive Type:

- CG = Hand Crank
- BG = Bevel Crank (only)
- DH = 12VDC, Gear Drive
- EH = 12VDC, Chain Drive



### Dimensions

KEY: Bevel = bevel crank; Electric = electric motor

Hose Capacity	Series 41		Series 42		Series 43													
	in / mm		in / mm		in / mm													
Hose I.D.	1	25	1¼	32	1½	38												
Hose O.D.	1.563	40	1.813	46	2.063	52												
Model	Hose Length						B		E		F Bevel		F Electric		G		X	
	ft / m		ft / m		ft / m		in / mm		in / mm		in / mm		in / mm		in / mm		in / mm	
A4□1131□□1LC	80	24	50	15	---	---	13	330	21	533	23.75	603	25.75	654	24	610	18.75	476
A4□2081□□1LC	80	24	50	15	---	---	8	203	25	635	17.75	451	19.75	502	26	660	13.75	349
A4□1171□□1LC	100	30	80	24	50	15	17	432	21	533	26.75	679	28.75	730	24	610	22.75	578
A4□2101□□1LC	100	30	80	24	50	15	10	254	25	635	19.75	502	21.75	552	26	660	15.75	400
A4□1321□□1LC	200	61	150	46	100	30	32	813	21	533	41.75	1060	43.75	1111	24	610	37.75	959
A4□2191□□1LC	200	61	150	46	100	30	19	483	25	635	28.75	730	30.75	781	26	660	24.75	629
A4□3131□□1LC	200	61	150	46	100	30	13	330	28	711	26.75	679	28.75	730	30	762	18.75	476
A4□3221□□1LC	325	99	250	76	200	61	22	559	28	711	31.75	806	33.75	857	29	737	27.75	705
A4□4171□□1LC	350	107	275	84	200	61	17	432	31	787	26.75	679	28.75	730	34	864	22.75	578

Verify application dimensions and weight requirements prior to ordering. **Installation Note:** For the warranty to be valid, a flexible connector MUST be used between the swivel and the inlet piping.

## Heavy Duty Large Frame Reels Nordic Series 3900

1½" Fluid Path for 1" through 1½" I.D. Hose

**Rewind:** Gear-drive rewind (new) or chain and sprocket drive powered by A.C. or D.C. electric motor, compressed air motor or hydraulic motor.

**Inlet:** 2" straight victaulic with 1½" female NPT straight swivel joint is standard. 2" victaulic 90° with 1½" NPT female available at extra cost.

**Gooseneck:** 1", 1¼" and 1½" female/male NPT outlet. Other sizes and/or threads can be furnished and must be specified.

ADD 12" to E dimension when crank is in rewind position.  
The standard color for this series is red or gray.

**NEW!**  
Gear drive  
option

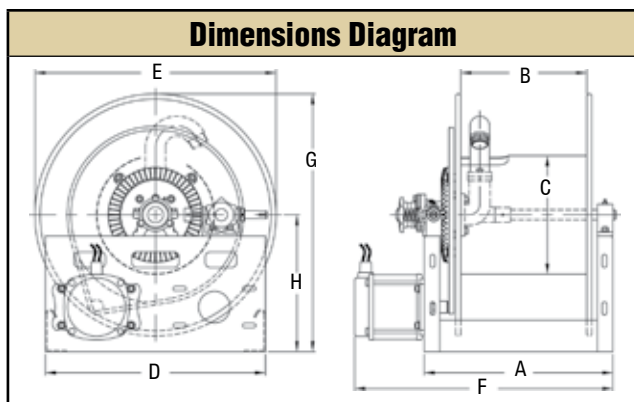
1/2" pitch chain  
now standard

Shown with optional  
bevel crank.



Made in USA 

Standard seals maximum temperature 174° F (79° C) and minimum temperature -20° F (-29° C). Extreme temperature seals maximum temperature 400° F (204° C) and minimum temperature -50° F (-45° C) and standard pressures to 600 PSI. Other temperatures or pressures can be furnished at extra cost, consult manufacturer.



**Note: Weights shown in chart are for crank rewind models.**

Prefix	Type	LB / KG
EP	Electric	42 / 19
A	Air	26 / 12
H	Hyd	26 / 12

**Add these amounts and model number prefix for power rewind models.**

Hose I.D.		1	1 1/4	1 3/8	1 1/2	Specification - Hose Capacity and Reel Dimensions														
Hose O.D.		1.563	1.813	2.000	2.063	KEY: CRK = hand crank; ELC = electric motor; HYD = hydraulic motor; AIR = air motor														
Model	Hose Length				Est. Weight	A	B	C	D	E CRK	E ELC	E AIR	E HYD	F CRK	F ELC	F AIR	F HYD	G	H	
3900-19-16	ft	55	45	45	40	90 LB	in	22	16	11.25	21	21	21	21	26	29	28	28	22.5	13
	m	17	14	14	12	41 KG	mm	559	406	286	533	533	533	533	660	737	711	711	572	330
3900-19-20	ft	70	65	60	55	93 LB	in	26	20	11.25	21	21	21	21	30	33	32	32	22.5	13
	m	21	20	18	17	42 KG	mm	660	508	286	533	533	533	533	762	838	813	813	572	330
3900-23-12	ft	95	60	55	50	87 LB	in	18	12	11.25	21	23	23	23	22	25	24	24	24.5	13
	m	29	18	17	15	39 KG	mm	457	305	286	533	584	584	584	559	635	610	610	622	330
3900-23-18	ft	155	90	90	80	93 LB	in	24	18	11.25	21	23	23	23	28	31	30	30	24.5	13
	m	47	27	27	24	42 KG	mm	610	457	286	533	584	584	584	711	787	762	762	622	330
3900-23-20	ft	165	105	100	95	95 LB	in	26	20	11.25	21	23	23	23	30	33	32	32	24.5	13
	m	50	32	30	29	42 KG	mm	660	508	286	533	584	584	584	762	838	813	813	622	330
3900-23-26	ft	220	120	110	105	100 LB	in	32	26	11.25	21	23	23	23	36	39	38	38	24.5	13
	m	67	37	34	32	45 KG	mm	813	660	286	533	584	584	584	914	991	965	965	622	330
3900-23-28	ft	240	145	140	135	103 LB	in	34	28	11.25	21	23	23	23	38	41	40	40	24.5	13
	m	73	44	43	41	47 KG	mm	864	711	286	533	584	584	584	965	1041	1016	1016	622	330
3900-23-36	ft	320	190	180	175	111 LB	in	42	36	11.25	21	23	23	23	46	49	48	48	24.5	13
	m	98	58	55	53	50 KG	mm	1067	914	286	533	584	584	584	1168	1245	1219	1219	622	330
3900-25-12	ft	95	85	55	50	89 LB	in	18	12	11.25	21	25	25	25	25	24	24	24	26.5	14
	m	29	26	17	15	40 KG	mm	457	305	286	533	635	635	635	635	610	610	610	673	356
3900-25-20	ft	165	155	100	95	97 LB	in	26	20	11.25	21	25	25	25	30	33	32	32	26.5	14
	m	50	47	30	29	44 KG	mm	660	508	286	533	635	635	635	762	838	813	813	673	356
3900-31-12	ft	210	155	115	105	92 LB	in	18	12	11.25	24	31	31	31	22	25	24	24	32.5	17
	m	64	47	35	32	42 KG	mm	457	305	286	610	787	787	787	559	635	610	610	826	432
3900-31-16	ft	305	205	155	150	96 LB	in	22	16	11.25	24	31	31	31	26	29	28	28	32.5	17
	m	93	62	47	46	44 KG	mm	559	406	286	610	787	787	787	660	737	711	711	826	432
3900-31-20	ft	365	275	200	190	100 LB	in	26	20	11.25	24	31	31	31	30	33	32	32	32.5	17
	m	111	84	61	58	45 KG	mm	660	508	286	610	787	787	787	762	838	813	813	826	432

Refer to page 28 to build a complete model number.



## Heavy Duty Large Frame Reels

### Nordic Series 3900 LPG

1½" or 2" Fluid Path for 1" through 2" I.D. Hose

**Rewind:** Gear-drive or chain and sprocket drive powered by explosion proof A.C. or D.C. electric motor, compressed air motor or hydraulic motor.

**Inlet:** Full Circle® UL approved swivels available in 1", 1½" and 2" as standard.

#### Hose Boss (optional accessory)

The Hose Boss Rewind Assist consists of a rewind switch mounted in an extended arm with two hose rollers. Assists in efficiently and safely unwinding and rewinding hose.

Now available in polished aluminum



Nordic Series 3900 LPG



Inset: Nordic Series 3900 LPG with optional Hose Boss

## Heavy Duty Spring Retractable Reels

### Series 80000/D80000 - ½", ¾", 1" I.D.

**OPTIONS**

Choose a reel model from the chart below, then use the suffix codes below to choose a flange/ end plate material.

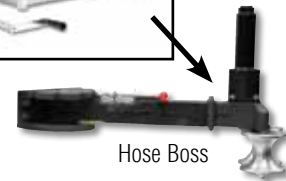
LP82000 OL

Flange/End Plate Material	
S	Stainless Steel
P	Carbon Steel

↑



Hose not included



Hose Boss

Series 80000 Carbon steel With Full Circle® swivel

**Made in USA**

Model	Hose I.D.	Hose O.D.	Capacity	Pressure	Weight	A		B		D		E		F	
	in / mm	in / mm	ft / m	psi / bar	lbs / kg	in / mm	in / mm	in / mm	in / mm	in / mm	in / mm	in / mm	in / mm		
<b>Series 80000 / D80000: Spring Driven Reels</b>															
LP82000 OL□*	1/2 13	.845 21	100 30	300 21	82 37	24 610	25 3/8 645	15 381	10 254	6 152					
LP83000 OL□*	3/4 19	1.188 30	50 15	500 35	82 37	24 610	25 3/8 645	15 381	10 254	6 152					
LPD83000 OL□*	3/4 19	1.188 30	75 23	500 35	77 35	24 610	25 3/8 645	16 3/8 416	10 1/2 267	7 7/8 200					
LPD84000 OL□*	1 25	1.500 38	50 15	500 35	77 35	24 610	25 3/8 645	16 3/8 416	10 1/2 267	7 7/8 200					

\*Choose flange/end plate material from charts above. Refer to page 13 for dimension chart.

Hose I.D.	in	1	1 1/4	1 1/2	2	Specification - Hose Capacity and Reel Dimensions Refer to chart on page 31 for Series 3900 LPG dimensions.										
	mm	25	32	38	51											
Hose O.D.	in	1.563	1.813	2.063	2.563											
	mm	40	46	52	65											
Model	Hose Length					Est. Weight	A	B	C	D	E	F	G	H		
3900-19-20*	ft	75	70	55		103 LB	in	26	20	11.25	21	21	33	22.5	13	
	m	23	21	17		47 KG	mm	660	508	286	533	533	838	572	330	
3900-23-16*	ft	125	90	75		100 LB	in	22	16	11.25	21	23	29	24.5	13	
	m	38	27	23		45 KG	mm	559	406	286	533	584	737	622	330	
3900-23-20*	ft	160	125	100		105 LB	in	26	20	11.25	21	23	33	24.5	13	
	m	49	38	30		48 KG	mm	660	508	286	533	584	838	622	330	
3900-23-24*	ft	200	150	125		110 LB	in	30	24	11.25	21	23	37	24.5	13	
	m	61	46	38		50 KG	mm	762	610	286	533	584	940	622	330	
3900-25-14*	ft	150	100	65		102 LB	in	20	14	11.25	21	25	27	26.5	14	
	m	46	30	20		46 KG	mm	508	356	286	533	635	686	673	356	
3900-25-18*	ft	200	150	80		105 LB	in	24	18	11.25	21	25	31	26.5	14	
	m	61	46	24		48 KG	mm	610	457	286	533	635	787	673	356	
3900-23-26*	ft			90	35	112 LB	in	32	26	15	21	23	39	24.5	13	
	m			27	11	51 LG	mm	813	660	381	533	584	991	622	330	
3900-31-12*	ft			90	50	102 LB	in	18	12	15	24	31	25	32.5	17	
	m			27	15	46 KG	mm	457	305	381	610	787	635	826	432	
3900-31-22*	ft			185	110	115 LB	in	28	22	15	24	31	35	32.5	17	
	m			56	34	52 KG	mm	711	559	381	610	787	889	826	432	

\*Refer to page 28 to build a complete model number including LPG swivel. Refer to charts on page 13 and 31 for dimensions.



## Heavy Duty Large Frame Reels Petroleum Service

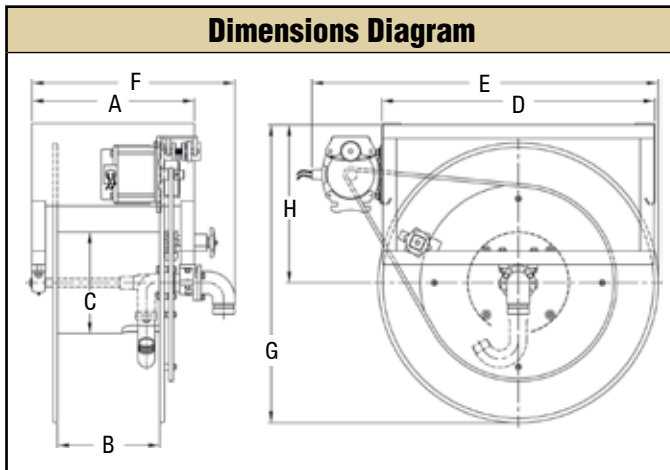
1½" or 2" Fluid Path for 1¼" through 2" I.D. Hose

**Rewind:** Chain and sprocket drive powered by A.C. or D.C. electric motor, compressed air motor or hydraulic motor.  
30° manual rewind assembly available at extra cost.

**Inlet:** 90° 2" victaulic is standard. Straight swivel joints may be specified at no extra cost.

**Gooseneck:** 1¼", 1½" or 2" female/male NPT is available. Specify male or female fitting and hose size when ordering.

**Brakes and locks:** Manual friction brake and air operated caliper brake are standard.



**Made in USA**

Standard seals maximum temperature 174° F (79° C) and minimum temperature -20° F (-29° C). Extreme temperature seals maximum temperature 400° F (204° C) and minimum temperature -50° F (-45° C). Standard pressures to 300 PSI. Other temperatures or pressures can be furnished at extra cost; consult manufacturer. The standard color for this series is red or gray.

Hose I.D.	in	1 1/4	1 3/8	1 1/2	2	Specification - Hose Capacity and Reel Dimensions									
Hose O.D.	in	1.813	2.000	2.063	2.563										
	mm	46	51	52	65										
Model	Hose Length				Est. Weight	A	B	C	D	E	F	G	H		
3800-31-10	ft	130	90	80	174 LB	in	16	10	11.25	30	38.5	20.25	33	17.5	
	m	40	27	24	79 KG	mm	406	254	286	762	978	514	838	445	
3800-31-12	ft	155	115	105	176 LB	in	18	12	11.25	30	38.5	22.25	33	17.5	
	m	47	35	32	80 KG	mm	457	305	286	762	978	565	838	445	
3800-31-16	ft	205	155	150	180 LB	in	22	16	11.25	30	38.5	26.25	33	17.5	
	m	62	47	46	82 KG	mm	559	406	286	762	978	667	838	445	
3800-39-7	ft	120	100	85	212 LB	in	13	17	11.25	32	43.5	17.25	41	21.5	
	m	37	30	26	96 KG	mm	330	432	286	813	1105	438	1041	546	
3800-39-9	ft	150	135	120	214 LB	in	15	9	11.25	32	43.5	19.25	41	21.5	
	m	46	41	37	97 KG	mm	381	229	286	813	1105	489	1041	546	
3800-39-11	ft	220	170	155	216 LB	in	17	11	11.25	32	43.5	21.25	41	21.5	
	m	67	52	47	98 KG	mm	432	279	286	813	1105	540	1041	546	
3800-31-13	ft	120	110	105	178 LB	in	19	13	15	30	38.5	24.5	33	17.5	
	m	37	34	32	81 KG	mm	483	330	381	762	978	622	838	445	
3800-39-12	ft	225	180	160	218 LB	in	18	12	15	32	43.5	23.5	41	21.5	
	m	69	55	49	99 KG	mm	457	305	381	813	1105	597	1041	546	
3800-39-16	ft	305	245	225	224 LB	in	22	16	15	32	43.5	27.5	41	21.5	
	m	93	75	69	102 KG	mm	559	406	381	813	1105	699	1041	546	

Refer to page 28 to build a complete model number.



## Heavy Duty Single Wrap Reels Petroleum / Aviation Fuel Service

1½", 2" or 3" Fluid Path for 1" through 3" I.D. Hose

**Rewind:** Chain and sprocket drive powered by A.C. or D.C. electric motor, compressed air motor or hydraulic motor.

**Inlet:** 2" victaulic is standard for 1" through 2" ID hose. 3" victaulic is standard for 2½" and 3" ID hose. 1½", 2" and 3" NPT or BSPP available. 90° Inlets available.

**Gooseneck:** 1½", 2" and 3" NPT or BSPP. Specify male or female threads for gooseneck.

**Brakes and locks:** Air operated caliper brake and idler assembly is standard. Manual friction brake optional.

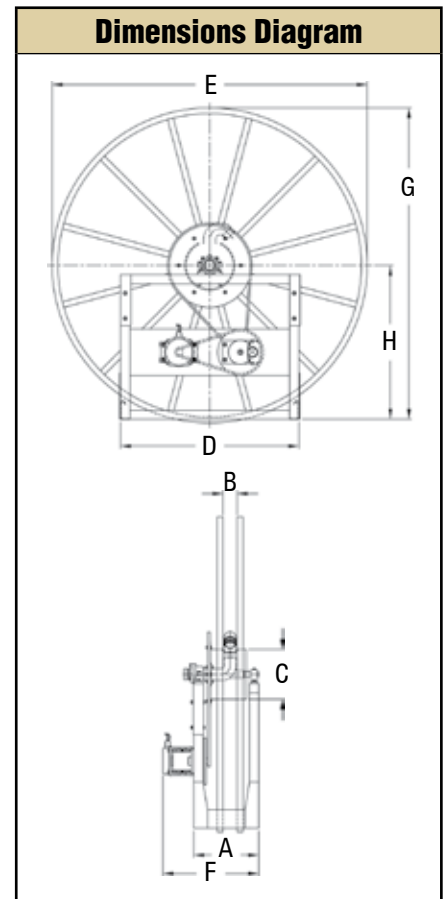
**Materials:** Standard frame and spool assembly are of heavy duty steel construction. Also available in aluminum. The standard color for this series is red or gray.

**Operating pressure:** 300 PSI maximum. Reels to operate at other pressure ratings available at extra cost. Consult manufacturer.

**Operating temperatures:** Maximum 400°F (204°C) / minimum -50°F (-46°C). Reels that are to operate at other temperature ratings are available at extra cost, consult manufacturer.



Hose I.D.	in	1 3/8	1 1/2	2	2 1/2	3					
	mm	35	38	51	64	76					
Hose O.D.	in	2.000	2.063	2.563	3.063	3.750					
	mm	51	52	65	81	95					
Model	Hose Length						D	E	G	H	
6000-47	ft	55	50	30	25	20	in	38.5	47	48.5	25
	m	17	15	9	8	6	mm	978	1194	1232	635
6000-55	ft	80	75	50	40	35	in	38.5	55	55.75	28.25
	m	24	23	15	12	11	mm	978	1397	1416	718
6000-62	ft	100	100	70	50	50	in	38.5	62	62.75	31.75
	m	30	30	21	15	15	mm	978	1575	1594	806
6000-68	ft	125	120	85	70	60	in	38.5	68	68.75	34.75
	m	38	37	26	21	18	mm	978	1727	1746	883
6000-72	ft	150	140	100	80	70	in	38.5	72	72.75	36.75
	m	46	43	30	24	21	mm	978	1829	1848	933



Hose I.D.	Dimensions							
	A		B		C*		F	
	in	mm	in	mm	in	mm	in	mm
1 3/8"	12	305	2.5	64	18	457	18.5	470
1 1/2"	12	305	2.5	64	18	457	18.5	470
2"	12	305	3.5	89	24	610	18.5	470
2 1/2"	13	330	3.5	89	24	610	19.5	495
3"	14	356	4.5	114	24	610	20.5	521

\*Drum diameter conforms to API 1529 Appendix A.

## Light/Medium Duty Cord Reels

Reelcraft's new line of light and medium duty cord reels are designed for less strenuous applications in which a capable and long-lasting reel is required. The reels accommodate lengths of 16/3, 14/3, 12/3, and 10/3 diameter cable.

		Dimensions - Size Index			
No.		1	2	3	4
		in / mm	in / mm	in / mm	in / mm
A		11 <sup>7</sup> / <sub>8</sub> 302	15 <sup>1</sup> / <sub>4</sub> 387	13 <sup>3</sup> / <sub>4</sub> 349	17 <sup>3</sup> / <sub>4</sub> 451
B		9 <sup>1</sup> / <sub>4</sub> 235	11 <sup>1</sup> / <sub>2</sub> 292	11 279	17 <sup>1</sup> / <sub>4</sub> 438
C		3 <sup>3</sup> / <sub>4</sub> 95	5 127	8 <sup>3</sup> / <sub>4</sub> 222	11 <sup>1</sup> / <sub>8</sub> 283
D		2 <sup>3</sup> / <sub>4</sub> 98	9 <sup>3</sup> / <sub>16</sub> 233	1/4" mounting holes. If reels are to be mounted more than 15' overhead, consult manufacturer.	
E		2 51	3 76		
F		1 <sup>7</sup> / <sub>8</sub> 48	5 <sup>1</sup> / <sub>2</sub> 139		
G		7 <sup>7</sup> / <sub>16</sub> 11	9 <sup>9</sup> / <sub>16</sub> 14		
H		N/A	1 <sup>5</sup> / <sub>8</sub> 41		

## Series LD Cord Reels

Designed for overhead mounting, these reels are compact, feature a powder coated steel housing, adjustable cable stop and a resettable circuit breaker.

Model with Cord	Cord Ending	Cord Specifications				Volts	Amps	Weight		Size Index #
		AWG / mm	# Cond	ft / m	Type			lbs / kg		
LD2040 163 2*	Style 2	16 1.33	3	40 12	SJTW	120	0.3	11 5	1	
LD2030 163 9	Style 9	16 1.33	3	30 9	SJTW	125	10	8 4	1	
LD2030 143 9	Style 9	14 2.08	3	30 9	SJTW	125	13	9 4	1	

\*Requires a minimum of five feet hanging cable (outside reel). Designed for ceiling mount.

## Series LG Cord Reels

The medium duty Series LG cord reels are constructed from high-impact resistant composite materials to be lighter and compact. They may be mounted overhead, on a wall or detached from the mounting bracket completely. They also feature an adjustable cable stop and a circuit breaker that can be reset.

Model with Cord	Cord Ending	Cord Specifications				Volts	Amps	Weight		Size Index #
		AWG / mm	# Cond	ft / m	Type			lbs / kg		
LG3050 163 8*	Style 8	16 1.33	3	50 15	SJTW	120	10	13 6	2	
LG3050 143 9	Style 9	14 2.08	3	50 15	SJTW	125	13	14 6	2	
LG3040 123 9	Style 9	12 3.32	3	40 12	SJTW	125	15	14 6	2	

\*Requires a minimum of five feet hanging cable (outside reel).

## Series LH Hand Crank Reels

Designed with the contractor in mind, Series LH medium duty hand crank reels are portable and deliver power where and when it is necessary. They feature four circuit breaker protected outlets and a corrosion resistant powder coating.

Model with Cord*	Cord Ending	Cord Specifications				Volts	Amps	Weight		Size Index #
		AWG / mm	# Cond	ft / m	Type			lbs / kg		
LH2080 143	4 Outlets	14 2.08	3	80 24	SJTW	125	10	15 7	3	
LH3100*	4 Outlets	10 5.37	3	100 30	STW	125	15	13 6	4	

\*Does not include cord

**Products on this page are warranted for 1 year.**

Light cord reels are UL listed for the United States. Power cord reels and hand crank reels are UL listed for United States and Canada.

## Cord Options



### Style #2

13 watt fluorescent light features a durable shock-resistant lamp holder and shatter-resistant tube with switch.

### Style #8

13 watt fluorescent light features an on/off switch on the handle and an outlet.



### Style #9

Triple outlet with grounded receptacles. For maximum ratings, consult manufacturer.



Light duty  
LD2030 143 9

Light duty  
LD2040 163 2



Light duty  
LD2030 163 9



Medium duty  
LG3050 163 8



Medium duty  
LG3050 143 9



Portable power  
LH2080 143



Portable Power  
LH3100

Models listed with an icon can be shipped same day upon request when the order is received by 11:30 AM local time for quantities of 5 or fewer.

Indiana Warehouse

California Warehouse

Indiana & California Warehouses

Canadian Warehouse

# Better by Design

## Adjustable Bumper Stop

Allows any desired length of cord to be maintained outside the reel.

## Corrosion-Resistant

Steel components are individually powder coated to virtually eliminate corrosion.

## Reelcraft offers many styles of outlets and lamps

- Single receptacle
- Duplex outlet box w/ GFCI(F)
- Triple tap
- R.V. plug
- Fluorescent
- Incandescent
- LED
- Flying lead

## Easy to Mount

Attaches to most structurally sound surfaces. Edges are curved for safety.

**Note:** Swing brackets should be used if cords are pulled at more than 45°, see page 47.



## Adjustable Guide Arm

Multiple guide arm positions for versatile uses and easier field adjustment.

## Enclosed Drive Spring

Drive mechanism is enclosed for protection against the environment.

## Long Life Drive Spring

Declutching arbor virtually eliminates possibility of spring damage due to reverse winding of reel spool.



## Structural Strength

Robotically welded heavy gauge steel frame.



## Model Number Significance

This chart is for reference purposes only. Reels cannot be ordered by selecting from this chart. Please refer to selection charts on pages 38-39 or consult manufacturer for any questions about option combinations.

Model	Outside Dia. of Cord	Cord Specifications			
		AWG /mm <sup>2</sup>	# Cond.	Type	
600193	.320" - .530"	16 1.33	3	SJO	
1-HR1004-A	.438" - .624"	12 3.32	3	SJO	
600267	.645"	10 5.37	3	SO	
1-HR1004	.625" - .749"	12 3.32	3	SO	
3-HR1004-3	1.06" - 1.30"	6 8.00	3	SO	

## SERIES L4000 and L5000 CORD REELS

FOR REFERENCE ONLY

**L 4 0 5 0 1 6 3 3**

### REEL SERIES

- 40 = 4000 SERIES REEL
- 45 = 4500 SERIES REEL
- 55 = 5500 SERIES REEL
- 57 = 5700 SERIES REEL
- 70 = 7000 SERIES REEL

### WIRE SIZE

- 10 = 10 GAUGE
- 12 = 12 GAUGE
- 16 = 16 GAUGE

### LENGTH OF CORD

- 00 = W/O CORD
- 35 = 35 FEET
- 45 = 45 FEET
- 50 = 50 FEET

### NO. OF CONDUCTORS

- 2 = TWO CONDUCTOR
- 3 = THREE CONDUCTOR

### STYLE NUMBERS

- NONE = OPEN END
- 1 = INCANDESCENT LAMP
- 2 = FLUORESCENT LAMP
- 3 = SINGLE RECEPTACLE
- 4 = R.V. PLUG (M)
- 5 = INCANDESCENT NON-SPARKING
- 6x = FLUORESCENT EXPLOSION PROOF
- 7 = DUPLEX OUTLET BOX (F) W/GFCI
- 8 = FLUORESCENT W/OUTLET
- 9 = TRI TAP
- 10 = LED LAMP
- X = FLYING LEAD



Made  
  
in USA

Heavy duty  
triple receptacle  
L 4545 123 9G  
**NEW!**



Heavy duty  
flying lead  
L 4050 163 X



Heavy duty GFCI  
duplex outlet box  
L 4545 123 7

- ✓ Compact for critical space requirements
- ✓ Durable abrasion and corrosion resistant baked-on powder coat finish
- ✓ Engineered for industrial use
- ✓ All models supplied with cord are complete with approximately 4-5 foot pigtail and three-prong plug
- ✓ Adjustable cord stop
- ✓ Wall, ceiling or bench mount



Model with Cord	Cord Ending	Cord Specifications				Volts	Amps	Shipping Weight lbs / kg	Size Index #
		AWG / mm	# Cond.	ft / m	Type				
L 4035 163 3	Single Receptacle	16 1.33	3	35 11	SJTOW	125	13	25 11	1
L 4050 163 3	Single Receptacle	16 1.33	3	50 15	SJTOW	125	13	26 12	1
L 4545 123 3	Single Receptacle	12 3.32	3	45 14	SJE0OW	125	15	27 12	1
L 5550 123 3	Single Receptacle	12 3.32	3	50 15	SJE0OW	125	15	44 20	3
L 4545 123 3A	Single Connector	12 3.32	3	45 14	SJE0OW	125	20	28 13	1
L 5550 123 3A	Single Connector	12 3.32	3	50 15	SJE0OW	125	20	44 20	3
L 4545 123 3B	Twist Lock Connector	12 3.32	3	45 14	SJE0OW	125	20	28 13	1
L 5550 123 3B	Twist Lock Connector	12 3.32	3	50 15	SJE0OW	125	20	44 20	3
L 5750 103 4	R.V. Plug	10 5.37	3	50 15	SOOW	125	30	50 23	4
L 4545 123 7A	Duplex Outlet Box w/GFCI (F)*	12 3.32	3	45 14	SJE0OW	125	20	29 13	1
L 4545 123 7	Duplex Outlet Box w/GFCI (F)*	12 3.32	3	45 14	SJE0OW	125	15	29 13	1
L 5550 123 7	Duplex Outlet Box w/GFCI (F)*	12 3.32	3	50 15	SE0OW	125	**20	45 20	3
L 4050 163 9	Triple Tap	16 1.33	3	50 15	SJE0OW	125	13	26 12	1
L 4545 123 9	Triple Tap	12 3.32	3	45 14	SJE0OW	125	15	28 13	1
L 4545 123 9G	Triple Tap w/ GFCI (F)*	12 3.32	3	45 14	SJE0OW	125	15	29 13	1

**For indoor non-weather tight applications only.** All models UL listed at 125 Volt 60 HZ single phase. Base power cord reels without cord ends are suitable for 220V. \*\*Inlet plug is NEMA5-15P configuration. Plug ends not set up for 20 amp. **NOTE:** Swing brackets should be used if cords are pulled at more than 45°. \* The GFCI Receptacle is designed to protect people from the line-to-ground shock hazards, which could occur from defective power tools or appliances operating from this device or from down line outlets protected by it. The Ground Fault Circuit Interrupter does not protect against short circuits or overloads; this is the function of the fuse or circuit breaker.

## Cord Options

	<b>Style #3 - Single Receptacle</b> Single 15 AMP receptacle with clamp type strain relief available for both 16 AWG and 12 AWG cord.
	<b>Style #3A - Single Receptacle</b> Single 20 AMP receptacle.
	<b>Style #3B - Single Receptacle</b> Single 20 AMP receptacle with twist lock connector.
	<b>Style #4 - R.V. Plug</b> Male rubber plug used with recreational vehicles (RV's).
	<b>Style #7 / 7A - Dual Outlet Box</b> Dual outlet box with GFCI protection and flip-top lid.
	<b>Style #9 - Triple Tap</b> <b>NEW!</b> Molded triple tap available with GFCI protection.
	<b>Style X - Flying Lead</b> Bare cord/cable endings and conduit box.

Flying Lead Model with Cord	Model No Cord	Cord Specifications				Volts	Amps	Shipping Weight* lbs / kg	Size Index #
		AWG / mm	# Cond.	ft / m	Type				
L 4050 163 X	L 4000	16 1.33	3	50 15	SJE0OW	125	13	22 10	1
-----	L 4100	16 1.33	4	40 12	SJE0OW	125	13	22 10	1
L 4545 123 X	L 4500	12 3.32	3	45 14	SJE0OW	125	20	22 10	1
-----	L 5000	10 5.27	3	35 11	SO	125	30	29 13	2
-----	L 5400	12 3.32	3	35 11	SJE0OW	125	13	25 11	2
L 5550 123 X	L 5500	12 3.32	3	50 15	SE0OW	125	20	35 16	3
L 5550 124 X	-----	12 3.32	4	50 15	SE0OW	600	16	44 20	3
L 5750 103 X	L 5700	10 5.27	3	50 15	SE0OW	125	30	37 17	4
-----	L 7000	6 13.3	4	35 11	SOOW	220	45	41 19	**
L 7050 104 X	-----	10 5.27	4	50 15	SE0OW	600	20	65 29	**

**For indoor non-weather tight applications only.** All models UL listed at 125 Volt 60 HZ single phase; suitable for 220 V. \*Without cord. \*\*Refer to master catalog or reelcraft.com.

Available  
Options

Mounting  
Brackets  
See page 47



Replacement  
Bumpers  
See page 49



# Power and Light Cord Reels | Series L4000 / L5000

No.	Dimensions - Size Index							
	1		2		3		4	
	in / mm	in / mm	in / mm	in / mm	in / mm	in / mm	in / mm	
<b>A</b>	13 <sup>1</sup> / <sub>4</sub>	337	14 <sup>1</sup> / <sub>2</sub>	368	17 <sup>1</sup> / <sub>2</sub>	445	17 <sup>1</sup> / <sub>2</sub>	445
<b>B</b>	12 <sup>5</sup> / <sub>8</sub>	321	13 <sup>1</sup> / <sub>2</sub>	343	16 <sup>1</sup> / <sub>2</sub>	419	16 <sup>1</sup> / <sub>2</sub>	419
<b>C</b>	8	203	9 <sup>3</sup> / <sub>4</sub>	248	9 <sup>3</sup> / <sub>4</sub>	248	9 <sup>3</sup> / <sub>4</sub>	248
<b>D</b>	2 <sup>1</sup> / <sub>2</sub>	64	2 <sup>1</sup> / <sub>2</sub>	64	2 <sup>1</sup> / <sub>2</sub>	64	2 <sup>1</sup> / <sub>2</sub>	64
<b>E</b>	9 <sup>3</sup> / <sub>8</sub>	239	10 <sup>1</sup> / <sub>2</sub>	267	10 <sup>1</sup> / <sub>2</sub>	267	12 <sup>1</sup> / <sub>2</sub>	318
<b>F</b>	1 <sup>3</sup> / <sub>4</sub>	44	2 <sup>1</sup> / <sub>8</sub>	54	2 <sup>1</sup> / <sub>8</sub>	54	2 <sup>1</sup> / <sub>8</sub>	54

Four 5/16" (8mm) diameter mounting holes.



Made  
in USA

Model with Cord	Cord Ending	Cord Specifications				Volts	Amps	Shipping Weight	Size Index #
		AWG / mm	# Cond	ft / m	Type				
L 4035 163 1	*Incandescent	16 1.33	3	35 11	SJTOW	125	13	23 10	1
L 4050 163 1	*Incandescent	16 1.33	3	50 15	SJTOW	125	13	27 12	1
L 4035 A 163 5**	*Incandescent	16 1.33	3	35 11	SJE00W	125	13	25 11	1
L 4050 A 163 5**	*Incandescent	16 1.33	3	50 15	SJE00W	125	13	28 13	1
L 5245 A 163 6X**	Fluorescent	16 1.33	3	45 14	SJE00W	125	0.3	39 18	2
L 4035 162 2	Fluorescent	16 1.33	2	35 11	SJTOW	125	0.3	25 11	1
L 4050 162 2	Fluorescent	16 1.33	2	50 15	SJTOW	125	0.3	26 12	1
L 4035 163 8	Fluorescent Light and Outlet	16 1.33	3	35 11	SJTO	125	10	25 11	1
L 4050 163 8	Fluorescent Light and Outlet	16 1.33	3	50 15	SJTO	125	10	27 12	1
L 4035 163 10	LED	16 1.33	3	35 11	SJTOW	125	13	26 12	1
L 4050 163 10	LED	16 1.33	3	50 15	SJTOW	125	13	28 13	1

**For indoor non-weather tight applications only.** \*Incandescent bulb 75 watt max. All models UL listed at 125 Volt 60 HZ single phase. Base power cord reels without cord ends are suitable for 220 V. \*\*Models equipped with automatic on/off switch that activates power. **NOTE:** Swing brackets should be used if cords are pulled at more than 45°.



## Cord Options

## Auto-Switch Light Cord Reels

Models equipped with an automatic on/off switch incorporate a guide arm-mounted switch that activates power with a pull of the cord.



Note: Reel is not explosion proof



### Fluorescent Hand Lamp - order model 1 163 3 8

- One foot #16/3 conductor SJTOW-A yellow cord with molded NEMA 5-15P plug
- SAF-T-TIE keeps the light plugged into receptacle

	<b>Style #1 - Incandescent Light</b> <ul style="list-style-type: none"> <li>• Single receptacle tool tap</li> <li>• Push-through switch</li> <li>• Metal grounded guard</li> </ul>
	<b>Style #2 - Fluorescent Light</b> <ul style="list-style-type: none"> <li>• Durable shock absorbing lamp holder</li> <li>• Shatter-resistant tube with switch</li> </ul>
	<b>Style #5 - Incandescent Light</b> <ul style="list-style-type: none"> <li>• Rubber handle with vinyl-coated cage w/o switch or receptacle</li> <li>• Automatic on/off switch at reel guide arm</li> <li>• Complies with NEC #511-3.f., portable lighting equipment; meets OSHA requirements</li> </ul>
	<b>Style #6 - Fluorescent Light</b> <ul style="list-style-type: none"> <li>• Explosion Proof 13 watt fluorescent hand lamp</li> <li>• Automatic on/off switch at reel guide arm</li> <li>• Suitable for Class 1, group C and D locations <b>Note:</b> Reel is not explosion-proof.</li> </ul>
	<b>Style #8 - Fluorescent Light</b> <ul style="list-style-type: none"> <li>• 120v-15amp receptacle is located in line on cord</li> <li>• Scratch guard protects lamp cover</li> </ul>
	<b>NEW!</b> <b>Style #10 - LED Light</b> <ul style="list-style-type: none"> <li>• Eight ultra high intensity 1/2 watt LEDs</li> <li>• Polycarbonate shatter-resistant light tube</li> </ul>

## High Capacity Cable Reels Nordic Series CR2400/CR3100 for 3-conductor service



Nordic  
Series CR3100

**Series CR2400** - Direct crank rewind or chain and sprocket drive powered by A.C. or D.C. electric motor or compressed air motor. An adjustable spring drag device is used to brake the reel.

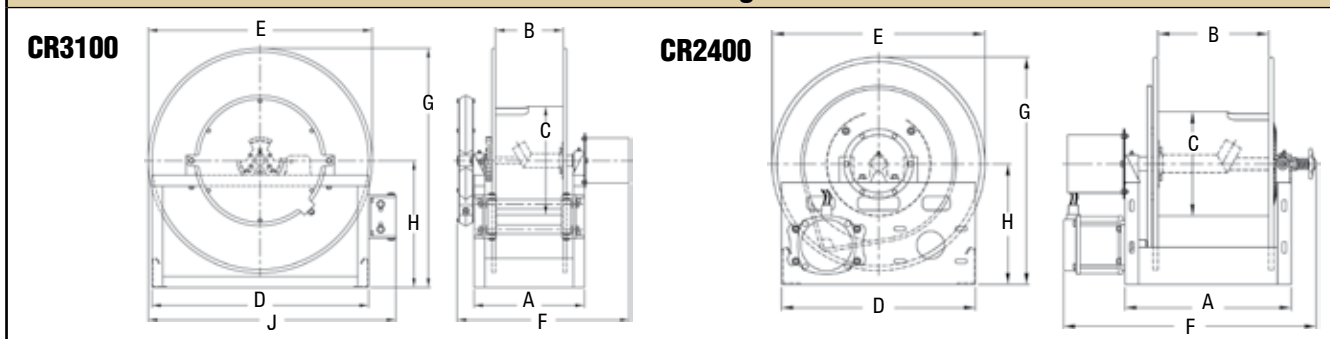
**Series CR3100** - Powered by a rugged spring protected by a tamperproof housing, a ratchet mechanism locks on payout of cable, but is easily disengaged with a pull to provide rewind.

**Cable rollers:** Series CR3100 models supplied with a 4-way roller guide assembly. Roller guide supplied with Series CR2400 models at extra cost. Roller position must be specified. If not specified, bottom wind will be supplied. Can be supplied or installed, consult manufacturer.

**Note:** A hose/cable stop should be used to prevent damage to rollers and to permit adjustment of free cable length.

Many more sizes, from standard components, available on request. Consult manufacturer.

### Dimensions Diagram



Gauge / No. of Conductors		16/3	14/3	12/3	10/3	8/3				<b>Specifications - Cable Capacity and Reel Dimensions</b>																		
Cable O.D.		in	.375	.530	.580	.705	.750	1.000	1.250	1.500	"F" dimension based on three conductor slip ring																	
		mm	10	13	15	18	19	25	32	38	<b>Model</b>	<b>Cable Length</b>					<b>Est. Weight</b>	<b>A</b>	<b>B</b>	<b>C</b>	<b>D</b>	<b>E</b>	<b>E PWR</b>	<b>F</b>	<b>F PWR</b>	<b>G</b>	<b>H</b>	<b>J</b>
<b>Spring Driven Reels</b>																												
CR3100-23-4	ft	85	85	100	100	90					92 LB	in	9	4	15	21	23		18		24.5	13	26					
	m	26	26	30	30	27					42 KG	mm	229	102	381	533	584		457		622	330	660					
CR3100-25-4	ft	95	100	100	100	100					97 LB	in	9	4	15	21	25		18		26.5	14	27					
	m	29	30	30	30	30					44 KG	mm	229	102	381	533	635		457		673	356	686					
CR3100-31-4	ft	120	120	130	130	130					118 LB	in	9.25	4	20	30	31		19		33	17.5	34.5					
	m	37	37	40	40	40					54 KG	mm	235	102	508	762	787		483		838	445	876					
<b>Hand Crank / Motor Driven Reels</b>																												
CR2400-23-12	ft	1900	930	775	520	430	240	155	105	72 LB	in	18	12	11.25	21	23	23	29	29	24.5	13							
	m	579	283	236	158	131	73	47	32	33 KG	mm	457	305	286	533	584	584	737	737	622	330							
CR2400-31-8	ft	2700	1350	1100	750	660	360	185	135	79 LB	in	14	8	11.25	24	31	31	25	25	32.5	17							
	m	823	411	335	229	201	110	56	41	36 KG	mm	356	203	286	610	787	787	635	635	826	432							



## Heavy Duty Cord and Cable Storage Reels

### Hand Crank, Bevel Crank & Motor Driven

Keep long lengths of expensive electrical cord off the ground and out of harm's way with Reelcraft's expanded Series 30000 line, which includes cable storage reels and live power cord. The reels are designed to handle long lengths of 10/3, 12/3 and 16/3 cable.

Reelcraft's Series 30000 storage reels and live power cord reels are constructed of heavy gauge steel and are assembled with vibration-proof, self-locking fasteners to ensure assembly integrity. They undergo a five-stage cleaning process and are individually powder-coated for the highest quality, corrosion-resistant paint adhesion. Suited for indoor, non weather-tight applications only.

### Cord/Cable Storage Reels

Cord and cable storage reels are used for storage, unwinding, and winding of conductive cord/cable. The reel is not intended to be live and the power source must be disconnected while reeling/de-reeling to avoid twisting the wires. Series 30000 cable storage reels are available in hand crank only.

### Live Power Cord Reels

Live power cord reels have collector rings that allow the reel to wind/unwind the cord/cable with live current without twisting the wires. Live reels offer the advantage of using a reel as an effective piece of operating equipment rather than a simple device for the storage of cable or cord. Series 30000 live power cord reels are available in direct hand crank, bevel gear crank or electric motor-driven rewind.

**New!**

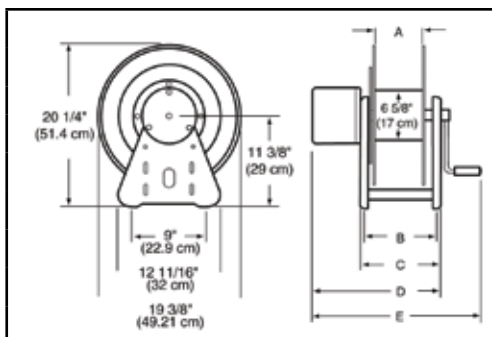


CA30112-CS  
Cable not included.

**New!**



LE312 123 12D



Dimensions - Size Index										
No.	1		2		3		4		5	
	in / mm		in / mm		in / mm		in / mm		in / mm	
<b>A</b>	6	152	12	305	12	305	12	305	12	305
<b>B</b>	9 <sup>3</sup> / <sub>4</sub>	248	15 <sup>3</sup> / <sub>4</sub>	400	15 <sup>3</sup> / <sub>4</sub>	400	15 <sup>3</sup> / <sub>4</sub>	400	15 <sup>3</sup> / <sub>4</sub>	400
<b>C</b>	11	280	17	432	17	432	17	432	17	432
<b>D</b>	N/A		N/A		23 <sup>3</sup> / <sub>4</sub>	603	23 <sup>3</sup> / <sub>4</sub>	603	23 <sup>3</sup> / <sub>4</sub>	603
<b>E</b>	19	483	25	635	29 <sup>3</sup> / <sub>8</sub>	746	29 <sup>3</sup> / <sub>8</sub>	746	25	635

Four 1/2" diameter mounting holes.

Made  
 in USA

Model without Cable & bumper	Drive Type	Cord Specifications				Volts	Amps	Shipping Weight		Size Index #	
		AWG / mm <sup>2</sup>	# Cond.	ft / m				lbs	kg		
CA30106-CS*	Hand Crank	10	5.211	3	140	43	This reel is for storage only. Not intended to be live.	37	17	1	
		12	3.131	3	175	53					
		16	1.0524	3	425	130					
CA30112-CS*	Hand Crank	10	5.211	3	280	86	This reel is for storage only. Not intended to be live.	46	21	2	
		12	3.131	3	350	106					
		16	1.0524	3	850	260					
LB312 123	Bevel Crank	12	3.131	3	200	61	600	25	51	23	3
LB312 103	Bevel Crank	10	5.211	3	200	61	600	30	52	24	3
LC312 123	Hand Crank	12	3.131	3	200	61	600	25	50	23	4
LC312 103	Hand Crank	10	5.211	3	200	61	600	30	51	23	4
LE312 123 12D	Motor Driven**	12	3.131	3	200	61	600	25	68	31	5
LE312 103 12D	Motor Driven**	10	5.211	3	200	61	600	30	69	31	5

**NOTE:** Cord must be fully unspooled before use. Actual fill capacities vary with cord O.D. and jacket type. Consult manufacturer for applications requiring cord types other than SO, SOW, or SJO. Reel suited for indoor, non-weather tight applications only. \*Power source must be disconnected while reeling/de-reeling. Through shaft on cable storage reels facilitates cable sizes up to .969" O.D. for other sizes, consult manufacturer. \*\*All motor driven models are 12 volt DC non-explosion proof. Other motor options available upon request.

### Available Options

**Roller Guides**  
See page 47



**Switches & Motors**  
See page 48



**Replacement Bumpers**  
See page 49



# Complete Welding Series | Series TW / STW / BA

## Most Popular

Spring driven for hose lengths up to 60'



TW7450 OLP

## Most Compact

Ideal for locations where space is limited



TW5425 OLP



BA36106 L

## Bevel Crank

Longest hose lengths up to 250'



Model with Hose	Shipping Weight		Pressure	Hose I.D.		Hose O.D.		Hose Outlet	Reel Inlet	Hose Length		Model without hose & bumper	Shipping Weight		Size Index #	
	lbs / kg	psi / bar		in / mm	in / mm	in	in			ft / m	lbs / kg					
<b>Oxygen / Acetylene Hose Reels</b>																
TW5425 OLP	26	12	200	14	1/4	6	.530	13	9/16 - 18(F)	1/4 NPT(F)	25	8	TW5400 OLP	21	10	1
STW3450 OLP	29	13	300	21	1/4	6	.530	13	9/16 - 18(F)	9/16 - 18(M)	50	15	-----	-----	-----	See pg. 21
TW7450 OLP	50	23	200	14	1/4	6	.530	13	9/16 - 18(F)	1/4 NPT(F)	50	15	TW7400 OLP	42	19	2
TW7460 OLP	55	25	200	14	1/4	6	.530	13	9/16 - 18(F)	1/4 NPT(F)	60	18	TW7400 OLP	42	19	2
Series 30000 Hand Crank			200	14	1/4	6	.530	13	9/16 - 18(M)	1/4 NPT(F)	125	38	BA36106 L	50	23	4
Series 30000 Hand Crank			200	14	1/4	6	.530	13	9/16 - 18(M)	1/4 NPT(F)	250	76	BA36112 L	57	26	5
<b>Welding Gas (T-Grade) Hose Reels</b>																
TW5425 OLPT	26	12	200	14	1/4	6	.530	13	9/16 - 18(F)	1/4 NPT(F)	25	8	TW5400 OLPT	22	10	1
TW7450 OLPT	50	23	200	14	1/4	6	.530	13	9/16 - 18(F)	1/4 NPT(F)	50	15	TW7400 OLPT	43	20	2
TW7460 OLPT	55	25	200	14	1/4	6	.530	13	9/16 - 18(F)	1/4 NPT(F)	60	18	TW7400 OLPT	43	20	2
TW84100 OLPT	101	46	200	14	1/4	6	.530	13	9/16 - 18(F)	9/16 - 18(F)	100	30	TW84000 OLPT	81	37	3
TW86075 OLPT	99	45	200	14	3/8	10	.625	16	9/16 - 18(F)	9/16 - 18(F)	75	23	TW86000 OLPT	86	39	3

Acetylene and fuel gas (red) inlet 1/4" FPT / oxygen (green) inlet 1/4" FPT. 9/16-18 models above are B size. Acetylene/fuel gas side has a LH thread and the oxygen side has a RH thread. Models supplied less hose have male outlets. Max temperature 150° F (65° C).

## Inlet Hose Assemblies

Part Number	Hose I.D.		Length	End Fittings		Pressure	Weight	
	in / mm	ft / m		in / mm	psi / bar		lbs / kg	
<b>Twin Welding Oxygen/acetylene (RM grade)</b>								
S600100-2	1/4 dual	6	2	.61	9/16-18 LH/RH(F)	200	14	.70 .32
S600100-4	1/4 dual	6	4	1.22	9/16-18 LH/RH(F)	200	14	1.12 .51
S600100-6	1/4 dual	6	6	1.83	9/16-18 LH/RH(F)	200	14	1.90 .86
<b>Twin Welding Other gases (T-grade)</b>								
S601031-2	1/4 dual	6	2	.61	9/16-18 LH/RH(F)	200	14	.70 .32
S601031-4	1/4 dual	6	4	1.22	9/16-18 LH/RH(F)	200	14	1.12 .51
S601031-6	1/4 dual	6	6	1.83	9/16-18 LH/RH(F)	200	14	1.90 .86

### Hose Inlet Connecting Fittings - Optional

Model No.	Inlet Connection Fittings	
90°	S300090	ACETYLENE B size 9/16 - 18 LH (M) x 1/4" NPT (M)
	S300091	OXYGEN B size 9/16 - 18 RH (M) x 1/4" NPT (M)
Straight	261371	OXYGEN B size 9/16 - 18 RH (M) x 3/8" NPT (M)
	261372	ACETYLENE/fuel gas - B size 9/16 - 18 LH (M) x 3/8" NPT (M)

Hose supplied on oxygen/acetylene reels is twin-Siemese type meeting R.M.A. and C.G.A. type V.D., grade RM specifications.

## Hose Assemblies

Part Number	I.D. & O.D.		Length	Pressure	NPTF(M) End Fittings		Weight
	in / mm	ft / m			psi / bar	in	
<b>TWIN WELDING Oxygen-acetylene (RM grade) - LH/RH(F)</b>							
601032-25	1/4	6	25	8	200	14	9/16-18 6.5 3.0
601032-50	1/4	6	50	15	200	14	9/16-18 12.1 5.5
601032-60	1/4	6	60	18	200	14	9/16-18 13.3 6.0
601032-100	1/4	6	100	30	200	14	9/16-18 24.2 11.0
<b>TWIN WELDING Other gases (T-grade) - LH/RH(F)</b>							
601031-25	1/4	6	25	8	200	14	9/16-18 6.5 3.0
601031-50	1/4	6	50	15	200	14	9/16-18 12.1 5.5
601031-60	1/4	6	60	18	200	14	9/16-18 14.4 6.50
601031-100	1/4	6	100	30	200	14	9/16-18 24.2 11.0

**Caution:** Be sure working pressure required does not exceed above ratings. Misapplication can result in serious operator injury. **Note:** Advise product to be handled, maximum temperature and pressure fitting size or sizes when ordering.

**NOTE:** Reels without hose, Series TW5400 OLP(T), TW7400 OLP(T), TW84000 OLPT and TW86000 OLPT are U/L listed #70H2.

## Features

- ✓ Designed to improve safety in the work area with an increase in productivity and efficiency
- ✓ Full flow shaft swivels
- ✓ Independent dual swivel body manufactured from aluminum and hard-coated for wear resistance assures positive separation of gases due to its unique design
- ✓ Double-sealed, O-rings prevent leakage
- ✓ Swivel body and inlet are both permanently identified with machined grooves on the acetylene side to assure proper installation
- ✓ Durable abrasion and corrosion resistant baked-on red powder-coated finish
- ✓ Reel frame, spool and drum are fabricated of heavy gauge steel
- ✓ Temperature operating range - 20° F / -29° C to +250° F / +120° C

**Economical**  
Lighter weight for hose lengths up to 50'

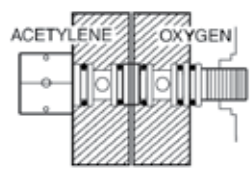
STW3450 OLP  
\*See page 21 for additional details.  
Made in Australia



**High Volume**  
Dual welding, spring driven for high volume of gas

TW84100 OLPT  
Available in T grade only

**Made in USA**



**Dual swivel is an exclusive Reelcraft design**

Independent dual swivel body

manufactured from aluminum and hard coated for wear resistance. Assures positive separation of gases due to its unique design.

Double - sealed, special molded O-rings prevent leakage. Swivel body and inlet are both permanently identified with machined grooves on the acetylene side to assure proper installation. Available with TW5000 and TW7000 series reels.

## "T" Grade Fuel Gas Reels

"T" grade hose reels are used for a wide variety of gases such as mapp gas, propane gas, natural gas and fuel gases. When ordering any welding hose reels you must specify the type of gas being used. To order "T" Grade reels, add a suffix "T" to the TW Models. Example - TW 5425 OLPT.

		Series 5000 / 7000 / 80000					
No.		1		2		3	
		in / mm	in / mm	in / mm	in / mm	in / mm	in / mm
A	14 1/2	368	20 1/4	514	25 3/8	645	
B	13 3/4	349	19	483	24	610	
C	9 3/4	248	7 7/8	200	10	254	
D	2 1/2	64	3 7/8	98	6	152	
E	6	152	7	178	13	330	

Series 5000 reels have four 5/16" (8mm) diameter mounting holes. Series 7000 and 80000 reels have four 1/2" (12.7mm) mounting holes.

		Series 30000			
No.		4		5	
		in / mm	in / mm	in / mm	in / mm
A	15 5/8	397	21 5/8	550	
B	6	152	12	305	
C	9 3/4	248	15 3/4	400	
D	11	280	17	432	

Four 1/2" (12.7mm) mounting holes. Overall length with crank handle removed is 17 3/4" (451mm).

**Available Options**

**Mounting Brackets**  
See page 47



**Inlet Hose Assemblies**  
See page 42



**Replacement Bumpers**  
See page 49



**Replacement Hoses**  
See page 42





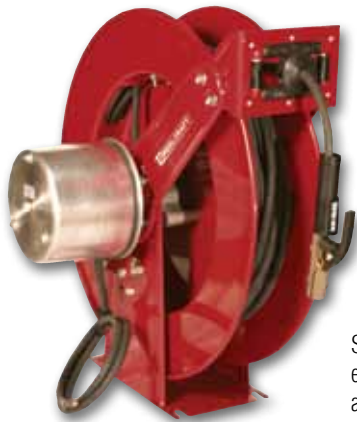
## Hand Crank / Spring Retractable Cable Welding Reels Series CEA / WC



CEA30006

- Designed to improve safety in the work area with an increase in efficiency and productivity
- Cable reels have a current path through a continuous 400 AMP, 90V DC (maximum) rated enclosed slip ring

- Welding cable reels store work lead or electrode lead, up to #2/0, safely and effectively when not in use. Each lead requires a separate reel. When welding also refer to ANSI/Asc Z 49.1
- Stores cable when not in use, eliminating tangled, kinked welding cables
- Maintains proper bend radius of cables, providing longer cable life
- Keeps work area and vehicles better organized, resulting in better space utilization



WC80001

Shown with electrode, clamp and cable (not included)



WC7000

### Features - Hand Crank Reels

- ✓ All-bolted heavy gauge steel construction provides long life and ease of use and maintenance.
- ✓ Manual drum lock prevents spool from turning when not in use preventing unwanted pay out of cable.

Dimensions - Size Index				
No.	1		2	
	in / mm		in / mm	
A	20 1/4	514	25 3/8	645
B	19	483	24	610
C	7 7/8	200	10	254
D	3 7/8	98	6	152
E	13 1/4	337	16	406

Four 1/2" (12.7mm) diameter mounting holes.

Dimensions - Size Index				
No.	3		4	
	in / mm		in / mm	
A	6	152	12	305
B	9 3/4	248	15 3/4	400
C	11	279	17	432
D	15	381	21	533
E	21	533	27	686

Four 1/2" (12.7mm) diameter mounting holes.

### Available Options

**Mounting Brackets**  
See page 47



**Replacement Bumpers**  
See page 49



### Caution:

If cable reels are to be used for extended periods of time, unwind all cable from reel to prevent heat build-up. For indoor non weather-tight applications only.



Model without cable & bumper	Cable Size				Shipping Weight	Size Index #
	#2 (31mm <sup>2</sup> )	#1 (39mm <sup>2</sup> )	#1/0 (50mm <sup>2</sup> )	#2/0 (62mm <sup>2</sup> )		
	ft / m	ft / m	ft / m	ft / m	lbs / kg	
CEA30006	300 91	250 76	200 61	150 46	46 21	3
CEA30012	500* 152	500* 152	400 122	300 91	54 24	4
WC7000	-----	50 15	50 15	50 15	58 26	1
WC80001	-----	75 23	75 23	75 23	102 46	2
WC80002	-----	100 30	-----	-----	104 47	2

\*May exceed maximum cable length allowable for most welding applications. **NOTE:** Each cable requires separate reel.

## Hand Crank Reels

Up to 150' fuel gas  
Up to 200' 12/3 cable



Ideal for applications where space, weight and flexibility are key, these reels are designed for manual winding of air/water/fuel gases hose, electric cord and welding cable. Versatile in function, select configurations to suit specific needs. Safe-T-Reels offer trouble-free management of large capacities of hose or cord.



## Dual Spool

Side-by-side combinations

T-2462-0

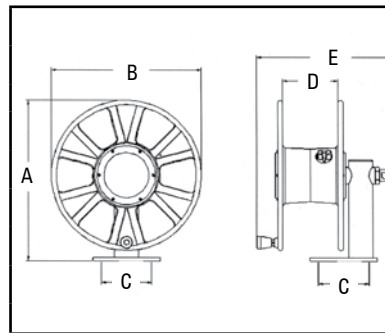
## Dual Spool

Stacked combinations  
T-2464-0



Model without cable	AMP	Reel Capacity		Shipping Weight		Cable	Size Index #
		ft / m	lbs / kg	AWG/Cond			
<b>Single Welding Cable 600 V, 2/0 Cable</b>							
T-1460-0 CA	250	200 61	32 15	-----			2
<b>Single Power Cable - 3 Conductor</b>							
T-1535-003	30	150 45	18.5 5	8 / 3			1
T-1535-083-100*	33	100 30	50 23	8 / 3			1
T-1535-103-200*	24	200 61	81 37	10 / 3			1
T-1535-123-100*	25	100 30	46 21	12 / 3			1
T-1535-123-200*	20	200 61	71 32	12 / 3			1

\*Includes cable.



Dimensions - Size Index			
No.	1	2	3
	in / mm	in / mm	in / mm
A	19 483	19 483	19 483
B	18 457	18 457	18 457
C	6 152	6 152	6 152
D	6 1/2 165	6 1/2 165	12 1/2 165
E	15 3/4 401	16 1/4 412	21 3/4 552

Four 1/2" diameter mounting holes.

Model without hose	Shipping Weight		Pressure	Hose I.D.		Hose O.D.	Reel Capacity		Size Index #
	lbs / kg	psi / bar		in / mm	in / mm		ft / m		
<b>Single Spool Air / Water Hose Reels</b> Maximum Temperature 150° F (65° C)									
T-1115-08	18 8	300 21	1/2 13	.844 21	150 46	1			
T-1116-08	22 10	300 21	1/2 13	.844 21	250 76	3			
T-1117-12	18 8	250 17	3/4 19	1.188 30	50 15	1			
T-1118-12	22 10	250 17	3/4 19	1.188 30	75 23	3			
<b>Single Spool Oxygen/Acetylene T-Grade Seals</b> Maximum Temperature 150° F (65° C)									
T-1225-04 CA	19 9	200 14	1/4 6	.530 13	150 45	2			
T-1225-04-100T*	44 20	200 14	1/4 6	.530 13	100 30	2			
T-1226-06	19 9	200 14	3/8 10	.625 16	100 30	2			

\*Includes hose.

## Single Spool



### Detail of heavy duty shaft

with tapered roller bearing for high rigidity



Shaft sizes are 1 to 1.25" in diameter, supported by tapered roller bearings with 2 to 2.3" housings.

T-1225-04-100T

Model without cable	AMP	Reel Capacity		Shipping Weight		Size Index #
		ft / m	lbs / kg			
<b>Dual Side-by-Side Welding Cable (2) 600 V, 2/0 Cable</b>						
T-2462-0	250	200 61	51 23			5
<b>Dual Stacked Welding Cable (2) 600 V, 2/0 Cable</b>						
T-2464-0	250	200 61	62 28			4
<b>Dual Side-by-Side Power Cable / Air Hose</b>						
T-2735-2-0*	35	200 61 150 45	40 18			5

\*Air hose side has 1/2" (12.7mm) inlet.

Dimensions - Size Index			
No.	4	5	
	in / mm	in / mm	
A	38 965	19 483	
B	18 457	18 457	
C	6 152	6 152	
D	6 1/2 165	6 1/2 165	
E	16 1/4 737	29 737	

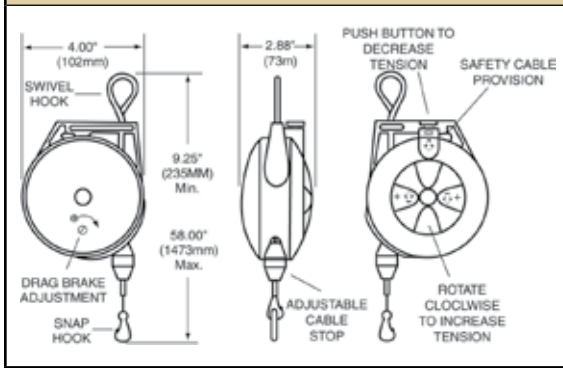
Four 1/2" diameter mounting holes.

**Caution:** Compressed air hoses should not be converted to oxygen service. Compressed air hoses are often contaminated with an oil coating, which can react explosively when oxygen is introduced. Oxygen/Acetylene cannot be combined with welding cable or power cord. **Note:** Models listed are without hose and/or cable except where listed. Weights listed above are actual product weight without packaging materials. Safe-T-Reels are available with cable or hose and in various combinations. Please consult Reelcraft customer service for additional information.

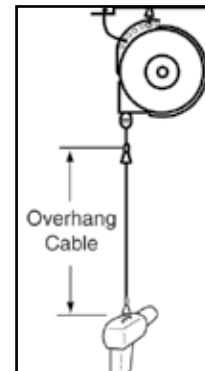
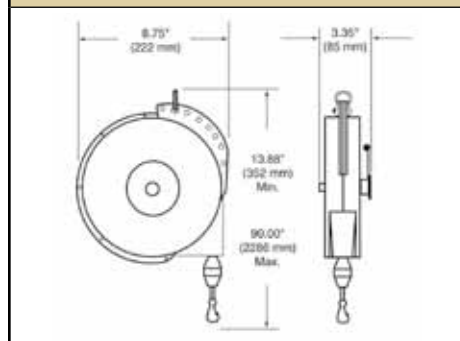
## Top Five Benefits

1. Balances the weight of assembly tools, making them nearly weightless
2. Reduces operator fatigue
3. Improves safety and ergonomics
4. Increases productivity by keeping tools positioned for immediate use with minimal operator motion
5. Reduces tool damage by preventing tools from being accidentally dropped

### TB 1-5 Dimensions



### TB 10-23 Dimensions



Model	Min - Max Load		Cable Length*		Shipping Weight	
	lbs / kg	ft / m	lbs / kg	ft / m	lbs / kg	ft / m
TB 01	0.0 - 1.5	0.0 - 0.7	6	1.8	1.0	0.5
TB 03	1.5 - 3.0	0.7 - 1.4	6	1.8	1.0	0.5
TB 05	3.0 - 5.0	1.4 - 2.3	6	1.8	1.5	1

\*Cable lengths listed are "active" or "working" cable. Safety tool clip and cable stop included. Maximum temperature 150° F (65° C).

Model	Min - Max Load		Cable Length*		Shipping Weight		Ratchet Lock
	lbs / kg	ft / m	lbs / kg	ft / m	lbs / kg	ft / m	
<b>Constant Pull Reels</b> - may be adjusted to balance through 6-18 in. (152-457mm) range.							
TB 10	5.0 - 10	2.3 - 4.5	8	2.4	9	4	NO
TB 12	8.0 - 12	3.6 - 5.4	8	2.4	10	4.5	NO
TB 15	10 - 15	4.5 - 6.8	8	2.4	10	4.5	NO
TB 23	16 - 23	7.2 - 10.4	8	2.4	10	4.5	NO
<b>Reels with Ratchet Lock</b> - retract tool upward when manually released.							
TBL 10	5.0 - 10	2.3 - 4.5	8	2.4	9	4	YES
TBL 12	8.0 - 12	3.6 - 5.4	8	2.4	10	4.5	YES
TBL 15	10 - 15	4.5 - 6.8	8	2.4	10	4.5	YES
TBL 23	16 - 23	7.2 - 10.4	8	2.4	10	4.5	YES

\*Cable lengths listed are "active" or "working" cable. Safety tool clip and cable stop included. Maximum temperature 150° F (65° C).

Medium Duty  
TB 05



Heavy Duty  
TBL 10



### SAFETY CLIP 261241

Bright zinc plated steel safety latch for tool attachment and other uses. Measures 2.375" (60mm) long. Included with each model.

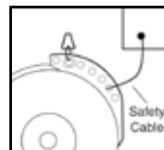
Tool balancers make tools nearly weightless, reduce fatigue

### Optional Accessories

Cables can be combined for added length

Overhang Cable	
Model No.	Length
600605-3	3.0 ft / 91.5 cm
600605-5	5.0 ft / 152.4 cm
Safety Cable/Chain	
Model No.	Length
600603*	1.0 ft / 30.5 cm
600604**	1.0 ft / 30.5 cm

\*Nylon covered steel cable (1 to 6 lbs models)  
\*\*Steel link chain (10 to 23 lbs models)



Strongly recommended, secondary steel cable or steel link chain. Prevents balancer from accidental fall. Balancers have extra holes for cable or chain.

Nylon covered steel cable with safety clip. Brings tools closer to work area without unwinding cable from reel or mounting reel at lower height.



## Roller Hose Guide Assemblies



HR 1059



HR 1145



600168

Model	Accommodates		Weight	Dimensions											
	Hose O.D.			A		B		C		D		E		F	
	in (mm)			in / mm	in / mm	in / mm	in / mm	in / mm	in / mm	in / mm	in / mm	in / mm	in / mm		
HR1057	.603 (16) - .906 (23)		.25 .12	0.875	22.3	3.125	79.4	3.125	79.4	1.6875	42.9	1.6875	42.9	N/A	
HR1059	.250 (6.4) - .625 (15.9)		.25 .12	0.625	15.9	3.125	79.4	3.125	79.4	1.6875	42.9	1.6875	42.9	N/A	
HR1145	.603 (16) - .906 (23)		.34 .15	2	50.8	1	25.4	3.75	95.3	2.75	69.9	2.125	54.1	3.125	79.4
S270109	.900 (23) - 2.00 (50.8)		5.39 2.44	5.25	133.4	2.375	60.4	12	305	8	204	5	127	10.5	267
600168	.900 (23) - 1.38 (35)		1.75 .34	1.75	44.5	2.0625	27	5.125	130	5.125	130	4	102	4	102

These four-way roller guide assemblies are for use with reels on cabinet door openings and for similar locations where sharp edges may cut or damage the hose. The four-way design permits pulling or retracting hose at any angle. Model S270109 has nylon rollers mounted on an 11 gauge steel frame with pre-drilled mounting holes.

**Note:** A hose bumper should be used with the four-way roller hose guide assemblies to prevent damage to rollers and nozzles. See chart on page 49.

## Additional Accessories

	<b>340° Pivot Base</b> Aligns reel to the direction of hose or cord run. May be mounted with reel upright or hanging. Weight 10 lbs. (5kg). <b>Note:</b> Use if hoses or cords are pulled at more than 45°.	<b>For Reel Series</b> RT / 4000 / 5000 / 5005 / 7000	<b>Part #</b> 600608
		80000 / D80000 / 30006	600801
		30012	600801-12
	<b>Wall-Mounted Universal Swing Bracket</b> Bracket will pivot approximately 180°. All steel construction with a durable baked on powder coat finish. Weight 6 lbs (3kg). <b>Note:</b> Use if hoses or cords are pulled at more than 45°. <b>Note:</b> Not for overhead mounting.	<b>For Reel Series</b> RT	<b>Part #</b> 600992
		4000 / 5000	600993
		RT / 4000 / 5000 / 5005 / 7000	600626
		80000 / D80000 / DP5000 / DP7000	600980
	<b>Top Mounting Channels and Beam Clamps</b> 600370 Top channel and beam clamps -for one reel 600295 Top channel and beam clamps -for two reels For mounting Series 4000 through 7000 reels to I-beam or overhead support. Mounting channels can be mounted end to end to mount three or more reels. (See Adaptor Assembly)		
	<b>600230 Adaptor Assembly</b> Channels are designed to accommodate Series 7000 reels. Adaptor #600230 permits the mounting of Reelcraft Series RT, 4000, 5000, 5005 and electric cord reels on mounting channel. Used with top channels and beam clamps only.		
	<b>S600812 Battery Box</b> Battery not included. Supplied with mounting hardware. Inside dimensions = 9" Height x 14" Width x 7.5" Depth		
	<b>S600814 Battery Cable Connector</b> Battery not included.		
	See page 48 for switches, motors and chain guards, page 49 for inlet hoses and page 50 for replacement hoses.		

## Roller Guide Assemblies

Hose Reel Spool Size	Bottom Wind Roller bracket assembly model number	Top Wind Roller bracket assembly model number	Multi Position Roller bracket assembly model number
<b>Series 30000 - Four Way Rollers</b>			
6 152	S600693-1	S600692-1	S600533-1
12 305	S600693-2	S600692-2	S600533-2
18 457	S600693-3	S600692-3	S600533-3
22 559	S600693-4	S600692-4	S600533-4
28 711	S600693-5	S600692-5	S600533-5
<b>Series 30000 - Three Way Rollers</b>			
6 152	S602132-1	S602133-1	
12 305	S602132-2	S602133-2	
18 457	S602132-3	S602133-3	
22 559	S602132-4	S602133-4	
28 711	S602132-5	S602133-5	

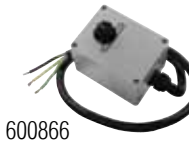
Spools and blocks are chrome-plated to resist corrosion and abrasion. Rollers speed handling and reduce wear on hose. All painted parts are finished with durable abrasion resistant baked-on powder coat. Delrin bearing surfaces give a quiet operation with minimum wear and all features combine to give trouble-free maximum service life.

For the special UHMW composite rollers, add a "U" at the end of the part number. (Example: S600693-1U)

Bottom wind and top wind may be used with all models except bevel crank. Multi position may not be used on models with a chain guard or 37000 series reels.

## Operating Switches

Part No.	Specification	Use with motor
<b>Push Button Switch</b>		
S600870	115/230 VAC, 10 AMP fuse	S260430
600811	12/24 VDC, up to 1/3 HP, breaker and relay	S260409, 260450
S600808	600811 switch with bracket, 12/24 VDC	S260409, 260450
600869	12/24 VDC, up to 2/3 HP	S260583, S260626
260424	Momentary contact with rubber cap, 12/24 VDC, non-explosion proof	Any DC motor
260425	Momentary contact, class 1 group D, for 115/230 VAC rewind motor. May also be used with solenoid for 12 or 24 VDC.	Any explosion proof motor



Part No.	Specification	Use with motor
<b>Speed Control Switch</b>		
600871	115/230 VAC, 10 AMP	S260430
600866	12/24 VDC	S260409, S260583, 260450, S260626

Part No.	Specification	Use with motor
<b>Push Button Switch with Speed Control</b>		
S600872	115/230 VAC, 10 AMP fuse, adjustable speed control	S260430
600873	115/230 VAC, 10 AMP fuse, forward/reverse adjustable speed control	
600867	DC, 25 AMP, up to 1/3 HP	S260409
600868	DC, 40 AMP circuit breaker, up to 2/3 HP	S260583



## Switch Accessories

Part No.	Specification
<b>Circuit Breaker</b>	
S260422	40 AMP. Use with DC electric rewind motors. Manual reset button must be pressed firmly to reset.
<b>Starting Solenoid</b>	
S260426	12 VDC for activation of motor.
<b>Mounting Bracket</b>	
260532	Combination for circuit breaker, solenoid and starting switch.
<b>Junction Box</b>	
370200	For explosion proof motor.



## Rewind Motors

Reels are equipped with electric or compressed air motors to drive chain and sprocket rewind mechanisms.

Part No.	Specification
<b>Electric Motors</b>	
S260409	Reversible type, 12 VDC 1/3 HP
260450	Reversible type, 24 VDC 1/4 HP



Part No.	Specification
<b>Explosion Proof Electric Motors</b>	
S260430	Reversible type, single phase, explosion proof, Class 1 Group D Division 1, 115 VAC 1/2 HP. An explosion proof, Class I Group D junction box is available for wiring A.C. motors - #370200
S260626	24 VDC 2/3 HP. Electric motor reversible type. Explosion proof.
S260583	12 VDC 2/3 HP. Electric motor reversible type. Explosion proof.



Part No.	Specification
<b>Hydraulic Motor</b>	
370066	1021 RPM, 668 lb-in, 2400 psi, 2.2 in <sup>3</sup> intermittent 1800 psi continuous.



Part No.	Specification
<b>Air Motors</b>	
260428	4 AM delivers up to 1 1/2 horsepower, 1/4" N.P.T. (F) inlet.
260429	6 AM delivers up to 4 horsepower, 1/2" N.P.T.F. (F) inlet.



## Additional Accessories

Part No.	Specification
<b>Chain Shrouds</b>	
S600518	Optional chain shroud for Series 30000 and Series 1200 reels.
S261746	Optional chain shroud for Series 40, 2400, 3700 and 3900 reels.



Part No.	Specification
<b>Control Valves</b>	
260454	Pneumatic on/off flow control valve assembly, 1/4" N.P.T. (F) inlet and outlet to be used with 4 AM compressed air motors. We also recommend using a filter, regulator, and lubricator with compressed air motors.
260455	Same as above with 3/8" N.P.T.F. (F) inlet and outlet, to be used with 6 AM motors.

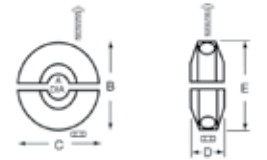


\*Reference reelcraft.com for detailed specifications.

## Adjustable Hose Bumpers

Adjustable hose bumpers are solid molded rubber assuring a long life and nonslip grip. Hose bumpers allow the desired length of hose to be permanently stored outside the reel. Hose bumpers are included on the reels purchased with hose. Reels purchased without hose do not include the hose bumper. When ordering, advise the part number, reel model and the hose I.D. and O.D. **NOTE: To order hose bumper with stainless steel hardware, change part number prefix from HR to HS.**

For Reel Series	Part Number	Hose O.D. (dia A)	Hose I.D.	Dia. B-C-E		Dia. D		Weight	
		in (mm)	in / mm	in / mm	in / mm	in / mm	lbs / kg		
4000 / 5000 / RT400 / 3100 6000 / L4500 / L5000 / DP	1-HR1004-A	.438 (11) - .625 (16)	1/4 6	2.5 64	1.25 32	.24	.10		
4000 / 5000 / D8000 / RT400 RT600 / 6000	1-HR1004	.625 (16) - .749 (19)	3/8 10	2.5 64	1.25 32	.25	.11		
7000 / 80000 / E8000 / 3100 RT800 / 5000 / D80000 / DP	1-HR1004-3	.625 (16) - .749 (19)	3/8 10	3 73	1.25 32	.24	.10		
5000 / A5005 / 7000 / 80000 D8000 / E8000 / RT800 / DP	2-HR1004-3	.750 (19) - 1.05 (27)	1/2 or 3/8 13 or 10	3 73	1.25 32	.23	.10		
7000 / 8000 / D8000 / 80000 GC7000 / F7000 / F80000 / L7000 / DGM	3-HR1004-3	1.06 (27) - 1.38 (35)	3/4 19	3 73	1.25 32	.32	.14		
TW5000 / TW7000 / 3100T TW80000 / TWD80000	8-HR1004-3	.530 (13) twin	1/4 twin 6	3 73	1.25 32	.24	.10		
TH80000 / TW80000 / 3100T TH7000 / TW8000	600521	.680 (17) twin	3/8 twin 10	3.5 89	2 51	.45	.20		
3100T / 4800T / TH80000	600522	.810 (21) twin	1/2 twin 13	3.5 89	2 51	.49	.22		
D9000 / E9000 / 3100 / 4800	2-HR1005	.750 (19) - 1.05 (27)	1/2 13	3.5 89	2.875 73	.95	.43		
D9000 / E9000 / FE9000 / 3100 / 4800 / SD	3-HR1005	1.06 (27) - 1.38 (35)	3/4 19	3.5 89	2.875 73	.95	.43		
D80000 / D8000 / D9000 / E9000 / FD9000 / FE9000 / 3100 / 4800 / SD	4-HR1005	1.39 (35) - 1.55 (39)	1 25	3.5 89	2.875 73	.81	.36		
FE9500 / FF9500 / 4800	S600547-1	1.55 (39) - 1.75 (44)	1 1/4 32	3.75 95	2.875 73	.70	.31		
FE9600 / FF9600 / 4800	S600547-2	1.75 (44) - 2.03 (52)	1 1/2 38	3.75 95	2.875 73	.57	.25		



## Inlet Hose Assemblies

A flexible hose connection must be used between the hose reel inlet and the source of supply to prevent possible misalignment and binding or warranty is void. Please furnish the following information when ordering: Part number, product and pressure to be handled. Other sizes available as well. **NOTE:** Swivel fittings are recommended to protect hose during installation.

Part Number	Hose I.D.		Hose O.D.		Length		End Fittings		Pressure		Weight	
	in / mm	in / mm	in / mm	in / mm	ft / m	ft / m	in / mm	in / mm	psi / bar	psi / bar	lbs / kg	lbs / kg
<b>Low Pressure</b> Air and water - PVC Nylon Braid												
S601024-2	3/8	10	.600	15	2	.61	3/8 x 3/8	NPTF(M)	300	21	.54	.24
S601020-2	1/2	13	.750	19	2	.61	1/2 x 1/2	NPTF(M)	300	21	.70	.32
601026-2	3/4	19	1.075	27	2	.61	3/4 x 3/4	NPTF(M)	250	17	1.50	.68
601034-3	3/4	19	1.075	27	3	.91	3/4 x 3/4	NPTF(M)	250	17	1.72	.78
601026-7	3/4	19	1.075	27	7	2.13	3/4 x 3/4	NPTF(M)	250	17	3.00	1.36
S601027-2	1	27	1.375	35	2	.61	3/4 x 1	NPTF(M)	300	21	1.72	.78
601027-5	1	27	1.375	35	5	1.52	3/4 x 1	NPTF(M)	300	21	3.25	1.47
<b>Medium Pressure</b> Oil and petroleum fluids - 100 R1T 1 Wire Braid												
32-260043	3/8	10	.710	18	2	.61	3/8 x 3/8	NPTF(M)	2250	155	1.00	.45
S17-260043	1/2	13	.850	22	2	.61	1/2 x 1/2	NPTF(M)	2000	138	.91	.41
39-260043	1/2	13	.850	22	5	1.52	1/2 x 1/2	NPTF(M)	2000	138	2.00	.91
<b>High Pressure</b> Chassis grease - 100 R2T 2 Wire Braid												
S17-260044	1/4	6	0.580	15	2	.61	1/4 x 1/4	NPTF(M)	5000	345	.75	.34
S14-260044	3/8	10	0.730	19	2	.61	3/8 x 1/2	NPTF(M)	4000	276	.83	.38





## Replacement Hose Assemblies Partial List

Part Number	I.D.	O.D.	Length ft	Pressure psi	End Fittings in - NPTF(M)	Wgt. lbs
	in	in				
<b>Low Pressure</b> Air and water - PVC Nylon Braid						
601001-20	1/4	.475	20	300	1/4 x 1/4	2.60
601001-25	1/4	.475	25	300	1/4 x 1/4	3.00
601001-35	1/4	.475	35	300	1/4 x 1/4	3.20
601001-50	1/4	.475	50	300	1/4 x 1/4	5.00
601013-15	3/8	.600	15	300	1/4 x 1/4	3.10
S601013-25	3/8	.600	25	300	1/4 x 1/4	4.50
S601013-35	3/8	.600	35	300	1/4 x 1/4	4.70
S601013-50	3/8	.600	50	300	1/4 x 1/4	6.00
601014-40	3/8	.600	40	300	1/4 x 1/2	6.00
601014-100	3/8	.600	100	300	1/4 x 1/2	15.00
601017-50	3/8	.600	50	300	1/4 x 1/2	6.00
601017-70	3/8	.600	70	300	1/4 x 1/2	7.90
601015-15	3/8	.600	15	300	3/8 x 1/2	3.00
601015-50	3/8	.600	50	300	3/8 x 1/2	6.50
601015-75	3/8	.600	75	300	3/8 x 1/2	8.00
601015-100	3/8	.600	100	300	3/8 x 1/2	14.00
601021-30	1/2	.750	30	300	3/8 x 1/2	6.30
601021-35	1/2	.750	35	300	3/8 x 1/2	7.40
601021-50	1/2	.750	50	300	3/8 x 1/2	10.50
601022-35	1/2	.750	35	300	1/2 x 1/2	6.50
601022-50	1/2	.750	50	300	1/2 x 1/2	10.50
601035-75	1/2	.750	75	300	1/2 x 1/2	13.70
601022-100	1/2	.750	100	300	1/2 x 1/2	18.00
601026-20	3/4	1.075	20	250	3/4 x 3/4	5.90
601026-25	3/4	1.075	25	250	3/4 x 3/4	7.70
601026-30	3/4	1.075	30	250	3/4 x 3/4	9.00
601026-40	3/4	1.075	40	250	3/4 x 3/4	12.00
601026-50	3/4	1.075	50	250	3/4 x 3/4	15.00
601026-75	3/4	1.075	75	250	3/4 x 3/4	18.75
601026-100	3/4	1.075	100	250	3/4 x 3/4	22.60
601026-150	3/4	1.075	150	250	3/4 x 3/4	37.00
601026-200	3/4	1.075	200	250	3/4 x 3/4	58.00
601027-30	1	1.375	30	250	3/4 x 1	13.50
601027-40	1	1.375	40	250	3/4 x 1	17.70
601027-45	1	1.375	45	250	3/4 x 1	20.00
601027-50	1	1.375	50	250	3/4 x 1	21.80
<b>Low Pressure Fuel</b> - 4 Spiral Poly Yarn Braid						
600160-1	3/4	1.188	25	-----	3/4 x 3/4	17.50
600160-4	3/4	1.188	25	-----	3/4 x 3/4	24.50
600160-2	3/4	1.188	50	-----	3/4 x 3/4	35.00
600160-3	3/4	1.188	75	-----	3/4 x 3/4	52.50
600451-2	1	1.500	2	-----	1 x 1	1.70
600451-35	1	1.500	35	-----	1 x 1	30.00
600451-50	1	1.500	50	-----	1 x 1	42.00

**Caution:** Be sure working pressure required does not exceed above ratings. Misapplication can result in serious operator injury. **Note:** Advise product to be handled, maximum temperature and pressure fitting size or sizes when ordering.

Part Number	I.D.	O.D.	Length ft	Pressure psi	End Fittings in - NPTF(M)	Wgt. lbs
	in	in				
<b>Medium Pressure</b> Oil and petroleum fluids - 100 R1T 1 Wire Braid						
13-260043	1/4	.530	20	2750	1/4 x 3/8	3.20
14-260043	1/4	.530	25	2750	1/4 x 3/8	4.00
20-260043	1/4	.530	30	2750	1/4 x 3/8	4.70
33-260043	1/4	.530	35	2750	1/4 x 3/8	5.20
43-260043	1/4	.530	50	2750	1/4 x 1/4	7.90
15-260043	3/8	.710	20	2250	3/8 x 3/8	4.90
12-260043	3/8	.710	25	2250	3/8 x 3/8	6.00
3-260043	3/8	.710	30	2250	3/8 x 1/2	11.70
16-260043	3/8	.710	30	2250	3/8 x 3/8	7.10
44-260043	3/8	.710	35	2250	3/8 x 1/2	8.00
4-260043	3/8	.710	40	2250	3/8 x 1/2	9.60
46-260043	3/8	.710	50	2250	3/8 x 1/2	10.20
5-260043	3/8	.710	50	2250	3/8 x 1/2	10.40
40-260043	1/2	.850	16	2000	1/2 x 1/2	7.40
21-260043	1/2	.850	25	2000	1/2 x 1/2	8.40
6-260043	1/2	.850	30	2000	1/2 x 1/2	8.90
37-260043	1/2	.850	35	2000	1/2 x 1/2	9.00
22-260043	1/2	.850	40	2000	3/8 x 1/2	22.00
7-260043	1/2	.850	40	2000	1/2 x 1/2	11.70
8-260043	1/2	.850	50	2000	1/2 x 1/2	14.10
24-260043	1/2	.850	75	2000	1/2 x 1/2	22.00
26-260043	3/4	1.120	30	1250	3/4 x 3/4	13.00
27-260043	3/4	1.120	50	1250	3/4 x 3/4	22.20
28-260043	3/4	1.120	75	1250	3/4 x 3/4	30.00
<b>High Pressure</b> Chassis grease - 100 R2T 2 Wire Braid						
6-260044	1/4	0.580	20	5000	1/4 x 1/4	5.20
10-260044	1/4	0.580	25	5000	1/4 x 1/4	6.40
7-260044	1/4	0.580	30	5000	1/4 x 1/4	7.70
20-260044	1/4	0.580	35	5000	1/4 x 1/4	9.00
8-260044	1/4	0.580	40	5000	1/4 x 3/8	10.20
9-260044	1/4	0.580	50	5000	1/4 x 3/8	12.70
13-260044	3/8	0.730	25	4000	1/4 x 1/4	9.70
25-260044	3/8	0.730	25	4000	3/8 x 3/8	9.70
3-260044	3/8	0.730	30	4000	1/4 x 3/8	10.72
24-260044	3/8	0.730	35	4000	3/8 x 3/8	12.40
26-260044	3/8	0.730	35	4000	3/8 x 1/2	12.40
4-260044	3/8	0.730	40	4000	1/4 x 3/8	15.40
5-260044	3/8	0.730	50	4000	1/4 x 3/8	19.20
27-260044	3/8	0.730	50	4000	3/8 x 3/8	20.70
19-260044	3/8	0.730	50	4000	3/8 x 1/2	20.90
23-260044	3/8	0.730	75	4000	3/8 x 3/8	25.00
18-260044	3/8	0.730	75	4000	3/8 x 1/2	26.60
22-260044	3/8	0.730	100	4000	3/8 x 3/8	33.00

**Caution:** Be sure working pressure required does not exceed above ratings. Misapplication can result in serious operator injury. **Note:** Advise product to be handled, maximum temperature and pressure fitting size or sizes when ordering.

S = Spring Driven  
 H = Hand Crank  
 E = Electric Motor  
 \*Without hose or cable  
**Note:** Unless specified with an asterisk, all Quick Ship reels include hose or cord installed.

IN: Indiana Warehouse  
 CA: California Warehouse  
 CN: Canadian Warehouse

# Same Day Quick Ship Reels

The models listed below can be shipped same day upon request when the order is received by 11:30am local time (or 11:00am Toronto time for Canada) for quantities of 5 or fewer. Applied to North American orders only. Further restrictions may apply.

Part		Warehouse			Capacity				Part		Warehouse			Capacity					
Pg#	Model #	CA	IN	CN	Size	Length	Rating	Drive	Description	Pg#	Model #	CA	IN	CN	Size	Length	Rating	Drive	Description
9	4420 OLP	X	X		1/4"	20'	300 psi	S	Air / Water	25	CA33118 L	X	X		3/4"	175'	1000 psi	H	Air / Water
9	4425 OLP	X	X		1/4"	25'	300 psi	S	Air / Water	25	CA37118 L	X	X	X	1"	100'	300 psi	H	Air / Water
9	4400 OLP	X	X		1/4"	35'	500 psi	S	Air / Water	25	CA32106 M	X	X		1/2"	100'	3000 psi	H	Medium Pressure
8	RT435-OLP	X	X		1/4"	35'	300 psi	S	Air / Water	25	CA32112 M	X	X	X	1/2"	200'	3000 psi	H	Medium Pressure
9	4435 OLP	X	X		1/4"	35'	300 psi	S	Air / Water	25	EA32112 L12D	X			1/2"	200'	1000 psi	E	Air / Water
8	RT450-OLP	X	X		1/4"	50'	300 psi	S	Air / Water	25	EA32118 L12D		X		1/2"	325'	1000 psi	E	Air / Water
9	5400 OLP	X	X		1/4"	50'	500 psi	S	Air / Water	25	EA33112 L12D		X		3/4"	100'	1000 psi	E	Air / Water
9	5450 OLP	X	X		1/4"	50'	300 psi	S	Air / Water	25	EA33118 L12D		X		3/4"	175'	1000 psi	E	Air / Water
8	RT625-OLP	X	X		3/8"	25'	300 psi	S	Air / Water	25	EA37118 L12D	X			1"	100'	300 psi	E	Air / Water
9	4625 OLP	X	X		3/8"	25'	300 psi	S	Air / Water	23	CT6050HN	X			3/8"	50'	5000 psi	H	Pressure Wash
9	4600 OLP	X	X		3/8"	25'	500 psi	S	Air / Water	23	CT6100HN	X			3/8"	100'	5000 psi	H	Pressure Wash
8	RT635-OLP	X	X		3/8"	35'	300 psi	S	Air / Water	23	CM6050HN	X			3/8"	50'	5000 psi	H	Pressure Wash
9	5600 OLP	X	X		3/8"	35'	500 psi	S	Air / Water	23	CM6100HN	X			3/8"	100'	5000 psi	H	Pressure Wash
9	5635 OLP	X	X		3/8"	35'	300 psi	S	Air / Water	22	H18006 M	X			3/8"	100'	5000 psi	H	Pressure Wash
8	RT605-OLP	X	X		3/8"	50'	300 psi	S	Air / Water	22	PW7650 OHP	X			3/8"	50'	5000 psi	S	Pressure Wash
8	RT650-OLP	X	X		3/8"	50'	300 psi	S	Air / Water	22	PW81000 OHP	X	X	X	3/8"	100'	5000 psi	S	Pressure Wash
21	SGA3650 OLP	X	X		3/8"	50'	232 psi	S	Air / Water	20	4625 OLP5W5	X	X		3/8"	25'	250 psi	S	Water
9	5605 OLP	X	X		3/8"	50'	500 psi	S	Air / Water	21	SCA3850 OLP	X	X		1/2"	50'	232 psi	S	Chemical
9	5650 OLP	X	X		3/8"	50'	300 psi	S	Air / Water	19	5600 OLS	X			3/8"	35'	500 psi	S	SS Air / Water
10	7650 OLP	X	X		3/8"	50'	300 psi	S	Air / Water	19	7800 OLS	X	X		1/2"	50'	500 psi	S	SS Air / Water
11	DP5650 OLP	X	X		3/8"	50'	300 psi	S	Air / Water	19	HS18000 M	X			1/2"	200'	3000 psi	H	SS Medium Pressure
11	DP7650 OLP	X	X		3/8"	50'	300 psi	S	Air / Water	19	7800 OMS	X			1/2"	50'	3000 psi	S	SS Medium Pressure
10	7600 OLP	X	X		3/8"	70'	500 psi	S	Air / Water	17	THA7600 OMP	X			3/8"	30'	3000 psi	S	Twin Hydraulic
10	7670 OLP	X	X		3/8"	70'	300 psi	S	Air / Water	17	TH8800 OMP	X	X		1/2"	50'	3000 psi	S	Twin Hydraulic
13	81100 OLP	X	X		3/8"	100'	300 psi	S	Air / Water	17	TH8805 OMP	X	X		1/2"	50'	2000 psi	S	Twin Hydraulic
8	RT825-OLP	X	X		1/2"	25'	300 psi	S	Air / Water	36	LD2040 163 2	X			16/3	40'	0.3 AMP	S	Electric Cord, Fluorescent
9	A5825 OLP	X	X		1/2"	25'	300 psi	S	Air / Water	36	LD2030 163 9	X			16/3	30'	10 AMP	S	Electric Cord, Triple Outlet
8	RT803-OLP	X	X		1/2"	35'	300 psi	S	Air / Water	36	LD2030 143 9	X			14/3	30'	13 AMP	S	Electric Cord, Triple Outlet
8	RT835-OLP	X	X		1/2"	35'	300 psi	S	Air / Water	36	LG3050 163 8	X			16/3	50'	10 AMP	S	Electric Cord, Fluorescent
11	DP5835 OLP	X	X		1/2"	35'	300 psi	S	Air / Water	36	LG3050 143 9	X			14/3	50'	13 AMP	S	Electric Cord, Triple Outlet
8	RT850-OLP	X	X		1/2"	50'	300 psi	S	Air / Water	36	LG3040 123 9	X			12/3	40'	15 AMP	S	Electric Cord, Triple Outlet
9	A5850 OLP	X	X		1/2"	50'	300 psi	S	Air / Water	36	LH2080 143	X			14/3	80'	10 AMP	H	Electric Cord, Quad Outlet
10	7800 OLP	X	X		1/2"	50'	500 psi	S	Air / Water	36	LH3100	X			100'	15 AMP	H	Electric Cord, Quad Outlet	
10	7850 OLP	X	X		1/2"	50'	300 psi	S	Air / Water	38	L 4545 123 7	X	X		12/3	45'	15 AMP	S	Electric Cord, GFCI
11	DP7850 OLP	X	X		1/2"	50'	300 psi	S	Air / Water	38	L 5550 123 7	X	X		12/3	50'	20 AMP	S	Electric Cord, GFCI
12	D8850 OLP	X	X		1/2"	50'	300 psi	S	Air / Water	39	L 4050 163 1	X	X	X	16/3	50'	13 AMP	S	Electric Cord, Incandescent
13	82075 OLP	X	X		1/2"	75'	300 psi	S	Air / Water	39	L 4050 162 2	X	X		16/2	50'	0.3 AMP	S	Electric Cord, Fluorescent
13	82000 OLP	X	X		1/2"	100'	500 psi	S	Air / Water	38	L 7000	X			35'	45 AMP	S	Electric Cord	
13	82100 OLP	X	X		1/2"	100'	300 psi	S	Air / Water	38	L 4545 123 3	X	X		12/3	45'	15 AMP	S	Electric Cord, Single Outlet
10	7925 OLP	X	X		3/4"	25'	250 psi	S	Air / Water	38	L 4035 163 3	X			16/3	35'	13 AMP	S	Electric Cord, Single Outlet
13	83000 OLP	X	X		3/4"	50'	500 psi	S	Air / Water	38	L 4050 163 3	X	X		16/3	50'	13 AMP	S	Electric Cord, Single Outlet
13	83050 OLP	X	X		3/4"	50'	250 psi	S	Air / Water	38	L 5550 123 3	X	X		12/3	50'	15 AMP	S	Electric Cord, Single Outlet
13	D83075 OLP	X	X		3/4"	75'	250 psi	S	Air / Water	18	F7900 OLP	X			3/4"	25'	500 psi	S	Fuel
13	D84000 OLP	X	X		1"	50'	500 psi	S	Air / Water	18	F7925 OLP	X	X		3/4"	25'	250 psi	S	Fuel
13	D84050 OLP	X	X		1"	50'	250 psi	S	Air / Water	18	F83000 OLP	X			3/4"	50'	500 psi	S	Fuel
9	5600 OMP	X	X		3/8"	30'	3000 psi	S	Oil	18	F83050 OLP	X			3/4"	50'	250 psi	S	Fuel
9	5630 OMP	X	X		3/8"	30'	2250 psi	S	Oil	18	FD83000 OLP	X	X		3/4"	75'	500 psi	S	Fuel
10	7600 OMP	X	X		3/8"	50'	3000 psi	S	Oil	18	FD9350 OLPBW	X			3/4"	50'	250 psi	S	Fuel
8	RT835-OMP	X	X		1/2"	35'	1000 psi	S	Oil	18	FD84000 OLP	X	X		1"	50'	500 psi	S	Fuel
11	DP5835 OMP	X	X		1/2"	35'	2000 psi	S	Oil	18	FD84050 OLP	X			1"	50'	250 psi	S	Fuel
10	7800 OMP	X	X		1/2"	50'	3000 psi	S	Oil	18	FD9400 OLPBW	X			1"	50'	500 psi	S	Fuel
10	7850 OMP	X	X		1/2"	50'	2000 psi	S	Oil	18	FD9450 OLPBW	X			1"	50'	500 psi	S	Fuel
11	DP7850 OMP	X	X		1/2"	50'	2000 psi	S	Oil	18	FF9500 OLPBW	X			1 1/4"	50'	600 psi	S	Fuel
9	A5825 OMP	X	X		1/2"	25'	2000 psi	S	Oil	18	FF9600 OLPBW	X			1 1/2"	50'	600 psi	S	Fuel
9	A5800 OMP	X	X		1/2"	25'	3000 psi	S	Oil	18	G 3050	X	X	X	50'		S	Grounding	
12	D8800 OMP	X	X		1/2"	50'	3000 psi	S	Oil	18	G 3050 Y	X	X		50'		S	Grounding	
12	D8850 OMP	X	X		1/2"	50'	2000 psi	S	Oil	18	G 3050 N	X	X		50'		S	Grounding	
13	82000 OMP	X	X		1/2"	75'	2000 psi	S	Oil	18	GA3100 N	X			100'		S	Grounding	
13	83000 OMP	X	X		3/4"	50'	1500 psi	S	Oil	46	TB 01	X			6'	0.0~1.5 lbs	S	Tool Balancer, w/ Ratchet	
9	5430 OHP	X	X		1/4"	30'	5000 psi	S	Grease	46	TB 03	X	X		6'	1.5~3 lbs	S	Tool Balancer, w/ Ratchet	
10	7450 OHP	X	X		1/4"	50'	5000 psi	S	Grease	46	TB 05	X	X		6'	3~5 lbs	S	Tool Balancer, w/ Ratchet	
10	7600 OHP	X	X		3/8"	50'	5000 psi	S	Grease	46	TB 10	X			8'	5~10 lbs	S	Tool Balancer, Constant Pull	
10	7650 OHP	X	X		3/8"	50'	4000 psi	S	Grease	46	TB 12	X			8'	8~12 lbs	S	Tool Balancer, Constant Pull	
11	DP7650 OHP	X	X		3/8"	50'	4000 psi	S	Grease	46	TB 15	X			8'	10~15 lbs	S	Tool Balancer, Constant Pull	
12	D8650 OHP	X	X		3/8"	50'	4000 psi	S	Grease	46	TB 23	X			8'	16~23 lbs	S	Tool Balancer, Constant Pull	
13	81000 OHP	X	X		3/8"	100'	5000 psi	S	Grease	46	TBL 10	X			8'	5~10 lbs	S	Tool Balancer, w/ Ratchet	
23	CU6050LN	X	X		3/8"	50'	300 psi	H	Air / Water	46	TBL 12	X			8'	8~12 lbs	S	Tool Balancer, w/ Ratchet	
23	CU6100LN	X	X		3/8"	100'	300 psi	H	Air / Water	46	TBL 15	X			8'	10~15 lbs	S	Tool Balancer, w/ Ratchet	
23	CU8050LN	X	X		1/2"	50'	300 psi	H	Air / Water	46	TBL 23	X			8'	16~23 lbs	S	Tool Balancer, w/ Ratchet	
23	CU8100LN	X	X		1/2"	100'	300 psi	H	Air / Water	42	TW5425 OLP	X			1/4"	25'	200 psi	S	Gas Welding
23	CT6050LN	X	X		1/2"	50'	300 psi	H	Air / Water	42	TW5425 OLPT	X			1/4"	25'	200 psi	S	Gas Welding T Grade
23	CT6100LN	X	X		1/2"	100'	300 psi	H	Air / Water	42	STW3450 OLP	X			1/4"	50'	300 psi	S	Gas Welding



## North America and Corporate Headquarters

2842 E. Business Hwy 30  
Columbia City, IN 46725

**Customer Service** Ph: 855-634-9109  
Ph: 800-444-3134 • Fax: 800-444-4587  
Ph: 260-248-8188 • Fax: 260-248-2605  
reelcraft@reelcraft.com  
[www.reelcraft.com](http://www.reelcraft.com)

## Latin America and the Middle East

Thompson International, Inc.  
P.O. Box 12958, Ft. Wayne, IN 46866  
Ph: 260-489-1685 • Fax: 260-489-0203  
info@t-i-i.com  
[www.reelcraft.com/latinamerica](http://www.reelcraft.com/latinamerica)

## Pacific Rim

P.O. Box 53776, Clark Freeport Zone  
Philippines 2023  
Ph: +63 (45) 625-6624  
Fax: +63 (45) 321-0643  
rap@comclark.com  
[www.reelcraft.com/asia](http://www.reelcraft.com/asia)

## Europe

Unit 17 • Cronin Courtyard  
Weldon South Industrial Estate  
Corby • Northamptonshire NN18 8AG United Kingdom  
Ph: +44 (0) 1536 406999  
Fax: +44 (0) 1536 406777  
europe@reelcraft.com  
[www.reelcraft.com/europe](http://www.reelcraft.com/europe)

## China

Reelcraft Changzhou Co., Ltd.  
Building C, No. 229 HeHai West Road  
Changzhou, Jiangsu, China 213022  
Ph: +86 (519) 8512 2391 ext. 8002  
Fax: +86 (519) 8512 9309  
rco@reelcraftchina.com  
[www.reelcraft.com/china](http://www.reelcraft.com/china)

## Australia

PO Box 6463 BC, Blacktown  
NSW 2148, Australia  
Ph: +61 (2) 9621 8988  
Fax: +61 (2) 9621 7688  
sales@recoila.com  
[www.reelcraft.com](http://www.reelcraft.com)