

AUSTRALIAN OFFICIAL JOURNAL

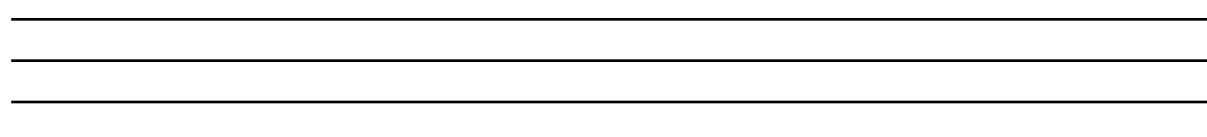
OF

DESIGNS

Did you know a searchable version of this journal is now available online?
It's FREE and EASY to SEARCH.

Find it at

<http://pericles.ipaustralia.gov.au/ols/epublish/content/olsEpublications.jsp>
or using the "Online Journals" link on the IP Australia home page.



This Page Left Intentionally Blank

Contents

General Information & Notices

Proceedings Under the Designs Act 1906 preserved as a result of the provisions of Chapter 12 Part 2 of the Designs Act 2003

Application for Extension of Period of Registration	1506
Applications for Extension of Time	1508
Applications Lapsed	1505
Extension of Period of Registration of Designs	1507
Names Registered - Alterations and Amendments	1509
Registration Proceedings	
Registration Number Range 158031 to 158099	1510
Registrations Ceased	1507
Subsequent Owners Registered	1508

Proceedings Under the Designs Act 2003

Applications Assigned	1553
Applications Lodged	1549
Applications Withdrawn	1552
Publication and Registration Proceedings	
Designs Registered 301791 to 302117.....	1554
Subsequent Owners Registered	1553

This Page Left Intentionally Blank

General Information

EDITORIAL ENQUIRIES

All enquiries about official notices, public notices, advertisements and general information in the Journal should be directed to IP Australia, ABN No 38 113 072 755, PO Box 200 Woden ACT 2606
(Telephone 02 6283 2999)
(Fax 02 6283 7999)
(E-mail assist@ipaustralia.gov.au)

Copy for advertisement in the Journal should be received at IP Australia, not later than seven days before the desired publication date. If a publication date is not nominated, the advertisement will appear in the next available issue.

CONTACT INFORMATION

Customer Support Centre
Ph: 02 6283 2999 Fax: 02 6283 7999
E-mail: assist@ipaustralia.gov.au

Customers can contact the Customer Support Centre by telephone or by e-mail. Telephones are staffed between 9AM and 5 PM EST each working day.

Customers should contact the CUSTOMER SUPPORT CENTRE for information about:

- All Patent Matters including PCT and Innovation Patents.
- All Trade Mark Matters.
- All Design matters.

Professional Standards Board for Patent and Trade Mark Attorneys
Ph: 02 6283 2345 Fax: 02 6285 1048

ORDERING PATENT DOCUMENTS

When ordering copies of Australian patent specifications, or abstracts and abridgements notified as open to public inspection on or after 26 October 1978, or as accepted on or after 16 November 1978, the documents should be referred to by application numbers only, preceded by the letters AU-A or AU-B respectively.

REQUESTS FOR INFORMATION UNDER SECTION 194 (C)

A request for information under Section 194 (C) of the Patents Act 1990 should be made in the approved form and be accompanied by the prescribed fee. The request should be as detailed as possible.

INFORMATION FROM REGISTERS

All requests for information from the Registers of Patents, Trade Marks or Designs, should be made in writing and accompanied by the prescribed fee. The Registers are located in Canberra and may be examined free of charge.

COUNTRY CODES

For a listing of country codes used by IP Australia please refer to the Official Journals dated 7 November 1996.

ABBREVIATIONS IN JOURNAL

Standard abbreviations are used in the names of companies and firms. Enquiries concerning the precise name should be directed to the Customer Support Centre.

FREEDOM OF INFORMATION ACT

What does it do?

Gives you the right to obtain information held by Commonwealth Ministers, Departments and most statutory bodies (these bodies are called agencies under the Act).

Requires Commonwealth Government agencies to make available to members of the public:

- information about agencies, their functions and operations
- information about rules and practices which are used in making decisions which affect you.

Gives you a legal right to:

- see non exempt documents held by agencies, and
- appeal against a decision not to grant access to a document.

What documents can you see?

The Act gives you the right to see documents lodged on or after 1 December 1977, or earlier if you need them to understand another document you have already.

Documents include files, reports, computer printouts, maps, plans, photographs, tape recordings, films or videotapes.

Documents which are available for purchase under the Patents Act 1990, the Trade Marks Act 1995 or the Designs Act 2003 are not available under the Freedom of Information Act (Section 12 refers).

How do you apply?

Requests for access to documents must:

- Be in writing
- Provide sufficient information to enable identification of the documents requested
- Specify an address in Australia where notices can be sent and
- Be accompanied by the application fee (currently \$30.00) or specify an IP Australia account to which the charges will be posted.

Requests for documents should be addressed to IP Australia, PO Box 200 Woden, ACT 2606, or faxed to 02 6283 7999

DECISIONS OF THE COMMISSIONER OF PATENTS AND REGISTRARS OF TRADE MARKS AND DESIGNS

- All decisions of the Commissioner and Registrars are available free of charge from AUSTLII's website www.austlii.edu.au.

Copies of all written Patent and Design decisions are available (except if they would not be available under the provisions of the Freedom of Information legislation, e.g. if they would effectively disclose matter from documents that are not open to public inspection) on request for a cost of \$AU 25. They are also available for inspection in indexed volume series, dating from 1 January 1987, in the Office library, Canberra.

Copies of Trade Mark decisions may be accessed via IP Australia's website www.ipaustralia.gov.au.

- Copies of the taped record of Patent and Design hearings are available (with the same exception as above) on request.
- When a written decision is issued the fact of the decision plus a brief head note will be published in the Official Notices section of the next available Patents, Trade Marks or Designs Journal as appropriate.

HEARINGS BEFORE THE COMMISSIONER OF PATENTS AND THE REGISTRARS OF TRADE MARKS AND DESIGNS

Hearings before the Commissioner of Patents and the Registrars of Trade Marks and Designs will be set down in Melbourne, Sydney, Adelaide, Perth and Brisbane during the periods indicated below.

Patent Hearing Sessions 2005

Melbourne	9 - 11 May
Sydney	11 - 13 July
Adelaide	2 - 3 August
Perth	4 - 5 August
Brisbane	1 - 2 September

Note: *Ex parte* matters will have priority over matters for allocation of a hearing date in these sessions.

Designs & Trade Mark Hearing Sessions 2005

Melbourne	14 - 18 February
Melbourne	6 - 10 June
Melbourne	12 - 16 September
Sydney	14 - 18 March
Sydney	18 - 22 July
Sydney	17 - 21 October
Adelaide	15 - 16 August
Perth	18 - 19 August
Brisbane	22 - 23 August

Persons who desire matters to be set down for hearing in Melbourne, Sydney, Adelaide, Perth or Brisbane must give at least one month's notice of their intention to be heard. If such notice is not given, it may be that there would be insufficient time to allow for the execution of official procedures associated with the listing of hearings, and as a result, the matter involved might not be listed.

Subject to the convenience of this Office, hearings will be set down in Canberra at any time suitable to the parties.

LIST OF STATE OFFICES

IP Australia State offices are located in the Australian Capitals at the addresses given below. Requests for information may be obtained by calling at, phoning or writing to these offices or IP Australia, Canberra.

Australian Capital Territory
Ground Floor
Discovery House
PHILLIP ACT 2606
(PO Box 200, Woden ACT 2606)
Ph: 1300 65 1010
Fax: (02) 6283 7999

New South Wales
1st Floor
45 Clarence Street

SYDNEY NSW 2000
Ph: 1300 65 10 10
Fax: (02) 9249 5807

Victoria
Level 6
565 Bourke Street
MELBOURNE VIC 3000
Ph: 1300 65 10 10
Fax: (03) 9612 9807

Western Australia
2nd Floor
Eastpoint Plaza
233 Adelaide Terrace
PERTH WA 6000
Ph: 1300 65 1010
Fax: (08) 9220 8907

Queensland
Level 1
Reserve Bank Building
102 Adelaide Street
BRISBANE QLD 4000
Ph: 1300 65 1010
Fax: (07) 3007 1107

South Australia
Level 10
AMP Building
1 King William Street
ADELAIDE SA 5000
Ph: 1300 65 1010
Fax: (08) 8239 4507

Tasmania
4th Floor
AMP Building
27 Elizabeth Street
HOBART TAS 7000
Ph: 1300 65 1010
Fax: (03) 62356307

“INID” NUMBERS in use on Australian Design Documents

“INID” is an acronym for “Internationally agreed Numbers for the Identification of Data”.

(10) Data concerning the registration/renewal

- (11) Serial number of the registration and/or number of the design document
- (12) Plain language designation of the kind of published document
- (19) Identification, using the two-letter code according to WIPO Standard ST.3, of the authority publishing or registering the industrial design

(20) Data concerning the application

- (21) Serial number of the application
- (22) Date of filing of the application
- (24) Date from which the industrial design right has effect

(30) Data relating to priority under the Paris Convention

- (31) Serial number assigned to the priority application
- (32) Date of filing of the priority application
- (33) Two-letter code, according to WIPO Standard ST.3, identifying the authority with which the priority application was made

(40) Date(s) of making information available to the public

- (45) Date of publication of the registered industrial design by printing or similar process, or making it available to the public by any other means

(50) Miscellaneous Information

- (51) International Classification for Industrial Designs (class and subclass of the Locarno Classification)
- (54) Designation of article(s) or product(s) covered by the industrial design or title of the industrial design
- (55) Reproduction of the industrial design (e.g., drawing, photograph) and explanations relating to the reproduction
- (56) List of prior art documents, if separate from descriptive text
- (57) Description of characteristic features of the industrial design including indication of colours

(60) References to other legally related application(s) and registration(s)

- (62) Serial number(s) and, if available, filing date(s) of application(s), registration(s) or document(s) related by division
- (66) Serial number(s) of the application, or the registration, of the design(s) which is (are) a variant(s) of the present one

(70) Identification of parties concerned with the application or registration

- (71) Name(s) and address(es) of the applicant(s)
- (72) Name(s) of the creator(s) if known to be such
- (74) Name(s) and address(es) of the representative(s)

This Page Left Intentionally Blank

Proceedings under the Designs Act 1906 preserved as a result of the provisions of Chapter 12 Part 2 of the Designs Act 2003.

This Page Left Intentionally Blank

Applications Lapsed

03671 / 2003 (03-01A)	03679 / 2003 (08-05L)
03725 / 2003 (11-02D)	03730 / 2003 (25-01K)
03745 / 2003 (25-01B)	03746 / 2003 (25-01B)
03748 / 2003 (09-01H)	03753 / 2003 (11-02NES)
03769 / 2003 (20-02E)	03772 / 2003 (07-02E)
03777 / 2003 (15-03B)	03778 / 2003 (06-01E)
03779 / 2003 (06-01E)	03783 / 2003 (21-03)
03784 / 2003 (21-03)	03810 / 2003 (07-05D)
03811 / 2003 (07-05D)	03812 / 2003 (07-05D)
03816 / 2003 (12-06NES)	03875 / 2003 (22-05)
03876 / 2003 (22-05)	03877 / 2003 (22-05)
03878 / 2003 (22-05)	03879 / 2003 (22-05)
03880 / 2003 (22-05)	

Application for Extension of Period of Registration

Applications under Section 27A(2) for extension of registration of the following designs have been lodged. In the event that a design is shown to be not new or original, the Registrar may refuse to extend the period of registration. Sub-section 27A(4) allows any person to lodge at the Designs Office material relevant to the question whether the design is not new or original. That material must be lodged within 11 months of the date when the registration of the design was made. Further details of the conditions and procedures for the lodgement of material are contained in Form 8 provided under the Designs Regulation 24.

Registration Number	Registered Owner	Registration Date	Registration Number	Registered Owner	Registration Date
			156149	ACCO AUSTRALIA PTY LTD	11/08/2004
			156151	SHACHIHATA INC.	11/08/2004
			156162	BOUTIQUE SNACKS PTY LIMITED	13/08/2004
			156208	PREMIUM CASING SERVICES PTY LTD	16/08/2004
			156213	BANG & OLUFSEN A/S	16/08/2004
			156267	POOLSTORE INTERNATIONAL PTY LTD	24/08/2004
			156312	KOHLER CO.	31/08/2004
155581	RECKITT BENCKISER (UK) LIMITED	26/05/2004	156338	DOVER FISHERIES PTY LTD	02/09/2004
155592	DARRYL JOHN SMITH	26/05/2004	156377	TOPRIGHT INTERNATIONAL LIMITED	07/09/2004
155662	STEVEN JOHN ABRAHAMS	03/06/2004	156511	ANDREW EGLINTON MITCHELL	27/09/2004
155681	WARREN PETER WOODS and SAMMY DOMONIC ALOE	08/06/2004	156512	ANDREW EGLINTON MITCHELL	27/09/2004
155696	RIC INVESTMENTS INC.	09/06/2004	156966	NOVAR ED&S LIMITED	29/11/2004
155760	DAISY SHOE COMPANY (AUST) PTY LTD	18/06/2004	157706	HOLDEN LTD	11/03/2005
155768	ROBERT BOSCH G.M.B.H	18/06/2004	157707	HOLDEN LTD	11/03/2005
155778	LESLIE ALAN RICHARDS	21/06/2004	157708	HOLDEN LTD	11/03/2005
155780	GARY JOHN WALKER	21/06/2004	157709	HOLDEN LTD	11/03/2005
155804	FRONTIER SOLID WOOD HOMES LIMITED	23/06/2004	157710	HOLDEN LTD	11/03/2005
155808	ZHOU JING-LIANG	23/06/2004	157711	HOLDEN LTD	11/03/2005
155818	ARNOST VOLNER	01/07/2004	157712	HOLDEN LTD	11/03/2005
155872	SYDNEY PAINTCORP PTY LTD	14/07/2004	157713	HOLDEN LTD	11/03/2005
155890	GEORGE ALLAN CHESTERS	16/07/2004	157714	HOLDEN LTD	11/03/2005
155906	DOUGLAS C. CARLTON	16/07/2004	157715	HOLDEN LTD	11/03/2005
155920	JONATHAN GUY LEWIS	19/07/2004	157716	HOLDEN LTD	11/03/2005
155921	JONATHAN GUY LEWIS	19/07/2004	157717	HOLDEN LTD	11/03/2005
155922	JONATHAN GUY LEWIS	19/07/2004	157718	HOLDEN LTD	11/03/2005
155928	JUDITH ELIZABETH GLOVER	19/07/2004	157725	FLINDERS TECHNOLOGIES PTY LTD	15/03/2005
155932	ROBERT JOHN CLIFFORD CURTIN	19/07/2004	157726	FLINDERS TECHNOLOGIES PTY LTD	15/03/2005
155995	MAKITA CORPORATION	21/07/2004	157734	ISLAND BLOCK AND PAVING PTY LTD	15/03/2005
155997	BIG POND DESIGNS L.L.C.	21/07/2004	157736	HOLDEN LTD	15/03/2005
156005	DATAPLUS GMBH - KRATZERT & SCHREM	27/07/2004	157737	HOLDEN LTD	15/03/2005
156022	FORD MOTOR COMPANY OF AUSTRALIA LIMITED	28/07/2004	157738	HOLDEN LTD	15/03/2005
156074	POLARIS POOL SYSTEMS, INC.	03/08/2004	157775	RAOUL EUGENIO FONTANA	22/03/2005
156075	POLARIS POOL SYSTEMS, INC.	03/08/2004	157783	THE PROCTER & GAMBLE COMPANY	22/03/2005
156082	GEOFFREY NOEL DAVIDSON	06/08/2004	157801	THE PROCTER & GAMBLE COMPANY	23/03/2005
156083	GEOFFREY NOEL DAVIDSON	06/08/2004	157802	SOCIETE BIC	23/03/2005
			157820	BRABANTIA NEDERLAND B.V.	23/03/2005
			157968	FORMWAY FURNITURE LIMITED	29/04/2005

Registration Number	Registered Owner	Registration Date			
157985	DONALD LUKE	25/05/2005	138125	138254	138334
158002	THE COLMAN GROUP INC.	26/05/2005	138690	139360	139465
158004	THE RAYMOND CORPORATION	26/05/2005	139492	139532	139556
158005	ZWEIBRUDER OPTOELECTRONICS G.M.B.H.	26/05/2005	139615	139678	139762
158006	KYOCERA CORPORATION	26/05/2005	139763	139780	139784
158009	DAIMLERCHRYSLER AG	26/05/2005	139806	139848	139849
158010	DAIMLERCHRYSLER AG	26/05/2005	139850	139851	139884
158011	DAIMLERCHRYSLER AG	26/05/2005	139936	139993	140010
158012	ASKA ALUMINIUM PTY LTD	26/05/2005	140028	140092	140154
158013	ASKA ALUMINIUM PTY LTD	26/05/2005	140169	140211	140244
158014	ASKA ALUMINIUM PTY LTD	26/05/2005	140357	140372	140451
158048	UNILEVER PLC	06/06/2005	140471	140795	140919
158051	WARNER-LAMBERT COMPANY LLC	06/06/2005	141126	141166	141167
158052	WARNER-LAMBERT COMPANY LLC	06/06/2005	141168	141207	142371
158053	WARNER-LAMBERT COMPANY LLC	06/06/2005	142373	142500	142556
158054	WARNER-LAMBERT COMPANY LLC	06/06/2005	142635	142723	143002
158055	WARNER-LAMBERT COMPANY LLC	06/06/2005	143062	143142	143143
158082	THE RAYMOND CORPORATION	07/06/2005	144287	144288	144818
158083	THE RAYMOND CORPORATION	07/06/2005	144819	144820	
158084	THE RAYMOND CORPORATION	07/06/2005	3rd Period (Section 27A(13))		
158085	THE RAYMOND CORPORATION	07/06/2005	120784	121611	121677
158086	THE RAYMOND CORPORATION	07/06/2005	121912	122515	122536
			122822	122905	122914
			123036	123070	123303
			123327	123328	123329
			123445	123506	123677
			124178	124881	125422
			127024	127970	127971
			146861	148284	

3rd Period (Section 27A(13))

Registrations Ceased

Note: Some of the following Registrations may have been previously advertised as ceased. In this instance, the previous advertisement still prevails.

Extension of Period of Registration of Designs

1st Period (Section 27A(8))

155581	155592	155652
155659	155660	155661
155662	155663	155664
155665	155669	155670
155671	155672	155673
155674	155675	155676
155677	155678	155679
155680	155681	155682
155684	155685	155686
155688	155696	155698
155700	155701	155702
155703	155704	155705
155706	155707	155708
155709	155710	155711
155712	155713	155714
155715	155716	155717
155718	155719	155759

106366	106441	106463
106464	106468	106482
106530	106568	106585
106587	106588	106604
106608	106610	106677
106717	106900	107434
107570	109899	110370
110729	120446	120603
120619	120654	120690
120712	120744	120781
120948	121159	121546
121643	122956	124122
124660	125599	125600
125601	126239	136320
136478	136494	136685
136944	137429	137464
137465	137466	137467
137483	137486	137508
137510	137511	137552
137554	137560	137603

2nd Period (Section 27A(12))

137722	137906	137960
138099	138182	138183
138184	138383	138384
138385	138386	138523
138524	138601	138855
138856	138966	139269
139509	139510	139583
139673	139687	139859
140065	140637	140944
141035	141417	141593
141749	141777	141938
142008	142139	142140
142143	142144	142243
142551	145874	155556
155557	155558	155559
155562	155585	155620
155630	155631	155634
155635	155666	155667
155689	155691	

Applications for Extension of time

Applications for extension of time have been lodged. Objections must be lodged within 1 month from the date of this journal.

136559 **Nokia Mobile Phones Ltd** Extension of time to extend a registration. Address for Service: Griffith Hack GPO Box 4164 SYDNEY NSW 2001

Subsequent Owners Registered

(The name in parentheses is that of the subsequent owner)

123689	(Austin Bros Group Pty Ltd) Rochford Australia Limited
123691	(Austin Bros Group Pty Ltd) Rochford Australia Limited
145764	(Breakaway Apparel Pty Limited) Breakaway Sportswear Pty Ltd
137800	(SRI Sports Limited) Sumitomo Rubber Industries Ltd
126138	(SRI Sports Limited) Sumitomo Rubber Industries Ltd
115529	(SRI Sports Limited) Sumitomo Rubber Industries Ltd
114317	(SRI Sports Limited) Sumitomo Rubber Industries Ltd
113156	(SRI Sports Limited) Sumitomo Rubber Industries Ltd
111863	(SRI Sports Limited) Sumitomo Rubber Industries Ltd
137129	(Frank Mesiano;Raymond Spree) Window Shutter System Australia Pty Ltd
142653	(Frank Mesiano;Raymond Spree) Window Shutter System Australia Pty Ltd
148724	(Frank Mesiano;Raymond Spree) Window Shutter System Australia Pty Ltd
149264	(Brand-Motion Warenhandel GmbH) Warbeg Warenbeschaffungs GmbH
136960	(Sandvik Intellectual Property HB) Sandvik A.B.
120220	(Sandvik Intellectual Property HB) Sandvik A.B.
120221	(Sandvik Intellectual Property HB) Sandvik A.B.
135562	(Sandvik Intellectual Property HB) Sandvik A.B.

Subsequent Owners Registered

135563	(Sandvik Intellectual Property HB) Sandvik A.B.
145072	(Sandvik Intellectual Property HB) Sandvik Aktiebolag
144663	(Sandvik Intellectual Property HB) Sandvik Aktiebolag
157311	(Sandvik Intellectual Property HB) Sandvik A.B.
148995	(Navisafe Corporation Pty Ltd) Rabih Moughelbay;Sergio Diaz
153751	(Navisafe Corporation Pty Ltd) Rabih Moughelbay;Sergio Daniel Diaz
155391	(Navisafe Corporation Pty Ltd) Rabih Moughelbay;Sergio Daniel Diaz
157996	(Assa Abloy Australia Pty Limited) Robert Watson Architects Pty Ltd
138657	(Michael Evans;Dorothy Evans) Isabella Lamont Shorrocks
143178	(Reckitt Benckiser (Australia) Pty Limited) R & C Assets Pty Limited
143177	(Reckitt Benckiser (Australia) Pty Limited) R & C Assets Pty Limited
143176	(Reckitt Benckiser (Australia) Pty Limited) R & C Assets Pty Limited
143153	(Reckitt Benckiser (Australia) Pty Limited) R & C Assets Pty Limited
142513	(Reckitt Benckiser (Australia) Pty Limited) R & C Assets Pty Limited
138885	(Reckitt Benckiser (Australia) Pty Limited) R & C Assets Pty Limited
137369	(Reckitt Benckiser (Australia) Pty Limited) R & C Assets Pty Limited
135867	(Reckitt Benckiser (Australia) Pty Limited) R & C Assets Pty Limited
135822	(Reckitt Benckiser (Australia) Pty Limited) R & C Assets Pty Limited
135209	(Reckitt Benckiser (Australia) Pty Limited) R & C Assets Pty Limited
134729	(Reckitt Benckiser (Australia) Pty Limited) R & C Assets Pty Limited
133174	(Reckitt Benckiser (Australia) Pty Limited) R & C Assets Pty Limited
132287	(Reckitt Benckiser (Australia) Pty Limited) R & C Assets Pty Limited
130625	(Reckitt Benckiser (Australia) Pty Limited) R & C Assets Pty Limited
126623	(Reckitt Benckiser (Australia) Pty Limited) R & C Assets Pty Limited
122119	(Reckitt Benckiser (Australia) Pty Limited) R & C Assets Pty Limited
121332	(Reckitt Benckiser (Australia) Pty Limited) R & C Assets Pty Limited
120645	(Reckitt Benckiser (Australia) Pty Limited) R & C Assets Pty Limited
120150	(Reckitt Benckiser (Australia) Pty Limited) R & C Assets Pty Limited
119822	(Reckitt Benckiser (Australia) Pty Limited) R & C Assets Pty Limited
119095	(Reckitt Benckiser (Australia) Pty Limited) R & C Assets Pty Limited
118462	(Reckitt Benckiser (Australia) Pty Limited) R & C Assets Pty Limited

Subsequent Owners Registered

	Assets Pty Limited
118165	(Reckitt Benckiser (Australia) Pty Limited) R & C Assets Pty Limited
118164	(Reckitt Benckiser (Australia) Pty Limited) R & C Assets Pty Limited
116958	(Reckitt Benckiser (Australia) Pty Limited) R & C Assets Pty Limited
116422	(Reckitt Benckiser (Australia) Pty Limited) R & C Assets Pty Limited
115739	(Reckitt Benckiser (Australia) Pty Limited) R & C Assets Pty Limited
115181	(Reckitt Benckiser (Australia) Pty Limited) R & C Assets Pty Limited
114119	(Reckitt Benckiser (Australia) Pty Limited) R & C Assets Pty Limited
114117	(Reckitt Benckiser (Australia) Pty Limited) R & C Assets Pty Limited
111745	(Reckitt Benckiser (Australia) Pty Limited) R & C Assets Pty Limited
110494	(Reckitt Benckiser (Australia) Pty Limited) R & C Assets Pty Limited

Names Registered - Alterations and Amendments

(The name in parentheses is the new name of the proprietor)

148075	(GM Holden Ltd) Holden Ltd
--------	-------------------------------------

Registration Proceedings

Designs Registered

This section provides a concordance between application number and registration number of Designs covered in this journal. It also shows the main class and registration date.

This section covers Registration numbers 158031 to 158099.

The registration number shown below should be used in all future correspondence.

Application Number	Registration Number	International Classification Code (IDC)	Registration Date	Application Number	Registration Number	International Classification Code (IDC)	Registration Date
03399/2003	158041	08-06	06/06/2005	00672/2004	158036	12-16B	06/06/2005
03400/2003	158042	08-06	06/06/2005	00673/2004	158037	12-16B	06/06/2005
03539/2003	158031	06-01NES	06/06/2005	00674/2004	158038	12-16B	06/06/2005
03913/2003	158071	09-05	06/06/2005	00675/2004	158039	26-06	06/06/2005
04011/2003	158043	08-08N	06/06/2005	00704/2004	158082	12-05	07/06/2005
04012/2003	158044	08-08N	06/06/2005	00705/2004	158083	12-05	07/06/2005
04013/2003	158045	08-08N	06/06/2005	00706/2004	158084	12-05	07/06/2005
04014/2003	158046	08-08N	06/06/2005	00707/2004	158085	12-05	07/06/2005
04156/2003	158072	15-09	06/06/2005	00708/2004	158086	12-05	07/06/2005
04205/2003	158073	25-02NES	06/06/2005	00799/2004	158063	30-03	06/06/2005
04247/2003	158074	12-03	06/06/2005	00800/2004	158064	23-01F	06/06/2005
04470/2003	158075	26-99	06/06/2005	00801/2004	158065	23-01F	06/06/2005
04575/2003	158076	13-02	06/06/2005	00802/2004	158066	23-01F	06/06/2005
04577/2003	158077	13-02	06/06/2005	00803/2004	158067	23-01F	06/06/2005
04578/2003	158078	08-01	06/06/2005	00804/2004	158068	23-01F	06/06/2005
04604/2003	158047	08-08C	06/06/2005	00805/2004	158069	23-01F	06/06/2005
00276/2004	158051	09-01K	06/06/2005	00806/2004	158070	23-01F	06/06/2005
00277/2004	158052	09-01NES	06/06/2005	00860/2004	158087	23-01F	07/06/2005
00278/2004	158053	09-01K	06/06/2005	01030/2004	158049	09-05	06/06/2005
00279/2004	158054	09-01NES	06/06/2005	01308/2004	158088	12-06NES	07/06/2005
00280/2004	158055	09-01NES	06/06/2005	01452/2004	158040	08-05A	06/06/2005
00302/2004	158079	28-99	06/06/2005	01615/2004	158089	10-05	07/06/2005
00307/2004	158048	09-07B	06/06/2005	01617/2004	158090	24-02	07/06/2005
00449/2004	158080	14-03E	06/06/2005	01680/2004	158050	25-02F	06/06/2005
00450/2004	158081	06-01F	07/06/2005	01724/2004	158091	08-07	08/06/2005
00661/2004	158056	12-16B	06/06/2005	01741/2004	158092	08-09	08/06/2005
00662/2004	158057	12-16B	06/06/2005	01843/2004	158093	02-07A	08/06/2005
00663/2004	158058	12-16B	06/06/2005	01930/2004	158094	04-02	08/06/2005
00664/2004	158059	12-16B	06/06/2005	01931/2004	158095	09-01NES	08/06/2005
00665/2004	158060	12-16B	06/06/2005	01936/2004	158096	09-02NES	08/06/2005
00666/2004	158061	12-16B	06/06/2005	02025/2004	158097	25-03	08/06/2005
00667/2004	158062	26-06	06/06/2005	02460/2004	158098	24-02	08/06/2005
00668/2004	158032	12-16B	06/06/2005	02461/2004	158099	09-05	08/06/2005
00669/2004	158033	12-16B	06/06/2005				
00670/2004	158034	12-16B	06/06/2005				
00671/2004	158035	12-16B	06/06/2005				

Registration Proceedings

Class Listing of Designs Registered

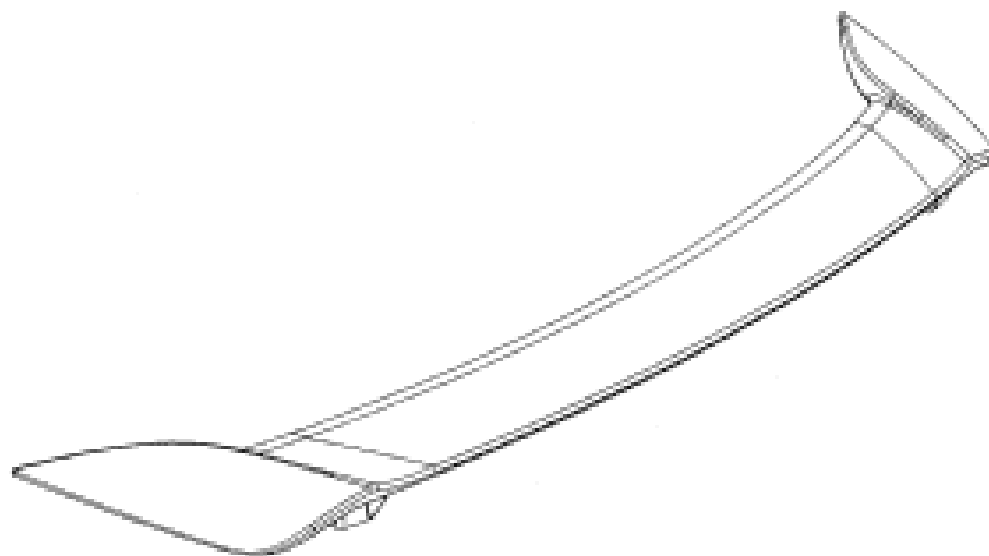
The following section shows an International Classification Code listing of the Registered Designs covered in this supplement.

Classification	Registration Number	Application Number	Classification	Registration Number	Application Number
02-07 A	158093	01843/2004	12-16 B	158035	00671/2004
04-02	158094	01930/2004	12-16 B	158036	00672/2004
06-01 F	158081	00450/2004	12-16 B	158037	00673/2004
06-01 NES	158031	03539/2003	12-16 B	158038	00674/2004
08-01	158078	04578/2003	12-16 B	158056	00661/2004
08-05 A	158040	01452/2004	12-16 B	158057	00662/2004
08-06	158041	03399/2003	12-16 B	158058	00663/2004
08-06	158042	03400/2003	12-16 B	158059	00664/2004
08-07	158091	01724/2004	12-16 B	158060	00665/2004
08-08 C	158047	04604/2003	12-16 B	158061	00666/2004
08-08 N	158043	04011/2003	13-02	158076	04575/2003
08-08 N	158044	04012/2003	13-02	158077	04577/2003
08-08 N	158045	04013/2003	14-02	158097	02025/2004
08-08 N	158046	04014/2003	14-03 E	158080	00449/2004
08-09	158092	01741/2004	15-09	158072	04156/2003
09-01 K	158051	00276/2004	21-01 C	158074	04247/2003
09-01 K	158053	00278/2004	23-01 F	158064	00800/2004
09-01 NES	158052	00277/2004	23-01 F	158065	00801/2004
09-01 NES	158054	00279/2004	23-01 F	158066	00802/2004
09-01 NES	158055	00280/2004	23-01 F	158067	00803/2004
09-01 NES	158095	01931/2004	23-01 F	158068	00804/2004
09-02 NES	158096	01936/2004	23-01 F	158069	00805/2004
09-05	158049	01030/2004	23-01 F	158070	00806/2004
09-05	158071	03913/2003	23-01 F	158087	00860/2004
09-05	158099	02461/2004	24-02	158090	01617/2004
09-07 B	158048	00307/2004	24-02	158098	02460/2004
10-05	158089	01615/2004	25-02 F	158050	01680/2004
12-03	158074	04247/2003	25-02 NES	158073	04205/2003
12-05	158082	00704/2004	25-03	158097	02025/2004
12-05	158083	00705/2004	26-06	158039	00675/2004
12-05	158084	00706/2004	26-06	158062	00667/2004
12-05	158085	00707/2004	26-99	158075	04470/2003
12-05	158086	00708/2004	28-99	158079	00302/2004
12-06 NES	158088	01308/2004	30-03	158063	00799/2004
12-16 B	158032	00668/2004			
12-16 B	158033	00669/2004			
12-16 B	158034	00670/2004			

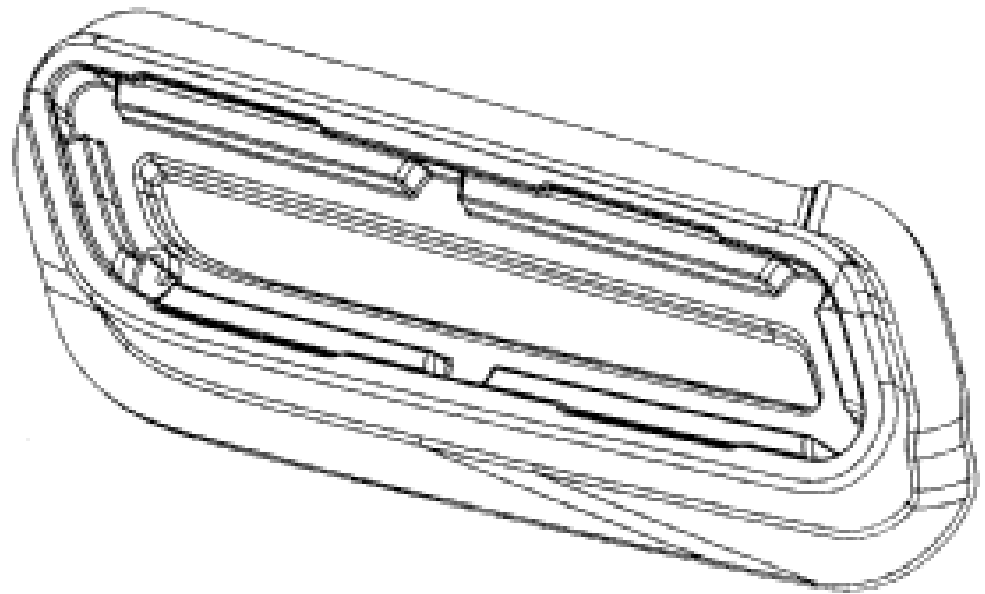
(21) Application Number: **3539/2003**
(22) Date of Filing Application: **10 October 2003**
(24) Date from which industrial property rights may have effect: **10 October 2003**
(54) Article in respect of which the design is registered: **Adjustable chair/table**
(51) International Design Classification: **06-01NES**
(74) Name(s) of Attorney(s): **Callinan Lawrie**
(71) Name(s) and Address(s) of Applicant(s):
Athlegem Pty Ltd
66 Warringa Drive Wendouree Victoria 3355 Australia
(72) Name(s) of Author(s): **Matthew Stowe**
(45) Registration Date: **06 June 2005**
(56) Related Art Documents: **AU-S-149075(06-01Z);AU-S-149074(0601Z)**
(57) Statement of Monopoly: **Monopoly is claimed in the features of shape and configuration as applied to an adjustable chair/table as illustrated in the accompanying representations, made up of shaped components for supporting the head, arms, upper and lower body and legs of an occupant. The supporting base member and the arm-rest supporting members, as shown in lighter grey in the drawings, do not form part of the design.**
Statement of Novelty: **Nil**



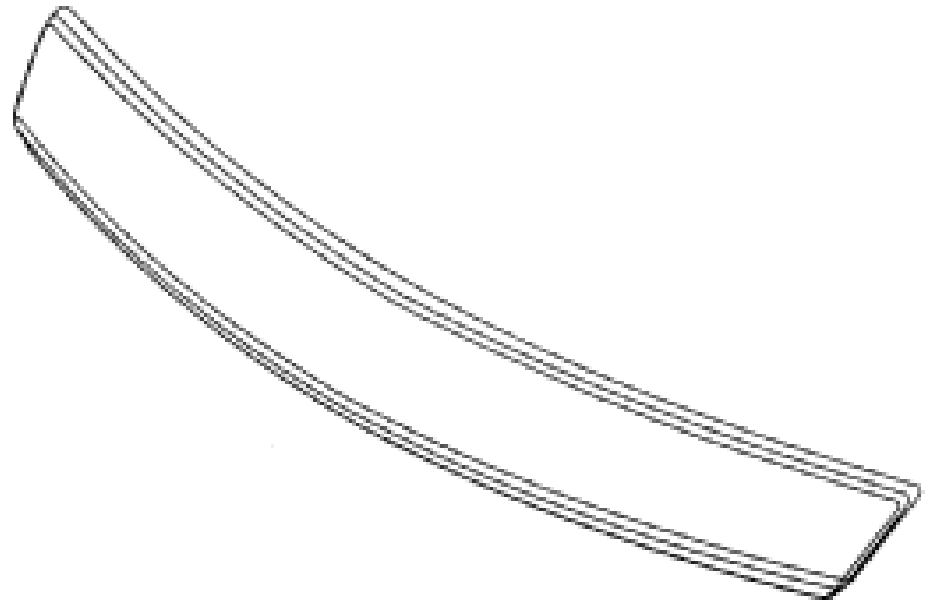
(21) Application Number: **0668/2004**
(22) Date of Filing Application: **23 February 2004**
(24) Date from which industrial property rights may have effect: **23 February 2004**
(54) Article in respect of which the design is registered: **Vehicle rear spoiler**
(51) International Design Classification: **12-16B**
(74) Name(s) of Attorney(s): **PHILLIPS ORMONDE & FITZPATRICK**
(71) Name(s) and Address(s) of Applicant(s):
Holden Ltd
241 Salmon Street Port Melbourne Victoria 3207 Australia
(72) Name(s) of Author(s): **Julian Quincey**
(45) Registration Date: **06 June 2005**
(56) Related Art Documents: **Not Applicable**
(57) Statement of Monopoly: **Monopoly is claimed in the shape or configuration of a vehicle rear spoiler as shown in the representations.**
Statement of Novelty: **Nil**



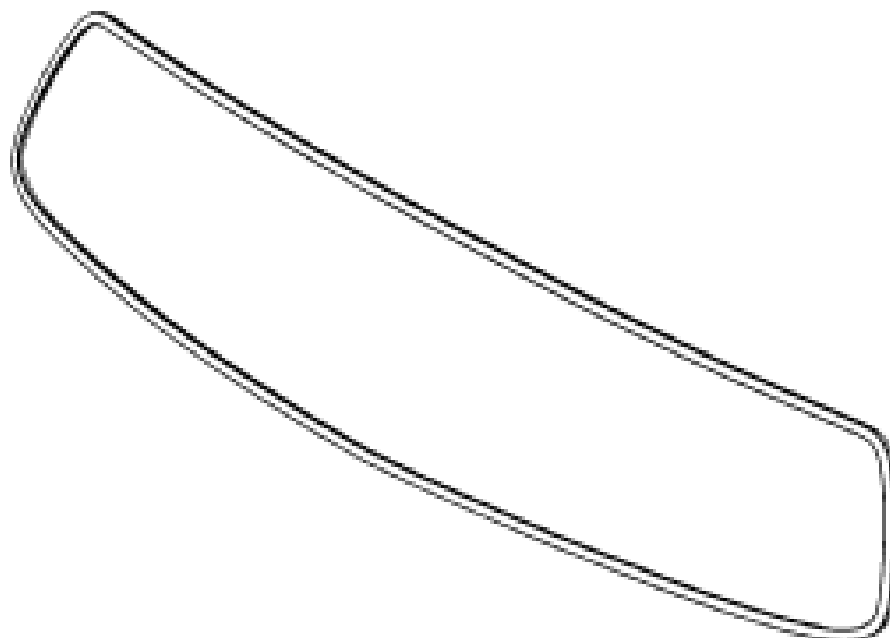
(21) Application Number: **0669/2004**
(22) Date of Filing Application: **23 February 2004**
(24) Date from which industrial property rights may have effect: **23 February 2004**
(54) Article in respect of which the design is registered: **Set of vehicle bonnet inner vents**
(51) International Design Classification: **12-16B**
(74) Name(s) of Attorney(s): **PHILLIPS ORMONDE & FITZPATRICK**
(71) Name(s) and Address(s) of Applicant(s):
Holden Ltd
241 Salmon Street Port Melbourne Victoria 3207 Australia
(72) Name(s) of Author(s): **Julian Quincey**
(45) Registration Date: **06 June 2005**
(56) Related Art Documents: **Not Applicable**
(57) Statement of Monopoly: **Monopoly is claimed in the shape or configuration of a set of vehicle bonnet inner vents as shown in the representations.**
Statement of Novelty: **Nil**



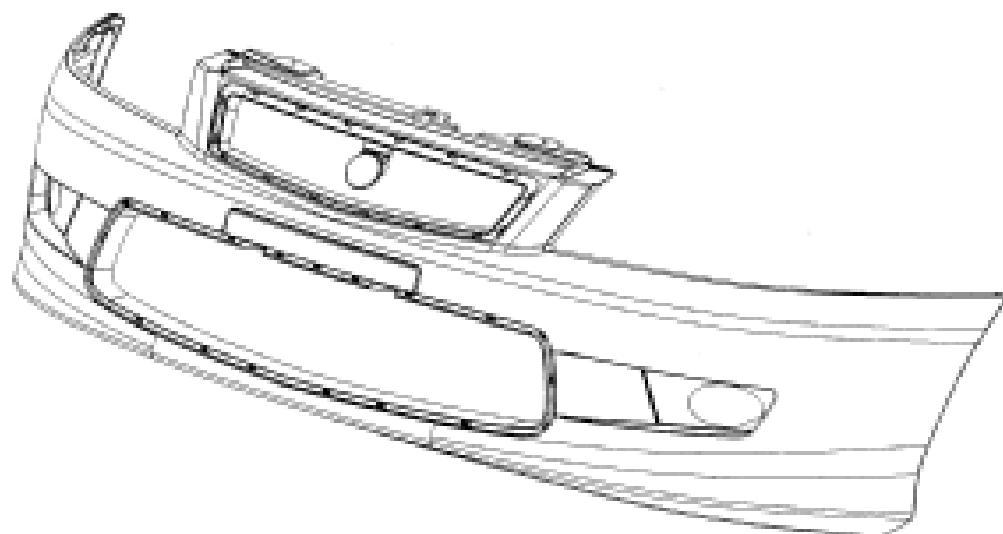
(21) Application Number: **0670/2004**
(22) Date of Filing Application: **23 February 2004**
(24) Date from which industrial property rights may have effect: **23 February 2004**
(54) Article in respect of which the design is registered: **Vehicle bonnet header**
(51) International Design Classification: **12-16B**
(74) Name(s) of Attorney(s): **PHILLIPS ORMONDE & FITZPATRICK**
(71) Name(s) and Address(s) of Applicant(s):
Holden Ltd
241 Salmon Street Port Melbourne Victoria 3207 Australia
(72) Name(s) of Author(s): **Julian Quincey**
(45) Registration Date: **06 June 2005**
(56) Related Art Documents: **Not Applicable**
(57) Statement of Monopoly: **Monopoly is claimed in the shape or configuration of a vehicle bonnet header as shown in the representations.**
Statement of Novelty: **Nil**



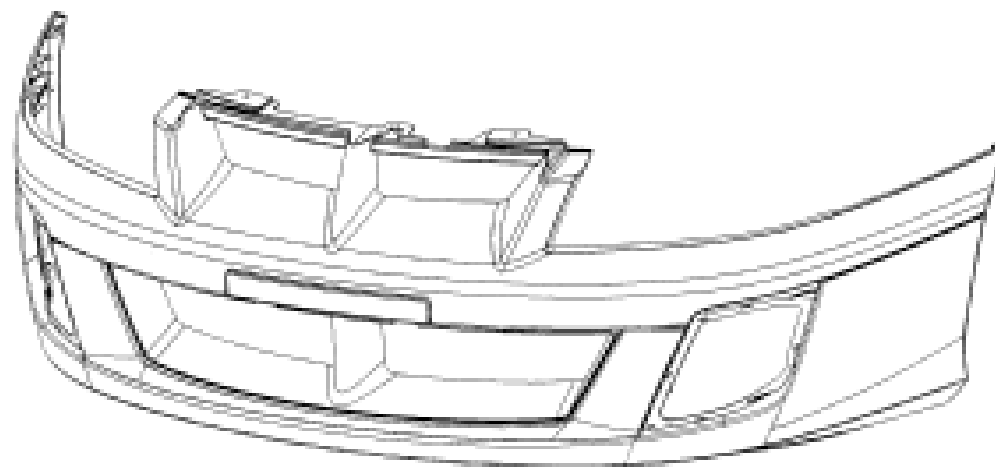
(21) Application Number: **0671/2004**
(22) Date of Filing Application: **23 February 2004**
(24) Date from which industrial property rights may have effect: **23 February 2004**
(54) Article in respect of which the design is registered: **Vehicle air-intake surround**
(51) International Design Classification: **12-16B**
(74) Name(s) of Attorney(s): **PHILLIPS ORMONDE & FITZPATRICK**
(71) Name(s) and Address(s) of Applicant(s):
Holden Ltd
241 Salmon Street Port Melbourne Victoria 3207 Australia
(72) Name(s) of Author(s): **Julian Quincey**
(45) Registration Date: **06 June 2005**
(56) Related Art Documents: **Not Applicable**
(57) Statement of Monopoly: **Monopoly is claimed in the shape or configuration of a vehicle air-intake surround as shown in the representations.**
Statement of Novelty: **Nil**



(21) Application Number: **0672/2004**
(22) Date of Filing Application: **23 February 2004**
(24) Date from which industrial property rights may have effect: **23 February 2004**
(54) Article in respect of which the design is registered: **Vehicle front fascia**
(51) International Design Classification: **12-16B**
(74) Name(s) of Attorney(s): **PHILLIPS ORMONDE & FITZPATRICK**
(71) Name(s) and Address(s) of Applicant(s):
Holden Ltd
241 Salmon Street Port Melbourne Victoria 3207 Australia
(72) Name(s) of Author(s): **Julian Quincey**
(45) Registration Date: **06 June 2005**
(56) Related Art Documents: **Not Applicable**
(57) Statement of Monopoly: **Monopoly is claimed in the shape or configuration of a vehicle front fascia as shown in the representations.**
Statement of Novelty: **Nil**



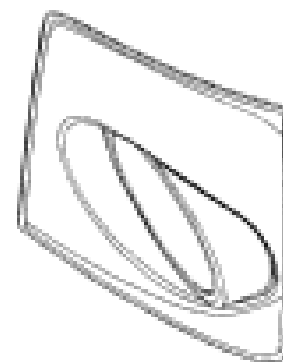
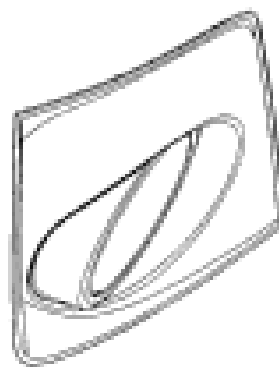
(21) Application Number: **0673/2004**
(22) Date of Filing Application: **23 February 2004**
(24) Date from which industrial property rights may have effect: **23 February 2004**
(54) Article in respect of which the design is registered: **Vehicle front fascia**
(51) International Design Classification: **12-16B**
(74) Name(s) of Attorney(s): **PHILLIPS ORMONDE & FITZPATRICK**
(71) Name(s) and Address(s) of Applicant(s):
Holden Ltd
241 Salmon Street Port Melbourne Victoria 3207 Australia
(72) Name(s) of Author(s): **Julian Quincey**
(45) Registration Date: **06 June 2005**
(56) Related Art Documents: **Not Applicable**
(57) Statement of Monopoly: **Monopoly is claimed in the shape or configuration of a vehicle front fascia as shown in the representations.**
Statement of Novelty: **Nil**



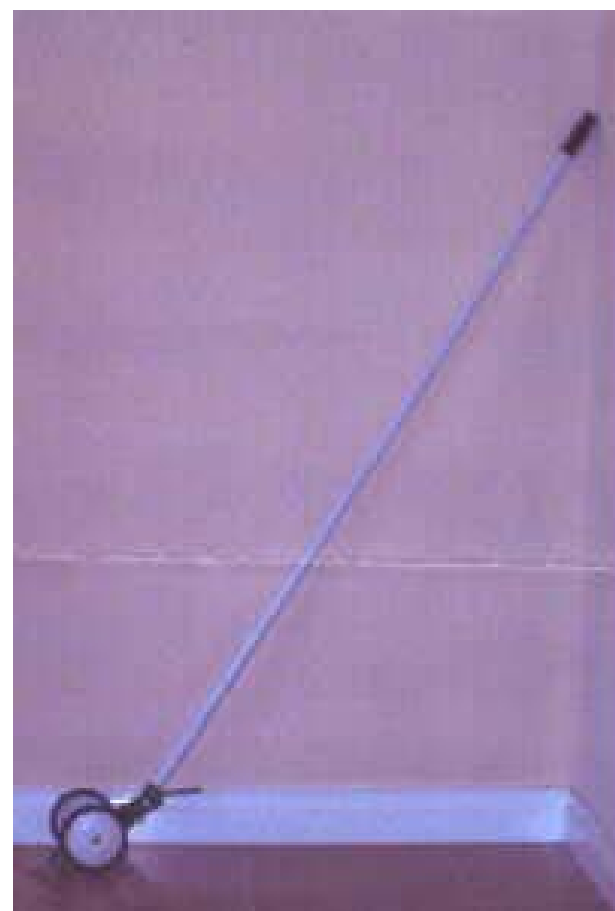
(21) Application Number: **0674/2004**
(22) Date of Filing Application: **23 February 2004**
(24) Date from which industrial property rights may have effect: **23 February 2004**
(54) Article in respect of which the design is registered: **Grille surround**
(51) International Design Classification: **12-16B**
(74) Name(s) of Attorney(s): **PHILLIPS ORMONDE & FITZPATRICK**
(71) Name(s) and Address(s) of Applicant(s):
Holden Ltd
241 Salmon Street Port Melbourne Victoria 3207 Australia
(72) Name(s) of Author(s): **Julian Quincey**
(45) Registration Date: **06 June 2005**
(56) Related Art Documents: **Not Applicable**
(57) Statement of Monopoly: **Monopoly is claimed in the shape or configuration of a grille surround as shown in the representations.**
Statement of Novelty: **Nil**



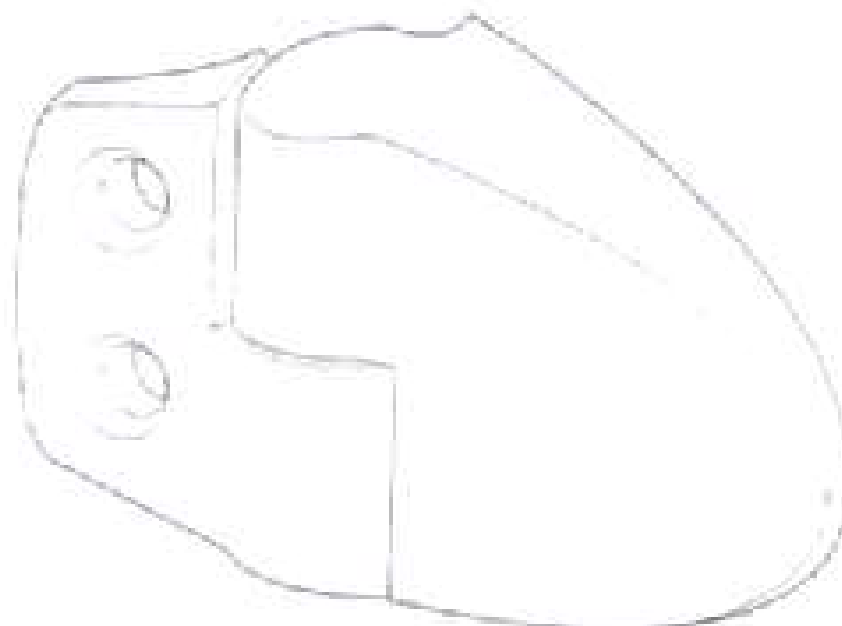
(21) Application Number: **0675/2004**
(22) Date of Filing Application: **23 February 2004**
(24) Date from which industrial property rights may have effect: **23 February 2004**
(54) Article in respect of which the design is registered: **Set of vehicle lamp surrounds**
(51) International Design Classification: **26-06**
(74) Name(s) of Attorney(s): **PHILLIPS ORMONDE & FITZPATRICK**
(71) Name(s) and Address(s) of Applicant(s):
Holden Ltd
241 Salmon Street Port Melbourne Victoria 3207 Australia
(72) Name(s) of Author(s): **Julian Quincey**
(45) Registration Date: **06 June 2005**
(56) Related Art Documents: **Not Applicable**
(57) Statement of Monopoly: **Monopoly is claimed in the shape or configuration of a set of vehicle lamp surrounds as shown in the representations.**
Statement of Novelty: **Nil**



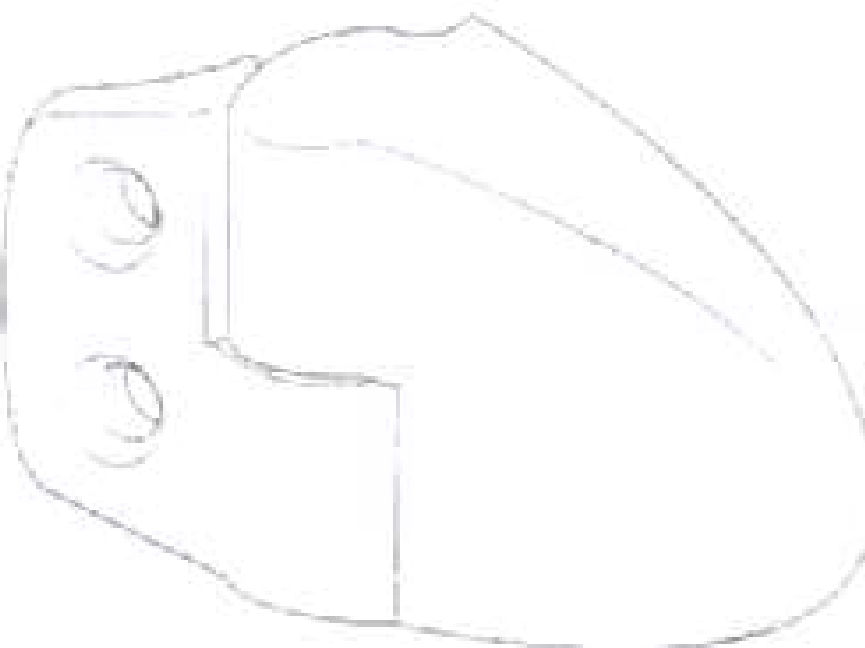
(21) Application Number: **1452/2004**
(22) Date of Filing Application: **16 April 2004**
(24) Date from which industrial property rights may have effect: **16 April 2004**
(54) Article in respect of which the design is registered: **A mobile lawn weeder**
(51) International Design Classification: **08-05A**
(71) Name(s) and Address(s) of Applicant(s):
Michael Jon Bemrose
7 Sandalwood Avenue Woodlands Western Australia 6018 Australia
Lorraine Fay Bemrose
7 Sandalwood Avenue Woodlands Western Australia 6019 Australia
(72) Name(s) of Author(s): **Michael Jon Bemrose and Lorraine Fay Bemrose**
(45) Registration Date: **06 June 2005**
(56) Related Art Documents: **Not Applicable**
(57) Statement of Monopoly: **A monopoly is claimed in the shape and configuration of a mobile lawn weeder as shown in the representations.**
Statement of Novelty: **Nil**



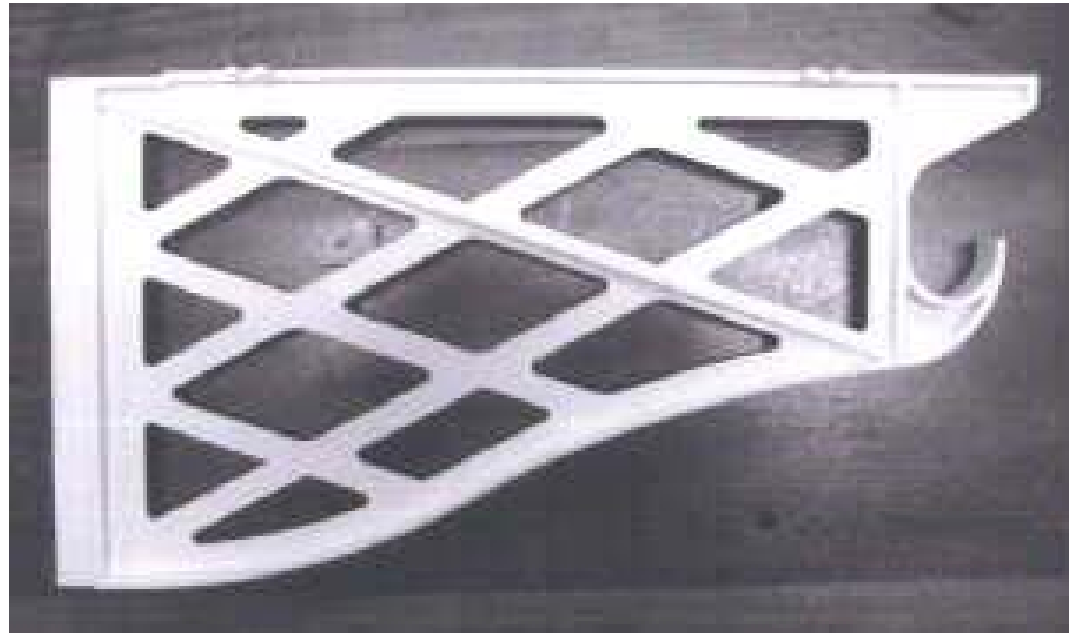
(21) Application Number: **3399/2003**
(22) Date of Filing Application: **02 October 2003**
(24) Date from which industrial property rights may have effect: **02 October 2003**
(54) Article in respect of which the design is registered: **2 part hinge**
(51) International Design Classification: **08-06**
(74) Name(s) of Attorney(s): **PIPERS MILLS OAKLEY**
(71) Name(s) and Address(s) of Applicant(s):
Oben (New Zealand) Limited
2/84 Hillside Road Glenfield Auckland New Zealand
(72) Name(s) of Author(s): **Roy Victor Bladen**
(45) Registration Date: **06 June 2005**
(30) Convention priority data:
(31) Number (32) Date (33) Country
403425 3 Apr 2003 NEW ZEALAND
(56) Related Art Documents: **Not Applicable**
(57) Statement of Monopoly: **Monopoly is claimed in the shape or configuration of 2 part hinge as shown in the accompanying representations.**
Statement of Novelty: **Nil**



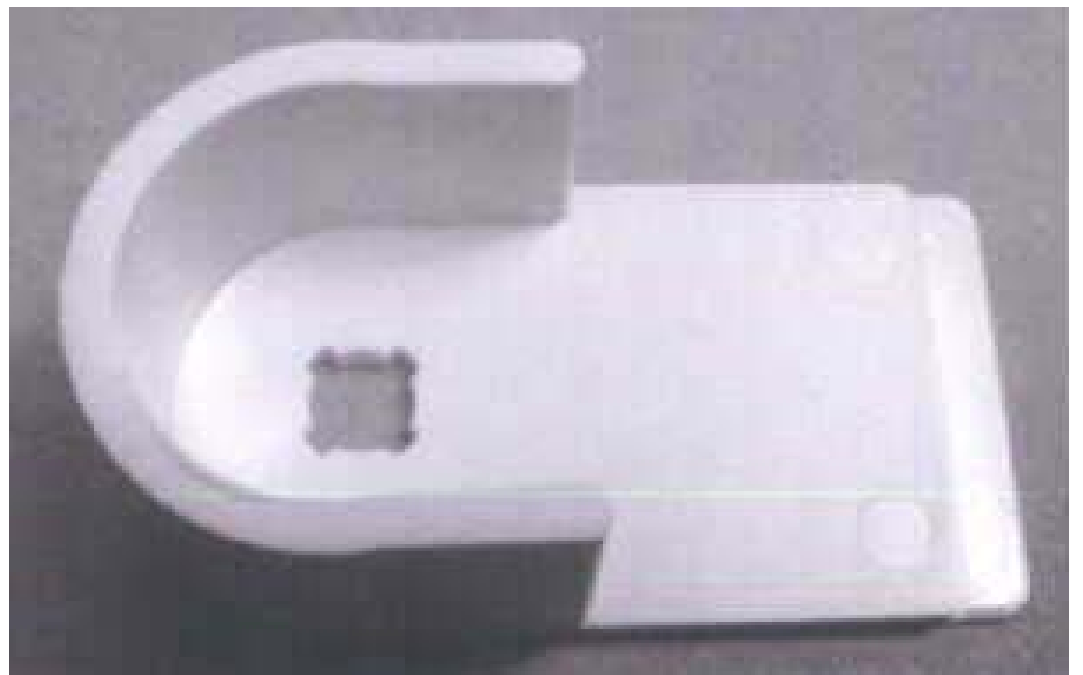
(21) Application Number: **3400/2003**
(22) Date of Filing Application: **02 October 2003**
(24) Date from which industrial property rights may have effect: **02 October 2003**
(54) Article in respect of which the design is registered: **3 part hinge**
(51) International Design Classification: **08-06**
(74) Name(s) of Attorney(s): **PIPERS MILLS OAKLEY**
(71) Name(s) and Address(s) of Applicant(s):
Oben (New Zealand) Limited
2/84 Hillside Road Glenfield Auckland New Zealand
(72) Name(s) of Author(s): **Roy Victor Bladen**
(45) Registration Date: **06 June 2005**
(30) Convention priority data:
(31) Number (32) Date (33) Country
403424 3 Apr 2003 NEW ZEALAND
(56) Related Art Documents: **Not Applicable**
(57) Statement of Monopoly: **Monopoly is claimed in the shape or configuration of 3 part hinge as shown in the accompanying representations.**
Statement of Novelty: **Nil**



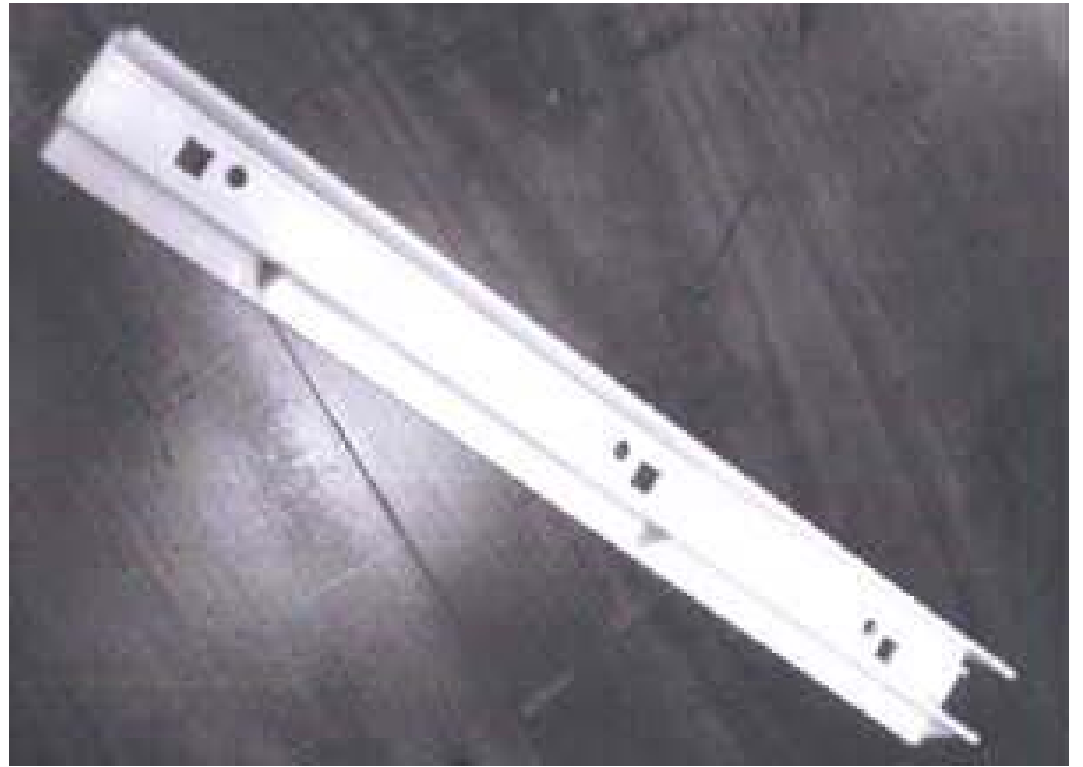
(21) Application Number: **4011/2003**
(22) Date of Filing Application: **17 November 2003**
(24) Date from which industrial property rights may have effect: **17 November 2003**
(54) Article in respect of which the design is registered: **Shelf bracket with mounting plate**
(51) International Design Classification: **08-08N**
(71) Name(s) and Address(s) of Applicant(s):
Peter C. LLoyd
118 Savoy Drive Florida Gardens Queensland 4218 Australia
(72) Name(s) of Author(s): **Peter C-Lloyd**
(45) Registration Date: **06 June 2005**
(56) Related Art Documents: **Not Applicable**
(57) Statement of Monopoly: **Monopoly is claimed in the shape and configuration of the shelf bracket with mounting plate as shown in the representations. No monopoly is claimed in the individual pieces per se.**
Statement of Novelty: **Nil**



(21) Application Number: **4012/2003**
(22) Date of Filing Application: **17 November 2003**
(24) Date from which industrial property rights may have effect: **17 November 2003**
(54) Article in respect of which the design is registered: **Flange**
(51) International Design Classification: **08-08N**
(71) Name(s) and Address(s) of Applicant(s):
Peter C-Lloyd
118 Savoy Drive Florida Gardens Queensland 4218 Australia
(72) Name(s) of Author(s): **Peter C-Lloyd**
(45) Registration Date: **06 June 2005**
(56) Related Art Documents: **Not Applicable**
(57) Statement of Monopoly: **Monopoly is claimed in the shape and configuration of the flange as shown in the representations.**
Statement of Novelty: **Nil**



- (21) Application Number: **4013/2003**
(22) Date of Filing Application: **17 November 2003**
(24) Date from which industrial property rights may have effect: **17 November 2003**
(54) Article in respect of which the design is registered: **Shelf end bracket with cover strip**
(51) International Design Classification: **08-08N**
(71) Name(s) and Address(s) of Applicant(s):
Peter C-Lloyd
118 Savoy Drive Florida Gardens Queensland 4218 Australia
(72) Name(s) of Author(s): **Peter C-Lloyd**
(45) Registration Date: **06 June 2005**
(56) Related Art Documents: **Not Applicable**
(57) Statement of Monopoly: **Monopoly is claimed in the shape and configuration of the shelf end bracket with cover strip as shown in the representations. No monopoly is claimed in the individual pieces per se.**
Statement of Novelty: **Nil**



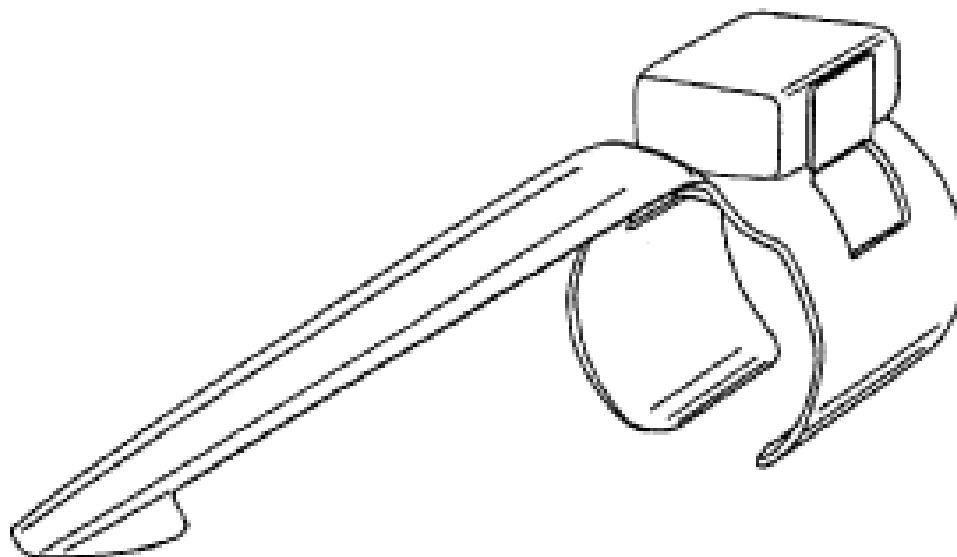
- (21) Application Number: **4014/2003**
(22) Date of Filing Application: **17 November 2003**
(24) Date from which industrial property rights may have effect: **17 November 2003**
(54) Article in respect of which the design is registered: **Shelf joiner**
(51) International Design Classification: **08-08N**
(71) Name(s) and Address(s) of Applicant(s):
Peter C-Lloyd
118 Savoy Drive Florida Gardens Queensland 4218 Australia
(72) Name(s) of Author(s): **Peter C-Lloyd**
(45) Registration Date: **06 June 2005**
(56) Related Art Documents: **Not Applicable**
(57) Statement of Monopoly: **Monopoly is claimed in the shape and configuration of the shelf joiner as shown in the representations.**
Statement of Novelty: **Nil**



- (21) Application Number: **4604/2003**
(22) Date of Filing Application: **30 December 2003**
(24) Date from which industrial property rights may have effect: **30 December 2003**
(54) Article in respect of which the design is registered: **A magnetic clip**
(51) International Design Classification: **08-08C**
(74) Name(s) of Attorney(s): **Collison & Co**
(71) Name(s) and Address(s) of Applicant(s):

Accessories Marketing Inc.
800 Farroll Road Grover Beach California 93433 United States of America

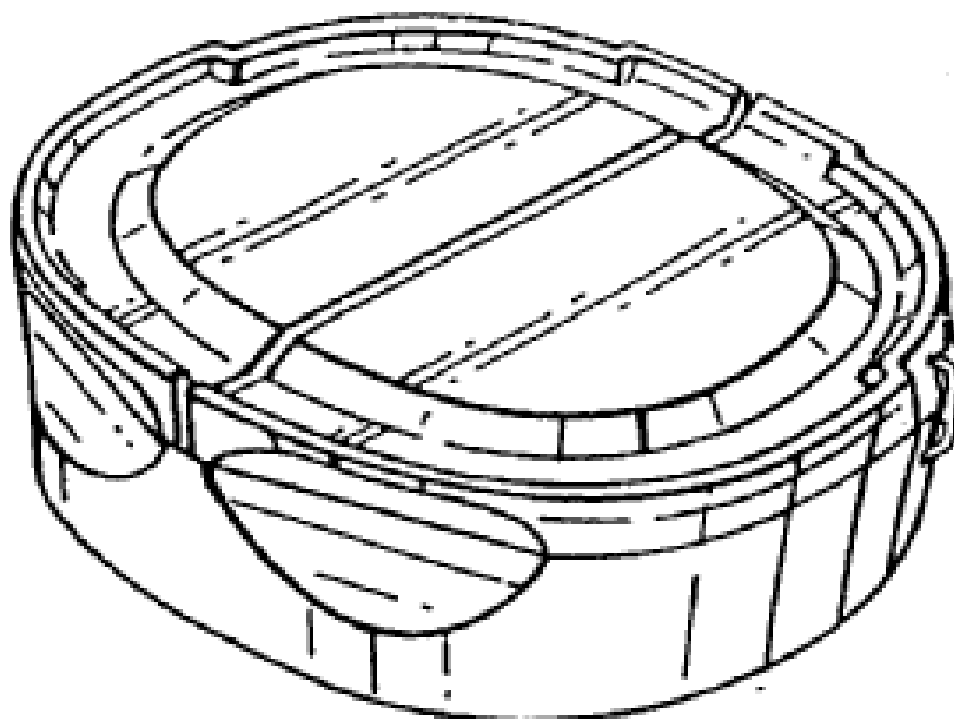
- (72) Name(s) of Author(s): **Steve Cegelski and Rodney Cegelski**
(45) Registration Date: **06 June 2005**
(30) Convention priority data:
(31) Number (32) Date (33) Country
29/185824 3 Jul 2003 UNITED STATES OF AMERICA
(56) Related Art Documents: **Not Applicable**
(57) Statement of Monopoly: **Monopoly is claimed in the features of shape and configuration of a magnetic clip as shown in the accompanying representations.**
Statement of Novelty: **Nil**



- (21) Application Number: **0307/2004**
(22) Date of Filing Application: **23 January 2004**
(24) Date from which industrial property rights may have effect: **23 January 2004**
(54) Article in respect of which the design is registered: **Dispensing closure**
(51) International Design Classification: **09-07B**
(74) Name(s) of Attorney(s): **Davies Collison Cave**
(71) Name(s) and Address(s) of Applicant(s):

Unilever PLC
Unilever House Blackfriars London EC4P 4BQ England

- (72) Name(s) of Author(s): **Jacqueline van Heist and Hans Lippuner and Peter-Jan Joost Marie Swinkels**
(45) Registration Date: **06 June 2005**
(30) Convention priority data:
(31) Number (32) Date (33) Country
3013834 28 Jul 2003 UNITED KINGDOM
(56) Related Art Documents: **Not Applicable**
(57) Statement of Monopoly: **Monopoly is claimed in the shape and configuration of the article as shown in the representations.**
Statement of Novelty: **Nil**



(21) Application Number: **1030/2004**

(22) Date of Filing Application: **17 March 2004**

(24) Date from which industrial property rights may have effect: **17 March 2004**

(54) Article in respect of which the design is registered: **Disposable paper bag with advertising pockets**

(51) International Design Classification: **09-05**

(71) Name(s) and Address(s) of Applicant(s):

Boris Dobra

706 Stud Road Scoresby Victoria 3179 Australia

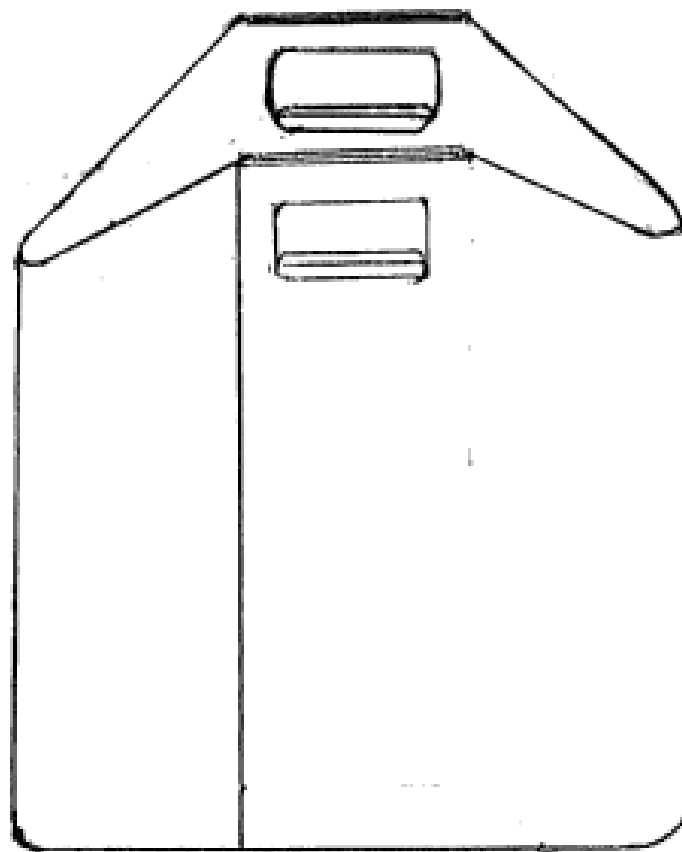
(72) Name(s) of Author(s): **B. Dobra**

(45) Registration Date: **06 June 2005**

(56) Related Art Documents: **Not Applicable**

(57) Statement of Monopoly: **Monopoly is claimed in the shape and configuration of the disposable paper bag with advertising pockets as shown in my representations.**

Statement of Novelty: **Nil**



(21) Application Number: **1680/2004**

(22) Date of Filing Application: **06 May 2004**

(24) Date from which industrial property rights may have effect: **06 May 2004**

(54) Article in respect of which the design is registered: **Chimney cowl/ventilator**

(51) International Design Classification: **25-02F**

(71) Name(s) and Address(s) of Applicant(s):

Kurt Baumli

79 W James Road Rocksberg Queensland 4510 Australia

(72) Name(s) of Author(s): **Kurt Baumli**

(45) Registration Date: **06 June 2005**

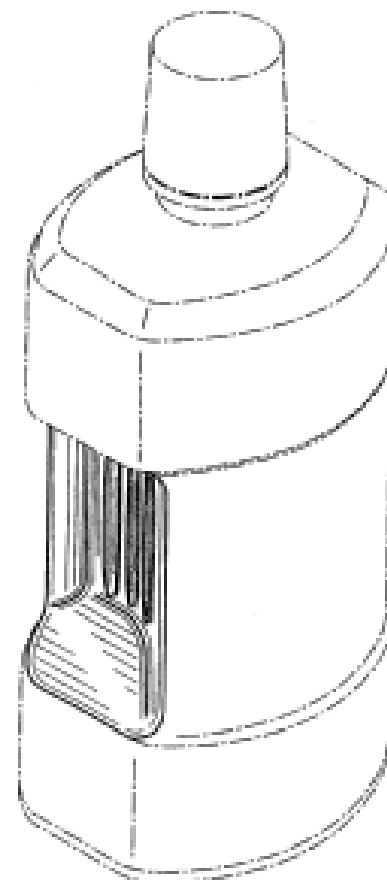
(56) Related Art Documents: **Not Applicable**

(57) Statement of Monopoly: **Nil**

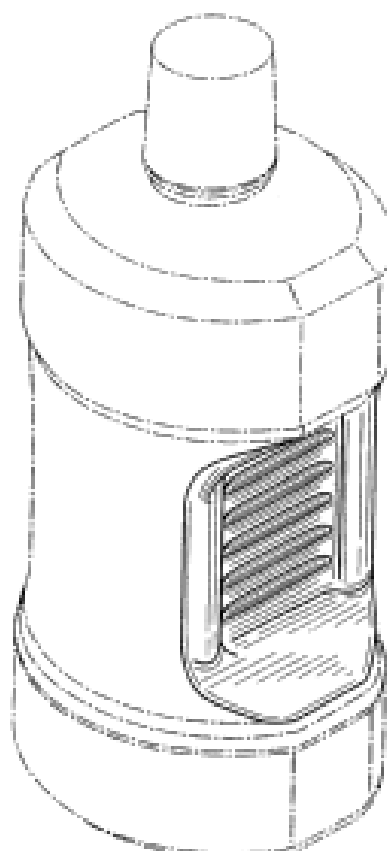
Statement of Novelty: **Nil**



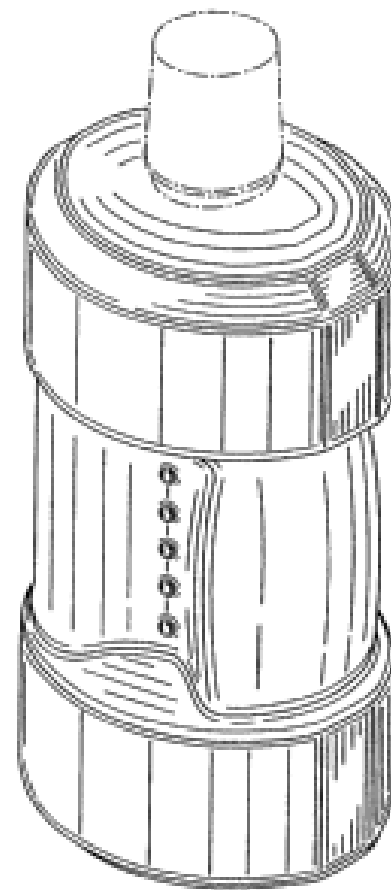
(21) Application Number: **0276/2004**
 (22) Date of Filing Application: **21 January 2004**
 (24) Date from which industrial property rights may have effect: **21 January 2004**
 (54) Article in respect of which the design is registered: **Bottle**
 (51) International Design Classification: **09-01K**
 (74) Name(s) of Attorney(s): **SPRUSON & FERGUSON**
 (71) Name(s) and Address(s) of Applicant(s):
Warner-Lambert Company LLC
201 Tabor Road Morris Plains New Jersey 07950 United States of America
 (72) Name(s) of Author(s): **Cristina E. Bonaldes and Charles D. Denton and Heath A. Doty and Bryan Holmes and Marc Hunter and Victoria Noble and Randal D. Porter and Kim Sines and John E. Smethers and Russell Wright**
 (45) Registration Date: **06 June 2005**
 (30) Convention priority data:
 (31) Number (32) Date (33) Country
29/187336 30 Jul 2003 UNITED STATES OF AMERICA
 (56) Related Art Documents: **Not Applicable**
 (57) Statement of Monopoly: **Monopoly is claimed in the features of shape and/or configuration of a bottle as illustrated in the accompanying representations, and when considering the scope of monopoly protection the portions of the bottle shown in phantom are to be disregarded.**
 Statement of Novelty: **Nil**



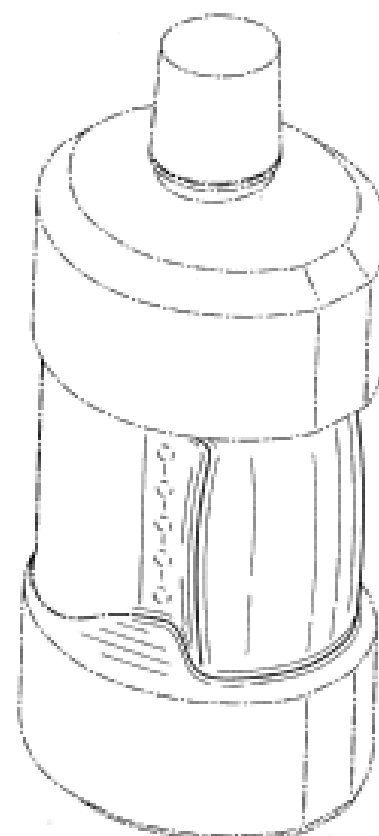
(21) Application Number: **0277/2004**
 (22) Date of Filing Application: **21 January 2004**
 (24) Date from which industrial property rights may have effect: **21 January 2004**
 (54) Article in respect of which the design is registered: **Bottle**
 (51) International Design Classification: **09-01NES**
 (74) Name(s) of Attorney(s): **SPRUSON & FERGUSON**
 (71) Name(s) and Address(s) of Applicant(s):
Warner-Lambert Company LLC
201 Tabor Road Morris Plains New Jersey 07950 United States of America
 (72) Name(s) of Author(s): **Cristina E. Bonaldes and Charles D. Denton and Heath A. Doty and Bryan Holmes and Marc Hunter and Victoria Noble and Randal D. Porter and Kim Sines and John E. Smethers and Russell Wright**
 (45) Registration Date: **06 June 2005**
 (30) Convention priority data:
 (31) Number (32) Date (33) Country
29/187276 30 Jul 2003 UNITED STATES OF AMERICA
 (56) Related Art Documents: **Not Applicable**
 (57) Statement of Monopoly: **Monopoly is claimed in the features of shape and/or configuration of a bottle as illustrated in the accompanying representations, and when considering the scope of monopoly protection the portions of the bottle shown in phantom are to be disregarded.**
 Statement of Novelty: **Nil**



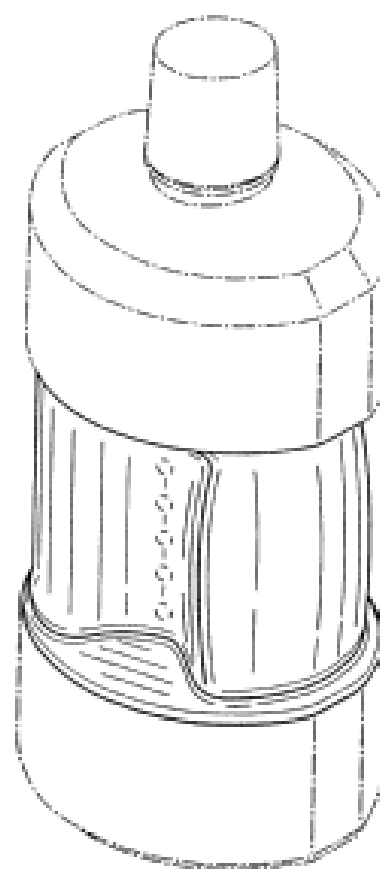
(21) Application Number: **0278/2004**
 (22) Date of Filing Application: **21 January 2004**
 (24) Date from which industrial property rights may have effect: **21 January 2004**
 (54) Article in respect of which the design is registered: **Bottle**
 (51) International Design Classification: **09-01K**
 (74) Name(s) of Attorney(s): **SPRUSON & FERGUSON**
 (71) Name(s) and Address(s) of Applicant(s):
Warner-Lambert Company LLC
201 Tabor Road Morris Plains New Jersey 07950 United States of America
 (72) Name(s) of Author(s): **Cristina E. Bonaldes and Charles D. Denton and Heath A. Doty and Bryan Holmes and Marc Hunter and Victoria Noble and Randal D. Porter and Kim Sines and John E. Smethers and Russell Wright**
 (45) Registration Date: **06 June 2005**
 (30) Convention priority data:
 (31) Number (32) Date (33) Country
29/187268 30 Jul 2003 UNITED STATES OF AMERICA
 (56) Related Art Documents: **Not Applicable**
 (57) Statement of Monopoly: **Monopoly is claimed in the features of shape and/or configuration of a bottle as illustrated in the accompanying representations, and when considering the scope of monopoly protection the portions of the bottle shown in phantom are to be disregarded.**
 Statement of Novelty: **Nil**



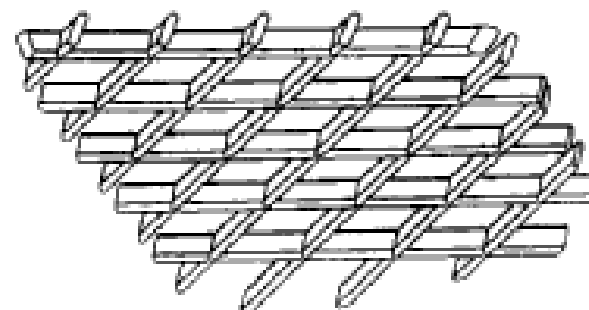
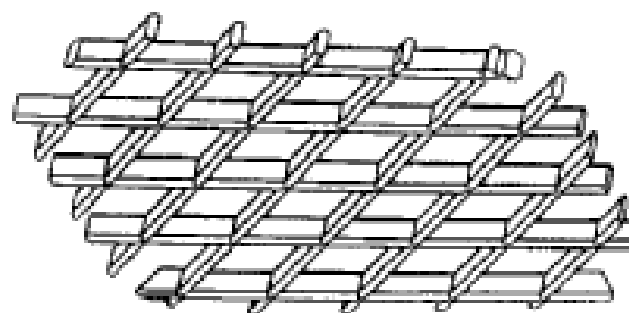
(21) Application Number: **0279/2004**
 (22) Date of Filing Application: **21 January 2004**
 (24) Date from which industrial property rights may have effect: **21 January 2004**
 (54) Article in respect of which the design is registered: **Bottle**
 (51) International Design Classification: **09-01NES**
 (74) Name(s) of Attorney(s): **SPRUSON & FERGUSON**
 (71) Name(s) and Address(s) of Applicant(s):
Warner-Lambert Company LLC
201 Tabor Road Morris Plains New Jersey 07950 United States of America
 (72) Name(s) of Author(s): **Cristina E. Bonaldes and Charles D. Denton and Heath A. Doty and Bryan Holmes and Marc Hunter and Victoria Noble and Randal D. Porter and Kim Sines and John E. Smethers and Russell Wright**
 (45) Registration Date: **06 June 2005**
 (30) Convention priority data:
 (31) Number (32) Date (33) Country
29/187274 30 Jul 2003 UNITED STATES OF AMERICA
 (56) Related Art Documents: **Not Applicable**
 (57) Statement of Monopoly: **Monopoly is claimed in the features of shape and/or configuration of a bottle as illustrated in the accompanying representations, and when considering the scope of monopoly protection the portions of the bottle shown in phantom are to be disregarded.**
 Statement of Novelty: **Nil**



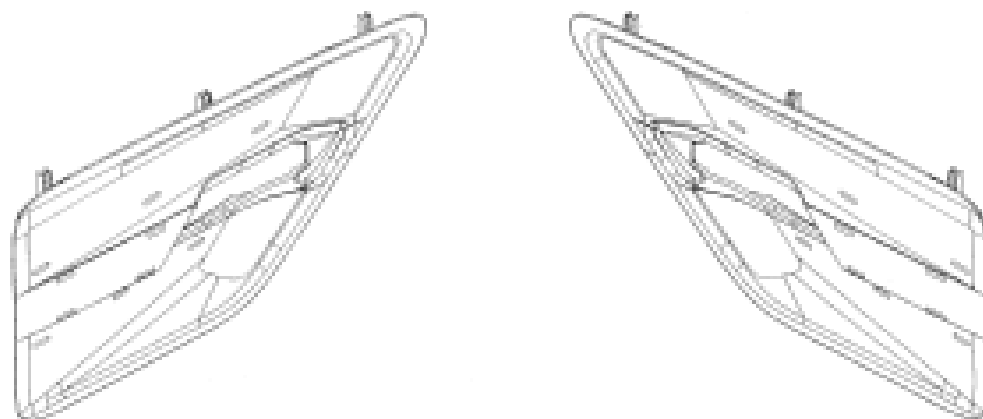
(21) Application Number: **0280/2004**
 (22) Date of Filing Application: **21 January 2004**
 (24) Date from which industrial property rights may have effect: **21 January 2004**
 (54) Article in respect of which the design is registered: **Bottle**
 (51) International Design Classification: **09-01NES**
 (74) Name(s) of Attorney(s): **SPRUSON & FERGUSON**
 (71) Name(s) and Address(s) of Applicant(s):
Warner-Lambert Company LLC
201 Tabor Road Morris Plains New Jersey 07950 United States of America
 (72) Name(s) of Author(s): **Cristina E. Bonaldes and Charles D. Denton and Heath A. Doty and Bryan Holmes and Marc Hunter and Victoria Noble and Randal D. Porter and Kim Sines and John E. Smethers and Russell Wright**
 (45) Registration Date: **06 June 2005**
 (30) Convention priority data:
 (31) Number (32) Date (33) Country
29/187275 30 Jul 2003 UNITED STATES OF AMERICA
 (56) Related Art Documents: **Not Applicable**
 (57) Statement of Monopoly: **Monopoly is claimed in the features of shape and/or configuration of a bottle as illustrated in the accompanying representations, and when considering the scope of monopoly protection the portions of the bottle shown in phantom are to be disregarded.**
 Statement of Novelty: **Nil**



(21) Application Number: **0661/2004**
 (22) Date of Filing Application: **23 February 2004**
 (24) Date from which industrial property rights may have effect: **23 February 2004**
 (54) Article in respect of which the design is registered: **Set of vehicle fender vent lattices or grilles**
 (51) International Design Classification: **12-16B**
 (74) Name(s) of Attorney(s): **PHILLIPS ORMONDE & FITZPATRICK**
 (71) Name(s) and Address(s) of Applicant(s):
Holden Ltd
241 Salmon Street Port Melbourne Victoria 3207 Australia
 (72) Name(s) of Author(s): **Julian Quincey**
 (45) Registration Date: **06 June 2005**
 (56) Related Art Documents: **Not Applicable**
 (57) Statement of Monopoly: **Monopoly is claimed in the shape or configuration of a set of vehicle fender vent lattices or grilles as shown in the representations.**
 Statement of Novelty: **Nil**



(21) Application Number: **0662/2004**
(22) Date of Filing Application: **23 February 2004**
(24) Date from which industrial property rights may have effect: **23 February 2004**
(54) Article in respect of which the design is registered: **Set of vehicle fender vents**
(51) International Design Classification: **12-16B**
(74) Name(s) of Attorney(s): **PHILLIPS ORMONDE & FITZPATRICK**
(71) Name(s) and Address(s) of Applicant(s):
Holden Ltd
241 Salmon Street Port Melbourne Victoria 3207 Australia
(72) Name(s) of Author(s): **Julian Quincey**
(45) Registration Date: **06 June 2005**
(56) Related Art Documents: **Not Applicable**
(57) Statement of Monopoly: **Monopoly is claimed in the shape or configuration of a set of vehicle fender vents as shown in the representations.**
Statement of Novelty: **Nil**



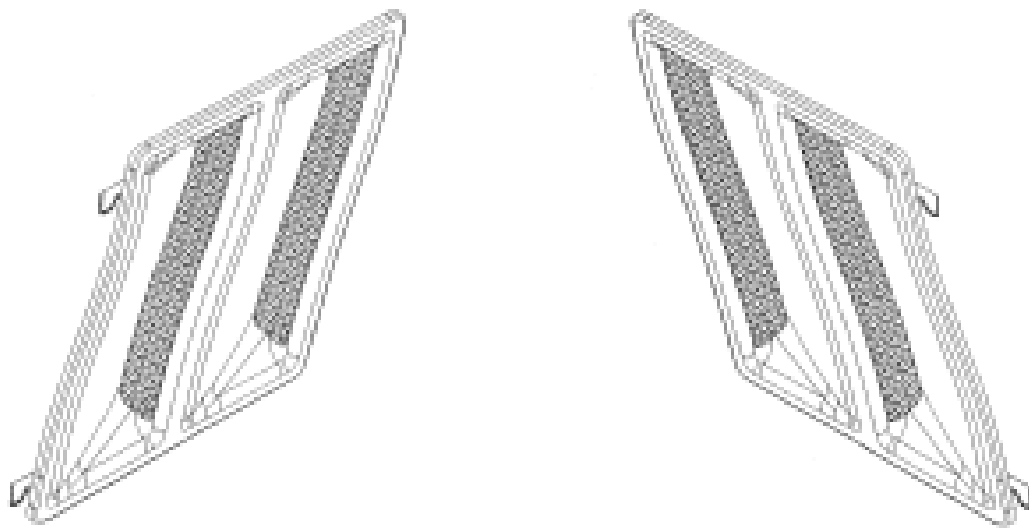
(21) Application Number: **0663/2004**
(22) Date of Filing Application: **23 February 2004**
(24) Date from which industrial property rights may have effect: **23 February 2004**
(54) Article in respect of which the design is registered: **Set of vehicle fender vent lower bars**
(51) International Design Classification: **12-16B**
(74) Name(s) of Attorney(s): **PHILLIPS ORMONDE & FITZPATRICK**
(71) Name(s) and Address(s) of Applicant(s):
Holden Ltd
241 Salmon Street Port Melbourne Victoria 3207 Australia
(72) Name(s) of Author(s): **Julian Quincey**
(45) Registration Date: **06 June 2005**
(56) Related Art Documents: **Not Applicable**
(57) Statement of Monopoly: **Monopoly is claimed in the shape or configuration of a set of vehicle fender vents lower bars as shown in the representations.**
Statement of Novelty: **Nil**



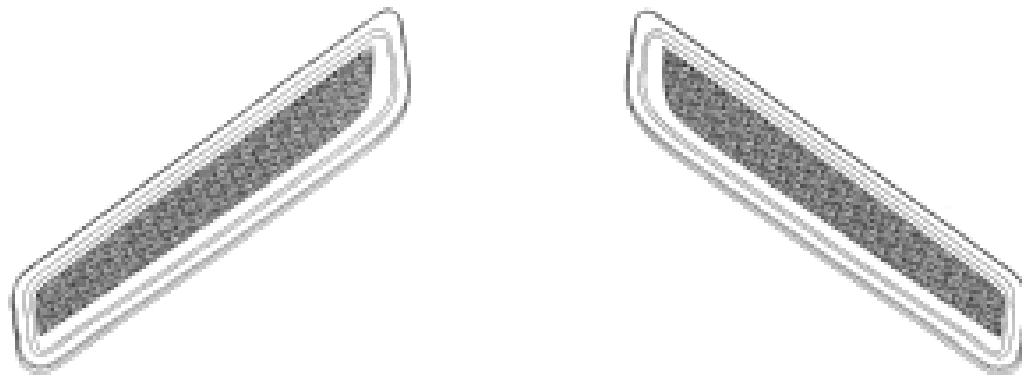
(21) Application Number: **0664/2004**
(22) Date of Filing Application: **23 February 2004**
(24) Date from which industrial property rights may have effect: **23 February 2004**
(54) Article in respect of which the design is registered: **Set of vehicle fender vent upper bars**
(51) International Design Classification: **12-16B**
(74) Name(s) of Attorney(s): **PHILLIPS ORMONDE & FITZPATRICK**
(71) Name(s) and Address(s) of Applicant(s):
Holden Ltd
241 Salmon Street Port Melbourne Victoria 3207 Australia
(72) Name(s) of Author(s): **Julian Quincey**
(45) Registration Date: **06 June 2005**
(56) Related Art Documents: **Not Applicable**
(57) Statement of Monopoly: **Monopoly is claimed in the shape or configuration of a set of vehicle fender vents upper bars as shown in the representations.**
Statement of Novelty: **Nil**



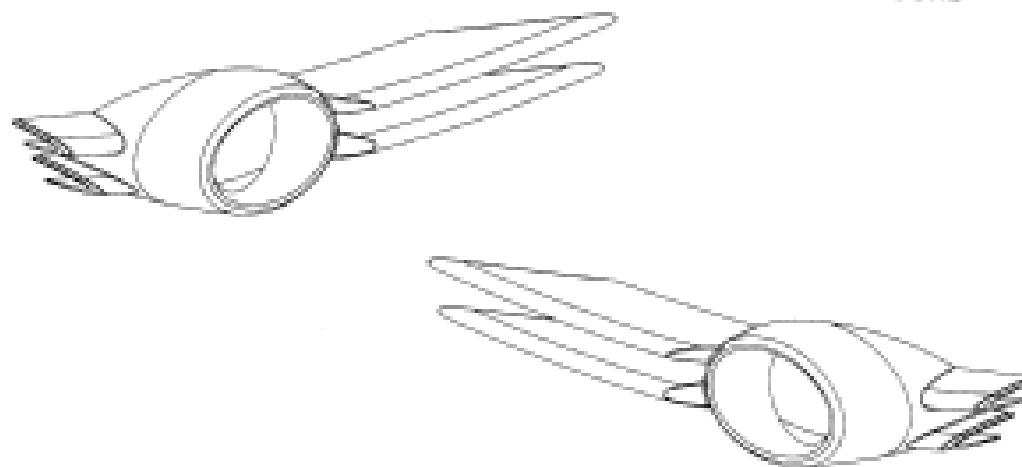
(21) Application Number: **0665/2004**
(22) Date of Filing Application: **23 February 2004**
(24) Date from which industrial property rights may have effect: **23 February 2004**
(54) Article in respect of which the design is registered: **Set of vehicle fender vents**
(51) International Design Classification: **12-16B**
(74) Name(s) of Attorney(s): **PHILLIPS ORMONDE & FITZPATRICK**
(71) Name(s) and Address(s) of Applicant(s):
Holden Ltd
241 Salmon Street Port Melbourne Victoria 3207 Australia
(72) Name(s) of Author(s): **Julian Quincey**
(45) Registration Date: **06 June 2005**
(56) Related Art Documents: **Not Applicable**
(57) Statement of Monopoly: **Monopoly is claimed in the shape or configuration of a set of vehicle fender vents as shown in the representations.**
Statement of Novelty: **Nil**



(21) Application Number: **0666/2004**
(22) Date of Filing Application: **23 February 2004**
(24) Date from which industrial property rights may have effect: **23 February 2004**
(54) Article in respect of which the design is registered: **Set of vehicle bonnet vents**
(51) International Design Classification: **12-16B**
(74) Name(s) of Attorney(s): **PHILLIPS ORMONDE & FITZPATRICK**
(71) Name(s) and Address(s) of Applicant(s):
Holden Ltd
241 Salmon Street Port Melbourne Victoria 3207 Australia
(72) Name(s) of Author(s): **Julian Quincey**
(45) Registration Date: **06 June 2005**
(56) Related Art Documents: **Not Applicable**
(57) Statement of Monopoly: **Monopoly is claimed in the shape or configuration of a set of vehicle bonnet vents as shown in the representations.**
Statement of Novelty: **Nil**



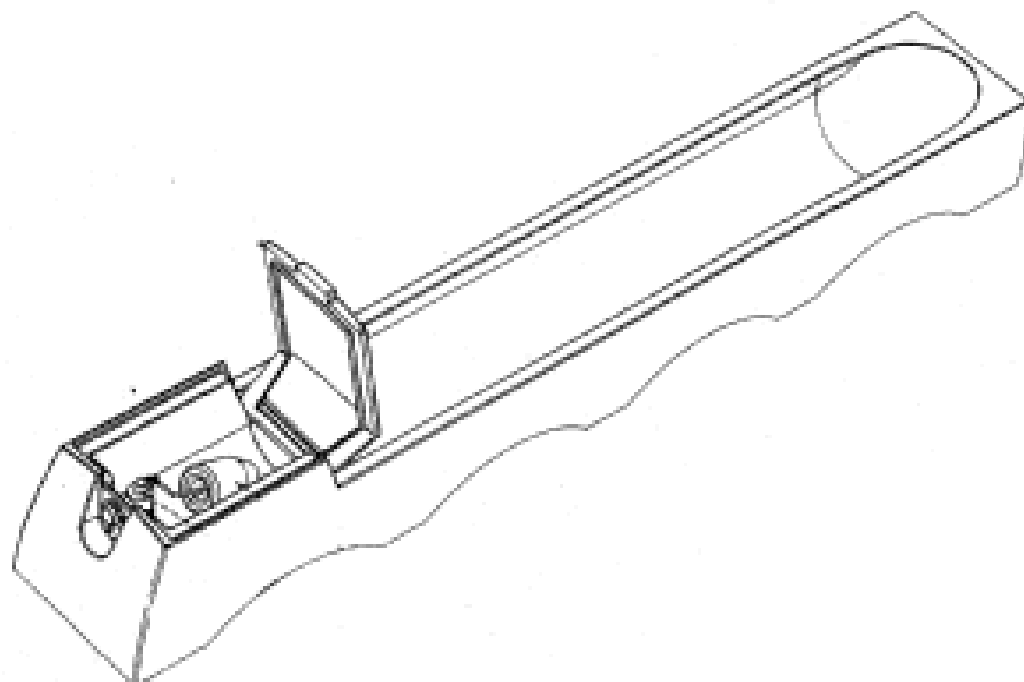
(21) Application Number: **0667/2004**
(22) Date of Filing Application: **23 February 2004**
(24) Date from which industrial property rights may have effect: **23 February 2004**
(54) Article in respect of which the design is registered: **Set of vehicle lamp surrounds**
(51) International Design Classification: **26-06**
(74) Name(s) of Attorney(s): **PHILLIPS ORMONDE & FITZPATRICK**
(71) Name(s) and Address(s) of Applicant(s):
Holden Ltd
241 Salmon Street Port Melbourne Victoria 3207 Australia
(72) Name(s) of Author(s): **Julian Quincey**
(45) Registration Date: **06 June 2005**
(56) Related Art Documents: **Not Applicable**
(57) Statement of Monopoly: **Monopoly is claimed in the shape or configuration of a set of vehicle lamp surrounds as shown in the representations.**
Statement of Novelty: **Nil**



- (21) Application Number: **0799/2004**
- (22) Date of Filing Application: **02 March 2004**
- (24) Date from which industrial property rights may have effect: **02 March 2004**
- (54) Article in respect of which the design is registered: **Trough**
- (51) International Design Classification: **30-03**
- (74) Name(s) of Attorney(s): **PHILLIPS ORMONDE & FITZPATRICK**
- (71) Name(s) and Address(s) of Applicant(s):

David Mark Steele
56 Pye Street Swan Hill Victoria 3585 Australia

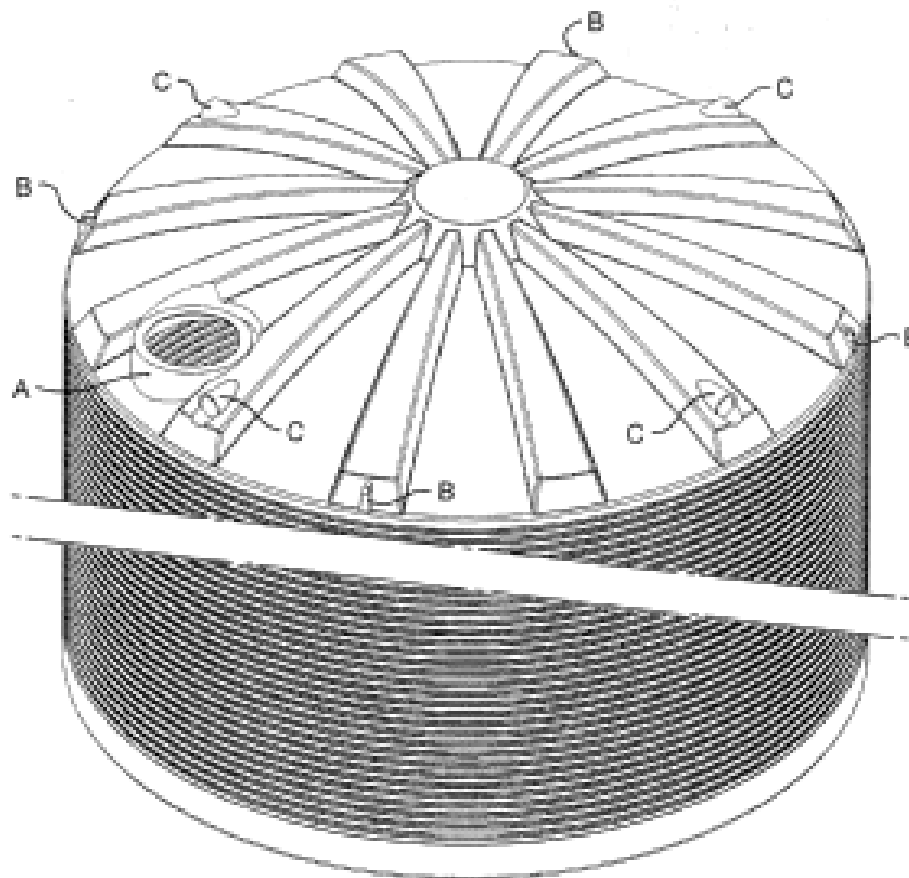
- (72) Name(s) of Author(s): **David Mark Steele**
 - (45) Registration Date: **06 June 2005**
 - (56) Related Art Documents: **Not Applicable**
 - (57) Statement of Monopoly: **Monopoly is claimed in the shape or configuration of a trough as shown in the representations. When considering the extent of monopoly, the items contained within the well marked "A", are to be disregarded.**
- Statement of Novelty: **Nil**



- (21) Application Number: **0800/2004**
- (22) Date of Filing Application: **02 March 2004**
- (24) Date from which industrial property rights may have effect: **02 March 2004**
- (54) Article in respect of which the design is registered: **Tank**
- (51) International Design Classification: **23-01F**
- (74) Name(s) of Attorney(s): **PHILLIPS ORMONDE & FITZPATRICK**
- (71) Name(s) and Address(s) of Applicant(s):

David Mark Steele
56 Pye Street Swan Hill Victoria 3585 Australia

- (72) Name(s) of Author(s): **David Mark Steele and Desmond Berry**
 - (45) Registration Date: **06 June 2005**
 - (56) Related Art Documents: **Not Applicable**
 - (57) Statement of Monopoly: **Monopoly is claimed in the shape and or configuration of a tank as shown in the representations. When considering the extent of monopoly protection, the height of the tank, the corrugated profile applied to the side wall of the tank, the manhole marked "A", the lifting lugs marked "B" and the outlets marked "C" are to be disregarded.**
- Statement of Novelty: **Nil**



- (21) Application Number: **0801/2004**
- (22) Date of Filing Application: **02 March 2004**
- (24) Date from which industrial property rights may have effect: **02 March 2004**
- (54) Article in respect of which the design is registered: **Tank**
- (51) International Design Classification: **23-01F**
- (74) Name(s) of Attorney(s): **PHILLIPS ORMONDE & FITZPATRICK**
- (71) Name(s) and Address(s) of Applicant(s):

David Mark Steele
56 Pye Street Swan Hill Victoria 3585 Australia

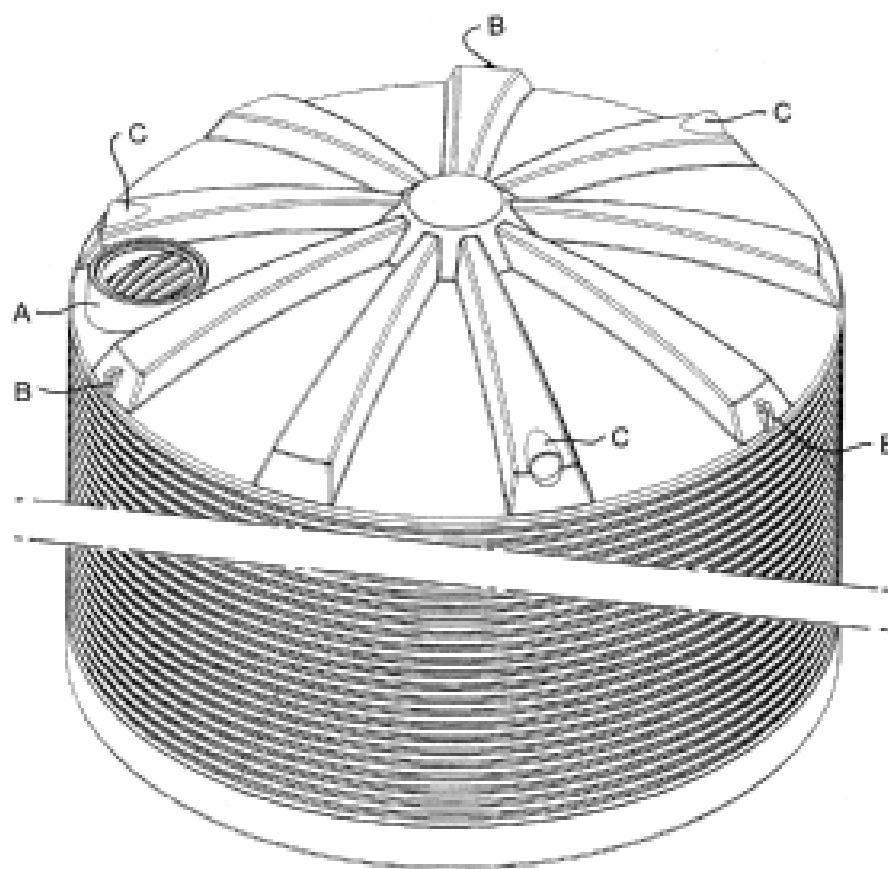
(72) Name(s) of Author(s): **David Mark Steele and Desmond Berry**

(45) Registration Date: **06 June 2005**

(56) Related Art Documents: **Not Applicable**

(57) Statement of Monopoly: **Monopoly is claimed in the shape and or configuration of a tank as shown in the representations. When considering the extent of monopoly protection, the height of the tank, the corrugated profile applied to the side wall of the tank, the manhole marked "A", the lifting lugs marked "B" and the outlets marked "C" are to be disregarded.**

Statement of Novelty: **Nil**



- (21) Application Number: **0802/2004**
- (22) Date of Filing Application: **02 March 2004**
- (24) Date from which industrial property rights may have effect: **02 March 2004**
- (54) Article in respect of which the design is registered: **Tank**
- (51) International Design Classification: **23-01F**
- (74) Name(s) of Attorney(s): **PHILLIPS ORMONDE & FITZPATRICK**
- (71) Name(s) and Address(s) of Applicant(s):

David Mark Steele
56 Pye Street Swan Hill Victoria 3585 Australia

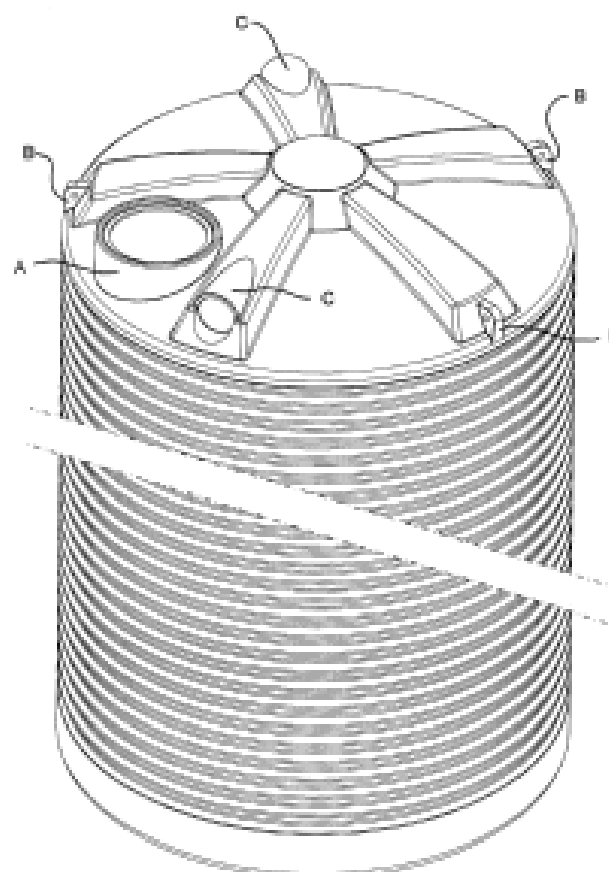
(72) Name(s) of Author(s): **David Mark Steele and Desmond Berry**

(45) Registration Date: **06 June 2005**

(56) Related Art Documents: **Not Applicable**

(57) Statement of Monopoly: **Monopoly is claimed in the shape and or configuration of a tank as shown in the representations. When considering the extent of monopoly protection, the height of the tank, the corrugated profile applied to the side wall of the tank, the manhole marked "A", the lifting lugs marked "B" and the outlets marked "C" are to be disregarded.**

Statement of Novelty: **Nil**



- (21) Application Number: **0803/2004**
- (22) Date of Filing Application: **02 March 2004**
- (24) Date from which industrial property rights may have effect: **02 March 2004**
- (54) Article in respect of which the design is registered: **Tank**
- (51) International Design Classification: **23-01F**
- (74) Name(s) of Attorney(s): **PHILLIPS ORMONDE & FITZPATRICK**
- (71) Name(s) and Address(s) of Applicant(s):

David Mark Steele
56 Pye Street Swan Hill Victoria 3585 Australia

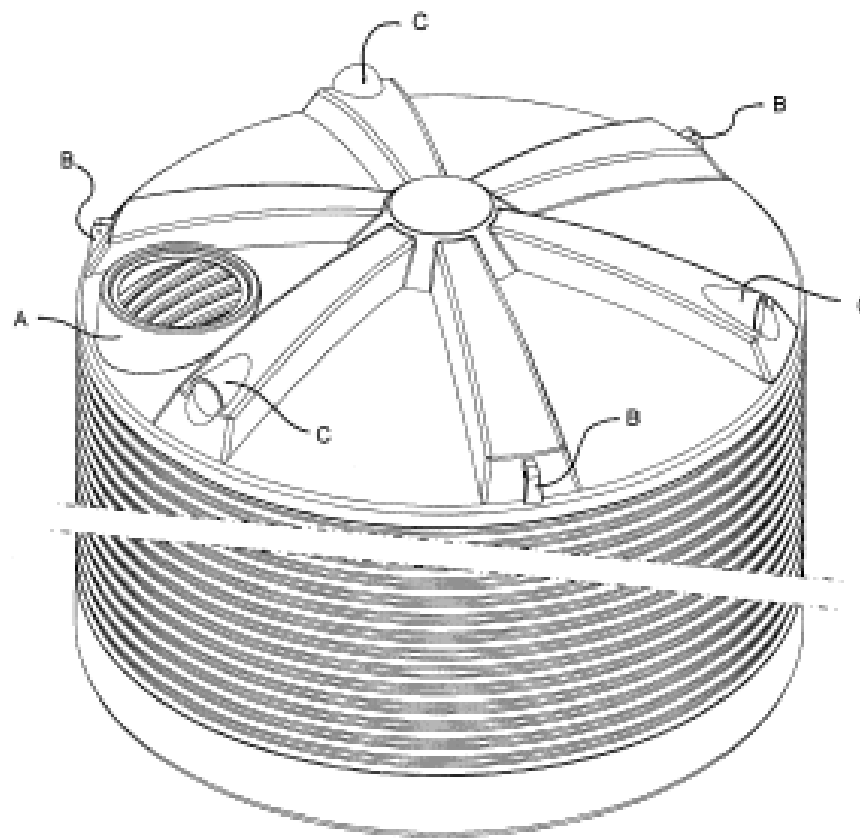
(72) Name(s) of Author(s): **David Mark Steele and Desmond Berry**

(45) Registration Date: **06 June 2005**

(56) Related Art Documents: **Not Applicable**

(57) Statement of Monopoly: **Monopoly is claimed in the shape and or configuration of a tank as shown in the representations. When considering the extent of monopoly protection, the height of the tank, the corrugated profile applied to the side wall of the tank, the manhole marked "A", the lifting lugs marked "B" and the outlets marked "C" are to be disregarded.**

Statement of Novelty: **Nil**



- (21) Application Number: **0804/2004**
- (22) Date of Filing Application: **02 March 2004**
- (24) Date from which industrial property rights may have effect: **02 March 2004**
- (54) Article in respect of which the design is registered: **Tank**
- (51) International Design Classification: **23-01F**
- (74) Name(s) of Attorney(s): **PHILLIPS ORMONDE & FITZPATRICK**
- (71) Name(s) and Address(s) of Applicant(s):

David Mark Steele
56 Pye Street Swan Hill Victoria 3585 Australia

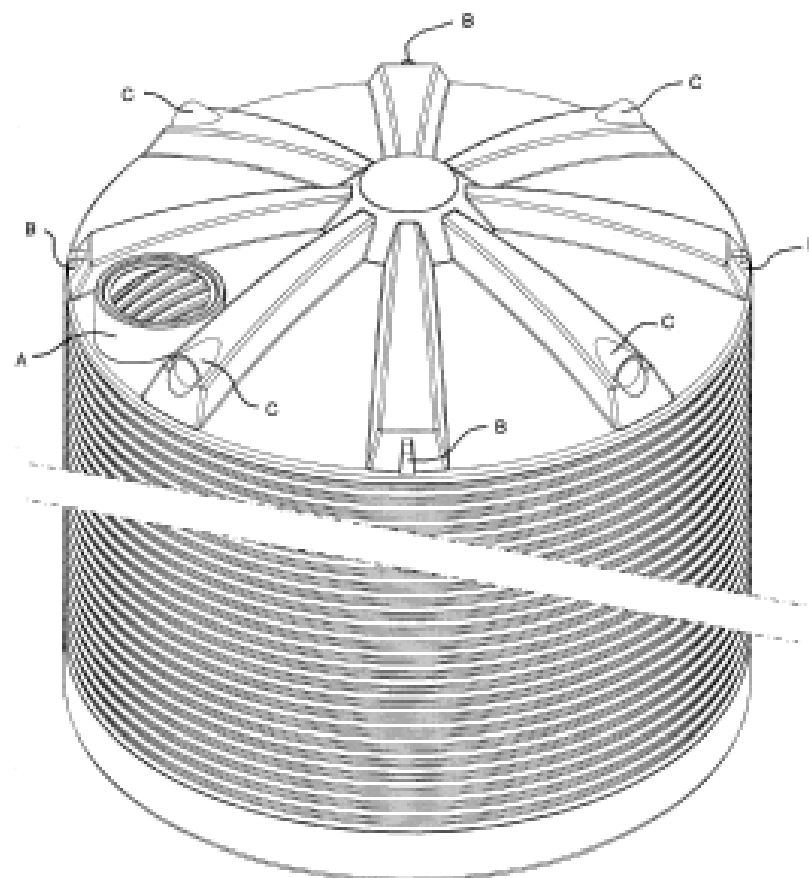
(72) Name(s) of Author(s): **David Mark Steele and Desmond Berry**

(45) Registration Date: **06 June 2005**

(56) Related Art Documents: **Not Applicable**

(57) Statement of Monopoly: **Monopoly is claimed in the shape and or configuration of a tank as shown in the representations. When considering the extent of monopoly protection, the height of the tank, the corrugated profile applied to the side wall of the tank, the manhole marked "A", the lifting lugs marked "B" and the outlets marked "C" are to be disregarded.**

Statement of Novelty: **Nil**



- (21) Application Number: **0805/2004**
- (22) Date of Filing Application: **02 March 2004**
- (24) Date from which industrial property rights may have effect: **02 March 2004**
- (54) Article in respect of which the design is registered: **Tank**
- (51) International Design Classification: **23-01F**
- (74) Name(s) of Attorney(s): **PHILLIPS ORMONDE & FITZPATRICK**
- (71) Name(s) and Address(s) of Applicant(s):

David Mark Steele
56 Pye Street Swan Hill Victoria 3585 Australia

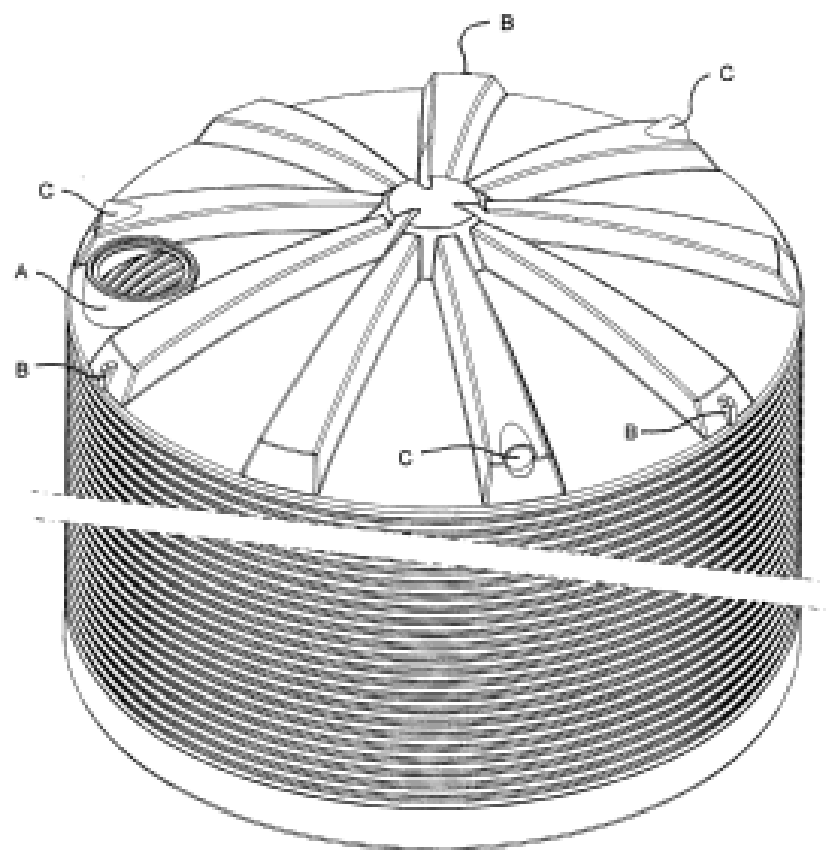
(72) Name(s) of Author(s): **David Mark Steele and Desmond Berry**

(45) Registration Date: **06 June 2005**

(56) Related Art Documents: **Not Applicable**

(57) Statement of Monopoly: **Monopoly is claimed in the shape and or configuration of a tank as shown in the representations. When considering the extent of monopoly protection, the height of the tank, the corrugated profile applied to the side wall of the tank, the manhole marked "A", the lifting lugs marked "B" and the outlets marked "C" are to be disregarded.**

Statement of Novelty: **Nil**



- (21) Application Number: **0806/2004**
- (22) Date of Filing Application: **02 March 2004**
- (24) Date from which industrial property rights may have effect: **02 March 2004**
- (54) Article in respect of which the design is registered: **Tank**
- (51) International Design Classification: **23-01F**
- (74) Name(s) of Attorney(s): **PHILLIPS ORMONDE & FITZPATRICK**
- (71) Name(s) and Address(s) of Applicant(s):

David Mark Steele
56 Pye Street Swan Hill Victoria 3585 Australia

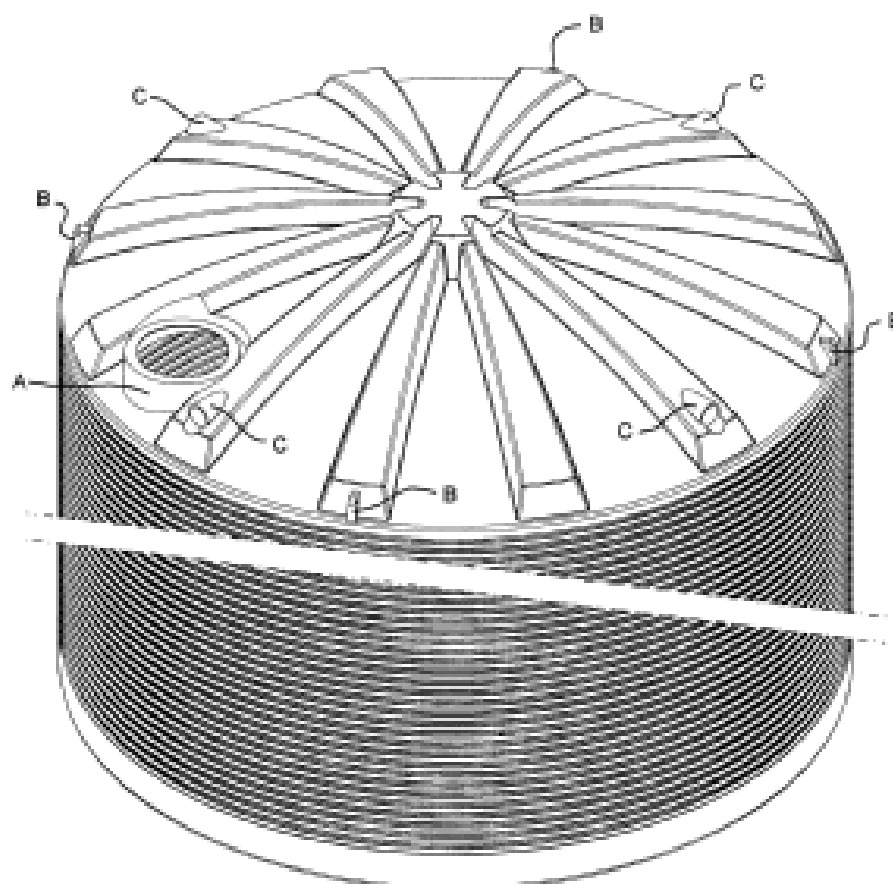
(72) Name(s) of Author(s): **David Mark Steele and Desmond Berry**

(45) Registration Date: **06 June 2005**

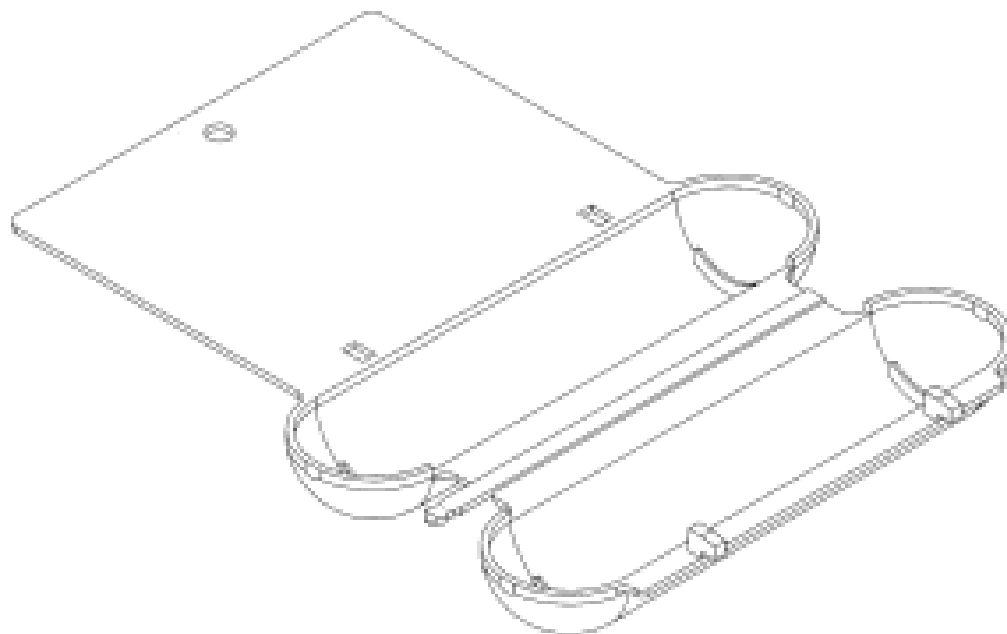
(56) Related Art Documents: **Not Applicable**

(57) Statement of Monopoly: **Monopoly is claimed in the shape and or configuration of a tank as shown in the representations. When considering the extent of monopoly protection, the height of the tank, the corrugated profile applied to the side wall of the tank, the manhole marked "A", the lifting lugs marked "B" and the outlets marked "C" are to be disregarded.**

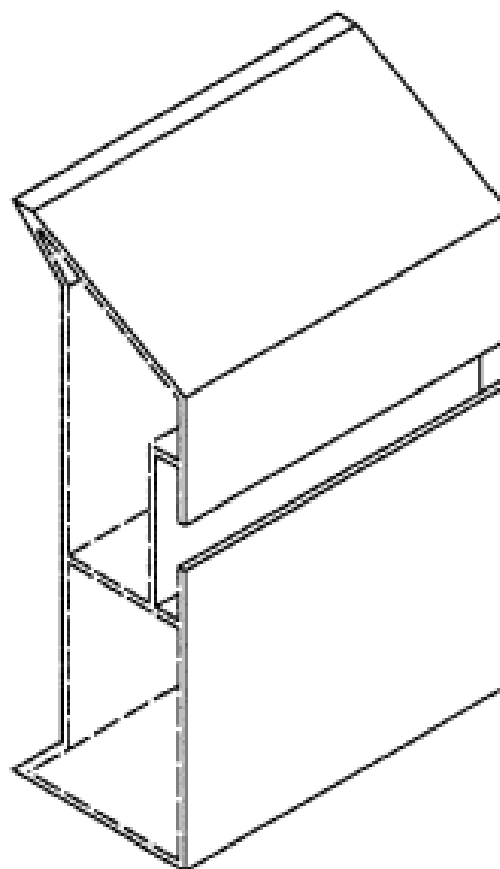
Statement of Novelty: **Nil**



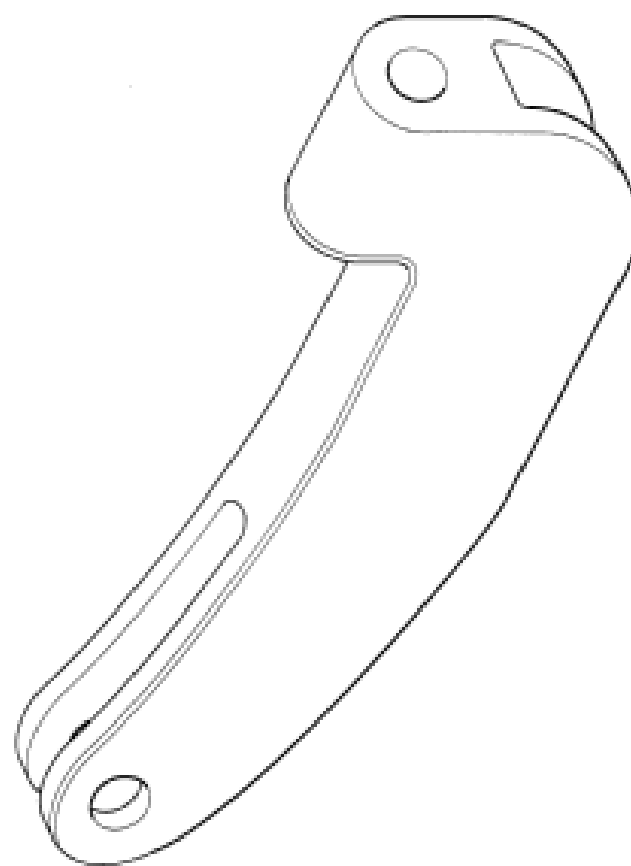
- (21) Application Number: **3913/2003**
(22) Date of Filing Application: **10 November 2003**
(24) Date from which industrial property rights may have effect: **10 November 2003**
(54) Article in respect of which the design is registered: **A tamper evident container**
(51) International Design Classification: **09-05**
(71) Name(s) and Address(s) of Applicant(s):
Galantai Plastics Group Ltd
11 Bancroft Crescent Glendene Auckland New Zealand
(72) Name(s) of Author(s): **Rod Galantai**
(45) Registration Date: **06 June 2005**
(56) Related Art Documents: **Not Applicable**
(57) Statement of Monopoly: **Monopoly is claimed in the features of shape and configuration of the tamper evident container as shown in the accompanying representations.**
Statement of Novelty: **Nil**



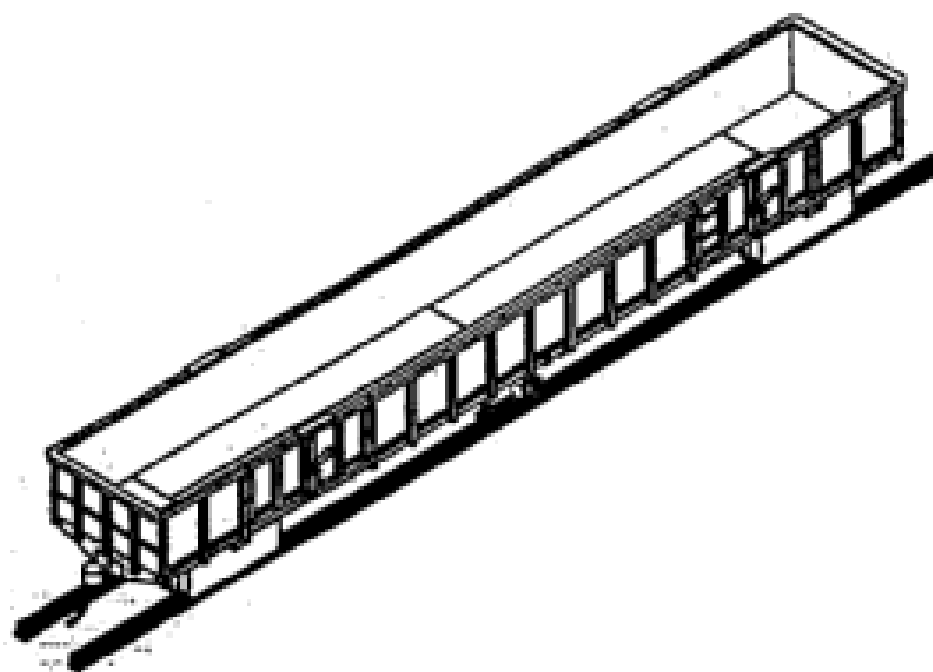
- (21) Application Number: **4156/2003**
(22) Date of Filing Application: **25 November 2003**
(24) Date from which industrial property rights may have effect: **25 November 2003**
(54) Article in respect of which the design is registered: **Edge form**
(51) International Design Classification: **15-09**
(71) Name(s) and Address(s) of Applicant(s):
Retail and Commercial Properties Pty Ltd
37 Bordeaux Street Doncaster East Victoria 3108 Australia
(72) Name(s) of Author(s): **Michael Samuel**
(45) Registration Date: **06 June 2005**
(56) Related Art Documents: **Not Applicable**
(57) Statement of Monopoly: **Monopoly is claimed in the features of shape or configuration of an edge form as shown in the representations of indefinite length as shown in the accompanying representation. No monopoly is claim with respect of the interior region marked in phantom line.**
Statement of Novelty: **Nil**



(21) Application Number: **4205/2003**
(22) Date of Filing Application: **01 December 2003**
(24) Date from which industrial property rights may have effect: **01 December 2003**
(54) Article in respect of which the design is registered: **Building construction brace element**
(51) International Design Classification: **25-02NES**
(74) Name(s) of Attorney(s): **PIPERS**
(71) Name(s) and Address(s) of Applicant(s):
Austrim National Radiators Limited
Unit 1/18 Croftfield Lane Glenfield Auckland New Zealand
(72) Name(s) of Author(s): **Kenneth Gordon Overton**
(45) Registration Date: **06 June 2005**
(30) Convention priority data:
(31) Number (32) Date (33) Country
404193 26 Nov 2003 NEW ZEALAND
(56) Related Art Documents: **Not Applicable**
(57) Statement of Monopoly: **Monopoly is claimed in the shape and configuration of a building construction brace element as illustrated in the accompanying illustrations.**
Statement of Novelty: **Nil**



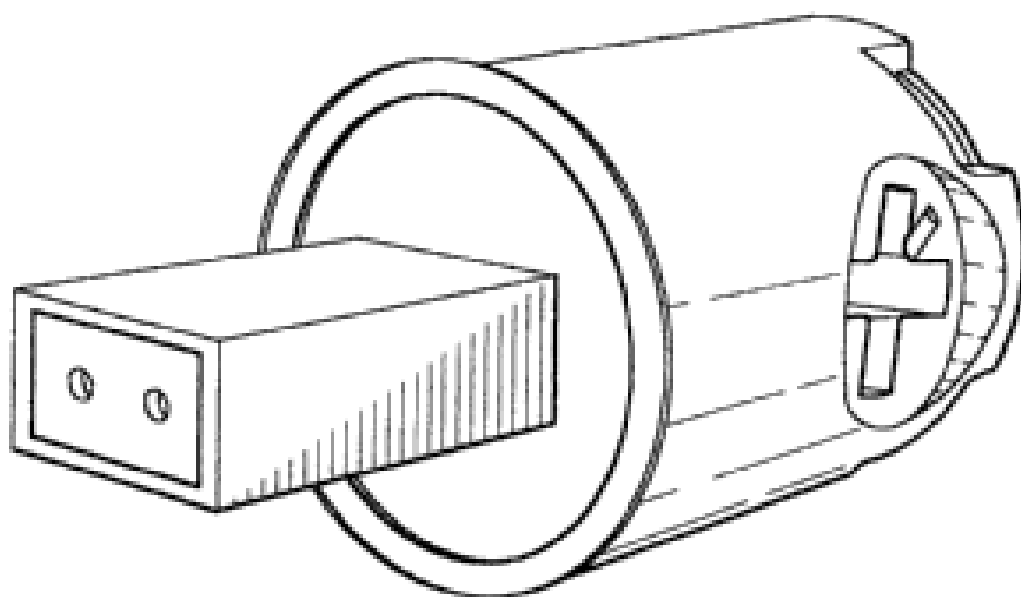
(21) Application Number: **4247/2003**
(22) Date of Filing Application: **01 December 2003**
(24) Date from which industrial property rights may have effect: **01 December 2003**
(54) Article in respect of which the design is registered: **A model railway wagon**
(51) International Design Classification: **12-03, 21-01C**
(71) Name(s) and Address(s) of Applicant(s):
Alwyn Jeffrey Cutmore
136 Depot Road Warwick Queensland 4370 Australia
Barbara Eileen Marrinne Cutmore
136 Depot Road Warwick Queensland 4370 Australia
(72) Name(s) of Author(s): **Peter Nicolay**
(45) Registration Date: **06 June 2005**
(56) Related Art Documents: **Not Applicable**
(57) Statement of Monopoly: **Monopoly is claimed in the shape and configuration of the model railway wagon as shown in the representation.**
Statement of Novelty: **Nil**



(21) Application Number: **4470/2003**
 (22) Date of Filing Application: **16 December 2003**
 (24) Date from which industrial property rights may have effect: **16 December 2003**
 (54) Article in respect of which the design is registered: **A globe mounting**
 (51) International Design Classification: **26-99**
 (74) Name(s) of Attorney(s): **SPRUSON & FERGUSON**
 (71) Name(s) and Address(s) of Applicant(s):

HPM Industries Pty Ltd
Level 1 Unit 3 40-48 O'Dea Avenue Waterloo New South Wales 2017
Australia

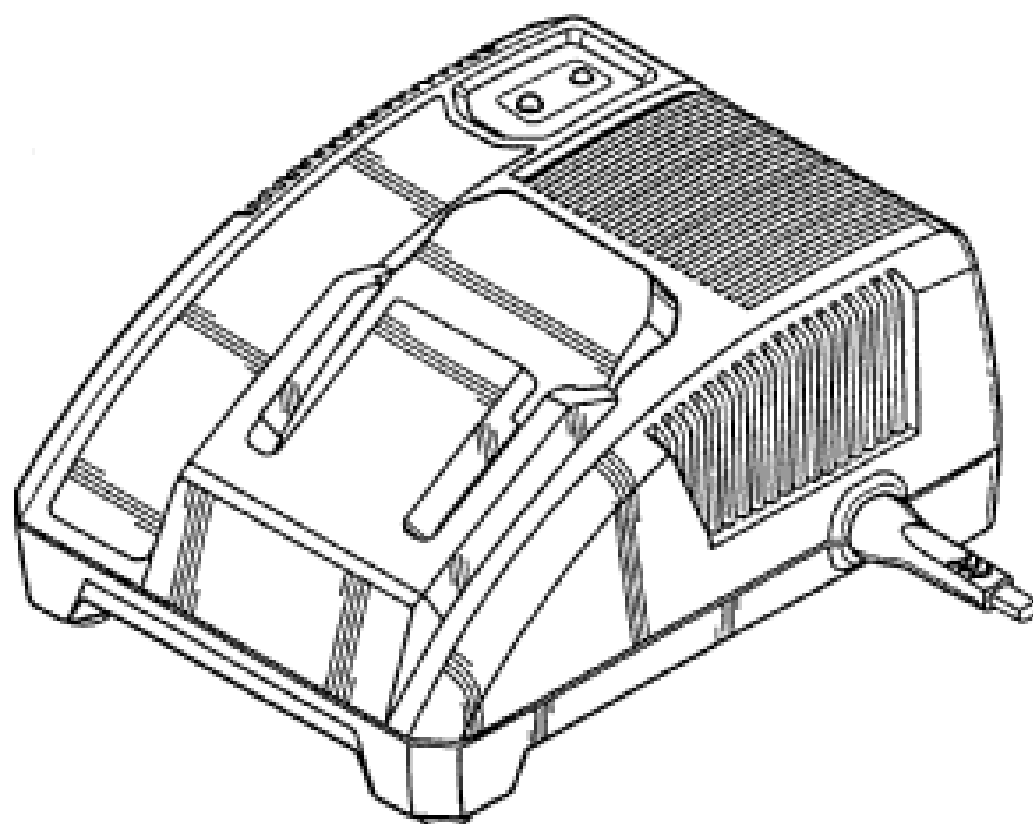
(72) Name(s) of Author(s): **Simon Nicholas Richmond**
 (45) Registration Date: **06 June 2005**
 (56) Related Art Documents: **Not Applicable**
 (57) Statement of Monopoly: **Monopoly is claimed in the features of shape and/or configuration of a globe mounting as illustrated in the accompanying representations. The length of the post as seen in the side views is to be disregarded.**
 Statement of Novelty: **Nil**



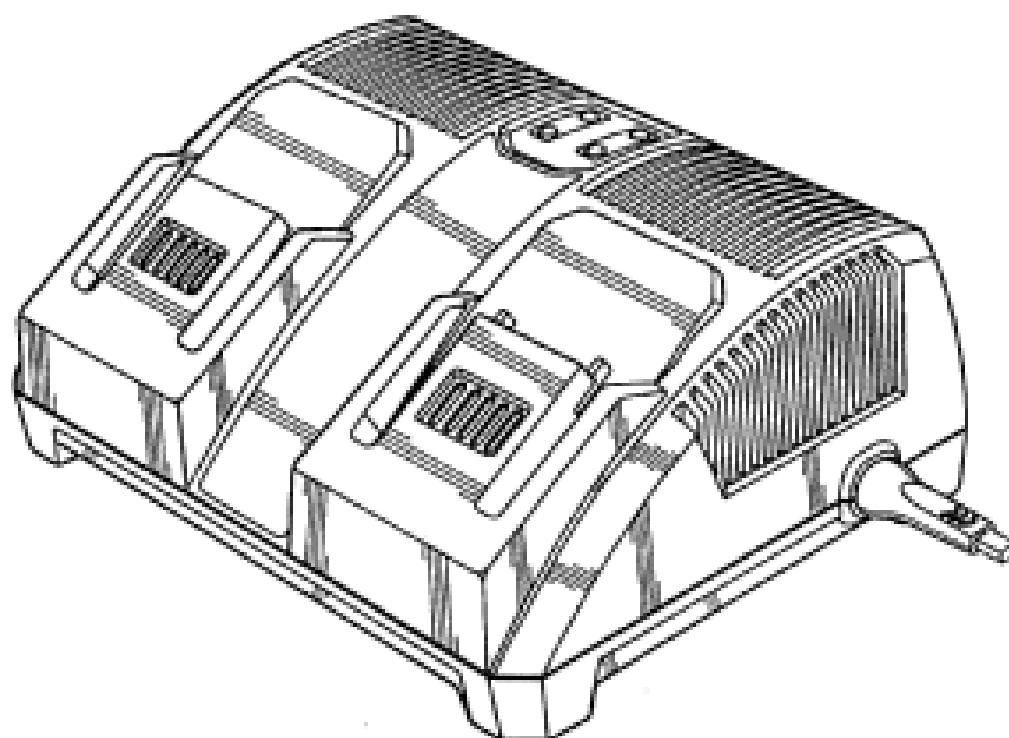
(21) Application Number: **4575/2003**
 (22) Date of Filing Application: **24 December 2003**
 (24) Date from which industrial property rights may have effect: **24 December 2003**
 (54) Article in respect of which the design is registered: **Charger**
 (51) International Design Classification: **13-02**
 (74) Name(s) of Attorney(s): **Griffith Hack**
 (71) Name(s) and Address(s) of Applicant(s):

One World Technologies Limited
Cedar House 41 Cedar Avenue Hamilton HM 12 Bermuda

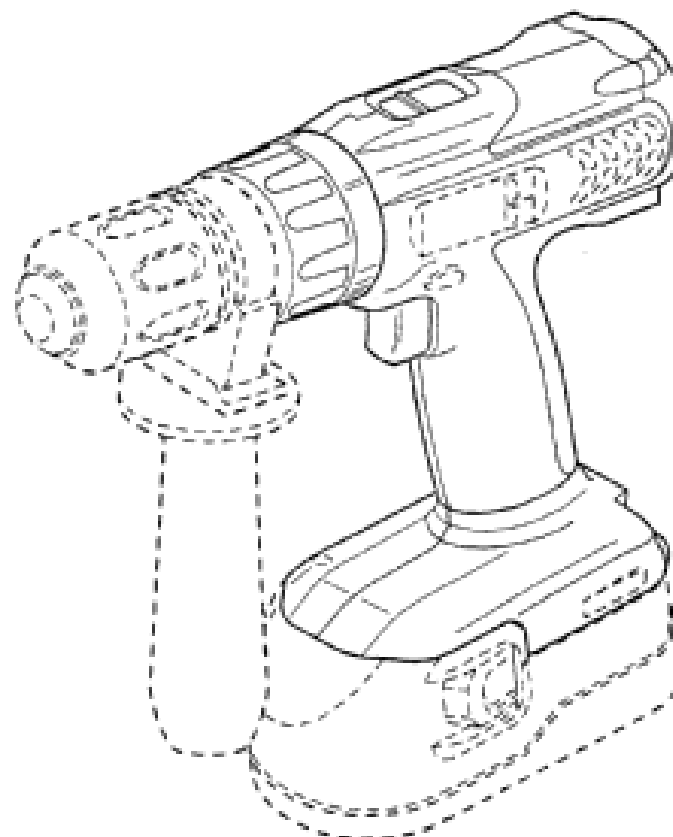
(72) Name(s) of Author(s): **Kam Lun Tailun Gates Sham and Thomas Matthew Parel**
 (45) Registration Date: **06 June 2005**
 (30) Convention priority data:
 (31) Number (32) Date (33) Country
29/188087 12 Aug 2003 UNITED STATES OF AMERICA
 (56) Related Art Documents: **Not Applicable**
 (57) Statement of Monopoly: **Monopoly is claimed in the shape and configuration of a charger as shown in the accompanying drawings.**
 Statement of Novelty: **Nil**



(21) Application Number: **4577/2003**
 (22) Date of Filing Application: **24 December 2003**
 (24) Date from which industrial property rights may have effect: **24 December 2003**
 (54) Article in respect of which the design is registered: **Charger**
 (51) International Design Classification: **13-02**
 (74) Name(s) of Attorney(s): **Griffith Hack**
 (71) Name(s) and Address(s) of Applicant(s):
One World Technologies Limited
Cedar House 41 Cedar Avenue Hamilton HM 12 Bermuda
 (72) Name(s) of Author(s): **Thomas Matthew Parel and Kam Kee Wong**
 (45) Registration Date: **06 June 2005**
 (30) Convention priority data:
 (31) Number (32) Date (33) Country
29/188082 11 Aug 2003 UNITED STATES OF AMERICA
 (56) Related Art Documents: **Not Applicable**
 (57) Statement of Monopoly: **Monopoly is claimed in the shape and configuration of a charger as shown in the accompanying drawings.**
 Statement of Novelty: **Nil**



(21) Application Number: **4578/2003**
 (22) Date of Filing Application: **24 December 2003**
 (24) Date from which industrial property rights may have effect: **24 December 2003**
 (54) Article in respect of which the design is registered: **Cordless drill**
 (51) International Design Classification: **08-01**
 (74) Name(s) of Attorney(s): **Griffith Hack**
 (71) Name(s) and Address(s) of Applicant(s):
One World Technologies Limited
Cedar House 41 Cedar Avenue Hamilton HM 12 Bermuda
 (72) Name(s) of Author(s): **Kam Kee Wong and M. Edward Lawing and Taku Ohi**
 (45) Registration Date: **06 June 2005**
 (30) Convention priority data:
 (31) Number (32) Date (33) Country
29/188085 12 Aug 2003 UNITED STATES OF AMERICA
 (56) Related Art Documents: **Not Applicable**
 (57) Statement of Monopoly: **Monopoly is claimed in the shape and configuration of a cordless drill as shown in the accompanying drawings. No monopoly is claimed in the features of the cordless drill as shown in the broken lines since the broken lines are for illustrative purposes only and form no part of the claimed design.**
 Statement of Novelty: **Nil**



- (21) Application Number: **0302/2004**
(22) Date of Filing Application: **22 January 2004**
(24) Date from which industrial property rights may have effect: **22 January 2004**
(54) Article in respect of which the design is registered: **Perfume diffuser**
(51) International Design Classification: **28-99**
(71) Name(s) and Address(s) of Applicant(s):

Produits Berger
67 avenue Victor Hugo 75116 Paris France

(72) Name(s) of Author(s): **Alain Le Bourg**

(45) Registration Date: **06 June 2005**

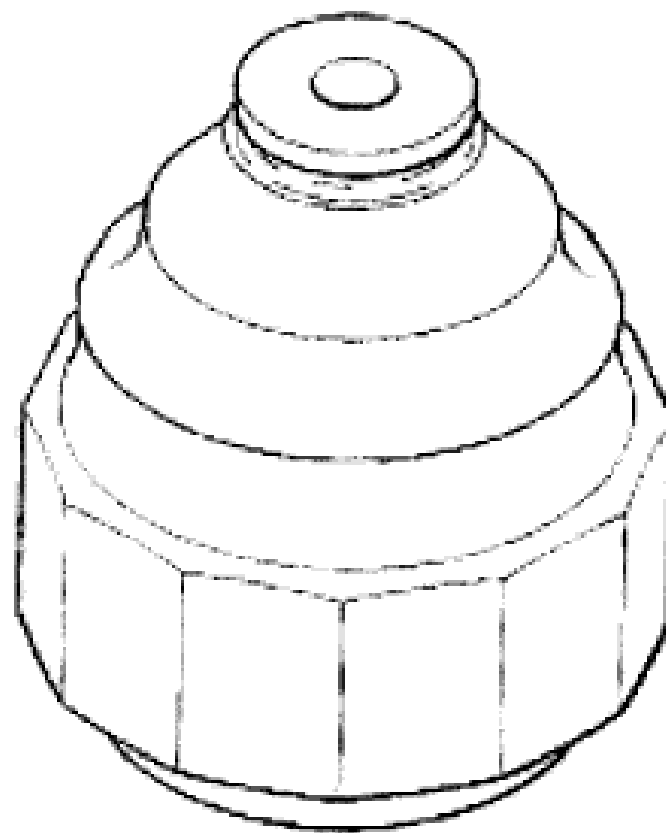
(30) Convention priority data:

(31) Number	(32) Date	(33) Country
03 3919	5 Aug 2003	FRANCE

(56) Related Art Documents: **Not Applicable**

(57) Statement of Monopoly: **Monopoly is claimed in the features of shape and configuration as applied to a perfume diffuser as illustrated in the accompanying representations.**

Statement of Novelty: **Nil**



- (21) Application Number: **0449/2004**
(22) Date of Filing Application: **06 February 2004**
(24) Date from which industrial property rights may have effect: **06 February 2004**
(54) Article in respect of which the design is registered: **Wireless mobile telephone**
(51) International Design Classification: **14-03E**
(74) Name(s) of Attorney(s): **Griffith Hack**
(71) Name(s) and Address(s) of Applicant(s):

Sierra Wireless Inc.
13811 Wireless Way Richmond British Columbia V6V 3A4 Canada

(72) Name(s) of Author(s): **Jon Winebrenner and Mark Hoeveler and David Saylor and Ichiang Sun and Jamian Russell Cobbett and Stephen Matthew McCallion**

(45) Registration Date: **06 June 2005**

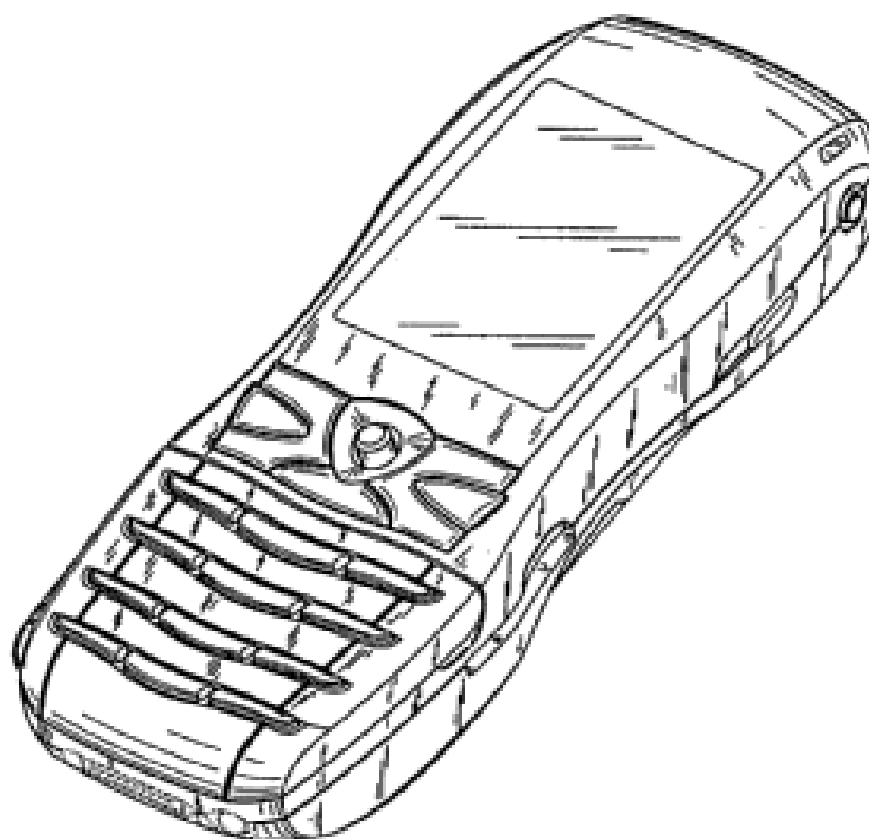
(30) Convention priority data:

(31) Number	(32) Date	(33) Country
29/187,775	6 Aug 2003	UNITED STATES OF AMERICA

(56) Related Art Documents: **Not Applicable**

(57) Statement of Monopoly: **Monopoly is claimed in the features of shape and configuration applied to a wireless mobile telephone as shown in the attached representations. In considering the extent of the monopoly, the features shown in broken lines are to be disregarded.**

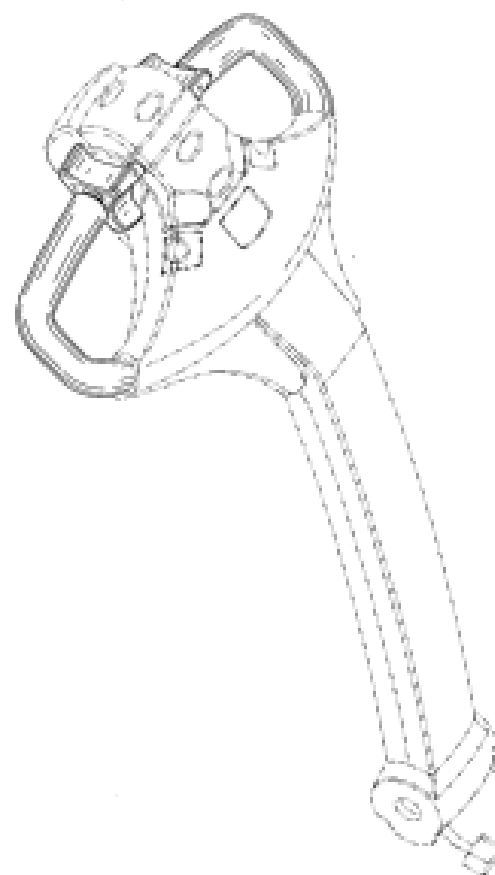
Statement of Novelty: **Nil**



(21) Application Number: **0450/2004**
(22) Date of Filing Application: **06 February 2004**
(24) Date from which industrial property rights may have effect: **06 February 2004**
(54) Article in respect of which the design is registered: **A chair**
(51) International Design Classification: **06-01F**
(74) Name(s) of Attorney(s): **Griffith Hack**
(71) Name(s) and Address(s) of Applicant(s):
Saywell Group Pty Ltd
59 Normanby Road Notting Hill Victoria 3168 Australia
(72) Name(s) of Author(s): **Ronald Paul Hayward**
(45) Registration Date: **07 June 2005**
(56) Related Art Documents: **Not Applicable**
(57) Statement of Monopoly: **Monopoly is claimed in the shape and configuration of a chair as shown in the accompanying drawings.**
Statement of Novelty: **Nil**

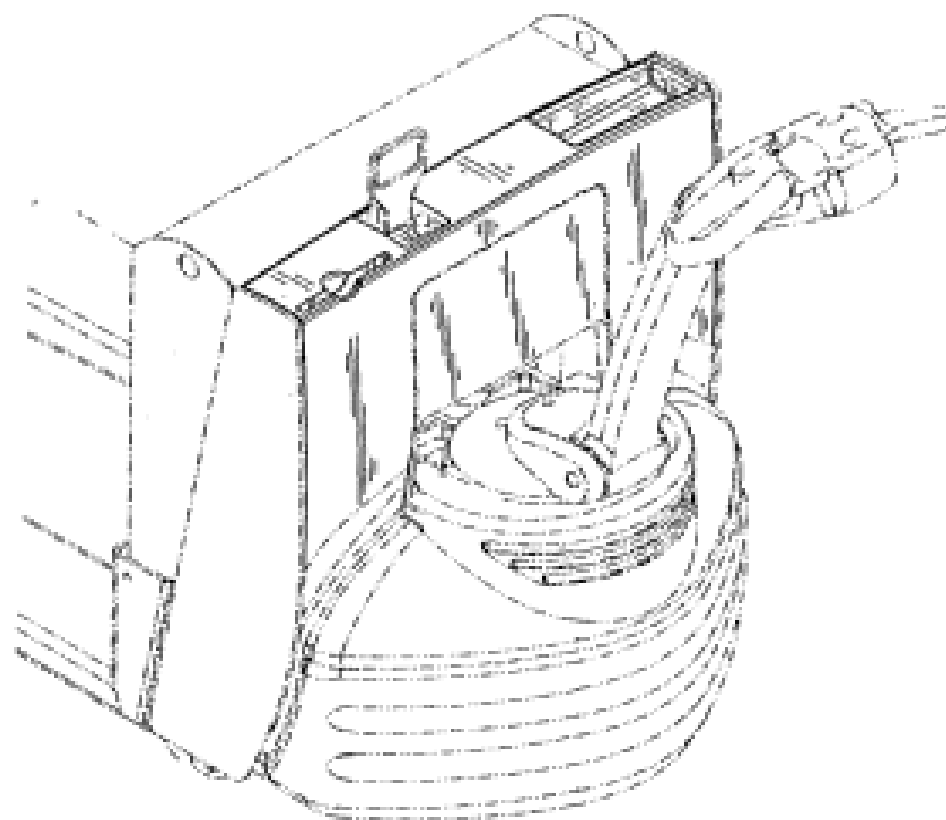


(21) Application Number: **0704/2004**
(22) Date of Filing Application: **25 February 2004**
(24) Date from which industrial property rights may have effect: **25 February 2004**
(54) Article in respect of which the design is registered: **A control handle**
(51) International Design Classification: **12-05**
(74) Name(s) of Attorney(s): **PIZZEYS**
(71) Name(s) and Address(s) of Applicant(s):
The Raymond Corporation
20 South Canal Street Greene New York 13778 United States of America
(72) Name(s) of Author(s): **Gary B. Swetish**
(45) Registration Date: **07 June 2005**
(30) Convention priority data:
(31) Number (32) Date (33) Country
29/189,192 29 Aug 2003 UNITED STATES OF AMERICA
(56) Related Art Documents: **Not Applicable**
(57) Statement of Monopoly: **Monopoly is claimed for the features of shape and configuration of a control handle as shown in the accompanying representations. When construing the extent of monopoly protection the features illustrated in the broken lines are to be disregarded.**
Statement of Novelty: **Nil**



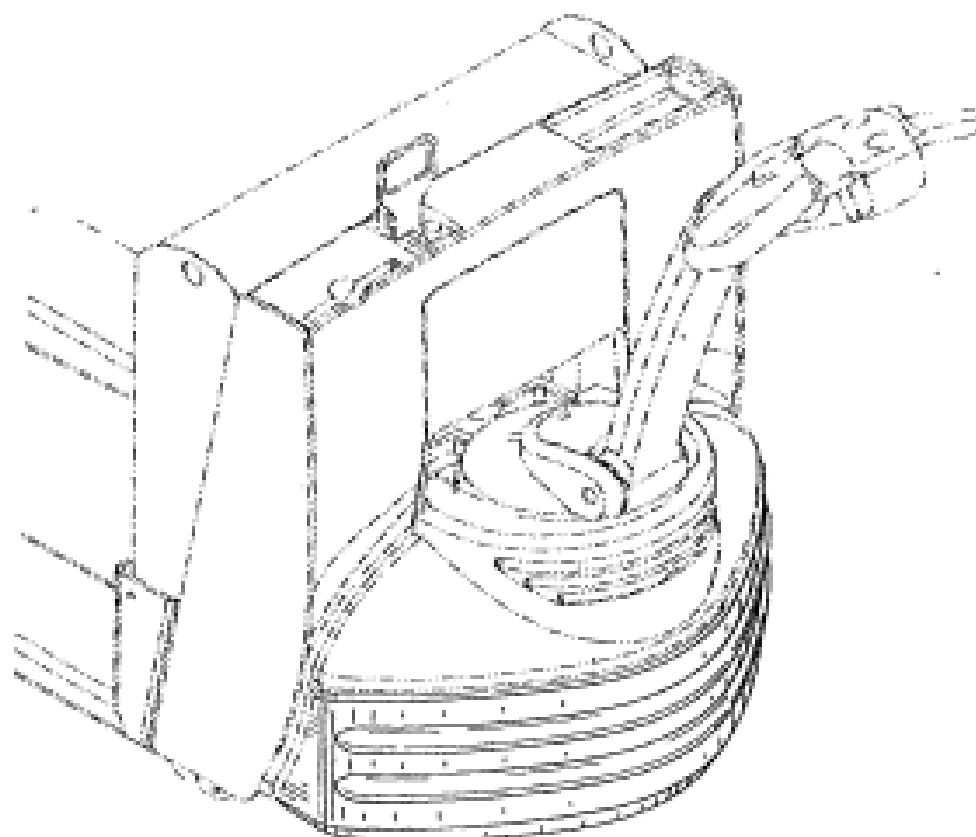
(19) AU

(21) Application Number: **0705/2004**
 (22) Date of Filing Application: **25 February 2004**
 (24) Date from which industrial property rights may have effect: **25 February 2004**
 (54) Article in respect of which the design is registered: **A top cover**
 (51) International Design Classification: **12-05**
 (74) Name(s) of Attorney(s): **PIZZEYS**
 (71) Name(s) and Address(s) of Applicant(s):
The Raymond Corporation
20 South Canal Street Greene New York 13778 United States of America
 (72) Name(s) of Author(s): **Gary B. Swetish and Jodi L. Goodale and Gregory W. Smiley**
 (45) Registration Date: **07 June 2005**
 (30) Convention priority data:
 (31) Number (32) Date (33) Country
29/189,208 29 Aug 2003 UNITED STATES OF AMERICA
 (56) Related Art Documents: **Not Applicable**
 (57) Statement of Monopoly: **Monopoly is claimed for the features of shape and configuration of a top cover as shown in the accompanying representations. When construing the extent of monopoly protection the features illustrated in the broken lines are to be disregarded.**
 Statement of Novelty: **Nil**



(19) AU

(21) Application Number: **0706/2004**
 (22) Date of Filing Application: **25 February 2004**
 (24) Date from which industrial property rights may have effect: **25 February 2004**
 (54) Article in respect of which the design is registered: **A bumper**
 (51) International Design Classification: **12-05**
 (74) Name(s) of Attorney(s): **PIZZEYS**
 (71) Name(s) and Address(s) of Applicant(s):
The Raymond Corporation
20 South Canal Street Greene New York 13778 United States of America
 (72) Name(s) of Author(s): **Gary B. Swetish and Douglas D. Fett**
 (45) Registration Date: **07 June 2005**
 (30) Convention priority data:
 (31) Number (32) Date (33) Country
29/189,209 29 Aug 2003 UNITED STATES OF AMERICA
 (56) Related Art Documents: **Not Applicable**
 (57) Statement of Monopoly: **Monopoly is claimed for the features of shape and configuration of a bumper as shown in the accompanying representations. When construing the extent of monopoly protection the features illustrated in the broken lines are to be disregarded.**
 Statement of Novelty: **Nil**



(21) Application Number: **0707/2004**
 (22) Date of Filing Application: **25 February 2004**
 (24) Date from which industrial property rights may have effect: **25 February 2004**
 (54) Article in respect of which the design is registered: **A frame**
 (51) International Design Classification: **12-05**
 (74) Name(s) of Attorney(s): **PIZZEYS**
 (71) Name(s) and Address(s) of Applicant(s):

The Raymond Corporation
20 South Canal Street Greene New York 13778 United States of America

(72) Name(s) of Author(s): **Gary B. Swetish and Jodi L. Goodale**

(45) Registration Date: **07 June 2005**

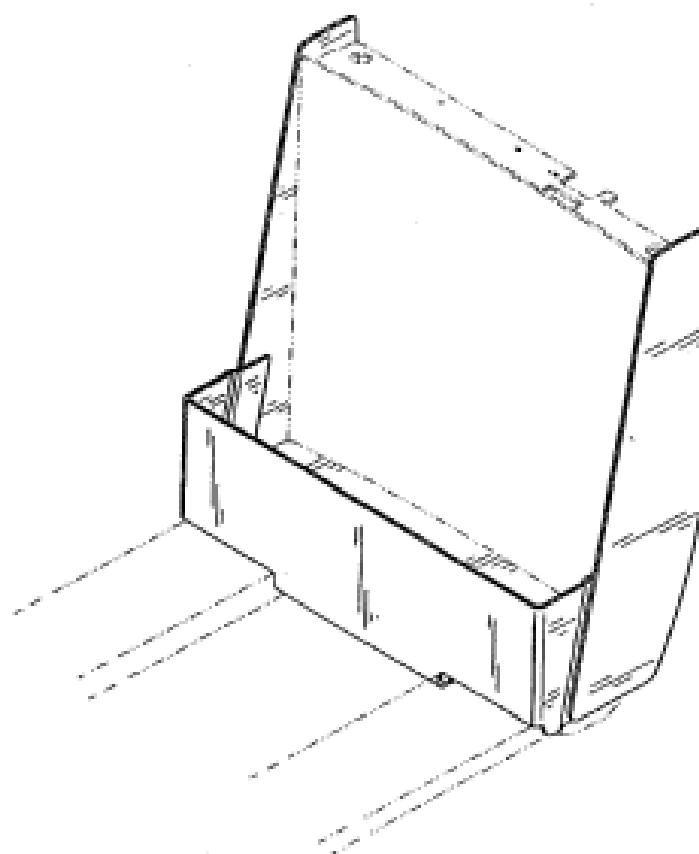
(30) Convention priority data:

(31) Number	(32) Date	(33) Country
29/189,143	29 Aug 2003	UNITED STATES OF AMERICA

(56) Related Art Documents: **Not Applicable**

(57) Statement of Monopoly: **Monopoly is claimed for the features of shape and configuration of a frame as shown in the accompanying representations. When construing the extent of monopoly protection the features illustrated in the broken lines are to be disregarded.**

Statement of Novelty: **Nil**



(21) Application Number: **0708/2004**
 (22) Date of Filing Application: **25 February 2004**
 (24) Date from which industrial property rights may have effect: **25 February 2004**
 (54) Article in respect of which the design is registered: **A cover**
 (51) International Design Classification: **12-05**
 (74) Name(s) of Attorney(s): **PIZZEYS**
 (71) Name(s) and Address(s) of Applicant(s):

The Raymond Corporation
20 South Canal Street Greene New York 13778 United States of America

(72) Name(s) of Author(s): **Gary B. Swetish and Jodi L. Goodale and Gregory W. Smiley**

(45) Registration Date: **07 June 2005**

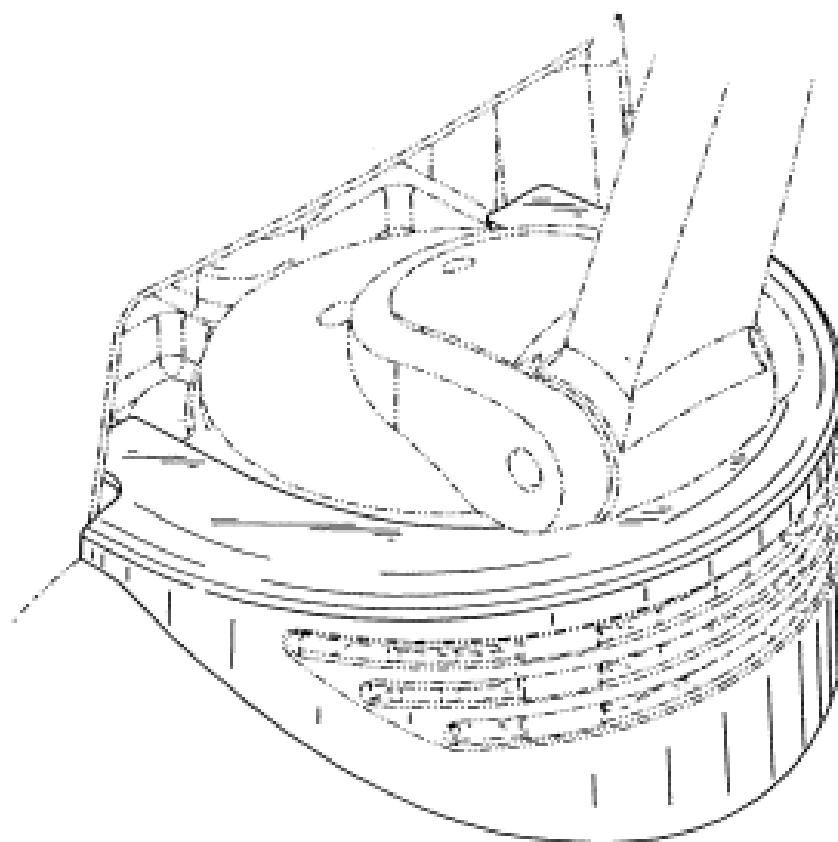
(30) Convention priority data:

(31) Number	(32) Date	(33) Country
29/189,193	29 Aug 2003	UNITED STATES OF AMERICA

(56) Related Art Documents: **Not Applicable**

(57) Statement of Monopoly: **Monopoly is claimed for the features of shape and configuration of a cover as shown in the accompanying representations. When construing the extent of monopoly protection the features illustrated in the broken lines are to be disregarded.**

Statement of Novelty: **Nil**



- (21) Application Number: **0860/2004**
(22) Date of Filing Application: **04 March 2004**
(24) Date from which industrial property rights may have effect: **04 March 2004**
(54) Article in respect of which the design is registered: **Tank**
(51) International Design Classification: **23-01F**
(74) Name(s) of Attorney(s): **PHILLIPS ORMONDE & FITZPATRICK**
(71) Name(s) and Address(s) of Applicant(s):

David Mark Steele
56 Pye Street Swan Hill Victoria 3585 Australia

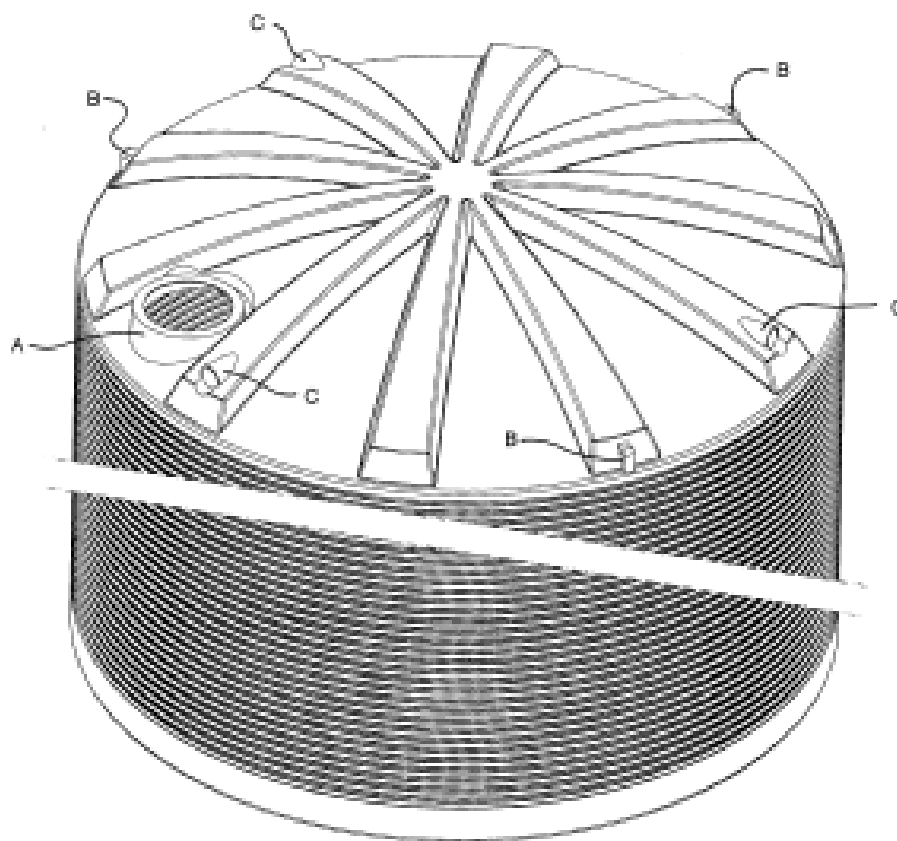
- (72) Name(s) of Author(s): **David Mark Steele and Desmond Berry**

(45) Registration Date: **07 June 2005**

(56) Related Art Documents: **Not Applicable**

- (57) Statement of Monopoly: **Monopoly is claimed in the shape and or configuration of a tank as shown in the representations. When considering the extent of monopoly protection, the height of the tank, the corrugated profile applied to the side wall of the tank, the manhole marked "A", the lifting lugs marked "B" and the outlets marked "C" are to be disregarded.**

Statement of Novelty: **Nil**



- (21) Application Number: **1308/2004**
(22) Date of Filing Application: **05 April 2004**
(24) Date from which industrial property rights may have effect: **05 April 2004**
(54) Article in respect of which the design is registered: **Sleeping berth module**
(51) International Design Classification: **12-06NES**
(74) Name(s) of Attorney(s): **Anderson Taylor & Associates**
(71) Name(s) and Address(s) of Applicant(s):

Peter Anthony Hannah
Unit 3 7-11 Berry Street Cronulla New South Wales 2230 Australia

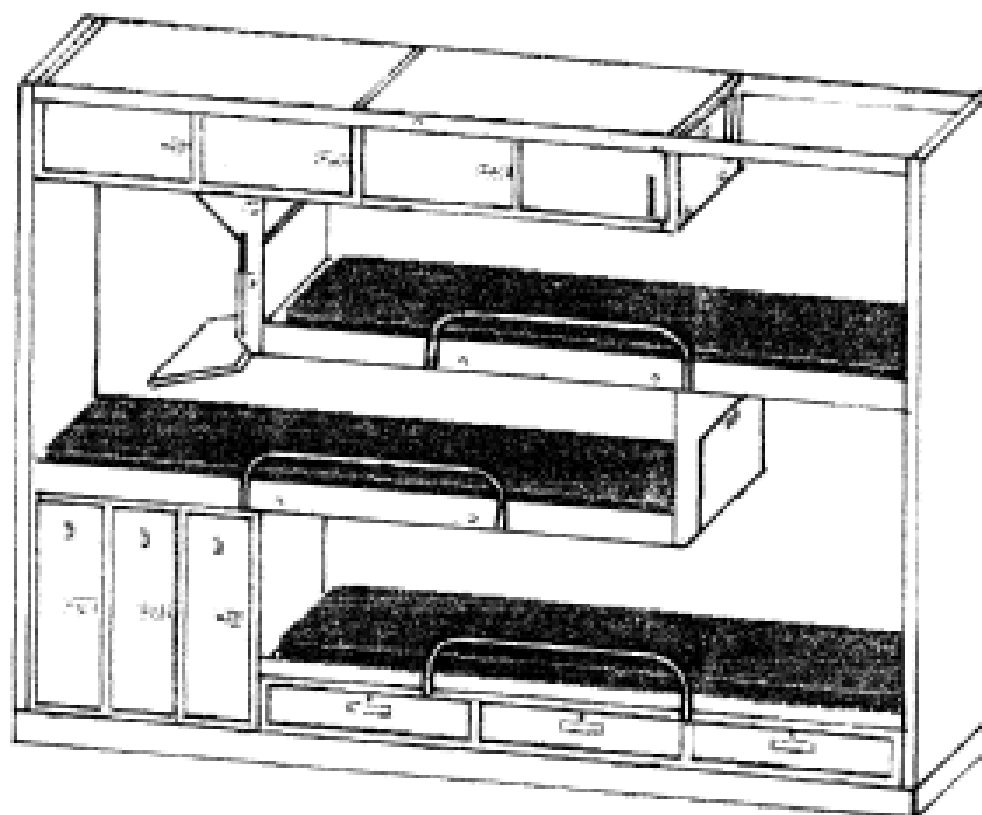
- (72) Name(s) of Author(s): **Peter Anthony Hannah**

(45) Registration Date: **07 June 2005**

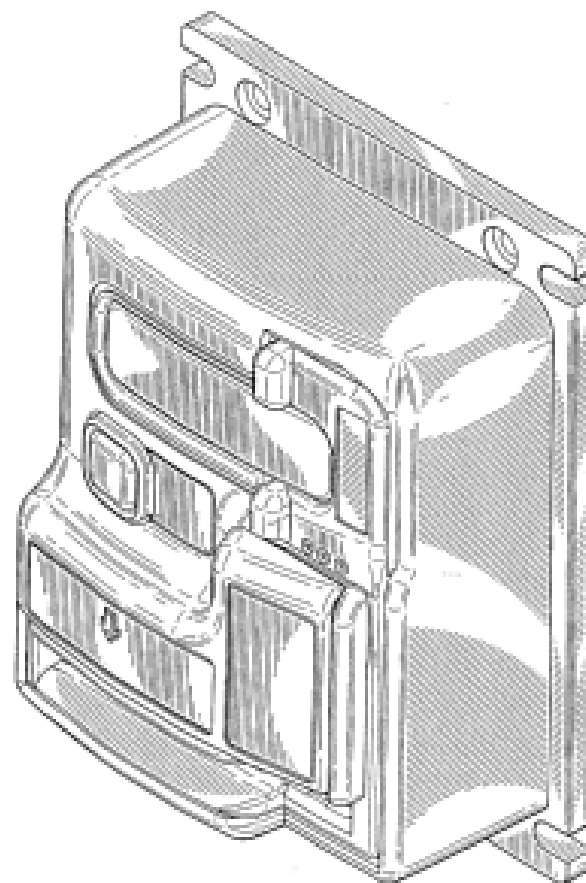
(56) Related Art Documents: **Not Applicable**

- (57) Statement of Monopoly: **Monopoly is claimed in the shape and configuration of a sleeping berth module as illustrated in the attached drawings.**

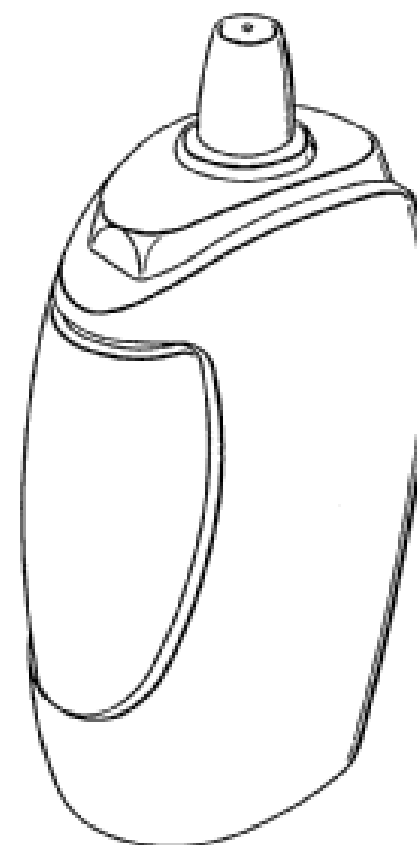
Statement of Novelty: **Nil**



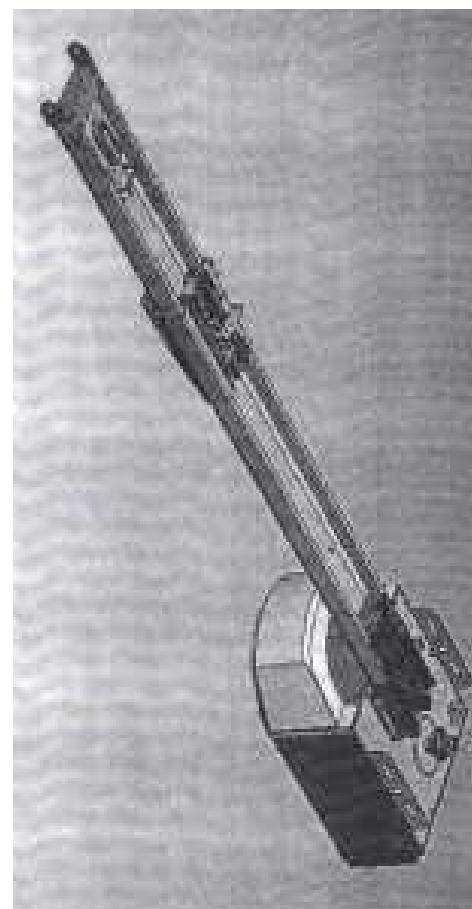
(21) Application Number: **1615/2004**
(22) Date of Filing Application: **28 April 2004**
(24) Date from which industrial property rights may have effect: **28 April 2004**
(54) Article in respect of which the design is registered: **Front bezel of a document validator**
(51) International Design Classification: **10-05**
(74) Name(s) of Attorney(s): **Baker & McKenzie**
(71) Name(s) and Address(s) of Applicant(s):
Mars Incorporated
6885 Elm Street Mclean Virginia 22101-3883 United States of America
(72) Name(s) of Author(s): **Michael D. Nunn**
(45) Registration Date: **07 June 2005**
(30) Convention priority data:
(31) Number (32) Date (33) Country
29/192,843 30 Oct 2003 UNITED STATES OF AMERICA
(56) Related Art Documents: **Not Applicable**
(57) Statement of Monopoly: **Monopoly is claimed in the shape and configuration of the article as depicted in the accompanying representations.**
Statement of Novelty: **Nil**



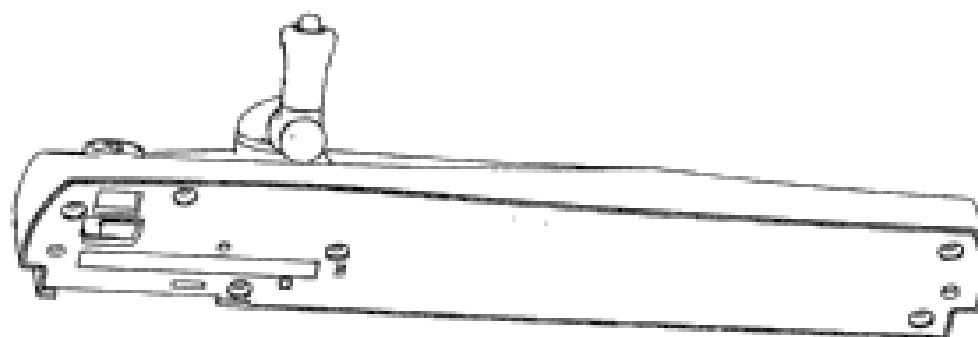
(21) Application Number: **1617/2004**
(22) Date of Filing Application: **28 April 2004**
(24) Date from which industrial property rights may have effect: **28 April 2004**
(54) Article in respect of which the design is registered: **Dispenser**
(51) International Design Classification: **24-02**
(74) Name(s) of Attorney(s): **PHILLIPS ORMONDE & FITZPATRICK**
(71) Name(s) and Address(s) of Applicant(s):
Glaxo Group Limited
Glaxo Wellcome House Berkeley Avenue Greenford Middlesex TW8 9GS United Kingdom
(72) Name(s) of Author(s): **Matthew Spencer Collins and Hugh Alexander Connell and Andrew Robert Gibbs and Paul Kenneth Rand and Robert William Tansley and Michael Birsha Davies**
(45) Registration Date: **07 June 2005**
(30) Convention priority data:
(31) Number (32) Date (33) Country
3015000 31 Oct 2003 UNITED KINGDOM
(56) Related Art Documents: **Not Applicable**
(57) Statement of Monopoly: **Monopoly is claimed in the shape and/or configuration of the dispensers as shown in the representations.**
Statement of Novelty: **Nil**



(21) Application Number: **1724/2004**
(22) Date of Filing Application: **07 May 2004**
(24) Date from which industrial property rights may have effect: **07 May 2004**
(54) Article in respect of which the design is registered: **Sectional door opener**
(51) International Design Classification: **08-07**
(74) Name(s) of Attorney(s): **WALLINGTON-DUMMER**
(71) Name(s) and Address(s) of Applicant(s):
Superlift Garage Door Openers Ltd
Unit 909 9th Floor Tower B Southmark Building 11 Yip Hing Street
Wong Chuk Hang Hong Kong
(72) Name(s) of Author(s): **Peter Ladics**
(45) Registration Date: **08 June 2005**
(56) Related Art Documents: **Not Applicable**
(57) Statement of Monopoly: **Monopoly is claimed in the shape and/or configuration of the sectional door opener as illustrated in the representations.**
Statement of Novelty: **Nil**



(21) Application Number: **1741/2004**
(22) Date of Filing Application: **10 May 2004**
(24) Date from which industrial property rights may have effect: **10 May 2004**
(54) Article in respect of which the design is registered: **A chain winder for a window**
(51) International Design Classification: **08-09**
(74) Name(s) of Attorney(s): **SPRUSON & FERGUSON**
(71) Name(s) and Address(s) of Applicant(s):
Azuma Design Pty Limited
46-48 Redfern Street Wetherill Park New South Wales 2164 Australia
(72) Name(s) of Author(s): **Richard Zitzelsperger**
(45) Registration Date: **08 June 2005**
(56) Related Art Documents: **Not Applicable**
(57) Statement of Monopoly: **Monopoly is claimed in the features of shape and/or configuration of a chain winder for a window as illustrated in the accompanying representations. The key cylinder is to be disregarded.**
Statement of Novelty: **Nil**



- (21) Application Number: **1843/2004**
(22) Date of Filing Application: **17 May 2004**
(24) Date from which industrial property rights may have effect: **17 May 2004**
(54) Article in respect of which the design is registered: **A buckle**
(51) International Design Classification: **02-07A**
(71) Name(s) and Address(s) of Applicant(s):

Red Dingo GmbH
Hoehenweg 57 CH-6314 Unteraegeri Switzerland

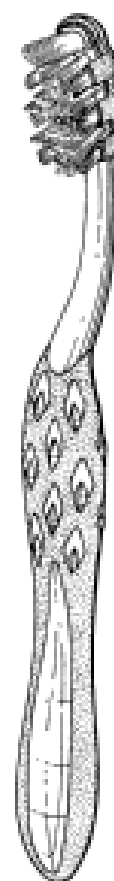
- (72) Name(s) of Author(s): **Andrea Koroluk**
(45) Registration Date: **08 June 2005**
(56) Related Art Documents: **Not Applicable**
(57) Statement of Monopoly: **Monopoly is claimed in the shape and/or configuration of a buckle as shown in the accompanying representations.**
Statement of Novelty: **Nil**



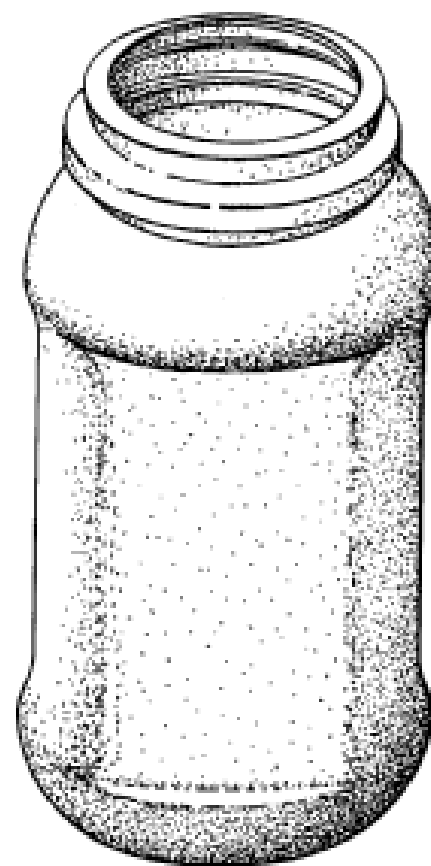
- (21) Application Number: **1930/2004**
(22) Date of Filing Application: **24 May 2004**
(24) Date from which industrial property rights may have effect: **24 May 2004**
(54) Article in respect of which the design is registered: **Toothbrush**
(51) International Design Classification: **04-02**
(74) Name(s) of Attorney(s): **Davies Collison Cave**
(71) Name(s) and Address(s) of Applicant(s):

Unilever PLC
Unilever House Blackfriars London EC4P 4BQ England

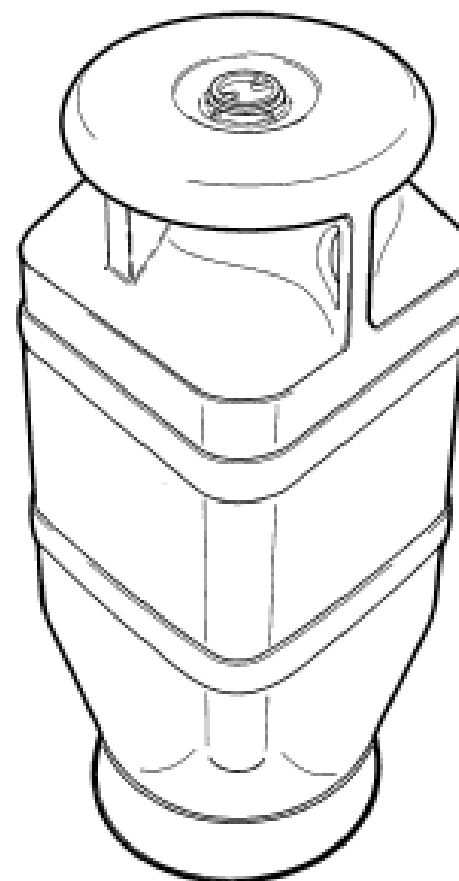
- (72) Name(s) of Author(s): **Rosario Donato Desalvo**
(45) Registration Date: **08 June 2005**
(30) Convention priority data:
(31) Number (32) Date (33) Country
3015355 26 Nov 2003 UNITED KINGDOM
(56) Related Art Documents: **Not Applicable**
(57) Statement of Monopoly: **Monopoly is claimed in the shape and configuration of the article as shown in the representations.**
Statement of Novelty: **Nil**



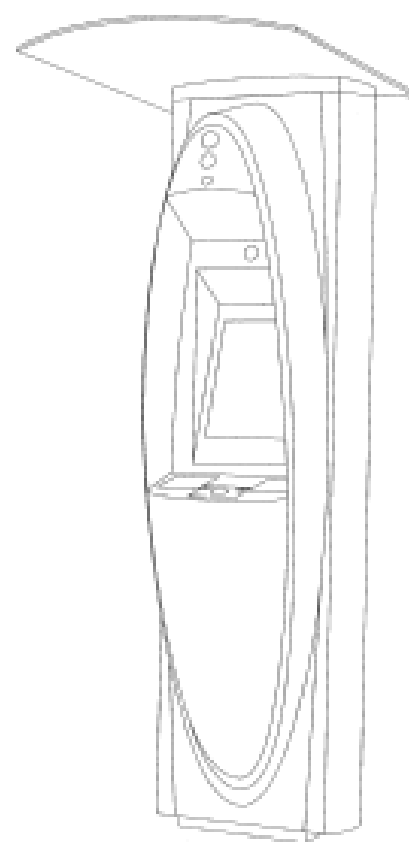
(21) Application Number: **1931/2004**
(22) Date of Filing Application: **24 May 2004**
(24) Date from which industrial property rights may have effect: **24 May 2004**
(54) Article in respect of which the design is registered: **Bottle**
(51) International Design Classification: **09-01NES**
(74) Name(s) of Attorney(s): **Davies Collison Cave**
(71) Name(s) and Address(s) of Applicant(s):
Unilever PLC
Unilever House Blackfriars London EC4P 4BQ England
(72) Name(s) of Author(s): **Gilles Keller and Ronald Khan and Philip Alan Marlow**
(45) Registration Date: **08 June 2005**
(30) Convention priority data:
(31) Number (32) Date (33) Country
3015401 1 Dec 2003 UNITED KINGDOM
(56) Related Art Documents: **Not Applicable**
(57) Statement of Monopoly: **Monopoly is claimed in the shape and configuration of the article as shown in the representations.**
Statement of Novelty: **Nil**



(21) Application Number: **1936/2004**
(22) Date of Filing Application: **24 May 2004**
(24) Date from which industrial property rights may have effect: **24 May 2004**
(54) Article in respect of which the design is registered: **A container with detachable base**
(51) International Design Classification: **09-02NES**
(74) Name(s) of Attorney(s): **WRAY & ASSOCIATES**
(71) Name(s) and Address(s) of Applicant(s):
Topchoice Investments Pty Ltd
105A Charles Street West Perth Western Australia 6005 Australia
(72) Name(s) of Author(s): **Douglas Arthur Sims**
(45) Registration Date: **08 June 2005**
(56) Related Art Documents: **Not Applicable**
(57) Statement of Monopoly: **Monopoly is claimed in the features of shape and configuration of a container with detachable base as depicted in the attached representations.**
Statement of Novelty: **Nil**



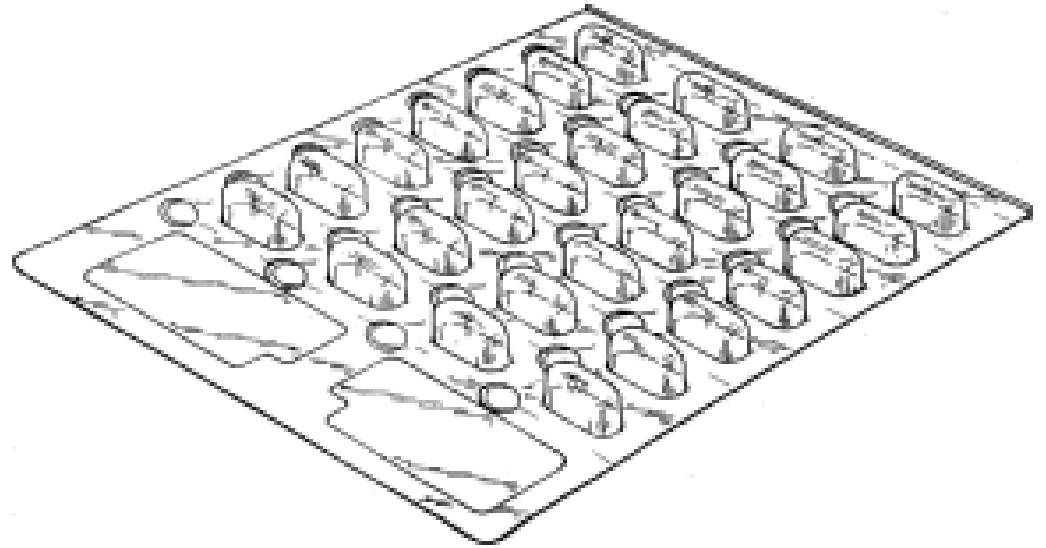
- (21) Application Number: **2025/2004**
(22) Date of Filing Application: **31 May 2004**
(24) Date from which industrial property rights may have effect: **31 May 2004**
(54) Article in respect of which the design is registered: **An electronic interactive apparatus**
(51) International Design Classification: **25-03, 14-02**
(74) Name(s) of Attorney(s): **A J Park**
(71) Name(s) and Address(s) of Applicant(s):
JCDecaux S.A.
17 rue Soyer 92200 Neuilly sur Seine France
(72) Name(s) of Author(s): **Claude Gillard**
(45) Registration Date: **08 June 2005**
(30) Convention priority data:
(31) Number (32) Date (33) Country
04 0682 11 Feb 2004 FRANCE
(56) Related Art Documents: **Not Applicable**
(57) Statement of Monopoly: **Monopoly is claimed in the shape and/or configuration of the electronic interactive apparatus as shown in the accompanying representations.**
Statement of Novelty: **Nil**



- (21) Application Number: **2460/2004**
(22) Date of Filing Application: **16 June 2004**
(24) Date from which industrial property rights may have effect: **28 April 2004**
(54) Article in respect of which the design is registered: **Dispenser with cap**
(51) International Design Classification: **24-02**
(74) Name(s) of Attorney(s): **PHILLIPS ORMONDE & FITZPATRICK**
(71) Name(s) and Address(s) of Applicant(s):
Glaxo Group Limited
Glaxo Wellcome House Berkeley Avenue Greenford Middlesex UB6
0NN United Kingdom
(72) Name(s) of Author(s): **Matthew Spencer Collins and Hugh Alexander Connell and Michael Birsha Davies and Andrew Robert Gibbs and Paul Kenneth Rand and Robert William Tansley**
(45) Registration Date: **08 June 2005**
(62) Divisional of: **158090**
(56) Related Art Documents: **Not Applicable**
(57) Statement of Monopoly: **Monopoly is claimed in the shape and/or configuration of a dispenser with cap as shown in the representations. No monopoly is claimed in the individual pieces per se.**
Statement of Novelty: **Nil**



- (21) Application Number: **2461/2004**
(22) Date of Filing Application: **16 June 2004**
(24) Date from which industrial property rights may have effect: **02 February 2004**
(54) Article in respect of which the design is registered: **Blister pack**
(51) International Design Classification: **09-05**
(74) Name(s) of Attorney(s): **PHILLIPS ORMONDE & FITZPATRICK**
(71) Name(s) and Address(s) of Applicant(s):
Wright Fenn & Co. Ltd
1 Carlton House 75 Kew Green Richmond Surrey TW9 3AH United Kingdom
(72) Name(s) of Author(s): **David John Fenn**
(45) Registration Date: **08 June 2005**
(62) Divisional of: **156351**
(56) Related Art Documents: **Not Applicable**
(57) Statement of Monopoly: **Monopoly is claimed in the shape and/or configuration of a blister pack as shown in the representations.**
Statement of Novelty: **Nil**



Proceedings under the Designs Act 2003.

This Page Left Intentionally Blank

Applications Lodged

Lodgement information is in the following order: **Applicant's Name**; International Classification, Name of Product, Lodgement Date and **Design Number**. If the applicant claims an earlier priority date under an International Convention, the Convention Country and the associated filing date are shown in parentheses before the Lodgement Date. Divisional information will also appear in parentheses before the Lodgement Date.

Abbott, Paul; 07-01B, Oyster plate, 03 Jun 2005	12410/2005	Camaco AG; 26-04, Light generating apparatus, (US, 03 Dec 2004) 27 May 2005	12334/2005
Abbott, Paul; 07-01B, Oyster plate, 03 Jun 2005	12411/2005	Cedge, Inc.; 06-08, Frame for a T-shirt, 03 Jun 2005	12416/2005
Adbooth Pty Ltd; 25-03, Telephone booth, 02 Jun 2005	12395/2005	Cedge, Inc.; 06-08, Frame for a T-shirt, 03 Jun 2005	12417/2005
Alterra Holdings Corporation; 08-03, Scissors, 18 May 2005	12256/2005	Centritech Limited; 26-02, Camping lamp, (US, 04 Mar 2005) 31 May 2005	12429/2005
Alterra Holdings Corporation; 08-03, Scissors, 18 May 2005	12257/2005	Centritech Limited; 26-02, Camping lamp, (US, 01 Dec 2004) 31 May 2005	12430/2005
Anderson, Meg Andrea; 19-01, Greeting card, 03 Jun 2005	12423/2005	Chef'n Corporation; 04-04, A dual ended applicator, (US, 02 Dec 2004) 30 May 2005	12338/2005
Anderson, Meg Andrea; 19-01, Greeting card folder, 03 Jun 2005	12424/2005	Chuang, Shih-Hung; 19-07, A globe stand, 27 May 2005	12312/2005
Art Plastics; 13-03D, Test plug, 03 Jun 2005	12415/2005	D & B Wholesale Pty Ltd; 21-02C, Putting practice device, 02 Jun 2005	12390/2005
Asia Pacific Trading; 08-06, 08-07, Sliding door handle and lock, 30 May 2005	12319/2005	Decor Corporation Pty Ltd, The; 07-05E, 04-01, Dust pan and dust brush combination, 02 Jun 2005	12389/2005
Auspex Pty Ltd; 08-05P, Crimping tool, 03 Jun 2005	12407/2005	Dewhurst Plc; 08-06, A push button, (GB, 02 Dec 2004) 01 Jun 2005	12368/2005
Barret, Trent; 06-03A, Tables including coffee, dining, side-tables, hall tables and other occasional furniture, 06 Jun 2005	12402/2005	Diverse Tank Engineering Pty Ltd; 08-03, Standard petro/chemical wraptanks varying in storage capacity from 1,000 to approx 150,000 litres, 19 May 2005	12254/2005
Breville Pty Limited; 31-00, Compact juicer, 03 Jun 2005	12388/2005	Dr Pepper/Seven Up, Inc.; 09-02NES, Basketball bottle, (US, 03 Dec 2004) 31 May 2005	12362/2005
Brita GmbH; 23-01G, Water filtration system, (DE, 25 Nov 2004) 20 May 2005	12237/2005	Dr Pepper/Seven Up, Inc.; 09-02NES, Basketball bottle with rim and net, (US, 03 Dec 2004) 31 May 2005	12361/2005
Brita GmbH; 23-01G, Water filtration system, (DE, 25 Nov 2004) 20 May 2005	12238/2005	Eastcoast Australia Pty Ltd; 14-03A, 07-99NES, 14-03-A communication equipment-telephone 7-99Z - miscellaneous household goods, 20 May 2005	12253/2005
Britax Excelsior Limited; 06-01D, Child seat base, (GB, 08 May 2004) 08 Nov 2004	12359/2005	Elegant Garden World Pty Ltd; 25-03, A letter box, 06 Jun 2005	12425/2005
Bulgari Time (Switzerland) SA; 10-02, Watch with bracelet, (CH, 25 Jan 2005) 02 Jun 2005	12381/2005	Elegant Garden World Pty Ltd; 25-03, A letter box, 06 Jun 2005	12426/2005
Bulgari Time (Switzerland) SA; 10-02, Watch with bracelet, (CH, 25 Jan 2005) 02 Jun 2005	12382/2005	Elmo Company Limited; 16-01, Surveillance television camera with incorporated sensor, (JP, 19 Jan 2005) 31 May 2005	12363/2005
BSH Bosch und Siemens Hausgerate GmbH; 15-05, User interface panel, (EM, 03 Dec 2004) 02 Jun 2005	12386/2005	Gainex International Ltd; 07-02L, Coffee filter, 20 May 2005	12245/2005
Cadbury Schweppes Pty Ltd; 09-01NES, A bottle, 01 Jun 2005	12372/2005		
Calor; 07-05A, Iron, (FR, 08 Dec 2004) 30 May 2005	12345/2005		

Gostt, Nicholas; Gostt, Anthea; 06-13NES, Camping accessory, kitchen accessory, 30 May 2005	12347/2005	JDS Metal Doorframe Manufacture Pty Ltd; 25-02B, Door frame extrusion, 31 May 2005	12350/2005
Gostt, Anthea; Gostt, Nicholas; 06-13NES, Camping accessory, kitchen accessory, 30 May 2005	12347/2005	Keightley, Kym John; 08-01, Holesaw arbour, 03 Jun 2005	12418/2005
Gostt, Nicholas; Gostt, Anthea; 06-13NES, Camping accessory, kitchen accessory, 30 May 2005	12348/2005	Keightley, Kym John; 08-01, Elongated holesaw boss, 03 Jun 2005	12419/2005
Gostt, Anthea; Gostt, Nicholas; 06-13NES, Camping accessory, kitchen accessory, 30 May 2005	12348/2005	Keightley, Kym John; 08-01, Small holesaw boss, 03 Jun 2005	12420/2005
Gostt, Nicholas; Gostt, Anthea; 06-13NES, Camping accessory, kitchen accessory, 30 May 2005	12349/2005	Keightley, Kym John; 08-01, Large holesaw boss, 03 Jun 2005	12421/2005
Gostt, Anthea; Gostt, Nicholas; 06-13NES, Camping accessory, kitchen accessory, 30 May 2005	12349/2005	Keightley, Kym John; 08-01, Holesaw boss and arbour, 03 Jun 2005	12422/2005
Grant Cowell, Trading as Bayside Bumpers; 12-16C, Falcon ute rear bumper bar and spoiler, 23 May 2005	12246/2005	Kent Paper Co. Pty Ltd; 09-03F, Food packaging, 20 May 2005	12235/2005
GMCA Pty Ltd; 08-03, Sliding compound mitre saw, 27 May 2005	12321/2005	Kohler Co.; 23-01C, Toilet, (US, 23 Nov 2004) 20 May 2005	12236/2005
GMCA Pty Ltd; 08-03, Sliding compound mitre saw, 27 May 2005	12322/2005	LauraStar S.A.; 07-05A, Iron and steamer, (CH, 30 Nov 2004) 26 May 2005	12315/2005
GMCA Pty Ltd; 15-05, A wheeled garden vacuum, (EM, 18 Mar 2005) 27 May 2005	12313/2005	LauraStar S.A.; 07-05A, Ironing system, (CH, 30 Nov 2004) 26 May 2005	12316/2005
Harvey, Paul; 06-01L, Chair, 27 May 2005	12346/2005	Lee, Alan Sian Ghee; 25-02C, Panel, 27 May 2005	12331/2005
Henkel Kommanditgesellschaft auf Aktien; 09-01G, Container, (Divisional of 02153/2004) 26 May 2005	12314/2005	Lee, Alan Sian Ghee; 25-02C, Panel, 27 May 2005	12332/2005
Herqules Child Care S.A.; 12-12, Perambulator, (EM, 04 Feb 2005) 01 Jun 2005	12369/2005	Lee, Alan Sian Ghee; 25-02C, Panel, 27 May 2005	12333/2005
Herqules Child Care S.A.; 12-12, Perambulator, (EM, 04 Feb 2005) 01 Jun 2005	12370/2005	Lion Laboratories Limited; 24-04, Mouthpiece, 03 Jun 2005	12405/2005
Holden Ltd; 12-16B, Vehicle tonneau cover, 31 May 2005	12353/2005	Logo-Line Australia Pty Ltd; 19-02, Frog money box, 06 Jun 2005	12403/2005
Honda Motor Co., Ltd; 12-11, Front cowl for motorcycle, (JP, 29 Nov 2004) 27 May 2005	12327/2005	Madison Technologies Pty Ltd; 13-03E, An enclosure, 03 Jun 2005	12414/2005
Honda Motor Co., Ltd; 26-06, Rear combination lamp for motorcycle, (JP, 29 Nov 2004) 27 May 2005	12328/2005	Michelin Recherche et Technique S.A.; Societe De Technologie Michelin; 12-15B, A pneumatic tyre, (FR, 21 Dec 2004) 02 Jun 2005	12392/2005
Honda Motor Co., Ltd; 12-11, Meter panel for motorcycle, (JP, 29 Nov 2004) 27 May 2005	12329/2005	Mitsubishi Pencil Co., Ltd; 19-06, Pen, (CN, 14 Jan 2005) 31 May 2005	12360/2005
Honda Motor Co., Ltd; 12-11, Motorcycle, (JP, 29 Nov 2004) 27 May 2005	12330/2005	Mobiletron Electronics Co., Ltd; 08-04, Power tool, 31 May 2005	12400/2005
Jakaar Industries Limited; 12-16A, A wheel or wheel hub, (NZ, 24 Mar 2005) 01 Jun 2005	12364/2005	Nilfisk-Advance A/S; 15-05, Mouthpiece, (EM, 10 Dec 2004) 03 Jun 2005	12413/2005
		Nintendo Co., Ltd; 21-01N, A memory adaptor for a game machine, (JP, 03 Dec 2004) 02 Jun 2005	12393/2005
		Nokia Corporation; 14-03E, A handset, (US, 01 Dec 2004) 31 May 2005	12355/2005
		Nokia Corporation; 14-03A, A front cover for a handset, (US, 01 Dec 2004) 31 May 2005	12356/2005
		O & S Holdings (Vic) Pty Ltd; 02-04B, Footwear sole, 01 Jun 2005	12371/2005

Opalite Plastics Pty Ltd; 12-16NES, Prisoner pod and associated components, 06 Jun 2005	12404/2005	Ronald E. Graham (Holdings) Pty Limited; 15-09, 25-02NES, A grate walk junction, 02 Jun 2005	12385/2005
Orica Australia Pty Ltd; 07-01NES, A lid for a container, 30 May 2005	12339/2005	Samsung Electronics Co., Ltd; 15-05, Drum-type washing machine, (KR, 27 Apr 2005) 03 Jun 2005	12412/2005
Orica Australia Pty Ltd; 07-01NES, A spout fitting for application to a container, 30 May 2005	12340/2005	Siemens Aktiengesellschaft; 14-03E, Mobile phones, (DE, 23 Jan 2004) 18 Mar 2004	12398/2005
Oz Ring Pty Ltd; 21-99, Tennis net winder, 02 Jun 2005	12373/2005	Siemens Aktiengesellschaft; 14-03E, Mobile phones, (DE, 23 Jan 2004) 18 Mar 2004	12399/2005
Ozisurf-Safe Holdings Pty Ltd; 09-02NES, Article name not provided, 30 May 2005	12335/2005	Smederod Trading AB; 06-06G, Tilting device, (EM, 14 Dec 2004) 02 Jun 2005	12396/2005
P.D. Green & K.P.R. Green; 24-04, 30-01, Equine/animal shin/fetlock boot with knee attachment for therapeutic inserts, 23 May 2005	12232/2005	Societe Autonome de Verreries; 09-01G, Bottle, (EM, 20 Jan 2005) 02 Jun 2005	12397/2005
P.D. Green & K.P.R. Green; 24-04, 30-01, Equine/animal fetlock boot with crossover straps for therapeutic inserts, 23 May 2005	12233/2005	Societe Bic; 19-06, A pen, (NZ, 26 Nov 2004) 26 May 2005	12351/2005
P.D. Green & K.P.R. Green; 24-04, 30-01, Hot/cold packs to liquid receptacles, 23 May 2005	12234/2005	Societe Bic; 19-06, A pen, (NZ, 26 Nov 2004) 26 May 2005	12352/2005
Philippsohn, Joanne; 06-04NES, 06-03A, Occassional table and storage unit, 27 May 2005	12317/2005	Societe De Technologie Michelin; Michelin Recherche et Technique S.A.; 12-15B, A pneumatic tyre, (FR, 21 Dec 2004) 02 Jun 2005	12392/2005
Physicians Formula Cosmetics, Inc.; 28-03NES, Cosmetic block, (US, 02 Dec 2004) 30 May 2005	12344/2005	Societe Des Produits Nestle S.A.; 31-00, Milk froth machine, (CH, 04 Jan 2005) 02 Jun 2005	12387/2005
Procter & Gamble Company, The; 09-01G, Container, (US, 16 Dec 2004) 30 May 2005	12341/2005	Spartan Pty Ltd; 03-01A, Backpack, 01 Jun 2005	12365/2005
Procter & Gamble Company, The; 09-01G, Container, (US, 16 Dec 2004) 30 May 2005	12342/2005	Spencer & Fleetwood Limited; 02-01B, G-string, (EM, 22 Dec 2004) 30 May 2005	12337/2005
Procter & Gamble Company, The; 09-01G, Bottles, (US, 21 Dec 2004) 30 May 2005	12343/2005	Spencer & Fleetwood Limited; 02-01A, Bra, (EM, 22 Dec 2004) 30 May 2005	12336/2005
Puttapool Australia Pty Ltd; 21-01NES, Puttapool (board) and ball/club stand, 03 Jun 2005	12401/2005	Spring, John; 30-03, Cattle yards (mobile), 30 May 2005	12318/2005
Robert Bosch GmbH; 08-03, Jigsaw, (DE, 22 Feb 2005) 27 May 2005	12323/2005	Stahre, Pernilla; 08-08D, Parasol clamp, (SE, 08 Dec 2004) 31 May 2005	12357/2005
Robert Bosch GmbH; 10-05, 08-05NES, Position finder, (DE, 22 Feb 2005) 27 May 2005	12324/2005	Stahre, Pernilla; 08-08D, Parasol clamp, (SE, 08 Dec 2004) 31 May 2005	12358/2005
Robert Bosch GmbH; 15-05, Vacuum cleaner, (DE, 04 Feb 2005) 27 May 2005	12325/2005	SEB S.A.; 07-02H, Electric food heater, (FR, 14 Dec 2004) 03 Jun 2005	12406/2005
Robert Bosch GmbH; 08-03, Circular saw, (DE, 03 Feb 2005) 27 May 2005	12326/2005	Target Brands, Inc.; 09-01NES, Bottle, (US, 25 Jan 2005) 02 Jun 2005	12376/2005
Ronald E. Graham (Holdings) Pty Limited; 15-09, 25-02NES, A grate walk junction, 02 Jun 2005	12383/2005	Target Brands, Inc.; 09-01NES, Bottle, (US, 25 Jan 2005) 02 Jun 2005	12377/2005
Ronald E. Graham (Holdings) Pty Limited; 15-09, 25-02NES, A grate walk junction, 02 Jun 2005	12384/2005	Target Brands, Inc.; 09-01NES, Bottle, (US, 25 Jan 2005) 02 Jun 2005	12378/2005
		Target Brands, Inc.; 09-01NES, Bottle with label and card, (US, 25 Jan 2005) 02 Jun 2005	12379/2005

Target Brands, Inc.; 09-01NES, Bottle with label, (US, 25 Jan 2005) 02 Jun 2005	12380/2005	Tilt-Lift Equipment Pty Ltd; 12-16L, Coupling, 03 Jun 2005	12408/2005
Target Brands, Inc.; 09-01NES, Bottle, (US, 25 Jan 2005) 02 Jun 2005	12374/2005	Tilt-Lift Equipment Pty Ltd; 12-16L, Coupling, 03 Jun 2005	12409/2005
Target Brands, Inc.; 09-01NES, Bottle, (US, 25 Jan 2005) 02 Jun 2005	12375/2005	Victorian Scout Foundation Limited; 21-01A, Soft toy, 02 Jun 2005	12394/2005
Tarilla Nominees Pty Ltd; 26-06, Combination tail/stop light and flasher, 06 Jun 2005	12427/2005	Vladimirovich, Bushkovsky Eugeny; 09-09, Receptacle, (RU, 26 Nov 2004) 20 May 2005	12240/2005
Tarilla Nominees Pty Ltd; 26-06, Trailer light, 06 Jun 2005	12428/2005	Vladimirovich, Bushkovsky Eugeny; 09-09, Receptacle, (RU, 26 Nov 2004) 20 May 2005	12241/2005
Tasman Sinkware Pty Limited; 23-02F, Sink, 01 Jun 2005	12366/2005	Vladimirovich, Bushkovsky Eugeny; 09-09, Receptacle, (RU, 26 Nov 2004) 20 May 2005	12242/2005
Tasman Sinkware Pty Limited; 23-02F, Sink, 01 Jun 2005	12367/2005	Warner, Russell Stanley; 25-01A, Paving block, 27 May 2005	12320/2005
Temple's Wholesale Flower Supplies Pty Ltd; 09-05, Packaging for fresh produce, 02 Jun 2005	12391/2005	Willow Ware Australia Pty Ltd; 07-07A, Cooler, 31 May 2005	12354/2005

Applications Withdrawn

10847 / 2005 (25-01A)

11039 / 2005 (08-03)

Applications Assigned

(The name in parentheses is that of the subsequent applicant)

16042/2004 (**Michael Jason Scarrott**) Colonel's Cranes Pty Ltd

11011/2005 (**Laura Katy Gee**) Clive Robert Gee

Subsequent Owners Registered

(The name in parentheses is that of the subsequent owner)

300548 (**Brand-Motion Warenhandel GmbH**) Warbeg
Warenbeschaffungs GmbH

300652 (**Sandvik Intellectual Property HB**) Sandvik A.B.

Publication and Registration Proceedings

Designs Registered

This section provides a concordance between design number and registration number of Designs covered in this journal. It also shows the main class and registration date.

This section covers Registration numbers 301791 to 302117 .

The registration number shown below should be used in all future correspondence.

Design Number	Registration Number	International Classification Code (IDC)	Registration Date	Design Number	Registration Number	International Classification Code (IDC)	Registration Date
13017/2004	301846	25-01C	03/06/2005	15032/2004	301806	07-99A	02/06/2005
13099/2004	301847	12-02	03/06/2005	15038/2004	301868	03-01B	06/06/2005
13104/2004	301848	08-08C	03/06/2005	15046/2004	301869	19-08	06/06/2005
13156/2004	301849	06-03C	03/06/2005	15068/2004	301807	23-04	02/06/2005
13161/2004	301850	02-02NES	03/06/2005	15100/2004	301832	08-03	03/06/2005
13162/2004	301851	02-02C	03/06/2005	15101/2004	301833	08-01	03/06/2005
13163/2004	301852	02-02NES	03/06/2005	15113/2004	301870	08-07	06/06/2005
13164/2004	301853	02-02NES	03/06/2005	15117/2004	301871	12-02	06/06/2005
13329/2004	301854	06-02	03/06/2005	15119/2004	301834	09-01G	03/06/2005
13334/2004	301856	09-01C	03/06/2005	15159/2004	301872	13-03NES	06/06/2005
13367/2004	301857	06-03A	03/06/2005	15242/2004	301873	07-04	06/06/2005
13486/2004	301858	08-09	03/06/2005	15277/2004	301835	08-05P	03/06/2005
13488/2004	301859	07-01C	03/06/2005	15301/2004	301792	13-02	02/06/2005
13489/2004	301860	07-01C	03/06/2005	15321/2004	301874	23-01F	06/06/2005
13574/2004	301861	07-07NES	03/06/2005	15355/2004	301875	12-11	06/06/2005
13629/2004	301862	25-01E	03/06/2005	15356/2004	301876	09-01NES	06/06/2005
13630/2004	301863	25-01E	03/06/2005	15372/2004	301836	08-08L	03/06/2005
13678/2004	301864	23-02B	03/06/2005	15373/2004	301837	08-08L	03/06/2005
13731/2004	301811	23-04	03/06/2005	15378/2004	301877	11-05	06/06/2005
13732/2004	301812	23-04	03/06/2005	15399/2004	301878	26-04	06/06/2005
13733/2004	301813	23-04	03/06/2005	15400/2004	301879	26-04	06/06/2005
13780/2004	301865	08-08NES	03/06/2005	15401/2004	301880	26-04	06/06/2005
13857/2004	301814	09-03NES	03/06/2005	15402/2004	301881	07-05A	06/06/2005
13858/2004	301815	09-03NES	03/06/2005	15403/2004	301882	30-04	06/06/2005
13914/2004	301816	03-01D	03/06/2005	15404/2004	301883	08-03	06/06/2005
13915/2004	301817	03-01D	03/06/2005	15406/2004	301884	12-11	06/06/2005
13916/2004	301818	03-01D	03/06/2005	15407/2004	301885	15-09	06/06/2005
14032/2004	301801	09-03F	02/06/2005	15410/2004	301886	09-01G	06/06/2005
14033/2004	301802	09-03F	02/06/2005	15411/2004	301887	09-01G	06/06/2005
14034/2004	301803	09-03F	02/06/2005	15412/2004	301888	24-02	06/06/2005
14037/2004	301841	02-04NES	03/06/2005	15413/2004	301889	24-02	06/06/2005
14038/2004	301842	02-04NES	03/06/2005	15414/2004	301890	24-02	06/06/2005
14039/2004	301843	02-04NES	03/06/2005	15416/2004	301891	08-05N	06/06/2005
14040/2004	301844	02-04NES	03/06/2005	15417/2004	301892	08-01	06/06/2005
14041/2004	301845	02-04NES	03/06/2005	15422/2004	301808	08-07	02/06/2005
14100/2004	301819	23-02C	03/06/2005	15423/2004	301809	08-06	02/06/2005
14241/2004	301791	26-04	02/06/2005	15424/2004	301810	08-06	02/06/2005
14409/2004	301820	09-03F	03/06/2005	15427/2004	301893	28-03A	06/06/2005
14555/2004	301821	25-01A	03/06/2005	15428/2004	301894	23-01G	06/06/2005
14586/2004	301822	25-02C	03/06/2005	15434/2004	301895	13-02	06/06/2005
14640/2004	301823	09-03M	03/06/2005	15435/2004	301896	07-02L	06/06/2005
14641/2004	301824	09-03M	03/06/2005	15438/2004	301897	25-01K	06/06/2005
14659/2004	301825	08-08O	03/06/2005	15439/2004	301898	25-01K	06/06/2005
14710/2004	301826	08-07	03/06/2005	15440/2004	301899	25-01K	06/06/2005
14711/2004	301827	08-07	03/06/2005	15441/2004	301900	25-01K	06/06/2005
14712/2004	301828	08-07	03/06/2005	15443/2004	301901	11-02E	06/06/2005
14722/2004	301829	25-01D	03/06/2005	15444/2004	301902	11-02E	06/06/2005
14942/2004	301830	12-16L	03/06/2005	15447/2004	301903	07-05A	06/06/2005
14954/2004	301866	12-10	06/06/2005	15448/2004	301904	07-05A	06/06/2005
14979/2004	301867	23-03NES	06/06/2005	15449/2004	301934	07-05A	08/06/2005
15019/2004	301804	02-01B	02/06/2005	15450/2004	301935	07-05A	08/06/2005
15020/2004	301805	02-01B	02/06/2005	15451/2004	301905	06-01E	06/06/2005
15021/2004	301831	23-01F	03/06/2005	15453/2004	301926	06-01F	08/06/2005

Publication and Registration Proceedings - Designs Registered cont'd

Design Number	Registration Number	International Classification Code (IDC)	Registration Date	Design Number	Registration Number	International Classification Code (IDC)	Registration Date
15454/2004	301927	06-01F	08/06/2005	15569/2004	301959	09-03M	08/06/2005
15455/2004	301928	06-01F	08/06/2005	15571/2004	301960	07-02E	08/06/2005
15457/2004	301929	08-08C	08/06/2005	15572/2004	301961	12-16NES	08/06/2005
15464/2004	301930	10-04	08/06/2005	15573/2004	301962	14-03E	08/06/2005
15465/2004	301931	08-03	08/06/2005	15574/2004	301963	14-03A	08/06/2005
15466/2004	301932	08-03	08/06/2005	15575/2004	301964	14-03A	08/06/2005
15467/2004	301933	26-05A	08/06/2005	15576/2004	301965	14-03E	08/06/2005
15469/2004	301793	06-11	02/06/2005	15577/2004	301966	12-16A	08/06/2005
15470/2004	301794	06-11	02/06/2005	15578/2004	301967	12-16A	08/06/2005
15471/2004	301795	06-11	02/06/2005	15579/2004	301968	12-16A	08/06/2005
15472/2004	301796	06-11	02/06/2005	15580/2004	301969	12-16A	08/06/2005
15473/2004	301797	06-11	02/06/2005	15581/2004	301970	12-16A	08/06/2005
15474/2004	301798	06-11	02/06/2005	15582/2004	301971	12-16A	08/06/2005
15475/2004	301799	06-11	02/06/2005	15583/2004	301972	12-16A	08/06/2005
15476/2004	301800	06-11	02/06/2005	15584/2004	301973	12-16A	08/06/2005
15481/2004	301936	24-01	08/06/2005	15585/2004	301974	12-16A	08/06/2005
15482/2004	301937	24-01	08/06/2005	15589/2004	301975	27-06	08/06/2005
15483/2004	301938	24-01	08/06/2005	15591/2004	301976	08-07	08/06/2005
15484/2004	301939	24-01	08/06/2005	15592/2004	301977	08-07	08/06/2005
15485/2004	301940	24-01	08/06/2005	15593/2004	301978	08-07	08/06/2005
15486/2004	301941	08-08C	08/06/2005	15594/2004	301979	08-07	08/06/2005
15487/2004	301942	24-01	08/06/2005	15595/2004	301980	15-05	08/06/2005
15488/2004	301943	02-07A	08/06/2005	15596/2004	301981	15-05	08/06/2005
15489/2004	301944	13-02	08/06/2005	15597/2004	301982	15-05	08/06/2005
15490/2004	301945	13-02	08/06/2005	15602/2004	301838	12-16N	03/06/2005
15505/2004	301906	09-03F	07/06/2005	15603/2004	301983	23-01F	08/06/2005
15506/2004	301907	16-02	07/06/2005	15621/2004	301986	19-06	09/06/2005
15507/2004	301908	03-01C	07/06/2005	15622/2004	301987	19-06	09/06/2005
15514/2004	301909	07-01B	07/06/2005	15623/2004	301988	19-06	09/06/2005
15515/2004	301910	07-01B	07/06/2005	15624/2004	301989	19-06	09/06/2005
15516/2004	301911	07-01B	07/06/2005	15625/2004	301990	19-06	09/06/2005
15517/2004	301912	07-01B	07/06/2005	15627/2004	301991	19-06	09/06/2005
15518/2004	301913	07-01B	07/06/2005	15628/2004	301992	19-06	09/06/2005
15519/2004	301914	07-01B	07/06/2005	15629/2004	301993	19-06	09/06/2005
15524/2004	301915	16-02	07/06/2005	15630/2004	301994	19-06	09/06/2005
15525/2004	301916	25-01K	07/06/2005	15631/2004	301995	19-06	09/06/2005
15529/2004	301917	25-01D	07/06/2005	15632/2004	301996	19-06	09/06/2005
15530/2004	301918	25-01D	07/06/2005	15633/2004	301997	19-06	09/06/2005
15531/2004	301919	25-01D	07/06/2005	15634/2004	301998	19-06	09/06/2005
15532/2004	301920	25-01D	07/06/2005	15637/2004	301999	19-06	09/06/2005
15533/2004	301921	25-01D	07/06/2005	15644/2004	302000	06-03D	09/06/2005
15534/2004	301922	25-01D	07/06/2005	15655/2004	301984	09-03E	08/06/2005
15540/2004	301923	09-05	07/06/2005	15656/2004	301985	09-03E	08/06/2005
15541/2004	301924	11-05	07/06/2005	15663/2004	302001	16-03	09/06/2005
15543/2004	301946	28-03NES	08/06/2005	15664/2004	302002	09-01D	09/06/2005
15544/2004	301947	28-03NES	08/06/2005	15670/2004	302003	07-02K	09/06/2005
15545/2004	301948	28-03NES	08/06/2005	15672/2004	302004	02-02NES	09/06/2005
15546/2004	301949	28-03NES	08/06/2005	15688/2004	302005	09-02B	09/06/2005
15547/2004	301950	28-03NES	08/06/2005	15693/2004	302006	23-03B	09/06/2005
15548/2004	301951	28-03NES	08/06/2005	15694/2004	302007	23-03G	09/06/2005
15549/2004	301952	28-03NES	08/06/2005	15695/2004	302008	23-03NES	09/06/2005
15555/2004	301925	08-08C	07/06/2005	15700/2004	302009	24-02	09/06/2005
15560/2004	301953	07-99NES	08/06/2005	15705/2004	302010	21-02C	09/06/2005
15564/2004	301954	23-01F	08/06/2005	15711/2004	302011	02-06	09/06/2005
15565/2004	301955	11-02NES	08/06/2005	15712/2004	302012	09-03M	09/06/2005
15566/2004	301956	09-03M	08/06/2005	15715/2004	301839	23-01A	03/06/2005
15567/2004	301957	09-03M	08/06/2005	15716/2004	301840	23-01A	03/06/2005
15568/2004	301958	09-03M	08/06/2005	15727/2004	302013	08-03	09/06/2005

Publication and Registration Proceedings - Designs Registered cont'd

Design Number	Registration Number	International Classification Code (IDC)	Registration Date	Design Number	Registration Number	International Classification Code (IDC)	Registration Date
15728/2004	302014	08-03	09/06/2005	15923/2004	302068	08-06	10/06/2005
15730/2004	302015	09-01B	09/06/2005	15924/2004	302069	08-06	10/06/2005
15735/2004	302016	25-01NES	09/06/2005	15928/2004	302070	09-05	10/06/2005
15737/2004	302017	09-03L	09/06/2005	15929/2004	302071	09-01B	10/06/2005
15741/2004	302018	14-03E	09/06/2005	15931/2004	302072	25-01K	10/06/2005
15742/2004	302019	14-03E	09/06/2005	15932/2004	302073	25-01K	10/06/2005
15743/2004	302020	14-03E	09/06/2005	15933/2004	302074	25-01K	10/06/2005
15744/2004	302021	15-05	09/06/2005	15934/2004	302075	25-01K	10/06/2005
15750/2004	302022	02-02B	09/06/2005	15935/2004	302076	23-01H	10/06/2005
15751/2004	302023	02-02B	09/06/2005	15937/2004	302078	03-01A	10/06/2005
15752/2004	302024	06-06F	09/06/2005	15938/2004	302079	03-01A	10/06/2005
15769/2004	302025	14-01	09/06/2005	15939/2004	302080	03-01A	10/06/2005
15781/2004	302026	15-01	09/06/2005	15940/2004	302081	03-01A	10/06/2005
15782/2004	302027	15-01	09/06/2005	15941/2004	302082	03-01A	10/06/2005
15790/2004	302028	09-03M	09/06/2005	15942/2004	302083	03-01A	10/06/2005
15803/2004	302029	25-01K	09/06/2005	15943/2004	302084	03-01A	10/06/2005
15824/2004	302030	25-01K	09/06/2005	15944/2004	302085	03-01A	10/06/2005
15825/2004	302031	16-06	09/06/2005	15945/2004	302086	03-01A	10/06/2005
15826/2004	302032	16-06	09/06/2005	15951/2004	302077	23-01H	10/06/2005
15827/2004	302033	16-06	09/06/2005	15954/2004	302087	14-01	10/06/2005
15828/2004	302034	08-07	09/06/2005	15956/2004	302088	23-02NES	10/06/2005
15829/2004	302035	08-07	09/06/2005	15957/2004	302089	07-02L	10/06/2005
15830/2004	302036	28-99	09/06/2005	15958/2004	302090	07-02L	10/06/2005
15831/2004	302037	28-03B	09/06/2005	15959/2004	302091	22-06	10/06/2005
15837/2004	302038	14-03E	09/06/2005	15960/2004	302092	22-06	10/06/2005
15841/2004	302039	25-02D	09/06/2005	15961/2004	302093	22-06	10/06/2005
15843/2004	302040	21-02D	09/06/2005	15980/2004	302094	14-02	10/06/2005
15844/2004	302041	06-03B	09/06/2005	15981/2004	302095	14-02	10/06/2005
15848/2004	302042	03-01NES	09/06/2005	15982/2004	302096	07-04	10/06/2005
15849/2004	302043	25-02B	09/06/2005	15983/2004	302097	08-08L	10/06/2005
15852/2004	302044	08-06	09/06/2005	15984/2004	302098	22-05	10/06/2005
15853/2004	302045	08-06	09/06/2005	15985/2004	302099	22-05	10/06/2005
15854/2004	302046	15-01	09/06/2005	15987/2004	302100	26-05NES	10/06/2005
15855/2004	302047	15-01	09/06/2005	16002/2004	302101	19-02	10/06/2005
15856/2004	302048	13-02	09/06/2005	16003/2004	302102	24-01	10/06/2005
15858/2004	302049	08-04	09/06/2005	16005/2004	302103	23-04	10/06/2005
15871/2004	302050	08-05M	09/06/2005	16006/2004	302104	23-04	10/06/2005
15872/2004	302051	08-05M	09/06/2005	16008/2004	302105	23-01H	10/06/2005
15873/2004	302052	08-03	09/06/2005	16009/2004	302106	23-01H	10/06/2005
15874/2004	302053	08-03	09/06/2005	16010/2004	302107	23-01H	10/06/2005
15875/2004	302054	08-03	09/06/2005	16011/2004	302108	23-02B	10/06/2005
15876/2004	302055	25-03	09/06/2005	16012/2004	302109	23-02B	10/06/2005
15877/2004	302056	14-01	09/06/2005	16013/2004	302110	23-01H	10/06/2005
15879/2004	302057	12-11	09/06/2005	16014/2004	302111	23-01H	10/06/2005
15880/2004	302058	04-02	09/06/2005	16015/2004	302112	23-01H	10/06/2005
15881/2004	302059	04-02	09/06/2005	16016/2004	302113	23-01H	10/06/2005
15883/2004	302060	09-07C	09/06/2005	16017/2004	302114	23-01H	10/06/2005
15884/2004	302061	09-07A	09/06/2005	16019/2004	302115	15-01	10/06/2005
15916/2004	302062	12-06NES	10/06/2005	16021/2004	302116	07-99A	10/06/2005
15917/2004	302063	12-06NES	10/06/2005	16022/2004	302117	07-99A	10/06/2005
15918/2004	302064	12-06NES	10/06/2005	10339/2005	301855	06-06B	03/06/2005
15919/2004	302065	07-03	10/06/2005				
15920/2004	302066	07-03	10/06/2005				
15922/2004	302067	09-07A	10/06/2005				

Publication and Registration Proceedings
Class Listing of Designs Published or Registered

The following section shows an International Classification Code listing of the Registered or Published Designs covered in this supplement.

Classification	Registration Number	Design Number	Classification	Registration Number	Design Number
02-01 B	301804	15019/2004	07-01 B	301909	15514/2004
02-01 B	301805	15020/2004	07-01 B	301910	15515/2004
02-02 A	301804	15019/2004	07-01 B	301911	15516/2004
02-02 A	301805	15020/2004	07-01 B	301912	15517/2004
02-02 B	302022	15750/2004	07-01 B	301913	15518/2004
02-02 B	302023	15751/2004	07-01 B	301914	15519/2004
02-02 C	301851	13162/2004	07-01 C	301859	13488/2004
02-02 NES	301850	13161/2004	07-01 C	301860	13489/2004
02-02 NES	301852	13163/2004	07-02 E	301960	15571/2004
02-02 NES	301853	13164/2004	07-02 F	301861	13574/2004
02-02 NES	302004	15672/2004	07-02 K	302003	15670/2004
02-04 NES	301841	14037/2004	07-02 L	301896	15435/2004
02-04 NES	301842	14038/2004	07-02 L	302089	15957/2004
02-04 NES	301843	14039/2004	07-02 L	302090	15958/2004
02-04 NES	301844	14040/2004	07-03	302065	15919/2004
02-04 NES	301845	14041/2004	07-03	302066	15920/2004
02-06	302011	15711/2004	07-04	301873	15242/2004
02-07 A	301943	15488/2004	07-04	302096	15982/2004
03-01 A	302078	15937/2004	07-05 A	301881	15402/2004
03-01 A	302079	15938/2004	07-05 A	301903	15447/2004
03-01 A	302080	15939/2004	07-05 A	301904	15448/2004
03-01 A	302081	15940/2004	07-05 A	301934	15449/2004
03-01 A	302082	15941/2004	07-05 A	301935	15450/2004
03-01 A	302083	15942/2004	07-07 A	302002	15664/2004
03-01 A	302084	15943/2004	07-07 NES	301861	13574/2004
03-01 A	302085	15944/2004	07-99 A	301806	15032/2004
03-01 A	302086	15945/2004	07-99 A	302116	16021/2004
03-01 B	301868	15038/2004	07-99 A	302117	16022/2004
03-01 C	301908	15507/2004	07-99 NES	301953	15560/2004
03-01 D	301816	13914/2004	08-01	301833	15101/2004
03-01 D	301817	13915/2004	08-01	301892	15417/2004
03-01 D	301818	13916/2004	08-03	301832	15100/2004
03-01 NES	302042	15848/2004	08-03	301883	15404/2004
04-02	302058	15880/2004	08-03	301931	15465/2004
04-02	302059	15881/2004	08-03	301932	15466/2004
06-01 D	302057	15879/2004	08-03	302013	15727/2004
06-01 E	301905	15451/2004	08-03	302014	15728/2004
06-01 F	301926	15453/2004	08-03	302052	15873/2004
06-01 F	301927	15454/2004	08-03	302053	15874/2004
06-01 F	301928	15455/2004	08-03	302054	15875/2004
06-02	301854	13329/2004	08-04	302049	15858/2004
06-03 A	301857	13367/2004	08-05 M	302050	15871/2004
06-03 B	302041	15844/2004	08-05 M	302051	15872/2004
06-03 C	301849	13156/2004	08-05 N	301891	15416/2004
06-03 D	302000	15644/2004	08-05 P	301835	15277/2004
06-03 NES	301855	10339/2005	08-06	301809	15423/2004
06-06 B	301855	10339/2005	08-06	301810	15424/2004
06-06 F	302024	15752/2004	08-06	302044	15852/2004
06-11	301793	15469/2004	08-06	302045	15853/2004
06-11	301794	15470/2004	08-06	302068	15923/2004
06-11	301795	15471/2004	08-06	302069	15924/2004
06-11	301796	15472/2004	08-07	301808	15422/2004
06-11	301797	15473/2004	08-07	301826	14710/2004
06-11	301798	15474/2004	08-07	301827	14711/2004
06-11	301799	15475/2004	08-07	301828	14712/2004
06-11	301800	15476/2004	08-07	301870	15113/2004

Registration Proceedings - Class Listing of Designs Published or Registered cont'd

Classification	Registration Number	Design Number	Classification	Registration Number	Design Number
08-07	301976	15591/2004	12-06 NES	302062	15916/2004
08-07	301977	15592/2004	12-06 NES	302063	15917/2004
08-07	301978	15593/2004	12-06 NES	302064	15918/2004
08-07	301979	15594/2004	12-10	301866	14954/2004
08-07	302034	15828/2004	12-11	301875	15355/2004
08-07	302035	15829/2004	12-11	301884	15406/2004
08-08 C	301848	13104/2004	12-11	302057	15879/2004
08-08 C	301925	15555/2004	12-16 A	301966	15577/2004
08-08 C	301929	15457/2004	12-16 A	301967	15578/2004
08-08 C	301941	15486/2004	12-16 A	301968	15579/2004
08-08 C	302062	15916/2004	12-16 A	301969	15580/2004
08-08 C	302063	15917/2004	12-16 A	301970	15581/2004
08-08 C	302064	15918/2004	12-16 A	301971	15582/2004
08-08 L	301836	15372/2004	12-16 A	301972	15583/2004
08-08 L	301837	15373/2004	12-16 A	301973	15584/2004
08-08 L	302097	15983/2004	12-16 A	301974	15585/2004
08-08 NES	301865	13780/2004	12-16 L	301830	14942/2004
08-08 O	301825	14659/2004	12-16 N	301838	15602/2004
08-09	301858	13486/2004	12-16 NES	301961	15572/2004
09-01 B	302015	15730/2004	13-02	301792	15301/2004
09-01 B	302071	15929/2004	13-02	301895	15434/2004
09-01 C	301856	13334/2004	13-02	301944	15489/2004
09-01 D	302002	15664/2004	13-02	301945	15490/2004
09-01 G	301834	15119/2004	13-02	302048	15856/2004
09-01 G	301886	15410/2004	13-03 NES	301872	15159/2004
09-01 G	301887	15411/2004	14-01	302025	15769/2004
09-01 NES	301876	15356/2004	14-01	302056	15877/2004
09-02 B	302005	15688/2004	14-01	302087	15954/2004
09-03 E	301984	15655/2004	14-02	302094	15980/2004
09-03 E	301985	15656/2004	14-02	302095	15981/2004
09-03 F	301801	14032/2004	14-03 A	301963	15574/2004
09-03 F	301802	14033/2004	14-03 A	301964	15575/2004
09-03 F	301803	14034/2004	14-03 E	301962	15573/2004
09-03 F	301820	14409/2004	14-03 E	301965	15576/2004
09-03 F	301906	15505/2004	14-03 E	302018	15741/2004
09-03 L	302017	15737/2004	14-03 E	302019	15742/2004
09-03 M	301823	14640/2004	14-03 E	302020	15743/2004
09-03 M	301824	14641/2004	14-03 E	302038	15837/2004
09-03 M	301956	15566/2004	14-99	302056	15877/2004
09-03 M	301957	15567/2004	15-01	302026	15781/2004
09-03 M	301958	15568/2004	15-01	302027	15782/2004
09-03 M	301959	15569/2004	15-01	302046	15854/2004
09-03 M	302012	15712/2004	15-01	302047	15855/2004
09-03 M	302028	15790/2004	15-01	302115	16019/2004
09-03 NES	301814	13857/2004	15-05	301980	15595/2004
09-03 NES	301815	13858/2004	15-05	301981	15596/2004
09-05	301923	15540/2004	15-05	301982	15597/2004
09-05	302070	15928/2004	15-05	302021	15744/2004
09-07 A	302061	15884/2004	15-09	301885	15407/2004
09-07 A	302067	15922/2004	16-02	301907	15506/2004
09-07 C	302060	15883/2004	16-02	301915	15524/2004
10-04	301930	15464/2004	16-03	302001	15663/2004
11-02 E	301901	15443/2004	16-03	302094	15980/2004
11-02 E	301902	15444/2004	16-03	302095	15981/2004
11-02 NES	301955	15565/2004	16-06	302031	15825/2004
11-05	301877	15378/2004	16-06	302032	15826/2004
11-05	301924	15541/2004	16-06	302033	15827/2004
12-02	301847	13099/2004	18-02	302094	15980/2004
12-02	301871	15117/2004	18-02	302095	15981/2004

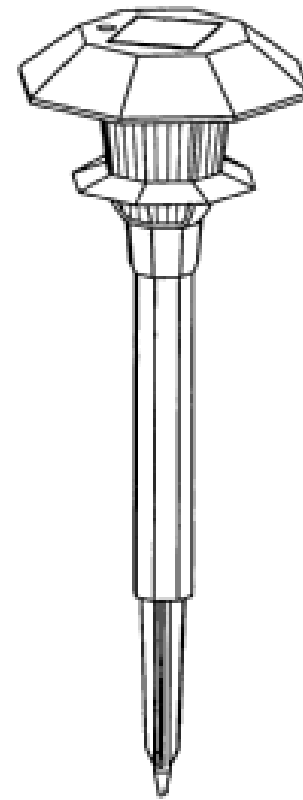
Registration Proceedings - Class Listing of Designs Published or Registered cont'd

Classification	Registration Number	Design Number	Classification	Registration Number	Design Number
19-02	302101	16002/2004	24-01	301939	15484/2004
19-06	301986	15621/2004	24-01	301940	15485/2004
19-06	301987	15622/2004	24-01	301942	15487/2004
19-06	301988	15623/2004	24-01	302102	16003/2004
19-06	301989	15624/2004	24-02	301888	15412/2004
19-06	301990	15625/2004	24-02	301889	15413/2004
19-06	301991	15627/2004	24-02	301890	15414/2004
19-06	301992	15628/2004	24-02	302009	15700/2004
19-06	301993	15629/2004	24-02	302102	16003/2004
19-06	301994	15630/2004	25-01 A	301821	14555/2004
19-06	301995	15631/2004	25-01 C	301846	13017/2004
19-06	301996	15632/2004	25-01 D	301829	14722/2004
19-06	301997	15633/2004	25-01 D	301917	15529/2004
19-06	301998	15634/2004	25-01 D	301918	15530/2004
19-06	301999	15637/2004	25-01 D	301919	15531/2004
19-08	301869	15046/2004	25-01 D	301920	15532/2004
21-02 C	302010	15705/2004	25-01 D	301921	15533/2004
21-02 D	302040	15843/2004	25-01 D	301922	15534/2004
22-05	302098	15984/2004	25-01 E	301862	13629/2004
22-05	302099	15985/2004	25-01 E	301863	13630/2004
22-06	302091	15959/2004	25-01 K	301858	13486/2004
22-06	302092	15960/2004	25-01 K	301897	15438/2004
22-06	302093	15961/2004	25-01 K	301898	15439/2004
23-01 A	301839	15715/2004	25-01 K	301899	15440/2004
23-01 A	301840	15716/2004	25-01 K	301900	15441/2004
23-01 F	301831	15021/2004	25-01 K	301916	15525/2004
23-01 F	301874	15321/2004	25-01 K	302029	15803/2004
23-01 F	301954	15564/2004	25-01 K	302030	15824/2004
23-01 F	301983	15603/2004	25-01 K	302072	15931/2004
23-01 G	301894	15428/2004	25-01 K	302073	15932/2004
23-01 H	302076	15935/2004	25-01 K	302074	15933/2004
23-01 H	302077	15951/2004	25-01 K	302075	15934/2004
23-01 H	302105	16008/2004	25-01 NES	302016	15735/2004
23-01 H	302106	16009/2004	25-02 B	302043	15849/2004
23-01 H	302107	16010/2004	25-02 C	301822	14586/2004
23-01 H	302110	16013/2004	25-02 D	302039	15841/2004
23-01 H	302111	16014/2004	25-02 H	302043	15849/2004
23-01 H	302112	16015/2004	25-02 NES	301836	15372/2004
23-01 H	302113	16016/2004	25-02 NES	301837	15373/2004
23-01 H	302114	16017/2004	25-03	302055	15876/2004
23-02 A	302012	15712/2004	26-04	301791	14241/2004
23-02 B	301864	13678/2004	26-04	301878	15399/2004
23-02 B	302108	16011/2004	26-04	301879	15400/2004
23-02 B	302109	16012/2004	26-04	301880	15401/2004
23-02 C	301819	14100/2004	26-05 A	301933	15467/2004
23-02 NES	302088	15956/2004	26-05 NES	302100	15987/2004
23-03 B	302006	15693/2004	27-06	301975	15589/2004
23-03 G	302007	15694/2004	28-02	301834	15119/2004
23-03 NES	301867	14979/2004	28-03 A	301893	15427/2004
23-03 NES	302008	15695/2004	28-03 B	302037	15831/2004
23-04	301807	15068/2004	28-03 NES	301946	15543/2004
23-04	301811	13731/2004	28-03 NES	301947	15544/2004
23-04	301812	13732/2004	28-03 NES	301948	15545/2004
23-04	301813	13733/2004	28-03 NES	301949	15546/2004
23-04	302103	16005/2004	28-03 NES	301950	15547/2004
23-04	302104	16006/2004	28-03 NES	301951	15548/2004
24-01	301936	15481/2004	28-03 NES	301952	15549/2004
24-01	301937	15482/2004	28-99	302036	15830/2004
24-01	301938	15483/2004	29-02	302040	15843/2004

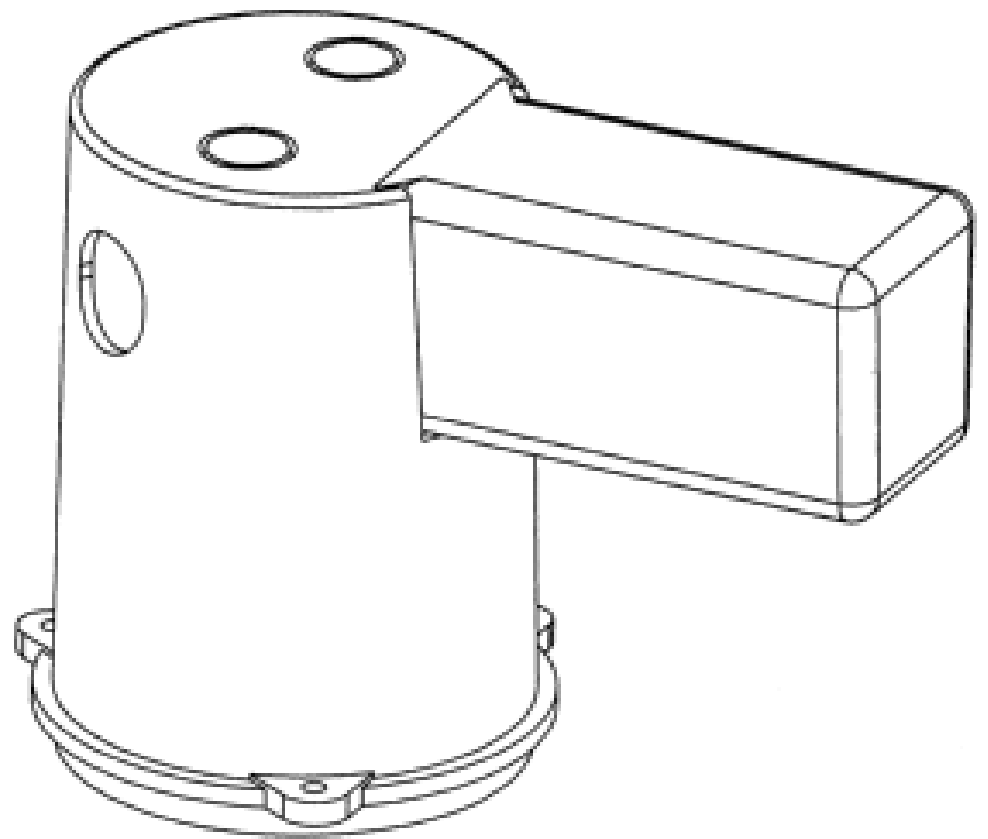
Registration Proceedings - Class Listing of Designs Published or Registered cont'd

Classification	Registration Number	Design Number
30-04	301874	15321/2004
30-04	301882	15403/2004

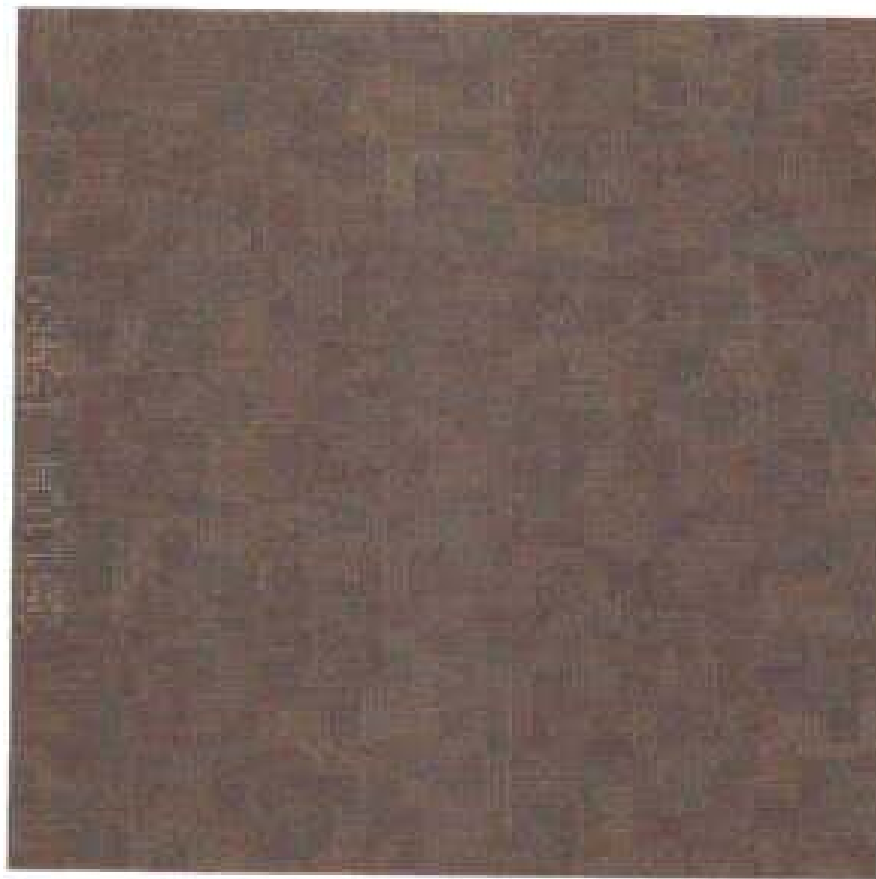
- (21) Design Number: **14241/2004**
(22) Date of Filing Application: **03 September 2004**
(24) Date from which industrial property rights may have effect: **03 September 2004**
(54) Product in respect of which the design is registered: **A light device**
(51) International Design Classification: **26-04**
(71) Name(s) and Address(s) of Applicant(s):
H.P.M. Industries Pty Ltd
Unit 4 44-48 O'Dea Avenue Waterloo New South Wales 2017 Australia
(72) Name(s) of Designer(s): **Chen Zhi Gang**
(45) Registration Date: **02 June 2005**
(56) Related Art Documents: **Not Applicable**
(57) Statement of Newness and Distinctiveness: **Nil**



- (21) Design Number: **15301/2004**
(22) Date of Filing Application: **17 November 2004**
(24) Date from which industrial property rights may have effect: **17 November 2004**
(54) Product in respect of which the design is registered: **L/V cannister**
(51) International Design Classification: **13-02**
(71) Name(s) and Address(s) of Applicant(s):
Kenray Enterprises Pty Ltd Trading as Freeway Electrical
Unit 3 87 Winton Road Joondalup Western Australia 6027 Australia
(72) Name(s) of Designer(s): **Saturno Tartaglia**
(45) Registration Date: **02 June 2005**
(56) Related Art Documents: **Not Applicable**
(57) Statement of Newness and Distinctiveness: **Low voltage cannister incorporating a contiguous transformer housing.**



- (21) Design Number: **15469/2004**
(22) Date of Filing Application: **25 November 2004**
(24) Date from which industrial property rights may have effect: **25 November 2004**
(54) Product in respect of which the design is registered: **A floor covering**
(51) International Design Classification: **06-11**
(71) Name(s) and Address(s) of Applicant(s):
Interface Inc.
2859 Paces Ferry Road Suite 2000 Atlanta Georgia 30339 United States of America
(72) Name(s) of Designer(s): **David Oakey**
(45) Registration Date: **02 June 2005**
(56) Related Art Documents: **Not Applicable**
(57) Statement of Newness and Distinctiveness: **Newness and distinctiveness is claimed in the features of pattern and/or ornamentation of a floor covering as illustrated in the accompanying representations.**



- (21) Design Number: **15470/2004**
(22) Date of Filing Application: **25 November 2004**
(24) Date from which industrial property rights may have effect: **25 November 2004**
(54) Product in respect of which the design is registered: **A floor covering**
(51) International Design Classification: **06-11**
(71) Name(s) and Address(s) of Applicant(s):
Interface Inc.
2859 Paces Ferry Road Suite 2000 Atlanta Georgia 30339 United States of America
(72) Name(s) of Designer(s): **David Oakey**
(45) Registration Date: **02 June 2005**
(56) Related Art Documents: **Not Applicable**
(57) Statement of Newness and Distinctiveness: **Newness and distinctiveness is claimed in the features of pattern and/or ornamentation of a floor covering as illustrated in the accompanying representations.**



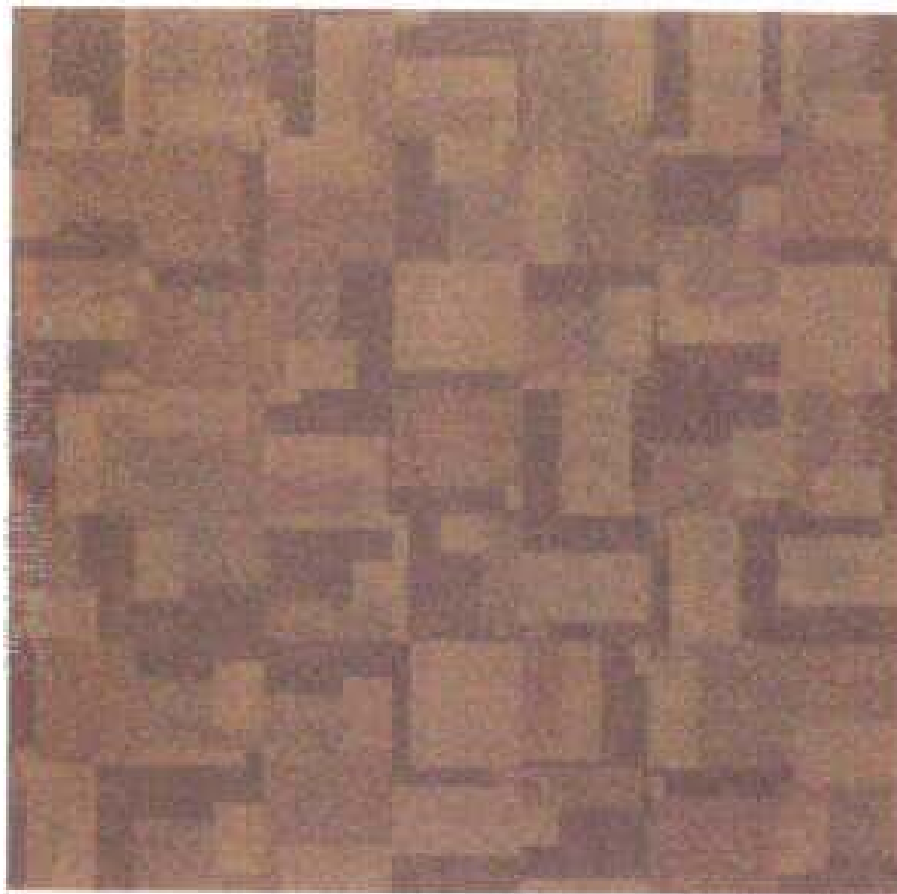
- (21) Design Number: **15471/2004**
(22) Date of Filing Application: **25 November 2004**
(24) Date from which industrial property rights may have effect: **25 November 2004**
(54) Product in respect of which the design is registered: **A floor covering**
(51) International Design Classification: **06-11**
(71) Name(s) and Address(s) of Applicant(s):
 Interface Inc.
 2859 Paces Ferry Road Suite 2000 Atlanta Georgia 30339 United States of America
(72) Name(s) of Designer(s): **David Oakey**
(45) Registration Date: **02 June 2005**
(56) Related Art Documents: **Not Applicable**
(57) Statement of Newness and Distinctiveness: **Newness and distinctiveness is claimed in the features of pattern and/or ornamentation of a floor covering as illustrated in the accompanying representations.**



- (21) Design Number: **15472/2004**
(22) Date of Filing Application: **25 November 2004**
(24) Date from which industrial property rights may have effect: **25 November 2004**
(54) Product in respect of which the design is registered: **A floor covering**
(51) International Design Classification: **06-11**
(71) Name(s) and Address(s) of Applicant(s):
 Interface Inc.
 2859 Paces Ferry Road Suite 2000 Atlanta Georgia 30339 United States of America
(72) Name(s) of Designer(s): **David Oakey**
(45) Registration Date: **02 June 2005**
(56) Related Art Documents: **Not Applicable**
(57) Statement of Newness and Distinctiveness: **Newness and distinctiveness is claimed in the features of pattern and/or ornamentation of a floor covering as illustrated in the accompanying representations.**



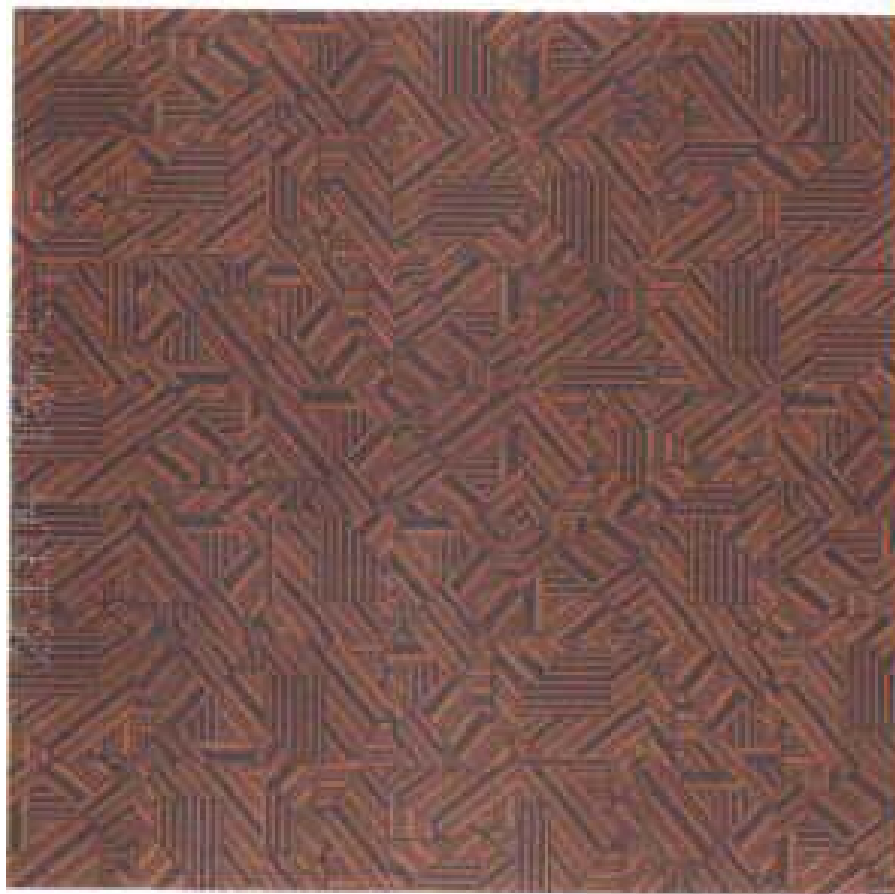
- (21) Design Number: **15473/2004**
(22) Date of Filing Application: **25 November 2004**
(24) Date from which industrial property rights may have effect: **25 November 2004**
(54) Product in respect of which the design is registered: **A floor covering**
(51) International Design Classification: **06-11**
(71) Name(s) and Address(s) of Applicant(s):
Interface Inc.
2859 Paces Ferry Road Suite 2000 Atlanta Georgia 30339 United States of America
(72) Name(s) of Designer(s): **David Oakey**
(45) Registration Date: **02 June 2005**
(56) Related Art Documents: **Not Applicable**
(57) Statement of Newness and Distinctiveness: **Newness and distinctiveness is claimed in the features of pattern and/or ornamentation of a floor covering as illustrated in the accompanying representations.**



- (21) Design Number: **15474/2004**
(22) Date of Filing Application: **25 November 2004**
(24) Date from which industrial property rights may have effect: **25 November 2004**
(54) Product in respect of which the design is registered: **A floor covering**
(51) International Design Classification: **06-11**
(71) Name(s) and Address(s) of Applicant(s):
Interface Inc.
2859 Paces Ferry Road Suite 2000 Atlanta Georgia 30339 United States of America
(72) Name(s) of Designer(s): **David Oakey**
(45) Registration Date: **02 June 2005**
(56) Related Art Documents: **Not Applicable**
(57) Statement of Newness and Distinctiveness: **Newness and distinctiveness is claimed in the features of pattern and/or ornamentation of a floor covering as illustrated in the accompanying representations.**



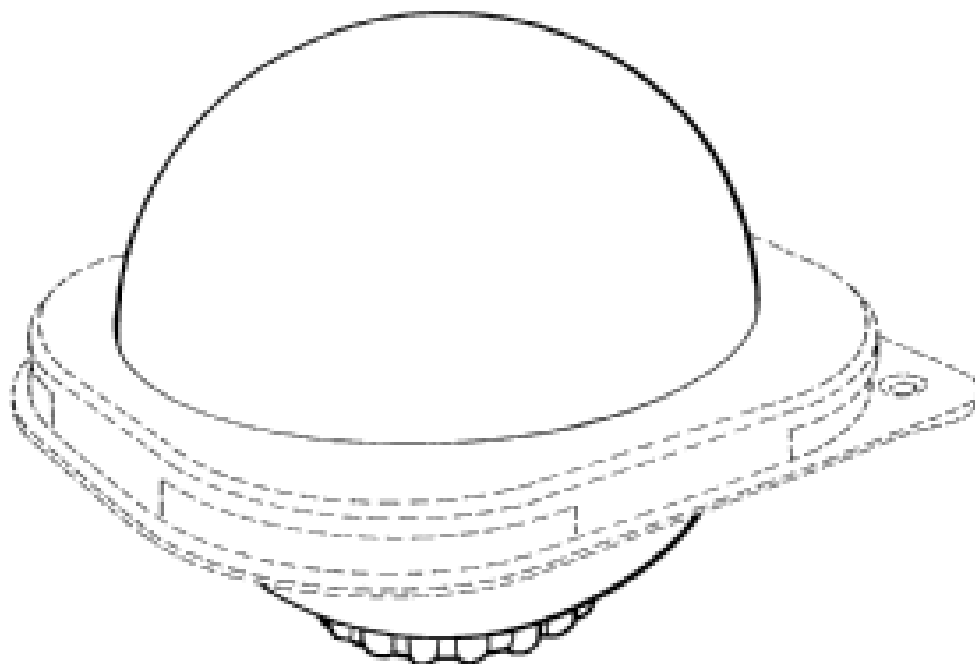
- (21) Design Number: **15475/2004**
(22) Date of Filing Application: **25 November 2004**
(24) Date from which industrial property rights may have effect: **25 November 2004**
(54) Product in respect of which the design is registered: **A floor covering**
(51) International Design Classification: **06-11**
(71) Name(s) and Address(s) of Applicant(s):
Interface Inc.
2859 Paces Ferry Road Suite 2000 Atlanta Georgia 30339 United States of America
(72) Name(s) of Designer(s): **David Oakey**
(45) Registration Date: **02 June 2005**
(56) Related Art Documents: **Not Applicable**
(57) Statement of Newness and Distinctiveness: **Newness and distinctiveness is claimed in the features of pattern and/or ornamentation of a floor covering as illustrated in the accompanying representations.**



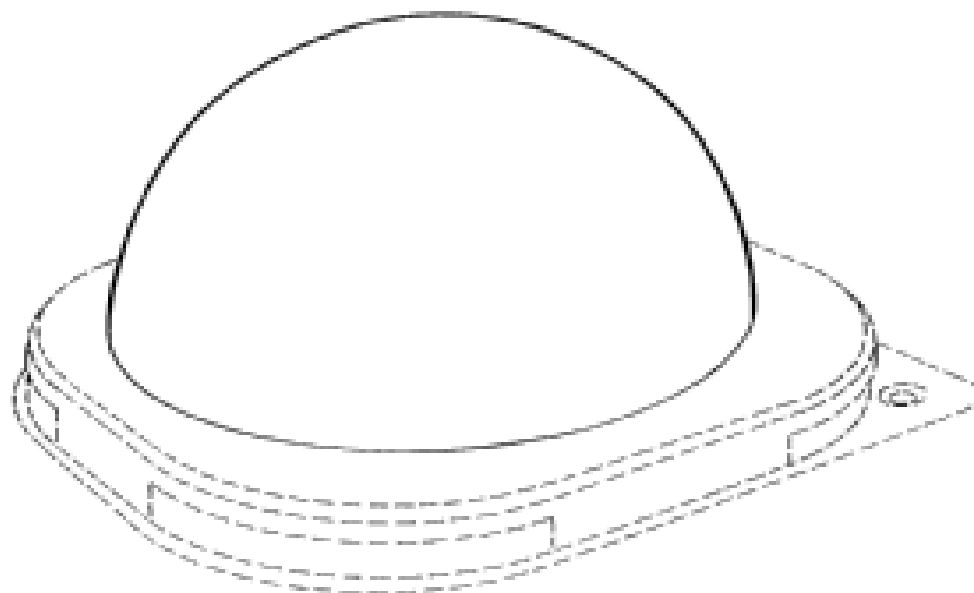
- (21) Design Number: **15476/2004**
(22) Date of Filing Application: **25 November 2004**
(24) Date from which industrial property rights may have effect: **25 November 2004**
(54) Product in respect of which the design is registered: **A floor covering**
(51) International Design Classification: **06-11**
(71) Name(s) and Address(s) of Applicant(s):
Interface Inc.
2859 Paces Ferry Road Suite 2000 Atlanta Georgia 30339 United States of America
(72) Name(s) of Designer(s): **David Oakey**
(45) Registration Date: **02 June 2005**
(56) Related Art Documents: **Not Applicable**
(57) Statement of Newness and Distinctiveness: **Newness and distinctiveness is claimed in the features of pattern and/or ornamentation of a floor covering as illustrated in the accompanying representations.**



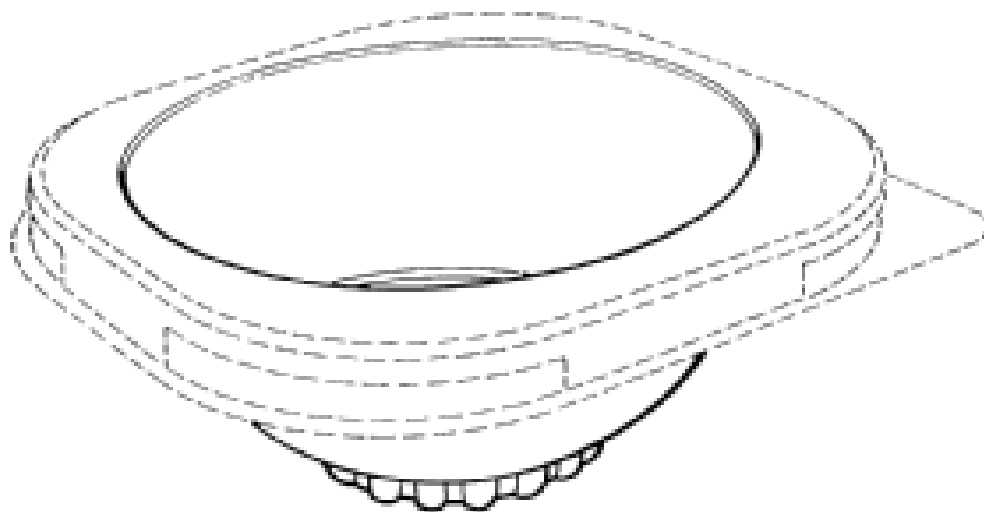
- (21) Design Number: **14032/2004**
(22) Date of Filing Application: **23 August 2004**
(24) Date from which industrial property rights may have effect: **23 August 2004**
(54) Product in respect of which the design is registered: **A fruit container**
(51) International Design Classification: **09-03F**
(71) Name(s) and Address(s) of Applicant(s):
Bantec International Pty Ltd
7 Hazeldene Place Langwarrin Victoria 3910 Australia
(72) Name(s) of Designer(s): **Jeff Peck**
(45) Registration Date: **02 June 2005**
(56) Related Art Documents: **Not Applicable**
(57) Statement of Newness and Distinctiveness: **Newness and distinctiveness is claimed in the shape and/or configuration of: a fruit container (design 1 of 3); and a fruit container lid (design 2 of 3); and a fruit container base (design 3 of 3).**



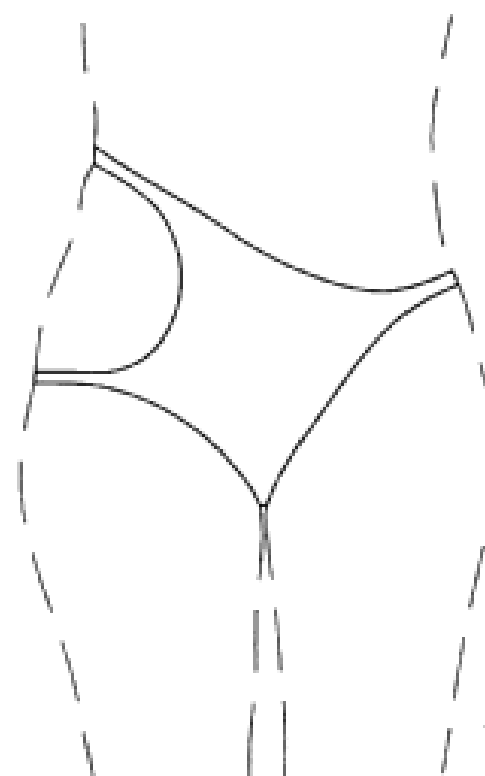
- (21) Design Number: **14033/2004**
(22) Date of Filing Application: **23 August 2004**
(24) Date from which industrial property rights may have effect: **23 August 2004**
(54) Product in respect of which the design is registered: **A fruit container lid**
(51) International Design Classification: **09-03F**
(71) Name(s) and Address(s) of Applicant(s):
Bantec International Pty Ltd
7 Hazeldene Place Langwarrin Victoria 3910 Australia
(72) Name(s) of Designer(s): **Jeff Peck**
(45) Registration Date: **02 June 2005**
(56) Related Art Documents: **Not Applicable**
(57) Statement of Newness and Distinctiveness: **Newness and distinctiveness is claimed in the shape and/or configuration of: a fruit container (design 1 of 3); and a fruit container lid (design 2 of 3); and a fruit container base (design 3 of 3).**



- (21) Design Number: **14034/2004**
(22) Date of Filing Application: **23 August 2004**
(24) Date from which industrial property rights may have effect: **23 August 2004**
(54) Product in respect of which the design is registered: **A fruit container base**
(51) International Design Classification: **09-03F**
(71) Name(s) and Address(s) of Applicant(s):
Bantec International Pty Ltd
7 Hazeldene Place Langwarrin Victoria 3910 Australia
(72) Name(s) of Designer(s): **Jeff Peck**
(45) Registration Date: **02 June 2005**
(56) Related Art Documents: **Not Applicable**
(57) Statement of Newness and Distinctiveness: **Newness and distinctiveness is claimed in the shape and/or configuration of: a fruit container (design 1 of 3); and a fruit container lid (design 2 of 3); and a fruit container base (design 3 of 3).**



- (21) Design Number: **15019/2004**
(22) Date of Filing Application: **25 October 2004**
(24) Date from which industrial property rights may have effect: **25 October 2004**
(54) Product in respect of which the design is registered: **Underwear/swimwear**
(51) International Design Classification: **02-01B, 02-02A**
(71) Name(s) and Address(s) of Applicant(s):
Crivillers I Arquitectes Assoc S.L.
C. de Valencia 246 1r. 1a. 08007 Barcelona Spain
(72) Name(s) of Designer(s): **Josep Crivillers i Costa**
(45) Registration Date: **02 June 2005**
(30) Convention priority data:
(31) Number (32) Date (33) Country
171236 23 Apr 2004 EUROPEAN COMMUNITY
(56) Related Art Documents: **Not Applicable**
(57) Statement of Newness and Distinctiveness: **Newness and distinctiveness is claimed in the visual features shown in solid lines in the representations.**



(21) Design Number: **15020/2004**

(22) Date of Filing Application: **25 October 2004**

(24) Date from which industrial property rights may have effect: **25 October 2004**

(54) Product in respect of which the design is registered: **Underwear/swimwear**

(51) International Design Classification: **02-01B, 02-02A**

(71) Name(s) and Address(s) of Applicant(s):

**Crivillers I Arquitectes Assoc S.L.
C. de Valencia 246 1r. 1a. 08007 Barcelona Spain**

(72) Name(s) of Designer(s): **Josep Crivillers i Costa**

(45) Registration Date: **02 June 2005**

(30) Convention priority data:

(31) Number	(32) Date	(33) Country
171236	23 Apr 2004	EUROPEAN COMMUNITY

(56) Related Art Documents: **Not Applicable**

(57) Statement of Newness and Distinctiveness: **Newness and distinctiveness is claimed in the visual features shown in solid lines in the representations.**



(21) Design Number: **15032/2004**

(22) Date of Filing Application: **27 October 2004**

(24) Date from which industrial property rights may have effect: **27 October 2004**

(54) Product in respect of which the design is registered: **Multi-function tray**

(51) International Design Classification: **07-99A**

(71) Name(s) and Address(s) of Applicant(s):

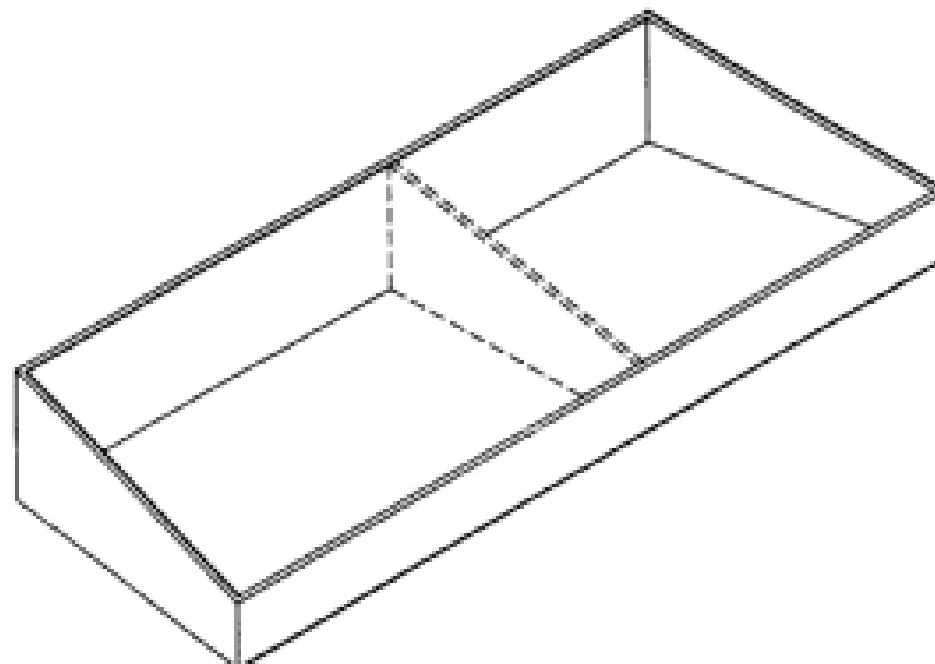
**Phillip Aubourg
42 Sinclair Road Bayswater Victoria 3153 Australia**

(72) Name(s) of Designer(s): **Phillip Aubourg**

(45) Registration Date: **02 June 2005**

(56) Related Art Documents: **Not Applicable**

(57) Statement of Newness and Distinctiveness: **Monopoly is claimed in the shape and configuration of a tray as illustrated in the representations. When considering the extent of the monopoly protection, the position within the tray of the wedge-shaped divider shown by dashed lines is to be disregarded.**



(21) Design Number: **15068/2004**

(22) Date of Filing Application: **28 October 2004**

(24) Date from which industrial property rights may have effect: **28 October 2004**

(54) Product in respect of which the design is registered: **Air purifier**

(51) International Design Classification: **23-04**

(71) Name(s) and Address(s) of Applicant(s):

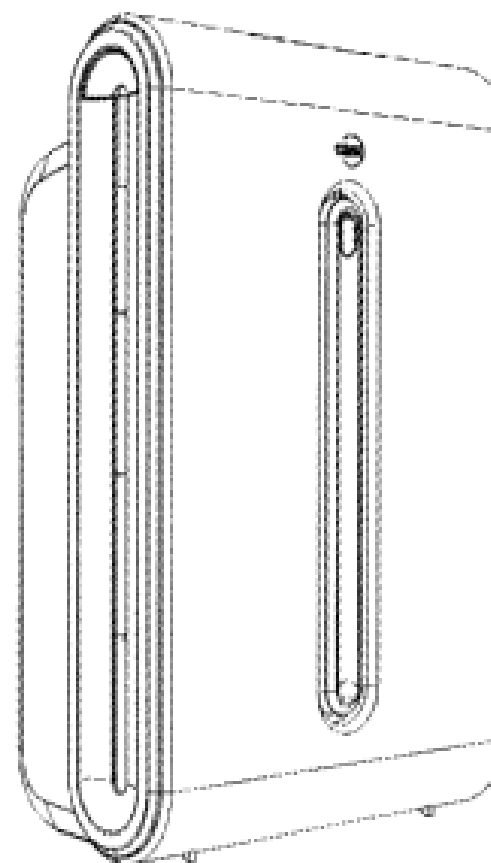
**OSIM International Ltd
65 Ubi Avenue 1 OSIM Headquarters Singapore 408939**

(72) Name(s) of Designer(s): **Song Kee Hong**

(45) Registration Date: **02 June 2005**

(56) Related Art Documents: **Not Applicable**

(57) Statement of Newness and Distinctiveness: **Monopoly is claimed in the shape and configuration of the features of the product as depicted in the accompanying representations. No monopoly is claimed in the wording shown in the main body front view; the front perspective view, the top perspective view or the front view.**



(21) Design Number: **15422/2004**

(22) Date of Filing Application: **23 November 2004**

(24) Date from which industrial property rights may have effect: **23 November 2004**

(54) Product in respect of which the design is registered: **A lock**

(51) International Design Classification: **08-07**

(71) Name(s) and Address(s) of Applicant(s):

**Azuma Design Pty Limited
160-162 Newton Road Wetherill Park New South Wales 2164 Australia**

(72) Name(s) of Designer(s): **Richard Zitzelsperger**

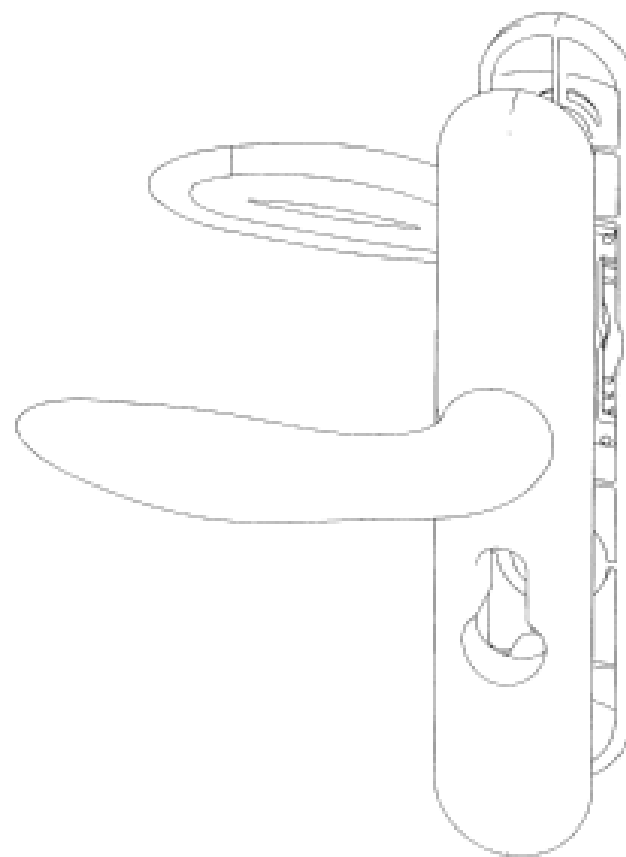
(45) Registration Date: **02 June 2005**

(56) Related Art Documents: **Not Applicable**

(57) Statement of Newness and Distinctiveness: **Newness and distinctiveness is claimed in the features of shape and/or configuration of a lock as illustrated in the accompanying representations.**



- (21) Design Number: **15423/2004**
(22) Date of Filing Application: **23 November 2004**
(24) Date from which industrial property rights may have effect: **23 November 2004**
(54) Product in respect of which the design is registered: **A door handle assembly**
(51) International Design Classification: **08-06**
(71) Name(s) and Address(s) of Applicant(s):
Azuma Design Pty Limited
160-162 Newton Road Wetherill Park New South Wales 2164 Australia
(72) Name(s) of Designer(s): **Richard Zitzelsperger**
(45) Registration Date: **02 June 2005**
(56) Related Art Documents: **Not Applicable**
(57) Statement of Newness and Distinctiveness: **Newness and distinctiveness is claimed in the features of shape and/or configuration of a door handle assembly as illustrated in the accompanying representations.**



- (21) Design Number: **15424/2004**
(22) Date of Filing Application: **23 November 2004**
(24) Date from which industrial property rights may have effect: **23 November 2004**
(54) Product in respect of which the design is registered: **A door handle**
(51) International Design Classification: **08-06**
(71) Name(s) and Address(s) of Applicant(s):
Azuma Design Pty Limited
160-162 Newton Road Wetherill Park New South Wales 2164 Australia
(72) Name(s) of Designer(s): **Richard Zitzelsperger**
(45) Registration Date: **02 June 2005**
(56) Related Art Documents: **Not Applicable**
(57) Statement of Newness and Distinctiveness: **Newness and distinctiveness is claimed in the features of shape and/or configuration of a door handle as illustrated in the accompanying representations.**



(21) Design Number: **13731/2004**

(22) Date of Filing Application: **29 July 2004**

(24) Date from which industrial property rights may have effect: **29 July 2004**

(54) Product in respect of which the design is registered: **Rotary ventilator**

(51) International Design Classification: **23-04**

(71) Name(s) and Address(s) of Applicant(s):

John Bao

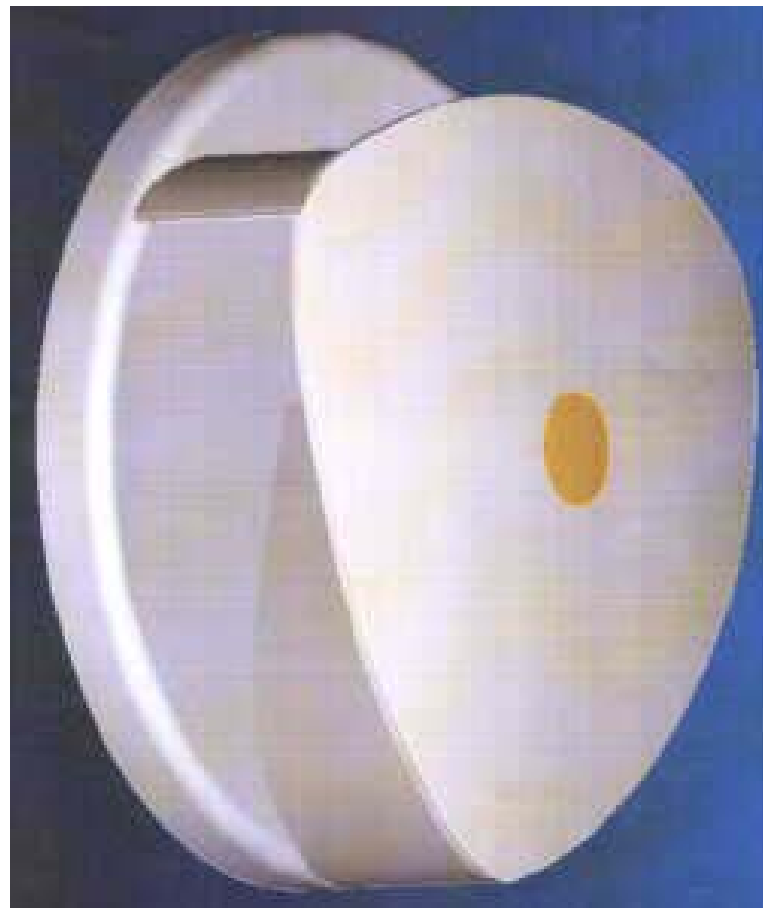
**20/10 Great Western Highway Parramatta New South Wales 2124
Australia**

(72) Name(s) of Designer(s): **John Bao**

(45) Registration Date: **03 June 2005**

(56) Related Art Documents: **Not Applicable**

(57) Statement of Newness and Distinctiveness: **The three design consistent on the visual effect of the dome/pout (curvature) top profile of the rotor 3 air steam intake fins on the rotor.**



(21) Design Number: **13732/2004**

(22) Date of Filing Application: **29 July 2004**

(24) Date from which industrial property rights may have effect: **29 July 2004**

(54) Product in respect of which the design is registered: **Rotary ventilator**

(51) International Design Classification: **23-04**

(71) Name(s) and Address(s) of Applicant(s):

John Bao

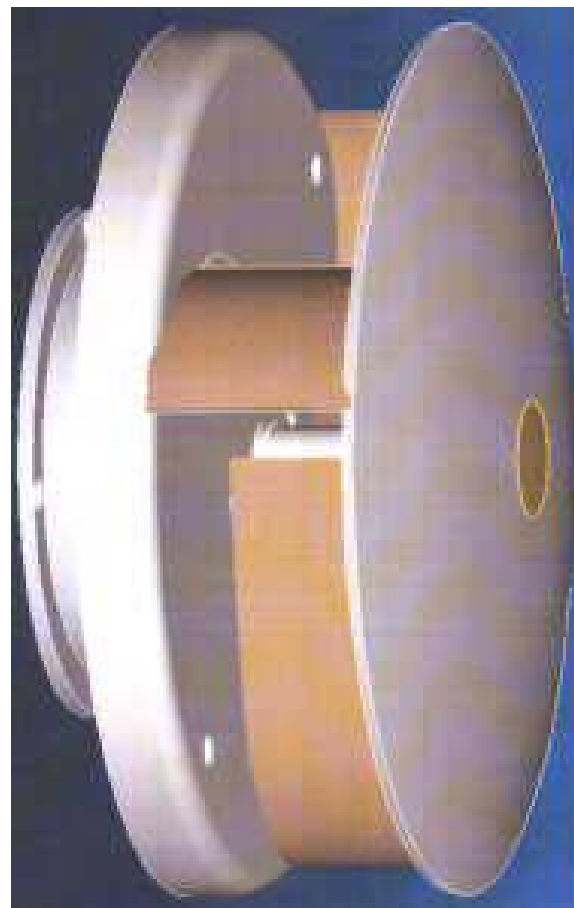
**20/10 Great Western Highway Parramatta New South Wales 2124
Australia**

(72) Name(s) of Designer(s): **John Bao**

(45) Registration Date: **03 June 2005**

(56) Related Art Documents: **Not Applicable**

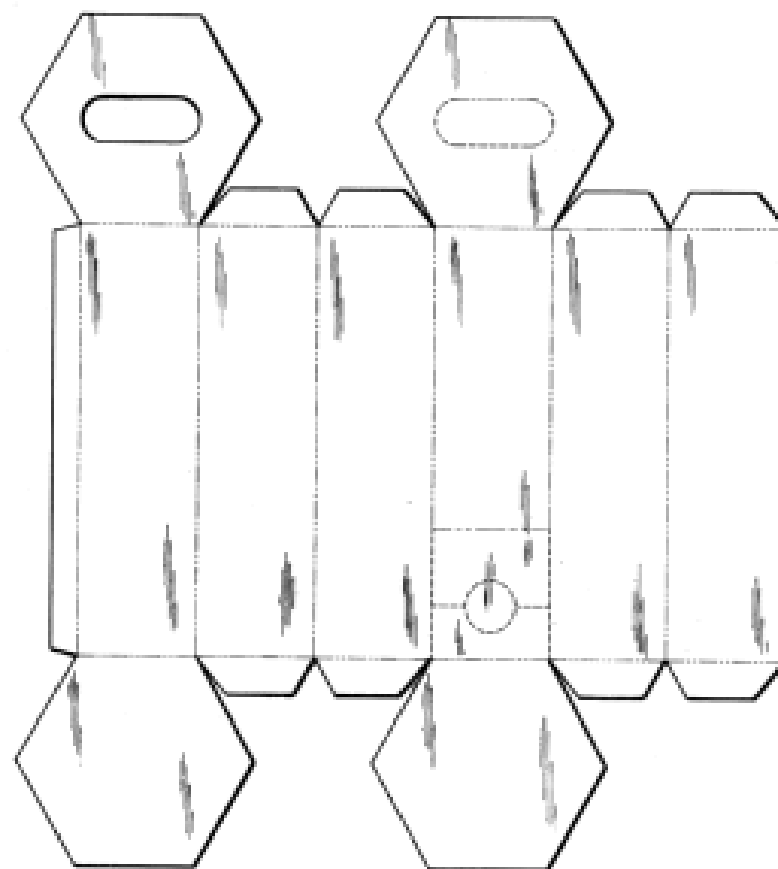
(57) Statement of Newness and Distinctiveness: **The three design consistent on the visual effect of the dome/pout (curvature) top profile of the rotor and 3 air steam intake fins on the rotor.**



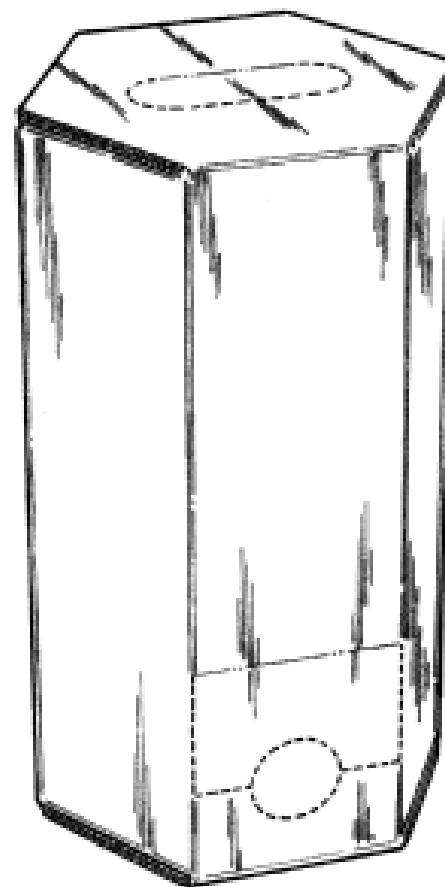
(21) Design Number: **13733/2004**
 (22) Date of Filing Application: **29 July 2004**
 (24) Date from which industrial property rights may have effect: **29 July 2004**
 (54) Product in respect of which the design is registered: **Rotary ventilator**
 (51) International Design Classification: **23-04**
 (71) Name(s) and Address(s) of Applicant(s):
John Bao
20/10 Great Western Highway Parramatta New South Wales 2124
Australia
 (72) Name(s) of Designer(s): **John Bao**
 (45) Registration Date: **03 June 2005**
 (56) Related Art Documents: **Not Applicable**
 (57) Statement of Newness and Distinctiveness: **The three design consistent on the visual effect of the dome/pout (curvature) top profile of the rotor and 3 air steam intake fins on the rotor.**



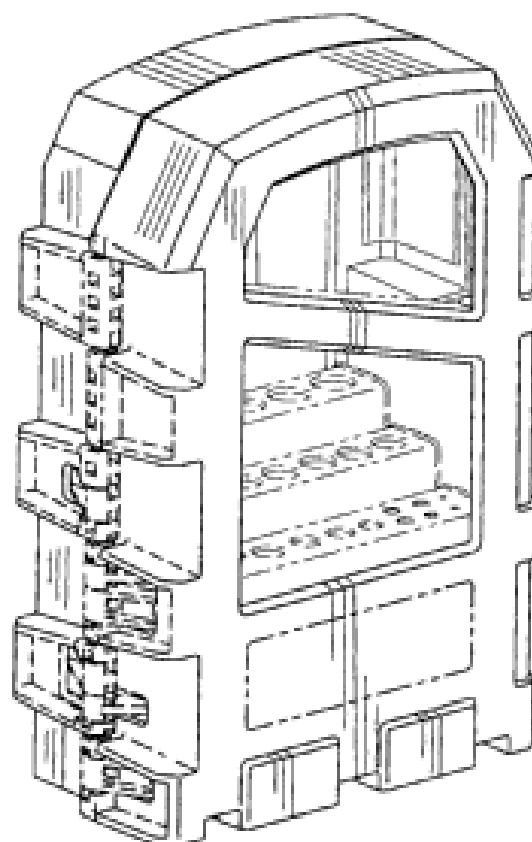
(21) Design Number: **13857/2004**
 (22) Date of Filing Application: **12 August 2004**
 (24) Date from which industrial property rights may have effect: **12 August 2004**
 (54) Product in respect of which the design is registered: **Blank for a wine cask**
 (51) International Design Classification: **09-03NES**
 (71) Name(s) and Address(s) of Applicant(s):
Beringer Blass Wine Estates Company
610 Airpark Road Napa CA 94558 United States of America
 (72) Name(s) of Designer(s): **Employees of Beringer Blass Wine Estates Company**
 (45) Registration Date: **03 June 2005**
 (56) Related Art Documents: **Not Applicable**
 (57) Statement of Newness and Distinctiveness: **Monopoly is claimed in the visual features of shape and/or configuration of a blank for a wine cask as illustrated in the representations.**



- (21) Design Number: **13858/2004**
(22) Date of Filing Application: **12 August 2004**
(24) Date from which industrial property rights may have effect: **12 August 2004**
(54) Product in respect of which the design is registered: **Wine cask**
(51) International Design Classification: **09-03NES**
(71) Name(s) and Address(s) of Applicant(s):
Beringer Blass Wine Estates Company
610 Airpark Road Napa CA 94558 United States of America
(72) Name(s) of Designer(s): **Employees of Beringer Blass Wine Estates Company**
(45) Registration Date: **03 June 2005**
(56) Related Art Documents: **Not Applicable**
(57) Statement of Newness and Distinctiveness: **Monopoly is claimed in the visual features of shape and/or configuration of a wine cask as illustrated in the representations.**

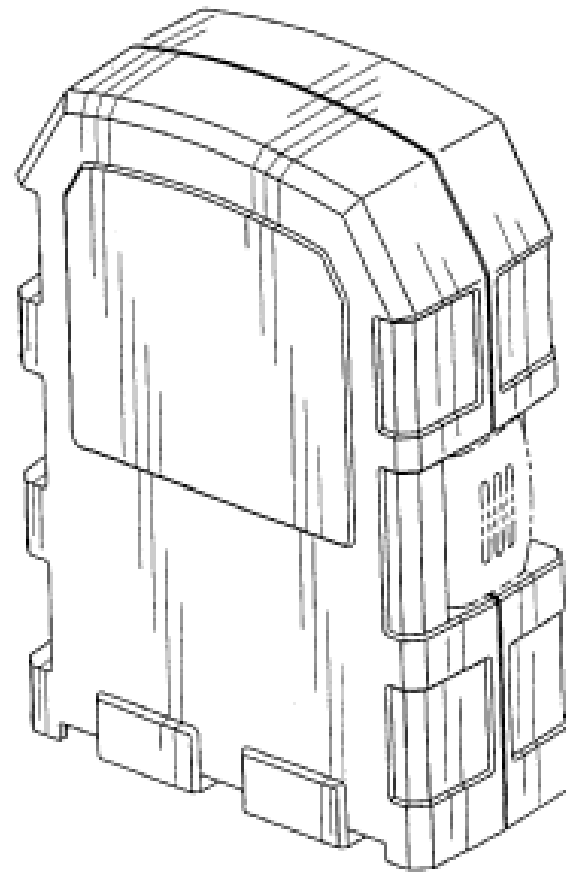


- (21) Design Number: **13914/2004**
(22) Date of Filing Application: **16 August 2004**
(24) Date from which industrial property rights may have effect: **16 August 2004**
(54) Product in respect of which the design is registered: **Storage container**
(51) International Design Classification: **03-01D**
(71) Name(s) and Address(s) of Applicant(s):
Black & Decker Inc.
1207 Drummond Plaza Newark Delaware 19711 United States of America
(72) Name(s) of Designer(s): **James E. Pangerc and David L. Wikle**
(45) Registration Date: **03 June 2005**
(30) Convention priority data:
(31) Number (32) Date (33) Country
29199721 18 Feb 2004 UNITED STATES OF AMERICA
(56) Related Art Documents: **Not Applicable**
(57) Statement of Newness and Distinctiveness: **Newness and distinctiveness is claimed in the visual features shown in the solid lines in the representations.**



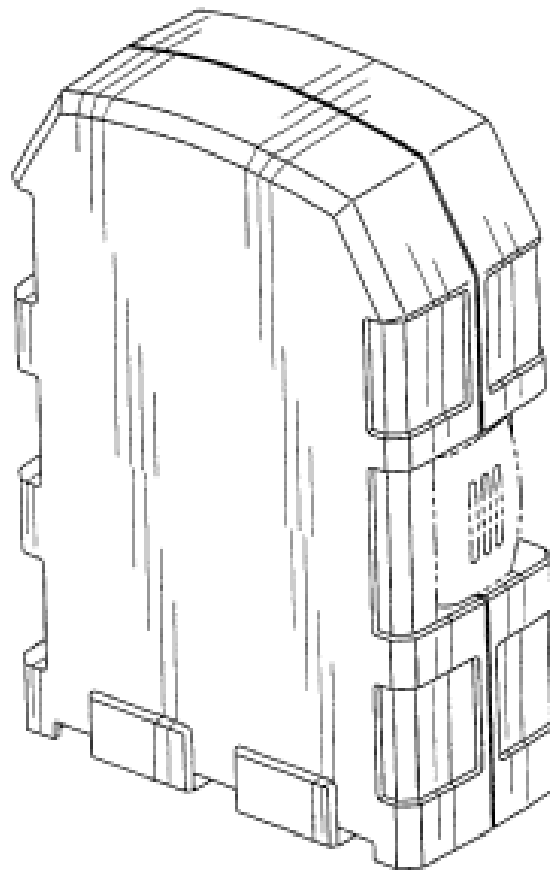
- (21) Design Number: **13915/2004**
- (22) Date of Filing Application: **16 August 2004**
- (24) Date from which industrial property rights may have effect: **16 August 2004**
- (54) Product in respect of which the design is registered: **Storage container**
- (51) International Design Classification: **03-01D**
- (71) Name(s) and Address(s) of Applicant(s):
Black & Decker Inc.
1207 Drummond Plaza Newark Delaware 19711 United States of America
- (72) Name(s) of Designer(s): **James E. Pangerc and David L. Wikle**
- (45) Registration Date: **03 June 2005**
- (30) Convention priority data:

(31) Number	(32) Date	(33) Country
29199721	18 Feb 2004	UNITED STATES OF AMERICA
- (56) Related Art Documents: **Not Applicable**
- (57) Statement of Newness and Distinctiveness: **Newness and distinctiveness is claimed in the visual features shown in the solid lines in the representations.**



- (21) Design Number: **13916/2004**
- (22) Date of Filing Application: **16 August 2004**
- (24) Date from which industrial property rights may have effect: **16 August 2004**
- (54) Product in respect of which the design is registered: **Storage container**
- (51) International Design Classification: **03-01D**
- (71) Name(s) and Address(s) of Applicant(s):
Black & Decker Inc.
1207 Drummond Plaza Newark Delaware 19711 United States of America
- (72) Name(s) of Designer(s): **James E. Pangerc and David L. Wikle**
- (45) Registration Date: **03 June 2005**
- (30) Convention priority data:

(31) Number	(32) Date	(33) Country
29199721	18 Feb 2004	UNITED STATES OF AMERICA
- (56) Related Art Documents: **Not Applicable**
- (57) Statement of Newness and Distinctiveness: **Newness and distinctiveness is claimed in the visual features shown in the solid lines in the representations.**



(21) Design Number: **14100/2004**

(22) Date of Filing Application: **25 August 2004**

(24) Date from which industrial property rights may have effect: **25 August 2004**

(54) Product in respect of which the design is registered: **A toilet seat and lid assembly**

(51) International Design Classification: **23-02C**

(71) Name(s) and Address(s) of Applicant(s):

Caroma Industries Limited
Level 3 159 Coronation Drive Milton Queensland 4064 Australia

(72) Name(s) of Designer(s): **Tania Michelle Von Bertouch**

(45) Registration Date: **03 June 2005**

(56) Related Art Documents: **Not Applicable**

(57) Statement of Newness and Distinctiveness: **Newness and/or distinctiveness is claimed in the features of shape and/or configuration of a toilet seat and lid assembly, particularly: i. the relatively deep inner rim of the seat; ii. the relatively thick wall section of the outer edges of the seat and lid; iii. the extended rear of the seat (which covers the hinge); and iv. the four buffers in the seat underside.**



(21) Design Number: **14409/2004**

(22) Date of Filing Application: **14 September 2004**

(24) Date from which industrial property rights may have effect: **14 September 2004**

(54) Product in respect of which the design is registered: **Box**

(51) International Design Classification: **09-03F**

(71) Name(s) and Address(s) of Applicant(s):

Korea Yakult Co. Ltd
28-10 Chamwon-Dong Socho-Ku Seoul Republic of Korea

(72) Name(s) of Designer(s): **Sun Mu Kim**

(45) Registration Date: **03 June 2005**

(56) Related Art Documents: **Not Applicable**

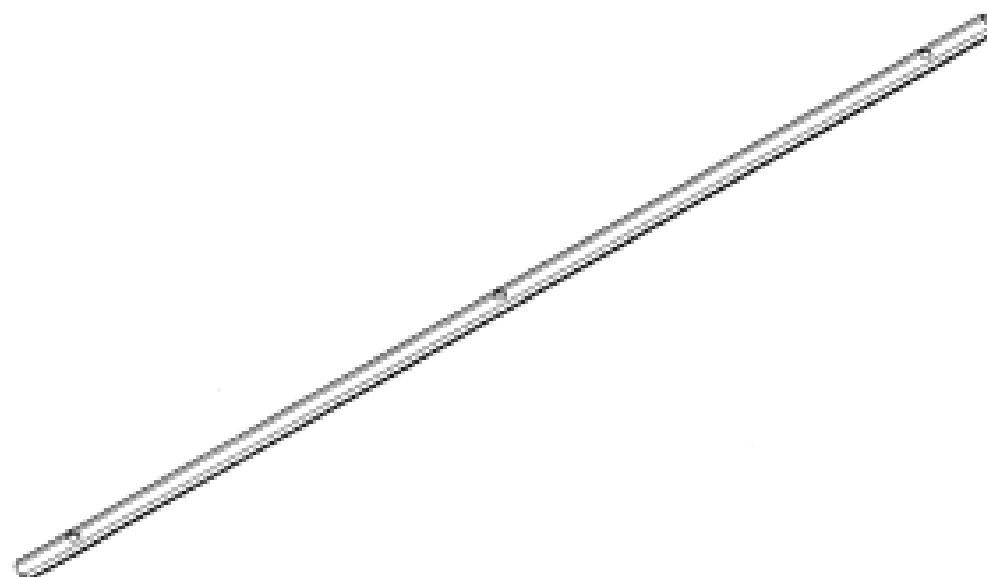
(57) Statement of Newness and Distinctiveness: **Nil**



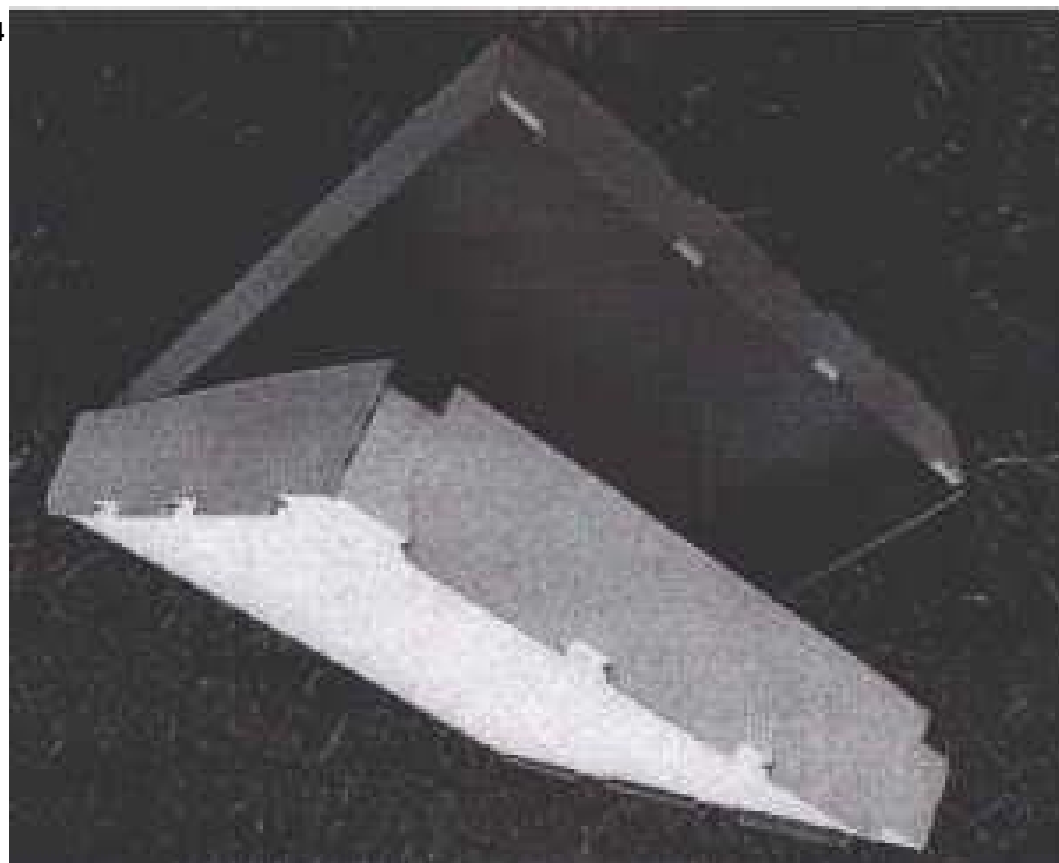
- (21) Design Number: **14555/2004**
(22) Date of Filing Application: **27 September 2004**
(24) Date from which industrial property rights may have effect: **27 September 2004**
(54) Product in respect of which the design is registered: **A cobble paver**
(51) International Design Classification: **25-01A**
(71) Name(s) and Address(s) of Applicant(s):
John Andrew Cory Trading as Country Earth
2069 Toodyay Road Gidgegannup Western Australia 6083 Australia
Roslyn Ann Cory Trading as Country Earth
2069 Toodyay Road Gidgegannup Western Australia 6083 Australia
(72) Name(s) of Designer(s): **John Andrew Cory**
(45) Registration Date: **03 June 2005**
(56) Related Art Documents: **Not Applicable**
(57) Statement of Newness and Distinctiveness: **The cobble paving is of an irregular and uncommon size and shape manufactured in groups of 4. They also have unique colouring combinations.**



- (21) Design Number: **14586/2004**
(22) Date of Filing Application: **24 September 2004**
(24) Date from which industrial property rights may have effect: **24 September 2004**
(54) Product in respect of which the design is registered: **A fencing rail**
(51) International Design Classification: **25-02C**
(71) Name(s) and Address(s) of Applicant(s):
Sam Scott
"Bedulluck" Barton Highway Hall ACT 2618 Australia
(72) Name(s) of Designer(s): **Sam Scott**
(45) Registration Date: **03 June 2005**
(56) Related Art Documents: **Not Applicable**
(57) Statement of Newness and Distinctiveness: **Nil**



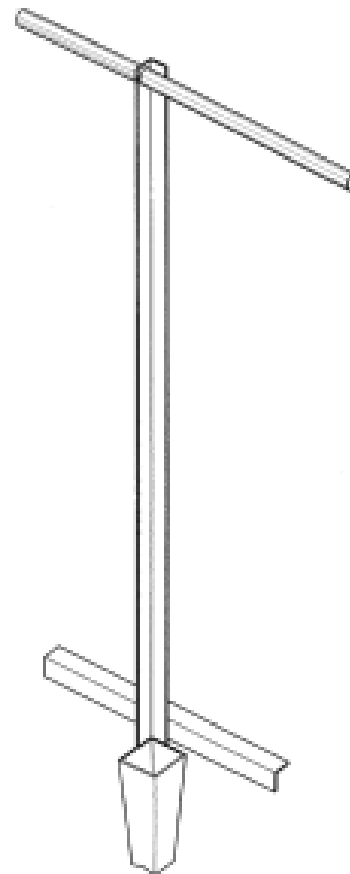
- (21) Design Number: **14640/2004**
(22) Date of Filing Application: **28 September 2004**
(24) Date from which industrial property rights may have effect: **28 September 2004**
(54) Product in respect of which the design is registered: **Blank for a container**
(51) International Design Classification: **09-03M**
(71) Name(s) and Address(s) of Applicant(s):
George Braoudakis
57 Lawanna Drive Templestowe Victoria 3160 Australia
(72) Name(s) of Designer(s): **George Braoudakis**
(45) Registration Date: **03 June 2005**
(56) Related Art Documents: **Not Applicable**
(57) Statement of Newness and Distinctiveness: **Monopoly is claimed in the edge features including the perforation for portion(s)/token(s) applied to the surface and/or side wall(s) of the box as illustrated in the accompanying representations. No monopoly is claimed in the remaining features of shape or configuration of the box as illustrated.**



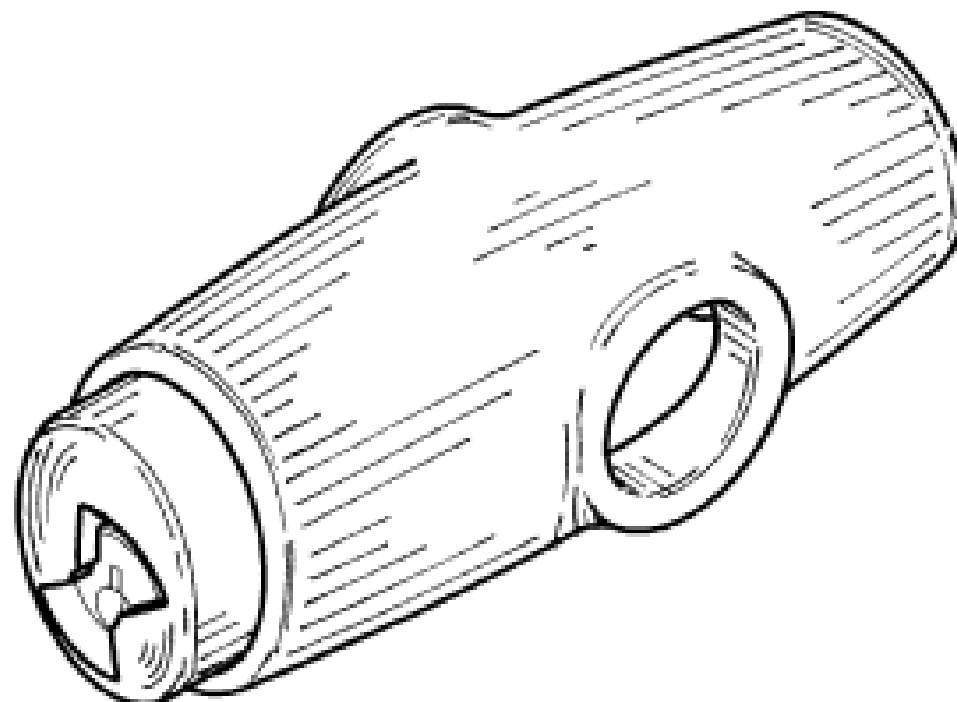
- (21) Design Number: **14641/2004**
(22) Date of Filing Application: **28 September 2004**
(24) Date from which industrial property rights may have effect: **28 September 2004**
(54) Product in respect of which the design is registered: **Blank for a container**
(51) International Design Classification: **09-03M**
(71) Name(s) and Address(s) of Applicant(s):
George Braoudakis
57 Lawanna Drive Templestowe Victoria 3160 Australia
(72) Name(s) of Designer(s): **George Braoudakis**
(45) Registration Date: **03 June 2005**
(56) Related Art Documents: **Not Applicable**
(57) Statement of Newness and Distinctiveness: **Monopoly is claimed in the edge features including the perforation for portion(s)/token(s) applied to the surface and/or side wall(s) of the box as illustrated in the accompanying representations. No monopoly is claimed in the remaining features of shape or configuration of the box as illustrated.**



- (21) Design Number: **14659/2004**
(22) Date of Filing Application: **01 October 2004**
(24) Date from which industrial property rights may have effect: **01 October 2004**
(54) Product in respect of which the design is registered: **Planting aid**
(51) International Design Classification: **08-08O**
(71) Name(s) and Address(s) of Applicant(s):
John Arrien Vandenharm
15 Haven Drive Traralgon Victoria 3844 Australia
(72) Name(s) of Designer(s): **John Arrien Vandenharm**
(45) Registration Date: **03 June 2005**
(56) Related Art Documents: **Not Applicable**
(57) Statement of Newness and Distinctiveness: **Newness and distinctiveness reside in the planting aid as shown in the accompanying representations.**



- (21) Design Number: **14710/2004**
(22) Date of Filing Application: **06 October 2004**
(24) Date from which industrial property rights may have effect: **06 October 2004**
(54) Product in respect of which the design is registered: **High security link locking mechanisms**
(51) International Design Classification: **08-07**
(71) Name(s) and Address(s) of Applicant(s):
Tyson Security Pty Ltd
246 Coward Street Mascot New South Wales 2020 Australia
(72) Name(s) of Designer(s): **David John Evans**
(45) Registration Date: **03 June 2005**
(56) Related Art Documents: **Not Applicable**
(57) Statement of Newness and Distinctiveness: **Monopoly is claimed in the shape and/or configuration of a security link locking mechanism as illustrated in the accompanying representations. In determining the scope of the monopoly, no account should be taken of the link features as shown in long chain outline in the perspective assembled view.**



(21) Design Number: **14711/2004**

(22) Date of Filing Application: **06 October 2004**

(24) Date from which industrial property rights may have effect: **06 October 2004**

(54) Product in respect of which the design is registered: **High security link locking mechanisms**

(51) International Design Classification: **08-07**

(71) Name(s) and Address(s) of Applicant(s):

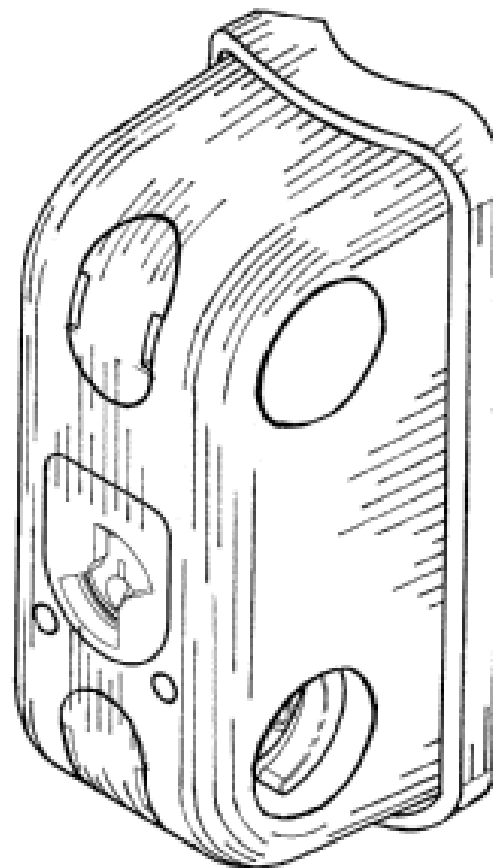
Tyson Security Pty Ltd
246 Coward Street Mascot New South Wales 2020 Australia

(72) Name(s) of Designer(s): **David John Evans**

(45) Registration Date: **03 June 2005**

(56) Related Art Documents: **Not Applicable**

(57) Statement of Newness and Distinctiveness: **Monopoly is claimed in the shape and/or configuration of a security link locking mechanism as illustrated in the accompanying representations. In determining the scope of the monopoly, no account should be taken of the link features as shown in long chain outline in the assembled perspective view.**



(21) Design Number: **14712/2004**

(22) Date of Filing Application: **06 October 2004**

(24) Date from which industrial property rights may have effect: **06 October 2004**

(54) Product in respect of which the design is registered: **High security links and chain**

(51) International Design Classification: **08-07**

(71) Name(s) and Address(s) of Applicant(s):

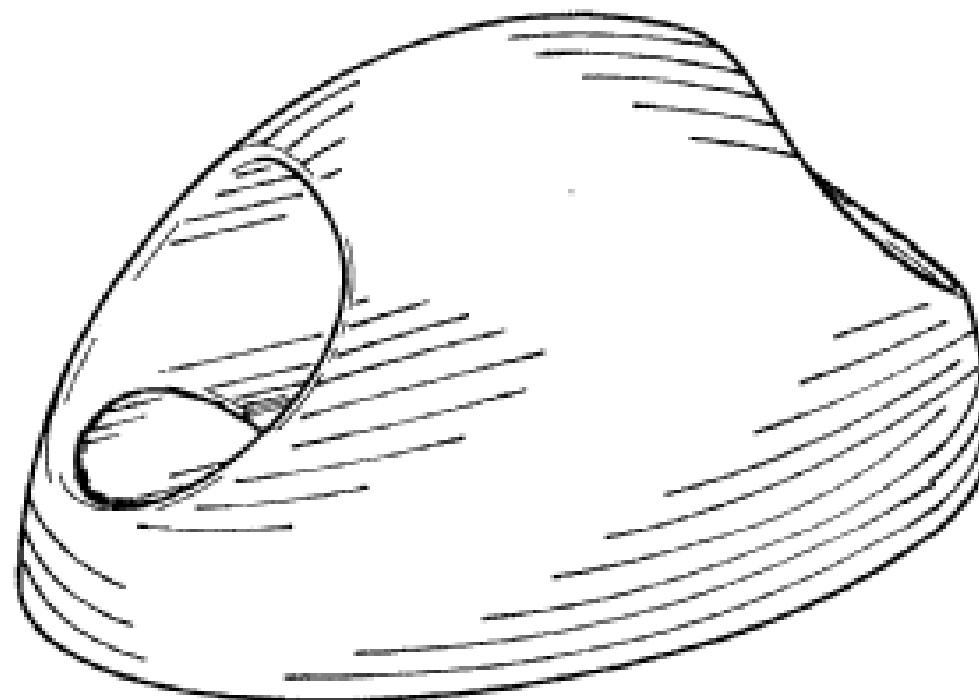
Tyson Security Pty Ltd
246 Coward Street Mascot New South Wales 2020 Australia

(72) Name(s) of Designer(s): **David John Evans**

(45) Registration Date: **03 June 2005**

(56) Related Art Documents: **Not Applicable**

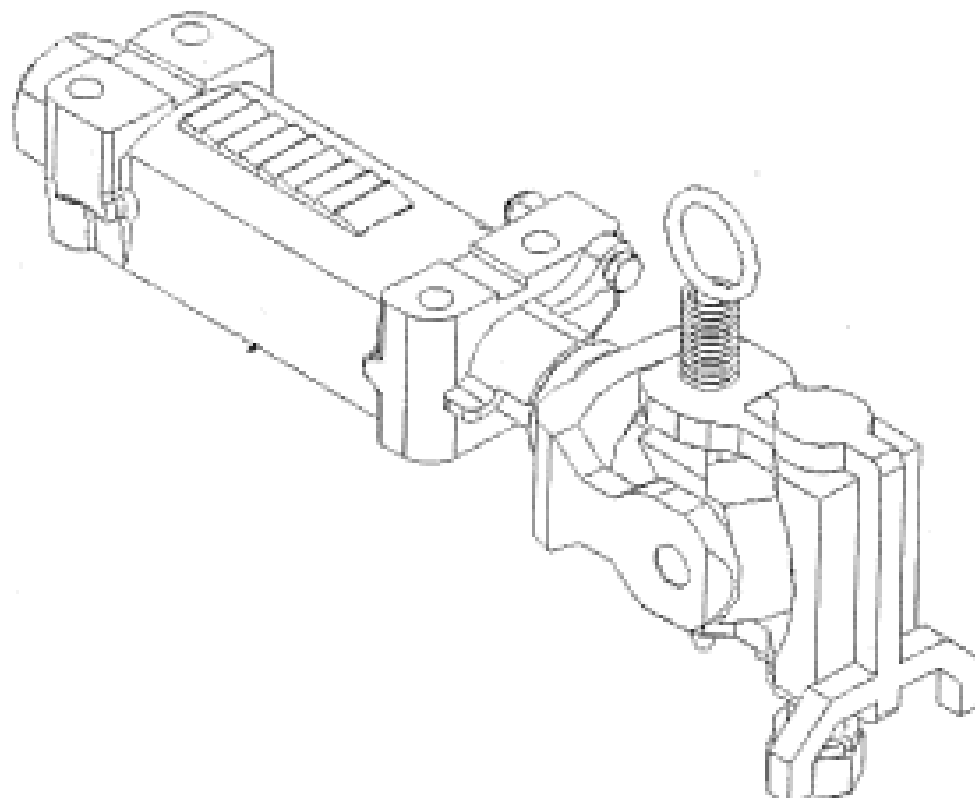
(57) Statement of Newness and Distinctiveness: **Monopoly is claimed in the shape and/or configuration of a security link anchor mechanism as illustrated in the accompanying representations. In determining the scope of the monopoly, no account should be taken of the link features as shown in long chain outline in the assembled perspective view.**



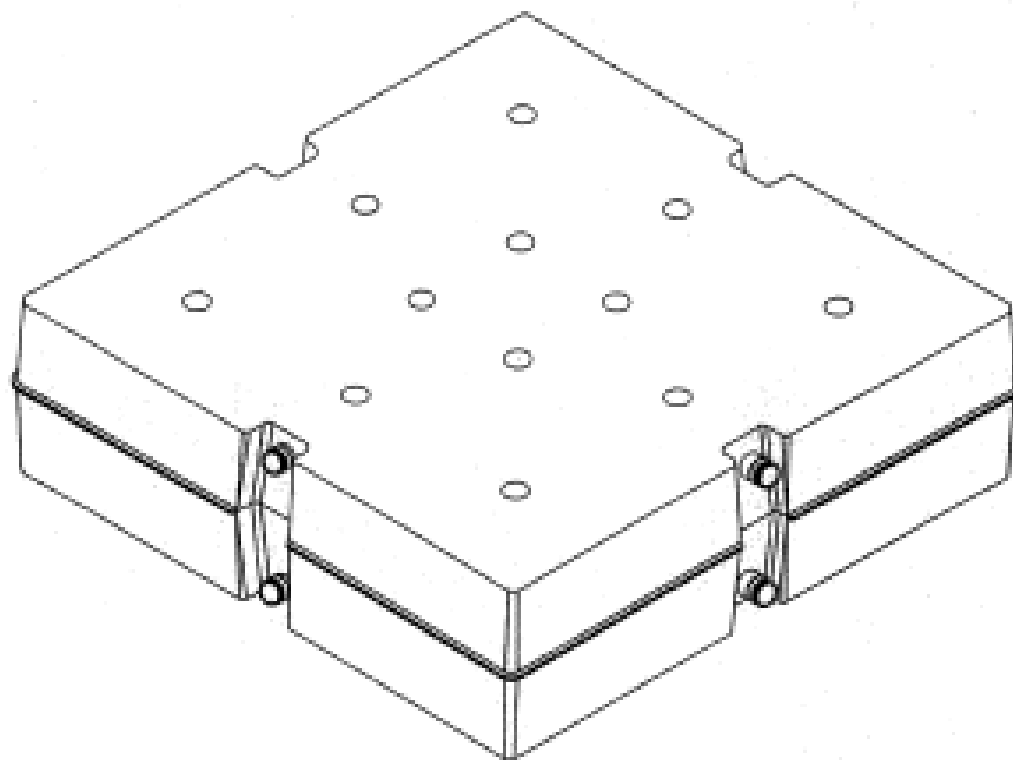
- (21) Design Number: **14722/2004**
(22) Date of Filing Application: **06 October 2004**
(24) Date from which industrial property rights may have effect: **06 October 2004**
(54) Product in respect of which the design is registered: **Continuous sheet material**
(51) International Design Classification: **25-01D**
(71) Name(s) and Address(s) of Applicant(s):
Nibong Tebal Paper Mill Sdn. Bhd.
No. 886 Jalan Bandar Baru Sungai Kecil Nibong Tebal S.P.S. Pulau Pinang 14300 Malaysia
(72) Name(s) of Designer(s): **Chong Choon Lee**
(45) Registration Date: **03 June 2005**
(56) Related Art Documents: **Not Applicable**
(57) Statement of Newness and Distinctiveness: **Newness and distinctiveness is claimed in the features of pattern and ornamentation of the article as shown in the representations. The article is of indeterminate length and width.**



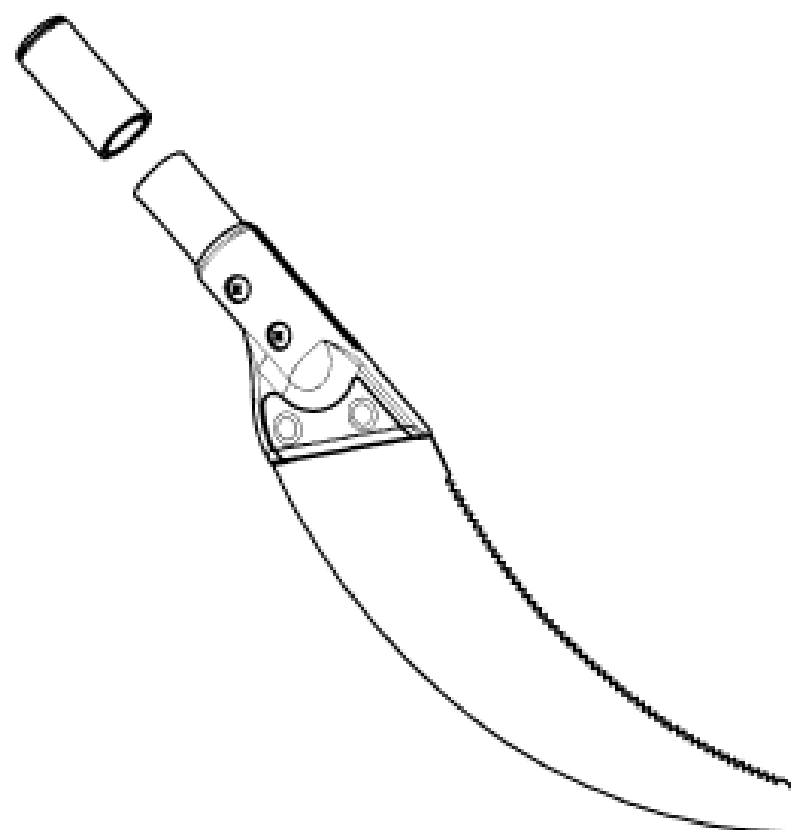
- (21) Design Number: **14942/2004**
(22) Date of Filing Application: **18 October 2004**
(24) Date from which industrial property rights may have effect: **18 October 2004**
(54) Product in respect of which the design is registered: **Off-road coupling**
(51) International Design Classification: **12-16L**
(71) Name(s) and Address(s) of Applicant(s):
AL-KO International Pty Limited
59 Wedgewood Road Hallam Victoria 3803 Australia
(72) Name(s) of Designer(s): **Slobodan Cabarkapa**
(45) Registration Date: **03 June 2005**
(56) Related Art Documents: **Not Applicable**
(57) Statement of Newness and Distinctiveness: **Visual features of the design which are new and distinctive are the features of shape and configuration of the entire article as illustrated in the representations including the swivelling head and bracket marked 'A', with the features of shape and configuration of the square sectioned body marked 'B' to be disregarded.**



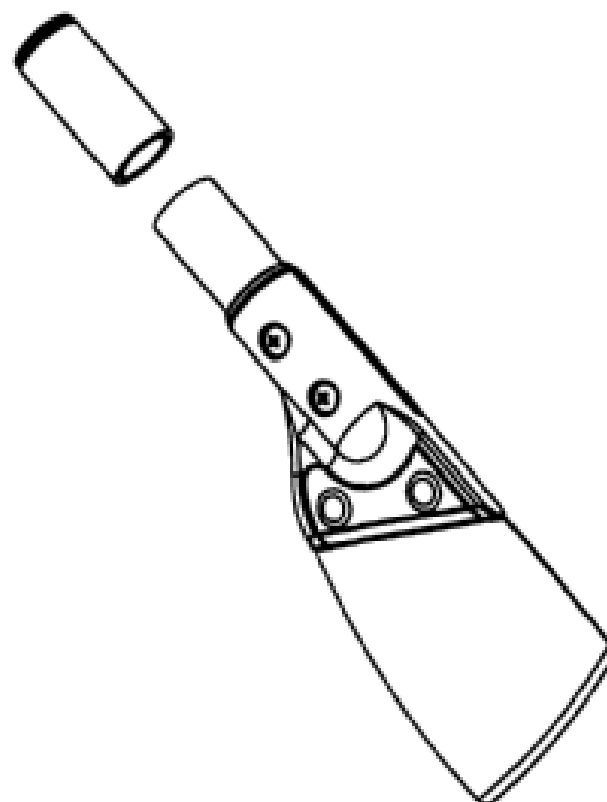
- (21) Design Number: **15021/2004**
(22) Date of Filing Application: **25 October 2004**
(24) Date from which industrial property rights may have effect: **25 October 2004**
(54) Product in respect of which the design is registered: **Water storage pod**
(51) International Design Classification: **23-01F**
(71) Name(s) and Address(s) of Applicant(s):
Robert Currey
85 Carrols Road Menangle New South Wales 2568 Australia
Dirk Neugebauer
85 Carrols Road Menangle New South Wales 2568 Australia
Cathy Neugebauer
85 Carrols Road Menangle New South Wales 2568 Australia
(72) Name(s) of Designer(s): **Robert Currey and Dirk Neugebauer and Cathy Neugebauer**
(45) Registration Date: **03 June 2005**
(56) Related Art Documents: **Not Applicable**
(57) Statement of Newness and Distinctiveness: **Each feature of the design considered separately or in combination with any other feature or features.**



- (21) Design Number: **15100/2004**
(22) Date of Filing Application: **01 November 2004**
(24) Date from which industrial property rights may have effect: **01 November 2004**
(54) Product in respect of which the design is registered: **Pruning saw**
(51) International Design Classification: **08-03**
(71) Name(s) and Address(s) of Applicant(s):
Scot Farley
37 Princess Street Cannon Hill Queensland 4170 Australia
(72) Name(s) of Designer(s): **Scot Farley**
(45) Registration Date: **03 June 2005**
(56) Related Art Documents: **Not Applicable**
(57) Statement of Newness and Distinctiveness: **The new features of the design are the shape and configuration of the tool head.**



- (21) Design Number: **15101/2004**
- (22) Date of Filing Application: **01 November 2004**
- (24) Date from which industrial property rights may have effect: **01 November 2004**
- (54) Product in respect of which the design is registered: **Weed scraper**
- (51) International Design Classification: **08-01**
- (71) Name(s) and Address(s) of Applicant(s):
Scot Farley
37 Princess Street Cannon Hill Queensland 4170 Australia
- (72) Name(s) of Designer(s): **Scot Farley**
- (45) Registration Date: **03 June 2005**
- (56) Related Art Documents: **Not Applicable**
- (57) Statement of Newness and Distinctiveness: **The new features of the design are the shape and configuration of the tool head and scraping blade.**

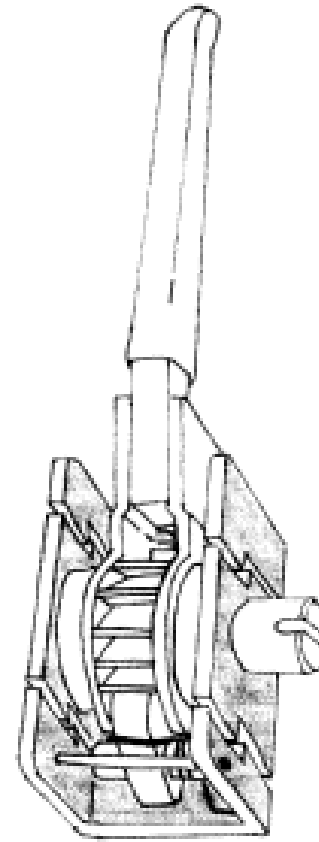


- (21) Design Number: **15119/2004**
- (22) Date of Filing Application: **01 November 2004**
- (24) Date from which industrial property rights may have effect: **01 November 2004**
- (54) Product in respect of which the design is registered: **Container**
- (51) International Design Classification: **09-01G, 28-02**
- (71) Name(s) and Address(s) of Applicant(s):
The Procter & Gamble Company
One Procter & Gamble Plaza Cincinnati Ohio 45202 United States of America
- (72) Name(s) of Designer(s): **Erica Heidi Hollmann and Stacy Alycia Thomas**
- (45) Registration Date: **03 June 2005**
- (30) Convention priority data:

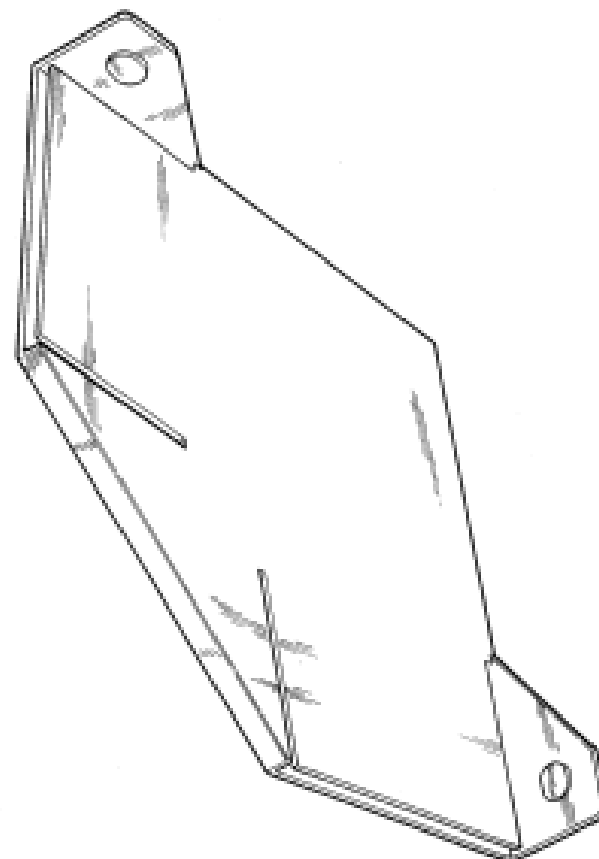
(31) Number	(32) Date	(33) Country
29/204,710	03 May 2004	UNITED STATES OF AMERICA
- (56) Related Art Documents: **Not Applicable**
- (57) Statement of Newness and Distinctiveness: **Novelty resides in the shape and/or configuration and ornamental design of the container as shown in the representations.**



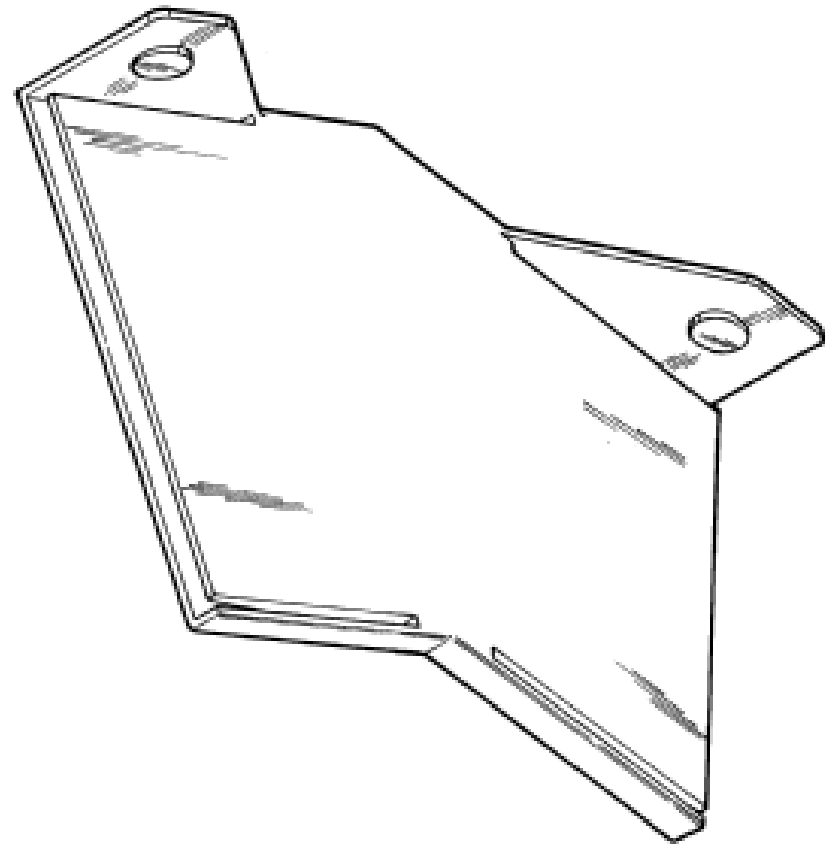
- (21) Design Number: **15277/2004**
(22) Date of Filing Application: **16 November 2004**
(24) Date from which industrial property rights may have effect: **16 November 2004**
(54) Product in respect of which the design is registered: **A ratchet tensioner**
(51) International Design Classification: **08-05P**
(71) Name(s) and Address(s) of Applicant(s):
Philip A. Masterson
4 Royal Street Upper Ferntree Gully Victoria 3156 Australia
(72) Name(s) of Designer(s): **Philip A. Masterson**
(45) Registration Date: **03 June 2005**
(56) Related Art Documents: **Not Applicable**
(57) Statement of Newness and Distinctiveness: **The new feature of the design is there are no triggers or knobs to be operated when releasing or tensioning. When considering the design protection the shaded bracket in the representations is of indefinite length.**



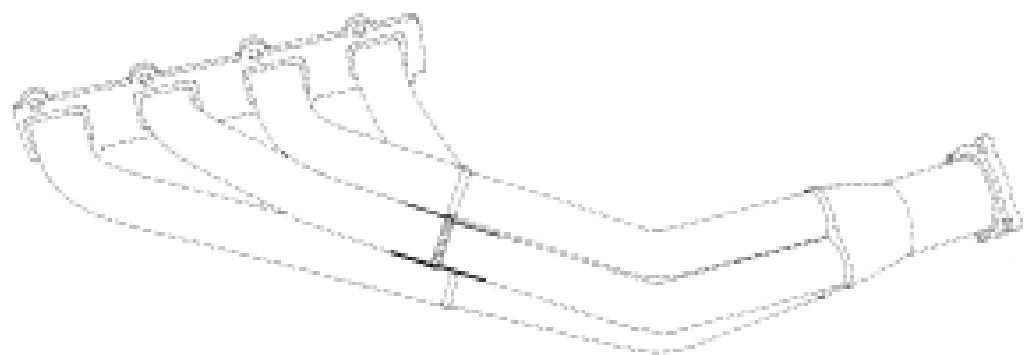
- (21) Design Number: **15372/2004**
(22) Date of Filing Application: **18 November 2004**
(24) Date from which industrial property rights may have effect: **18 November 2004**
(54) Product in respect of which the design is registered: **Connector**
(51) International Design Classification: **08-08L, 25-02NES**
(71) Name(s) and Address(s) of Applicant(s):
Structural Plastic Pty Ltd
Level 1 22 William Street Melbourne Victoria 3000 Australia
(72) Name(s) of Designer(s): **Jason Williams and Lawrence Arthur Cavey**
(45) Registration Date: **03 June 2005**
(56) Related Art Documents: **Not Applicable**
(57) Statement of Newness and Distinctiveness: **Nil**



- (21) Design Number: **15373/2004**
(22) Date of Filing Application: **18 November 2004**
(24) Date from which industrial property rights may have effect: **18 November 2004**
(54) Product in respect of which the design is registered: **Connector**
(51) International Design Classification: **08-08L, 25-02NES**
(71) Name(s) and Address(s) of Applicant(s):
Structural Plastic Pty Ltd
Level 1 22 William Street Melbourne Victoria 3000 Australia
(72) Name(s) of Designer(s): **Jason Williams and Lawrence Arthur Cavey**
(45) Registration Date: **03 June 2005**
(56) Related Art Documents: **Not Applicable**
(57) Statement of Newness and Distinctiveness: **Nil**



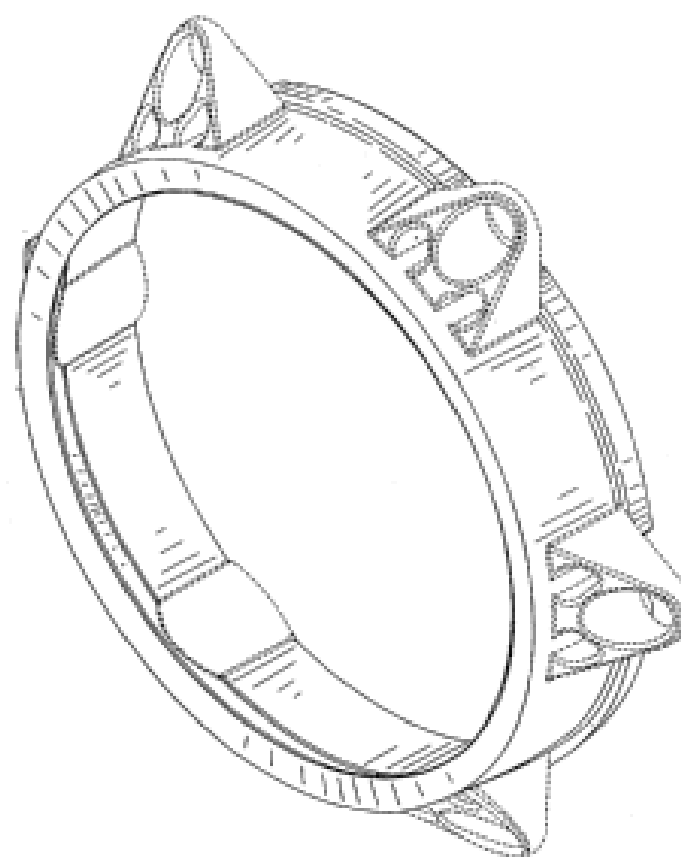
- (21) Design Number: **15602/2004**
(22) Date of Filing Application: **02 December 2004**
(24) Date from which industrial property rights may have effect: **24 March 2004**
(54) Product in respect of which the design is registered: **Exhaust header**
(51) International Design Classification: **12-16N**
(71) Name(s) and Address(s) of Applicant(s):
Liverpool Exhaust Pty Ltd
8/41 Seton Road Moorebank New South Wales 2170 Australia
(72) Name(s) of Designer(s): **Sevket Fahri**
(45) Registration Date: **03 June 2005**
(62) Divisional of: **157339**
(56) Related Art Documents: **Not Applicable**
(57) Statement of Newness and Distinctiveness: **Newness and distinctiveness is claimed in the features of shape and/or configuration of a pipe connection for an exhaust header illustrated in continuous lines in the accompanying representations.**



(21) Design Number: **15715/2004**
 (22) Date of Filing Application: **10 December 2004**
 (24) Date from which industrial property rights may have effect: **10 December 2004**
 (54) Product in respect of which the design is registered: **Pipe gland ear**
 (51) International Design Classification: **23-01A**
 (71) Name(s) and Address(s) of Applicant(s):
United States Pipe & Foundry Company
3300 First Avenue North Birmingham Alabama 35222 United States of America
 (72) Name(s) of Designer(s): **Daniel A. Copeland and William H. Owen**
 (45) Registration Date: **03 June 2005**
 (30) Convention priority data:

(31) Number	(32) Date	(33) Country
29/207,349	11 Jun 2004	UNITED STATES OF AMERICA

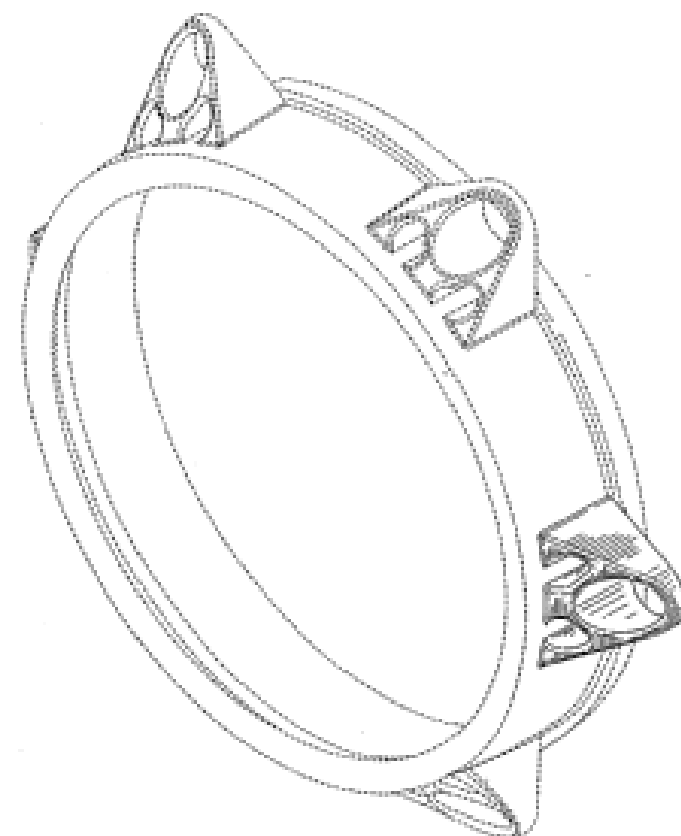
 (56) Related Art Documents: **Not Applicable**
 (57) Statement of Newness and Distinctiveness: **For the purpose of determining the newness and/or distinctiveness of the instant design, no account should be taken of those aspects detailed in the accompanying representations in broken lines.**



(21) Design Number: **15716/2004**
 (22) Date of Filing Application: **10 December 2004**
 (24) Date from which industrial property rights may have effect: **10 December 2004**
 (54) Product in respect of which the design is registered: **Pipe gland ear**
 (51) International Design Classification: **23-01A**
 (71) Name(s) and Address(s) of Applicant(s):
United States Pipe & Foundry Company
3300 First Avenue North Birmingham Alabama 35222 United States of America
 (72) Name(s) of Designer(s): **Daniel A. Copeland and William H. Owen**
 (45) Registration Date: **03 June 2005**
 (30) Convention priority data:

(31) Number	(32) Date	(33) Country
29/207,352	11 Jun 2004	UNITED STATES OF AMERICA

 (56) Related Art Documents: **Not Applicable**
 (57) Statement of Newness and Distinctiveness: **For the purpose of determining the newness and/or distinctiveness of the instant design, no account should be taken of those aspects detailed in the accompanying representations in broken lines.**



(21) Design Number: **14037/2004**
(22) Date of Filing Application: **24 August 2004**
(24) Date from which industrial property rights may have effect: **24 August 2004**
(54) Product in respect of which the design is registered: **Shoe**
(51) International Design Classification: **02-04NES**
(71) Name(s) and Address(s) of Applicant(s):

La Chemise Lacoste S.A.
8 Rue de Castiglione 75001 Paris France

(72) Name(s) of Designer(s): **Georgina James**

(45) Registration Date: **03 June 2005**

(30) Convention priority data:

(31) Number	(32) Date	(33) Country
000138664-0006	23 Feb 2004	EUROPEAN COMMUNITY

(56) Related Art Documents: **Not Applicable**

(57) Statement of Newness and Distinctiveness: **Any person required to decide whether the design is substantially similar in overall impression to another design should have particular regard to the shape, configuration, pattern and ornamentation of the shoe, but should disregard the crocodile logo and the wording "Lacoste".**



(21) Design Number: **14038/2004**
(22) Date of Filing Application: **24 August 2004**
(24) Date from which industrial property rights may have effect: **24 August 2004**
(54) Product in respect of which the design is registered: **Shoe**
(51) International Design Classification: **02-04NES**
(71) Name(s) and Address(s) of Applicant(s):

La Chemise Lacoste S.A.
8 Rue de Castiglione 75001 Paris France

(72) Name(s) of Designer(s): **Victoria Mary Carr and Nicholas Drury**

(45) Registration Date: **03 June 2005**

(30) Convention priority data:

(31) Number	(32) Date	(33) Country
000138664-0004	23 Feb 2004	EUROPEAN COMMUNITY

(56) Related Art Documents: **Not Applicable**

(57) Statement of Newness and Distinctiveness: **Any person required to decide whether the design is substantially similar in overall impression to another design should have particular regard to the shape, configuration, pattern and ornamentation of the shoe, but should disregard the crocodile logo and the wording "Lacoste".**



(21) Design Number: **14039/2004**
(22) Date of Filing Application: **24 August 2004**
(24) Date from which industrial property rights may have effect: **24 August 2004**
(54) Product in respect of which the design is registered: **Shoe**
(51) International Design Classification: **02-04NES**
(71) Name(s) and Address(s) of Applicant(s):

La Chemise Lacoste S.A.
8 Rue de Castiglione 75001 Paris France

(72) Name(s) of Designer(s): **Victoria Mary Carr**

(45) Registration Date: **03 June 2005**

(30) Convention priority data:

(31) Number	(32) Date	(33) Country
000138664-0002	23 Feb 2004	EUROPEAN COMMUNITY

(56) Related Art Documents: **Not Applicable**

(57) Statement of Newness and Distinctiveness: **Any person required to decide whether the design is substantially similar in overall impression to another design should have particular regard to the shape, configuration, pattern and ornamentation of the shoe, but should disregard the crocodile logo and the wording "Lacoste".**



(21) Design Number: **14040/2004**
(22) Date of Filing Application: **24 August 2004**
(24) Date from which industrial property rights may have effect: **24 August 2004**
(54) Product in respect of which the design is registered: **Shoe**
(51) International Design Classification: **02-04NES**
(71) Name(s) and Address(s) of Applicant(s):

La Chemise Lacoste S.A.
8 Rue de Castiglione 75001 Paris France

(72) Name(s) of Designer(s): **Ryan Lamont**

(45) Registration Date: **03 June 2005**

(30) Convention priority data:

(31) Number	(32) Date	(33) Country
000138664-0001	23 Feb 2004	EUROPEAN COMMUNITY

(56) Related Art Documents: **Not Applicable**

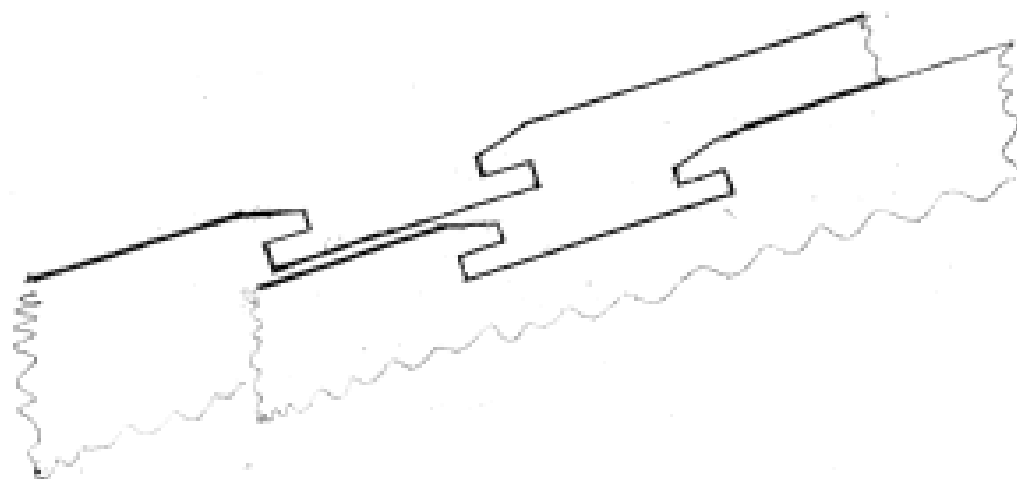
(57) Statement of Newness and Distinctiveness: **Any person required to decide whether the design is substantially similar in overall impression to another design should have particular regard to the shape, configuration, pattern and ornamentation of the shoe, but should disregard the crocodile logo and the wording "Lacoste".**



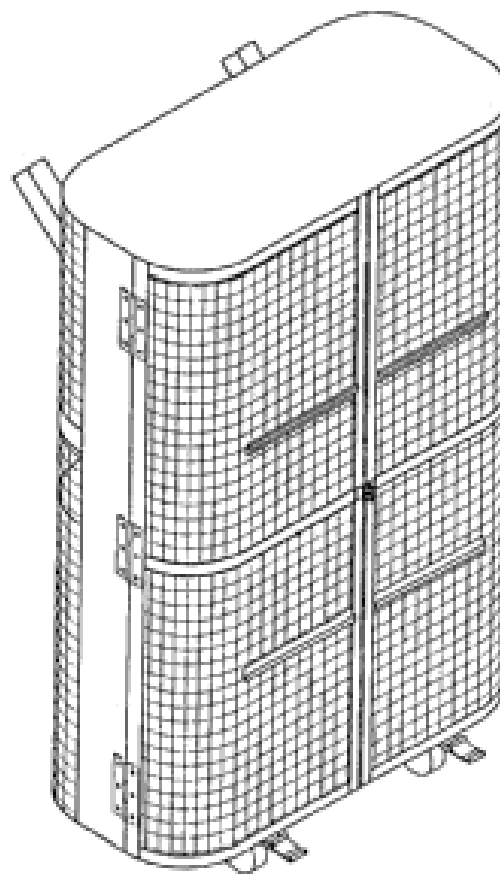
- (21) Design Number: **14041/2004**
(22) Date of Filing Application: **24 August 2004**
(24) Date from which industrial property rights may have effect: **24 August 2004**
(54) Product in respect of which the design is registered: **Shoe**
(51) International Design Classification: **02-04NES**
(71) Name(s) and Address(s) of Applicant(s):
La Chemise Lacoste S.A.
8 Rue de Castiglione 75001 Paris France
(72) Name(s) of Designer(s): **Ryan Lamont**
(45) Registration Date: **03 June 2005**
(56) Related Art Documents: **Not Applicable**
(57) Statement of Newness and Distinctiveness: **Any person required to decide whether the design is substantially similar in overall impression to another design should have particular regard to the shape, configuration, pattern and ornamentation of the shoe, but should disregard the crocodile logo and the wording "Lacoste".**



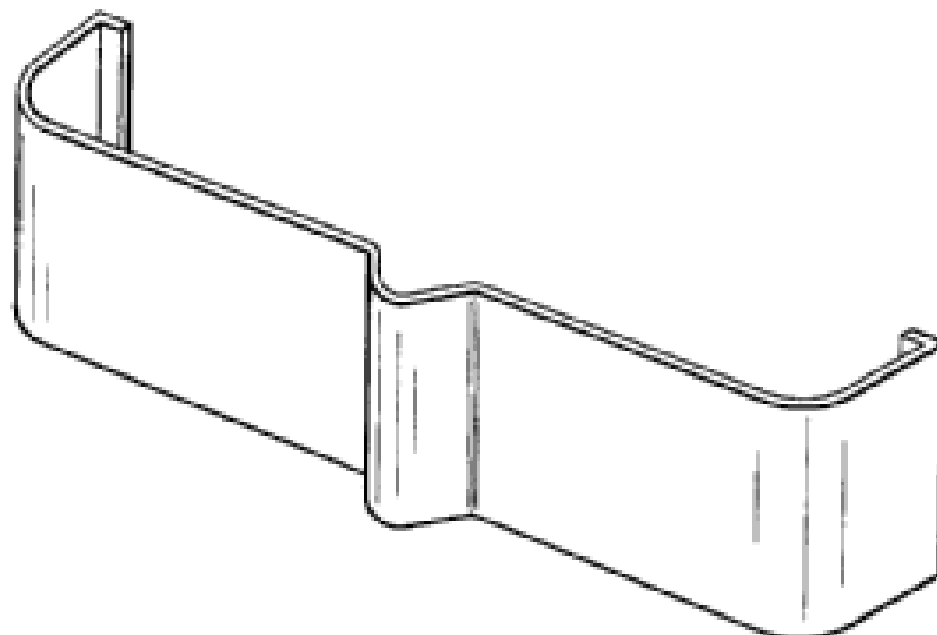
- (21) Design Number: **13017/2004**
(22) Date of Filing Application: **18 June 2004**
(24) Date from which industrial property rights may have effect: **18 June 2004**
(54) Product in respect of which the design is registered: **Batten track**
(51) International Design Classification: **25-01C**
(71) Name(s) and Address(s) of Applicant(s):
Ian Tusti
20 Carson Street Parafield Gardens South Australia 5107 Australia
(72) Name(s) of Designer(s): **Ian Tusti**
(45) Registration Date: **03 June 2005**
(56) Related Art Documents: **Not Applicable**
(57) Statement of Newness and Distinctiveness: **I claim that the design is new and original.**



- (21) Design Number: **13099/2004**
(22) Date of Filing Application: **30 June 2004**
(24) Date from which industrial property rights may have effect: **30 June 2004**
(54) Product in respect of which the design is registered: **Storage and transport upright hand-trolley for gas bottles**
(51) International Design Classification: **12-02**
(71) Name(s) and Address(s) of Applicant(s):
Snashall Investments Pty Ltd
Unit 4 2-4 Jetty Road Bunbury Western Australia 6230 Australia
(72) Name(s) of Designer(s): **Brian Snashall**
(45) Registration Date: **03 June 2005**
(56) Related Art Documents: **Not Applicable**
(57) Statement of Newness and Distinctiveness: **Newness resides in a wire cage enclosure as applied to an upright hand trolley. Newness resides in the arrangement of wheels as applied to an upright hand trolley. Distinctiveness resides in the overall shape and configuration of the product as shown in the accompanying representations.**



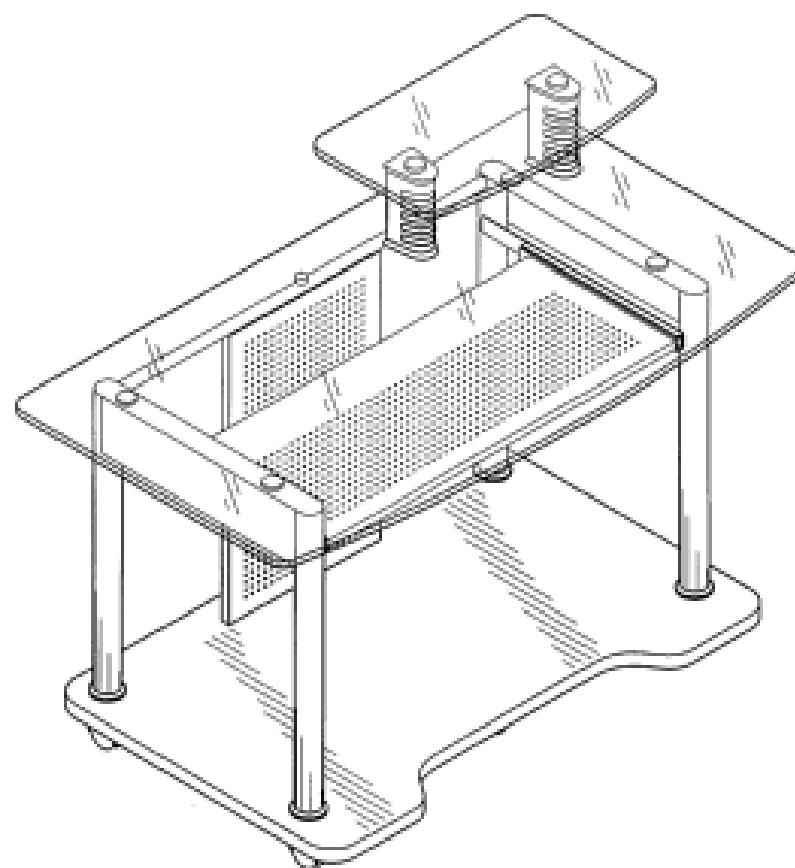
- (21) Design Number: **13104/2004**
(22) Date of Filing Application: **30 June 2004**
(24) Date from which industrial property rights may have effect: **30 June 2004**
(54) Product in respect of which the design is registered: **Mesh clip**
(51) International Design Classification: **08-08C**
(71) Name(s) and Address(s) of Applicant(s):
Complete Shopfitters Pty Ltd
47 Kitchen Road Dandenong Victoria 3175 Australia
(72) Name(s) of Designer(s): **Darren Henderson**
(45) Registration Date: **03 June 2005**
(56) Related Art Documents: **Not Applicable**
(57) Statement of Newness and Distinctiveness: **Newness and distinctiveness reside in the mesh clip as shown in the accompanying representations.**



- (21) Design Number: **13156/2004**
- (22) Date of Filing Application: **05 July 2004**
- (24) Date from which industrial property rights may have effect: **05 July 2004**
- (54) Product in respect of which the design is registered: **Computer table**
- (51) International Design Classification: **06-03C**
- (71) Name(s) and Address(s) of Applicant(s):

Chien-Kuo Chang
10-2 No. 447 3 Sec. Wen-Hsin Road Taichung City Taiwan Republic of China

- (72) Name(s) of Designer(s): **Chien-Kuo Chang**
- (45) Registration Date: **03 June 2005**
- (56) Related Art Documents: **Not Applicable**
- (57) Statement of Newness and Distinctiveness: **Nil**



- (21) Design Number: **13161/2004**
- (22) Date of Filing Application: **05 July 2004**
- (24) Date from which industrial property rights may have effect: **05 July 2004**
- (54) Product in respect of which the design is registered: **A shirt**
- (51) International Design Classification: **02-02NES**
- (71) Name(s) and Address(s) of Applicant(s):

Review Australia Pty Ltd
25-31 Rokeby Street Collingwood Victoria 3066 Australia

- (72) Name(s) of Designer(s): **Jayne Ellis**
- (45) Registration Date: **03 June 2005**
- (56) Related Art Documents: **Not Applicable**
- (57) Statement of Newness and Distinctiveness: **Nil**



(21) Design Number: **13162/2004**
(22) Date of Filing Application: **05 July 2004**
(24) Date from which industrial property rights may have effect: **05 July 2004**
(54) Product in respect of which the design is registered: **A skirt**
(51) International Design Classification: **02-02C**
(71) Name(s) and Address(s) of Applicant(s):
Review Australia Pty Ltd
25-31 Rokeby Street Collingwood Victoria 3066 Australia
(72) Name(s) of Designer(s): **Jayne Ellis**
(45) Registration Date: **03 June 2005**
(56) Related Art Documents: **Not Applicable**
(57) Statement of Newness and Distinctiveness: **Nil**



(21) Design Number: **13163/2004**
(22) Date of Filing Application: **05 July 2004**
(24) Date from which industrial property rights may have effect: **05 July 2004**
(54) Product in respect of which the design is registered: **A top**
(51) International Design Classification: **02-02NES**
(71) Name(s) and Address(s) of Applicant(s):
Review Australia Pty Ltd
25-31 Rokeby Street Collingwood Victoria 3066 Australia
(72) Name(s) of Designer(s): **Jayne Ellis**
(45) Registration Date: **03 June 2005**
(56) Related Art Documents: **Not Applicable**
(57) Statement of Newness and Distinctiveness: **Nil**



- (21) Design Number: **13164/2004**
(22) Date of Filing Application: **05 July 2004**
(24) Date from which industrial property rights may have effect: **05 July 2004**
(54) Product in respect of which the design is registered: **A top**
(51) International Design Classification: **02-02NES**
(71) Name(s) and Address(s) of Applicant(s):
Review Australia Pty Ltd
25-31 Rokeby Street Collingwood Victoria 3066 Australia
(72) Name(s) of Designer(s): **Suzi Ellis**
(45) Registration Date: **03 June 2005**
(56) Related Art Documents: **Not Applicable**
(57) Statement of Newness and Distinctiveness: **Nil**



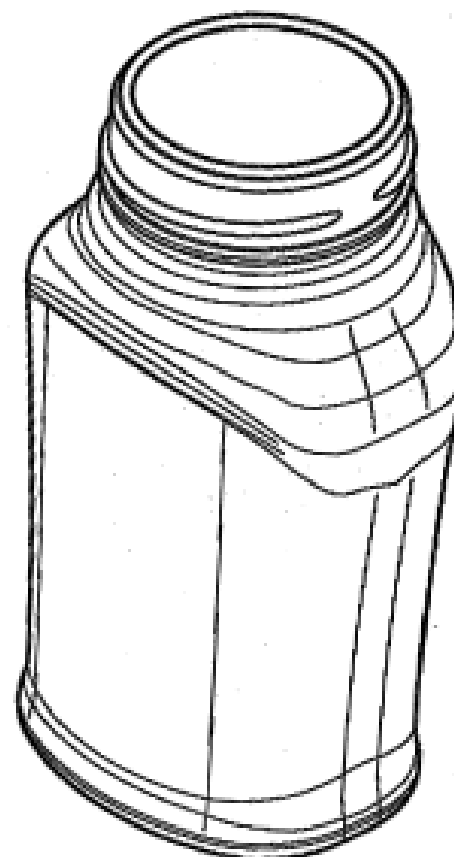
- (21) Design Number: **13329/2004**
(22) Date of Filing Application: **15 July 2004**
(24) Date from which industrial property rights may have effect: **15 July 2004**
(54) Product in respect of which the design is registered: **Bed**
(51) International Design Classification: **06-02**
(71) Name(s) and Address(s) of Applicant(s):
Karinga Furniture Pty Ltd
10-12 Dreamhaven Court Epping Victoria 3076 Australia
(72) Name(s) of Designer(s): **Rex Arthur Carr**
(45) Registration Date: **03 June 2005**
(56) Related Art Documents: **Not Applicable**
(57) Statement of Newness and Distinctiveness: **Visual features of the design which are new and distinctive are the features of shape and configuration of the bed as illustrated in the representations.**



- (21) Design Number: **10339/2005**
(22) Date of Filing Application: **15 July 2004**
(24) Date from which industrial property rights may have effect: **15 July 2004**
(54) Product in respect of which the design is registered: **A set of bedroom furniture pieces comprising a bedside table and a dressing table**
(51) International Design Classification: **06-06B, 06-03NES**
(71) Name(s) and Address(s) of Applicant(s):
Karinga Furniture Pty Ltd
10-12 Dreamhaven Court Epping Victoria 3076 Australia
(72) Name(s) of Designer(s): **Rex Arthur Carr**
(45) Registration Date: **03 June 2005**
(56) Related Art Documents: **Not Applicable**
(57) Statement of Newness and Distinctiveness: **Visual features of the design which are new and distinctive are the features of shape and configuration of the a set of bedroom furniture pieces comprising a bedside table and a dressing table as illustrated in the representations.**



- (21) Design Number: **13334/2004**
(22) Date of Filing Application: **16 July 2004**
(24) Date from which industrial property rights may have effect: **16 July 2004**
(54) Product in respect of which the design is registered: **A jar**
(51) International Design Classification: **09-01C**
(71) Name(s) and Address(s) of Applicant(s):
Cerebos (Australia) Limited
92-96 Station Road Seven Hills New South Wales 2147 Australia
(72) Name(s) of Designer(s): **Annie Dow**
(45) Registration Date: **03 June 2005**
(56) Related Art Documents: **Not Applicable**
(57) Statement of Newness and Distinctiveness: **Newness and distinctiveness is claimed in the shape and/or configuration of: a jar (design 1 of 2); and a jar with lid (design 2 of 2), as illustrated in the representations and in considering the extent of the newness and distinctiveness of the shape and/or configuration of the jar, the threaded portion at one end of the jar is to be disregarded.**



(21) Design Number: **13367/2004**

(22) Date of Filing Application: **20 July 2004**

(24) Date from which industrial property rights may have effect: **20 July 2004**

(54) Product in respect of which the design is registered: **Occasional table**

(51) International Design Classification: **06-03A**

(71) Name(s) and Address(s) of Applicant(s):

Benjamin Mangold

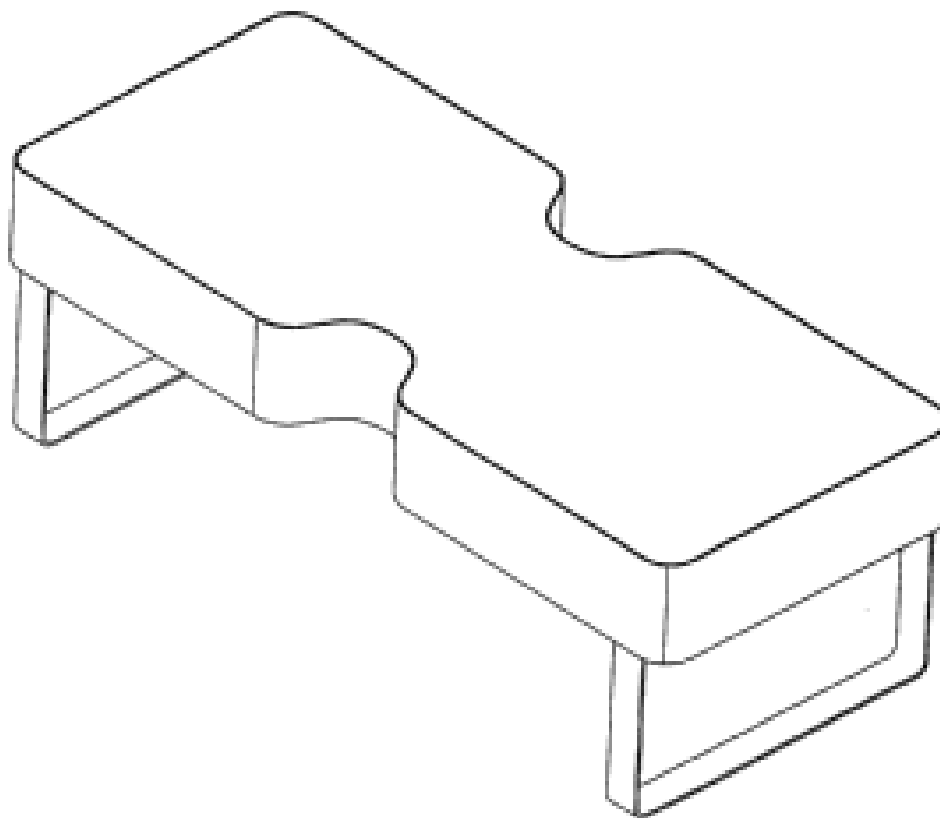
Suite 1 Level 1 66 Spit Road Mosman New South Wales 2088 Australia

(72) Name(s) of Designer(s): **Benjamin Mangold**

(45) Registration Date: **03 June 2005**

(56) Related Art Documents: **Not Applicable**

(57) Statement of Newness and Distinctiveness: **Newness and distinctiveness reside in the occasional table as shown in the accompanying representations.**



(21) Design Number: **13486/2004**

(22) Date of Filing Application: **26 July 2004**

(24) Date from which industrial property rights may have effect: **26 July 2004**

(54) Product in respect of which the design is registered: **A building tool**

(51) International Design Classification: **08-09, 25-01K**

(71) Name(s) and Address(s) of Applicant(s):

Orsen Van Der Byl

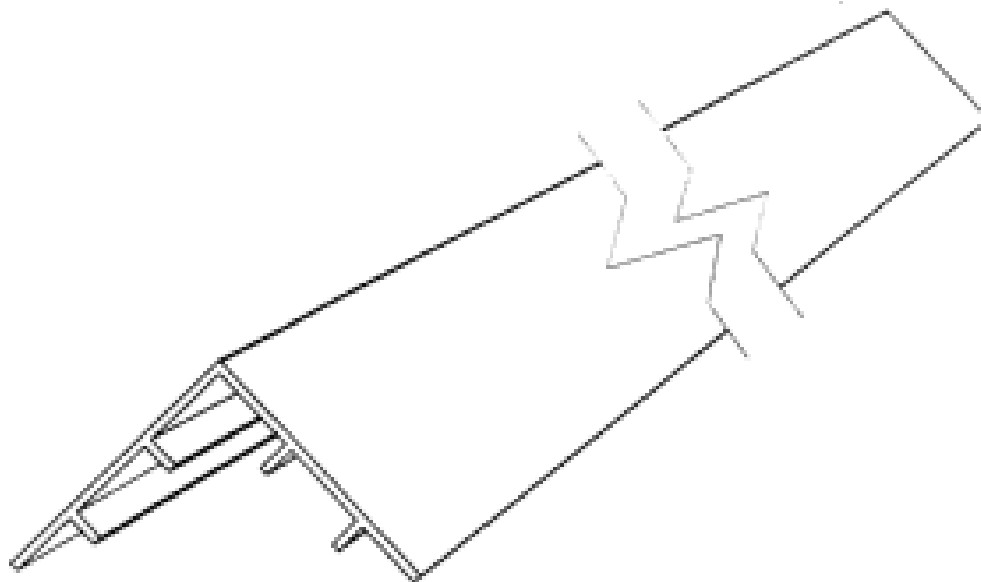
37 Old Wharf Road Pimpama Queensland 4209 Australia

(72) Name(s) of Designer(s): **Orsen Van Der Byl**

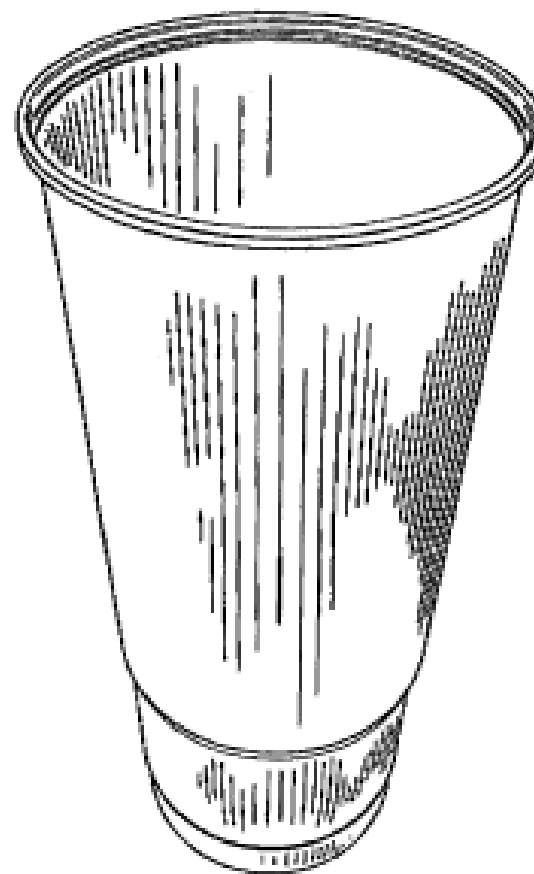
(45) Registration Date: **03 June 2005**

(56) Related Art Documents: **Not Applicable**

(57) Statement of Newness and Distinctiveness: **The particular visual features of the building tool that are to be regarded as new and distinctive are the shape and configuration of the building tool of indefinite length as shown in the accompanying representations.**



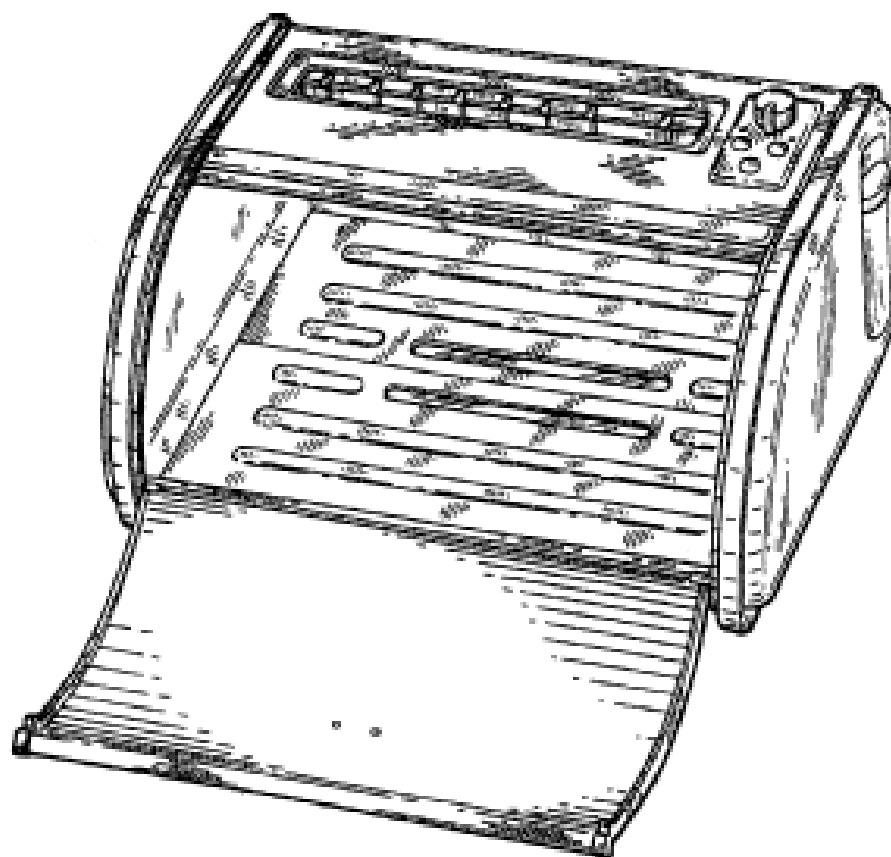
(21) Design Number: **13488/2004**
 (22) Date of Filing Application: **26 July 2004**
 (24) Date from which industrial property rights may have effect: **26 July 2004**
 (54) Product in respect of which the design is registered: **Container**
 (51) International Design Classification: **07-01C**
 (71) Name(s) and Address(s) of Applicant(s):
WinCup Holdings Inc.
3 Radnor Corporate Centre Radnor Pennsylvania 19087 United States of America
 (72) Name(s) of Designer(s): **Samuel Salvatore Messina and Tammy Laraine Kosarek and Thomas Lee Oris Jr and Lewis Bresler**
 (45) Registration Date: **03 June 2005**
 (30) Convention priority data:
 (31) Number (32) Date (33) Country
29/198,014 23 Jan 2004 UNITED STATES OF AMERICA
 (56) Related Art Documents: **Not Applicable**
 (57) Statement of Newness and Distinctiveness: **Nil**



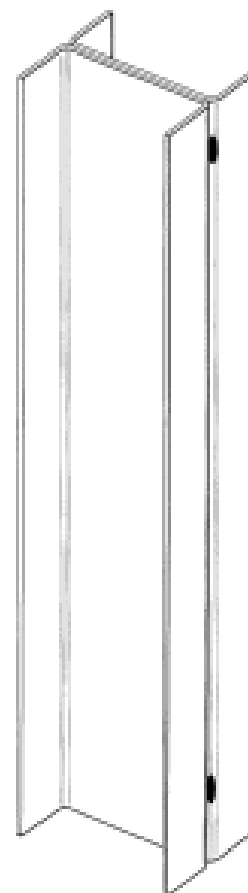
(21) Design Number: **13489/2004**
 (22) Date of Filing Application: **26 July 2004**
 (24) Date from which industrial property rights may have effect: **26 July 2004**
 (54) Product in respect of which the design is registered: **Container**
 (51) International Design Classification: **07-01C**
 (71) Name(s) and Address(s) of Applicant(s):
WinCup Holdings Inc.
3 Radnor Corporate Centre Radnor Pennsylvania 19087 United States of America
 (72) Name(s) of Designer(s): **Samuel Salvatore Messina and Tammy Laraine Kosarek and Thomas Lee Oris Jr and Lewis Bresler**
 (45) Registration Date: **03 June 2005**
 (30) Convention priority data:
 (31) Number (32) Date (33) Country
29/198,014 23 Jan 2004 UNITED STATES OF AMERICA
 (56) Related Art Documents: **Not Applicable**
 (57) Statement of Newness and Distinctiveness: **For the purposes of assessing newness and distinctiveness, no account should be taken of the features detailed in dashed lines.**



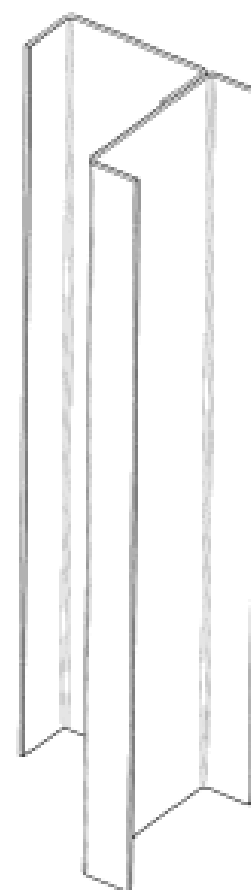
- (21) Design Number: **13574/2004**
(22) Date of Filing Application: **29 July 2004**
(24) Date from which industrial property rights may have effect: **16 May 2003**
(54) Product in respect of which the design is registered: **A toaster/breadbox**
(51) International Design Classification: **07-07NES, 07-02F**
(71) Name(s) and Address(s) of Applicant(s):
Salton Inc.
1955 West Field Court Lake Forest Illinois 60045 United States of America
(72) Name(s) of Designer(s): **Bruce Ancona and Robert A. Varakian**
(45) Registration Date: **03 June 2005**
(30) Convention priority data:
(31) Number (32) Date (33) Country
29171193 18 Nov 2002 UNITED STATES OF AMERICA
(62) Divisional of: **156203**
(56) Related Art Documents: **Not Applicable**
(57) Statement of Newness and Distinctiveness: **Nil**



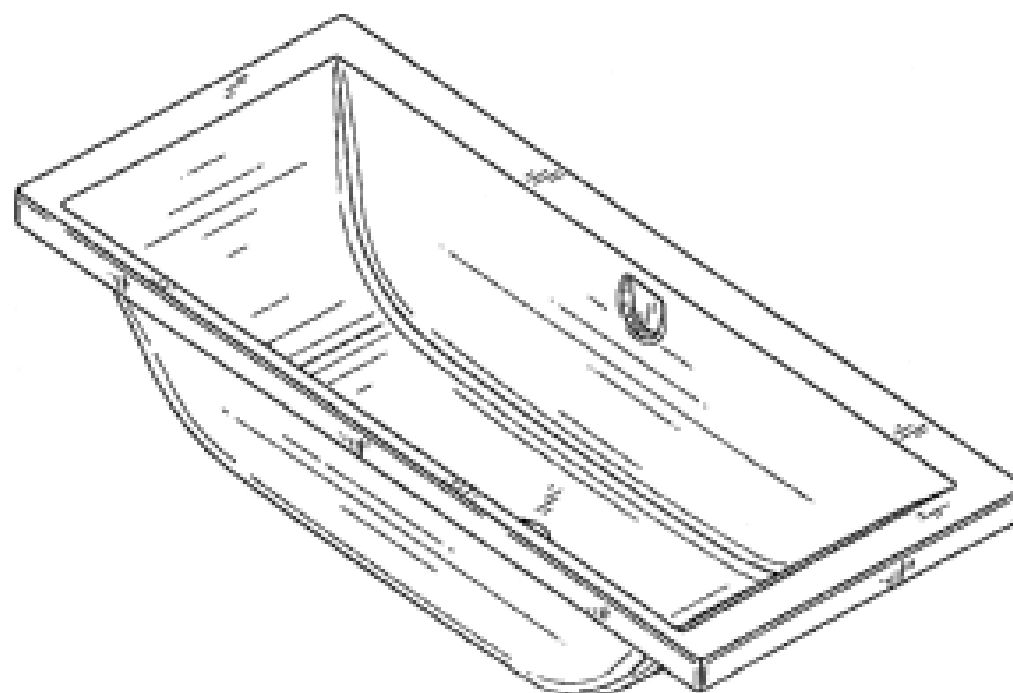
- (21) Design Number: **13629/2004**
(22) Date of Filing Application: **30 July 2004**
(24) Date from which industrial property rights may have effect: **30 July 2004**
(54) Product in respect of which the design is registered: **Garden border stake**
(51) International Design Classification: **25-01E**
(71) Name(s) and Address(s) of Applicant(s):
John Kelly
5 Grange Drive Lysterfield Victoria 3156 Australia
(72) Name(s) of Designer(s): **John Kelly**
(45) Registration Date: **03 June 2005**
(56) Related Art Documents: **Not Applicable**
(57) Statement of Newness and Distinctiveness: **Newness and distinctiveness reside in the garden border stake as shown in the accompanying representations.**



- (21) Design Number: **13630/2004**
(22) Date of Filing Application: **30 July 2004**
(24) Date from which industrial property rights may have effect: **30 July 2004**
(54) Product in respect of which the design is registered: **Garden border stake**
(51) International Design Classification: **25-01E**
(71) Name(s) and Address(s) of Applicant(s):
John Kelly
5 Grange Drive Lysterfield Victoria 3156 Australia
(72) Name(s) of Designer(s): **John Kelly**
(45) Registration Date: **03 June 2005**
(56) Related Art Documents: **Not Applicable**
(57) Statement of Newness and Distinctiveness: **Newness and distinctiveness reside in the garden border stake as shown in the accompanying representations.**



- (21) Design Number: **13678/2004**
(22) Date of Filing Application: **03 August 2004**
(24) Date from which industrial property rights may have effect: **03 August 2004**
(54) Product in respect of which the design is registered: **Tub for bathing**
(51) International Design Classification: **23-02B**
(71) Name(s) and Address(s) of Applicant(s):
Kohler France SAS
60 Rue De Turenne 75139 Paris Cedex 03 France
(72) Name(s) of Designer(s): **Francois Kergoet**
(45) Registration Date: **03 June 2005**
(30) Convention priority data:
(31) Number (32) Date (33) Country
29/198688 03 Feb 2004 UNITED STATES OF AMERICA
(56) Related Art Documents: **Not Applicable**
(57) Statement of Newness and Distinctiveness: **Nil**



(21) Design Number: **13780/2004**

(22) Date of Filing Application: **09 August 2004**

(24) Date from which industrial property rights may have effect: **09 August 2004**

(54) Product in respect of which the design is registered: **A pot support bracket**

(51) International Design Classification: **08-08NES**

(71) Name(s) and Address(s) of Applicant(s):

Garry Joseph Glen

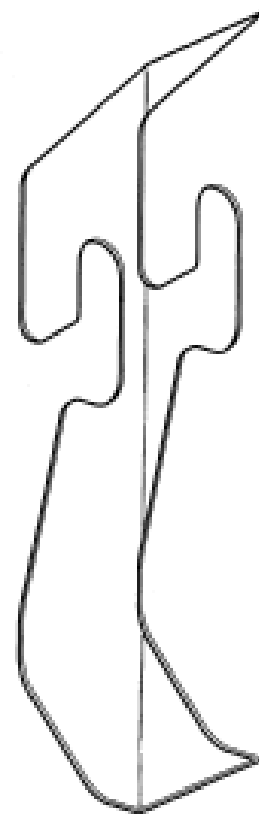
35 Brabourne Street Maddington Western Australia 6109 Australia

(72) Name(s) of Designer(s): **Garry Joseph Glen**

(45) Registration Date: **03 June 2005**

(56) Related Art Documents: **Not Applicable**

(57) Statement of Newness and Distinctiveness: **Each feature of the design considered separately or in combination with any other feature or features.**



(21) Design Number: **14954/2004**

(22) Date of Filing Application: **20 October 2004**

(24) Date from which industrial property rights may have effect: **20 October 2004**

(54) Product in respect of which the design is registered: **Bicycle transport frame**

(51) International Design Classification: **12-10**

(71) Name(s) and Address(s) of Applicant(s):

Gordon William Stark

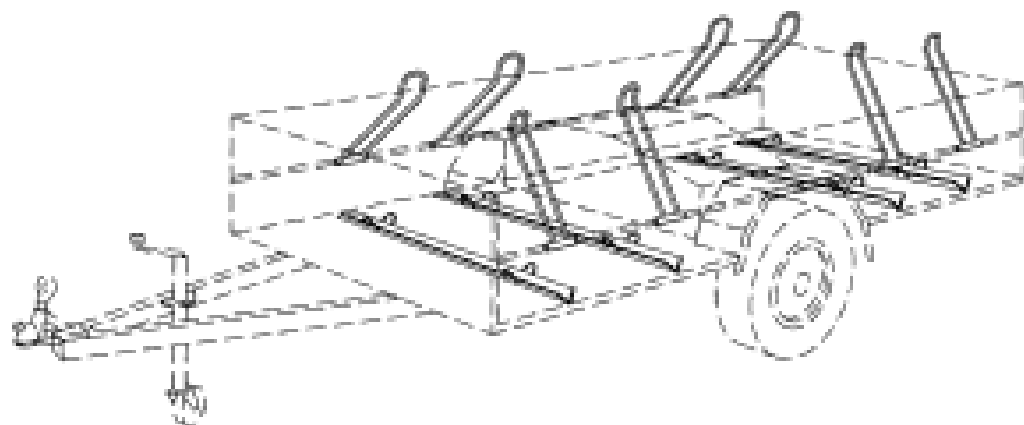
9 Allison Avenue Eumemmerring Victoria 3177 Australia

(72) Name(s) of Designer(s): **Gordon William Stark**

(45) Registration Date: **06 June 2005**

(56) Related Art Documents: **Not Applicable**

(57) Statement of Newness and Distinctiveness: **Newness and distinctiveness reside in the bicycle transport frame as shown in the accompanying representations.**



(21) Design Number: **14979/2004**

(22) Date of Filing Application: **18 March 2004**

(24) Date from which industrial property rights may have effect: **18 March 2004**

(54) Product in respect of which the design is registered: **Heating element**

(51) International Design Classification: **23-03NES**

(71) Name(s) and Address(s) of Applicant(s):

Irwin Industrial Tool Company
29 East Stephenson Street Freeport Illinois 61032 United States of America

(72) Name(s) of Designer(s): **Ian Westad Cunningham and Craig Stephen Roberts**

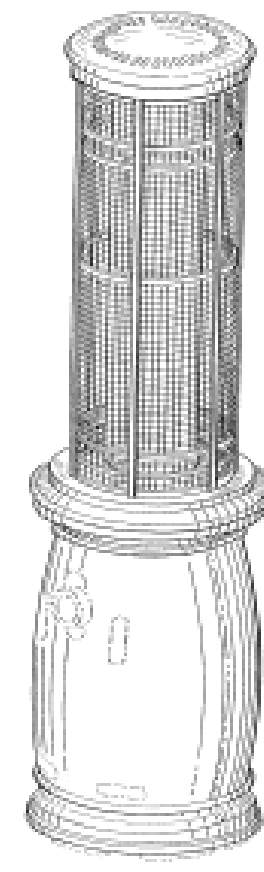
(45) Registration Date: **06 June 2005**

(30) Convention priority data:

(31) Number	(32) Date	(33) Country
29/190293	18 Sep 2003	UNITED STATES OF AMERICA

(56) Related Art Documents: **Not Applicable**

(57) Statement of Newness and Distinctiveness: **In considering the new and distinctive features of the heating element, the broken lines in Figures 1 to 4 and 6, and the screen patterns in Figures 1 to 4 are to be disregarded.**



(21) Design Number: **15038/2004**

(22) Date of Filing Application: **27 October 2004**

(24) Date from which industrial property rights may have effect: **27 October 2004**

(54) Product in respect of which the design is registered: **Personal key holder**

(51) International Design Classification: **03-01B**

(71) Name(s) and Address(s) of Applicant(s):

Andrew Glance
7/66 Addison Road Manly New South Wales 2095 Australia

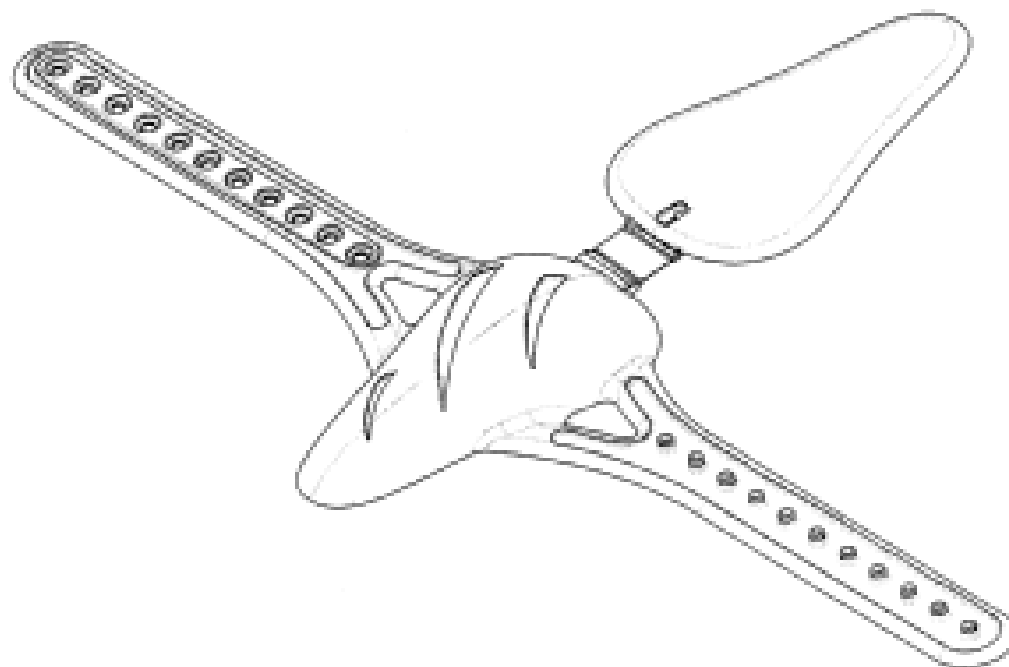
Steven Mansfield
5/67 Addison Road Manly New South Wales 2095 Australia

(72) Name(s) of Designer(s): **Andrew Glance and Steven Mansfield**

(45) Registration Date: **06 June 2005**

(56) Related Art Documents: **Not Applicable**

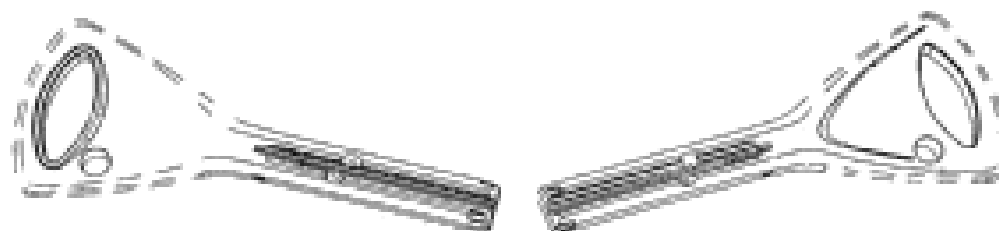
(57) Statement of Newness and Distinctiveness: **Newness and distinctiveness is claimed in the shape and/or configuration of a personal key holder as illustrated in the representations. In considering the newness and distinctiveness of the personal key holder the shape and/or configuration of the internal section of the personal key holder shown dotted is to be disregarded.**



- (21) Design Number: **15046/2004**
(22) Date of Filing Application: **28 October 2004**
(24) Date from which industrial property rights may have effect: **28 October 2004**
(54) Product in respect of which the design is registered: **Child's warning sticker**
(51) International Design Classification: **19-08**
(71) Name(s) and Address(s) of Applicant(s):
Joanna May Sawers
60 Barnesby Drive Albany Western Australia 6330 Australia
(72) Name(s) of Designer(s): **Joanna Sawers and Carl Dickinson**
(45) Registration Date: **06 June 2005**
(56) Related Art Documents: **Not Applicable**
(57) Statement of Newness and Distinctiveness: **The look on the children's faces is one that reflects worry and concern. It is this particular look that children will notice. It will assist to deter children from handling the product it is attached to. This image will be on an adhesive label so it can be attached to any potentially harmful product.**



- (21) Design Number: **15113/2004**
(22) Date of Filing Application: **26 October 2004**
(24) Date from which industrial property rights may have effect: **26 October 2004**
(54) Product in respect of which the design is registered: **Key blank**
(51) International Design Classification: **08-07**
(71) Name(s) and Address(s) of Applicant(s):
Abloy Security Pty Ltd
5/372 Eastern Valley Way Chatswood New South Wales 2067 Australia
(72) Name(s) of Designer(s): **Seppo Kiiski and Pekka Mielonen**
(45) Registration Date: **06 June 2005**
(56) Related Art Documents: **Not Applicable**
(57) Statement of Newness and Distinctiveness: **Newness and distinctiveness is claimed in respect of the shape and/or configuration of a key blank as illustrated in the accompanying representations and in considering the newness and distinctiveness of the key blank, the shape and/or configuration of the position shown dotted is to be disregarded.**



- (21) Design Number: **15117/2004**
(22) Date of Filing Application: **03 November 2004**
(24) Date from which industrial property rights may have effect: **03 November 2004**
(54) Product in respect of which the design is registered: **Shopping trolley**
(51) International Design Classification: **12-02**
(71) Name(s) and Address(s) of Applicant(s):
Mark Andrew Watson
66 Glenard Drive Eaglemont Victoria 3084 Australia
(72) Name(s) of Designer(s): **Mark Watson**
(45) Registration Date: **06 June 2005**
(56) Related Art Documents: **Not Applicable**
(57) Statement of Newness and Distinctiveness: **Detachable bags (in lieu of wire basket). Collapsible frame, fixed rear wheel, dead man braking, height adjustable gas lift.**



- (21) Design Number: **15159/2004**
(22) Date of Filing Application: **05 November 2004**
(24) Date from which industrial property rights may have effect: **05 November 2004**
(54) Product in respect of which the design is registered: **Electrical drive unit for adjustable beds and bed bases**
(51) International Design Classification: **13-03NES**
(71) Name(s) and Address(s) of Applicant(s):
Linak A/S
Smedevaenget 8 Guderup DK-6430 Nordborg Denmark
(72) Name(s) of Designer(s): **Johannes Schneider**
(45) Registration Date: **06 June 2005**
(30) Convention priority data:
(31) Number (32) Date (33) Country
DA 2004 06 May 2004 DENMARK
00149
(56) Related Art Documents: **Not Applicable**
(57) Statement of Newness and Distinctiveness: **Newness and distinctiveness is claimed in the features of shape and/or configuration of an electrical drive unit for adjustable beds and bed bases.**



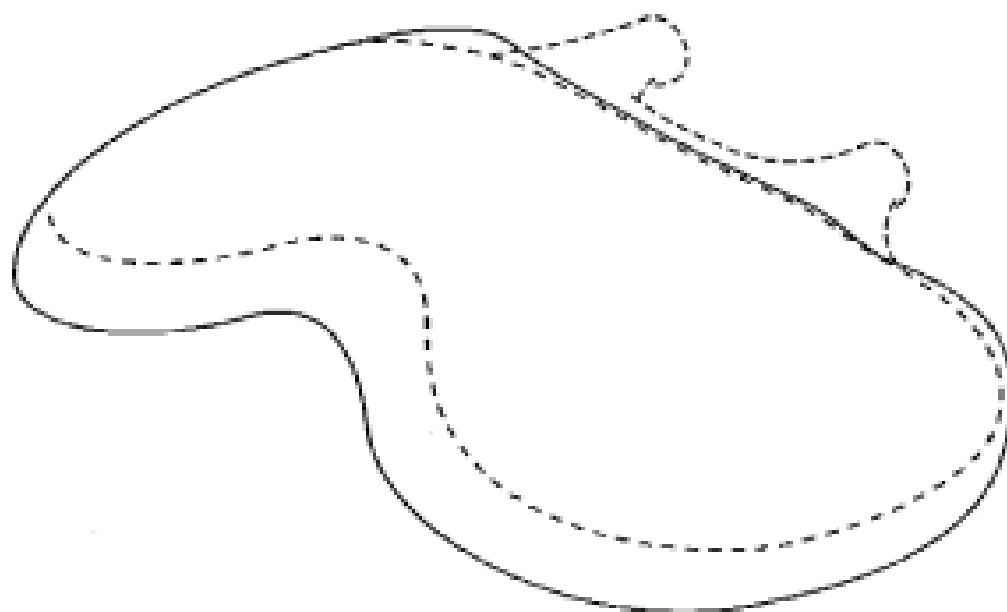
- (21) Design Number: **15242/2004**
(22) Date of Filing Application: **12 November 2004**
(24) Date from which industrial property rights may have effect: **12 November 2004**
(54) Product in respect of which the design is registered: **Fish gut cavity cleaning brush**
(51) International Design Classification: **07-04**
(71) Name(s) and Address(s) of Applicant(s):
Kenneth Bothwell Hyde
29 Woodleigh Road Blackwood South Australia 5051 Australia
(72) Name(s) of Designer(s): **Kenneth Bothwell Hyde**
(45) Registration Date: **06 June 2005**
(56) Related Art Documents: **Not Applicable**
(57) Statement of Newness and Distinctiveness: **(1) The rubber ring fitted over the bristles is designed to move up and down to vary the stiffness of the bristles. (2) The handle is designed to fit the palm of the hand.**



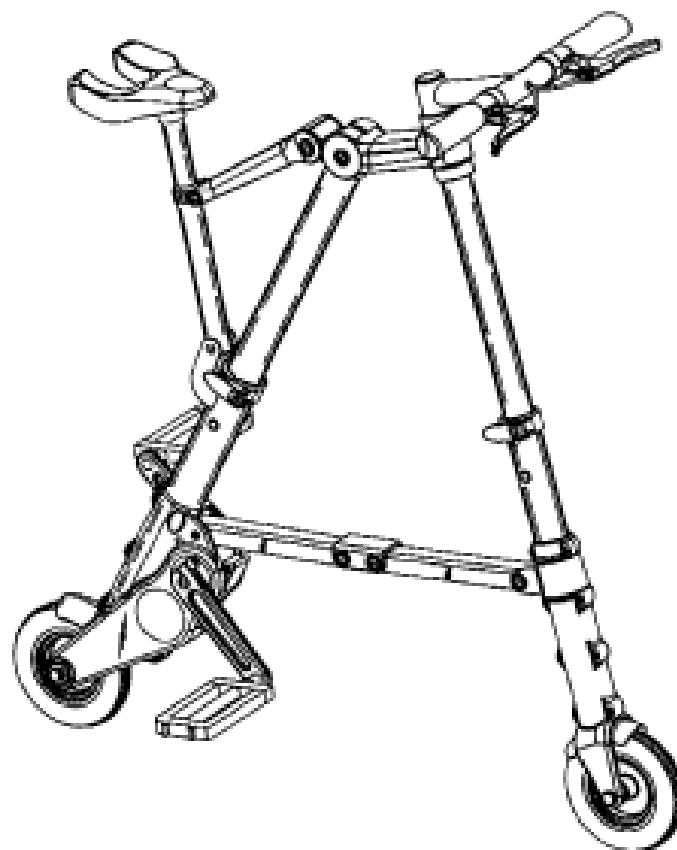
- (21) Design Number: **15321/2004**
(22) Date of Filing Application: **17 November 2004**
(24) Date from which industrial property rights may have effect: **17 November 2004**
(54) Product in respect of which the design is registered: **A holder**
(51) International Design Classification: **23-01F, 30-04**
(71) Name(s) and Address(s) of Applicant(s):
Impian Technologies Limited
Level 1 The Mall 135-156 Karori Road Karori Wellington New Zealand
(72) Name(s) of Designer(s): **David John Michael Gibson**
(45) Registration Date: **06 June 2005**
(30) Convention priority data:

(31) Number	(32) Date	(33) Country
404835	17 May 2004	NEW ZEALAND

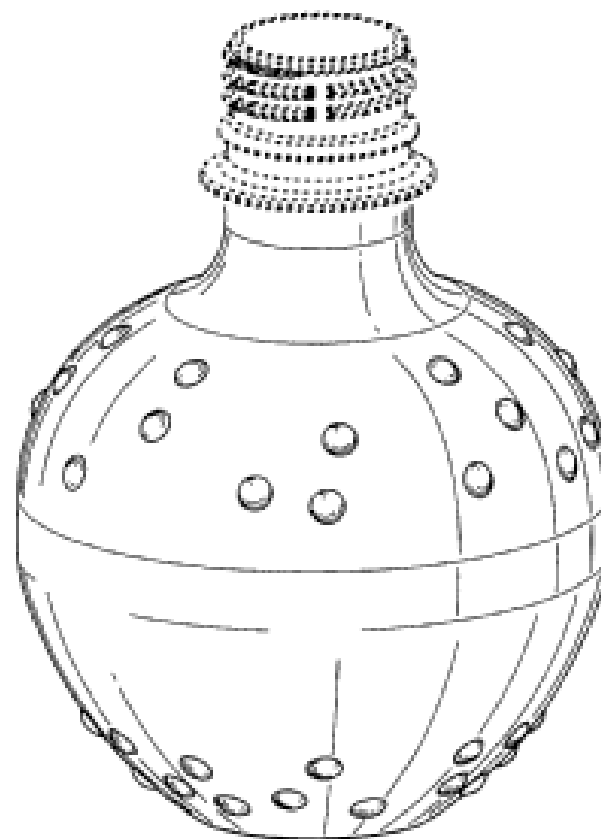
(56) Related Art Documents: **Not Applicable**
(57) Statement of Newness and Distinctiveness: **Newness and distinctiveness resides in the features of shape and/or configuration of the holder, as shown in the representations. Newness and distinctiveness is not claimed in relation to the features shown in phantom lines in the representations.**



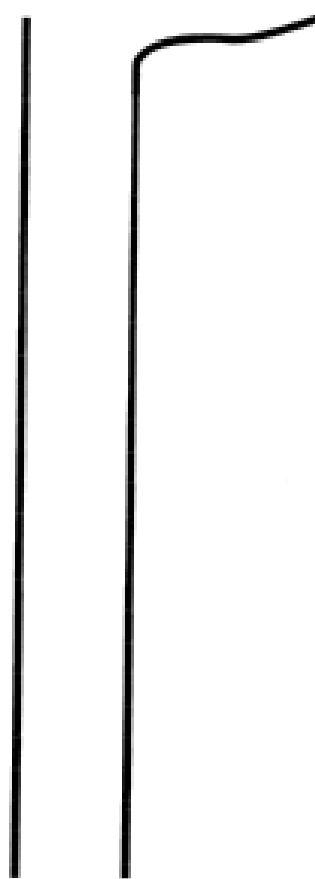
(21) Design Number: **15355/2004**
 (22) Date of Filing Application: **17 November 2004**
 (24) Date from which industrial property rights may have effect: **17 November 2004**
 (54) Product in respect of which the design is registered: **Portable foldable bicycle**
 (51) International Design Classification: **12-11**
 (71) Name(s) and Address(s) of Applicant(s):
Daka Research Inc.
PO Box 957 Offshore Incorporations Centre Road Town Tortola
British Virgin Islands
 (72) Name(s) of Designer(s): **Alexander Joseph Kalogroulis and Clive Marles Sinclair**
 (45) Registration Date: **06 June 2005**
 (30) Convention priority data:
 (31) Number (32) Date (33) Country
29/205,879 21 May 2004 UNITED STATES OF AMERICA
 (56) Related Art Documents: **Not Applicable**
 (57) Statement of Newness and Distinctiveness: **Nil**



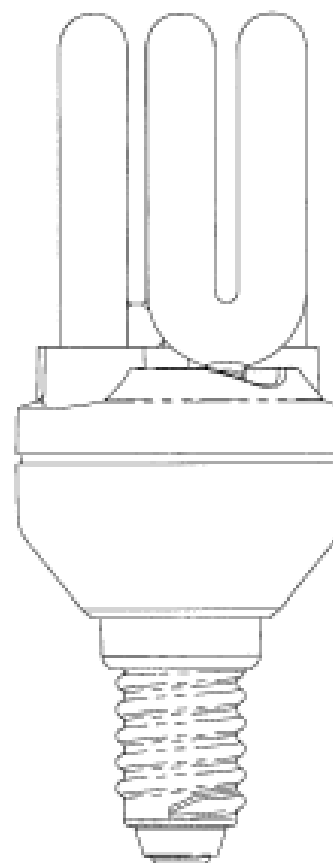
(21) Design Number: **15356/2004**
 (22) Date of Filing Application: **17 November 2004**
 (24) Date from which industrial property rights may have effect: **17 November 2004**
 (54) Product in respect of which the design is registered: **Bottle**
 (51) International Design Classification: **09-01NES**
 (71) Name(s) and Address(s) of Applicant(s):
The Coca-Cola Company
One Coca-Cola Plaza NW Atlanta Georgia 30313 United States of America
 (72) Name(s) of Designer(s): **Scott C. Biondich and Darryl Dawson and Jeremie Bohlen and Caroline Moreau**
 (45) Registration Date: **06 June 2005**
 (30) Convention priority data:
 (31) Number (32) Date (33) Country
29/208,547 30 Jun 2004 UNITED STATES OF AMERICA
 (56) Related Art Documents: **Not Applicable**
 (57) Statement of Newness and Distinctiveness: **Novelty in the design resides in the shape and/or configuration of the bottle shown in continuous lines. The features shown in broken lines are to be disregarded.**



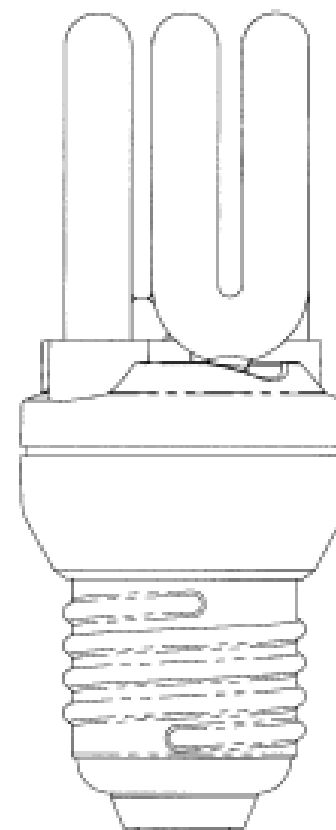
- (21) Design Number: **15378/2004**
(22) Date of Filing Application: **22 November 2004**
(24) Date from which industrial property rights may have effect: **22 November 2004**
(54) Product in respect of which the design is registered: **Flag pole**
(51) International Design Classification: **11-05**
(71) Name(s) and Address(s) of Applicant(s):
Warren King
3/68 Southern Cross Parade Sunrise Beach Queensland 4567
Australia
(72) Name(s) of Designer(s): **Warren King**
(45) Registration Date: **06 June 2005**
(56) Related Art Documents: **Not Applicable**
(57) Statement of Newness and Distinctiveness: **Horizontal section has two distinct curvatures in different directions.**



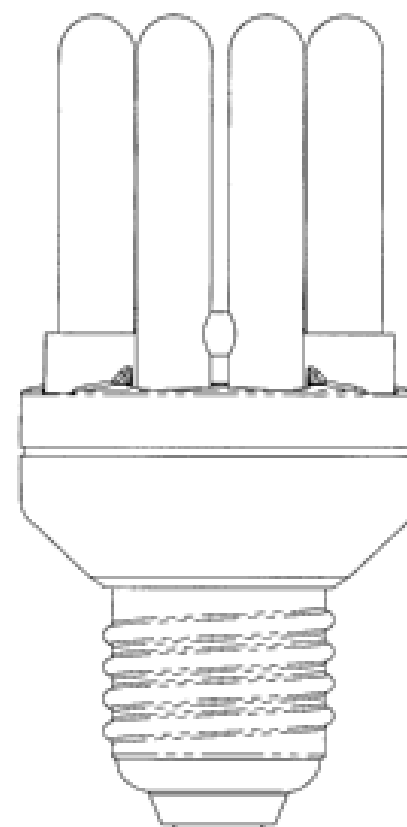
- (21) Design Number: **15399/2004**
(22) Date of Filing Application: **22 November 2004**
(24) Date from which industrial property rights may have effect: **22 November 2004**
(54) Product in respect of which the design is registered: **Fluorescent lamp**
(51) International Design Classification: **26-04**
(71) Name(s) and Address(s) of Applicant(s):
Mass Technology (H.K.) Limited
Room 2902-6 Tower 6 The Gateway 9 Canton Road Tsimshatsui
Kowloon Hong Kong
(72) Name(s) of Designer(s): **Onn Fah Foo**
(45) Registration Date: **06 June 2005**
(30) Convention priority data:
(31) Number (32) Date (33) Country
0412080.6M001 14 Sep 2004 HONG KONG
(56) Related Art Documents: **Not Applicable**
(57) Statement of Newness and Distinctiveness: **Nil**



(21) Design Number: **15400/2004**
(22) Date of Filing Application: **22 November 2004**
(24) Date from which industrial property rights may have effect: **22 November 2004**
(54) Product in respect of which the design is registered: **Fluorescent lamp**
(51) International Design Classification: **26-04**
(71) Name(s) and Address(s) of Applicant(s):
Mass Technology (H.K.) Limited
Room 2902-6 Tower 6 The Gateway 9 Canton Road Tsimshatsui
Kowloon Hong Kong
(72) Name(s) of Designer(s): **Onn Fah Foo**
(45) Registration Date: **06 June 2005**
(30) Convention priority data:
(31) Number (32) Date (33) Country
0412080.6M002 14 Sep 2004 HONG KONG
(56) Related Art Documents: **Not Applicable**
(57) Statement of Newness and Distinctiveness: **Nil**



(21) Design Number: **15401/2004**
(22) Date of Filing Application: **22 November 2004**
(24) Date from which industrial property rights may have effect: **22 November 2004**
(54) Product in respect of which the design is registered: **Fluorescent lamp**
(51) International Design Classification: **26-04**
(71) Name(s) and Address(s) of Applicant(s):
Mass Technology (H.K.) Limited
Room 2902-6 Tower 6 The Gateway 9 Canton Road Tsimshatsui
Kowloon Hong Kong
(72) Name(s) of Designer(s): **Onn Fah Foo**
(45) Registration Date: **06 June 2005**
(30) Convention priority data:
(31) Number (32) Date (33) Country
0412080.6M003 14 Sep 2004 HONG KONG
(56) Related Art Documents: **Not Applicable**
(57) Statement of Newness and Distinctiveness: **Nil**



- (21) Design Number: **15402/2004**
- (22) Date of Filing Application: **22 November 2004**
- (24) Date from which industrial property rights may have effect: **22 November 2004**
- (54) Product in respect of which the design is registered: **Steam iron**
- (51) International Design Classification: **07-05A**
- (71) Name(s) and Address(s) of Applicant(s):

Calor
Place Ambroise Courtois 69008 Lyon France

- (72) Name(s) of Designer(s): **Dick Powell**

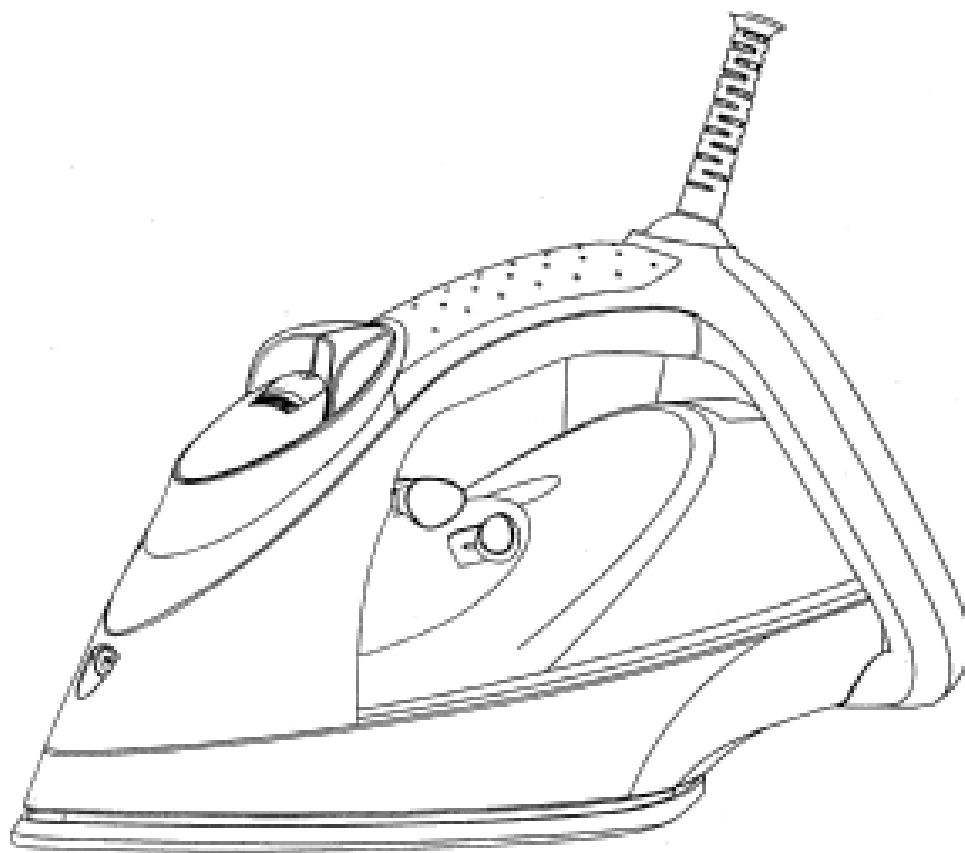
- (45) Registration Date: **06 June 2005**

- (30) Convention priority data:

(31) Number	(32) Date	(33) Country
042719	02 Jun 2004	FRANCE

- (56) Related Art Documents: **Not Applicable**

- (57) Statement of Newness and Distinctiveness: **Nil**



- (21) Design Number: **15403/2004**
- (22) Date of Filing Application: **22 November 2004**
- (24) Date from which industrial property rights may have effect: **22 November 2004**
- (54) Product in respect of which the design is registered: **Animal bit**
- (51) International Design Classification: **30-04**
- (71) Name(s) and Address(s) of Applicant(s):

Dark Bay Limited
292 Glenmore Road RD3 Albany Auckland 1311 New Zealand

- (72) Name(s) of Designer(s): **Roy Victor Bladen and Hilary Bladen**

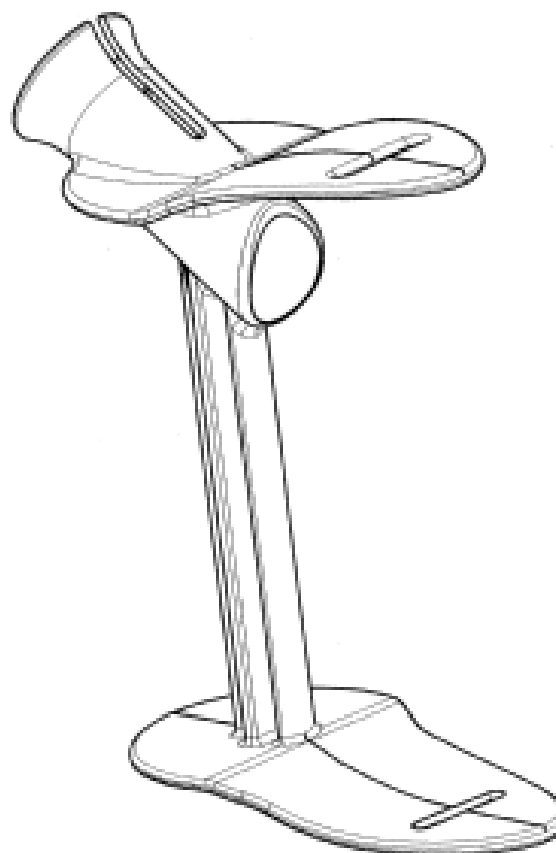
- (45) Registration Date: **06 June 2005**

- (30) Convention priority data:

(31) Number	(32) Date	(33) Country
404854	27 May 2004	NEW ZEALAND

- (56) Related Art Documents: **Not Applicable**

- (57) Statement of Newness and Distinctiveness: **Nil**



- (21) Design Number: **15404/2004**
(22) Date of Filing Application: **22 November 2004**
(24) Date from which industrial property rights may have effect: **22 November 2004**
(54) Product in respect of which the design is registered: **Knife handle**
(51) International Design Classification: **08-03**
(71) Name(s) and Address(s) of Applicant(s):

IVO Cutelarias LDA
E.N. 360 N 20 2500-770 Santa Catarina Cld Portugal

(72) Name(s) of Designer(s): **Jesper Stahl**

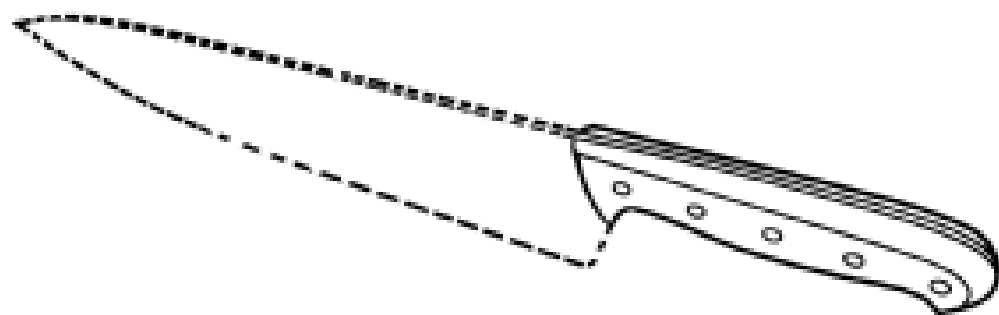
(45) Registration Date: **06 June 2005**

(30) Convention priority data:

(31) Number	(32) Date	(33) Country
000190137-0001	02 Jun 2004	EUROPEAN COMMUNITY

(56) Related Art Documents: **Not Applicable**

(57) Statement of Newness and Distinctiveness: **Novelty resides in the shape and/or configuration of the handle of the knife as shown in the representations. The blade shown in broken lines is not part of the design.**



- (21) Design Number: **15406/2004**
(22) Date of Filing Application: **09 September 2003**
(24) Date from which industrial property rights may have effect: **09 September 2003**
(54) Product in respect of which the design is registered: **Motorcycle**
(51) International Design Classification: **12-11**
(71) Name(s) and Address(s) of Applicant(s):

Yamaha Hatsudoki Kabushiki Kaisha
2500 Shingai Iwata-shi Shizuoka-ken Japan

(72) Name(s) of Designer(s): **Yoshirou Shimizu**

(45) Registration Date: **06 June 2005**

(56) Related Art Documents: **Not Applicable**

(57) Statement of Newness and Distinctiveness: **Newness and distinctiveness is claimed in the features of shape and/or configuration of a motorcycle as illustrated in the accompanying representations.**



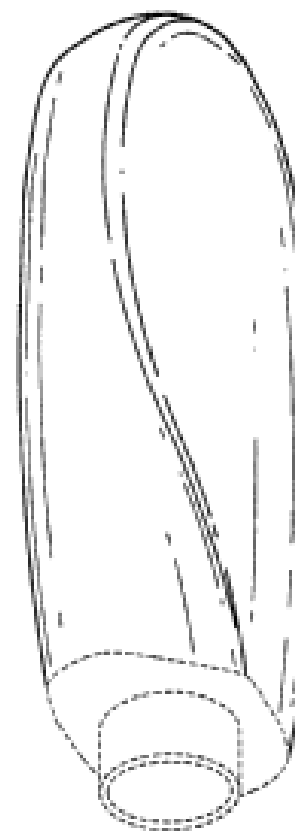
(21) Design Number: **15407/2004**
 (22) Date of Filing Application: **24 November 2004**
 (24) Date from which industrial property rights may have effect: **24 November 2004**
 (54) Product in respect of which the design is registered: **Stump grinder**
 (51) International Design Classification: **15-09**
 (71) Name(s) and Address(s) of Applicant(s):
William Andrew Cummins
35 Sloane Street Paterson New South Wales 2421 Australia
 (72) Name(s) of Designer(s): **William Andrew Cummins**
 (45) Registration Date: **06 June 2005**
 (56) Related Art Documents: **Not Applicable**
 (57) Statement of Newness and Distinctiveness: **The shape of the tapered cutter wheel cover with ventilation holes is a new design unique to the wallaby fabrication stump grinder.**



(21) Design Number: **15410/2004**
 (22) Date of Filing Application: **23 November 2004**
 (24) Date from which industrial property rights may have effect: **23 November 2004**
 (54) Product in respect of which the design is registered: **Bottle**
 (51) International Design Classification: **09-01G**
 (71) Name(s) and Address(s) of Applicant(s):
The Procter & Gamble Company
Winton Hill Technical Center 6110 Center Hill Road Cincinnati Ohio
45224 United States of America
 (72) Name(s) of Designer(s): **Tanya Nicole Blasko and Stacy Thomas and Jason Craig Campbell and Erica Heidi Hollman**
 (45) Registration Date: **06 June 2005**
 (30) Convention priority data:

(31) Number	(32) Date	(33) Country
29/206,133	26 May 2004	UNITED STATES OF AMERICA

 (56) Related Art Documents: **Not Applicable**
 (57) Statement of Newness and Distinctiveness: **Novelty resides in the shape and/or configuration of the body of a bottle as illustrated in the representations. The features shown in broken lines are to be disregarded.**



- (21) Design Number: **15411/2004**
(22) Date of Filing Application: **23 November 2004**
(24) Date from which industrial property rights may have effect: **23 November 2004**
(54) Product in respect of which the design is registered: **Bottle**
(51) International Design Classification: **09-01G**
(71) Name(s) and Address(s) of Applicant(s):
The Procter & Gamble Company
Winton Hill Technical Center 6110 Center Hill Road Cincinnati Ohio
45224 United States of America
(72) Name(s) of Designer(s): **Tanya Nicole Blasko and Stacy Thomas and**
Jason Craig Campbell and Erica Heidi Hollman
(45) Registration Date: **06 June 2005**
(30) Convention priority data:
(31) Number (32) Date (33) Country
29/206,103 26 May 2004 UNITED STATES OF AMERICA
(56) Related Art Documents: **Not Applicable**
(57) Statement of Newness and Distinctiveness: **Novelty resides in the shape**
and/or configuration of the body of a bottle as illustrated in the
representations. The features shown in broken lines are to be
disregarded.



- (21) Design Number: **15412/2004**
(22) Date of Filing Application: **23 November 2004**
(24) Date from which industrial property rights may have effect: **23 November 2004**
(54) Product in respect of which the design is registered: **Sphygmomanometer**
(51) International Design Classification: **24-02**
(71) Name(s) and Address(s) of Applicant(s):
Omron Healthcare Co. Ltd
24 Yamanouchi Yamanoshita-cho Ukyo-ku Kyoto-shi Kyoto 615-0084
Japan
(72) Name(s) of Designer(s): **Kenji Eda and Tadashi Koike and Takefumi**
Nakanishi and Masashi Fukura and Chiaki Murata
(45) Registration Date: **06 June 2005**
(30) Convention priority data:
(31) Number (32) Date (33) Country
2004-015374 25 May 2004 JAPAN
(56) Related Art Documents: **Not Applicable**
(57) Statement of Newness and Distinctiveness: **Novelty resides in the shape**
and/or configuration of a sphygmomanometer as shown in the
representations. The wrist cuff may or may not form part of the design.



(21) Design Number: **15413/2004**
(22) Date of Filing Application: **23 November 2004**
(24) Date from which industrial property rights may have effect: **23 November 2004**
(54) Product in respect of which the design is registered: **Sphygmomanometer**
(51) International Design Classification: **24-02**
(71) Name(s) and Address(s) of Applicant(s):
Omron Healthcare Co. Ltd
24 Yamanouchi Yamanoshita-cho Ukyo-ku Kyoto-shi Kyoto 615-0084
Japan
(72) Name(s) of Designer(s): **Kenji Eda and Tadashi Koike and Takefumi Nakanishi and Masashi Fukura and Chiaki Murata**
(45) Registration Date: **06 June 2005**
(30) Convention priority data:
(31) Number (32) Date (33) Country
2004-015367 25 May 2004 JAPAN
(56) Related Art Documents: **Not Applicable**
(57) Statement of Newness and Distinctiveness: **Novelty resides in the shape and/or configuration of a sphygmomanometer as shown in the representations. The shape and/or configuration of the base (Fig. 4) is to be disregarded.**



(21) Design Number: **15414/2004**
(22) Date of Filing Application: **23 November 2004**
(24) Date from which industrial property rights may have effect: **23 November 2004**
(54) Product in respect of which the design is registered: **Sphygmomanometer**
(51) International Design Classification: **24-02**
(71) Name(s) and Address(s) of Applicant(s):
Omron Healthcare Co. Ltd
24 Yamanouchi Yamanoshita-cho Ukyo-ku Kyoto-shi Kyoto 615-0084
Japan
(72) Name(s) of Designer(s): **Kenji Eda and Tadashi Koike and Takefumi Nakanishi and Masashi Fukura and Chiaki Murata**
(45) Registration Date: **06 June 2005**
(30) Convention priority data:
(31) Number (32) Date (33) Country
2004-015369 25 May 2004 JAPAN
(56) Related Art Documents: **Not Applicable**
(57) Statement of Newness and Distinctiveness: **Novelty resides in the shape and/or configuration of a sphygmomanometer as shown in the representations. The shape and/or configuration of the base (Fig. 4) is to be disregarded.**



(21) Design Number: **15416/2004**
 (22) Date of Filing Application: **23 November 2004**
 (24) Date from which industrial property rights may have effect: **23 November 2004**
 (54) Product in respect of which the design is registered: **Angle grinder**
 (51) International Design Classification: **08-05N**
 (71) Name(s) and Address(s) of Applicant(s):

Robert Bosch G.m.b.H
Wernerstrasse 1 D-70469 Stuttgart-Feuerbach Germany

(72) Name(s) of Designer(s): **Hans-Peter Aglassinger**

(45) Registration Date: **06 June 2005**

(30) Convention priority data:

(31) Number	(32) Date	(33) Country
40406137.0	28 Oct 2004	GERMANY

(56) Related Art Documents: **Not Applicable**

(57) Statement of Newness and Distinctiveness: **Newness is claimed in the features of shape and/or configuration of an angle grinder as shown in the accompanying representations. In considering the scope of the newness protection any indicia on the angle grinder is to be disregarded.**



(21) Design Number: **15417/2004**
 (22) Date of Filing Application: **24 November 2004**
 (24) Date from which industrial property rights may have effect: **24 November 2004**
 (54) Product in respect of which the design is registered: **A cordless drill**
 (51) International Design Classification: **08-01**
 (71) Name(s) and Address(s) of Applicant(s):

GMCA Pty Ltd
45-55 South Centre Road Melbourne Airport Victoria 3045 Australia

(72) Name(s) of Designer(s): **Michael Waldron**

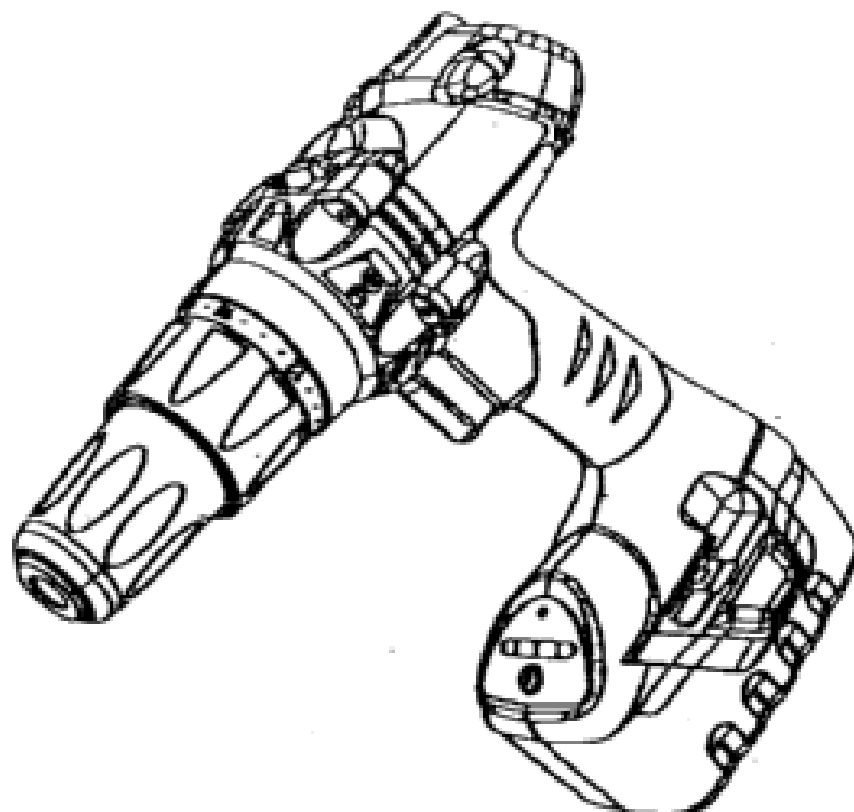
(45) Registration Date: **06 June 2005**

(30) Convention priority data:

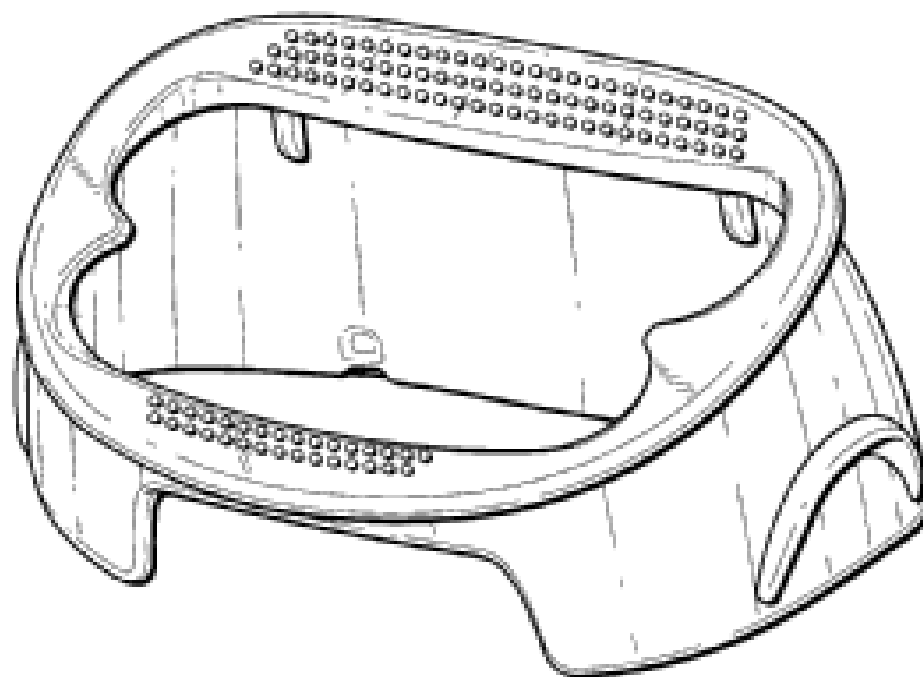
(31) Number	(32) Date	(33) Country
000248596	27 Oct 2004	EUROPEAN PATENT OFFICE (EP)

(56) Related Art Documents: **Not Applicable**

(57) Statement of Newness and Distinctiveness: **Newness and distinctiveness resides in the shape and configuration of a cordless drill as shown in the accompanying representations.**



- (21) Design Number: **15427/2004**
(22) Date of Filing Application: **24 November 2004**
(24) Date from which industrial property rights may have effect: **24 November 2004**
(54) Product in respect of which the design is registered: **Attachment for an electric shaver**
(51) International Design Classification: **28-03A**
(71) Name(s) and Address(s) of Applicant(s):
Braun GmbH
Frankfurter Str. 145 61476 Kronberg Germany
(72) Name(s) of Designer(s): **Bjorn Kling**
(45) Registration Date: **06 June 2005**
(30) Convention priority data:
(31) Number (32) Date (33) Country
4 04 03 272.9 28 May 2004 GERMANY
(56) Related Art Documents: **Not Applicable**
(57) Statement of Newness and Distinctiveness: **Nil**



- (21) Design Number: **15428/2004**
(22) Date of Filing Application: **23 November 2004**
(24) Date from which industrial property rights may have effect: **23 November 2004**
(54) Product in respect of which the design is registered: **Turbine for a water treatment apparatus**
(51) International Design Classification: **23-01G**
(71) Name(s) and Address(s) of Applicant(s):
Waterpac Patents Pty Ltd
15-17 Tamborine Street Jimboomba Queensland 4280 Australia
(72) Name(s) of Designer(s): **Kenneth Ray Bryer**
(45) Registration Date: **06 June 2005**
(56) Related Art Documents: **Not Applicable**
(57) Statement of Newness and Distinctiveness: **Distinctiveness resides in the shape and configuration of a turbine for a water treatment apparatus as illustrated in the representations. In interpreting the scope of the design, the features of shape and configuration relating to the central bore are to be disregarded.**



(21) Design Number: **15434/2004**
(22) Date of Filing Application: **24 November 2004**
(24) Date from which industrial property rights may have effect: **24 November 2004**
(54) Product in respect of which the design is registered: **Battery cartridge**
(51) International Design Classification: **13-02**
(71) Name(s) and Address(s) of Applicant(s):

Shop Vac Corporation
2323 Reach Road Williamsport PA 17701 United States of America

(72) Name(s) of Designer(s): **Li H. Liu**

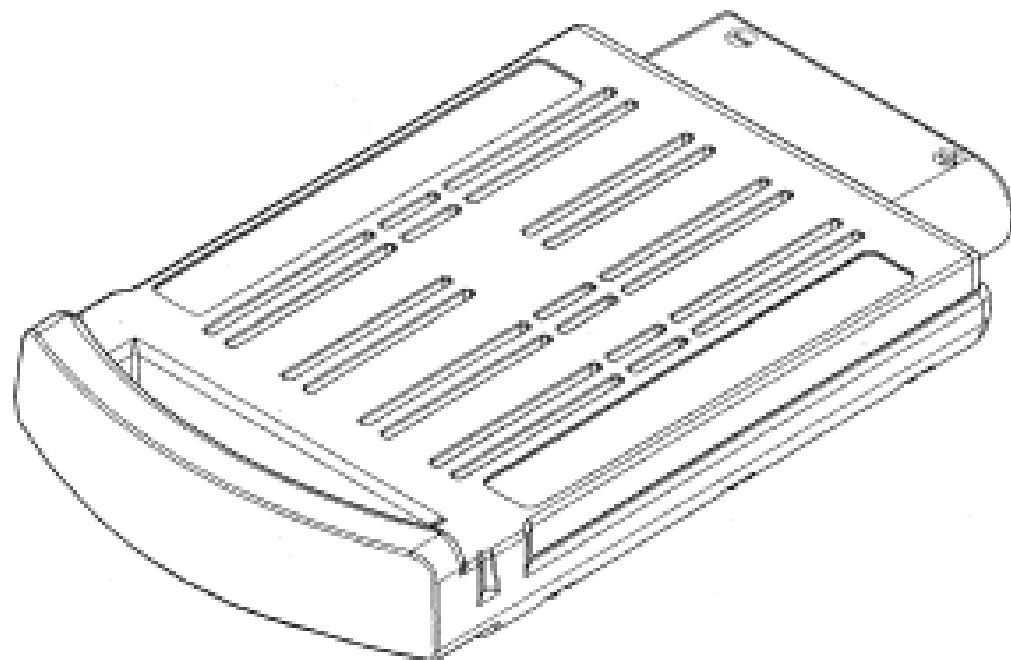
(45) Registration Date: **06 June 2005**

(30) Convention priority data:

(31) Number	(32) Date	(33) Country
29/208806	06 Jul 2004	UNITED STATES OF AMERICA

(56) Related Art Documents: **Not Applicable**

(57) Statement of Newness and Distinctiveness: **Nil**



(21) Design Number: **15435/2004**
(22) Date of Filing Application: **24 November 2004**
(24) Date from which industrial property rights may have effect: **24 November 2004**
(54) Product in respect of which the design is registered: **Coffee machine**
(51) International Design Classification: **07-02L**
(71) Name(s) and Address(s) of Applicant(s):

Societe des Produits Nestle S.A.
1800 Vevey Switzerland

(72) Name(s) of Designer(s): **Stefan Koitzsch and Micha Daniels**

(45) Registration Date: **06 June 2005**

(30) Convention priority data:

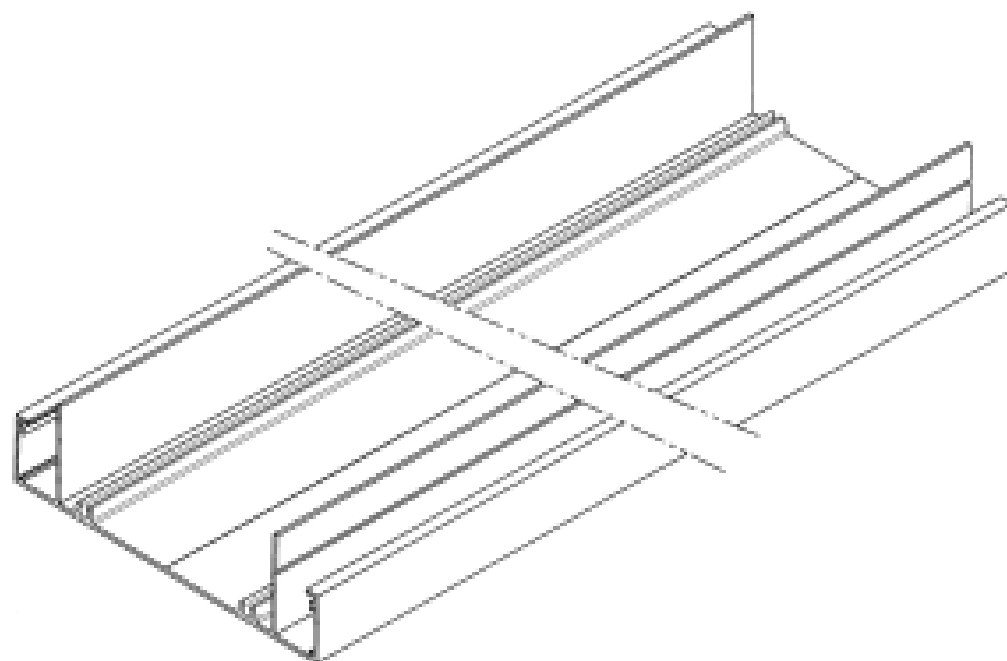
(31) Number	(32) Date	(33) Country
130765	25 May 2004	SWITZERLAND

(56) Related Art Documents: **Not Applicable**

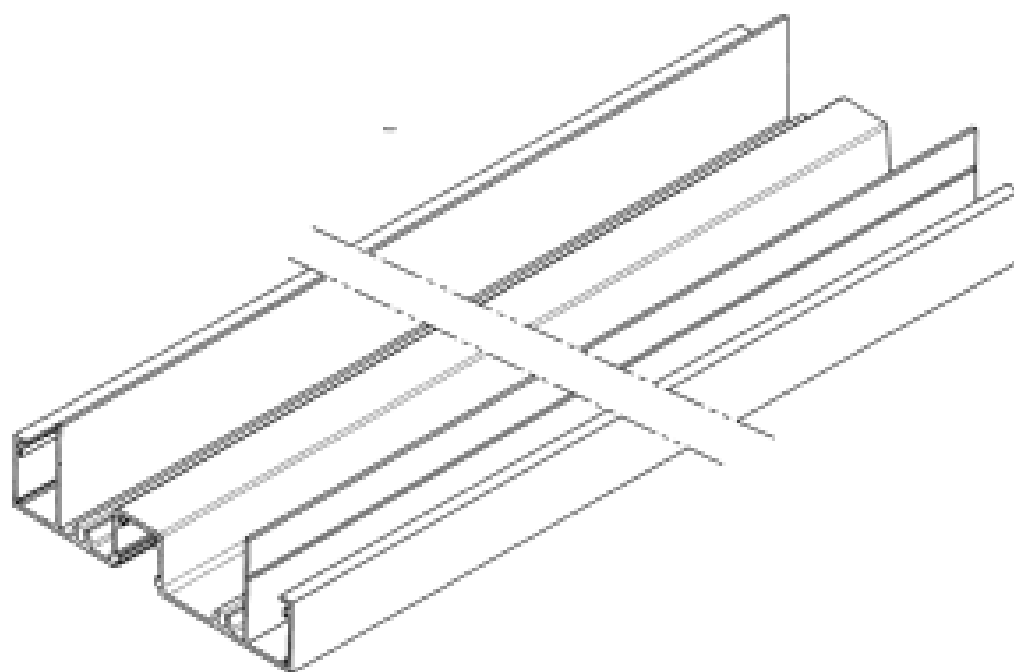
(57) Statement of Newness and Distinctiveness: **Nil**



- (21) Design Number: **15438/2004**
(22) Date of Filing Application: **24 November 2004**
(24) Date from which industrial property rights may have effect: **24 November 2004**
(54) Product in respect of which the design is registered: **Extrusion**
(51) International Design Classification: **25-01K**
(71) Name(s) and Address(s) of Applicant(s):
Archskirt Aluminium Partitions Pty Ltd
Factory 2 & 3/27 Lionel Road Mt Waverley Victoria 3149 Australia
(72) Name(s) of Designer(s): **Tom Price Kennan**
(45) Registration Date: **06 June 2005**
(56) Related Art Documents: **Not Applicable**
(57) Statement of Newness and Distinctiveness: **Nil**



- (21) Design Number: **15439/2004**
(22) Date of Filing Application: **24 November 2004**
(24) Date from which industrial property rights may have effect: **24 November 2004**
(54) Product in respect of which the design is registered: **Extrusion**
(51) International Design Classification: **25-01K**
(71) Name(s) and Address(s) of Applicant(s):
Archskirt Aluminium Partitions Pty Ltd
Factory 2 & 3/27 Lionel Road Mt Waverley Victoria 3149 Australia
(72) Name(s) of Designer(s): **Tom Price Kennan**
(45) Registration Date: **06 June 2005**
(56) Related Art Documents: **Not Applicable**
(57) Statement of Newness and Distinctiveness: **Nil**



(21) Design Number: **15440/2004**

(22) Date of Filing Application: **24 November 2004**

(24) Date from which industrial property rights may have effect: **24 November 2004**

(54) Product in respect of which the design is registered: **Extrusion**

(51) International Design Classification: **25-01K**

(71) Name(s) and Address(s) of Applicant(s):

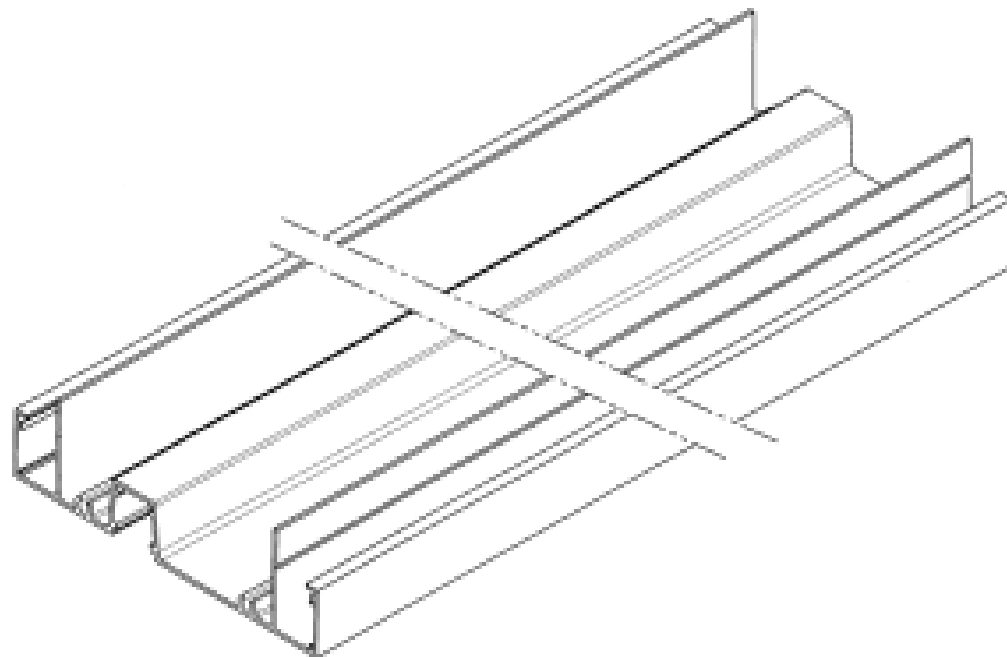
**Archskirt Aluminium Partitions Pty Ltd
Factory 2 & 3/27 Lionel Road Mt Waverley Victoria 3149 Australia**

(72) Name(s) of Designer(s): **Tom Price Kennan**

(45) Registration Date: **06 June 2005**

(56) Related Art Documents: **Not Applicable**

(57) Statement of Newness and Distinctiveness: **Nil**



(21) Design Number: **15441/2004**

(22) Date of Filing Application: **24 November 2004**

(24) Date from which industrial property rights may have effect: **24 November 2004**

(54) Product in respect of which the design is registered: **Extrusion**

(51) International Design Classification: **25-01K**

(71) Name(s) and Address(s) of Applicant(s):

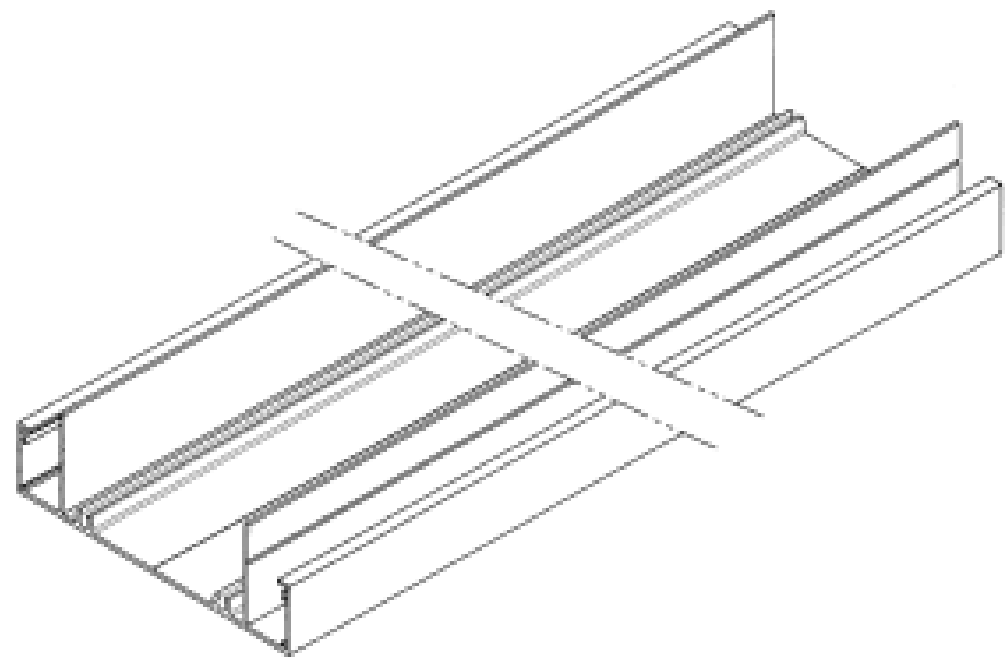
**Archskirt Aluminium Partitions Pty Ltd
Factory 2 & 3/27 Lionel Road Mt Waverley Victoria 3149 Australia**

(72) Name(s) of Designer(s): **Tom Price Kennan**

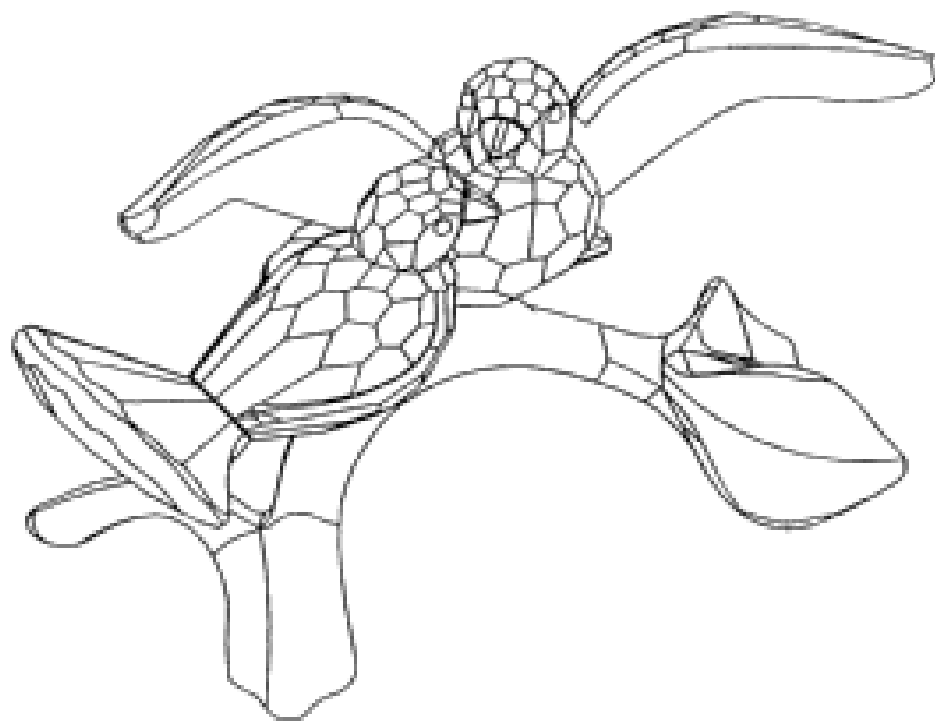
(45) Registration Date: **06 June 2005**

(56) Related Art Documents: **Not Applicable**

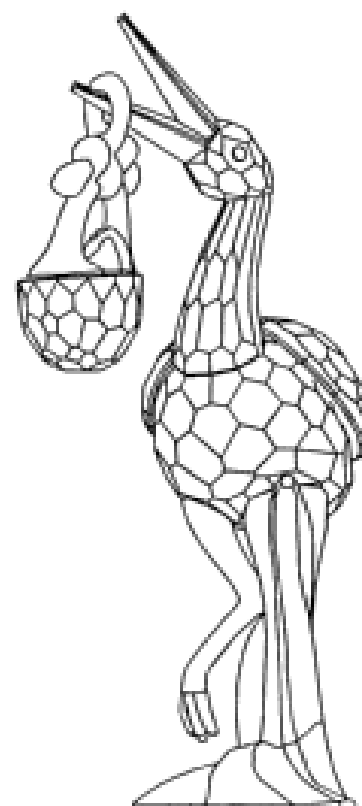
(57) Statement of Newness and Distinctiveness: **Nil**



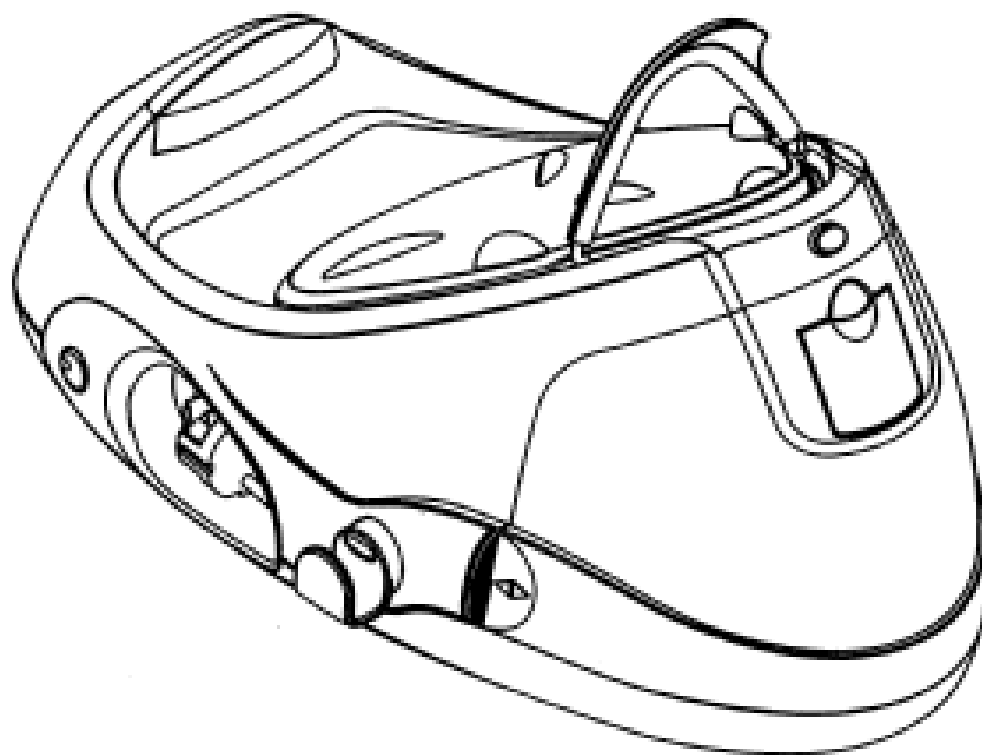
(21) Design Number: **15443/2004**
(22) Date of Filing Application: **24 November 2004**
(24) Date from which industrial property rights may have effect: **24 November 2004**
(54) Product in respect of which the design is registered: **Ornamental object made of glass**
(51) International Design Classification: **11-02E**
(71) Name(s) and Address(s) of Applicant(s):
Swarovski Aktiengesellschaft
Droschistrasse 15 FL-9495 Triesen Liechtenstein
(72) Name(s) of Designer(s): **Gabriele Stamey**
(45) Registration Date: **06 June 2005**
(30) Convention priority data:
(31) Number (32) Date (33) Country
190673 17 Jun 2004 EUROPEAN COMMUNITY
(56) Related Art Documents: **Not Applicable**
(57) Statement of Newness and Distinctiveness: **Nil**



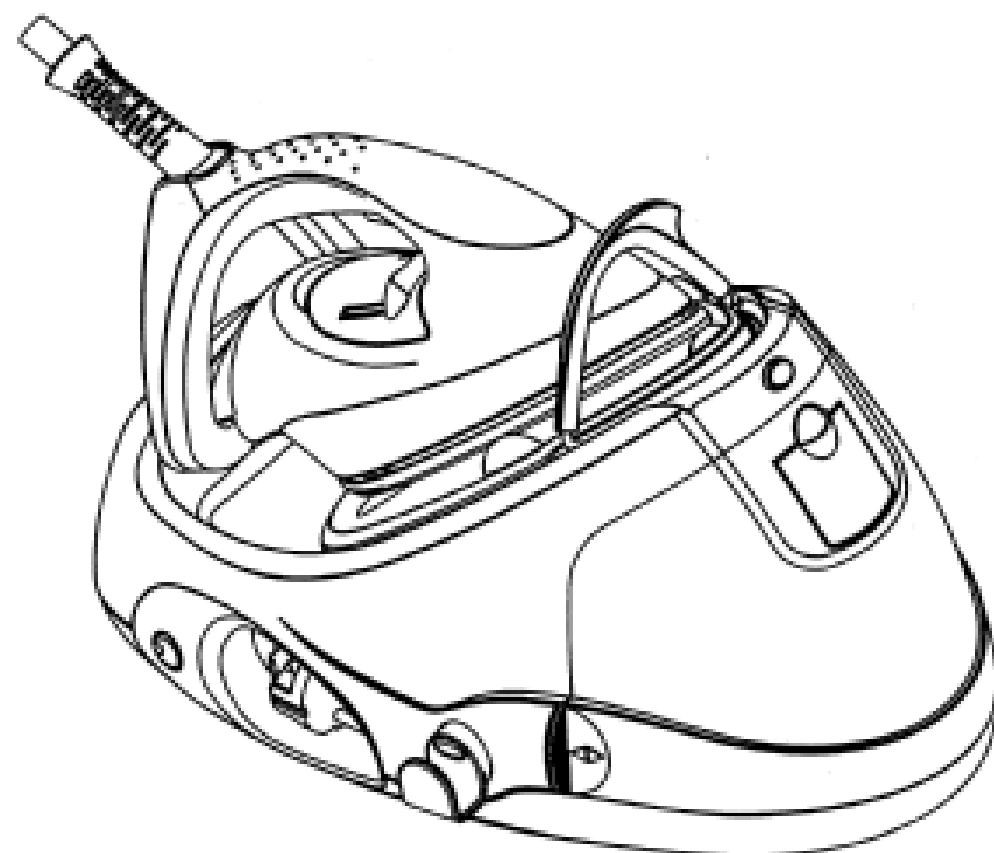
(21) Design Number: **15444/2004**
(22) Date of Filing Application: **24 November 2004**
(24) Date from which industrial property rights may have effect: **24 November 2004**
(54) Product in respect of which the design is registered: **Ornamental object made of glass**
(51) International Design Classification: **11-02E**
(71) Name(s) and Address(s) of Applicant(s):
Swarovski Aktiengesellschaft
Droschistrasse 15 FL-9495 Triesen Liechtenstein
(72) Name(s) of Designer(s): **Gabriele Stamey**
(45) Registration Date: **06 June 2005**
(30) Convention priority data:
(31) Number (32) Date (33) Country
190673 17 Jun 2004 EUROPEAN COMMUNITY
(56) Related Art Documents: **Not Applicable**
(57) Statement of Newness and Distinctiveness: **Nil**



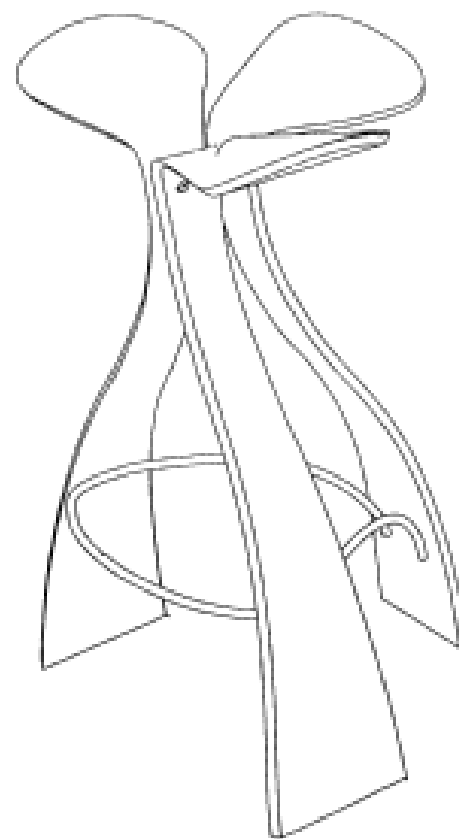
- (21) Design Number: **15447/2004**
(22) Date of Filing Application: **24 November 2004**
(24) Date from which industrial property rights may have effect: **24 November 2004**
(54) Product in respect of which the design is registered: **Steam generating base for laundry iron**
(51) International Design Classification: **07-05A**
(71) Name(s) and Address(s) of Applicant(s):
Calor
Place Ambroise Courtois 69356 Lyon Cedex 08 France
(72) Name(s) of Designer(s): **Fabrice Renault**
(45) Registration Date: **06 June 2005**
(30) Convention priority data:
(31) Number (32) Date (33) Country
042823 08 Jun 2004 FRANCE
(56) Related Art Documents: **Not Applicable**
(57) Statement of Newness and Distinctiveness: **Any person required to decide whether the design is substantially similar in overall impression should have particular regard to the shape and configuration of the product other than the shape and configuration of the power plug and pins of the power plug.**



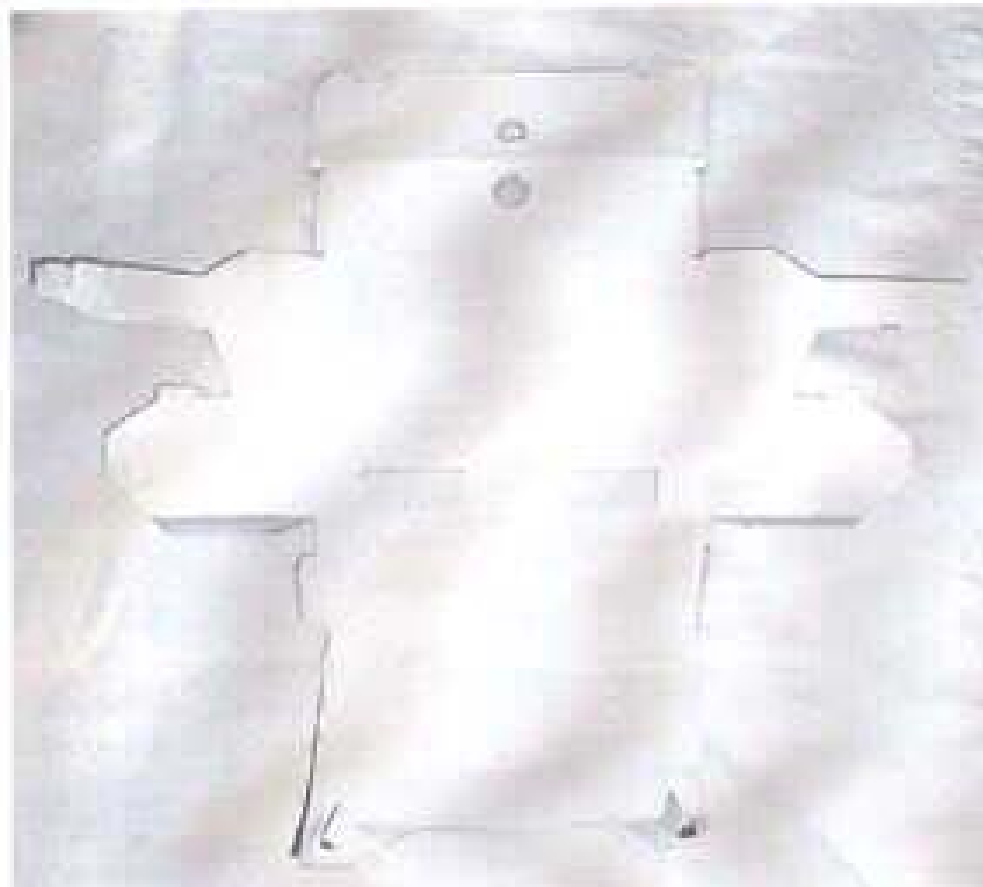
- (21) Design Number: **15448/2004**
(22) Date of Filing Application: **24 November 2004**
(24) Date from which industrial property rights may have effect: **24 November 2004**
(54) Product in respect of which the design is registered: **Laundry iron and its steam generating base**
(51) International Design Classification: **07-05A**
(71) Name(s) and Address(s) of Applicant(s):
Calor
Place Ambroise Courtois 69356 Lyon Cedex 08 France
(72) Name(s) of Designer(s): **Fabrice Renault**
(45) Registration Date: **06 June 2005**
(30) Convention priority data:
(31) Number (32) Date (33) Country
042823 08 Jun 2004 FRANCE
(56) Related Art Documents: **Not Applicable**
(57) Statement of Newness and Distinctiveness: **Any person required to decide whether the design is substantially similar in overall impression should have particular regard to the shape and configuration of the product other than the shape and configuration of the power plug and pins of the power plug.**



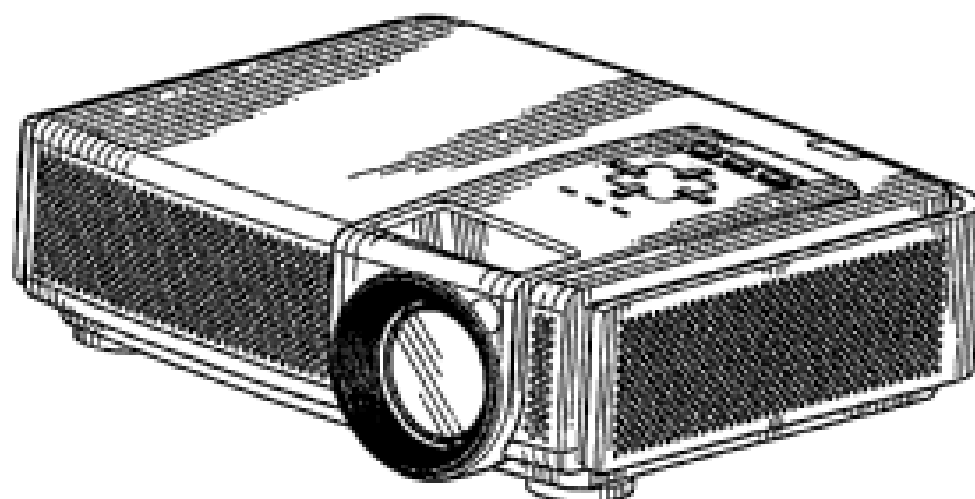
(21) Design Number: **15451/2004**
(22) Date of Filing Application: **24 November 2004**
(24) Date from which industrial property rights may have effect: **24 November 2004**
(54) Product in respect of which the design is registered: **Furniture item**
(51) International Design Classification: **06-01E**
(71) Name(s) and Address(s) of Applicant(s):
Anita Kathleen Hatters
603 Broadgully Road Diamond Creek Victoria 3089 Australia
(72) Name(s) of Designer(s): **Anita Kathleen Hatters**
(45) Registration Date: **06 June 2005**
(56) Related Art Documents: **Not Applicable**
(57) Statement of Newness and Distinctiveness: **Nil**



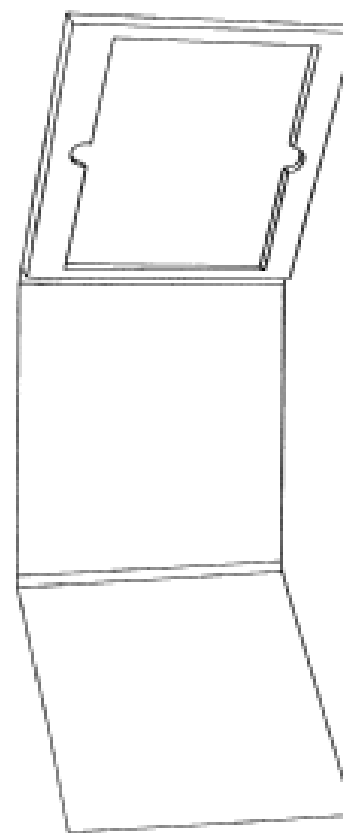
(21) Design Number: **15505/2004**
(22) Date of Filing Application: **26 November 2004**
(24) Date from which industrial property rights may have effect: **26 November 2004**
(54) Product in respect of which the design is registered: **A container**
(51) International Design Classification: **09-03F**
(71) Name(s) and Address(s) of Applicant(s):
Fada Pty Ltd
C/- Terry Hurlock & Associates 15 Patrick Street Aitkenvale
Queensland 4814 Australia
(72) Name(s) of Designer(s): **Francesco Santo Sciacca**
(45) Registration Date: **07 June 2005**
(56) Related Art Documents: **Not Applicable**
(57) Statement of Newness and Distinctiveness: **Newness and distinctiveness is claimed in the shape and configuration of the container. No monopoly is claimed in the pattern and ornamentation of the container.**



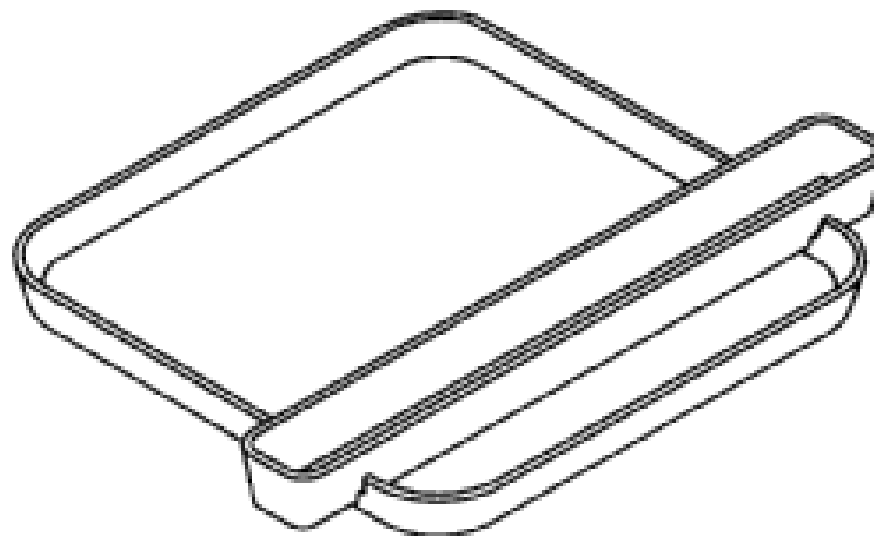
- (21) Design Number: **15506/2004**
(22) Date of Filing Application: **26 November 2004**
(24) Date from which industrial property rights may have effect: **26 November 2004**
(54) Product in respect of which the design is registered: **Video projector**
(51) International Design Classification: **16-02**
(71) Name(s) and Address(s) of Applicant(s):
BENQ Corporation
157 Shan-Ying Road Kweishan Taoyuan 333 Taiwan
(72) Name(s) of Designer(s): **Ching-Lin Yeh and Cheng-Shan Lin and Yung-Chuan Ma and Chien-Jui Wang and Yung-Song Chen and Hsien-Chun Chang**
(45) Registration Date: **07 June 2005**
(30) Convention priority data:
(31) Number (32) Date (33) Country
93303297 03 Jun 2004 TAIWAN
(56) Related Art Documents: **Not Applicable**
(57) Statement of Newness and Distinctiveness: **Newness and distinctiveness resides in the shape and configuration of a video projector as shown in the representations.**



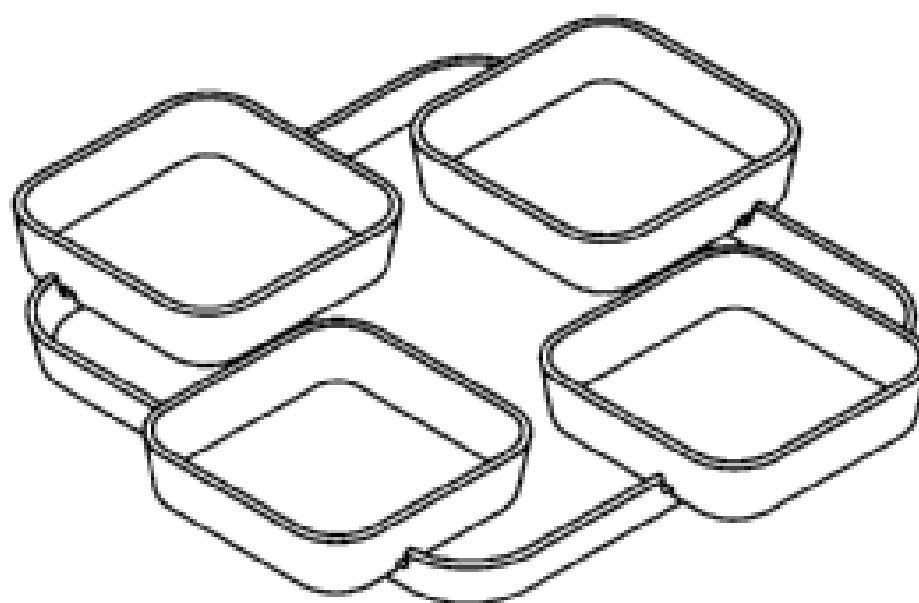
- (21) Design Number: **15507/2004**
(22) Date of Filing Application: **29 November 2004**
(24) Date from which industrial property rights may have effect: **29 November 2004**
(54) Product in respect of which the design is registered: **A CD card holder**
(51) International Design Classification: **03-01C**
(71) Name(s) and Address(s) of Applicant(s):
Tolpuitt Keeton Limited
Unit 4 Ninian Park Ninian Way Tamworth Staffordshire B77 5ES
United Kingdom
(72) Name(s) of Designer(s): **Paul Keeton**
(45) Registration Date: **07 June 2005**
(56) Related Art Documents: **Not Applicable**
(57) Statement of Newness and Distinctiveness: **Newness and distinctiveness resides in the shape and configuration of a CD card holder as shown in the accompanying representations.**



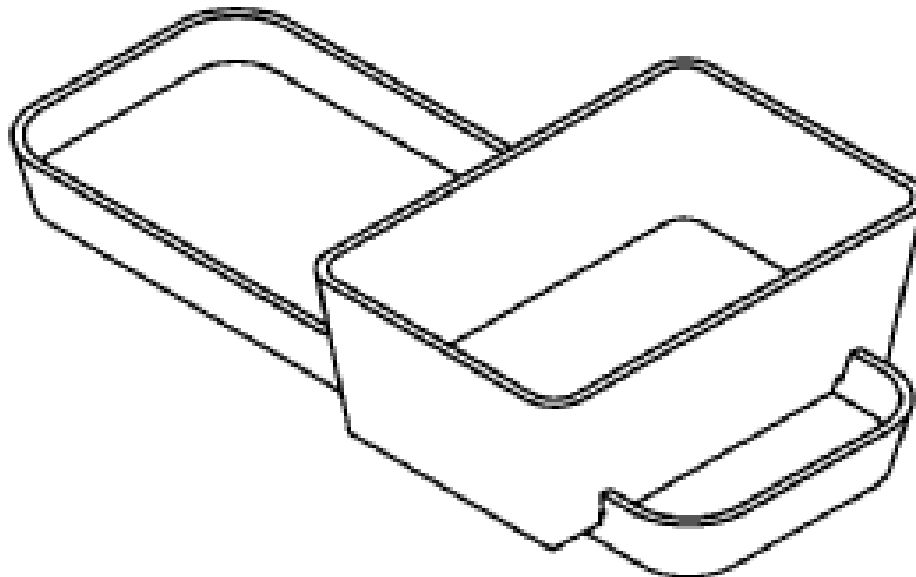
- (21) Design Number: **15514/2004**
(22) Date of Filing Application: **29 November 2004**
(24) Date from which industrial property rights may have effect: **29 November 2004**
(54) Product in respect of which the design is registered: **Ceramic serving ware**
(51) International Design Classification: **07-01B**
(71) Name(s) and Address(s) of Applicant(s):
Bambis Import Co. Pty Ltd
1-9 Moreland Road East Coburg Victoria 3058 Australia
(72) Name(s) of Designer(s): **Harry Pourounidis and Casey Williams**
(45) Registration Date: **07 June 2005**
(56) Related Art Documents: **Not Applicable**
(57) Statement of Newness and Distinctiveness: **The items are designed with an interlocking feature so that the fit together and form a unique serving ware.**



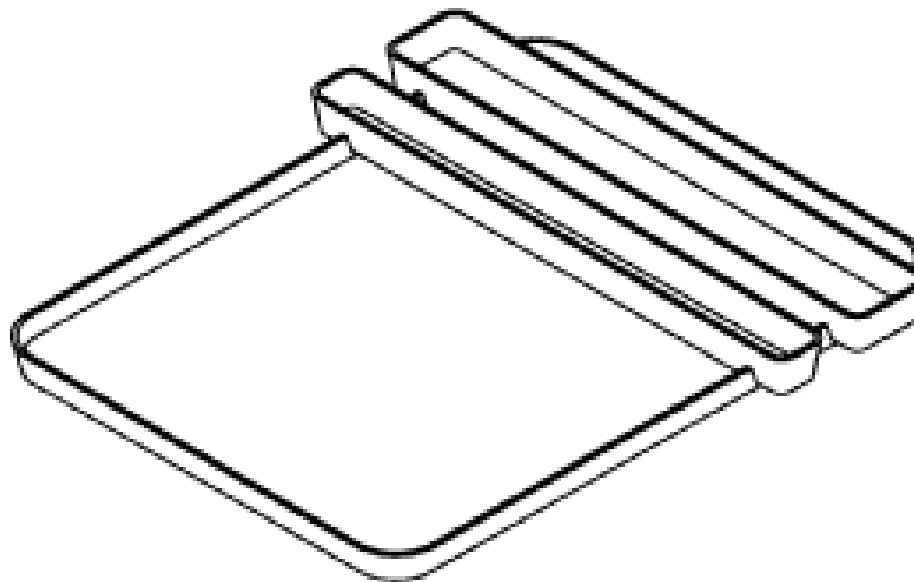
- (21) Design Number: **15515/2004**
(22) Date of Filing Application: **29 November 2004**
(24) Date from which industrial property rights may have effect: **29 November 2004**
(54) Product in respect of which the design is registered: **Ceramic serving ware**
(51) International Design Classification: **07-01B**
(71) Name(s) and Address(s) of Applicant(s):
Bambis Import Co. Pty Ltd
1-9 Moreland Road East Coburg Victoria 3058 Australia
(72) Name(s) of Designer(s): **Harry Pourounidis and Casey Williams**
(45) Registration Date: **07 June 2005**
(56) Related Art Documents: **Not Applicable**
(57) Statement of Newness and Distinctiveness: **The items are designed with an interlocking feature so that the fit together and form a unique serving ware.**



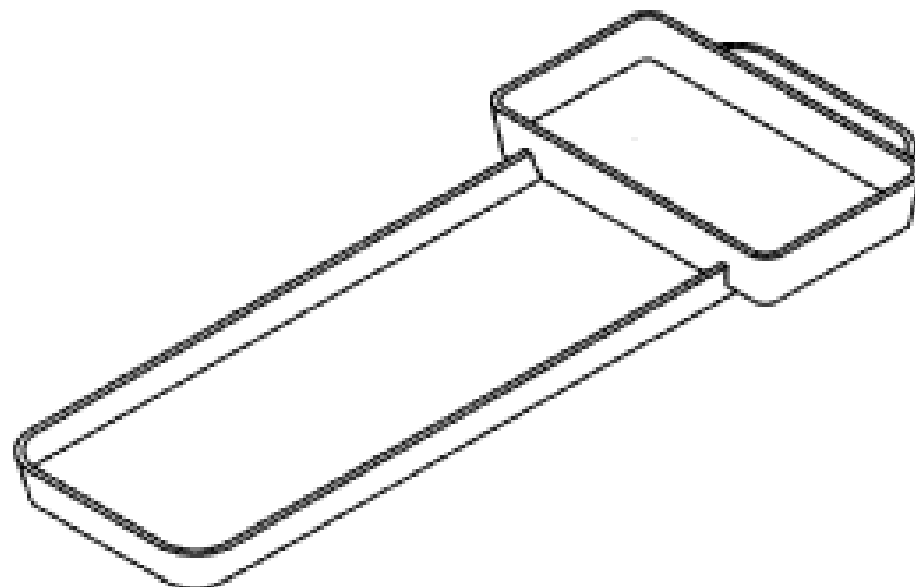
- (21) Design Number: **15516/2004**
(22) Date of Filing Application: **29 November 2004**
(24) Date from which industrial property rights may have effect: **29 November 2004**
(54) Product in respect of which the design is registered: **Ceramic serving ware**
(51) International Design Classification: **07-01B**
(71) Name(s) and Address(s) of Applicant(s):
Bambis Import Co. Pty Ltd
1-9 Moreland Road East Coburg Victoria 3058 Australia
(72) Name(s) of Designer(s): **Harry Pourounidis and Casey Williams**
(45) Registration Date: **07 June 2005**
(56) Related Art Documents: **Not Applicable**
(57) Statement of Newness and Distinctiveness: **The items are designed with an interlocking feature so that the fit together and form a unique serving ware.**



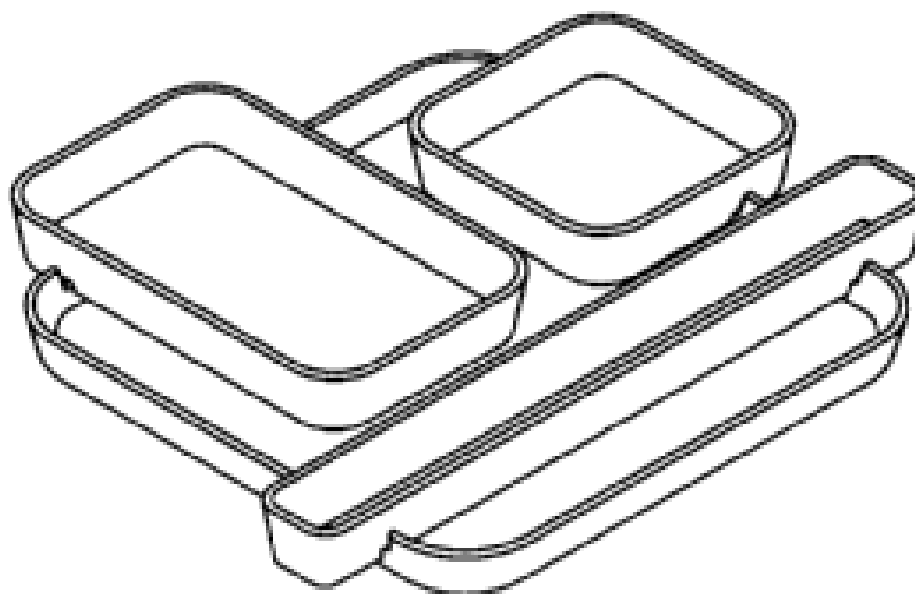
- (21) Design Number: **15517/2004**
(22) Date of Filing Application: **29 November 2004**
(24) Date from which industrial property rights may have effect: **29 November 2004**
(54) Product in respect of which the design is registered: **Ceramic serving ware**
(51) International Design Classification: **07-01B**
(71) Name(s) and Address(s) of Applicant(s):
Bambis Import Co. Pty Ltd
1-9 Moreland Road East Coburg Victoria 3058 Australia
(72) Name(s) of Designer(s): **Harry Pourounidis and Casey Williams**
(45) Registration Date: **07 June 2005**
(56) Related Art Documents: **Not Applicable**
(57) Statement of Newness and Distinctiveness: **The items are designed with an interlocking feature so that the fit together and form a unique serving ware.**



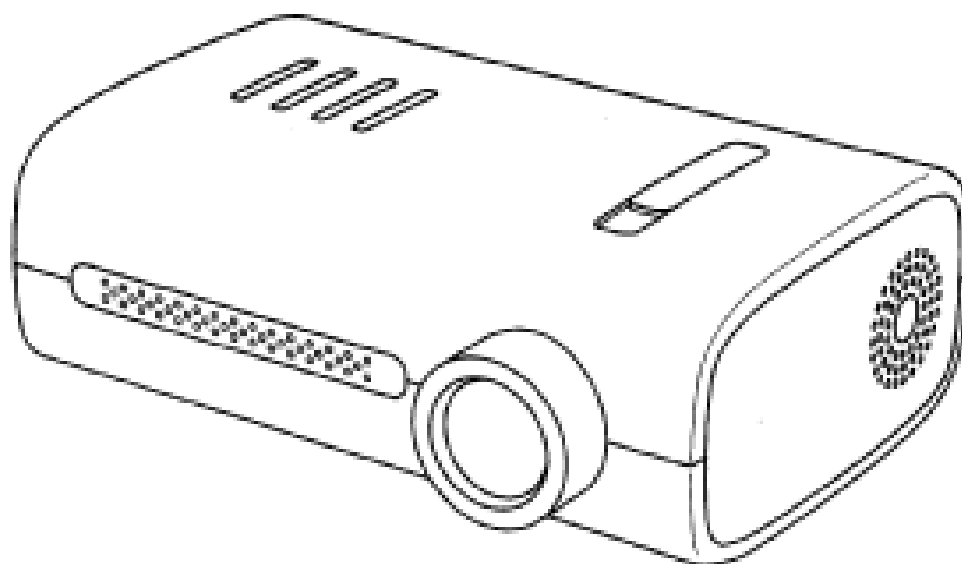
- (21) Design Number: **15518/2004**
(22) Date of Filing Application: **29 November 2004**
(24) Date from which industrial property rights may have effect: **29 November 2004**
(54) Product in respect of which the design is registered: **Ceramic serving ware**
(51) International Design Classification: **07-01B**
(71) Name(s) and Address(s) of Applicant(s):
Bambis Import Co. Pty Ltd
1-9 Moreland Road East Coburg Victoria 3058 Australia
(72) Name(s) of Designer(s): **Harry Pourounidis and Casey Williams**
(45) Registration Date: **07 June 2005**
(56) Related Art Documents: **Not Applicable**
(57) Statement of Newness and Distinctiveness: **The items are designed with an interlocking feature so that the fit together and form a unique serving ware.**



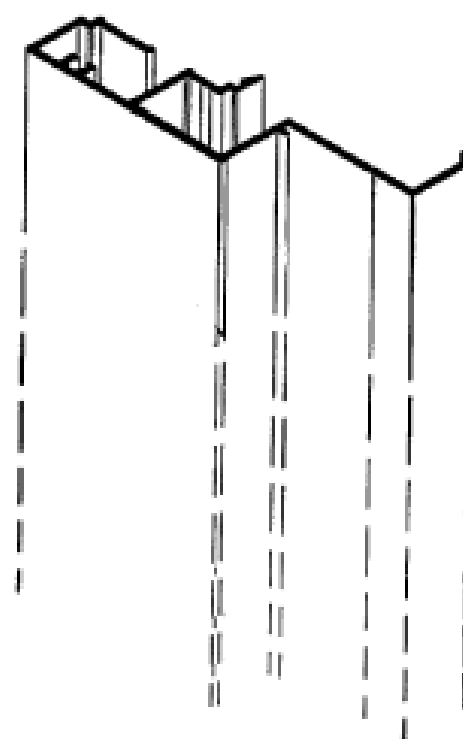
- (21) Design Number: **15519/2004**
(22) Date of Filing Application: **29 November 2004**
(24) Date from which industrial property rights may have effect: **29 November 2004**
(54) Product in respect of which the design is registered: **Ceramic serving ware**
(51) International Design Classification: **07-01B**
(71) Name(s) and Address(s) of Applicant(s):
Bambis Import Co. Pty Ltd
1-9 Moreland Road East Coburg Victoria 3058 Australia
(72) Name(s) of Designer(s): **Harry Pourounidis and Casey Williams**
(45) Registration Date: **07 June 2005**
(56) Related Art Documents: **Not Applicable**
(57) Statement of Newness and Distinctiveness: **The items are designed with an interlocking feature so that the fit together and form a unique serving ware.**



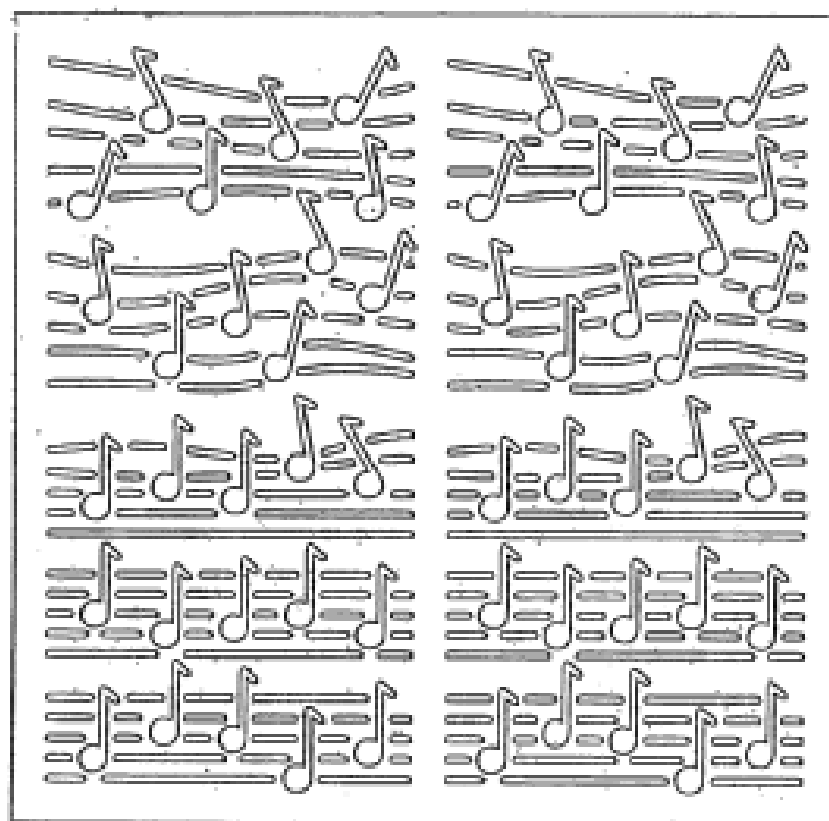
(21) Design Number: **15524/2004**
(22) Date of Filing Application: **29 November 2004**
(24) Date from which industrial property rights may have effect: **29 November 2004**
(54) Product in respect of which the design is registered: **Liquid crystal projector**
(51) International Design Classification: **16-02**
(71) Name(s) and Address(s) of Applicant(s):
Kabushiki Kaisha Toshiba
1-1 Shibaura 1-chome Minato-Ku Tokyo Japan
(72) Name(s) of Designer(s): **Masatomo Naruki and Yuuki Shibata**
(45) Registration Date: **07 June 2005**
(30) Convention priority data:
(31) Number (32) Date (33) Country
2004-028696 22 Sep 2004 JAPAN
(56) Related Art Documents: **Not Applicable**
(57) Statement of Newness and Distinctiveness: **Nil**



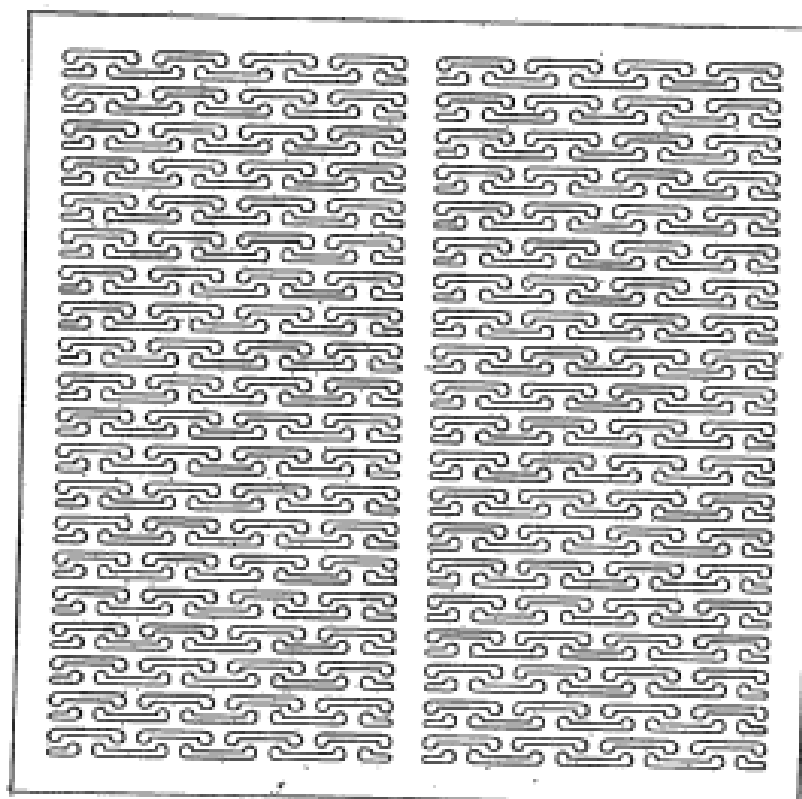
(21) Design Number: **15525/2004**
(22) Date of Filing Application: **29 November 2004**
(24) Date from which industrial property rights may have effect: **29 November 2004**
(54) Product in respect of which the design is registered: **Extrusion**
(51) International Design Classification: **25-01K**
(71) Name(s) and Address(s) of Applicant(s):
Crane Enfield Metals Pty Ltd
2115 Castlereagh Road Penrith New South Wales 2750 Australia
(72) Name(s) of Designer(s): **Ross Lloyd**
(45) Registration Date: **07 June 2005**
(56) Related Art Documents: **Not Applicable**
(57) Statement of Newness and Distinctiveness: **The product may be of any desired length but of constant cross section throughout that length.**



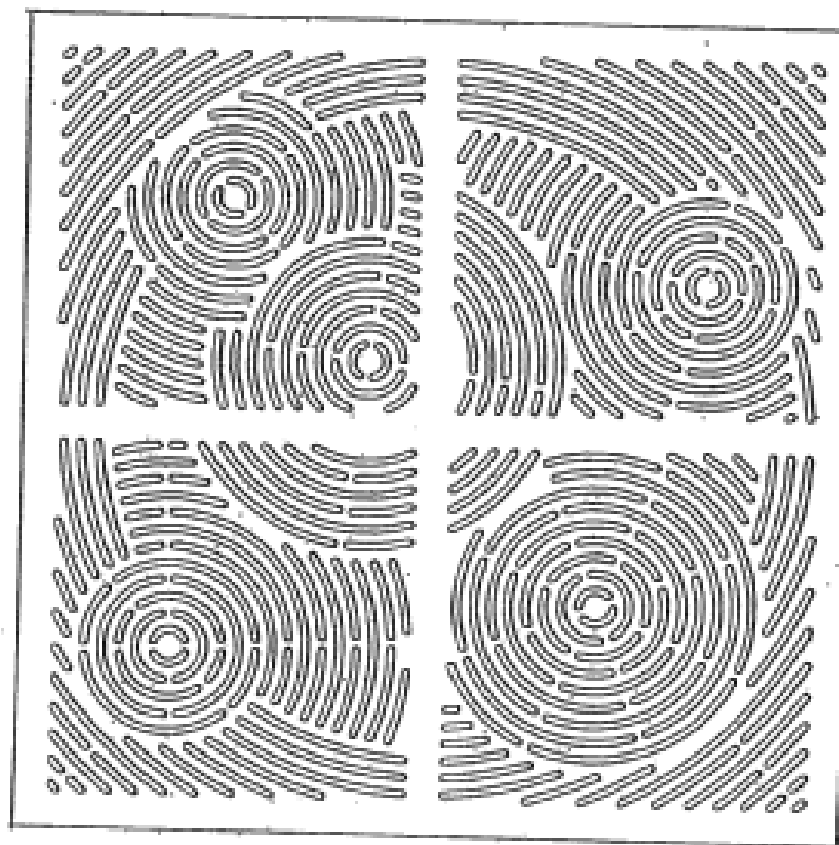
- (21) Design Number: **15529/2004**
- (22) Date of Filing Application: **30 November 2004**
- (24) Date from which industrial property rights may have effect: **30 November 2004**
- (54) Product in respect of which the design is registered: **Acoustic panels**
- (51) International Design Classification: **25-01D**
- (71) Name(s) and Address(s) of Applicant(s):
Latimer Acoustics Limited
20 Brisbane Street Christchurch New Zealand
- (72) Name(s) of Designer(s): **Gareth Browne**
- (45) Registration Date: **07 June 2005**
- (56) Related Art Documents: **Not Applicable**
- (57) Statement of Newness and Distinctiveness: **The novelty of the design resides in the features of pattern and ornamentation of the facing side of an acoustic panel as shown in the accompanying representation.**



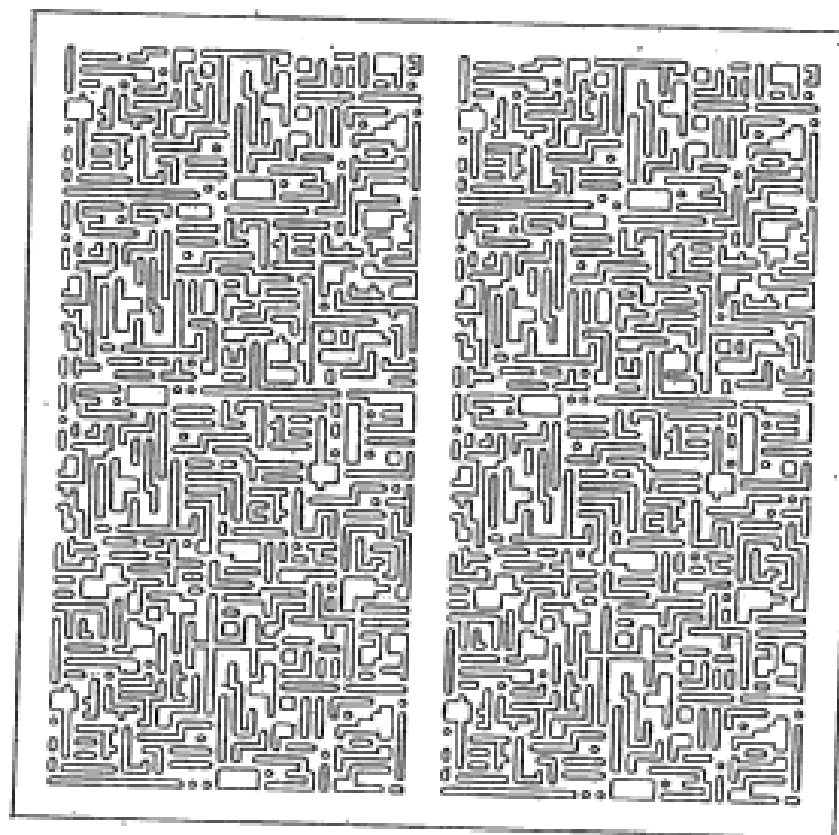
- (21) Design Number: **15530/2004**
- (22) Date of Filing Application: **30 November 2004**
- (24) Date from which industrial property rights may have effect: **30 November 2004**
- (54) Product in respect of which the design is registered: **Acoustic panels**
- (51) International Design Classification: **25-01D**
- (71) Name(s) and Address(s) of Applicant(s):
Latimer Acoustics Limited
20 Brisbane Street Christchurch New Zealand
- (72) Name(s) of Designer(s): **Gareth Browne**
- (45) Registration Date: **07 June 2005**
- (56) Related Art Documents: **Not Applicable**
- (57) Statement of Newness and Distinctiveness: **The novelty of the design resides in the features of pattern and ornamentation of the facing side of an acoustic panel as shown in the accompanying representation.**



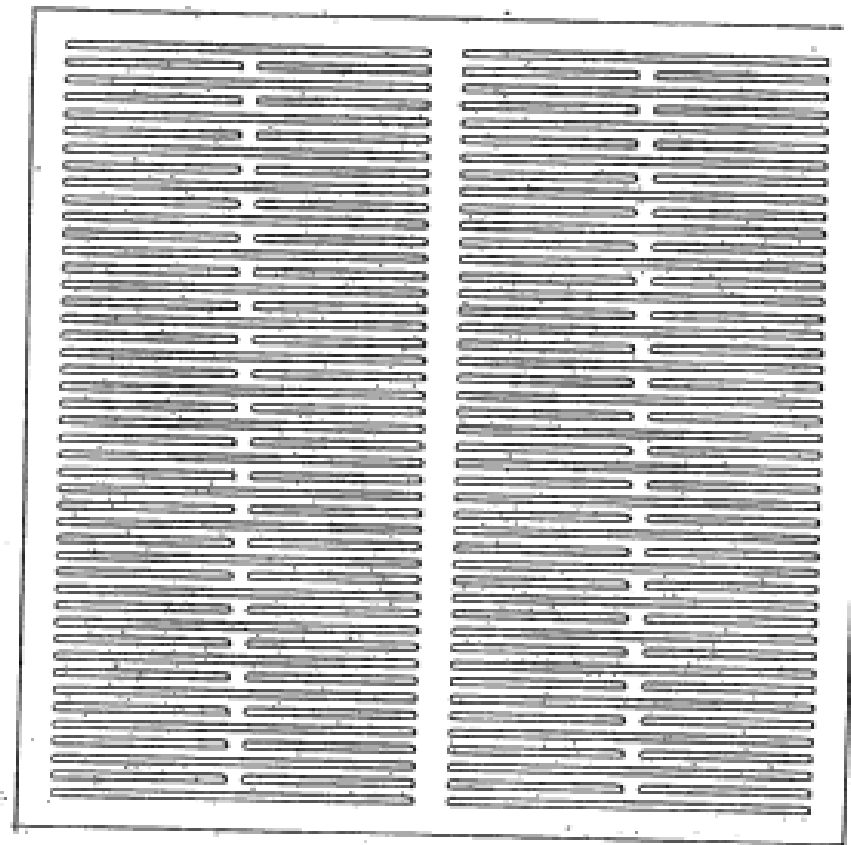
- (21) Design Number: **15531/2004**
(22) Date of Filing Application: **30 November 2004**
(24) Date from which industrial property rights may have effect: **30 November 2004**
(54) Product in respect of which the design is registered: **Acoustic panels**
(51) International Design Classification: **25-01D**
(71) Name(s) and Address(s) of Applicant(s):
Latimer Acoustics Limited
20 Brisbane Street Christchurch New Zealand
(72) Name(s) of Designer(s): **Gareth Browne**
(45) Registration Date: **07 June 2005**
(56) Related Art Documents: **Not Applicable**
(57) Statement of Newness and Distinctiveness: **The novelty of the design resides in the features of pattern and ornamentation of the facing side of an acoustic panel as shown in the accompanying representation.**



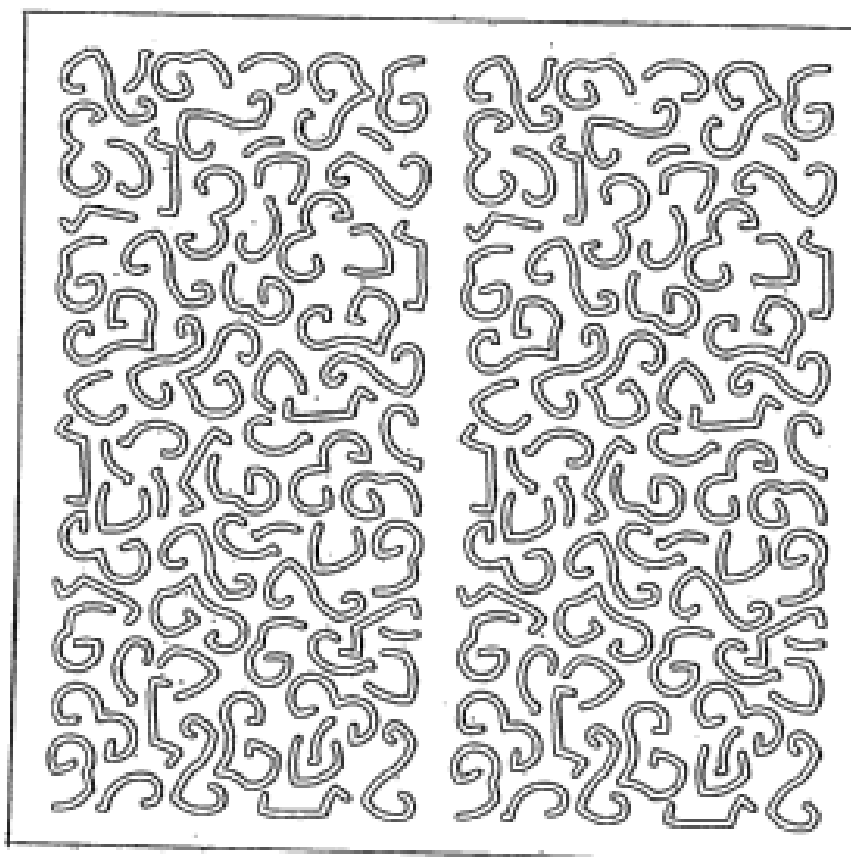
- (21) Design Number: **15532/2004**
(22) Date of Filing Application: **30 November 2004**
(24) Date from which industrial property rights may have effect: **30 November 2004**
(54) Product in respect of which the design is registered: **Acoustic panels**
(51) International Design Classification: **25-01D**
(71) Name(s) and Address(s) of Applicant(s):
Latimer Acoustics Limited
20 Brisbane Street Christchurch New Zealand
(72) Name(s) of Designer(s): **Gareth Browne**
(45) Registration Date: **07 June 2005**
(56) Related Art Documents: **Not Applicable**
(57) Statement of Newness and Distinctiveness: **The novelty of the design resides in the features of pattern and ornamentation of the facing side of an acoustic panel as shown in the accompanying representation.**



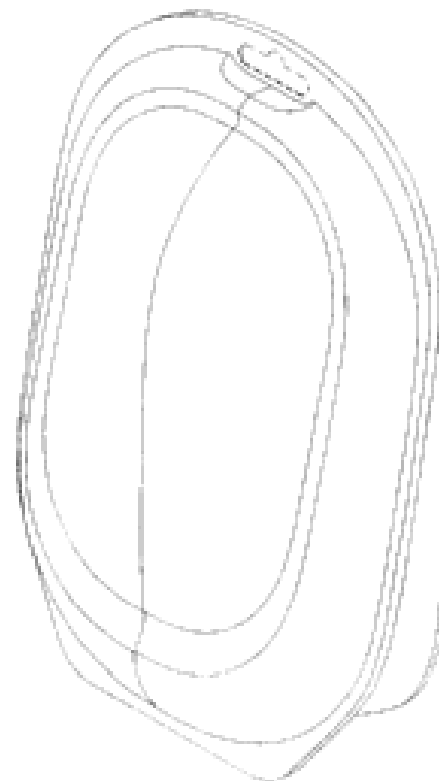
- (21) Design Number: **15533/2004**
- (22) Date of Filing Application: **30 November 2004**
- (24) Date from which industrial property rights may have effect: **30 November 2004**
- (54) Product in respect of which the design is registered: **Acoustic panels**
- (51) International Design Classification: **25-01D**
- (71) Name(s) and Address(s) of Applicant(s):
Latimer Acoustics Limited
20 Brisbane Street Christchurch New Zealand
- (72) Name(s) of Designer(s): **Gareth Browne**
- (45) Registration Date: **07 June 2005**
- (56) Related Art Documents: **Not Applicable**
- (57) Statement of Newness and Distinctiveness: **The novelty of the design resides in the features of pattern and ornamentation of the facing side of an acoustic panel as shown in the accompanying representation.**



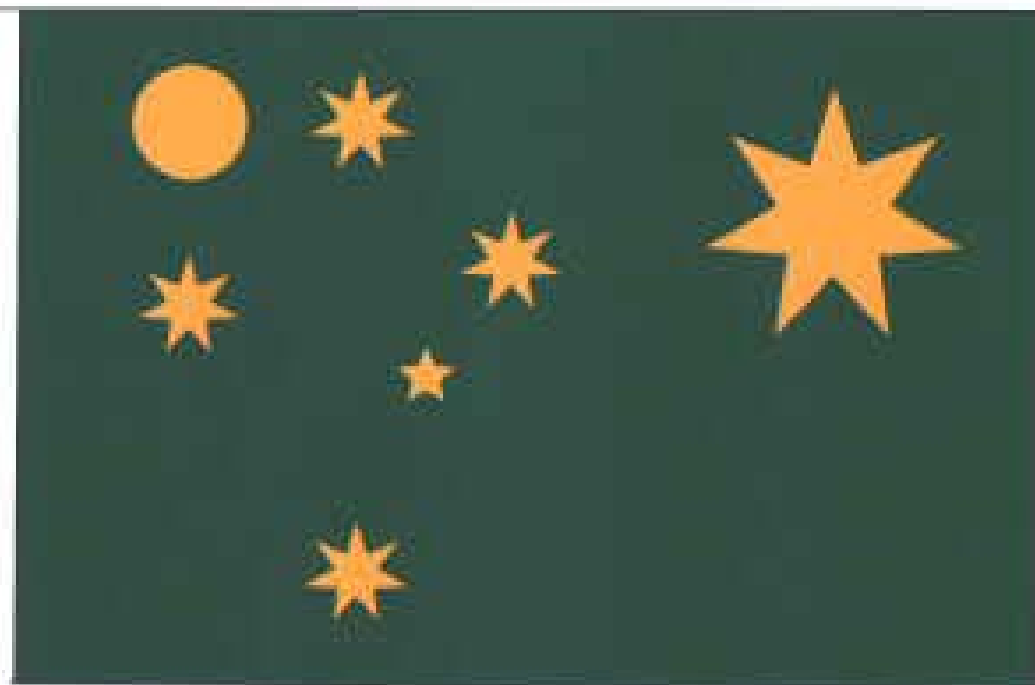
- (21) Design Number: **15534/2004**
- (22) Date of Filing Application: **30 November 2004**
- (24) Date from which industrial property rights may have effect: **30 November 2004**
- (54) Product in respect of which the design is registered: **Acoustic panels**
- (51) International Design Classification: **25-01D**
- (71) Name(s) and Address(s) of Applicant(s):
Latimer Acoustics Limited
20 Brisbane Street Christchurch New Zealand
- (72) Name(s) of Designer(s): **Gareth Browne**
- (45) Registration Date: **07 June 2005**
- (56) Related Art Documents: **Not Applicable**
- (57) Statement of Newness and Distinctiveness: **The novelty of the design resides in the features of pattern and ornamentation of the facing side of an acoustic panel as shown in the accompanying representation.**



- (21) Design Number: **15540/2004**
(22) Date of Filing Application: **30 November 2004**
(24) Date from which industrial property rights may have effect: **30 November 2004**
(54) Product in respect of which the design is registered: **Package for audio/visual cable**
(51) International Design Classification: **09-05**
(71) Name(s) and Address(s) of Applicant(s):
Belkin Corporation
501 W. Washington Street Compton California 90220 United States of America
(72) Name(s) of Designer(s): **Mitchell Suckle and David Goetz and Ernesto Quinteros**
(45) Registration Date: **07 June 2005**
(30) Convention priority data:
(31) Number (32) Date (33) Country
29/206935 03 Jun 2004 UNITED STATES OF AMERICA
(56) Related Art Documents: **Not Applicable**
(57) Statement of Newness and Distinctiveness: **Newness and distinctiveness is claimed in the features of shape and/or configuration of a package for audio/visual cable as illustrated in the accompanying representations. In considering which features are new and distinctive, those features illustrated in phantom are to be disregarded.**



- (21) Design Number: **15541/2004**
(22) Date of Filing Application: **30 November 2004**
(24) Date from which industrial property rights may have effect: **30 November 2004**
(54) Product in respect of which the design is registered: **Flag**
(51) International Design Classification: **11-05**
(71) Name(s) and Address(s) of Applicant(s):
Robert Vogler
3/42 Manning Road Double Bay New South Wales 2028 Australia
(72) Name(s) of Designer(s): **Robert Vogler**
(45) Registration Date: **07 June 2005**
(56) Related Art Documents: **Not Applicable**
(57) Statement of Newness and Distinctiveness: **The distinctive features of this flag are not the icons (Southern Cross, Coat of Arms or Commonwealth Star, and the sun from the Aboriginal flag), but the way that these are arranged in relation to each other and on the flag. The colours are green and gold which are our national colours.**



(21) Design Number: **15555/2004**

(22) Date of Filing Application: **30 November 2004**

(24) Date from which industrial property rights may have effect: **30 November 2004**

(54) Product in respect of which the design is registered: **Clip**

(51) International Design Classification: **08-08C**

(71) Name(s) and Address(s) of Applicant(s):

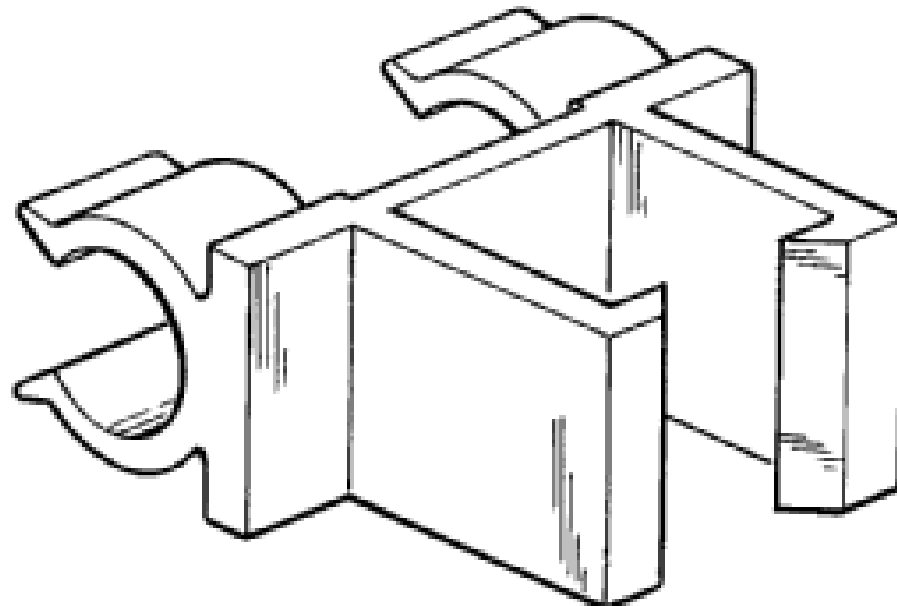
**Tilt-Lift Equipment Pty Ltd
2 Arnold Street Cheltenham Victoria 3192 Australia**

(72) Name(s) of Designer(s): **Craig Anderson**

(45) Registration Date: **07 June 2005**

(56) Related Art Documents: **Not Applicable**

(57) Statement of Newness and Distinctiveness: **Nil**



(21) Design Number: **15453/2004**

(22) Date of Filing Application: **24 November 2004**

(24) Date from which industrial property rights may have effect: **24 November 2004**

(54) Product in respect of which the design is registered: **Chair**

(51) International Design Classification: **06-01F**

(71) Name(s) and Address(s) of Applicant(s):

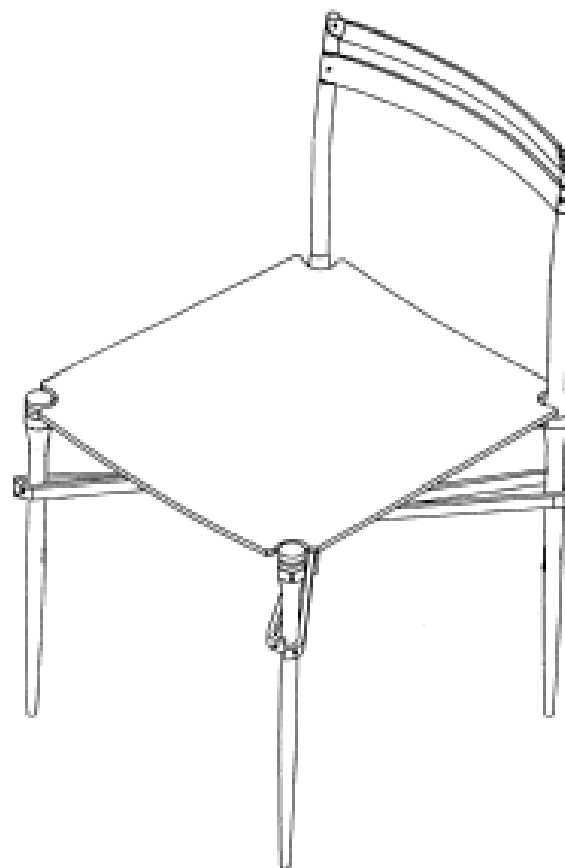
**IWM Centre Management Ltd
C/-CRC Wood Innovations ILFR The University of Melbourne Parkville
Victoria 3010 Australia**

(72) Name(s) of Designer(s): **Lucy Allnut**

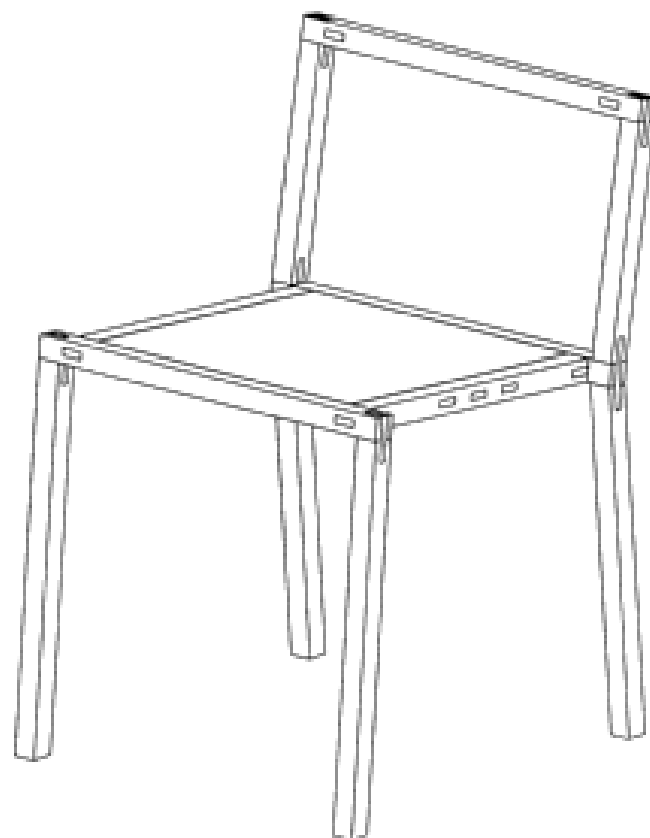
(45) Registration Date: **08 June 2005**

(56) Related Art Documents: **Not Applicable**

(57) Statement of Newness and Distinctiveness: **Newness and distinctiveness is claimed in the shape and configuration of the chair shown in the representations. The cross-members of the backrest are capable of variation and do not form part of the design.**



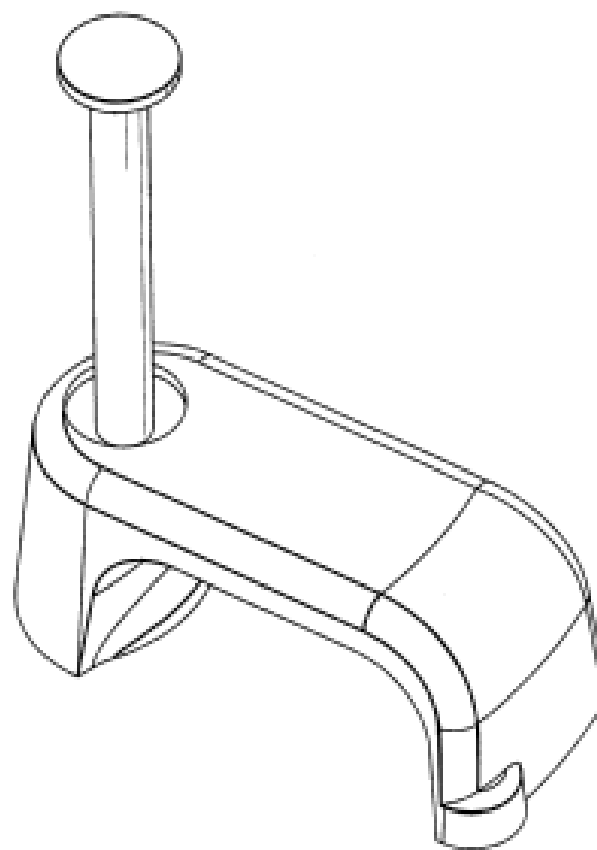
(21) Design Number: **15454/2004**
(22) Date of Filing Application: **24 November 2004**
(24) Date from which industrial property rights may have effect: **24 November 2004**
(54) Product in respect of which the design is registered: **Chair**
(51) International Design Classification: **06-01F**
(71) Name(s) and Address(s) of Applicant(s):
IWM Centre Management Ltd
C/-CRC Wood Innovations ILFR The University of Melbourne Parkville
Victoria 3010 Australia
(72) Name(s) of Designer(s): **Christine Thong**
(45) Registration Date: **08 June 2005**
(56) Related Art Documents: **Not Applicable**
(57) Statement of Newness and Distinctiveness: **Nil**



(21) Design Number: **15455/2004**
(22) Date of Filing Application: **24 November 2004**
(24) Date from which industrial property rights may have effect: **24 November 2004**
(54) Product in respect of which the design is registered: **Chair**
(51) International Design Classification: **06-01F**
(71) Name(s) and Address(s) of Applicant(s):
IWM Centre Management Ltd
C/-CRC Wood Innovations ILFR The University of Melbourne Parkville
Victoria 3010 Australia
(72) Name(s) of Designer(s): **Lucy Allnut**
(45) Registration Date: **08 June 2005**
(56) Related Art Documents: **Not Applicable**
(57) Statement of Newness and Distinctiveness: **Newness and distinctiveness is claimed in the shape and configuration of the chair shown in the representations. The cross-member of the backrest is capable of variation and does not form part of the design.**

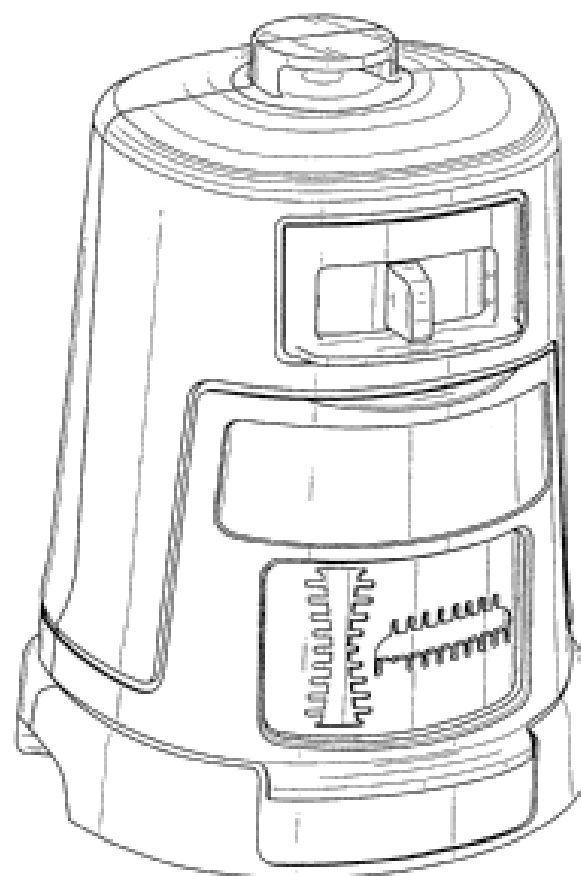


- (21) Design Number: **15457/2004**
- (22) Date of Filing Application: **25 November 2004**
- (24) Date from which industrial property rights may have effect: **25 November 2004**
- (54) Product in respect of which the design is registered: **A clip**
- (51) International Design Classification: **08-08C**
- (71) Name(s) and Address(s) of Applicant(s):
Flamingo Holdings Pty Ltd
10/4 Transport Place Molendinar Queensland 4212 Australia
- (72) Name(s) of Designer(s): **Ronald Stanley Perry**
- (45) Registration Date: **08 June 2005**
- (56) Related Art Documents: **Not Applicable**
- (57) Statement of Newness and Distinctiveness: **The newness and distinctiveness of the design resides in the shape and/or configuration of the a clip shown in the representations.**

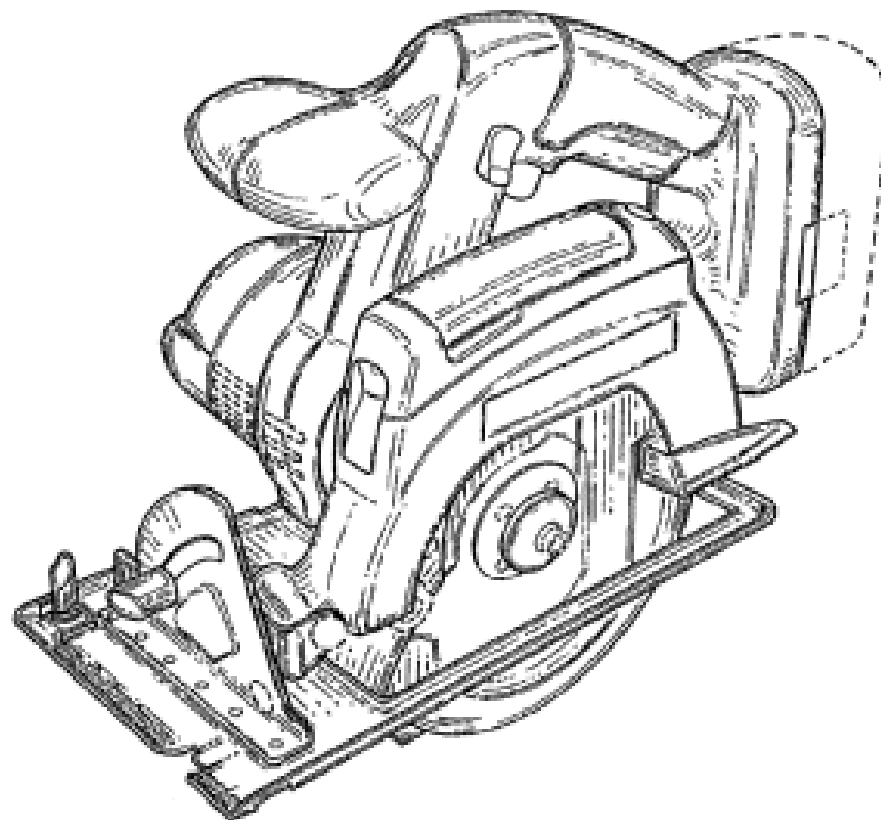


- (21) Design Number: **15464/2004**
- (22) Date of Filing Application: **25 November 2004**
- (24) Date from which industrial property rights may have effect: **25 November 2004**
- (54) Product in respect of which the design is registered: **A laser level**
- (51) International Design Classification: **10-04**
- (71) Name(s) and Address(s) of Applicant(s):
Black & Decker Inc.
1207 Drummond Plaza Newark Delaware 19711 United States of America
- (72) Name(s) of Designer(s): **Gregory Scott Snider**
- (45) Registration Date: **08 June 2005**
- (30) Convention priority data:

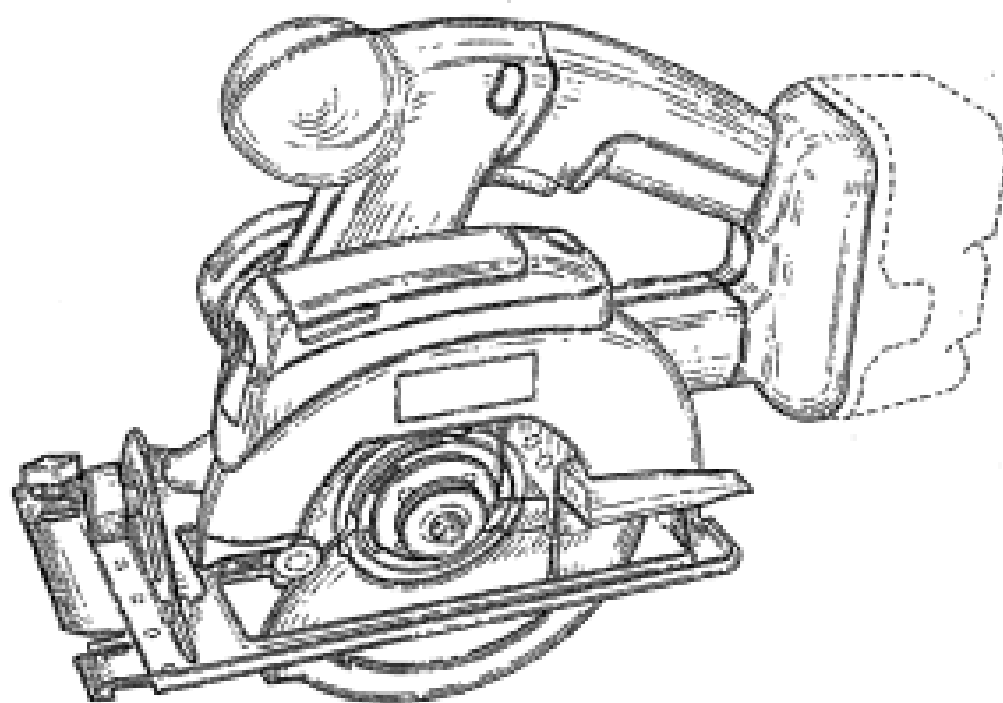
(31) Number	(32) Date	(33) Country
29/206718	02 Jun 2004	UNITED STATES OF AMERICA
- (56) Related Art Documents: **Not Applicable**
- (57) Statement of Newness and Distinctiveness: **Nil**



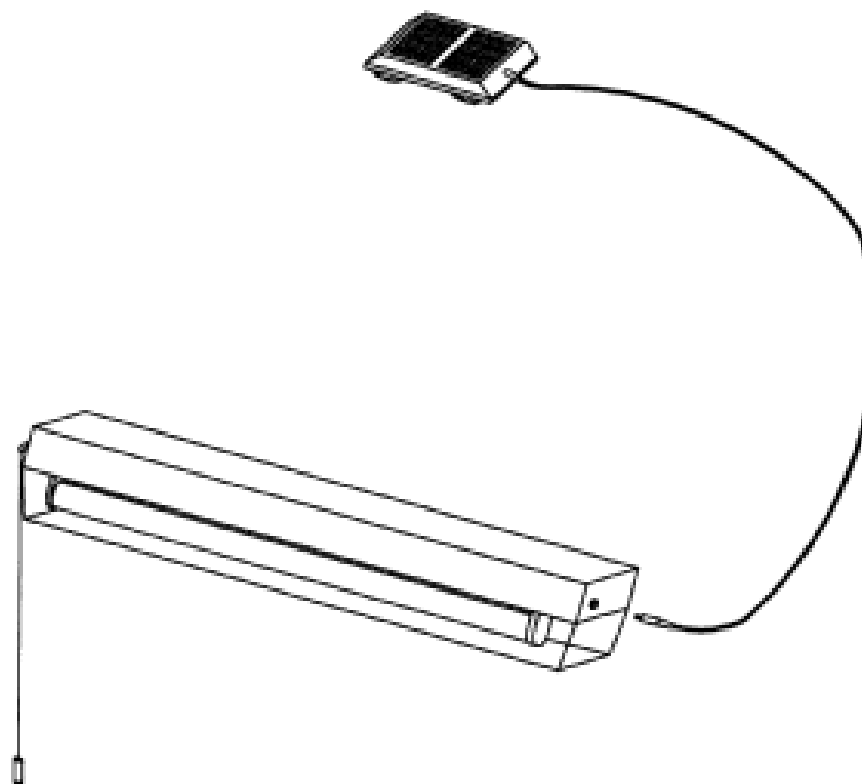
(21) Design Number: **15465/2004**
(22) Date of Filing Application: **25 November 2004**
(24) Date from which industrial property rights may have effect: **25 November 2004**
(54) Product in respect of which the design is registered: **Circular saw**
(51) International Design Classification: **08-03**
(71) Name(s) and Address(s) of Applicant(s):
One World Technologies Limited
Cedar House 41 Cedar Avenue Hamilton HM 12 Bermuda
(72) Name(s) of Designer(s): **Daniel Alex Chunn and Kam Lun Tailun Gates Shan**
(45) Registration Date: **08 June 2005**
(30) Convention priority data:
(31) Number (32) Date (33) Country
29/206332 28 May 2004 UNITED STATES OF AMERICA
(56) Related Art Documents: **Not Applicable**
(57) Statement of Newness and Distinctiveness: **Nil**



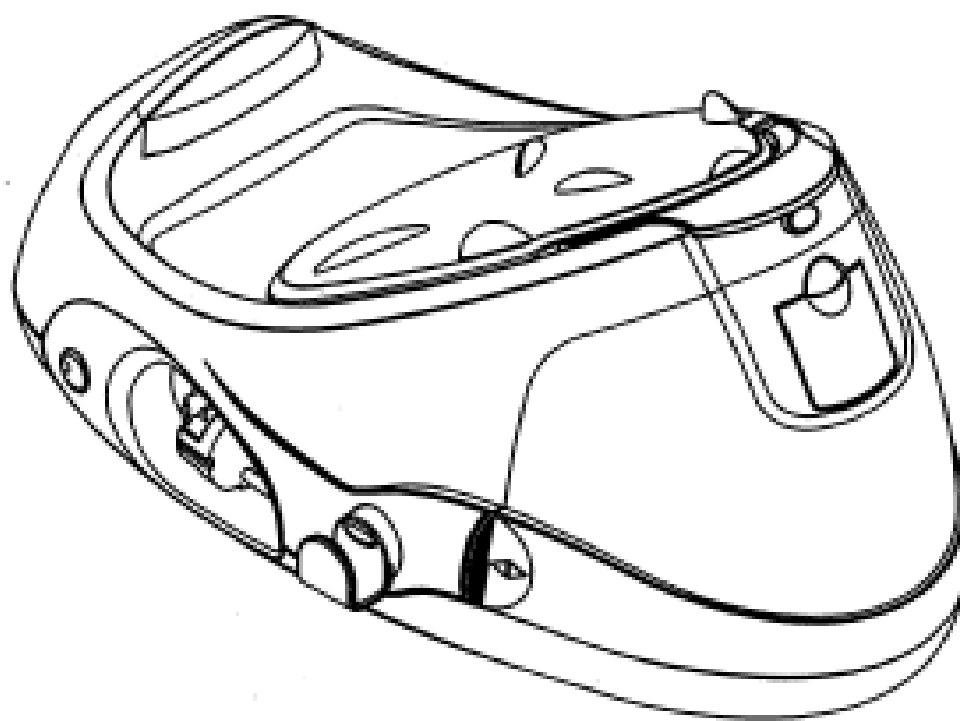
(21) Design Number: **15466/2004**
(22) Date of Filing Application: **25 November 2004**
(24) Date from which industrial property rights may have effect: **25 November 2004**
(54) Product in respect of which the design is registered: **Circular saw**
(51) International Design Classification: **08-03**
(71) Name(s) and Address(s) of Applicant(s):
One World Technologies Limited
Cedar House 41 Cedar Avenue Hamilton HM 12 Bermuda
(72) Name(s) of Designer(s): **Daniel Alex Chunn and Kam Lun Tailun Gates Shan**
(45) Registration Date: **08 June 2005**
(30) Convention priority data:
(31) Number (32) Date (33) Country
29/206332 28 May 2004 UNITED STATES OF AMERICA
(56) Related Art Documents: **Not Applicable**
(57) Statement of Newness and Distinctiveness: **Nil**



- (21) Design Number: **15467/2004**
(22) Date of Filing Application: **26 November 2004**
(24) Date from which industrial property rights may have effect: **26 November 2004**
(54) Product in respect of which the design is registered: **Improved light fitting for household garden sheds**
(51) International Design Classification: **26-05A**
(71) Name(s) and Address(s) of Applicant(s):
Roesth Engineering Pty Ltd
21 Trinity Court Patterson Lakes Victoria 3197 Australia
(72) Name(s) of Designer(s): **Rodolfo Duran**
(45) Registration Date: **08 June 2005**
(56) Related Art Documents: **Not Applicable**
(57) Statement of Newness and Distinctiveness: **One of the newness and distinctiveness features of this design is the combination elements or components that together creates a design and therefore a product specifically shaped to suit and fit household garden sheds in Australia eg. the windlift resistance of the solar panel and the shape of the hold down feet (all aerodynamic shapes for a purpose). The solar panel just sits on top of the metal roof.**



- (21) Design Number: **15449/2004**
(22) Date of Filing Application: **24 November 2004**
(24) Date from which industrial property rights may have effect: **24 November 2004**
(54) Product in respect of which the design is registered: **Steam generating base for laundry iron**
(51) International Design Classification: **07-05A**
(71) Name(s) and Address(s) of Applicant(s):
Calor
Place Ambroise Courtois 69356 Lyon Cedex 08 France
(72) Name(s) of Designer(s): **Fabrice Renault**
(45) Registration Date: **08 June 2005**
(30) Convention priority data:
(31) Number (32) Date (33) Country
042824 08 Jun 2004 FRANCE
(56) Related Art Documents: **Not Applicable**
(57) Statement of Newness and Distinctiveness: **Any person required to decide whether the design is substantially similar in overall impression should have particular regard to the shape and configuration of the product other than the shape and configuration of the power plug and pins of the power plug.**



(19) AU

- (21) Design Number: **15450/2004**
- (22) Date of Filing Application: **24 November 2004**
- (24) Date from which industrial property rights may have effect: **24 November 2004**
- (54) Product in respect of which the design is registered: **Laundry iron and its steam generating base**
- (51) International Design Classification: **07-05A**
- (71) Name(s) and Address(s) of Applicant(s):
Calor
Place Ambroise Courtois 69356 Lyon Cedex 08 France
- (72) Name(s) of Designer(s): **Fabrice Renault**
- (45) Registration Date: **08 June 2005**
- (30) Convention priority data:

(31) Number	(32) Date	(33) Country
042824	08 Jun 2004	FRANCE
- (56) Related Art Documents: **Not Applicable**
- (57) Statement of Newness and Distinctiveness: **Any person required to decide whether the design is substantially similar in overall impression should have particular regard to the shape and configuration of the product other than the shape and configuration of the power plug and pins of the power plug.**



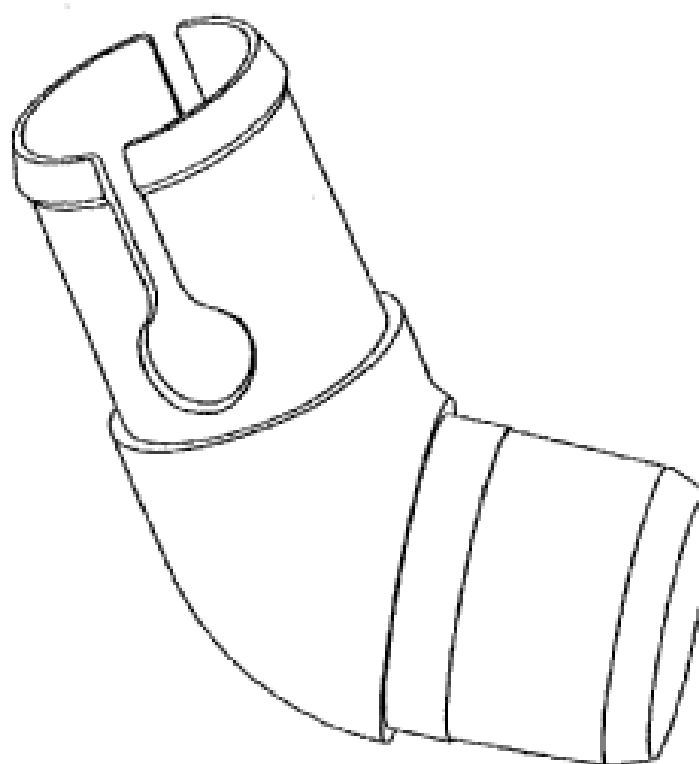
(19) AU

- (21) Design Number: **15481/2004**
- (22) Date of Filing Application: **25 November 2004**
- (24) Date from which industrial property rights may have effect: **25 November 2004**
- (54) Product in respect of which the design is registered: **Sealing ring for mask**
- (51) International Design Classification: **24-01**
- (71) Name(s) and Address(s) of Applicant(s):
ResMed Ltd
97 Waterloo Road North Ryde New South Wales 2113 Australia
- (72) Name(s) of Designer(s): **Michael K. Gunaratnam and Philip R. Kwok and Robin G. Hitchcock and Lee J. Veliss and Memduh Guney and Richard Sokolov and Perry David Lithgow and Donald Darkin and Susan R. Lynch and Rachael E. Moore**
- (45) Registration Date: **08 June 2005**
- (30) Convention priority data:

(31) Number	(32) Date	(33) Country
29/213,882	28 May 2004	UNITED STATES OF AMERICA
- (56) Related Art Documents: **Not Applicable**
- (57) Statement of Newness and Distinctiveness: **Nil**



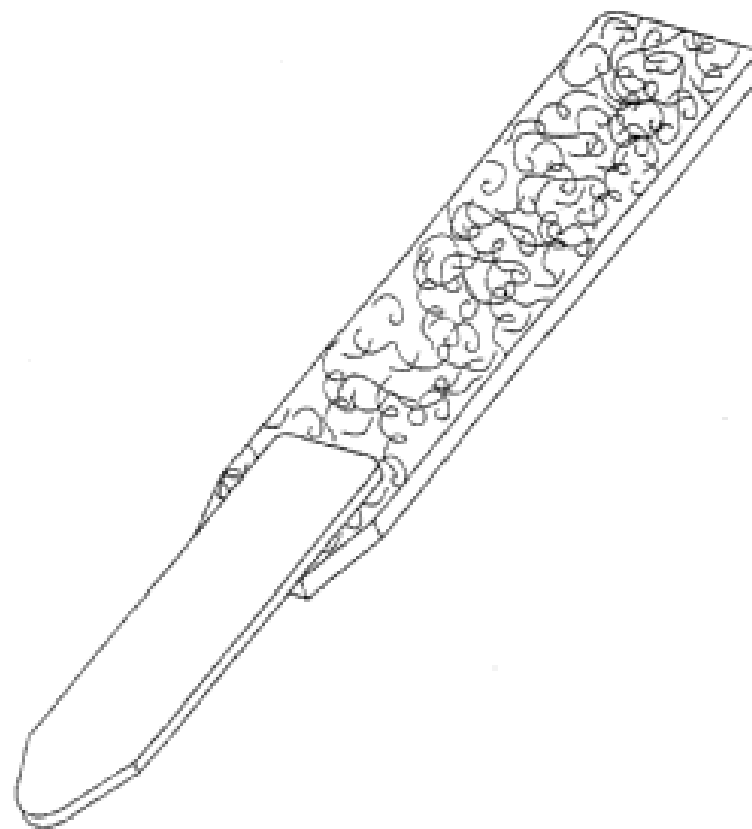
(21) Design Number: **15482/2004**
(22) Date of Filing Application: **25 November 2004**
(24) Date from which industrial property rights may have effect: **25 November 2004**
(54) Product in respect of which the design is registered: **Elbow for mask**
(51) International Design Classification: **24-01**
(71) Name(s) and Address(s) of Applicant(s):
ResMed Ltd
97 Waterloo Road North Ryde New South Wales 2113 Australia
(72) Name(s) of Designer(s): **Michael K. Gunaratnam and Philip R. Kwok and Robin G. Hitchcock and Lee J. Veliss and Memduh Guney and Richard Sokolov and Perry David Lithgow and Donald Darkin and Susan R. Lynch and Rachael E. Moore**
(45) Registration Date: **08 June 2005**
(30) Convention priority data:
(31) Number (32) Date (33) Country
29/213,882 28 May 2004 UNITED STATES OF AMERICA
(56) Related Art Documents: **Not Applicable**
(57) Statement of Newness and Distinctiveness: **Nil**



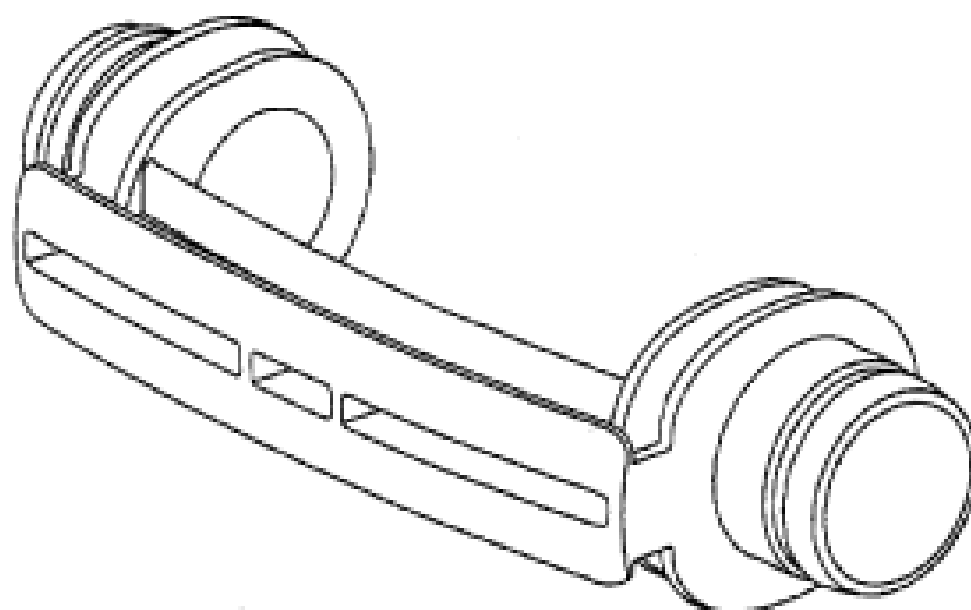
(21) Design Number: **15483/2004**
(22) Date of Filing Application: **25 November 2004**
(24) Date from which industrial property rights may have effect: **25 November 2004**
(54) Product in respect of which the design is registered: **Plug for mask**
(51) International Design Classification: **24-01**
(71) Name(s) and Address(s) of Applicant(s):
ResMed Ltd
97 Waterloo Road North Ryde New South Wales 2113 Australia
(72) Name(s) of Designer(s): **Michael K. Gunaratnam and Philip R. Kwok and Robin G. Hitchcock and Lee J. Veliss and Memduh Guney and Richard Sokolov and Perry David Lithgow and Donald Darkin and Susan R. Lynch and Rachael E. Moore**
(45) Registration Date: **08 June 2005**
(30) Convention priority data:
(31) Number (32) Date (33) Country
29/213,882 25 May 2004 UNITED STATES OF AMERICA
(56) Related Art Documents: **Not Applicable**
(57) Statement of Newness and Distinctiveness: **Nil**



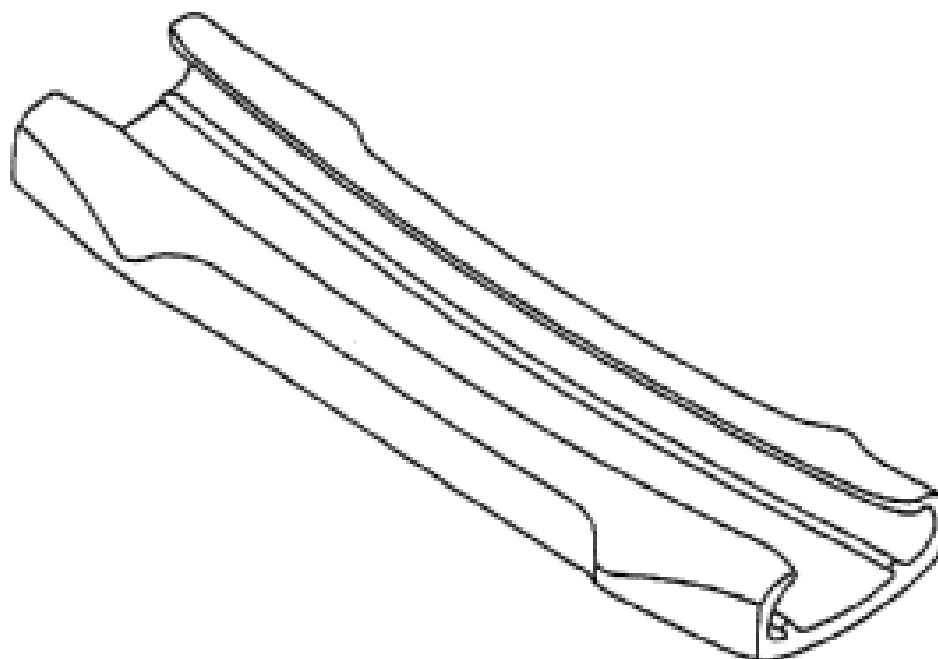
- (21) Design Number: **15484/2004**
(22) Date of Filing Application: **25 November 2004**
(24) Date from which industrial property rights may have effect: **25 November 2004**
(54) Product in respect of which the design is registered: **Tube retainer for mask**
(51) International Design Classification: **24-01**
(71) Name(s) and Address(s) of Applicant(s):
ResMed Ltd
97 Waterloo Road North Ryde New South Wales 2113 Australia
(72) Name(s) of Designer(s): **Michael K. Gunaratnam and Philip R. Kwok and Robin G. Hitchcock and Lee J. Veliss and Memduh Guney and Richard Sokolov and Perry David Lithgow and Donald Darkin and Susan R. Lynch and Rachael E. Moore**
(45) Registration Date: **08 June 2005**
(30) Convention priority data:
(31) Number (32) Date (33) Country
29/213,882 25 May 2004 UNITED STATES OF AMERICA
(56) Related Art Documents: **Not Applicable**
(57) Statement of Newness and Distinctiveness: **Nil**



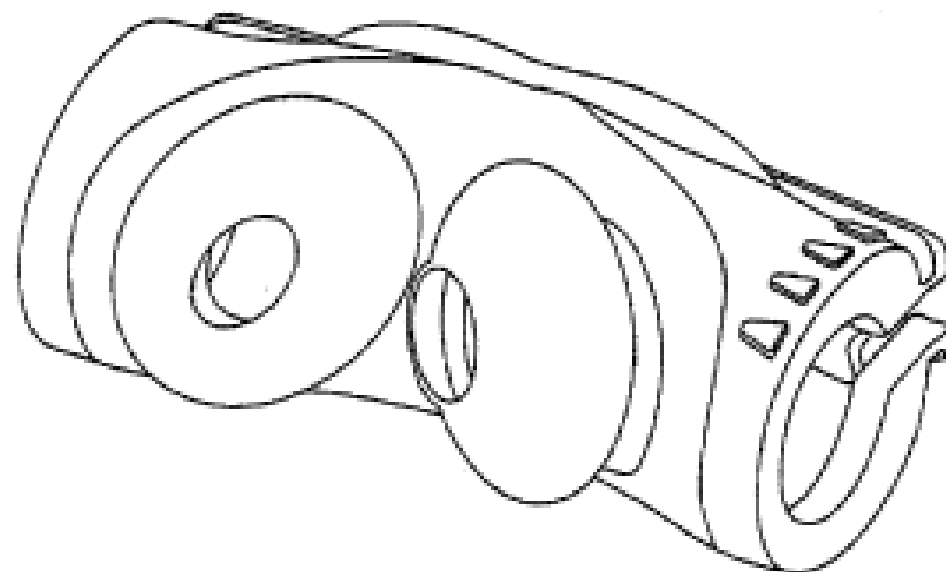
- (21) Design Number: **15485/2004**
(22) Date of Filing Application: **25 November 2004**
(24) Date from which industrial property rights may have effect: **25 November 2004**
(54) Product in respect of which the design is registered: **Frame for mask**
(51) International Design Classification: **24-01**
(71) Name(s) and Address(s) of Applicant(s):
ResMed Ltd
97 Waterloo Road North Ryde New South Wales 2113 Australia
(72) Name(s) of Designer(s): **Michael K. Gunaratnam and Philip R. Kwok and Robin G. Hitchcock and Lee J. Veliss and Memduh Guney and Richard Sokolov and Perry David Lithgow and Donald Darkin and Susan R. Lynch and Rachael E. Moore**
(45) Registration Date: **08 June 2005**
(30) Convention priority data:
(31) Number (32) Date (33) Country
29/213,882 28 May 2004 UNITED STATES OF AMERICA
(56) Related Art Documents: **Not Applicable**
(57) Statement of Newness and Distinctiveness: **Nil**



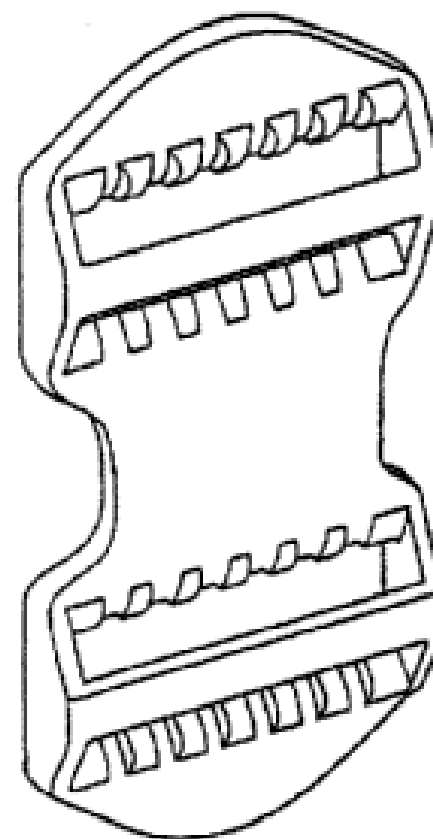
(21) Design Number: **15486/2004**
(22) Date of Filing Application: **25 November 2004**
(24) Date from which industrial property rights may have effect: **25 November 2004**
(54) Product in respect of which the design is registered: **Clip for mask**
(51) International Design Classification: **08-08C**
(71) Name(s) and Address(s) of Applicant(s):
ResMed Ltd
97 Waterloo Road North Ryde New South Wales 2113 Australia
(72) Name(s) of Designer(s): **Michael K. Gunaratnam and Philip R. Kwok and Robin G. Hitchcock and Lee J. Veliss and Memduh Guney and Richard Sokolov and Perry David Lithgow and Donald Darkin and Susan R. Lynch and Rachael E. Moore**
(45) Registration Date: **08 June 2005**
(30) Convention priority data:
(31) Number (32) Date (33) Country
29/213,882 28 May 2004 UNITED STATES OF AMERICA
(56) Related Art Documents: **Not Applicable**
(57) Statement of Newness and Distinctiveness: **Nil**



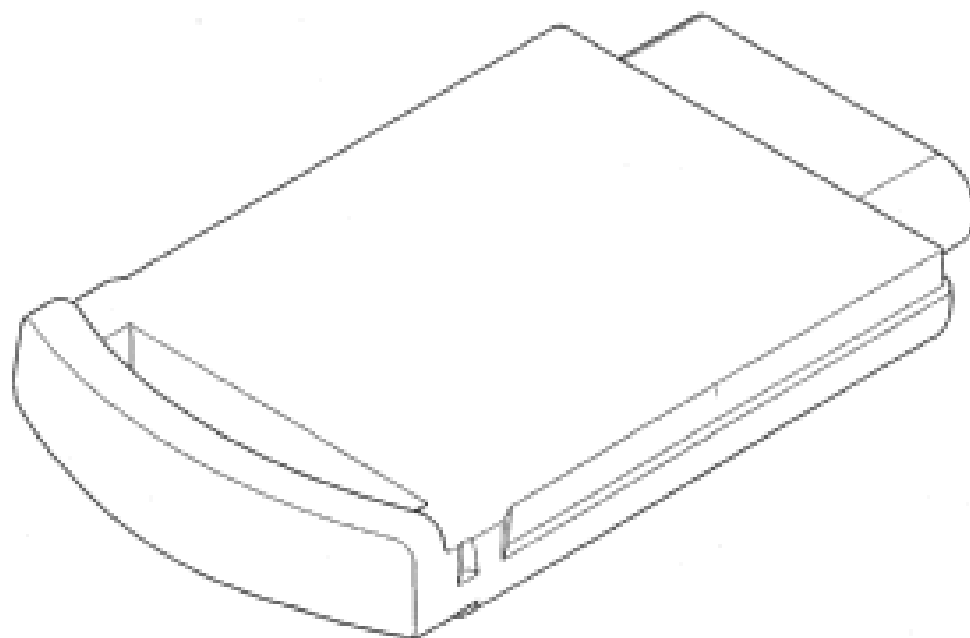
(21) Design Number: **15487/2004**
(22) Date of Filing Application: **25 November 2004**
(24) Date from which industrial property rights may have effect: **25 November 2004**
(54) Product in respect of which the design is registered: **Cushion for mask**
(51) International Design Classification: **24-01**
(71) Name(s) and Address(s) of Applicant(s):
ResMed Ltd
97 Waterloo Road North Ryde New South Wales 2113 Australia
(72) Name(s) of Designer(s): **Michael K. Gunaratnam and Philip R. Kwok and Robin G. Hitchcock and Lee J. Veliss and Memduh Guney and Richard Sokolov and Perry David Lithgow and Donald Darkin and Susan R. Lynch and Rachael E. Moore**
(45) Registration Date: **08 June 2005**
(30) Convention priority data:
(31) Number (32) Date (33) Country
29/213,882 28 May 2004 UNITED STATES OF AMERICA
(56) Related Art Documents: **Not Applicable**
(57) Statement of Newness and Distinctiveness: **Nil**



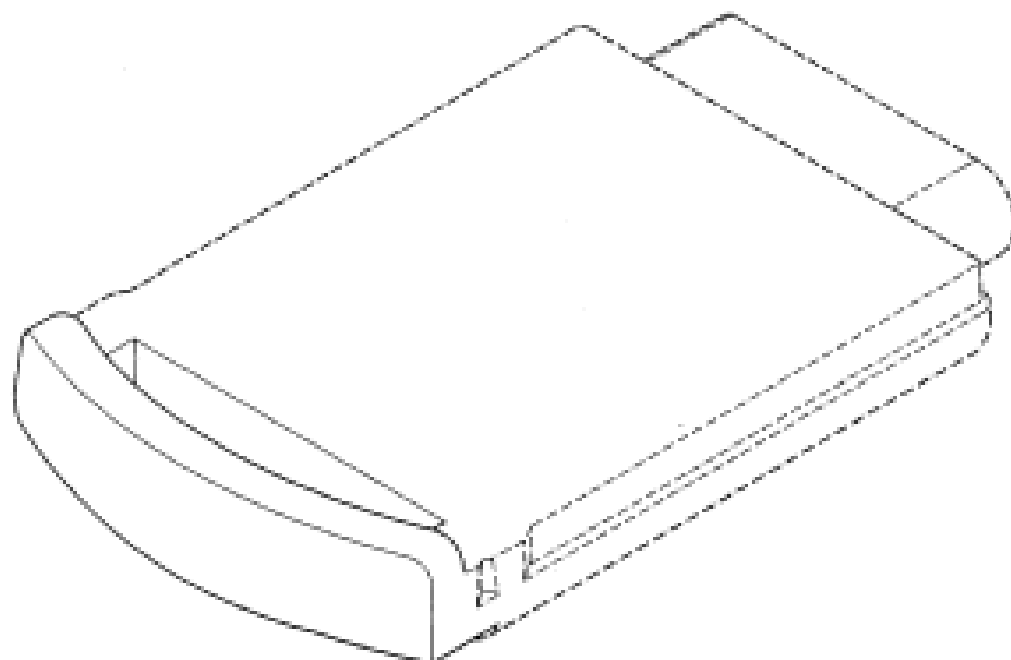
(21) Design Number: **15488/2004**
(22) Date of Filing Application: **25 November 2004**
(24) Date from which industrial property rights may have effect: **25 November 2004**
(54) Product in respect of which the design is registered: **Buckle for mask**
(51) International Design Classification: **02-07A**
(71) Name(s) and Address(s) of Applicant(s):
ResMed Ltd
97 Waterloo Road North Ryde New South Wales 2113 Australia
(72) Name(s) of Designer(s): **Michael K. Gunaratnam and Philip R. Kwok and Robin G. Hitchcock and Lee J. Veliss and Memduh Guney and Richard Sokolov and Perry David Lithgow and Donald Darkin and Susan R. Lynch and Rachael E. Moore**
(45) Registration Date: **08 June 2005**
(30) Convention priority data:
(31) Number (32) Date (33) Country
29/213,882 28 May 2004 UNITED STATES OF AMERICA
(56) Related Art Documents: **Not Applicable**
(57) Statement of Newness and Distinctiveness: **Nil**



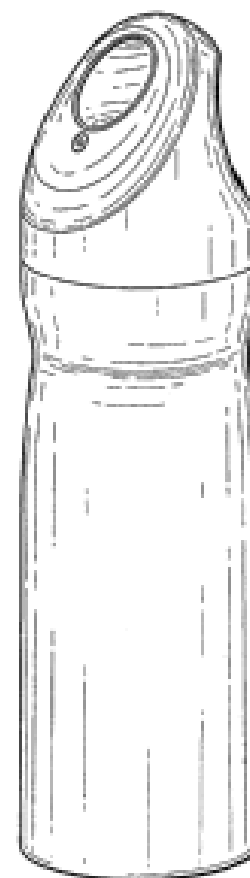
(21) Design Number: **15489/2004**
(22) Date of Filing Application: **25 November 2004**
(24) Date from which industrial property rights may have effect: **25 November 2004**
(54) Product in respect of which the design is registered: **Battery cartridge**
(51) International Design Classification: **13-02**
(71) Name(s) and Address(s) of Applicant(s):
Shop Vac Corporation
2323 Reach Road Williamsport PA 17701 United States of America
(72) Name(s) of Designer(s): **Li H. Liu**
(45) Registration Date: **08 June 2005**
(30) Convention priority data:
(31) Number (32) Date (33) Country
29/208,805 06 Jul 2004 UNITED STATES OF AMERICA
(56) Related Art Documents: **Not Applicable**
(57) Statement of Newness and Distinctiveness: **Nil**



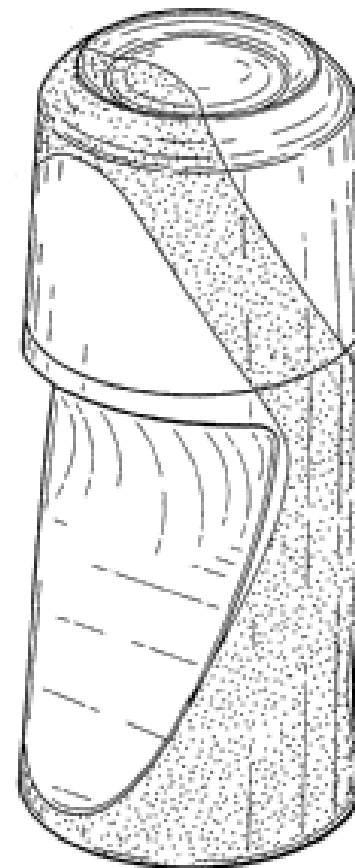
(21) Design Number: **15490/2004**
(22) Date of Filing Application: **25 November 2004**
(24) Date from which industrial property rights may have effect: **25 November 2004**
(54) Product in respect of which the design is registered: **Battery cartridge**
(51) International Design Classification: **13-02**
(71) Name(s) and Address(s) of Applicant(s):
Shop Vac Corporation
2323 Reach Road Williamsport PA 17701 United States of America
(72) Name(s) of Designer(s): **Li H. Liu**
(45) Registration Date: **08 June 2005**
(30) Convention priority data:
(31) Number (32) Date (33) Country
29/208,815 06 Jul 2004 UNITED STATES OF AMERICA
(56) Related Art Documents: **Not Applicable**
(57) Statement of Newness and Distinctiveness: **Nil**



(21) Design Number: **15543/2004**
(22) Date of Filing Application: **30 November 2004**
(24) Date from which industrial property rights may have effect: **30 November 2004**
(54) Product in respect of which the design is registered: **Dispenser**
(51) International Design Classification: **28-03NES**
(71) Name(s) and Address(s) of Applicant(s):
Colgate-Palmolive Company
300 Park Avenue New York New York 10022 United States of America
(72) Name(s) of Designer(s): **John David Lamb and Martin Christopher Bunce and Alexander James Peacop and Bruce Cummings and William John Davis**
(45) Registration Date: **08 June 2005**
(30) Convention priority data:
(31) Number (32) Date (33) Country
29/207258 10 Jun 2004 UNITED STATES OF AMERICA
(56) Related Art Documents: **Not Applicable**
(57) Statement of Newness and Distinctiveness: **Each feature of the design considered separately or in combination with any other feature or features.**



- (21) Design Number: **15544/2004**
(22) Date of Filing Application: **30 November 2004**
(24) Date from which industrial property rights may have effect: **30 November 2004**
(54) Product in respect of which the design is registered: **Dispenser**
(51) International Design Classification: **28-03NES**
(71) Name(s) and Address(s) of Applicant(s):
Colgate-Palmolive Company
300 Park Avenue New York New York 10022 United States of America
(72) Name(s) of Designer(s): **John David Lamb and Martin Christopher Bunce and Alexander James Peacop and Bruce Cummings and William John Davis**
(45) Registration Date: **08 June 2005**
(30) Convention priority data:
(31) Number (32) Date (33) Country
29/207237 10 Jun 2004 UNITED STATES OF AMERICA
(56) Related Art Documents: **Not Applicable**
(57) Statement of Newness and Distinctiveness: **Each feature of the design considered separately or in combination with any other feature or features.**



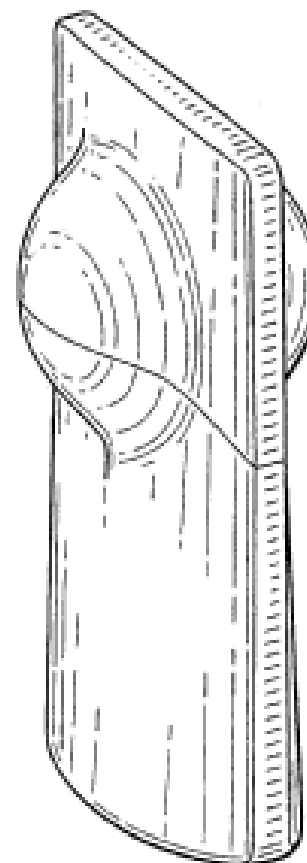
- (21) Design Number: **15545/2004**
(22) Date of Filing Application: **30 November 2004**
(24) Date from which industrial property rights may have effect: **30 November 2004**
(54) Product in respect of which the design is registered: **Dispenser**
(51) International Design Classification: **28-03NES**
(71) Name(s) and Address(s) of Applicant(s):
Colgate-Palmolive Company
300 Park Avenue New York New York 10022 United States of America
(72) Name(s) of Designer(s): **John David Lamb and Martin Christopher Bunce and Alexander James Peacop and Bruce Cummings and William John Davis**
(45) Registration Date: **08 June 2005**
(30) Convention priority data:
(31) Number (32) Date (33) Country
29/207262 10 Jun 2004 UNITED STATES OF AMERICA
(56) Related Art Documents: **Not Applicable**
(57) Statement of Newness and Distinctiveness: **Each feature of the design considered separately or in combination with any other feature or features.**



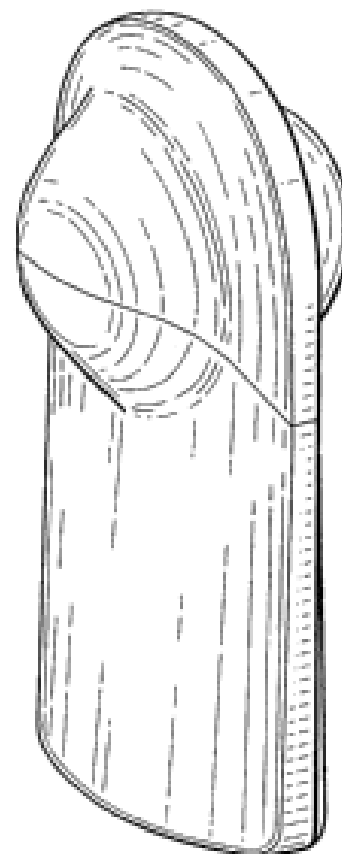
- (21) Design Number: **15546/2004**
(22) Date of Filing Application: **30 November 2004**
(24) Date from which industrial property rights may have effect: **30 November 2004**
(54) Product in respect of which the design is registered: **Dispenser**
(51) International Design Classification: **28-03NES**
(71) Name(s) and Address(s) of Applicant(s):
Colgate-Palmolive Company
300 Park Avenue New York New York 10022 United States of America
(72) Name(s) of Designer(s): **John David Lamb and Martin Christopher Bunce and Alexander James Peacop and Bruce Cummings and William John Davis**
(45) Registration Date: **08 June 2005**
(30) Convention priority data:
(31) Number (32) Date (33) Country
29/207235 10 Jun 2004 UNITED STATES OF AMERICA
(56) Related Art Documents: **Not Applicable**
(57) Statement of Newness and Distinctiveness: **Each feature of the design considered separately or in combination with any other feature or features.**



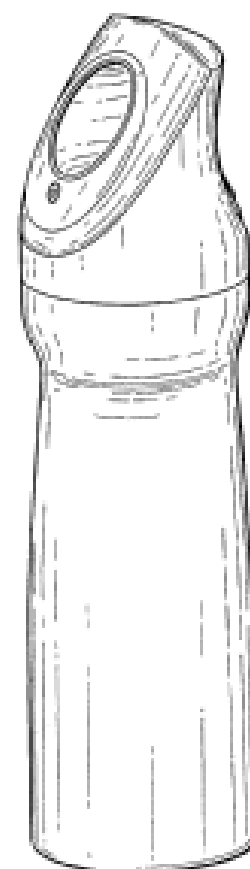
- (21) Design Number: **15547/2004**
(22) Date of Filing Application: **30 November 2004**
(24) Date from which industrial property rights may have effect: **30 November 2004**
(54) Product in respect of which the design is registered: **Dispenser**
(51) International Design Classification: **28-03NES**
(71) Name(s) and Address(s) of Applicant(s):
Colgate-Palmolive Company
300 Park Avenue New York New York 10022 United States of America
(72) Name(s) of Designer(s): **John David Lamb and Martin Christopher Bunce and Alexander James Peacop and Bruce Cummings and William John Davis**
(45) Registration Date: **08 June 2005**
(30) Convention priority data:
(31) Number (32) Date (33) Country
29/207259 10 Jun 2004 UNITED STATES OF AMERICA
(56) Related Art Documents: **Not Applicable**
(57) Statement of Newness and Distinctiveness: **Each feature of the design considered separately or in combination with any other feature or features.**



- (21) Design Number: **15548/2004**
(22) Date of Filing Application: **30 November 2004**
(24) Date from which industrial property rights may have effect: **30 November 2004**
(54) Product in respect of which the design is registered: **Dispenser**
(51) International Design Classification: **28-03NES**
(71) Name(s) and Address(s) of Applicant(s):
Colgate-Palmolive Company
300 Park Avenue New York New York 10022 United States of America
(72) Name(s) of Designer(s): **John David Lamb and Martin Christopher Bunce and Alexander James Peacop and Bruce Cummings and William John Davis**
(45) Registration Date: **08 June 2005**
(30) Convention priority data:
(31) Number (32) Date (33) Country
29/207260 10 Jun 2004 UNITED STATES OF AMERICA
(56) Related Art Documents: **Not Applicable**
(57) Statement of Newness and Distinctiveness: **Each feature of the design considered separately or in combination with any other feature or features.**



- (21) Design Number: **15549/2004**
(22) Date of Filing Application: **30 November 2004**
(24) Date from which industrial property rights may have effect: **30 November 2004**
(54) Product in respect of which the design is registered: **Dispenser**
(51) International Design Classification: **28-03NES**
(71) Name(s) and Address(s) of Applicant(s):
Colgate-Palmolive Company
300 Park Avenue New York New York 10022 United States of America
(72) Name(s) of Designer(s): **John David Lamb and Martin Christopher Bunce and Alexander James Peacop and Bruce Cummings and William John Davis**
(45) Registration Date: **08 June 2005**
(30) Convention priority data:
(31) Number (32) Date (33) Country
29/207261 10 Jun 2004 UNITED STATES OF AMERICA
(56) Related Art Documents: **Not Applicable**
(57) Statement of Newness and Distinctiveness: **Each feature of the design considered separately or in combination with any other feature or features.**



(21) Design Number: **15560/2004**

(22) Date of Filing Application: **01 December 2004**

(24) Date from which industrial property rights may have effect: **01 December 2004**

(54) Product in respect of which the design is registered: **External gas bottle surround**

(51) International Design Classification: **07-99NES**

(71) Name(s) and Address(s) of Applicant(s):

Outline Products Limited

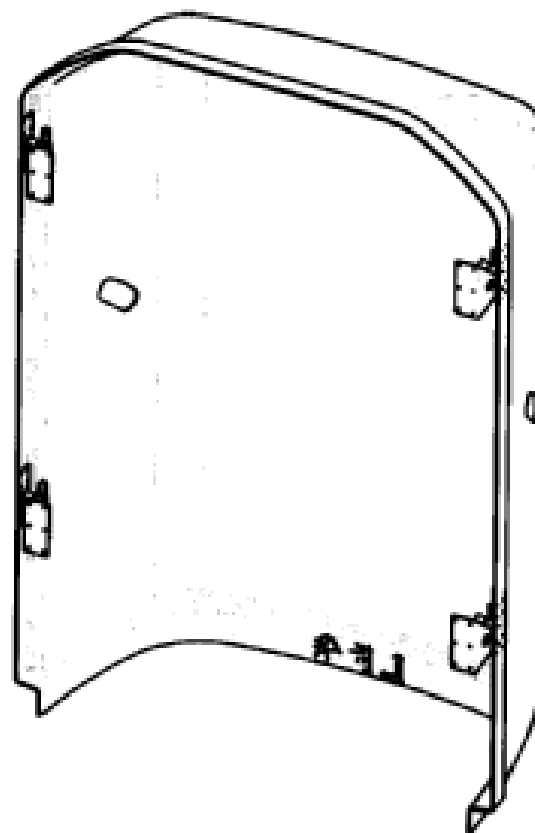
31 Devon Street Dunedin New Zealand

(72) Name(s) of Designer(s): **Garth Milmine and Alan McGregor and Nigel Bamford**

(45) Registration Date: **08 June 2005**

(56) Related Art Documents: **Not Applicable**

(57) Statement of Newness and Distinctiveness: **The design is to be applied to an external gas bottle surround and the novelty resides in the features of shape and configuration of the article as shown in the accompanying representations.**



(21) Design Number: **15564/2004**

(22) Date of Filing Application: **29 November 2004**

(24) Date from which industrial property rights may have effect: **29 November 2004**

(54) Product in respect of which the design is registered: **Water tank**

(51) International Design Classification: **23-01F**

(71) Name(s) and Address(s) of Applicant(s):

Michael Theuerkauf

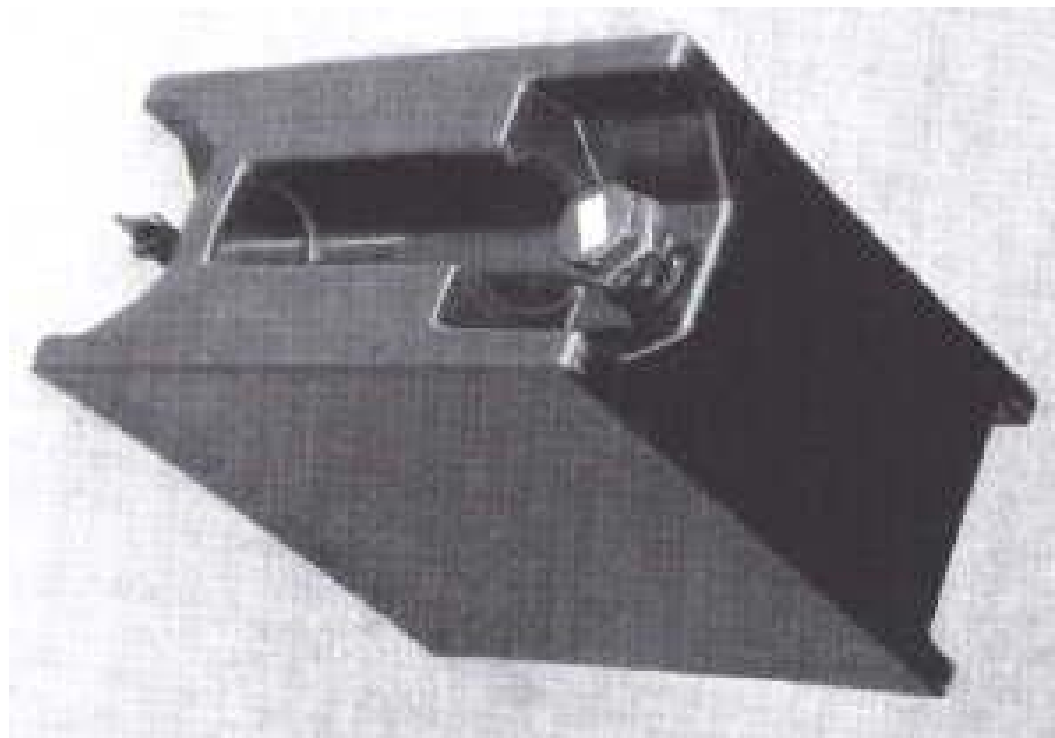
1090 Drayton Connection Road Vale View Queensland 4358 Australia

(72) Name(s) of Designer(s): **Michael Theuerkauf**

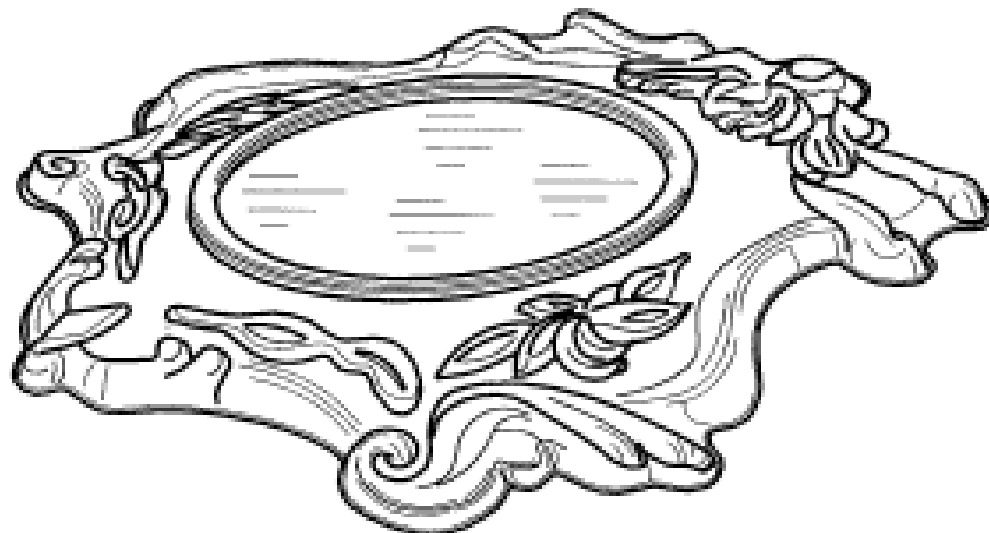
(45) Registration Date: **08 June 2005**

(56) Related Art Documents: **Not Applicable**

(57) Statement of Newness and Distinctiveness: **Nil**



- (21) Design Number: **15565/2004**
(22) Date of Filing Application: **01 December 2004**
(24) Date from which industrial property rights may have effect: **01 December 2004**
(54) Product in respect of which the design is registered: **Award**
(51) International Design Classification: **11-02NES**
(71) Name(s) and Address(s) of Applicant(s):
Stewart Gillman Internationale Pty Ltd
Unit 1/67 Merola Way Campbellfield Victoria 3061 Australia
(72) Name(s) of Designer(s): **Stewart Gillman**
(45) Registration Date: **08 June 2005**
(56) Related Art Documents: **Not Applicable**
(57) Statement of Newness and Distinctiveness: **Nil**



- (21) Design Number: **15566/2004**
(22) Date of Filing Application: **01 December 2004**
(24) Date from which industrial property rights may have effect: **01 December 2004**
(54) Product in respect of which the design is registered: **Package**
(51) International Design Classification: **09-03M**
(71) Name(s) and Address(s) of Applicant(s):
Plast Wood S.r.l.
Via Sabotino 20-07023 Calangianus Sassari Italy
(72) Name(s) of Designer(s): **Edoardo Pio Tusacciu**
(45) Registration Date: **08 June 2005**
(30) Convention priority data:

(31) Number	(32) Date	(33) Country
187117	08 Jun 2004	EUROPEAN COMMUNITY

(56) Related Art Documents: **Not Applicable**
(57) Statement of Newness and Distinctiveness: **Newness and distinctiveness is claimed in the features of pattern and/or ornamentation of the front panel of a package as illustrated in the accompanying representations.**



- (21) Design Number: **15567/2004**
(22) Date of Filing Application: **01 December 2004**
(24) Date from which industrial property rights may have effect: **01 December 2004**
(54) Product in respect of which the design is registered: **Package**
(51) International Design Classification: **09-03M**
(71) Name(s) and Address(s) of Applicant(s):
Plast Wood S.r.l.
Via Sabotino 20-07023 Calangianus Sassari Italy
(72) Name(s) of Designer(s): **Edoardo Pio Tusacciu**
(45) Registration Date: **08 June 2005**
(30) Convention priority data:
(31) Number (32) Date (33) Country
187117 08 Jun 2004 EUROPEAN COMMUNITY
(56) Related Art Documents: **Not Applicable**
(57) Statement of Newness and Distinctiveness: **Newness and distinctiveness is claimed in the features of pattern and/or ornamentation of the front panel of a package as illustrated in the accompanying representations.**



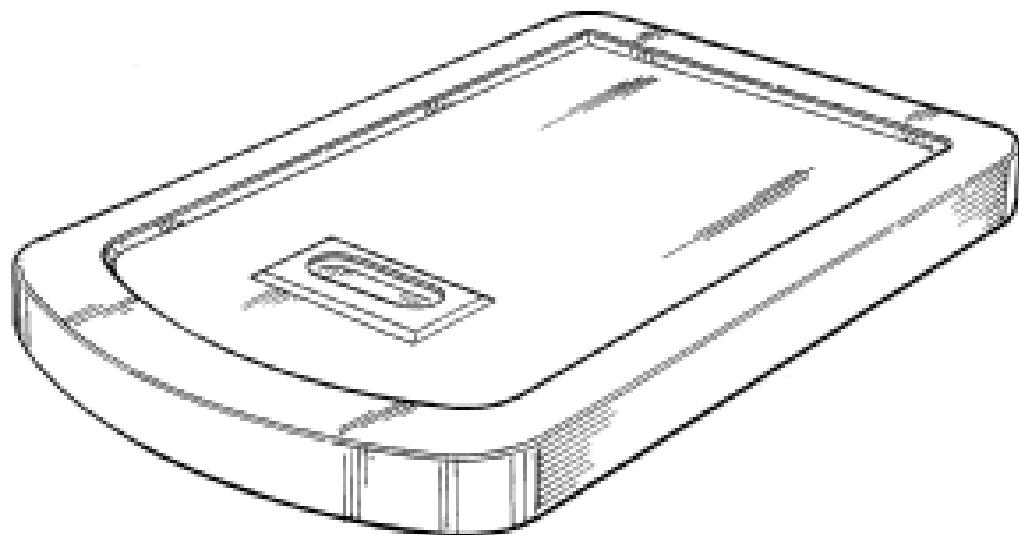
- (21) Design Number: **15568/2004**
(22) Date of Filing Application: **01 December 2004**
(24) Date from which industrial property rights may have effect: **01 December 2004**
(54) Product in respect of which the design is registered: **Package**
(51) International Design Classification: **09-03M**
(71) Name(s) and Address(s) of Applicant(s):
Plast Wood S.r.l.
Via Sabotino 20-07023 Calangianus Sassari Italy
(72) Name(s) of Designer(s): **Edoardo Pio Tusacciu**
(45) Registration Date: **08 June 2005**
(30) Convention priority data:
(31) Number (32) Date (33) Country
187117 08 Jun 2004 EUROPEAN COMMUNITY
(56) Related Art Documents: **Not Applicable**
(57) Statement of Newness and Distinctiveness: **Newness and distinctiveness is claimed in the features of pattern and/or ornamentation of the front panel of a package as illustrated in the accompanying representations.**



- (21) Design Number: **15569/2004**
(22) Date of Filing Application: **01 December 2004**
(24) Date from which industrial property rights may have effect: **01 December 2004**
(54) Product in respect of which the design is registered: **Package**
(51) International Design Classification: **09-03M**
(71) Name(s) and Address(s) of Applicant(s):
Plast Wood S.r.l.
Via Sabotino 20-07023 Calangianus Sassari Italy
(72) Name(s) of Designer(s): **Edoardo Pio Tusacciu**
(45) Registration Date: **08 June 2005**
(30) Convention priority data:
(31) Number (32) Date (33) Country
187117 08 Jun 2004 EUROPEAN COMMUNITY
(56) Related Art Documents: **Not Applicable**
(57) Statement of Newness and Distinctiveness: **Newness and distinctiveness is claimed in the features of pattern and/or ornamentation of the front panel of a package as illustrated in the accompanying representations.**



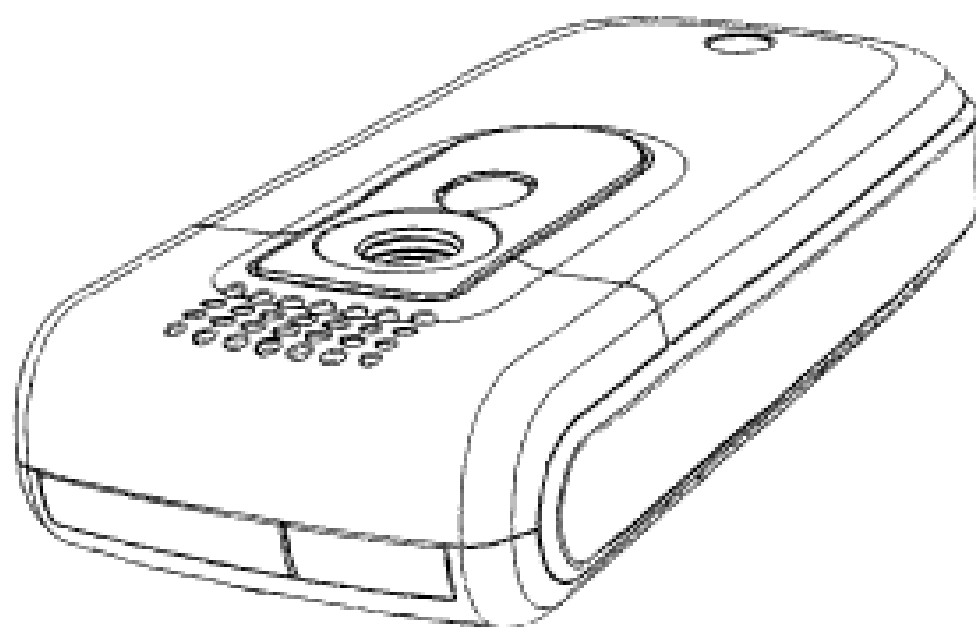
- (21) Design Number: **15571/2004**
(22) Date of Filing Application: **01 December 2004**
(24) Date from which industrial property rights may have effect: **01 December 2004**
(54) Product in respect of which the design is registered: **Folding shelf**
(51) International Design Classification: **07-02E**
(71) Name(s) and Address(s) of Applicant(s):
28 Newlands Road Holdings Pty Ltd
C/-Emmet & Co 51B Karnak Road Ashburton Victoria 3147 Australia
(72) Name(s) of Designer(s): **Gavin Hill**
(45) Registration Date: **08 June 2005**
(56) Related Art Documents: **Not Applicable**
(57) Statement of Newness and Distinctiveness: **Each feature of the design considered separately or in combination with any other feature or features.**



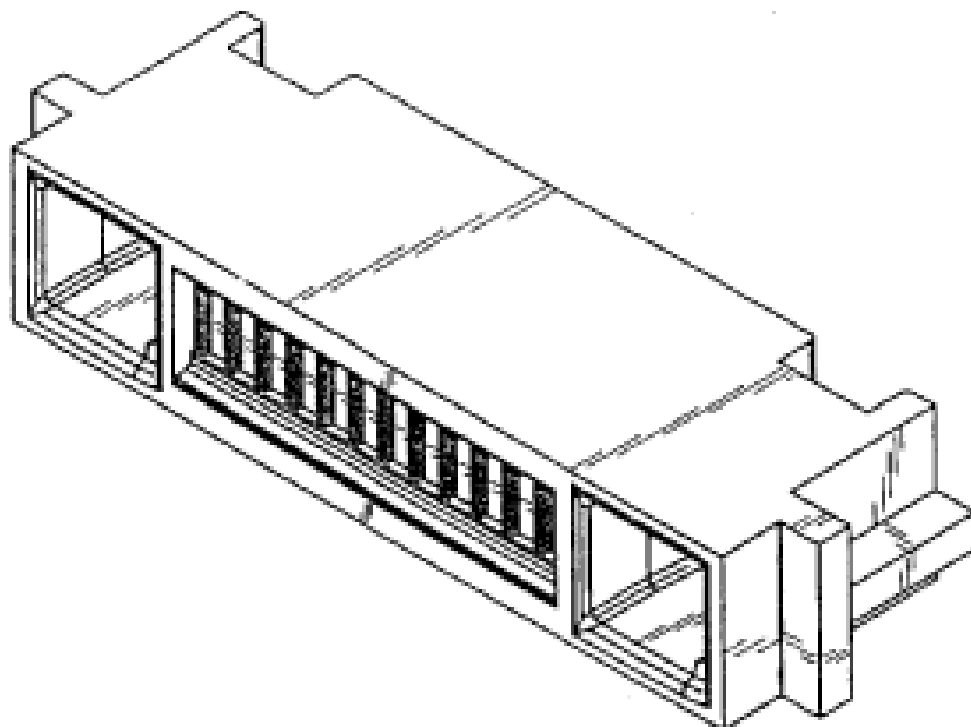
(21) Design Number: **15572/2004**
(22) Date of Filing Application: **01 December 2004**
(24) Date from which industrial property rights may have effect: **01 December 2004**
(54) Product in respect of which the design is registered: **Meter panel of two-wheeled motor vehicles**
(51) International Design Classification: **12-16NES**
(71) Name(s) and Address(s) of Applicant(s):
Honda Motor Co. Ltd
1-1 Minami-Aoyama 2-Chome Minato-Ku Tokyo 107-8556 Japan
(72) Name(s) of Designer(s): **Koji Komiya and Masato Nagata**
(45) Registration Date: **08 June 2005**
(30) Convention priority data:
(31) Number (32) Date (33) Country
2004-016768 07 Jun 2004 JAPAN
(56) Related Art Documents: **Not Applicable**
(57) Statement of Newness and Distinctiveness: **Nil**



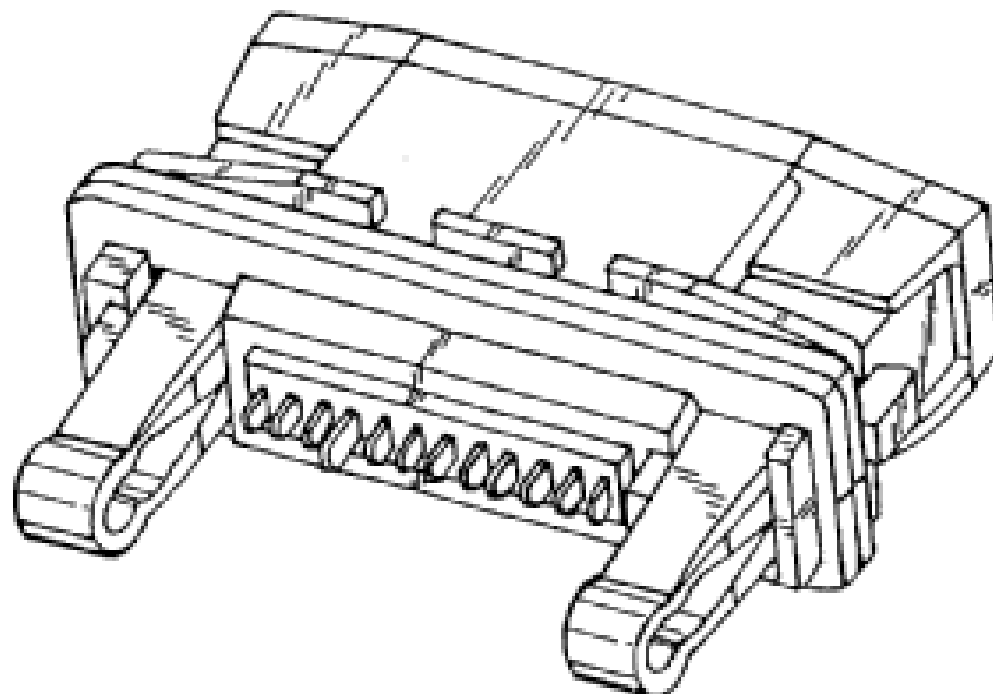
(21) Design Number: **15573/2004**
(22) Date of Filing Application: **01 December 2004**
(24) Date from which industrial property rights may have effect: **01 December 2004**
(54) Product in respect of which the design is registered: **Mobile phone**
(51) International Design Classification: **14-03E**
(71) Name(s) and Address(s) of Applicant(s):
Sony Ericsson Mobile Communications A.B.
Nya Vattentorget SE-221 88 Lund Sweden
(72) Name(s) of Designer(s): **Eiji Shintani and Jun Katsumata and Ooi Lee Sun**
(45) Registration Date: **08 June 2005**
(30) Convention priority data:
(31) Number (32) Date (33) Country
000205539 27 Jul 2004 EUROPEAN COMMUNITY
(56) Related Art Documents: **Not Applicable**
(57) Statement of Newness and Distinctiveness: **Nil**



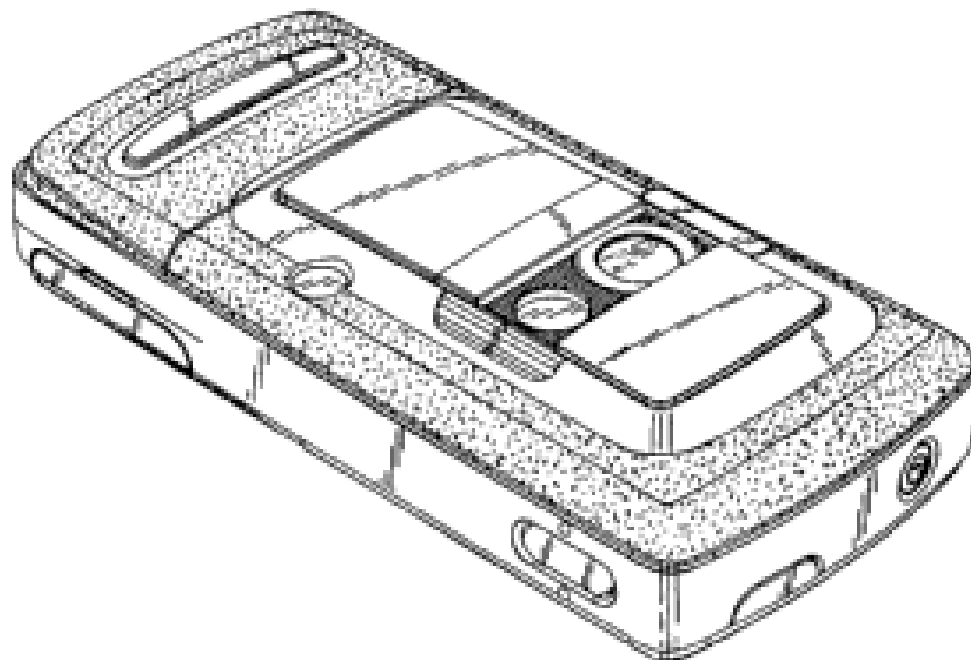
(21) Design Number: **15574/2004**
(22) Date of Filing Application: **01 December 2004**
(24) Date from which industrial property rights may have effect: **01 December 2004**
(54) Product in respect of which the design is registered: **Mobile phone connector**
(51) International Design Classification: **14-03A**
(71) Name(s) and Address(s) of Applicant(s):
Sony Ericsson Mobile Communications A.B.
Nya Vattentorget SE-221 88 Lund Sweden
(72) Name(s) of Designer(s): **Johannes (Hans) De Jonge and Peter Jaeger**
(45) Registration Date: **08 June 2005**
(30) Convention priority data:
(31) Number (32) Date (33) Country
000187158-0002 10 Jun 2004 EUROPEAN COMMUNITY
(56) Related Art Documents: **Not Applicable**
(57) Statement of Newness and Distinctiveness: **Nil**



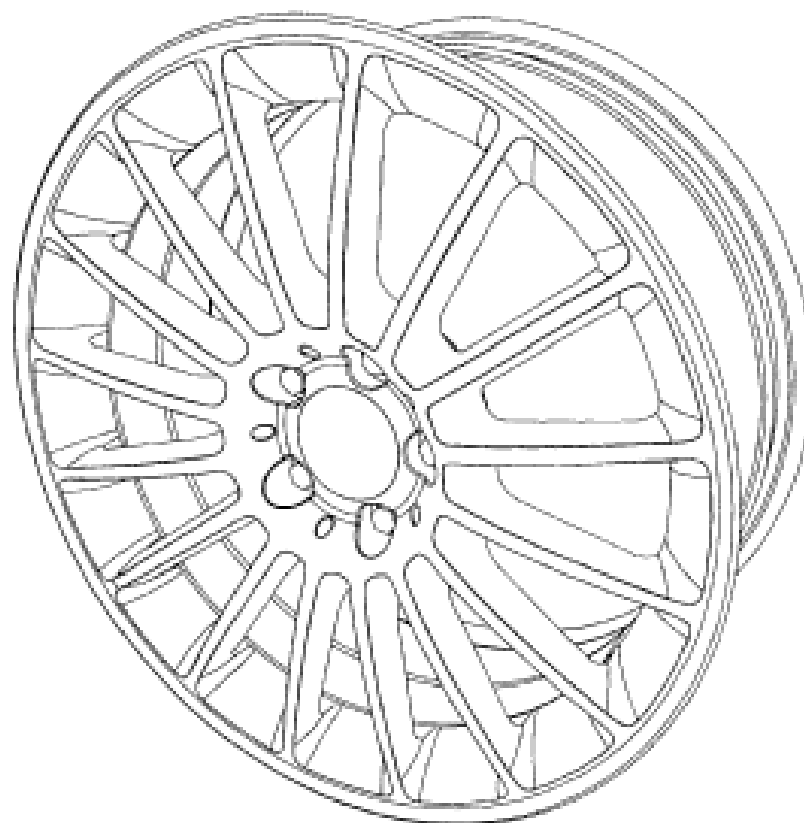
(21) Design Number: **15575/2004**
(22) Date of Filing Application: **01 December 2004**
(24) Date from which industrial property rights may have effect: **01 December 2004**
(54) Product in respect of which the design is registered: **Mobile phone connector**
(51) International Design Classification: **14-03A**
(71) Name(s) and Address(s) of Applicant(s):
Sony Ericsson Mobile Communications A.B.
Nya Vattentorget SE-221 88 Lund Sweden
(72) Name(s) of Designer(s): **Johannes (Hans) De Jonge and Peter Jaeger**
(45) Registration Date: **08 June 2005**
(30) Convention priority data:
(31) Number (32) Date (33) Country
000238472-0001 11 Oct 2004 EUROPEAN COMMUNITY
(56) Related Art Documents: **Not Applicable**
(57) Statement of Newness and Distinctiveness: **Nil**



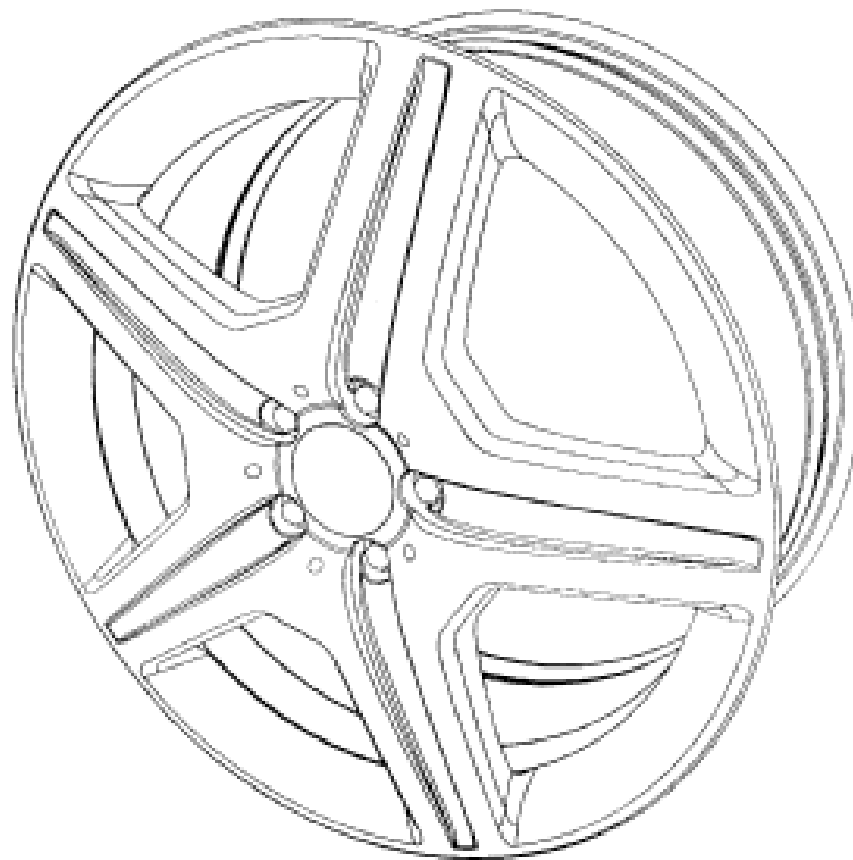
(21) Design Number: **15576/2004**
(22) Date of Filing Application: **01 December 2004**
(24) Date from which industrial property rights may have effect: **01 December 2004**
(54) Product in respect of which the design is registered: **Mobile phone**
(51) International Design Classification: **14-03E**
(71) Name(s) and Address(s) of Applicant(s):
Sony Ericsson Mobile Communications A.B.
Nya Vattentorget SE-221 88 Lund Sweden
(72) Name(s) of Designer(s): **Henrik Jensfelt**
(45) Registration Date: **08 June 2005**
(30) Convention priority data:
(31) Number (32) Date (33) Country
000192026 21 Jun 2004 EUROPEAN COMMUNITY
(56) Related Art Documents: **Not Applicable**
(57) Statement of Newness and Distinctiveness: **Nil**



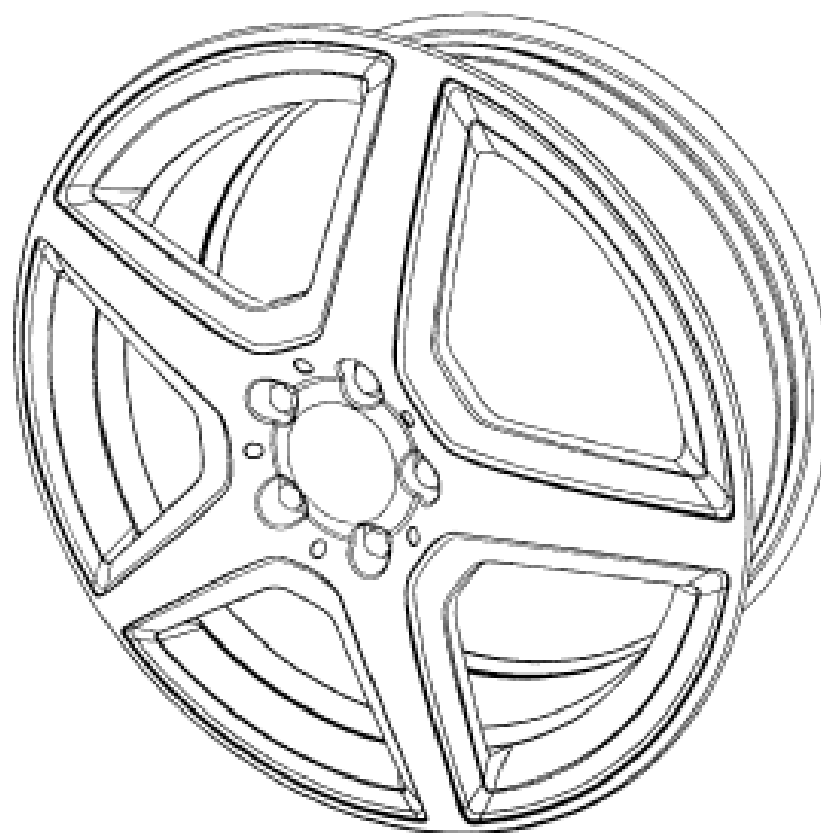
(21) Design Number: **15577/2004**
(22) Date of Filing Application: **01 December 2004**
(24) Date from which industrial property rights may have effect: **01 December 2004**
(54) Product in respect of which the design is registered: **Wheel for a vehicle**
(51) International Design Classification: **12-16A**
(71) Name(s) and Address(s) of Applicant(s):
DaimlerChrysler AG
Epplestrasse 225 D-70567 Stuttgart Germany
(72) Name(s) of Designer(s): **Claus Hieke**
(45) Registration Date: **08 June 2005**
(30) Convention priority data:
(31) Number (32) Date (33) Country
40403902.2 07 Jul 2004 GERMANY
(56) Related Art Documents: **Not Applicable**
(57) Statement of Newness and Distinctiveness: **Newness and distinctiveness is claimed in the features of shape and/or configuration of a wheel for a vehicle as illustrated in the accompanying representations.**



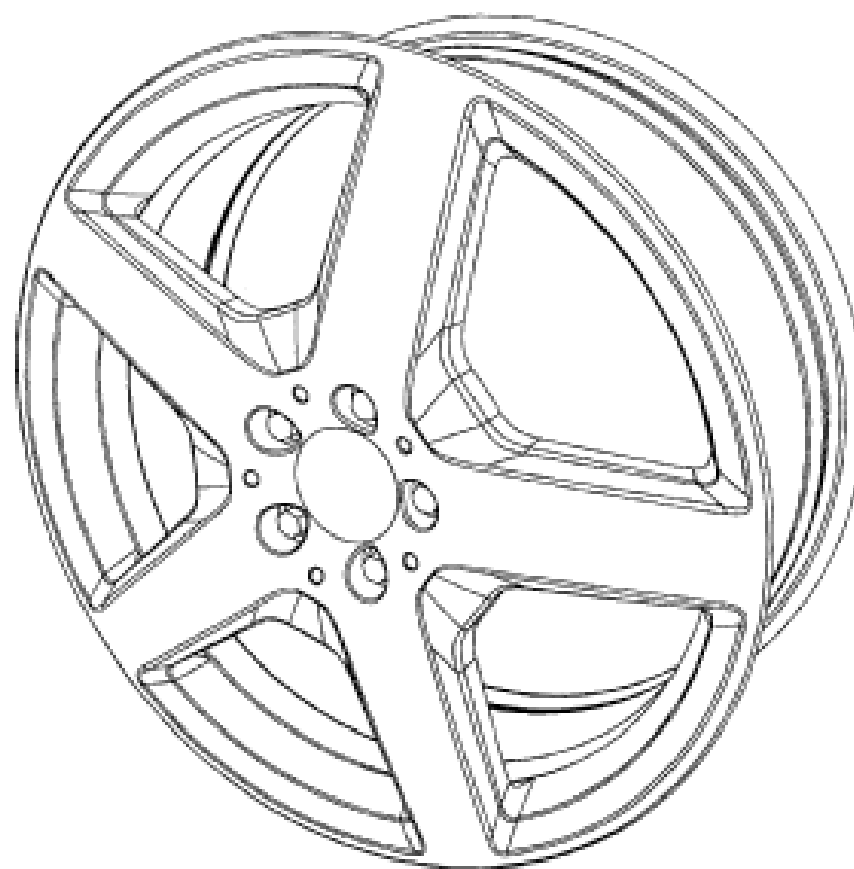
- (21) Design Number: **15578/2004**
(22) Date of Filing Application: **01 December 2004**
(24) Date from which industrial property rights may have effect: **01 December 2004**
(54) Product in respect of which the design is registered: **Wheel for a vehicle**
(51) International Design Classification: **12-16A**
(71) Name(s) and Address(s) of Applicant(s):
DaimlerChrysler AG
Epplestrasse 225 D-70567 Stuttgart Germany
(72) Name(s) of Designer(s): **Claus Hieke**
(45) Registration Date: **08 June 2005**
(30) Convention priority data:
(31) Number (32) Date (33) Country
40403902.2 07 Jul 2004 GERMANY
(56) Related Art Documents: **Not Applicable**
(57) Statement of Newness and Distinctiveness: **Newness and distinctiveness is claimed in the features of shape and/or configuration of a wheel for a vehicle as illustrated in the accompanying representations.**



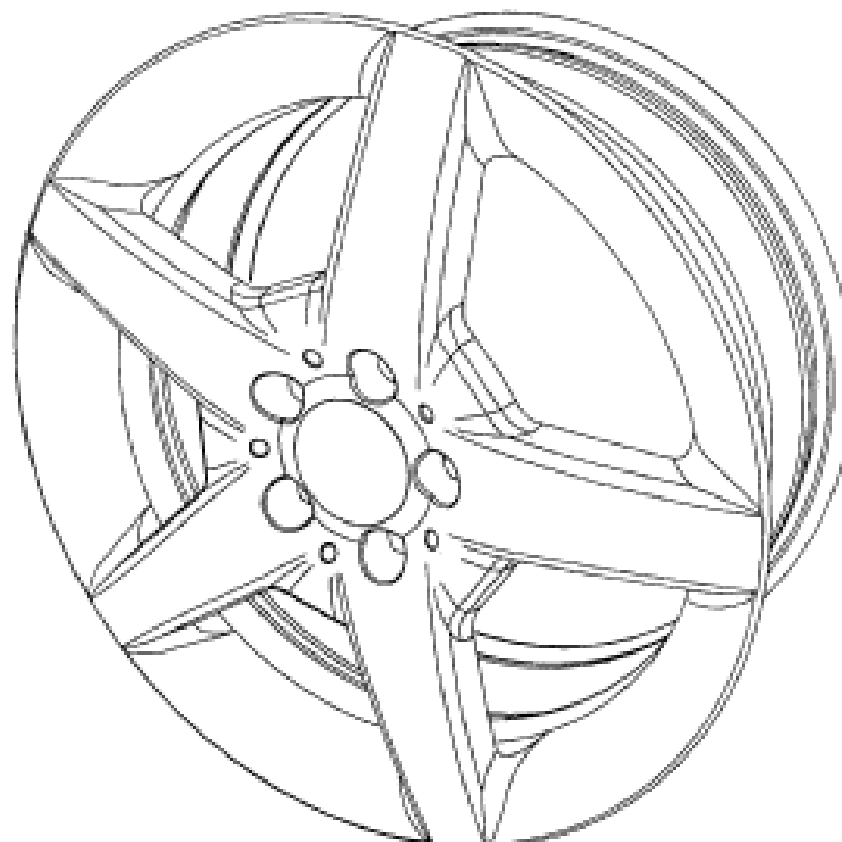
- (21) Design Number: **15579/2004**
(22) Date of Filing Application: **01 December 2004**
(24) Date from which industrial property rights may have effect: **01 December 2004**
(54) Product in respect of which the design is registered: **Wheel for a vehicle**
(51) International Design Classification: **12-16A**
(71) Name(s) and Address(s) of Applicant(s):
DaimlerChrysler AG
Epplestrasse 225 D-70567 Stuttgart Germany
(72) Name(s) of Designer(s): **Claus Hieke**
(45) Registration Date: **08 June 2005**
(30) Convention priority data:
(31) Number (32) Date (33) Country
40403902.2 07 Jul 2004 GERMANY
(56) Related Art Documents: **Not Applicable**
(57) Statement of Newness and Distinctiveness: **Newness and distinctiveness is claimed in the features of shape and/or configuration of a wheel for a vehicle as illustrated in the accompanying representations.**



- (21) Design Number: **15580/2004**
(22) Date of Filing Application: **01 December 2004**
(24) Date from which industrial property rights may have effect: **01 December 2004**
(54) Product in respect of which the design is registered: **Wheel for a vehicle**
(51) International Design Classification: **12-16A**
(71) Name(s) and Address(s) of Applicant(s):
DaimlerChrysler AG
Epplestrasse 225 D-70567 Stuttgart Germany
(72) Name(s) of Designer(s): **Claus Hieke**
(45) Registration Date: **08 June 2005**
(30) Convention priority data:
(31) Number (32) Date (33) Country
40403902.2 07 Jul 2004 GERMANY
(56) Related Art Documents: **Not Applicable**
(57) Statement of Newness and Distinctiveness: **Newness and distinctiveness is claimed in the features of shape and/or configuration of a wheel for a vehicle as illustrated in the accompanying representations.**



- (21) Design Number: **15581/2004**
(22) Date of Filing Application: **01 December 2004**
(24) Date from which industrial property rights may have effect: **01 December 2004**
(54) Product in respect of which the design is registered: **Wheel for a vehicle**
(51) International Design Classification: **12-16A**
(71) Name(s) and Address(s) of Applicant(s):
DaimlerChrysler AG
Epplestrasse 225 D-70567 Stuttgart Germany
(72) Name(s) of Designer(s): **Claus Hieke**
(45) Registration Date: **08 June 2005**
(30) Convention priority data:
(31) Number (32) Date (33) Country
40403902.2 07 Jul 2004 GERMANY
(56) Related Art Documents: **Not Applicable**
(57) Statement of Newness and Distinctiveness: **Newness and distinctiveness is claimed in the features of shape and/or configuration of a wheel for a vehicle as illustrated in the accompanying representations.**



- (21) Design Number: **15582/2004**
(22) Date of Filing Application: **01 December 2004**
(24) Date from which industrial property rights may have effect: **01 December 2004**
(54) Product in respect of which the design is registered: **Wheel for a vehicle**
(51) International Design Classification: **12-16A**
(71) Name(s) and Address(s) of Applicant(s):

DaimlerChrysler AG
Epplestrasse 225 D-70567 Stuttgart Germany

(72) Name(s) of Designer(s): **Claus Hieke**

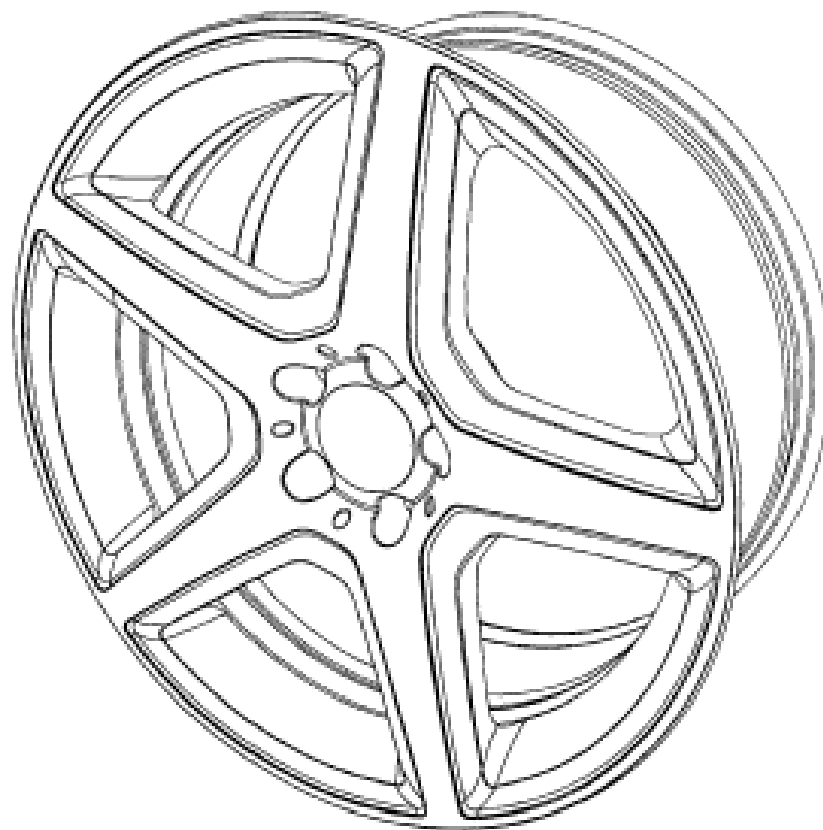
(45) Registration Date: **08 June 2005**

(30) Convention priority data:

(31) Number	(32) Date	(33) Country
40403902.2	07 Jul 2004	GERMANY

(56) Related Art Documents: **Not Applicable**

(57) Statement of Newness and Distinctiveness: **Newness and distinctiveness is claimed in the features of shape and/or configuration of a wheel for a vehicle as illustrated in the accompanying representations.**



- (21) Design Number: **15583/2004**
(22) Date of Filing Application: **01 December 2004**
(24) Date from which industrial property rights may have effect: **01 December 2004**
(54) Product in respect of which the design is registered: **Wheel for a vehicle**
(51) International Design Classification: **12-16A**
(71) Name(s) and Address(s) of Applicant(s):

DaimlerChrysler AG
Epplestrasse 225 D-70567 Stuttgart Germany

(72) Name(s) of Designer(s): **Claus Hieke**

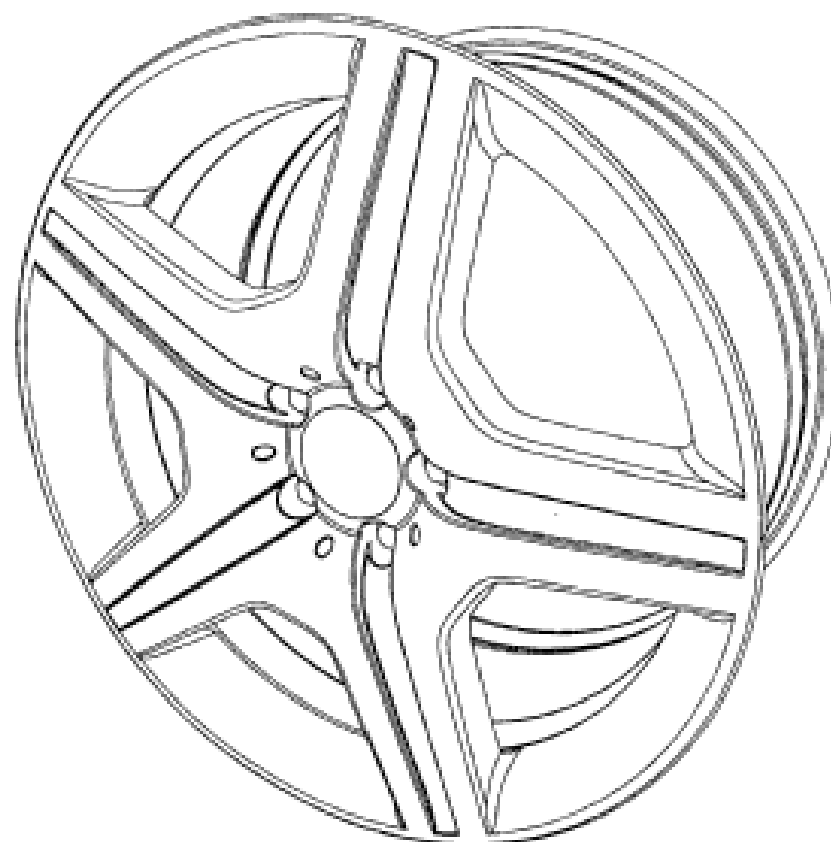
(45) Registration Date: **08 June 2005**

(30) Convention priority data:

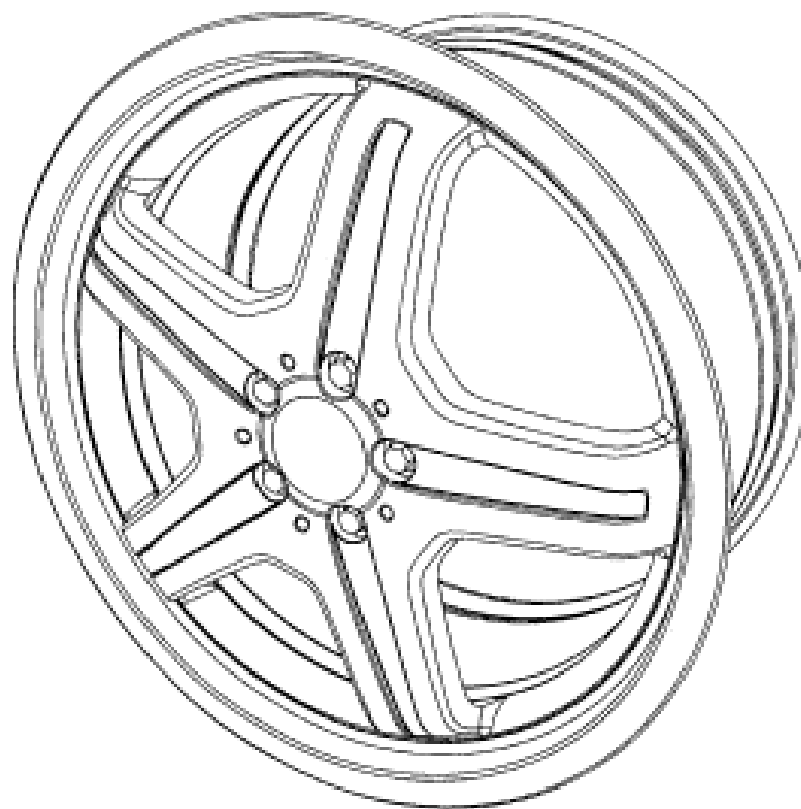
(31) Number	(32) Date	(33) Country
40403902.2	07 Jul 2004	GERMANY

(56) Related Art Documents: **Not Applicable**

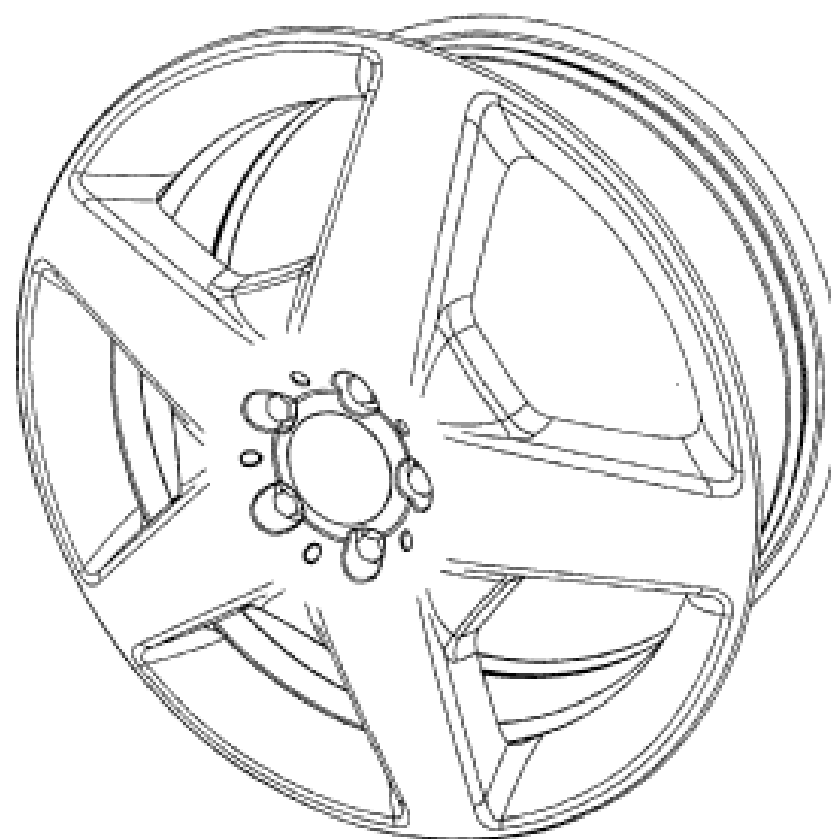
(57) Statement of Newness and Distinctiveness: **Newness and distinctiveness is claimed in the features of shape and/or configuration of a wheel for a vehicle as illustrated in the accompanying representations.**



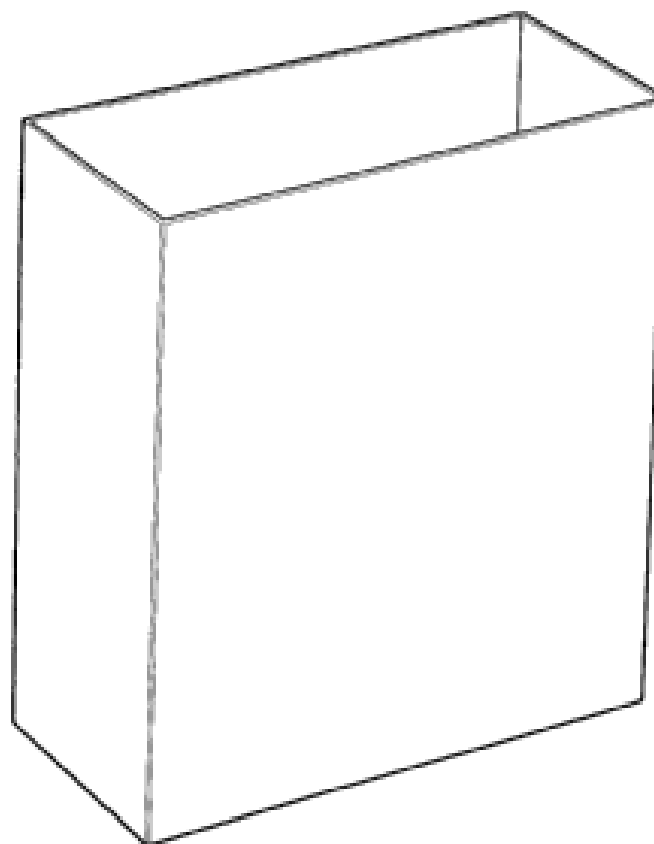
- (21) Design Number: **15584/2004**
(22) Date of Filing Application: **01 December 2004**
(24) Date from which industrial property rights may have effect: **01 December 2004**
(54) Product in respect of which the design is registered: **Wheel for a vehicle**
(51) International Design Classification: **12-16A**
(71) Name(s) and Address(s) of Applicant(s):
DaimlerChrysler AG
Epplestrasse 225 D-70567 Stuttgart Germany
(72) Name(s) of Designer(s): **Claus Hieke**
(45) Registration Date: **08 June 2005**
(30) Convention priority data:
(31) Number (32) Date (33) Country
40403902.2 07 Jul 2004 GERMANY
(56) Related Art Documents: **Not Applicable**
(57) Statement of Newness and Distinctiveness: **Newness and distinctiveness is claimed in the features of shape and/or configuration of a wheel for a vehicle as illustrated in the accompanying representations.**



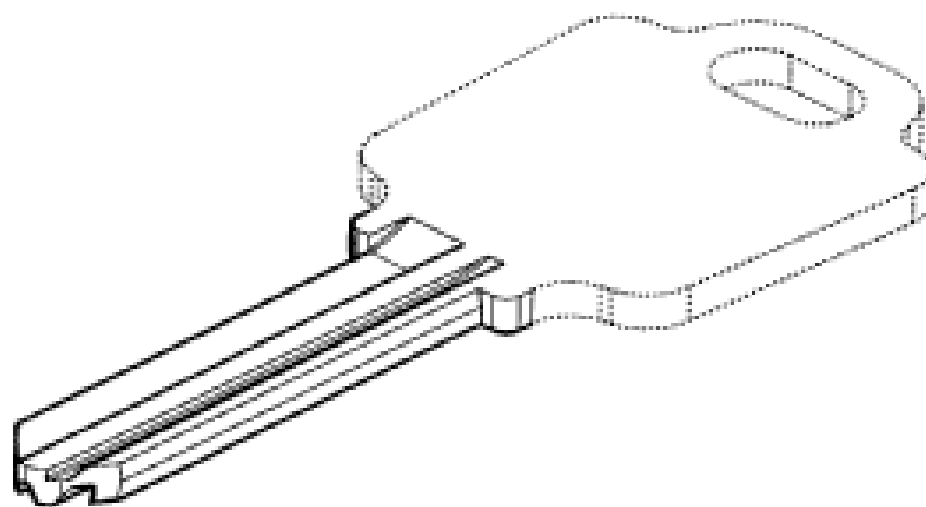
- (21) Design Number: **15585/2004**
(22) Date of Filing Application: **01 December 2004**
(24) Date from which industrial property rights may have effect: **01 December 2004**
(54) Product in respect of which the design is registered: **Wheel for a vehicle**
(51) International Design Classification: **12-16A**
(71) Name(s) and Address(s) of Applicant(s):
DaimlerChrysler AG
Epplestrasse 225 D-70567 Stuttgart Germany
(72) Name(s) of Designer(s): **Claus Hieke**
(45) Registration Date: **08 June 2005**
(30) Convention priority data:
(31) Number (32) Date (33) Country
40403902.2 07 Jul 2004 GERMANY
(56) Related Art Documents: **Not Applicable**
(57) Statement of Newness and Distinctiveness: **Newness and distinctiveness is claimed in the features of shape and/or configuration of a wheel for a vehicle as illustrated in the accompanying representations.**



- (21) Design Number: **15589/2004**
(22) Date of Filing Application: **03 December 2004**
(24) Date from which industrial property rights may have effect: **03 December 2004**
(54) Product in respect of which the design is registered: **A cigarette pack cover**
(51) International Design Classification: **27-06**
(71) Name(s) and Address(s) of Applicant(s):
Ann Whicker
42 Esmond Street Hyde Park South Australia 5061 Australia
(72) Name(s) of Designer(s): **Ann Whicker**
(45) Registration Date: **08 June 2005**
(56) Related Art Documents: **Not Applicable**
(57) Statement of Newness and Distinctiveness: **Nil**



- (21) Design Number: **15591/2004**
(22) Date of Filing Application: **03 December 2004**
(24) Date from which industrial property rights may have effect: **03 December 2004**
(54) Product in respect of which the design is registered: **A key blank**
(51) International Design Classification: **08-07**
(71) Name(s) and Address(s) of Applicant(s):
Australia and New Zealand Locksmiths Ltd
47 Anderson Walk Smithfield South Australia 5114 Australia
(72) Name(s) of Designer(s): **Robert Henry Irwin**
(45) Registration Date: **08 June 2005**
(56) Related Art Documents: **Not Applicable**
(57) Statement of Newness and Distinctiveness: **Newness and distinctiveness is claimed in the features of shape and configuration of the shank of the key. No monopoly is claimed in respect of the head of the key.**



(21) Design Number: **15592/2004**

(22) Date of Filing Application: **03 December 2004**

(24) Date from which industrial property rights may have effect: **03 December 2004**

(54) Product in respect of which the design is registered: **A key blank**

(51) International Design Classification: **08-07**

(71) Name(s) and Address(s) of Applicant(s):

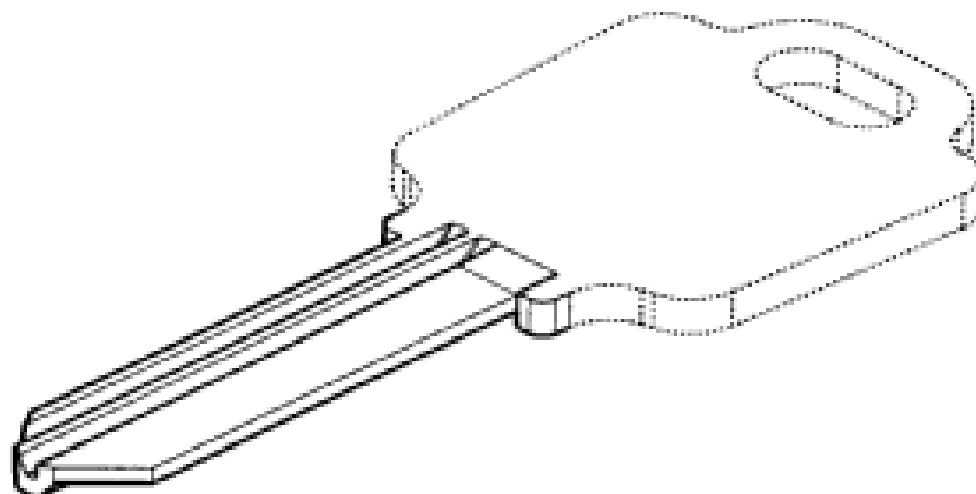
**Australia and New Zealand Locksmiths Ltd
47 Anderson Walk Smithfield South Australia 5114 Australia**

(72) Name(s) of Designer(s): **Robert Henry Irwin**

(45) Registration Date: **08 June 2005**

(56) Related Art Documents: **Not Applicable**

(57) Statement of Newness and Distinctiveness: **Newness and distinctiveness is claimed in the features of shape and configuration of the shank of the key. No monopoly is claimed in respect of the head of the key.**



(21) Design Number: **15593/2004**

(22) Date of Filing Application: **03 December 2004**

(24) Date from which industrial property rights may have effect: **03 December 2004**

(54) Product in respect of which the design is registered: **A key blank**

(51) International Design Classification: **08-07**

(71) Name(s) and Address(s) of Applicant(s):

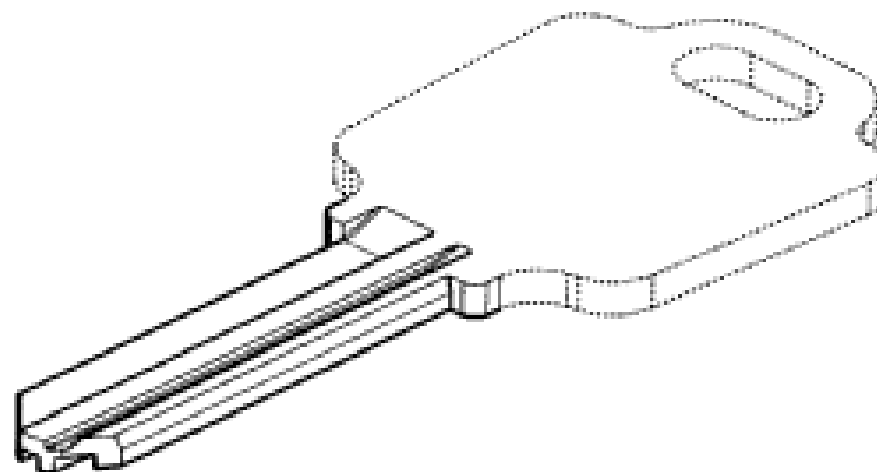
**Australia and New Zealand Locksmiths Ltd
47 Anderson Walk Smithfield South Australia 5114 Australia**

(72) Name(s) of Designer(s): **Robert Henry Irwin**

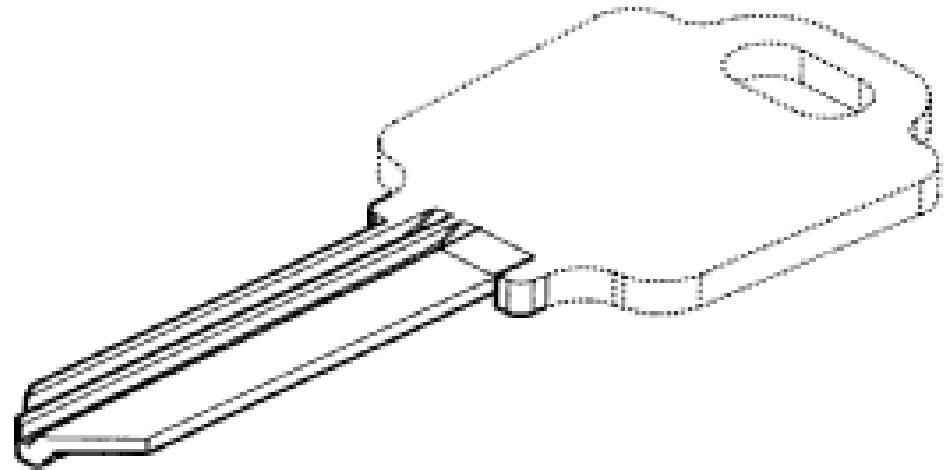
(45) Registration Date: **08 June 2005**

(56) Related Art Documents: **Not Applicable**

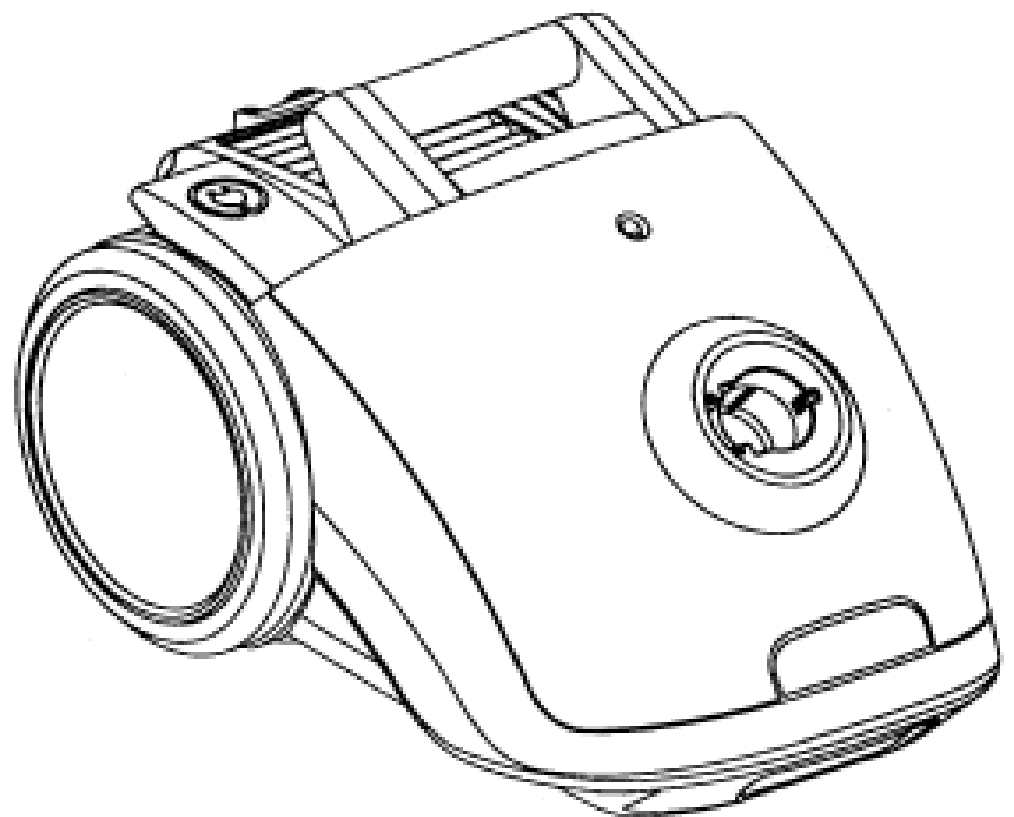
(57) Statement of Newness and Distinctiveness: **Newness and distinctiveness is claimed in the features of shape and configuration of the shank of the key. No monopoly is claimed in respect of the head of the key.**



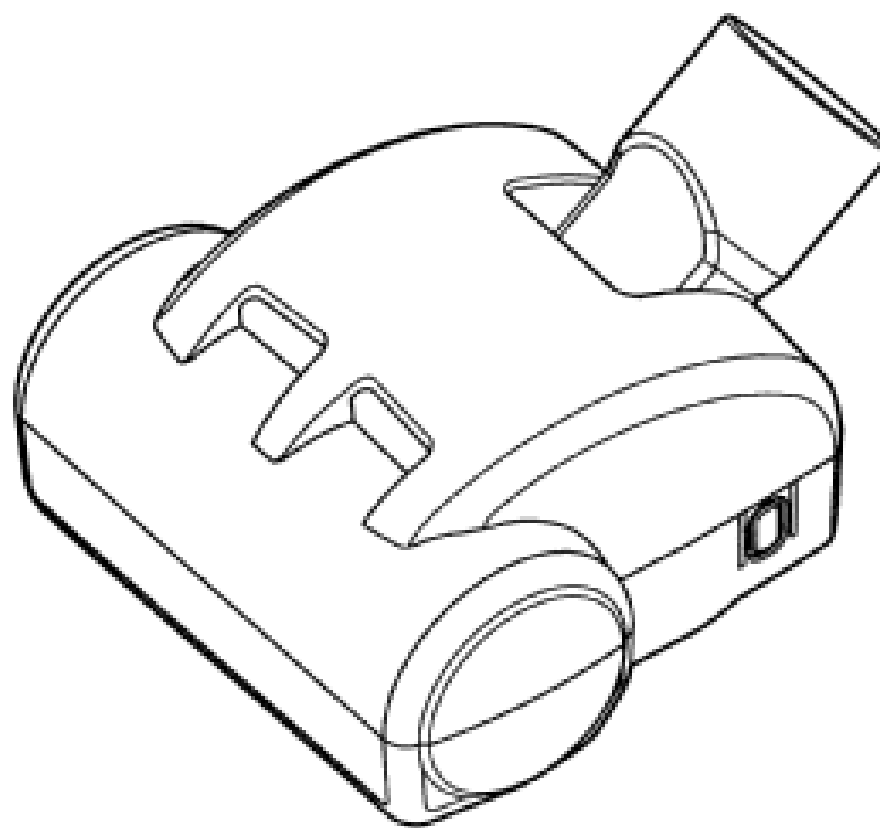
- (21) Design Number: **15594/2004**
(22) Date of Filing Application: **03 December 2004**
(24) Date from which industrial property rights may have effect: **03 December 2004**
(54) Product in respect of which the design is registered: **A key blank**
(51) International Design Classification: **08-07**
(71) Name(s) and Address(s) of Applicant(s):
Australia and New Zealand Locksmiths Ltd
47 Anderson Walk Smithfield South Australia 5114 Australia
(72) Name(s) of Designer(s): **Robert Henry Irwin**
(45) Registration Date: **08 June 2005**
(56) Related Art Documents: **Not Applicable**
(57) Statement of Newness and Distinctiveness: **Newness and distinctiveness is claimed in the features of shape and configuration of the shank of the key. No monopoly is claimed in respect of the head of the key.**



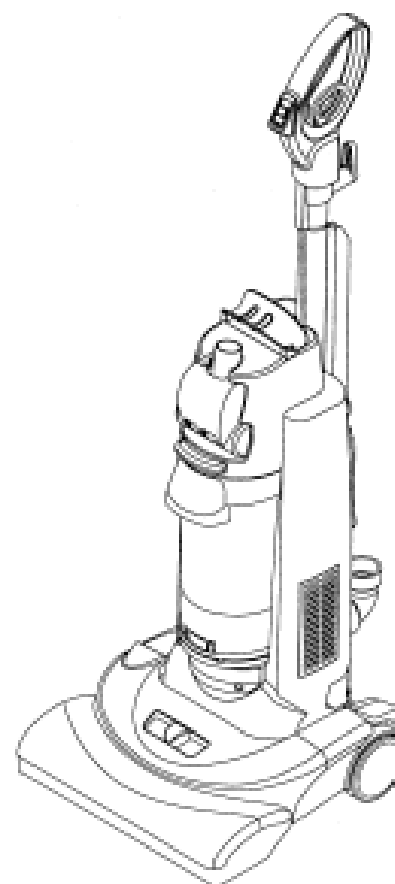
- (21) Design Number: **15595/2004**
(22) Date of Filing Application: **02 December 2004**
(24) Date from which industrial property rights may have effect: **02 December 2004**
(54) Product in respect of which the design is registered: **Vacuum cleaner**
(51) International Design Classification: **15-05**
(71) Name(s) and Address(s) of Applicant(s):
LG Electronics Inc.
20 Yoido-dong Yongdungpo-gu Seoul Republic of Korea
(72) Name(s) of Designer(s): **Kyu Kwan Choi**
(45) Registration Date: **08 June 2005**
(30) Convention priority data:
(31) Number (32) Date (33) Country
30-2004-0016884 07 Jun 2004 REPUBLIC OF KOREA
(56) Related Art Documents: **Not Applicable**
(57) Statement of Newness and Distinctiveness: **Newness and distinctiveness is claimed in the visual features of shape and configuration applicable to a vacuum cleaner body as shown in the accompanying representations.**



- (21) Design Number: **15596/2004**
(22) Date of Filing Application: **02 December 2004**
(24) Date from which industrial property rights may have effect: **02 December 2004**
(54) Product in respect of which the design is registered: **Nozzle for vacuum cleaner**
(51) International Design Classification: **15-05**
(71) Name(s) and Address(s) of Applicant(s):
LG Electronics Inc.
20 Yoido-dong Yongdungpo-gu Seoul Republic of Korea
(72) Name(s) of Designer(s): **Kyu Kwan Choi**
(45) Registration Date: **08 June 2005**
(30) Convention priority data:
(31) Number (32) Date (33) Country
30-2004-0016887 07 Jun 2004 REPUBLIC OF KOREA
(56) Related Art Documents: **Not Applicable**
(57) Statement of Newness and Distinctiveness: **Newness and distinctiveness is claimed in the visual features of shape and configuration applicable to a nozzle for vacuum cleaner as shown in the accompanying representations.**



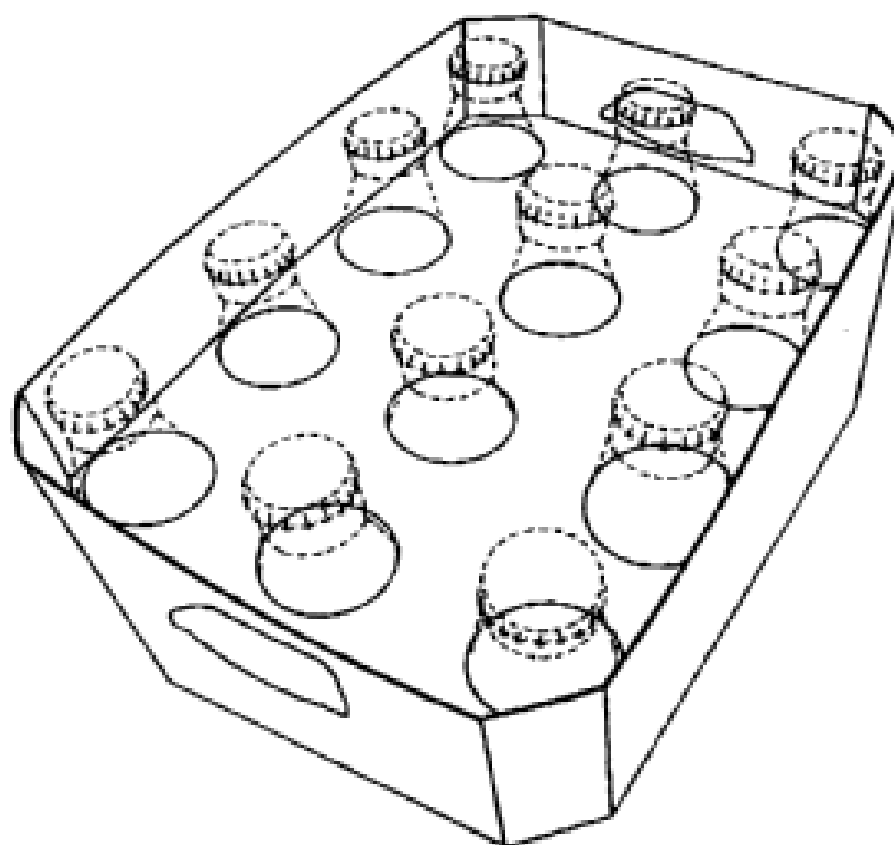
- (21) Design Number: **15597/2004**
(22) Date of Filing Application: **02 December 2004**
(24) Date from which industrial property rights may have effect: **02 December 2004**
(54) Product in respect of which the design is registered: **Vacuum cleaner**
(51) International Design Classification: **15-05**
(71) Name(s) and Address(s) of Applicant(s):
LG Electronics Inc.
20 Yoido-dong Yongdungpo-gu Seoul Republic of Korea
(72) Name(s) of Designer(s): **Kyu Kwan Choi**
(45) Registration Date: **08 June 2005**
(30) Convention priority data:
(31) Number (32) Date (33) Country
30-2004-0017184 09 Jun 2004 REPUBLIC OF KOREA
(56) Related Art Documents: **Not Applicable**
(57) Statement of Newness and Distinctiveness: **Newness and distinctiveness is claimed in the visual features of shape and configuration applicable to a vacuum cleaner as shown in the accompanying representations.**



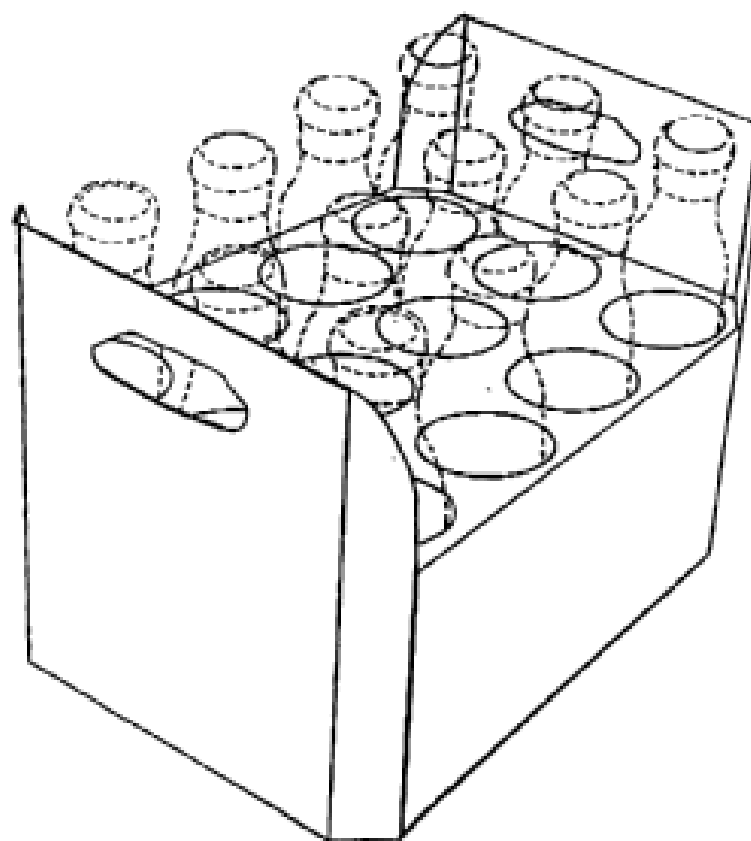
(21) Design Number: **15603/2004**
(22) Date of Filing Application: **03 December 2004**
(24) Date from which industrial property rights may have effect: **03 December 2004**
(54) Product in respect of which the design is registered: **Water feature reservoir**
(51) International Design Classification: **23-01F**
(71) Name(s) and Address(s) of Applicant(s):
Kyle N. Baker
7 Flinn Avenue Kelmscott Western Australia 6111 Australia
(72) Name(s) of Designer(s): **Kyle Baker**
(45) Registration Date: **08 June 2005**
(56) Related Art Documents: **Not Applicable**
(57) Statement of Newness and Distinctiveness: **Visual appearance of support system and design of structure.**



(21) Design Number: **15655/2004**
(22) Date of Filing Application: **06 December 2004**
(24) Date from which industrial property rights may have effect: **06 December 2004**
(54) Product in respect of which the design is registered: **A carton**
(51) International Design Classification: **09-03E**
(71) Name(s) and Address(s) of Applicant(s):
MeadWestvaco Packaging Systems LLC
1 High Ridge Park Stamford Connecticut 06905 United States of America
(72) Name(s) of Designer(s): **Philippe Le Bras and Patrick Blin**
(45) Registration Date: **08 June 2005**
(30) Convention priority data:
(31) Number (32) Date (33) Country
3017549 05 Jun 2004 UNITED KINGDOM
(56) Related Art Documents: **Not Applicable**
(57) Statement of Newness and Distinctiveness: **Newness and distinctiveness is claimed in the features of shape and/or configuration of a carton as illustrated in the accompanying representations.**



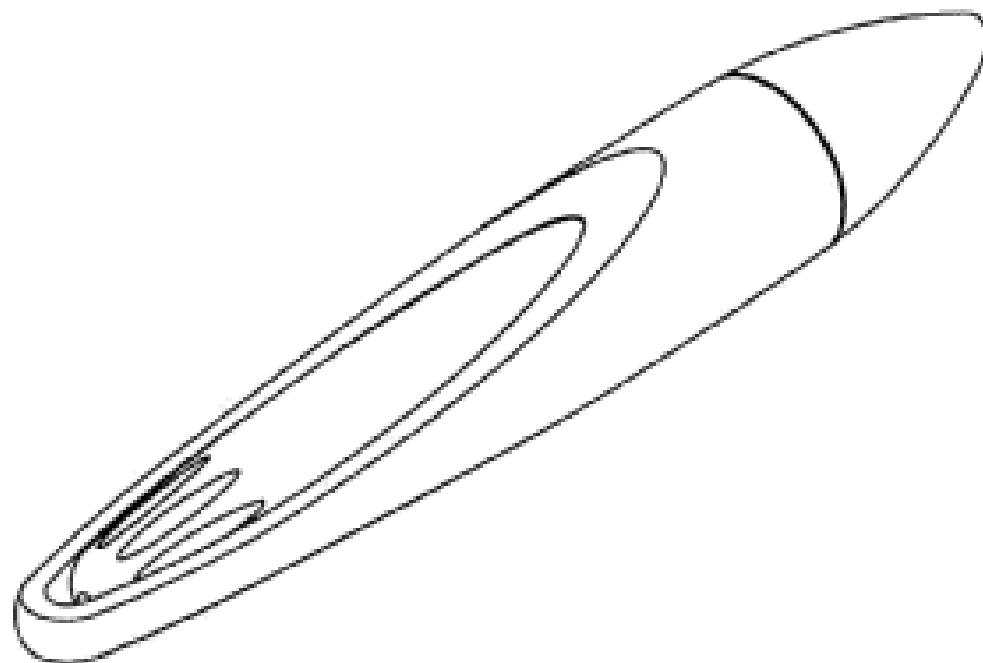
- (21) Design Number: **15656/2004**
(22) Date of Filing Application: **06 December 2004**
(24) Date from which industrial property rights may have effect: **06 December 2004**
(54) Product in respect of which the design is registered: **A carton**
(51) International Design Classification: **09-03E**
(71) Name(s) and Address(s) of Applicant(s):
MeadWestvaco Packaging Systems LLC
1 High Ridge Park Stamford Connecticut 06905 United States of America
(72) Name(s) of Designer(s): **Philippe Le Bras and Patrick Blin**
(45) Registration Date: **08 June 2005**
(30) Convention priority data:
(31) Number (32) Date (33) Country
3017548 05 Jun 2004 UNITED KINGDOM
(56) Related Art Documents: **Not Applicable**
(57) Statement of Newness and Distinctiveness: **Newness and distinctiveness is claimed in the features of shape and/or configuration of a carton as illustrated in the accompanying representations.**



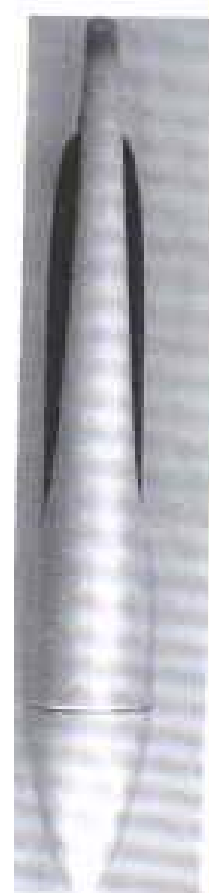
- (21) Design Number: **15621/2004**
(22) Date of Filing Application: **03 December 2004**
(24) Date from which industrial property rights may have effect: **03 December 2004**
(54) Product in respect of which the design is registered: **Writing utensil**
(51) International Design Classification: **19-06**
(71) Name(s) and Address(s) of Applicant(s):
Merz & Krell GmbH & Co. KGaA
Bahnhofstrasse 76 64401 Grosse-Bieberau Germany
(72) Name(s) of Designer(s): **Volkmar Rommel**
(45) Registration Date: **09 June 2005**
(30) Convention priority data:
(31) Number (32) Date (33) Country
40403544.2 09 Jun 2004 GERMANY
(56) Related Art Documents: **Not Applicable**
(57) Statement of Newness and Distinctiveness: **Each feature of the design considered separately or in combination with any other feature or features.**



- (21) Design Number: **15622/2004**
(22) Date of Filing Application: **03 December 2004**
(24) Date from which industrial property rights may have effect: **03 December 2004**
(54) Product in respect of which the design is registered: **Writing unensil**
(51) International Design Classification: **19-06**
(71) Name(s) and Address(s) of Applicant(s):
Merz & Krell GmbH & Co. KGaA
Bahnhofstrasse 76 64401 Grosse-Bieberau Germany
(72) Name(s) of Designer(s): **Hans-Juergen Beyer**
(45) Registration Date: **09 June 2005**
(30) Convention priority data:
(31) Number (32) Date (33) Country
40403544.2 09 Jun 2004 GERMANY
(56) Related Art Documents: **Not Applicable**
(57) Statement of Newness and Distinctiveness: **Each feature of the design considered separately or in combination with any other feature or features.**



- (21) Design Number: **15623/2004**
(22) Date of Filing Application: **03 December 2004**
(24) Date from which industrial property rights may have effect: **03 December 2004**
(54) Product in respect of which the design is registered: **Writing utensil**
(51) International Design Classification: **19-06**
(71) Name(s) and Address(s) of Applicant(s):
Merz & Krell GmbH & Co. KGaA
Bahnhofstrasse 76 64401 Grosse-Bieberau Germany
(72) Name(s) of Designer(s): **Hans-Juergen Beyer**
(45) Registration Date: **09 June 2005**
(30) Convention priority data:
(31) Number (32) Date (33) Country
40403544.2 09 Jun 2004 GERMANY
(56) Related Art Documents: **Not Applicable**
(57) Statement of Newness and Distinctiveness: **Each feature of the design considered separately or in combination with any other feature or features.**



- (21) Design Number: **15624/2004**
(22) Date of Filing Application: **03 December 2004**
(24) Date from which industrial property rights may have effect: **03 December 2004**
(54) Product in respect of which the design is registered: **Writing utensil**
(51) International Design Classification: **19-06**
(71) Name(s) and Address(s) of Applicant(s):
Merz & Krell GmbH & Co. KGaA
Bahnhofstrasse 76 64401 Grosse-Bieberau Germany
(72) Name(s) of Designer(s): **Hans-Juergen Beyer**
(45) Registration Date: **09 June 2005**
(30) Convention priority data:
(31) Number (32) Date (33) Country
40403544.2 09 Jun 2004 GERMANY
(56) Related Art Documents: **Not Applicable**
(57) Statement of Newness and Distinctiveness: **Each feature of the design considered separately or in combination with any other feature or features.**



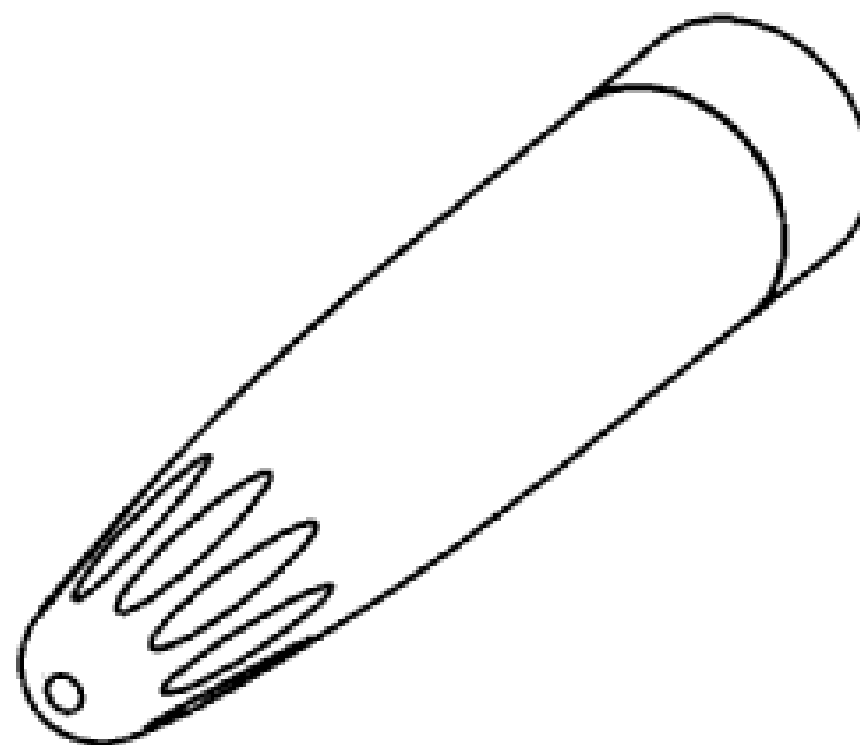
- (21) Design Number: **15625/2004**
(22) Date of Filing Application: **03 December 2004**
(24) Date from which industrial property rights may have effect: **03 December 2004**
(54) Product in respect of which the design is registered: **Writing utensil**
(51) International Design Classification: **19-06**
(71) Name(s) and Address(s) of Applicant(s):
Merz & Krell GmbH & Co. KGaA
Bahnhofstrasse 76 64401 Grosse-Bieberau Germany
(72) Name(s) of Designer(s): **Hans-Juergen Beyer**
(45) Registration Date: **09 June 2005**
(30) Convention priority data:
(31) Number (32) Date (33) Country
40403544.2 09 Jun 2004 GERMANY
(56) Related Art Documents: **Not Applicable**
(57) Statement of Newness and Distinctiveness: **Each feature of the design considered separately or in combination with any other feature or features.**



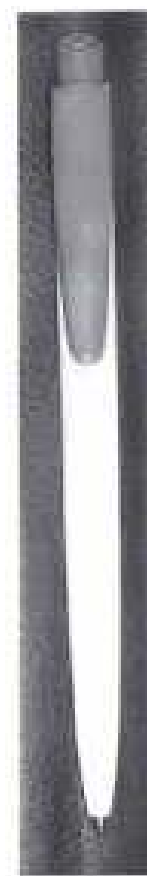
- (21) Design Number: **15627/2004**
(22) Date of Filing Application: **03 December 2004**
(24) Date from which industrial property rights may have effect: **03 December 2004**
(54) Product in respect of which the design is registered: **Upper end portion of writing utensil**
(51) International Design Classification: **19-06**
(71) Name(s) and Address(s) of Applicant(s):
Merz & Krell GmbH & Co. KGaA
Bahnhofstrasse 76 64401 Grosse-Bieberau Germany
(72) Name(s) of Designer(s): **Hans-Juergen Beyer**
(45) Registration Date: **09 June 2005**
(30) Convention priority data:
(31) Number (32) Date (33) Country
40403544.2 09 Jun 2004 GERMANY
(56) Related Art Documents: **Not Applicable**
(57) Statement of Newness and Distinctiveness: **Each feature of the design considered separately or in combination with any other feature or features.**



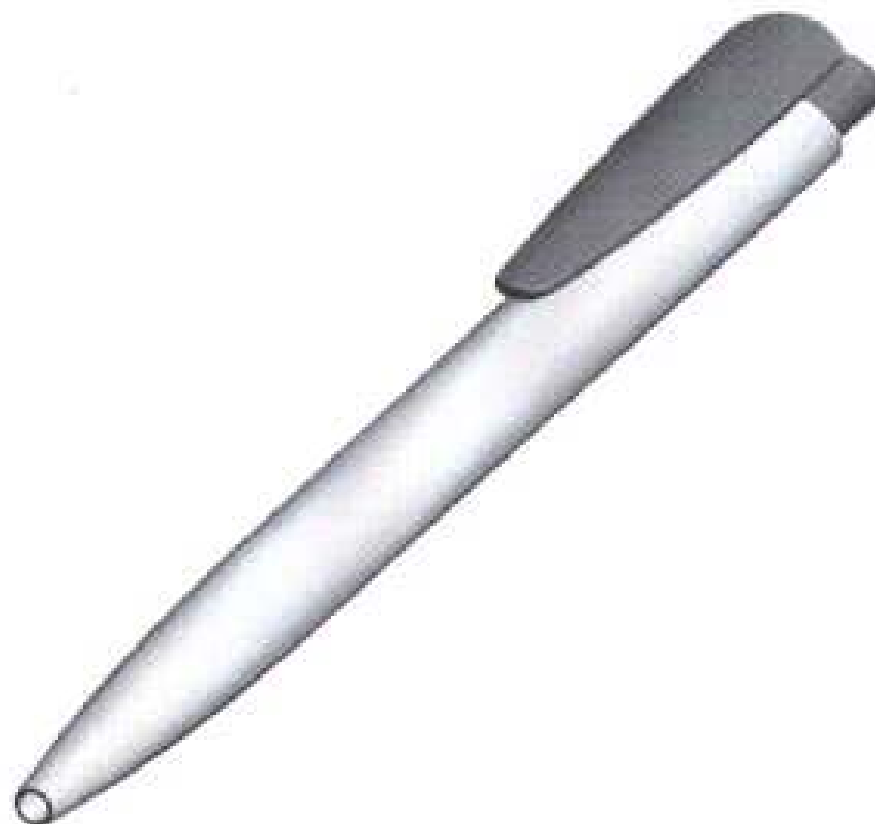
- (21) Design Number: **15628/2004**
(22) Date of Filing Application: **03 December 2004**
(24) Date from which industrial property rights may have effect: **03 December 2004**
(54) Product in respect of which the design is registered: **Elongated operating component of writing utensil**
(51) International Design Classification: **19-06**
(71) Name(s) and Address(s) of Applicant(s):
Merz & Krell GmbH & Co. KGaA
Bahnhofstrasse 76 64401 Grosse-Bieberau Germany
(72) Name(s) of Designer(s): **Hans-Juergen Beyer**
(45) Registration Date: **09 June 2005**
(56) Related Art Documents: **Not Applicable**
(57) Statement of Newness and Distinctiveness: **Each feature of the design considered separately or in combination with any other feature or features.**



- (21) Design Number: **15629/2004**
(22) Date of Filing Application: **03 December 2004**
(24) Date from which industrial property rights may have effect: **03 December 2004**
(54) Product in respect of which the design is registered: **Writing utensil**
(51) International Design Classification: **19-06**
(71) Name(s) and Address(s) of Applicant(s):
Merz & Krell GmbH & Co. KGaA
Bahnhofstrasse 76 64401 Grosse-Bieberau Germany
(72) Name(s) of Designer(s): **Volkmar Rommel**
(45) Registration Date: **09 June 2005**
(30) Convention priority data:
(31) Number (32) Date (33) Country
40403544.2 09 Jun 2004 GERMANY
(56) Related Art Documents: **Not Applicable**
(57) Statement of Newness and Distinctiveness: **Each feature of the design considered separately or in combination with any other feature or features.**



- (21) Design Number: **15630/2004**
(22) Date of Filing Application: **03 December 2004**
(24) Date from which industrial property rights may have effect: **03 December 2004**
(54) Product in respect of which the design is registered: **Writing utensil**
(51) International Design Classification: **19-06**
(71) Name(s) and Address(s) of Applicant(s):
Merz & Krell GmbH & Co. KGaA
Bahnhofstrasse 76 64401 Grosse-Bieberau Germany
(72) Name(s) of Designer(s): **Volkmar Rommel**
(45) Registration Date: **09 June 2005**
(30) Convention priority data:
(31) Number (32) Date (33) Country
40403544.2 09 Jun 2004 GERMANY
(56) Related Art Documents: **Not Applicable**
(57) Statement of Newness and Distinctiveness: **Each feature of the design considered separately or in combination with any other feature or features.**



(19) AU

- (21) Design Number: **15631/2004**
(22) Date of Filing Application: **03 December 2004**
(24) Date from which industrial property rights may have effect: **03 December 2004**
(54) Product in respect of which the design is registered: **Writing utensil**
(51) International Design Classification: **19-06**
(71) Name(s) and Address(s) of Applicant(s):
Merz & Krell GmbH & Co. KGaA
Bahnhofstrasse 76 64401 Grosse-Bieberau Germany
(72) Name(s) of Designer(s): **Volkmar Rommel**
(45) Registration Date: **09 June 2005**
(30) Convention priority data:
(31) Number (32) Date (33) Country
40403544.2 09 Jun 2004 GERMANY
(56) Related Art Documents: **Not Applicable**
(57) Statement of Newness and Distinctiveness: **Each feature of the design considered separately or in combination with any other feature or features.**



(19) AU

- (21) Design Number: **15632/2004**
(22) Date of Filing Application: **03 December 2004**
(24) Date from which industrial property rights may have effect: **03 December 2004**
(54) Product in respect of which the design is registered: **Writing utensil**
(51) International Design Classification: **19-06**
(71) Name(s) and Address(s) of Applicant(s):
Merz & Krell GmbH & Co. KGaA
Bahnhofstrasse 76 64401 Grosse-Bieberau Germany
(72) Name(s) of Designer(s): **Volkmar Rommel**
(45) Registration Date: **09 June 2005**
(30) Convention priority data:
(31) Number (32) Date (33) Country
40403544.2 09 Jun 2004 GERMANY
(56) Related Art Documents: **Not Applicable**
(57) Statement of Newness and Distinctiveness: **Each feature of the design considered separately or in combination with any other feature or features.**



- (21) Design Number: **15633/2004**
(22) Date of Filing Application: **03 December 2004**
(24) Date from which industrial property rights may have effect: **03 December 2004**
(54) Product in respect of which the design is registered: **Clip-operating unit for writing utensil**
(51) International Design Classification: **19-06**
(71) Name(s) and Address(s) of Applicant(s):
Merz & Krell GmbH & Co. KGaA
Bahnhofstrasse 76 64401 Grosse-Bieberau Germany
(72) Name(s) of Designer(s): **Volkmar Rommel**
(45) Registration Date: **09 June 2005**
(30) Convention priority data:
(31) Number (32) Date (33) Country
40403544.2 09 Jun 2004 GERMANY
(56) Related Art Documents: **Not Applicable**
(57) Statement of Newness and Distinctiveness: **Each feature of the design considered separately or in combination with any other feature or features.**



- (21) Design Number: **15634/2004**
(22) Date of Filing Application: **03 December 2004**
(24) Date from which industrial property rights may have effect: **03 December 2004**
(54) Product in respect of which the design is registered: **Clip operating unit for writing utensil**
(51) International Design Classification: **19-06**
(71) Name(s) and Address(s) of Applicant(s):
Merz & Krell GmbH & Co. KGaA
Bahnhofstrasse 76 64401 Grosse-Bieberau Germany
(72) Name(s) of Designer(s): **Volkmar Rommel**
(45) Registration Date: **09 June 2005**
(30) Convention priority data:
(31) Number (32) Date (33) Country
40403544.2 09 Jun 2004 GERMANY
(56) Related Art Documents: **Not Applicable**
(57) Statement of Newness and Distinctiveness: **Each feature of the design considered separately or in combination with any other feature or features.**



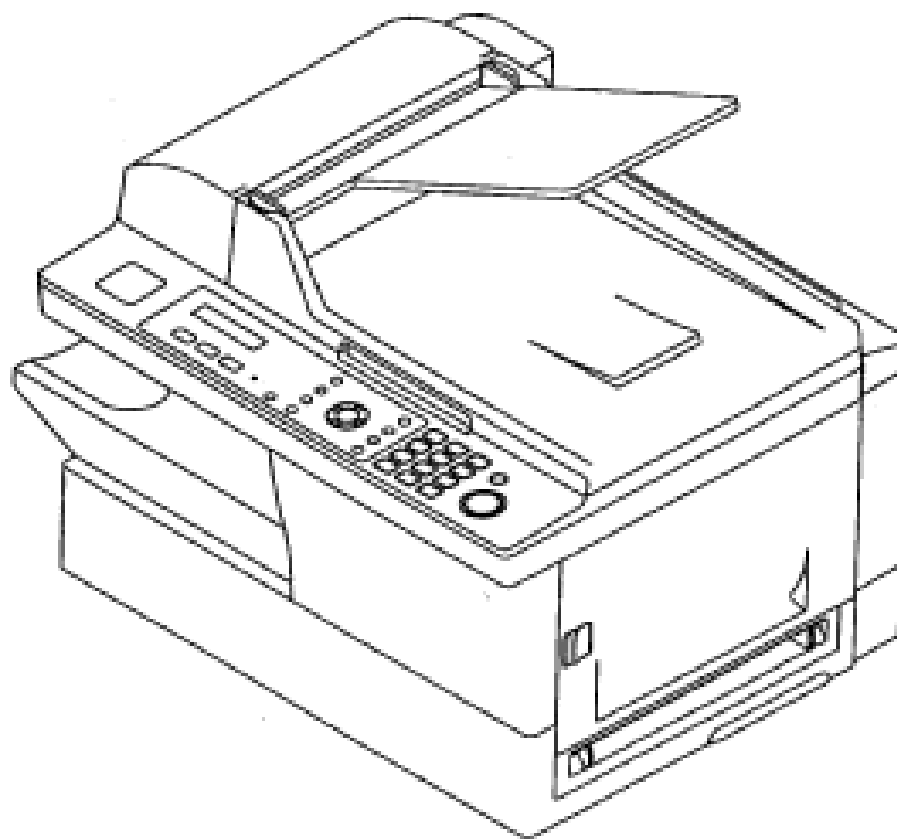
- (21) Design Number: **15637/2004**
(22) Date of Filing Application: **03 December 2004**
(24) Date from which industrial property rights may have effect: **03 December 2004**
(54) Product in respect of which the design is registered: **Writing utensil**
(51) International Design Classification: **19-06**
(71) Name(s) and Address(s) of Applicant(s):
Merz & Krell GmbH & Co. KGaA
Bahnhofstrasse 76 64401 Grosse-Bieberau Germany
(72) Name(s) of Designer(s): **Volkmar Rommel**
(45) Registration Date: **09 June 2005**
(30) Convention priority data:
(31) Number (32) Date (33) Country
40403544.2 09 Jun 2004 GERMANY
(56) Related Art Documents: **Not Applicable**
(57) Statement of Newness and Distinctiveness: **Each feature of the design considered separately or in combination with any other feature or features.**



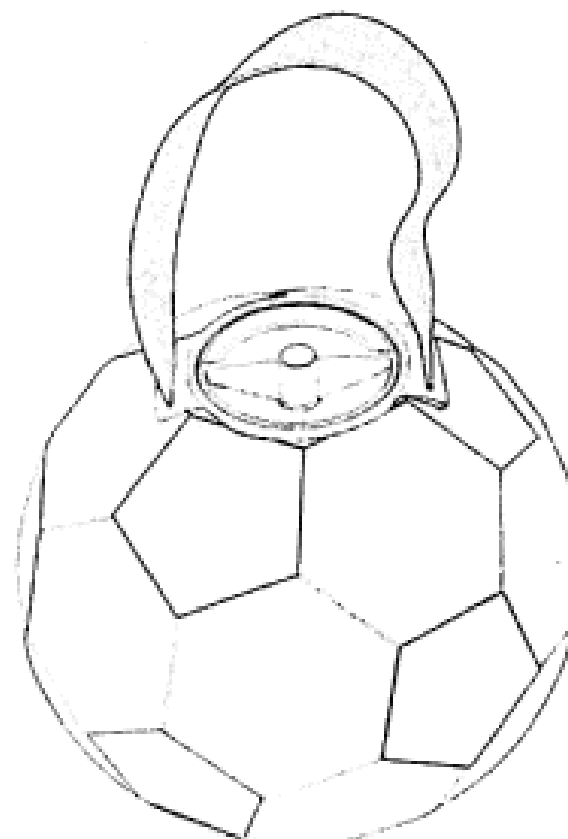
- (21) Design Number: **15644/2004**
(22) Date of Filing Application: **07 December 2004**
(24) Date from which industrial property rights may have effect: **07 December 2004**
(54) Product in respect of which the design is registered: **Game table**
(51) International Design Classification: **06-03D**
(71) Name(s) and Address(s) of Applicant(s):
Peter Edward Morrish
8 Waterton Way Cooloongup Western Australia 6168 Australia
(72) Name(s) of Designer(s): **Peter Edward Morrish**
(45) Registration Date: **09 June 2005**
(56) Related Art Documents: **Not Applicable**
(57) Statement of Newness and Distinctiveness: **A new type of pool table using angles and pins instead of pockets.**



(21) Design Number: **15663/2004**
(22) Date of Filing Application: **08 December 2004**
(24) Date from which industrial property rights may have effect: **08 December 2004**
(54) Product in respect of which the design is registered: **Facsimile machine**
(51) International Design Classification: **16-03**
(71) Name(s) and Address(s) of Applicant(s):
Sharp Kabushiki Kaisha
22-22 Nagaike-cho Abeno-ku Osaka Japan 545-8522
(72) Name(s) of Designer(s): **Makoto Takimoto**
(45) Registration Date: **09 June 2005**
(30) Convention priority data:
(31) Number (32) Date (33) Country
2004-030962 13 Oct 2004 JAPAN
(56) Related Art Documents: **Not Applicable**
(57) Statement of Newness and Distinctiveness: **Nil**



(21) Design Number: **15664/2004**
(22) Date of Filing Application: **08 December 2004**
(24) Date from which industrial property rights may have effect: **08 December 2004**
(54) Product in respect of which the design is registered: **Insulated container**
(51) International Design Classification: **09-01D, 07-07A**
(71) Name(s) and Address(s) of Applicant(s):
Lazaro Dorian
Suite 2011 Harbour Plaza Hongkong 20 Tak Fung Street Hong Kong
(72) Name(s) of Designer(s): **Lazaro Dorian**
(45) Registration Date: **09 June 2005**
(56) Related Art Documents: **Not Applicable**
(57) Statement of Newness and Distinctiveness: **Nil**



- (21) Design Number: **15670/2004**
- (22) Date of Filing Application: **07 December 2004**
- (24) Date from which industrial property rights may have effect: **07 December 2004**
- (54) Product in respect of which the design is registered: **Electric kettle**
- (51) International Design Classification: **07-02K**
- (71) Name(s) and Address(s) of Applicant(s):

SEB S.A.
Les 4 M Chemin du Petit Bois F-69130 Ecully France

- (72) Name(s) of Designer(s): **Laurent Lebot and Victor Massip**
- (45) Registration Date: **09 June 2005**
- (30) Convention priority data:
 - (31) Number (32) Date (33) Country
 - 04 3763 27 Jul 2004 FRANCE**
- (56) Related Art Documents: **Not Applicable**
- (57) Statement of Newness and Distinctiveness: **Each feature of the design considered separately or in combination with any other feature of features.**



- (21) Design Number: **15672/2004**
- (22) Date of Filing Application: **07 December 2004**
- (24) Date from which industrial property rights may have effect: **07 December 2004**
- (54) Product in respect of which the design is registered: **A jacket**
- (51) International Design Classification: **02-02NES**
- (71) Name(s) and Address(s) of Applicant(s):

Barry Bowden Investments Pty Ltd
69-71 Rupert Street Collingwood Victoria 3066 Australia

- (72) Name(s) of Designer(s): **Joanne Kearney**
- (45) Registration Date: **09 June 2005**
- (56) Related Art Documents: **Not Applicable**
- (57) Statement of Newness and Distinctiveness: **Nil**



(21) Design Number: **15688/2004**

(22) Date of Filing Application: **08 December 2004**

(24) Date from which industrial property rights may have effect: **08 December 2004**

(54) Product in respect of which the design is registered: **A container**

(51) International Design Classification: **09-02B**

(71) Name(s) and Address(s) of Applicant(s):

Visy Industrial Plastics Pty Ltd
C/- 64 Biloela Street Villawood New South Wales 2163 Australia

(72) Name(s) of Designer(s): **Bob McFadyen and Norm Olsen**

(45) Registration Date: **09 June 2005**

(56) Related Art Documents: **Not Applicable**

(57) Statement of Newness and Distinctiveness: **The newness and distinctiveness of the design resides in the configuration of the upper surfaces of a container as shown in the accompanying representations. In considering whether the design is substantially similar in overall impression to another design, no regard is to be given to shape or configuration of the sides or underneath surfaces of the container.**



(21) Design Number: **15693/2004**

(22) Date of Filing Application: **09 December 2004**

(24) Date from which industrial property rights may have effect: **09 December 2004**

(54) Product in respect of which the design is registered: **Gas heater emitter**

(51) International Design Classification: **23-03B**

(71) Name(s) and Address(s) of Applicant(s):

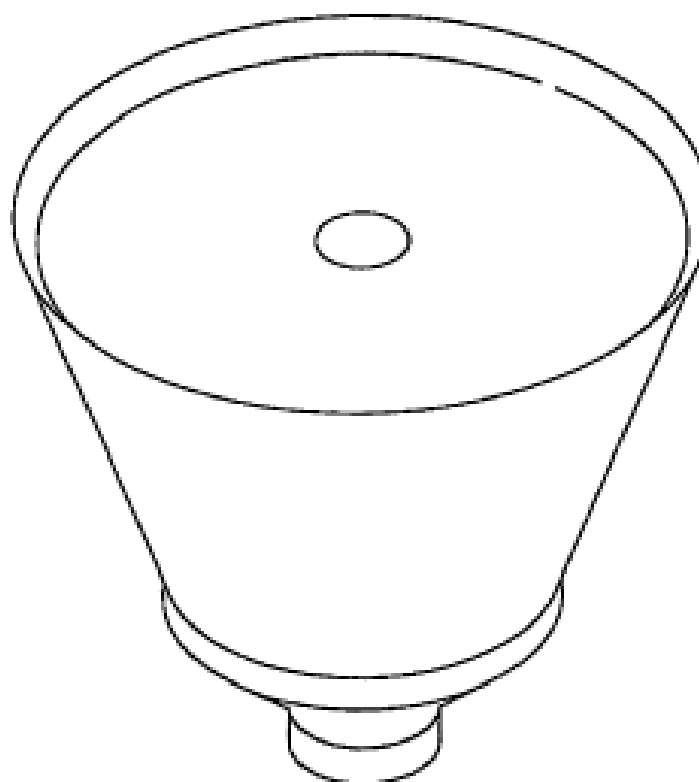
Turner Leisure Products Pty Ltd
26 Lionel Road Mt Waverley Victoria 3149 Australia

(72) Name(s) of Designer(s): **Philip Simpendorfer**

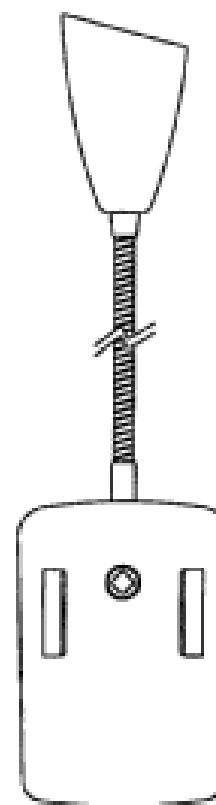
(45) Registration Date: **09 June 2005**

(56) Related Art Documents: **Not Applicable**

(57) Statement of Newness and Distinctiveness: **Nil**



- (21) Design Number: **15694/2004**
- (22) Date of Filing Application: **09 December 2004**
- (24) Date from which industrial property rights may have effect: **09 December 2004**
- (54) Product in respect of which the design is registered: **Rotisserie motor with light of variable arm length**
- (51) International Design Classification: **23-03G**
- (71) Name(s) and Address(s) of Applicant(s):
Turner Leisure Products Pty Ltd
26 Lionel Road Mt Waverley Victoria 3149 Australia
- (72) Name(s) of Designer(s): **Philip Simpendorfer**
- (45) Registration Date: **09 June 2005**
- (56) Related Art Documents: **Not Applicable**
- (57) Statement of Newness and Distinctiveness: **Nil**



- (21) Design Number: **15695/2004**
- (22) Date of Filing Application: **09 December 2004**
- (24) Date from which industrial property rights may have effect: **09 December 2004**
- (54) Product in respect of which the design is registered: **Slider arm to tilt heater hood**
- (51) International Design Classification: **23-03NES**
- (71) Name(s) and Address(s) of Applicant(s):
Turner Leisure Products Pty Ltd
26 Lionel Road Mt Waverley Victoria 3149 Australia
- (72) Name(s) of Designer(s): **Philip Simpendorfer**
- (45) Registration Date: **09 June 2005**
- (56) Related Art Documents: **Not Applicable**
- (57) Statement of Newness and Distinctiveness: **The new features of the design are the slider arm shape and its attachments. The design does not include the dotted lines show in the "perspective view in location".**



(21) Design Number: **15700/2004**
(22) Date of Filing Application: **11 February 2004**
(24) Date from which industrial property rights may have effect: **11 February 2004**
(54) Product in respect of which the design is registered: **Infusor**
(51) International Design Classification: **24-02**
(71) Name(s) and Address(s) of Applicant(s):

Erbilan Surgical Inc.
36 Sandrick Road Belmont MA 02478 United States of America

(72) Name(s) of Designer(s): **Gilbert B. Wilshire**

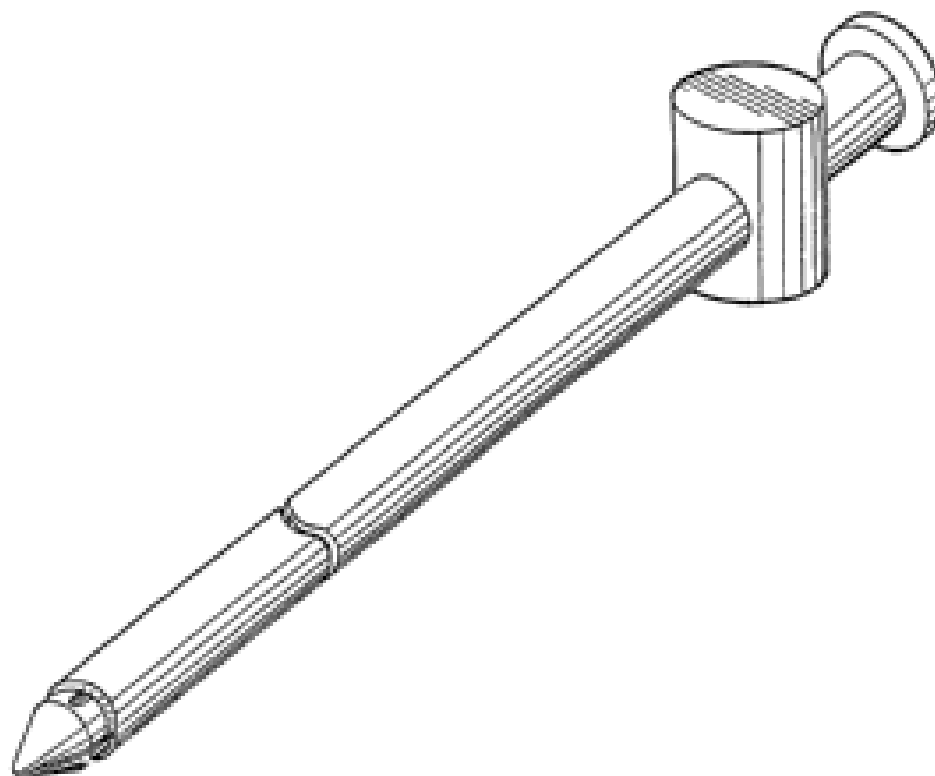
(45) Registration Date: **09 June 2005**

(30) Convention priority data:

(31) Number	(32) Date	(33) Country
29/187968	12 Aug 2003	UNITED STATES OF AMERICA

(56) Related Art Documents: **Not Applicable**

(57) Statement of Newness and Distinctiveness: **Newness and distinctiveness is claimed in the features of shape and configuration of the penetrating tip region of an infusor as illustrated in the attached representations. No newness and distinctiveness is claimed in the handle end features or in the indefinite-length shank of the infusor as illustrated in the attached representations.**



(21) Design Number: **15705/2004**
(22) Date of Filing Application: **09 December 2004**
(24) Date from which industrial property rights may have effect: **09 December 2004**
(54) Product in respect of which the design is registered: **Golf club head**
(51) International Design Classification: **21-02C**
(71) Name(s) and Address(s) of Applicant(s):

Callaway Golf Company
2180 Rutherford Road Carlsbad California 92008 United States of America

(72) Name(s) of Designer(s): **Augustin W. Rollinson**

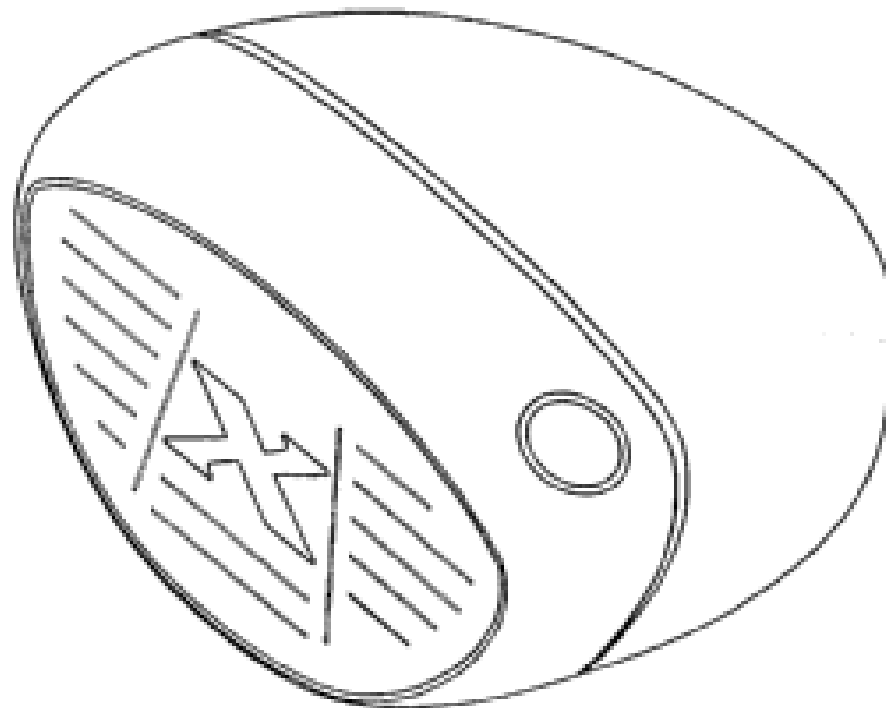
(45) Registration Date: **09 June 2005**

(30) Convention priority data:

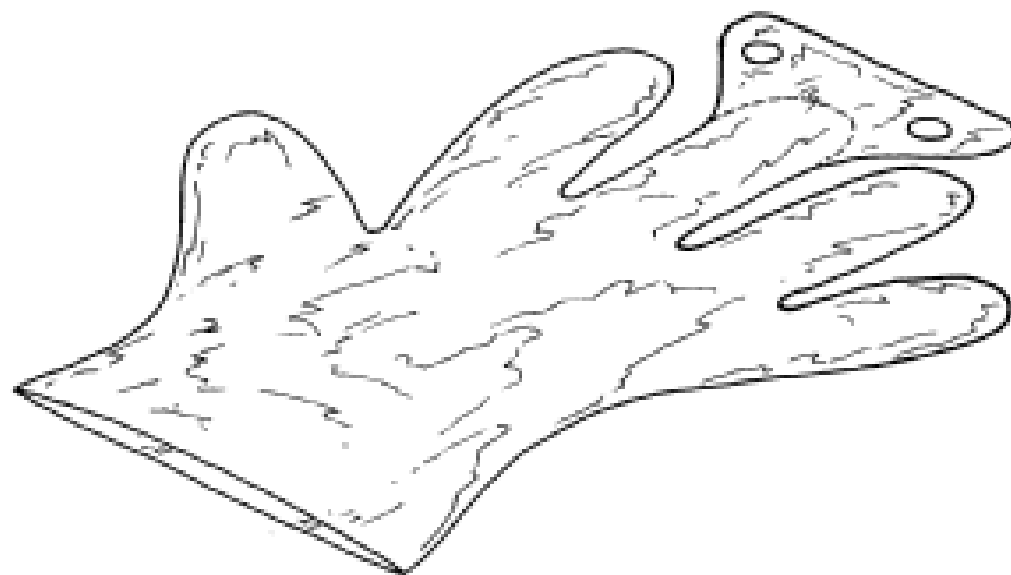
(31) Number	(32) Date	(33) Country
29/207248	09 Jun 2004	UNITED STATES OF AMERICA

(56) Related Art Documents: **Not Applicable**

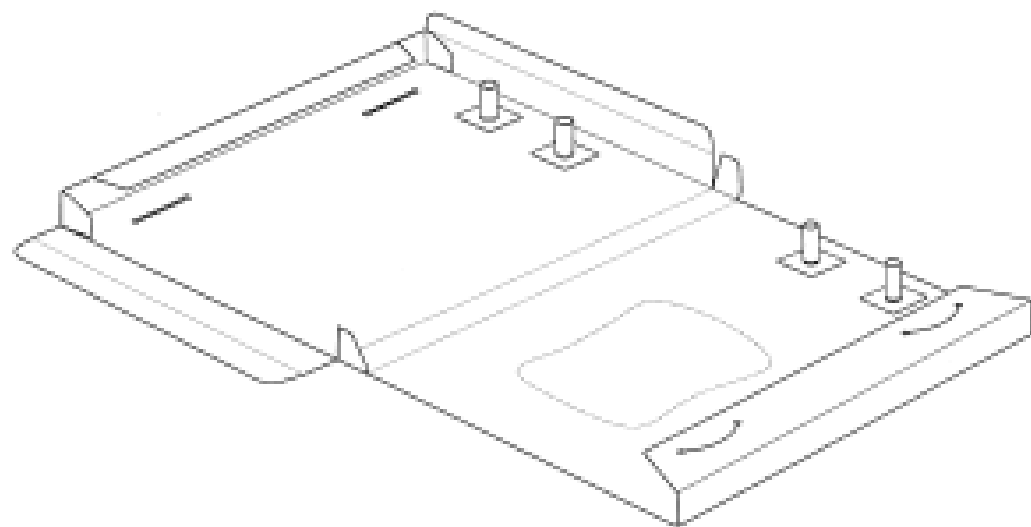
(57) Statement of Newness and Distinctiveness: **Newness and distinctiveness is claimed in the features of the 'X' located on the front face of a golf club head as illustrated in the accompanying representations.**



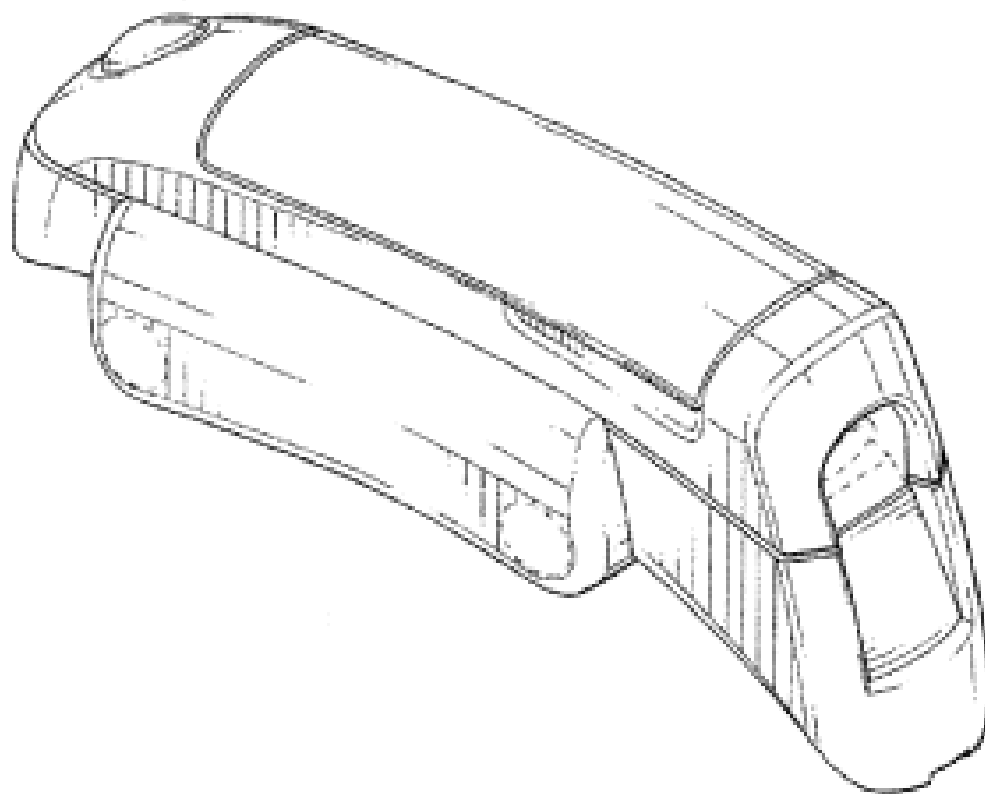
- (21) Design Number: **15711/2004**
(22) Date of Filing Application: **09 December 2004**
(24) Date from which industrial property rights may have effect: **09 December 2004**
(54) Product in respect of which the design is registered: **A disposable glove**
(51) International Design Classification: **02-06**
(71) Name(s) and Address(s) of Applicant(s):
Joe Lopresti
39 Chatswood Crescent Kidman Park South Australia 5025 Australia
(72) Name(s) of Designer(s): **Joe Lopresti**
(45) Registration Date: **09 June 2005**
(56) Related Art Documents: **Not Applicable**
(57) Statement of Newness and Distinctiveness: **Newness and distinctiveness resides in the shape and configuration of the mounting portion of the disposable glove located at the end of the middle finger.**



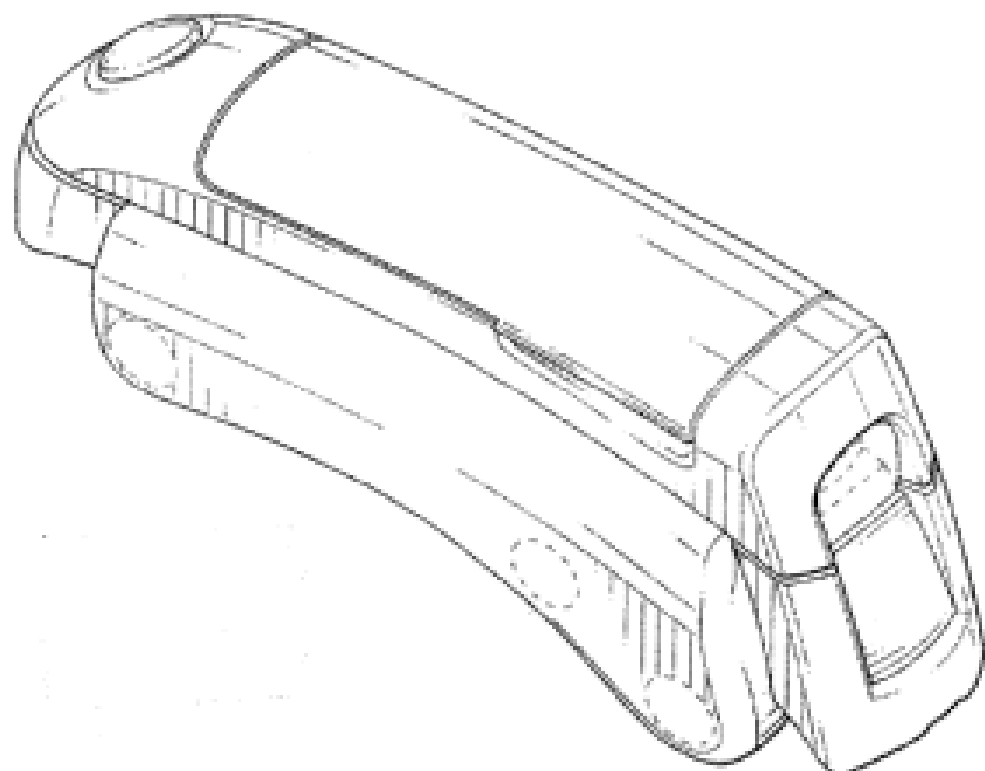
- (21) Design Number: **15712/2004**
(22) Date of Filing Application: **09 December 2004**
(24) Date from which industrial property rights may have effect: **09 December 2004**
(54) Product in respect of which the design is registered: **A disposable glove dispenser**
(51) International Design Classification: **09-03M, 23-02A**
(71) Name(s) and Address(s) of Applicant(s):
Joe Lopresti
39 Chatswood Crescent Kidman Park South Australia 5025 Australia
(72) Name(s) of Designer(s): **Joe Lopresti**
(45) Registration Date: **09 June 2005**
(56) Related Art Documents: **Not Applicable**
(57) Statement of Newness and Distinctiveness: **Nil**



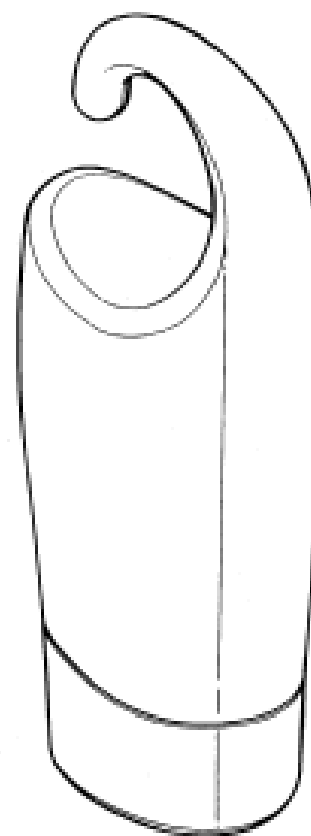
(21) Design Number: **15727/2004**
(22) Date of Filing Application: **09 December 2004**
(24) Date from which industrial property rights may have effect: **09 December 2004**
(54) Product in respect of which the design is registered: **Laser guide device**
(51) International Design Classification: **08-03**
(71) Name(s) and Address(s) of Applicant(s):
One World Technologies Limited
Cedar House 41 Cedar Avenue Hamilton HM 12 Bermuda
(72) Name(s) of Designer(s): **Daniel Alex Chunn and Kam Lun Tailun Gates Sham**
(45) Registration Date: **09 June 2005**
(30) Convention priority data:
(31) Number (32) Date (33) Country
29/207664 15 Jun 2004 UNITED STATES OF AMERICA
(56) Related Art Documents: **Not Applicable**
(57) Statement of Newness and Distinctiveness: **Nil**



(21) Design Number: **15728/2004**
(22) Date of Filing Application: **09 December 2004**
(24) Date from which industrial property rights may have effect: **09 December 2004**
(54) Product in respect of which the design is registered: **Laser guide device**
(51) International Design Classification: **08-03**
(71) Name(s) and Address(s) of Applicant(s):
One World Technologies Limited
Cedar House 41 Cedar Avenue Hamilton HM 12 Bermuda
(72) Name(s) of Designer(s): **Daniel Alex Chunn and Kam Lun Tailun Gates Sham**
(45) Registration Date: **09 June 2005**
(30) Convention priority data:
(31) Number (32) Date (33) Country
29/207664 15 Jun 2004 UNITED STATES OF AMERICA
(56) Related Art Documents: **Not Applicable**
(57) Statement of Newness and Distinctiveness: **Nil**



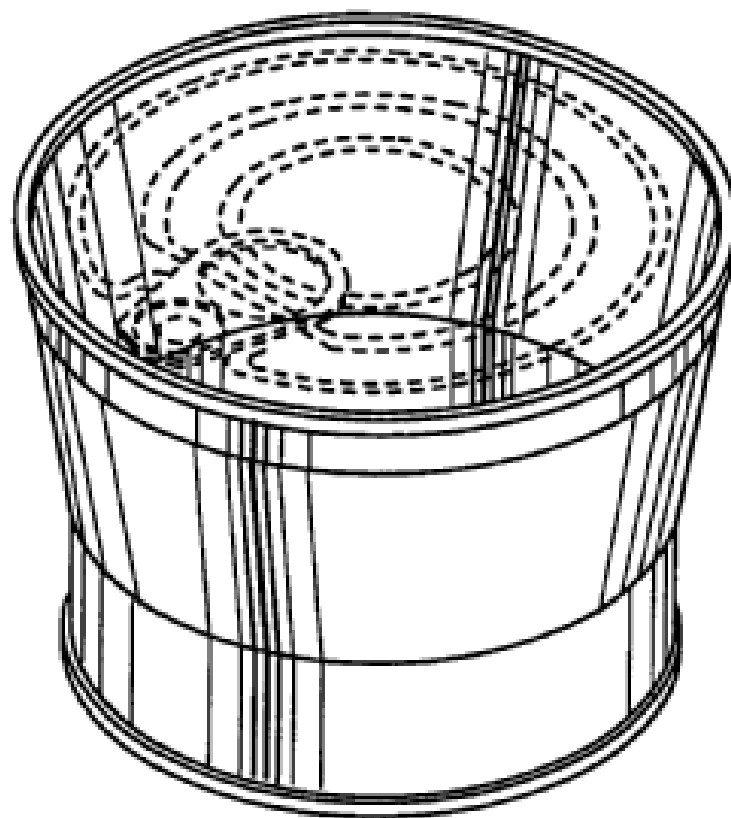
- (21) Design Number: **15730/2004**
(22) Date of Filing Application: **07 December 2004**
(24) Date from which industrial property rights may have effect: **07 December 2004**
(54) Product in respect of which the design is registered: **A bottle**
(51) International Design Classification: **09-01B**
(71) Name(s) and Address(s) of Applicant(s):
Tonix Australia Pty Ltd
Suite 17 Level 1 Bridgepoint 3 Brady Street Mosman New South
Wales 2088 Australia
(72) Name(s) of Designer(s): **Nicholas John Barnes**
(45) Registration Date: **09 June 2005**
(56) Related Art Documents: **Not Applicable**
(57) Statement of Newness and Distinctiveness: **Newness and distinctiveness is claimed in the shape and/or configuration of a bottle as illustrated by the unbroken lines in the accompanying representation/s.**



- (21) Design Number: **15735/2004**
(22) Date of Filing Application: **10 December 2004**
(24) Date from which industrial property rights may have effect: **10 December 2004**
(54) Product in respect of which the design is registered: **A frame member**
(51) International Design Classification: **25-01NES**
(71) Name(s) and Address(s) of Applicant(s):
B & R Enclosures
Brisbane South Industrial Park 51 Stradbroke Street Heathwood
Queensland 4110 Australia
(72) Name(s) of Designer(s): **Morrison John Just**
(45) Registration Date: **09 June 2005**
(56) Related Art Documents: **Not Applicable**
(57) Statement of Newness and Distinctiveness: **Newness and distinctiveness is claimed in the shape and configuration of a frame member of indefinite length as depicted in the representations.**



(21) Design Number: **15737/2004**
(22) Date of Filing Application: **13 December 2004**
(24) Date from which industrial property rights may have effect: **13 December 2004**
(54) Product in respect of which the design is registered: **A metallic microwavable container**
(51) International Design Classification: **09-03L**
(71) Name(s) and Address(s) of Applicant(s):
Ball Corporation
10 Longs Peak Broomfield Colorado 80021-2510 United States of America
(72) Name(s) of Designer(s): **Mark A. Jacober and Jason Kaanta**
(45) Registration Date: **09 June 2005**
(30) Convention priority data:
(31) Number (32) Date (33) Country
29/208746 01 Jul 2004 UNITED STATES OF AMERICA
(56) Related Art Documents: **Not Applicable**
(57) Statement of Newness and Distinctiveness: **Nil**



(21) Design Number: **15741/2004**
(22) Date of Filing Application: **10 December 2004**
(24) Date from which industrial property rights may have effect: **10 December 2004**
(54) Product in respect of which the design is registered: **A handset**
(51) International Design Classification: **14-03E**
(71) Name(s) and Address(s) of Applicant(s):
Nokia Corporation
Keilalahdentie 4 FIN-02150 Espoo Finland
(72) Name(s) of Designer(s): **Pertti Salmi and Sami Viitasaari and Hanna Vuolteenaho**
(45) Registration Date: **09 June 2005**
(30) Convention priority data:
(31) Number (32) Date (33) Country
M20040101 11 Jun 2004 FINLAND
(56) Related Art Documents: **Not Applicable**
(57) Statement of Newness and Distinctiveness: **Nil**



(21) Design Number: **15742/2004**
(22) Date of Filing Application: **10 December 2004**
(24) Date from which industrial property rights may have effect: **10 December 2004**
(54) Product in respect of which the design is registered: **A handset**
(51) International Design Classification: **14-03E**
(71) Name(s) and Address(s) of Applicant(s):

Nokia Corporation
Keilalahdentie 4 FIN-02150 Espoo Finland

(72) Name(s) of Designer(s): **Sami Viitasaari**

(45) Registration Date: **09 June 2005**

(30) Convention priority data:

(31) Number	(32) Date	(33) Country
M20040101	11 Jun 2004	FINLAND

(56) Related Art Documents: **Not Applicable**

(57) Statement of Newness and Distinctiveness: **Nil**



(21) Design Number: **15743/2004**
(22) Date of Filing Application: **10 December 2004**
(24) Date from which industrial property rights may have effect: **10 December 2004**
(54) Product in respect of which the design is registered: **A handset**
(51) International Design Classification: **14-03E**
(71) Name(s) and Address(s) of Applicant(s):

Nokia Corporation
Keilalahdentie 4 FIN-02150 Espoo Finland

(72) Name(s) of Designer(s): **Robert Pitt and Aaron Moss**

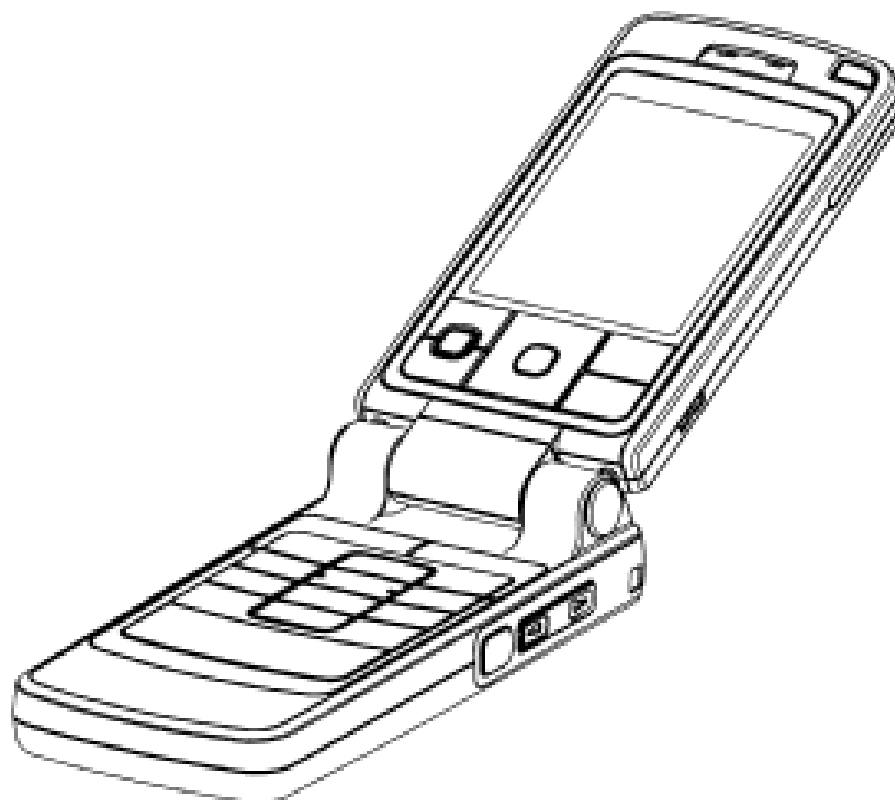
(45) Registration Date: **09 June 2005**

(30) Convention priority data:

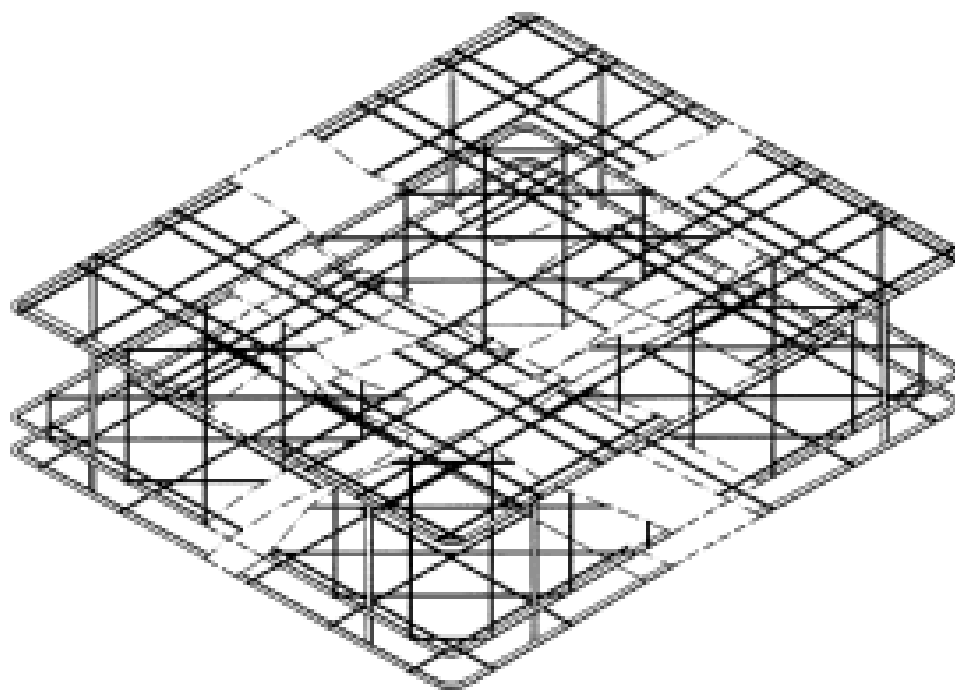
(31) Number	(32) Date	(33) Country
M20040101	11 Jun 2004	FINLAND

(56) Related Art Documents: **Not Applicable**

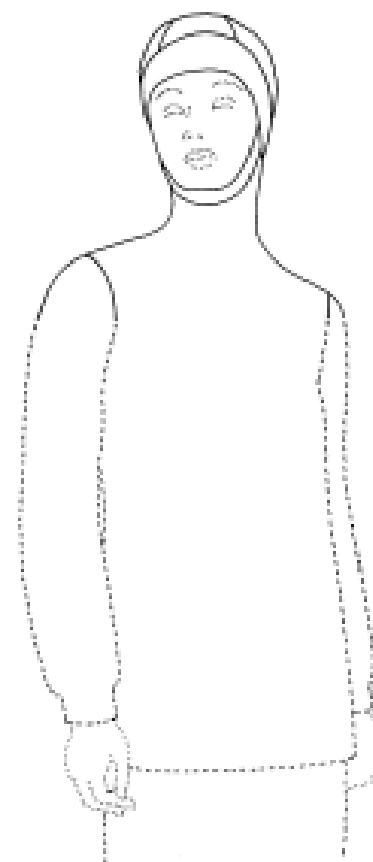
(57) Statement of Newness and Distinctiveness: **Nil**



- (21) Design Number: **15744/2004**
(22) Date of Filing Application: **13 December 2004**
(24) Date from which industrial property rights may have effect: **13 December 2004**
(54) Product in respect of which the design is registered: **Basket for glassware**
(51) International Design Classification: **15-05**
(71) Name(s) and Address(s) of Applicant(s):
Janeaux Pty Ltd
2 Orange Grove Camberwell Victoria 3124 Australia
(72) Name(s) of Designer(s): **Brian Thomas McDonnell**
(45) Registration Date: **09 June 2005**
(56) Related Art Documents: **Not Applicable**
(57) Statement of Newness and Distinctiveness: **The configuration and relative alignment of the three grid layers are new and distinctive. In considering the scope of the design, the particular configuration of and placement of the supports separating the three grid layers are to be disregarded.**



- (21) Design Number: **15750/2004**
(22) Date of Filing Application: **13 December 2004**
(24) Date from which industrial property rights may have effect: **13 December 2004**
(54) Product in respect of which the design is registered: **An article of clothing**
(51) International Design Classification: **02-02B**
(71) Name(s) and Address(s) of Applicant(s):
Ahida Pty Ltd
5 The Boulevard Yagoona New South Wales 2199 Australia
(72) Name(s) of Designer(s): **Aheda Ann Zanetti**
(45) Registration Date: **09 June 2005**
(56) Related Art Documents: **Not Applicable**
(57) Statement of Newness and Distinctiveness: **Newness and distinctiveness is claimed in the features of shape and/or configuration of an article of clothing as illustrated in the accompanying representations and in considering the newness and distinctiveness, the features shown in phantom are to be disregarded.**



(21) Design Number: **15751/2004**

(22) Date of Filing Application: **13 December 2004**

(24) Date from which industrial property rights may have effect: **13 December 2004**

(54) Product in respect of which the design is registered: **An article of clothing**

(51) International Design Classification: **02-02B**

(71) Name(s) and Address(s) of Applicant(s):

Ahiida Pty Ltd

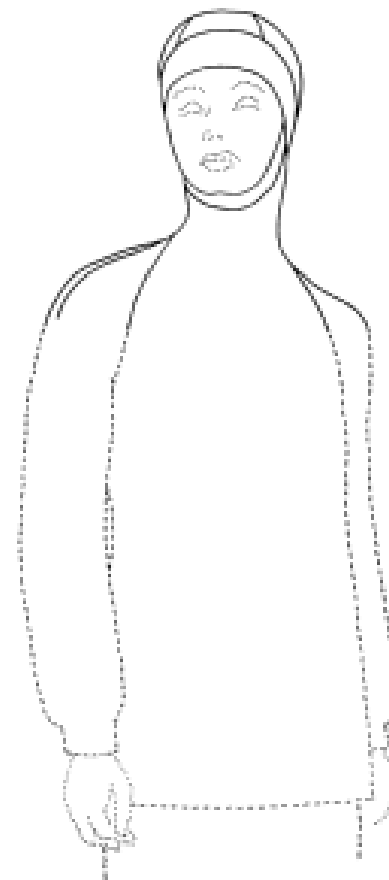
5 The Boulevardde Yagoona New South Wales 2199 Australia

(72) Name(s) of Designer(s): **Aheda Ann Zanetti**

(45) Registration Date: **09 June 2005**

(56) Related Art Documents: **Not Applicable**

(57) Statement of Newness and Distinctiveness: **Newness and distinctiveness is claimed in the features of shape and/or configuration of an article of clothing as illustrated in the accompanying representations and in considering the newness and distinctiveness, the features shown in phantom are to be disregarded.**



(21) Design Number: **15752/2004**

(22) Date of Filing Application: **13 December 2004**

(24) Date from which industrial property rights may have effect: **13 December 2004**

(54) Product in respect of which the design is registered: **A bed edge support**

(51) International Design Classification: **06-06F**

(71) Name(s) and Address(s) of Applicant(s):

George Gibbens Pty Limited

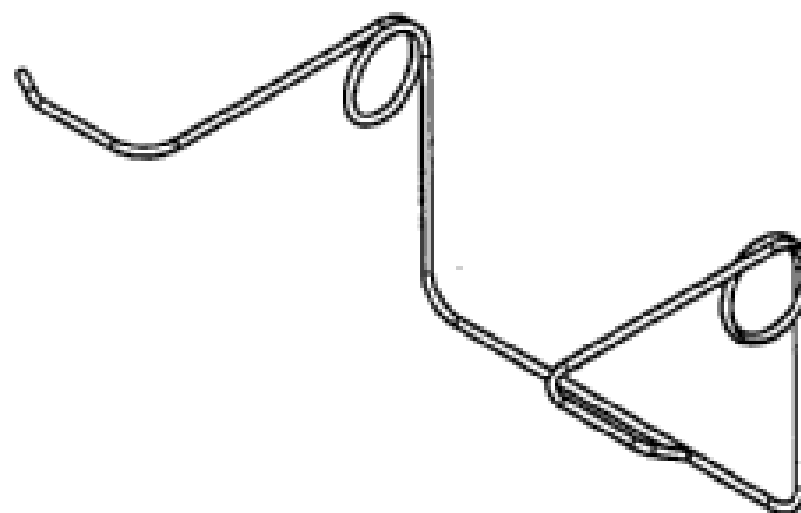
376 Manns Road West Gosford New South Wales 2250 Australia

(72) Name(s) of Designer(s): **Scott Gibbens**

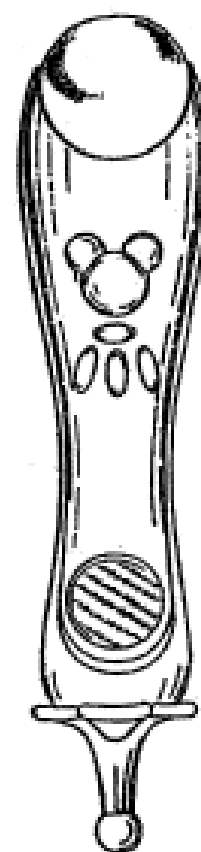
(45) Registration Date: **09 June 2005**

(56) Related Art Documents: **Not Applicable**

(57) Statement of Newness and Distinctiveness: **Newness and distinctiveness is claimed in the shape and/or configuration of a bed edge support as illustrated in the representations.**

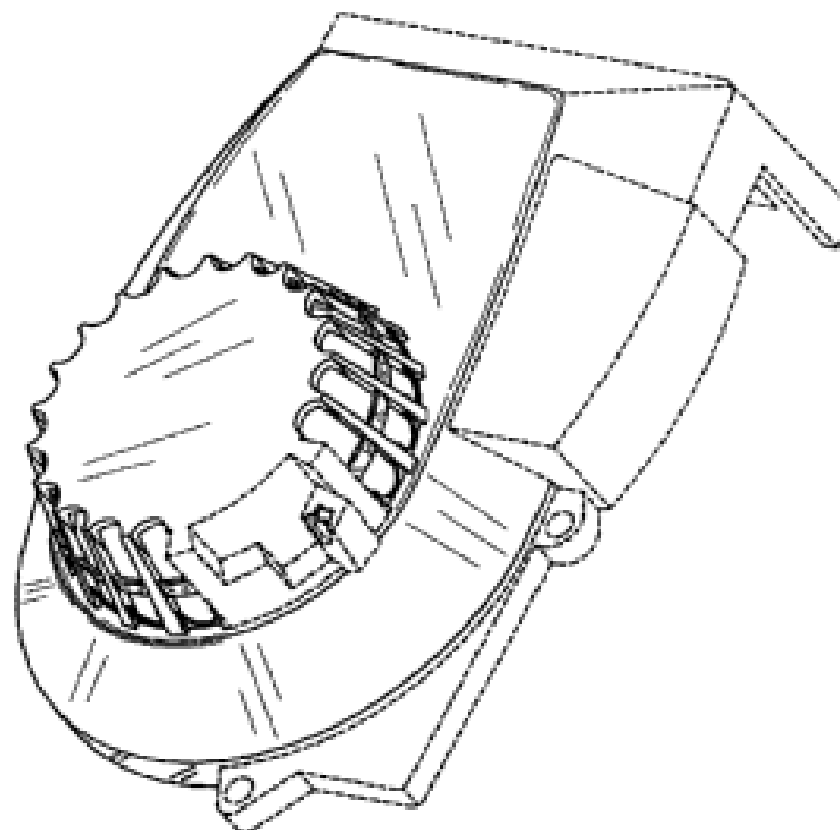


- (21) Design Number: **15769/2004**
- (22) Date of Filing Application: **13 December 2004**
- (24) Date from which industrial property rights may have effect: **18 March 2004**
- (54) Product in respect of which the design is registered: **Karaoke microphone**
- (51) International Design Classification: **14-01**
- (71) Name(s) and Address(s) of Applicant(s):
Disney Enterprises Inc.
500 South Buena Vista Avenue Burbank California 91521 United States of America
- (72) Name(s) of Designer(s): **Po Yi Ng**
- (45) Registration Date: **09 June 2005**
- (62) Divisional of: **157226**
- (56) Related Art Documents: **Not Applicable**
- (57) Statement of Newness and Distinctiveness: **Each feature of the design considered seperately or in combination with any other feature or features.**



- (21) Design Number: **15781/2004**
- (22) Date of Filing Application: **14 December 2004**
- (24) Date from which industrial property rights may have effect: **14 December 2004**
- (54) Product in respect of which the design is registered: **Engine assembly**
- (51) International Design Classification: **15-01**
- (71) Name(s) and Address(s) of Applicant(s):
Briggs & Stratton Corporation
12301 West Wirth Street Wauwatosa Wisconsin 53222 United States of America
- (72) Name(s) of Designer(s): **John J. Nagel and John A. Zbiegien Jr. and Daniel A. Matre**
- (45) Registration Date: **09 June 2005**
- (30) Convention priority data:

(31) Number	(32) Date	(33) Country
29/208,019	23 Jun 2004	UNITED STATES OF AMERICA
- (56) Related Art Documents: **Not Applicable**
- (57) Statement of Newness and Distinctiveness: **Newness and distinctiveness are provided by the shape and/or configuration of the design shown in the representations. The features shown in broken lines in the representations are for illustrative purposes only and should not be considered when construing visual features of the design.**



- (21) Design Number: **15782/2004**
(22) Date of Filing Application: **14 December 2004**
(24) Date from which industrial property rights may have effect: **14 December 2004**
(54) Product in respect of which the design is registered: **Cover for an engine**
(51) International Design Classification: **15-01**
(71) Name(s) and Address(s) of Applicant(s):

Briggs & Stratton Corporation
12301 West Wirth Street Wauwatosa Wisconsin 53222 United States of America

- (72) Name(s) of Designer(s): **Tim Strandell and Mike Phillips and Mark Brenneman**

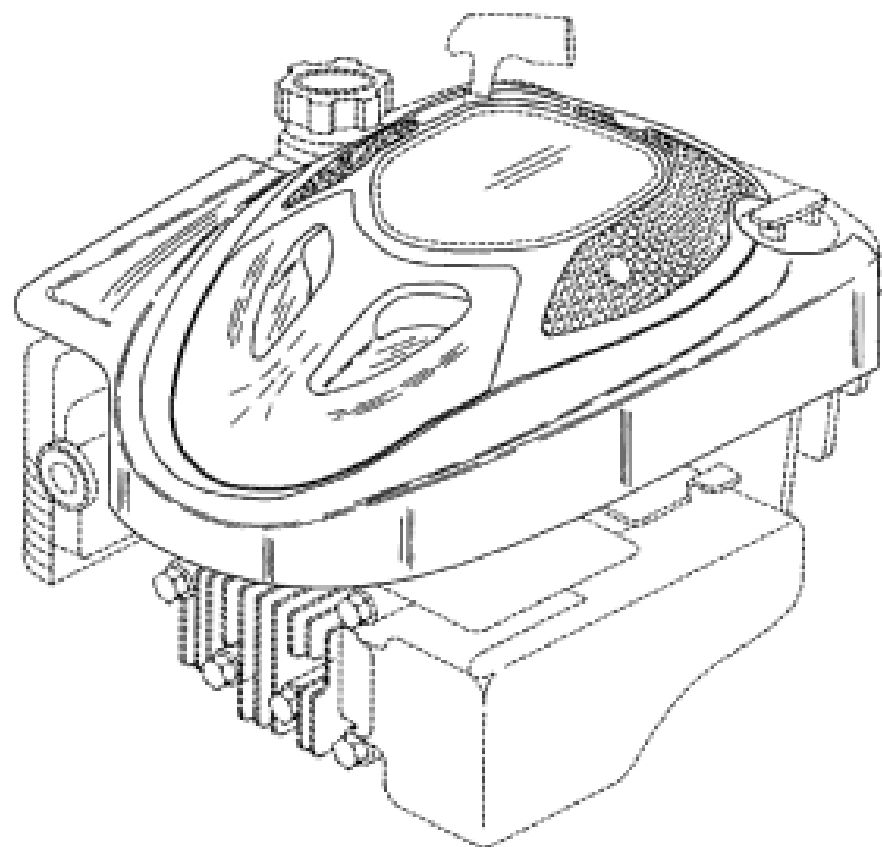
(45) Registration Date: **09 June 2005**

(30) Convention priority data:

(31) Number	(32) Date	(33) Country
29/208,525	30 Jun 2004	UNITED STATES OF AMERICA

(56) Related Art Documents: **Not Applicable**

- (57) Statement of Newness and Distinctiveness: **Newness and distinctiveness are provided by the shape and/or configuration of the design shown in the representations. The features shown in broken lines in the representations are for illustrative purposes only and should not be considered when construing visual features of the design.**



- (21) Design Number: **15790/2004**
(22) Date of Filing Application: **14 December 2004**
(24) Date from which industrial property rights may have effect: **14 December 2004**
(54) Product in respect of which the design is registered: **Packaging box**
(51) International Design Classification: **09-03M**
(71) Name(s) and Address(s) of Applicant(s):

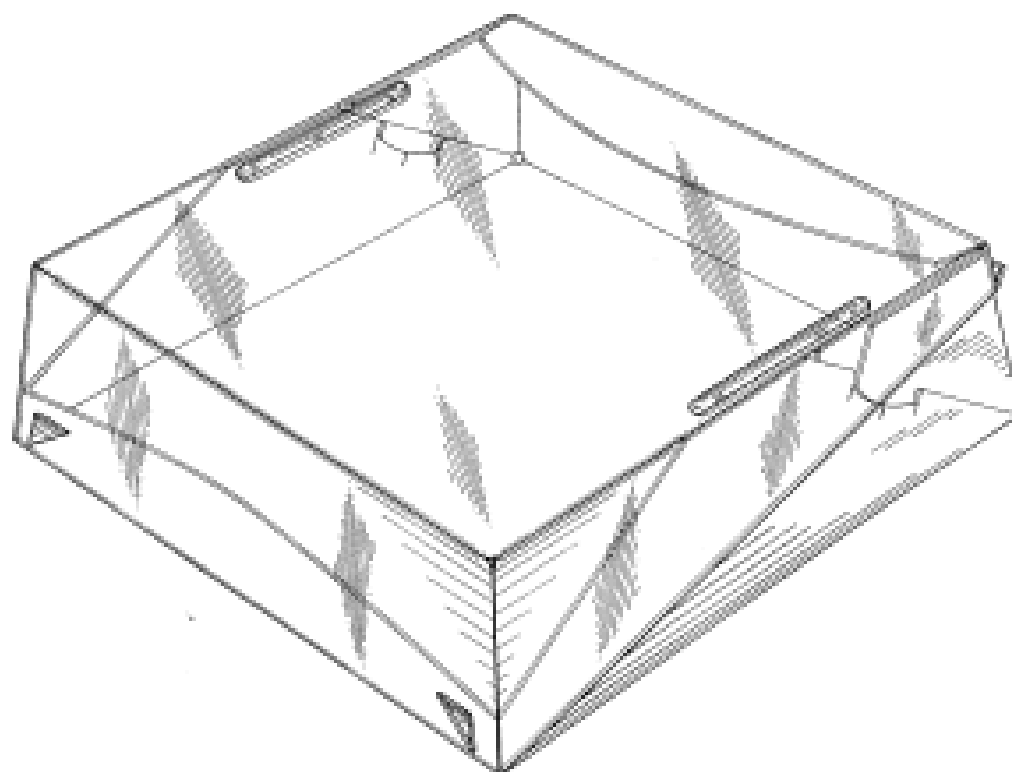
Guy Vanhoutte
Hazenveld 7 1600 Oudenaken Belgium

- (72) Name(s) of Designer(s): **Guy Vanhoutte**

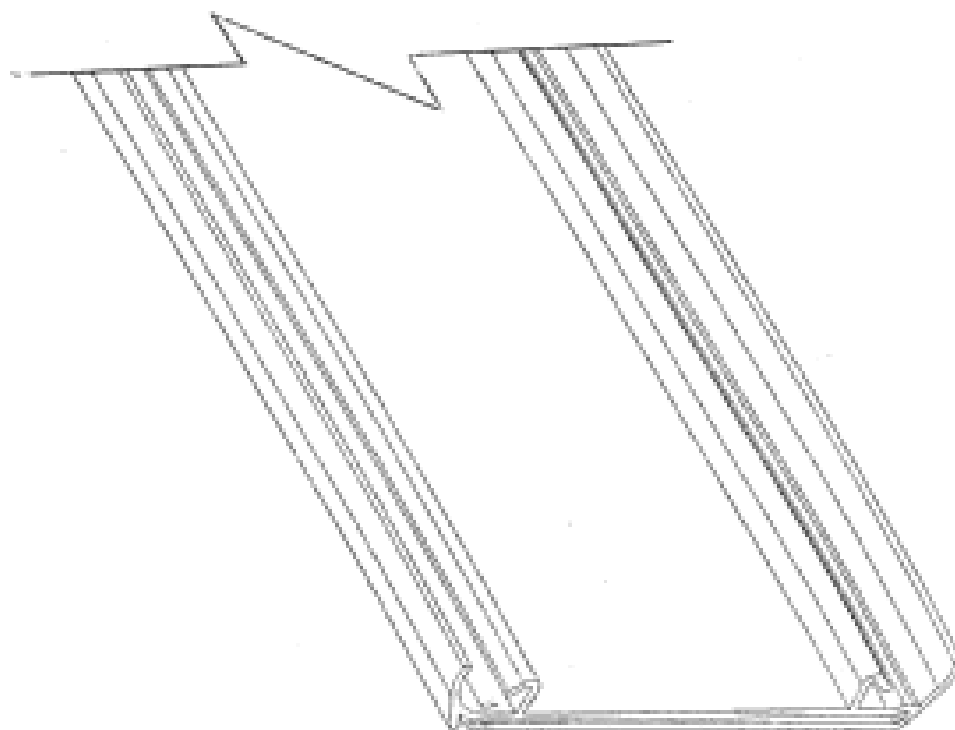
(45) Registration Date: **09 June 2005**

(56) Related Art Documents: **Not Applicable**

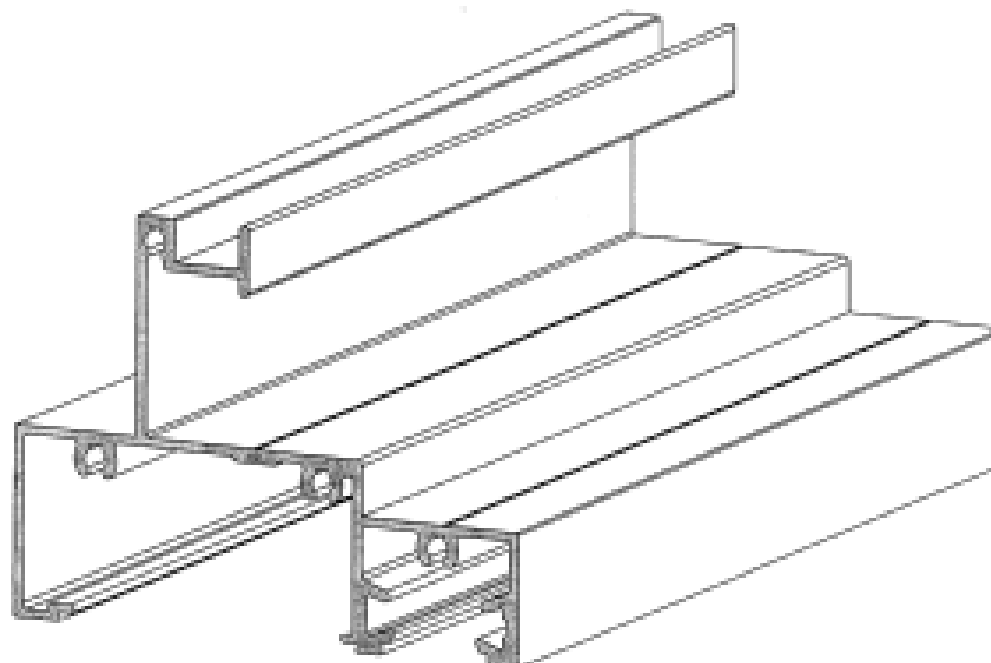
(57) Statement of Newness and Distinctiveness: **Nil**



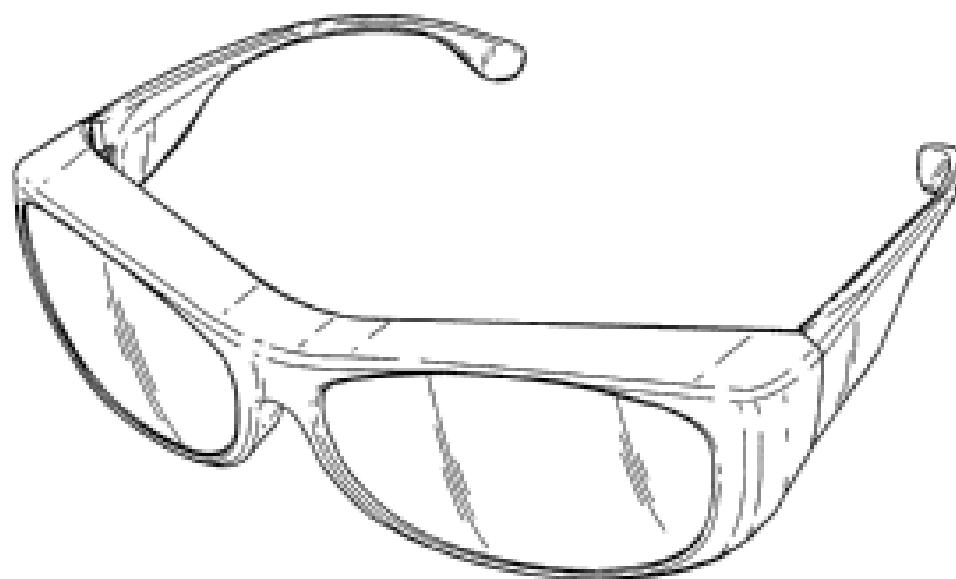
- (21) Design Number: **15803/2004**
(22) Date of Filing Application: **15 December 2004**
(24) Date from which industrial property rights may have effect: **15 December 2004**
(54) Product in respect of which the design is registered: **Profile**
(51) International Design Classification: **25-01K**
(71) Name(s) and Address(s) of Applicant(s):
Australian Plastic Profiles Pty Ltd
12 Cawarra Road Caringbah New South Wales 2229 Australia
(72) Name(s) of Designer(s): **John Patrick Hills**
(45) Registration Date: **09 June 2005**
(56) Related Art Documents: **Not Applicable**
(57) Statement of Newness and Distinctiveness: **Newness and distinctiveness is claimed in the visual features of the profile shown in the representations which is of indefinite length.**



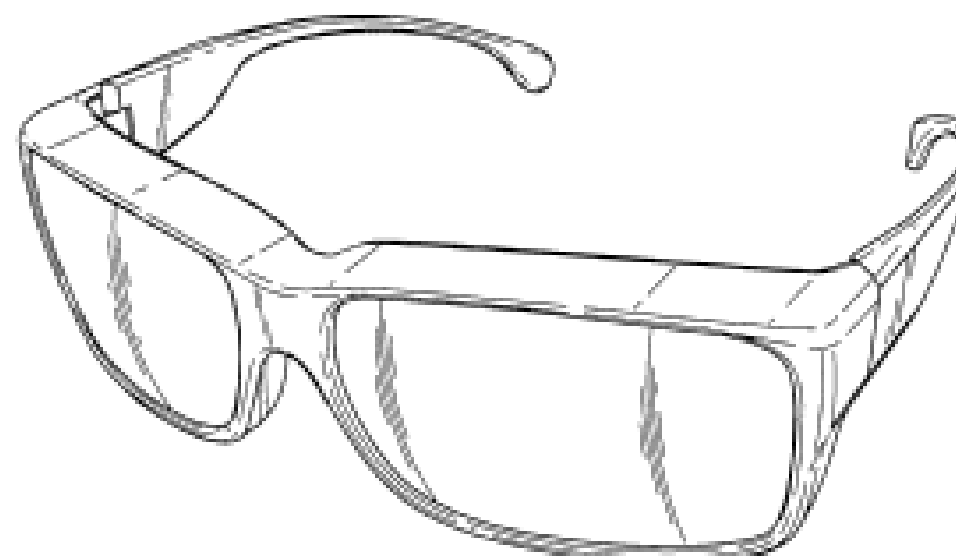
- (21) Design Number: **15824/2004**
(22) Date of Filing Application: **15 December 2004**
(24) Date from which industrial property rights may have effect: **15 December 2004**
(54) Product in respect of which the design is registered: **Extrusion**
(51) International Design Classification: **25-01K**
(71) Name(s) and Address(s) of Applicant(s):
Design Investments Pty Ltd
47 Esther Street Belmont Western Australia 6014 Australia
(72) Name(s) of Designer(s): **Kevin Goldman and Brett Meakins**
(45) Registration Date: **09 June 2005**
(56) Related Art Documents: **Not Applicable**
(57) Statement of Newness and Distinctiveness: **The particular visual features of the design which are new and distinctive are the shape of the extrusion of indefinite length.**



(21) Design Number: **15825/2004**
(22) Date of Filing Application: **15 December 2004**
(24) Date from which industrial property rights may have effect: **15 December 2004**
(54) Product in respect of which the design is registered: **Eyeglasses**
(51) International Design Classification: **16-06**
(71) Name(s) and Address(s) of Applicant(s):
Dioptics Medical Products Inc.
51 Zaca Lane San Luis Obispo California 93401 United States of America
(72) Name(s) of Designer(s): **Henry Welling Lane**
(45) Registration Date: **09 June 2005**
(30) Convention priority data:
(31) Number (32) Date (33) Country
29208749 02 Jul 2004 UNITED STATES OF AMERICA
(56) Related Art Documents: **Not Applicable**
(57) Statement of Newness and Distinctiveness: **Nil**

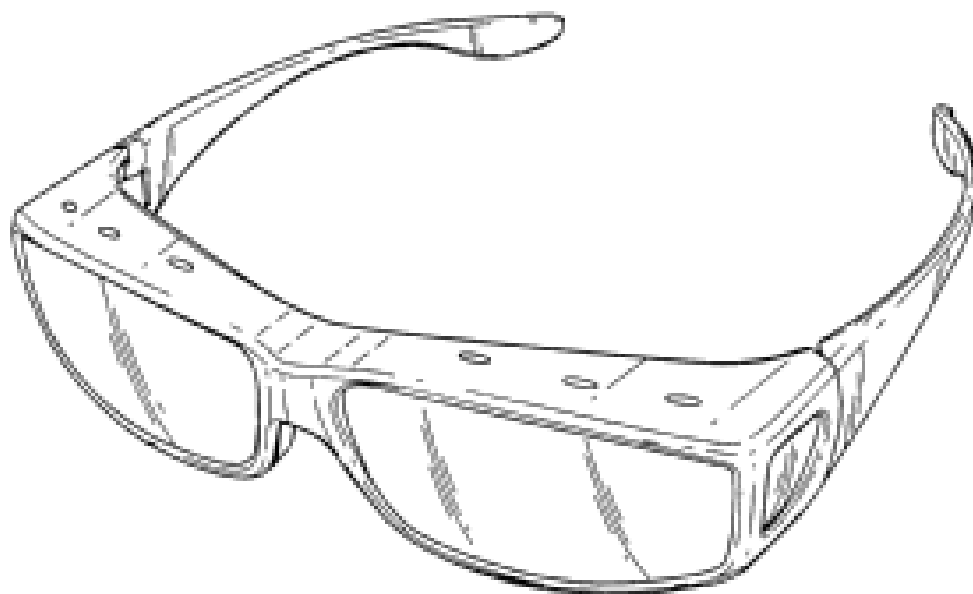


(21) Design Number: **15826/2004**
(22) Date of Filing Application: **15 December 2004**
(24) Date from which industrial property rights may have effect: **15 December 2004**
(54) Product in respect of which the design is registered: **Eyeglasses**
(51) International Design Classification: **16-06**
(71) Name(s) and Address(s) of Applicant(s):
Dioptics Medical Products Inc.
51 Zaca Lane San Luis Obispo California 93401 United States of America
(72) Name(s) of Designer(s): **Henry Welling Lane**
(45) Registration Date: **09 June 2005**
(30) Convention priority data:
(31) Number (32) Date (33) Country
29208780 02 Jul 2004 UNITED STATES OF AMERICA
(56) Related Art Documents: **Not Applicable**
(57) Statement of Newness and Distinctiveness: **Nil**



(19) AU

(21) Design Number: **15827/2004**
(22) Date of Filing Application: **15 December 2004**
(24) Date from which industrial property rights may have effect: **15 December 2004**
(54) Product in respect of which the design is registered: **Eyeglasses**
(51) International Design Classification: **16-06**
(71) Name(s) and Address(s) of Applicant(s):
Dioptics Medical Products Inc.
51 Zaca Lane San Luis Obispo California 93401 United States of America
(72) Name(s) of Designer(s): **Henry Welling Lane**
(45) Registration Date: **09 June 2005**
(30) Convention priority data:
(31) Number (32) Date (33) Country
29208750 02 Jul 2004 UNITED STATES OF AMERICA
(56) Related Art Documents: **Not Applicable**
(57) Statement of Newness and Distinctiveness: **Nil**



(19) AU

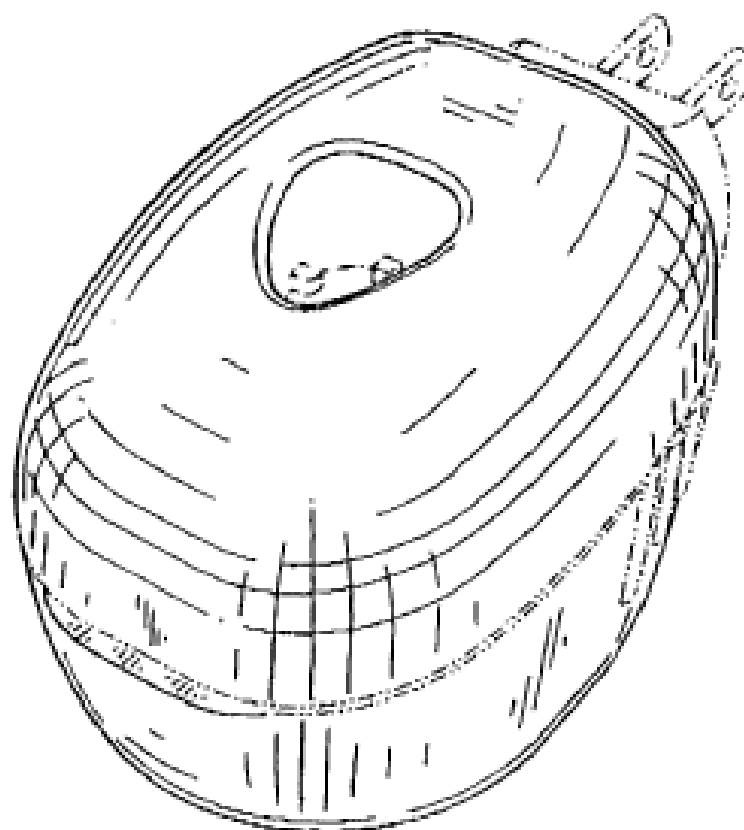
(21) Design Number: **15828/2004**
(22) Date of Filing Application: **15 December 2004**
(24) Date from which industrial property rights may have effect: **15 December 2004**
(54) Product in respect of which the design is registered: **Lock bolt receiver**
(51) International Design Classification: **08-07**
(71) Name(s) and Address(s) of Applicant(s):
Yarra Ridge Pty Ltd
8 Ross Street South Melbourne Victoria 3205 Australia
(72) Name(s) of Designer(s): **Neil Cunningham**
(45) Registration Date: **09 June 2005**
(56) Related Art Documents: **Not Applicable**
(57) Statement of Newness and Distinctiveness: **Nil**



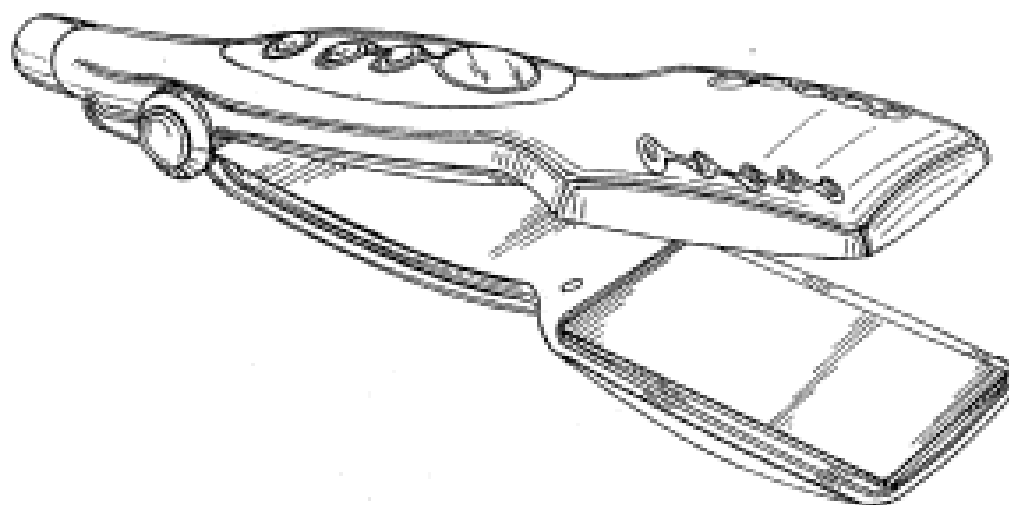
- (21) Design Number: **15829/2004**
(22) Date of Filing Application: **15 December 2004**
(24) Date from which industrial property rights may have effect: **15 December 2004**
(54) Product in respect of which the design is registered: **Lock bolt receiver**
(51) International Design Classification: **08-07**
(71) Name(s) and Address(s) of Applicant(s):
Yarra Ridge Pty Ltd
8 Ross Street South Melbourne Victoria 3205 Australia
(72) Name(s) of Designer(s): **Neil Cunningham**
(45) Registration Date: **09 June 2005**
(56) Related Art Documents: **Not Applicable**
(57) Statement of Newness and Distinctiveness: **Nil**



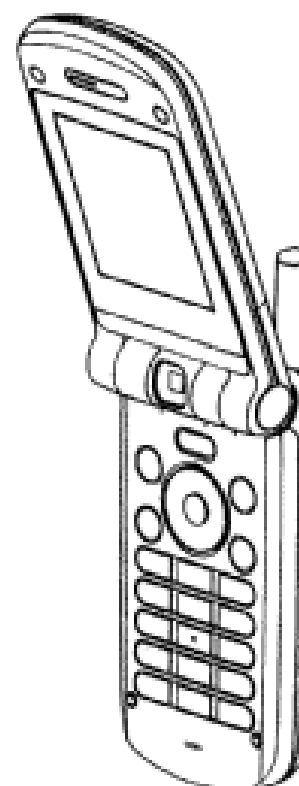
- (21) Design Number: **15830/2004**
(22) Date of Filing Application: **15 December 2004**
(24) Date from which industrial property rights may have effect: **15 December 2004**
(54) Product in respect of which the design is registered: **Housing for volatile dispenser**
(51) International Design Classification: **28-99**
(71) Name(s) and Address(s) of Applicant(s):
S.C. Johnson & Son, Inc.
1525 Howe Street Racine Wisconsin 53403-2236 United States of America
(72) Name(s) of Designer(s): **Brian T. Davis and Saleh A. Saleh and Franco Zobebe**
(45) Registration Date: **09 June 2005**
(30) Convention priority data:
(31) Number (32) Date (33) Country
29/207646 16 Jun 2004 UNITED STATES OF AMERICA
(56) Related Art Documents: **Not Applicable**
(57) Statement of Newness and Distinctiveness: **Newness and distinctiveness is claimed in the features of shape and/or configuration of a housing for a volatile dispenser as illustrated in continuous lines in the accompanying representations.**



- (21) Design Number: **15831/2004**
(22) Date of Filing Application: **15 December 2004**
(24) Date from which industrial property rights may have effect: **15 December 2004**
(54) Product in respect of which the design is registered: **Hair straightener**
(51) International Design Classification: **28-03B**
(71) Name(s) and Address(s) of Applicant(s):
Rayovac Corporation
601 Rayovac Drive Madison Wisconsin 53711-2497 United States of America
(72) Name(s) of Designer(s): **Scott Johnstone and Josephina Kim and Sean Lukan and Aaron Szymanski**
(45) Registration Date: **09 June 2005**
(30) Convention priority data:
(31) Number (32) Date (33) Country
29/207847 16 Jun 2004 UNITED STATES OF AMERICA
(56) Related Art Documents: **Not Applicable**
(57) Statement of Newness and Distinctiveness: **Newness and distinctiveness is claimed in the features of shape and/or configuration of a hair straightener as illustrated in the accompanying representations.**



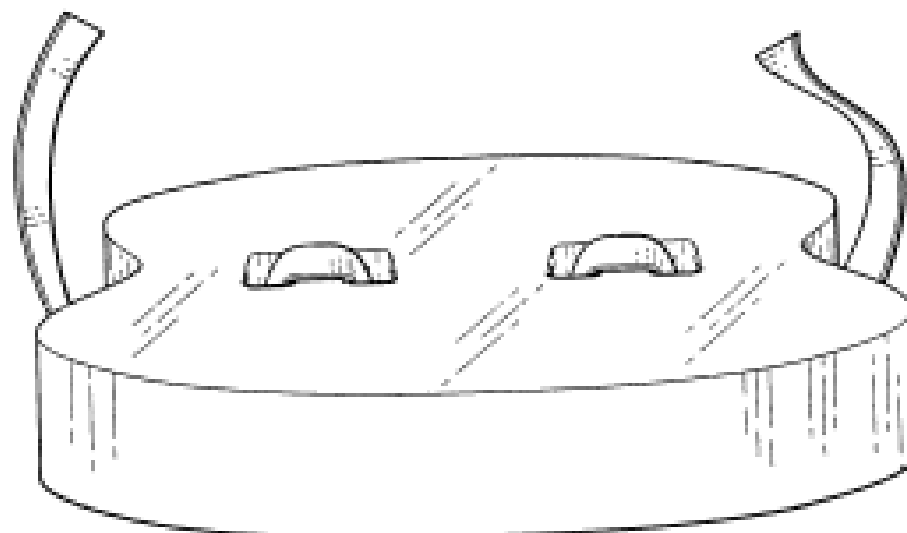
- (21) Design Number: **15837/2004**
(22) Date of Filing Application: **15 December 2004**
(24) Date from which industrial property rights may have effect: **15 December 2004**
(54) Product in respect of which the design is registered: **Portable wireless telephone**
(51) International Design Classification: **14-03E**
(71) Name(s) and Address(s) of Applicant(s):
NEC Corporation
7-1 Shiba 5-chome Minato-ku Tokyo Japan
(72) Name(s) of Designer(s): **Jun Watanabe and Tatsuya Mori and Kazuya Matsumoto**
(45) Registration Date: **09 June 2005**
(30) Convention priority data:
(31) Number (32) Date (33) Country
2004-25812 27 Aug 2004 JAPAN
(56) Related Art Documents: **Not Applicable**
(57) Statement of Newness and Distinctiveness: **Newness and distinctiveness is claimed in the features of shape and/or configuration of a portable wireless telephone as illustrated in the accompanying representations.**



(21) Design Number: **15841/2004**
(22) Date of Filing Application: **16 December 2004**
(24) Date from which industrial property rights may have effect: **16 December 2004**
(54) Product in respect of which the design is registered: **Decorative point**
(51) International Design Classification: **25-02D**
(71) Name(s) and Address(s) of Applicant(s):
Triple Star Diecasting Pty Ltd
Factory 2 6 Park Drive Dandenong South Victoria 3175 Australia
(72) Name(s) of Designer(s): **Quoc C Tieu and Joerg Rudolf Schmidt**
(45) Registration Date: **09 June 2005**
(56) Related Art Documents: **Not Applicable**
(57) Statement of Newness and Distinctiveness: **Nil**



(21) Design Number: **15843/2004**
(22) Date of Filing Application: **13 December 2004**
(24) Date from which industrial property rights may have effect: **13 December 2004**
(54) Product in respect of which the design is registered: **Buoyancy aid**
(51) International Design Classification: **21-02D, 29-02**
(71) Name(s) and Address(s) of Applicant(s):
Rhiannon Jones
Top Lodge Wing Rutland LE15 8SAE England
(72) Name(s) of Designer(s): **Rhiannon Jones**
(45) Registration Date: **09 June 2005**
(30) Convention priority data:
(31) Number (32) Date (33) Country
3018108 16 Jul 2004 UNITED KINGDOM
(56) Related Art Documents: **Not Applicable**
(57) Statement of Newness and Distinctiveness: **Nil**



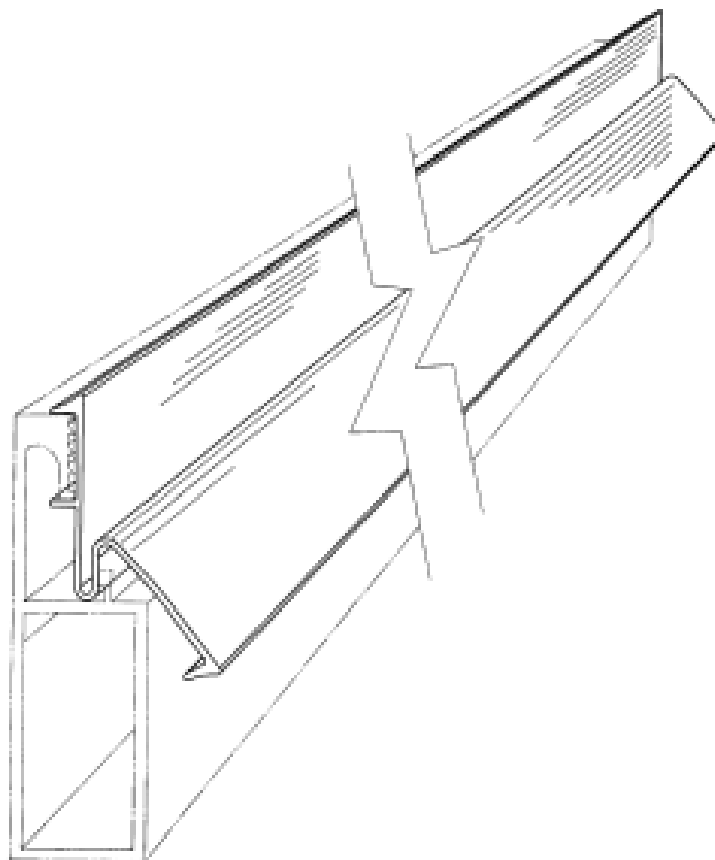
- (21) Design Number: **15844/2004**
(22) Date of Filing Application: **16 December 2004**
(24) Date from which industrial property rights may have effect: **16 December 2004**
(54) Product in respect of which the design is registered: **Simple table**
(51) International Design Classification: **06-03B**
(71) Name(s) and Address(s) of Applicant(s):
Adam Ralston
3/33 Merthyr Road New Farm Queensland 4005 Australia
(72) Name(s) of Designer(s): **Adam Ralston**
(45) Registration Date: **09 June 2005**
(56) Related Art Documents: **Not Applicable**
(57) Statement of Newness and Distinctiveness: **The 180 degree curve, 2 piece table as per photo.**



- (21) Design Number: **15848/2004**
(22) Date of Filing Application: **16 December 2004**
(24) Date from which industrial property rights may have effect: **16 December 2004**
(54) Product in respect of which the design is registered: **A garment cover**
(51) International Design Classification: **03-01NES**
(71) Name(s) and Address(s) of Applicant(s):
Debra Eldred
23 Dewhurst Drive Mudgee New South Wales 2850 Australia
(72) Name(s) of Designer(s): **Debra Eldred**
(45) Registration Date: **09 June 2005**
(56) Related Art Documents: **Not Applicable**
(57) Statement of Newness and Distinctiveness: **Newness and distinctiveness is claimed in the features of pattern and/or ornamentation of a garment cover as illustrated in the accompanying representations.**



- (21) Design Number: **15849/2004**
(22) Date of Filing Application: **17 December 2004**
(24) Date from which industrial property rights may have effect: **17 December 2004**
(54) Product in respect of which the design is registered: **Plastic extrusion for security screen**
(51) International Design Classification: **25-02B, 25-02H**
(71) Name(s) and Address(s) of Applicant(s):
Crimsafe Security Systems Pty Ltd
54 Chetwynd Street Loganholme Queensland 4129 Australia
Pacific Plastics Pty Ltd
7-9 Herbert Street Slacks Creek Queensland 4127 Australia
(72) Name(s) of Designer(s): **Richard Dinning and Steve Brabeck**
(45) Registration Date: **09 June 2005**
(56) Related Art Documents: **Not Applicable**
(57) Statement of Newness and Distinctiveness: **The newness and distinctiveness of the design resides in the features of shape and/or configuration of the plastic extrusion shown in the accompanying representations.**



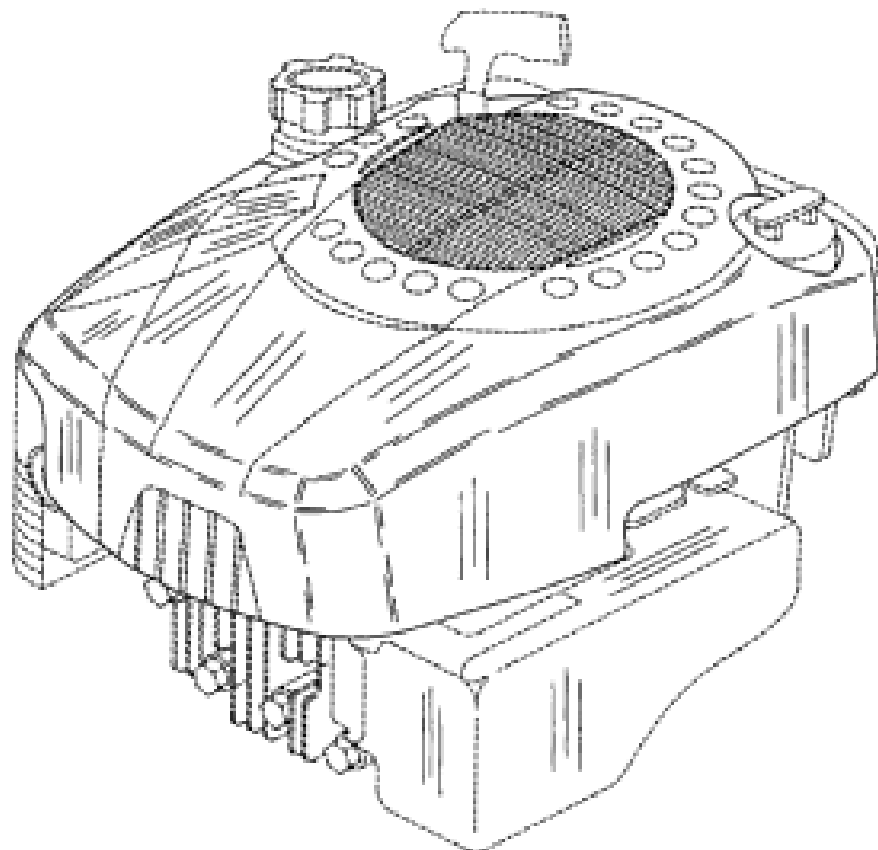
- (21) Design Number: **15852/2004**
(22) Date of Filing Application: **16 December 2004**
(24) Date from which industrial property rights may have effect: **16 December 2004**
(54) Product in respect of which the design is registered: **A door handle**
(51) International Design Classification: **08-06**
(71) Name(s) and Address(s) of Applicant(s):
Azuma Design Pty Limited
160-162 Newton Road Wetherill Park New South Wales 2164 Australia
(72) Name(s) of Designer(s): **Richard Zitzelsperger and Phillip Peet and Brian Michael Alchin**
(45) Registration Date: **09 June 2005**
(56) Related Art Documents: **Not Applicable**
(57) Statement of Newness and Distinctiveness: **Newness and distinctiveness is claimed in the features of shape and/or configuration of a door handle as illustrated in the accompanying representations.**



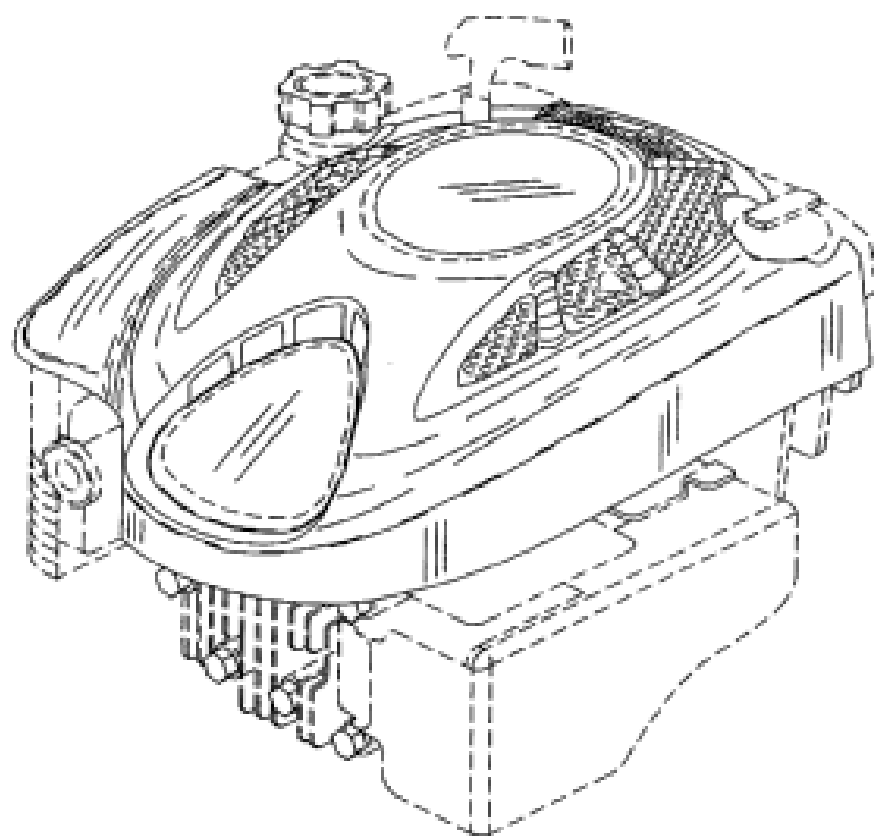
(21) Design Number: **15853/2004**
(22) Date of Filing Application: **16 December 2004**
(24) Date from which industrial property rights may have effect: **16 December 2004**
(54) Product in respect of which the design is registered: **A door handle**
(51) International Design Classification: **08-06**
(71) Name(s) and Address(s) of Applicant(s):
Azuma Design Pty Limited
160-162 Newton Road Wetherill Park New South Wales 2164 Australia
(72) Name(s) of Designer(s): **Richard Zitzelsperger and Michael Brian Alchin**
(45) Registration Date: **09 June 2005**
(56) Related Art Documents: **Not Applicable**
(57) Statement of Newness and Distinctiveness: **Newness and distinctiveness is claimed in the features of shape and/or configuration of a door handle as illustrated in the accompanying representations.**



(21) Design Number: **15854/2004**
(22) Date of Filing Application: **16 December 2004**
(24) Date from which industrial property rights may have effect: **16 December 2004**
(54) Product in respect of which the design is registered: **Engine cover**
(51) International Design Classification: **15-01**
(71) Name(s) and Address(s) of Applicant(s):
Briggs & Stratton Corporation
12301 West Wirth Street Wauwatosa Wisconsin 53222 United States of America
(72) Name(s) of Designer(s): **Richard Walters**
(45) Registration Date: **09 June 2005**
(30) Convention priority data:
(31) Number (32) Date (33) Country
29/208,607 30 Jun 2004 UNITED STATES OF AMERICA
(56) Related Art Documents: **Not Applicable**
(57) Statement of Newness and Distinctiveness: **Newness and distinctiveness are provided by the shape and/or configuration of the design shown in the representations. The features shown in broken lines in the representations are for illustrative purposes only and should not be considered when construing visual features of the design.**



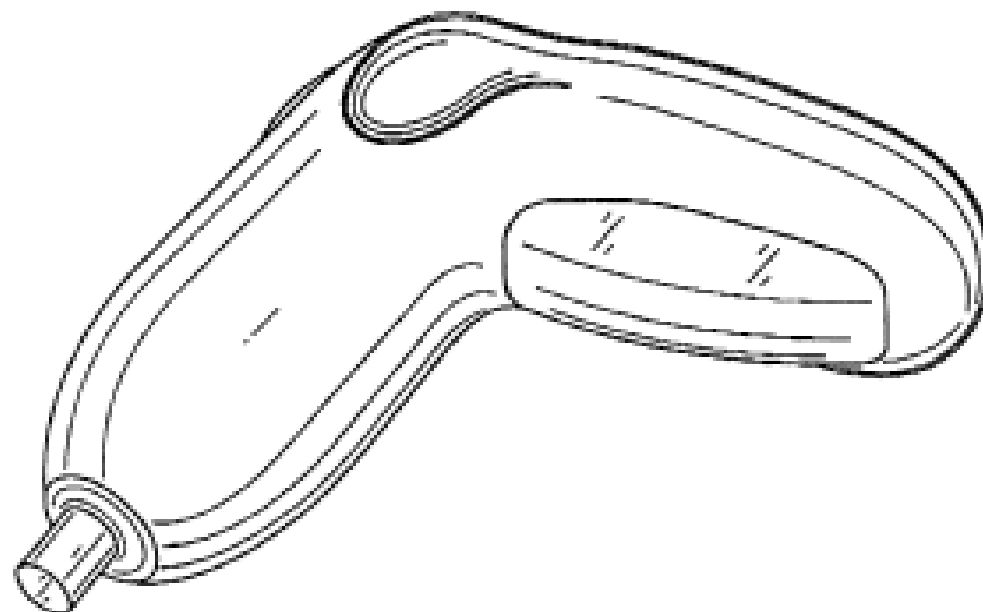
(21) Design Number: **15855/2004**
 (22) Date of Filing Application: **16 December 2004**
 (24) Date from which industrial property rights may have effect: **16 December 2004**
 (54) Product in respect of which the design is registered: **Cover for an engine**
 (51) International Design Classification: **15-01**
 (71) Name(s) and Address(s) of Applicant(s):
Briggs & Stratton Corporation
12301 West Wirth Street Wauwatosa Wisconsin 53222 United States of America
 (72) Name(s) of Designer(s): **Tim Strandell and Mike Phillips and Mark Brenneman**
 (45) Registration Date: **09 June 2005**
 (30) Convention priority data:
 (31) Number (32) Date (33) Country
29/208,533 30 Jun 2004 UNITED STATES OF AMERICA
 (56) Related Art Documents: **Not Applicable**
 (57) Statement of Newness and Distinctiveness: **Newness and distinctiveness are provided by the shape and/or configuration of the design shown in the representations. The features shown in broken lines in the representations are for illustrative purposes only and should not be considered when construing visual features of the design.**



(21) Design Number: **15856/2004**
 (22) Date of Filing Application: **16 December 2004**
 (24) Date from which industrial property rights may have effect: **16 December 2004**
 (54) Product in respect of which the design is registered: **Battery charger**
 (51) International Design Classification: **13-02**
 (71) Name(s) and Address(s) of Applicant(s):
Robert Bosch G.m.b.H
Wernerstrasse 1 D-70469 Stuttgart-Feuerbach Germany
 (72) Name(s) of Designer(s): **Hans-Peter Aglassinger**
 (45) Registration Date: **09 June 2005**
 (30) Convention priority data:
 (31) Number (32) Date (33) Country
404 061 88.5 01 Nov 2004 GERMANY
 (56) Related Art Documents: **Not Applicable**
 (57) Statement of Newness and Distinctiveness: **Newness is claimed in the features of shape and/or configuration of a battery charger as shown in the accompanying representations. In considering the scope of the newness protection any indicia on the battery charger is to be disregarded.**



- (21) Design Number: **15858/2004**
(22) Date of Filing Application: **17 December 2004**
(24) Date from which industrial property rights may have effect: **17 December 2004**
(54) Product in respect of which the design is registered: **A screwdriver**
(51) International Design Classification: **08-04**
(71) Name(s) and Address(s) of Applicant(s):
Black & Decker Inc.
1207 Drummond Plaza Newark Delaware 19711 United States of America
(72) Name(s) of Designer(s): **Mark Stratford**
(45) Registration Date: **09 June 2005**
(30) Convention priority data:
(31) Number (32) Date (33) Country
000195235-0001 25 Jun 2004 EUROPEAN COMMUNITY
(56) Related Art Documents: **Not Applicable**
(57) Statement of Newness and Distinctiveness: **Nil**



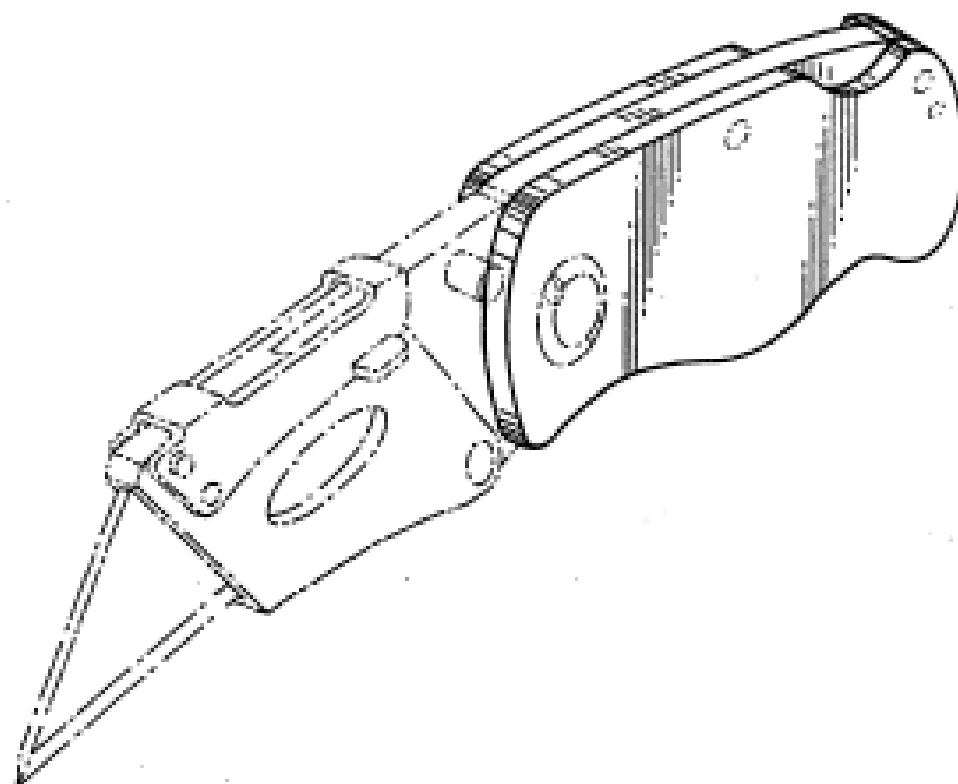
- (21) Design Number: **15871/2004**
(22) Date of Filing Application: **17 December 2004**
(24) Date from which industrial property rights may have effect: **17 December 2004**
(54) Product in respect of which the design is registered: **Soldering station**
(51) International Design Classification: **08-05M**
(71) Name(s) and Address(s) of Applicant(s):
Cooper Tools GMBH
Carl-Benz-Strasse 2 D-74354 Besigheim Germany
(72) Name(s) of Designer(s): **Uwe Loch and Volker Munz**
(45) Registration Date: **09 June 2005**
(30) Convention priority data:
(31) Number (32) Date (33) Country
000209952 21 Jul 2004 EUROPEAN COMMUNITY
(56) Related Art Documents: **Not Applicable**
(57) Statement of Newness and Distinctiveness: **The newness and distinctiveness of the design resides in the visual features of shape and configuration of the soldering station as shown in the representations.**



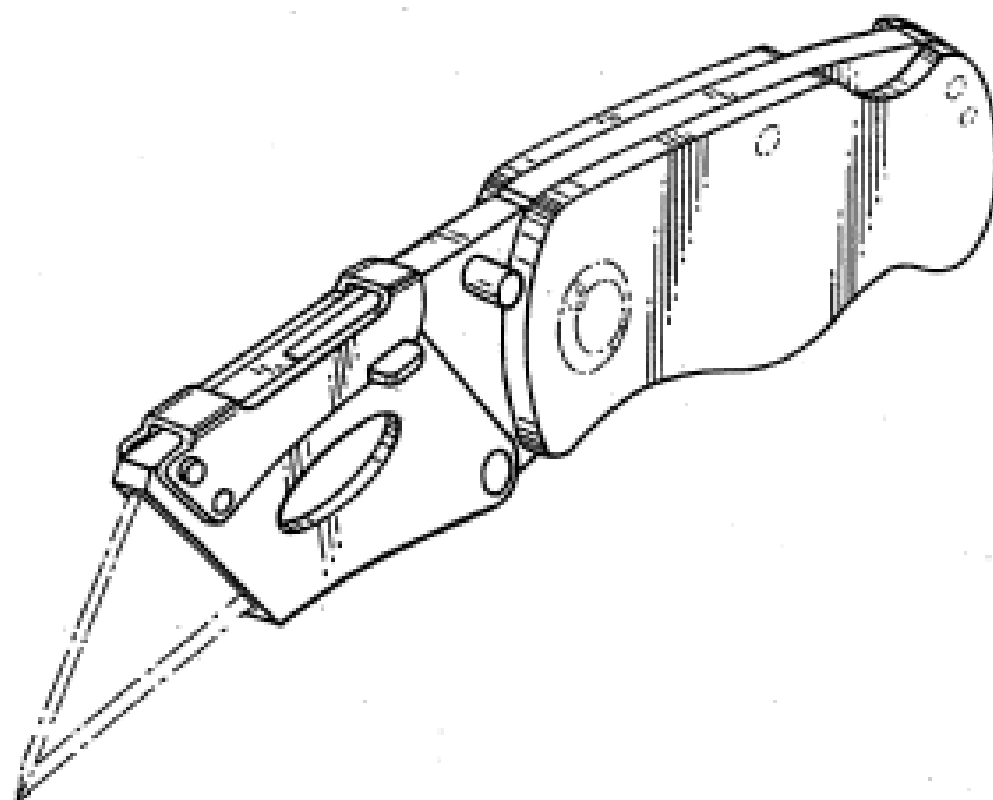
- (21) Design Number: **15872/2004**
(22) Date of Filing Application: **17 December 2004**
(24) Date from which industrial property rights may have effect: **17 December 2004**
(54) Product in respect of which the design is registered: **Holder for a soldering station**
(51) International Design Classification: **08-05M**
(71) Name(s) and Address(s) of Applicant(s):
Cooper Tools GMBH
Carl-Benz-Strasse 2 D-74354 Besigheim Germany
(72) Name(s) of Designer(s): **Uwe Loch and Volker Munz**
(45) Registration Date: **09 June 2005**
(30) Convention priority data:
(31) Number (32) Date (33) Country
000209952 21 Jul 2004 EUROPEAN COMMUNITY
(56) Related Art Documents: **Not Applicable**
(57) Statement of Newness and Distinctiveness: **The newness and distinctiveness of the design resides in the visual features of shape and configuration of the holder for the soldering station as shown in the representations.**



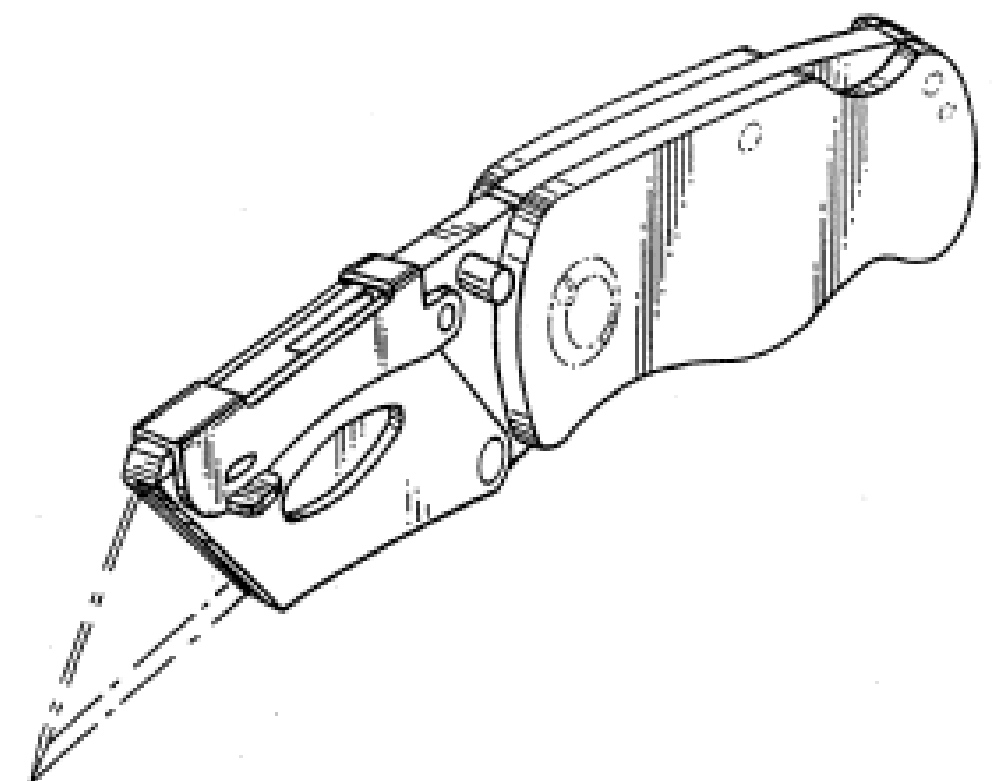
- (21) Design Number: **15873/2004**
(22) Date of Filing Application: **17 December 2004**
(24) Date from which industrial property rights may have effect: **17 December 2004**
(54) Product in respect of which the design is registered: **Utility knife**
(51) International Design Classification: **08-03**
(71) Name(s) and Address(s) of Applicant(s):
Great Neck Saw Manufacturers, Inc.
165 East Second Street Mineola New York 11501 United States of America
(72) Name(s) of Designer(s): **Qiu Jian Ping**
(45) Registration Date: **09 June 2005**
(30) Convention priority data:
(31) Number (32) Date (33) Country
29/215270 15 Oct 2004 UNITED STATES OF AMERICA
(56) Related Art Documents: **Not Applicable**
(57) Statement of Newness and Distinctiveness: **Newness and distinctiveness of the design resides in the shape and/or configuration of the handle of the utility knife as shown in the accompanying representations.**



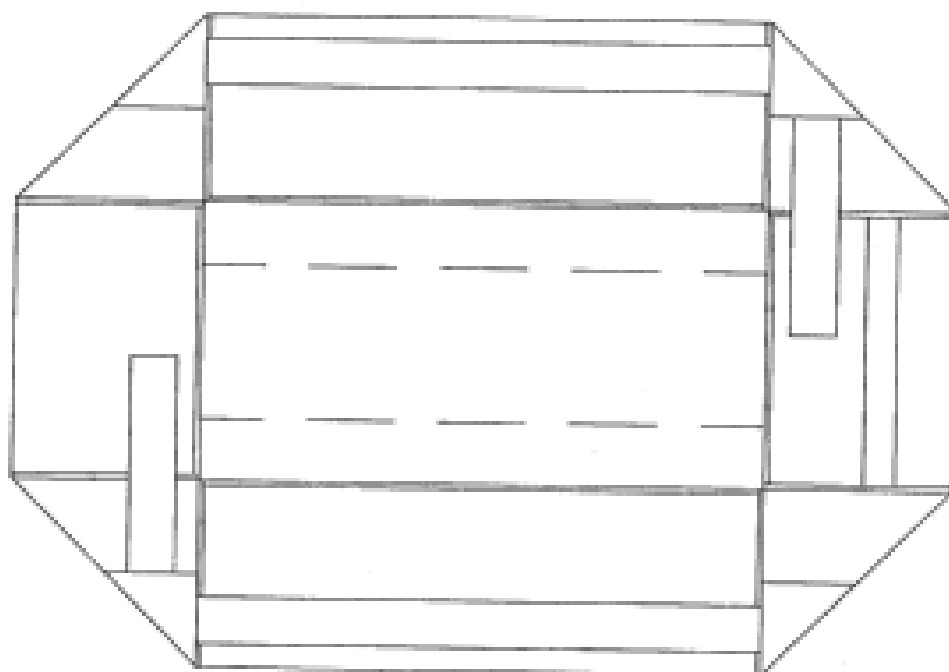
- (21) Design Number: **15874/2004**
(22) Date of Filing Application: **17 December 2004**
(24) Date from which industrial property rights may have effect: **17 December 2004**
(54) Product in respect of which the design is registered: **Utility knife**
(51) International Design Classification: **08-03**
(71) Name(s) and Address(s) of Applicant(s):
Great Neck Saw Manufacturers, Inc.
165 East Second Street Mineola New York 11501 United States of America
(72) Name(s) of Designer(s): **Qiu Jian Ping**
(45) Registration Date: **09 June 2005**
(30) Convention priority data:
(31) Number (32) Date (33) Country
29/215270 15 Oct 2004 UNITED STATES OF AMERICA
(56) Related Art Documents: **Not Applicable**
(57) Statement of Newness and Distinctiveness: **Newness and distinctiveness of the design resides in the shape and/or configuration of the handle and blade holder of the utility knife as shown in the accompanying representations.**



- (21) Design Number: **15875/2004**
(22) Date of Filing Application: **17 December 2004**
(24) Date from which industrial property rights may have effect: **17 December 2004**
(54) Product in respect of which the design is registered: **Utility knife**
(51) International Design Classification: **08-03**
(71) Name(s) and Address(s) of Applicant(s):
Great Neck Saw Manufacturers, Inc.
165 East Second Street Mineola New York 11501 United States of America
(72) Name(s) of Designer(s): **Qiu Jian Ping**
(45) Registration Date: **09 June 2005**
(30) Convention priority data:
(31) Number (32) Date (33) Country
29/215270 15 Oct 2004 UNITED STATES OF AMERICA
(56) Related Art Documents: **Not Applicable**
(57) Statement of Newness and Distinctiveness: **Newness and distinctiveness of the design resides in the shape and/or configuration of the handle and blade holder of the utility knife as shown in the accompanying representations.**

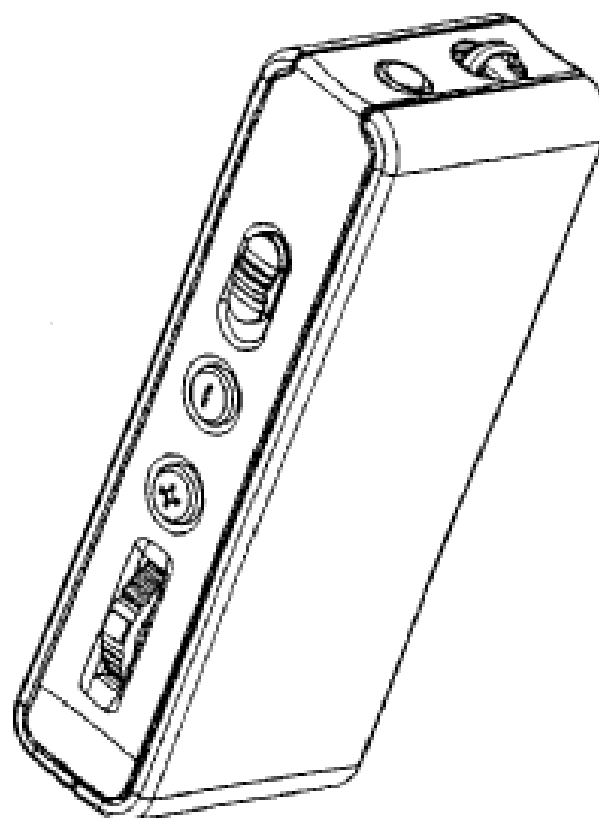


- (21) Design Number: **15876/2004**
- (22) Date of Filing Application: **17 December 2004**
- (24) Date from which industrial property rights may have effect: **17 December 2004**
- (54) Product in respect of which the design is registered: **Kiosk**
- (51) International Design Classification: **25-03**
- (71) Name(s) and Address(s) of Applicant(s):
 - Arien Displays Pty Limited**
 - Unit 3/11 Flora Street Kirrawee New South Wales 2232 Australia**
 - Nivin Consulting Pty Limited**
 - Unit 9 115 Fairford Road Padstow New South Wales 2211 Australia**
- (72) Name(s) of Designer(s): **Nivin Pavlous and Noel Wellauer**
- (45) Registration Date: **09 June 2005**
- (56) Related Art Documents: **Not Applicable**
- (57) Statement of Newness and Distinctiveness: **Each feature of the design considered separately or in combination with any other feature or features.**



- (21) Design Number: **15877/2004**
- (22) Date of Filing Application: **17 December 2004**
- (24) Date from which industrial property rights may have effect: **17 December 2004**
- (54) Product in respect of which the design is registered: **A media player**
- (51) International Design Classification: **14-01, 14-99**
- (71) Name(s) and Address(s) of Applicant(s):
 - Creative Technology Ltd**
 - 31 International Business Park Creative Resource Singapore 609921**
- (72) Name(s) of Designer(s): **Wei Ling Yun**
- (45) Registration Date: **09 June 2005**
- (30) Convention priority data:

(31) Number	(32) Date	(33) Country
D2004/1957G	12 Nov 2004	SINGAPORE
- (56) Related Art Documents: **Not Applicable**
- (57) Statement of Newness and Distinctiveness: **Monopoly is claimed in the shape and configuration of the features of the article as depicted in the accompanying representations.**

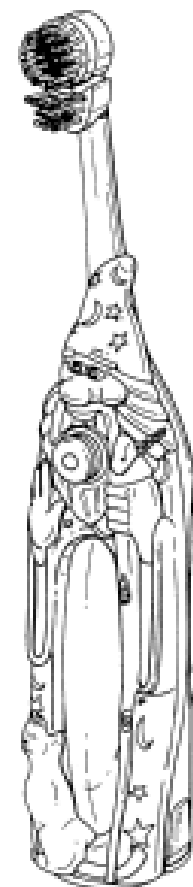


- (21) Design Number: **15879/2004**
- (22) Date of Filing Application: **21 December 2004**
- (24) Date from which industrial property rights may have effect: **21 December 2004**
- (54) Product in respect of which the design is registered: **Seat for a recumbent bicycle**
- (51) International Design Classification: **12-11, 06-01D**
- (71) Name(s) and Address(s) of Applicant(s):
John Irven Tolhurst
2A Brisbane Terrace Perth Western Australia 6003 Australia
- (72) Name(s) of Designer(s): **John Irven Tolhurst**
- (45) Registration Date: **09 June 2005**
- (56) Related Art Documents: **Not Applicable**
- (57) Statement of Newness and Distinctiveness: **The form of the recumbent seat is derived from forming flanges on two specially shaped pieces of metal material, so that a new and distinctive shape is derived that gives the required lumbar support as well as having a functional and aesthetically pleasing front profile.**

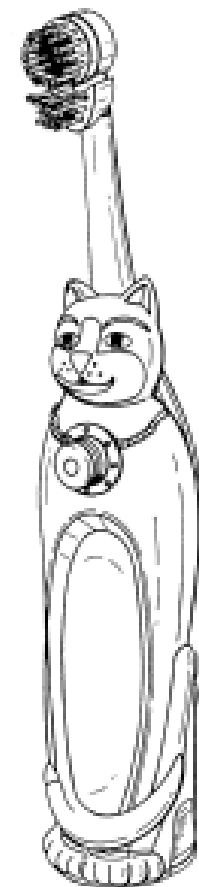


- (21) Design Number: **15880/2004**
- (22) Date of Filing Application: **20 December 2004**
- (24) Date from which industrial property rights may have effect: **20 December 2004**
- (54) Product in respect of which the design is registered: **Toothbrush with clip attachment**
- (51) International Design Classification: **04-02**
- (71) Name(s) and Address(s) of Applicant(s):
GlaxoSmithKline Consumer Healthcare G.m.b.H. & Co. K.G.
Bussmatten 1 D-77815 Buehl (Baden) Germany
- (72) Name(s) of Designer(s): **Tamas Berde**
- (45) Registration Date: **09 June 2005**
- (30) Convention priority data:

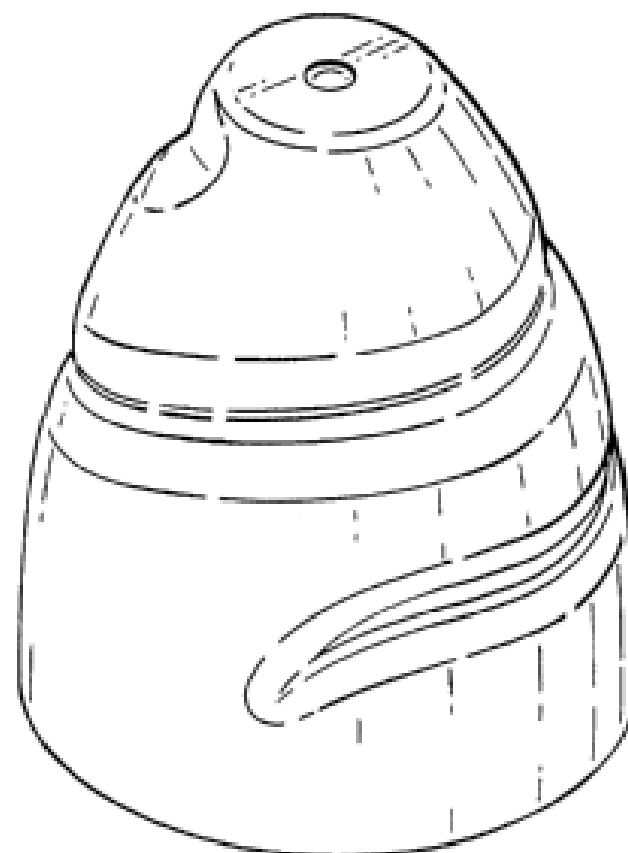
(31) Number	(32) Date	(33) Country
3017777	22 Jun 2004	UNITED KINGDOM
- (56) Related Art Documents: **Not Applicable**
- (57) Statement of Newness and Distinctiveness: **Nil**



(21) Design Number: **15881/2004**
(22) Date of Filing Application: **20 December 2004**
(24) Date from which industrial property rights may have effect: **20 December 2004**
(54) Product in respect of which the design is registered: **Toothbrush with clip attachment**
(51) International Design Classification: **04-02**
(71) Name(s) and Address(s) of Applicant(s):
GlaxoSmithKline Consumer Healthcare G.m.b.H. & Co. K.G.
Bussmatten 1 D-77815 Buehl (Baden) Germany
(72) Name(s) of Designer(s): **Tamas Berde**
(45) Registration Date: **09 June 2005**
(30) Convention priority data:
(31) Number (32) Date (33) Country
3017778 22 Jun 2004 UNITED KINGDOM
(56) Related Art Documents: **Not Applicable**
(57) Statement of Newness and Distinctiveness: **Nil**



(21) Design Number: **15883/2004**
(22) Date of Filing Application: **20 December 2004**
(24) Date from which industrial property rights may have effect: **20 December 2004**
(54) Product in respect of which the design is registered: **Cap for container**
(51) International Design Classification: **09-07C**
(71) Name(s) and Address(s) of Applicant(s):
Glaxo Group Limited
Glaxo Wellcome House Berkeley Avenue Greenford Middlesex UB6
0NN United Kingdom
(72) Name(s) of Designer(s): **Gunther Kolanus and Louis Anthony Massari**
(45) Registration Date: **09 June 2005**
(30) Convention priority data:
(31) Number (32) Date (33) Country
3017903 30 Jun 2004 UNITED KINGDOM
(56) Related Art Documents: **Not Applicable**
(57) Statement of Newness and Distinctiveness: **Nil**



(21) Design Number: **15884/2004**
(22) Date of Filing Application: **20 December 2004**
(24) Date from which industrial property rights may have effect: **20 December 2004**
(54) Product in respect of which the design is registered: **Actuator**
(51) International Design Classification: **09-07A**
(71) Name(s) and Address(s) of Applicant(s):

Glaxo Group Limited
Glaxo Wellcome House Berkeley Avenue Greenford Middlesex UB6
0NN United Kingdom

(72) Name(s) of Designer(s): **Gunther Kolanus and Louis Anthony Massari**

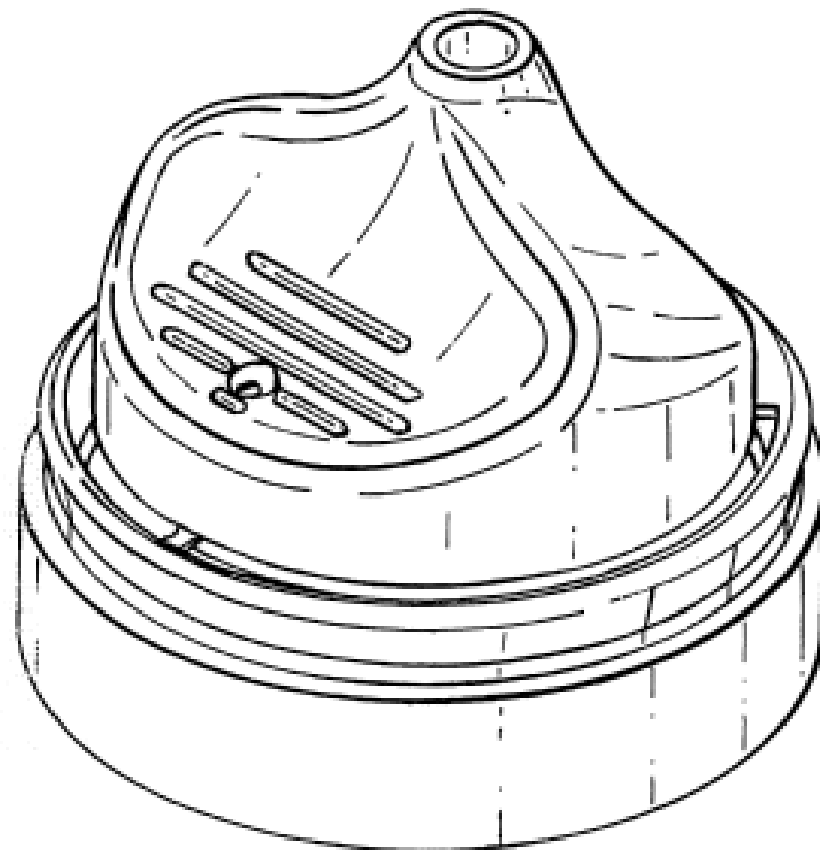
(45) Registration Date: **09 June 2005**

(30) Convention priority data:

(31) Number	(32) Date	(33) Country
3017902	30 Jun 2004	UNITED KINGDOM

(56) Related Art Documents: **Not Applicable**

(57) Statement of Newness and Distinctiveness: **Nil**



(21) Design Number: **15916/2004**
(22) Date of Filing Application: **22 December 2004**
(24) Date from which industrial property rights may have effect: **22 December 2004**
(54) Product in respect of which the design is registered: **A clip for a furling channel**
(51) International Design Classification: **12-06NES, 08-08C**
(71) Name(s) and Address(s) of Applicant(s):

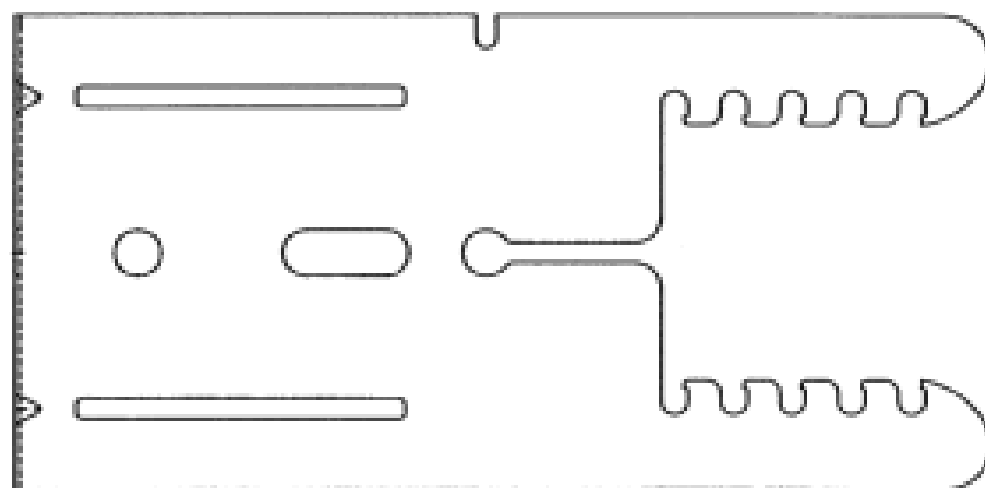
Metal Building Systems Holdings Pty Ltd
Cnr Quindus Street & Spanns Rd Beenleigh Queensland 4207
Australia

(72) Name(s) of Designer(s): **Peter Middleton**

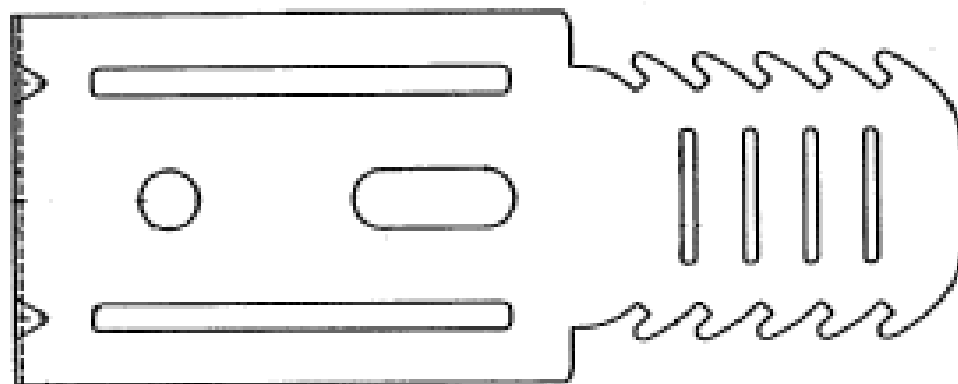
(45) Registration Date: **10 June 2005**

(56) Related Art Documents: **Not Applicable**

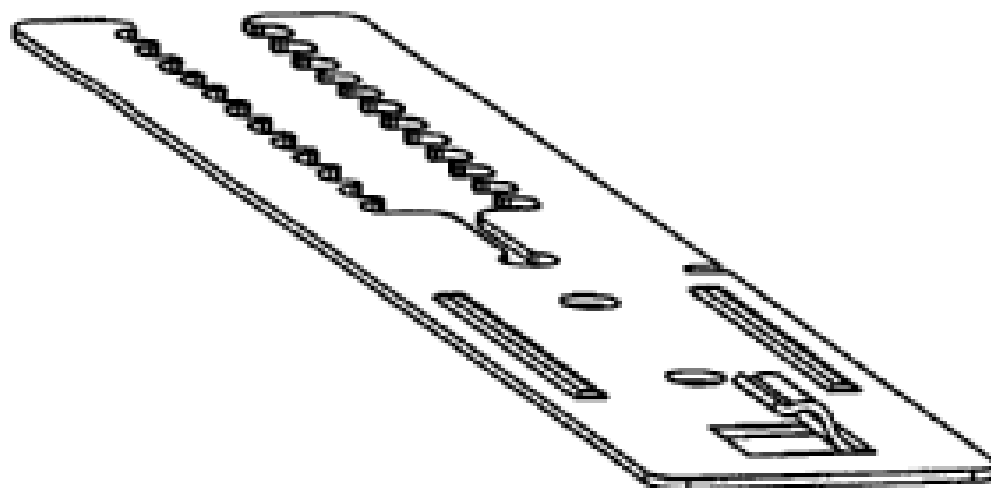
(57) Statement of Newness and Distinctiveness: **Monopoly is claimed in the features of shape and configuration of a clip as illustrated in the accompanying representations.**



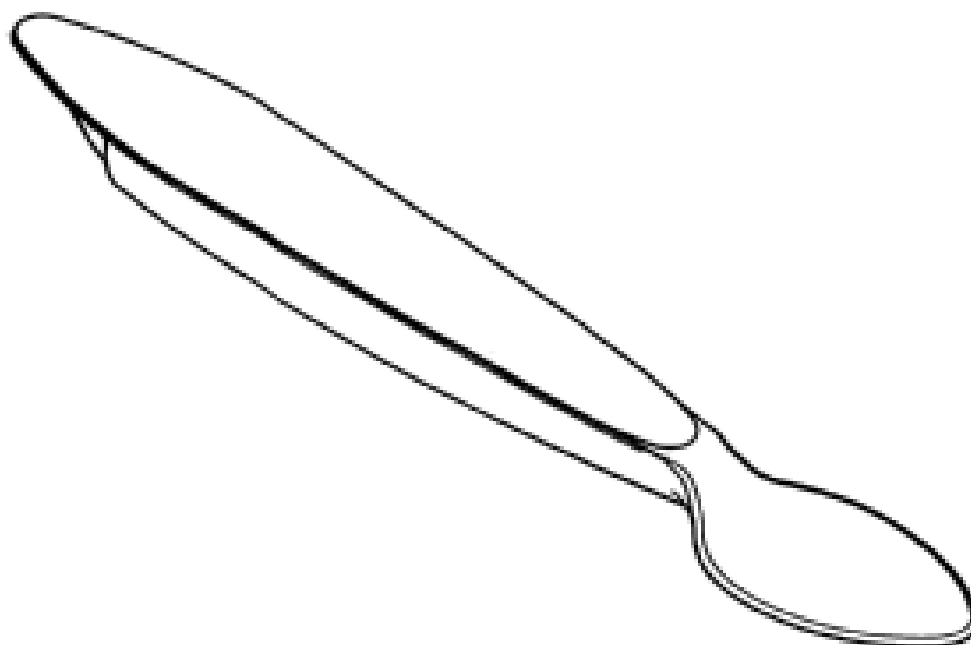
- (21) Design Number: **15917/2004**
(22) Date of Filing Application: **22 December 2004**
(24) Date from which industrial property rights may have effect: **22 December 2004**
(54) Product in respect of which the design is registered: **A clip for a batten**
(51) International Design Classification: **12-06NES, 08-08C**
(71) Name(s) and Address(s) of Applicant(s):
Metal Building Systems Holdings Pty Ltd
Cnr Quindus Street & Spanns Rd Beenleigh Queensland 4207
Australia
(72) Name(s) of Designer(s): **Peter Middleton**
(45) Registration Date: **10 June 2005**
(56) Related Art Documents: **Not Applicable**
(57) Statement of Newness and Distinctiveness: **Monopoly is claimed in the features of shape and configuration of a clip as illustrated in the accompanying representations.**



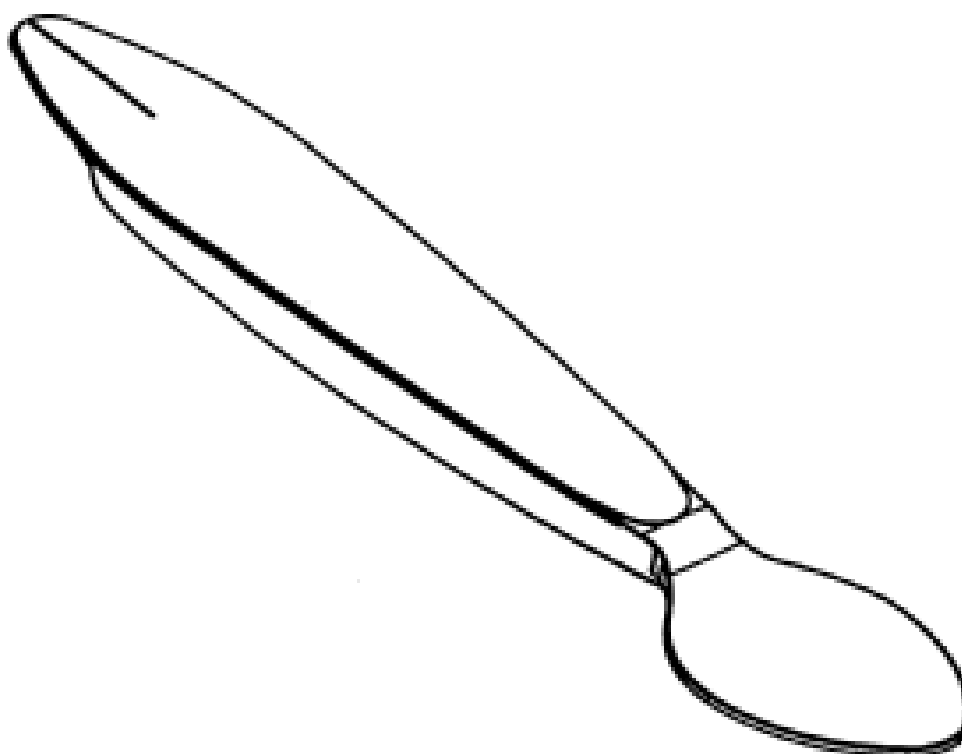
- (21) Design Number: **15918/2004**
(22) Date of Filing Application: **22 December 2004**
(24) Date from which industrial property rights may have effect: **22 December 2004**
(54) Product in respect of which the design is registered: **A clip with rod mounting**
(51) International Design Classification: **12-06NES, 08-08C**
(71) Name(s) and Address(s) of Applicant(s):
Metal Building Systems Holdings Pty Ltd
Cnr Quindus Street & Spanns Rd Beenleigh Queensland 4207
Australia
(72) Name(s) of Designer(s): **Peter Middleton**
(45) Registration Date: **10 June 2005**
(56) Related Art Documents: **Not Applicable**
(57) Statement of Newness and Distinctiveness: **Monopoly is claimed in the features of shape and configuration of a clip as illustrated in the accompanying representations.**



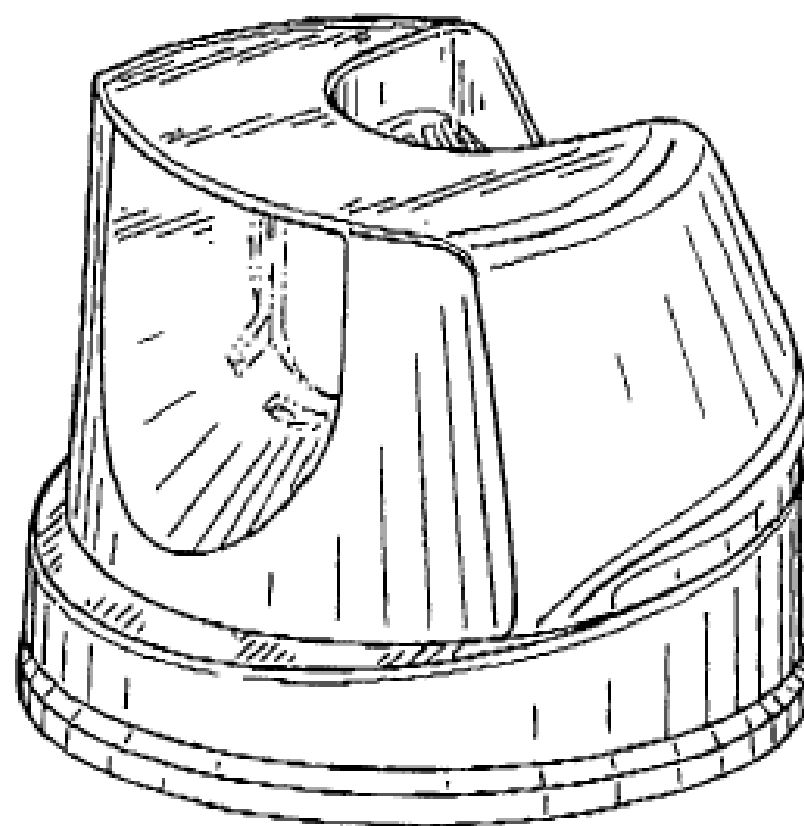
- (21) Design Number: **15919/2004**
(22) Date of Filing Application: **22 December 2004**
(24) Date from which industrial property rights may have effect: **22 December 2004**
(54) Product in respect of which the design is registered: **Spoon**
(51) International Design Classification: **07-03**
(71) Name(s) and Address(s) of Applicant(s):
Bradley Donald Teys
8 Ocean Court Shelly Beach Queensland 4551 Australia
(72) Name(s) of Designer(s): **Bradley Donald Teys and Kevin James Mop and Glenn Michael Bevan**
(45) Registration Date: **10 June 2005**
(56) Related Art Documents: **Not Applicable**
(57) Statement of Newness and Distinctiveness: **Monopoly is claimed in the features in shape and configuration of the spoon as illustrated in the accompanying representations.**



- (21) Design Number: **15920/2004**
(22) Date of Filing Application: **22 December 2004**
(24) Date from which industrial property rights may have effect: **22 December 2004**
(54) Product in respect of which the design is registered: **Spoon**
(51) International Design Classification: **07-03**
(71) Name(s) and Address(s) of Applicant(s):
Bradley Donald Teys
8 Ocean Court Shelly Beach Queensland 4551 Australia
(72) Name(s) of Designer(s): **Bradley Donald Teys and Kevin James Mop and Glenn Michael Bevan**
(45) Registration Date: **10 June 2005**
(56) Related Art Documents: **Not Applicable**
(57) Statement of Newness and Distinctiveness: **Monopoly is claimed in the features in shape and configuration of the spoon as illustrated in the accompanying representations.**



- (21) Design Number: **15922/2004**
(22) Date of Filing Application: **22 December 2004**
(24) Date from which industrial property rights may have effect: **22 December 2004**
(54) Product in respect of which the design is registered: **Actuator overcap for an aerosol container**
(51) International Design Classification: **09-07A**
(71) Name(s) and Address(s) of Applicant(s):
S.C. Johnson & Son, Inc.
1525 Howe Street Racine Wisconsin 53403-2236 United States of America
(72) Name(s) of Designer(s): **Jose de Jesus Castillo Higareda and Juan Antonio Lara Ozuna and Rafael Munoz Alonso and Rafael Cebellan Debon and Josep Casadella Casas and Fernando Perez Arlandis**
(45) Registration Date: **10 June 2005**
(30) Convention priority data:
(31) Number (32) Date (33) Country
29/208417 25 Jun 2004 UNITED STATES OF AMERICA
(56) Related Art Documents: **Not Applicable**
(57) Statement of Newness and Distinctiveness: **Newness and distinctiveness is claimed in the features of shape and/or configuration of a actuator overcap for an aerosol container as illustrated in continuous lines in the accompanying representations.**



- (21) Design Number: **15923/2004**
(22) Date of Filing Application: **22 December 2004**
(24) Date from which industrial property rights may have effect: **22 December 2004**
(54) Product in respect of which the design is registered: **A door handle**
(51) International Design Classification: **08-06**
(71) Name(s) and Address(s) of Applicant(s):
Azuma Design Pty Limited
160-162 Newton Road Wetherill Park New South Wales 2164 Australia
(72) Name(s) of Designer(s): **Michael Brian Alchin and Richard Zitzelsperger and Phillip Peet**
(45) Registration Date: **10 June 2005**
(56) Related Art Documents: **Not Applicable**
(57) Statement of Newness and Distinctiveness: **Newness and distinctiveness is claimed in the features of shape and/or configuration of a door handle as illustrated in the accompanying representations.**



(21) Design Number: **15924/2004**

(22) Date of Filing Application: **22 December 2004**

(24) Date from which industrial property rights may have effect: **22 December 2004**

(54) Product in respect of which the design is registered: **A door handle and mounting plate**

(51) International Design Classification: **08-06**

(71) Name(s) and Address(s) of Applicant(s):

Azuma Design Pty Limited

160-162 Newton Road Wetherill Park New South Wales 2164 Australia

(72) Name(s) of Designer(s): **Michael Brian Alchin and Richard Zitzelsperger and Maria Psalidas**

(45) Registration Date: **10 June 2005**

(56) Related Art Documents: **Not Applicable**

(57) Statement of Newness and Distinctiveness: **Newness and distinctiveness is claimed in the features of shape and/or configuration of a door handle and mounting plate as illustrated in the accompanying representations.**



(21) Design Number: **15928/2004**

(22) Date of Filing Application: **23 December 2004**

(24) Date from which industrial property rights may have effect: **23 December 2004**

(54) Product in respect of which the design is registered: **A tube with plug**

(51) International Design Classification: **09-05**

(71) Name(s) and Address(s) of Applicant(s):

Four Winds Packaging Pty Ltd

18-19 Hallstrom Place Wetherill Park New South Wales 2164 Australia

(72) Name(s) of Designer(s): **Asim Salameh**

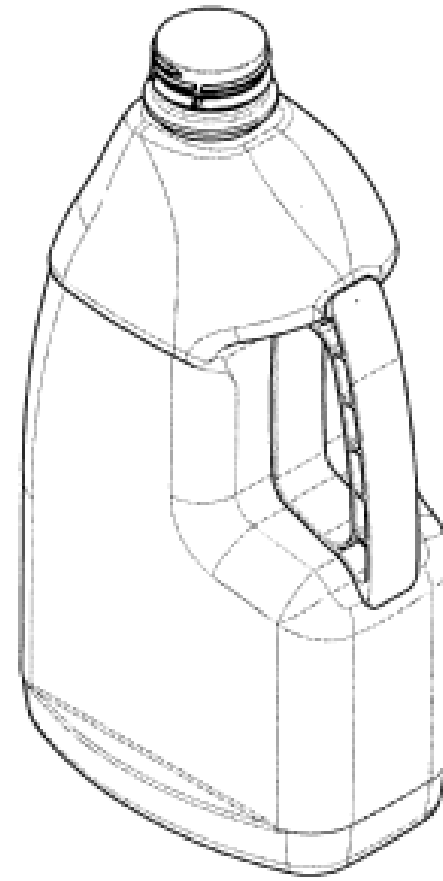
(45) Registration Date: **10 June 2005**

(56) Related Art Documents: **Not Applicable**

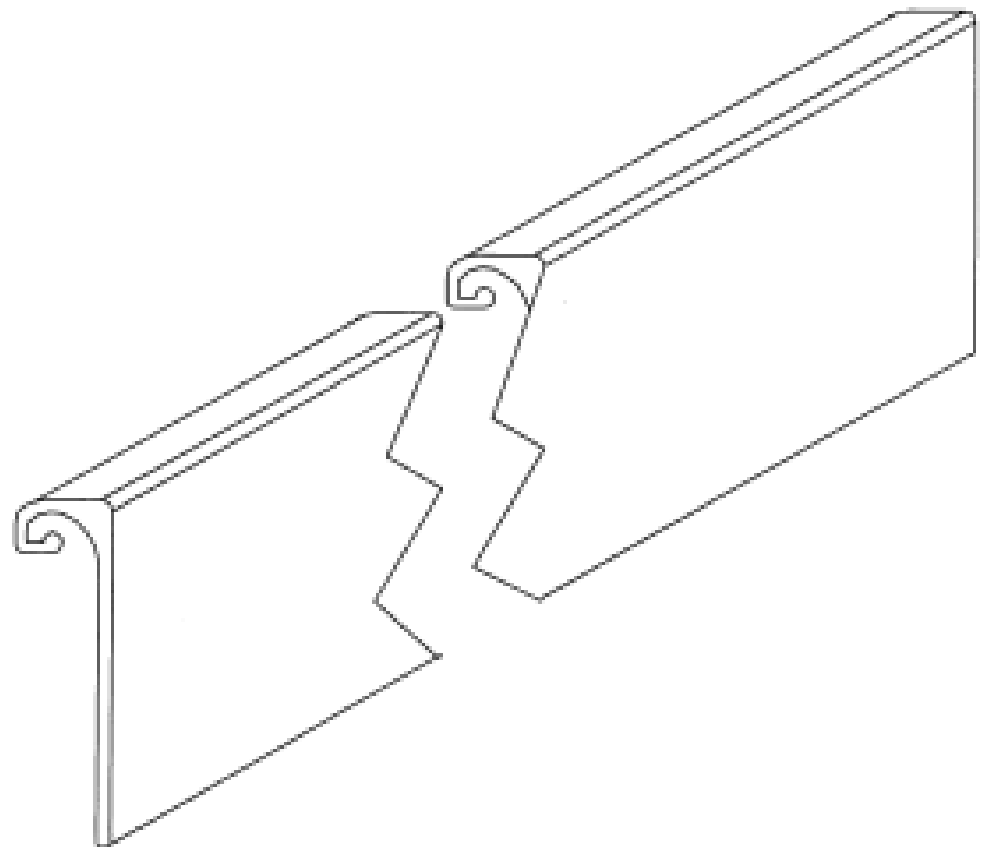
(57) Statement of Newness and Distinctiveness: **Nil**



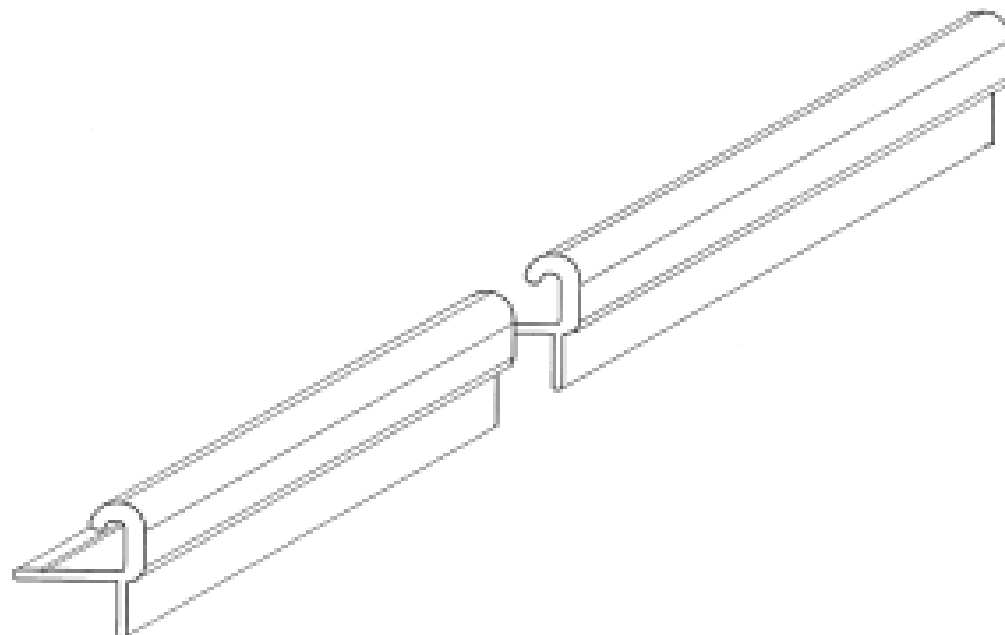
- (21) Design Number: **15929/2004**
(22) Date of Filing Application: **23 December 2004**
(24) Date from which industrial property rights may have effect: **23 December 2004**
(54) Product in respect of which the design is registered: **A bottle with handle**
(51) International Design Classification: **09-01B**
(71) Name(s) and Address(s) of Applicant(s):
Four Winds Packaging Pty Ltd
18-19 Hallstrom Place Wetherill Park New South Wales 2164 Australia
(72) Name(s) of Designer(s): **Asim Salameh**
(45) Registration Date: **10 June 2005**
(56) Related Art Documents: **Not Applicable**
(57) Statement of Newness and Distinctiveness: **Nil**



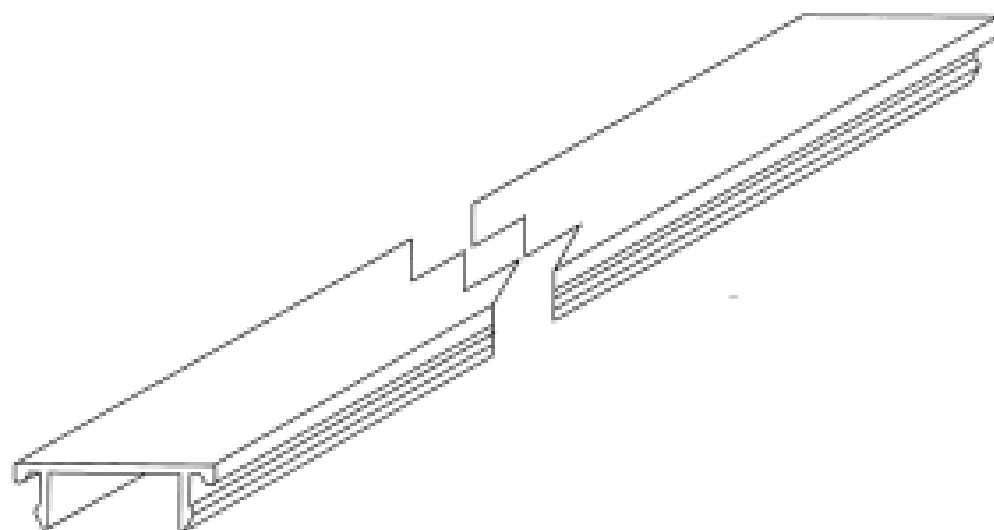
- (21) Design Number: **15931/2004**
(22) Date of Filing Application: **22 December 2004**
(24) Date from which industrial property rights may have effect: **22 December 2004**
(54) Product in respect of which the design is registered: **An extrusion**
(51) International Design Classification: **25-01K**
(71) Name(s) and Address(s) of Applicant(s):
Aluminium Specialities Group Pty Limited
108-211 Toongabbie Road Toongabbie New South Wales 2146
Australia
(72) Name(s) of Designer(s): **David W. Evans**
(45) Registration Date: **10 June 2005**
(56) Related Art Documents: **Not Applicable**
(57) Statement of Newness and Distinctiveness: **Newness and distinctiveness resides in the shape and configuration of the extruded metal section of constant cross-section and indefinite length as illustrated in the accompanying representations.**



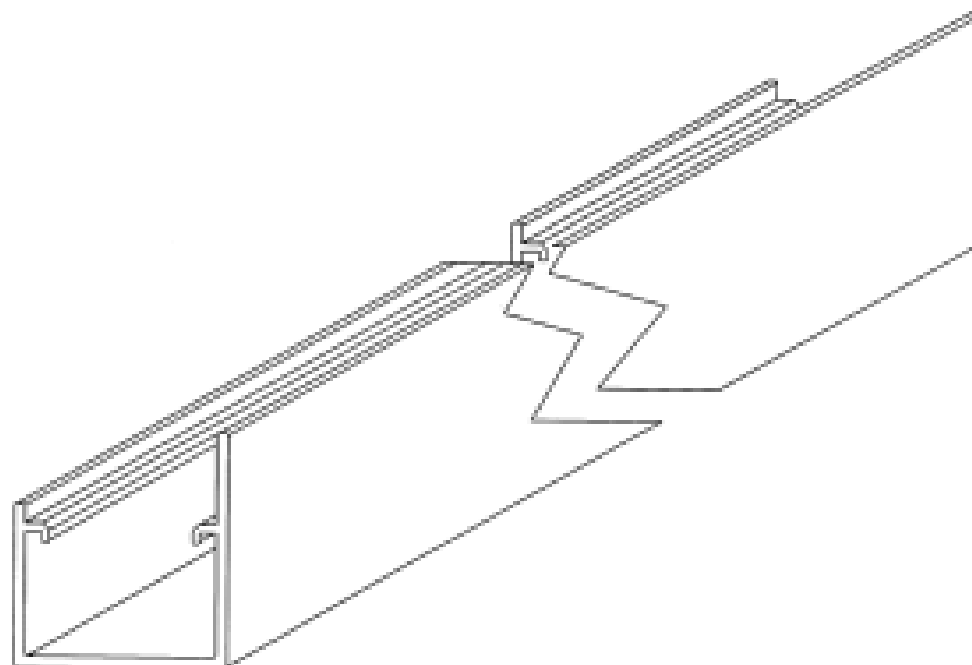
- (21) Design Number: **15932/2004**
(22) Date of Filing Application: **22 December 2004**
(24) Date from which industrial property rights may have effect: **22 December 2004**
(54) Product in respect of which the design is registered: **An extrusion**
(51) International Design Classification: **25-01K**
(71) Name(s) and Address(s) of Applicant(s):
Aluminium Specialities Group Pty Limited
108-211 Toongabbie Road Toongabbie New South Wales 2146
Australia
(72) Name(s) of Designer(s): **David W. Evans**
(45) Registration Date: **10 June 2005**
(56) Related Art Documents: **Not Applicable**
(57) Statement of Newness and Distinctiveness: **Newness and distinctiveness resides in the shape and configuration of the extruded metal section of constant cross-section and indefinite length as illustrated in the accompanying representations.**



- (21) Design Number: **15933/2004**
(22) Date of Filing Application: **22 December 2004**
(24) Date from which industrial property rights may have effect: **22 December 2004**
(54) Product in respect of which the design is registered: **An extrusion**
(51) International Design Classification: **25-01K**
(71) Name(s) and Address(s) of Applicant(s):
Aluminium Specialities Group Pty Limited
108-211 Toongabbie Road Toongabbie New South Wales 2146
Australia
(72) Name(s) of Designer(s): **David W. Evans**
(45) Registration Date: **10 June 2005**
(56) Related Art Documents: **Not Applicable**
(57) Statement of Newness and Distinctiveness: **Newness and distinctiveness resides in the shape and configuration of the extruded metal section of constant cross-section and indefinite length as illustrated in the accompanying representations.**



(21) Design Number: **15934/2004**
(22) Date of Filing Application: **22 December 2004**
(24) Date from which industrial property rights may have effect: **22 December 2004**
(54) Product in respect of which the design is registered: **An extrusion**
(51) International Design Classification: **25-01K**
(71) Name(s) and Address(s) of Applicant(s):
Aluminium Specialities Group Pty Limited
108-211 Toongabbie Road Toongabbie New South Wales 2146
Australia
(72) Name(s) of Designer(s): **David W. Evans**
(45) Registration Date: **10 June 2005**
(56) Related Art Documents: **Not Applicable**
(57) Statement of Newness and Distinctiveness: **Newness and distinctiveness resides in the shape and configuration of the extruded metal section of constant cross-section and indefinite length as illustrated in the accompanying representations.**



(21) Design Number: **15935/2004**
(22) Date of Filing Application: **22 December 2004**
(24) Date from which industrial property rights may have effect: **22 December 2004**
(54) Product in respect of which the design is registered: **A sanitary fitting**
(51) International Design Classification: **23-01H**
(71) Name(s) and Address(s) of Applicant(s):
Hansa Metallwerke AG
Sigmaringer Str. 107 D-70567 Stuttgart Germany
(72) Name(s) of Designer(s): **Reinhard Zetsche and Dina Gallo**
(45) Registration Date: **10 June 2005**
(30) Convention priority data:

(31) Number	(32) Date	(33) Country
404 04 109.4	17 Jul 2004	GERMANY

(56) Related Art Documents: **Not Applicable**
(57) Statement of Newness and Distinctiveness: **Nil**



(21) Design Number: **15951/2004**
(22) Date of Filing Application: **22 December 2004**
(24) Date from which industrial property rights may have effect: **22 December 2004**
(54) Product in respect of which the design is registered: **A sanitary fitting**
(51) International Design Classification: **23-01H**
(71) Name(s) and Address(s) of Applicant(s):
Hansa Metallwerke AG
Sigmaringer Str. 107 D-70567 Stuttgart Germany
(72) Name(s) of Designer(s): **Reinhard Zetsche and Dina Gallo**
(45) Registration Date: **10 June 2005**
(30) Convention priority data:
(31) Number (32) Date (33) Country
404 04 109.4 17 Jul 2004 GERMANY
(56) Related Art Documents: **Not Applicable**
(57) Statement of Newness and Distinctiveness: **Nil**



(21) Design Number: **15937/2004**
(22) Date of Filing Application: **22 December 2004**
(24) Date from which industrial property rights may have effect: **22 December 2004**
(54) Product in respect of which the design is registered: **Bag**
(51) International Design Classification: **03-01A**
(71) Name(s) and Address(s) of Applicant(s):
Cashmere Blazer Pty Ltd
6 Chelmsford Street Kensington Victoria 3031 Australia
(72) Name(s) of Designer(s): **Stuart Neil Crumpler**
(45) Registration Date: **10 June 2005**
(56) Related Art Documents: **Not Applicable**
(57) Statement of Newness and Distinctiveness: **Nil**



(21) Design Number: **15938/2004**

(22) Date of Filing Application: **22 December 2004**

(24) Date from which industrial property rights may have effect: **22 December 2004**

(54) Product in respect of which the design is registered: **Bag**

(51) International Design Classification: **03-01A**

(71) Name(s) and Address(s) of Applicant(s):

Cashmere Blazer Pty Ltd
6 Chelmsford Street Kensington Victoria 3031 Australia

(72) Name(s) of Designer(s): **Stuart Neil Crumpler**

(45) Registration Date: **10 June 2005**

(56) Related Art Documents: **Not Applicable**

(57) Statement of Newness and Distinctiveness: **Nil**



(21) Design Number: **15939/2004**

(22) Date of Filing Application: **22 December 2004**

(24) Date from which industrial property rights may have effect: **22 December 2004**

(54) Product in respect of which the design is registered: **Bag**

(51) International Design Classification: **03-01A**

(71) Name(s) and Address(s) of Applicant(s):

Cashmere Blazer Pty Ltd
6 Chelmsford Street Kensington Victoria 3031 Australia

(72) Name(s) of Designer(s): **Stuart Neil Crumpler**

(45) Registration Date: **10 June 2005**

(56) Related Art Documents: **Not Applicable**

(57) Statement of Newness and Distinctiveness: **Nil**



(21) Design Number: **15940/2004**

(22) Date of Filing Application: **22 December 2004**

(24) Date from which industrial property rights may have effect: **22 December 2004**

(54) Product in respect of which the design is registered: **Bag**

(51) International Design Classification: **03-01A**

(71) Name(s) and Address(s) of Applicant(s):

**Cashmere Blazer Pty Ltd
6 Chelmsford Street Kensington Victoria 3031 Australia**

(72) Name(s) of Designer(s): **Stuart Neil Crumpler**

(45) Registration Date: **10 June 2005**

(56) Related Art Documents: **Not Applicable**

(57) Statement of Newness and Distinctiveness: **Nil**



(21) Design Number: **15941/2004**

(22) Date of Filing Application: **22 December 2004**

(24) Date from which industrial property rights may have effect: **22 December 2004**

(54) Product in respect of which the design is registered: **Bag**

(51) International Design Classification: **03-01A**

(71) Name(s) and Address(s) of Applicant(s):

**Cashmere Blazer Pty Ltd
6 Chelmsford Street Kensington Victoria 3031 Australia**

(72) Name(s) of Designer(s): **Stuart Neil Crumpler**

(45) Registration Date: **10 June 2005**

(56) Related Art Documents: **Not Applicable**

(57) Statement of Newness and Distinctiveness: **Nil**



(21) Design Number: **15942/2004**
(22) Date of Filing Application: **22 December 2004**
(24) Date from which industrial property rights may have effect: **22 December 2004**
(54) Product in respect of which the design is registered: **Bag**
(51) International Design Classification: **03-01A**
(71) Name(s) and Address(s) of Applicant(s):
Cashmere Blazer Pty Ltd
6 Chelmsford Street Kensington Victoria 3031 Australia
(72) Name(s) of Designer(s): **Stuart Neil Crumpler**
(45) Registration Date: **10 June 2005**
(56) Related Art Documents: **Not Applicable**
(57) Statement of Newness and Distinctiveness: **Nil**



(21) Design Number: **15943/2004**
(22) Date of Filing Application: **22 December 2004**
(24) Date from which industrial property rights may have effect: **22 December 2004**
(54) Product in respect of which the design is registered: **Bag**
(51) International Design Classification: **03-01A**
(71) Name(s) and Address(s) of Applicant(s):
Cashmere Blazer Pty Ltd
6 Chelmsford Street Kensington Victoria 3031 Australia
(72) Name(s) of Designer(s): **Stuart Neil Crumpler**
(45) Registration Date: **10 June 2005**
(56) Related Art Documents: **Not Applicable**
(57) Statement of Newness and Distinctiveness: **Nil**



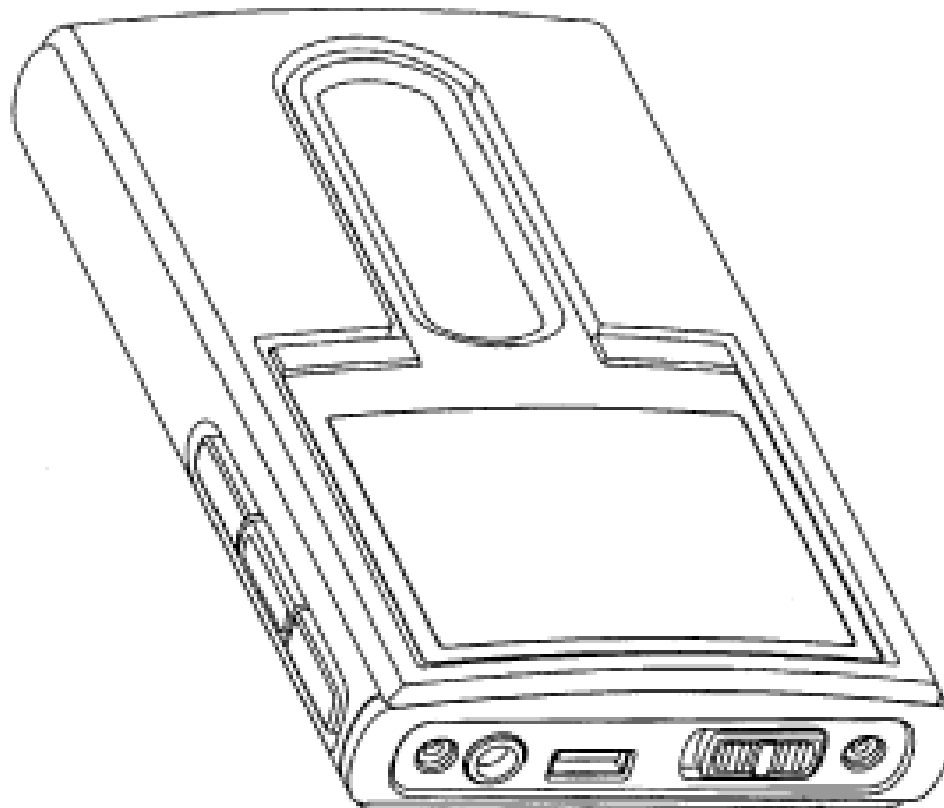
- (21) Design Number: **15944/2004**
(22) Date of Filing Application: **22 December 2004**
(24) Date from which industrial property rights may have effect: **22 December 2004**
(54) Product in respect of which the design is registered: **Bag**
(51) International Design Classification: **03-01A**
(71) Name(s) and Address(s) of Applicant(s):
Cashmere Blazer Pty Ltd
6 Chelmsford Street Kensington Victoria 3031 Australia
(72) Name(s) of Designer(s): **Stuart Neil Crumpler**
(45) Registration Date: **10 June 2005**
(56) Related Art Documents: **Not Applicable**
(57) Statement of Newness and Distinctiveness: **Nil**



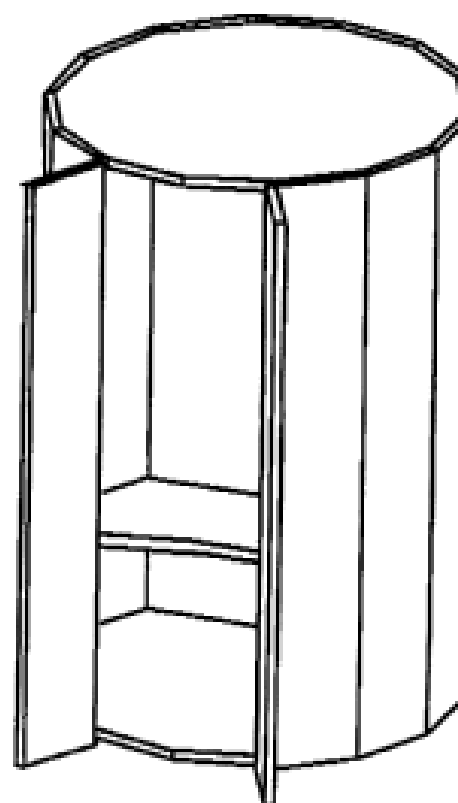
- (21) Design Number: **15945/2004**
(22) Date of Filing Application: **22 December 2004**
(24) Date from which industrial property rights may have effect: **22 December 2004**
(54) Product in respect of which the design is registered: **Bag**
(51) International Design Classification: **03-01A**
(71) Name(s) and Address(s) of Applicant(s):
Cashmere Blazer Pty Ltd
6 Chelmsford Street Kensington Victoria 3031 Australia
(72) Name(s) of Designer(s): **Stuart Neil Crumpler**
(45) Registration Date: **10 June 2005**
(56) Related Art Documents: **Not Applicable**
(57) Statement of Newness and Distinctiveness: **Nil**



(21) Design Number: **15954/2004**
(22) Date of Filing Application: **22 December 2004**
(24) Date from which industrial property rights may have effect: **22 December 2004**
(54) Product in respect of which the design is registered: **MP3 player**
(51) International Design Classification: **14-01**
(71) Name(s) and Address(s) of Applicant(s):
Reign Com., Ltd.
8th Floor Bona Venture Town 1586-7 Seocho-Dong Seocho-Gu Seoul
137-070 Korea
(72) Name(s) of Designer(s): **Deok-Joon Yang**
(45) Registration Date: **10 June 2005**
(30) Convention priority data:
(31) Number (32) Date (33) Country
2004-0029168 20 Sep 2004 REPUBLIC OF KOREA
(56) Related Art Documents: **Not Applicable**
(57) Statement of Newness and Distinctiveness: **Nil**



(21) Design Number: **15956/2004**
(22) Date of Filing Application: **21 December 2004**
(24) Date from which industrial property rights may have effect: **21 December 2004**
(54) Product in respect of which the design is registered: **Steam bath equipment**
(51) International Design Classification: **23-02NES**
(71) Name(s) and Address(s) of Applicant(s):
Physiotherm G.m.b.H
B Kollenspergerstr 1 A-6065 Thaur Austria
(72) Name(s) of Designer(s): **Luis Schwarzenberger and Josef Gunsch**
(45) Registration Date: **10 June 2005**
(30) Convention priority data:
(31) Number (32) Date (33) Country
191762-0001 22 Jun 2004 EUROPEAN COMMUNITY
(56) Related Art Documents: **Not Applicable**
(57) Statement of Newness and Distinctiveness: **Nil**



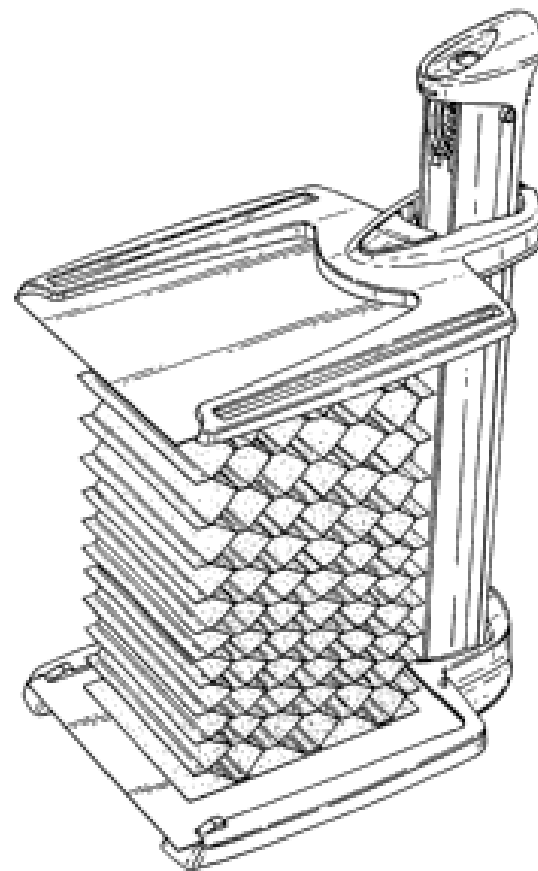
- (21) Design Number: **15957/2004**
(22) Date of Filing Application: **22 December 2004**
(24) Date from which industrial property rights may have effect: **22 December 2004**
(54) Product in respect of which the design is registered: **Espresso coffee machine**
(51) International Design Classification: **07-02L**
(71) Name(s) and Address(s) of Applicant(s):
SEB S.A.
Les 4 M Chemin du Petit Bois F-69130 Ecully France
(72) Name(s) of Designer(s): **Giles Mc William**
(45) Registration Date: **10 June 2005**
(30) Convention priority data:
(31) Number (32) Date (33) Country
043491 09 Jul 2004 FRANCE
(56) Related Art Documents: **Not Applicable**
(57) Statement of Newness and Distinctiveness: **Each feature of the design considered separately or in combination with any other feature or features.**



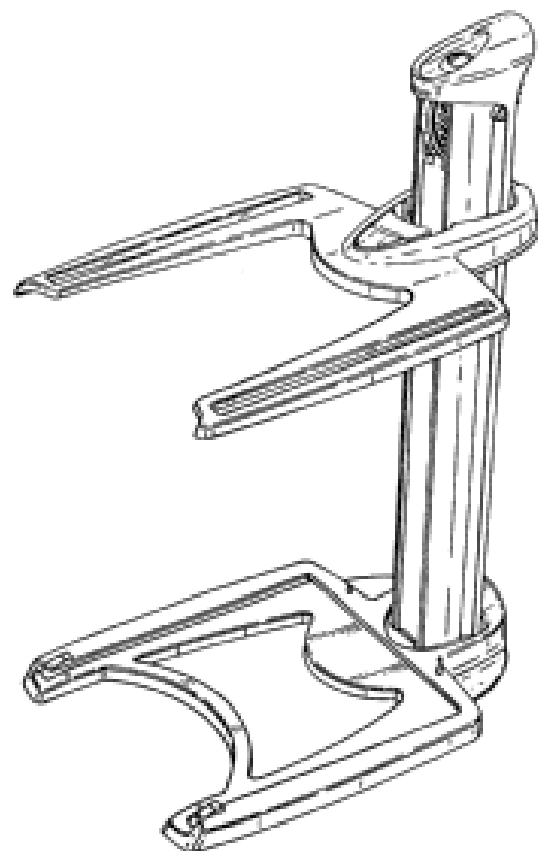
- (21) Design Number: **15958/2004**
(22) Date of Filing Application: **22 December 2004**
(24) Date from which industrial property rights may have effect: **22 December 2004**
(54) Product in respect of which the design is registered: **Espresso coffee machine**
(51) International Design Classification: **07-02L**
(71) Name(s) and Address(s) of Applicant(s):
SEB S.A.
Les 4 M Chemin du Petit Bois F-69130 Ecully France
(72) Name(s) of Designer(s): **Giles Mc William**
(45) Registration Date: **10 June 2005**
(30) Convention priority data:
(31) Number (32) Date (33) Country
043491 09 Jul 2004 FRANCE
(56) Related Art Documents: **Not Applicable**
(57) Statement of Newness and Distinctiveness: **Each feature of the design considered separately or in combination with any other feature or features.**



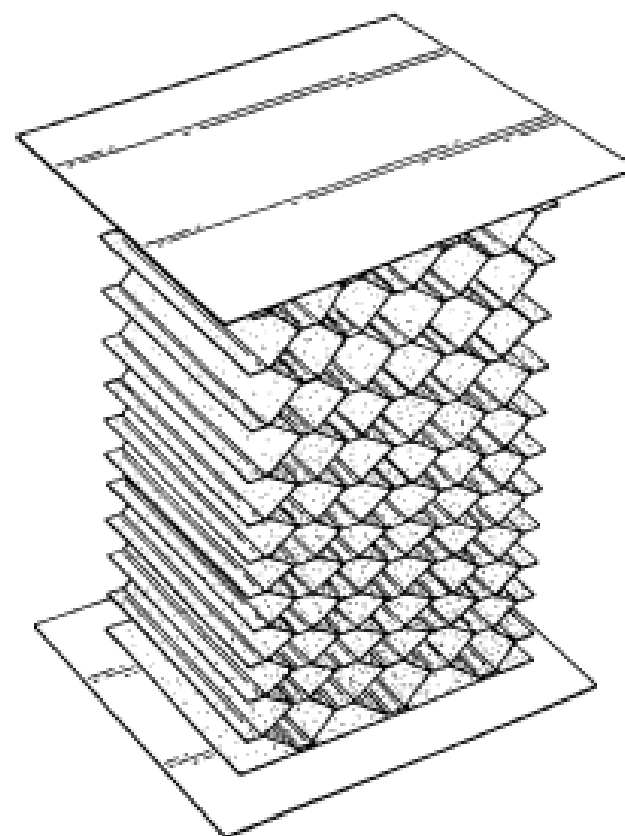
- (21) Design Number: **15959/2004**
(22) Date of Filing Application: **22 December 2004**
(24) Date from which industrial property rights may have effect: **22 December 2004**
(54) Product in respect of which the design is registered: **Insect repellent device**
(51) International Design Classification: **22-06**
(71) Name(s) and Address(s) of Applicant(s):
Reckitt Benckiser (Australia) Pty Limited
44 Wharf Road West Ryde New South Wales 2114 Australia
(72) Name(s) of Designer(s): **Philip Stephen Ridley and Alan John Morris**
(45) Registration Date: **10 June 2005**
(30) Convention priority data:
(31) Number (32) Date (33) Country
A00200402021 28 Jun 2004 INDONESIA
(56) Related Art Documents: **Not Applicable**
(57) Statement of Newness and Distinctiveness: **Each feature of the design considered separately or in combination with any other feature or features.**



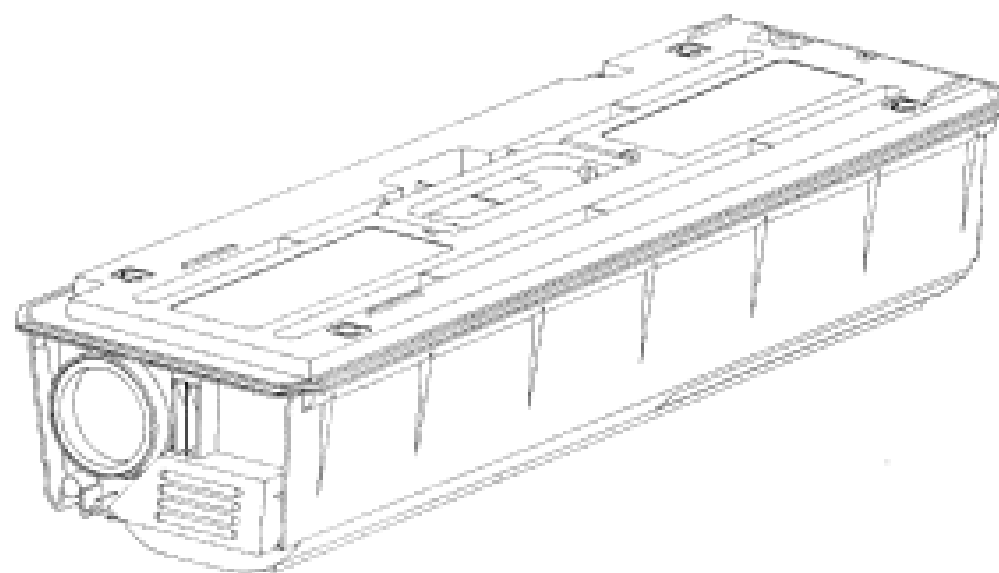
- (21) Design Number: **15960/2004**
(22) Date of Filing Application: **22 December 2004**
(24) Date from which industrial property rights may have effect: **22 December 2004**
(54) Product in respect of which the design is registered: **Insect repellent stand**
(51) International Design Classification: **22-06**
(71) Name(s) and Address(s) of Applicant(s):
Reckitt Benckiser (Australia) Pty Limited
44 Wharf Road West Ryde New South Wales 2114 Australia
(72) Name(s) of Designer(s): **Philip Stephen Ridley and Alan John Morris**
(45) Registration Date: **10 June 2005**
(30) Convention priority data:
(31) Number (32) Date (33) Country
A00200402022 28 Jun 2004 INDONESIA
(56) Related Art Documents: **Not Applicable**
(57) Statement of Newness and Distinctiveness: **Each feature of the design considered separately or in combination with any other feature or features.**



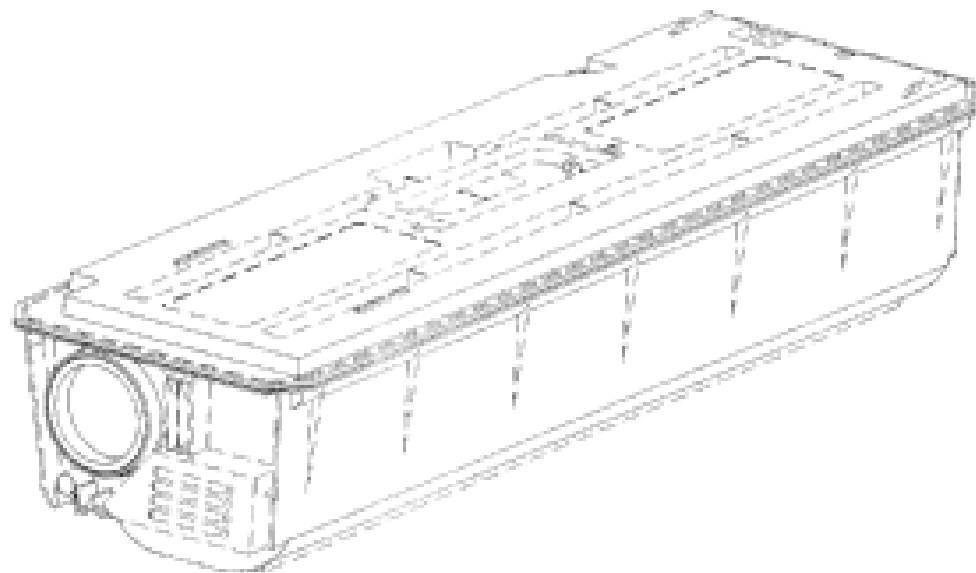
(21) Design Number: **15961/2004**
(22) Date of Filing Application: **22 December 2004**
(24) Date from which industrial property rights may have effect: **22 December 2004**
(54) Product in respect of which the design is registered: **Insect repellent emanator**
(51) International Design Classification: **22-06**
(71) Name(s) and Address(s) of Applicant(s):
Reckitt Benckiser (Australia) Pty Limited
44 Wharf Road West Ryde New South Wales 2114 Australia
(72) Name(s) of Designer(s): **Philip Stephen Ridley and Alan John Morris**
(45) Registration Date: **10 June 2005**
(30) Convention priority data:
(31) Number (32) Date (33) Country
A00200402020 28 Jun 2004 INDONESIA
(56) Related Art Documents: **Not Applicable**
(57) Statement of Newness and Distinctiveness: **Each feature of the design considered separately or in combination with any other feature or features.**



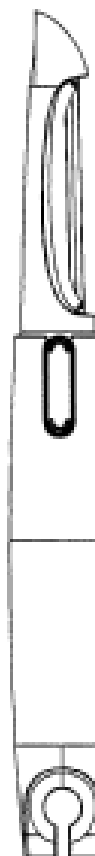
(21) Design Number: **15980/2004**
(22) Date of Filing Application: **24 December 2004**
(24) Date from which industrial property rights may have effect: **24 December 2004**
(54) Product in respect of which the design is registered: **Toner cartridge**
(51) International Design Classification: **14-02, 16-03, 18-02**
(71) Name(s) and Address(s) of Applicant(s):
Kyocera Mita Corporation
2-28 Tamatsukuri 1-Chome Chuo-ku Osaka 540 8585 Japan
(72) Name(s) of Designer(s): **Koji Murata**
(45) Registration Date: **10 June 2005**
(30) Convention priority data:
(31) Number (32) Date (33) Country
2004-020535 07 Jul 2004 JAPAN
(56) Related Art Documents: **Not Applicable**
(57) Statement of Newness and Distinctiveness: **Nil**



(21) Design Number: **15981/2004**
(22) Date of Filing Application: **24 December 2004**
(24) Date from which industrial property rights may have effect: **24 December 2004**
(54) Product in respect of which the design is registered: **Toner cartridge**
(51) International Design Classification: **14-02, 16-03, 18-02**
(71) Name(s) and Address(s) of Applicant(s):
Kyocera Mita Corporation
2-28 Tamatsukuri 1-Chome Chuo-ku Osaka 540 8585 Japan
(72) Name(s) of Designer(s): **Koji Murata**
(45) Registration Date: **10 June 2005**
(30) Convention priority data:
(31) Number (32) Date (33) Country
2004-020534 07 Jul 2004 JAPAN
(56) Related Art Documents: **Not Applicable**
(57) Statement of Newness and Distinctiveness: **Nil**



(21) Design Number: **15982/2004**
(22) Date of Filing Application: **24 December 2004**
(24) Date from which industrial property rights may have effect: **24 December 2004**
(54) Product in respect of which the design is registered: **Culinary peeler**
(51) International Design Classification: **07-04**
(71) Name(s) and Address(s) of Applicant(s):
William Levene Limited
Bridge House Eelmoor Road Farnborough Hampshire GU14 7UE
United Kingdom
(72) Name(s) of Designer(s): **Andrew John Thornton and Marcus James Sandeman and Ben Davies**
(45) Registration Date: **10 June 2005**
(30) Convention priority data:
(31) Number (32) Date (33) Country
000204326-010 06 Jul 2004 EUROPEAN COMMUNITY
(56) Related Art Documents: **Not Applicable**
(57) Statement of Newness and Distinctiveness: **Nil**



(21) Design Number: **15983/2004**

(22) Date of Filing Application: **24 December 2004**

(24) Date from which industrial property rights may have effect: **24 December 2004**

(54) Product in respect of which the design is registered: **A joinery connector**

(51) International Design Classification: **08-08L**

(71) Name(s) and Address(s) of Applicant(s):

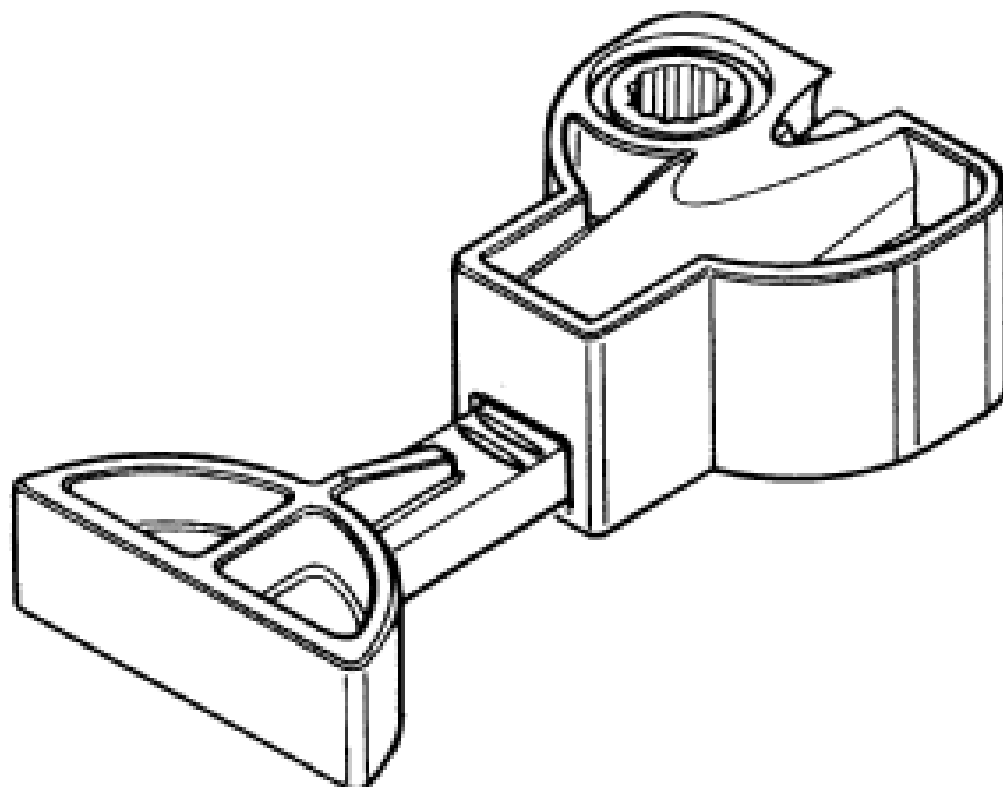
Ross Manton Hutchens
Unit 3 40 Gardiner Street Goolwa South Australia 5214 Australia

(72) Name(s) of Designer(s): **Ross Manton Hutchens**

(45) Registration Date: **10 June 2005**

(56) Related Art Documents: **Not Applicable**

(57) Statement of Newness and Distinctiveness: **Newness and distinctiveness resides in the shape and configuration of a joinery connector as shown in the accompanying representations.**



(21) Design Number: **15984/2004**

(22) Date of Filing Application: **30 December 2004**

(24) Date from which industrial property rights may have effect: **30 December 2004**

(54) Product in respect of which the design is registered: **Fishing rod handle**

(51) International Design Classification: **22-05**

(71) Name(s) and Address(s) of Applicant(s):

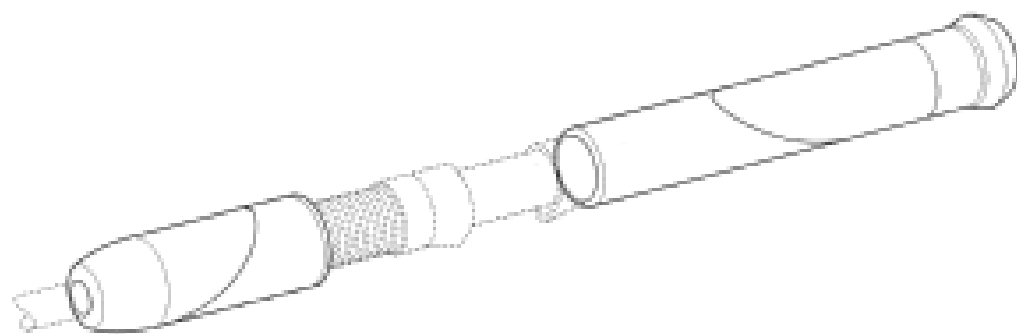
Alister Lance Rowntree Geering
Roundtree Road Hundred of Fox South Australia 5272 Australia

(72) Name(s) of Designer(s): **Alister Lance Rowntree Geering**

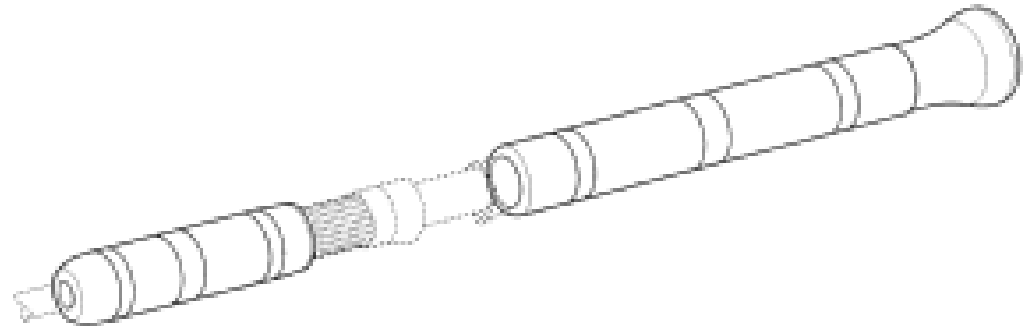
(45) Registration Date: **10 June 2005**

(56) Related Art Documents: **Not Applicable**

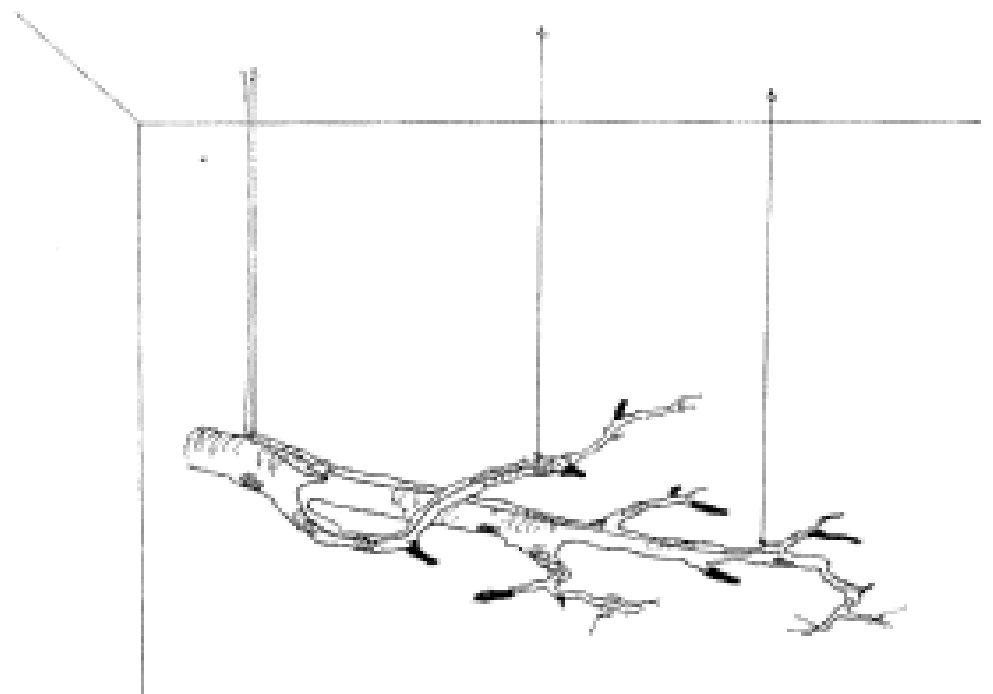
(57) Statement of Newness and Distinctiveness: **Nil**



- (21) Design Number: **15985/2004**
(22) Date of Filing Application: **30 December 2004**
(24) Date from which industrial property rights may have effect: **30 December 2004**
(54) Product in respect of which the design is registered: **Fishing rod handle**
(51) International Design Classification: **22-05**
(71) Name(s) and Address(s) of Applicant(s):
Alister Lance Rowntree Geering
Roundtree Road Hundred of Fox South Australia 5272 Australia
(72) Name(s) of Designer(s): **Alister Lance Rowntree Geering**
(45) Registration Date: **10 June 2005**
(56) Related Art Documents: **Not Applicable**
(57) Statement of Newness and Distinctiveness: **Nil**



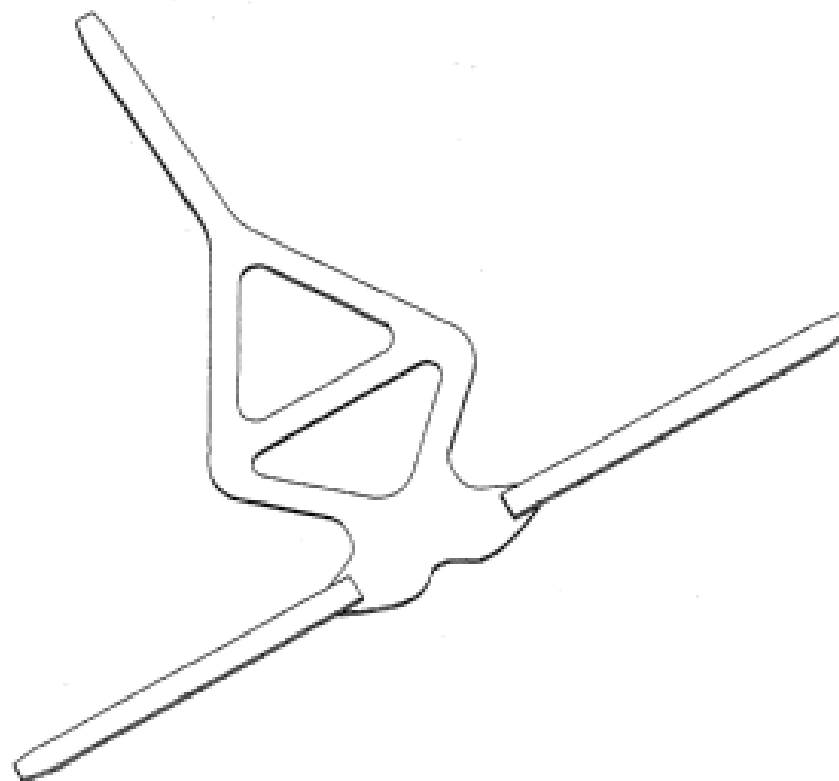
- (21) Design Number: **15987/2004**
(22) Date of Filing Application: **30 December 2004**
(24) Date from which industrial property rights may have effect: **30 December 2004**
(54) Product in respect of which the design is registered: **Room lighting system mounted internally in tree branch structures suspended from roof ceiling**
(51) International Design Classification: **26-05NES**
(71) Name(s) and Address(s) of Applicant(s):
Gary Munro Alcorn
11 Littleton Drive Highfields Queensland 4352 Australia
(72) Name(s) of Designer(s): **Gary Munro Alcorn and Peter Colin Bright**
(45) Registration Date: **10 June 2005**
(56) Related Art Documents: **Not Applicable**
(57) Statement of Newness and Distinctiveness: **Directional concealed lighting is housed in polished tree branches fitted with stylised metal and/or ceramic tips to provide unique room lighting feature.**



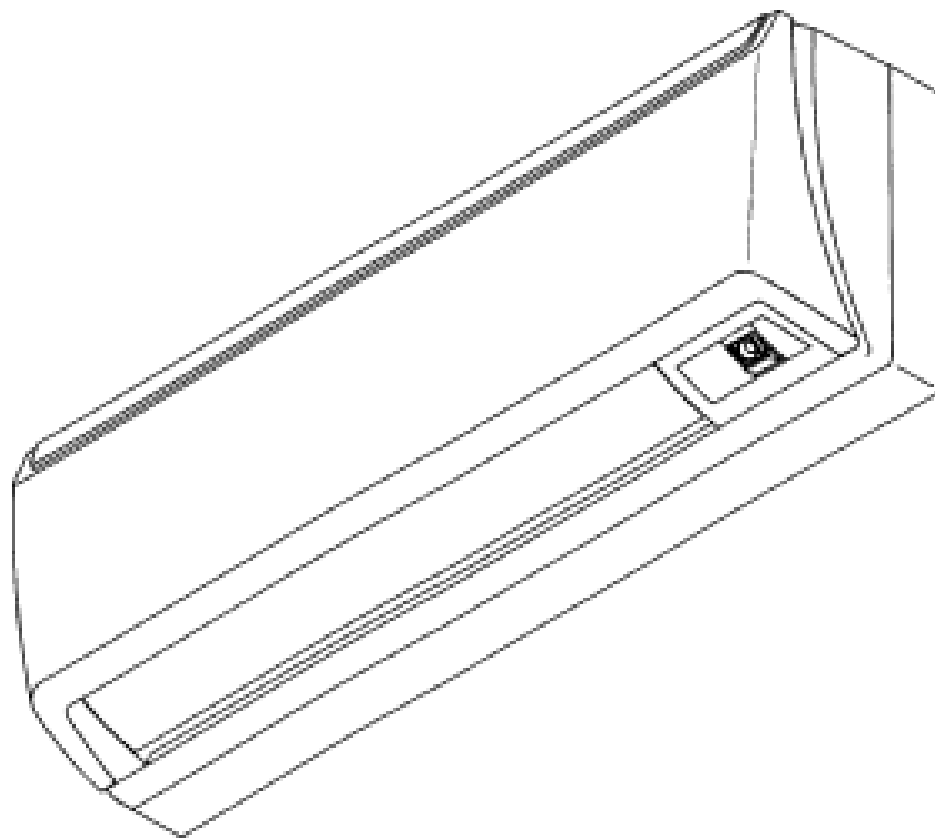
- (21) Design Number: **16002/2004**
(22) Date of Filing Application: **24 December 2004**
(24) Date from which industrial property rights may have effect: **24 December 2004**
(54) Product in respect of which the design is registered: **Tape dispenser**
(51) International Design Classification: **19-02**
(71) Name(s) and Address(s) of Applicant(s):
Henkel Kommanditgesellschaft auf Aktien
Henkelstrasse 67 40589 Dusseldorf Germany
(72) Name(s) of Designer(s): **Jean Michel Farce and Matthias Rhode**
(45) Registration Date: **10 June 2005**
(30) Convention priority data:
(31) Number (32) Date (33) Country
404 07 029.9 15 Dec 2004 GERMANY
(56) Related Art Documents: **Not Applicable**
(57) Statement of Newness and Distinctiveness: **Newness and distinctiveness is claimed in the features of shape and/or configuration of a tape dispenser as illustrated in the accompanying representations.**



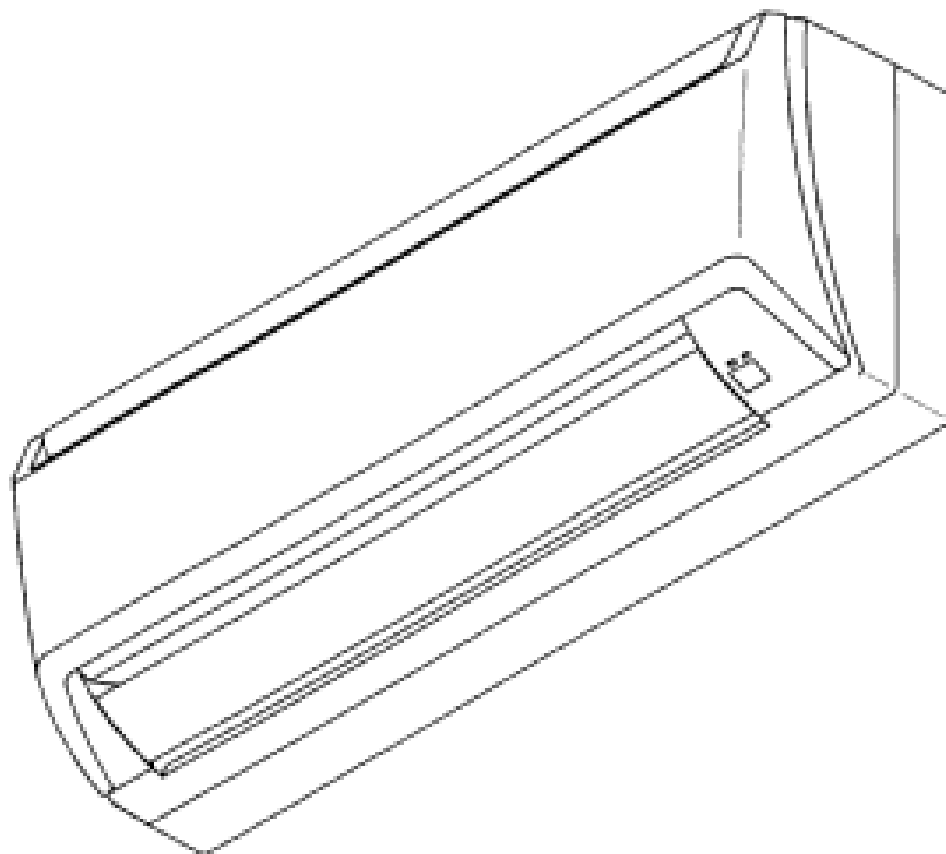
- (21) Design Number: **16003/2004**
(22) Date of Filing Application: **24 December 2004**
(24) Date from which industrial property rights may have effect: **24 December 2004**
(54) Product in respect of which the design is registered: **Headgear for respiratory mask**
(51) International Design Classification: **24-01, 24-02**
(71) Name(s) and Address(s) of Applicant(s):
ResMed Ltd.
97 Waterloo Road North Ryde New South Wales 2113 Australia
(72) Name(s) of Designer(s): **Muditha Pradeep Dantanarayana and Anthony Michael Ging and Gregory Scott Smart and David John Worboys**
(45) Registration Date: **10 June 2005**
(30) Convention priority data:
(31) Number (32) Date (33) Country
29/209,437 16 Jul 2004 UNITED STATES OF AMERICA
(56) Related Art Documents: **Not Applicable**
(57) Statement of Newness and Distinctiveness: **The new and distinctive visual features of the design are the shape and configuration of the product.**



(21) Design Number: **16005/2004**
(22) Date of Filing Application: **24 December 2004**
(24) Date from which industrial property rights may have effect: **24 December 2004**
(54) Product in respect of which the design is registered: **Air conditioner**
(51) International Design Classification: **23-04**
(71) Name(s) and Address(s) of Applicant(s):
Mitsubishi Denki Kabushiki Kaisha
2-3 Marunouchi 2-Chome Chiyoda-Ku Tokyo 100-8310 Japan
(72) Name(s) of Designer(s): **Takanori Miyake and Hiroshi Asaoka and Dai Sato**
(45) Registration Date: **10 June 2005**
(30) Convention priority data:
(31) Number (32) Date (33) Country
2004-027833 14 Sep 2004 JAPAN
(56) Related Art Documents: **Not Applicable**
(57) Statement of Newness and Distinctiveness: **Nil**

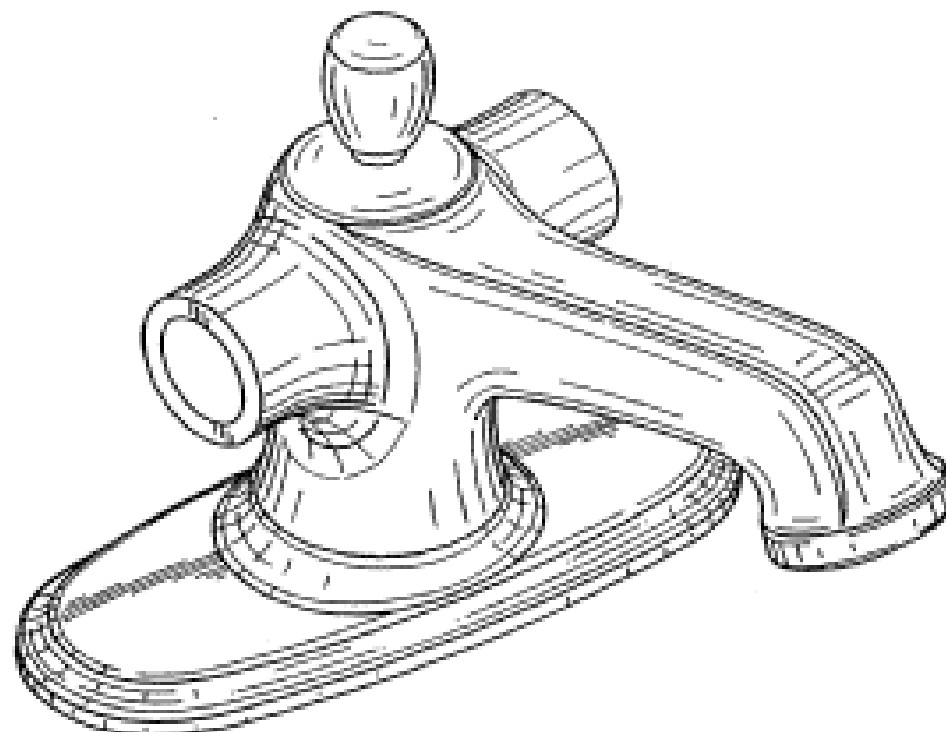


(21) Design Number: **16006/2004**
(22) Date of Filing Application: **24 December 2004**
(24) Date from which industrial property rights may have effect: **24 December 2004**
(54) Product in respect of which the design is registered: **Air conditioner**
(51) International Design Classification: **23-04**
(71) Name(s) and Address(s) of Applicant(s):
Mitsubishi Denki Kabushiki Kaisha
2-3 Marunouchi 2-Chome Chiyoda-Ku Tokyo 100-8310 Japan
(72) Name(s) of Designer(s): **Takanori Miyake and Hiroshi Asaoka and Yutaka Nikaido**
(45) Registration Date: **10 June 2005**
(30) Convention priority data:
(31) Number (32) Date (33) Country
2004-027832 14 Sep 2004 JAPAN
(56) Related Art Documents: **Not Applicable**
(57) Statement of Newness and Distinctiveness: **Nil**



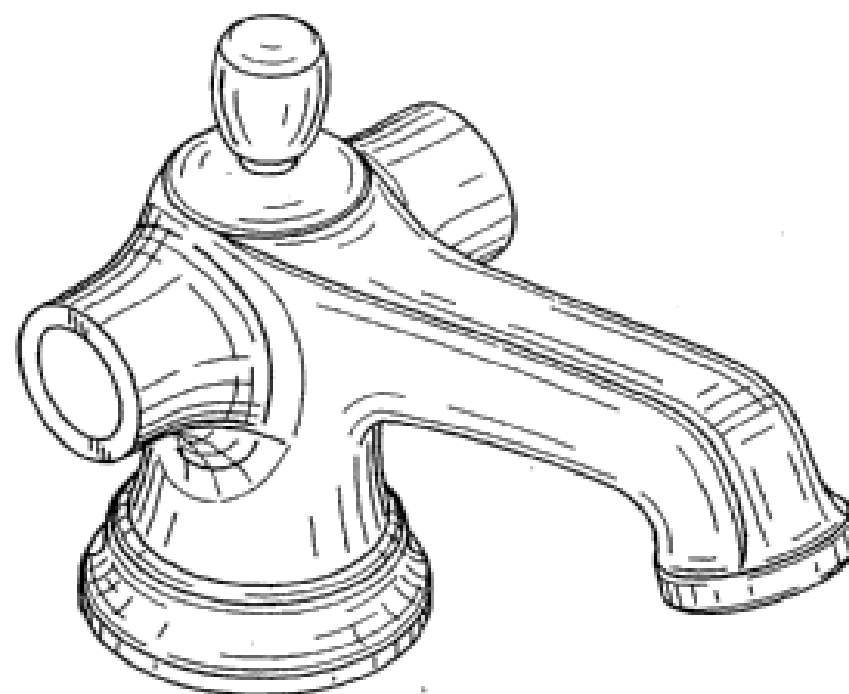
(19) AU

(21) Design Number: **16008/2004**
(22) Date of Filing Application: **24 December 2004**
(24) Date from which industrial property rights may have effect: **24 December 2004**
(54) Product in respect of which the design is registered: **A faucet**
(51) International Design Classification: **23-01H**
(71) Name(s) and Address(s) of Applicant(s):
Kohler Co.
444 Highland Drive Kohler Wisconsin 53044 United States of America
(72) Name(s) of Designer(s): **John K. Blomstrom**
(45) Registration Date: **10 June 2005**
(30) Convention priority data:
(31) Number (32) Date (33) Country
29/208,604 30 Jun 2004 UNITED STATES OF AMERICA
(56) Related Art Documents: **Not Applicable**
(57) Statement of Newness and Distinctiveness: **Nil**



(19) AU

(21) Design Number: **16009/2004**
(22) Date of Filing Application: **24 December 2004**
(24) Date from which industrial property rights may have effect: **24 December 2004**
(54) Product in respect of which the design is registered: **A faucet**
(51) International Design Classification: **23-01H**
(71) Name(s) and Address(s) of Applicant(s):
Kohler Co.
444 Highland Drive Kohler Wisconsin 53044 United States of America
(72) Name(s) of Designer(s): **John K. Blomstrom**
(45) Registration Date: **10 June 2005**
(30) Convention priority data:
(31) Number (32) Date (33) Country
29/208,604 30 Jun 2004 UNITED STATES OF AMERICA
(56) Related Art Documents: **Not Applicable**
(57) Statement of Newness and Distinctiveness: **Nil**



- (21) Design Number: **16010/2004**
(22) Date of Filing Application: **24 December 2004**
(24) Date from which industrial property rights may have effect: **24 December 2004**
(54) Product in respect of which the design is registered: **A spout**
(51) International Design Classification: **23-01H**
(71) Name(s) and Address(s) of Applicant(s):

Kohler Co.
444 Highland Drive Kohler WI 53044 United States of America

(72) Name(s) of Designer(s): **John K. Blomstrom**

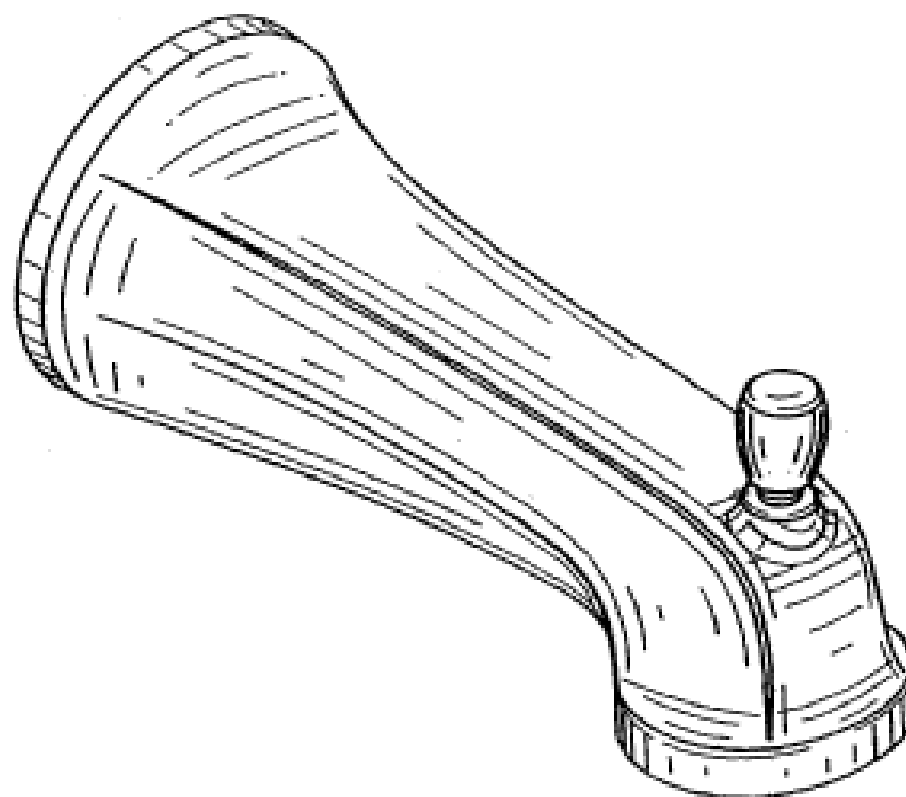
(45) Registration Date: **10 June 2005**

(30) Convention priority data:

(31) Number	(32) Date	(33) Country
29/208603	30 Jun 2004	UNITED STATES OF AMERICA

(56) Related Art Documents: **Not Applicable**

(57) Statement of Newness and Distinctiveness: **When deciding whether the design is substantially similar in overall impression to another design, no regard is to be had to those features shown in dotted outline in the accompanying representations.**



- (21) Design Number: **16011/2004**
(22) Date of Filing Application: **24 December 2004**
(24) Date from which industrial property rights may have effect: **24 December 2004**
(54) Product in respect of which the design is registered: **A showerhead**
(51) International Design Classification: **23-02B**
(71) Name(s) and Address(s) of Applicant(s):

Kohler Co.
444 Highland Drive Kohler Wisconsin 53044 United States of America

(72) Name(s) of Designer(s): **John K. Blomstrom**

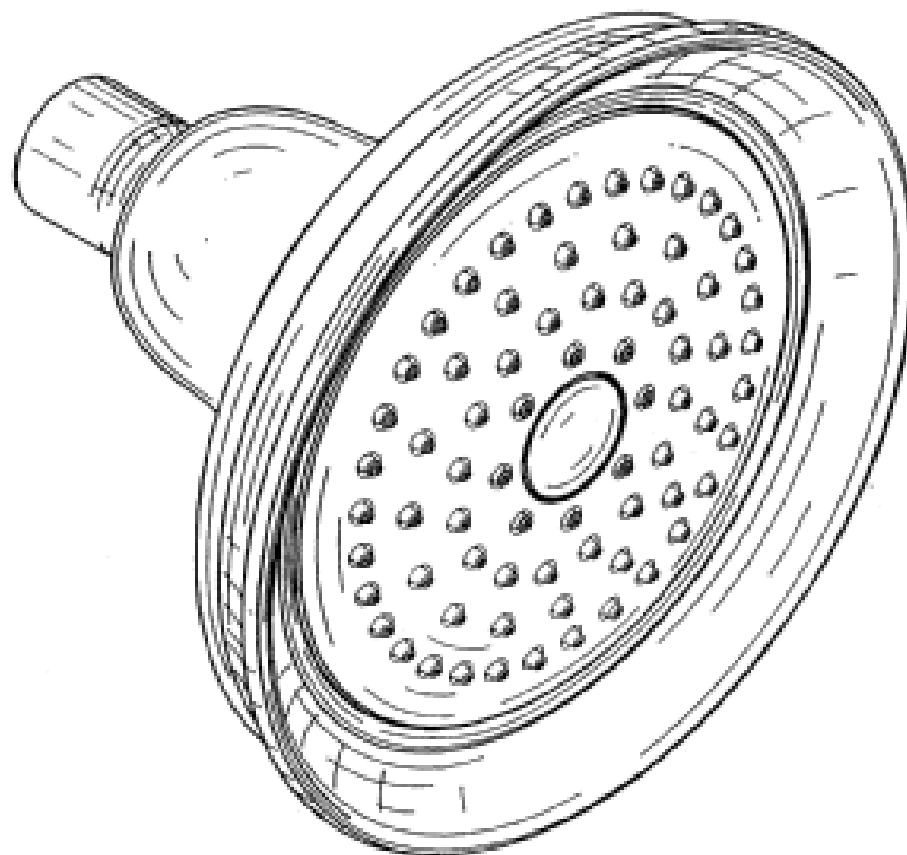
(45) Registration Date: **10 June 2005**

(30) Convention priority data:

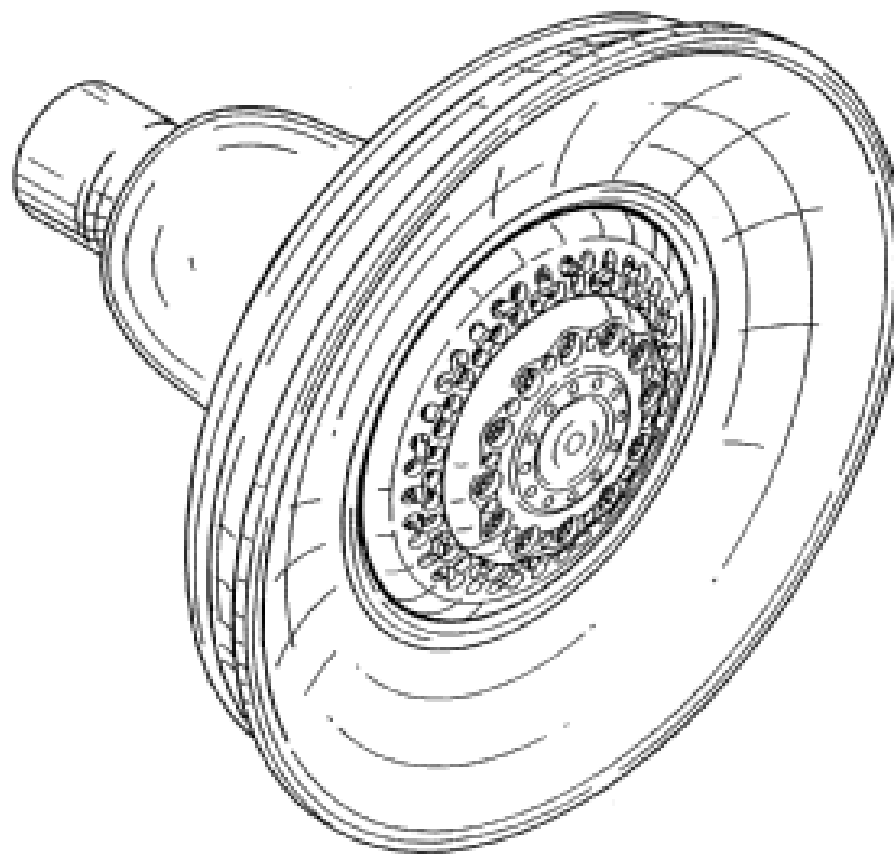
(31) Number	(32) Date	(33) Country
29/208,602	30 Jun 2004	UNITED STATES OF AMERICA

(56) Related Art Documents: **Not Applicable**

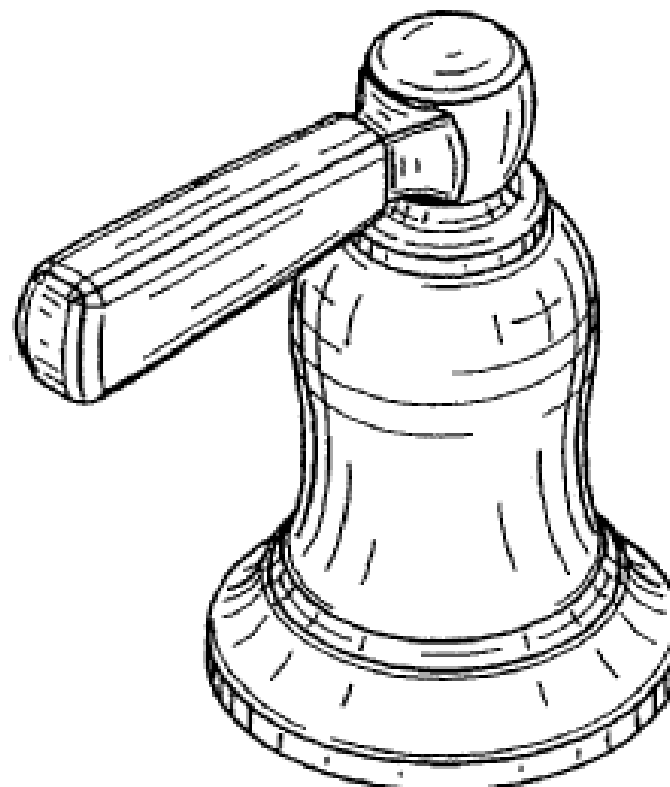
(57) Statement of Newness and Distinctiveness: **Nil**



(21) Design Number: **16012/2004**
(22) Date of Filing Application: **24 December 2004**
(24) Date from which industrial property rights may have effect: **24 December 2004**
(54) Product in respect of which the design is registered: **A showerhead**
(51) International Design Classification: **23-02B**
(71) Name(s) and Address(s) of Applicant(s):
Kohler Co.
444 Highland Drive Kohler Wisconsin 53044 United States of America
(72) Name(s) of Designer(s): **John K. Blomstrom**
(45) Registration Date: **10 June 2005**
(30) Convention priority data:
(31) Number (32) Date (33) Country
29/208,602 30 Jun 2004 UNITED STATES OF AMERICA
(56) Related Art Documents: **Not Applicable**
(57) Statement of Newness and Distinctiveness: **Nil**



(21) Design Number: **16013/2004**
(22) Date of Filing Application: **24 December 2004**
(24) Date from which industrial property rights may have effect: **24 December 2004**
(54) Product in respect of which the design is registered: **A plumbing fixture**
(51) International Design Classification: **23-01H**
(71) Name(s) and Address(s) of Applicant(s):
Kohler Co.
444 Highland Drive Kohler Wisconsin 53044 United States of America
(72) Name(s) of Designer(s): **John K. Blomstrom**
(45) Registration Date: **10 June 2005**
(30) Convention priority data:
(31) Number (32) Date (33) Country
29/208,601 30 Jun 2004 UNITED STATES OF AMERICA
(56) Related Art Documents: **Not Applicable**
(57) Statement of Newness and Distinctiveness: **Nil**



(21) Design Number: **16014/2004**
(22) Date of Filing Application: **24 December 2004**
(24) Date from which industrial property rights may have effect: **24 December 2004**
(54) Product in respect of which the design is registered: **A plumbing fixture**
(51) International Design Classification: **23-01H**
(71) Name(s) and Address(s) of Applicant(s):

Kohler Co.
444 Highland Drive Kohler Wisconsin 53044 United States of America

(72) Name(s) of Designer(s): **John K. Blomstrom**

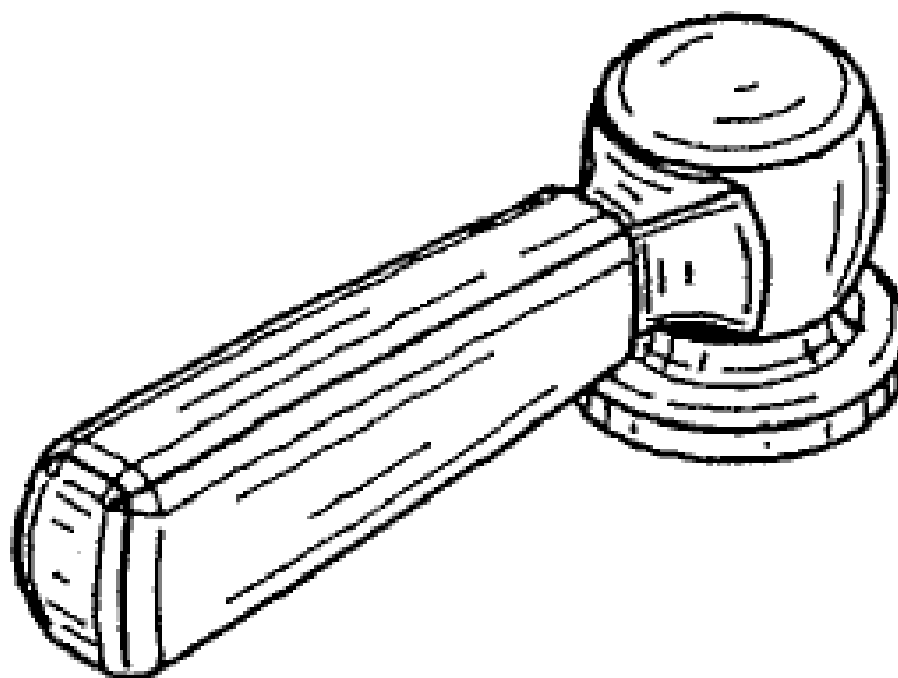
(45) Registration Date: **10 June 2005**

(30) Convention priority data:

(31) Number	(32) Date	(33) Country
29/208,601	30 Jun 2004	UNITED STATES OF AMERICA

(56) Related Art Documents: **Not Applicable**

(57) Statement of Newness and Distinctiveness: **Nil**



(21) Design Number: **16015/2004**
(22) Date of Filing Application: **24 December 2004**
(24) Date from which industrial property rights may have effect: **24 December 2004**
(54) Product in respect of which the design is registered: **A plumbing fixture**
(51) International Design Classification: **23-01H**
(71) Name(s) and Address(s) of Applicant(s):

Kohler Co.
444 Highland Drive Kohler Wisconsin 53044 United States of America

(72) Name(s) of Designer(s): **John K. Blomstrom**

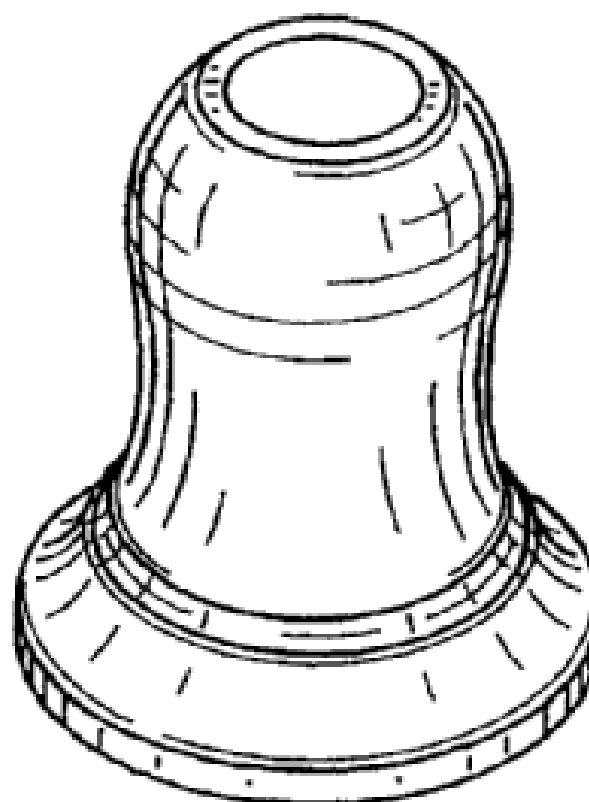
(45) Registration Date: **10 June 2005**

(30) Convention priority data:

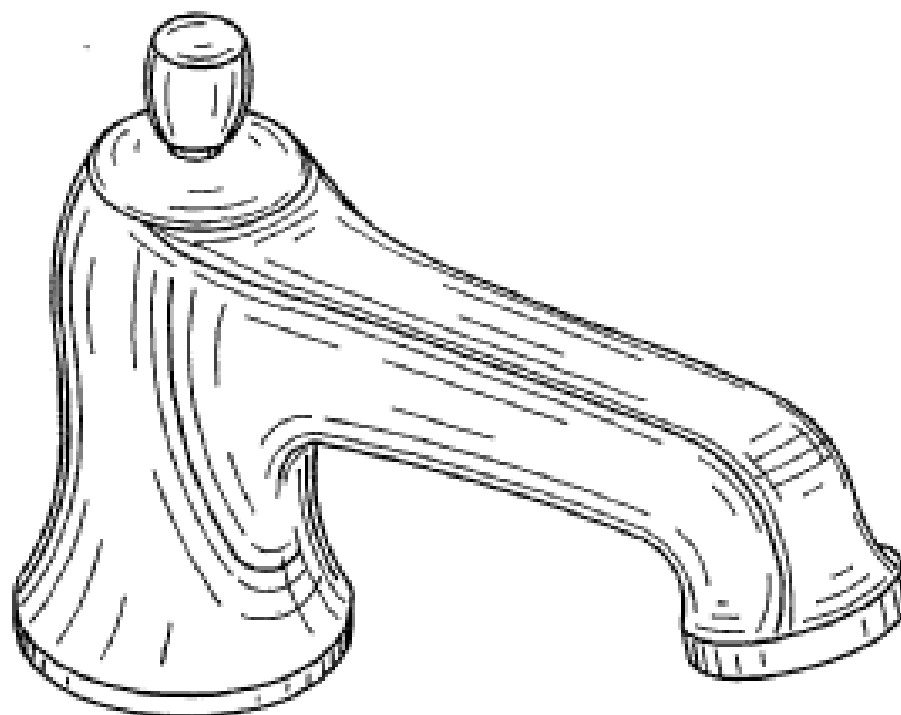
(31) Number	(32) Date	(33) Country
29/208,601	30 Jun 2004	UNITED STATES OF AMERICA

(56) Related Art Documents: **Not Applicable**

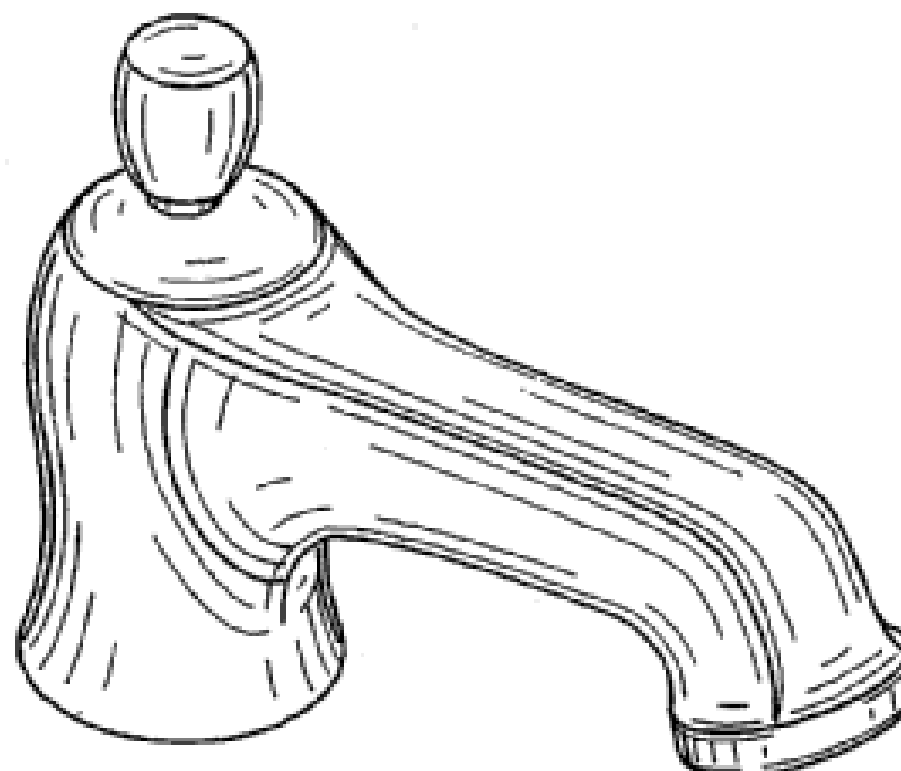
(57) Statement of Newness and Distinctiveness: **Nil**



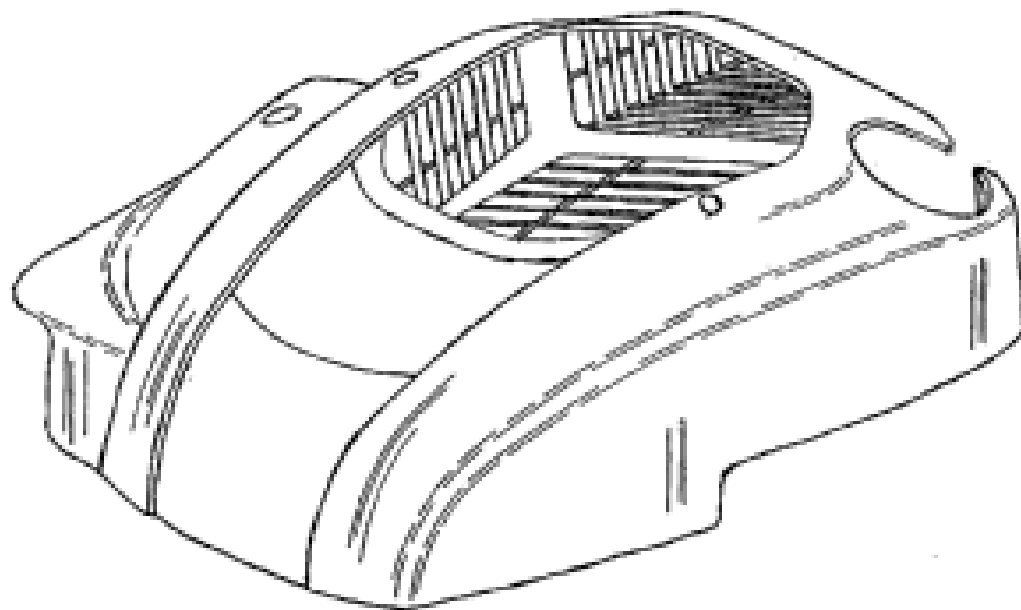
(21) Design Number: **16016/2004**
(22) Date of Filing Application: **24 December 2004**
(24) Date from which industrial property rights may have effect: **24 December 2004**
(54) Product in respect of which the design is registered: **A faucet**
(51) International Design Classification: **23-01H**
(71) Name(s) and Address(s) of Applicant(s):
Kohler Co.
444 Highland Drive Kohler Wisconsin 53044 United States of America
(72) Name(s) of Designer(s): **John K. Blomstrom**
(45) Registration Date: **10 June 2005**
(30) Convention priority data:
(31) Number (32) Date (33) Country
29/208,600 30 Jun 2004 UNITED STATES OF AMERICA
(56) Related Art Documents: **Not Applicable**
(57) Statement of Newness and Distinctiveness: **Nil**



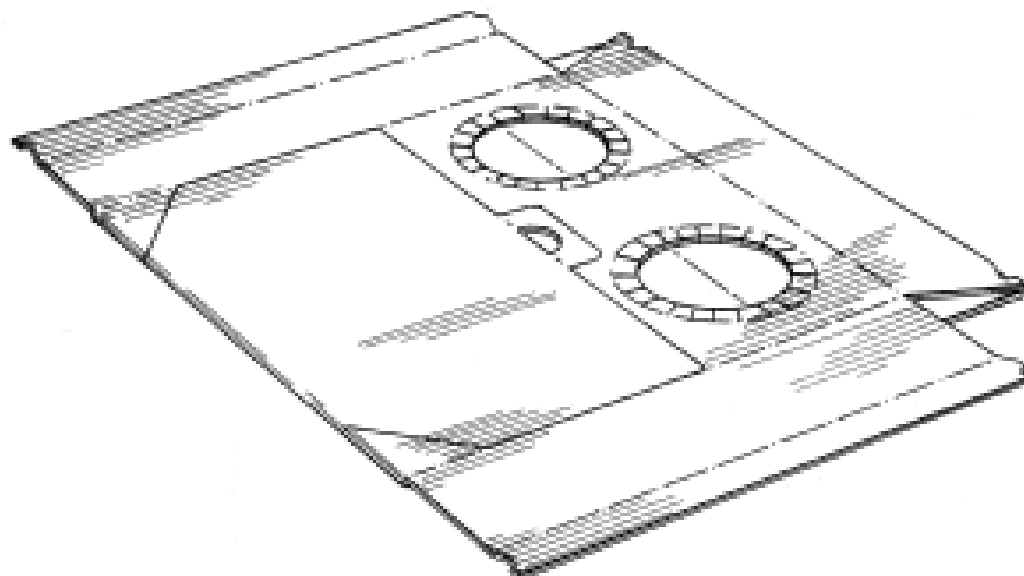
(21) Design Number: **16017/2004**
(22) Date of Filing Application: **24 December 2004**
(24) Date from which industrial property rights may have effect: **24 December 2004**
(54) Product in respect of which the design is registered: **A faucet**
(51) International Design Classification: **23-01H**
(71) Name(s) and Address(s) of Applicant(s):
Kohler Co.
444 Highland Drive Kohler Wisconsin 53044 United States of America
(72) Name(s) of Designer(s): **John K. Blomstrom**
(45) Registration Date: **10 June 2005**
(30) Convention priority data:
(31) Number (32) Date (33) Country
29/208,600 30 Jun 2004 UNITED STATES OF AMERICA
(56) Related Art Documents: **Not Applicable**
(57) Statement of Newness and Distinctiveness: **Nil**



(21) Design Number: **16019/2004**
(22) Date of Filing Application: **30 December 2004**
(24) Date from which industrial property rights may have effect: **30 December 2004**
(54) Product in respect of which the design is registered: **Cover for an engine**
(51) International Design Classification: **15-01**
(71) Name(s) and Address(s) of Applicant(s):
Briggs & Stratton Corporation
12301 West Wirth Street Wauwatosa Wisconsin 53222 United States of America
(72) Name(s) of Designer(s): **Richard Walters**
(45) Registration Date: **10 June 2005**
(30) Convention priority data:
(31) Number (32) Date (33) Country
29/208,608 30 Jun 2004 UNITED STATES OF AMERICA
(56) Related Art Documents: **Not Applicable**
(57) Statement of Newness and Distinctiveness: **Newness and distinctiveness are provided by the shape and/or configuration of the design shown in the representations.**



(21) Design Number: **16021/2004**
(22) Date of Filing Application: **30 December 2004**
(24) Date from which industrial property rights may have effect: **30 December 2004**
(54) Product in respect of which the design is registered: **Partially erected tray**
(51) International Design Classification: **07-99A**
(71) Name(s) and Address(s) of Applicant(s):
Amcor Limited
679 Victoria Street Abbotsford Victoria 3067 Australia
(72) Name(s) of Designer(s): **Malcom James**
(45) Registration Date: **10 June 2005**
(56) Related Art Documents: **Not Applicable**
(57) Statement of Newness and Distinctiveness: **Nil**



- (21) Design Number: **16022/2004**
(22) Date of Filing Application: **30 December 2004**
(24) Date from which industrial property rights may have effect: **30 December 2004**
(54) Product in respect of which the design is registered: **Blank for forming tray**
(51) International Design Classification: **07-99A**
(71) Name(s) and Address(s) of Applicant(s):
 Ancor Limited
 679 Victoria Street Abbotsford Victoria 3067 Australia
(72) Name(s) of Designer(s): **Malcom James**
(45) Registration Date: **10 June 2005**
(56) Related Art Documents: **Not Applicable**
(57) Statement of Newness and Distinctiveness: **Nil**

