

A Touch of Evil single-box foamcore insert



Introduction

This insert holds all the published components for *A Touch of Evil: The Supernatural Game* by Flying Frog Productions. It uses a single-box approach, but the components stack above the original height of the box, leading to a “floating lid” as pictured above. All foamcore components are built with 5mm foamcore, and all measurements are given in 5mm.

Products included

- *A Touch of Evil*
- *Something Wicked*
- *The Coast*
- *Hero Pack 1*
- *Hero Pack 2*
- *print-at-home supplements*

Components to build

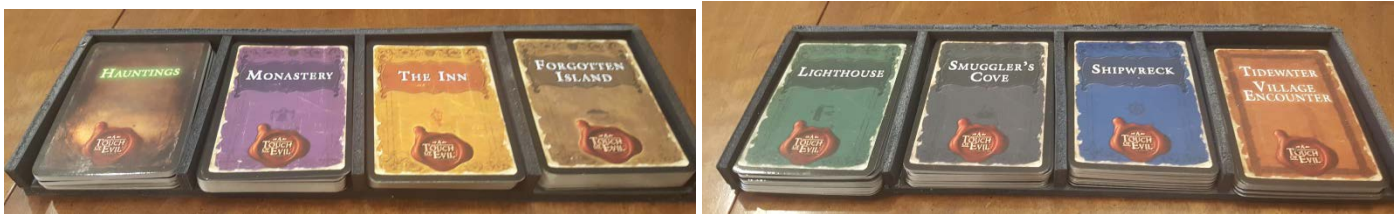
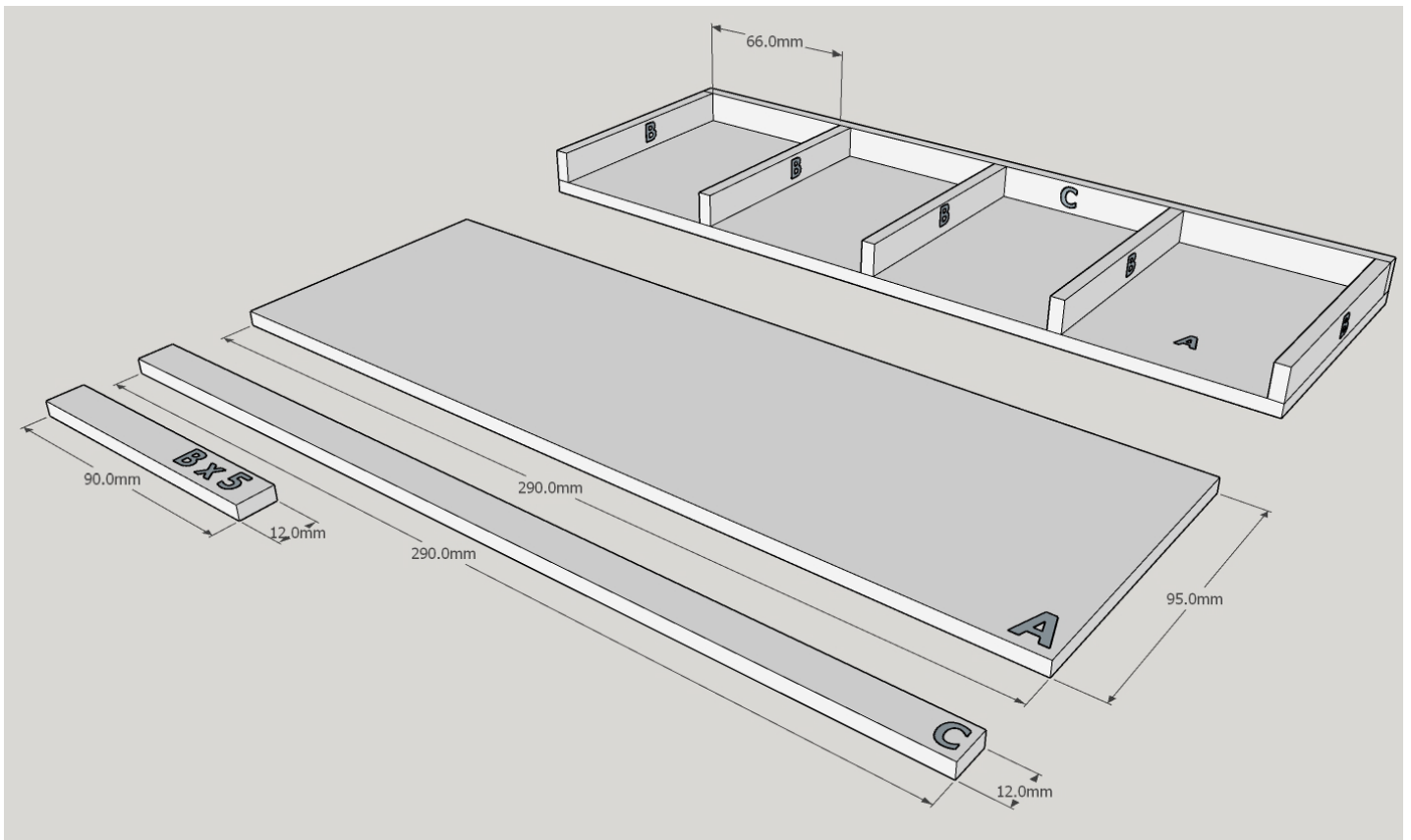
- 4 short card trays, varying height
- 2 tall card trays, varying height
- 2 round lg token trays, varying sizes
- 2 round sm token trays, varying sizes
- 1 square token tray
- 1 condition token tray
- 1 status token tray
- 1 miniatures tray
- 1 round elements holder
- 1 Krampus tray

Credits

- *A Touch of Evil: The Supernatural Game* is produced by Flying Frog Productions.
- The format of this design was inspired by the generous folks over at PubMeeple.com.
- This foamcore build was designed by Brendan Riley and distributed by Rattlebox Games, and distributed *without explicit permission of FFP*. This design is distributed without warranty under a Creative Commons Attribution-NonCommercial-ShareAlike 4.0 International License.

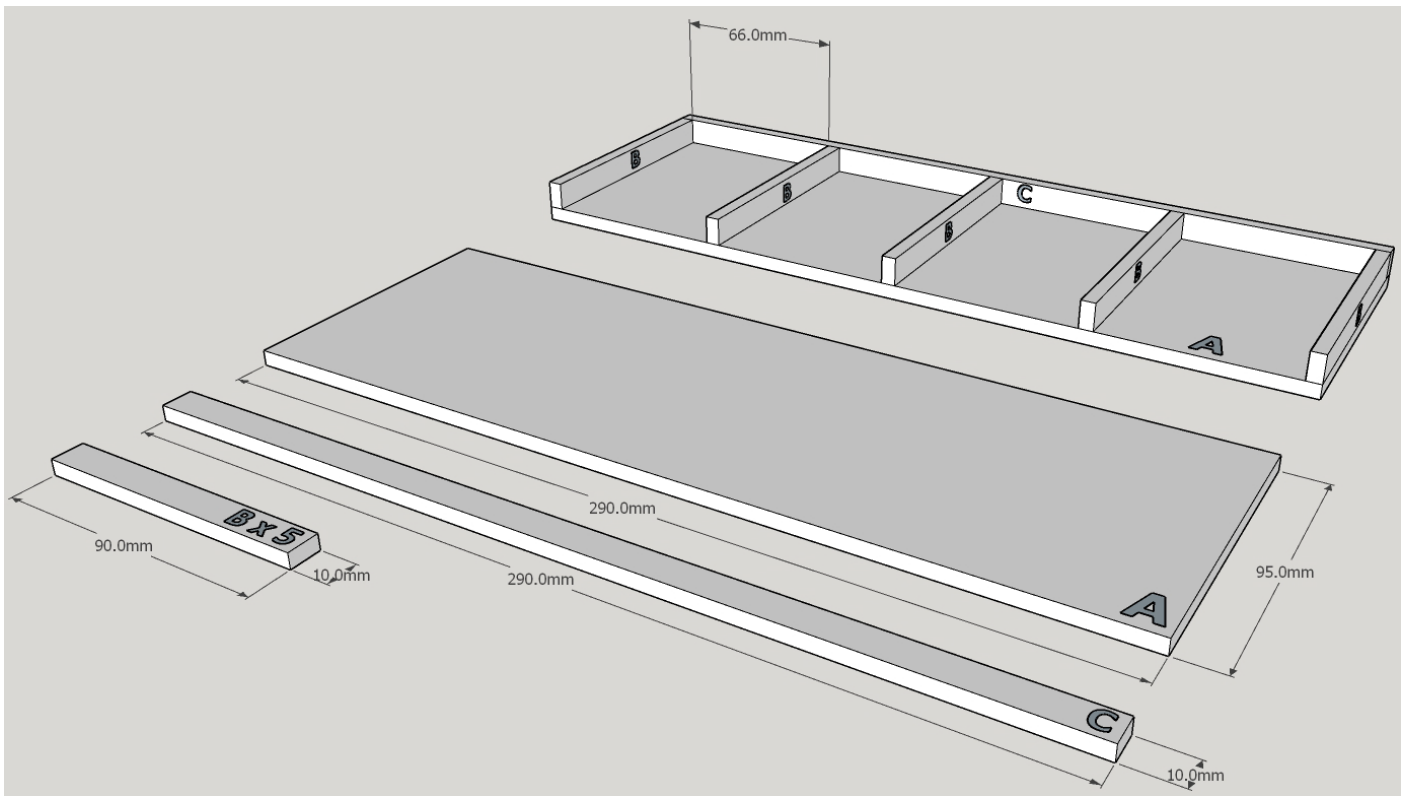
SHORT CARD TRAY 2 – holds cards for *Hauntings, Monastery, The Inn, Forgotten Island*

SHORT CARD TRAY 3 – holds cards for *Lighthouse, Smuggler's Cove, Shipwreck, Tidewater Village Encounter*



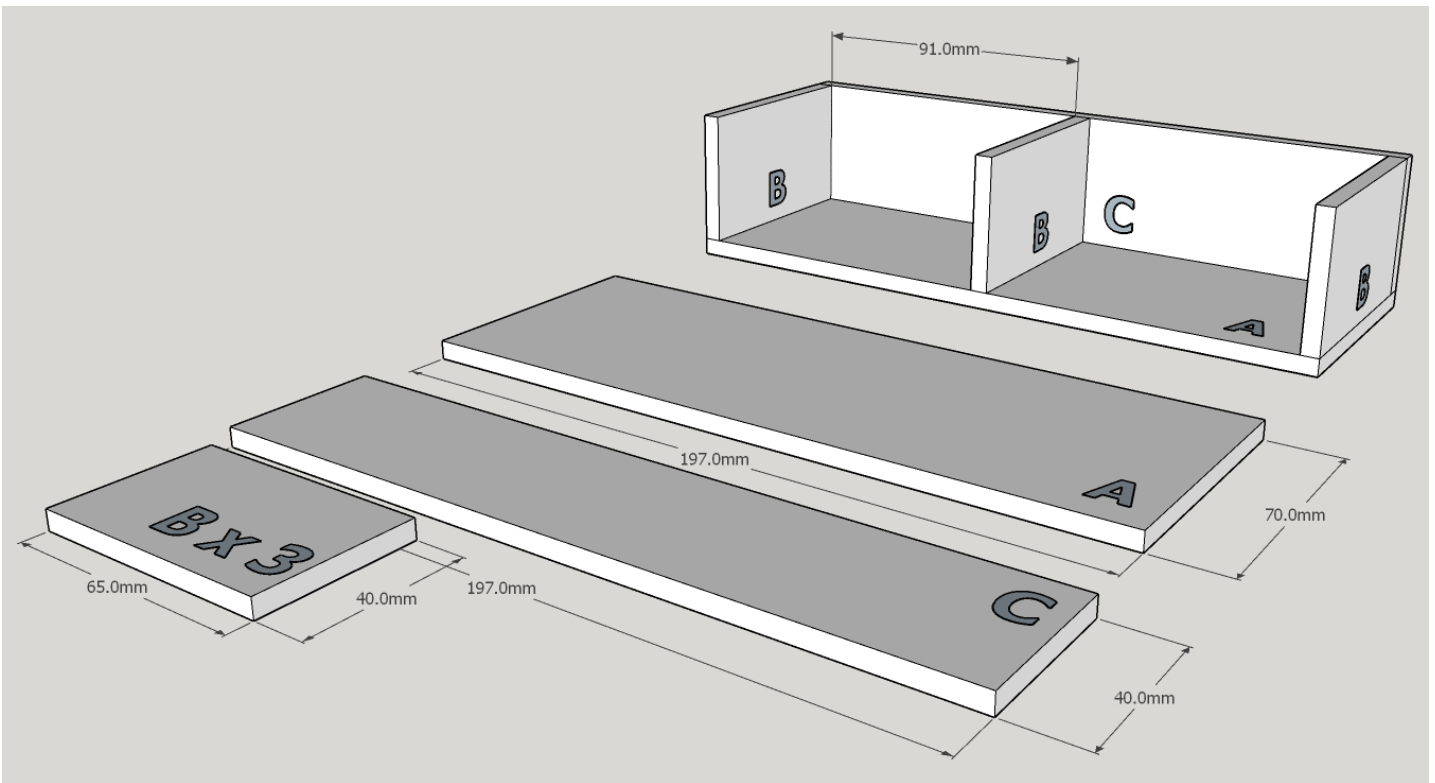
These trays hold the cards from the two big box expansions.

SHORT CARD TRAY 4 – holds cards for Items, player turn reminders, Elders, etc.



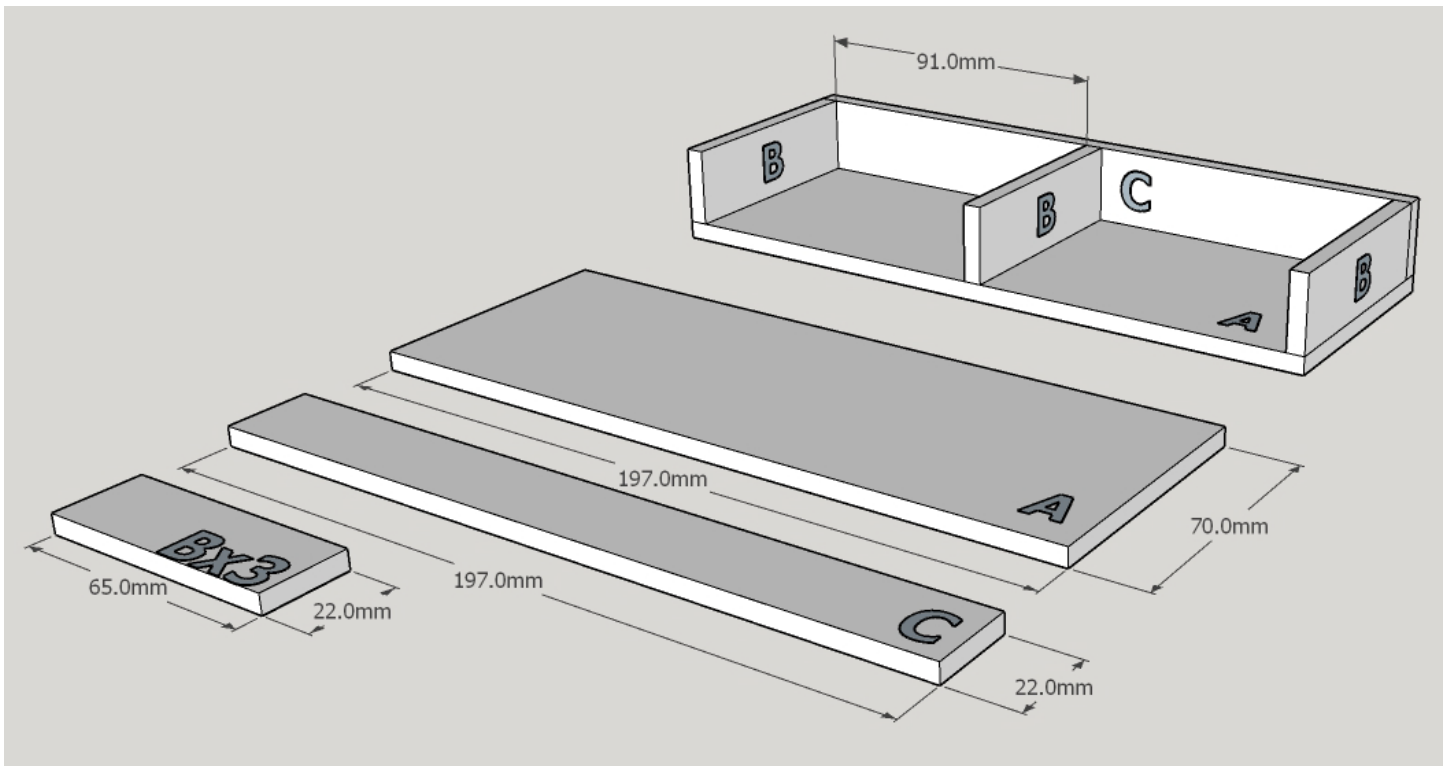
This tray holds item decks and misc small groups of cards.

TALL CARD TRAY 1 – holds cards for Events and Mysteries



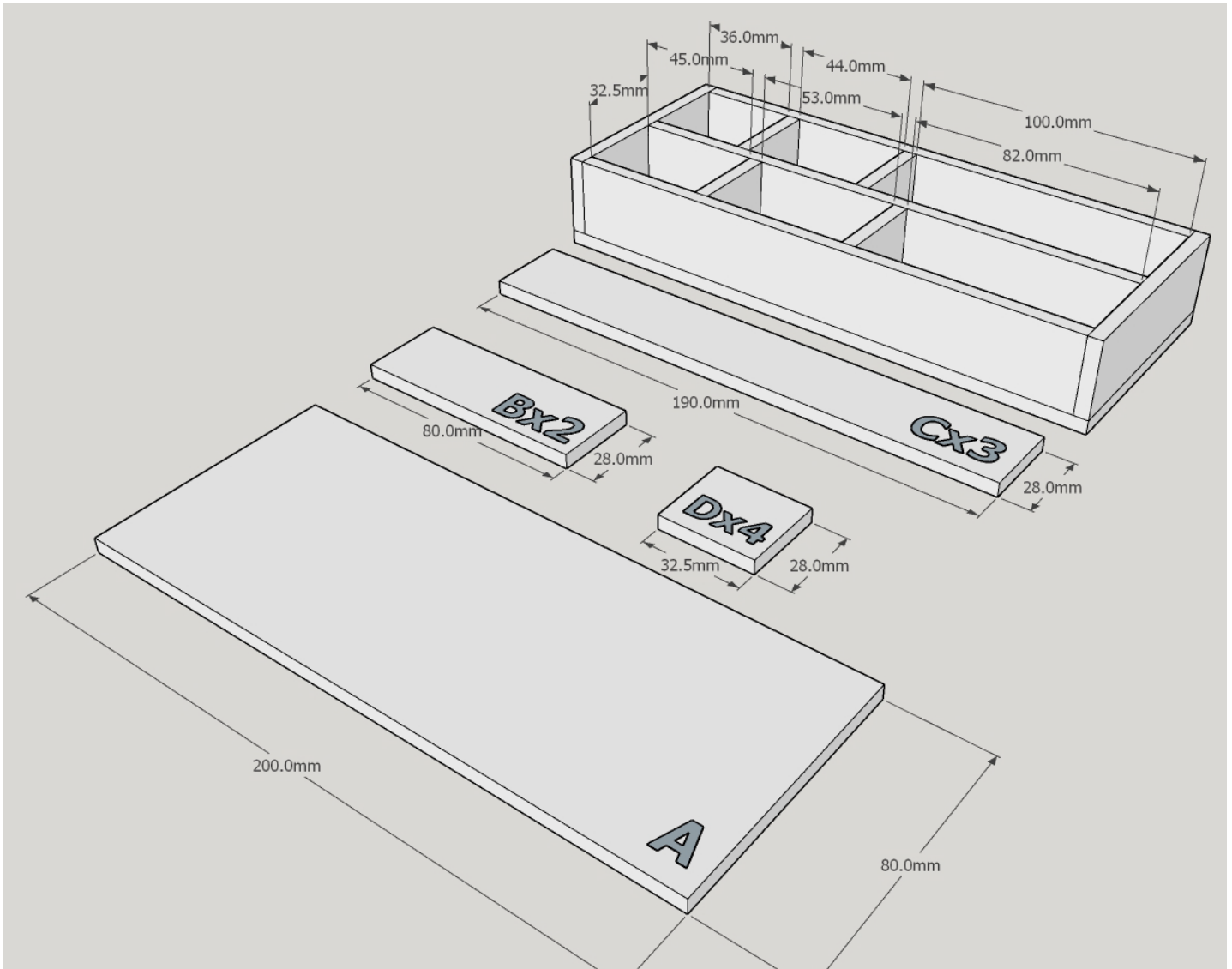
This tray holds Events and Mysteries decks.

TALL CARD TRAY 2 – holds cards for *Items*, *player guides*, *Elders*, *Secrets*, *Misc.*



This card tray holds Lair and Secrets decks.

ROUND LARGE TOKEN TRAY 1 – holds various large round tokens, sorted by type

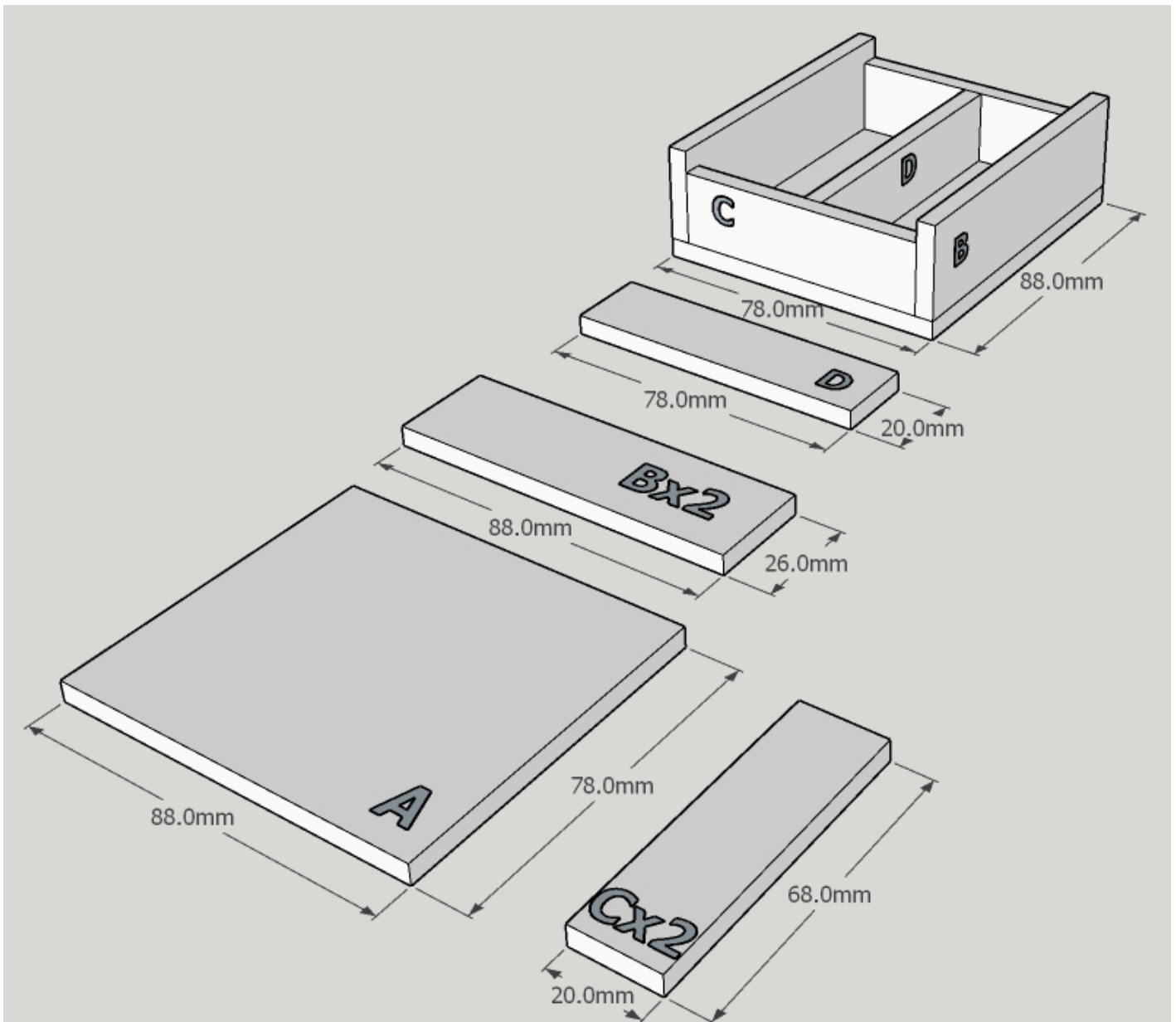


Tokens stored are:

- A: Pages with numbers & Unique Minions
- B: The Sunken Seven
- C: Heroes and Elders

- D: Villains
- E: Haunted
- F: Stone Statues

ROUND LARGE TOKEN TRAY 1 – holds various large round tokens, sorted by type

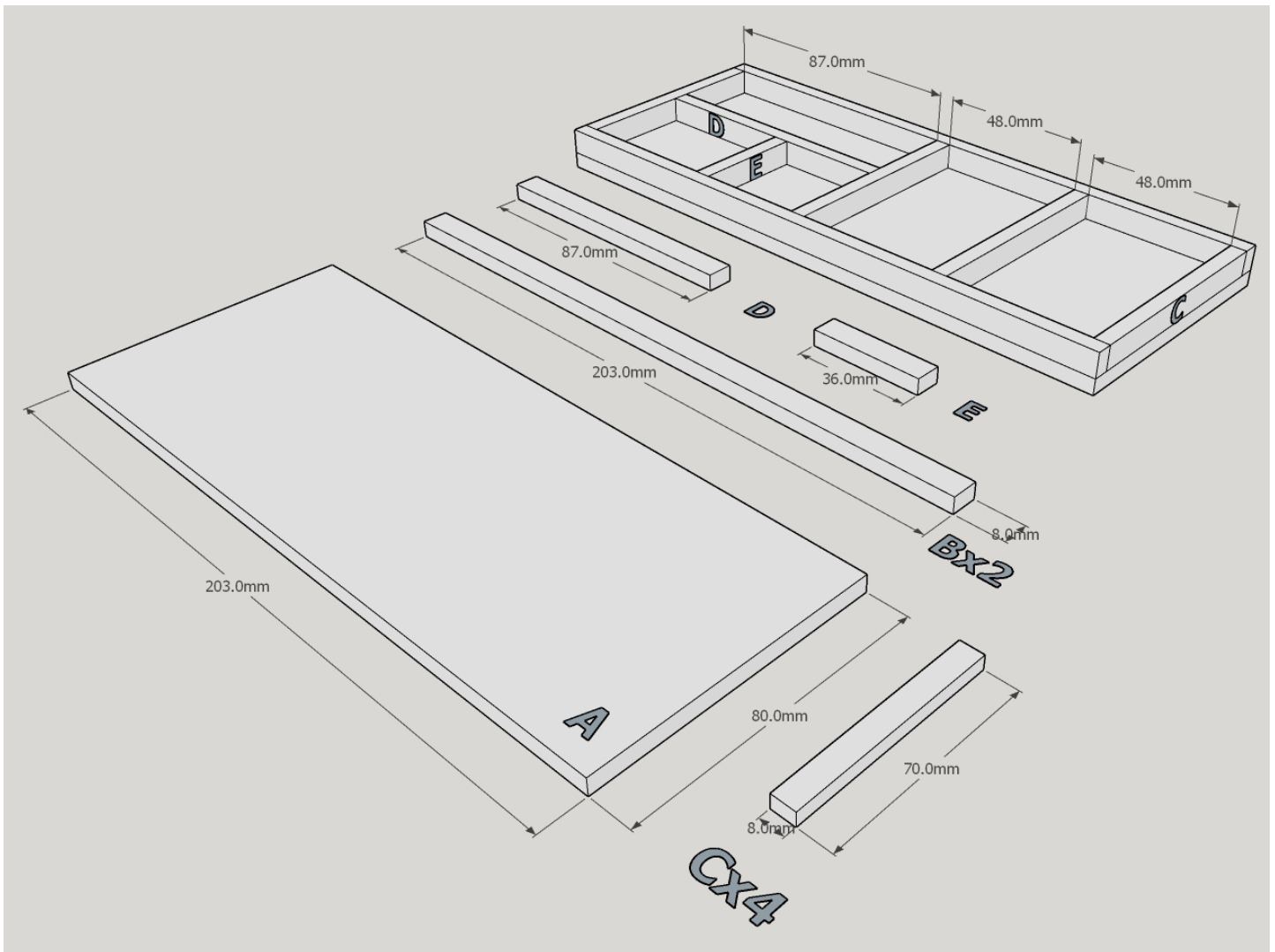


Tokens stored in this tray are:

- A: Sunken / Swamp
- B: Void / Summoning Circle



ROUND SMALL TOKEN TRAY 1 – holds various small round tokens, sorted by type

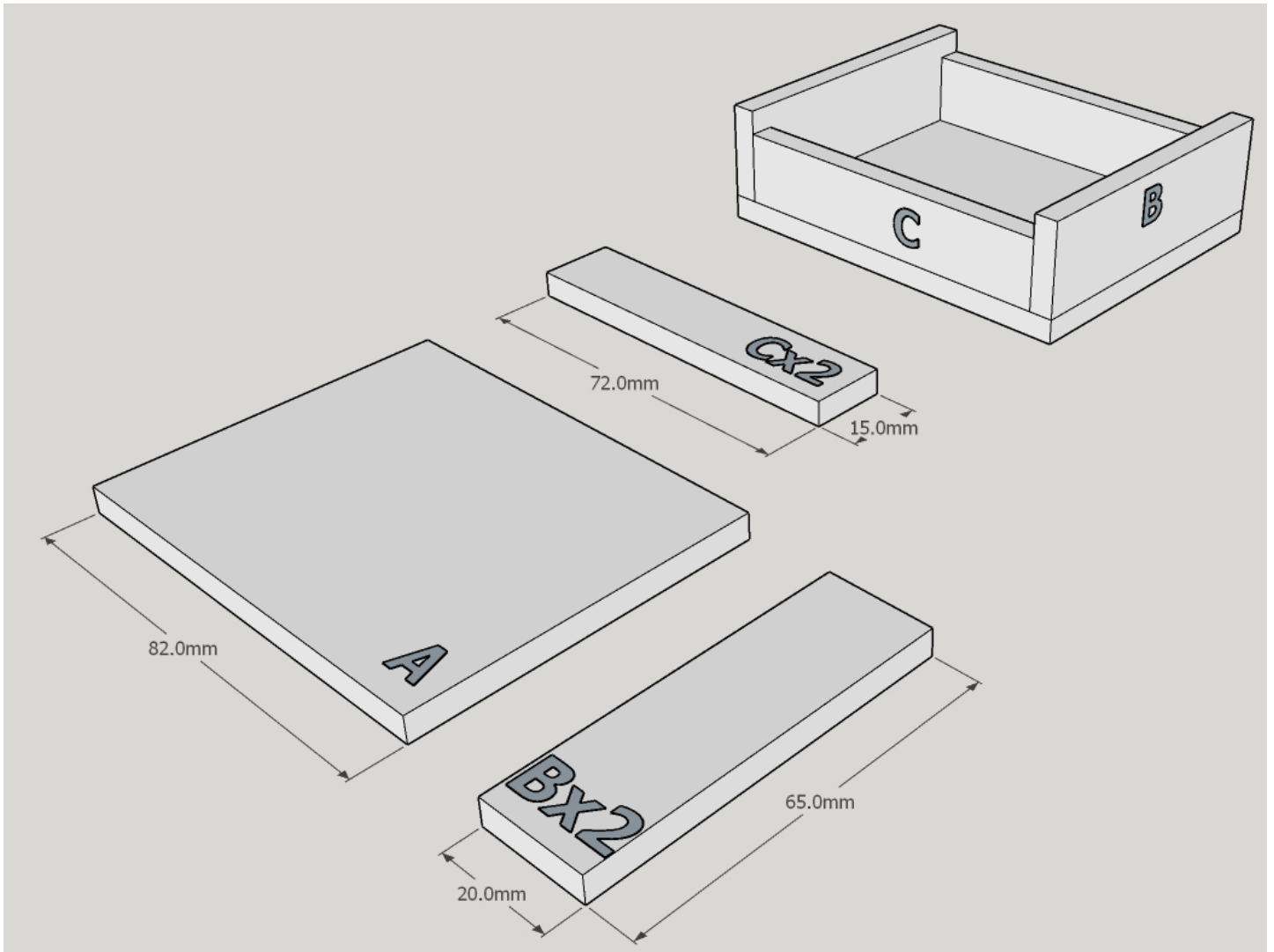


Starting at the upper left corner and proceeding clockwise, the tokens stored in this tray are:

Tokens stored are:

- | | | | |
|----|-----------------------|----|--------------------------------|
| A: | Transformation tokens | D: | Bombs |
| B: | Crows / Rats tokens | E: | Journal Pages & Boat / Numbers |
| C: | Resolve tokens | | |

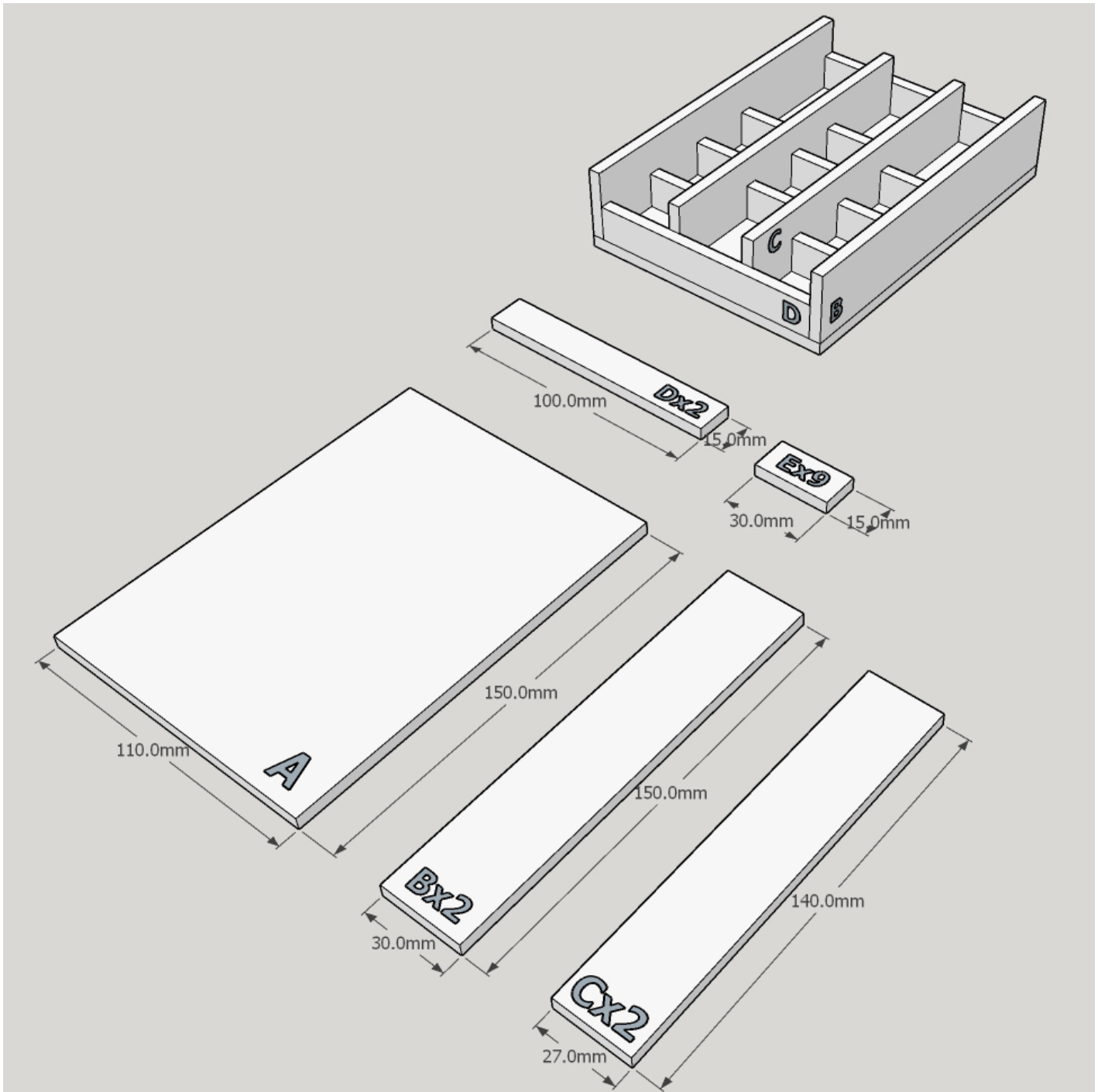
ROUND SMALL TOKEN TRAY 2 – holds small round tokens for Sleepless / gold



Tokens for Sleepless / gold



SQUARE TOKEN TRAY – holds double-sided square tokens



See next page for token distribution.



SQUARE TOKEN TRAY, CONTINUED

Tokens in this tray are sorted by type/group. Size of each compartment indicated below

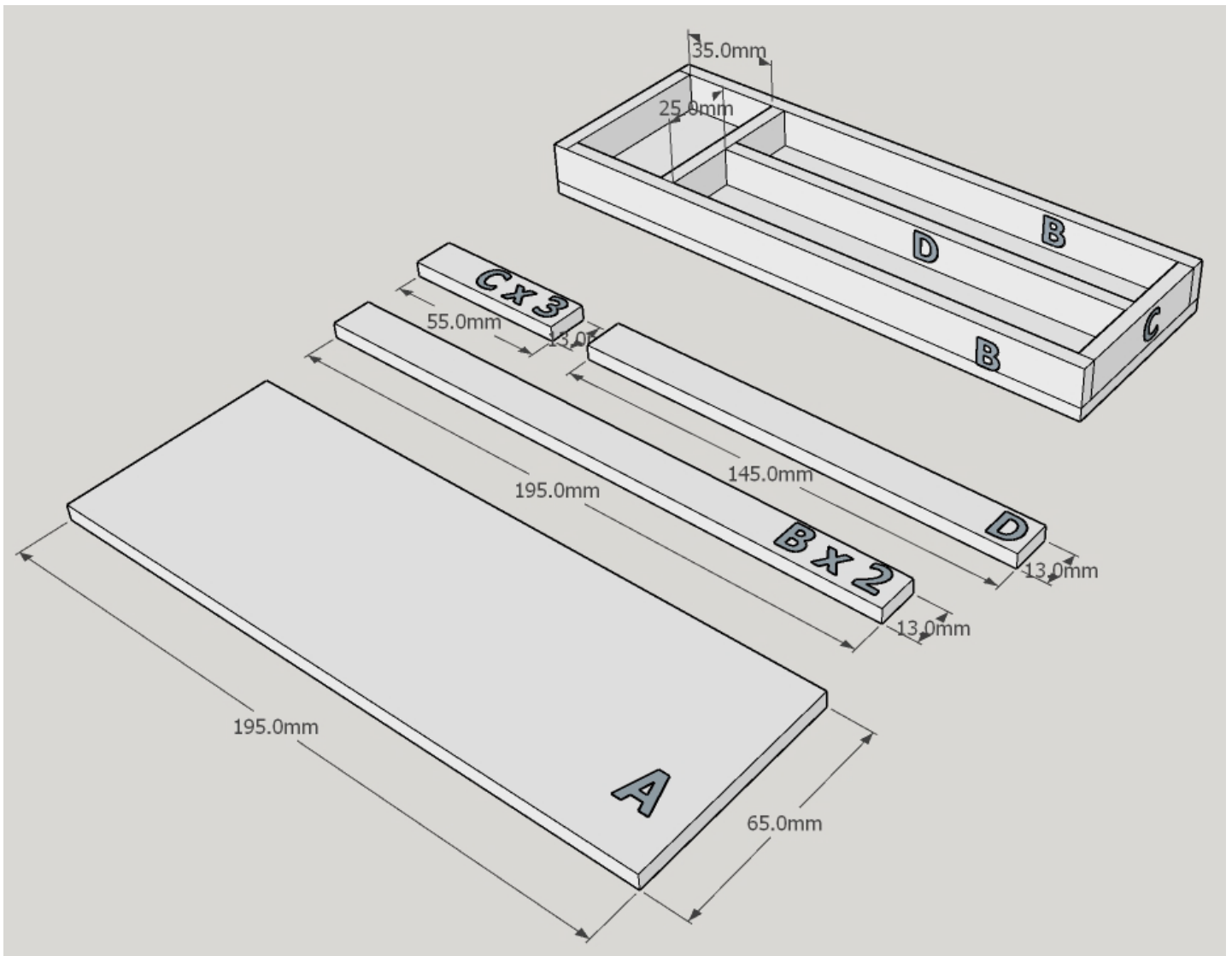
53mm BATS SUCCUBUS WALKING DEAD WOLVES	41mm MOSQUITO SWARM GROTESQUES	53mm SPECTRE HIGHWAYMAN LOCUST SWARM LIVING TREES ASSASSIN
24mm SHADOW BEAST SANDMAN	19mm DEMON HOST STALKER	24mm BETRAYER FALLEN
24mm GHOST SOLDIERS BARGHEST HOUND	24mm RAT'S NEST FERAL KIN	24mm CRIMSON HAND LIVING STATUES
24mm HARPIES GHOST PIRATES	41mm SMUGGLER DROWNED DEAD DESCENDANTS OF THE DEEP	24mm CRIMSON HAND BARROW SHADE

SQUARE TOKEN TRAY, CONTINUED

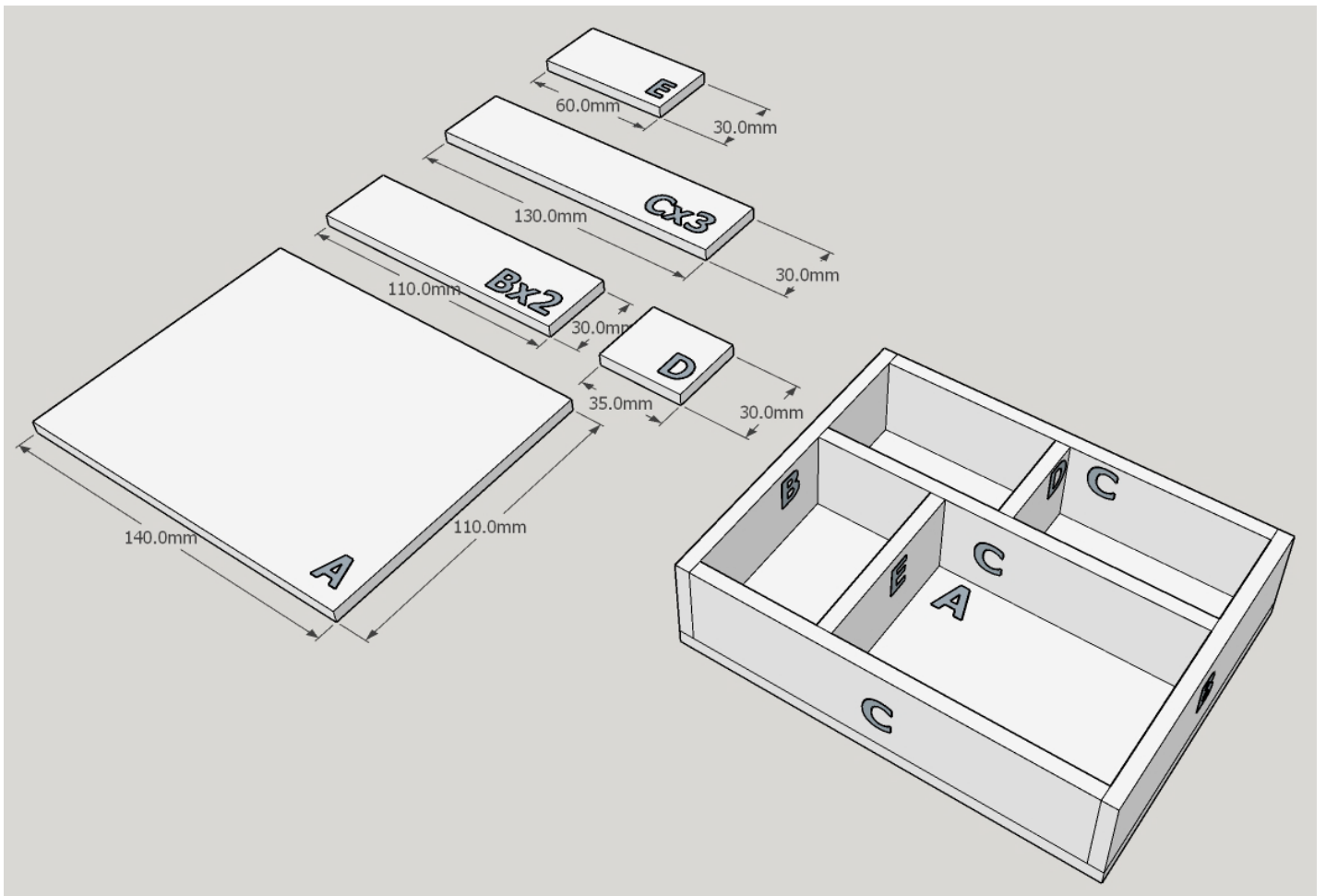
Print this page on cardstock and cut out to make index for token box.



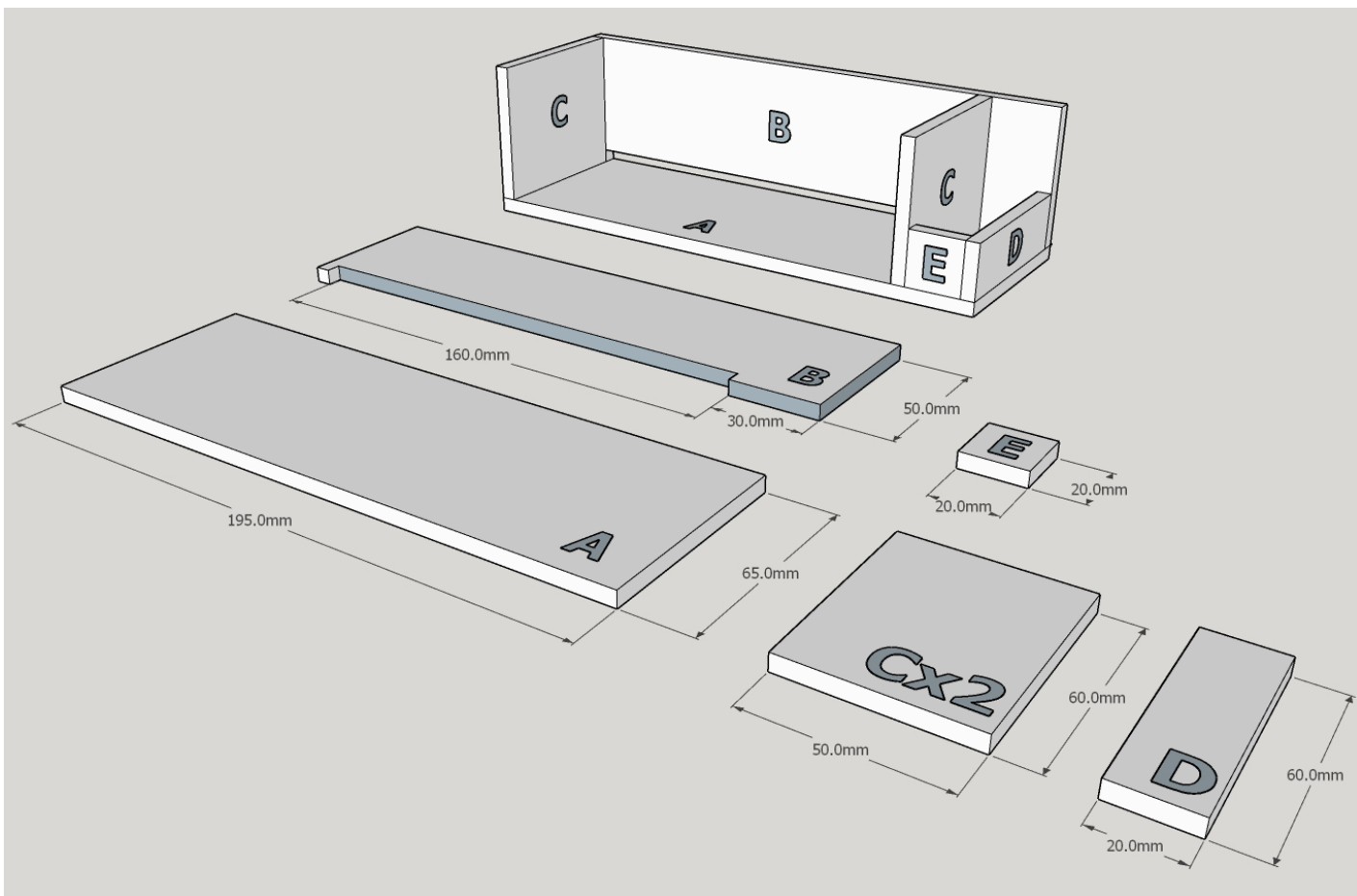
CONDITION TOKEN TRAY – holds small round tokens for Spirit/Cunning, Strength/Honor, +2 Wound



STATUS TOKEN TRAY – holds dice and tokens for wounds and clues

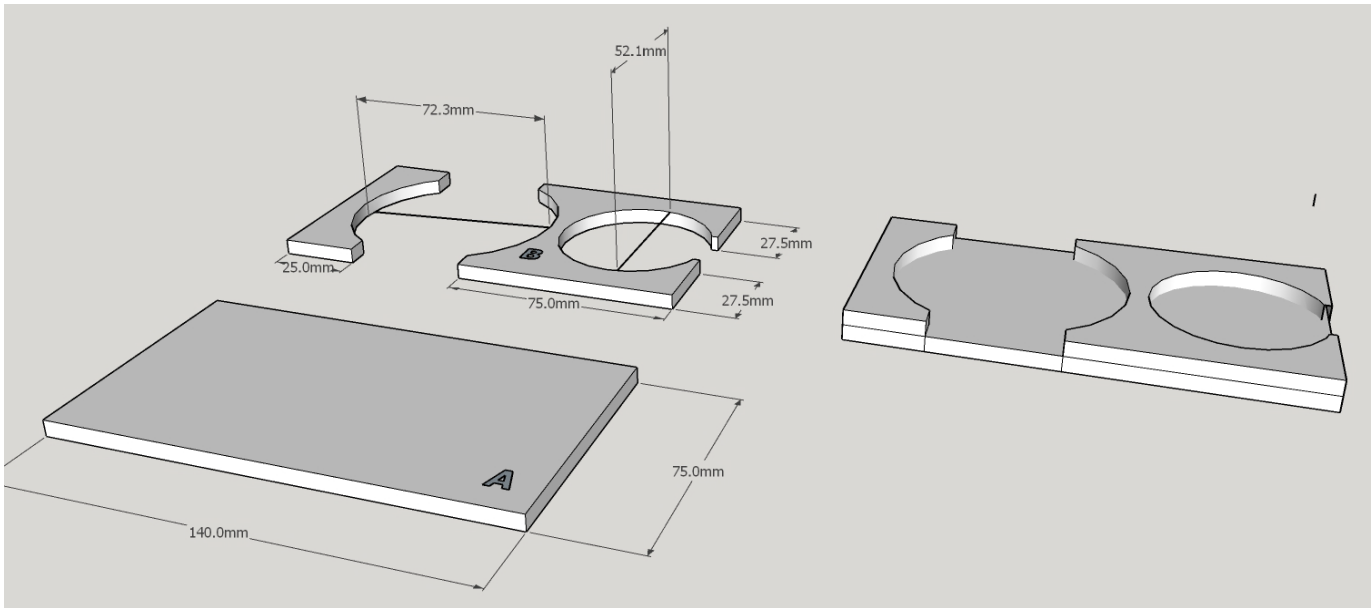


MINIATURES TRAY – Holds hero miniatures and very large Militia tokens



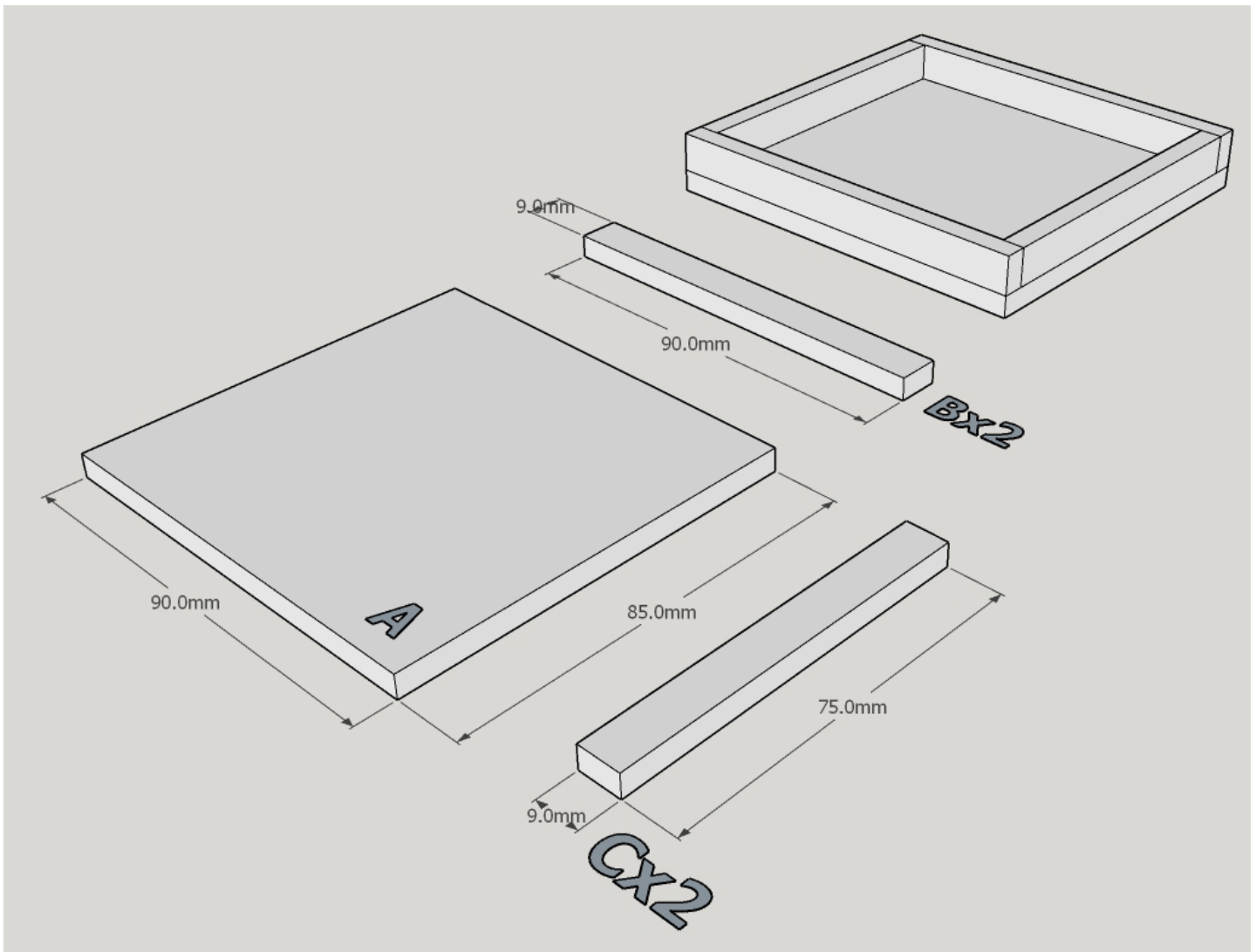
The notch cut out of bottom of B makes it a bit easier to fit the models on the platform, as their bases are just on the edge of too big.

ROUND ELEMENTS HOLDER – Holds first player marker, Ghost Ship, and The Kraken



The easiest way to make the cut-out is not to measure, but rather to place the token on the foamcore and trace around it, then cut that line.

KRAMPUS TRAY



I used cardstock to print all the Krampus tokens. If you used thicker cardstock, you may want to consider other solutions to store these components. The Round Elements tray could, for instance, also hold a Krampus Sack token on the same side as the Kraken.



PACKING INSTRUCTIONS

- 1: Place one short card tray along the “south” side of the box.
- 2: Place a second short card tray on top of the first short card tray.
- 3: Place one tall card tray (secrets) along the “east” side of the box, making an L shape with the other cards.
- 4: Place the miniatures tray in the crook of the L shape, running parallel to the tall card tray.
- 5: Place the square tokens tray against the “west” side of the box, with the long side running along the short card trays.

IMAGE 1



- 6: Place the hero and villain cards in a stack in the remaining empty space along the bottom of the box.
- 7: Stack the two remaining short card trays on top of the previous short card trays along the “south” side of the box.
- 8: Place the remaining tall tray on top of the previous tall tray along the “east” side of the box.
- 9: Place the condition tray on top of the miniatures tray.
- 10: Place the status tray on top of the square token tray.

IMAGE 2



PACKING INSTRUCTIONS, CONTINUED

11: Place the two large round token trays along the “east” side of the box, on top of the tall card trays.

12: Place the smaller of the two small round token trays next to the hero/villain cards.

13: Stack the three boards in the “southwest” corner of the box. Put the Shadow Track next to the hero / villain cards as shown.



IMAGE 3

14: Stack the Minion Charts and similar-sized cards on top of the boards.

15: Place the music CD in the “northwest” corner of the box, on top of the hero/villain cards.

16: Place the round elements tray next to the CD.

17: Place the remaining small round tokens tray in the “southeast” corner of the box, on top of the bigger large round token tray.

18: Place the Krampus tray in the “northeast” corner, on top of the remaining large round token tray.



IMAGE 4

19: Stack the rulebooks and remaining large sheets along the “west” side of the box.

IMAGE 5

20: Replace the box lid.

