

OVENS

By using state of the art technology and materials, SMEG OVENS ARE ABLE TO RESPOND TO THE MOST WIDELY VARYING REQUIREMENTS IN TERMS OF PERFORMANCE, RELIABILITY, SAFETY, STYLING AND DIMENSIONS.



Evolution

The beautiful sleek lines of the highly polished stainless steel finish add a bright new dimension to kitchen design, and an elegant alternative to the satin finish. The Evolution range of products incorporate a distinctive analogue LED electronic clock/timer which combines an attractively modern analogue clock face with the latest electronic technology, and is exclusive to Smeg. All the functions are extremely easy to set very quickly, and are immediately visible on the fascia panel.

Linea Series

The Linea series is conceived with balance in mind. Each oven has a glass front made without a frame, sleek backlit controls and a robust handle that reflects the precise symmetry of the overall appearance of the series. The Linea Series includes not just matching hobs, hoods and sinks but also a range of 45cm compact combination ovens and co-ordinating lift-up doors with a hydraulic hinge lifting system – see pages 38-55.





Classic style

The original Smeg Classic style, a leader in the popularity of stainless steel in the kitchen, has undergone subtle changes to create even cleaner lines and incorporate the elegant clock that already features in the Evolution range. The range has also incorporated the frameless oven door design and some models include finger friendly stainless steel, further extending the aesthetics of the style.

The style is offered in different sizes and heights, including double and single ovens with many options and combinations of features. Two series of co-ordinating compact ovens, 38cm and 45cm in height, complete the Classic range, and lift up doors and stainless steel drawers offer even further versatility within the Classic style - see pages 38-55.

Compact Ovens

Smeg offer two different styles and size of compact ovens, both of which complement the modern kitchen. In addition to these, two different sizes of warming drawers are also available for further versatility.

Coffee Machines

New for 2009, Smeg are pleased to introduce a range of coffee machines, available in both Linea and Classic design to coordinate well with many existing products.





Energy		Electric oven
Manufacturer Model		smeg SCP112-2
More efficient		A
A		
B		
C		
D		
E		
F		
Less efficient		
G		
Energy consumption (kWh)	Hating function	0.88
	Conventional	
	Forced air convection	0.79
<i>(Based on standard load)</i>		
Usable volume (Litres)		54
Size:		←
	Small _____	
	Medium _____	
	Large _____	
Noise [dB(A) re 1 pW]		
Further information is contained in product brochure		
Norm EN 50304 Energy Label Directive 2002/40/CE of electric ovens		

A Class Pyrolytic Ovens

The pyrolytic cleaning process reaches temperatures close to 500°C; these ovens are produced with special enamel interiors, specified to withstand such heat. The process can be set from 1.5 hours to 3 hours, depending on the degree of dirt built up inside the oven. The latest models reach the high temperatures very quickly, but at much reduced energy consumption, allowing them to achieve the A class energy rating. All the pyrolytic ovens have a sophisticated cooling system, quadruple glazed doors and an automatic door lock, giving total confidence to the consumer.

All pyrolytic ovens in this brochure show this symbol, which indicates that during the pyrolytic cleaning cycle the outer door glass will become no hotter than 55° C.



All glass inner door

Many of the ovens included in this brochure feature the all glass inner door, using a flat sheet of glass to eliminate the possibility of food particles collecting in corners, and which can be simply removed for cleaning, even between the glass layers. The construction of the door ensures a lower exterior door surface temperature, making it cooler to the touch.



Linea Oven Displays

The innovative control panel is equipped with a digital LED, which shows the time, the cook time, and preset temperatures based on the function selected. According to the model there is a choice between 10 and 13 cook functions that will satisfy even the most discerning chef. The preset temperature can be adjusted in steps of 5°C to enable selection of the correct temperature required for the cooking task. They also have a programming facility to enable the correct function and temperature to be automatically selected to optimise the cooking of specific types of food. The facia panel and controls of the Linea series are backlit with an exquisite violet light that harmonizes perfectly with its modern design.

Energy labelling

Ovens and cookers are included in the European Union energy labelling project. Appliances are awarded an overall energy rating from A to G for each oven cavity. All Smeg cooking products are designed to operate at the optimum levels with the least energy, to be as environmentally friendly as possible.

Pizza function

Both the Linea and Classic ranges offer an oven with the pizza cooking facility. In these ovens the lower element is circular, with an enamel cover that can be removed to allow the refractory pizza stone to be placed directly over the element. The stone heats up very quickly and efficiently, and a pizza can be stone baked to perfection in 3-5 minutes. The wooden handled shovel provided with the ovens allows items to be moved on and off the stone safely and easily.





Analogue LED clock/timer

The distinctive Smeg analogue LED clock/timer combines an attractive modern analogue clock face with up to date electronic technology. The

functions are extremely easy to set very quickly, and are immediately visible on the clock face.



Full size steam oven

The S302X is a full size Classic electric multifunction oven with 8 functions, three of which can be combined with steam, to provide a truly versatile oven.

Steam cooking saves time while preserving the food's quality, nutritional value, flavour and aroma. Great care has been taken over the design of the water reservoir, which is easy to inspect and clean. The internal water tank avoids the usual problem of scale inside the oven and tiresome cleaning procedures; the water reservoir is quickly drained and rinsed at the touch of a button.



Full size combination oven with microwave

The Classic combination oven S201X has seven standard oven functions and a microwave function. The oven

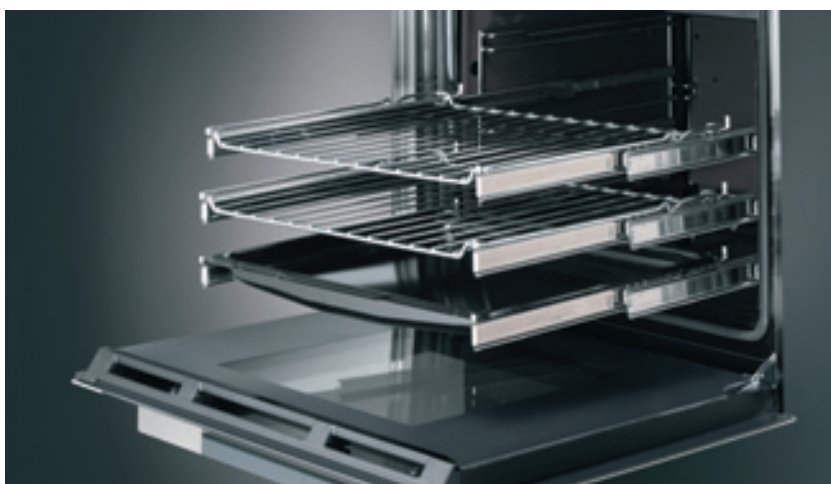
can be used for both normal cooking, and microwave cooking in the usual way, and three of the oven functions can also be combined with microwave cooking to add further options for a busy cook. There are other smaller combination ovens in the Smeg range, but this one offers a full size 50 litre capacity multifunction oven with the addition of a microwave facility.

The SE995XT-7 is part of the Classic range of appliances providing clean lines to give a sleek and elegant finish to their appearance. This electric multifunction oven has a rotisserie kit that works in combination with the grill element; useful for cooking chicken, sausages and anything else requiring uniformed cooking over all to perfection. It also has an integrated panini toaster facility with timer to allow the perfect panini to be made.



Telescopic shelf support

These accessories are suitable for 60cm ovens with chrome shelf supports, and they replace the standard ones supplied. The addition of telescopic guide rails allows the shelves to be extracted extremely smoothly and safely, and add an extra dimension to the quality of the oven furniture.



SCP171X

60CM PYROLITIC MULTIFUNCTION OVEN,
POLISHED ST/STEEL
ENERGY RATING A



10 functions



Polished stainless steel finish
Analogue LED electronic clock/timer
Door and oven exterior fan cooled
Removable inner door glasses
Quadruple glazed removable cooler door
Pyrolytic cleaning

STANDARD ACCESSORIES:
Roasting/grill pan
Grill mesh
Enamelled tray
Chrome shelf
Grill pan handle
Roof liner
Rotisserie kit

Nominal power: 3kW
Conventional: 0.88kW/h
Forced air convection: 0.79kW/h
Oven capacity: 54 litres
13 Amp power supply required

OPTIONAL EXTRAS:
Universal Pizza Stone **PPR1**
Pizza Shovel **PAL**



SC170

60CM ELECTRIC MULTIFUNCTION OVEN,
POLISHED ST/STEEL
ENERGY RATING A



10 functions

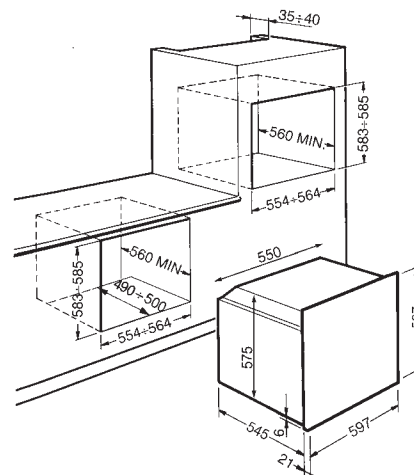


Polished stainless steel finish
Analogue LED electronic clock/timer
Door and oven exterior fan cooled
Removable inner door glasses
Triple glazed removable cooler door

STANDARD ACCESSORIES:
Roasting/grill pan
Grill mesh
Enamelled tray
Chrome shelf
Grill pan handle
Roof liner
Stay clean liners

Nominal power: 3.0kW
Conventional: 0.91kW/h
Forced air convection: 0.79kW/h
Oven capacity: 51 litres
13 Amp power supply required

OPTIONAL EXTRAS:
Universal Pizza Stone **PPR1**
Pizza Shovel **PAL**
3 level telescopic shelf set **GT123DX**
2 level telescopic shelf set **GT13X**





SC170



DO10PSS-5

DO10PSS-5

60CM ELECTRIC MULTIFUNCTION DOUBLE OVEN,
POLISHED ST/STEEL
ENERGY RATING AA



10 functions lower main oven



Polished stainless steel finish
Analogue LED electronic clock/programmer
Triple glazed removable door
Double grill
Stay clean liners
Oven capacity: 51 litres
Conventional: 0.87kW/h
Forced air convection: 0.79kW/h

4 functions upper auxiliary oven



Polished stainless steel finish
Triple glazed door
Variable double grill
Stay clean liners
Oven capacity: 35 litres
Conventional: 0.59kW/h

STANDARD ACCESSORIES:

MAIN OVEN:
roasting/grill pan, grill mesh, handle,
chrome shelf, enamelled tray, roof liner

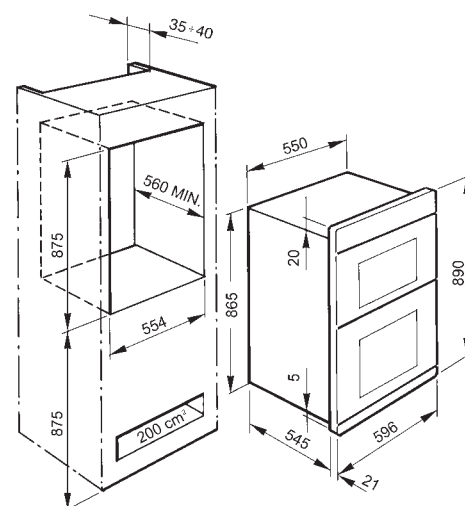
AUXILIARY OVEN:
roasting/grill pan, grill mesh, handle,
chrome shelf, roof liner

Nominal power: 6.1kW
30 Amp power supply required

OPTIONAL EXTRAS:

Universal Pizza Stone
Pizza Shovel
3 level telescopic shelf set
2 level telescopic shelf set

PPR1
PAL
GT123DX
GT13X



PYROLITIC OVENS

SCP112PZ2

60CM "LINEA SERIES" PYROLITIC
MULTIFUNCTION PIZZA OVEN, ST/STEEL,
ENERGY RATING A



12 functions + special Pizza function



Digital electronic programmer with multi display
Quadruple glazed removable doors
Removable inner door glasses
Cooling fan
Pyrolytic cleaning

STANDARD ACCESSORIES:

Roasting/grill pan
Grill mesh
2 x chrome shelves
Pizza stone
Pizza shovel

Nominal power: 3.0kW
Conventional: 0.88kW
Forced air convection: 0.79kW
Oven capacity: 49 litres
13 Amp power supply required



SCP112-2

60CM "LINEA SERIES" PYROLITIC
MULTIFUNCTION OVEN, ST/STEEL
ENERGY RATING A



10 functions



Digital electronic programmer with multi-display
Quadruple glazed removable door
Removable inner door glasses
Cooling fan
Pyrolytic cleaning

STANDARD ACCESSORIES:

Roasting/grill pan
Grill mesh
Enamelled tray
2 x chrome shelves
Grill pan handle
Rotisserie kit

Nominal power: 3.0kW
Conventional: 0.88kW/h
Forced air convection: 0.79kW/h
Oven capacity: 54 litres
13 Amp power supply required

OPTIONAL EXTRAS:

Universal pizza stone
Pizza shovel

PPR1
PAL

AVAILABLE IN THE FOLLOWING VERSIONS:

St/steel
Black
Silver glass

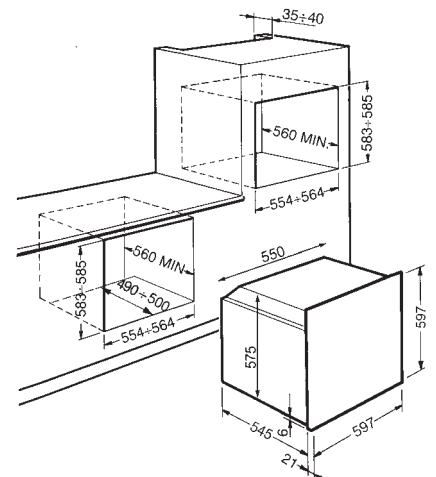
SCP112-2
SCP112NE2
SCP112SG2



SCP112NE2 Black



SCP112SG2 Silver Glass





SCP112-2

SC112PZ2

60CM "LINEA SERIES"
ELECTRIC MULTIFUNCTION PIZZA OVEN, ST/STEEL
ENERGY RATING A



12 functions + special Pizza function



Digital electronic programmer with multi-display
Quadruple glazed removable door
Removable inner door glasses
Cooling fan
Bread proving function
Electronic thermostatic controls

STANDARD ACCESSORIES:

Roasting/grill pan
Grill mesh
2 x chrome shelves
Stay clean liners
Pizza stone
Pizza shovel

Nominal power: 3.0kW
Conventional: 0.91kW/h
Forced air convection: 0.79kW/h
Oven capacity: 46 litres
13 Amp power supply required

OPTIONAL EXTRAS:

3 level telescopic shelf set **GT123DX**
2 level telescopic shelf set **GT13X**

SC112-2

60CM "LINEA SERIES"
ELECTRIC MULTIFUNCTION OVEN, ST/STEEL
ENERGY RATING A



10 functions



Digital electronic programmer with multi-display
Triple glazed removable door
Removable inner door glasses
Cooling fan
Electronic thermostatic controls

STANDARD ACCESSORIES:

Roasting/grill pan
Grill mesh
2 x chrome shelves
Stay clean liners

Nominal power: 3.0kW
Conventional: 0.91kW/h
Forced air convection: 0.79kW/h
Oven capacity: 51 litres
13 Amp power supply required

OPTIONAL EXTRAS:

Universal Pizza Stone **PPR1**
Pizza Shovel **PAL**
3 level telescopic shelf set **GT123DX**
2 level telescopic shelf set **GT13X**

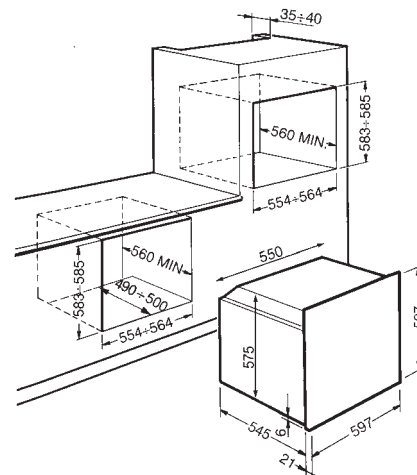
AVAILABLE IN THE FOLLOWING VERSIONS:

St/steel **SC112-2**
Black **SC112NE2**
Silver glass **SC112SG2**

SC112SG2 Silver glass



SC112NE2 Black





SC112PZ2

SC109-2

60CM "LINEA SERIES"
ELECTRIC MULTIFUNCTION OVEN, ST/STEEL
ENERGY RATING A



SC109SG2

60CM "LINEA SERIES"
ELECTRIC MULTIFUNCTION OVEN, SILVER GLASS
ENERGY RATING A



SC109NE2

60CM "LINEA SERIES"
ELECTRIC MULTIFUNCTION OVEN, BLACK
ENERGY RATING A



8 Functions



Digital electronic programmer with multi-display
Triple glazed removable door
Removable inner door glasses
Cooling fan
Electronic thermostatic controls

STANDARD ACCESSORIES:

Roasting/grill pan
Grill mesh
Enamelled tray
Chrome shelf

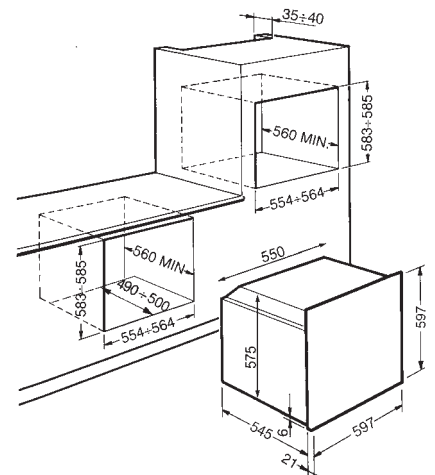
Nominal Power: 3kW
Conventional: 0.91kW
Forced air convection: 0.79kW
Oven capacity: 51 Litres
13 Amp power supply required

AVAILABLE IN THE FOLLOWING VERSIONS:

St/steel **SC109-2**
Black **SC109NE2**
Silver glass **SC109SG2**

OPTIONAL EXTRAS:

Universal pizza stone **PPR1**
Pizza shovel **PAL**





SC109NE2

S20XMF-7

90CM "CLASSIC" ELECTRIC MULTIFUNCTION OVEN
ENERGY RATING A



10 Functions



Digital electronic programmer
Cooling fan
Double glazed removable door
Rotisserie

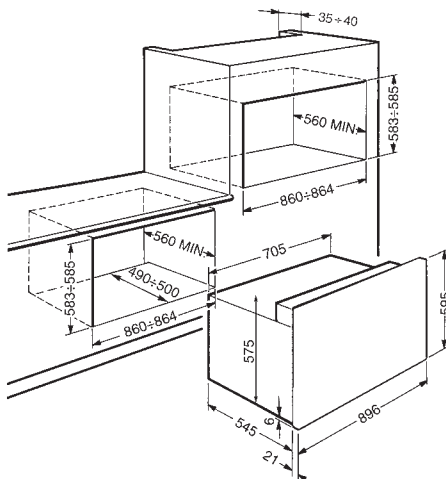
STANDARD ACCESSORIES:

Roasting/grill pan
Chrome shelf
Non-stick baking tray
Rotisserie kit
Roof liner

Nominal power: 3.3kW
Conventional: 1.14kW/h
Forced air convection: 0.99kW/h
Oven capacity: 70 litres
30 Amp power supply required

OPTIONAL EXTRAS:

Stay clean liners **3802-1**
2 level telescopic shelf set **GT90X**



SE995XT-7

90CM "CLASSIC" ELECTRIC MULTIFUNCTION OVEN
AND INTEGRATED PANINI TOASTER
ENERGY RATING A



10 Functions + special pizza function



Extra wide oven
Digital electronic programmer
Cooling fan
Triple glazed removable door
Automatic switch-off when door is open
Special pizza cooking function
Rotisserie
Integrated panini toaster facility with timer

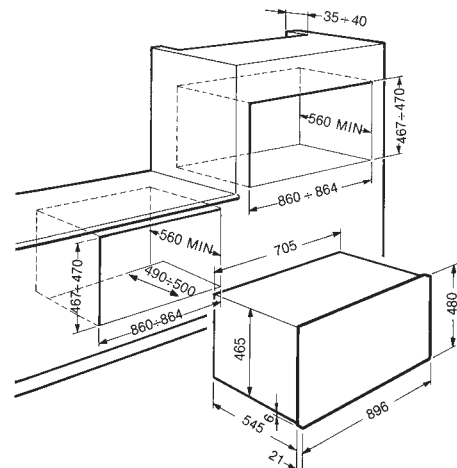
STANDARD ACCESSORIES:

Roasting/grill pan
Enamelled tray
2 chrome shelves
Roof liner
Rotisserie kit
Pizza stone and cover

Nominal power: 3.3kW
Conventional: 1.14kW/h
Forced air convection: 0.99kW/h
Main oven capacity: 70 litres
30 Amp power supply required

OPTIONAL EXTRAS:

Pizza shovel **PAL**





SE995XT-7

DO81CSS-5

60CM "CLASSIC" ELECTRIC MULTIFUNCTION
DOUBLE OVEN, ST/STEEL
ENERGY RATING AA



8 functions lower main oven



Analogue LED electronic clock/programmer
Door and oven exterior fan cooled
Triple glazed removable door
Stay clean liners
Oven capacity: 51 litres
Conventional: 0.87kW/h
Forced air convection: 0.79kW/h

4 functions upper auxiliary oven



Door and oven exterior fan cooled
Triple glazed removable door
Variable grill
Stay clean liners
Oven capacity: 35 litres
Conventional: 0.59kW/h

STANDARD ACCESSORIES:

MAIN OVEN: roasting/grill pan, grill mesh,
handle, chrome shelf, enamelled tray, roof
liner

AUXILIARY OVEN: roasting/grill pan, grill mesh,
handle, chrome shelf, roof liner

Nominal power: 6.1kW
30 Amp power supply required

DO81CBL-5

60CM "CLASSIC" ELECTRIC MULTIFUNCTION
DOUBLE OVEN, BLACK
ENERGY RATING AA



OPTIONAL EXTRAS:

Universal Pizza Stone

Pizza Shovel

3 level telescopic shelf set

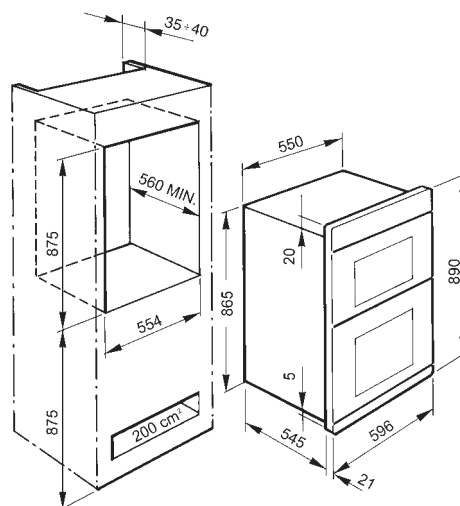
2 level telescopic shelf set

PPR1

PAL

GT123DX

GT13X



DUCO8CSS

60CM "CLASSIC" ELECTRIC MULTIFUNCTION
DOUBLE UNDER COUNTER OVEN, ST/STEEL
ENERGY RATING AA



DUCO8CBL

60CM "CLASSIC" ELECTRIC MULTIFUNCTION
DOUBLE UNDER COUNTER OVEN, BLACK
ENERGY RATING AA



7 functions lower main oven



Analogue LED electronic clock/programmer
Door and oven exterior fan cooled
Triple glazed removable cooler door
Removable inner door glasses
Stay clean liners
Oven capacity: 51 litres
Forced air convection: 0.79kW/h

4 functions upper auxiliary oven



Door and oven exterior fan cooled
Triple glazed removable cooler door
Removable inner door glasses
Stay clean liners
Variable grill
Oven capacity: 29 litres
Conventional: 0.59kW/h

STANDARD ACCESSORIES:

MAIN OVEN: roasting/grill pan, grill mesh,
handle, chrome shelf, enamelled tray, roof
liner

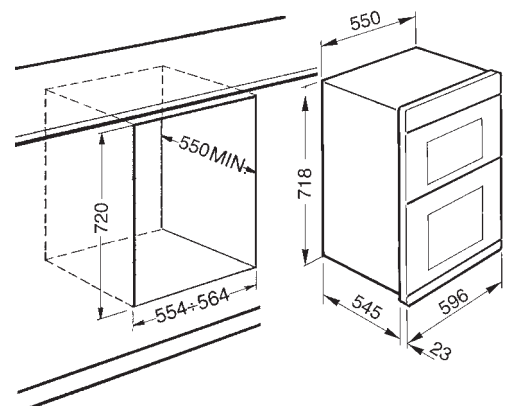
AUXILIARY OVEN: roasting/grill pan, grill mesh,
handle, chrome shelf

Nominal power: 5.6kW
30 Amp power supply required

OPTIONAL EXTRAS:

Universal Pizza Stone **PPR1**
Pizza Shovel **PAL**
3 level telescopic shelf set **GT123DX**
2 level telescopic shelf set **GT13X**

NB: Due to the restricted space remaining
beneath the work surface above this oven
unit, care must be taken when selecting a
hob to ensure it will fit.



S201X

60CM "CLASSIC" ELECTRIC MULTIFUNCTION
AND/OR MICROWAVE OVEN

ENERGY RATING NOT APPLICABLE



8 functions



Minute minder
Cooling fan
Triple glazed removable door
Automatic oven switch-off when door is open
Enamelled granite finished cavity

STANDARD ACCESSORIES:

Roasting/grill pan
Chrome shelf

Nominal power: 2.90kW
Microwave output power: 750 W
Oven capacity: 50 litres
13 Amp power supply required



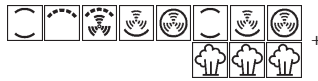
S302X

60CM "CLASSIC" ELECTRIC MULTIFUNCTION
OVEN COMBINED WITH STEAM

ENERGY RATING A



8 functions



Minute minder
Cooling fan
Triple glazed removable door
Automatic oven switch-off when door is open
Enamelled granite finished cavity

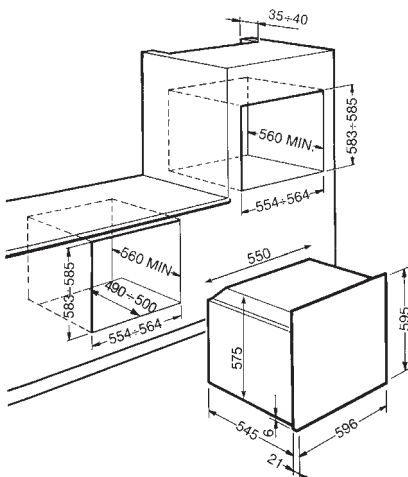
STANDARD ACCESSORIES:

Enamelled tray
Roasting/grill pan
Chrome shelf
Oven dish

Nominal power: 3kW
Conventional: 0.95kW/h
Forced air convection: 0.79kW/h
Oven capacity: 45.5 litres
13 Amp power supply required

OPTIONAL EXTRAS:

3 level telescopic shelf set **GT123DX**
2 level telescopic shelf set **GT13X**





S302X

SCP160X

60CM "CLASSIC" FRAMELESS ELECTRIC
MULTIFUNCTION PYROLITIC OVEN, FINGER FRIENDLY
ST/STEEL ENERGY RATING A



10 functions



Analogue LED electronic clock/
programmer

Cooling fan

Quadruple glazed removable cooler door

Automatic switch-off when door is open

Removable inner door glasses

Rotisserie

Pyrolitic cleaning

STANDARD ACCESSORIES:

Roasting/grill pan

Enamelled tray

Chrome shelf

Roof liner

Grill mesh

Grill pan handle

Rotisserie kit

Nominal power: 3.0kW

Conventional: 0.88kW/h

Forced air convection: 0.79kW/h

Oven capacity: 54 litres

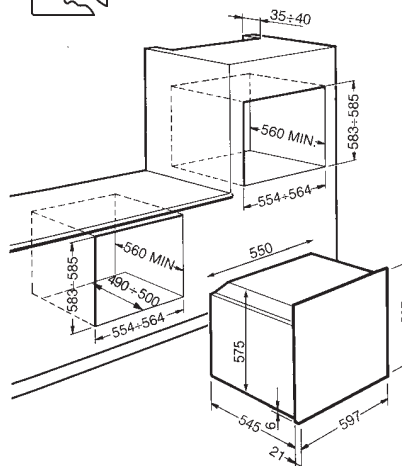
13 Amp power supply required

OPTIONAL EXTRAS:

Universal Pizza stone

Pizza shovel

**PPR1
PAL**





SCP160X

SC399XPZ

60CM "CLASSIC" FRAMELESS ELECTRIC
MULTIFUNCTION PIZZA OVEN, FINGER FRIENDLY
ST/STEEL ENERGY RATING A



8 functions



Analogue LED electronic clock/programmer
Cooling fan
Triple glazed removable cooler door
Automatic oven switch off when door is open
Special lower element for pizza cooking
function
Removable inner door glasses

STANDARD ACCESSORIES:

Roasting/grill pan
Enamelled tray
Chrome shelf
Roof liner
Stay clean liners
Pizza stone
Pizza shovel

Nominal power: 3.0kW
Conventional: 0.91kW/h
Forced air convection: 0.79kWh
Oven capacity: 46 litres
13 Amp power supply required

OPTIONAL EXTRAS:

3 level telescopic shelf set **GT123DX**
2 level telescopic shelf set **GT13X**

SC399X

60CM "CLASSIC" FRAMELESS ELECTRIC
MULTIFUNCTION OVEN, FINGER FRIENDLY
ST/STEEL ENERGY RATING A



8 functions



Analogue LED electronic clock/programmer
Cooling fan
Triple glazed removable cooler door
Automatic oven switch-off when door is open
Removable inner door glasses

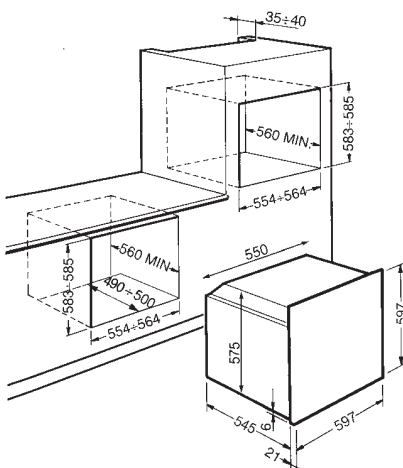
STANDARD ACCESSORIES:

Enamelled tray
Roasting/grill pan
Chrome shelf
Roof liner
Stay clean liners

Nominal power: 3.0kW
Conventional: 0.91kW/h
Forced air convection: 0.79kW/h
Oven capacity: 51 litres
13 Amp power supply required

OPTIONAL EXTRAS:

Universal Pizza stone **PPR1**
Pizza shovel **PAL**
3 level telescopic shelf set **GT123DX**
2 level telescopic shelf set **GT13X**



SC371MFX

60CM "CLASSIC" FRAMELESS ELECTRIC MULTIFUNCTION OVEN, FINGER FRIENDLY ST/STEEL ENERGY RATING A



6 functions



Double glazed removable door
Electronic clock/timer
Removable inner glass for cleaning
Cooling fan

STANDARD ACCESSORIES:

Roasting/grill pan
Grill mesh
Chrome shelf
Grill pan handle
Roof liner

Nominal power: 2.80kW
Conventional: 0.91kW
Forced air convection: 0.79kW
Oven capacity: 51 litres
13 Amp power supply required

OPTIONAL EXTRAS:

Universal Pizza Stone **PPR1**
Pizza Shovel **PAL**
Stay clean liners **3797**
3 level telescopic shelf set **GT123DX**
2 level telescopic shelf set **GT13X**

SC381X

60CM "CLASSIC" FRAMELESS ELECTRIC MULTIFUNCTION OVEN, FINGER FRIENDLY ST/STEEL ENERGY RATING A



6 functions



Minute minder
Cooling fan
Triple glazed removable door

STANDARD ACCESSORIES:

Roasting/grill pan
Chrome shelf

Nominal power: 3kW
Conventional: 0.91kW/h
Forced air convection: 0.79kW/h
Oven capacity: 51 litres
13 Amp power supply required

OPTIONAL EXTRAS:

Universal Pizza stone **PPR1**
Pizza shovel **PAL**
Stay clean liners **3797**
3 level telescopic shelf set **GT123DX**
2 level telescopic shelf set **GT13X**

