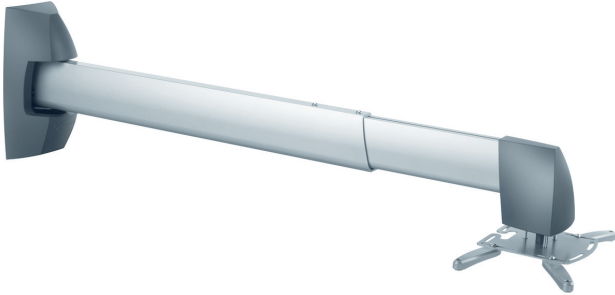


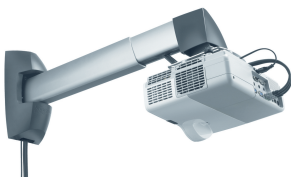
Short throw projector mount PPS 800



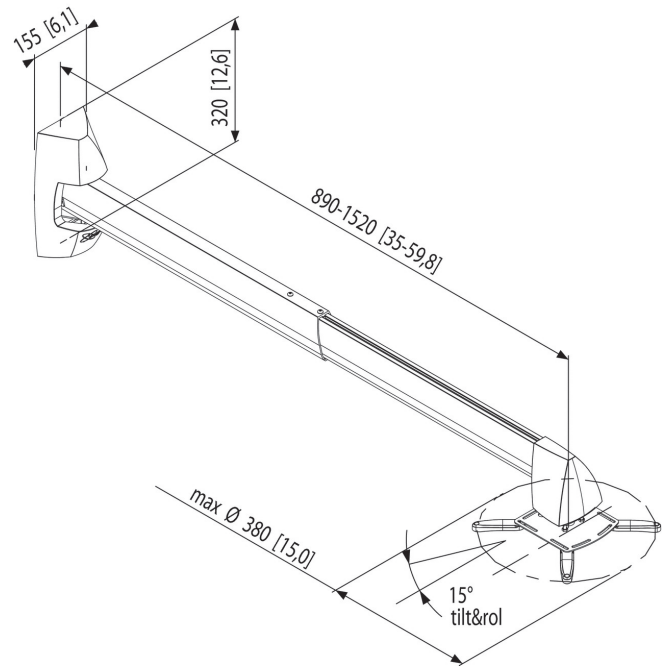
Specifications

- Max. weight: 15 kg / 33 lbs
- Tilt: 15 °
- Roll: 15 °
- Min. distance to the wall (mm): 890 mm
- Guarantee: 5 years
- Available colours: Silver/Aluminium, White

The PPS 800 projector mount is specially designed for the new generation short throw projectors up to 15 kg. This wall mount has unique features for short throw applications and is fitted with a universal adapter.



Short throw projector mount PPS 800



The PPS 800 wall mount is especially designed for the new generation short throw projectors. This wall mount has unique features especially for short throw applications and will save a lot of installing and adjustment time.

The mount is also equipped with the unique Vogel's Fine Tune Mechanism VFT™ for setting and keeping the projector exactly positioned.

On top of that this wall mount has a stylish design and a lightweight aluminium construction.

Also available in the colour white.

Features

- Stylish design
- Fine tune mechanism VFT™
- Fully adjustable
- Strong and sturdy construction especially for education use
- Universal projector interface
- Safe and secure

Logistic information

- Packaging size: 564x894x190 mm
- Max. weight: 10 kg / 22 lbs
- EAN Code: 8712285316203