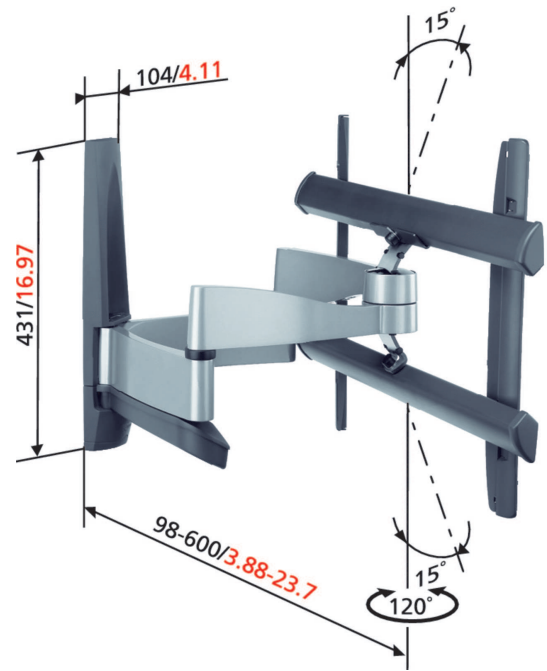


EFW 6345 PLUS LED/LCD/Plasma wall support

- Screen size (Min. - Max.): 32 - 65 " / 81 - 165 cm
- Max. weight: 45 kg / 99 lbs
- Tilt: 30 °
- Turn: 120 °
- Min. distance to the wall (mm): 98 mm
- VESA mounting holes: 200x101mm up to 700x450mm
- Guarantee: Life time
- Available colours: Silver/Anthracite

The EFW 6345 PLUS LED/LCD/Plasma support is an optimally adjustable wall support suitable for TVs up to 65". It features tilt, turn and reach.

EFW 6345 PLUS LED/LCD/Plasma wall support



Flexibility and freedom of movement are the key benefits of the EFW 6345 PLUS, as you can tilt and turn your screen any way you want for an optimal viewing experience. Don't worry about damaging your screen or wall, either as the EFW 6345 PLUS features Vogel's unique Screen Protection System (SPS™) to protect both screen and wall.

Features

- Pre-assembled - install in just 3 easy steps
- Tilt, turn and reach functions guarantee optimal viewing position
- Unique Screen Protection System (SPS™) which protects both screen and wall
- Universal - complies with VESA MIS-F, 700, 450



Logistic information

- Packaging size: 792x386x106 mm
- Max. weight: 13 kg / 28 lbs
- EAN Code: 8712285322860