

<http://www.icybox.de>



Manual

ICY BOX[®]

IB-NAS902

Network Attached Storage – User Manual



Content

Content	2
Introduction	3
SMB.....	3
FTP.....	3
DHCP.....	3
More than a NAS	3
Package content	4
Take a look at the IB-NAS902	4
Front	4
Back.....	4
Assembly	5
Connecting the IB-NAS902 to your Computer	5
USB Mode	5
e-SATA Mode	5
Max OS X	6
Windows XP & Windows ME	6
Windows 98	6
NAS Mode	7
Connecting to your Network	7
Setup IB-NAS902	7
Configuring the IB-NAS902 on Windows.....	7
Configuring the IB-NAS902 (Other Operating Systems)	8
Web based Setup	9
Status – System Information	10
IP Configuration	10
Maintenance	11
SMB Administration.....	11
FTP Configuration	12
XBOX360 Media.....	12
Disk Utility.....	13
File Access	13
Access Files from the IB-NAS902 – Windows	13
Access Files from the IB-NAS902 – Mac OS	14
Frequently Asked Questions	16

Introduction

NAS is short for "Network attached Storage", which is used to name a specialized device that offers mass storage towards a data network. SOHO NAS like the ICY BOX IB-NAS902 are small devices that simply share data from HDDs to an Ethernet. There are many approaches; some are using custom shaped methods in offering the storage space to the network participants. This approach needs special software to be installed on the network clients and in most cases is limited to one particular operating system.

The ICY BOX IB-NAS902 has chosen to offer the HDD space in the way common operating systems are expecting it. This means it uses the same principles (protocols) to offer HDD-Storage as common file servers are doing it but with less noise, lower power consumption and in a much simpler way. The main advantage is that, that special software is unnecessary to access the storage provided.

SMB

The SMB server implemented in the ICY BOX IB-NAS902 offers storage in a way regular Windows shares are doing it (commonly known as SMB or CIFS protocol). Even Operating systems like MAC OS and Linux are capable of using this kind of network storage access.

FTP

The FTP protocol is one of the oldest ways for file transfer in the internet. It is fast and could easily be used to access the HDD even via the internet. A huge set of different software clients exists even for exotic operating systems using this simple but fast protocol. Most internet access routers used in small offices and at home offer a mechanism called port forwarding (virtual server, etc.) which could be easily used to expose the ICY BOX IB-NAS902's storage to the internet. The FTP protocol offers access control based on user.

DHCP

If your network does not provide a DHCP server for auto configuring the IP settings of the client, the IB-NAS902 has a built in DHCP server to be activated. This server then distributes the IP-Addresses among the network participants.

More than a NAS

The ICY BOX IB-NAS902 is not only an easy to use network storage device. It is a truly double functional HDD box. It offers a complete USB 2.0 HDD access chipset, offering greater flexibility. Users have the option of using it as a NAS where a network connection is available or connect it via the much faster USB 2.0 Interface in the same way they do it with a conventional external hard drive. This dual-functional design provides a maximum of flexibility to access the data on the ICY BOX anytime anywhere.

Package content

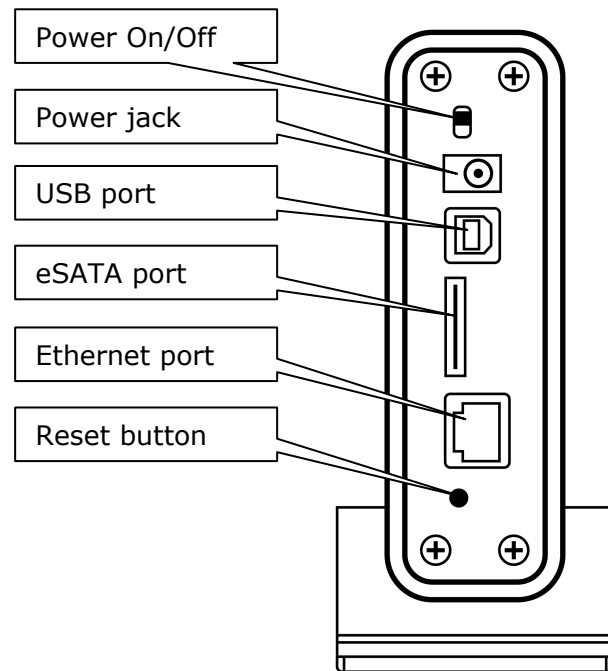
- IB-NAS902
- RJ-45 Network cable
- USB cable
- e-SATA Cable
- Power adaptor
- CD-ROM
- User guide

Take a look at the IB-NAS902

Front

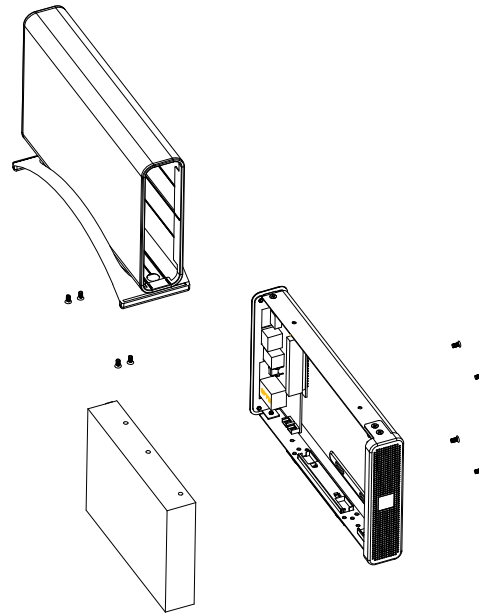


Back



Assembly

1. Unscrew the HDD mounting frame from the bottom and push it out to the front.
2. Connect the Cables to the HDD.
3. Screw the HDD into the mounting frame.
4. Push the mounting frame back into the case and screw it tight from the bottom.



Connecting the IB-NAS902 to your Computer

The IB-NAS902 is a multifunctional hard drive enclosure. In addition to being a network storage device, you can also use it as a standalone external hard drive via the USB interface.

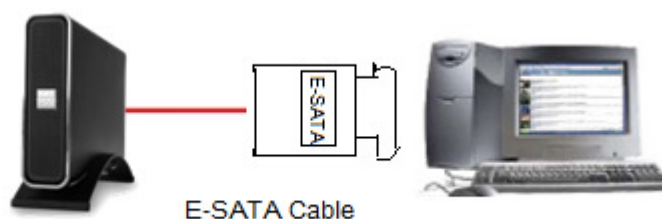
USB Mode

In USB 2.0 High Speed mode, the IB-NAS902 is directly attached to a single computer using the USB port.



e-SATA Mode

In e-SATA mode, the IB-NAS902 is directly attached to a single computer using the e-SATA port.



Max OS X

Driver installation is not required for systems using Mac OS 10.1.2 or above. Simply connect the IB-NAS902 using the included USB cable and access the data by clicking the "Untitled" HDD icon located on your Desktop.

Windows XP & Windows ME

Driver installation is not required for Windows XP and Windows Me. Simply connect the IB-NAS902 using the included USB cable and access the data via "My Computer".

Windows 98

To utilize the USB connectivity, please install the USB driver from the attached driver CD. Please ensure that you install the device driver before connecting the USB port. When you complete the driver installation, reboot your computer, connect the IB-NAS902 to your computer and access the data via "My Computer"

NAS Mode

In NAS mode, the IB-NAS902 is directly attached to an Ethernet switch. Each user on the network can use the IB-NAS902 almost as if it were a local drive.



Connecting to your Network

Connect the power adapter to the back panel of the IB-NAS902 and plug the other end to a wall outlet or power strip. Connect the network cable to the LAN port on the back of the IB-NAS902 and the other end of the network cable to a port on your hub, switch or router.

You can also access data in the IB-NAS902 connecting it directly using the Ethernet cable with your computer. The IB-NAS902 will have a default IP of 169.254.0.1 when connected directly. The Ethernet port on the IB-NAS902 is Auto-MDI/MDIX, which means you can connect it using either a crossover or a direct network cable.

Setup IB-NAS902

Configuring the IB-NAS902 on Windows

The IB-NAS902 features a web-based control interface to manage your settings. If you are using an operating system other than Windows, please refer to next section labelled "Other Operating Systems".



Open your web browser and enter `http://Storage` or `http://Storage-<XXXX>` in the URL address field. You can also enter the IP address of the IB-NAS902.

Enter the default login information:

Username: admin

Password: admin

For security purposes, your login information can be changed via the web control interface.



When two new IB-NAS902s are simultaneously connected to your network, you need to distinguish between the two by typing "http:// Storage- <XXXX>" with their unique MAC address. Please refer to the sticker on the rear panel for the address and replace <XXXX> with the last four digits of the MAC address.

For example if your IB-NAS902's MAC Address is 00-14-3F-AA-01-68, you will need to enter "http://Storage-0168" in the URL address bar.

Configuring the IB-NAS902 (other Operating Systems)

When you are planning to perform administrative tasks from a different operating system, you will need to input IP address of the IB-NAS902 in the browser URL address bar.

If you do not know the IP address of the IB-NAS902, you will have to do this additional procedure. You will need to connect the IB-NAS902 directly to your computer, input the default IP address 169.254.0.1 in the browser URL address bar to access the web control panel.

Web based Setup

After a successful login, you will see the following screen.

The screenshot shows the web-based setup interface for the NAS902. The header includes the NAS902 logo and the ICY BOX logo with the URL <http://www.icybox.de>. The main content area is divided into sections: System Information, Network Information, Service Information, and Disk Information. Each section contains configuration details and 'Change' or 'Apply' buttons. A left-hand menu bar lists various system functions.

System Information	
Host Name	STORAGE-749D <input type="button" value="Change"/>
Group Name	WORKGROUP <input type="button" value="Change"/>
Administrator	admin <input type="button" value="Change"/>
Date/Time	2007/01/02 07:43:02 GMT1 <input type="button" value="Change"/>
Firmware Version	CR1618-1.11 LOADER 3.3

Network Information	
IP Address	192.168.1.174
MAC Address	00:14:d7:02:74:9d
DHCP Server	OFF <input type="radio"/> ENABLE <input checked="" type="radio"/> DISABLE <input type="button" value="Apply"/>

Service Information	
SMB Service	<input checked="" type="radio"/> ENABLE <input type="radio"/> DISABLE <input type="button" value="Apply"/>
FTP Service	<input checked="" type="radio"/> ENABLE <input type="radio"/> DISABLE <input type="button" value="Apply"/>

Disk Information	
Disk ID	WDC WD15 00HLFS-
Free Size	143051 MB free
Total Size	143089 MB

Left Menu Bar:

- Status
- IP Config
- Maintenance
- SMB Server
- FTP Server
- XBOX360 Media
- Disk Utility

An overview description of the functions on the left menu bar:

Menu Item	Description
Status	Shows the data related to your IB-NAS902, such as networking status and hard drive information. You may also edit administration and file language settings here.
IP Config	Allows you to manually configure the IP address of the IB-NAS902
Maintenance	Perform firmware upgrade, reboot or reset the IB-NAS902
SMB Server	Configure the Samba feature of IB-NAS902 for the home/office network file sharing capabilities. You can also create/remove folders and their share permissions.
FTP Server	Configure the FTP features of the IB-NAS902. You may add/remove users and their permissions.
XBOX360 Media	For sharing photos and music to XBOX360 through UPnP protocol.
Disk Utility	Perform hard drive maintenance routines such as Scandisk and Format.

Status – System Information

The welcome screen displays the IP address, firmware version and the hard drive information such as the hard drive type and storage space available.

The administrator may change the web control panel login information in here.

System Information		
Host Name	STORAGE-749D	<input type="button" value="Change"/>
Group Name	WORKGROUP	
Administrator	admin	<input type="button" value="Change"/>
Date/Time	2007/01/02 07:43:02 GMT1	<input type="button" value="Change"/>
Firmware Version	CR1618-1.11 LOADER 3.3	
Network Information		
IP Address	192.168.1.174	
MAC Address	00:14:d7:02:74:9d	
DHCP Server	OFF <input type="radio"/> ENABLE <input checked="" type="radio"/> DISABLE	<input type="button" value="Apply"/>
Service Information		
SMB Service	<input checked="" type="radio"/> ENABLE <input type="radio"/> DISABLE	<input type="button" value="Apply"/>
FTP Service	<input checked="" type="radio"/> ENABLE <input type="radio"/> DISABLE	<input type="button" value="Apply"/>
Disk Information		
Disk ID	WDC WD15 00HLFS-	
Free Size	143051 MB free	
Total Size	143089 MB	

You may also change the default hostname of your IB-NAS902 here. Keep in mind that after you change the hostname, you will need to use it to access your IB-NAS902. For example, if you changed your hostname to "FileServer", please type "http://FileServer" to access the Web Control Panel after you submitted your changes.

The Language setting is used to recognize files with characters other than English. If you have trouble reading your files on the IB-NAS902, please select the appropriate language.

When you reset the IB-NAS902, either by the hardware switch or through the web control panel, all the settings will return to the default setting including the hostname. The default hostname will remain as Storage-<XXXX> (where <XXXX> is the last four digits of the MAC address).

IP Configuration

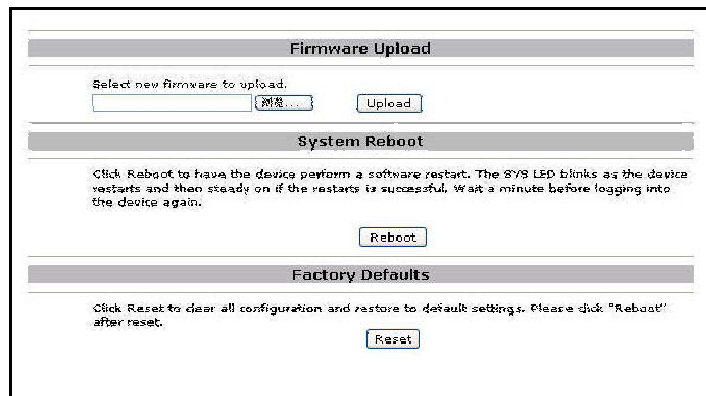
The administrator may use this option to manually define the IP address of the IB-NAS902. If the hub/router/switch in your network has a DHCP server, then the IB-NAS902 will automatically be assigned an IP address.

IP Config	
<input checked="" type="radio"/> Automatic IP	
<input type="radio"/> Static IP as below	
IP	<input type="text" value="192.168.0.25"/>
SubnetMask	<input type="text" value="255.255.255.0"/>
Gateway	<input type="text" value="192.168.0.1"/>
Primary DNS	<input type="text" value="192.168.1.1"/>
Secondary DNS	<input type="text" value="0.0.0.0"/>
<input type="button" value="Apply"/>	

The IB-NAS902 can also act as a DHCP server when one is not present in your network. The default IP of the IB-NAS902 in DHCP server mode is "169.254.0.1" and any device that is linked to the network containing will be assigned an IP of "169.254.0.x" automatically.

Maintenance

The administrator can perform maintenance tasks on the IB-NAS902 here. Update the firmware only if you are experiencing problems with your IB-NAS902. New firmware files are available for download from our website: <http://www.icybox.de>



The screenshot shows a web interface with three main sections:

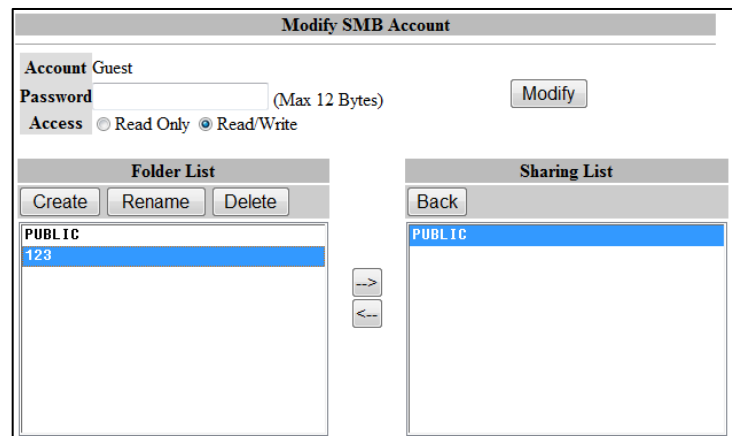
- Firmware Upload:** A section with a text input field for selecting a new firmware file, a file selection button (represented by a folder icon), and an "Upload" button.
- System Reboot:** A section with a paragraph of text explaining the reboot process: "Click Reboot to have the device perform a software restart. The SYS LED blinks as the device restarts and then steady on if the restart is successful. Wait a minute before logging into the device again." Below the text is a "Reboot" button.
- Factory Defaults:** A section with a paragraph of text: "Click Reset to clear all configuration and restore to default settings. Please click 'Reboot' after reset." Below the text is a "Reset" button.

After updating the firmware or resetting to factory defaults, please make sure that you restart the IB-NAS902 and refresh your browser.

SMB Administration

SMB enables the core function of the IB-NAS902 which is network file sharing.

This option allows the administrator to determine the folders/directories to be shared.



The screenshot shows the "Modify SMB Account" interface with the following elements:

- Account:** Set to "Guest".
- Password:** A text input field with "(Max 12 Bytes)" next to it and a "Modify" button.
- Access:** Radio buttons for "Read Only" and "Read/Write" (which is selected).
- Folder List:** A table with columns "Create", "Rename", and "Delete". It contains a list with "PUBLIC" and "123".
- Sharing List:** A table with a "Back" button and a list containing "PUBLIC".
- Navigation:** Two arrow buttons (right and left) are positioned between the Folder List and Sharing List.

In here, you can create, rename and delete folders/directories in your IB-NAS902. All the folders/directories in the root directory that were previously in your hard drive before it was installed in the IB-NAS902 will also be shown in the "Folder List".

The arrow keys in the middle are used to determine if the selected folder/directory is to be shared. Password protection for each shared folder can also be implemented.

When creating folders/directories through the web control panel, please use only English alphabets.

FTP Configuration

Abbreviated from File Transfer Protocol, FTP enables file exchange between computers on the Internet. The IB-NAS902 can work as a stand-alone FTP server when it is assigned a static IP

FTP Configuration			
FTP Port	21	21 or 1025-65500	Apply
FTP Language	English	help	Apply
Account List	New	Modify	En/Disable
	Delete		
[User Name]	[Password]	[Access]	[En/Disable]
anonymous	-----	RO	ENABLED

Anonymous FTP is **Enabled** by default. The administrator can determine if the users have read or write permission and the "Home Directory" will be the folder/directory the anonymous user can access upon logging in.

The Account List displays the current FTP user accounts, the administrator can add new users, modify their permissions, temporary disable users and delete users.

XBOX360 Media

This option allows the administrator to determine the photo or music folder/directory to be shared.

UPNP AV Server			
Folder List		Photo Directory	
PUBLIC	▼	Set	PUBLIC Disable
Folder List		Music Directory	
PUBLIC	▼	Set	Disable Disable

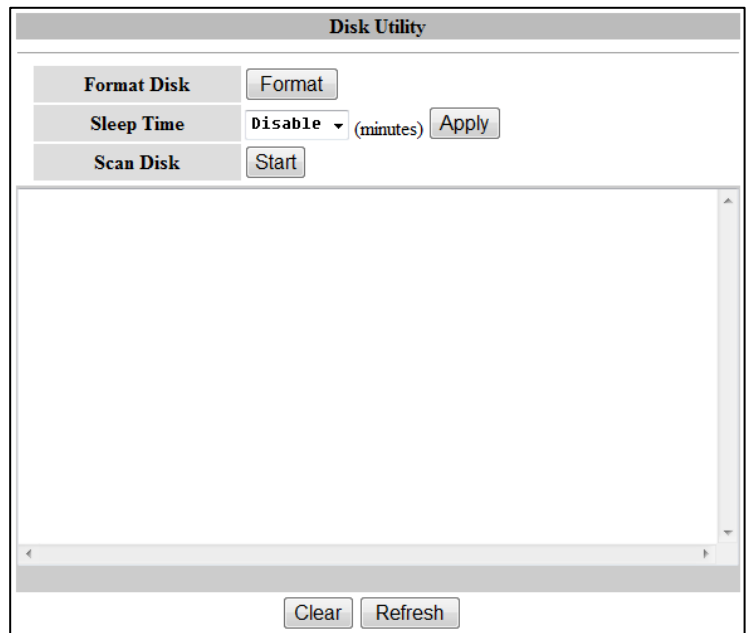
In here, you can set Enable/Disable UPNP AV Server share folder in your IB-NAS902. The user can set "PUBLIC" folder as Photo and Music share folder or create a specific folder name from SMB Server.

The default value for "Photo Directory" and "Music Directory" is "Disable". User can choose any folder from the "Folder List" of drop down list and after click on "Set" button, the status under "Photo/Music Directory" will display the name as choosing from "Folder List".

Disk Utility

If you have installed a new hard drive in the IB-NAS902, that is not formatted, this will be the place to format it to the FAT32 format.

Since the IB-NAS902 supports power management, you can also determine the time the hard drive have to be inactive in order for the IB-NAS902 to enter sleep mode.



The Scan Disk function can be used to detect potential problems with the hard drive. Click on the refresh button to display the scandisk result.

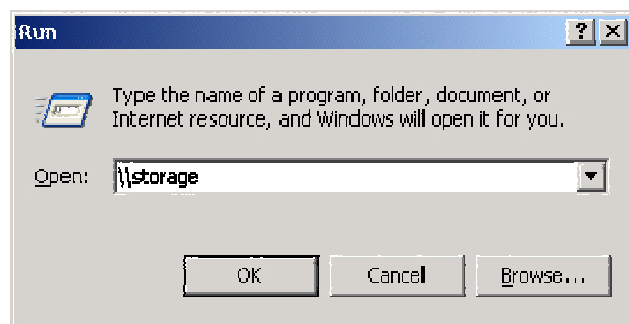
File Access

Access Files from the IB-NAS902 – Windows

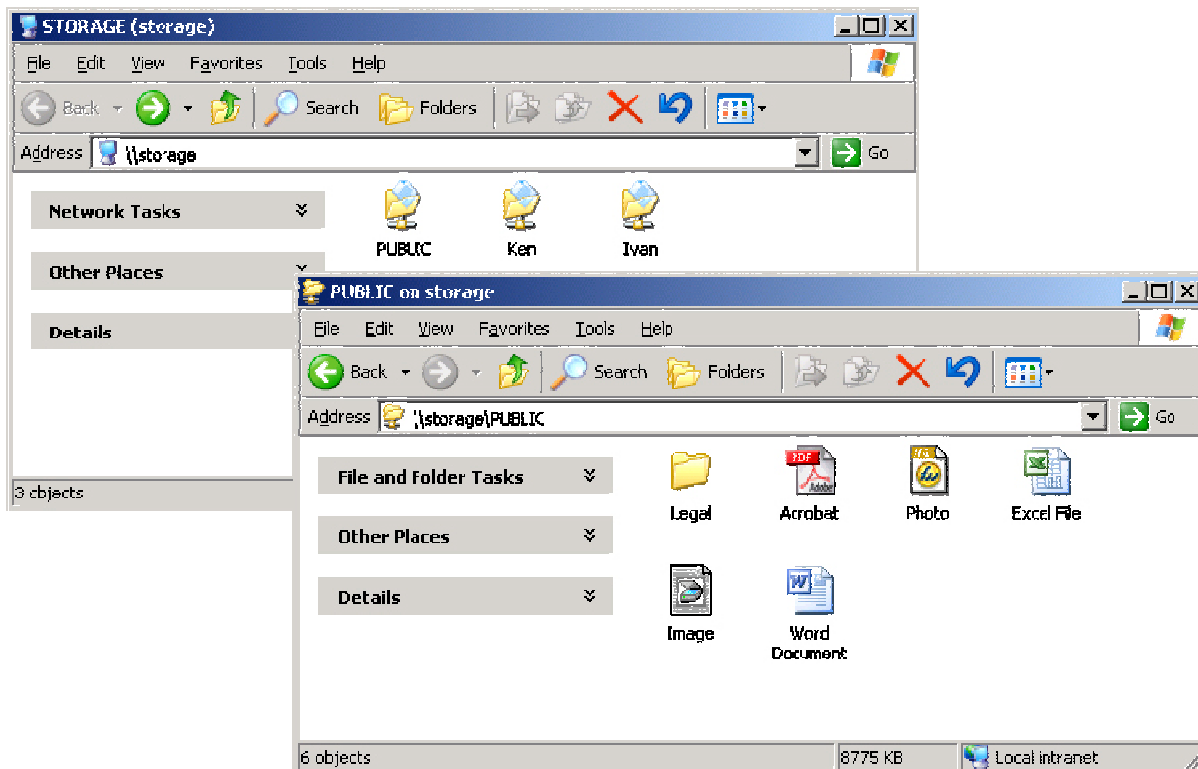
In Windows, the data can be accessed by searching for the IB-NAS902 in the "Network Neighborhood" (as a computer with the name "Storage"). Or you can access the data in the IB-NAS902 with the following instructions.

Note: The follow screenshots are taken from a PC running Windows XP SP2 and may vary slightly from your computer screen.

Click on the Windows Start button, select "Run" from the menu and a dialogue box as shown will appear. Type "\\storage" in the field and click "OK".



If you change the IB-NAS902 hostname, you will need to replace the word "storage" with it. For example, if you changed your hostname to "FileServer", please type "\\FileServer" instead.



The Windows Explorer will appear and you should be able to see all the folders that were previously selected to be shared under "SMB Server" in the control panel. Clicking on the corresponding folder will reveal the files in that folder.

Access Files from the IB-NAS902 – Mac OS

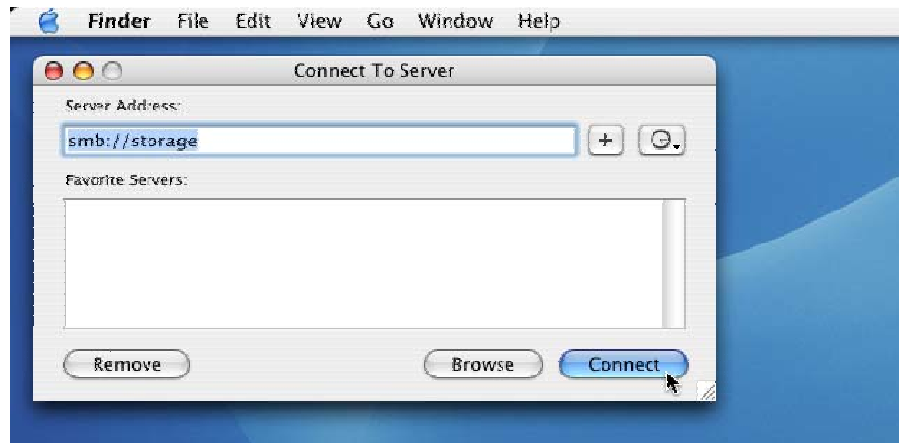
If the client computer is an Apple Macintosh running Mac OS, they will have to follow the procedure below to mount each shared folder as an SMB share to access the data.

Note: The follow screenshots are taken from an iMac running OS 10.3.x and may vary slightly from your computer screen.

Under Finder, select
Go >> Connect to
Server or use the
hotkey
<Command>+<K>



The dialogue box "Connect to Server" will appear. Type "smb://storage" and click the Connect button.



If you change the IB-NAS902 hostname, you will need to replace the word "storage" with it. For example, if you changed your hostname to "FileServer", please type "smb://FileServer" instead.

The next dialogue screen will prompt you for the folder that you will like to access. Select it and click the OK button.



You might be prompted to enter a password, unless a password was previously assigned in the control panel, you can leave it blank. After a successful mount, a network folder icon will be created based on the folder you selected as shown.



Frequently Asked Questions

- 1. The IB-NAS902 displays error messages / crashes during the file transmission?**

Please ensure you update patches for your operating system frequently. The latest firmware for the IB-NAS902 is also available to download from our website at: <http://www.icybox.de>
- 2. Does the IB-NAS902 support power management?**

Yes, when there isn't any hard drive activity within fifteen minutes, the IB-NAS902 will power down to reduce power consumption. The sleep time can be configured via the web control panel.
- 3. How does the IB-NAS902 achieve its data sharing capabilities?**

Utilizing the SMB (Server Message Block) protocol, the IB-NAS902 allows any computer client that supports TCP/IP, NetBui or IPX/SPX to share files. The built-in FTP server also allows any clients with internet connectivity to access the IB-NAS902.
- 4. What is the size limitation for the IB-NAS902?**

The IB-NAS902 support LBA (48-bit Logical Block Addressing) which in theory includes all hard drives from 32 gigabytes to 2 terabytes.
- 5. Why supports the IB-NAS902 only FAT32 format?**

As a cross platform file server, FAT32 format is compatible with all major operating systems (Windows/Mac OS/Linux). The only drawback of a FAT32 format is the single file size limitation of 4 GB. In the NAS Mode the limit of a file is 127 GB. If a file is over 4 GB the IB-NAS902 splits it in the NAS Mode into parts under 4 GB and provides them transparently.
- 6. How does the IB-NAS902 DHCP service work?**

The IB-NAS902 functions as a DHCP(Dynamic Host Configuration Protocol) server when it does not detect the presence of other DHCP servers in its network. DHCP is an Internet protocol for automating the configuration of computers that use TCP/IP by automatically assigning IP addresses.
- 7. What are there naming limitations of the files in the IB-NAS902?**

The maximum length of a folder/directory/file name is 12 characters. Invalid characters such as "*" \ : " < > . ? /" may not be used.
- 8. What kind of hard drive is compatible with the IB-NAS902?**

The IB-NAS902 supports 3.5" Ultra DMA/ATA hard drives which are mostly manufactured after 1998. Below is a list of manufacturer websites you can refer to for more information on the hard drive you own.

Manufacturer	Web Site
Western Digital	http://www.westerndigital.com
IBM/Hitachi	http://www.hitachigst.com
Samsung	http://www.samsung.com
Seagate	http://www.seagate.com
Maxtor	http://www.maxtor.com

Manufactured for:
RaidSonic Technology GmbH
Kurt-Fischer-Straße 50
D-22926 Ahrensburg
Germany

www.raidsonic.de

© 2008 RaidSonic Technology Ahrensburg, Germany