

Precision Sawing Like Never Before



The New Benchtop Saws PTS 10, PCM 10 and PCM 8S from Bosch.



BOSCH
Invented for life





A Cut Above The Rest.



Whether a table saw or a mitre saw – you'll always be pleased with your cut with Bosch. Ideal for cutting picture frames, parquet flooring or timber boards accurately to size. Even bevels and mitre cuts are child's play with the new bench top saws. Precisely and robustly made, especially due to intelligent extras like the patented saw blade guard. It simplifies saw blade changing and makes work a pleasure.



Cut To Size

The PTS 10 table saw is especially well suited to accurate cutting of large workpieces at all angles. Thanks to the new integrated moving guide, you can saw composite wood boards effortlessly. The table

extension allows precise sawing of large boards and planks. Dust is no longer an issue thanks to the dust extractor. All in all, the perfect equipment for the perfect cut.



Sliding table

Whether large composite wood boards, planks or very wide boards: the sliding table helps you make a good cut every time.



Mitre gauge

The adjustable mitre gauge allows for every possible angle of cut between -60° and 60° . Nine predefined mitre stops ensure consistency and precision.



Table stand

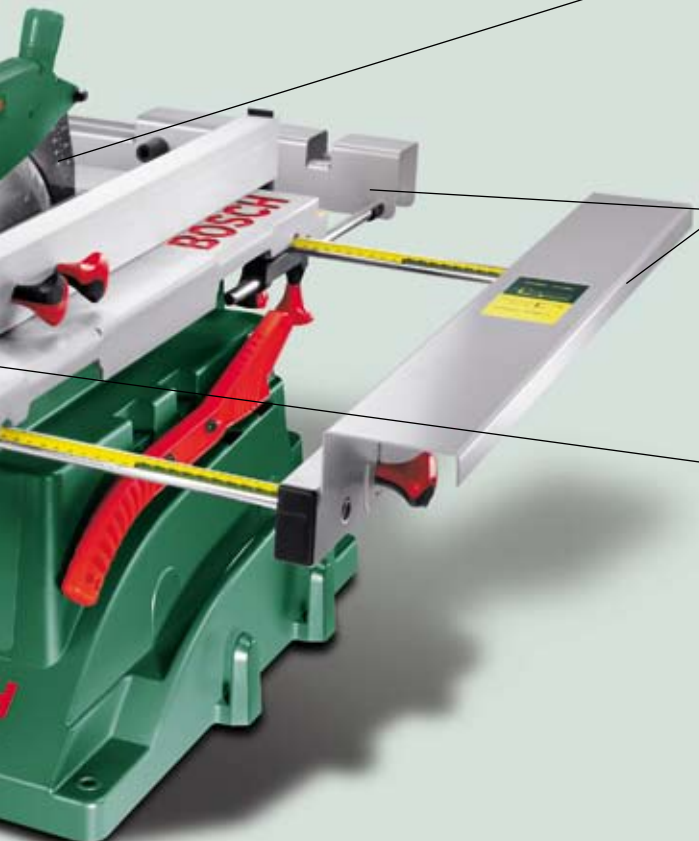
The table stand provides stability and the perfect working height for the PTS 10 and is available to buy with the PTS 10 as a set or can be purchased separately.



Dust extractor

The integrated dust extractor ensures good visibility and a perfect cut.





Bevel angle

With the swivelled saw blade, bevel angles of up to 45° are possible. The controls for adjusting the saw blade and the safety power switch are clearly integrated into the front of the housing.



Table extension

The saw table can be extended on the right-hand side as well as at the back. The substantially enlarged work area makes precise sawing quick and trouble-free, even with large boards.



Parallel fence

Precise parallel cuts are guaranteed by the standard parallel guide with readable position. The right-hand table extension also acts as an adjustable parallel guide.



Additional parallel fence

An included additional parallel fence enables you to cut thinner lengths of wood safely, precisely and efficiently.



Table Saw PTS 10.





The Sliding Mitre Saw.

The sliding mitre saw PCM 8S is ideal for sawing wider workpieces. Thanks to its sliding system, the work area is extended, thus making the saw even more versatile. Whether laminate boards or panels, the PCM 8S guarantees maximum precision with any cut. And this is not only due to the Powerlight, which illuminates the cutting area. The integrated laser light makes precise sawing even easier.

In this system, the laser beam projects a cutting line onto the work area. With the combination clamp, precision working is ensured and everything's under your control at all times – even at bevel angles of up to 45°. But that's not all: even the extension rails with an end stop and additional stop are included in the price.



Double sliding rail

The double sliding rail ensures accuracy. Makes cutting to length quick and trouble-free.



Sliding system

Easy to use, the sliding system enables accurate cutting of wider workpieces.



Powerlight

A white LED in the cutting area ensures sufficient lighting at all times.



Extension rails

With the extension rails, even long cuts are machined quickly and precisely. An additional support ensures even more precision.





Motor

With 1,200 watts of power, the PCM 8S cuts any piece of wood like butter.



Combination clamp

Thanks to the combination clamp, workpieces can be clamped horizontally and vertically – for even greater precision. This leaves you with both hands free for working.



Laser light

The laser projects a precise cutting line onto the work area and points the way to a perfect cut, avoiding costly mistakes.



Large mitre capacity

With the PCM 8S, horizontal mitre cuts from -47° to $+47^{\circ}$ are possible. Nine predefined mitre stops ensure consistency and precision.



Sliding Mitre Saw PCM 8S.





Precision Sawing

No matter whether you want to cut small, narrow or long workpieces: the PCM 10 mitre saw with its high precision is always the right choice. The mitre saw is so versatile it can handle thick boards, parquet blocks or even picture frames from all sides and from all angles. Operation remains easy

with a clear overview thanks to easy saw blade changing and ergonomic design. Powerlight and laser light point the way to a perfect cut. At the same time, you'll find the clamp just as gripping for the wood as it is for you when working with your new saw.



Bevel angle

The bevel angle of up to 45° makes vertical mitre cuts quick and trouble-free.



Powerlight

A white LED illuminates the cutting area and makes accurate working easier.



Laser light

The laser projects a precise cutting line onto the work area, thus enabling a perfect cut.



Extension rails

Two parallel extension rails make it easier to cut long workpieces to length. An additional support ensures even more precision.





Motor

With its 1,500 watt motor, the PCM 10 is ready for any cut.



Combination clamp

With the supplied combination clamp, fixing the workpiece horizontally or vertically is quick and easy. Precisely cutting workpieces to length becomes child's play.



Large mitre capacity

With the PCM 10, horizontal mitre cuts from -47° to $+47^\circ$ are possible. Nine predefined mitre stops ensure consistency and precision.



The Mitre Saw PCM 10.



PTS 10

The table saw PTS 10 makes any cut quick and trouble-free. The moving guide and table extensions make light work of sawing wider boards.



Rated power input	1,400 watts
Laser	-
Light	-
No-load speed	5,000 rpm
Saw blade diameter	254 mm
Bore size	30 mm
Bevel angle	up to 45°
Mitre angle	+/-60°
Weight	23.5 kg

PCM 8S

When you want the perfect cut, look no further than this professional tool: versatile and precise, the sliding mitre saw PCM 8S is a reliable partner. And, thanks to the sliding system, it can tackle larger workpieces.



Rated power input	1,200 watts
Laser	✓
Light	✓
No-load speed	4,700 rpm
Saw blade diameter	210 mm
Bore size	30 mm
Bevel angle	up to 45°
Mitre angle	+/-47°
Weight	18.7 kg

PCM 10

Whether small, narrow or long workpieces, the mitre saw PCM 10 leaves nothing to be desired. From mitre cutting to length cutting, from picture frames to wide planks. It performs a broad range of applications precisely and accurately.



Rated power input	1,500 watts
Laser	✓
Light	✓
No-load speed	4,800 rpm
Saw blade diameter	254 mm
Bore size	30 mm
Bevel angle	up to 45°
Mitre angle	+/-47°
Weight	13.8 kg

No sooner said than sawn.

PTS 10

Angle



90°



45°

Max. height



75 mm



63 mm

PCM 8S

Angle



90°/90°



45°/90°

Max. width (H x W)



70 mm x 282 mm



70 mm x 200 mm

PCM 10

Angle



90°/90°



45°/90°

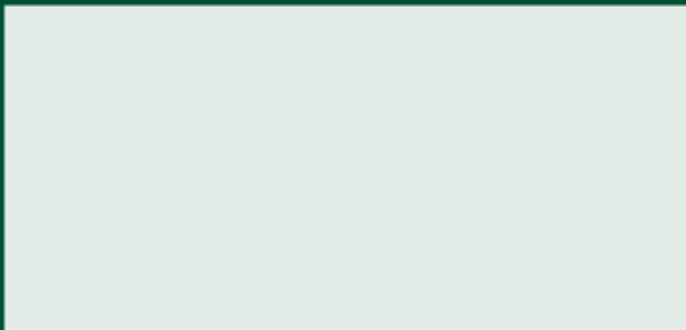
Max. height (H x W)



80 mm x 125 mm



80 mm x 90 mm



Robert Bosch Limited

Power Tool Division
P.O. Box 98
Uxbridge, UB9 5HN



BOSCH
Invented for life

www.boschpowertools.co.uk

1.619G.K41.30 - Printed in Federal Republic of Germany -
Subject to technical alterations. No liability is accepted for printing errors.