

VIBE

OPTISOUND™

COMPACT BASS REFLEX SUBWOOFER ENCLOSURES

O W N E R S M A N U A L



OPTISOUND AUTO 8
Model: OPTISOUNDAUT08-V2



OPTISOUND AUTO 8 ACTIVE
Model: OPTISOUNDAUT08A-V2

To ensure maximum performance and safety, please follow all instructions contained within this manual. Please retain this manual for future reference after installation.

www.vibeaudio.co.uk

OWNERS MANUAL

Congratulations on purchasing your VIBE bass enclosure. Please read this manual in order to fully understand how to get the best results from this product and ensure that all advice on how to look after the product is followed.

Thank you for buying VIBE, we hope you enjoy listening to your product as much as we enjoyed creating it.

ATTENTION



An aftermarket audio amplifier will place an additional load on the vehicles charging system. Most modern vehicles have sufficient capacity in the charging system as not all the electrical components of the vehicle will be switched on at once.

Check the fuse rating of the amplifier and use this as the peak current requirement. Generally the continuous current draw will be a third of the peak current.

WARNING

During the normal use of this amplifier the heatsink may become very hot. Please do not touch during or immediately after use. Please ensure that when installing this product the heatsink will not come into contact with any materials that may be damaged by heat such as upholstery or plastics.

LIMITED WARRANTY

All VIBE products carry a full 12 month warranty, valid from the date of the original receipt and proof of purchase. In order to validate this warranty, the online warranty card should be completed within seven days of the original purchase date. The original receipt and packaging should be retained for this twelve month period. If the product develops a problem any stage during the warranty period, it should be returned to the point of purchase in its original packaging, complete with no items missing. If the store is unable to repair the product it may have to be returned to VIBE. This process should take around seven working days and all costs will be covered by VIBE.

A full description of VIBE's warranty information can be found on our website:

www.vibeaudio.com/warranty

WHAT IS NOT COVERED

- Damage to product due to improper installation.
- Subsequent damage to other components
- Damage caused by exposure to moisture, excessive heat, chemical cleaners and / or UV radiation.
- Damage through negligence, misuse, accident or abuse. Repeated returns for the same fault may be considered abuse.
- Any cost or expense related to the removal and / or re-installation of the product.
- Damage caused by amplifier clipping or distortion.
- Items repaired or modified by any unauthorised repair facility
- Return shipping on non defective items.
- Products returned without a returns authorisation number.
- Damage to product due to use of sealant.

INTERNATIONAL WARRANTY

Contact your international VIBE dealer or distributor concerning specific procedures for your country's warranty policy.

WARNING

VIBE equipment is capable of sound pressure levels that can cause permanent damage to your hearing and those around you. Please use common sense when listening to your audio system and practice safe sound.

COPYRIGHT

All content included in this manual such as text, graphics, logos, icons, images and data, are the property of Midbass Distribution Limited t/a VIBE Technologies Limited (herein referred to as "VIBE", "us" or "we") and its affiliate or their content and technology providers, and are protected by United Kingdom and International copyright laws. All rights reserved. VIBE TV, VIBE Arcade, Bass Box, Optisound, Cinesound, BlackAir, BlackBox, Space, LiteAir, SLICK, BlackDeath, Bubonic, Reaper, Anti-VIBE, FastPlug, BlackHole, QB69, VIBE Turbo Port, Vibe TurboVent, Pressure Board, Super Driver, VIBE Pulse, VIBE Power, VIBE Digital, VIBE MAG Plugs, Ferrite Loaded, VIBE Solid Core, VIBE OCC, VIBE FLAT, ICC, Bass Enhance, Bass Enhance+, QBass, SpeedBass, PowerBass, N-Wedge, Box Grip, ARBSS, Supercar Series and all stylised representations of product names, or the abbreviations of product names, as logos are all trademarks of VIBE. Graphics and logos are trademarks or trade dress of VIBE Technologies Ltd or its subsidiaries. VIBE's trademarks and trade dress may not be used in connection with any product or service that is not VIBE's, in any manner that is likely to cause confusion among customers or in any manner that disparages or discredits VIBE. All other trademarks not owned by VIBE or its subsidiaries that appear in this manual are the property of their respective owners, who may or may not be affiliated with, connected to, or sponsored by VIBE or its subsidiaries.

TO THE FULLEST EXTENT PERMITTED AT LAW, VIBE IS PROVIDING THIS MANUAL AND ITS CONTENT ON AN "AS IS" BASIS AND MAKES NO (AND EXPRESSLY DISCLAIMS ALL) REPRESENTATIONS OR WARRANTIES OF ANY KIND, EXPRESS OR IMPLIED, WITH RESPECT TO THIS MANUAL OR THE INFORMATION, CONTENT, MATERIALS OR PRODUCTS INCLUDED IN THIS MANUAL INCLUDING, WITHOUT LIMITATION, WARRANTIES OF MERCHANTABILITY AND FITNESS FOR A PARTICULAR PURPOSE. IN ADDITION, VIBE DOES NOT REPRESENT OR WARRANT THAT THE INFORMATION CONTAINED IN THIS MANUAL IS COMPLETE OR CURRENT, AND THAT ALL SPECIFICATIONS AND INFORMATION CONTAINED WITHIN THIS MANUAL ARE SUBJECT TO CHANGE WITHOUT NOTICE. VIBE RECOMMEND CAUTION WHEN LISTENING TO MUSIC REPRODUCED THROUGH VIBE EQUIPMENT. VIBE EQUIPMENT IS CAPABLE OF PRODUCING SOUND AND SOUND PRESSURE LEVELS THAT CAN PERMANENTLY DAMAGE HEARING OF YOU AND THAT OF OTHERS. FOR SAFE AND ENJOYABLE LISTENING, THE SOUND SHOULD BE CLEAR WITHOUT DISTORTION AT A COMFORTABLE VOLUME. BY USING ANY VIBE EQUIPMENT, YOU AGREE TO TAKE FULL RESPONSIBILITY FOR YOUR OWN SAFETY AND THE SAFETY OF OTHERS WHEN LISTENING TO MUSIC AT HIGH VOLUMES THROUGH EQUIPMENT YOU HAVE PURCHASED. USE OF ANY VIBE EQUIPMENT CONSTITUTES AGREEMENT TO THIS DISCLAIMER.

Except as specifically stated in this manual, to the fullest extent permitted at law, neither VIBE nor any of its affiliates, directors, employees or other representatives will be liable for damages arising out of or in connection with the use of this manual or the information, content, materials or products included. This is a comprehensive limitation of liability that applies to all damages of any kind, including (without limitation) compensatory, direct, indirect or consequential damages, loss of data, income or profit, loss of or damage to property and claims of third parties. For the avoidance of doubt, VIBE does not limit its liability for death or personal injury to the extent only that it arises as a result of negligence of VIBE, its affiliates, directors, employees or other representatives.

MOUNTING GUIDELINES

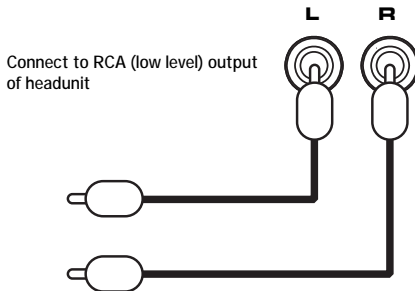
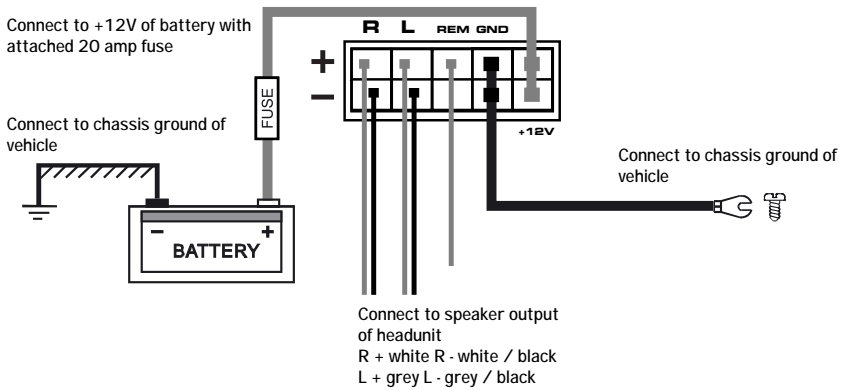
Your VIBE enclosure is designed with a swift installation routine in mind.

Please mount the enclosure in a dry location on a solid surface.

NEVER mount the enclosure upside down as this will cause the amplifier to over heat and will eventually damage the enclosure.

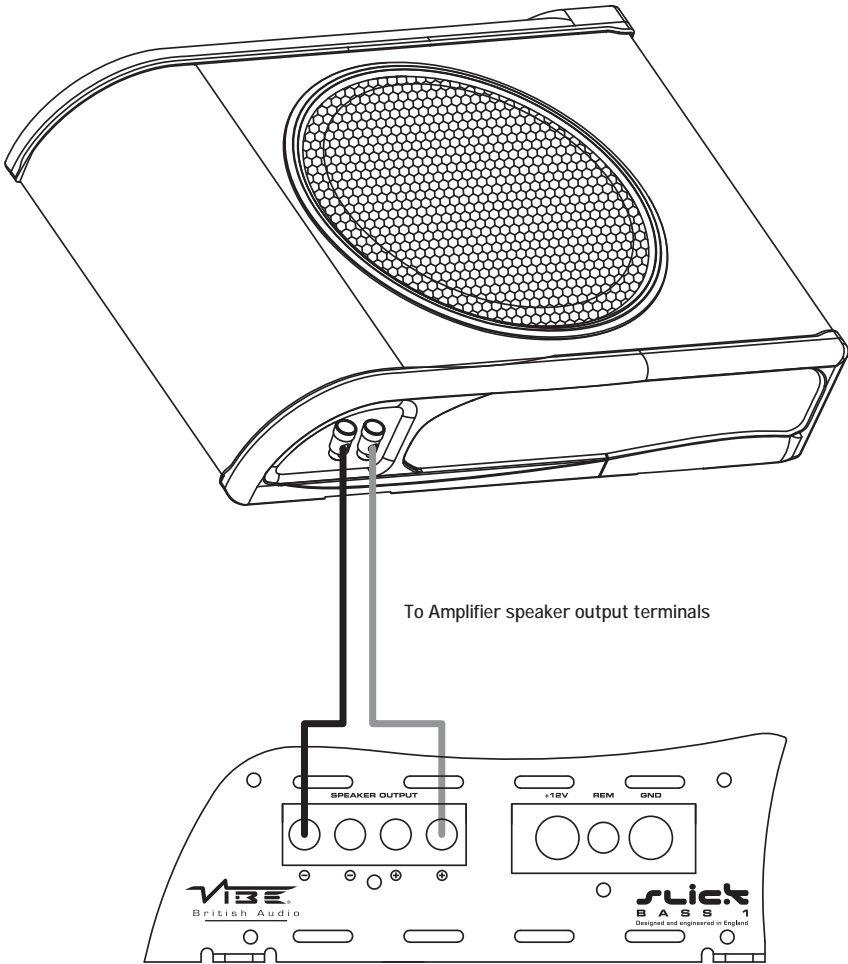
Before fixing the enclosure in place please ensure that there is sufficient air flow around the exterior of the amplifier casing, at least two inches is sufficient.

OPTISOUNDAUTO08A-V2 CONNECTIONS



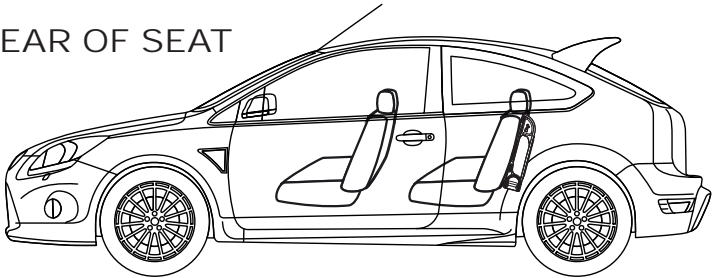
Note: Connect EITHER the high level or low level inputs. Never connect both together as this may cause damage to the amplifier.

OPTISOUNDAUTO8-V2 CONNECTIONS

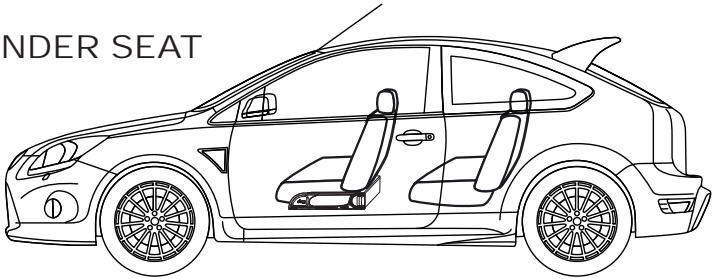


INSTALLATION

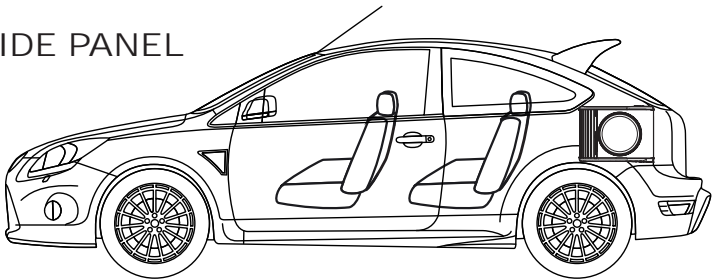
REAR OF SEAT



UNDER SEAT



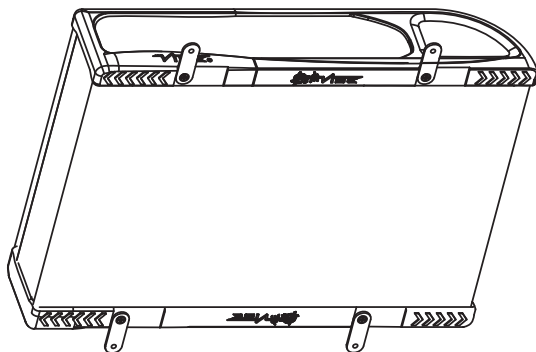
SIDE PANEL



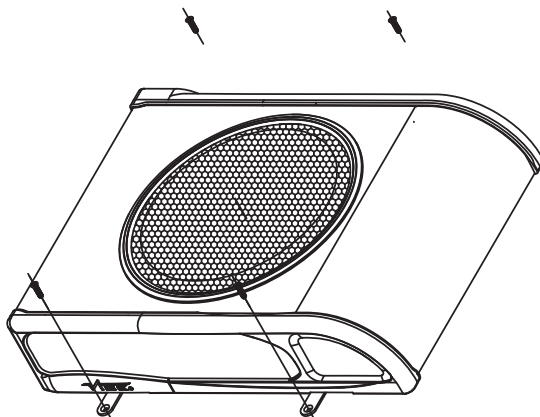
INSTALLATION

Please follow the installation method below to secure the enclosure to your chosen location.

Step 1: Fold out the steel mounting tabs from underneath the enclosure



Step 2: Secure the enclosure with four screws.



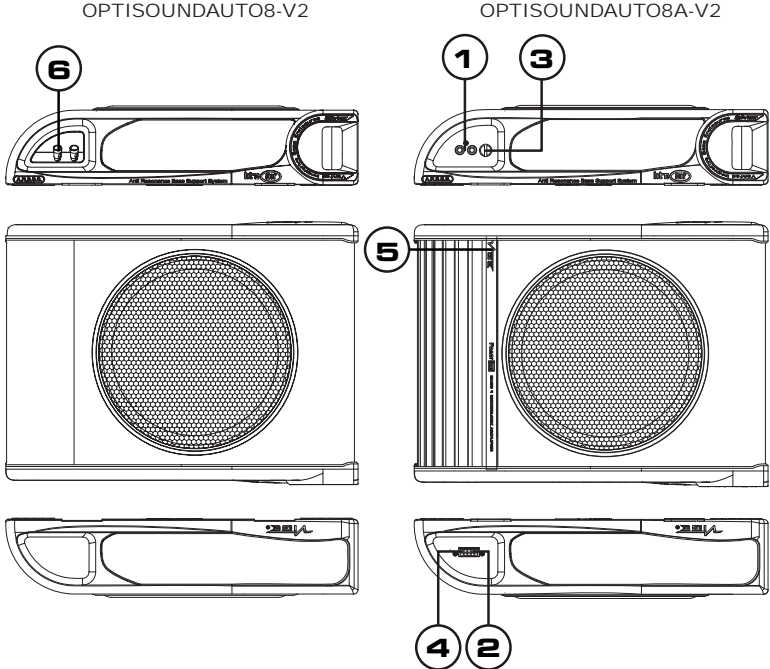
NOTE: Be sure to investigate your mounting area thoroughly for electrical wires, brake or fuel lines or fuel tank to prevent causing any damage.

If you are unsure VIBE recommends that the enclosure is installed by an Authorised VIBE dealer.

When you have chosen your mounting position, please ensure that the enclosure is securely mounted and cannot move or come into contact with objects in the luggage area.

Damage to the enclosure or subwoofer caused by these objects will not be covered under warranty.

TERMINALS AND CONTROLS



1. Low Level Input

Connect the left and right RCA leads from the source (headunit) to these input terminals.

2. High Level Input

If your source does not support RCA outputs, connect the speaker outputs to the amplifier using the high level terminals. **Note:** This must not be used at the same time as the low level inputs.

3. Gain

Adjust the gain range of the amplifier between 0.25v and 6v.

4. Power / Remote / Ground Terminals

+12v - Connect to the positive feed from the battery

REM - Connect to the remote output from the source (headunit). The voltage must be between 12v and 15v DC.

Ground - Connect to chassis ground.

5. Power / Protect Light

During normal operation the VIBE logo will illuminate WHITE.

If the amplifier is in protection the VIBE logo will illuminate RED.

6. Speaker Terminal

Connect the speaker output of the amplifier.

RUN IN PROCEDURE

VIBE recommends that you follow the run in procedure for the subwoofer detailed below.

- When your subwoofer is used for the first time, naturally like most brand new items it is very stiff and rigid. It will take time for the moving parts of the subwoofer to loosen up before the subwoofer is ready to deliver it's full potential.
- For the first 30 hours it is recommended that you play the subwoofer initially at low to medium volumes and gradually increase the volume as time progresses.
- As a guide if you listen to your subwoofer for one hour every day it will take a month to run in fully.

SET UP SECTION

Gain Control Setting

To correctly set the gain control of the amplifier to match that of the source (headunit) use the following setup routine:

- Turn the gain control to minimum on the amplifier.
- On the headunit set all crossovers to flat and both bass and treble to zero.
- Turn up the source (headunit) to approx 3/4 volume.
- Very slowly turn up the gain on the amplifier until distortion can be heard in the subwoofer or until the volume reaches an uncomfortable listening level when this is reached turn down the gain control slightly.

The gain control is now set.

SPECIFICATION

Part Number: OPTISOUNDAUTO8-V2

Peak Power: 900 watts

RMS Power: 300 watts

Height: 80mm (excl grill)

Width: 285mm

Depth: 397mm

Impedance: 4 Ohms

Part Number: OPTISOUNDAUTO8A-V2

Peak Power: 900 watts

RMS Power: 300 watts

Height: 80mm (excl grill)

Width: 285mm

Depth: 395mm

Fuse rating: 20 amp

TROUBLESHOOTING

AMPLIFIER WILL NOT POWER UP

- Check for good ground connections. Ensure that the ground cable is connected directly to bare metal and not a painted surface
- Using a multimeter ensure that the remote (REM) terminal is at least +12v DC.
- Using a multimeter ensure that the Battery voltage is at least 12v DC and below 16v DC.
- Check all fuses.
- Check that the protection light is not illuminated, if it is illuminated try turning the amplifier off for a short period of time and then turn back on.

PROTECTION LED IS ILLUMINATED

- Check for shorts on all cables
- The amplifier is designed to shut down once automatically when the temperature reaches 80°C, if the amplifier heatsink is very hot this may be the reason for the amplifier shutting down.
- Remove the signal cables and try to restart the amplifier, if the amplifier will not restart then it is possible that the amplifier has been damaged. This damage may have been as a result of abuse or failure to follow the advice in this manual.

BLOWN FUSES

- Check both positive and ground cables for shorts.
- Check that the positive wire is connected to the +12V terminal of the amplifier
- Check that the negative wire is connected to the GND terminal of the amplifier
- Check that the correct fuse is fitted.

OPTISOUNDAUTO8A-V2: 1 x 20 amp

DISTORTED SOUND

- Reduce the gain until the sound is no longer distorted.

UK TECHNICAL ENQUIRIES

Call 09067031420

Calls cost 50p per minute.

Call costs correct at date of publication (01/02/12)

Hours of business 9.00am - 5.30pm GMT Monday to Friday.

All calls are recorded for training purposes

MIDBASS Distribution

PO Box 11000

B75 7WG

INTERNATIONAL TECHNICAL ENQUIRIES

For international technical support please contact the distribution agent for your country.

Please visit www.vibeaudio.co.uk/contact for more details.

WARRANTY CARD



In order to protect your purchase and aid your warranty please fill in the following form and keep it safe for your future reference:

Model Number:

Serial Number:

Purchased From:

Date of Purchase:

KEEP IT SAFE
Staple your receipt here:



British Audio



www.twitter.com/vibeaudio



www.youtube.com/vibeaudio



www.facebook.com/vibeaudio

www.vibeaudio.co.uk



What is OPTISOUND?

Optisound TV is a powerful subwoofer that combines with your existing TV speakers to enhance your viewing experience for movies, sports, games and TV programmes.

Just one single unit! Amplifier built in and no ugly speakers or wiring on show

The new way to upgrade your TV to a surround sound system without the hassle or expense of 5.1

As bass is not directional it appears that there is sound being produced in areas of the room other than just the TV, creating an immersive surround sound experience.

VIBE
OPTISOUND

Makes your TV
sound amazing!