



# STORMRACER

## extreme

HIGH PERFORMANCE RC-CAR

Ⓜ	Instruction Manual	Page	2 - 15
Ⓓ	Betriebsanleitung	Seite	16 - 29
Ⓕ	Mode d'emploi	Page	30 - 44
Ⓔ	Instrucciones	Página	45 - 59
Ⓘ	Istruzioni d'uso	Pagina	60 - 73



CALL TO ACTION X  
A WEB SITE FOR THE SERIOUS RACER

**CARSON Stormracer extreme 103013 RTR und 102001 ARR**

## Dear Customer

We congratulate you for buying this CARSON RC model car, which is designed using state of the art technology.

According to our policy of steady development and product improvement we reserve the right to make changes in specifications concerning equipment, material and design at any time without notice.

Specifications or designs of the actual product may vary from those shown in this manual or on the box.

The manual forms part of this product. Should you ignore the operating and safety instructions, the warranty will be void. Keep this guide for future reference.

## Limited Warranty

This product is warranted by CARSON against manufacturing defects in materials and workmanship under normal use for 24 months from the date of purchase from authorised franchisees and dealers. In the event of a product defect during the warranty period, return the product along with your receipt as proof of purchase to any CARSON store. CARSON will, at its option, unless otherwise provided by law:

- (a) Correct the defect by repairing the product without charging for parts and labour
- (b) replace the product with one of the same or similar design; or
- (c) refund the purchase price.

All replacement parts and products, and products on which a refund is made, become the property of CARSON. New or reconditioned parts and products may be used in the performance of warranty services. Repaired or replaced parts and products are warranted for the remainder of the original warranty period. You will be charged for repair or replacement of the product made after the expiration of the warranty period.

## The Warranty does not cover:

- damage or failure caused by or attributable to acts of God, abuse, accident, misuse, improper or abnormal usage, failure to follow instructions, improper installation or maintenance, alteration, lightning or other incidence of excess voltage or current;
- damage caused by losing control of your car;
- any repairs other than those provided by a CARSON Authorised Service Facility;
- consumables such as fuses or batteries;
- cosmetic damage;
- transportation, shipping or insurance costs; or
- costs of product removal, installation, set-up service adjustment or reinstallation

This warranty gives you specific legal rights, and you may also have other rights which may vary according to the country of purchase.

## Declaration of conformity

Dickie-Tamiya GmbH&Co KG hereby declares that this model kit with radio, motor, battery and charger is in accordance with the basic requirements of the following European directives: 98/37 EG and 89/336/EWG and other relevant regulations of guideline 1999/5/EG (R&TTE).

The original declaration of conformity can be obtained from the following address:

Dickie-Tamiya GmbH&Co. KG • Werkstraße 1 • D-90765 Fürth • Germany



The explanation of the symbol on the product, packaging or instructions: Electronic devices are valuable products and should not be disposed of with the household waste when they reach the end of their running time! Help us to protect the environment and respect our resources by handing this appliance over at the relevant recycling points.

We wish you good luck and a lot of fun driving with your CARSON model car

**Before driving your new model carefully read these instructions!**

**A WEB SITE FOR THE SERIOUS RACER**

## Contents

Preface.....	2
Included items.....	3
Safety precautions.....	4
Additional items needed for starting the engine.....	5
Tools needed for the assembly.....	6
Your 3 channel radio system.....	6
External view of transmitter.....	7
How to change frequencies.....	7
Features of transmitter.....	8
Chassis.....	10
a. Plug in receiver battery.....	10
b. Check 1...2...3.....	11
c. Final Preparations... ..	11
d. Showtime... almost!.....	12
e. Turn the power switch on.....	13
f. How to control your model.....	13
g. How to change frequencies.....	14
h. Care and maintenance.....	14
i. Troubleshooting.....	15
Assembly.....	74
Spare parts.....	90
Motor.....	93

## Included items



Transmitter  
(only for RTR version)



Chassis

**COMPTON**  
A WEB SITE FOR THE SERIOUS RACER

## Safety Precautions

### Safety Precautions and Operating Guidelines

This radio control model vehicle must only be run on an approved model fuel. Always avoid running radio control models in restricted, confined or populated areas. Keep away from roads, highways, people and animals. Never run the model indoors. Please ensure that you have read all the safety instructions and operating procedures before driving the model.

The body shell should be correctly attached to the vehicle before driving.

Allow cooling time for the exhaust and engine components before removing the body shell. These parts become extremely hot during operation and could cause serious injury.

Do not operate the model where noise may cause a nuisance to others.

Ensure that the batteries for the radio and receiver are fully charged and of the correct voltage.

Turn on the transmitter first, then the receiver. Reverse this procedure when switching off. Check that the throttle, brakes and trims are functioning correctly.

Make sure that no other person is operating on the same frequency as your radio and that there is no discernable interference.

Always check that all the nuts, bolts and screws and components are not loose. Retighten and adjust as necessary.

Fill the fuel tank and firmly push the tank lid shut. Clean up any fuel spillages.

Never leave fuel in the fuel tank.

### This model is not a toy!

- This radio controlled model is not a toy. Learning how to control it correctly is a gradual process.
- Children under 14 years of age should be supervised by an adult.

Driving a radio controlled car is a fascinating hobby. However, it has to be practised with the necessary caution and respect.

A radio controlled model car can cause damage and injury and the user is liable for any such incident.

Make sure that you have sufficient insurance cover when practising your hobby.

Only a well maintained model will function in a correct manner. Only use approved spare parts and never improvise with any unsuitable items.

It is the user's responsibility to ensure that the model is functioning correctly and that all nuts, bolts and screws are properly tightened.

### Pay attention to the charge level indicator lamps of your transmitter.

- Batteries for transmitter and receiver are well charged and of the correct voltage.
- Always check the range of radio operation before starting the car.
- Make sure that all servos respond correctly to the signals of the transmitter.
- All operable parts are in good condition and you have tested their operation.
- You have made sure that all screws are tightened.
- There is no other RC or similar transmitter nearby, which could cause interference. Any further radio signal on the same frequency can cause the loss of control for your model. Always switch on the transmitter first to avoid any uncontrolled reaction of the receiver to a foreign radio impulse.
- Fully extend the transmitter antenna and make sure that nobody in your environment controls a model with the same frequency (number on the crystal) and that there is no discernable interference. To end the operation switch off the receiver first, then the transmitter.
- Keep your car away from high voltage cables or radio masts.
- Never use the model during lightning.
- Atmospheric disturbances can affect the signals of your remote controlling transmitter.
- Do not use the model in wet areas. The electrical connection of the model is not waterproof. Therefore do not drive while it's raining, snowing, or in puddles or wet grass.

- Always avoid running radio control models in restricted, confined or populated areas.
- Keep away from roads, highways, people and animals.
- Choose a sufficiently open and large area; it should be free of obstacles.
- Do not drive, if you are overtired or your reactions are impaired in any way.
- Watch your model constantly and do not become distracted.
- The body shell should be correctly attached to the vehicle before driving.
- Allow cooling time for the engine components before removing the body shell.
- Some parts (e.g. the motor and the muffler) become extremely hot during operation and could cause serious injury.

Pay attention to the charge indications on your transmitter.

- Ensure that the batteries for the radio and receiver are fully charged and of the correct voltage. When the batteries are running low you might lose control of your model.
- Never use batteries which have already run low, or batteries of a different capacity at the same time.
- Never load batteries which are not rechargeable.

If you do not use the model for a longer time you must remove the batteries.

### Please read the following points concerning fuel:

- Keep the fuel in a secure and safe place and away from children and animals.
- Ensure that the container lid is tightly closed.
- Store the fuel in a well ventilated area and away from moisture.
- Glow fuel is extremely flammable. Keep away from heat sources, naked flames, electrical appliances and batteries. Do not smoke.
- Avoid skin contact and do not swallow. Read the warning labels on the container.

Dispose of empty fuel containers in an approved manner. Never throw empty cans into a fire.

In case of an accident or ingestion contact a doctor immediately. (Present the label of the fuel container if possible.)

### Finally

Please read the instructions before operating your model.

Each time you have finished driving the model, always check the correct operation of the components. A single loose screw can result in a dangerous situation for your model. Maintain your model regularly and replace damaged or worn out parts by genuine spare parts.

**We wish you great fun with your CARSON model car!**

## Additional items needed for starting the engine:

Glow plug heater  
905042



After Run Oil  
905044



Air Filter Oil  
32648



Fuel bottle  
13330



Fuel



... or  
Glow plug heater  
and  
battery 11585

### CARSON-Fuel

Liter	Nitromethan	Art.-No.	Usage
1,0	10%	905052	Run in/ Beginner
1,0	16%	905053	Normal
2,5	16%	905054	Normal
1,0	25%	905055	Race
2,5	25%	905056	Race

### CARSON-ROSSI glow plugs

Art.No.	Article	Motor	Fuel	Temperature
905006	Glow plug Rossi R2 hot	2 - 3,5 ccm	without Nitro	+0° - +15C°
905007	Glow plug Rossi R3 medium	3,5 - 6 ccm	without Nitro	-2° - +18C°
905008	Glow plug Rossi R4 cold	6 - 10 ccm	without Nitro	-5° - +20C°
905009	Glow plug Rossi R5 extra	3,5 - 10 ccm	10% Nitro	-7° - +22°
905010	Glow plug Rossi R6 cold	universal	10-13% Nitro	+10° - +25°
905011	Glow plug Rossi R7 cold	universal	13-15% Nitro	+15° - +30°
905012	Glow plug Rossi R8 extra cold	universal	13-15% Nitro	+20° - +40°

For the transmitter you need 8 AA batteries/ rechargeable batteries.



**GB Tools needed for the assembly**

Modelling knife 74053



Instant adhesive 53339



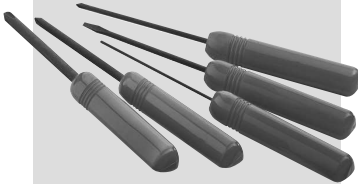
Needle nose pliers 74034



Scissors 13305



Philips screwdriver  
(small and big)  
1,5 / 2 / 2,5 mm 74023



Hexagonal wrench 13118



Tweezers 74003



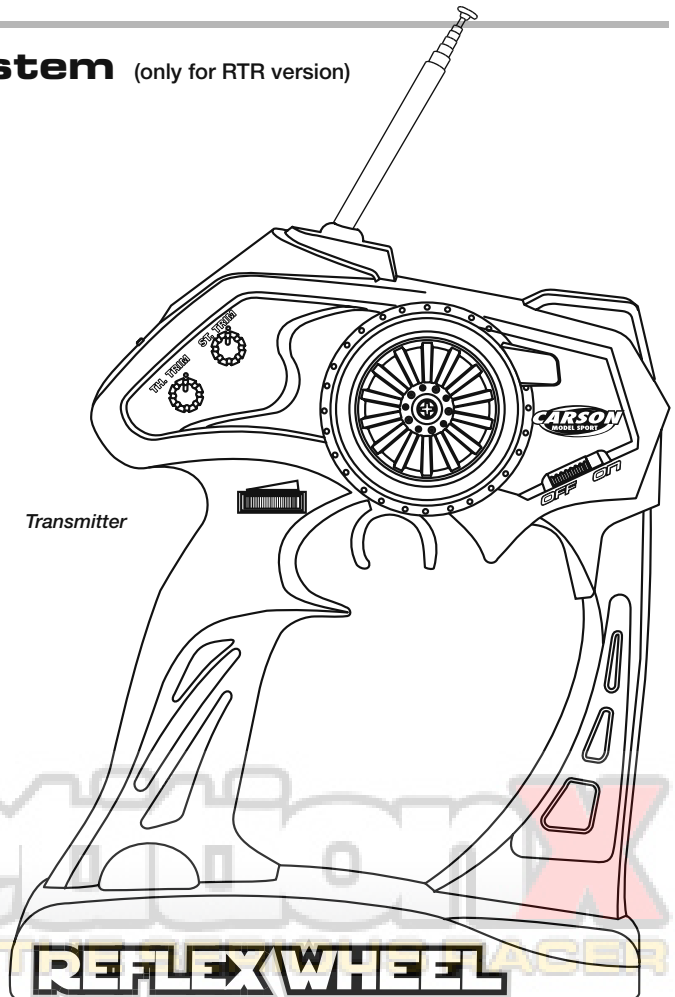
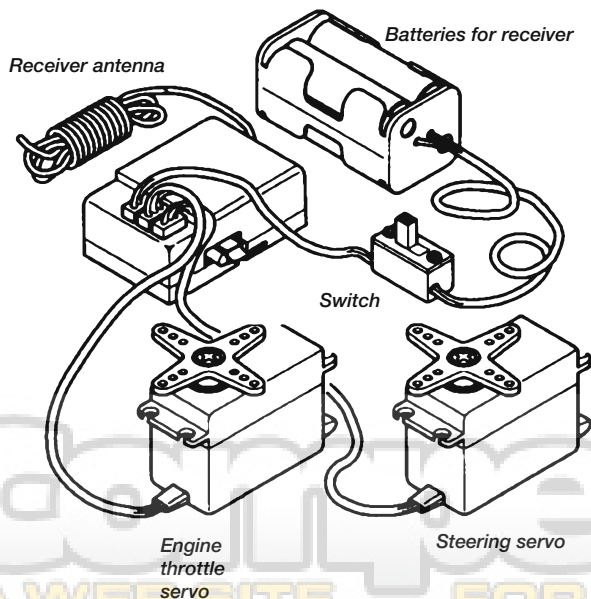
Side cutter 74035



**Your 3 channel radio system** (only for RTR version)

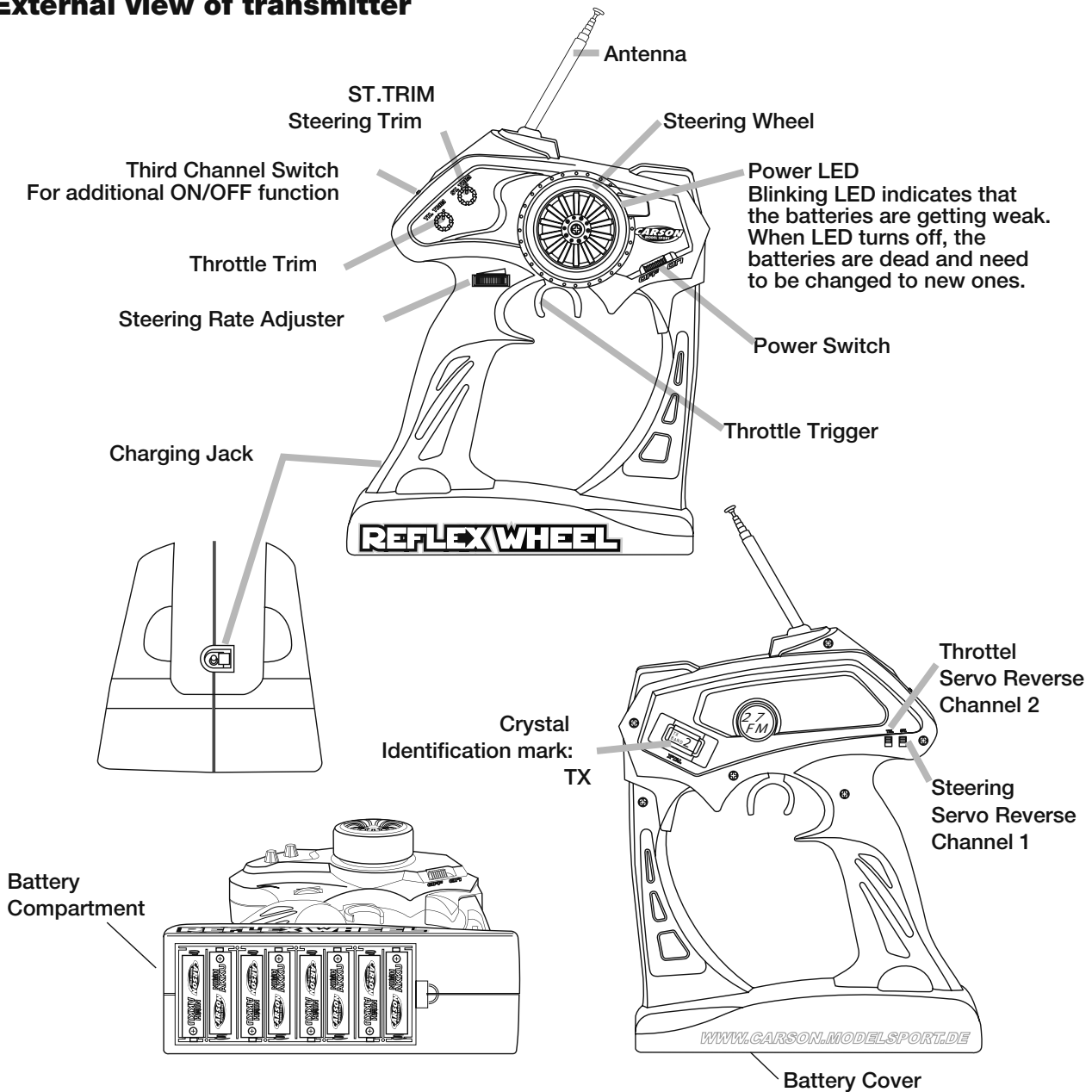
Please read the instructions provided with your radio system before using it.

The servos must be set at the centre position before installation. To set the servos at a neutral position, turn on the transmitter and receiver. Set the trim levers in the centre position and turn off the receiver, and then the transmitter. The servos will be in proper neutral position for installation.



## External view of transmitter

GB



## How to change the frequencies

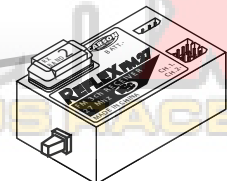
### Transmitter

- A rapid change of frequencies is possible simply by unplugging an interchangeable plug-in crystal on the back of the transmitter and then plugging in another one.
- The use of crystals, other than CARSON's, may damage the radio and invalidates our guarantee for our products.

### Receiver

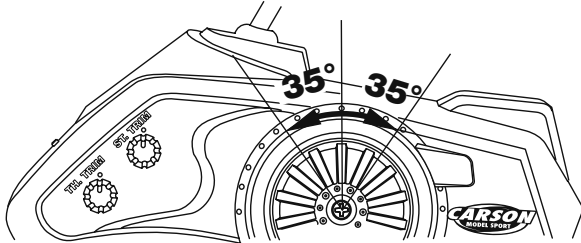
- Plug an interchangeable crystal into the receiver for a rapid change of frequencies.
- Make sure that the crystal is fully inserted in the receiver, not partially .

Crystal Identification mark: RX



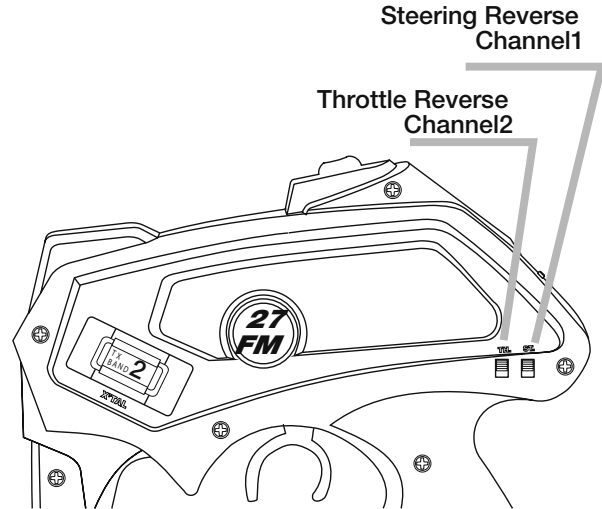
**GB Features of transmitter**

**Steering Wheel**



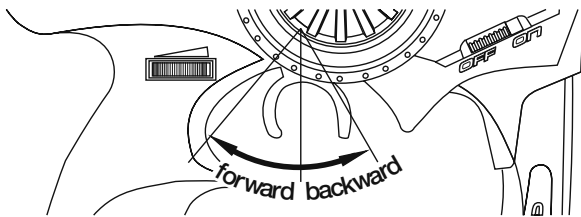
Steering Wheel rotates up to 35 degrees to the right/left

**Servo Reverse**



These Reverse Switches allow the rotation of the servo(s) to be reversed. The servo(s) rotate(s) clockwise at NOR position and rotate(s) counterclockwise at REV position.

**Throttle Trigger**



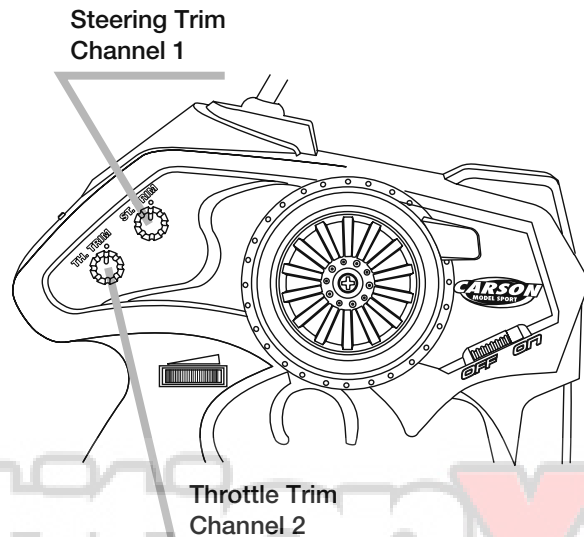
Pull the throttle trigger for running forward and push it for braking and running backwards.

**Steering Trim (ST.TRIM)**

Rotate the trim to adjust the Steering Servo to the neutral position. When you adjust the position of the Steering Servo, set the Steering Rate Adjuster (ST.D/R) at the maximum position so that the movement of the Steering Rate Adjuster is maximised and therefore is easy to adjust.

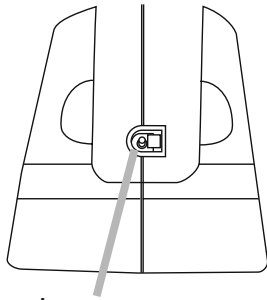
**Throttle Trim (TH. TRIM)**

Move the trim tab to adjust the Throttle Servo to the neutral position.





## Charging Jack



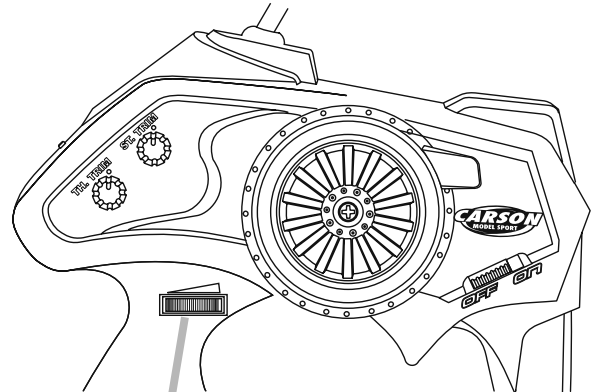
Charging Jack

Note: ON/OFF Switch should be at "OFF" position before charging the batteries for the transmitter. Only Nickel-Cadmium or Nickel-Metalhydride batteries (Ni-Cd / NiMH), such as CARSON 609000 or its equivalents, are to be recharged. If you attempt to recharge other types of batteries, they may explode and cause injury or damage to you and others. **DO NOT RECHARGE OTHER TYPES OF BATTERIES, SUCH AS ALKALINE!**



Polarity of charging jack

## Steering Rate Adjuster

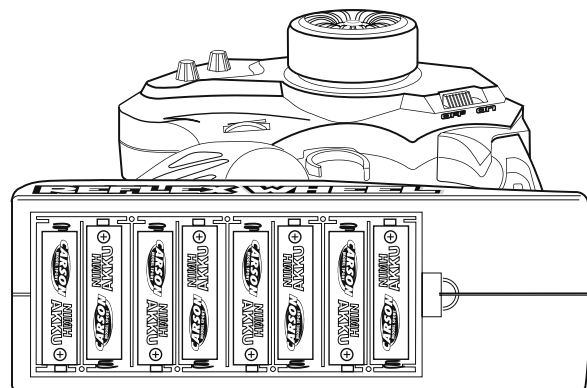
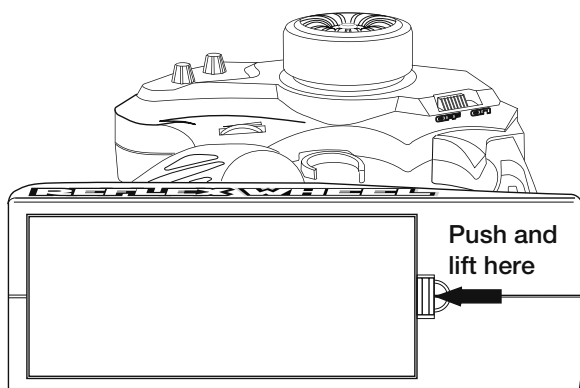


Steering Rate Adjuster

Increments of the Steering Servo Horn can be adjusted by rotating this Steering Rate Adjuster, in the range from 10% to 100%. The bigger the percentage is, the more sensitively the Steering Servo operates.

GB

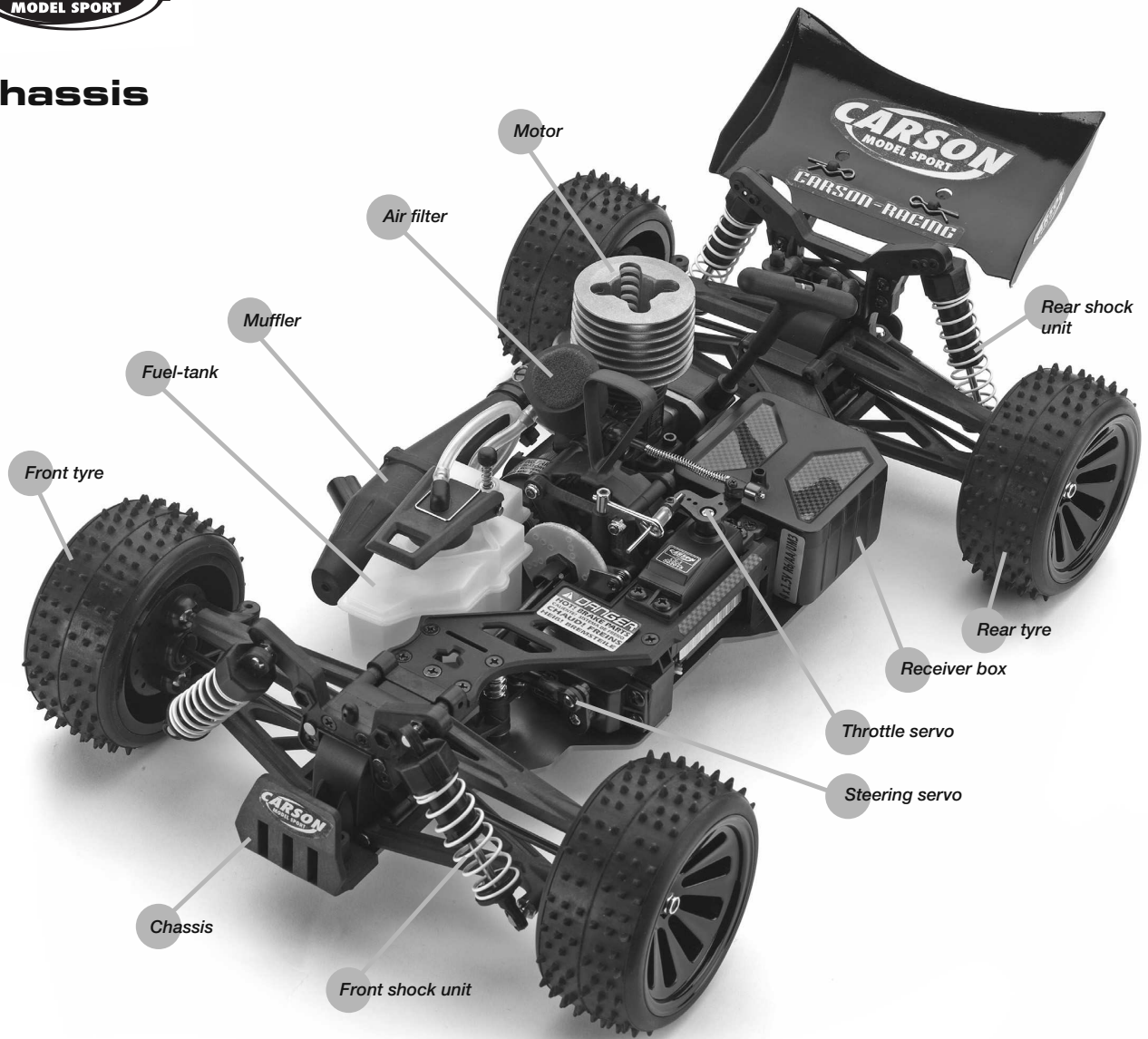
## How to change transmitter batteries



\* To remove the battery cover, push the cover lock and lift the cover. Insert AA batteries respectively NiCd / NiMH rechargeable batteries and pay attention to the polarity. If the transmitter voltage indicator LED fails to register, check the

contacts, especially the negative(-) terminals and recheck that batteries are fitted correctly. Also make sure the batteries are fully charged.

**GB Chassis**



**a. Plug in receiver batteries**

Insert 4 "AA" batteries into the receiver battery case as shown (compare picture 1). Make sure positive (+) and negative (-) ends are facing the correct direction. Then plug the pack into the switch harness, inside the radio case. Black goes to black and red goes to red. Replace the radio case cover.

Racer Tip: Use rechargeable batteries! They last longer and are cheaper in the long run. Replace the 4 "AA" car batteries with our NiMh 6V 1100mAh battery pack (608036 JR) (608037 BEC) for longer life and economy.

**Picture 1**



**Competition X**  
A WEB SITE FOR THE SERIOUS RACER

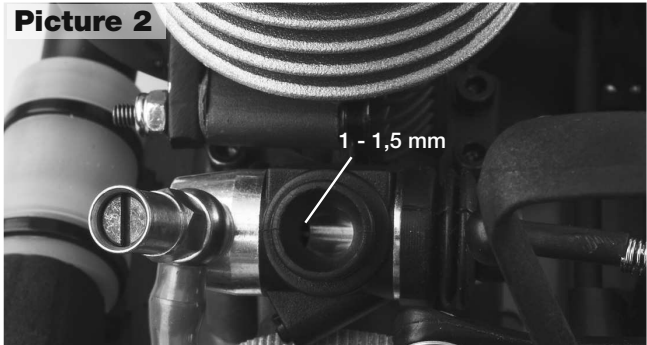
## b. Check 1...2...3...

Now you can switch on your car using the on/off switch located on the radio box. Always turn the radio on before turning on your car. Note: Always check your radio settings before running your car!

Check to make sure your steering is centred. If it is not, use the ST-TRIM knob to the left of the steering wheel. Turning left should make the car turn left. Right=right.

**Racer Tip:** Read the Radio manual for more advanced radio setup information!

Now it's time to set the throttle neutral position. Remove the air cleaner from the carburettor. The opening on the carb slide should be open very little, from 1-1.5 mm to allow the engine to idle (picture 2). If it is open more than this, the engine may rev higher than normal until brakes are applied. This condition may wear out the brakes and/or clutch shoes prematurely making the car difficult to drive. Use the TH-TRIM tab (picture 3) to move the servo arm into the neutral position if necessary. While in neutral, the brakes should not be set to "drag". Adjusting the collars with a 1.5 mm hexagonal wrench will change your drag brake settings. Replace the air cleaner when everything is adjusted to your satisfaction.

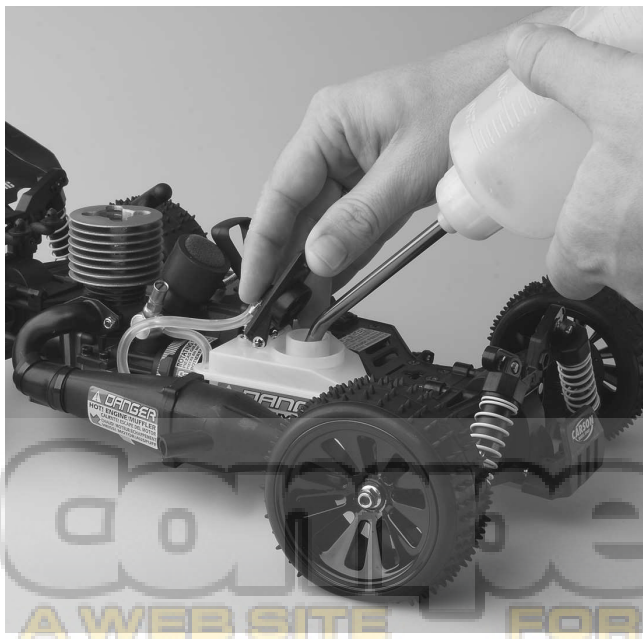


GB



## c. Final Preparations...

Assemble the fuel bottle. Fill the fuel bottle by compressing it and then insert the spout into the fuel. Allow the bottle to decompress and the suction will fill the fuel bottle. Fill the tank by gently squeezing the bottle and ensure that the tank lid is firmly shut when finished.



### Racer Tip 1:

Fuel will stay fresh longer if you store it in a cool, dark and dry place.

### Racer Tip 2:

Never leave the glow heater on your engine for more than 10 seconds. A longer time may cause the glow plug to burn out prematurely. Use rechargeable glow heaters for longer life.

### Racer Tip 3:

To start the motor, use a fireproof glove!

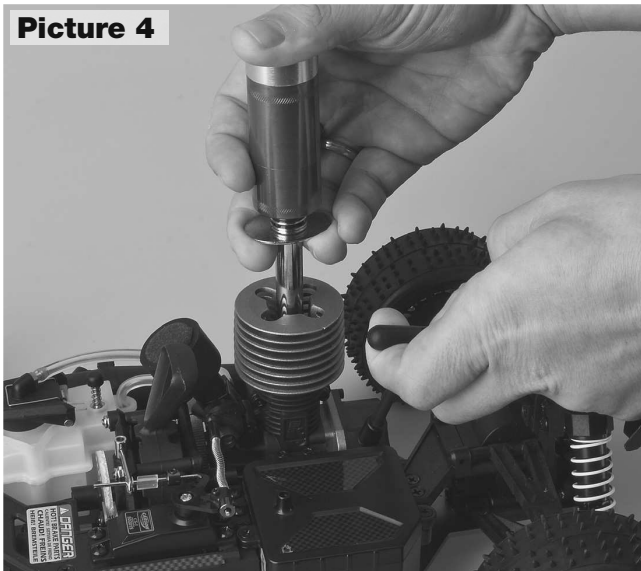
**GB d. Showtime... almost!**

Engine break-in is the most important step to assuring that your engine is fast and reliable throughout its life. Put simply: **DON'T SKIP THIS PART!**

The engine is pre-set from the factory for break-in. Use a "Car Stand" 908071 or platform and place the car so that the wheels are off the ground and rotate freely. Make sure the throttle is set at neutral with your radio. Place the glow heater onto the glow plug and give the recoil a sharp pull (picture 4). Do not pull it more than twelve inches! More than that may break the cord and this is not covered under warranty. It is better to give the recoil short sharp pulls rather than long ones. If the pull-start cord gets stuck, rotate the flywheel a little bit with your finger. This should make the cord automatically recoil. Within a few pulls, the engine will start with a good puff of smoke.

If the engine has trouble idling at the rich setting, turn the idle screw clockwise 1/8th of a turn at a time. This will increase the idle allowing the car to break-in properly. Try to do this in

**Picture 4**



a well-ventilated area, such as your driveway. Unburnt oil from the fuel will accumulate under the exhaust, so be prepared. Let the car idle like this for 2-3 tanks of fuel checking the engine temperature every 2 minutes. Please allow a break of 10 – 15 minutes in between filling the tank to allow the engine to cool down. You should be able to touch the head of the engine with your fingertips and it will be hot, but not uncomfortably so. If it seems very hot, richen (turn counter-clockwise) the high-end AND low-end needles 1/8th of a turn. Always use small increments when making these kinds of adjustments.

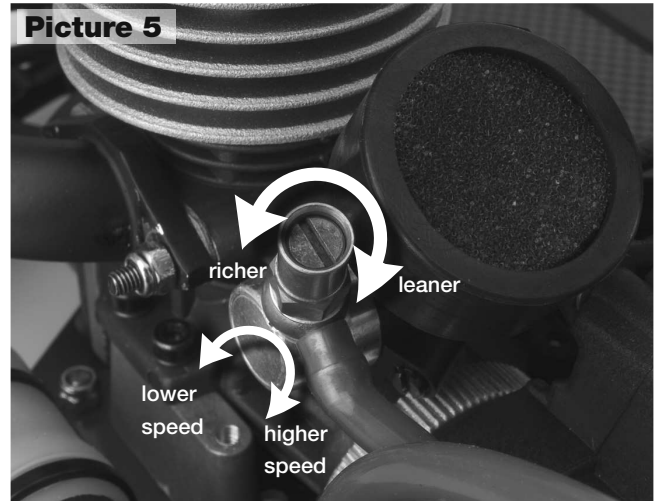
**Racer Tip:**

Factory setting of carburettor:

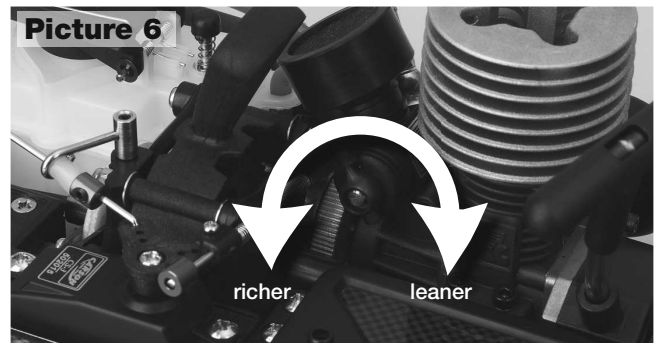
With the following basic adjustment the engine starts immediately, running perfect and rich enough (outside temperature 8°C).

- Idle stop screw: approx. 1 mm air gap;
- High speed needle valve: screw in completely, then open 4 full turns;

**Picture 5**



**Picture 6**



- Low speed needle valve (linking): flush with the edge of the linking arm, then 1 full turn clockwise;

After run-in is finished the high speed needle valve should be open at least 3 and 1/4 turns. A richer setup is better if outside temperature is high.

**Racer Tip:**

Drive your car slowly with the rich setting shortly after the break-in period avoiding prolonged periods at full throttle. Gradually lean out the mixture 1/8 of a turn at a time. The idle will increase the more you lean the engine out.

**Competition**  
A WEB SITE FOR THE SERIOUS RACER

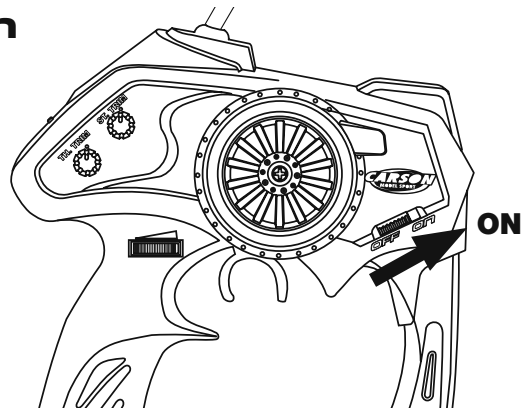
## e. Turn the power switch on

Pull the transmitter antenna out completely.

The range of the remote control is reduced if the antenna is not pulled out completely.

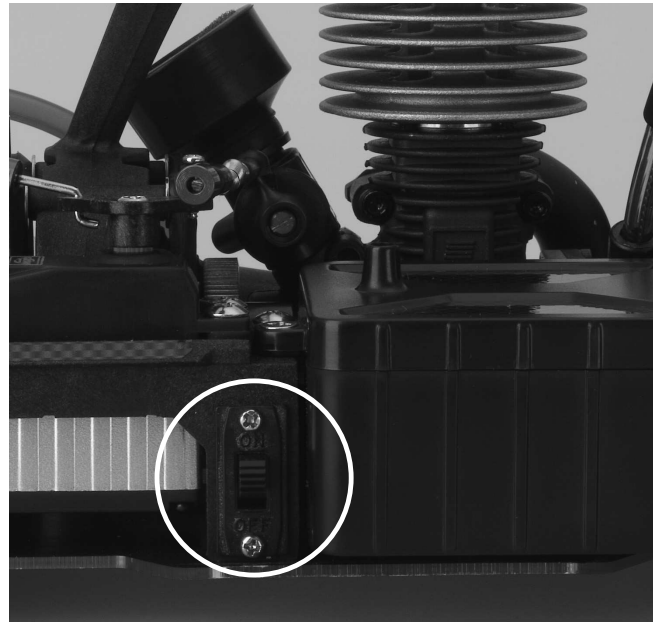
**CAUTION!**

Always turn the transmitter's power switch ON first!



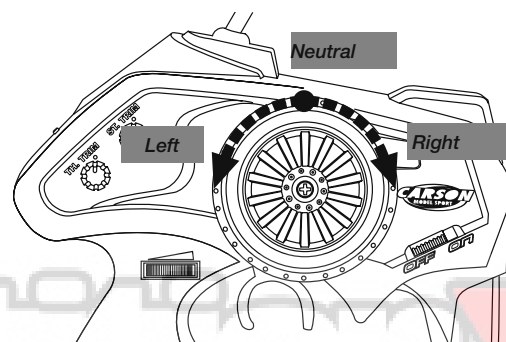
## Switch on the receiver

- Power switch is on the radio box.
- Fix the receiver antenna and wire (see page 82).
- Put the body on and fix it with the body split pins.



## f. How to control your model

- Raise the tyres off the ground
- Turn the steering wheel to the right and left as far as it will go. The wheels are to follow the steering direction.
- If the wheels operate in the opposite direction, operate the servo Reverse switch (ST in position REV).



**Competition X**  
A WEB SITE FOR THE SERIOUS RACER

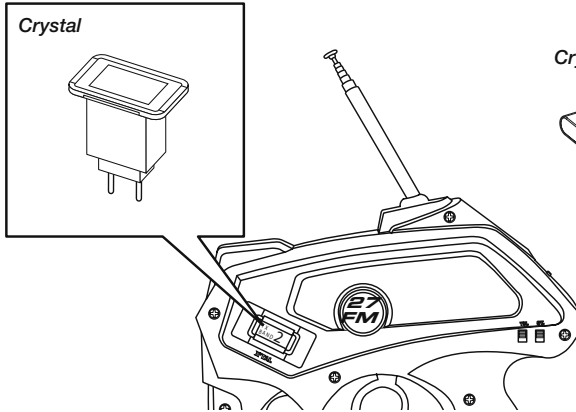
**g. How to change frequencies**

**Transmitter**

A rapid change of frequencies is possible simply by unplugging an interchangeable plug in crystal on the back of the transmitter and then plugging in another one of a different frequency.

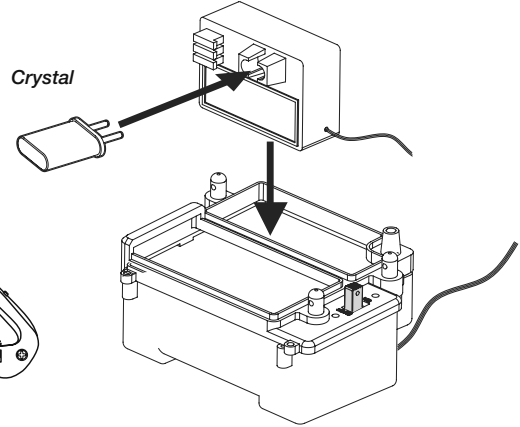
Crystals for both the transmitter and receiver must be matched with each other.

Make sure that the crystal is fully inserted in the transmitter and receiver, not partially.



**Receiver**

Plug in an interchangeable crystal into the receiver for a rapid change of frequencies.



**h. Care and Maintenance**

Failure to follow break-in procedure and/or damage caused by improper tuning will void your engine warranty.

There are two ways to “temp” your engine. We recommend buying our “Temp Check” infrared thermometer, item number 908072. One, purchase a temperature gauge. The second cheaper, but less accurate method is the “Spit Test”. Wipe a little bit of saliva on the engine head and it should burn off in 3 - 4 seconds. If it evaporates immediately, chances are the engine is running too hot.

The engine will run best and be easier to restart if run around 100-125 °C. Depending on your weather conditions, air density, and humidity, your carburettor settings will be changing wherever you decide to run. Making adjustments in small increments is the best way to make sure your engine lasts a long time. Overheating is caused by running the engine too lean, or too much stress on the engine created by the environment. Extreme overheating will result in internal failure of engine parts. There are many online resources that will help you with engine tuning. Our 3,5 ccm engines are designed to last a long time, and with proper maintenance and tuning, you can drive the model for hours at a time.

**After Use**

When you have finished running your car, there are two options to shut the engine down. The first method is to place your thumb over the exhaust outlet (Wear gloves). Make sure your engine is preferably normal idle, with the brake activated. The second method is to pinch off the air supply from the engine. Do not pinch the fuel line, as this may cause the engine to over-heat! Try and let all the remaining fuel run through the engine, emptying the fuel tank. The engine will idle high while the tank is emptied, so the above two steps may not be necessary.

Then apply after-run oil through the carburettor, and pull the pull-start a few times to get it through the engine. This is recommended if you plan on storing the car for more than a

**Picture 7**



day. Methanol evaporates in water and can cause internal corrosion to engine parts. It is always a good idea to check all the screws, nuts, and bolts before and after each period of racing.

Keeping the car clean will also make it more fun to work on. This can be achieved with a large heavy-duty paintbrush, or compressed air. Always test the transmitter and receiver batteries before starting the engine.

**Picture 8**



**Racer Tip:**

Wear gloves when working on your hot car!

## i. Troubleshooting

Please read this in the event of a problem.

### Engine Won't Start.

Engine flooded. Too much fuel in engine	Remove glow plug. Pull pull-start 6-8 times, Beware of spraying fuel.	Empty fuel tank/ No fuel in engine:	Fill fuel tank. Prime engine by pulling pull-start once while holding finger tip over muffler (Wear gloves).
Dead glow plug heater	Remove glow plug. Place glow plug in heater. If the glow plug does not glow orange the plug maybe dead. See also glow heater. (Wear gloves)	Overheating:	Running at high temperatures may cause vapour lock. Let the car cool down for 10-15 minutes
Dead Glow heater battery	Place new glow plug in heater. If it glows dim or not at all, replace heater battery.		

### Engine Stalls

Overheating	Check temperature. If over 130, richen carb mixture. Check to make sure wheels spin freely.	Dirty air cleaner:	Wash with soap and water or glowfuel then use air filter oil.
Disconnected fuel pressure line:	Reattach pressure line from exhaust pipe to fuel tank lid.	Carburettor loose:	Check carb-lock bolt and nut. Press carb onto engine block, tighten nut to prevent air leak.

### Hard to control, "glitching"

Dead/Weak Batteries:	Batteries in transmitter should be fully charged. Slow servos mean dead receiver batteries.	Model doesn't move	Transmitter or chassis power switch is not „ON“ Polarity or battery type is wrong Batteries have run down
Improper transmitter settings:	Refer to instructions on setting up your transmitter	Doesn't run straight	Steering trim is not adjusted correctly Front and rear wheel nuts are too loose
Transmitter antenna not extended	Pull out transmitter antenna to full length.	Doesn't stop	Throttle trim is not adjusted correctly
Loss of control	R/C model using same band (frequency) is nearby	Running too slowly	Motor has lost power Rear wheel nuts are too loose Dust or foreign objects are inside gears

**CompetitionX**  
A WEB SITE FOR THE SERIOUS RACER

## Cher client

Toutes nos félicitations pour l'acquisition de votre voiture en modèle réduit CARSON RC, un modèle dernier cri. En vertu de notre engagement pour un développement et une amélioration continus de nos produits, nous nous réservons le droit d'effectuer des modifications dans les spécifications de nos équipements, nos matériaux et de notre conception à tout moment et sans avertissement préalable. Les spécifications ou

les versions du produit acheté peuvent différer de celles affichées dans le manuel ou sur l'emballage. Le présent manuel fait partie du produit. Tout non-respect des instructions et des consignes de sécurité qui y sont incluses dispense le fabricant de toute garantie. Conserver le présent manuel comme document de référence, et également pour pouvoir le transmettre par la suite à un tiers avec la voiture.

## Conditions de garantie

**F** CARSON vous garantit pour 24 mois à partir de la date d'achat (pièces justificatives à l'appui) que la voiture est exempte de tout défaut. L'utilisation inappropriée, l'usure des éléments au cours de l'utilisation, les transformations de votre propre chef, l'application ou l'utilisation incorrecte, l'endommagement des batteries ou d'autres équipements au cours de l'utilisation ou l'emploi abusif un l'endommagement causé par le transport, n'est pas couvert par la responsabilité civile. Notre garantie se limite à la réparation ou à l'échange des appareils dans l'état original et à la hauteur du prix d'achat. L'utilisateur de la voiture assume tous les risques en rapport avec l'utilisation de la voiture. Nous nous réservons le droit de modifier ces conditions de garantie à tout moment et sans préavis. En cas de réclamation veuillez contacter votre revendeur spécialisé.

## La garantie ne couvre pas:

- tout dommage ou défaillance causé par force majeure, abus, accident, utilisation abusive, erronée ou anormale, non respect des instructions, mauvaise mise en route ou maintenance insuffisante, altération, éclair ou tout autre conséquence d'une surtension ou d'un courant excessif ;
- tout dommage provoqué par la perte de contrôle de la voiture ;
- toute réparation autre que celles réalisées par un organisme agréé par CARSON ;
- les consommables tels que les fusibles et les batteries ;
- des dommages esthétiques ;
- le transport, l'expédition et les frais d'assurance ; et
- les frais de retour, d'installation, de mise au point et de remise en route du produit

Cette garantie vous attribue des droits spécifiques, vous pouvez par ailleurs également prétendre à d'autres droits en fonction du pays d'achat.

## Déclaration de conformité

Dickie-Tamiya GmbH&Co KG déclare par la présente que ce kit de modélisme, avec émetteur, moteur, batterie et chargeur respecte les exigences de base des directives européennes suivantes : 98/37 EG et 89/336/EWG ainsi que les autres régulations de la directive 1999/5/EG (R&TTE).

La déclaration de conformité originale peut être demandée à l'adresse suivante : Dickie-Tamiya GmbH&Co. KG • Werkstraße 1 • D-90765 Fürth • ALLEMAGNE

Signification du symbole se trouvant sur le produit, l'emballage et le mode d'emploi :



Les appareils électroniques sont des produits de valeur et ne doivent pas être éliminés avec les autres déchets ménagers une fois parvenus à la fin de leur cycle de vie. Aidez-nous à préserver l'environnement et à respecter nos

ressources en remettant cet appareil aux points de recyclage concernés.

Nous vous souhaitons beaucoup de plaisir avec la conduite de votre modèle réduit CARSON.

**Lire attentivement ces instructions avant d'utiliser ce nouveau modèle réduit.**

**A WEB SITE FOR THE SERIOUS RACER**



## Contenu

Préface.....	30
Périmètre de livraison .....	31
Consignes de sécurité .....	32
Articles nécessaires au démarrage du moteur .....	34
Outils nécessaires au montage de la voiture .....	35
Votre ensemble de radiocommande à 3 canaux.....	35
Description de l'émetteur .....	36
Comment changer de fréquence .....	36
Fonctionnement de l'émetteur .....	37
Châssis .....	39
a. Alimentation .....	39
b. Commandes .....	40
c. Ultimes préparations .....	40
d. Mise en route .....	41
e. Allumer l'émetteur.....	42
f. Conduite de la voiture .....	42
g. Changer les fréquences.....	43
h. Précautions .....	43
i. Pannes.....	44
Assemblage .....	74
Pièces détachées .....	90
Moteur.....	93

F

## Périmètre de livraison



Emetteur  
(uniquement pour la  
version RTR)



Châssis

## Consignes de sécurité

### Guide des précautions d'utilisation

Ce modèle radiocommandé doit uniquement être utilisé avec le carburant préconisé.

Toujours utiliser les modèles radiocommandés dans des lieux sécurisés.

Ne pas utiliser sur les voies de circulation, près du public ou d'animaux.

Ne pas utiliser en intérieur.

Lire attentivement les consignes de sécurité et d'utilisation avant de piloter la voiture.

Le modèle radiocommandé ne doit pas être utilisé dans des lieux publics.

La carrosserie doit être correctement fixée sur la voiture avant le démarrage.

Attendre que le moteur et l'échappement soient refroidis avant de retirer la carrosserie. Ces parties deviennent très chaudes pendant l'utilisation et peuvent causer des brûlures graves.

Ne pas utiliser dans des lieux pouvant causer des nuisances à des tiers.

Ne pas utiliser dans des zones humides. Ceci peut causer des pannes électriques.

Ne jamais utiliser la voiture par temps orageux.

S'assurer que les batteries de l'émetteur et du récepteur sont entièrement chargées et d'une tension adaptée.

Mettre l'émetteur sous tension en premier, ensuite le récepteur. Inverser l'ordre pour la mise hors tension. Vérifier que les commandes fonctionnent correctement.

Vérifier que votre fréquence n'est pas utilisée par un autre modéliste et qu'il n'y a pas d'interférences visibles.

Toujours vérifier que les écrous et les vis sont correctement serrés et que toutes les pièces sont fixées. Revisser et ajuster si nécessaire.

Remplir le réservoir de carburant et refermer soigneusement le bouchon. Essuyer le carburant renversé.

Ne jamais laisser de carburant dans le réservoir.

Utiliser uniquement dans des lieux correctement aérés.

### Ce modèle n'est pas un jouet

- Un modèle télécommandé n'est pas un jouet, sa manipulation doit être apprise progressivement.
- Les enfants de moins de 14 ans ne doivent pas conduire la voiture sans être accompagnés d'un adulte.

La conduite d'une voiture radiocommandée est une activité passionnante. Elle doit toutefois être exercée avec la prudence et l'attention nécessaires.

Une voiture radiocommandée peut provoquer des dommages et des blessures si elle n'est pas conduite de manière contrôlée, l'utilisateur est responsable de sa conduite.

Assurez-vous de disposer d'une couverture d'assurance suffisante pour pratiquer cette activité.

Seul un modèle bien entretenu fonctionnera de manière correcte. N'utiliser que des pièces détachées homologuées et ne jamais improviser de réparations avec des éléments inadaptés.

L'utilisateur est responsable du bon fonctionnement de la voiture et du bon serrage de tous les écrous, boulons et vis.

**CompetitionX**  
A WEB SITE FOR THE SERIOUS RACER

## Ne jamais démarrer sans avoir vérifié les points suivants :

- Les batteries de l'émetteur et du récepteur sont correctement chargées et sont à la bonne tension.
- Toujours vérifier la portée de la radiocommande avant de démarrer la voiture.
- Vérifier que les servos répondent correctement aux signaux de l'émetteur.
- Toutes les pièces mobiles doivent être en bon état et fonctionner correctement.
- Vérifier que toutes les vis sont serrées.
- Vérifier qu'il n'y a pas d'émetteur RC ou similaire à proximité qui pourrait provoquer des interférences. Tout signal radio de la même fréquence peut entraîner une perte du contrôle de la voiture. Toujours allumer l'émetteur en premier pour éviter toute réaction incontrôlée du récepteur par rapport à un signal radio extérieur.
- Sortir complètement l'antenne et s'assurer qu'aux alentours, personne ne commande un modèle réduit avec la même fréquence (valeur sur le quartz) et qu'il n'y a pas d'interférence visible. A la fin de l'utilisation, couper tout d'abord le récepteur, puis l'émetteur.
- Maintenir la voiture éloignée des câbles haute tension ou des antennes radio.
- Ne jamais utiliser la voiture par temps d'orage.
- Les perturbations atmosphériques peuvent affecter les signaux de l'émetteur.
- Ne pas utiliser la voiture dans les zones humides. Les raccords électriques de la voiture ne sont pas étanches. Pour cette raison, ne pas conduire sous la pluie, la neige ou à travers des flaques d'eau ou de l'herbe mouillée.

- Toujours éviter de conduire les modèles radiocommandés dans des lieux fermés, confins ou densément peuplés.
- Maintenir éloigné des routes, autoroutes, des gens et des animaux.
- Choisir une zone ouverte de grande taille, de préférence exempte d'obstacles.
- Ne pas conduire en cas de fatigue importante ou dans le cas d'une réactivité altérée de quelque autre manière.
- Toujours conserver la voiture dans le champ visuel, ne pas se laisser distraire.
- La carrosserie doit être correctement attachée au véhicule avant le démarrage.
- Laisser les composants moteur refroidir avant de retirer la carrosserie.
- Certaines pièces (p.ex. le moteur et le silencieux) peuvent devenir extrêmement chaudes lors d'une utilisation prolongée et peuvent entraîner des blessures graves.

Bien tenir compte des indications de charge de l'émetteur. • S'assurer que les batteries de l'émetteur et du récepteur sont correctement chargées et à la bonne tension. Des batteries déchargées peuvent entraîner une perte de contrôle de la voiture.

- Ne jamais utiliser simultanément des piles pleines et des piles partiellement déchargées, ou des batteries de capacités différentes.
- Ne jamais tenter de recharger des piles.

En cas d'immobilisation prolongée de la voiture, retirer les batteries.

F

## Lire attentivement les conseils suivants concernant le carburant :

- Stocker le carburant dans un endroit sécurisé et hors de portée des enfants et animaux.
- S'assurer que le bidon est correctement fermé.
- Stocker dans un lieu bien ventilé et à l'abri de l'humidité.
- Le carburant est extrêmement inflammable. Le tenir éloigné de toute source de chaleur, de flammes nues, d'équipements électriques et de batteries. Ne pas fumer à proximité.
- Eviter tout contact et ne pas inhaler. Lire les consignes de sécurité sur le bidon.
- Eliminer les bidons vides dans un lieu approprié. Ne jamais jeter les bidons vides dans le feu.

## Derniers conseils :

Après chaque utilisation, les parties importantes et les connecteurs de la voiture doivent être inspectés. Une pièce défectueuse peut provoquer à elle seule un accident. Vérifier régulièrement la voiture et remplacer si nécessaire les pièces défectueuses avec des pièces de rechange d'origine.

**Nous vous souhaitons beaucoup de plaisir avec votre modèle réduit CARSON !**

**Competition X**  
A WEB SITE FOR THE SERIOUS RACER

## Articles nécessaires au démarrage du moteur :

Pince à bougie  
905042



Huile de protection  
905044



Huile de filtre à air  
32648



Pipette à essence  
13330



Essence

F



... ou pince à bougie  
avec batterie  
11585

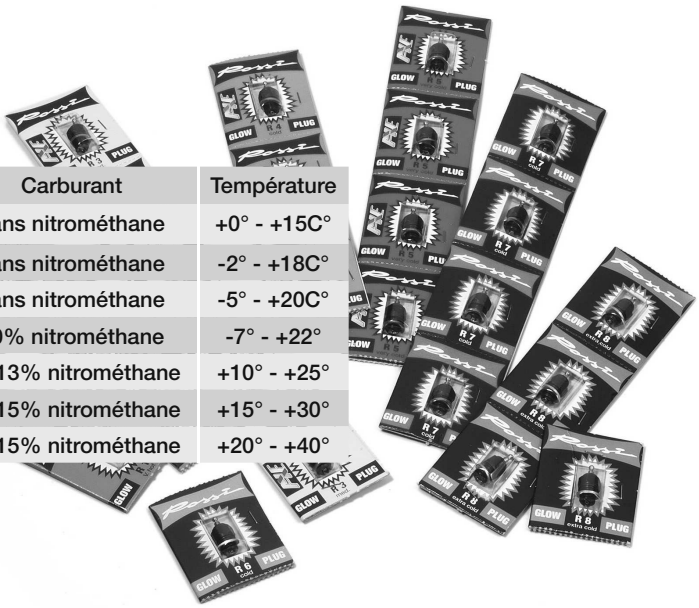
### Essence CARSON recommandée

Litre	Nitromethan	Art.-No.	Application
1,0	10%	905052	rodage/ débutants
1,0	16%	905053	Normal
2,5	16%	905054	Normal
1,0	25%	905055	Race
2,5	25%	905056	Race

### CARSON-ROSSI pince à bougies

Art.No.	Article	Moteur	Carburant	Température
905006	Bougie Rossi R2 chaude	2 - 3,5 cm <sup>3</sup>	sans nitrométhane	+0° - +15C°
905007	Bougie Rossi R3 moyenne	3,5 - 6 cm <sup>3</sup>	sans nitrométhane	-2° - +18C°
905008	Bougie Rossi R4 froide	6 - 10 cm <sup>3</sup>	sans nitrométhane	-5° - +20C°
905009	Bougie Rossi R5 extra	3,5 - 10 cm <sup>3</sup>	10% nitrométhane	-7° - +22°
905010	Bougie Rossi R6 froide	universel	10-13% nitrométhane	+10° - +25°
905011	Bougie Rossi R7 froide	universel	13-15% nitrométhane	+15° - +30°
905012	Bougie Rossi R8 extra froide	universel	13-15% nitrométhane	+20° - +40°

L'émetteur utilise 8 piles ou batteries AA.



**CompetitionX**  
A WEB SITE FOR THE SERIOUS RACER

## Outils nécessaires au montage de la voiture

Couteau de bricolage 74053



Colle à prise rapide 53339



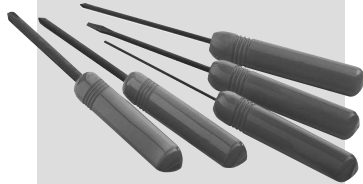
Pincettes pointues 74034



Ciseaux 13305



Tournevis (petit et grand)  
et clé à six pas  
1,5/ 2 / 2,5 mm 74023



Clé hexagonale (Allen) 13118



Pincette 74003



Pincettes coupantes 74035



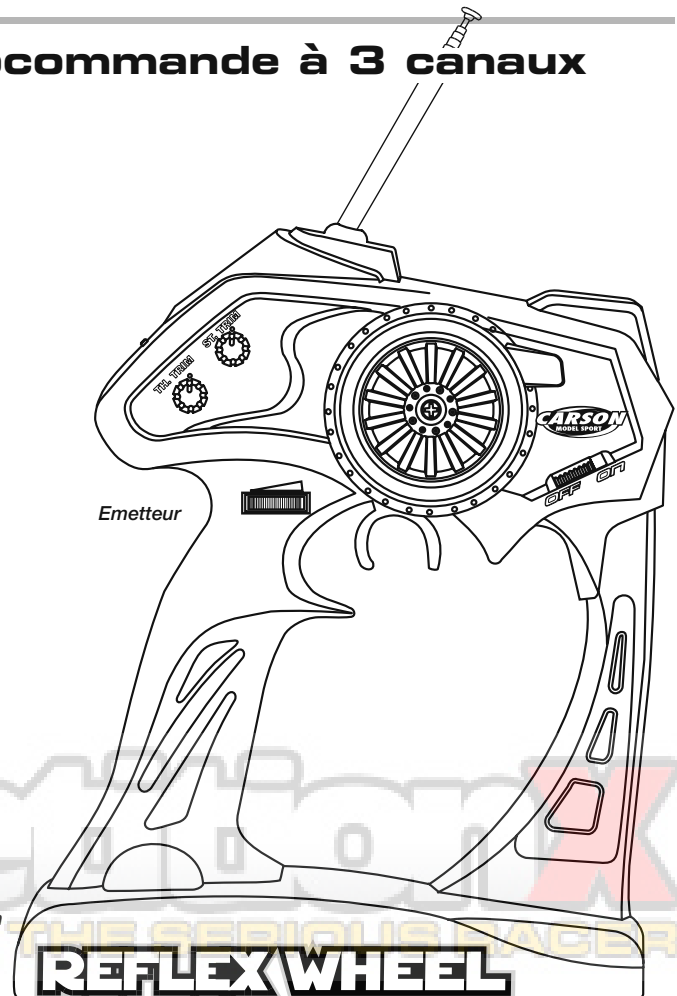
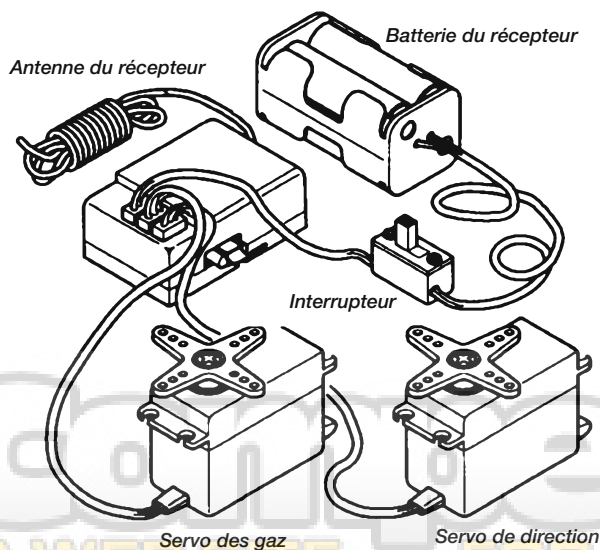
F

## Votre ensemble de radiocommande à 3 canaux

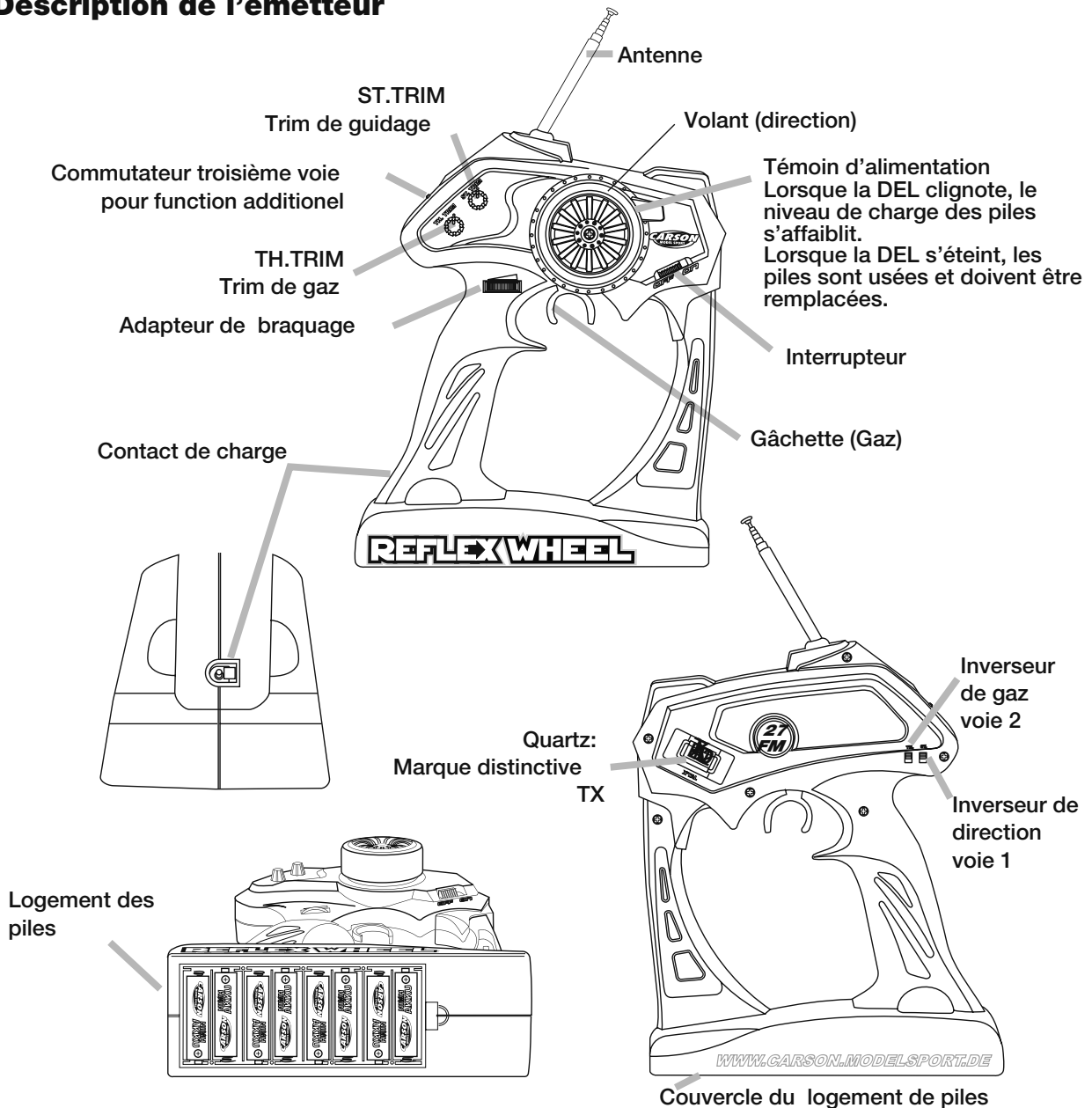
(uniquement pour la version RTR)

Lire attentivement le mode d'emploi fourni avec le système de radiocommande avant de s'en servir.

Les servos doivent être réglés sur neutre avant leur montage dans la voiture. Pour atteindre cette position, allumer l'émetteur, mettre les manettes sur neutre et ensuite allumer le récepteur, les servos sont maintenant au neutre. Eteindre l'émetteur tout en prenant soin de ne plus déplacer les servos.



## Déscription de l'émetteur



## Comment changer de fréquence

### Émetteur

Un changement rapide de fréquence est possible en enlevant le quartz interchangeable sur la face arrière de l'émetteur pour le remplacer par un autre de fréquence différente.

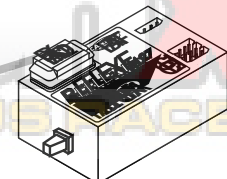
L'utilisation de quartz d'une autre marque peut endommager la radio et annuler notre garantie sur ce produit.

### Récepteur

Remplacer le quartz de réception par un autre de fréquence différente. Enfoncer complètement le quartz dans son logement.

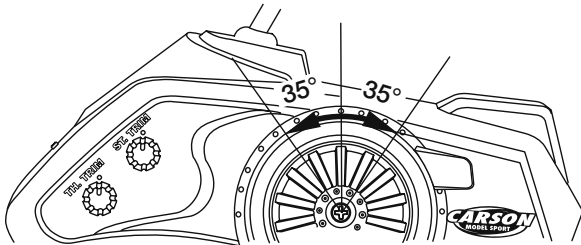
Quartz d'émission et réception doivent être de la même fréquence.

Quartz:  
Marque distinctive RX



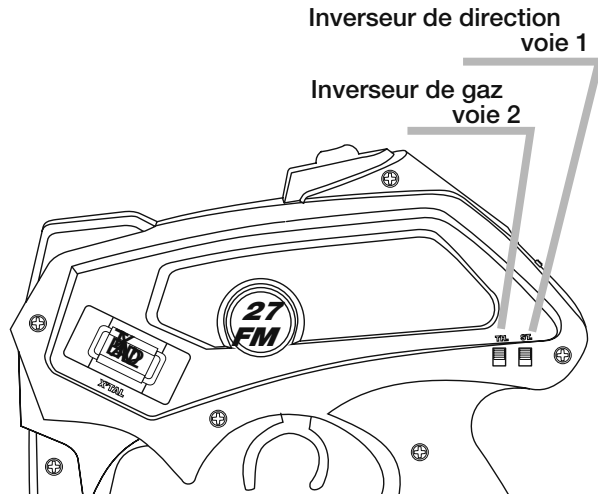
## Fonctionnement de l'émetteur

### Volant



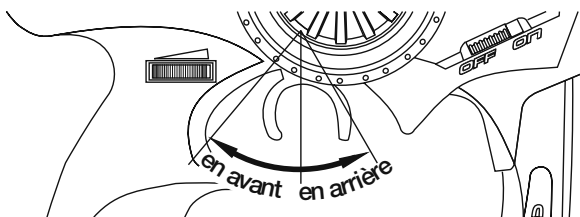
Le volant tourne de 35° vers la droite et la gauche.

### Inverseurs de rotation



Ces commutateurs permettent d'inverser le sens de rotation des servos. En position NOR, la rotation des servos s'effectue dans le sens des aiguilles d'une montre, en position REV, en sens inverse.

### Gâchette de gaz

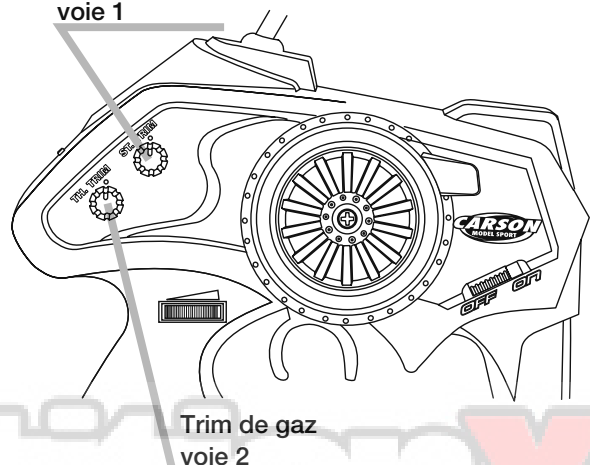


Pour avancer tirer la gâchette pour freiner ou aller en arrière pousser-la.

### Trim de direction (ST. TRIM)

Tourner le bouton de trim pour ajuster le neutre du servo de direction. Lors du réglage du trim de direction, amener la molette de dual rate de direction en position maxi de façon à optimiser l'efficacité du dual rate et faciliter ainsi son réglage.

### Trim de direction voie 1



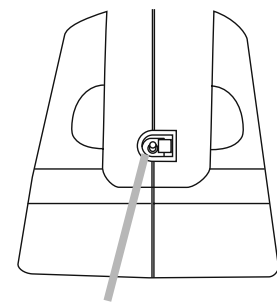
### Trim de gaz (TH. TRIM)

Agir sur le trim de gaz pour régler le neutre du servo de gaz (ou du variateur électronique).

### Trim de gaz voie 2

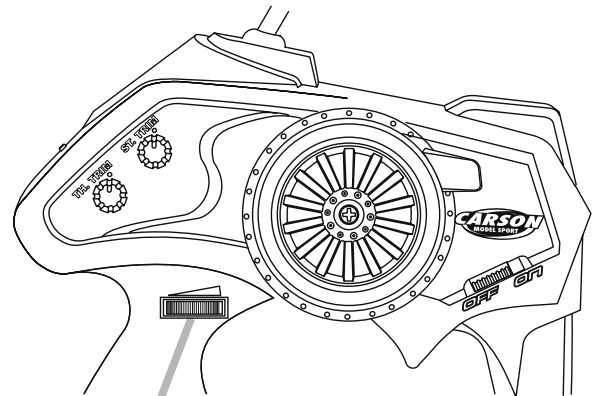
**Competition X**  
A WEB SITE FOR THE SERIOUS RACER

## Jack de charge



Jack de charge

## Dual Rate de direction

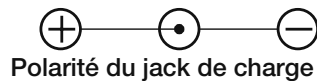


Ajustement du braquage  
du servo de direction

### Note:

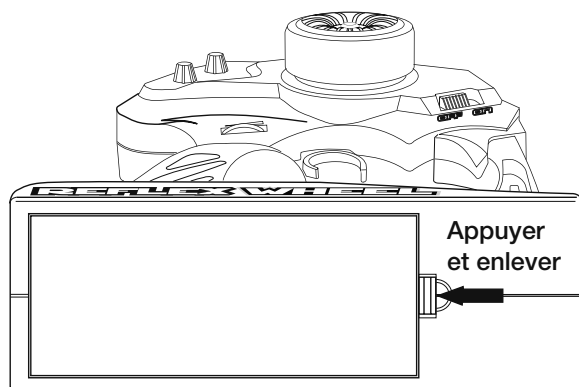
L'interrupteur ON/OFF doit être en position arrêt (OFF) avant de recharger les batteries de l'émetteur. Seuls des batteries Cadmium Nickel (Ni-Cd) doivent être utilisées. Ne pas essayer de recharger des piles non rechargeables!

Le débattement du palonnier de servo de direction peut être réglé en agissant sur la molette de Dual Rate de Direction de 10% à 100%. Plus élevé est le pourcentage, plus grande est la sensibilité du servo de direction.



Polarité du jack de charge

## Comment changer les piles de l'émetteur

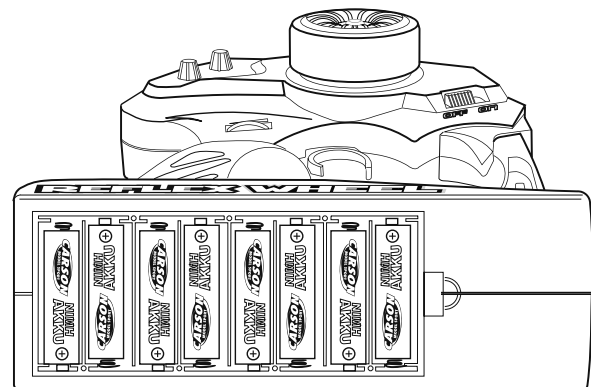


Appuyer  
et enlever

• Pour enlever le couvercle du compartiment à piles, appuyer sur la languette vers l'intérieur et enlever le couvercle.

Attention: les piles/accus peuvent être éjectées lors de cette opération.

Si après changement des piles, le DEL témoin

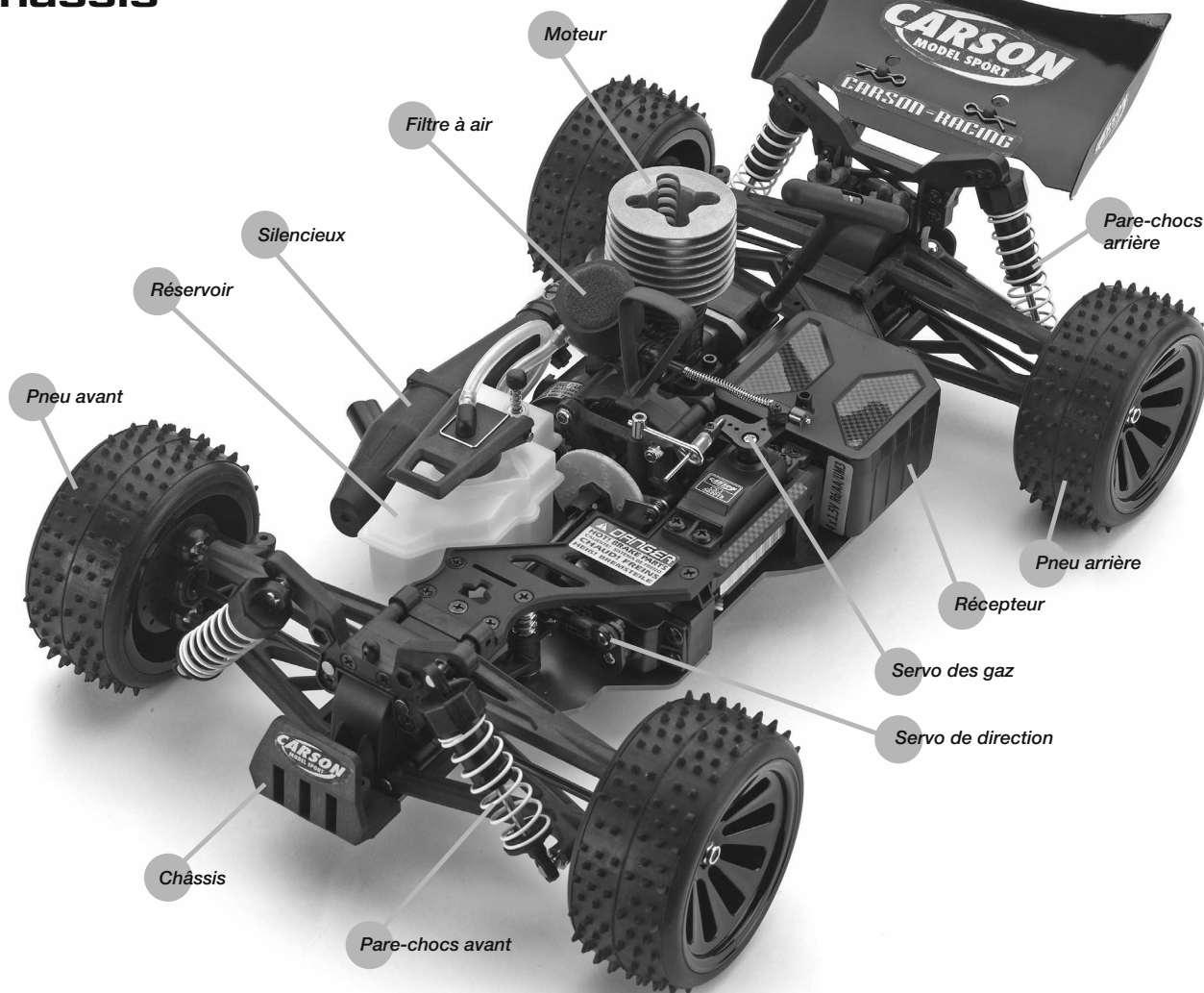


d'alimentation ne s'allume pas, vérifier les contacts en particulier les bornes négatives et que les piles sont correctement installées.

S'assurer également que les piles sont neuves ou les accus bien rechargés.



## Châssis



F

### a. Alimentation

Insérer 4 piles «AA» dans le boîtier des piles de réception comme indiqué. Vérifier attentivement la polarité des piles (côtés + et -). Connecter ensuite le boîtier sur la prise de l'interrupteur dans le logement radio. Le noir sur le noir et le rouge sur le rouge. Replacer le capot du logement radio.

Conseil : Utiliser des batteries rechargeables. Elles durent plus longtemps et sont plus économiques à long terme. Remplacer les 4 piles par un pack de batteries 6V Ni-MH 1100 mAh (Réf. 608036 JR) (Réf. 608037 BEC)

Illustration 1



**Competition X**  
A WEB SITE FOR THE SERIOUS RACER

## b. Commandes

Il est maintenant possible de mettre la voiture sous tension à l'aide de l'interrupteur placé sur le logement radio. Toujours allumer l'émetteur avant le modèle. Remarque : Toujours vérifier les réglages de la radiocommande avant d'utiliser la voiture !

Vérifier que les roues du modèle sont droites. Dans le cas contraire, utiliser le bouton ST-TRIM placé à droite du volant sur l'émetteur. En le tournant vers la gauche, la voiture tournera aussi vers la gauche. Inversement pour la droite.

Régler maintenant la position neutre des gaz. Retirer le filtre à air du carburateur. L'ouverture du tiroir de carburateur doit être comprise entre 1 et 1,5 mm pour que le moteur tourne au ralenti. Si l'ouverture est plus importante, le moteur tournera à un régime trop élevé sans freinage. Ceci entraînera un mauvais freinage et une usure prématurée des garnitures de frein rendant le modèle difficile à piloter.

F

Si nécessaire, utiliser la commande TH-TRIM pour placer le palonnier du servo en position neutre. Dans cette position, les garnitures de frein ne doivent pas être en contact. Ajuster la position des bagues d'arrêt sur la direction avec la clé de 1,5 mm. Replacer ensuite le filtre à air quand les réglages sont satisfaisants.

Illustration 2

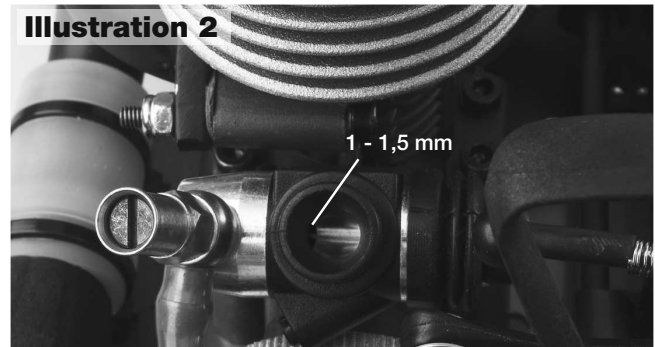
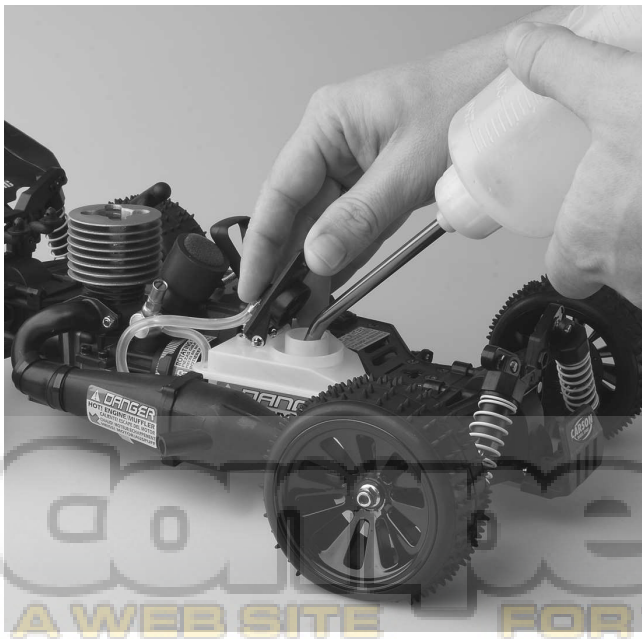


Illustration 3



## c. Ultimes préparations

Assembler la pissette de carburant. La presser et insérer le bec dans un bidon de carburant Nitro. Relâcher lentement la pression pour permettre le remplissage de la pissette. Presser ensuite lentement la pissette pour remplir le réservoir de la voiture.



### Conseil 1:

Le carburant conservera ses qualités plus longtemps s'il est entreposé dans un endroit frais, sec et obscur.

### Conseil 2:

Ne jamais laisser le chauffe-bougie plus de 10 secondes sur le moteur sous peine de griller le filament de la bougie prématurément. Utiliser de préférence un chauffe-bougie rechargeable.

### Conseil:

Porter des gants ignifuges pour le démarrage!

## d. Mise en route

Le rodage du moteur est l'étape la plus importante pour s'assurer d'obtenir les meilleures performances et une grande fiabilité. **NE PAS OUBLIER CETTE ETAPE !**

Le moteur est pré-réglé en usine pour le rodage.

Utiliser un support et poser la voiture pour que les roues tournent librement et ne touchent pas le sol.

Avec l'émetteur sous tension, vérifier que les gaz sont au neutre. Placer le chauffe-bougie sur le moteur et tirer le lanceur d'un coup sec. Ne pas le tirer de plus de 25 cm sous peine de casser la corde. Il est préférable d'effectuer plusieurs petites tractions qu'une grande. Si la corde du lanceur se coince, tourner légèrement le plateau avec les doigts. Ceci permettra à la corde de s'enrouler automatiquement. Après quelques tractions, le moteur doit démarrer en émettant un peu de fumée.

**Illustration 4**

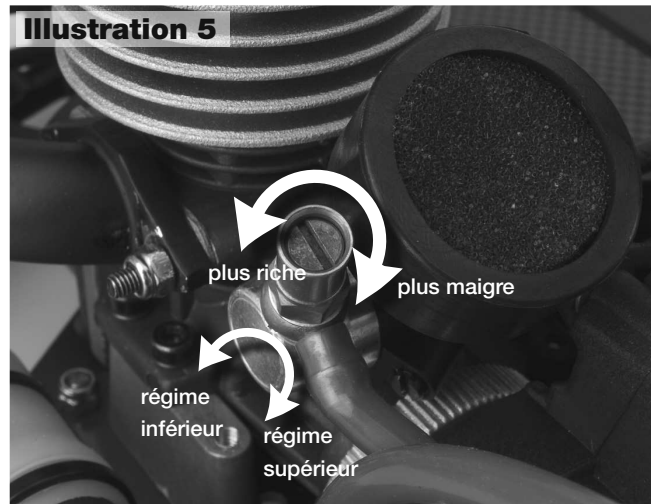


Si le moteur ne tourne pas correctement au ralenti à cause du réglage de la richesse, visser la vis de ralenti par pas d'1/8 de tour. Ceci permettra d'augmenter le ralenti et d'effectuer un rodage correct du moteur. Cette étape du rodage doit être effectuée dans un endroit bien aéré. Répéter cette étape sur 2 ou 3 réservoirs complets en vérifiant la température du moteur toutes les 2 minutes. Faire une pause de 10 - 15 minutes entre deux réservoirs pleins. On doit pouvoir toucher la culasse du moteur sans se brûler. Si elle chauffe trop, dévisser (sens trigonométrique) le pointeau ET le contre pointeau d'1/8 de tour. Toujours procéder par petits incréments pour effectuer ces réglages.

### Conseil:

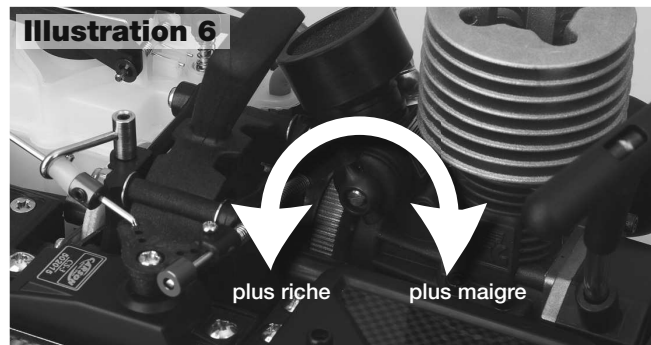
- Réglage d'usine de carburateur : avec le réglage suivant, le moteur démarre immédiatement, évolue parfaitement et est assez riche pour une bonne lubrification (température extérieure de 8°C).
- Vis de butée carburateur : Ouverture du tiroir au ralenti d'environ 1 mm. Pointeau principal : pointeau fermé complètement puis ouvrir de 4 tours.

**Illustration 5**



F

**Illustration 6**



Pointeau de reprise : le pointeau doit affleurer la commande, visser ensuite d'un tour dans le sens des aiguilles d'une montre.

Après le rodage, resserrer le pointeau principal : il doit alors être ouvert de 3 tours 1/4.

Si la température extérieure est importante, la carburation doit être plus riche, ouvrir légèrement le pointeau principal.

### Conseil:

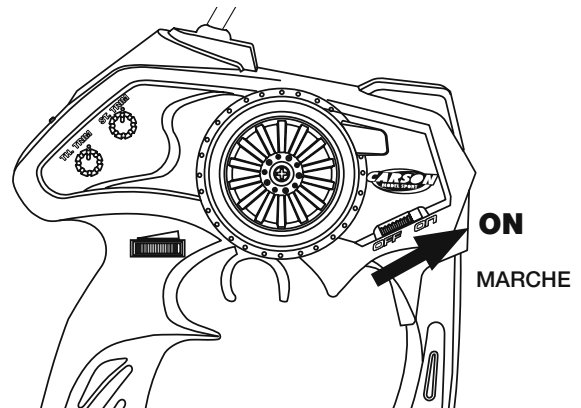
Après le rodage, maintenir le réglage du mélange un peu plus riche que la normale et éviter de rester trop longtemps en position plein gaz. Réduire ensuite le mélange par pas d'1/8 de tour. Le régime du ralenti augmentera à mesure que le mélange s'appauvrit.

**Competition**  
A WEB SITE FOR THE SERIOUS RACER

## e. Allumer l'émetteur

Sortir complètement l'antenne de l'émetteur. La portée de la radiocommande est diminuée lorsque l'antenne n'est pas sortie complètement. ATTENTION !

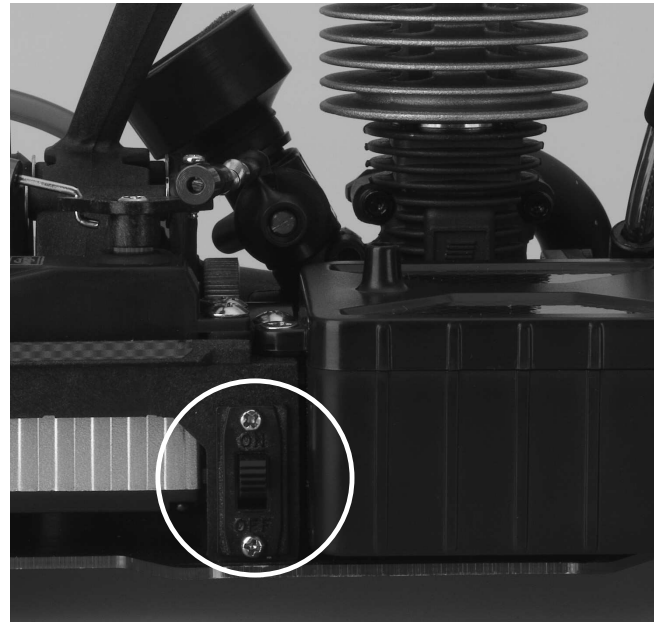
Toujours allumer l'émetteur en premier !



## F

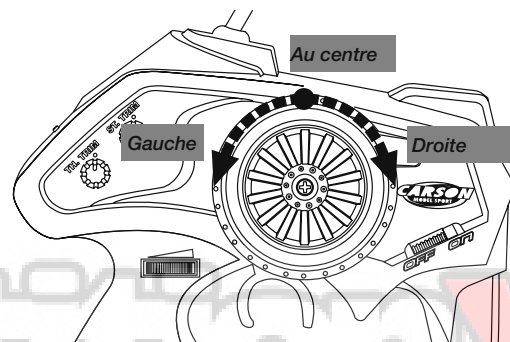
### Interrupteur sur le récepteur

- Interrupteur sur le boîtier de réception.
- Fixer l'antenne du récepteur et le fil (voir p. 82).
- Monter la carrosserie et la fixer à l'aide des goupilles fendues.



## f. Conduite de la voiture

- Soulever les pneus du sol
- Tourner le volant à droite et à gauche jusqu'en butée. Les roues doivent suivre le sens de rotation du volant.
- Si les roues tournent dans l'autre sens, actionner le commutateur d'inversion (ST en position REV).



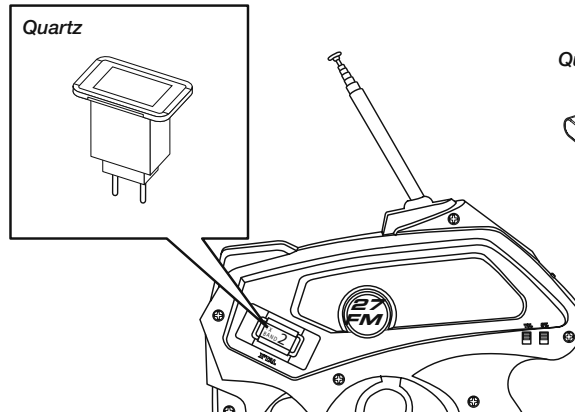
**Competition X**  
A WEB SITE FOR THE SERIOUS RACER

## g. Changer les fréquences

### Emetteur

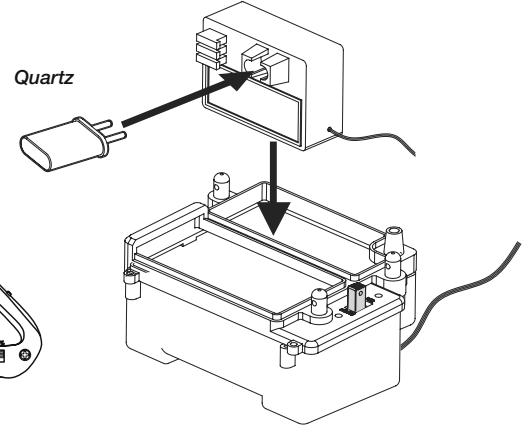
Un changement rapide des fréquences est possible en débranchant tout simplement le quartz à l'arrière de l'émetteur et en en branchant un autre.

Les quartz de l'émetteur et du récepteur doivent être en correspondance. Bien vérifier que les quartz sont bien entièrement enfoncés dans leurs logements respectifs.



### Récepteur

Rebrancher un quartz interchangeable dans le récepteur pour un changement rapide de la fréquence.



## h. Précautions

L'absence de rodage et/ou des dommages causés par une utilisation incorrecte annulent la garantie.

Il existe deux moyens pour surveiller la température du moteur. Nous recommandons l'achat de notre thermomètre à infrarouges «Temp-Check» portant le numéro d'article 908072. La première solution est d'acheter un capteur de température. La seconde solution, plus économique, est de mettre un peu d'eau (salive) sur la culasse et de vérifier qu'elle ne bout qu'au bout de 3 ou 4 secondes. Si elle s'évapore immédiatement, le moteur est trop chaud.

Le moteur fonctionne mieux et il est plus facile à démarrer quand sa température de fonctionnement est de 100 - 125 °C. Suivant les conditions météorologiques il peut être nécessaire de modifier les réglages du carburateur. Agir sur les réglages par petits incréments afin de protéger la longévité du moteur. Un mélange trop pauvre ou l'environnement peut provoquer une surchauffe. Une surchauffe excessive peut endommager des composants du moteur.

### Fin de l'utilisation

Quand vous avez fini de piloter votre modèle, il existe deux façons d'arrêter le moteur. La première méthode est d'obtenir la sortie de l'échappement. Vérifier que le moteur est au ralenti, de préférence avec les freins serrés.

La seconde méthode consiste à pincer l'arrivée d'air au niveau de l'admission. Ne pas pincer l'arrivée de carburant sous peine de causer une surchauffe ! Il est possible de laisser le carburant restant alimenter le moteur jusqu'à la panne sèche. Le moteur tournera au ralenti jusqu'à son arrêt complet sans avoir à appliquer une des méthodes décrites ci-dessus.

Mettre un peu d'huile de stockage dans le carburateur et tirer le starter plusieurs fois pour répandre cette huile dans tout le moteur. Ceci est recommandé pour stocker la voiture pour plus d'une journée. Les vapeurs de méthanol produisent de l'eau

Illustration 7



préjudiciable aux parties internes du moteur. Il est également conseillé de vérifier la présence et le serrage de toutes les vis et écrous avant et après chaque utilisation. Maintenir le modèle le plus propre possible pour pouvoir en profiter longtemps. Pour cela, utiliser un pinceau ou une soufflette. Toujours vérifier les batteries d'émission et de réception avant de démarrer la voiture.

Illustration 8



### Conseil:

Le port des gants est conseillé quand la voiture est chaude!

A WEB SITE FOR THE SERIOUS RACER

## i. Pannes

Il est conseillé de lire ces informations avant la survenue de la première panne !

### Le moteur ne démarre pas

Moteur noyé. Trop de carburant dans le moteur	Retirer la bougie. Tirer le lanceur 6 à 8 fois. Se méfier des projections de carburant.	Réservoir vide/ Moteur non alimenté:	Remplir le réservoir. Amorcer le moteur en tirant sur le lanceur tout en bouchant la sortie d'échappement.
Bougie morte	Retirer la bougie et la placer sur le chauffe bougie. Si le filament est noir, la bougie est morte. S'il est orange, la bougie est bonne.	Surchauffe:	Une utilisation à trop haute température peut causer un serrage du moteur. Laisser refroidir 5 à 10 minutes.
Batterie du chauffe bougie morte:	Placer une bougie sur le chauffe bougie. Si elle s'éclaire faiblement ou pas du tout, remplacer ou recharger la batterie du chauffe bougie.		

### Le moteur cale

Surchauffe	Vérifier la température. Si elle dépasse 130 °C, enrichir le mélange. Vérifier que les roues tournent librement.	Filtre à air encrassé :	Laver la mousse avec de l'eau savonneuse et l'imbibber d'huile spéciale.
Pressurisation carburant déconnectée :	Reconnecter la durite entre l'échappement et le réservoir.	Carburateur bouge	Vérifier la clavette et l'écrou de fixation. Presser le carburateur sur le moteur et serrer l'écrou pour éviter l'entrée d'air.

### Difficultés pour contrôler le véhicule

Batteries mortes / vides	La batterie de l'émetteur doit être entièrement chargée. Des servos lents indiquent que la batterie de réception est vide.	La voiture ne bouge pas	L'émetteur ou l'interrupteur du châssis sont à l'arrêt Mauvaise polarité ou mauvais type des batteries Batteries déchargées
Réglage de l'émetteur incorrect	Se reporter à la notice de l'émetteur	Course pas droite	Réglage de direction défectueux Boulons des roues avant et arrière desserrés
Antenne de l'émetteur non déployée	Sortir entièrement l'antenne de l'émetteur	Ne s'arrête pas	Réglage des gaz défectueux
Perte de contrôle	Une voiture radiocommandée utilise la même fréquence de commande à proximité.	Voiture trop lente	Perte de puissance du moteur Boulons des roues arrière desserrés Poussière ou corps étrangers dans la transmission

**CompetitionX**  
A WEB SITE FOR THE SERIOUS RACER

## Estimado cliente

Le felicitamos por la adquisición de su coche radio controlado CARSON, que ha sido fabricado con tecnología de actualidad.

De acuerdo con nuestra política de constante desarrollo y mejora de nuestros productos, nos reservamos el derecho de efectuar cambios en las especificaciones relativas a equipo, material y diseño de este producto en cualquier momento sin noticia previa.

Las especificaciones o diseños del producto real podrían variar de los mostrados en el manual o envase.

Este manual es componente del producto. No cumplir las instrucciones operativas y de seguridad incluidas invalidará la garantía. Conserve esta guía como recordatorio o para caso de pasar el modelo a una tercera persona.

## Condiciones de la garantía

Este producto está garantizado por CARSON contra defectos de fabricación en materiales o mano de obra bajo utilización normal por un período de 24 meses desde la fecha de adquisición en comercios autorizados.

En caso de defecto del producto durante el período de garantía, lleve el producto y el ticket o recibo de venta como prueba de adquisición a cualquier tienda autorizada CARSON. CARSON podrá a su elección y salvo que las leyes dispongan otra cosa:

- Corregir el defecto mediante la reparación del producto sin cargo de piezas o mano de obra;
- Reemplazar el producto por otro del mismo o similar diseño; o
- Devolver el importe de adquisición del producto.

Todas las piezas y productos reemplazados, así como los productos cuyo importe haya sido devuelto, pasan a ser propiedad de CARSON. Se podrán utilizar piezas nuevas o reacondicionadas para la prestación del servicio de garantía. Las piezas y productos reparados o reemplazados estarán garantizados por el período restante al vencimiento de la garantía. Cualquier reparación o sustitución del producto tras vencer el período de garantía será abonada por usted.

## Esta garantía no cubre:

- Daños o fallos causados o atribuibles a fuerzas de la naturaleza, abuso, accidente, uso incorrecto, impropio o anormal, falta de seguimiento de las instrucciones, mantenimiento o instalaciones inadecuadas, alteraciones, tormentas eléctricas u otros incidentes causados por exceso de voltaje o corriente;
- Cualquier reparación no efectuada por un servicio de reparaciones autorizado CARSON;
- Consumibles como fusibles o baterías;
- Daños estéticos;
- Transportes, embarques y / o costos de seguros; o

Costos de retirada del producto, instalaciones, servicio de ajuste o reinstalación. Esta garantía le da a usted derechos legales específicos, y usted también podría tener otros derechos que variarían de estado en estado.

## Declaración de conformidad

Dickie-Tamiya GmbH&Co KG por la presente declara que este kit de modelo con radio, motor, batería y cargador está en concordancia con los requerimientos básicos 98/37EG y 89/336/EWG y otras normas pertinentes de la directiva 1999/5/EG (R&TTE).

El producto que ha adquirido está propulsado por una batería recargable Ni-MH. La batería es reciclable. Al final de su vida útil, bajo varias leyes nacionales / estatales y locales, puede ser ilegal tirar esta batería en los contenedores de basura normal. Pregunte a las autoridades locales responsables sobre las opciones adecuadas de reciclado o deshecho.



Significado del símbolo en el producto, el embalaje o las instrucciones de uso. ¡Los electrodomésticos son objetos de valor y, al final de su vida útil, no deben tirarse a la basura doméstica! Contribuya a proteger el medioambiente y los recursos entregando este aparato en los puntos de reciclaje correspondientes. La organización responsable de la recogida de basura o su establecimiento especializado podrán responder a sus preguntas.

Le deseamos buena suerte y mucha diversión conduciendo su coche radio controlado CARSON!

**Antes de utilizar su nuevo modelo lea estas instrucciones cuidadosamente!**

**A WEB SITE FOR THE SERIOUS RACER**

## Índice de contenidos

Prólogo .....	45
Contenido del kit .....	46
Precauciones de seguridad .....	47
Artículos adicionales necesarios para el arranque del motor..	49
Herramientas necesarias para el montaje.....	50
Su equipo de radio 3 canales .....	50
Vista externa de la Emisora.....	51
Intercambio de los cuarzos de frecuencia .....	51
Propiedades especiales de la Emisora.....	52
Chasis .....	54
a. Enchúfelo! .....	54
b. Probando 1...2...3.....	55
c. Últimos preparativos.....	55
d. Momento de divertirse... casi!.....	56
e. Conecte la emisora.....	57
f. Volante de dirección (Controles básicos) .....	57
g. Cómo cambiar frecuencias .....	58
h. Alimentación de combustible y cuidados.....	58
i. Guía de problemas .....	59
Montaje .....	74
Recambios.....	90
Motor.....	93

E

## Contenido del kit



Emisora  
(sólo en versión RTR)



Chasis



## Precauciones de seguridad

### Precauciones de seguridad y normas de operativa

Este modelo radio controlado solo debe ser utilizado con el combustible de modelismo adecuado. Evite siempre utilizar modelos radio controlados en áreas restringidas, reducidas o pobladas.

Manténgalo alejado de carreteras, autopistas gente y animales. Nunca utilice el modelo en interiores.

Por favor, cerciórese de haber leído todas las instrucciones de seguridad y procedimientos de operativa antes de utilizar el modelo.

Los modelos radio controlados no deben ser usados en áreas públicas o cerca de tráfico.

La carrocería debería estar correctamente fijada al chasis antes de conducirlo.

Permita cierto tiempo para que el escape y el motor se enfríen antes de quitar la carrocería. Estas piezas están extremadamente calientes durante el uso y podrían causar heridas serias.

No utilice el modelo donde el sonido pueda causar molestias a otros.

No utilice el modelo en áreas húmedas. Esto podría causar fallos eléctricos.

Nunca utilice el modelo en situaciones de tormenta eléctrica.

Asegúrese que las baterías de la emisora y el receptor están completamente cargadas y tienen el voltaje correcto

Primero conecte la emisora, luego el receptor. Invierta el procedimiento para la desconexión. Compruebe que el acelerador, frenos y trims funcionan correctamente.

Asegúrese que nadie más está operando en la misma frecuencia que su radio y que no se aprecian interferencias.

Compruebe siempre que no haya tuercas, tornillos pasadores o componentes sueltos. Ajuste y reapriete si fuese necesario.

Llene el depósito de combustible y cierre firmemente la tapa. Limpie cualquier vertido de combustible.

No deje nunca combustible en el depósito. Utilícelo sólo en un área bien ventilada.

### ¡Este modelo no es un juguete!

- Los modelos radio controlados no son juguetes, su manejo debe ser aprendido paso a paso
- Los niños menores de 14 años sólo deberían manejar este modelo bajo supervisión adulta.

La conducción de coches radio controlados es un fascinante hobby que debe ser practicado con la necesaria precaución y respeto. Un coche radio-controlado que tiene un peso considerable y capaz de desarrollar velocidades muy altas puede causar daños y lesiones en caso de conducción incontrolada, siendo el usuario legalmente responsable de ello.

Compruebe que dispone de un seguro con la suficiente cobertura contra los daños que pueda causar cuando practique su hobby.

Sólo un vehículo montado correctamente funcionará y reaccionará de la manera esperada.

Nunca improvise en las reparaciones y utilice únicamente los recambios originales si fuese necesario. Igualmente y ante un modelo premontado, deberá reparar todas las conexiones y tortillería para asegurarse que están correctamente apretados ajustados.

**CompetitionX**  
A WEB SITE FOR THE SERIOUS RACER

## Nunca comience a conducir sin haberse asegurado de los siguientes puntos:

- Las baterías de la emisora y del receptor dan buen voltaje y no están deterioradas o desgastadas.
- Todos los componentes operativos están en buenas condiciones y se ha comprobado su correcto funcionamiento.
- Verificado que todos los tornillos estén correctamente apretados.
- Compruebe siempre el funcionamiento del sistema de radio antes de utilizar el coche
- No hay ninguna otra emisora R/C o similar cercana que pueda causar interferencias.
- La emisora y el receptor están conectados, y se ha comprobado el buen funcionamiento de todas sus funciones.

Primero conecte la emisora, luego el receptor. Invierta el procedimiento para la desconexión.

Asegúrese que nadie más está operando en la misma frecuencia que su radio y que no se aprecian interferencias.

- Cualquier otra señal de radio en la misma frecuencia puede causar la pérdida de control de su modelo.
- Siempre apague el motor y desconecte el coche antes de desconectar la emisora.
- ¡No conduzca bajo líneas de alta tensión, antenas o durante tormentas eléctricas!

- Las perturbaciones atmosféricas pueden afectar las señales de su emisora de radio
- Las conexiones eléctricas de su modelo no son estancas. En consecuencia, no lo maneje en lluvia, nieve, charcos o hierba húmeda.
- El terreno en el que se pretende operar el modelo no está abierto al tráfico y no es usado por personas o animales.
- No conduzca si está muy cansado o su poder de reacción está limitado de algún modo.
- Mantenga siempre contacto visual con el modelo.
- La carrocería debería estar correctamente fijada al chasis antes de conducirlo.
- Permita cierto tiempo para que el escape y el motor se enfríen antes de quitar la carrocería.

Estas piezas están extremadamente calientes durante el uso y podrían causar heridas serias.

Preste atención a las instrucciones de carga de su emisora.

- Asegúrese que las baterías de la emisora y el receptor están completamente cargadas y tienen el voltaje correcto
- Con baterías medio gastadas podría perder el control de su modelo.
- Nunca utilice baterías recargables o de diferente capacidad. Nunca intente recargar las baterías.

Si no utiliza el modelo por algún tiempo, la batería recargable debe ser retirada.

## Por favor, lea los siguientes puntos relativos al combustible:

- Mantenga el combustible en un sitio seguro y fuera del alcance de niños o animales.
- Asegúrese que el recipiente del combustible está bien cerrada y apretada.
- Almacene el combustible en un lugar bien ventilado y sin humedad.
- El combustible glow es extremadamente inflamable. Manténgalo fuera de fuentes de calor, llamas directas, dispositivos eléctricos y baterías. No fume cerca del combustible.

Evite el contacto con la piel y no lo inhale. Lea las etiquetas de advertencia del bote.

Deshágase de los botes vacíos del modo legalmente estipulado. Nunca tire botes vacíos al fuego.

## Por fin

Después de cada uso, todas las piezas importantes así como los conectores deberían ser comprobados. Un simple tornillo suelto puede ser suficiente para dejar al modelo en situación peligrosa! Verifique el coche periódicamente y cambie las piezas defectuosas o gastadas por recambio original .

**Le deseamos buena suerte y mucha diversión conduciendo su coche radio controlado CARSON!**

**CompetitionX**  
A WEB SITE FOR THE SERIOUS RACER

## Artículos adicionales necesarios para el arranque del motor:

Chispómetro  
905042



Aceite after run 905044    Aceite de filtro 32648



Biberón de combustible  
13330



Combustible



... o alternativa  
Chispómetro y  
Akku 11585

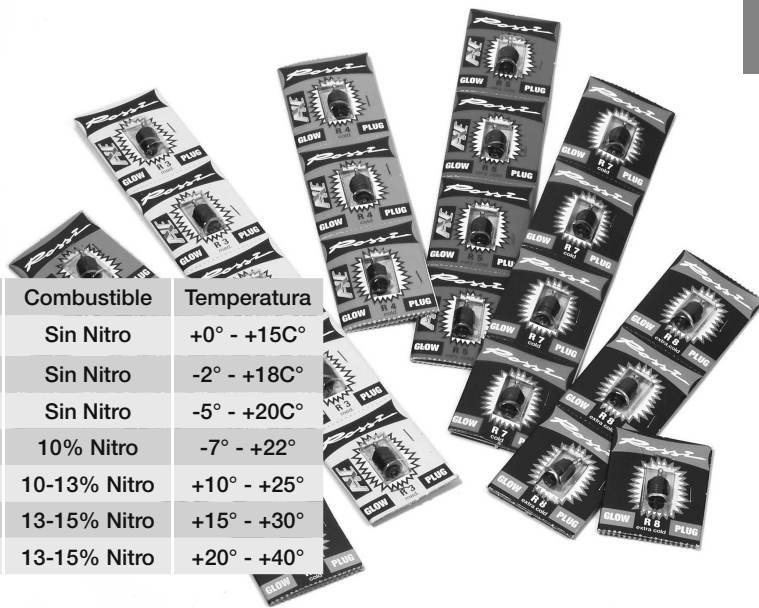
### Se recomienda combustible CARSON

Litros	Nitrometano	Ref.	Uso
1,0	10%	905052	Rodaje/ Principiantes
1,0	16%	905053	Normal
2,5	16%	905054	Normal
1,0	25%	905055	Competición
2,5	25%	905056	Competición

E

### CARSON-ROSSI Bujía

Ref.	Artículo	Motor	Combustible	Temperatura
905006	Bujía Rossi R2 hot	2 - 3,5 ccm	Sin Nitro	+0° - +15C°
905007	Bujía Rossi R3 medium	3,5 - 6 ccm	Sin Nitro	-2° - +18C°
905008	Bujía Rossi R4 cold	6 - 10 ccm	Sin Nitro	-5° - +20C°
905009	Bujía Rossi R5 extra	3,5 - 10 ccm	10% Nitro	-7° - +22°
905010	Bujía Rossi R6 cold	universal	10-13% Nitro	+10° - +25°
905011	Bujía Rossi R7 cold	universal	13-15% Nitro	+15° - +30°
905012	Bujía Rossi R8 extra cold	universal	13-15% Nitro	+20° - +40°



Para la emisora necesitará 8 baterías AA Alcalinas o recargables.

**CompetitionX**  
A WEB SITE FOR THE SERIOUS RACER

## Herramientas necesarias para el montaje

Cutter de modelismo 74053



Adhesivo instantáneo 53339



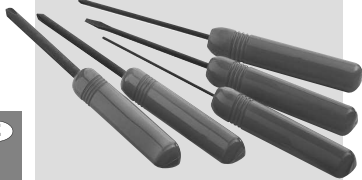
Alicates de punta fina 74034



Tijeras 13305



Destornillador Phillips (pequeño y grande) y Llaves allen 1,5/ 2 / 2,5 mm 74023



Llave de cruceta 13118



Pinzas 74003



Tenacillas 74035

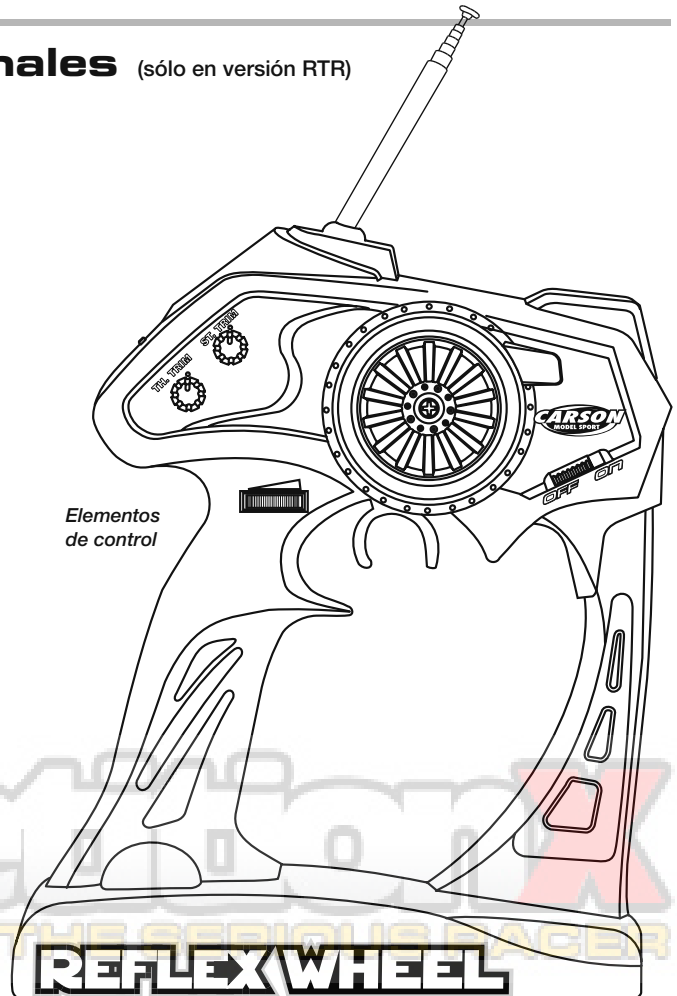
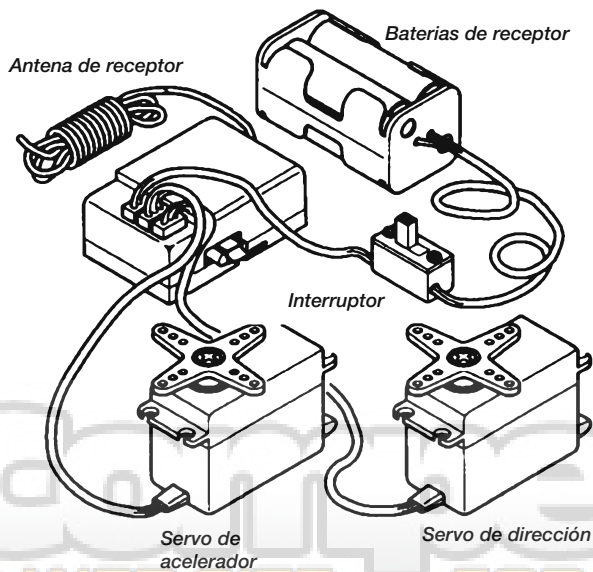


E

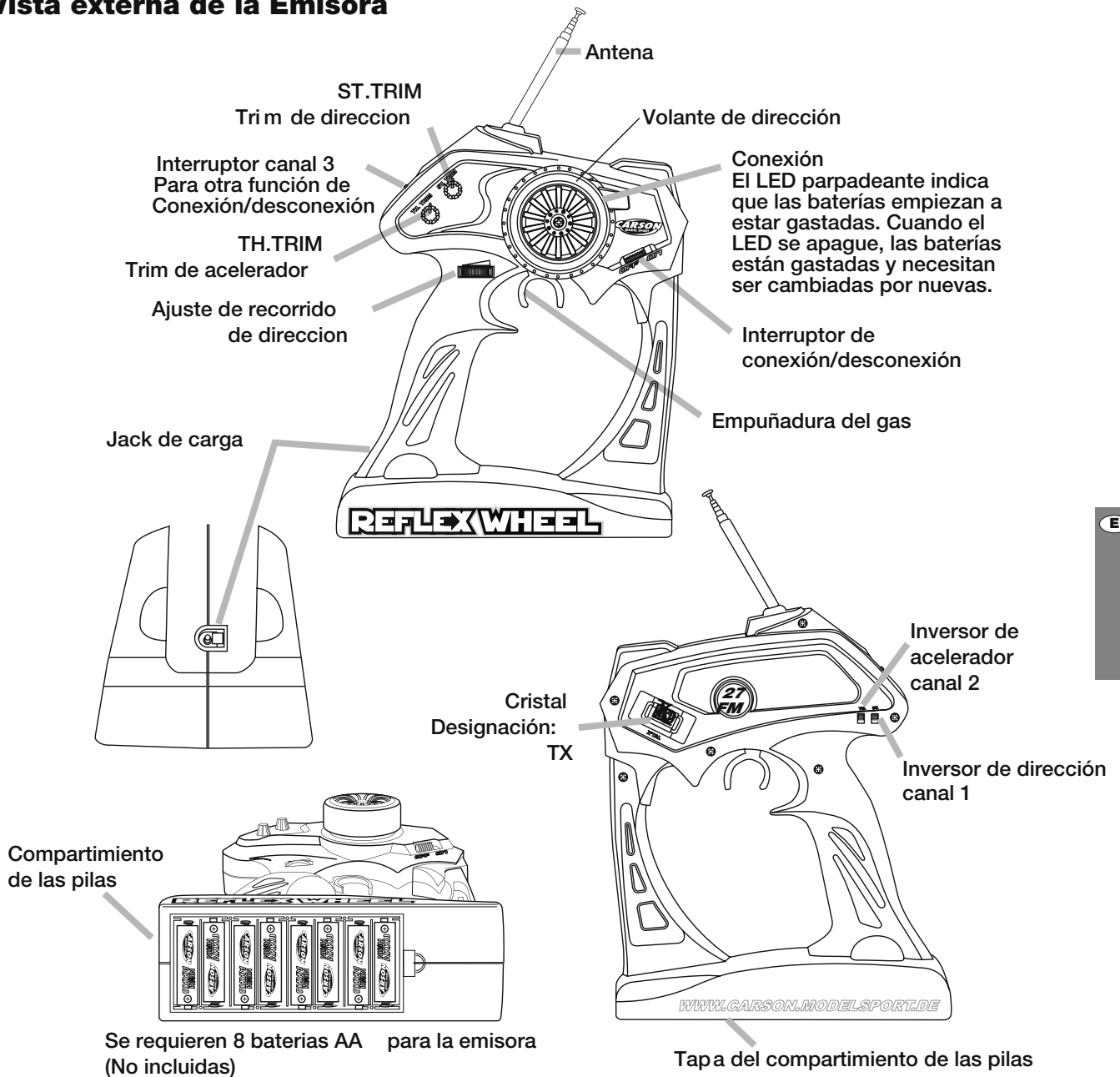
## Su equipo de radio 3 canales (sólo en versión RTR)

Por favor, lea las instrucciones facilitadas en su equipo de radio antes de usarlo.

Los servos deben ser centrados en posición neutra antes de comenzar la instalación. Para efectuar el centrado, conecte el emisor y el receptor. Coloque las palancas de los trims en posición central y desconecte el receptor, después el emisor. Los servos estarán ahora en la posición neutra requerida para su instalación.



## Vista externa de la Emisora



## Intercambio de los cuarzos de frecuencia

### Emisora

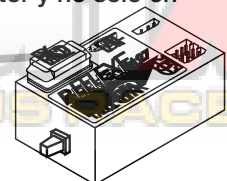
- Los cuarzos de frecuencia enchufables intercambiables posibilitan un cambio de frecuencia sencillo y rápido retirándose simplemente de la pared posterior del emisor.
- No utilice otros cristales que los suministrados por CARSON, puede dañar los componentes y quedaría exenta de la garantía.

### Receptor

- El cuarzo intercambiable se enchufa en la parte superior del receptor para facilitar un cambio rápido.
- Preste atención a que el cuarzo se inserte completamente en el receptor y no sólo en parte o suelto.

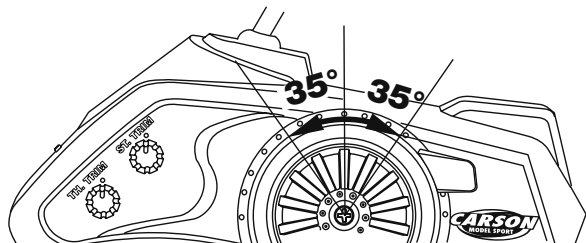
### Cuarzo de frecuencia

Designación:  
RX



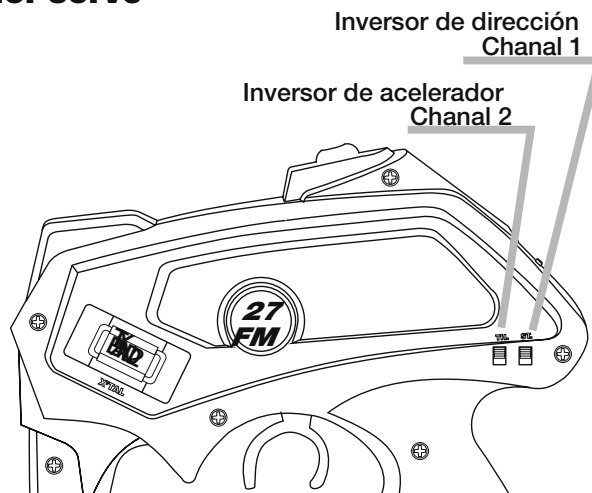
## Propiedades especiales de la Emisora

### Volante de dirección



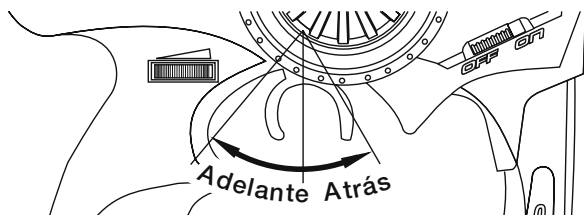
El volante de dirección puede girarse a la derecha o izquierda en 35°

### Inversión del sentido de giro del servo



Mediante el conmutador inversor del sentido de giro se puede invertir el sentido de rotación de los servos. En la posición NOR el servo gira en el sentido de las agujas del reloj y en la posición REV en sentido contrario a las agujas del reloj.

### Acelerador



Presione el gatillo de la emisora para moverse hacia adelante, presione si va a frenar o moverse hacia atrás.

### Trim de dirección (ST. TRIM)

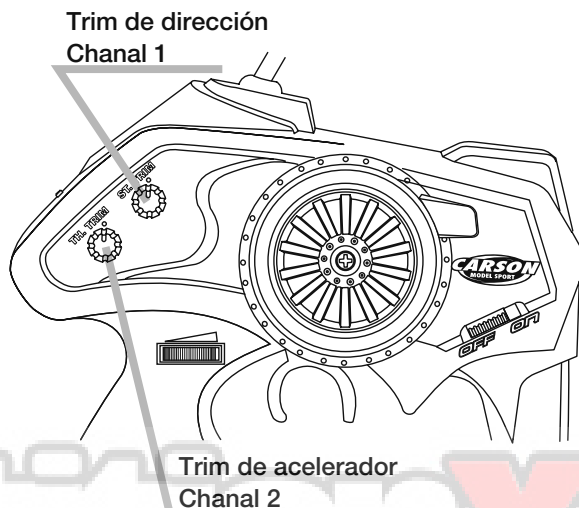
Con el regulador de la dirección (ST.TRIM) se ajusta la salida recta del vehículo con el volante de dirección recto.

Para montar los servos direccionales:

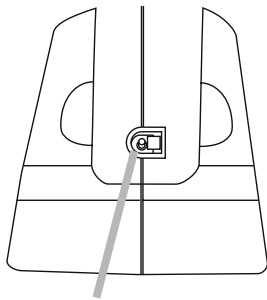
1. Colocar en máximo el regulador del mecanismo de giro del volante. Luego monte el servo en el modelo de tal manera que el mecanismo de mando pueda trabajar en el nivel máximo.
2. En caso de que las relaciones geométricas no admitan que el volante doble completamente, reajuste un poco el mecanismo de giro del volante. Esto puede también ser útil para los circuitos con sólo radios de curva grandes.

### Trim de acelerador (TH. TRIM)

Con la palanca del regulador del acelerador (TH.TRIM) se regula la posición neutra de la activación del acelerador con la empuñadura, marcha en vacío en el motor de combustión, motor "desconectado" en motor eléctrico.



## Jack de carga



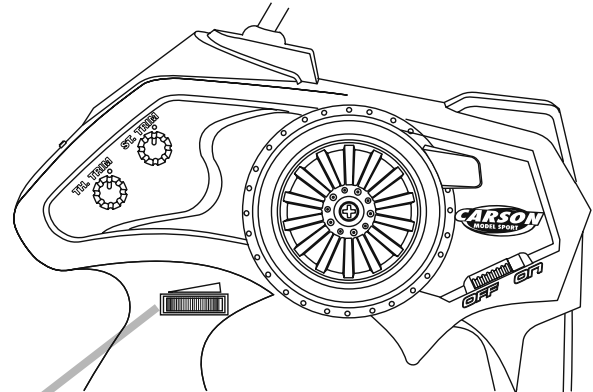
Jack de carga

¡ATENCIÓN! El interruptor ON/OFF (CONEXIÓN/DESCONEXIÓN) debe aparecer en la posición « OFF » al efectuarse la carga. Un instrumento de carga apropiado respectivamente sólo puede usarse para acumuladores níquel-cadmio (Ni-Cd) o hidruro de metal de níquel (NIMH), aprox. 2x Art. N° 54010 o semejantes. Corre el riesgo de explosión con otros tipos de pilas que pueden causar daños y heridas. Nunca intente recargar las pilas alcalinas.



Polaridad del jack o de la toma de carga

## Regulador del ángulo de dirección

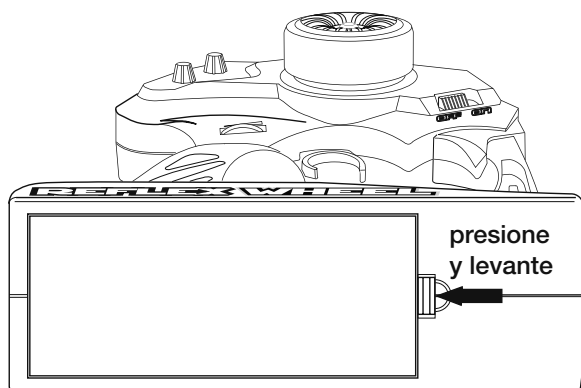


Regulador del ángulo de dirección

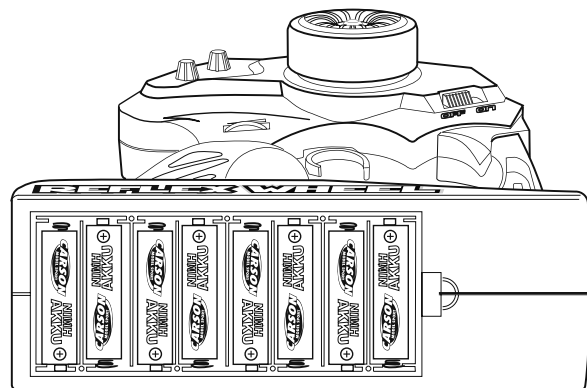
Los ángulos del servo de dirección pueden ajustarse sincrónicamente hacia ambas direcciones de aprox. el 10 % ~ 100 %. El regulador se puede girar en 300° grados. El ángulo aumenta si el regulador se gira hacia la derecha y disminuye si el regulador se gira hacia la izquierda.

E

## Cambiar las pilas de la emisora



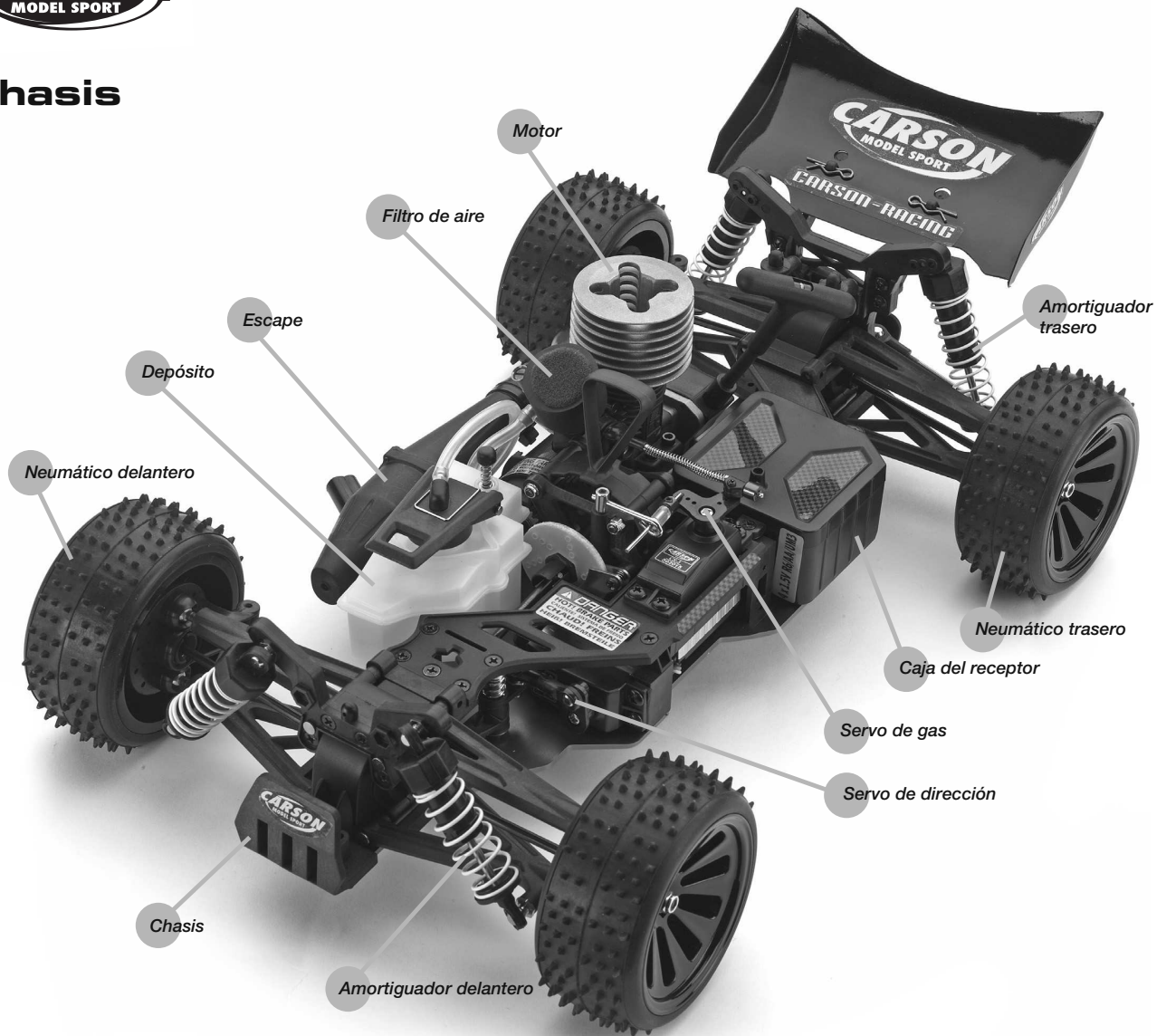
presione y levante



• Para abrir el compartimiento de las pilas, presione hacia el centro la lengüeta del compartimiento de las pilas y levante la tapa de cierre. Cuidado, las pilas se pueden salir si se ha retirado la tapa. En caso de que no se ilumine

la lámpara de control, compruebe los contactos, sobre todo los negativos y verifique otra vez la posición correcta de las pilas. Sólo utilice pilas totalmente cargadas. Nunca mezcle tipos de acumuladores o pilas diferentes con estado de carga diferente.

## Chasis



### a. Enchúfelo!

Inserte 4 baterías "AA" en el portapilas según se muestra. Asegúrese que los terminales positivo (+) y negativo (-) estén en la posición correcta. A continuación enchufe el portapilas al conector del interruptor, dentro de la caja de radio. El rojo va al rojo y el negro va al negro. Coloque la tapa de la caja de radio.

Consejo: Utilice baterías recargables. Duran más y las amortizará en poco tiempo. Sustituya el portapilas por nuestro pack 6 V NiMh 1100 mAh Akku (Art. 608036 JR) (Art. 608037 BEC)

Imagen 1



**Competition X**  
A WEB SITE FOR THE SERIOUS RACER



## b. Probando 1...2...3...

Ahora puede conectar su coche a través del interruptor localizado en la caja de radio. Siempre conecte primero la emisora antes de conectar el coche. Nota: Compruebe siempre los reglajes de la emisora antes de utilizar el coche.

Asegúrese que la dirección esté centrada. Si no lo estuviese, utilice la palanca del trim de dirección (ST-TRIM) para efectuar el centraje. Girarla hacia la izquierda debería hacer que el coche gire a la izquierda, y viceversa.

Ahora es el momento para regular el acelerador en su posición neutra. Quite el filtro de aire del carburador. La apertura de la guillotina debería ser muy pequeña, en torno a 1-1,5 mm para permitir el ralentí del motor. Si estuviese más abierta, el motor se revolucionará más de lo normal hasta que se apliquen frenos. Esta situación desgastará prematuramente las zapatas de freno y / o embrague, haciendo al coche difícil de conducir. Utilice la palanca del trim de acelerador (TH -TRIM) para mover el brazo de servo a la posición neutra, si fuese necesario. Cuando esté en neutro, los frenos no deberían quedar ajustados. Ajustando los prisioneros del varillaje con una llave allen de 1,5 mm podrá cambiar los reglajes del freno. Coloque de nuevo el filtro de aire cuando todo quede debidamente ajustado.

Imagen 2

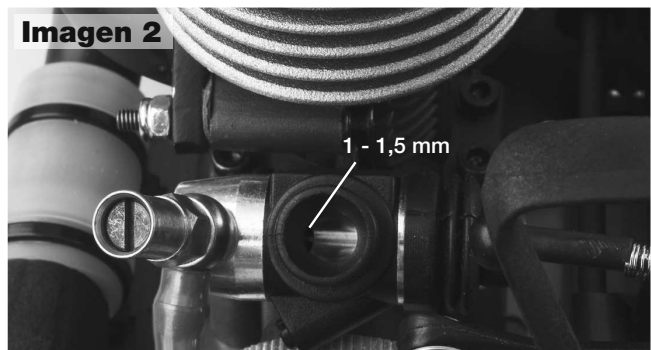
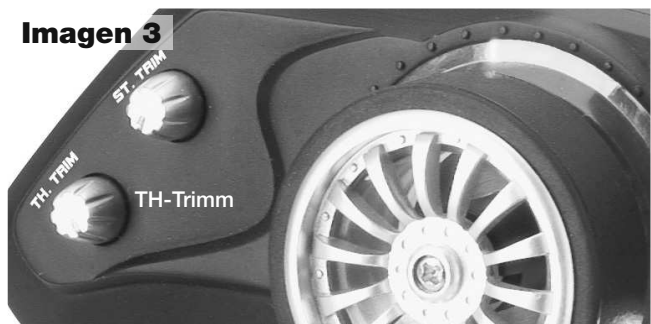


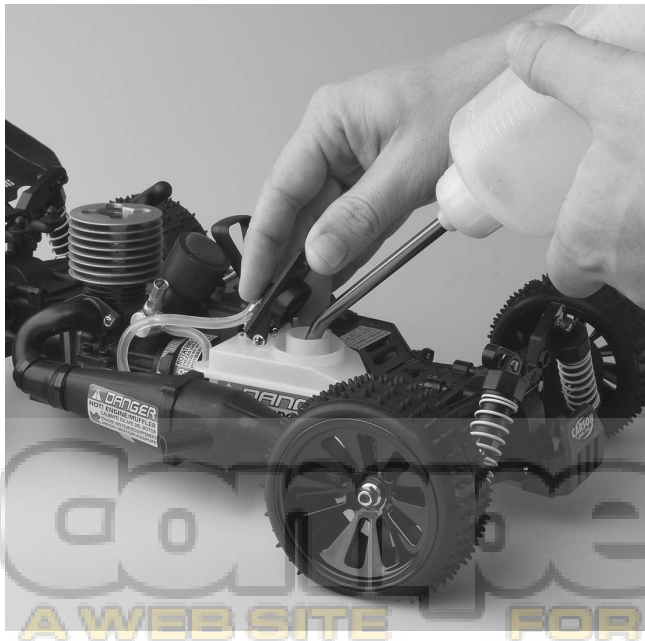
Imagen 3



E

## c. Últimos preparativos...

Ensamble el biberón de combustible. A continuación apriételo e introdúzcalo en el bote de combustible para coches de automodelismo. Reduzca la presión y el biberón se llenará solo. Después, introduzca y apriete lentamente el biberón para llenar su depósito de combustible.



### Consejo 1:

El combustible durará más si lo almacena en un lugar oscuro, fresco y seco. El chispómetro viene junto con el extremo negativo de la parte superior. Enrosque la tapa firmemente.

### Consejo 2:

No deje el chispómetro en su motor durante más de diez segundos. Un tiempo superior podría causar que la bujía se fundiese prematuramente. Utilice chispómetros recargables para mayor duración.

### Consejo 3:

¡Para arrancar el motor, utilice un guante ignífugo!

**Competition X**  
A WEB SITE FOR THE SERIOUS RACER

## d. Momento de divertirse... casi!

El rodaje del motor es el paso más importante para asegurarse que el motor sea rápido y fiable durante su vida útil. Simplemente:

**NO SE SALTE ESTE PASO!**

El motor está pre-ajustado de fábrica para el rodaje. Busque un taco de madera o una plataforma y coloque el coche de modo que las ruedas giren libremente sin tocar el suelo. Asegúrese con la emisora que el acelerador está en la posición neutra. Coloque el chispómetro en la bujía y dele un tirón al arrancador. ¡No tire más de 25 cm! Más recorrido podría romper la cuerda. Es mejor dar varios tirones cortos que tirones largos. Si la cuerda del arrancador se atasca, gire un poco el volante de inercia con los dedos. Esto debería hacer que la cuerda se enrolle automáticamente. Tras algunos tirones, el motor arrancará con una buena nube de humo. Si el motor tuviese problemas de ralentí con este reglaje "graso", gire el tornillo de ralentí a la derecha 1/8 de vuelta cada vez. Esto aumentará el ralentí

**Imagen 4**

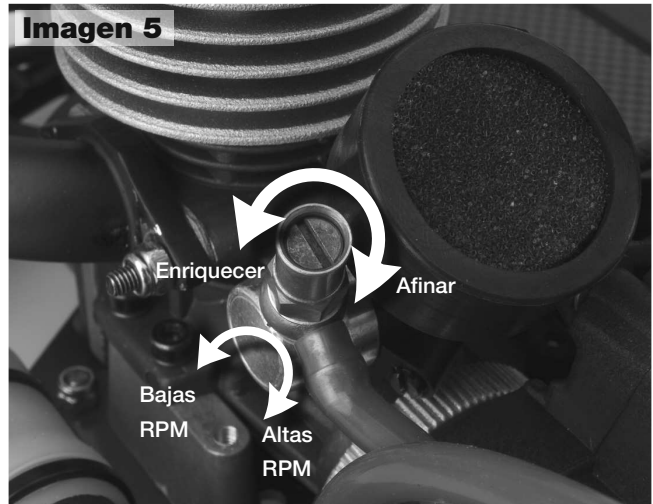


permitiendo al motor rodar adecuadamente. Haga esto en un área bien ventilada, por ejemplo en el exterior de su casa. El aceite sin quemar del combustible se acumulará en el escape, así que esté preparado. Deje el coche ralentizar de este modo durante 2 - 3 depósitos, comprobando la temperatura del motor cada dos minutos. Por favor, deje reposar 10 - 15 minutos entre depósito y depósito. Debería poder tocar la culata del motor con los dedos, estando caliente el motor pero sin llegar a quemar. Si parece estar demasiado caliente, "engrase" la carburación (gire a la izquierda) mediante la aguja de altas y la de bajas 1/8 de vuelta. Efectúe siempre pequeños incrementos cuando haga este tipo de reglajes.

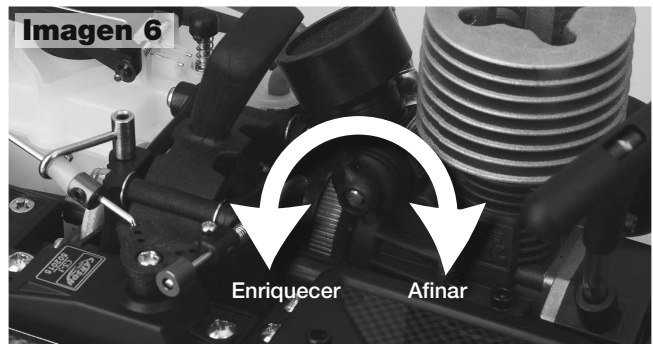
### Consejo:

- Reglaje de fábrica del carburador: Con los siguientes ajustes básicos el motor arranca inmediatamente, funciona limpiamente y suficientemente graso (temperatura exterior 8o)
- Tornillo de ralentí: Aproximadamente 1mm de apertura en el barril

**Imagen 5**



**Imagen 6**



Aguja de altas: Ciérrala completamente, a continuación abra 4 vueltas completas.

Aguja de bajas (en leva de apertura): Enrásela con el borde de la leva, a continuación gire a la derecha una vuelta completa;

Tras finalizar el período de rodaje, la aguja de altas debería quedar abierta al menos 3 y 1/4 vueltas. Un reglaje graso es mejor si la temperatura exterior es alta.

### Consejo:

Conduzca el coche lentamente con la carburación "grasa" durante algún tiempo tras el rodaje, evitando períodos prolongados a pleno gas. Valla "afinando" gradualmente la mezcla 1/8 de vuelta cada vez. El ralentí aumentará en la medida que valla afinando el motor.

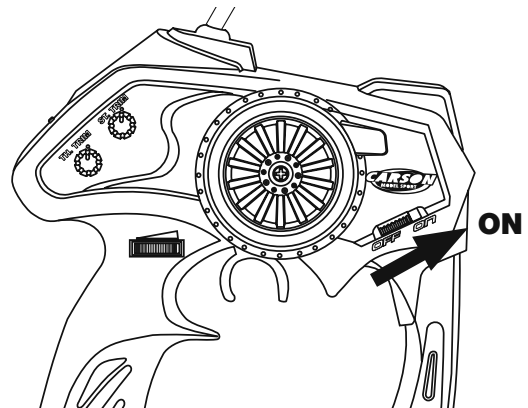
**Competition**  
A WEB SITE FOR THE SERIOUS RACER

## e. Conecte la emisora

Extienda completamente la antena de la emisora.  
El radio de acción de la emisora se reducirá si la antena no está completamente desplegada.

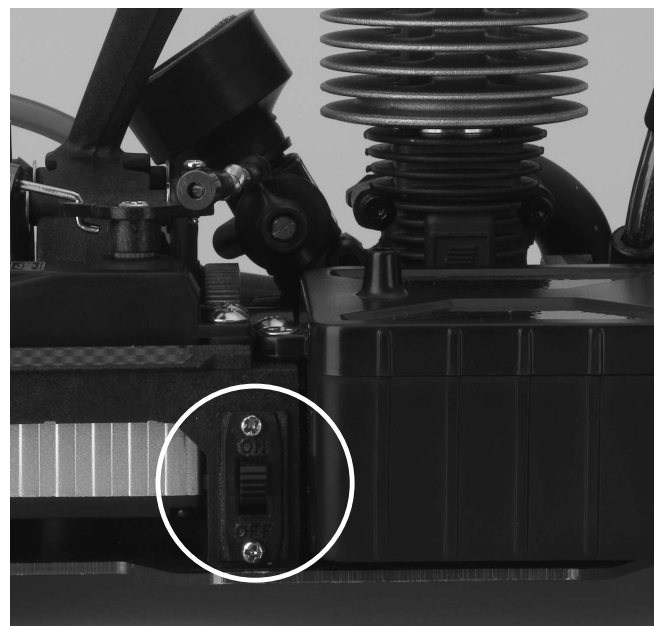
### PRECAUCION

¡Conecte siempre primero la emisora!



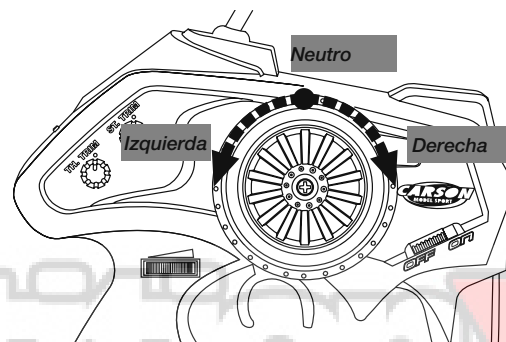
## Conecte el receptor

- El interruptor está en la caja de radio.
- Fije el cable de la antena del receptor (ver página 82)
- Coloque la carrocería y fjela con los clips de carrocería.



## f. Volante de dirección (Controles básicos)

- Levante las ruedas del suelo y compruebe que todos los controles responden.
- Gire el volante de dirección a derecha e izquierda a su máximo recorrido. Las ruedas deberían seguir el giro del volante.
- Si las ruedas giran en sentido contrario, utilice el interruptor inversor de servo (ST en posición REV)
- Para regular la velocidad presione el gatillo (conduciendo hacia delante, para ganar velocidad) o empújelo (frenos, marcha atrás).



**COMPETITION X**  
A WEB SITE FOR THE SERIOUS RACER

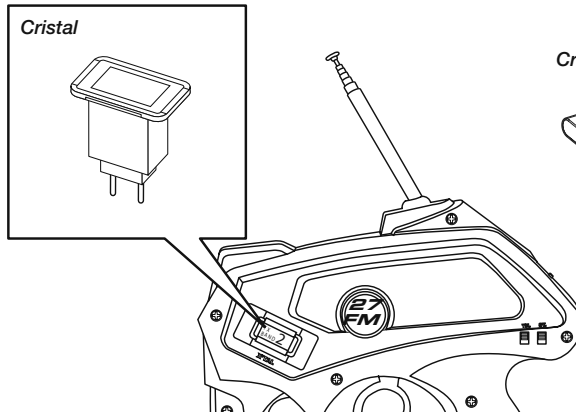
## g. Cómo cambiar frecuencias

### Emisora

Es posible efectuar un cambio rápido de frecuencias simplemente desenchufando el cristal intercambiable de la parte trasera de la emisora y enchufando otro.

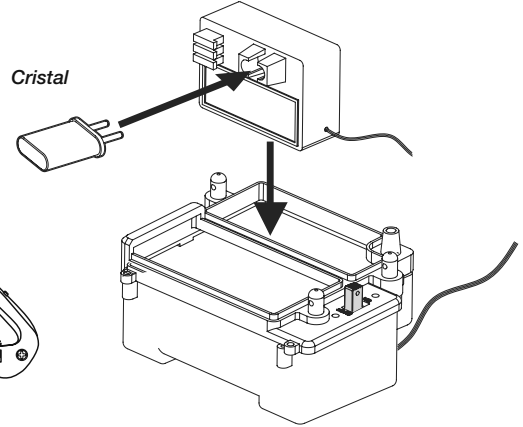
Los cristales de la emisora y el receptor deben coincidir uno con el otro.

Asegúrese que el cristal está completamente introducido en la emisora y el receptor, no parcialmente.



### Receptor

Enchufe un cristal intercambiable en el receptor para un cambio rápido de frecuencias.



## E h. Alimentación de combustible y cuidados

La falta de seguimiento del período de rodaje y/o daños causados por modificaciones inadecuadas invalidará la garantía de su motor.

Hay dos métodos para comprobar la temperatura del motor. Le recomendamos la compra de un termómetro por rayos infrarrojos "Temp-Check" con el número de artículo 908072. Uno, adquirir una sonda de temperatura. El otro método, más barato pero menos preciso es el "test de saliva". Ponga un poco de saliva en la culata, ésta debería evaporarse en 3 – 4 segundos. Si se evapora inmediatamente, hay probabilidades que el motor esté funcionando demasiado caliente.

El motor funcionará mejor y será más fácil de arrancar en caliente si funciona entre 100 – 125 °C. Dependiendo de las condiciones ambientales, densidad del aire y humedad, los ajustes de la carburación variarán en el momento de cada utilización. Efectuar ajustes en pequeños incrementos es el mejor método para asegurarse que su motor durará largo tiempo. El sobrecalentamiento es causado por utilizar el motor demasiado afinado, o con demasiado estrés mecánico causado por su entorno de funcionamiento. El sobrecalentamiento severo generará fallos de las piezas internas del motor. Existen muchas fuentes de información "online" que le pueden ayudar con los ajustes de su motor. Estos motores están diseñados para durar largo tiempo, y con un adecuado ajuste y mantenimiento, podrá utilizar su modelo durante horas cada vez.

### Parada

Cuando haya acabado de utilizar el coche, hay dos opciones para parar el motor. El primer método es poner el pulgar en la salida del escape. Asegúrese que el motor se encuentra al ralentí, preferiblemente con los frenos activados. El segundo método es pinzar la entrada de aire al motor. No pince la entrada de combustible, ya que causaría sobrecalentamiento del motor. Pruebe dejar a que el motor consuma todo el combustible del depósito hasta vaciarlo. El motor se revolucionará cuando se vacíe el depósito, de modo que los dos pasos anteriores no serán necesarios.

Imagen 7



A continuación aplique aceite "after run" a través del carburador, y accione el tirador unas cuantas veces para repartirlo dentro del motor. Esto se recomienda si planea no utilizar el coche durante más de un día. El metanol se evapora en agua, que no es buena para las partes internas del motor. Siempre es buena idea revisar todos los tornillos, tuercas y pasadores antes de cada sesión de uso. Mantener el coche limpio hará que sea más agradable trabajar en él. Esto se puede lograr

Imagen 8



con un compresor grande similar a los utilizados para pintar o con aire comprimido. Compruebe siempre las baterías de la emisora y receptor antes de arrancar el motor.

### Consejo:

Utilice guantes cuando trabaje con el coche caliente!

## i. Guía de problemas

LEA ESTO ANTES DE QUE OCURRA!

### El motor no arranca

Motor ahogado. Mucho combustible en el motor.	Quite la bujía. Accione el tirador 6 – 8 veces.	Depósito de combustible vacío / no hay combustible en el motor.	Llene el depósito. Ceba el motor tirando del arrancador mientras tapa la entrada de aire del carburador.
Cuidado con el combustible pulverizado.	Bujía fundida. Quite la bujía. Colóquela en el chipómetro. Si no prende (oscura), está fundida. Si prende (brillante), está correcta.	Sobrecalentamiento	Rodar a altas temperaturas puede producir bloqueo de vapores en el motor. Déjelo enfriar durante 5 – 10 minutos.
Chispómetro gastado.	Ponga una bujía nueva en el chispómetro. Si brilla muy levemente o no brilla, cambie la batería del chispómetro.		

### El motor se para

Sobrecalentamiento	Compruebe la temperatura. Si está por encima de 130o, enriquezca la mezcla. Compruebe que las ruedas giran libremente.	Filtro de aire sucio.	Lávalo con jabón y agua, a continuación utilice aceite de filtro de aire.
Toma de presión desconectada.	Recoloque el tubo de presión del escape al depósito de combustible.	Carburador suelto.	Compruebe el pasador de sujeción del carburador y su tuerca. Presione el carburador contra el bloque de motor y apriete la tuerca para evitar tomas de aire.

### Difícil de controlar, interferencias

Baterías gastadas / dañadas.	Las baterías de la emisora deberían estar completamente cargadas. La lentitud de funcionamiento de los servos significa baterías de receptor gastadas.	El modelo no se mueve	El interruptor de la emisora o del coche no está conectado. La polaridad o el tipo de batería es incorrecto. Las baterías están gastadas.
Ajuste inadecuado de la emisora.	Remítase a las instrucciones de ajuste de su radio.	No va recto	El trim de dirección no está correctamente ajustado. Las tuercas de rueda delanteras y trasera están muy sueltas
Antena de emisora no desplegada.	Extienda completamente la antena de la emisora.	No para	El trim de acelerador no está correctamente ajustado.
Pérdida de control	Hay cercano un modelo R/C usando la misma frecuencia.	Funciona muy lento	El motor ha perdido potencia. Las ruedas están muy sueltas. Han entrado en los engranajes polvo u otros objetos.

**Competition X**  
A WEB SITE FOR THE SERIOUS RACER

## Caro Cliente

Ci congratuliamo con lei per l'acquisto di questo modello radio comandato CARSON, che è stato progettato secondo gli ultimi ritrovati della tecnica. Per mantenere sempre aggiornati i nostri prodotti ci riserviamo il diritto di effettuare qualsiasi aggiornamento tecnico atto a migliorarne le qualità senza alcun preavviso. Alcune caratteristiche tecniche di questo prodotto possono perciò essere diverse da quelle illustrate in questo manuale o sulla scatola.

## Condizioni di Garanzia

Questo prodotto è garantito da CARSON, da difetti di fabbricazione nei materiali e lavorazioni, riscontrati nel normale utilizzo del modello, per 24 mesi dalla data di acquisto presso un rivenditore autorizzato.

In caso di prodotto difettoso durante il periodo di garanzia, recarsi con il prodotto e lo scontrino o ricevuta presso qualsiasi rivenditore CARSON. CARSON a sua discrezione, provvederà in accordo alle normative vigenti:

- (a) riparare il prodotto senza addebitare nulla ;
- (b) sostituire il prodotto con un altro uguale o di simili caratteristiche, o
- (c) rimborsare il prezzo di acquisto.

Tutte le parti sostituite o rimborsate diventano di proprietà della CARSON. Le parti nuove sostituite o riparate possono essere utilizzate per il servizio di garanzia. Le parti riparate o sostituite in garanzia sono a loro volta coperti da garanzia.

## Dalla garanzia sono esclusi:

Danni o guasti causati da eventi naturali, normale usura, abusi, incidenti, utilizzo non corretto, inosservanza delle istruzioni, montaggio non corretto, imperizia dell'utilizzatore, mancanza di manutenzione, fulmini o altri incidenti causati da eccesso di voltaggio;

Tutte le riparazioni non effettuate da personale autorizzato CARSON.

Le parti di consumo e le batterie danni estetici non funzionali trasporto, spedizione o costi assicurativi costi di ritiro del prodotto, installazioni, regolazioni e reinstallazioni. La garanzia in ogni caso è applicata in conformità alle vigenti norme nello stato dove il prodotto è stato acquistato.

## Dichiarazione di conformità

Dickie-Tamiya GmbH & Co. KG dichiara che questo modello in tutte le sue parti, radio, motore, batteria, caricabatteria, è in regola con le SEGUENTI DIRETTIVE EUROPEE: 98/37EG e 89/336/EWG Inoltre è conforme alle direttive 1999/5/EG (R&TTE).

La dichiarazione originale di conformità può essere richiesta al seguente indirizzo: Dickie-Tamiya GmbH & Co. KG • Werkstraße 1 • D-90765 Fürth

Il prodotto che avete acquistato è alimentato da batteria ricaricabile al Ni-MH. La batteria è riciclabile.

Alla fine del suo ciclo, in diverse nazioni e/o leggi locali, potrebbe essere illegale introdurla nei cassonetti della immondizia. Assicuratevi come procedure per lo smaltimento, con il



vostro locale ufficio smaltimento rifiuti.

Significato del simbolo sul prodotto, sulla confezione o nelle istruzioni per l'uso. Gli apparecchi elettrici sono prodotti riciclabili e quindi, al termine del loro ciclo di vita, non devono essere gettati tra i rifiuti domestici! Aiutateci a tutelare l'ambiente e a preservare le risorse, conferendo questo apparecchio presso i relativi centri di raccolta. Se avete domande a questo proposito, vi consigliamo di rivolgervi all'ente responsabile dello smaltimento dei rifiuti o al vostro rivenditore specializzato.

Vi auguriamo buona fortuna e buon divertimento alla guida del vostro modello Carson.

**Prima di utilizzare il vostro nuovo modello leggete attentamente queste istruzioni!**

**A WEB SITE FOR THE SERIOUS RACER**

## Contenuto

Prefazione .....	60
Contenuti del kit .....	61
Misure di Sicurezza .....	62
Articoli Necessari non compresi per la messa in moto del modello.....	63
Utensili Necessari al montaggio del modello.....	64
Il suo apparato radio 3 canali .....	64
Vista esterna del trasmettitore .....	65
Sostituzione del quarzi di frequenza.....	65
Peculiarità del trasmettitore .....	66
Telaio .....	68
a. Alimentazione.....	68
b. Controlli.....	69
c. Preparativi finali .....	69
d. Messa in strada.....	70
e. Interruttore Trasmettitore.....	71
f. Come controllare il vostro modello .....	71
g. Come cambiare la frequenza .....	72
h. Precauzioni.....	72
j. Possibili problemi .....	73
Montaggio.....	74
Ricambi.....	90
Motore.....	93

## Contenuti del kit



Trasmettitore  
(solo nella versione RTR)



Telaio

**COMPTON**  
A WEB SITE FOR THE SERIOUS RACER

## Misure di Sicurezza

### Precauzioni di sicurezza e guida operativa

Questo modello radiocomandato deve utilizzare solo miscela approvata. Evitate sempre di usare il modello in zone vietate, limitate o popolate. State lontani da strade, autostrade, persone ed animali.

Non utilizzate mai il modello in luoghi chiusi.

Prima di iniziare ad utilizzare il modello leggere attentamente queste istruzioni.

Il modello radiocomandato non deve essere mai utilizzato in luoghi pubblici o vicino al traffico.

La carrozzeria deve essere ben fissata sul modello prima della messa in moto. Aspettare che il motore e gli scarichi si siano raffreddati prima di asportare la carrozzeria, queste parti diventano presto caldi e possono causare gravi ustioni.

Non utilizzare in luoghi dove il rumore può disturbare altre persone.

Non utilizzare in zone umide, per preservare le parti elettriche ed elettroniche.

Non utilizzare durante temporali ed in presenza di fulmini. Assicurarsi che le batterie del trasmettitore e della ricevente siano completamente cariche e con la giusta tensione.

Accendere prima il trasmettitore e poi la ricevente e quando si spegne fare l'inverso, verificare che i comandi del gas/freno e dello sterzo funzionino correttamente.

Verificare nessun altro stia utilizzando la vostra frequenza, e che non vi siano delle interferenze.

Verificare il serraggio dei dadi e delle viti del modello ed usare se necessario del frena filetti.

Riempire il serbatoio di miscela e chiudere bene il tappo, asciugare la miscela fuoriuscita.

Svuotare sempre il serbatoio dopo l'utilizzo.

Utilizzare solo all'aperto o in luoghi sufficientemente aerati.

### Questo modello non è un giocattolo!

- I modelli radiocomandati non sono giocattoli, l'utilizzo di essi deve essere imparato passo passo.
- I bambini sotto i 14 anni possono guidare il modello solo sotto la supervisione di un adulto.

Guidare un modello radiocomandato è un affascinante hobby che deve essere praticato con la necessaria cautela e rispetto. Un modello radiocomandato può causare danni e ferite in caso di perdita di controllo di cui l'utilizzatore è responsabile.

Cautelatevi con una sufficiente copertura assicurativa, che vi consenta di praticare il vostro hobby in assoluta sicurezza.

Il vostro modello funzionerà bene solo se sarà tenuto in perfetta efficienza. Utilizzare solo ricambi originali e non montare mai parti non adatte.

La responsabilità del modello è direttamente di chi lo guida, per cui assicurarsi prima dell'utilizzo che tutto funzioni correttamente e che tutta la viteria sia ben stretta.

### Non iniziare a guidare prima di avere osservato I seguenti punti:

- Le batterie del trasmettitore e della ricevente siano ben cariche e del corretto voltaggio.
- Controllare sempre le operazioni radio prima di far partire il modello.
- Assicuratevi che tutti i servocomandi rispondano correttamente al segnale del trasmettitore.
- Tutte le parti del modello siano in buone condizioni ed assicuratevi della loro funzionalità.
- Dovete essere sicuri che tutte le viti siano ben strette.
- Che non ci siano altri modelli o trasmettitori nelle vicinanze che possano causare interferenze.

Accendere sempre prima il trasmettitore per evitare reazioni incontrollate della ricevente o percezione di segnali estranei.

Estraete completamente l'antenna ed assicuratevi che nessuno intorno a voi utilizzi la stessa frequenza (numero marcato sul quarzo) e che non ci siano interferenze.

Spegnere sempre prima la ricevente e quindi il trasmettitore.

Tenete il vostro modello lontano da cavi di alta tensione o antenne radio.

- Non usare mai il modello durante temporali con fulmini. Potrebbero causare malfunzionamenti elettrici - Non usare il modello in zone umide.

- Non guidare in presenza di forte vento, pioggia o temporali
- Evitate sempre di guidare il modello in zone ristrette e limitate o in aree popolate.
- State lontani da strade, autostrade, persone e animali.
- Scegliete un'area sufficientemente aperta e libera di ostacoli.
- Guardare continuamente il modello e non distrarsi.

La carrozzeria deve essere fissata correttamente al modello prima dell'utilizzo.

- Fare raffreddare tutte le componenti del motore prima di rimuovere la carrozzeria.
- Queste parti durante l'uso diventano estremamente calde e possono causare gravi ustioni.
- Assicurarsi che le batterie siano ben cariche e del corretto voltaggio.
- Quando le batterie si stanno scaricando potreste perdere il controllo del modello.

Dopo l'utilizzo rimuovere le batterie dal modello.



## Tenere la miscela in un luogo sicuro e fuori dalla portata dei bambini e di animali domestici.

- Assicurarsi che il recipiente sia ben chiuso.
- Tenere la miscela in luogo ben ventilato ed asciutto.
- Il carburante è estremamente infiammabile. Tenerlo lontano da tutte le fonti di calore, da fiamme libere, apparecchi elettrici e batterie. Non fumare nelle immediate vicinanze.
- Evitate di toccare e Assolutamente Non inalare. Leggere attentamente le avvertenze riportate sulla confezione.

Buttare il contenitore vuoto negli appositi bidoni. Non buttare il recipiente anche vuoto sul fuoco.

## A Fine Utilizzo

Dopo ogni utilizzo, verificate sempre che tutte le parti siano in perfetta efficienza, e ricordatevi che un solo particolare difettoso può causare gravi danni alle persone. Controllate periodicamente il vostro modello e sostituite le eventuali parti danneggiate solo con ricambi originali del modello.

## Vi auguriamo buona fortuna e buon divertimento con il vostro modello CARSON.

## Articoli Necessari non compresi per la messa in moto del modello:

Accendi candela  
905042



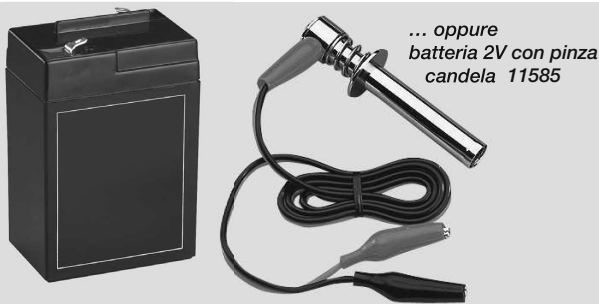
Olio Afterrun      olio filtro  
905044                      32648



Riempitore  
13330



Miscela



... oppure  
batteria 2V con pinza  
candela 11585

## Miscela CARSON

Litro	Nitrometano	Art.-No.	Utilizzo
1,0	10%	905052	Rodaggio/ principianti
1,0	16%	905053	Normale
2,5	16%	905054	Normale
1,0	25%	905055	Race
2,5	25%	905056	Race

## Candele CARSON-ROSSI

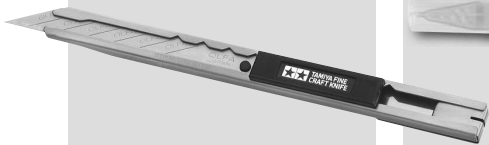
Art.No.	Articolo	Motore	Miscela	Temperature
905006	Glow plug Rossi R2 hot	2 - 3,5 ccm	senza Nitro	+0° - +15C°
905007	Glow plug Rossi R3 medium	3,5 - 6 ccm	senza Nitro	-2° - +18C°
905008	Glow plug Rossi R4 cold	6 - 10 ccm	senza Nitro	-5° - +20C°
905009	Glow plug Rossi R5 extra	3,5 - 10 ccm	10% Nitro	-7° - +22°
905010	Glow plug Rossi R6 cold	universal	10-13% Nitro	+10° - +25°
905011	Glow plug Rossi R7 cold	universal	13-15% Nitro	+15° - +30°
905012	Glow plug Rossi R8 extra cold	universal	13-15% Nitro	+20° - +40°

Per la trasmittente necessitano 8 batterie AA Stilo a secco o ricaricabili.



## Utensili Necessari al montaggio del modello

Cutter 74053



Colla istantanea 53339



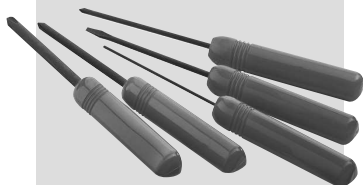
Pinze 74034



Forbici 13305



Cacciaviti esagonali mm.  
1,5/ 2 / 2,5 mm 74023



Chiave candela 13118



Pinzette 74003



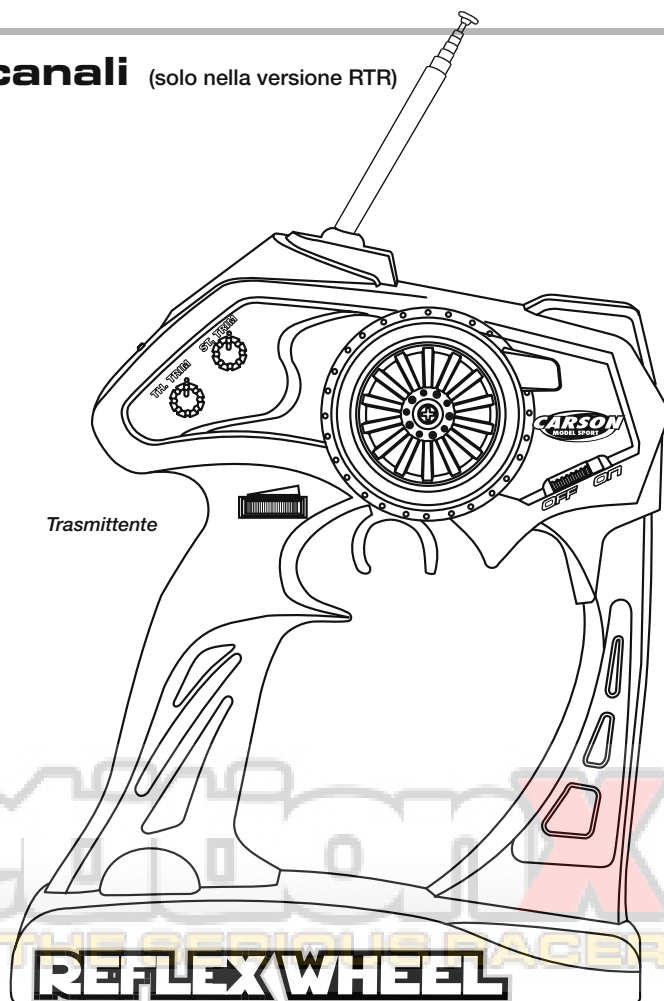
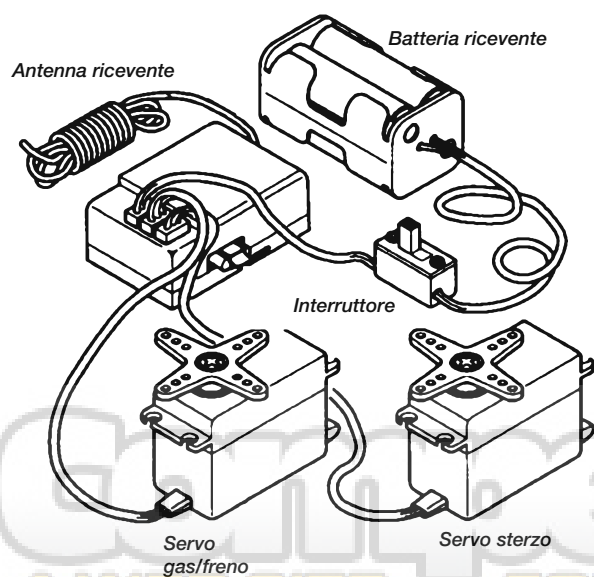
Tronchesine 74035



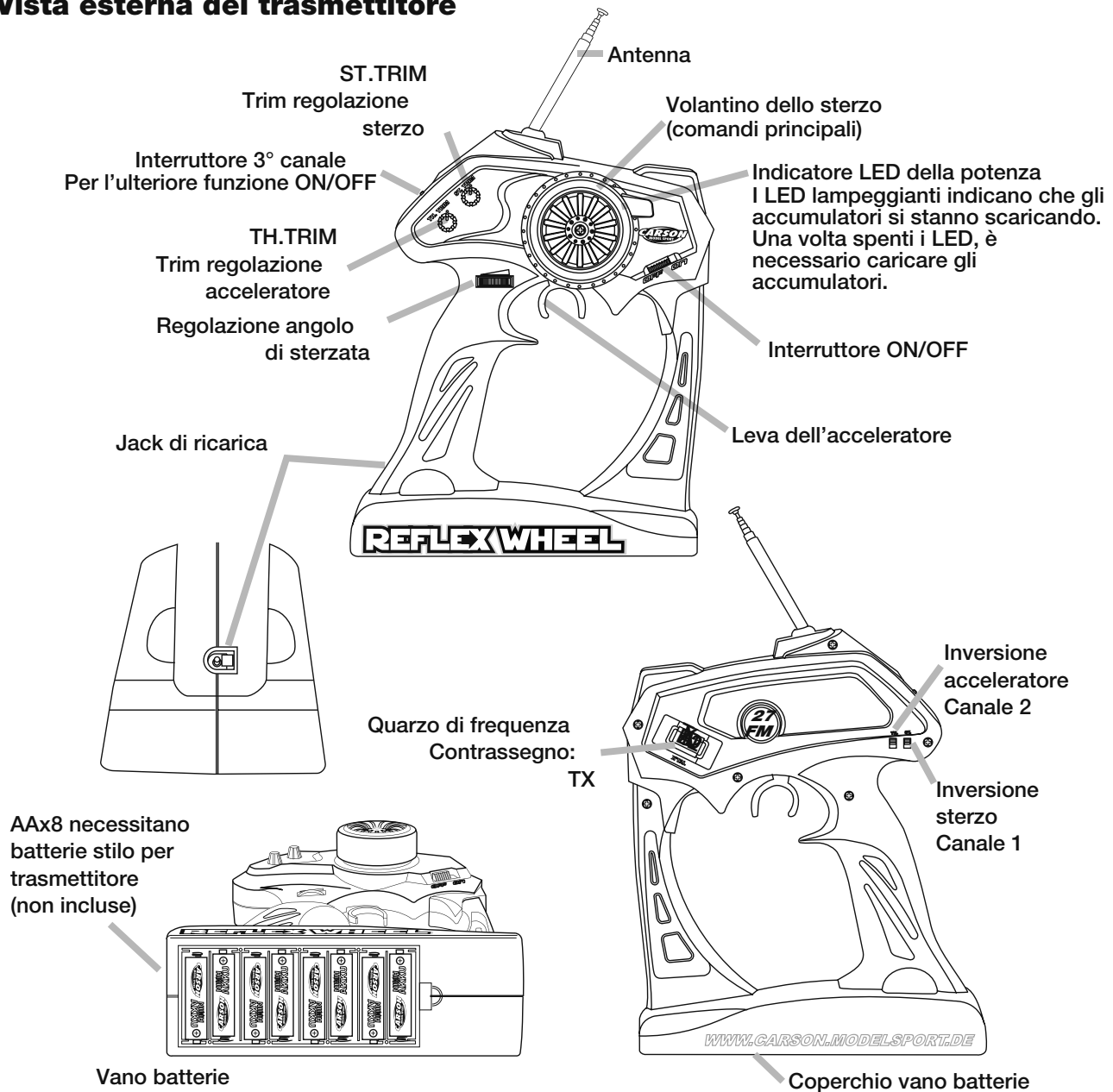
## Il suo apparato radio 3 canali (solo nella versione RTR)

Vi preghiamo di leggere le istruzioni del vostro radiocomando prima di usarlo.

I servi debbono essere regolati al centro prima di essere installati. Per regolare una posizione neutra accendere il trasmettitore e la ricevente. Regolare i trims in posizione centrale e spegnere la ricevente. I servi saranno ora regolati al centro e pronti per l'installazione.



## Vista esterna del trasmettitore



## Sostituzione dei quarzi di frequenza

### Trasmettitore

- I quarzi ad innesto sostituibili consentono di variare con rapidità e facilità la frequenza grazie all'estrazione dalla parete posteriore del trasmettitore.
- Se si utilizzano quarzi diversi da quelli CARSON, il trasmettitore potrebbe danneggiarsi e la garanzia perdere di validità.

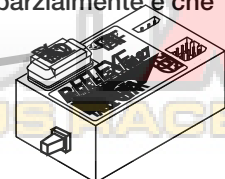
### Ricevitore

- Il quarzo sostituibile viene inserito sul lato superiore del ricevitore per consentirne una rapida sostituzione.
- Assicurarsi che il quarzo sia inserito completamente e non solo parzialmente e che non sia allentato.

Quarzo di frequenza

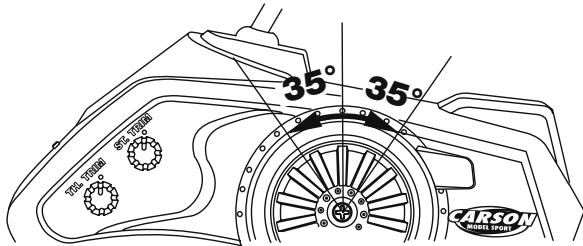
Contrassegno:

RX



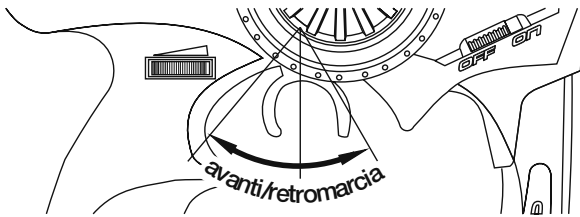
## Peculiarità del trasmettitore

### Volante del sterzo



Il volante può essere ruotato di 35° verso sinistra o verso destra.

### Leva dell'acceleratore

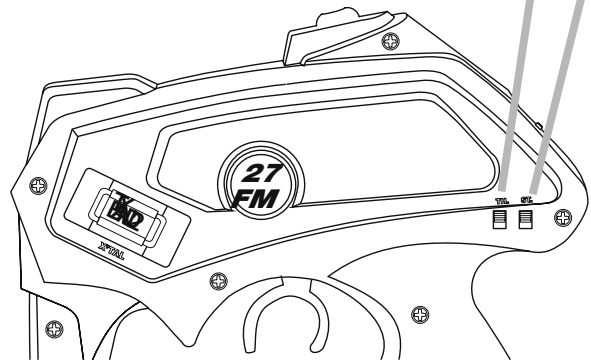


Tirare la leva dell'acceleratore per la marcia in avanti, premerla per frenare e per innestare la retromarcia.

### Inversione del senso di rotazione del servozionamento

Inversione del senso di rotazione per il servosterzo canale 1

Inversione del senso di rotazione del per il servo gas canale 2



Grazie all'invertitore del senso di rotazione, è possibile invertire il senso di rotazione dei servozionamenti. Nella posizione NOR, il servozionamento ruota in senso orario, mentre nella posizione REV ruota in senso antiorario.

### Trim dello sterzo (ST.TRIM)

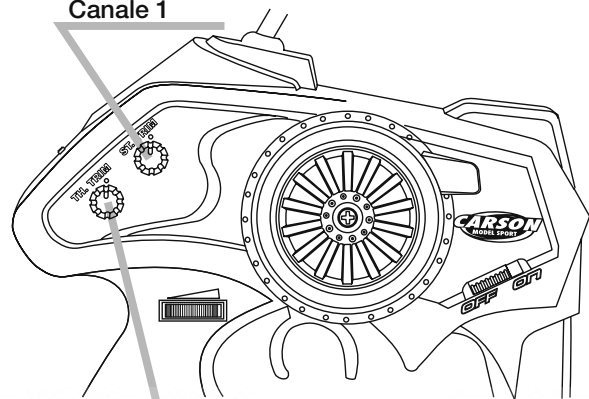
Con il trim dello sterzo (ST.TRIM) è possibile regolare l'uscita dritta senza dover inserire lo sterzo. Per montare il servosterzo, attenersi alla seguente procedura:

1. Posizionare il regolatore dell'angolo di sterzata sul valore massimo. Montare quindi il servozionamento nel modellino in modo che il meccanismo di comando funzioni alla massima potenza.
2. Se i rapporti geometrici non consentono un'angolazione completa, registrare leggermente l'angolo di sterzata. Questo potrebbe essere utile anche per corse con grandi raggi di curvatura.

### Trim regolazione acceleratore

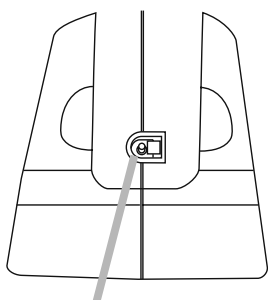
Con la leva del trim del throttle (TH.TRIM), è possibile registrare la posizione di folle dell'azionamento del gas con leva dell'acceleratore rilasciata, il minimo con il motore a combustione, motore "off" nel caso di motore elettrico.

Trim dello sterzo  
Canale 1



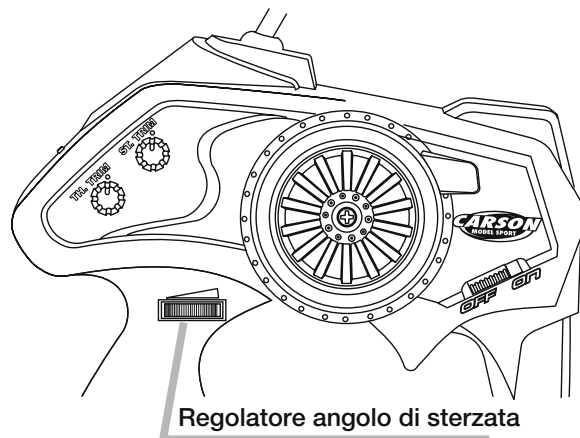
Trim regolazione acceleratore  
Canale 2

## Jack di ricarica



Jack di ricarica

## Regolatore angolo di sterzata

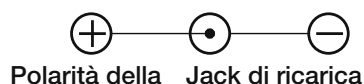


Regolatore angolo di sterzata

**ATTENZIONE:** l'interruttore ON/OFF deve trovarsi nella posizione "OFF" durante la carica. Utilizzare di volta in volta un caricabatteria adatto per accumulatori a nickel-cadmio (Ni-Cd) o nickel-metallo-ibrido (NiMH), 2x N° art. 54010 o simili. L'utilizzo di batterie di tipo diverso comporta il rischio di esplosione con possibilità di danni a persone e cose. Non cercare di ricaricare le batterie alcaline!

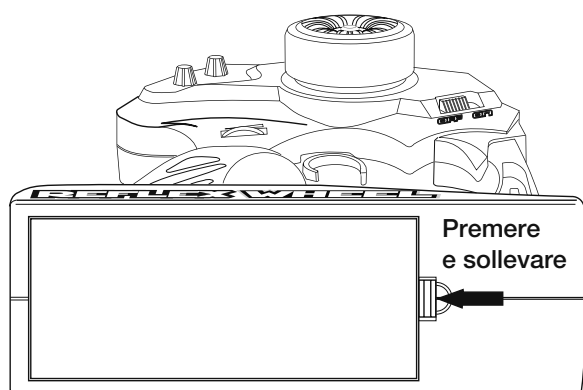
Gli angoli di sterzata possono essere regolati in modo sincrono nelle due direzioni su un valore di ca. 10~100%.

Il regolatore può essere ruotato di 300°. L'angolo di sterzata aumenta se il regolatore viene ruotato verso destra e diminuisce se il regolatore viene ruotato verso sinistra.

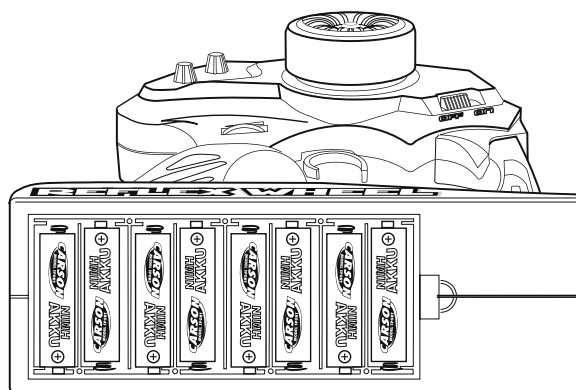


Polarità della Jack di ricarica

## Sostituzione delle batterie del trasmettitore



Premere e sollevare

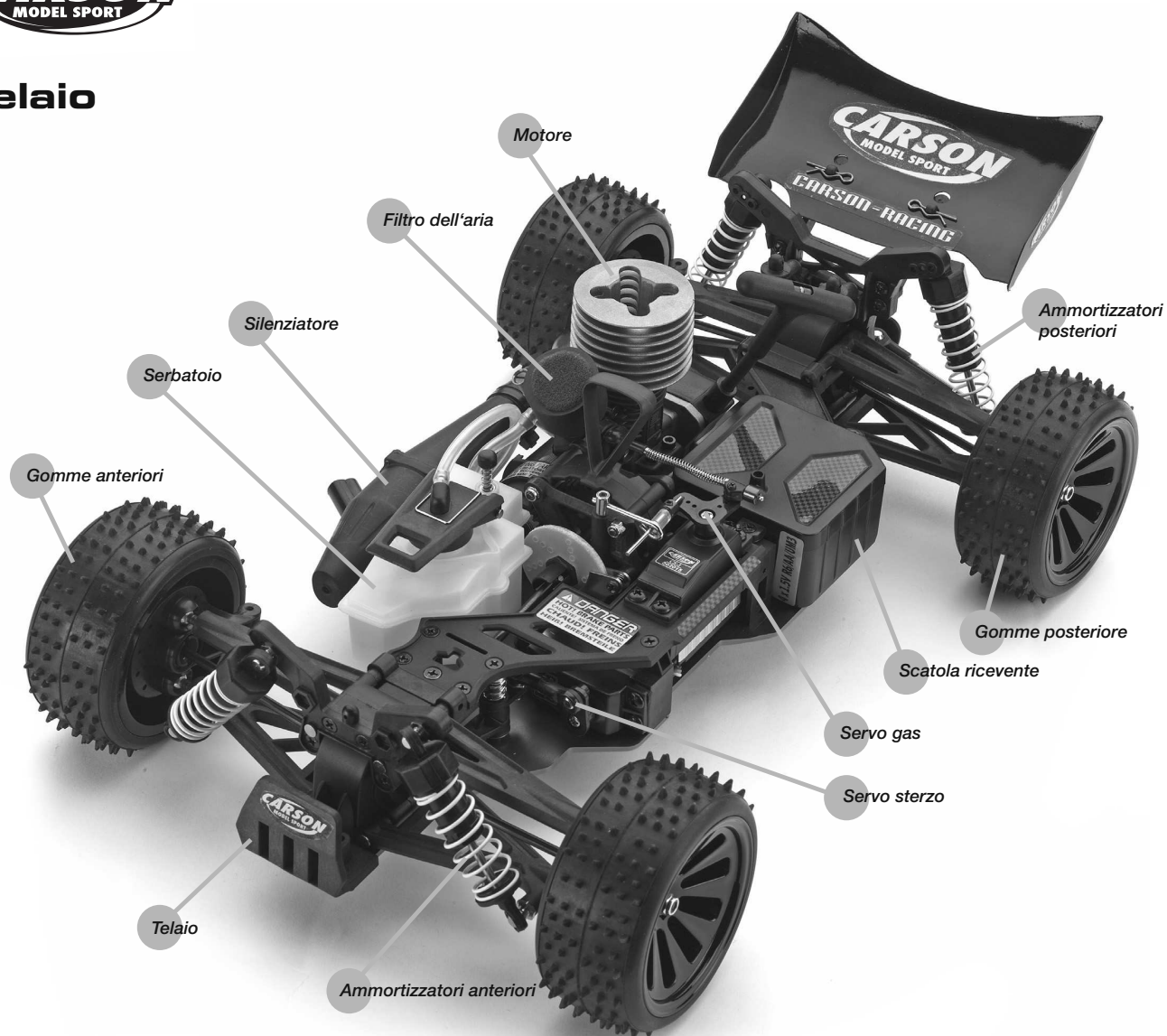


• Per aprire il vano batterie, premere la linguetta dello stesso verso il centro e sollevare il coperchio di chiusura.

Attenzione: le batterie potrebbero cadere una volta rimosso il coperchio. Se la spia di controllo non si accende, controllare i contatti, in

particolare quelli negativi (-), e verificare il corretto posizionamento delle batterie. Utilizzare solo batterie completamente cariche. Non mescolare batterie o accumulatori di tipo diverso oppure batterie con uno stato di carica differente.

## Telaio



### a. Alimentazione

Inserire 4 batterie tipo "AA" nel porta batterie della ricevente come da foto. Assicuratevi di posizionare le batterie con la giusta polarità, positivo (+) e negativo (-). Quindi collegate la spina della batteria con la spina dell'interruttore. Il nero con il nero ed il rosso con il rosso. Riposizionate il vano batterie.

Consiglio: Utilizzate delle batterie ricaricabili. Hanno una buona durata e si ammortizzano in breve tempo. Sostituire il porta pile con il nostro pacco batterie 6V NiMh 1100 mAh (codice 608036 JR) (codice 608037 bec)

**Immagine 1**



**CompetitionX**  
A WEB SITE FOR THE SERIOUS RACER

## b. Controlli

Ora potete accendere il vostro modello utilizzando l'interruttore on/off posizionato sulla scatola radio. Accendere sempre prima il trasmettitore e dopo la ricevente. Controllate sempre le regolazioni prima di accendere il modello!

Controllate che lo sterzo sia centrato. Se non lo fosse, usate il pomello ST-TRIM a sinistra del volantino di comando sterzo. Girando il volantino verso sinistra il modello deve girare a sinistra e girando a destra il modello deve andare a destra.

Consiglio: Leggere attentamente il manuale della vostra radio per effettuare le regolazioni avanzate.

Adesso bisogna regolare l'acceleratore in posizione neutra.

Rimuovere il filtro dell'aria.

L'apertura della ghigliottina deve essere molto ridotta, da 1 a 1,5 mm per permettere al motore di girare al minimo.

Se è molto più aperta il motore rimarrà accelerato anche con il freno azionato, provocando una più rapida usura sia delle pastiglie dei freni che della frizione, creando difficoltà di guida del modello. Quindi utilizzate se necessaria la regolazione del trim TH-TRIM per mettere il servo in posizione neutra. In questa posizione neutra il freno non deve essere bloccato.

Se necessita agite con chiavetta esagonale da 1,5 mm. sul collarino della leva freno. Rimontare il filtro aria quando avete finito le regolazioni.

Immagine 2

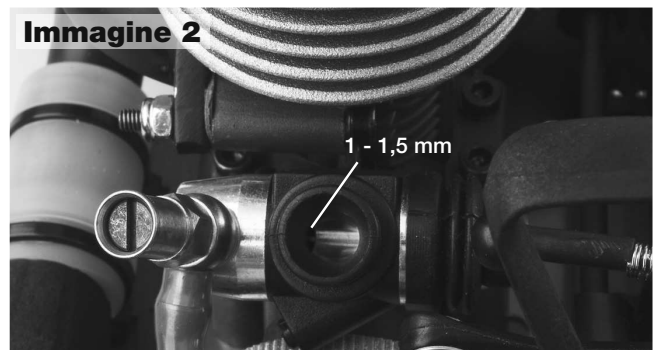
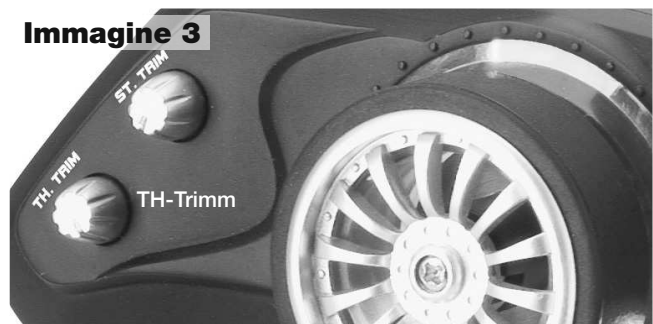
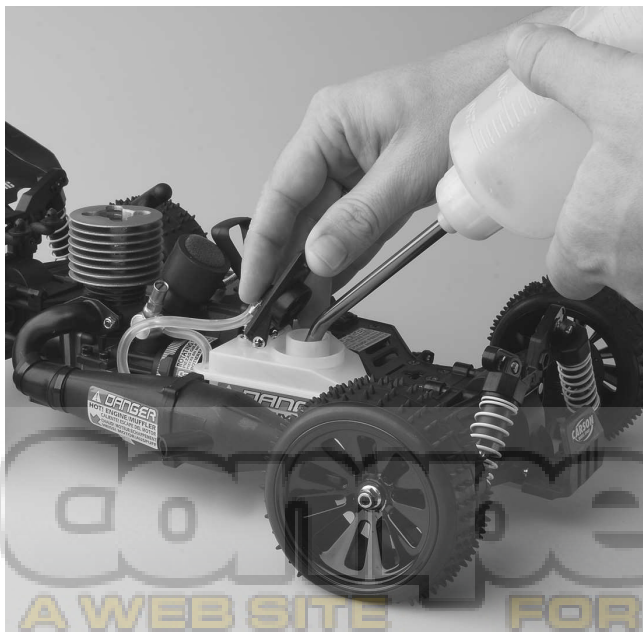


Immagine 3



## c. Preparativi finali

Assemblare il riempitore miscela. Per riempire di miscela il riempitore, bisogna comprimerlo ed immergerne il beccuccio nel contenitore della miscela. Lasciare decomprimerlo e si riempirà di miscela. Riempite il serbatoio premendo dolcemente sul riempitore ed assicurarsi a fine riempimento che il tappo sia ben chiuso.



### Consiglio 1:

La miscela durerà più a lungo se tenuta in luogo fresco, asciutto ed al buio.

### Consiglio 2:

Non lasciare più di 10 secondi la pipette candela collegata alla candela. Un tempo superiore né può causare la bruciatura prematura del filamento. Per una maggiore durata utilizzate una pipette candela ricaricabile.

### Consiglio 3:

Per l'avviamento utilizzare appositi guanti ignifughi!

## d. Messa in strada!

Un buon rodaggio del motore, assicura buone prestazioni e lunga vita al vostro motore. Assolutamente: **NON SALTATE QUESTA PARTE!**

Il motore è già regolato per il rodaggio. Posizionate il modello su un supporto in maniera che le ruote siano libere di muoversi. Assicuratevi che il gas sia in posizione neutra. Collegate la pipetta candela alla candela e date una tirata secca. Non tirate più di 25 cm! Se esagerate si può rompere la corda. E' meglio dare molti strappetti corti che uno ampio, non è una motosega!

Se la corda si arrotola, girate con le dita il volano. Questo movimento fa raccogliere la cordicina dello strappo.

Dopo poche tirate, il motore si avvierà emettendo abbastanza fumo.

Se il motore regolato così grasso fa fatica a tenere il minimo, girate la regolazione del minimo di 1/8 di giro alla volta in senso orario.

**Immagine 4**



Così aumenterete il minimo e farete un buon rodaggio.

Effettuate queste operazioni in un'area ben ventilata, magari sul marciapiede di casa. L'olio della miscela non bruciato si depositerà sotto la vostra marmitta. Continuate questo rodaggio per 2/3 serbatoi completi, controllando la temperatura ogni 2 minuti. Aspettate 10/15 minuti da un serbatoio all'altro per permettere al motore di raffreddarsi. Toccando con la punta delle dita la testa del motore, dovrà essere calda, ma non bollente. Se vi sembra troppo calda, ingrassate leggermente girando sempre di 1/8 di giro. Fate sempre delle piccole regolazioni, quando andate intorno alla carburazione.

### Consiglio 1:

Regolazioni alla fabbrica del carburatore:

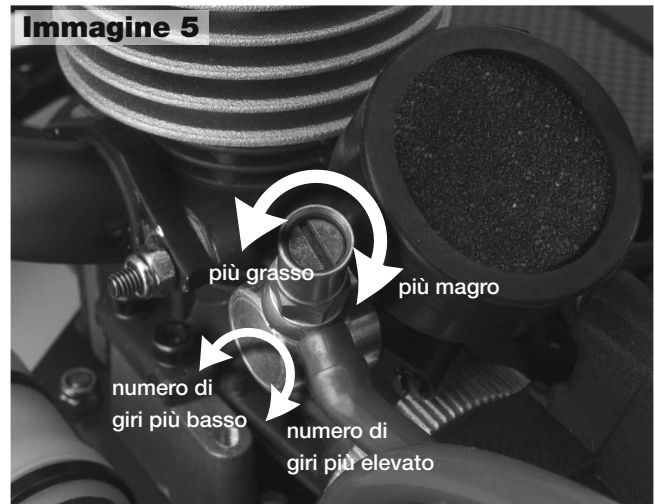
Con queste regolazioni di base già effettuate dalla fabbrica, il motore si avvierà immediatamente e sarà ben regolato, le regolazioni sono effettuate per una temperatura esterna di 8 gradi. Se le temperature esterne sono più alte usare una carburazione più grassa.

Ci raccomandiamo di toccare le regolazioni solo se necessarie, ed all'occorrenza farsi aiutare da un amico più esperto.

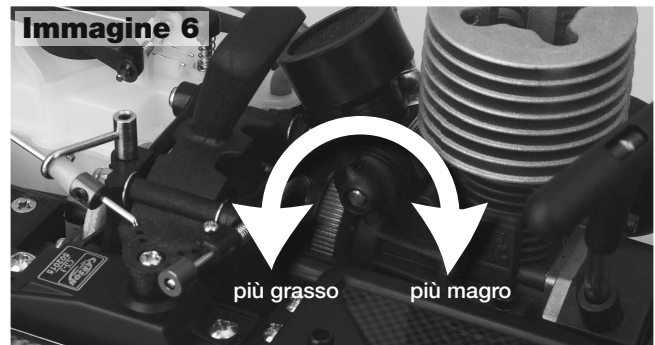
- Vite di arresto ghiottina: approssimativamente 1 mm. di apertura
- Spillo del massimo: serrarlo completamente e poi aprire di 4 giri completi
- Spillo del minimo: portarlo rasente alla leva del gas e fare un giro completo in senso orario

Dopo avere effettuato il rodaggio l'apertura dello spillo del massimo deve essere ridotta a 3 giri e 1/4.

**Immagine 5**



**Immagine 6**



### Consiglio 2:

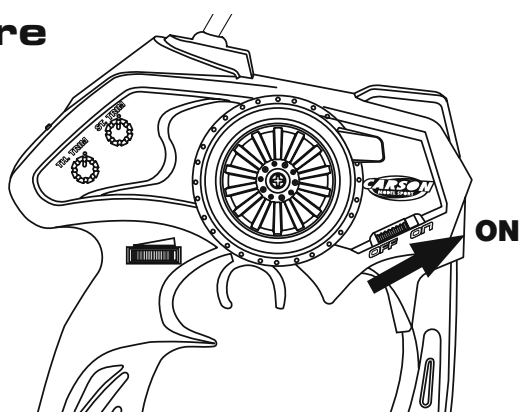
Durante questa fase guidate il modello evitando lunghe accelerazioni. Gradualmente smagrite sempre con piccole regolazioni di 1/8 di giro. Smagrendo il minimo si alzerà.



## e. Interruttore Trasmettitore

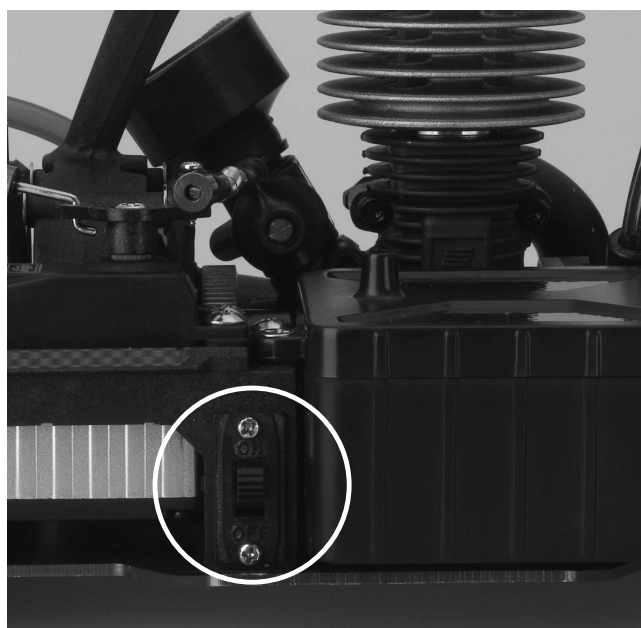
Estrarre l'antenna del trasmettitore completamente.  
La gittata del radiocomando si riduce notevolmente se non estraete completamente l'antenna.

ATTENZIONE! Accendere sempre prima il trasmettitore!



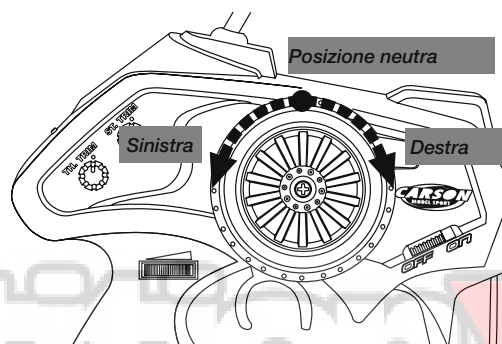
## Interruttore della ricevente

- L'interruttore della ricevente è dentro la scatola di protezione.
- Inserire l'antenna della ricevente nell'apposita guaina flessibile (vedi pagina 82).
- Montate la carrozzeria e fissatela con le clips in dotazione.



## f. Come controllare il vostro modello

- Alzare le gomme da terra e controllare che i comandi rispondano.
- Girate il volantino dello sterzo a destra e a sinistra. Le ruote devono sterzare seguendo i comandi.
- Se le ruote girano in modo inverso, invertite i Reverse del servo (ST in posizione REV).
- Per regolare la velocità agire sulla leva del gas/freno indietro (per andare avanti ed accelerare) e/o in avanti (per frenare o andare in retromarcia)



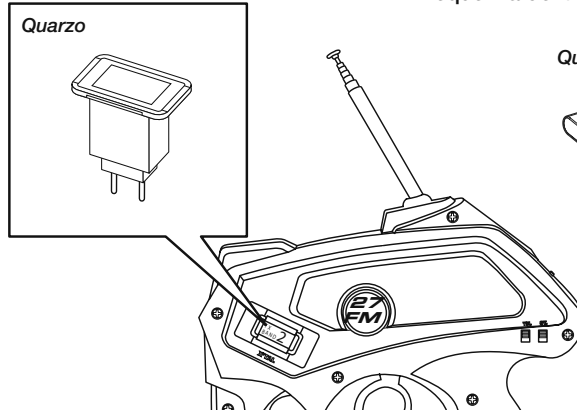
**COMpetition X**  
A WEB SITE FOR THE SERIOUS RACER

## g. Come cambiare la frequenza

### Trasmittitore

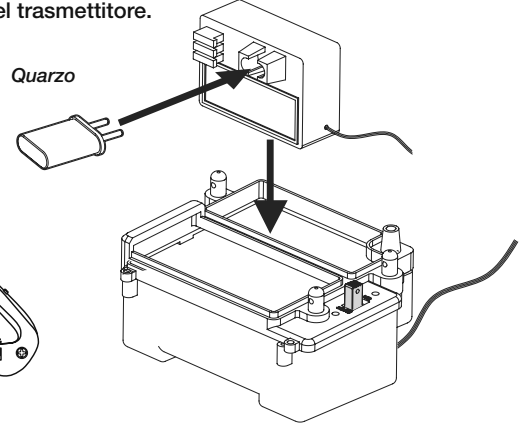
E' possibile sostituire il quarzo semplicemente sfilandolo dal suo alloggiamento nel retro del trasmettitore e inserendone un altro.

Assicurarsi che i quarzi del trasmettitore e della ricevente siano della stessa frequenza.



### Ricevente

Per un rapido cambio di frequenza sfilare il quarzo ricevente e sostituirlo con un altro, avendo cura che sia della stessa frequenza del trasmettitore.



## h. Precauzioni

La non esecuzione di un buon rodaggio, e/o il danneggiamento causato da parti Tuning invalideranno la garanzia sul motore.

Ci sono 2 metodi per provare la temperatura del vostro motore. Consigliamo l'acquisto del nostro termometro a infrarossi „Temp-Check“ con il numero di articolo 908072. Acquistare una sonda termica. La seconda meno costosa, ma anche meno accurata è la tecnica della saliva. Mettere un po' di saliva sulla testa del motore e dovrebbe evaporare in 3/4 secondi.

Se evapora immediatamente può voler dire che il motore sta scaldando troppo. Il motore gira bene e si riavvia facilmente se non supera i 100/125 gradi di temperatura. A seconda della temperatura, della densità dell'aria, umidità, il carburatore va regolato di conseguenza. Fare delle piccole regolazioni è sempre la cosa migliore, per far durare più a lungo il vostro motore. Il surriscaldamento è causato da una regolazione troppo magra, o da un utilizzo in condizioni critiche. Questo surriscaldamento può danneggiare le parti interne del motore. Ci sono molti accorgimenti che potete usare per fare durare più a lungo il vostro motore, e potete guidare il vostro modello per molte ore. Per spegnere il motore ci sono 2 sistemi. Il primo metodo è quello di chiudere con un dito lo scarico. Assicuratevi che il motore sia al giusto minimo e con il freno attivato.

### Fine utilizzo

Per spegnere il motore ci sono 2 sistemi. Il primo metodo è quello di chiudere con un dito lo scarico. Assicuratevi che il motore sia al giusto minimo e con il freno attivato.

Il secondo metodo consiste nel tappare il filtro dell'aria, quindi facendogli mancare ossigeno.

Non strozzare mai il tubetto miscela, può causare un surriscaldamento del motore. Nel caso si lasci consumare tutta la miscela contenuta nel serbatoio, il motore si spegnerà da solo.

Applicare dall'apertura del carburatore un olio "after run" e dare dei colpetti con lo strappo, in maniera da metterlo in circolo. Questo passo è necessario se non utilizzate la macchina per più di un giorno, in quanto il metanolo evaporando lascia dei

Immagine 7



residui di acqua che sono dannosi per il motore. E' consigliabile controllare sempre che tutte le viti ed i dadi siano ben stretti ed ove necessario applicare del frena filetti. Mantenere la macchina pulita aiuta anche a lavorarci intorno. Per pulire si può utilizzare un compressore ad aria, o appositi prodotti spray o a pennello.

Controllare sempre le batterie del trasmettitore e della ricevente prima di mettere in funzione il motore.

Immagine 8



### Consiglio:

Indossare appositi guanti quando il motore è caldo!

## i. Possibili problemi

Leggere queste avvertenze prima che si verifichino!

### Il motore non parte

Motore ingolfato. Troppa miscela nel motore	Smontare la candela, tirare lo strappo 6-8 volte, attenzione agli spruzzi di miscela.	Serbatoio vuoto/ non arriva miscela al motore	Riempite il serbatoio. Tappare con un dito lo scarico e fare l'avviamento con lo strappo.
Candela bruciata	Smontare la candela, collegarla alla pipetta candela. Se rimane nera vuol dire che è bruciata, se diventa arancio è ancora buona.	Surriscaldamento	Se il motore è molto caldo si può bloccare, quindi lasciare raffreddare per 5/10 minuti.
Alimentatore candela scarico:	Montate una candela nuova. Se non si accende, cambiate la pipetta candela o sostituite la batteria.		

### Calo di prestazioni del motore

Surriscaldamento	Controllare la temperatura. Se supera 150 gradi, ingrassare la carburazione. Assicuratevi che le ruote girino senza impedimenti.	Filtro aria sporco	Lavarlo con acqua e sapone, quindi imbevvelo con l'apposito olio per filtri. (Nr. 32648)
Tubetto presa di pressione staccato	Ricollegare la presa di pressione della marmitta al serbatoio.	Carburatore lento	Controllare il dado bloccaggio carburatore. Spingere il carburatore nell'apposita sede e stringere bene il dado per evitare bolle d'aria.

### Difficoltà di controllo, Interferenze

Batterie scariche o danneggiate	Le batterie del trasmettitore debbono essere completamente cariche. Se i servi si muovono lentamente si stanno scaricando le batterie della ricevente	Il modello non si muove	Il trasmettitore o l'interruttore del modello non è acceso. Errata polarità o batteria sbagliata. Le batterie sono esaurite
Regolazioni trasmettitore sbagliate	Controllare le istruzioni di regolazione del radiocomando.	Non va dritto	Il trim dello sterzo non è regolato bene I dadi bloccaggio ruote anteriori e posteriori sono troppo serrati
Antenna trasmittente non completamente estratta	Estrarre l'antenna in tutta la sua lunghezza.	Non frena	Il trim del freno non è regolato bene
Perdita del controllo	Nelle vicinanze qualche modello sta usando la stessa frequenza.	Va piano	Il motore ha perso potenza I dadi bloccaggio ruote posteriori sono troppo stretti. C'è sporco o corpi estranei negli ingranaggi

**Competition X**  
A WEB SITE FOR THE SERIOUS RACER

105172

105131

105172

105118

105149 10x5x4 mm

**Tuning Tipp**

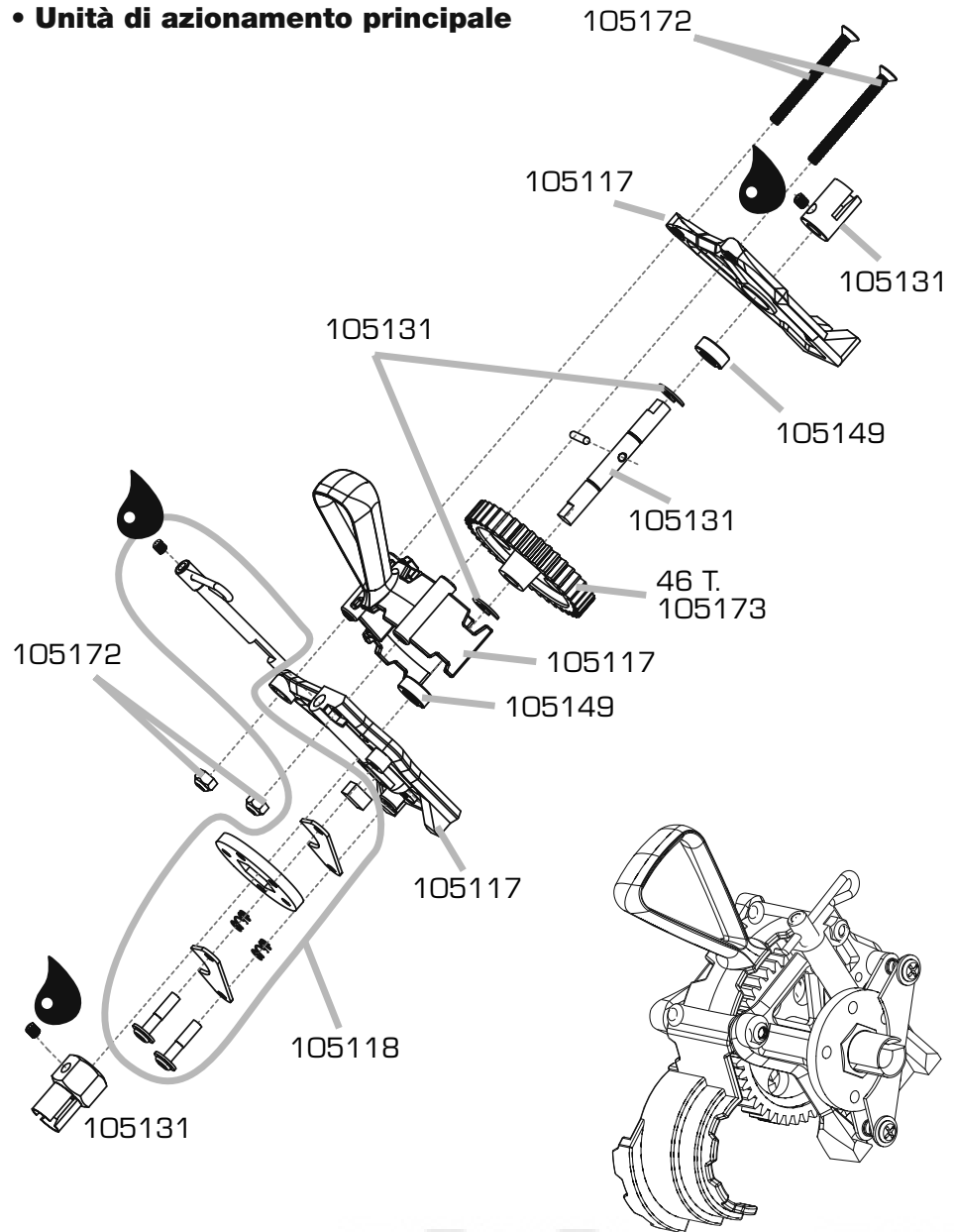
Silicon-Oil  
Silikonöl/  
Getriebeöl 908052-55



908052 Silicon Oil 50 ml 1000  
908053 Silicon Oil 50 ml 3000  
908054 Silicon Oil 50 ml 5000  
908055 Silicon Oil 50 ml 7000

**Assembly • Montageanleitung •  
Assemblage • Montaje • Montaggio**

**1  
Main Gear Unit • Hauptantriebseinheit  
• Unité d'entraînement principale  
• Unidad de accionamiento principal  
• Unità di azionamento principale**



Montage




Liquid screw lock • Schraubensicherungslack • Frein filet •  
Líquido fijatornillos • Liquid screw lock



Grease • Fett • Graisse  
Grasa • Grease



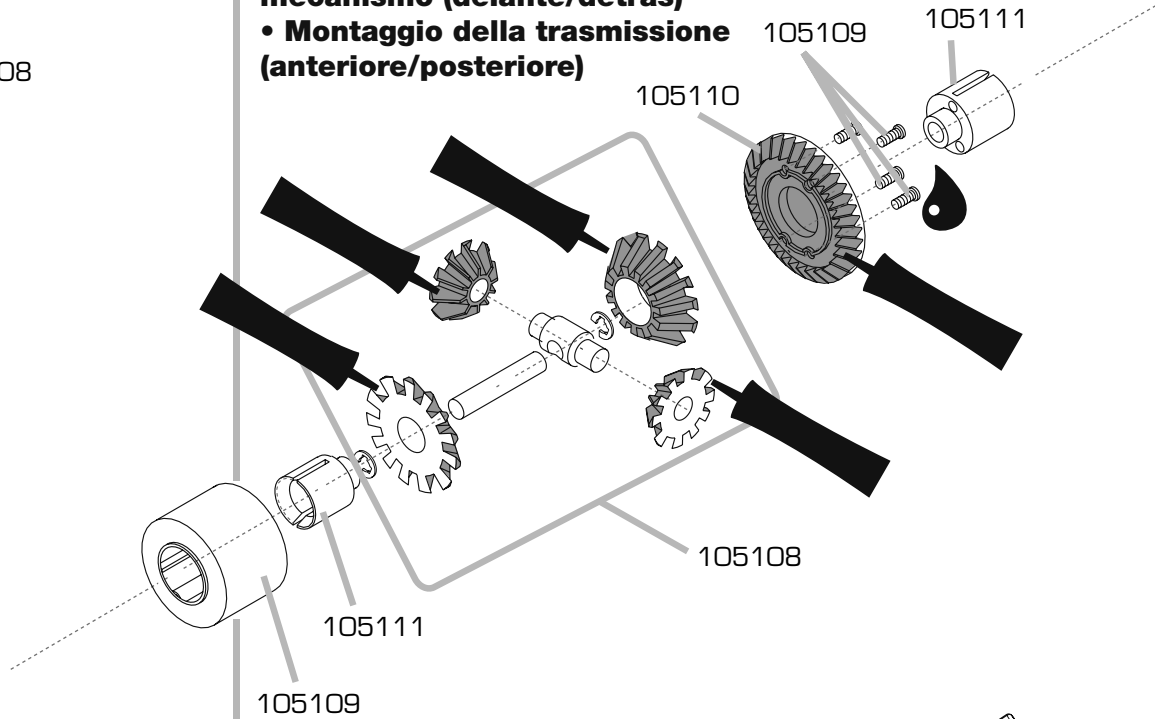
Silicon Oil • Silikonöl • Huile silicone • Aceite de silicona • Silicon Oil

 105109 3x10 mm

 105108


**2**


**Gear box assembly (front/rear) • Montage des Getriebes (vorne/hinten) • Montage de l'engrenage (avant/arrière) • Montaje del mecanismo (delante/detrás) • Montaggio della trasmissione (anteriore/posteriore)**

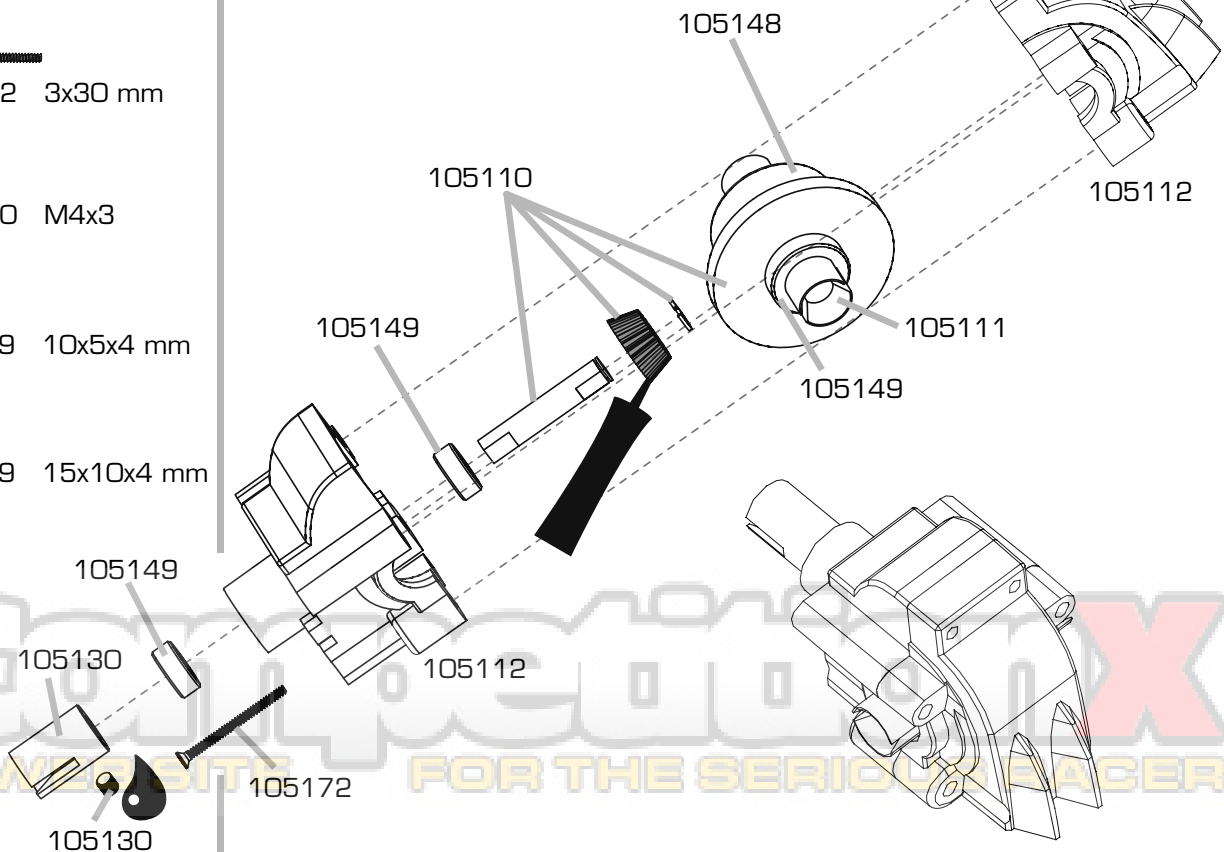


 105172 3x30 mm

 105130 M4x3

 105149 10x5x4 mm

 105149 15x10x4 mm



Montage

### 3

#### Suspension assembly (front/rear)

- Montage der Aufhängung (vorne/hinten)
- Montage de la suspension (avant/arrière)
- Montaje de la suspensión (delante/detrás)
- Montaggio delle sospensioni (anteriore/posteriore)



105149 10x5x4 mm



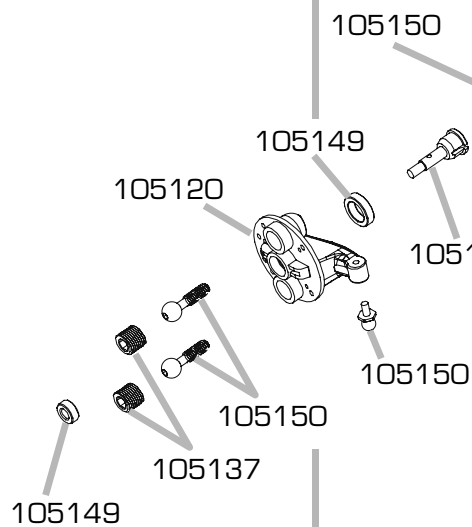
105149 15x10x4 mm



105150

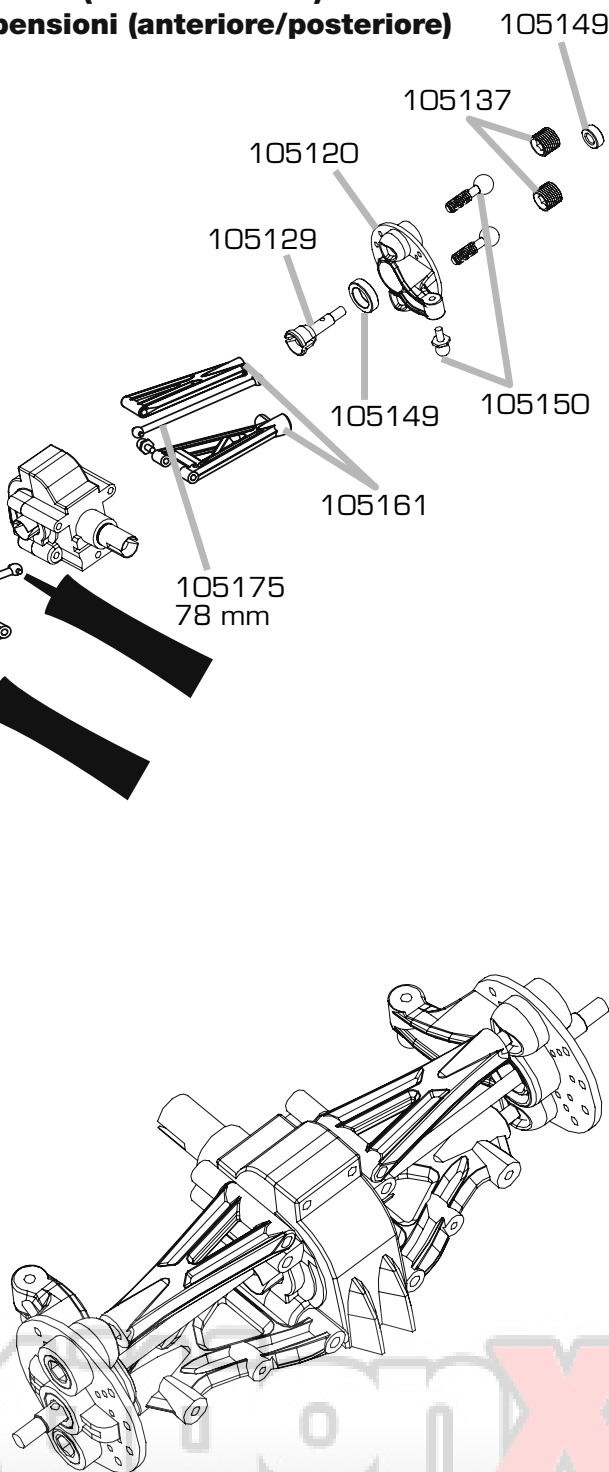


105137



105175  
78 mm

105175  
78 mm

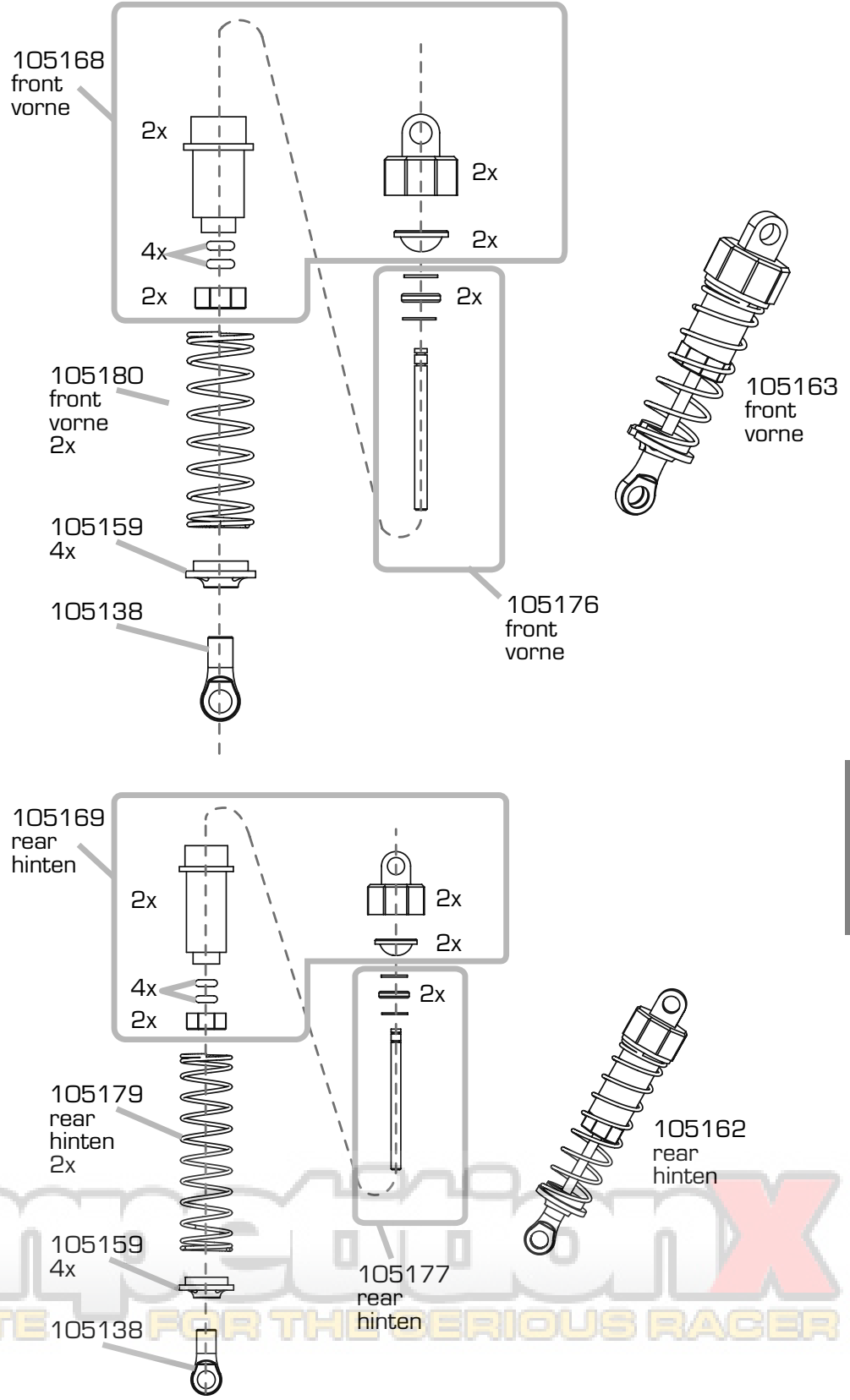


Montage

**Competition X**  
A WEB SITE FOR THE SERIOUS RACER

# 4

## Shocks • Stoßdämpfer • Amortisseur • Amortiguadores • Ammortizzatori



Montage

### Tuning Tipp

Kit:	Oil öl
Tuning: Silicon Oil Silikonöl	
908048	Silicon Oil 50 ml 300
908049	Silicon Oil 50 ml 400
908050	Silicon Oil 50 ml 500
908051	Silicon Oil 50 ml 600

105172 M3x3

105135

105172 3x40 mm

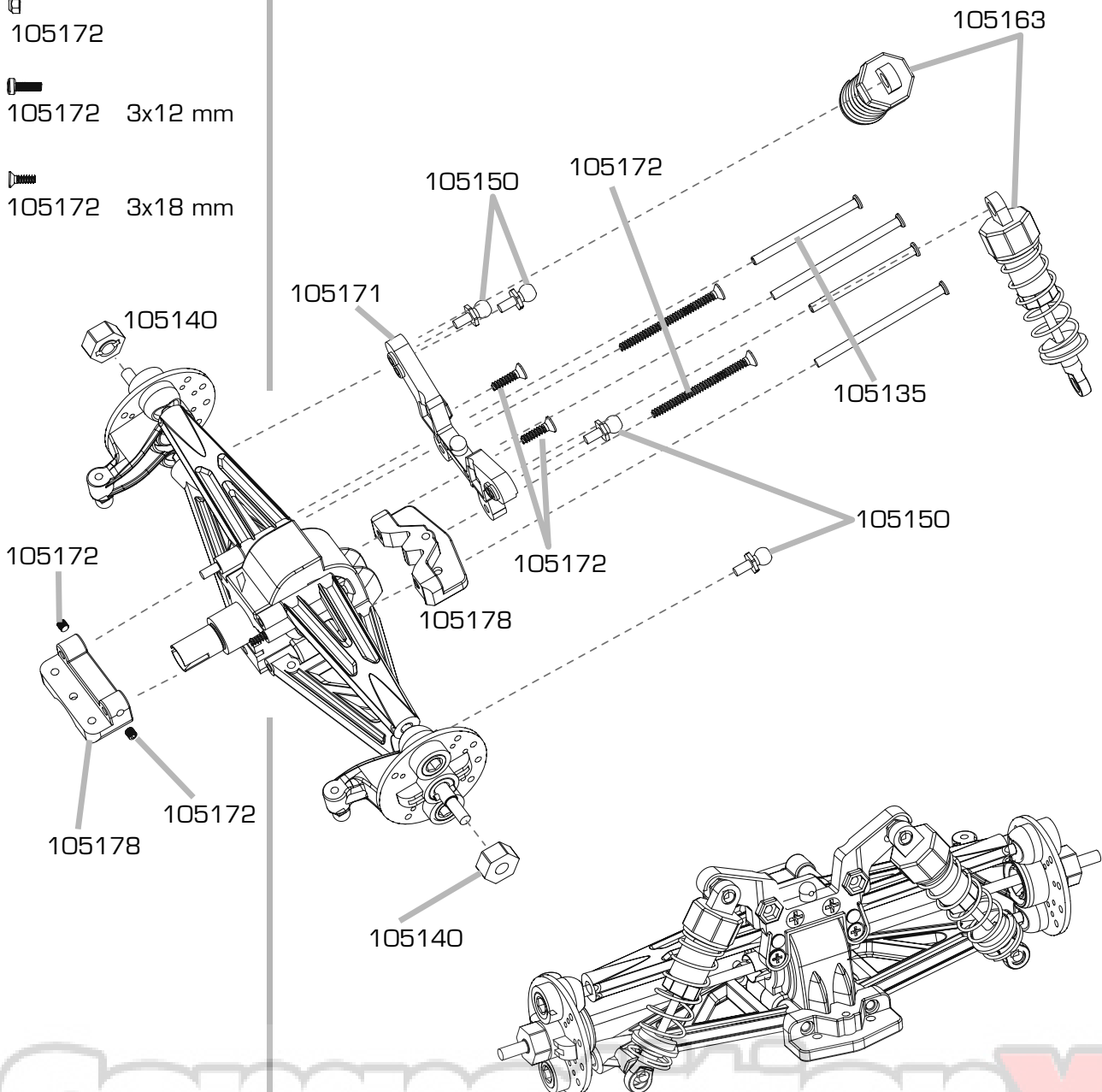
105172

105172 3x12 mm

105172 3x18 mm

## 5.1

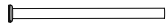
**Front Absorber Bridge • vordere Dämpferbrücke • Support d'amortisseur avant • Soporte de amortiguadores delantero • Attacco Ammortizzatore Anteriore**





**Competition X**  
A WEB SITE FOR THE SERIOUS RACER




 105172 3x40 mm

 105135

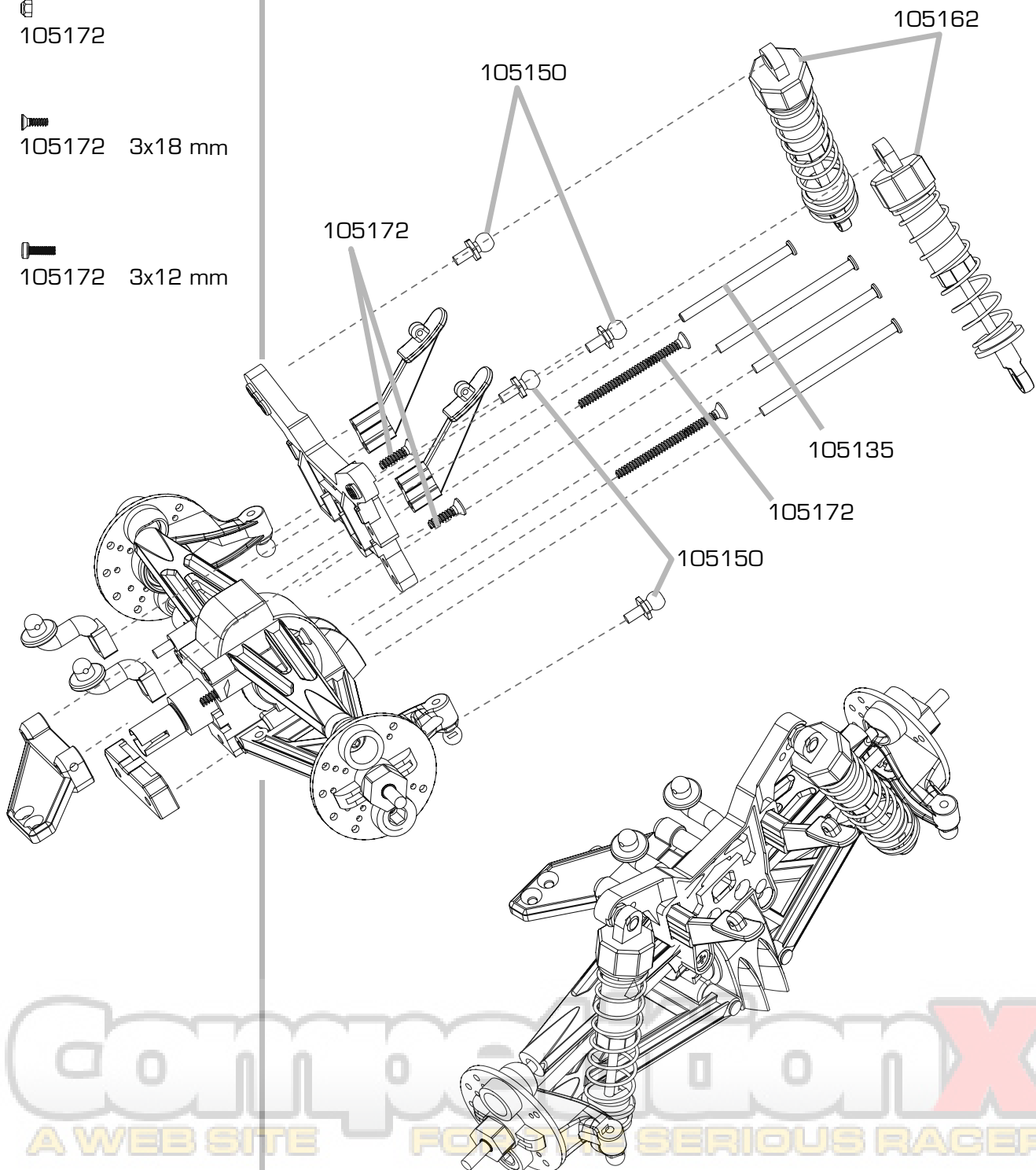
 105172

 105172 3x18 mm

 105172 3x12 mm

## 5.2

**Rear Absorber Bridge • hintere Dämpferbrücke • Support d'amortisseur arrière • Soporte de amortiguadores trasero • Attacco Ammortizzatore Posteriore**



Montage

**Competition X**  
A WEB SITE FOR SERIOUS RACER



# 7

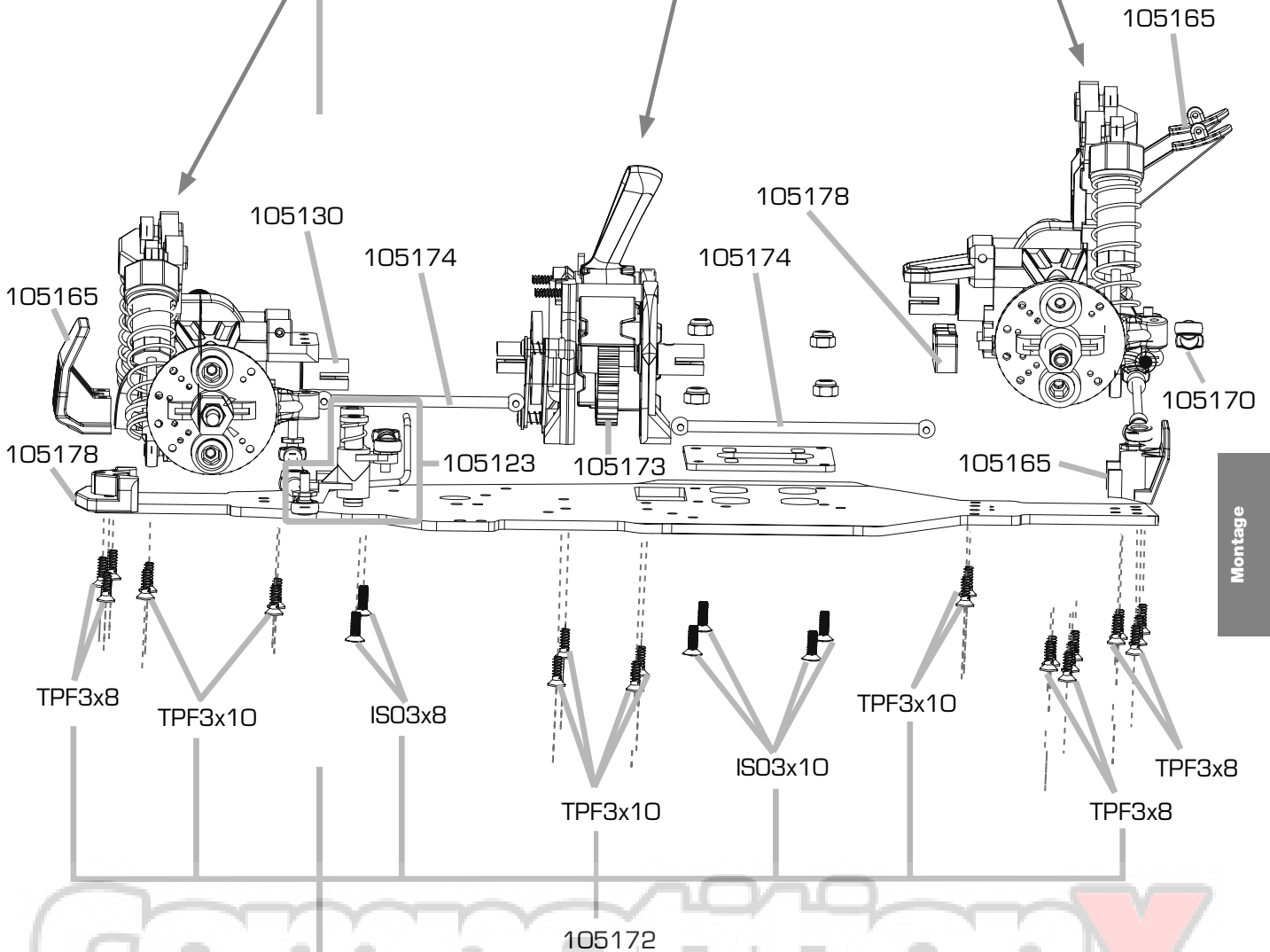
## Assembly onto the chassis • Montage der Baugruppen auf das Chassis • Montage des groupes sur le châssis • Montaje de los módulos sobre el chasis • Montaggio dei gruppi sullo chassis

- 105172 TPF3x8
- 105172 TPF3x10
- 105172 ISO3x8
- 105172 ISO3x10


Front suspension  
Vorderachse  
Essieu avant  
Eje delantero  
Assale Anteriore


Main gear unit  
Hauptantriebseinheit  
Unité d'entraînement principale  
Unidad de accionamiento principal  
Unità di azionamento principale


Rear suspension  
Hinterachse  
Essieu arrière  
Eje trasero  
Assale Posteriore




**Competition X**  
A WEB SITE FOR THE SERIOUS RACER

 105172 TT3x10

 105172 TPF3x12

 105172 TPF3x8

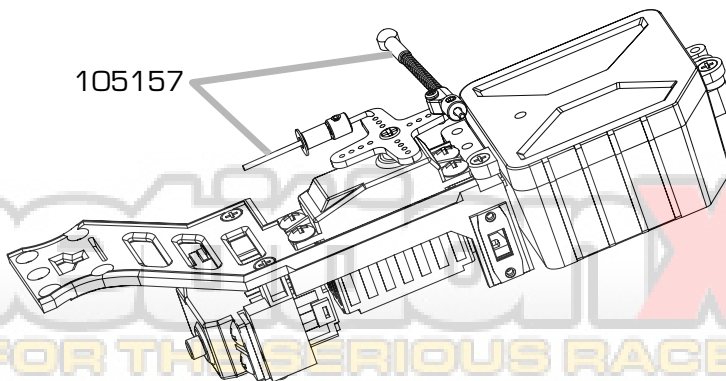
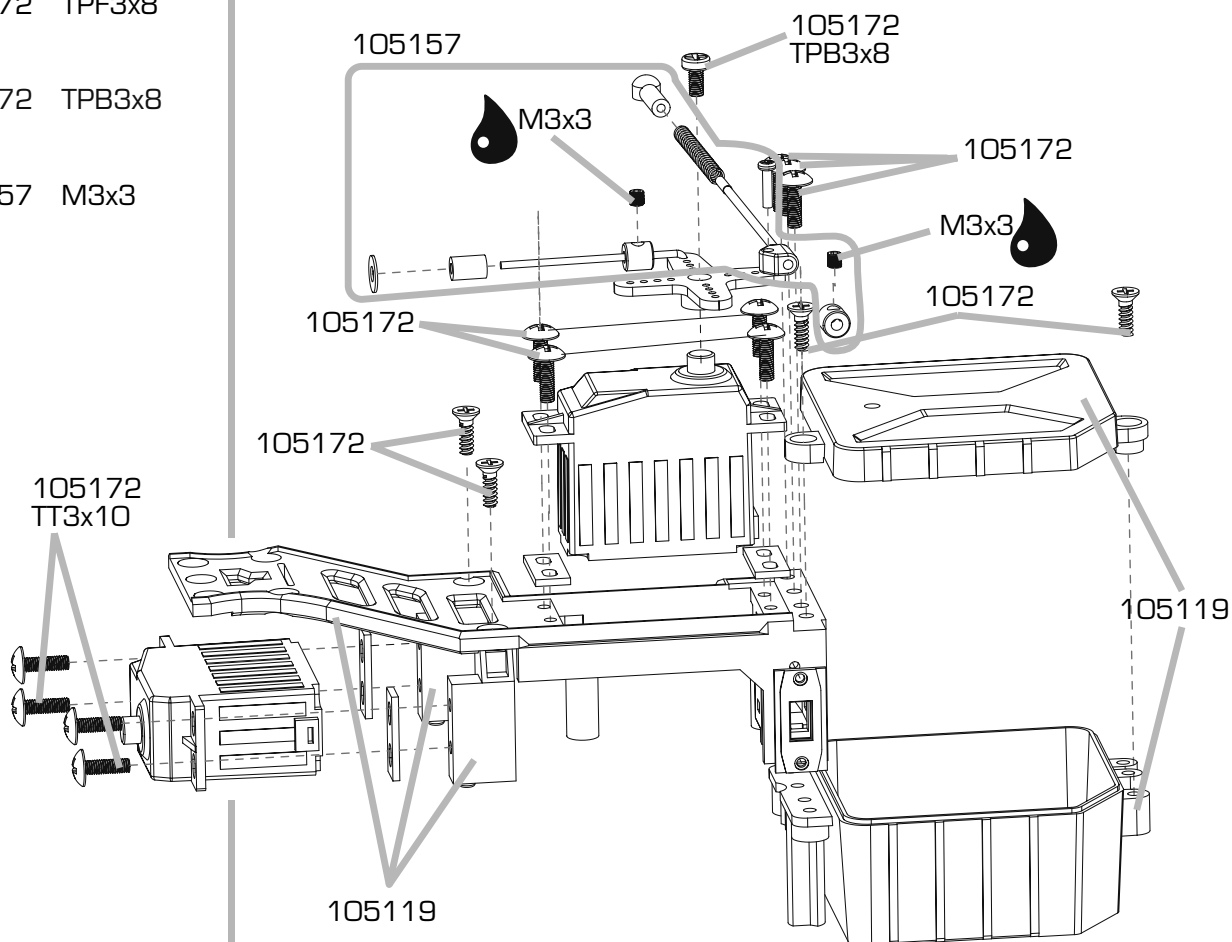
 105172 TPB3x8

 105157 M3x3

## 8


### Steering and throttle servo with rods


- Lenk- und Gas/Bremsservo mit Anlenkung
- Servo de direction et gaz/freins avec articulation
- Servo de gas/freno y direccional con guía
- Servosterzo, servo gas e servofreno con comando



Montage

COMPETITION  
A WEB SITE FOR THE SERIOUS RACER

 105172 TPF3x8

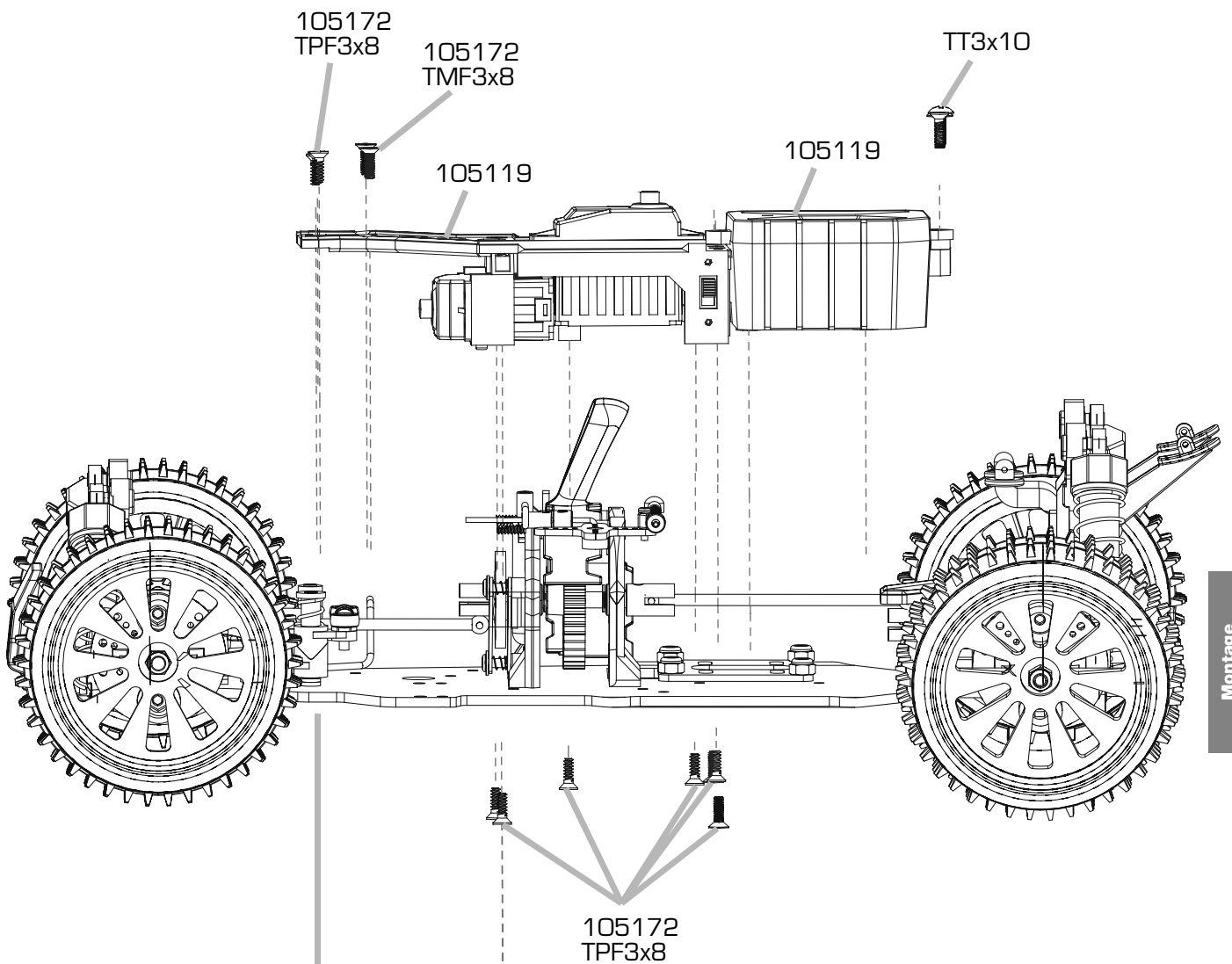
 105172 TMF3x8

## 9

### Radioplate RC-box • RC-Box und Radioplatte





• Boîtier de télécommande et platine radio

• Caja de radio RC y placa de radio • RC box e scheda radio



Montage

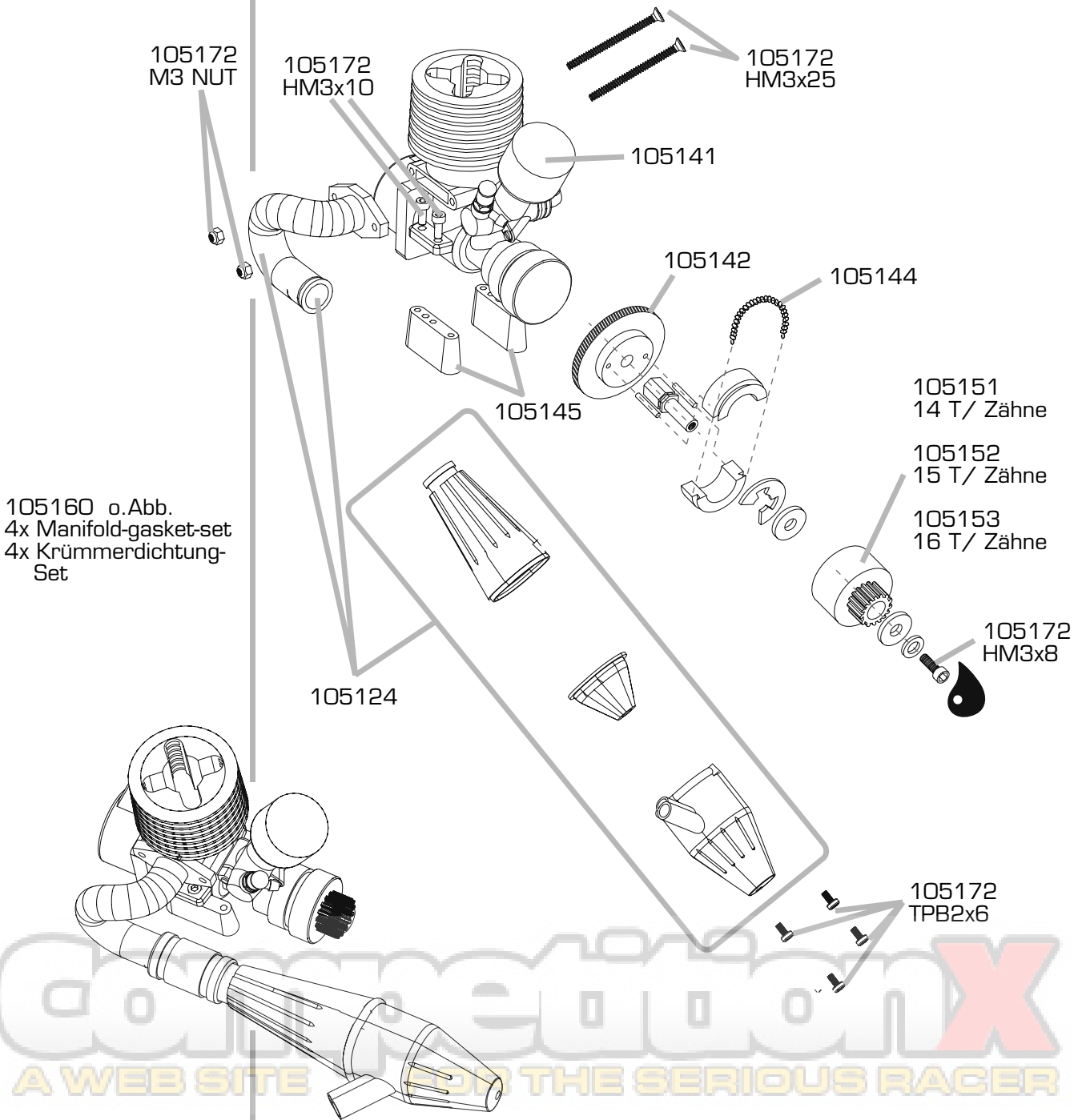
**Competition X**  
A WEB SITE FOR THE SERIOUS RACER

-  105172 HM3x25
-  105172 M3
-  105172 HM3x8
-  105172 TPB2x6

## 10

### Clutch, manifold and tuned pipe

- Kupplung, Krümmer und Resonanzrohr
- Embrayage, collecteur et tube de résonance
- Acoplamiento, tubo angular y tubo de resonancia
- Frizione, collettore e marmitta a risonanza



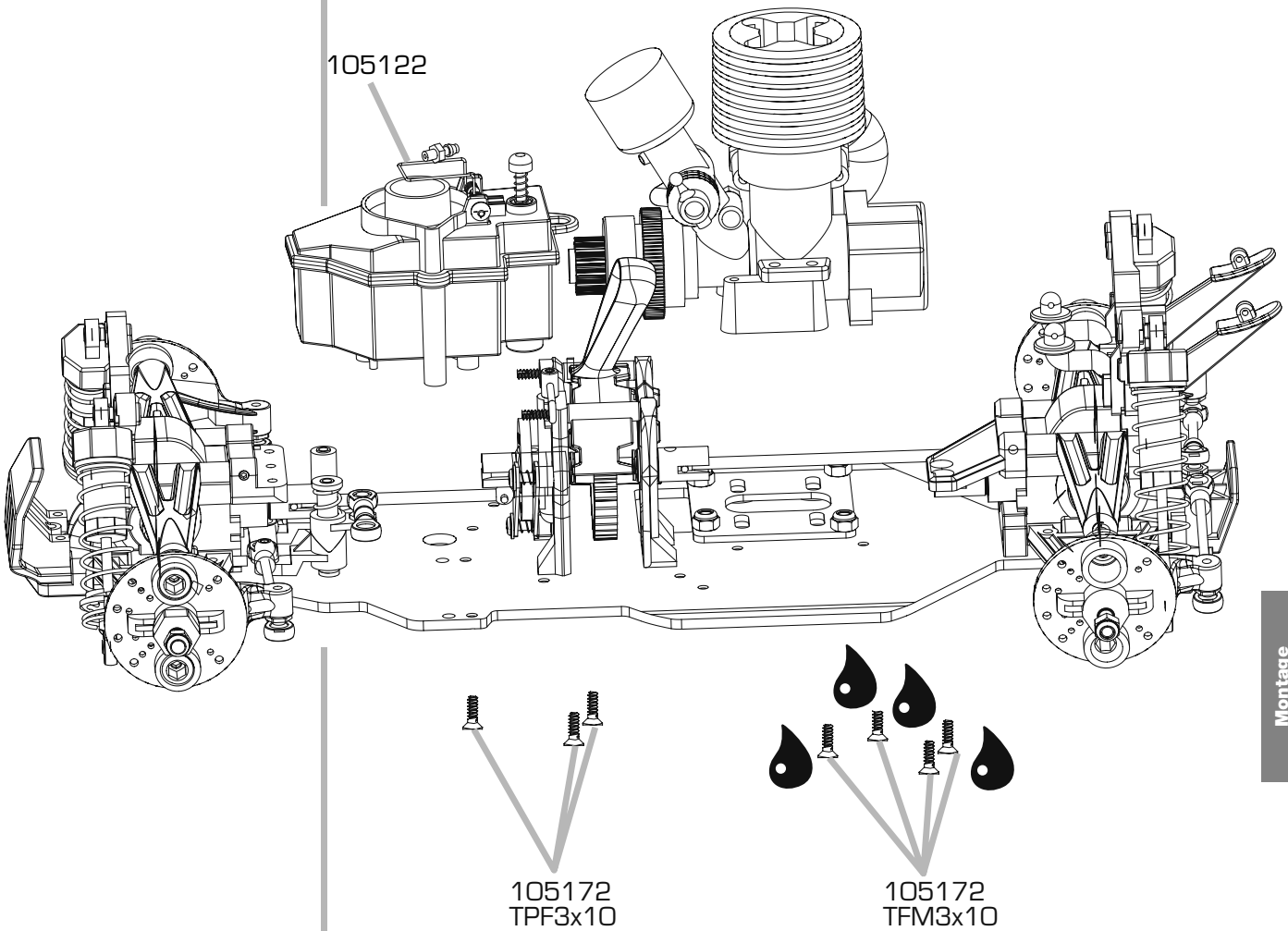
105172 TPF3x10

105172 TFM3x10

# 11

## Fuel-tank and nitroengine

- Kraftstoff-Tank und Nitromotor
- Réservoir à carburant et moteur nitro
- Depósito de combustible y nitromotor
- Serbatoio carburante e motore nitro



Montage

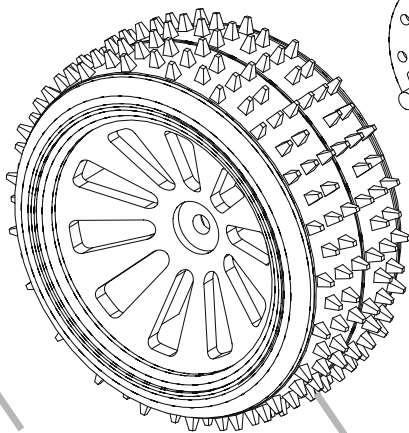
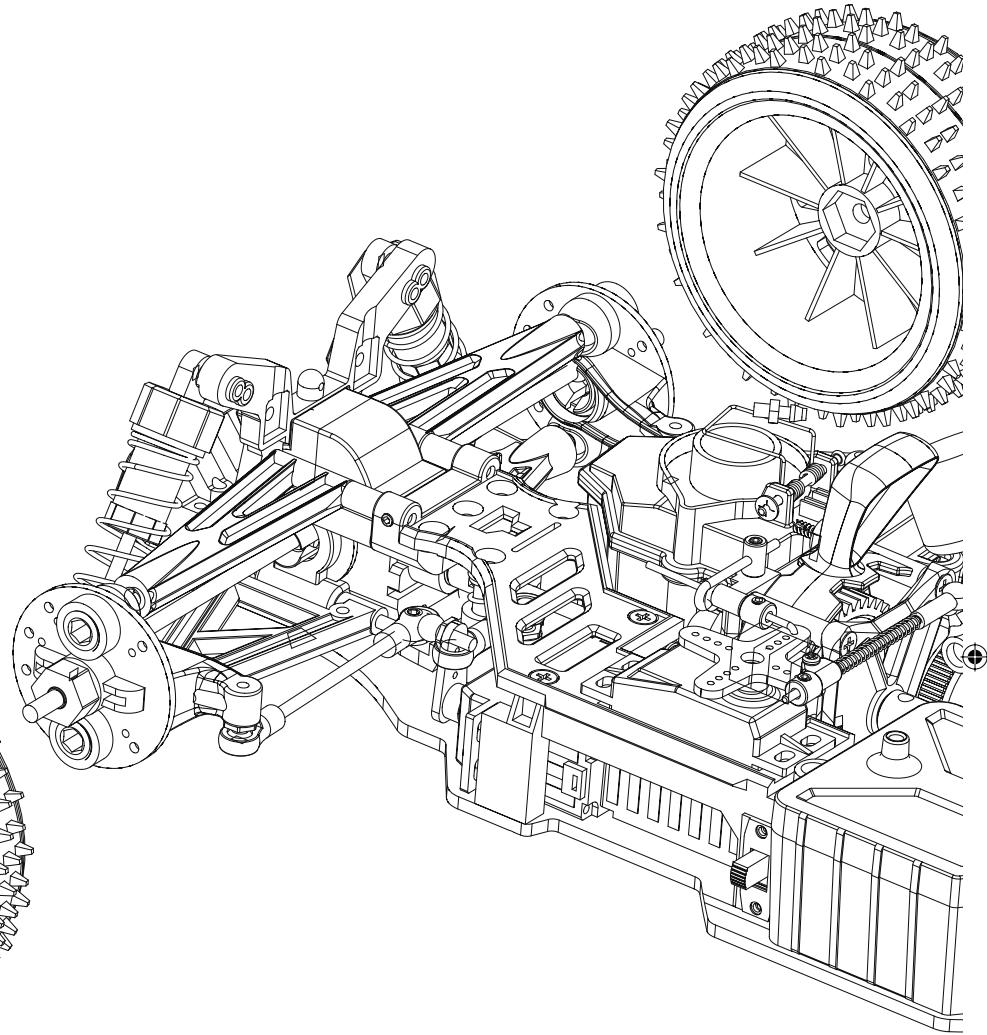
**Competition X**  
A WEB SITE FOR THE SERIOUS RACER



105172

## 12

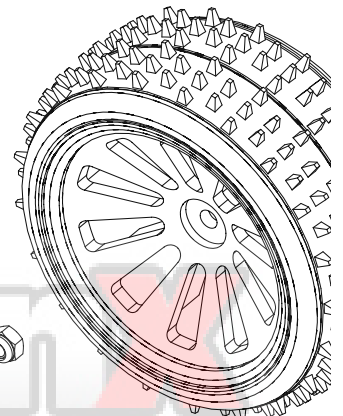
**Mounting of the complete tires • Montage der Reifen**  
• Montage des pneumatiques • Montaje de los neumáticos  
• Montaggio dei pneumatici



105172

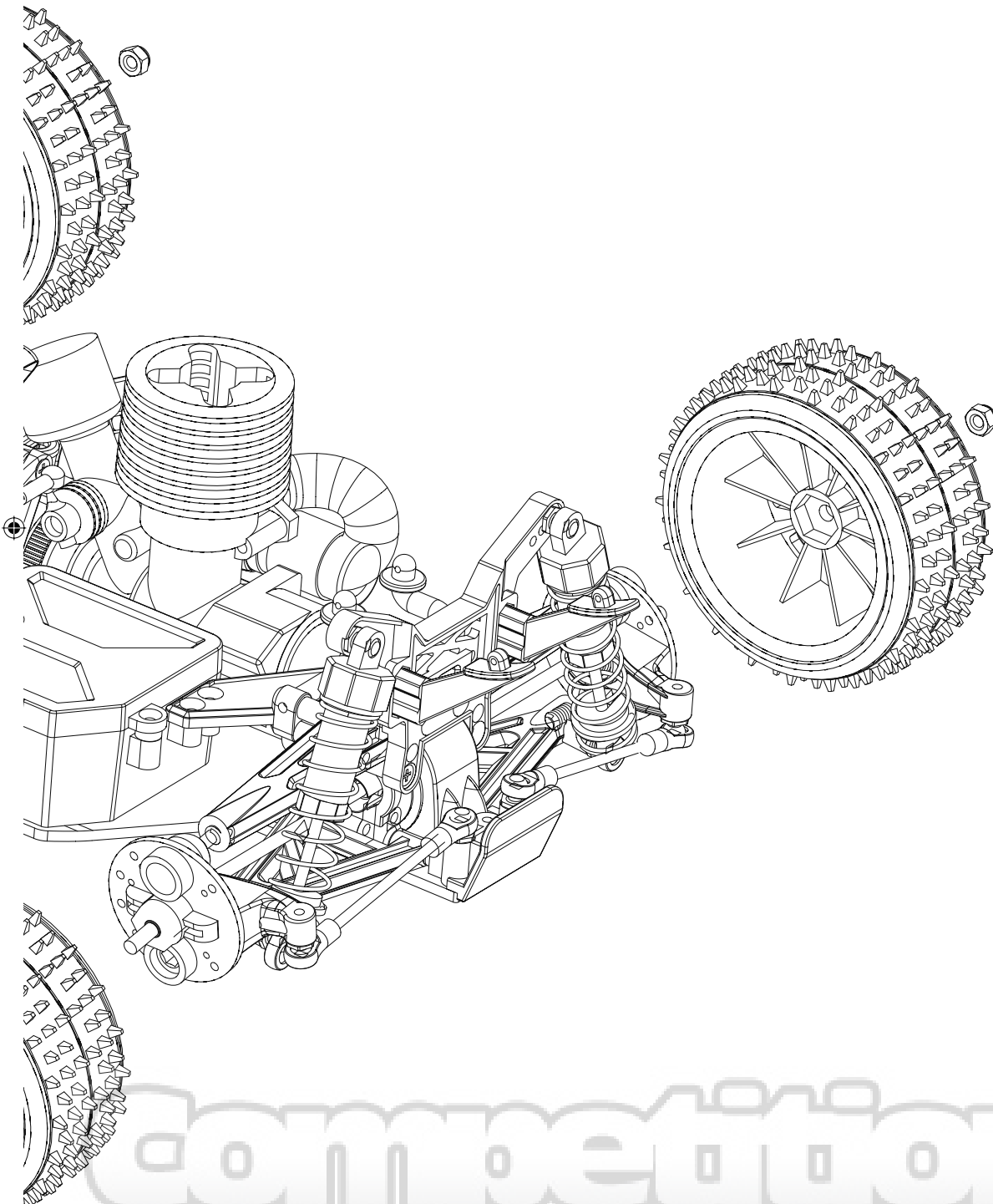
105166

Montage



**Competition**  
A WEB SITE FOR THE SERIOUS RACER





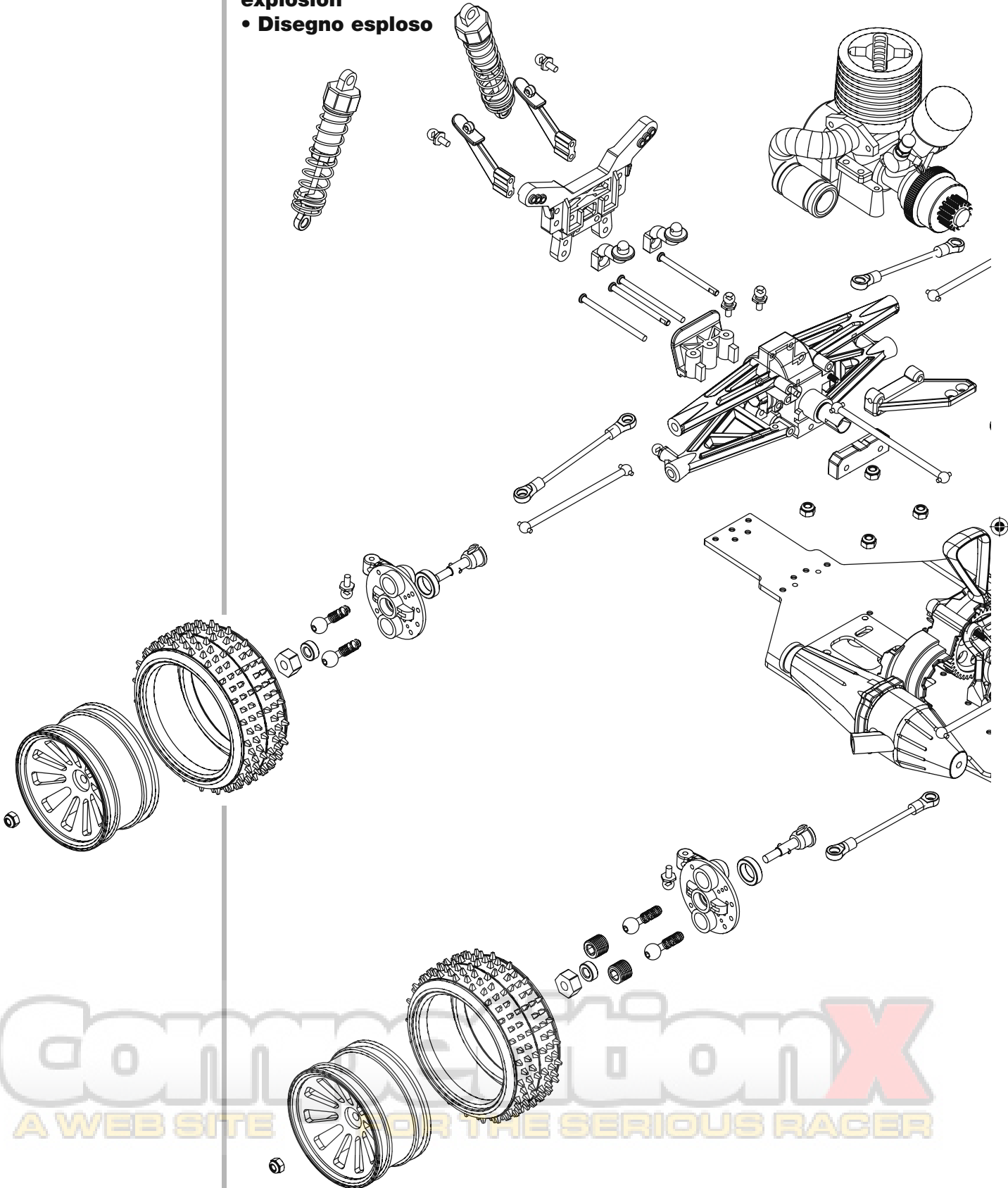
Montage

**CompetitionX**  
A WEB SITE FOR THE SERIOUS RACER

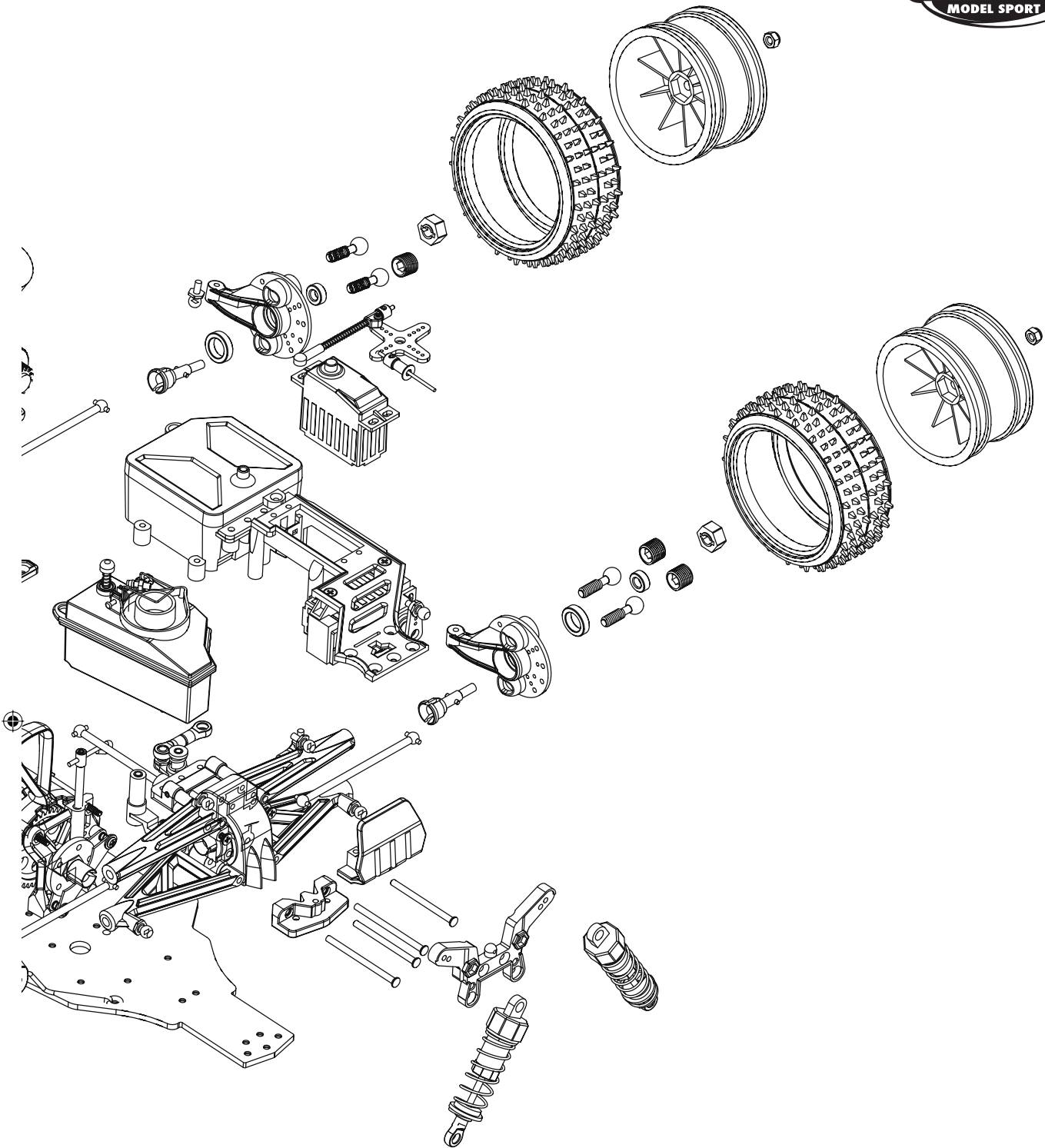


# 13

**Exploded view • Explosionszeichnung • Vue éclatée • Dibujo de explosión • Disegno esploso**



Montage

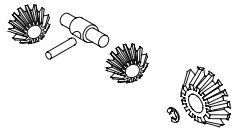


Montage

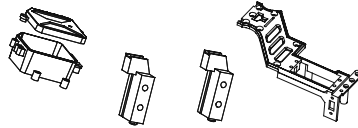
**CompetitionX**  
A WEB SITE FOR THE SERIOUS RACER

**Spare Parts**  
**Ersatzteile**  
**Pièces détachées**  
**Recambios**  
**Ricambi**

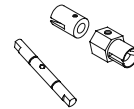
105108 Differential-Bevelgear-Set  
Differenzial-Kegelrad-Set



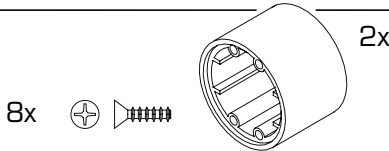
105119 RC-box/servo mount/upperdeck  
RC-Box/Servohalter/Upperdeck



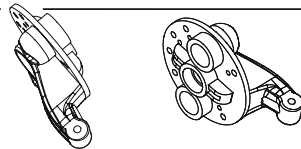
105131 Main-gear-shaft w/ 2 joint-Set  
Haupt-Getriebewelle+Mitnehmer-Set



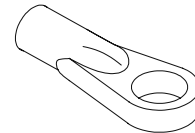
105109 Differential-housing w/ screw  
Differenzial-Gehäuse mit Schrauben



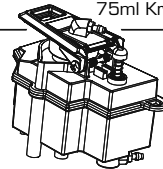
105120 2x Upright-set fr/re/le/ri  
2x Achsschenkel-Set Vo/Hi/Li/Re



105134 8x Ball end long/A  
8x Kugelkopf-Pfannen lang/A



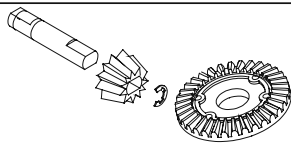
105122 75ml Fuel Tank  
75ml Kraftstofftank



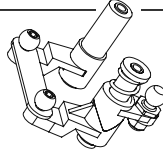
105184 8x Shaft for suspension arm  
8x Welle Querlenkerbefestigung



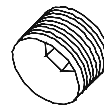
105110 Crown- & bevelgear-set w/ shaft  
Teller-/Kegelrad-Set mit Welle



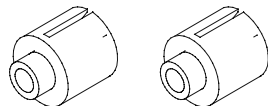
105123 Steering/servo-saver-set  
Lenkung/Servo-Saver-Set



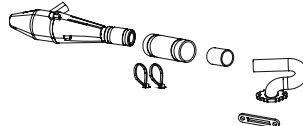
105137 4x Screw pivot-ball M10x7  
4x Schraube Pivot-Ball M10x7



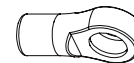
105111 2x CV10 universal joint differential  
2x Mitnehmer Diff-Seite



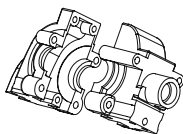
105124 Manifold/tuned-pipe-set/connector  
Krümmer-/Resonanzrohr-Set



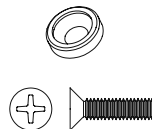
105138 8x Pivot-ball sockets short/B  
8x Kugelkopf-Pfannen kurz/B



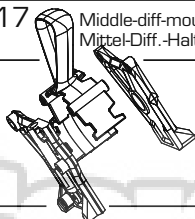
105112 Gearbox front/rear  
Getriebegehäuse Vorne/Hinten



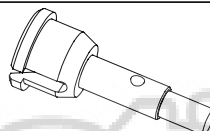
105128 8x Countersunk screw + washer  
8x Senkkopfschraube + U-Scheibe



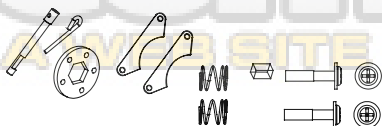
105117 Middle-diff-mount/ car handle  
Mittel-Diff.-Halter/Tragegriff



105129 2x Wheelaxle-set  
2x Radachsen-Set



105118 Break-set complete  
Komplett-Set Bremse



105130 2x Universal joint gearbox short  
2x Mitnehmer Getriebe-Seite kurz



**Spare Parts • Ersatzteile • Pièces détachées • Recambios • Ricambi**

**105140** 4x Wheel Hex w/ Pin (4) 12 mm  
4x Felgenmitnehmer 12mm 6-Kant+Stift

**105149** 16x Ball bearing-set (105/1510)  
16x Kugellager-Setz (105/1510)

**105161** 2x2 Suspension arm  
2x2 Querlenker

**105141** Air cleaner/connector/gasket-set  
Luftfilter/Verbinder/Dichtungs-Set

**105150** 18x Ball-head screw-set  
18x Kugelkopf-Set

**105162** 2x Rear shock absorber  
2x Dämpfer hinten

**105142** Flywheel for 2-shoe clutch  
Schwungscheibe f. 2-Backenkuppl.

**105151** Clutch bell 14 teeth  
Kupplungsglocke 14 Zähne

**105163** 2x Front shock absorber  
2x Dämpfer vorn

**105144** 2-Shoe clutch w. spring  
2-Backenkupplung mit Feder

**105152** Clutch bell 15 teeth  
Kupplungsglocke 15 Zähne

**105164** Chassisplate buggy  
Chassisplatte Buggy

**105145** 2x Engine mount  
2x Motorträger

**105153** Clutch bell 16 teeth  
Kupplungsglocke 16 Zähne

**105165** Bumper f/r + body mount set  
Rammer v/h + Karosseriehalter

**105146** Engine nut for o.s. shaft  
Kurbelwellen-Adapter-Set

**105157** Throttle-/brake rod-set  
Gestänge-Set Gas/Bremse

**105147** Engine mount plate  
Motoreinbauplatte

**105159** 4x Spring retainer  
4x Federteller

**105166** 2x Wheel set Stormracer, glued  
2x Reifenset Stormracer, geklebt

**105148** Differential assembly fr/re  
Differential montiert vo/hi

**105160** 4x Manifold gasket-set  
4x Krümmerdichtung

Ersatzteile

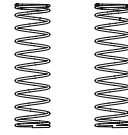
**Spare Parts • Ersatzteile • Pièces détachées • Recambios • Ricambi**

**800033** Body + spoiler with decals  
Karrosserie + Spoiler mit Dekor

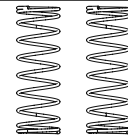


Illustration similar  
Abbildung ähnlich

**105179** 2x Rear springs  
2x Federn hinten



**105180** 2x Front springs  
2x Federn vorne

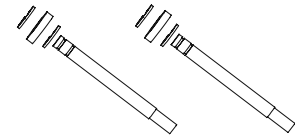


**800034** Body + spoiler with decals  
Karrosserie + Spoiler mit Dekor

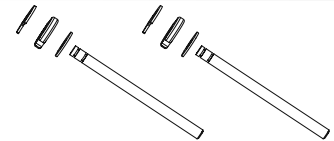


Illustration similar  
Abbildung ähnlich

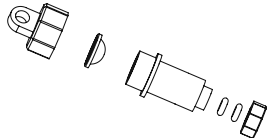
**105176** 2x Piston rod set front  
2x Kolbenstangen-Set vorne



**105177** 2x Piston rod set rear  
2x Kolbenstangen-Set hinten



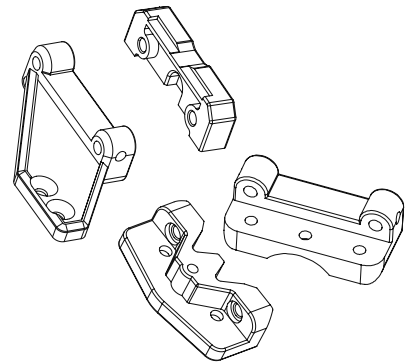
**105168** 2x Shock absorber set front  
2x Dämpferset vorne



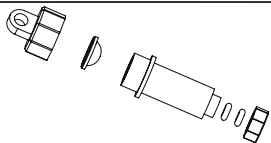
**105172** Screw-set buggy  
Schrauben-Set Buggy



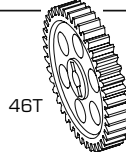
**105178** Suspension arm holder set  
Querlenkerhalter-Set



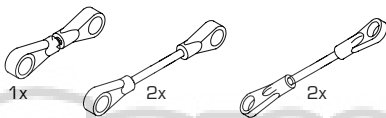
**105169** 2x Shock absorber set rear  
2x Dämpferset hinten



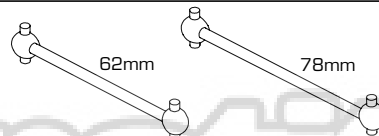
**105173** 2x Main gear  
2x Hauptzahnrad



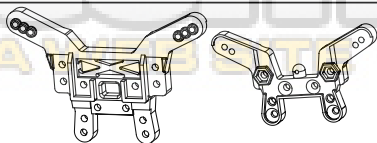
**105170** Steering rod set  
Spurstangen-Set



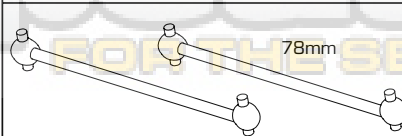
**105174** Mid shafts front/ rear  
Mittelwellen vorne/ hinten



**105171** Shock-tower-set  
Dämpferbrücken-Set



**105175** 2x Dogbone set  
2x Antriebsknochen





Art.-Nr.	Description	Bezeichnung	Description	Descripción	Elenco ricambi
54435	Lower seal of nozzle case	Düsenstockdichtung unten	Bourrage de gicleur en bas	Junta inferior de toma de combustible	Guarnizione portaugelli inferiore
54436	Upper seal of nozzle case	Düsenstockdichtung oben	Bourrage de gicleur superieur	Junta superior de toma de combustible	Guarnizione portaugelli superiore
54499	Rod connector	Gestängeanschluss	Levier de commande	Conexión de varillaje	Attacco tiranteria
54530	Fuel seal	Kraftstoffdichtung	O-Ring	Junta de combustible	Guarnizione carburante
54546	Cover screw 4 pcs.	Flanschdeckelschraube 4 St.	Vis de fix. couvercle de carter 4 p.	Tornillo de tapa abridada 4 pzas.	Vite coperchio con flangia 4St
54550	One Way Bearing Set	Klemmrollen-Freilauf	Roue libre avec bague de fixation	Rodillos de bloqueo de la rueda libre	Corsa libera rulli bloccanti
54553	Rear packing for fuel mixture	Gehäusedichtung hinten	O-Ring de carter arrière	Junta de cárter atrás	Guarnizione posteriore alloggiamento
54568	Clamping bushing	Klemmkonus	Cône	Cono de volante inercia	Cono di bloccaggio
54581	Nozzle case	Düsenstock	Gicleur	Portatoberas	Portaugelli
54582	Needle for main nozzle	Hauptdüsenadel	Pointeau gicleur	Aguja del surtidor principal	Spina ugello principale
54603	Combustion space	Brennraum	Chambre de combustion	Cámara de combustión	Camera di combustione
54606	Washer for cylinder head	Zylinderkopf U - Scheibe	Joint de culasse	Junta de culata	Rondella di spessore testata cilindri
54608	Cylinder liner and piston	Zylinderlaufbuchse + Kolben	Corps de cylindre et piston	Camisa del cilindro + pistón	Camicia del cilindro + pistone
54611	Connecting rod	Pleuel	Bielle	Biela	Biella
54615	Carburettor fixing pin	Vergasereinspannstift	Vis de fix. carburateur	Pasador de sujeción carburador	Attacco carburatore
54617	Drive washer	Mitnehmer	Disque d'entraînement	Dispositivo de arrastre	Trascinatore
54629	Fuel tube connector	Kraftstoffanschlußnippel	conduite d'essence	Toma de combustible	Nipplo di collegamento carburante
54633	Packing for carburettor case	Vergasergehäusedichtung	O-Ring	Junta del cárterdel carburador	Guarnizione alloggiamento carburatore
54637	Piston pin	Kolbenbolzen	Axe de piston	Bulón del pistón	Spinotto per pistone
54638	Cylinder head screw 4p	Zylinderkopfschraube 4St.	Vis de fix. culasse 4p	Tornillo de culata 4 piezas	4 viti a testa cilindrica
54641	C-ring for piston pin	Kolbensicherungsring	Description	Aro de seguridad del pistón	Anello di sicurezza pistone
54642	Front ball bearing	Kugellager vorne	pince de l'axe de piston	Cojinete de bolas parte delantera	Cuscinetto a sfere anteriore
54643	Rear ball bearing	Kugellager hinten	Roulement avant	Cojinete de bolas parte trasera	Cuscinetto a sfere posteriore
54648	Cable pull starter	Seilzugstarter	Roulement arrière	Tirador de arranque	Starter a tirante
54649	Front packing for fuel mixture	Gemischdichtung vorne	Démarrreur à tirette	Junta de la mezcla parte delantera	Guarnizione anteriore miscela
105181	Crankshaft OS	Kurbelwelle OS	Vilbrequin OS	Cigüeñal OS	Albero a gomiti OS
54653	Carburettor complete	Vergaser komplett	Carburateur complet	Carburador completo	Carburatore completo
54658	Adjuster cover	Regulierungsabdeckung	Palonnier	Cobertura de la válvula reguladora	Copertura di regolazione
54692	Pressure spring 6x1,9mm	Druckfeder 6x1,9mm	Ressort 6x1,9mm	Muelle de compresión 6x1,9mm	Molla di compressione 6x1,9mm
54693	Starter pivot 4,2x2mm	Starterzapfen 4,2x2mm	Pivot starter 4,2x2mm	Pivote de arranque 4,2x2mm	Perno dello starter 4,2x2mm
902022	Crankcase	Kurbelgehäuse	Carter du vilebrequin	Caja de cigüeñal	Basamento
902024	Carburettor case	Vergasergehäuse	Corps de carburateur	Carcasa del carburador	Corpo del carburatore
902025	Throttle needle	Drosselnadel	Pointeau de carburateur	Aguja de estrangulación	Ago a farfalla
902026	Throttle valve cylinder	Zylinder des Schiebventils	Cylindre de tiroir	Cilindro de la válvula corredera	Cilindro della valvola a scorrimento
902028	Cylinder head (milled)	Zylinderkopf (ausgefärbt)	Culasse (fraisé)	Culata de motor (fresada)	Testata cilindri (fresata)
902029	Cable pull starter with flange	Starter-Flansch m. Zubehör	Démarrreur à tirette avec bride	Brida del arrancador con accesorios	Flangia dello starter con accessori
902045	Carburettor seal screw	Vergaser-Abschluss-Schraube	Vis d'arrêt de carburateur	Tornillo terminal del carburador	Vite di chiusura carburatore





**CompetitionX**  
A WEB SITE FOR THE SERIOUS RACER

Notizen

**CARSON Stormracer extreme 103013 RTR und 102001 ARR 95**

