



AUSTRALIAN DESIGNED & MANUFACTURED

**SR760-SR670\* RETENTION RC HAMMER ASSEMBLY & PARTS LIST**

\*Patent Pending

COMPLETE HAMMER	760.100.050
-----------------	-------------

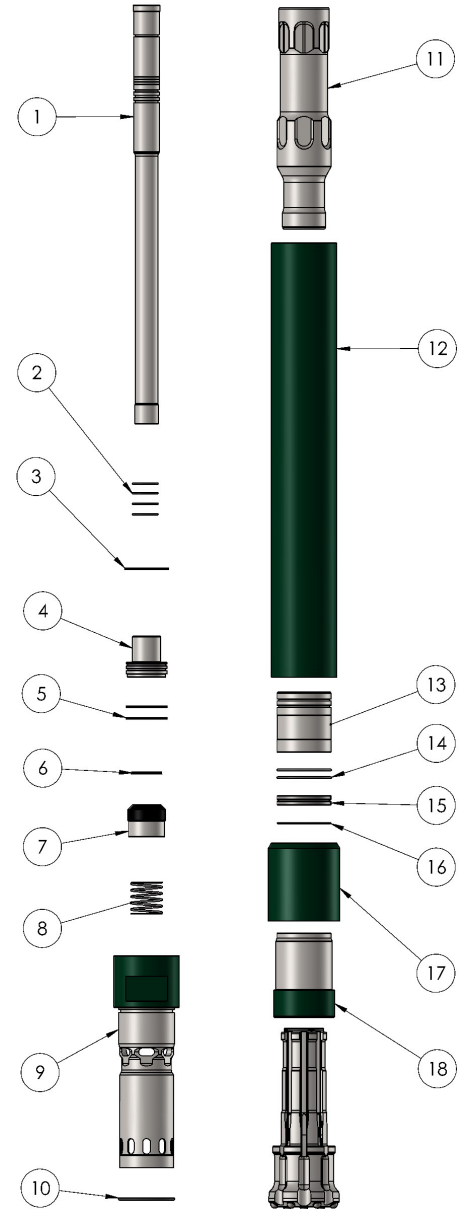
ITEM	PART NUMBER	DESCRIPTION	QTY.
1	760.101.060	INNER TUBE SR670	1
2	745.102.010	INNER TUBE O RING	4
3	745.103.010	INTERNAL CIRCLIP	1
4	760.105.010	ADAPTOR NOZZLE	1
5	745.106.010	ADAPTOR NOZZLE O RING	2
6	745.107.010	CHECK VALVE SEAL	1
7	745.108.010	CHECK VALVE	1
8	745.109.010	CHECK VALVE SPRING	1
9	760.110.010	TOP CYLINDER	1
10	747.111.010	TOP CYLINDER O RING	1
11	760.113.010	PISTON	1
12	760.112.010	PISTON CASE	1
13	760.114.040	PISTON BEARING BUSH SR670	1
14	747.115.010	BEARING BUSH O RING	2
15	760.117.040	BIT RETAINER SR670	1
16	745.118.010	BIT RETAINER O RING	1
17	760.132.***	SHROUD/SLEEVE SR670 RET	1
18	760.119.060	DRIVE SUB SR670 RET	1
	760.124.010	SEAL KIT (ITEM 2,5,6,10,14,16)	1

\*\*\* Refer to Sleeves Table

BIT RANGE
5-3/8" TO 5-3/4"

RETENTION BITS		
Size		Part Number
mm	inch	
137	5-3/8"	SR670.5375.01
140	5-1/2"	SR670.5500.01
143	5-5/8"	SR670.5625.01
146	5-3/4"	SR670.5750.01

RETENTION SLEEVES		
Size		Part Number
mm	inch	
135	5-5/16"	760.132.5313
138	5-7/16"	760.132.5438
141	5-9/16"	760.132.5563
145	5-11/16"	760.132.5688



Weight		Outside Diameter		Hammer Length		Hammer Length with Bit					
kg	lb	mm	inch	mm	inch	Bit Closed		Bit Extended			
						mm	inch	mm	inch	mm	inch
66	145.5	132	5.2	1052.5	41.4	1189.8	46.8			1229.8	48.4
Air Consumption, cfm						Air Consumption, m3/min					
350 psi	450 psi	550 psi	650 psi	750 psi	850 psi	24 bar	31 bar	38 bar	45 bar	52 bar	59 bar
582	794	1017	1247	1484	1726	40.1	54.7	70.1	86	102.3	119

Patent Pending