

Shelving



NSF

STATIONARY UNITS - 66¹³/₁₆" h.

Posts have leveling bolts

QSEC53E 36" l.

QSEC55E 48" l.

QSEC56E 60" l.

MOBILE UNITS - 68¹/₂" h.

Four 5" swivel casters

w/ 5¹/₂" bumpers

QSEC53DE 36" l.

QSEC55DE 48" l.

QSEC56DE 60" l.

MOBILE UNITS - 68¹/₂" h.

Four 5" corrosion-proof polymer casters, two with brakes

QSEC53VE 36" l.

QSEC55VE 48" l.

QSEC56VE 60" l.

MetroMax Q® Security Units

- Protects valuable materials and sensitive items from loss or pilferage
- Removable polymer mats can be placed in the dishwasher or sink to make cleaning easy • Adjustable – storage levels are adjusted with the flip of the corner release • Corrosion resistant gray epoxy finish – perfect for both dry and high moisture areas • Assembles quickly
- Optional intermediate shelves allow flexibility to meet changing needs
- Choose from mobile or stationary configurations
- All units are 24" wide

HEAVY-DUTY MOBILE UNITS

67⁷/₈" h., mounted on dolly with 5" plate casters, wraparound bumper

QSEC53LE 36" l.

QSEC55LE 48" l.

QSEC56LE 60" l.

METROMAX Q® INTERMEDIATE SHELVES (complete with frame, mat, and wedge connectors)

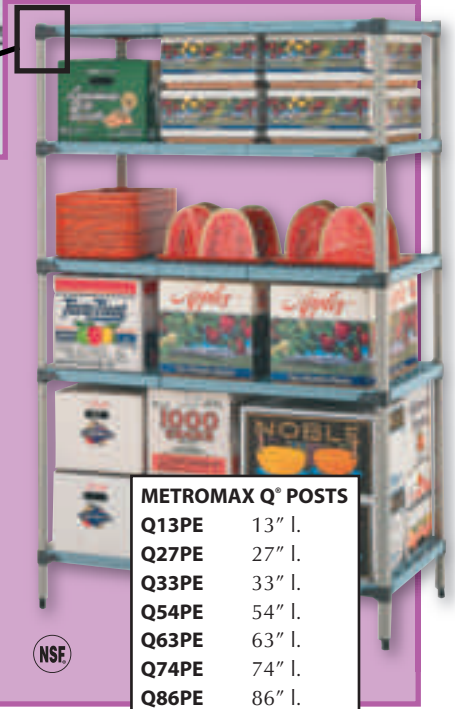
Q2436G 36" l.

Q2448G 48" l.

Q2460G 60" l.

MetroMax Q® Storage System

- The MetroMax Q storage system gives you the power to create a storage and transport system that is quick to assemble, quick to adjust, and quick to clean
- Based on the MetroMax™ available "open architecture" format, MetroMax Q can adapt quickly as your needs change
- All MetroMax Q shelving comes standard with Microban® antimicrobial product protection built into the shelf mats to inhibit stain and odor causing bacterial growth
- Assembles in minutes without tools • Posts have numbered grooves at 1" increments
- Shelves unlock without tools for quick and easy height adjustment
- Polymer shelf mats lift off the shelf frame for easy cleaning and fit easily into a dishwasher
- Polymer shelf mats have a lifetime warranty against rust and corrosion
- Posts and shelf frames have a 15 year warranty against rust
- Each shelf level can hold 800 lb. per shelf up to 48", 600 lb. per shelf up to 72"
- Optional accessories include solid mat overlays, dividers, ledges, tote and tray slides, drop-in baskets, casters and many more that allow you to customize MetroMax Q to your exact needs



NSF

METROMAX Q® SHELVES

(complete with frame, mat, and wedge connectors)

MODEL	W X L	MODEL	W X L	MODEL	W X L
Q1824G2	18" x 24"	Q2124G2	21" x 24"	Q2424G2	24" x 24"
Q1830G2	18" x 30"	Q2130G2	21" x 30"	Q2430G2	24" x 30"
Q1836G2	18" x 36"	Q2136G2	21" x 36"	Q2436G2	24" x 36"
Q1842G2	18" x 42"	Q2142G2	21" x 42"	Q2442G2	24" x 42"
Q1848G2	18" x 48"	Q2148G2	21" x 48"	Q2448G2	24" x 48"
Q1854G2	18" x 54"	Q2154G2	21" x 54"	Q2454G2	24" x 54"
Q1860G2	18" x 60"	Q2160G2	21" x 60"	Q2460G2	24" x 60"
Q1872G2	18" x 72"	Q2172G2	21" x 72"	Q2472G2	24" x 72"

METROMAX Q® POSTS

Q13PE	13" l.
Q27PE	27" l.
Q33PE	33" l.
Q54PE	54" l.
Q63PE	63" l.
Q74PE	74" l.
Q86PE	86" l.

Super Adjustable 2™ Super Erecta® Shelving

- The most advanced and innovative wire storage system available
- A unique corner release system and SiteSelect™ Posts make changing shelf levels fast and easy, without tools! Super Erecta Brite™ finish is for dry storage
- Metroseal 3® is NSF approved for all environments: cooler, freezer and dry storage



NSF

BRITE SHELVING	CHROME PLATED	METROSEAL 3*	W* X L
A1824BR	A1824NC	A1824NK3	18" x 24"
A1830BR	A1830NC	A1830NK3	18" x 30"
A1836BR	A1836NC	A1836NK3	18" x 36"
A1842BR	A1842NC	A1842NK3	18" x 42"
A1848BR	A1848NC	A1848NK3	18" x 48"
A1860BR	A1860NC	A1860NK3	18" x 60"
A1872BR	A1872NC	A1872NK3	18" x 72"
A2124BR	A2124NC	A2124NK3	21" x 24"
A2130BR	A2130NC	A2130NK3	21" x 30"
A2136BR	A2136NC	A2136NK3	21" x 36"
A2142BR	A2142NC	A2142NK3	21" x 42"
A2148BR	A2148NC	A2148NK3	21" x 48"
A2160BR	A2160NC	A2160NK3	21" x 60"
A2172BR	A2172NC	A2172NK3	21" x 72"

SITESELECT™ POSTS. Grooved at 1" increments and numbered at 2" increments. Posts are double-grooved every 8" for easy identification.

CHROME PLATED	METROSEAL 3	HEIGHT
13P	13PK3	14 ¹ / ₂ "
33P	33PK3	34 ¹ / ₂ "
54P	54PK3	54 ⁹ / ₁₆ "
63P	63PK3	62 ⁹ / ₁₆ "
74P	74PK3	74 ⁷ / ₈ "
86P	86PK3	86 ⁵ / ₈ "



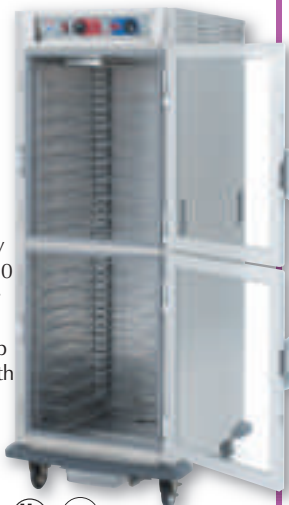
***ENHANCED WITH MICROBAN® ANTIMICROBIAL PRODUCT PROTECTION WHICH PROTECTS THE METROSEAL 3 COATING FROM BACTERIA, MOLD, MILDEW AND FUNGI THAT CAUSE ODORS, STAINS AND PRODUCT DEGRADATION**



SHELVING ALSO AVAILABLE IN 14" WIDE, 30" AND 36" SUPERWIDE

C5 9 Series Controlled Humidity Heated Holding & Proofing Cabinets

- Type 304 stainless steel; 20-gauge polished exterior
- Universal wire slides; adjustable on 1½" increments
- Non-marking polymer bumper and drip trough combination
- Actual cabinet temperature and relative humidity display with individual control dials for each
- Heat Generation System: Thermostatically controlled closed loop feedback with 1950 watt heating element, ball bearing blower motor, and ducted air system
- Humidity Generation System: Closed loop controlled 1950 Watt heating element with ducted air system, low water sensor, and 4½ gallon water reservoir with drain
- 200°F Maximum temperature
- 2000 watts, 120V
- Four 5" swivel casters, two with brake



C599-SDC-U

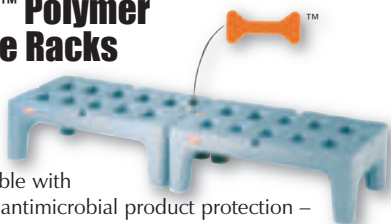
Heated Banquet Cabinets

- Designed to hold 11¼" diameter covered plates
- Also holds full-size sheet pans front-to-back on shelves or in optional Mini Rack slide system
- Quad-Heat™ Dual Fuel thermal system utilizes corner chimneys to provide even thermal stratification, channeling warm air throughout the cabinet
- Ergonomically designed three-point-control handle is designed with the user in mind
- High-performance 1650 watt heating module
- Exclusive multi-function count-up/count-down timer
- Accurate and easy to read thermometer
- Dual function "white-board" and clip-board for labeling



MBQ-200D-QHC

Bow Tie™ Polymer Dunnage Racks



- Now available with Microban® antimicrobial product protection – inhibits the growth of bacteria, mold, mildew and fungi that cause odors, stains and product degradation (add "MB" to part number when ordering)
- Racks join together easily in "end to end" and "back to back" configurations with the exclusive Bow Tie™ feature
- Front-to-back slots provide easier loading and unloading and superior air flow prolongs shelf life
- Rust and corrosion proof polymer construction is easy to clean • 22" w. x 12" h.

	LENGTH	CAPACITY
HP2230PD	30" l.	1500 lb.
HP2236PD	36" l.	1500 lb.
HP2248PD	48" l.	3000 lb.
HP2260PD	60" l.	3000 lb.

Polymer "Poker Chip" Dish Dollies

- Now with Microban® antimicrobial product protection that protects them from bacteria, mold and mildew that cause odor, stains and product degradation
- Chip-resistant polymer shell with foam core construction, has snag-proof surface
- Two-handed dish access for easy retrieval and less chance of breakage
- Space efficient square design stores out of the way under counters
- Standard 5" neoprene swivel casters (two with brakes)
- Vinyl dust cover is standard • Color: Aesthetic Blue

9 DISH COLUMNS

		DISH SIZE	DISH CAP.*
PCD5	23¼" x 31⅞" x 23¼"	5½" dia.	360
PCD7	27¼" x 31⅞" x 27¼"	6½" dia.	540

4 DISH COLUMNS

PCD8	21¼" x 31⅞" x 21¼"	8¼" dia.	240
PCD9	23¼" x 31⅞" x 23¼"	9½" dia.	240
PCD11	26¼" x 31⅞" x 26¼"	11" dia.	240
PCD12	29¼" x 31⅞" x 29¼"	12½" dia.	240

ADJUSTABLE "POKER CHIP" DOLLY

PCD11A 26¼" x 31⅞" x 26¼" Removable towers

* **LOADING CAPACITY DEPENDENT UPON CHINA SHAPES AND THICKNESS**



Utility Carts

- Sturdy construction – rated at 150 lb. capacity per shelf and 400 lb. per unit
- Will not chip, peel or dent
- Ergonomic design
- Smooth for easy cleaning
- 4 swivel casters
- Lip prevents spills from reaching floor

BC SERIES CARTS

- Available in Gray (G), Berry (BY), Blue (BU) and Black (BL)

DEEP LEDGE CARTS

- 2¾" deep ledge contains product and spills
- Available in Stone (ST), Blue (BU), Berry (BY) and Black (BL)



BC SERIES CARTS

2 SHELF CARTS

BC1627-2	18" w. x 28" l. x 33¼" h.
BC2030-24	21½" w. x 33¾" l. x 33¾" h.
BC2636-24	27" w. x 39½" l. x 33¾" h.



3 SHELF CARTS

BC1627-34	18" w. x 28" l. x 33¼" h.
BCE1627-34	Enclosed End, 18" w. x 28" l. x 33¼" h.
BC3E1627-34	3-Sided Enclosed End, 18" w. x 28" l. x 33¼" h.
BC2030-34	21½" w. x 33¾" l. x 33¾" h.
BCE2030-34	Enclosed End, 21½" w. x 33¾" l. x 33¾" h.
BC3E2030-34	3-sided Enclosed End, 21½" w. x 33¾" l. x 33¾" h.
BC2636-34	27" w. x 39½" l. x 33¾" h.
BCE2636-34	Enclosed End, 27" w. x 39½" l. x 33¾" h.
BC3E2636-34	3-sided Enclosed End, 27" w. x 39½" l. x 33¾" h.

DEEP LEDGE CARTS

2 SHELF CARTS

BC2030-2D	BC2030-3D
BC2636-2D	BC2636-3D

ADDITIONAL SHELVES

BC2030D	21½" w. x 32" l.
BC2636D	27" w. x 38" l.

3 SHELF CARTS

21½" w. x 32¾" l. x 41" h.
27" w. x 38¾" l. x 41" h.

BOTH BC AND DEEP LEDGE UTILITY CARTS ARE AVAILABLE WITH MICROBAN® ANTIMICROBIAL PRODUCT PROTECTION THAT PROTECTS THEM FROM BACTERIA, MOLD AND MILDEW THAT CAUSE ODOR, STAINS AND PRODUCT DEGRADATION. ADD "MB" TO PART NUMBER



Shelving

Add-A-Shelf® Adjustable Shelving

- Special collar allows addition or removal of shelf without disassembling the entire unit
- Front edge of shelf can be lowered 4" for slanted shelf
- Optional inverted shelf mat available for a built-in 4 sided ledge
- Utilizes standard posts, no unsightly slots necessary
- Each Add-A-Shelf® shelf is rated for 400 lb. load



NOTE: TOP AND BOTTOM SHELVES OF UNIT MUST BE STANDARD SHELVES. USE ADD-A-SHELF® SHELVES FOR INTERMEDIATE SHELVES. 5 FINISHES AVAILABLE.

ADD-A-SHELF® SHELVES

EAGLEBRITE®	CHROME	BLACK EPOXY	RED EPOXY	WHITE EPOXY	
A1436Z	A1436C	A1436BL	A1436R	A1436W	14" x 36"
A1448Z	A1448C	A1448BL	A1448R	A1448W	14" x 48"
A1836Z	A1836C	A1836BL	A1836R	A1836W	18" x 36"
A1848Z	A1848C	A1848BL	A1848R	A1848W	18" x 48"
A1860Z	A1860C	A1860BL	A1860R	A1860W	18" x 60"
A2136Z	A2136C	A2136BL	A2136R	A2136W	21" x 36"
A2148Z	A2148C	A2148BL	A2148R	A2148W	21" x 48"
A2160Z	A2160C	A2160BL	A2160R	A2160W	21" x 60"
A2436Z	A2436C	A2436BL	A2436R	A2436W	24" x 36"
A2448Z	A2448C	A2448BL	A2448R	A2448W	24" x 48"
A2460Z	A2460C	A2460BL	A2460R	A2460W	24" x 60"



ADD-A-SHELF® COLLAR

WHEN BUYING SHELVING, CONSIDER WHAT YOU WILL BE STORING ON THE SHELVES. SHELVING INTENDED FOR REFRIGERATED STORAGE SHOULD MEET DIFFERENT REQUIREMENTS THAN SHELVING FOR DRY STORAGE. CAREFULLY CONSIDER THE WEIGHT OF THE ITEMS YOU INTEND TO PLACE ON SHELVING.

Lifstor® Adjustable Polymer Shelving

- Quick and easy to assemble
- LifeStor® components allow a wide variety of layouts to fit available space
- The combination of 304 stainless steel or zinc plated mild steel posts and rails, and high density polymer shelving sections and fittings, provides a heavy duty unit that is virtually non-corrosive
- Shelf sections are available in either solid or louvered and come in 18" or 23" widths – dishwasher safe
- All Lifstor® shelving is protected with MICROGARD®, an antimicrobial agent which contains built in protection to retard the growth of a broad range of bacteria, mold and mildew on the surface of the shelves that cause stains, odors and degradation



SHELVES

STAINLESS STEEL		EAGLEBRITE® ZINC		
SOLID	LOUVERED	SOLID	LOUVERED	
S1822PSM	L1822PSM	S1822PZM	L1822PZM	18" x 22"
S1830PSM	L1830PSM	S1830PZM	L1822PZM	18" x 30"
S1839PSM	L1839PSM	S1839PZM	L1839PZM	18" x 39"
S1848PSM	L1848PSM	S1848PZM	L1848PZM	18" x 48"
S1857PSM	L1857PSM	S1857PZM	L1857PZM	18" x 57"
S2322PSM	L2322PSM	S2322PZM	L2322PZM	23" x 22"
S2330PSM	L2330PSM	S2330PZM	L2330PZM	23" x 30"
S2339PSM	L2339PSM	S2339PZM	L2339PZM	23" x 39"
S2348PSM	L2348PSM	S2348PZM	L2348PZM	23" x 48"
S2357PSM	L2357PSM	S2357PZM	L2357PZM	23" x 57"

POSTS

- Posts of stainless steel or zinc plated steel tubing
- 1¼" diameter, grooved at 2" increments for easy assembly
- Includes top cap and adjustable foot

STAINLESS STEEL	EAGLEBRITE® ZINC	
PP14-S	PP14-Z	14"
PP33-S	PP33-Z	33"
PP54-S	PP54-Z	54"
PP63-S	PP63-Z	63"
PP74-S	PP74-Z	74"
PP86-S	PP86-Z	86"



Snap-N-Slide™ Wall Shelves

- Brackets can be mounted to studs - no wall backing required
- 16 gauge type 1½" upturn on rear and ends of shelf
- 1½" roll on front edge of shelf
- 12" width
- No tools required to attach shelf to wall brackets
- Made in the U.S.A.



430 STAINLESS STEEL SHELVES

SWS1224-16/4	12" x 24"
SWS1236-16/4	12" x 36"
SWS1248-16/4	12" x 48"
SWS1260-16/4	12" x 60"
SWS1272-16/4	12" x 72"

304 STAINLESS STEEL SHELVES

SWS1224-16/3	12" x 24"
SWS1236-16/3	12" x 36"
SWS1248-16/3	12" x 48"
SWS1260-16/3	12" x 60"
SWS1272-16/3	12" x 72"

Quad-Truss® Wire Shelving

- Features super strong patented QuadTruss® design, which makes shelves up to 25% stronger
- Retaining ledge for increased storage stability
- Open-wire design is clean, light penetrating, offers high visibility and allows maximum air circulation
- Available in EAGLEbrite® zinc (3 yr. warranty), chrome (1 yr. warranty), Valugard® green epoxy (5 yr. warranty), Valu-Master® gray epoxy (5 yr. warranty), and EAGLEgard® green epoxy (15 yr. warranty)
- EAGLEbrite® shelves feature MasterSeal® coating for improved rust protection
- EAGLEgard® shelves are protected with MICROGARD®, an antimicrobial agent which contains built-in protection to retard the growth of a broad range of bacteria, mold and mildew on the surface of the shelves that cause stains, odors and degradation

SHELVES

EAGLEBRITE®	CHROME	VALUGARD®	VALU-MASTER®	EAGLEGARD®	W X L
1424Z	1424C	1424VG	1424V	1424E	14" x 24"
1430Z	1430C	1430VG	1430V	1430E	14" x 30"
1436Z	1436C	1430VG	1436V	1436E	14" x 36"
1442Z	1442C	1442VG	1442V	1442E	14" x 42"
1448Z	1448C	1448VG	1448V	1448E	14" x 48"
1460Z	1460C	1460VG	1460V	1460E	14" x 60"
1472Z	1472C	1472VG	1472V	1472E	14" x 72"
1824Z	1824C	1824VG	1824V	1824E	18" x 24"
1830Z	1830C	1830VG	1830V	1830E	18" x 30"
1836Z	1836C	1836VG	1836V	1836E	18" x 36"
1842Z	1842C	1842VG	1842V	1842E	18" x 42"
1848Z	1848C	1848VG	1848V	1848E	18" x 48"
1860Z	1860C	1860VG	1860V	1860E	18" x 60"
1872Z	1872C	1872VG	1872V	1872E	18" x 72"
2124Z	2124C	2124VG	2124V	2124E	21" x 24"
2130Z	2130C	2130VG	2130V	2130E	21" x 30"
2136Z	2136C	2136VG	2136V	2136E	21" x 36"
2142Z	2142C	2142VG	2142V	2142E	21" x 42"
2148Z	2148C	2148VG	2148V	2148E	21" x 48"
2160Z	2160C	2160VG	2160V	2160E	21" x 60"
2172Z	2172C	2172VG	2172V	2172E	21" x 72"
2424Z	2424C	2424VG	2424V	2424E	24" x 24"
2430Z	2430C	2430VG	2430V	2430E	24" x 30"
2436Z	2436C	2436VG	2436V	2436E	24" x 36"
2442Z	2442C	2442VG	2442V	2442E	24" x 42"
2448Z	2448C	2448VG	2448V	2448E	24" x 48"
2460Z	2460C	2460VG	2460V	2460E	24" x 60"
2472Z	2472C	2472VG	2472V	2472E	24" x 72"



Posts

- Numbered posts for easy assembly
- Adjustable leveling feet

EAGLEBRITE®	CHROME	VALUGARD®	VALU-MASTER®	EAGLEGARD®	HEIGHT
P14-Z	P14-C	P14-VG	P14-V	P14-E	14"
P33-Z	P33-C	P33-VG	P33-V	P33-E	33"
P54-Z	P54-C	P54-VG	P54-V	P54-E	54"
P63-Z	P63-C	P63-VG	P63-V	P63-E	63"
P74-Z	P74-C	P74-VG	P74-V	P74-E	74"
P86-Z	P86-C	P86-VG	P86-V	P86-E	86"

Shelving & Melamine Dinnerware

Heavy Duty Commercial Shelving

- Chrome plated for general applications or green epoxy coating for use in wet environments
- Rigidly constructed wire shelves hold 850 lb. if under 48" length and 600 lb. if over 48" length
- Easily adjustable post feet



5 YEAR WARRANTY

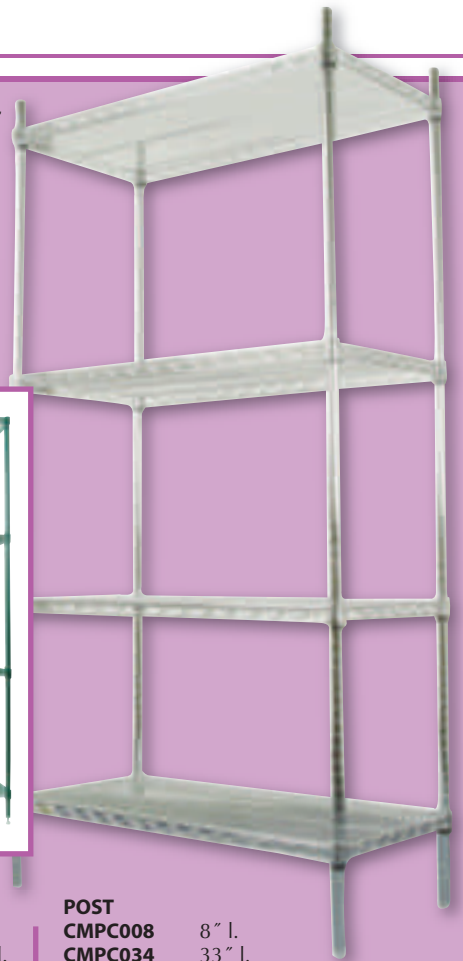
GREEN EPOXY COATING

CMEP1424	14" w. x 24" l.
CMEP1430	14" w. x 30" l.
CMEP1436	14" w. x 36" l.
CMEP1448	14" w. x 48" l.
CMEP1460	14" w. x 60" l.
CMEP1472	14" w. x 72" l.
CMEP1824	18" w. x 24" l.
CMEP1830	18" w. x 30" l.
CMEP1836	18" w. x 36" l.
CMEP1842	18" w. x 42" l.
CMEP1848	18" w. x 48" l.
CMEP1854	18" w. x 54" l.
CMEP1860	18" w. x 60" l.
CMEP1872	18" w. x 72" l.
CMEP2124	21" w. x 24" l.
CMEP2130	21" w. x 30" l.
CMEP2136	21" w. x 36" l.
CMEP2142	21" w. x 42" l.
CMEP2148	21" w. x 48" l.
CMEP2154	21" w. x 54" l.
CMEP2160	21" w. x 60" l.
CMEP2172	21" w. x 72" l.
CMEP2424	24" w. x 24" l.
CMEP2430	24" w. x 30" l.
CMEP2436	24" w. x 36" l.
CMEP2442	24" w. x 42" l.
CMEP2448	24" w. x 48" l.
CMEP2454	24" w. x 54" l.
CMEP2460	24" w. x 60" l.
CMEP2472	24" w. x 72" l.

CHROME PLATED COATING

CMSV1424	14" w. x 24" l.
CMSV1430	14" w. x 30" l.
CMSV1436	14" w. x 36" l.
CMSV1448	14" w. x 48" l.
CMSV1460	14" w. x 60" l.
CMSV1472	14" w. x 72" l.
CMSV1824	18" w. x 24" l.
CMSV1830	18" w. x 30" l.
CMSV1836	18" w. x 36" l.
CMSV1842	18" w. x 42" l.
CMSV1848	18" w. x 48" l.
CMSV1854	18" w. x 54" l.
CMSV1860	18" w. x 60" l.
CMSV1872	18" w. x 72" l.
CMSV2124	21" w. x 24" l.
CMSV2130	21" w. x 30" l.
CMSV2136	21" w. x 36" l.
CMSV2142	21" w. x 42" l.
CMSV2148	21" w. x 48" l.
CMSV2154	21" w. x 54" l.
CMSV2160	21" w. x 60" l.
CMSV2172	21" w. x 72" l.
CMSV2424	24" w. x 24" l.
CMSV2430	24" w. x 30" l.
CMSV2436	24" w. x 36" l.
CMSV2442	24" w. x 42" l.
CMSV2448	24" w. x 48" l.
CMSV2454	24" w. x 54" l.
CMSV2460	24" w. x 60" l.
CMSV2472	24" w. x 72" l.

CHROME PLATED



GREEN EPOXY

POST

CMEC008	8" l.
CMEC034	33" l.
CMEC063	63" l.
CMEC072	74" l.
CMEC086	86" l.

POST

CMPC008	8" l.
CMPC034	33" l.
CMPC063	63" l.
CMPC072	74" l.
CMPC086	86" l.

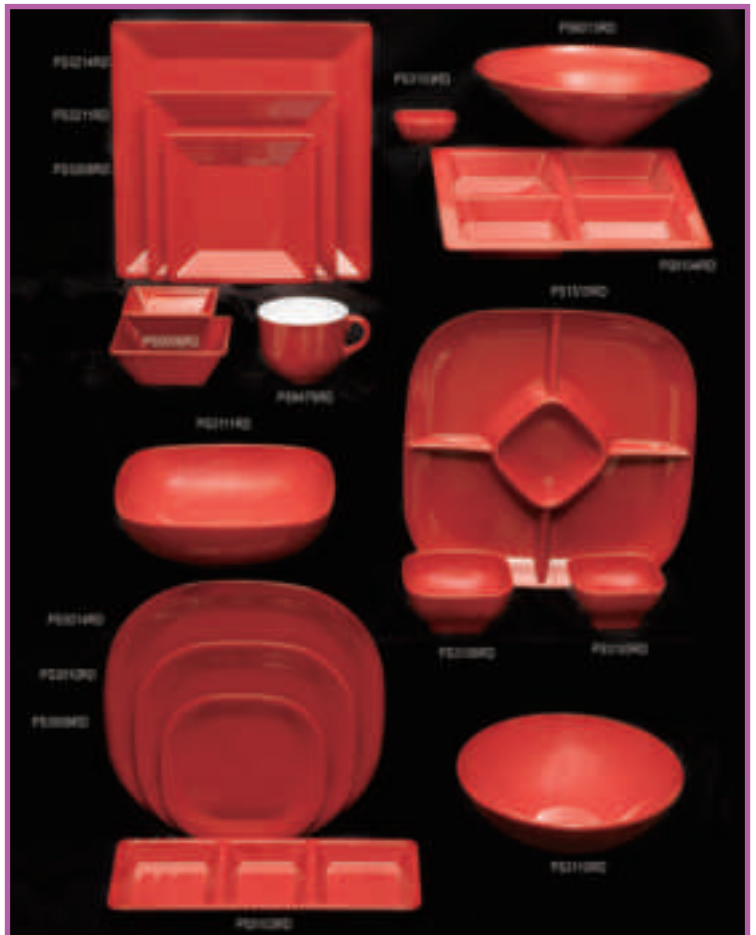


THUNDER GROUP, INC.

Melamine Dinnerware

- Choose from Passion Pearl or Passion Red

PASSION PEARL	PASSION RED	
PS1515V	PS1515RD	Chip & Dip Platter 15" x 15", 1 1/4" d.
PS3111V	PS3111RD	Square Bowl, 96 oz., 11" x 11", 3 1/4" d.
PS9475V	PS9475RD	Mug, 20 oz.
PS3008V	PS3008RD	Round Square Plate 8 1/4" x 8 1/4"
PS3010V	PS3010RD	Round Square Plate 10 1/4" x 10 1/4"
PS3014V	PS3014RD	Round Square Plate 14" x 14"
PS3105V	PS3105RD	Round Square Bowl, 12 oz., 4 3/4" x 4 3/4", 2 1/2" d.
PS3106V	PS3106RD	Round Square Bowl, 16 oz., 5 1/2" x 5 1/2", 2 3/4" d.
PS5103V	PS5103RD	Rectangular 3 Section Compartment Tray, 16 oz., 14 3/4" x 6 1/4" x 1 3/8"
PS5104V	PS5104RD	Square 4 Section Compartment Tray, 16 oz., 13 1/2" x 13 1/2" x 1 3/8"
PS5005V	PS5005RD	Square Bowl, 8 oz., 4 3/4" sq. (94G)
PS5006V	PS5006RD	Square Bowl, 16 oz., 6" sq., 2 1/4" d.
PS3208V	PS3208RD	Square Plate, 8 1/4" sq., 1 1/4" d.
PS3211V	PS3211RD	Square Plate, 10 1/4" sq., 1 1/4" d.
PS3214V	PS3214RD	Square Plate, 13 1/4" sq., 2 1/4" d.
PS3103V	PS3103RD	Bowl, 4 oz., 3 1/2" dia.
PS3110V	PS3110RD	Bowl, 92 oz., 10 3/4" dia., 3 1/2" d.
PS6013V	PS6013RD	Salad Bowl, 96 oz., 13" dia., 4 1/8" d.



Aluminum Can Racks

W/SELF-FEEDING SHELVES

- Holds 162 #10 cans

CSR162

25" w. x 35" d. x 71" h.

- Holds 54 #10 cans
- Poly top (also available w/aluminum or stainless steel top)
- 5" casters (2 swivel w/brake)

CSR54PT

28" w. x 35" d. x 35" h.

CSR54PT



Aluminum Dunnage Rack

- Holds up to 2200 lb.
- "E" Channel construction holds product more securely than standard tubular models
- Less than 3" spacing between cross braces

NSF



DRC362012

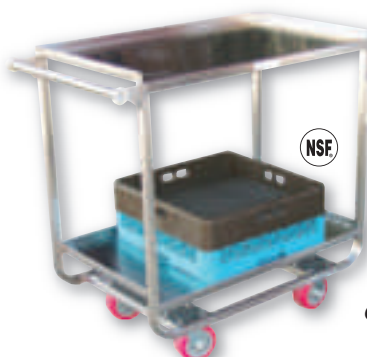
36" l. x 20" d. x 12" h.

Stainless Steel Utility Cart

- All stainless steel cart made of 16 gauge 304 stainless steel, shelves have hemmed edges with a load capacity of 700 lb.
- 5" x 2" polyurethane plate casters

SUCB2133-2

OTHER SIZES AVAILABLE, ASK YOUR SALES REPRESENTATIVE



NSF

Aluminum Fixed Shelving

- Heavy duty, all welded aluminum shelving—stationary or mobile
- Standard heights: 48", 60" and 72"
- Shelving is available in tubular, channel and T-Bar
- Load capacity up to 1600 lb. per shelf

NSF

THREE TIER CHANNEL

AFCS4820-3

48" l. x 20" d. x 60" h.

AFCS6024-3/MHD

60" l. x 24" d. x 60" h. w/ 6" Casters (2 Swivel & 2 Fixed)



AFCS4820-3

AFCS6024-3/MHD

K.D. Pan Rack

APRE2018-3/KDA

APRE2018-3/KDA

- Bolted tubular aluminum frame
- Shipped knocked down
- Holds 20 full size sheet pans on 3" spacing
- 21" w. x 26" d. x 67" h.

Pan Rack Cover

RC58

- Clear 12 gauge vinyl with two zippers
- Retards dehydration
- 23" w. x 28" d. x 58" h.
- Custom sizes available



RC58

KELMAX
Equipment

Enclosed Non-Insulated Mobile Cabinet

- All aluminum welded cabinet • Door opens 270°
- End loading • Holds 60 full-size sheet pans
- Tray spacing is on 1" centers to keep trays from tipping (spacing on 1½" centers also available)
- 5" polyurethane casters

NSF

EC6018-1

22" w. x 28" d. x 68" h.



Employee Lockers

- Powder coated finish
- Shipped set up and ready to use
- Available in 1, 2, 3, 5 and 6 tier units
- Depths available are 12", 15" and 18"

KELMAX
Equipment



Racks, Lockers & Cabinets



NSF

CR-162

Can Racks

- Gravity feed can dispensing racks made of heavy duty welded aluminum construction – will not rust or corrode
- First in first out
- Easy product fill and removal
- Self-feeding feature keeps stock rotated
- Mobile unit is easily maneuvered on two 5" locking swivel and two 5" rigid polyurethane plate casters
- Shipped setup for immediate use

CR-162 Stationary Rack - Holds 162 #10 or 216 #5 cans
25¼" w. x 35" d. x 71" h.

CR-162M Mobile Rack - Holds 162 #10 cans
27½" w. x 35" d. x 76" h.

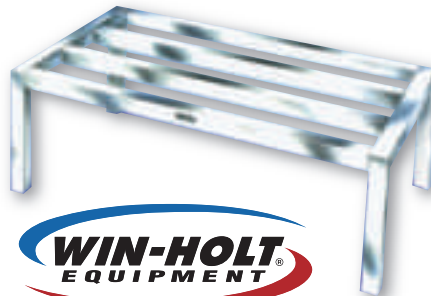
Economy Tubular Dunnage Rack

- Prolongs product life by circulating air underneath
- 12" height above floor meets all sanitary health codes
- All welded 1½" x 1½" heavy duty, rustproof aluminum tube construction

DASQ-4-1220 20" w. x 48" l. x 12" h.

DASQ-4-1224 24" w. x 48" l. x 12" h.

NSF



Pan Racks

- Economy pan racks can proof, store and transport 18" x 26" pans and trays
- All welded, 1" aluminum tubing with heavy duty, welded, angle pan supports
- Rolls easily on four 5" swivel casters
- Easy to assemble
- Lifetime guarantee against rust and corrosion
- Holds 20 - 18" x 26" pans

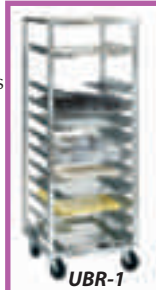
ADE-1820B/KDA
21" w. x 26" l. x 69" h.
Ships Knocked Down

AL-1820B
21" w. x 26" l. x 69¾" h.

UNIVERSAL RACK

- Holds a variety of pans/trays
- Comes with 13 adjustable removable runners

UBR-1
25½" w. x 26¾" l. x 69½" h.



UBR-1



NSF

ADE-1820B/KDA

Multi-Tier Lockers

- Ideal for all types of facilities - retail, industrial, supermarket, foodservice, schools and government agencies.
- Opens with door pulls and will accept padlock (not included)
- Can also be used with flat key (not included) for positive latching
- Doors are mesh grid vented
- Standard color is beige
- Unit height is 78" and column width is 12"
- Shipped assembled

WL-66 1 Column w/6 Doors

WL-618 3 Columns w/6 Doors Per Column



Heater/Proofer Cabinet

- Heavy duty, channel construction designed for durability
- Air baffle and circulating air blower provide even heat distribution
- Easy dual proof/heat control: "Proof" mode – humidity from 30% to 95%, temperatures up to 115°F; "Heat" mode – nominal temperatures up to 180°F
- Corner bumpers protect walls and unit
- Door frame is made of anodized aluminum with clear Lexan insert
- Tight-fit gasket and magnetic closure ensure against heat and humidity loss
- Easy-to-read LED thermometer
- 5" plate, polyurethane casters for easy maneuverability and stability, two in front with brakes
- 21" w. x 30¾" d. x 68" h.
- Clear Lexan door
- 120V, 1440W

ETD NSF



NHPL-1836 Holds 36 - 18" x 20" Pans

Enclosed Mobile Cabinet

- All welded, reinforced, non-insulated aluminum
- Double pan construction with reinforced braces
- Sanitary and rust-proof
- Easily maneuverable on four 5" polyurethane, swivel plate, double ball race casters, locking casters are available
- 21" w. x 27" l. x 68" h.

NSF



EC-1840-C Holds 40 - 18" x 26" Trays

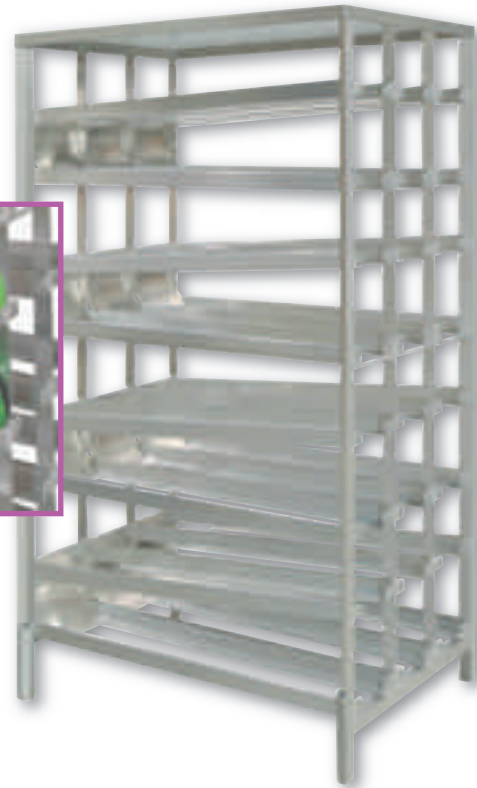
Can Storage Rack

- Aluminum welded construction
- 16 gauge stainless steel top with all edges turned down 2"
- Legs standard
- Front loading
- 42" w. x 27¼" d. x 81¼" h.

CSR-FF-156

Holds 158 #10 Cans

PIPER PRODUCTS
SERVOLIFT EASTERN
 BUILT TO LAST



Storage Cabinet

- Stainless steel cabinet panels are reinforced at the base and corners
- Interior of cabinet is fitted with four vertical slotted channels which accept shelf clips adjustable on 2" centers
- Door and shelves are formed of a single sheet of stainless steel
- Doors are supported on three concealed hinges and each pair is equipped with a paracentric lock and handle connecting to locking bars which secure the doors at top, bottom and center
- Handle has a built-in key lock

7773

36" w. x 24" d. x 72" h.

PIPER PRODUCTS
SERVOLIFT EASTERN
 BUILT TO LAST

Mobile Ingredient Bin

- 20 gauge stainless steel sides, with vertical seam welded, ground smooth and polished
- One piece rubber bumper encircles bin
- Underside is reinforced with galvanized flange base
- Four 4" dia., ball bearing, swivel casters
- 16 gauge stainless steel slide-off cover
- Card holder
- 14¼" w. x 19¼" d. x 27¼" h.

47-75

75 lb. Capacity



Mobile Tumbler Serve™ Dispenser

- Body constructed of all-welded heavy gauge stainless steel
- Eliminates the need for 20" x 20" glass racks
- Includes high density polyethylene cup stacking base board
- 16 gauge stainless steel top grid with ⅛" welded stainless steel rods
- Mounted on four 4" dia. heavy duty, swivel casters with 2 brakes
- 26⅞" w. x 28⅞" d. x 35½" h.

AC-ST-2020-14OZ

Holds 425 Plastic Tumblers (up to 14 ounce)



Racks & Dishtables



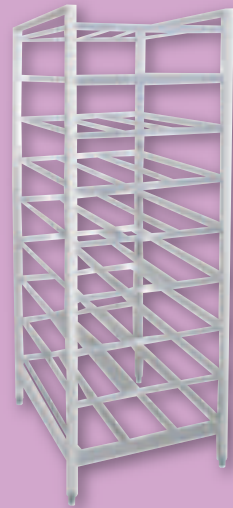
Pans & Pan Racks

FRONT LOADING PAN RACK

- Holds 20 – 18" x 26" pans or 40 – 18" x 13" pans
- 3" shelf spacing, heavy duty 5" casters
- A variety of 18 and 16 gauge, half size, full size and perforated

WELDED CURVED TOP STANDARD PAN RACK

- Holds 20 full or 40 half size pans
- Heavy duty welded construction
- 1" square tubing
- Curved top • Front load
- Heavy duty 5" stem bolted casters; 6 cross supports; 1½" ribbed angles
- 20¼" l. x 26" w. x 63¼" h.



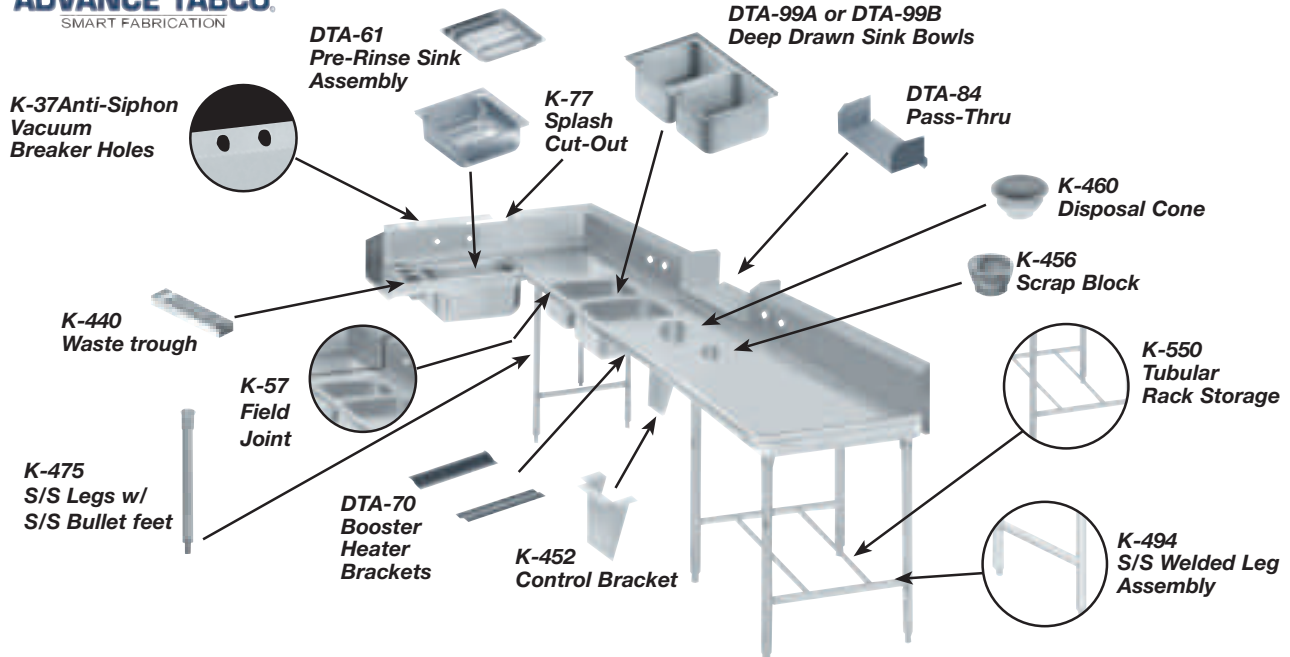
Can Rack

- Spec-Line
- Heavy duty welded construction
- 25½" x 35½" x 71" h.
- Holds 162 no. 10 cans or 216 no. 5 cans



ADVANCE TABCO DISHTABLES

Please review all of the possible SMART FABRICATION™ modifications & accessories to create your IDEAL workspace!



STANDARD SOIL DISHTABLES

- Styles Available:** • Straight • Korner • Island • U-Shape
- Left to right or right to left flow options
 - 3' to 12' standard lengths. Custom sizes available

STANDARD CLEAN DISHTABLES

- Styles Available:** • Straight • Korner • Island
- Left to right or right to left flow options
 - 3' to 12' standard lengths. Custom sizes available

SPEC-LINE SERIES

- 30 Series:** 14 ga., 304 stainless steel
8" deep bowls
Stainless steel legs
Stainless steel bullet feet
Welded cross bracing
Prerinse basket & slide bar
- Bowl Size:** 20" x 20" x 8"

STANDARD SERIES

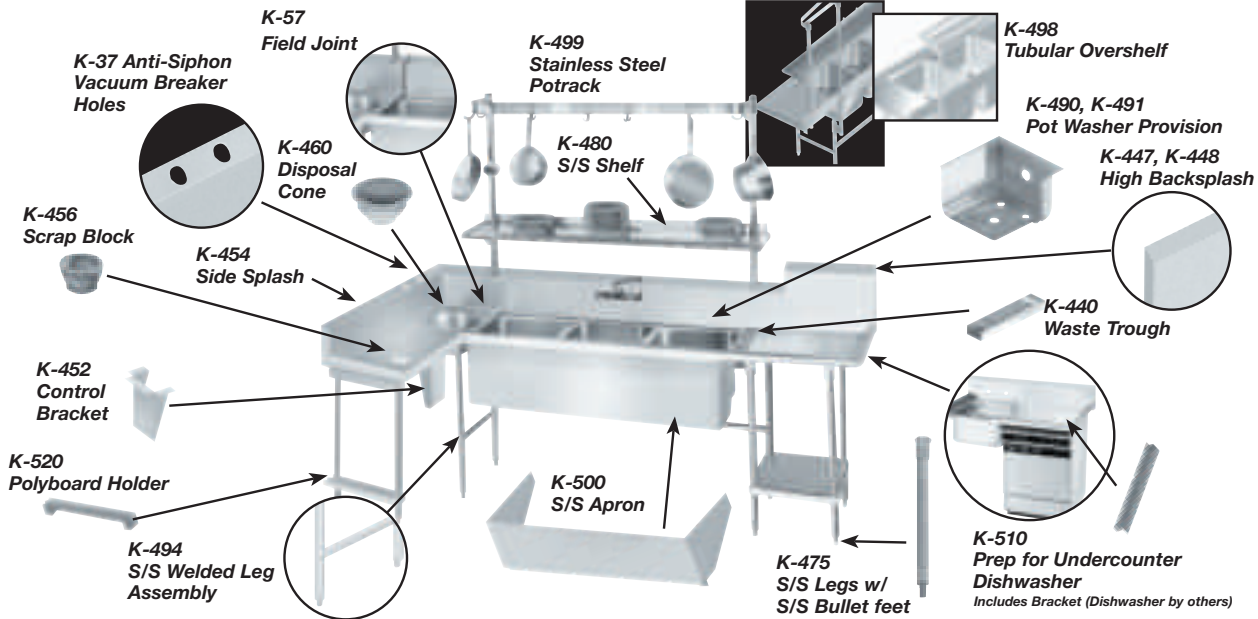
- 70 Series:** 16 ga., 304 stainless steel
5" deep bowls
Stainless steel legs
Stainless steel bullet feet
KD style bolted cross bracing
- Bowl Size:** 20" x 20" x 5"

SUPER SAVER SERIES

- 60 Series:** 16 ga., 304 stainless steel
5" deep bowls
Galvanized steel legs
Plastic bullet feet
- Bowl Size:** 20" x 20" x 5"

ADVANCE TABCO SINKS

Please review all of the possible SMART FABRICATION™ modifications & accessories to create your IDEAL workspace!



SPEC-LINE SINKS

940 Series: 14 ga., 304 stainless steel
14" deep bowls
Stainless steel legs, feet
& cross bracing

Bowl Sizes:

- 16" x 20" • 20" x 20"
- 18" x 24" • 24" x 24"
- 20" x 28"

STANDARD SINKS

930 Series: 16 ga., 304 stainless steel
12" deep bowls
Stainless steel legs, feet
& cross bracing

Bowl Sizes:

- 16" x 20" • 20" x 20"
- 18" x 24" • 24" x 24"
- 20" x 28"

SUPER SAVER SINKS

900 Series: 18 ga., 304 stainless steel
12" deep bowls
Stainless steel legs, feet
& cross bracing

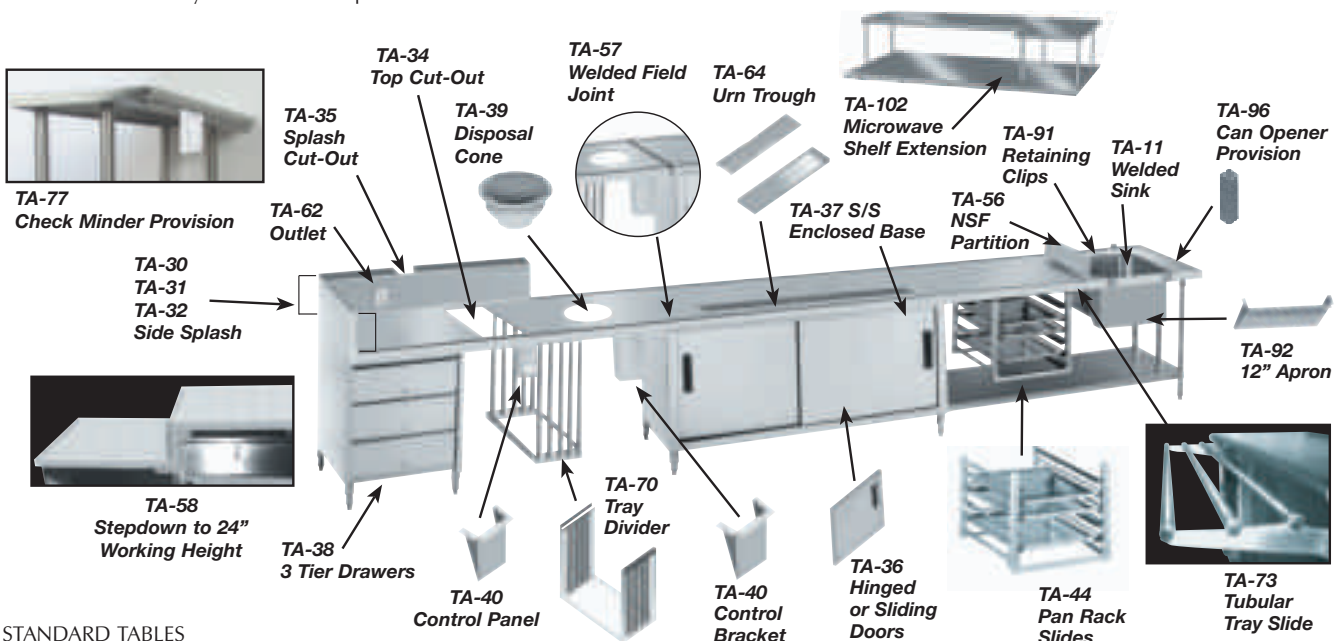
Bowl Sizes:

- 16" x 20" • 20" x 20"
- 18" x 24" • 24" x 24"
- 20" x 28"

CUSTOM SIZES AVAILABLE

ADVANCE TABCO WORK TABLES

Please review all of the possible SMART FABRICATION™ modifications & accessories to create your IDEAL workspace!



STANDARD TABLES

- Available in flat top, 1½", 5" & 10½" back splash and back splashes
- Stainless steel or galvanized understructure
- Undershelf or open base styles available

- Enclosed base models available with open front, hinged or sliding doors
- 24", 30", 36" wide 2' through 12' long

Shelving

Full Size Security Units

- QuadTruss® design
- Ideal for safely storing and transporting costly materials and items subject to pilferage
- Heavy-gauge open-wire construction keeps contents visible for quick inventory checks
- All units are plated with a durable, easy-to-clean finish
- Quick-action locking feature with hasps for padlock
- All units feature full-access double doors swinging out at approximately 270°
- Shipped knocked down
- Includes 63" posts
- Mobile units include casters



CHROME	EAGLEGARD®	DESCRIPTION	W X L X H
SC2436	SC2436E	Stationary	27¼" x 39¼" x 66"
SC2448	SC2448E	Stationary	27¼" x 51¼" x 66"
CSC2436	CSC2436E	Mobile	27¼" x 39¼" x 69"
CSC2448	CSC2448E	Mobile	27¼" x 51¼" x 69"

OPTIONAL POSTS FOR SECURITY UNITS

CHROME	EAGLEGARD®	HEIGHT
SP74-CS	SP74-ES	74"
SP86-CS	SP86-ES	86"

SEE OPTIONAL SHELVES FOR SECURITY UNITS BELOW



Add-A-Shelf® Shelves for Security Units

- Special collar design allows addition or removal of shelves without disassembling entire unit
- Shelves may be horizontal or slanted angle
- Four collars included per shelf



CHROME	W X L
A2436C	24" x 36"
A2448C	24" x 48"

SEE YOUR SALES REPRESENTATIVE FOR OPTIONS & ACCESSORIES

Wire Display Shelving

- For use with gondolas
- May also be mounted directly to walls
- Features MasterSeal® coating for improved rust protection
- Designed for use on all major shelving fixtures
- Features a one-piece shelf bracket, tier notched to securely hold the display shelf in place
- Brackets can be positioned horizontally or slanted
- Shelves can be displayed using the 1" or 3" integral fence by simply rotating the shelf 180°
- Eaglebrite® zinc finish

DISPLAY SHELVES

Includes shelf & brackets. To determine model number follow these two steps:

1. Find your shelving system supplier in "Manufacturers' ID Numbers" table at lower right.
2. Use the corresponding ID number to specify correct bracket adapter.

FOR EXAMPLE, 810365 (ROYSTON).

DISPLAY SHELVES	L X W	DISPLAY SHELVES	L X W
81036	36" x 10"	81048	48" x 10"
81236	36" x 12"	81248	48" x 12"
81436	36" x 14"	81448	48" x 14"
81636	36" x 16"	81648	48" x 16"
81836	36" x 18"	81848	48" x 18"
82036	36" x 20"	82048	48" x 20"

WALL STANDARDS

Use for mounting display shelving directly to walls. Sold individually.

WALL STANDARD	HEIGHT
NUR24	24"
NUR36	36"
NUR48	48"

DIVIDERS/ENDS

DIVIDERS/ENDS	LENGTH
D10	10"
D12	12"
D14	14"

DIVIDERS/ENDS

DIVIDERS/ENDS	LENGTH
D16	16"
D18	18"
D20	20"



Manufacturer ID numbers

- 1 - Kent
- 2 - Universal Nolan
- 3 - Streater
- 4 - Madix/Lozier
- 5 - Royston
- 6 - PermaSteel



Service Carts & Cabinets

Elite Series™ Enclosed Room Service Cart

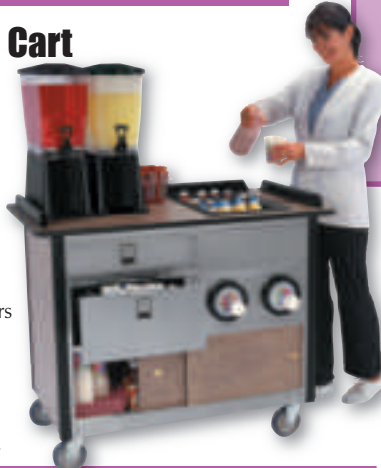
- Stainless steel construction
- Accommodates 14" x 18" or 15" x 20" with 6" ledge spacing
- 6 tray capacity
- Long life door latch
- Corner bumpers to protect walls
- Compartment floor drain for quick drying after cleaning
- No-Mark® heavy duty 6" cushion tread casters, 2 fixed, 2 swivel with brakes



5500 33" x 21³/₄" x 45³/₄"

Hydration/Nutrition Cart

- Stainless steel cabinet with laminate finish
- Top mounted removable full size drop-in chilled pan
- Two cup dispensers
- One drawer with full size drop-in chilled pan
- One deep utility drawer
- Stainless steel storage compartment with sliding doors provides concealed storage
- Easy to maneuver on all floor types with 5" casters



690-10 44¹/₂" x 26" x 37³/₄" h.

Elite Series™ Low Profile Tray Truck

- All-welded stainless steel cabinets
- Accommodates 14" x 18" or 15" x 20" size trays, two per ledge
- Paddle latch door catch assures positive door closure and convenient one-hand opening
- Sturdy welded tubular push handle for increased maneuverability
- Cart body and removable stainless steel ledge panels are easily cleaned and sanitized
- Base corner bumpers
- Compartment floor drains facilitate interior cleaning
- Low profile design for increased capacity and visibility during transport
- Lake-Glide® Casters: 6" - 2 fixed, 2 swivel



5624 55³/₄" x 34" x 42" h. 24 Tray Capacity
5628 55³/₄" x 34" x 47³/₄" h. 28 Tray Capacity
5632 55³/₄" x 34" x 52¹/₂" h. 32 Tray Capacity

Tray Starter Station

- Constructed of easy to clean and sanitize stainless steel
- Features a compartment with ledges for 14" x 18" or 15" x 20" tray storage
- Stainless steel back panel accepts two rows of hanging plastic bins (not included)
- Square tubing frame securely holds full, half and third size pans
- Sturdy 1" square tubing construction and large top shelf for added storage
- Lake-Glide® Casters: 4 - 5" all swivel, 2 with brake



2610 52" w. x 23³/₄" d. x 63" h.

Self-Leveling Heated Pellet Dispenser

- Stainless steel construction
- Heated compartment has automatic hi-temp shut off
- Accommodates pellets ranging from 7" to 10¹/₄"
- Self-leveling dispenser units are removable for convenient cleaning and adjustment
- Maneuvers easily on 4 each 5" Lake-Glide® Casters - all swivel, 2 with brake
- Push handle for easy mobility



7501 2 Dispensers, 33³/₈" x 23³/₄" x 42³/₄" h.
7502 3 Dispensers, 43¹/₁₆" x 23³/₄" x 42¹³/₄" h.

Adjust-a-Fit® Drop-In Self Leveling Mobile Cabinets

- All-welded stainless steel cabinets
- Hand adjustable plate guides and height adjustment, no tools required
- Accommodates 6¹/₂" to 9³/₄" plates
- 3/4" diameter adjustment range
- Stainless steel Easy-Glide™ design provides quiet, non-stick operation
- Each heated dispenser features its own thermostatic control
- Lake-Glide® Casters: 4" - all swivel, 2 each with brake, extra-load
- 17¹/₄" x 30³/₈" x 39¹/₈" h.



925 2 Non-Heated Dispensers
927 2 Heated Dispensers

LAKE SIDE®

Self Leveling Mobile Cabinets

- All-welded stainless steel cabinets
- Easy field adjustment for plate dispensing height, no tools required
- Accommodates 8¹/₄" to 9¹/₈" plates
- Corner bumpers protect cabinet and doors
- Each heated dispenser features its own thermostatic control
- Stainless steel Easy-Glide™ design provides quiet, non-stick operation
- Lake-Glide® Casters: 4" - all swivel, 2 each with brake, extra-load
- 17¹/₄" x 30³/₈" x 39¹/₈" h.



5209 2 Non-Heated Dispensers
6209 2 Heated Dispensers

Standard Duty Utility Cart

- Durable, unitized electronically welded stainless steel angle legs
- Sound deadening panels under shelves restrict vibrations and noise
- Bumpers on legs and handles protect walls and furniture
- 300 lb. capacity

3 SHELVES

311 27½" x 16¼" x 32½" h.



Medium Duty Utility Cart

- Durable, unitized electronically welded angle leg frame
- 20 gauge stainless steel reinforced shelves
- Protective bumpers on legs and handle safeguard furnishings
- Sound deadening panels under shelves restrict vibrations and noise
- Stainless steel: 20 gauge shelves top shelf reinforced, 16 gauge legs
- 500 lb. capacity

3 SHELVES

411 27½" x 16¼" x 33½" h.



Plastic Accessories for Cart

GRAY	BROWN	
202	209	Waste Box, 9¼" w. x 13½" l. x 24" h.
206	219	Jumbo Waste Box, 11¼" w. x 14¾" l. x 26" h.
208	215	Silver Box, 6¾" w. x 15¼" l. x 6" h.

Heavy Duty Utility Carts

- Stainless steel angled "U" shaped frame provides the strength needed for heavy duty jobs
- Rugged 18 gauge reinforced stainless steel shelves are stain and rust resistant
- Electronically welded for added strength
- Leg and handle bumpers protect walls and furniture
- 5" casters – front, 8" casters – rear
- 700 lb. (320 kg) capacity

2 SHELVES

710 30" x 16¼" x 34¼" h.

721 32½" x 19¾" x 34½" h.

3 SHELVES

711 30" x 16¼" x 34¼" h.

722 32½" x 19¾" x 34½" h.



Handler Series Utility Carts

- Durable, unitized electronically welded angle leg frame
- Vertical ergonomic handle provides comfortable, natural grip
- Sound deadening panels under shelves restrict vibrations and noise
- All swivel casters

4311 27½" x 16¼" x 44½" 300 lb. Capacity

4422 31" x 20" x 45¾" 500 lb. Capacity

Mobile Machine Stands

- Stainless steel construction
- Designed to securely hold many types of kitchen equipment
- Lower shelf holds accessories and other supplies
- Rugged stainless steel design features an 18 gauge reinforced top supported by rigid 12 gauge angle legs
- Lake-Glide® 4" swivel casters, 2 with brakes
- Easy-to-clean and sanitize



9½" SHELF CLEARANCE

715 21¼" x 25¼" x 21¾" h.

717 25¼" x 33¼" x 21¾" h.

17½" SHELF CLEARANCE

716 21¼" x 25¼" x 29¾" h.

718 25¼" x 33¼" x 29¾" h.

Poker Chip Dish Dolly

- Transport and store china easily and safely with no edge chipping
- Molded polyethylene columns protect china during transport
- Unique column design for easy 2 handed loading and unloading
- One piece polyethylene design has rounded edges to protect walls and furnishings
- Cleans easily, simply wipe down or steam clean
- Lake-Glide Casters: 5" ea. - All swivel, 1 w/brake
- Color: Gray



9 COLUMNS

2005 Holds 5¾" - 5¼" Dishes
24½" x 29¾" x 31¾" h.

2009

4 COLUMNS

2009 Holds 8¾" - 9¼" Dishes
25½" x 27¾" x 31¾" h.

Glass Rack Dolly

- Designed for transporting and storing 20" x 20" glass/cup racks
- Stainless steel platform is waterproof to prevent dripping
- Tubular chrome handle
- 200 lb. load capacity
- 4" swivel casters



450 20¾" x 20¾" x 6½" h. (32" h. O.A.)



Ice Bins, Lodging Carts & Tilt Trucks

ConServ™ Ice Bins

- Metal free bin and lid designed to eliminate unsightly rust and corrosion – perfect for ocean front and resort properties
- Multi-position, self-storing lid allows for greater access to bin contents while preventing lid contamination
- Double wall construction and extra heavy insulation will hold ice and product temperature for days
- Built-in, front assist handle allows for easy vehicle loading and unloading
- The easy-to-access and leak-proof drain faucet is nested within the profile of the body to prevent accidental damage
- The ergonomic handles and large dolly-style rear wheels allow units to be easily rolled and maneuvered over grass, tile or up curbs or steps
- 5" swivel front casters, one with brake
- Available in Beige, Black

9725 125 lb. Capacity, 8" Rear Wheels

9720 200 lb. Capacity, 10" Rear Wheels



Lodging Carts

BOTH CARTS INCLUDE THESE STANDARD FEATURES:

- Designed to allow the addition of optional components, carts can be adapted to meet your changing needs
- Ergonomic aluminum handles – grab and turn from any position – no need to place hands in trash area to push cart
- Vacuum cleaner ledge and handle notch
- Shelves are adjustable without tools and can be moved to one of two standard locations – shelves are “trapped” to prevent over extending
- Built-in tool holders for common cleaning items as well as “well-type” pockets to hold standard quart cleaning bottles
- Top tray accommodates standard 19¼" x 19½" glass rack or two optional maid's caddies
- Center wheel design allows for 360° turning radius
- Four non-marking swivel corner casters, two with brakes
- All weather design is ideal for indoor and outdoor applications – even resort/ocean properties – 99% plastic with aluminum and stainless fasteners
- Carts ship knocked down and are easily assembled with snap-fit components



1580 BEBN

Economy Lodging Cart

1580

- Includes 6-bushel vinyl bag and one adjustable shelf
- Optional components can be ordered and include a door set with lock and key, additional adjustable shelf and 6-bushel duck bag with snaps
- Available in Beige/Brown

Deluxe Lodging Cart

1585

- Complete with 6-bushel vinyl bag, adjustable shelf, drawer set and door set with lock and keys
- Sliding doors to not require space into hall areas to open and close – come standard with lock and key for security
- Optional components can be ordered and include an additional adjustable shelf and 6-bushel duck bag with snaps
- Available in Beige/Brown



1585 BEBN

Standard-Duty Huskee Tilt Truck

5840 BK

- One-piece extra-strong seamless industrial plastic construction
- Fits through standard office doorways
- Molded plastic handles provide ergonomics, increasing comfort and control
- Three strategically positioned hand grips make dumping these trucks a breeze
- All exposed metal parts are protected by rust-preventative enamel finish
- 12 ga., ⅝" reinforced/welded steel frame
- Capacity: 750 lb., ⅝ cu. yd., 13.6 bushel, 126 gallons
- Color: Black



Bussing/Utility Cart

5810

- Rated for 400 lb. total capacity
- Constructed of high-density structural plastic and engineered aluminum
- Won't rust or dent – plastic will not crack or chip
- Three sturdy reinforced shelves, 16" w. x 31" d. x 36" h.
- Four 4" non-marking swivel casters are standard for easy maneuverability
- Accommodates refuse and silverware bins (sold separately)
- Available in Beige and Black



5811

5812

5811 SILVERWARE BIN

- Fits 5810 Cart
- Made of durable polyethylene
- Easily holds 100 complete place settings of flatware
- 8" x 14" x 9 1/4"
- 2.45 gallon capacity
- Black

5812 REFUSE BIN

- Fits 5810 Cart
- Made of durable polyethylene
- 23" x 14" x 9 1/4"
- 8.8 gallon capacity
- Black

URGE EMPLOYEES TO TRANSPORT HEAVY AND AWKWARD LOADS WITH CARTS DESIGNED FOR THE TASK. BACK AND SPINE STRAIN ARE AMONG THE TOP REPORTED INJURIES.

Utility Carts

- 400 lb. capacity (200 lb. per shelf)
- Easy to clean seamless construction
- Raised edges
- Non-marking 5" casters
- Available in Beige or Grey



- 5800** 2 Shelves, 17 1/2" w. x 34 3/8" d. x 33" h.
5805 2 Shelves, 25 1/2" w. x 40 3/8" d. x 33" h.

Janitor Cleaning Carts

- Derma-Tek™ smooth-surface design is easy to clean and keep clean
- Plastic construction will not rust, chip, crack, peel or fade
- Exclusive 4-legged design is more stable under heavy loads
- Built-in tool holders for common cleaning items
- Easily assembled with a limited number of parts or hardware
- Built-in bumpers on the bottom tray
- Non-marking grey 8" rear wheels and 3" front swivel casters provide maximum maneuverability
- Ergonomic bag zips open completely to easily remove heavy contents and avoid back injury
- Can accommodate the 32 gal. Square or Round Huskee and the 44 gal. Huskee or Huskee SuperKan™ (all with or without the dolly) on the front shelf area in place of the mopping combo
- Carts available in Blue (BL) or Grey (GY)



182

184

186

- 182** Compact Cleaning Cart w/25 gal. Zippered Vinyl Bag 43" l. x 30" w. x 38" h.
184 Standard Cleaning Cart w/25 gal. Zippered Vinyl Bag 53" l. x 30" w. x 38" h.
186 Extended Cleaning Cart w/2 Front Trays & 25 gal. Zippered Vinyl Bag 73" l. x 30" w. x 38" h.
187YW* Janitorial Lock Box fits Carts **184** & **186**, Yellow 15" l. x 16" w. x 11" h.
188YW* Zippered Vinyl Bag for Janitorial Carts, Yellow 25 gallon

***THE OLD AND NEW STYLE LOCK BOX AND VINYL BAG ARE NOT INTERCHANGEABLE**

Dunnage Racks

- Made of durable polyethylene construction – won't rust, dent, chip, or corrode like metal units
- Light textured surface is easy to wipe off or steam clean
- Can be joined together in end-to-end, back-to-back and L & U shaped to accommodate any storage need
- Ventilation slots allow air to circulate under stored goods, promoting longer shelf life
- Durable plastic key features a thumb notch for easy removal – two keys furnished with each rack
- Grey rack, Yellow dunnage keys

1500 LB. CAPACITY

- 5930 GY** 30" l. x 22" w. x 12" h.
5936 GY 36" l. x 22" w. x 12" h.

3000 LB. CAPACITY

- 5948 GY** 48" l. x 22" w. x 12" h.
5960 GY 60" l. x 22" w. x 12" h.



Dish Caddies, Ingredient Bins, Shelving & Dish Racks

Adjustable Dish Caddies

- Store and transport valuable dinnerware with confidence by using the Cambro S-Series Adjustable Dish Caddy
- Durable polyethylene construction provides long life usage
- A 3/4" plated steel rear axle offers solid strength
- Configure adjustable dividers as needed to securely and safely hold in place dishes from 4 7/8" to 13" diameter
- Dividers feature a 1/2" rod from top to bottom for stability
- Smoothly maneuvers over any surface with non-marking, high quality casters - 10" rear wheels and 5" front swivel casters w/ brake
- Colors: Black, Slate Blue, Speckled Gray and Dark Brown



NSF

ADCS

ASK ABOUT OTHER STYLES OF DISH CADDIES AVAILABLE.

Slant Top Ingredient Bins

- Designed to fit under work tables to efficiently store bulk dry ingredients
- Slant top slide-back, polycarbonate lid for easy access
- Bin body is made of FDA-accepted poly
- Large storage capacity helps reduce the frequency of restocking ensuring quick and convenient service
- An S-hook on the front provides a convenient location for hanging a scoop



NSF

	CAPACITY	LOAD CAPACITY SUGAR	LOAD CAPACITY FLOUR
IBS20	21 Gallon	170 lb.	140 lb.
IBS27	27 Gallon	226 lb.	159 lb.
IBS37	37 Gallon	314 lb.	225 lb.

CAMBRO
MANUFACTURING COMPANY

Camshelving®



THE MOST HYGIENIC SHELVING IN THE MARKET!

- For use in any environment, from walk-in refrigerators and freezers as cold as -36°F to wet/dry storage areas
- Made with a steel core for strength and a polypropylene exterior for easy cleaning
- The entire Camshelving system is based on six easy to use, easy to assemble parts
- Each part is available in a variety of sizes that allows flexibility to custom build shelving to fit in any size area or configuration

ASK YOUR SALES REPRESENTATIVE FOR DETAILS.

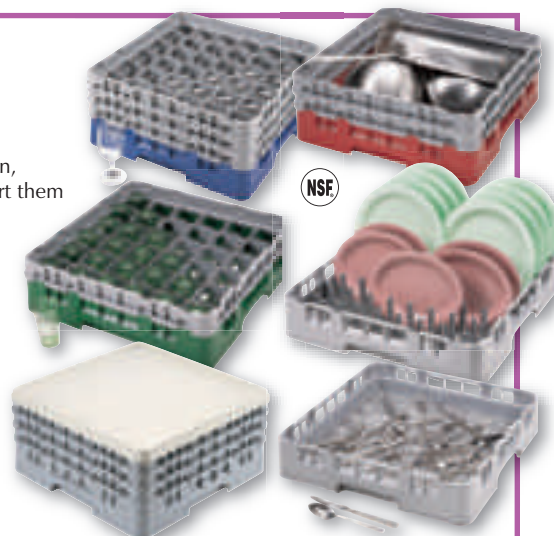
NSF



Camracks® Warewashing & Storage System

- Camracks get your dishes clean, keep them clean, and transport them with our unique closed wall rack, Camdolly and cover
- Easy-to-grip handles are designed for comfortable, safe handling and lifting

ASK YOUR SALES REPRESENTATIVE ABOUT THE MANY RACKS AND RACK ACCESSORIES AVAILABLE TO CREATE A WAREWASHING AND STORAGE SYSTEM TO FIT YOUR ESTABLISHMENT'S NEEDS.



NSF

DRS48

DRS30

DRS600

NSF

DRS360

S-Series Dunnage Racks

- Heavy-duty polyethylene construction won't rust, corrode or bend
- Camlink® connectors (include 1 with each rack) securely lock racks together
- Colors: Dark Brown (131), Speckled Gray (480)

SOLID TOP	SLOTTED TOP	CAPACITY	WIDTH
DRS30	DRS300	1500 lb.	30"
DRS36	DRS360	1500 lb.	36"
DRS48	DRS480	3000 lb.	48"
DRS60	DRS600	3000 lb.	60"