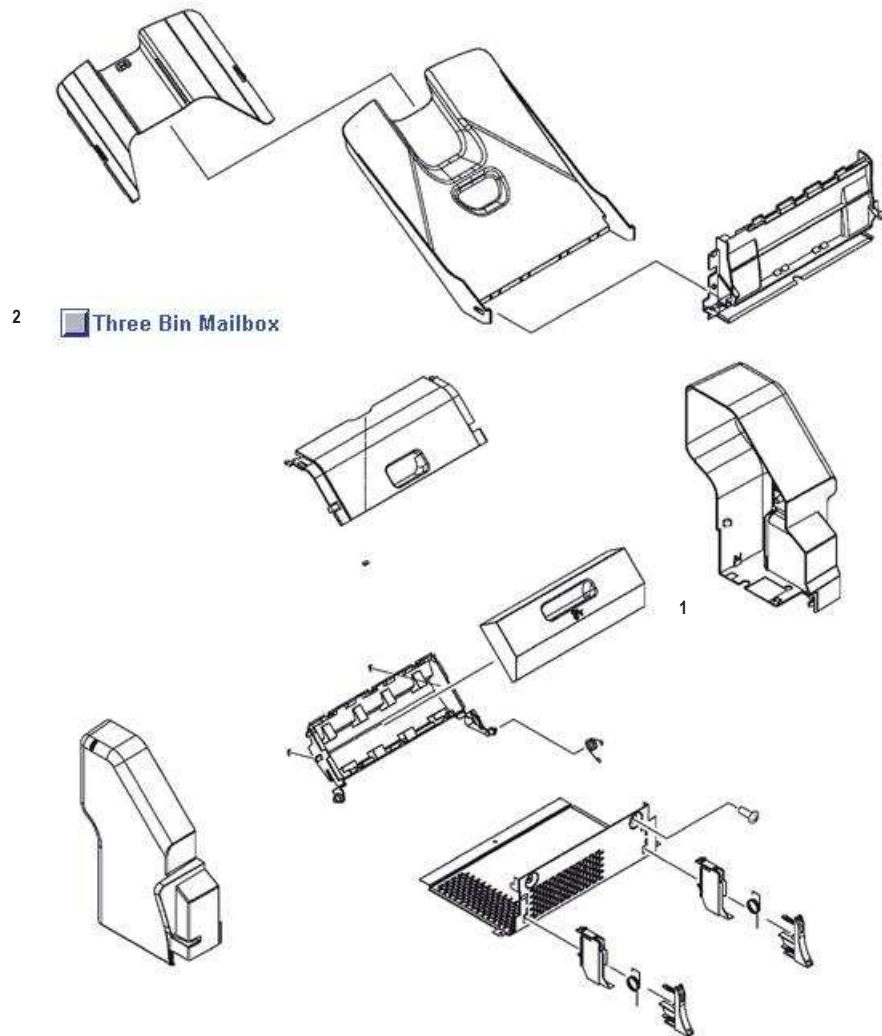


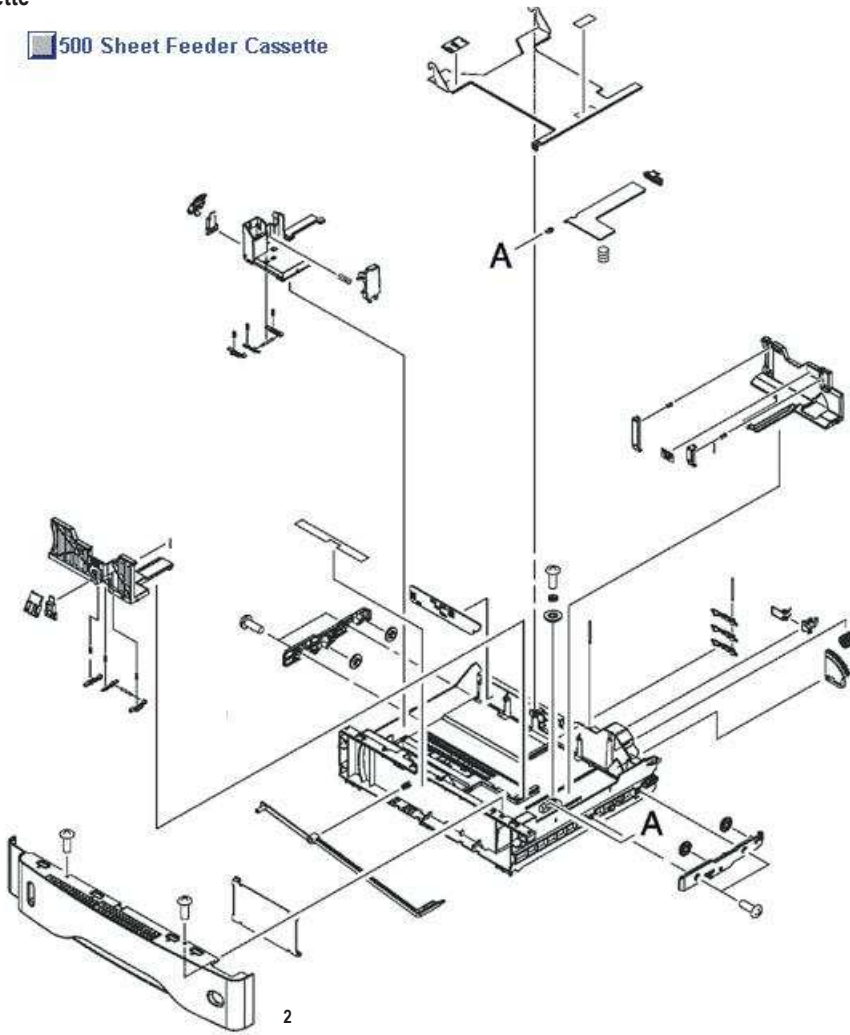
3 Bin Mailbox Accessory



Ref	Part Number	Description
1	RM1-0981-000CN	Three bin mailbox access door - Front jam access door for three bin mailbox unit
2	Q5692-67901	Color LaserJet 4345 and 4370MFP three bin multi-bin mailbox

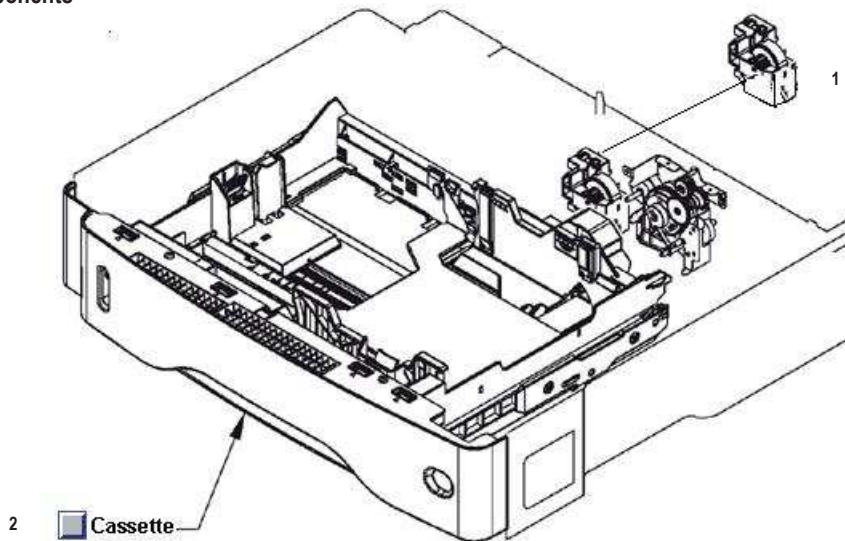
500 Sheet Feeder Cassette

1  500 Sheet Feeder Cassette



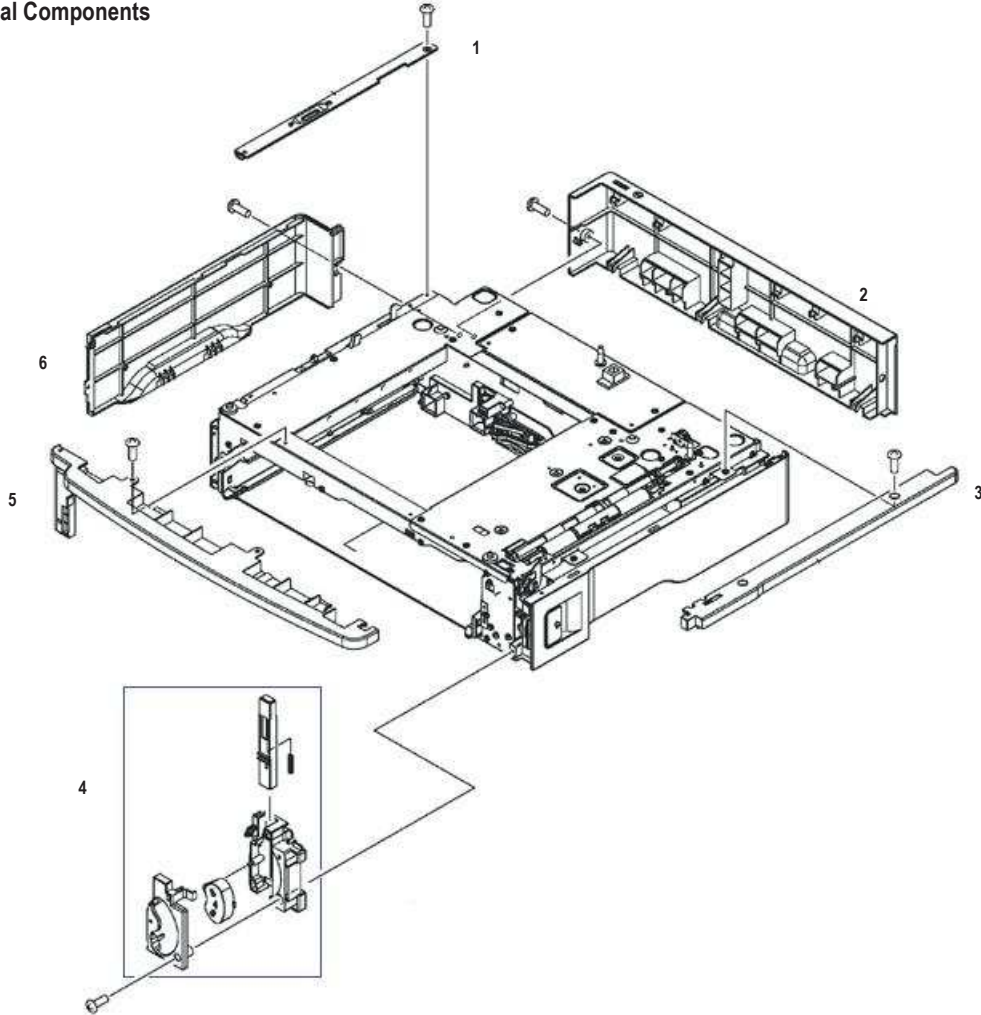
Ref	Part Number	Description
1	RM1-1001-040CN	Paper cassette - 500 sheet paper holding cassette - Can be used in optional 500 sheet Tray 2,3,4 or 5
2	RC1-3020-000CN	Front guide - Front cover for 500 sheet paper cassette

500 Sheet Feeder Components



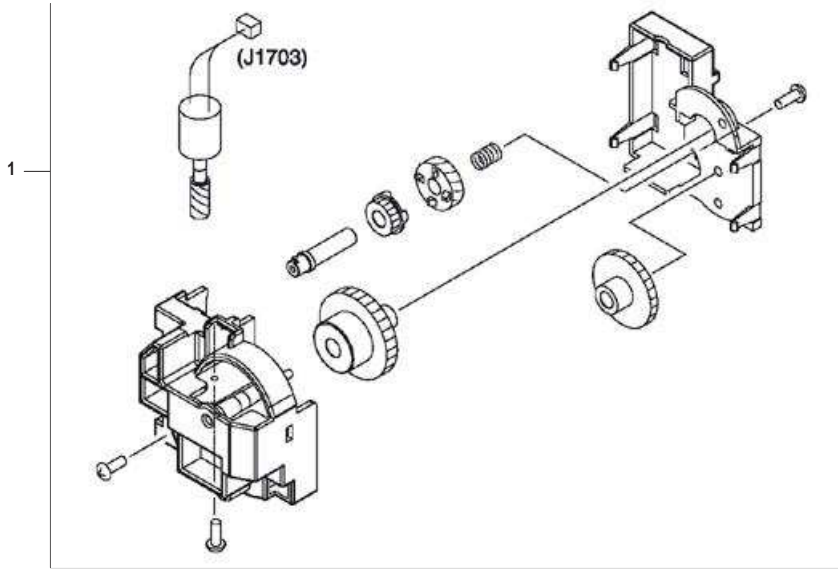
Ref	Part Number	Description
1	RM1-1457-000CN	Lifter drive assembly - For 500 sheet paper feeder assembly
2	RM1-1001-000CN	Paper cassette - 500 sheet paper holding cassette - Can be used in optional 500 sheet Tray 2,3,4 or 5

500 Sheet Feeder External Components



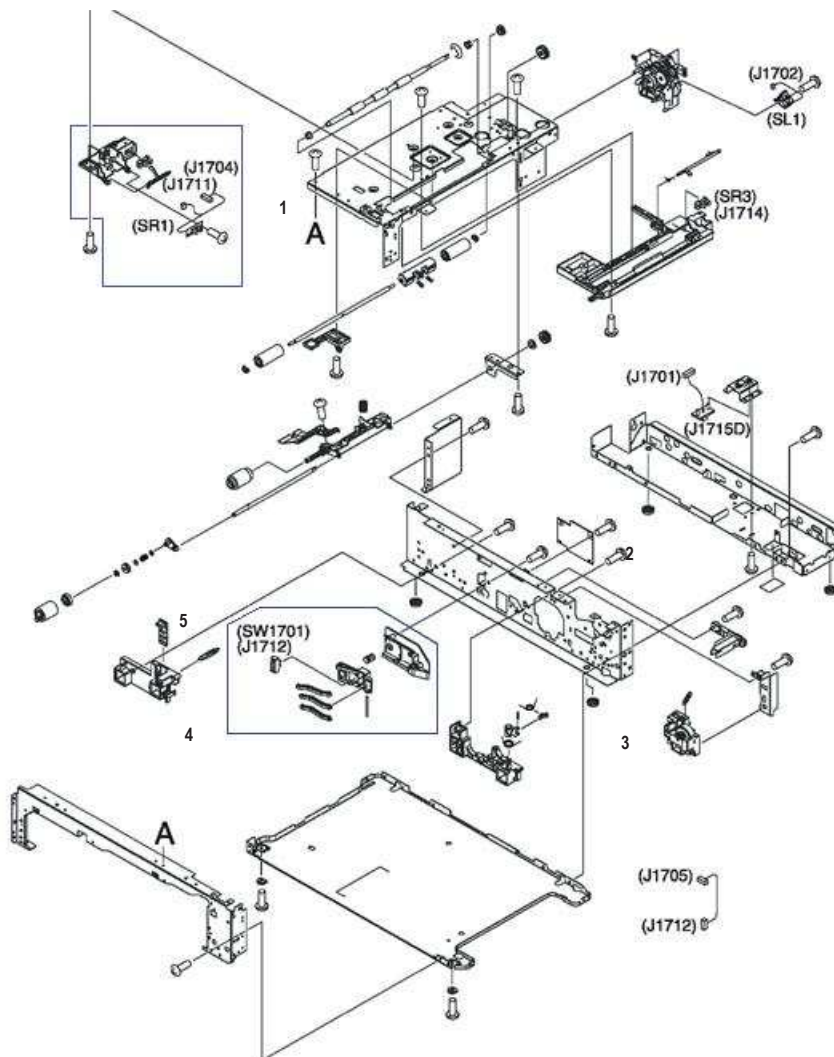
Ref	Part Number	Description
1	RC1-3200-000CN	Upper cover - Left side upper cover for 500 sheet feeder - Small top edge cover on left side
2	RC1-3197-000CN	Rear cover - Back side cover for 500 sheet feeder
3	RC1-3198-000CN	Right cover - Right side upper cover for 500 sheet feeder
4	RM1-1456-000CN	Tray number plate assembly - Changeable tray number display assembly - Located in front right corner of 500 sheet feeder assembly
5	RC1-3196-000CN	Front cover - Front side upper cover for 500 sheet feeder
6	RC1-3199-000CN	Left cover - Left side cover for 500 sheet feeder

500 Sheet Feeder Lifter Drive Assembly



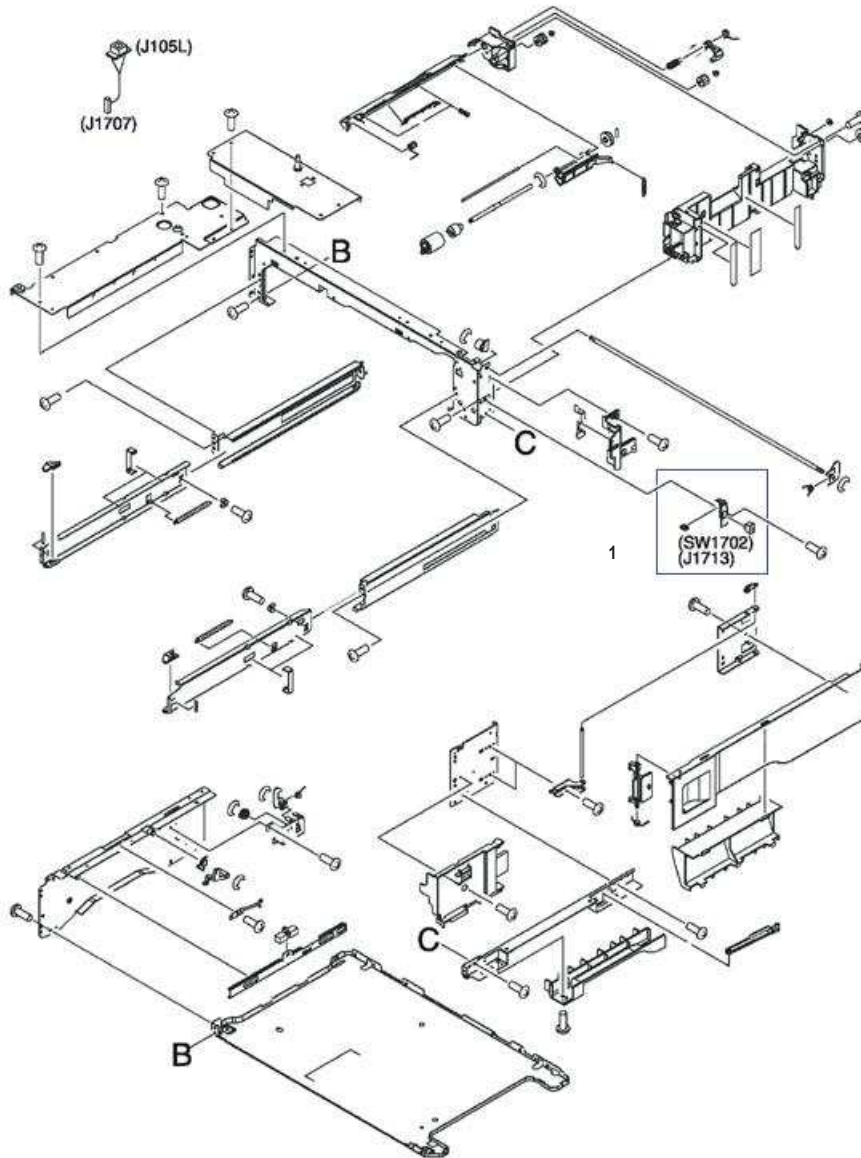
Ref	Part Number	Description
1	RM1-1457-050CN	Lifter drive assembly - For 500 sheet paper feeder assembly

500 Sheet Feeder Main Body (1 of 2)



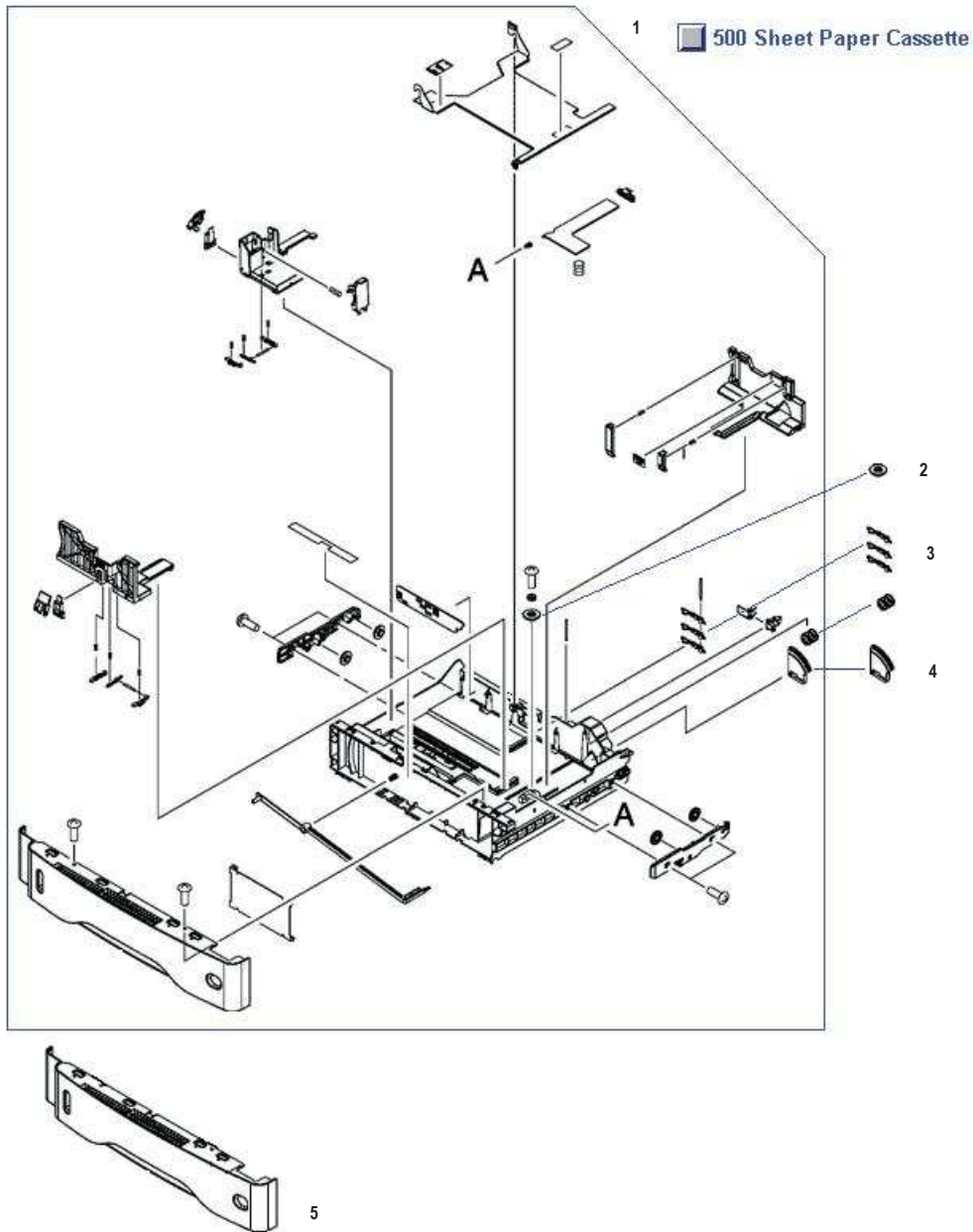
Ref	Part Number	Description
1	RM1-1544-000CN	Paper sensing assembly - Paper present sensing assembly - SR1
2	RM1-1122-000CN	Driver PCA - 500 sheet feeder driver PCA
3	RM1-1049-000CN	Main drive assembly - Main gear assembly at rear of printer
4	RM1-0041-020CN	Tray 2 paper size tray sensing assembly - White plastic tray size sensing fingers and microswitch assembly
5	RU5-2251-000CN	Grounding spring - Located near front of left side cassette support rail

500 Sheet Feeder Main Body (2 of 2)



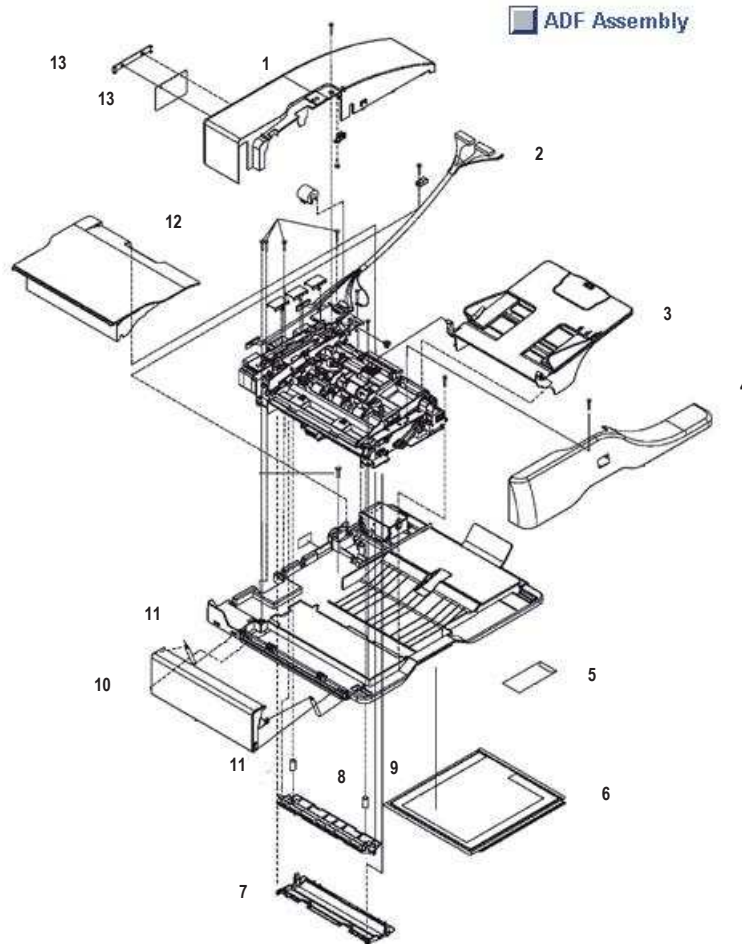
Ref	Part Number	Description
1	RM1-1045-000CN	Door sensor assembly - 500 sheet feeder assembly access door open sensor switch assembly

500 Sheet Paper Cassette



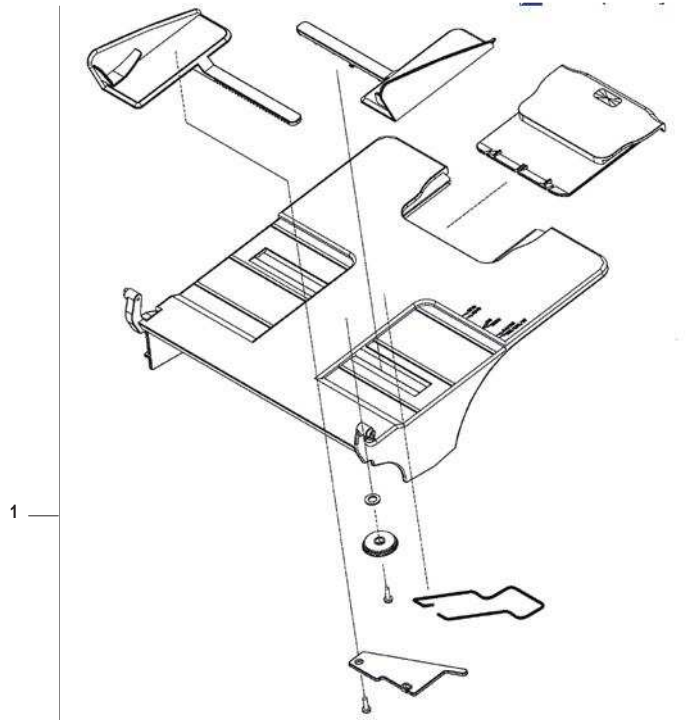
Ref	Part Number	Description
1	RM1-1001-040CN	Paper cassette - 500 sheet paper holding cassette - Can be used in optional 500 sheet Tray 2,3,4 or 5
2	RC1-0331-000CN	Gear - 20-tooth gear used to synchronize paper width adjustment stops - Located in right side bottom of cassette
3	RC1-2782-000CN	Paper size arm - Senses paper size in paper tray - Three used
4	RU5-0253-000CN	Gear - 15-tooth gear located in right rear corner of 500 sheet paper cassette
5	RC1-3020-000CN	Front guide - Front cover for 500 sheet paper cassette

ADF Assembly



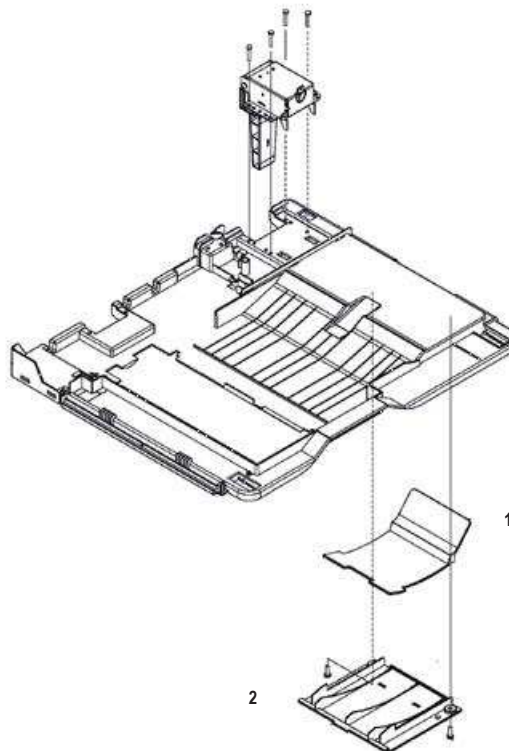
Ref	Part Number	Description
1	PF2282P044NI	ADF cover - Plastic rear cover for ADF assembly
2	PF2282K165NI	LaserJet ADF to scan control board cable
3	PF2282K042NI	ADF input tray assembly
4	PF2282P059NI	ADF cover - Plastic front cover for ADF assembly
5	PF2288K050NI	ADF mylar replacement kit - Includes three clear mylar replacement strips for the ADF guide - Mounts in the ADF mylar holder assembly
6	PF2282P339NI	ADF white plastic scanner background plate - Used as a white background during flatbed document scanning - Mounts on the underside of the ADF assembly (above the scanner assembly)
7	PF2282K043NI	Mylar holder assembly - This is the cover (holder) that holds the Clear mylar sheet in place - Mounts on the bottom of the ADF assembly
8	PF2282P025NI	White backing plate assembly - Used as a white background for scanning documents when passing through the ADF assembly - Mounts on the underside of the ADF assembly towards the rear
9	PF2282P343NI	Compression spring - Holds the white mylar backing plate firmly against the document passing through the ADF assembly (Two used)
10	PF2282P058NI	Left cover - left external cover for ADF unit
11	PF2282P352NI	Cover spring - Provides tension for left side plastic cover of ADF assembly - Two used
12	PF2282P041NI	Jam access cover - Top access cover for ADF assembly
13	PF2282K166NI	ADF hinge flap - ESD hinge cover for ADF assembly

ADF Input Tray



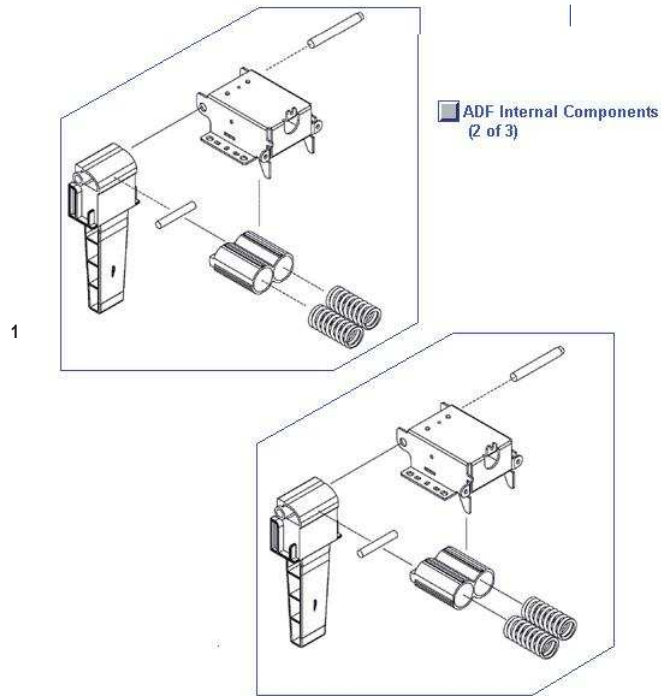
Ref	Part Number	Description
1	PF2282K042NI	ADF input tray assembly

ADF Internal Components (1 of 3)



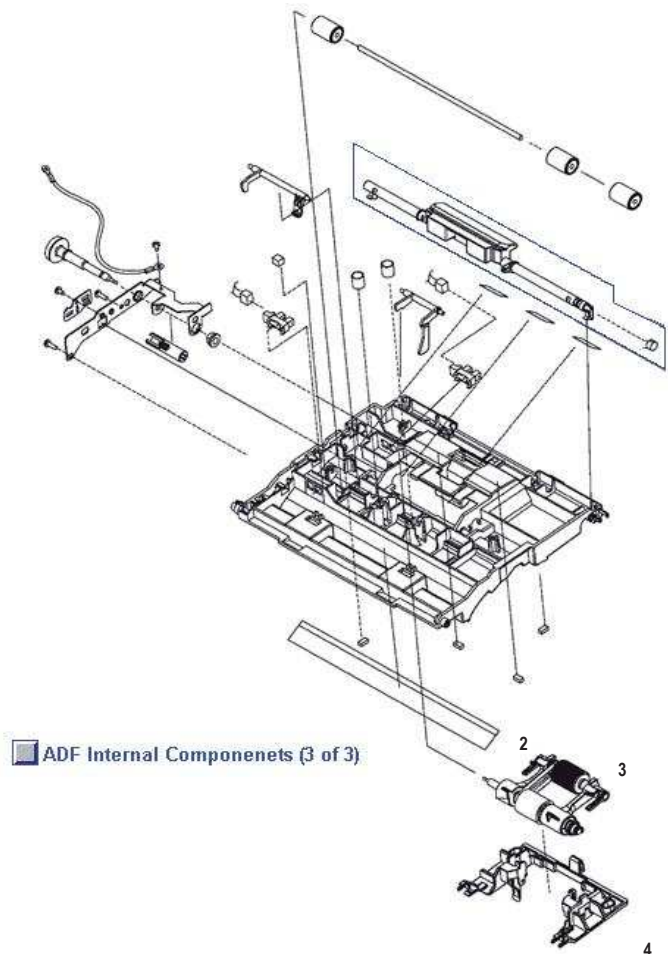
Ref	Part Number	Description
1	PF2282P061NI	Paper stop - ADF output tray paper stop
2	PF2282P060NI	Cover - ADF output tray bottom cover

ADF Internal Components (2 of 3)

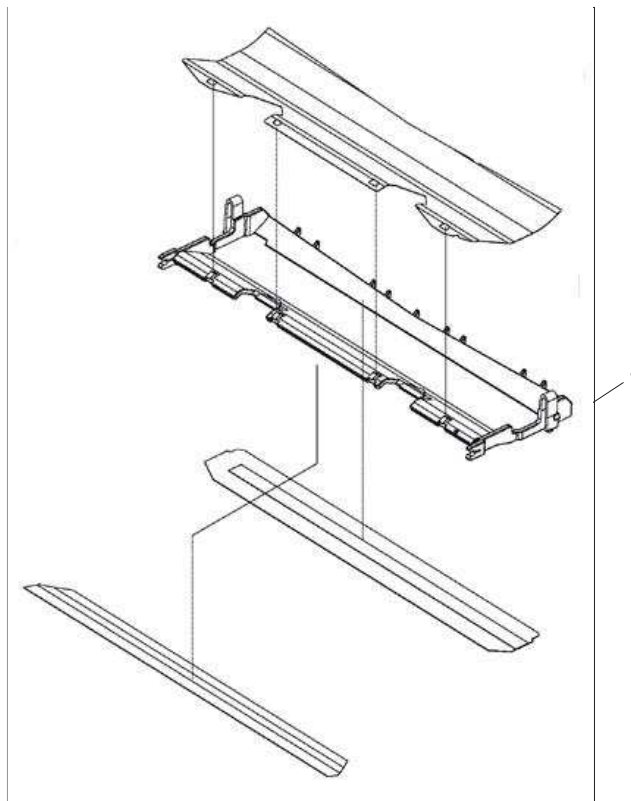


Ref	Part Number	Description
1	PF2282K041NI	Hinge assembly - ADF left side hinge assembly
2	PF2282K008NI	Hinge assembly - ADF right side hinge assembly

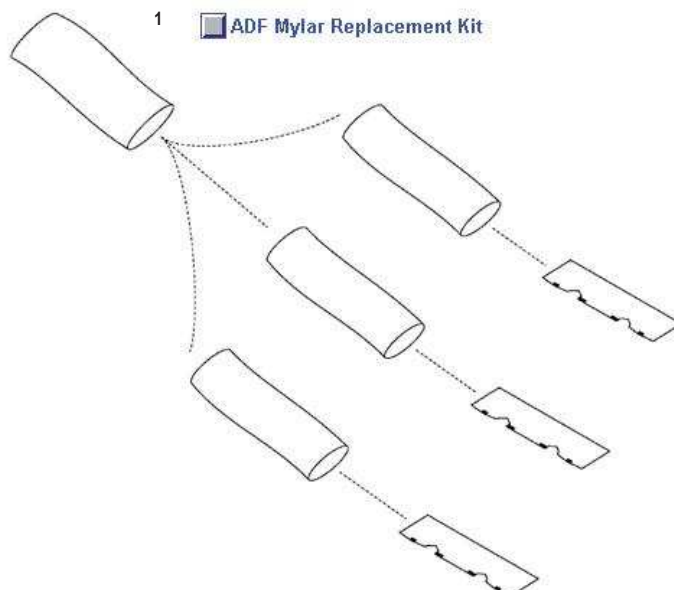
ADF Internal Components (3 of 3)



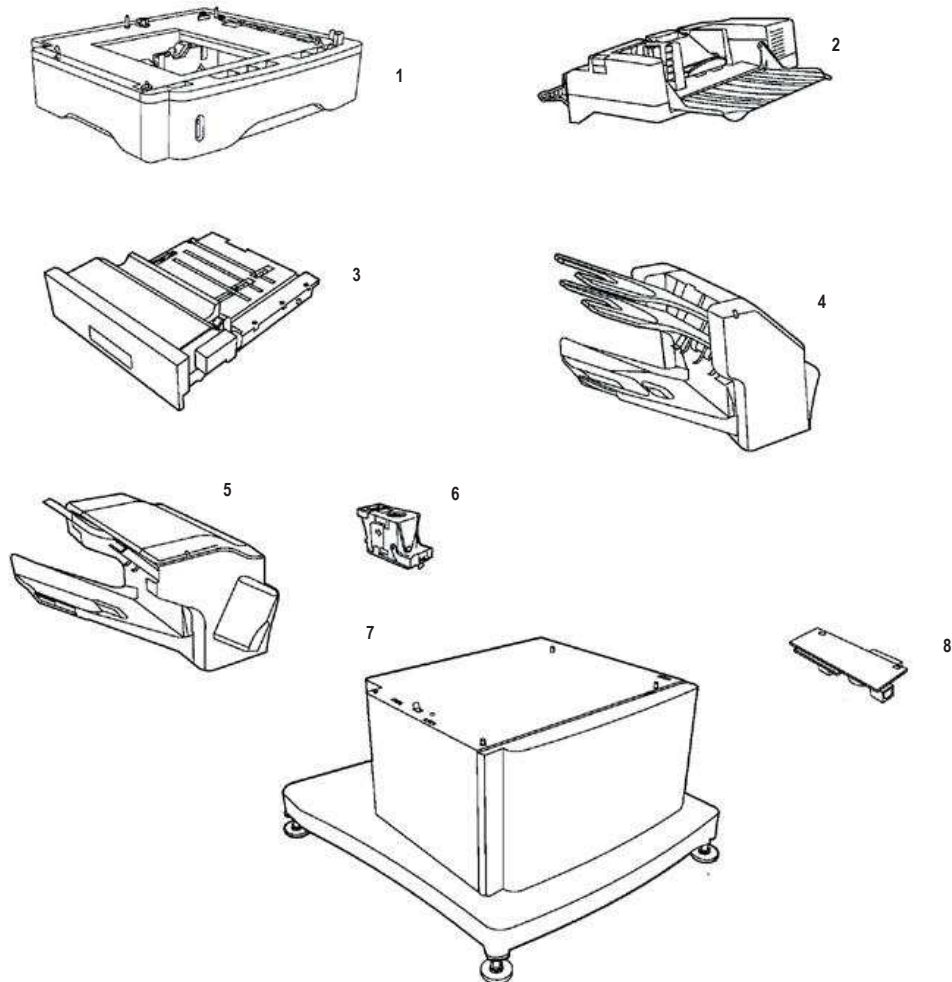
Ref	Part Number	Description
1	PF2282K164NI	Access latch - ADF jam access latch
2	PF2282P353NI	Paper guide - ADF clear plastic paper guide
3	PF2282K039NI	ADF paper pickup roller assembly - Includes the pickup roller, separation roller, and drive gear mounted in a frame - Mounts on the bottom of the ADF cover assembly (above the input paper tray)
4	PF2282K040NI	Pickup roller cover - ,C' shaped plastic cover that surrounds the paper pickup roller assembly - Mounts on the bottom of the ADF cover assembly

ADF Mylar Holder Assembly

Ref	Part Number	Description
1	PF2282K043NI	Mylar holder assembly - This is the cover (holder) that holds the Clear mylar sheet in place - Mounts on the bottom of the ADF assembly

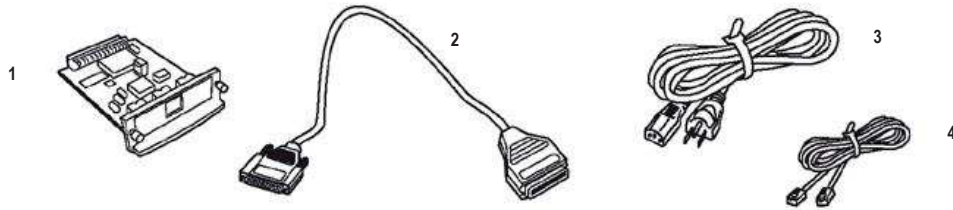
ADF Mylar Replacement Kit

Ref	Part Number	Description
1	PF2288K050NI	ADF mylar replacement kit - Includes three clear mylar replacement strips for the ADF guide - Mounts in the ADF mylar holder assembly

Accessories

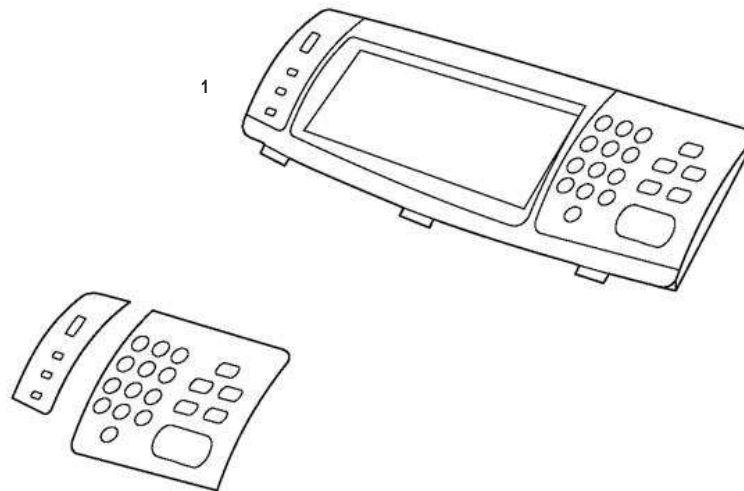
Ref	Part Number	Description
1	Q5968-67901	HP LaserJet 4345 Optional 500-sheet paper feeder and tray/cassette - This is the assembly frame and tray that the printer sits on top of - 500-sheet paper feeder and tray/cassette
2	Q2438-67902	Envelope feeder assembly - Holds up to 75 envelopes - Mounts in the tray 1 slot on the front of the printer
3	Q5969-67901	Duplexer assembly for LaserJet 4345 - For two sided printing
4	RM1-0981-000CN	Three bin mailbox access door - Front jam access door for three bin mailbox unit
5	RC1-2597-000CN	Stapler/stacker access door - Front jam access door for stapler/stacker unit
6	C8058-60541	Staple cartridge - Contains 5000 staples - For the add-on staple/stacker unit
7	Q5970A	LaserJet 4345mfp stand with storage cabinet
8	Q3701-60012	Modem PCA - HP LaserJet analog fax accessory 300

Cable and Interface



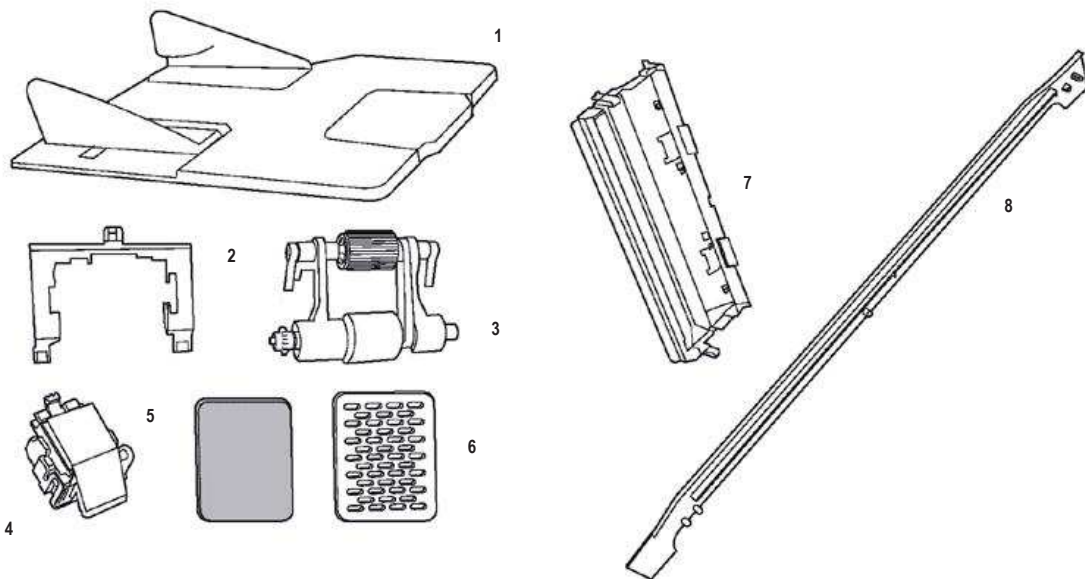
Ref	Part Number	Description
1	J4135A	JetDirect connectivity card - Has one USB port, one serial (DB9) port, and one LocalTalk port - Plugs in one of the EIO slots on selected DesignJet and LaserJet printers
	J7934A	HP JetDirect 620n internal print server - 10BaseT and 100BaseTX LAN interface board - Plugs into peripheral EIO slot - Has an RJ-45 connector - Comes with software on CD-ROM and manual on CD-ROM
2	C2950A	IEEE 1284 Bi-Tronics parallel cable - DB-25 (M) connector (type A) to 36-pin Centronics (M) connector (type B) - 2.0m (6.6ft) long
	C2951A	IEEE-1284 Bi-Tronics parallel cable - DB-25 (M) connector (type A) to 36 pin Centronics (M) connector (type B) - 3.0m (9.8ft) long
3	8120-6798	Power cord (Flint Gray) - 18 AWG, 2.3m (7.5ft) long - Has straight (F) C13 receptacle (For 100VAC in Japan)
	8120-6812	Power cord (Flint Gray) - 18 AWG, 2.3m (7.5ft) long - Has straight (F) receptacle (for 120V in the USA, Canada, Mexico, Philippines, and Taiwan)
	8120-6813	Power cord (dove gray) - 2.3M (7.5ft) long - Has straight (F) receptacle (For 240VAC in the United Kingdom, Hong Kong, Singapore, Malaysia)
	8120-6814	Power cord (Flint Gray) - 17 AWG, 2.3m (7.5ft) long - Has straight (F) receptacle (for 220V in Denmark)
	8120-6815	Power cord (Flint Gray) - 17 AWG, 2.3m (7.5ft) long - Has straight (F) receptacle (for 220V in Switzerland)
	8120-6869	Power cord (Flint Gray) - 3-wire, 2.3m (7.5ft) long - Has straight (F) receptacle (for 220V in Argentina)
	8120-6980	Power cord (Flint Gray) - 18 AWG, 4.5m (14.8ft) long - Has straight (F) receptacle (For 220V in South America)
	8120-8706	Power cord (Flint Gray) - 2.3m (7.5ft) long - Has EPSR symbol molded into the plug and straight (F) receptacle (for 220V in Hong Kong)
	8120-8707	Power cord (Flint Gray) - 17 AWG, 2.3m (7.5ft) long - Has straight (F) C13 receptacle (for 220V in China)
4	8120-8908	Telephone cable (Korea) - 3.0m (9.8ft) long (Gray) - RJ-11 plug on one end, Korea phone plug on other end
	8120-8911	Telephone cable (Denmark) - 3.0m (9.8ft) long (Black) - RJ-11 plug on one end, Denmark phone plug on other end
	8120-8912	Telephone cable (Germany) - 3.0m (9.8ft) long (Black) - RJ-11 plug on one end, Germany phone plug on other end
	8120-8914	Telephone cable (Italy) - 3.0m (9.8ft) long (Black) - RJ-11 plug on one end, Italy phone plug on other end
	8120-8915	Telephone cable (Netherlands) - 3.0m (9.8ft) long (Black) - RJ-11 plug on one end, Netherlands phone plug on other end
	8120-8916	Telephone cable (Finland and Norway) - 3.0m (9.8ft) long (Black) - RJ-11 plug on one end, Norway phone plug on other end
	8120-8917	Telephone cable (South Africa) - 3.0m (9.8ft) long (Black) - RJ-11 plug on one end, South Africa phone plug on other end
	8120-8919	Telephone cable (Switzerland) - 3.0m (9.8ft) long (Black) - RJ-11 plug on one end, Switzerland phone plug on other end
	8120-8920	Telephone cable (Turkey) - 3.0m (9.8ft) long (Black) - RJ-11 plug on one end, Turkey phone plug on other end
	8120-8921	Telephone cable (United Kingdom, Egypt, Hong Kong, New Zealand) - 3.0m (9.8ft) long (Black) - RJ-11 plug on one end, United Kingdom phone plug on other end
	8120-8922	Telephone cable (Eastern Europe, Czechoslovakia, Slovenia, Hungary) - 3.0m (9.8ft) long (Black) - RJ-11 phone plug on each end
8120-8923	Telephone cable (France, Morocco, Tunisia) - 3.0m (9.8ft) long (Black) - RJ-11 plug on one end, France phone plug on other end	

Control Panels and Overlays



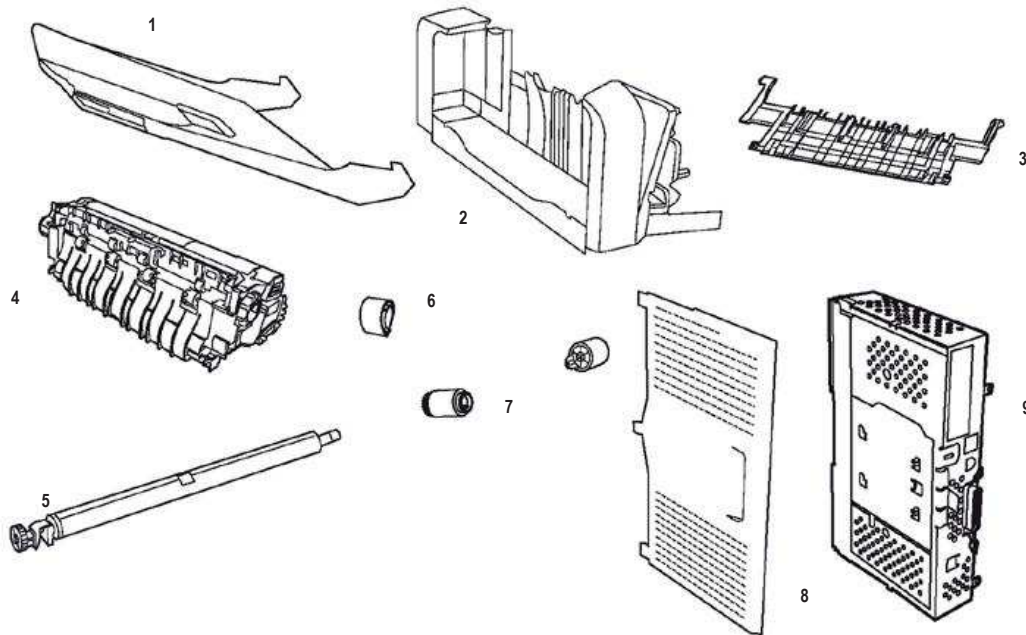
Ref	Part Number	Description
1	Q3942-60140	Control panel assembly - Does not include overlay

Customer Replaceable Components - ADF and Scanner



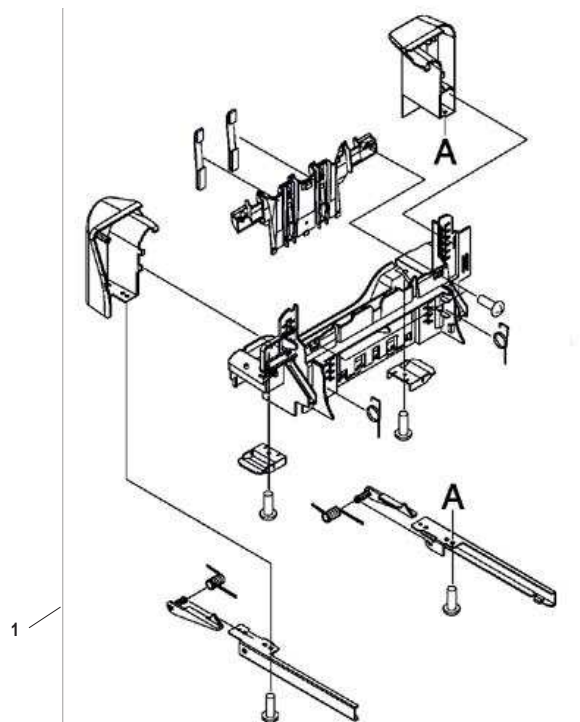
Ref	Part Number	Description
1	PF2282K042NI	ADF input tray assembly
2	PF2282K040NI	Pickup roller cover - 'C' shaped plastic cover that surrounds the paper pickup roller assembly - Mounts on the bottom of the ADF cover assembly
3	PF2282K039NI	ADF paper pickup roller assembly - Includes the pickup roller, separation roller, and drive gear mounted in a frame - Mounts on the bottom of the ADF cover assembly (above the input paper tray)
4	PF2282K035NI	ADF paper separation pad assembly - Mounts in the center of the ADF separation pad frame assembly (At the rear of the paper input tray)
5	IR4041P007NI	Scanner fan filter - Small rectangular foam filter - Mounts on the right side near the rear corner of the scanner base assembly
6	IR4041P217NI	Scanner fan filter cover - Located at rear left corner of scanner assem
7	PF2282K043NI	Mylar holder assembly - This is the cover (holder) that holds the Clear mylar sheet in place - Mounts on the bottom of the ADF assembly
8	IR4041P215NI	ADF front cover flange - Narrow cover that snaps into place to cover the leading edge of scanning assembly - Fills gap between the front cover and the scanner assembly.

Customer Replaceable Components - Print Engine



Ref	Part Number	Description
1	RM1-0940-000CN	Paper output tray - With pull out tray extension
2	RM1-1047-000CN	LaserJet 4345mfp delivery tray assembly
3	RM1-1046-020CN	Entrance guide - Fuser paper entrance guide
4	RM1-1044-080CN	Fusing assembly - 220/240 VAC - Bonds toner to paper with heat
5	RM1-1110-000CN	Transfer roller assembly - Long black spongy roller - Transfers charge to paper
6	RL1-0019-000CN	Tray 1 pickup roller - D-shaped roller under envelope cover
7	RM1-0037-020CN	Paper feed/separation roller assembly - Black rubber roller on a blue plastic cylinder
8	RC1-3035-000CN	Formatter cover
9	Q3942-67906	LaserJet 4345 MFP Formatter as

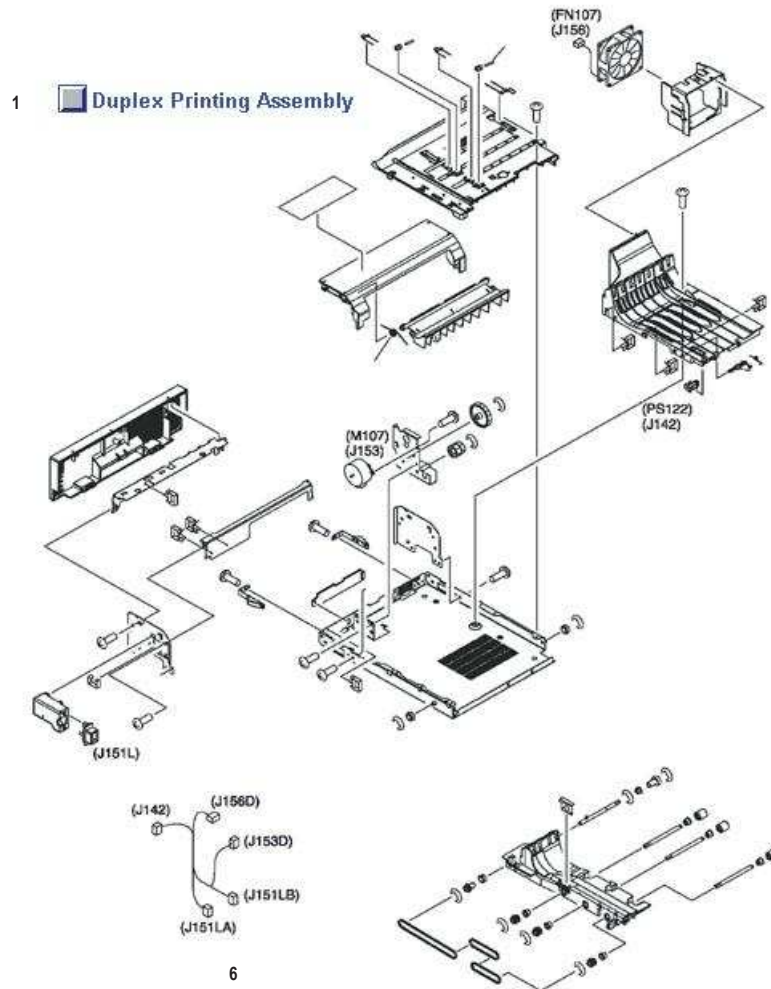
ADF Delivery Assembly



+49 (0) 3723 / 6678 - 0

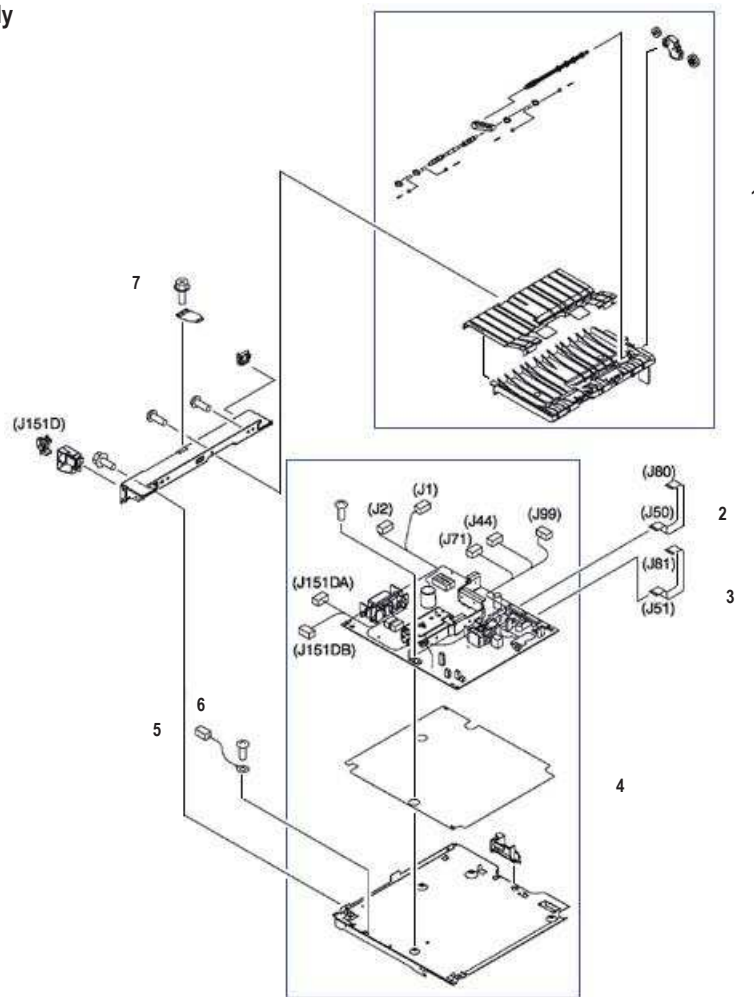
Ref	Part Number	Description
1	RM1-1047-000CN	LaserJet 4345mpf delivery tray assembly

Duplex Printing Assembly



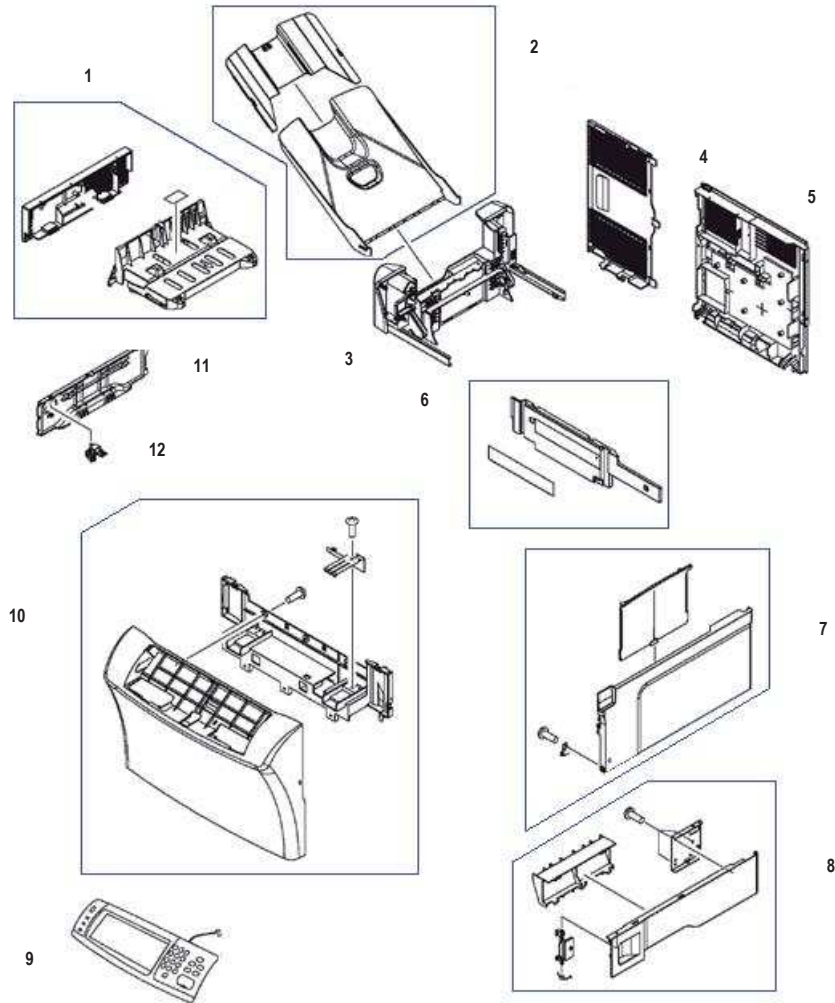
Ref	Part Number	Description
1	Q5969-67901	Duplexer assembly for LaserJet 4345 - For two sided print

Electrical/forward Assembly



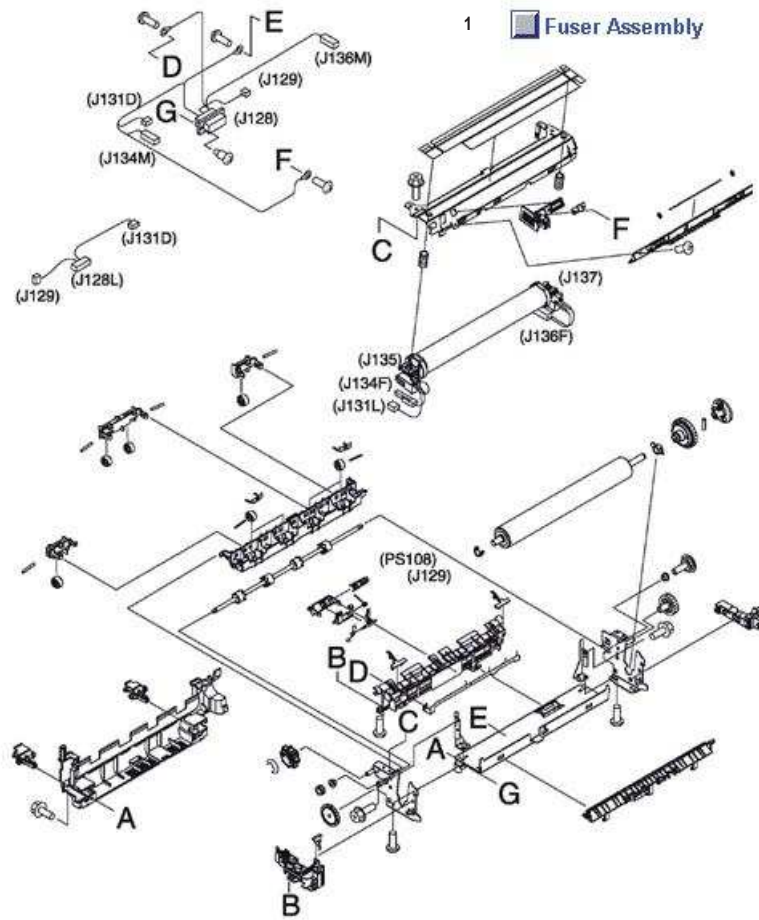
Ref	Part Number	Description
1	RM1-0025-040CN	Paper feed belt assembly
2	RK2-0470-000CN	Ribbon cable - Flat cable between DC Controller Board and engine power supply board - J80 to J50
3	RK2-0469-000CN	Ribbon cable - Flat cable between DC Controller Board and engine power supply board - J81 to J51
4	RM1-1041-040CN	Engine power supply board - 110VAC
5	RM1-1400-000CN	Grounding cable - Duplexing unit grounding cable
6	XA9-1420-000CN	M3 pan head phillips screw with captive flat and split-lock washers - 8mm long
7	XA9-1464-000CN	Screw - Flat head phillips drive machine screw - M3 X 6mm

External Panels and Covers

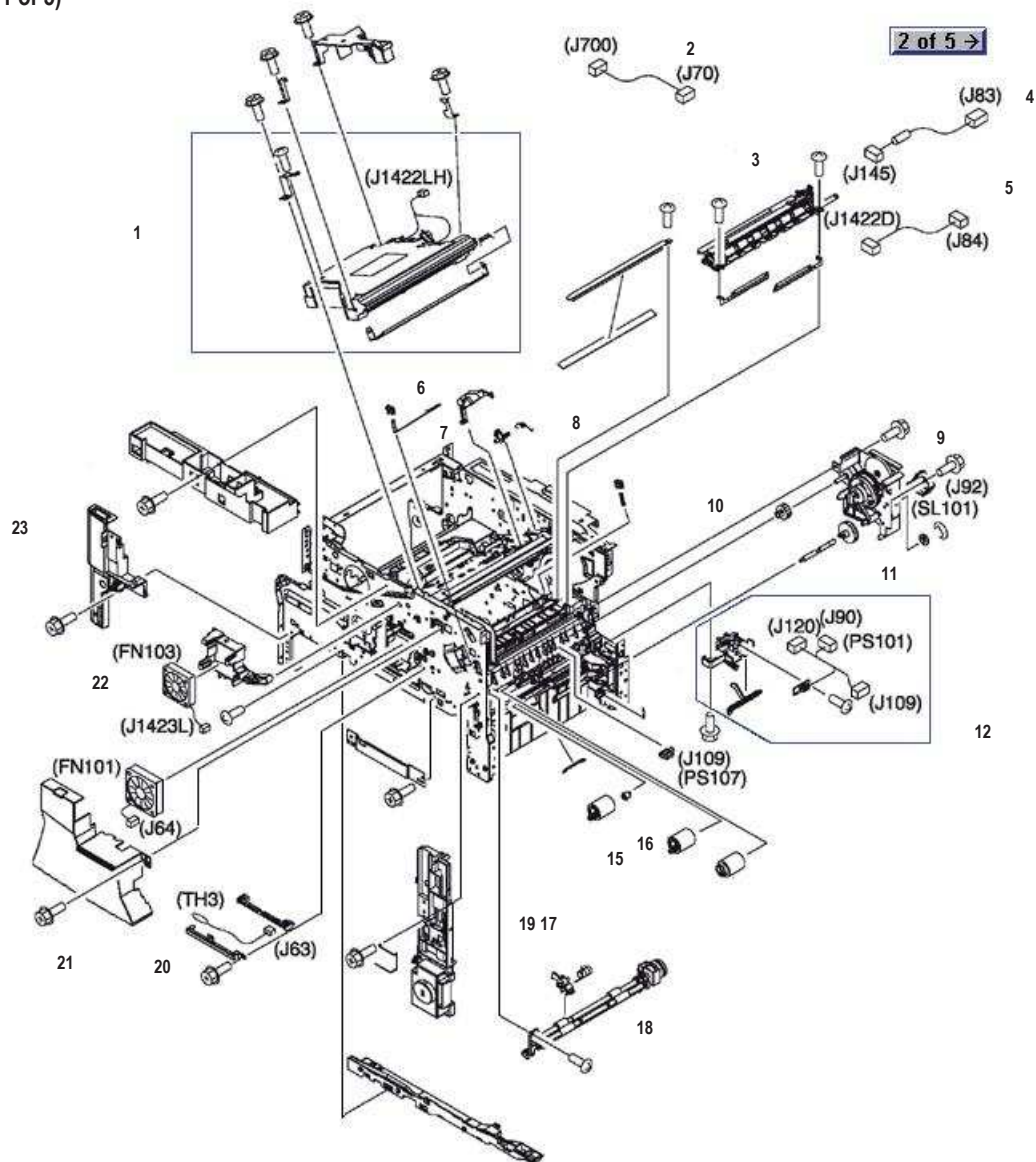


Ref	Part Number	Description
1	RM1-1018-000CN	Duplexer slot cover assembly - Removable lower rear cover for Duplexer attachment slot
2	RM1-0940-000CN	Paper output tray - With pull out tray extension
3	RM1-1047-000CN	LaserJet 4345mfp delivery tray assembly
4	RC1-3035-000CN	Formatter cover
5	RM1-1017-000CN	Rear printer cover assembly - Plastic cover for rear of printer
6	RL1-0457-000CN	Front corner cover - Front cover for scanner portion of printer
7	RM1-1016-000CN	Right cover assembly - Tray 1 attaches to this cover
8	RM1-1033-000CN	Lower right cover assembly - Smaller plastic piece below upper right cover - Allows access to Tray 2 separation roller
9	Q3942-60140	Control panel assembly - Does not include overlay
10	RM1-1015-000CN	Front cover assembly - Front plastic piece that control panel mounts to
11	RC1-3044-000CN	Power switch button - Located on lower left side of printer
12	RC1-3043-000CN	Lower left cover - Plastic cover for left side of scanner module - Printer power switch mounts to this cover

Fuser Assembly

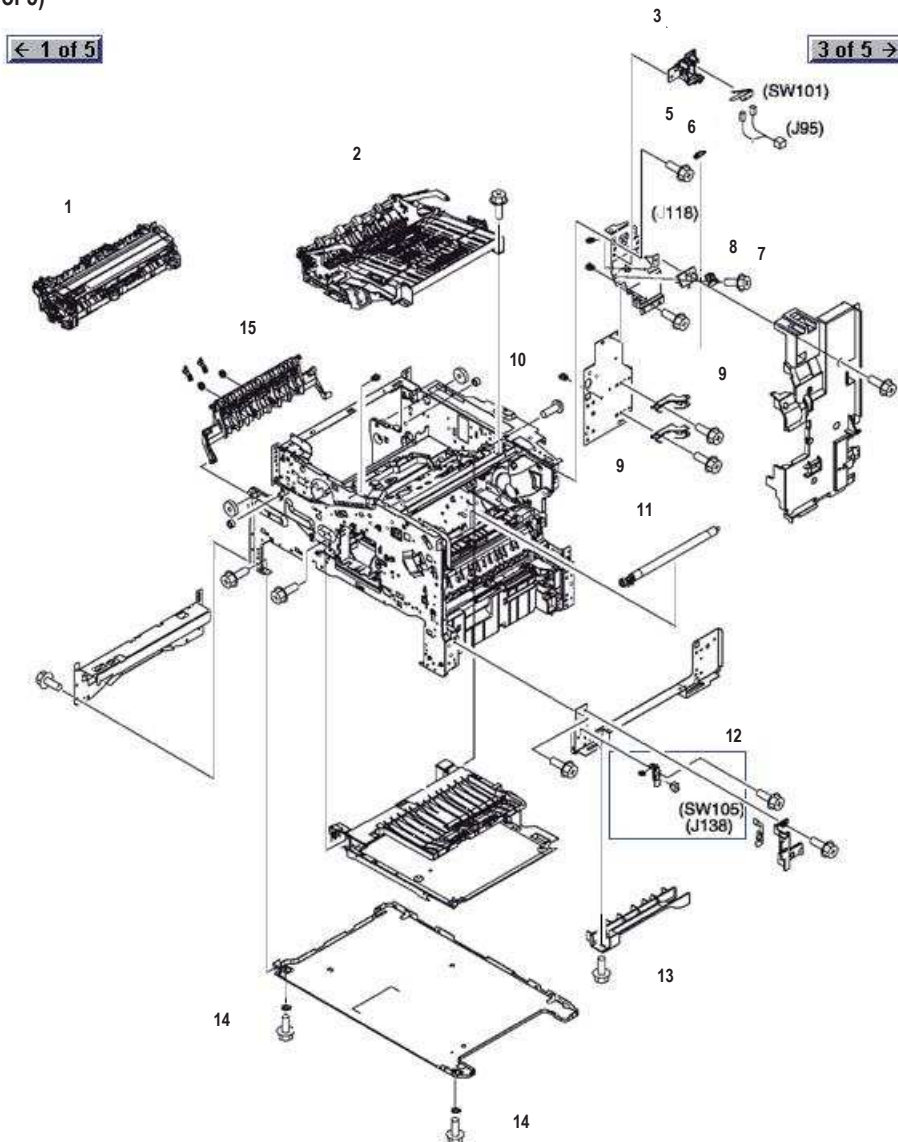


Ref	Part Number	Description
1	RM1-1043-080cn	Fusing Assembly - For 100-127 VAC - Bonds toner to paper with heat
	RM1-1044-080CN	Fusing assembly - 220/240 VAC - Bonds toner to paper with heat

Internal Components (1 of 5)


Ref	Part Number	Description
1	RM1-1573-040CN	Laser/scanner assembly
2	RM1-1398-000CN	Image scanner cable - From DC Controller board to image scanner assembly
3	RM1-1098-030CN	Registration roller assembly
4	RM1-1367-000CN	Laser scanner cable - From DC Controller board to Laser Scanner assembly
5	RM1-1372-000CN	Scanner joint cable - From DC Controller to J1422D - Scanner motor and beam detect PCA
6	RC1-3106-000CN	Laser scanner shutter lever
7	RC1-0378-000CN	Shutter flag
8	RC1-0379-000CN	Torsion spring - Provides tension for shutter flag
9	RK2-0269-000CN	Paper pickup solenoid
10	RU5-0045-020CN	18-tooth gear - Located on right side of printer in the Tray 2 paper pickup assembly
11	RU5-0256-000CN	23-tooth gear - Located on right side under paper pickup drive assembly
12	RM1-1010-000CN	Paper sensing guide - Paper guide/flag assembly with sensor PS101
13	RC1-0167-000CN	Tension spring - Provides tension for paper size sensor PS102
14	WG8-5624-000CN	Photo-sensor (TLP1241) - Sensor flag activated - Photo sensor PS107 - Paper stack surface sensor
15	RM1-0037-020CN	Paper feed/separation roller assembly - Black rubber roller on a blue plastic cylinder

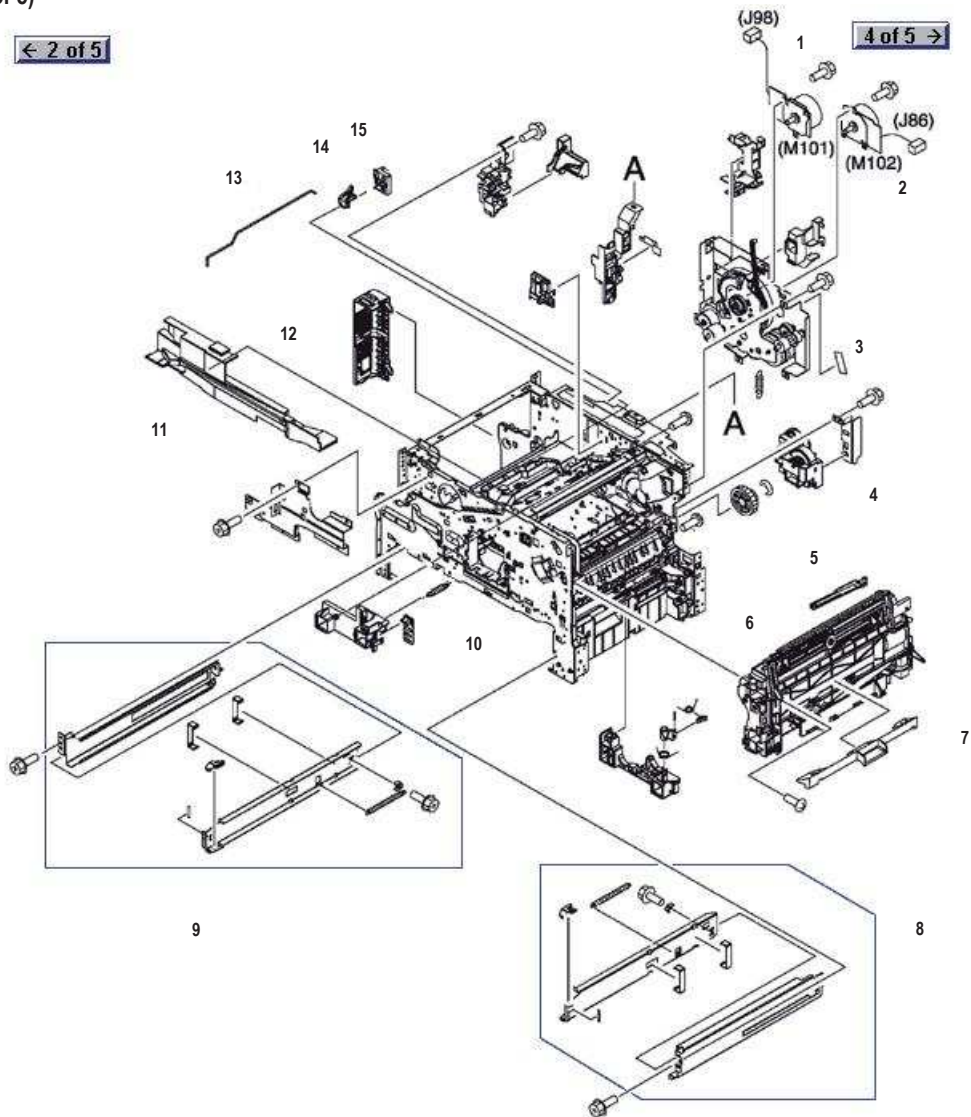
Ref	Part Number	Description
16	RC1-2758-000CN	Torque limiter - Limits rotation of feed rollers
17	RC1-0061-000CN	Torsion spring - Provides tension for paper feed sensor flag
18	RM1-0012-020CN	Paper feed roller assembly
19	RC1-0060-050CN	Paper feed sensor flag for Tray 1
20	RK2-0359-000CN	Environment temperature detection thermistor - Detects ambient air temperature to determine length of time for fuser warm up
21	XA9-1500-000CN	M3 pan-head Phillips screw with flat washer - 8mm long
22	RK2-0280-000CN	Cooling fan on right side of printer - Print cartridge fan - FN103
23	RC1-3052-000CN	Front left side cover

Internal Components (2 of 5)

Ref	Part Number	Description
1	RM1-1043-080CN	Fusing Assembly - For 100-127 VAC - Bonds toner to paper with heat
	RM1-1044-080CN	Fusing assembly - 220/240 VAC - Bonds toner to paper with heat
2	RM1-1022-000CN	Reversing assembly - Reverses paper orientation of output tray
3	RC1-3063-000CN	Door switch holder - Secures top cover switch (SW101) to frame
4	WC4-5139-000CN	Top cover interlock access switch

Ref	Part Number	Description
5	RC1-3124-000CN	Hinge shaft stopper - Holds the right side door hinge pin in place
6	RM1-1397-000CN	Door switch cable - From DC Controller PCA to top cover switch (SW101)
7	RC1-0245-000CN	Connector case - Envelope feeder connector case - Plastic piece that secures the envelope feeder connector to the printer
8	RM1-1193-000CN	Envelope feeder cable - From DC Controller board to envelope feeder connector - Includes envelope feeder connector
9	RC1-2901-000CN	Right side door hinge - Two used
10	XB2-7300-607CN	M3X6mm screw with captured washer
11	RM1-1110-000CN	Transfer roller assembly - Long black spongy roller - Transfers charge to paper
12	RM1-1045-000CN	Door sensor assembly - 500 sheet feeder assembly access door open sensor switch assembly
13	RC1-2881-000CN	Handle cover - Lower right side cover handle
14	RC1-0392-000CN	Screw spacer - Washer used with screws to secure bottom plate to printer - Two used
15	RM1-1046-020CN	Entrance guide - Fuser paper entrance guide

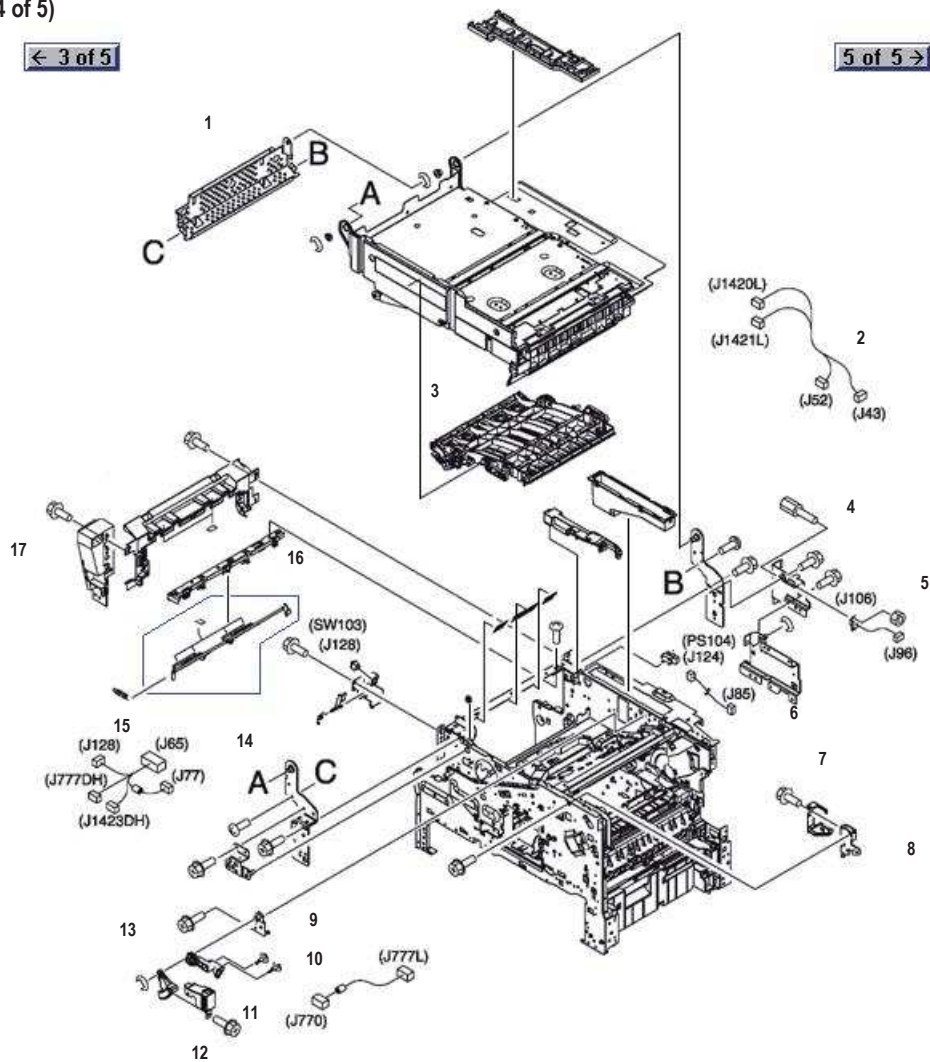
Internal Components (3 of 5)



Ref	Part Number	Description
1	RK2-0273-000CN	Main motor - M101
2	RK2-0275-000CN	Toner cartridge motor - Motor on front right side of printer (M102)

Ref	Part Number	Description
3	RM1-1049-000CN	Main drive assembly - Main gear assembly at rear of printer
4	RM1-1029-040CN	Lifter drive assembly support - Tray 2 paper pickup lifter drive support assembly
5	RC1-2902-000CN	Rod link
6	RM1-1572-040CN	Multipurpose tray assembly - Tray 1 paper input assembly - Does not include outside cover
7	RL1-0455-000CN	Envelope feeder cover
8	RM1-1012-000CN	Cassette support rail - Right side Tray 2 support rail assembly
9	RM1-1011-000CN	Cassette support rail - Left side Tray 2 support rail assembly
10	RU5-2251-000CN	Grounding spring - Located near front of left side cassette support rail
11	RC1-2884-000CN	Duplexer guide - Guide/support for duplexer assembly
12	RC1-3042-000CN	Rear cover - Left rear corner cover
13	RC1-2980-000CN	Switch rod - Metal rod that connects switch link to electrical switch on the engine power supply board
14	RC1-3003-000CN	Power switch link - Mechanical link between metal rod and outside power switch
15	RC1-3002-000CN	Link holder - Holder/mount for mechanical link between metal rod and outside power switch

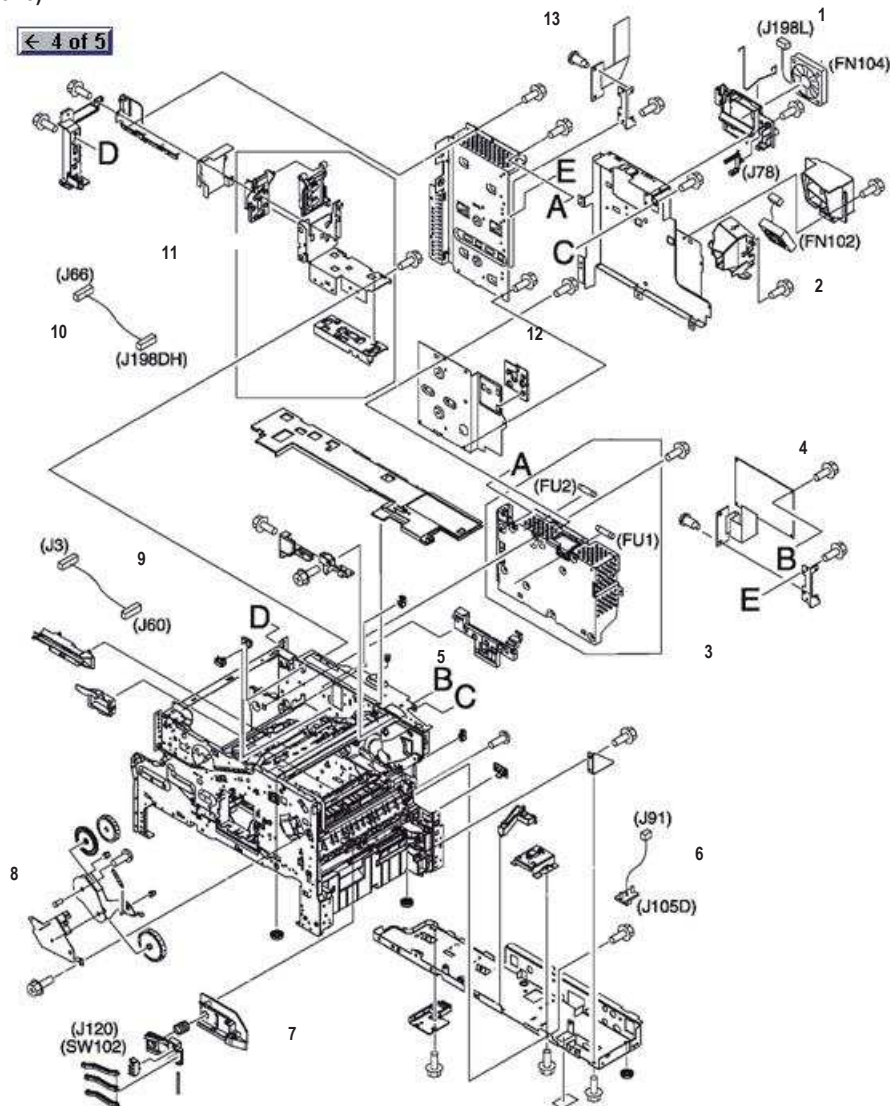
Internal Components (4 of 5)



Ref	Part Number	Description
1	RC1-2911-000CN	Crossmember support - Plate on left side of upper plate assembly
2	RM1-1380-000CN	Reversing cable - From DC Controller PCA to Reversing Intermediate PCA
3	RM1-1019-000CN	Reversing separation guide assembly

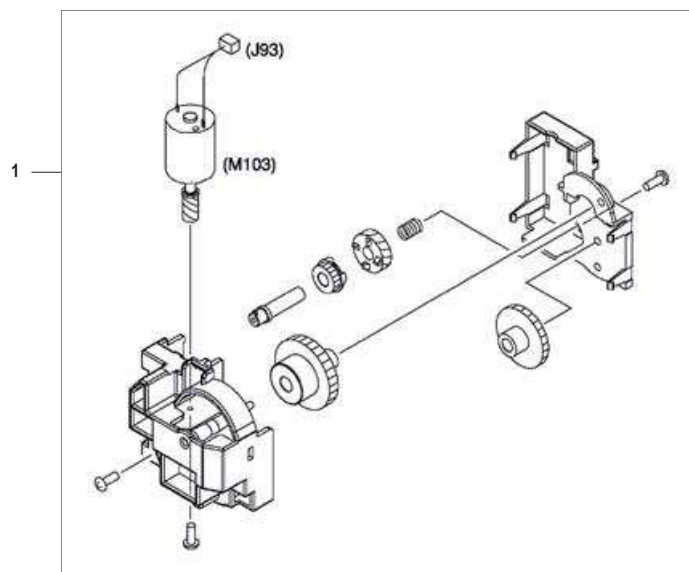
Ref	Part Number	Description
4	WS9-0255-000CN	Hex head bolt - Thumbscrew on left rear corner - Two used
5	RM1-1371-000CN	Delivery unit cable - From DC Controller PCA to Stapler/Stacker unit or Multibin Mailbox unit
6	RM1-1368-000CN	Sensor cable - From DC Controller PCA to Delivery tray full sensor (PS104)
7	RC1-2823-000CN	Cover - Front cover lock stopper holder
8	RL1-0434-000CN	Stopper - Front cover lock stopper
9	RL1-0436-000CN	Damper support - Metal support bracket that attaches to printer chassis that supports bottom of gas damper
10	RC1-3090-000CN	Stop - Bushing stop for fuser lever on inside upper front of printer - Door 1 arm - Two used
11	RC1-2827-000CN	Arm - Goes on the upper inside front of printer
12	RC1-2833-000CN	Cover - Cover for arm on upper front inside of printer
13	RC1-2828-000CN	Arm - Triangle shaped arm on upper inside front of printer
14	RC1-0462-000CN	Flag - Output bin full flag
15	RM1-1381-020CN	Control panel cable - From DC Controller PCA to the front control panel
16	RC1-2864-000CN	Flag holder - Output bin full flag holder
17	RC1-3041-000CN	Inner front cover - Inner front left corner cover

Internal Components (5 of 5)



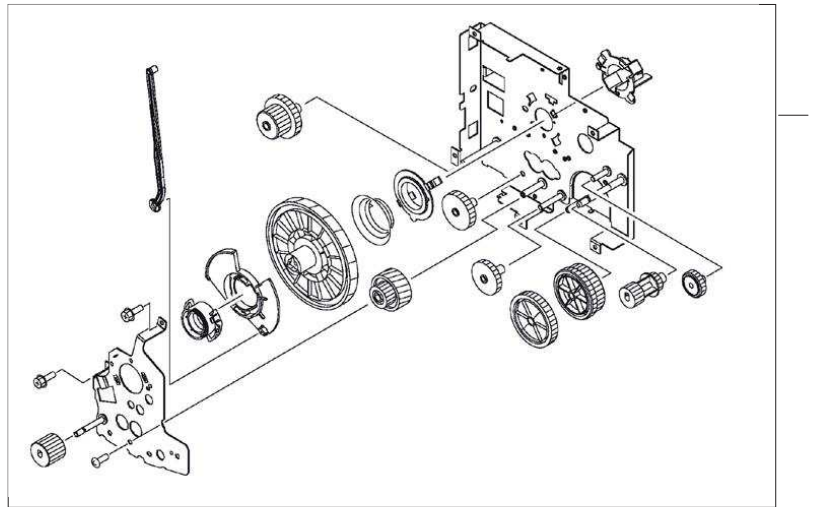
Ref	Part Number	Description
1	RK2-0472-000CN	Fan - DC Controller fan - FN104
2	RK2-0280-000CN	Cooling fan on right side of printer - Print cartridge fan - FN103
3	RM1-1013-050CN	DC power supply - 110VAC
	RM1-1014-000CN	DC power supply - 220VAC
4	RM1-1354-000CN	DC Controller board - DC Controller PCA for LaserJet 4345mfp series
5	RU5-2265-000CN	Spring - Small compression grounding spring on upper rear of printer chassis
6	RM1-1370-000CN	Feeder cable - Data cable for optional 500 sheet feeder assembly - From DC Controller to 500 sheet optional feeder
7	RM1-0041-020CN	Tray 2 paper size tray sensing assembly - White plastic tray size sensing fingers and microswitch assembly
8	5851-2766	Swing plate assembly - For Tray 2 paper lift assembly - Located between the main gear assembly and the fuser, just above the power supply - Contains swing plate assembly and new fuser pressure release gear
9	RM1-1375-000CN	Power cable - From DC Controller PCA to power factor correction (PFC) power supply PCA
10	RM1-1376-020CN	Fan cable - From DC Controller PCA to DC Controller PCA cooling fan (FN104)
11	RM1-1027-000CN	Guide assembly - Guide that protects the large flat cable between the Scanner Controller PCA to the Formatter PCA
12	Q3942-67906	LaserJet 4345 MFP Formatter assembly
13	RC1-0266-020CN	M3 stepped shaft screw

Lifter Drive Assembly



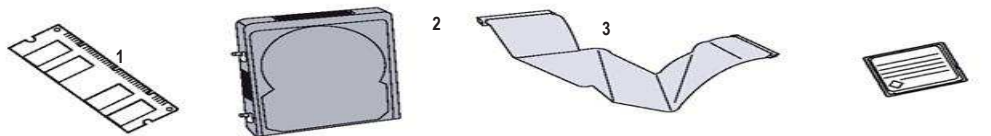
Ref	Part Number	Description
1	RM1-1029-040CN	Lifter drive assembly support - Tray 2 paper pickup lifter drive support assembly

Main Drive Assembly



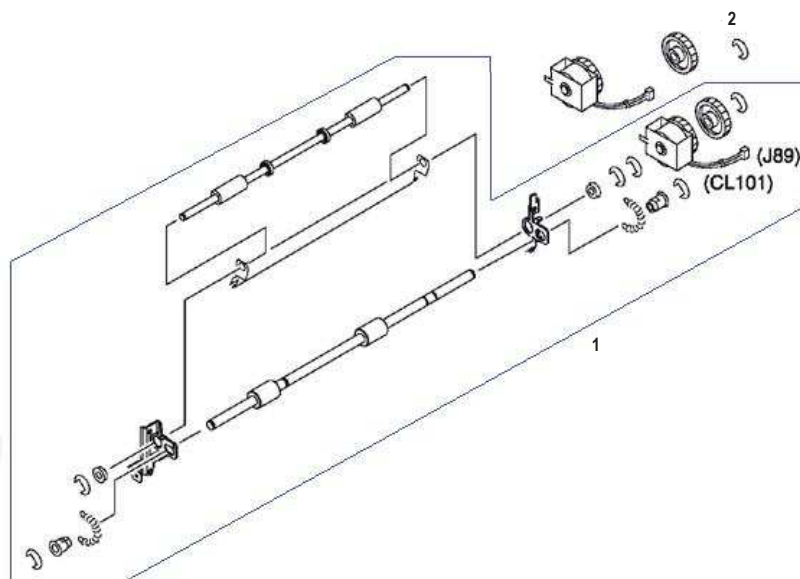
Ref	Part Number	Description
1	RM1-1049-000CN	Main drive assembly - Main gear assembly at rear of printer

Memory



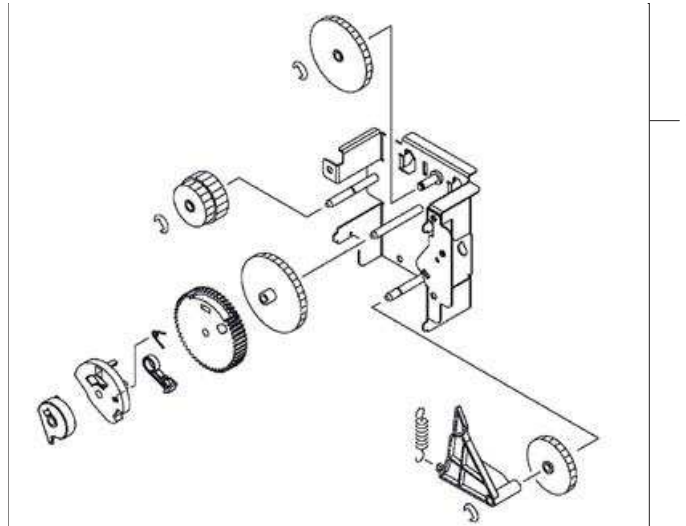
Ref	Part Number	Description
1	Q2625A	64MB, 100-pin, DDR DIMM - Used to add flash memory-based accessory fonts, macros, and patterns
	Q2626A	128MB, 100-pin, DDR DIMM - Used to add flash memory-based accessory fonts, macros, and patterns
	Q7719-67951	256MB, 100-pin, DDR DIMM - Used to add flash memory-based accessory fonts, macros, and patterns
2	J7948-61011	20GB hard disk drive
3	5851-1827	Hard drive ribbon cable - Includes the data cable and power connections
4	Q7725-67952	Firmware Compact Flash card - For LaserJet 4345mfp - Version 09.071.8

Paper Feed Roller Assembly



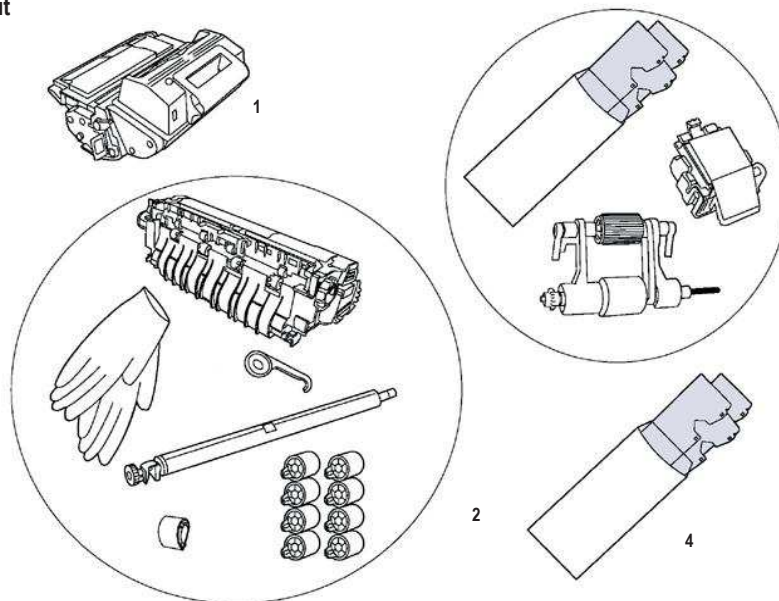
Ref	Part Number	Description
1	RM1-0012-020CN	Paper feed roller assembly
2	RU5-0045-020CN	18-tooth gear - Located on right side of printer in the Tray 2 paper pickup assembly
	RU5-0050-000CN	30-tooth gear - Black plastic gear that attaches to paper feed assembly clutch

Paper Pickup Drive Assembly



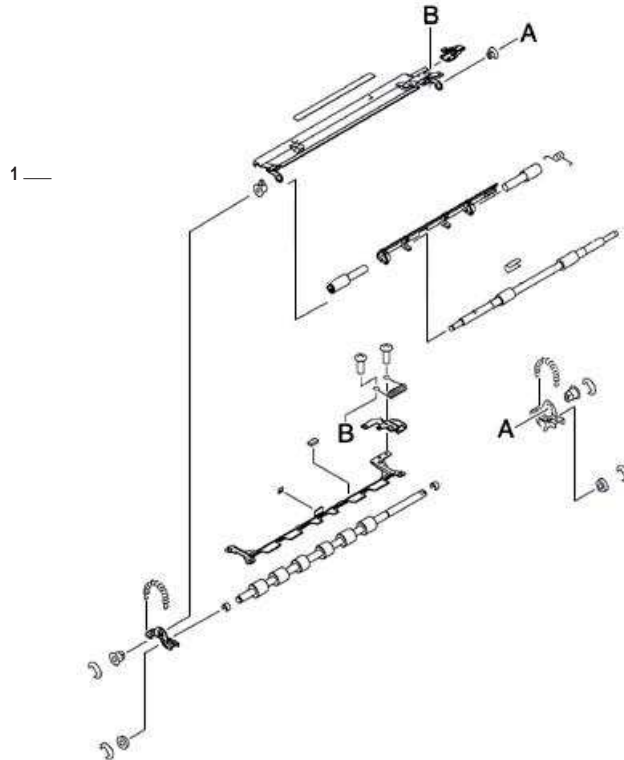
Ref	Part Number	Description
1	RM1-0034-070CN	Paper Pickup drive assembly

Print Cartridge and Maintenance Kit



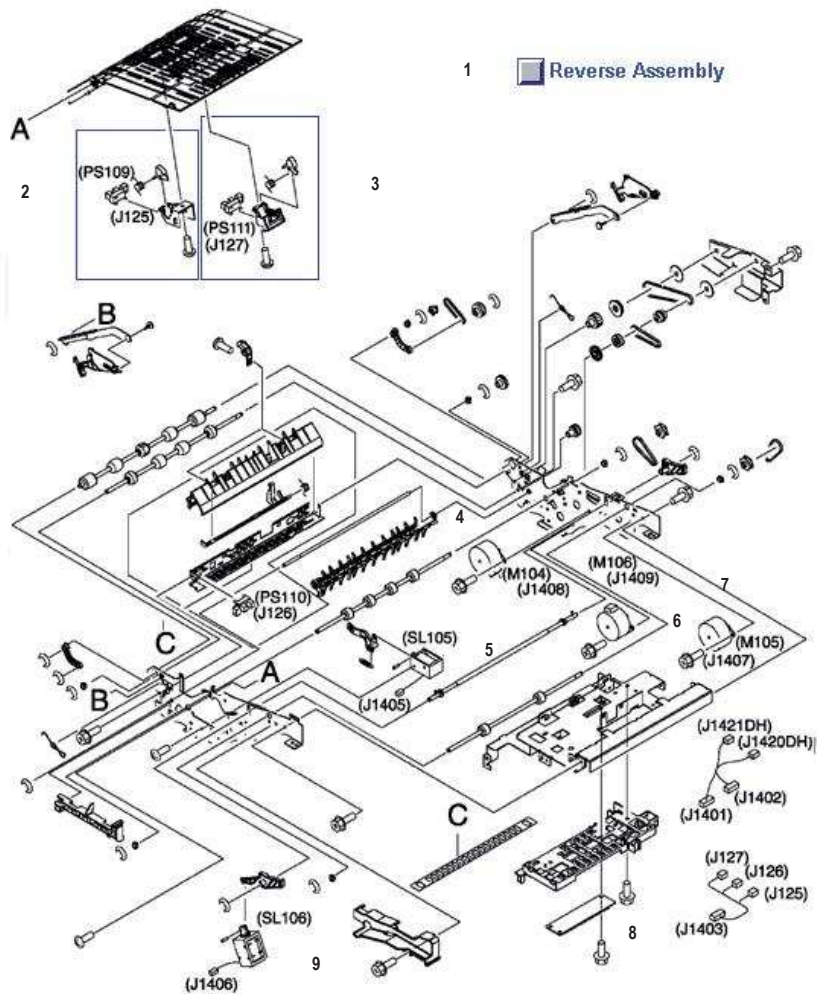
Ref	Part Number	Description
1	Q5945A	Black toner cartridge - Has maximum capacity toner (prints approximately 18,000 pages)
2	Q5998-67904	LaserJet 4345MFP printer maintenance kit (120V)
	Q5999-67904	LaserJet 4345MFP printer maintenance kit (220V) - Includes fusing assembly separation rollers, transfer roller, paper feed rollers, pickup roller, gloves and instruction manual
3	Q5997-67901	ADF maintenance kit - Includes the ADF paper pickup roller assembly, separation pad assembly, and three clear mylar replacement strips
4	PF2288K050NI	ADF mylar replacement kit - Includes three clear mylar replacement strips for the ADF guide - Mounts in the ADF mylar holder assembly

Registration Assembly



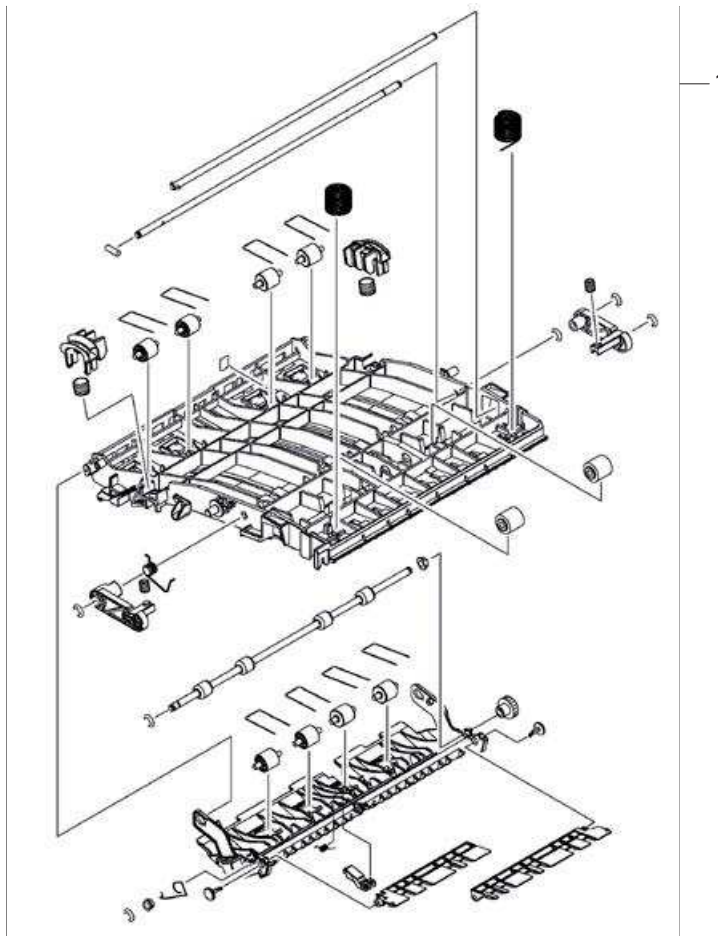
Ref	Part Number	Description
1	RM1-1098-030CN	Registration roller assembly

Reverse Assembly



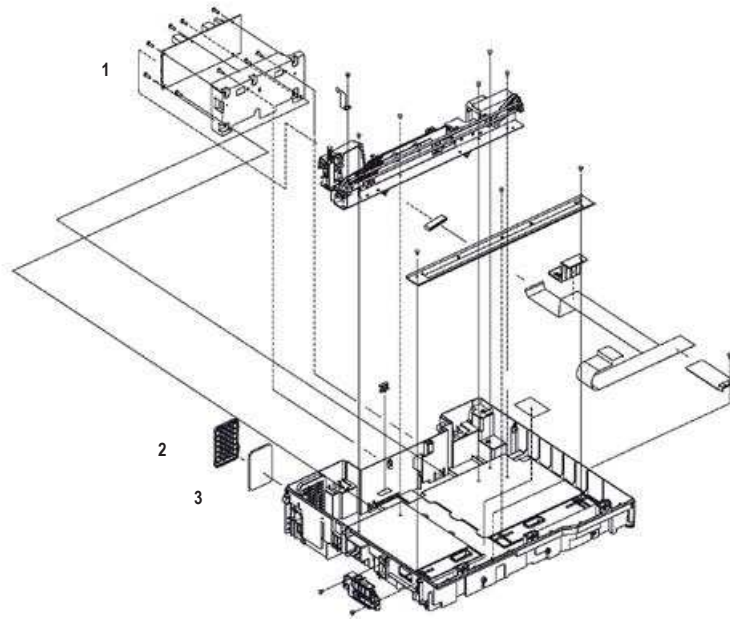
Ref	Part Number	Description
1	RM1-1022-000CN	Reversing assembly - Reverses paper orientation of output tray
2	RM1-1570-000CN	Paper sensor - Reversing unit paper delivery sensor (PS109)
3	RM1-1571-000CN	Paper sensor - Reversing unit paper delivery sensor (PS109)
4	RK2-0473-000CN	Stepper motor - Crossing motor in paper reversing assembly - M104
5	RK2-0485-000CN	Solenoid - Reversing unit face up solenoid - SL105
6	RK2-0475-000CN	Stepper motor - Paper delivery motor in paper reversing assembly - M106
7	RK2-0474-000CN	Stepper motor - Motor that drives reversing roller in paper reversing assembly - M105
8	RM1-1379-000CN	Reversing unit intermediate PC board
9	RK2-0486-000CN	Solenoid - Reversing unit separation roller solenoid - SL106

Reverse Separation Guide Assembly



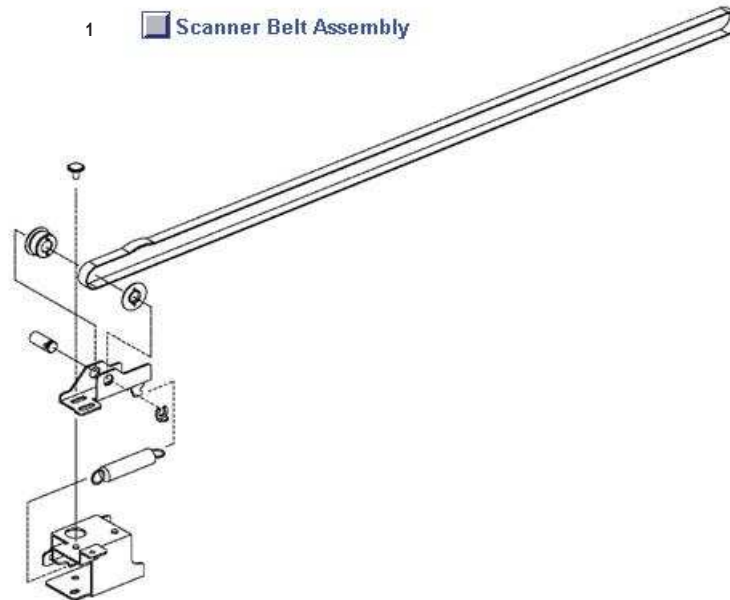
Ref	Part Number	Description
1	RM1-1019-000CN	Reversing separation guide assembly

Scanner Base Components



Ref	Part Number	Description
1	IR4041K512NR	Scanner Control Board (SCB) - Provides timing and control for the flatbed scanner
2	IR4041P217NU	Scanner fan filter cover - Located at rear left corner of scanner assembly
3	IR4041P007NI	Scanner fan filter - Small rectangular foam filter - Mounts on the right side near the rear corner of the scanner base assembly

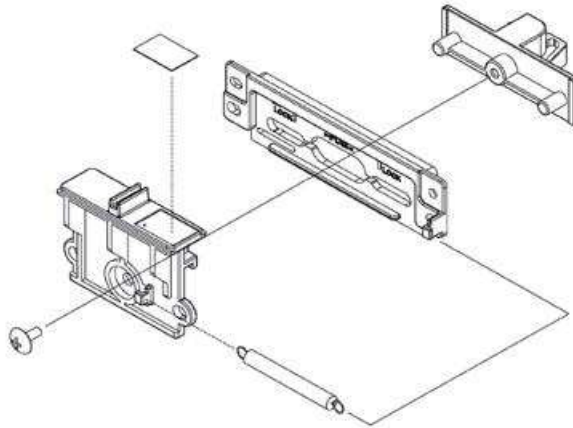
Scanner Belt Assembly



Ref	Part Number	Description
1	IR4041K107NR	Scanner carriage drive belt assembly - Includes the belt, idler gear, gear holder, mounting bracket, and spring - Long belt used to move the optical carriage assembly in the flatbed scanner

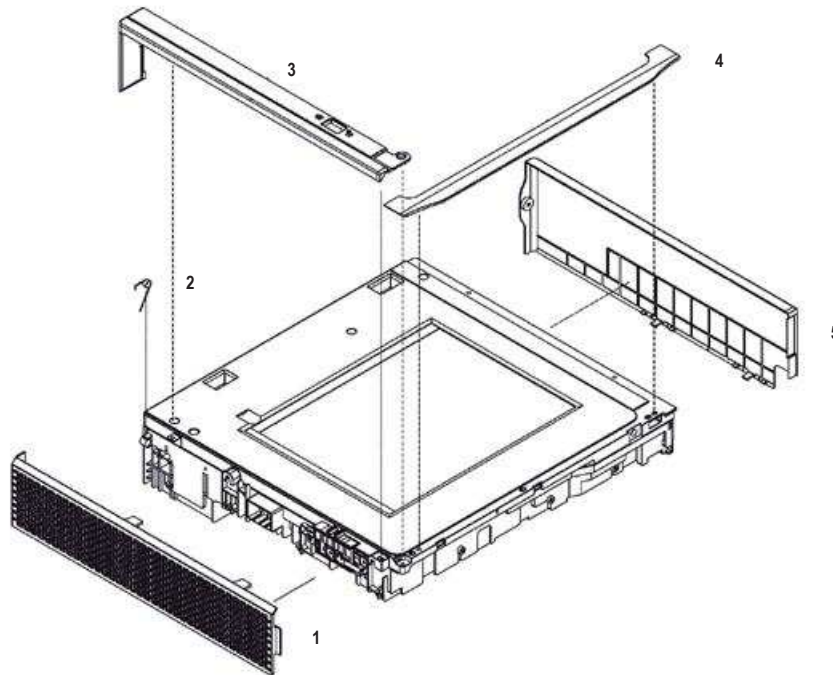
Scanner Carriage Lock Assembly

1 Scanner Carriage Lock Assembly



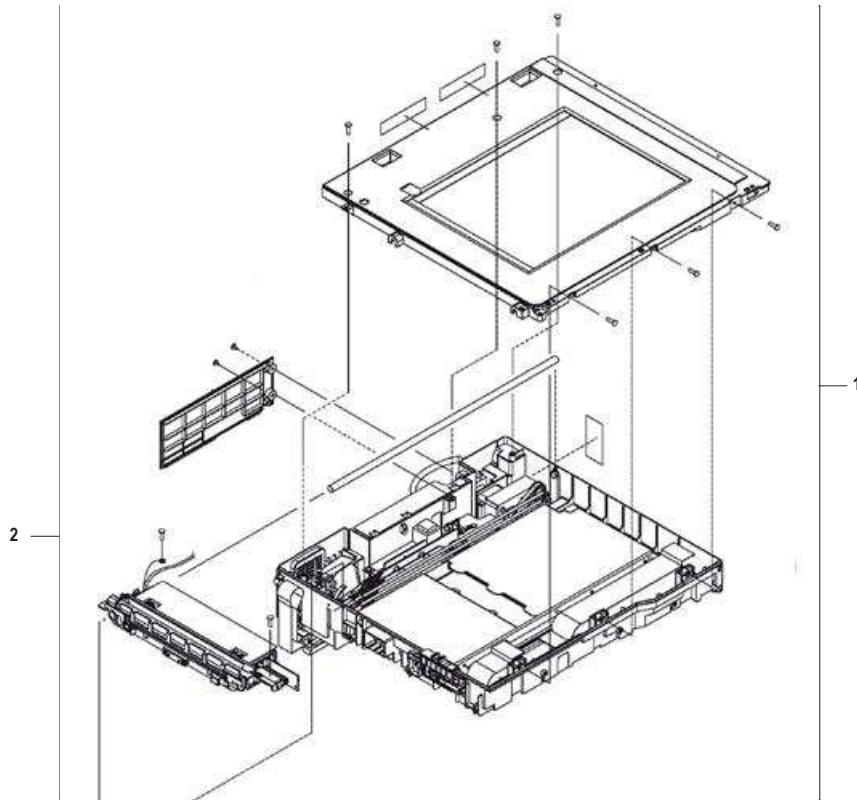
Ref	Part Number	Description
1	IR4041K102NR	Scanner carriage lock assembly - Includes the bracket, the two slider/lock pieces and spring - Locks the optical assembly carriage in place to prevent damage when shipping

Scanner Covers



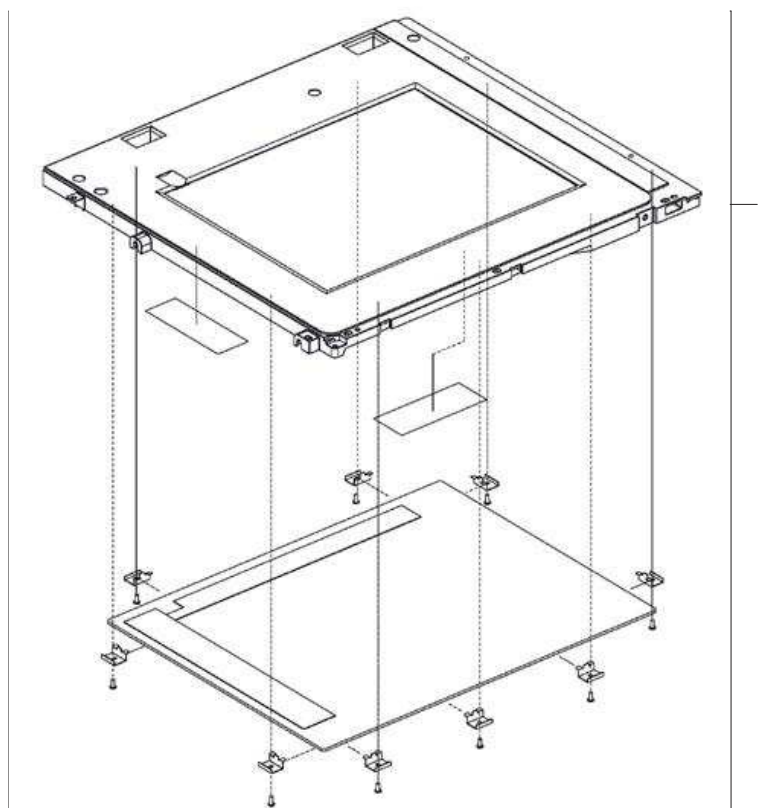
Ref	Part Number	Description
1	IR4041K114NI	Side cover - Left side trim cover for flatbed scanner assembly
2	IR4041P041NI	Slide spring - Provides tension for flatbed scanner left side cover
3	IR4041P214NI	Lock cover - Flatbed scanner carriage lock cover - Top left side of flatbed scanner
4	IR4041P215NI	ADF front cover flange - Narrow cover that snaps into place to cover the leading edge of scanning assembly - Fills gap between the front cover and the scanner assembly.
5	IR4041P213NI	Side cover - Right side trim cover for flatbed scanner assembly

Scanner Flatbed Unit Assembly



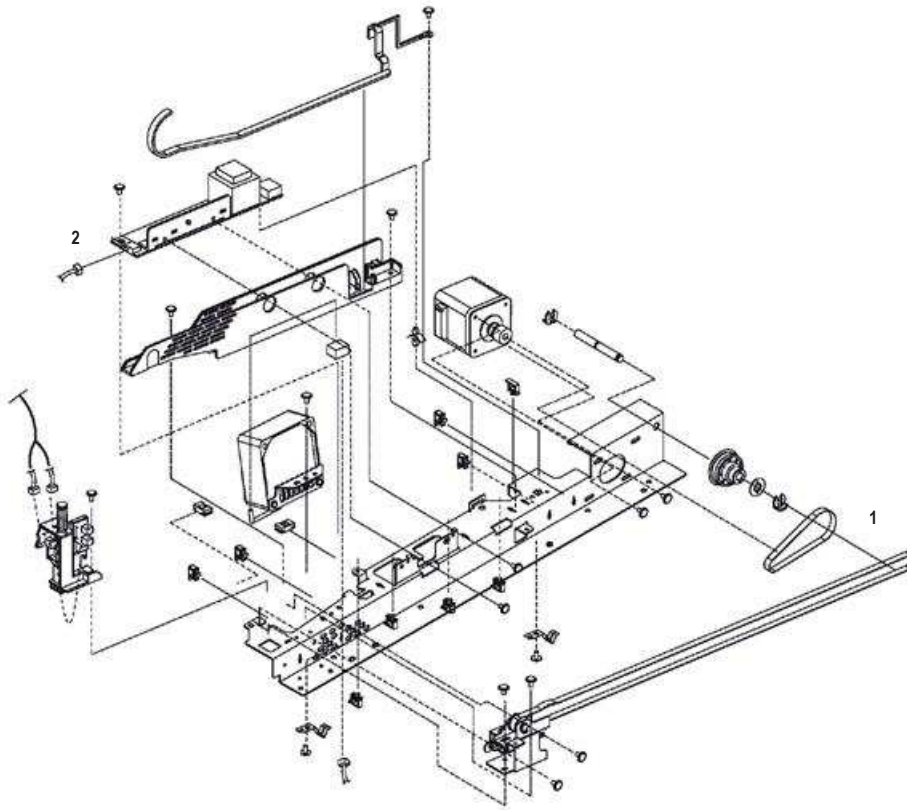
Ref	Part Number	Description
1	IR4041-SVPCR	Scanner assembly - Complete flatbed scanner assembly
2	IR4041P216NI	Rear cover - Middle cover for rear of flatbed scanner chassis assembly

Scanner Glass and Cover Assembly



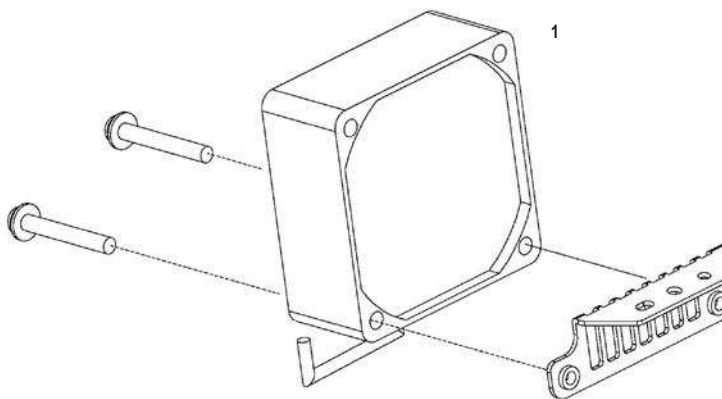
Ref	Part Number	Description
1	IR4041K111NI	Scanner glass - Scanner glass and mounting frame assembly

Scanner Internal



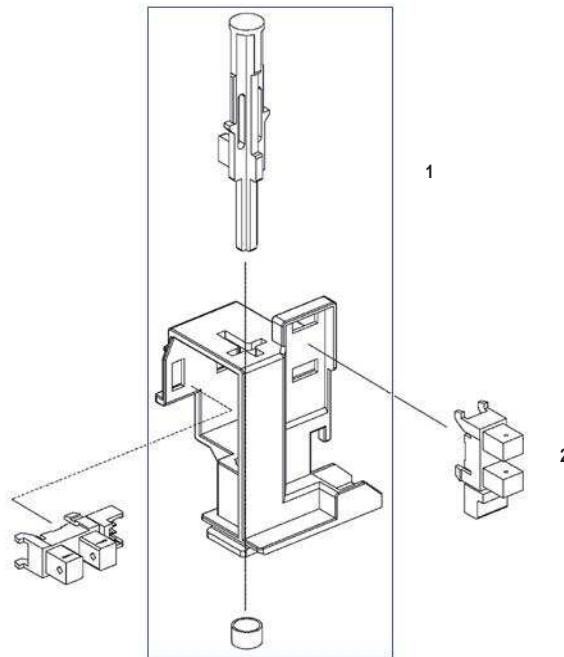
Ref	Part Number	Description
1	NS-BLT00290NI	Scanner motor belt - Small belt between the scanner motor and the double drive gear for the scanner carriage drive belt assembly
2	IR4041P522NI	Flatbed scanner inverter PC board - Provides regulated voltage for the scanning lamp

Scanner Fan Motor



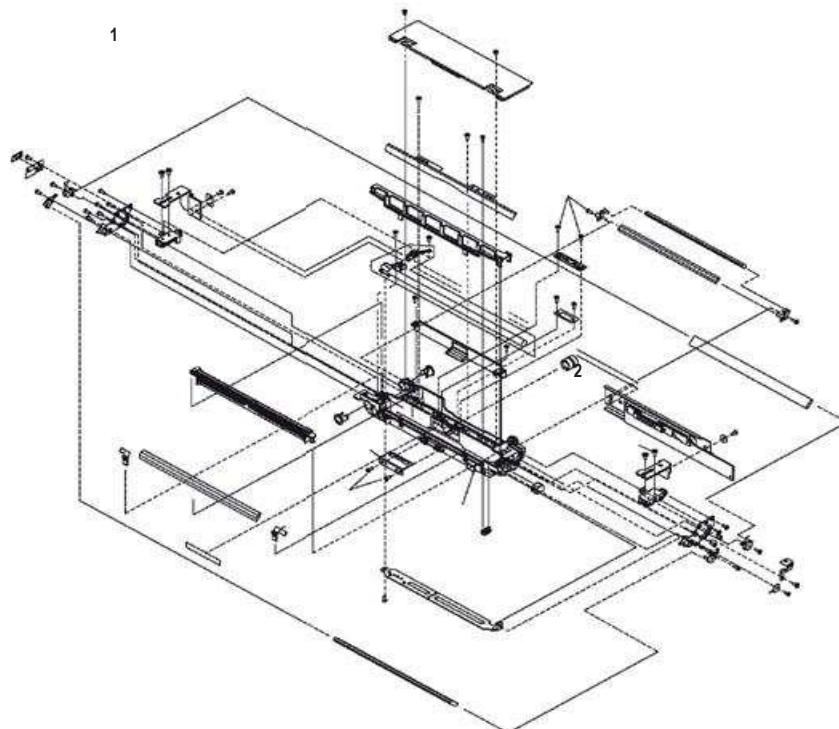
Ref	Part Number	Description
1	IR4041P521NI	Tubaxial fan - Scanner motor cooling fan

Scanner Open Sensor Assembly

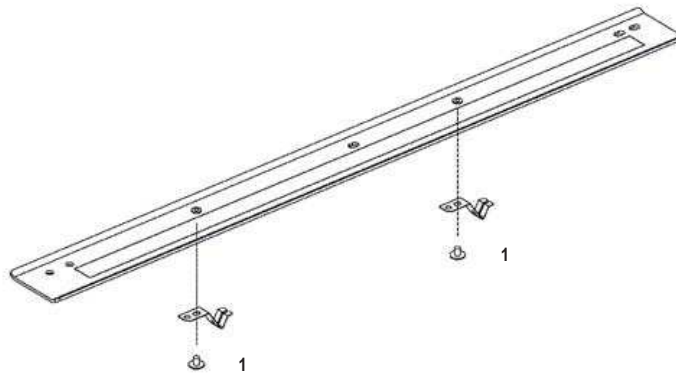


Ref	Part Number	Description
1	IR4041K105NI	Scanner open sensor assembly - Includes the housing, spring-loaded plunger, and two sensors - Detects when the ADF assembly is open and the optical assembly home position sensor
2	E314000619NR	Flag activated photosensor - One used to indicate when the ADF assembly is open and the other for the optical carriage assembly home position sensor in the flatbed scanner - Mounts on the scanner open sensor assembly (Two used)

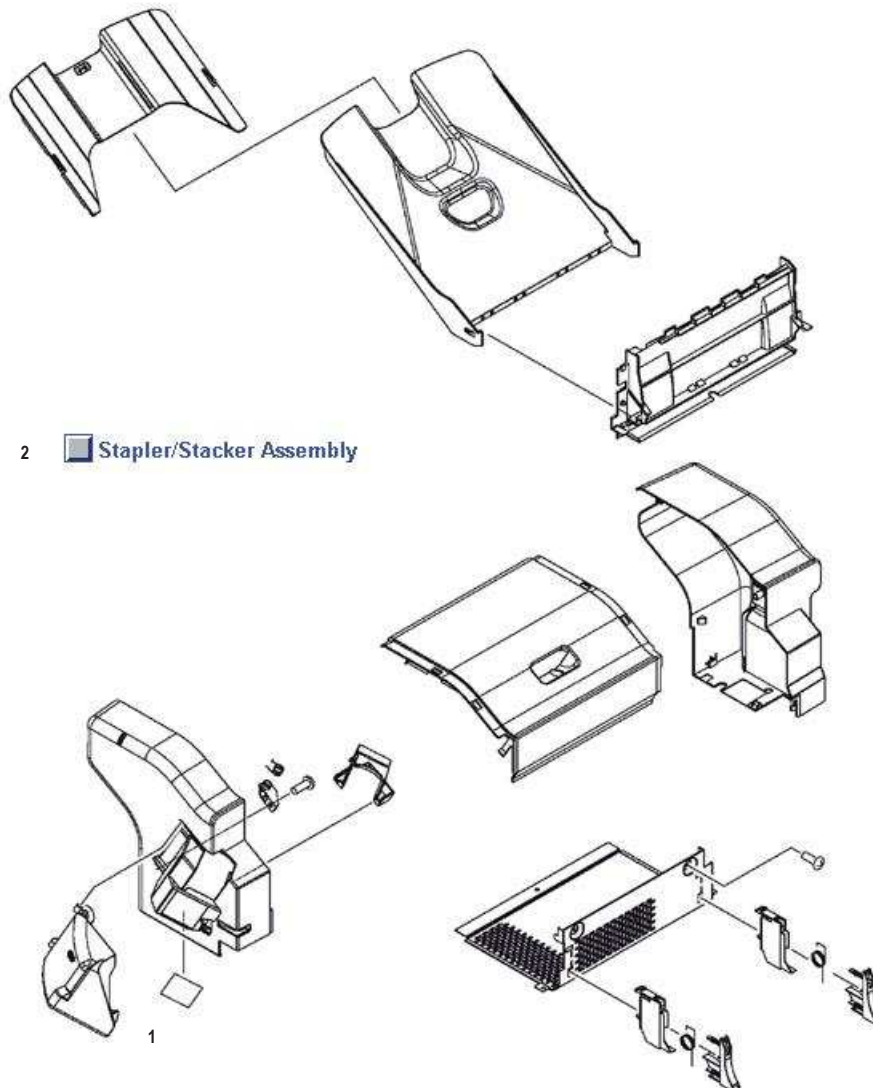
Scanner Optical Assembly



Ref	Part Number	Description
1	IR4041K121NR	Scanner optical carriage assembly - Includes the optical scanner and light mounted on a carriage assembly - Passes under the document during the flatbed scanning operation - Mounts inside the flatbed scanner assembly
2	IR4041K151NI	Scanner lamp - Mounts in the middle of the optical carriage assembly in the flatbed scanner assembly

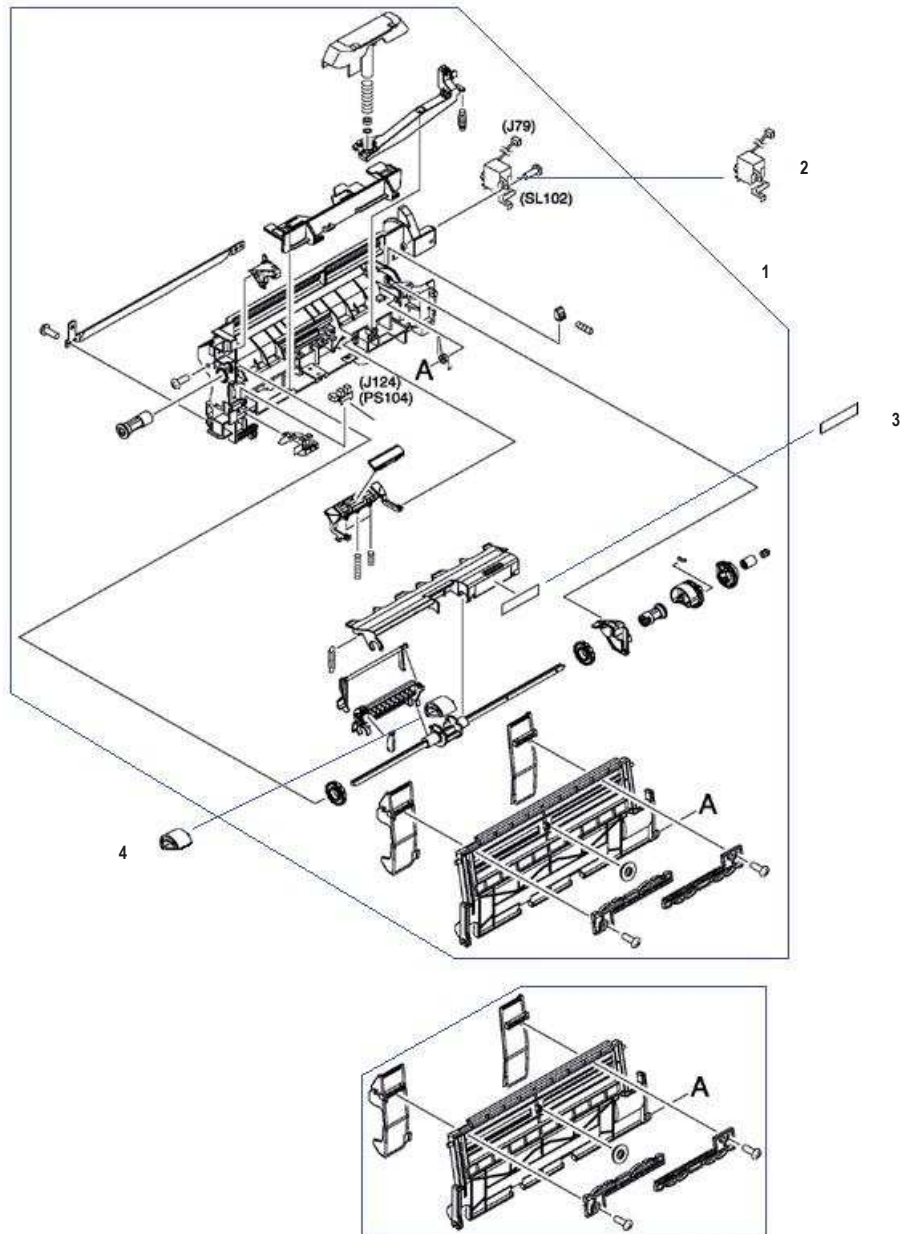
Scanner Slide Rail

Ref	Part Number	Description
1	030040FNITNI	Screw - used to secure flatbed scanner slide rail

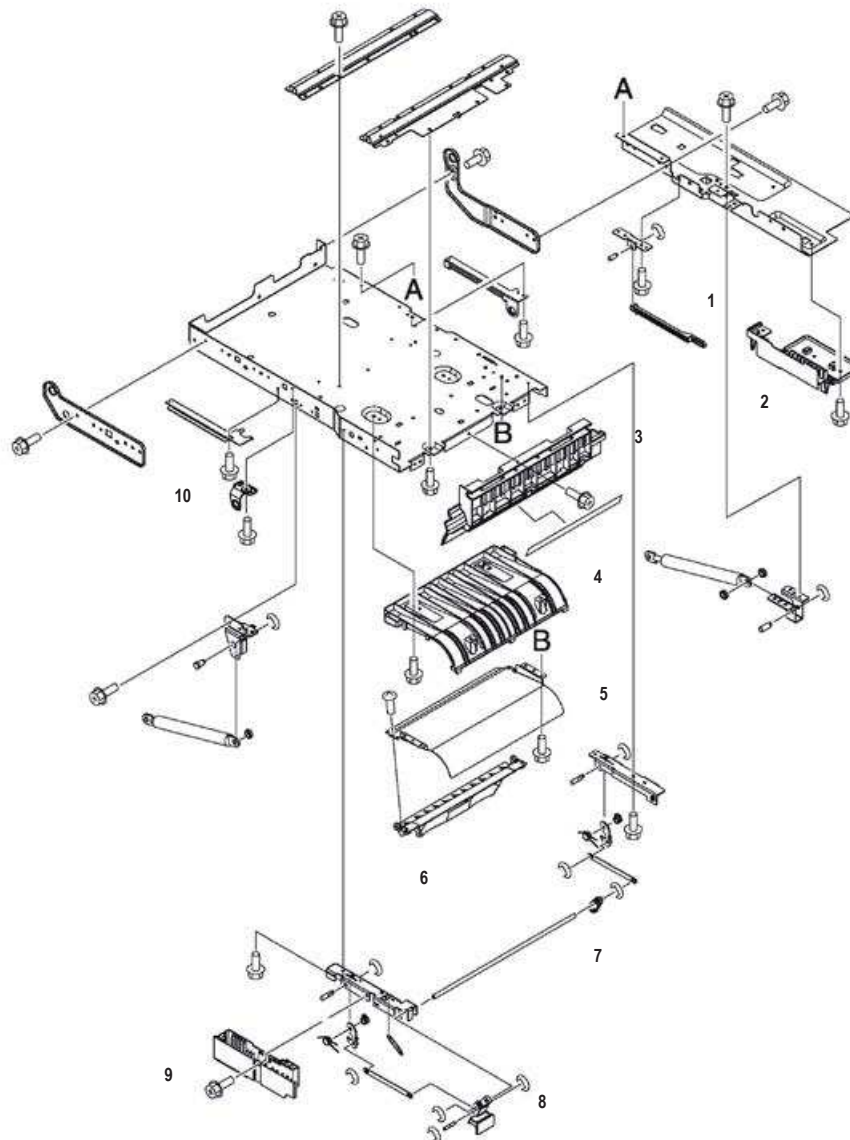
Stapler/Stacker Assembly

Ref	Part Number	Description
1	RC1-2597-000CN	Stapler/stacker access door - Front jam access door for stapler/stacker unit
2	Q5691-67901	500 sheet stapler/stacker assembly

Tray 1 Assembly



Ref	Part Number	Description
1	RM1-1572-040CN	Multipurpose tray assembly - Tray 1 paper input assembly - Does not include outside cover
2	RK2-0276-000CN	Tray 1 solenoid - Engages Tray 1 pickup roller
3	RL1-0007-000CN	Tray 1 paper separation pad
4	RL1-0019-000CN	Tray 1 pickup roller - D-shaped roller under envelope cover

Upper Plate Assembly

Ref	Part Number	Description
1	RC1-2830-000CN	Link rod - Connects to the toner cartridge drive gear mechanism
2	RC1-2821-000CN	Rear cover lock - Located at rear of upper plate assembly
3	RC1-2855-000CN	Right side laser shutter holder
4	RC1-2854-000CN	Legal size paper guide - Located in upper plate assembly
5	RC1-2853-000CN	Upper cartridge guide - Located in upper plate assembly
6	RC1-2856-000CN	Cartridge support - Lower toner cartridge support - Located in upper plate assembly
7	RC1-2822-000CN	Handle link - Mechanical link between upper plate handle and release latch
8	RC1-2818-000CN	Upper plate latch - Locking latch for upper plate assembly
9	RC1-2820-000CN	Latch handle cover - Front cover for latch handle on upper plate assembly
10	RC1-3102-000CN	Upper guide support block - Small L-shaped plastic block which supports the upper portion of the Reversing Mechanism