

# Product Guide Autumn 2016

---

IP Video Cameras

---

HD-TVI Video Cameras

---

NVRs

---

DVRs



# Passion for Security

eneo stands for video security products made by high-class processing in accordance with German quality benchmarks. Specialist installers find everything they need for reliable industry solutions from a single source in the technologically comprehensive eneo portfolio. All eneo cameras, recorders, monitors and accessories impress through their high convenience for installers and their user-friendliness in addition to their outstanding cost effectiveness.

## CONTENTS

|    |                               |    |                         |
|----|-------------------------------|----|-------------------------|
| 4  | PREMIUM CLASS                 | 12 | PRODUKT-CODES           |
| 5  | ECONOMY CLASS                 | 14 | PRODUCT-TABLES          |
| 6  | VIDEO MANAGEMENT APPLICATIONS | 27 | TECHNOLOGY PARTNERSHIPS |
| 8  | KVM TRANSMISSION SOLUTION     | 28 | CASE STUDY              |
| 11 | EASY INSTALLATION BY WIFI     | 30 | CONTACT                 |



## Sophisticated Testing Procedure



All eneo devices undergo a sophisticated testing procedure comprising quality management certified compliant with EN ISO 9001:2008, strict inspections of incoming goods and extensive test during and after the product development phase.

## Sustainably Secure



The various product tests ensure the constantly high quality which forms the basis of the eneo three-year warranty. eneo network products consistently support ONVIF Profile S. Interoperability and high security standards give networked video surveillance systems flexible scalability and make them sustainably secure.



## Expert Solutions



The technologically comprehensive and all-purpose product range not only caters for the multiple demands placed by users and installers, it also meets the needs of the requirements in various industries. The convenience eneo products give to installers enables efficient video security solutions out of the box.

We furthermore offer special production runs customised to projects and customers as well as product modifications. After all, a video security solution is there for the customers, not the other way round.

# Premium Class

The Candid and Callisto camera series characterise the striking profile of the eneo Premium Class. Practicality along with convenience for installers are reflected in the perfect balance of form and function that gives a unique distinction to the exclusive design of the box, bullet and dome cameras.

High-quality autofocus and motorised varifocal lenses in combination with powerful image sensors deliver video imagery with an outstanding quality. The sturdy premium models are complemented by a wide choice of installation solutions that meet the different demands on installation.

eneo Premium Class cameras come with megapixel lenses featuring resolutions of 2 MP (1920 × 1080), 3 MP (2048 × 1536) and 5 MP (2592 × 1944) combined with highly sensitive CMOS image sensors and a new generation of encoders. This is all rounded off by a broad range of functions and features that increase the benefits and convenience for end users.

| Functions and Features  |
|---|
| Autofocus zoom or motorised varifocal lenses with push-focus function for lens remote setting by user interface             |
| Infrared high-power LEDs for 24/7 use   |
| Video analysis functions such as motion detection, virtual tripwires and motion fields                                      |
| Vertical view for vertically oriented video recording, for example for corridor, stairwell and road monitoring applications |
| Image correction functions such as defog and lens distortion correction   |
| Triple streaming for simultaneous output of up to three video streams and different codecs (e.g. 2 × H.264, 1 × MJPEG)      |
| Secure, cross-browser interface in a responsive design  |
| ONVIF mapping for coding of system events such as video analysis or a tampering alarm as ONVIF alarm                        |



# Economy Class

Uncompromising product quality, competitive price: the fact that one does not exclude the other is proven by the HD and full HD video cameras in the eneo Economy Class.

Equipped with a lean but practical feature set, the very competitive dome and bullet cameras go through the same strict product tests as the models in the Premium Class. This makes the HD-TVI and IP models in the eneo Economy Class interesting for not only small video security applications.





## eneo iRAS

The control and image transmission software manages up to 1024 cameras, NVRs and DVRs in a system. eneo iRAS supports the DLR, PNR and TVR premium recorder series. The user-friendly interface and features such as time-based and event-driven image search or the editable e-map make working with the software extremely easy to use. Additionally, the software supports multi-view display and multi-monitor operation, event monitoring / alarming as well as status checking / indicators.

# Video Management Applications



eneo RAS MOBILE is available for Android and iOS systems.



## eneo RAS MOBILE App

As an alternative or a supplement to video management with eneo iRAS on a PC, users can also use the RAS MOBILE app for secure access to the video network when they are on the move. eneo RAS MOBILE also supports 720 p and 1080 p resolutions, bidirectional audio transmission and control of PTZ-capable video security devices.

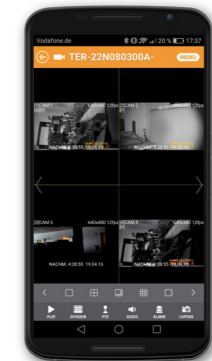


## eneo CenPro

With the eneo CenPro control software users have remote access to economy recorders in the TER series. The supported features include e-map with integrated editor, live playback as well as multiview display and multi-monitor operation, time-based and event-driven image search, event monitoring/alarming as well as status indicators. eneo CenPro gives users maximum scalability without any limit on the managed video sources.

## eneo CenPro Mobile

eneo CenPro Mobile gives users the capability of managing their video security system securely and when on the move. Everywhere and at any time. The app provides playback and video research in live or playback mode, and supports live, playback and freeze display from up to 16 video channels. Additional available functions include bidirectional audio support, snapshot and local storage, customised video image layout, targeted video search by date and time, and PTZ control.



eneo CenPro Mobile supports Android devices in addition to smartphones and tablets with iOS 6.0 or higher.



# Flexible KVM Transmission Solution for Video Security and Information Systems

| Specifications  |
|---|
| HDMI, RS232, IR and 4x USB over ethernet                                |
| Resolutions: up to Full HD (HDMI 1.3b)                                  |
| Straight connection: Transmission range 150M over CAT5e, 180M over CAT6 |
| 2-way RS232, full duplex data communication                             |
| HDMI 1.3b and HDCP compliant  |
| HDMI audio support  |
| Bi-Directional analog audio transmission                                |
| Bi-Directional IR transmission  |
| Transmitter with built in HDMI loop out                                 |
| Receiver supports 4-USB Ports (1x USB 1.1 & 3x USB 2.0)                 |

The IP KVM (keyboard, video, mouse) transmission solution consists of the IAM-5EE 1001 MTA transmitter and IAM-5EE 1001 MRA receiver. Its versatility allows the devices to be operated as a network extender or switch. As a „digital matrix switch“ they enable cost-effective, technology flexible and scalable video security solutions.

They can also be used as interfaces for data transmission in digital signage applications. Neither a computer nor management software is needed for controlling the linked devices as users normally have direct access to the networked device user interfaces over the receiver connected to the monitor, mouse and keyboard.

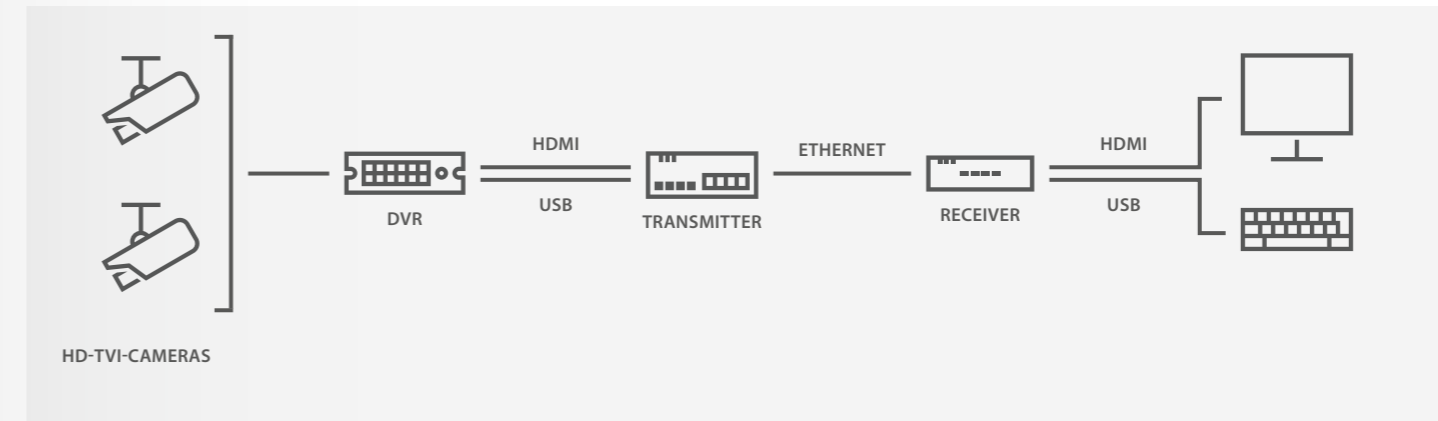
This transmission solution is compatible with all devices equipped with a HDMI port, permits setup of stable point-to-point connections for transmission of HDMI, audio and IR signals as well as USB and RS232 in a local network. Establishment of point-to-multipoint connections is also possible with multicast switches.



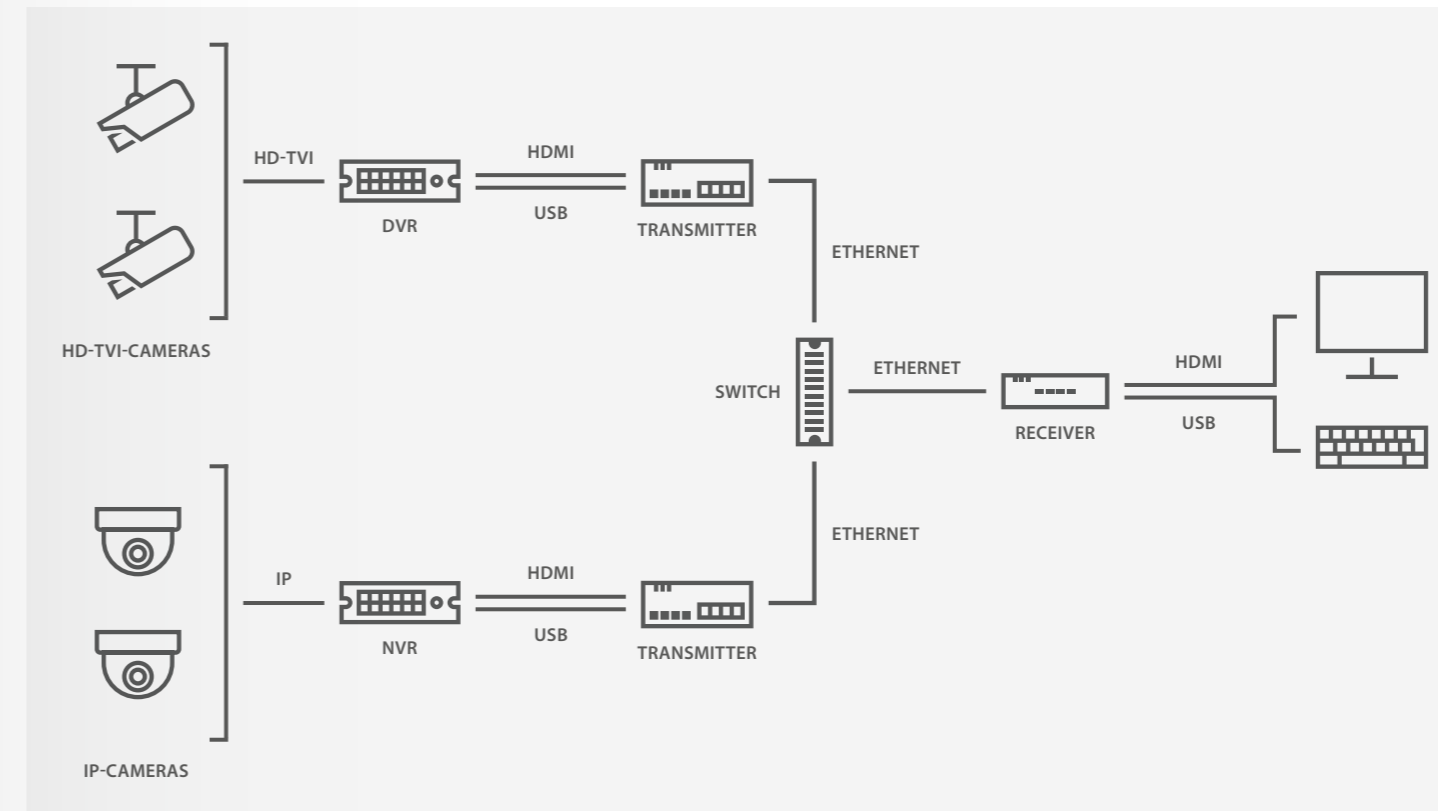
Transmitter IAM-5EE1001 MTA



Receiver IAM-5EE1001MRA

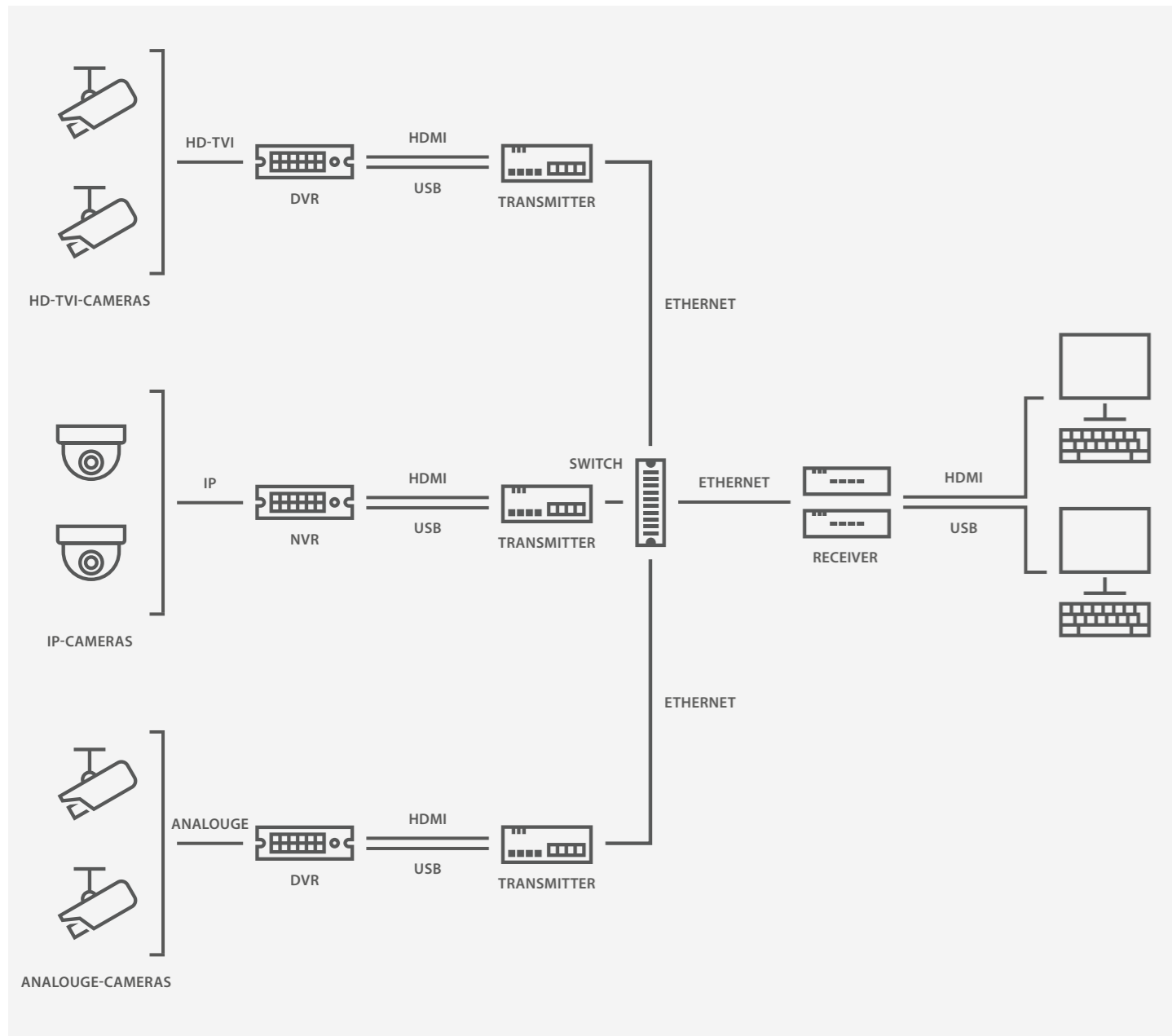


Application example:  
Point-2-point connection  
with IP KVM extender



Application example:  
Multipoint-2-point connection  
with IP KVM switch





Application example:  
Multipoint-2-point  
connection



# Easy Installation 2.0 by WiFi

Greater ease of installation for Candid IP cameras is created by the new WiFi interface.

Easy installation is to remain in the comfort zone and at the same time save time and money. This is why installers love eneo products, because the increase in ease of installation is a key goal of eneo product development. One example is the new WiFi interface for connecting a WiFi dongle to Candid IP cameras – it does away with the unwieldy test monitor for camera adjustment which can now be easily carried out by laptop, tablet or smartphone via WiFi.

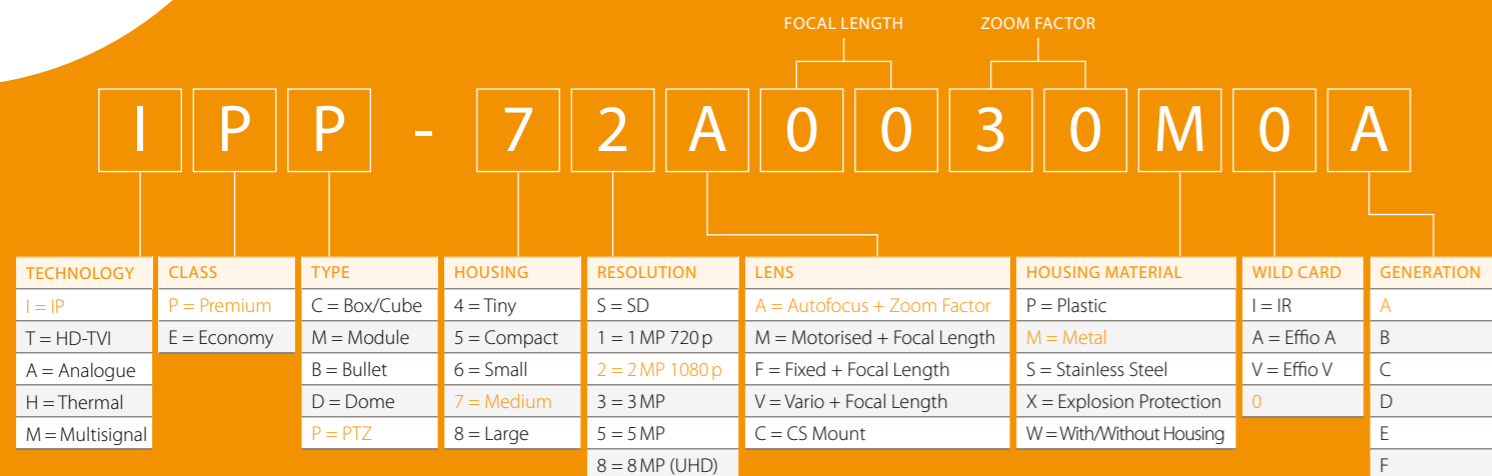


# eneo Product Codes

The alphabetical and numerical sequences of eneo product names, illustrated and broken down based on examples from the camera, recorder and accessories product groups.



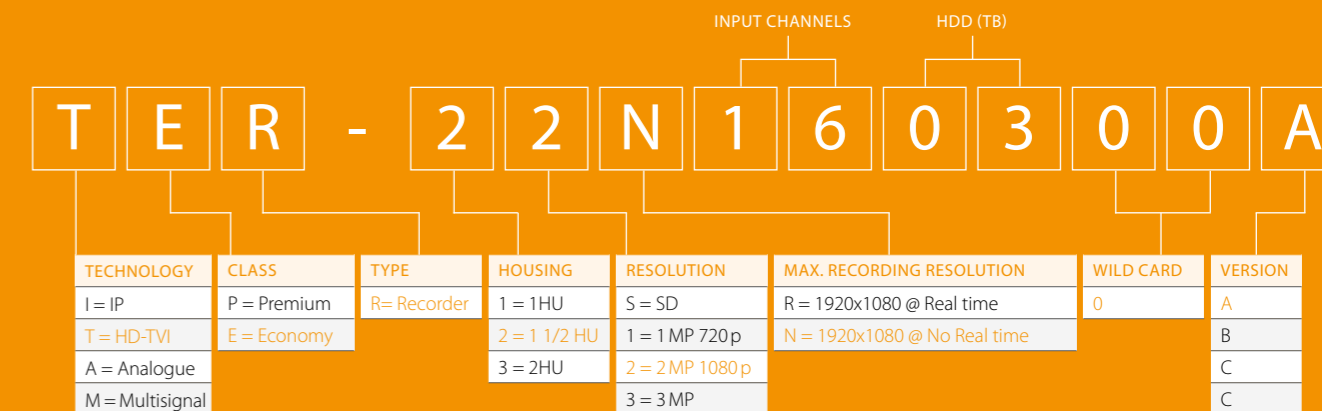
Cameras



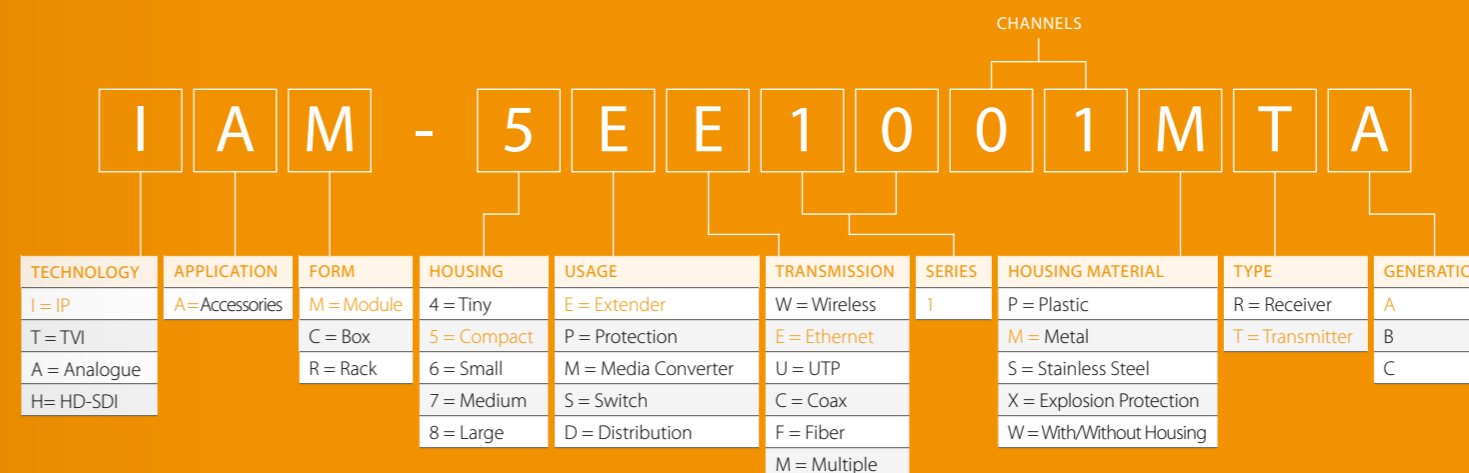
**BREAKDOWN**  
IP-CAMERA, PREMIUM CLASS, PTZ, MEDIUM, 2 MP, 30 X AUTOFOCUS ZOOM, METAL HOUSING, GENERATION A



DVRs / NVRs



**BREAKDOWN**  
HD-TVI RECORDER, ECONOMY CLASS, HOUSING:1 1/2 HEIGHT UNITS, 2 MP, NO REAL TIME RECORDING  
AT 1920X1080, 16 INPUT CHANNELS, 3 TB HDD, VERSION A



**BREAKDOWN**  
IP ACCESSORY MODULE, COMPACT, EXTENDER, ETHERNET, SERIES 1, 1 CHANNEL, METAL, TRANSMITTER, GENERATION A



Accessories

IPB-75 M3610 M0A



IPB-73 M2812 M0A



IPB-72 A0010 M0A



IPB-72 A0003 M0A



IPB-62 M2812 M0A



|                                      |   |   |   |   |   |
|--------------------------------------|---|---|---|---|---|
| <b>SERIES</b>                        | eneo Candid Medium, eneo Premium Class  | eneo Candid Medium, eneo Premium Class  | eneo Candid Medium, eneo Premium Class  | eneo Candid Medium, eneo Premium Class  | eneo Candid Small, eneo Premium Class   |
| <b>PRODUCT NUMBER</b>                | 213015  | 213017  | 213011  | 213012  | 213019  |
| <b>SYSTEM</b>                        | True Day & Night  | True Day & Night  | True Day & Night  | True Day & Night  | True Day & Night  |
| <b>SENSOR</b>                        | 1/1.8" CMOS Sony STARVIS 5.04 Megapixel   | 1/2.8" CMOS Sony STARVIS 3.23 Megapixel   | 1/3" CMOS Panasonic Progressive Scan  | 1/3" CMOS Panasonic Progressive Scan  | 1/2.8" CMOS Sony 2.3 Megapixel RGB  |
| <b>RESOLUTION STANDARD</b>           | HD 1080p, 3 Megapixel, 5 Megapixel  | HD 1080p, 3 Megapixel   | HD 1080p  | HD 1080p, 3 Megapixel   | HD 1080p  |
| <b>RESOLUTION MAX.</b>               | 2592×1944   | 2048×1536   | 1920×1080   | 1920×1080   | 1920×1080   |
| <b>VIDEO COMPRESSION</b>             | H.264, M-JPEG   | H.264, M-JPEG   | H.264, M-JPEG   | H.264, M-JPEG   | H.264, M-JPEG   |
| <b>IMAGE TRANSMISSION RATE MAX.</b>  | 25 fps  | 25 fps  | 25 fps  | 25 fps  | 25 fps  |
| <b>SENSITIVITY</b>                   | 0.07 Lux at F1.5, 40IRE   | 0.15 Lux at F1.4, 40IRE   | 0.5 Lux at F1.6, 50IRE  | 0.35 Lux at F1.2, 40IRE   | 0.15 Lux at F1.4, 40IRE   |
| <b>DIGITAL NOISE REDUCTION (DNR)</b> | 2D-DNR, 3D-DNR  | 2D-DNR, 3D-DNR  | 2D-DNR, 3D-DNR  | 2D-DNR, 3D-DNR  | 2D-DNR, 3D-DNR  |
| <b>BACKLIGHT COMPENSATION</b>        | BLC, HLC  | BLC, HLC  | BLC, HLC  | BLC, HLC  | BLC, HLC  |
| <b>WIDE DYNAMIC RANGE (WDR)</b>      | D-WDR   | D-WDR   | WDR 113dB   | WDR 113dB   | D-WDR   |
| <b>ANALYSIS FUNCTIONS</b>            | Motion detection, tampering protection, line detection, field detection, defog          | Motion detection, tampering protection, line detection, field detection, defog          | Motion detection, tampering protection, line detection, field detection, defog          | Motion detection, tampering protection, line detection, field detection, defog            | Motion detection, tampering protection, line detection, field detection, defog            |
| <b>ZOOM FACTOR</b>                   | 3x  | 4x  | 10x   | 3x  | 4x  |
| <b>LENS TYPE</b>                     | Varifocal (motorized)   | Varifocal (motorized)   | Auto focus zoom   | Auto focus zoom   | Varifocal (motorized)   |
| <b>FOCAL LENGTH</b>                  | 3.6 – 10 mm   | 2.8 – 12 mm   | 5.1 – 50 mm   | 3 – 9 mm  | 2.8 – 12 mm   |
| <b>STREAM TYPES</b>                  | 2×H.264, 1×M-JPEG simultaneous  | 2×H.264, 1×M-JPEG simultaneous  | 2×H.264, 1×M-JPEG simultaneous  | 2×H.264, 1×M-JPEG simultaneous  | 2×H.264, 1×M-JPEG simultaneous  |
| <b>ILLUMINATION</b>                  | Infrared, approx. 50m   | Infrared, approx. 50m   | Infrared, approx. 50m   | Infrared, approx. 50m   | Infrared, approx. 50m   |
| <b>WEB BROWSER</b>                   | Mozilla, Safari, Google Chrome, Edge-M-JPEG only, Microsoft Internet Explorer (ActiveX) | Mozilla, Safari, Google Chrome, Edge-M-JPEG only, Microsoft Internet Explorer (ActiveX) | Mozilla, Safari, Google Chrome, Edge-M-JPEG only, Microsoft Internet Explorer (ActiveX) | Mozilla, Safari, Google Chrome, Edge - M-JPEG only, Microsoft internet Explorer (ActiveX) | Mozilla, Safari, Google Chrome, Edge - M-JPEG only, Microsoft internet Explorer (ActiveX) |
| <b>AUDIO SUPPORT</b>                 | yes   | yes   | yes   | yes   | -   |
| <b>INTERNAL STORAGE</b>              | microSDXC-card  | microSDXC-card  | microSDXC-card  | microSDXC card  | microSDXC card  |
| <b>ONVIF</b>                         | Profile S   | Profile S   | Profile S   | Profile S   | Profile S   |
| <b>TEMPERATURE RANGE (OPERATION)</b> | -50°C ~ +50°C   | -50°C ~ +50°C   | -50°C ~ +50°C   | -50°C ~ +50°C   | -50°C ~ +50°C   |
| <b>ALARM INPUTS / OUTPUTS</b>        | 1 / 1   | 1 / 1   | 1 / 1   | 1 / 1   | - / -   |
| <b>SUPPLY VOLTAGE</b>                | 24VAC, 12VDC, PoE   | 12VDC, 24VAC, PoE   | 12VDC, 24VAC, PoE   | 12VDC, 24VAC, PoE   | PoE   |
| <b>VANDALISM RESISTANT</b>           | -   | -   | -   | -   | -   |
| <b>COLOUR (HOUSING)</b>              | Pantone Cool Gray 1 C   | Pantone Cool Gray 1 C   | Pantone Cool Gray 1 C   | Pantone Cool Gray 1 C   | Pantone Cool Gray 1 C   |
| <b>PROTECTION RATING</b>             | IP67  | IP67  | IP67  | IP67  | IP66  |

IEB-62 V2812 M0A



IEB-62 F0036 M0A



IEB-63 M2812 M0A



IEB-63 F0037 M0A



IPD-75 M3610 M0A



|                                      |   |   |   |   |   |
|--------------------------------------|---|---|---|---|---|
| <b>SERIES</b>                        | eneo Economy Class  | eneo Economy Class  | eneo Economy Class  | eneo Economy Class  | eneo Callisto, eneo Premium Class   |
| <b>PRODUCT NUMBER</b>                | 214862  | 214861  | 214558  | 214559  | 213016  |
| <b>SYSTEM</b>                        | True Day & Night  | True Day & Night  | True Day & Night  | True Day & Night  | True Day & Night  |
| <b>SENSOR</b>                        | 1/2.8" CMOS Sony 2.3 Megapixel RGB  | 1/2.8" CMOS Sony 2.3 Megapixel RGB  | 1/2.8" CMOS Sony STARVIS  | 1/2.8" CMOS Sony STARVIS  | 1/1.8" CMOS Sony STARVIS 5.04 Megapixel   |
| <b>RESOLUTION STANDARD</b>           | HD 1080p  | HD 1080p  | HD 1080p, 3 Megapixel   | HD 1080p, 3 Megapixel   | HD 1080p, 3 Megapixel, 5 Megapixel  |
| <b>RESOLUTION MAX.</b>               | 1920×1080   | 1920×1080   | 2048×1536   | 2048×1536   | 2592×1944   |
| <b>VIDEO COMPRESSION</b>             | H.264, M-JPEG   | H.264, M-JPEG   | H.264, M-JPEG   | H.264, M-JPEG   | H.264, M-JPEG   |
| <b>IMAGE TRANSMISSION RATE MAX.</b>  | 25 fps  | 25 fps  | 25 fps  | 25 fps  | 25 fps  |
| <b>SENSITIVITY</b>                   | 0.15 Lux at F1.4, 40IRE   | 0.15 Lux at F1.4, 40IRE   | 0.1 Lux at F1.4   | 0.2 Lux at F2.5   | 0.07 Lux at F1.5, 40IRE   |
| <b>DIGITAL NOISE REDUCTION (DNR)</b> | 2D-DNR, 3D-DNR  | 2D-DNR, 3D-DNR  | 2D-DNR, 3D-DNR  | 2D-DNR, 3D-DNR  | 2D-DNR, 3D-DNR  |
| <b>BACKLIGHT COMPENSATION</b>        | BLC, HLC  | BLC, HLC  | BLC, HLC  | BLC, HLC  | BLC, HLC  |
| <b>WIDE DYNAMIC RANGE (WDR)</b>      | D-WDR   | D-WDR   | D-WDR   | D-WDR   | D-WDR   |
| <b>ANALYSIS FUNCTIONS</b>            | Motion detection, tampering protection, line detection, field detection, defog            | Motion detection, tampering protection, line detection, field detection, defog            | Motion detection, tampering protection, line detection, field detection, defog      | Motion detection, tampering protection, line detection, field detection, defog      | Motion detection, tampering protection, line detection, field detection, defog            |
| <b>ZOOM FACTOR</b>                   | 4x  | -   | 4x  | -   | 3x  |
| <b>LENS TYPE</b>                     | Varifocal   | Fixed focal length  | Varifocal (motorized)   | Fixed focal length  | Varifocal (motorized)   |
| <b>FOCAL LENGTH</b>                  | 2.8 – 12 mm   | 3.6 mm  | 2.8 – 12 mm   | 3.7 mm  | 3.6 – 10 mm   |
| <b>STREAM TYPES</b>                  | 2×H.264, 1×M-JPEG simultaneous  | 2×H.264, 1×M-JPEG simultaneous  | 2×H.264, 1×M-JPEG simultaneous  | 2×H.264, 1×M-JPEG simultaneous  | 2×H.264, 1×M-JPEG simultaneous  |
| <b>ILLUMINATION</b>                  | Infrared, approx. 40 m  | Infrared, approx. 40 m  | Infrared, approx. 25 m  | Infrared, approx. 25 m  | Infrared, approx. 40 m  |
| <b>WEB BROWSER</b>                   | Mozilla, Safari, Google Chrome, Edge - M-JPEG only, Microsoft internet Explorer (ActiveX) | Mozilla, Safari, Google Chrome, Edge - M-JPEG only, Microsoft internet Explorer (ActiveX) | Mozilla, Safari, Google Chrome - M-JPEG only, Microsoft internet Explorer (ActiveX) | Mozilla, Safari, Google Chrome - M-JPEG only, Microsoft internet Explorer (ActiveX) | Mozilla, Safari, Google Chrome, Edge - M-JPEG only, Microsoft internet Explorer (ActiveX) |
| <b>AUDIO SUPPORT</b>                 | -   | -   | yes   | yes   | yes   |
| <b>INTERNAL STORAGE</b>              | microSDXC card  | microSDXC card  | microSDHC card, microSDXC card  | microSDHC card, microSDXC card  | microSDXC card  |
| <b>ONVIF</b>                         | Profile S   | Profile S   | Profile S   | Profile S   | Profile S   |
| <b>TEMPERATURE RANGE (OPERATION)</b> | -20°C ~ +50°C   | -20°C ~ +50°C   | -20°C ~ +50°C   | -20°C ~ +50°C   | -50°C ~ +50°C   |
| <b>ALARM INPUTS / OUTPUTS</b>        | - / -   | - / -   | 1 / 1   | 1 / 1   | 1 / 1   |
| <b>SUPPLY VOLTAGE</b>                | PoE, 12VDC  | PoE, 12VDC  | PoE, 12VDC  | PoE, 12VDC  | 12VDC, 24VAC, PoE   |
| <b>VANDALISM RESISTANT</b>           | -   | -   | -   | -   | yes   |
| <b>COLOUR (HOUSING)</b>              | Pantone Cool Gray 1 C   | Pantone Cool Gray 1 C   | white   | white   | Pantone Cool Gray 1 C   |
| <b>PROTECTION RATING</b>             | IP66  | IP66  | IP67  | IP67  | IP67  |



IPD-73 M2812 M0A



IPD-72 A0003 M0A



IPD-62 M2812 P0A



IED-62 V2812 M0A



IED-62 F0036 M0A



|                                      |   |   |   |   |   |
|--------------------------------------|---|---|---|---|---|
| <b>SERIES</b>                        | eneo Callisto, eneo Premium Class   | eneo Callisto, eneo Premium Class   | eneo Premium Class  | eneo Economy Class  | eneo Economy Class  |
| <b>PRODUCT NUMBER</b>                | 213020  | 213013  | 213021  | 214866  | 214865  |
| <b>SYSTEM</b>                        | True Day & Night  | True Day & Night  | True Day & Night  | True Day & Night  | True Day & Night  |
| <b>SENSOR</b>                        | 1/2.8" CMOS Sony STARVIS 3.23 Megapixel   | 1/3" CMOS Panasonic Progressive Scan  | 1/3" CMOS Panasonic Progressive Scan  | 1/2.8" CMOS Sony 2.3 Megapixel RGB  | 1/2.8" CMOS Sony 2.3 Megapixel RGB  |
| <b>RESOLUTION STANDARD</b>           | HD 1080p, 3 Megapixel   | HD 1080p  | HD 1080p  | HD 1080p  | HD 1080p  |
| <b>RESOLUTION MAX.</b>               | 2048 x 1536   | 1920 x 1080   | 1920 x 1080   | 1920 x 1080   | 1920 x 1080   |
| <b>VIDEO COMPRESSION</b>             | H.264, M-JPEG   | H.264, M-JPEG   | H.264, M-JPEG   | H.264, M-JPEG   | H.264, M-JPEG   |
| <b>IMAGE TRANSMISSION RATE MAX.</b>  | 25 fps  | 25 fps  | 25 fps  | 25 fps  | 25 fps  |
| <b>SENSITIVITY</b>                   | 0.15 Lux at F1.4, 40IRE   | 0.35 Lux at F1.2, 40IRE   | 0.35 Lux at F1.2, 40IRE   | 0.15 Lux at F1.4, 40IRE   | 0.15 Lux at F1.4, 40IRE   |
| <b>DIGITAL NOISE REDUCTION (DNR)</b> | 2 D-DNR, 3D-DNR   | 2 D-DNR, 3D-DNR   | 2 D-DNR, 3D-DNR   | 2 D-DNR, 3D-DNR   | 2 D-DNR, 3D-DNR   |
| <b>BACKLIGHT COMPENSATION</b>        | BLC, HLC  | BLC, HLC  | BLC, HLC  | BLC, HLC  | BLC, HLC  |
| <b>WIDE DYNAMIC RANGE (WDR)</b>      | D-WDR   | WDR 113 dB  | WDR 113 dB  | D-WDR   | D-WDR   |
| <b>ANALYSIS FUNCTIONS</b>            | Motion detection, tampering protection, line detection, field detection, defog            | Motion detection, tampering protection, line detection, field detection, defog            | Motion detection, tampering protection, line detection, field detection, defog            | Motion detection, tampering protection, line detection, field detection, defog            | Motion detection, tampering protection, line detection, field detection, defog            |
| <b>ZOOM FACTOR</b>                   | 4x  | 3x  | 3x  | 4x  | -   |
| <b>LENS TYPE</b>                     | Varifocal (motorized)   | Auto focus zoom   | Varifocal (motorized)   | Varifocal   | Fixed focal length  |
| <b>FOCAL LENGTH</b>                  | 2.8 – 12 mm   | 3 – 9 mm  | 2.8 – 12 mm   | 2.8 – 12 mm   | 3.6 mm  |
| <b>STREAM TYPES</b>                  | 2xH.264, 1xM-JPEG simultaneous  | 2xH.264, 1xM-JPEG simultaneous  | 2xH.264, 1xM-JPEG simultaneous  | 2xH.264, 1xM-JPEG simultaneous  | 2xH.264, 1xM-JPEG simultaneous  |
| <b>ILLUMINATION</b>                  | Infrared, approx. 40m   | Infrared, approx. 40m   | Infrared, approx. 40m   | Infrared, approx. 30m   | Infrared, approx. 30m   |
| <b>WEB BROWSER</b>                   | Mozilla, Safari, Google Chrome, Edge - M-JPEG only, Microsoft internet Explorer (ActiveX) | Mozilla, Safari, Google Chrome, Edge - M-JPEG only, Microsoft internet Explorer (ActiveX) | Mozilla, Safari, Google Chrome, Edge - M-JPEG only, Microsoft internet Explorer (ActiveX) | Mozilla, Safari, Google Chrome, Edge - M-JPEG only, Microsoft internet Explorer (ActiveX) | Mozilla, Safari, Google Chrome, Edge - M-JPEG only, Microsoft internet Explorer (ActiveX) |
| <b>AUDIO SUPPORT</b>                 | yes   | yes   | yes   | -   | -   |
| <b>INTERNAL STORAGE</b>              | microSDXC card  | microSDXC card  | microSDXC card  | -   | -   |
| <b>ONVIF</b>                         | Profile S   | Profile S   | Profile S   | Profile S   | Profile S   |
| <b>TEMPERATURE RANGE (OPERATION)</b> | -50°C ~ +50°C   | -50°C ~ +50°C   | -50°C ~ +50°C   | -20°C ~ +50°C   | -20°C ~ +50°C   |
| <b>ALARM INPUTS / OUTPUTS</b>        | 1 / 1   | 1 / 1   | 1 / 1   | - / -   | - / -   |
| <b>SUPPLY VOLTAGE</b>                | 12VDC, 24VAC, PoE   | 12VDC, 24VAC, PoE   | 12VDC, 24VAC, PoE   | 12VDC, PoE  | 12VDC, PoE  |
| <b>VANDALISM RESISTANT</b>           | yes   | yes   | yes   | -   | -   |
| <b>COLOUR (HOUSING)</b>              | Pantone Cool Gray 1 C   | Pantone Cool Gray 1 C   | Pantone Cool Gray 1 C   | Pantone Cool Gray 1 C   | Pantone Cool Gray 1 C   |
| <b>PROTECTION RATING</b>             | IP67  | IP67  | IP67  | IP66  | IP66  |

IED-62 V2812 P0A



IED-62 F0036 M0A



IED-63M 2812 M0A



IED-63F 0037 M0A



IED-63MF 2812 P0A



|                                      |   |   |   |   |   |
|--------------------------------------|---|---|---|---|---|
| <b>SERIES</b>                        | eneo Economy Class  | eneo Economy Class  | eneo Economy Class  | eneo Economy Class  | eneo Economy Class  |
| <b>PRODUCT NUMBER</b>                | 214864  | 214863  | 214557  | 214556  | 214560  |
| <b>SYSTEM</b>                        | True Day & Night  | True Day & Night  | True Day & Night  | True Day & Night  | True Day & Night  |
| <b>SENSOR</b>                        | 1/2.8" CMOS Sony 2.3 Megapixel RGB  | 1/2.8" CMOS Sony 2.3 Megapixel RGB  | 1/2.8" CMOS Sony STARVIS 2.3 Megapixel RGB  | 1/2.8" CMOS Sony STARVIS 2.3 Megapixel RGB  | 1/2.8" CMOS Sony STARVIS 2.3 Megapixel RGB  |
| <b>RESOLUTION STANDARD</b>           | HD 1080p  | HD 1080p  | HD 1080p, 3 Megapixel   | HD 1080p, 3 Megapixel   | HD 1080p, 3 Megapixel   |
| <b>RESOLUTION MAX.</b>               | 1920 x 1080   | 1920 x 1080   | 2048 x 1536   | 2048 x 1536   | 2048 x 1536   |
| <b>VIDEO COMPRESSION</b>             | H.264, M-JPEG   | H.264, M-JPEG   | H.264, M-JPEG   | H.264, M-JPEG   | H.264, M-JPEG   |
| <b>IMAGE TRANSMISSION RATE MAX.</b>  | 25 fps  | 25 fps  | 25 fps  | 25 fps  | 25 fps  |
| <b>SENSITIVITY</b>                   | 0.15 Lux at F1.4, 40IRE   | 0.15 Lux at F1.4, 40IRE   | 0.1 Lux at F1.4   | 0.2 Lux at F2.5   | 0.1 Lux at F1.4   |
| <b>DIGITAL NOISE REDUCTION (DNR)</b> | 2 D-DNR, 3D-DNR   | 2 D-DNR, 3D-DNR   | 2 D-DNR, 3D-DNR   | 2 D-DNR, 3D-DNR   | 2 D-DNR, 3D-DNR   |
| <b>BACKLIGHT COMPENSATION</b>        | BLC, HLC  | BLC, HLC  | BLC, HLC  | BLC, HLC  | BLC, HLC  |
| <b>WIDE DYNAMIC RANGE (WDR)</b>      | D-WDR   | D-WDR   | D-WDR   | D-WDR   | D-WDR   |
| <b>ANALYSIS FUNCTIONS</b>            | Motion detection, tampering protection, line detection, field detection, defog            | Motion detection, tampering protection, line detection, field detection, defog            | Motion detection, tampering protection, line detection, field detection, defog      | Motion detection, tampering protection, line detection, field detection, defog      | Motion detection, tampering protection, line detection, field detection, defog      |
| <b>ZOOM FACTOR</b>                   | 4x  | -   | 4x  | -   | 4x  |
| <b>LENS TYPE</b>                     | Varifocal   | Fixed focal length  | Varifocal (motorized)   | Fixed focal length  | Varifocal (motorized)   |
| <b>FOCAL LENGTH</b>                  | 2.8 – 12 mm   | 3.6 mm  | 2.8 – 12 mm   | 3.7 mm  | 2.8 – 12 mm   |
| <b>STREAM TYPES</b>                  | 2xH.264, 1xM-JPEG simultaneous  | 2xH.264, 1xM-JPEG simultaneous  | 2xH.264, 1xM-JPEG simultaneous  | 2xH.264, 1xM-JPEG simultaneous  | 2xH.264, 1xM-JPEG simultaneous  |
| <b>ILLUMINATION</b>                  | Infrared, approx. 30m   | Infrared, approx. 30m   | Infrared, approx. 25m   | Infrared, approx. 25m   | Infrared, approx. 25m   |
| <b>WEB BROWSER</b>                   | Mozilla, Safari, Google Chrome, Edge - M-JPEG only, Microsoft internet Explorer (ActiveX) | Mozilla, Safari, Google Chrome, Edge - M-JPEG only, Microsoft internet Explorer (ActiveX) | Mozilla, Safari, Google Chrome - M-JPEG only, Microsoft internet Explorer (ActiveX) | Mozilla, Safari, Google Chrome - M-JPEG only, Microsoft internet Explorer (ActiveX) | Mozilla, Safari, Google Chrome - M-JPEG only, Microsoft internet Explorer (ActiveX) |
| <b>AUDIO SUPPORT</b>                 | -   | -   | yes   | yes   | yes   |
| <b>INTERNAL STORAGE</b>              | -   | -   | microSDHC card, microSDXC card  | microSDHC card, microSDXC card  | microSDHC card, microSDXC card  |
| <b>ONVIF</b>                         | Profile S   | Profile S   | Profile S   | Profile S   | Profile S   |
| <b>TEMPERATURE RANGE (OPERATION)</b> | -10°C ~ +50°C   | -10°C ~ +50°C   | -20°C ~ +50°C   | -20°C ~ +50°C   | -10°C ~ +50°C   |
| <b>ALARM INPUTS / OUTPUTS</b>        | - / -   | - / -   | 1 / 1   | 1 / 1   | 1 / 1   |
| <b>SUPPLY VOLTAGE</b>                | 12VDC, PoE  | 12VDC, PoE  | PoE, 12VDC  | PoE, 12VDC  | PoE, 12VDC  |
| <b>VANDALISM RESISTANT</b>           | -   | -   | yes   | yes   | -   |
| <b>COLOUR (HOUSING)</b>              | Pantone Cool Gray 1 C   | Pantone Cool Gray 1 C   | white   | white   | white   |
| <b>PROTECTION RATING</b>             | -   | -   | IP67  | IP67  | -   |

IED-63F 0037 P0A



IPC-52 A0030 P0A



IPC-52 A0003 M0A



IPC-55 C0000 M0A



NXP-880 F26



|                                      |   |  |   |   |  |
|--------------------------------------|---|--|---|---|--|
| <b>SERIES</b>                        | eneo Economy Class  | eneo Premium Class   | eneo Candid Box, eneo Premium Class   | eneo Candid Box, eneo Premium Class   | eneo Economy Class   |
| <b>PRODUCT NUMBER</b>                | 214561  | 212716   | 213014  | 213022  | 212447   |
| <b>SYSTEM</b>                        | True Day & Night  | True Day & Night   | True Day & Night  | True Day & Night  | True Day & Night   |
| <b>SENSOR</b>                        | 1/2.8" CMOS Sony STARVIS  | 1/2.8" CMOS Sony STARVIS   | 1/3" CMOS Panasonic Progressive Scan  | 1/1.8" CMOS Sony STARVIS 5.04 Megapixel   | 1/2.8" CMOS Sony Exmor   |
| <b>RESOLUTION STANDARD</b>           | HD 1080p, 3 Megapixel   | HD 1080p   | HD 1080p  | HD 1080p, 3 Megapixel, 5 Megapixel  | HD 1080p   |
| <b>RESOLUTION MAX.</b>               | 2048 x 1536   | 1920 x 1080  | 1920 x 1080   | 2592 x 1944   | 1920 x 1080  |
| <b>VIDEO COMPRESSION</b>             | H.264, M-JPEG   | H.264, M-JPEG  | H.264, M-JPEG   | H.264, M-JPEG   | -  |
| <b>IMAGE TRANSMISSION RATE MAX.</b>  | 25 fps  | 60 fps   | 25 fps  | 25 fps  | 25 fps   |
| <b>SENSITIVITY</b>                   | 0.2 Lux at F2.5   | 0.35 Lux at F1.6, 50IRE  | 0.35 Lux at F1.2, 40IRE   | 0.07 Lux at F1.5, 40IRE   | 0.1 Lux at F2.0, 50IRE   |
| <b>DIGITAL NOISE REDUCTION (DNR)</b> | 2 D-DNR, 3 D-DNR  | 2D-DNR, 3D-DNR   | 2 D-DNR, 3D-DNR   | 2 D-DNR, 3D-DNR   | 2 D-DNR, 3D-DNR  |
| <b>BACKLIGHT COMPENSATION</b>        | BLC, HLC  | BLC, HLC   | BLC, HLC  | BLC, HLC  | -  |
| <b>WIDE DYNAMIC RANGE (WDR)</b>      | D-WDR   | WDR 120dB  | WDR 113 dB  | D-WDR   | yes  |
| <b>ANALYSIS FUNCTIONS</b>            | Motion detection, tampering protection, line detection, field detection, defog      | Motion detection, tampering protection, line detection, field detection, face detection, defog               | Motion detection, tampering protection, line detection, field detection, defog            | Motion detection, tampering protection, line detection, field detection, defog            | Motion detection, tampering protection, line detection, field detection, defog                               |
| <b>ZOOM FACTOR</b>                   | -   | 30x  | 3x  | -   | -  |
| <b>LENS TYPE</b>                     | Fixed focal length  | Auto focus zoom  | Auto focus zoom   | Lens not included   | Fixed focal length   |
| <b>FOCAL LENGTH</b>                  | 3.7 mm  | 4.3 – 129 mm   | 3 – 9 mm  | -   | 2.6 mm   |
| <b>STREAM TYPES</b>                  | 2 x H.264, 1 x M-JPEG simultaneous  | 2 x H.264, 1 x M-JPEG simultaneous   | 2 x H.264, 1 x M-JPEG simultaneous  | 2 x H.264, 1 x M-JPEG simultaneous  | 3 x H.264, 1 x M-JPEG simultaneous   |
| <b>ILLUMINATION</b>                  | Infrared, approx. 25 m  | -  | -   | -   | -  |
| <b>WEB BROWSER</b>                   | Mozilla, Safari, Google Chrome - M-JPEG only, Microsoft internet Explorer (ActiveX) | Microsoft Internet Explorer vers. 7.0 or higher, Google Chrome (Java), Mozilla Firefox (Java), Safari (Java) | Mozilla, Safari, Google Chrome, Edge - M-JPEG only, Microsoft internet Explorer (ActiveX) | Mozilla, Safari, Google Chrome, Edge - M-JPEG only, Microsoft internet Explorer (ActiveX) | Microsoft Internet Explorer vers. 7.0 or higher, Google Chrome (Java), Mozilla Firefox (Java), Safari (Java) |
| <b>AUDIO SUPPORT</b>                 | yes   | yes  | yes   | yes   | yes  |
| <b>INTERNAL STORAGE</b>              | microSDHC card, microSDXC card  | microSDHC card, 32GB   | microSDXC card  | microSDXC card  | microSD card   |
| <b>ONVIF</b>                         | Profile S   | Profile S  | Profile S   | Profile S   | Profile S  |
| <b>TEMPERATURE RANGE (OPERATION)</b> | -10°C ~ +50°C   | 0°C ~ +50°C  | -10°C ~ +50°C   | -10°C ~ +50°C   | -20°C ~ +50°C  |
| <b>ALARM INPUTS / OUTPUTS</b>        | 1 / 1   | 1 / 1  | 1 / 1   | 1 / 1   | yes  |
| <b>SUPPLY VOLTAGE</b>                | PoE, 12VDC  | PoE, 24VAC, 12VDC  | PoE, 24VAC, 12VDC   | 24VAC, 12VDC, PoE   | 12VDC  |
| <b>VANDALISM RESISTANT</b>           | -   | -  | -   | -   | -  |
| <b>COLOUR (HOUSING)</b>              | white   | white  | Pantone Cool Gray 1 C   | Pantone Cool Gray 1 C   | -  |
| <b>PROTECTION RATING</b>             | -   | -  | -   | -   | -  |

IPP-82 A0030 M1A



IPP-72 A0030 M0A



IPP-62 A0012 M0A



|                                      |   |  |  |
|--------------------------------------|---|--|--|
| <b>SERIES</b>                        | eneo Premium Class  | eneo Premium Class   | eneo Minitrax eneo Premium Class   |
| <b>PRODUCT NUMBER</b>                | 212715  | 213541   | 214175   |
| <b>SYSTEM</b>                        | True Day & Night  | True Day & Night   | True Day & Night   |
| <b>SENSOR</b>                        | 1/2.8" CMOS Sony STARVIS  | 1/2.8" CMOS Sony STARVIS   | 1/2.8" CMOS Sony STARVIS   |
| <b>RESOLUTION STANDARD</b>           | HD 1080p  | HD 1080p   | HD 1080p   |
| <b>RESOLUTION MAX.</b>               | 1920 x 1080   | 1920 x 1080  | 1920 x 1080  |
| <b>VIDEO COMPRESSION</b>             | H.264, M-JPEG   | H.264, M-JPEG  | H.264, M-JPEG  |
| <b>IMAGE TRANSMISSION RATE MAX.</b>  | 60 fps  | 60 fps   | 60 fps   |
| <b>SENSITIVITY</b>                   | 0.35 Lux at F1.6, 50IRE   | 0.35 Lux at F1.6, 50IRE  | 0.35 Lux at F1.6, 50IRE  |
| <b>DIGITAL NOISE REDUCTION (DNR)</b> | 2 D-DNR, 3D-DNR   | 2 D-DNR, 3D-DNR  | 3D-DNR   |
| <b>BACKLIGHT COMPENSATION</b>        | BLC, HLC  | BLC, HLC   | BLC, HLC   |
| <b>WIDE DYNAMIC RANGE (WDR)</b>      | WDR 120 dB  | WDR 120 dB   | WDR 120 dB   |
| <b>ANALYSIS FUNCTIONS</b>            | Motion detection, tampering protection, line detection, field detection, defog                | Motion detection, tampering protection, line detection, field detection, face detection, defog | Motion detection, tampering protection, line detection, field detection, face detection, defog |
| <b>ZOOM FACTOR</b>                   | 30x   | 30x  | 12x  |
| <b>LENS TYPE</b>                     | Auto focus zoom   | Auto focus zoom  | Auto focus zoom  |
| <b>FOCAL LENGTH</b>                  | 4.3 – 129.0 mm  | 4.3 – 129.0 mm   | 4.8 – 57.6 mm  |
| <b>STREAM TYPES</b>                  | 2 x H.264, 1 x M-JPEG simultaneous  | 2 x H.264, 1 x M-JPEG simultaneous   | 2 x H.264, 1 x M-JPEG simultaneous   |
| <b>ILLUMINATION</b>                  | Infrared, approx. 300 m   | -  | -  |
| <b>WEB BROWSER</b>                   | Microsoft Internet Explorer vers. 7.0 or higher, Google Chrome (Java), Mozilla Firefox (Java) | Microsoft Internet Explorer vers. 7.0 or higher, Google Chrome (Java), Mozilla Firefox (Java)  | Microsoft Internet Explorer vers. 7.0 or higher, Mozilla, Safari, Google Chrome - M-JPEG only  |
| <b>AUDIO SUPPORT</b>                 | yes   | yes  | yes  |
| <b>INTERNAL STORAGE</b>              | microSDHC card, 32GB  | microSDHC card, 32GB   | microSDHC card, 32GB   |
| <b>ONVIF</b>                         | Profile S   | Profile S  | Profile S  |
| <b>TEMPERATURE RANGE (OPERATION)</b> | -30°C ~ 65°C  | -50°C ~ +65°C  | -20°C ~ +50°C  |
| <b>ALARM INPUTS / OUTPUTS</b>        | 4 / 1   | 4 / 1  | 4 / 1  |
| <b>SUPPLY VOLTAGE</b>                | PoE+, 12VDC   | 12VDC, 24VAC, PoE  | 12VDC, 24VAC, PoE  |
| <b>VANDALISM RESISTANT</b>           | -   | yes  | yes  |
| <b>COLOUR (HOUSING)</b>              | Pantone Cool Gray 1 C   | Pantone Cool Gray 1 C  | Pantone Cool Gray 1 C  |
| <b>PROTECTION RATING</b>             | IP 66   | IP 66  | IP 66  |

TVB-2080 Z10 IR



TVB-2080 Z03 IR



TVB-2080 V2812 IR



TVB-980 V2812 IR



TVB-920 F36 IR



|                                      |  |  |  |                       |                       |
|--------------------------------------|--|--|--|-----------------------|-----------------------|
| <b>SERIES</b>                        | eneo Candid Medium, eneo Premium Class | eneo Candid Medium, eneo Premium Class | eneo Candid Medium, eneo Premium Class                   | eneo Economy Class    | eneo Economy Class    |
| <b>PRODUCT NUMBER</b>                | 212939                                 | 212115                                 | 212114   | 212122                | 212121                |
| <b>SYSTEM</b>                        | True Day & Night                       | True Day & Night                       | True Day & Night   | True Day & Night      | True Day & Night      |
| <b>SENSOR</b>                        | 1/3" CMOS Panasonic Progressive Scan   | 1/2.8" CMOS Sony Exmor                 | 1/2.8" CMOS Sony Exmor                                   | 1/3" CMOS Sony        | 1/3" CMOS Sony        |
| <b>RESOLUTION</b>                    | 1920 x 1080 (16:9), 1280 x 720 (16:9)  | 1920 x 1080 (16:9), 1280 x 720 (16:9)  | 1920 x 1080 (16:9), 1280 x 720 (16:9)                    | 1920 x 1080 (16:9)    | 1280 x 960 (4:3)      |
| <b>SENSITIVITY</b>                   | 0.5 Lux at F1.6, 50IR                  | 0.07 Lux at F1.2, 30IRE                | 0.09 Lux at F1.4, 30IRE                                  | 0.01 Lux              | 0.01 Lux              |
| <b>DIGITAL NOISE REDUCTION (DNR)</b> | 2D-DNR, 3D-DNR                         | 2D-DNR, 3D-DNR                         | 2D-DNR, 3D-DNR   | 2D-DNR                | 2D-DNR, 3D-DNR        |
| <b>BACKLIGHT COMPENSATION</b>        | BLC, HLC                               | BLC, HLC                               | BLC, HLC   | -                     | -                     |
| <b>WIDE DYNAMIC RANGE (WDR)</b>      | WDR 113 dB, D-WDR                      | WDR 113 dB, D-WDR                      | WDR 113 dB, D-WDR  | D-WDR                 | D-WDR                 |
| <b>VIDEO OUTPUTS</b>                 | HD-TVI, Composite (SUB-OUT)            | HD-TVI, Composite (SUB-OUT)            | HD-TVI, Composite (SDTV) selectable, Composite (SUB-OUT) | HD-TVI                | HD-TVI                |
| <b>SIGNAL FORMAT</b>                 | HD-TVI                                 | HD-TVI                                 | HD-TVI, Composite (SDTV)                                 | HD-TVI                | HD-TVI                |
| <b>FRAME RATE</b>                    | 1080 @ 25/30 p, 720 @ 25/30 p          | 1080 @ 25/30 p, 720 @ 25/30 p          | 1080 @ 25/30 p, 720 @ 25/30 p                            | 1080 @ 25/30 p        | 720 @ 25/30 p         |
| <b>ZOOM FACTOR</b>                   | 10x                                    | 3x                                     | 4x   | 4x                    | -                     |
| <b>LENS TYPE</b>                     | Auto focus zoom                        | Auto focus zoom                        | Varifocal  | Varifocal             | Fixed focal length    |
| <b>FOCAL LENGTH</b>                  | 5.1 – 51 mm                            | 3 – 9 mm                               | 2.8 – 12 mm  | 2.8 – 12 mm           | 3.6 mm                |
| <b>HORIZONTAL ANGLE OF VIEW</b>      | 53 – 7°                                | 88 – 35°                               | 102 – 32°  | 89 – 35°              | 75°                   |
| <b>TEMPERATURE RANGE (OPERATION)</b> | -30°C ~ +50°C                          | -30°C ~ +50°C                          | -30°C ~ +50°C  | -10°C ~ +55°C         | -10°C ~ +55°C         |
| <b>ILLUMINATION</b>                  | Infrared, approx. 50m                  | Infrared, approx. 50m                  | Infrared, approx. 60m                                    | Infrared, approx. 30m | Infrared, approx. 20m |
| <b>SERIAL INTERFACES</b>             | RS-485                                 | RS-485                                 | RS-485   | -                     | -                     |
| <b>ALARM INPUTS</b>                  | -                                      | -                                      | -  | -                     | -                     |
| <b>ALARM OUTPUTS</b>                 | -                                      | -                                      | -  | -                     | -                     |
| <b>SUPPLY VOLTAGE</b>                | 12VDC (11VDC – 30VDC), 24VAC           | 12VDC (11VDC – 30VDC), 24VAC           | 12VDC (11VDC – 30VDC), 24VAC                             | 12VDC                 | 12VDC                 |
| <b>COLOUR (HOUSING)</b>              | Pantone Cool Gray 1 C                  | Pantone Cool Gray 1 C                  | Pantone Cool Gray 1 C                                    | Pantone 7541 C        | Pantone 7541 C        |
| <b>PROTECTION RATING</b>             | IP67                                   | IP67                                   | IP67   | IP66                  | IP66                  |

TVD-2080Z03IR



TVD-2080V2812 IR



MPD-62V2812P0A



TVD-980V2812 IR



TVD-920F36IR



|                                      |                                       |                                       |                                    |                       |                       |
|--------------------------------------|---------------------------------------|---------------------------------------|------------------------------------|-----------------------|-----------------------|
| <b>SERIES</b>                        | eneo Callisto eneo Premium Class      | eneo Callisto eneo Premium Class      | eneo Premium Class                 | eneo Economy Class    | eneo Economy Class    |
| <b>PRODUCT NUMBER</b>                | 212113                                | 212112                                | 214833                             | 212120                | 212117                |
| <b>SYSTEM</b>                        | True Day & Night                      | True Day & Night                      | True Day & Night                   | True Day & Night      | True Day & Night      |
| <b>SENSOR</b>                        | 1/2.8" CMOS Sony Exmor                | 1/2.8" CMOS Sony Exmor                | 1/2.8" CMOS Sony Exmor             | 1/3" CMOS Sony        | 1/3" CMOS Sony        |
| <b>RESOLUTION</b>                    | 1920 x 1080 (16:9), 1280 x 720 (16:9) | 1920 x 1080 (16:9), 1280 x 720 (16:9) | 1920 x 1080 (16:9)                 | 1920 x 1080 (16:9)    | 1280 x 960 (4:3)      |
| <b>SENSITIVITY</b>                   | 0.07 Lux at F1.2, 30IRE               | 0.09 Lux at F1.4, 30IRE               | 0.3 Lux at F1.4, 40IRE             | 0.01 Lux              | 0.01 Lux              |
| <b>DIGITAL NOISE REDUCTION (DNR)</b> | 2D-DNR, 3D-DNR                        | 2D-DNR, 3D-DNR                        | 2D-DNR, 3D-DNR                     | 2D-DNR                | 2D-DNR, 3D-DNR        |
| <b>BACKLIGHT COMPENSATION</b>        | BLC, HLC                              | BLC, HLC                              | BLC, HS BLC (Eclipser)             | -                     | -                     |
| <b>WIDE DYNAMIC RANGE (WDR)</b>      | WDR 113 dB, D-WDR                     | WDR 113 dB, D-WDR                     | D-WDR                              | D-WDR                 | D-WDR                 |
| <b>VIDEO OUTPUTS</b>                 | HD-TVI, Composite (SUB-OUT)           | HD-TVI, Composite (SDTV) selectable   | CVI selectable                     | HD-TVI                | HD-TVI                |
| <b>SIGNAL FORMAT</b>                 | HD-TVI                                | HD-TVI, Composite (SDTV)              | HD-TVI, Composite (SDTV), AHD, CVI | HD-TVI                | HD-TVI                |
| <b>FRAME RATE</b>                    | 1080 @ 25/30 p, 720 @ 25/30 p         | 1080 @ 25/30 p, 720 @ 25/30 p         | 1080 @ 25/30 p                     | 1080 @ 25/30 p        | 720 @ 25/30 p         |
| <b>ZOOM FACTOR</b>                   | 3x                                    | 4x                                    | 4x                                 | 4x                    | -                     |
| <b>LENS TYPE</b>                     | Auto focus zoom                       | Varifocal                             | Varifocal                          | Varifocal             | Fixed focal length    |
| <b>FOCAL LENGTH</b>                  | 3 – 9 mm                              | 2.8 – 12 mm                           | 2.8 – 12 mm                        | 2.8 – 12 mm           | 3.6 mm                |
| <b>HORIZONTAL ANGLE OF VIEW</b>      | 88 – 35°                              | 102 – 32°                             | 96 – 32°                           | 89 – 35°              | 75°                   |
| <b>TEMPERATURE RANGE (OPERATION)</b> | -30°C ~ +50°C                         | -30°C ~ +50°C                         | -10°C ~ +50°C                      | -10°C ~ +55°C         | -10°C ~ +55°C         |
| <b>ILLUMINATION</b>                  | Infrared, approx. 50m                 | Infrared, approx. 50m                 | Infrared, approx. 30m              | Infrared, approx. 30m | Infrared, approx. 15m |
| <b>SERIAL INTERFACES</b>             | RS-485                                | RS-485                                | -                                  | -                     | -                     |
| <b>ALARM INPUTS</b>                  | -                                     | -                                     | -                                  | -                     | -                     |
| <b>ALARM OUTPUTS</b>                 | -                                     | -                                     | -                                  | -                     | -                     |
| <b>SUPPLY VOLTAGE</b>                | 12VDC (11VDC – 30VDC), 24VAC          | 12VDC (11VDC – 30VDC), 24VAC          | 12VDC                              | 12VDC                 | 12VDC                 |
| <b>COLOUR (HOUSING)</b>              | Pantone Cool Gray 1 C                 | Pantone Cool Gray 1 C                 | white                              | Pantone 7541 C        | Pantone 7541 C        |
| <b>PROTECTION RATING</b>             | IP67                                  | IP67                                  | -                                  | IP66                  | IP66                  |

TVC-2080 Z03



TPP-82 A0030 MIA



TPP-72 A0030 P0A



TPP-62A0012M0A



|                                      |                                       |                                       |                                       |                                       |
|--------------------------------------|---------------------------------------|---------------------------------------|---------------------------------------|---------------------------------------|
| <b>SERIES</b>                        | eneo Candid Box, eneo Premium Class   | eneo Fastrax, eneo Premium Class      | eneo Fastrax, eneo Premium Class      | eneo Minitrax, eneo Premium Class     |
| <b>PRODUCT NUMBER</b>                | 212116                                | 213857                                | 213271                                | 214176                                |
| <b>SYSTEM</b>                        | True Day & Night                      | True Day & Night                      | True Day & Night                      | True Day & Night                      |
| <b>SENSOR</b>                        | 1/2.8" CMOS Sony Exmor                | 1/2.8" CMOS Sony STARVIS              | 1/2.8" CMOS Sony STARVIS              | 1/2.8" CMOS Sony STARVIS              |
| <b>RESOLUTION</b>                    | 1920 x 1080 (16:9), 1280 x 720 (16:9) | 1920 x 1080 (16:9), 1280 x 720 (16:9) | 1920 x 1080 (16:9), 1280 x 720 (16:9) | 1920 x 1080 (16:9), 1280 x 720 (16:9) |
| <b>SENSITIVITY</b>                   | 0.07 Lux at F1.2, 30 IRE              | 0.35 Lux at F1.6, 50 IRE              | 0.35 Lux at F1.6, 50 IRE              | 0.35 Lux at F1.6, 50 IRE              |
| <b>DIGITAL NOISE REDUCTION (DNR)</b> | 2 D-DNR, 3 D-DNR                      | 2 D-DNR, 3 D-DNR                      | 2 D-DNR, 3 D-DNR                      | 3 D-DNR                               |
| <b>BACKLIGHT COMPENSATION</b>        | BLC, HLC                              | BLC, HLC                              | BLC, HLC                              | BLC, HLC                              |
| <b>WIDE DYNAMIC RANGE (WDR)</b>      | WDR 113 dB, D-WDR                     | WDR 120 dB                            | WDR 120 dB                            | WDR 120 dB                            |
| <b>VIDEO OUTPUTS</b>                 | HD-TVI, Composite (SDTV)              | SDTV, HD-TVI / AHD selectable         | SDTV, HD-TVI / AHD selectable         | SDTV, HD-TVI / AHD selectable         |
| <b>SIGNAL FORMAT</b>                 | HD-TVI, Composite (SDTV)              | HD-TVI, AHD, Composite (SDTV)         | HD-TVI, AHD, Composite (SDTV)         | HD-TVI, AHD, Composite (SDTV)         |
| <b>FRAME RATE</b>                    | 1080 @ 25/30 p, 720 @ 25/30 p         | 1080 @ 25/30 p, 720 @ 25/30/50/60 p   | 1080 @ 25/30 p, 720 @ 25/30/50/60 p   | 1080 @ 25/30 p, 720 @ 25/30/50/60 p   |
| <b>ZOOM FACTOR</b>                   | 3x                                    | 30x                                   | 30x                                   | 12x                                   |
| <b>LENS TYPE</b>                     | Auto focus zoom                       | Auto focus zoom                       | Auto focus zoom                       | Auto focus zoom                       |
| <b>FOCAL LENGTH</b>                  | 3-9mm                                 | 4.3-129mm                             | 4.3-129mm                             | 4.8-57.6mm                            |
| <b>HORIZONTAL ANGLE OF VIEW</b>      | 88-35°                                | 65.1-2.23°                            | 65.1-2.23°                            | 64.2-5.9°                             |
| <b>TEMPERATURE RANGE (OPERATION)</b> | -10°C ~ +50°C                         | -30°C ~ +65°C                         | 0°C ~ +50°C                           | -20°C ~ +50°C                         |
| <b>ILLUMINATION</b>                  | -                                     | Infrared, approx. 300m                | -                                     | -                                     |
| <b>SERIAL INTERFACES</b>             | RS-485                                | RS-485                                | RS-485                                | RS-485                                |
| <b>ALARM INPUTS</b>                  | -                                     | 4                                     | 4                                     | 4                                     |
| <b>ALARM OUTPUTS</b>                 | -                                     | 2                                     | 2                                     | 2                                     |
| <b>SUPPLY VOLTAGE</b>                | 12VDC (11VDC-30VDC), 24VAC            | 24VDC, 24VAC                          | 12VDC, 24VAC                          | 12VDC, 24VAC                          |
| <b>COLOUR (HOUSING)</b>              | Pantone Cool Gray 1 C                 | Pantone Cool Gray 1 C                 | black                                 | Pantone Cool Gray 1 C                 |
| <b>PROTECTION RATING</b>             | -                                     | IP 66                                 | -                                     | IP 66                                 |

PNR-5332/3TB



PNR-5316/3TB



PNR-5308/3TB



PNR-5304/1TB



PNR-5564 R



|  |  |  |  |  |   |
|--|--|--|--|--|---|
| <b>PRODUCT NUMBER</b>                    | 213336   | 210050   | 210049   | 210047   | 211771  |
| <b>IP CHANNELS</b>                       | 32   | 16   | 8  | 4  | 64  |
| <b>COMPRESSION STANDARD</b>              | H.264  | H.264  | H.264  | H.264  | H.264, MPEG-4, M-JPEG   |
| <b>OPERATING SYSTEM</b>                  | Linux  | Linux  | Linux  | Linux  | Windows 7 (64bit)   |
| <b>MAX. RECORDING RESOLUTION</b>         | 2592 x 1944  | 2592 x 1944  | 2592 x 1944  | 2592 x 1944  | 2592 x 1944   |
| <b>MAX. RECORDING RATE</b>               | 960fps at 1920 x 1080                                      | 400fps at 1920 x 1080                                      | 200fps at 1920 x 1080                                      | 100fps at 1920 x 1080                                      | 1600fps at 1920 x 1080  |
| <b>RECORDING</b>                         | Time lapse, event, panic, text in- POS, pre-alarm          | Time lapse, event, panic, text in- POS, pre-alarm          | Time lapse, event, panic, text in- POS, pre-alarm          | Time lapse, event, panic, text in- POS, pre-alarm          | Time lapse, event, panic, text in- POS, pre-alarm   |
| <b>HARDDISK CAPACITY (INTERNAL/MAX.)</b> | 3TB/24TB   | 3TB/8TB  | 3TB/8TB  | 1TB/8TB  | 0/48TB  |
| <b>EXPORT OF IMAGES OR CLIPS</b>         | USB port, via client software, clip player, AVI, JPG, BMP  | USB port, via client software, clip player, AVI, JPG, BMP  | USB port, via client software, clip player, AVI, JPG, BMP  | USB port, via client software, clip player, AVI, JPG, BMP  | USB port, via client software, clip player, AVI, JPG, BMP   |
| <b>INTERFACES EXTERNAL STORAGE</b>       | eSATA; 4 x HDD 4TB   | eSATA; 4 x HDD 4TB   | eSATA; 4 x HDD 4TB   | eSATA; 4 x HDD 4TB   | USB   |
| <b>DATA TRANSFER RATE MAX.</b>           | 230Mbps  | 64Mbps   | 32Mbps   | 16Mbps   | 300Mbps   |
| <b>AUDIO OUTPUT</b>                      | line output  | line output  | line output  | line output  | 1 x line-out, 3.5 mm socket   |
| <b>USB PORTS</b>                         | 2 x USB 2.0  | 1 x USB 2.0, 1 x USB 3.0                                   | 1 x USB 2.0, 1 x USB 3.0                                   | 1 x USB 2.0, 1 x USB 3.0                                   | 4 x USB 2.0, 2 x USB 3.0  |
| <b>MONITOR OUTPUTS</b>                   | HDMI, VGA  | HDMI, VGA  | HDMI, VGA  | HDMI, VGA  | HDMI, VGA   |
| <b>NETWORK</b>                           | 2 x 100/1000 Base-T, RJ45                                  | 1 x Gigabit Ethernet                                       | 1 x Gigabit Ethernet                                       | 1 x Gigabit Ethernet                                       | -   |
| <b>NETWORK PROTOCOLS</b>                 | TCP, DHCP, SNS, FEN, Zeroconf                              | TCP, DHCP, SNS, FEN, Zeroconf                              | TCP, DHCP, SNS, FEN, Zeroconf                              | TCP, DHCP, SNS, FEN, Zeroconf                              | TCP, UDP, RDP, DHCP, NTP, SNS, FEN, Zeroconf  |
| <b>NETWORK DATA TRANSFER RATE</b>        | 50Mbps   | 20Mbps   | 20Mbps   | 20Mbps   | 150Mbps   |
| <b>ALARM INPUTS</b>                      | 16   | 4  | 4  | 4  | -   |
| <b>ALARM OUTPUTS</b>                     | 4 x TTL NO/NC selectable                                   | 1 x Relay NO/NC contact                                    | 1 x Relay NO/NC contact                                    | 1 x Relay NO/NC contact                                    | -   |
| <b>ALARM NOTIFICATION</b>                | e-Mail notification; Buzzer; remote software, alarm output | e-Mail notification; Buzzer; remote software, alarm output | e-Mail notification; Buzzer; remote software, alarm output | e-Mail notification; Buzzer; remote software, alarm output | e-Mail notification; live pop up (client); acknowledge event (client); map - live pup up (client); event monitor (client); alarm display (client); buzzer |
| <b>REMOTE CONFIGURATION</b>              | remote software, browser                                   | remote software, browser                                   | remote software, browser                                   | remote software, browser                                   | remote software   |
| <b>MOBILE ACCESS</b>                     | Android OS, iPhone   | iPhone, Android OS   | iPhone, Android OS   | iPhone, Android OS   | Android OS, iPhone  |
| <b>CONTROL UNITS (EXTERNAL)</b>          | mouse, network keyboard                                    | mouse, network keyboard                                    | mouse, network keyboard                                    | mouse, network keyboard                                    | keyboard, mouse, network keyboard   |
| <b>ONVIF</b>                             | Profile S  | Profile S  | Profile S  | Profile S  | Profile S   |
| <b>SUPPLY VOLTAGE</b>                    | 100-240VAC, 50/60Hz  | 12V, 1.0A (Adaptor: 100-240V~, 50/60Hz, 1.5A, 12V, 5A)     | 12V, 1.0A (Adaptor: 100-240V~, 50/60Hz, 1.5A, 12V, 5A)     | 12V, 1.0A (Adaptor: 100-240V~, 50/60Hz, 1.5A, 12V, 5A)     | 100-240VAC, redundant power supply  |

PNR-5548R



PNR-5532R



PNR-5564T



PNR-5548T



PNR-5532T



|                                   |   |   |   |   |   |
|-----------------------------------|---|---|---|---|---|
| PRODUCT NUMBER                    | 211770  | 211769  | 212933  | 212932  | 212931  |
| IP CHANNELS                       | 48  | 32  | 64  | 48  | 32  |
| COMPRESSION STANDARD              | H.264, MPEG-4, M-JPEG   | H.264, MPEG-4, M-JPEG   | H.264, MPEG-4, M-JPEG   | H.264, MPEG-4, M-JPEG   | H.264, MPEG-4, M-JPEG   |
| OPERATING SYSTEM                  | Windows 7 (64 bit)  | Windows 7 (64bit)   | Windows 7 (64 bit)  | Windows 7 (64 bit)  | Windows 7 (64bit)   |
| MAX. RECORDING RESOLUTION.        | 2592 x 1944   | 2592 x 1944   | 2592 x 1944   | 2592 x 1944   | 2592 x 1944   |
| MAX.RECORDING RATE                | 1200 fps at 1920 x 1080   | 800 fps at 1920 x 1080  | 1600 fps at 1920 x 1080   | 1200 fps at 1920 x 1080   | 800 fps at 1920 x 1080  |
| RECORDING                         | Time lapse, event, panic, text in- POS, pre-alarm   | Time lapse, event, panic, text in- POS, pre-alarm   | Time lapse, event, panic, text in- POS, pre-alarm   | Time lapse, event, panic, text in- POS, pre-alarm   | Time lapse, event, panic, text in- POS, pre-alarm   |
| HARDDISK CAPACITY (INTERNAL/MAX.) | 0/48TB  | 0/48TB  | 12TB/30TB   | 12TB/30TB   | 12TB/30TB   |
| EXPORT OF IMAGES OR CLIPS         | USB port, via client software, clip player, AVI, JPG, BMP   | USB port, via client software, clip player, AVI, JPG, BMP   | USB port, via client software, clip player, AVI, JPG, BMP   | USB port, via client software, clip player, AVI, JPG, BMP   | USB port, via client software, clip player, AVI, JPG, BMP   |
| INTERFACES EXTERNAL STORAGE       | USB   | USB   | USB   | USB   | USB   |
| DATA TRANSFER RATE MAX.           | 300Mbps   | 300Mbps   | 300Mbps   | 300Mbps   | 300Mbps   |
| AUDIO OUTPUT                      | 1 x line-out, 3.5 mm socket   | 1 x line-out, 3.5 mm socket   | 1 x line-out, 3.5 mm socket   | 1 x line-out, 3.5 mm socket   | 1 x line-out, 3.5 mm socket   |
| USB PORTS                         | 4 x USB 2.0, 2 x USB 3.0  | 4 x USB 2.0, 2 x USB 3.0  | 4 x USB 2.0, 2 x USB 3.0  | 4 x USB 2.0, 2 x USB 3.0  | 4 x USB 2.0, 2 x USB 3.0  |
| MONITOR OUTPUTS                   | HDMI, VGA   | HDMI, VGA   | HDMI, VGA, DVI  | HDMI, VGA, DVI  | HDMI, VGA, DVI  |
| NETWORK                           | -   | -   | -   | -   | -   |
| NETWORK PROTOCOLS                 | TCP, UDP, RDP, DHCP, NTP, SNS, FEN, Zeroconf  | TCP, UDP, RDP, DHCP, NTP, SNS, FEN, Zeroconf  | TCP, UDP, RDP, DHCP, NTP, SNS, FEN, Zeroconf  | TCP, UDP, RDP, DHCP, NTP, SNS, FEN, Zeroconf  | TCP, UDP, RDP, DHCP, NTP, SNS, FEN, Zeroconf  |
| NETWORK DATA TRANSFER RATE        | 150Mbps   | 150Mbps   | 150Mbps   | 150Mbps   | 150Mbps   |
| ALARM INPUTS                      | -   | -   | -   | -   | -   |
| ALARM OUTPUTS                     | -   | -   | -   | -   | -   |
| ALARM NOTIFICATION                | e-Mail notification; live pop up (client); acknowledge event (client); map - live pop up (client); event monitor (client); alarm display (client); buzzer | e-Mail notification; live pop up (client); acknowledge event (client); map - live pop up (client); event monitor (client); alarm display (client); buzzer | e-Mail notification; live pop up (client); acknowledge event (client); map - live pop up (client); event monitor (client); alarm display (client); buzzer | e-Mail notification; live pop up (client); acknowledge event (client); map - live pop up (client); event monitor (client); alarm display (client); buzzer | e-Mail notification; live pop up (client); acknowledge event (client); map - live pop up (client); event monitor (client); alarm display (client); buzzer |
| REMOTE CONFIGURATION              | remote software   | remote software   | remote software   | remote software   | remote software   |
| MOBILE ACCESS                     | Android OS, iPhone  | Android OS, iPhone  | Android OS, iPhone  | Android OS, iPhone  | Android OS, iPhone  |
| CONTROL UNITS (EXTERNAL)          | keyboard, mouse, network keyboard   | keyboard, mouse, network keyboard   | keyboard, mouse, network keyboard   | keyboard, mouse, network keyboard   | keyboard, mouse, network keyboard   |
| ONVIF                             | Profile S   | Profile S   | Profile S   | Profile S   | Profile S   |
| SUPPLY VOLTAGE                    | 100 - 240VAC, redundant power supply  | 100 - 240VAC, redundant power supply  | 100 - 240VAC  | 100 - 240VAC  | 100 - 240VAC  |

TVR-3016 AH 3.0



TVR-2016 AM1.0



TVR-2008 AM1.0



TVR-1004 AE1.0



TER-22 N160300 A



|                                   |   |   |   |   |  |
|-----------------------------------|---|---|---|---|--|
| PRODUCT NUMBER                    | 212128  | 212127  | 212126  | 212125  | 213346   |
| VIDEO INPUTS (AMOUNT)             | 16  | 16  | 8   | 4   | 16   |
| AUDIO INPUTS (AMOUNT)             | 4   | 4   | 4   | 4   | 1  |
| MAX. RECORDING RESOLUTION.        | 1920 x 1080   | 1920 x 1080   | 1920 x 1080   | 1920 x 1080   | 1920 x 1080  |
| MAX.RECORDING RATE                | 400 at 1920 x 1080                                      | 400 at 1280 x 720                                       | 200 at 1280 x 720                                       | 100 at 1280 x 720                                       | 400 at 1280 x 720  |
| HARDDISK CAPACITY (INTERNAL/MAX.) | 3/16  | 1/16  | 1/16  | 1/8   | 3/12   |
| COMPRESSION STANDARD              | H.264   | H.264   | H.264   | H.264   | H.264  |
| INTERFACES EXTERNAL STORAGE       | USB, eSATA  | USB, eSATA  | USB, eSATA  | USB   | USB  |
| MONITOR OUTPUTS                   | RGB, HDMI   | RGB, HDMI   | RGB, HDMI   | RGB, HDMI   | RGB, HDMI  |
| SPOT MONITOR                      | CVBS  | CVBS  | CVBS  | -   | -  |
| RECORDING                         | permanent, movement, event, panic, text in- POS         | permanent, movement, event, panic, text in- POS         | permanent, movement, event, panic, text in- POS         | permanent, movement, event, panic, text in- POS         | permanent, timer, movement, event                          |
| DIGITAL SIGNATURE                 | Watermark   | Watermark   | Watermark   | Watermark   | Watermark  |
| ALARM INPUTS                      | 16 x TTL, programmable as NC/NO                         | 16 x TTL, programmable as NC/NO                         | 8 x TTL, programmable as NC/NO                          | 4 x TTL, programmable as NC/NO                          | 4 x TTL programmable as NC/NO (terminal block)             |
| ALARM OUTPUTS                     | 4 x NO/NC contact                                       | 4 x NO/NC contact                                       | 4 x NO/NC contact                                       | 1 x NO/NC contact                                       | 1 x NO/NC contact  |
| ALARM NOTIFICATION                | e-Mail notification, alarm output, remote software, FTP | e-Mail notification, alarm output, remote software, FTP | e-Mail notification, alarm output, remote software, FTP | e-Mail notification, alarm output, remote software, FTP | buzzer, e-Mail notification, alarm output, remote software |
| SERIAL INTERFACES                 | RS-485, RS-232  | RS-485, RS-232  | RS-485, RS-232  | RS-485, RS-232  | RS-485   |
| REMOTE CONFIGURATION              | Remote software, Microsoft Internet Explorer            | Remote software, Microsoft Internet Explorer            | Remote software, Microsoft Internet Explorer            | Remote software, Microsoft Internet Explorer            | Remote software, Microsoft Internet Explorer               |
| MOBILE ACCESS                     | iPhone, Android OS                                      | iPhone, Android OS                                      | iPhone, Android OS                                      | iPhone, Android OS                                      | Android OS, iPhone   |
| CONTROL UNITS (EXTERNAL)          | mouse, keyboard, network keyboard                       | mouse, keyboard, network keyboard                       | mouse, keyboard, network keyboard                       | mouse, keyboard, network keyboard                       | mouse, remote control                                      |
| SUPPLY VOLTAGE                    | 100 - 240VDC, 50/60Hz                                   | 100 - 240VDC, 50/60Hz                                   | 100 - 240VDC, 50/60Hz                                   | 12VDC (PSU 100 - 240VAC included)                       | 12VDC  |

# HD-TVI DVR

TER-22 N080300 A

TER-12 N040200 A



|                                   |  |  |
|-----------------------------------|--|--|
| PRODUCT NUMBER                    | 213345   | 213344   |
| VIDEO INPUTS (AMOUNT)             | 8  | 4  |
| AUDIO INPUTS                      | 1  | 1  |
| MAX. RECORDING RESOLUTION         | 1920×1080  | 1920×1080  |
| MAX. RECORDING RATE               | 200 at 1280×720  | 100 at 1280×720  |
| HARDDISK CAPACITY (INTERNAL/MAX.) | 3/12   | 2/6  |
| COMPRESSION STANDARD              | H.264  | H.264  |
| INTERFACES EXTERNAL STORAGE       | USB  | USB  |
| MONITOR OUTPUTS                   | RGB, HDMI  | VGA  |
| SPOT MONITOR                      | -  | -  |
| RECORDING                         | permanent, timer, movement, event                          | permanent, timer, movement, event                          |
| DIGITAL SIGNATURE                 | Watermark  | Watermark  |
| ALARM INPUTS                      | 4× TTL programmable as NC/NO (terminal block)              | 4× TTL, programmable as NC/NO (terminal block)             |
| ALARM OUTPUTS                     | 1× NO/NC contact   | 1× NO/NC contact   |
| ALARM NOTIFICATION                | buzzer, e-Mail notification, alarm output, remote software | buzzer, e-Mail notification, alarm output, remote software |
| SERIAL INTERFACES                 | RS-485   | RS-485   |
| REMOTE CONFIGURATION              | Remote software, Microsoft Internet Explorer               | Remote software, Microsoft Internet Explorer               |
| MOBILE ACCESS                     | Android OS, iPhone   | Android OS, iPhone   |
| CONTROL UNITS (EXTERNAL)          | mouse, remote control                                      | mouse, remote control                                      |
| SUPPLY VOLTAGE                    | 12VDC  | 12VDC  |

## Strong technology partnerships for flexible video management

What counts is the solution: Strong technology partnerships and ONVIF compliant eneo IP products present installers with multiple options for flexible video security solutions. Thanks to our cooperation with leading suppliers of system solutions customers can choose the best products for them in terms of video management and recording among the top products.

As continuous expansion of the eneo partner network and integration of our IP products in the video management software and recording solutions of our partners is an ongoing process, we recommend to regularly visit our website [www.eneo-security.com](http://www.eneo-security.com)

Stay up to date on the subject of video management:



Technology partners





# From the IP Camera to the Customised Product Solution

## Case Study: Commerzbank Arena Frankfurt

Network video cameras can do more than security. In a parking management demo system of the Mainz-based PMS GmbH at the Frankfurt Commerzbank Arena, eneo IP-cameras combine security, economy and convenience. A tailor-made installation solution demonstrates that customized eneo solutions impress.

Installation and maintenance of video and parking management systems is the core business of PMS GmbH. In the state-of-the-art parking systems provided by SkiData, with whom the company from Mainz collaborates, parking management and classic video surveillance mesh together. eneo Callisto IP-domes are an integral part of these systems.

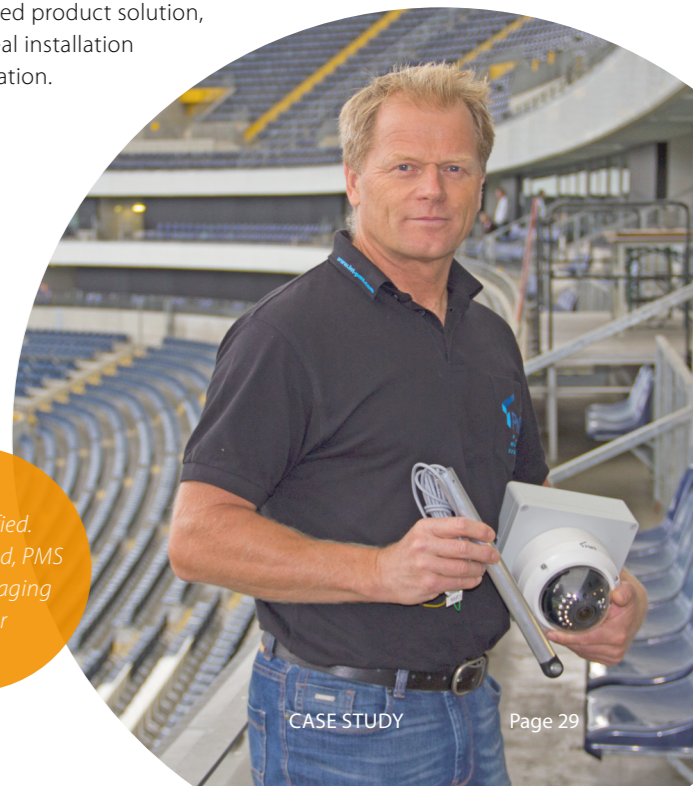
The cameras' high-resolution video signals create the conditions for efficiency (traffic jam prevention, emissions reduction, optimal capacity utilisation) and customer convenience on the parking areas. At the same time, the cameras ensure security at the crucial ticket machines and ticket columns. In this dual function, eneo IP cameras have already been used in several major projects for which the PMS GmbH is responsible, such as at Weeze Airport (North Rhine-Westphalia) and in Doha, the capital of the Emirate of Qatar, where around 1,700 eneo network cameras are in use.

In the parking lot of the Commerzbank Arena the company operates a demo system in which the IP cameras perform the various functions: Status information on each individual parking bay and control of their info LEDs, continuous video surveillance coverage between the parked vehicles as well as the driving lane, car finder support through automatic number plate recognition at every parking space.

To ensure the system software can process the incoming signals into meaningful information for output to the user interfaces, high definition video signals and low vulnerability are absolutely essential. Therefore the choice came down to Callisto IP domes.

Thanks to their modular housing design and various optional accessories, they can flexibly adapt to the widest range of installation scenarios, as was shown by the PMS demo system, where Callisto wedge adapters increase the horizontal and vertical range of the cameras. Additionally, customised junction boxes featuring the PMS logo formed an integral part of the installation.

During an on-site visit Volker Nieraad, PMS GmbH Managing Director, said he was very satisfied with the customised product solution, it had proven to be the ideal installation solution for the test application.



*Very satisfied.  
Volker Nieraad, PMS  
GmbH Managing  
Director*

# Your eneo Contacts



**Michael Englberger**  
Business Development  
Manager

+49 160-95 63 67 14  
m.englberger@eneo-security.com

Süddeutschland, Österreich



**Andy Keikus**  
Business Development  
Manager

+49 151-46 71 43 78  
a.keikus@eneo-security.com

Mitteldeutschland



**Jussi Simonen**  
Business Development  
Manager

+49 170-851 5040  
j.simonen@eneo-security.com

Norddeutschland, BeNeLux,  
Nordics, Baltics



**Jorge Ramirez**  
Business Development  
Manager

+49 151-11 75 84 03  
j.ramirez@eneo-security.com

Schweiz, Frankreich  
& Südeuropa



**Daniel Lehmann**  
Marketing

+49 6074-88 82 91  
d.lehmann@eneo-security.com



**Dennis Garufo**  
Webinars & Trainings

+49 6074-88 81 45  
d.garufo@eneo-security.com



**eneo Presales Support**

+49 6074-88 81 11  
presales@eneo-security.com

**eneo Aftersales Support**

+49 6074-88 84 00  
support@eneo-security.com



eneo is a trademark of  
Videor E. Hartig GmbH  
Carl-Zeiss-Straße 8  
D-63322 Rödermark  
Germany

Phone +49 6074-888-0  
Fax +49 6074-888-100  
E-Mail info@eneo-security.com  
Web www.eneo-security.com

CEOs  
Michael Haas, Jürgen Hagenlocher

Certification  
DIN ISO 9002 since 1994  
EN ISO 9001:2000 since 2002  
EN ISO 9001:2008 since 2009

Headquarters Rödermark, Germany  
Amtsgericht Offenbach | Hessen  
HRB-No. 32047 N°  
UIN DE 113592980 N°  
WEEE-Reg.-No. DE 10352244

© 2016

Design  
arndtteunissen GmbH  
www.arndtteunissen.de



PASSION FOR SECURITY

eneo is a trademark of  
Videor E. Hartig GmbH  
Carl-Zeiss-Straße 8  
D-63322 Rödermark  
Germany

Phone +49 6074-888-0  
Fax +49 6074-888-100  
E-Mail [info@eneo-security.com](mailto:info@eneo-security.com)  
Web [www.eneo-security.com](http://www.eneo-security.com)

Stay up to date and subscribe  
to the newsletter:

