



HP Pavilion g6 Notebook PC

Maintenance and Service Guide

© Copyright 2012 Hewlett-Packard
Development Company, L.P.

AMD is a trademark of Advanced Micro Devices, Inc. Bluetooth is a trademark owned by its proprietor and used by Hewlett-Packard Company under license. Intel, Centrino, Core, and Pentium are trademarks of Intel Corporation in the U.S. and other countries. Microsoft and Windows are U.S. registered trademarks of Microsoft Corporation. SD Logo is a trademark of its proprietor.

The information contained herein is subject to change without notice. The only warranties for HP products and services are set forth in the express warranty statements accompanying such products and services. Nothing herein should be construed as constituting an additional warranty. HP shall not be liable for technical or editorial errors or omissions contained herein.

First Edition: November 2012

Document Part Number: 694350-001

Safety warning notice

⚠ WARNING! To reduce the possibility of heat-related injuries or of overheating the computer, do not place the computer directly on your lap or obstruct the computer air vents. Use the computer only on a hard, flat surface. Do not allow another hard surface, such as an adjoining optional printer, or a soft surface, such as pillows or rugs or clothing, to block airflow. Also, do not allow the AC adapter to contact the skin or a soft surface, such as pillows or rugs or clothing, during operation. The computer and the AC adapter comply with the user-accessible surface temperature limits defined by the International Standard for Safety of Information Technology Equipment (IEC 60950).

Table of contents

1 Product description	1
2 External component identification	6
Right side	6
Left side	8
Display	10
Top	11
TouchPad	11
Lights	12
Buttons and speakers	13
Keys - Windows systems	15
Keys - Ubuntu Linux systems	16
Bottom	17
3 Illustrated parts catalog	18
Serial number location	18
Computer major components	19
Display assembly components	25
Mass storage devices	26
Miscellaneous parts	27
Sequential part number listing	28
4 Removal and replacement procedures	34
Preliminary replacement requirements	34
Tools required	34
Service considerations	34
Plastic parts	34
Cables and connectors	34
Drive handling	35
Grounding guidelines	35
Electrostatic discharge damage	35
Packaging and transporting guidelines	37
Component replacement procedures	38
Service label	39
Computer feet	40
Battery	41

Service door	42
Optical drive	43
Hard drive	45
Replacing the hard drive	47
Memory module	47
WLAN module	50
Keyboard	52
Top cover	57
Speakers	61
Power button board	62
TouchPad button board	64
TouchPad LED board	65
Display assembly	67
USB board	73
Power connector	74
System board	75
RTC battery	78
Fan and heat sink	80
PCH heat sink	83
Processor	84
Optical drive cable	86

5 Using Setup Utility (BIOS) and System Diagnostics (Windows 8) 88

Starting Setup Utility (BIOS)	88
Updating the BIOS	88
Determining the BIOS version	88
Downloading a BIOS update	89
Using System Diagnostics	90

6 Using Setup Utility (BIOS) and System Diagnostics (Ubuntu Linux) 91

Starting Setup Utility	91
Using Setup Utility	91
Changing the language of Setup Utility	91
Navigating and selecting in Setup Utility	91
Displaying system information	92
Restoring factory default settings in Setup Utility	92
Exiting Setup Utility	92
Updating the BIOS	92
Determining the BIOS version	92
Downloading a BIOS update	93
Using System Diagnostics	94

7 Specifications	95
Computer specifications	95
39.6-cm (15.6-in) display specifications	97
Hard drive specifications	98
DVD±RW and CD-RW SuperMulti Double-Layer Combo Drive specifications	99
Blu-ray Disc ROM and DVD±R/RW SuperMulti Double-Layer Drive specifications	100
8 Backing up, restoring, and recovering (Windows 8)	101
Creating recovery media and backups	101
Creating HP Recovery media	102
Restore and recovery	103
Using Windows Refresh for quick and easy recovery	104
Remove everything and reinstall Windows	104
Recovering using HP Recovery Manager	105
What you need to know	105
Using the HP Recovery partition to recover a minimized image (select models only)	105
Using HP Recovery media to recover	106
Changing the computer boot order	106
Removing the HP Recovery partition	106
9 Backing up, restoring, and recovering (Ubuntu Linux)	108
Performing a system recovery	108
Creating the restore DVDs	108
Creating a restore image on a USB device	108
Performing recovery using the restore DVD	109
Backing up your information	109
10 Power cord set requirements	111
Requirements for all countries	111
Requirements for specific countries and regions	112
11 Recycling	114
Index	115

1 Product description

Category	Description
Product Name	HP Pavilion g6 Notebook PC
Processors	3rd Generation Intel® Core™ processors:
	Intel Core i7-3632QM processor (2.2 GHz, SC turbo up to 3.1 GHz, 1600 MHz/6 MB L3 cache, quad core, 35 W)
	Intel Core i5-3230M (2.6 GHz, SC turbo up to 3.1 GHz, 1600 MHz/3 MB L3 cache, dual core, 35 W)
	Intel Core i5-3210M processor (2.5 GHz, SC turbo up to 3.1GHz, 1600 MHz/3 MB L3 cache, dual core, 35 W)
	Intel Core i3-3130M processor (2.6 GHz, 1600 MHz/3 MB L3 cache, dual core, 35 W)
	Intel Core i3-3120M processor (2.5 GHz 1600 MHz/3 MB L3 cache, dual core, 35 W)
	Intel Core i3-3110M processor (2.4 GHz 1600 MHz/3 MB L3 cache, dual core, 35 W)
	3rd Generation Intel Pentium® processors:
	Pentium 2030M processor (2.5 GHz, 1600 MHz/2 MB L3 cache, dual core, 35 W)
	Intel Pentium 2020M processor (2.4GHz,1600MHz/2 MB L3 cache, dual core, 35W)
	2nd Generation Intel Core processors:
	Intel Core i5-2450M processor (2.5 GHz, SC turbo up to 3.1 GHz, 1333 MHz/3 MB L3 cache, dual core, 35 W)
	Intel Core i3-2370M processor (2.4 GHz, 1333 MHz/3 MB L3 cache, dual core, 35 W)
	Intel Pentium® processors:
	Intel Pentium B980 processor (2.4 GHz 1333MHz/2 MB L3 cache, dual core, 35 W)
	Intel Pentium B970 processor (2.3 GHz, 1333 MHz/2 MB L3 cache, dual core, 35 W)
	Intel Pentium B960 processor (2.2 GHz, 1333 MHz/2 MB L3 cache) Dual 35 W
Chipset	Intel HM76 Express Chipset

Category	Description
Graphics	<p>Internal Graphics (UMA):</p> <ul style="list-style-type: none"> • Intel HD Graphics 4000 on computer models equipped with a Next Generation Intel Core processor (Intel Core i7, i5, i3) • Intel HD Graphics 3000 on computer models equipped with a 2nd Generation Intel Core processor (Intel Core i5-2450M or i3), supports DX10 • Intel HD Graphics on computer models equipped with an Intel Pentium processor, supports DX10 <hr/> <p>Switchable Discrete Graphics:</p> <ul style="list-style-type: none"> • AMD Radeon HD 7670M with 2 GB of dedicated video memory (128 MB×16 DDR3 @ 900 MHz × 8 modules); 128 bit M2 package, supports HD Decode, DX11, HDMI, and PX5 • AMD Radeon HD 7670M with 1 GB of dedicated video memory (64 MB×16 DDR3 @ 900 MHz × 8 modules); 128 bit M2 package, supports HD Decode, DX11, HDMI, and PX5
Display Panel	<p>39.6-cm (15.6-in), high-definition (HD), light-emitting diode (LED), SVA BrightView (1366×768) display; typical brightness: 200 cd/m² (nits)</p> <p>All display assemblies include 2 wireless local area network (WLAN) antenna cables</p> <p>Supports 16:9 ultra-wide aspect ratio</p>
Memory	<p>2 customer-accessible/upgradable SODIMM slots:</p> <p>DDR3-1600 MHz Dual Channel support for a Next Generation Intel Core processor</p> <p>DDR3L-1600 MHz Dual Channel support for a Next Generation Intel Core processor</p> <p>DDR3-1333 MHz Dual Channel Support (DDR3-1600 MHz downgrade to DDR3-1333 MHz)</p> <p>Supports the following configurations up to 8 GB:</p> <ul style="list-style-type: none"> • 8192 MB total system memory (4096×2) (No support for 32 bit OS) • 6144 MB total system memory (4096×1 + 2048×1) (No support for 32 bit OS) • 4096 MB total system memory (4096×1 or 2048×2) • 2048 MB total system memory (2048×1)
Hard drives	<p>Supports 6.35 cm (2.5 in) hard drives in 9.5 mm (.37 in) and 7.0 mm (.28 in) thicknesses</p> <p>Supports HP 3D Drive Guard</p> <p>Customer-accessible</p> <p>Serial ATA (SATA)</p>

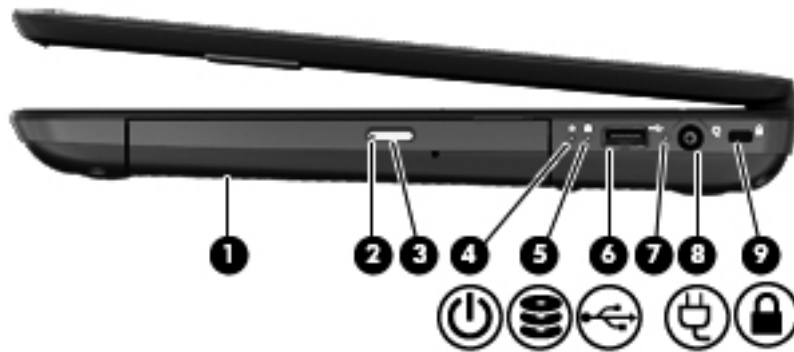
Category	Description
	<p>Supports the following single hard drive configurations:</p> <ul style="list-style-type: none"> • 1 TB, 5400 rpm, 9.5 mm • 750 GB, 7200 rpm, 9.5 mm • 750 GB, 5400 rpm, 9.5 mm • 640 GB, 5400 rpm, 9.5 mm • 500 GB, 7200 rpm, 9.5 mm • 500 GB, 5400 rpm, 9.5 mm • 320 GB, 5400 rpm, 9.5 mm and 7.0 mm
Optical drive	<p>Fixed</p> <p>Customer-accessible</p> <p>SATA</p> <p>12.7 mm tray load</p> <p>Supports Blu-ray ROM DVD±R/RW Super Multi Double-Layer Drive</p> <p>Supports DVD±RW Super Multi Double-Layer Combo Drive</p> <p>Supports zero-power optical drive</p>
Webcam	VGA camera (640x480 by 24 frames per second), fixed angle (no tilt), with activity light and single digital microphone
Audio	<p>High-definition audio supports:</p> <p>Microsoft® Premium requirements with HP Altec Lansing speakers (2)</p> <p>SRS Premium Sound technology</p>
Ethernet	Integrated 10/100 network interface card (NIC)
Wireless	<p>Integrated wireless local area network (WLAN) options by way of wireless module</p> <p>Customer-accessible</p> <p>Two WLAN antennas built into display assembly</p> <p>Support for Intel Wireless Display and Wireless Music</p> <p>Support for the following WLAN formats:</p> <ul style="list-style-type: none"> • Intel Centrino® Wireless-N 2230 802.11b/g/n 2x2 WiFi and Bluetooth Combination Adapter • Atheros HB125 802.11b/g/n 1x1 WiFi Adapter (select models only) • Ralink RT3290LE 802.11b/g/n 1x1 WiFi and Bluetooth 4.0 combination adapter (select models only) • Ralink RT5390R 802.11 b/g/n 1x1 WiFi (select models only)





Category	Description
External media card	<p>HP Multi-Format Digital Media Reader supports the following digital card formats:</p> <ul style="list-style-type: none"> • MultiMediaCard (MMC) • Secure Digital (SD) Memory Card • Secure Digital High Capacity (SDHC) Memory Card • Secure Digital Extended Capacity (SDXC) Memory Card
Internal card	<p>One half-size Mini Card slot for WLAN</p>
Ports	<ul style="list-style-type: none"> • Audio-in (digital microphone) • Audio-out (stereo headphone) • HDMI version 1.4 supporting up to 1920×1200 @ 60Hz, 24 bits per pixel (bpp) • HP Smart AC power adapter • RJ-45 (Ethernet, includes link and activity lights) • USB 3.0 ports (two on left side) • USB 2.0 port (right side) • VGA (Dsub 15-pin) supporting: <ul style="list-style-type: none"> ◦ 2048×1536 external resolution @ 75 Hz ◦ Hot plug/unplug with auto-detect for correct output to wide-aspect vs. standard aspect video
Keyboard/pointing devices	<p>Full size island style textured keyboard with numeric keypad (Black)</p> <p>TouchPad with 2 buttons</p> <ul style="list-style-type: none"> • Multitouch gestures enabled • Taps enabled as default
Power requirements	<p>Battery:</p> <ul style="list-style-type: none"> • 6-cell, 2.22 Ah, 47 Wh battery • 6-cell, 2.55 Ah, 55 Wh battery (select models only) • Supports fast charge <p>AC Smart pin adapter with localized cable plug support:</p> <ul style="list-style-type: none"> • 65 W • 90 W
Security	<p>Security lock slot</p>



Category	Description
Operating system	Preinstalled: <ul style="list-style-type: none">• Windows® 8 Professional (64 bit)• Windows 8 Standard (64 bit)• Ubuntu Linux• FreeDOS 1.0
Serviceability	End-user replaceable parts: <ul style="list-style-type: none">• AC adapter• Battery (system)• Memory module• Hard drive• Optical drive• MiniCard components• Keyboard

2 External component identification

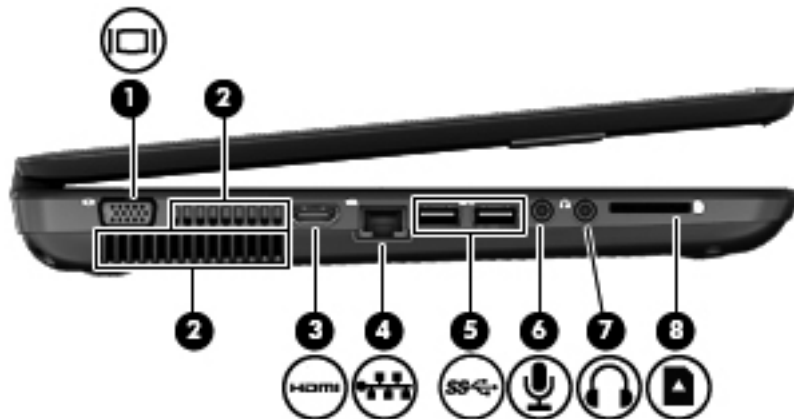
Right side

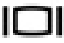







Component	Description
(1) Optical drive (select models only)	Reads and writes to an optical disc.
(2) Optical drive light	<ul style="list-style-type: none">• Green or Amber: The optical drive is being accessed.• Off: The optical drive is idle.
(3) Optical drive eject button	Releases the disc tray.
(4)  Power light	<ul style="list-style-type: none">• White: The computer is on.• Blinking white: The computer is in the Sleep/Suspend state, which is an energy-saving mode. The computer shuts off power to the display and other unneeded components.• Off: The computer is off or in Hibernation. Hibernation is an energy-saving mode that uses the least amount of power.
(5)  Hard drive light	<ul style="list-style-type: none">• Blinking white: The hard drive is being accessed.• Amber: HP 3D DriveGuard has temporarily parked the hard drive.
(6)  USB 2.0 port	Connects an optional USB device.
(7)  AC adapter light	<ul style="list-style-type: none">• White: The computer is connected to external power and the battery is fully charged.• Blinking white: The battery has reached a low battery level.• Amber: The computer is connected to external power and the battery is charging.• Off: The computer is not connected to external power.

Component	Description
(8)  Power connector	Connects an AC adapter.
(9)  Security cable slot	Attaches an optional security cable to the computer. NOTE: The security cable is designed to act as a deterrent, but it may not prevent the computer from being mishandled or stolen.

Left side



Component	Description
(1)  External monitor port	Connects an external VGA monitor or projector.
(2) Vents (2)	Enable airflow to cool internal components. NOTE: The computer fan starts up automatically to cool internal components and prevent overheating. It is normal for the internal fan to cycle on and off during routine operation.
(3)  HDMI port	Connects an optional video or audio device, such as a high-definition television, or any compatible digital or audio device.
(4)  RJ-45 (network) jack	Connects a network cable.
(5)  USB 3.0 ports (2)	Connect optional USB 3.0 devices and provide enhanced USB power performance.
(6)  Audio-in (microphone) jack	Connects an optional computer headset microphone, stereo array microphone, or monaural microphone.

Component	Description
(7)  Audio-out (headphone) jack	<p>Connects optional powered stereo speakers, headphones, earbuds, a headset, or a television audio cable.</p> <p>WARNING! To reduce the risk of personal injury, adjust the volume before using headphones, earbuds, or a headset. For additional safety information, see the <i>Regulatory, Safety and Environmental Notices</i>.</p> <p>NOTE: When a device is connected to a headphone jack, the computer speakers are disabled.</p>
(8) Digital Media slot	<p>Supports the following digital media card formats:</p> <ul style="list-style-type: none"> • Secure Digital (SD) Memory Card • Secure Digital High Capacity (SDHC) Memory Card • Secure Digital Extended Capacity (SDxC) Memory Card • MultiMediaCard (MMC)

Display



Component	Description
(1) WLAN antennas (2)*	Send and receive wireless signals to communicate with wireless local area networks (WLANs).
(2) Internal microphone (1)	Records sound.
(3) HP TrueVision HD Webcam	Records video, captures still photographs, and allows video conferences and online chat by means of streaming video. To use the webcam, from the Start screen type c , and then select CyberLink YouCam from the list of apps.
(4) Webcam light	On: The webcam is in use.

*The antennas are not visible from the outside of the computer. For optimal transmission, keep the areas immediately around the antennas free from obstructions. For wireless regulatory notices, see the section of the *Regulatory, Safety and Environmental Notices* that applies to your country or region. To access this guide, select the **HP Support Assistant** app on the Start screen, select **My computer**, and then select **User guides**.

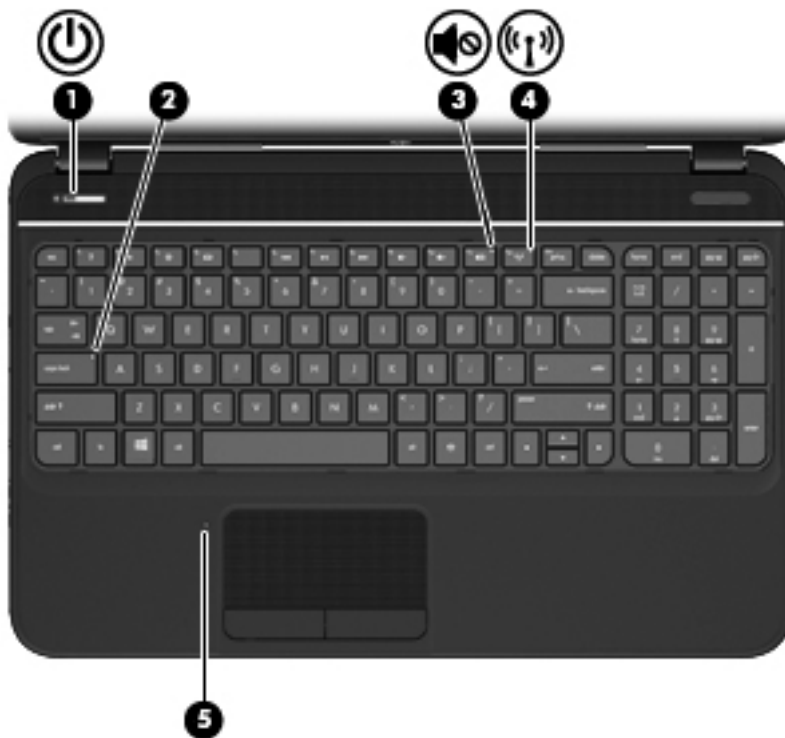
Top



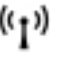
TouchPad



Component	Description
(1) TouchPad on/off button	Turns the TouchPad on or off.
(2) Lights	<ul style="list-style-type: none">• Amber: The TouchPad is off.• Off: The TouchPad is on.
(3) TouchPad zone	Moves the on-screen pointer and selects or activates items on the screen.
(4) Left TouchPad button	Functions like the left button on an external mouse.
(5) Right TouchPad button	Functions like the right button on an external mouse.


Lights



Component	Description
(1)  Power light	<ul style="list-style-type: none">• White: The computer is on.• Blinking white: The computer is in the Sleep/Suspend state, which is an energy-saving mode. The computer shuts off power to the display and other unneeded components.• Off: The computer is off or in Hibernation. Hibernation is an energy-saving mode that uses the least amount of power.
(2) Caps lock light	White: Caps lock is on, which switches the keys to all capital letters.
(3)  Mute light	<ul style="list-style-type: none">• Amber: Computer sound is off.• Off: Computer sound is on.
(4)  Wireless light	<ul style="list-style-type: none">• White: An integrated wireless device, such as a wireless local area network (WLAN) device and/or a Bluetooth® device, is on.• Amber: All wireless devices are off.
(5) TouchPad light	<ul style="list-style-type: none">• Amber: The TouchPad is off.• Off: The TouchPad is on.

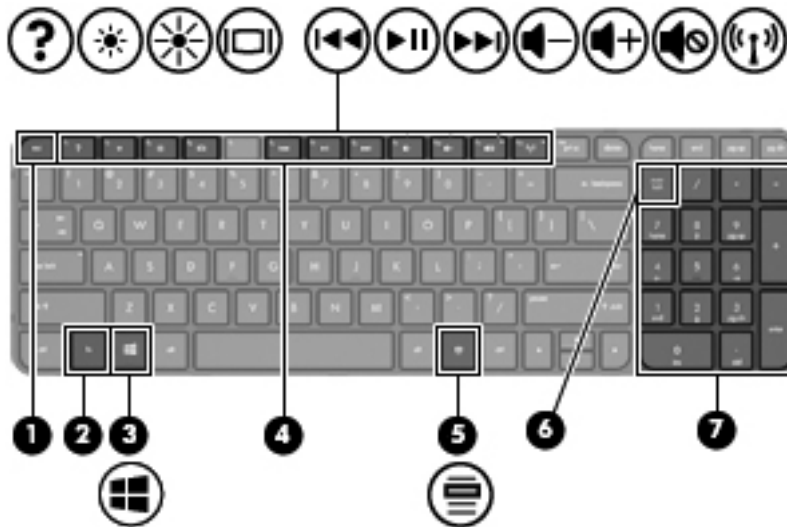
Buttons and speakers





Component	Description
(1)  Power button	<ul style="list-style-type: none">• When the computer is off, press the button to turn on the computer.• When the computer is on, press the button briefly to initiate Sleep/Suspend.• When the computer is in the Sleep/Suspend state, press the button briefly to exit Sleep/Suspend.• When the computer is in Hibernation, press the button briefly to exit Hibernation. <p>If the computer has stopped responding and operating system shutdown procedures are ineffective, press and hold the power button down for at least 5 seconds to turn off the computer.</p> <p>CAUTION: Pressing and holding down the power button will result in the loss of unsaved information.</p>

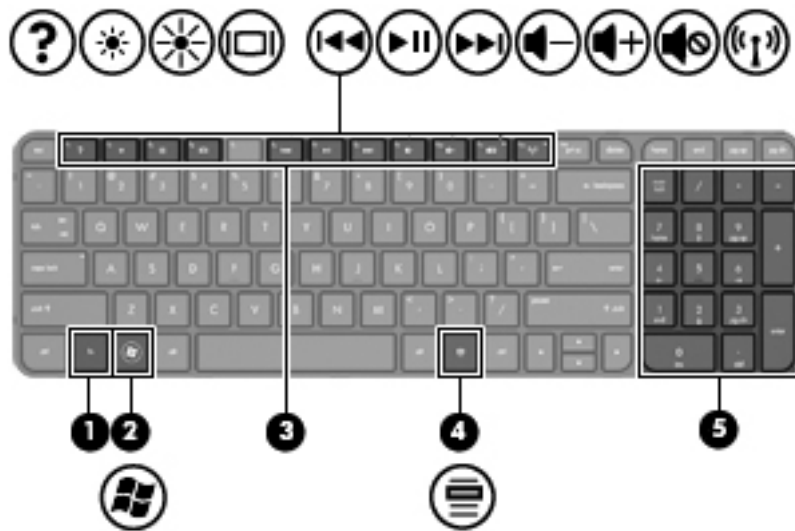
Component	Description
	<p>To learn more about your power settings:</p> <p>In Windows 8:</p> <ul style="list-style-type: none">• From the Start screen, type <code>power options</code>. Click Settings, and then select Power Options from the options displayed. <p>In Ubuntu Linux:</p> <ul style="list-style-type: none">• Click the System menu icon at the far right of the top panel, and then click System Settings > Power icon.
(2)	Speakers (2) Produce sound.




Keys - Windows systems



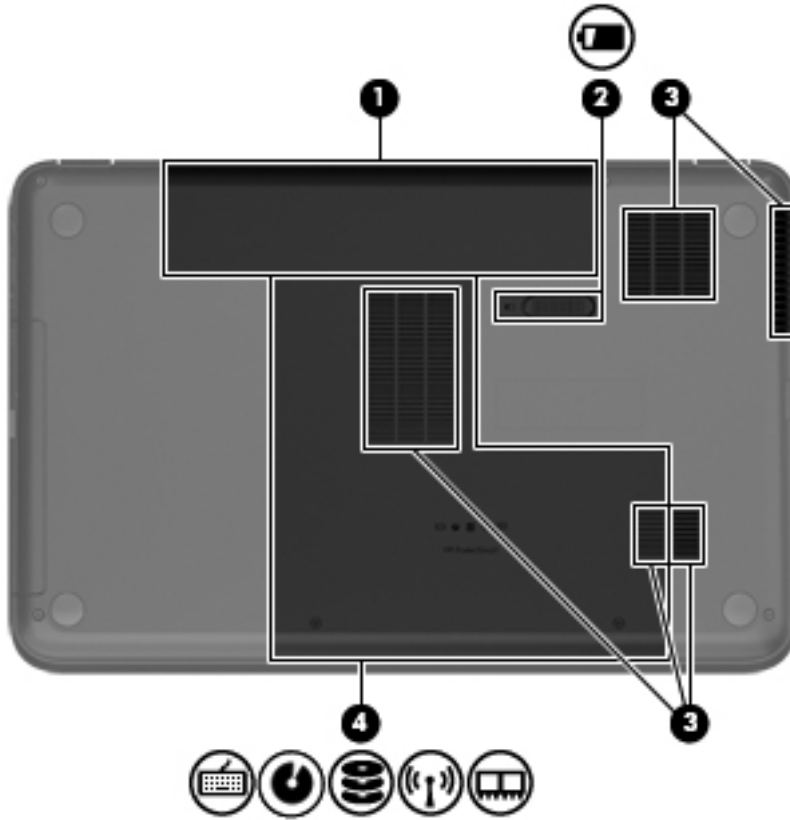
Component	Description
(1) <code>esc</code> key	Displays system information when pressed in combination with the <code>fn</code> key.
(2) <code>fn</code> key	Displays system information when pressed in combination with the <code>esc</code> key.
(3)  Windows 8 logo key	Displays the Windows Start menu.
(4) Action keys	Execute frequently used system functions.
(5)  Windows 8 applications key	Displays the App bar.
(6) <code>num lock</code> key	Controls the function of the integrated numeric keypad. Press the key to alternate between the standard numeric function of an external keypad (selected the factory) and the navigational function (indicated by the directional arrows on the keys). NOTE: The keypad function that is active when the computer is turned off is reinstated when the computer is turned back on.
(7) Integrated numeric keypad	Set at the factory to function like an external numeric keypad. To alternate between this numeric function and the navigational function (indicated by the directional arrows on the keys), press the <code>num lock</code> key.



Keys - Ubuntu Linux systems



Component	Description
(1)  <code>fn</code> key	Displays system information when pressed in combination with the <code>esc</code> key.
(2)  Operating system logo key	Displays the Operating system menu.
(3) Action keys	Execute frequently used system functions.
(4)  Operating system applications key	Displays a shortcut menu for items beneath the cursor.
(5) Integrated numeric keypad	Set at the factory to function like an external numeric keypad. To alternate between this numeric function and the navigational function (indicated by the directional arrows on the keys), press the <code>num lock</code> key.

Bottom

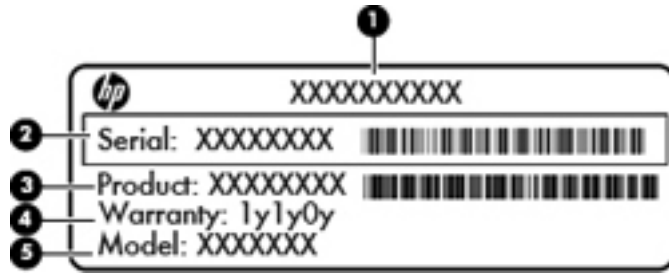


Component	Description
(1)	Battery bay Holds the battery.
(2) 	Battery release latch Releases the battery from the battery bay.
(3)	Vents (5) Enable airflow to cool internal components. NOTE: The computer fan starts up automatically to cool internal components and prevent overheating. It is normal for the internal fan to cycle on and off during routine operation.
(4) 	Keyboard access, optical disk drive (ODD), solid-state drive (SSD)/hard drive bay, wireless compartment, and memory module compartment The service door provides access to the keyboard, ODD, SSD/hard drive bay, wireless compartment and memory module compartment. CAUTION: To prevent an unresponsive system, replace the wireless module only with a wireless module authorized for use in the computer by the governmental agency that regulates wireless devices in your country or region. If you replace the module and then receive a warning message, remove the module to restore computer functionality, and then contact customer support through Help and Support.

3 Illustrated parts catalog

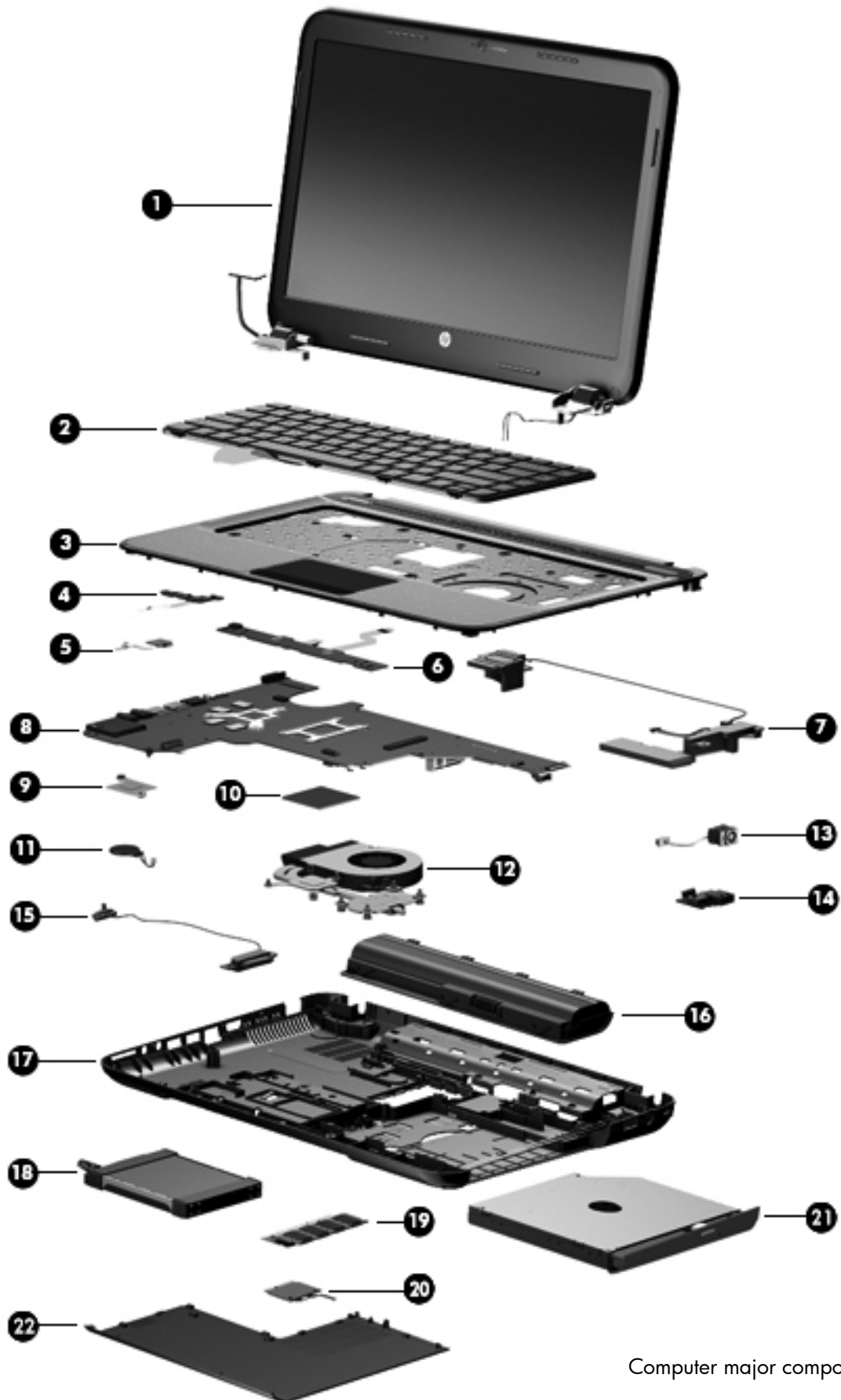
Serial number location

When ordering parts or requesting information, provide the computer serial number and model number located in the battery bay of the computer.



Component	Description
(1) Product name	The name affixed to the front of the computer.
(2) Serial number (s/n)	An alphanumeric identifier that is unique to each product.
(3) Product number	This number provides specific information about the product's hardware components. The product number helps a service technician to determine what components and parts are needed.
(4) Warranty period	The duration of the warranty period for the computer.
(5) Model description (select models only)	An alphanumeric identifier used to locate documents, drivers, and support for the computer.

Computer major components



Item	Description	Spare part number
(1)	39.6-cm (15.6-in) High Definition (HD), LED, BrightView (1366x768) display assembly:	
	NOTE: For more information on the display assembly internal component spare part information, see Display assembly components on page 25 .	
(2)	Keyboard (includes keyboard cable):	
	Keyboards for Windows 8 with black finish:	
	<ul style="list-style-type: none"> For use in the United States 	699497-001
	<ul style="list-style-type: none"> For use in the United Kingdom 	699497-031
	<ul style="list-style-type: none"> For use in Germany 	699497-041
	<ul style="list-style-type: none"> For use in France 	699497-051
	<ul style="list-style-type: none"> For use in Italy 	699497-061
	<ul style="list-style-type: none"> For use in Spain 	699497-071
	<ul style="list-style-type: none"> For use in Portugal 	699497-131
	<ul style="list-style-type: none"> For use in Turkey 	699497-141
	<ul style="list-style-type: none"> For use in Greece 	699497-151
	<ul style="list-style-type: none"> For use in Latin America 	699497-161
	<ul style="list-style-type: none"> For use in Saudi Arabia 	699497-171
	<ul style="list-style-type: none"> For use in Hungary 	699497-211
	<ul style="list-style-type: none"> For use in Russia 	699497-251
	<ul style="list-style-type: none"> For use in Bulgaria 	699497-261
	<ul style="list-style-type: none"> For use in Romania 	699497-271
	<ul style="list-style-type: none"> For use in Thailand 	699497-281
	<ul style="list-style-type: none"> For use in Japan 	699497-291
	<ul style="list-style-type: none"> For use in Europe 	699497-A41
	<ul style="list-style-type: none"> For use in Taiwan 	699497-AB1
	<ul style="list-style-type: none"> For use in Korea 	699497-AD1
	<ul style="list-style-type: none"> For International use 	699497-B31
	<ul style="list-style-type: none"> For use in the Adriatics 	699497-BA1
	<ul style="list-style-type: none"> For use in Israel 	699497-BB1
	<ul style="list-style-type: none"> For use in Switzerland 	699497-BG1
	<ul style="list-style-type: none"> For use in Canada 	699497-DB1
	<ul style="list-style-type: none"> For use in the Netherlands 	699497-DH1
	<ul style="list-style-type: none"> For use in the Czech Republic and Slovakia 	699497-FL1

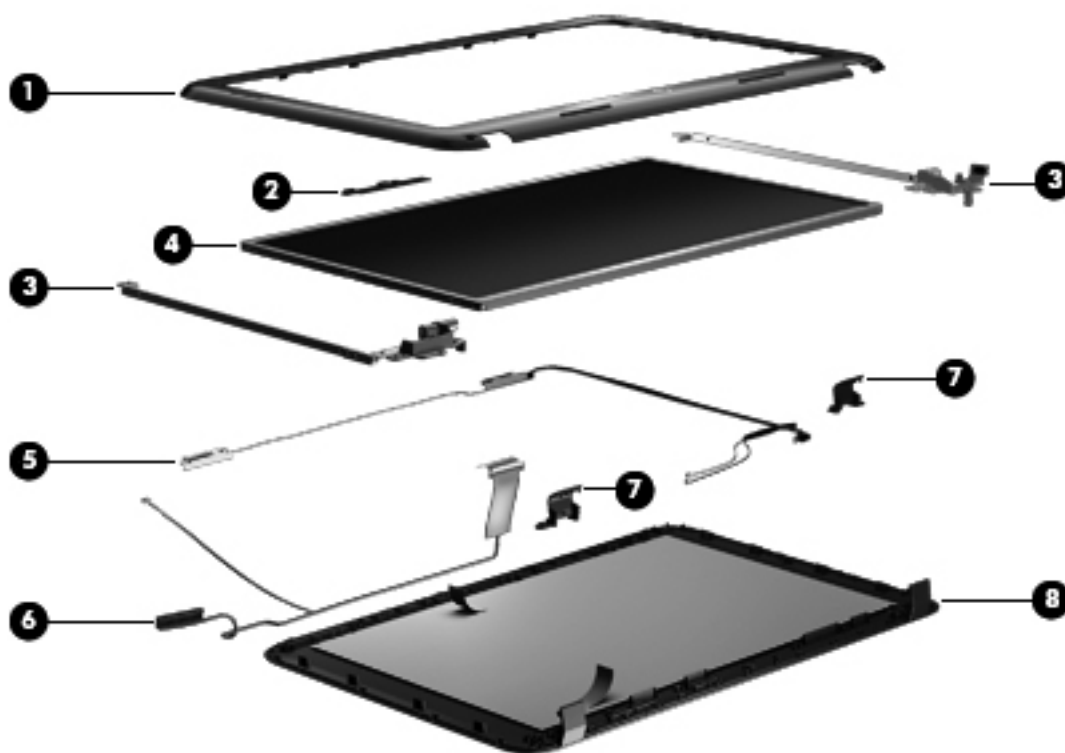
Item	Description	Spare part number
	<ul style="list-style-type: none"> For use in Northwest Africa 	699497-FP1
	Keyboards for Windows 8 with white finish:	
	<ul style="list-style-type: none"> For use in the United States 	699498-001
	<ul style="list-style-type: none"> For use in the United Kingdom 	699498-031
	<ul style="list-style-type: none"> For use in Germany 	699498-041
	<ul style="list-style-type: none"> For use in France 	699498-051
	<ul style="list-style-type: none"> For use in Italy 	699498-061
	<ul style="list-style-type: none"> For use in Spain 	699498-071
	<ul style="list-style-type: none"> For use in Portugal 	699498-131
	<ul style="list-style-type: none"> For use in Turkey 	699498-141
	<ul style="list-style-type: none"> For use in Greece 	699498-151
	<ul style="list-style-type: none"> For use in Latin America 	699498-161
	<ul style="list-style-type: none"> For use in Saudi Arabia 	699498-171
	<ul style="list-style-type: none"> For use in Russia 	699498-251
	<ul style="list-style-type: none"> For use in Bulgaria 	699498-261
	<ul style="list-style-type: none"> For use in Thailand 	699498-281
	<ul style="list-style-type: none"> For use in Japan 	699498-291
	<ul style="list-style-type: none"> For use in Europe 	699498-A41
	<ul style="list-style-type: none"> For use in Taiwan 	699498-AB1
	<ul style="list-style-type: none"> For use in Korea 	699498-AD1
	<ul style="list-style-type: none"> For International use 	699498-B31
	<ul style="list-style-type: none"> For use in Israel 	699498-BB1
	<ul style="list-style-type: none"> For use in Switzerland 	699498-BG1
	<ul style="list-style-type: none"> For use in Canada 	699498-DB1
	<ul style="list-style-type: none"> For use in the Netherlands 	699498-DH1
	<ul style="list-style-type: none"> For use in the Czech Republic and Slovakia 	699498-FL1
(3)	Top cover (includes TouchPad board):	
	<ul style="list-style-type: none"> Bright purple 	681822-001
	<ul style="list-style-type: none"> Ruby red 	681823-001
	<ul style="list-style-type: none"> Winter blue 	681824-001
	<ul style="list-style-type: none"> Sparkling black 	681825-001
	<ul style="list-style-type: none"> Linen white 	685583-001

Item	Description	Spare part number
(4)	Power button board (includes cable)	683549-001
(5)	TouchPad LED board (includes cable)	684061-001
(6)	TouchPad button board (includes cable)	683548-001
(7)	Speaker assembly (includes cable)	681821-001
(8)	System board (includes replacement thermal material):	
	<ul style="list-style-type: none"> For use only with computer models equipped with 1 GB of dedicated switchable discrete video memory, Intel Core i3-3110M processor, and Windows 8 Professional 	710874-601
	<ul style="list-style-type: none"> For use only with computer models equipped with 1 GB of dedicated switchable discrete video memory, Intel Core i3-3110M processor, and Windows 8 Standard 	710874-501
	<ul style="list-style-type: none"> For use only with computer models equipped with 1 GB of dedicated switchable discrete video memory, Intel Core i3-3110M processor, and FreeDOS 1.0 	710874-001
	<ul style="list-style-type: none"> For use only with computer models equipped with UMA video memory, Intel Core i3-3110M processor, and Windows 8 Professional 	710873-601
	<ul style="list-style-type: none"> For use only with computer models equipped with UMA video memory, Intel Core i3-3110M processor, and Windows 8 Standard 	710873-501
	<ul style="list-style-type: none"> For use only with computer models equipped with UMA video memory, Intel Core i3-3110M processor, and FreeDOS 1.0 	710873-001
	<ul style="list-style-type: none"> System board for use only with computer models equipped with Windows 8 Professional and a graphics subsystem with 2048 MB of discrete video memory (includes replacement thermal material) 	680570-601
	<ul style="list-style-type: none"> System board for use only with computer models equipped with Windows 8 Standard and a graphics subsystem with 2048 MB of discrete video memory (includes replacement thermal material) 	680570-501
	<ul style="list-style-type: none"> For use only with computer models equipped with 2048 MB of dedicated discrete video memory 	680570-001
	<ul style="list-style-type: none"> System board for use only with computer models equipped with Windows 8 Professional and a graphics subsystem with 1024 MB of discrete video memory (includes replacement thermal material) 	680569-601
	<ul style="list-style-type: none"> System board for use only with computer models equipped with Windows 8 Standard and a graphics subsystem with 1024 MB of discrete video memory (includes replacement thermal material) 	680569-501
	<ul style="list-style-type: none"> For use only with computer models equipped with 1024 MB of dedicated discrete video memory 	680569-001
	<ul style="list-style-type: none"> System board for use only with computer models equipped with Windows 8 Professional and UMA video memory (includes replacement thermal material) 	680568-601
	<ul style="list-style-type: none"> System board for use only with computer models equipped with Windows 8 Standard and UMA video memory (includes replacement thermal material) 	680568-501
	<ul style="list-style-type: none"> For use only with computer models equipped with UMA video memory 	680568-001
(9)	Intel Platform Controller Hub (PCH) heat sink	683843-001
(10)	Processor (includes replacement thermal material):	

Item	Description	Spare part number
	<ul style="list-style-type: none"> Intel Core i7-3632QM (2.2 GHz, SC turbo up to 3.1 GHz, 1600 MHz/6 MB L3 cache, quad core, 35 W) 	701658-001
	<ul style="list-style-type: none"> Intel Core i5-3230M (2.6 GHz, SC turbo up to 3.1 GHz, 1600 MHz/3 MB L3 cache, dual core, 35 W) 	711903-001
	<ul style="list-style-type: none"> Intel Core i5-3210M (2.5 GHz, SC turbo up to 3.1 GHz, 1600 MHz/3 MB L3 cache, dual core, 35 W) 	680645-001
	<ul style="list-style-type: none"> Intel Core i3-3130M (2.6 GHz, 1600 MHz/3 MB L3 cache, dual core, 35 W) 	713163-001
	<ul style="list-style-type: none"> Intel Core i3-3120M (2.5 GHz 1600 MHz/3 MB L3 cache, dual core, 35 W) 	700627-001
	<ul style="list-style-type: none"> Intel Core i3-3110M (2.4 GHz 1600 MHz/3 MB L3 cache, dual core, 35 W) 	682417-001
	<ul style="list-style-type: none"> Intel Core i5-2450M processor (2.5 GHz, SC turbo up to 3.1 GHz, 1333 MHz/3 MB L3 cache, dual core, 35 W) 	676359-001
	<ul style="list-style-type: none"> Intel Core i3-2370M (2.4 GHz, 1333 MHz/3 MB L3 cache, dual core 35 W) 	677152-001
	<ul style="list-style-type: none"> Pentium 2030M processor (2.5 GHz, 1600 MHz/2 MB L3 cache, dual core, 35 W) 	713164-001
	<ul style="list-style-type: none"> Intel Pentium 2020M processor (2.4GHz,1600MHz/2 MB L3 cache, dual core, 35W) 	700628-001
	<ul style="list-style-type: none"> Intel Pentium B980 processor (2.4 GHz, 1333 MHz/2 MB L3 cache, dual core, 35 W) 	692428-001
	<ul style="list-style-type: none"> Intel Pentium B970 processor (2.3 GHz, 1333 MHz/2 MB L3 cache, dual core, 35 W) 	676785-001
	<ul style="list-style-type: none"> Intel Pentium B960 processor (2.2 GHz, 1333 MHz/2 MB L3 cache, dual core, 35 W) 	664662-001
(11)	RTC battery (includes mounting adhesive)	637193-001
(12)	Heat sink assembly (includes replacement thermal material):	
	<ul style="list-style-type: none"> Heat sink for use only with computer models equipped with UMA video memory 	680549-001
	<ul style="list-style-type: none"> Heat sink for use only with computer models equipped with switchable discrete video memory 	680550-001
	<ul style="list-style-type: none"> Heat sink for use only with computer models equipped with UMA video memory for BGA-based systems 	711471-001
	<ul style="list-style-type: none"> Heat sink for use only with computer models equipped with switchable discrete video memory for BGA-based systems 	711472-001
	<ul style="list-style-type: none"> Fan (available separately) 	680551-001
(13)	Power connector (includes cable)	682744-001
(14)	USB board (includes cable)	683547-001
(15)	Optical drive cable	682742-001
(16)	Battery:	
	<ul style="list-style-type: none"> 6-cell Li-Ion, 2.20 Ah, 47 Wh 	593553-001
	<ul style="list-style-type: none"> 6-cell Li-Ion, 2.55 Ah, 55 Wh 	593554-001

Item	Description	Spare part number
(17)	Base enclosure	708302-001
(18)	Hard drive:	
	Supports the following 9.5 mm, 6.35 cm (2.5 in) SATA hard drives:	
	• 1 TB, 5400 rpm, 9.5 mm	676521-001
	• 750 GB, 7200 rpm	633252-001
	• 750 GB, 5400 rpm	633250-001
	• 640 GB, 5400 rpm	669300-001
	• 500 GB, 7200 rpm	634925-001
	• 500 GB, 5400 rpm	669299-001
	• 320 GB, 5400 rpm	622643-001
	Supports the following 7.0 mm, 6.35 cm (2.5 in) SATA hard drives:	
	• 320 GB, 5400 rpm	645193-001
	• Hard Drive Hardware Kit (not illustrated, includes hard drive cable, hard drive bumpers, and hard drive bracket and screws)	682745-001
(19)	Memory modules (1066 MHz, DDR3):	
	• 4 GB PC3 12800 1600 MHz shared	641369-001
	• 2 GB PC3 12800 1600 MHz shared	652972-001
(20)	Wireless (WLAN) module:	
	• Intel Centrino Wireless-N 2230 802.11b/g/n 2x2 WiFi and Bluetooth Combo Adapter	670290-001
	• Atheros HB125 802.11b/g/n 1x1 WiFi Adapter (select models only)	675794-001
	• Ralink RT3290LE 802.11 b/g/n 1x1 WiFi and Bluetooth 4.0 Combo Adapter	690020-001
	• Ralink RT5390R 802.11 b/g/n 1x1 WiFi (select models only)	691415-001
(21)	Optical drive (includes optical drive bezel and bracket):	
	• DVD±RW and CD-RW SuperMulti Double-Layer Combo Drive	681814-001
	• Blu-ray Disc ROM and DVD±R/RW SuperMulti Double-Layer Drive	681815-001
(22)	Service Door (included in Plastics kit)	681816-001
	Rubber Kit (not illustrated, includes rubber feet)	680563-001

Display assembly components



Item	Description	Spare part number
(1)	Display bezel	681806-001
(2)	Webcam/microphone module HD	703461-001
(3)	Display hinge kit (includes left and right display hinges and brackets)	681812-001
(4)	39.6 cm (15.6-in) high-definition, BrightView LED display panel	681817-001
(5)	Wireless antenna (includes wireless antenna transceivers and cable)	681813-001
(6)	Display cable (included in the Display Cable Kit)	681808-001
(7)	Display hinge covers	681811-001
(8)	Display back cover (includes logo):	
	• Bright purple	681801-001
	• Ruby red	681802-001
	• Winter blue	681803-001
	• Sparkling black	681804-001
	• Linen white	685582-001
	Display Screw Kit (not illustrated)	681819-001

Mass storage devices



Item	Description	Spare part number
(1)	Optical drive (12.7 mm, SATA, fixed, includes bezel and bracket)	
	<ul style="list-style-type: none"> • Blu-ray ROM DVD±R/RW Super Multi Double-Layer Drive 	681814-001
	<ul style="list-style-type: none"> • DVD±RW and CD-RW Super Multi Double-Layer Combo Drive 	681815-001
	<ul style="list-style-type: none"> • Optical drive cable 	682742-001
(2)	Hard drive	
	Supports the following 9.50 mm, 6.35 cm (2.50 in) SATA hard drives:	
	<ul style="list-style-type: none"> • 1 TB, 5400 rpm 	676521-001
	<ul style="list-style-type: none"> • 750 GB, 7200 rpm 	633252-001
	<ul style="list-style-type: none"> • 750 GB, 5400 rpm 	634250-001
	<ul style="list-style-type: none"> • 640 GB, 5400 rpm 	669300-001
	<ul style="list-style-type: none"> • 500 GB, 7200 rpm 	634925-001
	<ul style="list-style-type: none"> • 500 GB, 5400 rpm 	669299-001
	<ul style="list-style-type: none"> • 320 GB, 5400 rpm 	622643-001
	Supports the following 7.00 mm, 6.35 cm (2.50 in) SATA hard drives:	
	<ul style="list-style-type: none"> • 320 GB, 5400 rpm 	645193-001
	Hard drive hardware kit (includes hard drive cable, hard drive bumpers, and hard drive bracket and screws)	682745-001

Miscellaneous parts

Description	Spare part number
HP Smart AC adapter:	
<ul style="list-style-type: none">90-W HP Smart AC adapter (PFC, EM, 3-wire)	693713-001
<ul style="list-style-type: none">90-W HP Smart AC adapter (PFC, 3-wire)	693712-001
<ul style="list-style-type: none">65-W HP Smart AC adapter (non-PFC, 3-wire)	693711-001
<ul style="list-style-type: none">65-W HP Smart AC adapter (RC/V, EM, 3-wire)	693710-001
Power cord, AC, 3-wire, black, 1.83-m:	
<ul style="list-style-type: none">For use in North America	490371-001
<ul style="list-style-type: none">For use in Australia	490371-011
<ul style="list-style-type: none">For use in Europe	490371-021
<ul style="list-style-type: none">For use in the United Kingdom and Singapore	490371-031
<ul style="list-style-type: none">For use in Denmark	490371-081
<ul style="list-style-type: none">For use in Switzerland	490371-111
<ul style="list-style-type: none">For use in Thailand	490371-201
<ul style="list-style-type: none">For use in Japan	490371-291
<ul style="list-style-type: none">For use in the People's Republic of China	490371-AA1
<ul style="list-style-type: none">For use in Taiwan	490371-AB1
<ul style="list-style-type: none">For use in South Korea	490371-AD1
<ul style="list-style-type: none">For use in South Africa	490371-AR1
<ul style="list-style-type: none">For use in Israel	490371-BB1
<ul style="list-style-type: none">For use in India	490371-D61
Thermal pad	680571-001
Display screw kit	681819-001
Screw kit	681820-001

Sequential part number listing

Spare part number	Description
490371-001	Power cord, AC, 3 wire, black, 1.83 m for use in North America
490371-011	Power cord, AC, 3 wire, black, 1.83 m for use in Australia
490371-021	Power cord, AC, 3 wire, black, 1.83 m for use in Europe
490371-031	Power cord, AC, 3 wire, black, 1.83 m for use in the United Kingdom and Singapore
490371-081	Power cord, AC, 3 wire, black, 1.83 m for use in Denmark
490371-111	Power cord, AC, 3 wire, black, 1.83 m for use in Switzerland
490371-201	Power cord, AC, 3 wire, black, 1.83 m for use in Thailand
490371-291	Power cord, AC, 3 wire, black, 1.83 m for use in Japan
490371-AA1	Power cord, AC, 3 wire, black, 1.83 m for use in the People's Republic of China
490371-AB1	Power cord, AC, 3 wire, black, 1.83 m for use in Taiwan
490371-AD1	Power cord, AC, 3 wire, black, 1.83 m for use in Korea
490371-AR1	Power cord, AC, 3 wire, black, 1.83 m for use in South Africa
490371-BB1	Power cord, AC, 3 wire, black, 1.83 m for use in Israel
490371-D61	Power cord, AC, 3 wire, black, 1.83 m for use in India
593553-001	Battery, 6-cell, 2.20 Ah, 47 Wh
593554-001	Battery, 6-cell, 2.55 Ah, 55 Wh
622643-001	320 GB, 5400 rpm hard drive
633252-001	750 GB, 7200 rpm hard drive
634250-001	750 GB, 5400 rpm hard drive
634925-001	500 GB, 7200 rpm hard drive
637193-001	RTC battery (includes mounting adhesive)
641369-001	4 GB (PC3, 12800, 1600 MHz) memory module
645193-001	320 GB, 5400 rpm hard drive
652972-001	2 GB (PC3, 12800, 1600 MHz) memory module
664662-001	Intel Pentium B960 processor (2.20 GHz, 1333 MHz/2 MB L3 cache, dual core, 35 W; includes replacement thermal material)
669299-001	500 GB, 5400 rpm hard drive
669300-001	640 GB, 5400 rpm hard drive
670290-001	WLAN Intel Centrino Wireless-N 2230 802.11b/g/n 2x2 WiFi and Bluetooth Combo Adapter
675794-001	Qualcomm Atheros AR9485 802.11b/g/n 1x1 WiFi Adapter (select models only)

Spare part number	Description
676359-001	Intel Core i5-2450M processor (2.50 GHz, turbo up to 3.10 GHz; 1333 MHz/3 MB L3 cache, dual core, 35 W; includes replacement thermal material)
676521-001	1 TB, 5400 rpm hard drive (9.5 mm (0.37 in) × 6.35 cm (2.50 in) SATA, does not include hard drive bumpers, bracket, or cable)
676785-001	Pentium B970 processor (2.3 GHz, 1333 MHz/2 MB L3 cache, dual core, 35 W)
677152-001	Intel Core i3-2370M (2.4 GHz, 1333 MHz/3 MB L3 cache, dual core 35 W)
680549-001	Heat sink for use only with computer models equipped with UMA video memory
680550-001	Heat sink for use only with computer models equipped with switchable discrete video memory
680551-001	Fan
680563-001	Rubber Kit (includes rubber feet)
680568-001	System board for use only with computer models equipped with UMA video memory (includes replacement thermal material)
680568-501	System board for use only with computer models equipped with Windows 8 Standard and UMA video memory (includes replacement thermal material)
680568-601	System board for use only with computer models equipped with Windows 8 Professional and UMA video memory (includes replacement thermal material)
680569-001	System board for use only with computer models equipped with a graphics subsystem with 1024 MB of discrete video memory (includes replacement thermal material)
680569-501	System board for use only with computer models equipped with Windows 8 Standard and a graphics subsystem with 1024 MB of discrete video memory (includes replacement thermal material)
680569-601	System board for use only with computer models equipped with Windows 8 Professional and a graphics subsystem with 1024 MB of discrete video memory (includes replacement thermal material)
680570-001	System board for use only with computer models equipped with a graphics subsystem with 2048 MB of discrete video memory (includes replacement thermal material)
680570-501	System board for use only with computer models equipped with Windows 8 Standard and a graphics subsystem with 2048 MB of discrete video memory (includes replacement thermal material)
680570-601	System board for use only with computer models equipped with Windows 8 Professional and a graphics subsystem with 2048 MB of discrete video memory (includes replacement thermal material)
680571-001	Thermal Material Kit (includes replacement thermal paste and pads)
680645-001	Intel Core i5-3210M processor (2.5 GHz, SC turbo up to 3.1 GHz, 1600 MHz/3 MB L3 cache, dual core, 35 W)
681801-001	Display back cover for use in bright purple computer models
681802-001	Display back cover for use in ruby red computer models
681803-001	Display back cover for use in winter blue computer models
681804-001	Display back cover for use in computer sparkling black computer models
681806-001	Display Bezel
681808-001	Display cable

Spare part number	Description
681811-001	Display hinge covers
681812-001	Display bracket (with hinges)
681813-001	Wireless antenna (includes wireless antenna transceivers and cable)
681814-001	DVD±RW and CD-RW Super Multi Double-Layer Combo Drive
681815-001	Blu-ray ROM DVD±R/RW Super Multi Double-Layer Drive
681816-001	Service Door (included in Plastics kit)
681817-001	39.6 cm (15.6-in) high-definition, BrightView LED display panel
681819-001	Display screw kit
681820-001	Screw kit
681821-001	Speaker assembly (includes cable)
681822-001	Top cover for use in bright purple computer models (includes Touchpad)
681823-001	Top cover for use in ruby red computer models (includes Touchpad)
681824-001	Top cover for use in winter blue computer models (includes Touchpad)
681825-001	Top cover for use in sparkling black computer models (includes Touchpad)
682417-001	Intel Core i3-3110M processor (2.4 GHz 1600 MHz/3 MB L3 cache, dual core, 35 W)
682742-001	Optical drive cable
682744-001	Power connector
682745-001	Hard drive hardware kit (includes hard drive cable, hard drive bumpers, and hard drive bracket and screws)
683547-001	USB board (includes cable)
683548-001	TouchPad button board
683549-001	Power button board
683843-001	PCH heat sink
684061-001	TouchPad LED board
685582-001	Display back cover for use in computer linen white computer models
685583-001	Top cover for use in linen white computer models (includes Touchpad)
690020-001	Ralink RT3290LE 802.11b/g/n 1×1 WiFi and Bluetooth 4.0 combination adapter
691415-001	RA FM2 bgn 1x1 WW Wireless Card
692428-001	Intel Pentium B980 processor 2.4 GHz processor (1333 MHz/2 MB L3 cache, dual core, 35 W)
693710-001	65-W HP Smart AC adapter (RC/V, EM, 3-wire)
693711-001	65-W HP Smart AC adapter (non-PFC, 3-wire)
693712-001	90-W HP Smart AC adapter (PFC, 3-wire)

Spare part number	Description
693713-001	90-W HP Smart AC adapter (PFC, EM, 3-wire)
699497-001	Windows 8 keyboard for use in the United States, black (includes cable)
699497-031	Windows 8 keyboard for use in the United Kingdom, black (includes cable)
699497-041	Windows 8 keyboard for use in Germany, black (includes cable)
699497-051	Windows 8 keyboard for use in France, black (includes cable)
699497-061	Windows 8 keyboard for use in Italy, black (includes cable)
699497-071	Windows 8 keyboard for use in Spain, black (includes cable)
699497-131	Windows 8 keyboard for use in Portugal, black (includes cable)
699497-141	Windows 8 keyboard for use in Turkey, black (includes cable)
699497-151	Windows 8 keyboard for use in for use in Greece, Black (includes cable)
699497-161	Windows 8 keyboard for use in for use in Latin America, Black (includes cable)
699497-171	Windows 8 keyboard for use in Saudi Arabia, black (includes cable)
699497-211	Windows 8 keyboard for use in Hungary, black (includes cable)
699497-251	Windows 8 keyboard for use in Russia, black (includes cable)
699497-261	Windows 8 keyboard for use in Bulgaria, black (includes cable)
699497-271	Windows 8 keyboard for use Romania, black (includes cable)
699497-281	Windows 8 keyboard for use in Thailand, black (includes cable)
699497-291	Windows 8 keyboard for use in Japan, black (includes cable)
699497-A41	Windows 8 keyboard for use in Europe, black (includes cable)
699497-AB1	Windows 8 keyboard for use in Taiwan, black (includes cable)
699497-AD1	Windows 8 keyboard for use in Korea, black (includes cable)
699497-B31	Windows 8 keyboard for International use, black (includes cable)
699497-BA1	Windows 8 keyboard for use in the Adriatics, black (includes cable)
699497-BB1	Windows 8 keyboard use in Israel, black (includes cable)
699497-BG1	Windows 8 keyboard for use in Switzerland, black (includes cable)
699497-DB1	Windows 8 keyboard for use in Canada, black (includes cable)
699497-DH1	Windows 8 keyboard for use in the Netherlands, black (includes cable)
699497-FL1	Windows 8 keyboard for use in the Czech Republic and Slovakia, black (includes cable)
699497-FP1	Windows 8 keyboard for use in Northwest Africa, black (includes cable)
699498-001	Windows 8 keyboard for use in the United States, white (includes cable)
699498-031	Windows 8 keyboard for use in the United Kingdom, white (includes cable)
699498-041	Windows 8 keyboard for use in Germany, white (includes cable)

Spare part number	Description
699498-051	Windows 8 keyboard for use in France, white (includes cable)
699498-061	Windows 8 keyboard for use in Italy, white (includes cable)
699498-071	Windows 8 keyboard for use in Spain, white (includes cable)
699498-131	Windows 8 keyboard for use in Portugal, white (includes cable)
699498-141	Windows 8 keyboard for use in Turkey, white (includes cable)
699498-151	Windows 8 keyboard for use in for use in Greece, white (includes cable)
699498-161	Windows 8 keyboard for use in for use in Latin America, white (includes cable)
699498-171	Windows 8 keyboard for use in Saudi Arabia, white (includes cable)
699498-251	Windows 8 keyboard for use in Russia, white (includes cable)
699498-261	Windows 8 keyboard for use in Bulgaria, white (includes cable)
699498-281	Windows 8 keyboard for use in Thailand, white (includes cable)
699498-291	Windows 8 keyboard for use in Japan, white (includes cable)
699498-A41	Windows 8 keyboard for use in Europe, white (includes cable)
699498-AB1	Windows 8 keyboard for use in Taiwan, white (includes cable)
699498-AD1	Windows 8 keyboard for use in Korea, white (includes cable)
699498-B31	Windows 8 keyboard for International use, white (includes cable)
699498-BB1	Windows 8 keyboard for use in Israel, white (includes cable)
699498-BG1	Windows 8 keyboard for use in Switzerland, white (includes cable)
699498-DB1	Windows 8 keyboard for use in Canada, white (includes cable)
699498-DH1	Windows 8 keyboard for use in the Netherlands, white (includes cable)
699498-FL1	Windows 8 keyboard for use in the Czech Republic and Slovakia, white (includes cable)
700627-001	Intel Core i3-3120M processor (2.5 GHz 1600 MHz/3 MB L3 cache, dual core, 35 W)
700628-001	Intel Pentium 2020M processor (2.4GHz, 1600MHz/2 MB L3 cache, dual core, 35W)
701658-001	Intel Core i7-3632QM processor (2.2 GHz, SC turbo up to 3.1 GHz, 1600 MHz/6 MB L3 cache, quad core, 35 W)
703461-001	Web camera/ MIC High Definition (HD)
708302-001	Base enclosure
710873-001	System board for use only with computer models equipped with UMA video memory, Intel Core i3-3110M processor, and FreeDOS 1.0 (includes replacement thermal material)
710873-501	System board for use only with computer models equipped with UMA video memory, Intel Core i3-3110M processor, and Windows 8 Standard (includes replacement thermal material)
710873-601	System board for use only with computer models equipped with UMA video memory, Intel Core i3-3110M processor, and Windows 8 Professional (includes replacement thermal material)

Spare part number	Description
710874-001	System board for use only with computer models equipped with a graphics subsystem with 1 GB of switchable discrete video memory, Intel Core i3-3110M processor, and FreeDOS 1.0 (includes replacement thermal material)
710874-501	System board for use only with computer models equipped with a graphics subsystem with 1 GB of switchable discrete video memory, Intel Core i3-3110M processor, and Windows 8 Standard (includes replacement thermal material)
710874-601	System board for use only with computer models equipped with a graphics subsystem with 1 GB of switchable discrete video memory, Intel Core i3-3110M processor, and Windows 8 Professional (includes replacement thermal material)
711471-001	Heat sink for use only with computer models equipped with UMA video memory for BGA-based systems
711472-001	Heat sink for use only with computer models equipped with switchable discrete video memory for BGA-based systems
711903-001	Intel Core i5-3230M processor (2.6 GHz, SC turbo up to 3.1 GHz, 1600 MHz/3 MB L3 cache, dual core, 35 W)
713163-001	Intel Core i3-3130M (2.6 GHz, 1600 MHz/3 MB L3 cache, dual core, 35 W)
713164-001	Pentium 2030M processor (2.5 GHz, 1600 MHz/2 MB L3 cache, dual core, 35 W)

4 Removal and replacement procedures

Preliminary replacement requirements


Tools required

You will need the following tools to complete the removal and replacement procedures:


- Flat-bladed screwdriver
- Magnetic screwdriver
- Phillips P0 and P1 screwdrivers

Service considerations


The following sections include some of the considerations that you must keep in mind during disassembly and assembly procedures.

 **NOTE:** As you remove each subassembly from the computer, place the subassembly (and all accompanying screws) away from the work area to prevent damage.

Plastic parts

 **CAUTION:** Using excessive force during disassembly and reassembly can damage plastic parts. Use care when handling the plastic parts. Apply pressure only at the points designated in the maintenance instructions.

Cables and connectors

 **CAUTION:** When servicing the computer, be sure that cables are placed in their proper locations during the reassembly process. Improper cable placement can damage the computer.

Cables must be handled with extreme care to avoid damage. Apply only the tension required to unseat or seat the cables during removal and insertion. Handle cables by the connector whenever possible. In all cases, avoid bending, twisting, or tearing cables. Be sure that cables are routed in such a way that they cannot be caught or snagged by parts being removed or replaced. Handle flex cables with extreme care; these cables tear easily.

Drive handling

⚠ CAUTION: Drives are fragile components that must be handled with care. To prevent damage to the computer, damage to a drive, or loss of information, observe these precautions:

Before removing or inserting a hard drive, shut down the computer. If you are unsure whether the computer is off or in Hibernation, turn the computer on, and then shut it down through the operating system.

Before handling a drive, be sure that you are discharged of static electricity. While handling a drive, avoid touching the connector.

Before removing a diskette drive or optical drive, be sure that a diskette or disc is not in the drive and be sure that the optical drive tray is closed.

Handle drives on surfaces covered with at least one inch of shock-proof foam.

Avoid dropping drives from any height onto any surface.

After removing a hard drive, an optical drive, or a diskette drive, place it in a static-proof bag.

Avoid exposing an internal hard drive to products that have magnetic fields, such as monitors or speakers.

Avoid exposing a drive to temperature extremes or liquids.

If a drive must be mailed, place the drive in a bubble pack mailer or other suitable form of protective packaging and label the package "FRAGILE."

Grounding guidelines

Electrostatic discharge damage

Electronic components are sensitive to electrostatic discharge (ESD). Circuitry design and structure determine the degree of sensitivity. Networks built into many integrated circuits provide some protection, but in many cases, ESD contains enough power to alter device parameters or melt silicon junctions.

A discharge of static electricity from a finger or other conductor can destroy static-sensitive devices or microcircuitry. Even if the spark is neither felt nor heard, damage may have occurred.

An electronic device exposed to ESD may not be affected at all and can work perfectly throughout a normal cycle. Or the device may function normally for a while, then degrade in the internal layers, reducing its life expectancy.

⚠ CAUTION: To prevent damage to the computer when you are removing or installing internal components, observe these precautions:

Keep components in their electrostatic-safe containers until you are ready to install them.

Before touching an electronic component, discharge static electricity by using the guidelines described in this section.

Avoid touching pins, leads, and circuitry. Handle electronic components as little as possible.

If you remove a component, place it in an electrostatic-safe container.

The following table shows how humidity affects the electrostatic voltage levels generated by different activities.

⚠ CAUTION: A product can be degraded by as little as 700 V.

Typical electrostatic voltage levels			
Event	Relative humidity		
	10%	40%	55%
Walking across carpet	35,000 V	15,000 V	7,500 V
Walking across vinyl floor	12,000 V	5,000 V	3,000 V
Motions of bench worker	6,000 V	800 V	400 V
Removing DIPS from plastic tube	2,000 V	700 V	400 V
Removing DIPS from vinyl tray	11,500 V	4,000 V	2,000 V
Removing DIPS from Styrofoam	14,500 V	5,000 V	3,500 V
Removing bubble pack from PCB	26,500 V	20,000 V	7,000 V
Packing PCBs in foam-lined box	21,000 V	11,000 V	5,000 V

Packaging and transporting guidelines

Follow these grounding guidelines when packaging and transporting equipment:

- To avoid hand contact, transport products in static-safe tubes, bags, or boxes.
- Protect ESD-sensitive parts and assemblies with conductive or approved containers or packaging.
- Keep ESD-sensitive parts in their containers until the parts arrive at static-free workstations.
- Place items on a grounded surface before removing items from their containers.
- Always be properly grounded when touching a component or assembly.
- Store reusable ESD-sensitive parts from assemblies in protective packaging or nonconductive foam.
- Use transporters and conveyors made of antistatic belts and roller bushings. Be sure that mechanized equipment used for moving materials is wired to ground and that proper materials are selected to avoid static charging. When grounding is not possible, use an ionizer to dissipate electric charges.

Workstation guidelines

Follow these grounding workstation guidelines:

- Cover the workstation with approved static-shielding material.
- Use a wrist strap connected to a properly grounded work surface and use properly grounded tools and equipment.
- Use conductive field service tools, such as cutters, screwdrivers, and vacuums.
- When fixtures must directly contact dissipative surfaces, use fixtures made only of static-safe materials.
- Keep the work area free of nonconductive materials, such as ordinary plastic assembly aids and Styrofoam.
- Handle ESD-sensitive components, parts, and assemblies by the case or PCM laminate. Handle these items only at static-free workstations.
- Avoid contact with pins, leads, or circuitry.
- Turn off power and input signals before inserting or removing connectors or test equipment.

Equipment guidelines

Grounding equipment must include either a wrist strap or a foot strap at a grounded workstation.

- When seated, wear a wrist strap connected to a grounded system. Wrist straps are flexible straps with a minimum of one megohm $\pm 10\%$ resistance in the ground cords. To provide proper ground, wear a strap snugly against the skin at all times. On grounded mats with banana-plug connectors, use alligator clips to connect a wrist strap.
- When standing, use foot straps and a grounded floor mat. Foot straps (heel, toe, or boot straps) can be used at standing workstations and are compatible with most types of shoes or boots. On conductive floors or dissipative floor mats, use foot straps on both feet with a minimum of one megohm resistance between the operator and ground. To be effective, the conductive must be worn in contact with the skin.

The following grounding equipment is recommended to prevent electrostatic damage:

- Antistatic tape
- Antistatic smocks, aprons, and sleeve protectors
- Conductive bins and other assembly or soldering aids
- Nonconductive foam
- Conductive tabletop workstations with ground cords of one megohm resistance
- Static-dissipative tables or floor mats with hard ties to the ground
- Field service kits
- Static awareness labels
- Material-handling packages
- Nonconductive plastic bags, tubes, or boxes
- Metal tote boxes
- Electrostatic voltage levels and protective materials

The following table lists the shielding protection provided by antistatic bags and floor mats.

Material	Use	Voltage protection level
Antistatic plastics	Bags	1,500 V
Carbon-loaded plastic	Floor mats	7,500 V
Metallized laminate	Floor mats	5,000 V

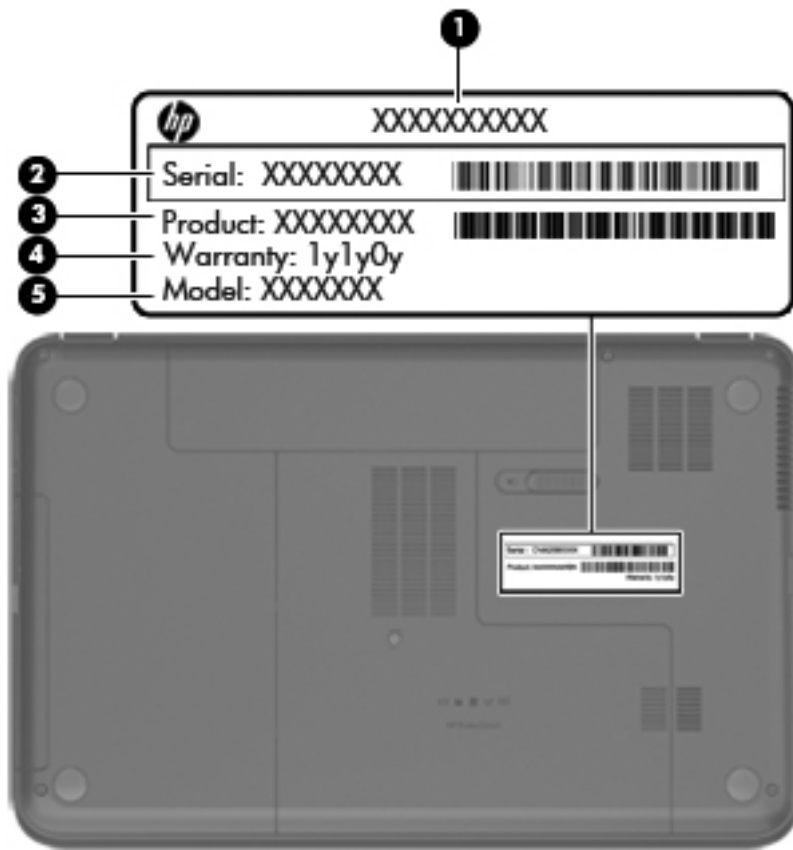
Component replacement procedures

This chapter provides removal and replacement procedures.

There are as many as 63 screws that must be removed, replaced, or loosened when servicing the computer. Make special note of each screw and screw lock size and location during removal and replacement.

Service label

When ordering parts or requesting information, provide the computer serial number and model number provided on the service label.

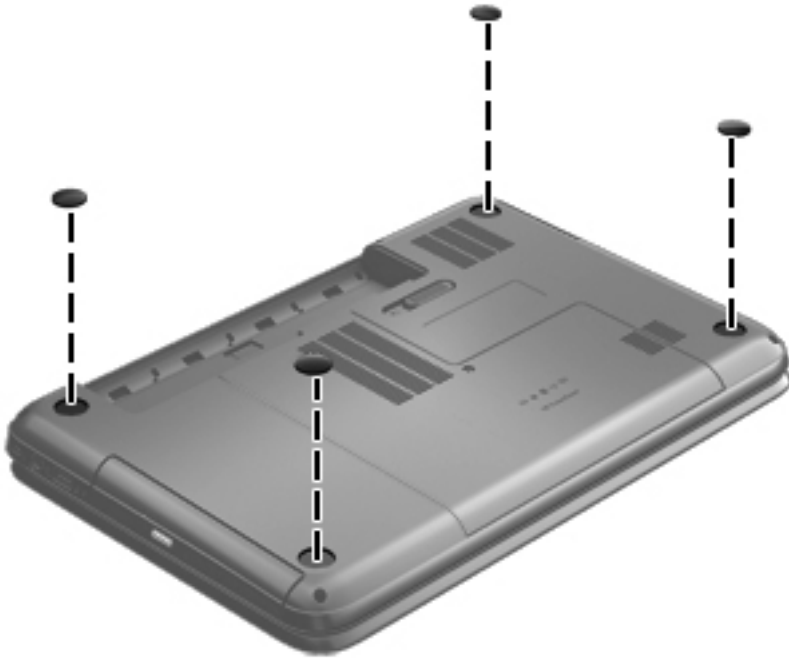


Item	Description	Function
(1)	Product name	The name affixed to the front of the computer.
(2)	Serial number (s/n)	This is an alphanumeric identifier that is unique to each product.
(3)	Part number/Product number (p/n)	This number provides specific information about the product's hardware components. The part number helps a service technician to determine what components and parts are needed.
(4)	Warranty period	This number describes the duration of the warranty period for the computer.
(5)	Model description (select models only)	This is the alphanumeric identifier needed to locate documents, drivers, and support for the computer.

Computer feet

Description	Spare part number
Rubber feet kit	680563-001

The computer feet are adhesive-backed rubber pads. There are 4 rubber feet that attach to the base enclosure in the locations illustrated below.



Battery

Description	Spare part number
6-cell, 55-Whr, 2.55-Ah Li-ion battery	593554-001
6-cell, 47-Whr, 2.20-Ah Li-ion battery	593553-001

Before disassembling the computer, follow these steps:

1. Shut down the computer. If you are unsure whether the computer is off or in Hibernation, turn the computer on, and then shut it down through the operating system.
2. Disconnect all external devices connected to the computer.
3. Disconnect the power from the computer by first unplugging the power cord from the AC outlet and then unplugging the AC adapter from the computer.

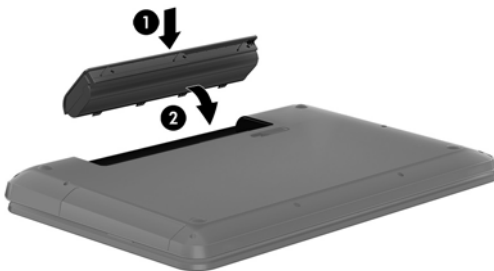
Remove the battery:

1. Slide the battery release latch **(1)** to release the battery.
2. Pivot the front edge of the battery **(2)** up and back.
3. Remove the battery **(3)** from the computer.



To insert the battery:

1. Align the tabs on the rear edge of the battery **(1)** with the notches on the rear edge of the battery bay.
2. Pivot the front edge of the battery **(2)** down into the battery bay until it is seated. (The battery release latch will automatically lock into place.)



Service door

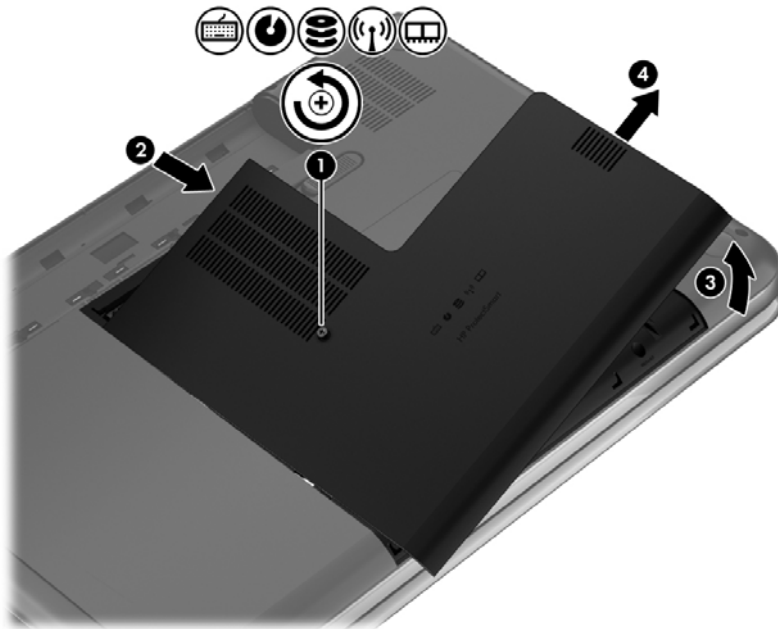
Description	Spare part number
Plastics Kit (contains the service door)	681816-001

Before removing the service door, follow these steps:

1. Shut down the computer. If you are unsure whether the computer is off or in Hibernation, turn the computer on, and then shut it down through the operating system.
2. Disconnect all external devices connected to the computer.
3. Disconnect the power from the computer by first unplugging the power cord from the AC outlet and then unplugging the AC adapter from the computer.
4. Remove the battery (see [Battery on page 41](#)).

Remove the service door:

1. Using a small Phillips screwdriver, loosen the service door capture screw **(1)**.
2. Slide the service door **(2)** forward slightly and lift the front right corner **(3)** to tilt the service door.
3. Remove the service door **(4)** at an angle.



Reverse this procedure to replace the service door.

Optical drive



NOTE: The optical drive spare part kit includes a bezel and bracket.

Description	Spare part number
Blu-ray ROM DVD±R/RW Super Multi Double-Layer Drive	681814-001
DVD±RW and CD-RW Super Multi Double-Layer Combo Drive	681815-001
Optical drive cable kit	682742-001

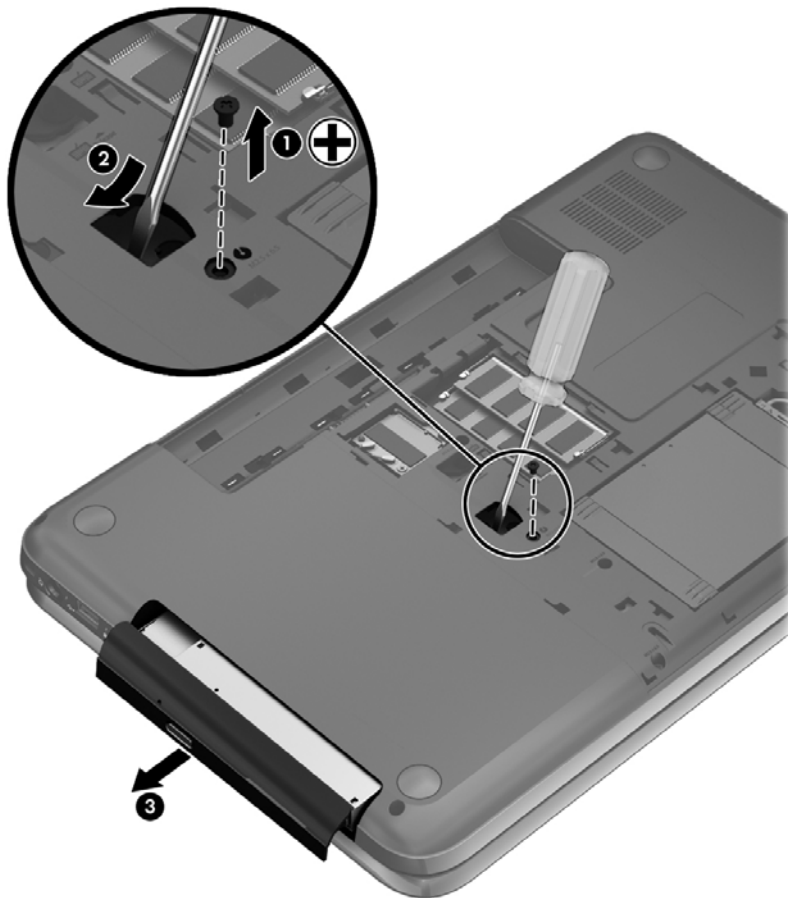
Before removing the optical drive, follow these steps:

1. Shut down the computer. If you are unsure whether the computer is off or in Hibernation, turn the computer on, and then shut it down through the operating system.
2. Disconnect all external devices connected to the computer.
3. Disconnect the power from the computer by first unplugging the power cord from the AC outlet and then unplugging the AC adapter from the computer.
4. Remove the battery (see [Battery on page 41](#)).
5. Remove the service door (see [Service door on page 42](#)).

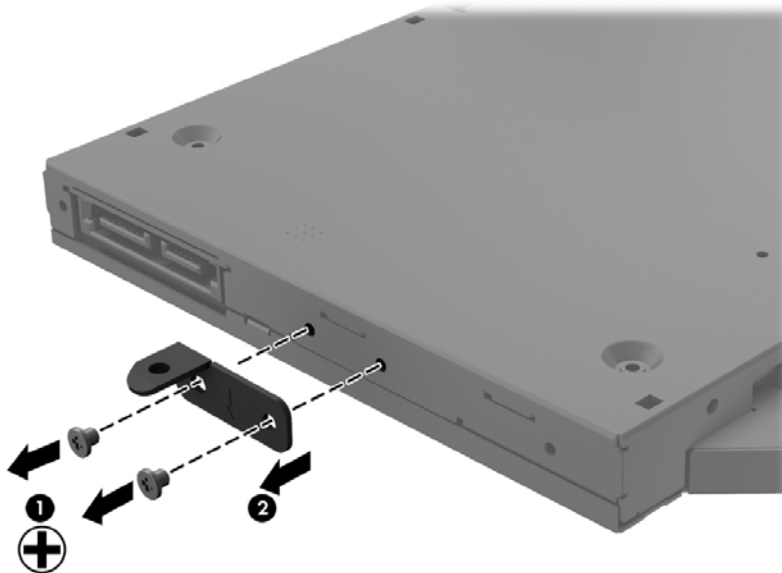
Remove the optical drive:

1. Using a small Phillips screwdriver, remove the PM 2.5 x 6.5 screw **(1)** that secures the ODD to the computer.
2. Insert a screwdriver or other narrow tool through the release access hole **(2)** in the bottom of the computer. Push the rear of the ODD until it is released.

3. Pull the ODD **(3)** out from the front until the ODD is completely removed from the computer.

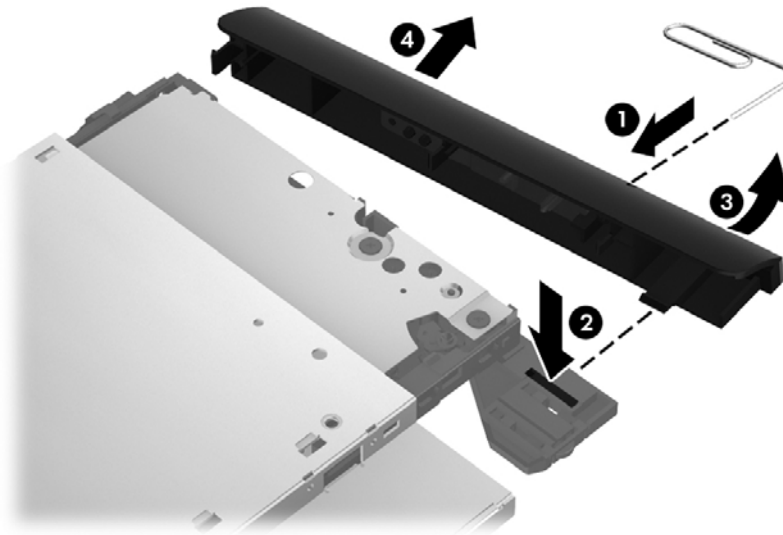


4. Remove the 2 PM 2.0 x 3.0 screws **(1)** that secure the ODD bracket to the ODD and then remove the bracket **(2)** from the ODD.




5. Insert a straightened paper clip **(1)** into the release access opening in the bezel.

6. Press the release tab **(2)** and remove the bezel from the tab side **(3)**.
7. Remove the bezel **(4)** from the ODD.



Reverse this procedure to reassemble and install the optical drive.

Hard drive

 **NOTE:** The hard drive spare part kit does not include the hard drive cable, hard drive bumpers, or hard drive bracket and screws.

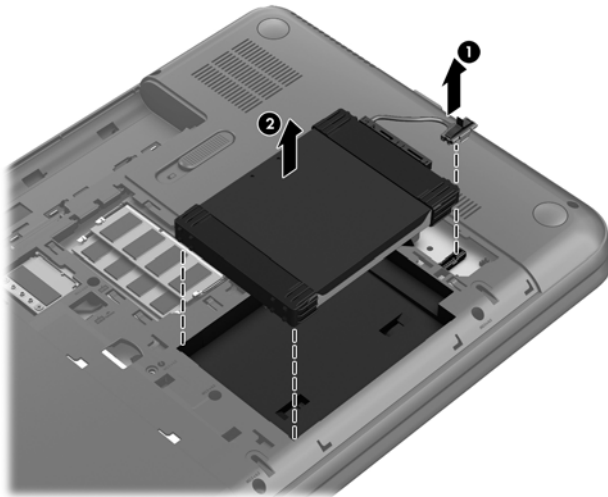
Description	Spare part number
Supports the following 9.50 mm, 6.35 cm (2.50 in) SATA hard drives:	
1 TB, 5400 rpm	676521-001
750 GB, 7200 rpm	633252-001
750 GB, 5400 rpm	634250-001
640 GB, 5400 rpm	669300-001
500 GB, 7200 rpm	634925-001
500 GB, 5400 rpm	669299-001
320 GB, 5400 rpm	622643-001
Supports the following 7.00 mm, 6.35 cm (2.50 in) SATA hard drives:	
320 GB, 5400 rpm	645193-001
Hard drive hardware kit (includes hard drive cable, hard drive bumpers, and hard drive bracket and screws)	682745-001

Before removing the hard drive, follow these steps:

1. Shut down the computer. If you are unsure whether the computer is off or in Hibernation, turn the computer on, and then shut it down through the operating system.
2. Disconnect all external devices connected to the computer.
3. Disconnect the power from the computer by first unplugging the power cord from the AC outlet and then unplugging the AC adapter from the computer.
4. Remove the battery (see [Battery on page 41](#)).
5. Remove the service door (see [Service door on page 42](#)).

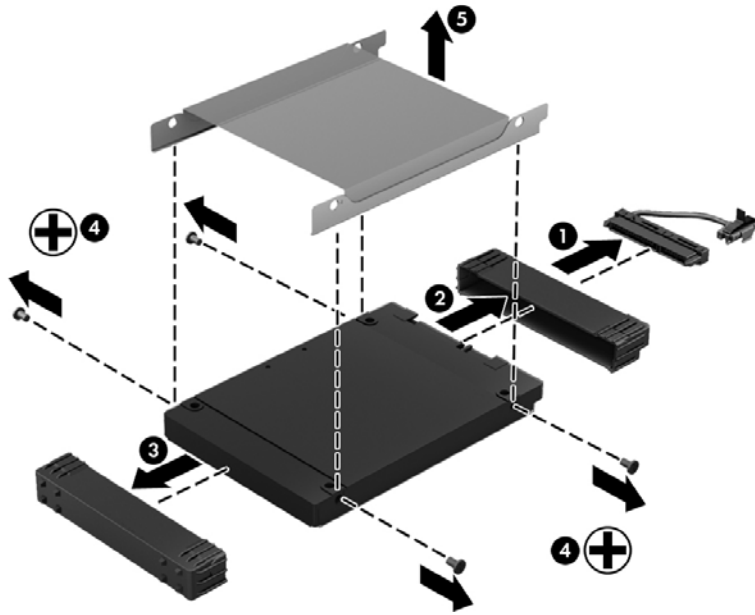
Remove the hard drive:

1. Disconnect the hard drive cable **(1)** from the computer.
2. Lift the hard drive **(2)** to remove.



3. Disconnect the hard drive cable **(1)**. Remove the front bumper **(2)** and back bumper **(3)**.

- Remove the 4 PM 3.0 x 3.5 screws **(4)**, and then remove the bracket **(5)** from the hard drive.



Replacing the hard drive

Reverse this procedure to reassemble and install the hard drive.

Memory module

- WARNING!** To reduce the risk of electric shock and damage to the equipment, unplug the power cord and remove all batteries before installing a memory module.
- CAUTION:** Electrostatic discharge (ESD) can damage electronic components. Before beginning any procedure, ensure that you are discharged of static electricity by touching a grounded metal object.
- NOTE:** To use a dual-channel configuration with a second memory module, be sure that both memory modules are identical.

Description	Spare part number
4 GB (PC3, 12800, 1600 MHz)	641369-001
2 GB (PC3, 12800, 1600 MHz)	652972-001

Before removing a memory module, follow these steps:

- CAUTION:** To prevent information loss or an unresponsive system:

Shut down the computer before adding or replacing memory modules. Do not remove a memory module while the computer is on, in the Sleep/Suspend state, or in Hibernation.

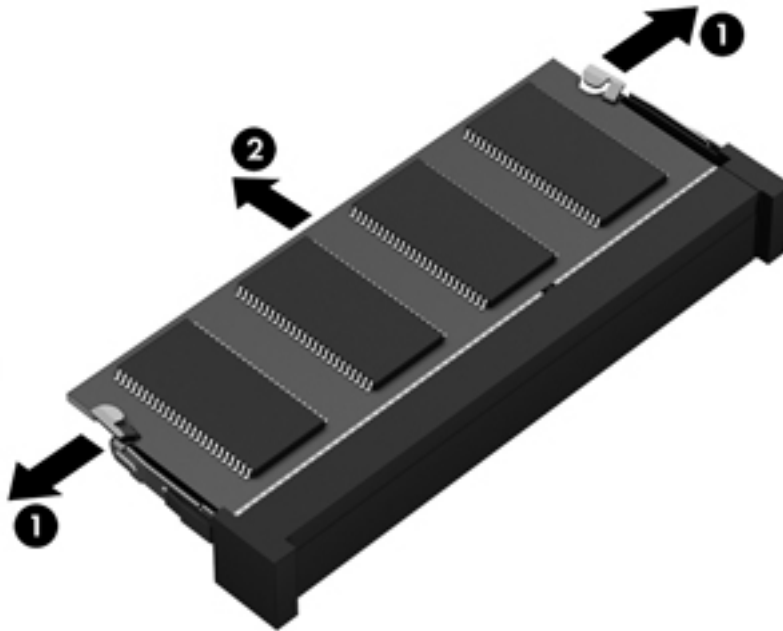
- Shut down the computer. If you are unsure whether the computer is off or in Hibernation, turn the computer on, and then shut it down through the operating system.
- Disconnect all external devices connected to the computer.

3. Disconnect the power from the computer by first unplugging the power cord from the AC outlet and then unplugging the AC adapter from the computer.
4. Remove the battery (see [Battery on page 41](#)).
5. Remove the service door (see [Service door on page 42](#)).

To add or replace a memory module:

1. Spread the retaining clips **(1)** on each side of the memory module slot to release the memory module. (The memory module tilts up.)
2. Remove the memory module **(2)** by pulling it away from the slot at an angle.

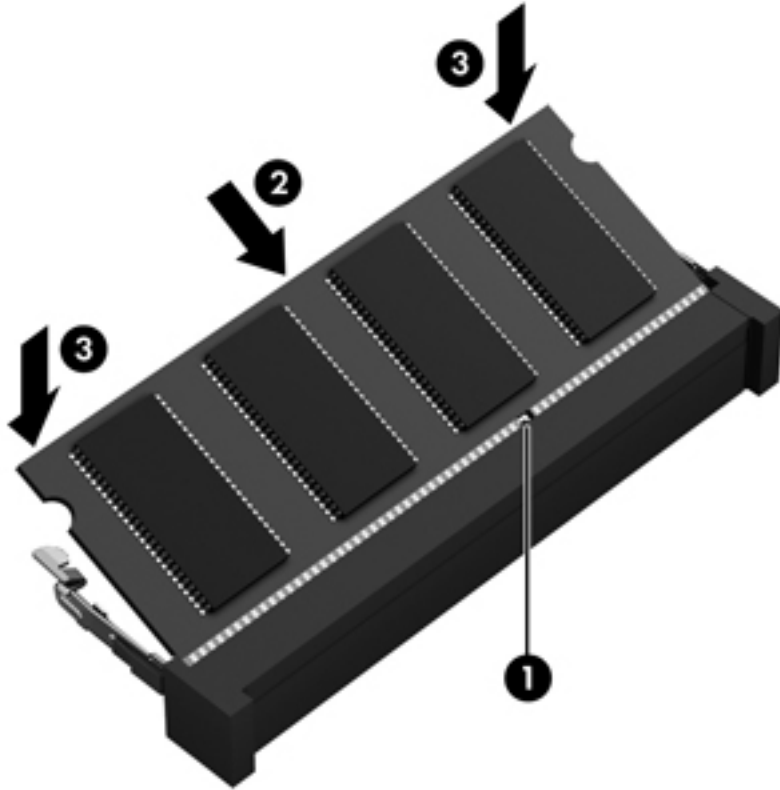
CAUTION: To prevent damage to the memory module, hold the memory module by the edges only. Do not touch the components on the memory module.



CAUTION: To protect a memory module after removal, place it in an electrostatic-safe container.


3. Align the notched edge **(1)** of the memory module with the tab in the memory module slot.
4. With the memory module at a 45-degree angle from the surface of the memory module compartment, press the module into the memory module slot **(2)** until it is seated.

5. Gently press the memory module **(3)** down, applying pressure to both the left and right edges of the module, until the retention clips snap into place.



WLAN module

Description	Spare part number
Atheros HB125 802.11b/g/n 1×1 WiFi Adapter (select models only)	675794-001
Intel Centrino Wireless-N 2230 802.11b/g/n 2×2 WiFi and Bluetooth Combo Adapter	670290-001
Ralink RT3290LE 802.11 b/g/n 1×1 WiFi and Bluetooth 4.0 Combo Adapter (select models only)	690020-001
Ralink RT5390R 802.11 b/g/n 1×1 WiFi Adapter	691415-001


 **CAUTION:** To prevent an unresponsive system, replace the wireless module only with a wireless module authorized for use in the computer by the governmental agency that regulates wireless devices in your country or region. If you replace the module and then receive a warning message, remove the module to restore device functionality, and then contact technical support.

Before removing the WLAN module, follow these steps:

1. Shut down the computer. If you are unsure whether the computer is off or in Hibernation, turn the computer on, and then shut it down through the operating system.
2. Disconnect all external devices connected to the computer.
3. Disconnect the power from the computer by first unplugging the power cord from the AC outlet and then unplugging the AC adapter from the computer.
4. Remove the battery (see [Battery on page 41](#)).
5. Remove the service door (see [Service door on page 42](#)).


Remove the WLAN module:

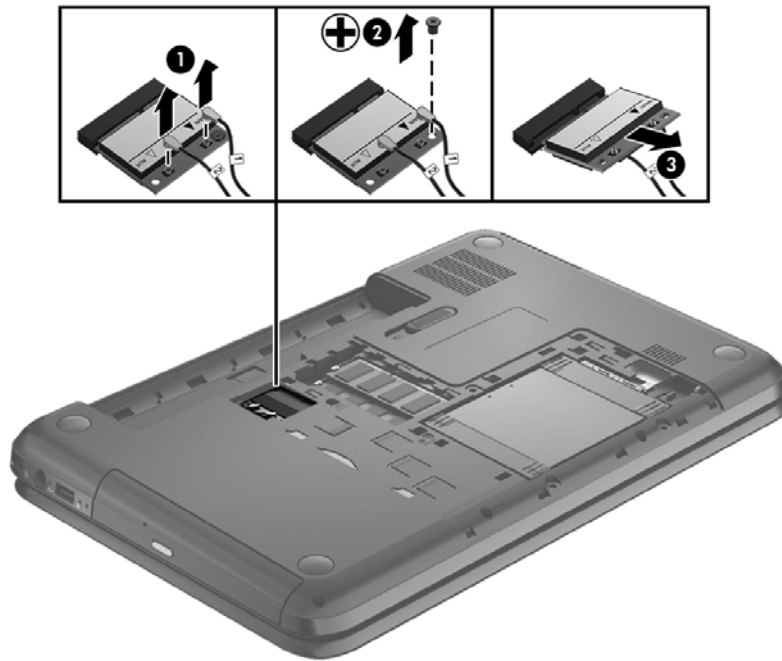
1. Disconnect the WLAN antenna cables **(1)** from the terminals on the WLAN module.


 **NOTE:** The 1/black WLAN antenna cable is connected to the WLAN module 1/Main terminal. The 2/gray WLAN antenna cable is connected to the WLAN module 2/Aux terminal.

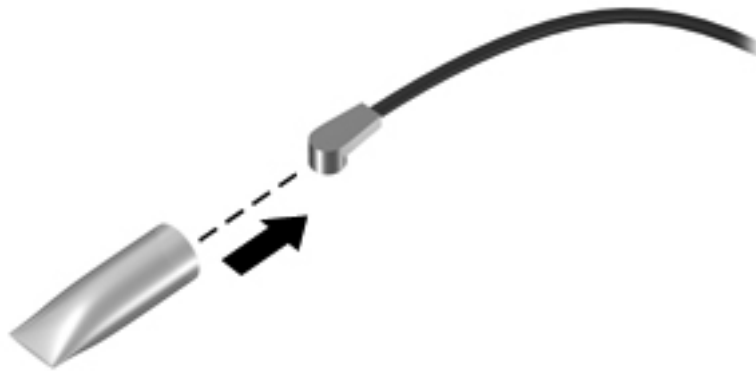
2. Remove the PM 2.0×4.0 screw **(2)** that secures the WLAN module to the system board. (The WLAN module tilts up.)

3. Remove the WLAN module by pulling the module away from the slot at an angle **(3)**.

 **NOTE:** The WLAN module is designed with a notch to prevent incorrect installation into the WLAN module socket.



 **NOTE:** If the WLAN antennas are not connected to the terminals on the WLAN module, the protective sleeves must be installed on the antenna connectors, as shown in the following illustration.



Reverse this procedure to install the WLAN module.

Keyboard



NOTE: The keyboard spare part kit includes a keyboard cable.

Description	Spare part number
Keyboard	
Keyboards for Windows 8 with black finish:	
• For use in the United States	699497-001
• For use in the United Kingdom	699497-031
• For use in Germany	699497-041
• For use in France	699497-051
• For use in Italy	699497-061
• For use in Spain	699497-071
• For use in Portugal	699497-131
• For use in Turkey	699497-141
• For use in Greece	699497-151
• For use in Latin America	699497-161
• For use in Saudi Arabia	699497-171
• For use in Hungary	699497-211
• For use in Russia	699497-251
• For use in Bulgaria	699497-261
• For use in Romania	699497-271
• For use in Thailand	699497-281
• For use in Japan	699497-291
• For use in Europe	699497-A41
• For use in Taiwan	699497-AB1
• For use in Korea	699497-AD1
• For International use	699497-B31
• For use in the Adriatics	699497-BA1
• For use in Israel	699497-BB1
• For use in Switzerland	699497-BG1
• For use in Canada	699497-DB1
• For use in the Netherlands	699497-DH1
• For use in the Czech Republic and Slovakia	699497-FL1

Description	Spare part number
<ul style="list-style-type: none"> For use in Northwest Africa 	699497-FP1
Keyboards for Windows 8 with white finish:	
<ul style="list-style-type: none"> For use in the United States 	699498-001
<ul style="list-style-type: none"> For use in the United Kingdom 	699498-031
<ul style="list-style-type: none"> For use in Germany 	699498-041
<ul style="list-style-type: none"> For use in France 	699498-051
<ul style="list-style-type: none"> For use in Italy 	699498-061
<ul style="list-style-type: none"> For use in Spain 	699498-071
<ul style="list-style-type: none"> For use in Portugal 	699498-131
<ul style="list-style-type: none"> For use in Turkey 	699498-141
<ul style="list-style-type: none"> For use in Greece 	699498-151
<ul style="list-style-type: none"> For use in Latin America 	699498-161
<ul style="list-style-type: none"> For use in Saudi Arabia 	699498-171
<ul style="list-style-type: none"> For use in Russia 	699498-251
<ul style="list-style-type: none"> For use in Bulgaria 	699498-261
<ul style="list-style-type: none"> For use in Thailand 	699498-281
<ul style="list-style-type: none"> For use in Japan 	699498-291
<ul style="list-style-type: none"> For use in Europe 	699498-A41
<ul style="list-style-type: none"> For use in Taiwan 	699498-AB1
<ul style="list-style-type: none"> For use in Korea 	699498-AD1
<ul style="list-style-type: none"> For International use 	699498-B31
<ul style="list-style-type: none"> For use in Israel 	699498-BB1
<ul style="list-style-type: none"> For use in Switzerland 	699498-BG1
<ul style="list-style-type: none"> For use in Canada 	699498-DB1
<ul style="list-style-type: none"> For use in the Netherlands 	699498-DH1
<ul style="list-style-type: none"> For use in the Czech Republic and Slovakia 	699498-FL1

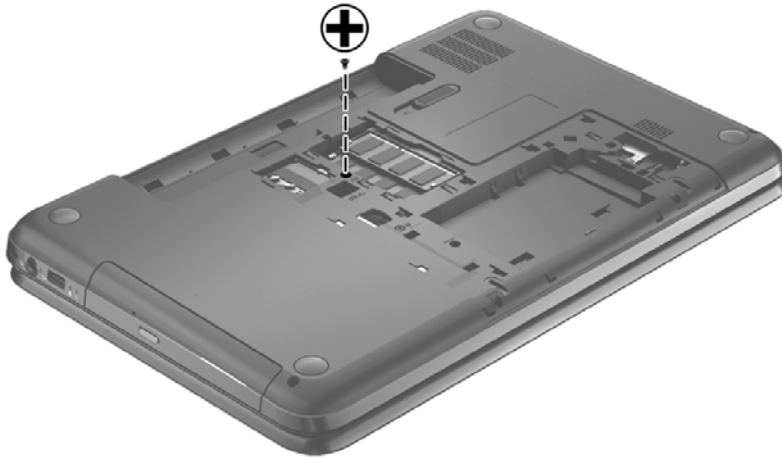
Before removing the keyboard, follow these steps:

1. Shut down the computer. If you are unsure whether the computer is off or in Hibernation, turn the computer on, and then shut it down through the operating system.
2. Disconnect all external devices connected to the computer.
3. Disconnect the power from the computer by first unplugging the power cord from the AC outlet and then unplugging the AC adapter from the computer.

4. Remove the battery (see [Battery on page 41](#)).
5. Remove the service door (see [Service door on page 42](#)).
6. Remove the hard drive (see [Hard drive on page 45](#))



Remove the keyboard:

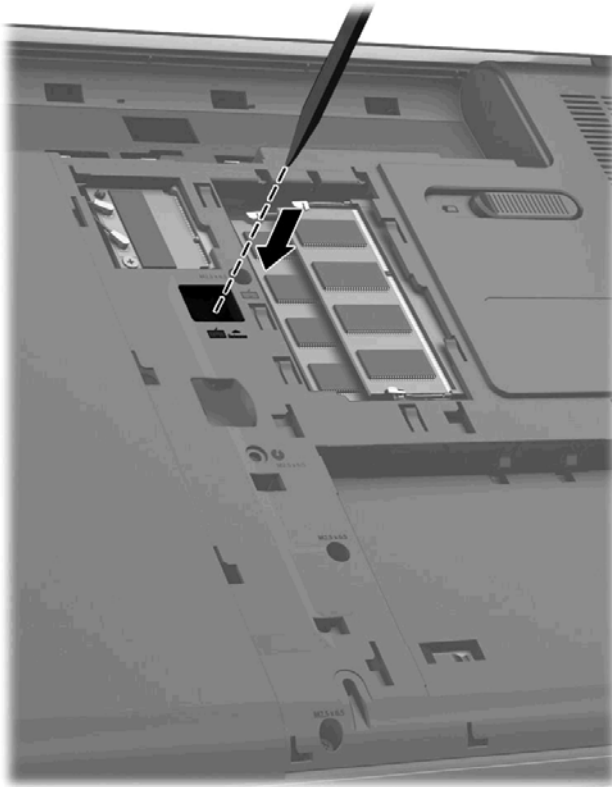
1. Remove the PM 2.5 × 6.5 screw that secures the keyboard to the computer.



2. Rest the computer on its left side.
3. Open the computer.

- Using a thin, non-conductive tool, press on the back of the keyboard through the release access hole until the keyboard disengages from the computer.

 **NOTE:** The keyboard icon  indicates the location of the keyboard release access hole.



- Turn the computer right-side up with the front toward you.
- Lift the rear edge of the keyboard **(1)**, and then swing the keyboard **(2)** up and forward until it rests upside down on the palm rest.



7. Release the zero insertion force (ZIF) connector **(1)** to which the keyboard cable is attached, and then disconnect the keyboard cable **(2)** from the system board.



8. Remove the keyboard.

Reverse this procedure to install the keyboard.

Top cover



NOTE: The top cover spare part kit includes the TouchPad.

Description	Spare part number
Bright purple	681822-001
Ruby red	681823-001
Sparkling black	681825-001
Winter blue	681824-001
Linen white	685583-001

Before removing the top cover, follow these steps:

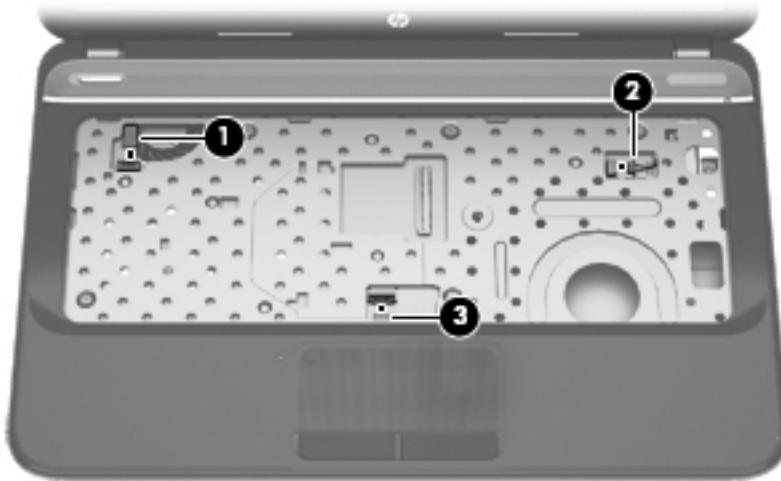
1. Shut down the computer. If you are unsure whether the computer is off or in Hibernation, turn the computer on, and then shut it down through the operating system.
2. Disconnect all external devices connected to the computer.
3. Disconnect the power from the computer by first unplugging the power cord from the AC outlet and then unplugging the AC adapter from the computer.
4. Remove the battery (see [Battery on page 41](#)).
5. Remove the service door (see [Service door on page 42](#)).
6. Remove the optical drive (see [Optical drive on page 43](#)).
7. Remove the hard drive (see [Hard drive on page 45](#)).
8. Remove the keyboard (see [Keyboard on page 52](#)).

When replacing the top cover, be sure that the following components are removed from the defective top cover and installed on the replacement top cover:

- Power button board and cable (see [Power button board on page 62](#)).
- TouchPad button board and cable (see [TouchPad button board on page 64](#)).
- TouchPad LED board and cable (see [TouchPad LED board on page 65](#)).
- Speakers and cable (see [Speakers on page 61](#)).


Remove the top cover:

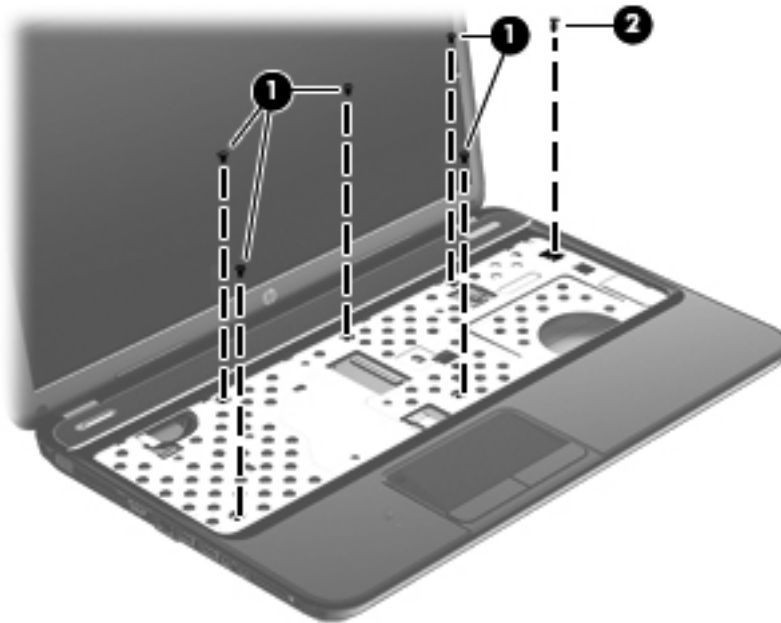
1. Disconnect these cables from the system board:
 - (1) Power button board ZIF cable
 - (2) Speaker cable
 - (3) TouchPad button board ZIF cable



2. Remove the following screws under the keyboard:

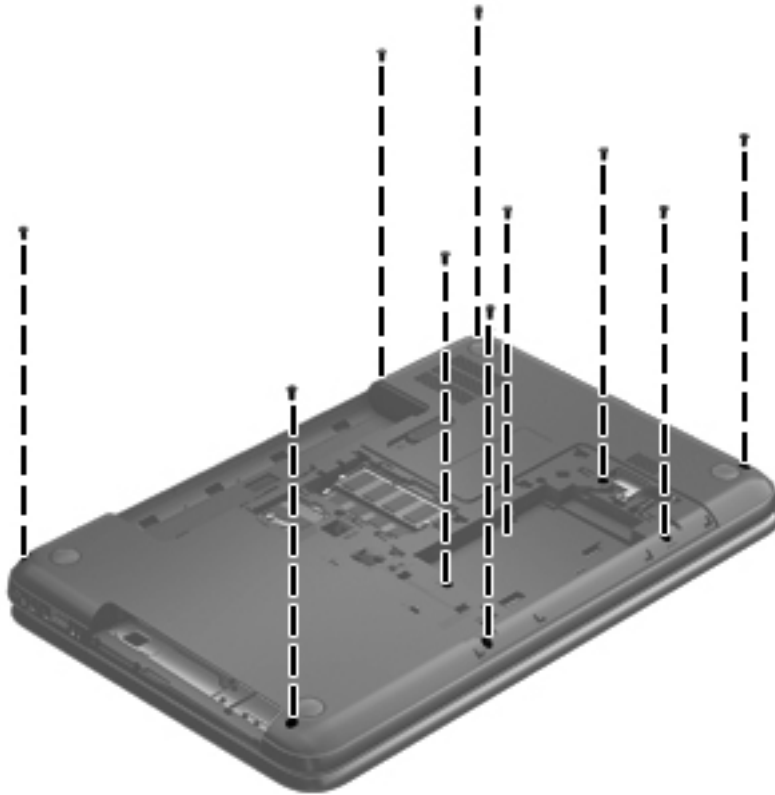
- (1) Five PM 2.5 x 4.0
- (2) One PM 2.5 x 6.5

 **NOTE:** This screw (2) also secures the speaker underneath the top cover.



3. Close the computer.

4. Turn the computer upside down, with the front toward you.
5. Remove the following Nine PM 2.5 x 6.5 screws that secure the top cover to the computer.



6. Turn the computer right-side up, with the front toward you.
7. Open the computer.
8. Lift the front edge of the top cover **(1)** until the left and right sides disengage from the base enclosure.
9. Remove the top cover **(2)**.



Reverse this procedure to install the top cover.

Speakers

Description	Spare part number
Speaker Kit (includes left and right speakers and cable)	681821-001

Before removing the speakers, follow these steps:

1. Shut down the computer. If you are unsure whether the computer is off or in Hibernation, turn the computer on, and then shut it down through the operating system.
2. Disconnect all external devices connected to the computer.
3. Disconnect the power from the computer by first unplugging the power cord from the AC outlet and then unplugging the AC adapter from the computer.
4. Remove the battery (see [Battery on page 41](#)).
5. Remove the service door (see [Service door on page 42](#)).
6. Remove the optical drive (see [Optical drive on page 43](#)).
7. Remove the hard drive (see [Hard drive on page 45](#)).
8. Remove the keyboard (see [Keyboard on page 52](#)).
9. Remove the top cover (see [Top cover on page 57](#)).

Remove the speakers:

1. There are two clips that hold the left speaker in place **(1)**.



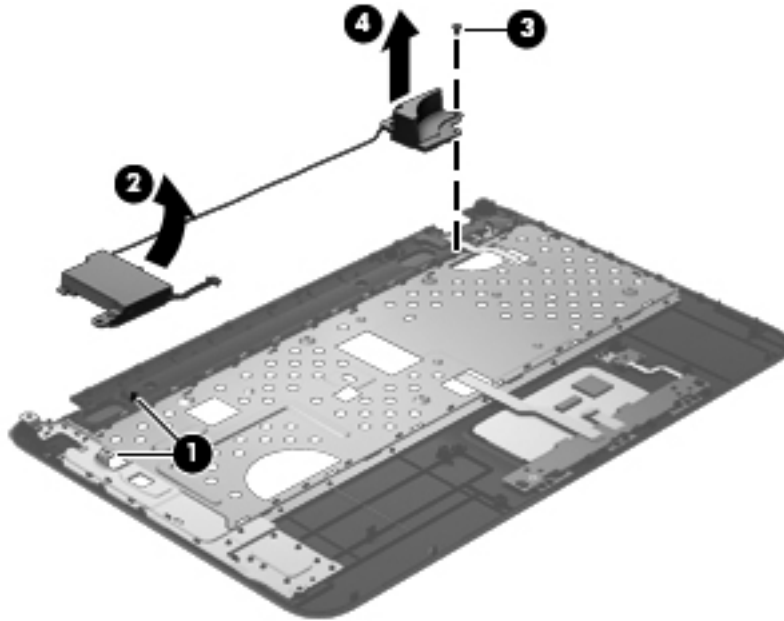
NOTE: A previously removed top cover screw also secures the right speaker in place.

2. Rotate and lift the left speaker from the top cover **(2)**. Release the speaker cable from the clips built into the top cover.
3. Remove one PM 2.5 x 3.5 screw **(3)** from the right speaker that secures it to the top cover **(2)**.



NOTE: This screw also secures the power button board to the top cover.

4. Lift the speakers from the top cover **(4)**.



Reverse this procedure to install the speakers.

Power button board


Description	Spare part number
Power button board	683549-001

Before removing the power button board, follow these steps:

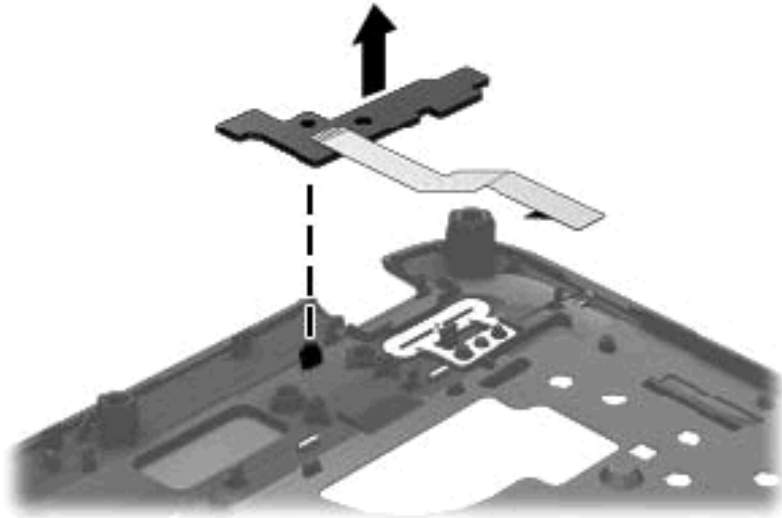
1. Shut down the computer. If you are unsure whether the computer is off or in Hibernation, turn the computer on, and then shut it down through the operating system.
2. Disconnect all external devices connected to the computer.
3. Disconnect the power from the computer by first unplugging the power cord from the AC outlet and then unplugging the AC adapter from the computer.
4. Remove the battery (see [Battery on page 41](#)).
5. Remove the service door (see [Service door on page 42](#)).
6. Remove the optical drive (see [Optical drive on page 43](#)).
7. Remove the hard drive (see [Hard drive on page 45](#)).
8. Remove the keyboard (see [Keyboard on page 52](#)).
9. Remove the top cover (see [Top cover on page 57](#)).
10. Remove the speakers (see [Speakers on page 61](#)).

Remove the power button board:

1. Turn the top cover upside down, with the front toward you.

 **NOTE:** The power button board is secured by a screw that was previously removed when releasing the speaker.

2. Release the tape securing the power button board cable and remove the power button board and cable.



Reverse this procedure to install the power button board.

TouchPad button board

Description	Spare part number
TouchPad button board (includes cable)	683548-001

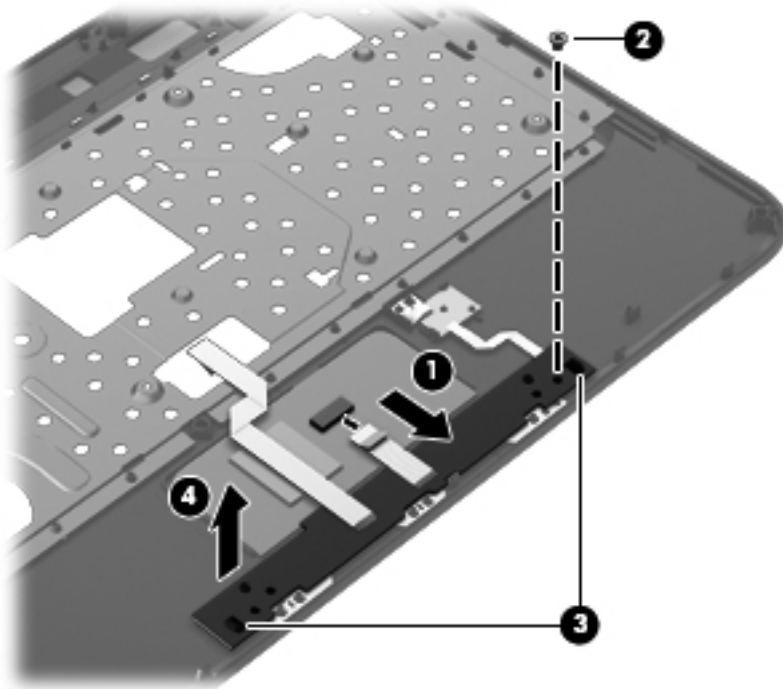
Before removing the TouchPad button board, follow these steps:

1. Shut down the computer. If you are unsure whether the computer is off or in Hibernation, turn the computer on, and then shut it down through the operating system.
2. Disconnect all external devices connected to the computer.
3. Disconnect the power from the computer by first unplugging the power cord from the AC outlet and then unplugging the AC adapter from the computer.
4. Remove the battery (see [Battery on page 41](#)).
5. Remove the service door (see [Service door on page 42](#)).
6. Remove the optical drive (see [Optical drive on page 43](#)).
7. Remove the hard drive (see [Hard drive on page 45](#)).
8. Remove the keyboard (see [Keyboard on page 52](#)).
9. Remove the top cover (see [Top cover on page 57](#)).

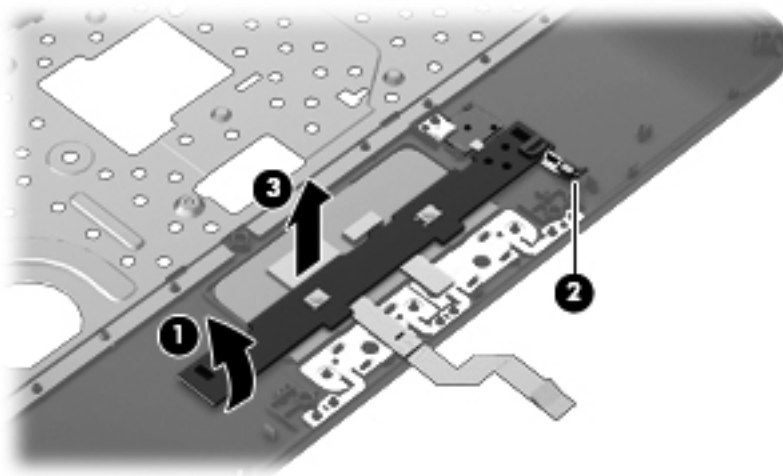
Remove the TouchPad button board and cable:

1. Turn the top cover upside down, with the front toward you.
2. Release the ZIF connector to which the TouchPad button board cable is connected, and then disconnect the TouchPad button board cable **(1)** from the back of the TouchPad.
3. Remove the PM 2.5 x 2.5 screw **(2)** that secures the TouchPad button board cable to the top cover.
4. Lift the front edge of the TouchPad button board **(3)** until it is released from the clips built into the top cover.

5. Lift the TouchPad button board **(4)** slightly to perform the next step.



6. Carefully invert the TouchPad button board **(1)**.
7. Release the ZIF connector to which the TouchPad LED board cable is connected, and then disconnect the TouchPad LED board cable **(2)** from the TouchPad button board.
8. Lift the TouchPad button board away from the top cover **(3)**.



Reverse this procedure to install the TouchPad button board and cable.

TouchPad LED board

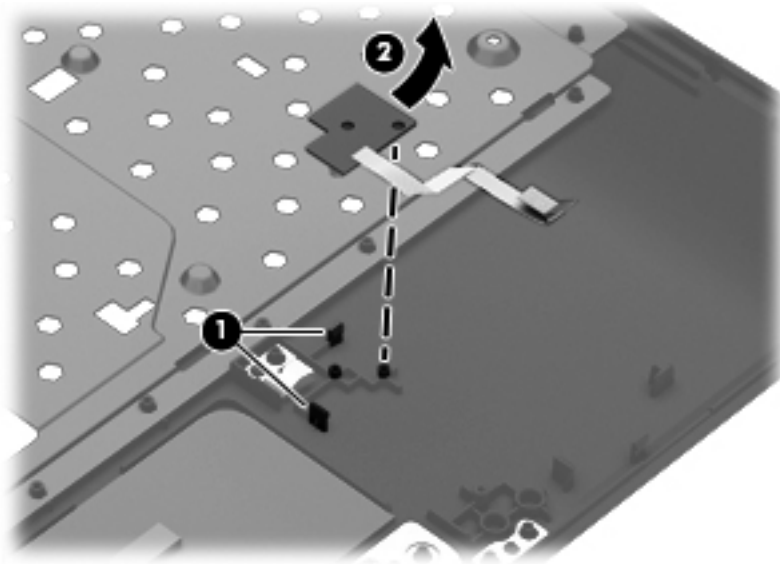
Description	Spare part number
TouchPad LED board (includes cable)	684061-001

Before removing the TouchPad LED board, follow these steps:

1. Shut down the computer. If you are unsure whether the computer is off or in Hibernation, turn the computer on, and then shut it down through the operating system.
2. Disconnect all external devices connected to the computer.
3. Disconnect the power from the computer by first unplugging the power cord from the AC outlet and then unplugging the AC adapter from the computer.
4. Remove the battery (see [Battery on page 41](#)).
5. Remove the service door (see [Service door on page 42](#)).
6. Remove the optical drive (see [Optical drive on page 43](#)).
7. Remove the hard drive (see [Hard drive on page 45](#)).
8. Remove the keyboard (see [Keyboard on page 52](#)).
9. Remove the top cover (see [Top cover on page 57](#)).
10. Remove the TouchPad button board (see [TouchPad button board on page 64](#)).

Remove the TouchPad LED board and cable:

1. Turn the top cover upside down, with the front toward you.
2. Apply slight pressure to the retaining clips **(1)** of the top cover.
3. Lift the TouchPad LED board on the right front corner **(2)** up and away from the top cover.



4. Remove the TouchPad LED board and cable.

Reverse this procedure to install the TouchPad LED board and cable.

Display assembly

Description	Spare part number
Display back cover:	
• Bright purple	681801-001
• Ruby red	681802-001
• Sparkling black	681804-001
• Winter blue	681803-001
• Linen white	685582-001
Bezel	681806-001
Webcam/microphone module HD	703461-001
Hinge covers	681811-001
Display panel	681817-001
Display hinges.	681812-001
Display cable kit (includes webcam/microphone module cable)	681808-001
Antenna kit (includes the wireless antenna cables and transceivers).	681813-001


Before removing the display assembly, follow these steps:

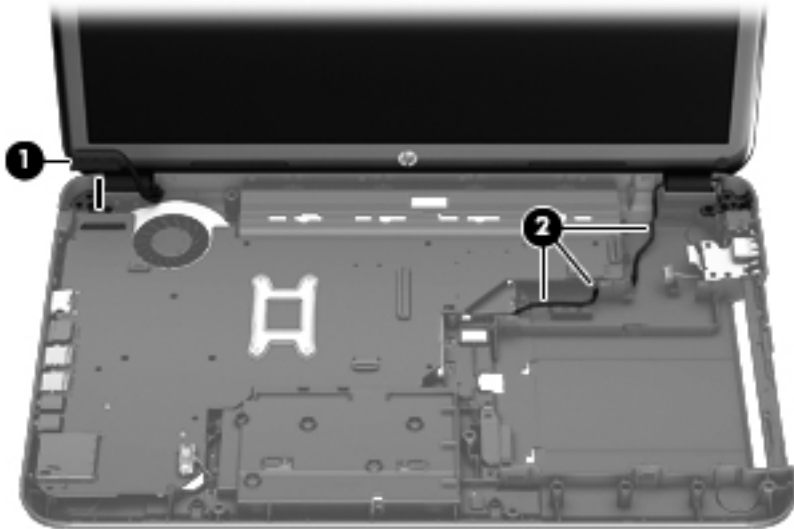
1. Shut down the computer. If you are unsure whether the computer is off or in Hibernation, turn the computer on, and then shut it down through the operating system.
2. Disconnect all external devices connected to the computer.
3. Disconnect the power from the computer by first unplugging the power cord from the AC outlet and then unplugging the AC adapter from the computer.
4. Remove the battery (see [Battery on page 41](#)).
5. Remove the service door (see [Service door on page 42](#)).
6. Remove the optical drive (see [Optical drive on page 43](#)).
7. Remove the hard drive (see [Hard drive on page 45](#)).
8. Remove the keyboard (see [Keyboard on page 52](#)).
9. Remove the top cover (see [Top cover on page 57](#)).


Remove the display assembly:

1. Disconnect the display panel cable **(1)** from the system board.

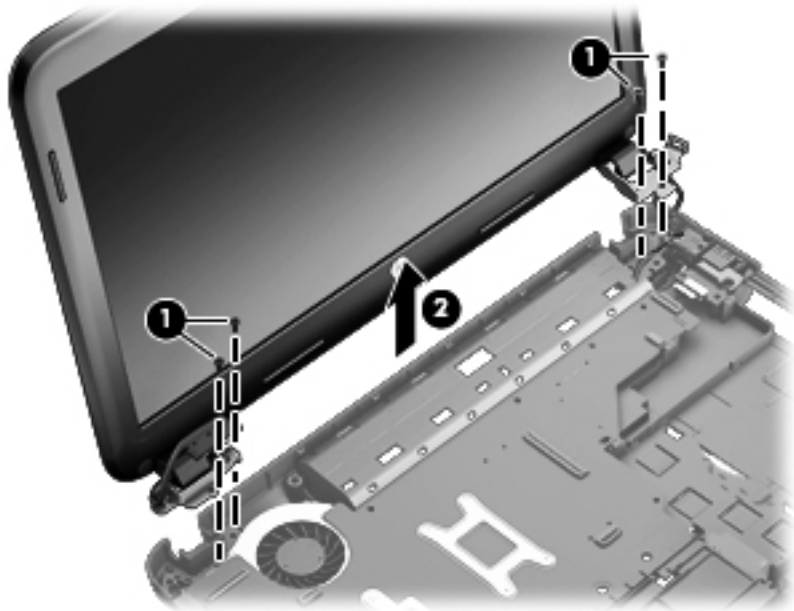
2. Release the wireless antenna cables **(2)** from the clips and the opening in the base enclosure.

 **NOTE:** It may be necessary to release the USB board ZIF cable to remove the wireless antenna cables.

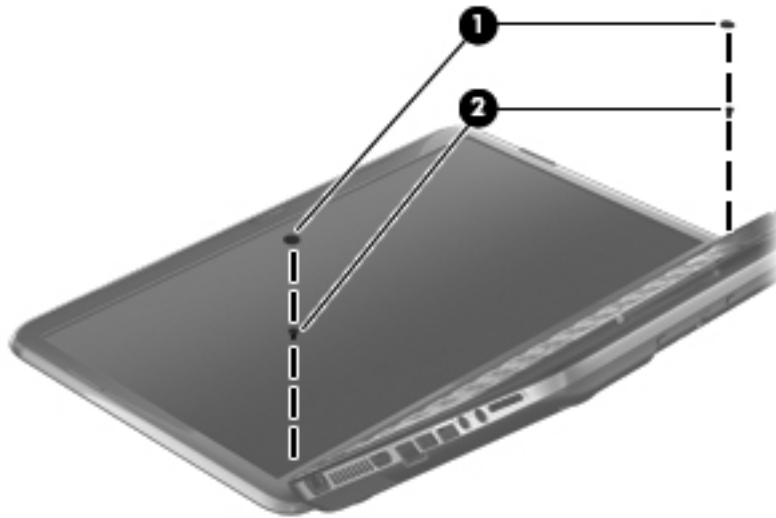


 **CAUTION:** Support the display assembly when removing the following screws. Failure to support the display assembly can result in damage to the display assembly and other computer components.

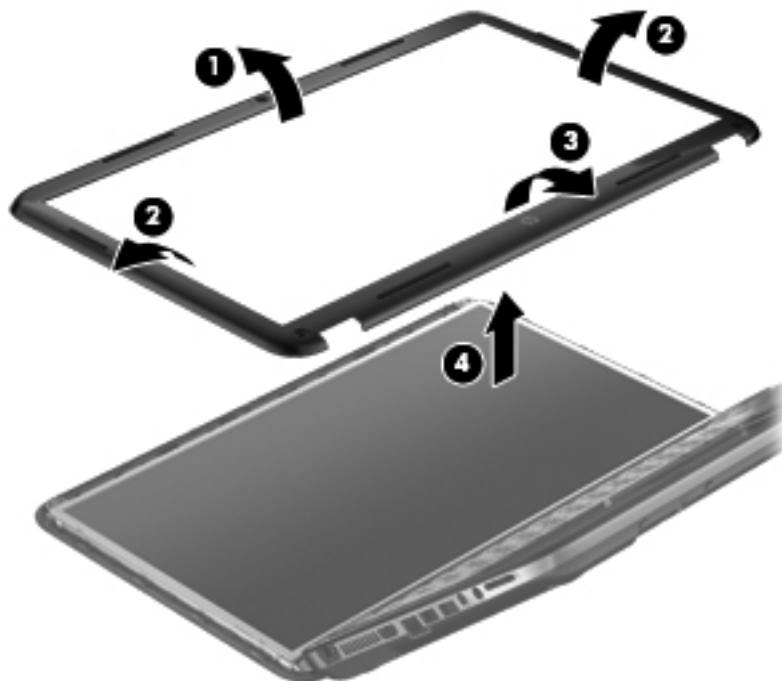
3. Remove the four PM 2.5 × 6.0 screws **(1)** that secure the display assembly to the computer.
4. Remove the display assembly by lifting straight up **(2)**.



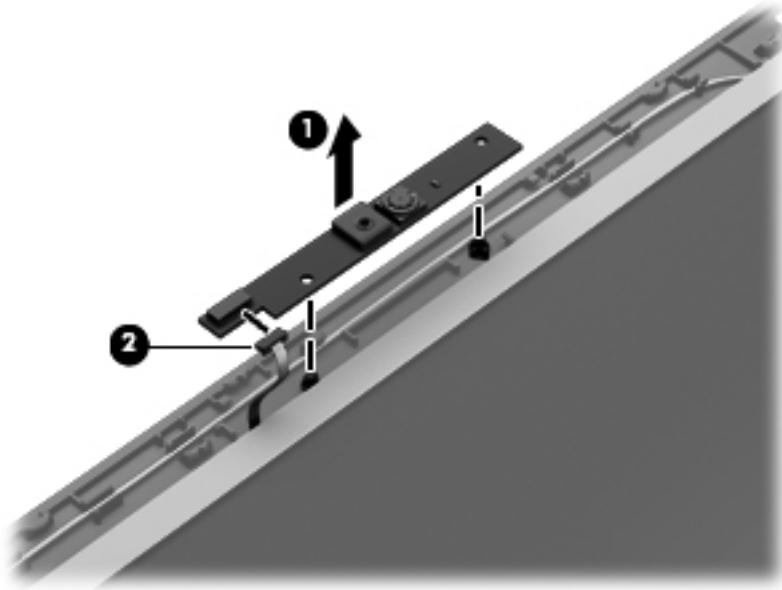
5. If it is necessary to replace the display bezel or any of the display assembly sub-components:
- a. Remove the plastic screw covers (1) and the two PM 2.5 × 3.5 screws (2) that secure the display bezel to the display assembly.



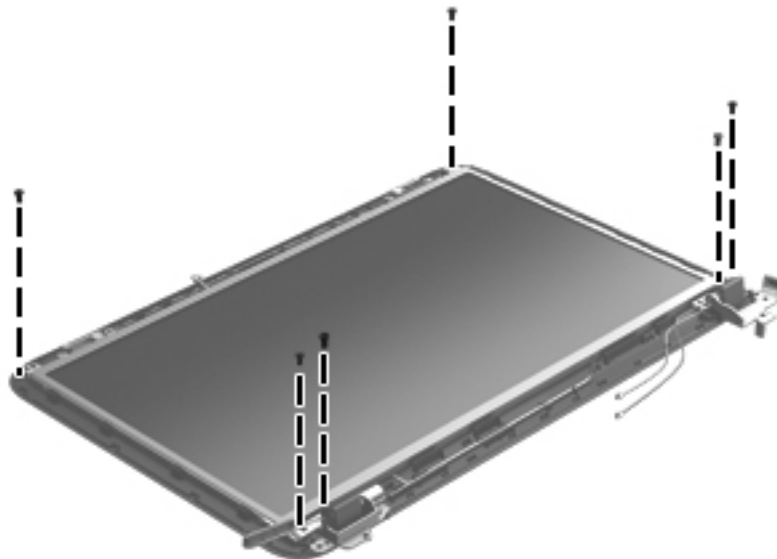
- b. Flex the inside edges of the top edge (1), the left and right sides (2), and the bottom edge (3) of the display bezel until the bezel disengages from the display enclosure.
- c. Remove the display bezel (4).



6. If it is necessary to replace the webcam/microphone module:
 - a. Detach and release the webcam/microphone module **(1)** as far as the webcam/microphone module cable allows. (The webcam/microphone module is attached to the display enclosure with double-sided tape.)
 - b. Disconnect the webcam/microphone cable **(2)** from the webcam/microphone module.
 - c. Remove the webcam/microphone module.



7. If it is necessary to replace the display panel:
 - a. Remove the six PM 2.5 × 6.0 screws that secure the display panel to the display enclosure.



- b. The hinge covers are held in place by two of the same screws as the display hinges. Using a small tool to pry, remove the hinge covers.

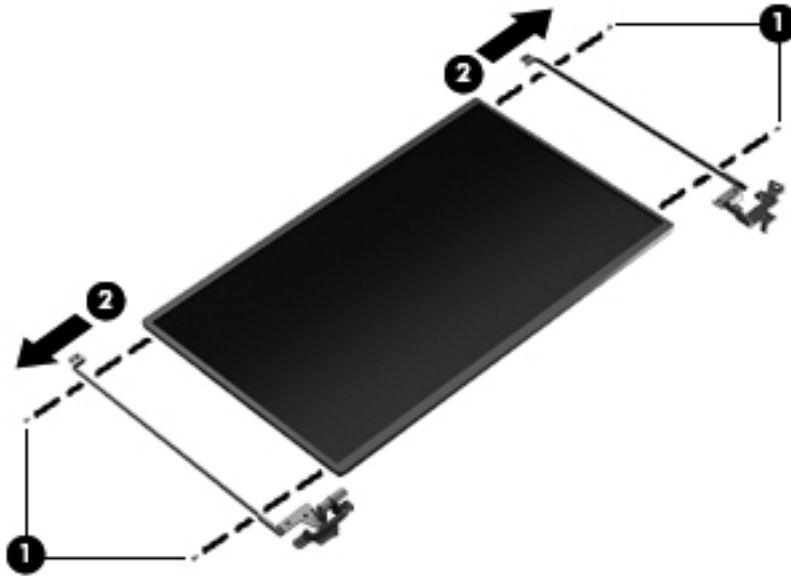


- c. Lift the top edge of the display enclosure, **(1)** and then swing it up and forward until it is perpendicular to the display panel.
- d. Release the adhesive strip **(2)** that secures the display panel cable to the display panel, and then disconnect the display panel cable **(3)** from the display panel.

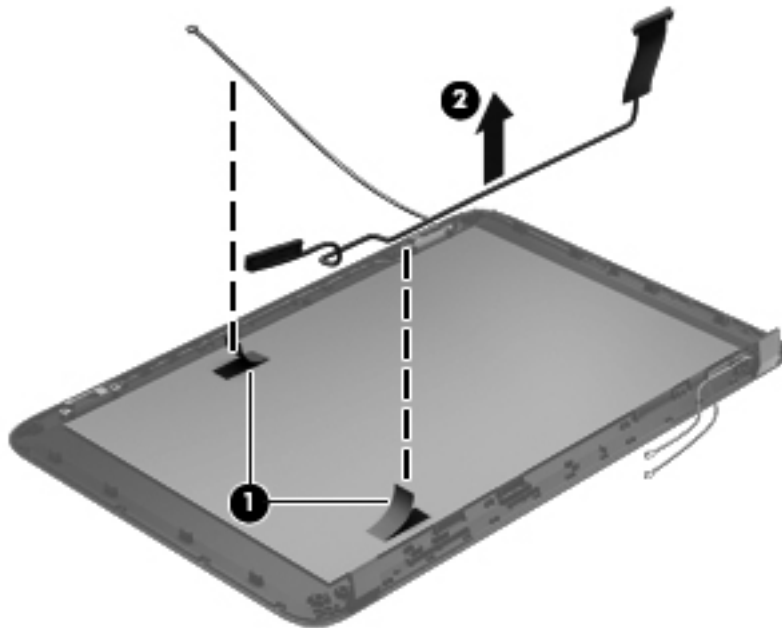


- e. Remove the display panel.

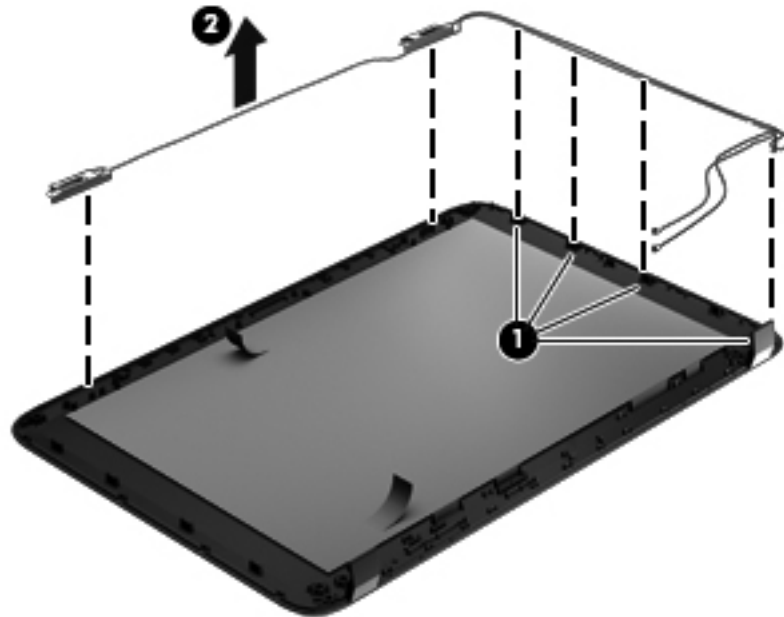
8. If it is necessary to replace the display hinges:
- a. Remove the four PM 2.0 × 3.0 screws (1) that secure the display hinges to the display panel.
 - b. Remove the display hinges (2). The display hinges include the display hinges and brackets



9. If it is necessary to replace the display panel cable:
- a. Release the tabs (1) built into the display enclosure shielding that secure the display panel cable to the display enclosure.
 - b. Release the display panel cable from the clips (2) built into the display enclosure.
 - c. Remove the display panel cable. The display panel cable includes the webcam/microphone module cable and is available in the Display Cable Kit.



10. If it is necessary to replace the wireless antenna cables and transceivers:
 - a. Release the wireless antenna cables from the clips **(1)** built into the display enclosure.
 - b. Release the wireless antenna transceivers **(2)** from the display enclosure. (The wireless antenna transceivers are attached to the display enclosure with double-sided tape.)
 - c. Remove the wireless antenna cables and transceivers.



Reverse this procedure to reassemble and install the display assembly.

USB board

Description	Spare part number
USB board (includes cable)	683547-001

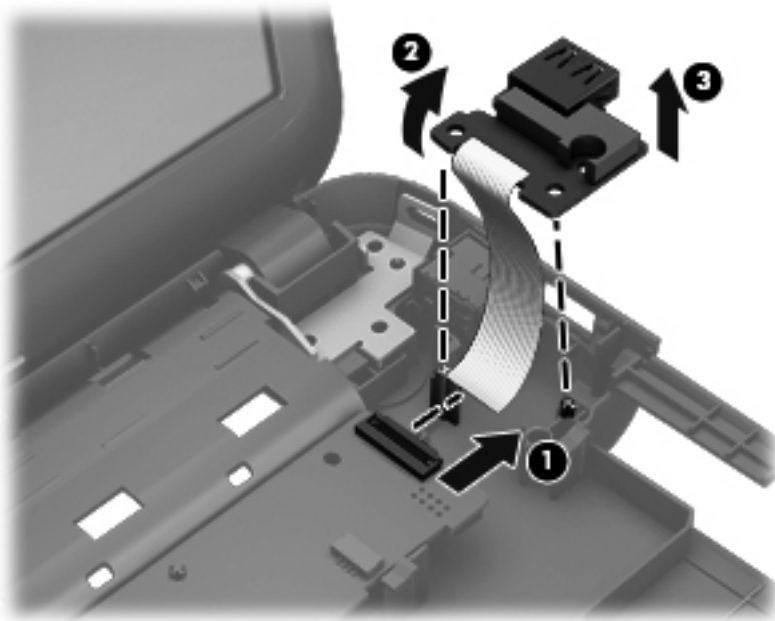
Before removing the USB board, follow these steps:

1. Shut down the computer. If you are unsure whether the computer is off or in Hibernation, turn the computer on, and then shut it down through the operating system.
2. Disconnect all external devices connected to the computer.
3. Disconnect the power from the computer by first unplugging the power cord from the AC outlet and then unplugging the AC adapter from the computer.
4. Remove the battery (see [Battery on page 41](#)).
5. Remove the service door (see [Service door on page 42](#)).
6. Remove the optical drive (see [Optical drive on page 43](#)).
7. Remove the hard drive (see [Hard drive on page 45](#)).

8. Remove the keyboard (see [Keyboard on page 52](#)).
9. Remove the top cover (see [Top cover on page 57](#)).

Remove the USB board:

1. If not released already, release the ZIF connector **(1)** to which the USB board cable is connected, and then disconnect the USB board cable from the system board.
2. Pry the clip **(2)** that secures the USB board to the base enclosure.
3. Remove the USB board and cable by lifting straight up **(3)**.



Reverse this procedure to install the USB board.

Power connector

Description	Spare part number
Power connector (includes cable)	682744-001

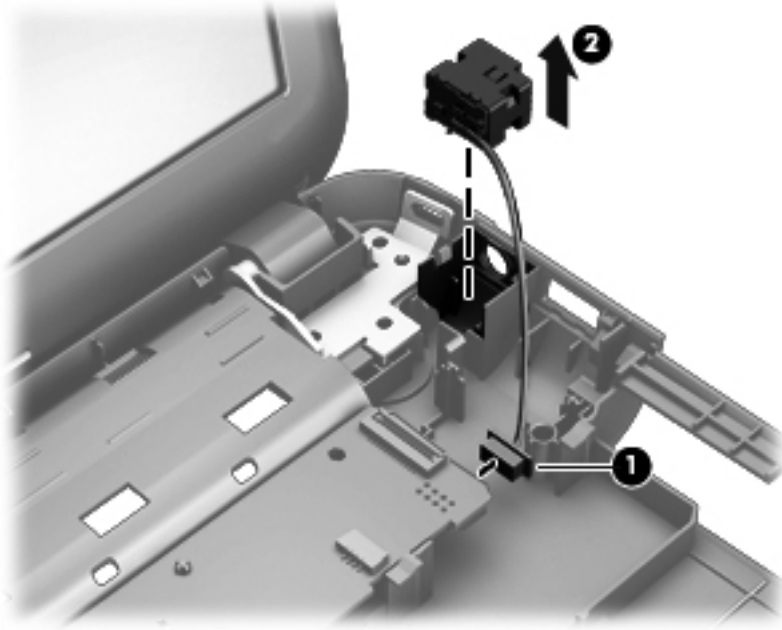
Before removing the power connector cable, follow these steps:

1. Shut down the computer. If you are unsure whether the computer is off or in Hibernation, turn the computer on, and then shut it down through the operating system.
2. Disconnect all external devices connected to the computer.
3. Disconnect the power from the computer by first unplugging the power cord from the AC outlet and then unplugging the AC adapter from the computer.
4. Remove the battery (see [Battery on page 41](#)).
5. Remove the service door (see [Service door on page 42](#)).

6. Remove the optical drive (see [Optical drive on page 43](#)).
7. Remove the hard drive (see [Hard drive on page 45](#)).
8. Remove the keyboard (see [Keyboard on page 52](#)).
9. Remove the top cover (see [Top cover on page 57](#)).

Remove the power connector cable:

1. Disconnect the power connector cable **(1)** from the system board.
2. Remove the power connector from the the base enclosure **(2)**.



Reverse this procedure to install the power connector.

System board

Description	Spare part number
For use only with computer models equipped with 1 GB of dedicated switchable discrete video memory, Intel Core i3-3110M processor, and Windows 8 Professional	710874-601
For use only with computer models equipped with 1 GB of dedicated switchable discrete video memory, Intel Core i3-3110M processor, and Windows 8 Standard	710874-501
For use only with computer models equipped with 1 GB of dedicated switchable discrete video memory, Intel Core i3-3110M processor, and FreeDOS 1.0	710874-001
For use only with computer models equipped with UMA video memory, Intel Core i3-3110M processor, and Windows 8 Professional	710873-601
For use only with computer models equipped with UMA video memory, Intel Core i3-3110M processor, and Windows 8 Standard	710873-501
For use only with computer models equipped with UMA video memory, Intel Core i3-3110M processor, and FreeDOS 1.0	710873-001

Description	Spare part number
For use only with computer models equipped with 2 GB of dedicated switchable discrete video memory and Windows 8 Professional	680570-601
For use only with computer models equipped with 2 GB of dedicated switchable discrete video memory and Windows 8 Standard	680570-501
For use only with computer models equipped with 2 GB of dedicated switchable discrete video memory and FreeDOS 1.0	680570-001
For use only with computer models equipped with 1 GB of dedicated switchable discrete video memory and Windows 8 Professional	680569-601
For use only with computer models equipped with 1 GB of dedicated switchable discrete video memory and Windows 8 Standard	680569-501
For use only with computer models equipped with 1 GB of dedicated switchable discrete video memory and FreeDOS 1.0	680569-001
For use only with computer models equipped with UMA video memory and Windows 8 Professional	680568-601
For use only with computer models equipped with UMA video memory and Windows 8 Standard	680568-501
For use only with computer models equipped with UMA video memory and FreeDOS 1.0	680568-001
System board thermal pad kit (includes replacement thermal material)	680571-001

Before removing the system board, follow these steps:

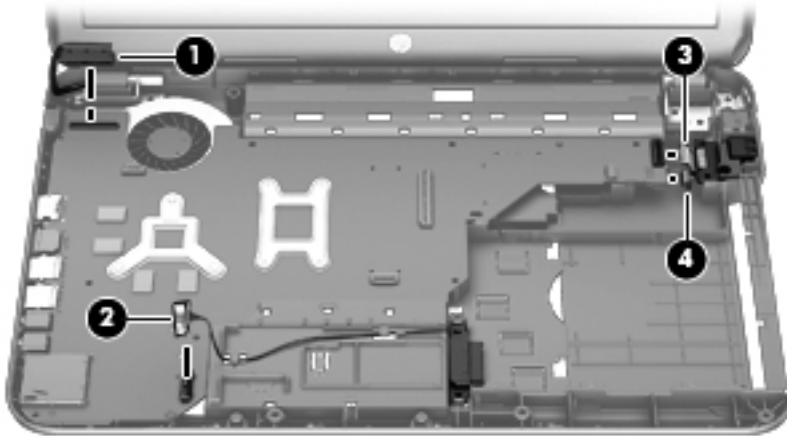
1. Shut down the computer. If you are unsure whether the computer is off or in Hibernation, turn the computer on, and then shut it down through the operating system.
2. Disconnect all external devices connected to the computer.
3. Disconnect the power from the computer by first unplugging the power cord from the AC outlet and then unplugging the AC adapter from the computer.
4. Remove the battery (see [Battery on page 41](#)).
5. Remove the service door (see [Service door on page 42](#)).
6. Remove the optical drive (see [Optical drive on page 43](#)).
7. Remove the hard drive (see [Hard drive on page 45](#)).
8. Remove the keyboard (see [Keyboard on page 52](#)).
9. Remove the top cover (see [Top cover on page 57](#)).

When replacing the system board, be sure that the following components are removed from the defective system board and installed on the replacement system board:

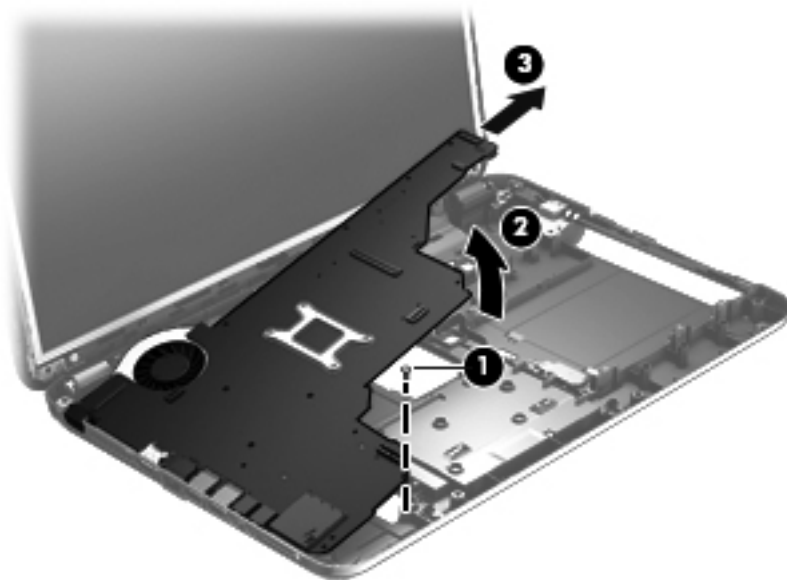
- Memory module (see [Memory module on page 47](#))
- RTC battery (see [RTC battery on page 78](#))
- Fan and heat sink (see [Fan and heat sink on page 80](#))
- PCH heat sink (see [PCH heat sink on page 83](#))
- Processor (see [Processor on page 84](#))

Remove the system board:

1. Disconnect the following cables from the system board:
 - (1) Display panel cable
 - (2) Optical drive cable
 - (3) USB board cable
 - (4) Power connector cable



2. Remove the PM 2.5 × 4.5 screw (1) that secures the system board to the base enclosure.
3. Lift the right side of the system board (2) until it rests at an angle.
4. Remove the system board (3) by sliding it up and to the right at an angle.



Reverse this procedure to install the system board.

RTC battery

Description	Spare part number
RTC battery (includes cable and double-sided tape)	637193-001

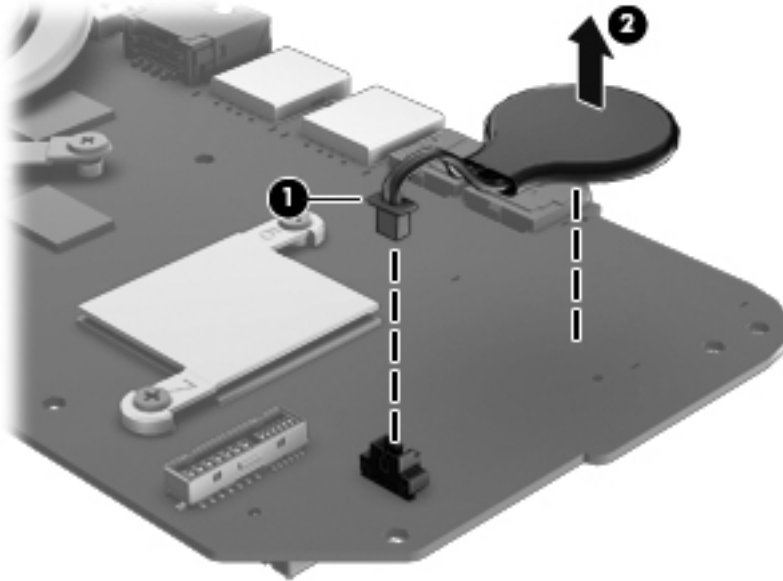
Before removing the RTC battery, follow these steps:

1. Shut down the computer. If you are unsure whether the computer is off or in Hibernation, turn the computer on, and then shut it down through the operating system.
2. Disconnect all external devices connected to the computer.
3. Disconnect the power from the computer by first unplugging the power cord from the AC outlet and then unplugging the AC adapter from the computer.
4. Remove the battery (see [Battery on page 41](#)).
5. Remove the service door (see [Service door on page 42](#)).
6. Remove the optical drive (see [Optical drive on page 43](#)).
7. Remove the hard drive (see [Hard drive on page 45](#)).
8. Remove the keyboard (see [Keyboard on page 52](#)).
9. Remove the top cover (see [Top cover on page 57](#)).
10. Remove the system board (see [System board on page 75](#)).

Remove the RTC battery:

1. Turn the system board upside down, with the front toward you.
2. Disconnect the RTC battery cable **(1)** from the system board.

3. Remove the RTC battery **(2)** from the system board. (The RTC battery is attached to the system board with double-sided tape.)




Reverse this procedure to install the RTC battery.

Fan and heat sink

 **NOTE:** The fan and heat sink spare part kits include replacement thermal material.

Description	Spare part number
Fan	680551-001
Heat sink for use only with computer models equipped with UMA video memory for BGA-based systems	711471-001
Heat sink for use only with computer models equipped with UMA video memory	680549-001
Heat sink for use only with computer models equipped with switchable discrete video memory for BGA-based systems	711472-001
Heat sink for use only with computer models equipped with switchable discrete video memory	680550-001

 **NOTE:** To properly ventilate the computer, allow at least 7.6 cm (3 in) of clearance on the left side of the computer. The computer uses an electric fan for ventilation. The fan is controlled by a temperature sensor and is designed to turn on automatically when high temperature conditions exist. These conditions are affected by high external temperatures, system power consumption, power management/battery conservation configurations, battery fast charging, and software requirements. Exhaust air is displaced through the ventilation grill located on the left side of the computer.

Before removing the fan and heat sink, follow these steps:

1. Shut down the computer. If you are unsure whether the computer is off or in Hibernation, turn the computer on, and then shut it down through the operating system.
2. Disconnect all external devices connected to the computer.
3. Disconnect the power from the computer by first unplugging the power cord from the AC outlet and then unplugging the AC adapter from the computer.
4. Remove the battery (see [Battery on page 41](#)).
5. Remove the service door (see [Service door on page 42](#)).
6. Remove the optical drive (see [Optical drive on page 43](#)).
7. Remove the hard drive (see [Hard drive on page 45](#)).
8. Remove the keyboard (see [Keyboard on page 52](#)).
9. Remove the top cover (see [Top cover on page 57](#)).
10. Remove the system board (see [System board on page 75](#)).

Remove the fan and heat sink:

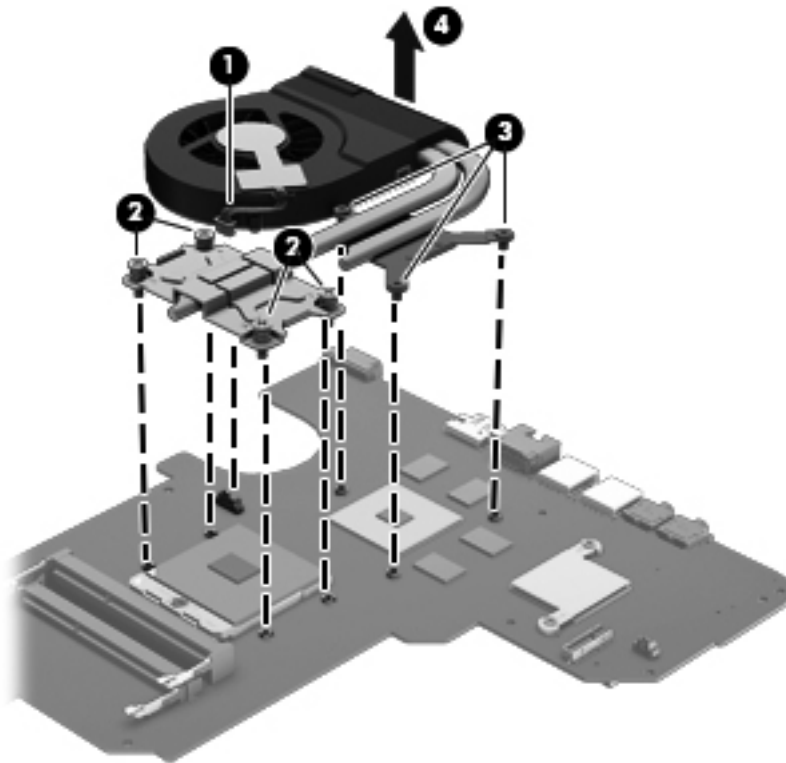
1. Turn the system board upside down, with the front toward you.
2. Disconnect the fan cable **(1)** from the system board.

⚠ CAUTION: To prevent damage to heat sinks and/or processors, loosen/tighten captive screws in sequence as numerically labeled.

📝 NOTE: The heat sink and fan appearance and the number of screws may be different from the heat sink and fan pictured.

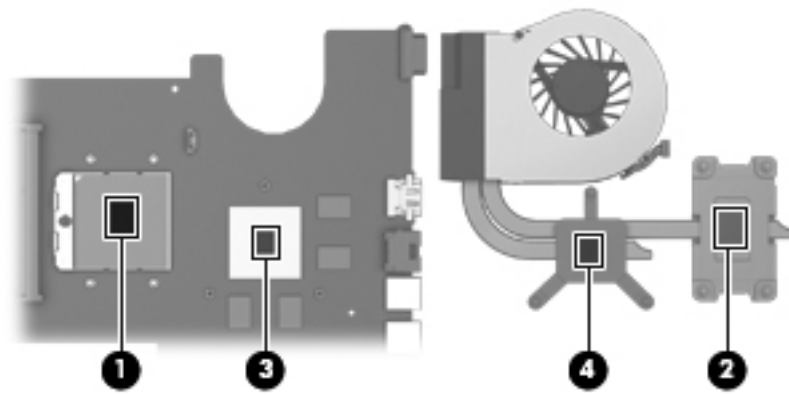
3. Loosen the four Phillips captive screws **(2)** and the three Phillips captive screws **(3)** that secure the heat sink to the system board.
4. Remove the fan and heat sink **(4)**.

📝 NOTE: Due to the adhesive quality of the thermal material located between the heat sink and system board components, it may be necessary to move the heat sink from side to side to detach it.

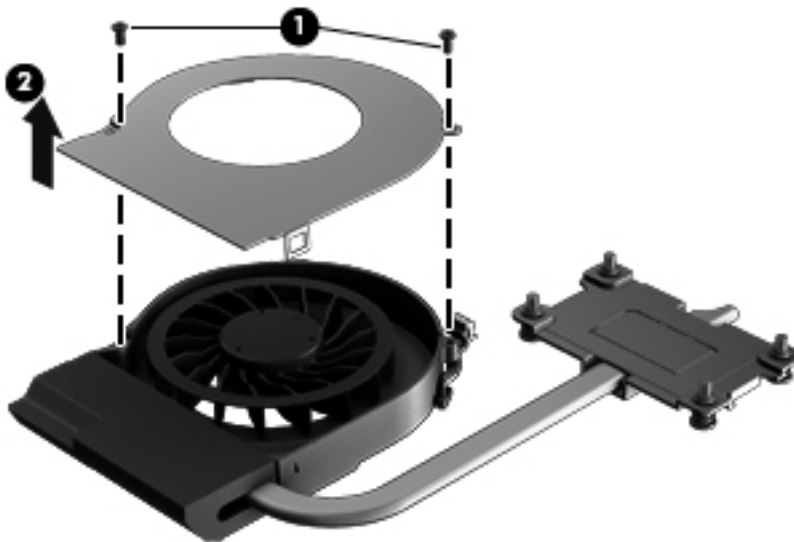


📝 NOTE: The thermal material must be thoroughly cleaned from the surfaces of the heat sink and the system board components each time the heat sink is removed. Replacement thermal material is included with the base enclosure, heat sink, processor, and system board spare part kits.

- Thermal paste is used on the processor **(1)** and the heat sink section **(2)** that services it
- A thermal pad is used on the graphics subsystem chip **(3)** and the heat sink section **(4)** that services it (only on computer models equipped with a graphics subsystem with discrete memory)



1. If it is necessary to replace the fan, turn the fan and heat sink upside down with the fan toward you.
2. Remove the two PM 1.5 × 2.5 screws (**1**) that secure the fan to the heat sink and remove the two clips that secure the fan to the heat sink.
3. Remove the heat sink (**2**) from the fan.



Reverse this procedure to reassemble and install the fan and heat sink.

PCH heat sink

Description	Spare part number
PCH heat sink	683843-001


Before removing the PCH heat sink, follow these steps:

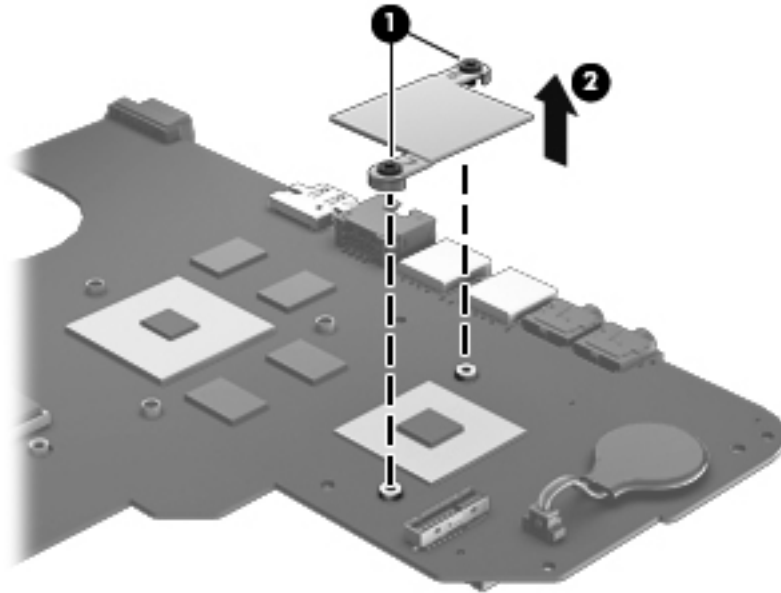
1. Shut down the computer. If you are unsure whether the computer is off or in Hibernation, turn the computer on, and then shut it down through the operating system.
2. Disconnect all external devices connected to the computer.
3. Disconnect the power from the computer by first unplugging the power cord from the AC outlet and then unplugging the AC adapter from the computer.
4. Remove the battery (see [Battery on page 41](#)).
5. Remove the service door (see [Service door on page 42](#)).
6. Remove the optical drive (see [Optical drive on page 43](#)).
7. Remove the hard drive (see [Hard drive on page 45](#)).
8. Remove the keyboard (see [Keyboard on page 52](#)).
9. Remove the top cover (see [Top cover on page 57](#)).
10. Remove the system board (see [System board on page 75](#)).


Remove the PCH heat sink:

1. Remove the two PM 2.0 x 3.0 screws **(1)** that secure the PCH heat sink to the system board.

2. Remove the PCH heat sink by lifting straight up (2).


 **NOTE:** Due to the adhesive quality of the thermal material located between the heat sink and system board components, it may be necessary to move the heat sink from side to side to detach it.



 **NOTE:** The thermal material must be thoroughly cleaned from the surfaces of the heat sink and the system board components each time the heat sink is removed. Replacement thermal material is included with the base enclosure, heat sink, processor, and system board spare part kits.

Reverse this procedure to install the PCH heat sink.

Processor

 **NOTE:** The processor spare part kit includes replacement thermal material.

Description	Spare part number
Intel Core i7-3632QM (2.2 GHz, SC turbo up to 3.1 GHz, 1600MHz/6 MB L3 cache, quad core, 35 W)	701658-001
Intel Core i5-3230M (2.6 GHz, SC turbo up to 3.1 GHz, 1600 MHz/3 MB L3 cache, dual core, 35 W)	711903-001
Intel Core i5-3210M (2.5 GHz, SC turbo up to 3.1 GHz, 1600 MHz/3 MB L3 cache, dual core, 35 W)	680645-001
Intel Core i3-3130M (2.6 GHz, 1600 MHz/3 MB L3 cache, dual core, 35 W)	713163-001
Intel Core i3-3120M (2.5 GHz 1600 MHz/3 MB L3 cache, dual core, 35 W)	700627-001
Intel Core i3-3110M (2.4 GHz 1600 MHz/3 MB L3 cache, dual core, 35 W)	682417-001
Intel Core i5-2450M (2.5 GHz, SC turbo up to 3.10 GHz, 1333 MHz/3 MB L3 cache, dual core, 35 W)	676359-001
Intel Core i3-2370M (2.4 GHz, 1333 MHz/3 MB L3 cache, dual core 35 W)	677152-001

Description	Spare part number
Pentium 2030M (2.5 GHz, 1600 MHz/2 MB L3 cache, dual core, 35 W)	713164-001
Pentium 2020M (2.4 GHz, 1600 MHz/2 MB L3 cache, dual core, 35 W)	700628-001
Pentium B980 (2.4 GHz, 1333 MHz/2 MB L3 cache, dual core, 35 W)	692428-001
Pentium B970 (2.3 GHz, 1333 MHz/2 MB L3 cache, dual core, 35 W)	676785-001
Pentium B960 (2.2 GHz, 1333 MHz/2 MB L3 cache, dual core, 35 W)	664662-001


Before removing the processor, follow these steps:

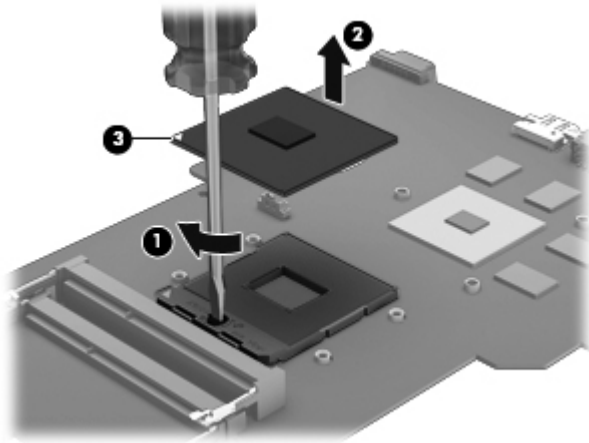
1. Shut down the computer. If you are unsure whether the computer is off or in Hibernation, turn the computer on, and then shut it down through the operating system.
2. Disconnect all external devices connected to the computer.
3. Disconnect the power from the computer by first unplugging the power cord from the AC outlet and then unplugging the AC adapter from the computer.
4. Remove the battery (see [Battery on page 41](#)).
5. Remove the service door (see [Service door on page 42](#)).
6. Remove the optical drive (see [Optical drive on page 43](#)).
7. Remove the hard drive (see [Hard drive on page 45](#)).
8. Remove the keyboard (see [Keyboard on page 52](#)).
9. Remove the top cover (see [Top cover on page 57](#)).
10. Remove the system board (see [System board on page 75](#)).
11. Remove the heat sink (see [Fan and heat sink on page 80](#)).

Remove the processor:

1. Use a flat-bladed screw driver **(1)** to turn the processor locking screw one-half turn counterclockwise, until you hear a click.

2. Lift the processor **(2)** straight up, and remove it.

 **NOTE:** The gold triangle on the processor **(3)** must be aligned with the triangle icon embossed on the processor socket when you install the processor.



Reverse this procedure to install the processor.

Optical drive cable

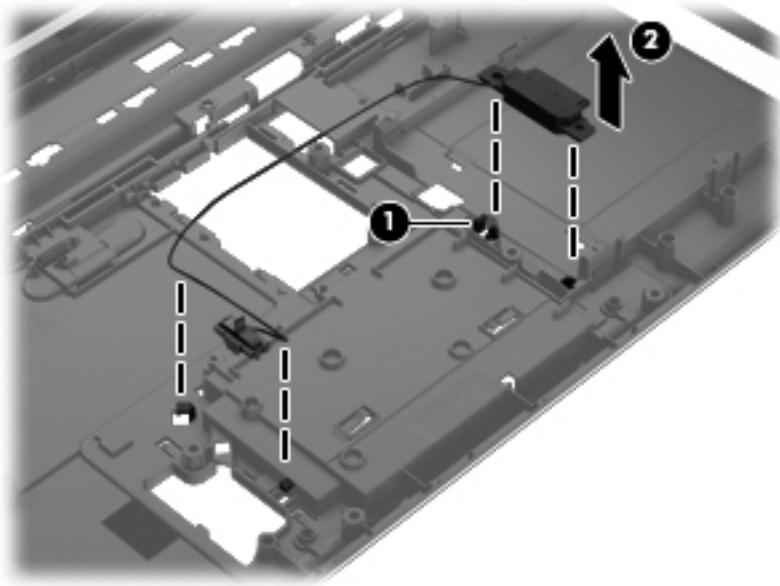
Description	Spare part number
Optical drive cable	682742-001

Before removing the optical drive cable, follow these steps:

1. Shut down the computer. If you are unsure whether the computer is off or in Hibernation, turn the computer on, and then shut it down through the operating system.
2. Disconnect all external devices connected to the computer.
3. Disconnect the power from the computer by first unplugging the power cord from the AC outlet and then unplugging the AC adapter from the computer.
4. Remove the battery (see [Battery on page 41](#)).
5. Remove the service door (see [Service door on page 42](#)).
6. Remove the optical drive (see [Optical drive on page 43](#)).
7. Remove the hard drive (see [Hard drive on page 45](#)).
8. Remove the keyboard (see [Keyboard on page 52](#)).
9. Remove the top cover (see [Top cover on page 57](#)).
10. Remove the system board (see [System board on page 75](#)).

Remove the optical drive cable:

1. Release the optical drive cable from the clips built into the base enclosure.
2. Release the optical drive connector from the base enclosure by prying the clips **(1)** that secure the optical drive connector to the base enclosure.
3. Remove the optical drive cable from the base enclosure **(2)**.



Reverse this procedure to install the optical drive cable.


5 Using Setup Utility (BIOS) and System Diagnostics (Windows 8)

Setup Utility, or Basic Input/Output System (BIOS), controls communication between all the input and output devices on the system (such as disk drives, display, keyboard, mouse, and printer). Setup Utility (BIOS) includes settings for the types of devices installed, the startup sequence of the computer, and the amount of system and extended memory.

Starting Setup Utility (BIOS)

To start Setup Utility (BIOS), turn on or restart the computer, quickly press `esc`, and then press `f10`.

Information about how to navigate in Setup Utility (BIOS) is located at the bottom of the screen.

 **NOTE:** Use extreme care when making changes in Setup Utility (BIOS). Errors can prevent the computer from operating properly.

Updating the BIOS

Updated versions of the BIOS may be available on the HP website.

Most BIOS updates on the HP website are packaged in compressed files called *SoftPaqs*.

Some download packages contain a file named `Readme.txt`, which contains information regarding installing and troubleshooting the file.


Determining the BIOS version

To determine whether available BIOS updates contain later BIOS versions than those currently installed on the computer, you need to know the version of the system BIOS currently installed.

BIOS version information (also known as *ROM date* and *System BIOS*) can be revealed by pressing `fn + esc` (if you are already in Windows) or by using Setup Utility (BIOS).

1. Start Setup Utility (BIOS) (see [Starting Setup Utility \(BIOS\) on page 88](#)).
2. Use the arrow keys to select **Main**.
3. To exit Setup Utility (BIOS) without saving your changes, use the arrow keys to select **Exit**, select **Exit Discarding Changes**, and then press **enter**.

Downloading a BIOS update

 **CAUTION:** To reduce the risk of damage to the computer or an unsuccessful installation, download and install a BIOS update only when the computer is connected to reliable external power using the AC adapter. Do not download or install a BIOS update while the computer is running on battery power, docked in an optional docking device, or connected to an optional power source. During the download and installation, follow these instructions:


Do not disconnect power from the computer by unplugging the power cord from the AC outlet.

Do not shut down the computer or initiate Sleep.

Do not insert, remove, connect, or disconnect any device, cable, or cord.


1. From the Start screen, select the **HP Support Assistant** app.
2. Click **Updates and tune-ups**, and then click **Check for HP updates now**.
3. Follow the on-screen instructions.
4. At the download area, follow these steps:
 - a. Identify the most recent BIOS update and compare it to the BIOS version currently installed on your computer. If the update is more recent than your BIOS, make a note of the date, name, or other identifier. You may need this information to locate the update later, after it has been downloaded to your hard drive.
 - b. Follow the on-screen instructions to download your selection to the hard drive.

If the update is more recent than your BIOS, make a note of the path to the location on your hard drive where the BIOS update is downloaded. You will need to access this path when you are ready to install the update.

 **NOTE:** If you connect your computer to a network, consult the network administrator before installing any software updates, especially system BIOS updates.

BIOS installation procedures vary. Follow any instructions that are revealed on the screen after the download is complete. If no instructions are revealed, follow these steps:

1. From the Start screen, type *e*, and then select **File Explorer**.
2. Click your hard drive designation. The hard drive designation is typically Local Disk (C:).
3. Using the hard drive path you recorded earlier, open the folder on your hard drive that contains the update.
4. Double-click the file that has an .exe extension (for example, *filename.exe*).
The BIOS installation begins.
5. Complete the installation by following the on-screen instructions.

 **NOTE:** After a message on the screen reports a successful installation, you can delete the downloaded file from your hard drive.

Using System Diagnostics

System Diagnostics allows you to run diagnostic tests to determine if the computer hardware is functioning properly.

To start System Diagnostics:


1. Turn on or restart the computer, quickly press `esc`, and then press `f2`.
2. Click the diagnostic test you want to run, and then follow the on-screen instructions.



NOTE: If you need to stop a diagnostic test while it is running, press `esc`.

6 Using Setup Utility (BIOS) and System Diagnostics (Ubuntu Linux)

Setup Utility, or Basic Input/Output System (BIOS), controls communication between all the input and output devices on the system (such as disk drives, display, keyboard, mouse, and printer). Setup Utility includes settings for the types of peripherals installed, the startup sequence of the computer, and the amount of system and extended memory.

 **NOTE:** Use extreme care when making changes in Setup Utility. Errors can prevent the computer from operating properly.

Starting Setup Utility

- ▲ Turn on or restart the computer. While the “Press the ESC key for Startup Menu” message is displayed in the lower-left corner of the screen, press `esc`. When the Startup Menu is displayed, press `f10`.

Using Setup Utility

Changing the language of Setup Utility

1. Start Setup Utility.
2. Use the arrow keys to select **System Configuration > Language**, and then press `enter`.
3. Use the arrow keys to select a language, and then press `enter`.
4. When a confirmation prompt with your language selected is displayed, press `enter`.
5. To save your change and exit Setup Utility, use the arrow keys to select **Exit > Exit Saving Changes**, and then press `enter`.

Your change takes effect immediately.

Navigating and selecting in Setup Utility

Setup Utility does not support the TouchPad. Navigation and selection are by keystroke.

- To choose a menu or a menu item, use the arrow keys.
- To choose an item in a list or to toggle a field—for example an Enable/Disable field—use either the arrow keys or `f5` and `f6`.
- To select an item, press `enter`.
- To close a text box or return to the menu display, press `esc`.
- To display additional navigation and selection information while Setup Utility is open, press `f1`.

Displaying system information

1. Start Setup Utility.
2. Select the **Main** menu. System information such as the system time and date, and identification information about the computer is displayed.
3. To exit Setup Utility without changing any settings, use the arrow keys to select **Exit > Exit Discarding Changes**, and then press [enter](#).

Restoring factory default settings in Setup Utility

1. Start Setup Utility.
2. Use the arrow keys to select **Exit > Load Setup Defaults**, and then press [enter](#).
3. When the Setup Confirmation is displayed, press [enter](#).
4. To save your change and exit Setup Utility, use the arrow keys to select **Exit > Exit Saving Changes**, and then press [enter](#).

The Setup Utility factory settings take effect when the computer restarts.



NOTE: Your password, security, and language settings are not changed when you restore the factory settings.

Exiting Setup Utility

- To exit Setup Utility and save your changes from the current session:
If the Setup Utility menus are not visible, press [esc](#) to return to the menu display. Then use the arrow keys to select **Exit > Exit Saving Changes**, and then press [enter](#).
- To exit Setup Utility without saving your changes from the current session:
If the Setup Utility menus are not visible, press [esc](#) to return to the menu display. Then use the arrow keys to select **Exit > Exit Discarding Changes**, and then press [enter](#).

Updating the BIOS

Updated versions of the BIOS may be available on the HP website.

Most BIOS updates on the HP website are packaged in compressed files called *SoftPaqs*.

Some download packages contain a file named *Readme.txt*, which contains information regarding installing and troubleshooting the file.


Determining the BIOS version

To determine whether available BIOS updates contain later BIOS versions than those currently installed on the computer, you need to know the version of the system BIOS currently installed.

BIOS version information (also known as *ROM date* and *System BIOS*) can be displayed by using Setup Utility.

1. Start Setup Utility.
2. If the system information is not displayed, use the arrow keys to select the **Main** menu.
BIOS and other system information is displayed.
3. To exit Setup Utility, use the arrow keys to select **Exit > Exit Discarding Changes**, and then press **enter**.

Downloading a BIOS update


 **CAUTION:** To reduce the risk of damage to the computer or an unsuccessful installation, download and install a BIOS update only when the computer is connected to reliable external power using the AC adapter. Do not download or install a BIOS update while the computer is running on battery power, or connected to an optional power source. During the download and installation, follow these instructions:

Do not disconnect power from the computer by unplugging the power cord from the AC outlet.


Do not shut down the computer or initiate Suspend or Hibernation.

Do not insert, remove, connect, or disconnect any device, cable, or cord.

1. Access the page on the HP website that provides software for your computer.
2. Follow the on-screen instructions to identify your computer and access the BIOS update you want to download.
3. At the download area, follow these steps:
 - a. Identify the BIOS update that is later than the BIOS version currently installed on your computer. Make a note of the date, name, or other identifier. You may need this information to locate the update later, after it has been downloaded to your hard drive.
 - b. Follow the on-screen instructions to download your selection to the hard drive.
Make a note of the path to the location on your hard drive where the BIOS update is downloaded. You will need to access this path when you are ready to install the update.

 **NOTE:** If you connect your computer to a network, consult the network administrator before installing any software updates, especially system BIOS updates.

BIOS installation procedures vary. Follow any instructions that are displayed on the screen after the download is complete.

 **NOTE:** After a message on the screen reports a successful installation, you can delete the downloaded file from your hard drive.

Using System Diagnostics

System Diagnostics allows you to run diagnostic tests to determine if the computer hardware is functioning properly.

To start System Diagnostics:

1. Turn on or restart the computer. While the “Press the ESC key for Startup Menu” message is displayed in the lower-left corner of the screen, press `esc`. When the Startup Menu is displayed, press `f2`.
2. Click the diagnostic test you want to run, and then follow the on-screen instructions.



NOTE: If you need to stop a diagnostics test while it is running, press `esc`.

7 Specifications

Computer specifications

Dimensions	
Depth	24.5 cm (9.6 in)
Width	37.4 cm (14.7 in)
Height (front to rear)	3.1 to 3.6 cm (1.2 to 1.4 in)
Weight (lowest weight configuration)	< 2.5 kg (5.5 lbs)
Input power	
Operating voltage	18.5 V dc @ 3.5 A - 65W 19 V dc @ 4.74 A or 19.5 V dc @ 4.62 A – 90 W
Operating current	3.5 A
Temperature	
Operating	5°C to 35°C (41°F to 95°F)
Nonoperating	-20°C to 60°C (-4°F to 140°F)
Relative humidity	
Operating	10% to 90%
Nonoperating	5% to 95%
Maximum altitude (unpressurized)	
Operating	-15 m to 3,048 m (-50 ft to 10,000 ft)
Nonoperating	-15 m to 12,192 m (-50 ft to 40,000 ft)
Shock	
Operating	125 g, 2 ms, half-sine
Nonoperating	200 g, 2 ms, half-sine
Random vibration	
Operating	0.75 g zero-to-peak, 10 Hz to 500 Hz, 0.25 oct/min sweep rate

Nonoperating

1.50 g zero-to-peak, 10 Hz to 500 Hz, 0.5 oct/
min sweep rate

NOTE: Applicable product safety standards specify thermal limits for plastic surfaces. The computer operates well within this range of temperatures.

39.6-cm (15.6-in) display specifications

Dimensions	
Height	21.0 cm (8.27 in)
Width	35.9 cm (14.1 in)
Diagonal	39.6 cm (15.6)
Number of colors	Up to 16.8 million
Contrast ratio	300:1 (typical)
Brightness	200 cd/m ² (typical)
Pixel resolution	
Pitch	0.259 × 0.259 mm
Format	1280 × 800; HD: 1366 × 768
Configuration	RGB vertical stripe
Backlight	LED
Character display	80 × 25
Total power consumption	4.1 W
Viewing angle	±40° horizontal, +120°/-40° vertical (typical)

Hard drive specifications

	1 TB*	750 GB*	640 GB*	500 GB*	320 GB*
Dimensions					
Height	9.5 mm	9.5 mm	9.5 mm	9.5 mm	9.5 mm and 7.0 mm
Width	70 mm	70 mm	70 mm	70 mm	70 mm
Weight	107g max	107g max	107g max	107g max	107g max
Interface type	SATA	SATA	SATA	SATA	SATA
Transfer rate	300 MB/sec	300 MB/sec	300 MB/sec	300 MB/sec	300 MB/sec
Security	ATA security	ATA security	ATA security	ATA security	ATA security
Seek times (typical read, including setting)					
Single track	1.5 ms	1.0 ms	1.0 ms	1.5 ms	2.0 ms
Average	11.0 ms	14.0 ms	14.0 ms	12.0 ms	12.0 ms
Maximum	22.0 ms	24.0 ms	22.0 ms	22.0 ms	22.0 ms
Logical blocks	312,215,808	1,250,263,728	976,773,168	625,142,448	488,397,168
Disc rotational speed	5400 rpm	5400 and 7200 rpm	5400 rpm	5400 and 7200 rpm	5400 rpm
Operating temperature	5°C to 55°C (41°F to 131°F)				
*Hard drive storage capacity					
When referring to hard drive storage capacity:					
<ul style="list-style-type: none"> • 1 TB = 1 trillion bytes • 1 GB = 1 billion bytes 					
Actual accessible capacity is less. Actual drive specifications may differ slightly.					
NOTE: Certain restrictions and exclusions apply. Contact technical support for details.					

DVD±RW and CD-RW SuperMulti Double-Layer Combo Drive specifications

Applicable disc	
Read	CD-DA, CD+(E)G, CD-MIDI, CD-TEXT, CD-ROM, CD-ROM XA, MIXED MODE CD, CD-I, CD-I Bridge (Photo-CD, Video CD), Multisession CD (Photo-CD, CD-EXTRA, Portfolio, CD-R, CD-RW), CD-R, CD-RW, DVD-ROM (DVD-5, DVD-9, DVD-10, DVD-18), DVD-R, DVD-RW, DVD+R, DVD+RW, DVD-RAM
Write	CD-R and CD-RW, DVD+R, DVD+RW, DVD-R, DVD-RW, DVD-RAM
Random access time	
DVD	< 230 ms
CD	< 175 ms
Cache buffer	
	2 MB
Data transfer rate	
24X CD-ROM	3,600 KB/sec
8X DVD-ROM	10,800 KB/sec
24X CD-R	3,600 KB/sec
16X CD-RW	2,400 KB/sec
8X DVD+R	10,800 KB/sec
4X DVD+RW	5,400 KB/sec
8X DVD-R	10,800 KB/sec
4X DVD-RW	5,400 KB/sec
2.4X DVD+R(9)	2,700 KB/sec
5X DVD-RAM	6,750 KB/sec
Transfer mode	
	Multiword DMA Mode

Blu-ray Disc ROM and DVD±R/RW SuperMulti Double-Layer Drive specifications


Applicable disc	
Read	BD-ROM, BD-ROM-DL, BD-R, BD-R-DL, BD-RE, BD-RE-DL, DVD-ROM, DVD+R, DVD+R-DL, DVD+RW, DVD-R, DVD-R-DL, DVD-RW, DVD-RAM (Ver.2), CD-DA, CD-ROM (mode 1 and mode 2), CD-ROM XA (mode 2, form 1 and form 2), Photo CD (single and multiple sessions), CD Extra, CD-R, CD-RW, and CD-TEXT
Write	DVD-RAM (Ver.2), DVD+R, DVD-R, CD-R, and CD-ROM
Random access time	
BD	< 230 ms
DVD	< 180 ms
CD	< 180 ms
Cache buffer	
	4.5 MB
Data transfer rate	
24X CD-ROM	3,600 KB/sec
8X DVD-ROM	10,800 KB/sec
4X BD	18,000 KB/sec
24X CD-R	3,600 KB/sec
16X CD-RW	2,400 KB/sec
8X DVD+R	10,800 KB/sec
4X DVD+RW	5,400 KB/sec
8X DVD-R	10,800 KB/sec
4X DVD-RW	5,400 KB/sec
2.4X DVD+R(9)	2,700 KB/sec
5X DVD-RAM	6,750 KB/sec
1X BD-ROM	4,500 KB/sec
1X BD-R read	4,500 KB/sec
1X BD-RE read	4,500 KB/sec
Transfer mode	
	Multiword DMA Mode

8 Backing up, restoring, and recovering (Windows 8)

Your computer includes tools provided by HP and the operating system to help you safeguard your information and retrieve it if you ever need to. These tools will help you return your computer to a proper working state or even back to the original factory state, all with simple steps.

This chapter provides information about the following processes:

- Creating recovery media and backups
- Restoring and recovering your system

 **NOTE:** This guide describes an overview of backing up, restoring and recovering options. For more details about the tools provided, see Help and Support. From the Start screen, type *h*, and then select **Help and Support**.

Creating recovery media and backups

Recovery after a system failure is only as good as your most recent backup.

1. After you successfully set up the computer, create HP Recovery media. This step creates a backup of the HP Recovery partition on the computer. The backup can be used to reinstall the original operating system in cases where the hard drive is corrupted or has been replaced.

HP Recovery media you create will provide the following recovery options:

- System Recovery—Reinstalls the original operating system and the programs that were installed at the factory.
- Minimized Image Recovery—Reinstalls the operating system and all hardware-related drivers and software, but not other software applications.
- Factory Reset—Restores the computer to its original factory state by deleting all information from the hard drive and re-creating the partitions. Then it reinstalls the operating system and the software that was installed at the factory.

See [Creating HP Recovery media on page 102](#).

2. As you add hardware and software programs, create system restore points. A system restore point is a snapshot of certain hard drive contents saved by Windows System Restore at a specific time. A system restore point contains information that Windows uses, such as registry settings. Windows creates a system restore point for you automatically during a Windows update and during other system maintenance (such as a software update, security scanning, or system diagnostics). You can also manually create a system restore point at any time. For more information and steps for creating specific system restore points, see Help and Support. From the Start screen, type *h*, and then select **Help and Support**.
3. As you add photos, video, music, and other personal files, create a backup of your personal information. Windows File History can be set to regularly and automatically back up files from

libraries, desktop, contacts, and favorites. If files are accidentally deleted from the hard drive and they can no longer be restored from the Recycle Bin, or if files become corrupted, you can restore the files that you backed up using File History. Restoring files is also useful if you ever choose to reset the computer by reinstalling Windows or choose to recover using HP Recovery Manager.



NOTE: File History is not enabled by default, so you must turn it on.

For more information and steps for enabling Windows File History, see Help and Support. From the Start screen, type **h**, and then select **Help and Support**.

Creating HP Recovery media

HP Recovery Manager is a software program that offers a way to create recovery media after you successfully set up the computer. HP Recovery media can be used to perform system recovery if the hard drive becomes corrupted. System recovery reinstalls the original operating system and the software programs installed at the factory, and then configures the settings for the programs. HP Recovery media can also be used to customize the system or aid in the replacement of a hard drive.

- Only one set of HP Recovery media can be created. Handle these recovery tools carefully, and keep them in a safe place.
- HP Recovery Manager examines the computer and determines the required storage capacity for the blank USB flash drive or the number of blank DVD discs that will be required.
- To create recovery discs, your computer must have an optical drive with DVD writer capability, and you must use only high-quality blank DVD-R, DVD+R, DVD-R DL, or DVD+R DL discs. Do not use rewritable discs such as CD±RW, DVD±RW, double-layer DVD±RW, or BD-RE (rewritable Blu-ray) discs; they are not compatible with HP Recovery Manager software. Or instead you can use a high-quality blank USB flash drive.
- If your computer does not include an integrated optical drive with DVD writer capability, but you would like to create DVD recovery media, you can use an external optical drive (purchased separately) to create recovery discs, or you can obtain recovery discs for your computer from the HP website. For U.S. support, go to <http://www.hp.com/go/contactHP>. For worldwide support, go to http://welcome.hp.com/country/us/en/wwcontact_us.html. If you use an external optical drive, it must be connected directly to a USB port on the computer; the drive cannot be connected to a USB port on an external device, such as a USB hub.
- Be sure that the computer is connected to AC power before you begin creating the recovery media.
- The creation process can take up to an hour or more. Do not interrupt the creation process.
- If necessary, you can exit the program before you have finished creating all of the recovery DVDs. HP Recovery Manager will finish burning the current DVD. The next time you start HP Recovery Manager, you will be prompted to continue, and the remaining discs will be burned.

To create HP Recovery media:

1. From the Start screen, type `recovery`, and then select **HP Recovery Manager**.
2. Select **Recovery Media Creation**, and then follow the on-screen instructions.

If you ever need to recover the system, see [Recovering using HP Recovery Manager on page 105](#).

Restore and recovery

There are several options for recovering your system. Choose the method that best matches your situation and level of expertise:

- If you need to restore your personal files and data, you can use Windows File History to restore your information from the backups you created. For more information and steps for using File History, see Help and Support. From the Start screen, type **h**, and then select **Help and Support**.
- If you need to correct a problem with a preinstalled application or driver, use the Drivers and Applications Reinstall option of HP Recovery Manager to reinstall the individual application or driver.

From the Start screen, type *recovery*, select **HP Recovery Manager**, select **Drivers and Applications Reinstall**, and then follow the on-screen instructions.

- If you want to restore the system to a previous state without losing any personal information, Windows System Restore is an option. System Restore allows you to restore without the requirements of Windows Refresh or a reinstallation. Windows creates system restore points automatically during a Windows update and other system maintenance events. Even if you did not manually create a restore point, you can choose to restore to a previous point, automatically created. For more information and steps for using Windows System Restore, see Help and Support. From the Start screen, type **h**, and then select **Help and Support**.
- If you want a quick and easy way to recover the system without losing your personal information, settings, or apps that came preinstalled on your computer or were purchased from the Windows Store, consider using Windows Refresh. This option does not require backing up data to another drive. See [Using Windows Refresh for quick and easy recovery on page 104](#).
- If you want to reset your computer to its original state, Windows provides an easy way to remove all personal data, apps, and settings, and reinstall Windows.

For more information, see [Remove everything and reinstall Windows on page 104](#).

- If you want to reset your computer using a minimized image, you can choose the HP Minimized Image Recovery option from the HP Recovery partition (select models only) or HP Recovery media. Minimized Image Recovery installs only drivers and hardware-enabling applications. Other applications included in the image continue to be available for installation through the Drivers and Applications Reinstall option in HP Recovery Manager.


For more information, see [Recovering using HP Recovery Manager on page 105](#).


- If you want to recover the computer's original factory partitioning and content, you can choose the System Recovery option from the HP Recovery media. For more information, see [Recovering using HP Recovery Manager on page 105](#).
- If you have replaced the hard drive, you can use the Factory Reset option of HP Recovery media to restore the factory image to the replacement drive. For more information, see [Recovering using HP Recovery Manager on page 105](#).
- If you wish to remove the recovery partition to reclaim hard drive space, HP Recovery Manager offers the Remove Recovery Partition option.


For more information, see [Removing the HP Recovery partition on page 106](#).

Using Windows Refresh for quick and easy recovery

When your computer is not working properly and you need to regain system stability, the Windows Refresh option allows you to start fresh and keep what is important to you.

 **IMPORTANT:** Refresh removes any traditional applications that were not originally installed on the system at the factory.

 **NOTE:** During Refresh, a list of removed traditional applications will be saved so that you have a quick way to see what you might need to reinstall. See Help and Support for instructions on reinstalling traditional applications. From the Start screen, type **h**, and then select **Help and Support**.


 **NOTE:** You may be prompted for your permission or password when using Refresh. See Help and Support for more information. From the Start screen, type **h**, and then select **Help and Support**.

To start Refresh:

1. From the Start screen, point to the upper-right or lower-right corner of the screen to reveal the charms.
2. Click **Settings**.
3. Click **Change PC settings** in the bottom-right corner of the screen, and then select **General** from the PC settings screen.
4. Under **Refresh your PC without affecting your files**, select **Get started**, and then follow the on-screen instructions.

Remove everything and reinstall Windows

Sometimes you want to perform detailed reformatting of your computer, or you want to remove personal information before you give away or recycle your computer. The process described in this section provides a speedy, simple way to return the computer to its original state. This option removes all personal data, apps, and settings from your computer, and reinstalls Windows.

 **IMPORTANT:** This option does not provide backups of your information. Before using this option, back up any personal information you wish to retain.

You can initiate this option by using the **f11** key or from the Start screen.

To use the **f11** key:

1. Press **f11** while the computer boots.
– or –
Press and hold **f11** as you press the power button.
2. Select **Troubleshoot** from the boot options menu.
3. Select **Reset your PC**, and then follow the on-screen instructions.

To use the Start screen:

1. From the Start screen, point to the upper-right or lower-right corner of the screen to reveal the charms.
2. Click **Settings**.

3. Click **Change PC settings** in the bottom-right corner of the screen, and then select **General** from the PC settings screen.
4. Under **Remove everything and reinstall Windows**, select **Get started**, and follow the on-screen instructions.

Recovering using HP Recovery Manager

HP Recovery Manager software allows you to recover the computer to its original factory state. Using the HP Recovery media you created, you can choose from one of the following recovery options:

- System Recovery—Reinstalls the original operating system, and then configures the settings for the programs that were installed at the factory.
- Minimized Image Recovery—Reinstalls the operating system and all hardware-related drivers and software, but not other software applications.
- Factory Reset—Restores the computer to its original factory state by deleting all information from the hard drive and re-creating the partitions. Then it reinstalls the operating system and the software that was installed at the factory.

The HP Recovery partition (select models only) allows Minimized Image Recovery.

What you need to know

- HP Recovery Manager recovers only software that was installed at the factory. For software not provided with this computer, you must either download the software from the manufacturer's website or reinstall the software from the media provided by the manufacturer.
- Recovery through HP Recovery Manager should be used as a final attempt to correct computer issues.
- HP Recovery media must be used if the computer hard drive fails.
- To use the Factory Reset or System Recovery options, you must use HP Recovery media.
- If the HP Recovery media do not work, you can obtain recovery media for your system from the HP website. For U.S. support, go to <http://www.hp.com/go/contactHP>. For worldwide support, go to http://welcome.hp.com/country/us/en/wwcontact_us.html.



IMPORTANT: HP Recovery Manager does not automatically provide backups of your personal data. Before beginning recovery, back up any personal data you wish to retain.

Using the HP Recovery partition to recover a minimized image (select models only)

The HP Recovery partition (select models only) allows you to perform a minimized image recovery without the need for recovery discs or a recovery USB flash drive. This type of recovery can only be used if the hard drive is still working.

To start HP Recovery Manager from the HP Recovery partition:

1. Press **f11** while the computer boots.
– or –
Press and hold **f11** as you press the power button.
2. Select **Troubleshoot** from the boot options menu.
3. Select **HP Recovery Manager**, and follow the on-screen instructions.

Using HP Recovery media to recover

You can use HP Recovery media to recover the original system. This method can be used if your system does not have an HP Recovery partition or if the hard drive is not working properly.

1. If possible, back up all personal files.
2. Insert the first HP Recovery disc you created into the optical drive on your computer or into an optional external optical drive, and then restart the computer.

– or –

Insert the HP Recovery USB flash drive you created into a USB port on your computer, and then restart the computer.

 **NOTE:** If the computer does not automatically restart in HP Recovery Manager, change the computer boot order. See [Changing the computer boot order on page 106](#).

3. Follow the on-screen instructions.

Changing the computer boot order


If computer does not restart in HP Recovery Manager, you can change the computer boot order, which is the order of devices listed in BIOS where the computer looks for startup information. You can change the selection for an optical drive or a USB flash drive.

To change the boot order:

1. Insert the HP Recovery media you created.
2. Restart the computer.
3. Press and hold **esc** while the computer is restarting, and then press **f9** for boot options.
4. Select the optical drive or USB flash drive you want to boot from.
5. Follow the on-screen instructions.

Removing the HP Recovery partition

HP Recovery Manager software allows you to remove the HP Recovery partition to free up hard drive space.

 **IMPORTANT:** Removing the HP Recovery partition means you can no longer use Windows Refresh, the Windows Remove everything and reinstall Windows option, or the HP Recovery Manager option for minimized image recovery. Create HP Recovery media before removing the Recovery partition to ensure you have recovery options; see [Creating HP Recovery media on page 102](#).

Follow these steps to remove the HP Recovery partition:


1. From the Start screen, type `recovery`, and then select **HP Recovery Manager**.
2. Select **Remove Recovery Partition**, and then follow the on-screen instructions.


9 Backing up, restoring, and recovering (Ubuntu Linux)

Recovery after a system failure is as good as your most recent backup. As you add new software and data files, you should continue to back up your system on a regular basis to maintain a reasonably current backup.

Performing a system recovery

The Deja Dup Restore Tool allows you to repair or restore the computer to its original factory state. You can create an image restore DVD using a DVD±RW optical drive. You can also create a restore image on a USB storage device.

 **CAUTION:** Using Restore completely erases hard drive contents and reformats the hard drive. All files you have created and any software installed on the computer are permanently removed. The recovery tool reinstalls the original operating system and programs and drivers that were installed at the factory. Software, drivers, and updates not installed at the factory must be manually reinstalled. Personal files must be restored from a backup.

 **NOTE:** HP recommends that you create the image restore in the event of a system failure.

Creating the restore DVDs

The restore creation software creates a set of system restore discs using blank, writable DVDs (DVD-R or DVD+R). HP recommends using blank DVD+R discs from a manufacturer you trust, because these recovery DVDs are so important. You need approximately 3 blank DVD+R discs. The program states how many discs are needed at the beginning of the process.

To create restore DVDs:


1. Click the **System menu** icon at the far right of the top panel, and then click **System Settings > Backup**.
2. Select **Storage** from the panel on the left side of the window, click the down-arrow next to **Backup Location**, and select the DVD from the drop-down list.
3. Select **Overview** from the panel on the left side of the window, and then click **Back Up Now**.
4. Follow the on-screen instructions.

Creating a restore image on a USB device

 **NOTE:** Be sure AC power is connected to the computer you begin.


Verify the exact amount of free space on your storage device before you begin the creation process. For most models, you will need at least 8 GB of free space on the storage device. However, depending

on the drivers and software installed on your computer, you may need slightly more than 8 GB of space. **HP recommends that you use a 16 GB device or above for best results.**

 **IMPORTANT:** Remember to insert your USB device into the USB port on the computer before starting this procedure.


To create the restore image:

1. Click the **System menu** icon at the far right of the top panel, and then click **System Settings > Backup**.
2. Select **Storage** from the panel on the left side of the window, click the down-arrow next to **Backup location**, and select the USB device from the drop-down list.


 **NOTE:** If the USB device is not listed in the drop-down list for Backup Location, select **Local Folder**, and then click the **Choose Folder** button. Select the USB device from the panel on the left side of the Choose Folder window, and click **OK**.

3. Select **Overview** from the panel on the left side of the window, and then click **Backup Now**.
4. Follow the on-screen instructions.

Performing recovery using the restore DVD

 **NOTE:** The following procedure uses the F11 BIOS Recovery feature to perform the recovery.

1. If possible, back up all personal files.
2. Shut down the computer.
3. Be sure the restore DVD or USB device is connected to the computer.
4. Restart the computer.
5. Using the arrow keys, select **Recovery**, and then press **enter**.
6. Follow the on-screen instructions.

 **NOTE:** If you are unable to boot (start up) your computer, and you did not create a system recovery disc, you must purchase an *Ubuntu Operating System* DVD to reinstall the operating system. For additional information, refer to the *Worldwide Telephone Numbers* booklet.

Backing up your information

You should back up your computer files on a regular schedule to maintain a current backup. You can manually back up your information to an optional external drive, a network drive, discs, or the Ubuntu One website. Back up your system at the following times:

- At regularly scheduled times
- Before the computer is repaired or restored
- Before you add or modify hardware or software

To back up your home directory files to the Ubuntu One website using the Deja Dup Backup Tool:



NOTE: Before you back up your information, be sure you have designated a location to save the backup files.

1. Click the **System menu** icon at the far right of the top panel, and then click **System Settings > Backup** icon.
2. Select **Folders** from the panel on the left side of the window, and beneath **Folders to back up**, select the folders to back up.
3. Select **Storage** from the panel on the left side of the window, click the down-arrow next to **Backup Location**, and select **Ubuntu One** from the drop-down list.
4. Select **Overview** from the panel on the left side of the window, and then click **Back Up Now**.



NOTE: The first time you back up your files to Ubuntu One, you will need to create an account to sign into Ubuntu One. Enter your email address and password into the account sign-in boxes and follow the on-screen instructions to complete the sign-in process.

To restore backup files:

1. Click the **System menu** icon at the far right of the top panel, and then click **System Settings > Backup** icon.
2. Click **Restore**, select the location of the backup files and the folder name, and then click **Forward**.
3. Under **Restore from When?**, select the date of the files to be restored, and then click **Forward**.
4. Select the location and folder where the files are to be restored, and then click **Forward**.
5. Follow the instructions on the screen.
6. Click **Restore** to start restoring the files, or click **Cancel** to cancel the operation.



NOTE: You may also back up to cloud storage services provided by various companies. For a small fee, they will keep your backup for you. A cloud service is recommended, since it is an easy way to keep your backups off-site and safe.

10 Power cord set requirements

The wide-range input feature of the computer permits it to operate from any line voltage from 100 to 120 V ac, or from 220 to 240 V ac.

The 3-conductor power cord set included with the computer meets the requirements for use in the country or region where the equipment is purchased.

Power cord sets for use in other countries or regions must meet the requirements of the country and region where the computer is used.

Requirements for all countries

The following requirements are applicable to all countries and regions:

- The length of the power cord set must be at least **1.0 m** (3.3 ft) and no more than **2.0 m** (6.5 ft).
- All power cord sets must be approved by an acceptable accredited agency responsible for evaluation in the country or region where the power cord set will be used.
- The power cord sets must have a minimum current capacity of 10 A and a nominal voltage rating of 125 or 250 V ac, as required by the power system of each country or region.
- The appliance coupler must meet the mechanical configuration of an EN 60 320/IEC 320 Standard Sheet C13 connector for mating with the appliance inlet on the back of the computer.

Requirements for specific countries and regions

Country/region	Accredited agency	Applicable note number
Argentina	IRAM	1
Australia	SAA	1
Austria	OVE	1
Belgium	CEBEC	1
Brazil	ABNT	1
Canada	CSA	2
Chile	IMQ	1
Denmark	DEMKO	1
Finland	FIMKO	1
France	UTE	1
Germany	VDE	1
India	ISI	1
Israel	SII	1
Italy	IMQ	1
Japan	JIS	3
The Netherlands	KEMA	1
New Zealand	SANZ	1
Norway	NEMKO	1
The People's Republic of China	CCC	4
Saudi Arabia	SASO	7
Singapore	PSB	1
South Africa	SABS	1
South Korea	KTL	5
Sweden	SEMKO	1
Switzerland	SEV	1
Taiwan	BSMI	6
Thailand	TISI	1
The United Kingdom	ASTA	1

Country/region	Accredited agency	Applicable note number
The United States	UL	2
<ol style="list-style-type: none"> 1. The flexible cord must be Type HO5VV-F, 3-conductor, 0.75 mm² conductor size. Power cord set fittings (appliance coupler and wall plug) must bear the certification mark of the agency responsible for evaluation in the country or region where it will be used. 2. The flexible cord must be Type SVT/SJT or equivalent, No. 18 AWG, 3-conductor. The wall plug must be a two-pole grounding type with a NEMA 5-15P (15 A, 125 V ac) or NEMA 6-15P (15 A, 250 V ac) configuration. CSA or C-UL mark. UL file number must be on each element. 3. The appliance coupler, flexible cord, and wall plug must bear a "T" mark and registration number in accordance with the Japanese Dentori Law. The flexible cord must be Type VCTF, 3-conductor, 0.75 mm² or 1.25 mm² conductor size. The wall plug must be a two-pole grounding type with a Japanese Industrial Standard C8303 (7 A, 125 V ac) configuration. 4. The flexible cord must be Type RVV, 3-conductor, 0.75 mm² conductor size. Power cord set fittings (appliance coupler and wall plug) must bear the CCC certification mark. 5. The flexible cord must be Type HO5VV-F 3-conductor, 0.75 mm² conductor size. KTL logo and individual approval number must be on each element. Corset approval number and logo must be printed on a flag label. 6. The flexible cord must be Type HVCTF 3-conductor, 1.25 mm² conductor size. Power cord set fittings (appliance coupler, cable, and wall plug) must bear the BSMI certification mark. 7. For 127 V ac, the flexible cord must be Type SVT or SJT 3-conductor, 18 AWG, with plug NEMA 5-15P (15 A, 125 V ac), with UL and CSA or C-UL marks. For 240 V ac, the flexible cord must be Type HO5VV-F 3-conductor, 0.75 mm² or 1.00 mm² conductor size, with plug BS 1363/A with BSI or ASTA marks. 		

11 Recycling

When a battery has reached the end of its useful life, do not dispose of the battery in general household waste. Follow the local laws and regulations in your area for battery disposal. HP encourages customers to recycle used electronic hardware, HP original print cartridges, and rechargeable batteries.

For more information about recycling programs, see the HP website at www.hp.com/recycle.

Index

A

- AC adapter light, identifying 6
- AC adapter, spare part numbers 27, 30, 31
- action keys
 - identifying 15, 16
- antenna
 - removal 73
 - spare part number 25, 67
- audio, product description 3
- audio-in (microphone) jack 8
- audio-out (headphone) jack 9

B

- back up
 - personal files 102
- backups 101, 108
- base enclosure, spare part number 24, 32
- battery
 - removal 41
 - spare part numbers 23, 41
- battery bay 17
- battery release latch 17
- bezel
 - spare part number 25
- BIOS
 - determining version 88, 92
 - downloading an update 89, 93
 - updating 88, 92
- Blu-ray Disc ROM and DVD±R/RW SuperMulti Double-Layer Drive specifications 100
- Blu-ray ROM DVD±R/RW Super Multi Double-Layer Drive
 - precautions 35
 - removal 26, 43
 - spare part numbers 26, 43
- boot order
 - changing HP Recovery Manager 106
- buttons
 - left TouchPad 11
 - power 13

- right TouchPad 11
- TouchPad on/off 11

C

- cables, service considerations 34
- camera, product description 3
- caps lock light, identifying 12
- chipset, product description 1
- components
 - bottom 17
 - display 10
 - left side 8
 - right side 6
 - top 11
- Ubuntu Linux systems keys 16
- computer feet
 - locations 40
 - spare part number 40
- computer reset 104
- computer specifications 95
- connector, power 7
- connectors, service considerations 34

D

- default settings, restoring 92
- deleted files
 - restoring 103
- Digital Media Slot, identifying 9
- display assembly
 - removal 67
 - spare part number 20
 - spare part numbers 67
- Display back cover 67
- display back cover, spare part number 25
- display bezel
 - illustrated 25
 - removal 69
 - spare part number 25, 67
- Display Cable Kit, spare part number 67
- display cable, spare part number 25

- display components
 - illustrated 25
 - spare part numbers 25
- display enclosure, illustrated 25
- Display hinge cover, spare part number 25
- Display Hinge Kit, spare part number 67
- display panel
 - illustrated 25
 - product description 2
 - removal 70
 - spare part number 25, 67
- display panel cable
 - removal 72
 - spare part number 67
- display specifications 97
- drives, preventing damage 35
- DVD±RW and CD-RW Super Multi Double-Layer Combo Drive
 - precautions 35
 - removal 26, 43
 - spare part numbers 26, 43
- DVD±RW and CD-RW SuperMulti Double-Layer Combo Drive specifications 99

E

- electrostatic discharge 35
- equipment guidelines 38
- esc key, identifying 15
- Ethernet, product description 3
- external media cards, product description 4
- external monitor port 8

F

- factory settings, restoring 92
- fan
 - removal 80
 - spare part number 80
- feet
 - locations 40
 - spare part number 40
- fn key, identifying 15, 16

- G**
 - graphics, product description 2
 - grounding guidelines 35
 - guidelines
 - equipment 38
 - grounding 35
 - packaging 37
 - transporting 37
 - workstation 37
- H**
 - hard drive
 - precautions 35
 - product description 2
 - removal 45
 - spare part numbers 24, 26, 45
 - specifications 98
 - hard drive bay, identifying 17
 - Hard Drive Hardware Kit, spare part number 26, 45
 - hard drive light 6
 - HDMI port, identifying 8
 - heat sink
 - removal 80
 - spare part numbers 29, 30, 33, 80
 - heat sink assembly
 - spare part number 23
 - hinge
 - removal 72
 - spare part number 67
 - hinge cover
 - spare part number 67
 - HP Recovery Manager 105
 - correcting boot problems 106
 - starting 106
 - HP Recovery media
 - creating 102
 - recovery 106
 - HP Recovery partition 106
 - recovery 105
 - removing 106
- I**
 - integrated webcam light, identifying 10
 - internal microphone, identifying 10
- J**
 - jack
 - audio-in (microphone) 8
 - audio-out (headphone) 9
 - jacks
 - network 8
 - RJ-45 (network) 8
- K**
 - key components 16
 - keyboard
 - product description 4
 - removal 52
 - spare part numbers 20, 52
 - keys
 - action 15, 16
 - esc 15
 - fn 15, 16
 - Operating system applications 16
 - Operating system logo 16
- L**
 - latch, battery release 17
 - lights
 - AC adapter 6
 - caps lock 12
 - hard drive 6
 - mute 12
 - optical drive 6
 - power 6
 - TouchPad 11, 12
 - webcam 10
 - wireless 12
- M**
 - mass storage device
 - precautions 35
 - removal 45
 - spare part numbers 45
 - mass storage devices, spare part numbers 26
 - memory module
 - product description 2
 - removal 47
 - spare part numbers 24, 47
 - memory module compartment, identifying 17
 - minimized image
 - creating 105
 - minimized image recovery 105
 - model name 1
 - mute light, identifying 12
- N**
 - network jack, identifying 8
- O**
 - Operating system applications key, identifying 16
 - Operating system logo key, identifying 16
 - operating system, product description 5
 - optical drive
 - precautions 35
 - product description 3
 - removal 43
 - spare part numbers 24, 26, 43
 - specifications 99, 100
 - optical drive bracket, removal 44
 - optical drive cable
 - removal 86
 - optical drive light, identifying 6
 - optical drive, identifying 6
 - original system recovery 105
- P**
 - packaging guidelines 37
 - PCH heat sink
 - removal 83
 - spare part number 83
 - plastic parts, service considerations 34
 - pointing device, product description 4
 - ports
 - external monitor 8
 - HDMI 8
 - product description 4
 - USB 3.0 8
 - power button board
 - removal 62
 - spare part number 22, 62
 - power button, identifying 13
 - power connector
 - removal 74
 - spare part number 23
 - power connector, identifying 7

- power cord
 - requirements for all countries 111
 - requirements for specific countries and regions 112
 - set requirements 111
- power cord, spare part numbers 27
- power lights, identifying 6
- power requirements, product description 4
- processor
 - product description 1
 - removal 84
 - spare part numbers 22, 33, 84
- product description
 - audio 3
 - camera 3
 - chipset 1
 - display panel 2
 - Ethernet 3
 - external media cards 4
 - graphics 2
 - hard drives 2
 - keyboard 4
 - memory module 2
 - operating system 5
 - optical drive 3
 - pointing devices 4
 - ports 4
 - power requirements 4
 - processors 1
 - product name 1
 - security 4
 - serviceability 5
 - wireless 3
- product name 1
- R**
- recovery 103, 104
 - discs 102, 106
 - HP Recovery Manager 105
 - media 106
 - starting 106
 - supported discs 102
 - system 105
 - USB flash drive 106
 - using HP Recovery media 102
- recovery media
 - creating 102
 - creating using HP Recovery Manager 102
- recovery partition 105
- removing 106
- recycle
 - computer 103, 104
- refresh 104
 - computer 103
- removal/replacement
 - preliminaries 34
 - procedures 38
- remove everything and reinstall Windows 104
- reset
 - computer 103, 104
 - steps 104
- restore
 - Windows File History 103
- RJ-45 (network) jack, identifying 8
- RTC battery
 - removal 78
 - spare part number 23, 78
- Rubber Feet Kit, spare part number 40
- S**
- security cable slot
 - security cable slot, identifying 7
- security, product description 4
- serial number 18
- service considerations
 - cables 34
 - connectors 34
 - plastic parts 34
- service door
 - removal 42
- service label 39
- serviceability, product description 5
- Setup Utility
 - changing the language 91
 - displaying system information 92
 - exiting 92
 - navigating 91
 - restoring default settings 92
- selecting 91
- starting 91
- slots
 - Digital Media 9
- speaker assembly
 - spare part number 22
- Speaker Kit, spare part number 61
- speakers
 - removal 61
 - spare part number 61
- speakers, identifying 14
- specifications
 - Blu-ray Disc ROM and DVD±R/RW SuperMulti Double-Layer Drive 100
 - computer 95
 - display 97
 - DVD±RW and CD-RW SuperMulti Double-Layer Combo Drive 99
 - hard drive 98
 - optical drive 99, 100
- supported discs
 - recovery 102
- system board
 - removal 75
 - spare part numbers 22, 32, 33, 75
- system information, displaying 92
- system recovery 105
- system restore point
 - creating 101
 - restoring 103
- T**
- tools required 34
- top cover
 - removal 57
 - spare part number 21
 - spare part numbers 57
- TouchPad
 - buttons 11
- TouchPad button board
 - removal 64
 - spare part number 64
- TouchPad LED board
 - removal 65
 - spare part number 65
- TouchPad reader light 12

TouchPad zone, identifying 11
transporting guidelines 37

U

USB 3.0 ports identifying 8
USB board
 removal 73
 spare part number 23

V

vents, identifying 8, 17

W

webcam light, identifying 10
webcam module, spare part
 number 25
webcam, identifying 10
webcam/microphone module
 removal 70
 spare part number 67
Windows
 backup 102
 File History 102, 103
 Refresh 103, 104
 reinstall 103, 104
 remove everything and reinstall
 option 104
 reset 104
 restoring files 103
 system restore point 101, 103
wireless antenna
 removal 73
 spare part number 25, 67
wireless light 12
wireless module compartment,
 identifying 17
wireless, product description 3
WLAN antennas, identifying 10
WLAN module
 removal 50
 spare part numbers 24, 50
workstation guidelines 37