

PREMIER[®]

TM

Communication products to depend on.SM

- » Telephones & Accessories
- » Headsets
- » Voice & Data Electronics
- » Power & Protection
- » Jack Plates & Accessories
- » Wiring Systems
- » Cable Assemblies & Cords
- » Wiring Cable
- » Conduit & Innerduct
- » Outside Plant
- » Tools & Test
- » Supplies

Product Catalog

Did you know that ...

- » PREMIER buys more than 80% of its products from DOMESTIC SUPPLIERS?
- » PREMIER-branded products have a 5 year warranty?
- » PREMIER Structured Wiring System products have a 25 year warranty?
- » PREMIER products are sourced under an ISO 9001:2000 Registered / TL 9000 Certified Quality Management System
- » PREMIER sells products approved for RUS



Quality

- Designed for Carrier / Commercial grade performance

Value

- Priced to provide maximum value for customers

Reliability

- Industry leading 5 year / 25 year product warranties

Table of Contents

Telephones & Accessories	Page
Telephones-Corded	
Corded Telephones, 2500 Desk / 2254 Wall	6-10
Corded Telephones, Single-Line Basic Telephones	11-14
Corded Telephones, Single-Line Business/Hospitality	14
Corded Telephones, Multi-Line Business/Hospitality	15
Corded Telephones, Multi-Line	16-20
Telephones-Cordless	
Cordless Telephones, Single-Line	20-23
Cordless Telephones, Floating Waterproof	23
Cordless Telephones, Audio Boost	24-25
Cordless Telephones, Multi-Line	25
Telephone Peripherals	
Caller ID Adjuncts	27
Telephone Repair Parts	
Series 7000	28-30
2500/2554	30-38
Weatherproof Enclosure	39
Telephone Cords	
Handset Cords	40
Line Cords	41-44
Bells & Ringers	
Bells	45
Ringers	46
Headsets	Page
Wireless, Multiuse	47-48
Wireless, Headset Products	48-49
Optional Wireless System Add-Ons	49
Corded, Unified Comm. & USB	50
Corded	51-52
Corded, Accessories	52-53

Voice & Data Electronics	Page
Switches	54
Home Networking	54
Modems & Filters	55
Power & Protection	Page
Surge Protection	56-59
Uninterruptible Power Supplies	60-63
Jack Plates & Accessories	Page
Jack Plates	64-67
Surface Blocks	68-74
Wall Jacks	75-81
Adapters	82
Couplers	83
Wiring Systems	Page
66 Blocks	84
110 Blocks	85
Residential	86-87
Connectors	88-90
Faceplates and Housings	91-94
Patch Panels and Fiber Boxes	95-98
Racks, Brackets, and Shelves	98-99
Cabling	100
Surface Raceway	101-105
Wiring Duct	106
Cable Assemblies & Cords	Page
Connectorized Cables	107-108
Cat.6 Patch Cords	109
Cat.5e Patch Cords	110-111
Fiber Jumpers	112-114

Table of Contents

Wire & Cable	Page
Jumper Wire	115-116
Cross Connect Wire	117
Station Wire	118
CATV Coax Cable	118
Inside Wire	119-126
Distribution and Service Wire	127-129
Temporary Drop Wire	129
Ground Wire	130
Switchboard Cable	131
T-1 Cable	132
Power Wire	133
Guy Strand	134
Lashing Wire	135
Conduit & Innerduct	Page
Conduit Schedule 40	136
PVC Conduit Accessories	137
C-Duct	137
Innerduct	138-139
Innerduct Couplers	140
Outside Plant	Page
Cable Guards	141
Suspension and Drop Hardware	141
Ground Rods	142-144
Bonding and Grounding Hardware	144-145
Bonding Braids	146-147
Mobile Home Posts / Pedestals Accessories	148
House Risers	149

Tools & Tests	Page
Speciality Tools	150
Hand Tools	150-157
Linemans Test Sets	158
Test Sets	159
Banjo Adapter	159
Bare Fiber Adapter	159
Crimping and Stripping Tools	160
Punch Down Tool	161
Supplies	Page
Cable Ties	162-167
Splicing Supplies	168
Decals and Tags	169-171
Marking Paint	172
Batteries	172
General Supplies	173-175
Index	Page
Product Index by Manufacturer Part Number	176-187

Strategic Sourcing with PREMIER

PREMIER is an original equipment manufacturer of CPE, outside plant and voice / data / video communications products. Established in 1982, PREMIER has provided product solutions for the communications industry for more than 28 years, with an emphasis on providing **Carrier-grade commodity products at competitive prices.**

PREMIER is a strategic sourcing arm for KGP Logistics.

Sourcing

- » Established partnerships with more than 50 global manufacturers
- » Flexibility to source new products to meet individual customer needs
- » Primary sourcing from domestic suppliers and secondary sourcing from offshore suppliers reduce the customer's cost of goods

Quality

- » ISO 9001:2000 registered TL 9000 certified Quality Management System
- » Quality verification during all product fulfillment phases
- » High quality products backed by a warranty
 - 5-year product warranty on all PREMIER branded products
 - 25-year product warranty on PREMIER Structured Wiring System products



Product Categories

- » Outside Plant Products
- » Data Products
- » Wire and Cable Products
- » Power and Protection Products
- » Voice Products
- » Wiring System Products

For more information, visit
www.kgplogistics.com
or call 1.800.755.1950

PREMIER

600 New Century Parkway
New Century, Kansas 66031-8000

PREMIER® Product Warranty

All PREMIER-branded products have a 5-year limited warranty from the date of purchase against defects in materials and workmanship. Within the warranty period, KGP Products, Inc. will replace any PREMIER-branded product that proves to be defective. KGP Products, Inc. will not be responsible for any labor costs or other costs to remove or reinstall any defective product. KGP Products, Inc., in its sole discretion, may replace a defective product with a substantially similar product. This warranty does not extend to damage or failure that results from misuse, neglect, accidents, alterations, abuse, improper handling, shipment, storage, installation, and/or maintenance. To make a claim under this warranty, contact KGP Products, Inc. at 1-800-755-1950 or by fax at 1-913-393-6791 within the warranty period.

THIS WARRANTY IS IN LIEU OF ALL OTHER WARRANTIES, EXPRESS OR IMPLIED, INCLUDING ANY WARRANTY OF MERCHANTABILITY OR FITNESS FOR A PARTICULAR PURPOSE.

Customer's sole and exclusive remedy against KGP Products, Inc. will be the replacement of the PREMIER-branded product as provided by and within the time period specified in the PREMIER Product Warranty. Replacement products will be warranted only for the remainder of the original warranty period. KGP Products, Inc. will have no other obligation to provide to Customer any other remedy, including but not limited to direct, special, indirect, incidental or consequential damages, which includes without limitation damages for lost profits, lost revenues, loss of use of facilities or equipment or cost of substitute equipment arising out of the use or inability to use the product, injury to persons or property or any other incidental or consequential loss, even if Customer has advised KGP Products, Inc. of the possibility of such damages. KGP Products, Inc.'s liability hereunder will in no event exceed the purchase price of the defective product. This limited warranty is non-transferable without the prior written approval of KGP Products, Inc. Invalidity or unenforceability of any provision herein shall not affect the validity or enforceability of any other provision which shall remain in full force and effect.

PREMIER® Structured Wiring System Warranty

All PREMIER Structured Wiring System products have a 25-year limited warranty from the date of shipment against defects in materials and workmanship occurring under normal and proper use, to perform in accordance with the transmission performance requirements outlined in the current edition of the ANSI/TIA/EIA-568 specification. Within the warranty period, KGP Products, Inc. will replace any PREMIER Structured Wiring System product that proves to be defective. KGP Products, Inc. will not be responsible for any labor costs or other costs to remove or reinstall any defective product. KGP Products, Inc., in its sole discretion, may replace a defective product with a substantially similar product. This warranty does not extend to damage or failure that results from misuse, neglect, accidents, alterations, abuse, improper handling, shipment, storage, installation, and/or maintenance. To make a claim under this warranty, contact KGP Products, Inc. at 1-800-755-1950 or by fax at 1-913-393-6791 within the warranty period.

THIS WARRANTY IS IN LIEU OF ALL OTHER WARRANTIES, EXPRESS OR IMPLIED, INCLUDING ANY WARRANTY OF MERCHANTABILITY OR FITNESS FOR A PARTICULAR PURPOSE.

Customer's sole and exclusive remedy against KGP Products, Inc. will be the replacement of the defective product in the PREMIER Structured Wiring System as provided by and within the time period specified in the PREMIER Structured Wiring System Warranty. Replacement products will be warranted only for the remainder of the original warranty period. KGP Products, Inc. will have no other obligation to provide to Customer any other remedy, including but not limited to direct, special, indirect, incidental or consequential damages, which includes without limitation damages for lost profits, lost revenues, loss of use of facilities or equipment or cost of substitute equipment arising out of the use or inability to use the product, injury to persons or property or any other incidental or consequential loss, even if Customer has advised KGP Products, Inc. of the possibility of such damages. KGP Products, Inc.'s liability hereunder will in no event exceed the purchase price of the defective product in the PREMIER Structured Wiring System. This limited warranty is non-transferable without the prior written approval of KGP Products, Inc. Invalidity or unenforceability of any provision herein shall not affect the validity or enforceability of any other provision which shall remain in full force and effect.

Telephones-Corded

PREMIER® carries a broad portfolio of Corded Telephones. Our manufacturer list includes:

- » PREMIER (5 year warranty)
- » Uniden (1 year warranty)
- » RCA (2 year warranty)

Corded Telephones, 2500 Desk / 2554 Wall



PREMIER 2500 Desk Telephone

PREMIER Basic 2500 Desk Telephone

PREMIER 2500 desk telephones use industry interchangeable parts and have a 5 year warranty.

- Fully modular
- FCC registered
- Receiver volume control
- Hearing aid compatible
- Complete interchangeability with industry standard piece parts
- Soft-touch DTMF dial
- Provision for A-lead control
- Double gong ringer
- 12-ft. handset cord included with every modular desk telephone
- Soft rubber non-skid feet

PREMIER

Item No.	Mfg. Part No.	Description
4723657521	250044-MBA-20M-H	PREMIER Model 2500 Basic Single-Line Desk Telephone - Ash
4723577521	250000-MBA-20M-H	PREMIER Model 2500 Basic Single-Line Desk Telephone - Black
4723637521	250015-MBA-20M-H	PREMIER Model 2500 Basic Single-Line Desk Telephone - White
4723597521	250009-MBA-20M-H	PREMIER Model 2500 Basic Single-Line Desk Telephone - Ivory
4720467521	250047-MBA-20M-H	PREMIER Model 2500 Basic Single-Line Desk Telephone - Red



PREMIER Plus 2500 Desk Telephone with Message Waiting Light and Flash

PREMIER Plus 2500 Message Waiting and Flash Button Telephone

- Transfer access
- Message waiting
- Fully modular
- FCC registered
- Receiver volume control
- Hearing aid compatible
- Industry standard replacement parts available
- Soft-touch DTMF dial
- Provision for A-lead control
- Double gong ringer
- Clear faceplate with mat on desk models
- 12-ft. handset cord included with every modular telephone
- 7-ft. line cord included with every modular desk telephone
- Soft rubber non-skid feet

PREMIER

Item No.	Mfg. Part No.	Description
4718487521	250044-MBA-27F-CH	PREMIER Plus Model 2500 Desk Telephone with Flash and 90 V. Message Waiting Light - Ash

Corded Telephones, 2500 Desk / 2554 Wall



PREMIER Plus 2500 Desk Telephone with Flash in Ash

PREMIER® Plus 2500 Desk Telephone with Flash Button

- Transfer access
- Fully modular
- FCC registered
- Receiver volume control
- Hearing aid compatible
- Industry standard replacement parts available
- Soft-touch DTMF dial
- Provision for A-lead control
- Double gong ringer
- Clear faceplate with mat on desk models
- 12-ft. handset cord included with every modular telephone
- 7-ft. line cord included with every modular desk telephone
- Soft rubber non-skid feet

PREMIER

Item No.	Mfg. Part No.	Description
4717917521	250044-MBA-20F-CH	PREMIER Plus Model 2500 Desk Telephone with Flash - Ash



PREMIER Plus 2500 Desk Telephone with 90 Volt Message Waiting Light

PREMIER Plus 2500 Hotel/Motel Desk Telephones, Message Waiting, Quarter Modular

PREMIER Plus 2500 hotel/motel desk telephones with 90 volt message waiting light.

- Message waiting
- Quarter modular with a clear faceplate
- Red neon 90 volt message waiting lamp on the housing
- 9-ft. line cord
- 12-ft. handset cord

PREMIER

Item No.	Mfg. Part No.	Description
4727567521	250044-QBA-27M-CH	PREMIER Plus Model 2500 Desk Telephone with 90 V. Neon Red Message Waiting Light in Housing - Ash
4727477521	250009-QBA-27M-CH	PREMIER Plus Model 2500 Desk Telephone with 90 V. Neon Red Message Waiting Light in Housing - Ivory

Corded Telephones, 2500 Desk / 2554 Wall



PREMIER Plus 2500 with Message Waiting in Ash, Fully Modular

PREMIER® Plus 2500 Hotel/Motel Desk Telephones, Message Waiting, Fully Modular

- Message waiting
- Fully modular with a clear faceplate
- Red neon 90 volt message waiting lamp on the housing
- 14-ft. line cord
- 12-ft. handset cord

PREMIER

Item No.	Mfg. Part No.	Description
4723897521	250044-MBA-27M-CH-14	PREMIER Plus Model 2500 Hotel/Motel Telephone - Ash



PREMIER Plus 2500 Desk Telephone with Message Waiting Light and Data Jack

PREMIER Plus 2500 Hotel/Motel Desk Telephones, Message Waiting, Modular, Data Jack

- Message waiting
- Quarter modular with a clear faceplate
- Red neon 90 volt message waiting lamp on the housing
- 14-ft. line cord
- 12-ft. handset cord
- Equipped with an RJ11C jack in the side of the telephone for data, modular extension ringers, modular answering machines, portable data terminals or fax machines

PREMIER

Item No.	Mfg. Part No.	Description
4778797521	250044-MBA 27M-DCH-1	PREMIER Plus Model 2500 Hotel/Motel Telephone - Ash
4495017521	250044-QBA-27M-DCH-1	PREMIER Plus Model 2500 Hotel/Motel Telephone - Ash

Corded Telephones, 2500 Desk / 2554 Wall



PREMIER 2554 Wall Telephone

PREMIER® 2554 Basic Single-Line Wall Telephone

- Fully modular
- FCC registered
- Receiver volume control
- Hearing aid compatible
- Industry standard replacement parts available
- Soft-touch DTMF dial
- Provision for A-lead control
- Single gong ringer
- 12-ft. handset cord included with every modular telephone
- Soft rubber non-skid feet
- Standard transmission network

PREMIER

Item No.	Mfg. Part No.	Description
4733767521	255444-MBA-20M-H	PREMIER Model 2554 Basic Single-Line Wall Telephone - Ash
4733737521	255400-MBA-20M-H	PREMIER Model 2554 Basic Single-Line Wall Telephone - Black
4733747521	255409-MBA-20M-H	PREMIER Model 2554 Basic Single-Line Wall Telephone - Ivory
4733797521	255415-MBA-20M-H	PREMIER Model 2554 Basic Single-Line Wall Telephone - White
4733317521	255447-MBA-20M-H	PREMIER Model 2554 Basic Single-Line Wall Telephone - Red



PREMIER Plus Wall Telephone with Flash in Ash

PREMIER Plus Single-Line Telephone

- Transfer access
- Fully modular
- FCC registered
- Receiver volume control
- Hearing aid compatible
- Industry standard replacement parts available
- Soft-touch DTMF dial
- Provision for A-lead control
- Single gong ringer
- Clear faceplate with mat on desk models
- 12-ft. handset cord included with every modular telephone
- 7-ft. line cord included with every modular desk telephone
- Soft rubber non-skid feet

PREMIER

Item No.	Mfg. Part No.	Description
4738517521	255444-MBA-20F-H	PREMIER Plus Model 2554 Wall Telephone with Flash - Ash

Corded Telephones, 2500 Desk / 2554 Wall



PREMIER Plus 2554 Wall Telephone with 90 Volt Message Waiting and Flash

PREMIER® Plus Single-Line Telephone

- Transfer access
- Message waiting
- Fully modular
- FCC registered
- Receiver volume control
- Hearing aid compatible
- Industry standard replacement parts available
- Soft-touch DTMF dial
- Provisions for A-lead control
- Single gong ringer
- Clear faceplate with mat on desk models
- 12-ft. handset cord included with every modular telephone
- 7-ft. line cord included with every modular desk telephone
- Soft rubber non-skid feet

PREMIER

Item No.	Mfg. Part No.	Description
4738627521	255444-MBA-27F-H	PREMIER Plus Model 2554 Wall Telephone with Flash and 90 Volt Message Waiting in the faceplate - Ash

PREMIER Basic 2500 No Dial, Courtesy Telephone



PREMIER 2500 Desk Courtesy Telephone in Ash



PREMIER 2554 Wall Courtesy Telephone in Ash

PREMIER 2500 desk/2554 wall telephones without dial.



PREMIER 2500 Desk Courtesy Telephone in Red



PREMIER 2554 Wall Courtesy Telephone in Red

PREMIER

Item No.	Mfg. Part No.	Description
0000113592	250044-MBA-NODIAL-H	PREMIER Model 2500 Corded Desk Telephone Without Dial - Ash
0000113594	255444-MBA-NODIAL-H	PREMIER Model 2554 Corded Wall Telephone Without Dial - Ash
0000113593	250047-MBA-NODIAL-H	PREMIER Model 2500 Corded Desk Telephone Without Dial - Red
0000113595	255447-MBA-NODIAL-H	PREMIER Model 2554 Corded Wall Telephone Without Dial - Red

Corded Telephones, Single-Line Basic Telephones



PREMIER Delight V Model 2910 Slimline

PREMIER® Delight V Model 2910 Telephone

PREMIER Delight V model 2910 lighted dial-in-handset telephones are great for business, hospital or residential applications.

- Redial
- Tone/pulse switch
- Lighted dial
- On-off ringer
- Receiver volume control
- Flash
- Electric ringer
- Desk and wall mountable

PREMIER

Item No.	Mfg. Part No.	Description
4720027501	2910-44	PREMIER Model 2910 Delight V Slimline Corded Telephone - Ash
4720047501	PT-2910-15	PREMIER Model 2910 Delight V Slimline Corded Telephone - White



Uniden Model 1100 BK Slimline

Uniden Model 1100 Slimline

- 3 Volume Adjustment Wheel
- Hi/Lo Ringer Settings
- 1 Year Warranty

PREMIER

Item No.	Mfg. Part No.	Description
0000276938	1100	Uniden Slimline Model 1100 Color White
0000276939	1100BK	Uniden Slimline Model 1100 Color Black

Corded Telephones, Single-Line Basic Telephones



Uniden Model 1260 Slimline

- Call Waiting Caller ID
- 50 Caller ID Memory Log
- 3 Volume Adjustment Wheel
- 1 Year Warranty

PREMIER

Item No.	Mfg. Part No.	Description
0000222065	1260	Uniden Slimline Model 1260 Color White
0000222066	1260BK	Uniden Slimline Model 1260 Color Black



Uniden Model 1360 Desktop

- Speakerphone with Mute
- CWCID with 60 Caller ID Memory Log
- 3 One Touch Memory Keys & 10 Phonebook Memory
- Large Adjustable View Angle LCD Display
- 1 Year Warranty

PREMIER

Item No.	Mfg. Part No.	Description
0000222068	1360BK	Uniden Desktop Model 1360BK Color - Black



Uniden Model 1380 Desktop

- Same Features as Model 1360
- Plus Digital Answering System
- 1 Year Warranty

PREMIER

Item No.	Mfg. Part No.	Description
0000291758	1380BK	Uniden Desktop Model 1380 Color - Black

Corded Telephones, Single-Line Basic Telephones



Uniden Model CEZ200 Loud&Clear™ Corded Slimline

- Modern Big Button Design
- Amplified Audio Boost (+20dB)
- Large Visual Ring Indicator Light on Handset
- Large Backlit Keys
- 1 Year Warranty

PREMIER

Item No.	Mfg. Part No.	Description
0000222070	CEZ200	Uniden Model CEZ200 Loud&Clear™ Slimline Color - White



Uniden Model CEZ260 Loud&Clear™ Corded Desktop

- Modern Big Button Design
- Amplified Audio Boost (+20dB)
- Speakerphone with Mute
- Large Adjustable View Angle LCD Display
- Large Visual Ring Indicator
- 3 One-Touch Memory Keys
- 1 Year Warranty

PREMIER

Item No.	Mfg. Part No.	Description
0000222071	CEZ260	Telephone Corded Uniden Model CEZ260 Desktop Style, Speakerphone, CWCID, Big Button Design, Audio Volume Boost (+20dB) Visual Ring Indicator Light, Large Adjustable LCD Display, Color - White

Corded Telephones, Single-Line Business/Hospitality

PREMIER® Series 7000 Telephones

The PREMIER single-line and two-line telephones offer all functions of a real workhorse embodied in a sleek style that is great for business or hospitality applications. Time-tested features include an auxiliary port; an amber neon 90-volt message waiting light ensures that messages are instantly noticed; and ample space is provided for a customized facemat.



PREMIER 7010



PREMIER 7020

- Single line
- 90 volt message wait lamp
- Receiver volume control
- Auxiliary port



PREMIER 7030



PREMIER 7150 Speakerphone



PREMIER 7150 Speakerphone in Black



PREMIER 7155H Speakerphone with 5 Horizontal Memory Buttons



PREMIER 7040 Courtesy Lobby Telephone

PREMIER

Item No.	Mfg. Part No.	Description
4760007521	701088-MSE-DCHAC	PREMIER 7010 Corded Single-Line Basic Telephone - Natural Color
4760027521	702088-MSE-DCHAC	PREMIER 7020 Corded Single-Line Enhanced Telephone - Natural Color, Hold, Flash, Redial
4760057521	703088MSEDCHAC	PREMIER 7030 Corded Single-Line Enhanced Telephone - Natural Color, Hold, Flash, Redial
4760247521	715088-MSEDCHAC	PREMIER 7150 Corded Single-Line Speakerphone - Natural Color, Mute, Hold, Flash, Redial
4760927521	715000-MSE-DCHAC	PREMIER 7150 Corded Single-Line Speakerphone - Charcoal Color, Mute, Hold, Flash, Redial
0000095072	715588-MSE-DCHAC-HZ	PREMIER 7155H Corded Single-Line Speakerphone - Natural Color, Mute, Hold, Flash, Redial
0000111105	704088-MSE-DCHAC	PREMIER 7040 Corded Single-Line Lobby/Courtesy Telephone - Natural Color, No Dial

Corded Telephones, Multi-Line Business/Hospitality

PREMIER® Series 7000 Telephones

The PREMIER single-line and two-line telephones offer all functions of a real workhorse embodied in a sleek style that is great for business or hospitality applications. Time-tested features include an auxiliary port; an amber neon 90-volt message waiting light ensures that messages are instantly noticed; and ample space is provided for a customized facemat.



PREMIER 7260 Basic Two Line

- 2 line telephone
- 90 volt message wait light
- Receiver volume control
- Auxiliary Port



PREMIER 7270 Two Line Speakerphone with 10 Memory Button Telephone in Natural Color



PREMIER 7270 Two Line Speaker with 10 Memory Buttons in Black

PREMIER

Item No.	Mfg. Part No.	Description
4760307521	726088-MDE-DCHAC	PREMIER 7260 Corded 2-Line Basic Telephone - Natural Color
4760387521	727088-MDE-DCHAC	PREMIER 7270 Corded 2-Line Speakerphone - 10 Memory Buttons - 90VDC Message Waiting - Flash/Redial/Mute/Hold - Handset/Speakerphone Volume Control - Data Jack - Line Powered - Natural Color - For Hospitality/Business Applications
4760937521	727000-MDE-DCHAC	PREMIER 7270 Corded 2-Line Speakerphone - 10 Memory Buttons - 90VDC Message Waiting - Flash/Redial/Mute/Hold - Handset/Speakerphone Volume Control - Data Jack - Line Powered - Charcoal Color - For Hospitality/Business Applications

Corded Telephones, Multi-Line



Uniden Model 3162 Two-Line Desktop

- Speakerphone with Mute
- CWCID with 60 Caller ID Memory Log
- 3-One Touch Memory Keys & 10 Phonebook Memory
- Large Adjustable View Angle LCD Display
- Voice Mail Waiting Indicator on LCD Display
- 1 Year Warranty

PREMIER

Item No.	Mfg. Part No.	Description
0000222069	3162	Uniden Model 3162 Two-Line Desktop Color - Black



RCA 2-Line Corded Telephone Model 25201RE1 Speakerphone

- Call waiting caller ID
- 2-Line Conferencing
- Line Status Visual Indicators
- 1 Year Warranty on this Model

PREMIER

Item No.	Mfg. Part No.	Description
0000291780	25201RE1	RCA 2-Line Model 25201RE1 Corded Telephone Color Black

Corded Telephones, Multi-Line



RCA 2-Line Corded Telephone Model 25214

- Full Duplex Speakerphone
- Call Waiting CID
- 10 Programmable 1-Touch Speed Dials
- 99 Name/Number Directory
- 2 Year Warranty

PREMIER

Item No.	Mfg. Part No.	Description
0000291781	25214	RCA 2-Line Corded Model 25214 CWCID Telephone Color Black/Silver



RCA 2-Line Corded Telephone Model 25215

- Same Features as 25214
- Plus Digital Answering System
- 2 Year Warranty

PREMIER

Item No.	Mfg. Part No.	Description
0000291782	25215	RCA 2-Line Corded Model 25215 CWCID Telephone with Digital Answering Machine Color Black/Silver



RCA 2-Line Corded Telephone Model 25216

- Enables Bluetooth Connectivity to your Cell Telephone
- Use Cell Telephone as Virtual 3rd Telephone Line
- Full Duplex Speakerphone
- CWCID
- 2 Year Warranty

PREMIER

Item No.	Mfg. Part No.	Description
0000291783	25216	RCA 2-Line Corded Model 25216 CWCID Telephone with Bluetooth Connectivity to Cell Telephone Color Black/Silver

Corded Telephones, Multi-Line



RCA 2-Line Corded/Cordless Combo Telephone Model 25255RE2

- Corded Base and Cordless Handset Speakerphone
- Digital Answering Machine
- Intercom between Handsets
- Expandable up to 10 Cordless Handsets using Cordless Accessory Model 25055RE1 or Cordless Accessory Headset Model 25065RE1 (limit 1 headset)
- 2 Year Warranty

PREMIER

Item No.	Mfg. Part No.	Description
0000291784	25255RE2	RCA 2-Line Expandable Corded/Cordless Combo Model 25255RE2 with Digital Answering Machine Color Black/Silver



RCA 2-Line Cordless Accessory Handset Model 25055RE1

- Compatible with RCA Model 25255RE2 2-Line Telephone
- 2 Year Warranty

PREMIER

Item No.	Mfg. Part No.	Description
0000291778	25055RE1	RCA 2-Line Cordless Accessory Handset (Will Not Operate as a Standalone Telephone)



RCA 2-Line Cordless Accessory Headset Model 25065RE1

- Compatible with RCA Model 25255RE2 2-Line Telephone
- 2 Year Warranty

PREMIER

Item No.	Mfg. Part No.	Description
0000291779	25065RE1	RCA 2-Line Cordless Accessory Headset Model 25065RE1

Corded Telephones, Multi-Line



RCA 4-Line Expandable Corded Telephone Model 25423RE1

- Speakertelephone Base
- Expandable up to 16 Base Stations
- Can Expand Each Base Station with 1 Cordless Accessory Handset See H5401RE1
- 16 Programmable 1-Touch Speed Dials
- 2 Year Warranty

PREMIER

Item No.	Mfg. Part No.	Description
0000206773	25423RE1	4-Line Non-CID Corded Telephone, Exp. To 16 Stations



RCA 4-Line Expandable Corded Telephone Model 25424RE1

- Same Features as 25423RE1
- Plus Call Waiting Caller ID
- 2 Year Warranty

PREMIER

Item No.	Mfg. Part No.	Description
0000196378	25424RE1	4-Line CID Corded Telephone, Exp. To 16 Stations



RCA 4-Line Expandable Corded Telephone Model 25425RE1

- Same Features as 25424RE1
- Plus Digital Answering Machine
- 2 Year Warranty

PREMIER

Item No.	Mfg. Part No.	Description
0000196379	25425RE1	4-Line CID Corded Telephone, ITAD, Exp. To 16 Stations

Corded Telephones, Multi-Line



RCA 4-Line Cordless Accessory Handset Model H5401RE1

- Compatible with RCA Models 25423RE1, 25424RE1 and 25425RE1 Four-Line Telephones
- 2 Year Warranty

PREMIER

Item No.	Mfg. Part No.	Description
0000196383	H5401RE1	4-Line Cordless Handset for 25423/25424/25425 (Will Not Operate as a Standalone Telephone)

Cordless Telephones



Uniden 1340 Basic DECT 6.0 Cordless Telephone

- 10 Number direct key access phonebook
- Handset volume adjustment
- ECO Mode to reduce power consumption
- 1 Year Warranty

PREMIER

Item No.	Mfg. Part No.	Description
0000291769	DECT1340	Uniden Cordless Model DECT1340 Basic Single Handset Non-Expandable Color White



Uniden 1363 DECT 6.0 Cordless Telephone

- CWCID with 30 Name/Number
- 30 Number phonebook
- Backlit 3 line LCD
- Voice Mail Waiting light on handset
- 1 Year Warranty

PREMIER

Item No.	Mfg. Part No.	Description
0000291770	DECT1363	Uniden Cordless Model DECT1363 Single Handset Non-Expandable Color - White

Cordless Telephones



Uniden D1660 DECT 6.0 Expandable Cordless Telephone

- CWCID with 30 Name/Number
- 70 Number phonebook
- Handset Speakerphone
- Intercom between handsets (with accessory HS)
- High contrast orange backlit LCD
- 1 Year Warranty
- Voice Mail Waiting light on handset
- One touch message access from handset
- Backlit crystal keypad
- Expandable to 12 Cordless Handsets (See DCX160 or DWX337 Accessory Handsets)

PREMIER

Item No.	Mfg. Part No.	Description
0000291759	D1660	Uniden Cordless Model D1660 Single Handset Color Silver/Black
0000291760	D1660-2	Uniden Cordless Model D1660-2 DECT 6.0 Dual Handset Color Silver/Black
0000291761	D1660-3	Uniden Cordless Model D1660-3 DECT 6.0 Three Handsets Color Silver/Black



Uniden D1680 DECT 6.0 Expandable Cordless Telephone

- Includes same features as D1660 Model above
- Plus Digital Answering System
- Expandable to 12 Cordless Handsets (See DCX160 or DWX337 Accessory Handsets)
- 1 Year Warranty

PREMIER

Item No.	Mfg. Part No.	Description
0000291762	D1680	Uniden Cordless D1680 Single Handset with Digital Answering System Color Silver/Black
0000291763	D1680-2	Uniden Cordless D1680 Dual Handset with Digital Answering System Color Silver/Black



Uniden D1685-2 Dect 6.0 Expandable Cordless with Speakerphone Keypad Base

- 2 Cordless Handsets
- Full Duplex Speakerphone Base
- Digital Answering System
- Expandable to 12 Cordless Handsets (See DCX160 or DWX337 Accessory Handsets)
- 1 Year Warranty

PREMIER

Item No.	Mfg. Part No.	Description
0000291764	D1685-2	Uniden Cordless Model D1685-2 Dual Cordless Handsets, Keypad Base with Full Duplex Speakerphone, Integrated Digital Answering System Color Silver/Black

Cordless Telephones



Uniden D1688-2 DECT 6.0 Corded-Cordless Combo

- 2 Cordless Handsets
- Corded Telephone Base with Extra Large LCD
- Full Duplex Speakerphone Base
- Digital Answering System
- Expandable to 12 Cordless Handsets (See DCX160 or DWX337 Accessory Handsets)
- 1 Year Warranty

PREMIER

Item No.	Mfg. Part No.	Description
0000291765	D1688-2	Uniden Corded-Cordless Combo Model D1688-2 DECT 6.0 Corded Base with Full Duplex Speakerphone, Two Cordless Handsets, Digital Answering System, Color Silver-Black



Uniden DCX160 DECT 6.0 Cordless Accessory Handset Compatible with DECT 1600 Series and WXI3077

- 1 Year Warranty

PREMIER

Item No.	Mfg. Part No.	Description
0000291768	DCX160	Uniden Cordless Model DCX160 Accessory Handset (Will Not Operate as a Standalone Telephone)



Uniden D2280-2 DECT 6.0 Cordless Telephone

- 2 Cordless Handsets
- Digital Answering System
- Full Duplex Speakerphone in Cordless Handsets
- Blue Backlit Keypad
- Expandable to 12 Cordless Handsets (See DCX160 or DWX337 Accessory Handsets)
- 1 Year Warranty

PREMIER

Item No.	Mfg. Part No.	Description
0000291766	D2280-2	Uniden Cordless Model D2280-2 Dual Handset, Digital Answering System Color Black

Cordless Telephones



Uniden D3280-2 DECT Cordless Telephone

- 2 Cordless Handsets
- CELLLink™ Technology to Connect and monitor up to 4 Bluetooth Enabled Cell Telephones Simultaneously
- Digital Answering System
- Full Duplex Speakerphone in Cordless Handsets
- Blue Backlit Keypad
- 1 Year Warranty

PREMIER

Item No.	Mfg. Part No.	Description
0000291767	D3280-2	Uniden Model D3280-2 Dual Handset with CELLLink™ Technology, Digital Answering System, Color Black

Floating Waterproof Cordless Telephones



Uniden WXI3077 DECT 6.0 Cordless Telephone

- Floating Waterproof Cordless Handset - Meets JIS7 Waterproof Specifications
- Speakerphone Handset CWID-
- Voice Mail Indicator Light
- One Touch Access to Voice Mail
- Expandable-See accessory Cordless Handsets DWX337 and DCX160
- 1 Year Warranty

PREMIER

Item No.	Mfg. Part No.	Description
0000291772	WXI3077	Uniden Cordless Model WXI3077 Floating Waterproof Handset, Color Orange and Black, Expandable - See DWX337 or DCX160 Accessory Cordless Handsets



Uniden DWX337 DECT 6.0 Cordless Accessory Handset

- Floating Waterproof Accessory Handset
- Compatible with WXI3077, D1600 and D2200 Series Cordless Telephones
- 1 Year Warranty

PREMIER

Item No.	Mfg. Part No.	Description
0000291771	DWX337	Uniden Cordless Model DWX337 Accessory Handset (Will Not Operate as a Standalone Telephone)

Cordless Telephones with Audio Boost



Uniden EZi2996 DECT 6.0 Cordless Telephone

- Modern Big Button Design
- Amplified Audio Boost (+20cB)
- Caller Announce from Handset
- Speakerphone with Mute
- Visual Ring Indicator
- T-Coil Friendly (TIA1083)
- 1 Year Warranty

PREMIER

Item No.	Mfg. Part No.	Description
0000222270	EZi2996	Telephone Cordless Uniden DECT Loud and Clear Model EZi2996 Big Button w/ Audio Boost (+20dB) Caller Announce from Handset Extra Large LCD Call Waiting Caller ID Expandable to 6 Cordless Handsets with EZX290 Accessory Cordless Handset



Uniden EZAi2997 DECT 6.0 Cordless Telephone

- Same features as EZi2996
- Plus Digital Answering System
- 1 Year Warranty

PREMIER

Item No.	Mfg. Part No.	Description
0000223461	EZAi2997	Telephone Cordless Uniden DECT 6.0 EZAi2997 Big Button Call Waiting Caller ID w/ Caller Announce from Handset Digital Answering System Large Character LED Audio Boost (+20dB) Expandable to 6 Cordless Handsets with EZX290 Accessory Cordless Handset



Uniden CEZAi2998 DECT 6.0 Corded - Cordless Telephone

- Cordless Handset and Base Speakerphone
- Modern Big Button Design
- Amplified Audio Boost (+20cB)
- Caller Announce from Handset
- Visual Ring Indicator
- Backlit Base Keypad
- 1 Year Warranty

PREMIER

Item No.	Mfg. Part No.	Description
0000223462	CEZAi2998	Telephone Cordless- Corded Combo Uniden Model CEZAi2998 DECT 6.0 Model Big Button, Audio Boost (+20dB) CWCID w/ Caller Announce from Handset and Base, Visual Ringer on Base and Cordless Handset, Digital Answering System, Easy to Read Large Character LCD

Cordless Telephones with Audio Boost



Uniden EZX290 DECT 6.0 Cordless Accessory Handset

- Compatible with EZi, EZAi and CEZAi Models
- 1 Year Warranty

PREMIER

Item No.	Mfg. Part No.	Description
0000223466	EZX290	Telephone Cordless Uniden DECT 6.0 Model EZX290-Accessory Handset for EZi, EZAi and CEZAi Models (Accessory Only will Not Operate as Stand Alone Telephone)

Cordless Telephones (Multi-Line)



Uniden DECT 4066 DECT 6.0 Cordless 2-Line Telephone

- Keypad Speakerphone Base
- CWCID on Cordless Handset and Base
- Speakerphone in Cordless Handset
- Expandable to 10 Cordless Handsets - See DCX400 Cordless Accessory Handset
- 1 Year Warranty

PREMIER

Item No.	Mfg. Part No.	Description
0000289023	DECT4066	Telephone Cordless Uniden Model DECT4066 Two-Line Speakerphone Keypad Base Multi-Range Expands to 10 handsets with Accessory Models DRX402 or DCX400



Uniden DECT 4086 DECT 6.0 Cordless 2-Line Telephone

- Same Features as DECT 4066
- Plus Digital Answering System
- 1 Year Warranty

PREMIER

Item No.	Mfg. Part No.	Description
0000289024	DECT4086	Telephone Cordless Uniden Model DECT 4086 Two-Line Integrated Digital Answering System Speakerphone Keypad Base Multi-Range Expands to 10 handsets with Accessory Models DRX402 or DCX400

Cordless Telephones (Multi-Line)



Uniden DCX400 DECT 6.0 Cordless 2-Line Accessory Handset

- Compatible with Uniden 2-Line Models DECT 4066 and DECT 4086 Series
- 1 Year Warranty

PREMIER

Item No.	Mfg. Part No.	Description
0000288305	DCX400	Telephone Cordless 2-Line Uniden DCX400 Accessory Handset for DECT 40xx Series 2-Line Telephones (Will Not Operate as a Stand Alone Telephone)



RCA 2-Line Corded/Cordless Combo Telephone Model 25255RE2

- Corded Base and Cordless Handset Speakerphone
- Digital Answering Machine
- Intercom between Handsets
- Expandable up to 10 Cordless Handsets using Cordless Accessory Model 25055RE1 or Cordless Accessory Headset Model 25065RE1 (limit 1 headset)
- 2 Year Warranty

PREMIER

Item No.	Mfg. Part No.	Description
0000291784	25255RE2	RCA 2-Line Expandable Corded/Cordless Combo Model 25255RE2 with Digital Answering Machine Color Black/Silver



RCA 2-Line Cordless Accessory Handset Model 25055RE1

- Expandable up to 10 Cordless Handsets using Cordless Accessory Model 25055RE1 or Cordless Accessory Headset Model 25065RE1 (limit 1 headset)
- 2 Year Warranty

PREMIER

Item No.	Mfg. Part No.	Description
0000291778	25055RE1	RCA 2-Line Cordless Accessory Handset Model 25055RE1

Telephone Peripherals

Caller ID Adjuncts



Questra 5050 Call Wait Caller ID Adjunct

Aastra 5050 Call Wait Caller ID Adjunct

The Aastra 5050 call wait caller ID adjunct from PREMIER has a 4-line LCD display with name, number date and time, has a FSK or stutter detect voice mail message waiting indication, 56 number call log capacity, and AC adapter included.

- Displays name, number, date and time
- Sequential call waiting caller ID
- Voice mail message waiting FSK/stutter detect light
- 56 call log capacity
- AC adapter included
- 1 Year Warranty

PREMIER

Item No.	Mfg. Part No.	Description
4850487564	5050 - NO LOGO	Type II Questra Call Wait Caller ID Unit



Classco VA9900CW
Voice Announce Call Wait Caller ID Unit

Classco VoiceAnnounce 9900CW Call Wait Caller ID Adjunct

The Classco 9900CW announces calls over its built-in speaker.

- Announces caller's 10-digit telephone number or recorded name
- Easy one-touch name recording for up to 50 callers
- Visual and audible FSK and stuttered detect message waiting/voice mail indicator
- English and Spanish
- AC power adapter included
- 1 Year Warranty

PREMIER

Item No.	Mfg. Part No.	Description
4850997500	VA9900CW	Voice Announcer Caller ID Unit - Type II Call Wait Caller ID

Telephone Repair Parts

Series 7000

Handset Assembly for PREMIER® Series 7000 Telephones

PREMIER

Item No.	Mfg. Part No.	Description
4691107501	NS-P-H021-88	Handset Assembly Less Cord For 7000-Natural
4610607501	NS-P-H021-00	Handset Assembly Less Cord For 7000-Black



Facemat

PREMIER

Item No.	Mfg. Part No.	Description
4610017501	7010 FACEMAT	Paper Facemats for PREMIER 7010 7020 7050 - Pk/50
4615507501	NS-P-A005	White Paper Facemat For 7010/7020/7050 - Pk/50
4610077501	NS-P-A009	Paper Facemat For 7030/7150 - Pk/50
4615527501	NS-P-A006	White Paper Facemat For 7030/7150 - Pk/50
0000118231	NS-P-A022	Paper Facemat For PREMIER Model 7155H - Pk/50
4610097501	NS-P-A011	Paper Facemat For 7260 - Pk/50
4610137501	NS-P-A013	Paper Facemat For 7270 - Pk/50

Series 7000



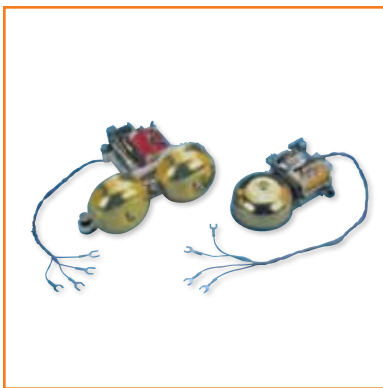
Replacement Plug-Plug Modular Line

Miscellaneous Replacement Parts for PREMIER® Series 7000 Telephones

PREMIER

Item No.	Mfg. Part No.	Description
4508107501	NS-P-E038	Lithium Battery With Cover For Series 7000 Models With Memory
4691117501	NS-P-H029-88	Cradle Tab For 7000-Natural-Pk Of 25
4610617501	NS-P-H029-00	Cradle Tab For 7000-Black Pk/25
4610627501	NS-P-H030-00	Wall mount Bracket For 7000-Black
4833517501	NS-P-E042	9 1/2" Silver Satin Line Cord For Series 7000 Telephones - 4 Wire modular
4661027501	PT-LCPP-6-14-SS	14ft Silver Satin Line Cord For Series 7000 2-Line Telephone Modular
4661507501	NS-P-E040-88	12ft Handset Cord For 7000-Natural-4 Wire Modular
4661537501	NS-P-E041-88	25ft Handset Cord For 7000-Natural-4 Wire Modular

2500/2554



Double Gong Ringer for 2500 Desk Telephones and Single Gong Ringer for 2554 Wall Telephones

Gong Ringers for PREMIER 2500 Desk and 2554 Wall Telephones

- Frequency 20-30 Hz
- Volume control

PREMIER

Item No.	Mfg. Part No.	Description
4811017501	NS-M001/A82-A1	Double Gong Ringer For PREMIER 2500 Desk Telephone
4814017501	NS-M003	Single Gong Ringer For PREMIER 2554 Wall Telephone

2500/2554



Plastic Transmitter Holder

Replacement Transmitter and Receiver for PREMIER® 2500/2554 Telephones

PREMIER

Item No.	Mfg. Part No.	Description
4691997501	NS-P007	Modular Transmitter Holder For 2500/2554 Handset
4691917501	NS-E90	Modular Jack for Handset

PREMIER 2500 Desk and 2554 Wall Telephone DTMF Replacement Dials



Standard Touch Tone Dial for 2500 Desk and 2554 Wall Telephones

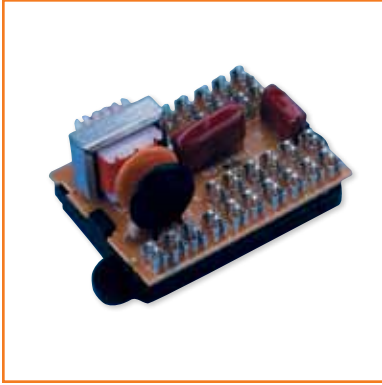


Touch Tone Dial for 2500 Desk Telephone with Transfer Access (Flash) and Message Waiting

Industry standard DTMF generator, polarity guard, metro type white letters and numbers on gray button.

PREMIER

Item No.	Mfg. Part No.	Description
4671847501	NS-E006	DTMF Dial Pad Assembly For PREMIER 2500 Desk Telephone With Message Waiting
4671857501	NS-E007	DTMF Dial Pad Assembly For PREMIER 2500 Desk Telephone With Transfer Access Feature
4671867501	NS-E005	DTMF Dial Pad Assembly For PREMIER 2500 Desk Telephone With Transfer Access And Message Waiting Indicator
4672987501	NS-E018	DTMF Dial Pad Assembly For PREMIER 2554 Wall Telephone With Transfer Access
4672977501	NS-E017	DTMF Dial Pad Assembly For PREMIER 2554 Wall Telephone With Transfer Access And Message Waiting Indicator



Network for 2500/2554 Telephones

Replacement Network for PREMIER® 2500 Desk and 2554 Wall Telephones

- Standard transmission network
- Extra terminals for application wiring
- Plastic holder optional

PREMIER

Item No.	Mfg. Part No.	Description
4612567501	V38203-A467 NETWORK	Network For 2500/2554 Sets Less Spacer



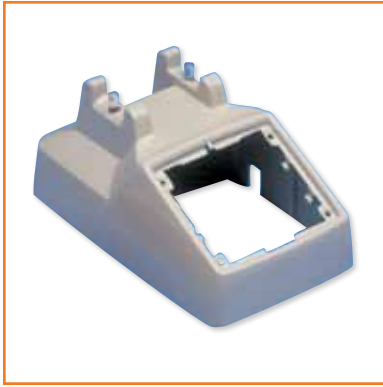
Plastic Cradle for 2554 Wall Telephones

Replacement PREMIER® 2554 Miniwall Cradle with Plunger

PREMIER

Item No.	Mfg. Part No.	Description
4616577501	NS-P006-44	2554 Ash Plastic Cradle With Plunger+Screws
4616557501	NS-P006-09	2554 Ivory Plastic Cradle With Plunger+Screws
4616567501	NS-P006-15	2554 White Plastic Cradle With Plunger+Screws
4616587501	NS-P006-45	2554 Brown Plastic Cradle With Plunger+Screws
4616647501	NS-P006-47	2554 Red Plastic Cradle With Plunger+Screws

2500/2554



PREMIER Plastic Housings

Housings for PREMIER 2500 Desk Telephone

PREMIER replacement parts are fully interchangeable. Housings are available in standard industry colors finished to a high gloss. PREMIER plastics are injection molded of ABS plastic.

PREMIER

Item No.	Mfg. Part No.	Description
4691357501	NS-P001-00	Black Housing Plunger Assembly For 2500s Fm
4691417501	NS-P001-45	Brown Housing Plunger Assembly For 2500-Fm
4691887501	NS-P001-32	Gray Housing Plunger Assembly For 2500-Fm
4691877501	NS-P001-47	2500 Housing Plunger Assembly Red Fm-No Logo



Plastic Housings

Housings for PREMIER® 2554 Wall Telephone

PREMIER replacement parts are fully interchangeable. Housings are available in standard industry colors finished to a high gloss. PREMIER plastics are injection molded of ABS plastic.

PREMIER

Item No.	Mfg. Part No.	Description
4693087501	NS-P005-44	Ash 2554 Housing Assembly-No Logo
4693027501	NS-P005-00	Black 2554 Housing Assembly-No Logo
4693017501	NS-P005-13	Beige 2554 Housing Assembly-No Logo
4693057501	NS-P005-09	Ivory 2554 Housing Assembly-No Logo
4693067501	NS-P005-15	White 2554 Housing Assembly-No Logo
4693097501	NS-P005-45	Brown 2554 Housing Assembly-No Logo
4693377501	NS-P005-32	Gray 2554 Housing Assembly-No Logo
4693417501	NS-P005-47	Red 2554 Housing Assembly-No Logo



Plastic Faceplate for 2500 Desk Telephone

Faceplate for PREMIER® 2500 Desk Telephone

PREMIER

Item No.	Mfg. Part No.	Description
4613597501	NS-P008-44	Ash Plastic Faceplate For 2500 Telephone Set
4613517501	NS-P008-00	Black Plastic Faceplate For 2500 Telephone Set
4613527501	NS-P008-13	Beige Plastic Faceplate For 2500 Telephone Set
4613547501	NS-P008-09	Ivory Plastic Faceplate For 2500 Telephone Set
4613627501	NS-P008-15	White Plastic Faceplate For 2500 Telephone Set
4613617501	NS-P008-45	Brown Plastic Faceplate For 2500 Telephone Set
4613667501	NS-P008-47	Red Plastic Faceplate For 2500 Telephone Set

Clear Faceplate for PREMIER 2500 Telephone

PREMIER

Item No.	Mfg. Part No.	Description
4610387501	NS-P009	Clear Faceplate With DESignation Tab For 2500
4615347501	NS-P010	Clear Faceplate For PREMIER Plus 2500 Models With Transfer Access Feature
4615357501	NS-P011	Clear Faceplate For PREMIER Plus 2500 Models With Message Waiting Indicator In Faceplate
4615367501	NS-P012	Clear Faceplate For PREMIER Plus 2500 Models With Transfer Access Feature And Message Waiting Indicator In Faceplate

2500/2554

DESI Brand Computer Printer Facemat Paper and Software for PREMIER® 2500 Desk Telephone

PREMIER

Item No.	Mfg. Part No.	Description
0000043368	14557	DESI Brand Facemat For PREMIER Model 2500 Basic Desk Telephone - Ash
0000043366	14555	DESI Brand Facemat For PREMIER Model 2500 Basic Desk Telephone - White
0000043367	14556	DESI Brand Facemat For PREMIER Model 2500 Basic Desk Telephone - Pewter
0000043374	14627	DESI Brand Facemat For PREMIER Model 2500 Desk Telephone With Message Waiting - Ash
0000043372	14625	DESI Brand Facemat For PREMIER Model 2500 Desk Telephone With Message Waiting - White
0000043373	14626	DESI Brand Facemat For PREMIER Model 2500 Desk Telephone With Message Waiting - Pewter
0000043377	14807	DESI Brand Facemat For PREMIER Model 2500 Desk Telephone With Flash - Ash
0000043375	14805	DESI Brand Facemat For PREMIER Model 2500 Desk Telephone With Flash - White
0000043376	14806	DESI Brand Facemat For PREMIER Model 2500 Desk Telephone With Flash - Pewter
0000043371	14562	DESI Brand Facemat For PREMIER Model 2500 Desk Telephone With Flash And Message Waiting - Ash
0000043369	14560	DESI Brand Facemat For PREMIER Model 2500 Desk Telephone With Flash And Message Waiting - White
0000043370	14561	DESI Brand Facemat For PREMIER Model 2500 Desk Telephone With Flash And Message Waiting - Pewter
0000044907	DESI Telephone STRIP C	DESI Brand Telephone Number DESIgnation Strip For PREMIER Model 2500 Desk Telephone - Ash
0000044909	DESI Telephone STRIP W	DESI Brand Telephone Number DESIgnation Strip For PREMIER Model 2500 Desk Telephone - White
0000044908	DESI Telephone STRIP P	DESI Brand Telephone Number DESIgnation Strip For PREMIER Model 2500 Desk Telephone - Pewter
4610747501	SERIES 7000 BACKERS	Backer Sheets For DESI Brand Custom Facemat Paper
4610777501	S7K FACEMAT SOFTWARE	DESI Brand Custom Facemat Software For PREMIER Series 7000 Models And PREMIER 2500 Models

Precut Paper Facemat for PREMIER 2500 Desk Telephone

PREMIER

Item No.	Mfg. Part No.	Description
4615567501	NS-A001-44	Ash Paper Facemat For Basic PREMIER 2500 Models
4615587501	NS-A002-44	Ash Paper Facemat For PREMIER Plus 2500 Models With Transfer Access Feature
4613147501	NS-A002-45 BRN MAT	Brown Paper Facemat For PREMIER Plus 2500 Models With Transfer Access Feature
4615577501	NS-A003-44	Ash Paper Facemat For PREMIER Plus 2500 Models With Message Waiting Indicator In Faceplate
4615597501	NS-A004-44	Ash Paper Facemat For PREMIER Plus 2500 Models With Transfer Access Feature And Message Waiting Indicator In Faceplate



Plastic Receiver and Transmitter Caps for PREMIER G-Style Handles

PREMIER® Receiver and Transmitter Caps for G-Style Handsets

PREMIER

Item No.	Mfg. Part No.	Description
4601167501	NS-P004-44	Ash Receiver Cap For G-Type Handset
4601027501	NS-P004-00	Black Receiver Cap For G-Type Handset
4601017501	NS-P004-13	Beige Receiver Cap For G-Type Handset
4601077501	NS-P004-09	Ivory Receiver Cap For G-Type Handset
4601127501	NS-P004-15	White Receiver Cap For G-Type Handset
4601177501	NS-P004-45	Brown Receiver Cap For G-Type Handset
4601377501	NS-P004-32	Gray Receiver Cap For G-Type Handset
4601387501	NS-P004-47	Red Receiver Cap For G-Type Handset
4601667501	NS-P003-44	Ash Transmitter Cap For G-Type Handset
4601517501	NS-P003-13	Beige Transmitter Cap For G-Type Handset
4601577501	NS-P003-09	Ivory Transmitter Cap For G-Type Handset
4601627501	NS-P003-15	White Transmitter Cap For G-Type Handset
4601677501	NS-P003-45	Brown Transmitter Cap For G-Type Handset
4601987501	NS-P003-32	Gray Transmitter Cap For G-Type Handset
4601977501	NS-P003-47	Red Transmitter Cap For G-Type Handset

Miscellaneous Replacement Parts for PREMIER 2500/2554 Telephones

PREMIER

Item No.	Mfg. Part No.	Description
4612487501	2500-90VMW-F	Amber 90VDC Neon Message Waiting Lamp For PREMIER Plus 2500 Models With Message Waiting Indicator In Faceplate - 10 Per Pack
4616437501	NS-E009/P22201-99	Red 90VDC Neon Message Waiting Lamp Assembly With Leads For PREMIER 2500 Hotel/Motel Models With Beehive Message Waiting Indicator On Housing
7366217501	525 FUSE	Fuse 250V/750mA For PREMIER 2500/2554
4691917501	NS-E010	Replacement Modular Jack For 2500/2554 Handset



PREMIER Receiver Volume Control Handset Assembly

G-Style Handset Assemblies with Receiver Volume Control for PREMIER® 2500/2554 Telephones

Industry standard DTMF generator, polarity guard, metro type white letters and numbers on gray button. It includes transmitter, receiver and 3-position H-M-L handset receiver volume control assembly.

PREMIER

Item No.	Mfg. Part No.	Description
4694107501	NS-P0026544-V	PREMIER Volume G-Handset Assembly No Logo Ash
4690017501	NS-P0026500-V	PREMIER Volume Control G-Handset Assembly No Logo Black
4694037501	NS-P0026509-V	PREMIER Volume G-Handset Assembly No Logo Ivory
4694047501	NS-P0026515-V	PREMIER Volume G-Handset Assembly No Logo White
4694077501	NS-P0026545-V	PREMIER Volume G-Handset Assembly No Logo Brown
4694157501	NS-P0026547-V	PREMIER Volume G-Handset Assembly No Logo Red



Plastic G-Style Hollow Handle, no Volume Control

PREMIER Hollow Handle for G Style Handset (without Volume Control) , No Logo, Modular

PREMIER

Item No.	Mfg. Part No.	Description
4694087501	NS-P002-44	Ash Hollow Handle G-Type No Logo-Modular
4694027501	NS-P002-00	Black Hollow Handle G-Type No Logo-Modular
4694017501	NS-P002-13	Beige Hollow Handle G-Type No Logo-Modular
4694097501	NS-P002-45	Brown Hollow Handle G-Type No Logo-Modular
4694317501	NS-P002-47	Red Hollow Handle G-Type No Logo-Modular



Plastic Hollow G-Style Volume Control Handle

PREMIER® Hollow Handle for G-Style Volume Control Handset, No logo, Modular

PREMIER

Item No.	Mfg. Part No.	Description
4694087500	NS-P002-44-V	Volume Control Ash Hollow Handle G-Type-No Logo-Modular
4694017500	NS-P002-13-V	Volume Control Beige Hollow Handle G-Type-No Logo-Modular
4694317500	NS-P002-47-V	Volume Control Red Hollow Handle G-Type-No Logo Modular

Non-volume G-Style Handset Assemblies for Modular PREMIER 2500/2554 Telephones

- Includes transmitter and holder with modular jack assembly, receiver, transmitter cap and receiver cap

PREMIER

Item No.	Mfg. Part No.	Description
4691097501	PT-P0026545 BROWN	Brown Modular G Handset Assembly Less Cord

Weatherproof Enclosure

PREMIER® Weatherproof Enclosure



PT-9700 Weatherproof Enclosure

The PREMIER PT-9700 weatherproof enclosure comes with a modular 630 telephone wall jack and hinged door that provides for a weatherproof seal to protect telecommunications equipment in harsh environments.



PT-9700

- Wall or pole mount (hardware not included)
- Great for outdoor use or industrial environments

PREMIER

Item No.	Mfg. Part No.	Description
4833587500	PT-9700	PT-9700 Weatherproof Enclosure With 630 Wall Jack

PREMIER Weatherproof While In-Use Receptacle Cover



Weatherproof While In-Use Receptacle Cover
GFCI Device Shown Not Included

Provides an attractive, code-compliant solution for protecting while in-use outdoor receptacles and switches.

- Heavy duty polycarbonate construction with pre-adhered gasket
- Clear cover with hidden hinges on a gray base
- Meets requirements for cold impact testing at – 60 deg F (-51 deg C)
- Mounts vertically or horizontally
- Contains 4 convenient cord exit ports
- Three patented inserts for mounting to toggle, single, duplex, and GFCI receptacles
- Inserts include keyhole slots for 16 mounting configurations
- Inserts convert to toggle, 1-3/8", 1-5/8", 1-3/4", 2-1/8" diameter round, duplex or GFCI receptacles
- Lockable hasp for 1/8" shank lock
- UL Listed

PREMIER

Item No.	Mfg. Part No.	Description
0000233430	PT-WP3100CX	Weatherproof While In-Use Receptacle Cover

Handset Cords



Plug-to-Plug Handset Cords

PREMIER® Handset Cords - Plug to Plug

Four conductor modular handset cords for standard telephone sets.

- UL listed
- FCC part 68 compliant
- 4 position 4 conductor flipped wiring scheme

PREMIER

Item No.	Mfg. Part No.	Description
4660327501	PT-HCPP-4-06-ASH	4P4C 6 Foot Ash
4660267501	PT-HCPP-4-06-BLK	4P4C 6 Foot Black
4660287501	PT-HCPP-4-06-IVY	4P4C 6 Foot Ivory
4660297501	PT-HCPP-4-06-WHT	4P4C 6 Foot White
4661487501	PT-HCPP-4-12-AWH-UL	4P4C 12 Foot Antique White
4660447501	PT-HCPP-4-12-ASH	4P4C 12 Foot Ash
4660387501	PT-HCPP-4-12-BLK	4P4C 12 Foot Black
4660417501	PT-HCPP-4-12-IVY	4P4C 12 Foot Ivory
4660427501	PT-HCPP-4-12-WHT	4P4C 12 Foot White
4660777501	PT-HCPP-4-25-ASH	4P4C 25 Foot Ash
4660727501	PT-HCPP-4-25-BLK	4P4C 25 Foot Black
4660747501	PT-HCPP-4-25-IVY	4P4C 25 Foot Ivory
4660817501	PT-HCPP-4-25-CRD	4P4C 25 Foot Red
4660757501	PT-HCPP-4-25-WHT	4P4C 25 Foot White



Spade-to-Spade Handset Cords

PREMIER Handset Cords - Spade to Spade

Four conductor spade tipped handset cords for standard telephone sets.

- UL listed
- FCC part 68 compliant
- Includes eye-hook strain relief

PREMIER

Item No.	Mfg. Part No.	Description
4603057501	PT-HCSS-4-12-IVY	4 Conductor 12 Foot Ivory
4602767501	PT-HCSS-4-25-ASH	4 Conductor 25 Foot Ash

Line Cords



Plug-to-Plug RJ31X Cords

PREMIER® Data Cords - Plug to Plug

Data cords are specially wired with straight through 1:1 polarity for security/alarm installations.

- UL listed
- FCC part 68 compliant
- 8 position 4 conductor to 6 position 4 conductor
- Equivalent to Lucent D8BA series

PREMIER

Item No.	Mfg. Part No.	USOC Codes	Description
8680737503	PT-DCPP-8-07-SS	RJ31X	8P8C Silver Satin 7 Foot
4362527503	PT-DCPP-8-14-SS	RJ31X	8P8C Silver Satin 14 Foot



Modular Interface Cord

PREMIER Interface Cord - Plug to Plug

This 8 inch interface cord is specially wired with straight through 1:1 polarity to interface two RJ11 or RJ14 modular jacks.

- UL listed
- FCC part 68 compliant

PREMIER

Item No.	Mfg. Part No.	Description
4804647501	PT-ICPP-4-8IN-SS	6P4C Silver Satin 8 Inch

Line Cords

PREMIER® Line Cords - Plug to Plug



Plug-to-Plug Line Cords

Four, six, and eight conductor modular line cords for standard telephone sets.



Plug-to-Plug Line Cords

- UL listed
- FCC part 68 compliant
- Flipped-wiring scheme

PREMIER

Item No.	Mfg. Part No.	Description
4660217501	PT-LCPP-4-07-CL	6P4C Clear 7 Foot
4660227501	PT-LCPP-4-14-CL	6P4C Clear 14 Foot
4660237501	PT-LCPP-4-25-CL	6P4C Clear 25 Foot
4660927501	PT-LCPP-4-02-SS	6P4C Silver Satin 2 Foot
4660077501	PT-LCPP-4-07-SS	6P4C Silver Satin 7 Foot
4660087501	PT-LCPP-4-14-SS	6P4C Silver Satin 14 Foot
4660097501	PT-LCPP-4-25-SS	6P4C Silver Satin 25 Foot
4661017501	PT-LCPP-6-07-SS	6P6C Silver Satin 7 Foot
4661027501	PT-LCPP-6-14-SS	6P6C Silver Satin 14 Foot
4661037501	PT-LCPP-6-25-SS	6P6C Silver Satin 25 Foot
4809787501	PT-LCPP-8-25-SS	8P8C Silver Satin 25 Foot
4663737500	SP-DC-RJ14-DE-25	6P4C Round CAT 3 Line Cord F-Spec 25 Foot
4663777500	SP-DC-RJ14-DE-75	6P4C Round CAT 3 Line Cord F-Spec 75 Foot

Line Cords



Plug-to-Spade Line Cords

PREMIER® Line Cords - Plug to Spade

Four and six conductor plug to spade tipped line cords for standard telephone sets.

- UL listed
- FCC part 68 compliant
- Flipped-wiring scheme
- Includes eye-hook strain relief

PREMIER

Item No.	Mfg. Part No.	Description
4660047501	PT-LCPS-4-07-SS	6P4C Silver Satin 7 Foot
4660057501	PT-LCPS-4-14-SS	6P4C Silver Satin 14 Foot
4660067501	PT-LCPS-4-25-SS	6P4C Silver Satin 25 Foot
4661047501	PT-LCPS-6-07-SS	6P6C Silver Satin 7 Foot
4661057501	PT-LCPS-6-14-SS	6P6C Silver Satin 14 Foot
4661067501	PT-LCPS-6-25-SS	6P6C Silver Satin 25 Foot



Spade-to-Spade Line Cords

PREMIER Line Cords - Spade to Spade

Four conductor spade tipped line cords for standard telephone sets.

- UL listed
- FCC part 68 compliant
- Flipped-wiring scheme
- Includes eye-hook strain relief

PREMIER

Item No.	Mfg. Part No.	Description
4660147501	PT-LCSS-4-07-SS	6P4C Silver Satin 7 Foot
4660157501	PT-LCSS-4-14-SS	6P4C Silver Satin 14 Foot
4660167501	PT-LCSS-4-25-SS	6P4C Silver Satin 25 Foot

Line Cords



Telephone Line Cordage

PREMIER® Telephone Line Cordage

Stranded silver satin telephone line cordage is used to create custom-made line cords of any length.

- UL listed
- FCC part 68 compliant

PREMIER

Item No.	Mfg. Part No.	Description
0000167126	PT-LC-4F-500-SS	Stranded 4 Conductor Silver Satin 500 Foot Reel
0000168611	PT-LC-6F-500-SS	Stranded 6 Conductor Silver Satin 500 Foot Reel
4604847501	PT-LC-8C-500-SS	Stranded 8 Conductor Silver Satin 500 Foot Reel

PREMIER Plugs for Line Cords, Handset Cords, and Data Cords



4C / 6C / 8C Modular Plugs

Line cord, handset cord, and data cord plugs are for terminating stranded cordage.



Modular Plugs for Handset Cords

- UL listed
- FCC part 68 compliant

PREMIER

Item No.	Mfg. Part No.	Description
4604797501	PT-4P4C	Plug For Stranded Handset Cord 4P4C 25 Per Pack
4604757501	PT-6P4C	Plug For Stranded Line Cord 6P4C 25 Per Pack
4604777501	PT-6P6C	Plug For Stranded Line Cord 6P6C 25 Per Pack
4604787501	PT-8P8C	Plug For Stranded Line Cord 8P8C 25 Per Pack

Bells & Ringers

Bells



Loud Extension Bell

PREMIER® Bells

Loud ringing bells have a non-magnetic aluminum housing that protects two 6-inch gongs from all types of weather and environments. A mounting bracket is attached.

- Hard-wired telephone connections

PREMIER

Item No.	Mfg. Part No.	Description	Voltage Range	Frequency Range	Dimensions
4810317501	PT-101	Loud Extension Bell 95 dB 5900 Ohm Black	55 - 130 VAC	17 - 33 Hz	12.4"L x 5.4"W x 7.5"H
4810327501	PT-102	Loud Extension Bell 95 dB 1000/2650 Ohm Black	55 - 130 VAC	17 - 33 Hz	12.4"L x 5.4"W x 7.5"H



Loud Ringing Bell

PREMIER Bells

Loud ringing bells are constructed with a highly durable plastic housing for indoor or outdoor use. It operates on telephone ringing voltage. This bell can be mounted on most flat surfaces. A water-tight plastic cover protects the ringer mechanism.

- Hard-wired telephone connections

PREMIER

Item No.	Mfg. Part No.	Description	Voltage Range	Frequency Range	Dimensions
4812417501	PT-75BA	Loud Ringing Bell 95 dB 1000/2650 Ohm Black	55 - 130 VAC	17 - 33 Hz	9.8"L x 5.2"W x 5.3"H
4812017501	PT-75BAR	Replacement Ringer Coil Assembly For PT-75BA Bell	55 - 130 VAC	17 - 33 Hz	9.8"L x 5.2"W x 5.3"H

Ringers



Bell Chime Ringer

PREMIER® Ringers

Bell Chime Ringers can function as a loud clear bell and with the flip of a switch can provide a pleasantly soft chime tone. For easy installation, the ringer is equipped with an external modular connection. The ringer operates off 55 to 130 VAC telephone ringing voltage and contains two 3-inch gongs for the chime effect. It provides volume control for the bell and chime, and is equipped with a 7 foot line cord.

- Modular line cord telephone connection

PREMIER

Item No.	Mfg. Part No.	Description	Voltage Range	Frequency Range	Dimensions
4811497501	PT-400	Bell Chime Ringer 75 dB 4600 Ohm With Volume Control And 7 Foot Cord Ivory	55 - 130 VAC	17 - 33 Hz	7.3"L x 5.2"W x 2.5"H



Extension Ringer

PREMIER Ringers

The 139 Extension Ringer is a two-gong, straight line extension ringer, featuring volume control and a double-wound coil for party identification. It is mounted on a steel base with a molded plastic cover.

- Hard-wired telephone connections

PREMIER

Item No.	Mfg. Part No.	Description	Voltage Range	Frequency Range	Dimensions
4812217501	PT-139	Extension Ringer 75 dB With Volume Control Beige	55 - 130 VAC	17 - 33 Hz	5.4"L x 5.2"W x 2.5"H

Wireless (Multiuse Series Headsets)

Jabra PRO™ 9400 Series

Stay in touch around the office. One headset for all your telephones.

- 2.4" Touch screen & touch sensors for easy call control
- Triple Multiuse connectivity: desk telephone, softphone and mobile phone
- Easy installation with SmartSetup wizard
- Superior sound and Noise Blackout™
- Choice of 3 wearing styles for greater comfort
- Up to 450 feet wireless range
- Future-proof investment through feature upgrades via Jabra PC Suite
- 1 year warranty



Jabra PRO 9470



Jabra PRO 9465 Duo



Jabra PRO 9460 Duo



Jabra PRO 9460

PREMIER®

Item No.	Mfg. Part No.	Description
0000291754	9470-66-904-105	Jabra PRO 9470 Headset with Base, 450 foot wireless range, Dual Mic "Noise Blackout" Technology. Desk telephone, Mobile and Softphone support
0000291753	9465-69-804-105	Jabra PRO 9465 Duo Headset with Base, US DECT 1.9 GHz, 450 foot wireless range, Flex Boom Noise Canceling Microphone. Desk telephone, Mobile and Softphone support.
0000291752	9460-69-707-105	Jabra PRO 9460 Duo Headset & 2.4" Touch screen with Base Unit, US DECT 1.9GHz, Flex Boom Noise Canceling microphone. Desk telephone and Softphone support.
0000291751	9460-65-707-105	Jabra PRO 9460 Mono Headset & 2.4" Touch screen with Base Unit, US DECT 1.9GHz, 450 foot wireless range, Flex Boom Noise Canceling microphone. Desk telephone and Softphone support.

Jabra GO™ 6400 Series

Stay in touch around the office. One headset for all your telephones.



Jabra GO 6470



Jabra GO 6430

- Touch screen & touch sensors for easy call control
- Triple Multiuse connectivity: mobile phone, softphone and desk telephone
- Easy installation with SmartSetup wizard
- Superior sound and Noise Blackout™
- Choice of 3 wearing styles for greater comfort
- Up to 300 Foot wireless Bluetooth® range (75 Foot for mobile phone)
- Future-proof investment through feature upgrades via Jabra PC Suite
- 1 year warranty

PREMIER®

Item No.	Mfg. Part No.	Description
0000291747	6470-15-207-505	Jabra GO 6470 Headset & 2.4" Touch screen with Base Unit with charging cradle, Bluetooth Class 1, 300 foot wireless range, Dual Mic "Noise Blackout" Technology. Desk Telephone, Mobile and Softphone support.
0000291746	6430-17-20-205	Jabra GO 6430 OC, Headset & Charging Cradle, Bluetooth Class 1, 300 foot wireless range, Dual Mic "Noise Blackout" Technology. Mobile and Softphone support. Optimized for Microsoft OC/Lync applications.

Wireless (Multiuse Series Headsets)



Jabra M5390

Jabra M5390 USB

Stay in touch around the office. One headset for all your telephones

- Connects simultaneously to mobile phones and PC softphones (via the enclosed PC USB Bluetooth® adapter)
- Up to 210 Feet wireless range (Bluetooth® Class 1) between USB Bluetooth® adapter and headset
- Up to 6 hours talk time, 60 hours stand by
- Great features at an affordable price
- 1 year warranty

PREMIER®

Item No.	Mfg. Part No.	Description
0000291745	5317-408-309	Jabra M5390 Office USB Wireless Hdst., Support for mobile phone and IP softphone connectivity. Includes A335W USB adapter & travel charger. Optimized for Microsoft OC applications.

Wireless Headset Products

Jabra 9300e Series

Style and Superior Sound Wireless Desk and IP telephony

- Dual functionality for traditional and IP calls with Jabra GN9350e
- WiFi-friendly interference-free DECT technology
- Noise-canceling microphone and wind noise reduction
- Enhanced sound & protection with DSP and IntelliTone™
- Increased range up to 350 Feet
- Three wearing styles: headband, earhook and neckband
- Wideband sound for IP calls
- 1 year warranty



Jabra GN9350e



Jabra GN9350e



Jabra GN9330e



Jabra GN9330e USB

PREMIER®

Item No.	Mfg. Part No.	Description
0000205909	9326-607-405	Jabra GN9350e, Hdst & Base, DECT, Dual Mode: IP & Telephony, 1.9 GHz
0000291749	9326-607-505	Jabra GN9350e Hdst. & Base, DECT, Dual Mode: IP & Telephony, 1.9 GHz, Microsoft OC/Lync Optimized
0000291750	9327-509-505	Jabra GN9330e USB DECT, Telephony, 1.9 GHz, Microsoft OC/Lync Optimized
0000205911	9337-509-405	Jabra GN9330e USB DECT, Telephony, 1.9 GHz
0000205910	9327-508-405	Jabra GN9330e, Hdst. & Base, US, DECT, Telephony, 1.9 GHz

Wireless Headset Products

Jabra GN9125 Series

- Great for open, loud office environments
- Choice of noise-canceling microphone for reduced background noise and crystal-clear calls
- Wireless range up to 300 feet
- Choice of mono or duo earpieces
- Multi-unit conferencing capability
- Multi-layered security system for secure conversations
- 1 year warranty



GN9125 Flex



GN9125 ST



GN9125 Duo

PREMIER®

Item No.	Mfg. Part No.	Description
0000219920	9125-28-15	Jabra Model GN9125 Flex DECT 6.0 Wireless Headset System - Includes Flex-Boom Headset With Noise Cancelling Microphone And Charging Base
0000219921	9125-30-15	Jabra Model GN9125 ST DECT 6.0 Wireless Headset System - Includes Sound Tube Headset And Charging Base 9125-30-15
0000219922	9129-808-215	Jabra Model GN9125 Duo DECT 6.0 Wireless Headset System - Includes Duo Headset With Noise Cancelling Microphone And Charging Base 9128-808-215

Optional Wireless System Add-Ons



GN1000 RHL

Jabra Optional Wireless System Add-Ons

- 1 year warranty

PREMIER

Item No.	Mfg. Part No.	Description
0000056207	01-0369	Jabra GN1000 Remote Handset Lifter
0000291737	14201-16	Jabra Cisco Headset Hookswitch Control Cable for GN9125/GN9300 Series
0000291738	14201-22	Jabra CISCO EHS Adapter for Pro and GO

Corded (Unified Communications & USB Headsets)

Jabra GN2000 Series

Designed to perform built to last

- Robust design for day-after-day durability
- Large ear-cushions for extra comfort
- Noise-cancelling microphone models
- USB or QD connectivity
- 2 year warranty



Jabra GN2000 Duo USB



Jabra GN2000 USB



Jabra GN2010



Jabra GN2015 Binaural



Jabra GN2020



Jabra GN2025 Binaural

PREMIER

Item No.	Mfg. Part No.	Description
0000275555	20001-495	Jabra GN2000 USB Noise Cancelling Duo, Unified Communications
0000275554	20001-435	Jabra GN2000 USB Noise Cancelling Mono, Unified Communications
0000291740	20001-491	Jabra GN2000 USB, Microsoft OC/Lync Optimized , Duo, NC Mic
0000291739	20001-431	Jabra GN2000 USB, Microsoft OC/Lync Optimized , Mono, NC Mic
0000291741	2003-320-105	Jabra GN2010 SoundTube Monaural
0000291743	2009-320-105	Jabra GN2015 SoundTube Binaural
0000291742	2003-820-105	Jabra GN2020 Noise Canceling Monaural
0000291744	2009-820-105	Jabra GN2025 Noise Canceling Binaural

Corded

Jabra GN2100 Series

- Exclusive lightweight design with titanium-look headband
- Optional true wideband receiver for enhanced sound quality
- Choice of boom arms and microphones for optimum voice quality even in very noisy environments
- 2 year warranty



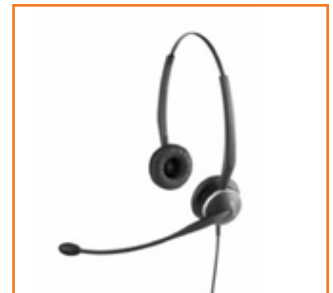
Jabra GN2110



Jabra GN2120



Jabra GN2115



Jabra GN2125



Jabra GN2117



Jabra GN2124 4 in 1



Jabra GN2119 3 in 1

PREMIER

Item No.	Mfg. Part No.	Description
3000017501	01-0241	Jabra GN2110 SoundTube Monaural
3000097501	01-0243	Jabra GN2120 Noise Canceling Monaural
3000047501	01-0245	Jabra GN2115 SoundTube Binaural
3000117501	01-0247	Jabra GN2125 Noise Canceling Binaural
0000014066	01-0330	Jabra GN2117 ST Surefit Monaural
0000226096	2104-820-105	Jabra GN2124 4 in 1 Noise Canceling Monaural
0000174114	2106-32-105	Jabra GN2119 3 in 1 SoundTube Monaural
0000105350	2127-80-54	Jabra GN2125 Telecoil for special hearing needs

Corded

Jabra Corded Amplifiers

- 2 year warranty



Jabra GN 8000 MPA



Jabra AT3M



Jabra 0686M

PREMIER

Item No.	Mfg. Part No.	Description
3000077501	01-0119	Jabra GN 8000 MPA Multi-Purpose Amplifier improves usability & adds safety to your headset, Compatible with almost any type of telephone
0000108876	01-0437	Jabra AT3M Plug Prong Telephone Amplifier w/Mute
0000026977	1004483	Jabra 0686M Same as 0686 with a locking mute switch

Corded (Accessories)



GN 1200 Smart Cord, 20" Straight



GN1200 Smart Cord, 6' Coil

Jabra Smart Cords

- Works with most desk telephones including IP hard telephones
- Microphone amplification to boost transmit levels when connecting to low transmit volume telephone systems
- 2 year warranty

PREMIER*

Item No.	Mfg. Part No.	Description
0000171880	88001-99	Jabra GN 1200 Smart Cord, 20" Straight, Direct Connect cord
0000291748	88011-99	Jabra GN1200 Smart Cord, 6' Coil, Direct Connect cord

Corded (Accessories)



Supervisory Y Cord

- Works with most desk telephones including IP hard telephones
- Microphone amplification to boost transmit levels when connecting to low transmit volume telephone systems
- 2 year warranty

PREMIER®

Item No.	Mfg. Part No.	Description
4694517501	1003935	Supervisory Cord (training Y-cord) - Both sides live
0000031945	27352101	Supervisory Cord (training Y-cord) - Observation only

Switches



PREMIER® 10/100 8 Port Mini LAN Switch

The PREMIER fast Ethernet 10/100Mbps N-Way switch comes with eight independent 10BASE-T/100BASE-TX ports. Each port delivers up to 200Mbps throughput, and is able to operate in either half or full-duplex modes. N-Way auto-negotiation function automatically adjusts the device for optimum operation. Store-and-Forward architecture filters to eliminate error packets and improve efficiency, and MDI/MDIX auto crossover technology provides for detecting a plugged straight through or crossover Ethernet cable automatically.

- Compliant with IEEE 802.3 10Base-T and IEEE 802.3u 100Base-TX standards
- Supports store-and-forward and cut-through operation
- 10/100Mbps port auto-detect on Full or Half Duplex mode
- Each Ethernet port supports MDI/MDIX auto crossover capacity
- Provides non-blocking and Head-of-line blocking prevention
- 1MB buffer memory built-in

PREMIER

Item No.	Mfg. Part No.	Description
0000293644	PT-6008G	PREMIER 10/100 Ethernet 8-Port Mini LAN Switch

Home Networking



PREMIER HPNA Ethernet over Coax Bridge

PREMIER HomePNA Ethernet over Coax Bridges and Ethernet Bridges

PREMIER HomePNA Ethernet over Coax bridges and Ethernet over telephone line bridges enable Ethernet Networking over the existing wiring: No-New-Wires home networking. HPNA Ethernet over Coax is fast becoming the industry leading solution for IPTV home networking over existing in-home wiring.

PREMIER

Item No.	Mfg. Part No.	Description
PREMIER HomePNA Ethernet Bridges		
0000227018	HPCE3210-FE	PREMIER HPNA Ethernet over Coax Bridge: No-New-Wires Ethernet home networking via existing coaxial cabling. Operates in the 12-44MHz Bandwidth with up to 200Mbps throughput.
0000174655	555-HPCE-322M	PREMIER HPNA Ethernet over Coax Bridge: No-New-Wires Ethernet home networking via existing coaxial cabling. Operates in the 12-28MHz Bandwidth with up to 128Mbps throughput.
0000205563	HPCE-322	PREMIER HPNA Ethernet over Coax Bridge: No-New-Wires Ethernet home networking via existing coaxial cabling. Operates in the 4-21MHz Bandwidth with up to 128Mbps throughput (use in applications where the ONT also uses Coppergate Chipset operating in 4-21MHz Bandwidth).
0000174656	555-HPPE-322	PREMIER HPNA Ethernet over Telephone Line Bridge: No-New-Wires Ethernet home networking via existing home phone lines. Operates in the 4-21MHz Bandwidth with up to 128Mbps throughput (use in applications where the ONT also uses Coppergate Chipset operating in 4-21MHz Bandwidth).

Modems & Filters

DSL Filters

These high-performance DSL filters give you peak data performance and voice quality by blocking interference between regular phone voice signals and broadband signals, such as DSL or home phoneline networking (HPN).



PT-DSL-ILF



PT-DSL-ILF-T



PT-DSL-WMF-LT

PREMIER

Item No.	Mfg. Part No.	Description
0000188942	PT-DSL-ILF	In-Line DSL Filter Single Line
0000188943	PT-DSL-ILF-T	In-Line T-adapter Style DSL Filter Single Line
0000222933	PT-DSL-WMF-LT	Wallmount DSL Filter Single Line with Data Jack



ITW Linx Surge Protectors and Add-On Modules from PREMIER

Surge protection for every telecom and office application including video set top boxes. Stand-alone units for basic applications and base units with add-on modules to cover any and every application. Manufactured for PREMIER by ITW Linx.

- Protect or disconnect technology ensures your safety
- SurgeGate technology reconnects your equipment as soon as the power supply is safe again
- Complete protected equipment warranties on every model

PREMIER

Item No.	Mfg. Part No.	Description
ITW Linx SurgeGate™ AC Surge Protection		
000003418	M4KSU	M4KSU 4 outlet AC protection
0000031255	M4L	M4L 4 outlet AC protection, 1 LAN line protected
9840177500	M8KSU	M8KSU 8 outlet AC Protection
9840187500	M8COM	M8COM 8 outlet AC protection, 4 lines, 1 LL/T1, 1 LAN line protected
ITW Linx SurgeGate™ Telco Circuit Protection		
9846287500	MCO4	MCO4 Protects up to 4 lines using one 110 Input/110 Output or four RJ-11 or two RJ-14 jacks output
9848247500	MCO4X4	MCO4X4 Protects four lines using RJ-11/45 connectors
0000083458	MCO25	MCO25 Protects twenty five CO lines using 50 pin, RJ-21X (Amphenol) connectors
0137600000	MCO4110	Protects up to 4 lines using one 110 Input/110 Output or four RJ-11 or two RJ-14 jacks output
9840197500	MCO8110	Protects up to eight lines using two 110 punchdown input & two 110 punchdown on the output
0138090000	MDS2	Protects one 8-wire line using RJ-45 connectors or two 4-wire lines using RJ-11/45 connectors
0138070000	MDS25	Protects twenty five 2 wire digital station or 12 / 4 wire digital stations using RJ-21X connector
9848357500	MLLT1	MLLT1 (Formerly PT-MLLT-1) Protects one (T-1, ISDN) line per port, 2 ports

Surge Protection

ITW Linx Surge Protectors and Add-On Modules from PREMIER, cont.



ML25-235



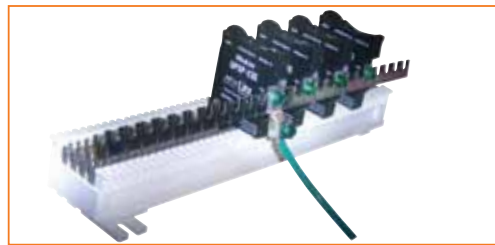
DL1200-CAT5



RM3400



UP3B-75



Ground Bar (MGBSGL-1)

PREMIER

Item No.	Mfg. Part No.	Description
ITW Linx SurgeGate™ Building Entrance and LAN Circuit Protection		
5129650165	CAT5-LAN	Protects 4 pair CAT5e rated cable, 16V clamping, 110 in/110 out
0000113338	CAT5-LAN-RJ45	Protects 4 pair CAT5e rated cable, 16V clamping, RJ-45 in/RJ-45 out
0000122349	CAT5-POE	Protects 4 pair CAT5e rated cable, 16V clamping data pairs, 62V clamping power pr, 110 in/110 out
0000291735	CAT5-75	Protects 4 pair CAT5e rated cable, 75V clamping, 110 in/110 out
0000291734	CAT5-235-RJ45	Protects 4 pair CAT5e rated cable, 235V clamping, RJ-45 in/RJ-45 out
0000122783	CAT6-LAN	Protects 4 pair CAT6 rated cable, 16V clamping, 110 in/110 out
0000151659	CAT6-75	Protects 4 pair CAT6 rated cable, 75V clamping, 110 in/110 out
0000130787	CAT6-235	Protects 4 pair CAT6 rated cable, 235V clamping, 110 in/110 out
3092060165	ML25-CAT5-LAN	25 Pair, Primary, 25 Cards Included, 16V Clamp, CAT5e
3092070165	ML25-CAT5-235	25 Pair, Primary, 25 Cards Included, 235V Clamp, CAT5e
0000291736	DL1200-CAT5	12 port CAT5e protected patch panel, rack space 1U, RJ-45 input/output, 16V Clamping--PRIMARY
ITW Linx RacMAX Rack Mount AC Surge Protectors		
0000127535	GRM0600	8 outlet AC surge protection, rack mount 1U
0000082668	RM2500	12 outlet power distribution unit (PDU), rack mount 1U, no surge protection
0000135817	RM3400	12 outlet Premier AC surge protection, rack mount 1U
0000135818	RM3700	12 outlet Premier AC surge protection, rack mount 1U, 20 Amp outlets
ITW Linx UP3B/UP3P Voice, 66 Block Protectors		
0000123791	UP3B-27	UltraLinx 66 Block Protector - 27V Clamp, 350mA Fuse, Indicator Lights
0000117811	UP3B-39	UltraLinx 66 Block Protector - 39V Clamp, 350mA Fuse, Indicator Lights
0000109761	UP3B-75	UltraLinx 66 Block Protector - 75V Clamp, 350mA Fuse, Indicator Lights
0000101137	UP3B-235	UltraLinx 66 Block Protector - 235V Clamp, 350mA Fuse, Indicator Lights
0000126485	UP3P-75	UltraLinx 66 Block Protector - 75V Clamp, 160mA PTC, Indicator Lights
0000143847	UP3P-39	UltraLinx 66 Block Protector - 39V Clamp, 160mA PTC, Indicator Lights
0000110445	UP3P-235	UltraLinx 66 Block Protector - 235V Clamp, 160mA PTC, Indicator Lights
0000097805	MGBSGL-1	UltraLinx - 25 Pair Ground Bar with 1 Ground Screw Lug

Surge Protection

Minuteman Surge Suppressors from PREMIER



MMS110



MMS760RCT



MMS362P



MMS370T



MMS780R

PREMIER

Item No.	Mfg. Part No.	Description
Minuteman AC Surge Suppressors		
0000203267	MMS110	Minuteman MMS110 is Single Outlet Wall Tap, 540 Joules, 500 Clamping Volts and Lifetime Limited Warranty
0000291776	MMS760RCT	Minuteman MMD760RCT features wall tap design with 6 rotating outlets for connecting multiple transformers, RJ11, RG-6 coax/Cable protection, 2160 Joules, 330 Clamping Volts and a \$100,000 Connected Equipment Warranty
0000213906	MMS362P	Minuteman MMS362P has 6 outlets, 241 Joules, 600 Clamping Volts, 3-ft. cord and 2 Year Limited Warranty 2 units to a pack
0000199445	MMS370T	Minuteman MMS370T has 7 outlets, child safety covers, RJ11, 1440 Joules, 330 Clamping Volts, 6 foot cord and \$75,000 Connected Equipment Warranty
0000291777	MMS780R	Minuteman MMS780R includes 8 outlets with 6-rotating for connecting multiple transformers, 2160 Joules, 330 Clamping Volts, 7 foot cord and \$75,000 Connected Equipment Warranty

Surge Protection

CyberPower Surge Suppressors from PREMIER



1090



890



6050S

PREMIER

Item No.	Mfg. Part No.	Description
CyberPower Professional AC Surge Suppressors		
0000291773	1090	CyberPower 1090 has 10 outlets, RJ11, RJ45 and RG-6 Coax/Cable protection, 3000 Joules, 330 Clamping Volts, 6 foot cord and a \$200,000 Connected Equipment Guarantee
0000291775	890	CyberPower Model 890 has 8 outlets, RJ11, RJ45, RJ6 Coax/Cable Protection, 2800 Joules, 330 Clamping Volts, 6 foot cord and a \$200,000 Connected Equipment Guarantee
0000291774	6050S	CyberPower 6050S has 6 outlets, RJ11, 1500 Joules 400 Clamping Volts, 4 foot cord and \$100,000 Connected Equipment Guarantee

Uninterruptible Power Supplies

CyberPower Uninterruptible Power Supplies from PREMIER®



CS24C12V2-E



CS24U12V



CS50U48V

PREMIER

Item No.	Mfg. Part No.	Description
0000126710	CS24U12V	CyberShield DC Power Supply Indoor 12-volt 24-watt 7.2 amp-hour Battery 2-Prong Power Cord Floating Ground
0000212078	CS24U12V-NA3	CyberShield DC Power Supply Indoor 12-volt 24-watt 7.2 amp-hour Battery with 3-Prong Power Cord Floating Ground
0000241456	CS24U12V-NA3-G	CyberShield DC Power Supply Indoor 12-volt 24-watt 7.2 amp-hour Battery with 3-Prong Power Cord Earth Grounded
0000160648	CS24C12V2-E	CyberShield DC Power Supply Outdoor 12-volt 24-watt 7.2 amp-hour Battery
0000172977	CS24U12VNP	CyberShield DC Power Supply Indoor 12-volt 24-watt 7.2 amp-hour Battery 2-Prong Non-Pass-Through Power Cord Floating Ground
0000172744	CS24U12V-12	CyberShield DC Power Supply Indoor 12-volt 24-watt DC Output with 12 amp-hour Battery
0000172746	CS24U12V-XL	CyberShield DC Power Supply Indoor 12-volt 24-watt DC Output with Extended Life 7.2 amp hour battery
0000172747	CS30U12V-20	CyberShield DC Power Supply Indoor 12-volt 30-watt DC Output with 20 amp-hour Battery
0000172742	CS16U48V-8	CyberShield DC Power Supply Indoor 48-volt 16-watt DC Output with 8 amp-hour Battery
0000160649	CS50U48V	CyberShield DC Power Supply Indoor 48-volt 24-watt 17 amp-hour Battery
0000172743	CS20A-EBP	Battery Pack External 20 amp-hour External Battery Pack for use with CyberPower Indoor UPS models
0000196242	CS75A12V3	CyberShield DC Power Supply Indoor 12-volt 75-watt 20 amp-hour Battery
0000192632	N32-203500	7 position connector for connecting power wire to CyberPower 12 Volt FTTH Battery Backup Units

Power Wire (use to connect DC power supply to ONT)

0000146379	92151A.38.17	Power Wire 7 Conductor Beige with a CMX Rated Outer Jacket. Wire Consists of Two Stranded Sixteen Gauge Wires Red and Black and Five Stranded Twenty Four Gauge Wires Blue Green Orange Brown and Gray. 500 foot Reel Used to connect ONT to Power Supply
0000156503	92282.38.10	Power Wire 8 Conductor Beige with a CMX Rated Outer Jacket. Wire Consists of 2 Strand 12 Gauge Wires Red/Black and 3 Pair Strand 24 Gauge Wires Blue/White Green/White Orange/White. Wire Has an Overall Shield and Drain Wire. 500 Foot Reel

Uninterruptible Power Supplies

Minuteman Uninterruptible Power Supplies from PREMIER®

Made for PREMIER by Minuteman. Uninterruptible power supplies provide emergency power for your critical systems and supply more consistent power for all of your sensitive equipment.



EN600

Pro “E” Series provides:

- Line interactive stepped sinewave output with automatic voltage regulation, double boost, and buck
- 3 years warranty on the electronics and batteries

Enterprise Series provides:

- Extended runtime true sinewave output with double boost and double buck
- Can be mounted vertically, horizontally, or in a 19- or 23-inch rack
- 3 year warranty on the electronics and batteries

MCP Series provides:

- True on-line protection with perfect sinewave output, double boost, and double buck
- 2 years warranty on the electronics and batteries

Endeavor Series provides:

- Online true sinewave output
- Floor, rack or wall mountable
- 3 year non-prorated warranty (including batteries)



EN750



Pro 1100 E

PREMIER

Item No.	Mfg. Part No.	Description
Minuteman UPS - Stand By UPS		
0000174984	EN400	EnSpire 400VA/200 watt stand-by UPS, wall mountable, 6 outlets
0000174983	EN600	EnSpire Series EN600 - 600VA/ 300 Watts Stand-By UPS, Wall Mountable, 6 Outlet
0000232866	EN750	EnSpire 750 VA Stand-by UPS with 8 outlets
0000232867	EN900	EnSpire 900 VA Stand-by UPS with 8 outlets
Minuteman UPS - Line-Interactive UPS		
0000076068	PRO-500E	500VA/350W 120 VAC Line-Interactive UPS 4 battery backup/surge outlets, 2 surge-only outlets, USB and RS232 communication ports & RJ45/RJ11 network/modem surge protection
0000076069	PRO-700E	700VA/490W 120 VAC Line-Interactive UPS with 4 battery backup/surge outlets, 2 surge-only outlets, USB and RS232 communication ports & RJ45/RJ11 network/modem surge protection
0000076066	PRO-1100E	1100VA/770W 120 VAC Line-Interactive UPS with 6 battery backup/surge outlets, USB and RS232 communication ports & RJ45/RJ11 network/modem surge protection
0000076067	PRO-1500E	1500VA/1050W 120 VAC Line-Interactive UPS with 6 battery backup/surge outlets, USB and RS232 communication ports & RJ45/RJ11 network/modem surge protection
0000291732	PRO1000RT	1000VA/700W 120 VAC Line-Interactive UPS with 6 battery backup/surge outlets, 2 surge-only outlets, USB and RS232 communication ports & fax/modem/network line surge protection

Uninterruptible Power Supplies

Minuteman Uninterruptible Power Supplies from PREMIER® (continued)



ETR1000



Entrust Rear Panel All Models



EnterprisePlus

PREMIER

Item No.	Mfg. Part No.	Description
Minuteman UPS - Line-Interactive UPS, cont		
0000187212	ETR500	Entrust 500 VA Line Interactive UPS With 8 Outlets 3 year warranty SentryPlus software included with all models
0000187213	ETR700	Entrust 700 VA Line Interactive UPS With 8 Outlets 3 year warranty SentryPlus software included with all models
0000187209	ETR1000	Entrust 1000 VA Line Interactive UPS with 8 outlets 3 year warranty SentryPlus software included with all models
0000187210	ETR1500	Entrust 1500 VA Line Interactive UPS with 8 outlets
0000187214	ETR700p15	Entrust 700 VA Line Interactive UPS with 8 outlets (15-foot cord) 3 year warranty SentryPlus software included with all models
0000187211	ETR1500p15	Entrust 1500 VA Line Interactive UPS with 8 outlets (15-foot cord) 3 year warranty SentryPlus software included with all models
0000187374	E750RM2U	Enterprise Plus 750 VA Line Interactive Rack/Wall/Tower UPS with 6 Outlets
0000187366	E1000RM2U	Enterprise Plus 1000 VA Line Interactive Rack/Wall/Tower UPS with 6 Outlets
0000187368	E1500RM2U	Enterprise Plus 1500 VA Line Interactive Rack/Wall/Tower UPS with 4 Outlets
0000187370	E2000RM2U	Enterprise Plus 2000 VA Line Interactive Rack/Wall/Tower UPS with 6 outlets
0000187372	E3000RM2U	Enterprise Plus 3000 VA Line Interactive Rack/Wall/Tower UPS with 6 outlets
0000200086	E1500RMT2U	Enterprise Plus 1500 VA Line Interactive Rack/Wall/Tower UPS with 4 outlets 208VAC
0000200085	E3000RMT2U	Enterprise Plus 3000 VA Line Interactive Rack/Wall/Tower UPS with 6 outlets 208VAC
0000187376	EBP36XL	36VDC 14.4AH battery pack with internal charger that extends runtime on the E750RM2U through E1500RM(T)2U
0000187378	EBP72XL	72VDC 8.5AH battery pack with internal charger that extends runtime on the E2000RM2U through E3000RM(T)2U
0000205803	EBP36EXL	36 VDC 14.4AH battery pack with internal charger that extends runtime on the E750RM2U through E1500RM(T)2U
0000205804	EBP72EXL	72VDC 8.5AH battery pack with internal charger that extends runtime on the E2000RM2U through E3000RM(T)2U units
0000195934	90000690	Enterprise Plus 19" wall mount kit

Uninterruptible Power Supplies

Minuteman Uninterruptible Power Supplies from PREMIER® (continued)



ED1000RM2U



EDBP72XL Battery Pack



CPE1000

PREMIER

Item No.	Mfg. Part No.	Description
Minuteman UPS - On-Line UPS		
0000172528	ED1000RM2U	Endeavor 1000 VA 800 watt on-line UPS
0000172529	ED1500RM2U	Endeavor 1500 VA-1200 watt on-line UPS
0000172530	ED2000RM2U	Endeavor 2000 VA-1200 watt on-line UPS
0000172531	ED3000RM2U	Endeavor 3000 VA-2100 watt on-line UPS
0000205805	ED1000RMT2U	Endeavor 1000VA 800W on-line UPS 208V/240V Input/Output
0000205806	ED1500RMT2U	Endeavor 1500VA 1200W on-line UPS 208V/240V Input/Output
0000205807	ED2000RMT2U	Endeavor 2000VA 1600W on-line UPS 208V/240V Input/Output
0000205808	ED3000RMT2U	Endeavor 3000 VA 2100W on-line UPS 208V/240V Input/Output
0000172532	EDBP24XL	External Battery Pack for ED1000RM2U
0000172533	EDBP48XL	External Battery Pack for ED1500RM2U
0000172534	EDBP72XL	External Battery Pack for ED2000/3000RM2U
0000205809	EDBP24EXL	High Capacity External Battery Pack for ED1000RM(T)2U
0000205810	EDBP48EXL	High Capacity External Battery Pack for ED1500RM(T)2U
0000205811	EDBP72EXL	High Capacity External Battery Pack for ED2000/3000RM(T)2U
0000161390	CPE1000	CPE 1000 True On-Line Uninterruptible Power Supply
0000154251	CPE2000	CPE 2000 True On-Line Uninterruptible Power Supply
0000199910	CPE3000	CPE 3000 True On-Line Uninterruptible Power Supply
0000169889	CPEBP1000	Battery pack for CPE1000 UPS
0000199912	CPEBP2000	External battery pack for CPE2000
0000199911	CPEBP3000	External battery pack for CPE3000

Jack Plates



PT-625B1 Flush Jack

PREMIER® PT-625B1 Flush Jack

Flush jack assembly is designed for flush mounting in a standard outlet box. It includes a 625F modular jack, 19A faceplate, 43A bracket, and mounting screws. The conductor leads are equipped with ring terminals for easier installation.

- UL listed
- FCC part 68 compliant

PREMIER

Item No.	Mfg. Part No.	Description	Dimensions	USOC Codes
4807337500	PT-625B1-4-50	6P4C Ivory	2.8"W x 0.8"H x 4.6"L	RJ11C - 14C / RJ1DC
4834257500	PT-625B1-6-44	6P6C Ash	2.8"W x 0.8"H x 4.6"L	RJ18C - 19C / RJ25C

PREMIER PT-625B3 Flush Jack



PT-625B3 Flush Jack

Duplex flush jack assembly is designed for flush mounting in a standard outlet box. This duplex flush jack is a one-piece unit with two independent jacks and mounting screws. Conductor leads are equipped with ring terminals for easier installation. The PT-625B3E provides spring loaded protective doors to protect the jacks from contaminants.



PT-625B3E Flush Jack

- UL listed
- FCC part 68 compliant

PREMIER

Item No.	Mfg. Part No.	Description	Dimensions	USOC Codes
4830167500	PT-625B3-4-44	6P4C Duplex Ash	2.8"W x 0.8"H x 4.6"L	RJ11C - 14C / RJ1DC
4801497500	PT-625B3-4-50	6P4C Duplex Ivory	2.8"W x 0.8"H x 4.6"L	RJ11C - 14C / RJ1DC
4845767500	PT-625B3-4-85	6P4C Duplex White	2.8"W x 0.8"H x 4.6"L	RJ11C - 14C / RJ1DC
4831267500	PT-625B3-6-44	6P6C Duplex Ash	2.8"W x 0.8"H x 4.6"L	RJ18C - 19C / RJ25C
4807047500	PT-625B3-6-50	6P6C Duplex Ivory	2.8"W x 0.8"H x 4.6"L	RJ18C - 19C / RJ25C
4845777500	PT-625B3-6-85	6P6C Duplex White	2.8"W x 0.8"H x 4.6"L	RJ18C - 19C / RJ25C

Jack Plates



625B3DV / 625B3DVE Flush Jack

PREMIER® PT-625B3DV Flush Jack

Duplex flush jack assembly is designed for flush mounting in a standard outlet box. This duplex flush jack is a one-piece unit with two independent jacks and mounting screws. One jack is labeled DATA and the other jack is labeled VOICE. Conductor leads are equipped with ring terminals for easier installation.

- UL listed
- FCC part 68 compliant

PREMIER

Item No.	Mfg. Part No.	Description	Dimensions	USOC Codes
4831077500	PT-625B3DV-4-44	6P4C Duplex Labeled DATA and VOICE Ash	2.8"W x 0.8"H x 4.6"L	RJ11C - 14C / RJ1DC
4830877500	PT-625B3DV-6-44	6P6C Duplex Labeled DATA and VOICE Ash	2.8"W x 0.8"H x 4.6"L	RJ18C - 19C / RJ25C
4845787500	PT-625B3DV-6-85	6P6C Duplex Labeled DATA and VOICE White	2.8"W x 0.8"H x 4.6"L	RJ18C - 19C / RJ25C



PT-625B4 Flush Jack

PREMIER PT-625B4 Flush Jack

Flush jack assembly is designed for flush mounting in a standard outlet box. This flush jack is a one-piece unit with a single modular jack and mounting screws. Conductor leads are equipped with ring terminals for easier installation. The PT-625B4E provides spring loaded protective doors to protect the jacks from contaminants.

- UL listed
- FCC part 68 compliant

PREMIER

Item No.	Mfg. Part No.	Description	Dimensions	USOC Codes
4806567500	PT-625B4-4-44	6P4C Ash	2.8"W x 0.8"H x 4.6"L	RJ11C - 14C / RJ1DC
4808367500	PT-625B4-4-50	6P4C Ivory	2.8"W x 0.8"H x 4.6"L	RJ11C - 14C / RJ1DC
4801677500	PT-625B4E-4-50	6P4C With Spring Loaded Door Ivory	2.8"W x 0.8"H x 4.6"L	RJ11C - 14C / RJ1DC
4832137500	PT-625B4-4-85	6P4C White	2.8"W x 0.8"H x 4.6"L	RJ11C - 14C / RJ1DC
4806617500	PT-625B4-6-44	6P6C Ash	2.8"W x 0.8"H x 4.6"L	RJ18C - 19C / RJ25C
4809357500	PT-625B4-6-50	6P6C Ivory	2.8"W x 0.8"H x 4.6"L	RJ18C - 19C / RJ25C
4845757500	PT-625B4-6-85	6P6C White	2.8"W x 0.8"H x 4.6"L	RJ18C - 19C / RJ25C

Jack Plates

PREMIER® PT-630AB Flush Jack



PT-630B Flush Jack

The PT-630AB flush jack assembly includes a steel base with screw terminals, a plastic cover, and mounting screws. This flush jack is enclosed by a plastic wrapper to eliminate problems due to condensation or moisture. Conductor lead terminals are riveted in place for easier installation.

PREMIER

Item No.	Mfg. Part No.	Description	Dimensions	USOC Codes
4807257500	PT-630AB-4-44	6P4C Ash	3.0"W x 0.3"H x 4.5"L	RJ11W - 14W
4807267500	PT-630AB-6-44	6P6C Ash	3.0"W x 0.3"H x 4.5"L	RJ18C - 19C / RJ25C



PT-65B Faceplate Kit

PREMIER PT-65B Faceplate

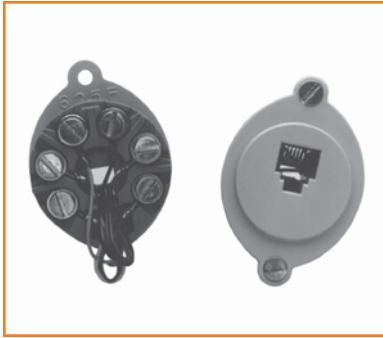
The 65B faceplate kit consists of a rectangular faceplate and a steel mounting bracket. Thread cutting screws are included for attaching to 800 series prewire boxes. The faceplate kits are designed to cover wall openings with standard electrical outlet boxes or the 63B bracket. The 65B faceplate kit can be used with 625F or 102A connecting blocks.

- UL listed
- FCC part 68 compliant

PREMIER

Item No.	Mfg. Part No.	Description	Dimensions
4835447500	PT-65B-52	Faceplate with Mounting Bracket Electrical Ivory	2.8"W x 0.3" H x 4.6" L

Jack Plates



PT-625F Flush Jack

PREMIER

PREMIER® PT-625F Flush Jack

Flush jack assembly is designed for flush mounting in a standard outlet box by using a type 43A or 43B bracket. The jack includes a connecting block, flush plate and mounting screws. Conductor leads are equipped with ring terminals for easier installation.

- UL listed
- FCC part 68 compliant

Item No.	Mfg. Part No.	Description	Dimensions	USOC Codes
4807317505	PT-625F-4-50	6P4C Round Ivory	1.5"W x 0.9"H x 2.3" L	RJ11C - 14C / RJ1DC



PT-697B Flush Jack

PREMIER

PREMIER PT-697B Flush Jack

The PT-697B flush jack is an 8 conductor jack that is designed for flush mounting in a standard outlet box. This flush jack is a one-piece unit with a single modular jack and mounting screws. Conductor leads are equipped with ring terminals for easier installation. The PT-697B-8K-50-R is a keyed jack that is equipped with resistors for programmable loop loss from 0 to 9 dB.

- UL listed
- FCC part 68 compliant

Item No.	Mfg. Part No.	Description	Dimensions	USOC Codes
4808257505	PT-697B-8NK-50	8P8C Ivory	2.8"W x 1.3"H x 4.5"L	RJ48C
4808247505	PT-697B-8K-50-R	8P8C Keyed With Programming Resistors Ivory	2.8"W x 1.3"H x 4.5"L	RJ45S - 47S

Surface Blocks



PT-104A8 / PT-104B8

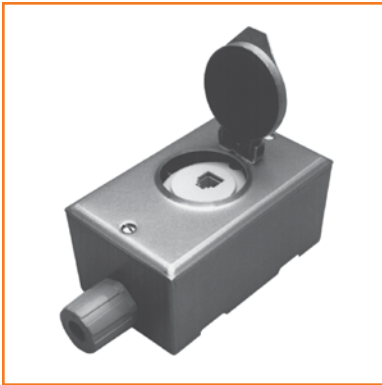
PREMIER

PREMIER® PT-104A/PT-104B Surface Block

The PT-104A8 duplex surface block contains two 8 conductor non-keyed jacks labeled LINE 1 and LINE 2. This duplex surface block is equipped with insulation displacement contact connectors and is T568B-wired. It can be mounted with screws or double-sided tape (included). The cover is secured with a retaining screw.

- UL listed
- FCC part 68 compliant

Item No.	Mfg. Part No.	Description	Dimensions	USOC Codes
4834887500	PT-104A8-52	Duplex 8P8C Electrical Ivory Line 1 / Line 2	2.6"W x 1.2"H x 3.5"L	RJ48C



PT-19316L7 Outdoor Jack

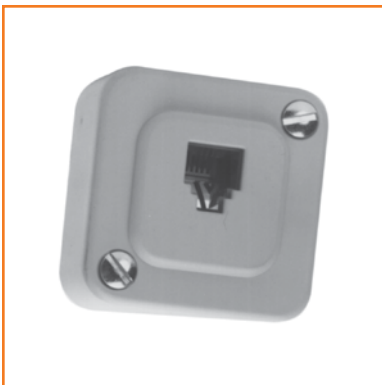
PREMIER

PREMIER PT-19316L7 Surface Block

The PT-19316L7 is a 4 conductor outdoor surface jack constructed of die cast aluminum and has a corrosion resistant finish. The modular jack rotates to allow for various wire entrances. This jack also contains a bracket and removal lugs. The spring-loaded, moisture-resistant gasket cap insures a weather-proof seal.

- UL listed
- FCC part 68 compliant

Item No.	Mfg. Part No.	Description	Dimensions	USOC Codes
4807387505	PT-19316L7-4	Outdoor 6P4C With Weather Proof Cap	3"W x 2.9"H x 4.7"L	RJ11C-14C / RJ1DC



PT-404M Surface Block

PREMIER

PREMIER PT-404M Surface Block

The PT-404M surface block is designed for surface mounting on walls or baseboards where external wiring is necessary. It can also be flush mounted in any electrical box by using a 44 bracket and a 19B faceplate. The PT-404M surface block comes with two 1-1/2" wood screws. Conductor leads are equipped with ring terminals for easier installation.

- UL listed
- FCC part 68 compliant

Item No.	Mfg. Part No.	Description	Dimensions	USOC Codes
4801477500	PT-404M-4-50	6P4C Ivory	1.8"W x 1"H x 1.8" L	RJ11C - 14C / RJ1DC

Surface Blocks



PT-42A Surface Block

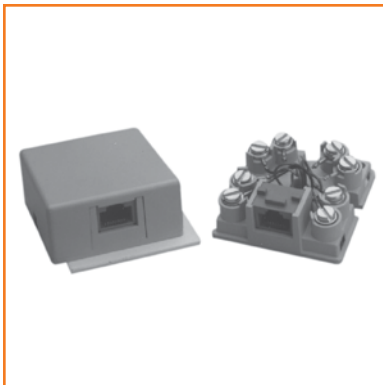
PREMIER® PT-42A Surface Block

The PT-42A surface block is designed for terminating non-modular desk telephones. Each screw terminal is equipped with two washers. The PT-42A surface block includes a standard 42A block and screw-on cover.

- UL listed
- FCC part 68 compliant

PREMIER

Item No.	Mfg. Part No.	Description	Dimensions
7710117505	PT-42A-4-60	6P4C Beige.	2.1"W x 0.8"H x 2.1"L
7710137505	PT-42A-4-50	6P4C Ivory	2.1"W x 0.8"H x 2.1"L



PT-625A2-8 Surface Block

PREMIER PT-625A2 Surface Block (8 Conductor)

The PT-625A2-8 surface block is an 8 conductor jack used for voice, data, or security/ alarm transmission devices. This surface block consists of screw terminals, a snap-on cover, and double-sided adhesive tape for a convenient and efficient jack that will mount on most flat surfaces. The PT-625A2-8 surface block is available as a non-keyed, keyed, or non-keyed with shorting bars. Shorting bars bridge together jack contacts 1 to 4 and 5 to 8 whenever a plug is not inserted.

- UL listed
- FCC part 68 compliant

PREMIER

Item No.	Mfg. Part No.	Description	Dimensions	USOC Codes
4841637500	PT-625A2-8K-2-52	8P8C Keyed RJ48X "Smart Jack" Electrical Ivory	2.3"W x 1.0"H x 2.3"L	RJ48X
4845827500	PT-625A2-8K-44	8P8C Keyed RJ48S Ash	2.3"W x 1.0"H x 2.3"L	RJ48S
4832097500	PT-625A2-8K-50	8P8C Keyed RJ48S Ivory	2.3"W x 1.0"H x 2.3"L	RJ48S
4808797500	PT-625A2-8SB-44	8P8C Non-Keyed with Shorting Bars Ash	2.3"W x 1.0"H x 2.3"L	RJ31X - 38X
4806317500	PT-625A2-8SB-50	8P8C Non-Keyed with Shorting Bars Ivory	2.3"W x 1.0"H x 2.3"L	RJ31X - 38X
4830087500	PT-625A2-8NK-44	8P8C Non-Keyed RJ48C Ash	2.3"W x 1.0"H x 2.3"L	RJ48C
4843247500	PT-625A2-8NK-50	8P8C Non-Keyed RJ48C Ivory	2.3"W x 1.0"H x 2.3"L	RJ48C
4844017500	PT-625A2-8NK-85	8P8C Non-Keyed RJ48C White	2.3"W x 1.0"H x 2.3"L	RJ48C

Surface Blocks

PREMIER® PT-625A3 Surface Block



PT-625A3 Surface Block

The PT-625A3 surface block is a pre-wired modular jack with a snap-on cover and a base that contains 66-style punch-down clips.



PT-625A3-8 Surface Block

- UL listed
- FCC part 68 compliant

PREMIER

Item No.	Mfg. Part No.	Description	Dimensions	USOC Codes
4830317505	PT-625A3-4-44	6P4C With 66 Style IDC Ash	1.2"W x 2.0"H x 2.3"L	RJ11C - 14C / RJ1DC
4830327505	PT-625A3-6-44	6P6C With 66 Style IDC Ash	1.2"W x 2.0"H x 2.3"L	RJ18C - 19C / Rj25C
4830367505	PT-625A3-8SB-44	8P8C Non-Keyed RJ31X - RJ38X With 66 Style IDC Ash	2.0"W x 1.2" H x 2.3"L	RJ31X - 38X



PT-625A Surface Block

PREMIER PT-625A Surface Block

The PT-625A surface block mounts on any flat surface and includes a standard 42A block and a screw-on cover. The standard jack is equipped with spade tipped terminals for easy access.

- UL listed
- FCC part 68 compliant

PREMIER

Item No.	Mfg. Part No.	Description	Dimensions	USOC Codes
4807167500	PT-625A-4-44	6P4C Ash	2.2"W x 0.8"H x 2.6"L	RJ11C - 14C / RJ1DC
4807587500	PT-625A-4-50	6P4C Ivory	2.2"W x 0.8"H x 2.6"L	RJ11C - 14C / RJ1DC
4806587500	PT-625A-6-44	6P6C Ash	2.2"W x 0.8"H x 2.6"L	RJ18C - 19C / RJ25C
4806167500	PT-625A-6-50	6P6C Ivory	2.2"W x 0.8"H x 2.6"L	RJ18C - 19C / RJ25C

Surface Blocks



PT-625ADV / PT-625ALL Surface Block

PREMIER® PT-625ALL/PT-625ADV Surface Block

The PT-625 duplex surface block provides dual 4 conductor or 6 conductor jacks packaged into a slim housing which fits most office tele-power poles and other restricted mounting surfaces. Each jack is conveniently labeled DATA/VOICE (PT-625ADV) or LINE1/LINE2 (PT-625 ALL). Assembly includes a snap-on cover, ring terminals, and double-sided adhesive tape.

- UL listed
- FCC part 68 compliant

PREMIER

Item No.	Mfg. Part No.	Description	Dimensions	USOC Codes
4831057500	PT-625ADV-4-44	Duplex 6P4C Labeled DATA and VOICE Ash	2.1"W x 0.9"H x 4.6"L	RJ11C - 14C / RJ1DC
4831067500	PT-625ALL-4-44	Duplex 6P4C Labeled LINE 1 and LINE 2 Ash	2.1"W x 0.9"H x 4.6"L	RJ11C - 14C / RJ1DC
4831087500	PT-625ADV-6-44	Duplex 6P6C Labeled DATA and VOICE Ash	2.1"W x 0.9"H x 4.6"L	RJ18C - 19C / RJ25C
4831097500	PT-625ALL-6-44	Duplex 6P6C Labeled LINE 1 and LINE 2 Ash	2.1"W x 0.9"H x 4.6"L	RJ18C - 19C / RJ25C
4845797500	PT-625ADV-6-85	Duplex 6P6C Labeled DATA and VOICE White	2.1"W x 0.9"H x 4.6"L	RJ18C - 19C / RJ25C
4845817500	PT-625ALL-6-85	Duplex 6P6C Labeled LINE 1 and LINE 2 White	2.1"W x 0.9"H x 4.6"L	RJ18C - 19C / RJ25C



PT-625AQ2 Surface Block

PREMIER PT-625AQ2 Surface Block

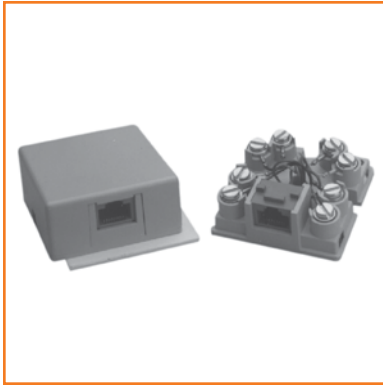
The PT-625AQ2 surface block is designed for direct mounting on any flat surface. This assembly includes a base, snap-on cover, and double-sided adhesive tape. Conductor leads are equipped with ring terminals for easier installation.

- UL listed
- FCC part 68 compliant

PREMIER

Item No.	Mfg. Part No.	Description	Dimensions	USOC Codes
4807677500	PT-625AQ2-4-44	6P4C Ash	2.0"W x 0.9" H x 2.3"L	RJ11C - 14C / RJ1DC
4808547500	PT-625AQ2-4-50	6P4C Ivory	2.0"W x 0.9" H x 2.3"L	RJ11C - 14C / RJ1DC
4843977500	PT-625AQ2-4-85	6P4C White	2.0"W x 0.9" H x 2.3"L	RJ11C - 14C / RJ1DC
4807757500	PT-625AQ2-6-44	6P6C Ash	2.0"W x 0.9" H x 2.3"L	RJ18C - 19C / RJ25C
4808577500	PT-625AQ2-6-50	6P6C Ivory	2.0"W x 0.9" H x 2.3"L	RJ18C - 19C / RJ25C
4843987500	PT-625AQ2-6-85	6P6C White	2.0"W x 0.9" H x 2.3"L	RJ18C - 19C / RJ25C

Surface Blocks



Surface Block

PREMIER® PT-635A1M Surface Block with Cord

These security/alarm kits consist of a PT-635A1M 8 conductor block and an 8 conductor line cord. The PT-TW kit includes a 3 foot plug-to-spade data cord. The PT-TW2 kit includes a 3 foot plug-to-plug data cord. The PT-635A1M is an 8 conductor block used for security/alarm transmission devices. This surface block consists of screw terminals, a snap-on cover, and double-sided adhesive tape for a convenient and efficient jack that will mount on most flat surfaces. Shorting bars bridge together positions 1 to 4 and 5 to 8 whenever a modular plug is not inserted into the jack.

- UL listed
- FCC part 68 compliant

PREMIER

Item No.	Mfg. Part No.	Description	Dimensions	USOC Codes
4841047500	PT-TW2	8P8C RJ31X Kit With 3 Foot Plug to Plug Line Cord Ash	2.0"W x 1.0"H x 2.0"L	RJ31X - 38X
4841037500	PT-TW	8P8C RJ31X Kit With 3 Foot Plug to Spade Line Cord Ash	2.0"W x 1.0"H x 2.0"L	RJ31X - 38X

Surface Blocks



PT-742A Wire Junction Box

PREMIER PT-742A Wire Junction Box

The PT-742A junction box mounts directly on any flat surface. This junction box connects 4 additional extensions, in parallel, to an existing modular jack. Conductors do not need to be stripped to be connected to the color-coded screw terminals. This junction box consists of a base, snap-on cover and mounting screws. The PT-742A also contains a 12 inch 4 conductor cord with a modular plug.

- UL listed
- FCC part 68 compliant

PREMIER

Item No.	Mfg. Part No.	Description	Dimensions
4808947505	PT-742A-4-50	6P4C Wire Junction Box With 12 Inch Cord Ivory	2.0"W x 1.3"H x 4.4"L



PT-625C Surface Block Cover

PREMIER® PT-625C Surface Block Cover

The PT-625C surface block cover is used in conjunction with an existing standard 42A block to provide a modular connection. The cover includes a fastening screw and spade tipped wire terminals.

- UL listed
- FCC part 68 compliant

PREMIER

Item No.	Mfg. Part No.	Description	Dimensions	USOC Codes
4807297500	PT-625C-4-44	Cover 6P4C Ash	2.2"W x 0.9"H x 2.7" L	RJ11C - 14C / RJ1DC
4807617500	PT-625C-4-50	Cover 6P4C Ivory	2.2"W x 0.9"H x 2.7" L	RJ11C - 14C / RJ1DC

Surface Blocks



PT-625S Surface Block

PREMIER PT-625S Surface Block

The PT-625S surface block features a rotating jack cover that protects the jack from contamination when not in use. It consists of a 625T cover with spade tip leads and a 42A Block.

- UL listed
- FCC part 68 compliant

PREMIER

Item No.	Mfg. Part No.	Description	Dimensions	USOC Codes
4807987500	PT-625S-6-50	6P6C With Rotating Cover Ivory	2.3"W x 0.8"H x 3.5"L	RJ18C - 19C / RJ25C



PT-625SA/PT-625T Surface Block / Cover

PREMIER® PT-625SA Gel Surface Block

The PT-625SA-4-GEL-52 surface block is filled with a non-toxic water and corrosion resistant gel. The gel keeps the connection points clean and prevents corrosion. A spring-loaded rotating jack cover protects the jack from contamination when not in use. It consists of a 625T cover with spade tip leads and a 42B block.

- UL listed
- FCC part 68 compliant

PREMIER

Item No.	Mfg. Part No.	Description	Dimensions	USOC Codes
4846847500	PT-625SA-4-GEL-52	6P4C With Rotating Cover Gel Filled Electrical Ivory	2.3"W x 1.4"H x 3.5"L	RJ11C - 14C / RJ1DC

Wall Jacks



PT-630AT Wall Jack

PREMIER® PT-630AT Wall Jack

The PT-630AT wall jack is stainless steel and uses insulation displacement contacts to terminate station wires. The PT-630AT comes with the PT-797-A installation tool.

- UL listed
- FCC part 68 compliant

PREMIER

Item No.	Mfg. Part No.	Description	Dimensions	USOC Codes
4807997505	PT-630AT-6-ID	6P6C With IDC Tool Steel	3.0"W x 0.3"H x 4.5"L	RJ18C - 19C / RJ25C



PT-630ABC Wall Jack

PREMIER PT-630ABC Wall Jack

The PT-630ABC wall jack uses insulation displacement contacts to terminate the station wires.

- UL listed
- FCC part 68 compliant

PREMIER

Item No.	Mfg. Part No.	Description	Dimensions	USOC Codes
4807037505	PT-630ABC-4-44	6P4C With IDC Tool Ash	3.0"W x 0.3"H x 4.5"L	RJ11W - 14W
4807067505	PT-630ABC-6-44	6P6C With IDC Tool Ash	3.0"W x 0.3"H x 4.5"L	RJ18C - 19C / RJ25C

Wall Jacks



797A Insulation Displacement Tool

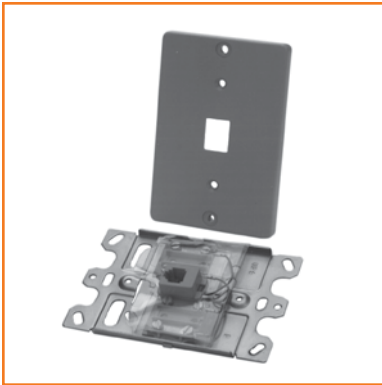
PREMIER® PT-797A IDC Tool

The insulation displacement tool can be used with the PT-630A wall jacks. It comes in a package of five IDC tools.

- UL listed
- FCC part 68 compliant

PREMIER

Item No.	Mfg. Part No.	Description
7406037505	PT-797A-TOOL	Insulation Displacement Tool Pkg of 5



PT-630AC Wall Jack

PREMIER PT-630AC Wall Jack

The PT-630AC wall jack uses screw terminals with conductor leads that are riveted in place for easier installation.

- UL listed
- FCC part 68 compliant

PREMIER

Item No.	Mfg. Part No.	Description	Dimensions	USOC Codes
4806547500	PT-630AC-4-44	6P4C Ash	3.0"W x 0.3"H x 4.5"L	RJ11W - 14W
4802377500	PT-630AC-6-44	6P6C Ash	3.0"W x 0.3"H x 4.5"L	RJ18C - 19C / RJ25C
4845747500	PT-630AC-6-85	6P6C White	3.0"W x 0.3"H x 4.5"L	RJ18C - 19C / RJ25C

Wall Jacks



PT-630AD Wall Jack

PREMIER® PT-630AD Wall Jack

The PT-630AD wall jacks are stainless steel and use screw terminals with conductor leads that are riveted in place for easier installation.

- UL listed
- FCC part 68 compliant

PREMIER

Item No.	Mfg. Part No.	Description	Dimensions	USOC Codes
4807397500	PT-630AD-4	6P4C Steel	3.0"W x 0.3"H x 4.5"L	RJ11W - 14W
4807417500	PT-630AD-6	6P6C Steel	3.0"W x 0.3"H x 4.5"L	RJ18C - 19C / RJ25C



PT-630AP Wall Jack

(Note: Corners are round not octagonal.)

PREMIER PT-630AP Wall Jack

The PT-630AP wall jacks use screw terminals with conductor leads that are riveted in place for easier installation.

- UL listed
- FCC part 68 compliant

PREMIER

Item No.	Mfg. Part No.	Description	Dimensions	USOC Codes
4807687500	PT-630AP-4-44	6P4C Ash	3.0"W x 0.3"H x 4.5"L	RJ11W - 14W
4838137500	PT-630AP-4-50	6P4C Ivory	3.0"W x 0.3"H x 4.5"L	RJ11W - 14W
4847797500	PT-630AP-4-85	6P4C White	3.0"W x 0.3"H x 4.5"L	RJ11W - 14W
4807697500	PT-630AP-6-44	6P6C Ash	3.0"W x 0.3"H x 4.5"L	RJ18C - 19C / RJ25C
4838147500	PT-630AP-6-50	6P6C Ivory	3.0"W x 0.3"H x 4.5"L	RJ18C - 19C / RJ25C

Wall Jacks



PT-630B Wall Jack

PREMIER® PT-630B Wall Jack

The PT-630B wall jack is stainless steel and uses insulation displacement contacts to terminate station wires. This wall jack utilizes retaining clips and does not require a PT-797-A installation tool.

- UL listed
- FCC part 68 compliant

PREMIER

Item No.	Mfg. Part No.	Description	Dimensions	USOC Codes
0000064900	PT-630B-4-4C-SS	6P4C With Snap-On Retaining Clips Steel	3.0"W x 0.3"H x 4.5"L	RJ11W - 14W



PT-630B Wall Jack

PREMIER PT-630 Wall Jack Spacer

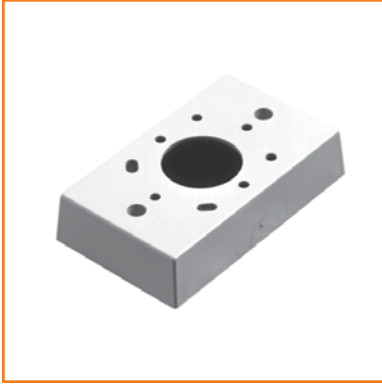
The PT-630-SPACER is a wall jack spacer designed to assist in surface mounting of steel bracketed PT-630-type wall jacks.

- UL listed
- FCC part 68 compliant

PREMIER

Item No.	Mfg. Part No.	Description	Dimensions
4807477500	PT-630-SPACER-44	Spacer Ash	3.0"W x 0.2"H x 4.5"L

Wall Jacks



PT-625MB Flush Jack Mounting Box

PREMIER® PT-625MB Mounting Box

Flush jack mounting box is designed to allow surface mounting for rectangular jack assemblies and jack plates.

- UL listed
- FCC part 68 compliant

PREMIER

Item No.	Mfg. Part No.	Description	Dimensions
4830887500	PT-625MB-44	Mounting Box One Inch Deep Ash	2.7"W x 4.6" H x 1.0" D
4830737500	PT-625MB-50	Mounting Box One Inch Deep Ivory	2.7"W x 4.6" H x 1.0" D
4837777500	PT-625MB-85	Mounting Box One Inch Deep White	2.7"W x 4.6" H x 1.0" D

PREMIER PT-20502 Mounting Bracket

Flush jack round plastic mounting bracket (AT&T Comcode 401-307-244) is referred to as a mud ring for round flush jacks. This bracket is used to wall mount 625F round flush jacks.

- UL listed
- FCC part 68 compliant

PREMIER

Item No.	Mfg. Part No.	Description
4835767500	PT-20502-L2	Round Plastic Mounting Bracket For Round Flush Jacks

Adapters



PT-153AM Adapter

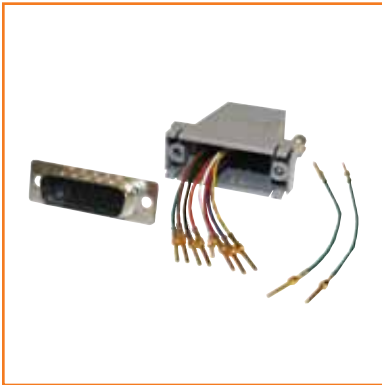
PREMIER® PT-153 Adapter

The PT-153AM adapter is designed to allow an ancillary device, electronic key set, or single line telephone set equipped with a modular plug-ended line cord to be connected to an existing 25 pair connector. No re-wiring is necessary.

- UL listed
- FCC part 68 compliant

PREMIER

Item No.	Mfg. Part No.	Description	Wiring Sequence
4806027505	PT-153AM2-BLACK	Adapter Female 25 Pair to 6P4C	Red-1; Green-26; Yellow-2; Black-27
4806057505	PT-153AM3-BLACK	Adapter Female 25 Pair to 6P6C	Red-1; Green-26; Yellow-2; Black-27; White-25; Blue-50
4833737505	PT-153AM-6-3P	Adapter Female 25 Pair to 6P6C	Red-1; Green-26; Yellow-2; Black-27; White-3; Blue-28



Data Adapter

PREMIER Data Adapters

A Data Adapter is used to convert DB9, DB15, or DB25 male or female data ports to an 8 position modular jack interface. It includes the data connector, two piece ABS plastic shell, and thumbscrews. It is customizable for any application.

- UL listed
- FCC part 68 compliant

PREMIER

Item No.	Mfg. Part No.	Description
4462267500	PT-DB9F-8P8C-TS	Adapter DB9F With Thumbscrews to 8P8C
4462257500	PT-DB9M-8P8C-TS	Adapter DB9M With Thumbscrews to 8P8C
4462287500	PT-DB15F-8P8C-TS	Adapter DB15F With Thumbscrews to 8P8C
4462277500	PT-DB15M-8P8C-TS	Adapter DB15M With Thumbscrews to 8P8C
4460637500	PT-DB25F-8P8C-TS	Adapter DB25F With Thumbscrews to 8P8C
4461297500	PT-DB25M-8P8C-TS	Adapter DB25M With Thumbscrews to 8P8C

Adapters



PT-267B T-Adapter

PREMIER® PT-267B Modular T-Adapters

The PT-267B T-Adapter is a 4 conductor adapter that connects 2 telephones or ancillary devices to 2 outside lines. This T-Adapter plugs into a standard 4 conductor modular jack where two outside lines have been wired. The T-Adapter is equipped with 4 conductor plugs and two 4 conductor jacks, that provides 2 parallel lines.

- UL listed
- FCC part 68 compliant

PREMIER

Item No.	Mfg. Part No.	Description
4831897500	PT-267B-50	6P4C Plug Splits 2 Lines Into Line 1 and Line 2 in Parallel



PT-267C T-Adapter

PREMIER PT-267C Modular T-Adapters

The PT-267C T-Adapter is equipped with a 6 position 4 wire jack for voice transmission (marked PHONE) and a 6 position 2 wire jack for data transmission (marked MODEM). This adapter is designed for combining voice and data transmission through a single modular jack.

- UL listed
- FCC part 68 compliant

PREMIER

Item No.	Mfg. Part No.	Description
4831237500	PT-267C-50	6P4C Plug to 6p4C PHONE and 6P2C MODEM



PT-267A-4 Modular T-Adapte (with Tail)

PREMIER PT-267A-4 Modular T-Adapter (with Tail)

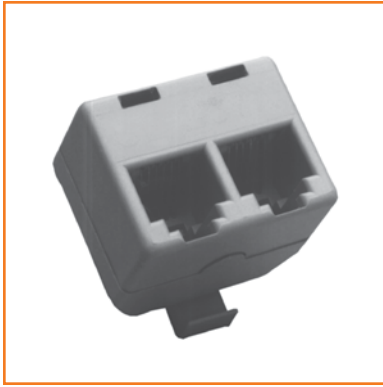
The PT-267A-4 Modular T-Adapter (with Tail) connects two telephone or ancillary devices to one outside line using an existing modular installation. Two 6 position 4 conductor jacks are wired in parallel to one 6 position 4 conductor plug, mounted at the end of a 4-inch line cord tail. The 4-inch line cord tail provides extra flexibility during installations, to avoid blocking adjacent ports on installed CPE or hardware.

- UL listed
- FCC part 68 compliant

PREMIER

Item No.	Mfg. Part No.	Description
0000198475	PT-267A-4-50-TAIL	6P4C Plug to Dual 6P4C Jacks with 4" Line Cord Tail

Adapters



PT-267A/267E T-Adapters

PREMIER® PT-267A Modular T-Adapters

The PT-267A T-Adapter connects two telephones or ancillary devices to one outside line using an existing modular installation. The 6 conductor model includes a 4 position plug and two jacks, each equipped with 6 contacts in parallel. The 4 conductor model has 4 contacts in parallel.

- UL listed
- FCC part 68 compliant

PREMIER

Item No.	Mfg. Part No.	Description
4830197500	PT-267A-4-50	6P4C Plug to Dual 6P4C Jacks
4807667500	PT-267A-6-50	6P4C Plug to Dual 6P6C Jacks In Parallel



PT-267A/267E T-Adapters

PREMIER PT-267E Modular T-Adapters

The PT-267E is a 6 conductor T-Adapter that provides dual 6 position 6 conductor jacks in parallel. This T-Adapter connects 3 telephones or ancillary devices to 3 outside lines. This T-Adapter is plugged into a standard 6 conductor modular jack where 3 outside lines have been wired. This T-Adapter provides access to all 3 lines of an RJ25 jack.

- UL listed
- FCC part 68 compliant

PREMIER

Item No.	Mfg. Part No.	Description
4830377500	PT-267E-50	6P6C Plug to Dual 6P6C Jacks in Parallel (3 Lines)



PT-173 T-Adapter

PREMIER PT-173 Modular T-Adapters

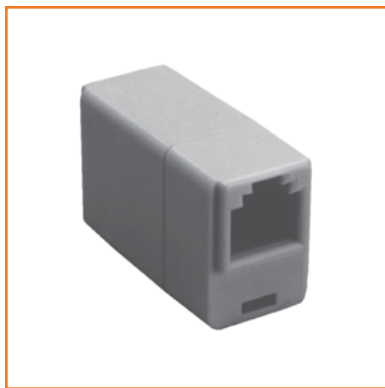
The PT-173 Triple T-Adapter is used with 2 line modular systems. This T-Adapter is plugged into a 4 conductor modular jack that is wired for 2 lines. Jack 1 is labeled Line 1; Jack 2 is labeled Line 2; Jack 3 is labeled Line1/Line2. Two single-line phones can be connected to the Line 1 and Line 2 jacks. The third jack can be used to run a modular cord to another jack enabling the user to connect two single-line telephones. This will extend the 2 lines to various phones throughout the premises.

- UL listed
- FCC part 68 compliant

PREMIER

Item No.	Mfg. Part No.	Description
4831417500	PT-173-50	6P4C Plug to 3 Jacks (L1, L2, L1+L2)

Couplers



PT-460A Line Cord Couplers

PREMIER® PT-460 Modular Line Cord Couplers

Cord couplers are designed to connect 2 modular plug ended line cords together to allow extensions of plug ended line cords.

- UL listed
- FCC part 68 compliant

PREMIER

Item No.	Mfg. Part No.	Description
4830277500	PT-460A-4-50	6P4C Ivory
4830427500	PT-460A-6-50	6P6C Ivory



PT-1542A Filter

PREMIER PT-1542A Radio Interference Filter

The PT-1542A jack is non-modular and used to filter AM/FM and CB broadcast interference. This 4 conductor jack can be used in place of a 42A connecting block. The plastic base consists of a toroidal choke coil plus screw terminals and is housed in a plastic cover. Installation consists of connecting the spade leads from a non-modular line cord to the wire leads inside the filter.

- UL listed
- FCC part 68 compliant

PREMIER

Item No.	Mfg. Part No.	Description	Dimensions
4803757505	PT-1542A-60	Hard-wired Filter for AM/FM and CB Radio Broadcasts	2"W x 1"H x 4"L



PT-1542AM Filter

PREMIER PT-1542AM Radio Interference Filter

The PT-1542AM jack is designed to filter AM/FM and CB radio broadcast interference. This 6 position 4 conductor modular filter is used in place of a surface mounted jack. The plastic base and cover house the radio interference filter.

- UL listed
- FCC part 68 compliant

PREMIER

Item No.	Mfg. Part No.	Description	Dimensions	USOC Codes
4830247505	PT-1542AM-49	Modular Filter for AM/FM and CB Radio Broadcasts	2"W x 1"H x 4.5"L	RJ11C / RJ12C

66 Blocks

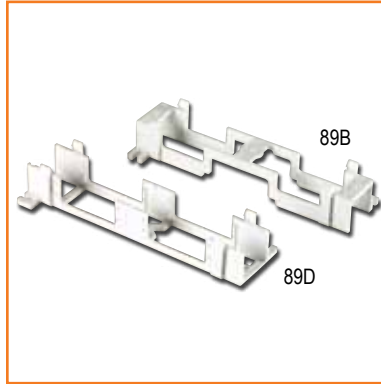
PREMIER® 66 Blocks and Accessories

The fire-retardant molded plastic blocks and posts are extremely durable. The 66 block has a 50 row capacity with 4 pins across (split 2 by 2) and fanning strips with notches every 10 rows to route and organize 25 pair cables. The 66 block can accommodate 18 to 26 AWG conductors and is designed to terminate 50 to 100 wires per side. 66 blocks snap into 89B or 89D brackets to ensure easy access to cable runs. 89B brackets allow 66 blocks to be installed over existing wiring. 89D brackets allow 66 blocks to mount directly onto the wall. Distribution posts insure neat and efficient cable routing when installing cross connect wire to the 66 blocks. 20A distribution posts have a screw hole for mounting and 20B distribution posts have a built-in mounting screw. Bridging clips are installed down the center of the 66 block for completing the cross connection to horizontal wiring.

- UL listed



66 Blocks



89B/D Brackets



20A/B Posts

PREMIER

Item No.	Mfg. Part No.	Description
0000156599	66M1-50	66 Type Connecting Block 50 Pair Cat 5e
0000183588	66B1-6	66 Type Connecting Block 6 Pair
0000211132	66M1-50R	66 Type Connecting Block with 25 Pair Female Connector
7210247500	PT-89B	89B Bracket For 66 Type Blocks
7210967500	PT-89D	89D Bracket For 66 Type Blocks
7232047501	PT-SA1-50	Bridging Clip 2-Position Phosphor Bronze - 50 Per Bag
7232617501	PT-SA1SS-100	Bridging Clip 2-Position Stainless Steel - 100 Per Bag
7230687500	PT-20A	20A Distribution Post -- Plastic Mushroom -- Without Screw
7790297500	PT-20B	20B Distribution Post -- Plastic Mushroom -- With Screw

110 Blocks



110 Blocks and Accessories

PREMIER® 110 Wiring Blocks and Accessories

The fire-retardant molded plastic wiring blocks and connecting blocks have horizontal index strips to secure and organize 25 pair cables. The strips accommodate 20 to 26 AWG conductors. The blocks come with or without legs and can be mounted directly onto wall surfaces, backboards or frames. 110C4 or 110C5 clips (available in packages of 10) securely lock onto the 110 wiring blocks and are used to terminate horizontal wiring.

- UL listed
- Includes paper labeling strip and clear plastic label holder

PREMIER

Item No.	Mfg. Part No.	Description
5133627500	PT-1110BAK-50	50 Pair With Legs
7717317500	PT-1110BA-100	100 Pair No Legs
7719597500	PT-1110BAK-100	100 Pair With Legs
7719987500	PT-1110BA-300	300 Pair No Legs
7718467500	PT-1110BAK-300	300 Pair With Legs
0000038204	PT-1110F	Wire Management Trough No Legs
0000027988	PT-1110FK	Wire Management Trough With Legs
7714117500	PT-1110C-4	110C4 4 Pair Wiring Connectors 10 Per Pack
7713287500	PT-1110C-5	110C5 5 Pair Wiring Connectors 10 Per Pack
0000038206	PT-1110PS	Replacement Slide-In Paper Labels 6 Per Bag
0000038205	PT-1110PI	Replacement Snap-In Plastic Label Holder 6 Per Bag

Residential

PREMIER® Residential Wiring System



Premier Residential Wiring System



Basic Telecom Module



Telecom Expansion Module



Multi Port Patchable Module



8 Port Data Hub



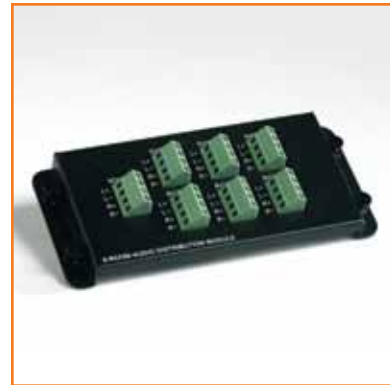
Cat.5e Data Module



CATV Amplifier Module



CATV Distribution Module



Audio Distribution Module

Residential

PREMIER® Residential Wiring System (continued)



Additional Patch Cords



Residential Wiring Boxes

PREMIER

Item No.	Mfg. Part No.	Description
0000069145	PT-5001-BT	Telecom Basic Module T568A-Wired 8 Port
0000069146	PT-5001-ET	Telecom Expansion Module T568A-Wired 8 Port
0000069151	PT-5001-CD	Telecom Multi Port Patchable Module T568A-Wired With 8 Patch Cords
0000069148	PT-5001-H8	Data Module 8 Port Hub With 8 Patch Cords
0000069147	PT-5001-DN	Data Module T568A-Wired Category 5e 8 Port
0000069149	PT-5001-VA	CATV 10 dB Amplifier Module 1 Port
0000069150	PT-5001-VD	CATV Distribution Module 8 Port
0000094924	PT-5410-6	Audio Distribution Module 6 Port
0000094923	PT-5001-8PC	Additional 1 Foot Patch Cords Ivory Bag of 8
0000069152	PT-5001-B14	Metal Box With Reversible Door With Lock 14 X 14 Inch Empty White
0000123887	PT-5001-B28	Metal Box With Reversible Door With Lock 14 X 28 Inch Empty White
0000069155	PT-5001-B48	Metal Box With Reversible Door With Lock 14 X 48 Inch Empty White
0000014266	C5E100X-004GY24PM	CMX 4 Pair 24 Gauge Category 5e Gray 1000 Foot Pop Box
0000199400	PT-5820-BLANK	Blank Module For Premier Home Wiring Solution. Comes With Velcro Strap
0000293644	PT-6008G	Switch Ethernet 10/100 Mbps 8 Port Mini
0000196741	C5775.31.01	RG6 COAX 60% Braid Black Pop Box
0000108097	C5775.41.01	RG6 COAX 60% Braid Black Reel
0000233798	C5775.31.02	RG6 COAX 60% Braid White Pop Box

Connectors

PREMIER® Keystone Style Jack - Category 6



Jack Module

- UL listed
- FCC part 68 compliant
- Universal T568A/T568B wiring
- Category 6 compliant
- Bulk packs come with handheld termination tool

PREMIER

Item No.	Mfg. Part No.	Description
0000201038	PT-KJJC6-LA	Cat 6 jack module - light almond
0000081334	PT-KJJC6-56	Cat 6 jack module - yellow
0000081329	PT-KJJC6-105	Cat 6 jack module - green
0000081328	PT-KJJC6-03	Cat 6 jack module - black
0000081330	PT-KJJC6-23	Cat 6 jack module - blue
0000081332	PT-KJJC6-52	Cat 6 jack module - Electrical Ivory
0000081337	PT-KJJC6-97	Cat 6 jack module - orange
0000081333	PT-KJJC6-53	Cat 6 jack module - red
0000081336	PT-KJJC6-85	Cat 6 jack module - white
0000081335	PT-KJJC6-70	Cat 6 jack module - gray
0000119194	PT-KJJC6-03-BULK	Black (25 Per Bulk Pack)
0000119195	PT-KJJC6-23-BULK	Blue (25 Per Bulk Pack)
0000119196	PT-KJJC6-52-BULK	Electrical Ivory (25 Per Bulk Pack)
0000119199	PT-KJJC6-97-BULK	Orange (25 Per Bulk Pack)
0000119197	PT-KJJC6-53-BULK	Red (25 Per Bulk Pack)
0000119198	PT-KJJC6-85-BULK	White (25 Per Bulk Pack)

Connectors

PREMIER Keystone Style Jack - Category 5e

- UL listed
- FCC part 68 compliant
- Universal T568A/T568B wiring
- Category 5e compliant
- Bulk packs come with handheld termination tool

PREMIER

Item No.	Mfg. Part No.	Description
9010977501	PT-KJKC5-03	Cat 5e jack module - black
0000063074	PT-KJKC5-23	Cat 5e jack module - blue
9011037501	PT-KJKC5-97	Cat 5e jack module - orange
9011057501	PT-KJKC5-53	Cat 5e jack module - red
9011007501	PT-KJKC5-70	Cat 5e jack module - gray
0000063076	PT-KJKC5-GREEN	Cat 5e jack module - green
0000201041	PT-KJKC5-LA	Cat 5e jack module - light almond
9011017501	PT-KJKC5-52	Cat 5e jack module - electrical ivory
9011077501	PT-KJKC5-85	Cat 5e jack module - white
0000119159	PT-KJKC5-03-BULK	Black (25 Per Bulk Pack)
0000119160	PT-KJKC5-23-BULK	Blue (25 Per Bulk Pack)
0000119161	PT-KJKC5-52-BULK	Electrical Ivory (25 Per Bulk Pack)
0000119164	PT-KJKC5-97-BULK	Orange (25 Per Bulk Pack)
0000119162	PT-KJKC5-53-BULK	Red (25 Per Bulk Pack)
0000119163	PT-KJKC5-85-BULK	White (25 Per Bulk Pack)

PREMIER Keystone EZ90 - Category 5e



- UL listed
- FCC part 68 compliant
- Universal T568A/T568B wiring
- Category 5e compliant
- Bulk packs come with handheld termination tool

PREMIER

Item No.	Mfg. Part No.	Description
0000227827	PT-KJKC5E-52-EZ90	Cat 5e jack module - electrical ivory works with EZ90 termination tool
0000227829	PT-KJKC5E-85-EZ90	Cat 5e jack module - white works with EZ90 termination tool
0000227826	PT-KJKC5E-23-EZ90	Cat 5e jack module - blue works with EZ90 termination tool
0000227830	PT-KJKC5E-97-EZ90	Cat 5e jack module - orange works with EZ90 termination tool
0000227828	PT-KJKC5E-53-EZ90	Cat 5e jack module - red works with EZ90 termination tool
0000227825	PT-EZ90	EZ90 termination tool for EZ90 jacks
0000274482	PT-KJKU-52-EZ	USOC 6p6c electrical ivory works with EZ90 termination tool
0000274483	PT-KJKU-85-EZ	USOC 6p6c white works with EZ90 termination tool

Connectors

PREMIER Shielded Jacks



Shielded Jacks

Category 6 and Category 5e shielded jacks provide transmission margins that meet industry standards, but also provide excellent protection against electromagnetic interference and radio frequency interference.

- UL listed
- Category compliant
- Toolless termination

PREMIER

Item No.	Mfg. Part No.	Description
0000227831	PT-KJKC5E-SHIELDED	Jack Module Shielded Insert Category 5 Enhanced RJ45. Universal Color Code Labeling Toolless Termination
0000227832	PT-KJKC6E-SHIELDED	Jack Module Shielded Insert Category 6 RJ45. Universal Color Code Labeling Toolless Termination

PREMIER® Keystone Style Jack - Voice Grade

- UL listed
- FCC part 68 compliant
- Universal T568A/T568B wiring
- Category 5 compliant (8P8C jacks)

PREMIER

Item No.	Mfg. Part No.	Description
9012897501	PT-KJKC5-NI-52	Cat.3/Cat.5 Electrical Ivory
9012917501	PT-KJKC5-NI-85	Cat.3/Cat.5 White
9010927501	PT-KJKKU-03	USOC 6P6C Black
9010947501	PT-KJKU-52	USOC 6P6C Electrical Ivory
9010957501	PT-KJKU-85	USOC 6P6C White
0000020103	PT-KJKU-LA	USOC 6P6C Light Almond

PREMIER Keystone Style Jack - Other

- UL listed

PREMIER

Item No.	Mfg. Part No.	Description
9010797501	PT-KBLANK-03	Blank 10 Per Pack Black
0000201039	PT-KBLANK-LA	Blank 10 Per Pack Light Almond
9010817501	PT-KBLANK-52	Blank 10 Per Pack Electrical Ivory
9010827501	PT-KBLANK-85	Blank 10 Per Pack White
0000201042	PT-KJKF-LA	F-Type Coax Light Almond
9011207501	PT-KKF-52	F-Type Coax Electrical Ivory
9011217501	PT-KJKF-85	F-Type Coax White
0000090411	PT-KSMTRJ-03	MTRJ Mounting Adapter For Use With MTRJ Connectors
9011227501	PT-KJKST-52	ST Fiber Insert Electrical Ivory
9011237501	PT-KJKST-85	ST Fiber Insert White

Faceplates and Housings



Single Gang Faceplates

PREMIER® Single Gang Keystone Style Faceplates

Standard single gang faceplates with a plain front that accept flush mounted keystone jacks.

- UL listed
- Mounting screws with painted heads included

PREMIER

Item No.	Mfg. Part No.	Description
9010547501	PT-KSFP1-03	1 Port Black
9010567501	PT-KSFP1-52	1 Port Electrical Ivory
0000201044	PT-KSFP1-LA	1 Port Light Almond
9010577501	PT-KSFP1-85	1 Port White
9010597501	PT-KSFP2-03	2 Port Black
9010617501	PT-KSFP2-52	2 Port Electrical Ivory
0000201045	PT-KSFP2-LA	2 Port Light Almond
9010627501	PT-KSFP2-85	2 Port White
9010647501	PT-KSFP3-03	3 Port Black
9010667501	PT-KSFP3-52	3 Port Electrical Ivory
0000201046	PT-KSFP3-LA	3 Port Light Almond
9010677501	PT-KSFP3-85	3 Port White
9010697501	PT-KSFP4-03	4 Port Black
9010717501	PT-KSFP4-52	4 Port Electrical Ivory
0000201047	PT-KSFP4-LA	4 Port Light Almond
9010727501	PT-KSFP4-85	4 Port White
9010747501	PT-KSFP6-03	6 Port Black
9010767501	PT-KSFP6-52	6 Port Electrical Ivory
0000201048	PT-KSFP6-LA	6 Port Light Almond
9010777501	PT-KSFP6-85	6 Port White

Faceplates and Housings



Double Gang Faceplates

PREMIER Double Gang Keystone Style Faceplates

Standard double gang faceplates with a plain front that accept flush mounted keystone jacks.

- UL listed
- Mounting screws with painted heads included

PREMIER

Item No.	Mfg. Part No.	Description
4480407501	PT-KDFP6-52	6 Port Electrical Ivory
0000201040	PT-KDFP6-LA	6 Port Light Almond
4480507501	PT-KDFP6-85	6 Port White
4480007501	PT-KDFP12-52	12 Port Electrical Ivory
4489997501	PT-KDFP12-85	12 Port White



Single Gang Faceplates with Labels

PREMIER® Single Gang Keystone Style Faceplates With Labels

Single gang faceplates with labeling inserts that accept flush mounted keystone jacks.

- UL listed
- Includes mounting screws and paper inserts and clear plastic covers for labeling

PREMIER

Item No.	Mfg. Part No.	Description
4488477501	PT-KSFPL2-52	2 Port With Label And Clear Cover Electrical Ivory
0000201049	PT-KSFPL2-LA	2 Port With Label and Clear Cover Light Almond
4482837501	PT-KSFPL2-85	2 Port With Label And Clear Cover White
4488497501	PT-KSFPL4-52	4 Port With Label And Clear Cover Electrical Ivory
0000201050	PT-KSFPL4-LA	4 Port With Label and Clear Cover Light Almond
4482787501	PT-KSFPL4-85	4 Port With Label And Clear Cover White
4488517501	PT-KSFPL6-52	6 Port With Label And Clear Cover Electrical Ivory
0000201051	PT-KSFPL6-LA	6 Port With Label and Clear Cover Light Almond
4486727501	PT-KSFPL6-85	6 Port With Label And Clear Cover White

Faceplates and Housings



Angled Faceplates

PREMIER Angled Keystone Style Faceplates

Angled faceplates with labeling inserts mount keystone jacks at a 45 degree angle for convenient patch cord access. These faceplates allow furniture to be located close to the angled faceplates without damaging the patch cord connection. Angled faceplates help to minimize accidental contact and damage with patch cords.

- UL listed
- Includes mounting screws and paper inserts and clear plastic covers for labeling

PREMIER

Item No.	Mfg. Part No.	Description
4480107501	PT-KSAP4-52	4 Port With Label And Clear Cover Electrical Ivory
4480207501	PT-KSAP4-85	4 Port With Label And Clear Cover White
4480807501	PT-KDAP8-52	8 Port Double Gang With Label And Clear Cover Electrical Ivory
4480907501	PT-KDAP8-85	8 Port Double Gang With Label And Clear Cover White



Stainless Steel Faceplates

PREMIER® Stainless Steel Keystone Style Faceplates

- UL listed
- Mounting screws included

PREMIER

Item No.	Mfg. Part No.	Description
0000087816	PT-KWPSS1	1 Port Wall Plate Stainless Steel With Mounting Lugs
4481007501	PT-KSSFP1	1 Port Flush Mount Stainless Steel
4481207501	PT-KSSFP2H	2 Horizontal Port Flush Mount Stainless Steel
4481107501	PT-KSSFP2	2 Port Flush Mount Stainless Steel
4481257501	PT-KSSFP3	3 Port Flush Mount Stainless Steel
4481267501	PT-KSSFP4	4 Port Flush Mount Stainless Steel
4481277501	PT-KSSFP6	6 Port Flush Mount Stainless Steel
0000090345	PT-KSSFP4-DBL	4 Port Double Gang Flush Mount Stainless Steel
4481287501	PT-KSSFP12	12 Port Double Gang Flush Mount Stainless Steel

Faceplates and Housings

PREMIER Mounting Brackets For Faceplates



LV1 and LV2 Mud Rings



LV1 and LV2 Mud Rings

Mounting brackets for single gang or double gang faceplates can be used for stud mounting or wall mounting.

- UL listed

PREMIER

Item No.	Mfg. Part No.	Description
4429997500	PT-LV2	Double Gang For Finished Walls (Mud Ring)
4420547500	PT-LV1	Single Gang For Finished Walls (Mud Ring)
4421087500	PT-LVMB1	Single Gang For New Construction (Stud Mount)
4835767500	PT-20502-L2	Round Plastic Mounting Bracket for Round Flush Jacks



Surface Housing

PREMIER® Surface Mount Housings

1-port, 2-port, 4-port and 6-port surface mount housings are for modular jacks and accessories.

- UL listed
- Includes mounting screws and double-sided adhesive tape

PREMIER

Item No.	Mfg. Part No.	Description
4490027501	PT-KSH1-52	1 Port Electrical Ivory
0000201052	PT-KSH1-LA	1 Port Light Almond
4499997501	PT-KSH1-85	1 Port White
9010837501	PT-KSH2-52	2 Port Electrical Ivory
0000201053	PT-KSH2-LA	2 Port Light Almond
9010847501	PT-KSH2-85	2 Port White
9010857501	PT-KSH4-52	4 Port Electrical Ivory
0000201054	PT-KSH4-LA	4 Port Light Almond
9010867501	PT-KSH4-85	4 Port White
0000058352	PT-KSH6-52	6 Port Electrical Ivory
0000201055	PT-KSH6-LA	6 Port Light Almond
0000058354	PT-KSH6-85	6 Port White

Patch Panels and Fiber Boxes

PREMIER Patch Panels - Category 6



12 Port Cat.6 Patch Panel

- UL listed
- UL verified category compliant
- Category 6



High Density Patch Panels



High Density Patch Panels

The Category 6 patch panels are available in 12-port wall mount with an extra-deep 89D bracket, and in 24-port and 48-port high density rack mount configurations. The panels feature RJ45 to Category 6 PC board 110 punch down style connectors, which are universal color-coded to support both T568A and T568B wiring schemes. The PC board is completely protected with a metal back cover on the rack mount panels. Wire management bars and #12-24 mounting screws are included with the rack mount panels.

PREMIER

Item No.	Mfg. Part No.	Description
0000034215	PT-PP-C6-12-89D	12 Port With 89D Bracket Universal Wiring T568A/T568B
4420707500	PT-PP-C6-24-HD	24 Port Universal Wiring T568A/T568B 1RMS High Density
4420807500	PT-PP-C6-48-HD	48 Port Universal Wiring T568A/T568B 2RMS High Density

PREMIER® Patch Panels - Category 5e

The Category 5e patch panels are available in 12-port wall mount with an extra-deep 89D bracket, 24-port and 48-port high density rack mount, and in 24-port, 48-port, and 96-port normal density rack mount configurations. The panels feature RJ45 to Category 5e PC board 110 punch down style connectors, which are universal color-coded to support both T568A and T568B wiring schemes. The PC board is completely protected with a metal back cover on the rack mount panels. Wire management bars and #12-24 mounting screws are included with the rack mount panels.

- UL listed
- UL verified category compliant
- Category 5e

PREMIER

Item No.	Mfg. Part No.	Description
4496857500	PT-PP-C5E12B-89D	12 Port Universal Wiring T568A/T568B with 89D Bracket
4420097500	PT-PP-C5E24B-HD	24 Port Universal Wiring T568A/T568B 1RMS High Density
4420207500	PT-PP-C5E48B-HD	48 Port Universal Wiring T568A/T568B 2RMS High Density

Patch Panels and Fiber Boxes

PREMIER Patch Panels - Modular (Unloaded)

The unloaded modular jack panels are available in 12-port, 24-port, and 48-port normal density rack mount configurations. The panels feature keystone style ports that conveniently rack mount and organize keystone style jacks and accessories. Wire management bars and #12-24 mounting screws are included.

- UL listed

PREMIER

Item No.	Mfg. Part No.	Description
4420407500	PT-PP-MOD-12	12 Port 1RMS For Keystone Jacks
4420437500	PT-PP-MOD-24	24 Port 2RMS For Keystone Jacks
4420507500	PT-PP-MOD-48	48 Port 3RMS For Keystone Jacks

PREMIER Patch Panels - Zoned Wiring



Consolidation Point Block



MUTOA

Zoned wiring components include the 12-port consolidation point panel and the 6-port MUTOA (multiple unit telecommunications outlet assembly). The 12-port consolidation point comes with an 89D bracket and is used to break up the horizontal connection into “permanent” and “temporary” sections. The “temporary” portion can be removed and replaced to keep up with office area changes. The 6-port MUTOA is a small patch panel used to terminate horizontal runs that utilize long work area cords in the work areas. The 6-port MUTOA has an attractive white case that can be conveniently mounted to any flat surface using mounting screws (included) or double-sided adhesive tape (included).

- UL listed

PREMIER

Item No.	Mfg. Part No.	Description
4420827500	PT-PP-C612B-CONPT	12 Port Consolidation Point Block With 89D Bracket
4420907500	PT-PP-C6-MUTOA 6P	6 Port Category 6 MUTOA Universal Wiring T568A/T568B

Patch Panels and Fiber Boxes

PREMIER® Cable Managers



High Density and Single Sided Raceway



Double Sided Raceways
(Vertical and Horizontal)

Cable managers provide horizontal and vertical management to organize patch cords and backbone/horizontal wiring in the equipment racks. The cable managers are available in single and double-sided designs to suit any application. It is recommended to use cable managers between every patch panel and equipment rack.

PREMIER

Item No.	Mfg. Part No.	Description
4480607500	PT-PP-WM175	High Density 1.75" x 19" 1RMS
4420577500	PT-PP-WM3X3-SL	Single Sided Raceway + D-Rings 3.5" x 19" 2RMS
4484497500	PT-PP-WM35-DS	Double Sided Raceway Horizontal 3.5" x 19" 2RMS
5122477500	PT-VCM-4X5DC-35	Double Sided Vertical 4" x 5" x 35" With Hinged Covers Center Mount
5122467500	PT-VCM-4X5DS-35	Double Sided Vertical 4" x 5" x 35" With Hinged Covers Side Mount

PREMIER Fiber Distribution Units



Rack Mount Fiber Boxes



Wall Mount Fiber Boxes

The rack mount fiber distribution units can support up to 144 fibers. The 24 to 48 fiber box accepts 4 x 6-pack or 4 x 12-pack connector panels and one splice tray. The 36 to 72 fiber box accepts 6 x 6-pack or 6 x 12-pack connector panels and two splice trays. The 72 to 144 fiber box accepts 12 x 6-pack or 12 x 12-pack connector panels and three splice trays. The wall mount fiber distribution units can support up to 48 fibers. The 12 to 24 fiber box accepts 2 x 6-pack or 2 x 12-pack connector panels and one splice tray. The 24 to 48 fiber box accepts 4 x 6-pack or 4 x 12-pack connector panels and one splice tray. All units include a removable door, labeling system, cable management hardware, Velcro tie wraps, and slack storage.

PREMIER

Item No.	Mfg. Part No.	Description
0000057422	FRM024XS-B	Rack Mount 24 - 48 Port 4 Slots
0000057423	FRM036XS-B	Rack Mount 36 - 72 Port 6 Slots
0000057424	FRM072XS-B	Rack Mount 72 - 144 Port 12 Slots
0000057425	FWM012XLC-B	Wall Mount 12 - 24 Port 2 Slots
0000057426	FWM024XLC-B	Wall Mount 24 - 48 Port 4 Slots

Patch Panels and Fiber Boxes



Fiber Connector Panels

PREMIER® Fiber Distribution Panels and Splice Trays

The fiber distribution panels are available in 6, 8, and 12 fiber capacity. Splice trays are available for both the rack mount and wall mount fiber distribution units.

PREMIER

Item No.	Mfg. Part No.	Description
0000057436	MTRJ-06-L	6 Pack Loaded With MTRJ Adapters
0000057429	MSC-06-LC	6 Pack Loaded with SC Ceramic Adapters For Single Mode
0000057428	MSC-06-L	6 Pack Loaded with SC Phosphor Bronze Adapters
0000057433	MST-06-LC	6 Pack Loaded With ST Ceramic Adapters For Single Mode
0000057432	MST-06-L	6 Pack Loaded With ST Phosphor Bronze Adapters
0000057430	MSC-08-L	8 Pack Loaded with SC Phosphor Bronze Adapters
0000057434	MST-08-L	8 Pack Loaded With ST Phosphor Bronze Adapters
0000057420	1120SSTA	Splice Tray for Wall Mount Fiber Box
0000057421	2020SSTP	Splice Tray for Rack Mount Fiber Box
0000057435	MST-12-L	12-Pack Panel Loaded With ST Adapters Phosphor Bronze Inserts
0000057431	MSC-12-MM-P-BLK	12-Pack Panel Loaded With Duplex SC Adapters Phosphor Bronze Inserts
0000057427	MFMB-600BB	Blank Panel

Racks, Brackets, and Shelves



Relay Rack

PREMIER Racks and Shelves

These aluminum equipment racks are easy to assemble and capable of supporting 700 pounds of weight when securely fastened together and adequately anchored to a concrete floor. The racks are drilled and tapped on both sides with the universal spacing hole pattern 5/8-inch - 5/8-inch - 1/2-inch and have a 45RMS capacity.

- Universal hole pattern on both sides
- Includes 32 each #12-24 mounting screws
- Shelves guaranteed to support 50 lbs. of distributed weight

PREMIER

Item No.	Mfg. Part No.	Description
9611117500	PT-RR-19X7-2S200BLK	19 Inch x 7 Foot Double Sided Aluminum Black
9690017500	PT-SH-BLK-15D-FRONT	Front-Mount 19" x 15" x 3RMS
9698547500	PT-SH-BLK-19D-MID	Mid-Mount 19" x 19" x 2RMS

Racks, Brackets, and Shelves



PREMIER® Rack Mount Adapters

PREMIER Rack Mount Adapters are used for mounting 19-inch equipment into a 23-inch rack.

They can also be used for mounting equipment having standard/universal hole patterns into a rack with 1-inch hole patterns.

1 each = 1 set of 2 adapters with #12-24 x ½ inch combination screws.

PREMIER

Item No.	Mfg. Part No.	Description
0000187365	PT-RCKMNTADPT-1RMS	PREMIER Rackmount Adapter 1RMS Includes: 2 Adapters with 4 each #12-24 x ½ Screws- Flat Head / Philips Combination
0000187431	PT-RCKMNTADPT-2RMS	PREMIER Rackmount Adapter 2RMS Includes: 2 Adapters with 8 each #12-24 x ½ Screws- Flat Head / Philips Combination
0000187432	PT-RCKMNTADPT-3RMS	PREMIER Rackmount Adapter 3RMS Includes: 2 Adapters with 12 each #12-24 x ½ Screws- Flat Head / Philips Combination
0000187433	PT-RCKMNTADPT-4RMS	PREMIER Rackmount Adapter 4RMS Includes: 2 Adapters with 16 each #12-24 x ½ Screws- Flat Head / Philips Combination
0000187434	PT-RCKMNTADPT-5RMS	PREMIER Rackmount Adapter 5RMS Includes: 2 Adapters with 20 each #12-24 x ½ Screws- Flat Head / Philips Combination



Hinged Wall Mount Brackets

PREMIER® Wall/Rack Mount Brackets

Wall and rack mount brackets can be used to mount patch panels and electronic equipment from 1RMS to 6RMS in a hinged or stationary design.

PREMIER

Item No.	Mfg. Part No.	Description
4420597500	PT-PP-M5WB175	Wall Mount Hinged 1.75"H x 5"D x 19"W 1RMS
4420557500	PT-PP-M5WB105	Wall Mount Hinged 10.5"H x 5"D x 19"W 6RMS
4420857500	PT-PP-M5WB35	Wall Mount Hinged 3.5"H x 5"D x 19"W 2RMS
4420847500	PT-PP-M5WB525	Wall Mount Hinged 5.25"H x 5"D x 19"W 3RMS
4425167500	PT-PP-M5WB70	Wall Mount Hinged 7"H x 5"D x 19"W 4RMS
0000111643	0203-01	Wall Mount Fixed UNI-BRACKET Set 5RMS



Cable Hangers

PREMIER® Cable Hanging and Routing

Flexible non-metallic cable hangers and accessories hold copper or fiber bundles without sagging, bending or damaging the cable.

- UL listed
- TL25 hangers can hold up to 100 Cat5e cables and are load rated to 25 pounds
- TL50 hangers can hold up to 300 Cat5e cables and are load rated to 75 pounds
- BC25 beam clamp has a static load rating of 75 pounds. Clamp opening is .608 inches.

PREMIER

Item No.	Mfg. Part No.	Description
4421047500	PT-BC25	Beam Clamp - Accepts Threaded Rod Size 1/4 - 20
4421007500	PT-TL25	2.5 Inch Diameter Plenum Rated
4421017500	PT-TL25P	2.5 Inch Diameter Plenum Rated And UV Rated for Outdoor Use
4421027500	PT-TL50	5 Inch Diameter Plenum Rated
4421037500	PT-TL50P	5 Inch Diameter Plenum Rated And UV Rated for Outdoor Use

Surface Raceway



Surface Raceway

PREMIER® Surface Raceway

One-piece, non-metallic, adhesive-backed, tamper-resistant, self-locking, positive-latch hinged design surface raceway used to aesthetically organize and route copper wires and fiber cables.

- UL listed
- Made from a paintable UL 94V-0 rated PVC

Fill Capacity Chart

Building Wire					
Raceway			3/4"	1 1/4"	1 3/4"
Area of Raceway			0.2572"	0.7176"	1.4065"
Wire Type	O. D. of wire	Area of wire			
14 AWG THHN	0.108	0.0091	3	8	16
12 AWG THHN	0.126	0.0124	2	6	12
10 AWG THHN	0.170	0.0226	1	4	8
Signal Wire					
18 AWG	0.066	0.0034	30	83	164
20 AWG	0.060	0.0028	36	101	198
22 AWG	0.050	0.0019	52	146	286
24 AWG	0.045	0.0015	64	180	353
Twisted Pair, 24 AWG					
2 Pair	0.140	0.0153	6	18	36
3 Pair	0.150	0.0176	5	16	31
4 Pair	0.220	0.0380	2	7	14
25 Pair	0.510	0.2042	0	1	2
Twisted Pair, Shielded					
4 Pair 24 AWG	0.250	0.0490	2	5	11
25 Pair 24 AWG	0.510	0.2042	0	1	2
Type 1A, 22 AWG	0.430	0.1452	0	1	3
Coax. (max.)					
RG58/U	0.193	0.0292	3	9	19
RG59/U RG62/U	0.242	0.0459	2	6	12
RG6/U	0.270	0.0572	1	5	9
Fiber Optic 50 or 62.5/125/900 PVC Jacket, OFNR					
2 Strand	0.175	0.0240	4	11	23
4 Strand	0.185	0.0268	3	10	20
6 Strand	0.210	0.0346	2	8	16

(Wire capacity reflects 40% fill ratio)

Surface Raceway

PREMIER® Surface Raceway 3/4 Inch

PREMIER

Item No.	Mfg. Part No.	Description	Dimensions
4851027500	PT-SR1I-6A	Duct 6 Foot Electrical Ivory	0.75"W x 0.5" H
4851047500	PT-SR1W-6A	Duct 6 Foot White	0.75"W x 0.5" H
4851037500	PT-SR1I-8A	Duct 8 Foot Electrical Ivory	0.75"W x 0.5" H
4851057500	PT-SR1W-8A	Duct 8 Foot White	0.75"W x 0.5" H



Surface Raceway Accessories

PREMIER Surface Raceway Accessories 3/4 Inch

- Meets 1 inch bend radius requirements for TIA/EIA standards

PREMIER

Item No.	Mfg. Part No.	Description
4851217500	PT-SR1I-50	Ceiling Drop Cover Electrical Ivory
4851297500	PT-SR1W-50	Ceiling Drop Cover White
4851177500	PT-SR1I-25-1	Elbow Electrical Ivory
4851257500	PT-SR1W-25-1	Elbow White
4851207500	PT-SR1I-36	End Cap Electrical Ivory
4851287500	PT-SR1W-36	End Cap White
4851187500	PT-SR1I-29-1	External Corner Cover Electrical Ivory
4851267500	PT-SR1W-29-1	External Corner Cover White
4851277500	PT-SR1W-33-1	Internal Corner Cover White
4851197500	PT-SR1I-33-1	Internal Cover Electrical Ivory
4851157500	PT-SR1I-14	Splice Cover Electrical Ivory
4851237500	PT-SR1W-14	Splice Cover White
4851167500	PT-SR1I-21-1	Tee Cover Electrical Ivory
4851247500	PT-SR1W-21-1	Tee Cover White

Surface Raceway

PREMIER® Surface Raceway 1-1/4 Inch

PREMIER

Item No.	Mfg. Part No.	Description	Dimensions
4851327500	PT-SR2I-6A	Duct 6 Foot Electrical Ivory	1.25"W x 0.75" H
4851347500	PT-SR2W-6A	Duct 6 Foot White	1.25"W x 0.75" H
4851337500	PT-SR2I-8A	Duct 8 Foot Electrical Ivory	1.25"W x 0.75" H
4851357500	PT-SR2W-8A	Duct 8 Foot White	1.25"W x 0.75" H



Surface Raceway Accessories

PREMIER Surface Raceway Accessories 1-1/4 Inch

- Meets 1 inch bend radius requirements for TIA/EIA standards

PREMIER

Item No.	Mfg. Part No.	Description
4851517500	PT-SR2I-50	Ceiling Drop Cover Electrical Ivory
4851597500	PT-SR2W-50	Ceiling Drop Cover White
4851477500	PT-SR2I-25-1	Elbow Electrical Ivory
4851557500	PT-SR2W-25-1	Elbow White
4851507500	PT-SR2I-36	End Cap Electrical Ivory
4851587500	PT-SR2W-36	End Cap White
4851487500	PT-SR2I-29-1	External Corner Cover Electrical Ivory
4851567500	PT-SR2W-29-1	External Corner Cover White
4851497500	PT-SR2I-33-1	Internal Corner Cover Electrical Ivory
4851577500	PT-SR2W-33-1	Internal Corner Cover White
4851457500	PT-SR2I-14	Splice Cover Electrical Ivory.
4851537500	PT-SR2W-14	Splice Cover White
4851467500	PT-SR2I-21-1	Tee Cover Electrical Ivory
4851547500	PT-SR2W-21-1	Tee Cover White

Surface Raceway

PREMIER® Surface Raceway 1-3/4 Inch

PREMIER

Item No.	Mfg. Part No.	Description	Dimensions
4851627500	PT-SR3I-6A	Duct 6 Foot Electrical Ivory	1.75"W x 1.0"H
4851647500	PT-SR3W-6A	Duct 6 Foot White	1.75"W x 1.0"H
4851637500	PT-SR3I-8A	Duct 8 Foot Electrical Ivory	1.75"W x 1.0"H
4851657500	PT-SR3W-8A	Duct 8 Foot White	1.75"W x 1.0"H



Surface Raceway Accessories

PREMIER Surface Raceway Accessories 1-3/4 Inch

- Meets 1 inch bend radius requirements for TIA/EIA standards

PREMIER

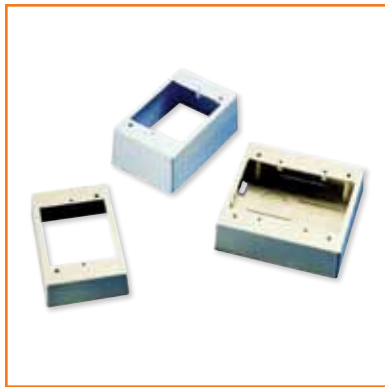
Item No.	Mfg. Part No.	Description
4851817500	PT-SR3I-50	Ceiling Drop Cover Electrical Ivory
4851897500	PT-SR3W-50	Ceiling Drop Cover White
4851777500	PT-SR3I-25-1	Elbow Electrical Ivory
4851857500	PT-SR3W-25-1	Elbow White
4851807500	PT-SR3I-36	End Cap Electrical Ivory
4851887500	PT-SR3W-36	End Cap White
4851787500	PT-SR3I-29-1	External Corner Cover Electrical Ivory
4851867500	PT-SR3W-29-1	External Corner Cover White
4851797500	PT-SR3I-33-1	Internal Corner Cover Electrical Ivory
4851877500	PT-SR3W-33-1	Internal Corner Cover White
4851757500	PT-SR3I-14	Splice Cover Electrical Ivory
4851837500	PT-SR3W-14	Splice Cover White
4851767500	PT-SR3I-21-1	Tee Cover Electrical Ivory
4851847500	PT-SR3W-21-1	Tee Cover White

Surface Raceway

PREMIER® Surface Raceway Reducers

PREMIER

Item No.	Mfg. Part No.	Description
4851747500	PT-SR3I-12	1-1/4 to 3/4 Inch Reducer Electrical Ivory
4851827500	PT-SR3W-12	1-1/4 to 3/4 Inch Reducer White
4851147500	PT-SR1I-12	1-3/4 to 1-1/4 Inch Reducer Electrical Ivory
4851227500	PT-SR1W-12	1-3/4 to 1-1/4 Inch Reducer White
4851447500	PT-SR2I-12	1-3/4 to 3/4 Inch Reducer Electrical Ivory
4851527500	PT-SR2W-12	1-3/4 to 3/4 Inch Reducer White



Raceway Junction Boxes

PREMIER Surface Raceway Junction Boxes

Available in three sizes (low profile, standard, and double-gang), these two-piece junction boxes are versatile enough for any network cabling application. The junction boxes are equipped with concentric knockouts on all four sides that accept all three sizes of surface raceway. The base plate has double-sided adhesive tape and the junction box accepts any standard NEMA faceplates.

- UL listed
- Made from a paintable UL 94V-0 rated PVC
- Includes knock-outs for raceway on all sides

PREMIER

Item No.	Mfg. Part No.	Description
4851907500	PT-SRI-JB1	Single Gang 1-1/4 Inch Deep Electrical Ivory
4851937500	PT-SRW-JB1	Single Gang 1-1/4 Inch Deep White
4851917500	PT-SRI-JB2	Single Gang 2 Inch Deep Electrical Ivory
4851947500	PT-SRW-JB2	Single Gang 2 Inch Deep White
4851927500	PT-SRI-JBD	Double Gang 1-1/2 Inch Deep Electrical Ivory
4851957500	PT-SRW-JBD	Double Gang 1-1/2 Inch Deep White

Wiring Duct



PREMIER® Wiring Duct

The wiring duct is available in a solid wall or slotted wall construction. The slotted wall duct features break-away fingers that are scored in two locations for customized wiring installs. Straight connectors can be used with all sizes of duct to join the duct runs together. The covers snap on flush to the top of the solid and slotted wall duct to provide a smooth finish.

- UL listed

PREMIER

Item No.	Mfg. Part No.	Description
5361037500	PT-TC1.5G4	Cover 1.5" Wide X 6 Foot Gray
5361027500	PT-TC2G4	Cover 2.0" Wide X 6 Foot Gray
5360837500	PT-TC3G4	Cover 3.0" Wide X 6 Foot Gray
5361017500	PT-SCG	Straight Connector For All Sizes Of Wiring Duct
5360817500	PT-SL1.5X2G4	Slotted Wall 1.5" Wide X 2.0" High X 6 Foot Gray
5360827500	PT-SL2X1G4	Slotted Wall 2.0" Wide X 1.0" High X 6 Foot Gray
5360807500	PT-SL2X2G4	Slotted Wall 2.0" Wide X 2.0" High X 6 Foot Gray
5360797500	PT-SL3X2G4	Slotted Wall 3.0" Wide X 2.0" High X 6 Foot Gray
5360787500	PT-SD3X2G4	Solid Wall 3.0" Wide X 2.0" High x 6 Foot Gray

Connectorized Cable

Connectorized Cables (25 pair) Non-Plenum



25 Pair Connectorized Cables



Prewired 25 pair connectorized cables are used to rapidly complete telephone installations or to rearrange key telephone stations. The connectors are standard 50-pin male or female telephony connectors with a removable dust cover to protect the gold plated contacts from damage or oxidation. The insulated conductors are color-coded with the standard telephone colors and are twisted into pairs with varying lay lengths to minimize crosstalk. The cable is riser rated and is available in gray Level 1 or Category 3. Each cable comes with separately packaged accessories, including two alternate screw lengths and one u-shaped, spring retainer clip per connector.

- FCC part 68 compliant

PREMIER®

Item No.	Mfg. Part No.	Connector	Length (Ft)	Hood (Degree)	Cable Type	Color	Cable Entry
2060987501	PT-C25C5G-L3	F/F	5	90	Category 3	Gray	Standard
2066697501	PT-C25C10G-L3	F/F	10	90	Category 3	Gray	Standard
2066717501	PT-C25C15G-L3	F/F	15	90	Category 3	Gray	Standard
2060907501	PT-C25C20G-L3	F/F	20	90	Category 3	Gray	Standard
0000035037	PT-C25C25G-L3	F/F	25	90	Category 3	Gray	Standard
2066727501	PT-C25C30G-L3	F/F	30	90	Category 3	Gray	Standard
2066897501	PT-C25C50G-L3	F/F	50	90	Category 3	Gray	Standard
2060607501	PT-C25C80G-L3	F/F	80	90	Category 3	Gray	Standard
2066757501	PT-C25C100G-L3	F/F	100	90	Category 3	Gray	Standard
2066787501	PT-C25C200G-L3	F/F	200	90	Category 3	Gray	Standard
2060707501	PT-C25P1G-L3	F/M	1	90	Category 3	Gray	Standard
2066827500	PT-C25P2G-L3	F/M	2	90	Category 3	Gray	Standard
2066837501	PT-C25P5G-L3	F/M	5	90	Category 3	Gray	Standard
2060347501	PT-C25P10G-L3	F/M	10	90	Category 3	Gray	Standard
2062947501	PT-C25P15G-L3	F/M	15	90	Category 3	Gray	Standard
2060847501	PT-C25P20G-L3	F/M	20	90	Category 3	Gray	Standard
2060327501	PT-C25P25G-L3	F/M	25	90	Category 3	Gray	Standard
2066857501	PT-C25P30G-L3	F/M	30	90	Category 3	Gray	Standard
0000059638	PT-C25P50G-L3	F/M	50	90	Category 3	Gray	Standard
2066867501	PT-C25P60G-L3	F/M	60	90	Category 3	Gray	Standard
2066877501	PT-C25P100G-L3	F/M	100	90	Category 3	Gray	Standard
2060887501	PT-C25P200G-L3	F/M	200	90	Category 3	Gray	Standard
0000062091	PT-C25X5G-L3	F/X	5	90	Category 3	Gray	Standard
2062837501	PT-C25X10G-L3	F/X	10	90	Category 3	Gray	Standard
2062497501	PT-C25X10G	F/X	10	90	Level 1	Gray	Standard
2062847501	PT-C25X15G-L3	F/X	15	90	Category 3	Gray	Standard
2060087501	PT-C25X15G	F/X	15	90	Level 1	Gray	Standard
2062857501	PT-C25X25G-L3	F/X	25	90	Category 3	Gray	Standard

Connectorized Cable

Connectorized Cables (25 pair) Non-Plenum (continued)

PREMIER®

Item No.	Mfg. Part No.	Connector	Length (Ft)	Hood (Degree)	Cable Type	Color	Cable Entry
2064537501	PT-C25X25G	F/X	25	90	Level 1	Gray	Standard
2061007501	PT-C25X30G-L3	F/X	30	90	Category 3	Gray	Standard
2060077501	PT-C25X30G	F/X	30	90	Level 1	Gray	Standard
2062867501	PT-C25X50G-L3	F/X	50	90	Category 3	Gray	Standard
2060037501	PT-C25X50G	F/X	50	90	Level 1	Gray	Standard
2062877501	PT-C25X75G-L3	F/X	75	90	Category 3	Gray	Standard
2064547501	PT-C25X75G	F/X	75	90	Level 1	Gray	Standard
2062887501	PT-C25X100G-L3	F/X	100	90	Category 3	Gray	Standard
2065437501	PT-C25X100G	F/X	100	90	Level 1	Gray	Standard
2066777500	PT-C25X150G-L3	F/X	150	90	Category 3	Gray	Standard
2065447501	PT-C25X150G	F/X	150	90	Level 1	Gray	Standard
2066797501	PT-C25X200G-L3	F/X	200	90	Category 3	Gray	Standard
2065737501	PT-C25X200G	F/X	200	90	Level 1	Gray	Standard
2060877501	PT-C25X300G-L3	F/X	300	90	Category 3	Gray	Standard
0000089196	PT-P25P5G-L3	M/M	5	90	Category 3	Gray	Standard
2060357501	PT-P25P10G-L3	M/M	10	90	Category 3	Gray	Standard
2066917501	PT-P25P15G-L3	M/M	15	90	Category 3	Gray	Standard
2060337501	PT-P25P25G-L3	M/M	25	90	Category 3	Gray	Standard
2061417501	PT-P25P30G-L3	M/M	30	90	Category 3	Gray	Standard
0000035031	PT-P25P50G-L3	M/M	50	90	Category 3	Gray	Standard
0000034858	PT-P25P100G-L3	M/M	100	90	Level 1	Gray	Standard
0000062095	PT-P25X5G-L3	M/X	5	90	Category 3	Gray	Standard
2062767501	PT-P25X10G-L3	M/X	10	90	Category 3	Gray	Standard
2066017501	PT-P25X10G	M/X	10	90	Level 1	Gray	Standard
2062777501	PT-P25X15G-L3	M/X	15	90	Category 3	Gray	Standard
2060097501	PT-P25X15G	M/X	15	90	Level 1	Gray	Standard
2060957501	PT-P25X25G-180	M/X	25	180	Level 1	Gray	Standard
2062787501	PT-P25X25G-L3	M/X	25	90	Category 3	Gray	Standard
2060117501	PT-P25X25G	M/X	25	90	Level 1	Gray	Standard
2061027501	PT-P25X30G-L3	M/X	30	90	Category 3	Gray	Standard
2060177501	PT-P25X30G	M/X	30	90	Level 1	Gray	Standard
0000062094	PT-P25X40G-L3	M/X	40	90	Category 3	Gray	Standard
2062797501	PT-P25X50G-L3	M/X	50	90	Category 3	Gray	Standard
2060067501	PT-P25X50G	M/X	50	90	Level 1	Gray	Standard
2062817501	PT-P25X75G-L3	M/X	75	90	Category 3	Gray	Standard
2060127501	PT-P25X100G	M/X	100	90	Level 1	Gray	Standard
2062827501	PT-P25X100G-L3	M/X	100	90	Category 3	Gray	Standard
0000062093	PT-P25X200G-L3	M/X	200	90	Category 3	Gray	

Cat.6 Patch Cords



Cat.6 Patch Cords

PREMIER® Category 6 Patch Cords

Factory terminated with stranded 4 pair 24 AWG Category 6 data grade patch cordage. Exceeds TIA/EIA-568 component transmission requirements for Category 6 Patch Cords. Terminated with Category 6 8 position 8 conductor RJ45-type plugs with snagless, connectors on both ends. Ideal for quickly cross connecting voice or data circuits on patch panels or for connecting voice or data equipment to the network.

- UL listed
- FCC part 68 compliant
- Category 6 compliant

PREMIER

Item No.	Mfg. Part No.	Description
9661247500	PT-PCL6-BLU-3	Blue 3 Foot
9661257500	PT-PCL6-BLU-5	Blue 5 Foot
9661267500	PT-PCL6-BLU-7	Blue 7 Foot
9661277500	PT-PCL6-BLU-10	Blue 10 Foot
9661287500	PT-PCL6-BLU-14	Blue 14 Foot
9661307500	PT-PCL6-GRY-3	Gray 3 Foot
9661317500	PT-PCL6-GRY-5	Gray 5 Foot
9661327500	PT-PCL6-GRY-7	Gray 7 Foot
9661337500	PT-PCL6-GRY-10	Gray 10 Foot
9661377500	PT-PCL6-GRY-14	Gray 14 Foot
9661507500	PT-PCL6-RED-3	Red 3 Foot
9661607500	PT-PCL6-RED-5	Red 5 Foot
9661707500	PT-PCL6-RED-7	Red 7 Foot
9661777500	PT-PCL6-RED-10	Red 10 Foot
9661787500	PT-PCL6-RED-14	Red 14 Foot
0000222732	PT-PCL6-WHT-1	White 1 Foot
9661807500	PT-PCL6-WHT-3	White 3 Foot
9661827500	PT-PCL6-WHT-5	White 5 Foot
9661907500	PT-PCL6-WHT-7	White 7 Foot
9662007500	PT-PCL6-WHT-10	White 10 Foot
9662107500	PT-PCL6-WHT-14	White 14 Foot
0000222733	PT-PCL6-WHT-25	White 25 Foot
0000222734	PT-PCL6-YEL-1	Yellow 1 Foot
000066364	PT-PCL6-YEL-3	Yellow 3 Foot
000066365	PT-PCL6-YEL-5	Yellow 5 Foot
000066366	PT-PCL6-YEL-7	Yellow 7 Foot
000066361	PT-PCL6-YEL-10	Yellow 10 Foot
000066362	PT-PCL6-YEL-14	Yellow 14 Foot
0000222735	PT-PCL6-GRN-1	Green 1 Foot
0000222736	PT-PCL6-GRN-3	Green 3 Foot
0000222737	PT-PCL6-GRN-5	Green 5 Foot
0000222738	PT-PCL6-GRN-7	Green 7 Foot

Cat.5e Patch Cords



Cat.5e Patch Cords

PREMIER® Category 5e Patch Cords

Factory terminated with stranded 4 pair 24 AWG Category 5e data grade patch cordage. Exceeds TIA/EIA-568 component transmission requirements for Category 5e Patch Cords. Terminated with Category 5e 8 position 8 conductor RJ45-type plugs with snagless, connectors on both ends. Ideal for quickly cross connecting voice or data circuits on patch panels or for connecting voice or data equipment to the network.

- UL listed
- FCC part 68 compliant
- Category 5e compliant

PREMIER

Item No.	Mfg. Part No.	Description
0000086583	PT-PCL5E-BLACK-3	Black 3 Foot
0000030569	PT-PCL5E-BLACK-5	Black 5 Foot
0000085429	PT-PCL5E-BLACK-7	Black 7 Foot
0000030567	PT-PCL5E-BLACK-10	Black 10 Foot
0000030568	PT-PCL5E-BLACK-16	Black 16 Foot
9660687500	PT-PCL5E-BLU-3	Blue 3 Foot
9660717500	PT-PCL5E-BLU-5	Blue 5 Foot
9660727500	PT-PCL5E-BLU-7	Blue 7 Foot
9660747500	PT-PCL5E-BLU-10	Blue 10 Foot
9660767500	PT-PCL5E-BLU-14	Blue 14 Foot
9660797500	PT-PCL5E-GRY-3	Gray 3 Foot
9660827500	PT-PCL5E-GRY-5	Gray 5 Foot
9660837500	PT-PCL5E-GRY-7	Gray 7 Foot
9660857500	PT-PCL5E-GRY-10	Gray 10 Foot
9660877500	PT-PCL5E-GRY-14	Gray 14 Foot
4492627500	PT-PCL5E-RED-3	Red 3 Foot
4492647500	PT-PCL5E-RED-5	Red 5 Foot
4492657500	PT-PCL5E-RED-7	Red 7 Foot
4492677500	PT-PCL5E-RED-10	Red 10 Foot
4492697500	PT-PCL5E-RED-14	Red 14 Foot
9660577500	PT-PCL5E-WHT-3	White 3 Foot
9660597500	PT-PCL5E-WHT-5	White 5 Foot
9660617500	PT-PCL5E-WHT-7	White 7 Foot
9660637500	PT-PCL5E-WHT-10	White 10 Foot
9660657500	PT-PCL5E-WHT-14	White 14 Foot
9010237500	PT-PCL5E-YLW-3	Yellow 3 Foot
9010257500	PT-PCL5E-YLW-5	Yellow 5 Foot
9010267500	PT-PCL5E-YLW-7	Yellow 7 Foot
9010277500	PT-PCL5E-YLW-10	Yellow 10 Foot
9010287500	PT-PCL5E-YLW-14	Yellow 14 Foot

Cat.5e Patch Cords



Cat.5e Work Area Cords

PREMIER® Category 5e Work Area Cords

Factory terminated with stranded 4 pair 24 AWG Category 5e data grade patch cordage. Meets TIA/EIA-568 channel requirements for Category 5e Work Area Cords greater than 5 meters or 16 feet. Terminated with Category 5e 8 position 8 conductor RJ45-type plugs with snagless, strain relief boots on both ends. Ideal for connecting voice or data equipment in an open office architecture where longer work area cords are required.

- UL listed
- FCC part 68 compliant
- Cat.5e work area cord

PREMIER

Item No.	Mfg. Part No.	Description
9660607500	PT-PCL5E-BLU-20	Blue 20 Foot
9660707500	PT-PCL5E-BLU-30	Blue 30 Foot
9660807500	PT-PCL5E-BLU-50	Blue 50 Foot
9660907500	PT-PCL5E-BLU-70	Blue 70 Foot
9660977500	PT-PCL5E-GRY-20	Gray 20 Foot
9661007500	PT-PCL5E-GRY-30	Gray 30 Foot
9661107500	PT-PCL5E-GRY-50	Gray 50 Foot
9661207500	PT-PCL5E-GRY-70	Gray 70 Foot
9660197500	PT-PCL5E-RED-20	Red 20 Foot
9660207500	PT-PCL5E-RED-30	Red 30 Foot
9660217500	PT-PCL5E-RED-50	Red 50 Foot
9660227500	PT-PCL5E-RED-70	Red 70 Foot
9660237500	PT-PCL5E-WHT-20	White 20 Foot
9660307500	PT-PCL5E-WHT-30	White 30 Foot
9660407500	PT-PCL5E-WHT-50	White 50 Foot
9660507500	PT-PCL5E-WHT-70	White 70 Foot



Cat.5e Crossover Cords

PREMIER Category 5e Crossover Cords

Factory terminated with stranded 4 pair 24 AWG Category 5e data grade patch cordage. Exceeds TIA/EIA-568 component transmission requirements for Category 5e Patch Cords. Terminated with Category 5e 8 position 8 conductor RJ45-type plugs with snagless, strain relief boots on both ends. Ideal for quickly cross connecting voice or data circuits on patch panels or for connecting voice or data equipment to the network.

- UL listed
- FCC part 68 compliant
- Category 5e compliant

PREMIER

Item No.	Mfg. Part No.	Description
4660017501	PT-COC-L5E-RED-14	Crossover Cord 14 Foot Red

Fiber Jumpers



Fiber Optic Jumpers

PREMIER® Multimode Fiber Jumpers

Multimode Fiber Jumpers are made with non-plenum-rated PVC jacketed fiber and are available in both 50-micron and 62.5 micron size with several connector combinations and lengths. These fiber jumpers can be custom-made to your requirements.

PREMIER

Item No.	Mfg. Part No.	Description
0000098831	15SCUPC-SCUPC MM	SCUPC-SCUPC Simplex Multimode 15 Meter
0000060053	SFPTT6A2R003M	MTRJ-MTRJ Duplex Multimode 3 Meter
0000060052	SFPTT5A2R003M	MTRJ-MTRJ Duplex Multimode 50 Micron 3 Meter
0000086772	SFPAT6A2R001M	MTRJ-ST Duplex Multimode 1 Meter
0000060043	SFPAT6A2R003M	MTRJ-ST Duplex Multimode 3 Meter
0000086981	SFPAT6A2R005M	MTRJ-ST Duplex Multimode 5 Meter
0000060042	SFPAT5A2R003M	MTRJ-ST Duplex Multimode 50 Micron 3 Meter
0000060048	SFPKK6A2Z003M	SC-SC Duplex Multimode 3 Meter
0000060046	SFPKK5A2Z003M	SC-SC Duplex Multimode 50 Micron 3 Meter
0000060047	SFPKK6A1M003M	SC-SC Simplex Multimode 3 Meter
0000060041	SFPAK6A1M003M	ST-SC Simplex Multimode 3 Meter
9676667521	SFPAA6A2Z001M	ST-ST Duplex Multimode 1 Meter
0000060040	SFPAA6A2Z003M	ST-ST Duplex Multimode 3 Meter
0000060038	SFPAA5A2Z003M	ST-ST Duplex Multimode 50 Micron 3 Meter
9676697521	SFPAA6A2Z010M	ST-ST Duplex Multimode 10 Meter
9676627521	SFPAA6A1M001M	ST-ST Simplex Multimode 1 Meter
9676637521	SFPAA6A1M003M	ST-ST Simplex Multimode 3 Meter
0000060039	SFPAA6A1M003M	ST-ST Simplex Multimode 3 Meter
9676647521	SFPAA6A1M006M	ST-ST Simplex Multimode 6 Meter
9676657521	SFPAA6A1M010M	ST-ST Simplex Multimode 10 Meter

Fiber Jumpers



Fiber Optic Jumpers

PREMIER® Singlemode Fiber Jumpers

Singlemode Fiber Jumpers are made with non-plenum-rated PVC jacketed fiber and are available in several connector combinations and lengths. These fiber jumpers can be custom-made to your requirements.

PREMIER

Item No.	Mfg. Part No.	Description
0000083620	FPJS8A1M005M	FC-D4 Simplex Singlemode 5 Meter
0000083619	FPJK8A1M010F	FC-SC Simplex Singlemode Ultra Polish 10 Feet
0000083611	FBSOA1M010M	LC-D4 Simplex Singlemode 10 Meter
0000083612	FBSOA1M015M	LC-D4 Simplex Singlemode 15 Meter
0000083605	FBB8A1M020F	LC-LC Simplex Singlemode 20 Feet
0000083606	FBBOA1M005M	LC-LC Simplex Singlemode 5 Meter
0000083607	FBBOA1M010M	LC-LC Simplex Singlemode 10 Meter
0000083608	FBBOA1M015M	LC-LC Simplex Singlemode 15 Meter
0000083609	FBBOA1M020M	LC-LC Simplex Singlemode 20 Meter
0000083610	FBBOA1M025M	LC-LC Simplex Singlemode 25 Meter
0000083617	FPBK8A1M010F	LC-SC Simplex Singlemode Ultra Polish 10 Feet
0000083618	FPBK8A1M015F	LC-SC Simplex Singlemode Ultra Polish 15 Feet
0000083638	FPKW8A1M010M	LC-SC Simplex Singlemode Ultra Polish 10 Meter
0000083639	FPKX8A24D060F	SC To Blunt Simplex Singlemode Ultra Polish 60 Feet
0000099477	SFPGG8A1U001M	SCAPC-SCAPC Simplex Singlemode 1 Meter
0000098834	4.5SCAPC-SCAPC SM	SCAPC-SCAPC Simplex Singlemode 4.5 Meter
0000098833	3SCUPC-SCUPC SM	SCAPC-SCUPC Simplex Singlemode 3 Meter
0000098835	4.5SCAPC-SCUPC SM	SCAPC-SCUPC Simplex Singlemode 4.5 Meter
0000098830	13SCUPC-SCAPC SM	SCAPC-SCUPC Simplex Singlemode 13 Meter
0000098832	15SCUPC-SCAPC SM	SCAPC-SCUPC Simplex Singlemode 15 Meter
0000099478	SFPGK8A1U018M	SCAPC-SCUPC Simplex Singlemode 18 Meter
0000099479	SFPGK8A1U019M	SCAPC-SCUPC Simplex Singlemode 19 Meter
0000099480	SFPGK8A1U020M	SCAPC-SCUPC Simplex Singlemode 20 Meter
0000099481	SFPGK8A1U025M	SCAPC-SCUPC Simplex Singlemode 25 Meter
0000099482	SFPGK8A1U030M	SCAPC-SCUPC Simplex Singlemode 30 Meter
0000083636	FPKS0A1M005M	SC-D4 Simplex Singlemode 5 Meter
0000083637	FPKS0A1M006F	SC-D4 Simplex Singlemode 6 Foot
000060045	SFPPK0A2Z003M	SC-SC Duplex Singlemode 3 Meter
0000083621	FPKK0A1M001M	SC-SC Simplex Singlemode 1 Meter
000060044	SFPPK0A1M003M	SC-SC Simplex Singlemode 3 Meter
0000083622	FPKK0A1M005M	SC-SC Simplex Singlemode 5 Meter

Fiber Jumpers

PREMIER® Singlemode Fiber Jumpers (continued)

PREMIER

Item No.	Mfg. Part No.	Description
0000083623	FPKK8A1M001F	SC-SC Simplex Singlemode Ultra Polish 1 Foot
0000083625	FPKK8A1M002F	SC-SC Simplex Singlemode Ultra Polish 2 Foot
0000083626	FPKK8A1M003F	SC-SC Simplex Singlemode Ultra Polish 3 Foot
0000083628	FPKK8A1M006F	SC-SC Simplex Singlemode Ultra Polish 6 Foot
0000083629	FPKK8A1M008F	SC-SC Simplex Singlemode Ultra Polish 8 Foot
0000083630	FPKK8A1M009F	SC-SC Simplex Singlemode Ultra Polish 9 Foot
0000083631	FPKK8A1M012F	SC-SC Simplex Singlemode Ultra Polish 12 Foot
0000083632	FPKK8A1M015F	SC-SC Simplex Singlemode Ultra Polish 15 Foot
0000083633	FPKK8A1M020F	SC-SC Simplex Singlemode Ultra Polish 20 Foot
0000083624	FPKK8A1M001M	SC-SC Simplex Singlemode Ultra Polish 1 Meter
0000083627	FPKK8A1M003M	SC-SC Simplex Singlemode Ultra Polish 3 Meter
0000083635	FPKQ8A1M002F	SC-ST Simplex Singlemode Ultra Polish 2 Feet
0000083634	FPKQ8A1M0010F	SC-ST Simplex Singlemode Ultra Polish 10 Feet
0000060049	SFPKQ0A1M003M	SC-ST Simplex Singlemode 3 Meter
0000100371	SFPKK8A2V0005M	SCUPC-SCUPC Duplex Singlemode 5 Meter
0000100372	SFPKK8A2V008M	SCUPC-SCUPC Duplex Singlemode 8 Meter
0000100373	SFPKK8A2V010M	SCUPC-SCUPC Duplex Singlemode 10 Meter
0000060051	SFPQQ0A2Z003M	ST-ST Duplex Singlemode 3 Meter
0000060050	SFPQQ0A1M003M	ST-ST Simplex Singlemode 3 Meter

Jumper Wire



Jumper Wire

Jumper Wire

Jumper wire consists of tinned solid copper conductors with PVC insulation. Single paired or multi-conductor configurations are available for use in distribution frame wiring. Jumper wire has a minimum 3 twists per foot. Tight twist jumper wire has a minimum 12 twists per foot and is Category 5 compatible.

PREMIER®

Item No.	Mfg. Part No.	Description
3112297500	PT-JW222-RD/WH-S500	2 Conductor 22 Gauge 500 Foot Spool RD/WH
3111237500	PT-JW222-BK/WH-S1000	2 Conductor 22 Gauge 1000 Foot Spool BK/WH
0000125797	PT-JW222-WH-OR-S1000	2 Conductor 22 Gauge 1000 Foot Spool WH/OR
0000125798	PT-JW222-WH-RD-S1000	2 Conductor 22 Gauge 1000 Foot Spool WH/RD
0000032913	PT-JW222-BK/WH-C3000	2 Conductor 22 Gauge 3000 Foot Coil BK/WH
0000015520	PT-JW222-BL/WH-C3000	2 Conductor 22 Gauge 3000 Foot Coil BL/WH
3111117500	PT-JW222-GN/WH-C3000	2 Conductor 22 Gauge 3000 Foot Coil GN/WH
3110077500	PT-JW222-OR/WH-C3000	2 Conductor 22 Gauge 3000 Foot Coil OR/WH
0000032914	PT-JW222-RD/WH-C3000	2 Conductor 22 Gauge 3000 Foot Coil RD/WH
0000112883	PT-JW222-O/BLU-C3000	2 Conductor 22 Gauge 3000 Foot Coil OR/BLU
3112197500	PT-JW222-BK/WH-S5000	2 Conductor 22 Gauge 5000 Foot Spool BK/WH
3112217500	PT-JW222-RD/WH-S5000	2 Conductor 22 Gauge 5000 Foot Spool RD/WH
3111617500	PT-JW422-WH/BL/RD/BK-S2300	4 Conductor 22 Gauge 2300 Foot Spool WH/BL/RD/BK
0000085301	PT-JW1P22-RD/BL-S1000	1 Pair 22 Gauge 1000 Foot Spool Tight Twist RD/BL
0000084317	PT-JW1P22-RD/BL-C3000	1 Pair 22 Gauge 3000 Foot Coil Tight Twist RD/BL
0000288118	2113171	1 Pair 22 Gauge 1000 Foot Spool Tight Twist BL/VI
0000277850	2113185	1 Pair 22 Gauge 3000 Coil Tight Twist BL/VI
0000089145	PT-JW2P22-RD/BL-OR/RD-S1000	2 Pair 22 Gauge 1000 Foot Spool Tight Twist RD/BL OR/RD
0000035794	PT-JW2P22-BL/WH-RD/GN-C1500	2 Pair 22 Gauge 1500 Foot Coil BL/WH RD/GN
0000084318	PT-JW2P22-RD/BL-OR/RD-C1500	2 Pair 22 Gauge 1500 Foot Coil Tight Twist RD/BL OR/RD
3120047500	PT-JW224-BK/WH-S1000	2 Conductor 24 Gauge 1000 Foot Spool BK/WH
0000051881	PT-JW224-BL/WH-S1000	2 Conductor 24 Gauge 1000 Foot Spool BL/WH
3112427500	PT-JW222-BL/WH-S1000	2 Conductor 22 Gauge 1000 Foot Spool BL/WH
0000015516	PT-JW224-GN/WH-S1000	2 Conductor 24 Gauge 1000 Foot Spool GN/WH
0000015526	PT-JW224-RD/BK-S1000	2 Conductor 24 Gauge 1000 Foot Spool RD/BK
3120597500	PT-JW224-RD/WH-S1000	2 Conductor 24 Gauge 1000 Foot Spool RD/WH
0000015522	PT-JW224-BL/WH-C5000	2 Conductor 24 Gauge 5000 Foot Coil BL/WH
3120637500	PT-JW224-BL/YL-C5000	2 Conductor 24 Gauge 5000 Foot Coil BL/YL

Jumper Wire

Jumper Wire (continued)

PREMIER®

Item No.	Mfg. Part No.	Description
3120027500	PT-JW224-BK/WH-S6000	2 Conductor 24 Gauge 6000 Foot Spool BK/WH
3120567500	PT-JW224-RD/WH-S6000	2 Conductor 24 Gauge 6000 Foot Spool RD/WH
3120577500	PT-JW324-RD/WH/BK-S4000	3 Conductor 24 Gauge 4000 Foot Spool RD/BK/WH
3120587500	PT-JW424-RD/WH/GN/BK-S3300	4 Conductor 24 Gauge 3300 Foot Spool RD/WH/GN/BK
0000049311	PT-JW524-BL/OR/GN/BR/SL-C1000	5 Conductor 24 Gauge 1000 Foot Coil BL/OR/GN/BR/SL
3120097500	PT-JW2P24-RD/WH-GN/BK-S3300	2 Pair 24 Gauge 3300 Foot Spool RD/WH GN/BK

Cross Connect Wire



Cross Connect Wire

Cross-Connect Wire

Cross connect wire consists of solid, bare copper conductors with PVC insulation. The conductors are band marked with the color of the paired wires. Cross connect wire is designed for use in cross connecting apparatus in residential, commercial, and industrial applications. Cross connect wire has a minimum 2 twists per foot. Type F and Type H cross connect wire has a minimum 3 twists per foot. Tight twist cross connect wire has a minimum 12 twists per foot and is Category 5 compatible.

PREMIER®

Item No.	Mfg. Part No.	Description
0000282619	2113057	1 Pair 22 Gauge 400 Foot Spool VI-WH
3140207500	XC-1P24-F-VI/BL-S500	1 Pair 24 Gauge 500 Foot Spool Tight Twist VI-BL
3140117500	PT-XC-1P24-BL/WH-S1000	1 Pair 24 Gauge 1000 Foot Spool BL-WH
3140237500	XC-1P24-GN/WH-S1000	1 Pair 24 Gauge 1000 Foot Spool GN-WH
3140247500	XC-1P24-OR/WH-S1000	1 Pair 24 Gauge 1000 Foot Spool OR-WH
3140007500	PT-XC-1P24-VI/WH-1000	1 Pair 24 Gauge 1000 Foot Spool VI-WH
0000015530	XC-1P24-F-WH/BL-S1000	1 Pair 24 Gauge 1000 Foot Spool Type F BL-WH
3140157500	XC-1P24-F-RD/WH-S1000	1 Pair 24 Gauge 1000 Foot Spool Type F RD-WH
0000238666	XC-1P24-F-B/Y-S1000	1 Pair 24 Gauge 1000 Foot Spool Type F BL-YL
0000015532	XC-1P24-OR/WH-S400	1 Pair 24 Gauge 400 Foot Spool Type H Tinned OR-WH
0000106048	PT-JW224-H-OR/WH-S800	1 Pair 24 Gauge 800 Foot Spool Type H Tinned OR-WH
3140067500	PT-XC-2P24-BL/WH-OR/WH-S1000	2 Pair 24 Gauge 1000 Foot Spool BL-WH OR-WH
3140177500	XC-2P24-F-BL/RD-OR/RD-S1150	2 Pair 24 Gauge 1150 Foot Spool Type F BL-RD OR-RD
3140277500	XC-2.5P24-BL/WH-OR/WH-GN-S1000	2.5 Pair 24 Gauge 1000 Foot Spool Tinned BL-WH OR-WH GN
3140127500	PT-XC-3P24-BL/WH-OR/WH-GN/WH-S1000	3 Pair 24 Gauge 1000 Foot Spool BL-WH OR-WH GN-WH

Station Wire

Station Wire

Station wire is constructed with a tough PVC jacket for indoor/outdoor applications that provides additional protection when exposed to outside weather conditions. Station wire is made from 22 or 24 gauge solid bare copper conductors that are individually insulated with semi-rigid PVC. Station wire is available in Category 3 or Category 5e.

PREMIER®

Item No.	Mfg. Part No.	Description
2010827500	SW-C3X-2P22BG-P1000	2 Pair 22 Gauge CMX Category 3 1000 Foot Pop Box Beige
2010837500	SW-C3X-3P22BG-P1000	3 Pair 22 Gauge CMX Category 3 1000 Foot Pop Box Beige
3043867500	SW-C3X-2P24BG-P1000	2 Pair 24 Gauge CMX Category 3 1000 Foot Pop Box Beige
3043877500	SW-C3X-3P24BG-P1000	3 Pair 24 Gauge CMX Category 3 1000 Foot Pop Box Beige
3043887500	SW-C3X-4P24BG-P1000	4 Pair 24 Gauge CMX Category 3 1000 Foot Pop Box Beige
0000014266	C5E100X-004GY24PM	4 Pair 24 Gauge CMX Category 5e 1000 Foot Pop Box Gray
0000185515	C5E100X-004BG24PM	4 Pair 24 Gauge CMX Category 5e 1000 Foot Pop Box Beige
0000282004	2137113E	4 Pair 24 Gauge CMX Category 5e 600 Foot Pop Box Ivory

CATV Coax Cable

CATV Coaxial Cable

CATV Coaxial Cables are used for Radio Frequency (RF) signal transmission in broadband cable television applications. These coaxial cables are designed for low loss signal transmission and are available with a variety of shielding options in general purpose, riser and plenum constructions.

- 18 Gauge Solid Copper Clad Steel
- 60% Aluminum Braid Shield
- 75-ohm nominal impedance

PREMIER®

Item No.	Mfg. Part No.	Description
0000108097	C5775.31.01	RG6 Coax General Purpose CM 60% Braid 1000 Foot Pop Box Black
0000233798	C5775.31.02	RG6 Coax General Purpose CM 60% Braid 1000 Foot Pop Box White
0000196741	C5775.41.01	RG6 Coax General Purpose CM 60% Braid 1000 Foot Reel Black
	C5886.31.01	RG6 Riser-Rated CMR 60% Braid 1000 Foot Pop Box Black
	C3524.41.86	RG6 Plenum-Rated CMP 60% Braid 1000 Reel Natural

Inside Wire

Category 6 Plus Plenum

Category 6 Plus Plenum has a cross web design for maximum pair separation. It features sequential footage markings that count down to zero feet -- removing the guess work concerning how much wire remains inside the box or on the reel.

- NEC/CEC Type CMP (NFPA 262) for Plenum
- UL listed
- UL verified category compliant
- Wire specification table on page 126
- RoHS compliant

PREMIER®

Item No.	Mfg. Part No.	Description
0000125682	C6P-PLUS-004BL23BM	4 Pair 23 Gauge Blue 1000 Foot Reel-In-A-Box
0000125683	C6P-PLUS-004YL23BM	4 Pair 23 Gauge Yellow 1000 Foot Reel-In-A-Box
0000155805	C6P-PLUS-004WH23BM	4 Pair 23 Gauge White 1000 Foot Reel-In-A-Box

Category 6 Plus Riser

Category 6 Plus Riser has a cross web design for maximum pair separation. It features sequential footage markings that count down to zero feet -- removes the guess work concerning how much wire remains inside the box or on the reel.

- NEC/CEC Type CMR (UL 1666) for Non-Plenum
- UL listed
- UL verified category compliant
- Wire specification table on page 126
- RoHS compliant

PREMIER

Item No.	Mfg. Part No.	Description
0000059355	C6R-PLUS-004BL23BM	4 Pair 23 Gauge Blue 1000 Foot Reel-In-A-Box
0000125684	C6R-PLUS-004YL23BM	4 Pair 23 Gauge Yellow 1000 Foot Reel-In-A-Box
0000115854	C6R-PLUS-004RD23BM	4 Pair 23 Gauge Red 1000 Foot Reel-In-A-Box

PREMIER Category 6 CMP/CMR

PREMIER Category 6 cable meets all of the TIA/EIA568-B.2-1 specifications and also saves on installation time, expense and ensures product quality during the installation. The innovative design, which does not utilize cross web filler, provides a smaller cable diameter than most other category 6 cables.

CMP

- Conductor: 23 AWG (0.57 mm) Solid Annealed Bare Copper
- Insulation: FEP
- Tape Separator
- Jacket: Flame Retardant Low Smoke PVC (Polyvinyl Chloride)

CMR

- Conductor: 23 AWG (0.57 mm) Solid Annealed Bare Copper
- Insulation: Thermoplastic
- Tape Separator
- Jacket: Flame Retardant PVC (Polyvinyl Chloride)
- Wire specification table on page 126

PREMIER

	Item No.	Mfg. Part No.	Description
CMP	0000177611	11-003-74	PREMIER 4 Pair 23 Gauge Plenum Blue 1000' Pop Box
CMP	0000177612	11-003-75	PREMIER 4 Pair 23 Gauge Plenum White 1000' Pop Box
CMR	0000177609	11-003-71	PREMIER 4 Pair 23 Gauge Riser Blue 1000' Pop Box
CMR	0000177610	11-003-72	PREMIER 4 Pair 23 Gauge Riser White 1000' Pop Box

Inside Wire

Category 6 Plenum

Category 6 Plenum uses a unique tape design to separate pairs. It features sequential footage markings that count down to zero feet -- removing the guess work concerning how much wire remains inside the box or on the reel.

- NEC/CEC Type CMP (NFPA 262) for Plenum
- Wire specification table on page 126
- UL listed
- RoHS compliant
- UL verified category compliant

PREMIER®

Item No.	Mfg. Part No.	Description
2010967521	C6P-004BL23BM	4 Pair 23 Gauge Blue 1000 Foot Reel-In-A-Box
0000106028	C6P-004GR23BM	4 Pair 23 Gauge Green 1000 Foot Reel-In-A-Box
2010977521	C6P-004WH23BM	4 Pair 23 Gauge White 1000 Foot Reel-In-A-Box
0000125839	C6P-004YL23BM	4 Pair 23 Gauge Yellow 1000 Foot Reel-In-A-Box
0000146411	C6P-004BL23PM	4 Pair 23 Gauge Blue 1000 Foot Pop
0000146412	C6P-004GY23PM	4 Pair 23 Gauge Gray 1000 Foot Pop Box
0000146413	C6P-004WH23PM	4 Pair 23 Gauge White 1000 Foot Pop Box
0000146414	C6P-004YL23PM	4 Pair 23 Gauge Yellow 1000 Foot Pop Box

Category 6 Riser

Category 6 Riser uses a unique tape design to separate pairs. It features sequential footage markings that count down to zero feet -- removing the guess work concerning how much wire remains inside the box or on the reel.

- NEC/CEC Type CMR (UL 1666) for Non-Plenum
- Wire specification table on page 126
- UL listed
- RoHS compliant
- UL verified category compliant

PREMIER

Item No.	Mfg. Part No.	Description
2010987521	C6R-004BL23BM	4 Pair 23 Gauge Blue 1000 Foot Reel-In-A-Box
0000101504	C6R-004GY23BM	4 Pair 23 Gauge Gray 1000 Foot Reel-In-A-Box
0000106029	C6R-004GR23PM	4 Pair 23 Gauge Green 1000 Foot Pop Box
2010997521	C6R-004WH23BM	4 Pair 23 Gauge White 1000 Foot Reel-In-A-Box
0000125840	C6R-004YL23BM	4 Pair 23 Gauge Yellow 1000 Foot Reel-In-A-Box
0000146415	C6R-004BL23PM	4 Pair 23 Gauge Blue 1000 Foot Pop Box
0000146416	C6R-004GY23PM	4 Pair 23 Gauge Gray 1000 Foot Pop Box
0000146417	C6R-004WH23PM	4 Pair 23 Gauge White 1000 Foot Pop Box
0000146418	C6R-004YL23PM	4 Pair 23 Gauge Yellow 1000 Foot Pop Box
0000142476	C6R-004RD23PM	4 Pair 23 Gauge Red 1000 Foot Reel-In-A-Box

Inside Wire

Category 5e Plus Plenum

Category 5e Plus Plenum ensures increased headroom, lower bit error rates and higher signal transmission quality. It features sequential footage markings that count down to zero feet -- removing the guess work concerning how much wire remains inside the box or on the reel.

- NEC/CEC Type CMP (NFPA 262) for Plenum
- UL listed
- UL verified category compliant
- Wire specification table on page 126
- RoHS compliant

PREMIER®

Item No.	Mfg. Part No.	Description
0000106030	C5EP-004BL24PM	4 Pair 24 Gauge Blue 1000 Foot Pop Box
5127037521	C5EP-004BL24BM	4 Pair 24 Gauge Blue 1000 Foot Reel-In-A-Box
0000106031	C5EP-004GY24PM	4 Pair 24 Gauge Gray 1000 Foot Pop Box
0000106032	C5EP-004WH24PM	4 Pair 24 Gauge White 1000 Foot Pop Box
5126497521	C5EP-004WH24BM	4 Pair 24 Gauge White 1000 Foot Reel-In-A-Box
0000106033	C5EP-004YL24PM	4 Pair 24 Gauge Yellow 1000 Foot Pop Box
0000124526	C5EP-004GN24PM	4 Pair 24 Gauge Green 1000 Foot Pop Box

Category 5e Plus Riser

Category 5e Plus Riser ensures increased headroom, lower bit error rates and higher signal transmission quality. It features sequential footage markings that count down to zero feet -- removing the guess work concerning how much wire remains inside the box or on the reel.

- NEC/CEC Type CMR (UL 1666) for Non-Plenum
- UL listed
- UL verified category compliant
- Wire specification table on page 126
- RoHS compliant

PREMIER

Item No.	Mfg. Part No.	Description
0000100216	C5ER-004BL24PM	4 Pair 24 Gauge Blue 1000 Foot Pop Box
0187777521	C5ER-004BL24BM	4 Pair 24 Gauge Blue 1000 Foot Reel-In-A-Box
0000097858	C5ER-004GY24PM	4 Pair 24 Gauge Gray 1000 Foot Pop Box
0187817521	C5ER-004GY24BM	4 Pair 24 Gauge Gray 1000 Foot Reel-In-A-Box
0000106034	C5ER-004WH24PM	4 Pair 24 Gauge White 1000 Foot Pop Box
0187827521	C5ER-004WH24BM	4 Pair 24 Gauge White 1000 Foot Reel-In-A-Box
0000106035	C5ER-004YL24PM	4 Pair 24 Gauge Yellow 1000 Foot Pop Box

Inside Wire

Category 5e Plenum

Category 5e Plenum engineered to provide stable and continues performance. It features sequential footage markings that count down to zero feet -- removing the guess work concerning how much wire remains inside the box or on the reel.

- NEC/CEC Type CMP (NFPA 262) for Plenum
- UL listed
- UL verified category compliant
- Wire specification table on page 126
- RoHS compliant

PREMIER®

Item No.	Mfg. Part No.	Description
2011197521	C5E100P-004BL24PM	4 Pair 24 Gauge Blue 1000 Foot Pop Box
2010957521	C5E100P-004BL24BM	4 Pair 24 Gauge Blue 1000 Foot Reel-In-A-Box
0000014260	C5E100P-004GY24PM	4 Pair 24 Gauge Gray 1000 Foot Pop Box
0000014259	C5E100P-004GY24BM	4 Pair 24 Gauge Gray 1000 Foot Reel-In-A-Box
0000014258	C5E100P-004GN24BM	4 Pair 24 Gauge Green 1000 Foot Reel-In-A-Box
2011207521	C5E100P-004WH24PM	4 Pair 24 Gauge White 1000 Foot Pop Box
2010947521	C5E100P-004WH24BM	4 Pair 24 Gauge White 1000 Foot Reel-In-A-Box
0000014261	C5E100P-004YL24PM	4 Pair 24 Gauge Yellow 1000 Foot Pop Box
0000093071	C5E100P-004OR24PM	4 Pair 24 Gauge Orange 1000 Foot Pop Box
0000128025	C5E100P-004BLK24PM	4 Pair 24 Gauge Black 1000 Foot Pop Box
0000069982	C5EP-025WH24RM	25 Pair 24 Gauge White 1000 Foot Reel

Category 5e Riser

Category 5e Riser engineered to provide stable and continuous performance. It features sequential footage markings that count down to zero feet -- removing the guess work concerning how much wire remains inside the box or on the reel.

- NEC/CEC Type CMR (UL 1666) for Non-Plenum
- UL listed
- UL verified category compliant
- Wire specification table on page 126
- RoHS compliant

PREMIER®

Item No.	Mfg. Part No.	Description
2011167521	C5E100R-004BL24PM	4 Pair 24 Gauge Blue 1000 Foot Pop Box
2010927521	C5E100R-004BL24BM	4 Pair 24 Gauge Blue 1000 Foot Reel-In-A-Box
2011157521	C5E100R-004GY24PM	4 Pair 24 Gauge Gray 1000 Foot Pop Box
0000014263	C5E100R-004GY24BM	4 Pair 24 Gauge Gray 1000 Foot Reel-In-A-Box
0000014262	C5E100R-004GN24PM	4 Pair 24 Gauge Green 1000 Foot Pop Box
0000107605	C5E100R-004RD24PM	4 Pair 24 Gauge Red 1000 Foot Pop Box
2011187521	C5E100R-004WH24PM	4 Pair 24 Gauge White 1000 Foot Pop Box
2010937521	C5E100R-004WH24BM	4 Pair 24 Gauge White 1000 Foot Reel-In-A-Box
0000014265	C5E100R-004YL24PM	4 Pair 24 Gauge Yellow 1000 Foot Pop Box
0000284693	5133762E	4 Pair 24 Gauge Ivory 600 Foot Pop Box
0000099749	C5E100R-004BLK24PM	4 Pair 24 Gauge Black 1000 Foot Pop Box
0000069983	C5E100R-025GY24	25 Pair 24 Gauge Gray 1000 Foot Reel

Inside Wire

Category 5e Riser Screened

Category 5e screened cable has a aluminum foil shield to reduce electromagnetic interference for optimal performance. Cable also features gauge rain wire for grounding. It features sequential footage markings that count down to zero feet, removing the guess work concerning how much wire remains on the spool.

- NEC/CEC Type CMR (UL 1666) for Non-Plenum
- UL listed
- UL verified category compliant
- Wire specification table on page 126
- RoHS compliant

PREMIER®

Item No.	Mfg. Part No.	Description
0000146590	2133495E	4 Pair 24 Gauge Gray CMR 1000 Foot Reel

PREMIER Category 5e CMP/CMR

PREMIER Category 5e cable meets all of the TIA/EIA 568-B.2 specifications and also saves on installation time, expense and ensures product quality during the installation. PREMIER Cable offers a count down feature, which marks the exact cable remaining in the box and large opening payout design (reducing tension on the wire as it is pulled).

CMP

- Conductor: 23 AWG (0.57 mm) Solid Annealed Bare Copper
- Insulation: FEP
- Tape Separator
- Jacket: Flame Retardant Low Smoke PVC (Polyvinyl Chloride)

CMR

- Conductor: 24 AWG (0.5 mm) Solid Annealed Bare Copper
- Insulation: Thermoplastic
- Jacket: Flame Retardant PVC (Polyvinyl Chloride)
- Wire specification table on page 126

PREMIER

	Item No.	Mfg. Part No.	Description
CMP	0000177615	11-003-80	PREMIER 4 Pair 24 Gauge Plenum Blue 1000' Pop Box
CMP	0000177616	11-003-81	PREMIER 4 Pair 24 Gauge Plenum White 1000' Pop Box
CMR	0000177613	11-003-77	PREMIER 4 Pair 24 Gauge Riser Blue 1000' Pop Box
CMR	0000177614	11-003-78	PREMIER 4 Pair 24 Gauge Riser White 1000' Pop Box

Inside Wire

Category 3 Plenum

Category 3 Plenum for voice applications. It features sequential footage markings that count down to zero feet -- removing the guess work concerning how much wire remains inside the box or on the reel.

- NEC/CEC Type CMP
- UL listed
- UL verified category compliant
- RoHS compliant

PREMIER®

Item No.	Mfg. Part No.	Description
2018387521	C3P-004GY24PM	4 Pair 24 Gauge Gray 1000 Foot Pop Box
2016227521	C3P-004GY24BM	4 Pair 24 Gauge Gray 1000 Foot Reel-In-A-Box
2016927521	C3P-004WH24PM	4 Pair 24 Gauge White 1000 Foot Pop Box
0000125680	C3P-004WH24BM	4 Pair 24 Gauge White 1000 Foot Reel-In-A-Box
2018397521	C3P-006GY24RM	6 Pair 24 Gauge Gray 1000 Foot Reel
2017957521	C3P-025GY24RM	25 Pair 24 Gauge Gray 1000 Foot Reel
0000117910	C3P-050GY24RM	50 Pair 24 Gauge Gray 1000 Foot Reel
0000117911	C3P-100GY24RM	100 Pair 24 Gauge Gray 1000 Foot Reel
0000117912	C3P-200GY24RM	200 Pair 24 Gauge Gray 1000 Foot Reel
0000117913	C3P-300GY24RM	300 Pair 24 Gauge Gray 1000 Foot Reel

Inside Wire

Category 3 Riser

Category 3 Riser or voice applications. It features sequential footage markings that count down to zero feet -- removing the guess work concerning how much wire remains inside the box or on the reel.

- NEC/CEC Type CMR
- UL listed
- UL verified category compliant
- RoHS compliant

PREMIER®

Item No.	Mfg. Part No.	Description
2015967521	C3R-002BG24PM	2 Pair 24 Gauge Beige 1000 Foot Pop Box
2015977521	C3R-002GY24PM	2 Pair 24 Gauge Gray 1000 Foot Pop Box
2015217521	C3R-003BG24PM	3 Pair 24 Gauge Beige 1000 Foot Pop Box
2015267521	C3R-003GY24PM	3 Pair 24 Gauge Gray 1000 Foot Pop Box
2016327521	C3R-004BG24PM	4 Pair 24 Gauge Beige 1000 Foot Pop Box
2016337521	C3R-004GY24PM	4 Pair 24 Gauge Gray 1000 Foot Pop Box
2016007521	C3R-004WH24PM	4 Pair 24 Gauge White 1000 Foot Pop Box
2016017521	C3R-006BG24PM	6 Pair 24 Gauge Beige 1000 Foot Pop Box
2015997521	C3R-006BG24RM	6 Pair 24 Gauge Beige 1000 Foot Reel
2014087521	C3R-006GY24PM	6 Pair 24 Gauge Gray 1000 Foot Pop Box
2016347521	C3R-012BG24RM	12 Pair 24 Gauge Beige 1000 Foot Reel
2016357521	C3R-012GY24RM	12 Pair 24 Gauge Gray 1000 Foot Reel
2015287521	C3R-025BG24RM	25 Pair 24 Gauge Beige 1000 Foot Reel
2015447521	C3R-025GY24RM	25 Pair 24 Gauge Gray 1000 Foot Reel
2015297521	C3R-050BG24RM	50 Pair 24 Gauge Beige 1000 Foot Reel
2015637521	C3R-050GY24RM	50 Pair 24 Gauge Gray 1000 Foot Reel
2015647521	C3R-100BG24RM	100 Pair 24 Gauge Beige 1000 Foot Reel
2015657521	C3R-100GY24RM	100 Pair 24 Gauge Gray 1000 Foot Reel
0000035361	C3R-200GY24RM	200 Pair 24 Gauge Gray 1000 Foot Reel
0000035362	C3R-300GY24RM	300 Pair 24 Gauge Gray 1000 Foot Reel

Cat 6 Specification Table *

Characteristic Specs	Unit of Measure	Cat 6 Standard	PREMIER	Category 6	Category 6
		TIA 568-B.2-1	Category 6	GenSPEED 6	GenSPEED 6000
Attenuation	dB/100m (328ft)@ 20°C (68°F)	32.8 @ 250MHz	32.8 @ 250MHz	32.8 @ 250MHz	32.6 @ 250MHz
Attenuation to Crosstalk Ratio	dB/100m (328ft)	5.5 @ 250MHz	5.5 @ 250MHz	5.5 @ 250MHz	10.7 @ 250MHz
Power Sum ACR	dB/100m (328ft)	3.5 @ 250MHz	3.5 @ 250MHz	3.5 @ 250MHz	8.7 @ 250MHz
Power Sum Near End Crosstalk	dB/100m (328ft)	36.3 @ 250MHz	36.3 @ 250MHz	36.3 @ 250MHz	41.3 @ 250MHz
Power Sum ELFEXT	dB/100m (328ft)	16.8 @ 250MHz	16.8 @ 250MHz	16.8 @ 250MHz	21.8 @ 250MHz
Return Loss	dB/100m (328ft)	17.3 @ 250MHz	17.3 @ 250MHz	17.3 @ 250MHz	20.5 @ 250MHz
Impedance	Ohms		100+/-15 @1-100MHz 100+/-22 @100-350MHz	100+/-15 @1-100MHz 100+/-22 @100-350MHz	100+/-15 @1-100MHz 100+/-22 @100-250MHz 100+/-32 @250-500MHz
DC Resistance@ 20°C (68°F)	Ohms/100m(328ft)		9.38	9.38	9.38
Delay Skew	ns/100m (328ft)		45	45	35 CMP / 38 CMR
Velocity of Propagation	Percentage (%)		70 CMP / 68 CMR	70 CMP / 68 CMR	70 CMP / 68 CMR

Cat 5e Specification Table *

Characteristic Specs	Unit of Measure	Cat 5e Standard	PREMIER	Category 5e	Category 5e Plus
		TIA 568-B.2	Category 5e	GenSPEED 5000	GenSPEED 5500
Attenuation	dB/100m (328ft)@ 20°C (68°F)	Max. 22.0	22.0 @ 100MHz	22.0 @ 100MHz	21.0 @ 100MHz
Attenuation to Crosstalk Ratio	dB/100m (328ft)	Min. 13.3	13.3 @ 100MHz	13.3 @ 100MHz	19.3 @ 100MHz
Power Sum ACR	dB/100m (328ft)	Min. 10.3	10.3 @ 100MHz	10.3 @ 100MHz	17.3 @ 100MHz
Power Sum Near End Crosstalk	dB/100m (328ft)	Min. 32.3	32.3 @ 100MHz	32.3 @ 100MHz	38.3 @ 100MHz
Power Sum ELFEXT	dB/100m (328ft)	Min. 20.8	20.8 @ 100MHz	20.8 @ 100MHz	22.0 @ 100MHz
Return Loss	dB/100m (328ft)	Min. 20.1	20.1 @ 100MHz	20.1 @ 100MHz	20.1 @ 100MHz
Impedance	Ohms		100+/-15 @1-200MHz	100+/-15 @1-200MHz	100+/-15 @1-100MHz 100+/-22 @100-250MHz 100+/-32 @250-350MHz
DC Resistance@ 20°C (68°F)	Ohms/100m(328ft)		8.9	8.9	8.9
Delay Skew	ns/100m (328ft)		21 CMP21 CMR	21 CMP21 CMR	45 CMP45 CMR
Velocity of Propagation	Percentage (%)		72 CMP69 CMR	72 CMP69 CMR	72 CMP70 CMR

* Specifications are subject to change without notice.

Length countdown to 0' in every box or on the reel - no more guessing how much cable is left

Distribution and Service Wire

Aerial Distribution Wire

Aerial drop wire is designed for use in extending telephone circuits to subscriber premises by means of an aerial drop from distribution wire or cable. Aerial drop wire consists of two solid copper covered steel, 18-1/2 AWG conductors laid in parallel and covered with an all-weather, flame-resistant, black polyvinyl chloride insulating/jacketing compound.

- ADP-D - (dumbbell) Jacket has lateral grooves for easier separation of the insulated conductors
- ADP-SRD - (super reduced dumbbell) similar to ADP-D, smaller in size and weight
- Conforms to PE-7

PREMIER®

Item No.	Mfg. Part No.	Pair / AWG	Construction	Packaging	Length (Ft)
0000070664	2091050	1 / 18-1/2	ADP-D	Coil in a Box	1000
0000070665	2091051	1 / 18-1/2	ADP-D	Pop Box	1000
0000070666	2091052	1 / 18-1/2	ADP-SRD	Pop Box	1500



Glass Supported Drop Wire

Aerial Service Wire

Glass supported drop wire is intended for aerial service connection to the subscriber. This wire is compatible with commercially available wedge clamp hardware. Advantages of this wire are its light weight and ease of installation. Conforms to PE-7.

- Conductors: Solid, 22 AWG, annealed copper
- Insulation: High density polyethylene
- Strength member: Coated glass fibers
- Sheath: Flame retardant and weather resistant PVC
- Rip cord
- Conforms to PE-7

PREMIER

Item No.	Mfg. Part No.	Pair Count	Package	Length (Ft)
0000070658	2090010	2	Coil	1000
0000069255	2090008	2	Pop Box	750
0000109592	2090053	2	Reel	3500
0000070662	2090052	3	Pop Box	600
0000070660	2090014	6	Coil	400
0000112774	2090018	6	Pop Box	400
0000070661	2090051	6	Reel	1000
0000070659	2090013	6	Reel	3500

Distribution and Service Wire



C-Rural Wire

C-Rural Wire

"C" Rural wire is a self-supporting insulated one pair parallel wire intended for aerial distribution in rural exchange areas. Two solid 30% conductivity extra high strength (EHS) copper covered steel conductors insulated with solid high density black polyethylene. The insulation is applied over the conductors in parallel to form an integral dual configuration. A polarity ridge on one minor face of the insulation is located 45° above the major axis of the wire cross section.

PREMIER®

Item No.	Mfg. Part No.	Pair / AWG	Package	Length (Ft)
0000070663	2091013	1 / 12	Reel	4000
0000070681	3114733	1 / 14	Reel	5000



Double Jacketed Buried Service Wire

Buried Distribution Wire

Buried distribution wire (BDW) is a multiple pair double jacket drop wire with either a smooth copolymer-coated 8-mil aluminum tape or a 5-mil corrugated copper-clad alloy steel (CCAS) tape shield. The inner and outer jackets are a black low density polyethylene. The aluminum tape shield is recommended for non-gopher areas.

- Conductors: Solid annealed copper
- Insulation: High density polyethylene
- Package: Wood reel
- Rip cord

PREMIER

Item No.	Mfg. Part No.	Pair / AWG	Shield	Core Filling	Length (Ft)
0000070672	2095138	2 / 22	Aluminum	80° C Compound	1000
0000070669	2095125	2 / 22	Aluminum	80° C Compound	2500
0000070670	2095127	3 / 22	Aluminum	80° C Compound	2500
0000082053	2095130	6 / 22	Aluminum	80° C Compound	5000
0000070673	2095151	3 / 22	CCAS	80° C Compound	1000
0000070668	2095064	3 / 22	CCAS	80° C Compound	2500
0000070676	2096103-2095016	3 / 22	CCAS	80° C Compound	5000
0000081102	2096117-2095067	3 / 24	CCAS	80° C Compound	2500
0000107266	2095066	3 / 24	CCAS	80° C Compound	5000
0000109594	2096140	3 / 24	CCAS	Dry Powder	2500
0000145569	2096119	6 / 22	CCAS	80° C Compound	300
0000070674	2096100-2095150	6 / 22	CCAS	80° C Compound	1000
0000069257	2096102-2095065	6 / 22	CCAS	80° C Compound	2500
0000069256	2095063	6 / 22	CCAS	80° C Compound	5000
0000082604	2096118-2095068	6 / 24	CCAS	80° C Compound	2500

Distribution and Service Wire

Buried Service Wire

Buried service wire (BSW) is a multiple pair single jacket drop wire with a smooth copolymer-coated 8-mil aluminum tape, a 5-mil corrugated copper-clad alloy steel (CCAS) tape or is unshielded. The jacket is a black linear low density polyethylene. The aluminum tape shield and the unshielded are recommended for non-gopher areas.

- Conductors: Solid annealed copper
- Insulation: High density polyethylene
- Rip cord

PREMIER®

Item No.	Mfg. Part No.	Pair / AWG	Shield	Core Filling	Package	Length (Ft)
0000070677	2096120	2 / 22	Aluminum	80° C Compound	Reel	1000
0000070678	2096121	2 / 22	Aluminum	80° C Compound	Reel	2500
0000070679	2096122	3 / 22	Aluminum	80° C Compound	Reel	1000
0000070680	2096123	3 / 22	Aluminum	80° C Compound	Reel	2500
0000119423	2096138	4 / 24	None	Dry Powder	Coil	300
0000118238	2096128	4 / 24	None	Dry Powder	Reel	2500
0000123849	2096139	4 / 24	None	Dry Powder	Reel	10,000

Temporary Drop Wire



Temporary Drop Wire

Temporary Drop Wire

Temporary drop wire is a safety orange colored non-shielded drop wire intended to temporarily extend or replace service until permanent drop wire can be installed.

- Conductors: Solid annealed copper
- Insulation: Polyethylene
- Jacket: Bright orange color PVC

PREMIER

Item No.	Mfg. Part No.	Pair / AWG	Package	Length (Ft)
3300317500	12-322-36	1 / 24	Pop Box	2000
0000058108	12-311-36	2 / 22	Pop Box	1000

Ground Wire



Ground Wire

Ground Wire

Ground wire available in soft drawn solid copper single conductor. Solid conductor is available in a variety of gauges, with and without insulation in a variety of colors.

PREMIER®

Item No.	Mfg. Part No.	Conductor	Wire Gauge (AWG)	Insulation	Packaging	Length (Ft)
3500347500	PT-GW2-BARE-R125	Solid	2	Bare	Reel	125
5176987500	PT-GW2-TIN-BARE-R250	Solid	2	Bare	Reel	250
3500267500	PT-GW4-BARE-R200	Solid	4	Bare	Reel	200
3500167500	PT-GW6-BARE-R315	Solid	6	Bare	Reel	315
3500067500	PT-GW6-BARE-R500	Solid	6	Bare	Reel	500
3500627500	PT-GW6-BGE-R500	Solid	6	PVC Beige	Reel	500
3500177500	PT-GW6-BLK-C200	Solid	6	PVC Black	Coil	200
0000151615	PT-GW6-BLK-R200	Solid	6	PVC Black	Reel	200
3500617500	PT-GW6-BLK-R500	Solid	6	PVC Black	Reel	500
3500087500	PT-GW6-110-BLK-R500	Solid	6	110mil PE Black	Reel	500
3500007500	PT-GW6-GREEN-R500	Solid	6	PVC Green	Reel	500
3500287500	PT-GW10-BGE-R300	Solid	10	PVC Beige	Reel	300
3501027500	PT-GW10-BGE-K500	Solid	10	PVC Beige	Knockout Box	500
3501017500	PT-GW10-BLK-K500	Solid	10	PVC Black	Knockout Box	500
0000202346	PT-GW10-GREEN-R2500	Solid	10	PVC Green	Reel	2500
3500017500	PT-GW12-BLK-R500	Solid	12	PVC Black	Reel	500
3501037500	PT-GW12-GRY-K500	Solid	12	PVC Olive Gray	Knockout Box	500
3501437500	PT-GW14-BGE-K500	Solid	14	PVC Beige	Knockout Box	500
3501427500	PT-GW14-BLK-K500	Solid	14	PVC Black	Knockout Box	500

Switchboard Cable



Switchboard Cable (Shielded)

Switchboard Cable

Switchboard cable is riser rated and has tinned copper conductors. It is used for central office cabling in telecommunication rooms and equipment rooms. Especially suitable for solderless wrap and quick clip type terminals, it is used for interconnection of distribution frames and digital switching and transmission equipment in central office exchanges or premise telephone equipment rooms. It is available in shielded or unshielded constructions.

PREMIER®

Item No.	Mfg. Part No.	Description
0252454907	PT-SWBD-OS-025GY24 5000	Overall Shield 25 Pair 24 Gauge, Gray, Cut to Length from 5000 Master Reel
5127144907	PT-SWBD-OS-032GY24 5000	Overall Shield 32 Pair 24 Gauge, Gray, Cut to Length from 5000 Master Reel
5333654907	PT-SWBD-OS-100GY24 1000	Overall Shield 100 Pair 24 Gauge, Gray, Cut to Length from 1000 Master Reel
2022414907	PT-SWBD-004GY24 1500	Unshielded 4 Pair 24 Gauge, Gray, Cut to Length from 1500 Master Reel
2022014907	PT-SWBD-006GY24 1500	Unshielded 6 Pair 24 Gauge, Gray, Cut to Length from 1500 Master Reel
2022024907	PT-SWBD-012GY24	Unshielded 12 Pair 24 Gauge, Gray, Cut to Length from 1000 Master Reel
5127094907	PT-SWBD-025GY24 5000	Unshielded 25 Pair 24 Gauge, Gray, Cut to Length from 5000 Master Reel
5127084907	PT-SWBD-100GY24 2500	Unshielded 100 Pair 24 Gauge, Gray, Cut to Length from 2500 Master Reel

T-1 Cable



T-1 Cable

T-1 Cable

T-1 cable is riser rated tinned copper used for interconnecting digital (DS1) equipment to digital cross connect (DSX) equipment. The 1 pair and 2 pair cables consist of individually shielded pairs with a 90% braid shield. The 600C-series 22 gauge cables consist of a dual overall aluminum foil shield with a 22 gauge solid tinned copper drain wire between the two shields. The 1161A-series 24 gauge cables consist of an overall aluminum foil shield with a 24 gauge solid tinned copper drain wire.

PREMIER®

Item No.	Mfg. Part No.	Description
0000106047	2117037	1 Pair 22 Gauge, Orange, 500 Foot Reel
0000090068	7056898	1 Pair 22 Gauge, Gray, 500 Foot Reel
0000090067	7056880	2 Pair 22 Gauge, Gray, 500 Foot Reel
5137474907	PT-T1-006GY22 3000	6 Pair 22 Gauge 606C, Gray, Cut to Length from 3000 Foot Master Reel
5137484907	PT-T1-012GY22 3000	12 Pair 22 Gauge 607C, Gray, Cut to Length from 3000 Foot Master Reel
5137504907	PT-T1-025GY22 3000	25 Pair 22 Gauge 609C, Gray, Cut to Length from 3000 Foot Master Reel
5137514907	PT-T1-030GY22 3000	30 Pair 22 Gauge 613C, Gray, Cut to Length from 3000 Foot Master Reel
5333564907	PT-T1-028GY22	28 Pair 22 Gauge 616E, Gray, Cut to Length from 3000 Foot Master Reel
0000071562	PT-T1-012GY24 R7000	12 Pair 24 Gauge 1161A, Gray, 7000 Foot Reel
5475287501	PT-T1-025GY24 R1000	25 Pair 24 Gauge 1161A, Gray, 1000 Foot Reel
0339487501	PT-T1-028GY24 1000	28 Pair 24 Gauge 1161A, Gray, 1000 Foot Reel
0339474907	PT-T1-032GY24 1000	32 Pair 24 Gauge 1161A, Gray, Cut to Length from 1000 Foot Master Reel

Power Wire

Power Wire

Low Smoke Zero Halogen (LSZH) power wire is used for low voltage telecommunications applications. LSZH cables are listed by UL as type RHH/RHW/USE for general purpose applications and can be installed in duct, conduit, raceway, underground or aerial applications. LSZH cables are rated for a maximum continuous conductor temperature of 90° Celsius in dry locations and 75° Celsius in wet locations and for installation in circuits not exceeding 600 volts. The low-smoke properties of the insulation/jacket compound make this product ideally suited for applications where limited smoke cables are required.

- 6 AWG through 750 kcmil coated tinned copper conductor available in I or B strand
- Multiple colors and gauges available
- Complies with Telecordia GR-347-CORE

PREMIER®

Item No.	Mfg. Part No.	Description
0000073744	PWR-B-14-BK-LSZH	14-Gauge Class B Stranded Black
0000073746	PWR-B-14-GY-LSZH	14-Gauge Class B Stranded Gray
0000073745	PWR-B-14-GRN-LSZH	14-Gauge Class B Stranded Green
0000073790	PWR-B-14-RD-LSZH	14-Gauge Class B Stranded Red
0000079936	PWR-B-6-BK-LSZH	6-Gauge Class B Stranded Black
0000073753	PWR-B-6-GY-LSZH	6-Gauge Class B Stranded Gray
0000073752	PWR-B-6-GRN-LSZH	6-Gauge Class B Stranded Green
0000102133	PWR-B-6-RD-LSZH	6-Gauge Class B Stranded Red
0000102127	PWR-B-4-BK-LSZH	4-Gauge Class B Stranded Black
0000073751	PWR-B-4-GY-LSZH	4-Gauge Class B Stranded Gray
0000102128	PWR-B-4-GRN-LSZH	4-Gauge Class B Stranded Green
0000102129	PWR-B-4-RD-LSZH	4-Gauge Class B Stranded Red
0000102122	PWR-B-2-BK-LSZH	2-Gauge Class B Stranded Black
0000073749	PWR-B-2-GY-LSZH	2-Gauge Class B Stranded Gray
0000102123	PWR-B-2-GRN-LSZH	2-Gauge Class B Stranded Green
0000102124	PWR-B-2-RD-LSZH	2-Gauge Class B Stranded Red
0000102120	PWR-B-1/0-BK-LSZH	1/0-Gauge Class B Stranded Black
0000073743	PWR-B-1-0-GY-LSZH	1/0-Gauge Class B Stranded Gray
0000079953	PWR-B-1-0-GRN-LSZH	1/0-Gauge Class B Stranded Green
0000073748	PWR-B-2-0-GY-LSZH	2/0-Gauge Class B Stranded Gray
0000073747	PWR-B-2-0-GRN-LSZH	2/0-Gauge Class B Stranded Green
0000073750	PWR-B-4-0-GY-LSZH	4/0-Gauge Class B Stranded Gray
0000102131	PWR-B-4/0-GRN-LSZH	4/0-Gauge Class B Stranded Green
0000200672	PWR-I-4/0-GY-LSZH	4/0-Gauge Class I Flexible Stranded Gray
0000073756	PWR-I-4-0-BK-LSZH	4/0-Gauge Class I Flexible Stranded Black
0000073755	PWR-I-350-GY-LSZH	350-MCM Class I Flexible Stranded Gray
0000073757	PWR-I-500-GY-LSZH	500-MCM Class I Flexible Stranded Gray
0000073758	PWR-I-750-GY-LSZH	750-MCM Class I Flexible Stranded Gray

Guy Strand



Galvanized Strand

Galvanized strand is built and tested to ASTM A603-70 and ASTM A475-78. It is available in utility grade and in extra high strength, and with either A or C levels of corrosion protection.

- 250 and 500 foot lengths are coils

PREMIER®

Item No.	Mfg. Part No.	Strength	Corrosion Level	Size (In)	Code	Length (Ft)
7220007500	1/4 EHS A 6.6M C250	EHS	A	1/4	6.6M	250
1311337500	1/4 EHS A R2500	EHS	A	1/4	6.6M	2,500
1311017500	1/4 EHS A R5000	EHS	A	1/4	6.6M	5,000
0000100308	5/16 IN EHS A R2500	EHS	A	5/16	10M	2,500
1311217500	5/16 IN EHS A R5000	EHS	A	5/16	10M	5,000
0000195819	3/8 EHS A R2500	EHS	A	3/8	15M	2,500
1310087500	1/4 EHS C6.6M	EHS	C	1/4	6.6M	5,000
0000069997	5-16EHSC5000R	EHS	C	5/16	10M	5,000
7220107500	3/16 UTIL A 2.2M 500	Utility	A	3/16	2.2M	500
7220117500	3/16 UTIL A 2.2M	Utility	A	3/16	2.2M	5,000
1311027500	5/16 UTIL A 6M	Utility	A	5/16	6M	5,000
7220057500	3/8 UTIL A 10M	Utility	A	3/8	10M	250
7220067500	3/8 UTIL A 10M 1000	Utility	A	3/8	10M	1,000
7214967500	3/8 UTIL A 10M	Utility	A	3/8	10M	2,500
1311037500	3/8 UTIL A 10M	Utility	A	3/8	10M	5,000
7210007500	7/16 UTIL A 16M	Utility	A	7/16	16M	250
7214977500	7/16 IN UTIL A 16M	Utility	A	7/16	16M	2,500
1311047500	7/16 UTIL A 16M	Utility	A	7/16	16M	5,000
7220217500	1/2 UTIL A 25M C250	Utility	A	1/2	25M	250
1311137500	3/8 UTIL C10M	Utility	C	3/8	10M	5,000
7220257500	7/16 UTIL C 16M	Utility	C	7/16	16M	2,500

Lashing Wire



Lashing Wire

Lashing wire is used to hold electrical and mechanical cables together on overhead telephone lines and other uses such as cable TV applications. Type 430 and 302 are stainless steel alloy. Type 430 is most common. Type 302 is used where more corrosion resistance is required.

PREMIER

Item No.	Mfg. Part No.	Description
3804537500	PT-LW-302-045C1200SH	Type 302 .045 Stainless Steel 1200-Feet Coil Straight Hub
3804517500	PT-LW-430-045C1200SH	Type 430 .045 Stainless Steel 1200-Feet Coil Straight Hub
3804527500	PT-LW-430-045C1200TH	Type 430 .045 Stainless Steel 1200-Feet Coil Tapered Hub

Conduit Schedule 40

Rigid PVC Schedule 40 Conduit

For underground applications encased in concrete, direct burial or exposed or concealed applications above ground.

- Meets UL 651 and NEMA TC 2
- Sunlight resistant
- Rated for 90° C cable
- Bell end

PREMIER®

Item No.	Mfg. Part No.	Description
0000035385	PT-A52BA12	1-Inch x 10-Feet
0000095290	A52BA42	1-Inch x 20-Feet
0000035386	PT-A52BE12	1.5-Inch x 10-Feet
0000035387	PT-A52CA12	2-Inch x 10-Feet
1610737500	PT-A52CA42	2-Inch x 20-Feet
0000035388	PT-A52DA12	3-Inch x 10-Feet
0000095291	A52DA42	3-Inch x 20-Feet
0000035389	PT-A52EA12	4-Inch x 10-Feet
1610347500	PT-A52EA42	4-Inch x 20-Feet
0000095292	A52GA42	6-Inch x 20-Feet

Split PVC Schedule 40 Conduit

Non-metallic split duct repairs damaged conduits without cutting or resplicing existing cables.

PREMIER

Item No.	Mfg. Part No.	Description
1610187500	PT-A52CAZS	2-Inch x 10-Feet
1610387500	PT-A52EAZS	4-Inch x 10-Feet

PVC Schedule 40 Elbows

PREMIER

Item No.	Mfg. Part No.	Description
1681047500	PT-5233768	2-Inch 45° Standard Radius Bell End
0000231939	5233778	2-Inch 45° 3-Feet Radius Bell End
1680997500	PT-5233828	2-Inch 90° Standard Radius Bell End
0000095288	5133836	2-Inch 90° 2-Feet Radius Plain End
0000150036	5233848	2-Inch 90° 3-Feet Radius Bell End
0000233173	5233876	2-Inch 90° 4-Feet Radius Bell End
1681067500	PT-5233772	4-Inch 45° Standard Radius Bell End
0000095286	5133761	4-Inch 45° 4-Feet Radius Bell End
1681027500	5233832	4-Inch 90° Standard Radius Bell End
0000095295	5133821	4-Inch 90° 3-Feet Radius Plain End
0000095287	5133787	4-Inch 90° 6-Feet Radius Plain End

PVC Conduit Accessories

PVC Conduit Accessories

PREMIER®

Item No.	Mfg. Part No.	Description
1686577500	PT-5163550	Schedule 40 Adapter 4-Inch to C-Duct
0000184618	5140112	Schedule 40 Terminal (Male) Adapter 4-Inch
1683057500	PT-6141628	Schedule 40 Coupler 2-Inch
0000095289	6202000	Schedule 40 Coupler 2-Inch Long Line with Center Stop
1683097500	PT-6141632	Schedule 40 Coupler 4-Inch
0000080577	PT-6202010	Schedule 40 Coupler 4-Inch Long Line with Center Stop
1610517500	PT-6141684	Split Duct Coupler 2-Inch
1610537500	PT-6141690	Split Duct Coupler 4-Inch
1683127500	PT-5315258	2-Inch Plug with Pulling Eye
1680457500	PT-5315262	4-Inch Plug with Pulling Eye

C-Duct

Telephone Duct Type C

PREMIER

Item No.	Mfg. Part No.	Description
1611027500	PT-A66EA42	Telephone C-Duct Conduit 4-Inch x 20-Feet, Bell End
1610117500	PT-V94EAZS-A93EAZS	Telephone C-Duct Split Conduit 4-Inch x 10-Feet

Telephone Duct Accessories

PREMIER

Item No.	Mfg. Part No.	Description
1682217500	PT-5163748	C-Duct Elbow 4-Inch 45° 2-Foot Radius, Bell End
1682227500	PT-5163750	C-Duct Elbow 4-Inch 45° 3-Foot Radius, Bell End
1680197500	PT-5163753	C-Duct Elbow 4-Inch 45° 4-Foot Radius, Bell End
1682237500	PT-5163751	C-Duct Elbow 4-Inch 45° 6-Foot Radius, Bell End
1682127500	PT-5163850	C-Duct Elbow 4-Inch 90° 3-Foot Radius, Bell End
1681097500	PT 5163859	C-Duct Elbow 4-Inch 90° 4-Foot Radius, Bell End
1682137500	PT-5163847	C-Duct Elbow 4-Inch 90° 6-Foot Radius, Bell End
1680667500	PT-6151690	Split C-Duct Coupler 4-Inch

Innerduct

Innerduct

Innerduct may be direct buried or used as innerducts to provide multiple raceways within an existing system. Innerducts allow maximum utilization of a larger conduit while preventing damage to new or existing cables during installation or removal.

- Call your sales representative today for a custom innerduct quote.
- Standard tape is 1250 lb
- Standard rope is 1/4 inch
- S/S = Smooth out / Smooth in
- S/R = Smooth out / Ribbed in
- R/R = Ribbed out / Ribbed in
- Corr = Corrugated

PREMIER®

Item No.	Mfg. Part No.	Size (In)	Type	Wall	Color	Length (Ft)	Other
0000099898	100CR000ORNA05T	1.00	Corr	Corr	Orange	500	Tape
0000099899	100CR000ORNA25T	1.00	Corr	Corr	Orange	2500	Tape
0000099900	100CR000ORNA50T	1.00	Corr	Corr	Orange	5000	Tape
0000099901	100RR011BKNA05T	1.00	SDR11	R/R	Black	500	Tape
0000099902	100RR011BKNA50T	1.00	SDR11	R/R	Black	5000	Tape
0000099903	100RR011BLNA05T	1.00	SDR11	R/R	Blue	500	Tape
0000099905	100RR011BLNA25T	1.00	SDR11	R/R	Blue	2500	Tape
0000099906	100RR011BLNA50T	1.00	SDR11	R/R	Blue	5000	Tape
0000099904	100RR011BLNA1XT	1.00	SDR11	R/R	Blue	10000	Tape
0000099975	100RR011ORNA05T	1.00	SDR11	R/R	Orange	500	Tape
0000099993	100RR011ORNA25T	1.00	SDR11	R/R	Orange	2500	Tape
0000099973	100RR011ORNA50T	1.00	SDR11	R/R	Orange	5000	Tape
0000099994	100RR011ORNA1XT	1.00	SDR11	R/R	Orange	10000	Tape
0000099907	100RR011WHNA05T	1.00	SDR11	R/R	White	500	Tape
0000099908	100RR011WHNA25T	1.00	SDR11	R/R	White	2500	Tape
0000099909	100RR011WHNA50T	1.00	SDR11	R/R	White	5000	Tape
0000153703	100SS135GYNA50E	1.00	SDR13.5	S/S	Gray	5000	
0000119293	100SS135ORNA50E	1.00	SDR13.5	S/S	Orange	5000	
0000099910	100SS135ORNA1XE	1.00	SDR13.5	S/S	Orange	10000	
0000099911	100SS135ORNA1XT	1.00	SDR13.5	S/S	Orange	10000	Tape
0000099949	125CR000ORNA05T	1.25	Corr	Corr	Orange	500	Tape
0000099912	125CR000ORNA25T	1.25	Corr	Corr	Orange	2500	Tape
0000099913	125CR000ORNA50E	1.25	Corr	Corr	Orange	5000	
0000099948	125CR000ORNA50T	1.25	Corr	Corr	Orange	5000	Tape
0000099914	125CR000ORNA70T	1.25	Corr	Corr	Orange	7000	Tape
0000099915	125RR011BKNA05T	1.25	SDR11	R/R	Black	500	Tape
0000099916	125RR011BKNA25T	1.25	SDR11	R/R	Black	2500	Tape
0000099917	125RR011BLNA05T	1.25	SDR11	R/R	Blue	500	Tape
0000099918	125RR011BLNA25T	1.25	SDR11	R/R	Blue	2500	Tape
0000099919	125RR011BLNA45T	1.25	SDR11	R/R	Blue	4500	Tape
0000099920	125RR011BLNA65T	1.25	SDR11	R/R	Blue	6500	Tape
0000099969	125RR011ORNA05T	1.25	SDR11	R/R	Orange	500	Tape
0000099970	125RR011ORNA25T	1.25	SDR11	R/R	Orange	2500	Tape

Innerduct

Innerduct (continued)

Item No.	Mfg. Part No.	Size (In)	Type	Wall	Color	Length (Ft)	Other
000099971	125RR011ORNA45T	1.25	SDR11	R/R	Orange	4500	Tape
000099972	125RR011ORNA65T	1.25	SDR11	R/R	Orange	6500	Tape
000099921	125RR011WHNA05T	1.25	SDR11	R/R	White	500	Tape
000099922	125RR011WHNA25T	1.25	SDR11	R/R	White	2500	Tape
000099923	125RR011WHNA45T	1.25	SDR11	R/R	White	4500	Tape
000099924	125RR011WHNA65T	1.25	SDR11	R/R	White	6500	Tape
0000197037	125SR011BLNA80E	1.25	SDR11	S/R	Blue	8000	
000099925	125SR011ORNA50R	1.25	SDR11	S/R	Orange	5000	Rope
0000189615	125SR011ORNA80E	1.25	SDR11	S/R	Orange	8000	
0000197038	125SR011WHNA80E	1.25	SDR11	S/R	White	8000	
0000201786	125SS011ORNA25E	1.25	SDR11	S/S	Orange	2500	
0000201787	125SS011ORNA50E	1.25	SDR11	S/S	Orange	5000	
0000168165	125SS011ORNA50T	1.25	SDR11	S/S	Orange	5000	Tape
000099927	125SS011ORNA70E	1.25	SDR11	S/S	Orange	7000	
000099926	125SR135ORNA50T	1.25	SDR13.5	S/R	Orange	5000	Tape
0000100217	125SS135ORNA70E	1.25	SDR13.5	S/S	Orange	7000	
000099928	125SS135ORNA70R	1.25	SDR13.5	S/S	Orange	7000	Rope
000099929	125SS135ORNA70T	1.25	SDR13.5	S/S	Orange	7000	Tape
000099930	150SS011ORNA40T	1.50	SDR11	S/S	Orange	4000	Tape
000099931	200SR040ORNA25T	2.00	Schd40	S/R	Orange	2500	Tape
000099932	200SS011ORNA25E	2.00	SDR11	S/S	Orange	2500	
0000100017	200SS011ORNA25R	2.00	SDR11	S/S	Orange	2500	Rope
0000100163	200SS011ORNA25T	2.00	SDR11	S/S	Orange	2500	Tape
000099933	200SS011RDNA25T	2.00	SDR11	S/S	Red	2500	Tape
0000100009	200SR135ORNA25E	2.00	SDR13.5	S/R	Orange	2500	
0000100010	200SR135ORNA25R	2.00	SDR13.5	S/R	Orange	2500	Rope
0000128415	300SS011ORNA05E	3.00	SDR11	S/S	Orange	500	
0000128016	300SS011ORNA10T	3.00	SDR11	S/S	Orange	1000	Tape
0000119294	300SS135ORNA10E	3.00	SDR13.5	S/S	Orange	1000	
0000105905	300SS135ORNA10T	3.00	SDR13.5	S/S	Orange	1000	Tape
0000167183	400SS011ORNA05K	4.00	SDR11	S/S	Orange	500	Kevlar Tape
0000100020	400SS135ORNA05E	4.00	SDR13.5	S/S	Orange	500	
9012957500	400SS135ORNA05T	4.00	SDR13.5	S/S	Orange	500	Tape

Innerduct Couplers



Innerduct Coupler

Innerduct Coupler

Push-lock is a simple and easily installed non-metallic coupler for HDPE ducts. No heat or tools needed, just push the duct ends into the coupler for a locked and air-sealed assembly.

PREMIER

Item No.	Mfg. Part No.	Description
0000288136	1-908356	1.00-Inch Push-Lock Innerduct Coupler
0000288135	1-908355	1.20-Inch Push-Lock Innerduct Coupler
0000288134	1-908354	1.50-Inch Push-Lock Innerduct Coupler
0000288133	1-908353	2.00-Inch Push-Lock Innerduct Coupler

Cable Guards

Cable Guards - Non-Metallic

- Gray hi-density polyethylene
- Flanged

PREMIER®

Item No.	Mfg. Part No.	Description
0000177426	PE1UG8	Cable Guard 1-Inch x 8-Feet
7200107500	PT-PCGF-2-8	Cable Guard 2-Inch x 8-Feet
7203277500	PT-PCGF-3-10	Cable Guard 3-Inch x 10-Feet
7200307500	PT-PCGF-4-8	Cable Guard 4-Inch x 8-Feet
7203287500	PT-PCGF-5-10	Cable Guard 5-Inch x 10-Feet

Suspension and Drop Hardware

Aerial Drop Hardware



Drop Wire Clamp



D-Clamp

PREMIER

Item No.	Mfg. Part No.	Description
0000112812	909	Drop Wire Clamp 2-Pair Stainless Steel Perforated Shim
0000028826	PT-907D	Drop Wire Clamp 2-Pair Stainless Steel with Dimpled Shim
0000278002	PT-963	Drop Wire Clamp 6-Pair Stainless Steel with Dimpled Shim
0000083297	4040	D Cable Lashing Clamp , Galvanized, Grade 5 Steel Stud, For 1/4" to 7/16" Strand

Ground Rods

Ground Rods and Accessories



Ground Rods

Copper bonded ground rods have a 99.9% pure copper sheath, bonded to a cold drawn carbon steel core. These rods are round assuring maximum rigidity for easy driving and resistance to deformation. Tensile ratings exceed 90k PSI limiting mushrooming when driving in adverse soil conditions and provide a good fit with associated hardware. The uniform layer of permanently bonded copper guarantees and extends life in most soils. Copper bonded ground rods are available in a variety of lengths and diameters to fit most any application. Copper alloy accessories should be used with the copper bonded ground rods to maintain a UL listed installation without compromising quality.

- Available in several designs, lengths and diameters
- Regular (non-threaded) for most standard applications
- Sectional when extra length is required (threaded or non-threaded)
- Pigtail to assure a good electrical contact without the use of clamps applied to the rod
- Made in the U.S.A.

REGULAR RODS

Item No.	Mfg. Part No.	Description
7260877500	PT-1205C/611350	1/2-Inch x 5-Feet Copper Bonded Ground Rod
0000079211	611353	1/2-Inch x 5-Feet Copper Bonded Ground Rod (RUS)
7261077500	PT-1206C/611265	1/2-Inch x 6-Feet Copper Bonded Ground Rod
7261497500	PT-3805C/613850	3/8-Inch x 5-Feet Copper Bonded Ground Rod
7261377500	PT-3806C/613860	3/8-Inch x 6-Feet Copper Bonded Ground Rod
7260667500	PT-5806C/615860	5/8-Inch x 6-Feet Copper Bonded Ground Rod
5135157500	PT-5808C-RUS/615883	5/8-Inch x 8-Feet Copper Bonded Ground Rod (RUS)
7261067500	PT-5808C/615880	5/8-Inch x 8-Feet Copper Bonded Ground Rod (UL)
0000242380	PT-615800	5/8-Inch x 10-Feet Copper Bonded Ground Rod



Sectional Threaded Rods

SECTIONAL THREADED RODS

Item No.	Mfg. Part No.	Description
0000057054	PT-5805CS-635850	5/8-Inch x 5-Feet Copper Bonded Sectional Ground Rod
7261037500	PT-5810CS/635800	5/8-Inch x 10-Feet Copper Bonded Sectional Ground Rod (UL)
0000060918	PT-635803	5/8-Inch x 10-Feet Copper Bonded Sectional Ground Rod (RUS)

Ground Rods



Ground Rod-Pigtail

PIGTAIL RODS

Item No.	Mfg. Part No.	Description
0000263764	PT-6138529	3/8-Inch x 5-Foot Copper Bonded Ground Rod with 18-Inch #10 AWG Tail



Ground Rod Coupling Threadless



Ground Rod Drive Cup



Ground Rod Coupling Threaded with Driving Stud

ACCESSORIES

Item No.	Mfg. Part No.	Description
7260347500	PT-58CP-CC/CC58	5/8-Inch Threadless Ground Rod Compression Coupling
7260357500	PT-58DS-CC/B13716	5/8-Inch Threadless Ground Rod Drive Cap
7261047500	PT-58BCP/CR58	5/8-Inch Threaded Ground Rod Coupling
7261057500	PT-58DS/DS58	5/8-Inch Threaded Ground Rod Driving Stud

Ground Rods



Bronze Ground Rod Clamp



Heavy Duty Bronze Ground Rod Clamp

CLAMPS

Item No.	Mfg. Part No.	Description
7260027500	PT-12BCL	1/2-Inch Bronze Ground Rod Clamp
7260017500	PT-38BLC (PT-CEB-0)	3/8-Inch Bronze Ground Rod Clamp
7260517500	PT-CP58	5/8-Inch Bronze Ground Rod Clamp (RUS)
7260037500	PT-58BCL-H/HDC58R	5/8-Inch Heavy Duty Bronze Ground Rod Clamp

Bonding and Grounding Hardware



Bronze Lug Slotted Screw



K1 Bonding Clamp



Bronze Ground Pipe Clamp



Trailer I-Beam Clamp

GROUNDING & BONDING CONNECTORS AND CLAMPS

Item No.	Mfg. Part No.	Description
7214277500	PT-PNL-4/EL4	Bronze Lug Slotted Screw, PNL-4, L70
7261167500	PT-K1/KUL	K1 Bonding Clamp
7260087500	PT-KP-1-IMP	Bronze Ground Pipe Clamp 0.5 - 1-Inch
7260097500	PT-KP-Z-IMP	Bronze Ground Pipe Clamp 1.25 - 2-Inch
7232267500	PT-EM4015	Trailer I-Beam Clamp EM-4015, #6 and #10
7231127500	PT-EM4014	Trailer I-Beam Clamp EM-4014, with Short Slot

Bonding and Grounding Hardware



Bronze Vise Grip Connector



Tinned Bronze Vise Grip Connector

WISE GRIP CONNECTORS

Item No.	Mfg. Part No.	Description
7211127500	PT-FF-4	Bronze Vise Grip Connector FF-4
7211137500	PT-FF-6	Bronze Vise Grip Connector FF-6
7211117500	EVC167P-MGC167	Tinned Bronze Vise Grip Connector C167



Copper Alloy Split Bolt



Tin Plated Split Bolt

SPLIT BOLTS

Item No.	Mfg. Part No.	Description
7217257500	PT-S-2	Copper Alloy Split Bolt S2 - 2H
7247387500	PT-S-4/ESB4	Copper Alloy Split Bolt S4 - 4H
7247397500	PT-S-6/ESB6	Copper Alloy Split Bolt S6 - 6H
7211077500	PT-SEL-4	Copper Split Bolt SEL4 - 4H3
7211087500	PT-SEL-6	Copper Split Bolt SEL6 - 6H3
7211057500	PT-SW-6	Tin Plated Split Bolt SW6 - 1HPS
7211067500	PT-SW-5	Tin Plated Split Bolt SW5 - 2HPS

Bonding Braids



Bond Braid #6 with Eyelets and Web

Bond Braid

Bond Braid is a flat woven braid composed of tinned-copper strands, used to make an electrical and mechanical bond across cable shield openings. It is available as a solid braid with eyelets, or with eyelets and webbing installed. The web cover is a poly-mesh plastic netting.



Bond Braid #6 with Eyelets

- Equivalent to No.6 AWG
- Individually tinned copper conductors
- 1/2 inch width
- Eyelets have 1/4 inch ID and are spaced every 3 inches

PREMIER®

Item No.	Mfg. Part No.	Description
7321877500	PT-BBR-EW-25	Bond Braid #6 with Eyelets and Web 25-Foot/Reel, 2030
7321577500	PT-BBR-E-25	Bond Braid #6 with Eyelets 25-Foot/Reel, 2025



Ground Strap

Ground Strap

- Equivalent to No. 6 AWG
- Tinned Copper
- 1/4" diameter mounting holes every 4"
- Clear Green Insulation
- 25' per roll

PREMIER®

Item No.	Mfg. Part No.	Description
0000193805	PT-MBR6GRN-25	Ground Strap Rope with Insulation and Mounting Holes

Bonding Braids



Bond Bar with Tubing

Bond Bar

Bond Bar is typically used in applications that require effective shield continuity and a dependable mechanical bond. It is constructed of a solid copper, tin-plated strip and has a hole pattern that conforms to standard 3 and 6 pair terminal blocks and variably placed bond studs. Insulator tubing is available for protection against environmental electrical and mechanical damage.

- Equivalent to No.6 AWG
- Tin plated copper
- 1/2 inch width
- 13/64 inch holes - slots 1/4 inch center 13/64 inch radius

PREMIER®

Item No.	Mfg. Part No.	Description
7321597500	PT-BBA-T-25	Bond Bar #6 with Insulator Tubing 25-Feet/Reel, 4422



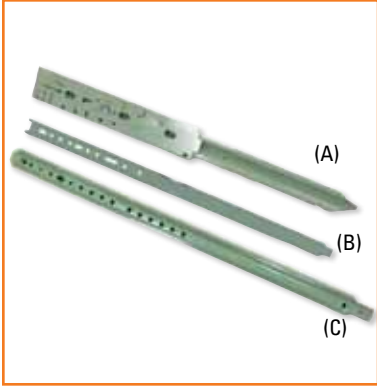
Bonding Ribbon Plain, 5 lb Spool

Plain Bonding Ribbon

- Soft temper, flat wire for easy installation
- Solid wire for entering and exiting airtight applications
- Tin plated for solderability and corrosion resistance
- 3/8 inch wide x 0.051 inch thick
- 5-lb. spool

PREMIER

Item No.	Mfg. Part No.	Description
7391617500	PT-EM6868	Bonding Ribbon Plain, 5 lb Spool



Posts and Stakes

Mobile Home Posts and Mounting Stakes

Mounting posts are designed for mounting station protection blocks and network interface devices (NIDs) in applications where they cannot be wall mounted including businesses and mobile home communities. These posts are constructed of heavy gauge steel. Screws are provided.

PREMIER®

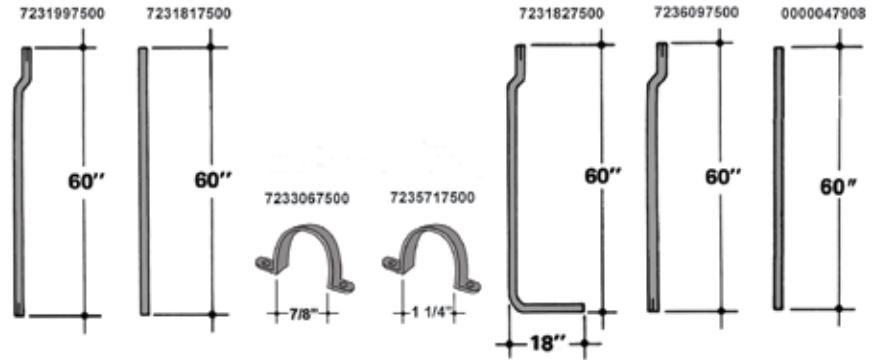
Item No.	Mfg. Part No.	Description
(A) 1538497500	AMHP-1	Mobile Home Post Adjustable 36-48-Inch
(B) 0000286825	PT-MHP COMBO	Combination Mobile Home Post and Mounting Stake 42-Inch
(C) 7220577500	PT-MS-1342-GALV-GRN	Pedestal Mounting Stake 42-Inch

House Risers



House Risers

- RUS approved
- Lightweight gray PVC
- Clamps included



PREMIER®

Item No.	Mfg. Part No.	Description	Height (Feet)	Clamp Packaging	Product Packaging pcs/ctn	I.D. (Inches)	O.D. (Inches)
7231997500	HR-78-5-Offset	PREMIER Riser, 7/8" OD x 5' in Length, 7/8" Offset at One End, Straight at Other End With Notch on Both Ends	5	2 clamps attached to risers with tape	60	0.696	0.84
7236097500	HR-125-5-LARGE	PREMIER Riser, 1 1/4" OD x 5' in Length, 7/8" Offset One End, with Notch at Both Ends	5	2 clamps attached to risers w/tape	60	1.106	1.25
7231827500	HR-78-5-L-Bend	PREMIER Riser, 7/8" OD x 5' in Length, with 7/8" Offset & Notch at One End and a 90° L-bend with 18" Long Leg without Notch at Other End	5	2 clamps attached to risers with tape	60	0.696	0.84
7233067500	HR-78-CLAMP	Clamp to Fit 7/8" PREMIER Riser	N/A	Bulk	100		
7235717500	HR-125-CLAMP	Clamp to Fit 1 1/4" PREMIER Riser	N/A	Bulk	100		

Speciality Tools

PREMIER® Speciality Tools



Terminal Can Wrench



Discrete Connector Presser Plier



No. 3 Square Tipped Driver



Booth Wrench Security Tool

PREMIER

Item No.	Mfg. Part No.	Description
0000063993	PT-216C	Terminal Wrench Can Wrench
7463027500	PT-891	Plier - UR/UY Presser
0000022236	PT-603R	Screwdriver - No. 3 Square Tipped (Robertson)
7467817500	PT-532	ScrewDriver - Booth Wrench Security Tool 5/32 inch Hex, 5-1/2-Inches long
0000022254	PT-542	ScrewDriver - Booth Wrench Security Tool 5/32 inch Hex, 3-1/2-Inches long

Hand Tools



Hammers

- Lifetime guarantee on every tool
- Made in the U.S.A.

PREMIER

Item No.	Mfg. Part No.	Description
7466417500	51-616	Hammer Curved Claw 16 Ounce Wood Handle
7461187500	56-202	Hammer Linemans 36 Ounce

Hand Tools



PT-400-SK

Scissors

- Lifetime guarantee on every tool
- Made in the U.S.A.

PREMIER®

Item No.	Mfg. Part No.	Description
0000060425	PT-1964	Nickel Plated Steel Lineman's Scissors with 19 Gauge and 23 Gauge Stripping Notches and Serrated Blade
0000060428	PT-400-SK	Splicers, Kit Consists of Knife, Scissors and Leather Case
0000060427	PT-H11	Leather Pouch for Splicer Kit, Knife and Scissors
0000060426	PT-7	Stainless Steel 6-Inch Splicer Knife



0000091497

Knives and Blades

- Lifetime guarantee on every tool
- Made in the U.S.A.

PREMIER

Item No.	Mfg. Part No.	Description
0000060199	10-799	Knife Utility Fatmax
0000091497	10-175	Knife Retractable Utility with Blade Storage in Handle
0000022252	11-921	Blades Repl F/Utility Knife Straight Blade (Pack Of 5)
0000022256	11-961	Blades Repl F/Utility Knife Hook Blade (Pack Of 5)
0000072150	28-141	Knife Putty 1 1-2-Inch Stiff

Hand Tools



Nutdrivers

- Lifetime guarantee on every tool
- Made in the U.S.A.

PREMIER®

Item No.	Mfg. Part No.	Description
7460837500	ST-828	Nutdriver Set Hollow Shaft Pro - 8-Piece
7461577500	61-805	Nutdriver 3/16-Inch
7461617500	61-806	Nutdriver 1/4-Inch
7461627500	61-807	Nutdriver 5/16-Inch
5172777500	ST-809	Nutdriver 11/32-Inch Green
7461637500	61-809	Nutdriver 3/8-Inch
7461647500	61-810	Nutdriver 7/16-Inch
7461667500	61-811	Nutdriver 1/2-Inch

Tape Measures and Levels

- Lifetime guarantee on every tool
- Made in the U.S.A.

PREMIER

Item No.	Mfg. Part No.	Description
0000041566	34-790	Tape Open Reel Fiberglass Long 100-Feet
0000041558	33-799	Tape Maxsteel Rule 25-Feet
0000022241	43-512	Level 9-Inch Torpedo-Style Magnet

Hand Tools



95327



H-11

Tool Bags and Pouches

- Lifetime guarantee on every tool
- Made in the U.S.A.

PREMIER®

Item No.	Mfg. Part No.	Description
0000041477	95327	Tool Bag Heavy Duty 24-Inch x 15-Inch
0000060427	H-11	Leather Pouch for Splicer Kit of Splicer Knife and Lineman



J3

Punches and Chisels

- Lifetime guarantee on every tool
- Made in the U.S.A.

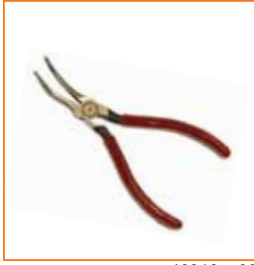
PREMIER

Item No.	Mfg. Part No.	Description
7471947500	J3	Punch/Chisel Set (5pc) with Plastic Case

Hand Tools

Pliers

- Lifetime guarantee on every tool
- Made in the U.S.A.



7463167500



0000072151



0000072152



0000069258



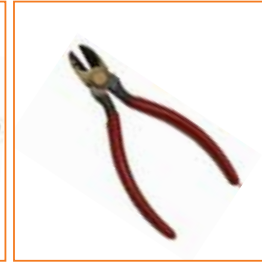
7461467500



0000072182



0000072146



7461067500



7411237500



7461287500

PREMIER®

Item No.	Mfg. Part No.	Description
7463167500	225G	Pliers Curved Nose 6 1/4-Inch
0000072151	286LN	Pliers Adjustable Locking Straight Long Nose Jaw 6-Inch
0000072152	J291R	Pliers Adjustable Locking Straight Jaw 7-Inch
0000069258	9INCUTTER	Pliers Cable Cutter 9 1-2-Inch High Leverage
7461467500	PT-842	Pliers Long-Nose with Cutter 6-Inch
0000072182	J264SG	Pliers Tongue and Groove 12-Inch
0000072146	14-563	Tin Snips Straight Edge
7461067500	PT-942	Pliers Diagonal Cutting with Stripping Notches
7411237500	278G	Pliers Slip Joint 8-Inch
7461287500	PT-683	Pliers Lineman Side Cutters

Hand Tools

Saws and Blades



0000022247



0000057813

- Lifetime guarantee on every tool
- Made in the U.S.A.

PREMIER

Item No.	Mfg. Part No.	Description
0000022247	15-265	Hacksaw Adjust with Blade
0000022257	15-808A	Hacksaw Blade 10-Inch 18 Teeth
0000057813	20-556	Wall Board and Drywall Saw

Screwdrivers



0000041644



0000057680

- Lifetime guarantee on every tool
- Made in the U.S.A.

PREMIER®

Item No.	Mfg. Part No.	Description
0000041644	66-565	Screwdriver Set Cushion Grip (Set Contains - 3/16" x 6" Cabinet, 5/16" x 6" Standard, 1/4" x 4" Standard, 1pt x 3" Phillips®, 2pt x 4" Phillips, 3/16" x 3" Cabinet)
0000057691	66-096	Screwdriver 3/16" Cabinet 3-Inch Shaft, 6.75" Total Length, Vinyl Grip
0000057692	66-097	Screwdriver 3/16" Cabinet 6-Inch Shaft, 9.75" Total Length, Vinyl Grip
0000057679	65-901	Screwdriver 1 pt Phillips 3-Inch Shaft, 6.75" Total Length, Vinyl Grip
0000057680	65-902	Screwdriver 2 pt Phillips 4-Inch Shaft, 8.5" Total Length, Vinyl Grip
0000057681	65-903	Screwdriver 3 pt Phillips 6-Inch Shaft, 11" Total Length, Vinyl Grip
0000057685	66-090	Screwdriver 1/4" Standard 4-Inch Shaft, 8.5" Total Length, Vinyl Grip
0000057686	66-091	Screwdriver 5/16" Standard 6-Inch Shaft, 11" Total Length, Vinyl Grip
0000057687	66-092	Screwdriver 3/8" Standard 8-Inch Shaft, 13.5" Total Length, Vinyl Grip
0000057683	66-088	Screwdriver 1/4" Standard 1.50-Inch Shaft, 3.5" Total Length, Vinyl Grip
0000057682	65-905	Screwdriver 2 pt Phillips 1.50-Inch Shaft, 3.5" Total Length, Vinyl Grip
0000125075	66-168	Screwdriver 3/8" Standard 8-Inch Shaft, 13.25" Total Length
0000041642	65-033	Screwdriver Offset, 2 pt Phillips / 1/4" Standard 4" Total Length
0000057689	66-094	Screwdriver 5/16" Square 6-Inch Shaft, 11" Total Length, Vinyl Grip

Hand Tools



Sockets

- Lifetime guarantee on every tool
- Made in the U.S.A.

PREMIER® STANDARD SOCKETS

Item No.	Mfg. Part No.	Description
0000022227	5249	Socket Drive 3/8-Inch Ratchet 7-Inches Long, Thin Head, Reversing Lever
0000022229	30612	Socket 3/8-Inch Drive, 3/8-Inch 6 Point
0000022230	30614	Socket 3/8-Inch Drive, 7/16-Inch 6 Point
0000022228	30616	Socket 3/8-Inch Drive, 1/2-Inch 6 Point
0000022237	30618	Socket 3/8-Inch Drive, 9/16-Inch 6 Point
0000072166	30620	Socket 3/8-Inch Drive, 5/8-Inch 6 Point
0000072167	30622	Socket 3/8-Inch Drive, 11/16-Inch 6 Point
0000152380	30624	Socket 3/8-Inch Drive, 3/4-inch 6 Point
0000072169	30626	Socket 3/8-Inch Drive, 13/16-Inch 6 Point

PREMIER DEEP SOCKETS

Item No.	Mfg. Part No.	Description
0000072171	HW-1512	Socket 3/8-Inch Deep, 3/8 Drive 6 Point
0000072168	HW1514	Socket 7/16-Inch Deep, 3/8 Drive 6 Point
0000072172	HW-1516	Socket 1/2-Inch Deep, 3/8 Drive 6 Point
0000072173	HW-1518	Socket 9/16-Inch Deep, 3/8 Drive 6 Point
0000072176	HW-1524	Socket 3/4-Inch Deep, 3/8 Drive 6 Point
0000072177	HW-1526	Socket 13/16-Inch Deep, 3/8 Drive 6 Point
0000072174	HW-1520	Socket 5/8-Inch Deep, 3/8 Drive 6 Point
0000072175	91-297	Socket 11/16-Inch Deep, 3/8 Drive 6 Point

PREMIER IMPACT SOCKETS

Item No.	Mfg. Part No.	Description
0000072159	7712H	Socket Impact 3/8-Inch Deep, 6 Point
0000072160	7714H	Socket Impact 7/16-Inch Deep, 6 Point
0000072161	7716H	Socket Impact 1/2-Inch Deep, 6 Point
0000072162	7718H	Socket Impact 9/16-Inch Deep, 6 Point

PREMIER SOCKET SET

Item No.	Mfg. Part No.	Description
0000041462	J52136	Socket Set 3/8 Drive, 12 Point, 22 Piece, Standard
0000072163	1421MNB	Socket Set 1/4 Drive, 6 Point, 21 Piece, Metric

Hand Tools

Wrenches



- Lifetime guarantee on every tool
- Made in the U.S.A.



PREMIER®

Item No.	Mfg. Part No.	Description
0000125076	J706S	Adjustable Wrench, 6-Inch Black Oxide Finish
0000125077	J708S	Adjustable Wrench, 8-Inch Black Oxide Finish
0000125078	J710S	Adjustable Wrench, 10-Inch Black Oxide Finish
7429917500	J712G	Adjustable Wrench, 12-Inch Black Oxide Finish
0000022242	BW-1160	Combination Wrench, Box and Open End 3/8-Inch
0000022243	BW-1161	Combination Wrench, Box and Open End 7/16-Inch
7468987500	86-835B	Combination Wrench, Box and Open End 1/2-Inch
0000141774	BW-1163FP	Combination Wrench, Box and Open End 9/16-Inch
7469017500	86-837B	Combination Wrench, Box and Open End 5/8-Inch
7469027500	86-838B	Combination Wrench, Box and Open End 11/16-Inch
7469037500	86-839B	Combination Wrench, Box and Open End 3/4-Inch
7469047500	86-840B	Combination Wrench, Box and Open End 13/16-Inch
7469057500	86-841B	Combination Wrench, Box and Open End 7/8-Inch
7469067500	BW-1168	Combination Wrench, Box and Open End 15/16-Inch
0000072178	86-843	Combination Wrench, Box and Open End 1-Inch
0000072179	86-844	Combination Wrench, Box and Open End 1 1/16-Inch
0000072181	86-846	Combination Wrench, Box and Open End 1 1/4-Inch
0000072180	86-845	Combination Wrench, Box and Open End 1 1/8-Inch
0000072157	4980	Hex Key Set, 13 Piece SAE 3/64ths to 3/8ths Graduated by 64ths in Molded Plastic Holder
7462557500	4993CG	Hex Key Std Folding 9-Key Set Steel Case Keeps Wrenches Captive

Linemans Test Sets



PT-311

PREMIER

Item No.	Mfg. Part No.	Description
5518827521	PT-311	Premier Test Set with Alligator Clip and Angled Bed-of-Nails Cord
5515237521	PT-11286	Replacement Test Cord with Alligator Clip and Angled Bed-of-Nails, 5-Feet

Linemans Test Set

The PREMIER PT-311 test set is built tough for use by repair technicians and installers. This durable, test set features an audible ringer, last number redial up to 31 digits, and full featured alligator clips with bed-of-nails, angled nose, and piercing pin.

- Mute and Polarity button
- Hearing aid compatible
- Water resistant



TS44 44801

PREMIER

Item No.	Mfg. Part No.	Description
0000199944	44801-009	TS44 Deluxe Speakerphone Test Set with Angled Bed-of-Nails Cord, Data Lockout and Data Lockout Override
0000199943	50801-004	TS44 Deluxe Speakerphone Test Set with 346A CO Plug Cord and Data Lockout Override

TS44 Deluxe Speakerphone Test Set with Data Override

Accidentally clipping onto the wrong pair in a wiring closet or cross-box is the biggest threat to data lines and can interrupt critical data traffic. The TS44 DLX test set is equipped with new DataSafe Pro data protection technology featuring superior high-impedance monitoring, data lockout and lockout override making you completely safe in talk, monitor or override mode.

- Speaker
- Data override
- Water proof

Linemans Test Accessories

PREMIER

Item No.	Mfg. Part No.	Description
0000056954	P4080-248	Locking Belt Clip for Model TS44 Test Sets
0000056955	P4080-249	Standard Belt Clip for Model TS44 Test Sets
0000056956	P4480-004	Replacement Cord for Model TS44 Deluxe 346A CO Plug Test Set
0000056957	P4480-009	Replacement Cord for Model TS44 Deluxe Angled Bed-of-Nails Test Set

Test Sets



LAN ProNavigator Wire Map
Continuity Tester

PREMIER®

LAN ProNavigator™ Wire Map Continuity Tester

The LAN ProNavigator is a two-piece wire map continuity tester with a main unit and remote unit that show PASS/FAIL test results at both ends. It generates an oscillating audio tone for use with tone probes to locate cables. Tests UTP and STP data cables and 50 ohm and 75 ohm BNC coax cables.

Item No.	Mfg. Part No.	Description
0000031693	PT-1543.1	LAN ProNavigator Wire Map Continuity Tester

Banjo Adapter



Banjo Adapter

PREMIER

PREMIER Modular In-Line (Banjo) Adapter

Banjo adapter for in-line testing of circuits with 4-wire, 6-wire, or 8-wire modular plugs.

Item No.	Mfg. Part No.	Description
5516667501	PT-MTA-6	Banjo Adapter For In-Line Testing Of Circuits With 4-Wire Or 6-Wire Modular Plugs
5516677501	PT-MTA-8	Banjo Adapter For In-Line Testing Of Circuits With 8-Wire Modular Plugs

Bare Fiber Adapter



PREMIER

PREMIER Bare Fiber Adapter

- Durable aluminum-alloy housing
- Simple, accurate, easy to use
- Hands free with magnetic mount
- Fiber retaining mechanism holds fiber in place
- Commonly used SC connector port allows for replaceable jumper
- Built-in compartment to assist in bare fiber alignment and removal of broken fibers
- Matching gel not required

Item No.	Mfg. Part No.	Description
0000202073	PT-BFA-KIT	Bare Fiber Adapter with Zipper Case with Carabiner Clip, 122m (400ft) Singlemode Fiber, Operation Guide, Cleaning Wire Kit, 1m SC Fiber Jumper

Crimping and Stripping Tools



Ratcheting Crimp Tool

PREMIER® Ratcheting Crimp Tool

The Ratcheting Crimp Tool is designed for consistent, high quality connections of three types of modular plugs. The triple crimp cavity accommodates 4P, 6P, and 8P modular plugs. The ratcheting mechanism assures consistent, repeatable crimps of the primary strain relief on modular plugs. Both tools cut and strip flat satin cordage, and round cable can be cut and stripped with the newly designed tool. The rubber-embedded handles provide superior leverage and comfort. The steel frame has a black oxide finish to prevent rust and corrosion.

PREMIER

Item No.	Mfg. Part No.	Description
7400017501	PT-1530	Ratcheting Crimp Tool for 4 pin 6 pin and 8 pin Modular Plugs (Professional)
0000127719	PT-1556	Ratcheting Crimp Tool for 4 pin 6 pin and 8 pin Modular Plugs (New Design)



Coaxial Compression Crimp Tool

SealTite™ Pro Coaxial Crimper

The SealTite Pro coaxial crimper is a universal tool that preforms a watertight compression crimp on RG59, RG6, and RG6 quad cables. The tool also crimps CATV "F", BNC, and RCA connectors from multiple manufacturers. The crimp height is easily adjustable and can be secured with a locking nut. With the new design, there is no need for separate adapters which are easily misplaced.

PREMIER

Item No.	Mfg. Part No.	Description
0000127990	PT-1555	Coaxial Crimp Tool Compression Type For Waterproof Connections on CATV "F", BNC, and RCA



Data SureStrip Cable Stripper

Data SureStrip® Stripper

The Data SureStrip stripper cuts and strips UTP/STP round cable, 25-pair phone cable, and flat satin phone cable. The blade depth easily adjusts with a thumb screw, and then self regulates to prevent nicks to the conductors under the outer jacket.

PREMIER

Item No.	Mfg. Part No.	Description
0000127988	PT-1116	Stripper for 4 pair and 25 pair Round Cable and Flat Satin Cable

Punch Down Tool

PREMIER® Punch Down Tools



Hand Held Termination Tool

Punch down tool and accessories are for terminating wires onto 110 and 66 type IDC connections.



Punch Down Tool with 66 Blade



Replacement Double 110 Blade

PREMIER

Item No.	Mfg. Part No.	Description
0000024946	SP-1002P-RD	Punch Down Handheld Termination Tool (Handheld Puck)
7409247501	PT-3570	Punch Down Tool - Body Only
7450007501	PT-3578	Punch Down Tool Belt Pouch
7400007501	PT-3572	Punch Down Tool With 110 Blade
7406787501	PT-3573	Punch Down Tool With 66 Blade
7409257501	PT-4572	Replacement 110 Blade For Punch Down Tool
0000127991	PT-4591.13465	Replacement Double 110 Blade For Punch Down Tool - .15 Inch Center-To-Center Spacing
7409027501	PT-4573	Replacement 66 Blade For Punch Down Tool

Cable Ties

PREMIER® Cable Ties and Accessories

PREMIER cable ties are constructed of heavy-duty nylon which assures optimum field performance. Plenum cable ties are also available to comply with fire codes. PREMIER® cable ties are produced in a variety of colors to comply with the Electronic Industries Association (EIA) color coding standard, which defines colors used in identification of electronic components and establishes a standard color-number relationship. PREMIER® cable ties are manufactured to meet industry standards and comply with Underwriters Laboratories specifications where applicable.



- Minimum tensile unlocking strength - up to 175 lbs.
- Operating temperature - up to 185°F (85°C)
- Available in a variety of colors to comply with EIA color coding standard
- Available in a variety of lengths - 4-inch to 29.75-inch
- PREMIER offers an orange pouch with an assortment of striped cable ties
- UL listed
- Made in the U.S.A.

STRIPED CABLE TIES

Item No.	Mfg. Part No.	Description	Package Qty.
7393917500	PT-18R-K-6-0	4" 18LB Blue/Black	50
7393927500	PT-18R-K-6-2	4" 18LB Blue/Red	50
7393947500	PT-18R-K-6-7	4" 18LB Blue/Violet	50
7393957500	PT-18R-K-6-10	4" 18LB Blue/White	50
7393937500	PT-18R-K-6-4	4" 18LB Blue/Yellow	50
7393617500	PT-18R-K-1-0	4" 18LB Brown/Black	50
7393627500	PT-18R-K-1-2	4" 18LB Brown/Red	50
7393647500	PT-18R-K-1-7	4" 18LB Brown/Violet	50
7393657500	PT-18R-K-1-10	4" 18LB Brown/White	50
7393637500	PT-18R-K-1-4	4" 18LB Brown/Yellow	50
7393817500	PT-18R-K-5-0	4" 18LB Green/Black	50
7393827500	PT-18R-K-5-2	4" 18LB Green/Red	50
7393847500	PT-18R-K-5-7	4" 18LB Green/Violet	50
7393857500	PT-18R-K-5-10	4" 18LB Green/White	50
7393837500	PT-18R-K-5-4	4" 18LB Green/Yellow	50
7393717500	PT-18R-K-3-0	4" 18LB Orange/Black	50
7393727500	PT-18R-K-3-2	4" 18LB Orange/Red	50
7393747500	PT-18R-K-3-7	4" 18LB Orange/Violet	50
7393757500	PT-18R-K-3-10	4" 18LB Orange/White	50
7393737500	PT-18R-K-3-4	4" 18LB Orange/Yellow	50
7394017500	PT-18R-K-8-0	4" 18LB Slate/Black	50
7394027500	PT-18R-K-8-2	4" 18LB Slate/Red	50
7364747500	PT-18R-K-8-7	4" 18LB Slate/Violet	50
7394057500	PT-18R-K-8-10	4" 18LB Slate/White	50
7394037500	PT-18R-K-8-4	4" 18LB Slate/Yellow	50

Cable Ties

PREMIER® Cable Ties and Accessories (continued)

STANDARD CABLE TIES

Item No.	Mfg. Part No.	Description	Package Qty.
7365297500	PT-18S	3-3/8" 18LB Natural	100
7394187500	PT-18R-C-0W	4" 18LB Black Outdoor	100
7364727500	PT-18R-K-0	4" 18LB Black Outdoor	50
7393347500	PT-18R-C-6	4" 18LB Blue	100
7393267500	PT-18R-C-1	4" 18LB Brown	100
7393367500	PT-18R-C-8	4" 18LB Gray	100
7393337500	PT-18R-C-5	4" 18LB Green	100
7393017500	PT-18R-C-9	4" 18LB Natural	100
7393287500	PT-18R-C-3	4" 18LB Orange	100
7393277500	PT-18R-C-2	4" 18LB Red	100
7393357500	PT-18R-C-7	4" 18LB Violet	100
7393297500	PT-18R-C-4	4" 18LB Yellow	100
7393377500	PT-30R-C-0	6" 30LB Black Outdoor	100
7394067500	PT-30R-C-0W	6" 30LB Black Outdoor	100
7393447500	PT-30R-C-6	6" 30LB Blue	100
7393387500	PT-30R-C-1	6" 30LB Brown	100
7393437500	PT-30R-C-5	6" 30LB Green	100
7393037500	PT-30R-C-9	6" 30LB Natural	100
7393417500	PT-30R-C-3	6" 30LB Orange	100
7393397500	PT-30R-C-2	6" 30LB Red	100
7393467500	PT-30R-C-8	6" 30LB Gray	100
7393457500	PT-30R-C-7	6" 30LB Violet	100
7393427500	PT-30R-C-4	6" 30LB Yellow	100
7364717500	PT-18L-C-0	8" 18LB Black Outdoor	100
7362487500	PT-18L-C-9	8" 18LB Natural	100
7394077500	PT-50R-C-0W	8" 50LB Black Outdoor	100
7393587500	PT-50R-C-6	8" 50LB Blue	100
7393667500	PT-50R-C-8	8" 50LB Gray	100
7393577500	PT-50R-C-5	8" 50LB Green	100
7393057500	PT-50R-C-9	8" 50LB Natural	100
7393557500	PT-50R-C-3	8" 50LB Orange	100
7393547500	PT-50R-C-2	8" 50LB Red	100
7393567500	PT-50R-C-4	8" 50LB Yellow	100
7364817500	PT-40R-C-0	8.5" 40LB Black Outdoor	100
7394547500	PT-40R-C-9	8.5" 40LB Natural	100
7364797500	PT-40I-C-0	11.5" 40LB Black Outdoor	100

Cable Ties

PREMIER® Cable Ties and Accessories (continued)

STANDARD CABLE TIES

Item No.	Mfg. Part No.	Description	Package Qty.
7396187500	PT-40I-C-9	11.5" 40LB Natural	100
7369457500	PT-50I-C-0	12" 50LB Black Outdoor	100
7394097500	PT-50I-C-9	12" 50LB Natural	100
7398787500	PT-150R-0	15" 175LB Black Outdoor	100
7393087500	PT-120R-K-0W	15.25" 120LB Black Outdoor	50
7393077500	PT-120R-K	15.25" 120LB Natural	50
7398457500	PT-50L-C-0W	15.5" 50LB Black Outdoor	100
7393097500	PT-50L-C-9	15.5" 50LB Natural	100
7396687500	PT-120L-C-0	29.75" 120LB Black Outdoor	50
7364847500	T120L9K2	29.75" 120LB Natural	50



Cable Tie



Flag Style

IDENTIFICATION CABLE TIES

Item No.	Mfg. Part No.	Description	Pad Size	Package Qty.
0000119518	PT-IT18FL9C2	4" 18LB Flag Style Natural	.81" x .35"	100
7360297500	PT-IT-18R	4" 18LB Natural	.98" x .32"	100
7365477500	PT-IT-18R-10	4" 18LB White	.98" x .32"	100
7393127500	PT-IT-50R-C-9	8" 50LB Natural	1.1" x .31"	100
7364687500	PT-IT-50L-C-9	15" 50LB Natural	.5" x 2.2"	100

Cable Ties

PREMIER® Cable Ties and Accessories (continued)



MOUNTING CABLE TIES

Item No.	Mfg. Part No.	Description	Package Qty.
7396897500	PT-30MR-C-9	6.375" 30LB Natural	100
7394087500	PT-50MR-C-0W	8.5" 50LB Black Outdoor	100
7393117500	PT-50MR-C -9	8.5" 50LB Natural	100
7365247500	PT-120MR-C-0	16.25" 120LB Black Outdoor	50
7393147500	PT-120MR-C-9	16.25" 120LB Natural	50



VELCRO CABLE TIES

Item No.	Mfg. Part No.	Description	Package Qty.
0000202086	PT-VCT-11-BLK	11" Black	10

Cable Ties

PREMIER® Cable Ties and Accessories (continued)



Cable Tie Pouch



PT-E-Adhesive



Cable Tie Anchor Mount



Cable Tie Mount



Cable Tie Pouch Empty



Cable Tie Mount Low Profile



Adhesive Mounting Base Cable Tie



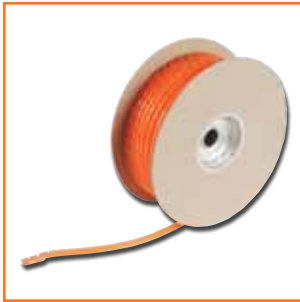
ID Marker Plate

CABLE TIE MOUNTS AND ACCESSORIES

Item No.	Mfg. Part No.	Description	Package Qty.
7364677500	PT-E-ADHESIVE	4" 18LB Ivory With 3/4" Adhesive Mtg Base	100
7361467500	PT-CTAM-1	Cable Tie Anchor Mount 4-Way #8 Screw Hole White	100
7364647500	PT-CTM3-C-0	Cable Tie Mount #10 Screw Hole Black	100
7364627500	PT-CTM3-C-9	Cable Tie Mount #10 Screw Hole Natural	100
7364657500	PT-CTM2-C-0	Cable Tie Mount #8 Screw Hole Black	100
7364637500	PT-CTM2-C-9	Cable Tie Mount #8 Screw Hole Natural	100
7390847500	PT-MB2	Cable Tie Mount Low Profile #8 Screw Hole White	100
7394177500	PT-MB5A	Cable Tie Mounting Base Adhesive 4-Way 1.5"	100
7361547500	PT-IMP-2.5	I.D. Marker Plates Natural 2.5" x 0.75"	100
7363017500	PT-IMP-2.5-W1.75	I.D. Marker Plates White 2.5" x 1.75"	100
7364667500	PT-PIC-POUCH	Cable Tie Pouch Empty	1
7410067500	PT-PIC-PAC	Cable Tie Pouch With Striped Ties	1

Cable Ties

PREMIER® Cable Ties and Accessories (continued)



Spiral Wrap



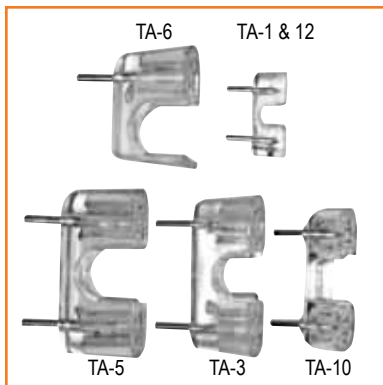
Nail Clip

CABLE ACCESSORIES

Item No.	Mfg. Part No.	Description	Package Qty.
7234287500	PT-NC3.5	3/4" Black Nail Clip Range .13-.16"	100
7234877500	PT-NC5.0	3/4" Black Nail Clip Range .19-.23"	100
7234317500	PT-NC6	1" Black Nail Clip Range .23-.27"	100
7368157500	PT-2.5NFP-ORANGE	Spiral Wrap 100ft .375" OD Max Bundle 5/16-3"	100

Tap-In

Securely fasten wires and cable to concrete and other hard surfaces.



Tap-In

- Route wires along concrete, brick, mortar, cinder blocks and other hard surfaces - without drilling.
- Two specially-hardened drive pins securely fasten wires and prevent cord rotation.
- Install in seconds with only a hammer.
- Integral strain relief grips to hold clips on wire - no need to hold clip while installing it.
- Small, aesthetically pleasing and won't interfere with decor. Clear versions are virtually invisible.
- Weather-proof, ultraviolet (UV) stabilized material protects against deterioration.
- Insulated to protect against shorts during installation / removal.
- Longer pins (LP) are available for soft, porous materials like, mortar, cinder block, stucco and wood.

PREMIER

Item No.	Mfg. Part No.	Description
7291710165	TA-1	B Masonry Tap-in Clips for 0.13-0.18 inch Dia Clear (0.31x0.63x0.25) 2/3 Pair
7233260165	TA-12	B Masonry Tap-in Clips for 0.15-0.22 inch Dia Clear (0.41x1.03x0.31) 4 Pair
0000177775	TA-3	B Masonry Tap-in Clips for 0.25-0.33 inch Dia Clear (0.46x1.19x0.47) RG59/6
7230150165	TA-6	B Masonry Tap-in Clips for 0.25-0.33 inch Dia Clear (0.50x0.88x0.56) RG59/6
7233310165	TA-10	B Masonry Tap-in Clips for 0.28-0.34 inch Dia Clear (0.41x1.03x0.31) Drop Wire
0000111263	TA-5	B Masonry Tap-in Clips for 0.35-0.40 inch Dia Clear (0.50x1.25x0.26) Drop Wire

Splicing Supplies



Tape

- Premium vinyl all-weather electrical and telephone tape
- Approved by UL and CA
- Tested for temperatures up to 105° C
- For uses up to 600 volts

PREMIER®

Item No.	Mfg. Part No.	Description
0000088933	PT-88 TAPE 3/4X36	Black Vinyl Tape 3/4-Inch x 36-Feet
0000088932	PT-88 TAPE 1X36	Black Vinyl Tape 1-Inch x 36-Feet
0000088934	PT-88 TAPE 1-1/2X44	Black Vinyl Tape 1 1/2-Inch x 44-Feet
0000088935	PT-88 TAPE 3/4X60	Black Vinyl Tape 3/4-Inch x 60-Feet
0000126721	PT-35 TAPE 3/4X67BLU	Blue Vinyl Tape 3/4-Inch x 66-Feet
0000088941	96418	Brown Vinyl Tape 3/4-Inch x 66-Feet
0000088926	92798	Gray Vinyl Tape 3/4-Inch x 66-Feet
0000126723	PT-35 TAPE 3/4X69GRN	Green Vinyl Tape 3/4-Inch x 66-Feet
0000088939	96416	Orange Vinyl Tape 3/4-Inch x 66-Feet
0000126722	PT-35 TAPE 3/4X68RED	Red Vinyl Tape 3/4-Inch x 66-Feet
0000088938	96415	White Vinyl Tape 3/4-Inch x 66-Feet
0000088936	PT-35 TAPE 3/4X66YEL	Yellow Vinyl Tape 3/4-Inch x 66-Feet

Miscellaneous Tape

PREMIER

Item No.	Mfg. Part No.	Description
0000201924	PT-97374	Tape Do Not Climb 1-Inch x 72-Yards yellow Printed UNSAFE DO NOT CLIMB
0000200247	PT-3939	Tape Duct 2-Inch x 60-Yards, 9 mil
0000200245	PT-27-1X36	Tape Glass 1-Inch x 108-Feet
0000088931	96205	Tape Vinyl Mastic 1 1/2-Inch x 20-Feet
0000088930	PT-MASTIC TAPE 4X10	Tape Vinyl Mastic 4-Inch x 10-Feet
0000200250	PT-49-4X40	Tape Aluminum 4-Inch x 40-Feet

Decals and Tags



Reflective Decal Lettering - Orange

Reflective letters and numbers designed and manufactured to provide long-term durability adhere in even the most adverse weather conditions. Characters remain highly visible even at extreme angles, day and night, in all types of weather. Decals are available with black characters on orange backgrounds and conform to ANSI standards.

- Made of the best materials, including 3M backing.
- Packaged in zip locking poly bags. 25 to a package.
- Made in the U.S.A.
- 1 inch x 1.5 inch

PREMIER®

Item No.	Mfg. Part No.	Description
7398417500	PT-RD-36KIT-O	Kit of All Letters and Numbers - Orange
7399317500	PT-RD-O-1-BLK/ORG	1
7399327500	PT-RD-O-2-BLK/ORG	2
7399337500	PT-RD-O-3-BLK/ORG	3
7399347500	PT-RD-O-4-BLK/ORG	4
7399357500	PT-RD-O-5-BLK/ORG	5
7399377500	PT-RD-O-7-BLK/ORG	7
7399387500	PT-RD-O-8-BLK/ORG	8
7399367500	PT-RD-O-6/9-BLK/ORG	6 and 9
7399017500	PT-RD-O-A-BLK/ORG	A
7399027500	PT-RD-O-B-BLK/ORG	B
7396927500	PT-RD-O-BLANK-BLK/OR	Blank
7399037500	PT-RD-O-C-BLK/ORG	C
7399047500	PT-RD-O-D-BLK/ORG	D
7399287500	PT-RD-O-DASH	Dash
7399057500	PT-RD-O-E-BLK/ORG	E
7399067500	PT-RD-O-F-BLK/ORG	F
7399077500	PT-RD-O-G-BLK/ORG	G
7399087500	PT-RD-O-H-BLK/ORG	H
7399097500	PT-RD-O-I-BLK/ORG	I
7399117500	PT-RD-O-J-BLK/ORG	J
7399127500	PT-RD-O-K-BLK/ORG	K
7399137500	PT-RD-O-L-BLK/ORG	L
7399147500	PT-RD-O-M-BLK/ORG	M
7399157500	PT-RD-O-N-BLK/ORG	N
7399297500	PT-RD-O-0-BLK/ORG	O and 0
7399167500	PT-RD-O-P-BLK/ORG	P
7399177500	PT-RD-O-Q-BLK/ORG	Q
7399187500	PT-RD-O-R-BLK/ORG	R
7399197500	PT-RD-O-S-BLK/ORG	S
7399217500	PT-RD-O-T-BLK/ORG	T
7399227500	PT-RD-O-U-BLK/ORG	U
7399237500	PT-RD-O-V-BLK/ORG	V

Decals and Tags

Reflective Decal Lettering - Orange (continued)

PREMIER®

Item No.	Mfg. Part No.	Description
7399247500	PT-RD-O-W-BLK/ORG	W
7399257500	PT-RD-O-X-BLK/ORG	X
7399267500	PT-RD-O-Y-BLK/ORG	Y
7399277500	PT-RD-O-Z-BLK/ORG	Z



Reflective Decal Lettering - Yellow

Reflective letters and numbers designed and manufactured to provide long-term durability adhere in even the most adverse weather conditions. Characters remain highly visible even at extreme angles, day and night, in all types of weather. Decals are available with black characters on yellow backgrounds and conform to ANSI standards.

- Made of the best materials, including 3M backing.
- Packaged in zip locking poly bags. 25 to a package.
- Made in the U.S.A.
- 1 inch x 1.5 inch

PREMIER

Item No.	Mfg. Part No.	Description
7398427500	PT-RD-36KIT-Y	Kit of All Letters and Numbers - Yellow
7398017500	PT-RD-Y-1-BLK/YLW	1
7398027500	PT-RD-Y-2-BLK/YLW	2
7398037500	PT-RD-Y-3-BLK/YLW	3
7398047500	PT-RD-Y-4-BLK/YLW	4
7398057500	PT-RD-Y-5-BLK/YLW	5
7398077500	PT-RD-Y-7-BLK/YLW	7
7398087500	PT-RD-Y-8-BLK/YLW	8
7398067500	PT-RD-Y-6/9-BLK/YLW	6 and 9
7398117500	PT-RD-Y-A-BLK/YLW	A
7398127500	PT-RD-Y-B-BLK/YLW	B
7398397500	PT-RD-Y-BLANK	Blank
7398137500	PT-RD-Y-C-BLK/YLW	C
7398147500	PT-RD-Y-D-BLK/YLW	D
7398387500	PT-RD-Y-DASH-BLK/YLW	Dash
7398157500	PT-RD-Y-E-BLK/YLW	E
7398167500	PT-RD-Y-F-BLK/YLW	F
7398177500	PT-RD-Y-G-BLK/YLW	G
7398187500	PT-RD-Y-H-BLK/YLW	H
7398197500	PT-RD-Y-I-BLK/YLW	I
7398217500	PT-RD-Y-J-BLK/YLW	J
7398227500	PT-RD-Y-K-BLK/YLW	K
7398237500	PT-RD-Y-L-BLK/YLW	L

Decals and Tags

Reflective Decal Lettering - Yellow (continued)

PREMIER®

Item No.	Mfg. Part No.	Description
7398247500	PT-RD-Y-M-BLK/YLW	M
7398257500	PT-RD-Y-N-BLK/YLW	N
7398097500	PT-RD-Y-0-BLK/YLW	O and 0
7398267500	PT-RD-Y-P BLK/YLW	P
7398277500	PT-RD-Y-Q-BLK/YLW	Q
7398287500	PT-RD-Y-R-BLK/YLW	R
7398297500	PT-RD-Y-S-BLK/YLW	S
7398317500	PT-RD-Y-T-BLK/YLW	T
7398327500	PT-RD-Y-U-BLK/YLW	U
7398337500	PT-RD-Y-V-BLK/YLW	V
7398347500	PT-RD-Y-W-BLK/YLW	W
7398357500	PT-RD-Y-X-BLK/YLW	X
7398367500	PT-RD-Y-Y-BLK/YLW	Y
7398377500	PT-RD-Y-Z-BLK/YLW	Z

Pair Separators

Pair Separators made from hollow plastic tubing allow for quick and easy identification of tested circuits.

PREMIER®

Item No.	Mfg. Part No.	Description
0000066097	732745	Plastic Tags Black 500/Bag
0000066096	732744	Plastic Tags White 500/Bag

Marking Paint



7366917500

Marking and Touch-Up Paint

Marking paints and touch-up paints for every telecom application.

- All of these paints are approved for use in all 50 states
- Marking paints are inverted-tip style for better coverage and easier use
- 12 cans per case, 64 cases per pallet
- Environmentally friendly - no CFC's
- 20 oz. can with 17 oz. net
- 16 oz. can with 12 oz. net

PREMIER®

Item No.	Mfg. Part No.	Description
7366857500	PT-20-669-PNT-BLU-20	Marking Paint Fluorescent Blue – Water Based (20 oz.)
7366877500	PT-20-668-PNT-GRN-20	Marking Paint Fluorescent Green – Water Based (20 oz.)
7366917500	PT-PNT-ORG-20	Marking Paint Fluorescent Orange – Water Based (20 oz.)
5123497500	PT-PNT-ORG-20-SOLV	Marking Paint Fluorescent Orange Extra Long-Duration – Solvent Based (20 oz.)
7366927500	PT-20-671-PNT-RED-20	Marking Paint Safety Red – Water Based (20 oz.)
7373517500	PT-PNT-WHT-20	Marking Paint White – Water Based (20 oz.)
7366867500	PT-20-678-PNT-YLW-20	Marking Paint Utility Yellow – Water Based (20 oz.)
7361557500	PT-PNT-WAND-33	Marking Paint Applicator
5173047500	PT-98-2-GLWHT-16	Touch-Up Paint Gloss White Enamel (16 oz.)
7394327500	PT-1155-UTILGRN-16	Touch-Up Paint Utility Green (16 oz.)

Batteries



Super Alkaline Batteries

Super alkaline batteries for all of your battery powered tools, testers and flashlights.

- Expiration date printed on every battery

PREMIER®

Item No.	Mfg. Part No.	Description
7820587500	BATTERY AAA	AAA-Cell (4/Pack; 100/Box)
7820497500	BATTERY AA	AA-Cell (4/Pack; 100/Box)
7820457500	BATTERY C	C-Cell (2/Pack; 50/Box)
7820487500	BATTERY D	D-Cell (2/Pack; 50/Box)
7820357500	BATTERY 9V	9-Volt (1/Pack; 50/Box)

General Supplies



Hand Cleaner Towels

PREMIER hand cleaner towels are a unique patented waterless cleaning system combining both a high-quality liquid hand cleaner formula and a heavy-duty, non-scratching, abrasive towel. They remove lcky-PIC, lubricants, grease, oils, tar, wax, adhesives, sealants, caulk, paint, ink, greasy dirt and more.

- 72 towels per bucket
- Towels are 10.5 Inch x 12.125 Inch
- Pre-moistened
- Waterless one-step cleaning

PREMIER

Item No.	Mfg. Part No.	Description
7333157500	PT-SCRUBS-422C-072	PREMIER Hand Cleaner Towels 72 Towels Per Bucket

Graffiti Remover Towels

- One Step Process
- 30 Towels per Tub

PREMIER

Item No.	Mfg. Part No.	Description
7330177500	PT-SCRUBS-90130-030	Graffiti Remover Scrubs-in-a-bucket



Liquid Hand Cleaner

- Fortified with skin conditioning emollients
- Pleasantly Scented

PREMIER®

Item No.	Mfg. Part No.	Description
5178997500	PT-20124	Liquid Hand Cleaner 24oz. Tube
5179017500	PT-24224	Liquid Hand Cleaner with Pumice 24oz. Tube

General Supplies



Sunscreen Wipe

PREMIER Sunscreen Wipes combine a unique liquid sunscreen formula and a large, lint-free wipe. The wipe will remain open and retain its original size while applying to the face, neck and arms. PREMIER Sunscreen delivers full sun protection for professionals who work in the outside environment. This formula is waterproof and greaseless.

- SPF 30+
- Water/Sweat Resistant
- Non-greasy
- UVA/UVB Protection
- Aminobenzoic Acid [PABA] - free
- Safe on Rubber Gloves (Passed Lineman's Glove Testing Type 1 Class 2 ANSI/ASTM-D412)
- Sun Alert: Limiting sun exposure, wearing protective clothing and using sunscreens may reduce the risks of skin aging, skin cancer and other harmful effects of the sun.

PREMIER®

Item No.	Mfg. Part No.	Description
0000286175	PT-9120182900	Sunscreen Wipes SPF30+ Pkg of 25



SCRUBS® INSECT SHIELD™ Insect Repellent Wipes

SCRUBS® INSECT SHIELD™ Insect Repellent Wipes feature an insect repellent formula combined with a large, lint-free wipe. The 30% DEET insect repellent formula provides a safe, yet highly effective level of protection. The wipe allows for a one-step, controlled application with no worry of inhaling mist or vapors. Once applied, the formula is waterproof and greaseless so it won't interfere with activities or tasks. Each wipe is individually packaged, making it easy and convenient to carry or store.

* Do not apply product near eyes and mouth.

- 30% DEET
- Easy Application
- Non-greasy
- Waterproof Formula
- Long Lasting Protection
- Effective against: Mosquitoes, Ticks, Chiggers, Flies, Fleas and No-See-Ums

PREMIER®

Item No.	Mfg. Part No.	Description
0000286174	9140182900	Insect Shield Wipes 30% DEET Pkg of 25

General Supplies

Lubricant

- Lubricates
- Penetrates
- Cleans
- Protects
- Preserves
- Non-Toxic
- No CFC's
- No Carcinogens
- Bio-Degradeable

PREMIER

Item No.	Mfg. Part No.	Description
0000117076	SP-Ballistol-06	Ballistol Lube Multi-Purpose Lubicant 6oz. Aerosol



Wasp and Hornet Spray

- Instant knockdown
- Sprays up to 20-feet
- Dielectric breakdown voltage of 40,700
- Kills wasps, hornets, yellow jackets and bees
- Kills nest and insects with residual action

PREMIER®

Item No.	Mfg. Part No.	Description
7350007500	PT-18320/PT-A424	Wasp and Hornet Spray 20 oz. Can, 12 oz. Net

Crawling Insect Killer

- Kills on contact
- Water-based formula
- Protects for up to 3 months

PREMIER®

Item No.	Mfg. Part No.	Description
0000185867	PT-18520	Crawling Insect Killer 20 oz. Can, 16 oz. Net

Manufacturer Part Number	Page	Manufacturer Part Number	Page	Manufacturer Part Number	Page
890	.59	2091052	.127	100CR000ORNA50T	.138
909	.141	2095063	.128	100RR011BKNA05T	.138
1090	.59	2095064	.128	100RR011BKNA50T	.138
1100	.11	2095066	.128	100RR011BLNA05T	.138
1260	.12	2095125	.128	100RR011BLNA1XT	.138
3162	.16	2095127	.128	100RR011BLNA25T	.138
4040	.141	2095130	.128	100RR011BLNA50T	.138
4980	.157	2095138	.128	100RR011ORNA05T	.138
5249	.156	2095151	.128	100RR011ORNA1XT	.138
14555	.35	2096119	.128	100RR011ORNA25T	.138
14556	.35	2096120	.129	100RR011ORNA50T	.138
14557	.35	2096121	.129	100RR011WHNA05T	.138
14560	.35	2096122	.129	100RR011WHNA25T	.138
14561	.35	2096123	.129	100RR011WHNA50T	.138
14562	.35	2096128	.129	100SS135GYNA50E	.138
14625	.35	2096138	.129	100SS135ORNA1XE	.138
14626	.35	2096139	.129	100SS135ORNA1XT	.138
14627	.35	2096140	.128	100SS135ORNA50E	.138
14805	.35	2113057	.117	10-175	.151
14806	.35	2113171	.115	10-799	.151
14807	.35	2113185	.115	11-003-71	.119
25214	.17	2117037	.132	11-003-72	.119
25215	.17	3114733	.128	11-003-74	.119
25216	.17	5133761	.136	11-003-75	.119
30612	.156	5133787	.136	11-003-77	.123
30614	.156	5133821	.136	11-003-78	.123
30616	.156	5133836	.136	11-003-80	.123
30618	.156	5140112	.137	11-003-81	.123
30620	.156	5233778	.136	1100BK	.11
30622	.156	5233832	.136	1120SSTA	.98
30624	.156	5233848	.136	11-921	.151
30626	.156	5233876	.136	11-961	.151
92798	.168	6202000	.137	12-311-36	.129
95327	.153	7056880	.132	12-322-36	.129
96205	.168	7056898	.132	125CR000ORNA05T	.138
96415	.168	27352101	.53	125CR000ORNA25T	.138
96416	.168	90000690	.62	125CR000ORNA50E	.138
96418	.168	9140182900	.174	125CR000ORNA50T	.138
611353	.142	01-0119	.52	125CR000ORNA70T	.138
732744	.171	01-0241	.51	125RR011BKNA05T	.138
732745	.171	01-0243	.51	125RR011BKNA25T	.138
1003935	.53	01-0245	.51	125RR011BLNA05T	.138
1004483	.52	01-0247	.51	125RR011BLNA25T	.138
2090008	.127	01-0330	.51	125RR011BLNA45T	.138
2090010	.127	01-0369	.49	125RR011BLNA65T	.138
2090013	.127	01-0437	.52	125RR011ORNA05T	.138
2090014	.127	0203-01	.99	125RR011ORNA25T	.138
2090018	.127	1/2 UTIL A 25M C250	.134	125RR011ORNA45T	.139
2090051	.127	1/4 EHS A 6.6M C250	.134	125RR011ORNA65T	.139
2090052	.127	1/4 EHS A R2500	.134	125RR011WHNA05T	.139
2090053	.127	1/4 EHS A R5000	.134	125RR011WHNA25T	.139
2091013	.128	1/4 EHS C6.6M	.134	125RR011WHNA45T	.139
2091050	.127	100CR000ORNA05T	.138	125RR011WHNA65T	.139
2091051	.127	100CR000ORNA25T	.138	125SR011BLNA80E	.139

Manufacturer Part Number	Page	Manufacturer Part Number	Page	Manufacturer Part Number	Page
125SR011ORNA50R	139	2137113E	118	4.5SCAPC-SCAPC SM	113
125SR011ORNA80E	139	225G	154	4.5SCAPC-SCUPC SM	113
125SR011WHNA80E	139	250000-MBA-20M-H	6	400SS011ORNA05K	139
125SR135ORNA50T	139	250009-MBA-20M-H	6	400SS135ORNA05E	139
125SS011ORNA25E	139	250009-QBA-27M-CH	7	400SS135ORNA05T	139
125SS011ORNA50E	139	250015-MBA-20M-H	6	43-512	152
125SS011ORNA50T	139	250044-MBA-27M-DCH-1	8	44801-009	158
125SS011ORNA70E	139	250044-MBA-20F-CH	7	4993CG	157
125SS135ORNA70E	139	250044-MBA-20M-H	6	5/16 IN EHS A R2500	134
125SS135ORNA70R	139	250044-MBA-27F-CH	6	5/16 IN EHS A R5000	134
125SS135ORNA70T	139	250044-MBA-27M-CH-14	8	5/16 UTILA 6M	134
1260BK	12	250044-MBA-NODIAL-H	10	5050 - NO LOGO	27
1360BK	12	250044-QBA-27M-CH	7	50801-004	158
1380BK	12	250044-QBA-27M-DCH-1	8	5133762E	122
13SCUPC-SCAPC SM	113	250047-MBA-20M-H	6	51-616	150
14201-16	49	250047-MBA-NODIAL-H	10	5-16EHSC5000R	134
14201-22	49	2500-90VMW-F	36	525 FUSE	36
1421MNB	156	25055RE1	18	5317-408-309	48
14-563	154	25055RE1	26	555-HPCE-322M	54
150SS011ORNA40T	139	25065RE1	18	555-HPPE-322	54
15-265	155	25201RE1	16	56-202	150
15-808A	155	25255RE2	18	6050S	59
15SCUPC-SCAPC SM	113	25255RE2	26	61-805	152
15SCUPC-SCUPC MM	112	25423RE1	19	61-806	152
1-908353	140	25424RE1	19	61-807	152
1-908354	140	25425RE1	19	61-809	152
1-908355	140	255400-MBA-20M-H	9	61-810	152
1-908356	140	255409-MBA-20M-H	9	61-811	152
20001-431	50	255415-MBA-20M-H	9	6430-17-20-205	47
20001-435	50	255444-MBA-20F-H	9	6470-15-207-505	47
20001-491	50	255444-MBA-20M-H	9	65-033	155
20001-495	50	255444-MBA-27F-H	10	65-901	155
2003-320-105	50	255444-MBA-NODIAL-H	10	65-902	155
2003-820-105	50	255447-MBA-20M-H	9	65-903	155
2009-320-105	50	255447-MBA-NODIAL-H	10	65-905	155
2009-820-105	50	278G	154	66-088	155
200SR040ORNA25T	139	28-141	151	66-090	155
200SR135ORNA25E	139	286LN	154	66-091	155
200SR135ORNA25R	139	2910-44	11	66-092	155
200SS011ORNA25E	139	3/16 UTIL A 2.2M	134	66-094	155
200SS011ORNA25R	139	3/16 UTIL A 2.2M 500	134	66-096	155
200SS011ORNA25T	139	3/8 EHS A R2500	134	66-097	155
200SS011RDNA25T	139	3/8 UTIL A 10M	134	66-168	155
2020SSTP	98	3/8 UTIL A 10M	134	66-565	155
20-556	155	3/8 UTIL A 10M	134	66B1-6	84
2096100-2095150	128	3/8 UTIL A 10M 1000	134	66M1-50	84
2096102-2095065	128	3/8 UTIL C10M	134	66M1-50R	84
2096103-2095016	128	300SS011ORNA05E	139	7/16 IN UTILA 16M	134
2096117-2095067	128	300SS011ORNA10T	139	7/16 UTILA 16M	134
2096118-2095068	128	300SS135ORNA10E	139	7/16 UTILA 16M	134
2104-820-105	51	300SS135ORNA10T	139	7/16 UTIL C 16M	134
2106-32-105	51	33-799	152	7010 FACEMAT	28
2127-80-54	51	34-790	152	701088-MSE-DCHAC	14
2133495E	123	3SCUPC-SCUPC SM	113	702088-MSE-DCHAC	14

Manufacturer Part Number	Page	Manufacturer Part Number	Page	Manufacturer Part Number	Page
7030 FACEMAT PAPER	29	BATTERY D	172	C5E100R-004BL24PM	122
703088MSEDCHAC	14	BW-1160	157	C5E100R-004BLK24PM	122
704088-MSE-DCHAC	14	BW-1161	157	C5E100R-004GN24PM	122
715000-MSE-DCHAC	14	BW-1163FP	157	C5E100R-004GY24BM	122
715088-MSEDCHAC	14	BW-1168	157	C5E100R-004GY24PM	122
7155/7015 PAPER MAT	29	C3524.41.86	118	C5E100R-004RD24PM	122
715588-MSE-DCHAC-HZ	14	C3P-004GY24BM	124	C5E100R-004WH24BM	122
7155H PAPER MAT	29	C3P-004GY24PM	124	C5E100R-004WH24PM	122
7260 FACEMAT PAPER	29	C3P-004WH24BM	124	C5E100R-004YL24PM	122
726088-MDE-DCHAC	15	C3P-004WH24PM	124	C5E100R-025GY24	122
7270 FACEMAT PAPER	29	C3P-006GY24RM	124	C5E100X-004BG24PM	118
727000-MDE-DCHAC	15	C3P-025GY24RM	124	C5E100X-004GY24PM	87
727088-MDE-DCHAC	15	C3P-050GY24RM	124	C5E100X-004GY24PM	118
7275 FACEMAT PAPER	29	C3P-100GY24RM	124	C5EP-004BL24BM	121
7712H	156	C3P-200GY24RM	124	C5EP-004BL24PM	121
7714H	156	C3P-300GY24RM	124	C5EP-004GN24PM	121
7716H	156	C3R-002BG24PM	125	C5EP-004GY24PM	121
7718H	156	C3R-002GY24PM	125	C5EP-004WH24BM	121
86-835B	157	C3R-003BG24PM	125	C5EP-004WH24PM	121
86-837B	157	C3R-003GY24PM	125	C5EP-004YL24PM	121
86-838B	157	C3R-004BG24PM	125	C5EP-025WH24RM	122
86-839B	157	C3R-004GY24PM	125	C5ER-004BL24BM	121
86-840B	157	C3R-004WH24PM	125	C5ER-004BL24PM	121
86-841B	157	C3R-006BG24PM	125	C5ER-004GY24BM	121
86-843	157	C3R-006BG24RM	125	C5ER-004GY24PM	121
86-844	157	C3R-006GY24PM	125	C5ER-004WH24BM	121
86-845	157	C3R-012BG24RM	125	C5ER-004WH24PM	121
86-846	157	C3R-012GY24RM	125	C5ER-004YL24PM	121
88001-99	52	C3R-025BG24RM	125	C6P-004BL23BM	120
88011-99	52	C3R-025GY24RM	125	C6P-004BL23PM	120
9125-28-15	49	C3R-050BG24RM	125	C6P-004GR23BM	120
9125-30-15	49	C3R-050GY24RM	125	C6P-004GY23PM	120
91-297	156	C3R-100BG24RM	125	C6P-004WH23BM	120
9129-808-215	49	C3R-100GY24RM	125	C6P-004WH23PM	120
92151A.38.17	60	C3R-200GY24RM	125	C6P-004YL23BM	120
92282.38.10	60	C3R-300GY24RM	125	C6P-004YL23PM	120
9326-607-405	48	C5775.31.01	87	C6P-PLUS-004BL23BM	119
9326-607-505	48	C5775.31.01	118	C6P-PLUS-004WH23BM	119
9327-508-405	48	C5775.31.02	87	C6P-PLUS-004YL23BM	119
9327-509-505	48	C5775.31.02	118	C6R-004BL23BM	120
9337-509-405	48	C5775.41.01	87	C6R-004BL23PM	120
9460-65-707-105	47	C5775.41.01	118	C6R-004GR23PM	120
9460-69-707-105	47	C5886.31.01	118	C6R-004GY23BM	120
9465-69-804-105	47	C5E100P-004BL24BM	122	C6R-004GY23PM	120
9470-66-904-105	47	C5E100P-004BL24PM	122	C6R-004RD23PM	120
9INCUTTER	154	C5E100P-004BLK24PM	122	C6R-004WH23BM	120
A52BA42	136	C5E100P-004GN24BM	122	C6R-004WH23PM	120
A52DA42	136	C5E100P-004GY24BM	122	C6R-004YL23BM	120
A52GA42	136	C5E100P-004GY24PM	122	C6R-004YL23PM	120
AMHP-1	148	C5E100P-004OR24PM	122	C6R-PLUS-004BL23BM	119
BATTERY 9V	172	C5E100P-004WH24BM	122	C6R-PLUS-004RD23BM	119
BATTERY AA	172	C5E100P-004WH24PM	122	C6R-PLUS-004YL23BM	119
BATTERY AAA	172	C5E100P-004YL24PM	122	CAT5-235-RJ45	57
BATTERY C	172	C5E100R-004BL24BM	122	CAT5-75	57

Manufacturer Part Number	Page	Manufacturer Part Number	Page	Manufacturer Part Number	Page
CAT5-LAN	.57	EBP36EXL	.62	FPKK8A1M012F	.114
CAT5-LAN-RJ45	.57	EBP36XL	.62	FPKK8A1M015F	.114
CAT5-POE	.57	EBP72EXL	.62	FPKK8A1M020F	.114
CAT6-235	.57	EBP72XL	.62	FPKQ8A1M0010F	.114
CAT6-75	.57	ED1000RM2U	.63	FPKQ8A1M002F	.114
CAT6-LAN	.57	ED1000RMT2U	.63	FPKS0A1M005M	.113
CEZ200	.13	ED1500RM2U	.63	FPKS0A1M006F	.113
CEZ260	.13	ED1500RMT2U	.63	FPKW8A1M010M	.113
CEZAI2998	.24	ED2000RM2U	.63	FPKX8A24D060F	.113
CPE1000	.63	ED2000RMT2U	.63	FRM024XS-B	.97
CPE2000	.63	ED3000RM2U	.63	FRM036XS-B	.97
CPE3000	.63	ED3000RMT2U	.63	FRM072XS-B	.97
CPEBP1000	.63	EDBP24EXL	.63	FWM012XLC-B	.97
CPEBP2000	.63	EDBP24XL	.63	FWM024XLC-B	.97
CPEBP3000	.63	EDBP48EXL	.63	GRM0600	.57
CS16U48V-8	.60	EDBP48XL	.63	H-11	.153
CS20A-EBP	.60	EDBP72EXL	.63	H5401RE1	.20
CS24C12V2-E	.60	EDBP72XL	.63	HPCE3210-FE	.54
CS24U12V	.60	EN400	.61	HPCE-322	.54
CS24U12V-12	.60	EN600	.61	HR-125-5-LARGE	.149
CS24U12V-NA3	.60	EN750	.61	HR-125-CLAMP	.149
CS24U12V-NA3-G	.60	EN900	.61	HR-78-5-L-Bend	.149
CS24U12VNP	.60	ETR1000	.62	HR-78-5-Offset	.149
CS24U12V-XL	.60	ETR1500	.62	HR-78-CLAMP	.149
CS30U12V-20	.60	ETR1500p15	.62	HW-1512	.156
CS50U48V	.60	ETR500	.62	HW1514	.156
CS75A12V3	.60	ETR700	.62	HW-1516	.156
D1660	.21	ETR700p15	.62	HW-1518	.156
D1660-2	.21	EVC167P-MGC167	.145	HW-1520	.156
D1660-3	.21	EZAI2997	.24	HW-1524	.156
D1680	.21	EZI2996	.24	HW-1526	.156
D1680-2	.21	EZX290	.25	J264SG	.154
D1685-2	.21	FBB8A1M020F	.113	J291R	.154
D1688-2	.22	FBBOA1M005M	.113	J3	.153
D2280-2	.22	FBBOA1M010M	.113	J52136	.156
D3280-2	.23	FBBOA1M015M	.113	J706S	.157
DCX160	.22	FBBOA1M020M	.113	J708S	.157
DCX400	.26	FBBOA1M025M	.113	J710S	.157
DECT1340	.20	FBSOA1M010M	.113	J712G	.157
DECT1363	.20	FBSOA1M015M	.113	M4KSU	.56
DECT4066	.25	FPBK8A1M010F	.113	M4L	.56
DECT4086	.25	FPBK8A1M015F	.113	M8COM	.56
DESI Telephone STRIP C	.35	FPJK8A1M010F	.113	M8KSU	.56
DESI Telephone STRIP P	.35	FPJS8A1M005M	.113	MCO25	.56
DESI Telephone STRIP W	.35	FPKK0A1M001M	.113	MCO4	.56
DL1200-CAT5	.57	FPKK0A1M005M	.113	MCO4110	.56
DWX337	.23	FPKK8A1M001F	.114	MCO4X4	.56
E1000RM2U	.62	FPKK8A1M001M	.114	MCO8110	.56
E1500RM2U	.62	FPKK8A1M002F	.114	MDS2	.56
E1500RMT2U	.62	FPKK8A1M003F	.114	MDS25	.56
E2000RM2U	.62	FPKK8A1M003M	.114	MFMB-600BB	.98
E3000RM2U	.62	FPKK8A1M006F	.114	MGBSGL-1	.57
E3000RMT2U	.62	FPKK8A1M008F	.114	ML25-CAT5-235	.57
E750RM2U	.62	FPKK8A1M009F	.114	ML25-CAT5-LAN	.57

Manufacturer Part Number	Page	Manufacturer Part Number	Page	Manufacturer Part Number	Page
MLLT1	56	NS-P003-45	36	NS-P-H030-00	30
MMS110	58	NS-P003-47	36	P4080-248	158
MMS362P	58	NS-P004-00	36	P4080-249	158
MMS370T	58	NS-P004-09	36	P4480-004	158
MMS760RCT	58	NS-P004-13	36	P4480-009	158
MMS780R	58	NS-P004-15	36	PE1UG8	141
MSC-06-L	98	NS-P004-32	36	PRO1000RT	61
MSC-06-LC	98	NS-P004-44	36	PRO-1100E	61
MSC-08-L	98	NS-P004-45	36	PRO-1500E	61
MSC-12-MM-P-BLK	98	NS-P004-47	36	PRO-500E	61
MST-06-L	98	NS-P005-00	33	PRO-700E	61
MST-06-LC	98	NS-P005-09	33	PT 5163859	137
MST-08-L	98	NS-P005-13	33	PT-101	45
MST-12-L	98	NS-P005-15	33	PT-102	45
MTRJ-06-L	98	NS-P005-32	33	PT-104A8-52	68
N32-203500	60	NS-P005-44	33	PT-110BA-100	85
NS-A001-44	35	NS-P005-45	33	PT-110BA-300	85
NS-A002-44	35	NS-P005-47	33	PT-110BAK-100	85
NS-A002-45 BRN MAT	35	NS-P006-09	32	PT-110BAK-300	85
NS-A003-44	35	NS-P006-15	32	PT-110BAK-50	85
NS-A004-44	35	NS-P006-44	32	PT-1110C-4	85
NS-E005	31	NS-P006-45	32	PT-1110C-5	85
NS-E006	31	NS-P006-47	32	PT-1110F	85
NS-E007	31	NS-P007	31	PT-1110FK	85
NS-E009/P22201-99	36	NS-P008-00	34	PT-1110PI	85
NS-E010	36	NS-P008-09	34	PT-1110PS	85
NS-E017	31	NS-P008-13	34	PT-1116	160
NS-E018	31	NS-P008-15	34	PT-11286	158
NS-E90	31	NS-P008-44	34	PT-1155-UTILGRN-16	172
NS-M001/A82-A1	30	NS-P008-45	34	PT-1205C/611350	142
NS-M003	30	NS-P008-47	34	PT-1206C/611265	142
NS-P001-00	33	NS-P009	34	PT-120L-C-0	164
NS-P001-32	33	NS-P010	34	PT-120MR-C-0	165
NS-P001-45	33	NS-P011	34	PT-120MR-C-9	165
NS-P001-47	33	NS-P012	34	PT-120R-K	164
NS-P002-00	37	NS-P-A005	28	PT-120R-K-0W	164
NS-P002-13	37	NS-P-A006	28	PT-12BCL	144
NS-P002-13-V	38	NS-P-A007	29	PT-139	46
NS-P002-44	37	NS-P-A008	29	PT-150R-0	164
NS-P002-44-V	38	NS-P-A009	28	PT-1530	160
NS-P002-45	37	NS-P-A011	28	PT-153AM2-BLACK	80
NS-P002-47	37	NS-P-A013	28	PT-153AM3-BLACK	80
NS-P002-47-V	38	NS-P-A017	29	PT-153AM-6-3P	80
NS-P0026500-V	37	NS-P-A019	29	PT-1542A-60	83
NS-P0026509-V	37	NS-P-A022	28	PT-1542AM-49	83
NS-P0026515-V	37	NS-P-A023	29	PT-1543.1	159
NS-P0026544-V	37	NS-P-E038	30	PT-1555	160
NS-P0026545-V	37	NS-P-E040-88	30	PT-1556	160
NS-P0026547-V	37	NS-P-E041-88	30	PT-173-50	82
NS-P003-09	36	NS-P-E042	30	PT-18320/PT-A424	175
NS-P003-13	36	NS-P-H021-00	28	PT-18520	175
NS-P003-15	36	NS-P-H021-88	28	PT-18L-C-0	163
NS-P003-32	36	NS-P-H029-00	30	PT-18L-C-9	163
NS-P003-44	36	NS-P-H029-88	30	PT-18R-C-0W	163

Manufacturer Part Number	Page	Manufacturer Part Number	Page	Manufacturer Part Number	Page
PT-18R-C-1	163	PT-267C-50	81	PT-5001-VA	87
PT-18R-C-2	163	PT-267E-50	82	PT-5001-VD	87
PT-18R-C-3	163	PT-27-1X36	168	PT-50I-C-0	164
PT-18R-C-4	163	PT-2910-15	11	PT-50I-C-9	164
PT-18R-C-5	163	PT-30MR-C-9	165	PT-50L-C-0W	164
PT-18R-C-6	163	PT-30R-C-0	163	PT-50L-C-9	164
PT-18R-C-7	163	PT-30R-C-0W	163	PT-50MR-C-9	165
PT-18R-C-8	163	PT-30R-C-1	163	PT-50MR-C-0W	165
PT-18R-C-9	163	PT-30R-C-2	163	PT-50R-C-0W	163
PT-18R-K-0	163	PT-30R-C-3	163	PT-50R-C-2	163
PT-18R-K-1-0	162	PT-30R-C-4	163	PT-50R-C-3	163
PT-18R-K-1-10	162	PT-30R-C-5	163	PT-50R-C-4	163
PT-18R-K-1-2	162	PT-30R-C-6	163	PT-50R-C-5	163
PT-18R-K-1-4	162	PT-30R-C-7	163	PT-50R-C-6	163
PT-18R-K-1-7	162	PT-30R-C-8	163	PT-50R-C-8	163
PT-18R-K-3-0	162	PT-30R-C-9	163	PT-50R-C-9	163
PT-18R-K-3-10	162	PT-311	158	PT-5163550	137
PT-18R-K-3-2	162	PT-35 TAPE 3/4X66YEL	168	PT-5163748	137
PT-18R-K-3-4	162	PT-35 TAPE 3/4X67BLU	168	PT-5163750	137
PT-18R-K-3-7	162	PT-35 TAPE 3/4X68RED	168	PT-5163751	137
PT-18R-K-5-0	162	PT-35 TAPE 3/4X69GRN	168	PT-5163753	137
PT-18R-K-5-10	162	PT-3570	161	PT-5163847	137
PT-18R-K-5-2	162	PT-3572	161	PT-5163850	137
PT-18R-K-5-4	162	PT-3573	161	PT-5233768	136
PT-18R-K-5-7	162	PT-3578	161	PT-5233772	136
PT-18R-K-6-0	162	PT-3805C/613850	142	PT-5233828	136
PT-18R-K-6-10	162	PT-3806C/613860	142	PT-5315258	137
PT-18R-K-6-2	162	PT-38BLC (PT-CEB-0)	144	PT-5315262	137
PT-18R-K-6-4	162	PT-3939	168	PT-532	150
PT-18R-K-6-7	162	PT-400	46	PT-5410-6	87
PT-18R-K-8-0	162	PT-400-SK	151	PT-542	150
PT-18R-K-8-10	162	PT-404M-4-50	68	PT-5805CS-635850	142
PT-18R-K-8-2	162	PT-40I-C-0	163	PT-5806C/615860	142
PT-18R-K-8-4	162	PT-40I-C-9	164	PT-5808C/615880	142
PT-18R-K-8-7	162	PT-40R-C-9	163	PT-5808C-RUS/615883	142
PT-18S	163	PT-40R-C-0	163	PT-5810CS/635800	142
PT-19316L7-4	68	PT-42A-4-50	69	PT-5820-BLANK	87
PT-1964	151	PT-42A-4-60	69	PT-58BCL-H/HDC58R	144
PT-2.5NFP-ORANGE	167	PT-4572	161	PT-58BCP/CR58	143
PT-20124	173	PT-4573	161	PT-58CP-CC/CC58	143
PT-20502-L2	79	PT-4591.13465	161	PT-58DS/DS58	143
PT-20502-L2	94	PT-460A-4-50	83	PT-58DS-CC/B13716	143
PT-20-668-PNT-GRN-20	172	PT-460A-6-50	83	PT-6008G	54
PT-20-669-PNT-BLU-20	172	PT-49-4X40	168	PT-6008G	87
PT-20-671-PNT-RED-20	172	PT-4P4C	44	PT-603R	150
PT-20-678-PNT-YLW-20	172	PT-5001-8PC	87	PT-6138529	143
PT-20A	84	PT-5001-B14	87	PT-6141628	137
PT-20B	84	PT-5001-B28	87	PT-6141632	137
PT-216C	150	PT-5001-B48	87	PT-6141684	137
PT-24224	173	PT-5001-BT	87	PT-6141690	137
PT-267A-4-50	82	PT-5001-CD	87	PT-6151690	137
PT-267A-4-50-TAIL	81	PT-5001-DN	87	PT-615800	142
PT-267A-6-50	82	PT-5001-ET	87	PT-6202010	137
PT-267B-50	81	PT-5001-H8	87	PT-625A2-8K-2-52	69

Manufacturer Part Number	Page	Manufacturer Part Number	Page	Manufacturer Part Number	Page
PT-625A2-8K-44	69	PT-630ABC-4-44	75	PT-BBR-E-25	146
PT-625A2-8K-50	69	PT-630ABC-6-44	75	PT-BBR-EW-25	146
PT-625A2-8NK-44	69	PT-630AC-4-44	76	PT-BC25	100
PT-625A2-8NK-50	69	PT-630AC-6-44	76	PT-BFA-KIT	159
PT-625A2-8NK-85	69	PT-630AC-6-85	76	PT-C25C100G-L3	107
PT-625A2-8SB-44	69	PT-630AD-4	77	PT-C25C10G-L3	107
PT-625A2-8SB-50	69	PT-630AD-6	77	PT-C25C15G-L3	107
PT-625A3-4-44	70	PT-630AP-4-44	77	PT-C25C200G-L3	107
PT-625A3-6-44	70	PT-630AP-4-50	77	PT-C25C20G-L3	107
PT-625A3-8SB-44	70	PT-630AP-4-85	77	PT-C25C25G-L3	107
PT-625A-4-44	70	PT-630AP-6-44	77	PT-C25C30G-L3	107
PT-625A-4-50	70	PT-630AP-6-50	77	PT-C25C50G-L3	107
PT-625A-6-44	70	PT-630AT-6-ID	75	PT-C25C5G-L3	107
PT-625A-6-50	70	PT-630B-4-4C-SS	78	PT-C25C80G-L3	107
PT-625ADV-4-44	71	PT-630-SPACER-44	78	PT-C25P100G-L3	107
PT-625ADV-6-44	71	PT-635803	142	PT-C25P10G-L3	107
PT-625ADV-6-85	71	PT-65B-52	66	PT-C25P15G-L3	107
PT-625ALL-4-44	71	PT-683	154	PT-C25P1G-L3	107
PT-625ALL-6-44	71	PT-697B-8K-50-R	67	PT-C25P200G-L3	107
PT-625ALL-6-85	71	PT-697B-8NK-50	67	PT-C25P20G-L3	107
PT-625AQ2-4-44	71	PT-6P4C	44	PT-C25P25G-L3	107
PT-625AQ2-4-50	71	PT-6P6C	44	PT-C25P2G-L3	107
PT-625AQ2-4-85	71	PT-7	151	PT-C25P30G-L3	107
PT-625AQ2-6-44	71	PT-742A-4-50	73	PT-C25P50G-L3	107
PT-625AQ2-6-50	71	PT-75BA	45	PT-C25P5G-L3	107
PT-625AQ2-6-85	71	PT-75BAR	45	PT-C25P60G-L3	107
PT-625B1-4-50	64	PT-797A-TOOL	76	PT-C25X100G	108
PT-625B1-6-44	64	PT-842	154	PT-C25X100G-L3	108
PT-625B3-4-44	64	PT-88 TAPE 1-1/2X44	168	PT-C25X10G	107
PT-625B3-4-50	64	PT-88 TAPE 1X36	168	PT-C25X10G-L3	107
PT-625B3-4-85	64	PT-88 TAPE 3/4X36	168	PT-C25X150G	108
PT-625B3-6-44	64	PT-88 TAPE 3/4X60	168	PT-C25X150G-L3	108
PT-625B3-6-50	64	PT-891	150	PT-C25X15G	107
PT-625B3-6-85	64	PT-89B	84	PT-C25X15G-L3	107
PT-625B3DV-4-44	65	PT-89D	84	PT-C25X200G	108
PT-625B3DV-6-44	65	PT-8P8C	44	PT-C25X200G-L3	108
PT-625B3DV-6-85	65	PT-907D	141	PT-C25X25G	108
PT-625B4-4-44	65	PT-9120182900	174	PT-C25X25G-L3	107
PT-625B4-4-50	65	PT-942	154	PT-C25X300G-L3	108
PT-625B4-4-85	65	PT-963	141	PT-C25X30G	108
PT-625B4-6-44	65	PT-9700	39	PT-C25X30G-L3	108
PT-625B4-6-50	65	PT-97374	168	PT-C25X50G	108
PT-625B4-6-85	65	PT-98-2-GLWHT-16	172	PT-C25X50G-L3	108
PT-625B4E-4-50	65	PT-A52BA12	136	PT-C25X5G-L3	107
PT-625C-4-44	73	PT-A52BE12	136	PT-C25X75G	108
PT-625C-4-50	73	PT-A52CA12	136	PT-C25X75G-L3	108
PT-625F-4-50	67	PT-A52CA42	136	PT-COC-L5E-RED-14	111
PT-625MB-44	79	PT-A52CAZS	136	PT-CP58	144
PT-625MB-50	79	PT-A52DA12	136	PT-CTAM-1	166
PT-625MB-85	79	PT-A52EA12	136	PT-CTM2-C-0	166
PT-625S-6-50	74	PT-A52EA42	136	PT-CTM2-C-9	166
PT-625SA-4-GEL-52	74	PT-A52EAZS	136	PT-CTM3-C-0	166
PT-630AB-4-44	66	PT-A66EA42	137	PT-CTM3-C-9	166
PT-630AB-6-44	66	PT-BBA-T-25	147	PT-DB15F-8P8C-TS	80

Manufacturer Part Number	Page	Manufacturer Part Number	Page	Manufacturer Part Number	Page
PT-DB15M-8P8C-TS	80	PT-IMP-2.5	166	PT-KJKC5-23	89
PT-DB25F-8P8C-TS	80	PT-IMP-2.5-W1.75	166	PT-KJKC5-23-BULK	89
PT-DB25M-8P8C-TS	80	PT-IT18FL9C2	164	PT-KJKC5-52	89
PT-DB9F-8P8C-TS	80	PT-IT-18R	164	PT-KJKC5-52-BULK	89
PT-DB9M-8P8C-TS	80	PT-IT-18R-10	164	PT-KJKC5-53	89
PT-DCPP-8-07-SS	41	PT-IT-50L-C-9	164	PT-KJKC5-53-BULK	89
PT-DCPP-8-14-SS	41	PT-IT-50R-C-9	164	PT-KJKC5-70	89
PT-DSL-ILF	55	PT-JW1P22-RD/BL-C3000	115	PT-KJKC5-85	89
PT-DSL-ILF-T	55	PT-JW1P22-RD/BL-S1000	115	PT-KJKC5-85-BULK	89
PT-DSL-WMF-LT	55	PT-JW222-BK/WH-C3000	115	PT-KJKC5-97	89
PT-E-ADHESIVE	166	PT-JW222-BK/WH-S1000	115	PT-KJKC5-97-BULK	89
PT-EM4014	144	PT-JW222-BK/WH-S5000	115	PT-KJKC5E-23-EZ90	89
PT-EM4015	144	PT-JW222-BL/WH-C3000	115	PT-KJKC5E-52-EZ90	89
PT-EM6868	147	PT-JW222-BL/WH-S1000	115	PT-KJKC5E-53-EZ90	89
PT-EZ90	89	PT-JW222-GN/WH-C3000	115	PT-KJKC5E-85-EZ90	89
PT-FF-4	145	PT-JW222-O/BLU-C3000	115	PT-KJKC5E-97-EZ90	89
PT-FF-6	145	PT-JW222-OR/WH-C3000	115	PT-KJKC5E-SHIELDED	90
PT-GW10-BGE-K500	130	PT-JW222-RD/WH-C3000	115	PT-KJKC5-GREEN	89
PT-GW10-BGE-R300	130	PT-JW222-RD/WH-S500	115	PT-KJKC5-LA	89
PT-GW10-BLK-K500	130	PT-JW222-RD/WH-S5000	115	PT-KJKC5-NI-52	90
PT-GW10-GREEN-R2500	130	PT-JW222-WH-OR-S1000	115	PT-KJKC5-NI-85	90
PT-GW12-BLK-R500	130	PT-JW222-WH-RD-S1000	115	PT-KJKC6-03	88
PT-GW12-GRY-K500	130	PT-JW224-BK/WH-S1000	115	PT-KJKC6-03-BULK	88
PT-GW14-BGE-K500	130	PT-JW224-BK/WH-S6000	116	PT-KJKC6-105	88
PT-GW14-BLK-K500	130	PT-JW224-BL/WH-C5000	115	PT-KJKC6-23	88
PT-GW2-BARE-R125	130	PT-JW224-BL/WH-S1000	115	PT-KJKC6-23-BULK	88
PT-GW2-TIN-BARE-R250	130	PT-JW224-BL/YL-C5000	115	PT-KJKC6-52	88
PT-GW4-BARE-R200	130	PT-JW224-GN/WH-S1000	115	PT-KJKC6-52-BULK	88
PT-GW6-110-BLK-R500	130	PT-JW224-H-OR/WH-S800	117	PT-KJKC6-53	88
PT-GW6-BARE-R315	130	PT-JW224-RD/BK-S1000	115	PT-KJKC6-53-BULK	88
PT-GW6-BARE-R500	130	PT-JW224-RD/WH-S1000	115	PT-KJKC6-56	88
PT-GW6-BGE-R500	130	PT-JW224-RD/WH-S6000	116	PT-KJKC6-70	88
PT-GW6-BLK-C200	130	PT-JW2P22-BL/WH-RD/GN-C1500	115	PT-KJKC6-85	88
PT-GW6-BLK-R200	130	PT-JW2P22-RD/BL-OR/RD-C1500	115	PT-KJKC6-85-BULK	88
PT-GW6-BLK-R500	130	PT-JW2P22-RD/BL-OR/RD-S1000	115	PT-KJKC6-97	88
PT-GW6-GREEN-R500	130	PT-JW2P24-RD/WH-GN/BK-S3300	116	PT-KJKC6-97-BULK	88
PT-H11	151	PT-JW324-RD/WH/BK-S4000	116	PT-KJKC6E-SHIELDED	90
PT-HCPP-4-06-ASH	40	PT-JW422-WH/BL/RD/BK-S2300	115	PT-KJKC6-LA	88
PT-HCPP-4-06-BLK	40	PT-JW424-RD/WH/GN/BK-S3300	116	PT-KJKF-85	90
PT-HCPP-4-06-IVY	40	PT-JW524-BL/OR/GN/BR/SL-C1000	116	PT-KJKF-LA	90
PT-HCPP-4-06-WHT	40	PT-K1/KUL	144	PT-KJKKU-03	90
PT-HCPP-4-12-ASH	40	PT-KBLANK-03	90	PT-KJKST-52	90
PT-HCPP-4-12-AWH-UL	40	PT-KBLANK-52	90	PT-KJKST-85	90
PT-HCPP-4-12-BLK	40	PT-KBLANK-85	90	PT-KJKU-52	90
PT-HCPP-4-12-IVY	40	PT-KBLANK-LA	90	PT-KJKU-52-EZ	89
PT-HCPP-4-12-WHT	40	PT-KDAP8-52	93	PT-KJKU-85	90
PT-HCPP-4-25-ASH	40	PT-KDAP8-85	93	PT-KJKU-85-EZ	89
PT-HCPP-4-25-BLK	40	PT-KDFP12-52	92	PT-KJKU-LA	90
PT-HCPP-4-25-CRD	40	PT-KDFP12-85	92	PT-KKF-52	90
PT-HCPP-4-25-IVY	40	PT-KDFP6-52	92	PT-KP-1-IMP	144
PT-HCPP-4-25-WHT	40	PT-KDFP6-85	92	PT-KP-Z-IMP	144
PT-HCSS-4-12-IVY	40	PT-KDFP6-LA	92	PT-KSAP4-52	93
PT-HCSS-4-25-ASH	40	PT-KJJC5-03	89	PT-KSAP4-85	93
PT-ICPP-4-8IN-SS	41	PT-KJKC5-03-BULK	89	PT-KSFP1-03	91

Manufacturer Part Number	Page	Manufacturer Part Number	Page	Manufacturer Part Number	Page
PT-KSFP1-52	.91	PT-LCPP-4-07-CL	.42	PT-P25X25G-L3	.108
PT-KSFP1-85	.91	PT-LCPP-4-07-SS	.42	PT-P25X30G	.108
PT-KSFP1-LA	.91	PT-LCPP-4-14-CL	.42	PT-P25X30G-L3	.108
PT-KSFP2-03	.91	PT-LCPP-4-14-SS	.42	PT-P25X40G-L3	.108
PT-KSFP2-52	.91	PT-LCPP-4-25-CL	.42	PT-P25X50G	.108
PT-KSFP2-85	.91	PT-LCPP-4-25-SS	.42	PT-P25X50G-L3	.108
PT-KSFP2-LA	.91	PT-LCPP-6-07-SS	.42	PT-P25X5G-L3	.108
PT-KSFP3-03	.91	PT-LCPP-6-14-SS	.30	PT-P25X75G-L3	.108
PT-KSFP3-52	.91	PT-LCPP-6-14-SS	.42	PT-PCGF-2-8	.141
PT-KSFP3-85	.91	PT-LCPP-6-25-SS	.42	PT-PCGF-3-10	.141
PT-KSFP3-LA	.91	PT-LCPP-8-25-SS	.42	PT-PCGF-4-8	.141
PT-KSFP4-03	.91	PT-LCPS-4-07-SS	.43	PT-PCGF-5-10	.141
PT-KSFP4-52	.91	PT-LCPS-4-14-SS	.43	PT-PCL5E-BLACK-10	.110
PT-KSFP4-85	.91	PT-LCPS-4-25-SS	.43	PT-PCL5E-BLACK-16	.110
PT-KSFP4-LA	.91	PT-LCPS-6-07-SS	.43	PT-PCL5E-BLACK-3	.110
PT-KSFP6-03	.91	PT-LCPS-6-14-SS	.43	PT-PCL5E-BLACK-5	.110
PT-KSFP6-52	.91	PT-LCPS-6-25-SS	.43	PT-PCL5E-BLACK-7	.110
PT-KSFP6-85	.91	PT-LCSS-4-07-SS	.43	PT-PCL5E-BLU-10	.110
PT-KSFP6-LA	.91	PT-LCSS-4-14-SS	.43	PT-PCL5E-BLU-14	.110
PT-KSFPL2-52	.92	PT-LCSS-4-25-SS	.43	PT-PCL5E-BLU-20	.111
PT-KSFPL2-85	.92	PT-LV1	.94	PT-PCL5E-BLU-3	.110
PT-KSFPL2-LA	.92	PT-LV2	.94	PT-PCL5E-BLU-30	.111
PT-KSFPL4-52	.92	PT-LVMB1	.94	PT-PCL5E-BLU-5	.110
PT-KSFPL4-85	.92	PT-LW-302-045C1200SH	.135	PT-PCL5E-BLU-50	.111
PT-KSFPL4-LA	.92	PT-LW-430-045C1200SH	.135	PT-PCL5E-BLU-7	.110
PT-KSFPL6-52	.92	PT-LW-430-045C1200TH	.135	PT-PCL5E-BLU-70	.111
PT-KSFPL6-85	.92	PT-MASTIC TAPE 4X10	.168	PT-PCL5E-GRY-10	.110
PT-KSFPL6-LA	.92	PT-MB2	.166	PT-PCL5E-GRY-14	.110
PT-KSH1-52	.94	PT-MB5A	.166	PT-PCL5E-GRY-20	.111
PT-KSH1-85	.94	PT-MBR6GRN-25	.146	PT-PCL5E-GRY-3	.110
PT-KSH1-LA	.94	PT-MHP COMBO	.148	PT-PCL5E-GRY-30	.111
PT-KSH2-52	.94	PT-MS-1342-GALV-GRN	.148	PT-PCL5E-GRY-5	.110
PT-KSH2-85	.94	PT-MTA-6	.159	PT-PCL5E-GRY-50	.111
PT-KSH2-LA	.94	PT-MTA-8	.159	PT-PCL5E-GRY-7	.110
PT-KSH4-52	.94	PT-NC3.5	.167	PT-PCL5E-GRY-70	.111
PT-KSH4-85	.94	PT-NC5.0	.167	PT-PCL5E-RED-10	.110
PT-KSH4-LA	.94	PT-NC6	.167	PT-PCL5E-RED-14	.110
PT-KSH6-52	.94	PT-P0026545 BROWN	.38	PT-PCL5E-RED-20	.111
PT-KSH6-85	.94	PT-P25P100G-L3	.108	PT-PCL5E-RED-3	.110
PT-KSH6-LA	.94	PT-P25P10G-L3	.108	PT-PCL5E-RED-30	.111
PT-KSMTRJ-03	.90	PT-P25P15G-L3	.108	PT-PCL5E-RED-5	.110
PT-KSSFP1	.93	PT-P25P25G-L3	.108	PT-PCL5E-RED-50	.111
PT-KSSFP12	.93	PT-P25P30G-L3	.108	PT-PCL5E-RED-7	.110
PT-KSSFP2	.93	PT-P25P50G-L3	.108	PT-PCL5E-RED-70	.111
PT-KSSFP2H	.93	PT-P25P5G-L3	.108	PT-PCL5E-WHT-10	.110
PT-KSSFP3	.93	PT-P25X100G	.108	PT-PCL5E-WHT-14	.110
PT-KSSFP4	.93	PT-P25X100G-L3	.108	PT-PCL5E-WHT-20	.111
PT-KSSFP4-DBL	.93	PT-P25X10G	.108	PT-PCL5E-WHT-3	.110
PT-KSSFP6	.93	PT-P25X10G-L3	.108	PT-PCL5E-WHT-30	.111
PT-KWPSS1	.93	PT-P25X15G	.108	PT-PCL5E-WHT-5	.110
PT-LC-4F-500-SS	.44	PT-P25X15G-L3	.108	PT-PCL5E-WHT-50	.111
PT-LC-6F-500-SS	.44	PT-P25X200G-L3	.108	PT-PCL5E-WHT-7	.110
PT-LC-8C-500-SS	.44	PT-P25X25G	.108	PT-PCL5E-WHT-70	.111
PT-LCPP-4-02-SS	.42	PT-P25X25G-180	.108	PT-PCL5E-YLW-10	.110

Manufacturer Part Number	Page	Manufacturer Part Number	Page	Manufacturer Part Number	Page
PT-PCL5E-YLW-14	110	PT-PP-M5WB525	99	PT-RD-Y-3-BLK/YLW	170
PT-PCL5E-YLW-3	110	PT-PP-M5WB70	99	PT-RD-Y-4-BLK/YLW	170
PT-PCL5E-YLW-5	110	PT-PP-MOD-12	96	PT-RD-Y-5-BLK/YLW	170
PT-PCL5E-YLW-7	110	PT-PP-MOD-24	96	PT-RD-Y-6/9-BLK/YLW	170
PT-PCL6-BLU-10	109	PT-PP-MOD-48	96	PT-RD-Y-7-BLK/YLW	170
PT-PCL6-BLU-14	109	PT-PP-WM175	97	PT-RD-Y-8-BLK/YLW	170
PT-PCL6-BLU-3	109	PT-PP-WM35-DS	97	PT-RD-Y-A-BLK/YLW	170
PT-PCL6-BLU-5	109	PT-PP-WM3X3-SL	97	PT-RD-Y-B-BLK/YLW	170
PT-PCL6-BLU-7	109	PT-RCKMNTADPT-1RMS	99	PT-RD-Y-BLANK	170
PT-PCL6-GRN-1	109	PT-RCKMNTADPT-2RMS	99	PT-RD-Y-C-BLK/YLW	170
PT-PCL6-GRN-3	109	PT-RCKMNTADPT-3RMS	99	PT-RD-Y-DASH-BLK/YLW	170
PT-PCL6-GRN-5	109	PT-RCKMNTADPT-4RMS	99	PT-RD-Y-D-BLK/YLW	170
PT-PCL6-GRN-7	109	PT-RCKMNTADPT-5RMS	99	PT-RD-Y-E-BLK/YLW	170
PT-PCL6-GRY-10	109	PT-RD-36KIT-O	169	PT-RD-Y-F-BLK/YLW	170
PT-PCL6-GRY-14	109	PT-RD-36KIT-Y	170	PT-RD-Y-G-BLK/YLW	170
PT-PCL6-GRY-3	109	PT-RD-O-0-BLK/ORG	169	PT-RD-Y-H-BLK/YLW	170
PT-PCL6-GRY-5	109	PT-RD-O-1-BLK/ORG	169	PT-RD-Y-I-BLK/YLW	170
PT-PCL6-GRY-7	109	PT-RD-O-2-BLK/ORG	169	PT-RD-Y-J-BLK/YLW	170
PT-PCL6-RED-10	109	PT-RD-O-3-BLK/ORG	169	PT-RD-Y-K-BLK/YLW	170
PT-PCL6-RED-14	109	PT-RD-O-4-BLK/ORG	169	PT-RD-Y-L-BLK/YLW	170
PT-PCL6-RED-3	109	PT-RD-O-5-BLK/ORG	169	PT-RD-Y-M-BLK/YLW	171
PT-PCL6-RED-5	109	PT-RD-O-6/9-BLK/ORG	169	PT-RD-Y-N-BLK/YLW	171
PT-PCL6-RED-7	109	PT-RD-O-7-BLK/ORG	169	PT-RD-Y-P-BLK/YLW	171
PT-PCL6-WHT-1	109	PT-RD-O-8-BLK/ORG	169	PT-RD-Y-Q-BLK/YLW	171
PT-PCL6-WHT-10	109	PT-RD-O-A-BLK/ORG	169	PT-RD-Y-R-BLK/YLW	171
PT-PCL6-WHT-14	109	PT-RD-O-B-BLK/ORG	169	PT-RD-Y-S-BLK/YLW	171
PT-PCL6-WHT-25	109	PT-RD-O-BLANK-BLK/OR	169	PT-RD-Y-T-BLK/YLW	171
PT-PCL6-WHT-3	109	PT-RD-O-C-BLK/ORG	169	PT-RD-Y-U-BLK/YLW	171
PT-PCL6-WHT-5	109	PT-RD-O-DASH	169	PT-RD-Y-V-BLK/YLW	171
PT-PCL6-WHT-7	109	PT-RD-O-D-BLK/ORG	169	PT-RD-Y-W-BLK/YLW	171
PT-PCL6-YEL-1	109	PT-RD-O-E-BLK/ORG	169	PT-RD-Y-X-BLK/YLW	171
PT-PCL6-YEL-10	109	PT-RD-O-F-BLK/ORG	169	PT-RD-Y-Y-BLK/YLW	171
PT-PCL6-YEL-14	109	PT-RD-O-G-BLK/ORG	169	PT-RD-Y-Z-BLK/YLW	171
PT-PCL6-YEL-3	109	PT-RD-O-H-BLK/ORG	169	PT-RR-19X7-2S200BLK	98
PT-PCL6-YEL-5	109	PT-RD-O-I-BLK/ORG	169	PT-S-2	145
PT-PCL6-YEL-7	109	PT-RD-O-J-BLK/ORG	169	PT-S-4/ESB4	145
PT-PIC-PAC	166	PT-RD-O-K-BLK/ORG	169	PT-S-6/ESB6	145
PT-PIC-POUCH	166	PT-RD-O-L-BLK/ORG	169	PT-SA1-50	84
PT-PNL-4/EL4	144	PT-RD-O-M-BLK/ORG	169	PT-SA1SS-100	84
PT-PNT-ORG-20	172	PT-RD-O-N-BLK/ORG	169	PT-SCG	106
PT-PNT-ORG-20-SOLV	172	PT-RD-O-P-BLK/ORG	169	PT-SCRUBS-422C-072	173
PT-PNT-WAND-33	172	PT-RD-O-Q-BLK/ORG	169	PT-SCRUBS-90130-030	173
PT-PNT-WHT-20	172	PT-RD-O-R-BLK/ORG	169	PT-SD3X2G4	106
PT-PP-C5E12B-89D	95	PT-RD-O-S-BLK/ORG	169	PT-SEL-4	145
PT-PP-C5E24B-HD	95	PT-RD-O-T-BLK/ORG	169	PT-SEL-6	145
PT-PP-C5E48B-HD	95	PT-RD-O-U-BLK/ORG	169	PT-SH-BLK-15D-FRONT	98
PT-PP-C6-12-89D	95	PT-RD-O-V-BLK/ORG	169	PT-SH-BLK-19D-MID	98
PT-PP-C612B-CONPT	96	PT-RD-O-W-BLK/ORG	170	PT-SL1.5X2G4	106
PT-PP-C6-24-HD	95	PT-RD-O-X-BLK/ORG	170	PT-SL2X1G4	106
PT-PP-C6-48-HD	95	PT-RD-O-Y-BLK/ORG	170	PT-SL2X2G4	106
PT-PP-C6-MUTOA 6P	96	PT-RD-O-Z-BLK/ORG	170	PT-SL3X2G4	106
PT-PP-M5WB105	99	PT-RD-Y-0-BLK/YLW	171	PT-SR11-12	105
PT-PP-M5WB175	99	PT-RD-Y-1-BLK/YLW	170	PT-SR11-14	102
PT-PP-M5WB35	99	PT-RD-Y-2-BLK/YLW	170	PT-SR11-21-1	102

Manufacturer Part Number	Page	Manufacturer Part Number	Page	Manufacturer Part Number	Page
PT-SR11-25-1	102	PT-SR3W-50	104	PWR-B-2-0-GY-LSZH	133
PT-SR11-29-1	102	PT-SR3W-6A	104	PWR-B-2-BK-LSZH	133
PT-SR11-33-1	102	PT-SR3W-8A	104	PWR-B-2-GRN-LSZH	133
PT-SR11-36	102	PT-SRI-JB1	105	PWR-B-2-GY-LSZH	133
PT-SR11-50	102	PT-SRI-JB2	105	PWR-B-2-RD-LSZH	133
PT-SR11-6A	102	PT-SRI-JBD	105	PWR-B-4/0-GRN-LSZH	133
PT-SR11-8A	102	PT-SRW-JB1	105	PWR-B-4-0-GY-LSZH	133
PT-SR1W-12	105	PT-SRW-JB2	105	PWR-B-4-BK-LSZH	133
PT-SR1W-14	102	PT-SRW-JBD	105	PWR-B-4-GRN-LSZH	133
PT-SR1W-21-1	102	PT-SW-5	145	PWR-B-4-GY-LSZH	133
PT-SR1W-25-1	102	PT-SW-6	145	PWR-B-4-RD-LSZH	133
PT-SR1W-29-1	102	PT-SWBD-004GY24 1500	131	PWR-B-6-BK-LSZH	133
PT-SR1W-33-1	102	PT-SWBD-006GY24 1500	131	PWR-B-6-GRN-LSZH	133
PT-SR1W-36	102	PT-SWBD-012GY24	131	PWR-B-6-GY-LSZH	133
PT-SR1W-50	102	PT-SWBD-025GY24 5000	131	PWR-B-6-RD-LSZH	133
PT-SR1W-6A	102	PT-SWBD-100GY24 2500	131	PWR-I-350-GY-LSZH	133
PT-SR1W-8A	102	PT-SWBD-OS-025GY24 5000	131	PWR-I-4/0-GY-LSZH	133
PT-SR2I-12	105	PT-SWBD-OS-032GY24 5000	131	PWR-I-4-0-BK-LSZH	133
PT-SR2I-14	103	PT-SWBD-OS-100GY24 1000	131	PWR-I-500-GY-LSZH	133
PT-SR2I-21-1	103	PT-T1-006GY22 3000	132	PWR-I-750-GY-LSZH	133
PT-SR2I-25-1	103	PT-T1-012GY22 3000	132	RM2500	57
PT-SR2I-29-1	103	PT-T1-012GY24 R7000	132	RM3400	57
PT-SR2I-33-1	103	PT-T1-025GY22 3000	132	RM3700	57
PT-SR2I-36	103	PT-T1-025GY24 R1000	132	S7K DESIGNATION TABS	29
PT-SR2I-50	103	PT-T1-028GY22	132	S7K FACEMAT SOFTWARE	29
PT-SR2I-6A	103	PT-T1-028GY24 1000	132	S7K FACEMAT SOFTWARE	35
PT-SR2I-8A	103	PT-T1-030GY22 3000	132	SERIES 7000 BACKERS	29
PT-SR2W-12	105	PT-T1-032GY24 1000	132	SERIES 7000 BACKERS	35
PT-SR2W-14	103	PT-TC1.5G4	106	SFPAA5A2Z003M	112
PT-SR2W-21-1	103	PT-TC2G4	106	SFPAA6A1M001M	112
PT-SR2W-25-1	103	PT-TC3G4	106	SFPAA6A1M003M	112
PT-SR2W-29-1	103	PT-TL25	100	SFPAA6A1M003M	112
PT-SR2W-33-1	103	PT-TL25P	100	SFPAA6A1M006M	112
PT-SR2W-36	103	PT-TL50	100	SFPAA6A1M010M	112
PT-SR2W-50	103	PT-TL50P	100	SFPAA6A2Z001M	112
PT-SR2W-6A	103	PT-TW	72	SFPAA6A2Z003M	112
PT-SR2W-8A	103	PT-TW2	72	SFPAA6A2Z010M	112
PT-SR3I-12	105	PT-V94EAZS-A93EAZS	137	SFPAK6A1M003M	112
PT-SR3I-14	104	PT-VCM-4X5DC-35	97	SFPAT5A2R003M	112
PT-SR3I-21-1	104	PT-VCM-4X5DS-35	97	SFPAT6A2R001M	112
PT-SR3I-25-1	104	PT-VCT-11-BLK	165	SFPAT6A2R003M	112
PT-SR3I-29-1	104	PT-WP3100CX	39	SFPAT6A2R005M	112
PT-SR3I-33-1	104	PT-XC-1P24-BL/WH-S1000	117	SFPGG8A1U001M	113
PT-SR3I-36	104	PT-XC-1P24-VI/WH-1000	117	SFPKG8A1U018M	113
PT-SR3I-50	104	PT-XC-2P24-BL/WH-OR/WH-S1000	117	SFPKG8A1U019M	113
PT-SR3I-6A	104	PT-XC-3P24-BL/WH-OR/WH-GN/WH-S1000117	117	SFPKG8A1U020M	113
PT-SR3I-8A	104	PWR-B-1/0-BK-LSZH	133	SFPKG8A1U025M	113
PT-SR3W-12	105	PWR-B-1-0-GRN-LSZH	133	SFPKG8A1U030M	113
PT-SR3W-14	104	PWR-B-1-0-GY-LSZH	133	SFPKK0A1M003M	113
PT-SR3W-21-1	104	PWR-B-14-BK-LSZH	133	SFPKK0A2Z003M	113
PT-SR3W-25-1	104	PWR-B-14-GRN-LSZH	133	SFPKK5A2Z003M	112
PT-SR3W-29-1	104	PWR-B-14-GY-LSZH	133	SFPKK6A1M003M	112
PT-SR3W-33-1	104	PWR-B-14-RD-LSZH	133	SFPKK6A2Z003M	112
PT-SR3W-36	104	PWR-B-2-0-GRN-LSZH	133	SFPKK8A2V0005M	114

Manufacturer Part Number	Page	Manufacturer Part Number	Page	Manufacturer Part Number	Page
SFPKK8A2V008M	114				
SFPKK8A2V010M	114				
SFPKQ0A1M003M	114				
SFPQQ0A1M003M	114				
SFPQQ0A2Z003M	114				
SFPTT5A2R003M	112				
SFPTT6A2R003M	112				
SP-1002P-RD	161				
SP-Ballistol-06	175				
SP-DC-RJ14-DE-25	42				
SP-DC-RJ14-DE-75	42				
ST-809	152				
ST-828	152				
SW-C3X-2P22BG-P1000	118				
SW-C3X-2P24BG-P1000	118				
SW-C3X-3P22BG-P1000	118				
SW-C3X-3P24BG-P1000	118				
SW-C3X-4P24BG-P1000	118				
T120L9K2	164				
TA-1	167				
TA-10	167				
TA-12	167				
TA-3	167				
TA-5	167				
TA-6	167				
UP3B-235	57				
UP3B-27	57				
UP3B-39	57				
UP3B-75	57				
UP3P-235	57				
UP3P-39	57				
UP3P-75	57				
V38203-A467 NETWORK	32				
VA9900CW	27				
WXI3077	23				
XC-1P24-F-B/Y-S1000	117				
XC-1P24-F-RD/WH-S1000	117				
XC-1P24-F-VI/BL-S500	117				
XC-1P24-F-WH/BL-S1000	117				
XC-1P24-GN/WH-S1000	117				
XC-1P24-OR/WH-S1000	117				
XC-1P24-OR/WH-S400	117				
XC-2.5P24-BL/WH-OR/WH-GN-S1000	117				
XC-2P24-F-BL/RD-OR/RD-S1150	117				



600 New Century Parkway
New Century, KS 66031-8000

800-755-1950

www.kgplogistics.com