

Hoods

Introducing our **brand new range of fully co-ordinated appliances**. Good looking on their own and fabulous together, they're not labelled **iQ** for nothing!

Style, speed and silent running are what set a Siemens hood apart from the competition. That, and the fact that they're all installed with a variety of ingenious and easily operated functions.

One of the major driving forces behind the creation of Siemens' brand new **iQ** range was to offer the customer the ability to achieve seamless design co-ordination between appliances. So the range comes in four distinct variants: **iQ100**, **iQ300**, **iQ500** and **iQ700**, that covers almost every kitchen appliance we make. With all the pieces designed to combine effortlessly with each other.

iQ 100

The range

Typical Siemens style and build quality, offering exceptional value.

iQ 300

The range

Good-looking mid-range appliances equipped with an attractive selection of smart features.

iQ 500

The range

Oozing class and refinement, these machines unite first-class features with top-class technology.

iQ 700

The range

Radical design allied with seriously innovative technology is the basis of these, our premium models.



All our hoods come fully fitted with a number of features and benefits.

Such as lamps to illuminate the cooking area and the latest in easily changeable grease filters. They also offer a range of extraction speeds including intensive, and all feature easy to use ergonomic controls.

They are all also very easy to install, with the added benefit that almost all hood models can either be set for ducted or re-circulated extraction depending on the design of the kitchen. This means that you are not restricted to fitting a hood to an outside wall.

Classic Siemens design

Designed to co-ordinate with other Siemens cooking appliances, our hoods' contemporary looks are showcased in the LC958BB90B, which shares the same lightControl operational concept as our top of the range ovens. Even iQ300 models like the LC955GA30B come with glass canopies, our basic built under hood is crafted from stainless steel and our standard pyramid style models, such as the LC956WB30B, now have a sleeker, more stylish slim line canopy.



Discreet operating controls

Cleverly, the side trims on the LC955GB60B and LC755GB60B contain the controls, enhancing the sleek minimalist look. The new 'White On Black' digital display elegantly matches our other cooking appliances.

Typical Siemens technology and innovation

Intensive setting with automatic reset facility

The intensive setting gives an extra boost to the extraction level – particularly useful when extra extraction is needed, for example stir frying. As the intensive setting is only required for a short period of time, the hood will automatically revert back to a lower speed setting after a few minutes.



Softlight dimmer function

Thanks to the dimmer light function you can set the brightness of the hood to provide atmospheric lighting in the kitchen. When the light is switched on, it does not shine at its maximum strength straight away, but builds up gradually. Similarly when you switch the light off, the light gradually fades away. When the light is on, its intensity can even be adjusted to suit your individual requirements.

Auto after running

Some models have an automatic run on facility, which keeps the hood working for an additional 10 minutes, to help remove any lingering cooking odours.



Ultra-sound sensor (automatic control)

A special sensor that uses ultra-sound to detect steam and automatically adjusts the extraction power, so you don't have to.

varioControl

Available on the LI49632GB telescopic hood, the position of the controls can be set at 4 different positions to suit your own individual requirements. The controls can be mounted on the front edge, front top or positioned on the right or left hand side of the hood. The hood also has the option to fit the front with a light pelmet, or the optional stainless steel effect décor panel strip. The optional lowering frame LZ46000 allows some telescopic hoods to be totally concealed behind a matching furniture door when not in use, only being lowered and extended when cooking. This is an excellent option where recessed lighting is preferred to fitting a light pelmet.

Interval operation

This setting allows the hood to ventilate the kitchen at hourly intervals using the lowest fan setting. The fan runs for 5 minutes at setting 1 hourly, ideal for removing strong lingering cooking odours like curry or fish overnight.

All the quality and safety you'd expect.

All Siemens hood extraction and noise levels are measured to recognised European standards. Therefore all figures quoted accurately relate to the performance of the hood when it's either connected to the relevant ducting components or set to the re-circulating mode – so that you can accurately select the most appropriate hood to meet your own requirements.

Bright lighting

Every hood model offers excellent illumination of the hob space underneath. The 20W halogen bulbs (on most of the range) give a bright, white light and are more energy efficient than standard bulbs.

Noise levels and sound insulation

There are two commonly used measures for noise levels – sound pressure (dBA) and sound power (dB re 1pW).

Although dBA (sound pressure) is the most quoted, particularly by other manufacturers, it can be highly subjective and the test guidelines open to wide interpretation, making comparisons virtually impossible. Siemens prefer to use the sound power method, which requires measurements to be made in a sound insulated room of pre-set size, using six pre-defined microphone points. This ensures meaningful comparisons can be made between different models tested in this way.

Many Siemens models use additional sound insulation around the motor to keep noise as low as possible.

Dishwasher-safe metal grease filters and filter boxes

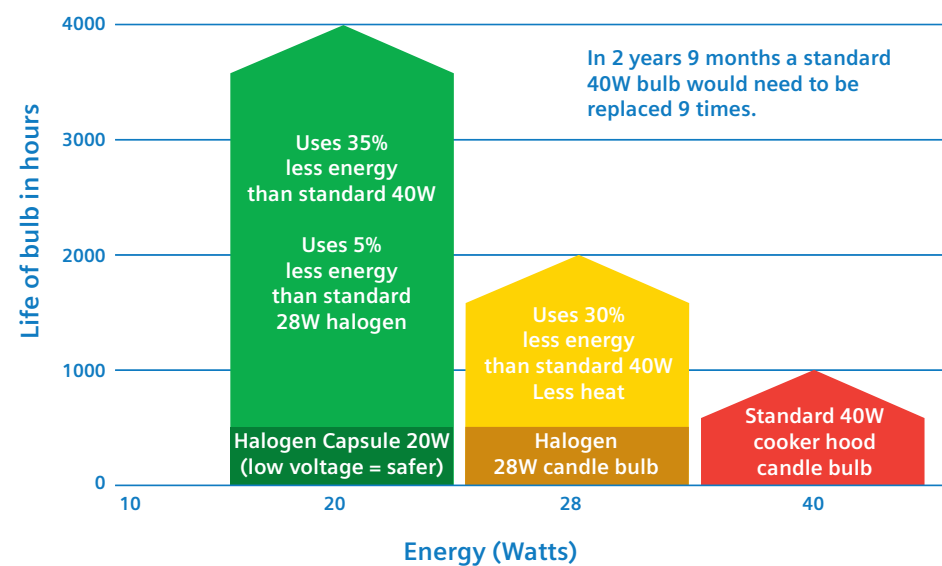
All the metal grease filters on our hoods can be cleaned in a dishwasher. Some of our models (particularly those with glass canopies) have their filters in a box which are removable and can be placed in the dishwasher.



Pivoting glass canopy

As well as touch control operation, the model LC955KA40B above has a glass canopy that pivots up and down, providing easier access to the hob when you need it, together with maximum steam capture when you are away from the hob.

Halogen Bulb Light Saving Benefits



Cosmetic filter covers and rim ventilation

Some models have stylish clip on covers. These serve a cosmetic purpose by hiding the grease filters. Solid covers also allow for 'Rim ventilation', where the air is extracted around the edges of the cover and then filtered.

Saturation indicators

If the hood's filters becomes saturated with grease, the hood extraction performance will deteriorate. So, in order to ensure that the hood always works as efficiently and safely as possible, the hood will automatically advise you when the filters need cleaning or replacing. This feature is only available on certain models in the range.

Installation advice.

A Siemens extractor hood not only needs to look the part in the kitchen it also needs to perform to the highest standard. That's why it is essential that the correct hood specified for the room space and is installed correctly.

Extractor benefits

Steam created during cooking can create excess moisture in the home and strong cooking odours as well as grease-laden air can linger throughout the house. With open-plan living becoming more of the norm, it is increasingly becoming more important to ensure that the correct extractor is installed in the kitchen and that unwanted moisture and smells are extracted from the home.

Ducting

For optimum performance, your extractor hood should be ducted to the outside of the house by using the correct ducting size. The larger the ducting size, more volume of air can be extracted from the kitchen and the quieter the hood will be. All Siemens hoods are suitable for use with a 120mm diameter ducting as standard and use of ducting with a lesser diameter should be avoided if possible. Some models offer the option of increasing this to an even larger 150mm size thus increasing efficiency and lowering noise levels even further.

Ducting lengths should be as short and as direct as possible thus ensuring that the air is extracted to the outside as quickly as possible. Bends should be kept to the minimum and the ducting itself should be as smooth as possible to ensure smooth, unobstructed air flow.



Re-circulated operation

Sometimes it is not practical for the hood to be ducted to the outside, so most Siemens hoods can also be set to a re-circulating mode (please check individual product specifications for details). With the aid of a special odour filter accessory, every Siemens hood can be set to filter the air and re-circulate it back into the kitchen. Extraction efficiency is however slightly lower when using this method and the odour filter will need to be replaced on a regular basis.

Powerful extraction

In order to ensure that your chosen hood is powerful enough to effectively remove moisture and cooking odours from the kitchen, a quick calculation can be made. As a guide, the hood must be able to change the air in the kitchen between 6-10 times per hour.

To choose the correct hood, firstly calculate the volume of the kitchen (HxWxD metres). Then divide the maximum extraction rate of your chosen hood by the volume of the room. In order to ensure extraction performance, this figure should be as close to 10 as possible. For example:
 Room 4m x 3m x 2.4m = 28.8m³
 10 changes per hour = 10 x 28.8m³ = 288m³/h
 ie. hood must achieve min 288m³/h

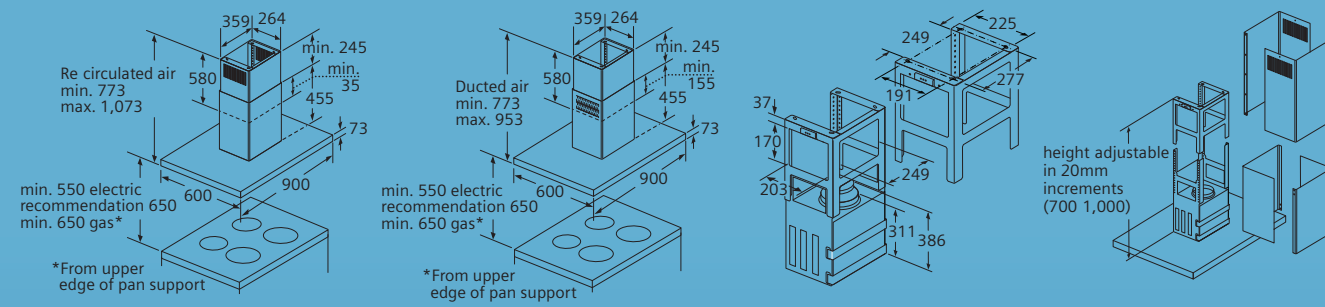
Minimal noise

To avoid excessive noise, we would suggest selecting a model which meets the aforementioned requirements on an intermediate speed (e.g. level 2) rather than at the highest speed.

Sleek designs

Whichever type of hood you actually decide upon, we've got one within our range. Styles vary from the superb stainless steel chimney (in 40, 60, 70, 90 or 100cm widths) and island hoods, to the telescopic pull out (shown above) or cupboard mounted models.

iQ700 Island chimney hood



Measurements in mm

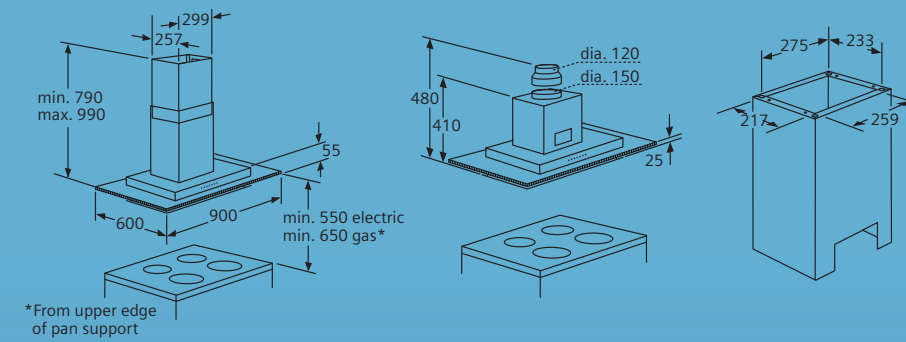


Island chimney hood LF958BA60B stainless steel

- 900 mm wide
 - 4 x 20W halogen lights
 - Softlight with dimmer function
 - Height adjustable chimney sections
 - Suitable for ducted and re circulating operation
 - White electronic display
 - Steel filter cover
 - Electronic control
 - 3 x metal grease filter cassettes
 - Electronic power level display
 - Grease and charcoal saturation indicators
 - Soft touch metal button control
 - 3 power levels plus intensive setting
 - Automatic intensive revert
 - Automatic after running (10mins)
 - Additional noise reduction insulation
- Optional accessory:**
Re circulating kit LZ52850

The line drawings featured are provided as a guide to general dimensions only and are subject to amendment without prior notice.
For full dimensional and installation details, please refer to the documentation supplied with the appliance.

iQ700 Island chimney hood



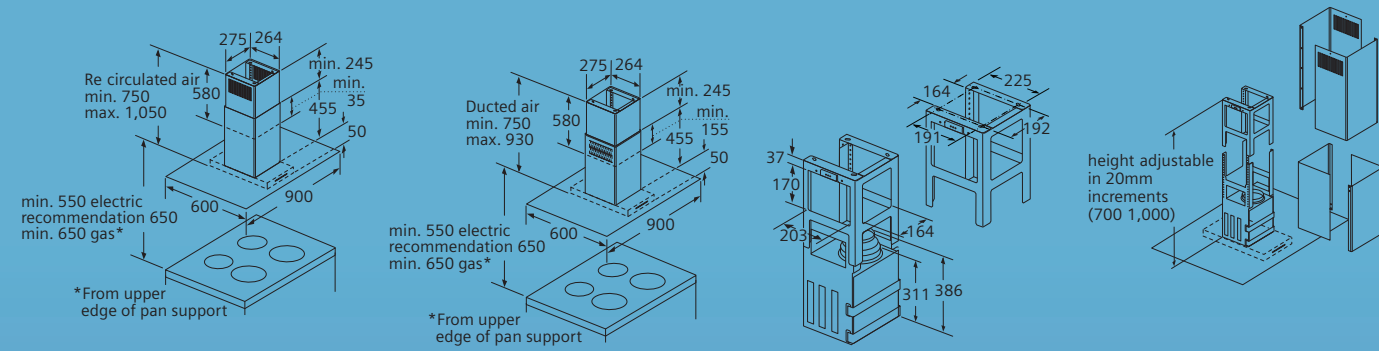
Measurements in mm



Island chimney hood LF957GA70B stainless steel

- 900 mm wide
- 4 x halogen lights
- Softlight with dimmer function
- Stainless steel chimney hood with glass canopy
- Suitable for ducted operation only
- Height adjustable chimney sections
- Rim ventilation
- White electronic display
- Glass filter cover
- Electronic control and power level display
- 2 x metal grease filter cassettes
- Touch control
- Grease and charcoal saturation indicators
- 3 x power levels plus intensive setting
- Automatic intensive revert
- Automatic after running (10mins)

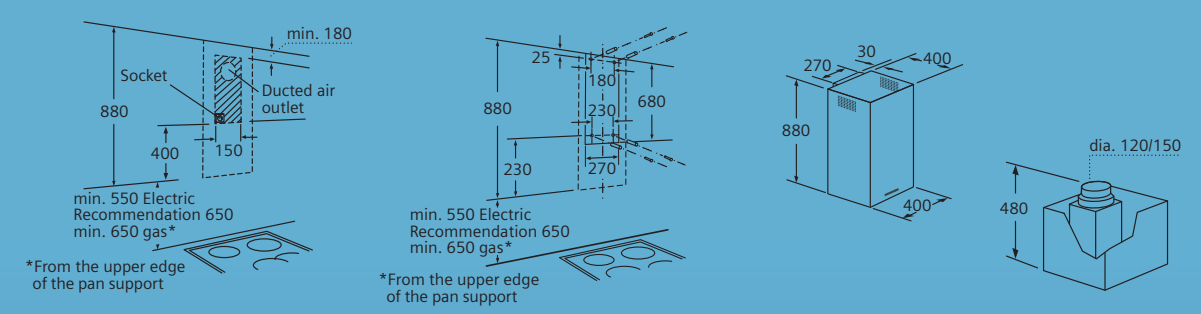
iQ 500 Island chimney hood



Measurements in mm



iQ 700 Cube style chimney hood



Measurements in mm



Island chimney hood LF957GA40B stainless steel

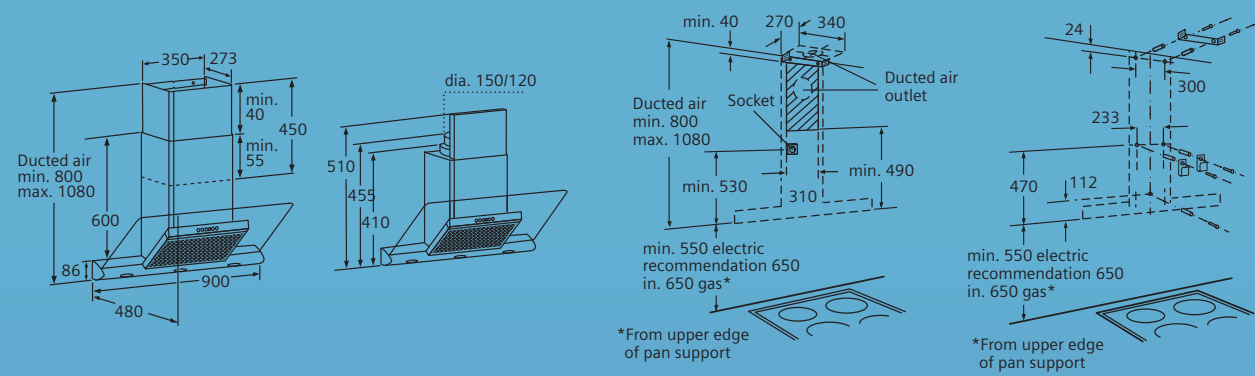
900 mm wide	4 x 20W halogen lights
Stainless steel chimney hood with glass canopy	Suitable for ducted and re circulating operation
Height adjustable chimney sections	Removable filter box 1 x glass filter cassette Charcoal filter saturation indicator
White electronic display	
Electronic control and power level display Soft touch metal button control 3 x power levels plus intensive setting Automatic intensive revert	Optional accessory: Re circulating Kit LZ52650

Cube style chimney hood LC457CA60B stainless steel

400 mm wide	Suitable for ducted and re circulating operation
White electronic display	Rim ventilation Steel filter cover 1 x metal grease filter cassette Grease and charcoal filter saturation indicators
Electronic control and power level display Soft touch metal button control 3 x power levels plus intensive setting Automatic intensive revert Automatic after running (10 mins)	Optional accessory: Re circulating kit LZ54650
3 x halogen lights	

The line drawings featured are provided as a guide to general dimensions only and are subject to amendment without prior notice.
For full dimensional and installation details, please refer to the documentation supplied with the appliance.

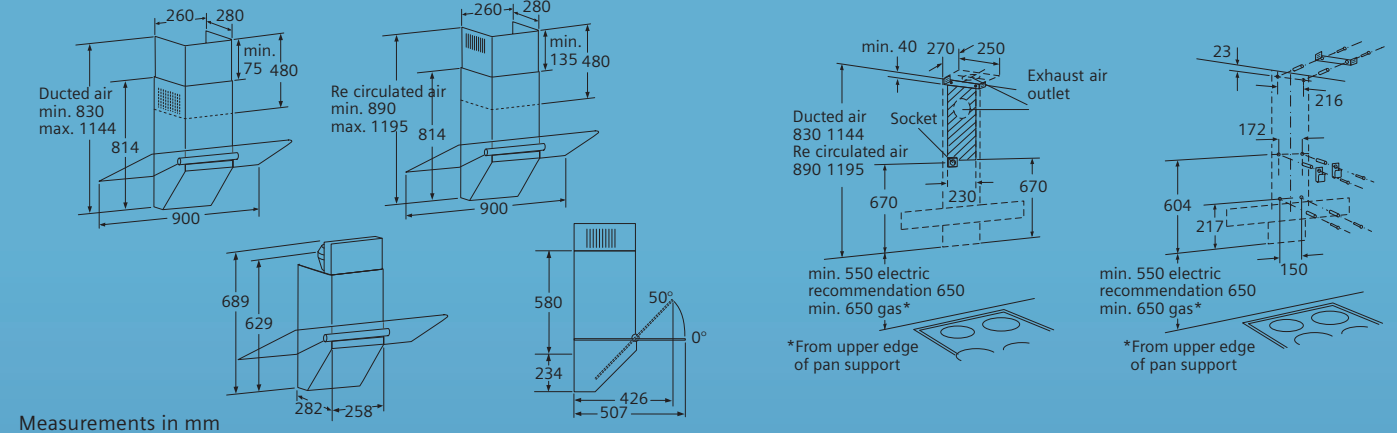
iQ700 Angled glass hood



Measurements in mm



iQ700 Angled glass hood



Measurements in mm



Angled glass hood LC956KA40B stainless steel

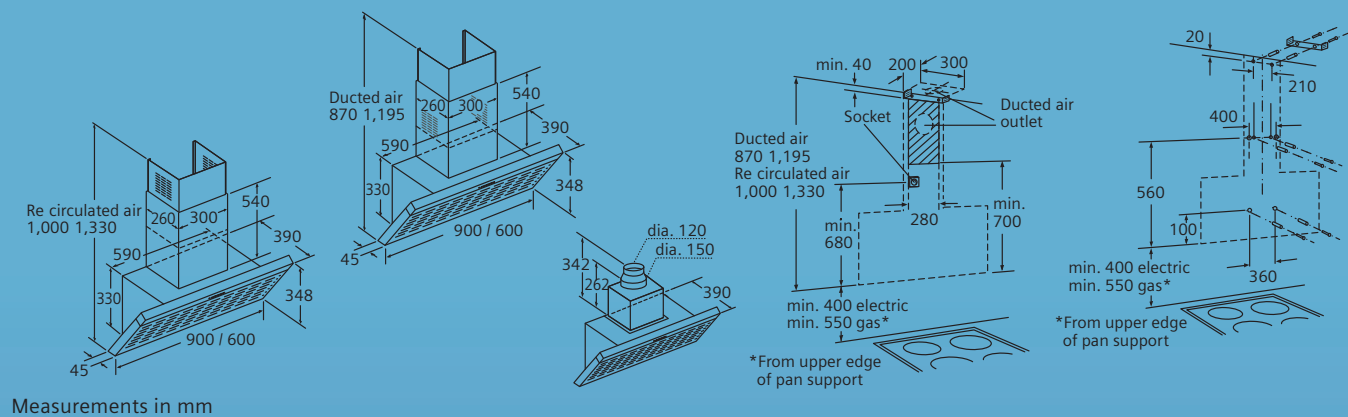
- 900 mm wide
- 3 x halogen lights
- Softlight dimmer function
- Stainless steel hood with glass canopy
- Suitable for ducted operation only
- Height adjustable chimney sections
- Steel filter cover
- White electronic display
- 1 x metal grease filter cassette
- Electronic control and power level display
- Grease and charcoal filter saturation indicators
- Soft metal touch button control
- 3 x power levels plus intensive setting
- Automatic intensive revert
- Automatic after running (10 mins)
- Additional noise reduction insulation

Angled glass hood LC955KA40B stainless steel

- 900 mm wide
- Suitable for ducted and re circulating operation
- Stainless steel hood with adjustable pivoting glass canopy
- Removable filter box
- Height adjustable chimney sections
- 1 x metal grease filter cassette
- White electronic display
- Grease and charcoal filter saturation indicators
- Electronic control and power level display
- Optional accessory:**
- Touch control
- Re circulating kit LZ51850
- 3 x power levels plus intensive setting
- Automatic intensive revert
- Automatic after running (10 mins)
- 2 x halogen lights

The line drawings featured are provided as a guide to general dimensions only and are subject to amendment without prior notice. For full dimensional and installation details, please refer to the documentation supplied with the appliance.

iQ300 Angled hoods



Measurements in mm



Angled hood LC956KA30B stainless steel

900 mm wide

Height adjustable chimney sections

Blue indicator lights

Push button control
3 x power levels

2 x 20W halogen lights

Suitable for ducted and re circulating operation

Steel filter cover
3 x metal grease filter cassettes

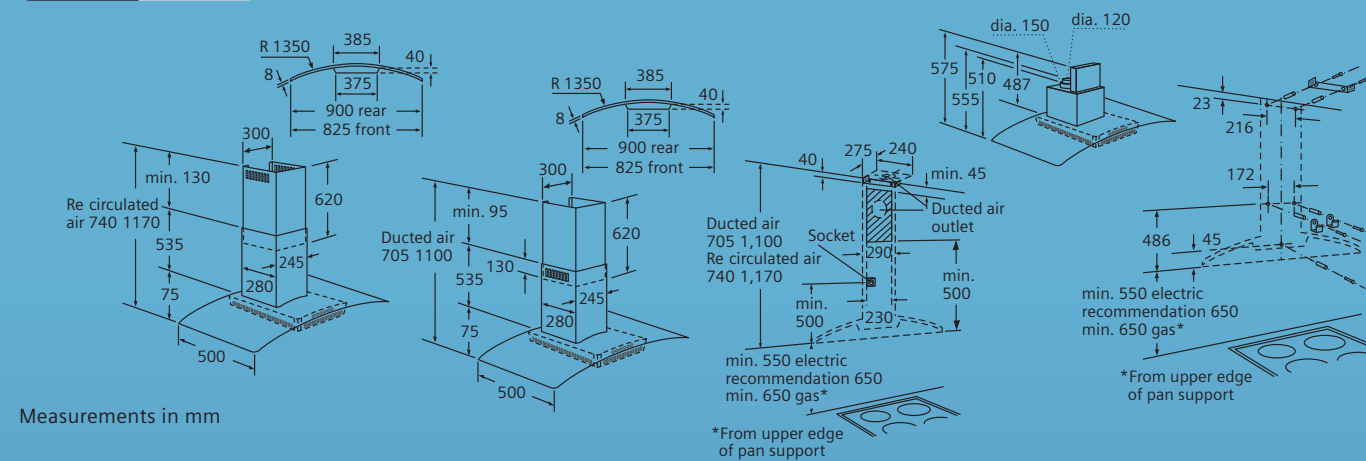
Optional accessory:
Re circulating kit LZ54950

Also available in 600 mm width as model LC656KA30B

- Specification as left except:
- 600 mm wide
- 2 x metal cartridge grease filters

The line drawings featured are provided as a guide to general dimensions only and are subject to amendment without prior notice. For full dimensional and installation details, please refer to the documentation supplied with the appliance.

iQ700 Glass hood



Measurements in mm



Glass hood LC955HA60B stainless steel

900 mm wide

Height adjustable chimney sections

Stainless steel hood with glass canopy

White electronic display

Electronic control and power level display
Soft touch button control
3 x power levels plus intensive setting
Automatic intensive revert
Automatic after running (10 mins)

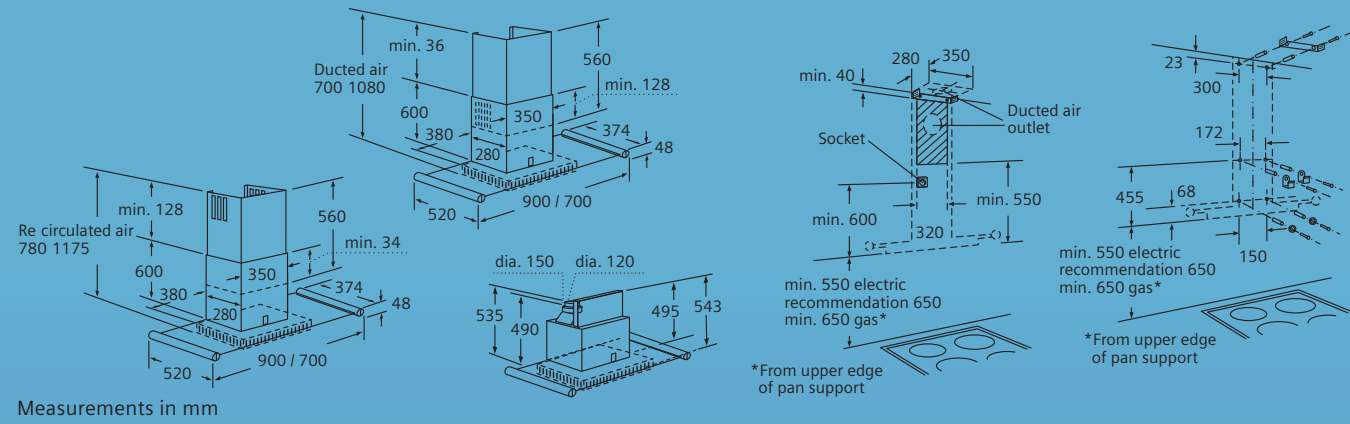
2 x 20W halogen lights
Softlight with dimmer function

Suitable for ducted and re circulating operation

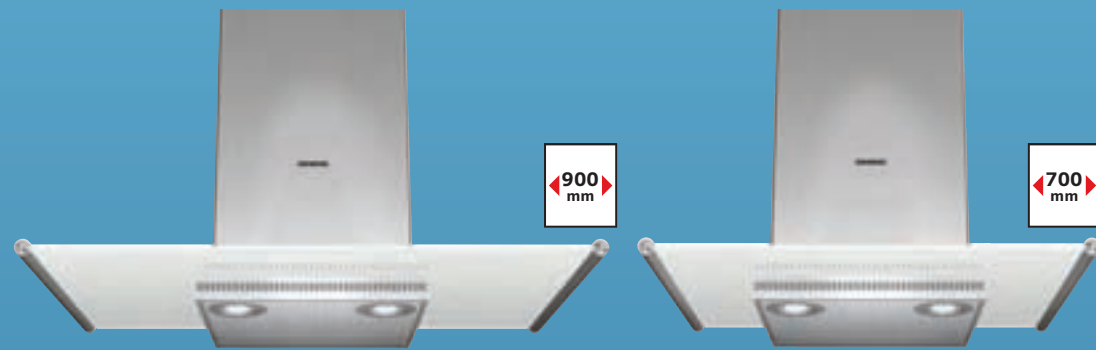
Removable multi zone extraction filter box
1 x metal grease filter cassette
Grease and charcoal filter saturation indicators

Optional accessory:
Re circulating kit LZ51850

iQ 500 Glass hoods



Measurements in mm



Glass hood LC955GB60B stainless steel

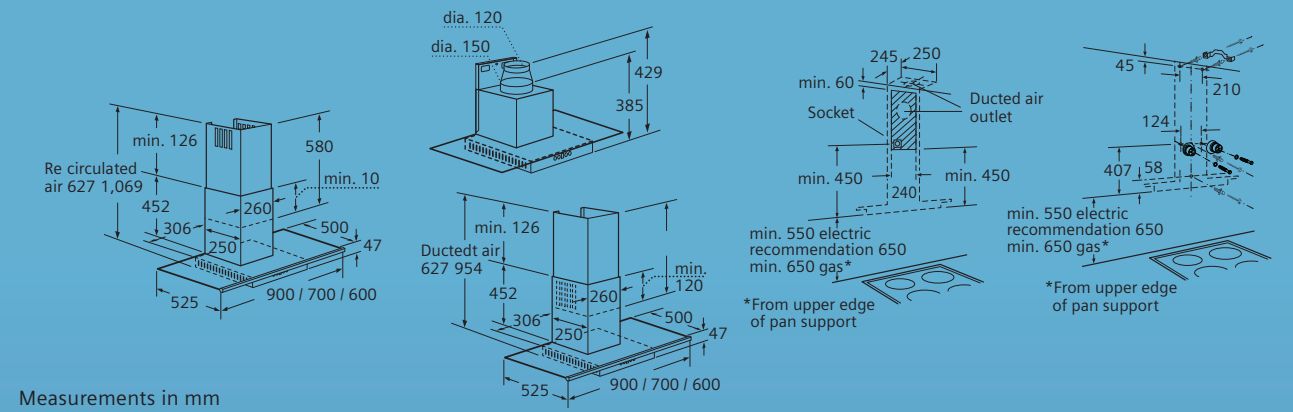
- 900 mm wide
- 2 x 20W halogen lights
- Softlight with dimmer function
- Height adjustable chimney sections
- Suitable for ducted and re circulating operation
- Stainless steel hood with glass canopy
- Removable multi zone extraction filter box
- White electronic display
- 1 x metal grease filter cassette
- Electronic control and power level display
- Grease and charcoal filter saturation indicators
- Soft touch button control
- 3 x power levels plus intensive setting
- Automatic intensive revert
- Optional accessory:**
Re circulating kit LZ51550

Also available in 700 mm width as model LC755GB60B

- Specification as left except:
- 700 mm wide

The line drawings featured are provided as a guide to general dimensions only and are subject to amendment without prior notice. For full dimensional and installation details, please refer to the documentation supplied with the appliance.

iQ 500 Glass hoods



Measurements in mm



Glass hood LC957GB40B stainless steel

- 900 mm wide
- 2 x 20W halogen lights
- Suitable for ducted and re circulating operation
- Stainless steel hood with glass canopy
- Removable multi zone extraction filter box
- White electronic display
- 1 x metal grease filter cassette
- Electronic control and power level display
- Charcoal filter saturation indicator
- Soft touch button control
- 3 x power levels plus intensive setting
- Automatic intensive revert
- Optional accessory:**
Re circulating kit LZ52250

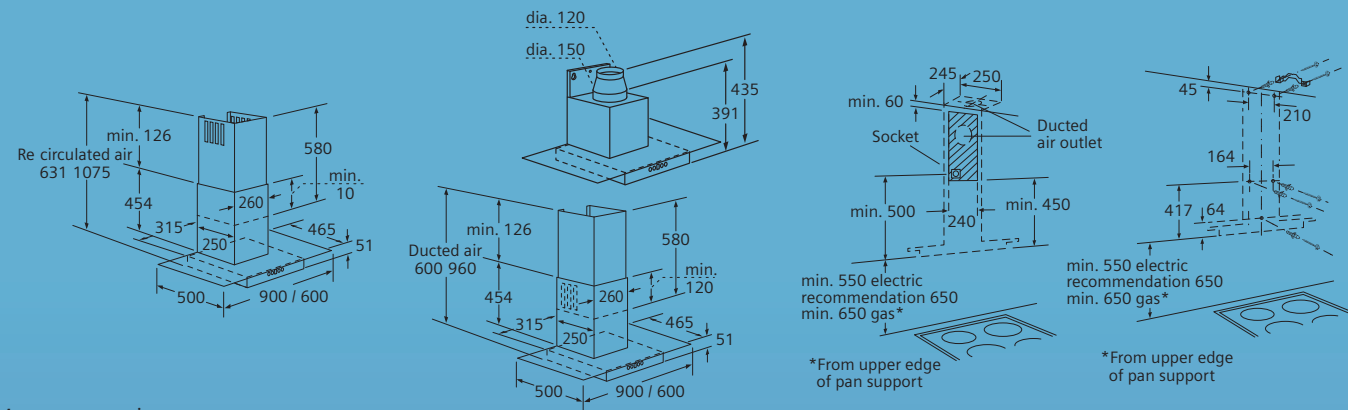
Also available in 700 mm width as model LC757GB40B

- Specification as left except:
- 700 mm wide

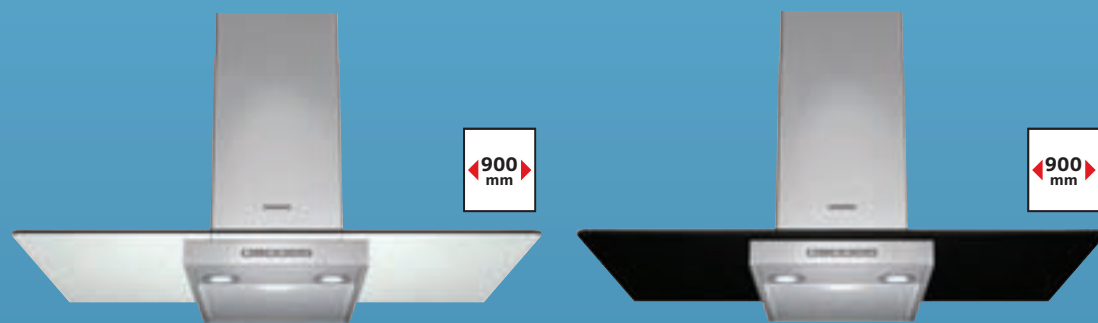
Also available in 600 mm width as model LC657GB40B

- Specification as left except:
- 600 mm wide

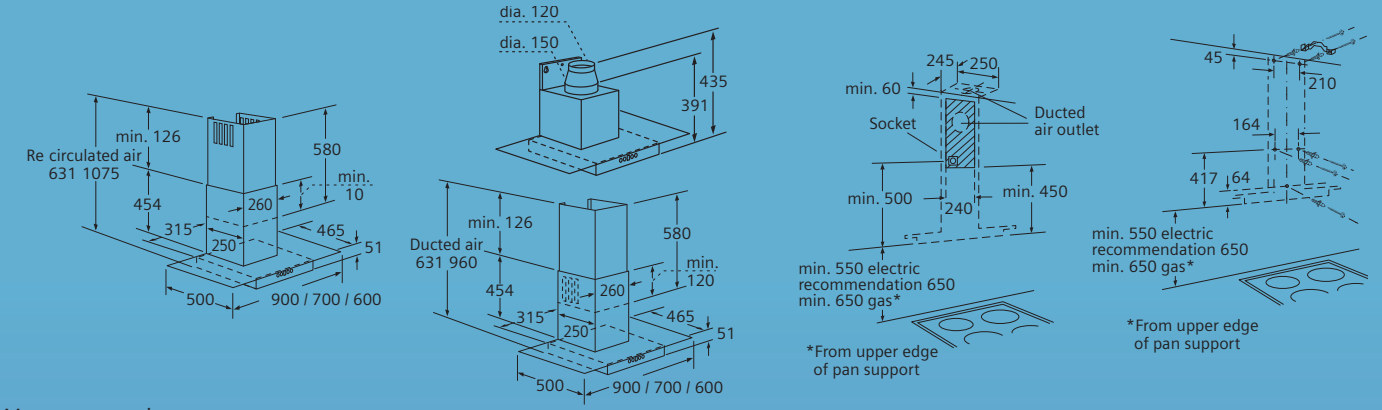
iQ300 Glass hoods



Measurements in mm



iQ300 Glass hoods



Measurements in mm



Glass hood LC955GA30B stainless steel

- 900 mm wide
- 2 x 20W halogen bulbs
- Height adjustable chimney sections
- Suitable for ducted and re circulating operation
- Stainless steel hood with glass canopy
- Removable filter box
- Blue indicator lights
- 1 x metal grease filter cassette
- Push button control
- Optional accessory:** Re circulating kit LZ52250
- 3 x power levels plus intensive setting

Also available in 900 mm width as black model LC965GA30B

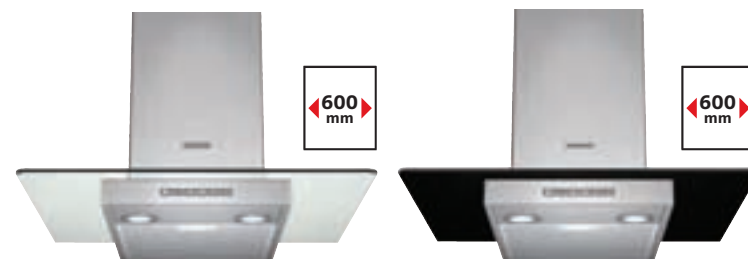
- Specification as left except:
- Black glass canopy

Also available in 600 mm width as stainless steel model LC655GA30B

- Specification as left except:
- 600 mm wide

Also available in 600 mm width as black model LC665GA30B

- Specification as left except:
- 600 mm wide
- Black glass canopy



The line drawings featured are provided as a guide to general dimensions only and are subject to amendment without prior notice. For full dimensional and installation details, please refer to the documentation supplied with the appliance.

Glass hood LC954GA20B stainless steel

- 900 mm wide
- 2 x 28W low energy halogen bulbs
- Height adjustable chimney sections
- Suitable for ducted and re circulating operation
- Stainless steel hood with glass canopy
- Removable filter box
- Blue indicator lights
- 1 x metal grease filter cassette
- Rocker control switch
- 3 x power levels
- Optional accessory:** Re circulating kit LZ52250

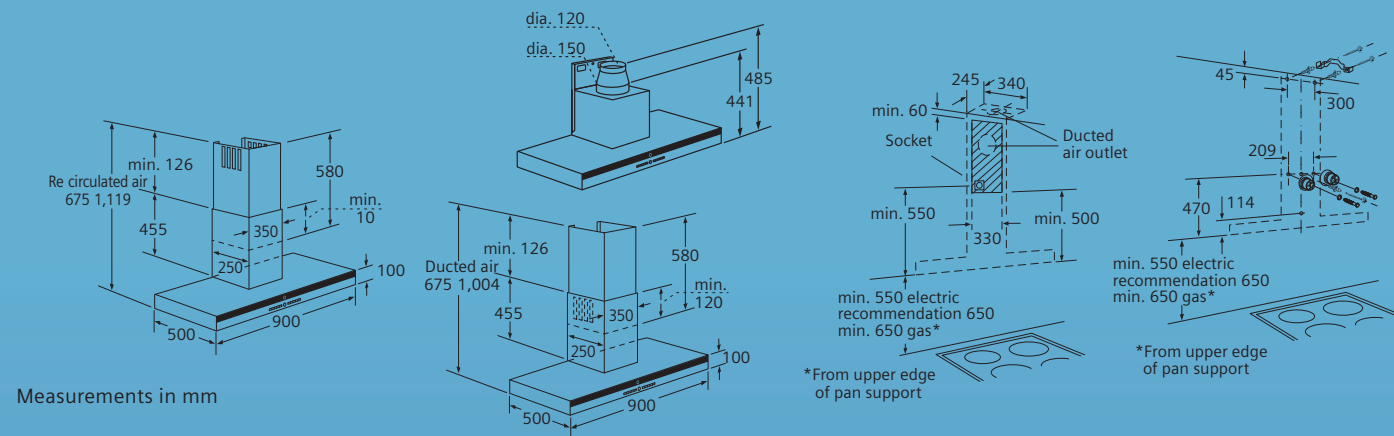
Also available in 700 mm width as model LC754GA20B

- Specification as left except:
- 700 mm wide

Also available in 600 mm width as model LC654GA20B

- Specification as left except:
- 600 mm wide

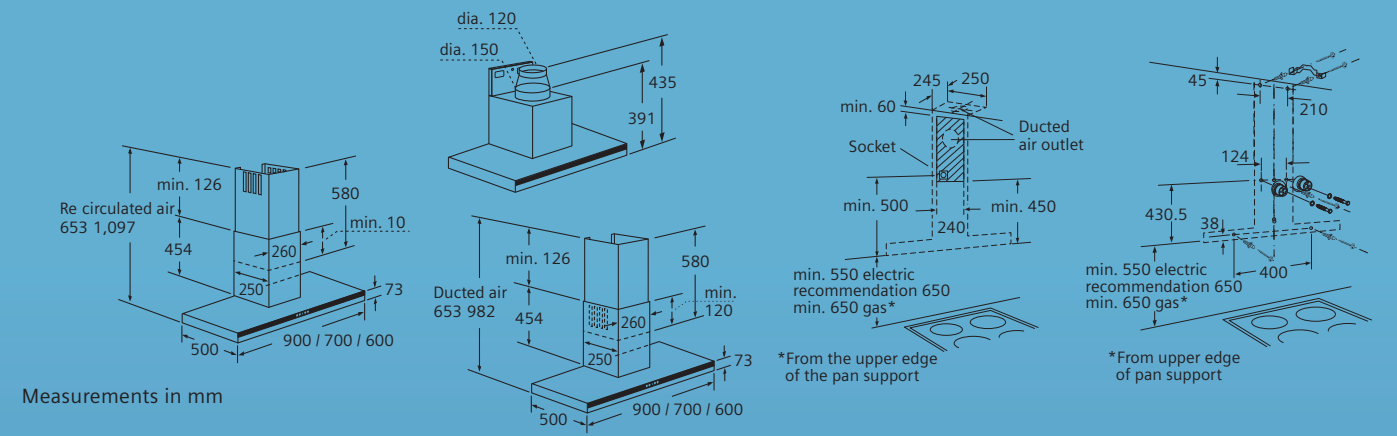
iQ 700 Box style hood



Measurements in mm



iQ 500 Box style hoods



Measurements in mm



Box style hood LC958BB90B stainless steel

- | | |
|--|--|
| 900 mm wide | 3 x power levels plus intensive setting
Automatic intensive revert |
| Height adjustable chimney sections | Automatic after running (10 mins)
Additional noise reduction insulation |
| Day/night glass and metal fascia | |
| Light control | 3 x 20W halogen lights |
| Illuminated control dial | Softlight with dimmer function |
| White electronic display | |
| Blue indicator lights | Suitable for ducted and re circulating operation |
| Electronic control and power level display | Steel filter cover |
| Central illuminated control dial | 2 x metal grease filter cassettes |
| Soft touch metal button controls | Grease and charcoal filter saturation indicators |

Optional accessory:

Re circulating kit LZ52450

The line drawings featured are provided as a guide to general dimensions only and are subject to amendment without prior notice. For full dimensional and installation details, please refer to the documentation supplied with the appliance.

Box style hood LC956BB40B stainless steel

- | | |
|--|--|
| 900 mm wide | 3 x 20W halogen lights |
| Height adjustable chimney sections | Suitable for ducted and re circulating operation |
| Day/night glass and metal fascia | |
| White electronic display | 3 x metal grease filter cassettes |
| Electronic control and power level display | Charcoal filter saturation indicator |
| Push button control | |
| 3 x power levels plus intensive setting | Optional accessory:
Re circulating kit LZ52250 |
| Automatic intensive revert | |

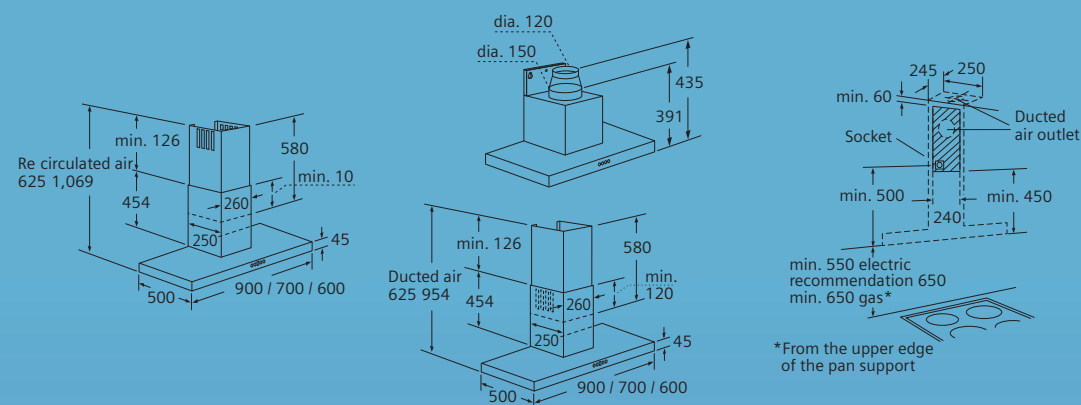
Also available in 700 mm width as model LC756BB40B

- Specification as left
- 700 mm wide
- 2 x 20W halogen lights
- 2 x metal grease filters

Also available in 600 mm width as model LC656BB40B

- Specification as left
- 600 mm wide
- 2 x 20W halogen lights
- 2 x metal grease filters

iQ300 Box style hoods



Measurements in mm



Box style hood LC954BA20B stainless steel

900 mm wide

Height adjustable chimney sections

Rocker switch control
3 x power levels

2 x 20W halogen lights

Suitable for ducted and re circulating operation

2 x metal grease filter cassette

Optional accessories:
Re circulating kit LZ52250

Also available in 700 mm width as model LC754BA20B

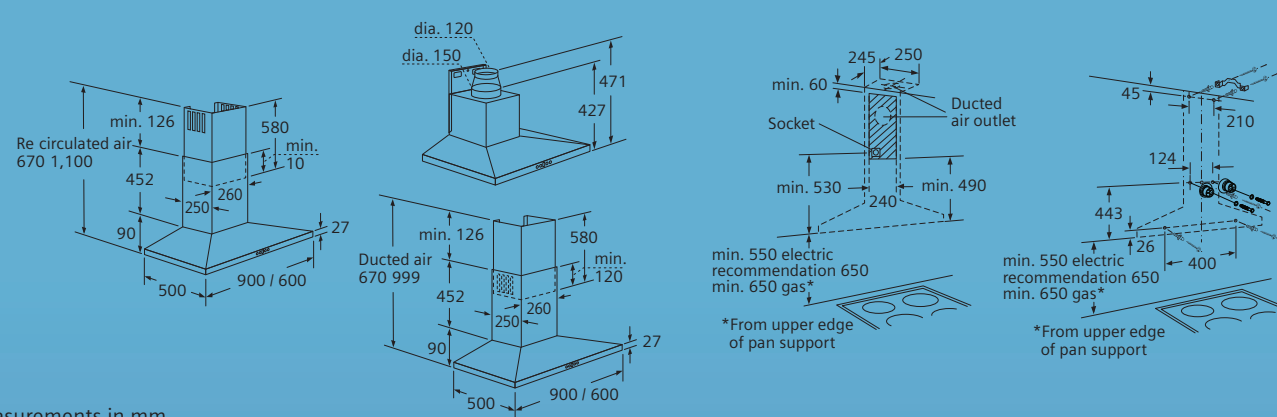
- Specification as left except:
- 700 mm wide

Also available in 600 mm width as model LC654BA20B

- Specification as left except:
- 600 mm wide

The line drawings featured are provided as a guide to general dimensions only and are subject to amendment without prior notice. For full dimensional and installation details, please refer to the documentation supplied with the appliance.

iQ300 Standard hoods



Measurements in mm



Standard hood LC956WB30B stainless steel

900 mm wide

Height adjustable chimney sections

Blue indicator lights

Push button control
3 x power levels plus intensive setting

2 x 20W halogen lights

Suitable for ducted and re circulating operation

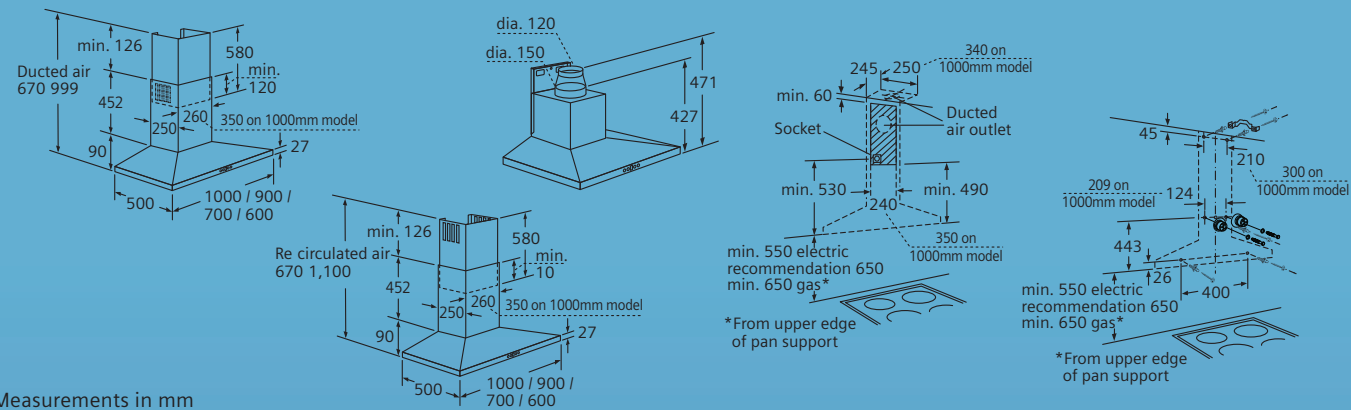
2 x metal grease filter cassettes

Optional accessories:
Re circulating kit LZ52250

Also available in 600 mm width as model LC656WB30B

- Specification as left except:
- 600 mm wide

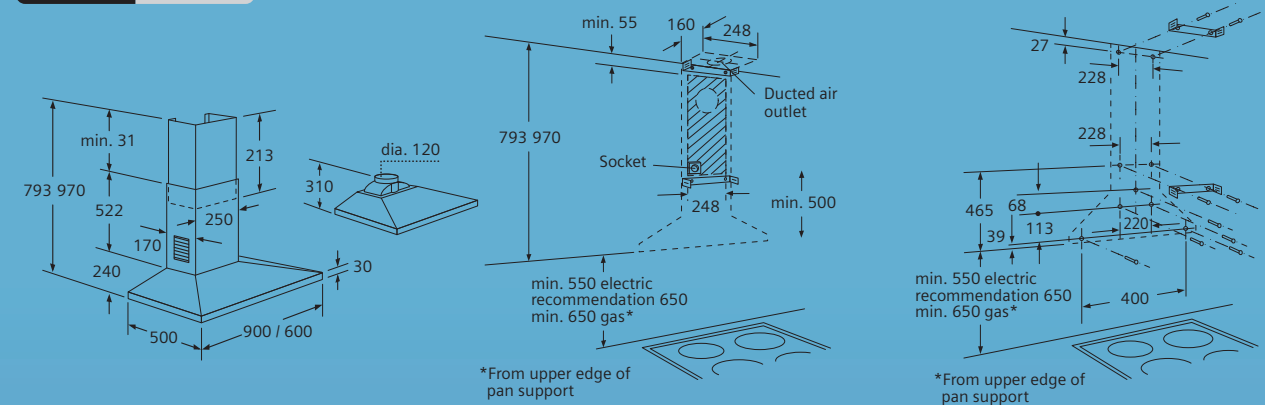
iQ300 Standard hoods



Measurements in mm



iQ100 Standard hoods



Measurements in mm



Standard hood LC154WA30B stainless steel

- 1000 mm wide
- Height adjustable chimney sections
- Blue indicator lights
- Push button control
- 3 x power levels
- 2 x 40W bulbs
- Suitable for ducted and re circulating operation
- 2 x metal grease filter cassettes

Optional accessories:

Re circulating kit LZ52250

Also available in 900 mm width as model LC954WA30B

- Specification as left except:
- 900 mm wide

Also available in 700 mm width as model LC754WA30B

- Specification as left except:
- 700 mm wide

Also available in 600 mm width as model LC654WA30B

- Specification as left except:
- 600 mm wide



The line drawings featured are provided as a guide to general dimensions only and are subject to amendment without prior notice. For full dimensional and installation details, please refer to the documentation supplied with the appliance.

Standard hood LC953WA10B stainless steel

- 900 mm wide
- Height adjustable chimney sections
- Slider switch control
- 2 x power levels
- 2 x 40W bulbs
- Suitable for ducted and re circulating operation
- 3 x metal grease filter cassettes

Optional accessories:

Re circulating kit LZ51450

Also available in 900 mm width as model LC963WA10B

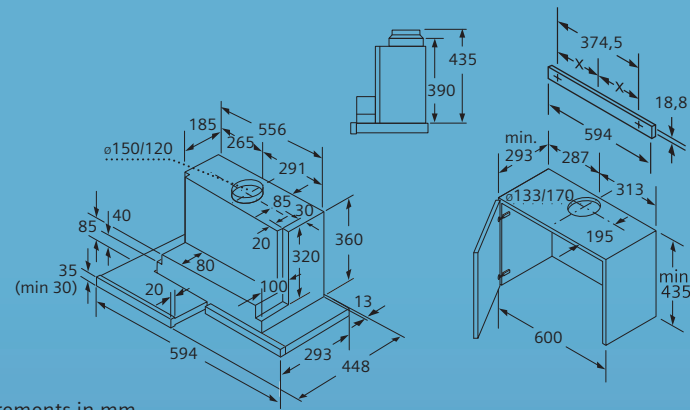
- Specification as left except:
- Black gloss

Also available in 600 mm width as stainless steel model LC653WA10B and black gloss model LC663WA10B

- Specifications as left except:
- 600 mm wide
- 1 x metal filter cassette



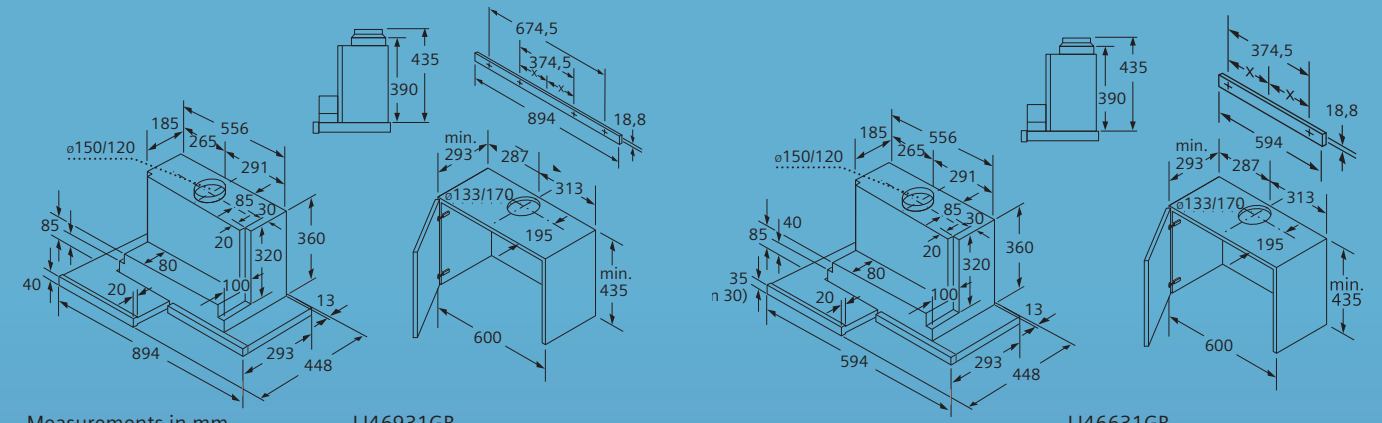
Telescopic extractor hood



Measurements in mm



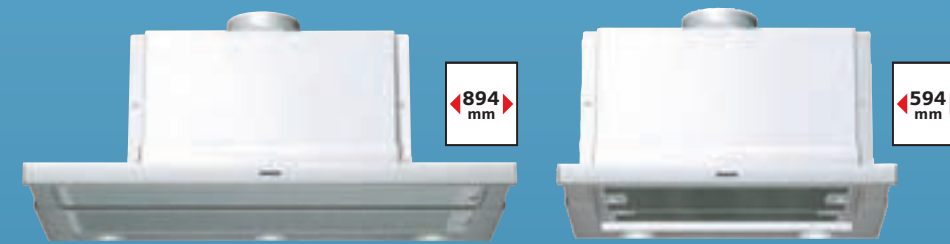
Telescopic extractor hoods



Measurements in mm

LI46931GB

LI46631GB



Extractor hood with telescopic canopy LI49632GB silver metallic lacquer

594 mm wide	2 x 20W halogen lights
White electronic display	Softlight with dimmer function
varioKontrol	Suitable for ducted and re circulating operation
Automatic ultra sound control	Double filter system
Interval operation	2 x metal grease filter cassettes
Push button control	Grease and charcoal filter saturation indicators
3 x power levels plus intensive setting	
Automatic intensive revert	
Automatic after running (10 mins)	
Additional noise reduction insulation	

Optional accessories:

- Re circulating kit LZ45500
- Lowering frame LZ46000
- Steel finish profile strip/handle LZ46050
- Steel finish profile strip/handle with front opening LZ46150

Extractor hood with telescopic canopy LI46931GB silver metallic lacquer

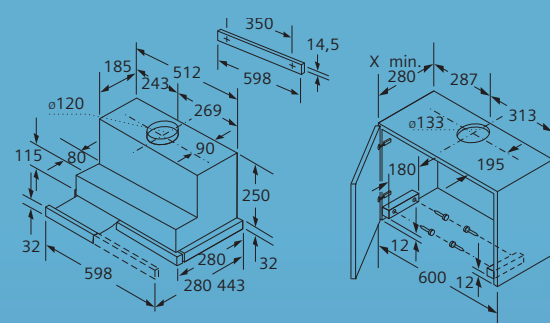
894 mm wide	2 x metal grease filter cassettes
Steel finish profile/handle	Grease and charcoal filter saturation indicators
Slider switch control	Optional accessories:
3 x power levels plus intensive setting	Re circulating kit LZ45500
3 x 20W halogen lights	Brackets for installation in 90cm wide units LZ49100
Suitable for ducted and re circulating operation	

Also available in 594 mm width as model LI46631GB

- Specification as left except:
- 594mm wide
- 2 x 20W halogen lights
- Double filter system
- Lowering frame LZ46000

The line drawings featured are provided as a guide to general dimensions only and are subject to amendment without prior notice. For full dimensional and installation details, please refer to the documentation supplied with the appliance.

Canopy hood



Measurements in mm



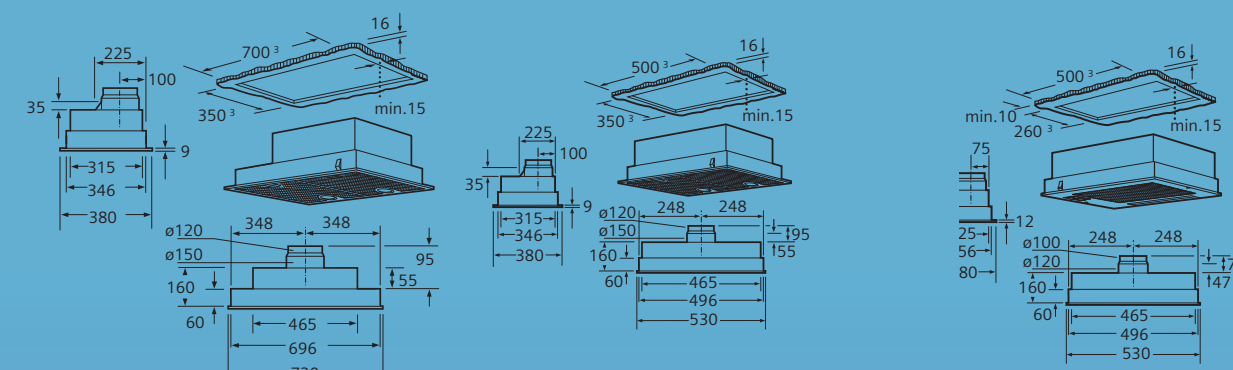
598 mm

Canopy hood LI23031GB silver metallic lacquer

598 mm wide	Suitable for ducted and re circulating operation
Steel finish profile/handle	Double filter system
Rocker switch control	2 x metal grease filter cassettes
3 x power levels	Optional accessory:
2 x 40W bulbs	Re circulating kit LZ34500

The line drawings featured are provided as a guide to general dimensions only and are subject to amendment without prior notice. For full dimensional and installation details, please refer to the documentation supplied with the appliance.

Canopy hoods



Measurements in mm

LB75564GB

LB54564GB

LB23364GB



730 mm



530 mm



530 mm

Canopy hood LB75564GB silver metallic lacquer

730 mm wide
Slider switch control
3 x power levels plus intensive setting
2 x 20W halogen lights
Suitable for ducted and re circulating operation
2 x metal grease filter cassettes

Optional accessory:
Re circulating kit LZ73050

Also available in 530 mm width as model LB54564GB

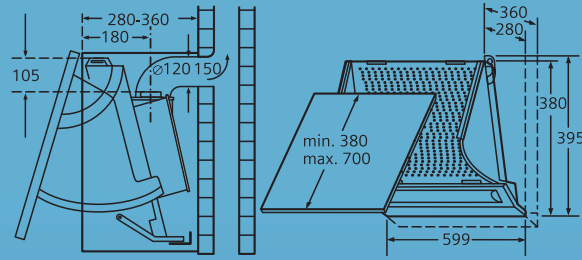
- Specification as left except:
- 530 mm wide

Canopy hood LB23364GB silver metallic lacquer

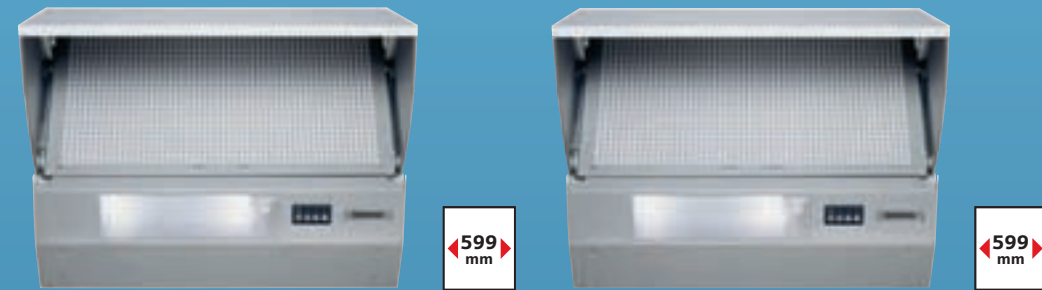
530 mm wide
Rocker switch control
2 x power levels plus intensive setting
2 x 40W bulbs
Suitable for ducted and re circulating operation
Paper grease filter

Optional accessories :
Charcoal odour filter LZ73040
Paper grease filters LZ23000

Integrated hoods



Measurements in mm



Integrated hood LE64130GB metallic silver

599 mm wide

Rocker switch control

3 x power levels

2 x 40W bulbs

Suitable for ducted and re circulating operation

Steel filter cover
2 x metal grease filter cassettes

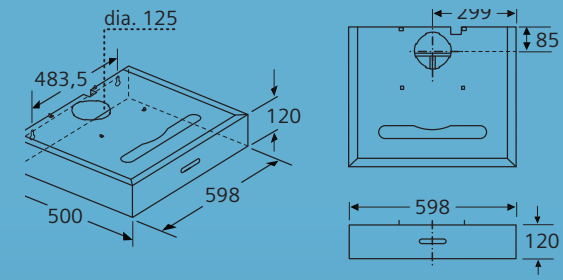
Optional accessories:
Charcoal odour filter LZ300000

Also available as a twin motor model LE62031GB

- Specification as left except:
- Paper grease filter
- 1 x 40W bulbs

- Paper grease filters LZ23000

Built-under hood



Measurements in mm



Built under hood LU19050GB stainless steel

598 mm wide

Push button control

3 x power levels

2 x 20W halogen bulbs

Suitable for ducted and re circulating operation

2 x metal grease filter cassettes

Wall mounted installation

Optional accessory:
Charcoal odour filter LZ24000

The line drawings featured are provided as a guide to general dimensions only and are subject to amendment without prior notice.
For full dimensional and installation details, please refer to the documentation supplied with the appliance.

Product specifications for built-in hoods



Product specifications for built-in hoods



Hood type	Island	Cube			Angled			Angled Glass							Box																		
Design family	IQ 700	IQ 700	IQ 500	IQ 700	IQ 700	IQ 700	IQ 300	IQ 300	IQ 700	IQ 500	IQ 500	IQ 500	IQ 500	IQ 500	IQ 300	IQ 300	IQ 300	IQ 300	IQ 300	IQ 300	IQ 700	IQ 500	IQ 500	IQ 500	IQ 300	IQ 300	IQ 300	IQ 300	IQ 300	IQ 300	IQ 300	IQ 300	
Stainless steel	LF958BA60B	LF957GA70B	LF957GA40B	LC457CA60B	LC956KA40B	LC955KA40B	LC956KA30B	LC656KA30B	LC955HA60B	LC755GB60B	LC955GB60B	LC957GB40B	LC757GB40B		LC657GB40B	LC955GA30B	LC655GA30B	LC954GA20B	LC754GA20B	LC654GA20B	LC958BB90B	LC956BB40B	LC756BB40B	LC656BB40B	LC954BA20B	LC754BA20B	LC654BA20B	LC956WB30B	LC656WB30B	LC154WA30B	LC954WA30B		
Gloss black																																	
Silver metallic lacquer																																	
Design characteristics																																	
Appliance width	mm	900	900	900	400	900	900	900	600	900	700	900	900	700																			
Height adjustable chimney sections		●	●	●		●	●	●	●	●	●	●	●	●							●	●	●	●	●	●	●	●	●	●	●		
Day/night glass and metal fascia																					●	●	●	●									
lightControl																					●	●	●	●									
Illuminated control dial																					●	●	●	●									
White electronic display		●	●	●	●	●	●	●	●	●	●	●	●	●							●	●	●	●									
Blue indicator lights																					●	●	●	●									
Glass canopy			●	●		●	Adjustable			●	●	●	●	●							●	●	●	●									
varioKontrol																																	
Steel finish profile/handle																																	
Features																																	
Electronic control		●	●	●	●	●	●	●	●	●	●	●	●	●							●	●	●	●									
Electronic power level display		●	●	●	●	●	●	●	●	●	●	●	●	●							●	●	●	●									
Automatic ultra-sound control																																	
Interval operation																																	
Slider / rocker switch control																																	
Push button control																																	
Soft touch metal button control		●	●	●	●	●	●	●	●	●	●	●	●	●							●	●	●	●									
Touch control			●			●																											
Power levels		3	3	3	3	3	3	3	3	3	3	3	3	3							3	3	3	3									
Intensive setting		●	●	●	●	●	●	●	●	●	●	●	●	●							●	●	●	●									
Automatic intensive revert		●	●	●	●	●	●	●	●	●	●	●	●	●							●	●	●	●									
Automatic after running	mins	10	10		10	10	10		10												10												
Additional noise reduction insulation		●				●															●												
Lighting																																	
20W halogen lights		4	4	4	3	3	2	2	2	2	2	2	2								2	2	2	2									
28W low energy halogen bulbs																																	
40W bulbs																													2	2			
Softlight with dimmer function		●	●		●				●	●	●										●												
Grease and odour extraction																																	
Suitable for ducted operation		●	●	●	●	●	●	●	●	●	●	●	●	●							●	●	●	●									
Suitable for re-circulating operation		●	●	●	●	●	●	●	●	●	●	●	●	●							●	●	●	●									
Re-circulating kit (needed if re-circulating)		LZ52850		LZ52650	LZ54650		LZ51850	LZ54950	LZ54950	LZ51850	LZ51550	LZ51550	LZ52250	LZ52250							LZ52250	LZ52250	LZ52250	LZ52250	LZ52250	LZ52250	LZ52250	LZ52250	LZ52250	LZ52250	LZ52250		
Charcoal odour filter (needed if re-circulating)																																	
Double filter system																																	
Rim ventilation			●		●																												
Steel / glass filter cover		● / -	- / ●		● / -	● / -		● / -	● / -																								
Removable filter box				●		●			●	●	●	●	●	●							●	●	●	●									
Filter box with multi-zone extraction																																	
Number of metal grease filter cassettes		3	2	1	1	1	3	2	1	1	1	1	1								1	1	1	1									
Paper grease filter																																	
Grease / charcoal filter saturation indicator		● / ●	● / ●	- / ●	● / ●	● / ●	● / ●		● / ●	● / ●	● / ●	- / ●	- / ●								● / ●	- / ●	- / ●	- / ●									
Optional accessories																																	
900x650mm stainless steel back panel																					LZ50960	LZ50960			LZ50960								
600x650mm stainless steel back panel																																	
Lowering frame																																	
Steel finish profile strip / handle																																	
Brackets for installation in 90cm wide units																																	
Paper grease filters																																	
Technical information																																	
Wall / ceiling mounted installation		- / ●	- / ●	- / ●	● / -	● / -	● / -	● / -	● / -	● / -	● / -	● / -	● / -	● / -							● / -	● / -	● / -	● / -	● / -	● / -	● / -	● / -	● / -	● / -	● / -		
Install in, between or under furniture carcass																																	
Extraction Rate in m ³ /h ¹																																	
- maximum free-blowing		860	860	750	820	640	580	710	710	630	630	630	750	750							750	640	640	480	480	480	860	660	660	660	480	480	480
- ducted power level 1		330	270	310	280	210	200	270	270	210	210	210	310	310							310	210	210	220	220	220	330	240	240	240	250	250	250
- ducted power level 2		450	390	470	330	300	370	420	420	380	380	390	470	470							470	320	320	280	280	280	450	340	340	340	320	320	320
- ducted power level 3		620	520	620	440	380	450	680	680	470	470	470	620	620							620	490	490	410	410	410	620	500	500	500	460	460	460
- ducted intensive		820	740	710	760	620	550			590	590	590	710	710							710	620	620				820	640	640	640			
- re-circulating power level 1		240		230	180		160	180	180	160	160	160	230	230							230	150	150	150	150	150	240	160	160	160	160	160	160
- re-circulating power level 2		340		360	220		280																										

Product specifications for built-in hoods



Model shown LF957GA70B

Hood type	Standard				Telescopic			Canopy				Integrated		Built under
Design family	IQ 300	IQ 300	IQ 100	IQ 100	-	-	-	-	-	-	-	-	-	-
Stainless steel	LC754WA30B	LC654WA30B	LC953WA10B	LC653WA10B										LU19050GB
Gloss black			LC963WA10B	LC663WA10B										
Silver metallic lacquer					LI49632GB	LI46931GB	LI46631GB	LI23031GB	LI875564GB	LI854564GB	LI823364GB	LI64130GB	LI62031GB	
Design characteristics														
Appliance width mm	700	600	900	600	594	894	594	598	730	530	530	598	599	598
Height adjustable chimney sections	●	●	●	●										
Day/night glass and metal fascia														
lightControl														
Illuminated control dial														
White electronic display					●									
Blue indicator lights	●	●												
Glass canopy														
varioKontrol														
Steel finish profile/handle						●	●	●						
Features														
Electronic control														
Electronic power level display														
Automatic ultra-sound control					●									
Interval operation					●									
Slider / rocker switch control			●/-	●/-	●/-	●/-	●/-	-/-	●/-	●/-	-/-	-/-	-/-	-/-
Push button control	●	●			●									●
Soft touch metal button control														
Touch control														
Power levels	3	3	2	2	3	3	3	3	3	3	2	3	3	3
Intensive setting					●	●	●		●	●	●			
Automatic intensive revert					●									
Automatic after running mins					10									
Additional noise reduction insulation					●									
Lighting														
20W halogen lights					2	3	2		2	2				2
28W low energy halogen bulbs														
40W bulbs	2	2	2	2				2			2	2	1	
Softlight with dimmer function					●									
Grease and odour extraction														
Suitable for ducted/re-circulating operation	●/●	●/●	●/●	●/●	●/●	●/●	●/●	●/●	●/●	●/●	●/●	●/●	●/●	●/●
Re-circulating kit (needed if re-circulating)	LZ52250	LZ52250	LZ51450	LZ51450	LZ45500	LZ45500	LZ45500	LZ34500	LZ73050	LZ73050				
Charcoal odour filter (needed if re-circulating)											LZ73040	LX300000	LX300000	LZ24000
Double filter system					●		●	●						
Rim ventilation														
Steel / glass filter cover												●/-	●/-	
Number of metal grease filter cassettes	2	2	3	1	2	2	2	2	2	2		2		2
Paper grease filter											●		●	
Grease / charcoal filter saturation indicator					●/●	●/●	●/●							
Optional accessories														
900x650mm stainless steel back panel			LZ50960											
600x650mm stainless steel back panel		LZ50660		LZ50660										
Lowering frame					LZ46000		LZ46000							
Steel finish profile strip / handle					LZ46050									
Steel finish profile strip / handle with opening					LZ46150									
Brackets for installation in 90cm wide units						LZ49100								
Paper grease filters											LZ23000		LZ23000	
Technical information														
Wall / ceiling mounted installation	●/-	●/-	●/-	●/-										●/-
Install in, between or under furniture carcase					●	●	●	●	●	●	●	●	●	●
Extraction Rate in m³/h¹														
- maximum free-blowing	480	480	360	360	720	720	720	420	700	540	300	380	290	290
- ducted power level 1	250	250	200	200	230	230	230	250	240	260	150	170	140	135
- ducted power level 2	320	320	320	320	350	350	350	310	320	350	210	250	190	170
- ducted power level 3	460	460			450	450	450	400	400	400		360	280	280
- ducted intensive					700	650	650		650	500	280			
- re-circulating power level 1	160	160	150	150	170	170	170	200	180	220	130	140	120	45
- re-circulating power level 2	230	230	220	220	250	250	250	250	250	310	180	230	170	55
- re-circulating power level 3	320	320			330	330	330	300	320	340		300	230	70
- re-circulating intensive					430	430	430		430	380	240			
Max noise level (sound pressure) based on dBA²	51	51	52	52	47	47	47	47	47	50	48	50	54	57
Noise level (sound power) based on dB re 1 pW³														
- ducted power level 1	51	51	58	58	46	48	48	57	50	53	53	47	52	47
- ducted power level 2	56	56	66	66	51	53	53	61	56	59	60	55	58	54
- ducted power level 3	65	65			55	59	59	64	59	62		62	66	65
- ducted intensive					61	62	62		70	69	66			
- re-circulating power level 1	56	56	59	59	53	53	53	60	52	57	53	48	56	60
- re-circulating power level 2	63	63	67	67	59	59	59	64	60	65	60	59	63	62
- re-circulating power level 3	70	70			61	61	61	68	64	67		64	68	66
- re-circulating intensive					69	69	69		72	71	67			
Pipe outlet diameter mm	150 / 120	150 / 120	120	120	150 / 120	150 / 120	150 / 120	120	150 / 120	150 / 120	120	120	120	120
Minimum distance above an electric hobmm	550	550	550	550	430	430	430	430	650	650	650	650	650	500
Minimum distance above a gas hobmm	650	650	650	650	650	650	650	650	650	650	650	650	650	650
Motor power watts	170	170	110	110	200	200	200	100	200	200	170	210	130	140
Total electrical loading watts	250	250	190	190	240	260	240	180	240	340	250	290	170	180
Nominal Voltage volts	220-240	220-240	220-240	220-240	220-240	220-240	220-240	220-240	220-240	220-240	220-240	220-240	220-240	220-240
Power cable length cm	130	130	130	130	130	130	130	130	130	130	130	130	130	130
GB plug	●	●	●	●	●	●	●	●	●	●	●	●	●	●
Appliance weight kg	13.0	10.3	11.6	11.6	12.8	16.3	12.9	8.4	8.6	8.4	5.3	8.9	7.2	10.3
Safety approved	●	●	●	●	●	●	●	●	●	●	●	●	●	●

● Yes, model has this feature

¹ Measured according to EN61591 on largest pipe diameter

² Measured according to EN60704-2-13 on largest pipe diameter, maximum power (not intensive)

³ Measured according to EN60704-2-13 on largest pipe diameter

