

**AEG**

HAUSTECHNIK



# DDLT PinControl

Hydraulic Instantaneous Water Heater



# Technical Data

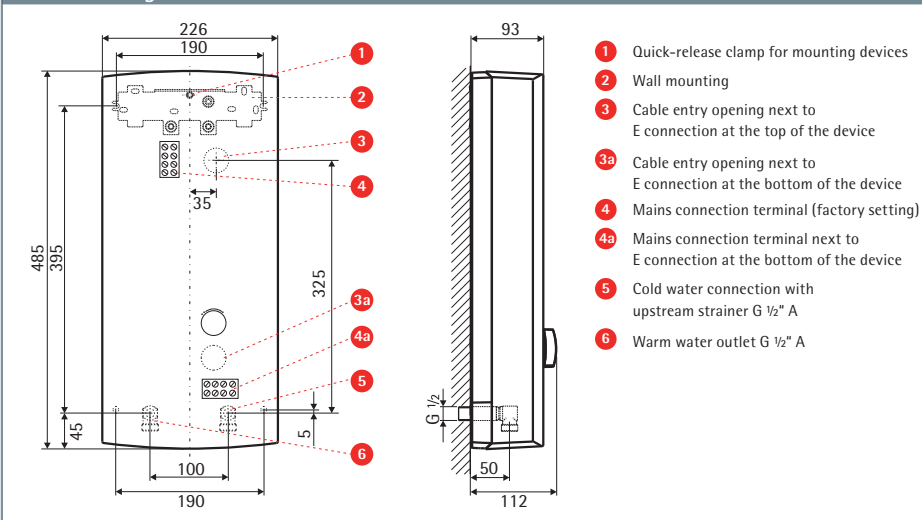
## DDLT PinControl

- Hydraulic instantaneous water heater with mechanical temperature consistency control
- Generally constant outlet temperature in case of pressure fluctuations through PinControl
- 4 output stages – 2 manually adjustable, 2 hydraulically controlled, subject to the flowrate
- Pressure-controlled safety equipment

Model		DDLT PinControl 13	DDLT PinControl 18	DDLT PinControl 21	DDLT PinControl 24
Voltage	[V]	3/PE~ 400 50Hz			
Connected load	[kW]	13.5	18	21	24
Rated current	[A]	20	26	31	35
Temperature selection	[°C]	up to approx. 60 (2 output levels)			
Pressure drop	[bar]/[l/min]	0.9/4.7	1.1/5.9	1.3/7.0	1.5/7.8
Mixed water volume	[l/min]	7.5 <sup>1)</sup>	9.9 <sup>1)</sup>	11.6 <sup>1)</sup>	13.2 <sup>1)</sup>
Max. feed temperature	[°C]	25			
Min. activation volume when activating the 2nd level	[l/min]	3.9	4.9	5.6	6.3
Flow rate limitation (FRL)	[l/min]	4.7	5.9	7	7.8
Specific resistance $\rho_{15}$ of water	[ $\Omega$ cm]	$\geq 900$			
Protection rating		IP 25			
Wet weight	[kg]	3.3			
Dimensions: Height x Width x Depth	[cm]	48.5 x 22.6 x 9.3			

1) Cold water inlet 12 °C and 38 °C; Mixed water temperature

### Dimension diagram



Dealer's stamp



**AEG**  
HAUSTECHNIK