

AEG

HAUSTECHNIK



Electric Water Heaters

new
Advanced
Engineering from
Germany





Benefit from 120 years of experience



SMALL STORAGE WATER HEATERS

Page 4



WALL-MOUNTED STORAGE WATER HEATERS

Page 14



FLOOR-STANDING STORAGE WATER HEATERS

Page 20

Since its establishment in 1883, AEG has developed products that enable people to take full advantage of electricity.

What began with the light bulb was soon to be found in the first electrical household appliances and domestic technology: hot-water boilers and storage water heaters, direct heaters and electrical storage heaters, electric floor heaters and ventilation systems. All of these products and systems live up to the claims made back then in the 19th century by the founder of the company: They should serve the people – with optimum performance, excellent quality, long service life and maximum benefits.

Quality has therefore become the primary objective of AEG Haustechnik: quality with regard to the implemented technology, quality with regard to the design of the products and quality with regard to the ergonomics of their operation. And because quality is so important to us, it goes without saying that we ourselves take full responsibility for this quality.

For example, all water heaters featured in this brochure are manufactured in our own factories as this allows us to ensure that our appliances are produced using the very latest techniques available in Germany and in this way we can guarantee with a clear conscience that every appliance is processed cleanly down to the very last detail.

It again goes without saying that all of our appliances satisfy the strict German safety regulations and meet all international standards.

And do you know which pioneer of electrical water heating systems has been continuously developing and optimising this technology since 1883 for the very latest applications? Who offers outstanding hot-water appliances with fast heating times, state-of-the-art technology and optimum performance? Who offers appliances with the typical timeless and attractive AEG design and long service life that you will enjoy using over many, many years? When choosing a modern hot-water supply system, take advantage of AEG's 120 years of experience.

The Huz 5 ÖKO DropStop does not waste a single drop

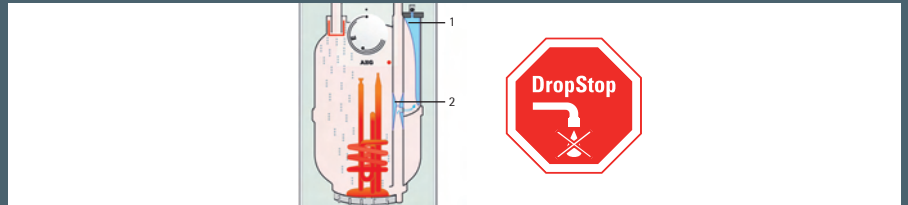


Made in Germany and it's not just the design that makes it unmistakably an AEG appliance: the Huz 5 ÖKO DropStop with its patented mechanics is one of the only vented below-basin storage water heater that does not drip during heating. Ideal for use in the kitchen and wash-basins in the bathroom, it saves valuable drinking water and, over its long service life, significantly reduces energy consumption and electricity costs.





Unmistakably an AEG appliance:
The functional, harmonious design blends
in perfectly with its surroundings.



DropStop: The expansion water which is produced during heating is collected in a cylinder with a flexible plastic membrane (1). The next time water is drawn, the cylinder is emptied again via the nozzle (2) thereby providing space for the next heating cycle. This saves energy and water and reduces unsightly limescale on the tap fittings.

Huz 5 ÖKO DropStop
small storage water heater

- Vented small storage water heater for below-basin installation which does not drip during heating – saves energy and water, reduces limescale on tap fittings and in the washbasin
- Energy saving of up to 30,- Euro per year thanks to ThermoStop technology
- Infinitely variable temperature selection from approx. 35 °C to 85 °C, rotary knob for energy-saving temperature selection limitation to 45 °C/55 °C/65 °C

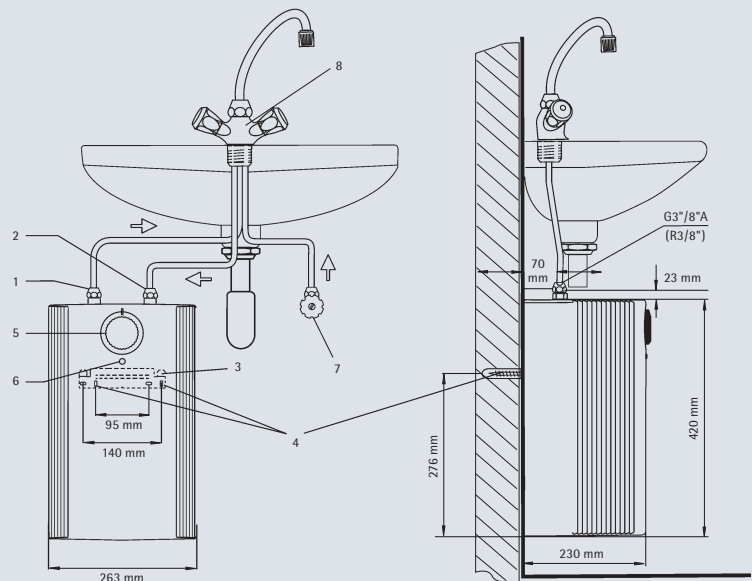
- High-quality, recyclable thermal insulation, large volume of mixed water available
- Corrosion-proof inner cylinder made of polypropylene, 5 l capacity, with copper heating element
- Input power 2 kW, voltage 230 V~, 50 Hz, degree of protection IP 24 D
- Optimum operation in combination with tap fittings recommended by AEG

- High-quality brass connections and wall bracket for easy installation
- Huz 5 ÖKO DropStop A with pillar mixer



Model	Huz 5 ÖKO DropStop
Features	
ThermoStop	■
Capacity [l]	5
Mixed-water volume at 40°C ¹⁾ [l]	10
Temperature selection [approx. °C]	35–85
Temperature selection lever for limitation to °C	45/55/65
Cylinder/heating element material	Plastic/copper
Temperature protection	■
Degree of protection	IP 24 D
Suppression of mains pollution/RFI suppressed (VD-E/F)	■/■
Satisfies German safety regulations/with CE symbol	■/■
Connection data	
Voltage	1/N/PE~230 V 50 Hz
Connected load [kW]	2
Standing loss ²⁾ [kWh/24 h]	0.20
Required minimum fuse protection [A]	10
Euro plug	■
Dimensions and weights	
Height with water connection fitting [mm]	443
Width [mm]	263
Depth [mm]	230
Weight when filled with water [kg]	8.5

Huz 5 ÖKO DropStop



1. Hot-water outlet ■ 2. Cold-water inlet ■ 3. Wall bracket ■ 4. Mounting screws ■ 5. Temperature controller ■ 6. Signal lamp ■ 7. Corner valve (cold-water pipe) ■ 8. Pillar mixer

1) The specified mixed-water volume with 40°C service temperature is derived from mixing cold water with storage heater water (65°C) where the appliance is in its ready-to-operate state.
2) The standing loss indicates the amount of energy required over 24 hours in order to maintain a storage temperature of 65°C (without water being drawn). The standing loss is an indication of the energy efficiency of the storage water heater.

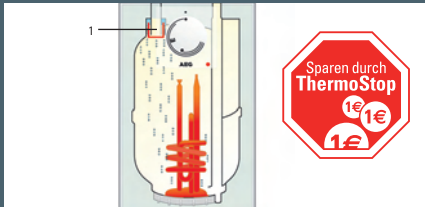


Safety and optimum convenience



Above-basin or below-basin installation: the Huz 5 ÖKO Comfort/Hoz 5 Comfort vented small storage water heaters feature outstanding functionality and excellent performance. The appliances have, for example, resettable overheat protection and an extremely low standing loss thanks to excellent thermal insulation: quality made in Germany.





Owing to the design of the unit, the cold-water and hot-water connections are physically connected on vented pillar mixers. During periods where no water is being drawn, gravity causes hot water to be circulated continuously to the tap fitting where it is cooled.

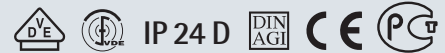


Flexible installation: The vented small storage water heaters can be installed above or below the washbasin – their performance characteristics, however, remain the same in both cases.

ThermoStop consists of a small siphon (1) which collects the air bubbles that form when the heating element heats up. The resulting pocket of air interrupts heat circulation to the tap fitting and the heat remains in the water storage heater tank.

Huz 5 ÖKO Comfort and Hoz 5 Comfort small storage water heater

- Vented small storage water heater for below-basin installation (Huz 5 ÖKO Comfort) or above-basin installation (Hoz 5 Comfort)
- Energy saving of up to 30,- Euro per year thanks to ThermoStop technology
- Infinitely variable temperature selection from approx. 35 °C to 85 °C, rotary knob for energy-saving temperature selection limitation to 45 °C/55 °C/65 °C
- High-quality thermal insulation, standing loss only 0.23 kWh/24 h (at 65 °C storage heater temperature, 15 °C ambient temperature)
- Resettable overheat protection
- Corrosion-proof inner cylinder made of polypropylene, 5 l capacity, with recyclable thermal insulation and copper heating element
- Supply cable (65 cm long) with Euro plug
- Input power 2 kW, voltage 230 V~, 50 Hz, degree of protection IP 24 D
- Huz 5 ÖKO Comfort A with pillar mixer
- Hoz 5 Comfort A with wall-mounted battery



With Huz 5 ÖKO Comfort:

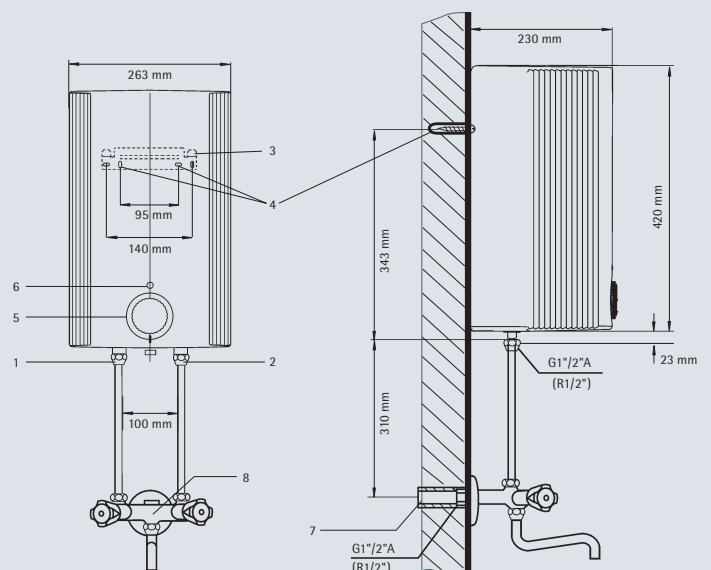


Model	Huz 5 ÖKO Comfort	Hoz 5 Comfort
Features		
ThermoStop	■	-
Capacity [l]	5	5
Mixed-water volume at 40 °C ¹⁾ [l]	10	10
Temperature selection [approx. °C]	35-85	35-85
Temperature selection lever for limitation to °C	45/55/65	45/55/65
Cylinder/heating element material	Plastic/copper	
Overheat protection/resettable	■/■	■/■
Degree of protection	IP 24 D	IP 24 D
Suppression of mains pollution/RFI suppressed (VDE/F)	■/■	■/■
Satisfies German safety regulations/with CE symbol	■/■	■/■
Connection data		
Voltage	1/N/PE~230 V 50 Hz	
Connected load [kW]	2	2
Standing loss ²⁾ [kWh/24 h]	0.23	0.23
Required minimum fuse protection [A]	10	10
Euro plug	■	■
Dimensions and weights		
Height with water connection fitting [mm]	443	443
Width [mm]	263	263
Depth [mm]	230	230
Weight when filled with water [kg]	8.5	8.5

Huz 5 ÖKO Comfort

Dimensioned drawing identical to Huz 5 ÖKO DropStop (see page 5).

Hoz 5 Comfort



1. Hot-water outlet ■ 2. Cold-water inlet ■ 3. Wall bracket ■ 4. Mounting screws ■ 5. Temperature controller ■ 6. Signal lamp ■ 7. Cold-water pipe ■ 8. Wall-mounted battery

1) The specified mixed-water volume with 40 °C service temperature is derived from mixing cold water with storage heater water (65 °C) where the appliance is in its ready-to-operate state.

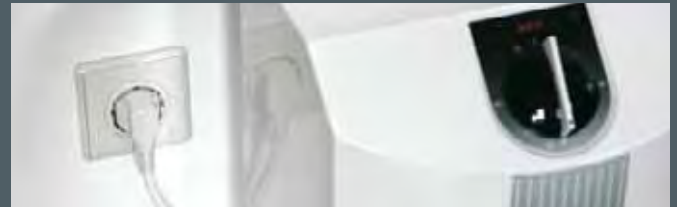
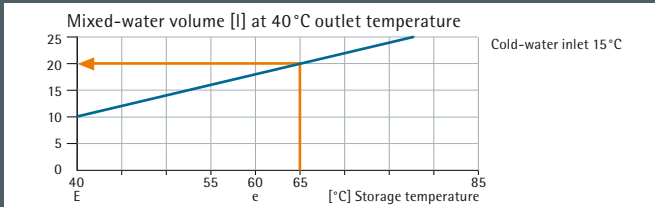
2) The standing loss indicates the amount of energy required over 24 hours in order to maintain a storage temperature of 65 °C (without water being drawn). The standing loss is an indication of the energy efficiency of the storage water heater.

High-capacity appliances for above-basin or below-basin installation



Our high-capacity small storage water heaters are the ideal choice for supplying one water outlet which require large volumes of hot water: Reliable, high-performance appliances with excellent thermal insulation, large mixed-water volume, resettable overheat protection and energy-saving settings for 45 °C and 55 °C.



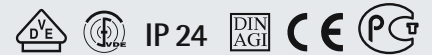


Huz 10 ÖKO/Hoz 10: Superior technology – maximum comfort. Despite their relatively small size, AEG appliances provide enormous volumes of mixed water. This saves time and money.

Practical! No permanent mains connection is required. The Euro plug allows the appliance to be put into operation immediately.

Huz 10 ÖKO/Hoz 10
small storage water heater

- Vented small storage water heater for below-basin installation (Huz 10 ÖKO) or above-basin installation (Hoz 10) for washbasins or kitchen sinks
- ThermoStop technology (Huz 10 ÖKO)
- Corrosion-proof inner cylinder made of plastic, 10 l capacity with copper heating element
- High-quality thermal insulation for energy-saving continuous operation
- Large volume of mixed water available
- Infinitely variable temperature from approx. 35°C to 85°C
- Temperature selection limitation if required (scald protection)
- Wall bracket for easy installation
- Supply cable with Euro plug
- Resettable overheat protection

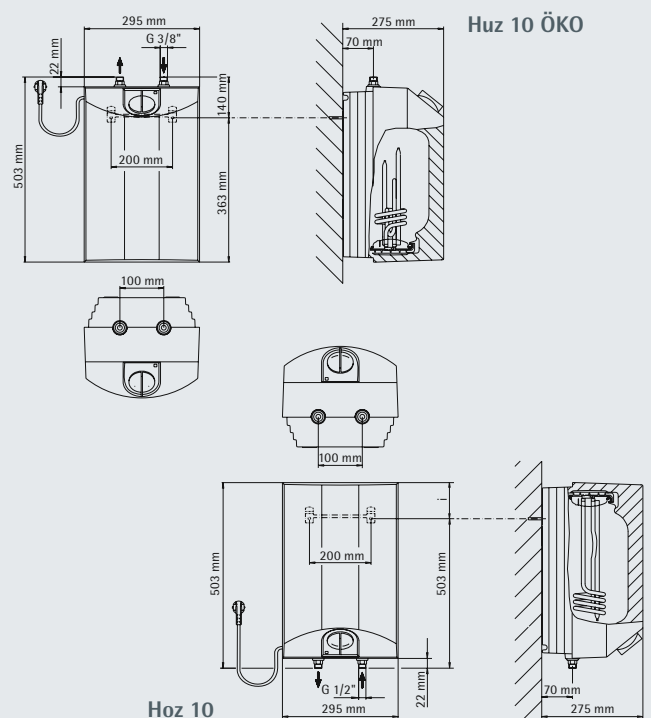


With Huz 10 ÖKO:



Model	Huz 10 ÖKO	Hoz 10
Features		
ThermoStop	■	-
Capacity [l]	10	10
Mixed-water volume at 40°C ¹⁾ [l]	19	19
Temperature selection [approx. °C]	35-85	35-85
Temp. selection lever for limitation to °C	■/35-85	■/35-85
Cylinder/heating element material	Plastic/copper	
Overheat protection/resettable	■/-	■/-
Degree of protection	IP 24	IP 24
Suppression of mains pollution/RFI suppressed (VDE/F)	■/■	■/■
Satisfies German safety regulations/with CE symbol	■/■	■/■
Connection data		
Voltage	1/N/PE~230 V 50 Hz	
Connected load [kW]	2	2
Standing loss ²⁾ [kWh/24 h]	0.32	0.31
Required minimum fuse protection [A]	10	10
Euro plug	■	■
Dimensions and weights		
Height with water connection fitting [mm]	503	503
Width [mm]	295	295
Depth [mm]	275	275
Weight when filled with water [kg]	16.0	16.0

Huz 10 ÖKO/Hoz 10



1) The specified mixed-water volume with 40°C service temperature is derived from mixing cold water with storage heater water (65°C) where the appliance is in its ready-to-operate state.
 2) The standing loss indicates the amount of energy required over 24 hours in order to maintain a storage temperature of 65°C (without water being drawn). The standing loss is an indication of the energy efficiency of the storage water heater.

Small yet attractive – in kitchens and bathrooms!

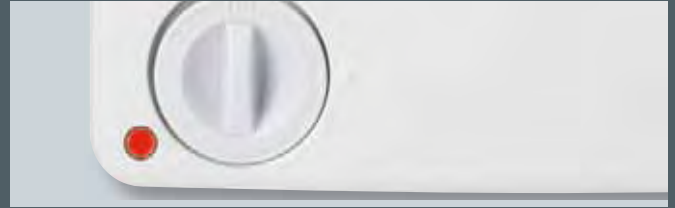


The EWH 10 mini and EWH 10 mini U small storage water heaters are characterised by their uncompromising performance and low standing loss. These storage water heaters with their space-saving, simple-to-use and functional design and infinitely variable temperature selection can be installed above or below washbasins/sinks and are ideal for low to medium hot-water requirements in kitchens and bathrooms.





Hot water for any sink: The 10 l storage capacity in the heater provides 18 l of hot water with a mixed-water temperature of 40 °C.



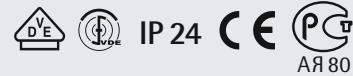
Signal lamp next to the control knob: You can see straightaway whether or not the appliance is heating.

EWH 10 mini/EWH 10 mini U
small storage water heater

- Universal above-basin or below-basin installation
- Large volume of hot water, vented or unvented operation possible
- Enamelled, pressure-proof inner cylinder made of steel
- Magnesium protection anode
- Infinitely variable temperature selection
- Signal lamp
- Inner cylinder made of enamelled steel with high-quality CoPro filling
- Insulation made of EPS (CFC-free)
- Low standing loss:
0.41 kWh/24 h for EWH 10 mini
0.88 kWh/24 h for EWH 10 mini U

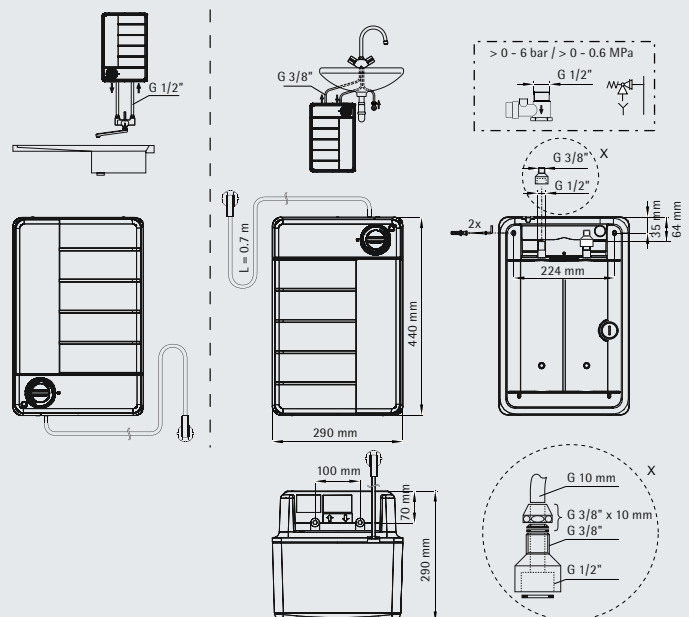


Perfect protection against corrosion thanks to CoPro special enamelling from AEG – for extra-long service life



Model	EWH 10 mini	EWH 10 mini U
Features		
Capacity [l]	10	
Temperature selection [approx. °C]	7–80	
Available volume of mixed water at 40 °C ¹⁾	18.6	17.8
Water connection (only for undersink)	1/2" adapter to 3/8" supplied	
Cylinder/heating element material	Steel/enamelled/copper	
Degree of protection	IP 24	
Connection data		
Voltage	1/N/PE~230 V 50 Hz	
Connected load [kW]	2	
Standing loss ²⁾ [kWh/24 h]	0.41	0.88
Weight		
Weight when filled with water [kg]	18	

EWH 10 mini/10 mini U

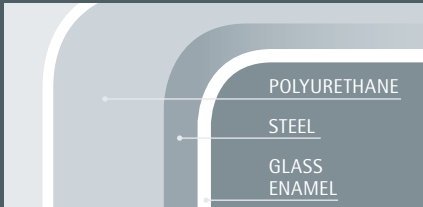


Need a little more?

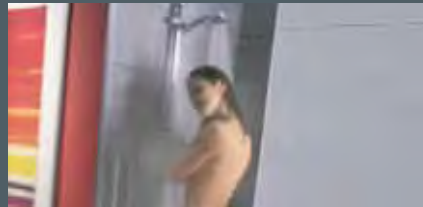


The EWH 15 mini and EWH 15 mini U wall-mounted storage water heaters are our flexible alternative for supplying several water outlets which are located close to each other. The unvented small storage water heaters with infinitely variable temperature selection can even provide enough mixed water for a quick shower.





Simply economical: The excellent thermal insulation of the EWH 15 mini ensures an extremely low standing loss.



Also suitable for a quick shower. Due to the well developed insulation large volume of hot water is always available.



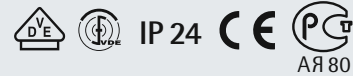
Signal lamp: You can see straightaway whether or not the appliance is heating.

EWH 15 mini/EWH 15 mini U wall-mounted storage water heater

- Compact design, above-basin or below-basin installation
- Large volume of hot water, vented or unvented operation possible
- Enamelled, pressure-proof inner cylinder made of steel
- Magnesium protection anode
- Infinitely variable temperature selection
- Signal lamp
- Inner cylinder made of enamelled steel with high-quality CoPro filling
- Insulation made of EPS (CFC-free)
- Low standing loss:
0.67 kWh/24 h for EWH 15 mini
1.04 kWh/24 h for EWH 15 mini U



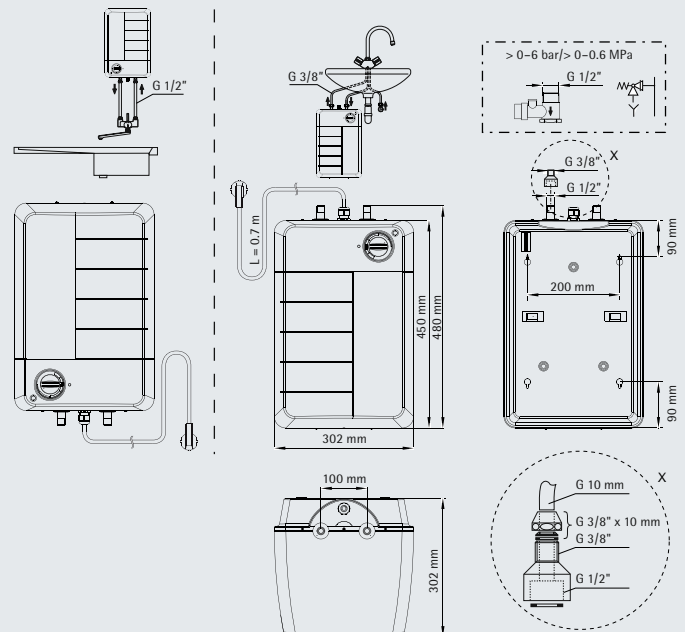
Perfect protection against corrosion thanks to CoPro special enamelling from AEG – for extra-long service life



Model	EWH 15 mini	EWH 15 mini U
Features		
Capacity [l]	15	
Temperature selection [approx. °C]	7-80	
Available volume of mixed water at 40°C ¹⁾	26.1	25.6
Water connection (only for undersink)	1/2" adapter to 3/8" supplied	
Cylinder/heating element material	Steel/enamelled/copper	
Degree of protection	IP 24	
Connection data		
Voltage	1/N/PE~230 V 50 Hz	
Connected load [kW]	2	
Standing loss ²⁾ [kWh/24 h]	0.67	1.04
Required minimum fuse protection [A]	10	
Weight		
Weight when filled with water [kg]	24	

1) The specified mixed-water volume with 40°C service temperature is derived from mixing cold water with storage heater water (65°C) where the appliance is in its ready-to-operate state.
2) The standing loss indicates the amount of energy required over 24 hours in order to maintain a storage temperature of 65 (without water being drawn). The standing loss is an indication of the energy efficiency of the storage water heater.

EWH 15 mini/15 mini U



Perfect comfort and convenience: The DEM 30-150 Comfort!



Six operating modes and six sizes:

The DEM Comfort makes your decision easy because it provides the perfect solution for any application and offers storage capacities ranging between 30 and 150 litres – made in Germany. Its elegant cover and typical AEG fluted design make it an eye catcher wherever you choose to install it.



Practical recessed handles
for simple installation



Inexpensive servicing – Servicing personnel can clean the storage heater reservoir simply and conveniently through the large flange opening.

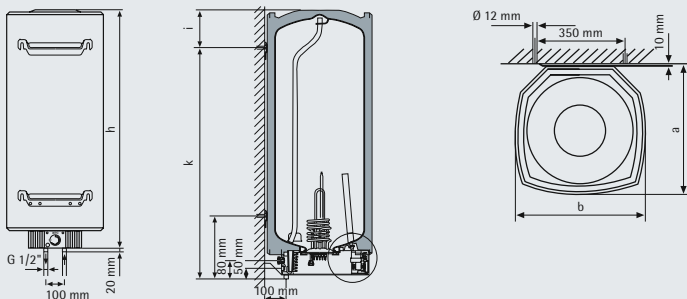


All models have the unique AEG fluted design.

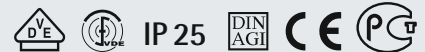
DEM 30-150 Comfort
wall-mounted storage water heater

- Wall-mounted storage water heater for vented and unvented operation
- For single-circuit, dual-circuit or boiler mode
- Infinitely variable temperature controller (from approx. 35°C to 82°C) with energy-saving setting "E" at 40°C and "e" at 60°C
- Frost protection function with single-circuit mode
- Available with 30, 50, 80, 100, 120 and 150 l storage capacity
- Unvented steel inner cylinder, pressure-proof up to 6 bar, with high-quality CoPro corrosion protection and magnesium cylinder-protection anode
- Anode wear indicator on operating panel
- Thermal insulation made of highly effective, CFC-free, recyclable high-resistance foam for energy-saving continuous operation and low standing loss
- Large volume of mixed water available
- With resettable safety temperature limiter
- Exchangeable copper heating flange
- Power and voltage selectable
- Suitable for connection to plastic pipes (observe specifications from manufacturer)
- Separate wall bracket for quick and easy installation

DEM 30-150 Comfort



Perfect protection against corrosion thanks to CoPro special enamelling from AEG – for extra-long service life



Model		DEM 30 C	DEM 50 C	DEM 80 C	DEM 100 C	DEM 120 C	DEM 150 C
Features							
Water capacity	[l]	30	50	80	100	120	150
Mixed-water volume at 40°C ¹⁾	[l]	58	90	158	197	226	290
Connection data							
Voltage		3/N/PE~400 V 50 Hz, 1/N/PE~230 V 50 Hz, 2/N/PE~400 V 50 Hz					
Connected load for dual-circuit mode (selectable) [kW]		2/4, 2/6	2/4, 2/6	2/4, 2/6	2/4, 2/6	2/4, 2/6	2/4, 2/6
Connected load for single-circuit mode (selectable) [kW]		2-6	2-6	2-6	2-6	2-6	2-6
Standing loss ²⁾	[kWh/24 h]	0.50	0.57	0.72	0.86	0.94	1.20
Dimensions and weights							
Height, without water connection	h [mm]	750	720	955	955	1080	1260
Width	b [mm]	410	510	510	510	510	510
Depth	a [mm]	420	510	510	510	510	510
Lower wall bracket – water connection	i [mm]	-	-	-	-	300	300
Upper wall bracket – water connection	k [mm]	700	600	900	900	900	1100
Upper wall bracket – upper edge	l [mm]	70	140	75	75	200	180
Weight when filled with water	[kg]	53.5	80.0	124.0	145.0	170.0	212.5

1) The specified mixed-water volume with 40°C service temperature is derived from mixing cold water with storage heater water (65°C) where the appliance is in its ready-to-operate state.

2) The standing loss indicates the amount of energy required over 24 hours in order to maintain a storage temperature of 65°C (without water being drawn). The standing loss is an indication of the energy efficiency of the storage water heater.

EWH 30-150 Comfort: Perfect flexibility and safety

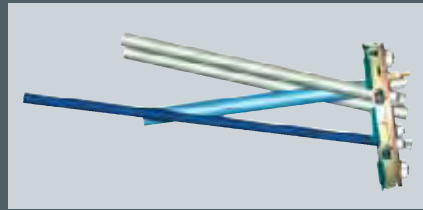


The EWH 30-150 Comfort wall-mounted storage water heaters provide optimum hot-water convenience at any installation location. The compact appliances can be installed horizontally or vertically. The degree of protection IP 25 provides protection against water jets in the case of vertical installation. This means that the heaters are also suitable for use in wet areas e.g. in bathrooms or showers.

Pressing the "Power" button switches the EWH Comfort unit to full heating capacity.



Easy to service and maintain. Convenient access to the unit to through the large flange opening.



Indirect heating of the storage heater reservoir means that the heating element can be changed quickly without the water having to be drained first.



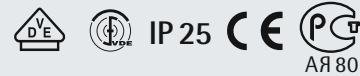
Space-saving and compact: The EWH 30-150 Comfort series can be installed horizontally or vertically.

30 to 150 litres capacities

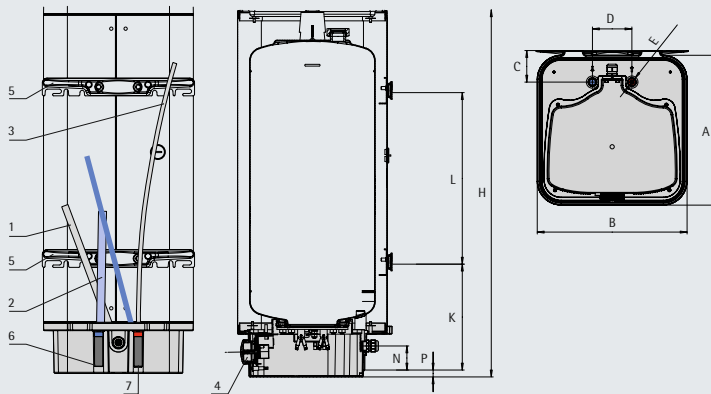
- Vertical and horizontal installation
- Protected heating element
- Powerbutton for full heating capacity
- Thermostat with external control
- Square-shaped exterior
- Steel tank with internal coating of glass enamel
- Expanded polyurethane foam insulation (CFC-free)
- Safety thermostat
- Safety valve
- Heating pilot light
- Magnesium anode
- Protection class IP 25
- IP 24 with horizontal installation



Perfect protection against corrosion thanks to CoPro special enamelling from AEG – for extra-long service life



EWH 30-150 Comfort



Type	EWH 30 Comfort	EWH 50 Comfort	EWH 80 Comfort	EWH 100 Comfort	EWH 120 Comfort	EWH 150 Comfort
A (mm)	380	380	475	475	475	475
B (mm)	380	380	475	475	475	475
C (mm)	80	80	85	85	85	85
D (mm)	100	100	100	100	100	100
E	G 1/2"	G 1/2"	G 3/4"	G 3/4"	G 3/4"	G 3/4"
H (mm)	676	931	893	1045	1200	1435
K (mm)	210	270	270	300	300	300
L (mm)	235	435	322	435	570	790
N (mm)	60	60	57	57	57	57
P (mm)	18	18	22	22	22	22

1. Heating element ■ 2. Magnesium anode ■ 3. Delivery pipe ■ 4. Temperature selection knob ■ 5. Mounting bracket ■ 6. Water connection fitting ■ 7. DHW outlet

Model		EWH 30 Comfort	EWH 50 Comfort	EWH 80 Comfort	EWH 100 Comfort	EWH 120 Comfort	EWH 150 Comfort	
Features								
Water capacity	[l]	30	50	80	100	120	150	
Input power	[W]	2 x 900					2 x 1200	
Connection data								
Voltage		1/N/PE ~ 230 V						
Available volume of mixed water at 40°C ¹⁾		56	92	154	192	229	289	
Standing loss ²⁾	[kWh/24 h]	0.57	0.80	0.82	0.97	1.08	1.29	
Degree of protection		Protection against water jets (IP 25) – vertical position Protection against splashing water (IP 24) – horizontal position						
Dimensions and weights								
Height, without water connection	H [mm]	676	931	893	1045	1200	1435	
Width	B [mm]	380	380	475	475	475	475	
Depth	A [mm]	380	380	475	475	475	475	
Weight (empty)	[kg]	21.5	27	33	38	42.5	53	

1) The specified mixed-water volume with 40°C service temperature is derived from mixing cold water with storage heater water (65°C) where the appliance is in its ready-to-operate state.

2) The standing loss indicates the amount of energy required over 24 hours in order to maintain a storage temperature of 65°C (without water being drawn). The standing loss is an indication of the energy efficiency of the storage water heater.

EWH 30-200 Basis: Fast and economical

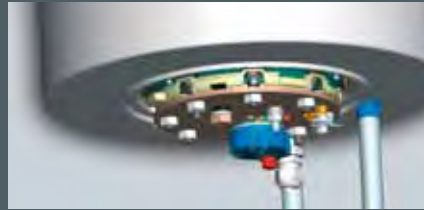


The EWH 30-200 Basis wall-mounted storage water heaters with their storage capacity of up to 200 litres provide a high degree of hot-water convenience for all situations. The well developed CFC-free insulation reduces water-heat loss.





Safety in bathrooms thanks to degree of protection IP 25 (protection against water jets).



Inexpensive servicing – servicing personnel can clean the storage heater reservoir simply and conveniently through the large flange opening.



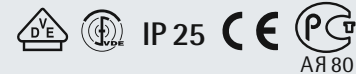
Saves work and reduces mess: The universal wall bracket allows appliances from other manufacturers to be replaced quickly and simply.

EWH 30-200 Basis
wall-mounted storage water heater

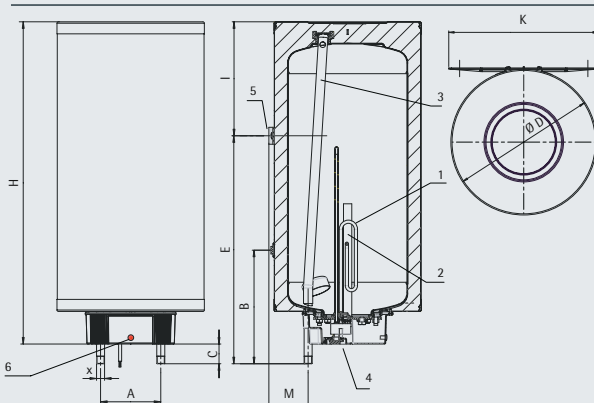
- 30 to 200 l capacities
- Vertical installation
- Copper heating element
- Thermostat with external control (on the bottom)
- Rounded exterior
- Steel tank with internal coating of glass enamel
- Foam insulation (CFC-free)
- Safety thermostat
- Safety valve with draining
- Device (6 bar)
- Heating pilot light
- Magnesium anode
- Protection class IP 25



Perfect protection against corrosion thanks to CoPro special enamelling from AEG – for extra-long service life



EWH 30-200 Basis



Type	EWH 30 Basis	EWH 50 Basis	EWH 80 Basis	EWH 100 Basis	EWH 120 Basis	EWH 150 Basis	EWH 200 Basis
A (mm)	100	100	100	100	100	100	100
B (mm)	287	287	278	278	278	278	278
C (mm)	38	38	32	32	32	32	32
D (mm)	390	390	470	470	470	470	470
E (mm)	530	591	583	735	889	1 125	1 425
H (mm)	585	840	810	960	1 115	1 350	1 650
I (mm)	93	287	263	263	263	263	263
K (mm)	386	386	485	485	485	485	485
M (mm)	78	78	75	75	75	75	75
X	G 1/2"	G 1/2"	G 3/4"	G 3/4"	G 3/4"	G 3/4"	G 3/4"

1. Heating flange ■ 2. Magnesium anode ■ 3. Delivery pipe ■ 4. Temperature selection knob ■
5. Mounting bracket ■ 6. Signal lamp

Model		EWH 30 Basis	EWH 50 Basis	EWH 80 Basis	EWH 100 Basis	EWH 120 Basis	EWH 150 Basis	EWH 200 Basis
Features								
Water capacity	[l]	30	50	80	100	120	150	200
Input power	[W]	1 500	1 500	1 500	1 500	2 000	2 200	2 600
Connection data								
Voltage		1/N/PE ~ 230 V						
Available volume of mixed water at 40 °C ¹⁾		56	97	143	186	228	291	389
Standing loss ²⁾	[kWh/24 h]	0.73	0.99	1.15	1.48	1.73	2.18	2.94
Water Connection		1/2"	1/2"	3/4"	3/4"	3/4"	3/4"	3/4"
Protection class		IP 25	IP 25	IP 25	IP 25	IP 25	IP 25	IP 25
Dimensions and weights								
Height, without water connection	H [mm]	585	840	910	960	1115	1350	1650
Width	[mm]	385	385	400	400	400	400	400
Diameter (Ø D)	[mm]	390	390	470	470	470	470	470
Weight	[kg]	19	25	30	36	39	47	58

1) The specified mixed-water volume with 40 °C service temperature is derived from mixing cold water with storage heater water (65 °C) where the appliance is in its ready-to-operate state.

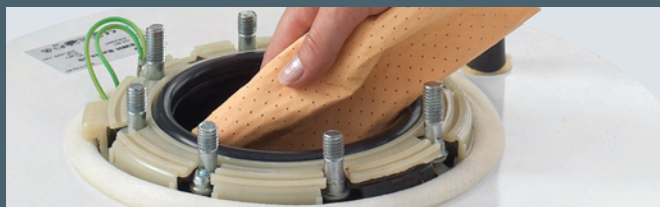
2) The standing loss indicates the amount of energy required over 24 hours in order to maintain a storage temperature of 65 °C (without water being drawn). The standing loss is an indication of the energy efficiency of the storage water heater.

Hot water without fuss



Compact, fully automatic and, of course – made in Germany: The STM 20-40 floor-standing storage water heaters from AEG are ideal as central hot-water supply units for multi-dwelling residential buildings. They function fully automatically in dual-circuit mode, are fully insulated and, with a storage capacity of between 200 and 400 litres, satisfy all hot-water requirements perfectly.





Ideal for regular servicing: Servicing personnel can access the inside of the storage heater reservoir easily through the large cleaning opening.



Economical hot-water supply: In addition to the frost protection setting, the temperature selector also provides two energy-saving settings – "E" (for 40 °C) and "e" (for 60 °C).

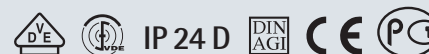
STM 20-40 floor-standing storage water heater

- Floor-standing storage water heater for single-circuit and dual-circuit mode with 200, 300 and 400 l capacity
- Unvented inner cylinder with special enamel coating and magnesium protection anode
- Infinitely variable temperature controller (from approx. 35 °C to 82 °C) with energy-saving setting "E" at 40 °C and "e" at 60 °C
- Frost protection function in single-circuit mode
- Rapid heating function in dual-circuit mode
- Thermal insulation made of highly effective, CFC-free high-resistance foam for energy-saving continuous operation
- Inner cylinder pressure-proof up to 6 bar
- Stray current anode can be installed (special accessories)
- Exchangeable copper heating flange
- Large volume of mixed water available
- With connection for circulation pipe
- Power and voltage selectable

- Suitable for connection to DVGW-tested plastic pipes (observe specifications from manufacturer)



Perfect protection against corrosion thanks to CoPro special enamelling from AEG – for extra-long service life

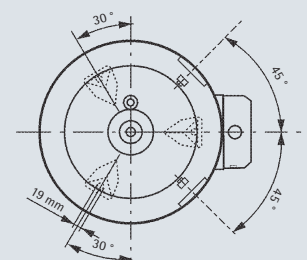
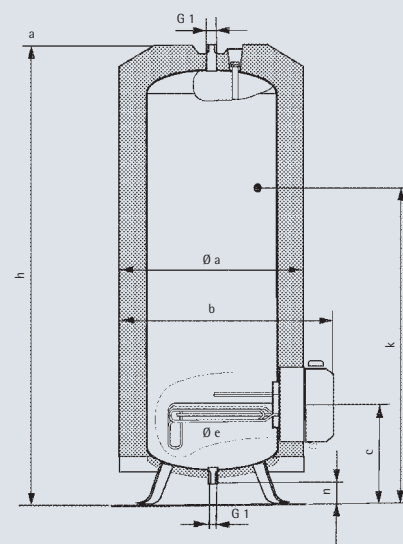


STM 20-40

Model		STM 20	STM 30	STM 40
Features				
Water capacity	[l]	200	300	400
Mixed-water volume at 40 °C ¹⁾	[l]	397	590	780
Connection data				
Voltage		1/N/PE~230 V 50 Hz, 3/N/PE~400 V 50 Hz		
Connected load for dual-circuit mode (selectable)	[kW]	2/4-6/6	2/4-6/6	2/4-6/6
Connected load for single-circuit mode (selectable)	[kW]	2-6	2-6	2-6
Standing loss ²⁾	[kWh/24 h]	1.60	2.00	2.35
Dimensions and weights				
Diameter with thermal insulation	Ø a [mm]	630	700	750
Depth	b [mm]	730	815	865
Stand – flange centre	c [mm]	340	365	375
Pitch circle diameter of heating flange	Ø e [mm]	430	490	540
Height, without water connection	h [mm]	1570	1585	1755
Height up to thermometer connection fitting	k [mm]	1035	1040	1160
Distance between cold-water connection and floor n [mm]		80	75	75
Weight when filled with water	[kg]	275	395	526

1) The specified mixed-water volume with 40 °C service temperature is derived from mixing cold water with storage heater water (65 °C) where the appliance is in its ready-to-operate state.

2) The standing loss indicates the amount of energy required over 24 hours in order to maintain a storage temperature of 65 °C (without water being drawn). The standing loss is an indication of the energy efficiency of the storage water heater.



Impressive range of water heaters

To make selecting the right AEG water heater easier, the table below gives an overview of the entire product range. In addition to the appliance features shown in the top part of the table, the bottom part of the table also indicates the suitability of our appliances for typical applications.



Model	Huz 5 ÖKO DropStop	Huz 5 ÖKO Comfort	Hoz 5 Comfort	Huz 10 ÖKO	Hoz 10	EWH 10 mini
Features						
ThermoStop	■	■		■		
IP 25 (protection against water jets)						
Large cleaning opening						
Excellent thermal insulation	■	■	■	■	■	■
CoPro optimum enamelling						■
Frost protection	■	■	■	■	■	■
DropStop function (does not drip during heating)	■					
Safety valve (fitted as standard)						■
Safety temperature limiter	■	■	■	■	■	■
Application						
For one water outlet (vented appliance)	■	■	■	■	■	■
For one or more water outlets (unvented appliance)						■
Single water supply for						
■ kitchen sink	■	■	■	■	■	■
■ washbasin	■	■	■	■	■	■
■ shower						■
■ bath tub						
Group supply						
Central supply						
For above-basin installation			■		■	■
For below-basin installation	■	■		■		



EWH 10 mini U	EWH 15 mini	EWH 15 mini U	DEM 30-150 Comfort	EWH 30-150 Comfort	EWH 30-200 Basis	STM 20-40
			■	■	■	
			■	■	■	■
■	■	■	■	■	■	■
■	■	■	■	■	■	■
■	■	■		■	■	
			■	■	■	
■	■	■	■	■	■	
■	■	■	■	■	■	■
■	■	■	■	■	■	
			■	■	■	■
			■	■	■	■
						■
■	■	■				■

Water heaters	Room heaters	Floor heaters	No-frost systems	Ventilation systems
<ul style="list-style-type: none"> ■ Instantaneous water heaters ■ Hot-water storage heaters ■ Boiling water units 	<ul style="list-style-type: none"> ■ Natural stone heaters ■ Direct heaters ■ Electrical storage heaters 	<ul style="list-style-type: none"> ■ THERMO BODEN ■ Floor storage heaters 	<ul style="list-style-type: none"> ■ Outdoor heaters ■ Roof surface heaters ■ Roof gutter heaters 	<ul style="list-style-type: none"> ■ Central domestic ventilation systems ■ Dehumidifiers

Information material on the other domestic appliance product ranges from AEG can be found on the Internet at:

www.aeg-haustechnik.com

Additional technical information on the water heater product range can be found on the Internet at:

www.aeg-haustechnik.de/warmwassergeraete

Although we have taken the utmost care in compiling this brochure, we are unable to guarantee that the information it contains is completely free of errors. Information regarding appliances and their features are non-binding. The appliance features described in this brochure are not to be regarded as agreed characteristics of our products. Individual features may have since been modified or even omitted as a result of ongoing development of our products. Please contact our product advisors for up-to-date information on the appliance features. The illustrations in the brochure are intended as application examples only. The illustrations also contain installation components, accessories and special items which are not part of the standard equipment supplied with the appliances.



AEG

HAUSTECHNIK