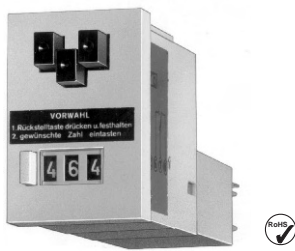


Preset Counters – MVs 13



- Subtracting preset counter with 2 or 3 digits, stationary preset
- Manual or electrical reset
- Potential free change-over contact (micro switch) when zero is reached
- Contact remains in its position until reset occurs
- Delivery complete with push-on connectors

Applications:

piece-counting,
general event counting,
automation etc.

Technical data:

Electrical connection:	tin plated flat pins 0,8 x 2,8 mm [0.032 x 0.11"] with push on connectors
Rated voltages:	count magnet: 12/24/48/115/230 V DC $\pm 10\%$ 24/48/115/230 V AC $\pm 10\%$
	reset magnet: 24/48/115/230 V DC $\pm 10\%$ 24/48/115/230 V DC $\pm 10\%$
Figures height:	4 mm [0.158"]
Colour of housing:	grey, similar to RAL 7001
Colour of figures:	white on black background
Shaft:	stainless steel
Mounting position:	optional
Service life:	approx. 100×10^6 impulses
Weight:	with manual reset approx. 150 g [5.291 oz]
	with electrical reset approx. 190 g [6.702 oz]
Test voltage:	2 000 V, effective
Switching contact:	1 change over contact (micro switch), release in 2nd half-step exactly at zero

Load (max):	AC:	250 V AC, 2A
	DC:	24 V DC, 2 A 60 V D. 0.7 A 115 V DC, 0.4 A 230 V DC, 0.2 A, with resistive load.
	with inductive :	suitable spark quenching is required on inductive load, reducing the max. current to approx. 60 %

Options:	– electrical reset only
Electrical Reset:	
On time:	10 % max. 40 seconds
Minimum pulse time:	0.25 sec.
Power consumption:	12 W for DC, 14 VA for AC

Type series:

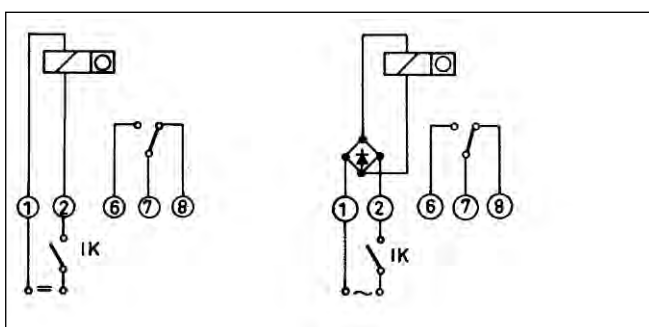
3-digit		2-digit		Description
Reset manual	Reset man. and electr.	Reset manual	Reset man. and electr.	
MVs 13.11	MVs 13.13	MVs 13.11/2	MVs 13.13/2	Front panel with mounting holes
MVs 13.21	MVs 13.23	MVs 13.21/2	MVs 13.23/2	Front panel with spring clip

Count mechanism:

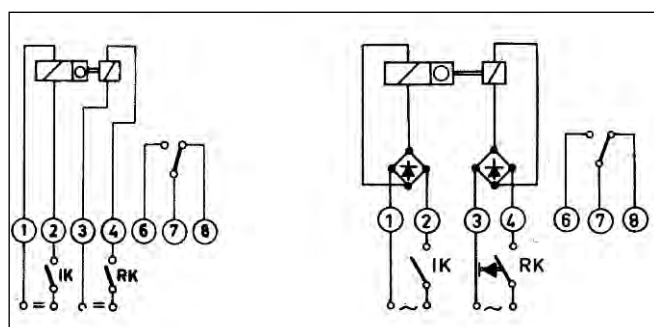
Voltage	Model	Max. pulse-frequency	Min.-pulse-on-time	Min.-pulse-interval	Pulse-ratio	On time approx.	Power consumption	Max. res. ripple	Ambient temperature °C*
V DC	1	25/sec	24 ms	16 ms	3:2	100 %	4 W	48 %	-10 ... +45 °C [14 ... 113 °F]
V AC	a	18/sec	22.2 ms	33.3 ms	2:3	100 %	4.5 VA	–	-10 ... +45 °C [14 ... 113 °F]

*non-condensing

Connection diagrams (manual reset):

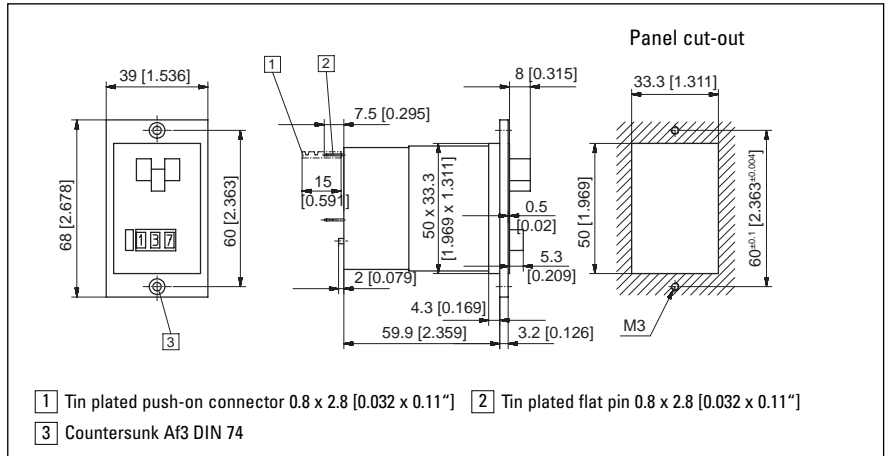


Connection diagrams (electrical reset):



Preset Counters – MVs 13

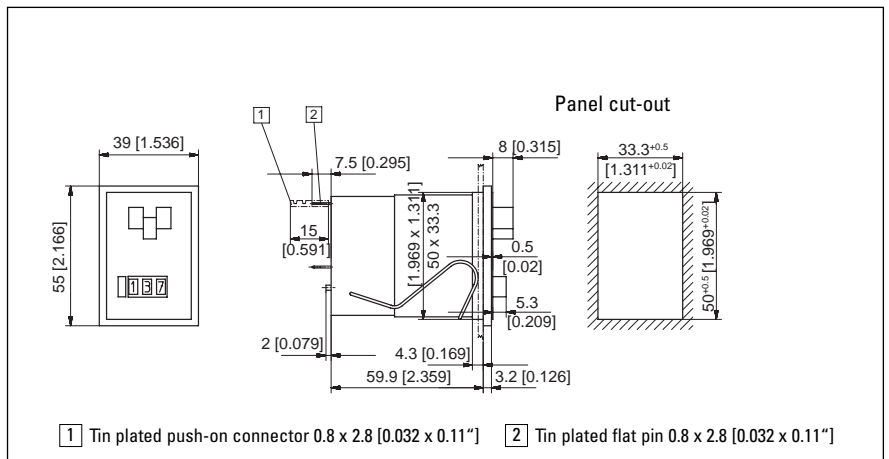
Type MVs 13.11



Manual reset

	MVs 13.11 (3-digit)			MVs 13.11/2 (2-digit)		
	24 V Art-No.	115 V Art-No.	230 V Art-No.	24 V Art-No.	115 V Art-No.	230 V Art-No.
DC (25 Imp/s)	2.300.110.033	–	–	2.310.110.033	–	–
AC (18 Imp/s)	2.300.110.061	2.300.110.064	2.300.110.066	2.310.110.061	2.310.110.064	2.310.110.066

Type MVs 13.21



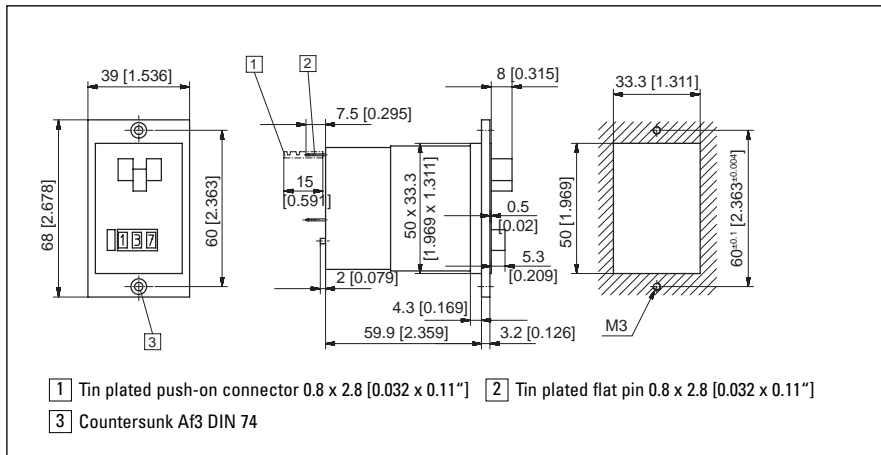
Manual reset

	MVs 13.21 (3-digit)			MVs 13.21/2 (2-digit)		
	24 V Art-No.	115 V Art-No.	230 V Art-No.	24 V Art-No.	115 V Art-No.	230 V Art-No.
DC (25 Imp/s)	2.300.210.033	–	–	2.310.210.033	–	–
AC (18 Imp/s)	2.300.210.061	2.300.210.064	2.300.210.066	2.310.210.061	2.310.210.064	2.310.210.066

Colour of housing
black:
Art-No. 2.3X0.211.XXX

Preset Counters – MVs 13

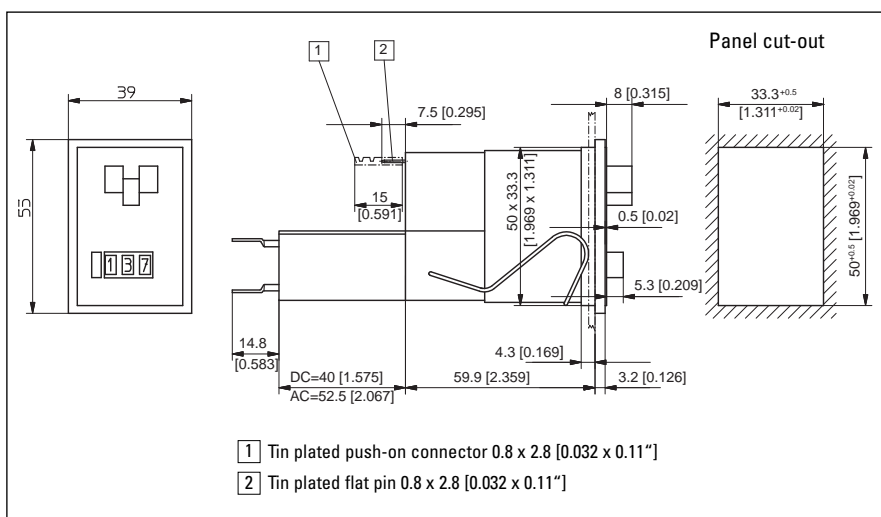
Type MVs 13.13



Manual and electrical reset

	MVs 13.13 (3-digit)			MVs 13.13/2 (2-digit)		
	24 V Art-No.	115 V Art-No.	230 V Art-No.	24 V Art-No.	115 V Art-No.	230 V Art-No.
DC (25 Imp/s)	2.300.130.033	–	–	2.310.210.033		
AC (18 Imp/s)	2.300.130.061	2.300.130.064	2.300.130.066	2.310.130.061	2.310.130.064	2.310.130.066

Type MVs 13.23



Manual and electrical reset

	MVs 13.23 (3-digit)			MVs 13.23/2 (2-digit)		
	24 V Art-No.	115 V Art-No.	230 V Art-No.	24 V Art-No.	115 V Art-No.	230 V Art-No.
DC (25 Imp/s)	2.300.230.033	–	–	2.310.230.033		
AC (18 Imp/s)	2.300.230.061	2.300.030.064	2.300.230.066	2.310.230.061	2.310.230.064	2.310.230.066