
GENERAL CATALOGUE

PREMIUM HYDRAULIC VALVES



GENERAL TERMS

1. Technical Modifications

Technical specifications and drawings are subject to change without notice.

2. Warranty

Products are covered by warranty for a period of 12 months with effect from the date of shipment from OMPI srl premises.

3. Jurisdiction

Sole jurisdiction for the settlement of any disputes involving OMPI srl lies with the Law Court of Reggio Emilia, Italy.

TECHNICAL SPECIFICATIONS

1. Seals

Standard seals are made of Acryl-Nitrile Butadiene NBR (BUNA-N), their working temperature range is between -20°C and +90°C.

2. Storage

Valves are supposed to be stored in their original packing and not exposed to the direct sun light or sources of heat or ozone.

Recommended storage temperature is between -10°C and +50°C.

3. Fluid Filtration

Statistically over 70% of the hydraulic failures are due to fluid contamination.

We recommend the following filtration levels:

SYSTEM WORKING PRESSURE	NOMINAL FILTRATION	CONTAMINATION CLASS
> 250 bar	10 µm	ISO 4406: 17/14 NAS 1638: 8
between 100-250 bar	15 µm	ISO 4406: 18/14 NAS 1638: 9
< 100 bar	25 µm	ISO 4406: 19/15 NAS 1638: 10-11

4. Internal Leakage

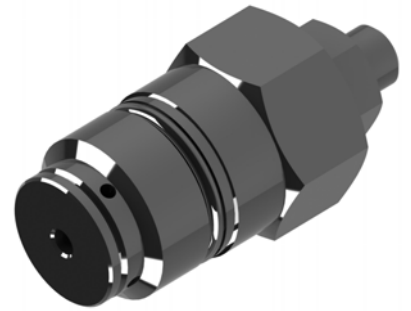
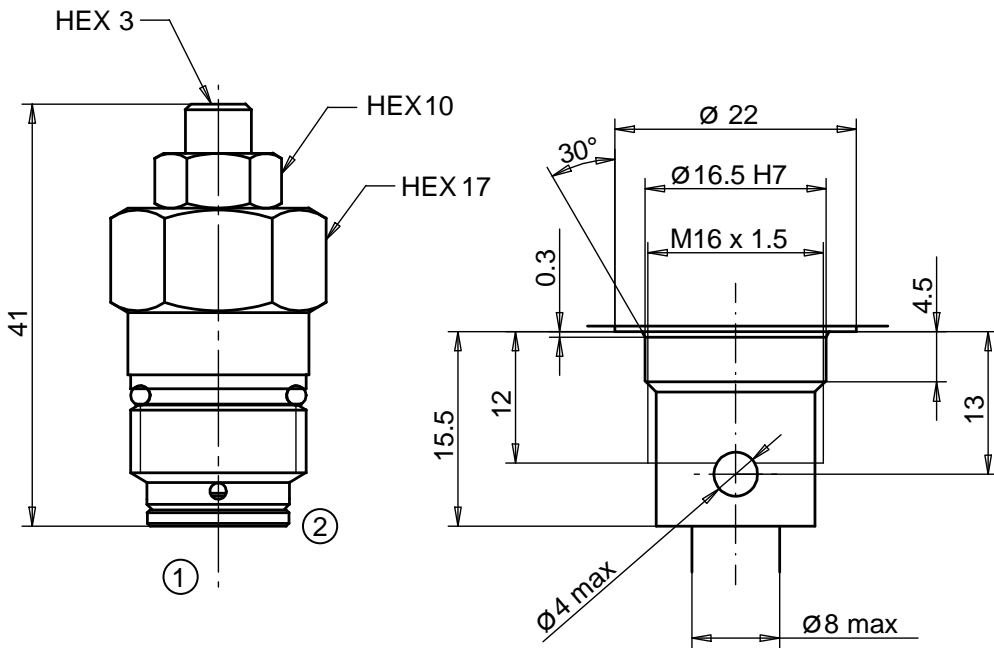
Under the normal run of things our valves have a leak proof seat design allowing a max leakage of 15/20 drops per minute with 46 cSt oil at 40°C. Leakages tend to decrease considerably or vanish totally after few seconds of rest of the valve.

5. Pressure Setting

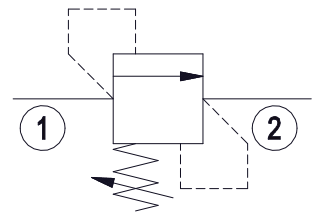
Basically valves are set at standard values. Whenever the application requires a specific setting make sure not to exceed the pressure range indicated.

SECTION	PAGE
PRESSURE CONTROL VALVES	005/00
SEQUENCE VALVES	041/00
COUNTERBALANCE VALVES	050/00
CHECK VALVES	070/00
FLOW CONTROL VALVES	120/00
SPECIAL APPLICATIONS	150/00
SWIVEL JOINTS	160/00
MOTOR MOUNTED VALVES	170/00
CETOP VALVES	200/00
ROTATION CONTROL VALVES	210/00
MOTION CONTROL VALVES	220/00
REGENERATIVE CIRCUIT VALVES	230/00
PURGE VALVES	240/00
DIRECTIONAL CONTROL VALVES	250/00
FLOW SELECTORS	260/00

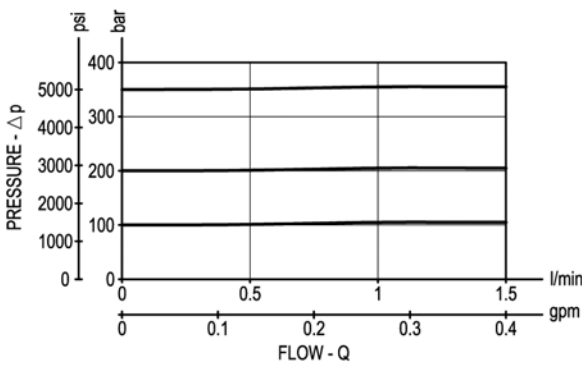
Dimensions



Hydraulic Symbol



Curves



Features

Max Pressure	400 bar
Max Flow	1,5 lpm
Installation torque	35-44 Nm

Materials: Zinc plated steel cartridge, hardened steel inner parts.

Ordering Code

PRC 1 -- -

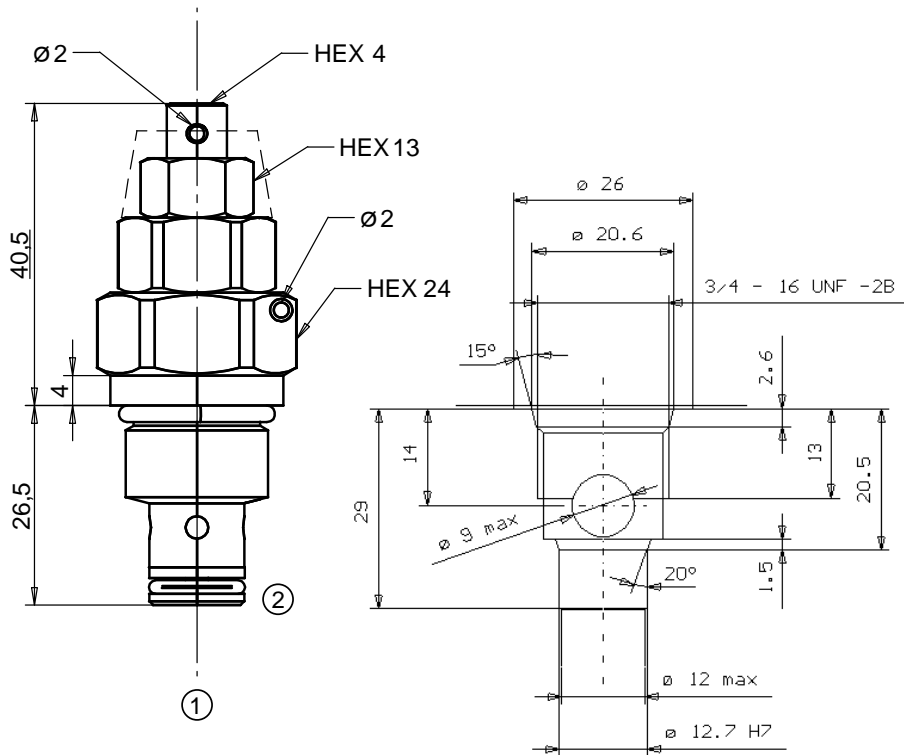
	Spring (bar)
20	100-210
30	200-400

Adjustments

A		Socket Screw
---	---	--------------

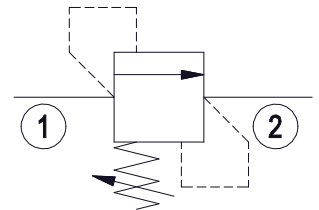
Ordering Code Example: PRC120A = 100-210 bar setting range, Socket Screw adjustment.

Dimensions

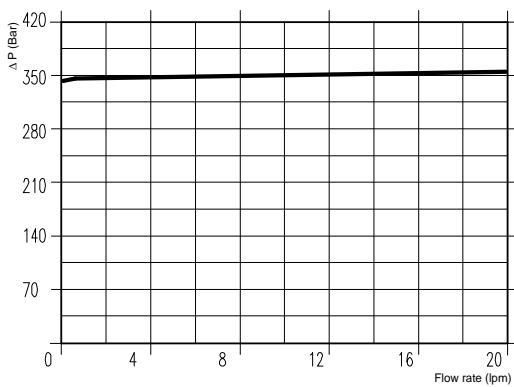


Size	C	D	E H7	F	G	H	L	M	N max	P max	Q	R	S	Weight kg
20	28	3/4-16UNF	$\varnothing 12,7$	31,5	19	13	13	29	9	11	2,5	0,5	20,7	0,051

Hydraulic Symbol



Curves



Features

Max Flow	20 lpm
Max Pressure	350 bar
Installation Torque	45-50 Nm

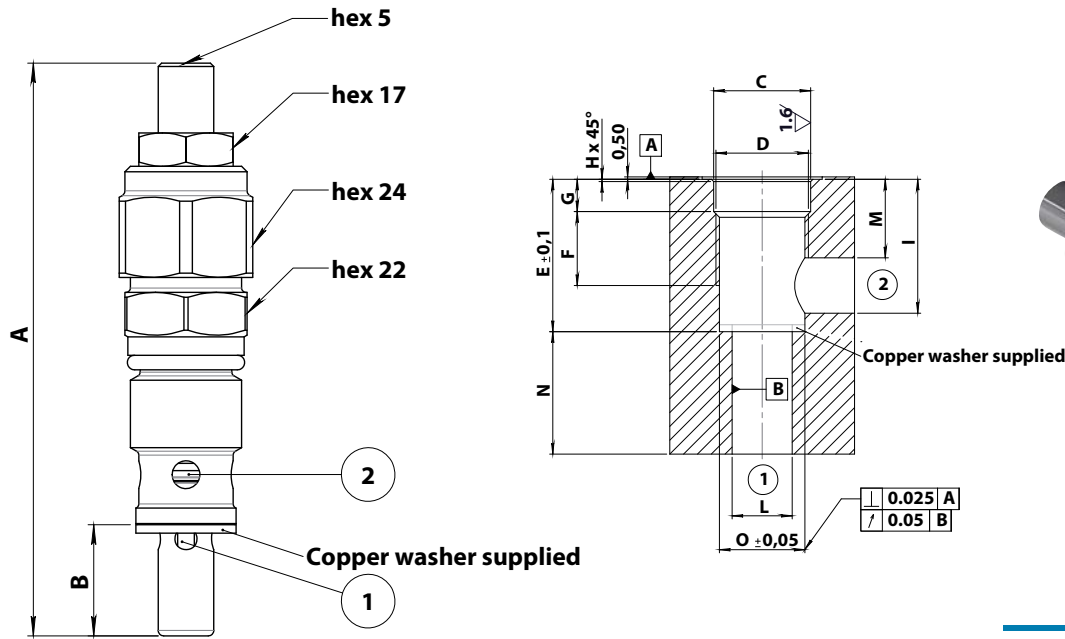
Materials: Zinc plated steel cartridge, hardened steel inner parts.

Ordering Code

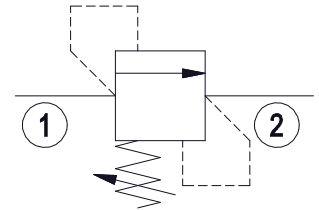
PRC 20		--	-
		Spring (bar)	
30	50-350		
		Adjustments	
A		Socket Screw	

Ordering Code Example: PRC2030A = 50-350 bar setting range, Socket screw adjustment.

Dimensions

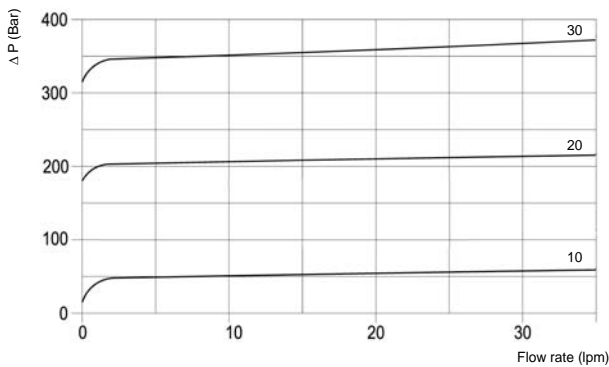


Hydraulic Symbol



Size	A max	B	C	D	E	F	G	H	I max	L max	M max	N min	O min	Weight kg
35	103	20	21 H7	M20x1,5	33	16	7	0,5	29	13	17	20	18,5	0,16

Curves



Features

Rated Flow	35 lpm
Max Pressure	350 bar
Installation Torque	45-50 Nm

Materials: Zinc plated steel cartridge, hardened steel inner parts.

Ordering Code

PRC 35

--

-

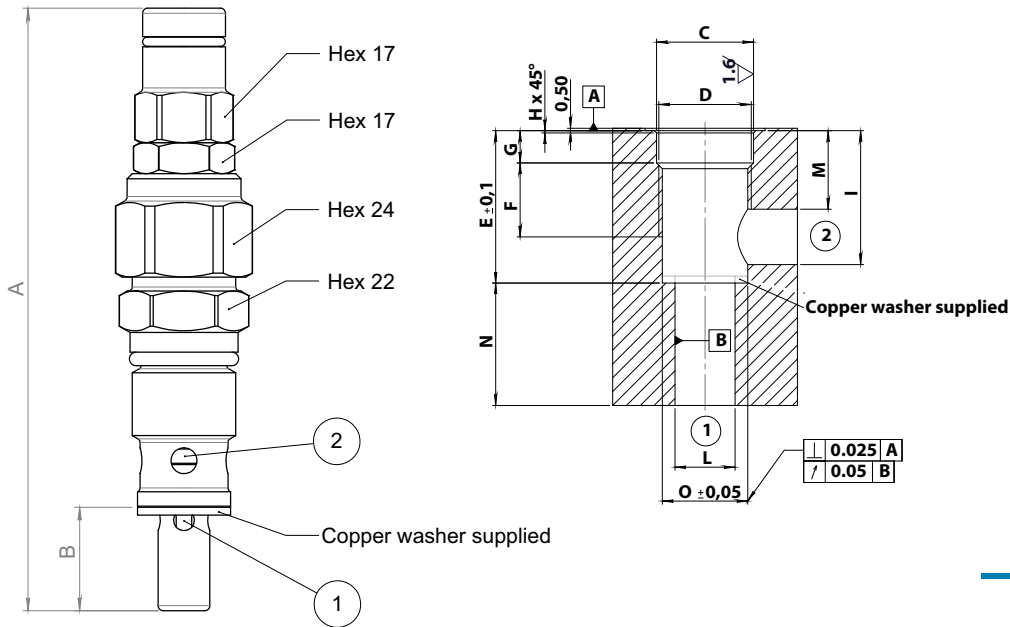
	Spring (bar)
10	5-50
20	40-210
30	100-350

Adjustments

A		Socket Screw
B		Handknob
C		Tamperproof Cap

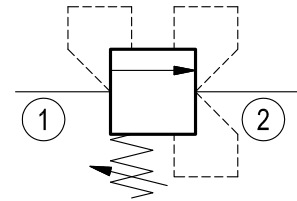
Ordering Code Example: PRC3520A - 40-210 bar setting range, Socket screw adjustment.

Dimensions

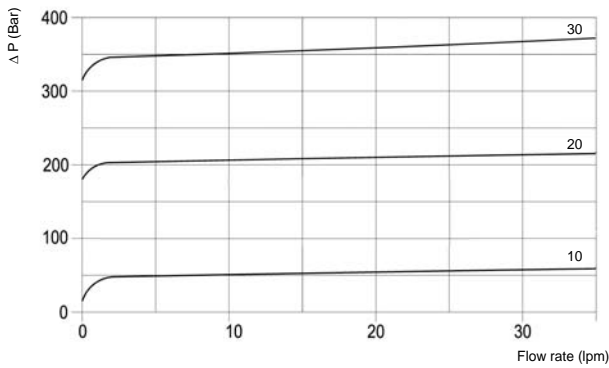


Size	A	B	C	D	E	F	G	H	I max	L max	M max	N min	O	Weight kg
35	116,5	20	21 H7	M20x1,5	33	16	7	0,5	29	13	17	20	18,5	0,16

Hydraulic Symbol



Curves



Features

Rated Flow	35 lpm
Max Pressure	350 bar
Installation Torque	45-50 Nm

Materials: Zinc plated steel cartridge, hardened steel inner parts.

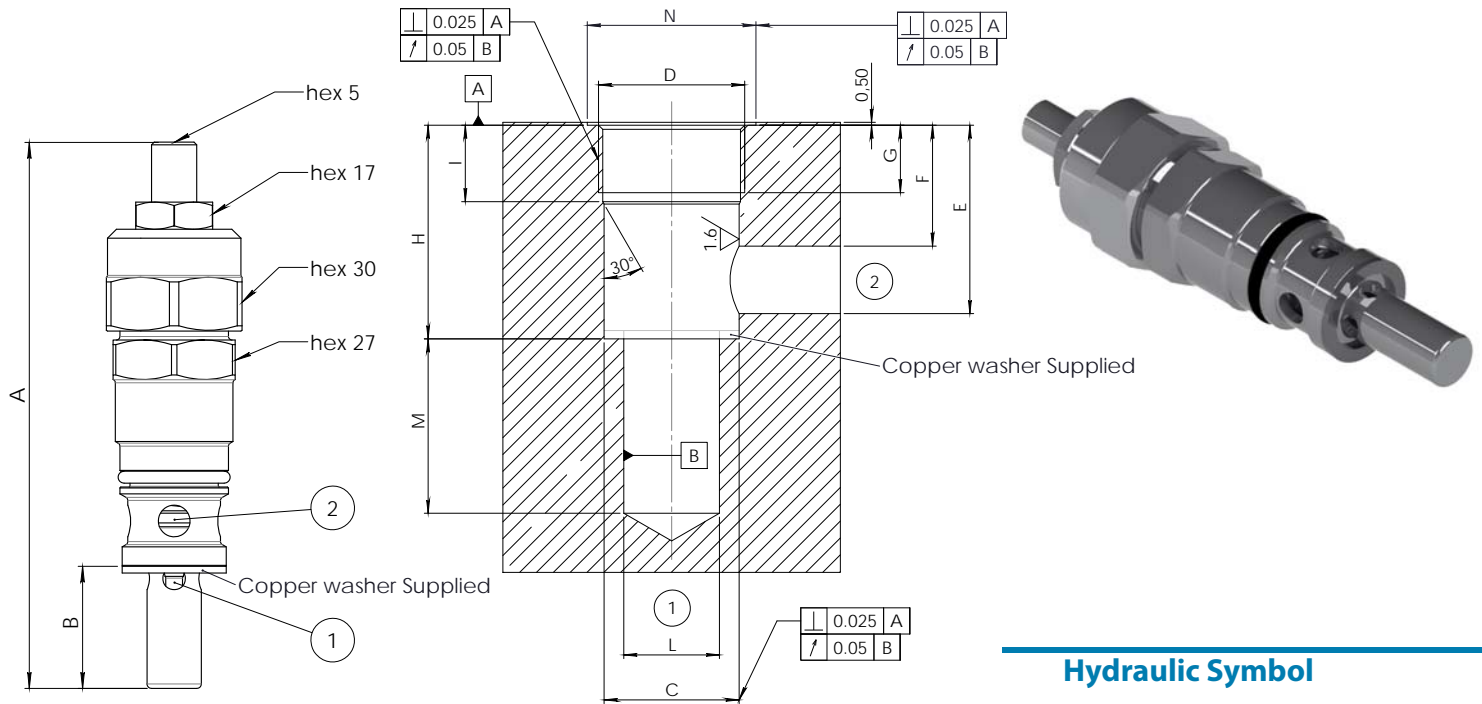
Ordering Code

PRC 35CC --

	Spring (bar)
10	5-50
20	40-210
30	100-350

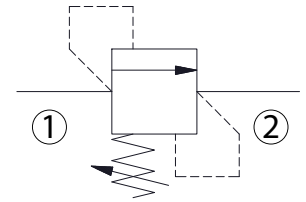
Ordering Code Example: PRC35CC20 - 40-210 bar setting range.

Dimensions

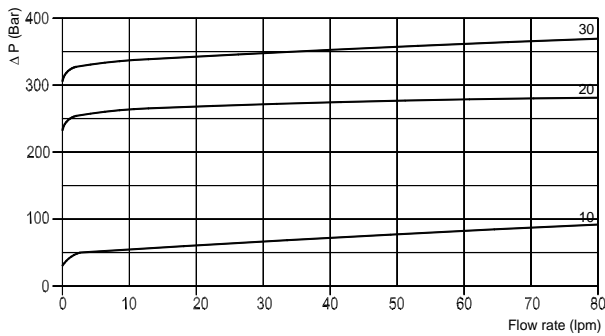


Size	A max	B	C	D	E	F	G	H	I	L	M min	N	Weight kg
80	120	27	24 H7	M26x1,5	33,5	21,5	12	38	13,6	17	28	30	0,29

Hydraulic Symbol



Curves



Features

Rated Flow	80 lpm
Max Pressure	350 bar
Installation Torque	70-80 Nm

Materials: Zinc plated steel cartridge, hardened steel inner parts.

Ordering Code

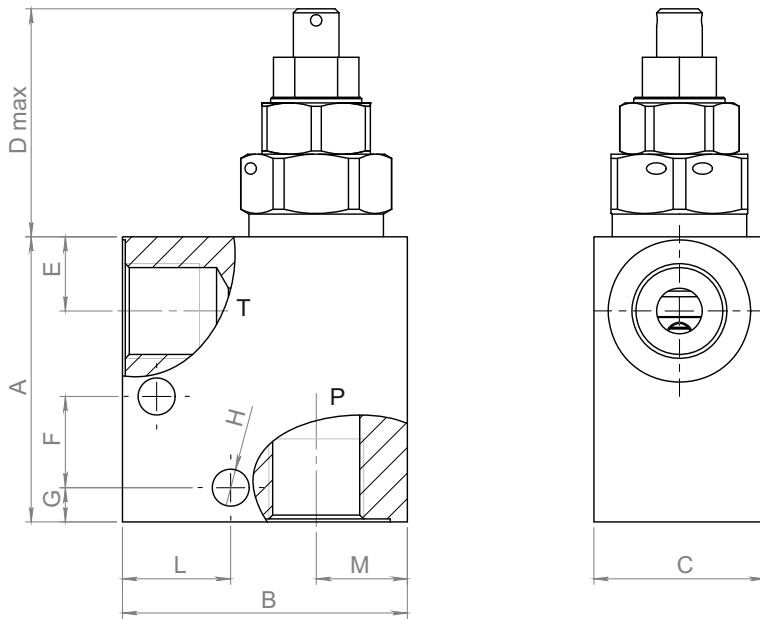
PRC 80 -- -

	Spring (bar)
10	5-50
20	30-260
30	130-350

Adjustments		
A		Socket Screw
B		Handknob
C		Tamperproof Cap

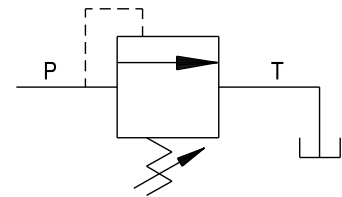
Ordering Code Example: PRC8020A - 30-260 bar setting range, Socket screw adjustment.

Dimensions

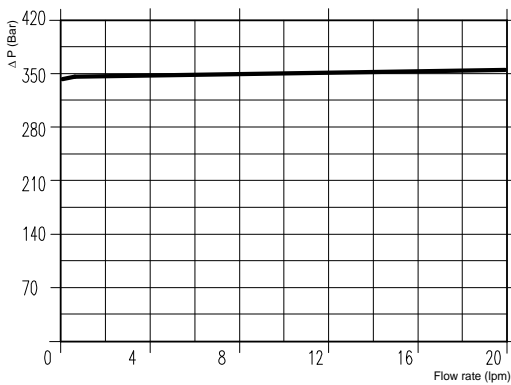


Size	A	B	C	D	E	F	G	H	L	M	P - T BSP	Weight kg
01	50	50	30	40	13	16	6	6,5	19	16	1/4	0,53
02	50	50	30	40	13	16	6	6,5	19	19	3/8	0,51

Hydraulic Symbol



Curves



Features

Rated Flow	20 lpm
Max Pressure	350 bar

Materials: Zinc plated steel cartridge, hardened steel inner parts.
Aluminium manifold.

Ordering Code

PRL 20 -- -- -

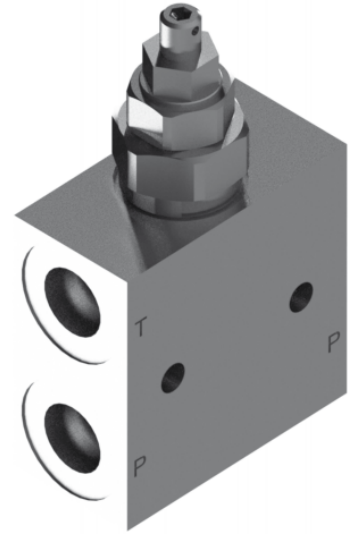
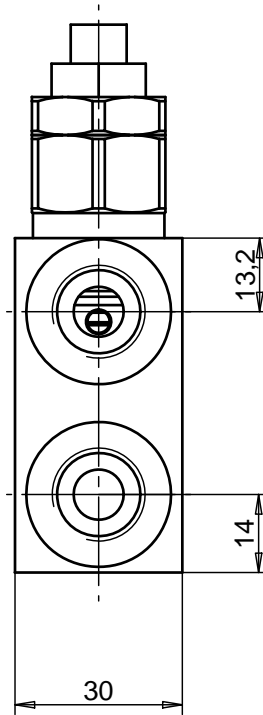
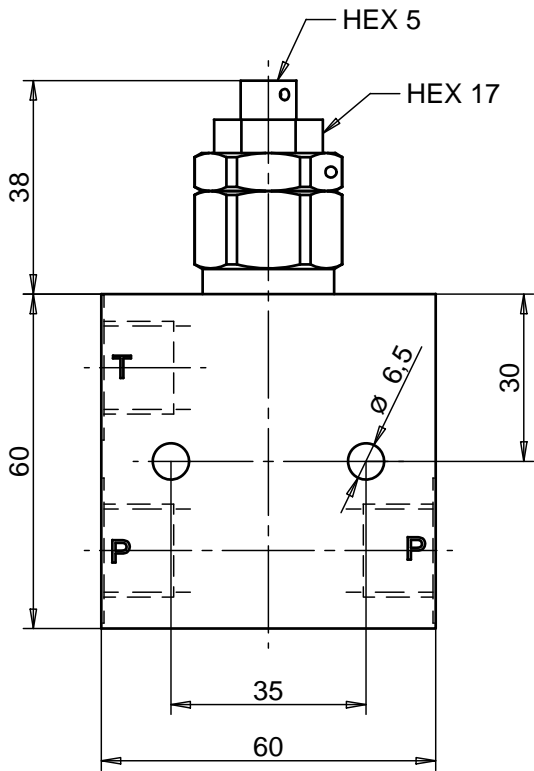
Port Size BSP		Spring (bar)	
01	1/4	30	50-350
02	3/8		

Adjustments

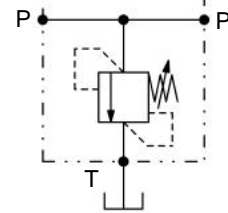
A		Socket Screw
----------	--	--------------

Ordering Code Example: PRL200230A - 3/8 BSP - 50-350 bar setting range, Socket screw adjustment.

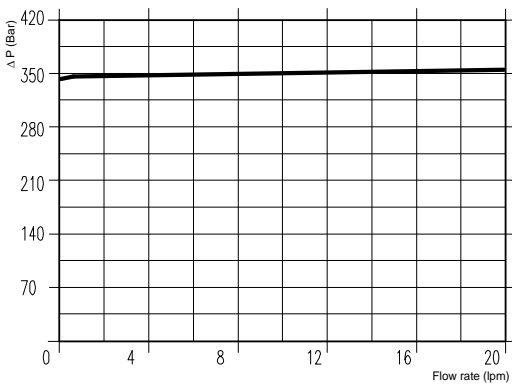
Dimensions



Hydraulic Symbol



Curves



Features

Max Pressure	350 bar
Max Flow	20 lpm

Materials: Zinc plated steel cartridge, hardened steel inner parts.
Aluminium manifold.

Ordering Code

PRL 20LN -- -- -

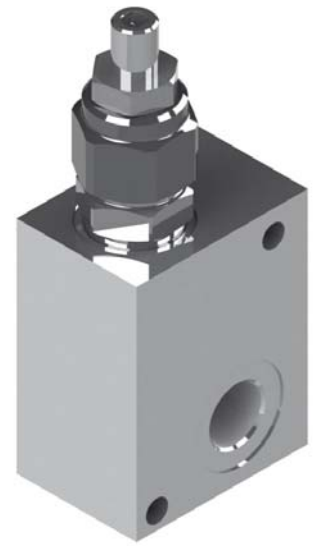
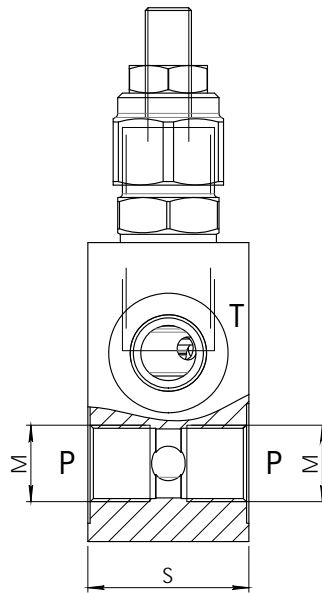
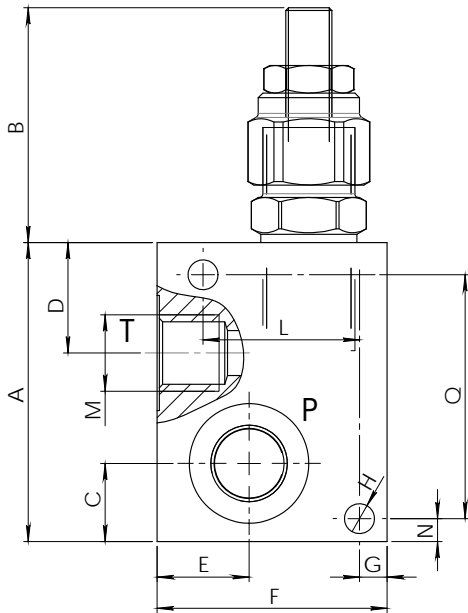
Port Size BSP		Spring (bar)	
02	3/8	30	50-350

Adjustments

A		Socket Screw
---	--	--------------

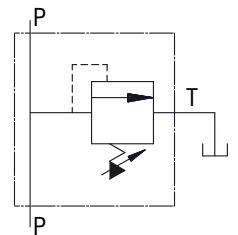
Ordering Code Example: PRC20LN0230A = 3/8 Port Size - 50- 350 bar setting range, Socket screw adjustment.

Dimensions

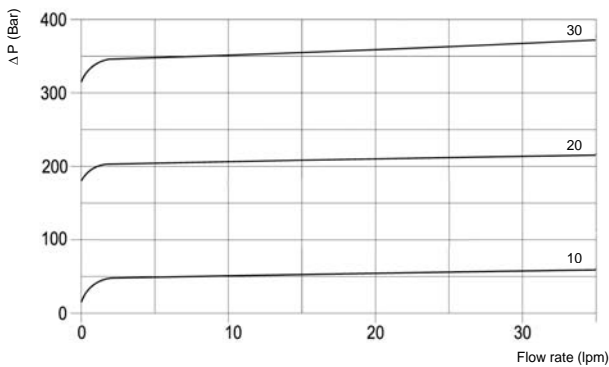


Size	A	B	C	D	E	F	G	H	L	M BSP	N	Q	S	Weight kg
01										1/4				
02	65	51	17	24	20	50	6	6,5	34	3/8	6	53	35	0,40
03	65	51	17	24	20	50	6	6,5	34	1/2	6	53	35	0,38

Hydraulic Symbol



Curves



Features

Rated Flow	35 lpm
Max Pressure	350 bar

Materials: Zinc plated steel cartridge, hardened steel inner parts.
Aluminium manifold.

Ordering Code

PRL 35 -- -- -

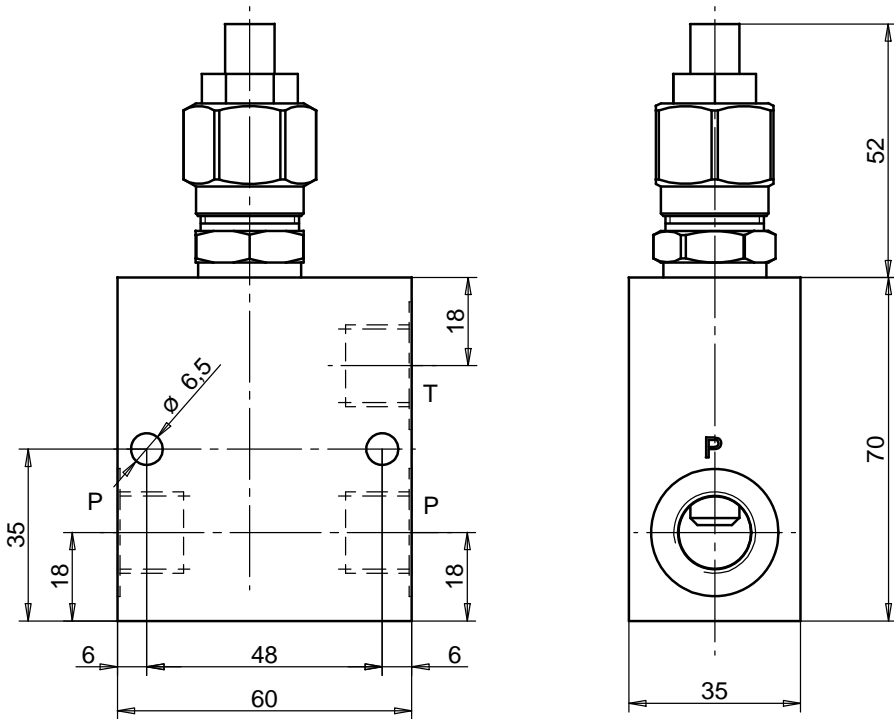
Port Size BSP		Spring (bar)	
02	3/8	10	5-50
03	1/2	20	40-210
		30	100-350

Adjustments

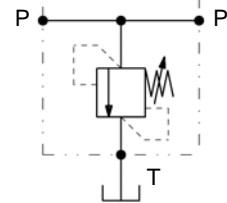
A		Socket Screw
B		Handknob
C		Tamperproof Cap

Ordering Code Example: PRL350220A = 3/8 Port Size - 40-210 bar setting range, Socket screw adjustment.

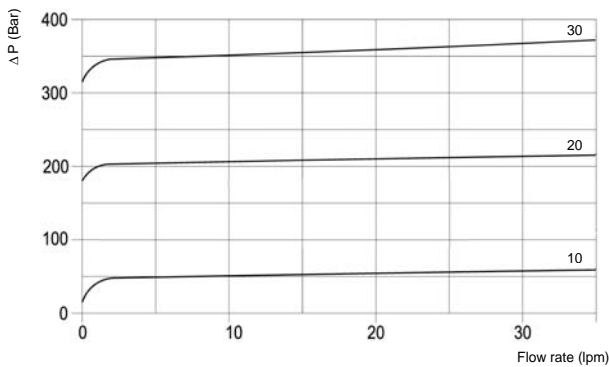
Dimensions



Hydraulic Symbol



Curves



Features

Max Flow	35 lpm
Max Pressure	350 bar

Materials: Zinc plated steel cartridge, hardened steel inner parts.
Aluminium manifold.

Ordering Code

PRL 350S -- -- -

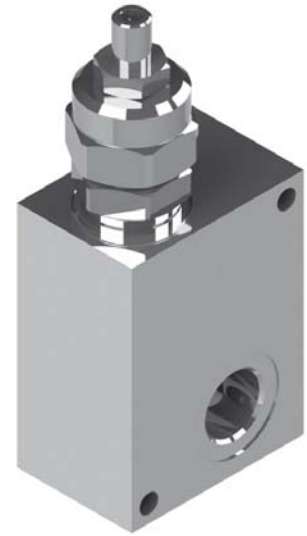
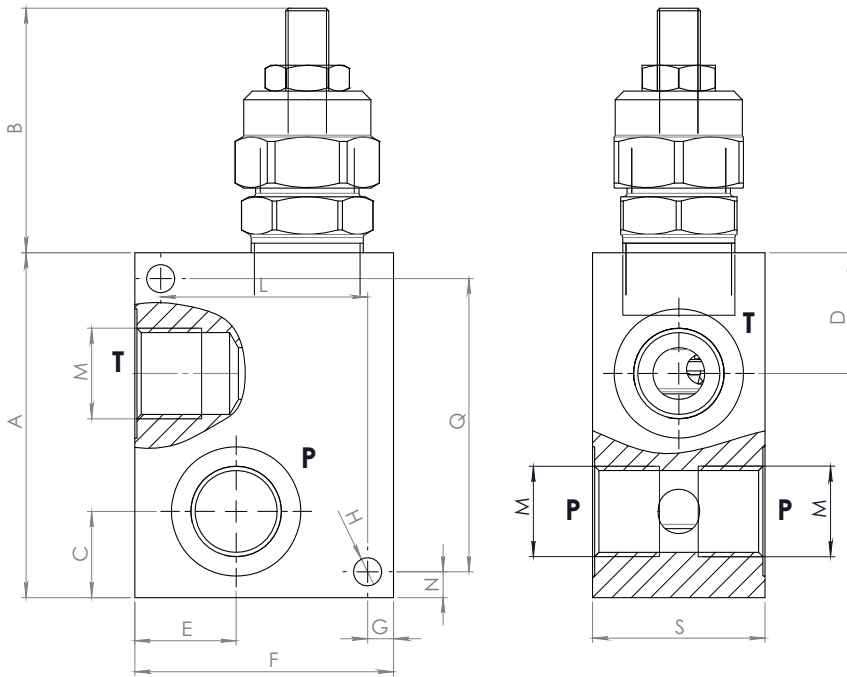
Port Size BSP		Spring (bar)	
02	3/8	10	5-50
		20	40-210
		30	100-350

Adjustments

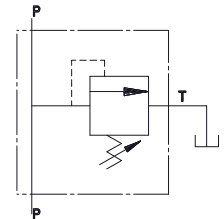
A		Socket Screw
B		Handknob
C		Tamperproof Cap

Ordering Code Example: PRL350S0220A = 3/8 Port Size - 40-210 bar setting range, Socket screw adjustment.

Dimensions

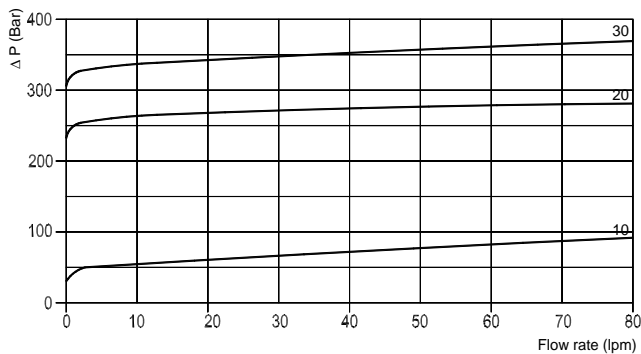


Hydraulic Symbol



Size	A	B max	C	D	E	F	G	H	L	M BSP	N	Q	S	Weight kg
03	80	57	20	28	23,5	60	6	6,5	48	1/2	6	68	40	0,70
04	80	57	20	28	23,5	60	6	6,5	48	3/4	6	68	40	0,67

Curves



Features

Rated Flow	80 lpm
Max Pressure	350 bar

Materials: Zinc plated steel cartridge, hardened steel inner parts.
Aluminium manifold.

Ordering Code

PRL 80 -- -- -

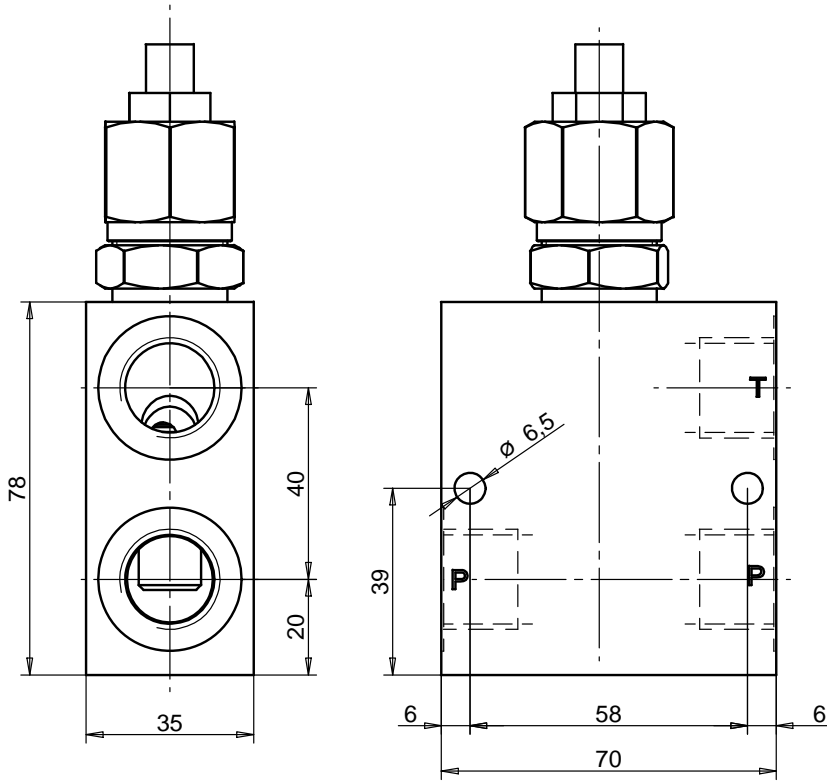
Port Size BSP		Spring (bar)	
03	1/2	10	5-50
04	3/4	20	30-260
		30	130-350

Adjustments

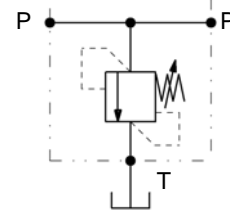
A		Socket Screw
B		Handknob
C		Tamperproof Cap

Ordering Code Example: PRL800420A = 3/4 Port Size - 30-260 bar setting range, Socket screw adjustment.

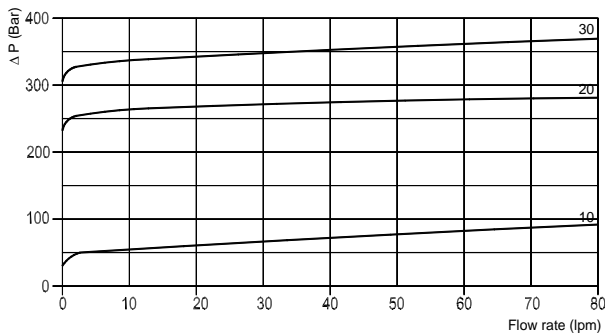
Dimensions



Hydraulic Symbol



Curves



Features

Max Flow	80 lpm
Max Pressure	350 bar

Materials: Zinc plated steel cartridge, hardened steel inner parts.
Aluminium manifold.

Ordering Code

PRL 800S -- -- -

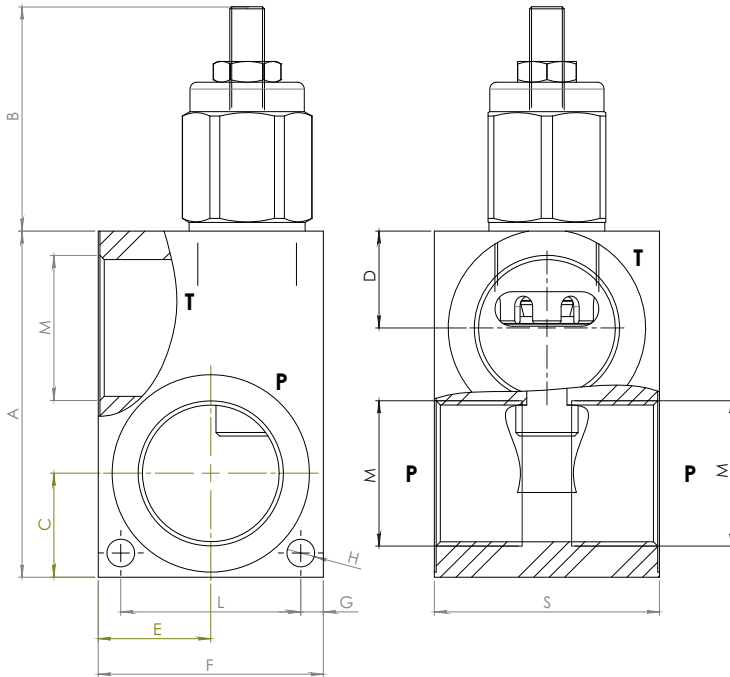
Port Size BSP		Spring (bar)	
03	1/2	10	5-50
		20	30-260
		30	130-350

Adjustments

A		Socket Screw
B		Handknob
C		Tamperproof Cap

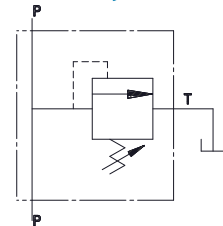
Ordering Code Example: PRL800S0320A = 1/2 Port Size - 30-260 bar setting range, Socket screw adjustment.

Dimensions

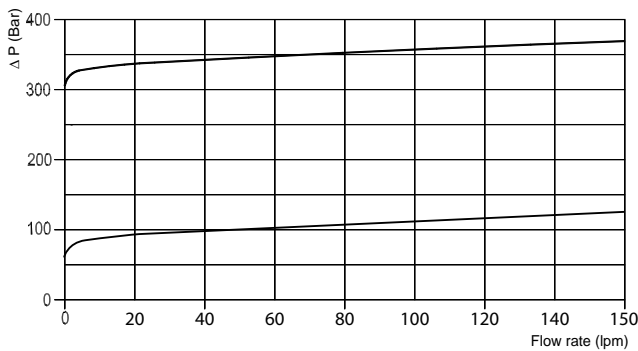


Size	A	B max	C	D	E	F	G	H	L	M BSP	N	S	Weight kg
05	100	65	30	28	32,5	65	6,5	8	52	1	7	65	2,86
06	100	65	30	28	32,5	65	6,5	8	52	1 1/4	7	65	2,54

Hydraulic Symbol



Curves



Features

Rated Flow	150 lpm
Max Pressure	350 bar

Materials: Zinc plated steel cartridge, hardened steel inner parts.
Steel manifold.

Ordering Code

PRL 150 -- -- -

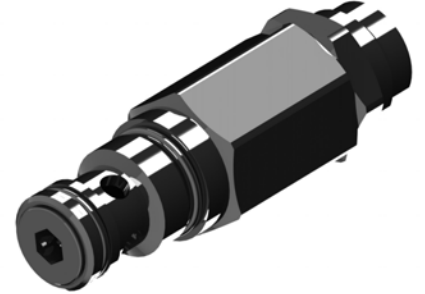
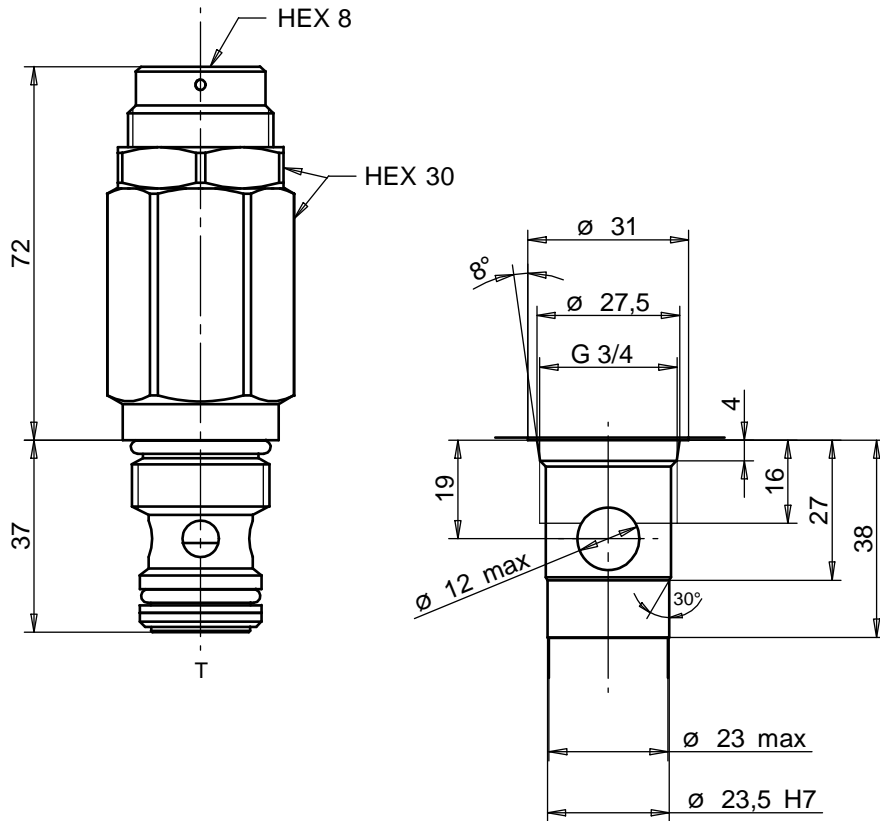
Port Size BSP		Spring (bar)	
05	1	10	5-120
06	1 1/4	30	50-350

Adjustments

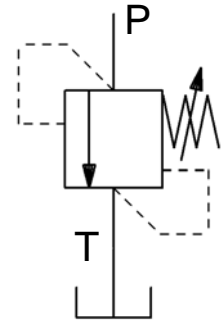
A		Socket Screw
B		Handknob
C		Tamperproof Cap

Ordering Code Example: PRL1500530A = 1 BSP Port Size - 50-350 bar setting range, Socket screw adjustment.

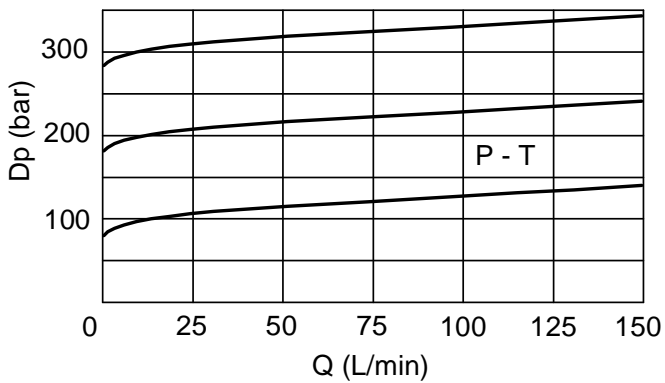
Dimensions



Hydraulic Symbol



Curves



Features

Max Flow	150 lpm
Max Pressure	350 bar
Installation torque	150-160 Nm

Materials: Zinc plated steel cartridge, hardened steel inner parts.

Ordering Code

PRCD 150

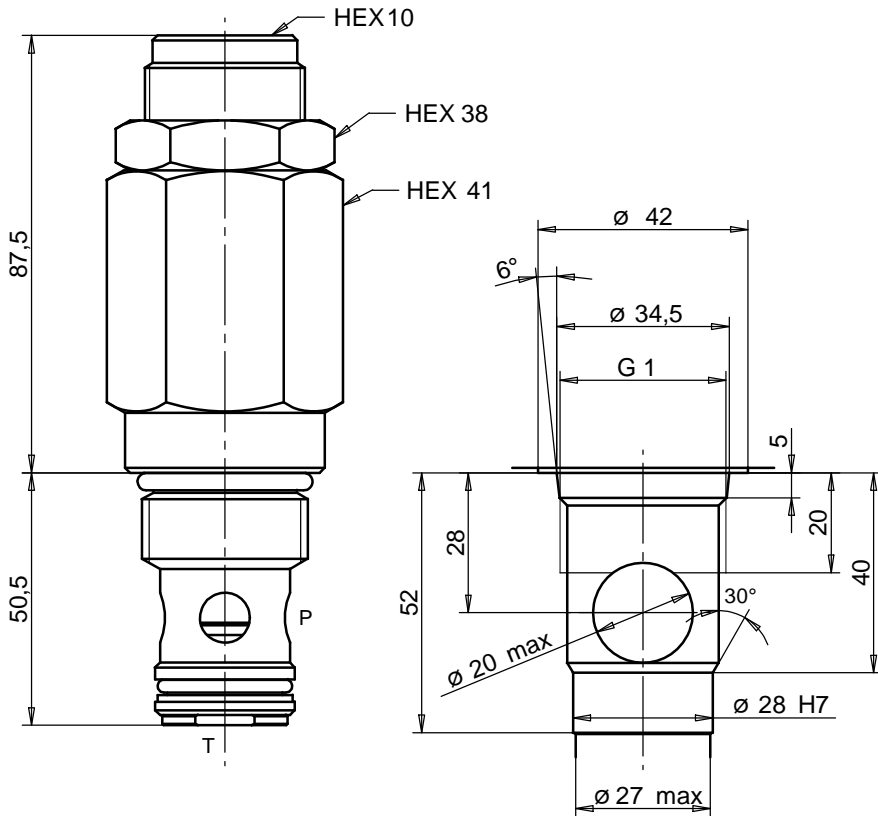
--

Spring (bar)

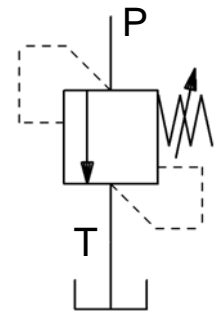
30

100-350

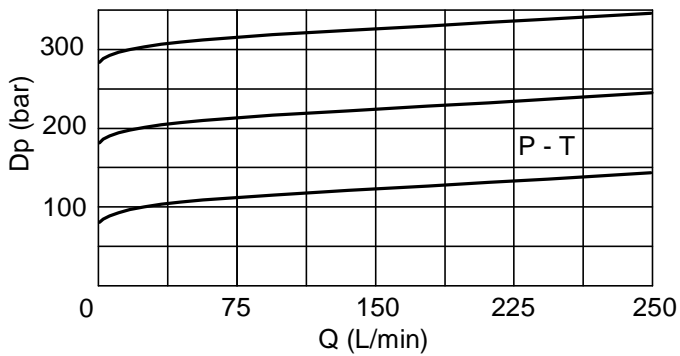
Dimensions



Hydraulic Symbol



Curves



Features

Max Flow	240 lpm
Max Pressure	350 bar
Installation torque	200-230 Nm

Materials: Zinc plated steel cartridge, hardened steel inner parts.

Ordering Code

PRCD 250

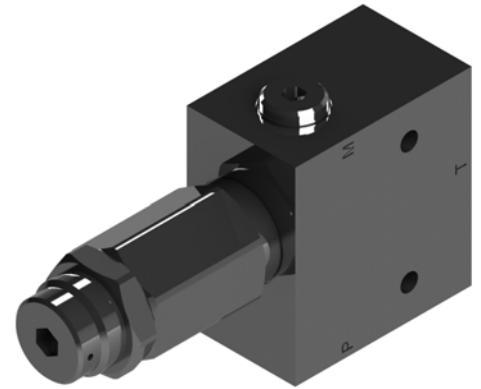
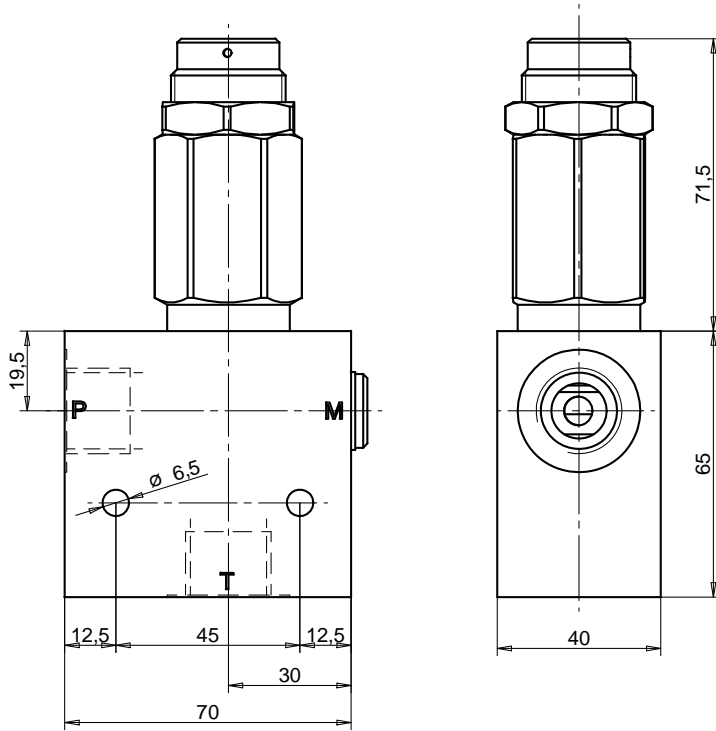
--

Spring (bar)

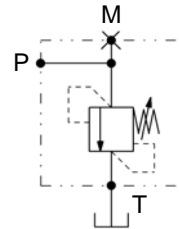
30

120-350

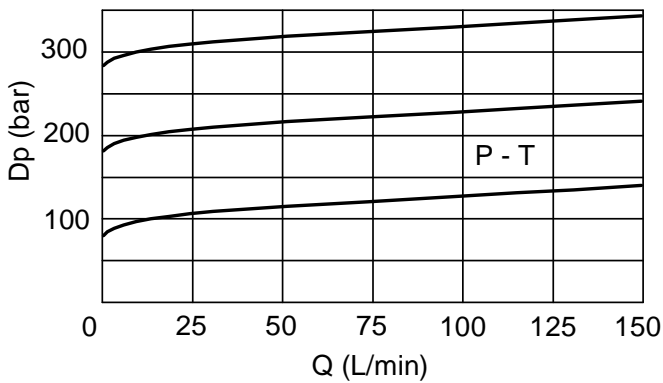
Dimensions



Hydraulic Symbol



Curves



Features

Max Flow	150 lpm
Max Pressure	350 bar

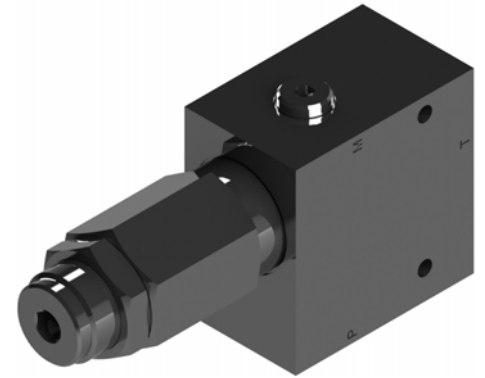
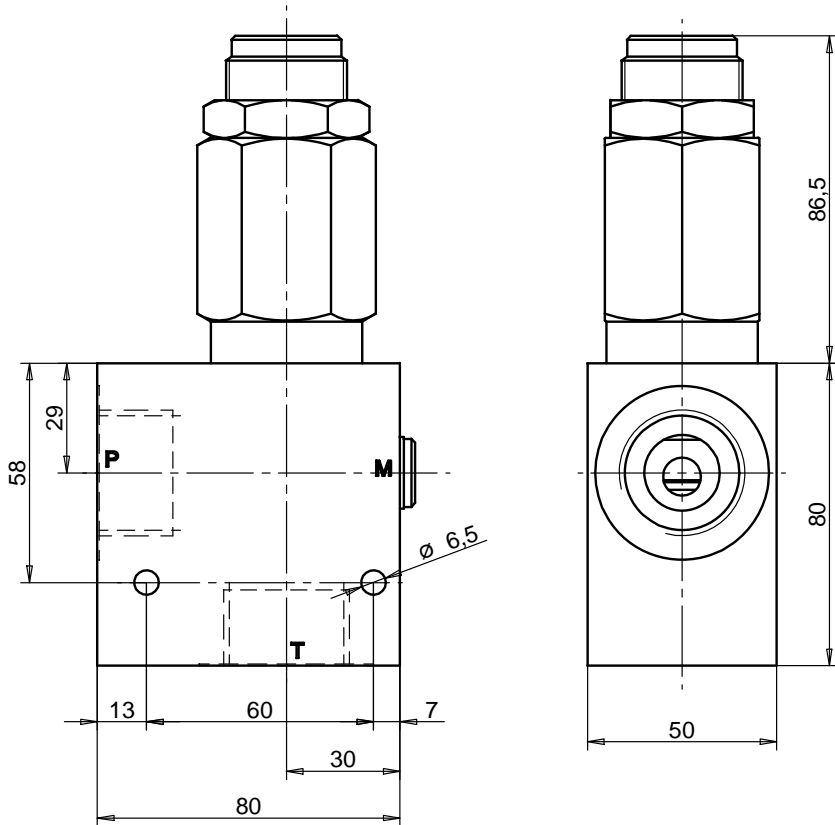
Materials: Zinc plated steel cartridge, hardened steel inner parts.
Aluminium manifold.

Ordering Code

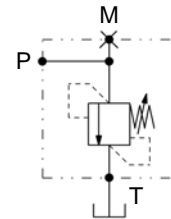
PRCDL 150 -- --

Port Size BSP		Spring (bar)	
03	1/2	30	100-350
04	3/4		

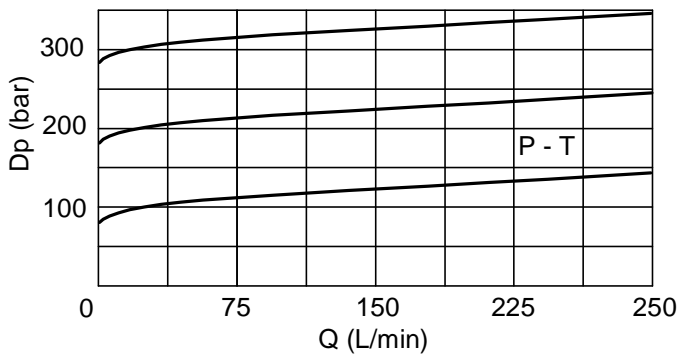
Dimensions



Hydraulic Symbol



Curves



Features

Max Flow	240 lpm
Max Pressure	350 bar
Installation torque	150-160 Nm

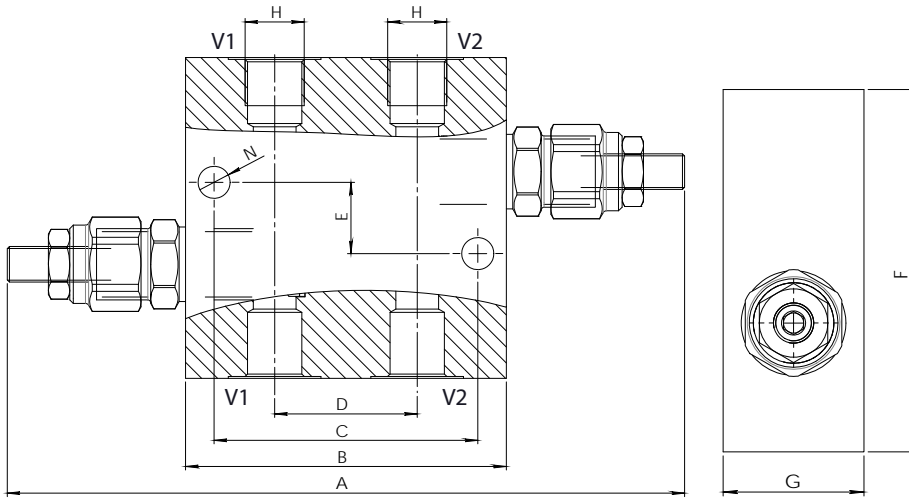
Materials: Zinc plated steel cartridge, hardened steel inner parts.
Aluminium manifold.

Ordering Code

PRCDL 250 -- --

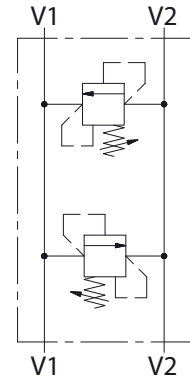
Port Size BSP		Spring (bar)	
04	3/4	30	120-350
05	1		

Dimensions

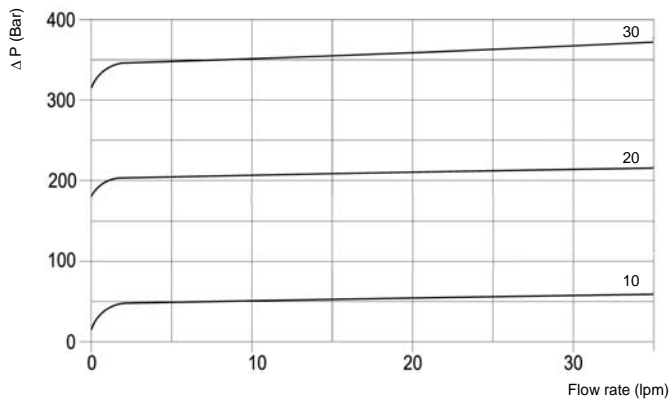


Size	A	B	C	D	E	F	G	H BSP	N	Weight kg
02	190	90	74	40	20	90	35	3/8	9	0,95
03	190	90	74	40	20	90	35	1/2	9	0,93

Hydraulic Symbol



Curves



Features

Rated Flow	35 lpm
Max Pressure	350 bar

Materials: Zinc plated steel cartridge, hardened steel inner parts.
Aluminium manifold.

Ordering Code

DPRL 35 -- -- -

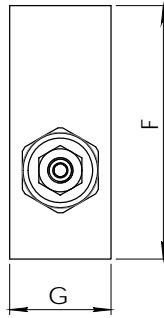
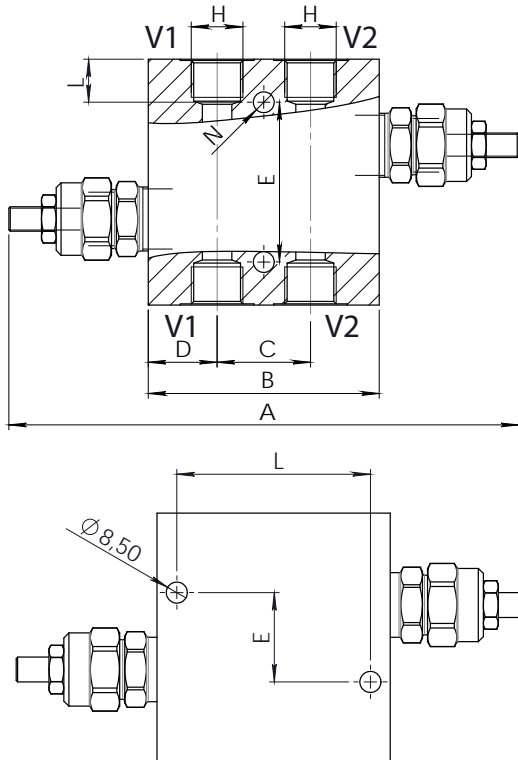
Port Size BSP		Spring (bar)	
02	3/8	10	5-50
03	1/2	20	40-210
		30	100-350

Adjustments

A		Socket Screw
B		Handknob
C		Tamperproof Cap

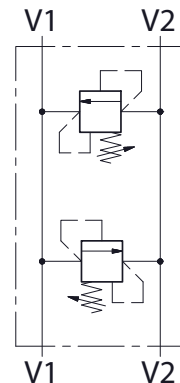
Ordering Code Example: DPRL350220A = 3/8 Port Size - 40-210 bar setting range, Socket screw adjustment.

Dimensions

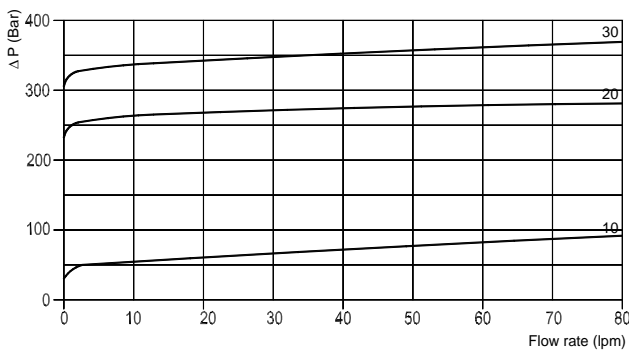


Size	A max	B	C	D	E	F	G	H BSP	L	N	Weight kg
03	207	94	38	28	40	100	40	1/2	17,5	8,5	1,41
04	207	94	38	28	36	100	40	3/4	78	8,5	1,36

Hydraulic Symbol



Curves



Features

Rated Flow	80 lpm
Max Pressure	260 bar

Materials: Zinc plated steel cartridge, hardened steel inner parts.
Aluminium manifold.

Ordering Code

DPRL 80 -- -- -

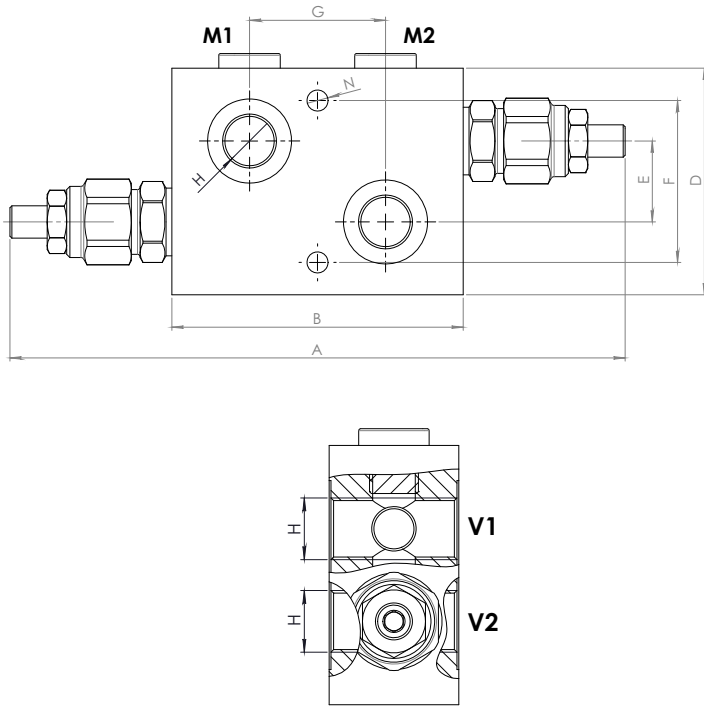
Port Size BSP		Spring (bar)	
03	1/2	10	5-50
04	3/4	20	30-260
		30	130-350

Adjustments

A		Socket Screw
B		Handknob
C		Tamperproof Cap

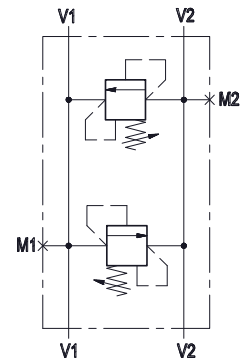
Ordering Code Example: DPRL800320A = 1/2 Port Size - 40-210 bar setting range, Socket screw adjustment.

Dimensions

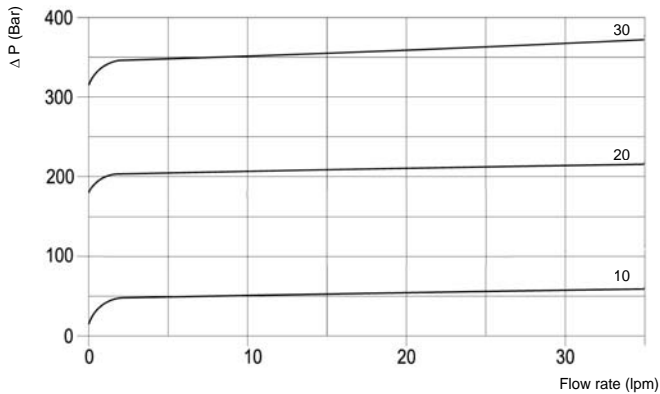


Size	A max	B	C	D	E	F	G	H BSP	M1 BSP	M2 BSP	N	Weight kg
02	190	90	35	70	25	50	42	3/8	1/4	1/4	6,5	0,84
03	190	90	35	70	25	50	42	1/2	1/4	1/4	6,5	0,82

Hydraulic Symbol



Curves



Features

Rated Flow	35 lpm
Max Pressure	350 bar

Materials: Zinc plated steel cartridge, hardened steel inner parts.
Aluminium manifold.

Ordering Code

DPRF 35 -- -- -

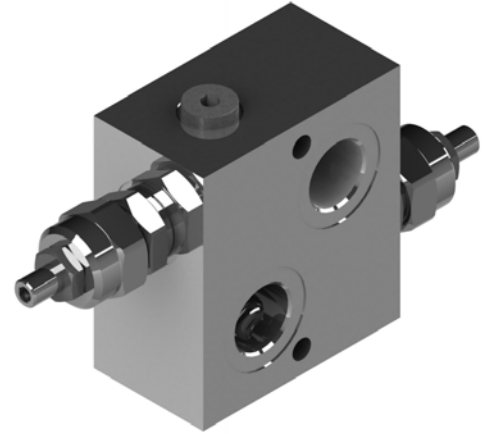
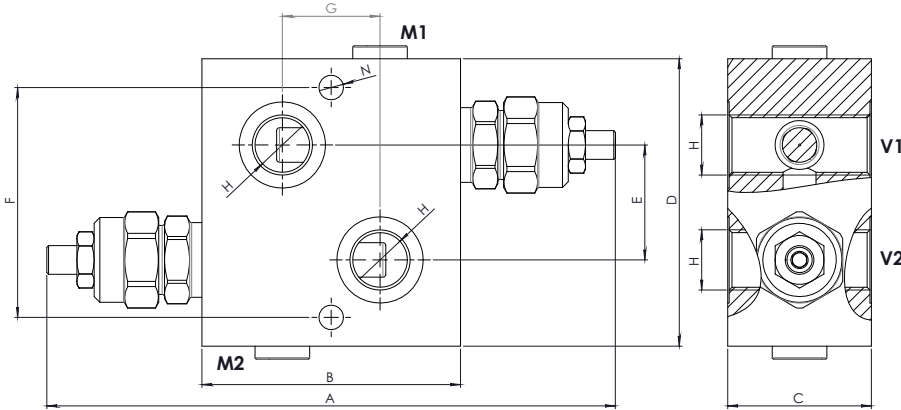
Port Size BSP		Spring (bar)	
02	3/8	10	5-50
03	1/2	20	40-210
		30	100-350

Adjustments

A		Socket Screw
B		Handknob
C		Tamperproof Cap

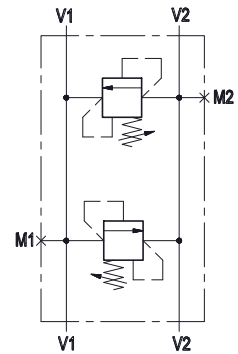
Ordering Code Example: DPRF350220A = 3/8 Port Size - 40-210 bar setting range, Socket screw adjustment.

Dimensions

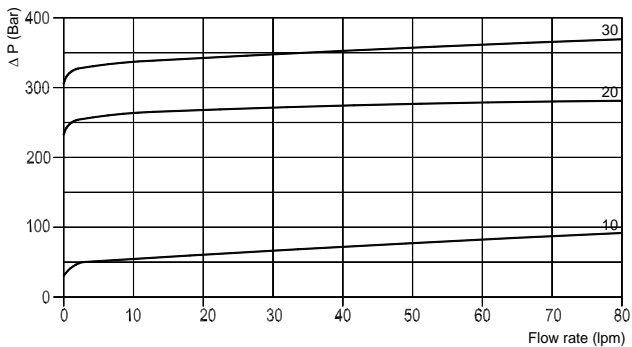


Size	A max	B	C	D	E	F	G	H BSP	M1 BSP	M2 BSP	N	Weight kg
03	198	90	50	100	40	80	32	1/2	1/4	1/4	8,5	1,64
04	198	90	50	100	40	80	32	3/4	1/4	1/4	8,5	1,59

Hydraulic Symbol



Curves



Features

Rated Flow	80 lpm
Max Pressure	260 bar

Materials: Zinc plated steel cartridge, hardened steel inner parts.
Aluminium manifold.

Ordering Code

DPRF 80 -- -- -

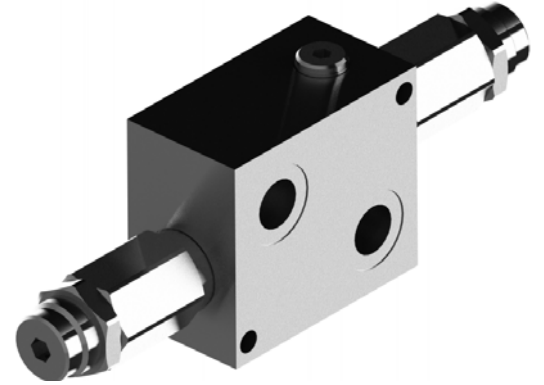
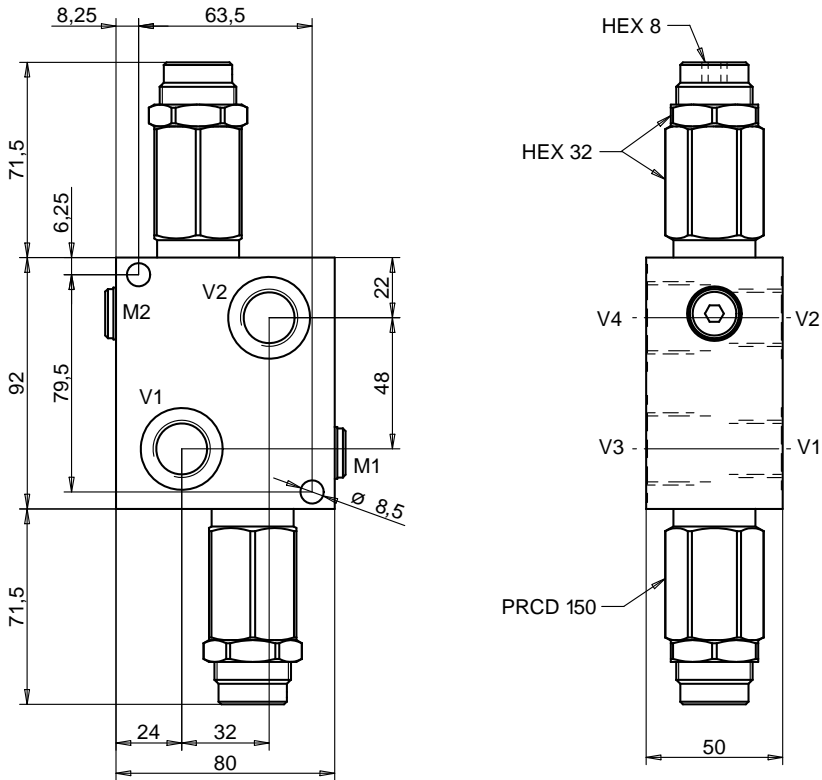
Port Size BSP		Spring (bar)	
03	1/2	10	5-50
04	3/4	20	30-260
		30	130-350

Adjustments

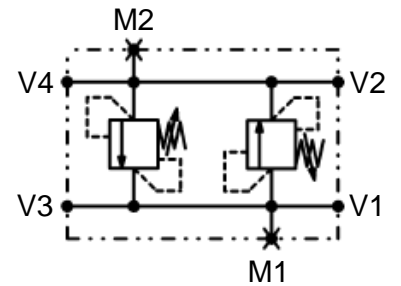
A		Socket Screw
B		Handknob
C		Tamperproof Cap

Ordering Code Example: DPRF800320A = 1/2 Port Size - 40-210 bar setting range, Socket screw adjustment.

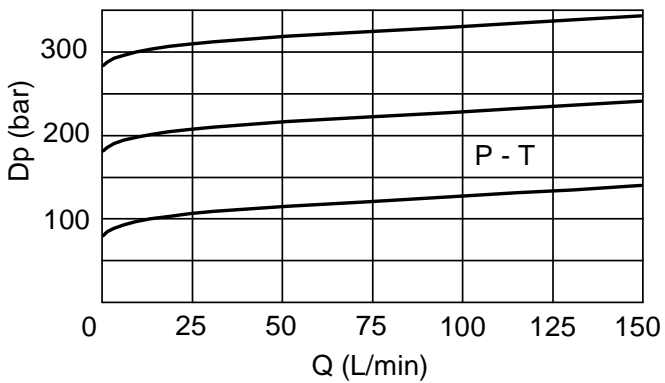
Dimensions



Hydraulic Symbol



Curves



Features

Max Pressure	270 bar
Max Flow	150 lpm
Ports	V1-V2: G 1/2 V3-V4: G 3/4 M1-M2: G 1/4

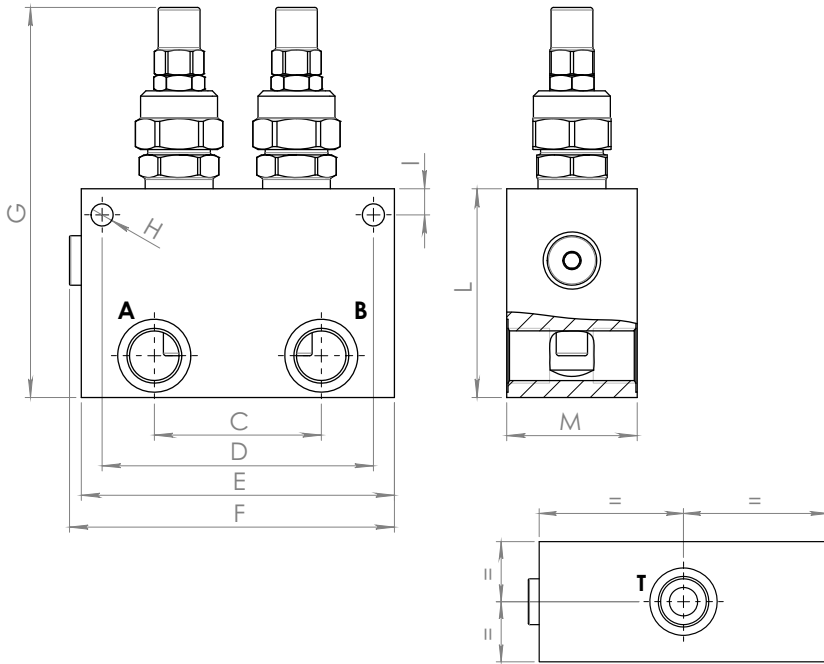
Materials: Zinc plated steel cartridge, hardened steel inner parts.
Aluminium manifold.

Ordering Code

DPCDIH 0304 --

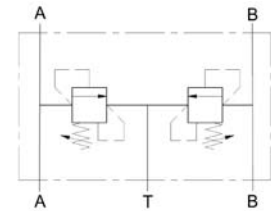
Spring (bar)	
30	100-350

Dimensions

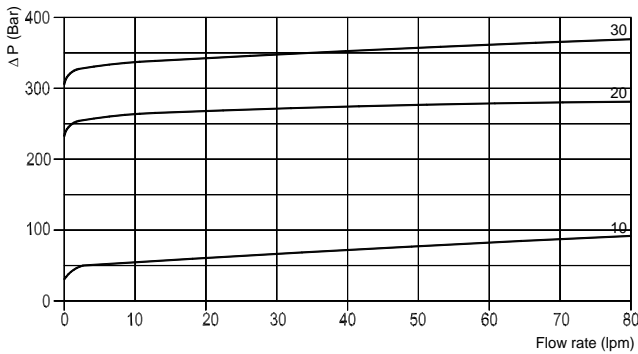


Size	A-B-T	C	D	E	F	G	H	I	L	M	Weight kg
03	1/2	64	104	120	124,5	149,5	8,5	10	80	50	1,78

Hydraulic Symbol



Curves



Features

Rated Flow	80 lpm
Max Pressure	260 bar

Materials: Zinc plated steel cartridge, hardened steel inner parts.
Aluminium manifold.

Ordering Code

DPRSU 80

--

--

-

Port Size BSP

03

1/2

Spring (bar)

10

5-50

20

30-260

30

130-350

Adjustments

A



Socket Screw

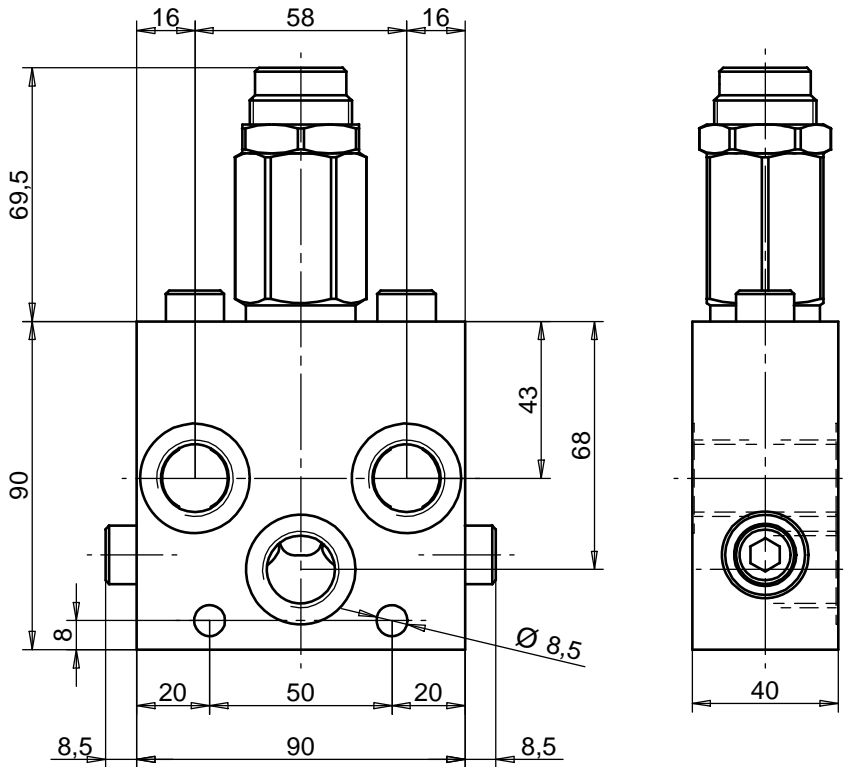
C



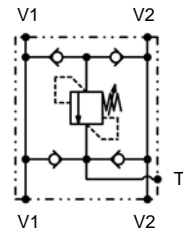
Tamperproof Cap

Ordering Code Example: DPRSU800320A = 1/2 Port Size - 30-260 bar setting range, Socket screw adjustment.

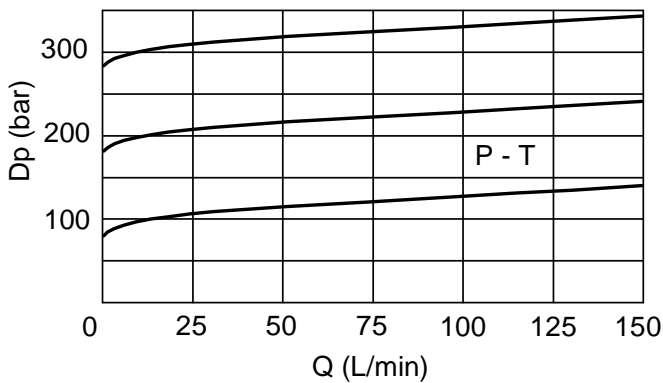
Dimensions



Hydraulic Symbol



Curves



Features

Max Pressure	280 bar
Max Flow	60 lpm
Ports	V1-V2: G 1/2 T: G 1/2

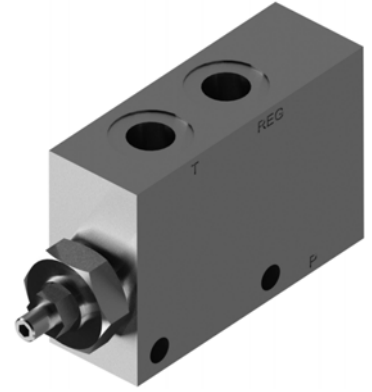
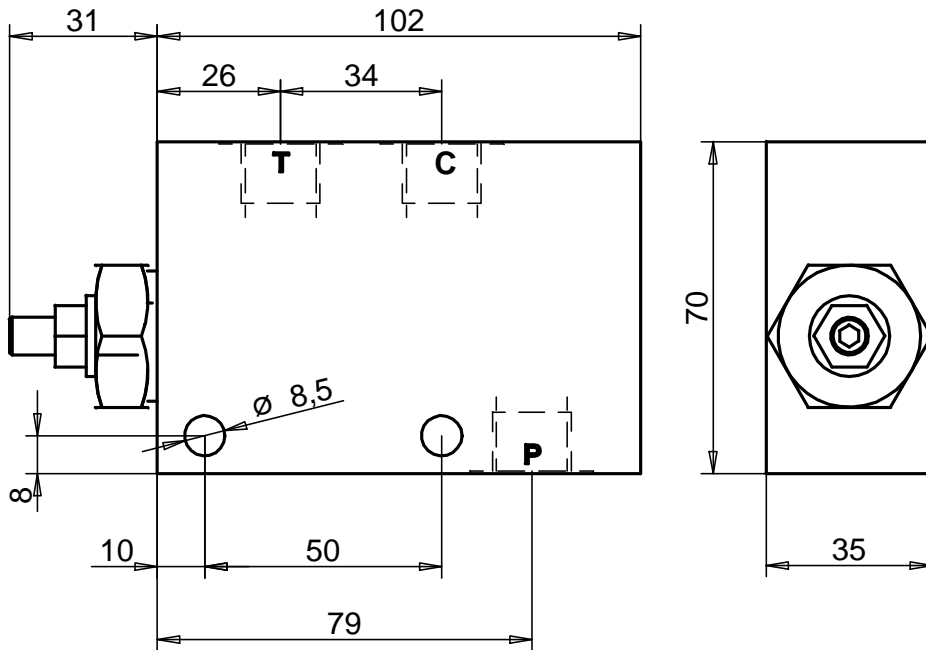
Materials: Zinc plated steel cartridge, hardened steel inner parts. Aluminium manifold.

Ordering Code

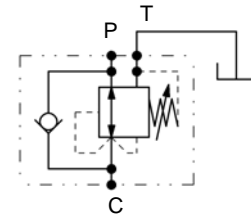
VARUCD 03 --

Spring (bar)	
30	100-350

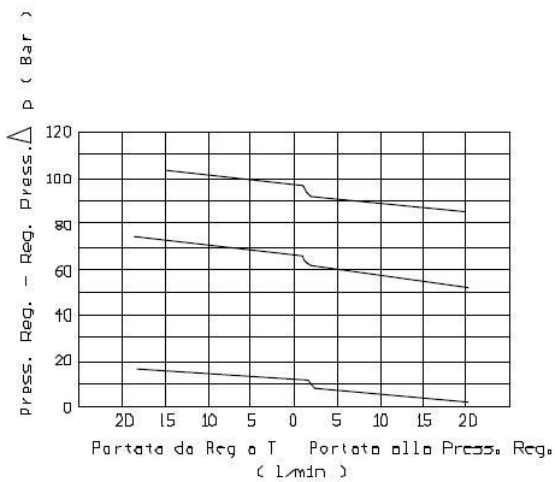
Dimensions



Hydraulic Symbol



Curves



Features

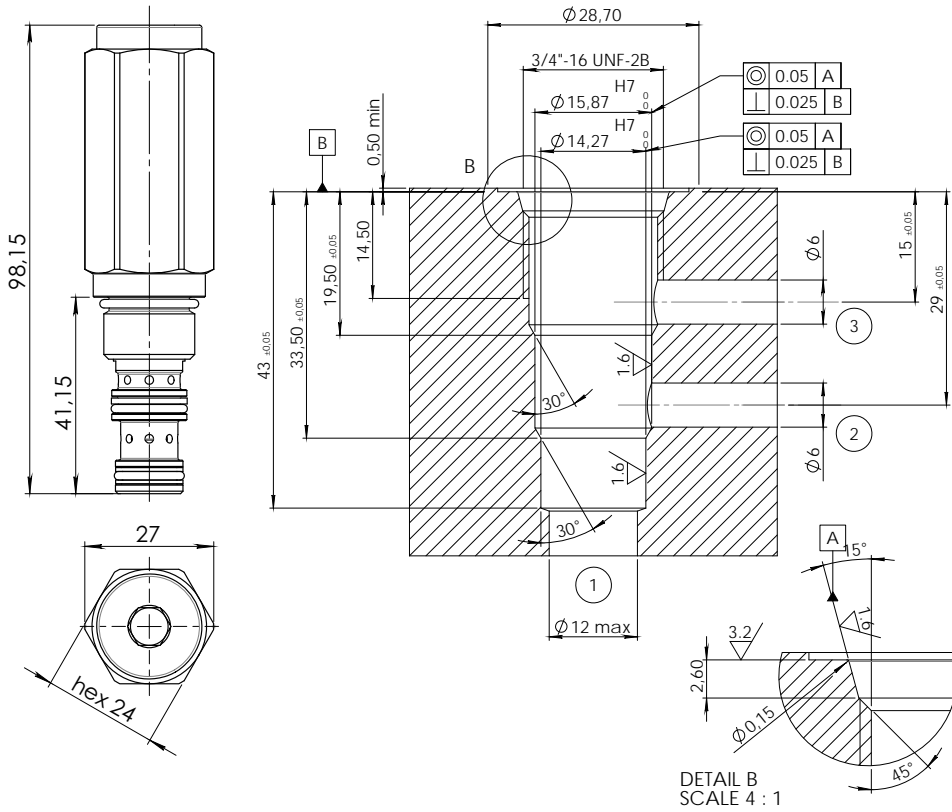
Max Pressure	260 bar
Max Flow	20 lpm
Std. Pressure range	15 - 105 bar

Materials: Zinc plated steel cartridge, hardened steel inner parts.
Aluminium manifold.

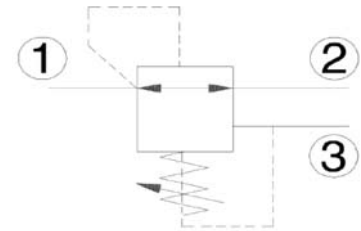
Ordering Code

VARP		--
Port Size BSP		
02		3/8

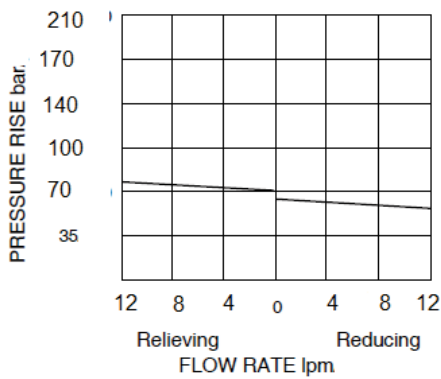
Dimensions



Hydraulic Symbol



Curves



Features

Max Pressure	350 bar
Max Flow	12 lpm

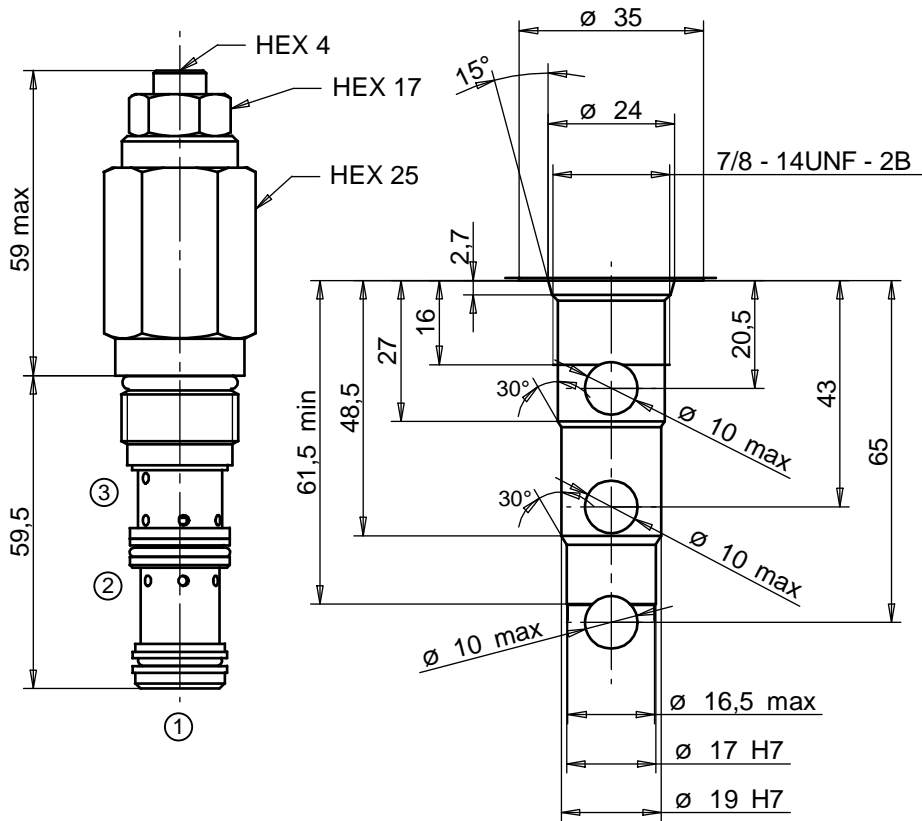
Materials: Zinc plated steel cartridge, hardened steel inner parts.

Ordering Code

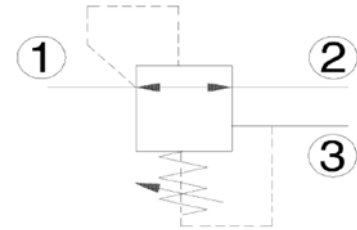
VPRDC02	--
Port Size BSP	
10	10-100

Ordering Code Example: VPRDC0210 = 10-100 bar setting range.

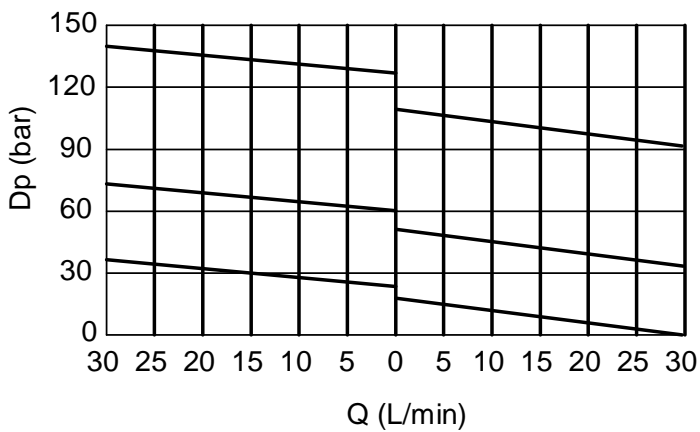
Dimensions



Hydraulic Symbol



Curves



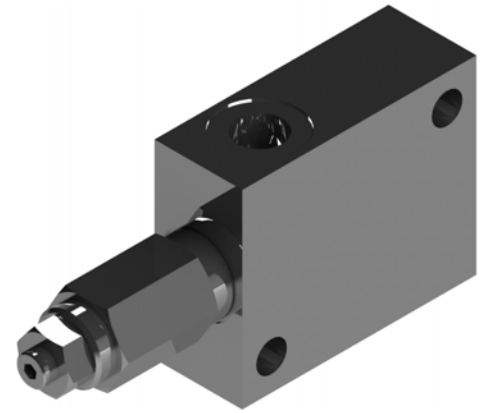
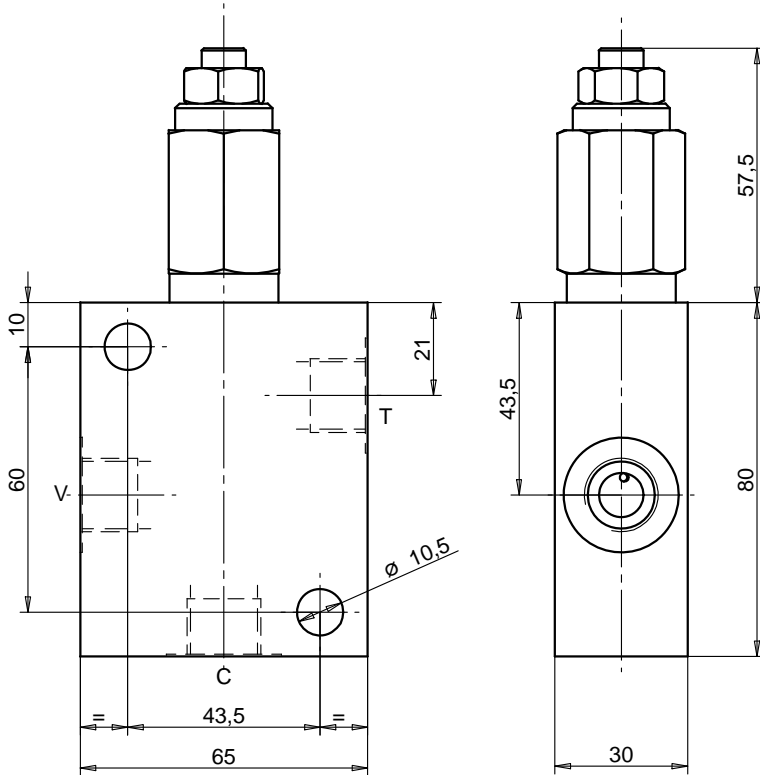
Features

Max Pressure REG	140 bar
Max Pressure IN	350 bar
Max Flow	30 lpm
Installation torque	53-58 Nm

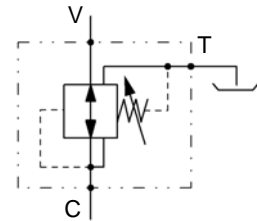
Ordering Code

VPREDC 03

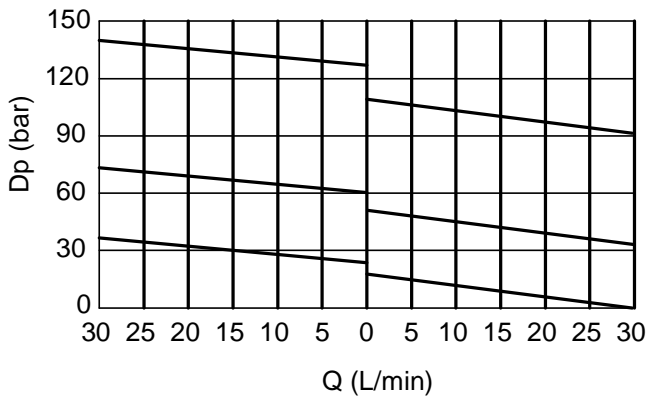
Dimensions



Hydraulic Symbol



Curves



Features

Max Pressure REG	140 bar
Max Pressure IN	350 bar
Max Flow	30 lpm

Materials: Zinc plated steel cartridge, hardened steel inner parts. Aluminium manifold.

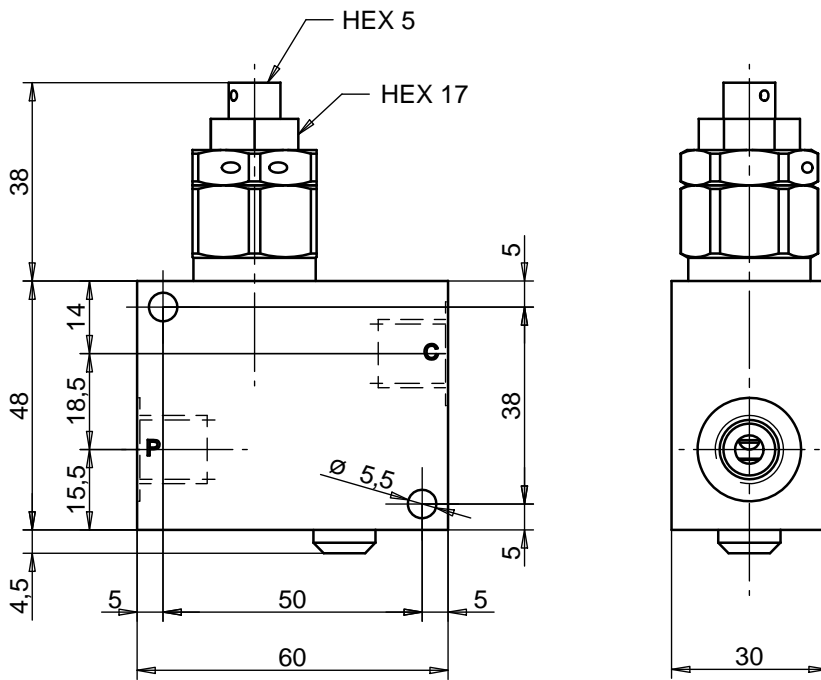
Ordering Code

VPREDAD --

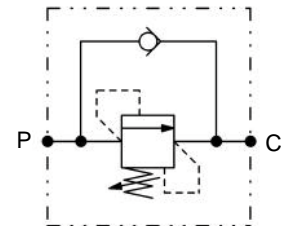
Port Size BSP

02	3/8
-----------	-----

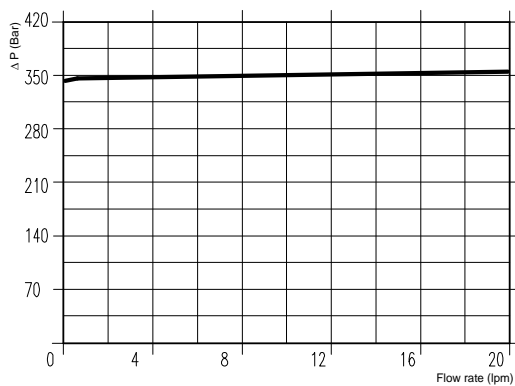
Dimensions



Hydraulic Symbol



Curves



Features

Max Flow (lpm)	20
Max Pressure (bar)	350


Materials: Zinc plated steel cartridge, hardened steel inner parts.
Aluminium manifold.

Ordering Code

SV 20 -- -- -

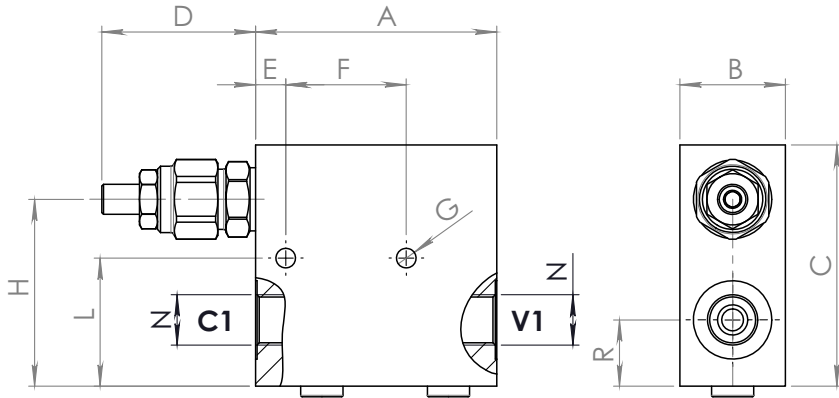
Port Size BSP		Spring (bar)	
01	1/4	30	50-350

Adjustments

A		Socket Screw
---	---	--------------

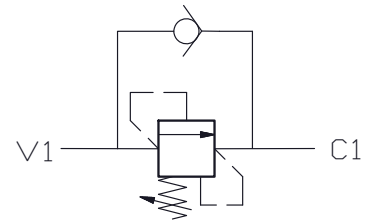
Ordering Code Example: SV200130A = 1/4 Port Size - 50-350 bar setting range, Socket screw adjustment.

Dimensions

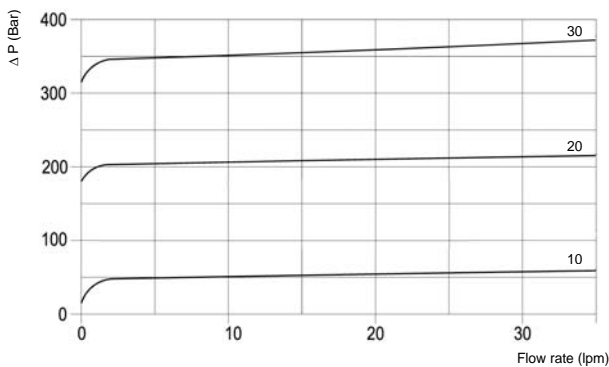


Size	A	B	C	D max	E	F	G	H	L	N BSP	R	Weight kg
02	80	35	80	51	10	40	6,5	62	42,5	3/8	22	0,72
03	80	35	80	51	10	40	6,5	62	42,5	1/2	22	0,710

Hydraulic Symbol



Curves



Features

Rated Flow (lpm)	35
Max Pressure (bar)	260

Materials: Zinc plated steel cartridge, hardened steel inner parts.
Aluminium manifold.

Ordering Code

SV 35 -- -- -

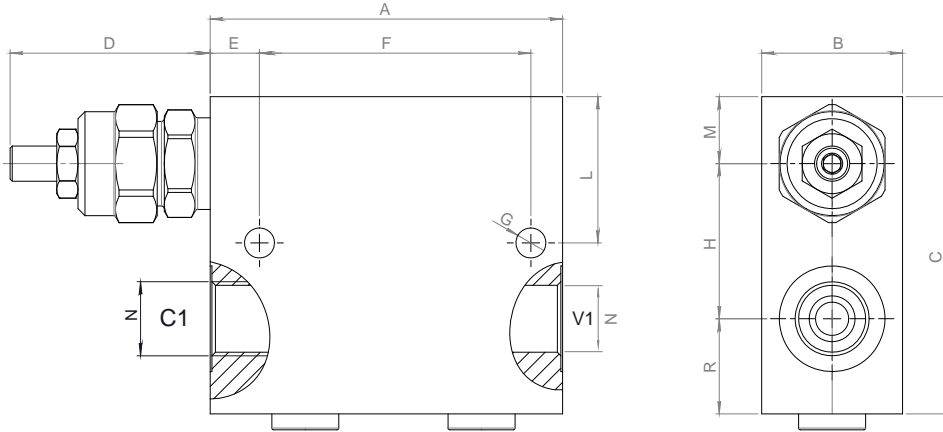
Port Size BSP		Spring (bar)	
02	3/8	10	5-50
03	1/2	20	40-210
		30	100-350

Adjustments

A		Socket Screw
B		Handknob
C		Tamperproof Cap

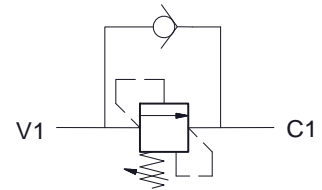
Ordering Code Example: SV350220A = 3/8 Port Size - 40-210 bar setting range, Socket screw adjustment.

Dimensions

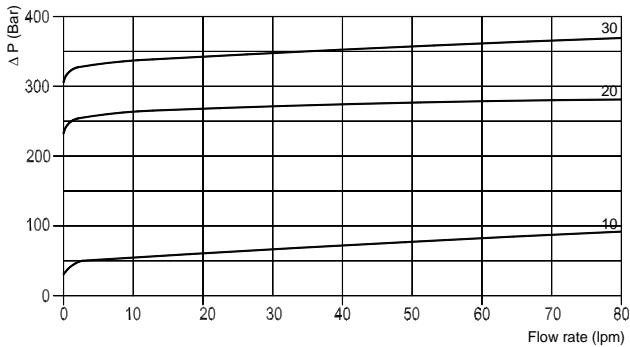


Size	A	B	C	D max	E	F	G	H	L	N BSP	M	R	Weight kg
03	100	40	90	57	14	77	8,5	44	41,5	1/2	19	27	1,2
04	100	40	90	57	14	77	8,5	44	41,5	3/4	19	27	1,16

Hydraulic Symbol



Curves



Features

Rated Flow (lpm)	80
Max Pressure (bar)	260

Materials: Zinc plated steel cartridge, hardened steel inner parts.
Aluminium manifold.

Ordering Code

SV 80 -- -- -

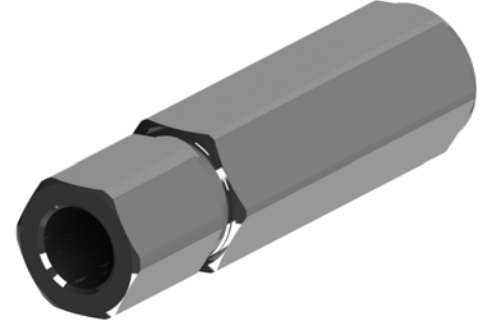
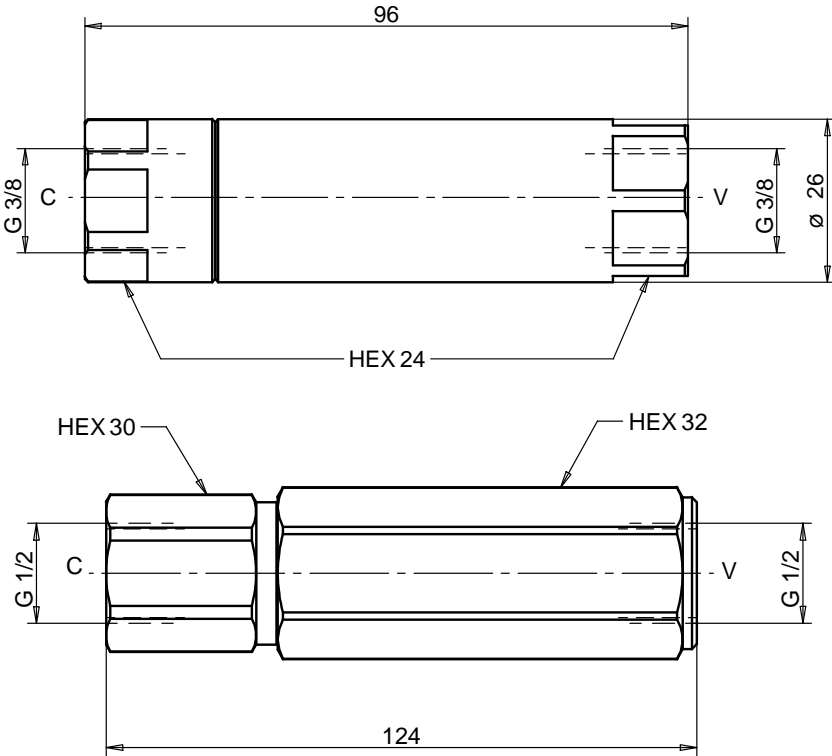
Port Size BSP		Spring (bar)	
03	1/2	10	5-50
04	3/4	20	30-260
		30	130-350

Adjustments

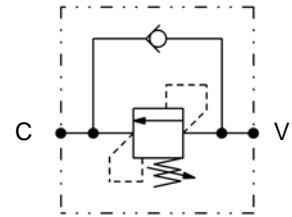
A		Socket Screw
B		Handknob
C		Tamperproof Cap

Ordering Code Example: **SV800320A** = 1/2 Port Size - 30-260 bar setting range, Socket screw adjustment.

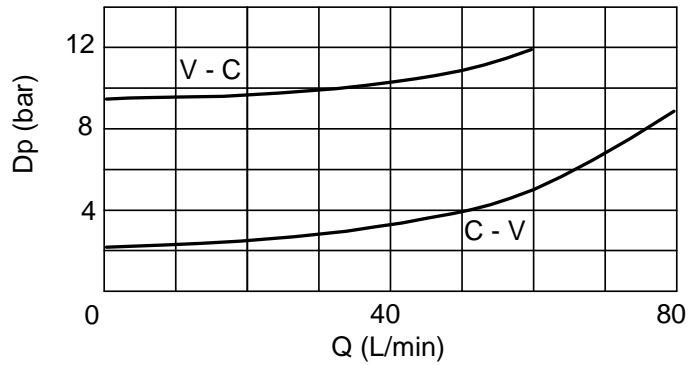
Dimensions



Hydraulic Symbol



Curves



Features

Size	02	03
Max Flow (lpm)	40	80
Max Pressure (bar)	350	350

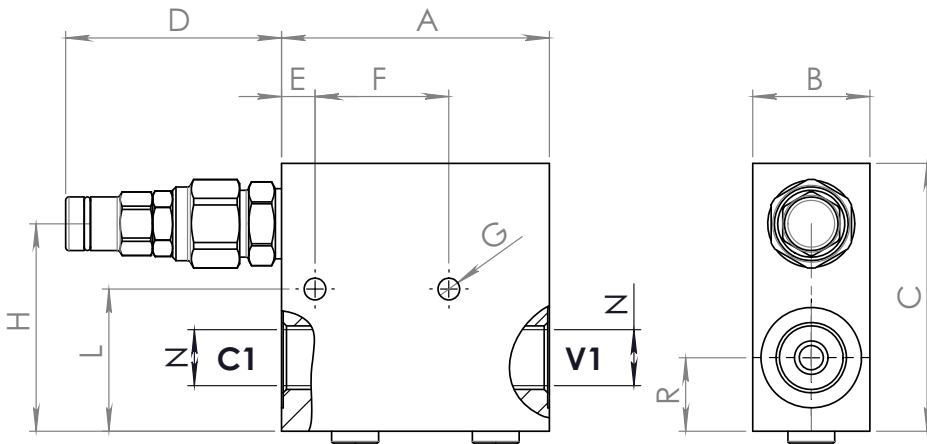
Materials: Zinc plated steel body, hardened steel inner parts.

Ordering Code

SVL		--	--
	Port Size BSP	LP-Spring (bar)	
02	3/8	10	02 03
03	1/2		30-120 30-140

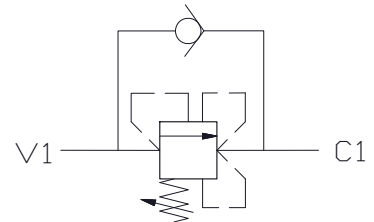
Ordering Code Example: **SVL0310** = 1/2 Port Size - 30-140 bar setting range.

Dimensions

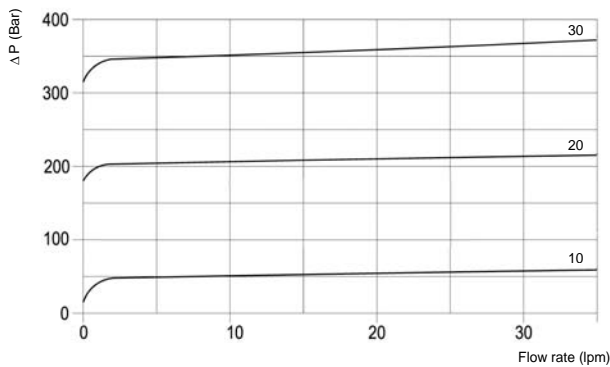


Size	A	B	C	D max	E	F	G	H	L	N BSP	R	Weight kg
02	64,5	35	80	51	10	40	6,5	62	42,5	3/8	22	0,72
03	64,5	35	80	51	10	40	6,5	62	42,5	1/2	22	0,710

Hydraulic Symbol



Curves



Features

Rated Flow (lpm)	35
Max Pressure (bar)	260

Materials: Zinc plated steel cartridge, hardened steel inner parts.
Aluminium manifold.

Ordering Code

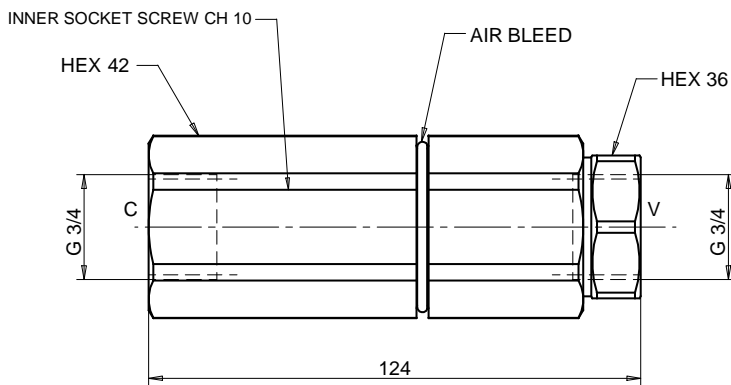
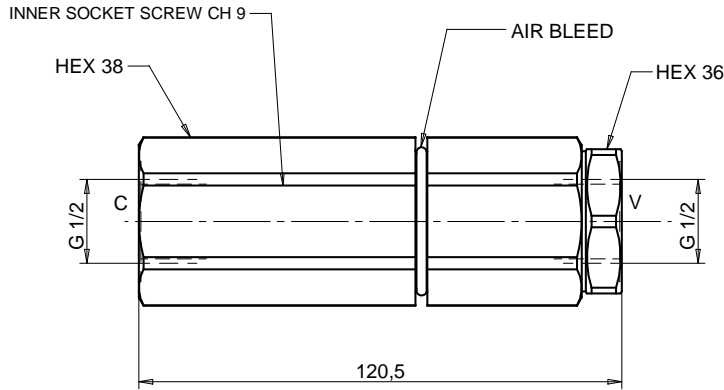
SV 35CC -- --

Port Size BSP	
02	3/8
03	1/2

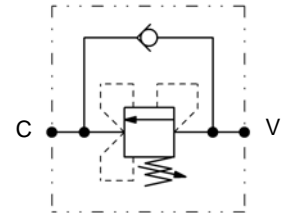
Spring (bar)	
10	5-50
20	40-210
30	100-350

Ordering Code Example: SV35CC0220A = 3/8 Port Size - 40-210 bar setting range, Socket screw adjustment.

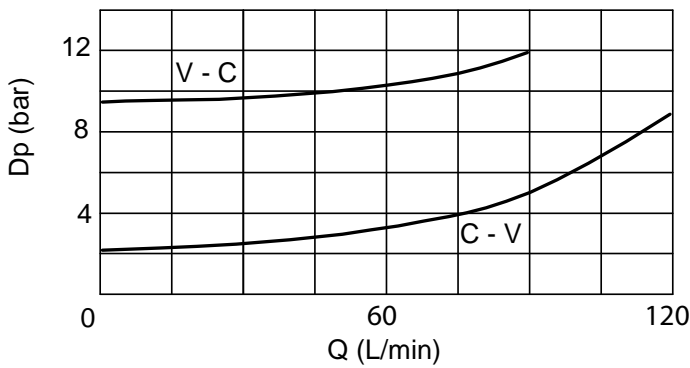
Dimensions



Hydraulic Symbol



Curves



Features

Size	03	04
Max Flow (lpm)	100	120
Max Pressure (bar)	350	350

Materials: Zinc plated steel body, hardened steel inner parts.

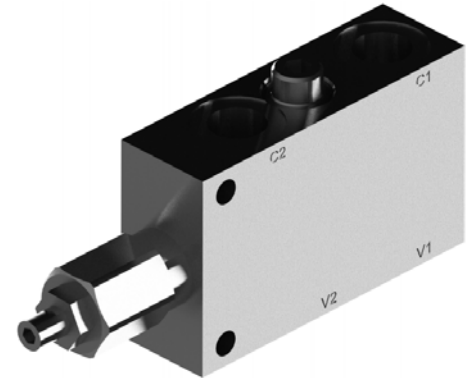
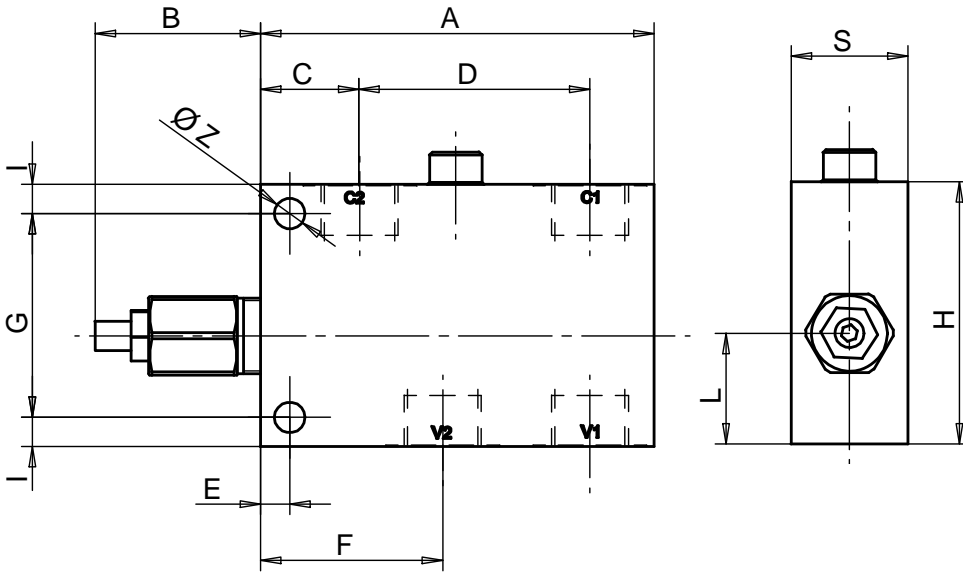
Ordering Code

SVLCC -- --

Port Size BSP		LP-Spring (bar)	
03	1/2	03	04
04	3/4	10	50-140
		20	80-250

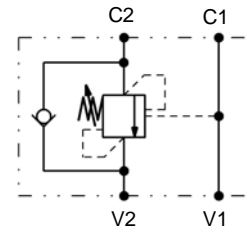
Ordering Code Example: SVLCC0310 = 1/2 Port Size - 50-140 bar setting range.

Dimensions

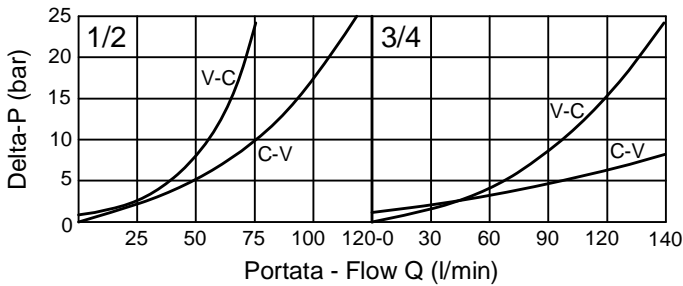


Size	A	B	C	D	E	F	G	H	I	L	S	Z	V1-V2 C1-C2
03	113	60	32,5	62,5	10	54,5	54	70	8	32	35	8,5	G 1/2
04	135	16	34	79	10	62,5	70	90	10	38	40	10,5	G 3/4

Hydraulic Symbol



Curves



Features

Std. Pressure range	100 - 350 bar	
Max Pressure	250 bar	
Pilot Ratio	3,2:1	8,2:1
1/2	Standard	On request
3/4	On request	Standard

Materials: Zinc plated steel cartridge, hardened steel inner parts.
Aluminium manifold.

Ordering Code

CBSCSL

--

-

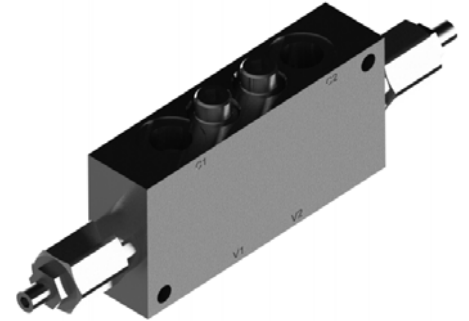
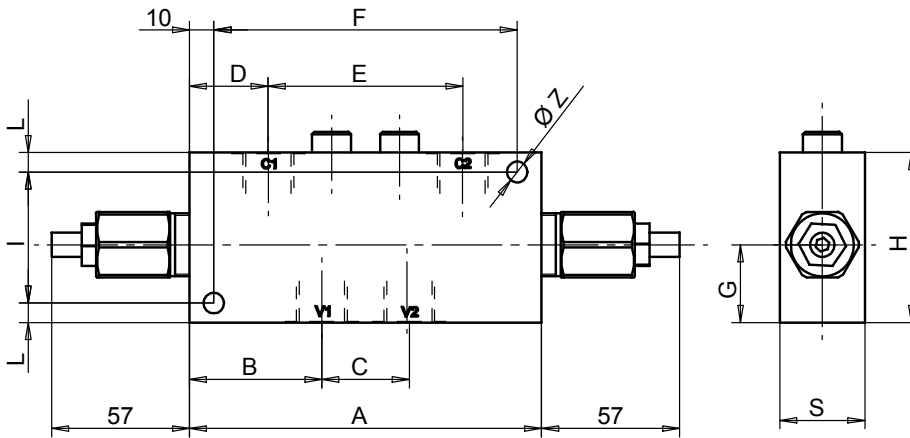
Port Size BSP

03	1/2
04	3/4

Pilot Ratio

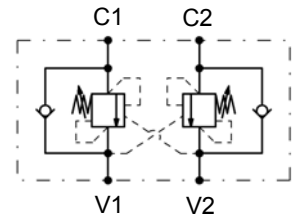
3	3,2 : 1
8	8,2 : 1

Dimensions

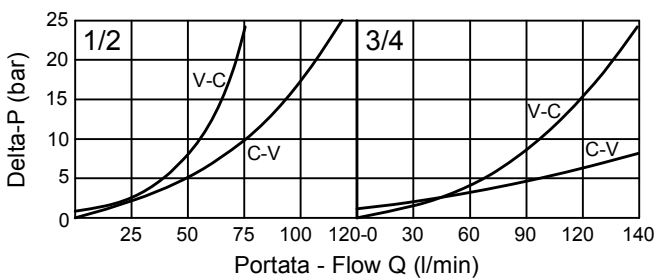


Size	A	B	C	D	E	F	G	H	I	L	S	Z	V1-V2 C1-C2
03	145	54,5	36	32,5	80	125	32	70	54	8	35	8,5	G 1/2
04	175	62,5	50	34	107	155	38	90	70	10	40	10,5	G 3/4

Hydraulic Symbol



Curves



Features

Max Pressure	350 bar
Pilot Ratio	8,2:1 Standard 3,2:1 On request
Std. Pressure range	100 - 350 bar

Materials: Zinc plated steel cartridge, hardened steel inner parts.
Aluminium manifold.

Ordering Code

CBSCDL

--

-

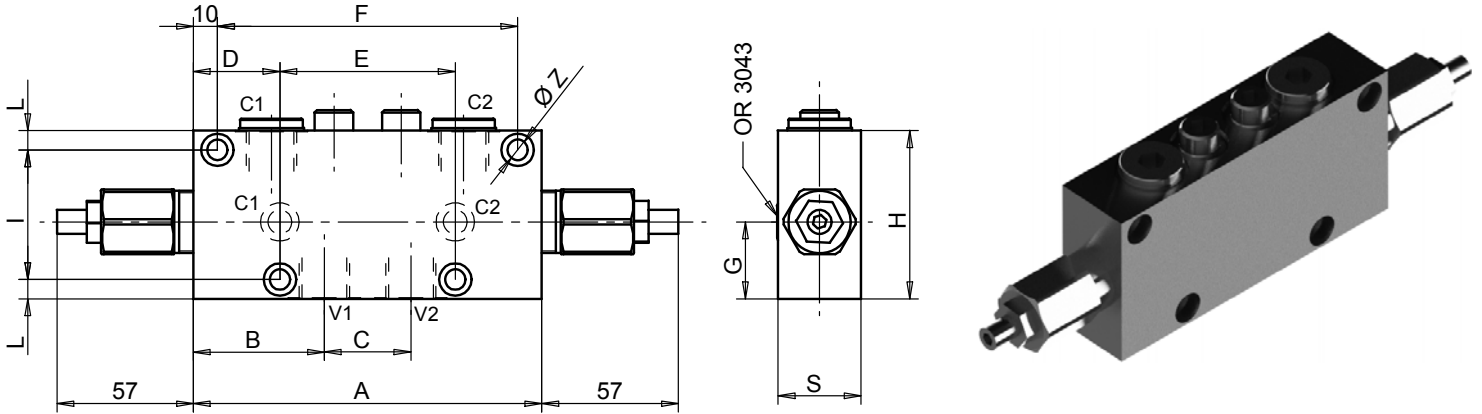
Port Size BSP

03	1/2
04	3/4

Pilot Ratio

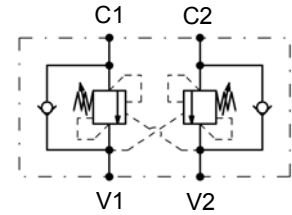
3	3,2 : 1
8	8,2 : 1

Dimensions

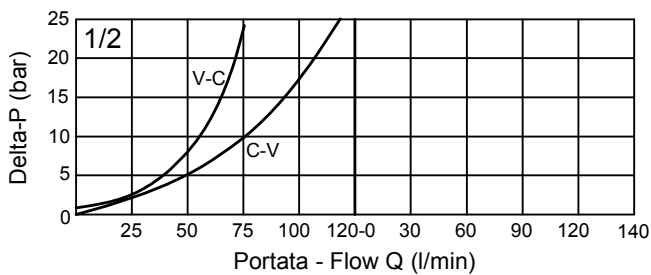


Size	A	B	C	D	E	F	G	H	I	L	S	Z	V1-V2 C1-C2
03	145	54,5	36	36	73	125	32	70	54	8	34,5	8,5	G 1/2

Hydraulic Symbol



Curves



Features

Max Pressure	350 bar
Pilot Ratio	8,2:1 Standard 3,2:1 On request
Std. Pressure range	100 - 350 bar

Materials: Zinc plated steel cartridge, hardened steel inner parts.
Aluminium manifold.

Ordering Code

CBSCDLF

--

-

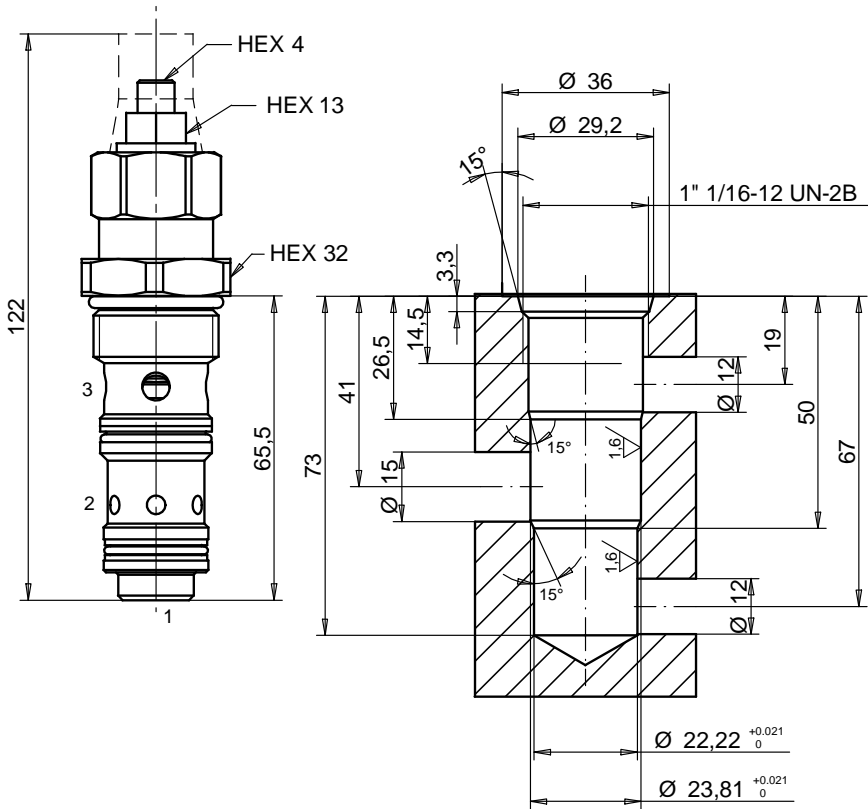
Port Size BSP

03	1/2
-----------	-----

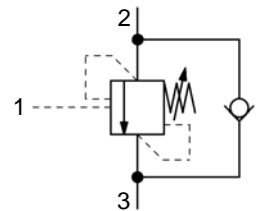
Pilot Ratio

3	3,2:1
8	8,2:1

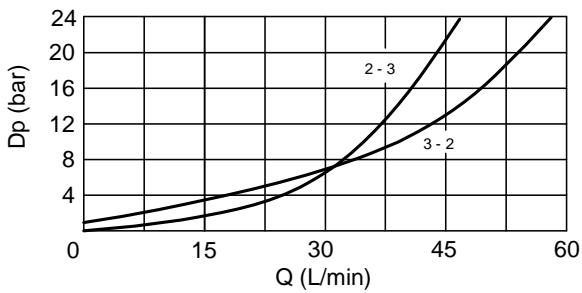
Dimensions



Hydraulic Symbol



Curves



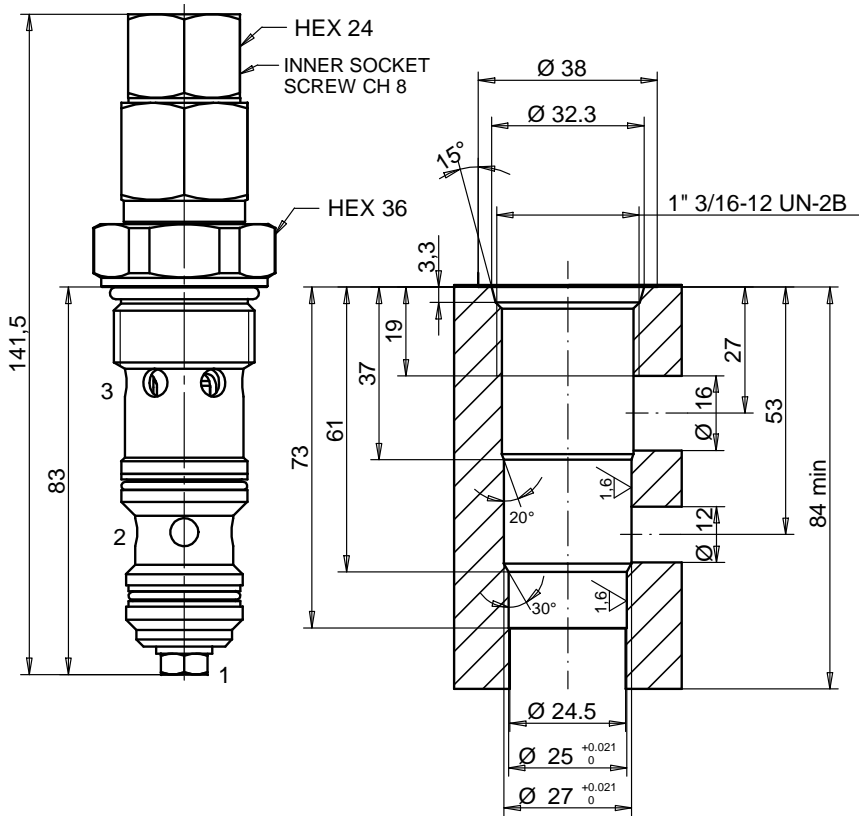
Features

Max Pressure	350 bar
Max Flow	60 lpm
Pilot Ratio	4,2:1 Standard
Std. Pressure range	100 - 350 bar
Installation Torque	115 - 126 Nm

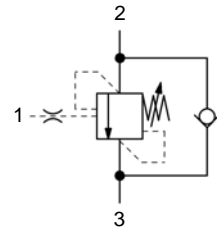
Ordering Code

CBC 60

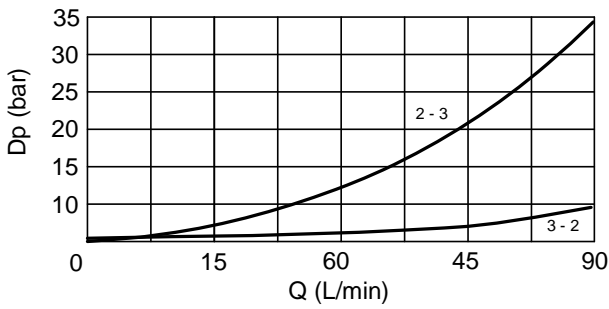
Dimensions



Hydraulic Symbol



Curves



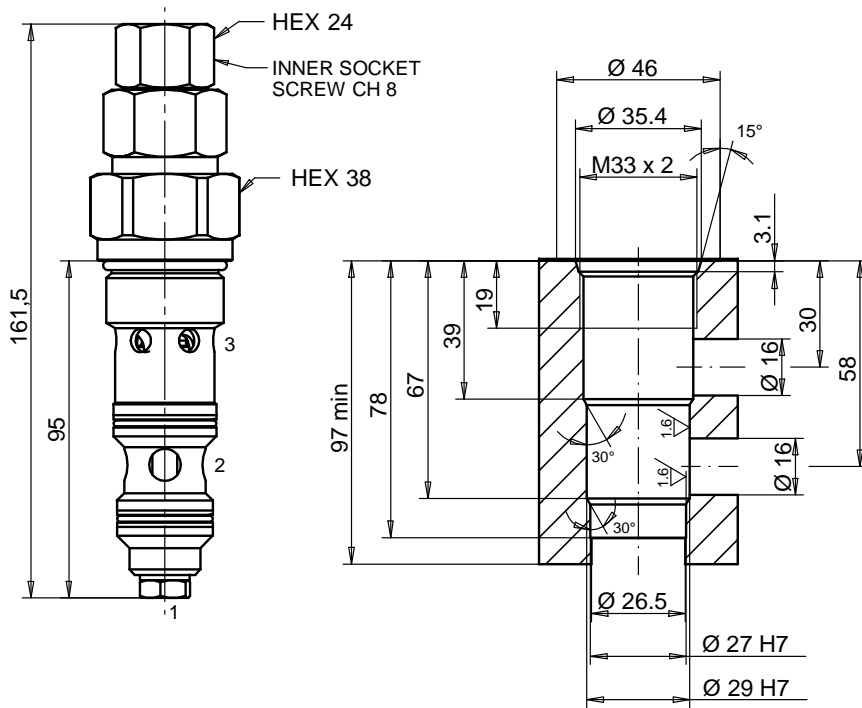
Features

Max Pressure	350 bar
Max Flow	90 lpm
Pilot Ratio	4,2:1 Standard
Std. Pressure range	100 - 350 bar
Installation Torque	140 - 155 Nm

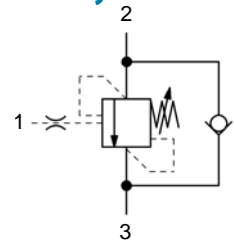
Ordering Code

CBC 90

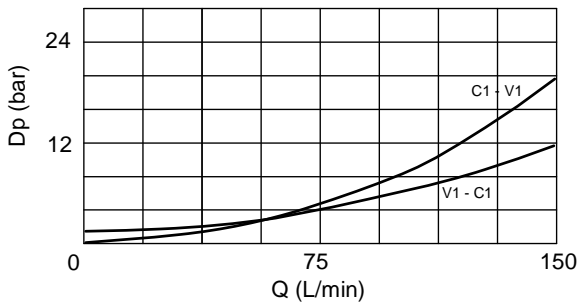
Dimensions



Hydraulic Symbol



Curves



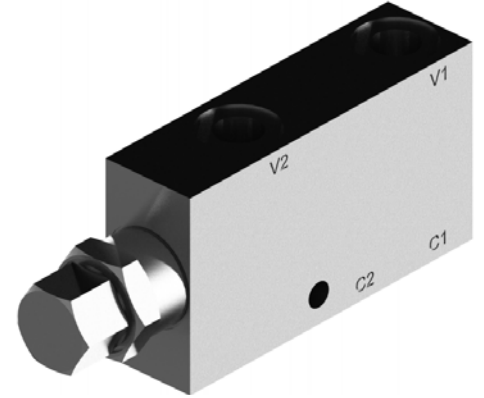
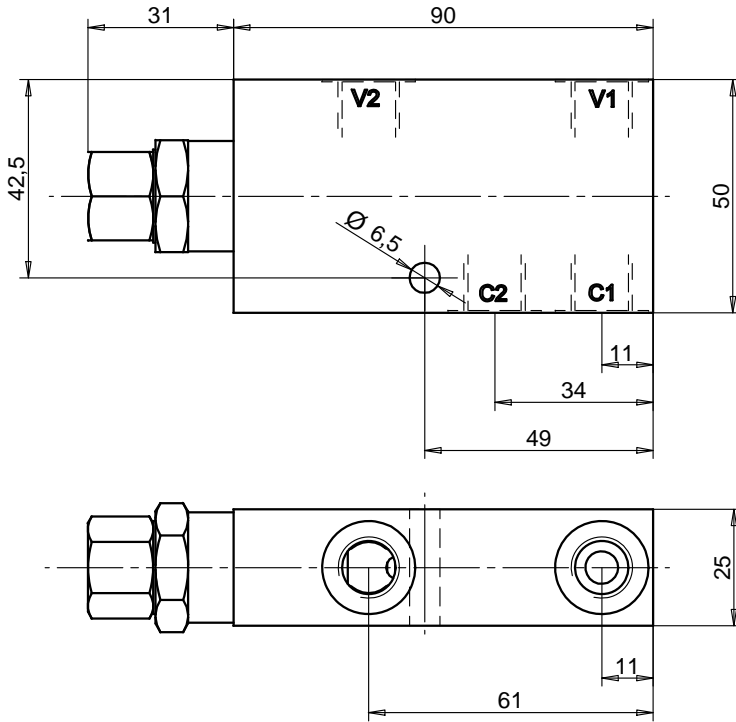
Features

Max Flow	150 lpm
Max Pressure	350 bar
Pilot Ratio	4:1 Standard
Std. Pressure range	200 - 225 bar

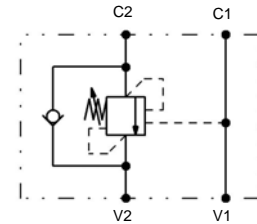
Ordering Code

CBC 150

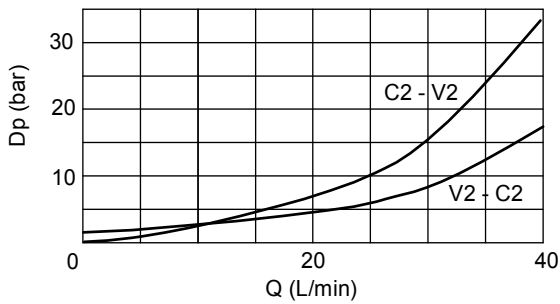
Dimensions



Hydraulic Symbol



Curves



Features

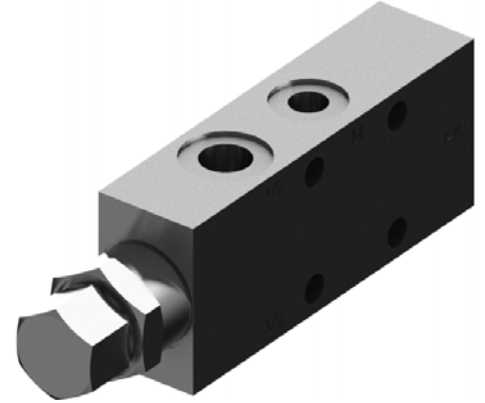
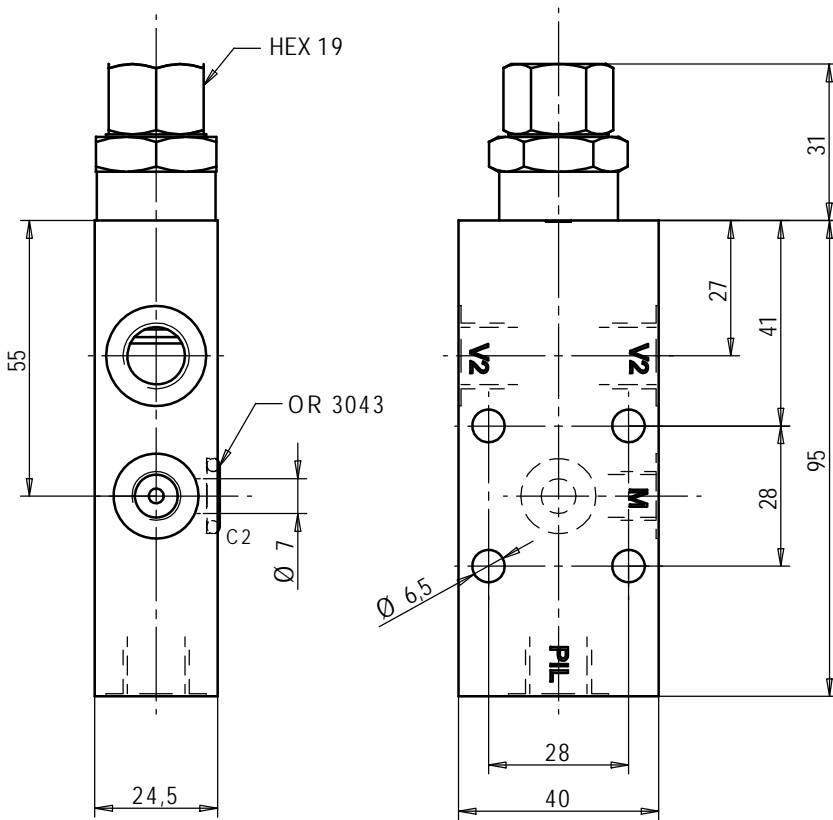
Max Flow	40 lpm
Max Pressure	220 bar
Pilot Ratio	4:1
Std. Pressure range	100 - 350 bar
Ports	V1-V2: G 1/4 C1-C2: G 1/4

Materials: Zinc plated steel cartridge, hardened steel inner parts. Aluminium manifold.

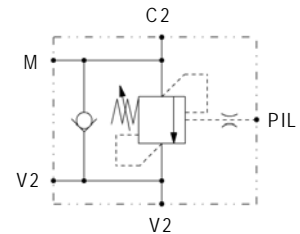
Ordering Code

CB40SL 01

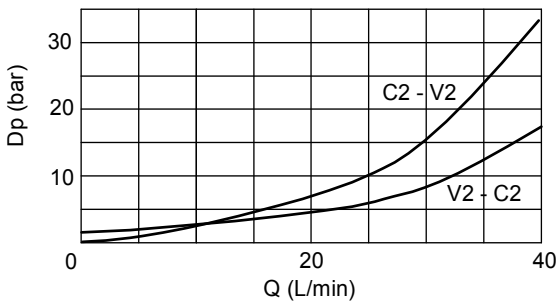
Dimensions



Hydraulic Symbol



Curves



Features

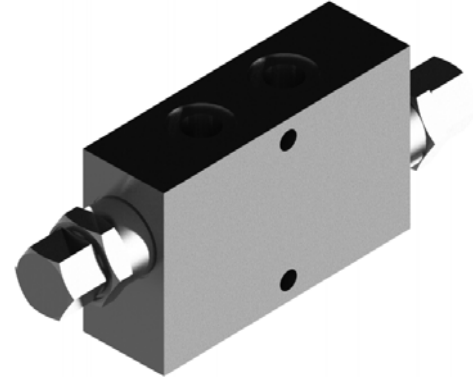
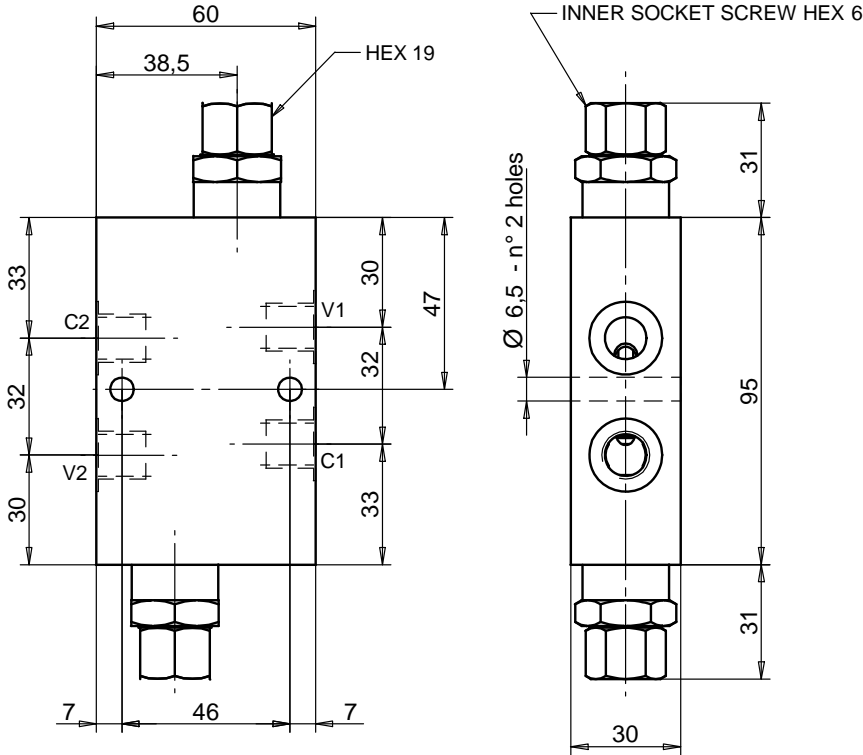
Max Flow	25 lpm
Max Pressure	350 bar
Pilot Ratio	4:1
Ports	V2-PIL: G 1/4 M: G 1/8

Materials: Zinc plated steel cartridge, hardened steel inner parts.
Aluminium manifold.

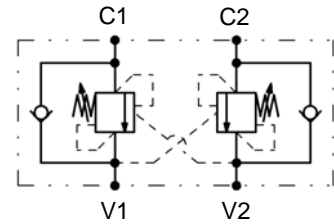
Ordering Code

CB40SLF 01

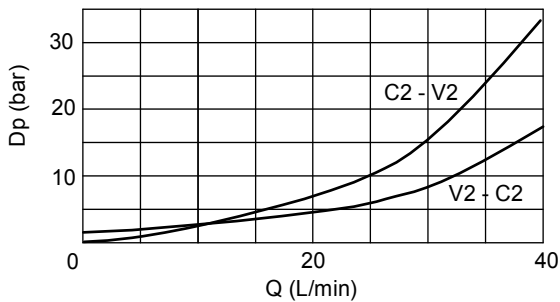
Dimensions



Hydraulic Symbol



Curves



Features

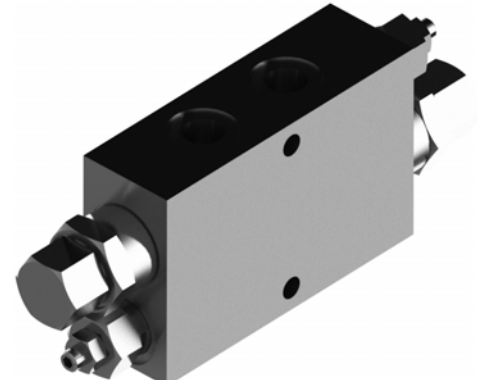
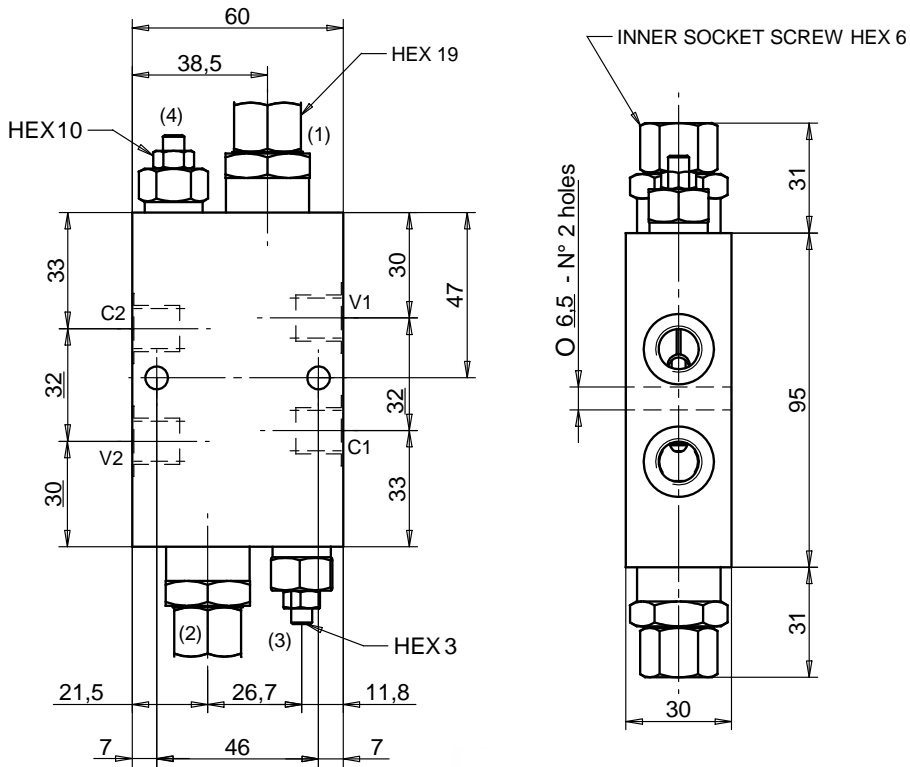
Max Flow	25 lpm
Max Pressure	350 bar
Pilot Ratio	4:1
Std. Pressure range	50 - 350 bar
Ports	V1-V2: G 1/4 C1-C2: G 1/4

Materials: Zinc plated steel cartridge, hardened steel inner parts. Aluminium manifold.

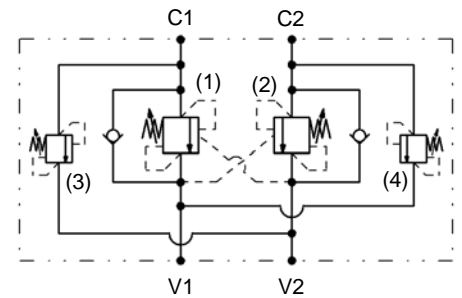
Ordering Code

CB40DL 01

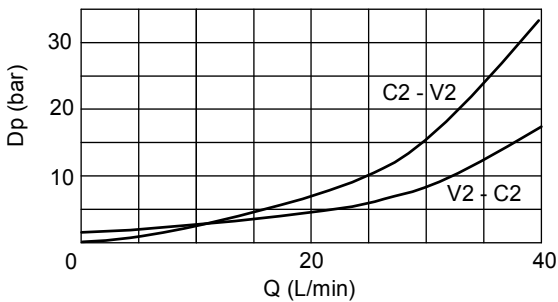
Dimensions



Hydraulic Symbol



Curves



Features

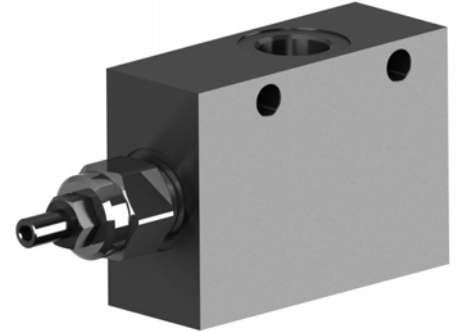
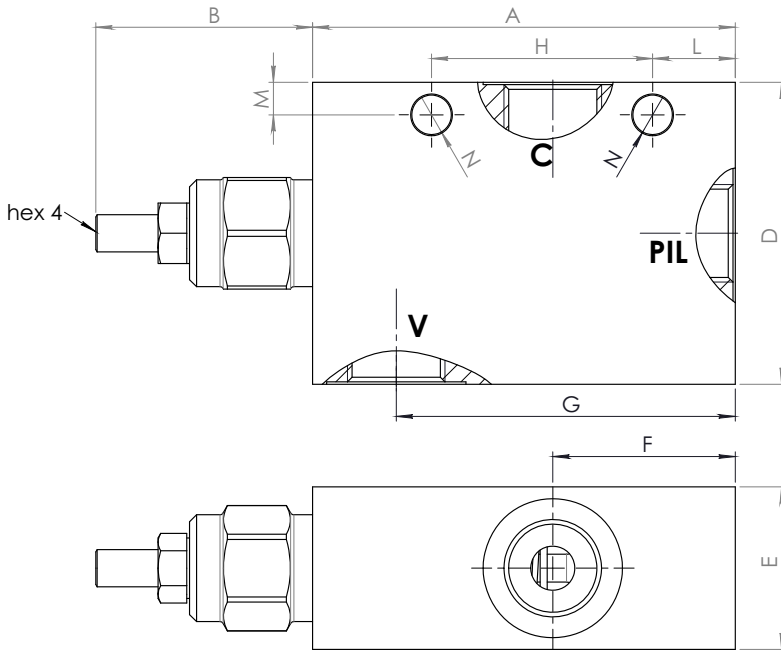
Max Flow	25 lpm
Max Pressure	350 bar
Pilot Ratio	4:1
Std. Pressure range	50-350 bar
Ports	V1-V2: G 1/4 C1-C2: G 1/4

Materials: Zinc plated steel cartridge, hardened steel inner parts. Aluminium manifold.

Ordering Code

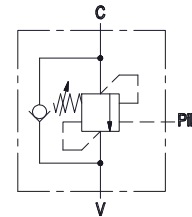
CB40DLR 01

Dimensions

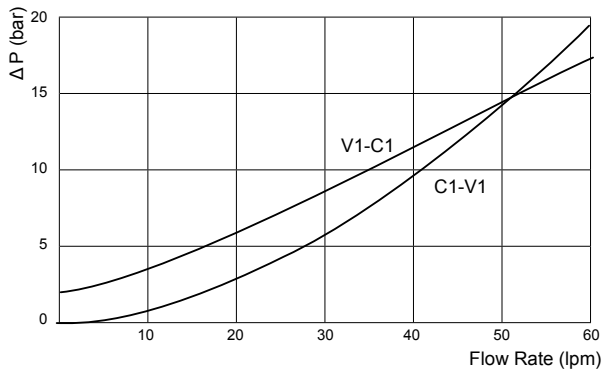


Size	A	B	C-V-PIL BSP	D	E	F	G	H	L	M	N	Weight kg
02	91	47	3/8	55	30	39,3	70,3	47,6	17,8	7	8,5	1,18
03	91	47	1/2	65	35	39,3	70,3	47,6	17,8	11	8,5	1,50

Hydraulic Symbol



Curves



Features

Rated Flow	60 lpm
Max Pressure	350 bar

Materials: Zinc plated steel manifold, hardened steel inner parts.

Notice: Relief setting at least 1,3 times the highest expected load-induced pressure.

Ordering Code

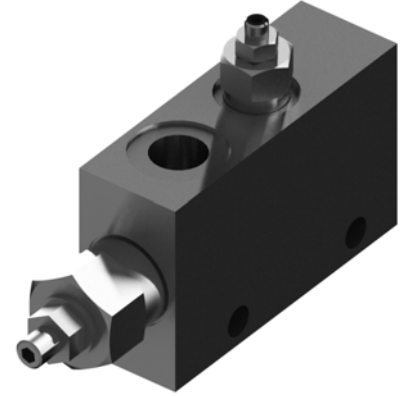
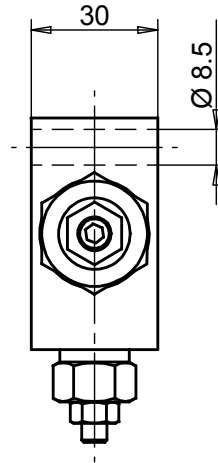
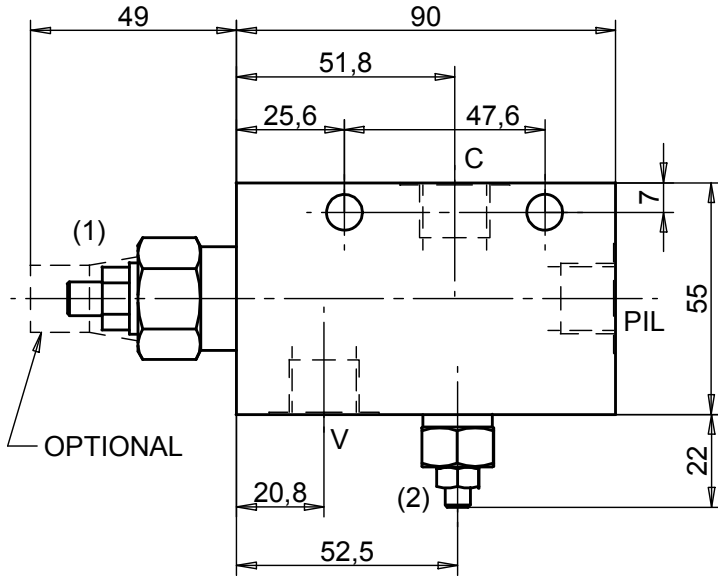
CBSEP -- -- -

	Port Size BSP	Spring		
		Pressure Range (bar)	Increase (bar/turn)	Standard Setting (bar) Q=5 lpm
02	3/8			
03	1/2			
20		60 - 210	61	180
30		100 - 350	100	250

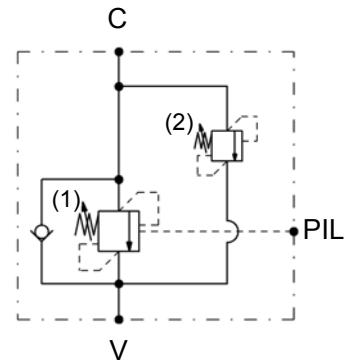
Pilot Ratio	
	4,2 : 1
8	8 : 1

Ordering Code Example: **CBSEP0330** = 1/2 BSP Ports - 100-350 bar setting range, 4,2:1 Pilot Ratio.

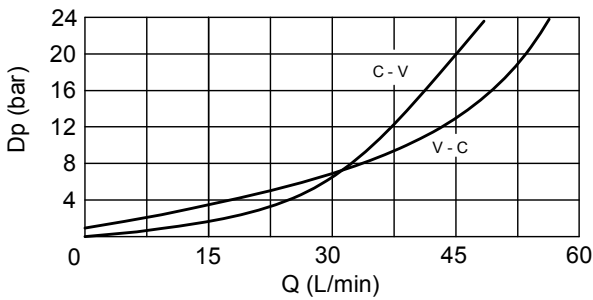
Dimensions



Hydraulic Symbol



Curves



Features

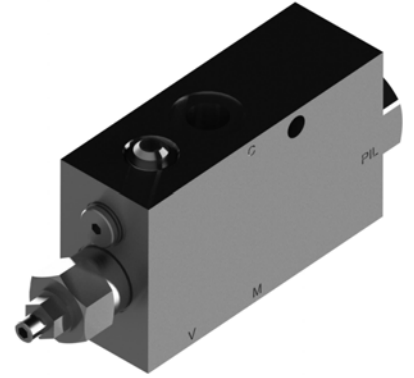
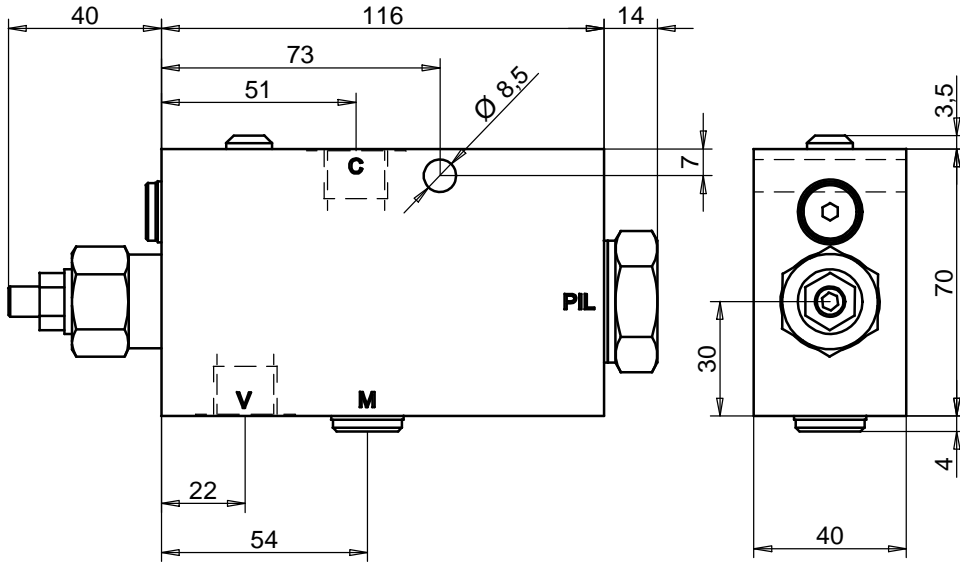
Max Flow	40 lpm
Max Pressure	350 bar
Pilot Ratio	4,2:1 Standard
Std. Pressure range	100-350 bar
Ports	3/8 bsp

Materials: Zinc plated steel cartridge, hardened steel inner parts.
Aluminium manifold.

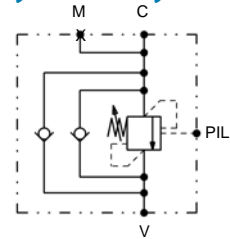
Ordering Code

CBSEPR 02

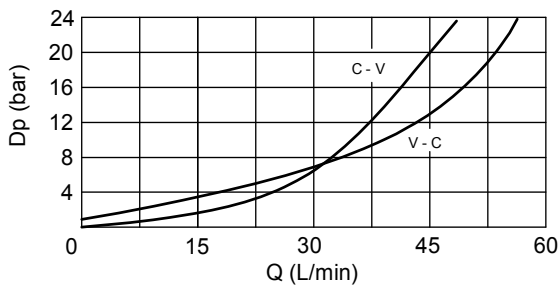
Dimensions



Hydraulic Symbol



Curves



Features

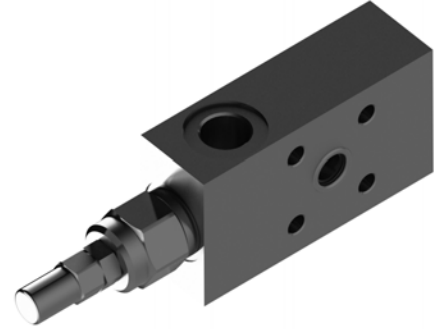
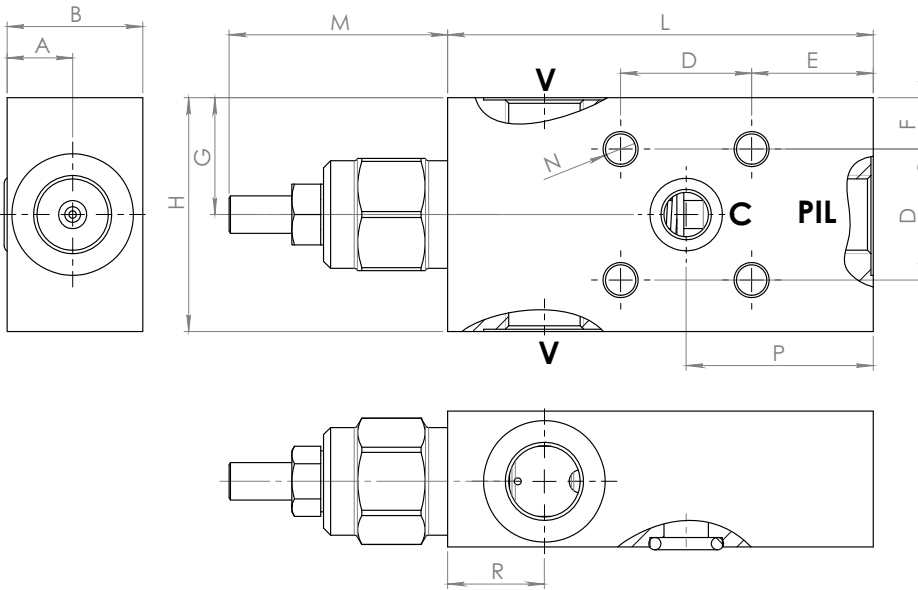
Max Flow	45 lpm
Max Pressure	350 bar
Pilot Ratio	23,2:1
Std. Pressure range	100 - 350 bar
Ports	V-C: G 3/8 M-PIL: G 1/4

Materials: Zinc plated steel cartridge, hardened steel inner parts. Aluminium manifold.

Ordering Code

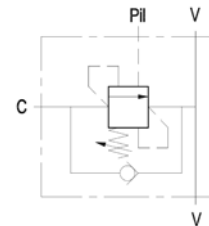
CBSEPACR 02

Dimensions

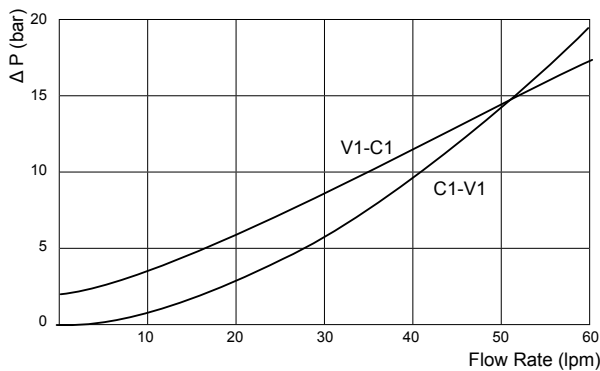


Size	A	B	C-V-PIL	D	E	F	G	H	L	M	N	Weight kg
02	14	29	3/8	28	26	11	25	50	91	47	6,5	0,97

Hydraulic Symbol



Curves



Features

Max Flow	60 lpm
Max Pressure	350 bar

Materials: Zinc plated steel manifold, hardened steel inner parts.

Notice: Relief setting at least 1,3 times the highest expected load-induced pressure.

Ordering Code

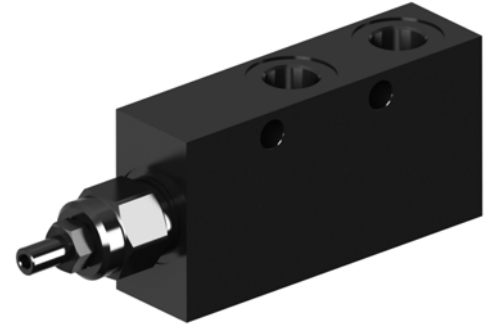
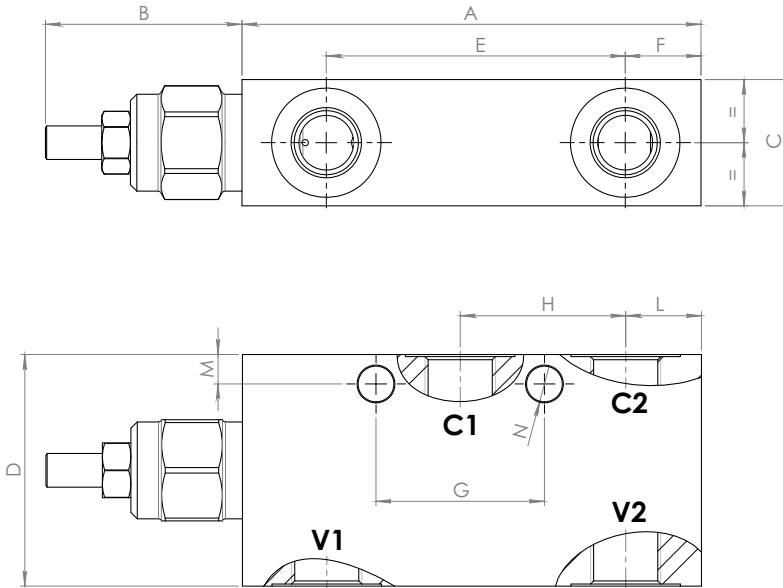
CBSEPF -- -- -

Port Size BSP	Spring		
	Pressure Range (bar)	Increase (bar/turn)	Standard Setting (bar) Q=5 lpm
02	3/8		
	20	60 - 210	61
	30	100 - 350	100

Pilot Ratio	
	4,2 : 1
8	8 : 1

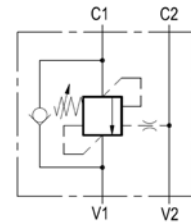
Ordering Code Example: CBSEPF0230 = 1/2 BSP Ports - 100-350 bar setting range, 4,2:1 Pilot Ratio.

Dimensions

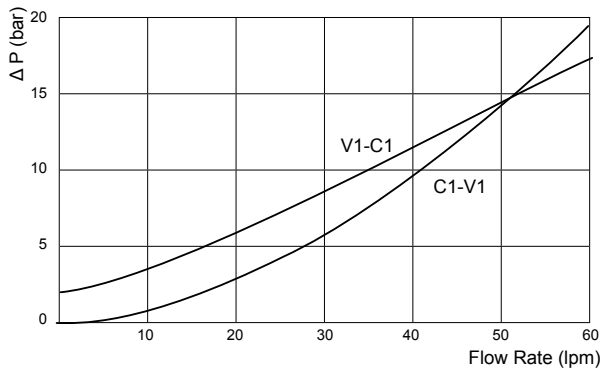


Size	A	B	C	C1 - C2 V1 - V2	D	E	F	G	H	L	M	N	Weight kg
02	109	47	30	3/8	55	71	18	40	39,3	18	7	8,5	1,18
03	109	47	35	1/2	65	71	18	40	39,3	18	8	8,5	1,75

Hydraulic Symbol



Curves



Features

Rated Flow	60 lpm
Max Pressure	350 bar

Materials: Zinc plated steel manifold, hardened steel inner parts.

Notice: Relief setting at least 1,3 times the highest expected load-induced pressure.

Ordering Code

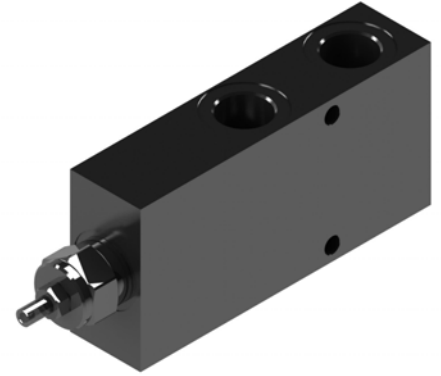
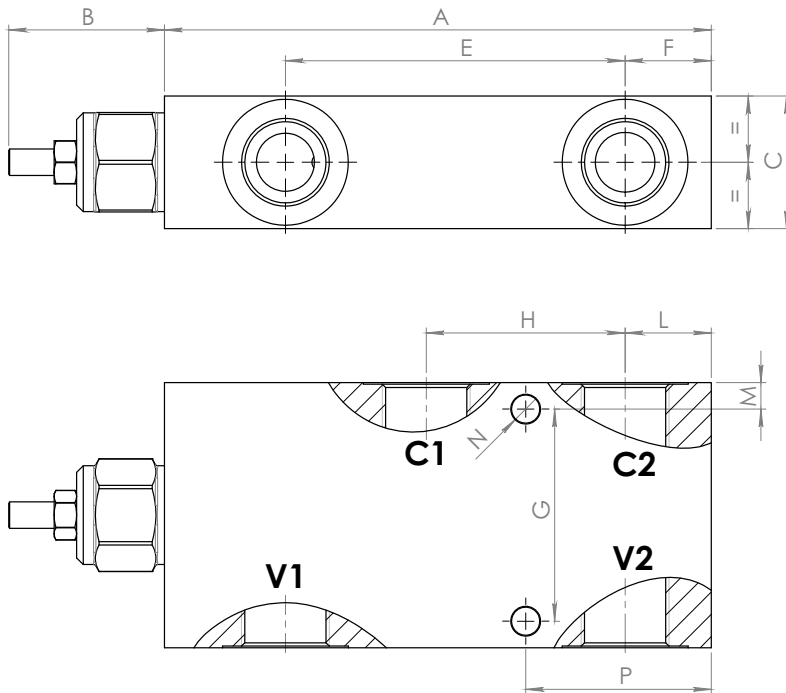
CBSL -- -- -

	Port Size BSP	Spring		
		Pressure Range (bar)	Increase (bar/turn)	Standard Setting (bar) Q=5 lpm
02	3/8			
03	1/2			
20		60 - 210	61	180
30		100 - 350	100	250

Pilot Ratio	
	4,2 : 1
8	8 : 1

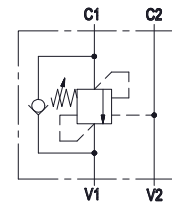
Ordering Code Example: CBSL0330 = 1/2 BSP Ports - 100-350 bar setting range, 4,2:1 Pilot Ratio.

Dimensions

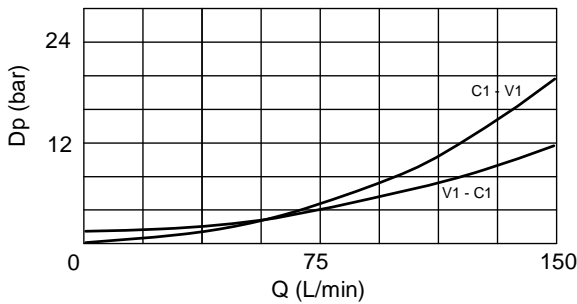


Size	A	B max	C	C1 - C2 V1 - V2	D	E	F	G	H	L	M	N	P	Weight kg
04	165	47	40	3/4	80	102,5	26	64	60	26	8	8,5	56	1,53

Hydraulic Symbol



Curves



Features

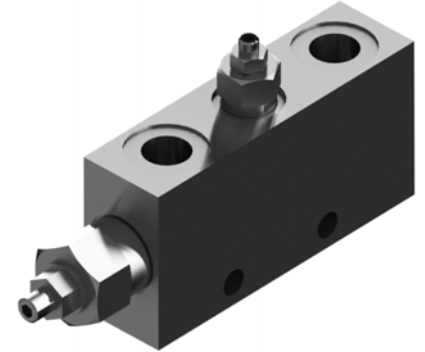
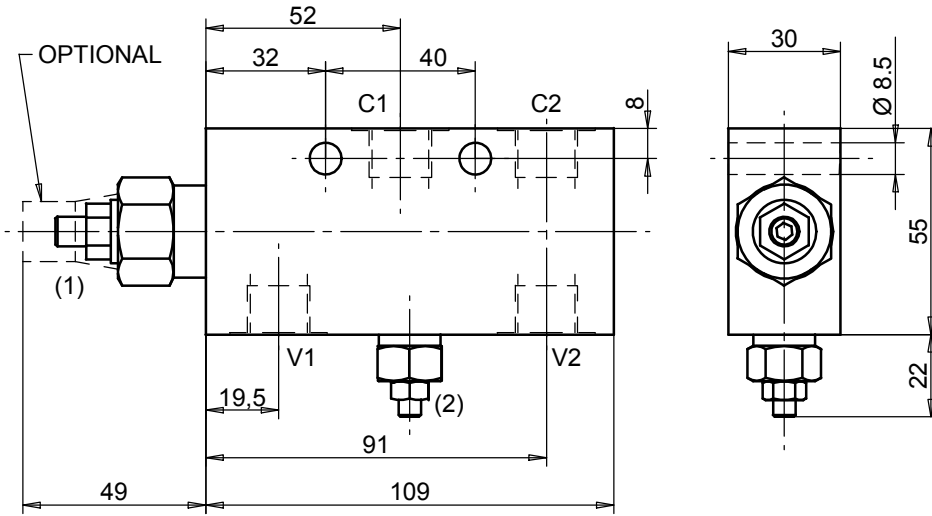
Rated Flow	150 lpm
Max Pressure	350 bar
Pilot Ratio	6:1

Materials: Zinc plated steel cartridge, hardened steel inner parts.
Aluminium manifold.

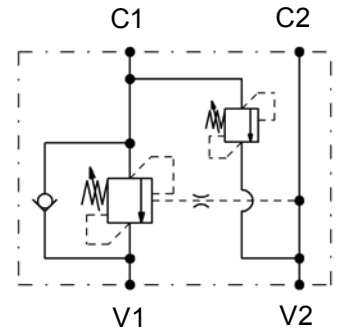
Ordering Code

CBSLA		--	--	
04	Port Size BSP 3/4	Spring		
		Pressure Range (bar)	Increase (bar/turn)	Standard Setting (bar) Q=5 lpm
20		50 - 210	35	150
30		100 - 350	60	200

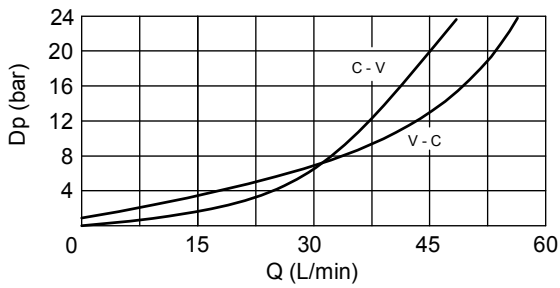
Dimensions



Hydraulic Symbol



Curves



Features

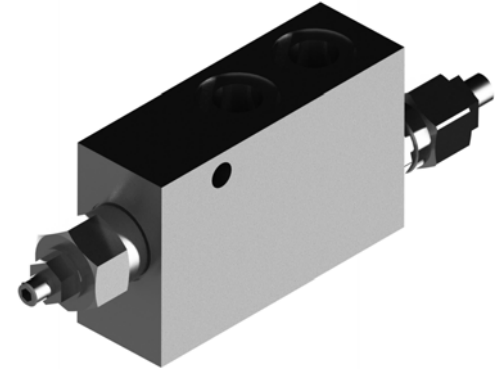
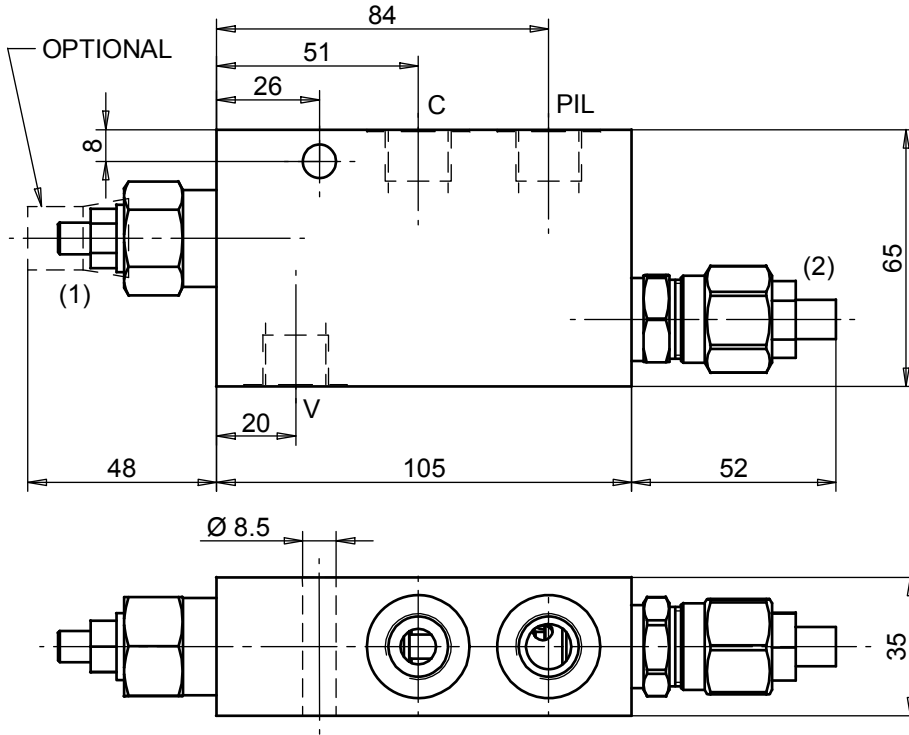
Max Flow	40 lpm
Max Pressure	350 bar
Pilot Ratio	4,2:1 Standard
Std. Pressure range	100 - 350 bar
Ports	3/8 bsp

Materials: Zinc plated steel manifold, hardened steel inner parts.

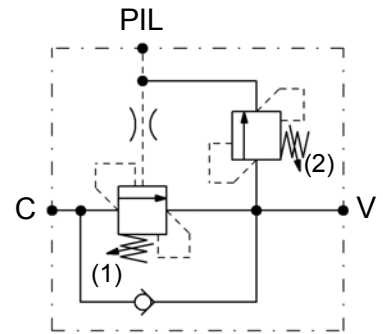
Ordering Code

CBSLR 02

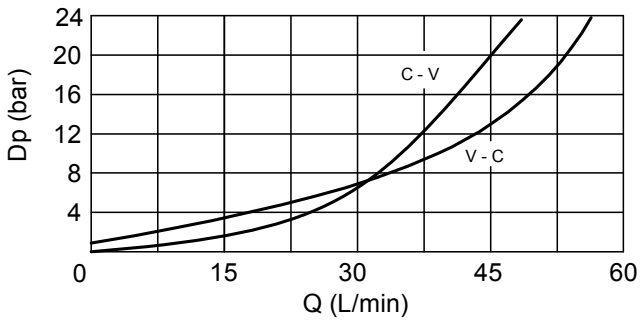
Dimensions



Hydraulic Symbol



Curves



Features

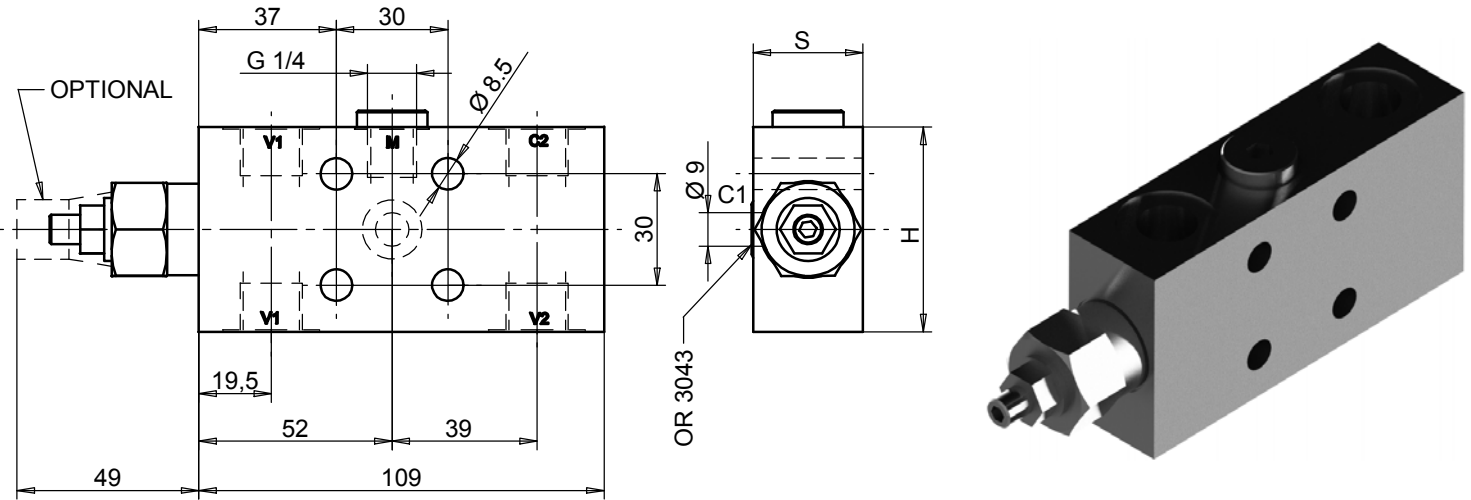
Max Flow	40 lpm
Max Pressure	250 bar
Pilot Ratio	4,2:1 Standard
Std. Pressure range	(1) - (2): 100 - 350 bar
Ports	3/8 bsp

Materials: Zinc plated steel manifold, hardened steel inner parts.

Ordering Code

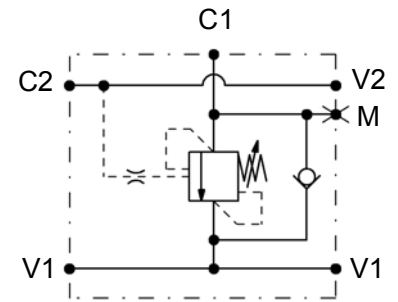
CBSL35R 02

Dimensions

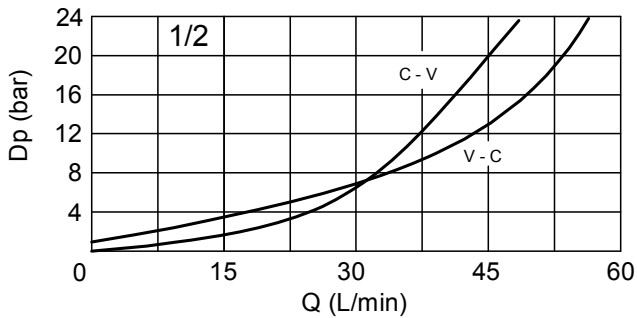


Size	V1-V2 C2	H	S
01	G 1/4	55	30
02	G 3/8	55	30
03	G 1/2	65	35

Hydraulic Symbol



Curves



Features

Max Flow	60 lpm
Max Pressure	350 bar
Pilot Ratio	4,2:1 Standard
Std. Pressure range	100 - 350 bar

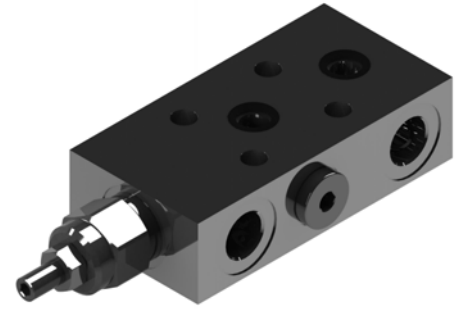
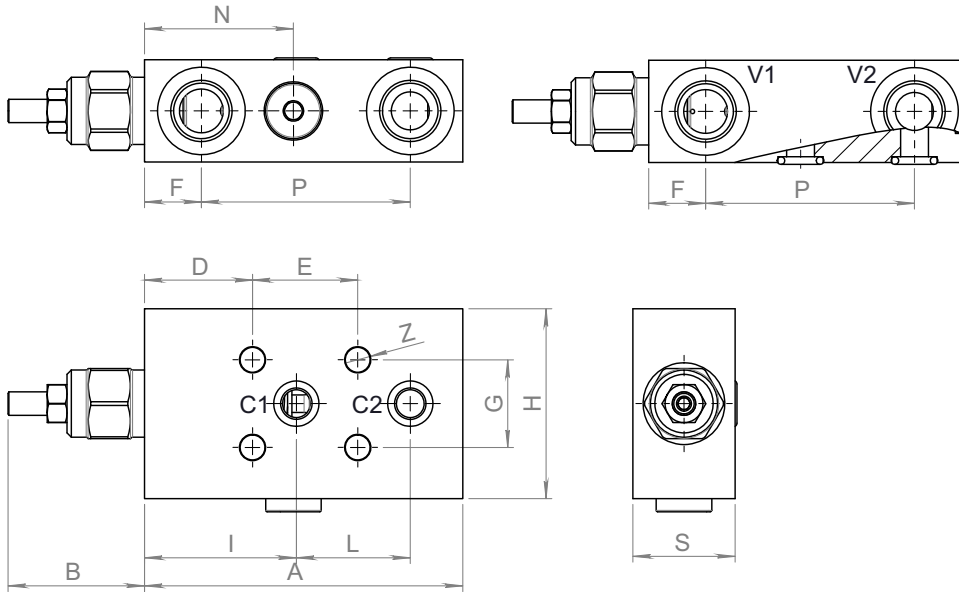
Materials: Zinc plated steel manifold, hardened steel inner parts.

Ordering Code

CBSL1F --

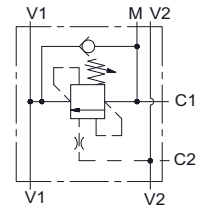
	Port Size BSP
01	1/4
02	3/8
03	1/2

Dimensions

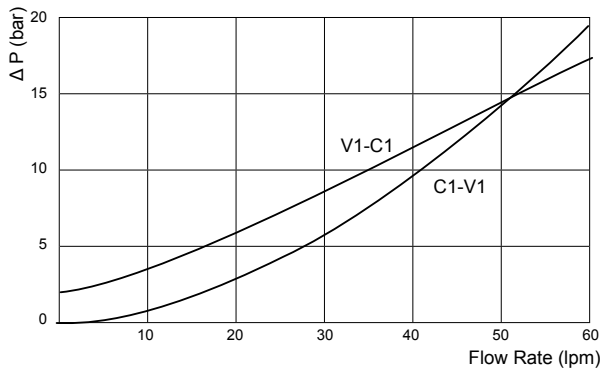


Size	C1 - C2 V1 - V2 bsp	M bsp	A	B	D	E	F	G	H	I	L	N	P	S	Z	Weight kg
01	1/4	1/4	109	46,7	37	36	20,7	30	55	51,7	39,3	51	70,3	30	8,5	1,31
02	3/8	1/4	109	46,7	37	36	20,7	30	55	51,7	39,3	51	70,3	30	8,5	1,26
03	1/2	1/4	109	46,7	37	36	19,5	30	65	52	39	51	71,5	35	8,5	1,74

Hydraulic Symbol



Curves



Features

Max Flow	30 lpm
Max Pressure	350 bar
Pilot Ratio	4,2:1 Standard 7:1 - 11:1 On request
Std. Pressure range	100-350 bar

Notice: Relief setting at least 1,3 times the highest expected load-induced pressure.

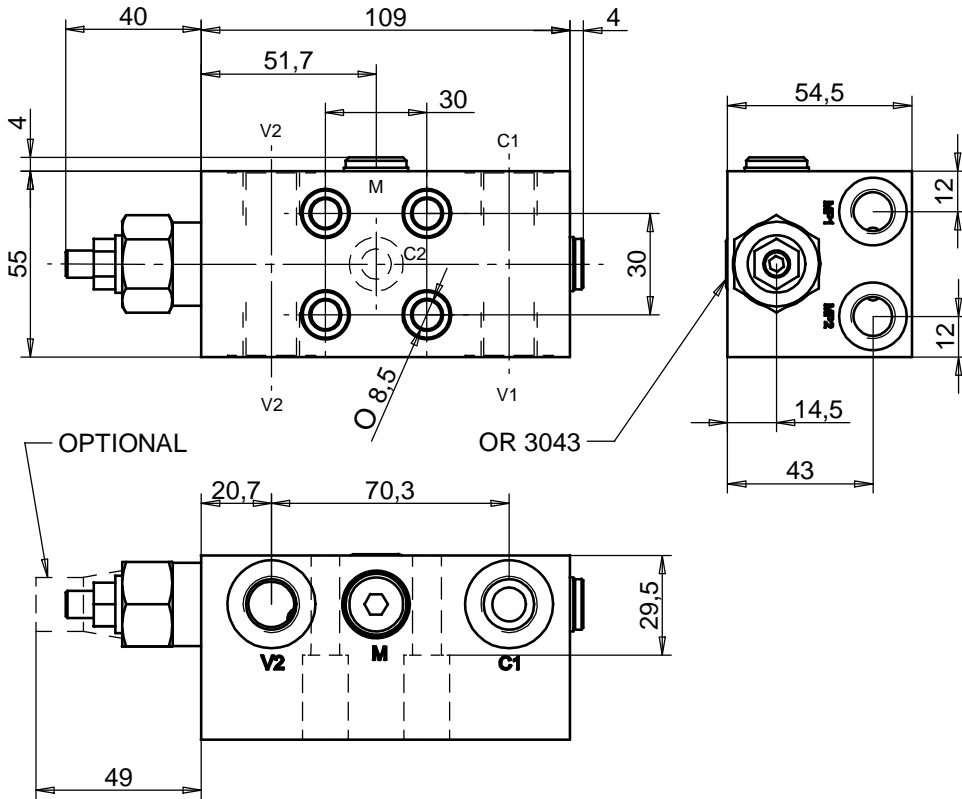
Ordering Code

CBSL2F -- -- -

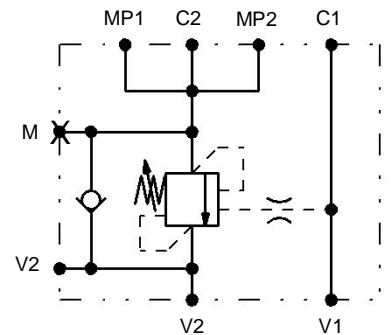
Port Size BSP	Spring		
	Pressure Range (bar)	Increase (bar/turn)	Standard Setting (bar) Q=5 lpm
01	1/4		
02	3/8		
03	1/2		
	20	60 - 210	61 180
	30	100 - 350	100 250

Pilot Ratio	
	4,2 : 1
8	8 : 1

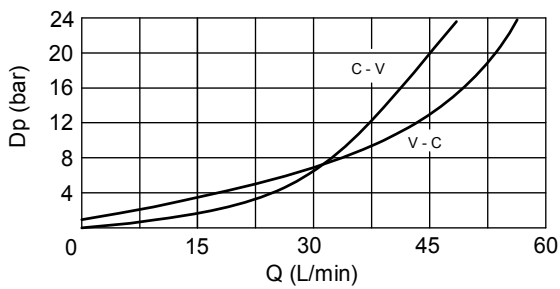
Dimensions



Hydraulic Symbol



Curves



Materials: Zinc plated steel body

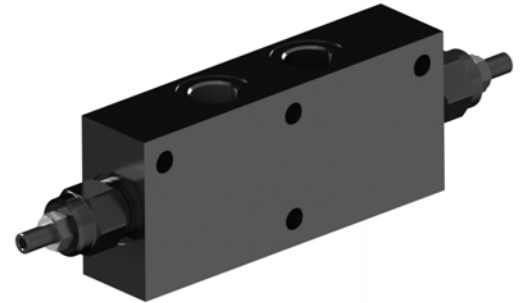
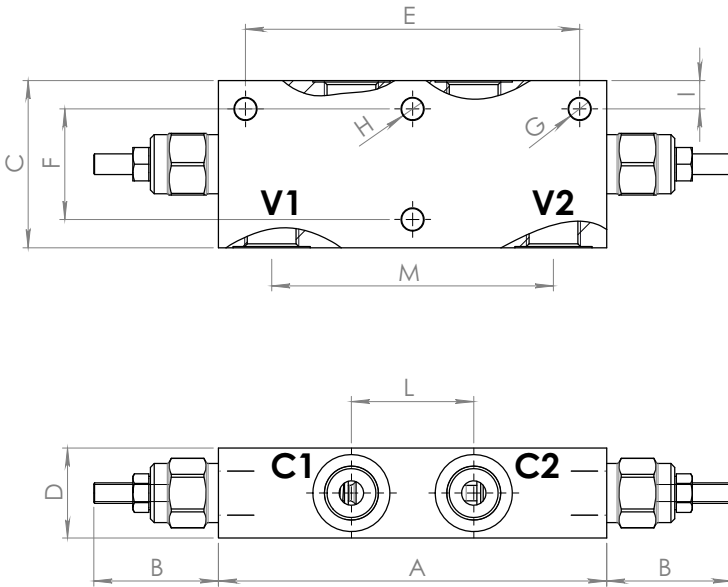
Features

Max Flow	40 lpm
Max Pressure	350 bar
Pilot Ratio	4,2:1
Std. Pressure range	100 - 350 bar
Ports	V1-V2-C1: G 3/8 MP1-MP2: G 1/4 M: G 1/4 C2: $\varnothing 9$

Ordering Code

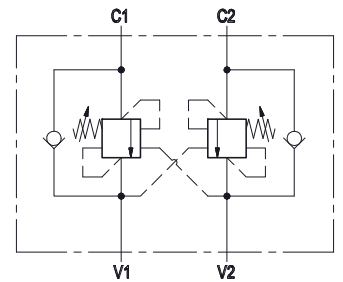
CBSL1FMP 02

Dimensions

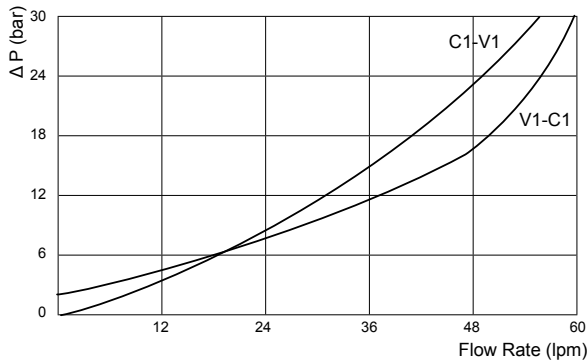


Size	A	B max	C	C1 - C2 V1 - V2 BSP	D	E	F	G	H	I	L	M	Weight kg
02	151	48,5	55	3/8	30	130	38	8,5	8,5	10	47,6	109,6	1,89
03	151	48,5	65	1/2	35	130	43	9	8,5	10	47,6	109,6	2,52

Hydraulic Symbol



Curves



Features

Rated Flow	60 lpm
Max Pressure	350 bar

Materials: Zinc plated steel manifold, hardened steel inner parts.

Notice: Relief setting at least 1,3 times the highest expected load-induced pressure.

Ordering Code

CBDL -- -- -

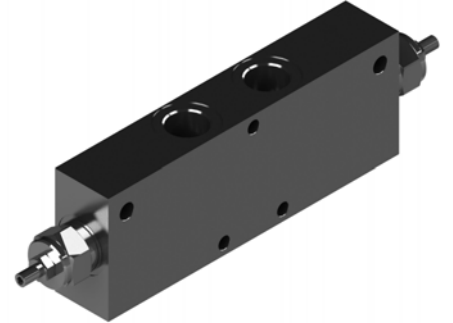
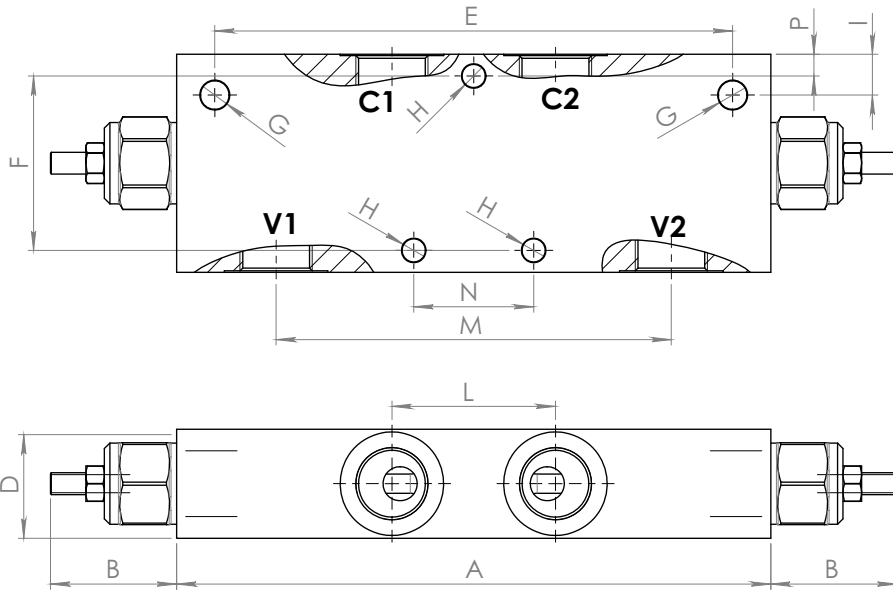
Port Size BSP	
02	3/8
03	1/2

Spring			
	Pressure Range (bar)	Increase (bar/turn)	Standard Setting (bar) Q=5 lpm
20	60 - 210	61	180
30	100 - 350	100	250

Pilot Ratio	
	4,2 : 1
8	8 : 1

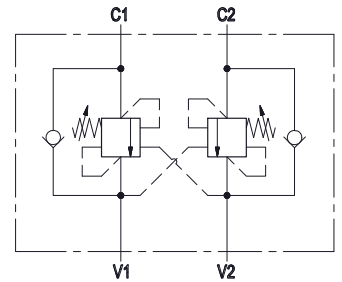
Ordering Code Example: **CBDL0330** = 1/2 BSP Ports - 100-350 bar setting range, 4,2:1 Pilot Ratio.

Dimensions

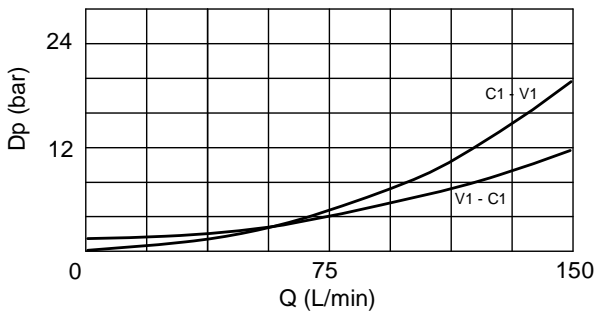


Size	A	B max	C	C1 - C2 V1 - V2 BSP	D	E	F	G	H	I	L	M	N	P	Weight kg
04	218	43,5	80	3/4	40	190	64	10,5	8,5	15	60	145	44	8	2,22

Hydraulic Symbol



Curves



Features

Rated Flow	150 lpm
Max Pressure	350 bar
Pilot Ratio	6:1

Materials: Zinc plated steel cartridge, hardened steel inner parts.
Aluminium manifold.

Ordering Code

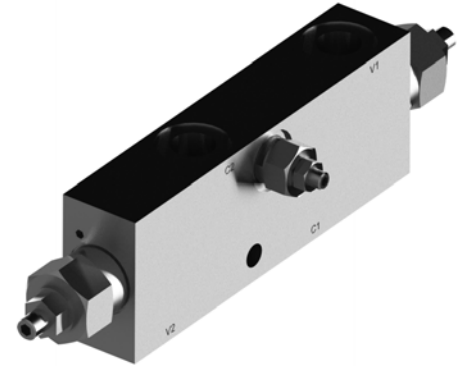
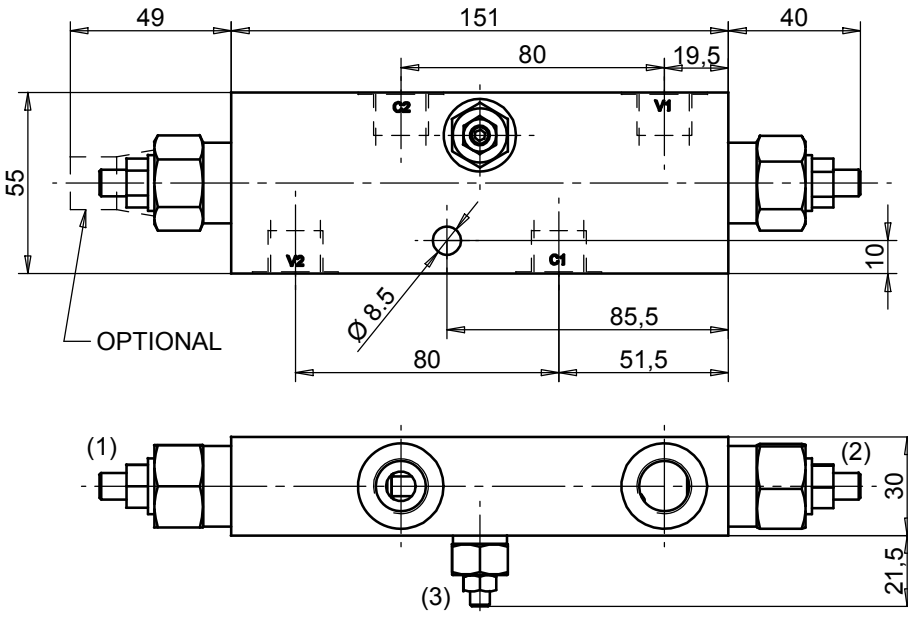
CBDLA

--

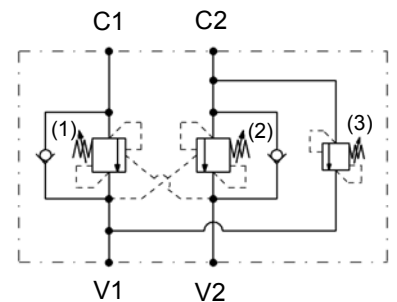
--

Port Size BSP	Spring	Spring			
		Pressure Range (bar)	Increase (bar/turn)	Standard Setting (bar) Q=5 lpm	
04	3/4				
		20	50 - 210	35	150
		30	100 - 350	60	200

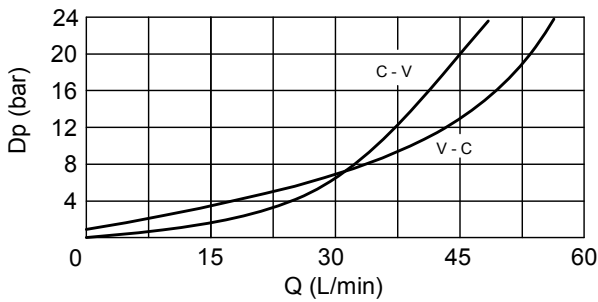
Dimensions



Hydraulic Symbol



Curves



Features

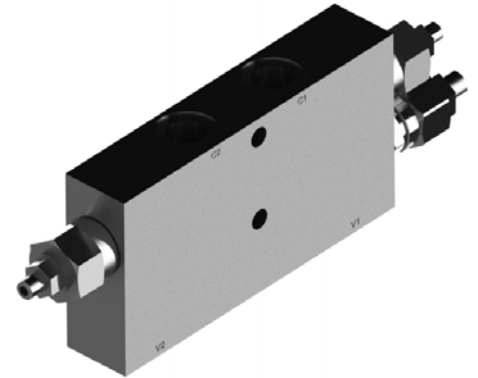
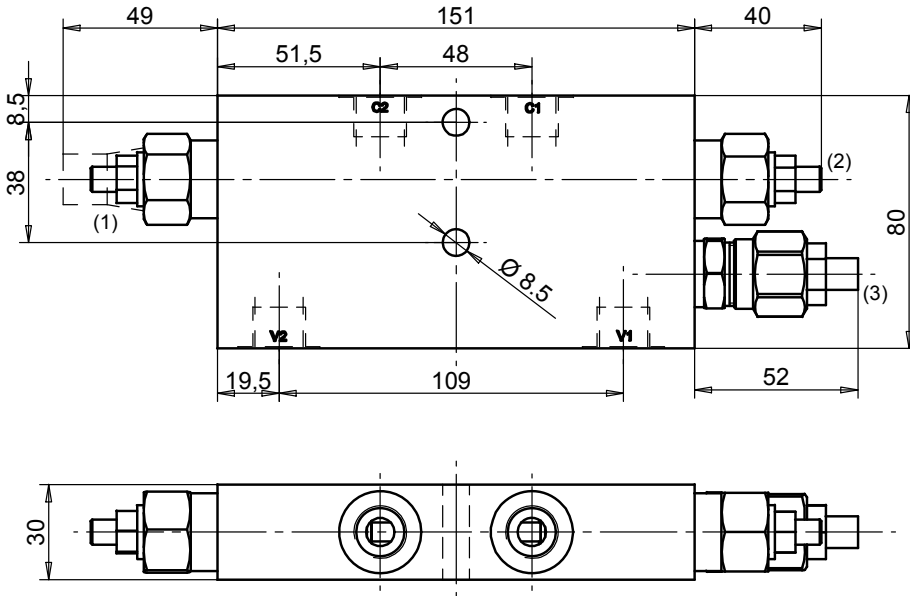
Max Flow	40 lpm
Max Pressure	350 bar
Pilot Ratio	4,2:1 Standard
Std. Pressure range	(1) - (2): 100 - 350 bar (3): 200 - 400 bar

Materials: Zinc plated steel manifold, hardened steel inner parts.

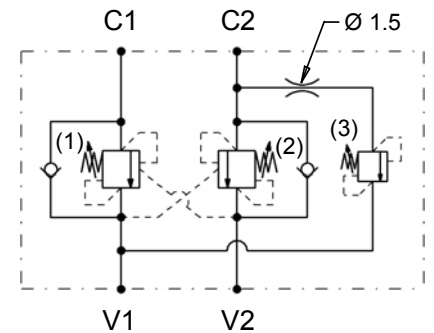
Ordering Code

CBDLCVR 02

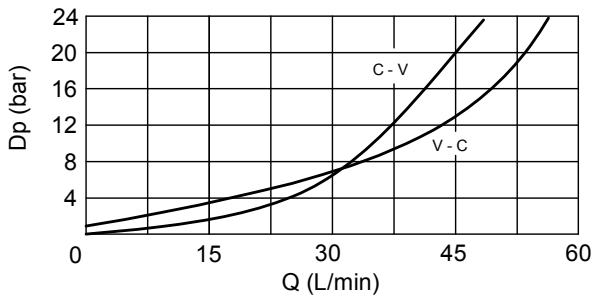
Dimensions



Hydraulic Symbol



Curves



Features

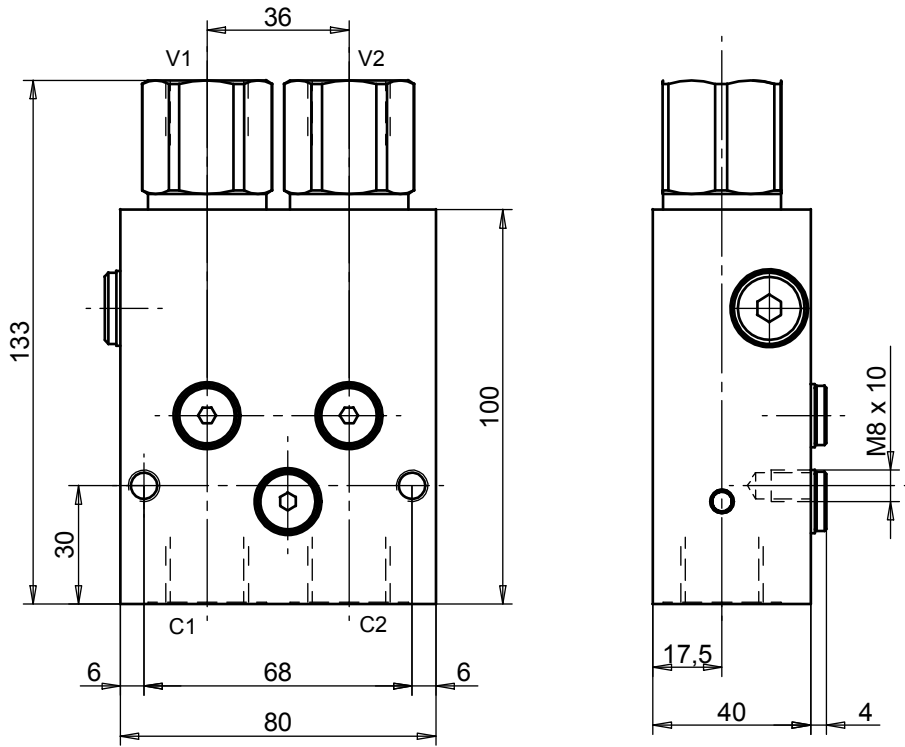
Max Flow	40 lpm
Max Pressure	350 bar
Pilot Ratio	4,2:1 Standard
Std. Pressure range	(1) - (2): 100 - 350 bar (3): 100 - 350 bar

Materials: Zinc plated steel cartridge, hardened steel inner parts.
Aluminium manifold.

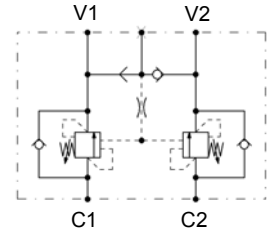
Ordering Code

CBDL35R 02

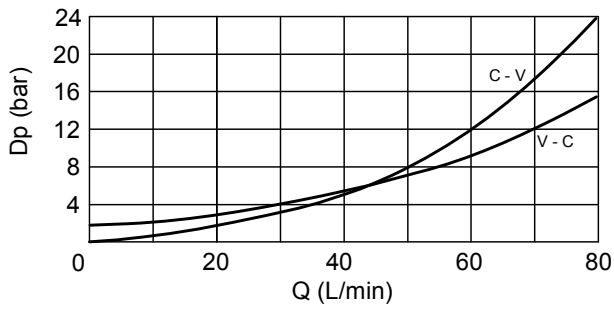
Dimensions



Hydraulic Symbol



Curves



Features

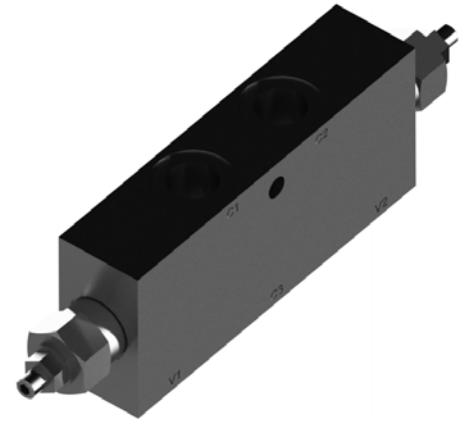
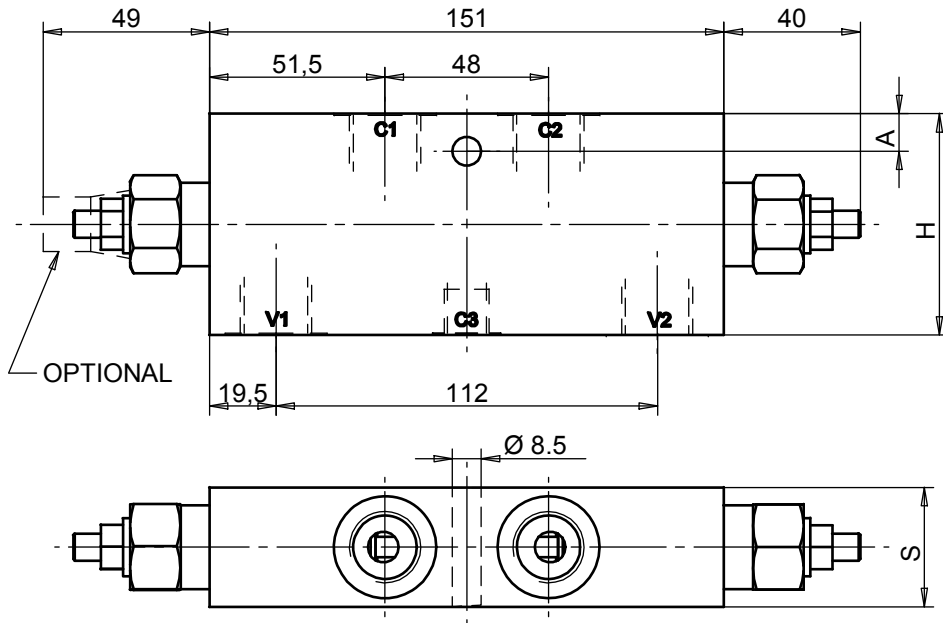
Max Flow	80 lpm
Max Pressure	350 bar
Pilot Ratio	4,2:1 Standard
Std. Pressure range	100 - 350 bar

Materials: Zinc plated steel manifold, hardened steel inner parts.

Ordering Code

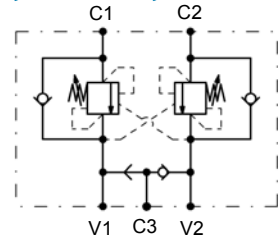
CBDLIL 03

Dimensions

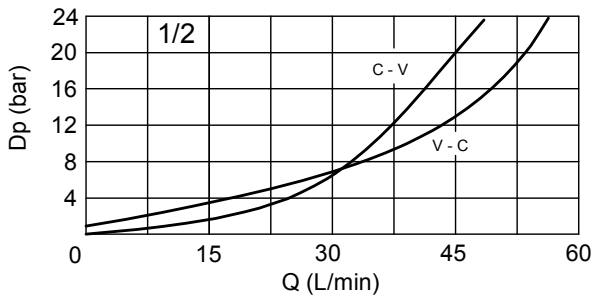


Size	V1 - V2 C1 - C2	C3	A	H	S
02	G 3/8	G 1/4	8,5	55	30
03	G 1/2	G 1/4	11	65	35

Hydraulic Symbol



Curves



Features

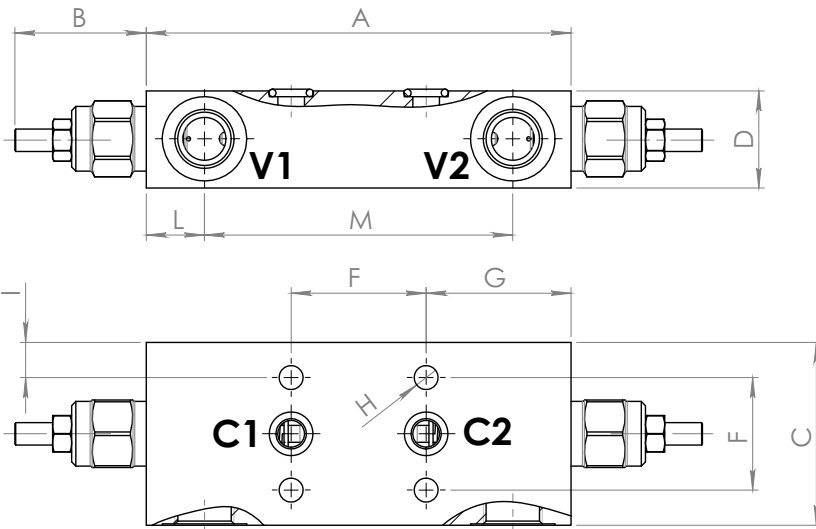
Max Flow	60 lpm
Max Pressure	350 bar
Pilot Ratio	4,2:1 Standard
Std. Pressure range	100 - 350 bar

Materials: Zinc plated steel manifold, hardened steel inner parts.

Ordering Code

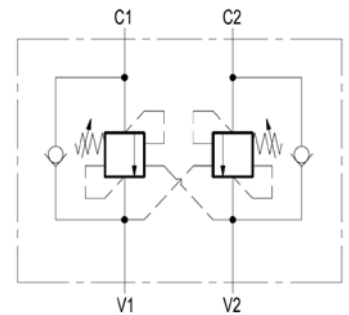
CBDLSF	
Port Size BSP	
02	3/8
03	1/2

Dimensions

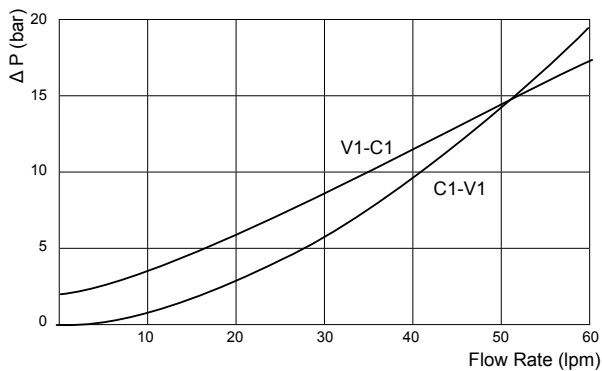


Size	A	B max	C	V1-V2 bsp	D	E	F	G	H	I	L	M	Weight kg
02	151	47	65	3/8	29,5	48	40	51,5	8,5	12,5	20,7	109,6	1,90
03	151	47	65	1/2	34,5	48	40	51,5	8,5	12,5	20,7	109,6	2,57

Hydraulic Symbol



Curves



Features

Rated Flow	60 lpm
Max Pressure	350 bar

Materials: Zinc plated steel manifold, hardened steel inner parts.

Notice: Relief setting at least 1,3 times the highest expected load-induced pressure.

Ordering Code

CBDLF -- -- -

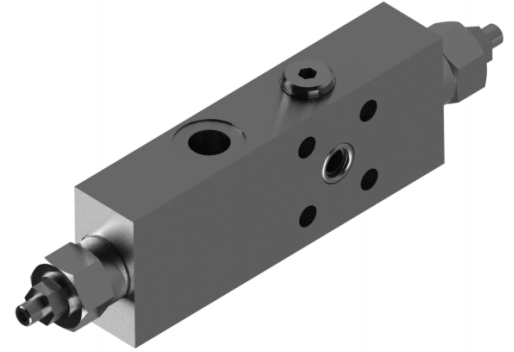
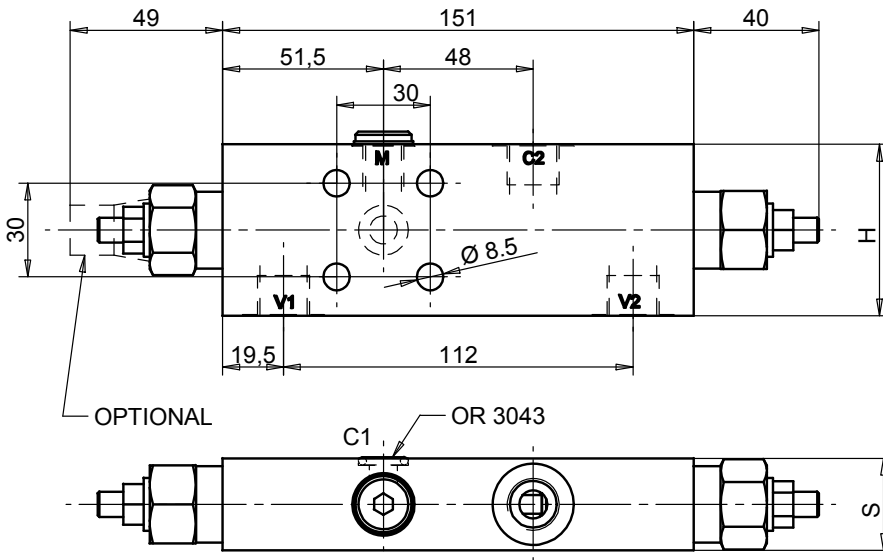
	Port Size BSP	Spring		
		Pressure Range (bar)	Increase (bar/turn)	Standard Setting (bar) Q=5 lpm
02	3/8			
03	1/2			
20		60 - 210	61	180
30		100 - 350	100	250

Pilot Ratio

	4,2 : 1
8	8 : 1

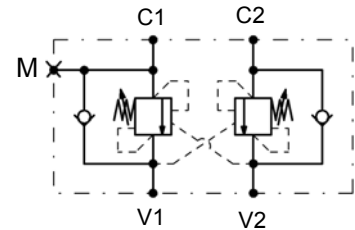
Ordering Code Example: CBDLF0330 = 1/2 BSP Ports - 100-350 bar setting range, 4,2:1 Pilot Ratio.

Dimensions

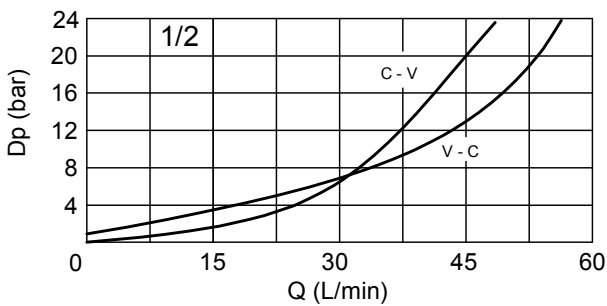


Size	V1-V2 C2	C1	M	H	S
02	G 3/8	Ø 9	G 1/4	55	29,5
03	G 1/2	Ø 9	G 1/4	65	34,5

Hydraulic Symbol



Curves



Features

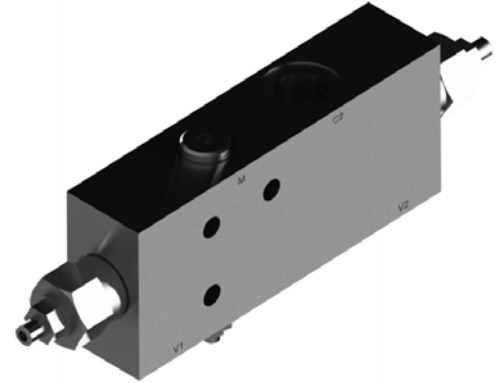
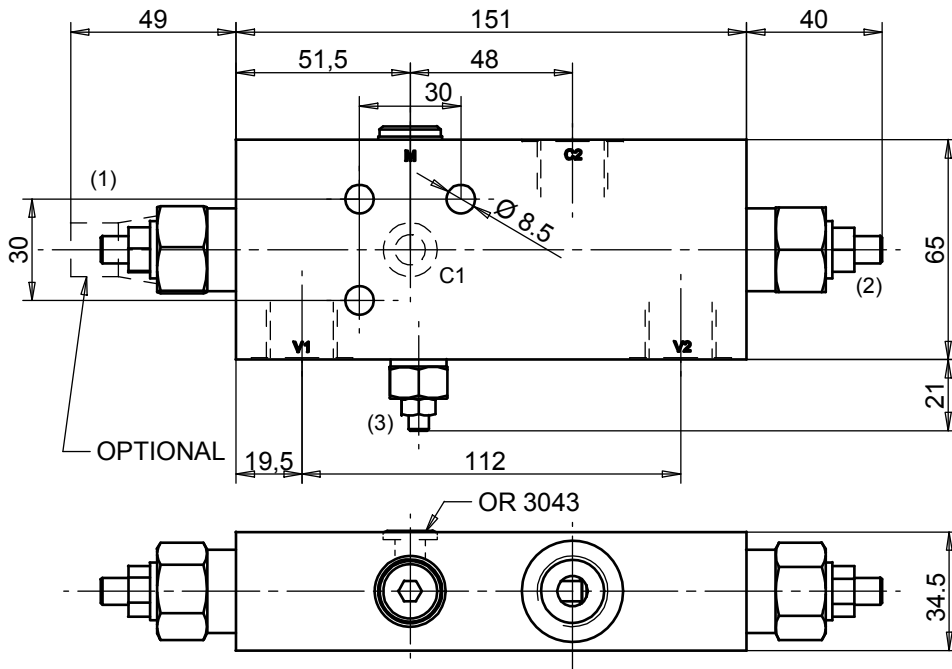
Max Flow	60 lpm
Max Pressure	350 bar
Pilot Ratio	4,2:1 Standard
Std. Pressure range	100 - 350 bar

Materials: Zinc plated steel manifold, hardened steel inner parts.

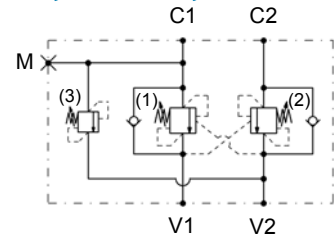
Ordering Code

CBDLF1F		--
		Port Size BSP
02		3/8
03		1/2

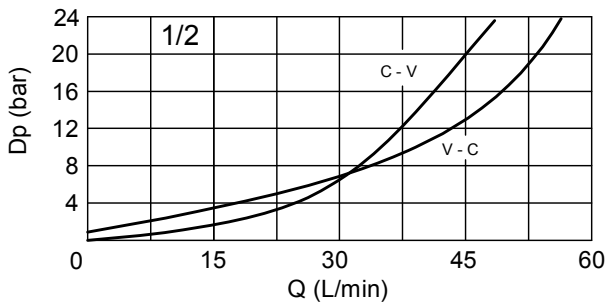
Dimensions



Hydraulic Symbol



Curves



Features

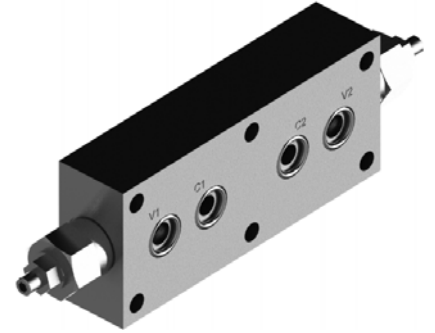
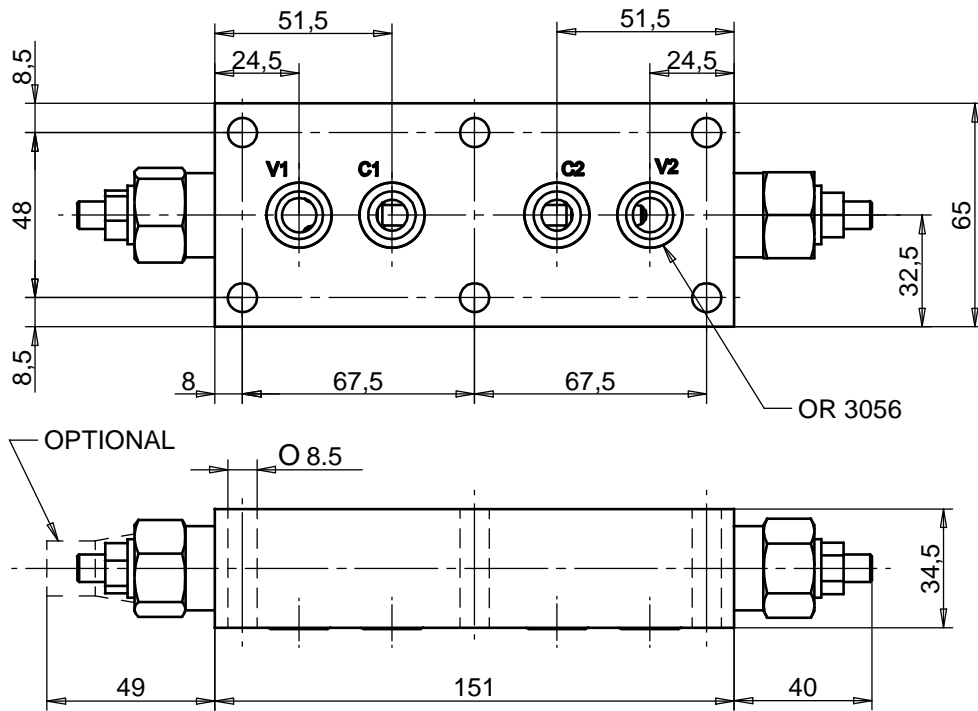
Max Flow	60 lpm
Max Pressure	350 bar
Pilot Ratio	4,2:1 Standard
Std. Pressure range	(1): 100 - 350 bar (2): 200 - 400 bar
Ports	1/2 bsp

Materials: Zinc plated steel manifold, hardened steel inner parts.

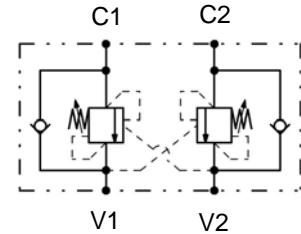
Ordering Code

CBDLF1FR 03

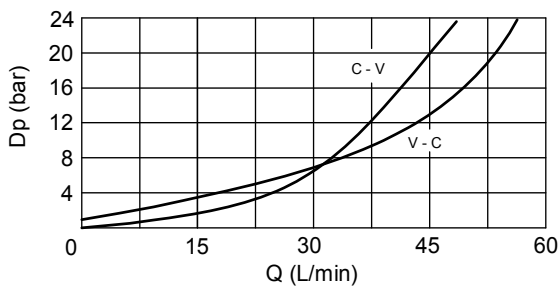
Dimensions



Hydraulic Symbol



Curves



Features

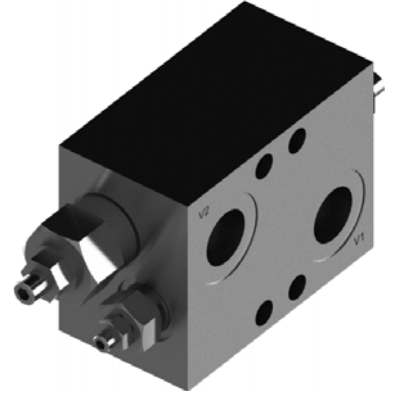
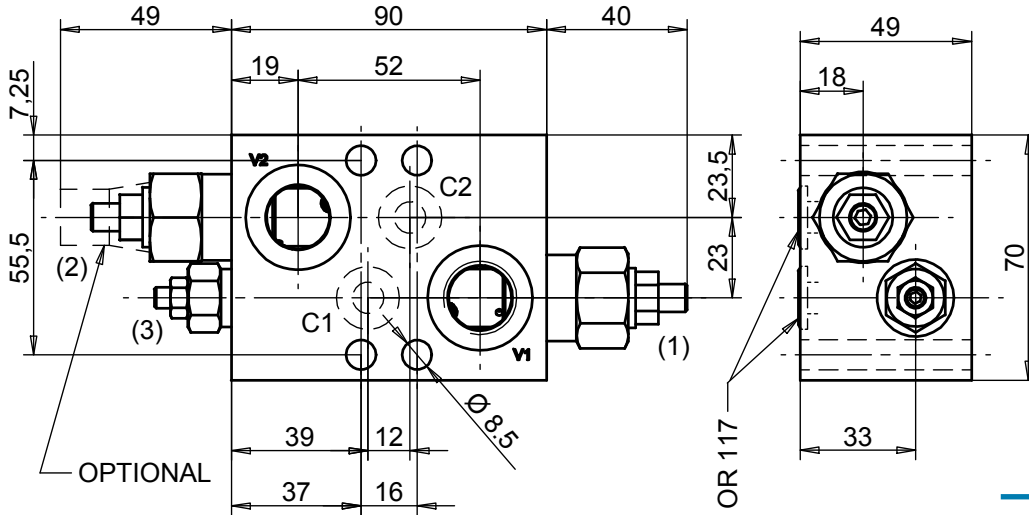
Max Flow	60 lpm
Max Pressure	350 bar
Pilot Ratio	4,2:1
Std. Pressure range	100 - 350 bar
Ports	V1-V2: $\varnothing 10$ C1-C2: $\varnothing 9$

Materials: Zinc plated steel body

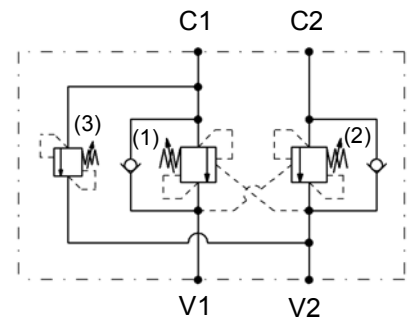
Ordering Code

CBDLFAFT 60

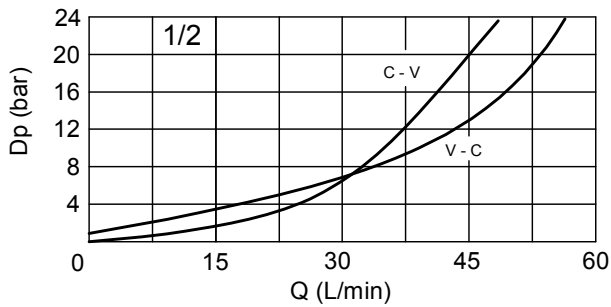
Dimensions



Hydraulic Symbol



Curves



Features

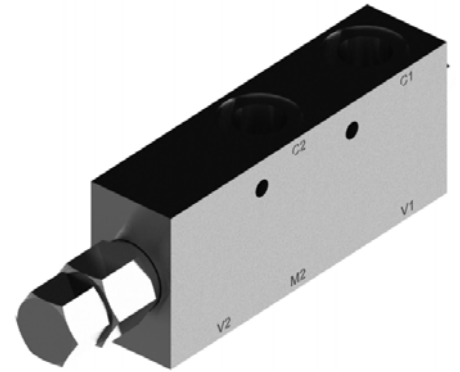
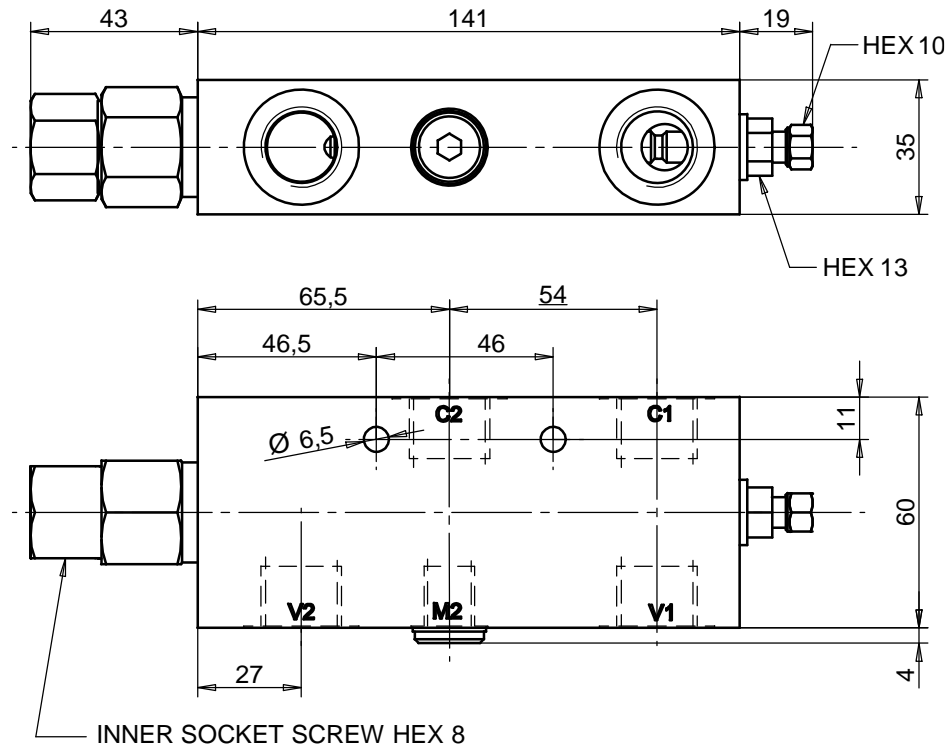
Max Flow	60 lpm
Max Pressure	350 bar
Pilot Ratio	4,2:1 Standard
Std. Pressure range	(1)-(2): 100 - 350 bar (3): 200 - 400 bar
Ports	1/2 bsp

Materials: Zinc plated steel cartridge, hardened steel inner parts. Aluminium manifold.

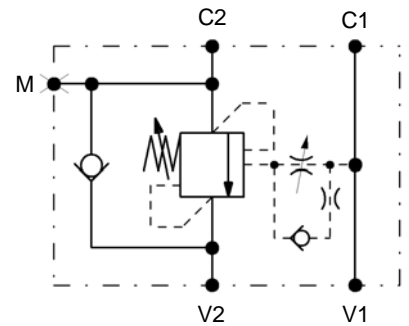
Ordering Code

CBDLFR 03

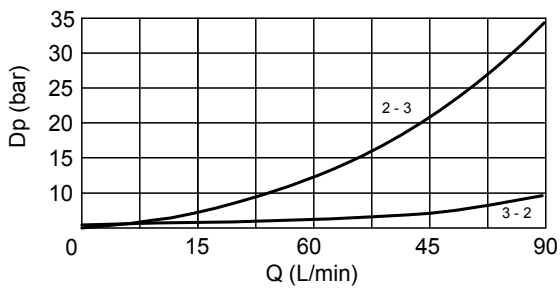
Dimensions



Hydraulic Symbol



Curves



Materials: Zinc plated steel body

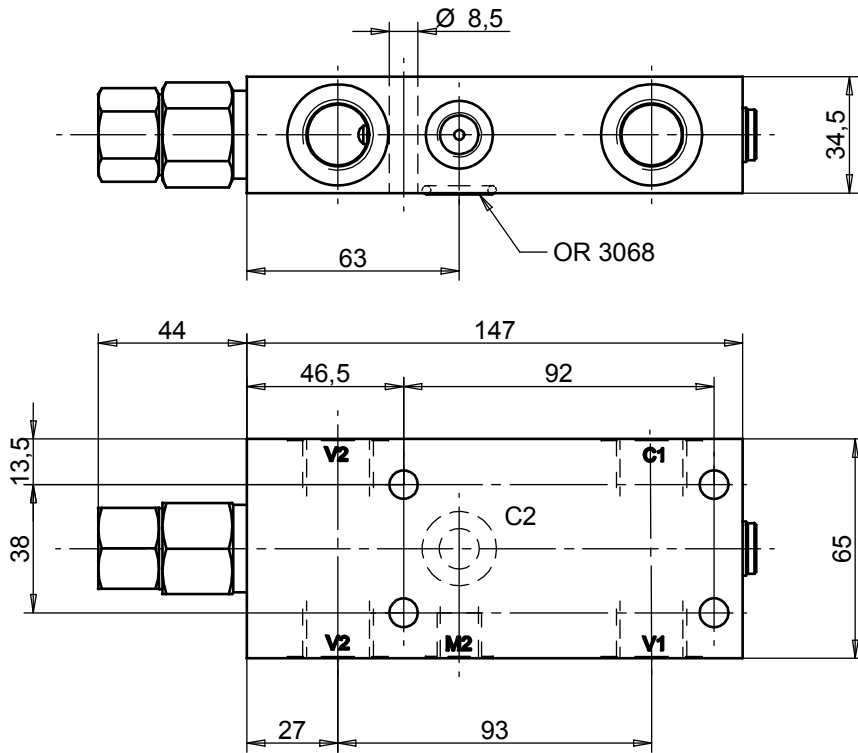
Features

Max Flow	90 lpm
Max Pressure	350 bar
Pilot Ratio	4,2:1
Std. Pressure range	100 - 350 bar
Ports	V1-V2: G 1/2 C1-C2: G 1/2 M: G 1/4

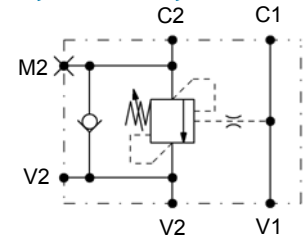
Ordering Code

CB90SL 03

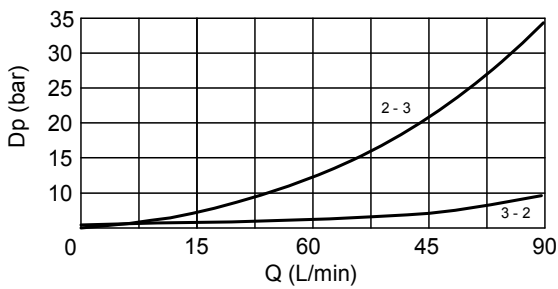
Dimensions



Hydraulic Symbol



Curves



Features

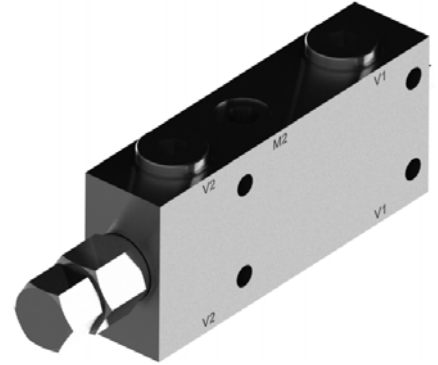
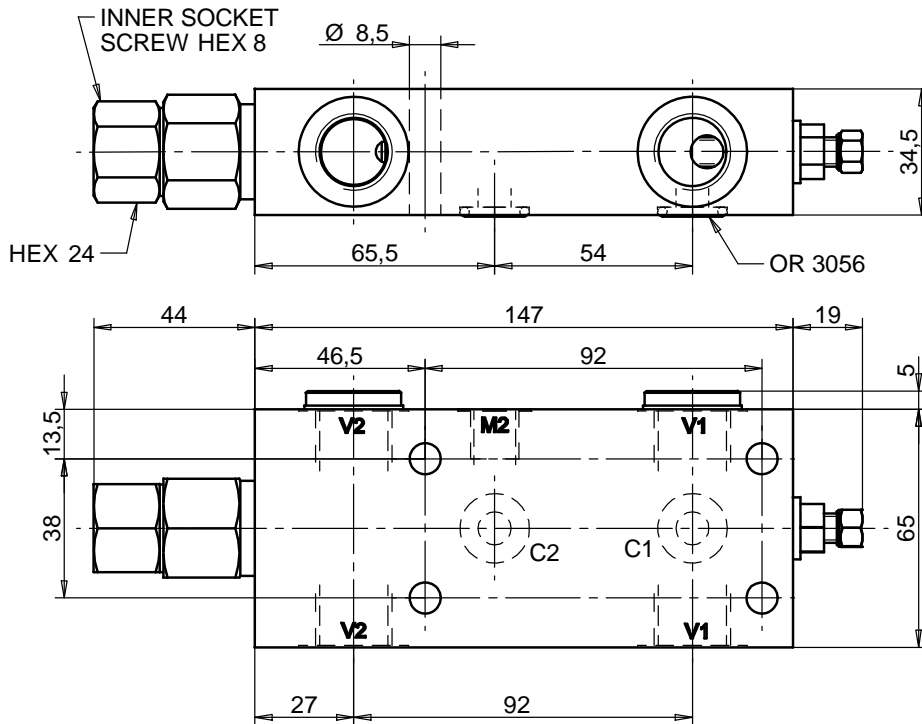
Max Flow	90 lpm
Max Pressure	350 bar
Pilot Ratio	4,2:1
Std. Pressure range	100 - 350 bar
Ports	1/2 bsp

Materials: Zinc plated steel manifold, hardened steel inner parts.

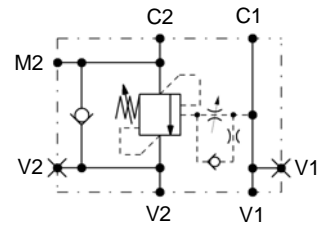
Ordering Code

CB90SLF 03

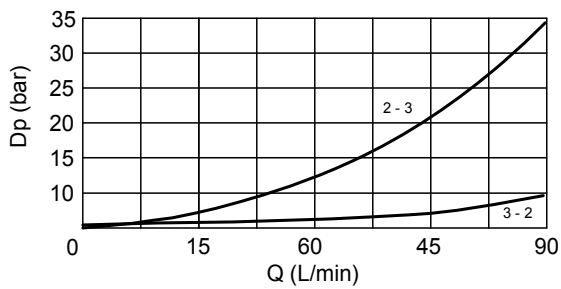
Dimensions



Hydraulic Symbol



Curves



Features

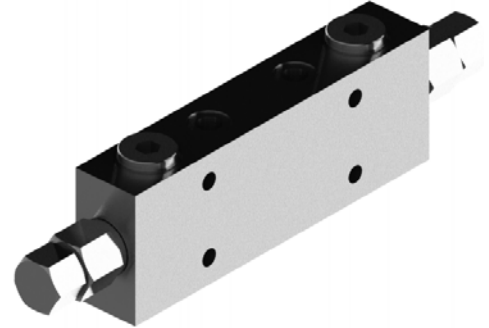
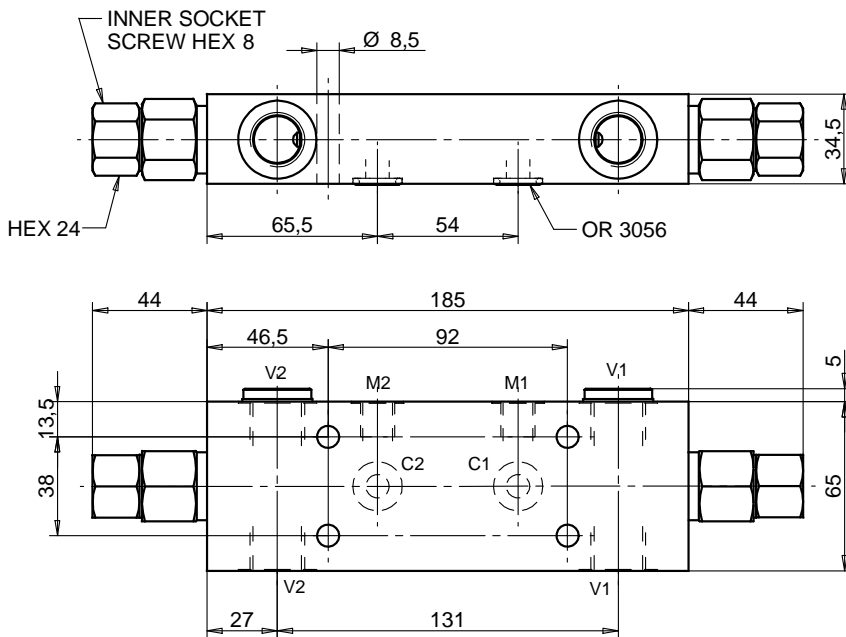
Max Flow	90 lpm
Max Pressure	350 bar
Pilot Ratio	4,2:1 Standard
Std. Pressure range	100 - a350 bar
Ports	1/2 bsp

Materials: Zinc plated steel manifold, hardened steel inner parts.

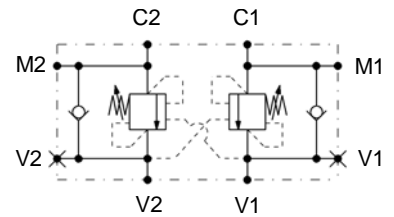
Ordering Code

CB90SLFB 03

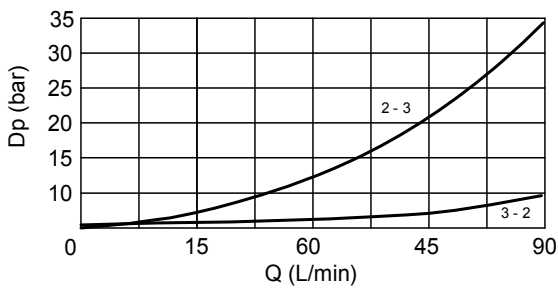
Dimensions



Hydraulic Symbol



Curves



Features

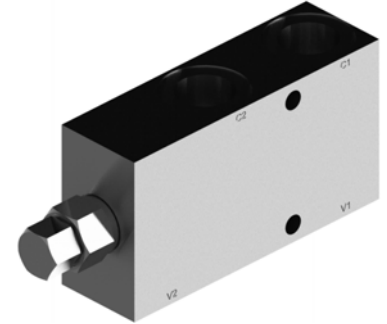
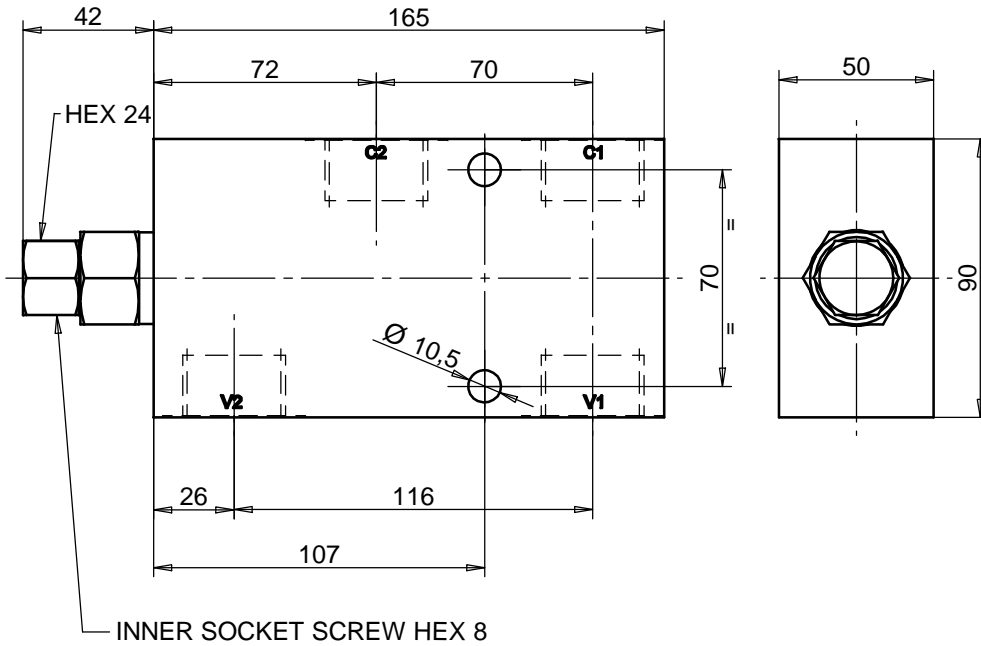
Max Flow	90 lpm
Max Pressure	350 bar
Pilot Ratio	4,2:1 Standard
Std. Pressure range	100 - 350 bar
Ports	1/2 bsp

Materials: Zinc plated steel manifold, hardened steel inner parts.

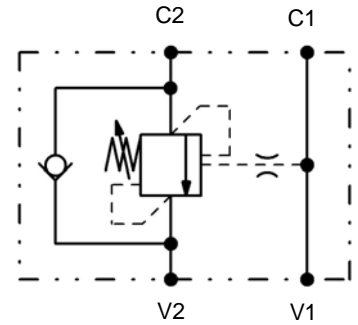
Ordering Code

CB90DLF 03

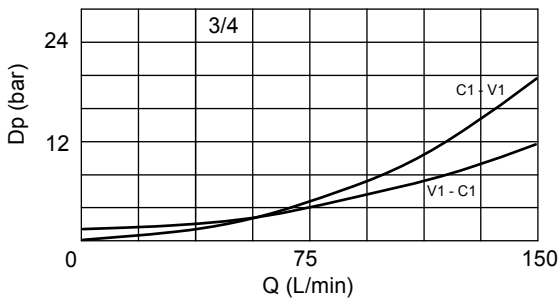
Dimensions



Hydraulic Symbol



Curves



Features

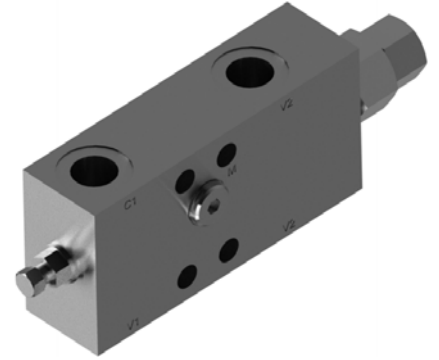
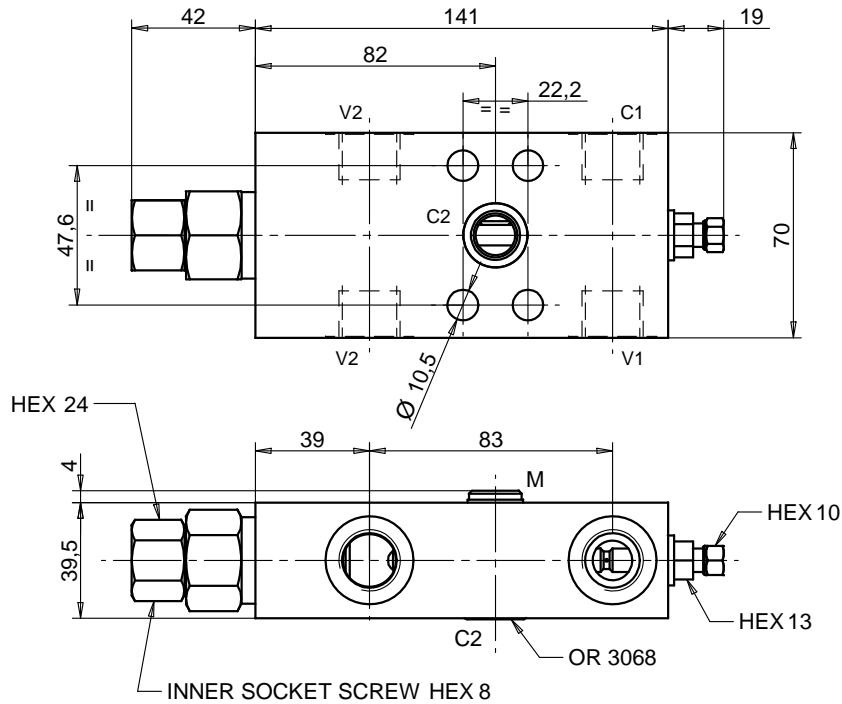
Max Flow	165 lpm
Max Pressure	350 bar
Pilot Ratio	4:1
Std. Pressure range	100 - 350 bar
Ports	V1-V2: G 1" C1-C2: G 1"

Materials: Zinc plated steel cartridge, hardened steel inner parts. Aluminium manifold.

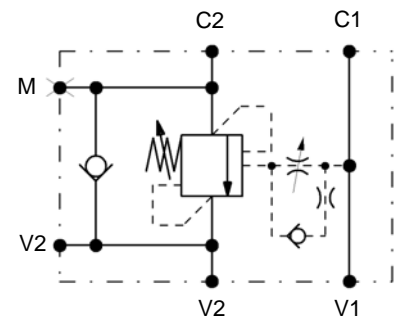
Ordering Code

CB150SL

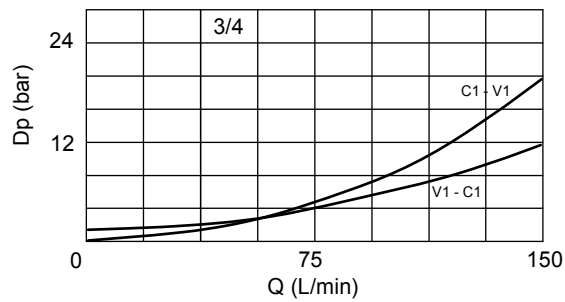
Dimensions



Hydraulic Symbol



Curves



Materials: Zinc plated steel body

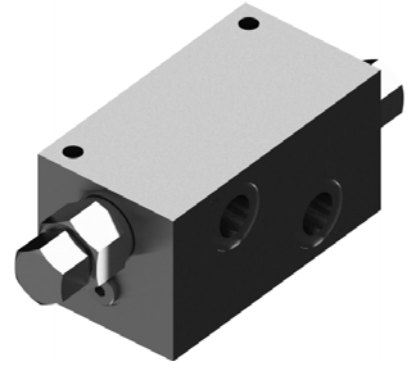
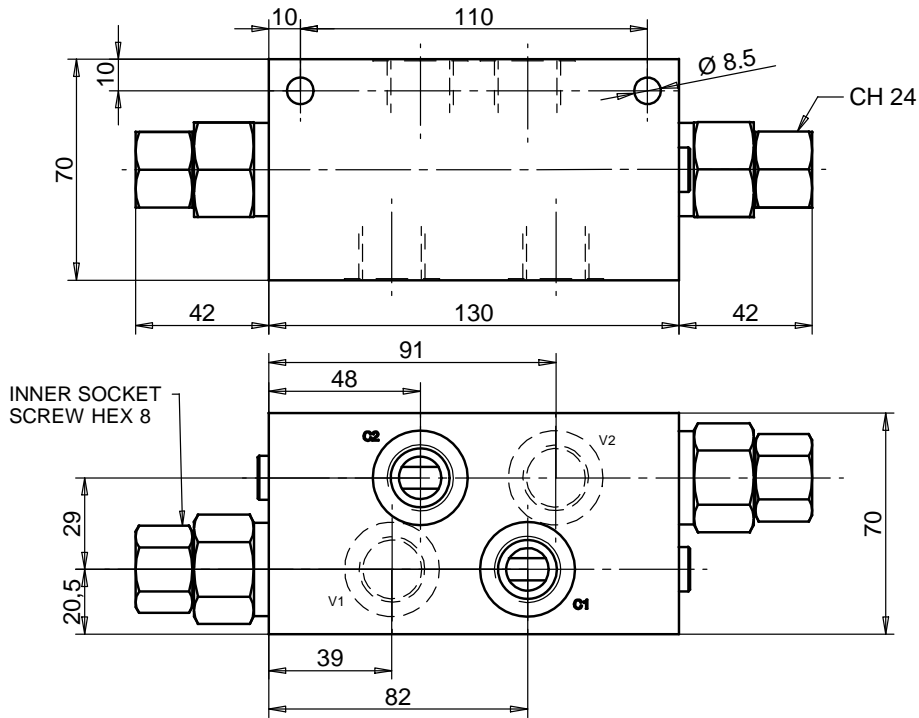
Features

Max Flow	150 lpm
Max Pressure	350 bar
Pilot Ratio	4:1
Std. Pressure range	100 - 350 bar
Ports	V1-V2-C1: G 1/2 C2: 3/4" SAE 3000 M: G 1/4

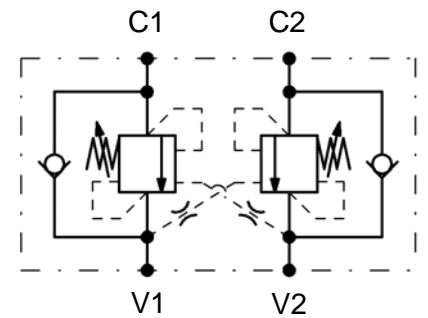
Ordering Code

CB150SLS 03

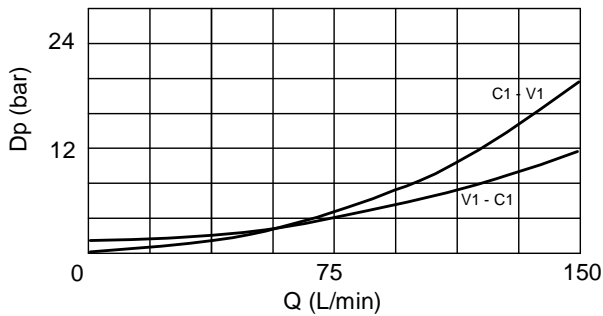
Dimensions



Hydraulic Symbol



Curves



Features

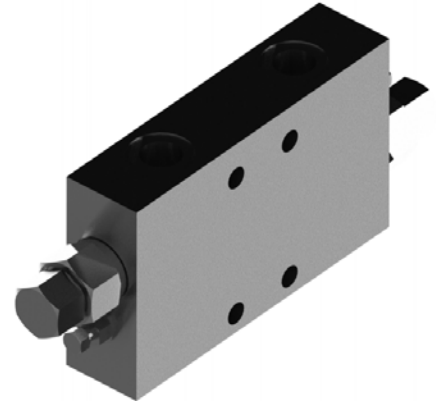
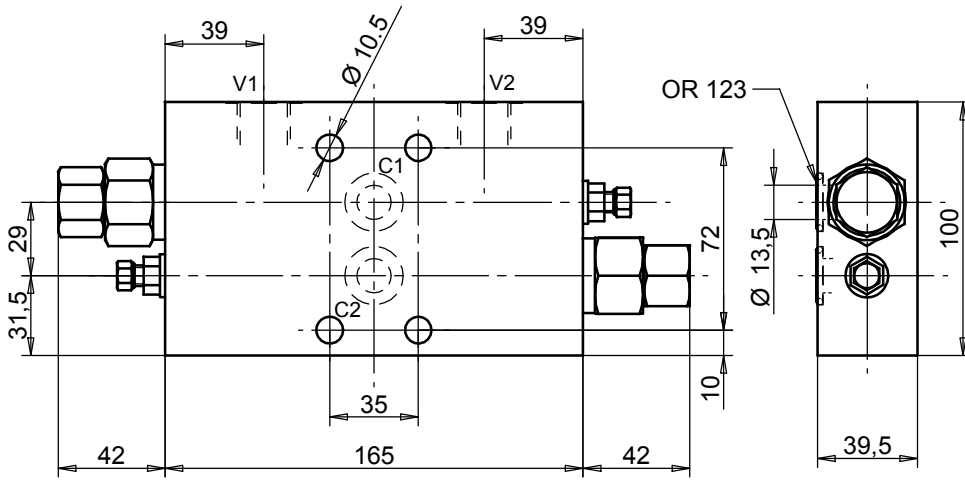
Max Flow	150 lpm
Max Pressure	350 bar
Pilot Ratio	4:1 Standard
Ports	1/2 bsp

Materials: Zinc plated steel cartridge, hardened steel inner parts.
Aluminium manifold.

Ordering Code

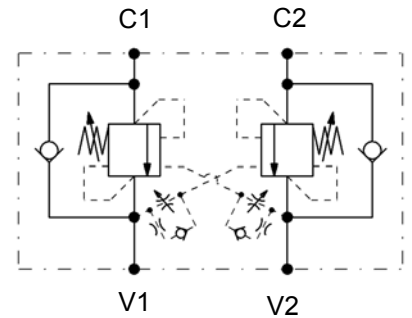
CB150DL 03

Dimensions

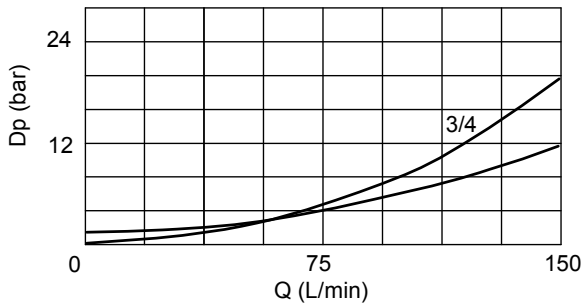


Size	V1 - V2 bsp	C1 - C2 Ø
03	1/2	13,5
04	3/4	13,5

Hydraulic Symbol



Curves



Features

Max Flow	150 lpm
Max Pressure	350 bar
Pilot Ratio	4:1 - Standard
Std. Pressure range	100 - 350 bar

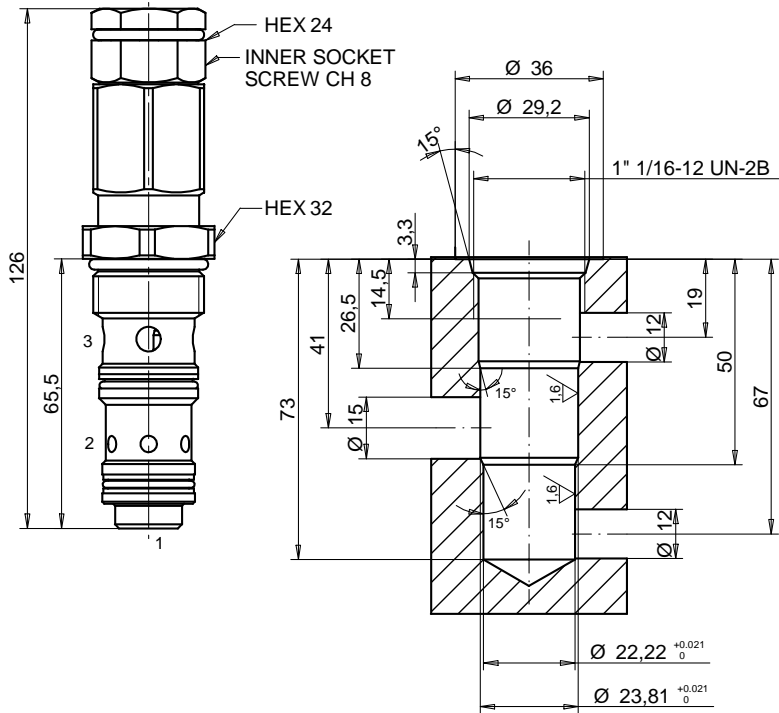
Materials: Zinc plated steel cartridge, hardened steel inner parts.
Aluminium manifold.

Ordering Code

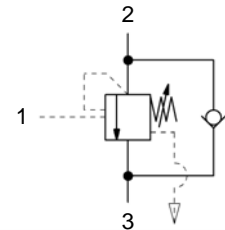
CB150DLF - -

Port Size BSP	
03	1/2
04	3/4

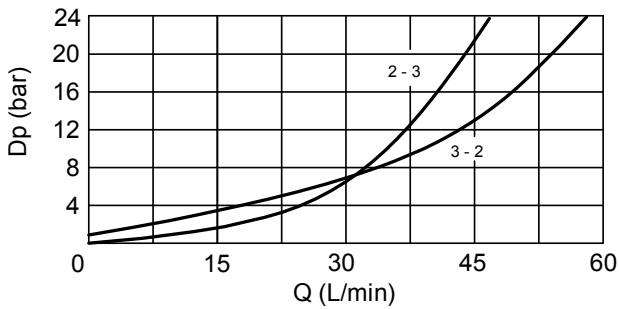
Dimensions



Hydraulic Symbol



Curves



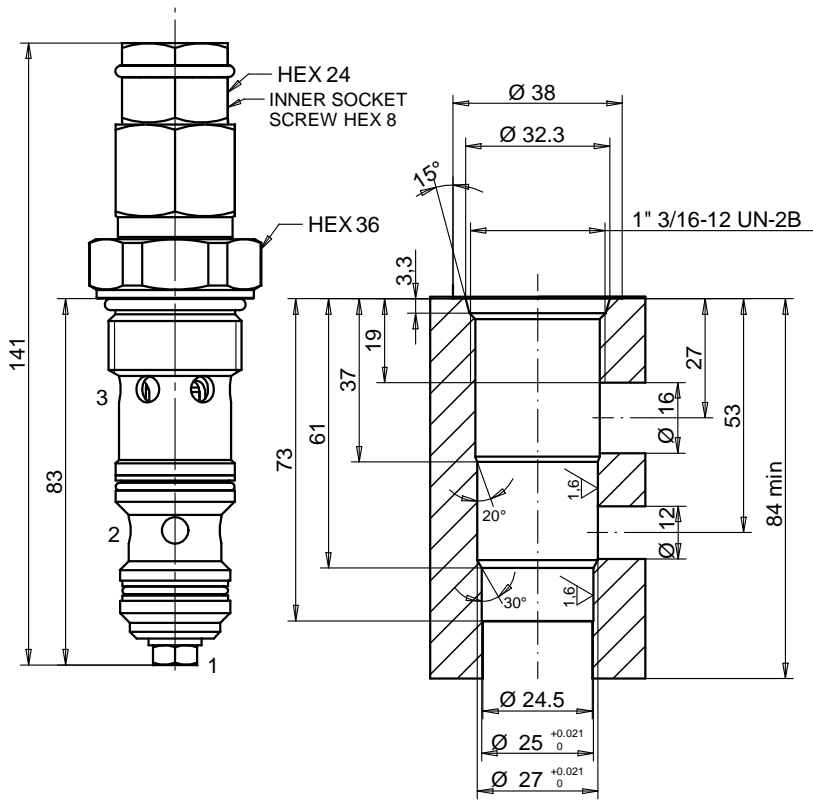
Features

Max Flow	60 lpm
Max Pressure	350 bar
Pilot Ratio	4,2:1
Std. Pressure range	100 - 350 bar
Installation Torque	115 - 126 Nm

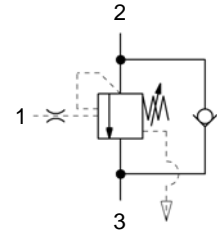
Ordering Code

CBCC 60

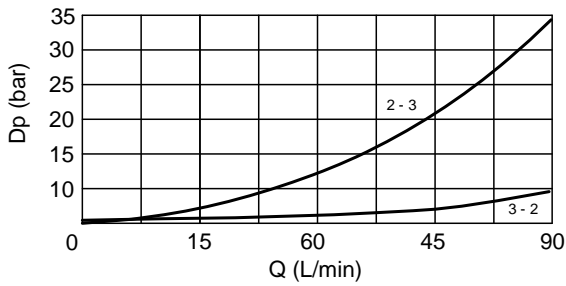
Dimensions



Hydraulic Symbol



Curves



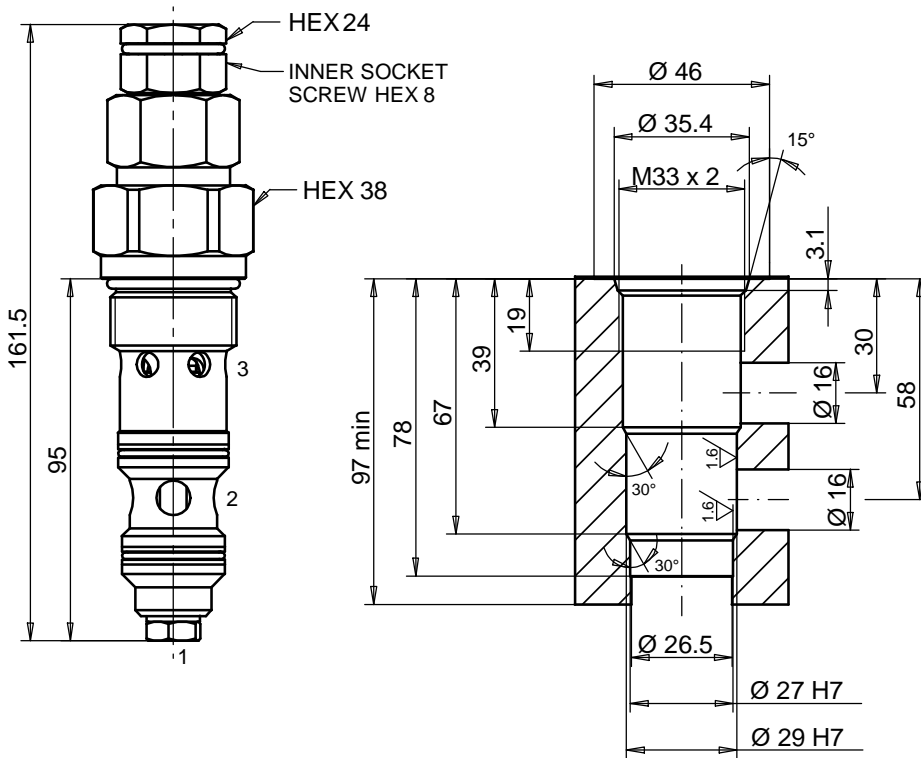
Features

Max Flow	90 lpm
Max Pressure	350 bar
Pilot Ratio	4,2:1
Std. Pressure range	100 - 350 bar
Installation Torque	140 - 155 Nm

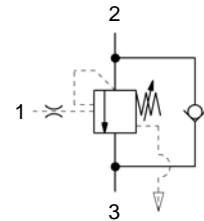
Ordering Code

CBCC 90

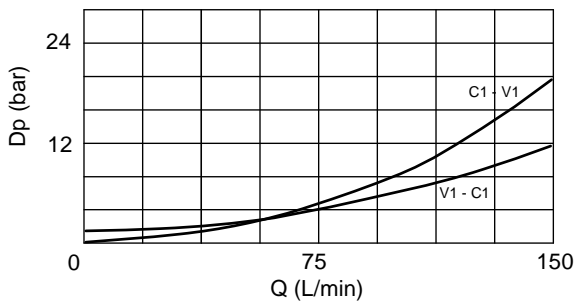
Dimensions



Hydraulic Symbol



Curves



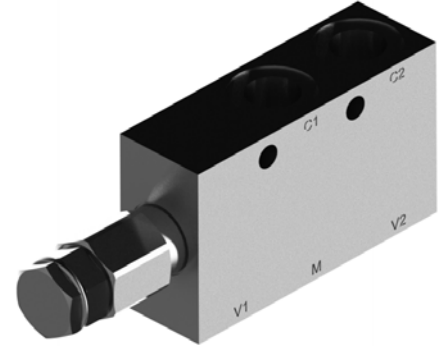
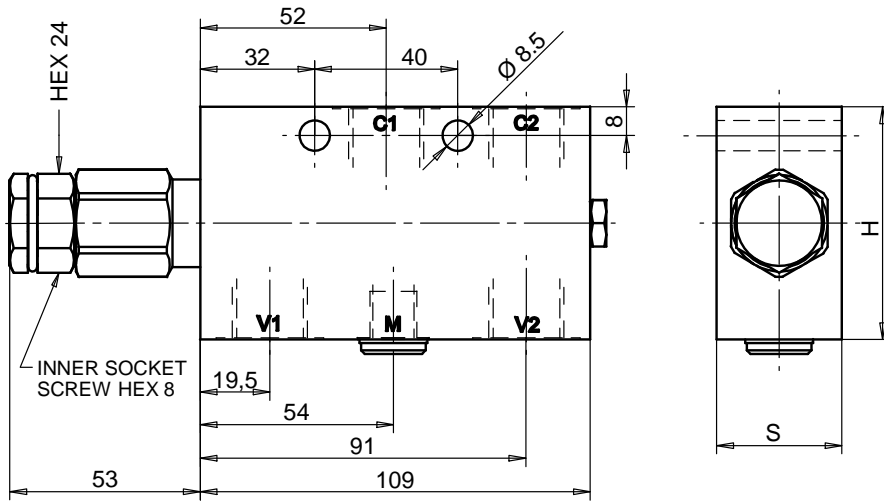
Features

Max Flow	150 lpm
Max Pressure	350 bar
Pilot Ratio	4:1
Installation Torque	200 - 225 Nm
Std. Pressure range	100 - 350 bar

Ordering Code

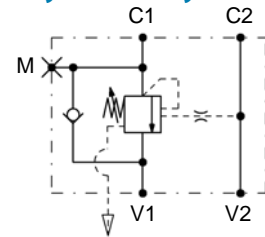
CBCC 150

Dimensions

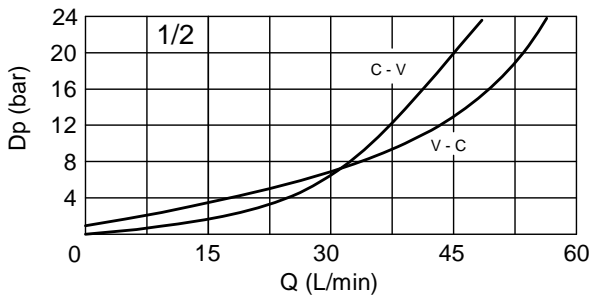


Size	V1 - V2 C1 - C2	M	H	S
01	G 1/4	-	55	30
02	G 3/8	-	55	30
03	G 1/2	G 1/4	65	35

Hydraulic Symbol



Curves



Features

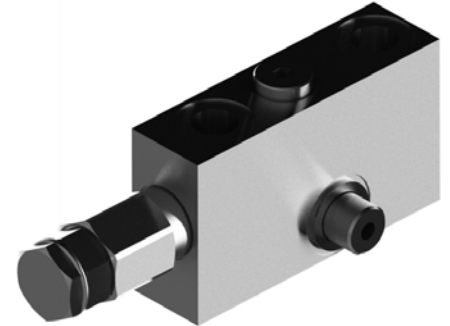
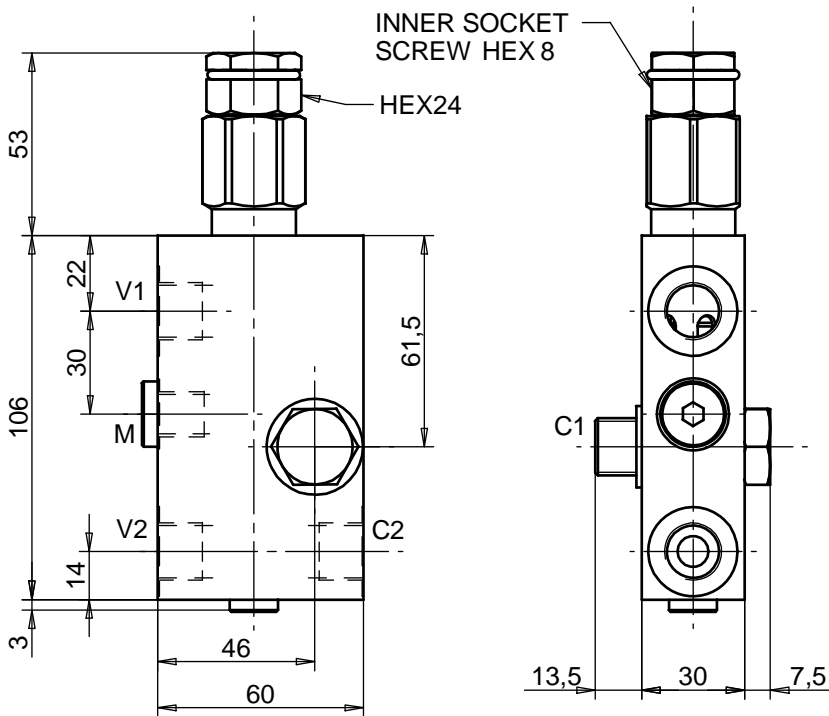
Max Flow	60 lpm
Max Pressure	350 bar
Pilot Ratio	4,2:1
Std. Pressure range	100 - 350 bar

Materials: Zinc plated steel manifold, hardened steel inner parts.

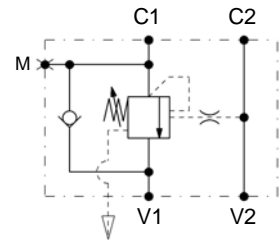
Ordering Code

CBSLCC		- -
Port Size BSP		
01		1/4
02		3/8
03		1/2

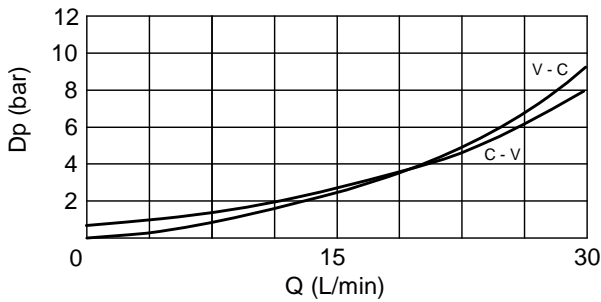
Dimensions



Hydraulic Symbol



Curves



Features

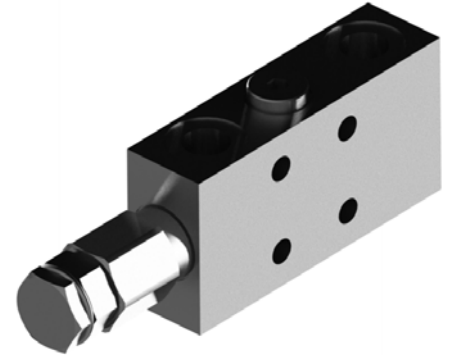
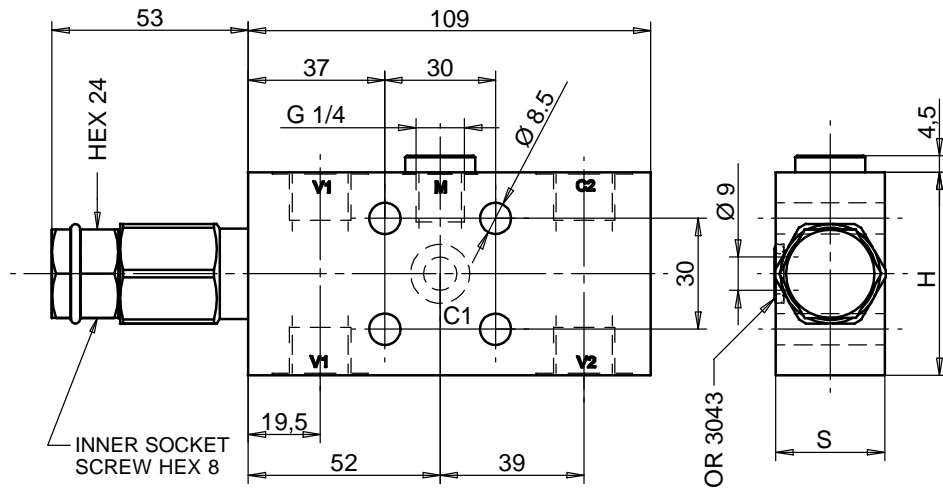
Max Flow	40 lpm
Max Pressure	350 bar
Pilot Ratio	4,2:1
Std. Pressure range	100 - 350 bar
Ports	3/8 bsp

Materials: Zinc plated steel cartridge, hardened steel inner parts. Aluminium manifold.

Ordering Code

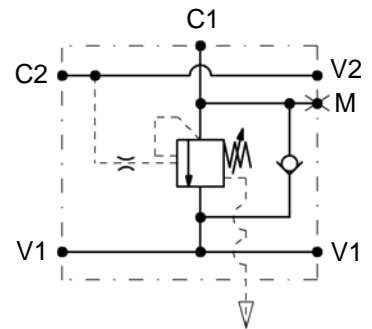
CBSEPFCC 02

Dimensions

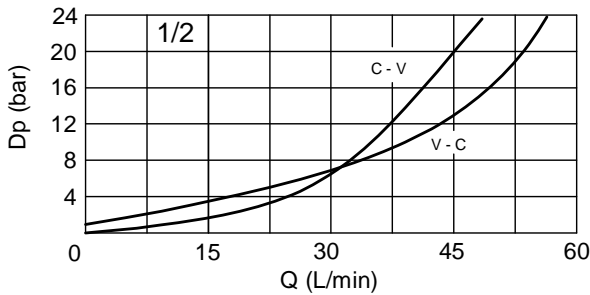


Size	V1-V2 C2	H	S
01	G 1/4	55	29,5
02	G 3/8	55	29,5
03	G 1/2	65	34,5

Hydraulic Symbol



Curves



Features

Max Flow	60 lpm
Max Pressure	350 bar
Pilot Ratio	4,2:1
Std. Pressure range	100 - 350 bar

Materials: Zinc plated steel manifold, hardened steel inner parts.

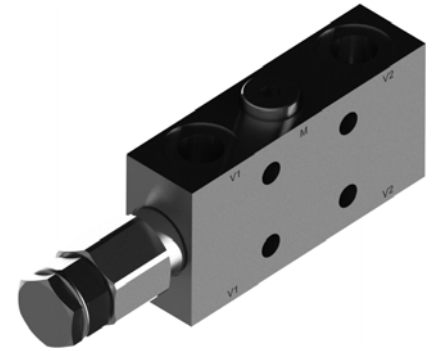
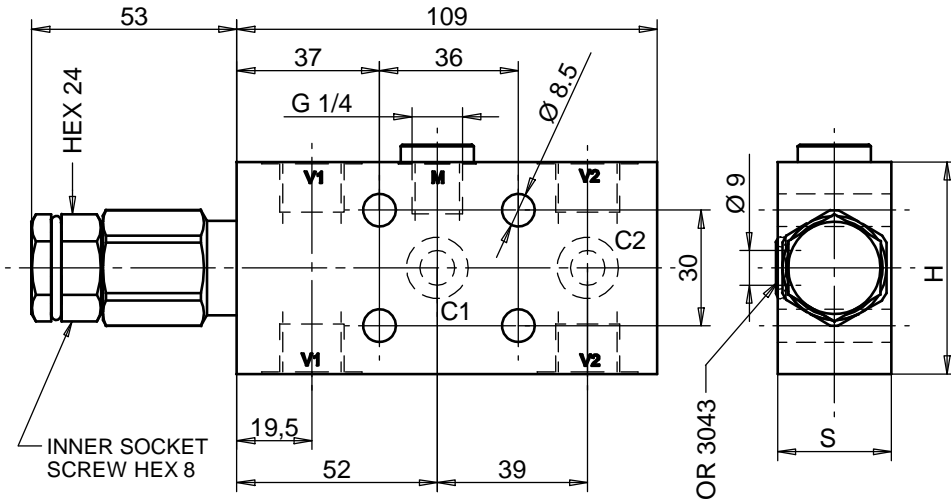
Ordering Code

CBSL1FCC --

Port Size BSP

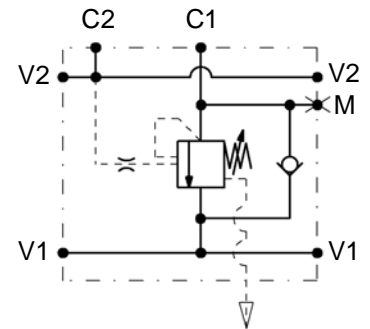
01	1/4
02	3/8
03	1/2

Dimensions

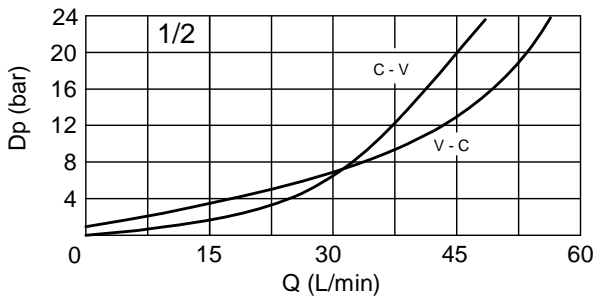


Size	V1-V2 C2	H	S
01	G 1/4	55	29,5
02	G 3/8	55	29,5
03	G 1/2	65	34,5

Hydraulic Symbol



Curves



Features

Max Flow	60 lpm
Max Pressure	350 bar
Pilot Ratio	4,2:1
Std. Pressure range	100 - 350 bar

Materials: Zinc plated steel manifold, hardened steel inner parts.

Ordering Code

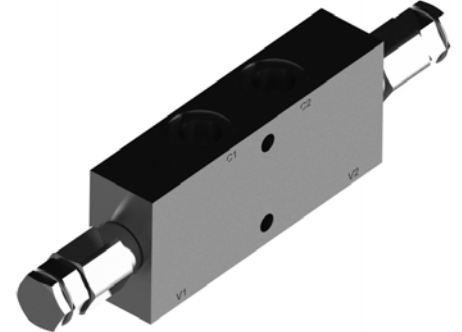
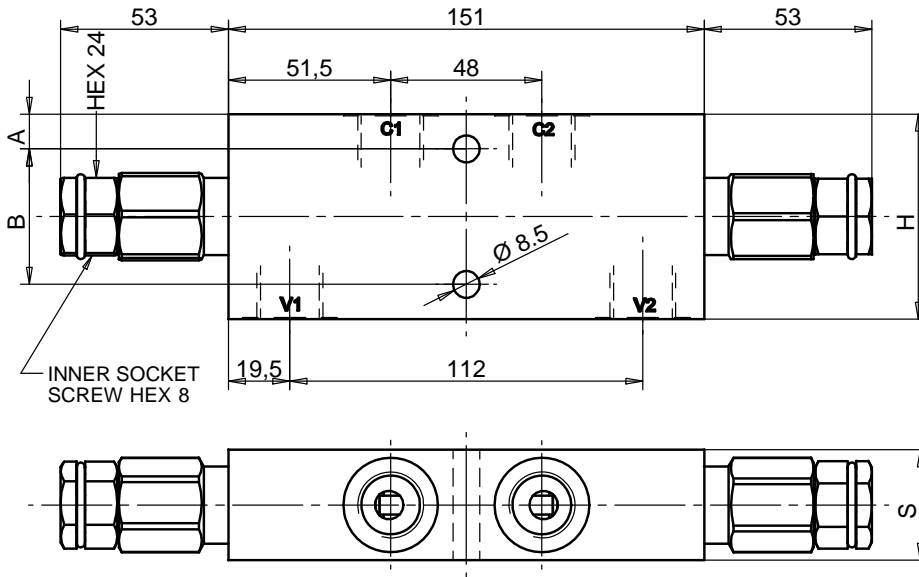
CBSL2FCC

--

Port Size BSP

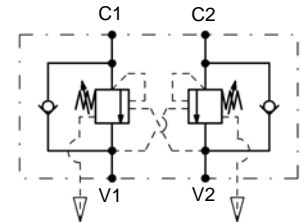
01	1/4
02	3/8
03	1/2

Dimensions

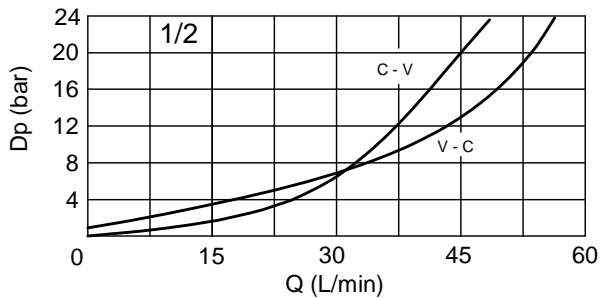


Size	V1 - V2	A	B	H	S
02	G 3/8	8,5	38	55	30
03	G 1/2	11	43	65	35

Hydraulic Symbol



Curves



Features

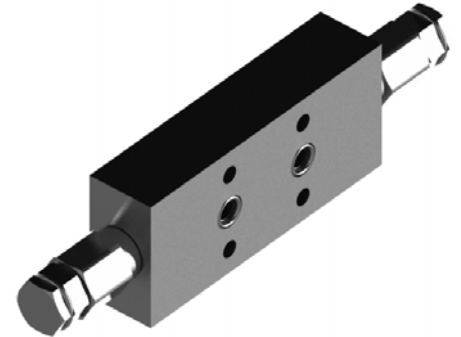
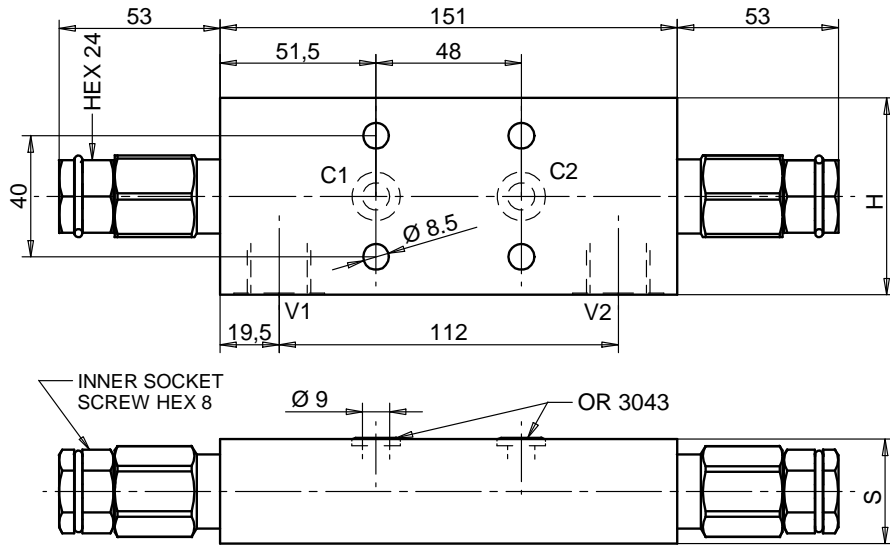
Max Flow	60 lpm
Max Pressure	350 bar
Pilot Ratio	4,2:1
Std. Pressure range	100 - 350 bar

Materials: Zinc plated steel manifold, hardened steel inner parts.

Ordering Code

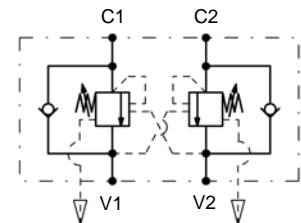
CBDLCC	
--	
Port Size BSP	
02	3/8
03	1/2

Dimensions

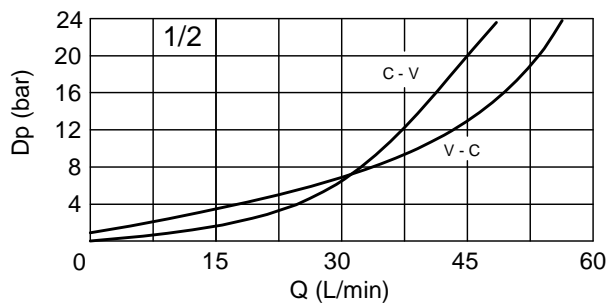


Size	V1 - V2	H	S
02	G 3/8	55	30
03	G 1/2	65	35

Hydraulic Symbol



Curves



Features

Max Flow	60 lpm
Max Pressure	350 bar
Pilot Ratio	4,2:1
Std. Pressure range	100 - 350 bar

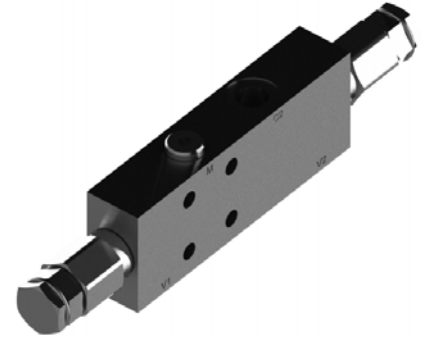
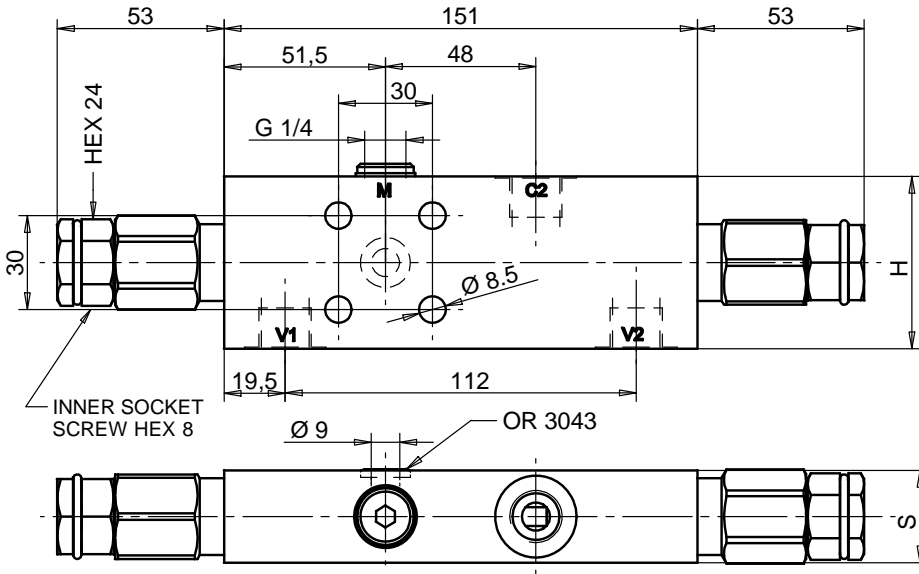
Materials: Zinc plated steel manifold, hardened steel inner parts.

Ordering Code

CBDLCC - -

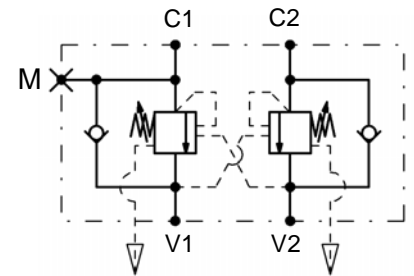
Port Size BSP	
02	3/8
03	1/2

Dimensions

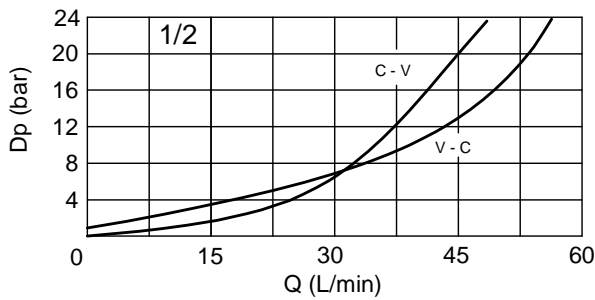


Size	V1 - V2	H	S
02	G 3/8	55	29,5
03	G 1/2	65	34,5

Hydraulic Symbol



Curves



Features

Max Flow	60 lpm
Max Pressure	350 bar
Pilot Ratio	4,2:1
Std. Pressure range	100 - 350 bar

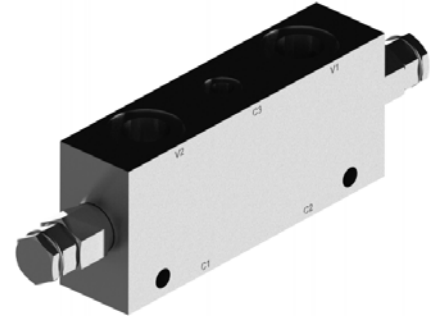
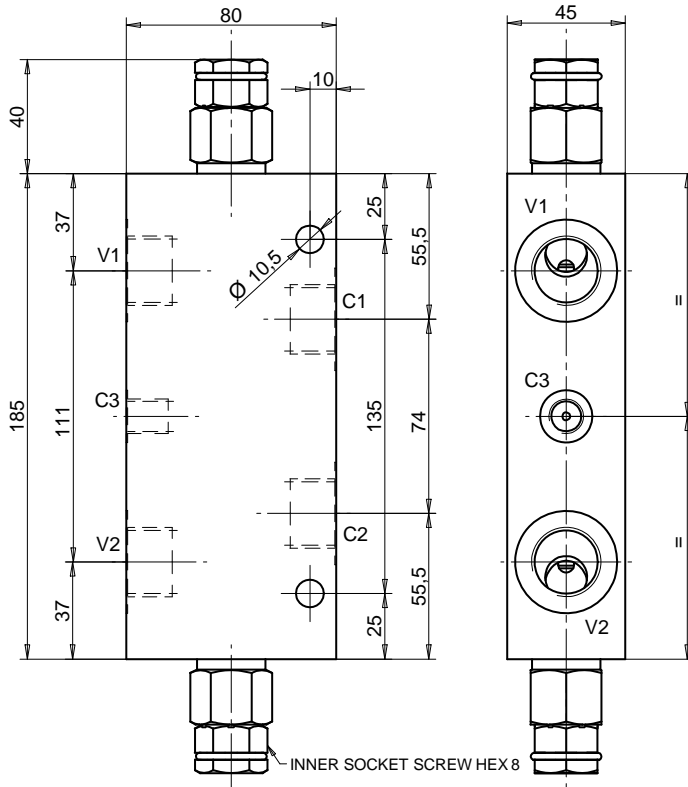
Materials: Zinc plated steel manifold, hardened steel inner parts.

Ordering Code

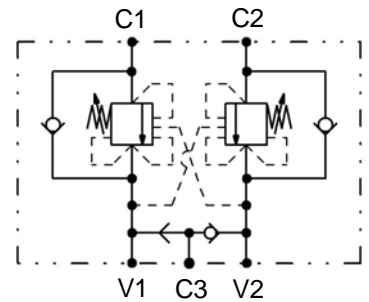
CBDL1FCC - -

Port Size BSP	
02	3/8
03	1/2

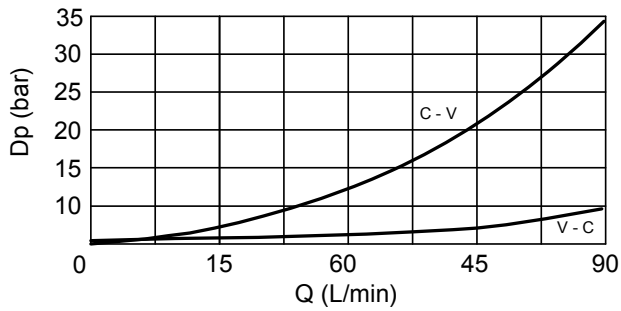
Dimensions



Hydraulic Symbol



Curves



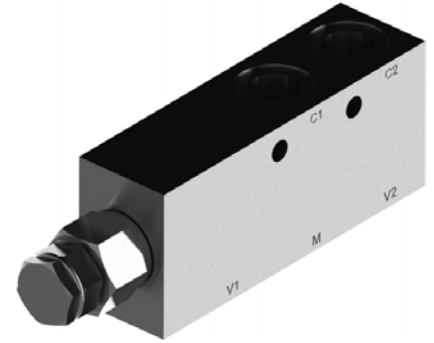
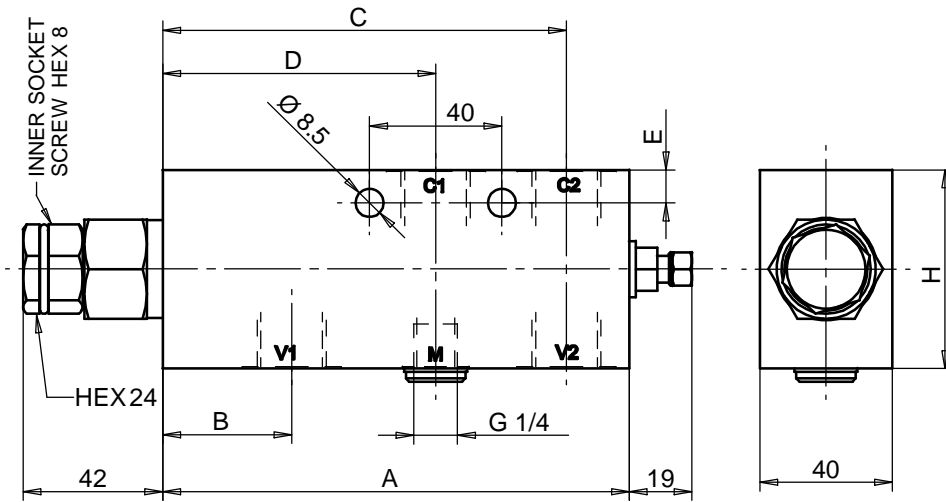
Features

Max Flow	100 lpm
Max Pressure	350 bar
Pilot Ratio	4,2:1
Std. Pressure range	100 - 350 bar
Ports	V1-V2: G 3/4 C1-C2: G 3/4 C3: G 1/4

Ordering Code

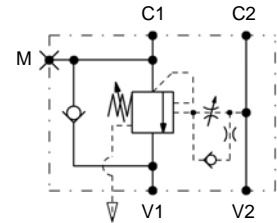
CB90DLSFCC 04

Dimensions

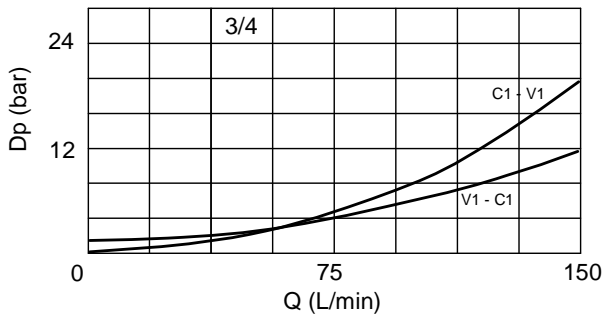


Size	V1 - V2	A	B	C	D	E	H
03	G 1/2	141	39	122,5	82,5	10	60
04	G 3/4	147	40	126	83	60	80

Hydraulic Symbol



Curves



Features

Max Flow	150 lpm
Max Pressure	350 bar
Pilot Ratio	4:1 Standard
Std. Pressure range	100 - 350 bar

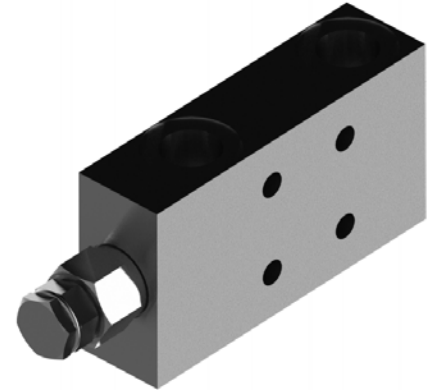
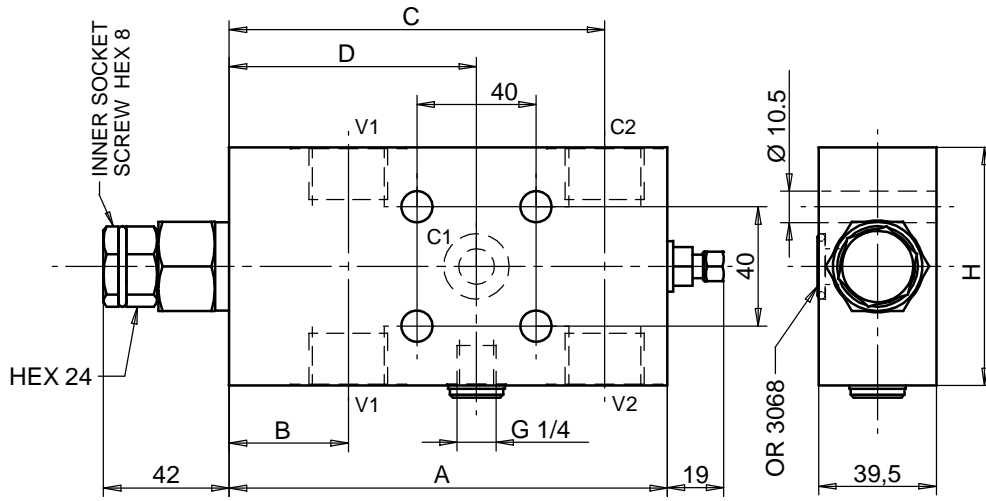
Materials: Zinc plated steel manifold, hardened steel inner parts.

Ordering Code

CB150SLCC - -

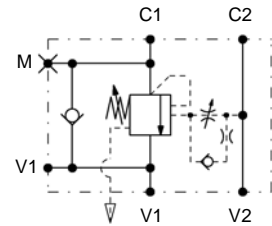
Port Size BSP	
03	1/2
04	3/4

Dimensions

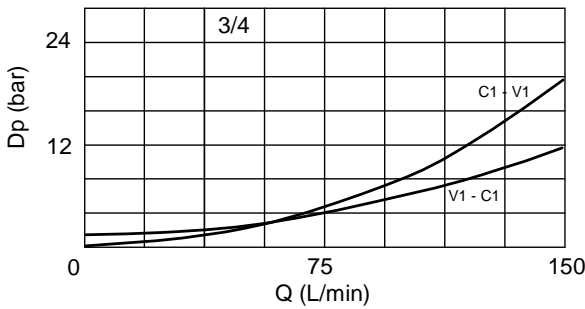


Size	V1 - V2	C1	A	B	C	D	H
03	G 1/2	12	141	39	122,5	82,5	60
04	G 3/4	12	141	40	126	83	80

Hydraulic Symbol



Curves



Features

Max Flow	150 lpm
Max Pressure	350 bar
Pilot Ratio	4:1 Standard
Std. Pressure range	100 - 350 bar

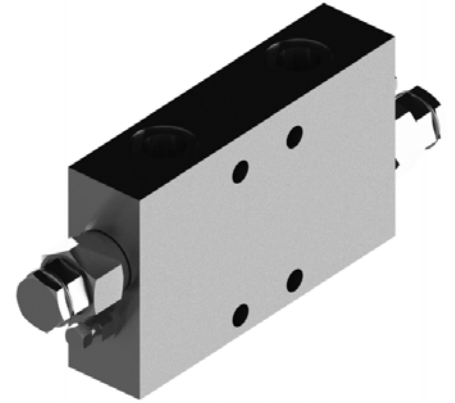
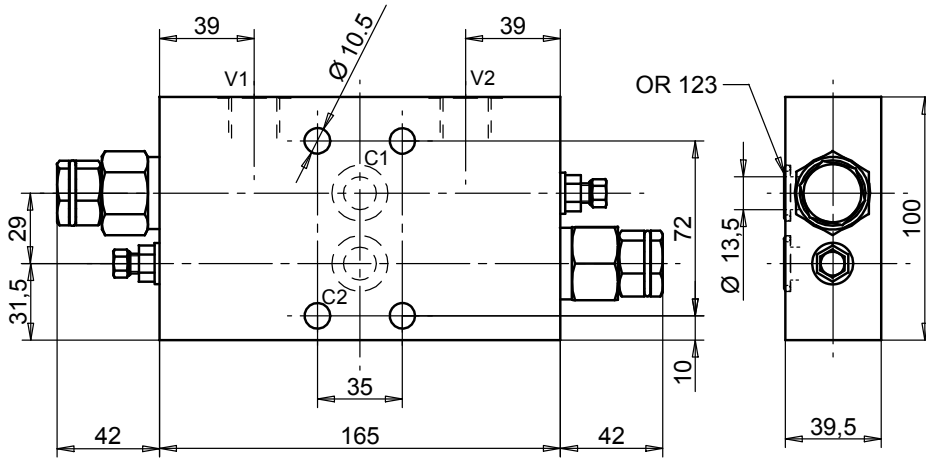
Materials: Zinc plated steel manifold, hardened steel inner parts.

Ordering Code

CB150SLFCC - -

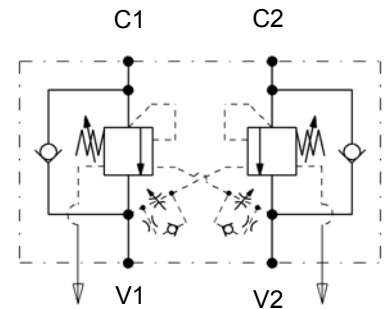
	Port Size BSP
03	1/2
04	3/4

Dimensions

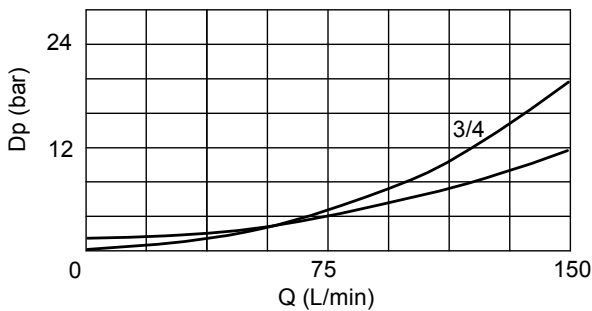


Size	V1 - V2 bsp	C1 - C2 Ø
03	1/2	13,5
04	3/4	13,5

Hydraulic Symbol



Curves



Features

Max Flow	150 lpm
Max Pressure	350 bar
Pilot Ratio	4:1 - Standard
Std. Pressure range	100 - 350 bar

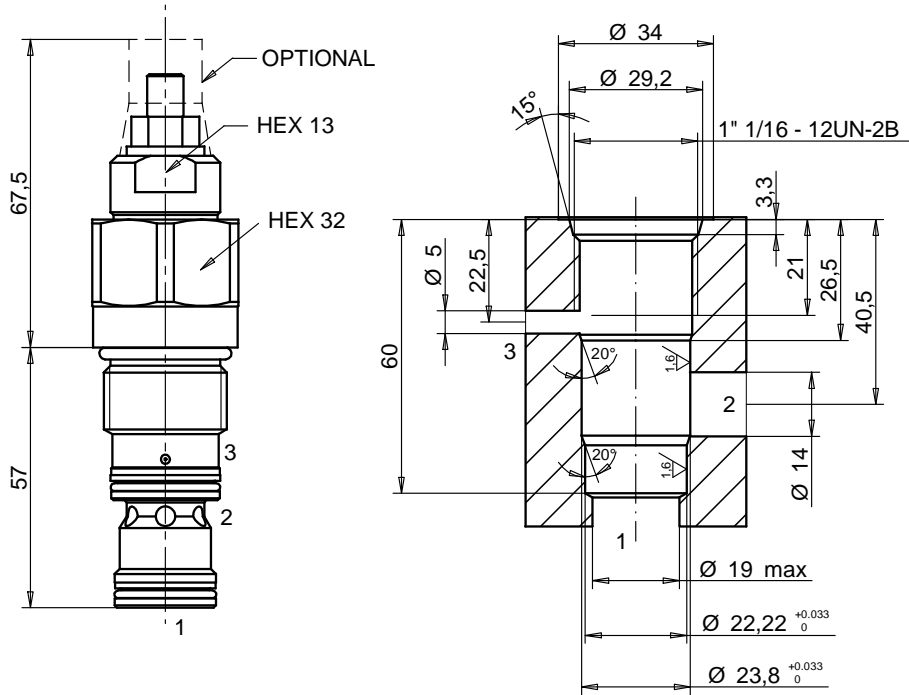
Materials: Zinc plated steel cartridge, hardened steel inner parts. Aluminium manifold.

Ordering Code

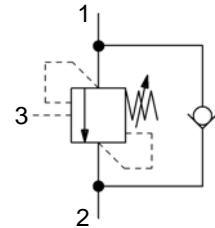
CB150DLFCC - -

Port Size BSP	
03	1/2
04	3/4

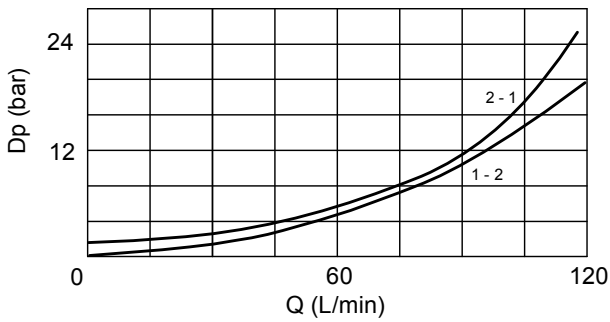
Dimensions



Hydraulic Symbol



Curves



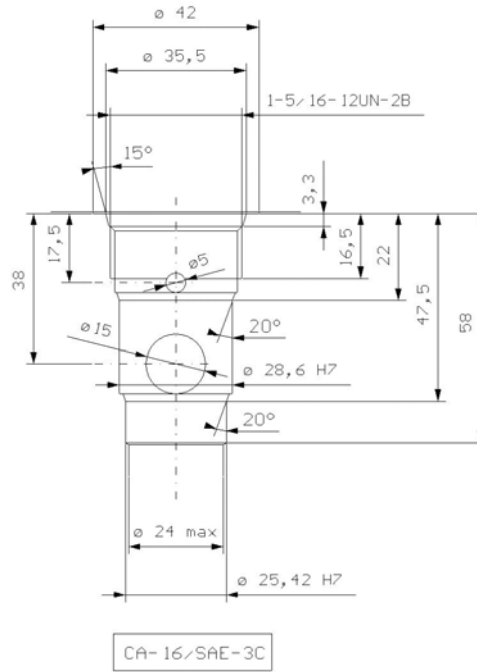
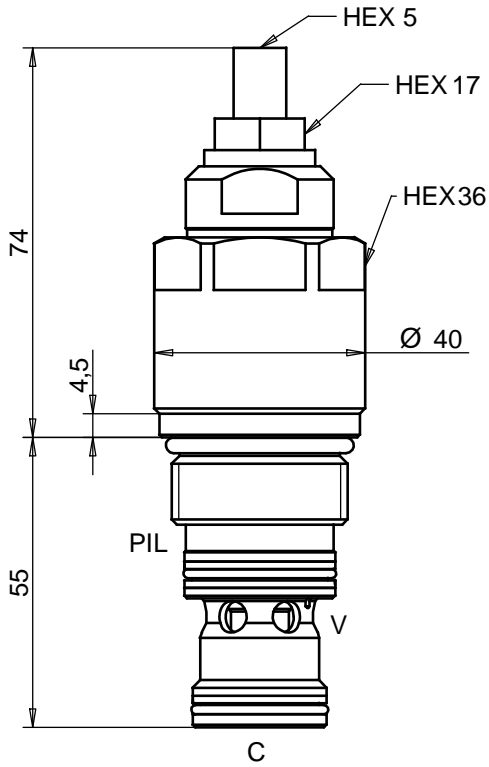
Features

Max Flow	120 lpm
Max Pressure	350 bar
Pilot Ratio	4:1 - Standard
Installation torque	75 - 85 Nm
Std. Pressure range	140 - 350 bar

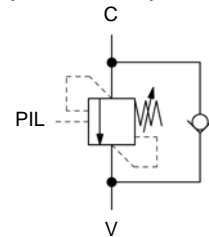
Ordering Code

CBCE 120

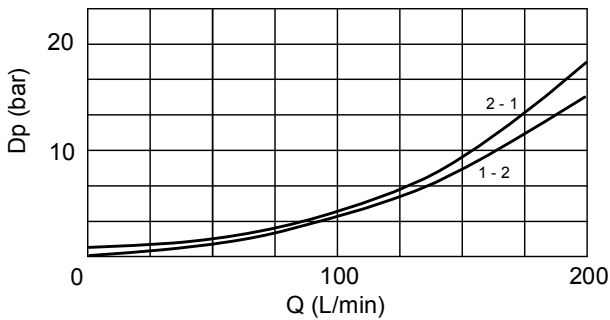
Dimensions



Hydraulic Symbol



Curves



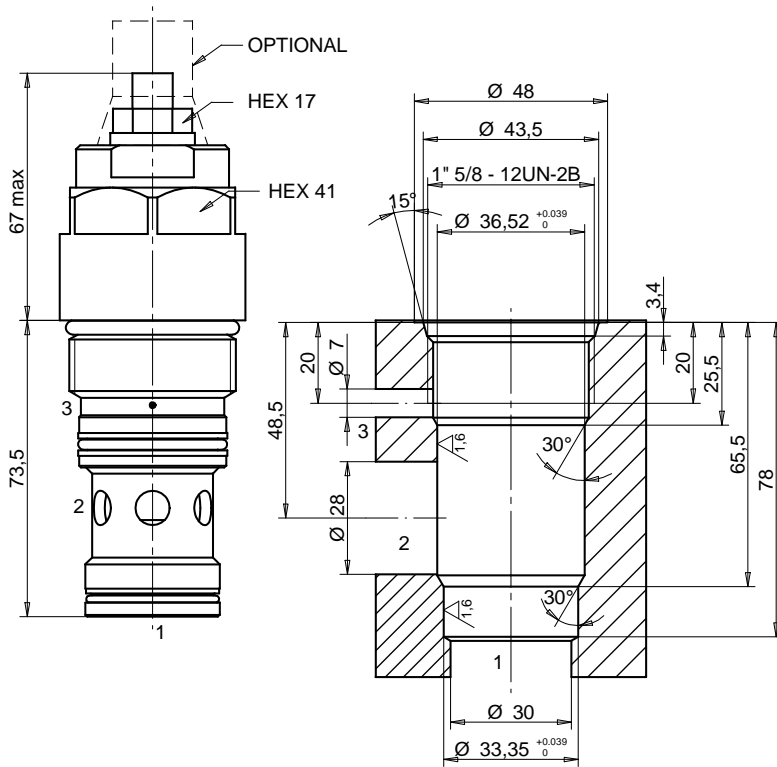
Features

Max Flow	200 lpm
Max Pressure	350 bar
Pilot Ratio	4:1 - Standard
Std. Pressure range	100 - 350 bar
Installation torque	105 - 120 Nm

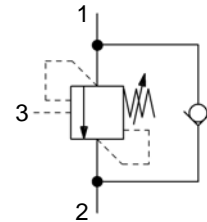
Ordering Code

CBCE 200

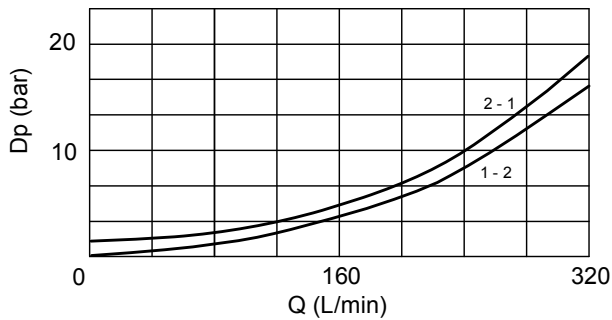
Dimensions



Hydraulic Symbol



Curves



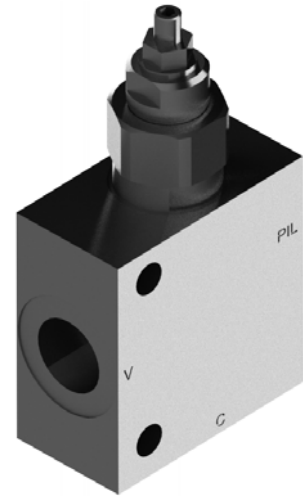
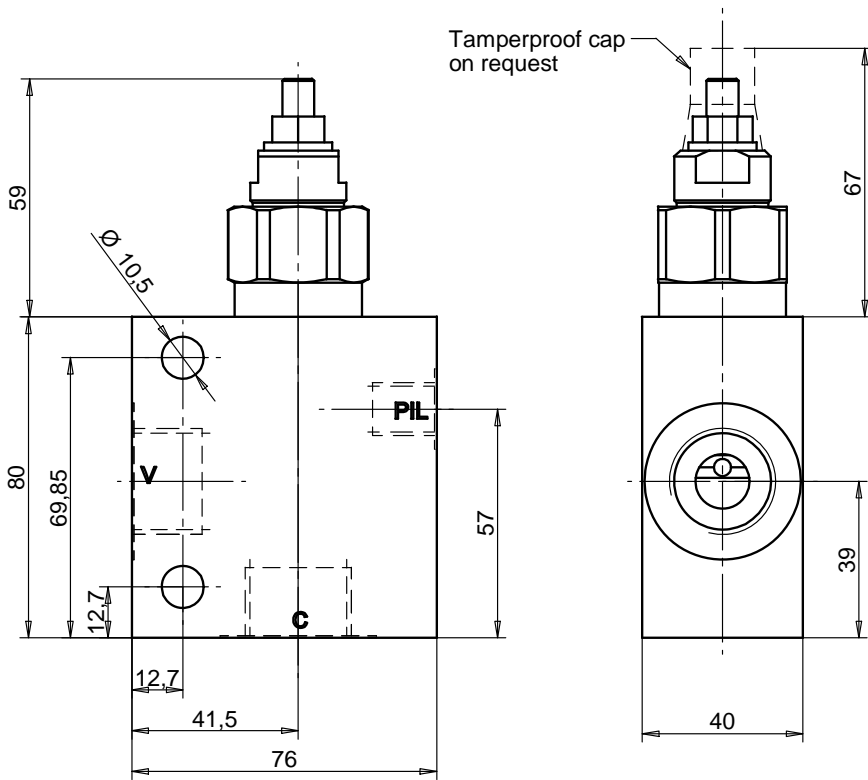
Features

Max Flow	320 lpm
Max Pressure	350 bar
Pilot Ratio	4:1 - Standard
Std. Pressure range	140 - 350 bar
Installation torque	126 - 148 Nm

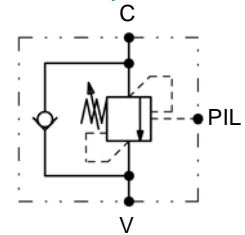
Ordering Code

CBCE 320

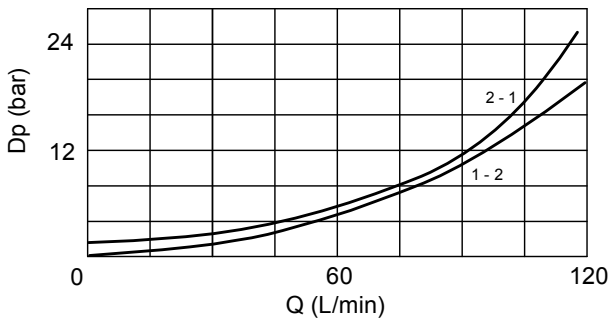
Dimensions



Hydraulic Symbol



Curves



Features

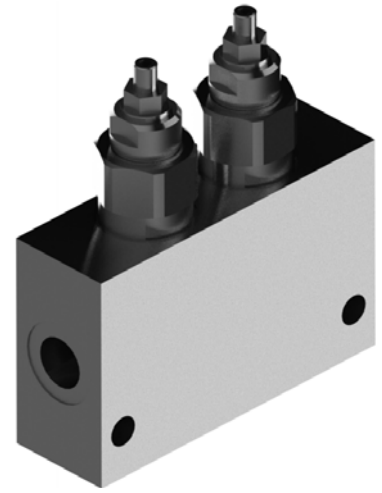
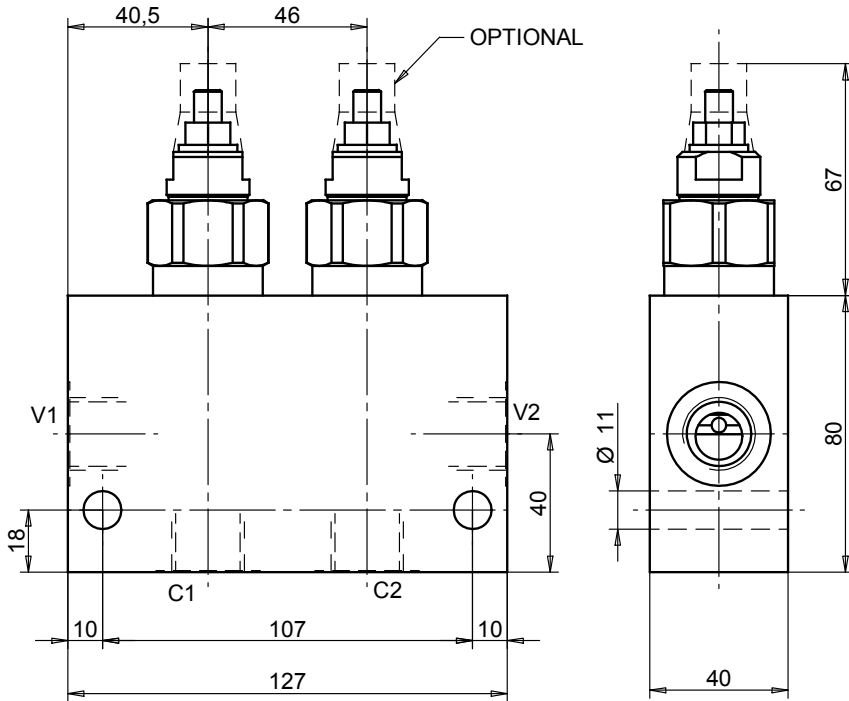
Max Flow	120 lpm
Max Pressure	250 bar
Pilot Ratio	4:1 - Standard
Std. Pressure range	140 - 350 bar
Ports	V-C: G 3/4 PIL: G 1/4

Materials: Zinc plated steel cartridge, hardened steel inner parts. Aluminium manifold.

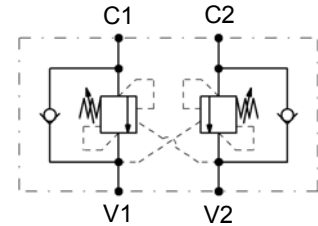
Ordering Code

CBCE120SE 04

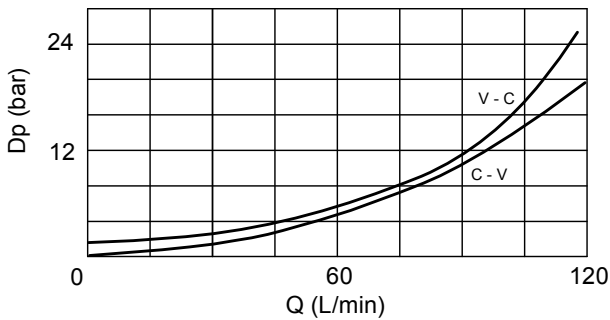
Dimensions



Hydraulic Symbol



Curves



Features

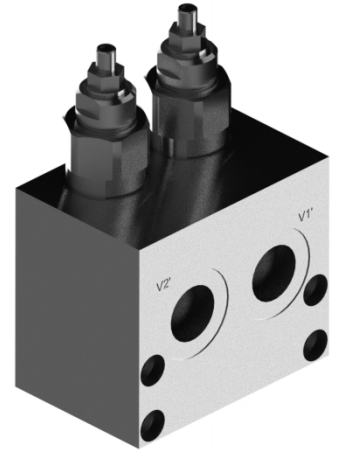
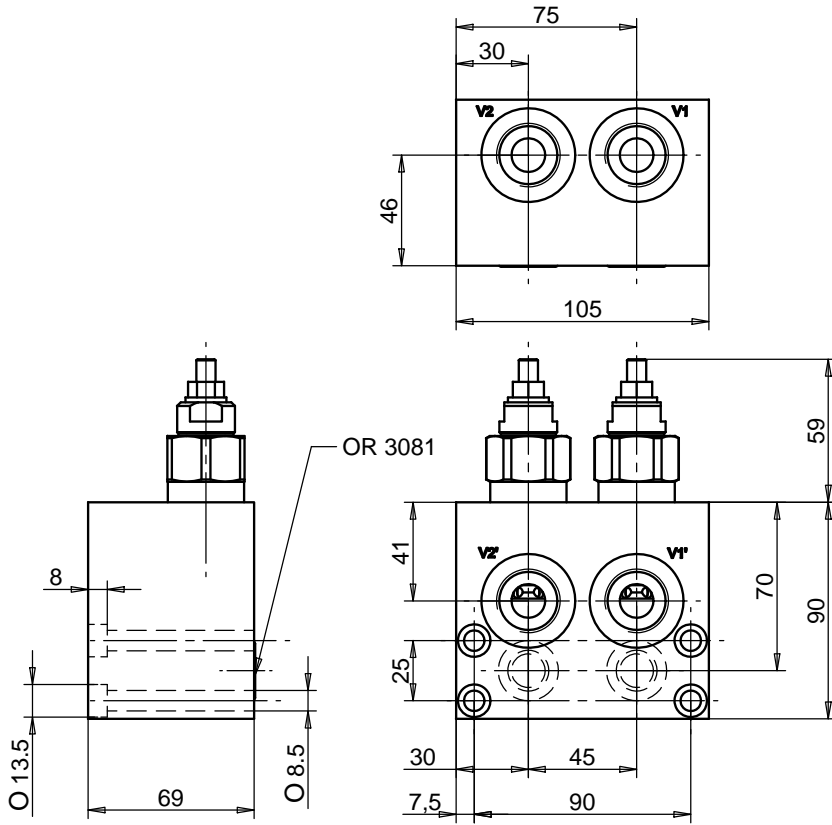
Max Flow	120 lpm
Max Pressure	350 bar
Pilot Ratio	4:1 - Standard
Ports	1/2 bsp

Materials: Zinc plated steel cartridge, hardened steel inner parts.
Aluminium manifold.

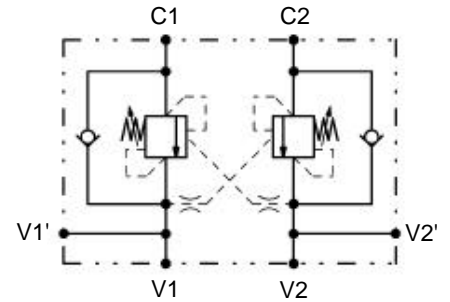
Ordering Code

CBCE120DE 03

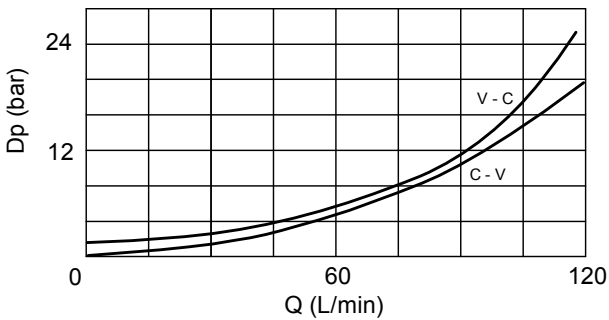
Dimensions



Hydraulic Symbol



Curves



Materials: Zinc plated steel manifold, hardened steel inner parts.

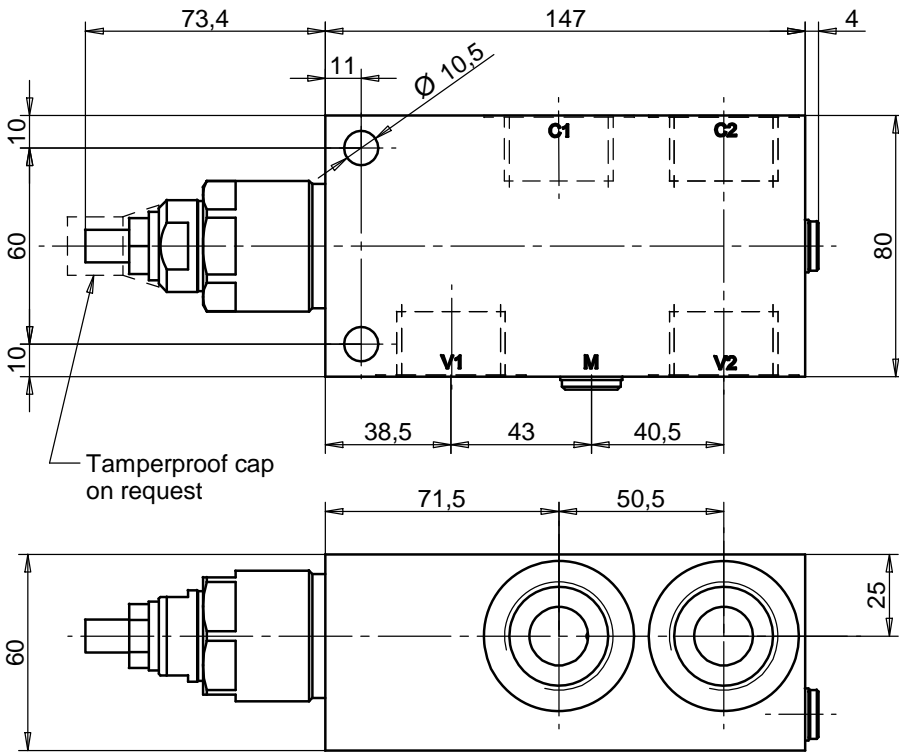
Features

Max Flow	120 lpm
Max Pressure	350 bar
Pilot Ratio	4:1
Std. Pressure range	140 - 350 bar
Ports	V1-V2: G 3/4 V1'-V2': G 3/4 C1-C2: Ø 14

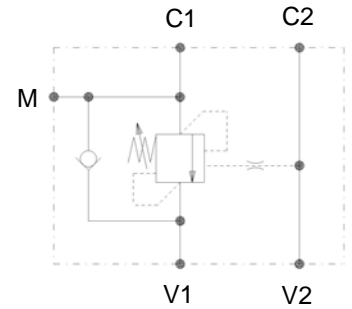
Ordering Code

CBCD120DEF 04

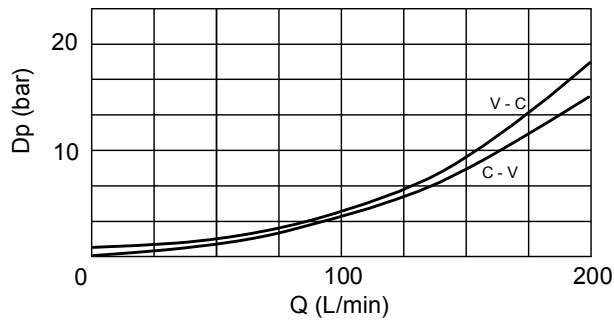
Dimensions



Hydraulic Symbol



Curves



Features

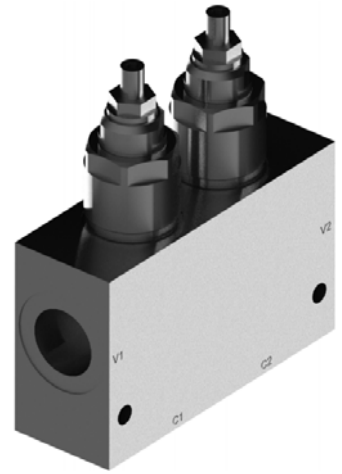
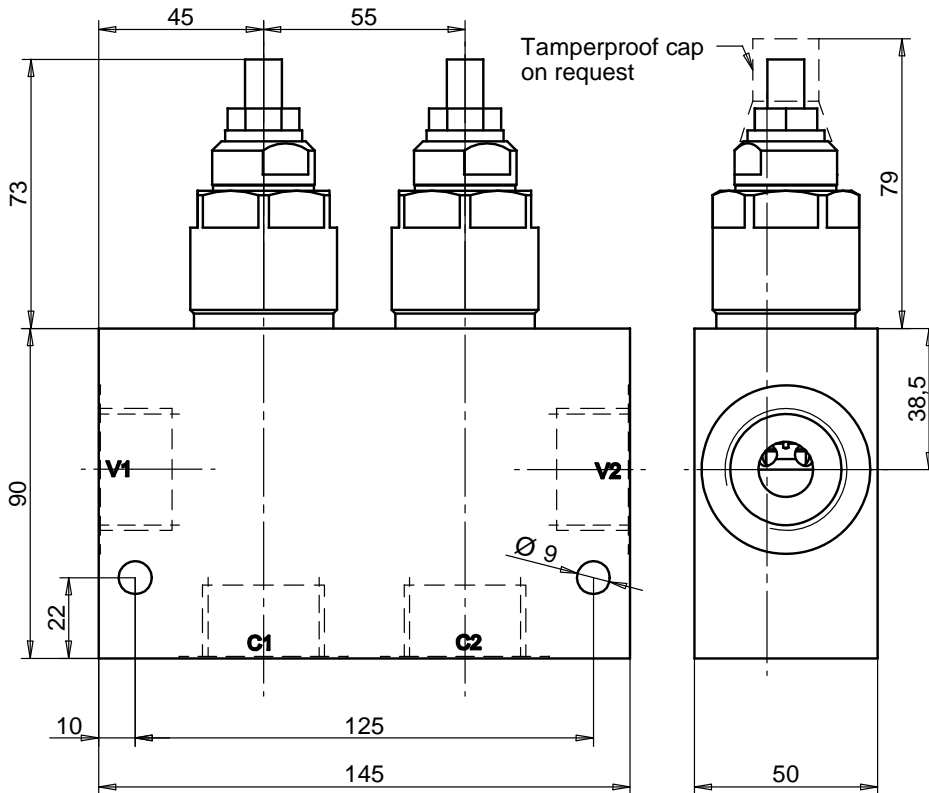
Max Flow	200 lpm
Max Pressure	250 bar
Pilot Ratio	4:1
Std. Pressure range	140 - 350 bar
Ports	V1-V2-C1-C2: 1 bsp M: 1/4 bsp

Materials: Zinc plated steel cartridge, hardened steel inner parts. Aluminium manifold.

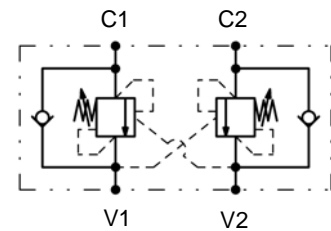
Ordering Code

CBCE200SE 05

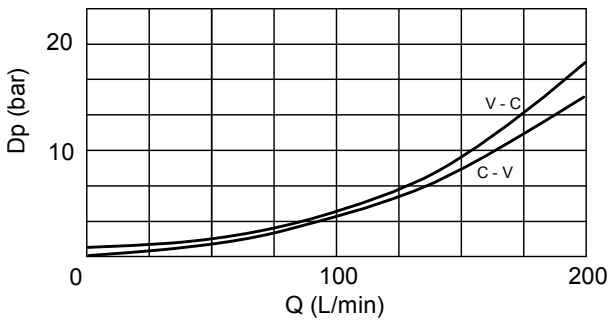
Dimensions



Hydraulic Symbol



Curves



Features

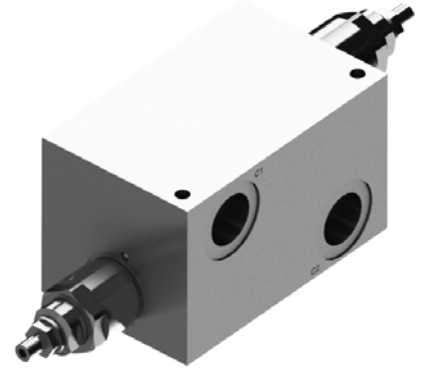
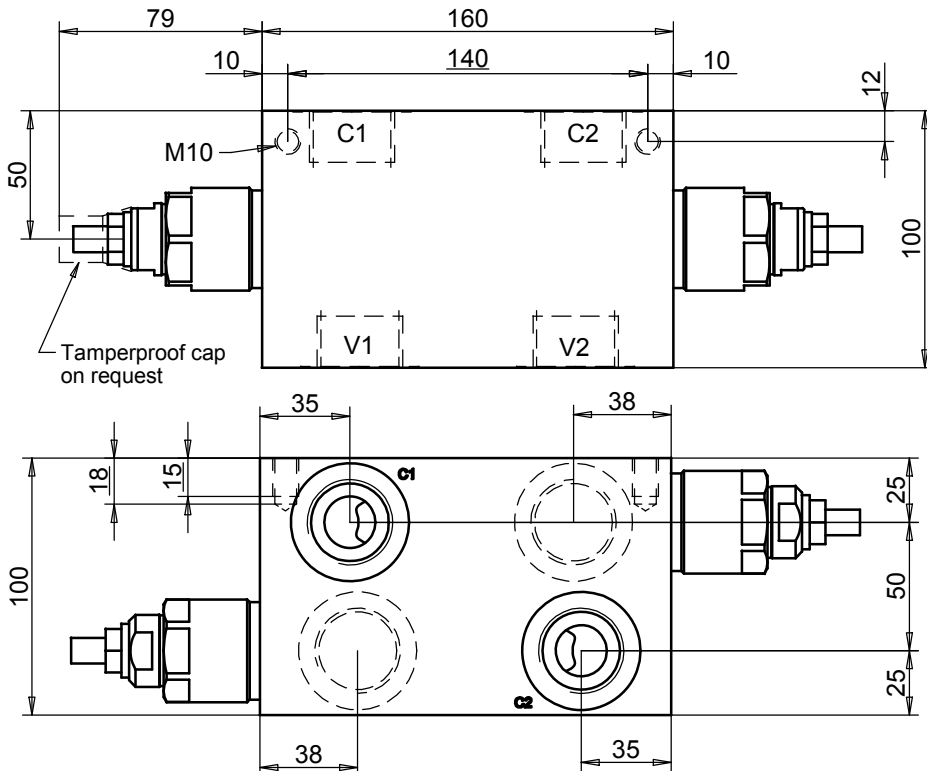
Max Flow	200 lpm
Max Pressure	250 bar
Pilot Ratio	4:1
Std. Pressure range	140 - 350 bar
Ports	V1-V2-C1-C2: 1 bsp

Materials: Zinc plated steel cartridge, hardened steel inner parts.
Aluminium manifold.

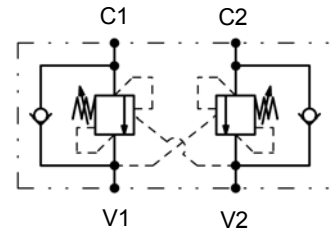
Ordering Code

CBCE200DE 05

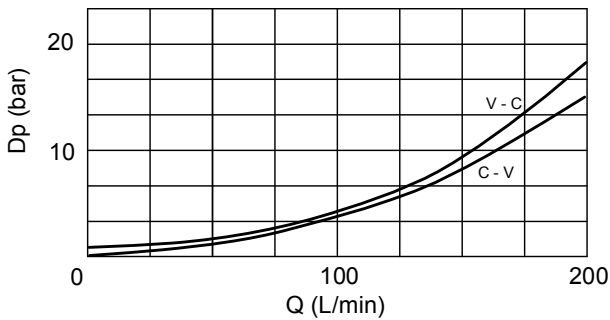
Dimensions



Hydraulic Symbol



Curves



Features

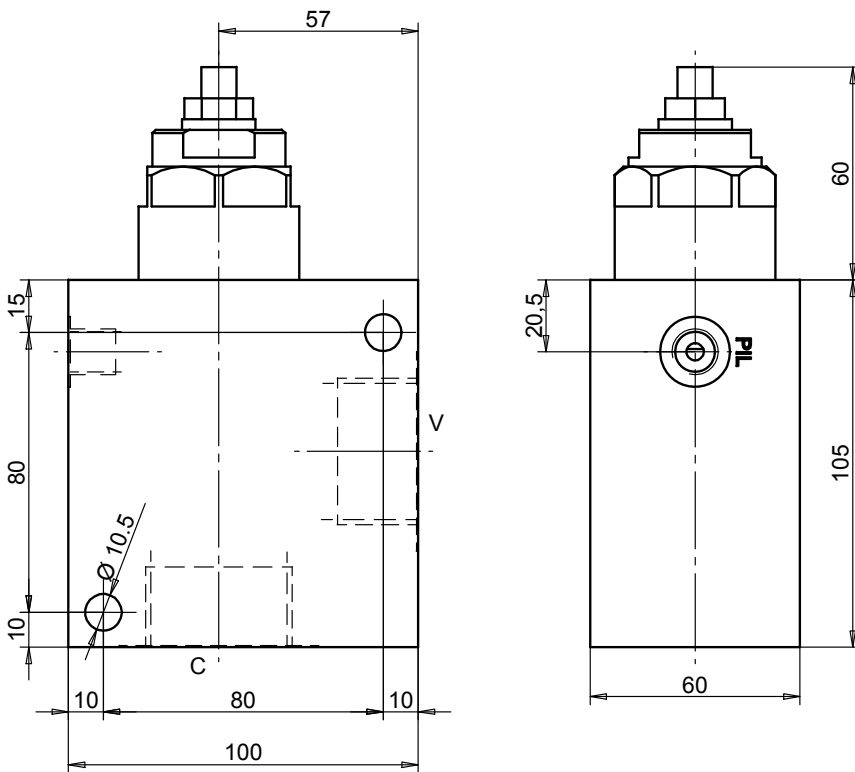
Max Flow	200 lpm
Max Pressure	350 bar
Pilot Ratio	4:1
Std. Pressure range	140 - 350 bar
Ports	V1-V2-C1-C2: 1 bsp

Materials: Zinc plated steel cartridge, hardened steel inner parts.
Aluminium manifold.

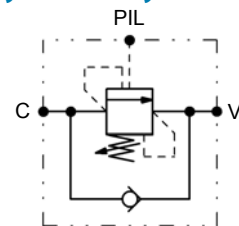
Ordering Code

CBCE200DEL 05

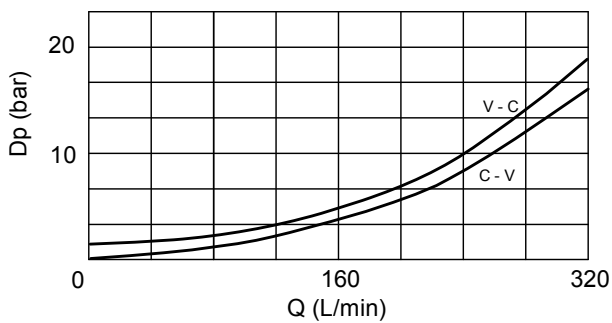
Dimensions



Hydraulic Symbol



Curves



Features

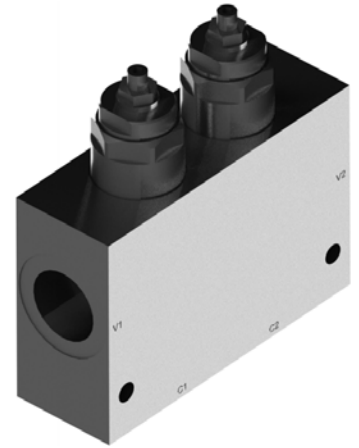
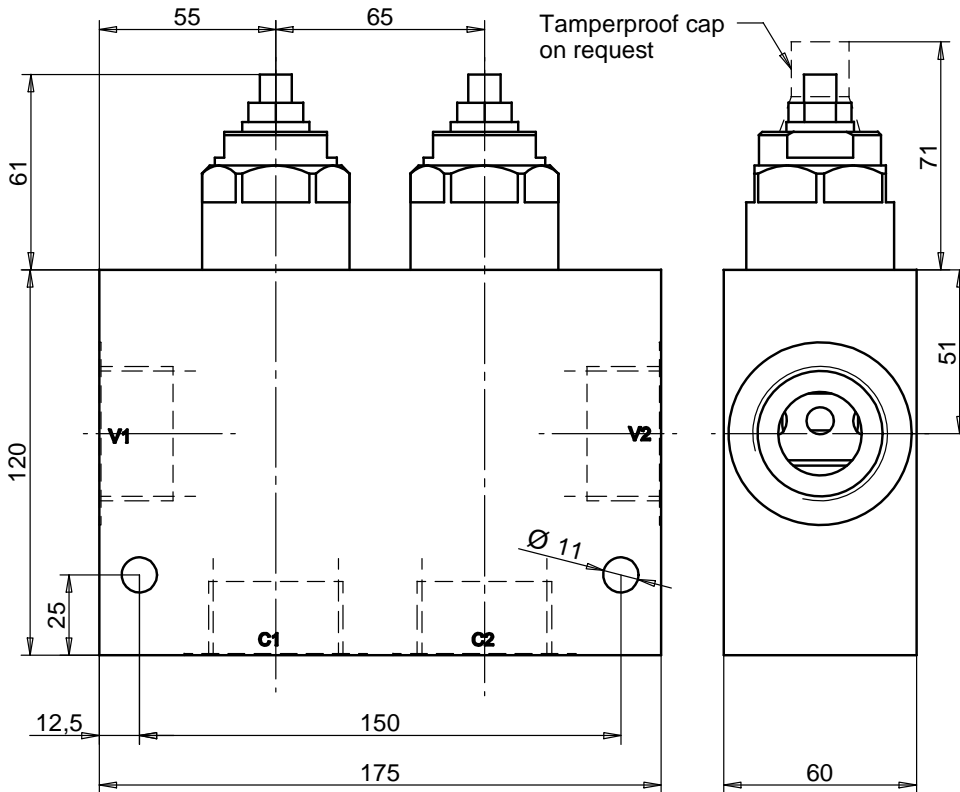
Max Flow	320 lpm
Max Pressure	350 bar
Pilot Ratio	4:1 Standard
Ports	1" 1/4 bsp
Std. Pressure range	140 - 350 bar

Materials: Zinc plated steel manifold, hardened steel inner parts.

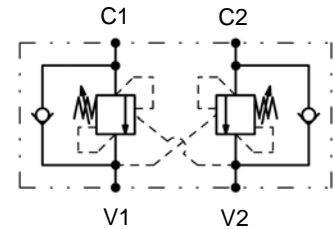
Ordering Code

CBCE320SE 06

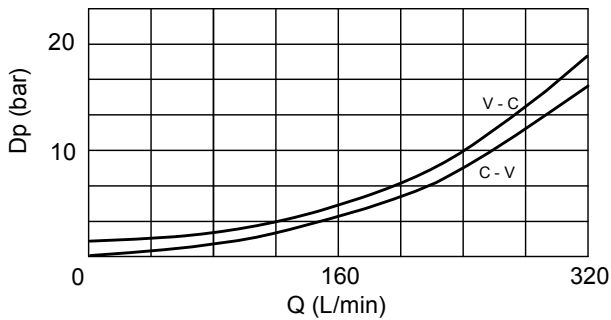
Dimensions



Hydraulic Symbol



Curves



Features

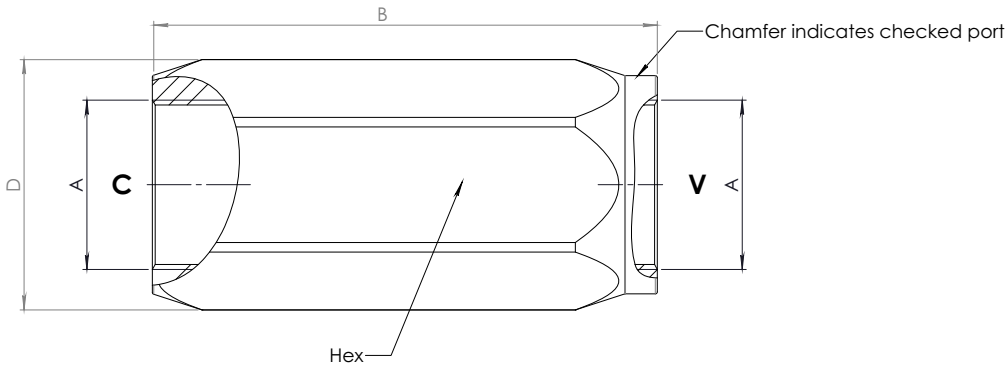
Max Flow	320 lpm
Max Pressure	250 bar
Pilot Ratio	4:1
Std. Pressure range	140 - 350 bar
Ports	V1-V2-C1-C2: 1" 1/4 bsp

Materials: Zinc plated steel cartridge, hardened steel inner parts.
Aluminium manifold.

Ordering Code

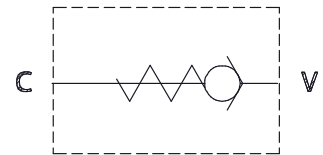
CBCE320DE 06

Dimensions

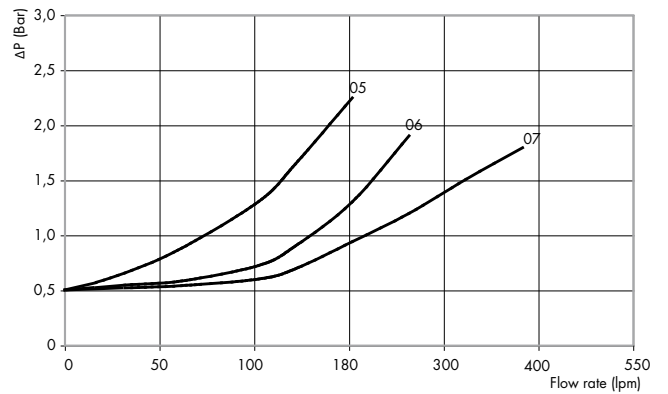
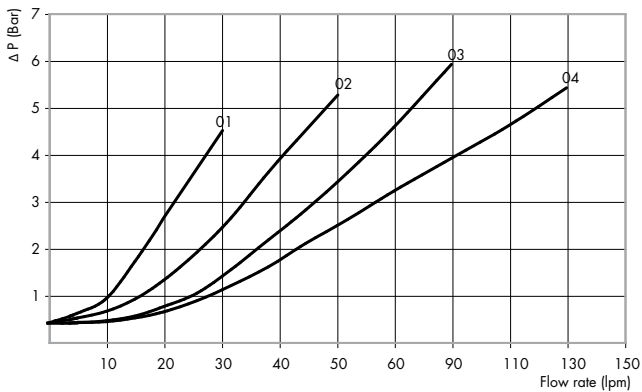


Size	A BSP	B	D	Hex	Weight kg	Max Pressure bar	Max Flow rate lpm
01	1/4	58	21	19	0,10	400	30
02	3/8	62	27	24	0,19	400	50
03	1/2	71	33	30	0,32	350	90
04	3/4	83	40	36	0,58	300	130
05	1	106	57	50	0,93	280	180
06	1 1/4	125	63	55	1,51	260	250
07	1 1/2	137	74	65	2,41	220	380

Hydraulic Symbol



Curves



Materials: Zinc plated steel body, hardened steel poppet.

Ordering Code

CVL

--

-

Size BSP

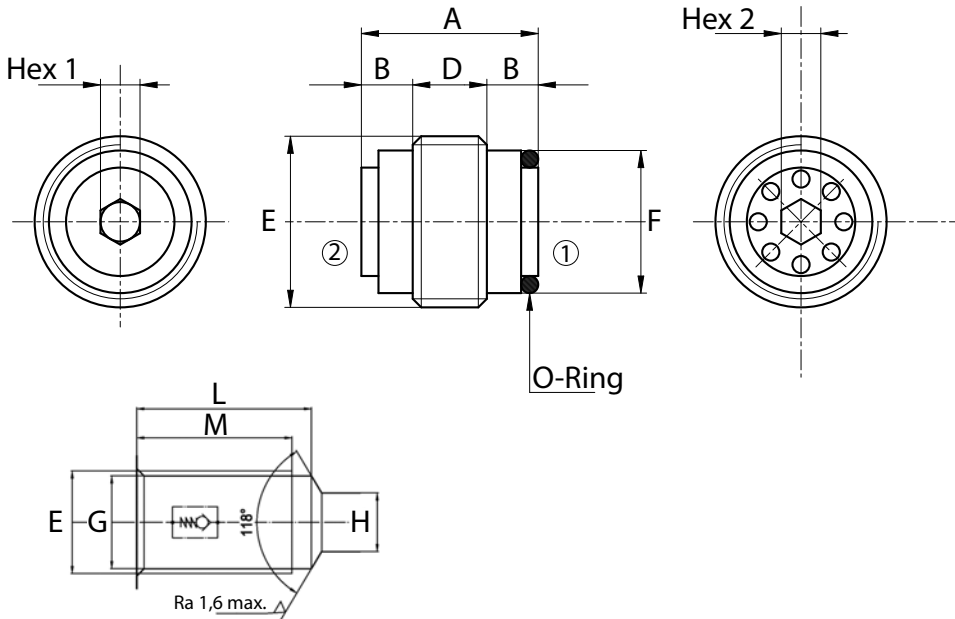
01	1/4
02	3/8
03	1/2
04	3/4
05	1
06	1 1/4
07	1 1/2

Spring (bar)

	0,5
4	4
8	8

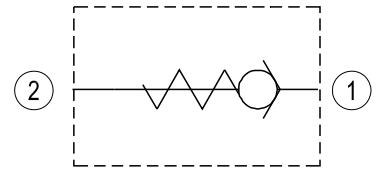
Ordering Code Example: CVL03 = 1/2 BSP - 0,5 bar Cracking pressure.

Dimensions

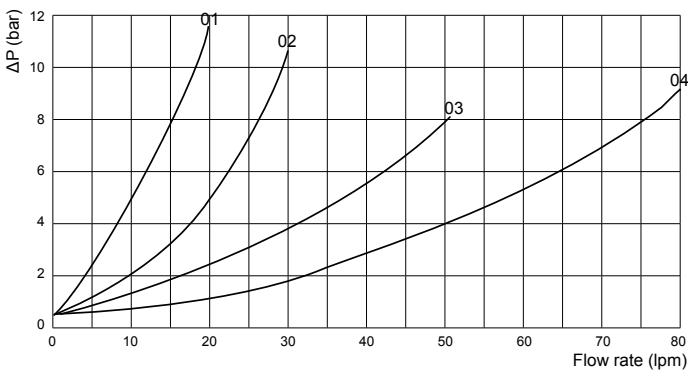


Size	A	B	D	E BSP	F	G	H max	L	M	Hex1	Hex2	O-Ring	Weight kg
01	17	5,5	6	1/4	11,3	11,8	8	29	26	3	3	1 x 9	0,01
02	18,5	5,5	7,5	3/8	14,8	15,2	9	30	27	4	3	1,78 x 10,82	0,02
03	23	7	9,5	1/2	18,5	19	12	36	32	6	5	1,78 x 14	0,04
04	28,5	7,5	14,5	3/4	24	24,5	16	43	39,5	8	8	2,62 x 18,72	0,07

Hydraulic Symbol



Curves



Features

Size	01	02	03	04
Max Pressure (bar)	350	350	350	350
Max Flow Rate (lpm)	20	30	50	80
Cracking Pressure (bar)	0,5	0,5	0,5	0,5
Tightening Torque (Nm)	6	10	20	30

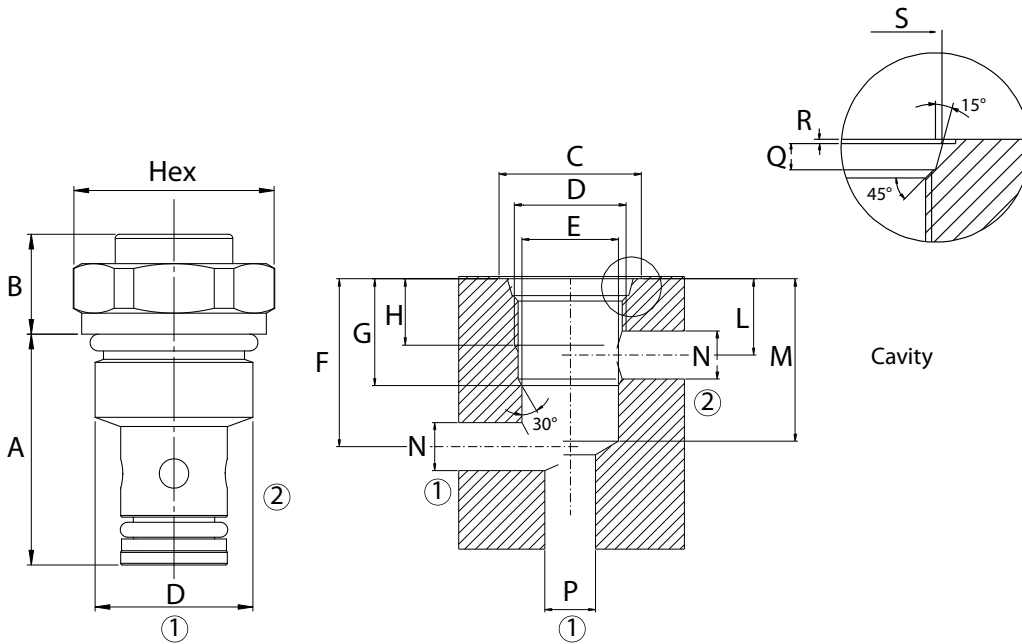
Materials: Steel cartridge.

Ordering Code

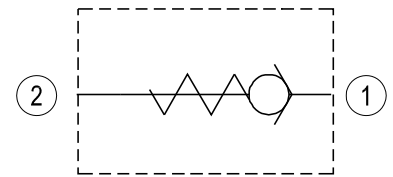
CVI	- -
	Size BSP
01	1/4
02	3/8
03	1/2
04	3/4

Ordering Code Example: CVI02 = 3/8 BSP.

Dimensions

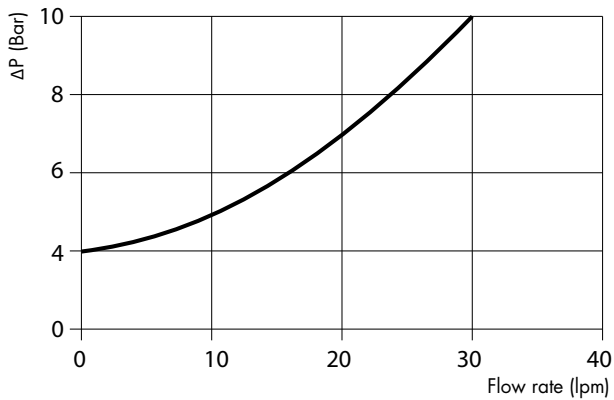


Hydraulic Symbol



A	B	C	D	E H7	F	G	H	L	M	N max	P max	Q	R	S	Hex	Weight kg
27,5	12	28	3/4-16UNF	Ø12,7	31,5	19	13	13	29	9	11	2,5	0,5	20,7	22	0,055

Curves



Features

Max Flow Rate	20 lpm
Max Pressure	350 bar
Cracking Pressure	4 bar
Tightening Torque	50-60 Nm

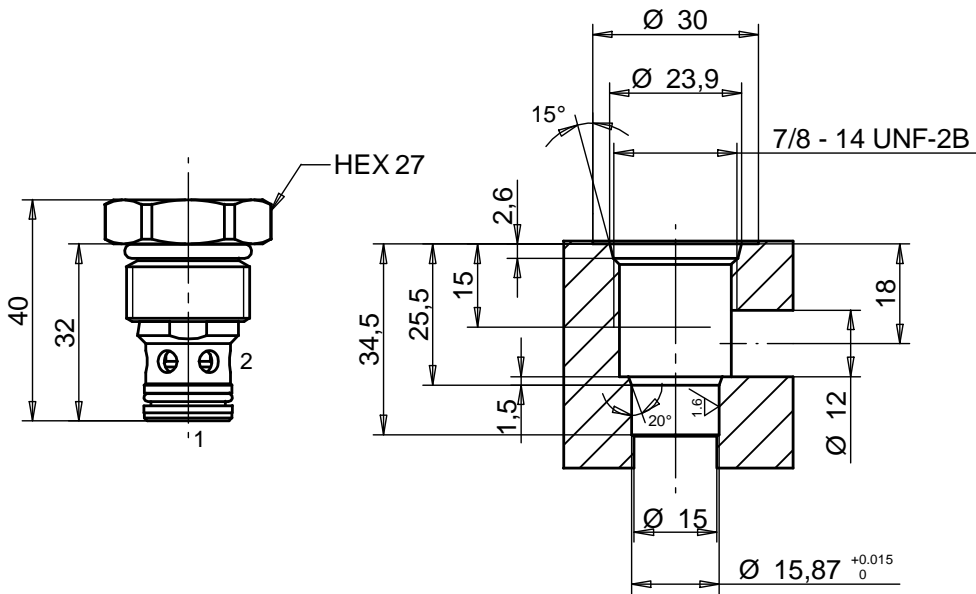
Materials: Zinc plated steel cartridge.

Ordering Code

CVC 20

Ordering Code Example: CVC20.

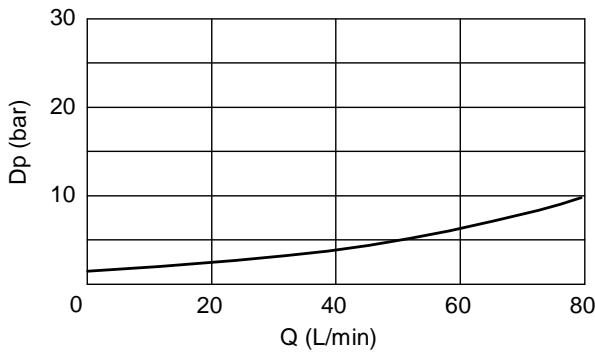
Dimensions



Hydraulic Symbol



Curves



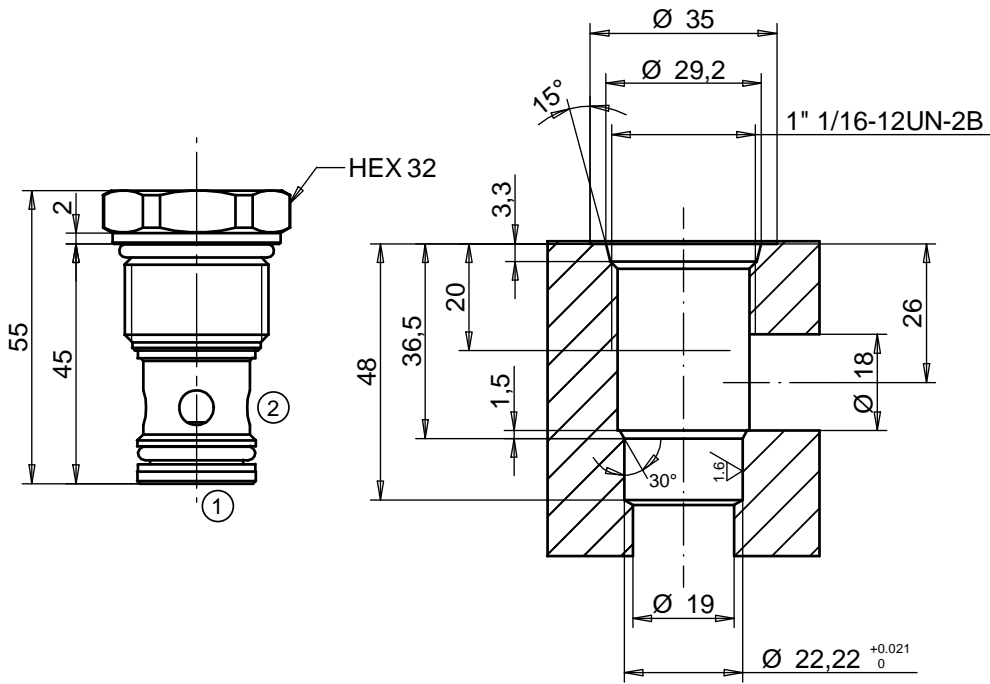
Features

Max Flow	80 lpm
Max Pressure	350 bar
Cracking Pressure	1,5 bar
Installation Torque	40-45 Nm

Ordering Code

CVC 80

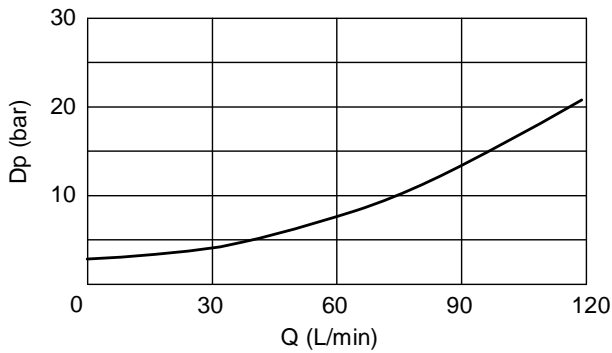
Dimensions



Hydraulic Symbol



Curves



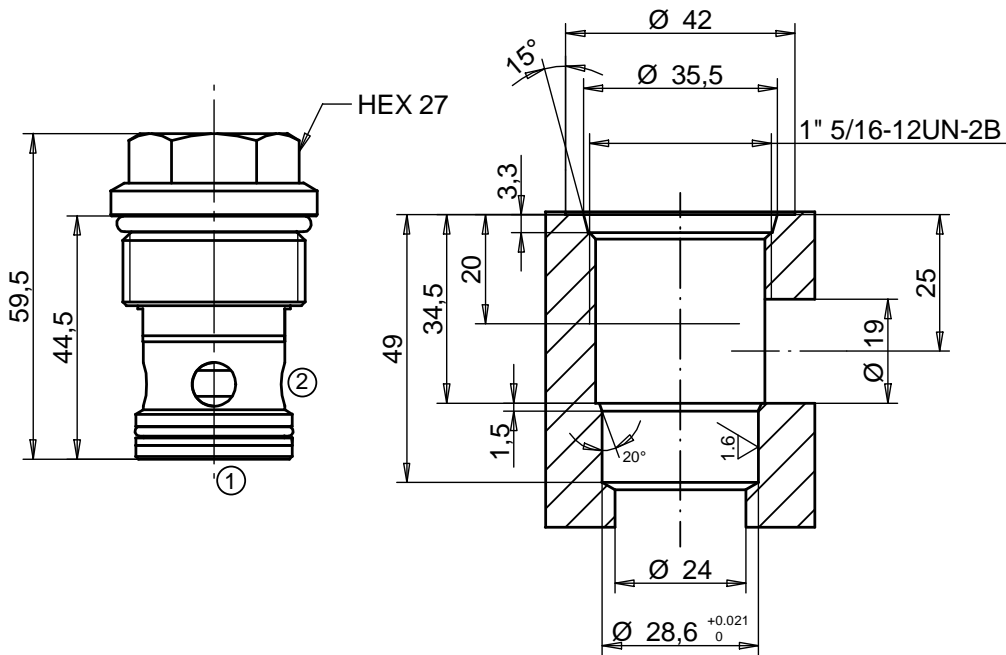
Features

Max Flow	120 lpm
Max Pressure	350 bar
Cracking Pressure	3,5 bar
Installation Torque	80-95 Nm

Ordering Code

CVC 120

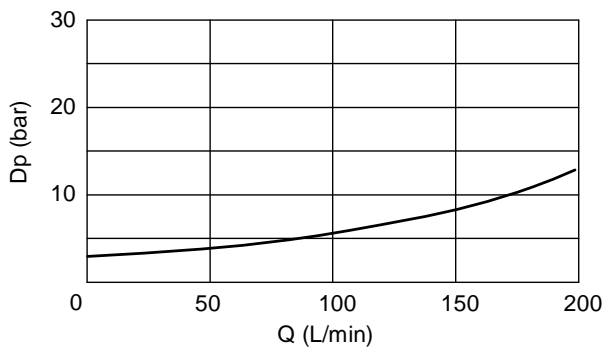
Dimensions



Hydraulic Symbol



Curves



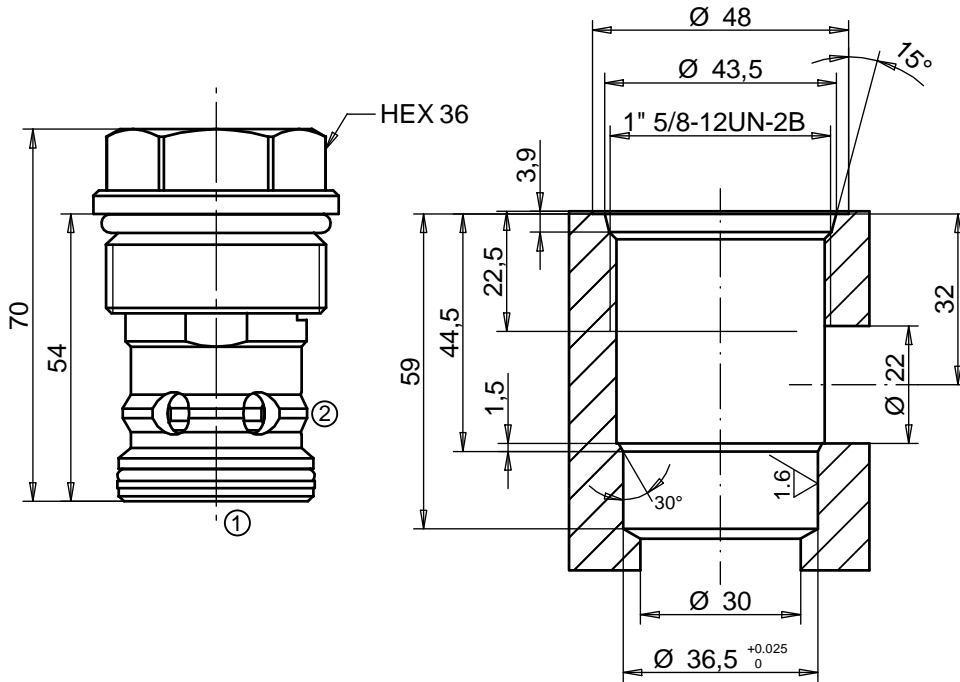
Features

Max Flow	200 lpm
Max Pressure	350 bar
Cracking Pressure	3,5 bar
Installation Torque	105-120 Nm

Ordering Code

CVC 200

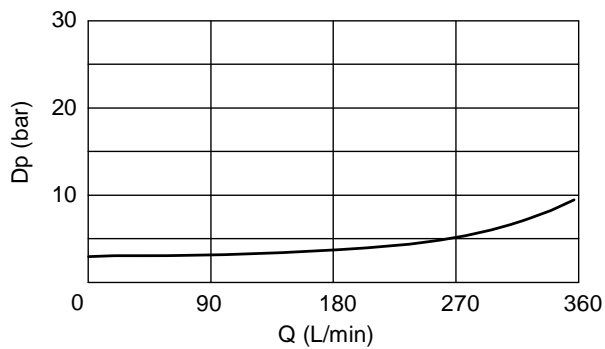
Dimensions



Hydraulic Symbol



Curves



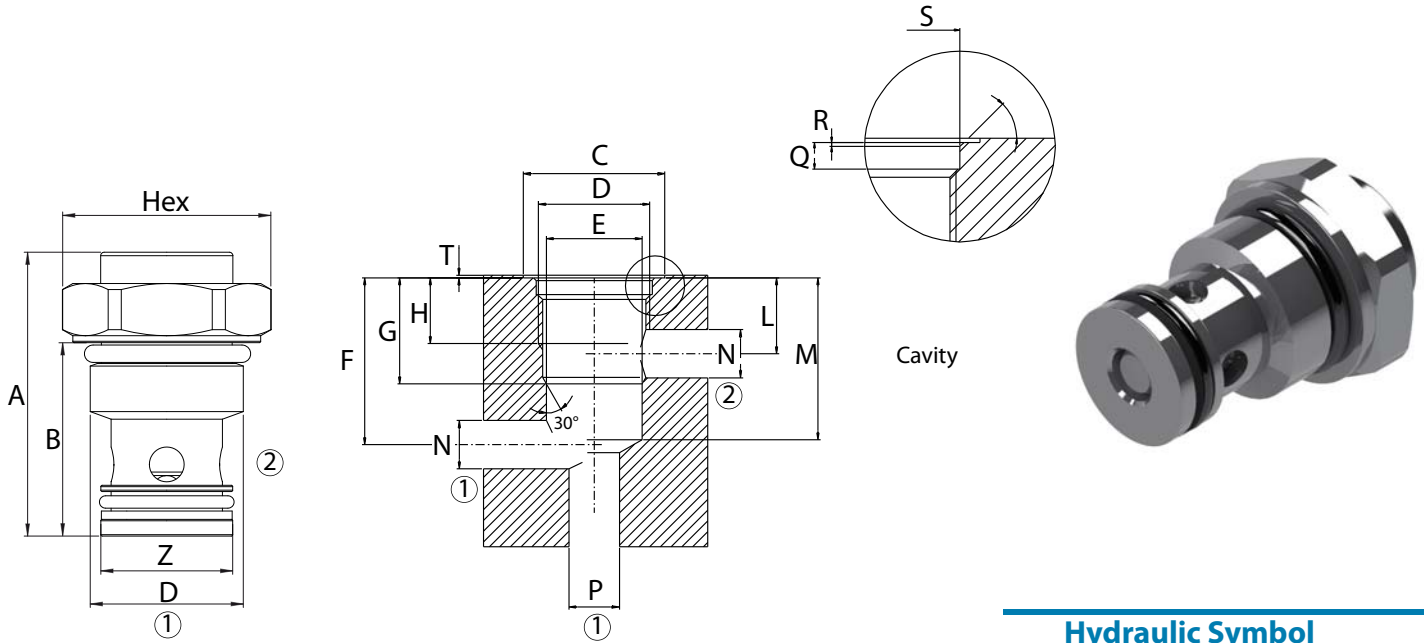
Features

Max Flow	360 lpm
Max Pressure	350 bar
Cracking Pressure	3,5 bar
Installation Torque	125-145 Nm

Ordering Code

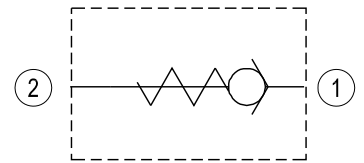
CVC 360

Dimensions

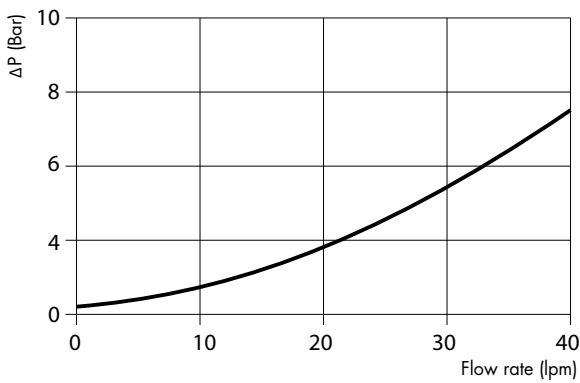


A	B	C	D	E H7	F	G	H	L	M	N max	P max	Q	R	S	T	Z	Hex	Weight kg
34,5	28	28	M22x1,5	Ø19	33	21	13	15	32	9,5	18	3,3	0,5	20,7	0,5	19	27	0,075

Hydraulic Symbol



Curves



Features

Max Flow Rate	40 lpm
Max Pressure	350 bar
Cracking Pressure	0,5 bar
Tightening Torque	50-60 Nm

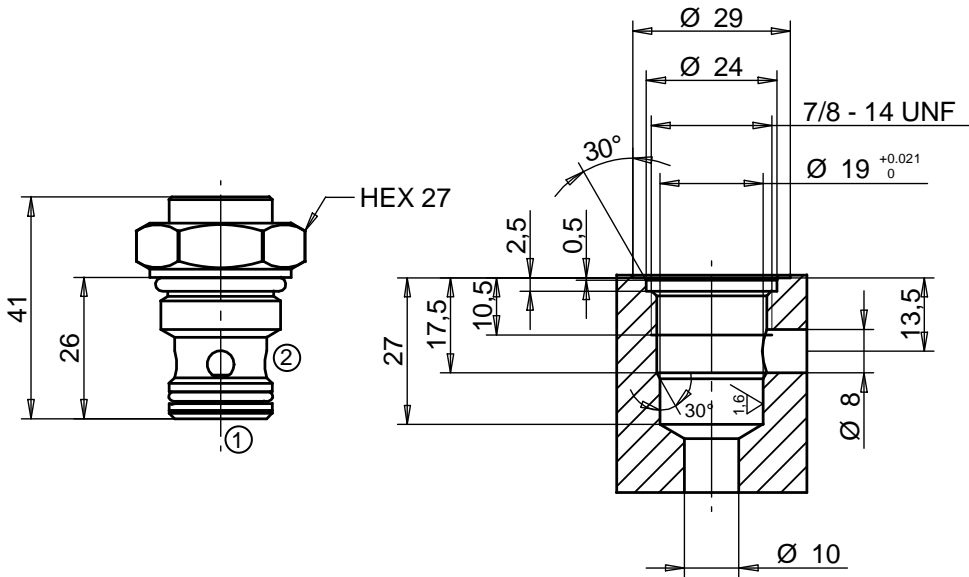
Materials: Zinc plated steel cartridge, hardened steel poppet.

Ordering Code

CVC40

Ordering Code Example: **CVC40**.

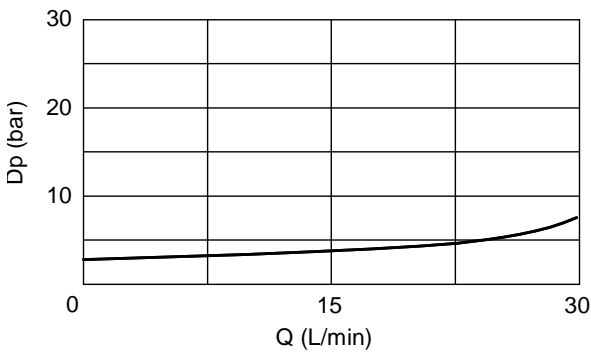
Dimensions



Hydraulic Symbol



Curves



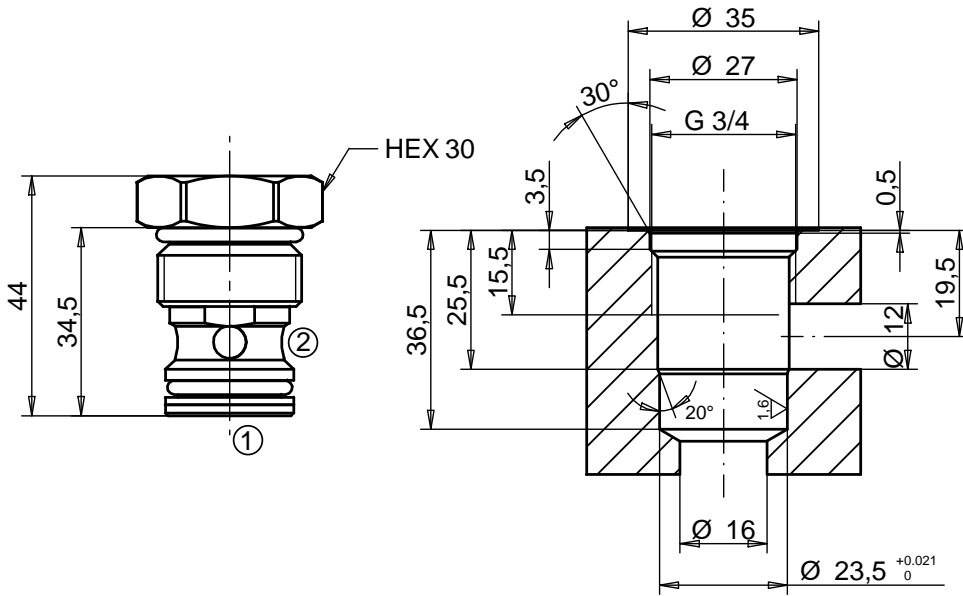
Features

Max Flow	30 lpm
Max Pressure	350 bar
Cracking Pressure	3 bar
Installation Torque	50-55 Nm

Ordering Code

CVC 02

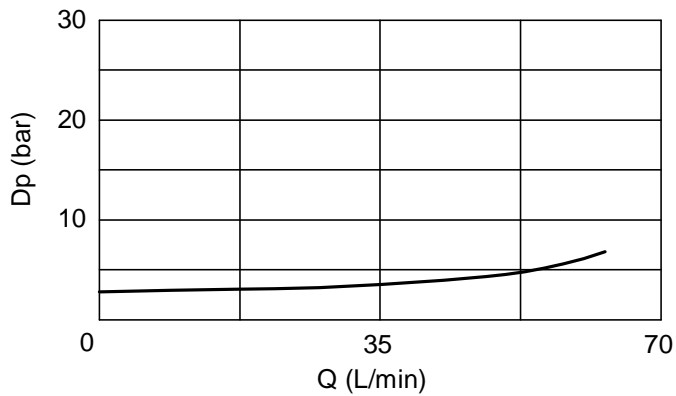
Dimensions



Hydraulic Symbol



Curves



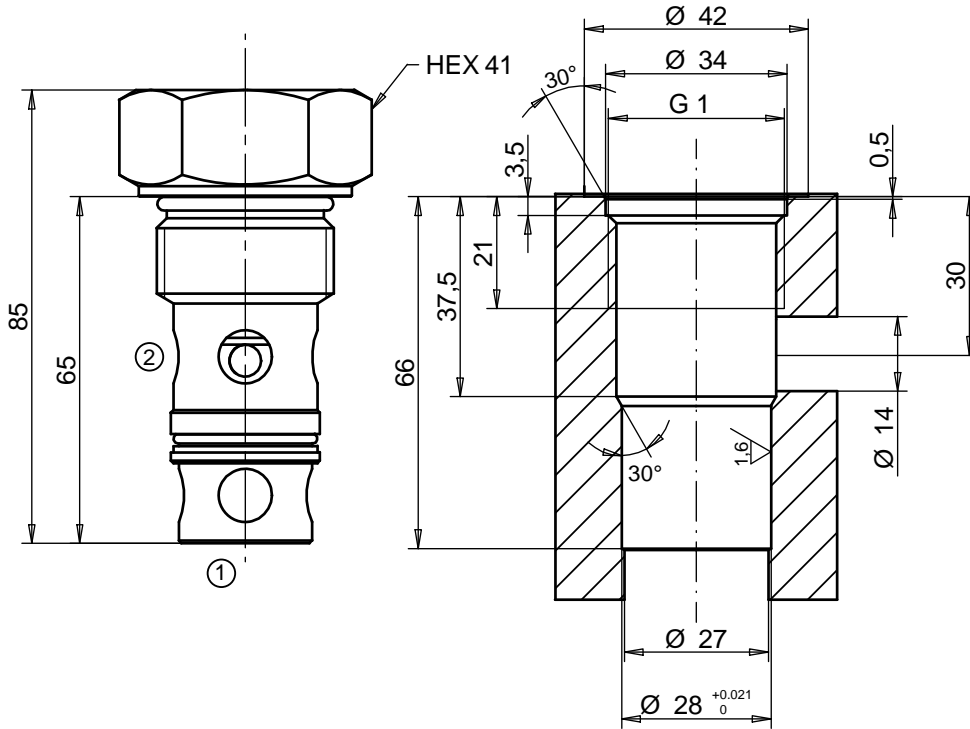
Features

Max Flow	65 lpm
Max Pressure	350 bar
Cracking Pressure	3 bar
Installation Torque	80-100 Nm

Ordering Code

CVC 03

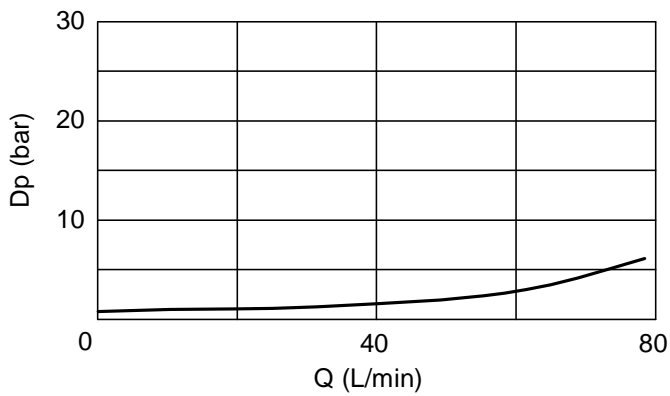
Dimensions



Hydraulic Symbol



Curves



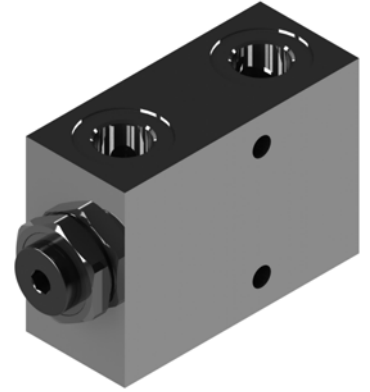
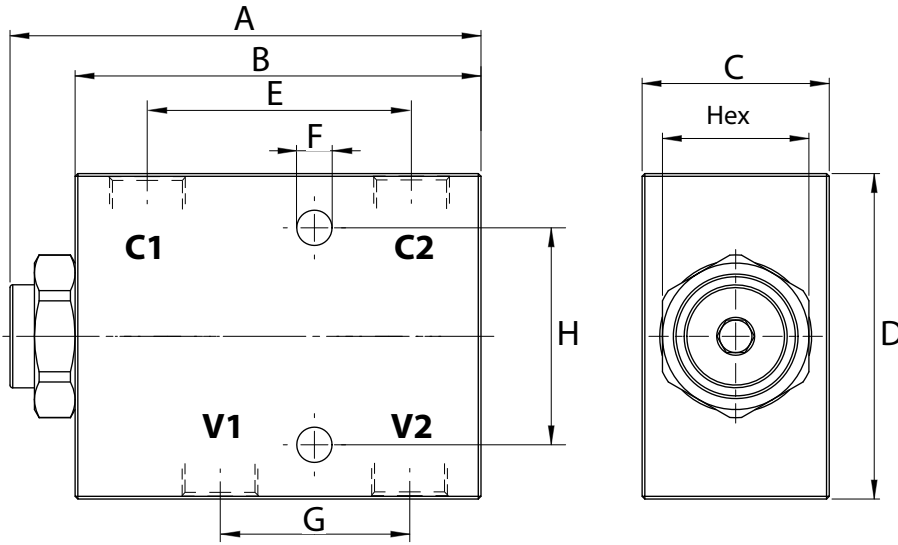
Features

Max Flow	80 lpm
Max Pressure	350 bar
Cracking Pressure	1 bar
Installation Torque	110-125 Nm

Ordering Code

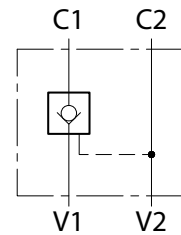
CVC 04

Dimensions

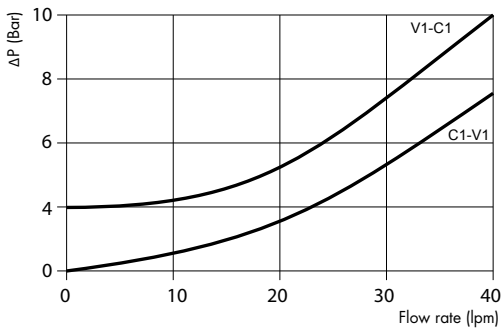


Size	C1-C2 V1-V2 BSP	A	B	C	D	E	F	G	H	Hex	Weight kg
02	3/8	95	83	35	60	49	6,5	32	40	27	0,52
25	1/2	95	83	35	60	49	6,5	32	40	27	0,48

Hydraulic Symbol



Curves



Features

Size	02	25
Max Pressure (bar)	260	260
Max Flow (lpm)	35	35
Pilot Ratio	1:7	1:7
Cracking Pressure (bar)	4	4

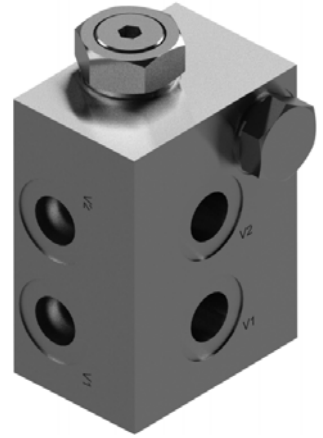
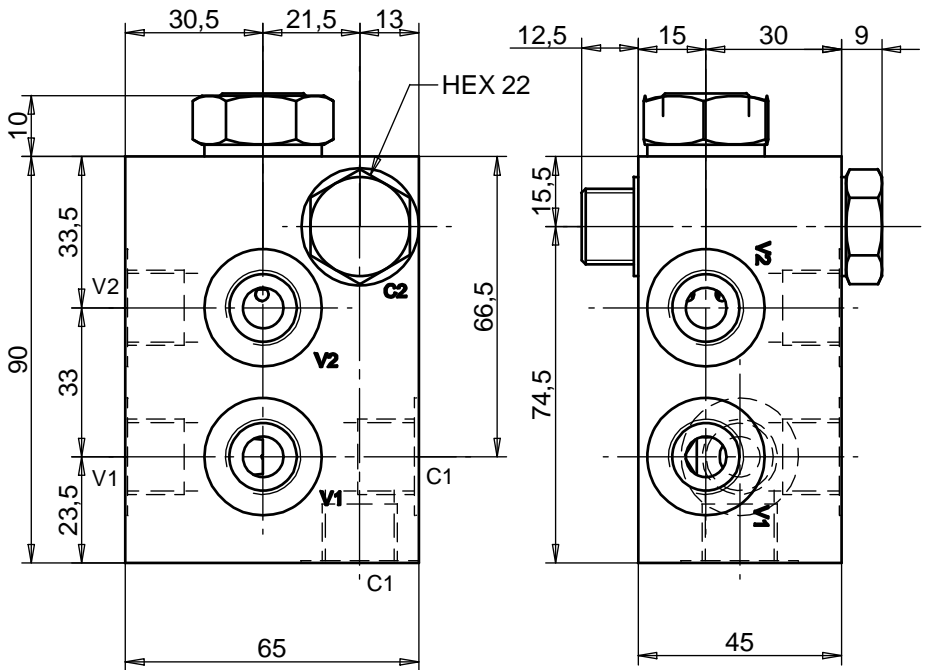
Materials: Aluminium manifold, hardened steel inner parts.

Ordering Code

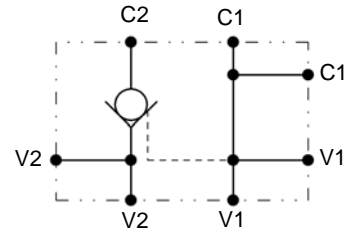
LVSL		--
		Size BSP
02		3/8
25		1/2

Ordering Code Example: LVSL02 = 3/8 BSP, 35 lpm.

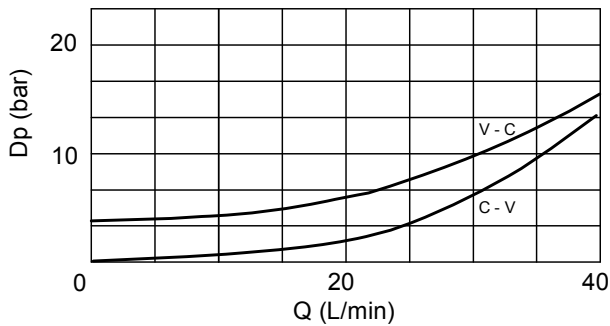
Dimensions



Hydraulic Symbol



Curves



Features

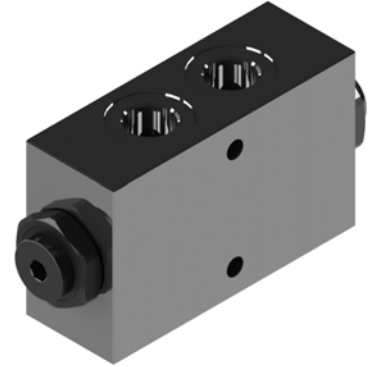
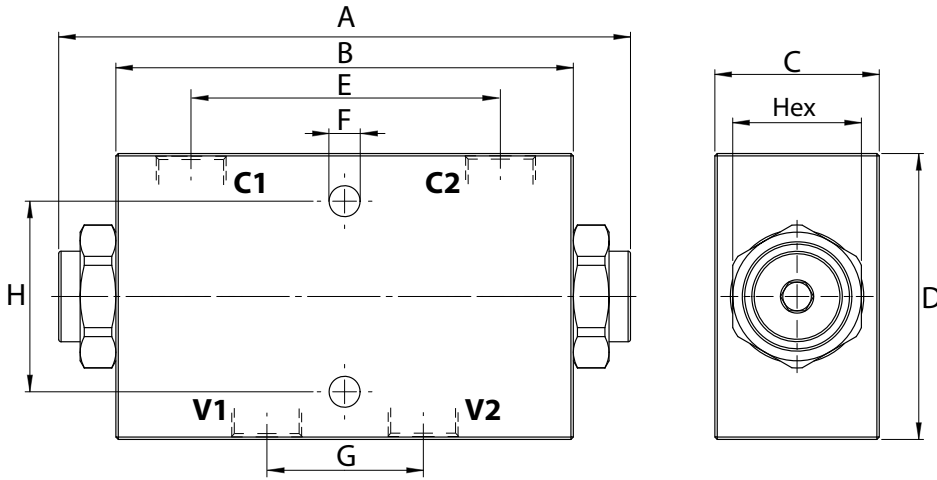
Max Pressure (bar)	350
Max Flow (lpm)	40
Pilot Ratio	3,4:1
Cracking Pressure (bar)	4
Ports	3/8 bsp

Materials: Zinc plated steel cartridge, hardened steel inner parts.
Aluminium manifold.

Ordering Code

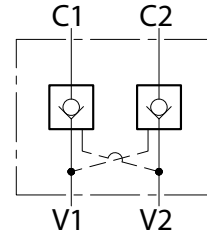
LVPCF

Dimensions



Size	C1-C2 V1-V2 BSP	A	B	C	D	E	F	G	H	Hex	Weight kg
01	1/4	113	90	25	50	62	6,5	32	40	22	0,79
15	3/8	113	90	25	50	62	6,5	32	40	22	0,76
02	3/8	113	96	35	60	62	6,5	32	40	27	0,62
25	1/2	113	96	35	60	62	6,5	32	40	27	0,60
03	1/2	140	110	35	70	69	8,5	34	40	30	0,89
04	3/4	220	165	50	90	105	8,5	50	60	41	2,550

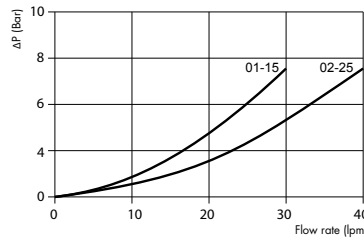
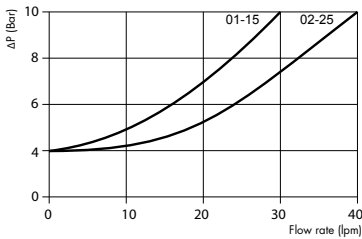
Hydraulic Symbol



Curves

V1 → C1
V2 → C2

C1 → V1
C2 → V2



Features

Size	01	15	02	25	03	04
Max Pressure (bar)	260	260	260	260	260	260
Max Flow (lpm)	20	20	35	35	60	100
Pilot Ratio	1:4	1:4	1:7	1:7	1:3,4	1:4
Cracking Pressure (bar)	4	4	4	4	3	8

Materials: Aluminium manifold, hardened steel inner parts.

Ordering Code

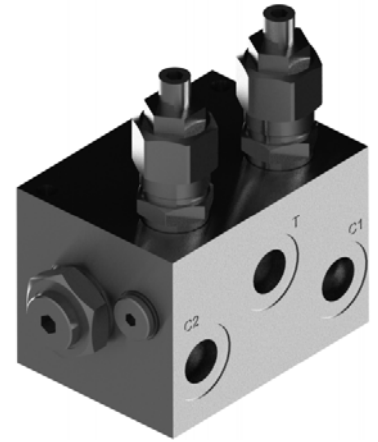
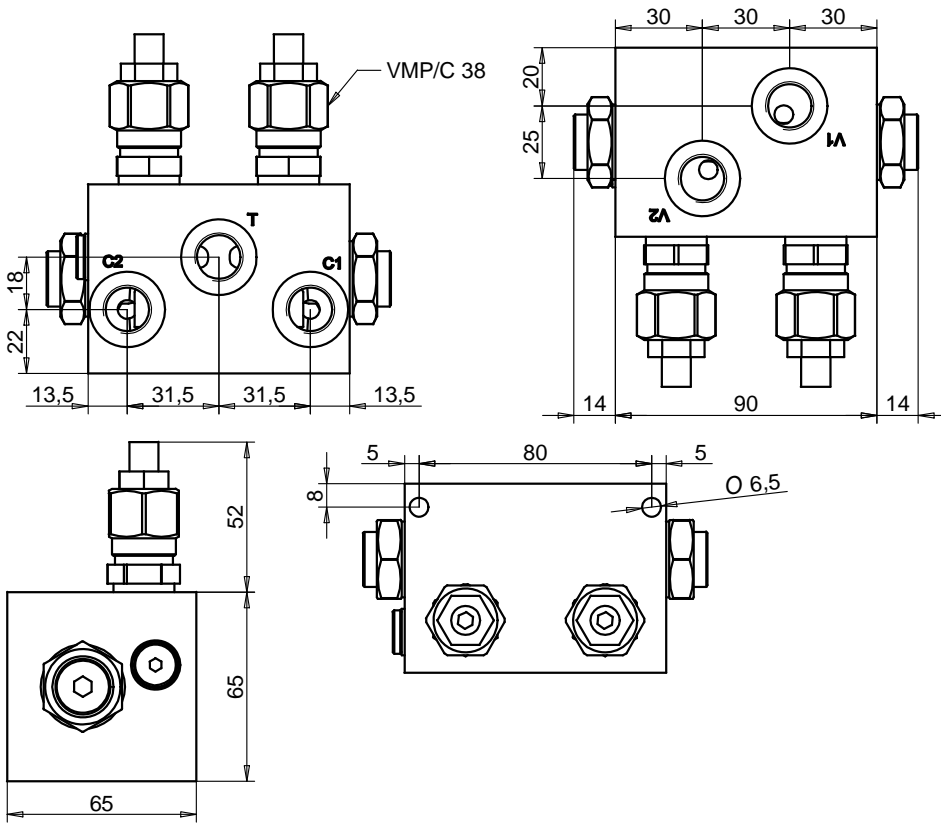
LVDL

--

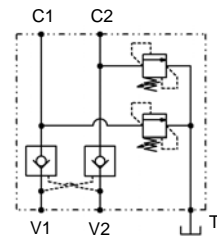
	Size BSP
01	1/4
15	3/8
02	3/8
25	1/2
03	1/2
04	3/4

Ordering Code Example: LVDL15 = 3/8 BSP, 20 lpm.

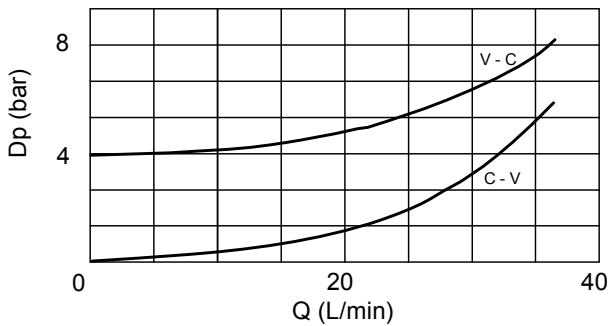
Dimensions



Hydraulic Symbol



Curves



Materials: Aluminium

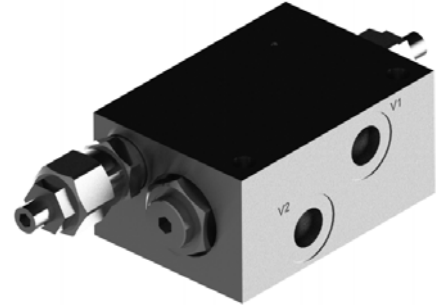
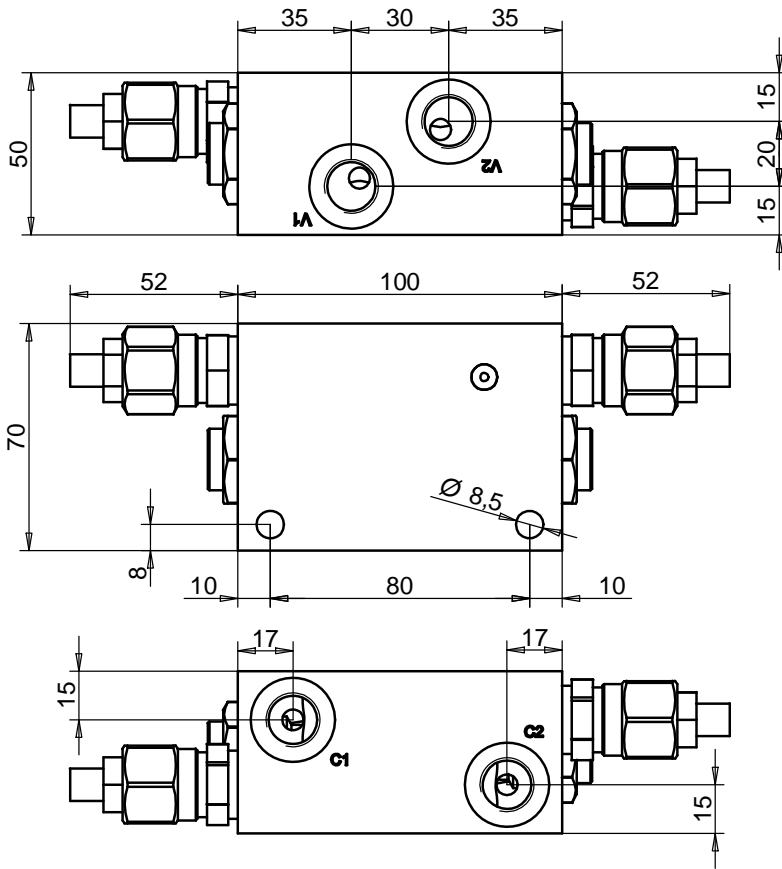
Features

Size	02
Max Pressure (bar)	250
Max Flow (lpm)	35
Pilot Ratio	7.1:1
Cracking Pressure (bar)	3
Ports	V1-V2: G 3/8 C1-C2: G 3/8

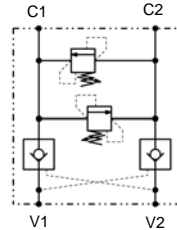
Ordering Code

LVDLPT 02

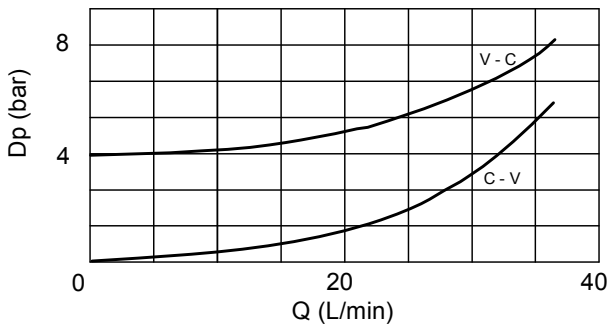
Dimensions



Hydraulic Symbol



Curves



Materials: Zinc plated steel body.

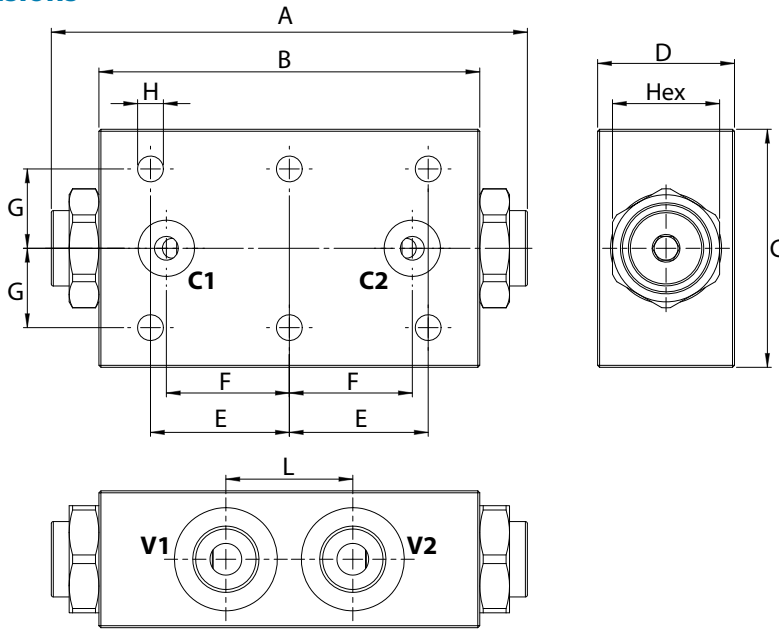
Features

Size	02
Max Pressure (bar)	250
Max Flow (lpm)	40
Pilot Ratio	7.1:1
Cracking Pressure (bar)	3
Ports	V1-V2: G 3/8 C1-C2: G 3/8

Ordering Code

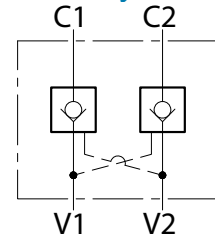
LVDLP 02

Dimensions



Size	V1-V2 BSP	A	B	C	C1-C2	D	E	F	G	H	L	Hex	Weight kg
01	1/4	113	90	50	Ø 5	30	35	26	20	6,5	32	22	0,43
15	3/8	113	90	50	Ø 5	30	35	26	20	6,5	32	22	0,43
02	3/8	113	96	60	Ø 6	35	35	31	20	6,5	32	27	0,60
25	1/2	113	96	60	Ø 6	35	35	31	20	6,5	32	27	0,60
03	1/2	140	110	70	Ø 10	35	40	32,5	20	8,5	34	30	0,89
04	3/4	220	165	90	Ø 14	50	67,5	52,5	25	10,5	50	41	2,50

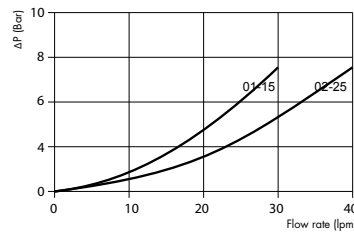
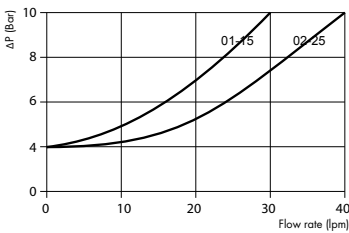
Hydraulic Symbol



Curves

V1 → C1
V2 → C2

C1 → V1
C2 → V2



Features

Size	01	15	02	25	03	04
Max Pressure (bar)	260	260	260	260	260	260
Max Flow (lpm)	20	20	35	35	60	100
Pilot Ratio	1:4	1:4	1:7	1:7	1:3,4	1:4
Cracking Pressure (bar)	4	4	4	4	3	8

Materials: Aluminium manifold, hardened steel inner parts.

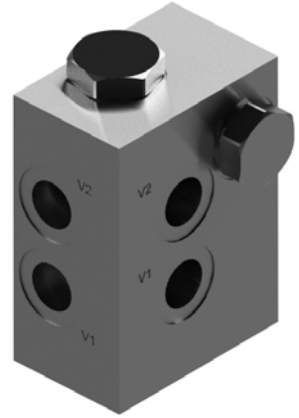
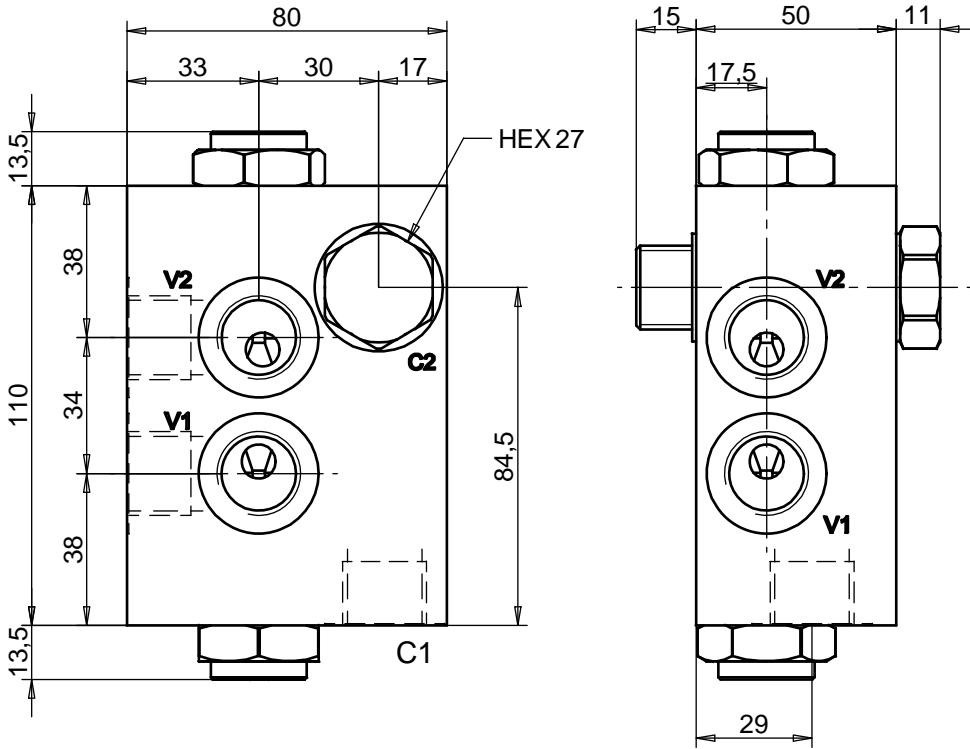
Ordering Code

LVDF --

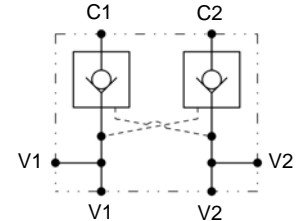
	Size BSP
01	1/4
15	3/8
02	3/8
25	1/2
03	1/2
04	3/4

Ordering Code Example: LVDFV15 = 3/8 BSP, 20 lpm.

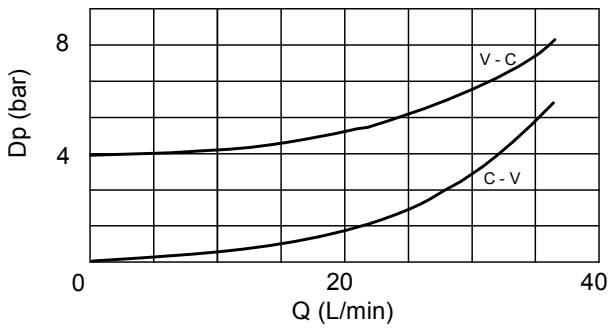
Dimensions



Hydraulic Symbol



Curves



Materials: Zinc plated steel cartridge, hardened steel inner parts.
Aluminium manifold.

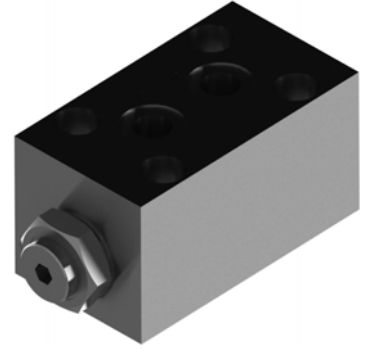
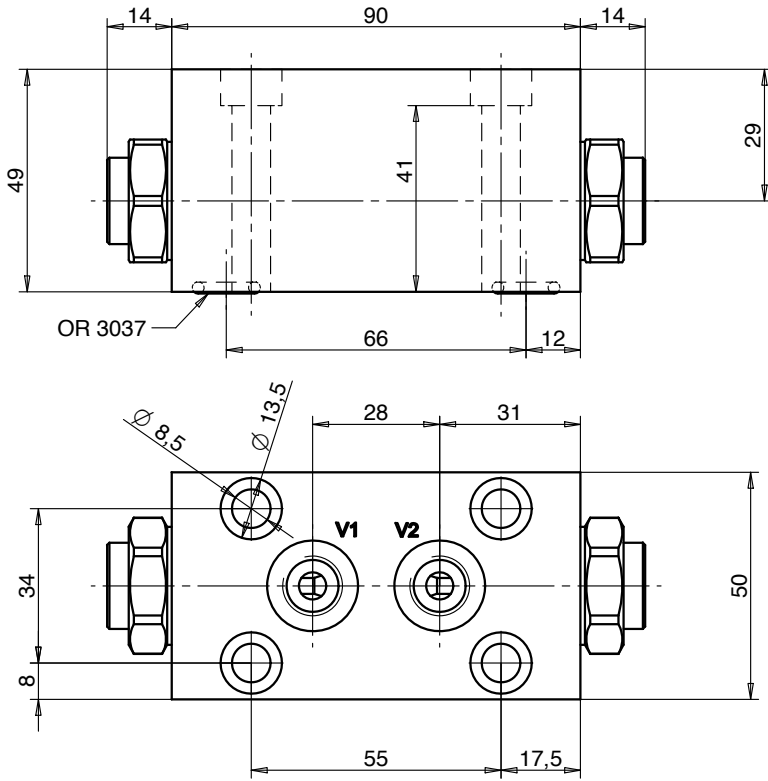
Features

Size	03
Max Pressure (bar)	350
Max Flow (lpm)	40
Pilot Ratio	4:1
Cracking Pressure (bar)	3
Ports	V1-V2-C1: 1/2 bsp C2: 1/2 bsp

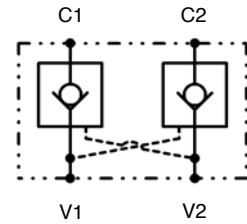
Ordering Code

LVDFLN 03

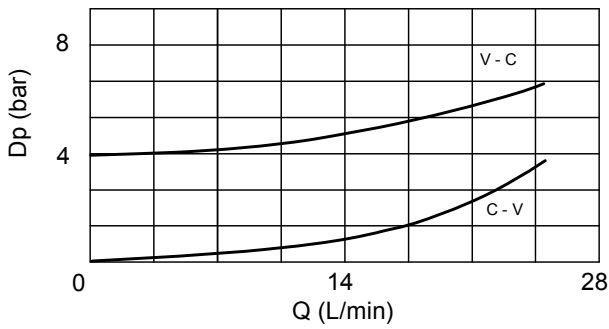
Dimensions



Hydraulic Symbol



Curves



Materials: Aluminium

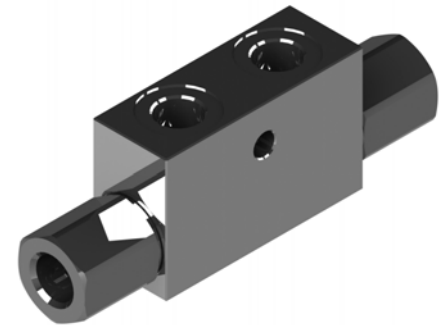
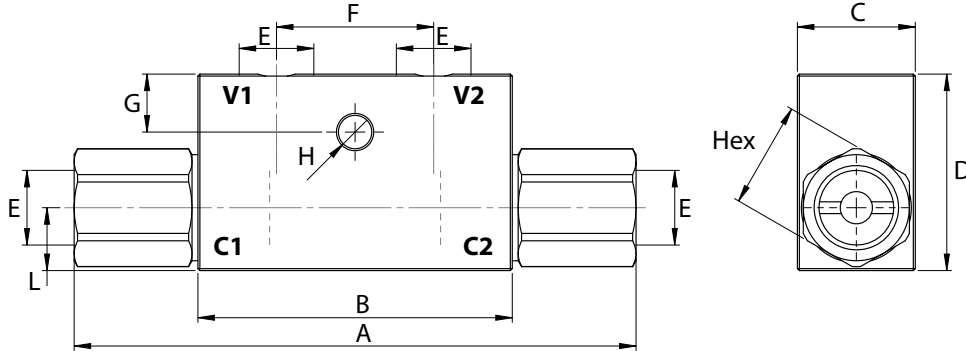
Features

Size	01
Max Pressure (bar)	250
Max Flow (lpm)	25
Pilot Ratio	4.7:1
Cracking Pressure (bar)	3
Ports	V1-V2: G 1/4 C1 - C2: Ø6

Ordering Code

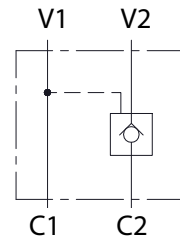
LVDFP 01

Dimensions

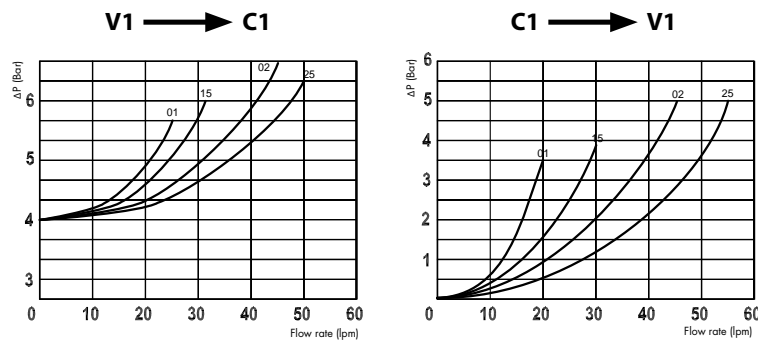


Size	A	B	C	D	E BSP	F	G	H	L	Hex	Weight kg
01	117	68	30	40	1/4	38	7	7	13	24	0,67
15	117	68	30	40	3/8	38	7	7	13	24	0,63
02	143	80	30	50	3/8	40	15	8,5	16	27	0,96
25	143	80	30	50	1/2	40	15	8,5	16	27	0,89

Hydraulic Symbol



Curves



Features

Size	01	15	02	25
Max Pressure (bar)	350	350	300	300
Max Flow (lpm)	25	30	45	50
Pilot Ratio	1:4.6	1:4.6	1:4	1:4
Cracking Pressure (bar)	4	4	4	4

Materials: Zinc plated steel body, hardened steel inner parts.

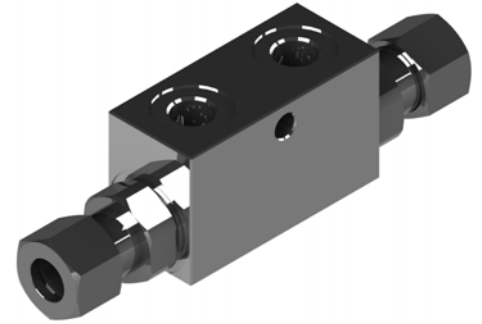
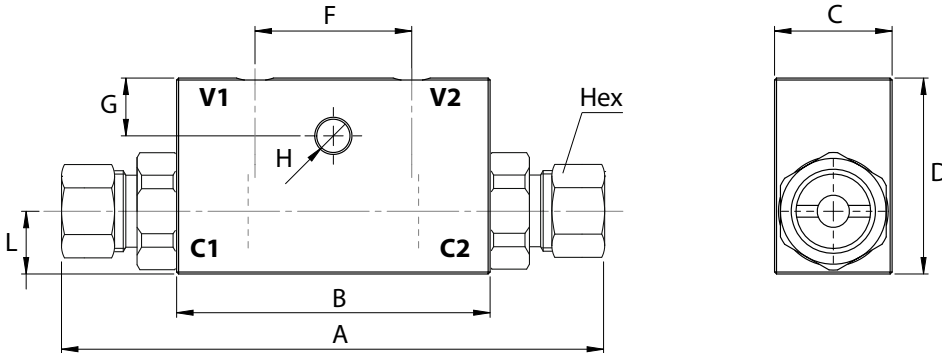
Ordering Code

LVST **--**

	Size BSP
01	1/4
15	3/8
02	3/8
25	1/2

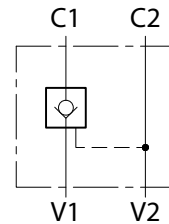
Ordering Code Example: LVST15 = 3/8 BSP, 30 lpm.

Dimensions

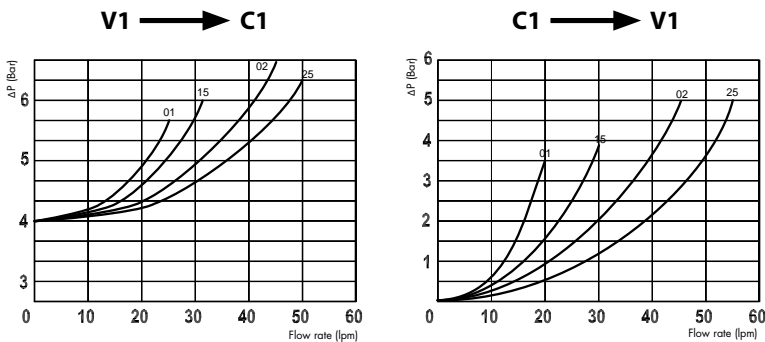


Size	A	B	C	D	V1-V2 BSP	C1-C2	F	G	H	L	Hex	Weight kg
01	138	68	30	40	1/4	12	38	7	7	13	22	0,65
15	138	68	30	40	3/8	12	38	7	7	13	22	0,62
02	166	80	30	50	3/8	15	40	15	8,5	16	27	0,95
25	166	80	30	50	1/2	15	40	15	8,5	16	27	0,90

Hydraulic Symbol



Curves



Features

Size	01	15	02	25
Max Pressure (bar)	350	350	300	300
Max Flow (lpm)	25	30	45	50
Pilot Ratio	1:4.6	1:4.6	1:4	1:4
Cracking Pressure (bar)	4	4	4	4

Materials: Zinc plated steel body, hardened steel inner parts.

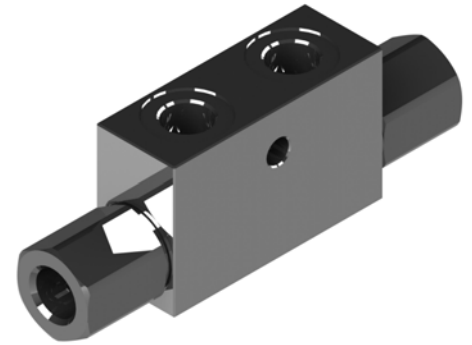
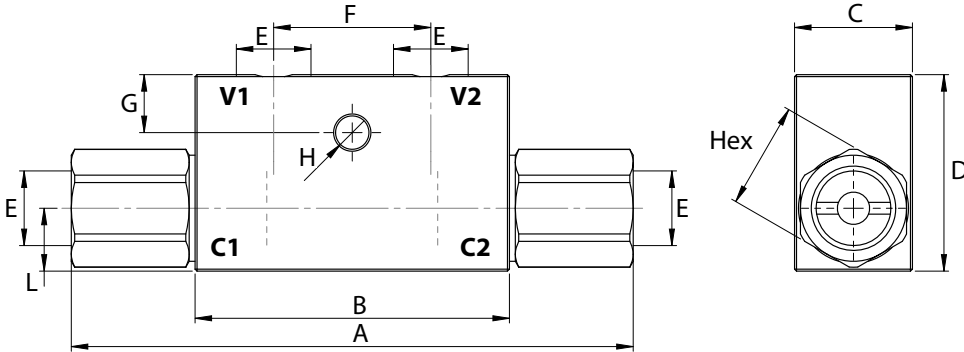
Ordering Code

LVST-DIN - -

	Size BSP
01	1/4
15	3/8
02	3/8
25	1/2

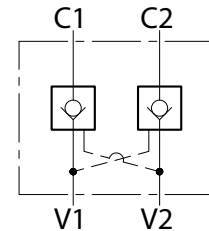
Ordering Code Example: LVST-DIN15 = 3/8 BSP - DIN2353 12l ported, 30 lpm.

Dimensions

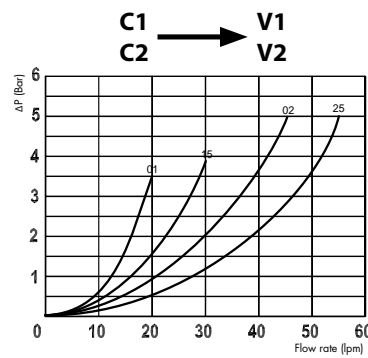
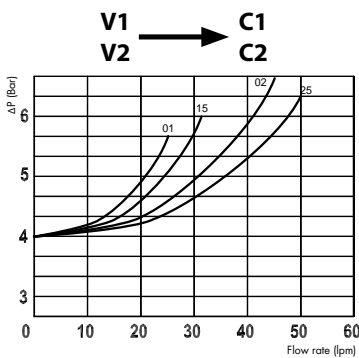


Size	A	B	C	D	E BSP	F	G	H	L	Hex	Weight kg
01	117	68	30	40	1/4	38	7	7	13	24	0,67
15	117	68	30	40	3/8	38	7	7	13	24	0,63
02	143	80	30	50	3/8	40	15	8,5	16	27	0,96
25	143	80	30	50	1/2	40	15	8,5	16	27	0,89

Hydraulic Symbol



Curves



Features

Size	01	15	02	25
Max Pressure (bar)	350	350	300	300
Max Flow (lpm)	25	30	45	50
Pilot Ratio	1:4.6	1:4.6	1:4	1:4
Cracking Pressure (bar)	4	4	4	4

Materials: Zinc plated steel body, hardened steel inner parts.

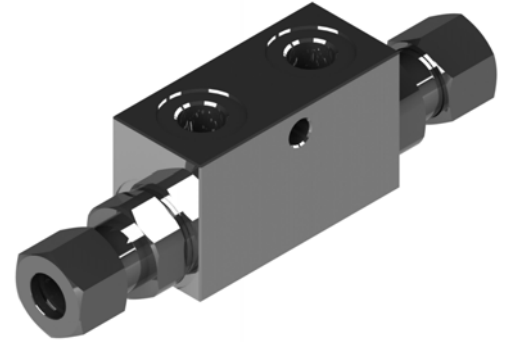
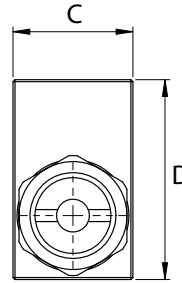
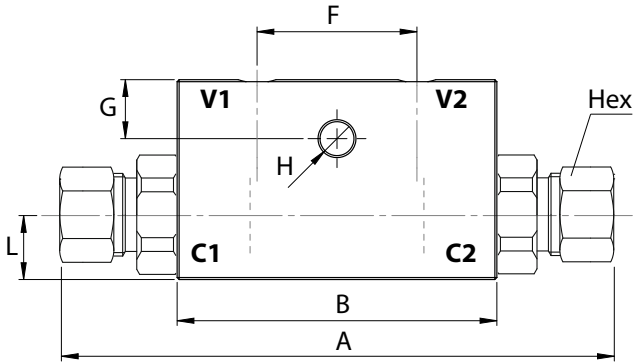
Ordering Code

LVDT --

	Size BSP
01	1/4
15	3/8
02	3/8
25	1/2

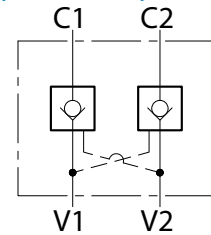
Ordering Code Example: LVDT15 = 3/8 BSP, 30 lpm.

Dimensions

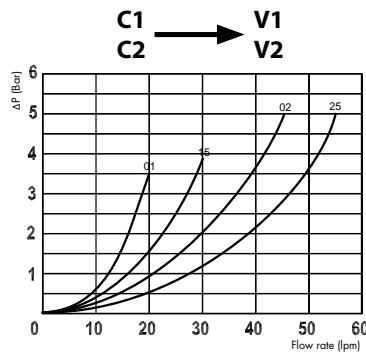
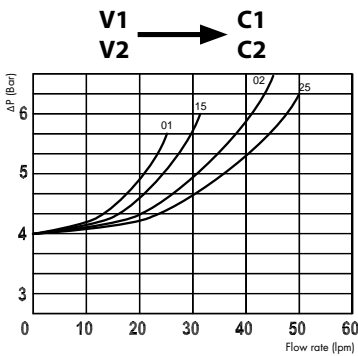


Size	A	B	C	D	V1-V2 BSP	C1-C2	F	G	H	L	Hex	Weight kg
01	138	68	30	40	1/4	12	38	7	7	13	22	0,65
15	138	68	30	40	3/8	12	38	7	7	13	22	0,62
02	138	80	30	50	3/8	15	40	15	8,5	16	27	0,95
25	138	80	30	50	1/2	15	40	15	8,5	16	27	0,90

Hydraulic Symbol



Curves



Features

Size	01	15	02	25
Max Pressure (bar)	350	350	300	300
Max Flow (lpm)	25	30	45	50
Pilot Ratio	1:4.6	1:4.6	1:4	1:4
Cracking Pressure (bar)	4	4	4	4

Materials: Zinc plated steel body, hardened steel inner parts.

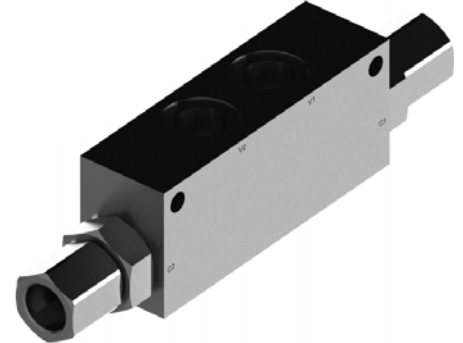
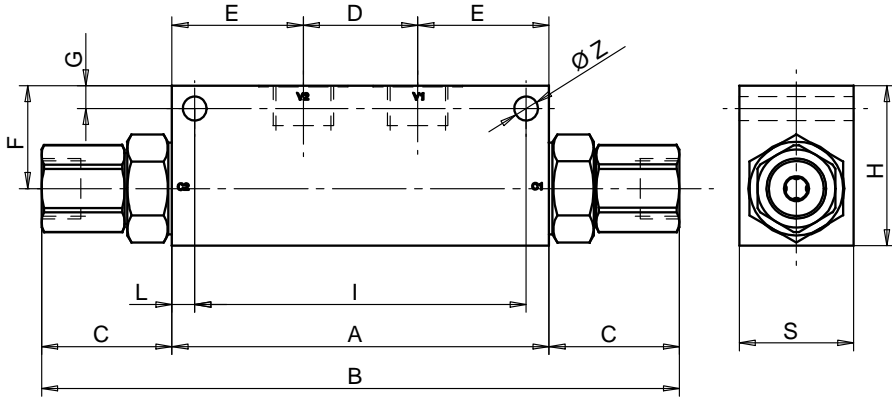
Ordering Code

LVDT-DIN - -

	Size BSP
01	1/4
15	3/8
02	3/8
25	1/2

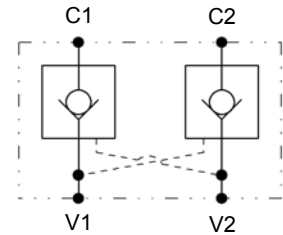
Ordering Code Example: LVDT-DIN15 = 3/8 BSP - DIN2353 12L ported, 30 lpm.

Dimensions

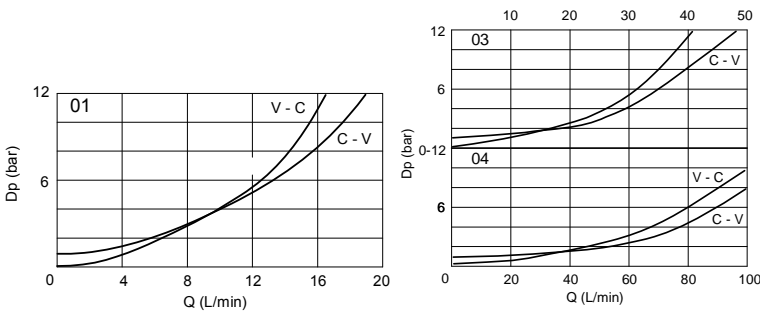


Size	V1-V2 C1-C2	A	B	C	D	E	F	G	H	I	L	S	Z
01	G 1/4	80	145	32,5	36	22	24	6	40	34	6	35	6,5
03	G 1/2	110	187	38,5	34	38	32	8	50	94	8	35	8,5
04	G 3/4	165	279	57	50	57,5	45	10	70	145	10	50	10,5

Hydraulic Symbol



Curves



Features

Max Pressure (bar)	350	
Max Flow (lpm)	100	
Pilot Ratio	Size	
	01	9:1
	03	6:1
	04	3,6:1

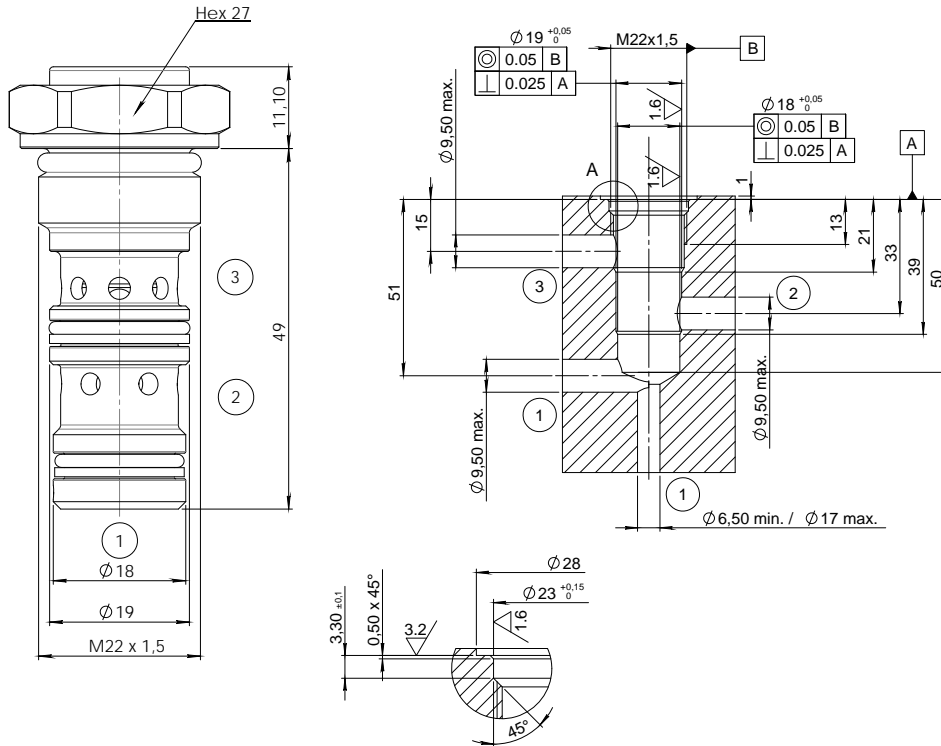
Materials: Zinc plated steel cartridge, hardened steel inner parts. Aluminium manifold.

Ordering Code

LVDTOC - -

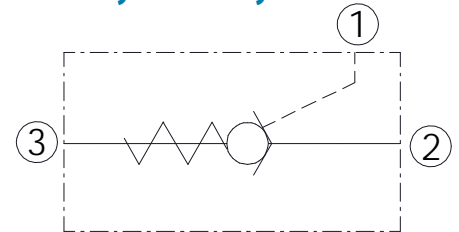
	Size BSP
01	1/4
03	1/2
04	3/4

Dimensions

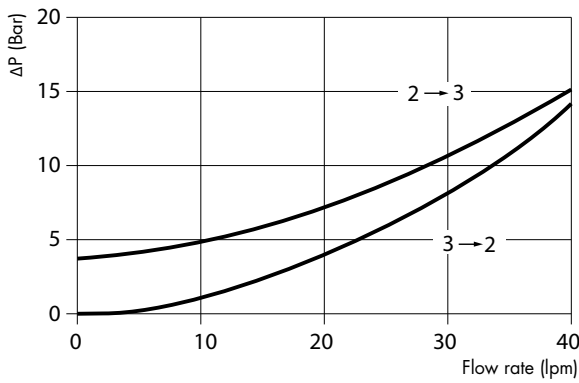


A	B	C	D	E	Weight kg
M22x1,5	19	18	49	9	0,100

Hydraulic Symbol



Curves



Features

Rated Flow	25 lpm
Max Pressure	315 bar
Pilot Ratio	3,4:1
Cracking Pressure	4 bar
Installation Torque	45-50 Nm

Materials: Zinc plated steel cartridge, hardened steel inner parts.

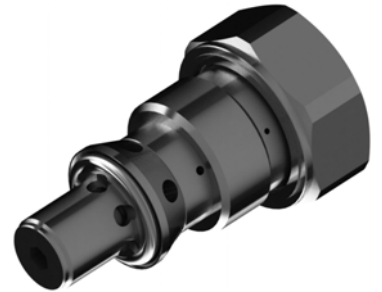
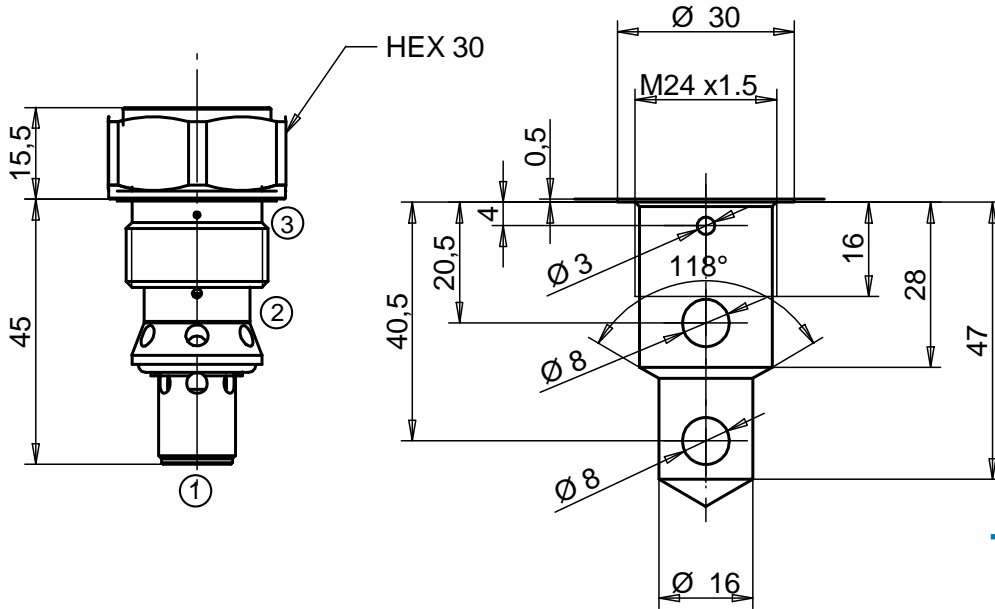
Ordering Code

LVPC 06 -

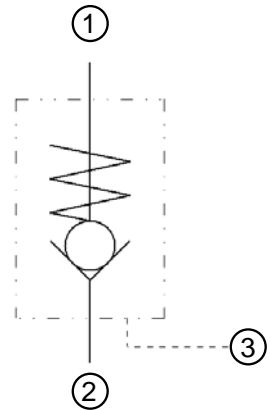
	Spring (bar)
	4
8	8

Ordering Code Example: LVPC06 - 4 bar Cracking Pressure.

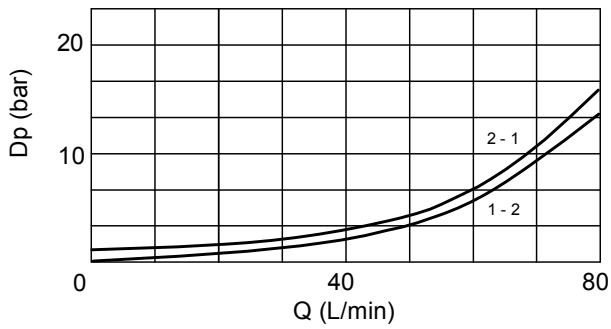
Dimensions



Hydraulic Symbol



Curves



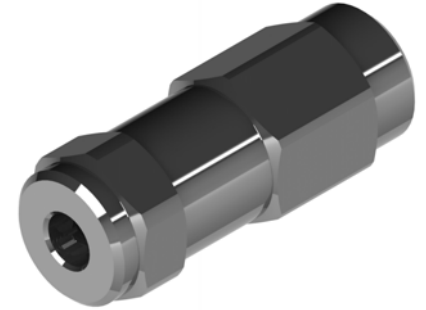
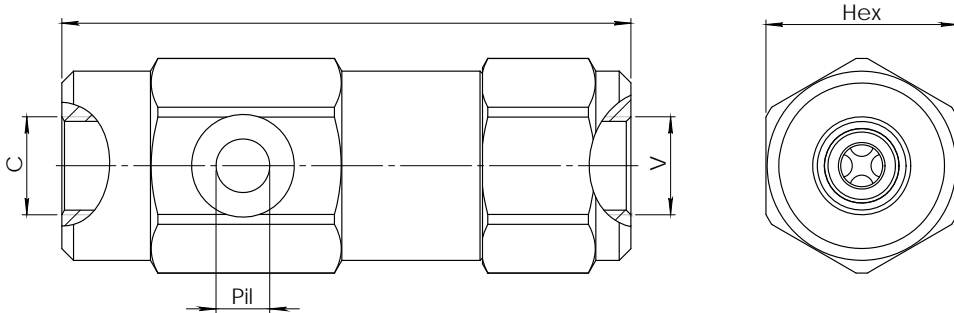
Features

Max Flow	80 lpm
Max Pressure	500 bar
Pilot Ratio	2,5:1
Cracking Pressure	1 bar
Installation Torque	85-100 Nm

Ordering Code

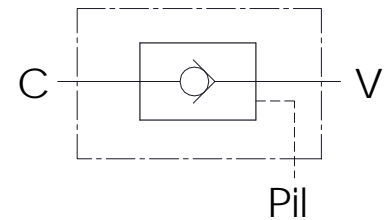
LVCPHW 80

Dimensions

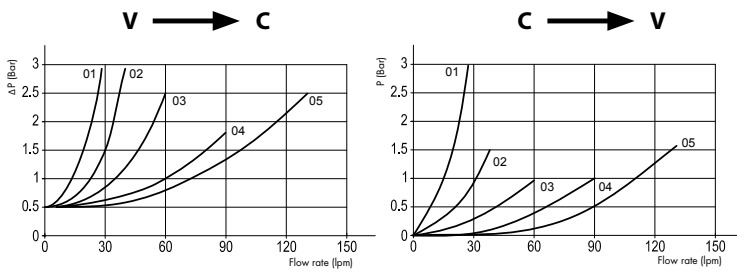


Size	A	C - V BSP	Pil BSP	Hex	Weight kg
01	103	1/4	1/4	36	0,71
02	112	3/8	1/4	40	0,98
03	122	1/2	1/4	42	1,09
04	145	3/4	1/4	55	2,32
05	164	1	1/4	55	2,44

Hydraulic Symbol



Curves



Features

Size	01	02	03	04	05
Max Pressure (bar)	350	350	350	300	260
Max Flow (lpm)	25	40	60	90	130
Pilot Ratio	1:9,4	1:6,2	1:4,2	1:4,4	1:3,5
Cracking Pressure (bar)	0,5	0,5	0,5	0,5	0,5

Materials: Zinc plated steel body, hardened steel inner parts.

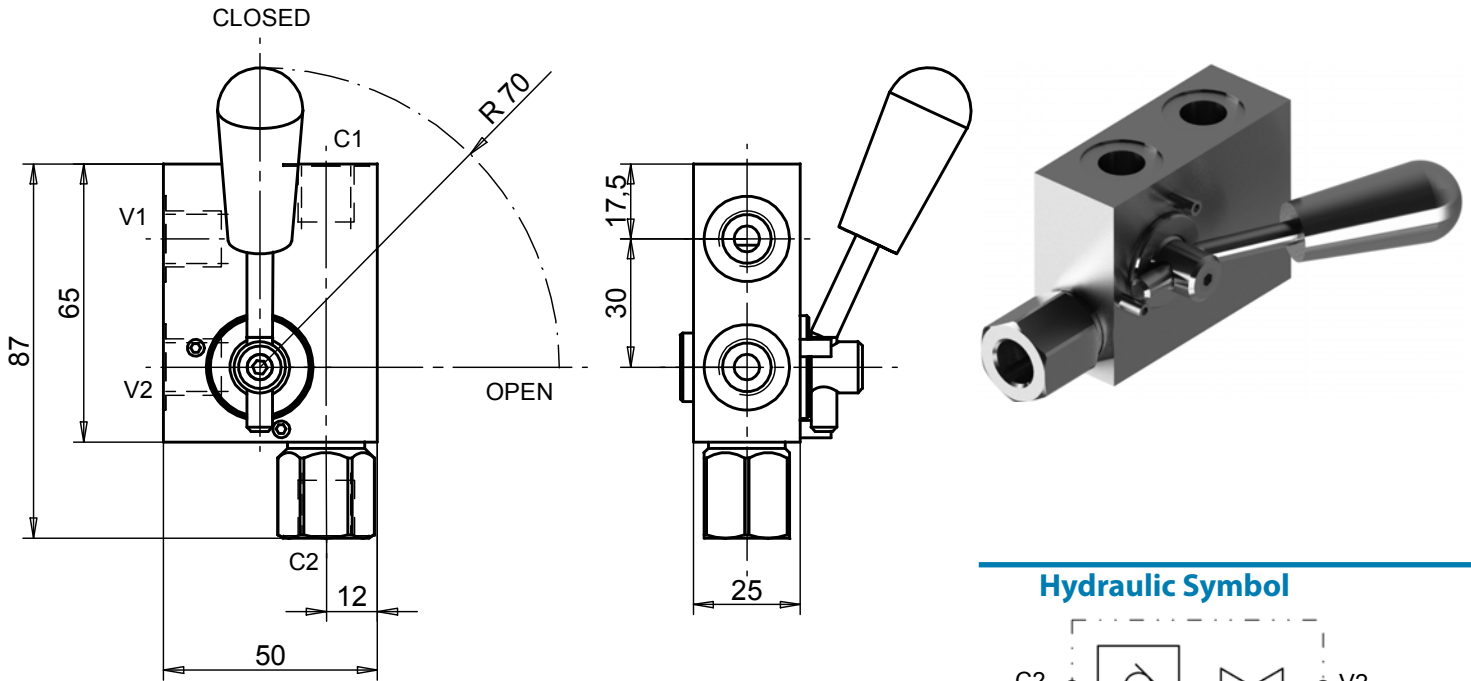
Ordering Code

LVPL **--**

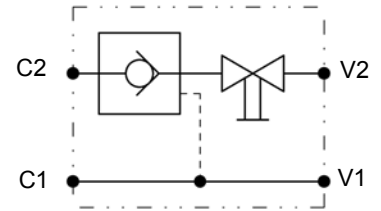
	Size BSP
01	1/4
02	3/8
03	1/2
04	3/4
05	1

Ordering Code Example: LVPL03 = 1/2 BSP.

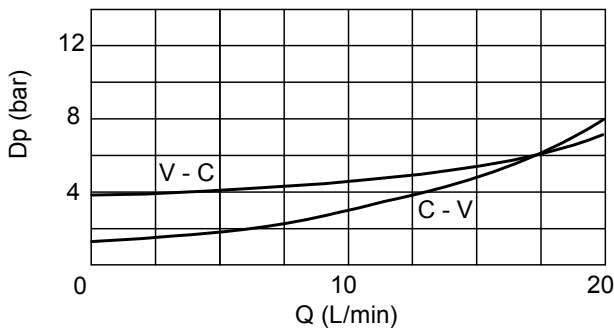
Dimensions



Hydraulic Symbol



Curves



Features

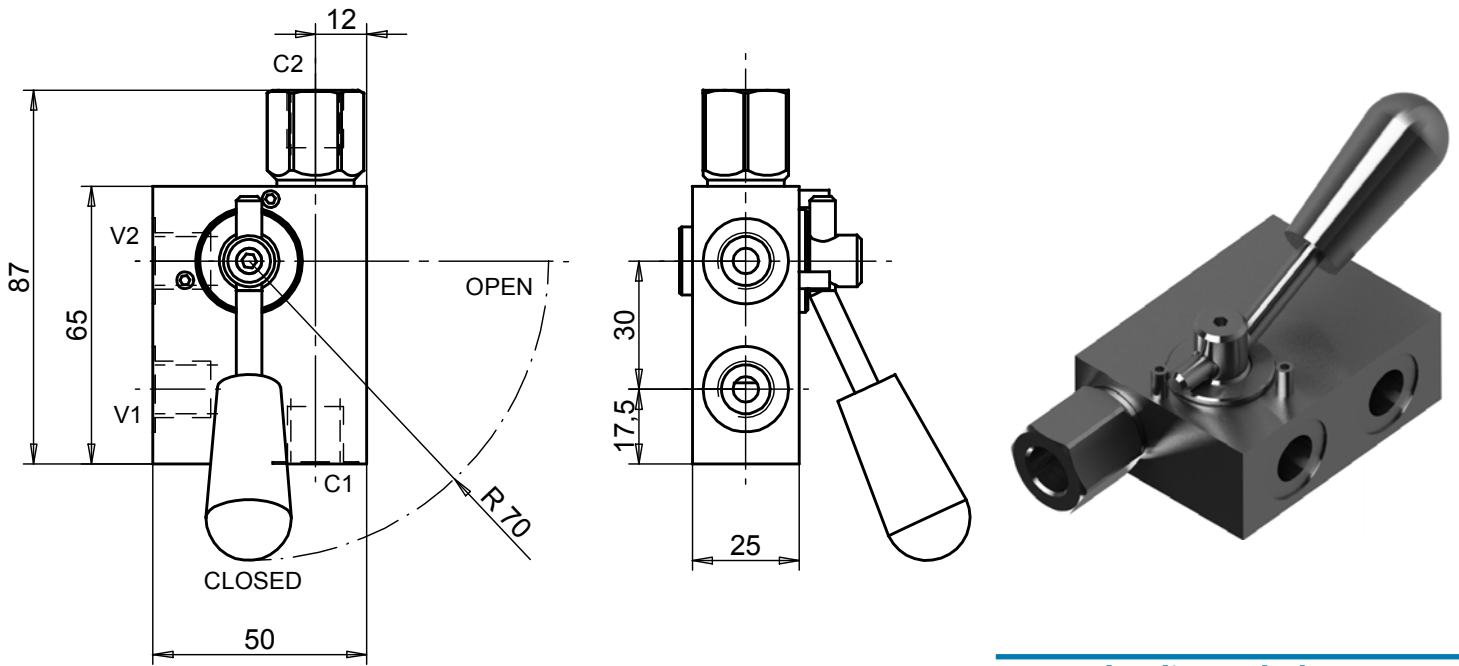
Max Flow	20 lpm
Max Pressure	350 bar
Pilot Ratio	4,7:1
Cracking Pressure	0,5 bar
Ports	1/4 bsp

Materials: Zinc plated steel cartridge, hardened steel inner parts.
Aluminium manifold.

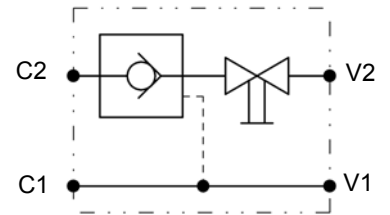
Ordering Code

LVSLRD 01

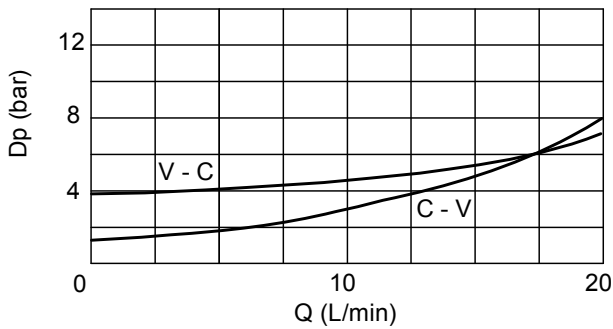
Dimensions



Hydraulic Symbol



Curves



Features

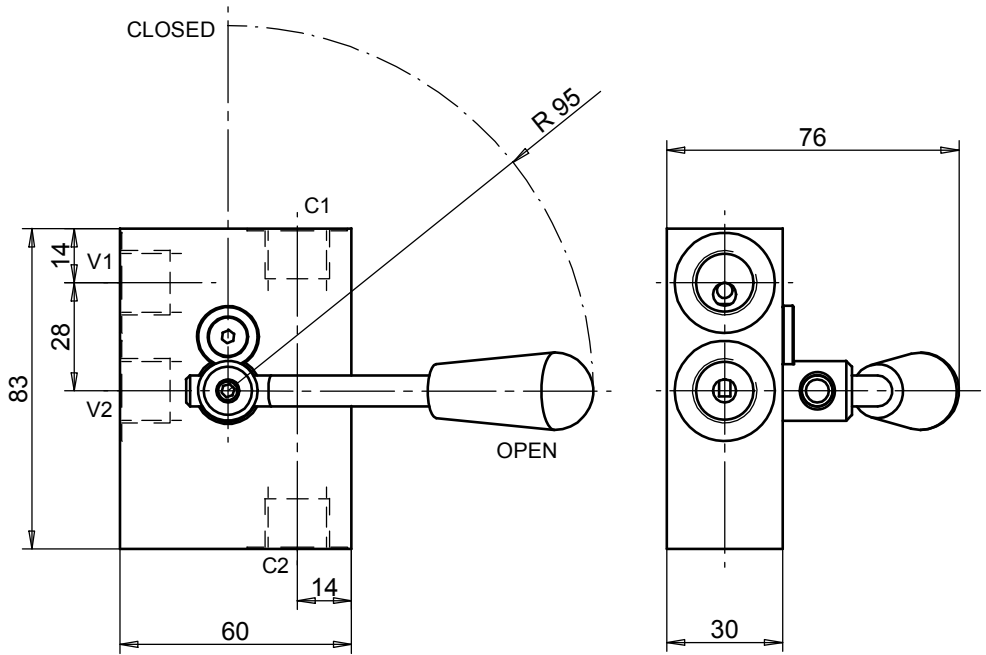
Max Flow	20 lpm
Max Pressure	350 bar
Pilot Ratio	4,7:1
Cracking Pressure	0,5 bar
Ports	1/4 bsp

Materials: Zinc plated steel cartridge, hardened steel inner parts. Aluminium manifold.

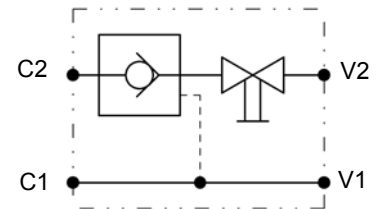
Ordering Code

LVSLRS 01

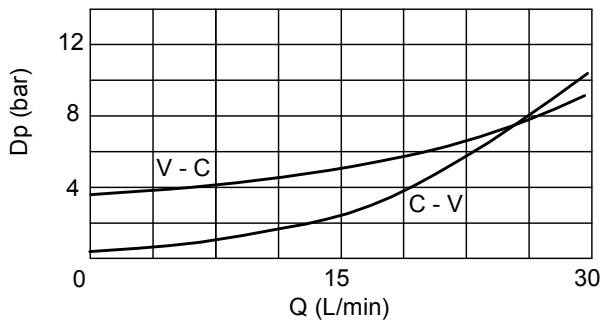
Dimensions



Hydraulic Symbol



Curves



Features

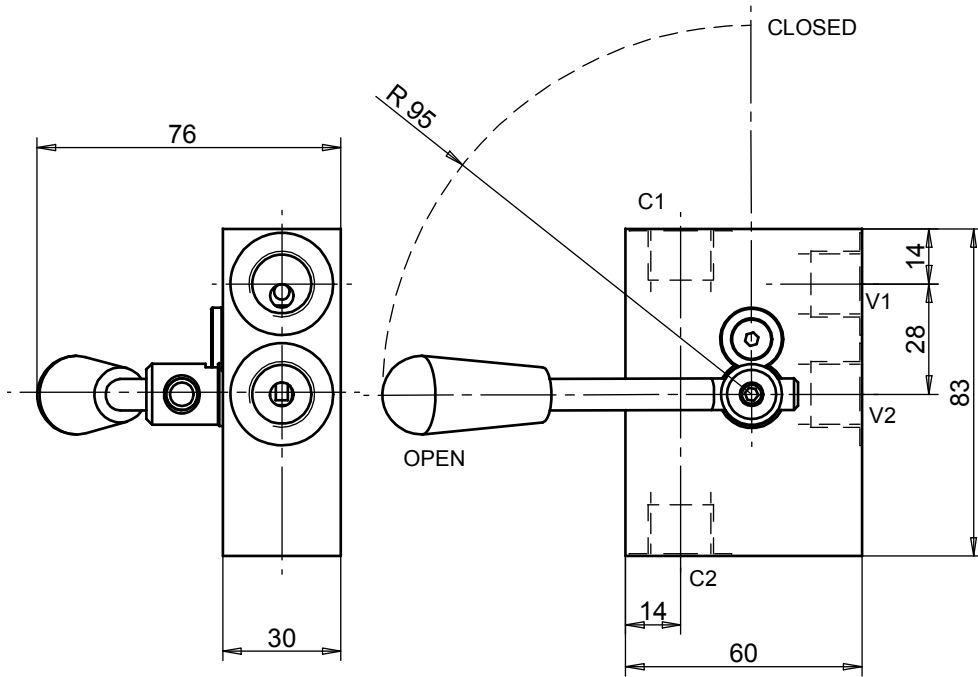
Max Flow	30 lpm
Max Pressure	350 bar
Pilot Ratio	4:1
Cracking Pressure	0,5 bar
Ports	3/8 bsp

Materials: Zinc plated steel cartridge, hardened steel inner parts.
Aluminium manifold.

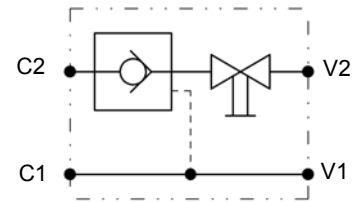
Ordering Code

LVSLRD 02

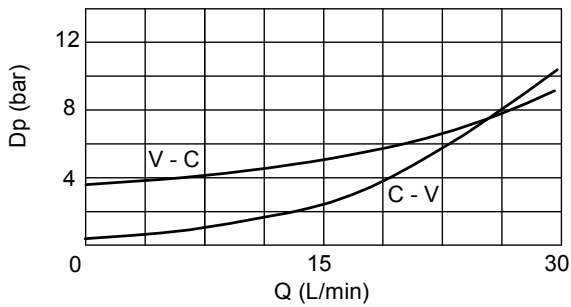
Dimensions



Hydraulic Symbol



Curves



Features

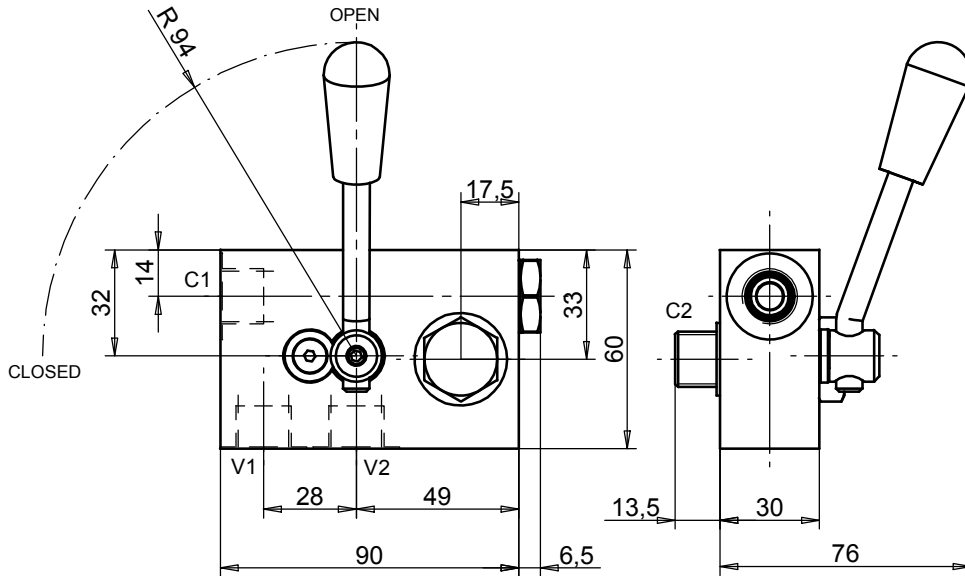
Max Flow	30 lpm
Max Pressure	350 bar
Pilot Ratio	4:1
Cracking Pressure	0,5 bar
Ports	3/8 bsp

Materials: Zinc plated steel cartridge, hardened steel inner parts.
Aluminium manifold.

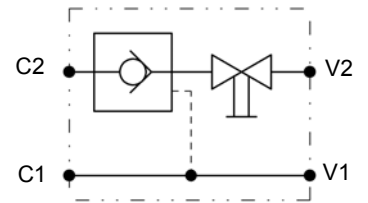
Ordering Code

LVSLRS 02

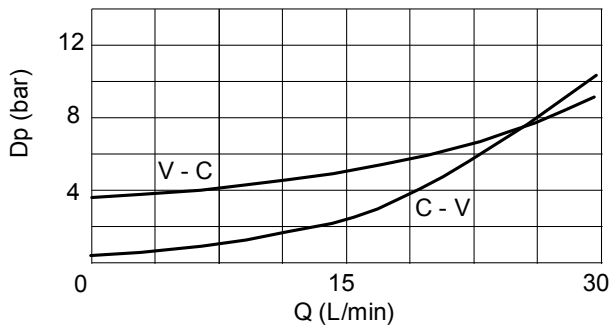
Dimensions



Hydraulic Symbol



Curves



Features

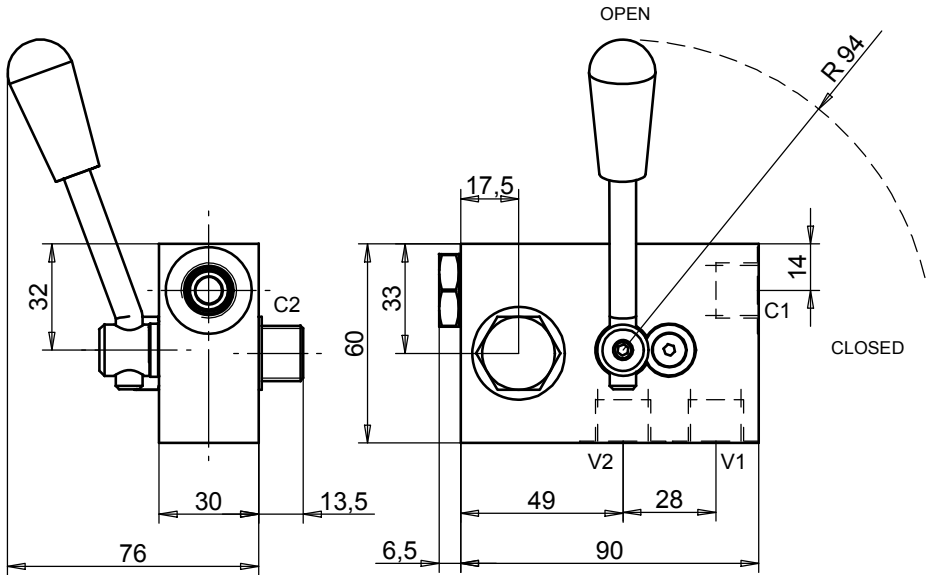
Max Flow	30 lpm
Max Pressure	350 bar
Pilot Ratio	4:1
Cracking Pressure	0,5 bar
Ports	3/8 bsp

Materials: Zinc plated steel cartridge, hardened steel inner parts.
Aluminium manifold.

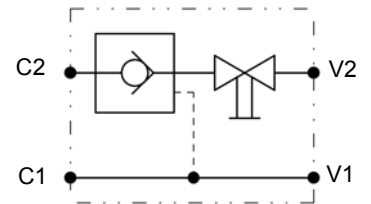
Ordering Code

LVSFRD 02

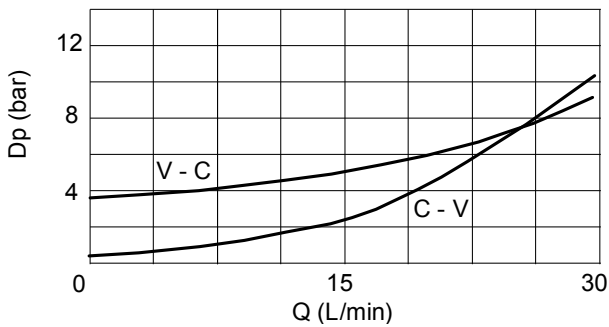
Dimensions



Hydraulic Symbol



Curves



Features

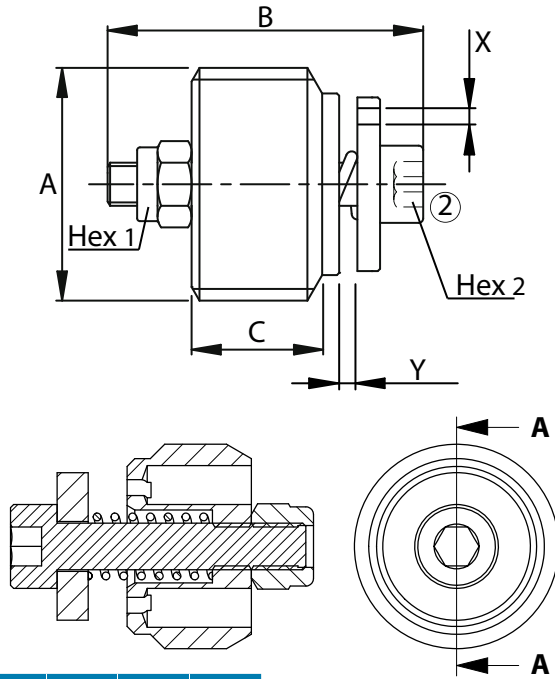
Max Flow	30 lpm
Max Pressure	350 bar
Pilot Ratio	4:1
Cracking Pressure	0,5/4 bar
Ports	3/8 bsp

Materials: Zinc plated steel cartridge, hardened steel inner parts.
Aluminium manifold.

Ordering Code

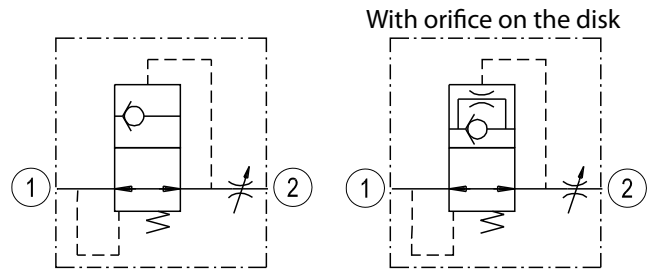
LVSFRS 02

Dimensions

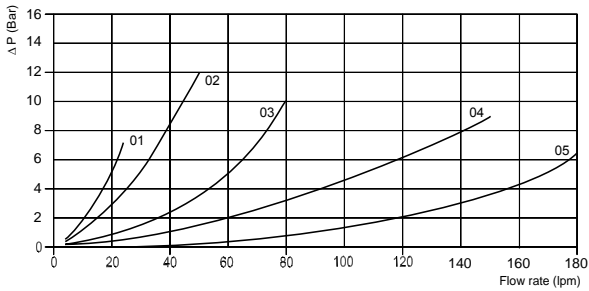


Size	A BSP	B	C	Hex 1	Hex 2	Weight kg
01	1/4	19	7	5,5	2,5	0,09
02	3/8	23	9,5	5,5	2,5	0,014
03	1/2	29	11,5	7	3	0,024
04	3/4	34	15,5	7	3	0,046
05	1	40	18,5	8	4	0,1

Hydraulic Symbol



Curves



Notice: To avoid inadvertent velocity fuse activation on flow surges the setting should be at least 50% higher than the maximum working flow.

Features

Size	01	02	03	04	05
Max Pressure (bar)	350	350	350	350	350
Max Flow (lpm)	25	50	80	150	180

Materials: Steel body.

Ordering Code

HBV -- -- - -

Size BSP		Setup
01	1/4	Cartridge only
02	3/8	MF Cartridge + Male/Female fitting*
03	1/2	FF Cartridge + Female/Female fitting*
04	3/4	
05	1	

* For line fittings dimensions refer to page 127/00

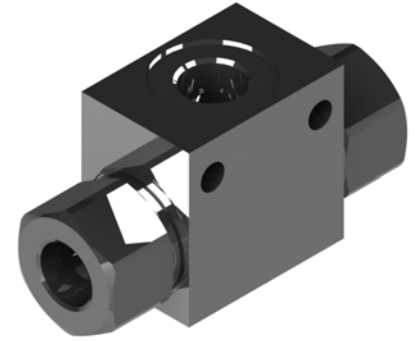
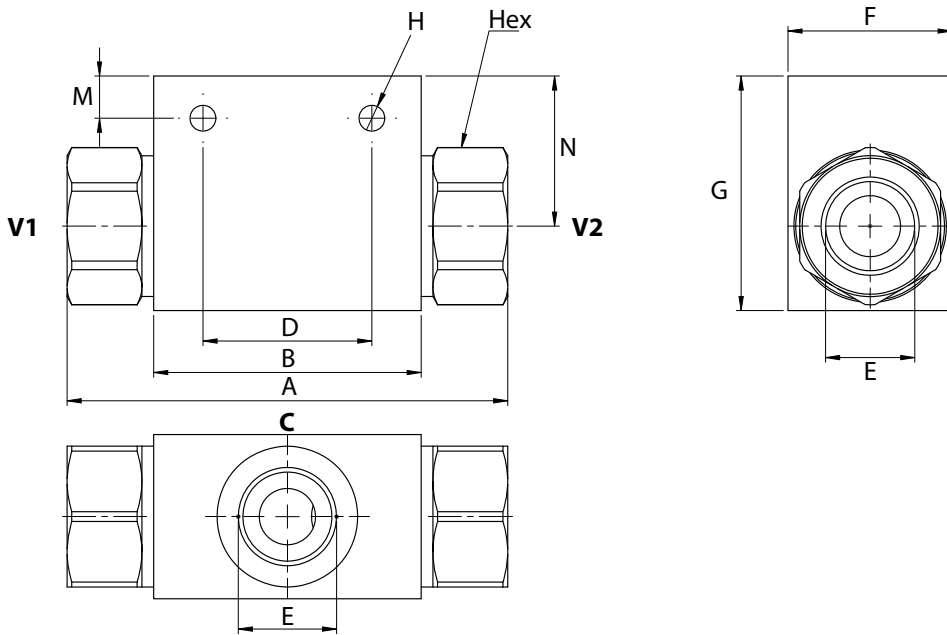
Setting	
	Standard setting
Y	Customized setting (specify in lpm)

Orifice	
	Without orifice on the disk
X	With orifice (specify dimension in mm)

Ordering Code Example: HBV02 = 3/8 BSP valve only, standard setting.

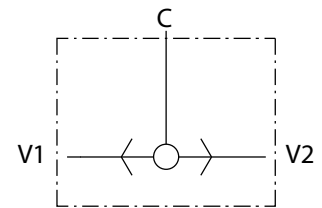
HBVMFX0,8Y30 = 3/8 BSP line fitting + valve, 0,8mm orifice set at 30 lpm.

Dimensions

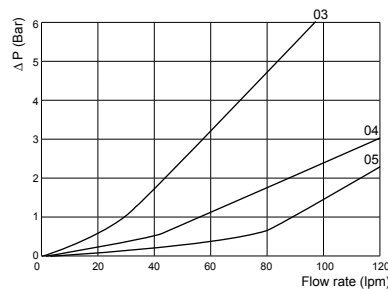
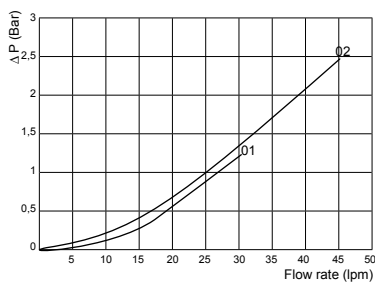


Size	A	B	D	E BSP	F	G	H	M	N	Hex	Weight kg
01	69	36	25	1/4	25	35	5,5	7,5	22,5	22	0,27
02	75	45	29	3/8	30	45	6,5	8	30	27	0,46
03	94	57	36	1/2	35	50	5,5	9	32	30	0,74
04	100	65	50	3/4	50	60	6,5	6,5	37,5	41	1,40
05	126	80	10,5	1	50	80	10,5	11	54,5	46	1,87

Hydraulic Symbol



Curves



Features

Size	01	02	03	04	05
Max Pressure (bar)	500	500	500	350	300
Max Flow (lpm)	35	50	90	140	180

Materials: Zinc plated steel body.

Ordering Code

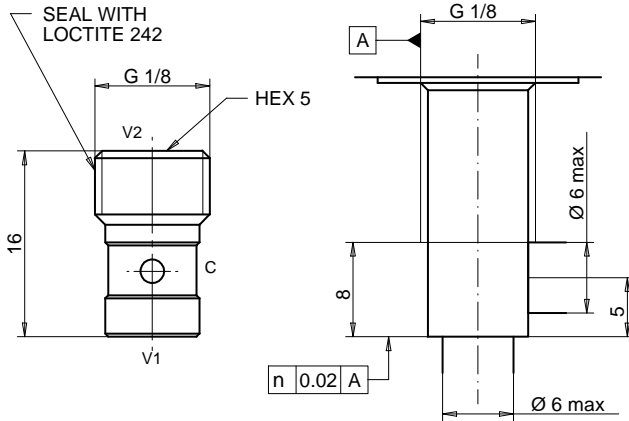
SHV --

	Size BSP
01	1/4
02	3/8
03	1/2
04	3/4
05	1

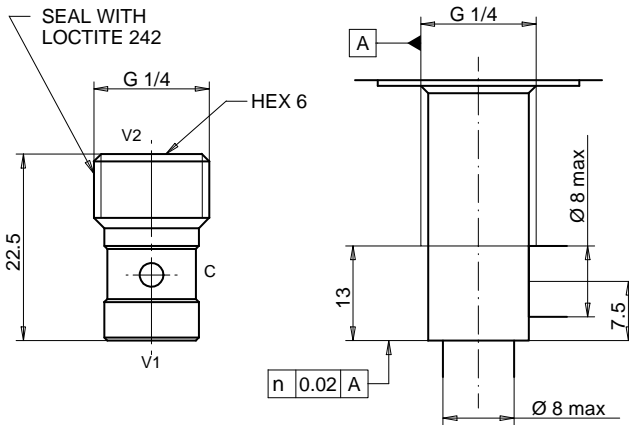
Ordering Code Example: **SHV03** = 1/2 BSP.

Dimensions

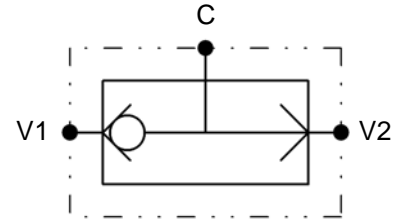
SHVI 005



SHVI 01

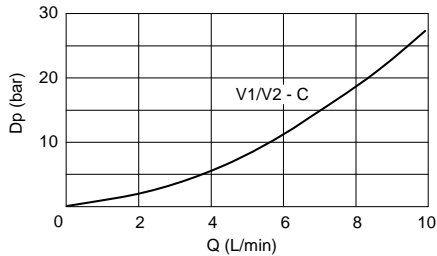


Hydraulic Symbol

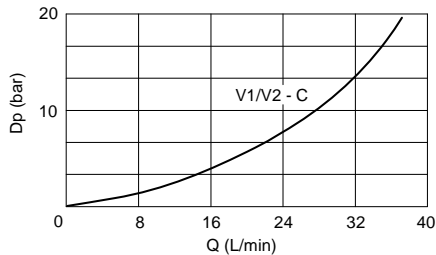


Curves

SHVI 005



SHVI 01



Features

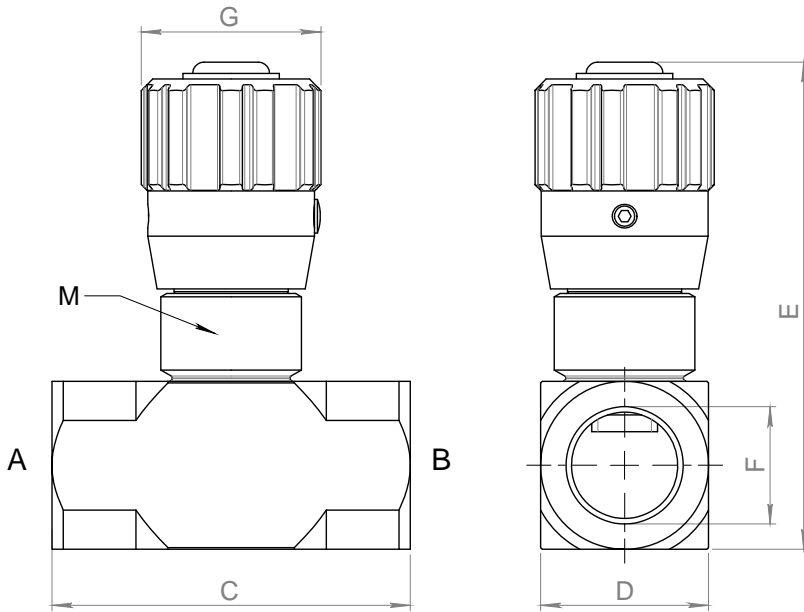
Size	005	01
Max Pressure (bar)	350	350
Max Flow (lpm)	10	36

Ordering Code

SHVI --

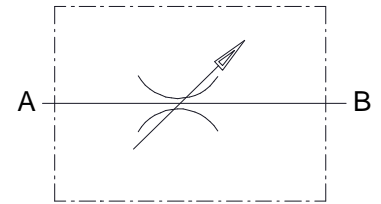
	Size BSP
005	1/8
01	1/4

Dimensions

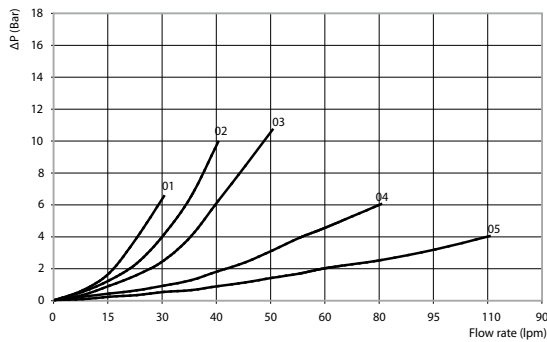


Size	F BSP	C	D	E	G	M	Weight kgs
01	1/4	58	25	82	32	M25x1	0,37
02	3/8	58	25	82	32	M25x1	0,35
03	1/2	64	30	86,5	32	M25x1	0,45
04	3/4	89	40	113	44	M35x1	1,16
05	1	89	40	111	44	M35x1	1,03

Hydraulic Symbol



Curves



Features

Size	Max Pressure bar	Max Flow rate lpm
01	350	30
02	350	40
03	350	50
04	320	80
05	300	110

Materials: Zinc plated steel body, alloy handknob.

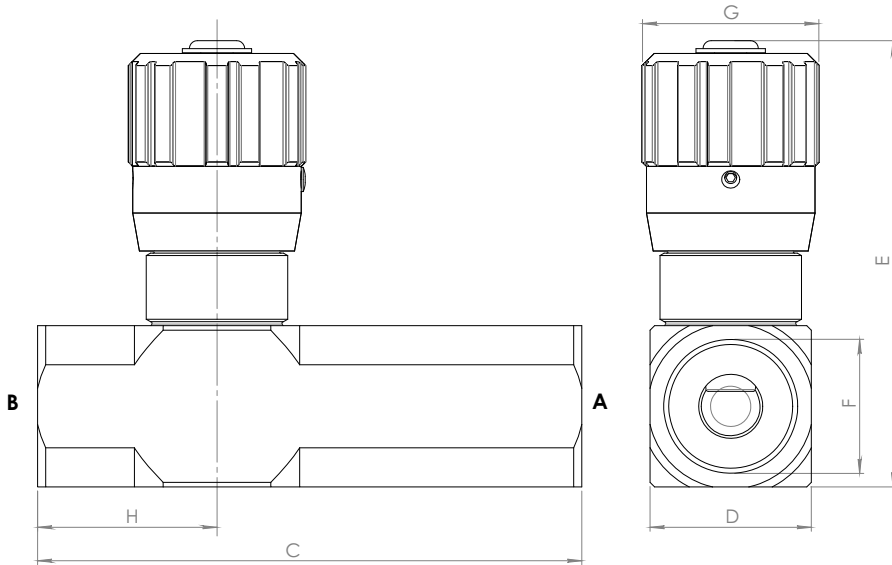
Ordering Code

FRB90 - -

	Size BSP
01	1/4
02	3/8
03	1/2
04	3/4
05	1

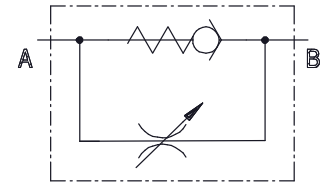
Ordering Code Example: FRB9003 = Needle valve 1/2 BSP.

Dimensions

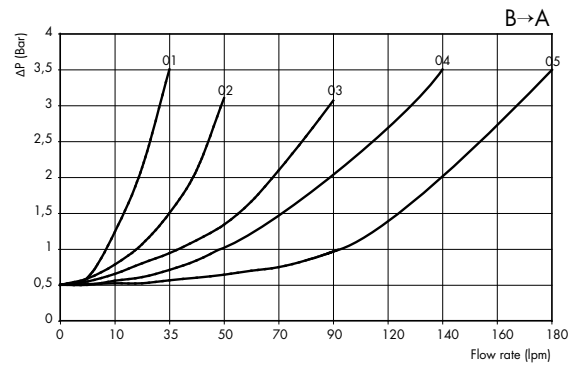
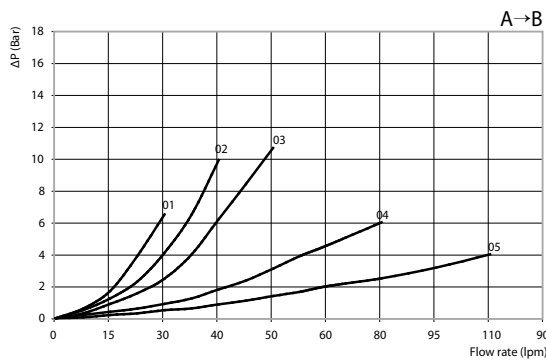


Size	F BSP	C	D	E	G	H	M	Weight kg	Max Pressure bar	Max Flow Rate A→B lpm	Max Flow rate B→A lpm	Cracking Pressure bar
01	1/4	75	25	82	32	28,5	M25x1,5	0,42	350	30	35	0,5
02	3/8	75	25	82	32	31,5	M25x1,5	0,39	350	40	50	0,5
03	1/2	93	30	84,5	32	34,5	M25x1,5	0,60	350	50	90	0,5
04	3/4	108	40	108	44	44	M35x1,5	1,42	320	80	140	0,5
05	1	108	40	108	44	44	M35x1,5	1,39	300	110	160	0,5

Hydraulic Symbol



Curves



Materials: Zinc plated steel body, alloy handknob.

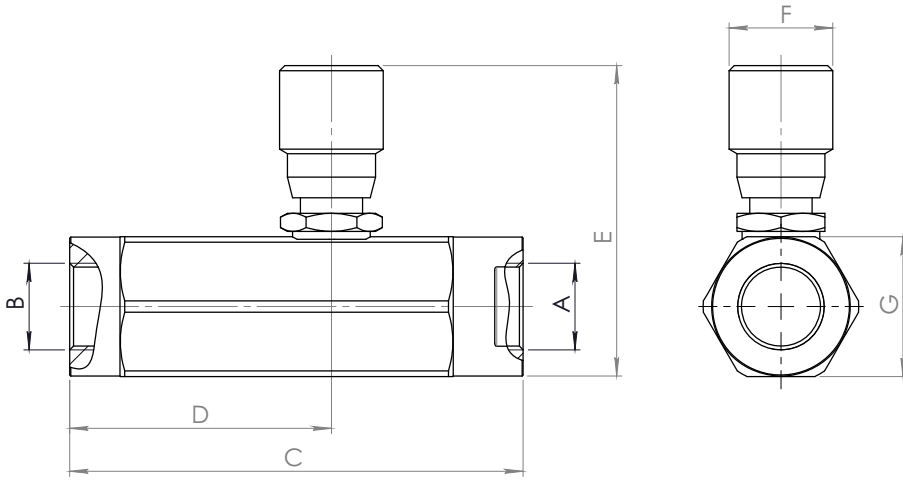
Ordering Code

FRU90 --

	Size BSP
01	1/4
02	3/8
03	1/2
04	3/4
05	1

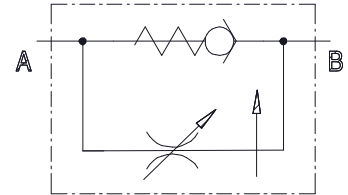
Ordering Code Example: FRU9004 = 3/4 BSP.

Dimensions

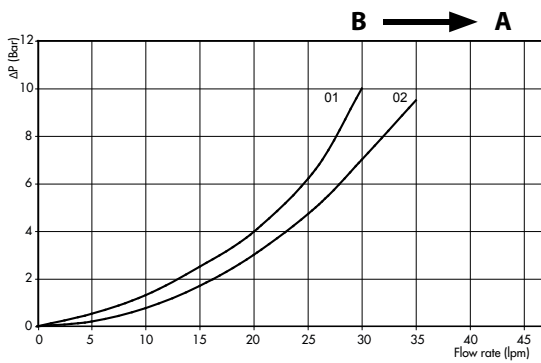


Size	A - B BSP	C	D	E max	F	G	Weight kgs
01	1/4	86	35	70	20	32	0,50
02	3/8	86	35	70	20	32	0,48

Hydraulic Symbol



Curves



Features

Size	01	02
Max Pressure (bar)	250	250
Max Flow A → B (lpm)	17	17
Max Flow B → A (lpm)	25	27

Materials: Zinc plated steel body, alloy handknob.

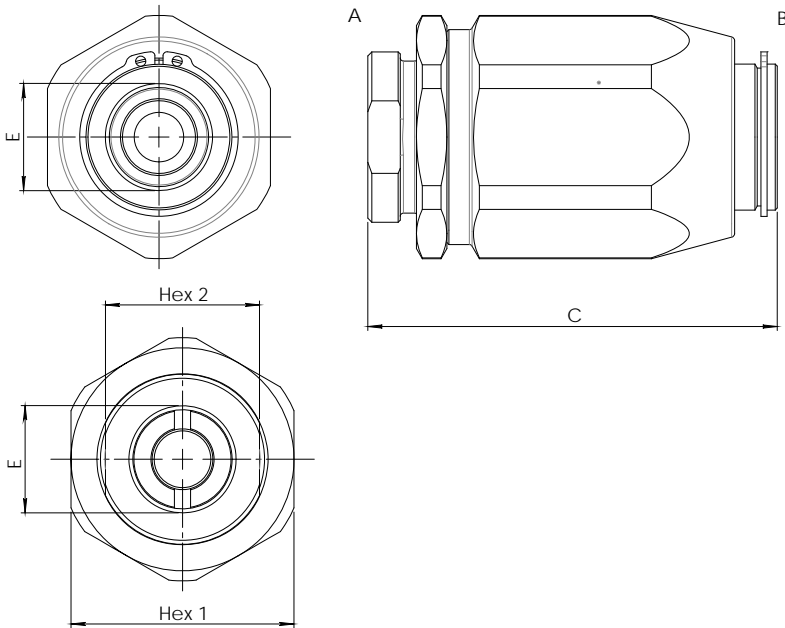
Ordering Code

FRC90 **--**

	Size BSP
01	1/4
02	3/8

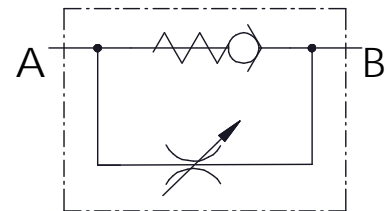
Ordering Code Example: FRC9003 = 1/2 BSP.

Dimensions

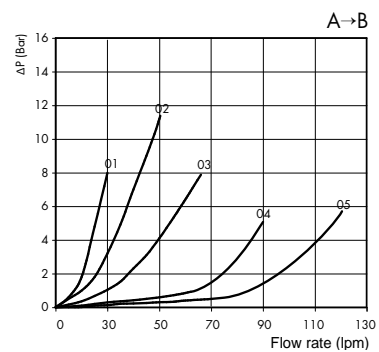
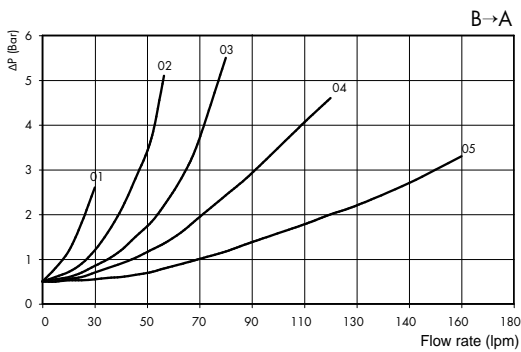


Size	C	E BSP	Hex 1	Hex 2	Weight kg	Max Pressure bar	Max Flow Rate A→B lpm	Max Flow Rate B→A lpm	Cracking Pressure bar
01	65	1/4	32	22	0,29	350	30	30	0,5
02	75	3/8	38	27	0,48	350	40	50	0,5
03	80	1/2	41	30	0,59	350	50	80	0,5
04	101	3/4	55	38	1,34	300	80	110	0,5
05	115	1	65	46	2,35	250	110	160	0,5

Hydraulic Symbol



Curves



Materials: Zinc plated steel body, hardened steel poppet.

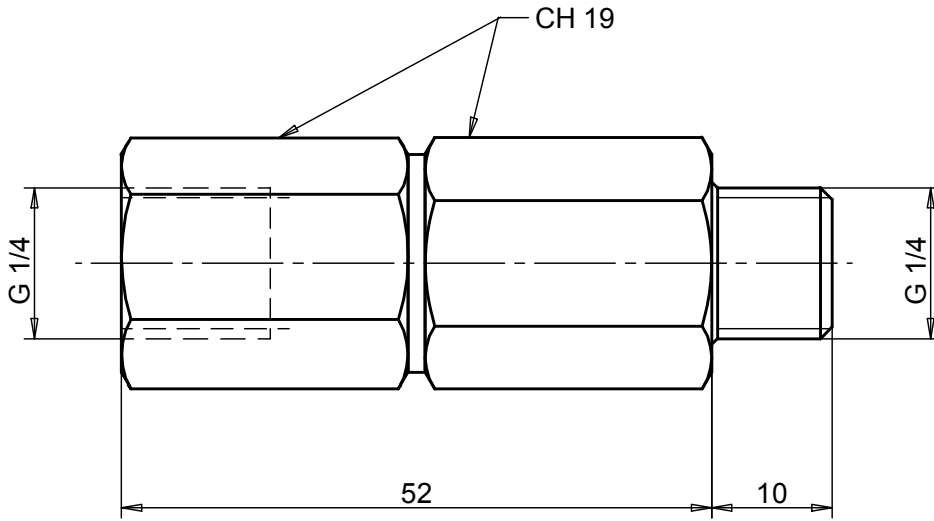
Ordering Code

FRUB --

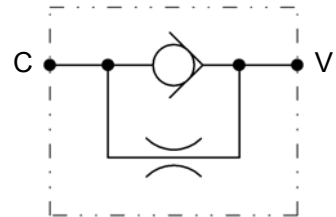
	Size BSP
01	1/4
02	3/8
03	1/2
04	3/4
05	1

Ordering Code Example: FRUB03 = 1/2 BSP.

Dimensions



Hydraulic Symbol



Features

Max Pressure (bar)	350
Max Flow (lpm)	10
Z (mm)	0,30 0,40 0,5 0,6 0,7 0,8 0,9 1,0 1,3 1,5 1,75

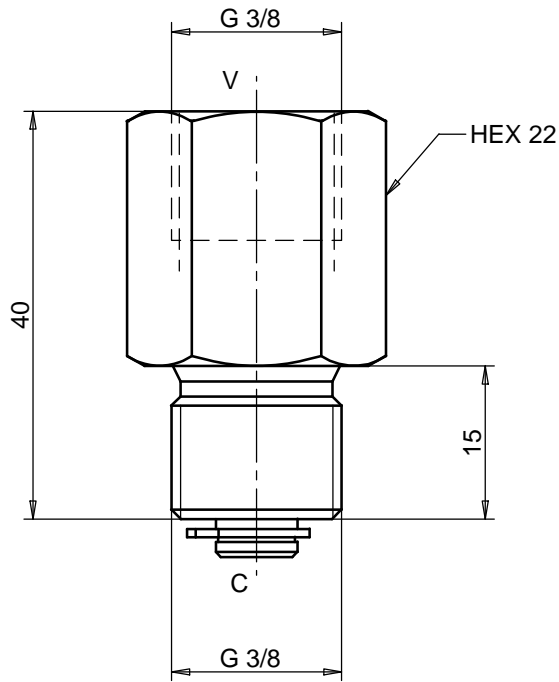
Ordering Code

VSFUD 01 --

Orifice Ø

Z	To be specified
---	-----------------

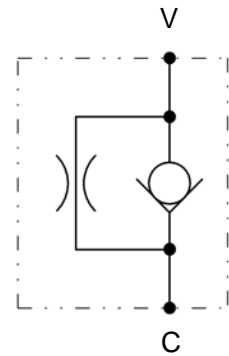
Dimensions



RESTRICTED FLOW



Hydraulic Symbol



Features

Max Pressure (bar)	250						
Max Flow (lpm)	30						
Z (mm)	0,50	0,75	1,0	1,25	1,5	1,75	2,0

Other holes on request

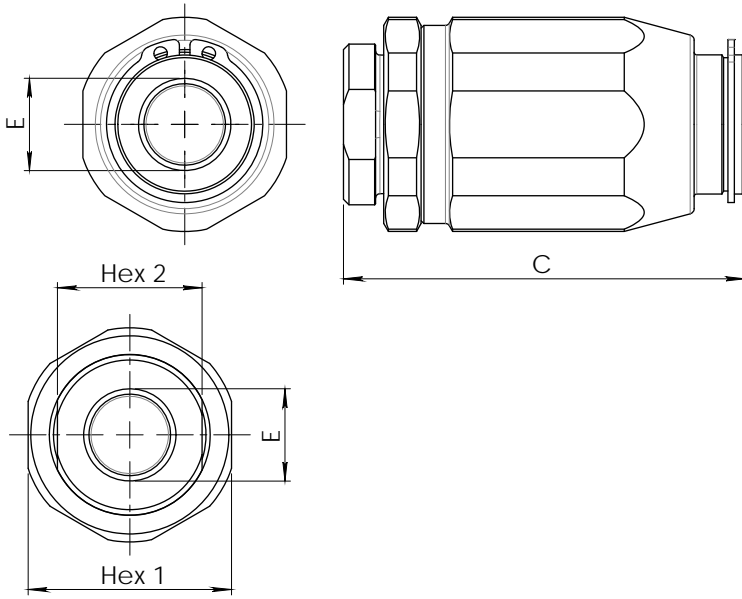
Ordering Code

VSF 02 --

Orifice Ø

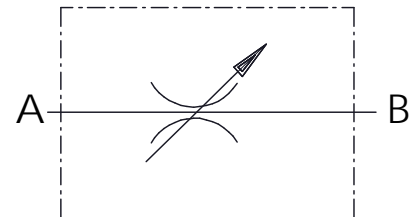
Z	To be specified
---	-----------------

Dimensions

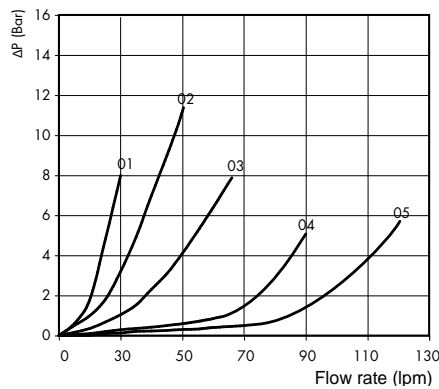


Size	C	E BSP	Hex 1	Hex 2	Weight kg	Max Pressure bar	Max Flow rate lpm
01	65	1/4	32	22	0,29	350	30
02	75	3/8	38	27	0,46	350	40
03	80	1/2	41	30	0,57	350	50
04	101	3/4	55	38	1,30	300	80
05	115	1	65	46	2,10	250	110

Hydraulic Symbol



Curves



Materials: Zinc plated steel.

Ordering Code

FRBB

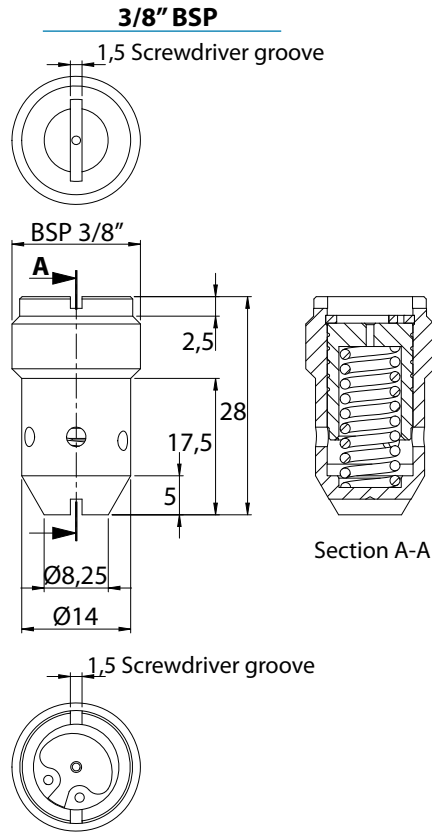
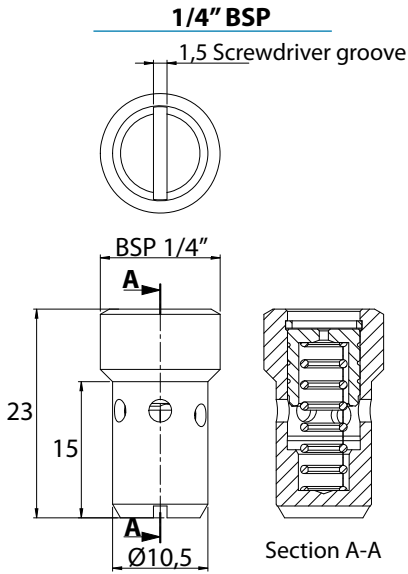
--

Size BSP

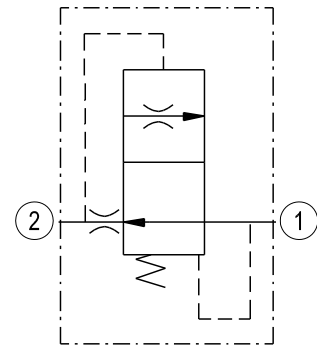
01	1/4
02	3/8
03	1/2
04	3/4
05	1

Ordering Code Example: FRBB03 = 1/2 BSP.

Dimensions



Hydraulic Symbol



Features

Max Pressure 350 bar

Materials: Steel cartridge, hardened steel inner parts.

Ordering Code

DVF

--

--

--

Size	Size BSP	Flow Rate (lpm)	
		01	02
01	1/4	1	2
02	3/8	1,5	-
A		2	-
AB		3	3
B		4	4
C		5	5
D		6	6
E		7	7
F		8	8
G		9	9
H		10	10
I		-	11
J		-	12
K		-	13
L		-	14
M		-	15
N		-	16
O		-	17
P		-	18
Q		-	19
R		-	20
S		-	-
T		-	-

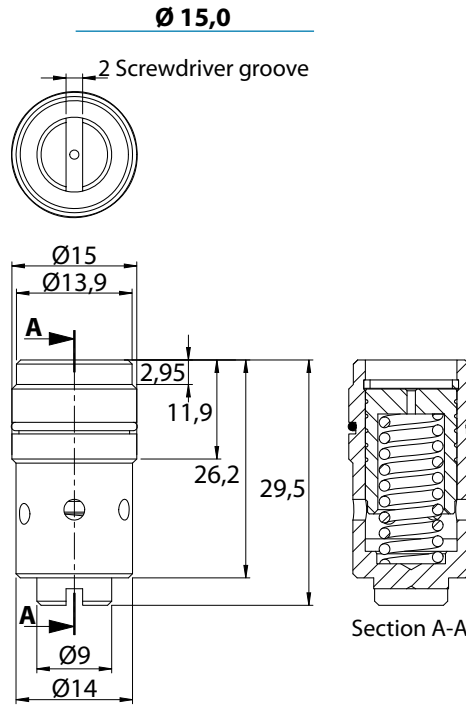
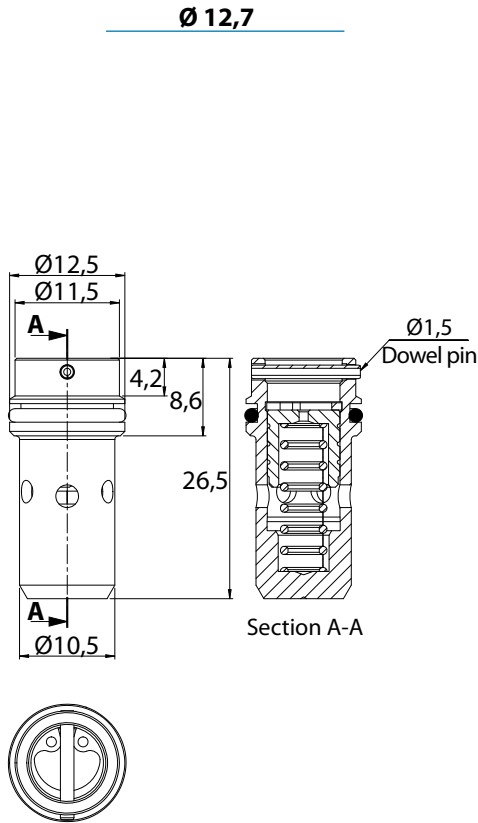
Setup

	Cartridge only
MF	Cartridge+Male/Female fitting *
FF	Cartridge+Female/Female fitting *

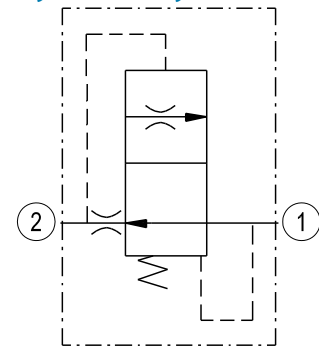
* For line fittings dimensions refer to page 127/00

Ordering Code Example: DVF01B = 1/4" BSP cartridge, 2 lpm at 60 bar.

Dimensions



Hydraulic Symbol



Features

Max Pressure 350 bar

Materials: Steel cartridge, hardened steel inner parts.

Ordering Code

DVFPI -- --

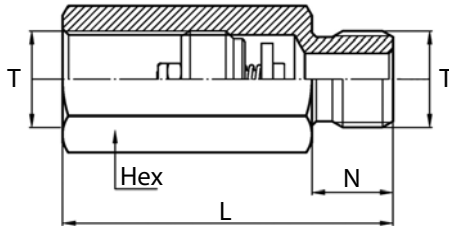
Size	Flow Rate (lpm)	Flow Rate (lpm)	
		01	02
01	Ø 12,7		
02	Ø 15,0		
A		1	1
AB		1,5	-
B		2	-
C		3	3
D		4	4
E		5	5
F		6	6
G		7	7
H		8	8
I		9	9
J		10	10
K		-	11
L		-	12
M		-	13
N		-	14
O		-	15
P		-	16
Q		-	18
R		-	20

Ordering Code Example: DVFPI01AB = Ø 12,7 cartridge, 1,5 lpm at 60 bar.

Dimensions

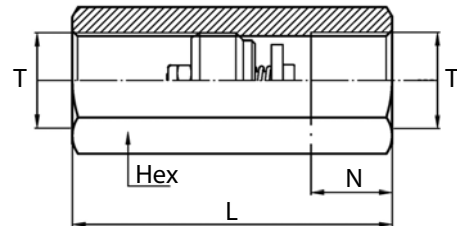
HBV

MALE-FEMALE LINE FITTING



Size	L	N	T BSP	Hex	Weight kg
01	50	12	1/4	19	0,075
02	58	12	3/8	22	0,105
03	70	14	1/2	27	0,185
04	78	16	3/4	32	0,365
05	92	18	1	41	0,765

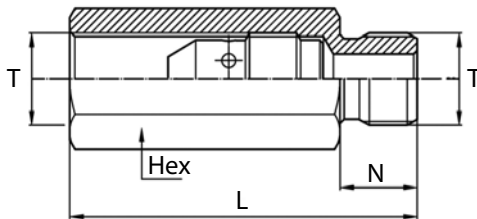
FEMALE-FEMALE LINE FITTING



Size	L	N	T BSP	Hex	Weight kg
01	48	12	1/4	19	0,075
02	52	12	3/8	22	0,097
03	62	14	1/2	27	0,160
04	72	16	3/4	32	0,350
05	86	20	1	41	0,785

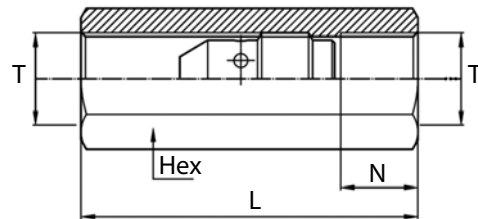
DVF

MALE-FEMALE LINE FITTING



Size	L	N	T BSP	Hex	Weight kg
01	60	12	1/4	19	0,078
02	62	12	3/8	22	0,098

FEMALE-FEMALE LINE FITTING



Size	L	N	T BSP	Hex	Weight kg
01	56	12	1/4	19	0,080
02	60	14	3/8	22	0,100

Materials: Zinc plated steel.

WARNING: HBV and DVF have to be purchased separately and fitted in by the end user unless clearly specified during the order.

Ordering Code

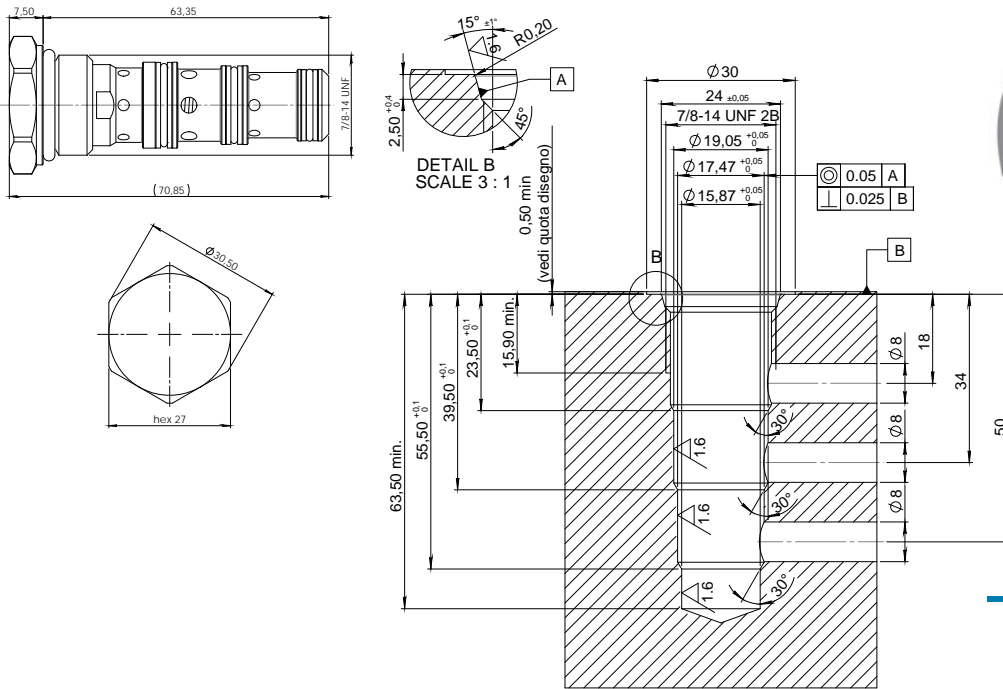
IH -- --- --

Type	Model
MF Male-Female	HBV HBV line housing
FF Female-Female	DVF DVF line housing

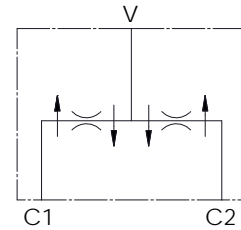
Size BSP	
01	1/4
02	3/8
03	1/2
04	3/4
05	1

Ordering Code Example: IHFFHBV02 = Female/Female, 3/8 BSP housing for HBV valve.

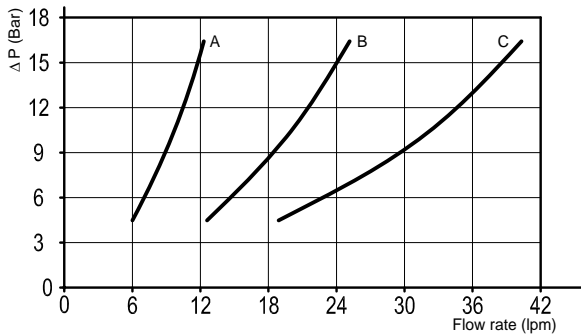
Dimensions



Hydraulic Symbol



Curves



Features

Max Flow Rate (lpm)	38
Max Pressure (bar)	210
Slippage (top portion flow curve)	± 3%
Flow Division Ratio	50% - 50%
Inlet Capacity (lpm)	A: 6-12 B: 10-24,5 C: 22-45

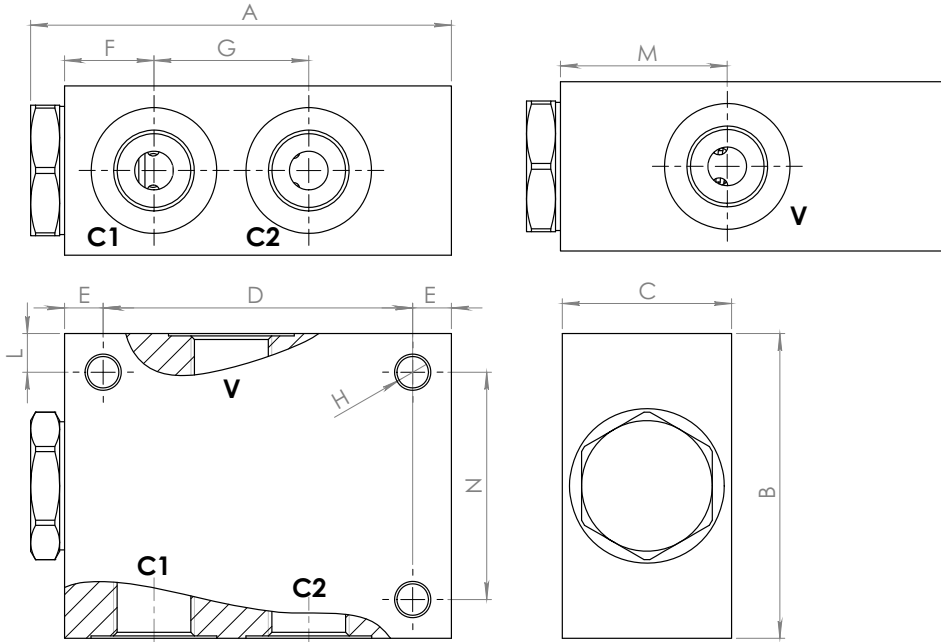
Ordering Code

FDCS10 -

Inlet Capacity (lpm)

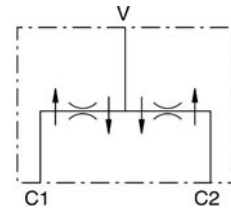
A	6,5 - 12
B	13 - 23
C	24 - 38

Dimensions

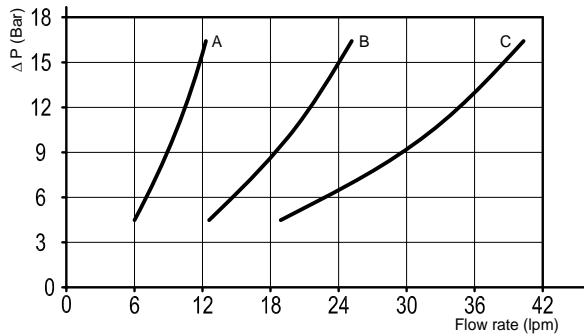


Size	C1 - C2 BSP	V BSP	A	B	C	D	E	F	G	H	L	M	N	Weight kg
02	3/8	3/8	87	63	35	64	8	18,5	32	6,5	8	34,5	47	0,52
25	3/8	1/2	87	63	35	64	8	18,5	32	6,5	8	34,5	47	0,51

Hydraulic Symbol



Curves



Features

Max Flow Rate (lpm)	38
Max Pressure (bar)	210
Slippage (top portion flow curve)	± 3%
Flow Division Ratio	50% - 50%

Materials: Aluminium manifold, hardened steel inner parts.

Ordering Code

FDC

--

-

Port Size BSP

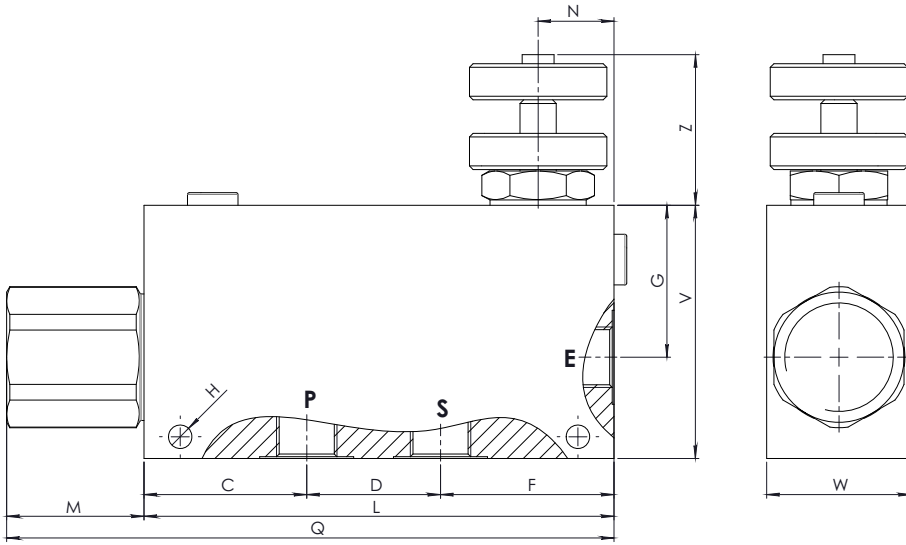
02	3/8	3/8
25	1/2	3/8

Inlet Capacity (lpm)

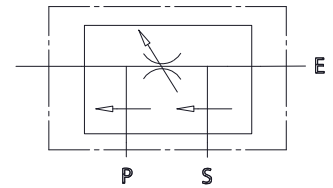
A	6,5 - 12
B	13 - 23
C	24 - 38

Ordering Code Example: FDC25B - 1/2 - 3/8 BSP Ported Manifold, 13/23 lpm Inlet Range Capacity.

Dimensions



Hydraulic Symbol

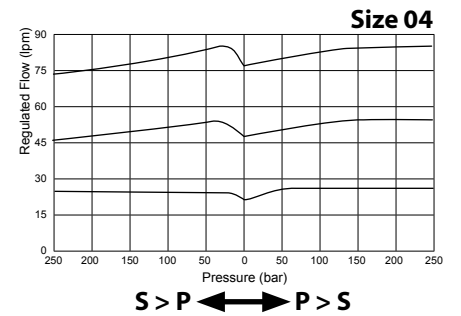
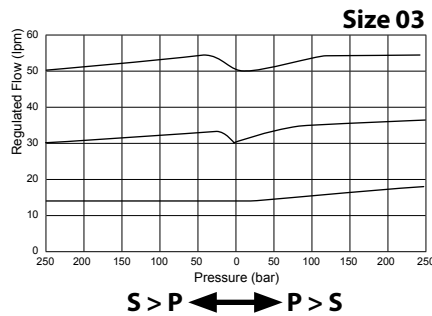
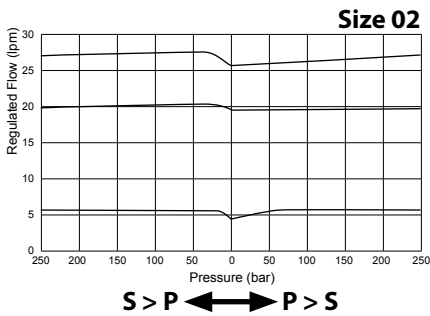


Features

Size	E-P-S BSP	A	B	C	D	F	G	H	M	N max	Q	R	T	V	Z	Weight kg
02	3/8	130	33	27,5	50	35	10	8,5	22	42,7	35	12	80	10	34	2,78
03	1/2	130	33	27,5	50	35	10	8,5	22	42,7	35	12	80	10	34	2,71
04	3/4	155	55	31,5	47	50	20	8,5	22	38	55	12	100	15	34	5,55

Size	02	03	04
Max Pressure (bar)	260	260	260
Max Inlet Flow (lpm)	50	85	150
Max Adjustment Flow (lpm)	40	60	90

Curves



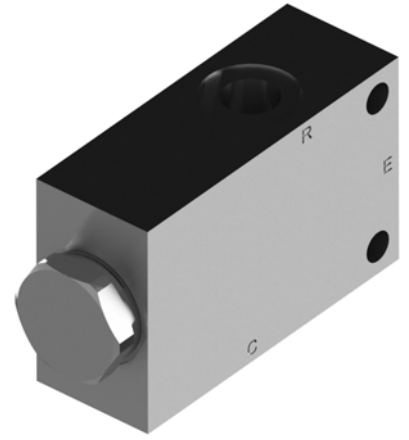
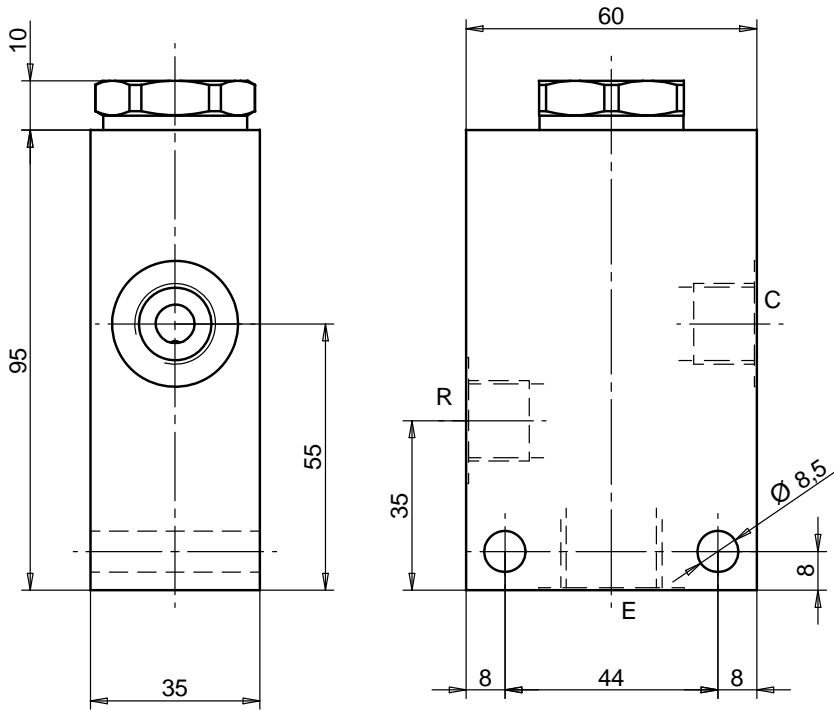
Materials: Aluminium body, hardened steel inner parts.

Ordering Code

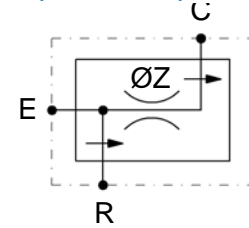
PVEL		--
		Size BSP
02		3/8
03		1/2
04		3/4

Ordering Code Example: PVEL03 = 1/2 BSP.

Dimensions



Hydraulic Symbol



Materials: Zinc plated steel cartridge, hardened steel inner parts.
Aluminium manifold.

Features

Max Pressure (bar)	210 (Alum) / 350 (Steel)
Max Flow (lpm)	60
Ports	E: G 1/2 R-C: G 3/8

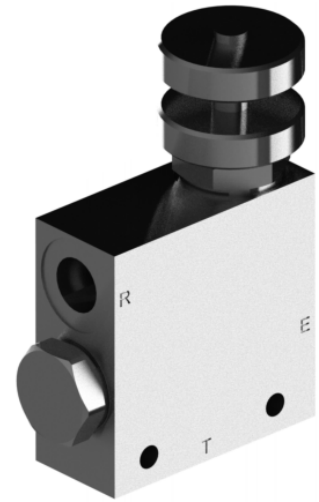
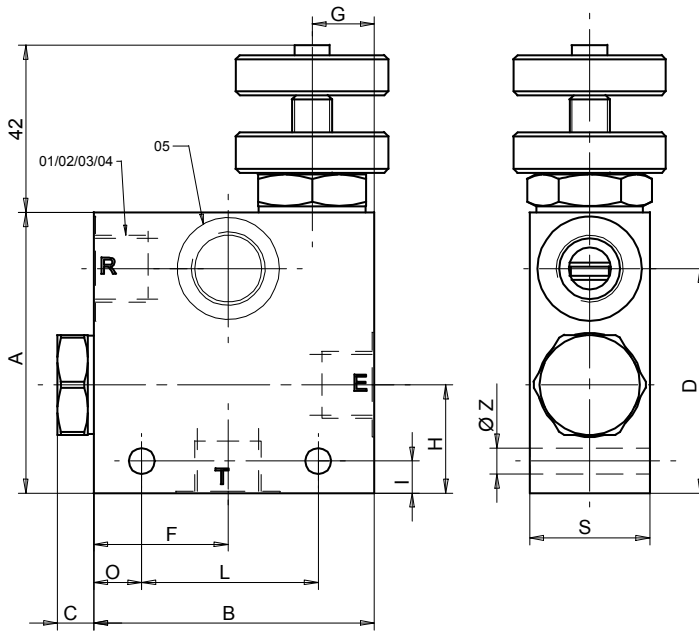
Qc (lpm)	1,2	2,8	5	7,5	9,5	11	16	20	23
Z (mm)	1	1,5	2	2,5	2,8	3	3,5	3,8	4

Ordering Code

PVELQF --

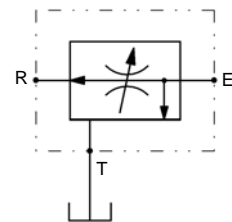
	Size BSP
02	3/8

Dimensions

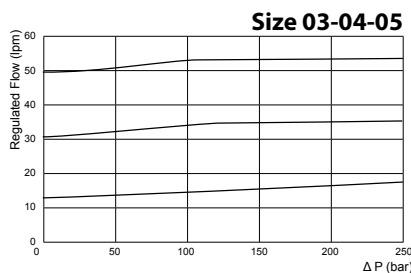
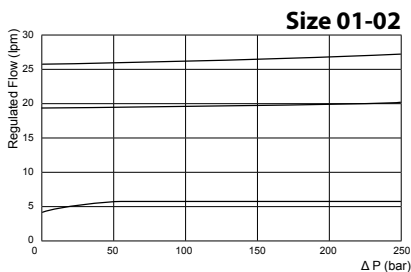


Size	E-R-T	A	B	C	D	F	G	H	I	L	O	S	Z
01	1/4	70	70	9	56	33,5	15,5	27	8	44	12	30	6,5
02	3/8	70	70	9	56	33,5	15,5	27	8	44	12	30	6,5
03	1/2	90	90	24	72	39	20	30	6	64	13	40	6,5
04	3/4	110	110	24	87	44	30	35	7	88	10	50	8,5
05	1	110	110	37,5	87	45	28	46	10	88	10	50	8,5

Hydraulic Symbol



Curves



Features

Size	01	02	03	04	05
Max Pressure (bar)	210				
Ports E-R-T	G 1/4	G 3/8	G 1/2	G 3/4	1"
QE max (lpm)	40	40	90	150	280
QR max (lpm)	25	25	55	90	190

Materials: Aluminium body, hardened steel inner parts.

Ordering Code

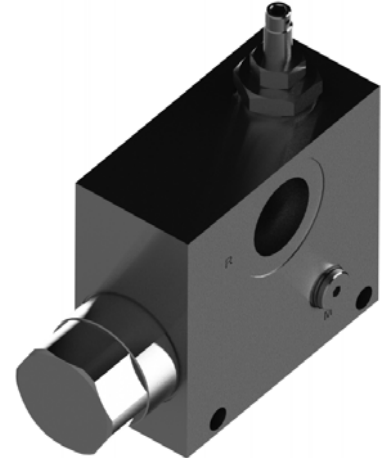
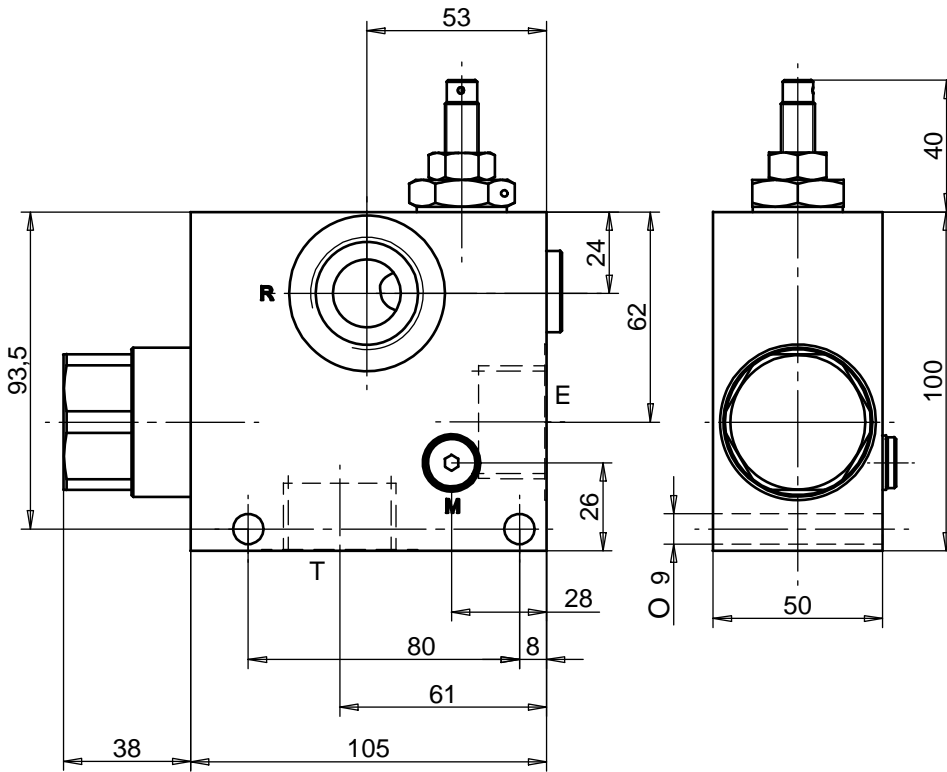
PVET

--

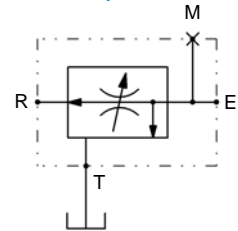
	Size BSP
01	1/4
02	3/8
03	1/2
04	3/4
05	1"

Ordering Code Example: PVET03 = 1/2 BSP.

Dimensions



Hydraulic Symbol



Features

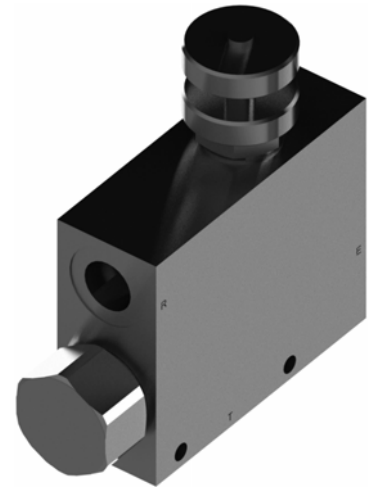
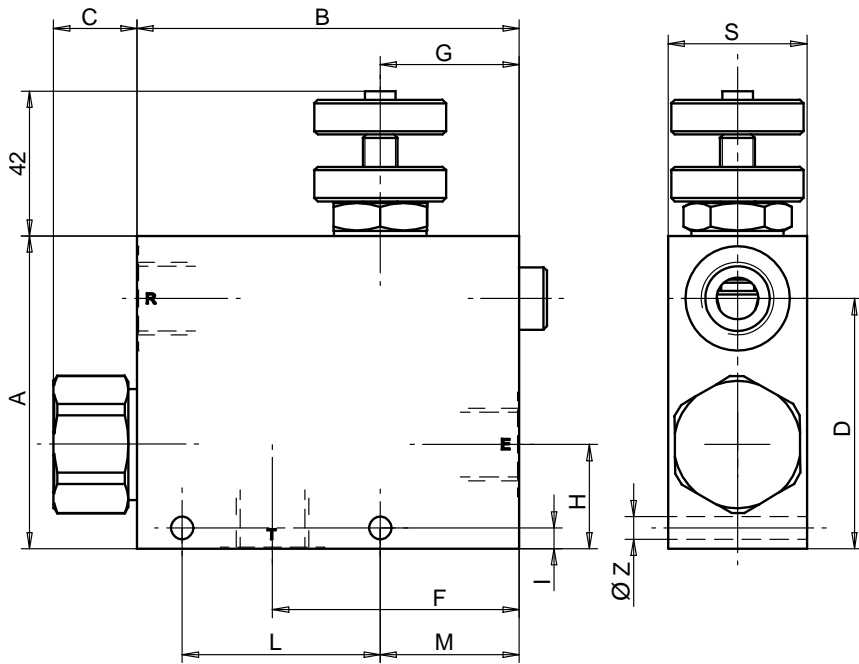
Max Pressure (bar)	350
QE max (lpm)	280
QE max (lpm)	190
Ports	E-R-T: G 1 M: G 1/8

Materials: Zinc plated steel manifold, hardened steel inner parts.

Ordering Code

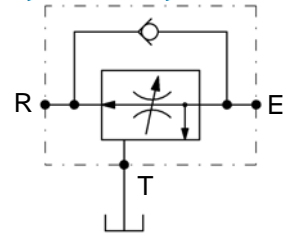
PVETIH 05

Dimensions



Size	A	B	C	D	F	G	H	I	L	M	S	Z
02	90	110	24	72	71	40	30	6	57	40	40	6,5
03	90	110	24	72	71	40	30	6	57	40	40	6,5
04	110	130	24	87	86	50	35	7	70	50	50	8,5

Hydraulic Symbol



Features

Size	02	03	04
Max Pressure (bar)	210		
Ports E-R	G 3/8	G 1/2	G 3/4
QE max (lpm)	55	90	150
QR max (lpm)	30	90	150

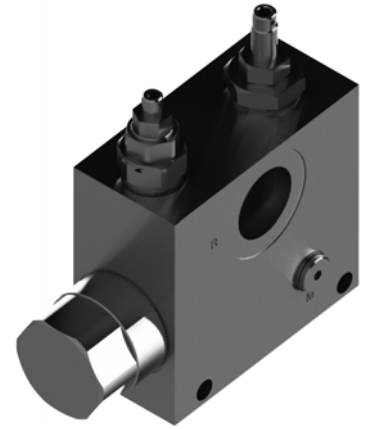
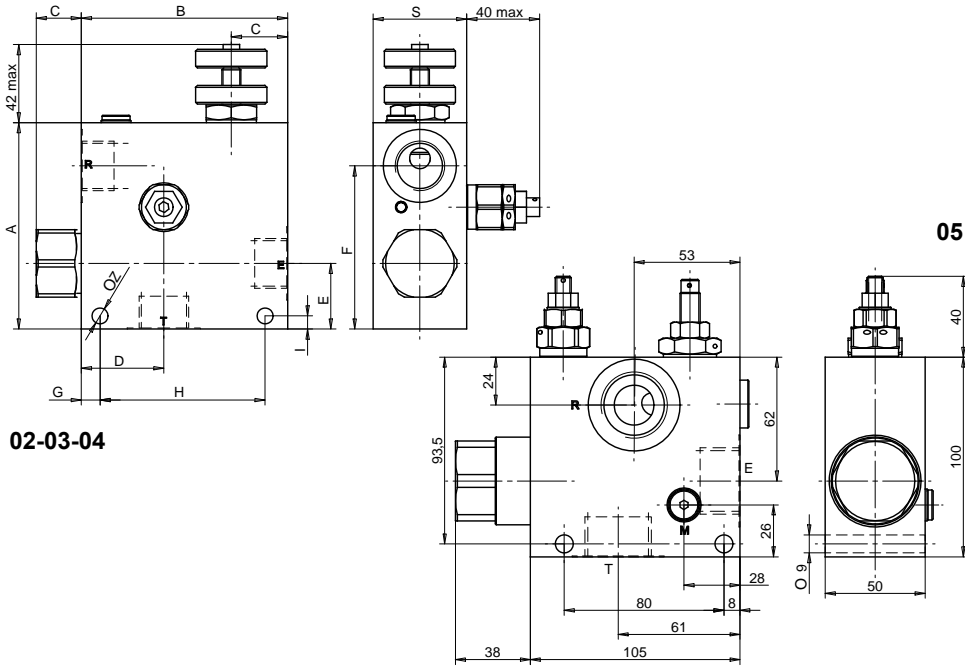
Materials: Zinc plated steel cartridge, hardened steel inner parts.
Aluminium manifold.

Ordering Code

PVETR - -

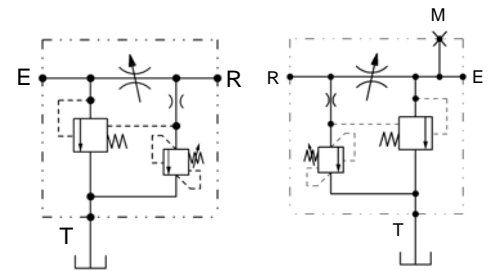
	Size BSP
02	3/8
03	1/2
04	3/4

Dimensions



Size	A	B	C	D	E	F	G	H	I	S	Z
02	90	90	20	39	30	72	13	64	6	40	6,5
03	90	90	20	39	30	72	13	64	6	40	6,5
04	110	110	30	44	35	87	10	88	7	50	8,5
05	Refer to dimensioned drawing above										

Hydraulic Symbol



Features

Size	02	03	04	05
Max Pressure (bar)	210 Alum	210 Alum	210 Alum	350 Steel
QE max (lpm)	55	90	150	280
QR max (lpm)	30	55	90	190
Ports	E-R-T: G1 / M:G 1/8			

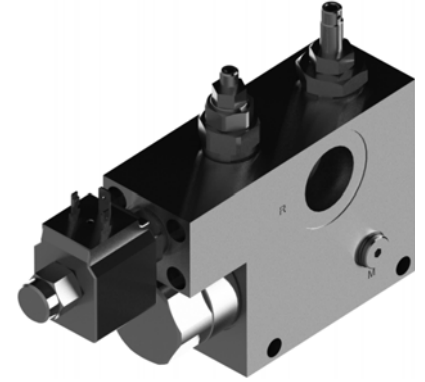
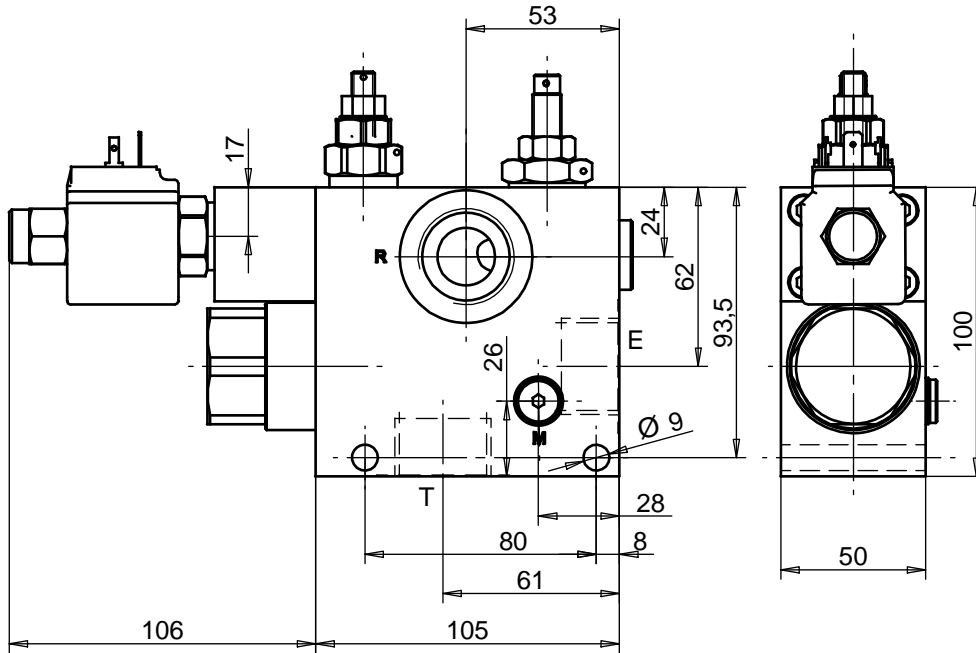
Materials: Zinc plated steel manifold, hardened steel inner parts.

Ordering Code

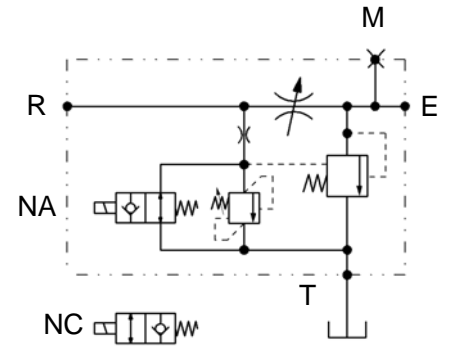
PVETP - -

	Size BSP
02	3/8
03	1/2
04	3/4
05	1

Dimensions



Hydraulic Symbol



Features

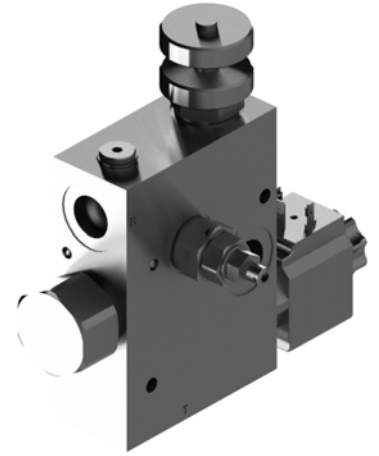
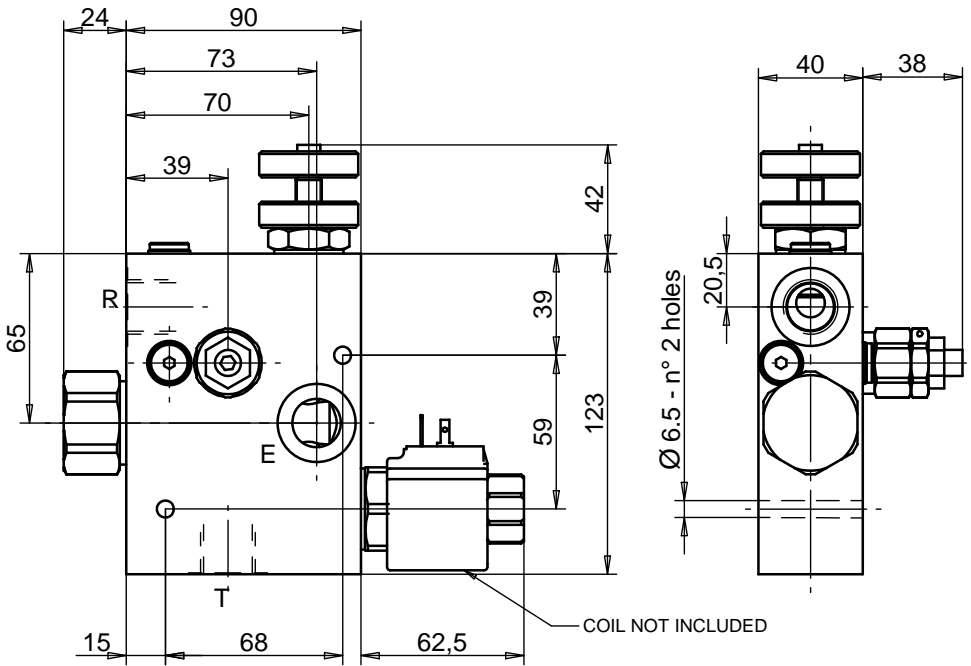
Max Pressure (bar)	350
QE max (lpm)	280
QR max (lpm)	190
Ports	E-R-T: G 1 M: G 1/8

Materials: Zinc plated steel manifold, hardened steel inner parts.

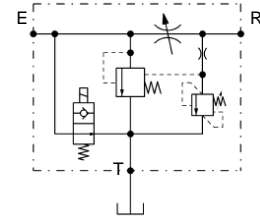
Ordering Code

PVETPE 05

Dimensions



Hydraulic Symbol



Features

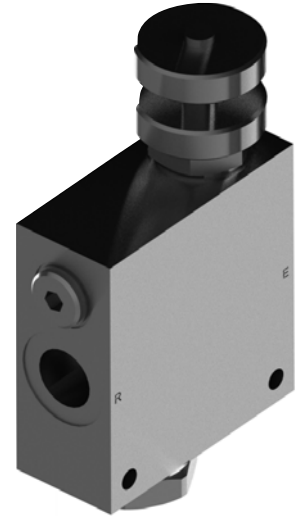
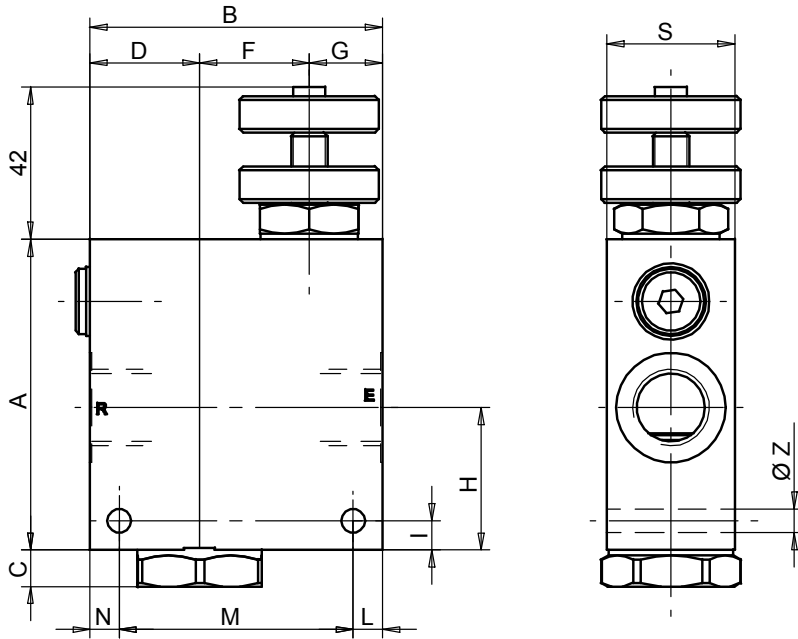
Size	03
Max Pressure (bar)	210
Max adm. inlet flow (lpm)	90
Max delivery in priority flow (lpm)	55
Ports	E-R-T: G 1/2

Materials: Zinc plated steel cartridge, hardened steel inner parts.
Aluminium manifold.

Ordering Code

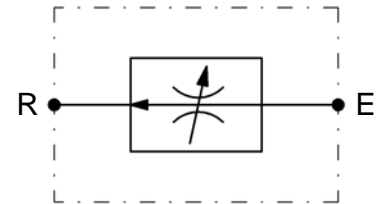
PVETPB Y 03

Dimensions



Size	A	B	C	D	F	G	H	I	L	M	N	S	Z
01	70	70	9	29,5	23,5	17	29	8	10	50	10	30	6,5
02	70	70	9	29,5	23,5	17	29	8	10	50	10	30	6,5
03	85	80	10	30	30	20	39	8	8	64	8	35	6,5
04	100	100	10	36,5	38,5	25	44	10	10	82	8	50	8,5
05	108	108	10	41,5	36,5	30	46,5	10	18	82	8	50	8,5

Hydraulic Symbol



Features

Size	01	02	03	04	05
Max Pressure (bar)	210				
QE (lpm)	25				
Ports E-R	G 1/4	G 3/8	G 1/2	G 3/4	G 1
QE max (lpm)	25	25	55	90	190

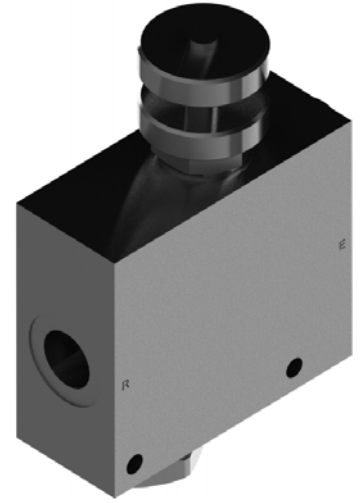
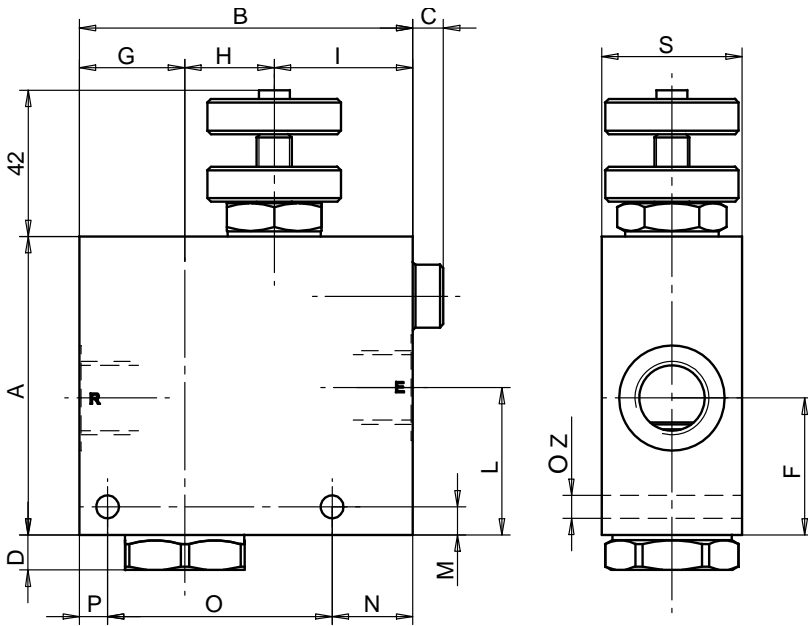
Materials: Zinc plated steel cartridge, hardened steel inner parts. Aluminium manifold.

Ordering Code

PVED **--**

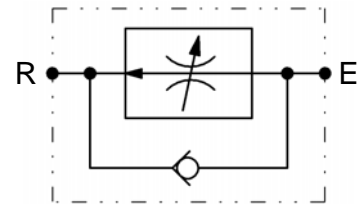
	Size BSP
01	1/4
02	3/8
03	1/2
04	3/4
05	1

Dimensions



Size	A	B	C	D	F	G	H	I	L	M	N	O	P	S	Z
02	85	95	9,5	10	39	30	26	39	43,5	8	23	64	8	40	6,5
03	85	95	9,5	10	39	30	26	39	42	8	23	64	8	40	6,5
04	100	130	15,5	10	44	35	40	55	46	10	40	82	8	50	8,5
05	110	145	11,5	10	46	40	40	65	44	10	55	82	8	50	8,5

Hydraulic Symbol



Features

Size	02	03	04	05
Max Pressure (bar)	210			
Ports E-R	G 3/8	G 1/2	G 3/4	G 1
QE max (lpm)	30	55	90	190

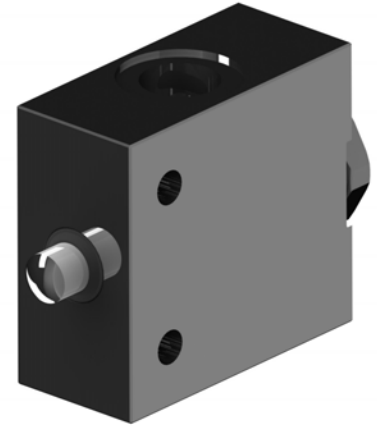
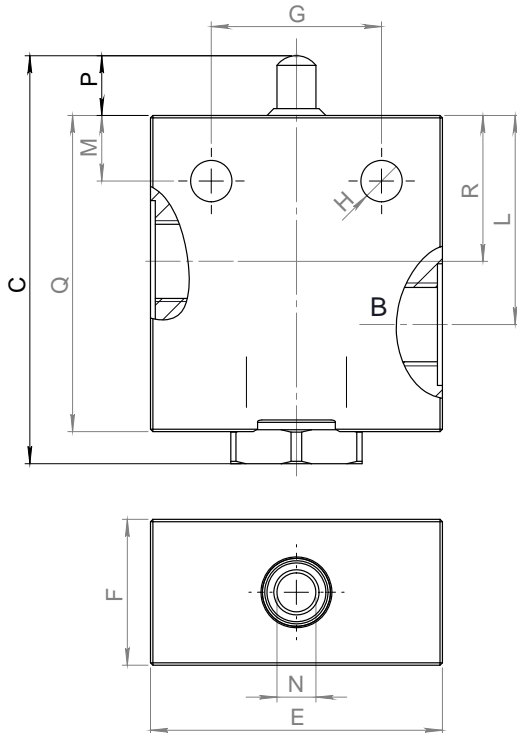
Materials: Zinc plated steel cartridge, hardened steel inner parts.
Aluminium manifold.

Ordering Code

PVEDR - -

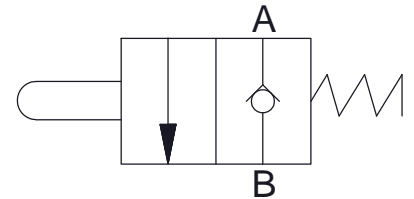
	Size BSP
02	3/8
03	1/2
04	3/4
05	1

Dimensions

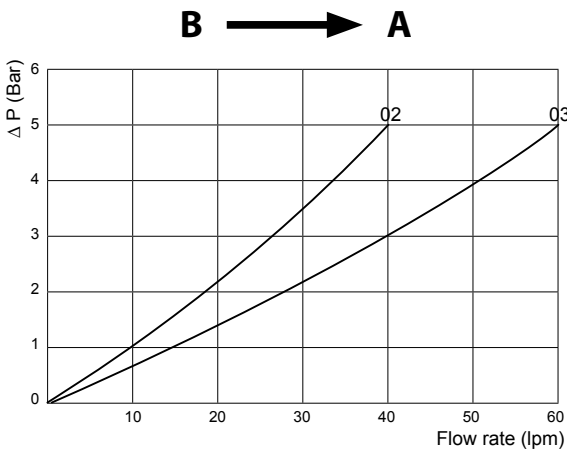


Size	C	D BSP	E	F	G	H	L	M	N	P	Q	R	Hex	Weight kg
02	83,9	3/8	60	30	35	8,5	43	13,5	8	12,3	65	30	27	0,80
03	95,5	1/2	70	35	40	8,5	51	13,5	12	11,8	77	37	32	1,28

Hydraulic Symbol



Curves



Features

Size	02	03
Max Pressure (bar)	350	350
Max Flow Rate (lpm)	30	60
Stroke (mm)	10	12
Spring Bias (Nm)	20	20

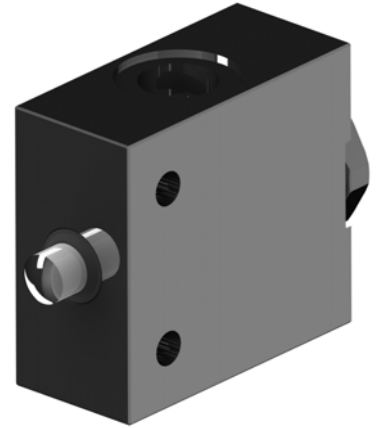
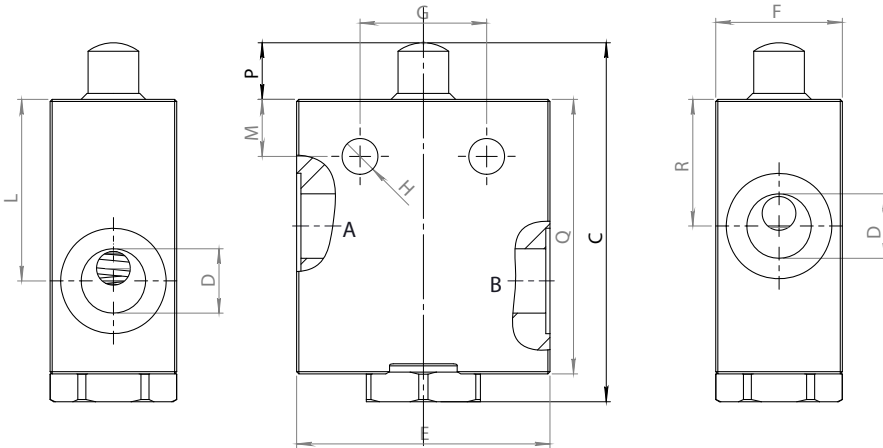
Materials: Zinc plated steel body, hardened steel inner parts.

Ordering Code

ESCS	--
	Size BSP
02	3/8
03	1/2

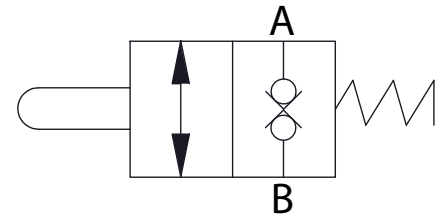
Ordering Code Example: ESCS02 = 3/8 BSP.

Dimensions



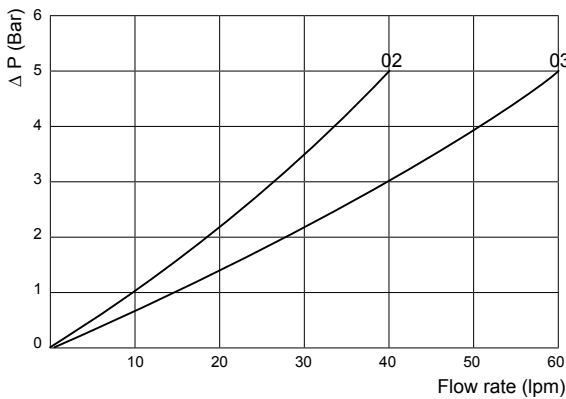
Size	C	D BSP	E	F	G	H	L	M	N	P	Q	R	Hex	Weight kg
02	85	3/8	60	30	30	8,5	43	13,5	12	13,4	65	30	27	0,81
03	97	1/2	70	35	40	8,5	51	13,5	16	13,3	77	37	32	1,28

Hydraulic Symbol



Curves

B ↔ **A**



Features

Size	02	03
Max Pressure (bar)	350	350
Max Flow Rate (lpm)	30	60
Stroke (mm)	10	12
Spring Bias (Nm)	20	20

Materials: Zinc plated steel body, hardened steel inner parts.

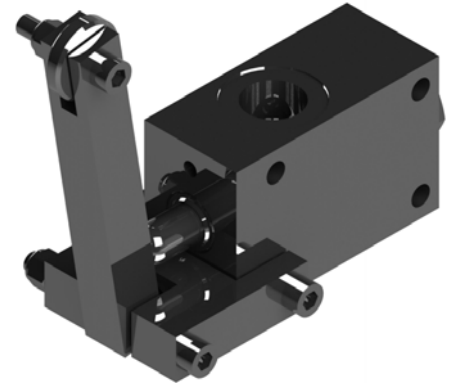
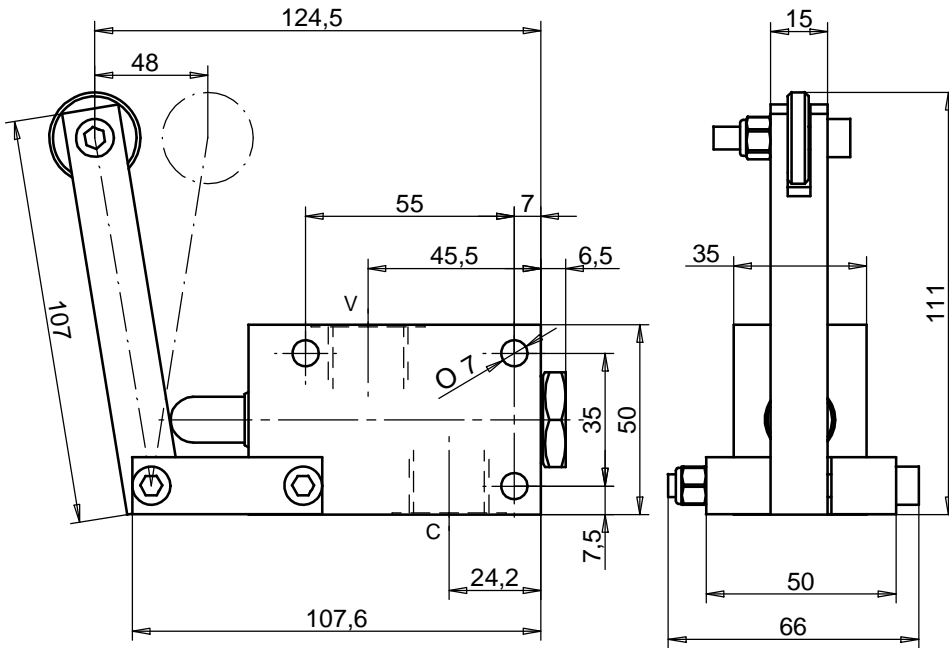
Ordering Code

ESCD **--**

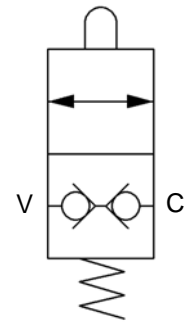
	Size BSP
02	3/8
03	1/2

Ordering Code Example: ESCD02 = 3/8 BSP.

Dimensions

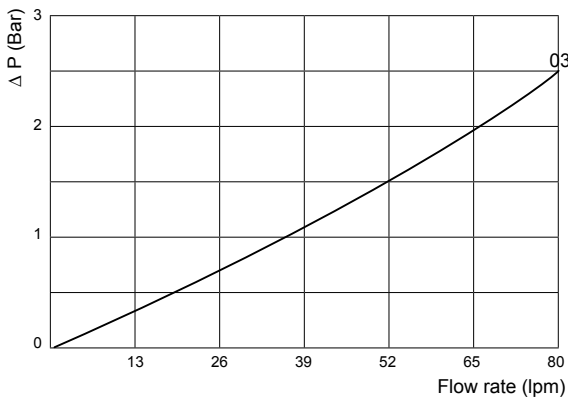


Hydraulic Symbol



Curves

V ↔ C



Features

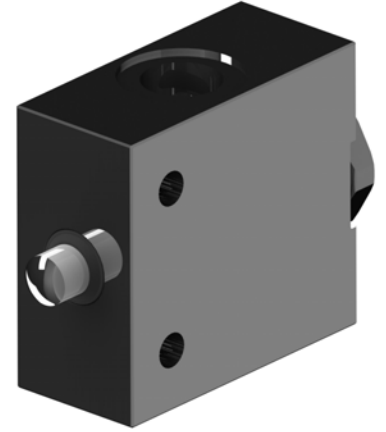
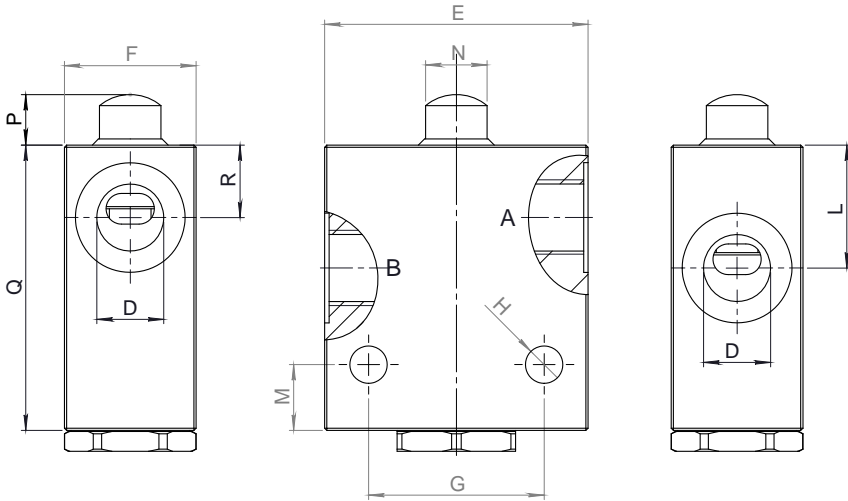
Max Pressure	400 bar
Max Flow	80 lpm
Ports	V-C: G 1/2

Materials: Zinc plated steel body, hardened steel inner parts.

Ordering Code

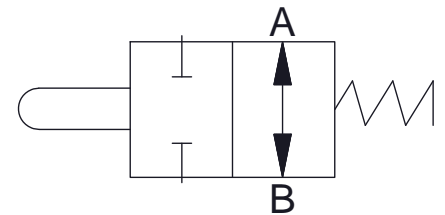
ESDCM 03

Dimensions



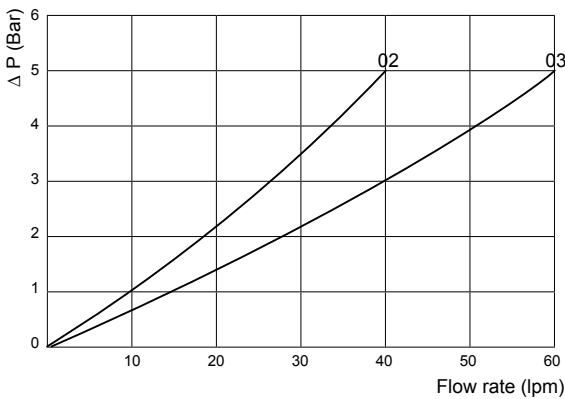
Size	C	D BSP	E	F	G	H	L	M	N	P	Q	R	Weight kg
02	81,25	3/8	60	30	40	8,5	28	15	14	11,5	65	16,5	0,78
03	81,25	1/2	60	30	40	8,5	37	15	14	11,5	65	16,5	0,81

Hydraulic Symbol



Curves

B ↔ **A**



Features

Size	02	03
Max Pressure (bar)	350	350
Max Flow Rate (lpm)	30	60
Stroke (mm)	12	12
Spring Bias (Nm)	100	100

Materials: Zinc plated steel body, hardened steel inner parts.

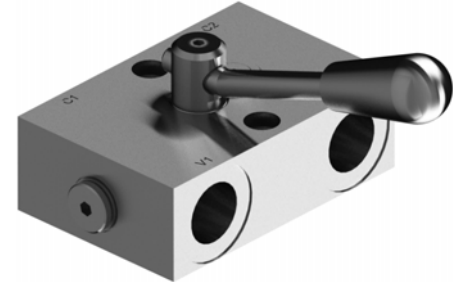
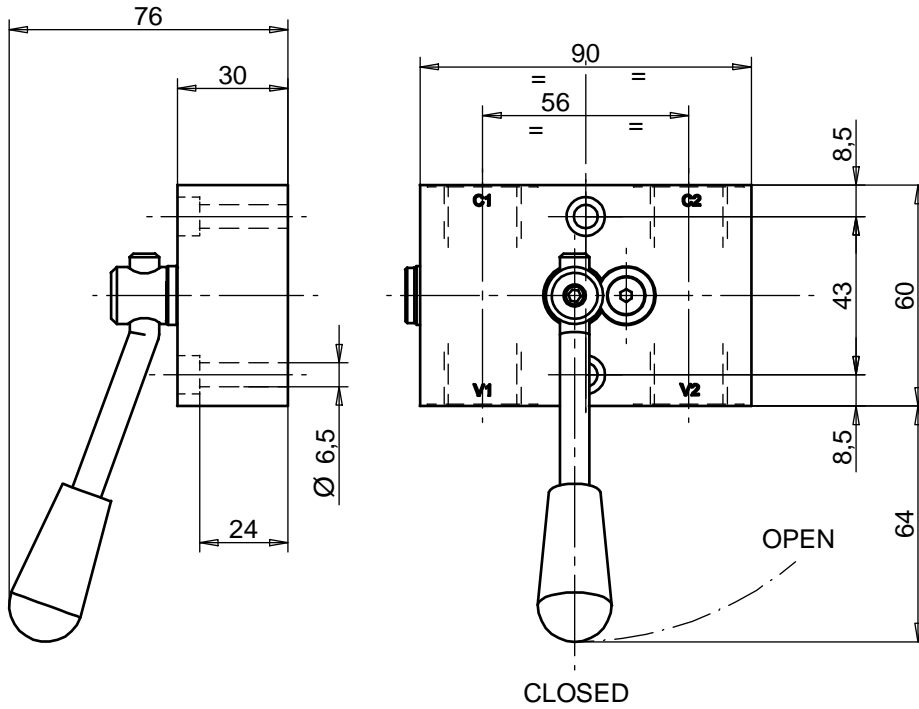
Ordering Code

ESOP --

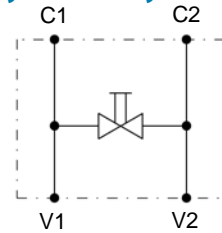
	Size BSP
02	3/8
03	1/2

Ordering Code Example: ESOP02 = 3/8 BSP.

Dimensions



Hydraulic Symbol



Features

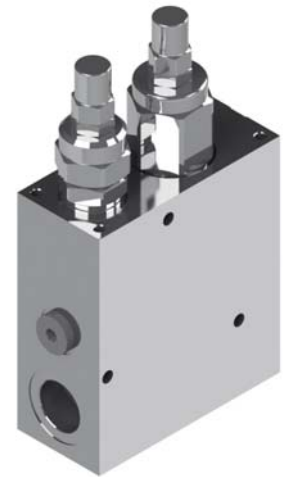
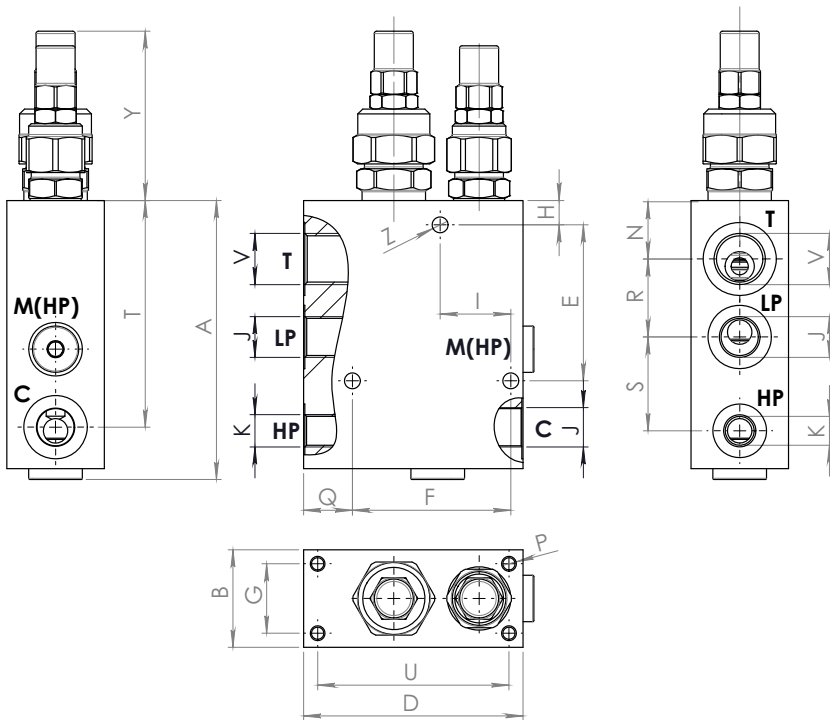
Max Pressure (bar)	210
Max Flow (lpm)	35
Ports (bsp)	1/2

Materials: Zinc plated steel cartridge, hardened steel inner parts.
Aluminium manifold.

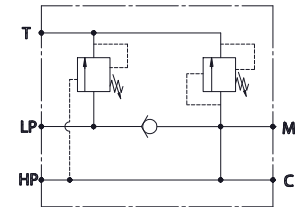
Ordering Code

VDF 03

Dimensions

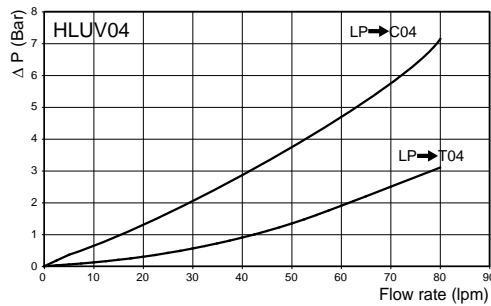
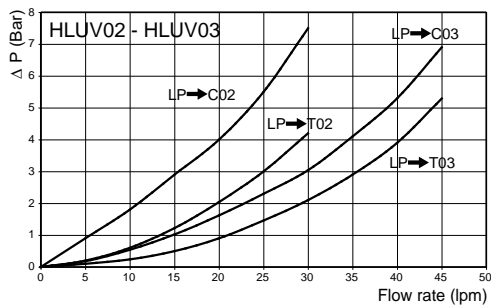


Hydraulic Symbol



Size	A	B	D	E	F	G	H	I	J BSP	K BSP	V BSP	N	P	Q	R	S	T	U	Y	Z	Weight kg
02	110	40	90	64	65	28,5	10	29	3/8	1/4	1/2	22	M6	20	36	36	94,5	78,5	69,5	6,5	2,42
03	110	40	90	64	65	28,5	10	29	1/2	3/8	3/4	22	M6	20	36	36	94,5	78,5	69,5	6,5	2,10
04	125	50	110	65	80	38	10	37	3/4	1/2	1	22	M6	25	43	40	101	98	72	6,5	5,15

Curves



Features

SIZE	02	03	04
Max Pressure (bar)	350	350	350
Max Flow Rate LP→C (lpm)	30	45	80

Materials: Zinc plated steel cartridge, hardened steel inner parts.
Steel manifold.

Ordering Code

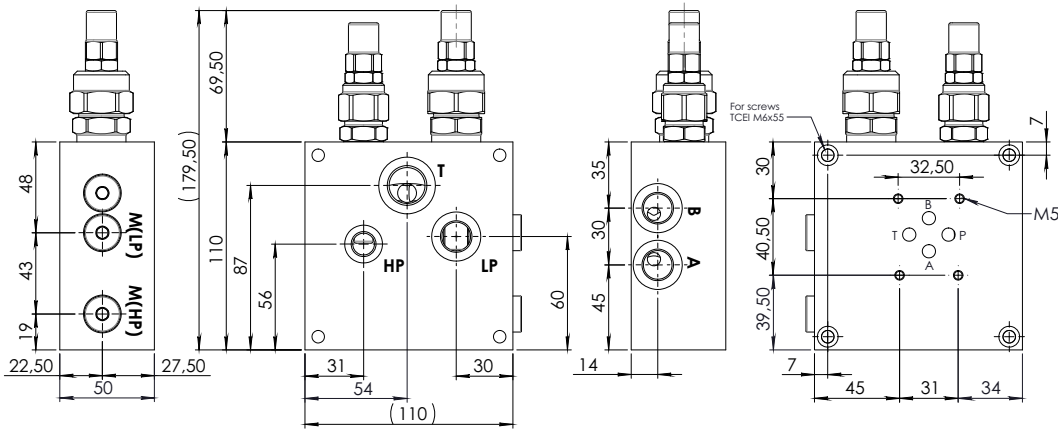
HLUV -- -- --

Port Size BSP	LP - Spring (bar)		
	02	03	04
02	3/8		
03	1/2	10	20
04	3/4	10	20

HP - Spring (bar)	LP - Spring (bar)		
	02	03	04
20	40-210	40-210	20-260
30	100-350	100-350	120-350

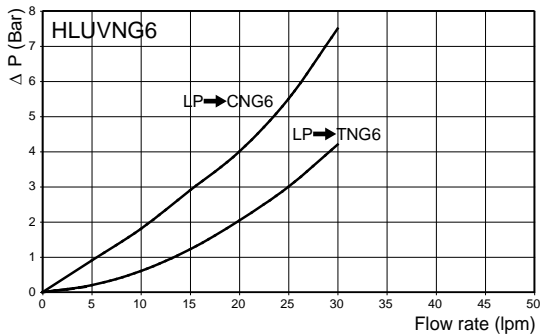
Ordering Code Example: HLUV032030 = Hi-Low 1/2 BSP, LP valve 20-260 bar, HP valve 100-350 bar.

Dimensions

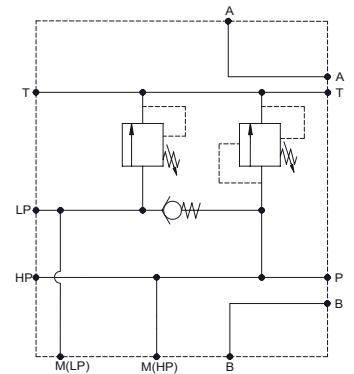


HP BSP	LP BSP	T BSP	A BSP	B BSP	M(HP) BSP	M(LP) BSP
1/4	3/8	1/2	3/8	3/8	1/4	1/4

Curves



Hydraulic Symbol



Features

Max Flow Rate LP→C (lpm) **30**

Materials: Zinc plated steel cartridge, hardened steel inner parts.
Aluminium manifold.

Ordering Code

HLUV NG6 -- --

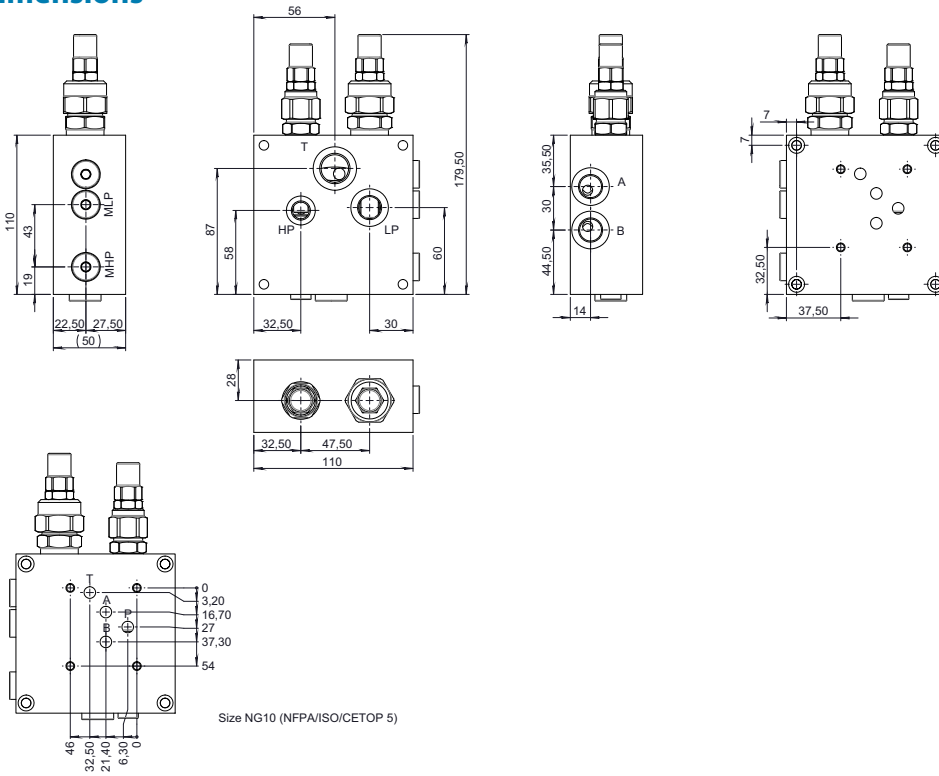
LP - Spring (bar)

10	5-50
20	20-260

HP - Spring (bar)

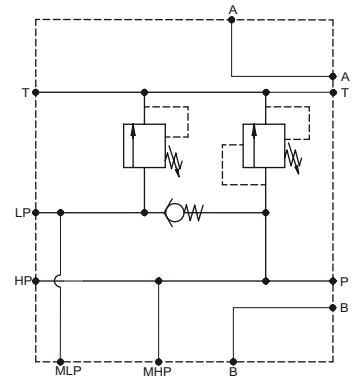
20	40-210
30	100-350

Dimensions

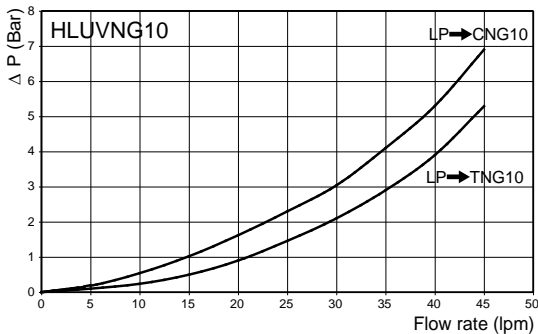


HP BSP	LP BSP	T BSP	A BSP	B BSP	M(HP) BSP	M(LP) BSP
1/4	3/8	1/2	3/8	3/8	1/4	1/4

Hydraulic Symbol



Curves



Features

Max Flow Rate LP→C (lpm) **45**

Materials: Zinc plated steel cartridge, hardened steel inner parts.
Aluminium manifold.

Ordering Code

HLUV NG10 -- --

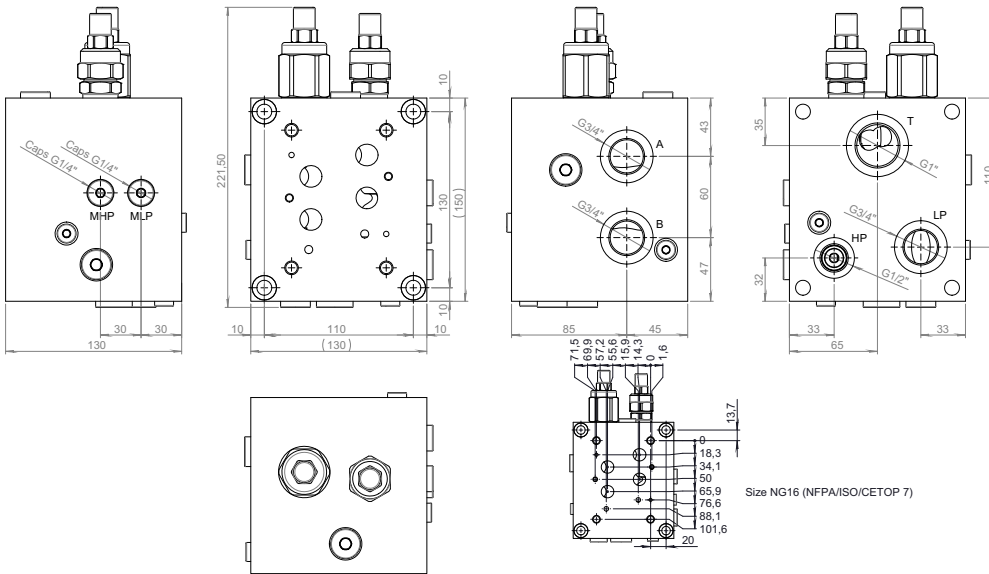
LP - Spring (bar)

10	5-50
20	20-260

HP - Spring (bar)

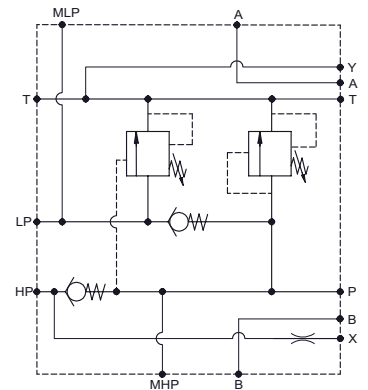
20	40-210
30	100-350

Dimensions

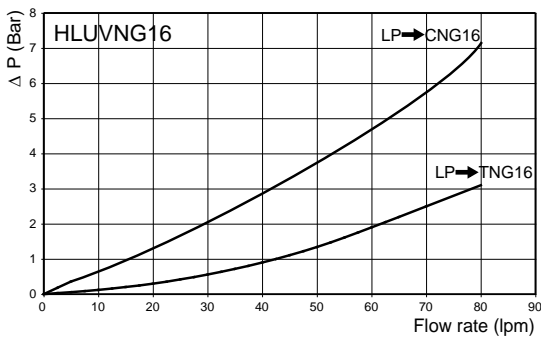


HP BSP	LP BSP	T BSP	A BSP	B BSP	M(HP) BSP	X	Y
1/2	3/4	1	3/4	3/4	1/4	1/4	1/4

Hydraulic Symbol



Curves



Features

Max Flow Rate LP→C (lpm) **80**

Materials: Zinc plated steel cartridge, hardened steel inner parts.
Aluminium manifold.

Ordering Code

HLUV NG16 -- --

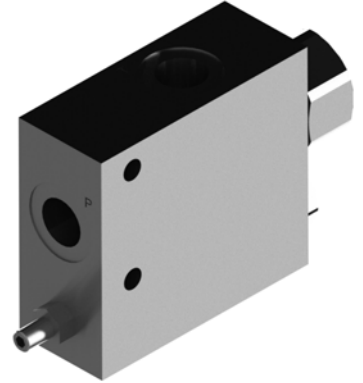
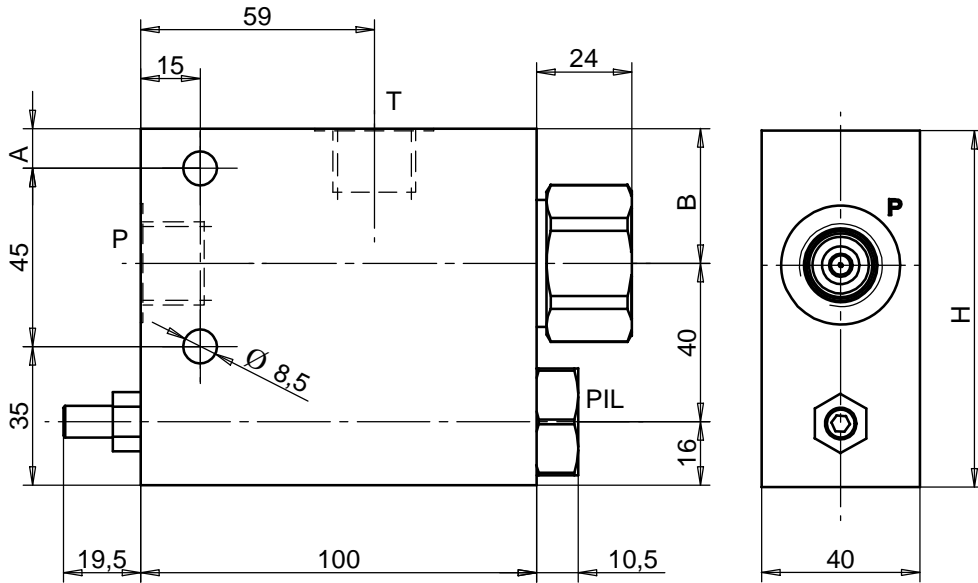
LP - Spring (bar)

10	5-120
20	50-350

HP - Spring (bar)

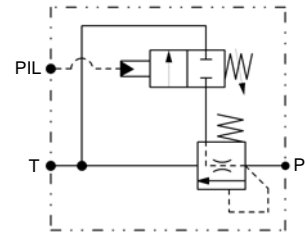
20	20-260
30	120-350

Dimensions

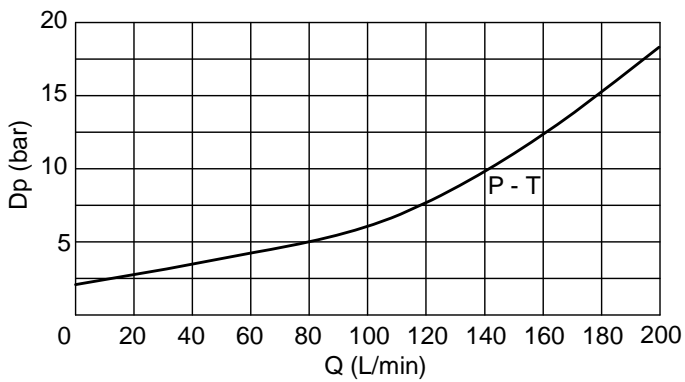


Size	A	B	H	P-T-PIL bsp
03	10	34	90	1/2
04	25	49	105	3/4

Hydraulic Symbol



Curves



Features

Max Pressure	250 bar
Std. Pressure range	100 - 300 bar

Materials: Zinc plated steel cartridge, hardened steel inner parts.
Aluminium manifold.

Ordering Code

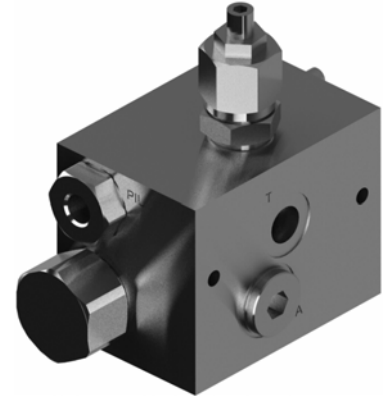
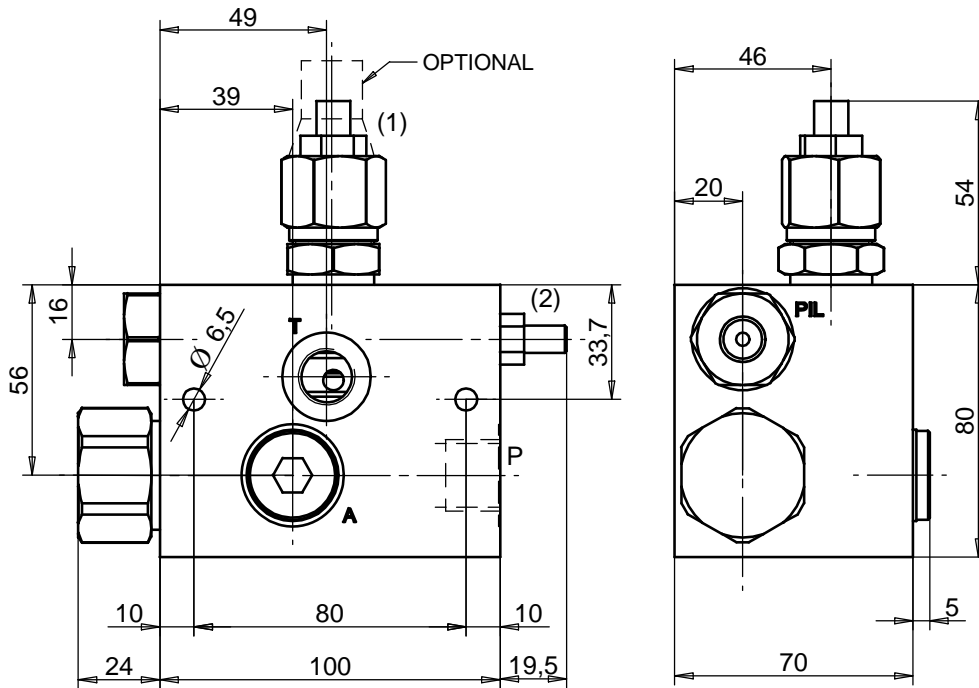
VMSIP

--

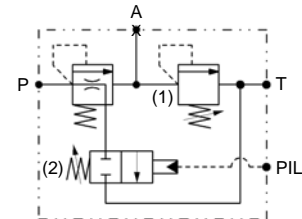
Port Size BSP

03	1/2
04	3/4

Dimensions



Hydraulic Symbol



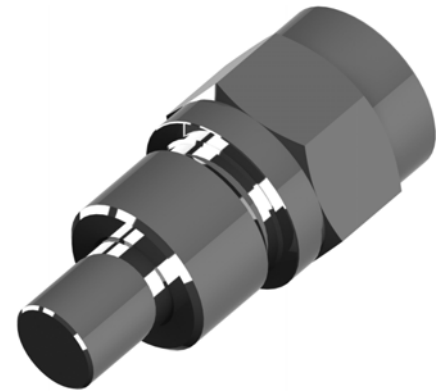
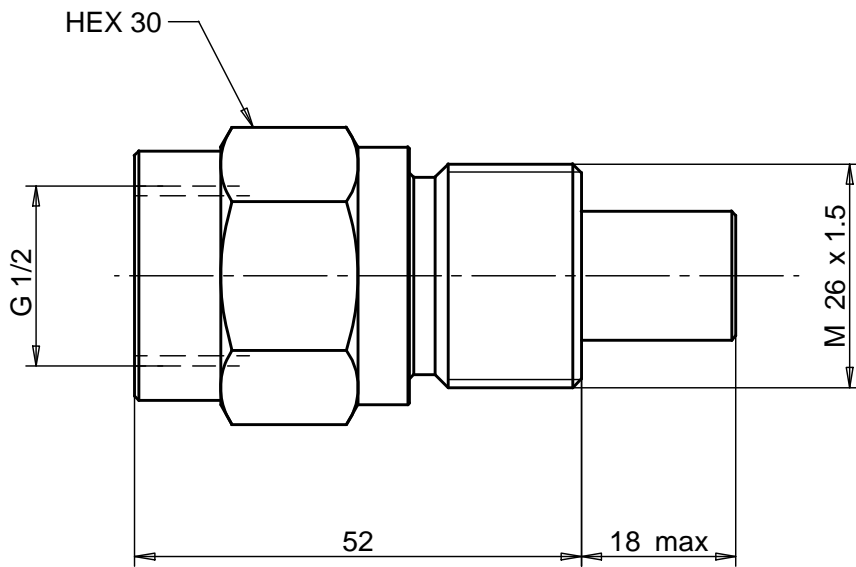
Features

Max Pressure	250 bar
Max Flow	80 lpm
Ports	P-A: G 1/2 T: G 3/8 PIL: G 1/4
Std. Pressure range	(1) 30 - 260 bar (2) 100 - 350 bar

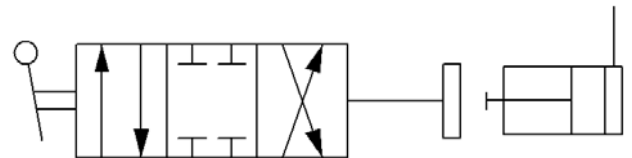
Ordering Code

VMSIP80R 03

Dimensions



Hydraulic Symbol



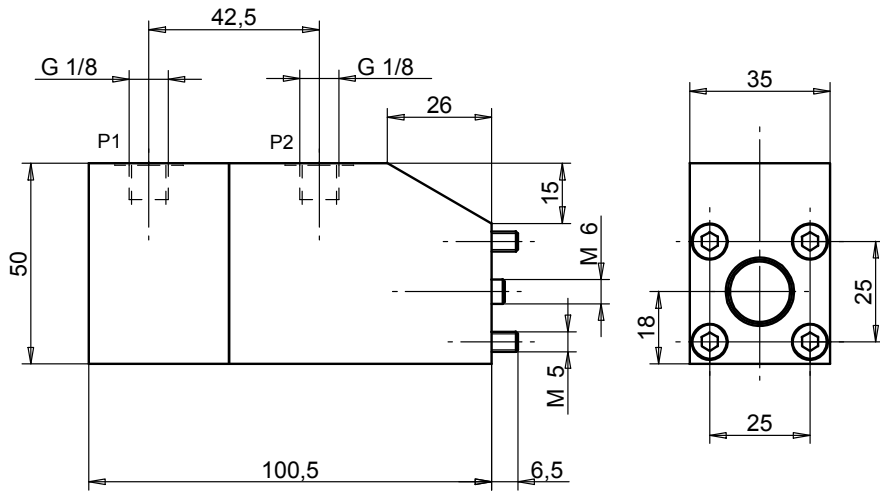
Features

Max Pressure	260 bar
---------------------	---------

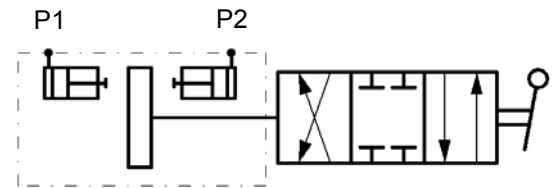
Ordering Code

CBA 03

Dimensions



Hydraulic Symbol



Features

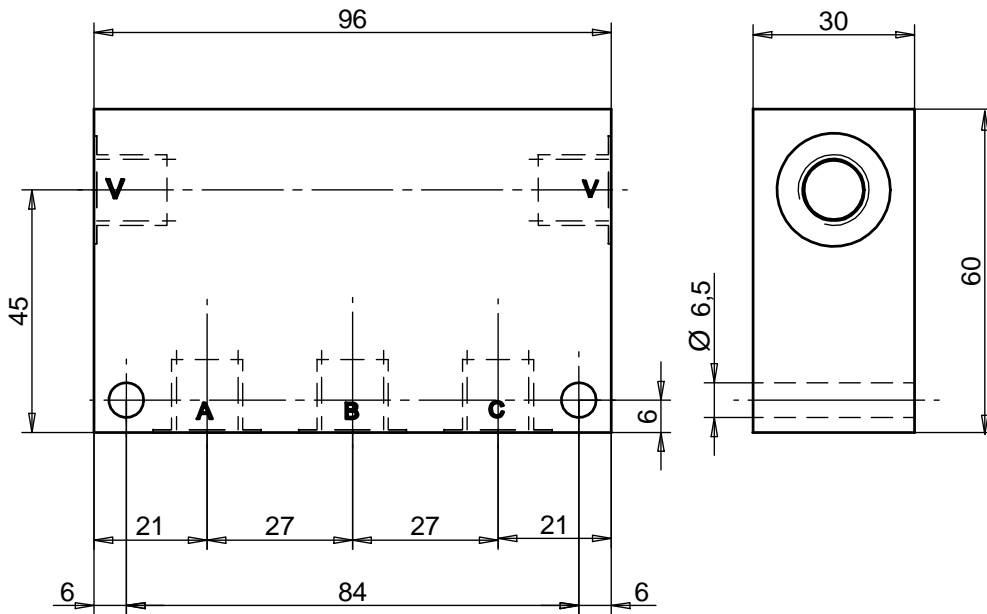
Max Pressure	290 bar
--------------	---------

Materials: Zinc plated steel cartridge, hardened steel inner parts.
Aluminium manifold.

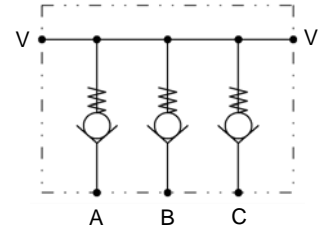
Ordering Code

BLCDEWL 005

Dimensions



Hydraulic Symbol



Features

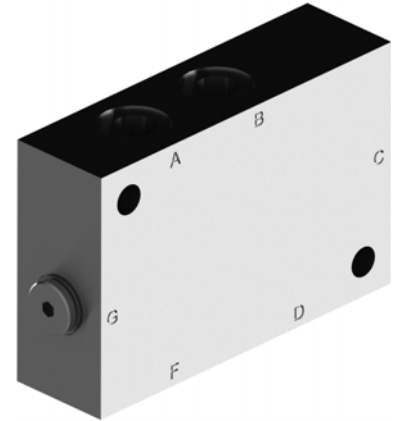
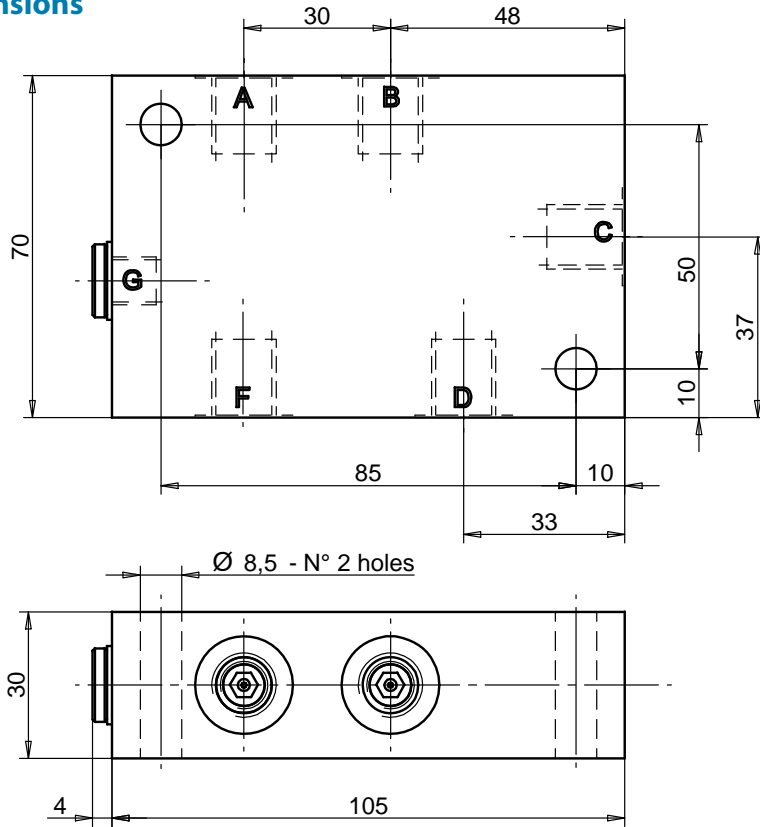
Max Flow	20 lpm
Max Pressure	350 bar
Ports	V: G 1/4 A-B-C: G 1/4

Materials: Zinc plated steel cartridge, hardened steel inner parts.
Aluminium manifold.

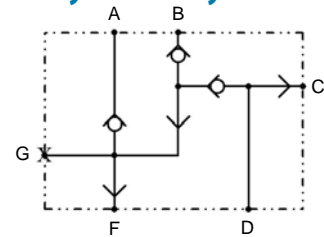
Ordering Code

VRLS3RT 01

Dimensions



Hydraulic Symbol



Features

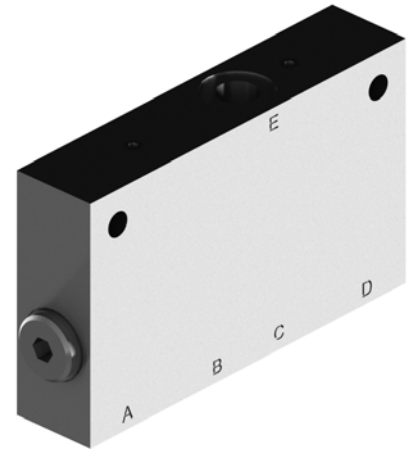
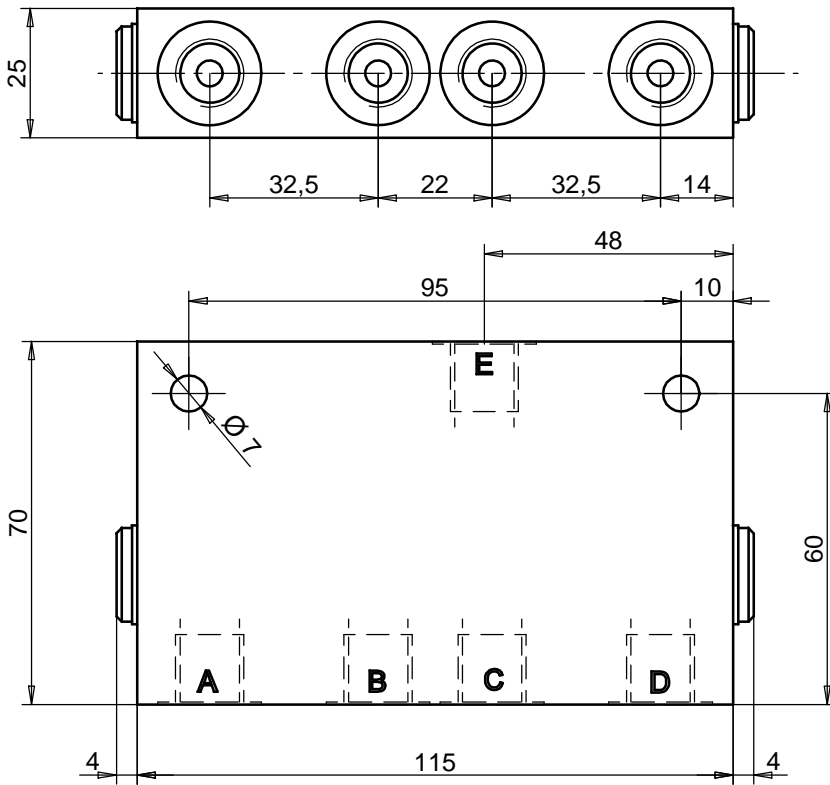
Max Flow	3 lpm
Max Pressure	400 bar
Ports	A-B-C-D-F: 1/4 G: 1/8

Materials: Zinc plated steel manifold, hardened steel inner parts.

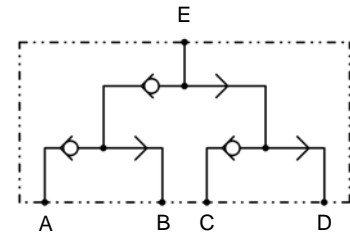
Ordering Code

VSEL3V 01

Dimensions



Hydraulic Symbol



Features

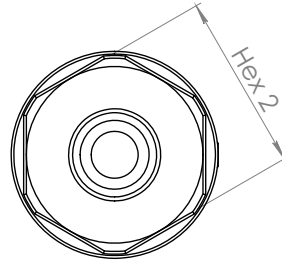
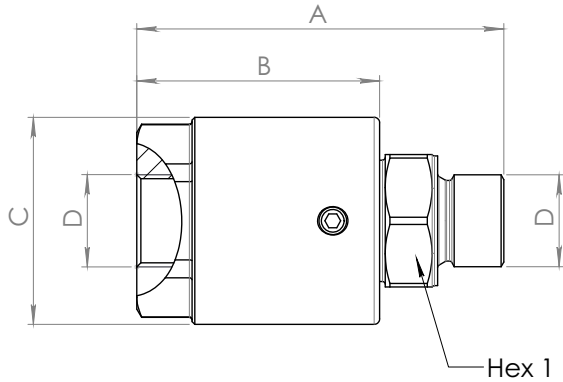
Max Pressure	250 bar
Max Flow	10 lpm
Ports	A-B-C-D-E: G 1/4

Materials: Zinc plated steel cartridge, hardened steel inner parts.
Aluminium manifold.

Ordering Code

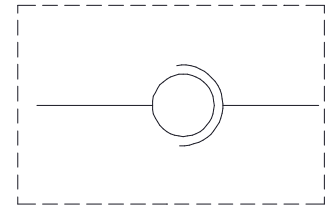
VSEL3VHC 01

Dimensions

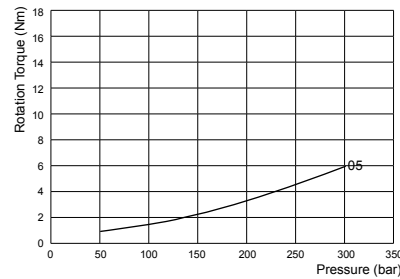
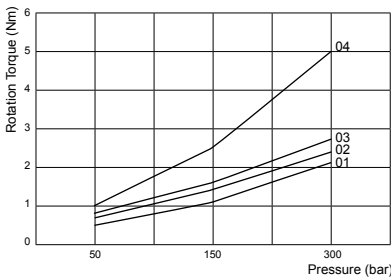


Size	A	B	C	D BSP	Hex 1	Hex 2	Weight kg
01	63	42	34	1/4	19	30	0,28
02	66,5	44	37,5	3/8	22	32	0,35
03	70,4	44	39,5	1/2	27	32	0,39
04	90,7	60	49,5	3/4	32	41	0,80
05	100	65	54,5	1	41	46	0,95

Hydraulic Symbol



Curves



Features

Size	01	02	03	04	05
Max Flow Rate (lpm)	25	45	80	120	150
Max Static Pressure (bar)	400	400	360	310	280

Materials: Zinc plated steel.

Ordering Code

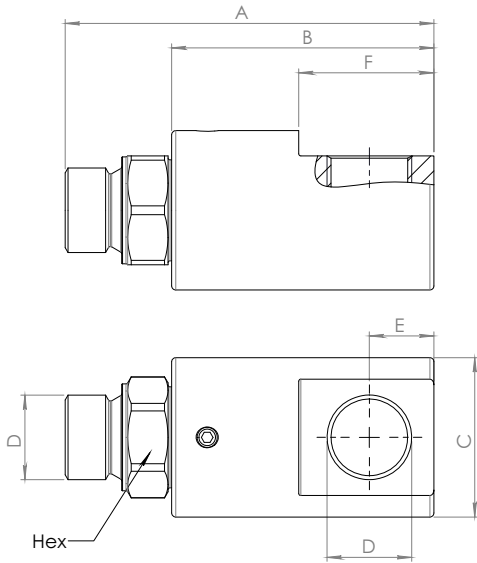
SJL

--

	Size BSP
01	1/4
02	3/8
03	1/2
04	3/4
05	1

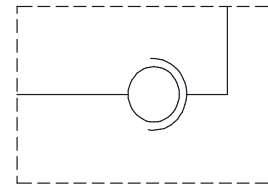
Ordering Code Example: SJL03 = 1/2 BSP.

Dimensions

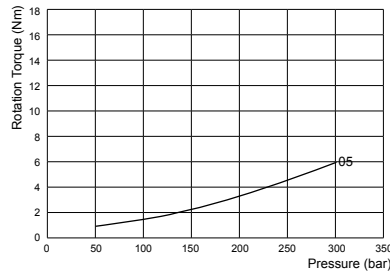
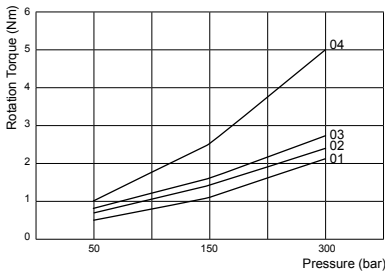


Size	A	B	C	D BSP	E	F	Hex 1	Weight kg
01	71	50	34	1/4	11,5	25	19	0,33
02	77,5	55	37,5	3/8	14	31	22	0,43
03	91,4	65	39,5	1/2	16	33,5	27	0,55
04	104,7	74	49,5	3/4	17,8	39	32	0,97
05	120	85	59,5	1	22,8	48	41	1,45

Hydraulic Symbol



Curves



Features

Size	01	02	03	04	05
Max Flow Rate (lpm)	25	45	80	120	150
Max Static Pressure (bar)	400	400	360	310	280

Materials: Zinc plated steel.

Ordering Code

SJ90

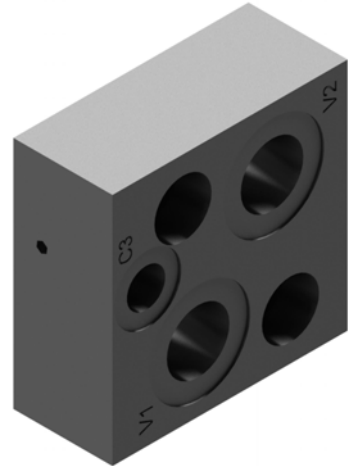
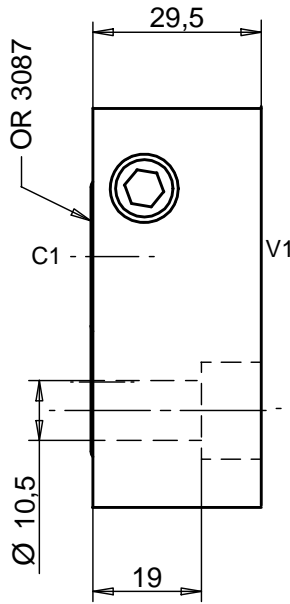
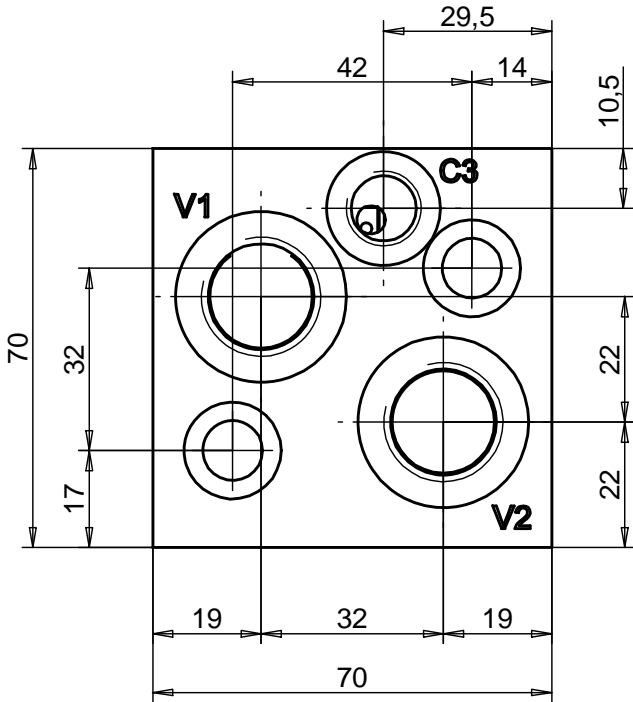
--

Size BSP

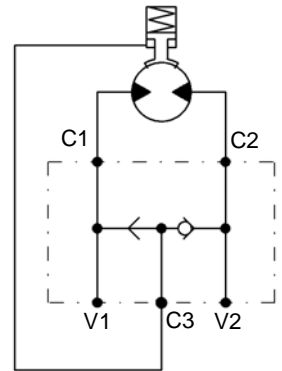
01	1/4
02	3/8
03	1/2
04	3/4
05	1

Ordering Code Example: SJ9003 = 1/2 BSP.

Dimensions



Hydraulic Symbol



Features

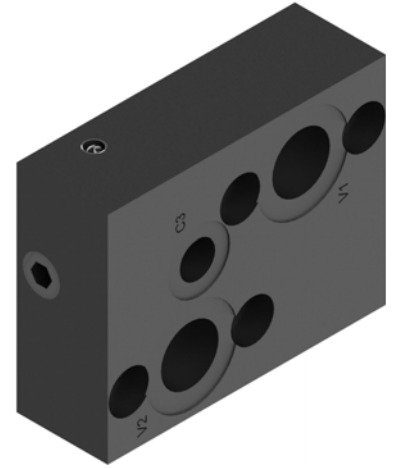
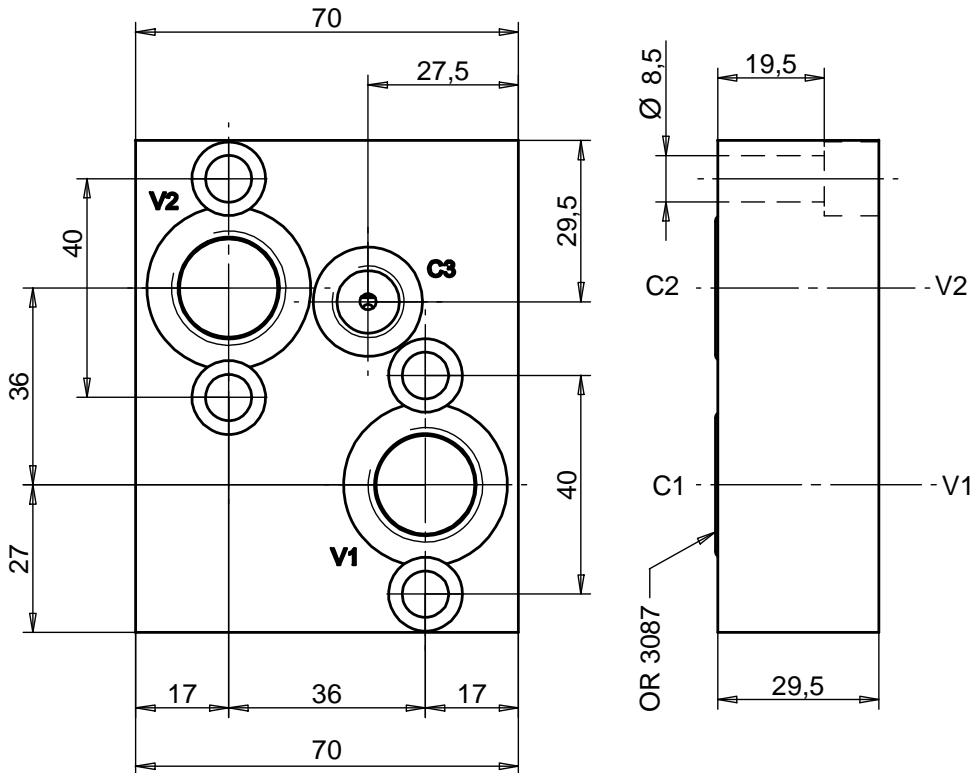
Max Flow	50 lpm
Max Pressure	350 bar
Ports	V1-V2: G1/2 C3: G 1/4

Materials: Zinc plated steel cartridge, hardened steel inner parts.
Aluminium manifold.

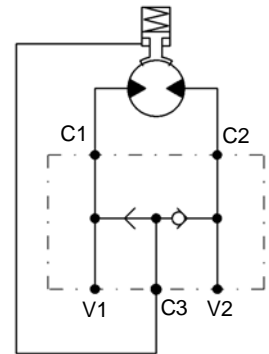
Ordering Code

SHVOMS 03

Dimensions



Hydraulic Symbol



Features

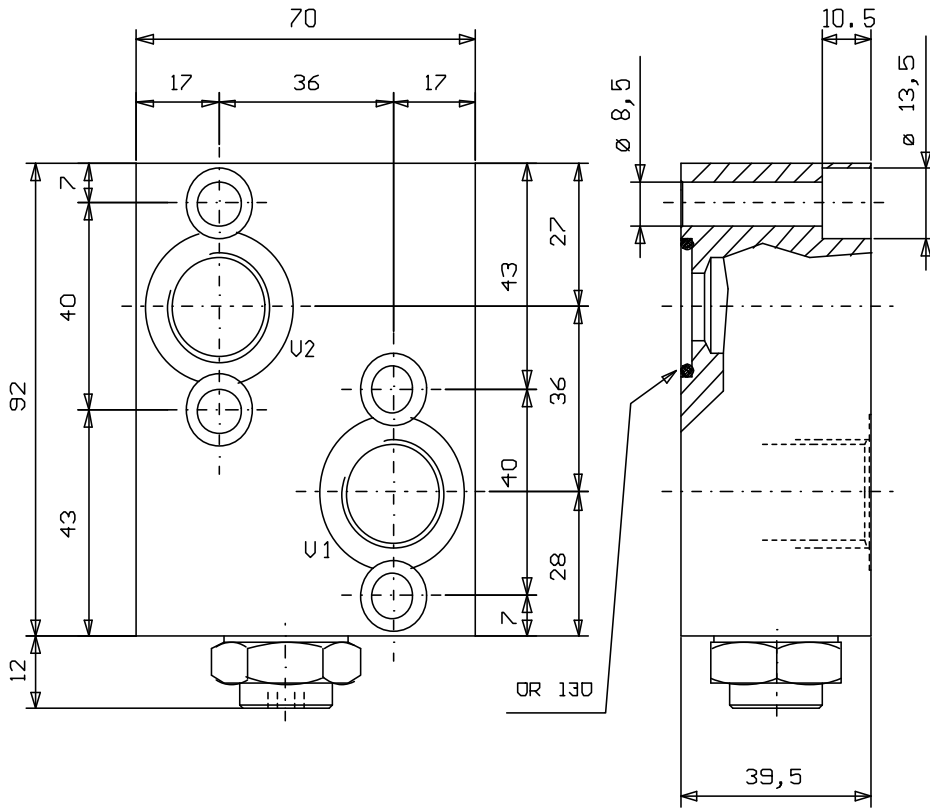
Max Flow	50 lpm
Max Pressure	350 bar
Ports	V1-V2: G 1/2 C3: G 1/4

Materials: Zinc plated steel cartridge, hardened steel inner parts.
Aluminium manifold.

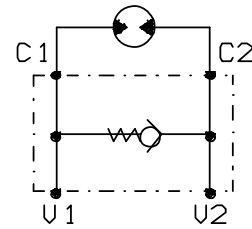
Ordering Code

SHVOMP 03

Dimensions



Hydraulic Symbol



Features

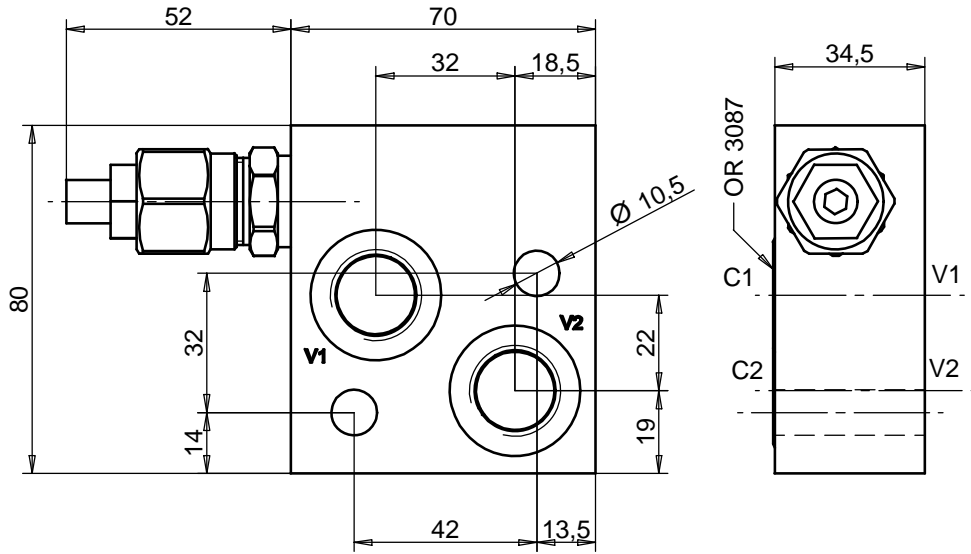
Max Flow	50 lpm
Max Pressure	250 bar
Cracking Pressure	0,5 / 3
Ports	V1-V2: G1/2

Materials: Zinc plated steel cartridge, hardened steel inner parts.
Aluminium manifold.

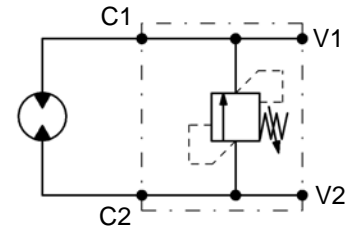
Ordering Code

ACVOMP 03

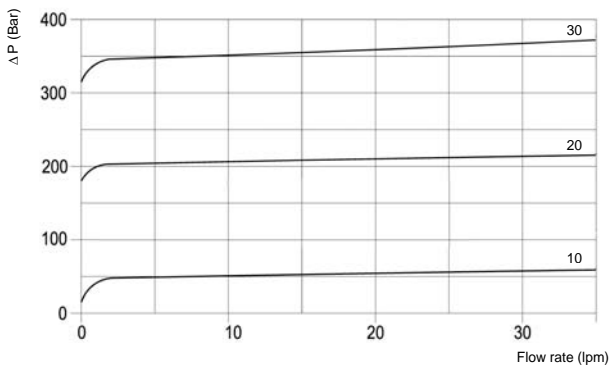
Dimensions



Hydraulic Symbol



Curves



Features

Max Flow	40 lpm
Max Pressure	250 bar
Ports	V1-V2: G 1/2

Materials: Zinc plated steel cartridge, hardened steel inner parts.
Aluminium manifold.

Ordering Code

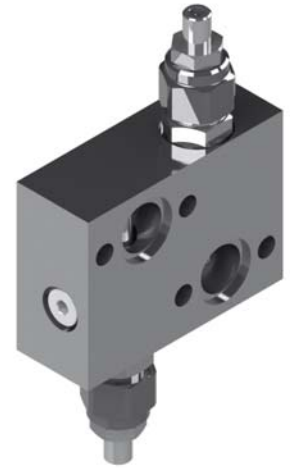
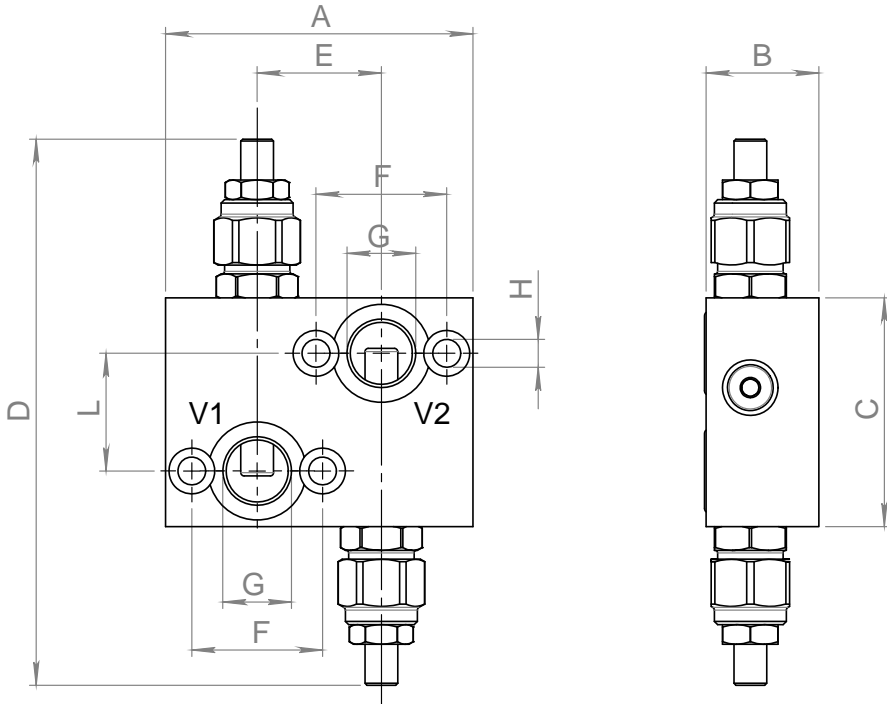
PROMS 03

	Spring (bar)
10	5-50
20	40-210
30	100-350

Adjustments

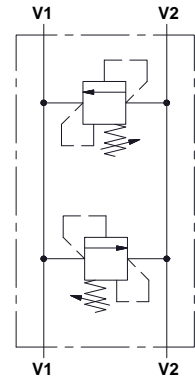
A		Socket Screw
B		Handknob
C		Tamperproof Cap

Dimensions

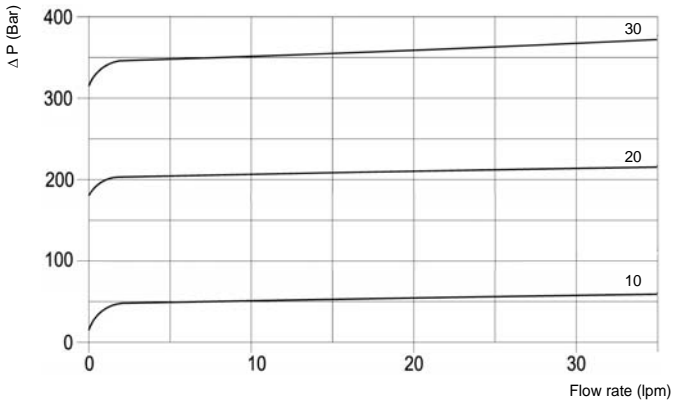


Size	A	B	C	D	E	F	G BSP	H	L	Weight kg
03	94	35	70	167	36	40	1/2	8,5	36	0,75

Hydraulic Symbol



Curves



Features

Rated Flow	35 lpm
Max Pressure	350 bar

Materials: Zinc plated steel cartridge, hardened steel inner parts.
Aluminium manifold.

Ordering Code

DPROMP-R35 -- -- -

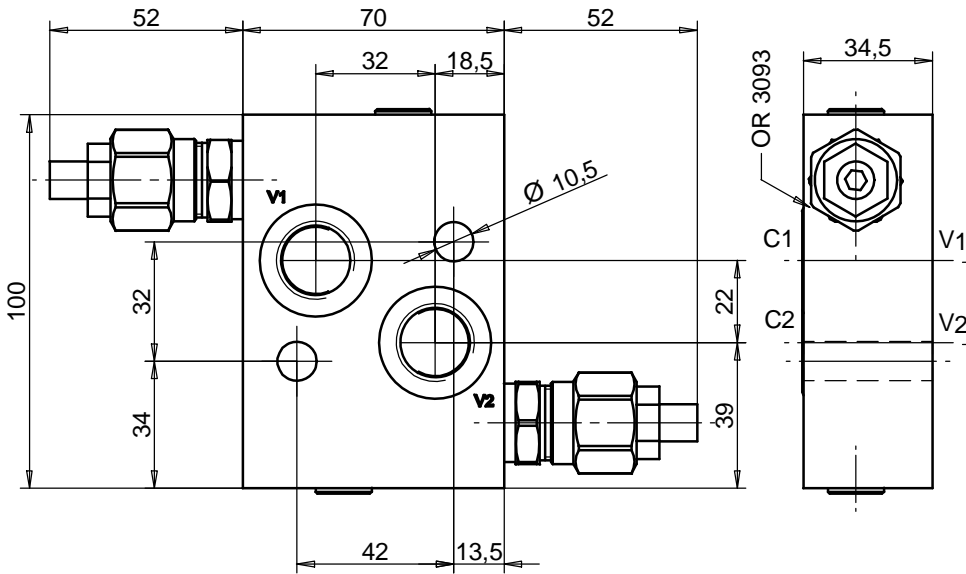
Port Size BSP		Spring (bar)	
03	1/2	10	5-50
		20	40-210
		30	100-350

Adjustments

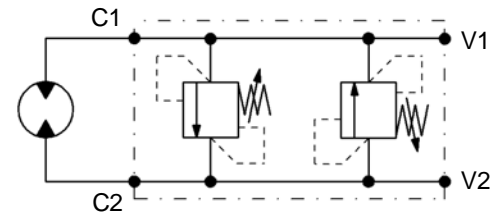
A		Socket Screw
B		Handknob
C		Tamperproof Cap

Ordering Code Example: DPROMP-R350320A = 1/2 Port Size - 40-210 bar setting range, Socket screw adjustment.

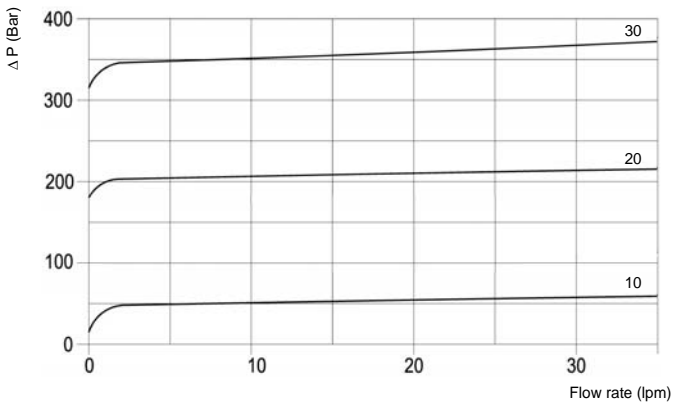
Dimensions



Hydraulic Symbol



Curves



Features

Max Flow	40 lpm
Max Pressure	250 bar
Ports	V1-V2: G 1/2
Pressure increase/Turn	90 bar

Materials: Zinc plated steel cartridge, hardened steel inner parts.
Aluminium manifold.

Ordering Code

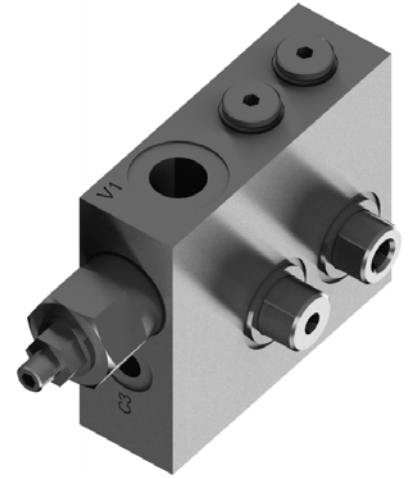
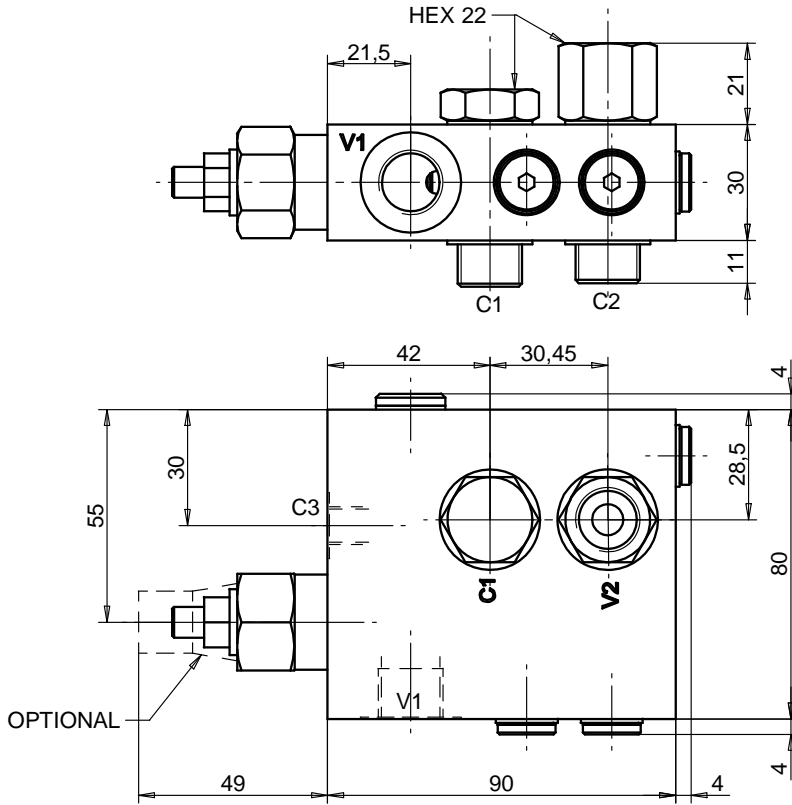
DPROMS-R35 03 -- -- -

Port Size BSP		Spring (bar)	
03	1/2	10	5-50
		20	40-210
		30	100-350

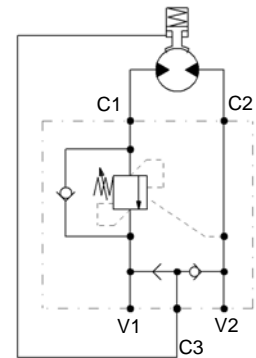
Adjustments

A		Socket Screw
B		Handknob
C		Tamperproof Cap

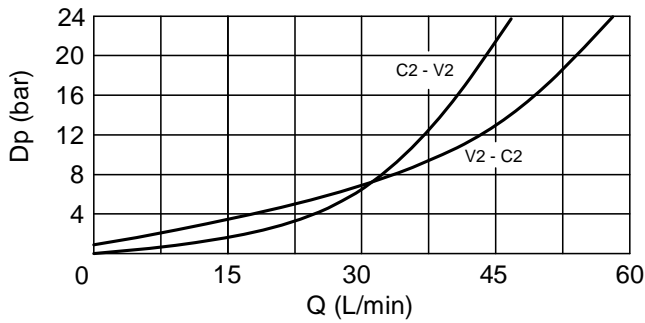
Dimensions



Hydraulic Symbol



Curves



Materials: Zinc plated steel cartridge, hardened steel inner parts.
Aluminium manifold.

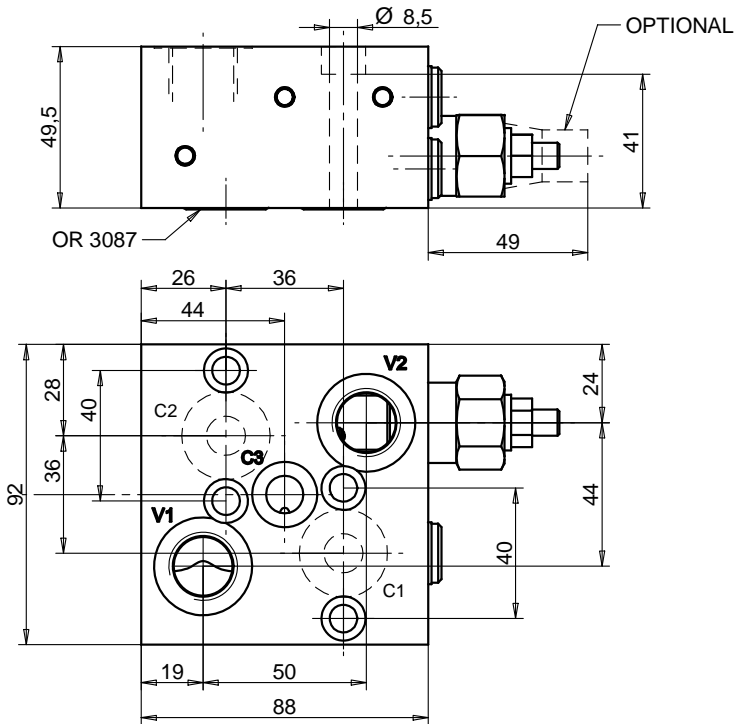
Features

Max Flow	40 lpm
Max Pressure	250 bar
Pilot Ratio	4,2:1 Standard
Ports	V1-V2: G 3/8 C1-C2: G 3/8 C3: G 3/8
Std. Pressure range	100 - 350 bar

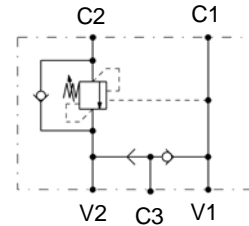
Ordering Code

CBSLSFOMM 02

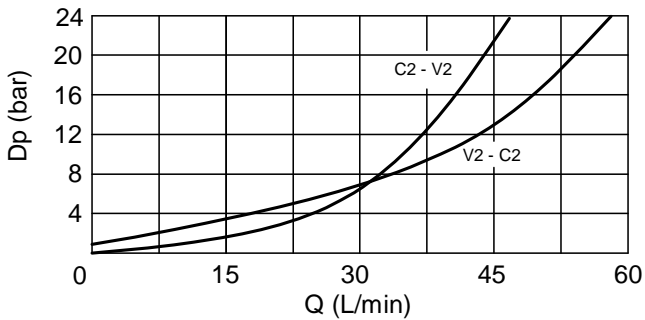
Dimensions



Hydraulic Symbol



Curves



Materials: Zinc plated steel cartridge, hardened steel inner parts.
Aluminium manifold.

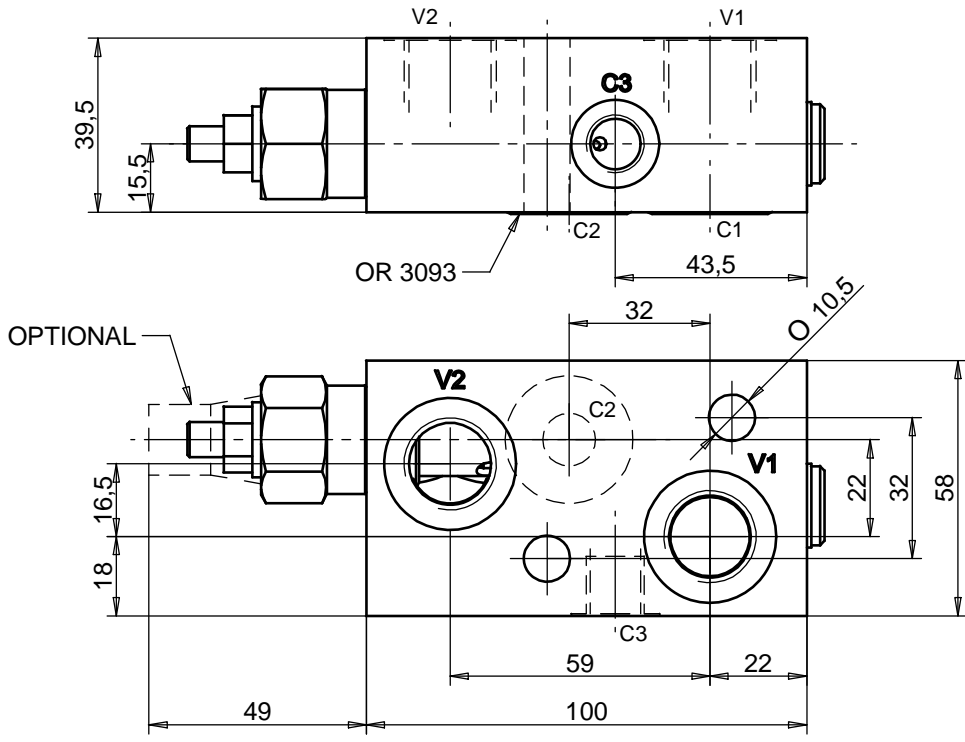
Features

Max Flow	60 lpm
Max Pressure	250 bar
Pilot Ratio	4,2:1 Standard
Ports	V1-V2: G 1/2 C1-C2: G 1/2 C3: G 1/4
Std. Pressure range	100 - 350 bar

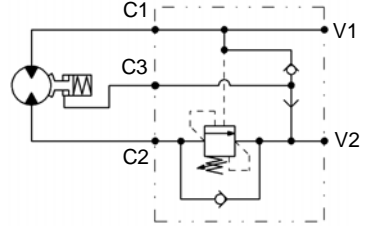
Ordering Code

CBSLSFOMP 03

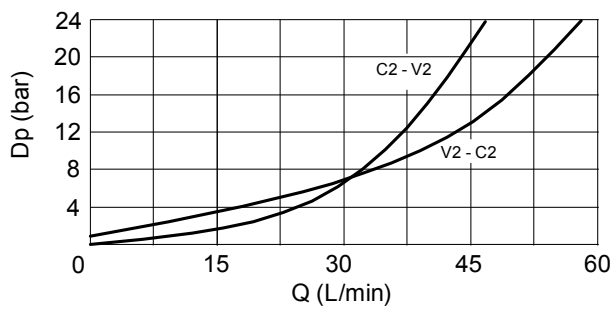
Dimensions



Hydraulic Symbol



Curves



Features

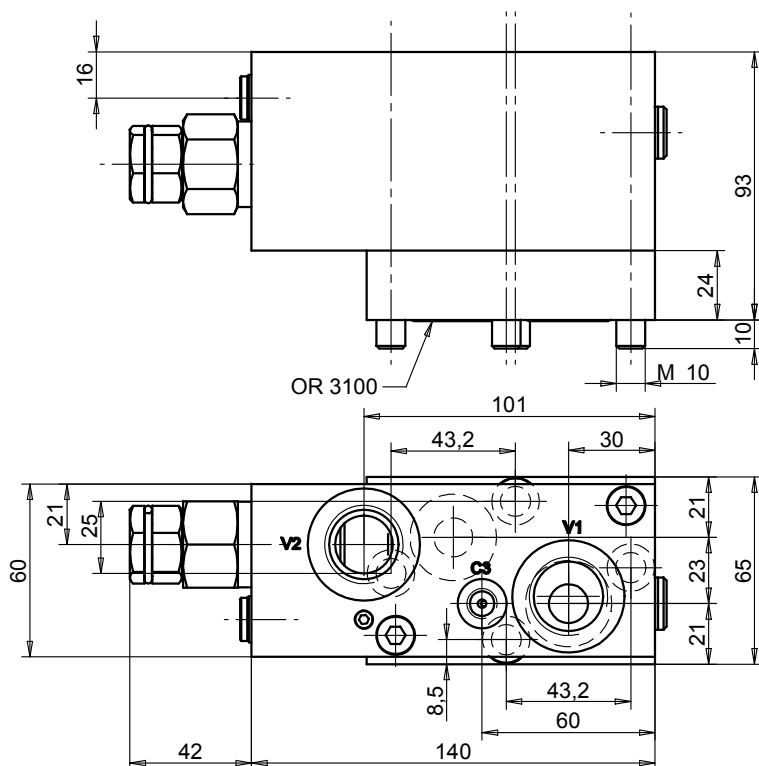
Max Flow	60 lpm
Max Pressure	350 bar
Pilot Ratio	4,2:1 Standard
Ports	V1-V2: G 1/2 C3: G 1/4

Materials: Zinc plated steel cartridge, hardened steel inner parts. Aluminium manifold.

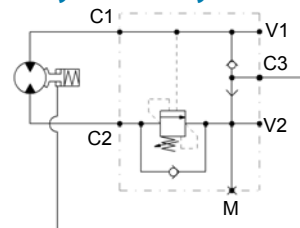
Ordering Code

CBSLSFOMS 03

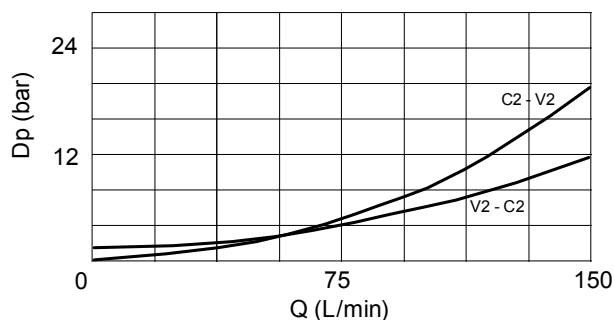
Dimensions



Hydraulic Symbol



Curves



Materials: Zinc plated steel cartridge, hardened steel inner parts.
Aluminium manifold.

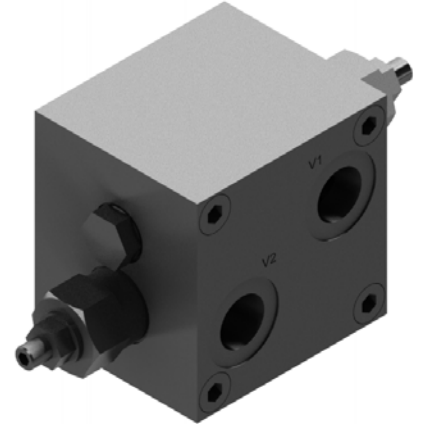
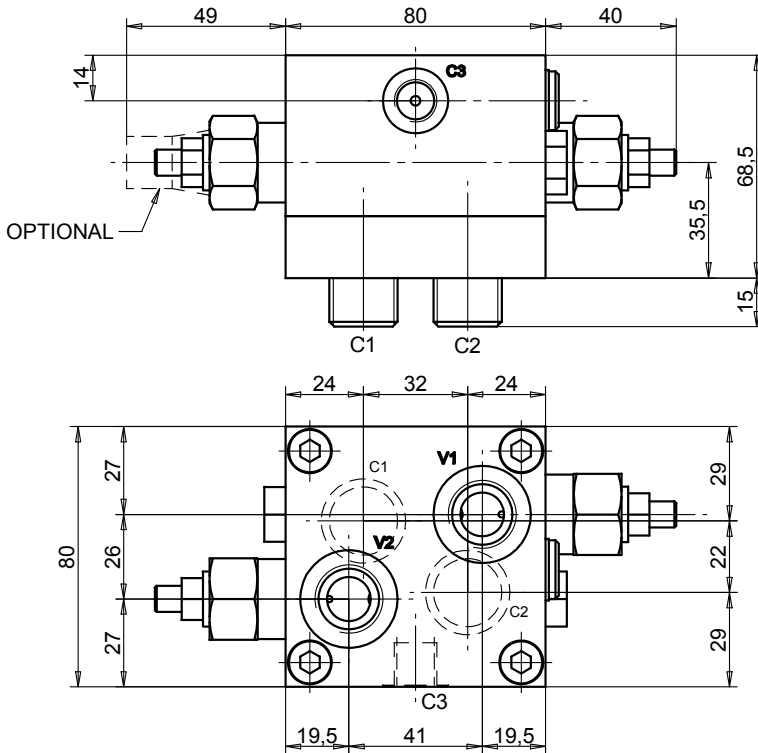
Features

Max Flow	150 lpm
Max Pressure	250 bar
Pilot Ratio	4:1 Standard
Ports	V1-V2: G 3/4 C1-C2: Ø 12 / Ø 13,5 C3-M: G 1/4
Std. Pressure range	100 - 350 bar

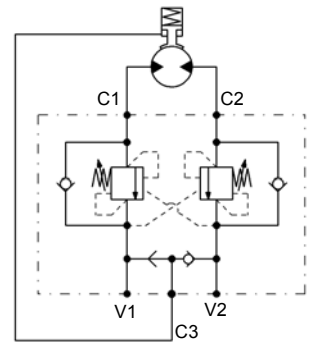
Ordering Code

CB150SLSFOMT 04

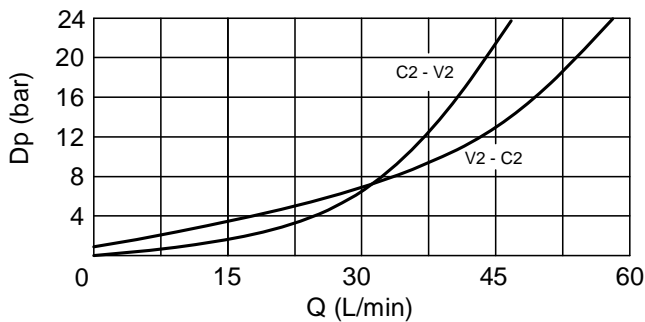
Dimensions



Hydraulic Symbol



Curves



Materials: Zinc plated steel cartridge, hardened steel inner parts.
Aluminium manifold.

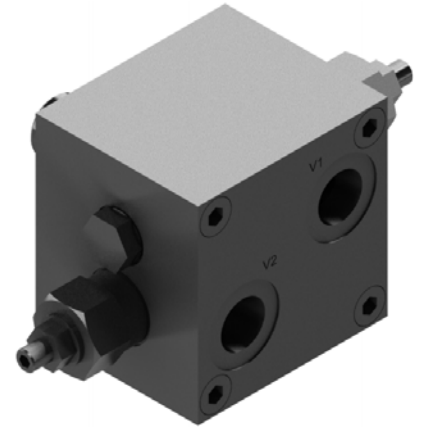
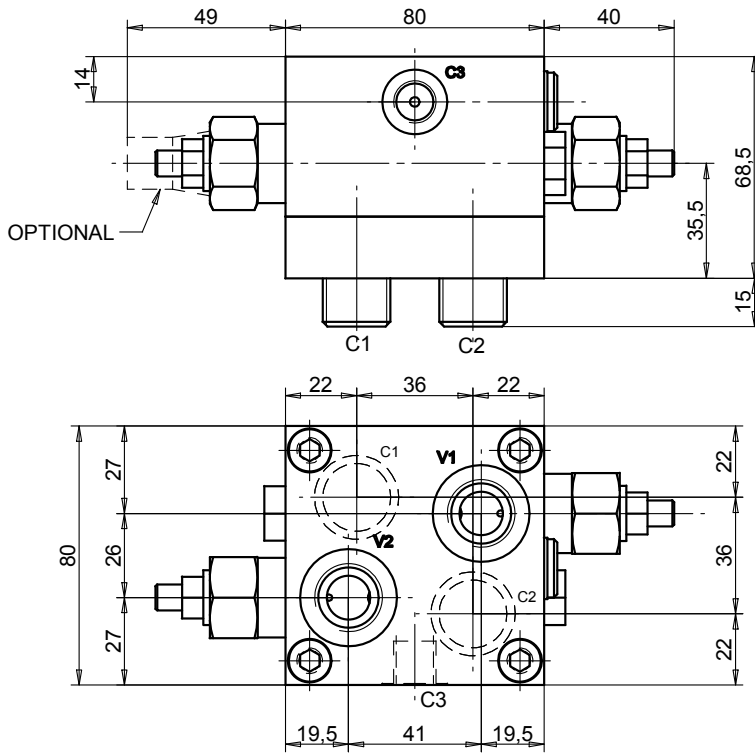
Features

Max Flow	60 lpm
Max Pressure	250 bar
Pilot Ratio	4,2:1 Standard
Ports	V1-V2: G 1/2 C1-C2: G 1/2 C3: G 1/4
Std. Pressure range	100 - 350 bar

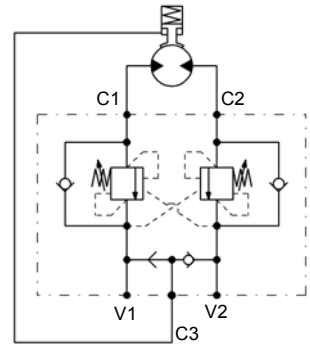
Ordering Code

CBDLSFOMS 03

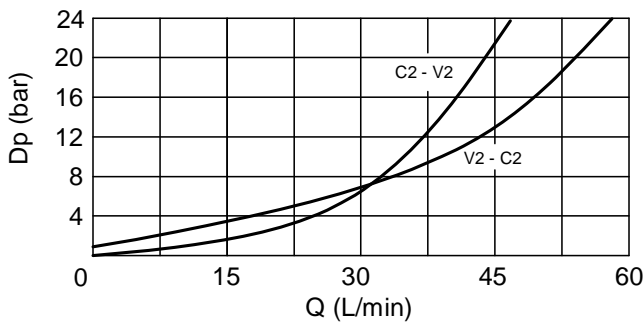
Dimensions



Hydraulic Symbol



Curves



Materials: Zinc plated steel cartridge, hardened steel inner parts.
Aluminium manifold.

Features

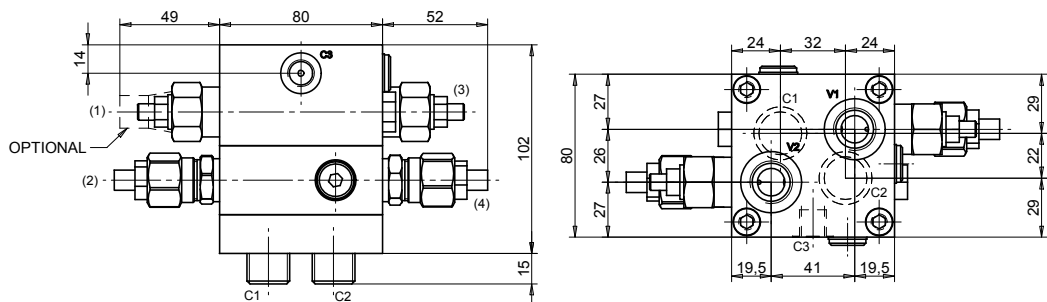
Max Flow	60 lpm
Max Pressure	250 bar
Pilot Ratio	4,2:1 Standard
Ports	V1-V2: G 1/2 C1-C2: G 1/2 C3: G 1/4
Std. Pressure range	100 - 350 bar

Ordering Code

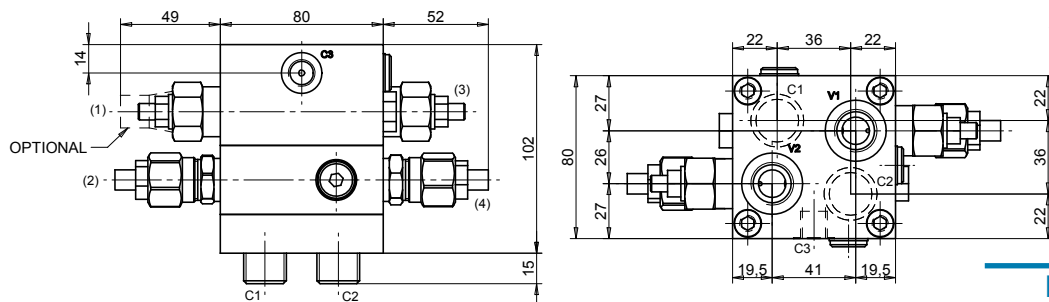
CBDLSFOMP 03

Dimensions

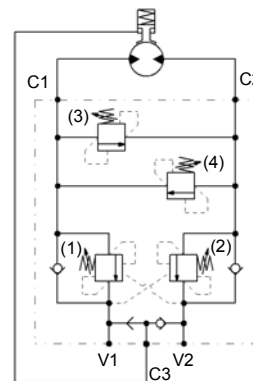
CBDLSFDPOMS: For Danfoss Motors Oms



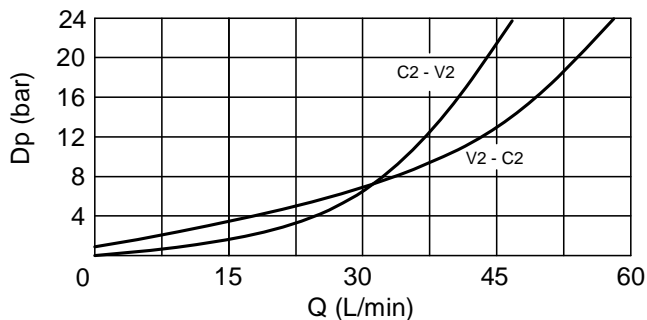
CBDLSFDPOMP: For Danfoss Motors Omp, Omr



Hydraulic Symbol



Curves



Materials: Zinc plated steel cartridge, hardened steel inner parts.
Aluminium manifold.

Features

Max Flow	60 lpm
Max Pressure	250 bar
Pilot Ratio	4,2:1 Standard
Ports	V1-V2: G 1/2 C1-C2: G 1/2 C3: G 1/4
Std. Pressure range	(1) (2) (3) (4) 100 - 350 bar

Ordering Code

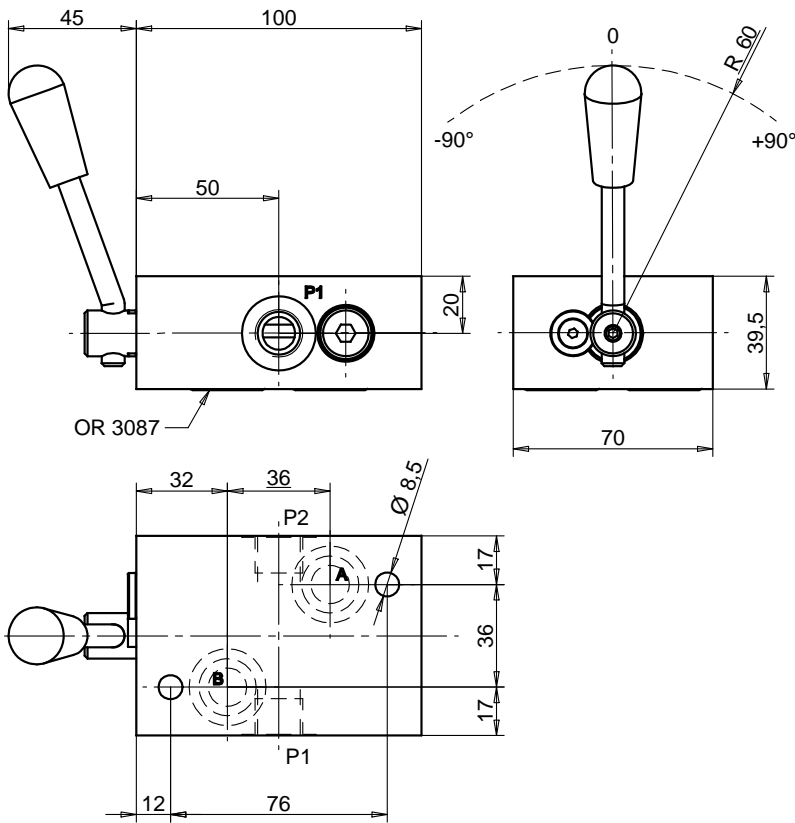
CBDLSFDP -

Motor

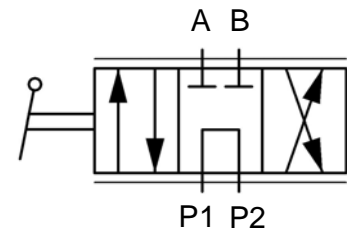
OMS

OMP

Dimensions



Hydraulic Symbol



Features

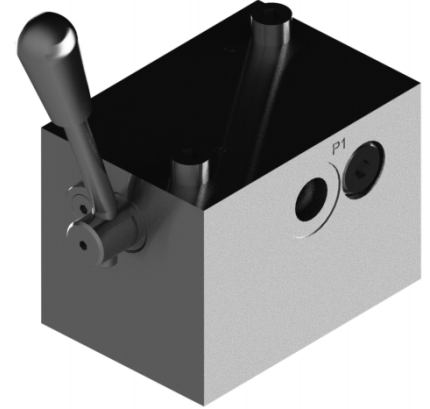
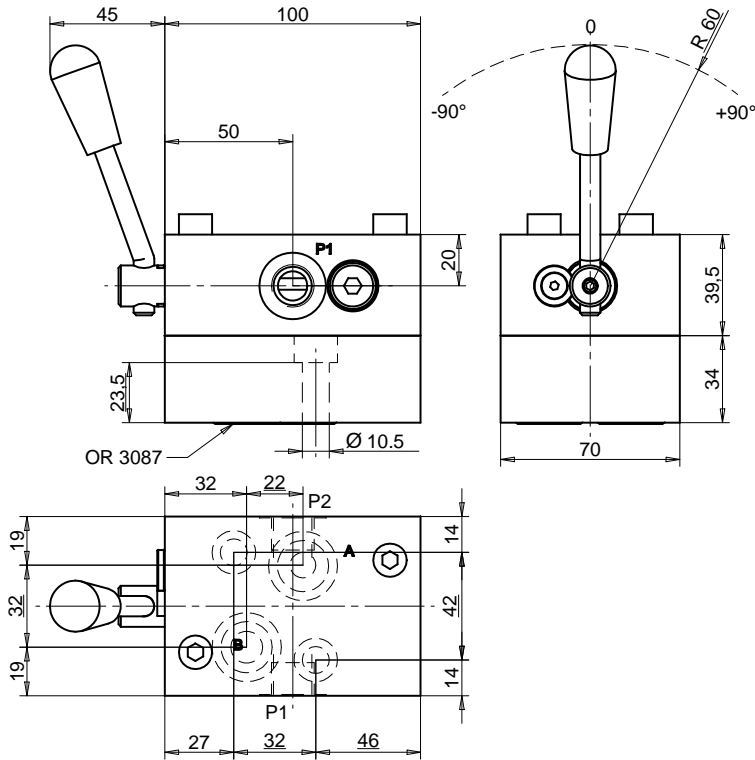
Max Flow	50 lpm
Max Pressure	350 bar
Ports	P1-P2: G 3/8

Materials: Zinc plated steel manifold, hardened steel inner parts.

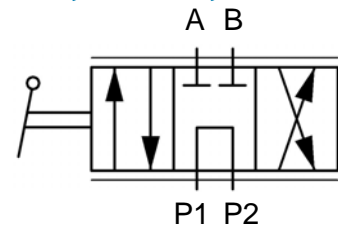
Ordering Code

VINVOMP 02

Dimensions



Hydraulic Symbol



Features

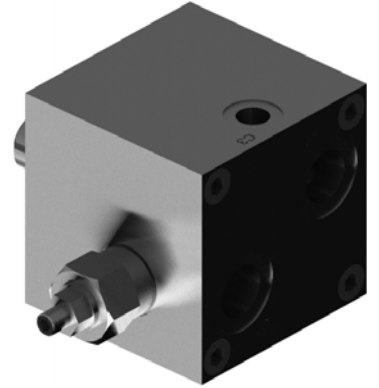
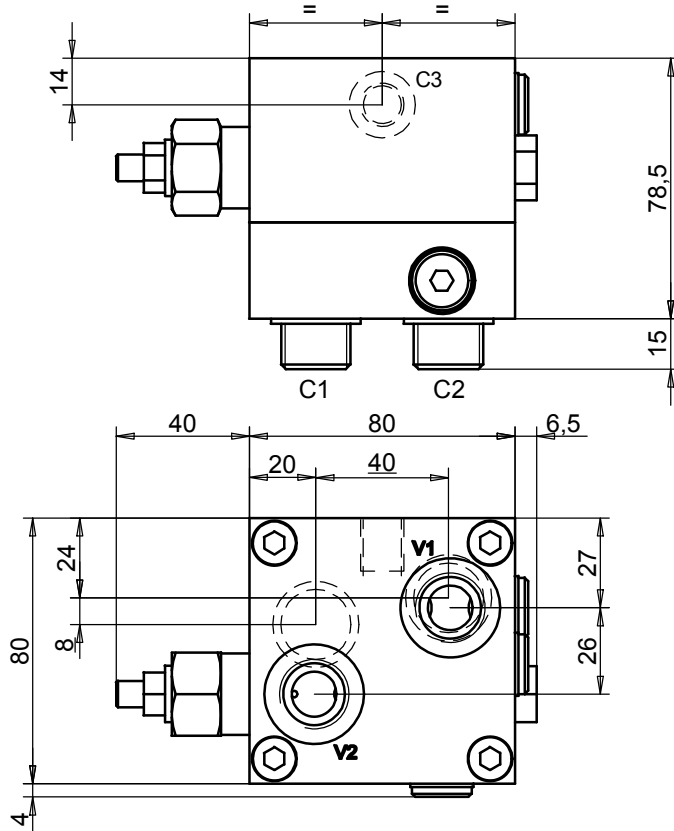
Max Flow	50 lpm
Max Pressure	350 bar
Ports	P1-P2: G 3/8

Materials: Zinc plated steel body

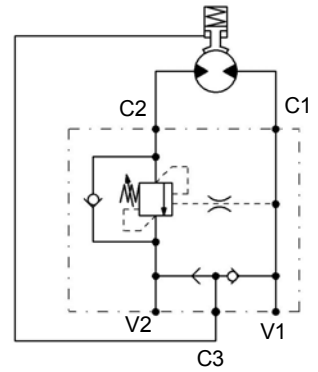
Ordering Code

VINVOMS 02

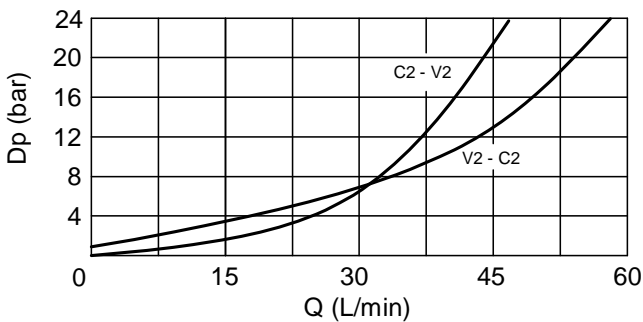
Dimensions



Hydraulic Symbol



Curves



Features

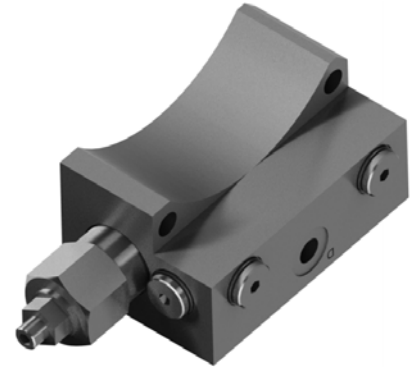
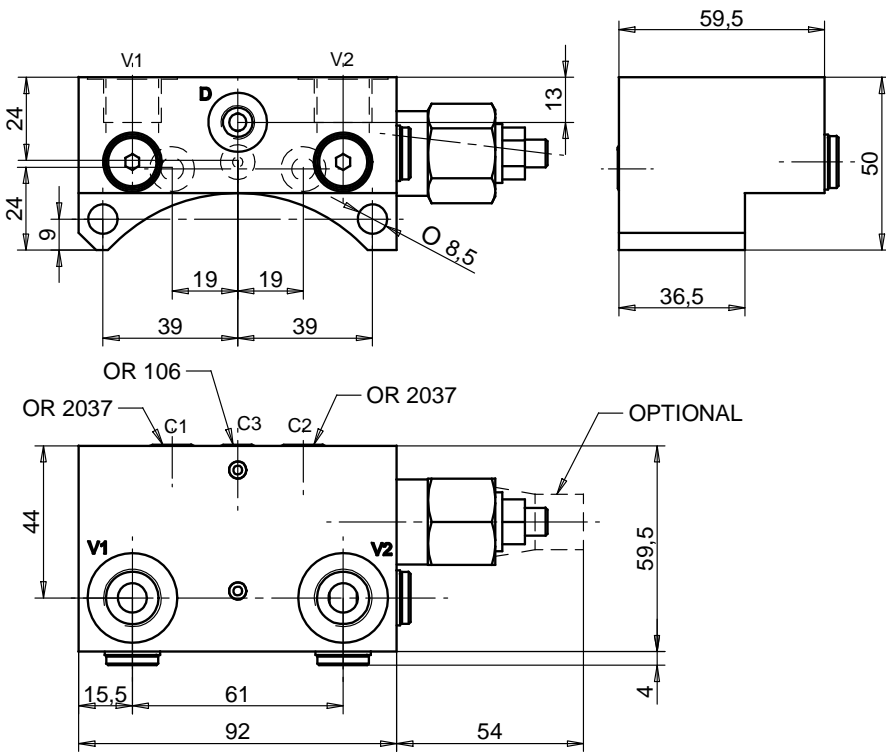
Max Flow	60 lpm
Max Pressure	250 bar
Pilot Ratio	4,2:1
Ports	V1-V2-C1-C2: G 1/2 C3: G 1/4
Std. Pressure range	100 - 350 bar

Materials: Zinc plated steel cartridge, hardened steel inner parts. Aluminium manifold.

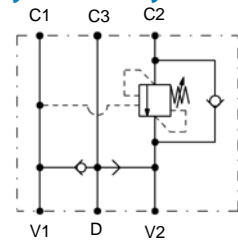
Ordering Code

CBSLSFBR 03

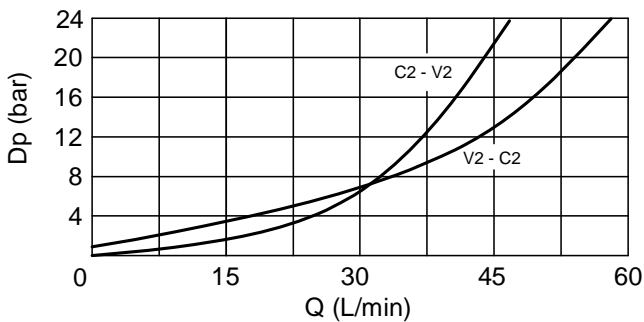
Dimensions



Hydraulic Symbol



Curves



Features

Max Flow	35 lpm
Max Pressure	250 bar
Pilot Ratio	4,2:1 Standard
Ports	V1-V2: G 3/8 C1-C2: Ø 6,5 C3: Ø 4 D: G 1/8

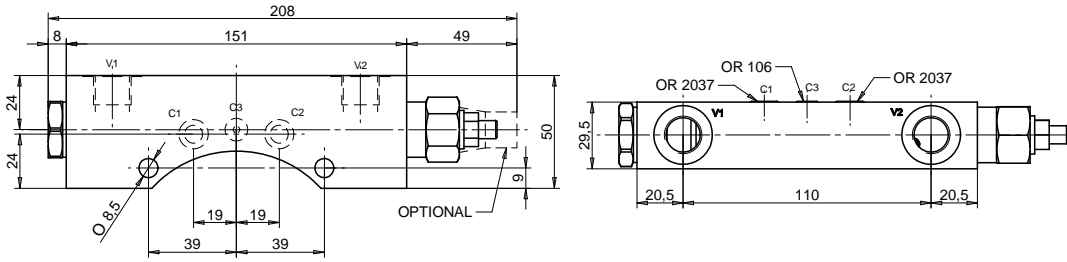
Materials: Zinc plated steel cartridge, hardened steel inner parts. Aluminium manifold.

Ordering Code

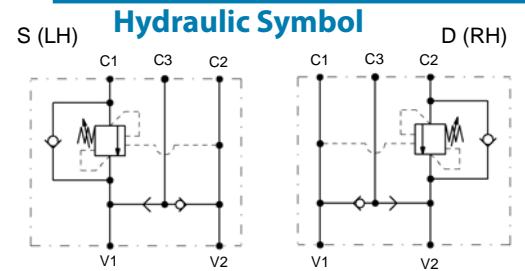
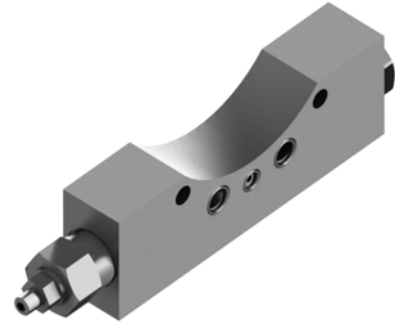
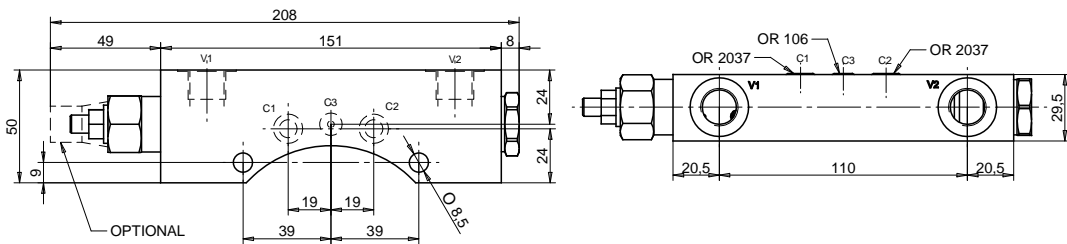
CBSLSFBRZV 02

Dimensions

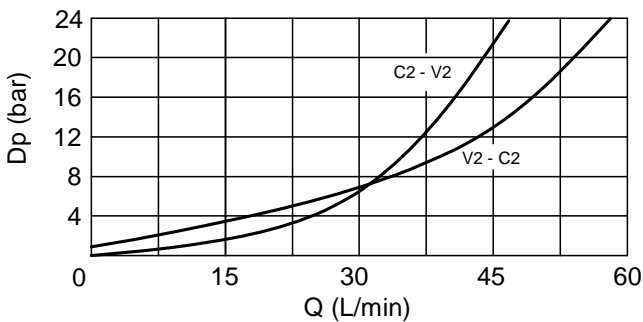
CBSLBRZVRE D 02



CBSLBRZVRE S 02



Curves



Materials: Zinc plated steel cartridge, hardened steel inner parts.
 Aluminium manifold.

Features

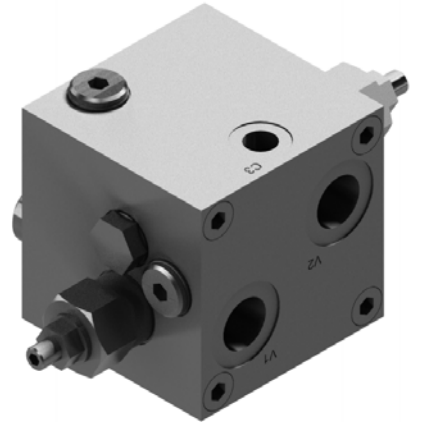
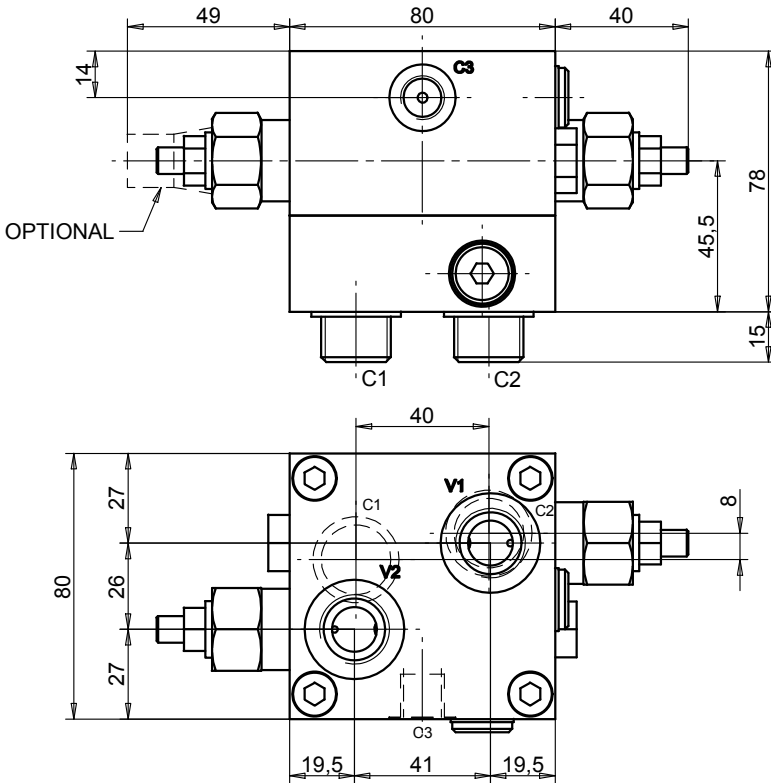
Max Flow	60 lpm
Max Pressure	350 bar
Pilot Ratio	4,2:1 Standard
Ports	V1-V2: G 3/8 C1-C2: Ø 8 C3: Ø 4
Std. Pressure range	100 - 350 bar

Ordering Code

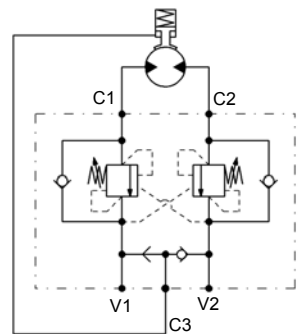
CBSLBRZVRE 02 -

Motor	
D	Right hand size
S	Left hand size

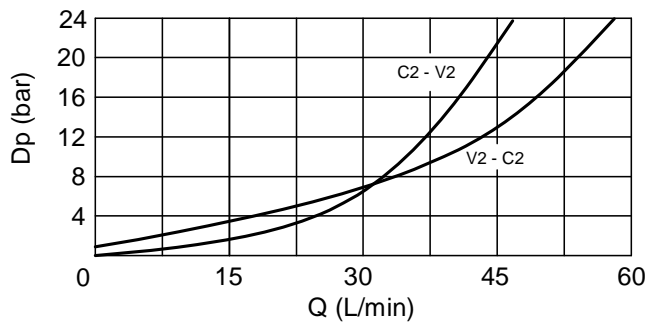
Dimensions



Hydraulic Symbol



Curves



Materials: Zinc plated steel cartridge, hardened steel inner parts.
Aluminium manifold.

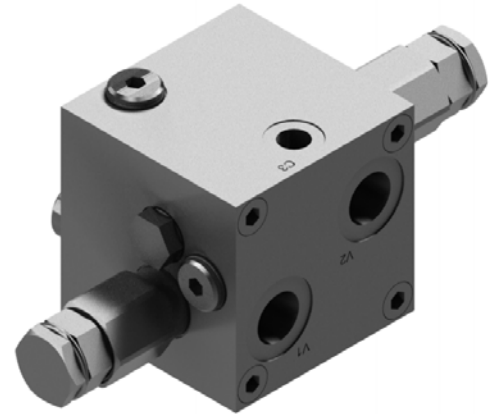
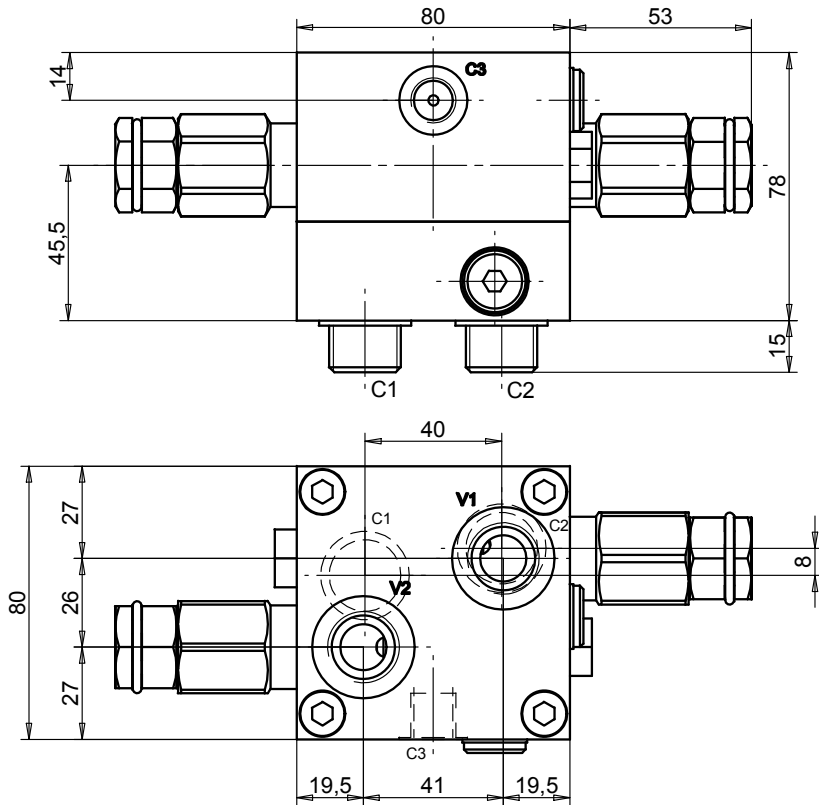
Features

Max Flow	60 lpm
Max Pressure	250 bar
Pilot Ratio	4,2:1 Standard
Ports	V1-V2: G 1/2 C1-C2: G 1/2 C3: G 1/4

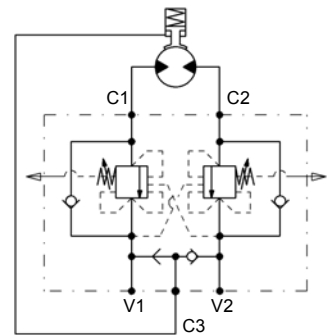
Ordering Code

CBDLSFBG 03

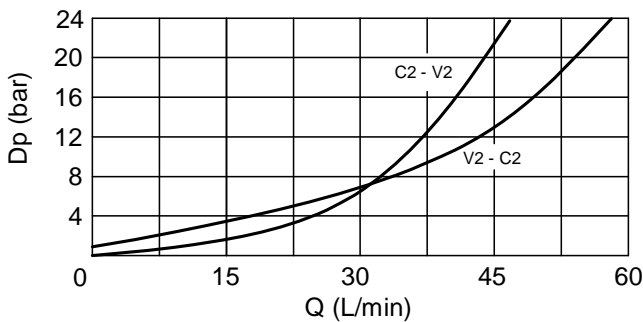
Dimensions



Hydraulic Symbol



Curves



Materials: Zinc plated steel cartridge, hardened steel inner parts.
Aluminium manifold.

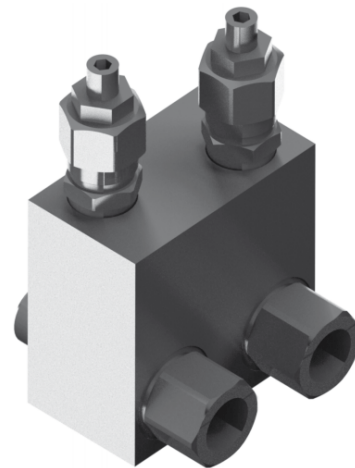
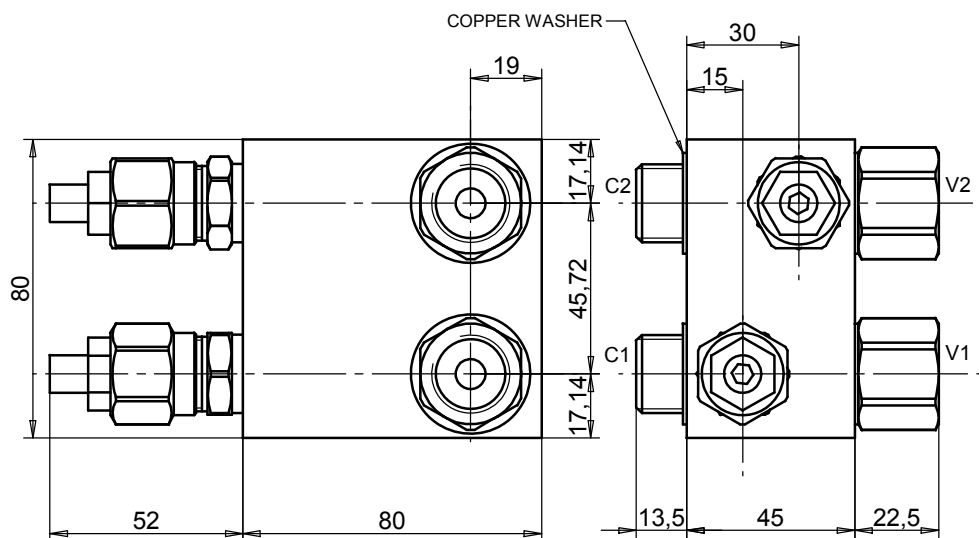
Features

Max Flow	60 lpm
Max Pressure	250 bar
Pilot Ratio	4,2:1 Standard
Ports	V1-V2: G 1/2 C1-C2: G 1/2 C3: G 1/4
Std. Pressure range	100 - 350 bar

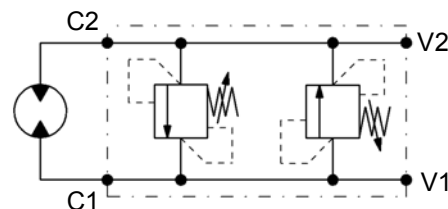
Ordering Code

CBDLSFBGCC 03

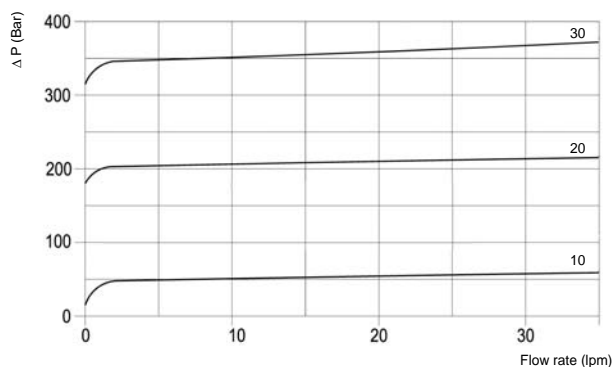
Dimensions



Hydraulic Symbol



Curves



Features

Max Flow	50 lpm
Max Pressure	250 bar
Ports	V1-V2: G 1/2 C1-C2: G 1/2
Std. Pressure range	100 - 350 bar

Materials: Zinc plated steel cartridge, hardened steel inner parts.
Aluminium manifold.

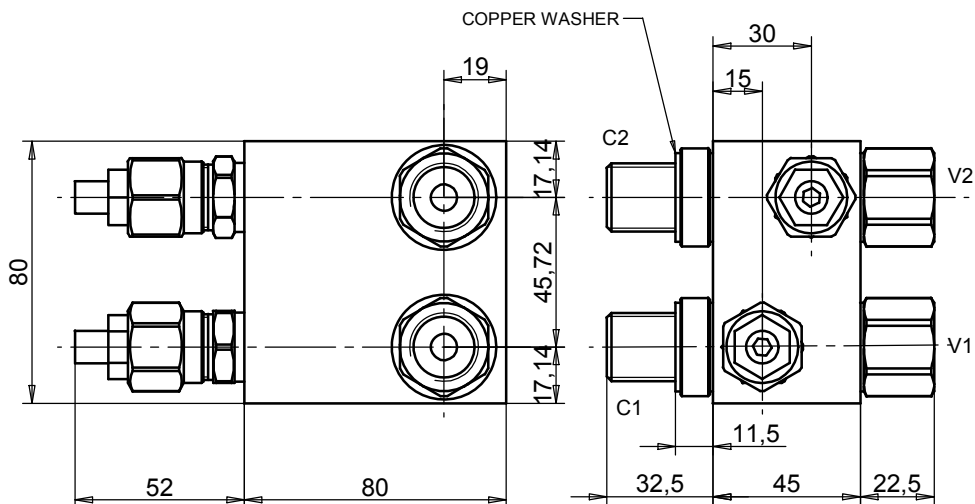
Ordering Code

DPRCHLH-R35 03 -

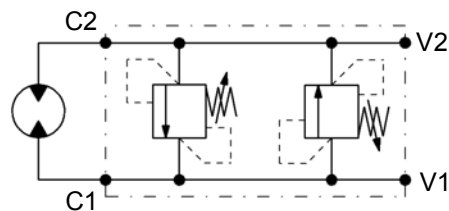
Adjustments

A		Socket Screw
C		Tamperproof Cap

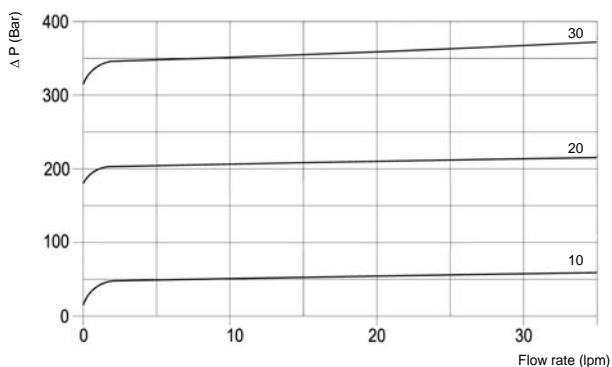
Dimensions



Hydraulic Symbol



Curves



Features

Max Flow	50 lpm
Max Pressure	250 bar
Ports	V1-V2: G 1/2 C1-C2: G 1/2

Materials: Zinc plated steel cartridge, hardened steel inner parts. Aluminium manifold.

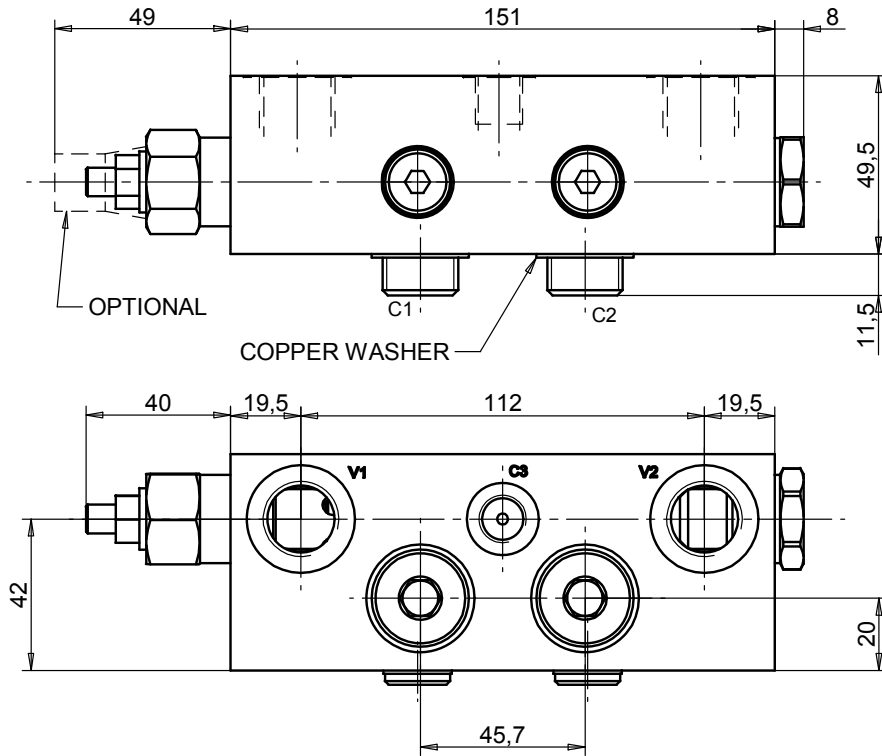
Ordering Code

DPRCHLS-R35 03 -

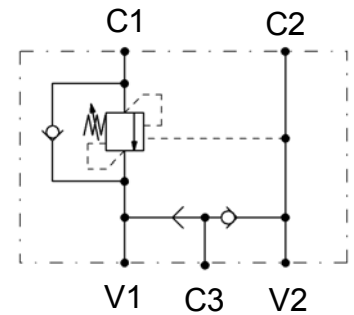
Adjustments

A		Socket Screw
C		Tamperproof Cap

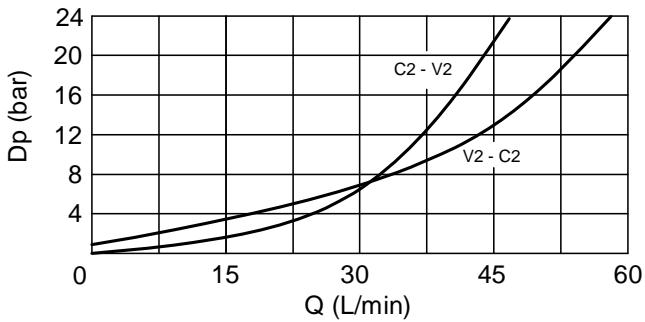
Dimensions



Hydraulic Symbol



Curves



Materials: Zinc plated steel cartridge, hardened steel inner parts.
Aluminium manifold.

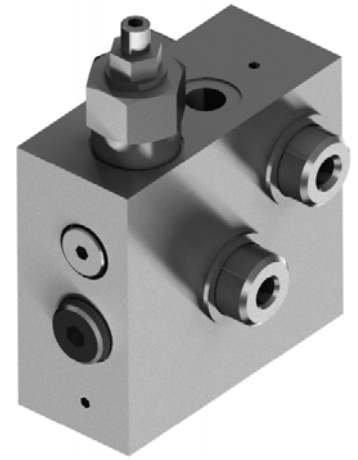
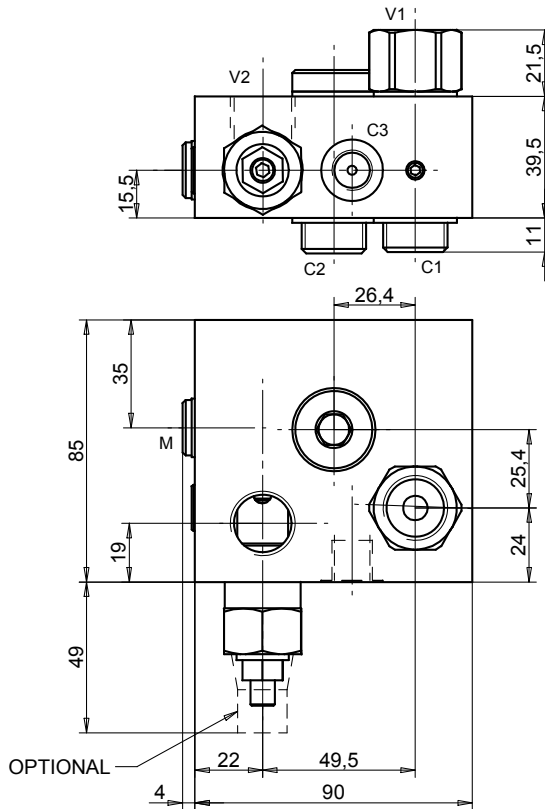
Features

Max Flow	60 lpm
Max Pressure	250 bar
Pilot Ratio	4,2:1 Standard
Ports	V1-V2: G 1/2 C1-C2: G 1/2 C3: G 1/4
Std. Pressure range	100 - 350 bar

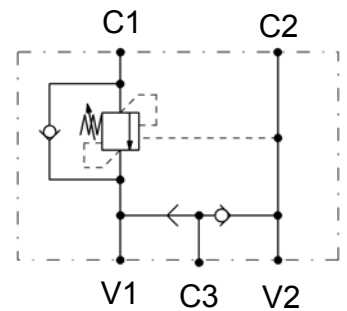
Ordering Code

CBSLSFCHLHS 03

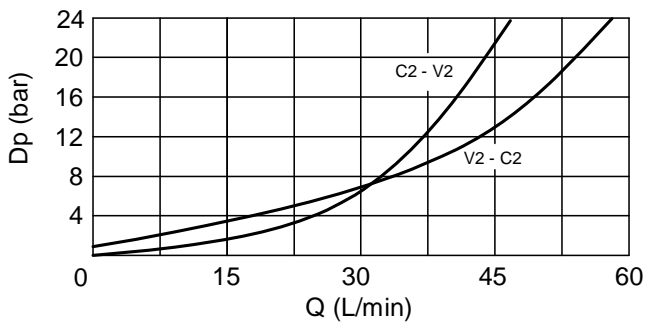
Dimensions



Hydraulic Symbol



Curves



Materials: Zinc plated steel cartridge, hardened steel inner parts.
Aluminium manifold.

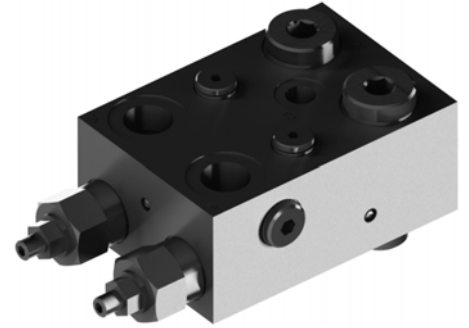
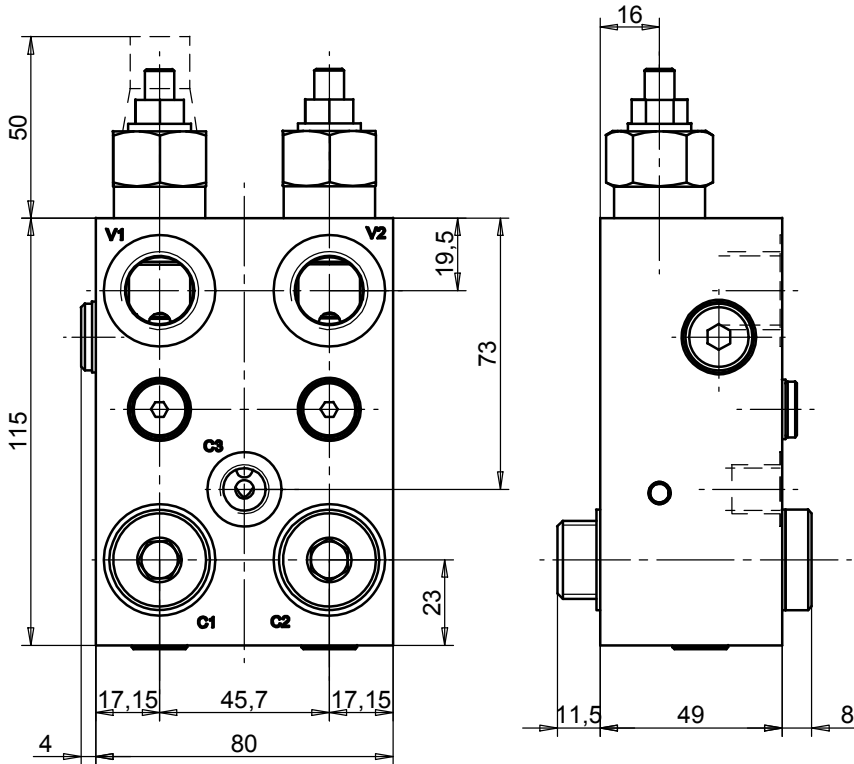
Features

Max Flow	60 lpm
Max Pressure	250 bar
Pilot Ratio	4,2:1 Standard
Ports	V1-V2: G 1/2 C1-C2: G 1/2 C3: G 1/4
Std. Pressure range	100 - 350 bar

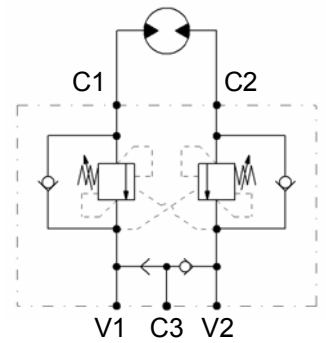
Ordering Code

CBSLSFCHLDM 03

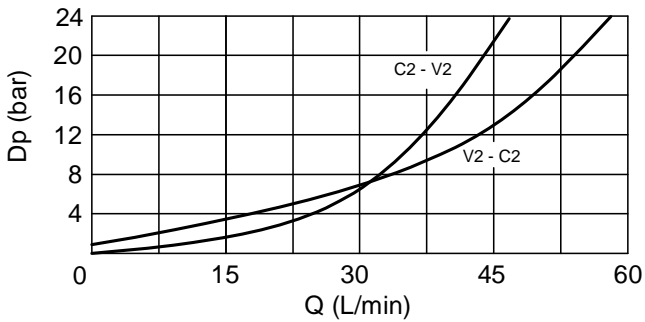
Dimensions



Hydraulic Symbol



Curves



Materials: Zinc plated steel cartridge, hardened steel inner parts.
Aluminium manifold.

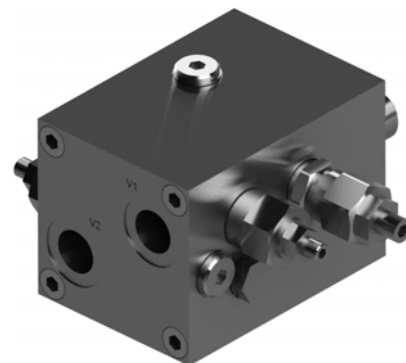
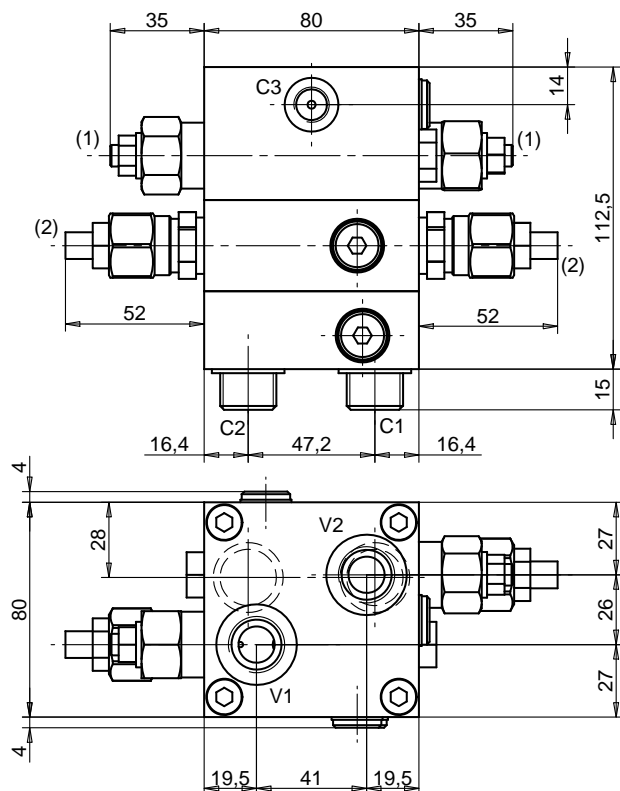
Features

Max Flow	50 lpm
Max Pressure	250 bar
Pilot Ratio	4,2:1 Standard
Ports	V1-V2: G 1/2 C1-C2: G 1/2 C3: G 1/4
Std. Pressure range	100 - 350 bar

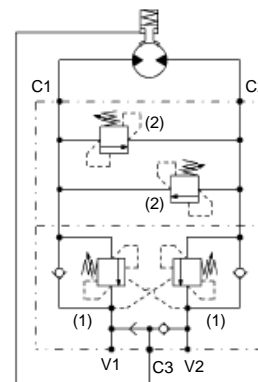
Ordering Code

CBDLSFCHLH 03

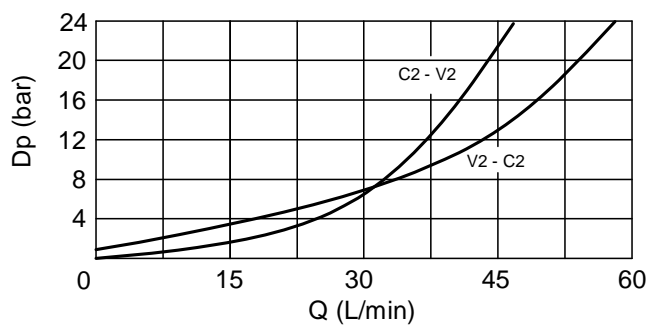
Dimensions



Hydraulic Symbol



Curves



Materials: Zinc plated steel cartridge, hardened steel inner parts.
Aluminium manifold.

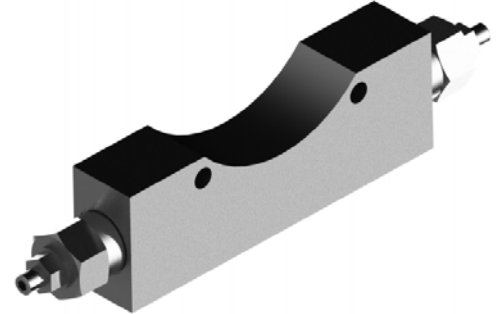
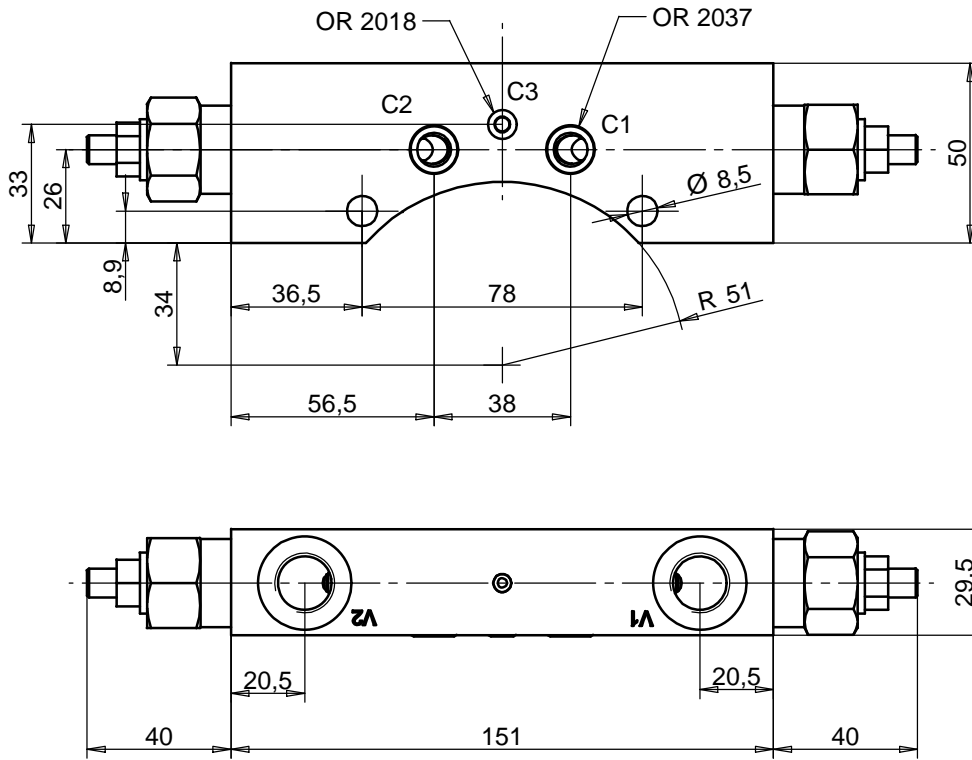
Features

Max Flow	60 lpm
Max Pressure	250 bar
Pilot Ratio	4,2:1
Ports	V1-V2: G 1/2 C1-C2: G 1/2 C3: G 1/4
Std. Pressure range	100 - 350 bar

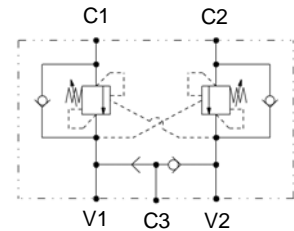
Ordering Code

CBDLSFDPCHLH 03

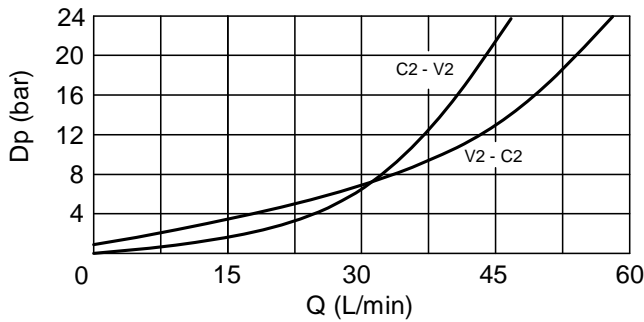
Dimensions



Hydraulic Symbol



Curves



Features

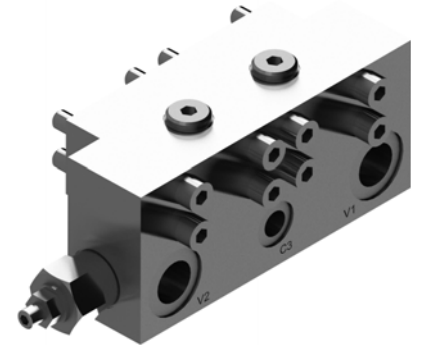
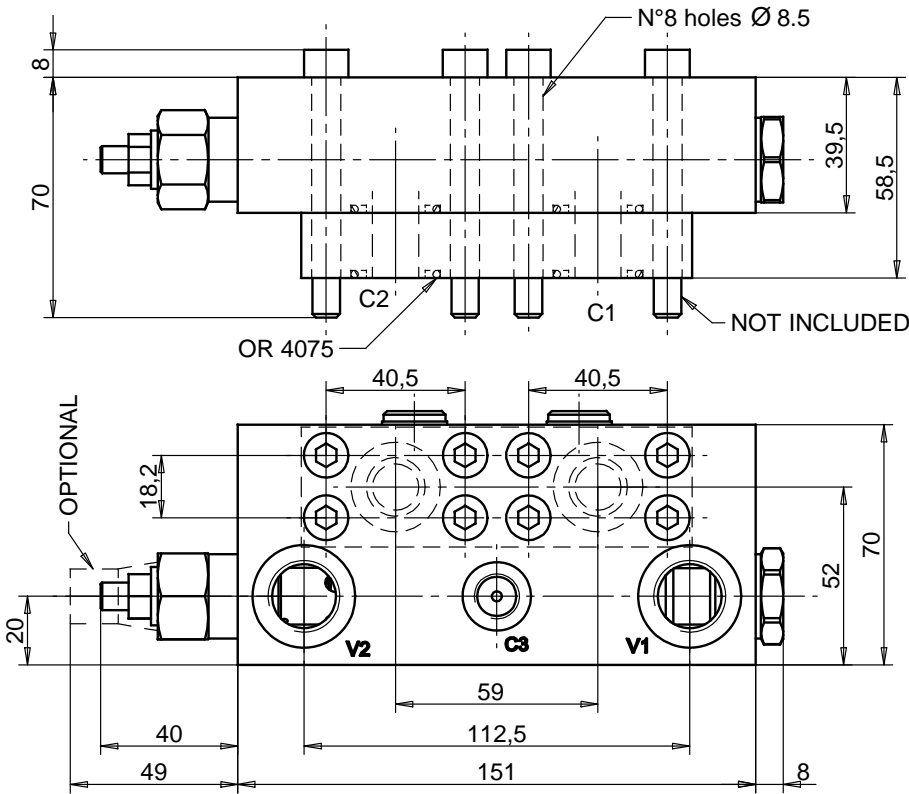
Max Flow	60 lpm
Max Pressure	250 bar
Pilot Ratio	4,2:1
Std. Pressure range	100 - 350 bar
Ports	V1-V2: G 3/8

Materials: Zinc plated steel cartridge, hardened steel inner parts.
Aluminium manifold.

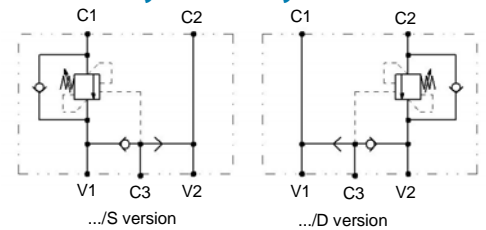
Ordering Code

CBDLSFGWP 02

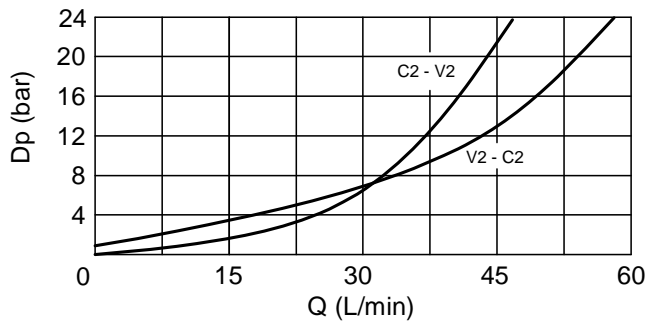
Dimensions



Hydraulic Symbol



Curves



Materials: Zinc plated steel cartridge, hardened steel inner parts.
Aluminium manifold.

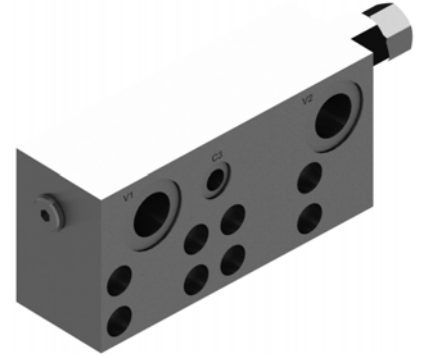
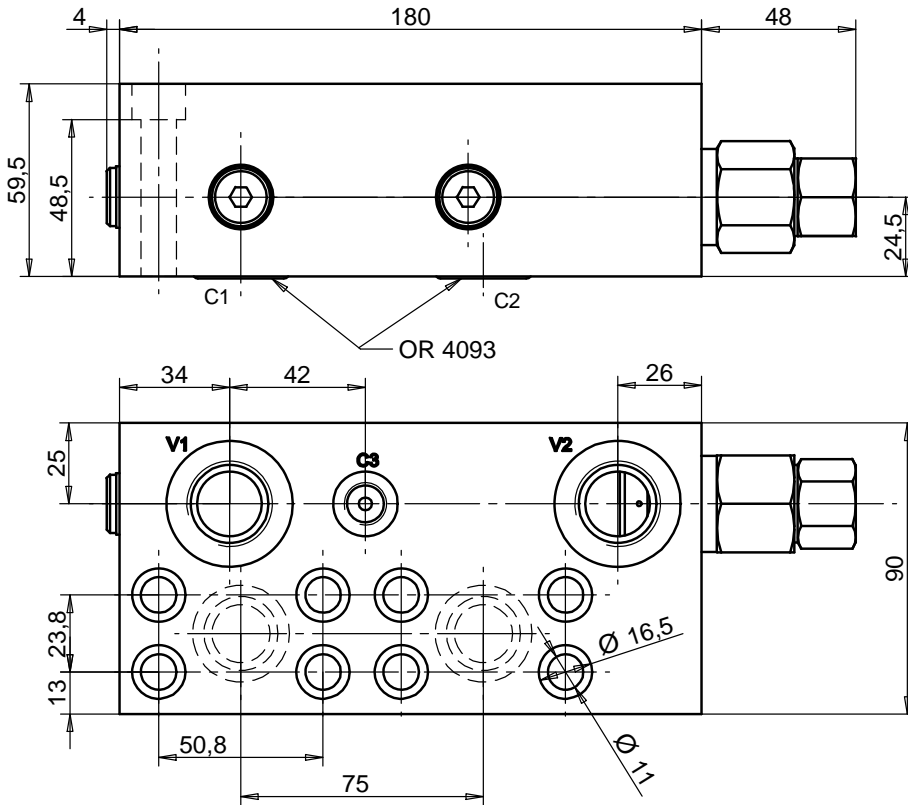
Features

Max Flow	60 lpm
Max Pressure	250 bar
Pilot Ratio	4,2:1- Standard
Ports	V1-V2: G 1/2 C1-C2: 1/2 SAE 6000 C3: G 1/4
Std. Pressure range	100 - 350 bar

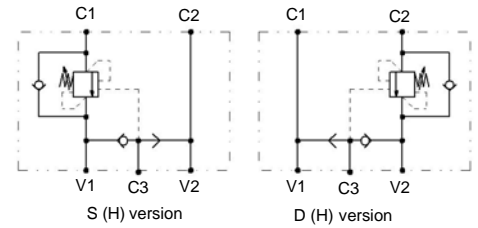
Ordering Code

CBSLSFRX 03

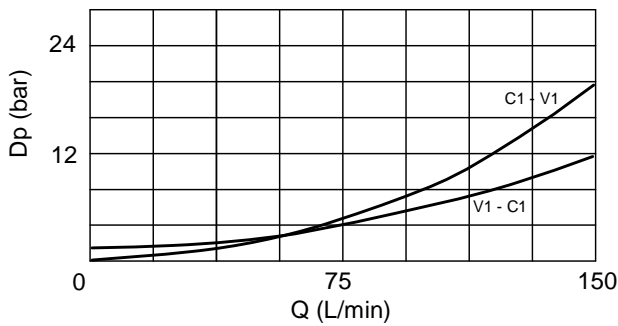
Dimensions



Hydraulic Symbol



Curves



Materials: Zinc plated steel cartridge, hardened steel inner parts.
Aluminium manifold.

Features

Max Flow	120 lpm
Max Pressure	350 bar
Pilot Ratio	4:1 Standard
Ports	V1-V2: G 3/4 C1-C2: 3/4 SAE 6000 C3: G 1/4
Std. Pressure range	100 - 350 bar

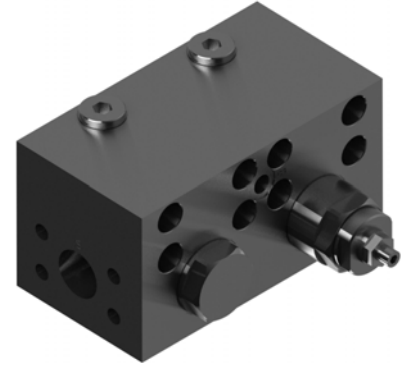
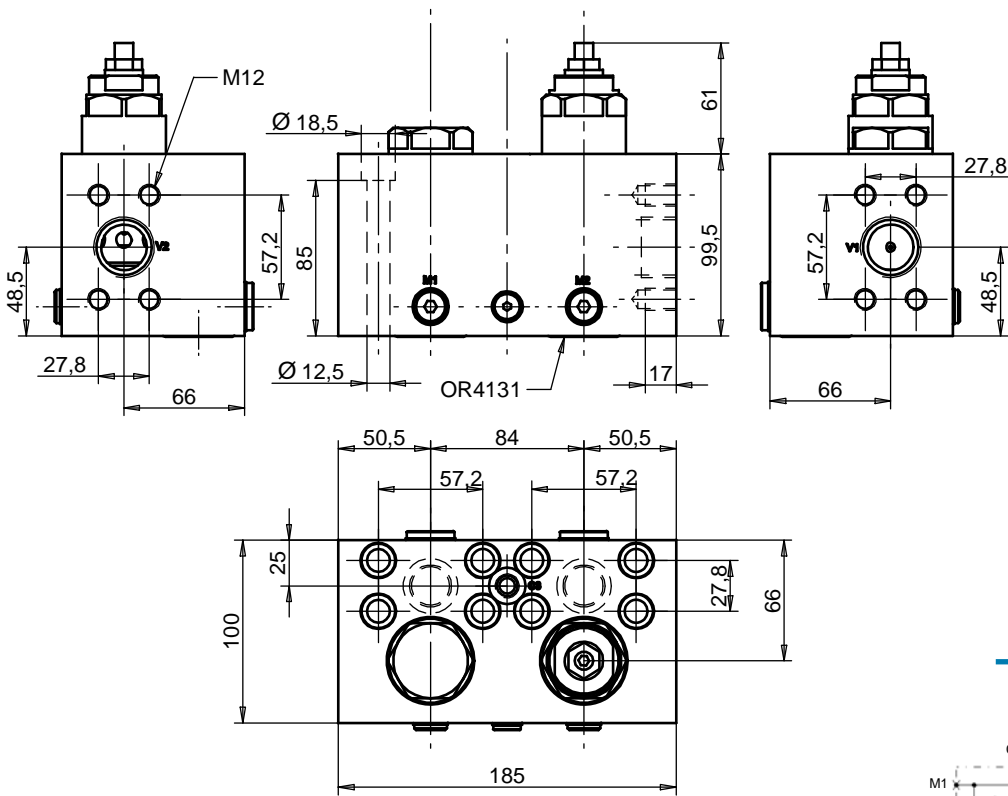
Ordering Code

CB150SLSFRX 04 -

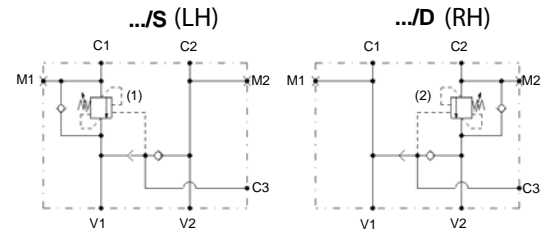
Valve side

D	Right hand side
S	Left hand side

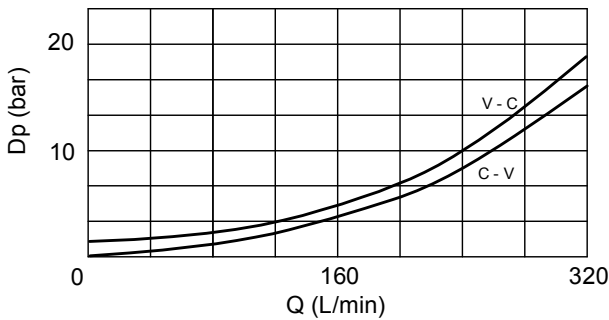
Dimensions



Hydraulic Symbol



Curves



Materials: Zinc plated steel body

Features

Max Flow	320 lpm
Max Pressure	350 bar
Pilot Ratio	4:1 Standard
Std. Pressure range	140-350 bar
Ports	V1-V2: 1" SAE 6000 C1-C2: 1" SAE 6000 C3-M1-M2: G 1/4

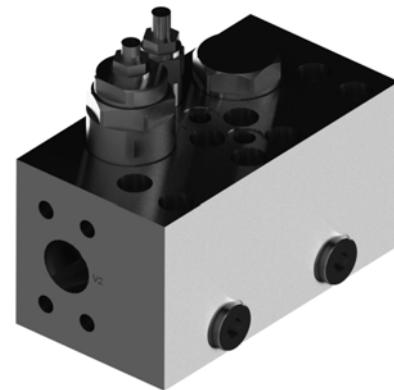
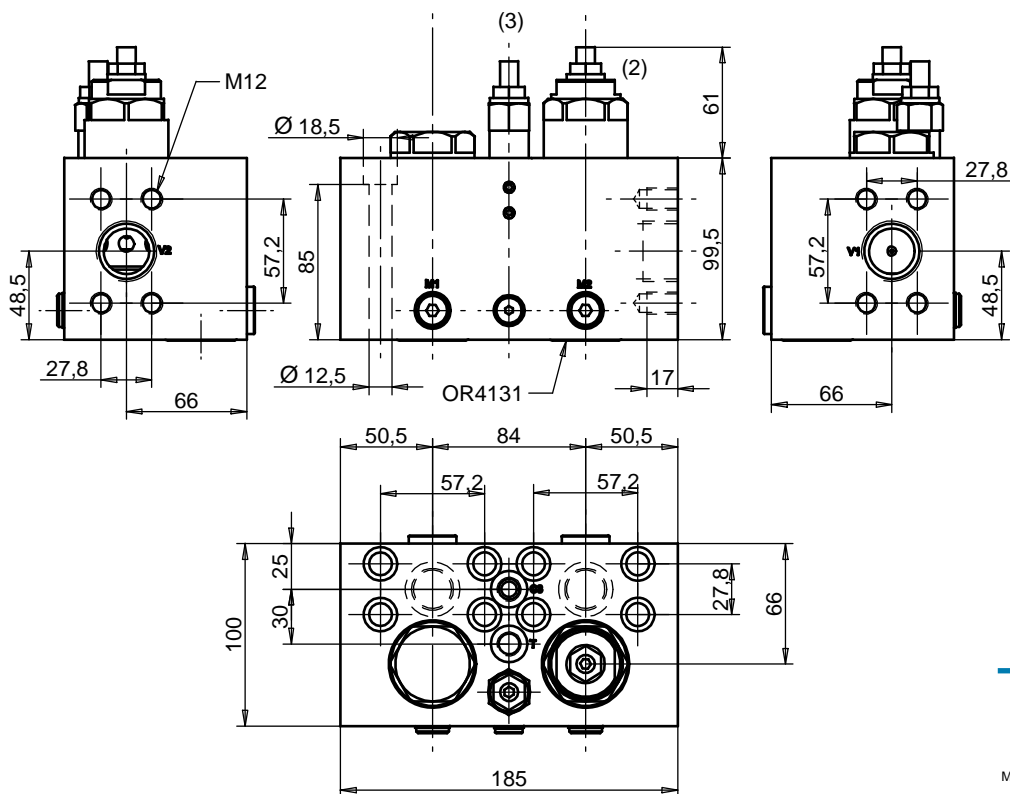
Ordering Code

CBCE300SLFRX 05 -

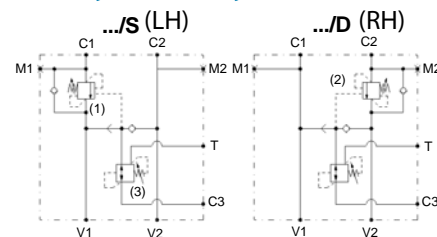
Valve side

D	Right hand side
S	Left hand side

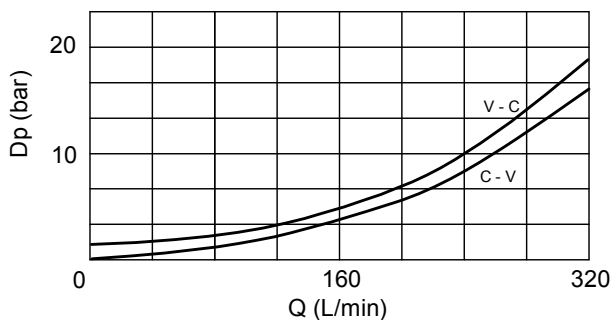
Dimensions



Hydraulic Symbol



Curves



Materials: Zinc plated steel body.

Features

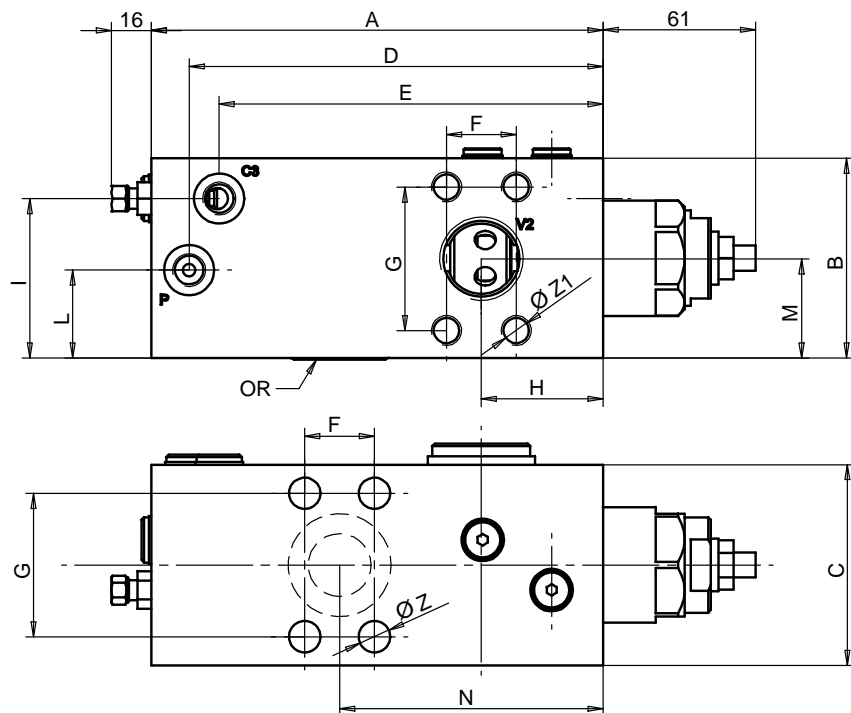
Max Flow	320 lpm
Max Pressure	350 bar
Pilot Ratio	4:1 Standard
Std. Pressure range	(2):140-350 bar / (3):10-100 bar
Ports	V1-V2: 1" SAE 6000 C1-C2: 1" SAE 6000 C3-T-M1-M2: G 1/4

Ordering Code

CBCE300SLSFPRDRXD 05 -

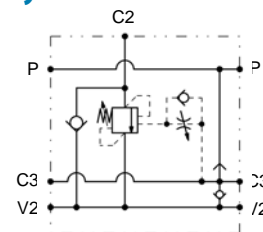
Valve side	
D	Right hand side
S	Left hand side

Dimensions

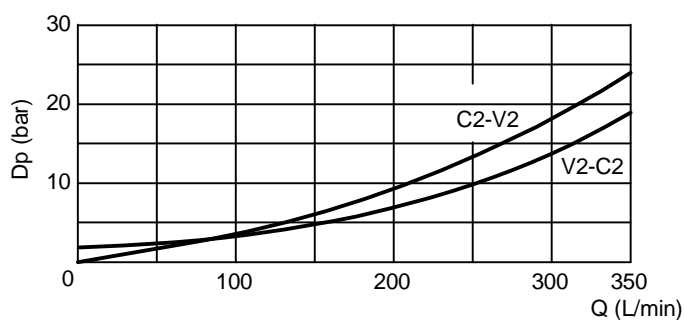


"X"	V2-C2	A	B	C	D	E	F	G	H	I	L	M	N	Z	Z1	OR
1000	1" SAE 6000	180	79,5	80	165	153	27,8	57,2	48,5	63,5	35	39,5	105	12,5	M12	4131

Hydraulic Symbol



Curves



Features

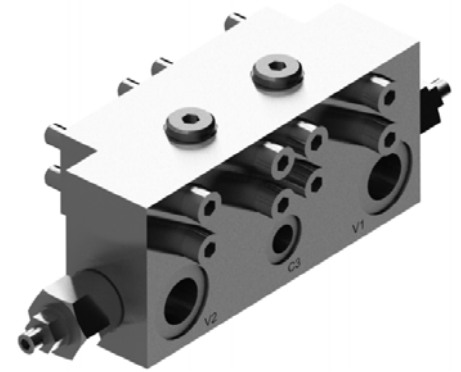
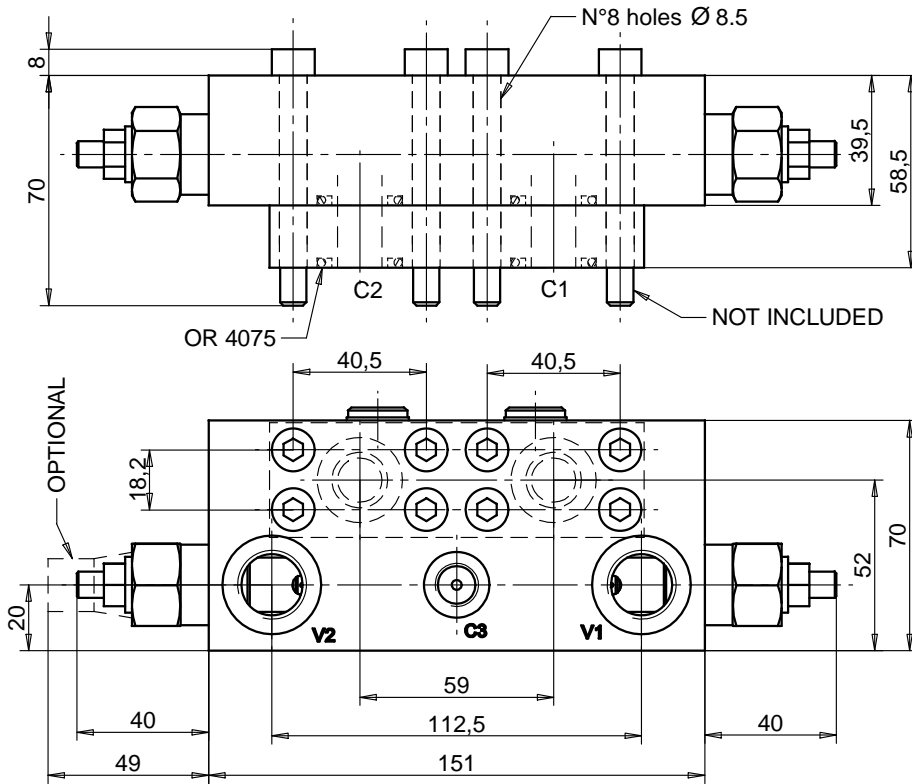
Max Flow	350 lpm
Max Pressure	500 bar
Ports	P-C3: G 1/4
	Standard
Pilot Ratio	4:1
Std. Pressure range	140 - 350 bar

Materials: Zinc plated steel body

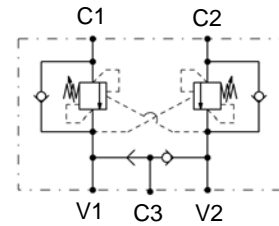
Ordering Code

CBCE300SLSF6S 05

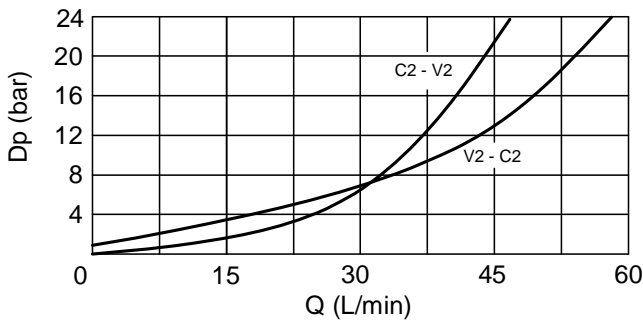
Dimensions



Hydraulic Symbol



Curves



Materials: Zinc plated steel cartridge, hardened steel inner parts.
Aluminium manifold.

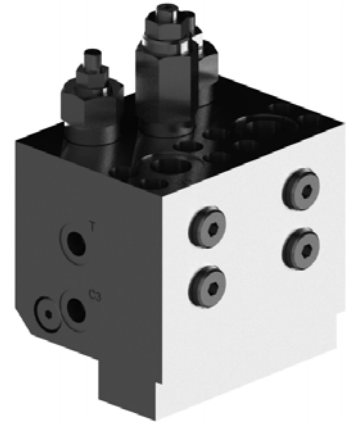
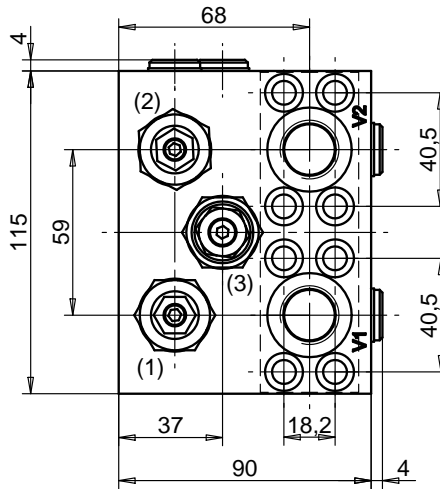
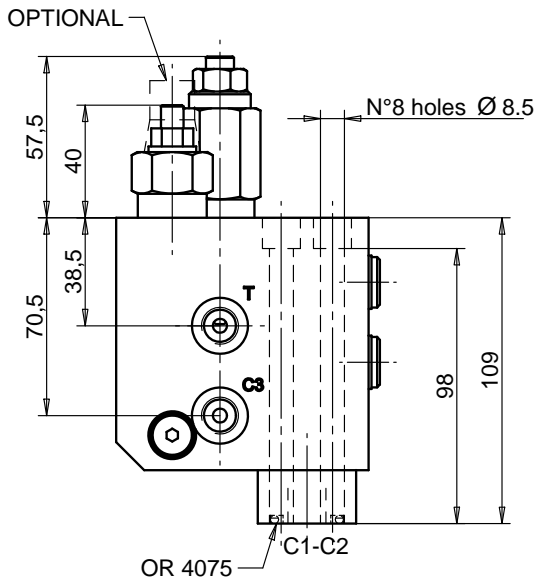
Features

Max Flow	60 lpm
Max Pressure	250 bar
Pilot Ratio	4:1 Standard
Ports	V1-V2: G 1/2 C1-C2: 1/2 SAE 6000 C3: G 1/4
Std. Pressure range	100 - 350 bar

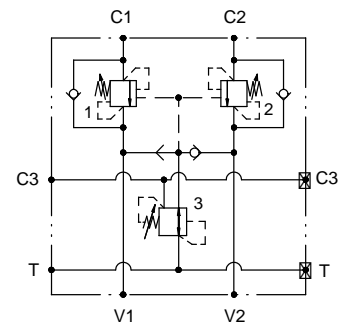
Ordering Code

CBDLSFRX 03

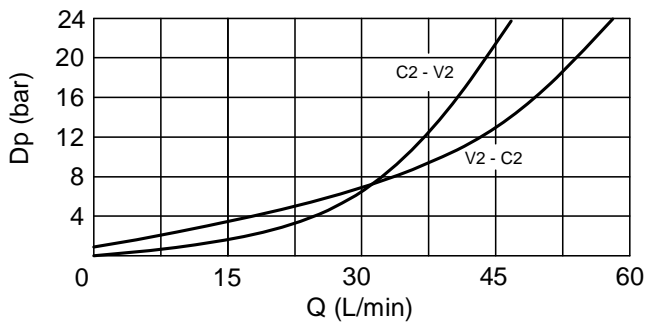
Dimensions



Hydraulic Symbol



Curves



Materials: Aluminium body.

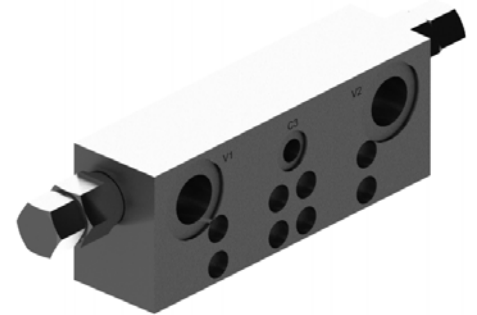
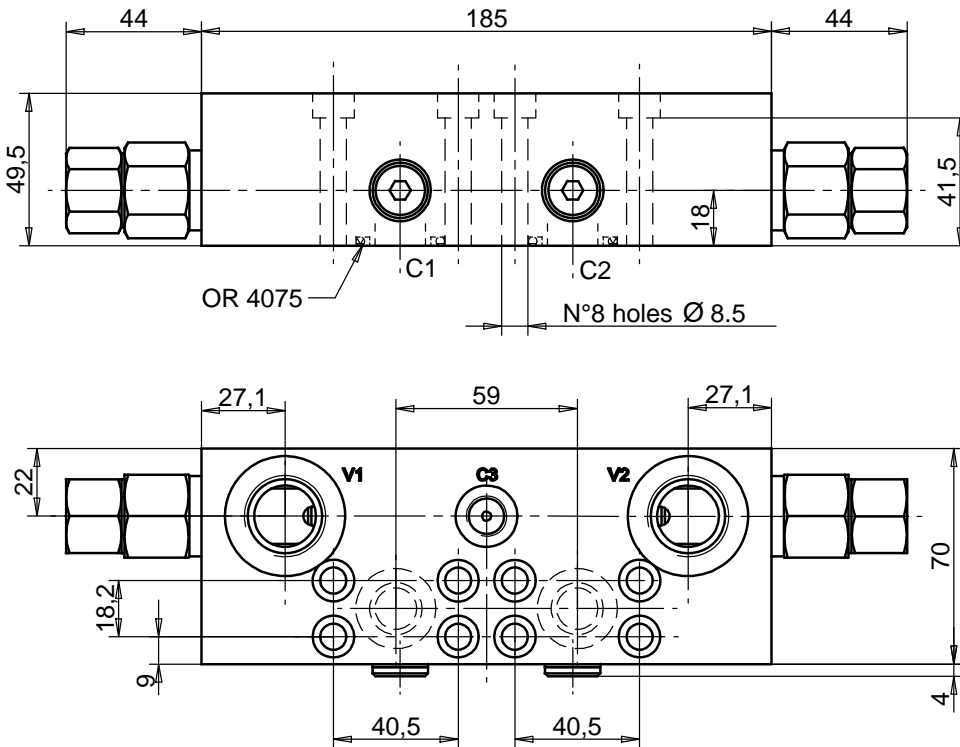
Features

Max Flow	60 lpm
Max Pressure	350 bar
Pilot Ratio	4,2:1 Standard
Ports	V1-V2: G 1/2 C1-C2: 1/2 SAE 6000 C3-T: G 1/4
Std. Pressure range	100 - 350 bar

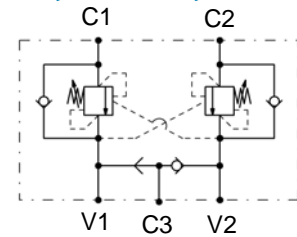
Ordering Code

CBDLSFRXPRD 03

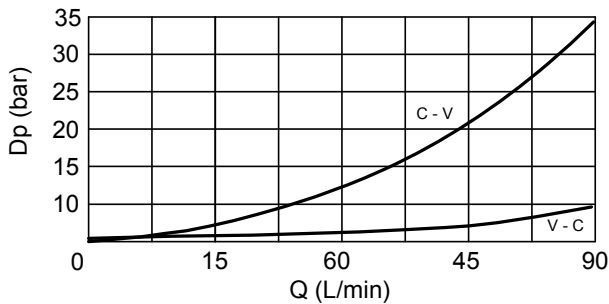
Dimensions



Hydraulic Symbol



Curves



Materials: Aluminium body.

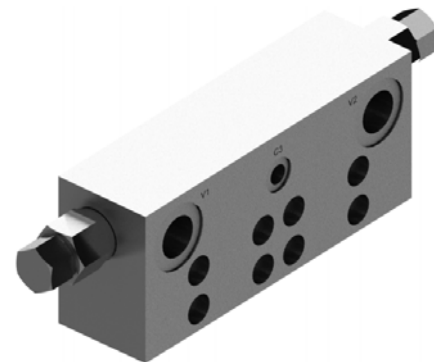
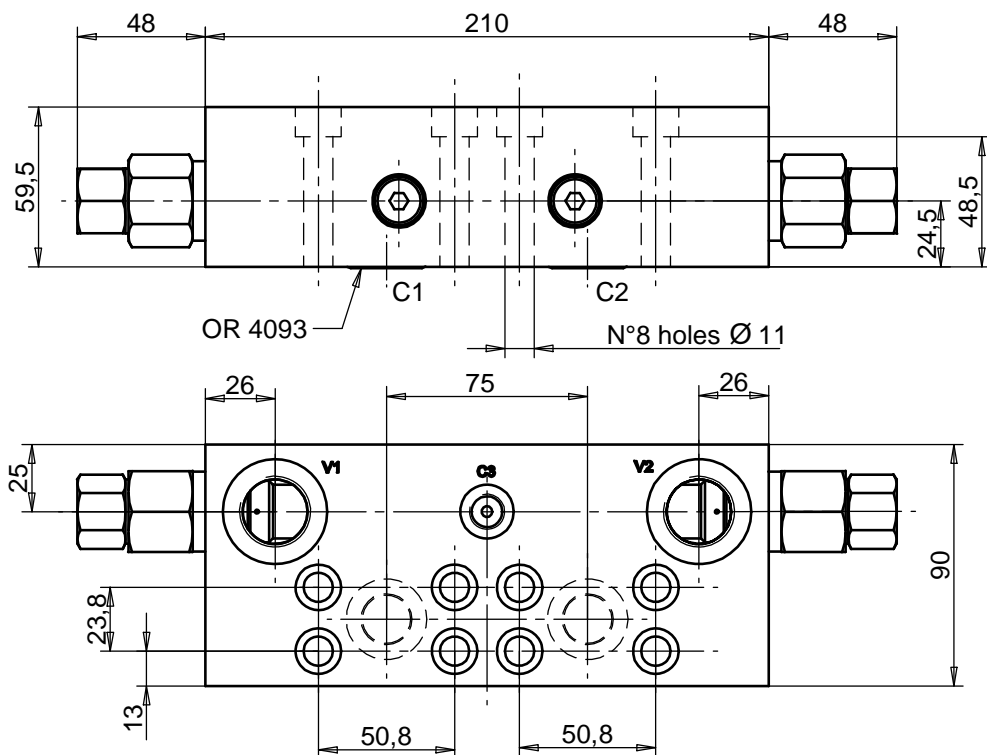
Features

Max Flow	90 lpm
Max Pressure	350 bar
Pilot Ratio	4,2:1
Ports	V1-V2: G 3/4 C1-C2: 1/2 SAE 6000 C3: G 1/4
Std. Pressure range	100 - 350 bar

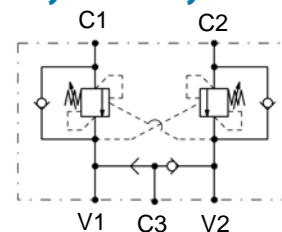
Ordering Code

CB90DLSFRX 04

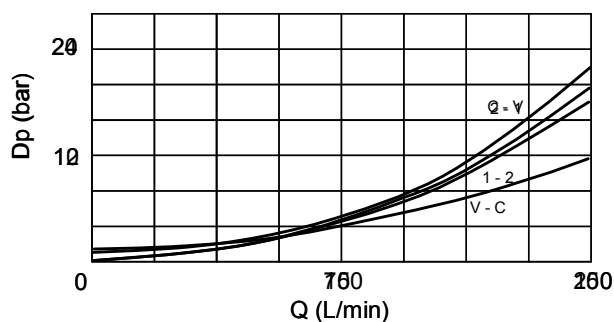
Dimensions



Hydraulic Symbol



Curves



Features

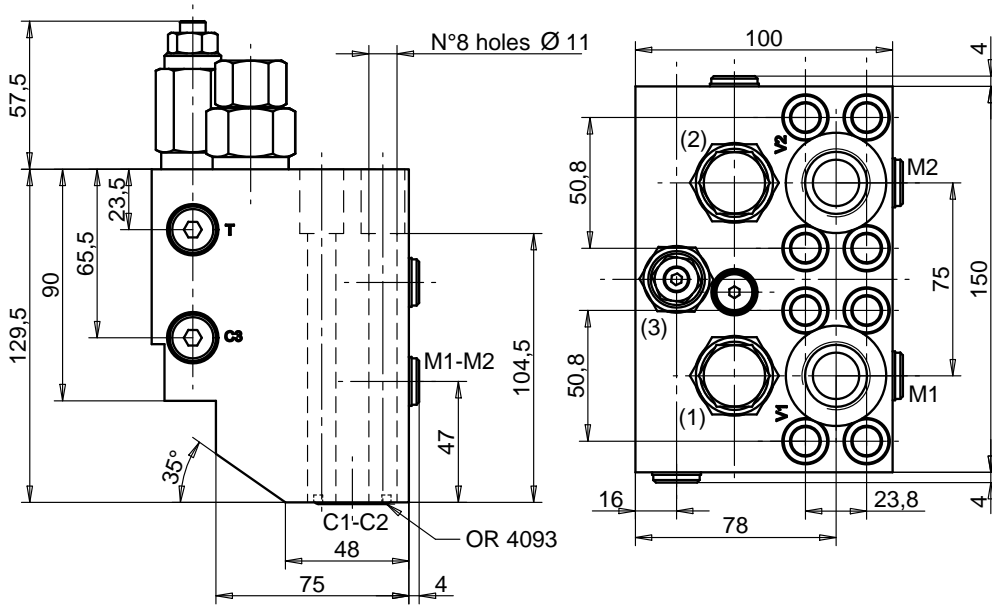
Max Flow	120 lpm
Max Pressure	350 bar
Pilot Ratio	4,2:1
Ports	V1-V2: G 3/4 C1-C2: 3/4 SAE 6000 C3: G 1/4

Materials: Aluminium body.

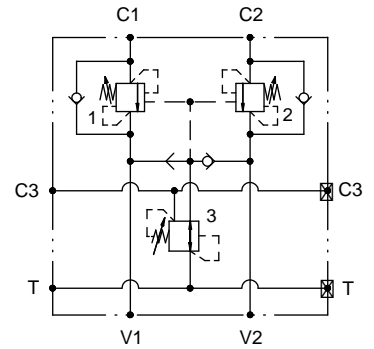
Ordering Code

CB150DL2FSFRX 04

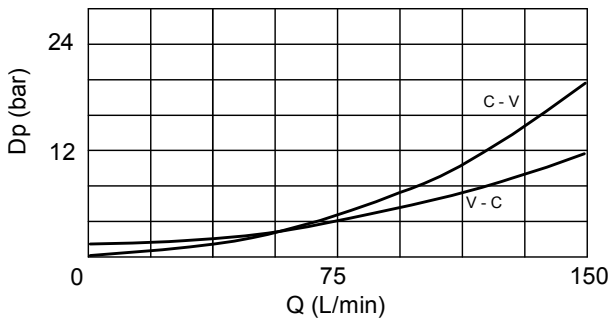
Dimensions



Hydraulic Symbol



Curves



Materials: Aluminium body.

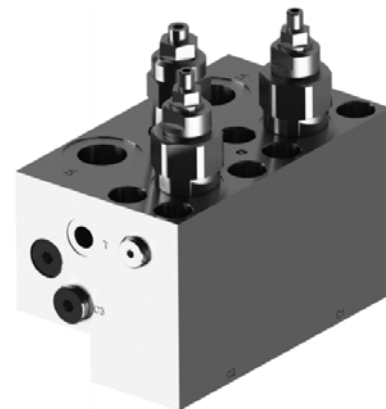
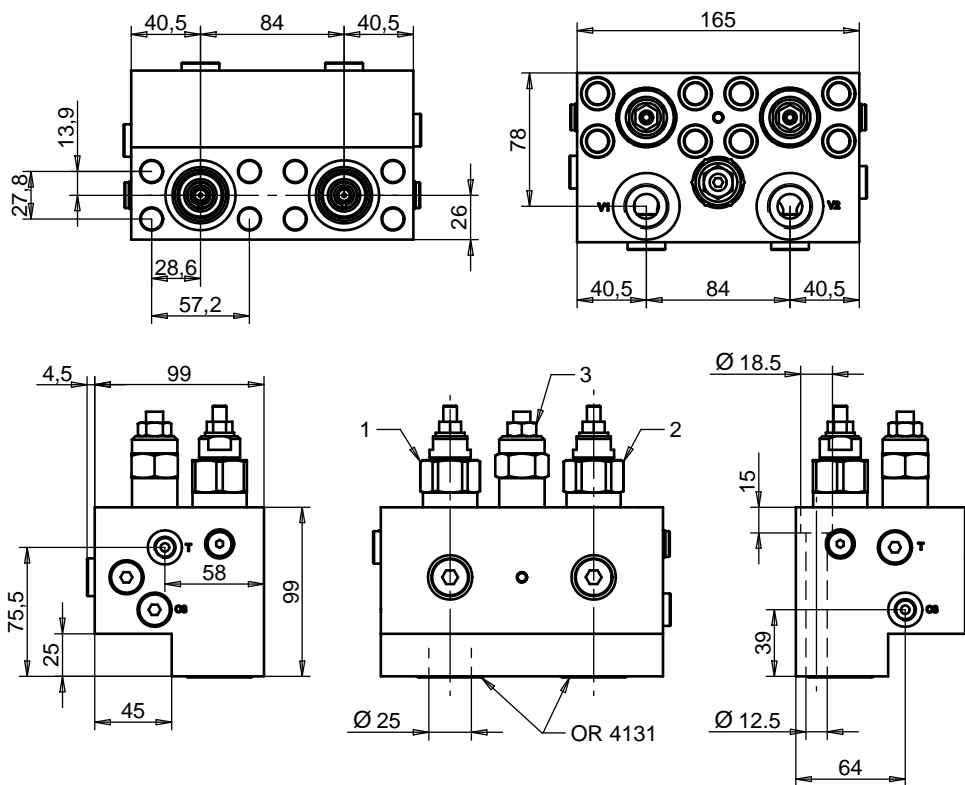
Features

Max Flow	170 lpm
Max Pressure	410 bar
Pilot Ratio	4:1 Standard
Ports	V1-V2: G 3/4 C1-C2: 3/4 SAE 6000 C3-T: G 1/4
Std. Pressure range	(1)-(2) 100 - 350 bar (3) 10-140 bar

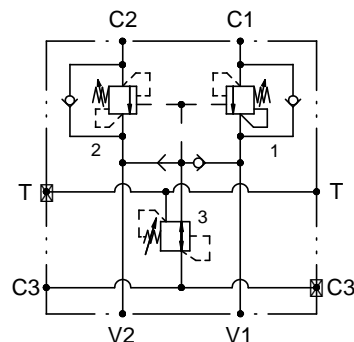
Ordering Code

CB150DLSFRXPRD 04

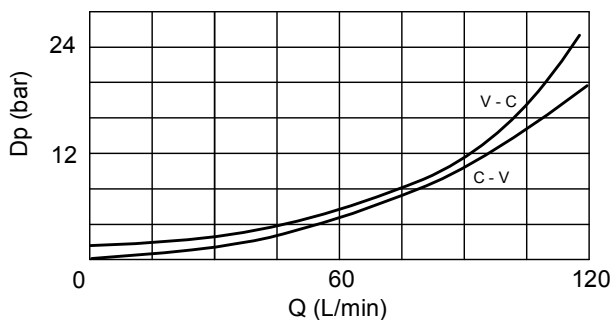
Dimensions



Hydraulic Symbol



Curves



Materials: Zinc plated steel manifold, hardened steel inner parts.

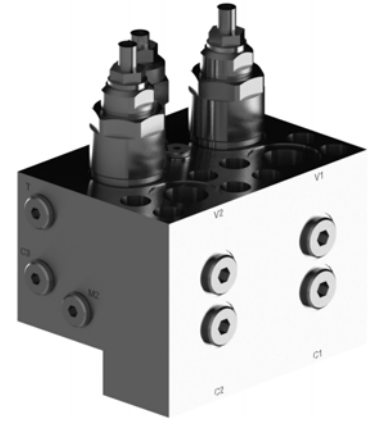
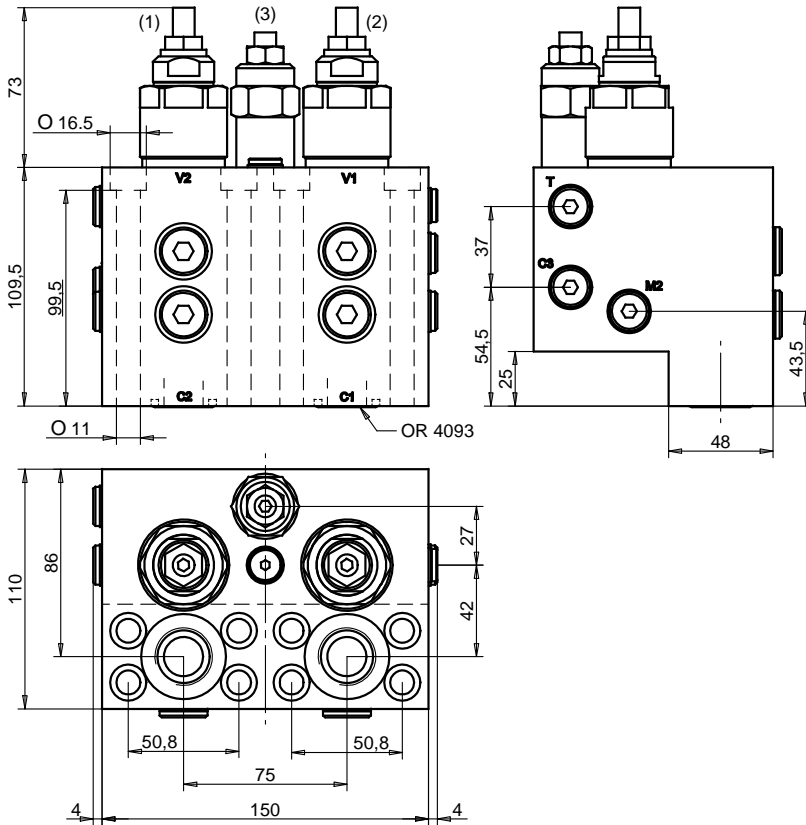
Ordering Code

CBCE120DLSFPRDRX 04

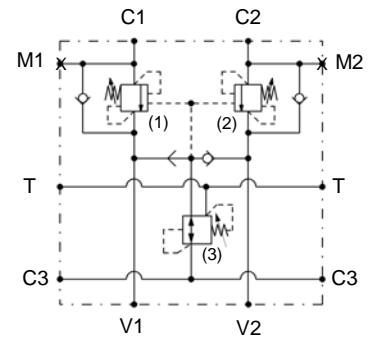
Features

Max Flow	120 lpm
Max Pressure	350 bar
Pilot Ratio	4:1
Std. Pressure range	(1)-(2):140-350 bar / (3):10-100 bar
Ports	V1-V2: G 3/4 C1-C2: 1" SAE 6000 C3-T: G 1/4

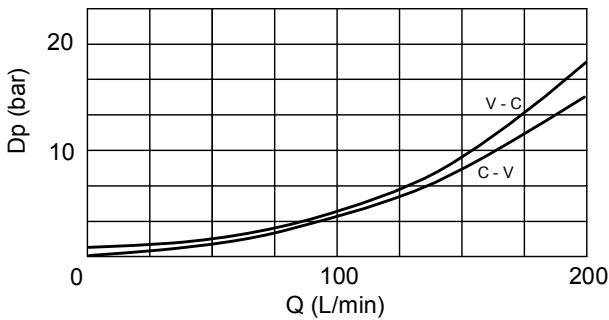
Dimensions



Hydraulic Symbol



Curves



Materials: Zinc plated steel manifold, hardened steel inner parts.

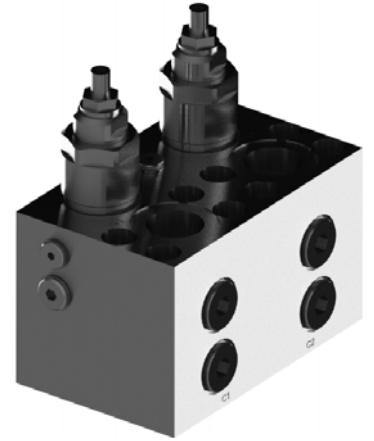
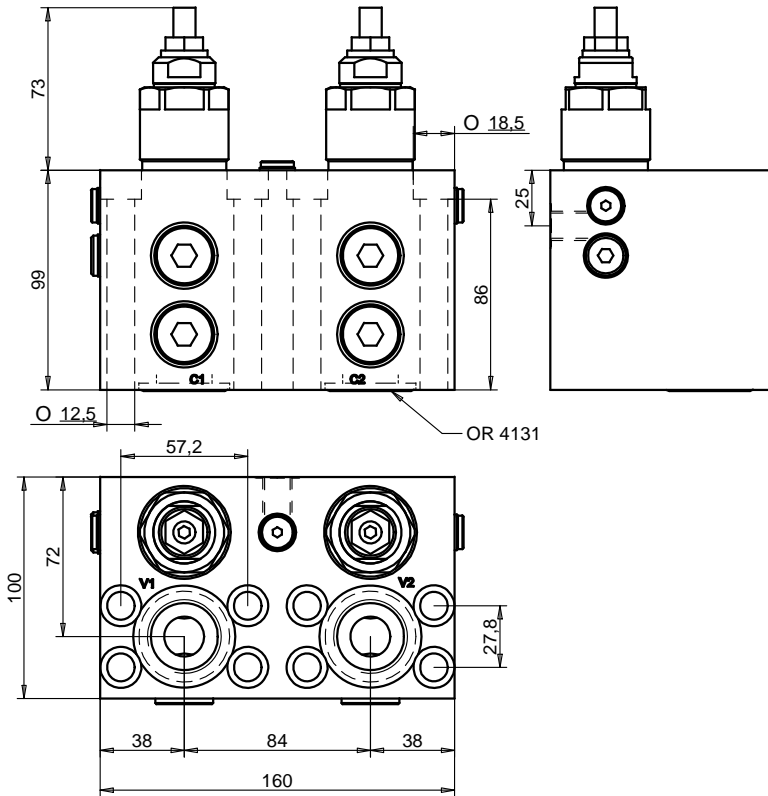
Features

Max Flow	200 lpm
Max Pressure	350 bar
Pilot Ratio	4:1
Std. Pressure range	(1)-(2):140-350 bar / (3):10-50 bar
Ports	V1-V2: G 3/4 C1-C2: 3/4" SAE 6000 C3-T-M1-M2: G 1/4

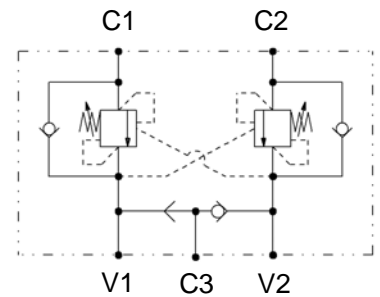
Ordering Code

CBCE200DLSFPRDRX 04

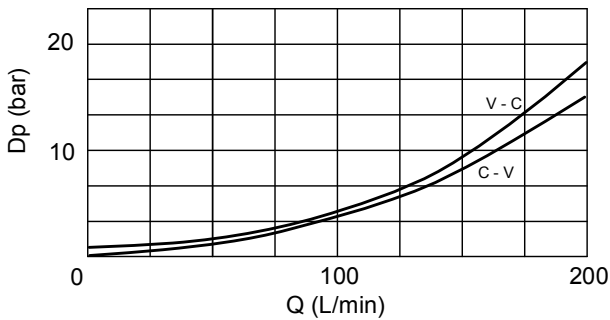
Dimensions



Hydraulic Symbol



Curves



Materials: Zinc plated steel manifold, hardened steel inner parts.

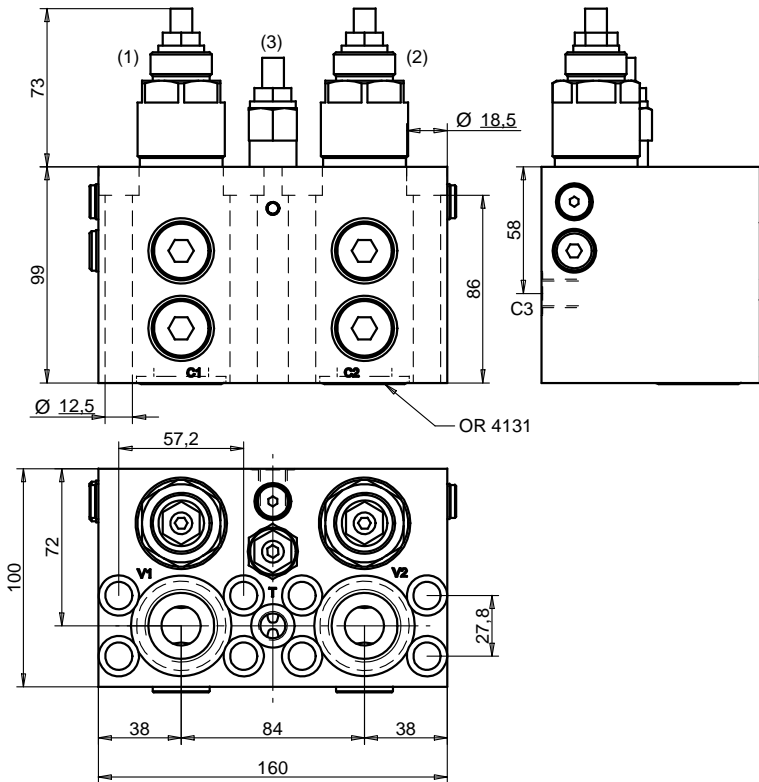
Features

Max Flow	200 lpm
Max Pressure	350 bar
Pilot Ratio	4:1
Std. Pressure range	140-350 bar
Ports	V1-V2: G 1 C1-C2: 1" SAE 6000 C3: G 1/4

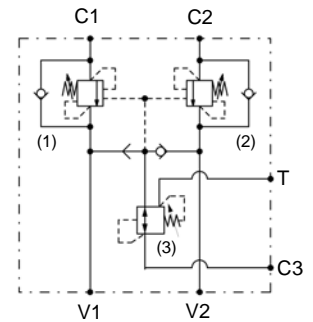
Ordering Code

CBCE200DLSFRX 05

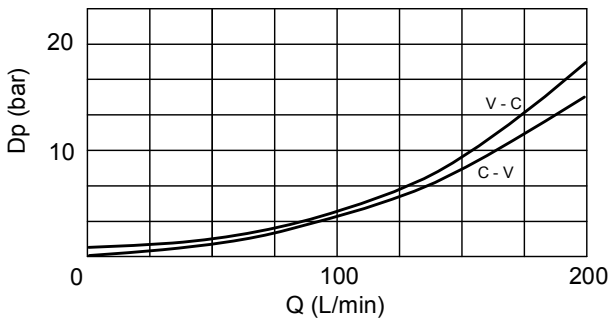
Dimensions



Hydraulic Symbol



Curves



Materials: Zinc plated steel manifold, hardened steel inner parts.

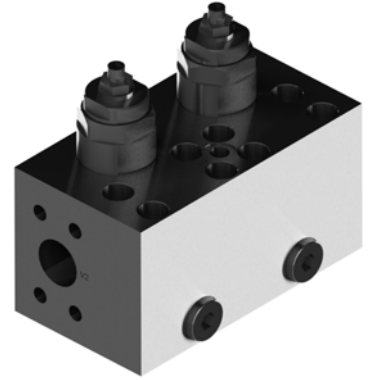
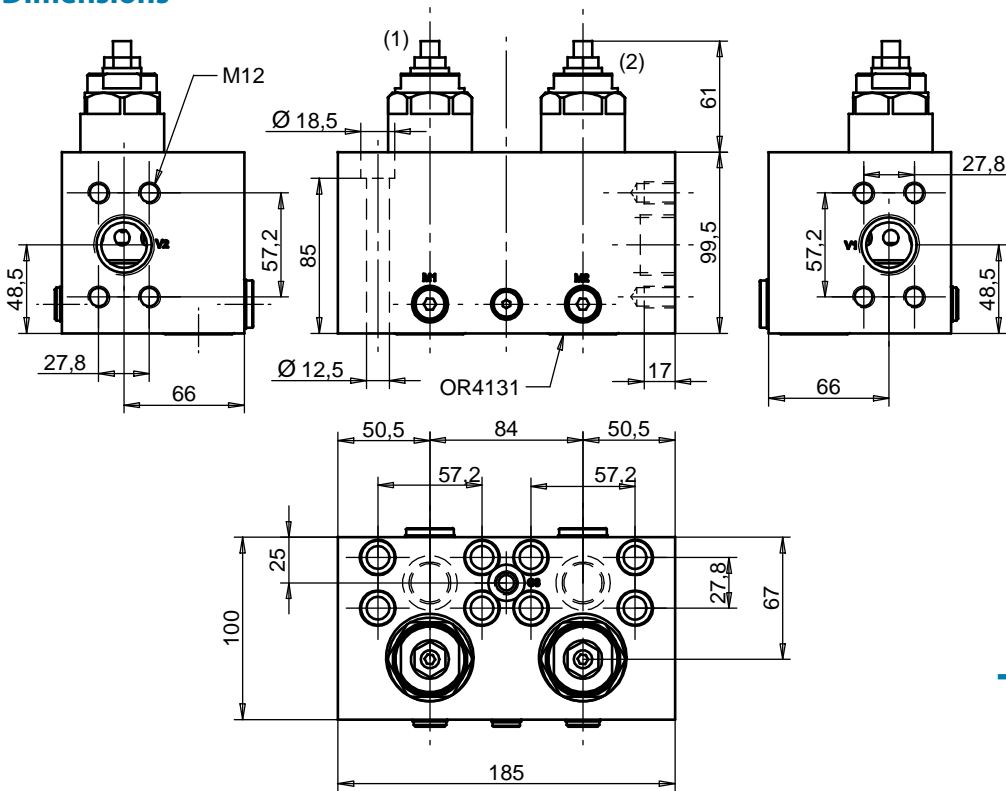
Ordering Code

CBCE200DLSFPRDRX 05

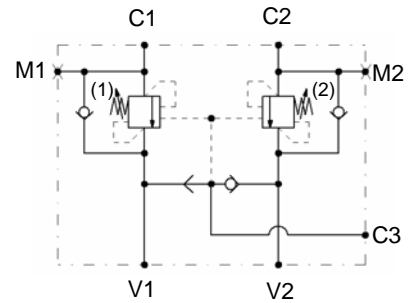
Features

Max Flow	200 lpm
Max Pressure	350 bar
Pilot Ratio	4:1
Std. Pressure range	1-2:140-350 bar / 3:10-100 bar
Ports	V1-V2: G 1 C1-C2: 1" SAE 6000 C3-T: G 1/4

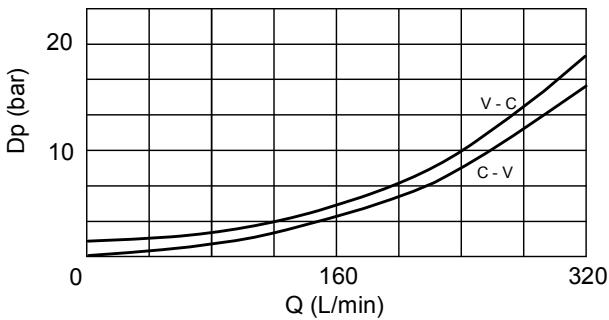
Dimensions



Hydraulic Symbol



Curves



Materials: Zinc plated steel manifold, hardened steel inner parts.

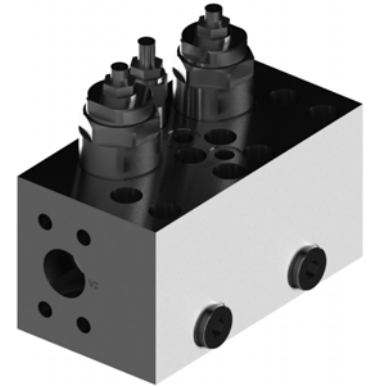
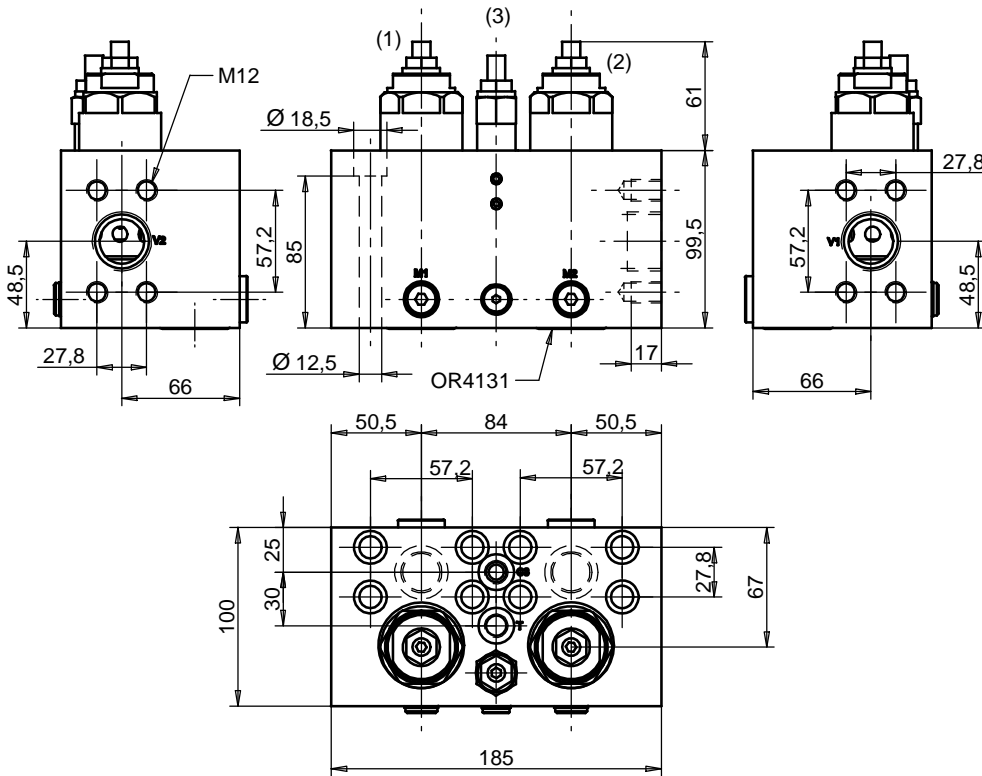
Features

Max Flow	320 lpm
Max Pressure	350 bar
Pilot Ratio	4:1
Std. Pressure range	140-350 bar
Ports	V1-V2: 1" SAE 6000 C1-C2: 1" SAE 6000 C3-M1-M2: G 1/4

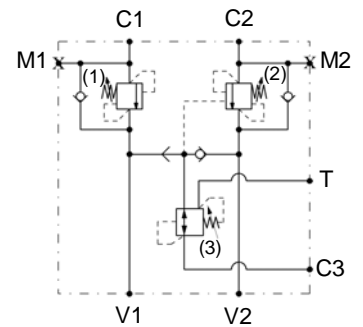
Ordering Code

CBCE300DLSFRX 05

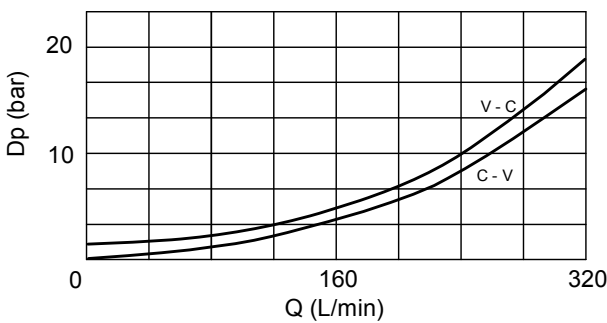
Dimensions



Hydraulic Symbol



Curves



Materials: Zinc plated steel manifold, hardened steel inner parts.

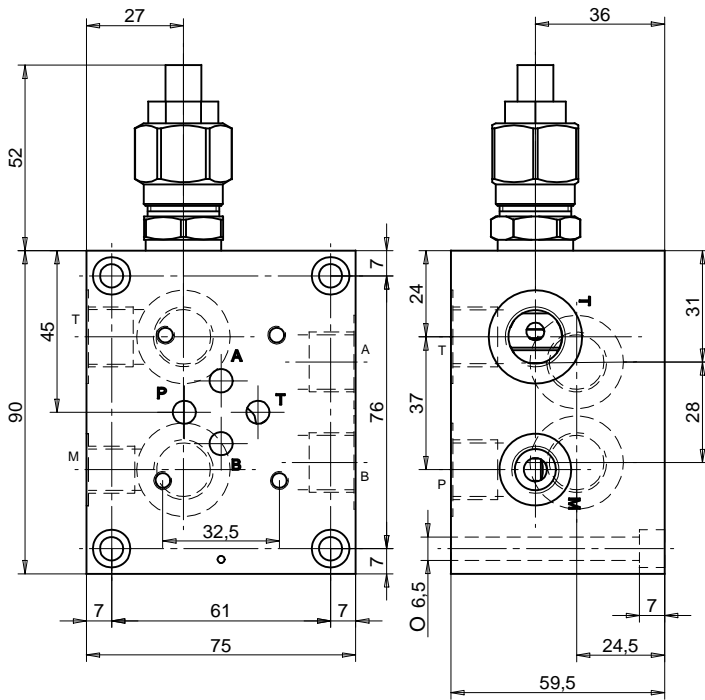
Ordering Code

CBCE300DLSFPRDRX 05

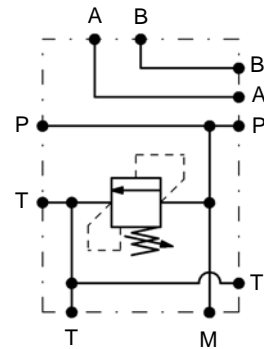
Features

Max Flow	320 lpm
Max Pressure	350 bar
Pilot Ratio	4:1 - Standard
Std. Pressure range	(1)-(2):140-350 bar / (3):10-100 bar
Ports	V1-V2: 1" SAE 6000 C1-C2: 1" SAE 6000 C3-T-M1-M2: G 1/4

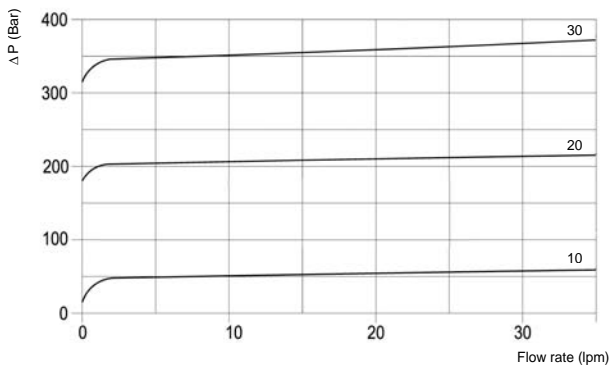
Dimensions



Hydraulic Symbol



Curves



Features

Max Flow	50 lpm
Max Pressure	210 bar

Materials: Zinc plated steel cartridge, hardened steel inner parts.
Aluminium manifold.

Ordering Code

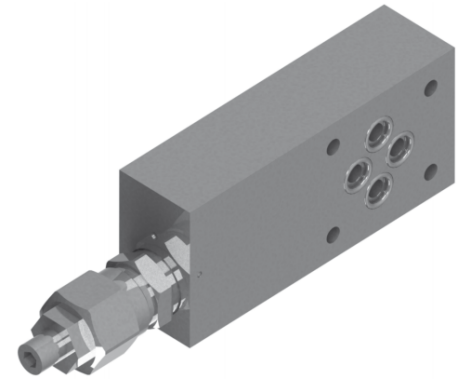
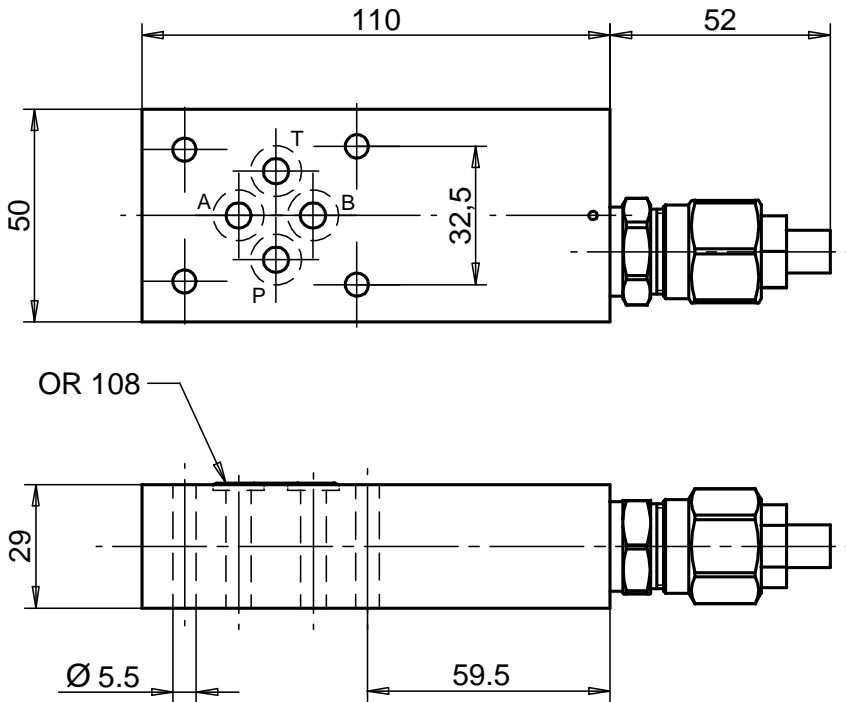
PRNG6 -- -

	Spring (bar)
10	5-50
20	40-210
30	100-350

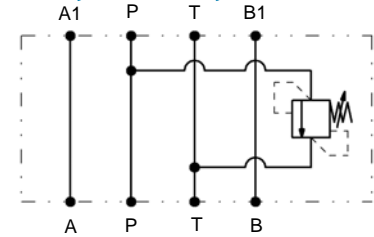
Adjustments

A		Socket Screw
B		Handknob
C		Tamperproof Cap

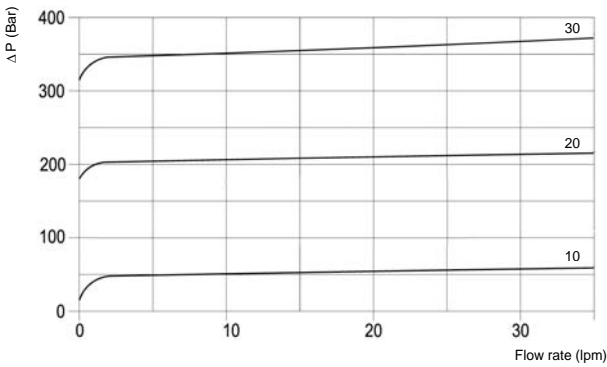
Dimensions



Hydraulic Symbol



Curves



Features

Max Flow	40 lpm
Max Pressure	250 bar

Materials: Zinc plated steel cartridge, hardened steel inner parts.
Aluminium manifold.

Ordering Code

PRPNG6

--

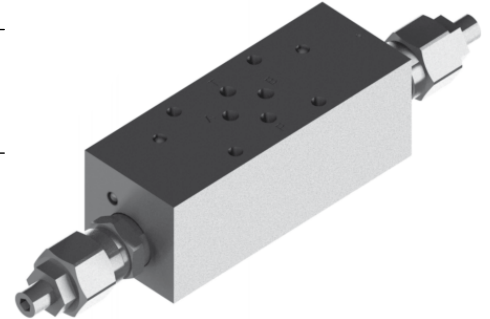
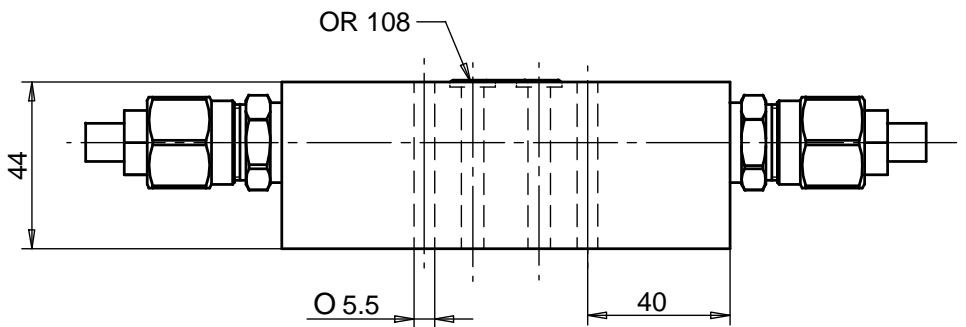
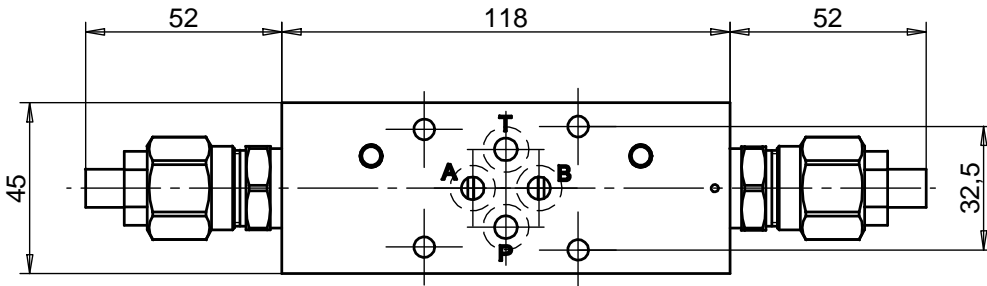
-

	Spring (bar)
10	5-50
20	40-210
30	100-350

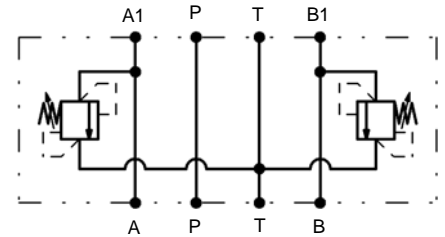
Adjustments

A		Socket Screw
B		Handknob
C		Tamperproof Cap

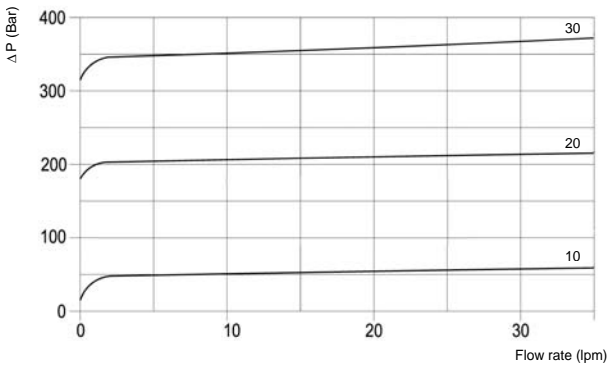
Dimensions



Hydraulic Symbol



Curves



Features

Max Flow	40 lpm
Max Pressure	250 bar

Materials: Zinc plated steel cartridge, hardened steel inner parts.
Aluminium manifold.

Ordering Code

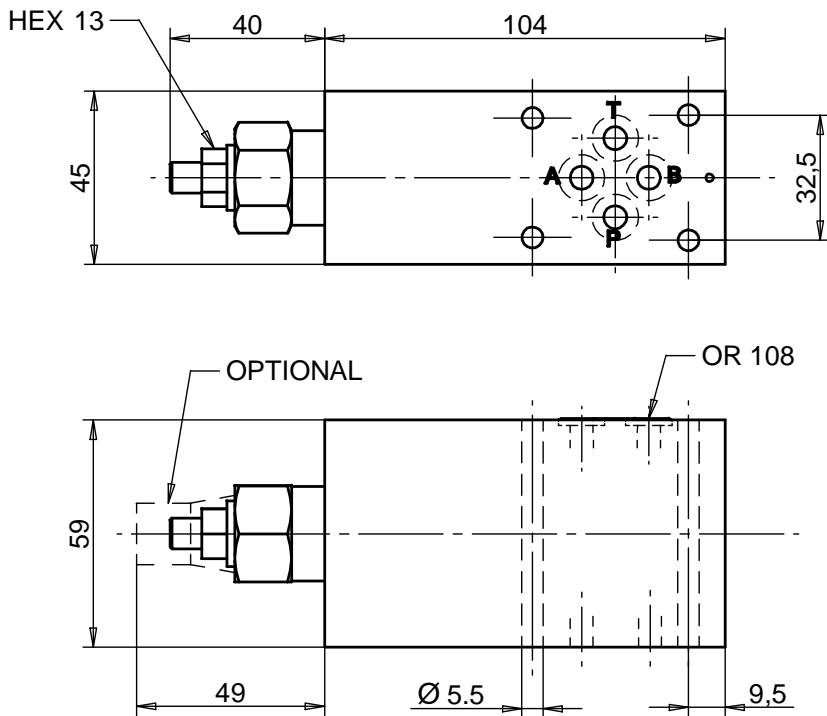
PRABNG6 -- -

	Spring (bar)
10	5-50
20	40-210
30	100-350

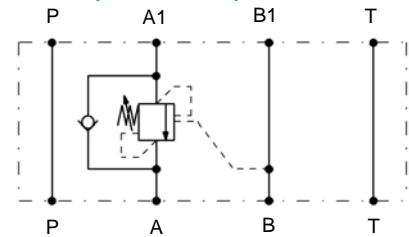
Adjustments

A		Socket Screw
B		Handknob
C		Tamperproof Cap

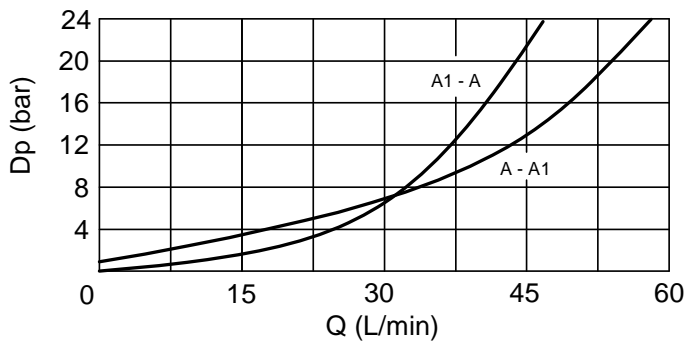
Dimensions



Hydraulic Symbol



Curves



Features

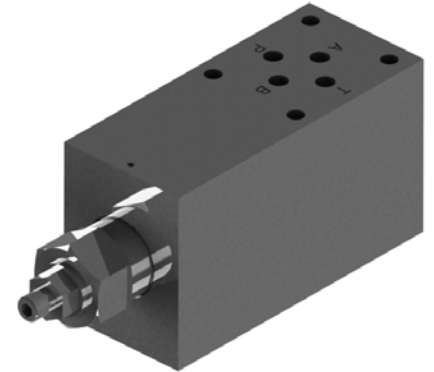
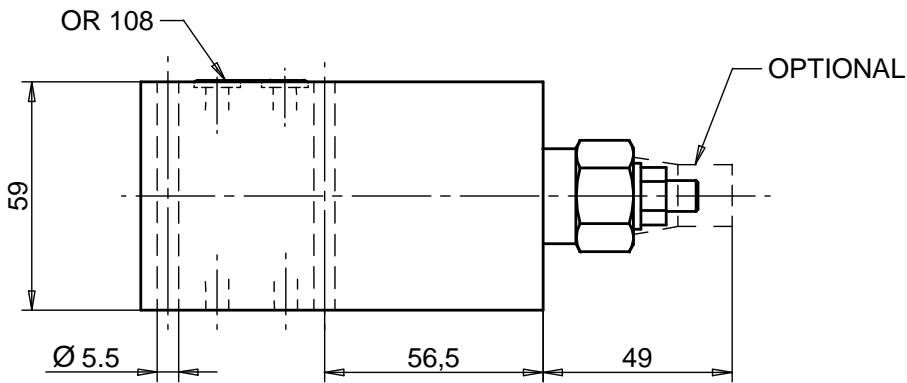
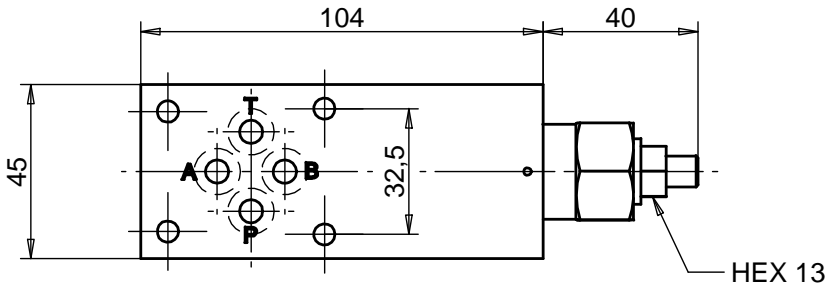
Max Flow	50 lpm
Max Pressure	350 bar
Pilot Ratio	4,2:1
Std. Pressure range	100 - 350 bar

Materials: Zinc plated steel cartridge, hardened steel inner parts. Aluminium manifold.

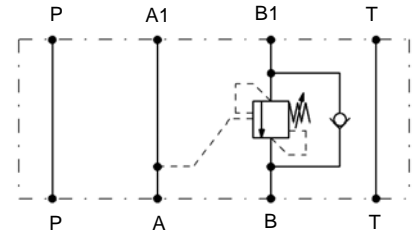
Ordering Code

CBSLANG6

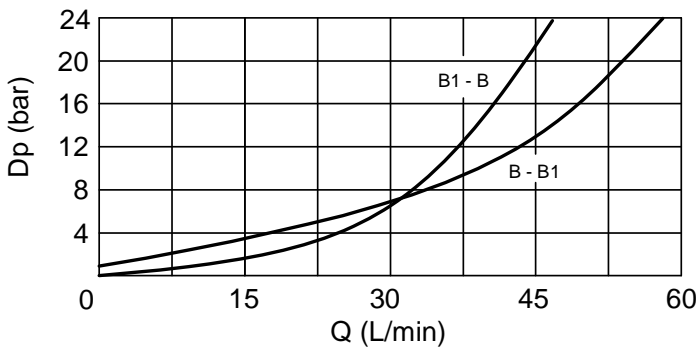
Dimensions



Hydraulic Symbol



Curves



Features

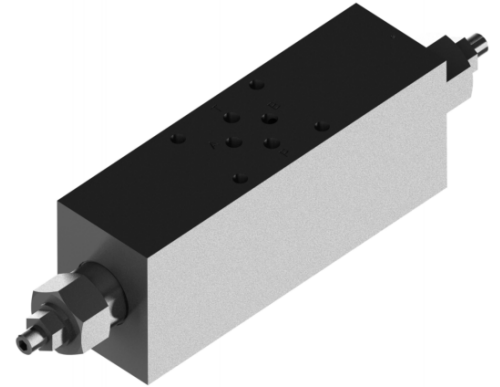
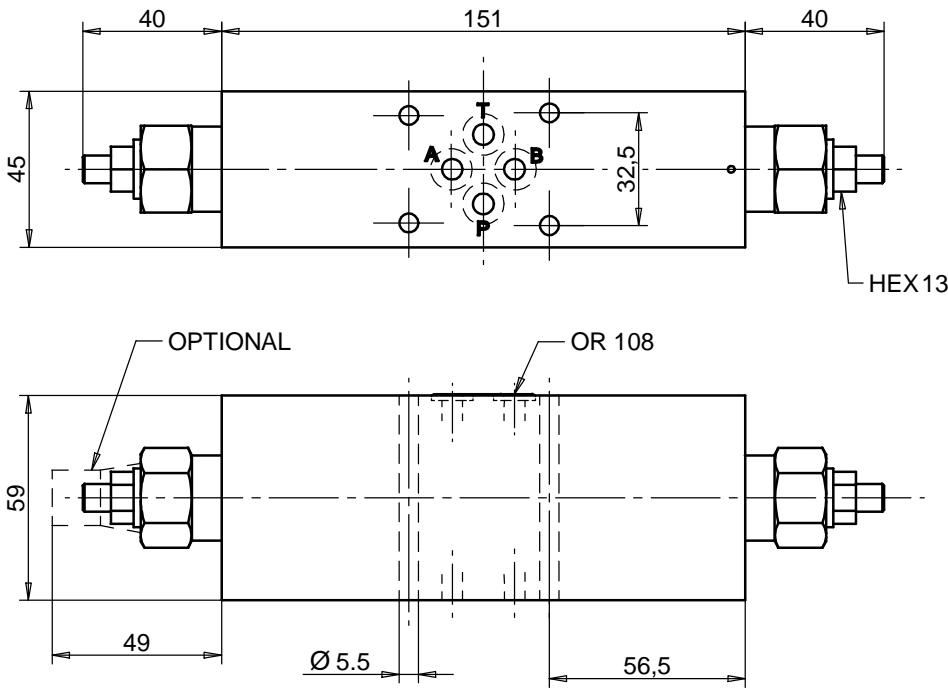
Max Flow	50 lpm
Max Pressure	350 bar
Pilot Ratio	4,2:1
Std. Pressure range	100 - 350 bar

Materials: Zinc plated steel cartridge, hardened steel inner parts. Aluminium manifold.

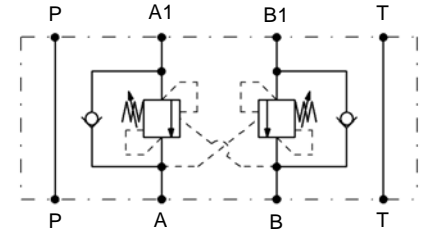
Ordering Code

CBSLBNG6

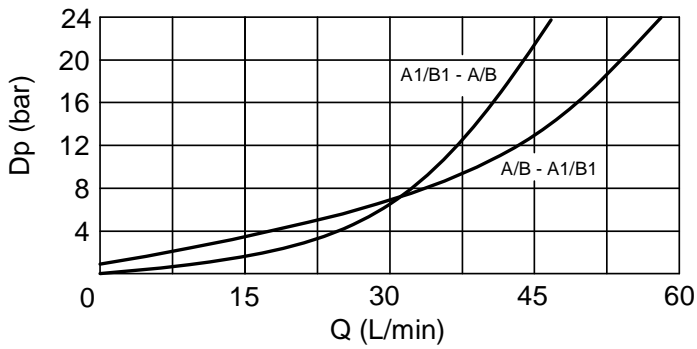
Dimensions



Hydraulic Symbol



Curves



Features

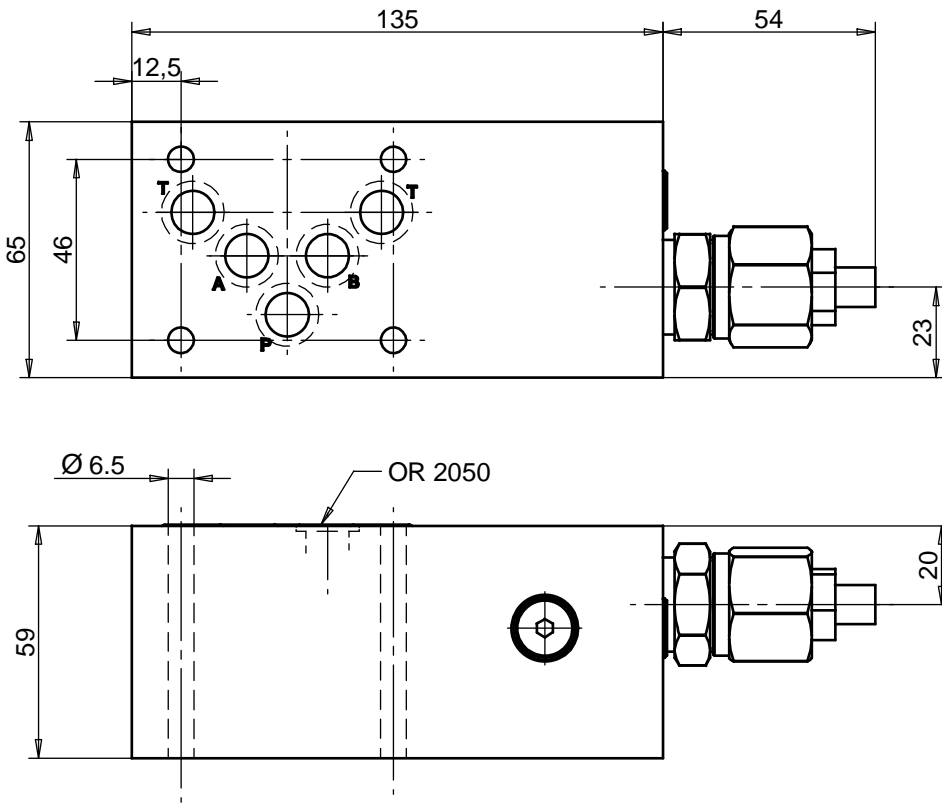
Max Flow	50 lpm
Max Pressure	350 bar
Pilot Ratio	4,2:1

Materials: Zinc plated steel cartridge, hardened steel inner parts.
Aluminium manifold.

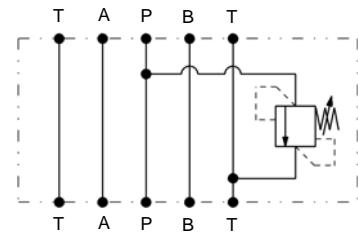
Ordering Code

CBDLNG6

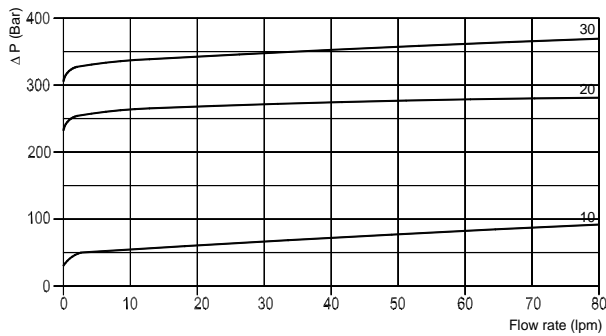
Dimensions



Hydraulic Symbol



Curves



Features

Max Flow	80 lpm
Max Pressure	250 bar

Materials: Zinc plated steel cartridge, hardened steel inner parts. Aluminium manifold.

Ordering Code

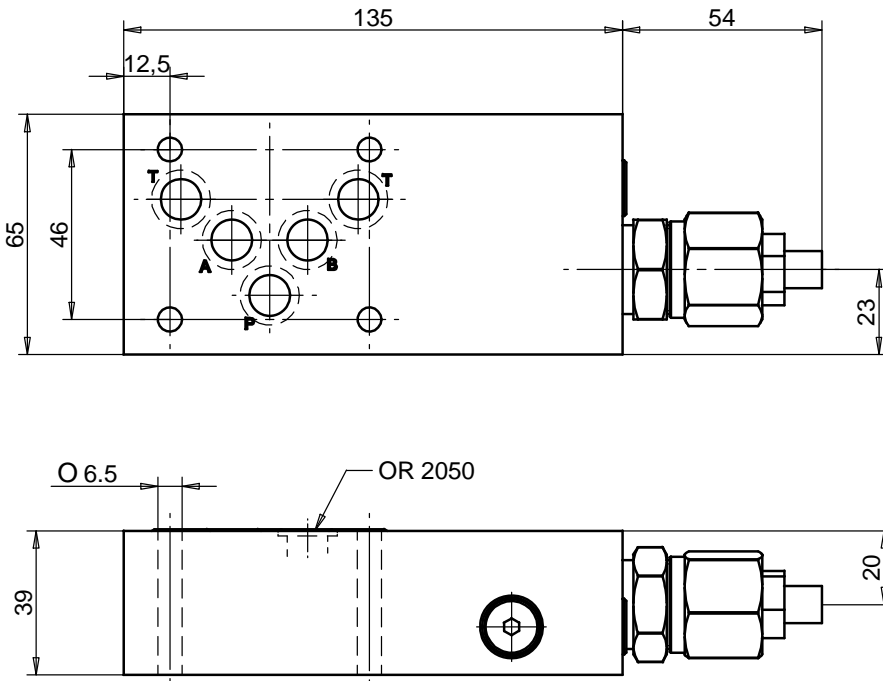
PRPNG10 -- -

	Spring (bar)
10	5-50
20	30-260
30	130-350

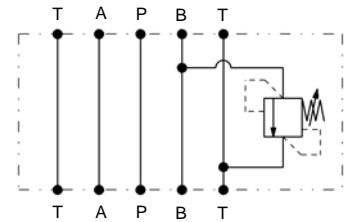
Adjustments

A		Socket Screw
B		Handknob
C		Tamperproof Cap

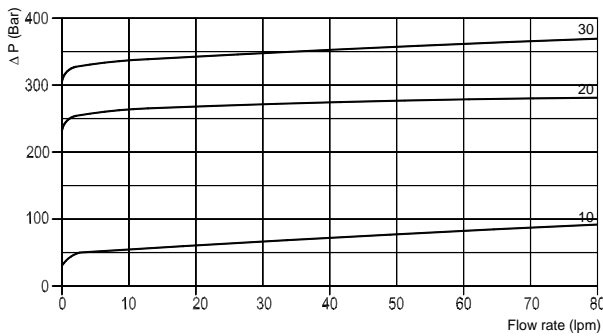
Dimensions



Hydraulic Symbol



Curves



Features

Max Flow	80 lpm
Max Pressure	250 bar

Materials: Zinc plated steel cartridge, hardened steel inner parts. Aluminium manifold.

Ordering Code

PRPBNG10

--

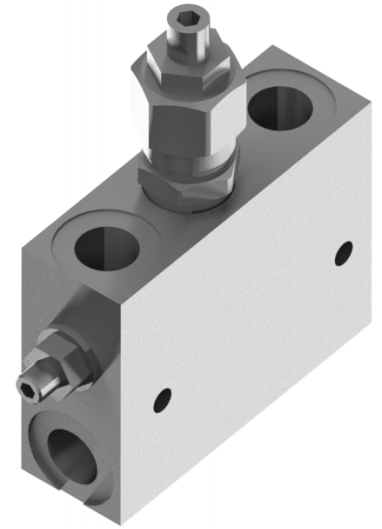
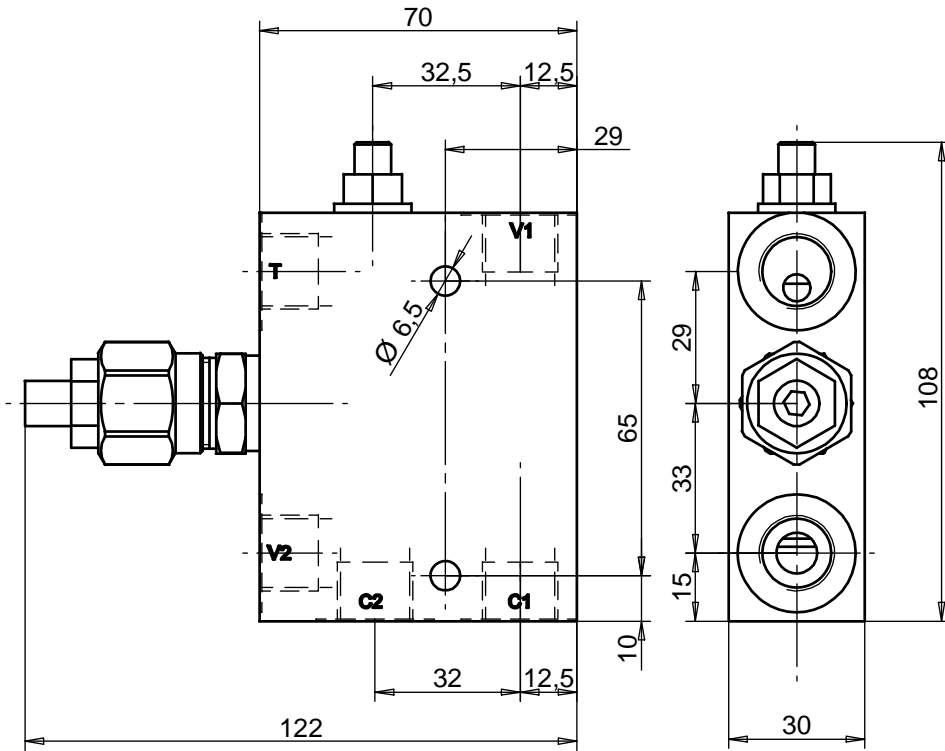
-

	Spring (bar)
10	5-50
20	30-260
30	130-350

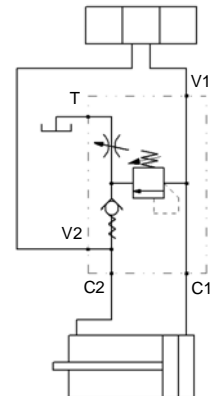
Adjustments

A		Socket Screw
B		Handknob
C		Tamperproof Cap

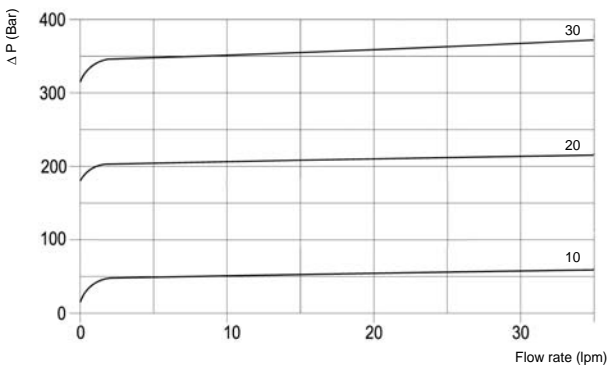
Dimensions



Hydraulic Symbol



Curves



Features

Max Flow	30 lpm
Max Pressure	350 bar
Ports	V1-V2: G 3/8 C1-C2: G 3/8 T: G 3/8

Materials: Zinc plated steel cartridge, hardened steel inner parts.
Aluminium manifold.

Ordering Code

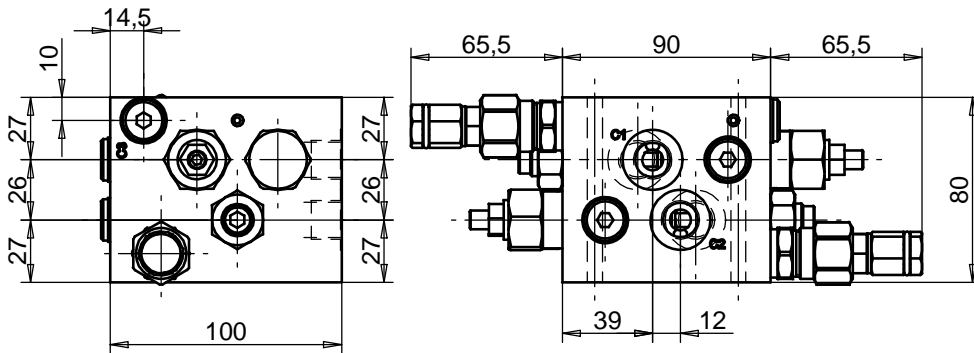
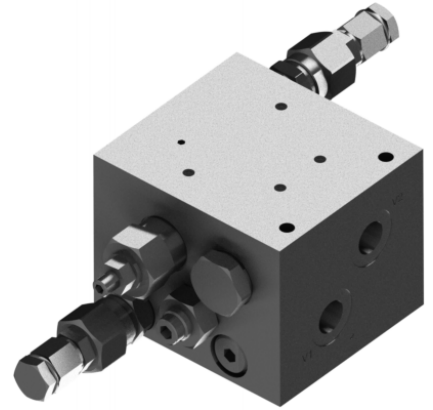
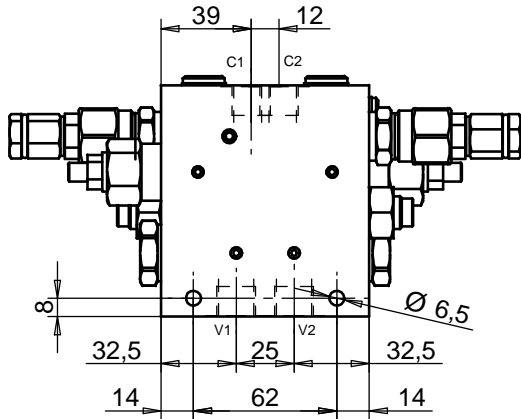
BIPRST 02 -- -

	Spring (bar)
10	5-50
20	40-210
30	100-350

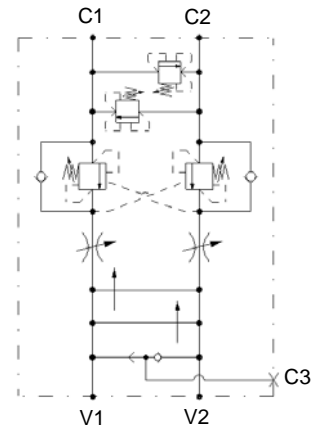
Adjustments

A		Socket Screw
B		Handknob
C		Tamperproof Cap

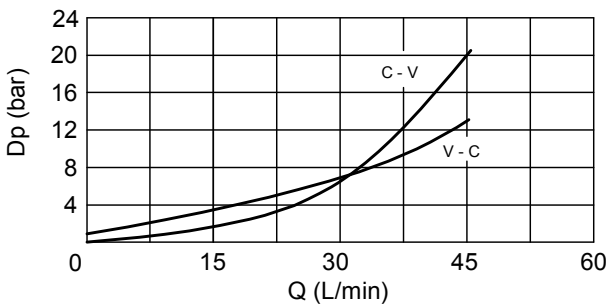
Dimensions



Hydraulic Symbol



Curves



Materials: Zinc plated steel cartridge, hardened steel inner parts.
Aluminium manifold.

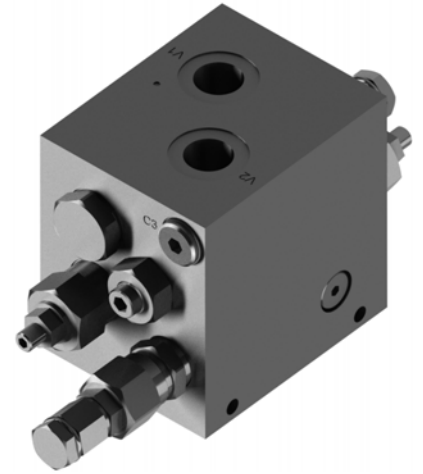
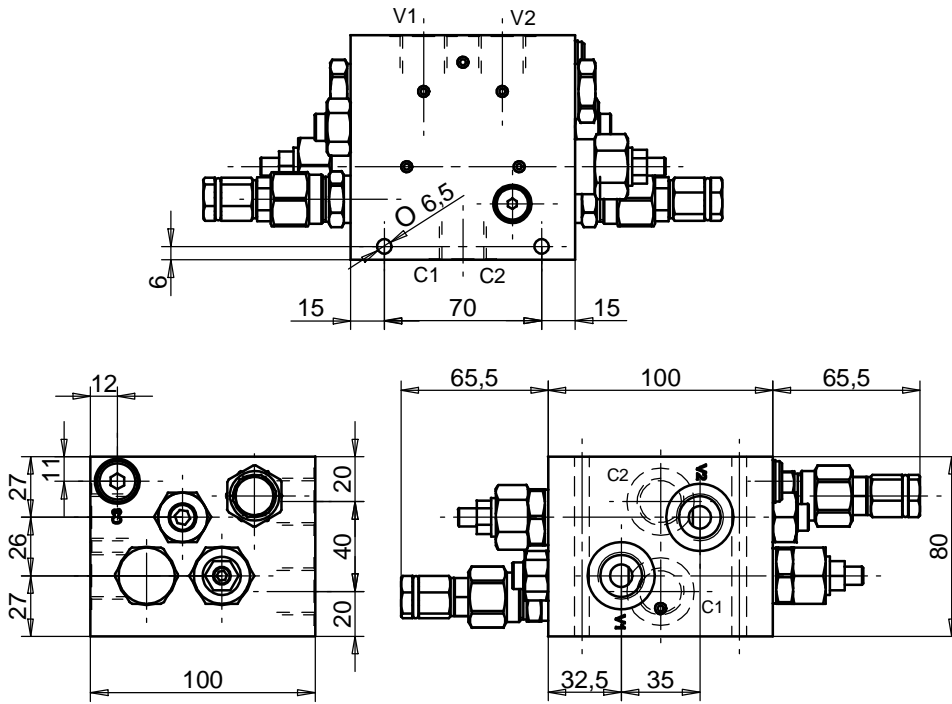
Features

Max Flow	45 lpm
Max Pressure	270 bar
Pilot Ratio	4,2:1 Standard
Ports	V1-V2: G 3/8 C1-C2: G 3/8 C3: G 1/4
Std. Pressure range	100 - 350 bar

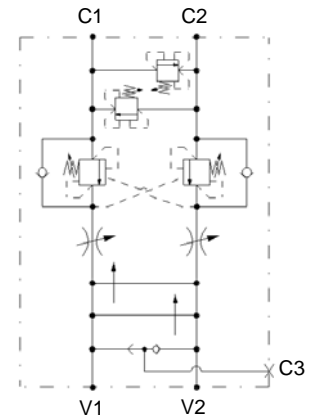
Ordering Code

VCRT 02

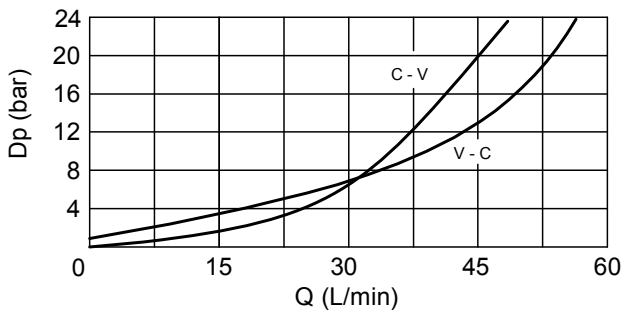
Dimensions



Hydraulic Symbol



Curves



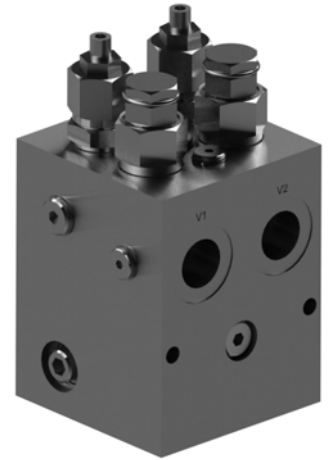
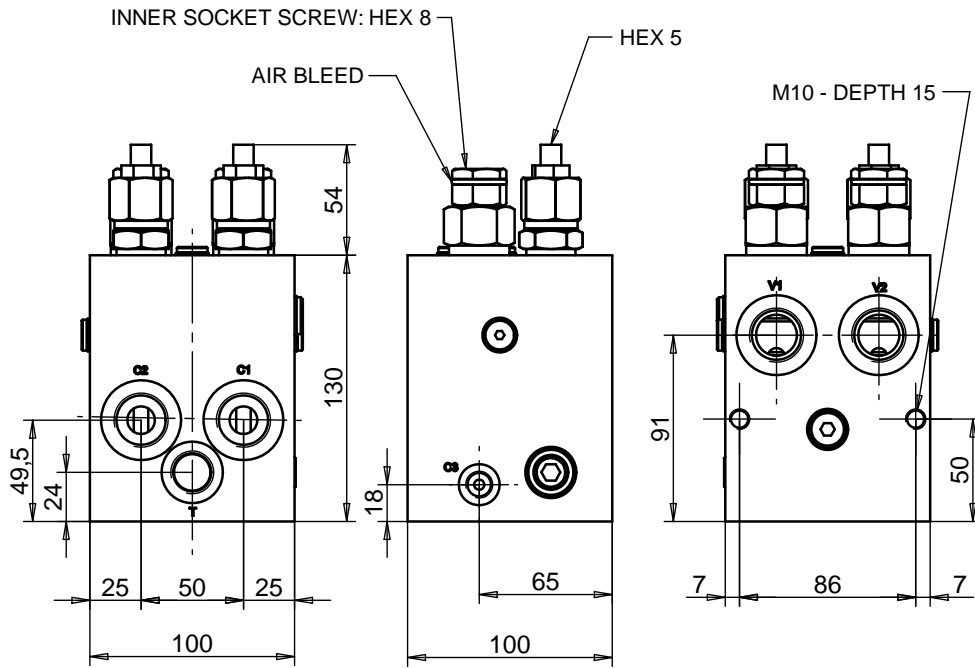
Features

Max Flow	60 lpm
Max Pressure	270 bar
Pilot Ratio	4,2:1
Ports	V1-V2: G 1/2 C1-C2: G 1/2 C3: G 1/4
Std. Pressure range	100 - 350 bar

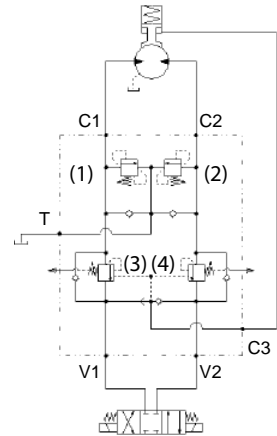
Ordering Code

VCRT 03

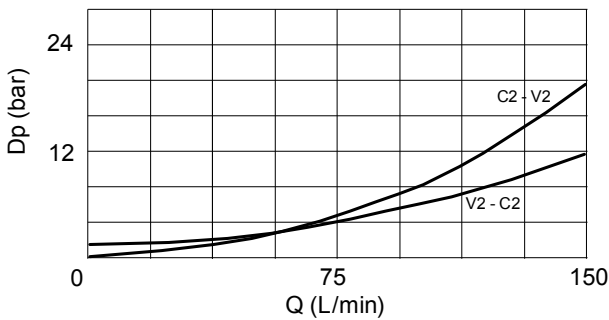
Dimensions



Hydraulic Symbol



Curves



Materials: Zinc plated steel cartridge, hardened steel inner parts.
Aluminium manifold.

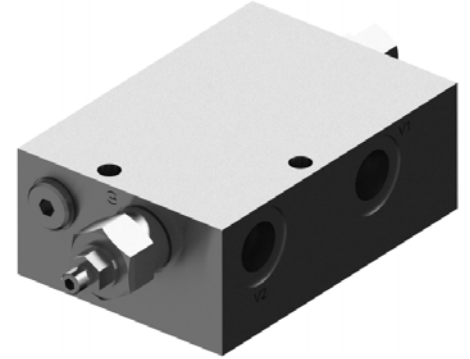
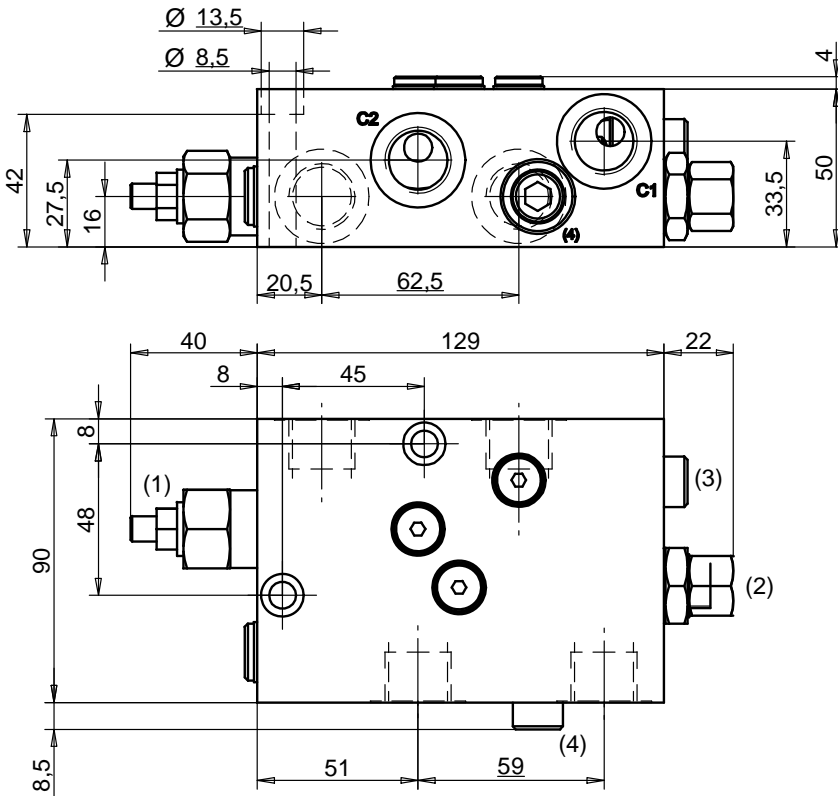
Features

Max Flow	150 lpm
Max Pressure	250 bar
Pilot Ratio	4:1
Ports	V1-V2-C1-C2: G 3/4 T: G 1/2 C3: G 1/4
Std. Pressure range	(3)-(4) 100 - 350 bar (1)-(2) 140 - 350 bar

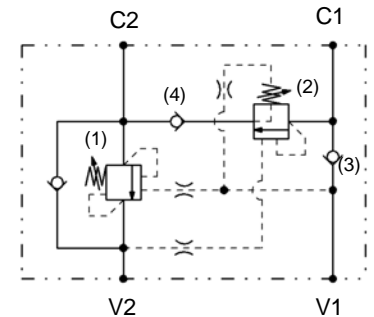
Ordering Code

VMOCL150CC 04

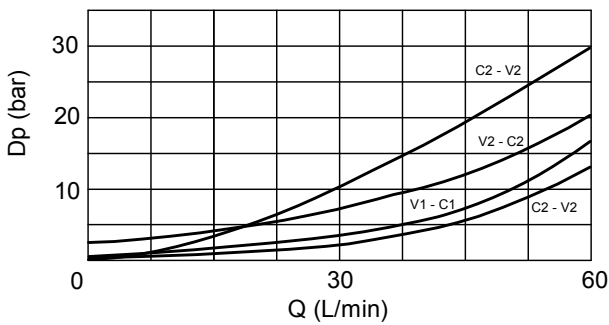
Dimensions



Hydraulic Symbol



Curves



Materials: Zinc plated steel cartridge, hardened steel inner parts.
Aluminium manifold.

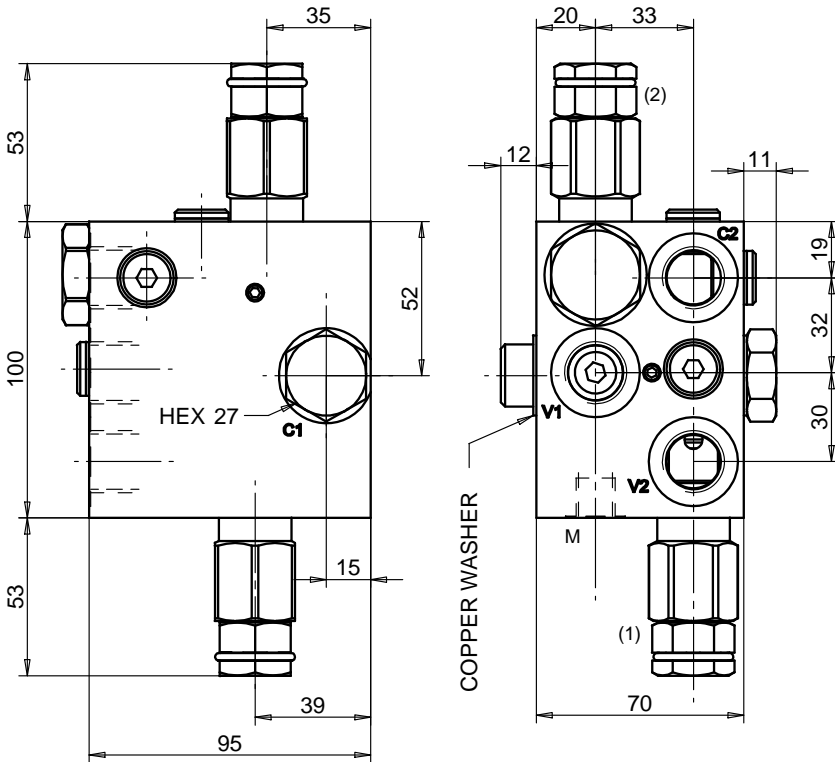
Features

Max Flow	60 lpm	
Max Pressure	350 bar	
Ports	V1-V2: G 1/2 C1-C2: G 1/2	
	1	2
Pilot Ratio	4,2:1	4:1
Std. Pressure range	100 - 350 bar	100 - 350 bar

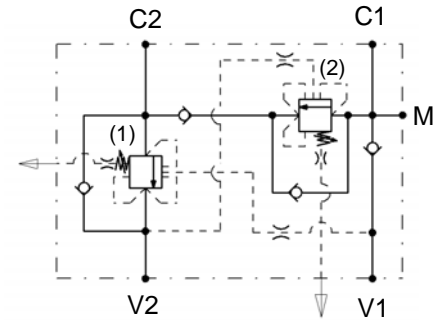
Ordering Code

CBDLRG 03

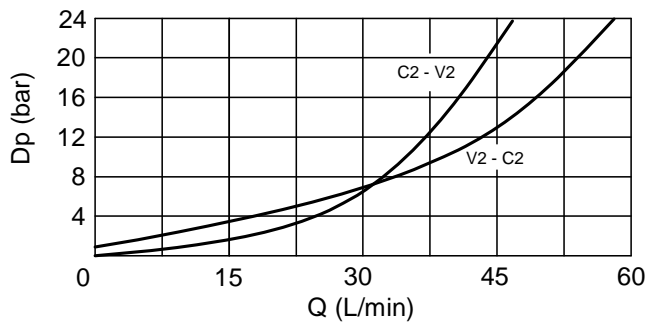
Dimensions



Hydraulic Symbol



Curves



Materials: Zinc plated steel cartridge, hardened steel inner parts.
Aluminium manifold.

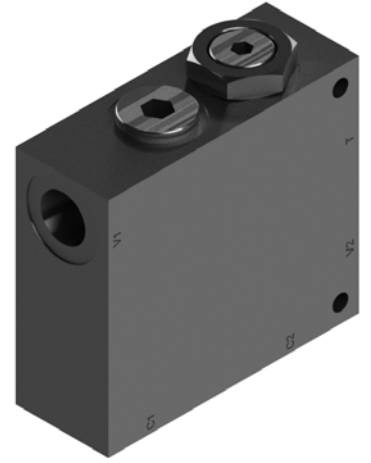
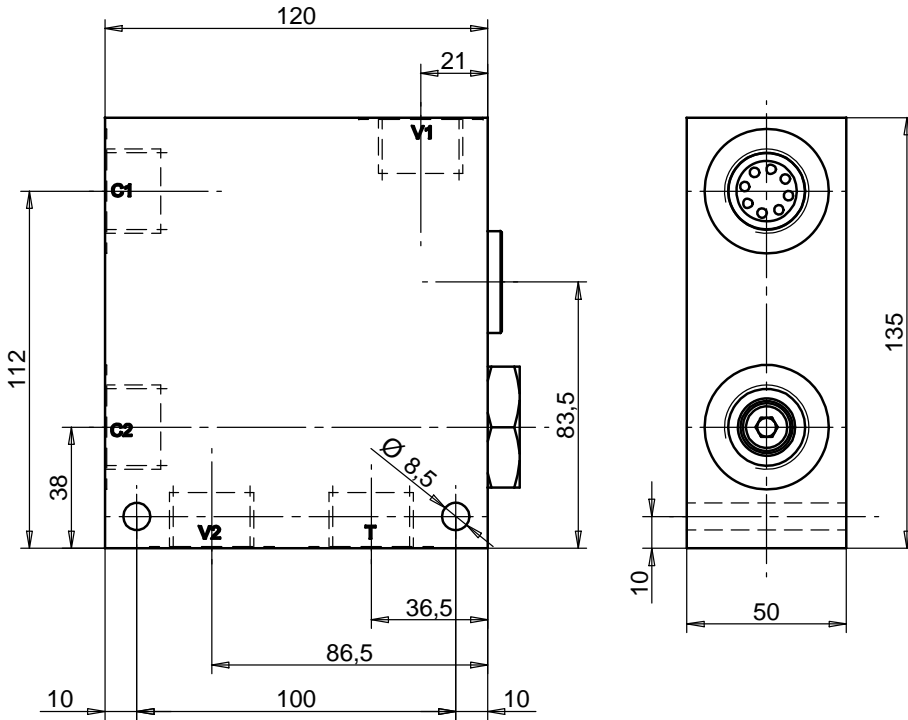
Features

Max Flow	40 lpm
Max Pressure	350 bar
Ports	V1-V2-C1-C2: G 1/2 M: G 1/4
Pilot Ratio	4,2:1
Std. Pressure range	100 - 350 bar

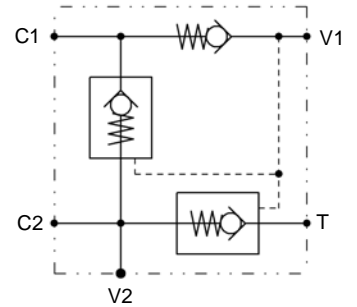
Ordering Code

CBSLRGBFCC 03

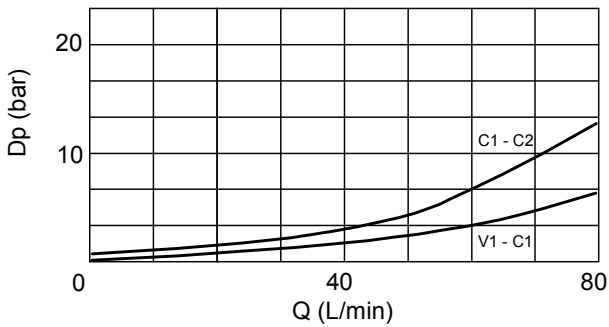
Dimensions



Hydraulic Symbol



Curves



Features

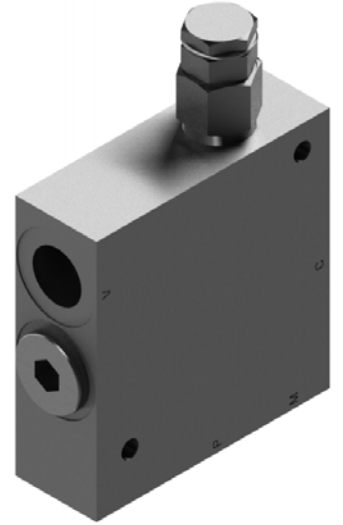
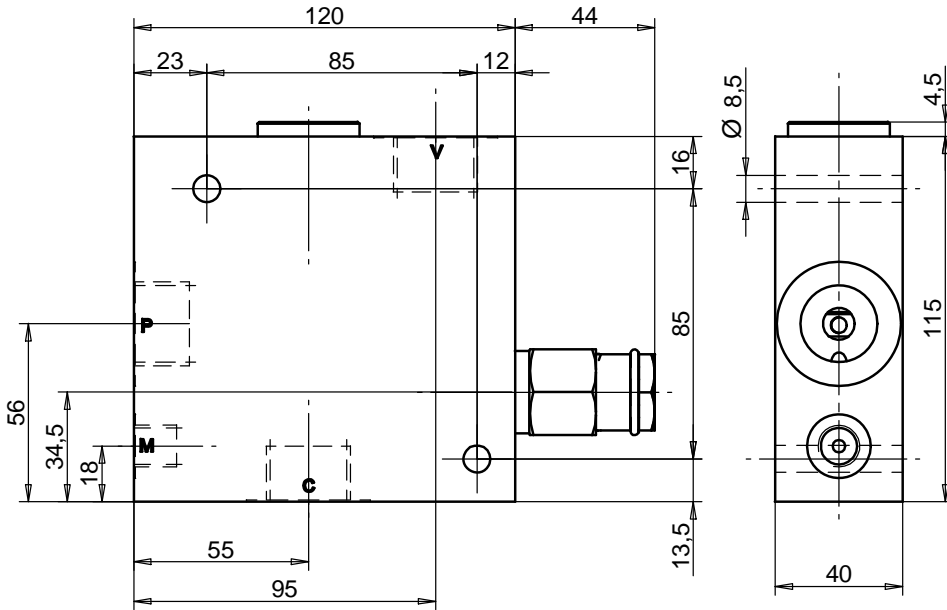
Max Flow	80 lpm
Max Pressure	350 bar
Ports	V1-V2-C1-C2-T: G 3/4

Materials: Zinc plated steel manifold, hardened steel inner parts.

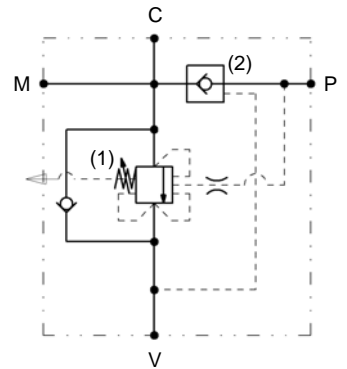
Ordering Code

RGV3R 04

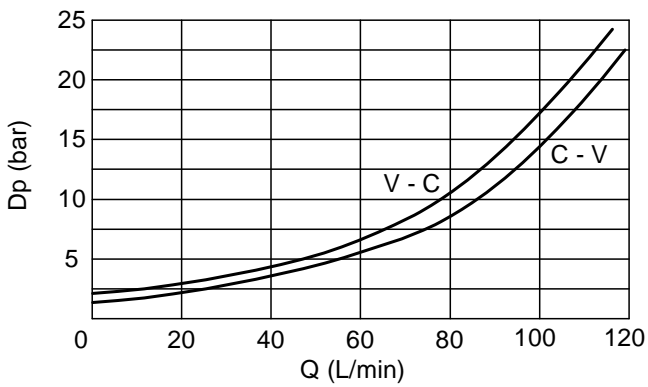
Dimensions



Hydraulic Symbol



Curves



Materials: Zinc plated steel manifold, hardened steel inner parts.

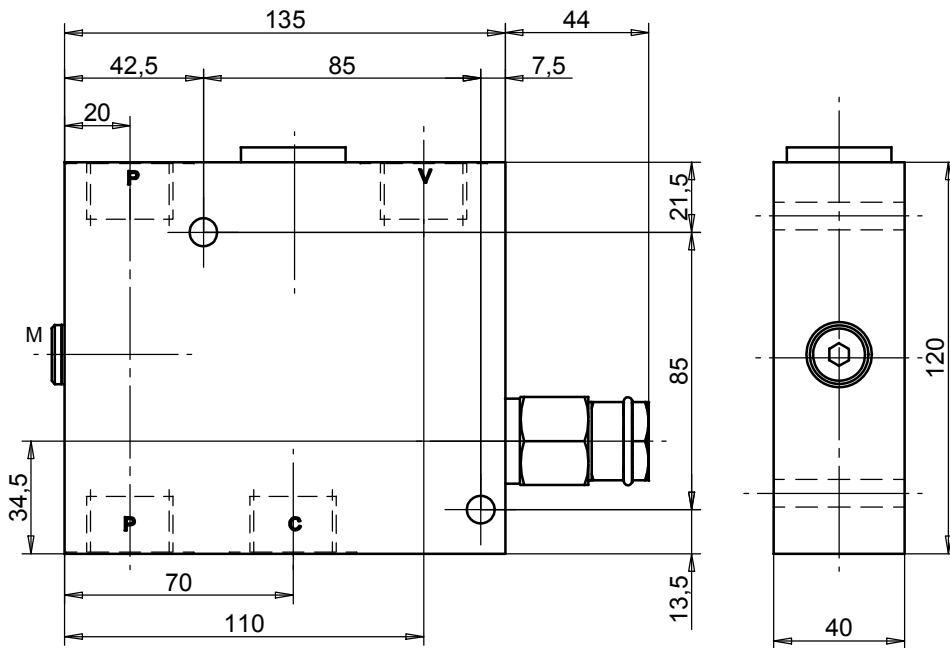
Ordering Code

CB90SLRGCC 04

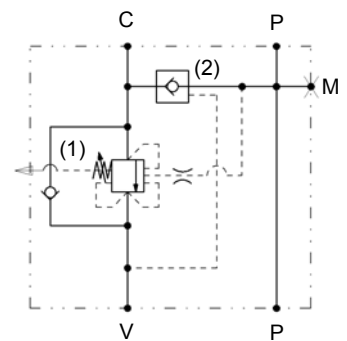
Features

Max Flow	120 lpm	
Max Pressure	350 bar	
Ports	V-C-P: G 3/4 M: G 1/4	
Pilot Ratio	(1)	(2)
	4,2:1	4:1
Std. Pressure range	100 - 350 bar	

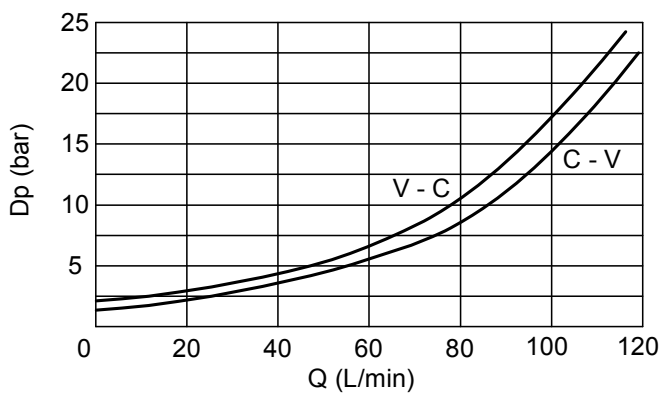
Dimensions



Hydraulic Symbol



Curves



Materials: Zinc plated steel manifold, hardened steel inner parts.

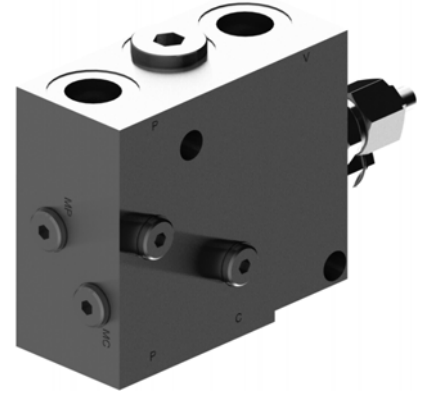
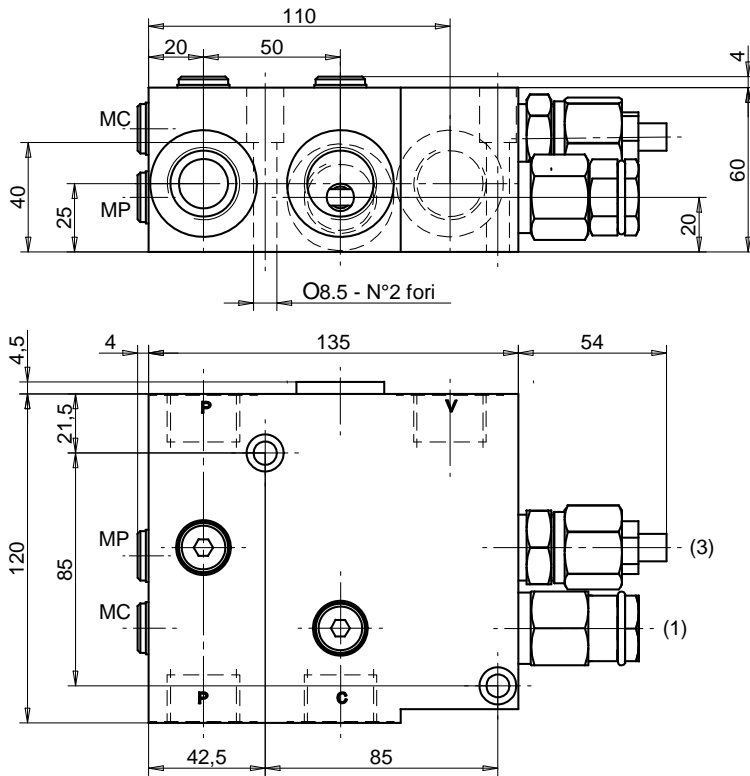
Features

Max Flow	120 lpm	
Max Pressure	350 bar	
Ports	V-P-C: G 3/4 MP-MC: G 1/4	
Pilot Ratio	(1) 4,2:1	(2) 4:1
Std. Pressure range	100 - 350 bar	

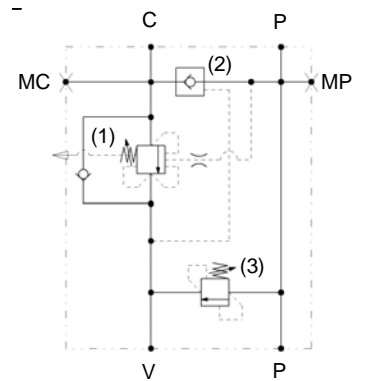
Ordering Code

CB90SLRGTC 04

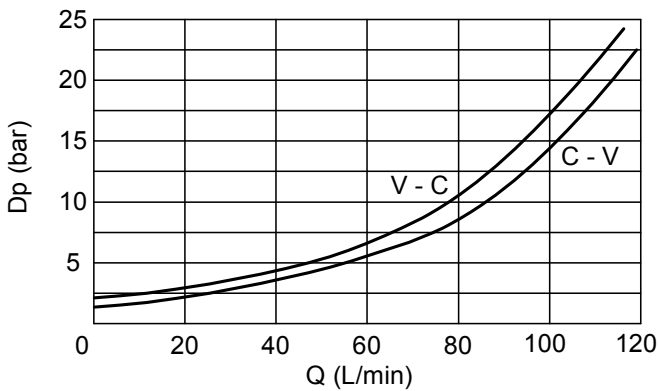
Dimensions



Hydraulic Symbol



Curves



Materials: Zinc plated steel body

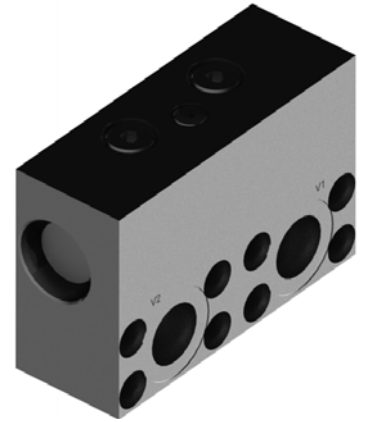
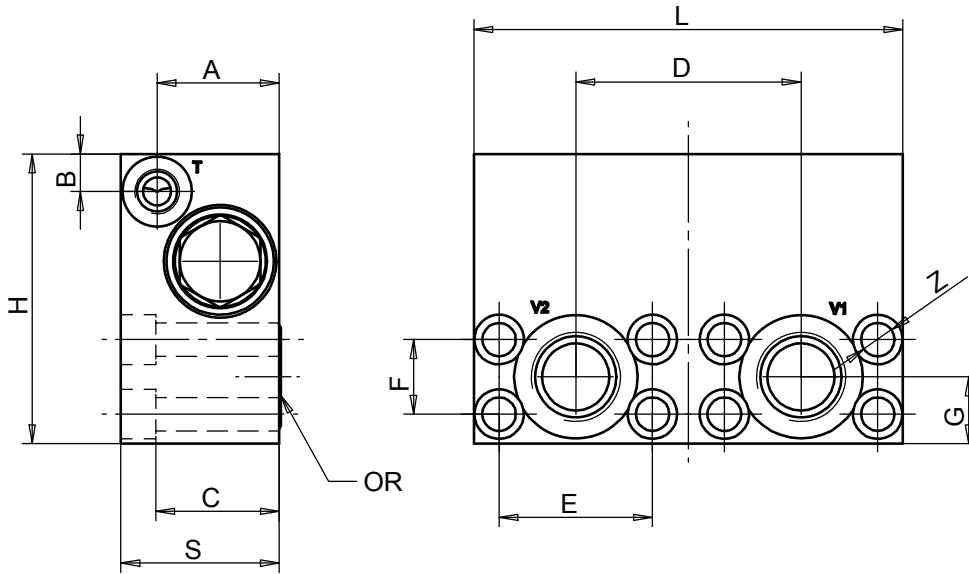
Features

Max Flow	120 lpm		
Max Pressure	350 bar		
Ports	V-P-C: G 3/4 MP-MC: G 1/4		
Pilot Ratio	(1)	(2)	(3)
Std. Pressure range	4,2:1	4:1	-
	100 - 350 bar		130 - 350 bar

Ordering Code

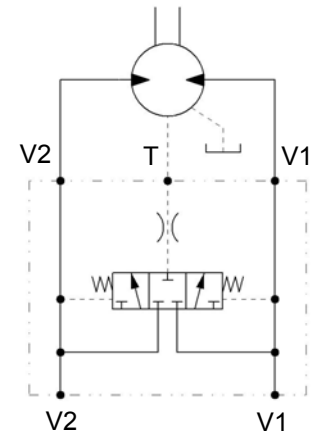
CB90SLRGTPRCC 04

Dimensions



Size	V1-V2	T	A	B	C	D	E	F	G	H	L	S	Z
05	G 1	G 3/8	45,5	14	46	84	57,2	27,8	24,9	108	160	59	12,5

Hydraulic Symbol



Features

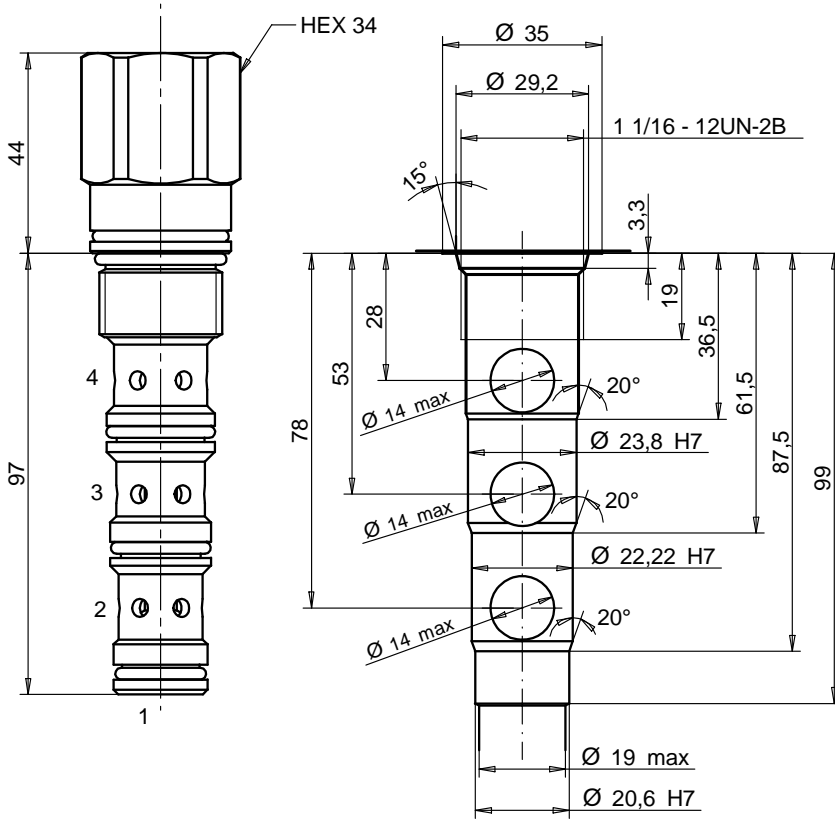
Size	05
Flushing Flow	10 -12 lpm
Flushing Pressure	20 - 30 bar
Max work. pressure	370 bar
OR	4131

Materials: Zinc plated steel body

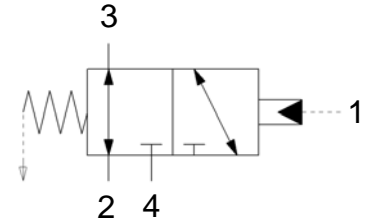
Ordering Code

VPURX 05

Dimensions



Hydraulic Symbol



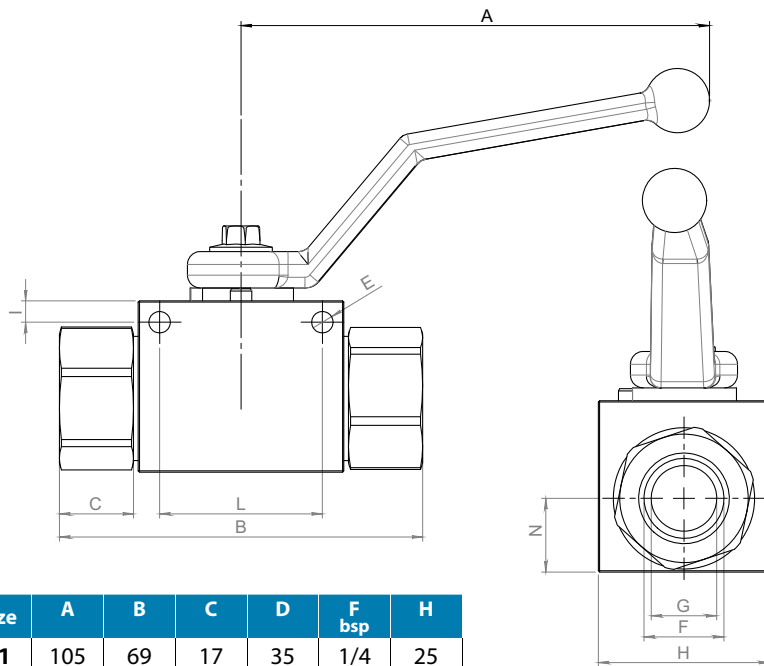
Features

Max Flow	120 lpm
Max Pressure	350 bar
Pilot pressure	11 bar
Installation torque	90 - 110 Nm

Ordering Code

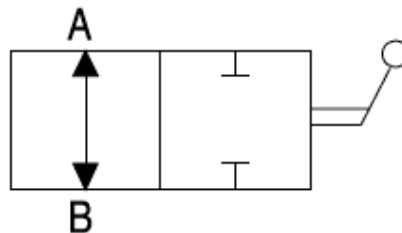
VD32CS 120

Dimensions



Size	A	B	C	D	F bsp	H
01	105	69	17	35	1/4	25
02	105	73	15	40	3/8	30
03	105	86	19	40	1/2	40
04	160	97	17	55	3/4	55
05	160	114	24	60	1"	60
06	160	125	29	60	1" 1/4	60
07	160	125	29	60	1" 1/2	60

Hydraulic Symbol



Ordering Code

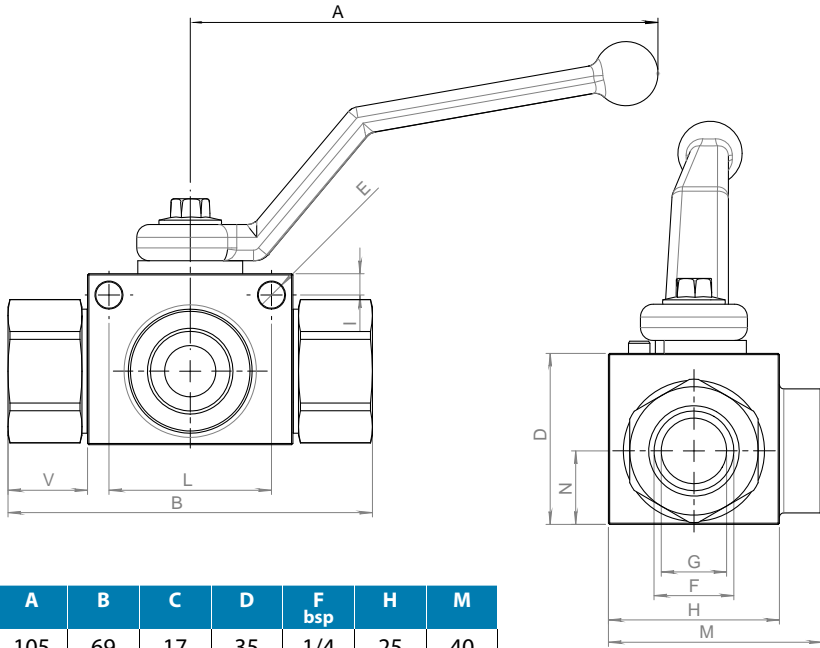
BV2W

--

Port Size BSP

01	1/4
02	3/8
03	1/2
04	3/4
05	1"
06	1" 1/4
07	1" 1/2

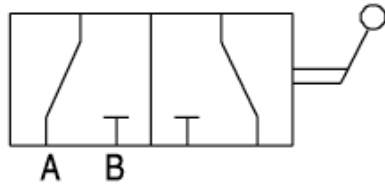
Dimensions



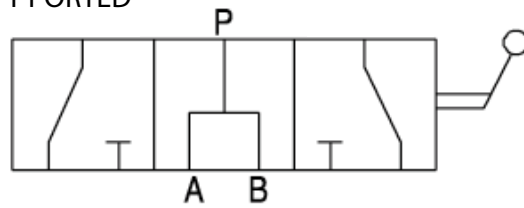
Size	A	B	C	D	F bsp	H	M
01	105	69	17	35	1/4	25	40
02	105	73	15	40	3/8	30	44
03	105	85	19	40	1/2	40	54
04	160	97	17	55	3/4	55	71
05	160	114	24	60	1"	60	84
06	160	125	29	60	1" 1/4	60	88
07	160	125	29	60	1" 1/2	60	88

Hydraulic Symbol

L PORTED



T PORTED



Ordering Code

BV3W

--

-

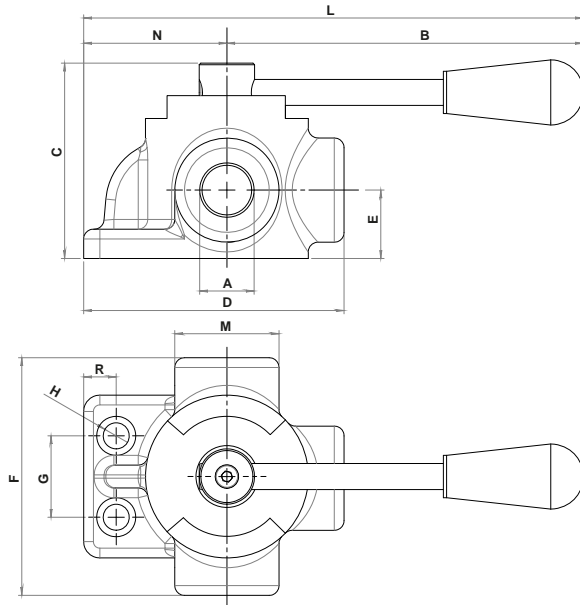
Port Size BSP

01	1/4
02	3/8
03	1/2
04	3/4
05	1"
06	1" 1/4
07	1" 1/2

Hydraulic symbol

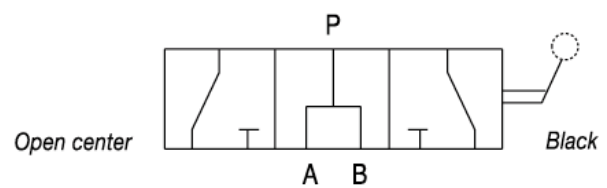
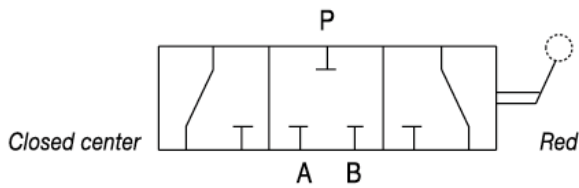
L	L Ported
T	T Ported

Dimensions



Size	A BSP	B	C	D	E	F	G	H	L	M	N	Weight kg
01	1/4	128	62	77	21	73	24	8,5	169	35	41	0,95
02	3/8	128	62	77	21	73	24	8,5	169	35	41	0,89
03	1/2	128	70	96	25	85	32	10,5	180	40	52	1,45
04	3/4	125	80	100	28	90	32	10,5	180	45	55	1,82
05	1	140	90	115	32,5	96	32	11	207	56	67	2,50
07	1-1/2	140	115	145	44	130	43	11	220	80	80	6,20

Hydraulic Symbol



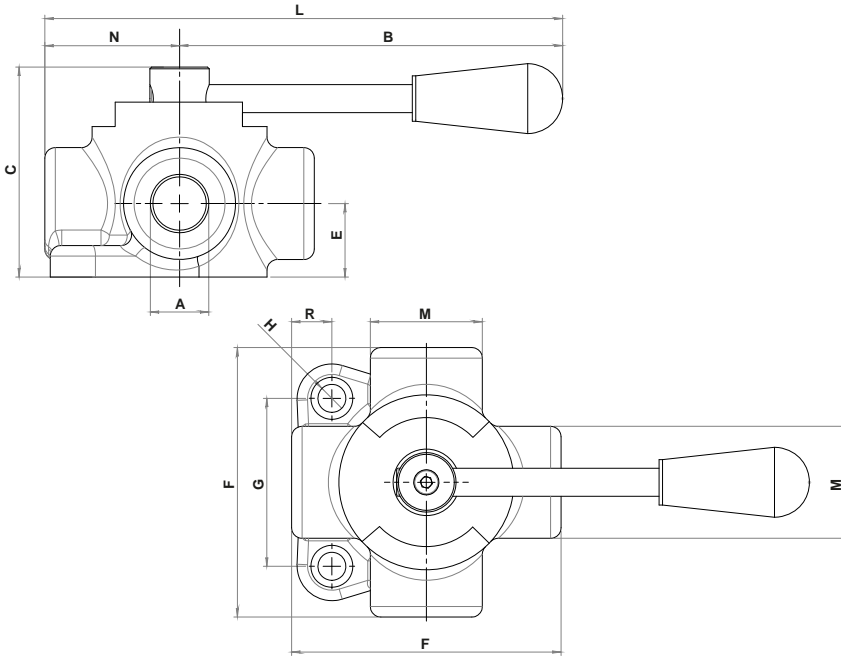
Ordering Code

FD3W -- -

Port Size BSP	
01	1/4
02	3/8
03	1/2
04	3/4
05	1"
07	1" 1/2

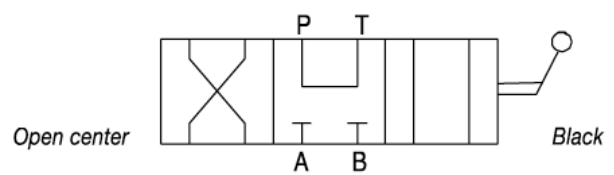
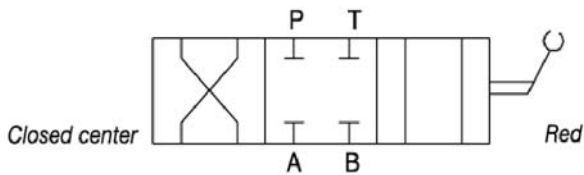
Hydraulic symbol	
O	Open Center
C	Closed Center

Dimensions



Size	A BSP	B	C	E	F	G	H	L	M	N	R	Weight kg
01	1/4	126	70	24	77	53,5	8,5	165	35	39	11	1,33
02	3/8	126	70	24	77	53,5	8,5	165	35	39	11	1,27
03	1/2	123	80	28	90	68	8,5	168	42	45	10	1,87
04	3/4	145	90	32	95	74	8,5	195	49	50	12	2,50

Hydraulic Symbol



Ordering Code

FD4W -- -

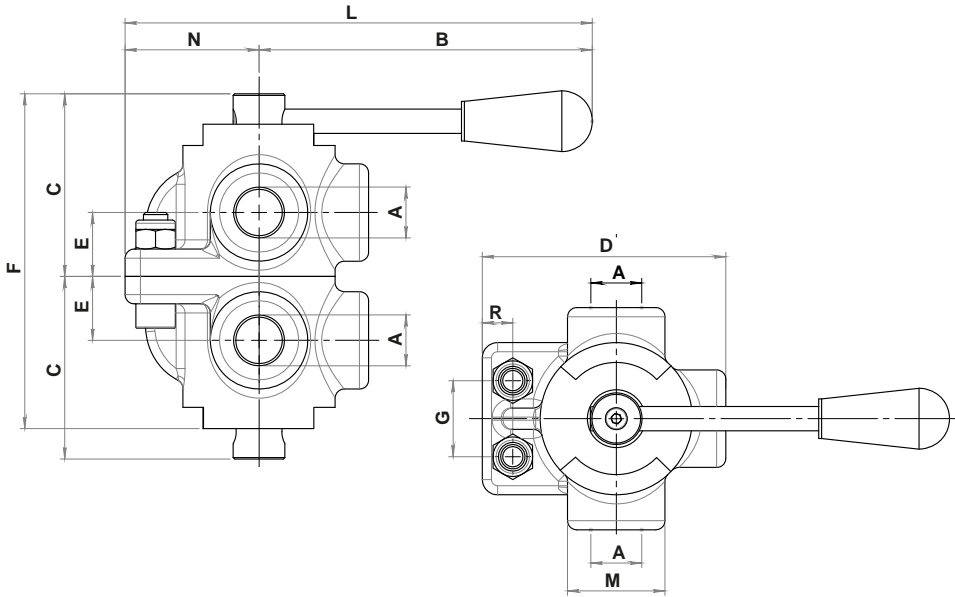
Port Size BSP

01	1/4
02	3/8
03	1/2
04	3/4

Hydraulic symbol

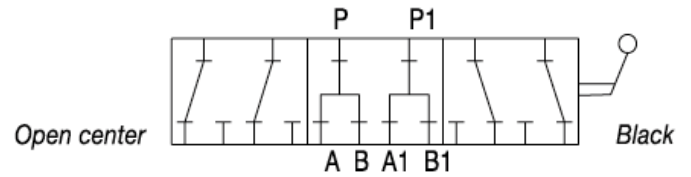
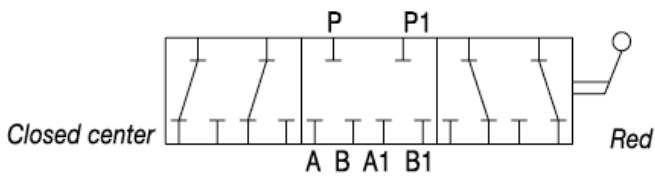
O	Open Center
C	Closed Center

Dimensions



Size	A BSP	B	C	D	E	F	G	L	M	N	Weight kg
01	1/4	128	62	77	21	146	24	169	35	41	1,90
02	3/8	128	62	77	21	146	24	169	35	41	1,78
03	1/2	128	70	96	25	170	32	180	40	52	2,90
04	3/4	125	80	100	28	180	32	180	45	55	3,64
05	1	140	90	115	32,5	192	32	207	56	67	5,00

Hydraulic Symbol



Ordering Code

FD6W

--

-

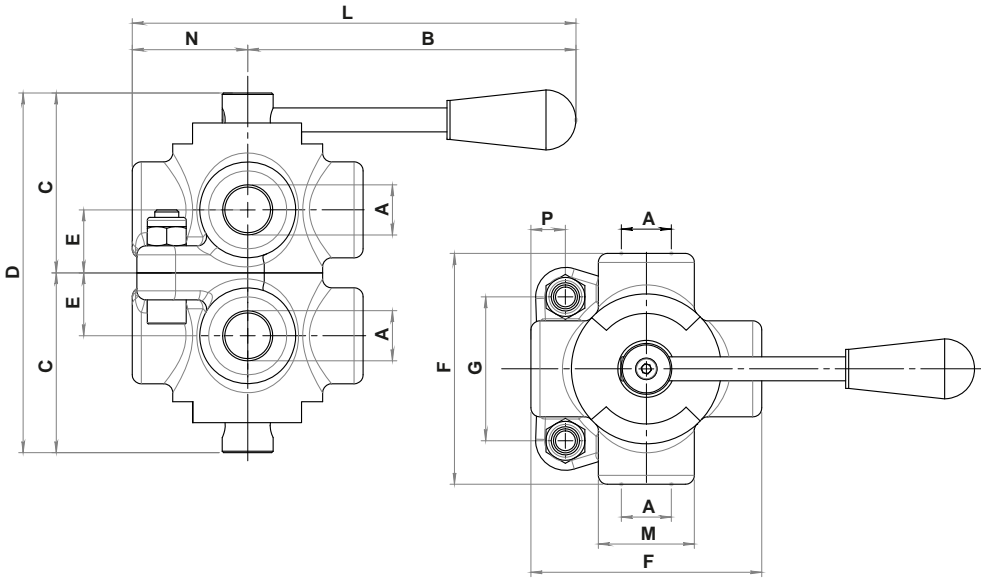
Port Size BSP

01	1/4
02	3/8
03	1/2
04	3/4
05	1"

Hydraulic symbol

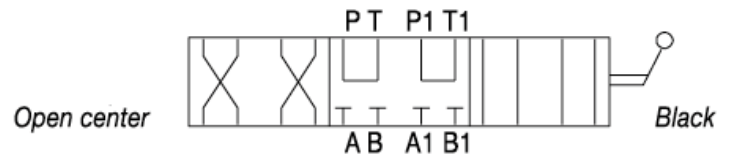
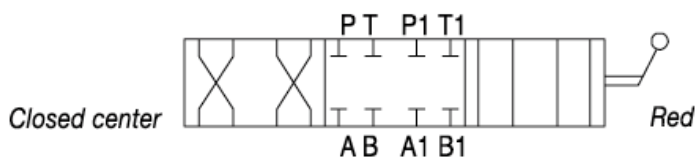
O	Open Center
C	Closed Center

Dimensions



Size	A BSP	B	C	D	E	F	G	L	M	N	R
01	1/4	126	70	140	24	77	53,5	165	35	39	11
02	3/8	126	70	140	24	77	53,5	165	35	39	11
03	1/2	123	80	160	28	90	68	168	42	45	10
04	3/4	145	90	180	32	95	74	195	49	50	12

Hydraulic Symbol



Ordering Code

FD8W

--

-

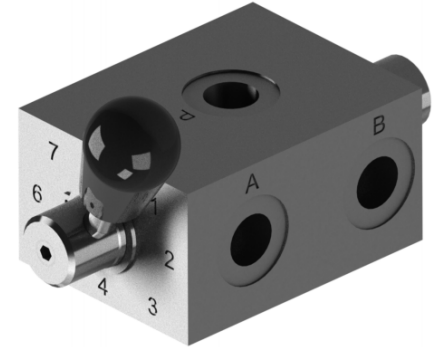
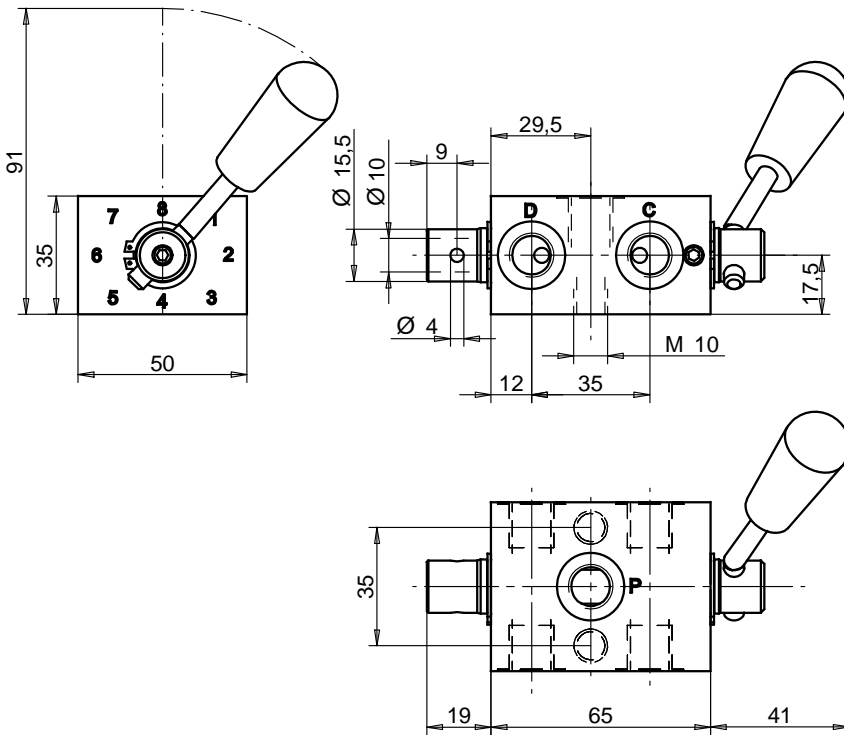
Port Size BSP

01	1/4
02	3/8
03	1/2
04	3/4

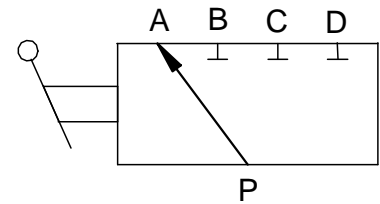
Hydraulic symbol

O	Open Center
C	Closed Center

Dimensions



Hydraulic Symbol



Features

Max Flow	40 lpm
Max Pressure	350 bar
Ports	P-A-B-C-D: G 1/4

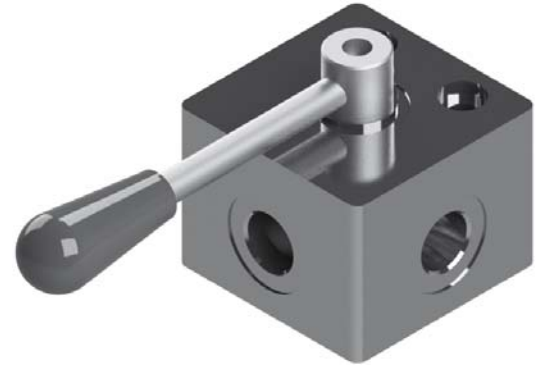
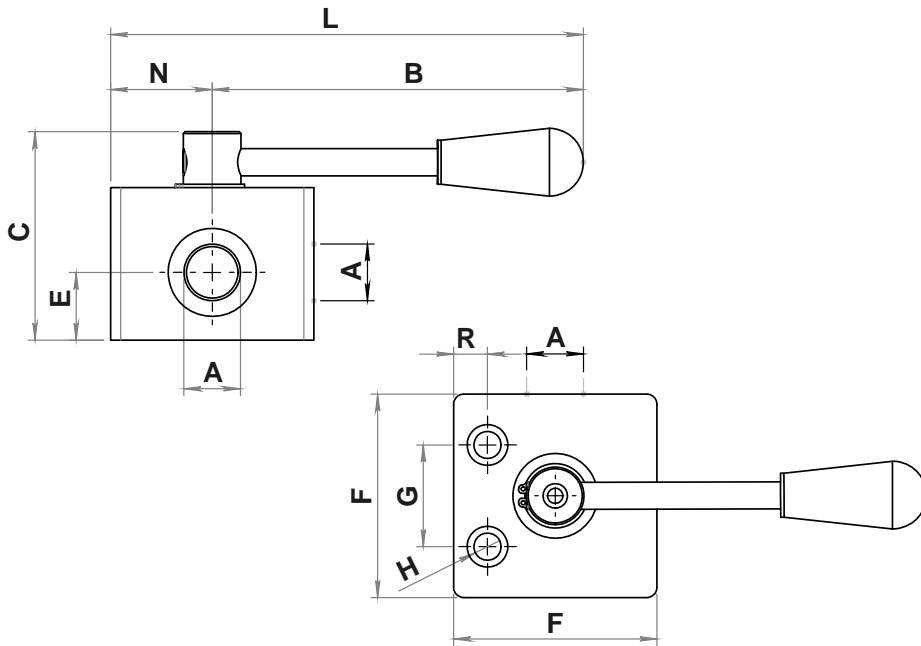
1	P ← Open → A	5	P ← Open → C
2	Closed	6	Closed
3	P ← Open → B	7	P ← Open → D
4	Closed	8	Closed

Materials: Zinc plated steel manifold, hardened steel inner parts.

Ordering Code

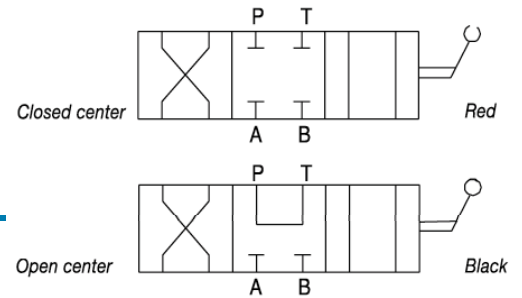
DEV58 01

Dimensions



Size	A BSP	B	C	E	F	G	H	L	N	R	Weight kg
01	1/4	127	68	20	60	30	8,5	155	30	10	1,1
02	3/8	127	68	20	60	30	8,5	155	30	10	1,1
03	1/2	127	68	20	60	30	8,5	155	30	10	1,06
04	3/4	127	68	20	80	32	8,5	165	40	14	1,7

Hydraulic Symbol



Features

Size	01	02	03	04
Max Pressure	400 bar	400 bar	400 bar	400 bar
Flow	40 lpm	60 lpm	90 lpm	120 lpm
Ports	G 1/4	G 3/8	G 1/2	G 3/4

Ordering Code

DEV32 -- -

Port Size BSP

01	1/4
02	3/8
03	1/2
04	3/4

Hydraulic symbol

O	Open Center
C	Closed Center



OMPI S.R.L. VIA SALVO D'ACQUISTO, 10 - 42020 ALBINEA (RE) ITALY
TEL +39 0522 347247 - FAX +39 0522 347259
OFC@OFC-HYDRAULICS.COM - WWW.OFC-HYDRAULICS.COM