

PRODUCT
SX1200

DESCRIPTION
POWER AMPLIFIER

SERIES
SX

CATEGORY
AMPLIFIERS



GENERAL DESCRIPTION

The Samson SX1200 stereo power amplifier has been designed to provide robust, clean output with low distortion and wide dynamic range, along with the dependability demanded by the most professional audio engineers and installers.

Their convenient 2 rack-space design is compact, and yet there's plenty of power available, with 2 x 300 Watts at 8Ω and 2 x 450 Watts at 4Ω over the full frequency spectrum, from 10 Hz to 55 kHz.

For mono applications, a Bridged mode links both channels of the amplifiers, thus providing even more power, with a power rating of 1200 watts for the SX1200 into 4 Ohm load.

Input connections are made via Combination connectors allowing for both balanced XLR and balanced 1/4" TRS connections. For the outputs, the SX1200 amplifier provides standard 5-way binding posts, as well as Speakon™ connectors. Front-panel controls and displays include a power switch with LED indicator, as well as independent left and right channel input level controls. To help you set the correct operating levels, the SX amplifiers include front panel Signal, Peak and Protection LED indicators.

Like all serious power amplifiers, the SX1200's internal electronics are based around a serious power-core, with over-sized toroidal transformer and large extruded heat sinks. To keep the SX amplifiers running cool, their designs employ twin internal wind tunnels with forced-air cooling via two temperature-sensitive, variable speed fans, which greatly reduces the chance

of thermal and overheating problems. Multi-stage protection for power-up, over-heating, over-current, short circuit, low output impedance and DC voltage, assures high reliability under the most demanding situations.

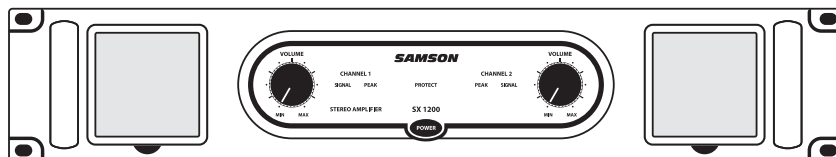
The SX1200 is road tough with its all steel chassis, 19-inch rack mount design and convenient carry handles, the SX1200 is ready for a life of travel, or to make it's home in a fixed installation.

FEATURES

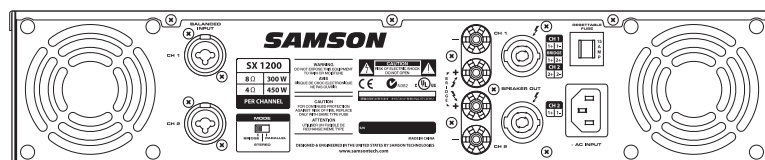
- > Power to spare - SX1200 2 x 300 Watts at 8Ω, 2 x 450 Watts at 4Ω.
- > For mono applications, a Bridged mode links both channels of the amplifiers, thus providing even more power, with a power rating of 1200 watts into a 4 Ohm load.
- > Clean, crisp sound - Impressive audio specifications such as 0.01% THD, signal to noise of 102 dB, crosstalk of 80 dB, and frequency response of 10 Hz to 55 kHz guarantee ultra-clean sound quality.
- > Independent input level controls for each channel allow precision adjustments.
- > LED signal indicators for each channel continuously display power output levels and allow you to correct for overloading (clipping) conditions.
- > Unique stable bipolar circuit design that continuously keeps DC output during idling at or near zero volts (thus keeping idle speakers at their zero point). This serves to minimize heat overload problems by effectively preventing the SX1200 from applying power when unnecessary.

continues>

FRONT PANEL



BACK PANEL



PRODUCT SPECIFICATION SHEET

SERIES
SX

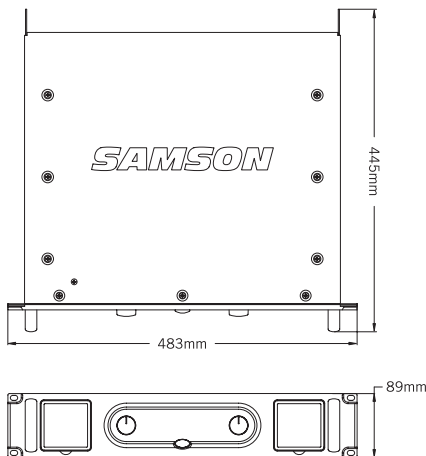
DESCRIPTION
POWER AMPLIFIER

CATEGORY
AMPLIFIERS



FEATURES (continued)

- > Forced air cooling via two temperature-sensitive, variable speed fans provides reliable performance without thermal and overheating problems.
- > Protection relay circuitry (with dedicated LEDs for each channel) that guards against overheating or faulty wiring conditions and also prevents “thumps” when powering on or off. This means that you can use the SX1200 with a single power strip into which a mixer or other audio devices are connected, without danger of damage to connected speakers.
- > Combination input connectors for each channel accommodate both balanced XLR or balanced 1/4-inch TRS plugs.
- > Output connections are made via 5-way binding posts along with a Speakon™ connector.
- > Toroidal transformer power supply for high current and low profile.
- > User-resettable circuit breaker for fast, easy startup following a power supply overload.
- > The SX1200 can be mounted in any standard 19" rack (taking just two rack spaces), making it easy to integrate the amp into any fixed or traveling PA rig.
- > Rugged construction (an all-steel chassis with a cool gray finish and a lightweight anodized aluminum heat sink) makes the SX1200 eminently roadworthy.
- > Extended three-year warranty.



ARCHITECT'S & ENGINEER'S SPECIFICATIONS

The Samson SX1200 shall be a 2 rack space, 2 channel power amplifier. It shall deliver 2 x 300 watts into an 8 Ohm load or 2 x 450 watts into a 4 Ohm load. It shall have front panel volume controls, power switch, signal present and peak indicators. The rear panel shall have 1/4 inch and XLR balanced inputs on combi connectors. The outputs shall be provided on Speakon™ connectors and 5 way binding posts. The rear panel shall have a mode of operation switch to switch between stereo, bridged mono, and parallel modes of operation. The amplifiers shall be fan cooled. The amplifier shall receive AC power through a standard IEC connector.

SX1200 SPECIFICATIONS

Rated Output Power	
Stereo both channels driven	
8 Ohms.....	300 Watts
4 Ohms.....	450 Watts
Bridged mono	
4 Ohms.....	1200 Watts
Signal to Noise Ratio (20Hz-20k).....	
102dB	
Distortion (SMPTE-IM)	
0.05%	
Input sensitivity @8 Ohms	
1.24V(4dBu)	
Voltage Gain	
32dB	
Output Circuitry Class	
AB	
Current Consumption (115VAC)	
@1/8 rated power 4 Ohms.....	6.3A
@1/3 rated power 4 Ohms	9.5A
@ rated power 4 Ohms, max.	15.5A
Distortion (typical @4 Ohms)	
20Hz-20kHz,10dB	
below rated power.....	0.01%
1kHz, rated power.....	0.1%
Frequency Response @8 Ohms, 1Watt... 0/-0.5dB:20Hz-20kHz,0/-	
3dB:5Hz-60kHz	
Damping Factor (400Hz).....	
280	
Input Impedance	
15k Ohm Unbalanced,	
30k Ohm Balanced	
Input Clipping	
10Vrms(22dBu)	
Cooling	
Continuously variable speed,	
fan forced air	
Connectors (each channel)	
Input	Active balanced combo and
	1/4" (6.3mm)TRS
Output	5-way Binding post and
	Speakon™
Controls	
AC power switch,Channel 1	
and 2 volume	
Indicators	
Power on(blue), Protection	
(amber), Signal(green) for each	
Ch., Peak(red) for each Ch.	
Protection	
Short circuit,Thermal,Current	
limit,DC offset,Current	
inrush,RF protection, Turn	
on/Turn off muting	
Power Requirements	
100, 115/230, 240VAC,	
50/60Hz	
Dimensions (W x H x D)	
19" x 3.5" x 18"	
(483mm x 89mm x 445mm)	
rack mounting to rear support	
Net Weight	
33lb. (14.8kg)	